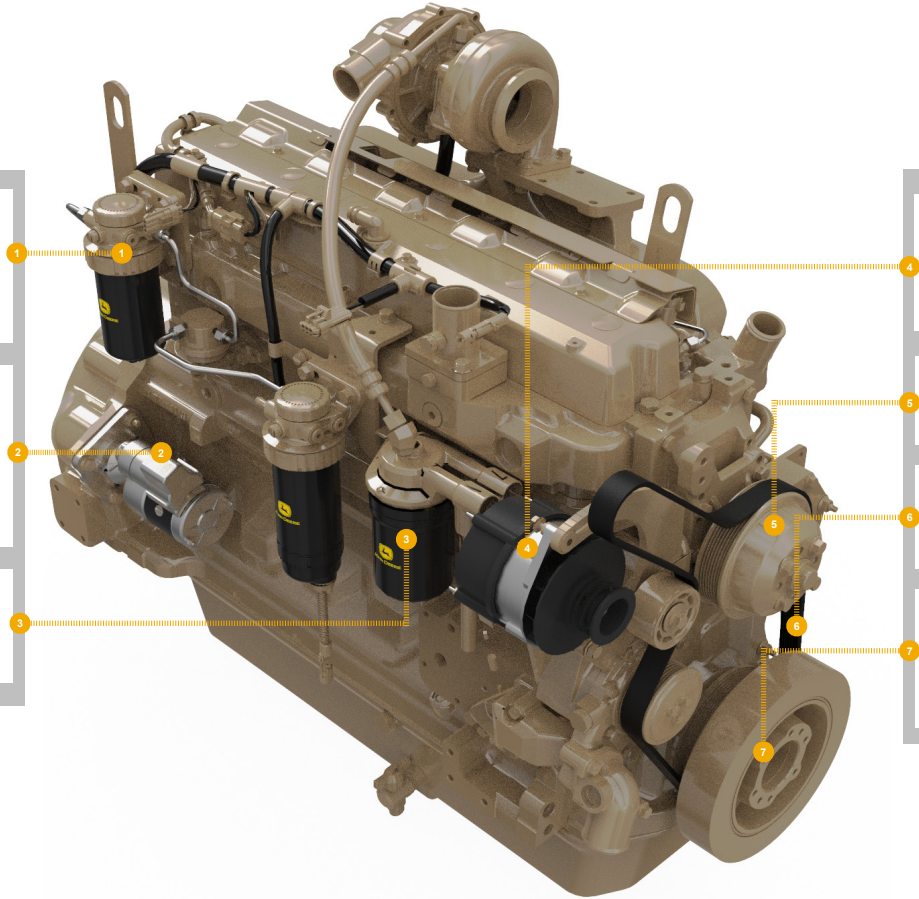




REPLACEMENT PART GUIDE

Power Unit for Gen Set 6068HFS73 (12-24V 1500RPM) SDMO Engine



FINAL FUEL FILTER
[RE522878](#) (35ED)
PRIMARY FUEL FILTER
[RE541922](#) (81AN, 8171)



STARTER
[RE540301](#) (12V, 2.5KW) (3005)
[RE523502](#) (12V, 3KW) (3062)
[DZ110083](#) (24V, 4KW) (3067)
[RE546868](#) (12V, 3.2KW) (30BA)



OIL FILTER
[RE504836](#) (88AD, 8844)
500 hrs of operation or every 12 months.



ALTERNATOR
[RE537146](#) (24V, 50A) (3142)
[RE505895](#) (12V, 75A) (3155)



FAN PULLEY
[R128659](#) (OD= 159 mm) (8652)



FAN BELT
[DZ119059](#) (LGTH = 1515 mm) (24BP)
[R500277](#) (LGTH = 1500 mm) (2457)



CRANKSHAFT PULLEY AND DAMPER
[RE505881](#) (OD = 168 mm) (1324)
[RE508577](#) (OD = 168 mm) (1323)



REMAN PARTS GUIDE

Power Unit for Gen Set 6068HFS73 (12-24V 1500RPM) SDMO Engine



FUEL INJECTION PUMP

[SE501915](#) (REMAN FOR [RE507959](#)) (16A6)

FUEL INJECTION NOZZLE

[SE501925](#) (REMAN FOR [DZ100212](#)) (16A6)



CONNECTING ROD

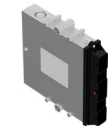
[SE501094](#) (REMAN FOR [RE500608](#)) (4839)



STARTER

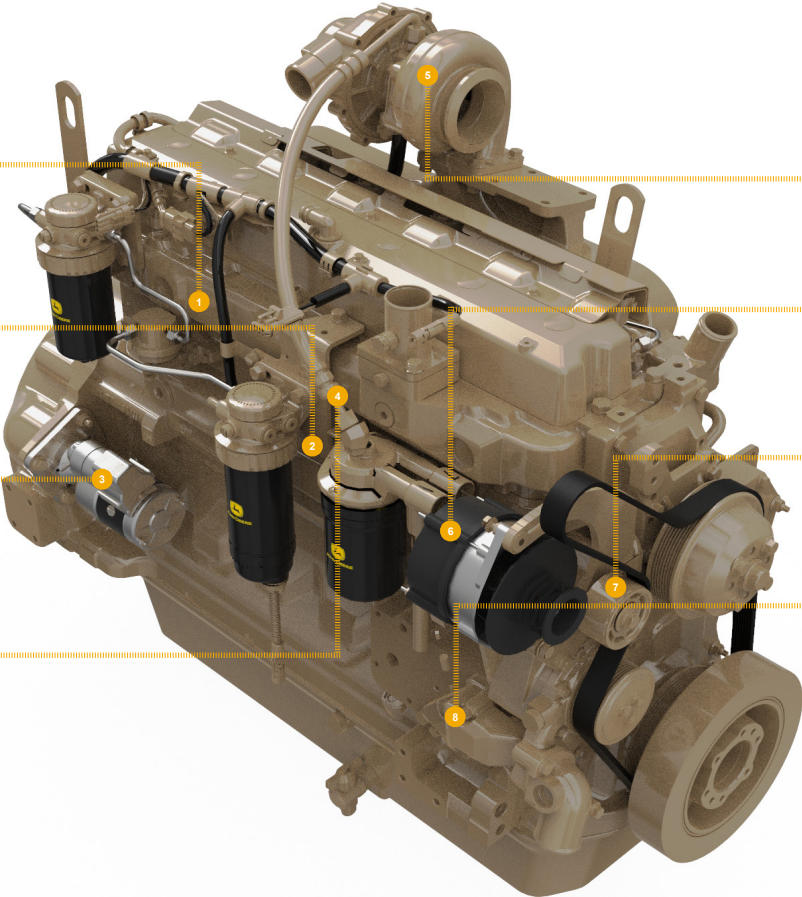
[SE501401](#) (REMAN FOR [RE59588](#)) (12V, 2.5KW) (3005)

[SE502632](#) (REMAN FOR [RE523502](#)) (12V, 3KW) (3062)



CONTROLLER

[SE502802](#) (REMAN FOR [RE526588](#)) (LEVEL 16) (16A6)



TURBOCHARGER

[SE502192](#) (REMAN FOR [RE550941](#)) (65UC)



ALTERNATOR

[RM100224](#) (REMAN FOR [RE505895](#)) (12V, 75A) (3155)



WATER PUMP

[SE501609](#) (REMAN FOR [RE505980](#)) (4446)



OIL PUMP

[SE501814](#) (REMAN FOR [RE504914](#)) (5001)