

# REPLACEMENT PART GUIDE

## 6090HFL85 PowerTech 9.0L OEM Engine (RE562963)



### OIL FILTER

[RE509672](#) (5915)

500 hrs of operation or every 12 months.



### PRIMARY FUEL FILTER

[RE520906](#) (3511)

### FINAL FUEL FILTER

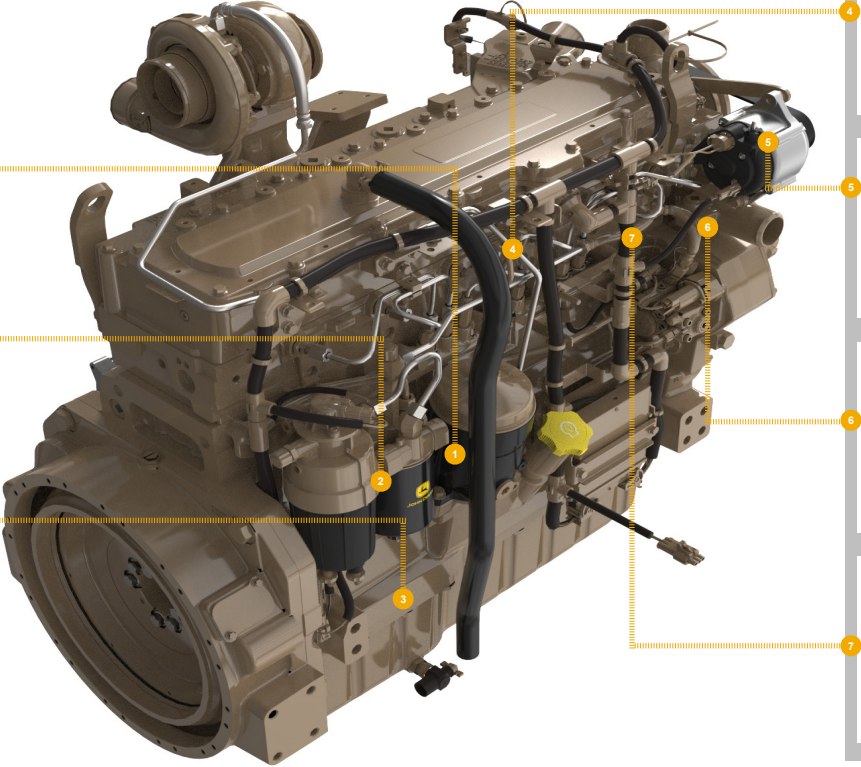
[RE525523](#) (3511)

500 hrs of operation or every 12 months.



### STARTER

[RE506103](#) (24V) (3005)



### SHORT BLOCK ASSEMBLY

[DZ113609](#)

Also Order: Crank Damper, Engine Gasket Kit, Dipstick Tube, Cylinder Head Bolt Kit, And Parts From The Short Block Hardware Kit As Needed SUB FOR DZ10597, MARKED R542211.



### ALTERNATOR

[RE558676](#) (24V, 100A) (3173) USE WITH ENGINE VARIANT [DZ114909](#), [DZ114912](#)

[AT387574](#) (24V, 100A) (3122) USE WITH ENGINE VARIANT [RE562963](#)



### CRANKSHAFT PULLEY

[R518277](#) (OD = 205 mm) (1303)

### TORSIONAL DAMPER

[RE57604](#) (OD = 271 mm) (1303)

[RE520465](#) (OD = 279 mm) (1303)



### FAN BELT

[DZ126278](#) (LGTH = 2300 mm) (24AR) USE WITH ENGINE VARIANT [DZ114909](#), [DZ114912](#)

[DZ118995](#) (LGTH = 2295 mm) (24AD) USE WITH ENGINE VARIANT [RE562963](#)





# REMAN PARTS GUIDE

## 6090HFL85 PowerTech 9.0L OEM Engine (RE562963)



### TURBO CHARGER

[SE502367](#) (REMAN FOR [DZ108130](#)) (6516)  
[SE502356](#) (REMAN FOR [DZ108136](#)) (6519)



### CONNECTING ROD

[SE501759](#) (REMAN FOR [DZ122131](#)) (4801)  
[SE501748](#) (REMAN FOR [DZ122131](#)) (4801)



### CYLINDER HEAD

[SE501747](#) (REMAN FOR [RE523680](#)) (5101)



### FUEL INJECTION NOZZLE

[SE501947](#) (REMAN FOR [DZ100221](#)) (1601)



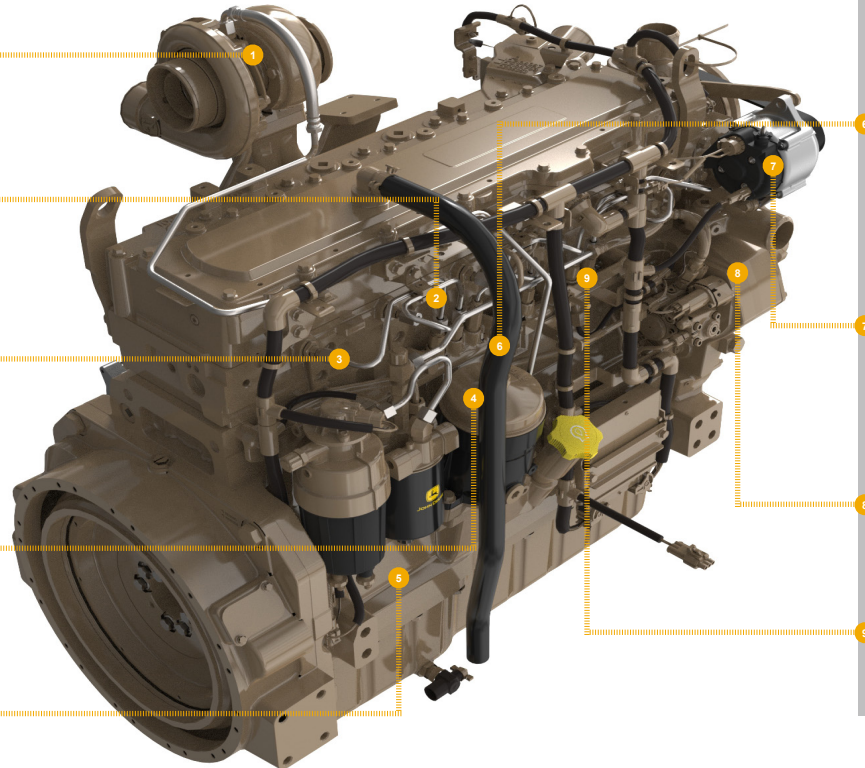
### FUEL INJECTION PUMP

[SE501922](#) (REMAN FOR [RE546126](#)) (1601)



### STARTER

[SE501866](#) (REMAN FOR [RE506103](#))  
(24V) (3005)



### COMPLETE BLOCK ASSEMBLY

[SE501746](#)

May not be as illustrated includes cylinder head with valves and rocker arm assembly, includes oil pump assembly, complete gasket kit with front and rear seals.



### ALTERNATOR

[SE501838](#) (REMAN FOR [AT387574](#))  
(24V, 100A) (3122)  
[SE502563](#) (REMAN FOR [RE558676](#))  
(24V, 100A) (3173)



### WATER PUMP

[SE501228](#) (REMAN FOR [RE530194](#)) (2001)



### CONTROLLER

[SE502800](#) (REMAN FOR [RE531808](#))  
(LEVEL 14) (8401)



**JOHN DEERE**  
Genuine Parts and Service