

REPLACEMENT PART GUIDE

6068DF120R01 PowerTech 6.8L OEM (Non-Certified Engine)



ALTERNATOR

[RE533654](#) (12V, 120A) (3166)



STARTER MOTOR

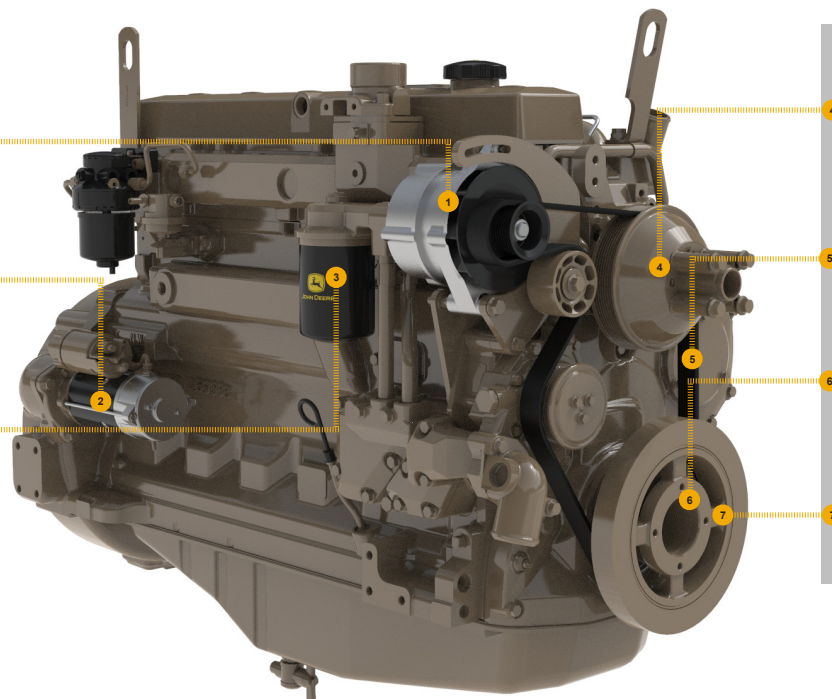
[RE523502](#) (12V, 4.2KW) (30AS)



OIL FILTER

[RE504836](#) (8843)

Replace 500 Hours of Operation or Every 12 Months.



FAN PULLEY

[R128660](#) (OD = 168 mm) (8611)



FAN BELT

[L114292](#) (LGTH = 2500 mm) (24JZ)



TORSIONAL DAMPER

[RE59355](#) (OD = 153 mm) (6801)



CRANKSHAFT PULLEY

[R133295](#) (OD = 173 mm) (1306)



JOHN DEERE
Genuine Parts and Service

REMAN PARTS GUIDE

6068DF120R01 PowerTech 6.8L OEM (Non-Certified Engine)



ALTERNATOR

[SE502628](#) (REMAN FOR [RE533654](#))
(12V, 120A) (3166)



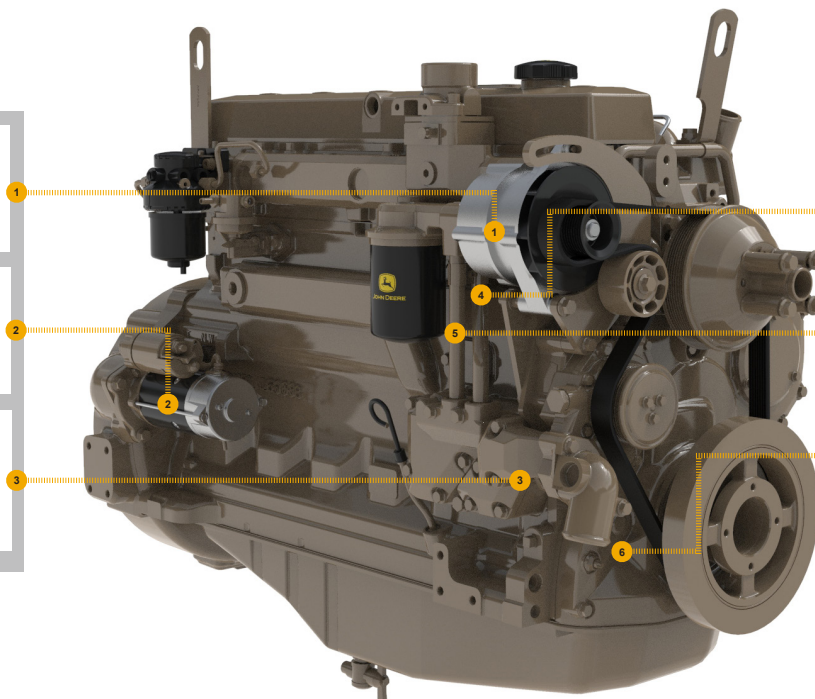
STARTER MOTOR

[SE502632](#) (REMAN FOR [RE523502](#))
(12V, 4.2KW) (30AS)



WATER PUMP

[SE501609](#) (REMAN FOR [RE546906](#)) (4425)



CONNECTING RODS

[SE501096](#) (REMAN FOR [RE500002](#)) (4805)



CYLINDER HEAD

[SE501582](#) (REMAN FOR [RE57237](#)) (5108)



OIL PUMP

[SE501814](#) (REMAN FOR [DZ100057](#)) (5001)



JOHN DEERE
Genuine Parts and Service