



REPLACEMENT PART GUIDE

4045HFS73 PowerTech 4.5L (12-24V 1500RPM) Genset OEM SDMO Engine



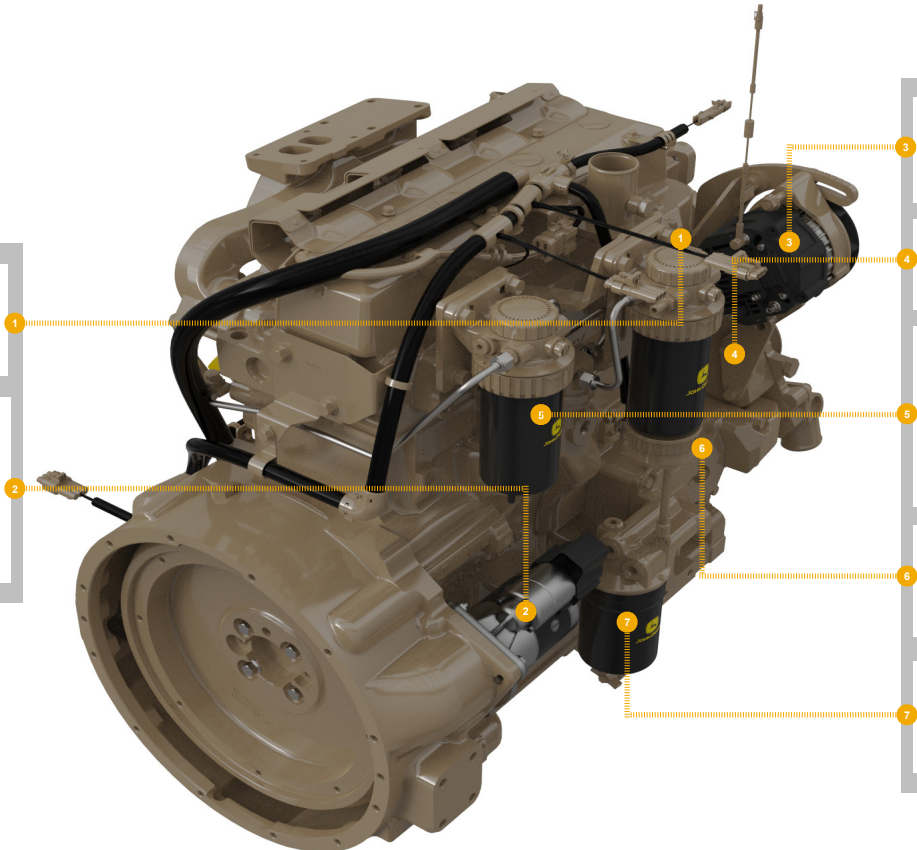
FAN BELT

[DZ118763](#) (LGTH = 1490 mm) (240A)



STARTER

- [RE540301](#) (12 V, 2.5 KW) (3005)
- [RE523502](#) (ISKRA, 12V, 4.2KW, RH) (3062)
- [DZ110083](#) (ISKRA, 24V, 4KW, RH3) (3067)
- [RE546868](#) (ISKRA, 3.2KW, 12V, RH) (30BA)



ALTERNATOR

- [RE537146](#) (ISKRA, 28V, 75A) (3142)
- [RE505895](#) (ISKRA, 12V,75A) (3155)



FAN PULLEY

[R128658](#) (OD=140 mm) (8604)



PRIMARY FUEL FILTER

[RE541922](#) (8170)



FINAL FUEL FILTER

[RE522878](#) (35ED)
500 hrs of operation or every 12 months.



CRANK SHAFT PULLEY

[R505567](#) (OD = 168 mm) (1328)



OIL FILTER

[RE504836](#) (88AC, 8843)
500 hrs of operation or every 12 months.



REMAN PARTS GUIDE

4045HFS73 PowerTech 4.5L (12-24V 1500RPM) Genset OEM SDMO Engine

TURBO CHARGER
[SE502451](#) (REMAN FOR [RE535391](#)) (65UB, 65RA)

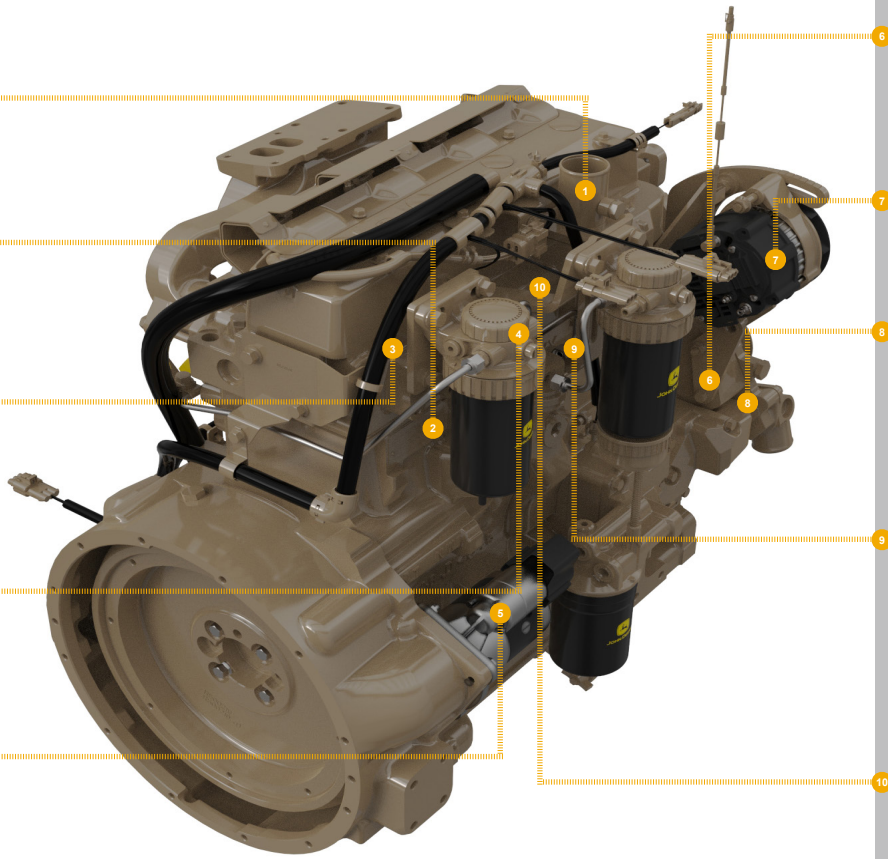
CONNECTING ROD
[SE501094](#) (REMAN FOR [RE500608](#)) (4838)

CYLINDER HEAD
[SE501809](#) (REMAN FOR [RE532328](#)) (5130)

FUEL INJECTION NOZZLE
[SE501925](#) (REMAN FOR [RE531209](#)) (16A5)

FUEL INJECTION PUMP
[SE501915](#) (REMAN FOR [RE507959](#)) (16A5)

STARTER
[SE502632](#) (REMAN FOR [RE523502](#)) (ISKRA, 12 V, 4 KW) (3062)
[SE501401](#) (REMAN FOR [RE59588](#)) (12 V, 2.5 KW) (3005)



OIL PUMP
[SE501814](#) (REMAN FOR [RE504914](#)) (5001)

ALTERNATOR
[RM100224](#) (REMAN FOR [RE505895](#)) (ISKRA, 12 V, 75 A) (3155)
[SE501341](#) (REMAN FOR [AT161324](#)) (BOSCH, 24 V, 45 A) (3142)

WATER PUMP
[SE501609](#) (REMAN FOR [RE546906](#)) (4446)

COMPLETE BLOCK ASSEMBLY
[SE501797](#) (WITHOUT AUXILIARY DRIVE)
 MAY NOT BE AS ILLUSTRATED. INCLUDES CYLINDER HEAD WITH VALVES AND ROCKER ARM ASSEMBLY, BALANCER SHAFTS, OIL PUMP ASSEMBLY, COMPLETE GASKET KIT WITH FRONT AND REAR SEALS)

CONTROLLER
[SE502802](#) (REMAN FOR [RE526588](#)) (16A5)