



IPM 200 series Internal Permanent Magnet Motors

Benefits

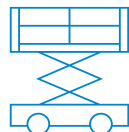
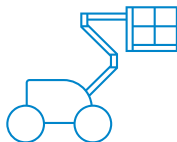
- Efficient: range increased by up to 25%
- Compact : Smaller shape optimises space
- Light : Motor weight reduced by up to 70%
- Powerful : Best-in-class thermal performance
- Modular : Motors fit within a wide-range of applications

Key series data

- Voltage range: 24V-96V
- Peak torque @350 Arms: 45-95 Nm
- Cont. power: Up to 3-18 kW
- Peak power capability: up to 5-35 kW
- Max. operating speed: 7,000 RPM



Ideal for Off-Highway Applications.



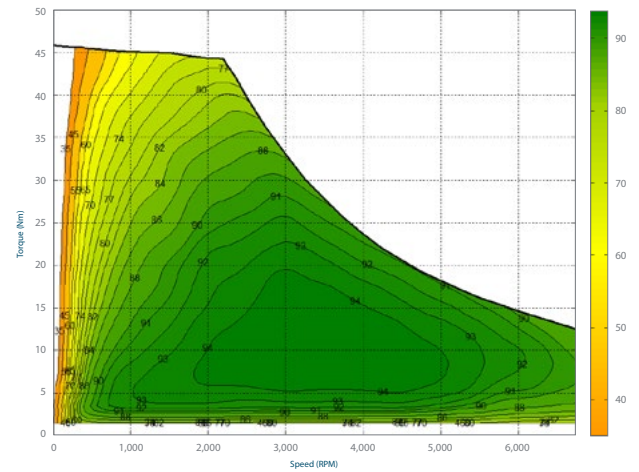
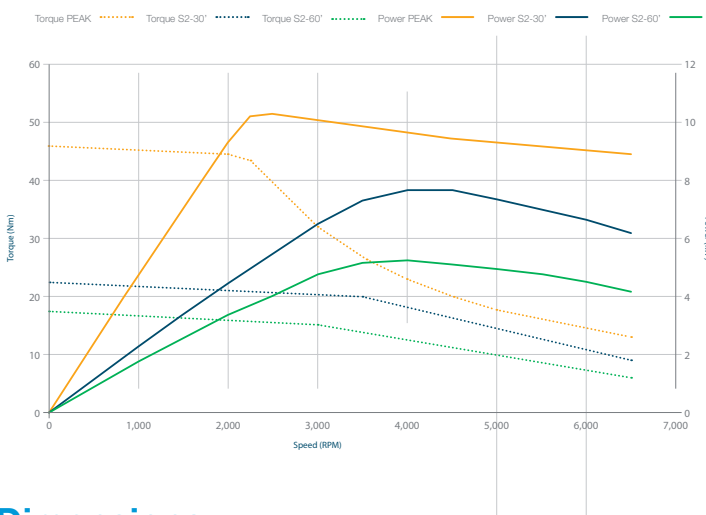
IPM 200-33-AD01 IP65 Low-Voltage Motor

Our Interior Permanent Magnet (IPM) motors bring together over a decade of research and development into hybrid and electric power technology. We work with various transmission suppliers, and provide IEC and NEMA flanges and pump interfaces to enable integration with a wide-range of applications.

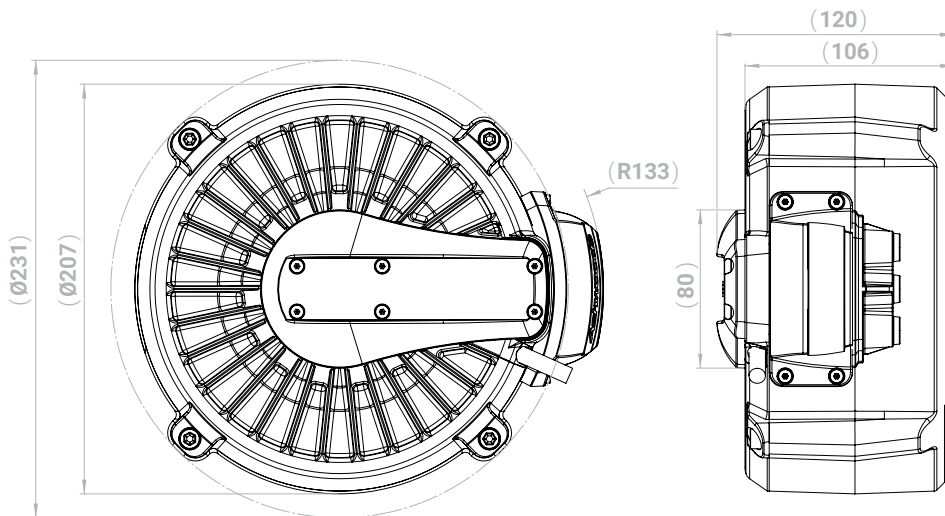


Motor	Voltage	Peak power	Continuous power	Peak torque	Weight	Max operating speed
IPM 200-33 AD01	24-96V	5-15 KW	3-8 KW	45 Nm	12 kg	7,000 RPM

Performance and efficiency at 48V | 350 Arms



Dimensions



Dana.com/TM4

Application Policy

Capacity ratings, features, and specifications vary depending upon the model and type of service. Application approvals must be obtained from Dana TM4; contact your representative for application approval. We reserve the right to change or modify our product specifications, configurations, or dimensions at any time without notice.

2020 Dana TM4 Inc. All rights reserved.



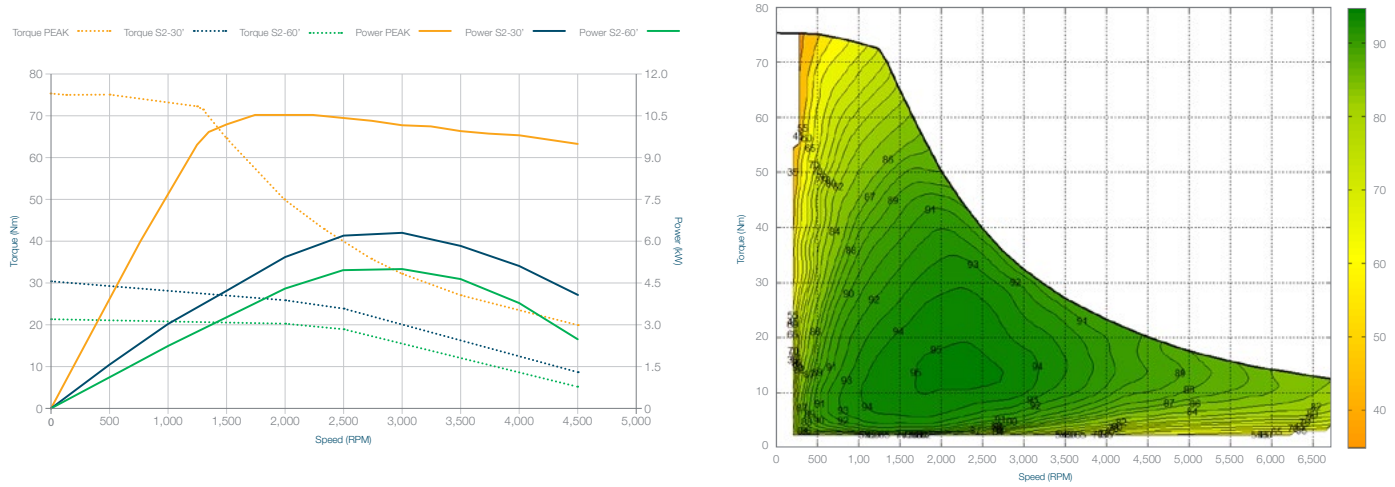
IPM 200-50-AD01 IP65 Low-Voltage Motor

Our Interior Permanent Magnet (IPM) motors bring together over a decade of research and development into hybrid and electric power technology. We work with various transmission suppliers, and provide IEC and NEMA flanges and pump interfaces to enable integration with a wide-range of applications.

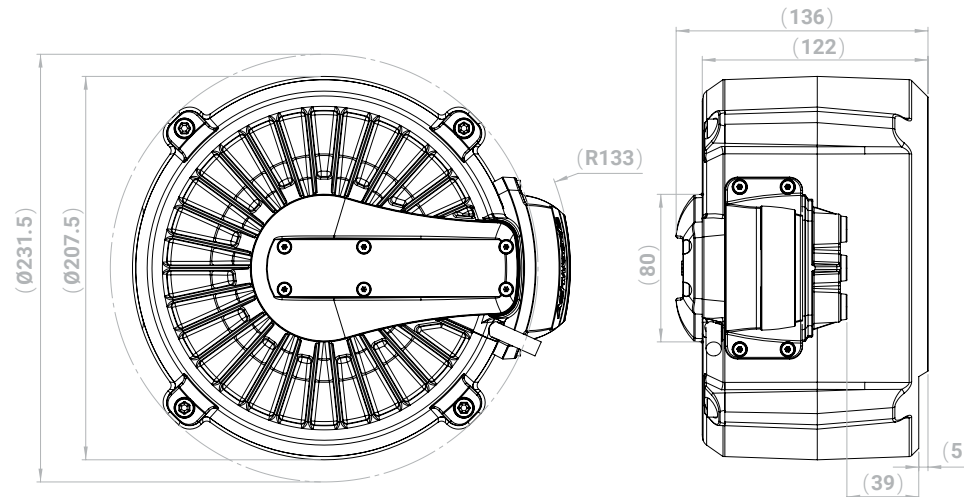


Motor	Voltage	Peak power	Continuous power	Peak torque	Weight	Max operating speed
IPM 200-50 AD01	24-96V	7-20 KW	3-10 KW	75 Nm	15 kg	7,000 RPM

Performance and efficiency at 48V | 350 Arms



Dimensions



Dana.com/TM4

Application Policy

Capacity ratings, features, and specifications vary depending upon the model and type of service. Application approvals must be obtained from Dana TM4; contact your representative for application approval. We reserve the right to change or modify our product specifications, configurations, or dimensions at any time without notice.

2020 Dana TM4 Inc. All rights reserved.



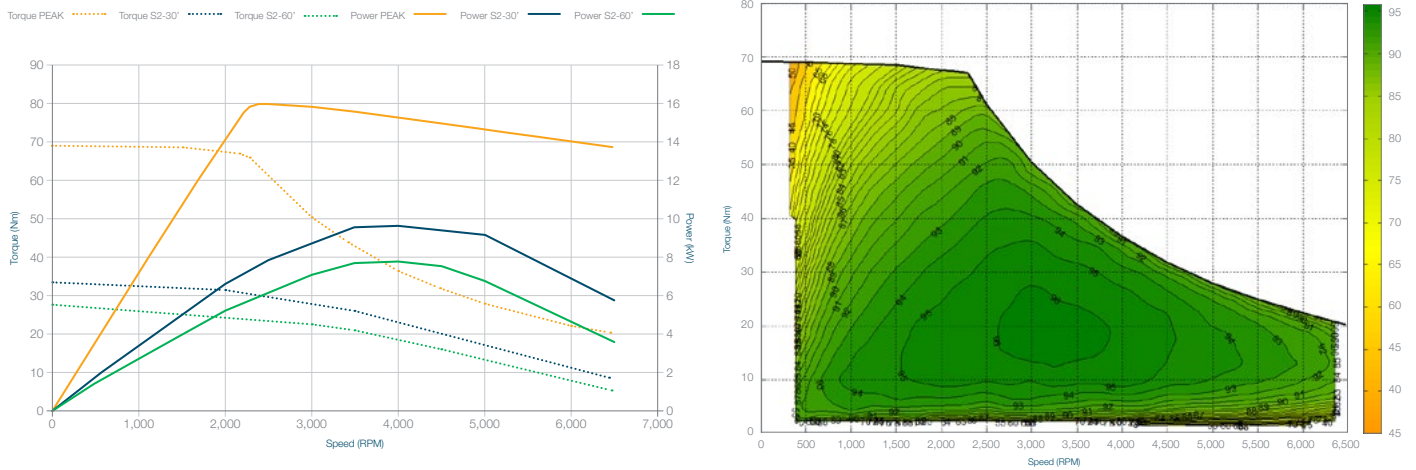
IPM 200-50-AH01 IP65 Low-Voltage Motor

Our Interior Permanent Magnet (IPM) motors bring together over a decade of research and development into hybrid and electric power technology. We work with various transmission suppliers, and provide IEC and NEMA flanges and pump interfaces to enable integration with a wide-range of applications.

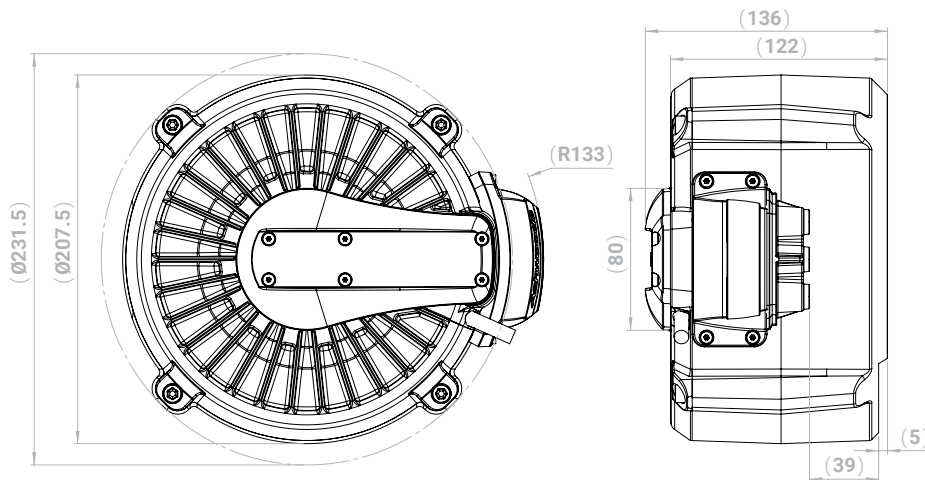


Motor	Voltage	Peak power	Continuous power	Peak torque	Weight	Max operating speed
IPM 200-50 AH01	24-96V	7-20 KW	3-10 KW	69 Nm	15 kg	7,000 RPM

Performance and efficiency at 48V | 450 Arms



Dimensions



Dana.com/TM4

Application Policy

Capacity ratings, features, and specifications vary depending upon the model and type of service. Application approvals must be obtained from Dana TM4; contact your representative for application approval. We reserve the right to change or modify our product specifications, configurations, or dimensions at any time without notice.



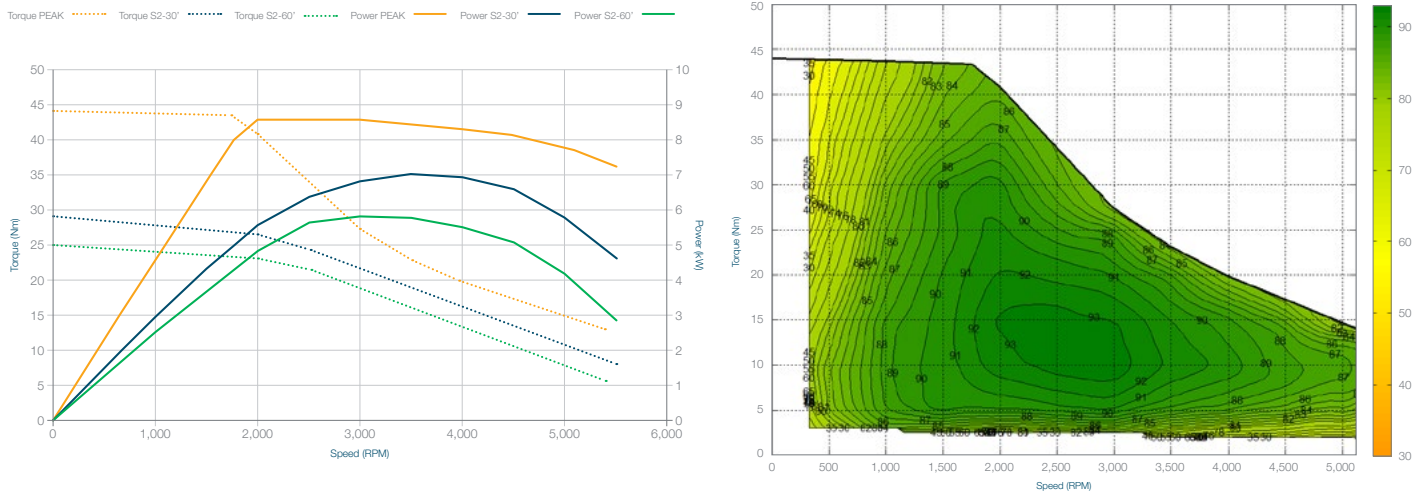
IPM 200-50-AJ08 IP65 Low-Voltage Motor

Our Interior Permanent Magnet (IPM) motors bring together over a decade of research and development into hybrid and electric power technology. We work with various transmission suppliers, and provide IEC and NEMA flanges and pump interfaces to enable integration with a wide-range of applications.

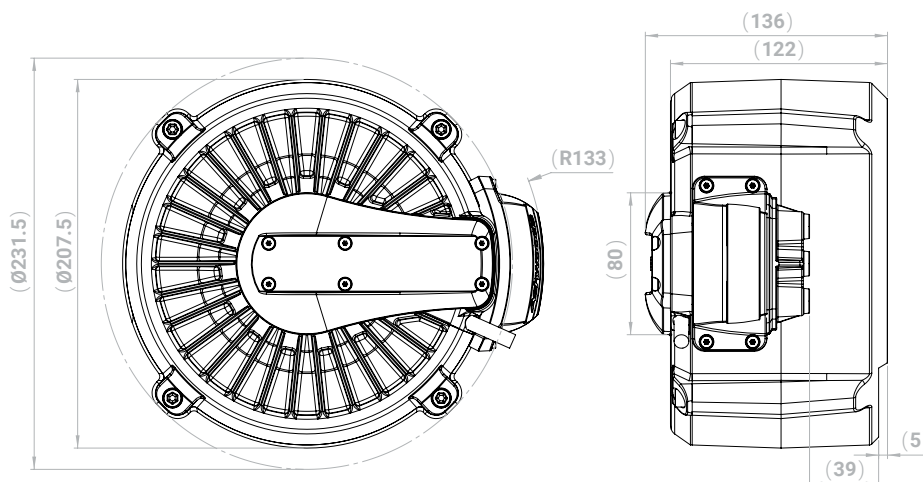


Motor	Voltage	Peak power	Continuous power	Peak torque	Weight	Max operating speed
IPM 200-50 AJ08	24-96V	8-20 KW	5-10 KW	45 Nm	15 kg	7,000 RPM

Performance and efficiency at 48V | 450 Arms



Dimensions



Dana.com/TM4

Application Policy

Capacity ratings, features, and specifications vary depending upon the model and type of service. Application approvals must be obtained from Dana TM4; contact your representative for application approval. We reserve the right to change or modify our product specifications, configurations, or dimensions at any time without notice.



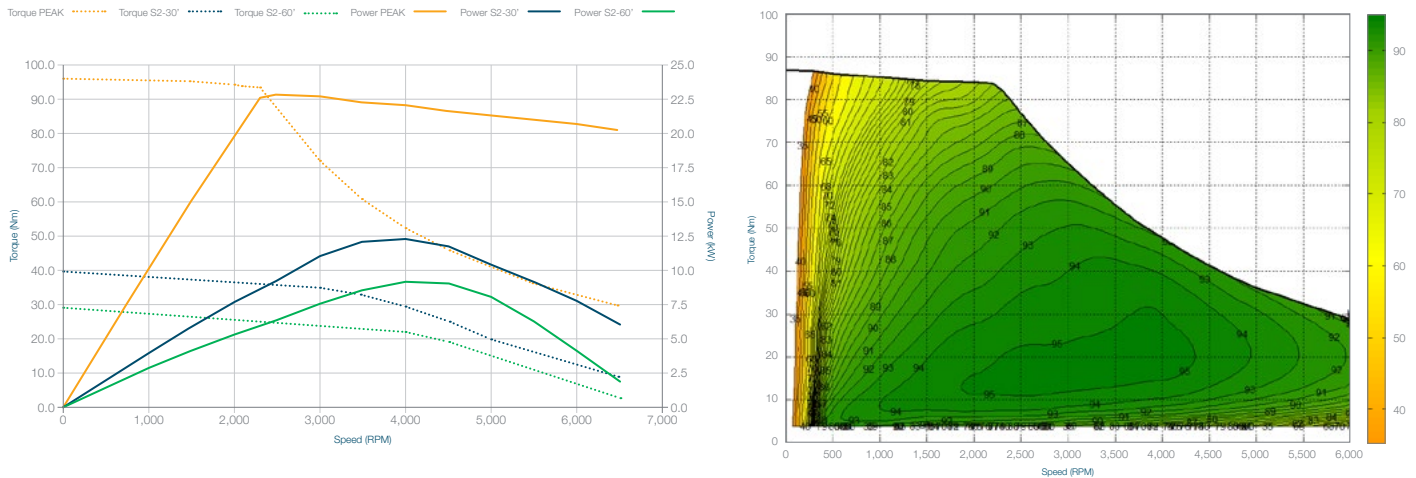
IPM 200-66-AJ01 IP65 Low-Voltage Motor

Our Interior Permanent Magnet (IPM) motors bring together over a decade of research and development into hybrid and electric power technology. We work with various transmission suppliers, and provide IEC and NEMA flanges and pump interfaces to enable integration with a wide-range of applications.

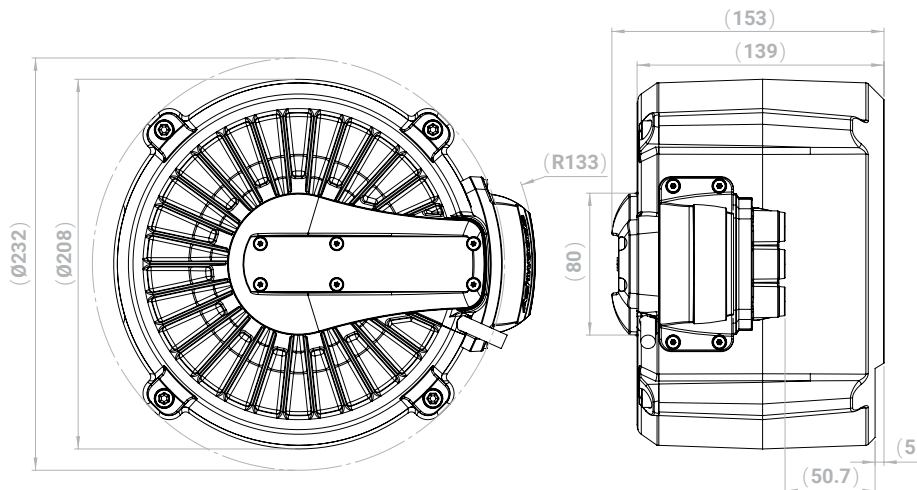


Motor	Voltage	Peak power	Continuous power	Peak torque	Weight	Max operating speed
IPM 200-66 AJ01	24-96V	10-35 KW	7-18 KW	95 Nm	18 kg	7,000 RPM

Performance and efficiency at 48V | 650 Arms



Dimensions



Dana.com/TM4

Application Policy

Capacity ratings, features, and specifications vary depending upon the model and type of service. Application approvals must be obtained from Dana TM4; contact your representative for application approval. We reserve the right to change or modify our product specifications, configurations, or dimensions at any time without notice.

2020 Dana TM4 Inc. All rights reserved.



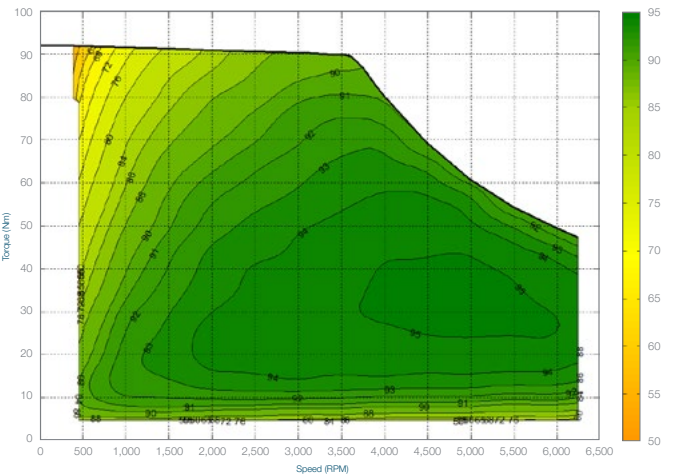
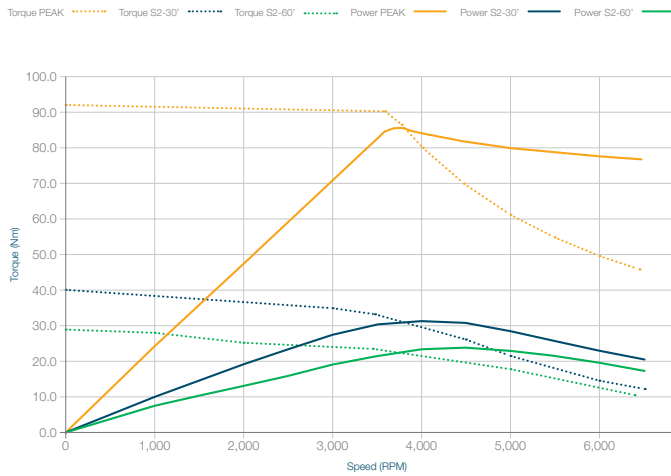
IPM 200-66-AJ01 IP65-80V Low-Voltage Motor

Our Interior Permanent Magnet (IPM) motors bring together over a decade of research and development into hybrid and electric power technology. We work with various transmission suppliers, and provide IEC and NEMA flanges and pump interfaces to enable integration with a wide-range of applications.

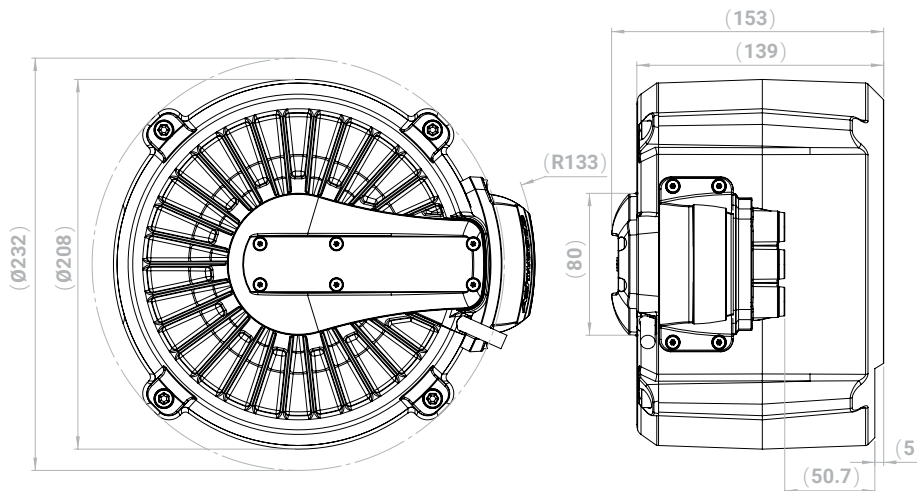


Motor	Voltage	Peak power	Continuous power	Peak torque	Weight	Max operating speed
IPM 200-66 AJ01 IP65-80V	48-96V	10-35 KW	7-18 KW	95 Nm	18 kg	7,000 RPM

Performance and efficiency at 80V | 650 Arms



Dimensions



Dana.com/TM4

Application Policy

Capacity ratings, features, and specifications vary depending upon the model and type of service. Application approvals must be obtained from Dana TM4; contact your representative for application approval. We reserve the right to change or modify our product specifications, configurations, or dimensions at any time without notice.

2020 Dana TM4 Inc. All rights reserved.

