



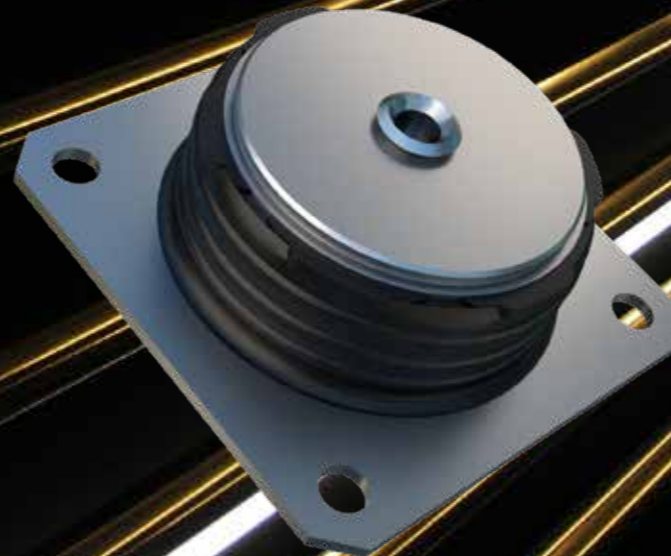
Trelleborg Antivibration Solutions

Product Portfolio

Never felt better.

Noise, impact and vibration of machinery causes damage to equipment and discomfort to people – whether they're travelling or working. A global specialist in polymer engineering, Trelleborg Antivibration Solutions supply market-leading solutions which minimize these effects and deliver improvements people can physically feel. Passengers feel more comfortable. Workers feel better protected. And businesses feel the confidence that comes from partnering a world-class manufacturer.

We understand your challenges and work with you to develop compliant and customized solutions which enhance environments, extend service life and reduce downtime, maintenance and long-term cost of ownership. It's a difference you can truly feel across your operations, and in your brand reputation.



Product Portfolio

11. ANB	63. MCR Mount
12. BA and Double U-Shear	64. MDS Range
14. Bobbins	66. Metaxentric
31. Buffers and Zellpuffer	68. Metacones
35. Cab Mount	82. RA Mounting
37. Circular Saw Mounting	85. RAB Mounting
38. Conical Bearing	86. RAEM Mounting
39. Cushyfloat® Mounting	86. Rubberised Stop Washer
40. Cushyfloat® HT Mounting	88. SAW® Mounting (Rectangular)
41. Cushyfloat® HD	90. SAW Mounting
42. Mini HD Cushyfloat®	91. Rubberized Stop Washer
43. Cushyfoot® Mounting	92. Spherilatik® Bearings
46. EH Mount	94. Tilt Cab Mount (TCM)
47. Equi-frequency Mounting – Small	95. Spherical Roller Bearing (Tonnenlager)
48. Flanged Instrumounting	96. UD Bushes
49. GK Mount	100. UH
50. Height Adjusters	101. Vee-Keillager
52. Hydro Bush	103. VT Mount
53. Hydro Mount DL	104. Washers
55. Hydro Mount VL	
56. Instrument Mount	
57. Level Mount (TF)	
59. Low Frequency Mountings	106. Application Questionnaire
61. M Mounting	108. Notes



Choice, expertise, availability.

– AND EASY TO DO BUSINESS WITH

Our market-leading range of high quality solutions are fully tested and compliant with all international standards. The breadth and depth of our global service and support network means we're accessible in all territories. Our technology offers sustainability environmentally and operationally. And from design and testing through to installation and training, we'll work with you to optimize your application. In terms of choice, quality, support and logistics, we offer a complete, end-to-end service. We don't just make life feel better. We make it feel easier, too. Our capabilities cover:

- **Solutions against vibration.** Our vibration isolation technology and solutions takeaway the stress caused by vibration to protect your investment and create safer and better places to work
- **Solutions against noise.** Our range of passive and active systems protect people in even the most challenging environments, ensuring both their safety and the continued operation of machinery
- **Solutions against shock.** Our range of products and services protect people, equipment and buildings from damaging impacts caused by drops, collision, explosion and even seismic activity.

A global service and support network.

USA

Trelleborg Industrial Products USA Inc.
200 Veterans Boulevard Suite 3
South Haven,
MI 49090
USA
Tel +1 269 639 9891 (Main)
Tel (800) 424 8857 (Toll-free)
Email industrialavs.usa@trelleborg.com

Mexico

Trelleborg Antivibration Solutions
Avenida Fresno 221
Parque Industrial Las Colinas Silao
Guanajuato Mexico
Tel + 52 1 472 103 0180
Fax + 52 472 10 30 183

UK

Trelleborg Antivibration Solutions
1 Hoods Close
Leicester
LE4 2BN
Tel +44 116 2670 455 (main)

Switzerland

Trelleborg Antivibration Solutions
Soodstrasse 57
8134 Adliswil
Tel +41 44 711 17 17
Fax +41 44 710 05 42

Netherlands

Trelleborg Antivibration Solutions
Pieter Zeemanweg 133
3316 GZ Dordrecht
The Netherlands
Tel +31 (0) 78 6182844

Germany

Trelleborg Antivibration Solutions
Berliner Straße 17
16727 Velten
Tel +49 3304 365 0

Trelleborg Antivibration Solutions
Dr.-Werner-Freyberg Strasse 7
69514 Lauderbach
Tel +49 (6201) 60 20 30
Fax +49 (6201) 60 20 319

India

Trelleborg Industrial AVS India Pvt Ltd
19/1, Kalena Agrahara Bannerghatta Main Road
Bengaluru – 560 076
Tel +91 80 25189700 (Main)

Czech Republic

Akademika Bedrny 531/8a, Vekoše
500 03 Hradec Králové
Czech Republic
Tel +420 495 753 111 (Main)
Fax: +420 495 753 184

China

Trelleborg Industrial AVS
NO. 8, ZhongTong Road
Wuxi, JiangSu
214143
China
Tel +86 510 853 09428 (Main)
Fax +86 510 853 09465 (Fax)

















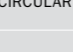
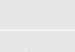
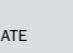
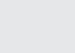
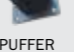


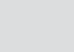
Working in industry never felt better.

INDUSTRIAL APPLICATIONS

We provide performance you can rely on to fit and forget. Our antivibration solutions give you a firm foundation to build sustainable productivity plans upon, across all manufacturing and processing equipment installations. Our strong supply chain means we can reduce costs and deliver on time and on budget.

Our intelligent innovation is focused on the outcomes you want to achieve: providing a safe environment for machine operators, reducing noise pollution, reducing downtime to save costs and increase revenue. We partner with you to provide so much more than products.

Solutions for your market – Industrial

APPLICATION	TYPE OF MOUNT					
Stationary Installations Combustion Engines Compressors, Generators	 RA/RAEM	 M	 CUSHYFLOAT	 RA/RAB	 VEE MOUNTING	 CUSHYFOOT
Mobile Installations Vehicle Engines, Compressors, Generators, Marine Engines	 CUSHYFLOAT	 METACONE	 VEE MOUNT	 RA	 RAEM	
Sensitive Equipment Electronics, Cameras, Fans, Small Pumps	 M	 EQUI-FREQUENCY	 FLANGED INSTRUMENT MOUNTING	 LOW FREQUENCY		
Transit Protection Computers, Test Equipment	 VT	 M	 BA	 DOUBLE U-SHEAR	 TONNENLAGER (SPHERICAL ROLLER BEARING)	
Vehicles Engines, Cabs, ROPS Cage	 METACONE	 CAB MOUNTS	 EH	 UH	 MDS	 HYDRO MOUNT
Instrument Mounts Electronic Racks, Radio TX/RX, Mobile Computer Systems	 M	 INSTRUMENT MOUNTS	 FLANGED INSTRUMENT MOUNTS	 LOW FREQUENCY		
Heavy Duty Isolators Off Highway Vehicles, Vibratory Screens, Large Engines, Public Service Vehicles	 SAW RECTANGULAR	 SAW CIRCULAR	 SAW			
Building & Construction Inertia Blocks, Heavy Plant, Ductwork, Suspended Ceilings	 GK	 VT	 AV-PLATE			
Machine Tools Lathes, Punch Presses, Grinders, Woodworking Equipment	 TF	 AV-PLATE				
Motion Control Re-Bound, Motion Limitation	 ZELLPUFFER	 BUFFERS	 ANB	 TONNENLAGER (SPHERICAL ROLLER BEARING)		
Vehicle Suspension Pivot Arms, Trunnion Mounts, Gearbox Mountings	 VP/UD	 SP BEARINGS	 METAXENTRIC BUSHES			
General Purpose Mounts Exhaust Systems, Small Fans, Instrument Panels	 CYLINDRICAL MOUNTS	 METACONE	 M MOUNT	 TONNENLAGER (SPHERICAL ROLLER BEARING)		

Sustainable, productive, cost-effective.

INDUSTRIAL ENVIRONMENTS NEVER FELT BETTER

Factories and operating machinery run round-the-clock to demanding schedules and in noisy environments. Manufacturers are driven by the need to achieve maximum productivity from their equipment, and maximum comfort for their employees. By minimizing the damage caused by vibration and noise, we help our industrial customers achieve both, reliably and cost-effectively.

Calling on quality products which range from buffers and bushes to a wide range of mounts, we're experts in providing 'fit and forget' solutions on everything from machine tools to processing plant. We also work with OEMs to develop custom solutions, and back up our service with a robust and reliable global supply chain to optimize production, productivity and costs.

ANB

Buffer type ANB consists of a cylindrical rubber body bonded to a square baseplate of steel. Each corner of the baseplate has a fixing hole. Special high-hysteresis rubber compound is used to ensure as much energy absorption as possible. The volume of the rubber is used at optimum efficiency. For new machine developments simpler designs and lighter calculated forces can be considered enabling a lower cost.

Through the damping of the rubber a high degree of energy absorption is achieved. The rubber is stiffer under dynamic conditions compared to static or pseudo static loading; hence more energy is absorbed for a given deformation.

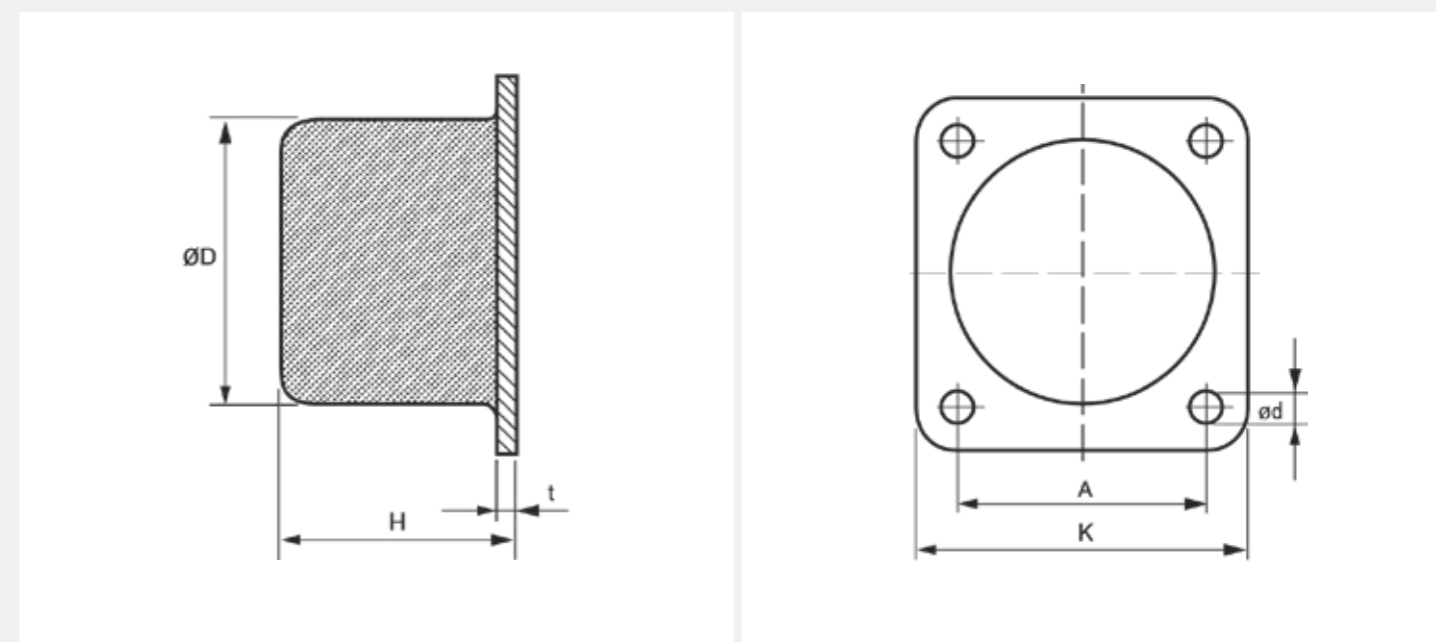
The shock buffer type ANB is used to effectively limit movement of equipment or machine components.

Typical applications include:

- Lifting cranes
- Forestry vehicles
- Material handling equipment



TECHNICAL DRAWING



PRODUCT DATA

TYPE	DRAWING NO.	PART NO.	DIMENSIONS (mm)						MAX. LOAD (kg)
			K	A	ØD	ød	H	t	
ANB50	15-4034	10-00151	70	50	50	7	43	3	815
ANB75	15-4035	10-00152	100	75	75	9	63	3	2,040
ANB100	15-4037	10-00153	130	100	100	11	84	4	4,180
ANB150	15-4032	10-00010	185	150	150	13.5	126	6	9,175
ANB200	15-4033	10-00011	240	200	200	13.5	168	8	18,350

BA and Double U-Shear

BA and Double U-Shear are equally suitable for isolating vibrations from low speed machines and equipment, protecting sensitive and light weight units from external shocks and vibrations.

The mountings utilize bonded rubber in shear to permit relatively high deflections, providing excellent isolation of low frequencies. (Type BA 20/2 is a half section suitable for very light loads).

On rotating equipment applications the soft axis should be at right angles to the shaft. On mobile applications the stiff axis should be aligned in the direction of travel. For transit case applications the mountings need to be arranged so that the horizontal stiffness is the same in all directions.

Typical applications include:

- Light fans and compressors
- Portable gensets and pumps
- Computers and electronic units
- Measuring and test equipment

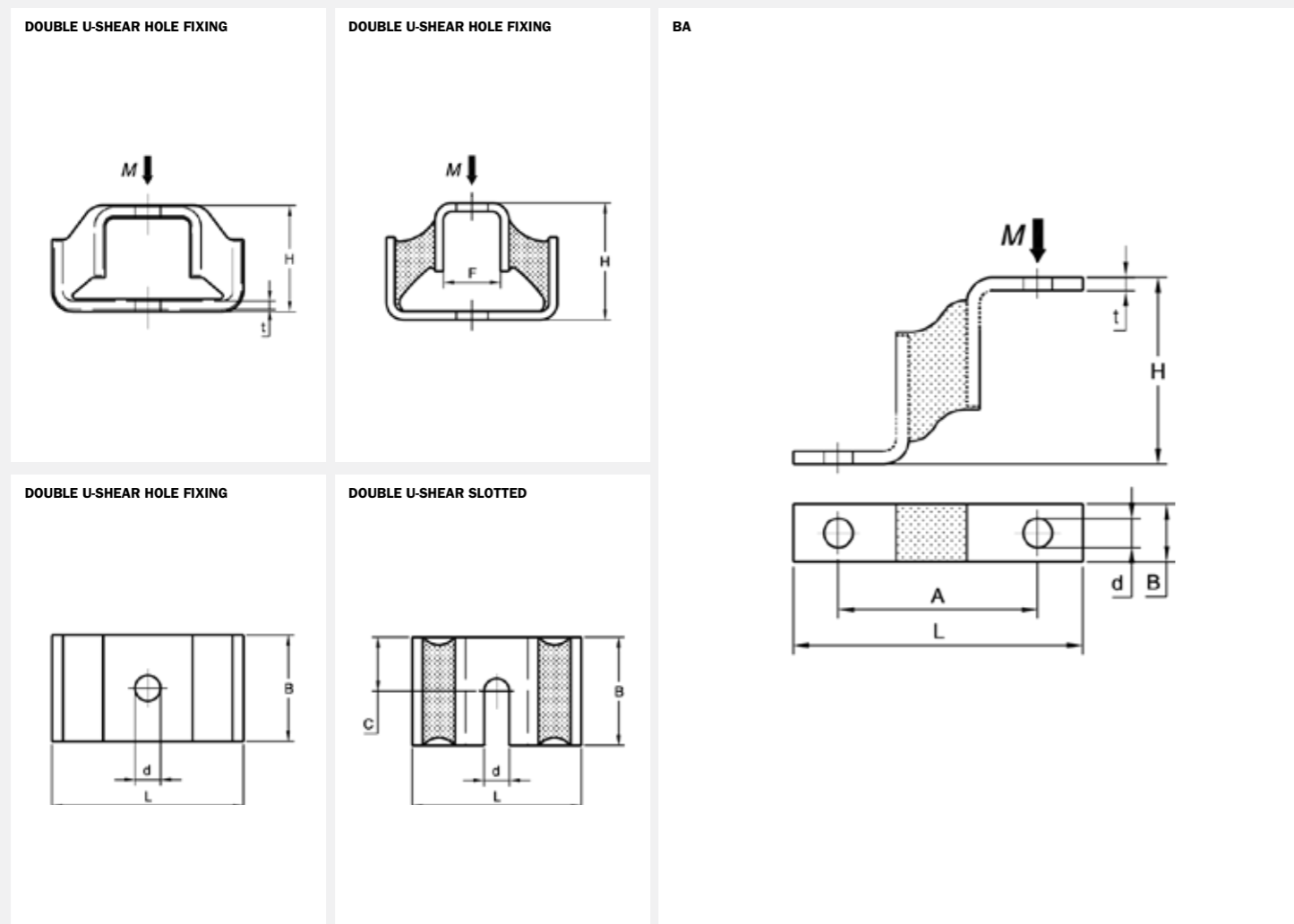


BA and Double U-Shear

PRODUCT DATA

DRAWING NO.	PART NO.	Type	DIMENSIONS (mm)								MAX. LOAD (Kg)	MAX. Deflection (mm)
			B	L	H	A	F	C	d	t		
BA												
17-4345	10-00005	BA 20/2 40 °IRHD	20	90	58	62	-	-	8	4	12	7.3
17-4345	10-00006	BA 20/2 60 °IRHD	20	90	58	62	-	-	8	4	27	5.8
DOUBLE U-SHEAR HOLE FIXING												
17-4035	10-00145	BA 20 40 °IRHD	20	90	50	-	-	-	10	4	20	6
17-4035	10-00146	BA 20 60 °IRHD	20	90	50	-	-	-	10	4	35	5.2
17-4036	10-00147	BA 50 40 °IRHD	50	90	50	-	-	-	12	4	60	6.5
17-4036	10-00148	BA 50 60 °IRHD	50	90	50	-	-	-	12	4	110	5.5
DOUBLE U-SHEAR SLOTTED												
053 18 004	96764	45 NR 11	20	61	43	-	20.4	10	6.6	3	12	6.1
17-1492	10-00518	40 °IRHD	19	60	43	-	19	10.3	6.7	3	14	8.2
053 18 004	96763	50 NR 11	20	61	43	-	20.4	10	6.6	3	15	5.6
	96765	60 NR 11									16	4.3
17-1492	10-00519	50 °IRHD	19	60	43	-	19	10.3	6.7	3	20	7.8
053 18 003	96769	50 NR 11	25	71	62	-	26.4	12.5	11	4	22	7
	96771	60 NR 11									30	5.2
	96770	70 NR 11									30	3.3
17-1482	10-00515	40 °IRHD	51	60	41	-	20	25	11	3	37	8.5
17-1482	10-00516	50 °IRHD	51	60	41	-	20	25	11	3	56	7.8
17-1480	10-00511	40 °IRHD	51	80	78	-	32	25	13	5	70	8
	96775	50 NR 11									85	7
	96777	60 NR 11									85	4.2
053 18 002	96773	70 NR 11	50	81.5	78	-	32.4	25	13.5	4.5	98	3
	10-00512	50 °IRHD									100	7.4
17-1480	10-00512	50 °IRHD	51	80	78	-	32	25	13	5	100	7.4
17-1479	10-00509	40 °IRHD	64	86	108	-	38	32	16.7	5	150	8
	96779	50 NR 11									200	7
	96781	60 NR 11									200	3.5
053 18 001	96784	70 NR 11	65	87	108	-	38.4	32.5	17.5	5	200	2.8
	10-00510	50 °IRHD									220	7.8

TECHNICAL DRAWING



Bobbin – Type A

Bobbin mounts can be used in a wide variety of applications to permit relative movement of the suspended mass and isolation from the effects of noise, vibration and shock. The bobbin mounts are designed to have a higher compressive stiffness and a lower shear stiffness.

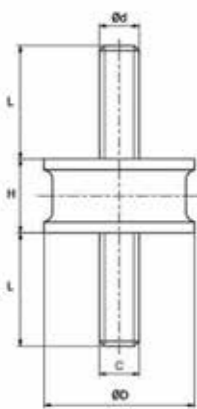
Typical applications include:

- Light fans
- Engines and pumps
- Compressors
- Measuring and test equipment

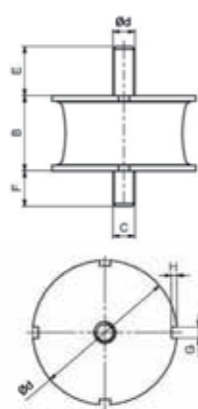


TECHNICAL DRAWING

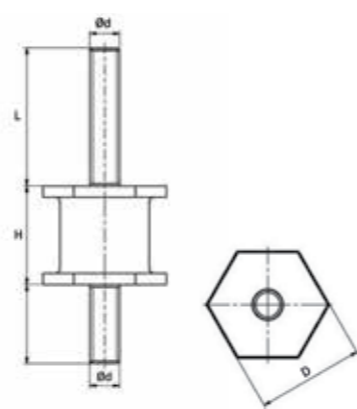
TYPE A



TYPE A NOTCHED



TYPE A HEXAGONAL PLATE



CONTOURED



Figures stated are for natural rubber hardness 60° IRH. Other hardness are available upon request. The technical values are to be used for info only. If you have any questions, please contact TAVS. Other dimensions on special demand with minimum quantity and/or order value.

Bobbin – Type A

PRODUCT DATA

TYPE	DRAWING NO.	PART NO.	DIMENSIONS (mm)				COMPRESSION		SHEAR		MAX. BOLT TORQUE (Nm)
			Ød	H	Ød	L	MAX. LOAD (kg)	MAX. DEFLECTION (mm)	MAX. LOAD (kg)	MAX. DEFLECTION (mm)	
TYPE A											
A10/10	19-0272	20-01435	10	10	M4	10	4	0.9	2	2	1.6
A10/15	19-0400	20-01066	10.0	15	M4	10.0	4.1	1.2	1.5	3.1	1.6
A13/10	A 1310	509003	13	10	M5	10	4.8	0.8	2.6	1.6	2.7
A13/15	A 1315	509007	13	15	M5	10	4	1.0	2.6	2.6	2.7
A13/20	A 1320	509015	13	20	M5	10	4	1.0	2.6	2.6	2.7
A15/8	A 1508	509018	15	8	M4	12	9.5	0.4	3.4	1.0	1.3
A15/10	A 1510	509019	15	10	M4	12	7.5	0.6	3.4	1.4	1.3
A15/15	19-0769	20-01068	15	15	M4	10	10	1.5	4	3.2	1.6
A15/15	A 1515	509020	15	15	M4	12	5.8	1.0	3.4	2.4	1.3
A15/20	A 1520	509022	15	20	M4	12	5.2	1.4	3.4	3.3	1.3
A15/30	A 1530	509048	15	30	M4	12	4.8	2.1	3.4	5.3	1.3
A16/10	A 1610	509049	16	10	M5	12	8.9	0.6	3.9	1.4	2.7
A16/15	A 1615	509050	16	15	M5	12	6.7	1.0	3.9	2.4	2.7
A16/20	A 1620	509051	16	20	M5	12	6	1.4	3.9	3.3	2.7
A16/25	A 1625	509052	16	25	M5	12	6	1.8	3.9	4.3	2.7
A20/8.5	A 208,5	509053	20	8.5	M6	17	22	0.4	6.1	1.0	4.7
A20/10	19-0296	20-00418	20	10	M6	15/18	17	0.5	7	1.4	8.3
A20/15	A 2015	509056	20	15	M6	17	12.1	0.9	6.1	2.1	4.7
A20/15	19-0383	20-01226	20	15	M6	18	16	1.2	7	2.6	8.3
A20/20	19-0384	20-00541	20	20	M6	15/18	16	1.7	7	4.5	8.3
A20/20	A 2020	509063	20	20	M6	17	10.3	1.3	6.1	3.1	4.7
A20/25	A 2025	509064	20	25	M6	17	9.5	1.7	6.1	4.1	4.7
A20/25	19-0387	20-01228	20	25	M6	15/18	15	2.1	6	6.2	8.3
A20/30	A 2030	509065	20	30	M6	17	9.5	2.2	6.1	5.0	4.7
A25/10	19-0297	20-00557	25	10	M6	18	31	0.8	12	1.5	8.3
A25/10	A 2510	509067	25	10	M8	20	18.4	0.3	6.1	0.8	11
A25/15	19-0415	20-00558	25	15	M6	18	30	1.5	11	2.5	8.3
A25/15	A 2515	509069	25	15	M6	18	21.6	0.9	9.5	2.2	4.7
A25/15	A 2515	509070	25	15	M8	20	21.6	0.9	9.5	2.2	11
A25/20	A 2520	509071	25	20	M6	18	17.6	1.3	9.5	3.1	4.7
A25/20	19-0416	20-00559	25	20	M6	18	29	2.6	11	3.8	8.3
A25/22	A 2522	509072	25	22	M8	20	17.6	1.5	9.5	3.6	11
A25/25	19-0419	20-01437	25	25	M6	18	27	2.7	11	5.4	8.3
A25/25	A 2525	509073	25	25	M6	18	15.8	1.7	9.5	4.1	4.7
A25/25	A 2525	509074	25	25	M8	20	15.8	1.7	9.5	4.1	11
A25/30	19-0421	20-01629	25	30	M6	18	25	3.4	9	6.7	8.3
A25/30	A 2530	509075	25	30	M8	20	14.8	2.1	9.5	5.2	11
A25/40	A 2540	509077	25	40	M8	20	13.7	2.9	9.5	7.2	11
A30/15	19-0267	20-01536	30	15	M8	20	51	0.9	17	2.6	20
A30/15	A 3015	509119	30	15	M8	25	35.3	0.9	13.7	2.2	11
A30/20	19-0388	20-01438	30	20	M8	20	45	1.7	17	3.9	20
A30/20	A 3020	509120	30	20	M8	25	27.7	1.3	13.7	3.1	11
A30/22	A 3022	509121	30	22	M8	25	27.7	1.5	13.7	3.5	11
A30/25	19-0389	20-01440	30	25	M8	20	41	2.1	16	5.3	20
A30/30	19-0392	20-01441	30	30	M8	20	39	2.9	15	6.6	20
A30/30	A 3030	509122	30	30	M8	25	22.5	2.1	13.7	5.2	11
A30/40	19-0393	20-00438	30	40	M8	20	31	4	10	10	20
A30/40	A 3040	509123	30	40	M8	25	20.6	2.8	13.7	7.1	11
A40/20	19-0268	20-01423	40	20	M8	23	92	1.5	31	3.8	20
A40/20	A 4020	509124	40	20	M10	25	58.8	1.3	24.3	3.1	23
A40/28	A 4028	509125	40	28	M10	25	46.4	1.9	24.3	4.7	23
A40/30	19-0395	20-01443	40	30	M8	23	71	2.4	31	6.6	20
A40/30	A 4030	509126	40	30	M8	23	46.4	2.2	24.3	5.1	11

Bobbin – Type A

PRODUCT DATA

TYPE	DRAWING NO.	PART NO.	DIMENSIONS (mm)				COMPRESSION		SHEAR		MAX. BOLT TORQUE (Nm)
			Ød	H	Ød	L	MAX. LOAD (kg)	MAX. DEFLECTION (mm)	MAX. LOAD (kg)	MAX. DEFLECTION (mm)	
A75/25	052 18 078	91185	75	25	M12	37	475	3.0	98	6.9	39
A75/25	052 18 078	49014357	75	25	M12	37	1063	3.0	280	6.9	39
A75/40	052 18 196	97223	75	40	M12	37	167	3.6	130	15.9	39
A75/40	052 18 272	97237	75	40	M12	25	180	4.0	100	14.0	39
A75/40	052 18 196	97224	75	40	M12	37	300	3.6	210	15.8	39
A75/50	052 18 052	91065	75	50	M12	37	360	4.9	195	17.4	39
A75/55	052 18 210	90452	75	55	M12	37	150	5.9	100	19.6	39
A75/55	052 18 210	91077	75	55	M12	37	240	5.2	210	20.6	39
A75/70	052 18 113	91683	75	70	M12	37	140	7.6	100	24.5	39
A75/70	052 18 113	90665	75	70	M12	37	200	6.3	210	25.8	39
A75/70	052 18 113	92303	75	70	M12	37	600	7.1	500	28.9	39
A100/40	052 18 131	97185	100	40	M16	36	400	3.7	200	14.0	94.5
A100/40	052 18 016	97184	100	40	M16	46	500	3.9	175	11.4	94.5
A100/40	052 18 016	97183	100	40	M16	46	970	3.9	340	11.9	94.5
A100/55	052 18 100	92137	100	55	M16	46	300	5.5	200	19.6	94.5
A100/55	052 18 100	90657	100	55	M16	46	500	5.3	380	20.7	94.5
A100/55	052 18 100	92090	100	55	M16	46	900	5.3	700	24.5	94.5
A100/75	052 18 083	90644	100	75	M16	46	260	7.7	200	28.0	94.5
A110/75	052 18 083	91135	110	75	M16	46	420	7.4	380	31.1	94.5
A160/75	052 18 159	90694	160	75	M16	46	1500	7.8	1000	26.5	94.5
A160/114	052 18 178	92001	160	114	M16	44	14200	9.8	1000	31.0	94.5

DRAWING NO.	PART NO.	TYPE	DIMENSIONS (mm)					COMPRESSION		SHEAR		MAX. BOLT TORQUE (Nm)
			ØD	H	Ød	L	I	MAX. LOAD (kg)	MAX. DEFLECTION (mm)	MAX. LOAD (kg)	MAX. DEFLECTION (mm)	
TYPE A HEXAGONAL PLATE												
052 18 895	49002825	45 CR 57	21	20	M6	16	16	14.5	2.4	6	6.3	4.7
052 18 898	49004238	45 CR 57	21	15	M6	16	16	16	1.5	7	4.3	4.7
052 18 895	49011379	60 CR 57	21	20	M6	16	16	24.5	2.4	10	6.3	4.7
052 18 895	49016672	45 NR 97	21	20	M6	16	16	14.5	2.4	6	6.3	4.7
052 18 906	49038588	60 CR 57	21	20	M6	28	16	24.5	2.4	10	6.3	4.7
052 18 920	49039148	45 CR 57	26	34	M8	12	12	25	3.0	95	87.9	11
052 18 921	49039149	45 CR 57	26	34	M8	19	19	25	3.0	95	87.9	11

DRAWING NO.	PART NO.	TYPE	DIMENSIONS (mm)							COMPRESSION		SHEAR		MAX. BOLT TORQUE (Nm)
			ØD	H	Ød	L	I	G	H	MAX. LOAD (kg)	MAX. DEFLECTION (mm)	MAX. LOAD (kg)	MAX. DEFLECTION (mm)	
TYPE A NOTCHED PLATE														
052 18 389	49037737	A105/55	105	55	M16	26	36	8	4	300	5.9	160	19.6	200
052 18 389	49037738	A105/55	105	55	M16	26	36	8	4	410	5.8	220	19.6	200
052 18 389	49037739	A105/55	105	55	M16	26	36	8	4	560	5.8	300	19.6	200
052 18 389	49037740	A105/55	105	55	M16	26	36	8	4	750	5.9	400	19.6	200

Bobbin – Type B

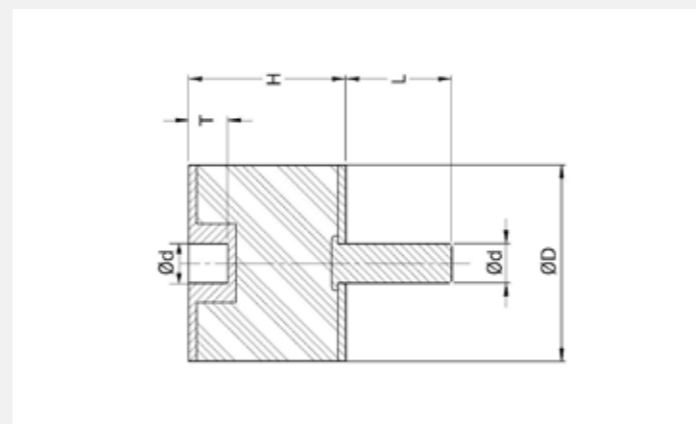
Bobbin mounts can be used in a wide variety of applications to permit relative movement of the suspended mass and isolation from the effects of noise, vibration and shock. The bobbin mounts are designed to have a higher compressive stiffness and a lower shear stiffness.

Typical applications include:

- Light fans
- Engines and pumps
- Compressors
- Measuring and test equipment



TECHNICAL DRAWING



Figures stated are for natural rubber hardness 60° IRH. Other hardness are available upon request. The technical values are to be used for info only. If you have any questions, please contact TAVS. Other dimensions on special demand with minimum quantity and/or order value.

PRODUCT DATA

TYPE	DRAWING NO.	PART NO.	DIMENSIONS (mm)					COMPRESSION		SHEAR		MAX. BOLT TORQUE (Nm)
			ØD	H	Ød	L	T	MAX. LOAD (kg)	MAX. DEFLECTION (mm)	MAX. LOAD (kg)	MAX. DEFLECTION (mm)	
TYPE B												
B10/10	19-0307	20-01449	10	10	M4	10	4	6	0.9	1	2.3	1.6
B10/15	B1015	54001136	10	15	M4	10	4	1.5	1.2	1.2	3.4	1.3
B10/15	B1015	54001137	10	15	M4	10	4	2.9	1.2	2.2	3.6	1.3
B15/15	19-0529	20-01698	15	15	M4	10	5	12	1.4	5	3.8	1.6
B15/15	B 1515	509078	15	15	M4	12	3	6.8	0.5	3.1	1.3	1.3
B16/10	B 1610	509079	16	10	M5	12	3	8	0.5	3.1	5.1	2.7
B16/15	B 1615	509080	16	15	M5	12	3	6.1	0.9	3.5	1.3	2.7
B16/20	B 1620	509081	16	20	M5	12	3	5.4	1.2	3.5	2.1	2.7
B16/25	B 1625	509082	16	25	M5	12	3	5.1	1.6	3.5	3.8	2.7
B20/15	B 2015	509083	20	15	M6	17	4	10.9	0.8	5.5	1.9	4.7
B20/15	19-0310	20-01264	20	15	M6	18	6	16	0.9	11	3.8	8.3
B20/20	B 2020	509085	20	20	M6	17	4	9.3	1.2	5.5	2.8	4.7
B20/20	19-0524	20-01265	20	20	M6	18	6	16	1.2	9	5	8.3
B20/25	B 2025	509086	20	25	M6	17	4	8.5	1.5	5.5	3.9	4.7
B20/25	19-0526	20-01266	20	25	M6	18	6	15	2.5	9	6.3	8.3
B20/30	B 2030	509087	20	30	M6	18	5	8.1	1.8	5.5	4.5	4.7

Bobbin – Type B

PRODUCT DATA

TYPE	DRAWING NO.	PART NO.	DIMENSIONS (mm)					COMPRESSION		SHEAR		MAX. BOLT TORQUE (Nm)
			ØD	H	Ød	L	T	MAX. LOAD (kg)	MAX. DEFLECTION (mm)	MAX. LOAD (kg)	MAX. DEFLECTION (mm)	
B75/50	052 18 081	91575	75	50	M12	37	10.5	210	5.9	115	18.8	39
B75/50	052 18 081	90642	75	50	M12	37	10.5	420	5.9	120	19.6	39
B75/55	052 18 124	92459	75	55	M12	37	10.5	240	5.2	210	20.6	39
B75/55	052 18 211	90899	75	55	M12	37	10.5	400	5.6	320	20.9	39
B75/70	052 18 274	92491	75	70	M12	37	10.5	140	7.6	100	24.5	39
B75/70	052 18 114	90666	75	70	M12	37	10.5	200	6.3	210	25.8	39
B100/40	052 18 065	597187	100	40	M16	36	15.8	400	3.4	200	14.0	94.5
B100/40	052 18 156	97182	100	40	M16	46	15.8	450	3.4	190	11.6	94.5
B100/40	052 18 065	97186	100	40	M16	36	15.8	700	3.4	380	13.8	94.5
B100/40	052 18 015	97181	100	40	M16	46	15.8	1010	3.4	450	11.6	94.5
B100/40	052 18 062	92744	100	40	M16	36	15.8	1200	3.4	600	13.7	94.5
B100/40	052 18 111	92046	100	40	M16	36	15.8	1680	3.4	660	13.8	94.5
B100/40	052 18 084	92152	100	40	M16	46	15.8	1750	3.4	720	11.8	94.5
B100/55	052 18 156	500635	100	55	M16	46	15.8	250	5.3	180	19.6	94.5
B100/55	052 18 101	90658	100	55	M16	46	15.8	500	5.3	330	19.0	94.5
B100/55	052 18 152	92087	100	55	M16	46	15.8	800	5.3	530	18.6	94.5
B100/55	052 18 101	91108	100	55	M16	46	15.8	1200	5.3	800	18.7	94.5
B100/75	052 18 158	92274	100	75	M16	46	15.8	420	7.4	380	31.1	94.5
B160/75	052 18 156	92530	160	75	M16	46	15.8	900	7.8	500	28.9	94.5
B160/75	052 18 158	90693	160	75	M16	46	15.8	1500	7.8	1000	29.7	94.5
B160/75	052 18 211	92458	160	75	M16	46	15.8	2100	7.8	1380	29.4	94.5
B160/75	052 18 063	91795	160	75	M16	46	15.8	4000	7.8	2400	29.4	94.5
B160/114	052 18 179	90752	160	114	M16	44	15.8	8000	8.8	800	35.7	94.5



Bobbin – Type C

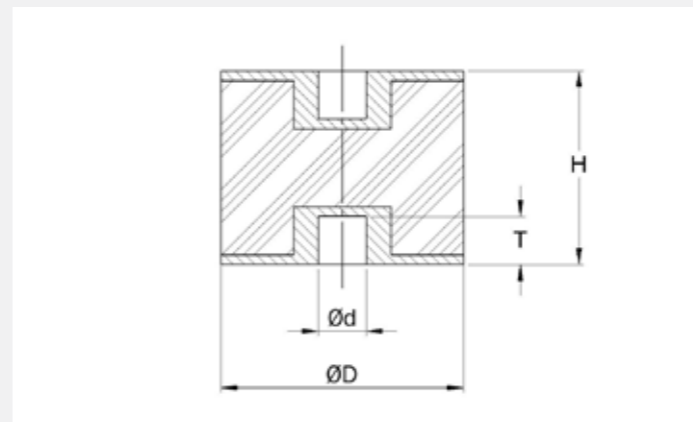
Bobbin mounts can be used in a wide variety of applications to permit relative movement of the suspended mass and isolation from the effects of noise, vibration and shock. The bobbin mounts are designed to have a higher compressive stiffness and a lower shear stiffness.

Typical applications include:

- Light fans
- Engines and pumps
- Compressors
- Measuring and test equipment



TECHNICAL DRAWING



Figures stated are for natural rubber hardness 60° IRH. Other hardness are available upon request. The technical values are to be used for info only. If you have any questions, please contact TAVS. Other dimensions on special demand with minimum quantity and/or order value.

PRODUCT DATA

TYPE	DRAWING NO.	PART NO.	DIMENSIONS (mm)				COMPRESSION		SHEAR		MAX. BOLT TORQUE (Nm)
			ØD	H	Ød	T	MAX. LOAD (kg)	MAX. DEFLECTION (mm)	MAX. LOAD (kg)	MAX. DEFLECTION (mm)	
TYPE C											
C10/10	19-0324	20-00095	10	10	M4	4	10	1.6	1	1.2	1.6
C10/15	C1015	54001138	10	15	M4	4	1.5	1.1	1.2	3.9	1.3
C10/15	C1015	54001139	10	15	M4	4	2.9	1.2	2.2	3.6	1.3
C15/15	19-0325	20-00583	15	15	M4	4	12	1.5	4	2	1.6
C15/15	052 18 060	90767	15	15	M4	4	12	1.0	35	49.1	1.3
C15/15	052 18 060	90617	15	15	M4	4	24	1.0	8	4.9	1.3
C15/20	C1520	54001169	15	20	M4	4	3.4	1.7	2.6	5.1	1.3
C15/20	C1520	54001170	15	20	M4	4	6.5	1.7	5	4.9	1.3
C16/15	C 1615	509219	16	15	M5	3	5.7	0.8	3.3	2.9	2.7
C16/20	C 1620	509220	16	20	M5	3	5.1	1.1	3.3	3.6	2.7
C16/25	C 1625	509221	16	25	M5	3	4.8	1.5	5.1	1.8	2.7
C20/15	C 2015	509222	20	15	M6	4	10.2	0.7	5.1	3.3	4.7
C20/20	C 2020	509223	20	20	M6	4	8.6	1.1	5.1	4.2	4.7
C20/20	19-0551	20-01289	20	20	M6	4/6	17	1.6	5	2.5	8.3
C20/20	052 18 053	97163	20	20	M6	5.8	18	1.0	8	3.9	4.7
C20/20	052 18 053	97162	20	20	M6	5.8	35	1.0	20	3.9	4.7
C20/25	052 18 097	91741	20	25	M6	5.8	7	2.3	7	8.6	4.7
C20/25	C 2025	509224	20	25	M6	4	7.9	1.4	5.1	5.0	4.7
C20/25	19-0552	20-00584	20	25	M6	6	15	2.2	4	2.7	8.3
C20/25	052 18 097	91063	20	25	M6	5.8	16	2.2	17	8.8	4.7
C20/30	C 2030	509225	20	30	M6	5	7.6	1.7	5.1	6.3	4.7
C20/30	19-0553	20-00363	20	30	M6	6	12	2.5	4	3	8.3

Bobbin – Type D

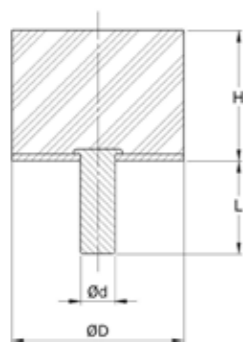
Bobbin mounts can be used in a wide variety of applications to permit relative movement of the suspended mass and isolation from the effects of noise, vibration and shock. The bobbin mounts are designed to have a higher compressive stiffness and a lower shear stiffness.

Typical applications include:

- Light fans
- Compressors
- Engines and pumps
- Measuring and test equipment



TECHNICAL DRAWING



Figures stated are for natural rubber hardness 60° IRH. Other hardness are available upon request. The technical values are to be used for info only. If you have any questions, please contact TAVS. Other dimensions on special demand with minimum quantity and/or order value.

PRODUCT DATA

TYPE	DRAWING NO.	PART NO.	DIMENSIONS (mm)				COMPRESSION		MAX. BOLT TORQUE (Nm)
			ØD	H	Ød	L	MAX. LOAD (kg)	MAX. DEFLECTION (mm)	
TYPE D									
D13/10	D 1310	509157	13	10	M5	10	4.6	0.7	2.7
D13/13.5	D 1313	509158	13	13.5	M5	10	4.1	1.0	2.7
D13/15	D 1315	509159	13	15	M5	10	4.1	1.1	2.7
D13/20	D 1320	509160	13	20	M5	10	3.7	1.5	2.7
D15/6	030 18 068	90496	15	6	M4	15	14	0.6	1.3
D15/10	D 1510	54001836	15	10	M4	10	8.7	0.8	1.3
D15/13	030 18 029	91040	15	13	M4	15	6.5	1.3	1.3
D15/15	D 1515	54001846	15	15	M4	10	7	1.3	1.3
D16/4	030 18 027	90308	16	4	M4	10	32	0.5	1.3
D16/10	D 1610	509161	16	10	M5	12	7.9	0.7	2.7
D16/15	D 1615	509164	16	15	M5	12	6.5	1.1	2.7
D16/20	D 1620	509165	16	20	M5	12	5.9	1.4	2.7
D16/25	D 1625	509166	16	25	M5	12	5.9	1.9	2.7
D20/8.5	D 208,5	509167	20	8.5	M6	16.5	17.2	0.5	4.7
D20/12	030 18 055	90335	20	12	M6	10.5	17.5	1.1	4.7
D20/12	030 18 055	91589	20	12	M6	10.5	27	1.2	4.7
D20/15	D 2015	509168	20	15	M6	16.5	11.2	1.0	4.7
D20/16	030 18 031	97159	20	16	M6	18.5	12.5	2.0	4.7
D20/16	030 18 031	97155	20	16	M6	18.5	24	2.1	4.7
D20/16	030 18 031	97156	20	16	M6	18.5	27	2.0	4.7
D20/20	D 2020	509169	20	20	M6	16.5	9.9	1.4	4.7
D20/25	D 2025	509170	20	25	M6	16.5	9.2	1.8	4.7

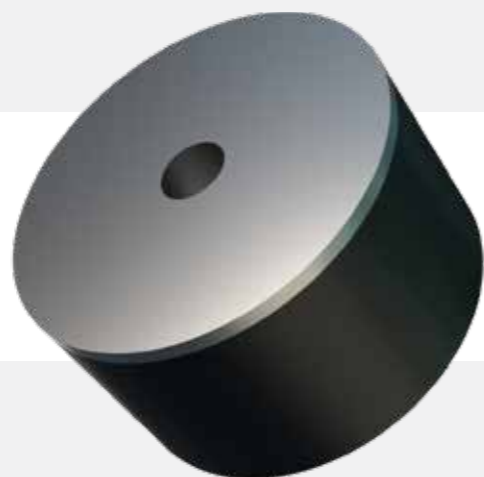
Bobbin – Type D

PRODUCT DATA

TYPE	DRAWING NO.	PART NO.	DIMENSIONS (mm)				COMPRESSION		MAX. BOLT TORQUE (Nm)
			ØD	H	Ød	L	MAX. LOAD (kg)	MAX. DEFLECTION (mm)	
D20/30	D 2030	509171	20	30	M6	16.5	9.2	2.3	4.7
D25/10	D 2510	509172	25	10	M8	20	27.3	0.6	11
D25/15	D 2515	509173	25	15	M8	20	19.5	1.0	11
D25/19	D 2519	509174	25	19	M8	20	17.1	1.3	11
D25/22	D 2522	509176	25	22	M8	20	16.1	1.6	11
D25/25	D 2525	509177	25	25	M8	20	16.1	1.9	11
D25/30	D 2530	509178	25	30	M8	20	14.5	2.2	11
D25/40	D 2540	509179	25	40	M8	20	13.6	3.0	11
D30/15	D 3015	509180	30	15	M8	25	28.7	1.2	11
D30/16	030 18 094	97196	30	16	M8	20	38	1.5	11
D30/16	030 18 095	97197	30	16	M8	13	38	1.5	11
D30/16	030 18 035	597193	30	16	M8	23	72	2.1	11
D30/18	030 18 133	97198	30	18	M8	23	31	1.9	11
D30/22	D 3022	509181	30	22	M8	25	24.9	1.6	11
D30/26	030 18 037	90317	30	26	M8	23	60	3.9	11
D30/30	D 3030	509182	30	30	M8	25	22	2.2	11
D30/40	D 3040	509183	30	40	M8	25	20.3	3.0	11
D40/20	D 4020	509184	40	20	M10	25	54.4	1.4	23
D40/25	D 4025	509185	40	25	M10	25	47.4	1.8	23
D40/26	030 18 039	91070	40	26	M10	27.5	100	3.0	23
D40/30	030 18 120	90358	40	30	M8	22.5	80	2.9	11
D40/30	030 18 023	90305	40	30	M10	27.5	120	3.9	23
D40/35	D 4035	509186	40	35	M10	25	40.7	2.6	23
D40/40	D 4040	509187	40	40	M10	25	40.7	3.1	23
D40/45	D 4045	509188	40	45	M10	25	37.6	3.4	23
D50/12	030 18 026	90307	50	12	M10	27.5	320	1.2	23
D50/20	D 5020	54001952	50	20	M10	28	124	1.8	23
D50/25	D 5025	509189	50	25	M10	25	85	1.8	23
D50/35	D 5035	509190	50	35	M10	25	70	2.6	23
D50/36	030 18 041	90321	50	36	M10	27.5	170	4.0	23
D50/37.5	030 18 054	500068	50	37.5	M10	27.5	150	4.5	23
D50/45	D 5045	509191	50	45	M10	25	63	2.9	23
D60/22	D 6022	509193	60	22	M10	25	155	1.5	23
D60/25	D 6025	509194	60	25	M10	25	139	1.8	23
D60/36	D 6036	509195	60	36	M10	25	108	2.6	23
D60/45	D 6045	509196	60	45	M10	25	97	3.3	23
D70/35	D 7035	509197	70	35	M10	25	165	2.5	23
D70/50	D 7050	509198	70	50	M10	25	135	3.7	23
D70/55	030 18 043	90324	70	55	M12	37	280	7.4	39
D75/30	030 18 137	90362	75	30	M12	37	480	4.0	39
D70/70	D 7070	509199	70	70	M10	25	135	3.7	23
D75/20	030 18 045	597219	75	20	M12	37	510	2.0	39
D75/45	030 18 047	91616	75	45	M12	37	430	6.5	39
D80/25	D 8025	509201	80	25	M14	35	320	1.7	62
D80/30	D 8030	509203	80	30	M14	35	267	2.1	62
D80/40	D 8040	509204	80	40	M14	35	214	2.9	62
D80/70	D 8070	509205	80	70	M14	35	162	5.3	62
D80/80	D 8080	509206	80	80	M14	35	162	6.3	62
D160/65	030 18 165	91253	160	65	M16	46	1830	8.2	94.5

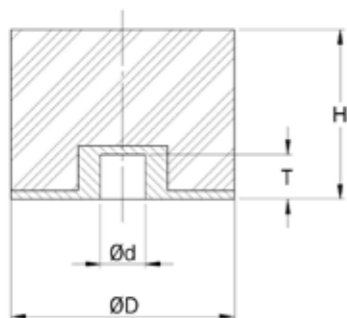
Bobbin – Type E

Bobbin mounts can be used in a wide variety of applications to permit relative movement of the suspended mass and isolation from the effects of noise, vibration and shock. The bobbin mounts are designed to have a higher compressive stiffness and a lower shear stiffness.



TECHNICAL DRAWING

TYPE E



Figures stated are for natural rubber hardness 60° IRH. Other hardness are available upon request. The technical values are to be used for info only. If you have any questions, please contact TAVS. Other dimensions on special demand with minimum quantity and/or order value.

PRODUCT DATA

TYPE	DRAWING NO.	PART NO.	DIMENSIONS (mm)				COMPRESSION		MAX. BOLT TORQUE (Nm)
			ØD	H	Ød	T	MAX. LOAD (kg)	MAX. DEFLECTION (mm)	
TYPE E									
E15/13	030 18 030	90310	15	13	M4	3.8	6.5	1.2	1.3
E20/12	030 18 159	90377	20	12	M6	6.8	16	1.0	4.7
E20/16	030 18 032	97160	20	16	M6	6.5	12	1.5	4.7
E30/15	E 3015	54001897	30	15	M8	8	39	3.5	11
E30/18	030 18 161	597200	30	18	M8	6.9	17.5	2.0	11
E30/30	E 3030	54001920	30	30	M8	8	27.5	2.3	11
E40/20	E 4020	54001932	40	20	M10	8	68	11.1	23
E40/30	030 18 162	90379	40	30	M8	6.9	62	2.9	11
E40/30	030 18 099	93047	40	30	M10	8.5	60	1.5	23
E40/40	E 4040	54001943	40	40	M10	8	48	11.8	23
E50/20	E 5020	54001953	50	20	M10	8	124	1.8	23
E50/20	19-0350	20-00501	50	20	M10	10	153	2	40
E50/36	19-0456	20-00607	50	36	M10	10	52	3.5	40
E50/36	19-0456	20-00502	50	36	M10	10	120	3.5	40
E50/40	19-0834	20-01406	50	40	M10	10	112	4.3	40
E50/45	19-0457	20-01407	50	45	M10	11	107	5.1	40
E50/50	E 5050	54001980	50	50	M10	8	76	4.7	23
E75/20	030 18 046	97221	75	20	M12	9.5	510	2.0	39
E75/30	030 18 164	90381	75	30	M12	9.5	320	2.9	39
E75/30	030 18 164	500194	75	30	M12	9.5	500	3.0	39
E75/45	030 18 048	92047	75	45	M12	9.5	130	2.6	39
E75/45	030 18 048	91537	75	45	M12	9.5	260	2.6	39
E75/45	030 18 048	90327	75	45	M12	9.5	410	2.6	39
E100/69	030 18 050	91773	100	69	M16	15	645	6.9	94.5
E160/65	030 18 166	91265	160	65	M16	15	1250	5.9	94.5
E160/65	030 18 166	95139	160	65	M16	15	810	5.9	94.5

Bobbin – Type TA/KD/KPD

Bobbin mounts can be used in a wide variety of applications to permit relative movement of the suspended mass and isolation from the effects of noise, vibration and shock. The bobbin mounts are designed to have a higher compressive stiffness and a lower shear stiffness.

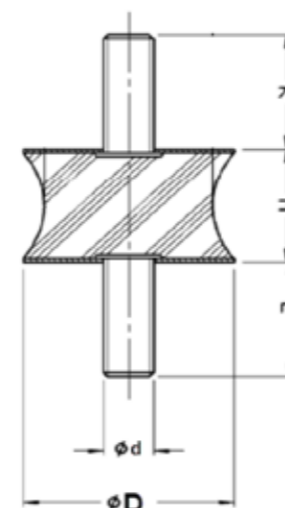


Typical applications include:

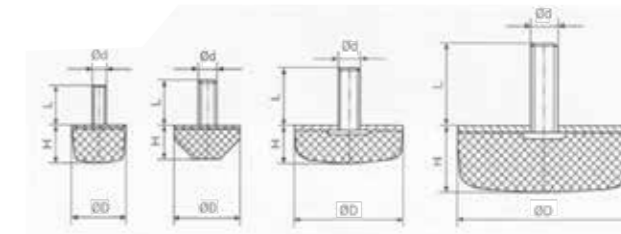
- Light fans
- Engines and pumps
- Compressors
- Measuring and test equipment

TECHNICAL DRAWING

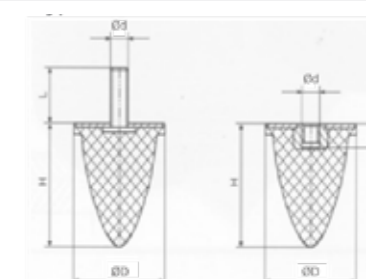
TYPE TA



TYPE KD



TYPE KPD



Figures stated are for natural rubber hardness 60° IRH. Other hardness are available upon request. The technical values are to be used for info only. If you have any questions, please contact TAVS. Other dimensions on special demand with minimum quantity and/or order value.

PRODUCT DATA

DRAWING NO.	PART NO.	TYPE	DIMENSIONS (mm)					COMPRESSION		SHEAR		MAX. BOLT TORQUE (Nm)
			ØD	H	Ød	K	L	MAX. LOAD (kg)	MAX. DEFLECTION (mm)	MAX. LOAD (kg)	MAX. DEFLECTION (mm)	
TYPE TA												
19-0581	20-01610	TA 25/20	25	20	M6	12	18	31	1	12	2	8
19-0699	20-01647	TA 40/30	41	30	M8	20	20	45	1.7	17	3.9	20

Bobbin – TA/KD/KPD

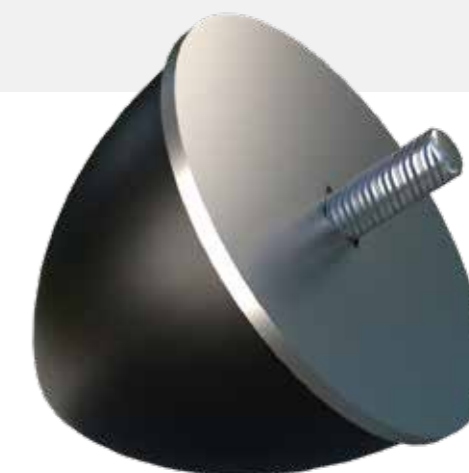
PRODUCT DATA

DRAWING NO.	PART NO.	TYPE	DIMENSIONS (mm)				COMPRESSION		MAX. BOLT TORQUE (Nm)
			ØD	H	Ød	L	MAX. LOAD (kg)	MAX. DEFLECTION (mm)	
TYPE KD									
15-4069	10-00087	KD 25/12	25	12	M6	16	31	0.8	8.3
15-3452	20-00013	KD 25/13	25	13	M6	16	30	0.8	8.3
19-0582	20-01611	KD 25/17	25	17	M6	18	29	2	8.3
19-0506	20-00595	KD 50/17	50	17	M10	28	155	2	40
19-0851	20-01469	KD 50/50	50	50	M8	23	107	5.1	20
TYPE KPD									
030 18 131	92544	KPD	26	18	22.5	M6	40	1.5	4.5
19-0604	20-00686	KPD 30/30	30	30	M8	20	35	6	20
19-0507	20-00929	KPD 30/36	30	36	M8	20	35	7	20
030 18 025	49009020	KPD	35	40	23	M8	9	4.4	9
030 18 025	90306	KPD	35	40	23	M8	22	3.6	9
030 18 025	91311	KPD	35	40	23	M8	32	3.9	9
030 18 061	90337	KPD	50	20	27.5	M10	190	3.0	18
14.10235	54001982	KPD	50	58	28	M10	400	35.7	35
030 18 158	90376	KPD	125	78	46	M16	1000	19.6	210



Buffers and Zellpuffer

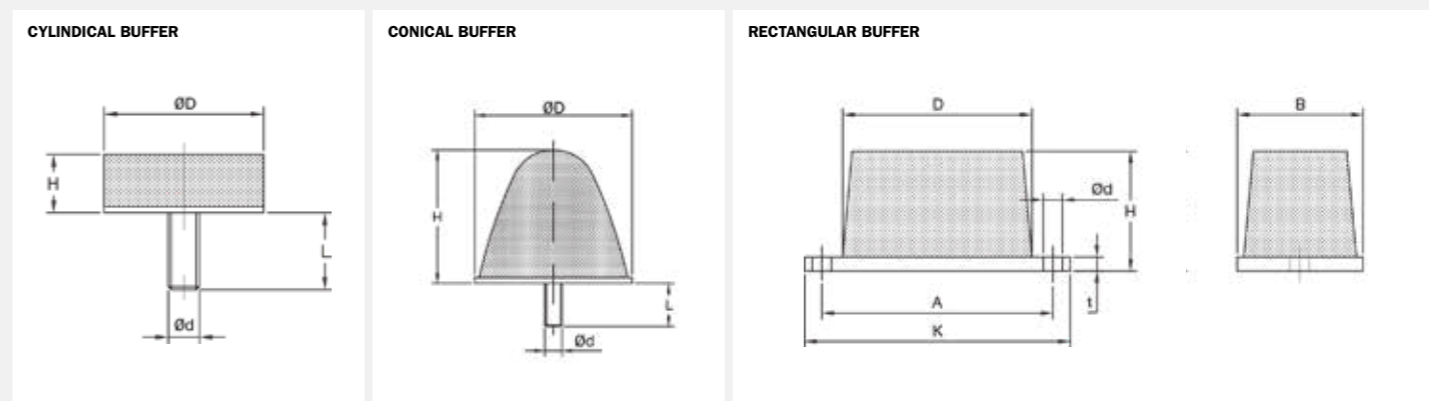
Buffers are designed to protect structures and equipment from impact forces. They are usually fitted as non-metallic stops or incorporated in vehicle suspension systems to provide progressive stiffening under increasing load. Circular and rectangular types are easily fitted.



Typical applications include:

- Cranes
- Dump Trucks
- Off-Road Vehicles
- Handling Equipment
- Vehicle Suspensions

TECHNICAL DRAWING



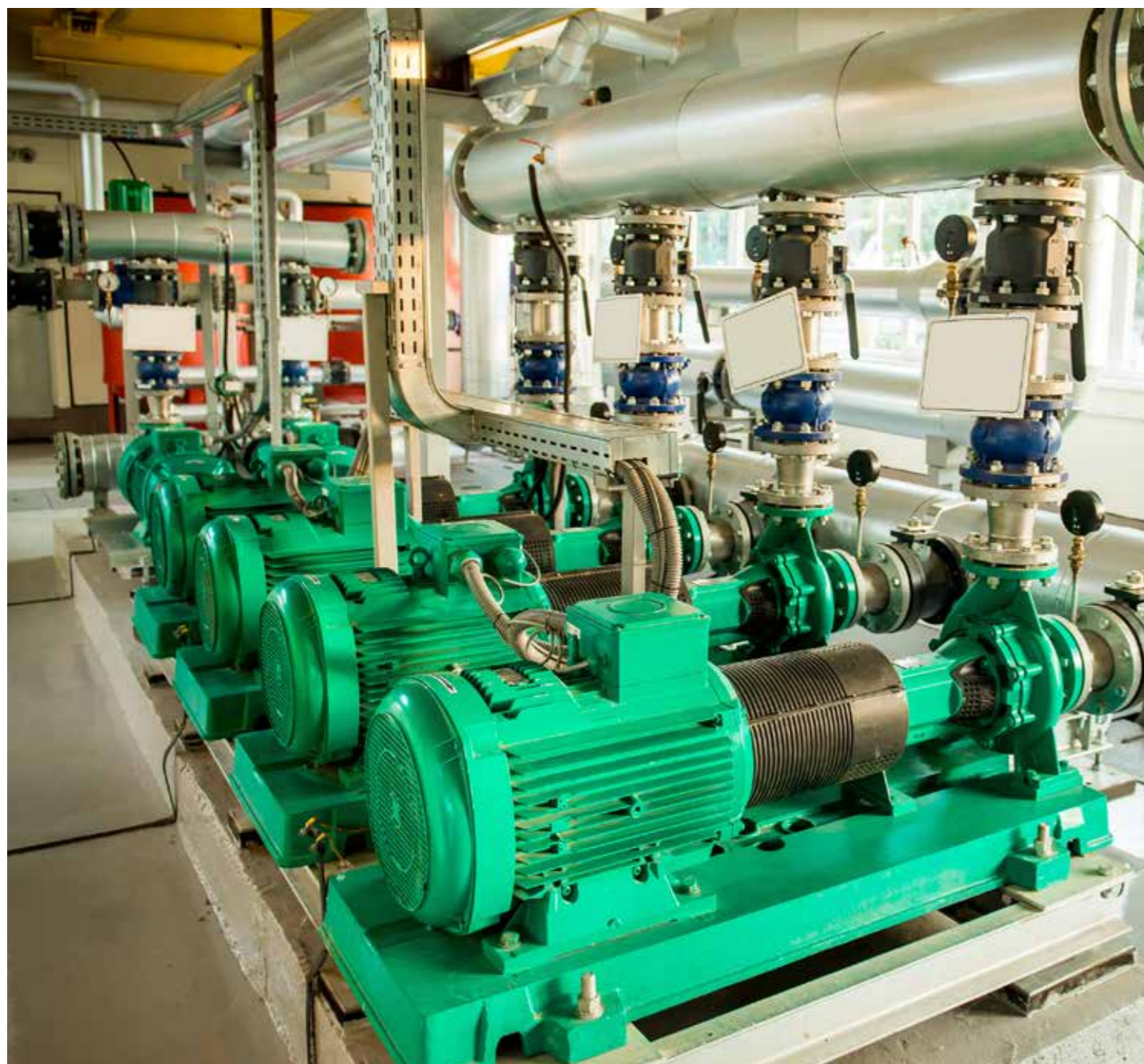
PRODUCT DATA

DRAWING NO.	PART NO.	TYPE	DIMENSIONS (mm)					MAX. LOAD (kg)	MAX. DEFLECTION (mm)	MAX. BOLT TORQUE (Nm)
			ØD	H	Ød	L	t			
CYLINDRICAL BUFFER										
15-3463	10-00341	CYLINDRICAL	21	19	M6	15	-	100	8	8.3
031 18 588	92896	CYLINDRICAL	58	64	M12	-	10	400	6	-
15-3459	10-00337	CYLINDRICAL	50.8	19	M10	25	-	640	7	40
031 18 587	90478	CYLINDRICAL	58	106	M12	-	10	660	21	-
031 18 001	54001785	CYLINDRICAL	100	80	M16	36	-	4500	11	95
031 18 001	54001786	CYLINDRICAL	100	80	M16	36	-	7000	11	95
CONICAL BUFFER										
15-3462	10-00340	CONICAL	28.6	37	M6	15	-	100	18	8.3
15-3443	10-00335	CONICAL	108	119	M12	30	-	200	60	70
15-3461	10-00339	CONICAL	38	38	M8	20	-	250	18	20
15-3445	10-00336	CONICAL	108	93	M12	30	-	250	53	70
15-3435	10-00334	CONICAL	48	51	M10	25	-	270	18	40
15-3460	10-00338	CONICAL	70.3	46	M12	30	-	500	15	70

Buffers and Zellpuffer

PRODUCT DATA

DRAWING NO.	PART NO.	TYPE	DIMENSIONS (mm)							MAX. LOAD (kg)	MAX. DEFLECTION (mm)
			H	k	b	t	Ød	A	D		
RECTANGULAR BUFFER											
19-0564	20-00417	RECTANGULAR	22	84	32	3	6.7	68.5	51	815	7
15-0260	10-00317	RECTANGULAR	36.5	155.5	63.5	6	13.5	127	89	1000	10
15-0437	10-00322	RECTANGULAR	55	120.5	47.5	6	8.7	104.8	86	1750	24
15-0238	10-00315	RECTANGULAR	55	120.5	57	6	8.7	104.8	86	4600	23
15-0238	10-00316	RECTANGULAR	55	120.5	57	6	8.7	104.8	86	6760	23



Buffers and Zellpuffer

Zellpuffers feature a very robust design. The wide selection of sizes allows for a universal use. Zellpuffers are particularly suited as resilient deflection limiters and for buffering shock loads with mobile and non mobile driven machines and as stops in general.

The Zellpuffer are manufactured from Pu, Diplocell.



TECHNICAL DRAWING

SHAFT FIXED ZELLPUFFER

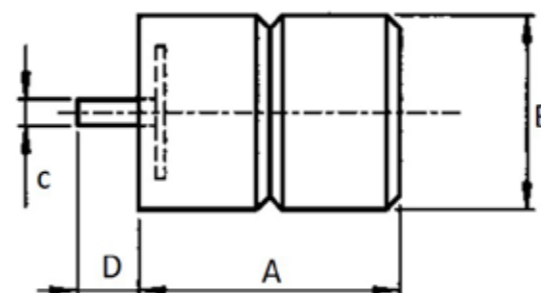
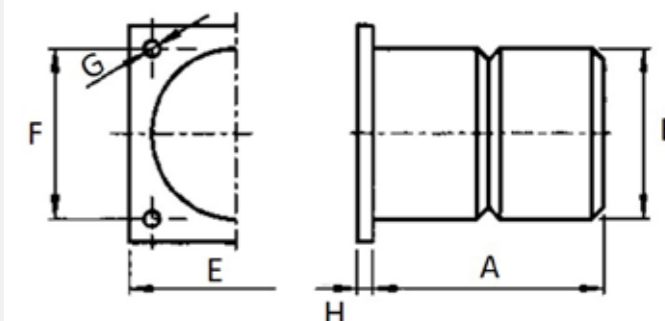


PLATE FIXED ZELLPUFFER



PRODUCT DATA

DRAWING NO.	PART NO.	DIMENSIONS (mm)							
		A	ØB	C	D	E	F	ØG	H
PLATE FIXED ZELLPUFFER									
70.10031	54006110	40	80	-	-	110	80	12.5	10
70.10032	54006111	80	80	-	-	110	80	12.5	10
70.10033	54006112	120	80	-	-	110	80	12.5	10
70.10013	54006092	100	100	-	-	125	100	12.5	10
70.10014	54006093	150	100	-	-	125	100	12.5	10
70.10015	54006094	63	125	-	-	160	125	17	12
70.10016	54006095	125	125	-	-	160	125	17	12
70.10017	54006096	190	125	-	-	160	125	17	12
70.10018	54006097	80	160	-	-	200	160	17	12
70.10019	54006098	160	160	-	-	200	160	17	12
70.10020	54006099	240	160	-	-	200	160	17	12

Buffers and Zellpuffer

PRODUCT DATA

DRAWING NO.	PART NO.	DIMENSIONS (mm)							
		A	ØB	ØC	D	E	F	ØG	H
PLATE FIXED ZELLPUFFER									
70.10021	54006100	100	200	-	-	250	200	21	14
70.10022	54006101	200	200	-	-	250	200	21	14
70.10024	54006103	300	200	-	-	250	200	21	14
70.10025	54006104	250	250	-	-	315	250	21	15
70.10026	54006105	375	250	-	-	315	250	21	15
70.10027	54006106	475	315	-	-	400	315	21	15
70.10029	54006108	400	400	-	-	500	400	25	20
70.10030	54006109	600	400	-	-	500	400	25	20
SHAFT FIXED ZELLPUFFER									
70.10085	54006164	40	80	M12	35	-	-	-	-
70.10086	54006165	80	80	M12	35	-	-	-	-
70.10087	54006166	120	80	M12	35	-	-	-	-
70.10065	54006144	100	100	M12	35	-	-	-	-
70.10068	54006147	150	100	M12	35	-	-	-	-
70.10069	54006148	63	125	M12	35	-	-	-	-
70.10070	54006149	125	125	M12	35	-	-	-	-
70.10072	54006151	190	125	M12	35	-	-	-	-
70.10073	54006152	80	160	M12	35	-	-	-	-
70.10074	54006153	160	160	M12	35	-	-	-	-
70.10075	54006154	240	160	M12	35	-	-	-	-
70.10076	54006155	100	200	M12	35	-	-	-	-
70.10077	54006156	200	200	M12	35	-	-	-	-
70.10078	54006157	300	200	M12	35	-	-	-	-
70.10080	54006159	125	250	M24	80	-	-	-	-
70.10081	54006160	250	250	M24	80	-	-	-	-
70.10082	54006161	375	250	M24	80	-	-	-	-
70.10083	54006162	315	315	M24	80	-	-	-	-

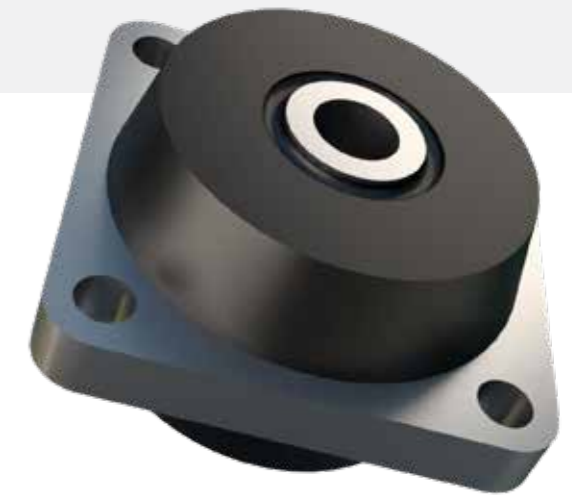


Cab Mount

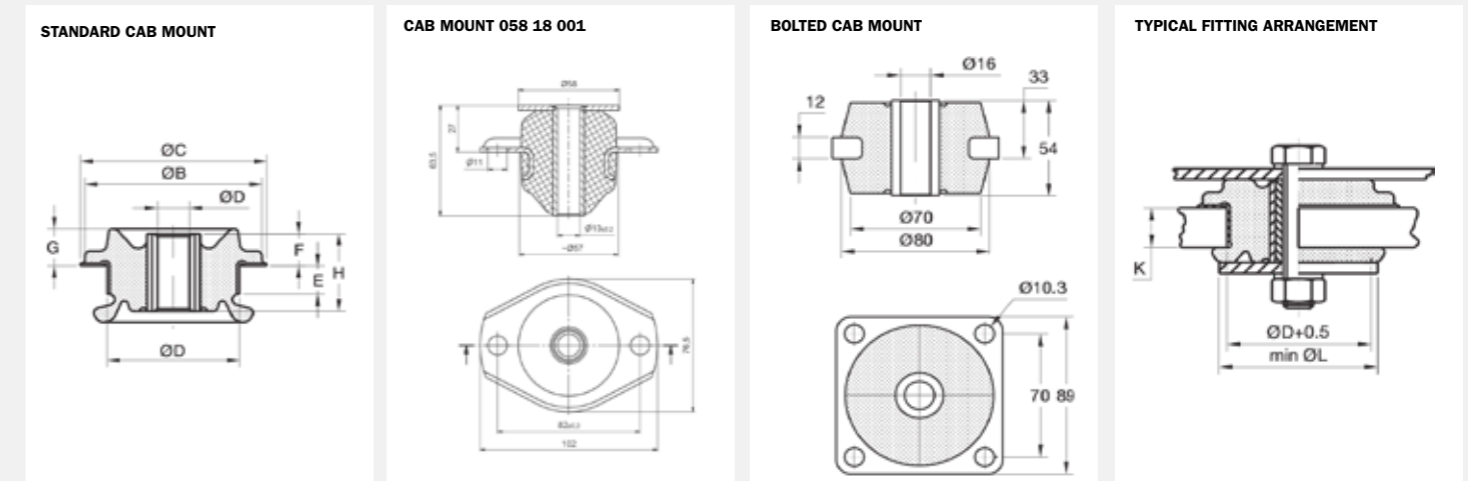
The CAB mount has been designed to provide optimum suspension characteristics. This has been achieved through ensuring the Compression and Shear stiffness characteristics being relatively stiff in their respective directions. The CAB mounts can withstand small shock loadings to help improve driving conditions for the operator. The mount should be installed with washers top and bottom to ensure a failsafe system.

Typical applications include:

- Commercial and Off-Highway vehicles
- Tractors
- Engines



TECHNICAL DRAWING



PRODUCT DATA

DRAWING NO.	PART NO.	Type	DIMENSIONS (mm)											AXIAL MAX. LOAD (kg)	BOLT SIZE	MAX. BOLT TORQUE (Nm)	AXIAL STIFFNESS (N/mm)	WASHER PART NO.	
			ØD	ØB	ØC	Ød	E	F	G	H	K	L							
STANDARD CAB MOUNT																			
11-1028	20-00875	45 °IRHD	-	-	-	-	-	-	-	-	-	-	-	-	-	75	-	-	390
	20-01109	60 °IRHD	59	-	80	16	-	20	-	40	16	80	150	M16	250	780	20-00532		
	20-01035	65 °IRHD	-	-	-	-	-	-	-	-	-	-	180	-	-	950	-		
11-1027	20-01107	45 °IRHD	-	-	-	-	-	-	-	-	-	-	75	-	-	390	-		
	20-00002	50 °IRHD	59	-	80	20	-	20	-	40	16	80	95	M20	380	495	20-00003		
	20-01061	55 °IRHD	-	-	-	-	-	-	-	-	-	-	120	-	-	626	-		
	20-00874	65 °IRHD	-	-	-	-	-	-	-	-	-	-	180	-	-	950	-		
17-1671-1	10-00563	45 °IRHD	75	100	105	16.5	17	19	22	46	20	105	160	M16	180	330	20-00533		
17-1997-1	10-00626	45 °IRHD	75	100	105	16.5	17	19	22	46	20	105	190	M16	180	600	20-01494		
17-1650	10-00552	45 °IRHD	-	-	-	-	-	-	-	-	-	-	300	-	-	464	-		
	10-00944	60 °IRHD	75	100	105	22	17	19	22	46	20	105	500	M20	180	1200	20-00533		
17-1650-1	10-00554	45 °IRHD	-	-	-	-	-	-	-	-	-	-	300	-	-	464	-		
	10-00555	60 °IRHD	75	100	105	16.5	17	19	22	46	20	105	500	M16	180	1200	20-00533		
	10-00598	45 °IRHD	-	-	-	-	-	-	-	-	-	-	410	-	-	1797	-		
17-1814	10-00603	60 °IRHD	89	115	120	25	23	13	21	47	25	120	760	M24	270	3314	20-00534		
	10-04461	70 °IRHD	-	-	-	-	-	-	-	-	-	-	1120	-	-	4870	-		
	91928	45 NR 11	-	-	-	-	-	-	-	-	-	-	210	-	-	300	-		
058 18 001	90827	60 NR 11	SEE DRAWINGS											430	M12	35	620	93950	
	92539	70 NR11	SEE DRAWINGS											630	-	-	900	-	

Cab Mount

PRODUCT DATA

DRAWING NO.	PART NO.	Type	DIMENSIONS (mm)	AXIAL MAX. LOAD (kg)	BOLT SIZE	MAX. BOLT TORQUE (Nm)	AXIAL STIFFNESS (N/mm)	WASHER PART NO.
BOLTED CAB MOUNT								
17-0890	10-00440	45 °IRHD	SEE DRAWINGS	300	M16	250	1027	20-00532
	10-00441	60 °IRHD		500			1693	
	10-00442	70 °IRHD		750			2000	

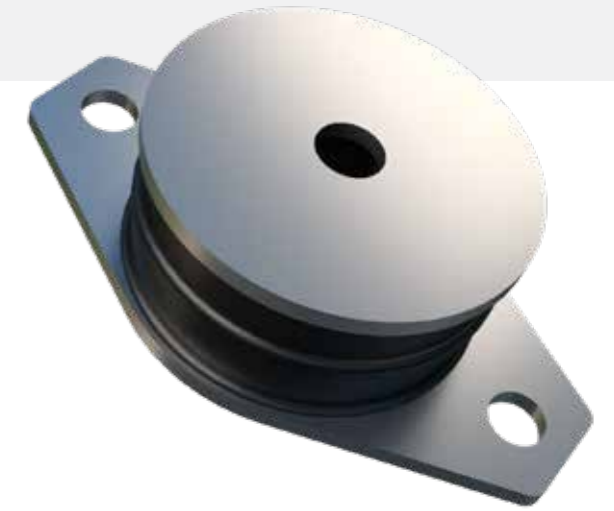


Circular SAW Mounting

The metal interleaf incorporated in the design provides a higher compression to shear stiffness ratio, thereby increasing the load capacity in the compression or combined compression and shear modes. The 17-1780 engine mounting features a void in the rubber section to allow the use of a central snubber device. 17-1780 can be fitted with a rebound washer for mobile applications.

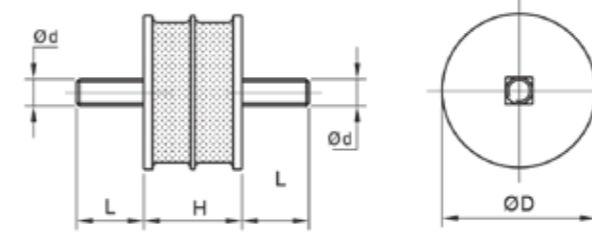
Typical Applications Include:

- Vibratory rollers
- Small vibrating screens
- Small engines

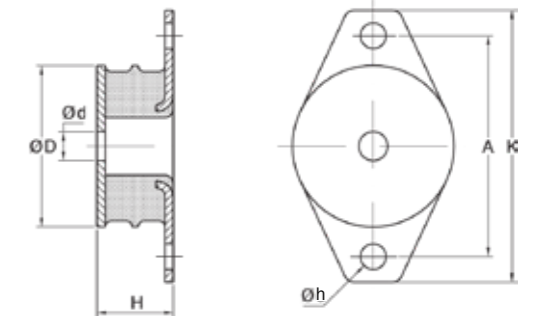


TECHNICAL DRAWING

17-1392



17-1780



PRODUCT DATA

DRAWING NO.	PART NO.	TYPE	DIMENSIONS (mm)							MAX. LOAD (kg)	
			ØD	H	L	Ød	A	K	Øh	COMPRESSION	SHEAR
17-1392	10-00492	45 °IRHD	57	37	25	M10	-	-	-	120	50
	10-00493	60 °IRHD								250	70
	10-00494	70 °IRHD								330	85
17-1780	10-00577	45 °IRHD	95	45	-	17	130	160	15	180	135
	10-00578	60 °IRHD								350	160

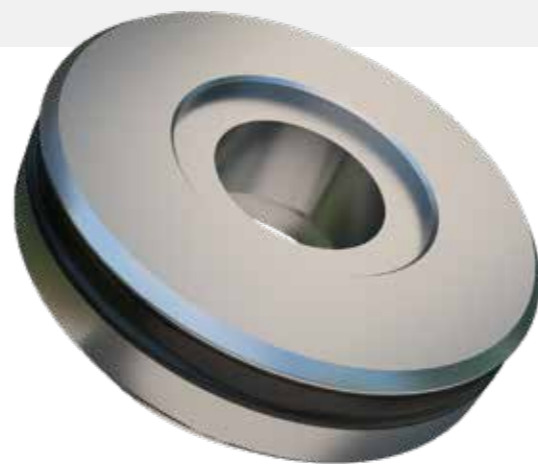
Conical Bearing

Each bush comprises of a high tolerance conical metals with high quality natural rubber compounds featuring low creep and high tear and tensile properties. This provides for high fatigue resistance at high loads and movements. They also provide superior shock attenuation whilst providing good control in the radial and axial directions.

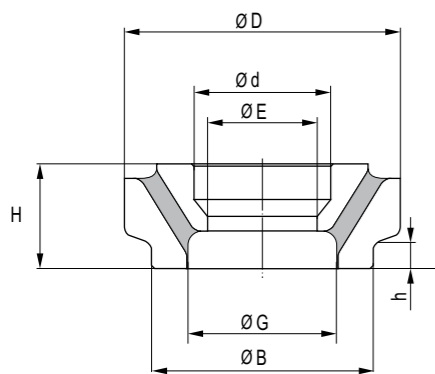
Conical bearings are used usually in pairs to transfer radial and axial loads whilst allowing large torsional movement and some conical. These are therefore suitable in applications where controlled flexibility is required such as in large travel suspension systems.

The high accuracy components provide:

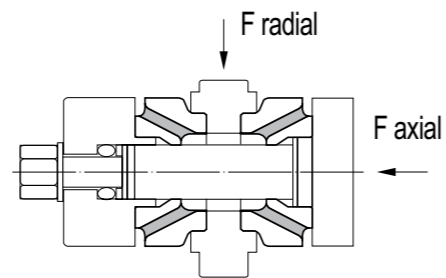
- High fatigue life
- Wide radial load range
- High torsional movement



TECHNICAL DRAWING



TYPICAL FITTING ARRANGEMENT



The conical bearings shall be mounted in pairs and preloaded axial roughly 7 mm each. Installed with an axial pre-loaded

PRODUCT DATA

DRAWING NO.	PART NO.	TYPE	DIMENSIONS (mm)							AXIAL		RADIAL STIFFNESS (N/mm)
			H	h	ØD	ØB	ØE	Ød	ØG	STIFFNESS (N/mm)	MAX. LOAD (kg)	
040 18 084	96734	NR	41	9	120	90	-	46	54	34800	5000	-
040 18 827	2121948	NR39	41	9	120	90	-	46	50.5	150000	5000	-
040 18 050	96133	NR	41	10	115	90	40	60	54	130000	13000	30000
040 18 902	49014124	NR	41.2	7	125	90	-	46	54	60000	6000	5000
040 18 876	49026815	45 NR11	41.8	10	112	90	44	55	60	17000	3100	17000
	49009121	50 NR11								22000	4000	22000
	49026816	60 NR11								34000	6100	34000
	2129382	70 NR11								55000	9900	55000
4059	54000585	NR	41.8	10	125	100	54	65	70	34000	6100	34000
201553	54000884	NR	42.2	8	115	90	40	60	48	32000	7000	3080
031 18 809	596222	NR	45	9	125	90	-	46	54	10200	2000	-

Cushyfloat® Mounting

The Cushyfloat® mounting is a general purpose unit designed to provide effective isolation of vibration and noise arising from both static and mobile equipment. Originally designed for use with marine engines, the Metalastik Cushyfloat® is a simple to install, compact, low profile mounting. It combines 3 way control of the suspended equipment with relatively large static deflections where the rubber is loaded in shear and compression.

The design incorporates bump and rebound control features which limits excessive movement under shock loading. Top metal gives protection against oil contamination and the protective finish resists corrosion attack. Propeller thrust on marine applications is accommodated.

There are four sizes in the standard range with varying degrees of rubber hardness catering for point loads from 32Kg to 3000kg. Natural frequencies as low as 8Hz are possible.

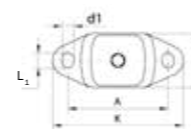


Typical Applications Include:

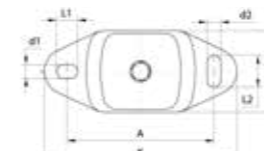
- Marine/Industrial vehicle engines
- Generator sets
- Pumps and compressors

TECHNICAL DRAWING

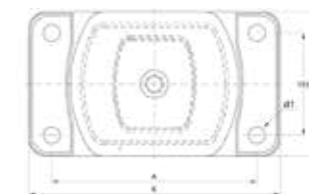
17-1600



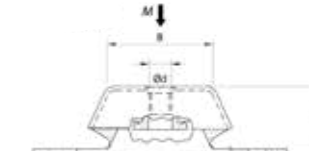
17-1609, 17-1657



17-1841



SIDE VIEW



*When used in marine engine application when thrust forces are involved, the maximum load capacity is substantially reduced.

PRODUCT DATA

DRAWING NO.	PART NO.	TYPE	DIMENSIONS (mm)										MAX. LOAD (kg)		MAX. THRUST LOAD (N)	MAX. BOLT TORQUE (Nm)
			B	C	A	K	H	d ₁	L ₁	d ₂	L ₂	Ød	VERTICAL	*VERTICAL WITH THRUST		
17-1600-1	10-00535	45 °IRHD	62	60	100	120	38-40.5	11	14	11	14	M12	50	35	370	25
	10-00536	55 °IRHD											65	55	560	25
	10-00537	65 °IRHD											100	80	830	25
	10-04525	75 °IRHD											145	115	1200	25
17-1609-1	10-00545	45 °IRHD	76	75	140	183	49	13	20	13	30	M16	150	95	1000	50
	10-00546	55 °IRHD											210	140	1500	50
	10-00547	65 °IRHD											300	210	2300	50
	10-00548	75 °IRHD											450	315	3300	50
17-1657-1	10-00557	45 °IRHD	72	112.5	182	228	70	18	26	18	34	M20	300	250	2800	100
	10-00558	55 °IRHD											520	370	4200	100
	10-00559	65 °IRHD											800	560	6400	100
	10-00560	75 °IRHD											1000	700	11800	100
17-1841-2	10-00605	40 °IRHD	120	190	270	330	112	22	-	-	-	M24	950	630	5300	200
	10-00606	50 °IRHD											1400	945	7100	200
	10-00607	60 °IRHD											2200	1575	12500	200
	10-00608	70 °IRHD											2100	18000	200	

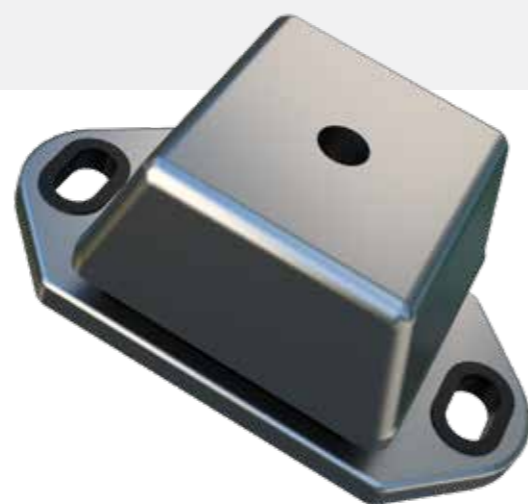
Cushyfloat HT Mounting

The Cushyfloat HT (High Thrust) mounting has been developed to meet the increased torque output and higher thrust load requirements of many modern marine power units. By careful design of the rubber section, relatively high degrees of flexibility in the vertical and lateral modes are combined with high stiffness in the longitudinal fore and aft direction, thereby giving good vibration isolation properties and minimum movement under thrust forces.

The design incorporates bump and rebound control features which limit excessive movements under shock loading. The mountings have a high inbuilt tensile strength which renders them suitable for the suspension of power units in lifeboat applications. The top gives protection against oil contamination and the protective finish resists corrosion attack. Two designs and different rubber compounds allow loads between 85 and 1070Kg to be accommodated.

Typical applications include:

- Marine Engines



Cushyfloat HD

The latest generation of Cushyfloat is a completely new and innovative design which offers engine manufacturers and boat builders Maximum versatility. This product has multiple performance benefits for customers whose requirements may be varied and challenging for conventional solutions.

The HD Cushyfloat® has excellent performance characteristics with: Up to 10mm linear vertical deflection, with low horizontal stiffnesses. This enables improved vibration isolation – even at the low end of the engine speed range. Vertical and lateral buffering within the design limits the movement of the engine in tough service conditions.

The HD Cushyfloat® provides simplicity for engines manufacturers and end users with: An interchangeable footprint with existing mountings; minimizing retrofit installation issues.

The entire range can be formulated from just three rubber mixes; therefore reducing inventory requirements and the complexity of product selection. Installation is aided by sighting grooves so that it is easy to align the engine, and ensure the correct load distribution.

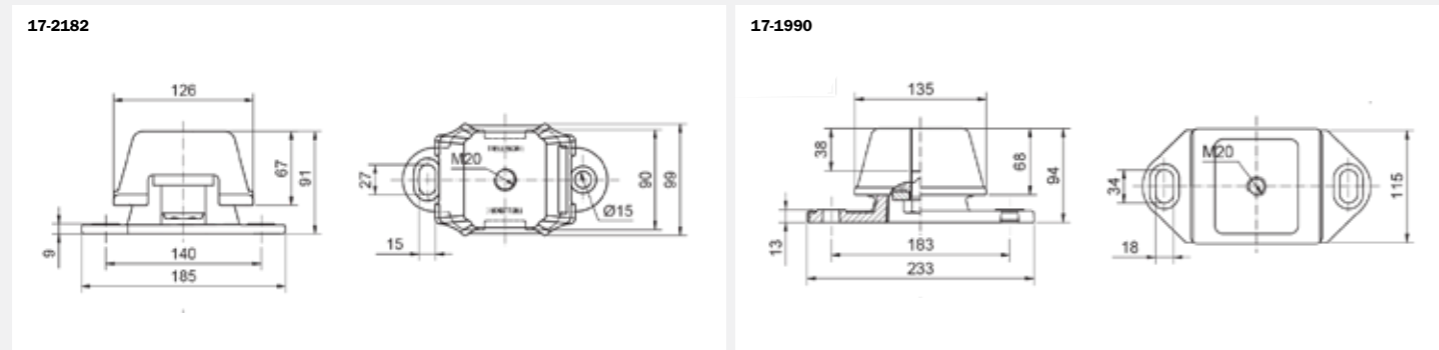
More cost effective product life and serviceability due to its modular design. Upon refurbishment, the outer casting can be re-used.



Typical Applications Include:

- Marine/Industrial vehicle engines
- Generator sets
- Pumps and compressors

TECHNICAL DRAWING



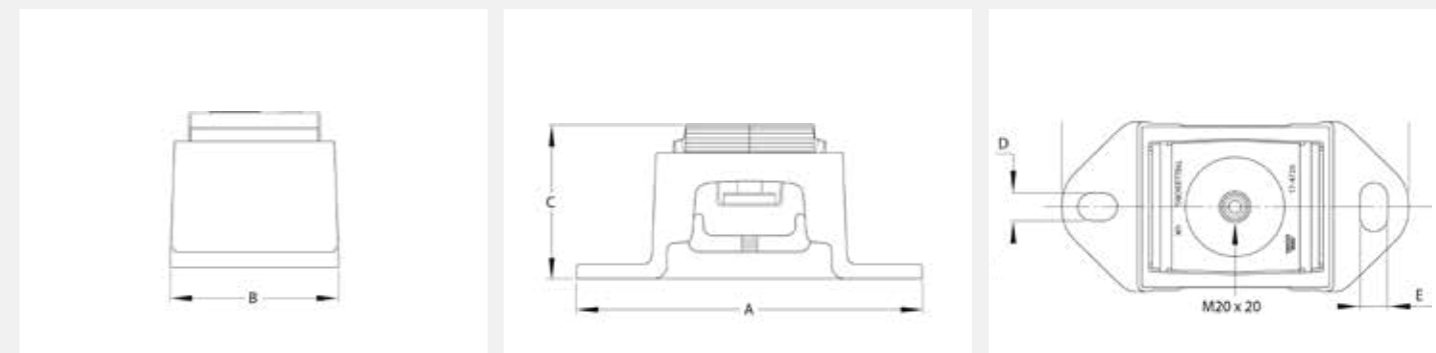
PRODUCT DATA

DRAWING NO.	PRODUCT NO.	TYPE	MIN VERTICAL LOAD (Kg)	MAX. VERTICAL LOAD (Kg)	STATIC STIFFNESS (kN/mm)	DYNAMIC STIFFNESS (kN/mm)	MIN DEFLECTION (mm)	MAX DEFLECTION (mm)	MAX. BOLT TORQUE (Nm)
17-2182-1	10-01143	35 °IRHD	85	140	0	0	3	5	100
	10-01144	45 °IRHD	125	209	1	1			
	10-03014	55 °IRHD	204	339	0.96	1.2			
	10-02930	65 °IRHD	301	499	1.53	2.06			
17-1990-1	10-01150	45 °IRHD	150	571	1.6	1.85	1	4	100
	10-03146	60 °IRHD	296	1070	3	3.9			

NOMINAL STIFFNESS RATIOS

DRAWING NO.	VERTICAL	LATERAL	LONGITUDINAL
17-2182-1	1	0.85	6
17-1990-1	1	0.25	9

TECHNICAL DRAWING



PRODUCT DATA

DRAWING NO.	PART NO.	TYPE	MAX. LOAD (kg)	MAX. THRUST LOAD (kg)	MAX. THRUST (kN)		STATIC STIFFNESS (N/mm)	MAX. BOLT TORQUE (Nm)
					CONTINUOUS	INTERMITTENT		
17-4726-1	10-02308	40 °IRHD	220	155	2.45	3.19	270	170
	10-02108	50 °IRHD	320	220	3.67	4.78	390	
	10-02109	60 °IRHD	470	330	5.51	7.16	575	
17-4792-1	10-02159	40 °IRHD	530	370	5.33	6.93	650	170
	10-02114	50 °IRHD	735	515	7.96	10.35	900	
	10-02160	60 °IRHD	980	685	14.7	19.11	1200	

Mini HD Cushyfloat®

Trelleborg Mini HD Cushyfloat® mounts combine 3 way control of suspended equipment with large static deflections where the rubber is loaded in shear and compression. The design incorporates bump and rebound control features which limits excessive movement under shock loading.

The easy to install mount features a prominent use of lightweight engineered plastics which offer greater environmental protection with no compromise in product performance.

The achievable benefits of the Mini HD Cushyfloat® as:

- Large linear vertical deflection
- Similar stiffness ratios to same footprint part (17/1609)
- Corrosion resistant materials
- Lightweight part (0.45kg)
- Modular and failsafe design
- Wide loading capability.

Typical Applications Include:

- Marine, industrial and vehicle engines
- Generator sets
- Pumps
- Compressors
- Refrigeration systems



Cushyfoot Mounting

Cushyfoot mountings have two rubber elements, used in shear and compression, to provide excellent stiffness characteristics for the isolation of a wide range of vibration frequencies.

There are three sizes, 17-0290 for loads up to 230 kg per mounting, 17-0213 for loads up to 1250 kg and 17-0346, which will carry up to 1280 kg per mounting, will provide up to 16 mm static deflection.

The Cushyfoot mounting benefits from the following features:

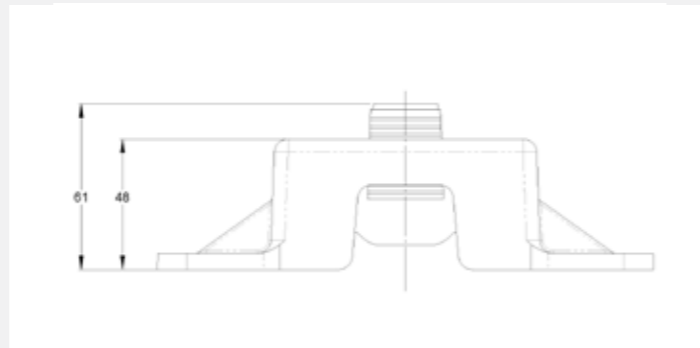
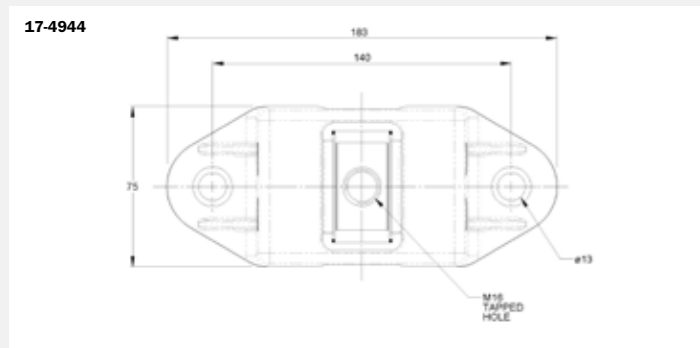
- A wide load range from 50 to 1280 kg
- Strong casting for safety and reliability
- Dissimilar horizontal stiffness gives optimum isolation and motion control

Typical applications include:

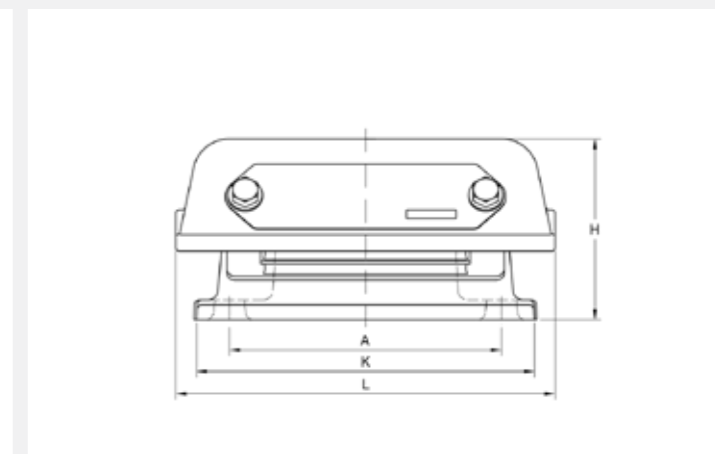
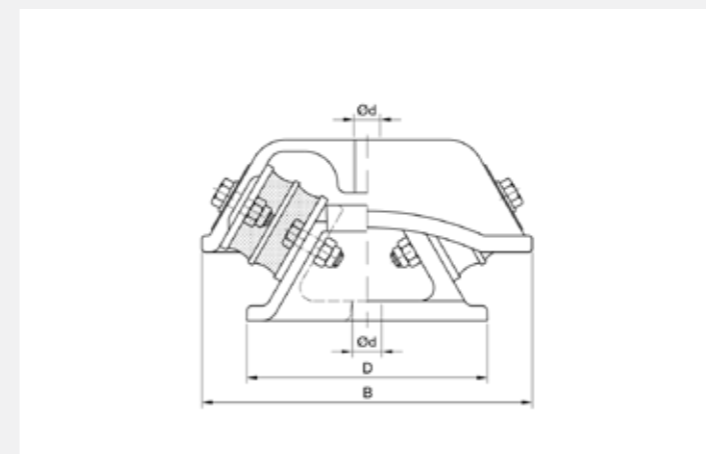
- Diesel engines
- Generator sets
- Compressors
- Fans
- Hydraulic units
- Lift machinery



TECHNICAL DRAWING



TECHNICAL DRAWING



PRODUCT DATA

DRAWING NO.	PART NO.	TYPE	MAX. LOAD (Kg)	MAX. THRUST LOAD (Kg)	STATIC STIFFNESS (kN)	MAX. TRUST (n)		MAX. BOLT TORQUE (Nm)
						CONTINUOUS	INTERMITTENT	
17-4944-1	10-02322	50 °IRHD	100	91	130	1100	1650	60
	10-02036	60 °IRHD	160	112	210	1650	2450	
	10-02037	70 °IRHD	220	154	280	2450	3675	

DRAWING NO.	vertical	LATERAL	LONGITUDINAL
17-4944-1	1	0.3	2.5

Cushyfoot Mounting

PRODUCT DATA

DRAWING NO.	PART NO.	TYPE	DIMENSIONS (mm)								MAX. LOAD (kg)	
			L	B	A	K	H	D	Ød	G		
17-0290-1	20-00689	45 °IRHD	122	132	90	114	72	82	13	M16	115	
050 18 001	96808	45 NR 511	121	127	90	115	72	83	11	M12	150	
	49047069	45 NR 511								M16	190	
	96806	50 NR 511								M12		
	49041129	50 NR 511								M16		
17-0290-1	10-04251	60 °IRHD	122	132	90	114	72	82	13	M16	230	
050 18 001	96809	65 NR 511	121	127	90	115	72	83	11	M12	310	
	49047070	65 NR 511								M16		
17-0290-1	10-04116	70 °IRHD	122	132	90	114	72	82	13	M16	340	
050 18 004	596744	45 NR 511	228	203	165	203	120	146	17.5	M16	500	
050 18 001	96807	75 NR 511	121	127	90	115	72	83	11	M12	530	
	49047071	75 NR 511								M16		
17-0213	10-04106	45 °IRHD	230	204	165	205	110	148	18	M16	590	
050 18 002	96802	45 NR 511	228	203	165	203	110	146	17.5	M16	650	
17-0346-1	10-04123	45 °IRHD	230	204	165	205	123	148	18	M16	630	
050 18 004	96800	58 NR 511	228	203	165	203	120	146	17.5	M16	850	
050 18 002	96805	58 NR 511									110	950
050 18 004	96920	65 NR 511									120	1250
050 18 002	96804	65 NR 511									110	
050 18 004	96801	75 NR 511									120	
17-0213	10-04104	60 °IRHD	230	204	165	205	110	148	18	M16	1250	
17-0346-1	10-04120	60 °IRHD	230	204	165	205	123	148	18	M16	1280	
050 18 002	96803	75 NR 511	228	203	165	203	110	146	17.5	M16	1600	



EH Mount

The EH is designed primarily for mobile applications where high dynamic and shock forces are encountered. Dynamic vertical movements in both the directions are restricted and excellent horizontal stability is provided.

The function of EH includes features as:

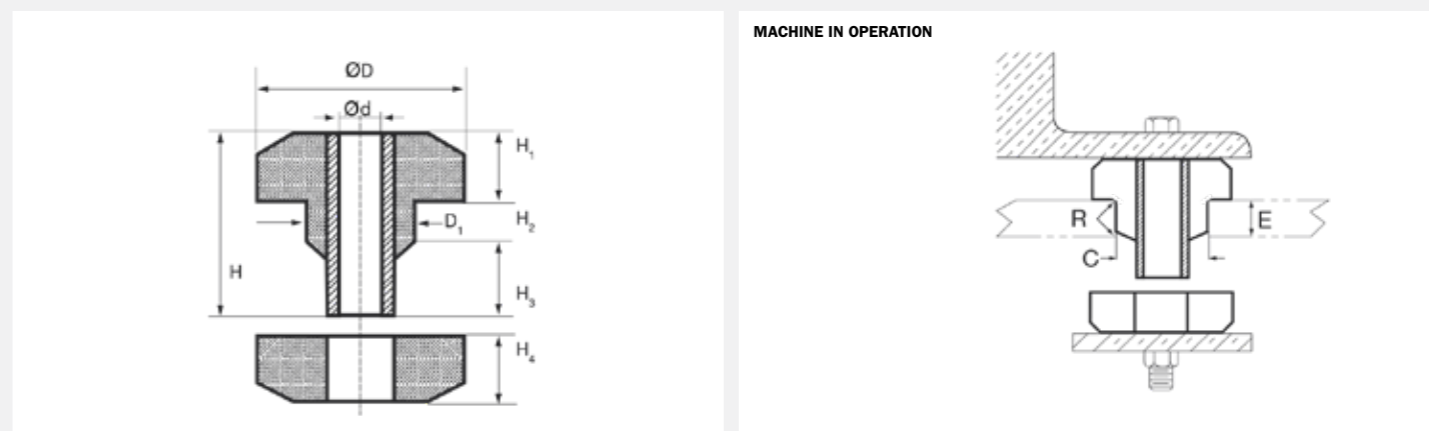
- Dynamic efficiency in all directions
- Attenuation of structure-borne noise
- Accommodation of misalignment and distortion
- Simple design-easy to install
- Fail-safe installation
- Wide load range, 40 to 1200 kg

Typical applications Include:

- Military vehicles
- Agriculture vehicles
- Construction equipment
- Transport machinery
- Industrial mobile machinery



TECHNICAL DRAWING



PRODUCT DATA

TYPE	DRAWING NO.	PART NO.	HARDNESS	DIMENSIONS (mm)												AXIAL STIFFNESS (N/mm)	MAX. LOAD (kg)	BOLT SIZE	MAX. BOLT TORQUE (Nm)	WASHER PART NO.
				Ød	ØD	ØD ₁	H	H ₁	H ₂	H ₃	H ₄	C	E	R						
EH (MO LAGER)																				
039 18 799/111		60900572	50 NR511	8.1	22	-	17	-	-	-	-	13.5	4	-	400	25	M6 8.8 / M8 5.6	9,9 / 11	-	
		60900531	50 CR 57																	
039 18 799/111		60900533	60 CR 57	8.1	22	-	17	-	-	-	-	13.5	4	-	730	45	M6 8.8 / M8 5.6	9,9 / 11	-	
EH 4850	19-0213-1	20-00621	40 °IRHD	13	50	32.6	50	20	10	20	20	31.8	15	1.5	430	60	M12	40	20-00416	
		20-01504	40 °IRHD (CR)																	
039 18 754		49011344	42 CR	13.5	48	33	50	20.5	-	-	19.5	33.5	12	-	200	80	M10 8.8 / M12 5.6	47 / 39		
EH 6463	19-0214-1	20-00619	40 °IRHD	17	64	40	62	23	14	25	23	39	22	2.3	585	90	M16	80	20-01495	
039 18 753/111		49031354	40 CR	9	33	20	30	11	-	-	11	20.5	9	-	270	97	M6 6.8 / M8 5.6	7,5 / 11	-	

EH Mount

PRODUCT DATA

TYPE	DRAWING NO.	PART NO.	HARDNESS	DIMENSIONS (mm)											AXIAL STIFFNESS (N/mm)	MAX. LOAD (kg)	BOLT SIZE	MAX. BOLT TORQUE (Nm)	WASHER PART NO.
				Ød	ØD	ØD ₁	H	H ₁	H ₂	H ₃	H ₄	C	E	R					
	039 18 755	49012351	42 CR	13.5	48	31.5	50	20.5	-	-	19.5	31.5	13	-	335	100	M10 8.8 / M12 5.6	47 / 39	-
EH 4850	19-0213-1	20-00620	60 °IRHD	13	50	32.6	50	20	10	20	20	31.8	15	1.5	865	100	M12	40	20-00416
EH 4850	19-0213-1	20-01510	60 °IRHD (CR)	13	50	32.6	50	20	10	20	20	31.8	15	1.5	865	100	M12	40	20-00416
EH 6463	19-0214-1	20-02499	50 °IRHD	17	64	40	62	23	14	25	23	39	22	2.3	900	130	M16	80	20-01495
	039 18 765	49029937	45 CR 57	9	48	33	50	20.5	-	-	19.5	33.5	13	-	340	136	M8 12.9	40	-
		49038236	50 CR 57												420	170			
EH 4850	19-0213-1	20-02656	75 °IRHD (CR)	13	50	32.6	50	20	10	20	20	31.8	15	1.5	146	175	M12	40	20-00416
	039 18 755	2129379	55 CR	13.5	48	31.5	50	20.5	-	-	19.5	31.5	13	-	600	180	M10 8.8 / M12 5.6	47 / 39	-
	039 18 754	511454	64 CR			33						33.5	12	470	190				
EH 6463	19-0214-1	20-00618	60 °IRHD	17	64	40	62	23	14	25	23	39	22	2.3	1420	200	M16	80	20-01495
EH 9075	19-0727-1	20-00617	40 °IRHD	23	89	58	73	25	19	29	25	57.2	28	3	1056	200	M22	200	20-00533
	039 18 768	49038161	45 CR	16.7	64.8	40.1	61.7	22.9	-	-	22.9	40.6	20	-	545	220	M12 5.6	39	-
EH 9075	19-0727-1	20-02835	45 °IRHD (CR)	23	89	58	73	25	19	29	25	57.2	28	3	1330	230	M22	200	20-00533
	039 18 773	49043630	50 CR	14	64.8	-	61.7	-	-	-	-	40.6	20	-	650	260	M12 10.9	105	-
	039 18 765	49038235	60 CR 57	9	48	33	50	20.5	-	-	19.5	33.5	13	-	730	290	M8 12.9	40	-
EH 9075	19-0727-1	20-02836	50 °IRHD (CR)	23	89	58	73	25	19	29	25	57.2	28	3	1800	295	M22	200	20-00533
EH 6463	19-0214-1	20-01860	70 °IRHD	17	64	40	62	23	14	25	23	39	22	2.3	2087	300	M16	80	20-01495
	039 18 755	511452	64 CR	13.5	48	31.5	50	20.5	-	-	19.5	31.5	13	-	1030	310	M10 8.8 / M12 5.6	47 / 39	-
EH 9075	19-0727-1	20-02837	55 °IRHD (CR)	23	89	58	73	25	19	29	25	57.2	28	3	2200	370	M22	200	20-00533
	039 18 755	49003069	75 CR	13.5	48	31.5	50	20.5	-	-	19.5	31.5	13	-	1300	390	M10 8.8 / M12 5.6	47 / 39	-
	039 18 766	49042472	45 CR 57	21	89	58.4	73	25.4	-	-	23	58.9	29	-	980	390	M16 5.8 / M20 4.6	126 / 147	-
		49033624	45 CR 57																INCLUDED
	039 18 773	60905067	60 CR	14	64.8	-	61.7	-	-	-	-	40.6	20	-	1000	400	M12 10.9	105	-
	039 18 766	49042473	50 CR 57	21	89	58.4	73	25.4	-	-	23	58.9	29	-	1060	420	M16 5.8 / M20 4.6	126 / 147	-
		49036771	50 CR 57																INCLUDED
EH 9075	19-0727	20-00616	60 °IRHD	23	89	58	73	25	19	29	25	57.2	28	3	2400	450	M22	200	20-00533
		20-01508	60 °IRHD (CR)																
	039 18 765	49038234	75 CR 57	9	48	33	50	20.5	-	-	19.5	33.5	13	-	1160	460	M8 12.9	40	-
	039 18 768	49038160	60 CR	16.7	64.8	40.1	61.7	22.9	-	-	22.9	40.6	20	-	1230	490	M12 5.6	39	-
	039 18 753/111	49044363	75 CR	9	33	20	30	11	-	-	11	20.5	9	-	1450	522	M6 6.8 / M8 5.6	7,5 / 11	-
	039 18 766	49042474	60 CR 57	21	89	58.4	73	25.4	-	-	23	58.9	29	-	1600	640	M16 5.8 / M20 4.6	126 / 147	-
		49036770	60 CR 57																INCLUDED
EH 1127	13-4109-1	20-02876	70 °IRHD	37.8	124	64.8	85.9	31.8	22.3	31.8	31.8	64	31.8	4	6497	1750	M24	300	CONTACT FOR DETAILS
	039 18 766	49042475	75 CR 57	21	89	58.4	73	25.4	-	-	23	58.9	29	-	5200	2000	M16 5.8 / M20 4.6	126 / 147	-
		49036769	75 CR 57																INCLUDED
	039 18 774	49045418	60 CR	25	124	-	87	-	-	-	-	64.5	28	-	5612	2250	M20 5.6 / M24 4.6	184 / 255	-

Equi-frequency Mounting – Small



This is a general purpose low-profile mount for use where space is restricted. Best suited for stationary applications. May also be used to protect delicate or sensitive equipment from shock or disturbances.

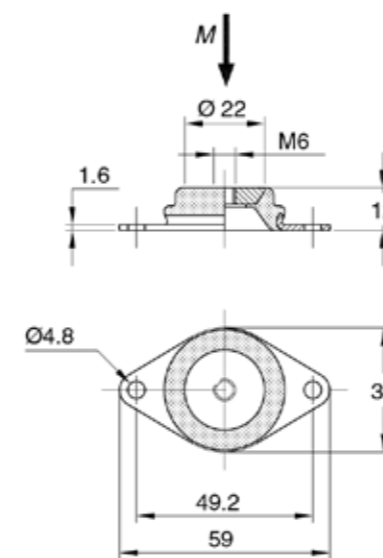
Each design has the same stiffness in vertical and horizontal directions and can be used as small anti-shock mounting when static loadings are derated.

Typical Applications:

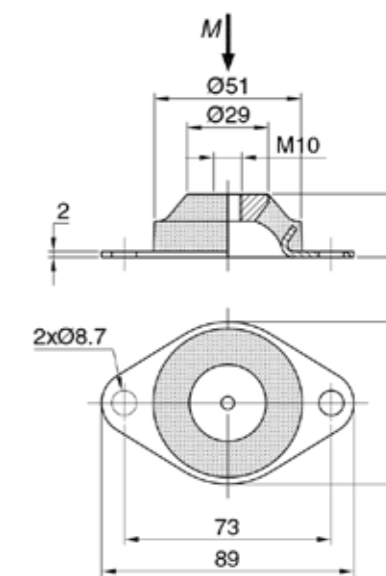
- Instrumental panels
- Small fan sets
- Small vacuum pumps
- Small reciprocating engines

TECHNICAL DRAWING

17-1566



17-0389



PRODUCT DATA

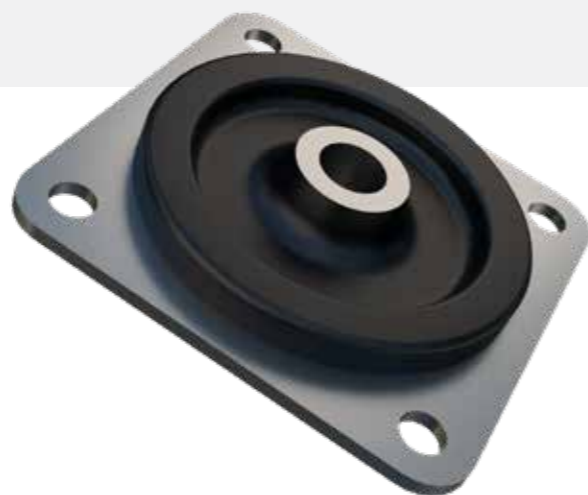
DRAWING NO.	PART NO.	TYPE	MAX. LOAD (kg)	STIFFNESS (N/mm)	MAX. BOLT TORQUE (Nm)
17-1566	10-00529	45 °IRHD	11	75	7
	10-00530	60 °IRHD	22	130	
17-0389-5	10-00406	45 °IRHD	27	100	20
	10-00407	60 °IRHD	54	180	

Flanged Instrumounting

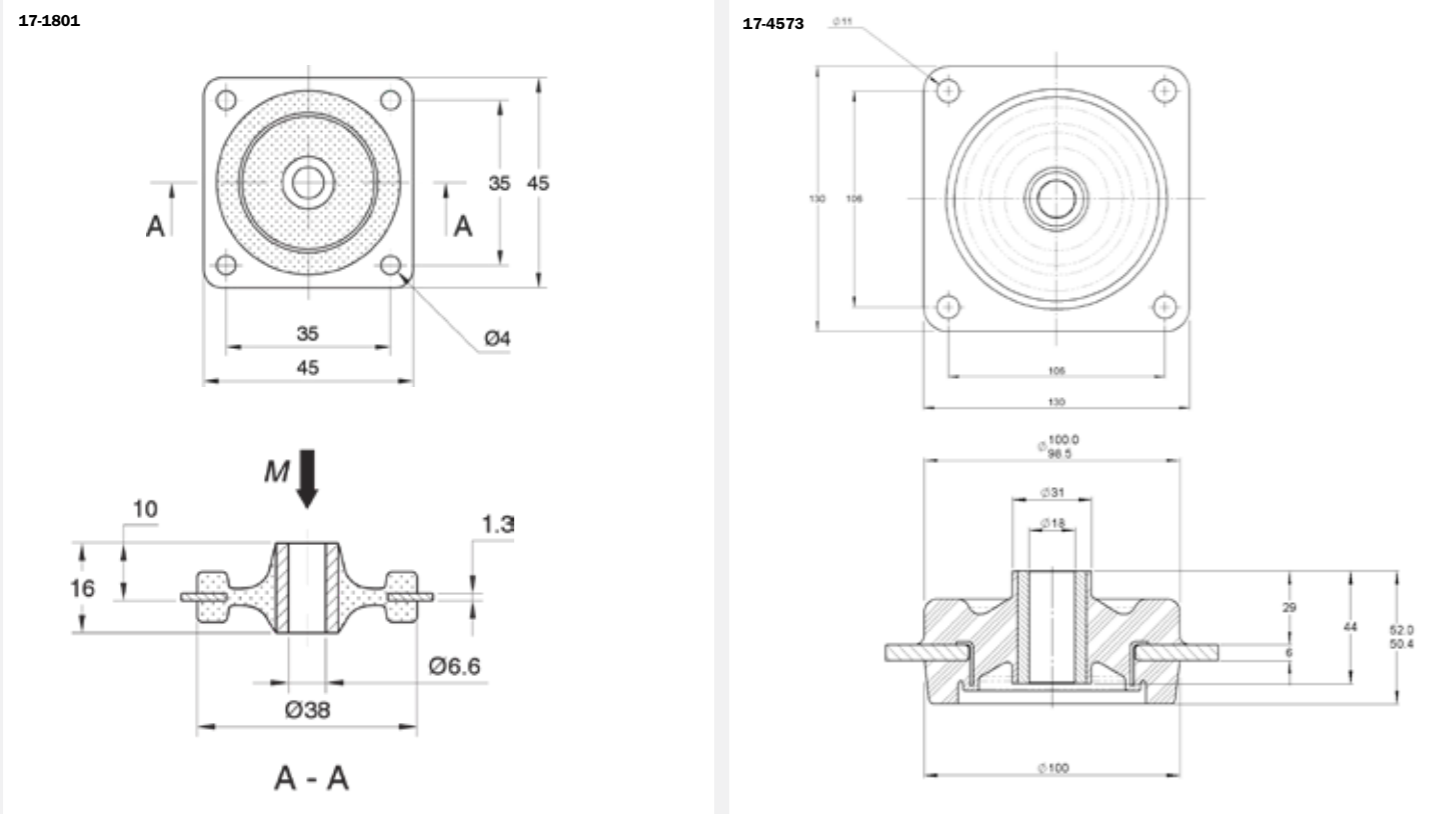
This mount is suitable for both mobile and static applications, for the protection of sensitive equipment from external vibration or for vibration isolation. Flanged instrumountings can become fail-safe if fitted with a washer to the top and bottom of the rubber section.

Typical Applications:

- Small fan sets
- Transformers
- Sensitive equipment



TECHNICAL DRAWING



PRODUCT DATA

DRAWING NO.	PART NO.	TYPE	MAX. LOAD (kg)
17-1801	10-00583	45 °IRHD	2.7
	10-00584	60 °IRHD	5.4
17-4573	10-04819	45 °IRHD	75
	10-04820	60 °IRHD	150

GK Mount

The GK Mount is specifically designed for isolation of heavy machinery with low interfering frequencies. It is widely used under concrete foundations supporting heavy machinery.

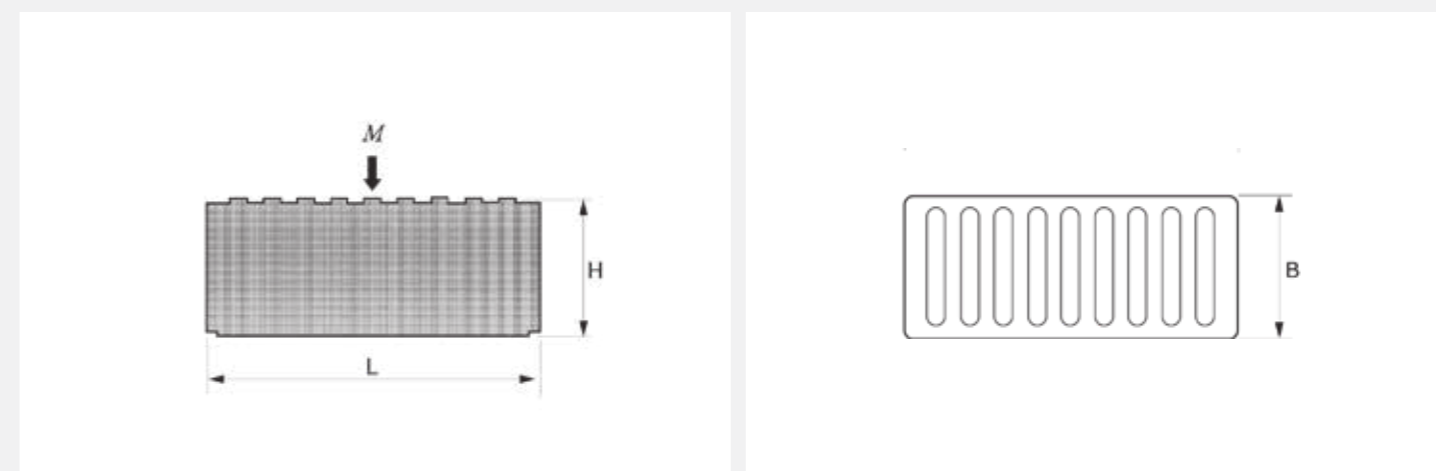
The long narrow section enables the GK to be suitable for fitting under a universal structural framing. Type GK is a heavy duty mounting with excellent flexible characteristics in both vertical and lateral planes. Deflection up to 30mm is possible, making the GK suitable for installations with low disturbing frequencies. Installation is simple, eliminating traditional methods of attachment to machinery or support structure.

Typical Applications Include:

- Mixers
- Converters
- Paper mills
- Gearboxes
- Industrial fans
- Sound enclosures
- Floating structures



TECHNICAL DRAWING



PRODUCT DATA

DRAWING NO.	PART NO.	TYPE	DIMENSIONS (mm)			MAX. LOAD (kg)
			L	B	H	
15-4041	10-00085	GK0-60	195	175	150	1800
15-4041	10-00101	GK0-60	195	175	150	3800
15-4042	10-00008	GK1-40	400	175	150	4000
15-4042	10-00009	GK1-60	400	175	150	8000

Height Adjusters

Height Adjusters (HA) are available in various sizes to suit the small and medium range of Trelleborg AVS mountings. It allows mounts to be retrofitted to existing installations where original spares are unobtainable.

The HA range are made in corrosion protected grade 8 steel. The steel is zinc plated. The Height Adjuster is supplied complete with washer and nut for fastening to the mounting and two nuts and a lock washer for the engine foot fastening. The Height Adjusters allow ease of aligning when installing equipment.

When installing secure the bolt into the mounting, it is recommended to apply thread lock adhesive. For optimum solutions where close coupling tolerances are required, allow the mountings to settle for 48 hours before final alignment of the engine installation.

Notes: For all applications with Thrust loads HAD type height adjusters must be used. Table to show maximum height. On request, Trelleborg AVS application engineers can make the necessary calculations for the Anti Vibration and Shock Systems using Vibratio Software.



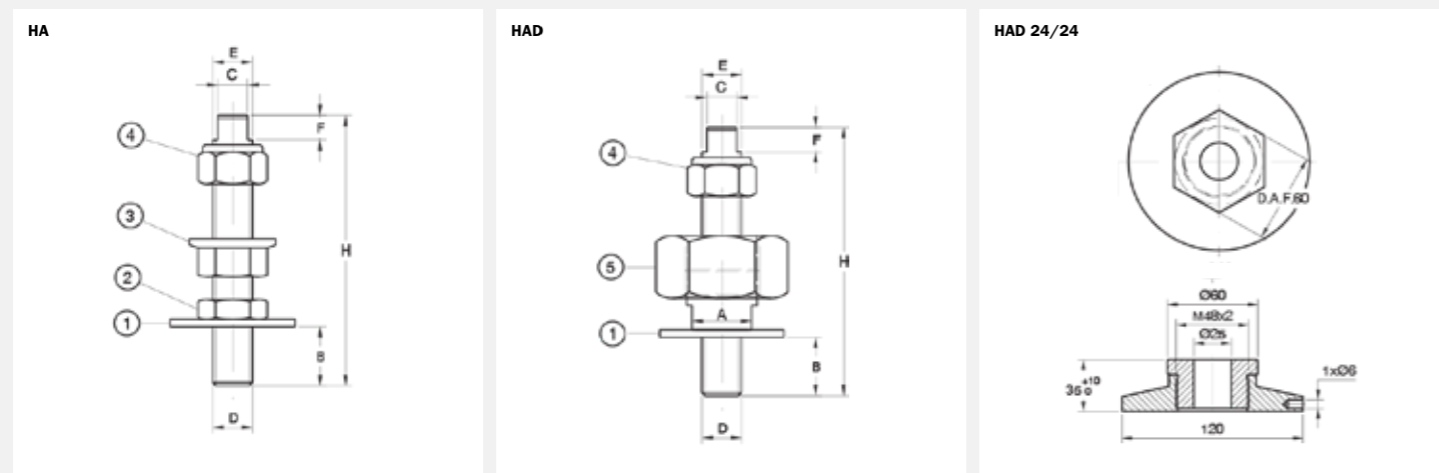
Height Adjusters

PRODUCT DATA

DRAWING NO.	PART NO.	TYPE	DIMENSIONS (mm)							WASHER (1)	HEXAGON THIN NUT (2)	HEXAGON FLANGE NUT (3)	LOCK NUT PLASTIC INSERT (4)	FINE THREAD ADJUSTING UNIT (5)
			H	D	E	A	B	C	F					
18-2210F	20-00513	HAD 12/16	105	M12	M16	D.A.F.24	20	D.A.F.12	10	44*15*3	-	-	M16	M30*1.5
18-2210G	20-00514	HAD 16/16	110	M16	M16	D.A.F.24	24	D.A.F.12	10	50*15*3	-	-	M16	M30*1.5
18-2210H	20-00515	HAD 16/20	130	M16	M20	D.A.F.27	24	D.A.F.12	10	56*20*4	-	-	M20	M36*2
18-2210J	20-00516	HAD 20/20	135	M20	M20	D.A.F.27	30	D.A.F.12	10	60*21*4	-	-	M20	M36*2
18-2210K	20-00517	HAD 24/24	SEE DRAWING											
033 18 710	49018052	-	135	M12	M20X1,5	-	15	SW8	10	B13 DIN 9021	SW19	-	SW18	SW30
033 18 709	49039256	-	135	M16	M24X1,5	-	20	SW12	10	B17 DIN 9021	SW22	-	SW24	SW36
033 18 708	49011255	-	135	M20	M33X2	-	25	SW15	10	B22 DIN 9021	SW27	-	SW30	SW50
033 18 707	49039258	-	160	M24	M36X1,5	-	30	SW18	10	B26 DIN 9021	SW27	-	SW36	SW55

Notes: For all applications with Thrust loading, it is recommended that the HAD type height adjusters must be used. On request, Trelleborg AVS application engineers can make the necessary calculations for the Anti Vibration and Shock Systems using Vibratio Software. For optimum solutions where close coupling tolerances are required, allow the mountings to settle for 48 hours before final alignment of the engine installation. For securing the bolt into the mounting, it is recommended threadlock be applied.

TECHNICAL DRAWING



PRODUCT DATA

DRAWING NO.	PART NO.	TYPE	DIMENSIONS (mm)							WASHER (1)	HEXAGON THIN NUT (2)	HEXAGON FLANGE NUT (3)	LOCK NUT PLASTIC INSERT (4)	FINE THREAD ADJUSTING UNIT (5)
			H	D	E	A	B	C	F					
18-2210A	40-04704	HA 12/12	95	M12	M12	-	20	D.A.F.8	8	37*12*3	M12	M12	M12	-
38-1600H	40-06068	HA 12/16	105	M12	M16	-	20	D.A.F.12	10	44*15*3	M16	M16	M16	-
18-2210C	40-04705	HA 16/16	110	M16	M16	-	24	D.A.F.12	10	50*15*3	M16	M16	M16	-
18-2210D	20-00511	HA 16/20	130	M16	M20	-	24	D.A.F.12	10	56*20*4	M20	M20	M20	-
18-2210E	40-02515	HA 20/20	135	M20	M20	-	30	D.A.F.12	10	60*21*4	M20	M20	M20	-

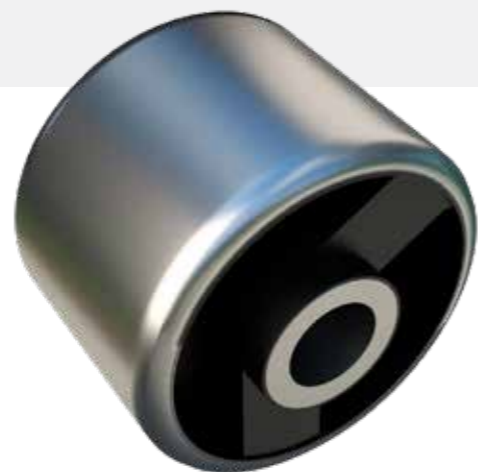


Hydro Bush

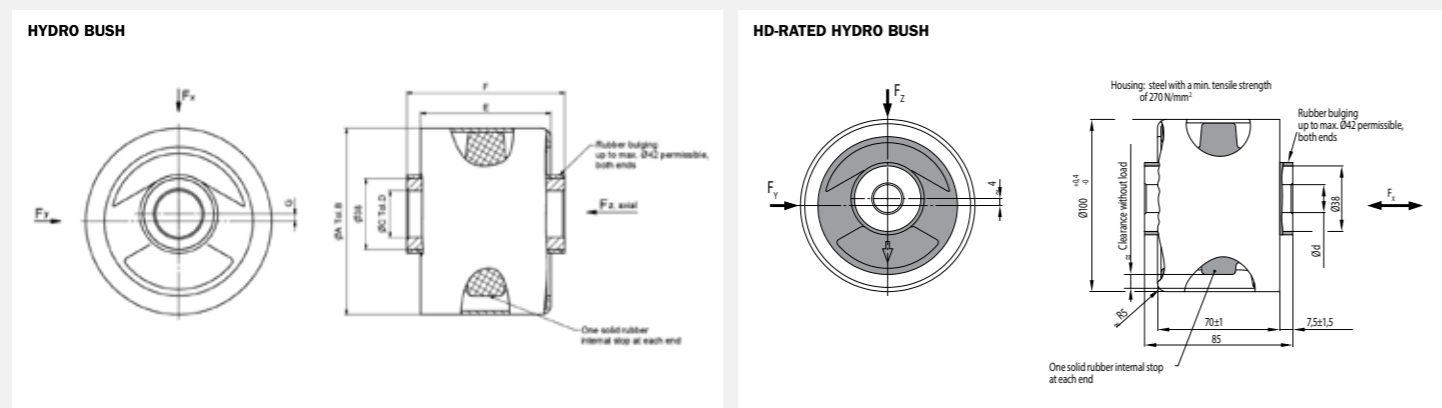
Hydro bushes are elastomer springs with integrated hydraulic damping. Suitable for mountings of combustion engines, cabs, pumps and compressors, mainly in agricultural machines and construction machinery. They are specifically suited when low frequencies occur as excitation frequency in the mount system. They achieve a high damping in the natural frequency range of the system as well as gut isolation properties above this range. All Hydro Bushes are galvanised to give extra resistance against corrosion.

Typical Applications Include:

- Engine mounts
- Cab mount
- Pumps
- Compressors
- Industrial fans
- Sound enclosures
- Floating structures



TECHNICAL DRAWING



PRODUCT DATA

DRAWING NO.	PART NO.	TYPE	DIMENSIONS (mm)				AXIAL		RADIAL (Z)		RADIAL (Y)	
			HOUSING		Ød	TOLERANCE FOR Ød	STIFFNESS (N/mm)	MAX. LOAD (kg)	STIFFNESS (N/mm)	MAX. LOAD (kg)	STIFFNESS (N/mm)	MAX. LOAD (kg)
			ØD	TOLERANCE FOR ØD								
HYDRO BUSH												
046 18 013	95573	35 NR 11	100	+0.4/ -0	25	+0.087/ -0	110	55	220	110	300	150
046 18 708	507315	45 NR 11	100	+0.4/ -0	32	+0.087/ -0	220	110	320	160	600	300
046 18 014	595574	45 NR 11	100	+0.4/ -0	25	+0.087/ -0	220	110	320	160	600	300
046 18 015	595575	55 NR 11	100	+0.4/ -0	25	+0.087/ -0	330	165	500	250	830	415
046 18 714	49022864	55 NR 11	100	+0.4/ -0	32	+0.087/ -0	330	165	500	250	830	415
046 18 016	595576	62 NR 11	100	+0.4/ -0	32	+0.087/ -0	425	215	685	345	1070	535
046 18 017	95676	68 NR 11	100	+0.4/ -0	32	+0.087/ -0	520	260	840	420	1300	650
046 18 711	49022801	35 NR 11	100	+0.4/ -0	32	+0.087/ -0	110	550	220	110	300	150
HD-RATED HYDRO BUSH												
046 18 713	49022863	45 NR 11	100	+0.4/ -0	32	+0.087/ -0	220	110	320	160	600	300
046 18 705	477895	55 NR 11	100	+0.4/ -0	32	+0.087/ -0	330	165	500	250	830	415
046 18 715	49022865	62 NR 11	100	+0.4/ -0	32	+0.087/ -0	425	215	685	345	1070	535
046 18 702	600984	68 NR 11	100	+0.4/ -0	32	+0.087/ -0	520	260	840	420	1300	650
046 18 712	49022862	35 NR 11	100	+0.4/ -0	32	+0.087/ -0	110	550	220	110	300	150

Hydro Mount DL

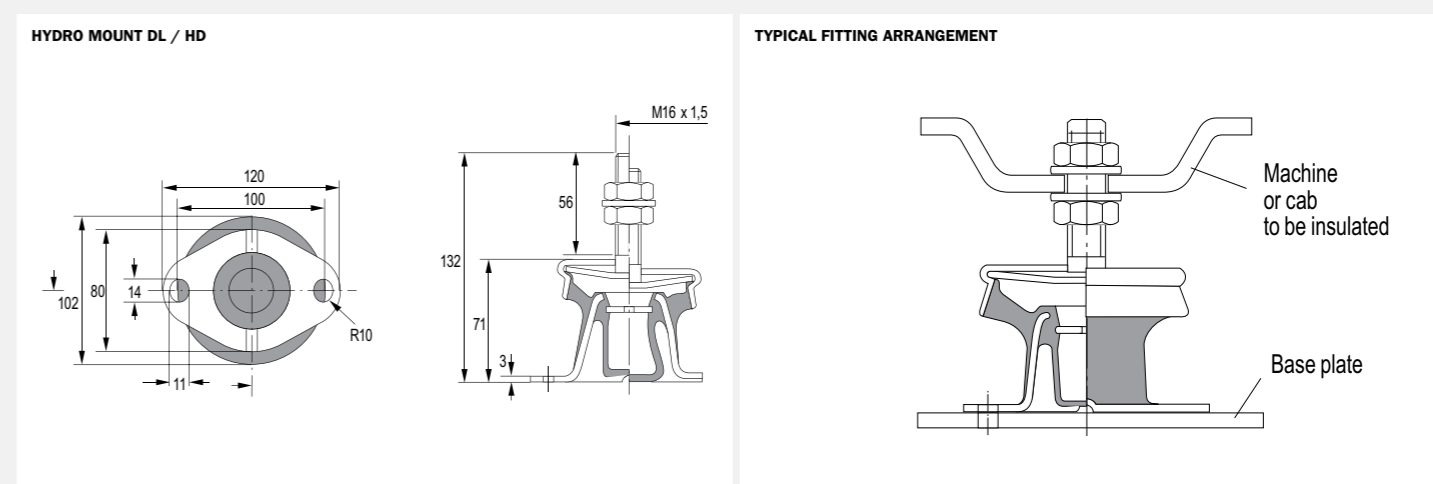
The Hydro Mount DL, as a hydraulically damping rubber mount, solved the designer's conflict of how to mount a mass that is excited by wide frequency spectrum. Particularly if low frequencies – between 5 Hz and 15 Hz – can occur as the excitation frequency, on the one hand high damping in the natural frequency range of the system, and on the other, a good isolation property above this natural frequency (supercritical mounting) is necessary.

Typical Applications Include:

- Pumps
- Compressors
- Utility vehicle engine mount
- Marine engine mount
- Driver cab mount



TECHNICAL DRAWING



PRODUCT DATA

DRAWING NO.	PART NO.	TYPE	AXIAL		RADIAL		CORROSION PROTECTION
			STIFFNESS AT SZ=2.5 mm (N/mm)	MAX. LOAD (kg)	STIFFNESS AT SZ=5 mm (N/mm)	MAX. LOAD (kg)	
HYDROMOUNT DL							
036 18 026	93638	50 NR 11	142	70	143		Black Coated
036 18 028	93639	55 NR 11	243	120	200		Black Coated
036 18 029	93640	60 NR 11	350	170	230		Black Coated
HYDROMOUNT DL (HD*)							
036 18 702	49022858	50 NR 11	142	70	143		Black Coated
036 18 701	2129442	55 NR 11	243	120	200		Black Coated
036 18 700	511065	60 NR 11	350	170	230		Black Coated

*HD stands for High durability at high amplitudes.

Hydro Mount VL

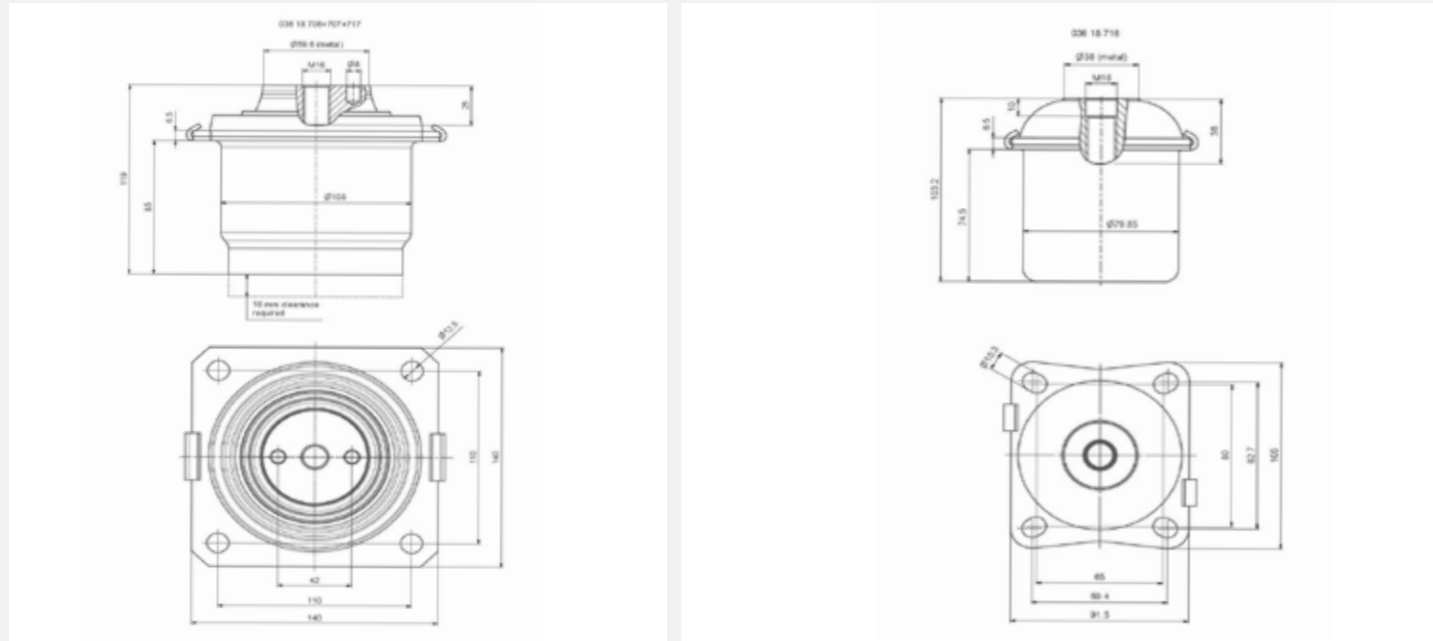
The mount design, the chosen fluid and the hydraulic mechanism provide the characteristic wide-band damping. In cases with remote excitation frequencies in the lower frequency range, the use of this hydro mount permits an optimal mounting. By precise reduction of the fluid chamber stiffness of one of the chambers, a significantly improved compromise of effective vibration reduction and structure-borne sound isolation is achieved as opposed to the hydro mounts without this design.

Typical Applications Include:

- Agriculture engines
- Construction vehicle engines
- Industrial vehicles
- Forest machinery
- Pumps and compressors



TECHNICAL DRAWING



PRODUCT DATA

DRAWING NO.	PART NO.	TYPE	AXIAL		RADIAL (X)
			STIFFNESS (N/mm)	MAX. LOAD (kg)	STIFFNESS (N/mm)
036 18 716	60901792	40 NR 11	380	305	900 (AT SZ=4MM, SX=1,5MM)
	60900463	50 NR 11	640	510	1700 (AT SZ=4MM, SX=1MM)
	60901793	60 NR 11	970	780	2850 (AT SZ=4MM, SX=1,5MM)
	60901794	70 NR 11	1420	1130	3560 (AT SZ=4MM, SX=1,5MM)
15.10004	54002265	40 SHA	49	30	15
15.10005	54002266	45 SHA	159	75	45
15.10006	54002267	55 SHA	228	187.5	58
15.10008	54002269	60 SHA	268	220	100
15.10007	54002268	70 SHA	420	330	170

Hydro Mount VL

PRODUCT DATA

DRAWING NO.	PART NO.	TYPE	AXIAL		RADIAL (X)
			STIFFNESS (N/mm)	MAX. LOAD (kg)	STIFFNESS (N/mm)
036 18 707	49039040	40 NR 11	210	210	270
	49039041	45 NR 11	270	270	350
	49039082	50 NR 11	300	300	450
	49039083	55 NR 11	360	360	600
	49039084	60 NR 11	480	480	830
	49039085	65 NR 11	570	570	1100
036 18 706	60901160	70 NR 11	650	650	1450*
	49039034	40 NR 11	300	300	500
	49039035	45 NR 11	390	390	650
	49039036	50 NR 11	460	460	800
	49039037	55 NR 11	550	550	1100
	49039038	60 NR 11	700	700	1500
	49039039	65 NR 11	880	880	1950



Instrument Mount

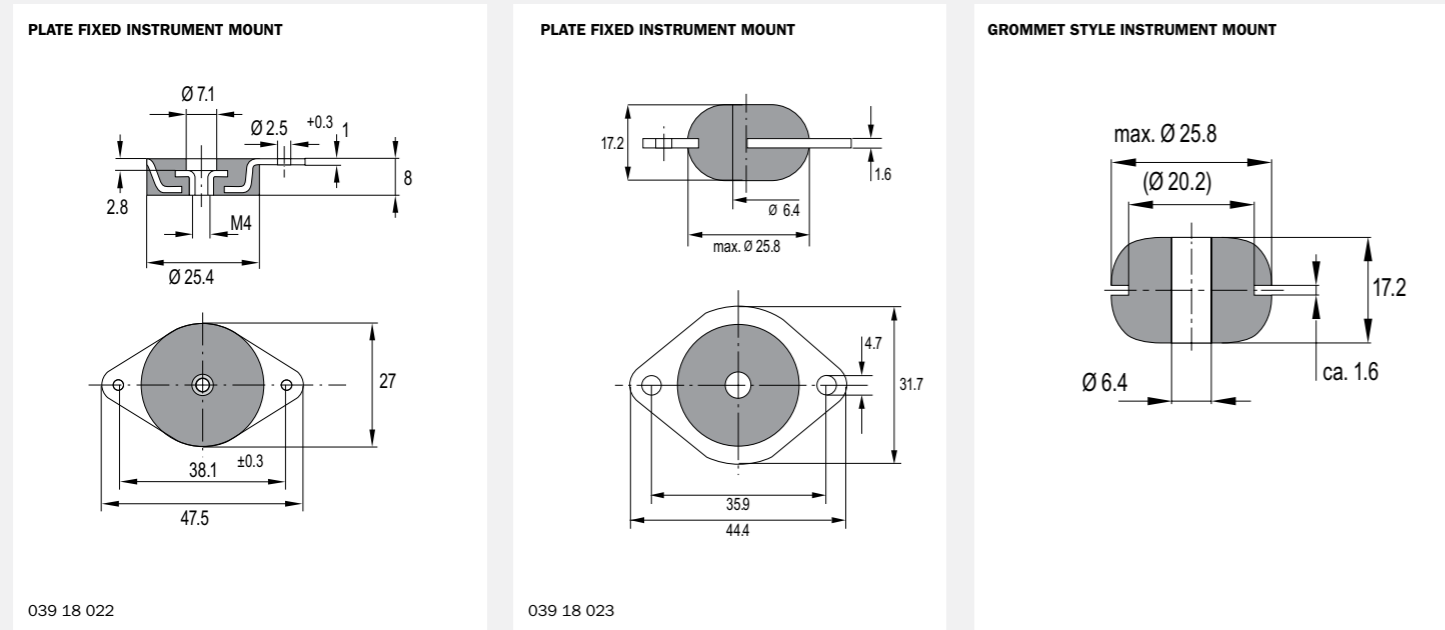
Instrument mounts are utilised for vibration insulation of electronic components, measuring devices and precise mechanical apparatuses and for instrument panels or control panels in industrial applications. A common requirement of these mounts is that they keep vibrations or shock loads introduced via the anchorages away from the instrument or device. The mounts help to protect sensitive instruments from external shock loads in mobile and non mobile use.

Typical Applications Include:

- Small electrical engines
- Electrical pumps



TECHNICAL DRAWING



PRODUCT DATA

DRAWING NO.	PART NO.	TYPE	AXIAL		RADIAL	
			STIFFNESS (N/mm)	MAX. LOAD (kg)	STIFFNESS (N/mm)	MAX. LOAD (kg)
PLATE FIXED INSTRUMENT MOUNT						
039 18 022	93657	40 NR511	240	12	200	20
039 18 023	93658	40 NR511	40	8	20	4.5
039 18 023	93659	50 NR511	65	13	40	7.5
039 18 023	93660	65 NR511	130	26	70	13
GROMMET STYLE INSTRUMENT MOUNT						
039 18 751	49039880	40 NR511	40	8	20	4.5
039 18 751	49039881	50 NR511	65	13	40	7.5
039 18 751	49039902	65 NR511	130	26	70	13

Level Mount (TF)

The Level Mount is installed in minutes by following the instructions provided. There is no need to fix the machine to the floor since the rubber base of the mounting keeps the machines in place. Whenever necessary, the machine can be easily re-positioned. The level is adjusted with load applied.

The rubber element of the level mount is oil and chemical resistant. All metal parts are zinc-plated and chromated for protection against corrosion.

Models TF 250, TF 600 and TF 1200 are also available in S/S (ISO 2604/11, BS 3605:1).

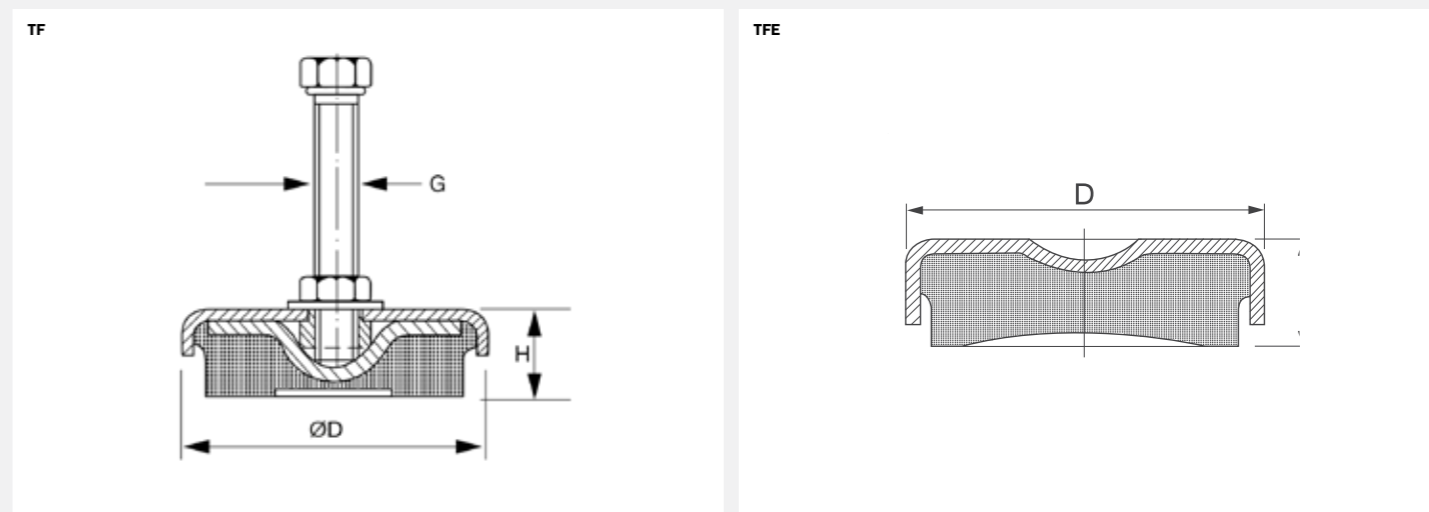
The mount, with level adjuster, is suitable for a wide range of free standing workshop machines.

Typical Applications Include:

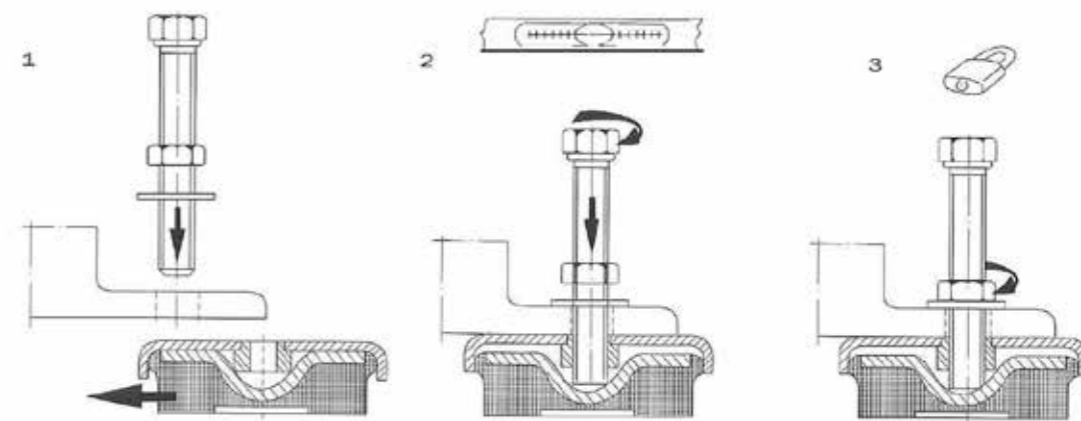
- Lathes and Milling machines
- Grinding machines
- Presses
- Plate shears
- Nibbling machines
- Punches and cutters



TECHNICAL DRAWING



INSTALLATION INSTRUCTIONS

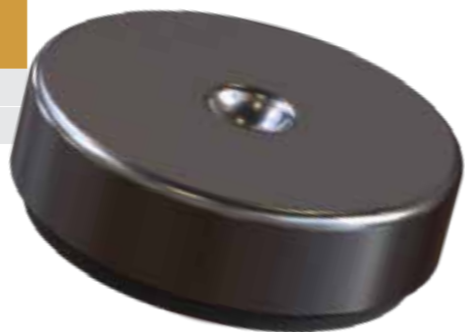


Level Mount (TF)

PRODUCT DATA

DRAWING NO.	PART NO.	TYPE	DIMENSIONS (mm)			OVERALL BOLT LENGTH (mm)	MAX. LOAD (Kg)
			ØD	H	G		
TF MOUNT							
050 18 023	96504	45 NBR 68	80	30	M12	80	120
	96505	60 NBR 68					200
19-0588	20-00623	TF 250	69	23	M12	100	250
19-0589	20-00678	TF 250 S/S					
050 18 023	96506	70 NBR 68	80	30	M12	80	300
	96507	75 NBR 68					350
050 18 020	96496	45 NBR 68	120	37	M12	100	500
	96497	55 NBR 68					600
19-0583	20-00624	TF 600	81	25	M12	100	600
19-0585	20-00679	TF 600 S/S					
050 18 020	96498	65 NBR 68	120	37	M12	100	800
	20-00625	TF 1200					
19-0578	20-00680	TF 1200 S/S	108	29	M16	100	1200
050 18 021	96499	45 NBR 68	160	41	M16	120	920
050 18 704	49039496	45 NBR 68					140
050 18 021	96500	65 NBR 68					120
050 18 704	49039497	65 NBR 68					140
050 18 021	96501	70 NBR 68					120
050 18 704	49014539	70 NBR 68					140
050 18 022	96502	75 NBR 68					185
050 18 022	96503	85 NBR 68					185
19-0591	20-00626	TF 3000	151	35	M20	120	3000
19-0596	20-00627	TF 4000	170	39	M20	120	4000
19-0598	20-00628	TF 6000	205	44	M24	150	6000

DRAWING NO.	PART NO.	TYPE	DIMENSIONS (mm)		MAX. LOAD (kg)
			ØD	H	
TFE MOUNT					
19-0571	20-00629	TFE 601	80	25	800



Low Frequency Mountings

The Low Frequency mounts are designed for shear as well as compressive loads. Continual tensile load should be avoided.

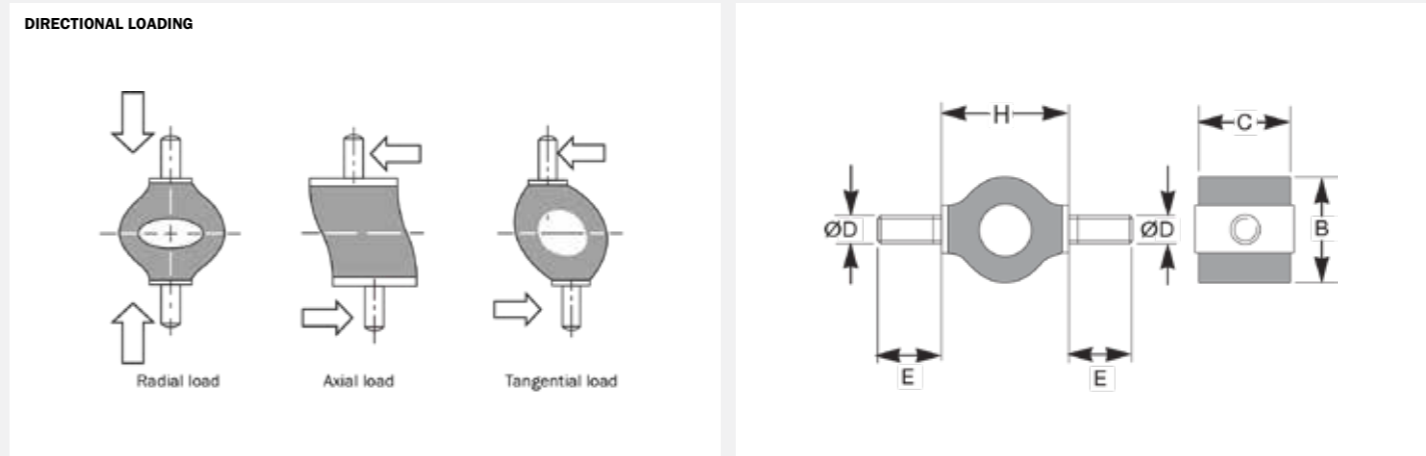
These antivibration mounts are designed to give large deflection for small loads and are used to protect suspended equipment against vibration and impact.

Typical applications Include:

- Light instruments
- Light fans and compressors
- Computer and electronic units
- Shock mounting for light applications



TECHNICAL DRAWING



PRODUCT DATA

DRAWING NO.	PART NO.	TYPE	DIMENSIONS (mm)					MAX. LOAD (Kg)			MAX. TORQUE (Nm)
			H	B	C	ØD	E	COMPRESSION	SHEAR	ROLLING SHEAR	
LOW FREQUENCY MOUNT (O-SHAPED)											
17-1394	20-00018	60 °IRHD	17	14	13	M4	10	1.8	0.5	0.4	1.6
055 18 001	96740	40 NR511	18	14	15	M4	7	2	0.95	0.45	1.3
	96741	45 NR511						2.5	1.2	0.6	
17-1395	20-00020	45 °IRHD	30	25	19	M5	14	3.1	1.0	0.8	3.2
055 18 002	96757	40 NR511	30	25	22	M5	10	3.2	2	1.3	2.7
	96755	45 NR511						4	2.5	1.7	
17-1395	20-00021	60 °IRHD	30	25	19	M5	14	5.6	1.5	1.2	3.2
055 18 001	49023642	60 NBR 68	18	14	15	M4	7	6	2.8	1.5	1.3
	96761	65 NR511									
17-1396	20-00022	45 °IRHD	38	35	25	M6	15	8.7	3.1	2.5	8.3
055 18 003	96743	45 NR511	38	36	28	M6	9.5	9.5	5	2.7	4.7

Low Frequency Mountings

PRODUCT DATA

DRAWING NO.	PART NO.	TYPE	DIMENSIONS (mm)					MAX. LOAD (Kg)			MAX. TORQUE (Nm)
			H	B	C	ØD	E	COMPRESSION	SHEAR	ROLLING SHEAR	
055 18 703	477967	60 EPDM 22	30	25	22	M5	10	11	7	3.5	2.7
055 18 002	96742	65 NR511									
17-1396	20-00023	60 °IRHD	38	35	25	M6	15	12.7	4.6	3.6	8.3
055 18 003	96750	65 NR511					9.5				
055 18 700	500640	65 NR511	38	36	28	M6	15	21.5	11	5.5	4.7
	49002215	60 EPDM 22									



M Mounting

The M-Mounting is ideal for applications involving isolation of low frequency vibration on all planes. Also suitable for shock attenuation due to the designed ability to offer large deflections. Provides passive vibration isolation on electronic instruments, measuring equipment and test cells.

The M mount is specifically designed to give large deflection at low loads. Although the mount design allows high deflection, the mountings are compact in weight and easy to install.

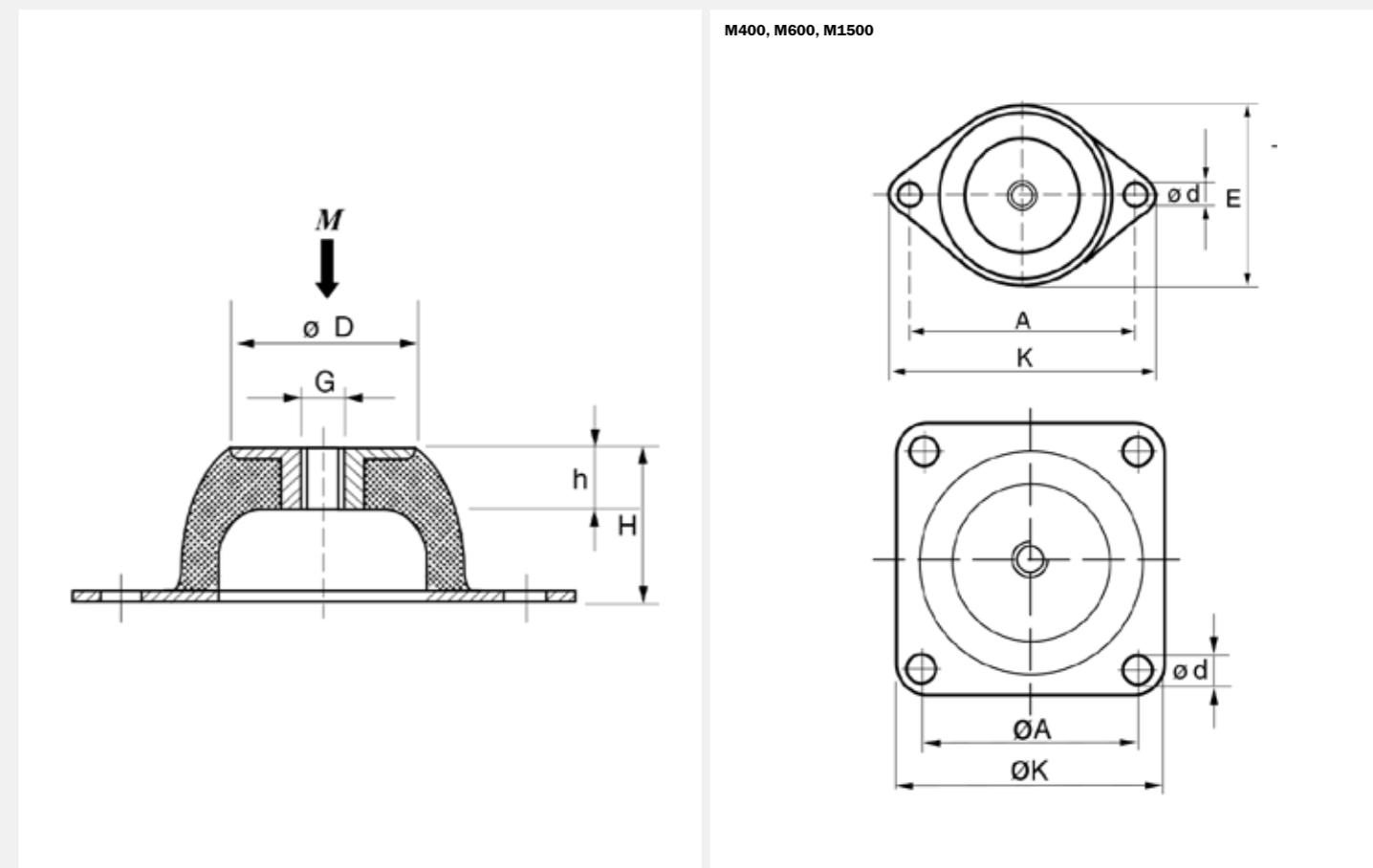
The M mounts are a high performance antivibration mount with a number of advantages:

- Tight tolerance on dynamic stiffness rates for accurate vibration calculations
- Wide load rating options, 3.5-2500 kg
- Corrosion protected to cope with arduous environments on land or marine applications (ISO 2081)

When using M mount together with the height adjuster HA, it is necessary to use a washer. The diameter of the washer must be 20% larger than the diameter of the upper plate (D).



TECHNICAL DRAWING



M Mounting

PRODUCT DATA

TYPE	DRAWING NO.	PART NO.	HARDNESS	DIMENSIONS (mm)								MAX. LOAD (Kg)	MAX. BOLT TORQUE (Nm)
				ØD	E	A	K	H	h	Ød	G		
M 7	17-4056	10-00139	40 °IRHD	18	43	50	64	20	7	7	M6	3.5	7
	17-4057	10-00140	60 °IRHD									9	
M 25	17-4047	10-00094	40 °IRHD	33	56	66	85	25	11	8	M8	20	15
	17-4048	10-00095	60 °IRHD									50	
M 50	17-4052	10-00096	40 °IRHD	45	76	92	114	35	14	10	M10	40	20
	17-4053	10-00097	60 °IRHD									80	
M 100	17-4041	10-00100	40 °IRHD	53	96	110	136	40	15	11.5	M10	70	20
	17-4042	10-00099	60 °IRHD									150	
M 200	174044	10-00102	40 °IRHD	58	101	124	151	45	13	11.5	M10	130	20
	17-4045	10-00103	60 °IRHD									220	
M 400	17-4050	10-00104	40 °IRHD	78	-	120	150	63	18	14.5	M12	280	25
	17-4051	10-00105	60 °IRHD									500	
M 600	17-4054	10-00080	40 °IRHD	100	-	160	200	85	25	14.5	M16	380	50
	17-4055	10-00081	60 °IRHD									750	
M 1500	17-4043	10-00082	40 °IRHD	186	-	250	310	160	43	18	M24	1400	200
	17-4049	10-00083	60 °IRHD									2500	

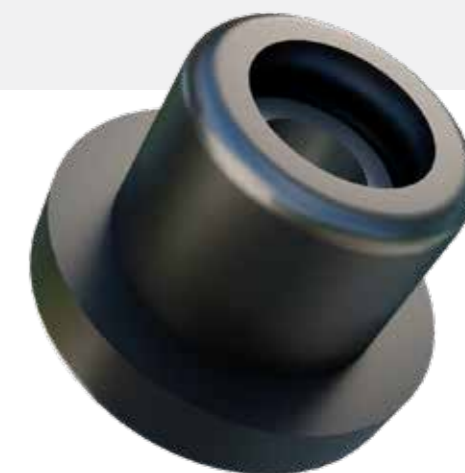


MCR Mount

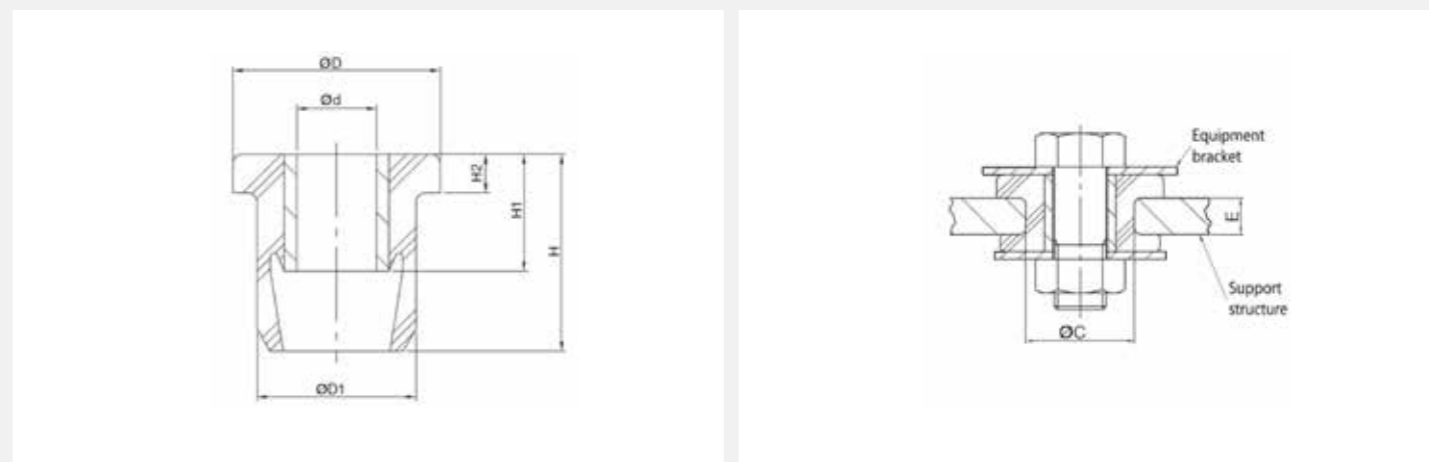
MCR mountings are designed for mobile applications where the disturbing frequencies are high and restricted movement is needed. The MCR mount is an easy to install single part mount that can be used to take up small bracket and chassis misalignments, it provides isolation of high frequency vibration and offers shock protection of vehicle mounted equipment.

Typical Applications Include:

- Exhaust system
- Radiator mounting
- Ancillary pumps



TECHNICAL DRAWING



PRODUCT DATA

TYPE	DRAWING NO.	PART NO.	TYPE	DIMENSIONS (mm)										MAX. LOAD (Kg)	BOLT SIZE	MAX. BOLT TORQUE (Nm)	WASHER PART NO.
				ØD	Ød	ØD ₁	H	H ₁	H ₂	E	ØC	R					
MCR 27-1908	19-0266	20-00832	40 °IRHD	27.5	10	20	25.5	15.5	5	8	19	1.5	35	M10	30	20-00531	
		20-01129	45 °IRHD										40				
		20-00831	60 °IRHD										55				
MCR 45-2810	11-1196	20-00782	45 °IRHD	45	13	31.5	32	25	10	10	28.5	1.5	80	M12	50	20-00416	
		20-01137	60 °IRHD										150				
		20-02904	70° (EPDM)										220				
		20-02905	70° (SILICONE)										220				
MCR 51-3216	13-4285	20-01133	45 °IRHD	51.8	13.5	34	41	35	13.5	16	31.8	1.5	80	M12	50	20-00536	
		20-01134	60 °IRHD										180				
MCR 64-3820	19-0277	20-00833	45 °IRHD	64	16	41	50	43	16	20	38	3	190	M16	135	20-01495	
		20-01130	60 °IRHD										380				
MCR 75-4624	19-0292	20-01135	45 °IRHD	75	16	50	56	50	21	23.5	46	3	200	M16	135	20-00532	
		20-01136	60 °IRHD										400				
MCR 95-5119	11-1018	20-01131	45 °IRHD	95	21	57	63	51	25	19.1	50.8	3	320	M20	135	20-00533	
		20-01132	60 °IRHD										625				

MDS Mount

The MDS mounting is easy to install based on a 2 part single bolt installation. There is no requirement for radius or chamfered installation hole and a steel flange prevents rubber wear at the bracket interface. The bonded steel snubbing cup limits vertical movements and prevents excessive strain in rubber. The cup is encapsulated in rubber to prevent corrosion.

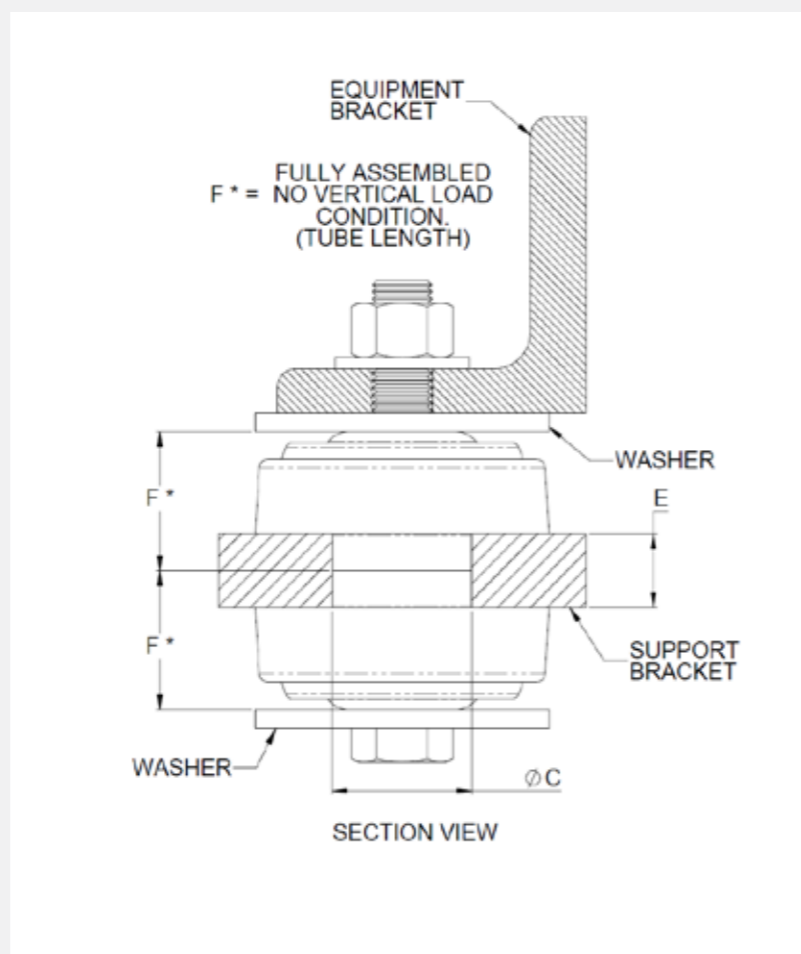
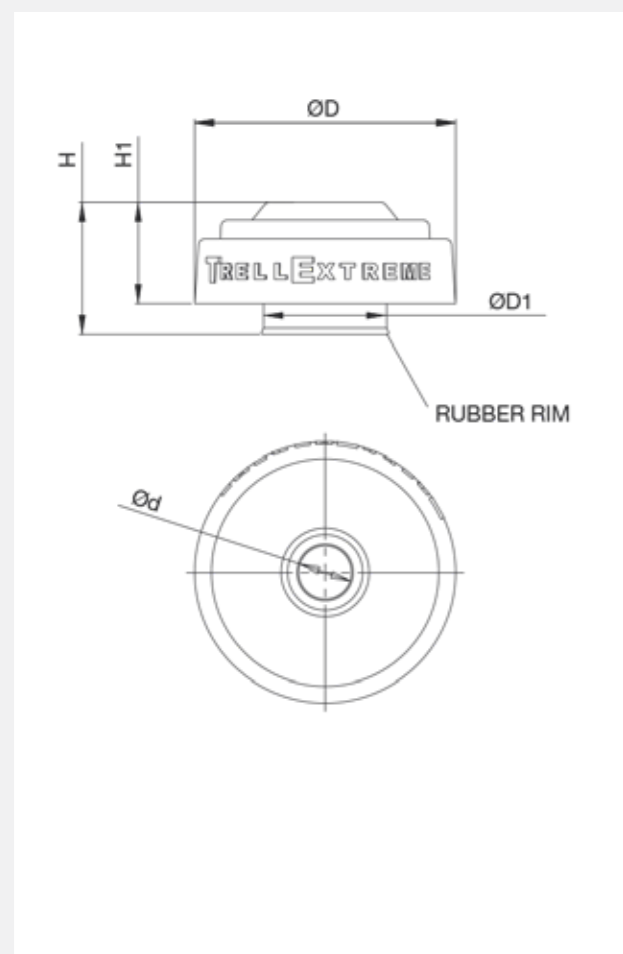
The MDS mounting is designed to take high dynamic shock loads but to limit mount movements in all directions, MDS= Multi Directional Snubbing. In the static working load range, the MDS mounts have linear stiffness characteristics allowing easy prediction of mount deflection and isolation performance.

Typical Applications Include:

- Engines
- Small cabs on Off-Highway vehicles



TECHNICAL DRAWING



MDS Mount

PRODUCT DATA

TYPE	DRAWING NO.	PART NO.	TYPE	DIMENSIONS (mm)								MAX LOAD (kg)	AXIAL STIFFNESS (N/mm)	BOLT SIZE	BOLT TORQUE (Nm)
				Ød	ØD	ØD1	H	H1	C	E (+/- 0.5mm)	F *				
MDS 55	17-4967	10-02182	40 °IRHD	13	55.5	29.8	22	29	28.8-30.2	15	26.5	35	165	M12	125
		10-02183	45 °IRHD									40	186		
		10-04834	45 CR									40	186		
		10-04797	55 °IRHD									65	300		
		10-04817	65 °IRHD									95	450		
MDS 66	17-2280	10-01802	45 °IRHD	18.8	66	39.8	39	29.5	40.0-40.3	19.5	35	70	320	M16	240
		10-04792	45 °IRHD (CR)									70	320		
		10-01803	55 °IRHD									120	540		
		10-04793	55 °IRHD (CR)									120	540		
		10-01804	65 °IRHD									170	800		
MDS 80	17-2243	10-01799	45 °IRHD	16.2	80	37.8	41.5	32	37.9-38.2	19.5	37.5	90	350	M16	240
		10-04791	45 °IRHD (CR)									90	350		
		10-04778	50 °IRHD									115	450		
		10-01800	55 °IRHD									140	550		
		10-01801	65 °IRHD									200	800		
MDS85	17-2241	10-03705	45 °IRHD	16.2	88	41.8	40	32	42.0-42.3	16	35	90	400	M16	240
		10-02176	55 °IRHD									140	700		
		10-04818	65 °IRHD									200	1065		
MDS95	17-4474	10-04816	45 °IRHD	16.2	98	46.6	40	32	47.5-48.3	16	35	190	580	M16	333
		10-02256	55 °IRHD									240	745		
		10-02255	65 °IRHD									370	1135		
		10-02259	70 °IRHD									450	1365		
		10-03853	45 °IRHD									230	724		
MDS 110	17-2285	10-03854	55 °IRHD	22.5	110	56.9	51.5	39	57.2-57.5	25	46.5	360	976	M20/ M22	502/685
		10-03855	65 °IRHD									510	1382		
		10-04094	75 °IRHD									765	2000		
		10-01984	45 °IRHD									230	700		
MDS 130	17-4196	10-01985	55 °IRHD	30.2	128	69.2	58	43	70.75-71.25	40	57	500	1160	M30	750
		10-01986	65 °IRHD									600	1600		
		10-04613	70 °IRHD									735	1830		
		10-05003	70 °IRHD (CR)												

Metaxentric

Metaxentric bushes have a large rubber section with the central pin offset towards one radial plane. These bushes can provide a relatively large radial deflection whilst providing excellent motion control characteristics.

The bush has the following features:

- Three dissimilar translational stiffnesses for the best vibration isolation and motion control.
- Load range from 138 - 464 kg
- Rising rate stiffness characteristics for overload conditions help to limit motion and transmitted acceleration.
- Robust and fail-safe, suitable for ROPS and FOPS cab structures.
- Simple to fit, the housing lends itself to robust structures.

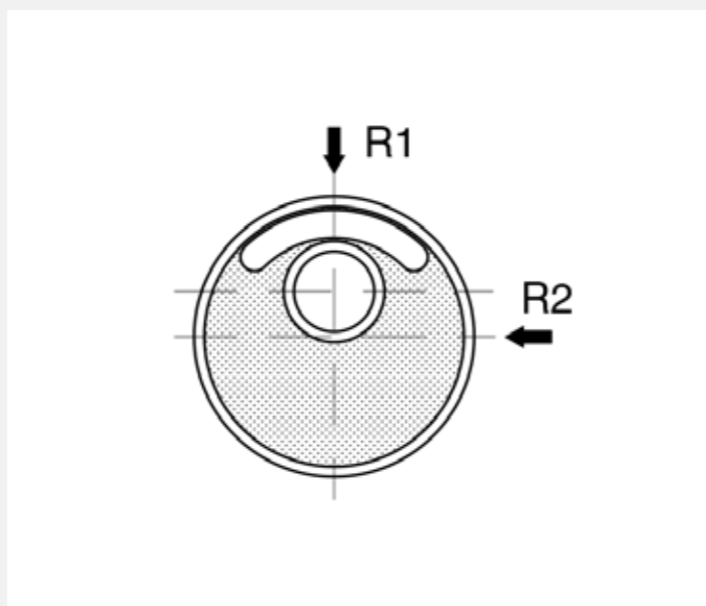
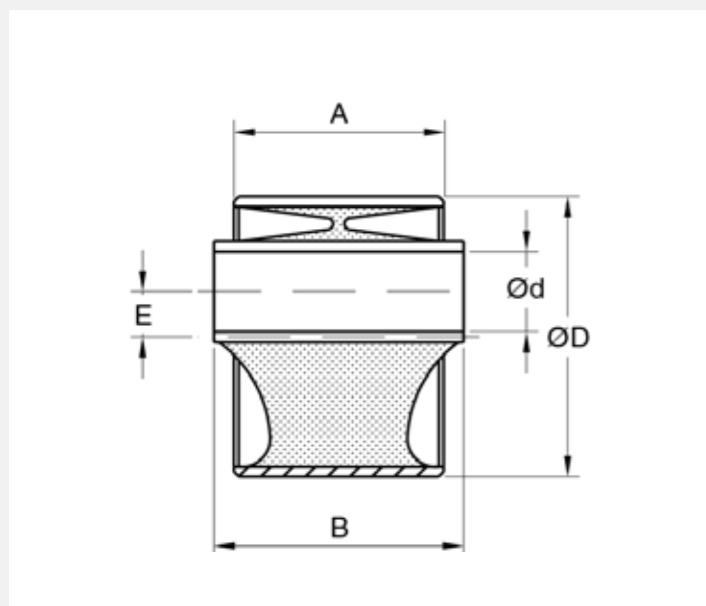
Metaxentric Bushes are similar to conventional UD Bushes but with inner and outer sleeves offset radially. This feature provides a greater rubber thickness and hence increased flexibility in the normal direction of loading, whilst maintaining control in other modes and still allowing torsional movement. The rubber section is relieved to eliminate harmful tensile stresses.

Typical Applications Include:

- Vehicle spring eye mounting
- Tilt Cab pivot bush
- Engine mounting



TECHNICAL DRAWING



Metaxentric

PRODUCT DATA

DRAWING NO.	PART NO.	TYPE	DIMENSIONS (mm)							DIRECTION R1			DIRECTION R2		AXIAL	
			Housing		Ød	Tolerance for Ød	A	B	E	STIFFNESS (N/mm)	MAX. DEF. (mm)	MAX. LOAD (Kg)	STIFFNESS (N/mm)	STIFFNESS (N/mm)	MAX. DEFLECTION (mm)	
			ØD	Tolerance for ØD												
METAXENTRIC BUSH																
13-1270	10-00252	50 *IRHD	47.6	+0.07/-0.02	16	+0.07/-0.06	50.8	63.5	7.1	675	2	138	1350	190	3	
	10-00253	60 *IRHD								1040		212	2080	290		
	10-04553	70 *IRHD								1200		245	2400	340		
002 18 960	49040515	35 NR 11	65	-0.09/ -0.2	13	+/-0,2	50	60	5	130	4	49	310	70	2.5	
	49040516	40 NR 11								170		64	400	95		
	49040517	45 NR 11								230		85	560	120		
13-2691	10-00296	50 *IRHD	75.3	+0.2/-0.1	24	+0.25/0	20.8	70	10.5	750	3.5	268	600	380	7	
	10-00297	60 *IRHD								1200		325	910	610		
	10-02228	70 *IRHD								1760		628	1400	890		
13-1165	10-00244	50 *IRHD	88.9	+0.15/-0.03	25.4	+0.13/0	66.7	79.4	14.3	475	3.8	184	640	250	8	
	10-00245	65 *IRHD								900		348	990	460		
	10-00246	70 *IRHD								972		377	1200	500		
002 18 937	49041844	40NR11	100	+0,22	25	+/-0,2	70	85	7	220	5	110	690	130	5	
	49026595	48 NR 11								320		160	1100	210		
	49040286	48 AEM 33								340		170	1400	220		
	49041846	60NR11								600		300	1760	330		
	49041847	70NR11								900		450	2340	450		
002 18 979	49061816	40 NR 11	100	+0,22	32	+0.05/ 0	70	85	7	220	5	110	690	130	5	
	49061815	48 NR 11								320		160	1100	210		
	49061777	60 NR 11								600		300	1760	330		
	49061814	70 NR 11								900		450	2340	450		
	49062249	80 NR 11								1670		835	4340	940		
13-1355	10-00262	45 *IRHD	101.6	+0.25/-0.25	43.7	+0.12/-0.06	63.5	72.4	9.5	682	3.5	243	1150	220	6	
13-4059	10-00264	75 *IRHD								2360		840	3980	760		



Metacone

The metacone product range is designed for high load capacity with relatively large static deflections. The high loading for a given size is achieved by utilizing the rubber to best advantage in shear and compression. Typically the mountings are assembled with overload and rebound washers to control and limit movement of the suspended equipment under shock loads. Centre fixing bolts should be torque tightened to the recommended values.

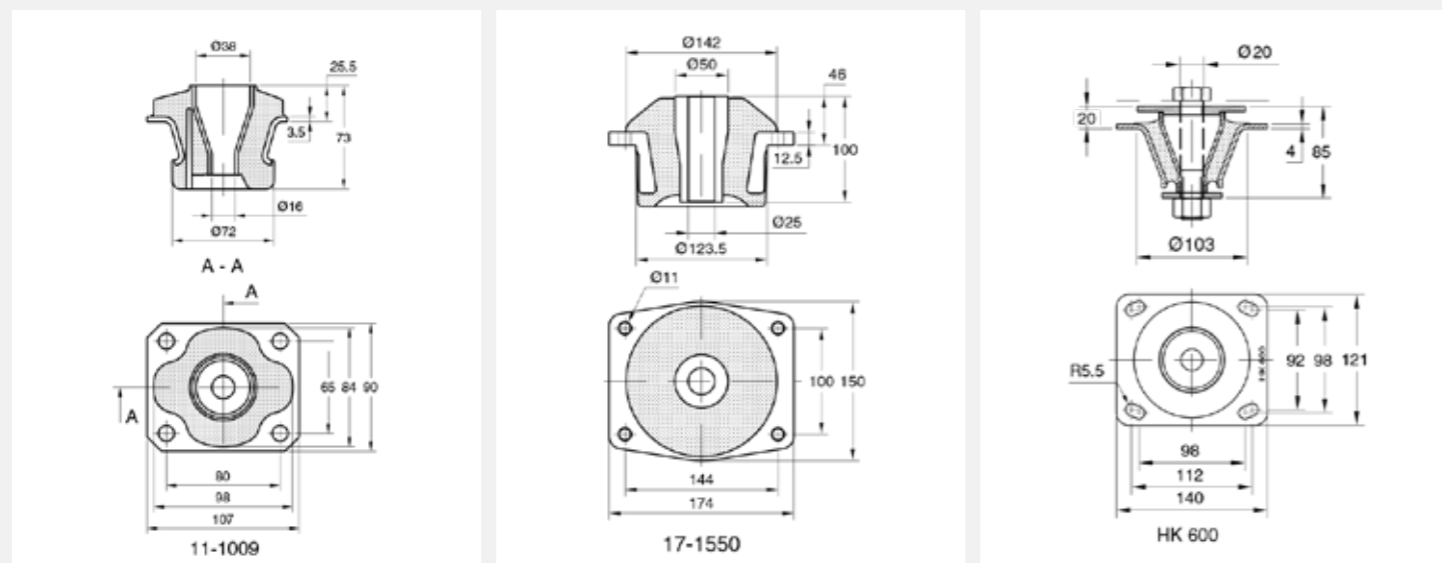
Their compact fail-safe design is available for a wide range of loadings, with in some cases, alternative fixings. Cut-outs in rubber sections on various sizes provide different vertical/horizontal stiffness ratio.

Typical Applications Include:

- Off-highway and road vehicle engines
- Vehicle cabs
- Oil tanks/ tankers



TECHNICAL DRAWING

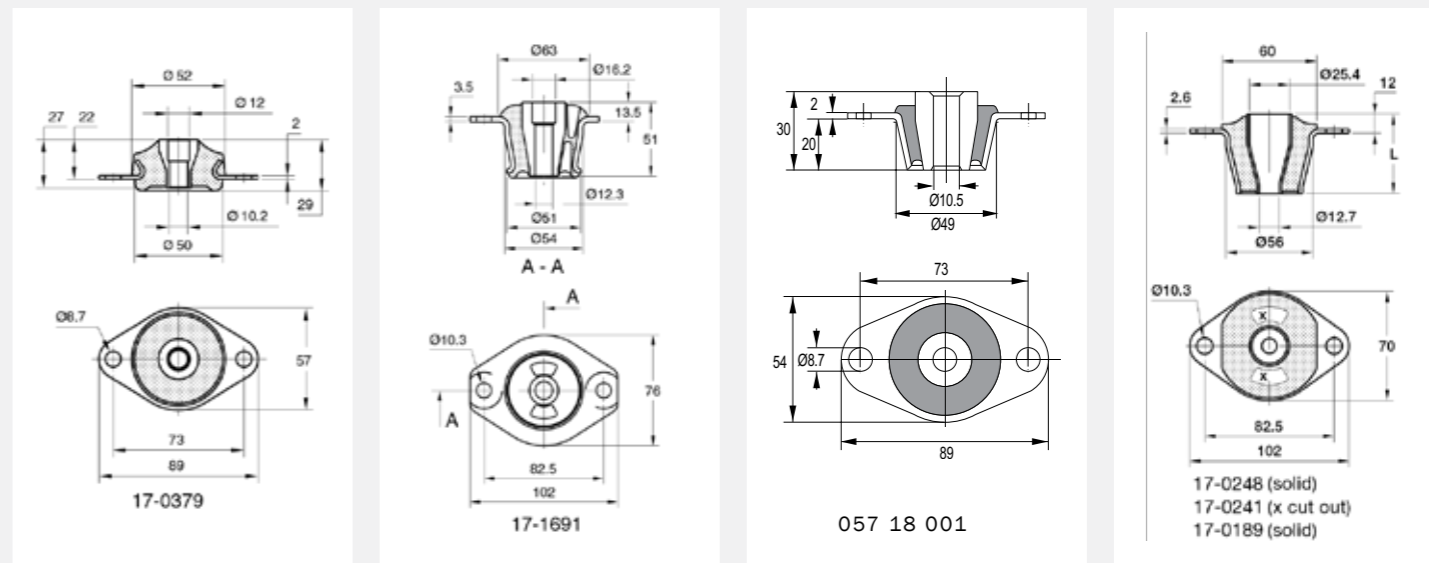


PRODUCT DATA

DRAWING NO.	PART NO.	TYPE	AXIAL (Z)		RADIAL (X)		RADIAL (Y)		BOLT SIZE	MAX. BOLT TORQUE (Nm)	TOP WASHER PART NO.	BOTTOM WASHER PART NO.
			STIFFNESS (N/mm)	MAX. LOAD (Kg)	STIFFNESS (N/mm)	MAX. LOAD (Kg)	STIFFNESS (N/mm)	MAX. LOAD (Kg)				
METACONE												
11-1009	10-00192	45 °IRHD	196	140	192	30	520	85	M16	75	20-00532	20-00532
	10-00193	55 °IRHD	300	200	295	45	875	145				
17-1550	10-02605	45 °IRHD	588	720	1400	315	1400	315	M24	260	20-00534	20-00534
	10-02271	60 °IRHD	995	1250	2630	590	2630	590				
17-4040	10-00190	HK 600-40 °IRHD	1500	685	2750	305	2750	305	M20	160	20-00643	20-00644
	10-00191	HK 600-60 °IRHD	2650	1260	4700	525	4700	525				
	10-00064	HK 600-70 °IRHD	3900	1850	6900	775	6900	775				

Metacone

TECHNICAL DRAWING



PRODUCT DATA

DRAWING NO.	PART NO.	TYPE	AXIAL (Z)		RADIAL (X)		RADIAL (Y)		BOLT SIZE	MAX. BOLT TORQUE (Nm)	TOP WASHER PART NO.	BOTTOM WASHER PART NO.
			STIFFNESS (N/mm)	MAX. LOAD (Kg)	STIFFNESS (N/mm)	MAX. LOAD (Kg)	STIFFNESS (N/mm)	MAX. LOAD (Kg)				
METACONE												
17-0379	10-00402	45 °IRHD	97	35	300	32	300	32	M10	25	20-00531	20-00531
	10-00404	60 °IRHD	190	70	520	65	520	65				
17-1691	10-00566	45 °IRHD	215	72	626	60	1400	130	M12	90	20-00535	20-00536
	10-00567	60 °IRHD	450	144	1252	115	2800	260				
057 18 001	90905	45 NR 11	160	55	1000	100	1000	100	M10-5.6	25	49056605	49056605
	90810	60 NR 11	260	90	1800	180	1800	180				
	49018563	60 AEM 33	260	90	1800	180	1800	180				
	91056	70 NR 11	310	110	2200	220	2200	220				
17-0241	10-00374	45 °IRHD	166	62	460	50	920	95	M12	40	20-00529	10-03666
	10-00375	60 °IRHD	333	122	920	95	1840	190				
17-0248	10-00379	45 °IRHD	250	95	1600	195	1600	195	M12	40	20-00529	10-03666
	10-00380	60 °IRHD	500	190	3250	400	3250	400				
17-0189	10-00365	45 °IRHD	428	145	1205	125	1205	125	M12	40	20-00529	10-03666
	10-00367	70 °IRHD	1180	400	3550	360	3550	360				

Metacone

The metacone product range is designed for high load capacity with relatively large static deflections. The high loading for a given size is achieved by utilizing the rubber to best advantage in shear and compression. Typically the mountings are assembled with overload and rebound washers to control and limit movement of the suspended equipment under shock loads. Centre fixing bolts should be torque tightened to the recommended values.

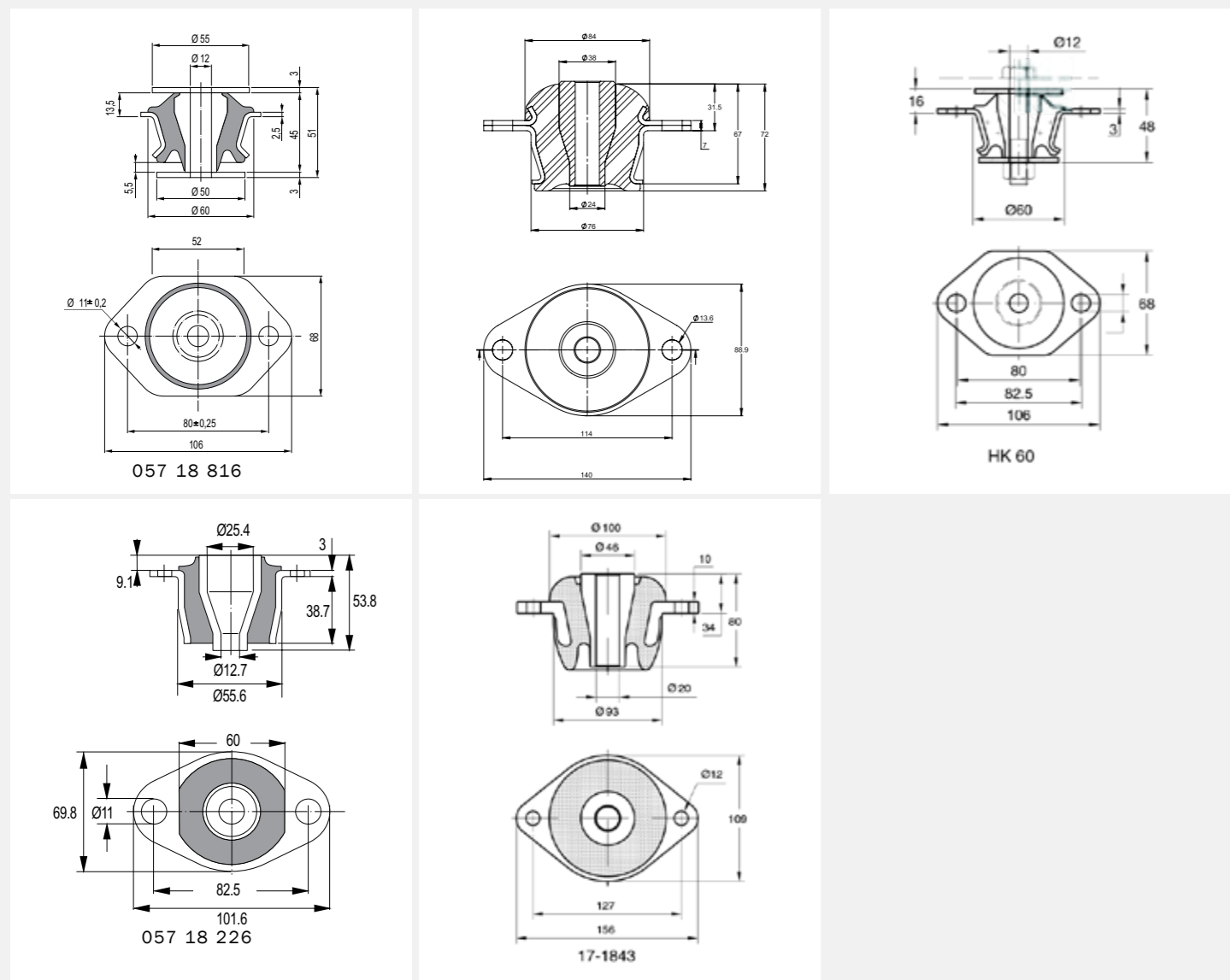
Their compact fail-safe design is available for a wide range of loadings, with in some cases, alternative fixings. Cut-outs in rubber sections on various sizes provide different vertical/horizontal stiffness ratio.

Typical Applications Include:

- Off-highway and road vehicle engines
- Vehicle cabs
- Oil tanks/ tankers



TECHNICAL DRAWING



Metacone

PRODUCT DATA

DRAWING NO.	PART NO.	TYPE	AXIAL (Z)		RADIAL (X)		RADIAL (Y)		BOLT SIZE	MAX. BOLT TORQUE (Nm)	TOP WASHER PART NO.	BOTTOM WASHER PART NO.
			STIFFNESS (N/mm)	MAX. LOAD (Kg)	STIFFNESS (N/mm)	MAX. LOAD (Kg)	STIFFNESS (N/mm)	MAX. LOAD (Kg)				
057 18 816	49047034	45 NR	240	70	640	100	640	100	M12-6.8	65	INCLUDED	INCLUDED
	49029370	55 NR	370	110	960	145	960	145				
	49047035	60 NR	460	140	1200	180	1200	180				
	49047036	70 NR	720	220	1800	270	1800	270				
	60900823	70 SILICON	720	220	1800	270	1800	270				
17-1032	10-02194	02H45	492	250	490	75	975	75	M16	135	20-00532	20-00532
	10-02905	45 °IRHD	492	250	490	75	975	75				
	10-02977	60 °IRHD	860	470	975	150	1950	150				
17-4039	10-01119	HK 60-40 °IRHD	200	90	520	90	520	90	M12	40	20-01103	20-00416
	10-01122	HK 60-50 °IRHD	256	115	760	115	760	115				
	10-01120	HK 60-60 °IRHD	405	180	1200	180	1200	180				
	10-01121	HK 60-70 °IRHD	560	250	1760	250	1760	250				
057 18 226	93947	45 NR 511	480	230	1900	120	1900	120	M12-5.6	40	97138	93950 / 93127
	2129296	45 NR 39	480	230	1900	120	1900	120				
	49019621	55 NBR 68	670	340	2600	170	2600	170				
	93948	65 NR 511	950	420	3700	200	3700	200				
	93949	75 NR 511	1330	520	5000	300	5000	300				
17-1843	20-02529	45 °IRHD	520	320	870	140	870	140	M24	160	20-00533	20-00533
	10-03505	50 °IRHD	660	380	1100	180	1100	180				
	10-00610	60 °IRHD	1060	600	2800	450	2800	450				
	20-02533	34X60	1060	600	2800	450	2800	450				
	10-03002	36X60	1060	600	2800	450	2800	450				
10-02254	01T60	1060	600	2800	450	2800	450					



Metacone

The metacone product range is designed for high load capacity with relatively large static deflections. The high loading for a given size is achieved by utilizing the rubber to best advantage in shear and compression. Typically the mountings are assembled with overload and rebound washers to control and limit movement of the suspended equipment under shock loads. Centre fixing bolts should be torque tightened to the recommended values.

Their compact fail-safe design is available for a wide range of loadings, with in some cases, alternative fixings. Cut-outs in rubber sections on various sizes provide different vertical/horizontal stiffness ratio.

Typical Applications Include:

- Off-highway and road vehicle engines
- Vehicle cabs
- Oil tanks/ tankers

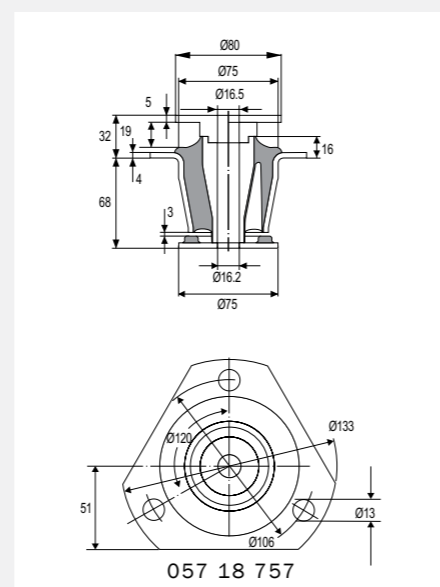
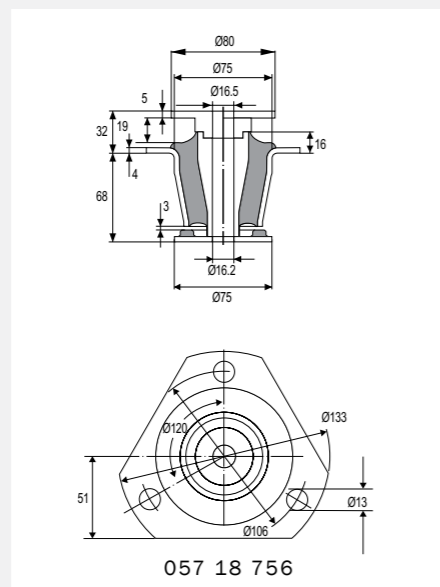
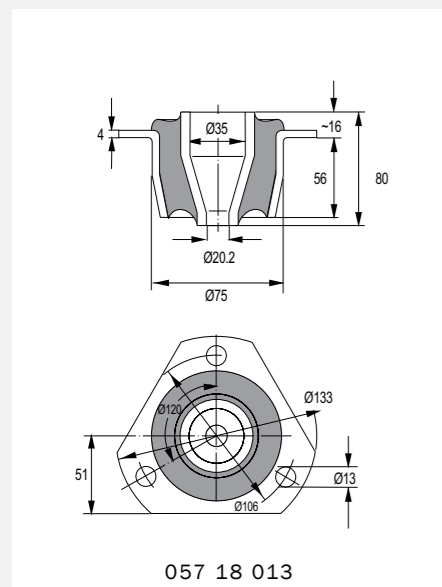


Metacone

PRODUCT DATA

DRAWING NO.	PART NO.	TYPE	AXIAL (Z)		RADIAL (X)		RADIAL (Y)		BOLT SIZE	MAX. BOLT TORQUE (Nm)	TOP WASHER PART NO.	BOTTOM WASHER PART NO.
			STIFFNESS (N/mm)	MAX. LOAD (Kg)	STIFFNESS (N/mm)	MAX. LOAD (Kg)	STIFFNESS (N/mm)	MAX. LOAD (Kg)				
057 18 013	90697	45 NR 11	600	330	2960	740	2960	740	M20 - 6.6	220	97141	511081 / 90819 / 90831
	49029143	45 NR 39	690	380	3400	850	3400	850				
	500857	55 AEM 23	920	500	5400	1350	5400	1350				
	91201	50 NR 11	1180	650	3900	980	3900	980				
	49029144	60 NR 39	1300	720	4600	1160	4600	1160				
	90877	60 NR 11	1300	720	4800	1200	4800	1200				
	2129417	65 NBR 68	1450	800	4800	1150	4800	1150				
	90849	70 NR 11	1820	1000	5000	1250	5000	1250				
	511079	70 NBR 68	1820	1000	5000	1250	5000	1250				
057 18 756	480534	76 NR 39	2000	1110	5500	13800	5500	13800	M16 - 8.8	200	511927	511928
	511906	45 NR 511	600	480	1800	550	1800	550				
	2129305	50 NR 511	800	640	2500	750	2500	750				
	2129306	58 NR 511	1000	800	3200	950	3200	950				
	2129307	65 NR 511	1250	1000	3800	1150	3800	1150				
	2129308	70 NR 511	1550	1240	4500	1350	4500	1350				
057 18 757	2129309	75 NR 511	1950	1560	5200	1550	5200	1550	M16 - 8.8	200	511927	511928
	511926	45 NR 511	350	280	2100	620	2100	620				
	2129310	50 NR 511	550	440	2900	880	2900	880				
	2129311	58 NR 511	800	640	3600	1080	3600	1080				
	2129312	65 NR 511	1150	920	4300	1280	4300	1280				
	2129313	70 NR 511	1450	1160	5000	1480	5000	1480				
	2129314	75 NR 511	1800	1440	5600	1680	5600	1680				

TECHNICAL DRAWING



Connecting with us
never felt better.



FOLLOW US ON LINKEDIN

LINKEDIN.COM/COMPANY/TRELLEBORGAVS

Metacone

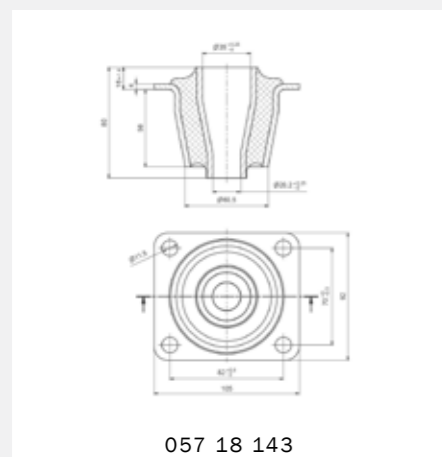
The metacone product range is designed for high load capacity with relatively large static deflections. The high loading for a given size is achieved by utilizing the rubber to best advantage in shear and compression. Typically the mountings are assembled with overload and rebound washers to control and limit movement of the suspended equipment under shock loads. Centre fixing bolts should be torque tightened to the recommended values. Their compact fail-safe design is available for a wide range of loadings, with in some cases, alternative fixings. Cut-outs in rubber sections on various sizes provide different vertical/horizontal stiffness ratio.

Typical Applications Include:

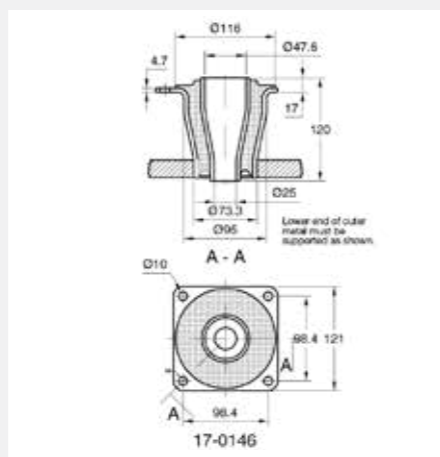
- Off-highway and road vehicle engines
- Vehicle cabs
- Oil tanks/ tankers



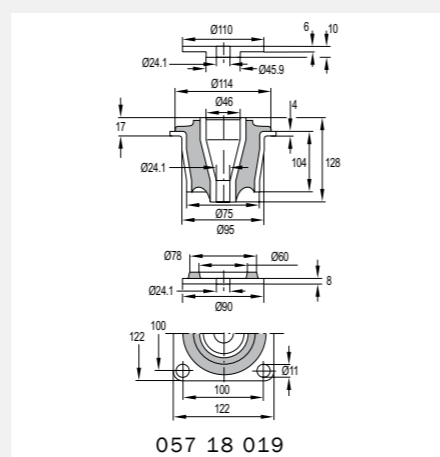
TECHNICAL DRAWING



057 18 143



17-0146



057 18 019

PRODUCT DATA

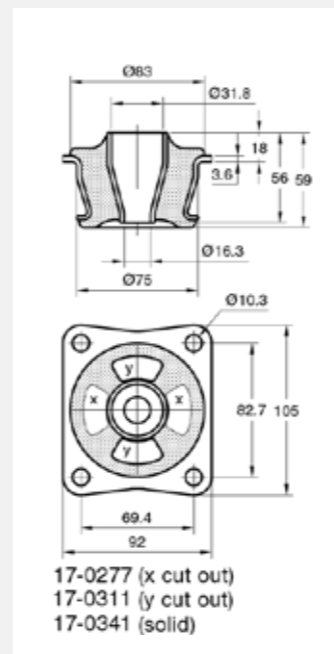
DRAWING NO.	PART NO.	TYPE	AXIAL (Z)		RADIAL (X)		RADIAL (Y)		BOLT SIZE	MAX. BOLT TORQUE (Nm)	TOP WASHER PART NO.	BOTTOM WASHER PART NO.
			STIFFNESS (N/mm)	MAX. LOAD (Kg)	STIFFNESS (N/mm)	MAX. LOAD (Kg)	STIFFNESS (N/mm)	MAX. LOAD (Kg)				
057 18 143	92792	45 NR 511	600	330	3000	740	3000	740	M20 - 6.6	220	97141	90819 / 90831
	92793	65 NR 511	1300	720	4800	1200	4800	1200				
17-0146	10-00360	45 °IRHD	1400	950	5900	840	5900	840	M24	200	20-00527	10-03862
	10-00361	60 °IRHD	2860	1700	11800	1680	11800	1680				
057 18 019	49031009	D NR	1300	890	6500	430	6500	430	M24 - 6.8	535	97142	90501
	91430	50 NR 511	1420	1000	6400	960	6400	960				
	49031008	C NR	1500	1030	7500	500	7500	500				
	49031007	B NR	2100	1450	10500	700	10500	700				
	49016406	A NR	2300	1560	11500	770	11500	770				
	90491	65 NR 511	2850	2000	12800	1920	12800	1920				
	49031010	E NR	3400	2340	17000	1130	17000	1130				
	91009	75 NR 511	4000	3000	20000	3000	20000	3000				
	49055303	F NR	4200	3090	21000	1400	21000	1400				
	49055304	G NR	5800	4080	29000	1930	29000	1930				

Metacone

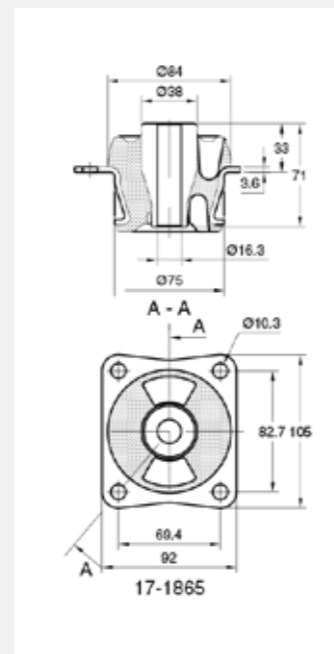
The metacone product range is designed for high load capacity with relatively large static deflections. Their compact fail-safe design is available for a wide range of loadings, with in some cases, alternative fixings. Cut-outs in rubber sections on various sizes provide different vertical/horizontal stiffness ratio.



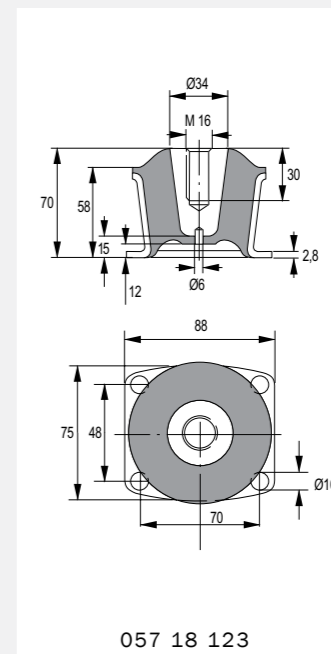
TECHNICAL DRAWING



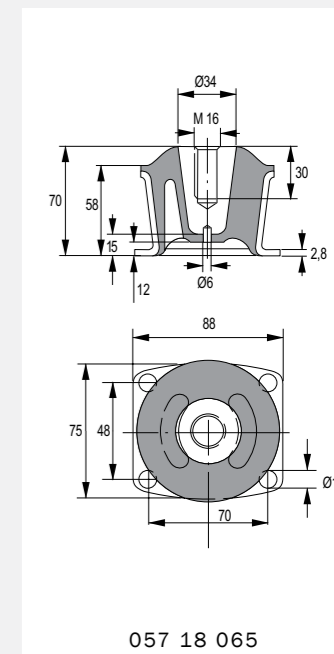
17-0277 (x cut out)
17-0311 (y cut out)
17-0341 (solid)



17-1865



057 18 123



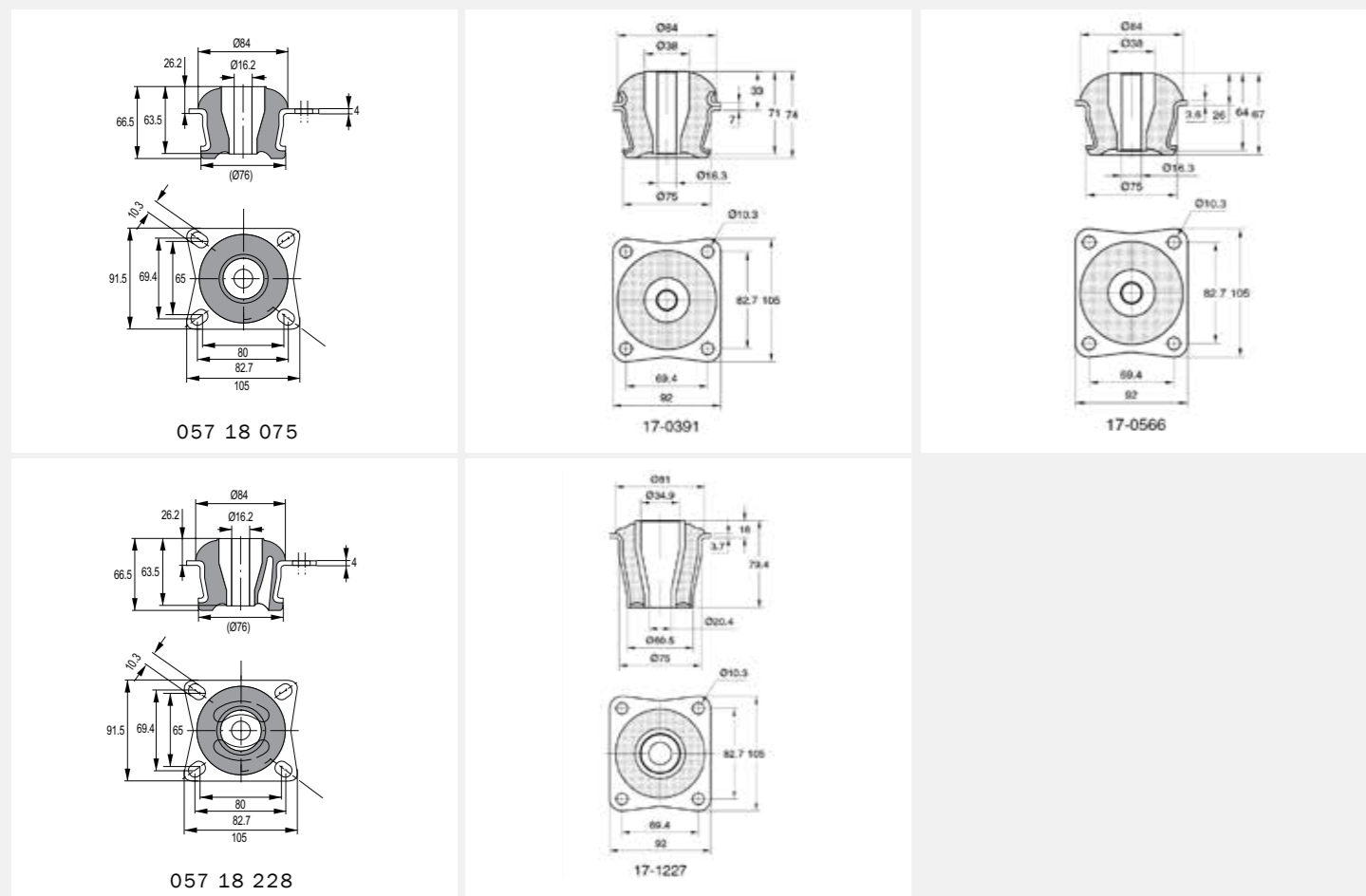
057 18 065

PRODUCT DATA

DRAWING NO.	PART NO.	TYPE	AXIAL (Z)		RADIAL (X)		RADIAL (Y)		BOLT SIZE	MAX. BOLT TORQUE (Nm)	TOP WASHER PART NO.	BOTTOM WASHER PART NO.
			STIFFNESS (N/mm)	MAX. LOAD (Kg)	STIFFNESS (N/mm)	MAX. LOAD (Kg)	STIFFNESS (N/mm)	MAX. LOAD (Kg)				
17-0277	10-00385	45 °IRHD	207	125	620	95	410	65	M16	75	20-00773	20-00532
	10-00387	60 °IRHD	378	230	1470	225	740	115				
17-0311	10-00391	45 °IRHD	207	125	325	55	655	105	M16	75	20-00773	20-00532
	10-00392	60 °IRHD	378	220	650	105	1310	215				
17-1865	10-00615	55 °IRHD	300	180	1200	185	600	90	M16	135	20-00532	20-00532
	10-00394	45 °IRHD	266	160	866	140	866	140				
17-0341	10-00395	60 °IRHD	540	300	1732	280	1732	280	M16	75	20-00773	20-00532
	10-00396	70 °IRHD	758	430	2300	375	2300	375				
	93270	50 NR 511	520	350	1000	150	1000	150				
057 18 123	49011343	45 NR 511	430	300	860	130	860	130	M16 - 3.6	63	49032678	-
	91790	70 NR 511	1000	700	1700	260	1700	260				
057 18 065	49068632	45 CR 57	180	120	760	110	360	55	M16 - 3.6	63	49032678	-
	49006133	50 CR 57	220	150	950	140	450	70				
	90822	45 NR 511	240	170	650	100	330	50				
	49068835	45NBR68	310	220	840	120	430	65				
	92448	75 NR 511	880	620	1750	260	1100	170				

Metacone

TECHNICAL DRAWING



Metacone

The metacone product range is designed for high load capacity with relatively large static deflections. The high loading for a given size is achieved by utilizing the rubber to best advantage in shear and compression. Typically the mountings are assembled with overload and rebound washers to control and limit movement of the suspended equipment under shock loads. Centre fixing bolts should be torque tightened to the recommended values.

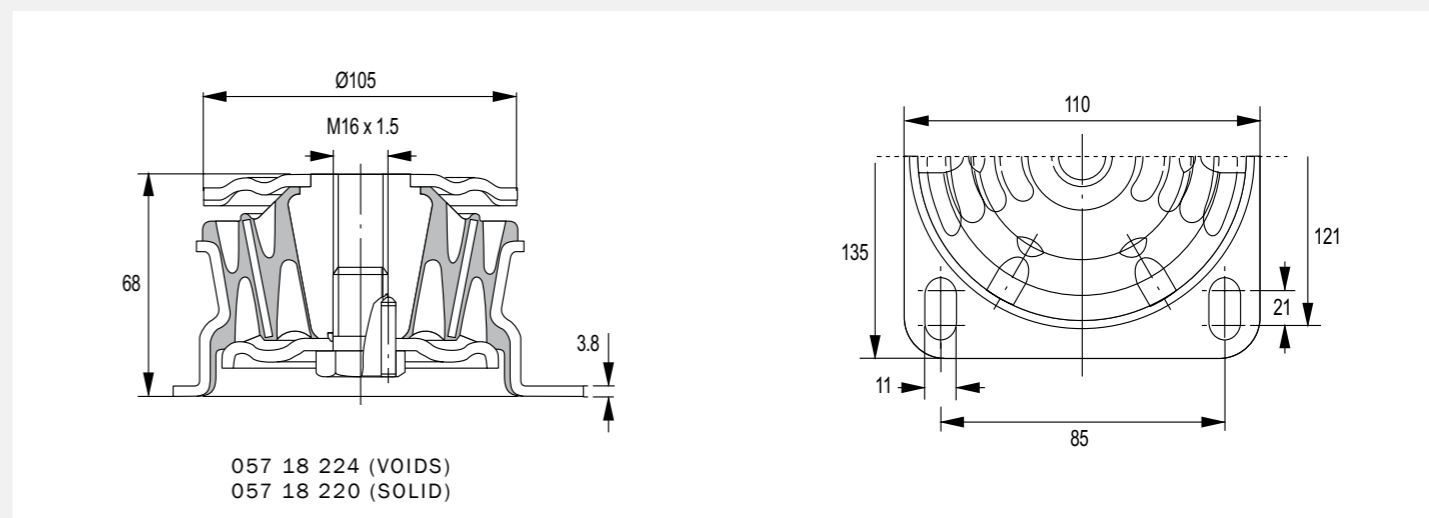
Their compact fail-safe design is available for a wide range of loadings, with in some cases, alternative fixings. Cut-outs in rubber sections on various sizes provide different vertical/horizontal stiffness ratio.

Typical Applications Include:

- Off-highway and road vehicle engines
- Vehicle cabs
- Oil tanks/ tankers



TECHNICAL DRAWING



PRODUCT DATA

DRAWING NO.	PART NO.	TYPE	AXIAL (Z)		RADIAL (X)		RADIAL (Y)		BOLT SIZE	MAX. BOLT TORQUE (Nm)	TOP WASHER PART NO.	BOTTOM WASHER PART NO.
			STIFFNESS (N/mm)	MAX. LOAD (Kg)	STIFFNESS (N/mm)	MAX. LOAD (Kg)	STIFFNESS (N/mm)	MAX. LOAD (Kg)				
057 18 228	93641	40 NR 511	210	210	440	65	180	30	M16 - 5.8	126	49032678	49026836
	93642	50 NR 511	340	330	890	135	360	55				
	91405	70 NR 511	600	610	1600	240	700	105				
057 18 075	93385	45 NR 511	400	340	800	120	800	120	M16 - 5.8	126	49032678	49026836
	91829	65 NR 511	670	620	1400	210	1400	210				
	90863	75 NR 511	1070	950	2240	336	2240	336				
	510004	76 NR 39	2100	1840	4300	645	4300	645				
17-0566	10-00433	45 °IRHD	389	200	750	125	750	125	M16	135	20-00532	20-00532
	10-00434	60 °IRHD	690	380	1500	245	1500	245				
	10-00435	70 °IRHD	905	525	2300	375	2300	375				
17-0391	10-00409	35 °IRHD	328	195	737	115	737	115	M16	135	20-00532	20-00532
	10-00411	45 °IRHD	492	290	1105	170	1105	170				
	10-00414	60 °IRHD	765	500	2185	335	2185	335				
	10-00415	70 °IRHD	1325	610	3470	530	3470	530				
17-1227	10-00723	50 °IRHD	990	635	7600	850	7600	850	M20	180	20-00528	10-03707
	10-00460	60 °IRHD	1562	1000	12000	1350	12000	1350				
	10-02575	70 °IRHD	2300	1470	17640	1970	17640	1970				

PRODUCT DATA

DRAWING NO.	PART NO.	TYPE	AXIAL (Z)		RADIAL (X)		RADIAL (Y)		BOLT SIZE	MAX. BOLT TORQUE (Nm)	TOP WASHER PART NO.	BOTTOM WASHER PART NO.
			STIFFNESS (N/mm)	MAX. LOAD (Kg)	STIFFNESS (N/mm)	MAX. LOAD (Kg)	STIFFNESS (N/mm)	MAX. LOAD (Kg)				
057 18 224	91376	40 NR 511	140	70	600	120	300	60	M16x 1.5 - 8.8	230	INCLUDED	-
	91076	50 NR 511	220	110	900	180	450	90				
	91491	65 NR 511	330	160	1400	280	700	140				
	91381	75 NR 511	500	240	2200	440	1100	220				
057 18 220	91067	40 NR 511	210	110	750	150	750	150	M16x 1.5 - 8.8	230	INCLUDED	-
	91374	50 NR 511	430	220	1100	220	1100	220				
	93876	65 NR 511	580	300	1700	340	1700	340				
	91230	75 NR 511	1070	560	2600	520	2600	520				
	49018753	84 NR 511	1500	710	3900	780	3900	780				

Metacone

The metacone product range is designed for high load capacity with relatively large static deflections. The high loading for a given size is achieved by utilizing the rubber to best advantage in shear and compression. Typically the mountings are assembled with overload and rebound washers to control and limit movement of the suspended equipment under shock loads. Centre fixing bolts should be torque tightened to the recommended values.

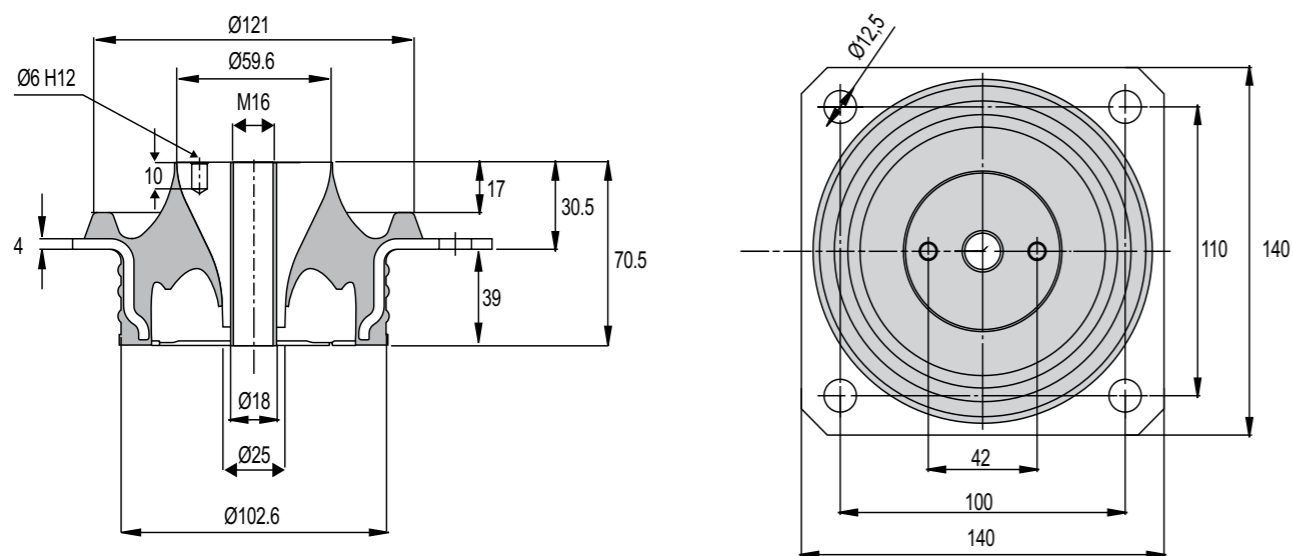
Their compact fail-safe design is available for a wide range of loadings, with in some cases, alternative fixings. Cut-outs in rubber sections on various sizes provide different vertical/horizontal stiffness ratio.

Typical Applications Include:

- Off-highway and road vehicle engines
- Vehicle cabs
- Oil tanks/ tankers



TECHNICAL DRAWING



057 18 799 (INTERLEAVED)
057 18 801 (SOLID)

Metacone

PRODUCT DATA

DRAWING NO.	PART NO.	TYPE	AXIAL (Z)		RADIAL (X)		RADIAL (Y)		BOLT SIZE	MAX. BOLT TORQUE (Nm)	TOP WASHER PART NO.	BOTTOM WASHER PART NO.
			STIFFNESS (N/mm)	MAX. LOAD (Kg)	STIFFNESS (N/mm)	MAX. LOAD (Kg)	STIFFNESS (N/mm)	MAX. LOAD (Kg)				
057 18 801	60901350	40 NR 511	200	210	270	140	270	140	M16 - 8.8	230	-	-
	49038287	40 NR 511	200	210	270	140	270	140				-
	60901357	40 NR 511	200	210	270	140	270	140				INCLUDED
	49038288	45 NR 511	220	230	350	180	350	180				-
	60901351	45 NR 511	220	230	350	180	350	180				-
	60901358	45 NR 511	220	230	350	180	350	180				INCLUDED
	49038289	50 NR 511	270	290	450	230	450	230				-
	60901352	50 NR 511	270	290	450	230	450	230				-
	60901359	50 NR 511	270	290	450	230	450	230				INCLUDED
	49038290	55 NR 511	330	360	600	300	600	300				-
	60901353	55 NR 511	330	360	600	300	600	300				-
	60901360	55 NR 511	330	360	600	300	600	300				INCLUDED
	49038291	60 NR 511	420	500	830	420	830	420				-
	60901354	60 NR 511	420	500	830	420	830	420				-
	60901361	60 NR 511	420	500	830	420	830	420				INCLUDED
	60901362	65 NR 511	520	630	1040	520	1040	520				INCLUDED
	49038302	65 NR 511	520	630	1040	520	1040	520				-
	60901355	65 NR 511	520	630	1040	520	1040	520				-
	60901356	70 NR 511	610	720	1100	550	1100	550				-
	60901363	70 NR 511	610	720	1100	550	1100	550				INCLUDED
60901415	70 NR 511	610	720	1100	550	1100	550	-				
057 18 799	49038272	40 NR 511	300	300	500	250	500	250	M16 - 8.8	230	-	-
	60900310	40 NR 511	300	300	500	250	500	250				INCLUDED
	60901634	40 NR 511	300	300	500	250	500	250				-
	60901635	45 NR 511	350	350	650	330	650	330				-
	49038273	45 NR 511	350	350	650	320	500	250				-
	60901745	45 NR 511	350	350	650	330	650	330				INCLUDED
	49038274	50 NR 511	470	470	800	400	500	250				-
	60901636	50 NR 511	470	470	800	400	800	400				-
	60901746	50 NR 511	470	470	800	400	800	400				INCLUDED
	49038275	55 NR 511	540	540	1100	550	500	250				-
	60901747	55 NR 511	540	540	1100	550	1100	550				INCLUDED
	60901637	55 NR 511	540	540	1100	550	1100	550				-
	49038276	60 NR 511	700	700	1500	750	500	250				-
	60901748	60 NR 511	700	700	1500	750	1500	750				INCLUDED
	60901638	60 NR 511	700	700	1500	750	1500	750				-
	49038277	65 NR 511	720	720	1550	780	500	250				-
	60901749	65 NR 511	720	720	1550	780	1550	780				INCLUDED
	60901639	65 NR 511	720	720	1550	780	1550	780				-
	60900072	70 NR 511	850	850	1950	980	1950	980				INCLUDED
	60901381	70 NR 511	850	850	1950	980	1950	980				-
60901640	70 NR 511	850	850	1950	980	1950	980	-				

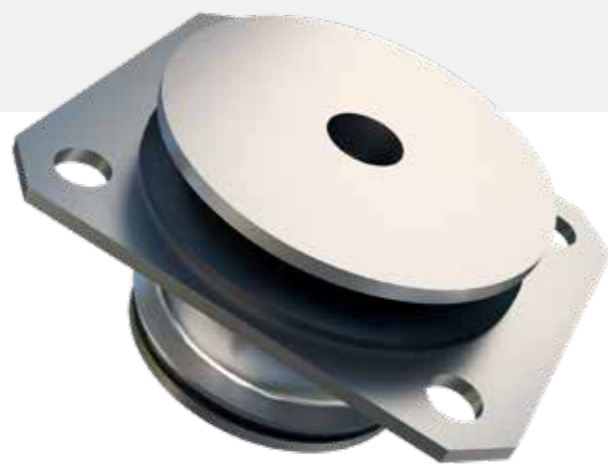
Metacone

The metacone product range is designed for high load capacity with relatively large static deflections. The high loading for a given size is achieved by utilizing the rubber to best advantage in shear and compression. Typically the mountings are assembled with overload and rebound washers to control and limit movement of the suspended equipment under shock loads. Centre fixing bolts should be torque tightened to the recommended values.

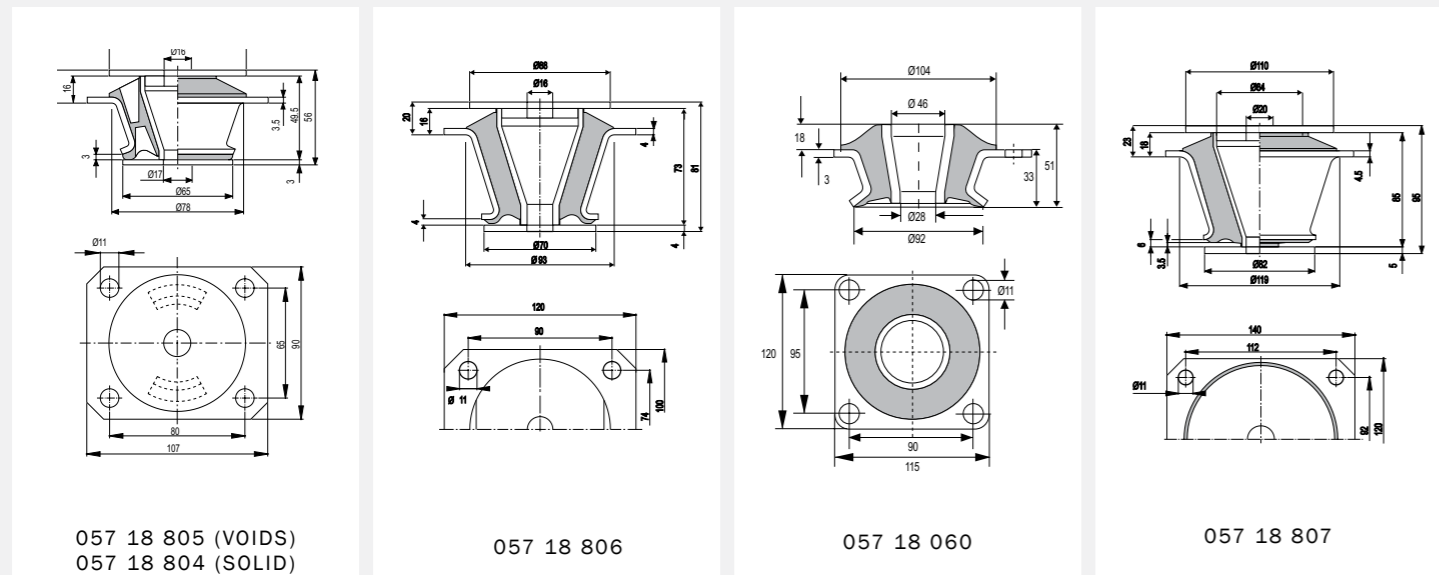
Their compact fail-safe design is available for a wide range of loadings, with in some cases, alternative fixings. Cut-outs in rubber sections on various sizes provide different vertical/horizontal stiffness ratio.

Typical Applications Include:

- Off-highway and road vehicle engines
- Vehicle cabs
- Oil tanks/tankers



TECHNICAL DRAWING



Metacone

PRODUCT DATA

DRAWING NO.	PART NO.	TYPE	AXIAL (Z)		RADIAL (X)		RADIAL (Y)		BOLT SIZE	MAX. BOLT TORQUE (Nm)	TOP WASHER PART NO.	BOTTOM WASHER PART NO.
			STIFFNESS (N/mm)	MAX. LOAD (Kg)	STIFFNESS (N/mm)	MAX. LOAD (Kg)	STIFFNESS (N/mm)	MAX. LOAD (Kg)				
057 18 806	49041365	45 NR	1200	250	1265	253	1265	253	M16 - 5.6	95	INCLUDED	INCLUDED
	49041366	60 NR	2100	420	2145	429	2145	429				
	49041367	70 NR	3800	750	3780	756	3780	756				
057 18 060	93900	40 NR 511	230	240	560	220	560	220	M16 - 6.8	150	97140	97139
	91479	50 NR 511	400	420	870	340	870	340				
	509731	55 NBR 38	480	500	1100	440	1100	440				
	90465	65 NR 511	520	540	1400	560	1400	560				
	479685	65 NBR 68	600	630	1700	680	1700	680				
	476214	75 NR 511	650	680	2100	840	2100	840				
057 18 807	49041368	45 NR	1200	600	1430	715	1430	715	M20 - 5.6	185	INCLUDED	INCLUDED
	49041369	60 NR	2300	1150	2470	1235	2470	1235				
	49041370	70 NR	3500	1750	4050	2025	4050	2025				



PRODUCT DATA

DRAWING NO.	PART NO.	TYPE	AXIAL (Z)		RADIAL (X)		RADIAL (Y)		BOLT SIZE	MAX. BOLT TORQUE (Nm)	TOP WASHER PART NO.	BOTTOM WASHER PART NO.
			STIFFNESS (N/mm)	MAX. LOAD (Kg)	STIFFNESS (N/mm)	MAX. LOAD (Kg)	STIFFNESS (N/mm)	MAX. LOAD (Kg)				
057 18 804	49041359	45 NR	430	130	1100	330	1100	330	M16 - 5.6	95	INCLUDED	INCLUDED
	49041360	60 NR	870	260	2200	660	2200	660				
	49041361	70 NR	1200	360	3300	800	3300	800				
057 18 805	49075604	40 NR	220	65	880	270	400	120	M16 - 5.6	95	INCLUDED	INCLUDED
	49041362	45 NR	270	80	1100	330	500	150				
	60905348	45 NR	270	80	1100	330	500	150				
	49075605	55 NR	400	120	1500	480	690	210				
	49041363	60 NR	500	150	1900	600	860	260				
	49041364	70 NR	900	200	3300	800	1200	360				

RA Mounting

RA mount uses the rubber profile in shear and compression to obtain good vertical flexibility with the advantage of horizontal stability. For normal speeds of approx. 1500 RPM, the RA provides a degree of isolation of 75-85%. For better isolation, the alternative RAEM or M-Series can be chosen.

The RA are a high performance mount, with a number of advantages:

- Rubber features are utilized effectively combining compression and shear wide load rating options, 40-2100 kg
- Corrosion protected to cope with arduous environments on land or marine applications
- Domed shape cover to protect against oil contamination
- Fitted as standard with an integral fail-safe device with resilient stop, making the RA ideal for use in mobile applications

Typical Applications Include:

- Pumps
- Fans
- Converters
- Compressors
- Combustion engines
- Industrial and Marine gensets
- Generators
- Also suitable for use with presses, punches and other work shop machines



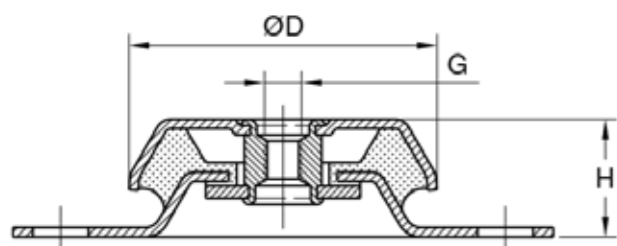
RA Mounting

PRODUCT DATA

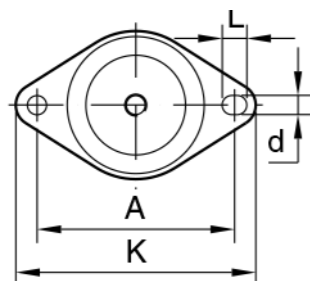
TYPE	HARDNESS	DRAWING NO.	PART NO.	DIMENSIONS (mm)							MAX. LOAD (kg)	MAX. BOLT TORQUE (Nm)	WEIGHT (kg)	
				ØD	A	K	H	Ød	L	G				
RA 100	40 °IRHD	17-2320-1	10-00106	79	110	130	30	9	12	M10	105	15	0.33	
	60 °IRHD	17-2321-1	10-00107								240			
	40 °IRHD	17-2322-3	10-00166	79	110	130	30	9	12	M12	105	25	0.33	
	60 °IRHD	17-2323-1	10-00167								240			
RA 200	40 °IRHD	17-2326-1	10-00110	94	124	150	35	10	15	M10	180	15	0.47	
	60 °IRHD	17-2327-1	10-00111								280			
	40 °IRHD	17-2328-3	10-00165	94	124	150	35	10	15	M12	180	25	0.47	
	60 °IRHD	17-2329-1	10-00091								280			
RA 350	40 °IRHD	17-2330-3	10-00172	101	140-148	175	38	14	18	M12	250	25	0.74	
	60 °IRHD	17-2331-1	10-00173								450			
	40 °IRHD	17-2332-2	10-00112	101	140-148	175	38	14	18	M16	250	50	0.74	
	60 °IRHD	17-2333-1	10-00113								450			
RA 500	40 °IRHD	17-2334-1	10-00116	123	158	192	42	14	18	M16	450	50	1.02	
	60 °IRHD	17-2335-1	10-00117								700			
RA 800	40 °IRHD	17-4016-1	10-00118	144	182	216	46	14	18	M16	750	50	1.59	
	60 °IRHD	17-4017-1	10-00119								1300			
RA 1200	40 °IRHD	17-4031-1	10-00154	161	140	170	58	14	-	M20	900	100	2.19	
	60 °IRHD	17-4032-2	10-00155								1600			
RA 1800	40 °IRHD	17-4033-2	10-00156	181	160	190	66.5	14	-	M20	1300	100	2.33	
	60 °IRHD	17-4034-1	10-00157								2100			
		35 °IRHD		10-00503								55		
		45 °IRHD	17-1463-1	10-00504	65	76.2	35	94	8.5	10	M12	80	25	0.22
	70 °IRHD		10-00506	240										

TECHNICAL DRAWING

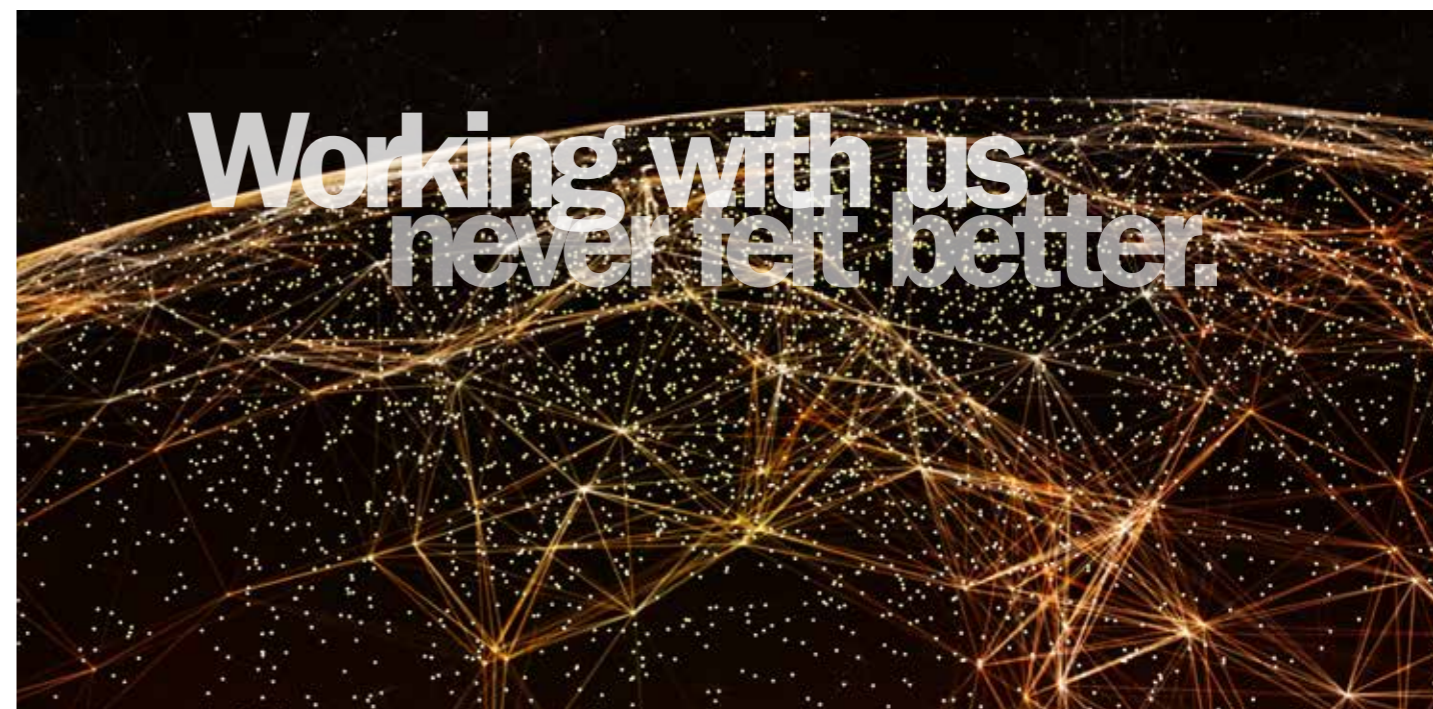
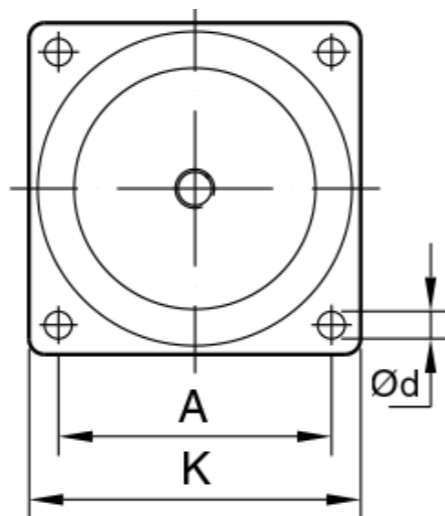
RA100, RA200, RA350, RA500, RA800, 17-1463



RA100, RA200, RA350, RA500, RA800, 17-1463



RA1200, RA1800





RAB Mounting

Similar in design to the RA and RAEM range, the RAB uses rubber in shear and compression for optimum stiffness characteristics and horizontal stability. Especially effective on small 1, 2 and 3 cylinder diesel engines where the special compound employed provides effective isolation of vibration while eliminating much of the excessive movement normally associated with 1-3 zinc plated cylinder engines.

The RAB are a high performance mount which have a number of advantages:

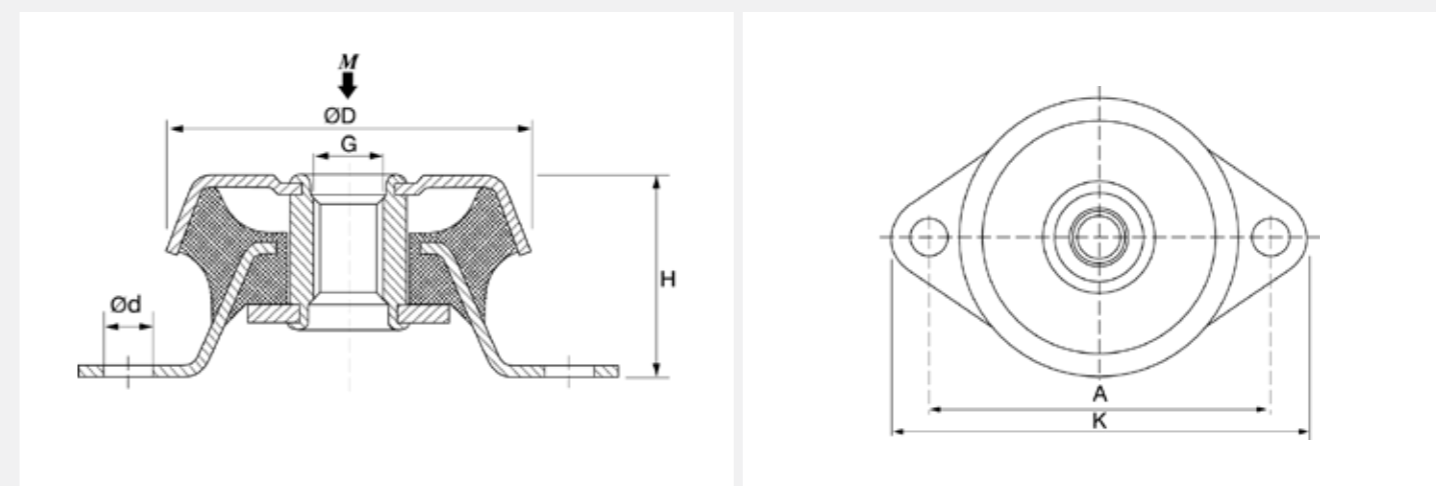
- Rubber features are utilized effectively combining compression and shear
- Tight tolerances on dynamic stiffness rate for accurate vibration calculations
- Loading rating options, 10-130 kg
- Corrosion protected to cope with arduous environments on land or marine applications
- Fitted as standard with an integral fail-safe device with resilient stop, making the RA ideal for use in mobile applications
- Domed shape cover to protect against oil contamination
- The RAB mounts can accommodate occasional vertical shock loads up to 5G and shock loads up to 2G in other directions

Typical Applications Include:

- Pumps
- Diesel engines
- Marine and Industrial gensets
- Emergency power packs



TECHNICAL DRAWING



PRODUCT DATA

DRAWING NO.	PART NO.	TYPE	DIMENSIONS (mm)						MAX. LOAD (kg)	MAX. BOLT TORQUE (Nm)
			ØD	A	H	K	ød	G		
17-4004-1	10-00180	RAB 3	63	76	35	93.5	8.5	M12	70	25
17-4141-1	10-00179	RAB 2	63	76	35	93.5	8.5	M12	105	25
17-4092-1	10-00178	RAB 0	63	76	35	93.5	8.5	M12	130	25

RAEM Mounting

The RAEM is a universal mounting for applications demanding maximum vibration isolation. It is a further development of the RA mount, where EM stands for 'extra movement' and is suitable for both light and heavy machines.

For normal speeds of 1500 RPM the RAEM type provides a degree of isolation of 85-95%, and gives good isolation with low frequency machines.

RAEM is a high performance mount, with a number of advantages:

- RAEM offers nominally 70% extra deflection over standard RA mounts
- Wide load rating options, 30-3400 kg
- Corrosion protected to cope with arduous environments on land or marine applications
- Fitted as standard with an integral fail-safe device with resilient stop, making the RA ideal for use in mobile applications
- Domed shape cover to protect against oil contamination
- The RAEM mounts can accommodate occasional vertical shock loads up to 5G and shock loads up to 2G in other directions

Typical Applications Include:

- HVAC units
- Marine gensets
- Industrial gensets
- Refiners
- Compressors
- Industrial fans
- Large milling machinery

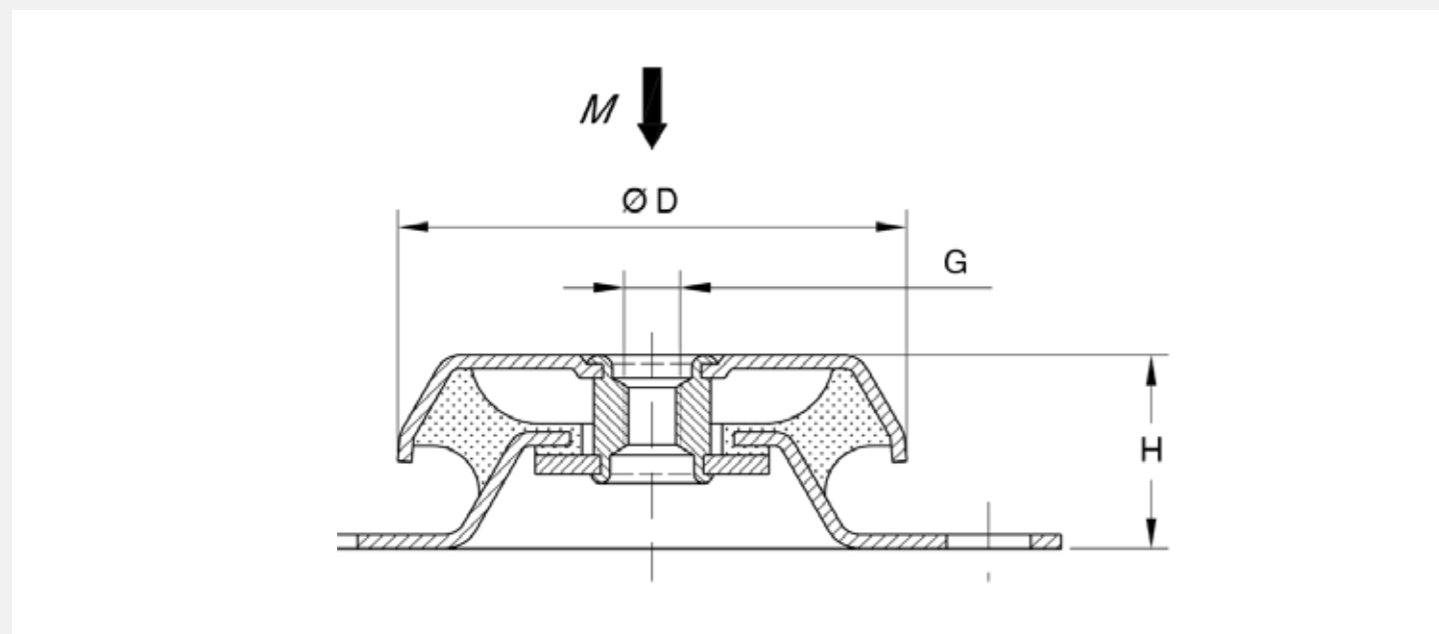


RAEM Mounting

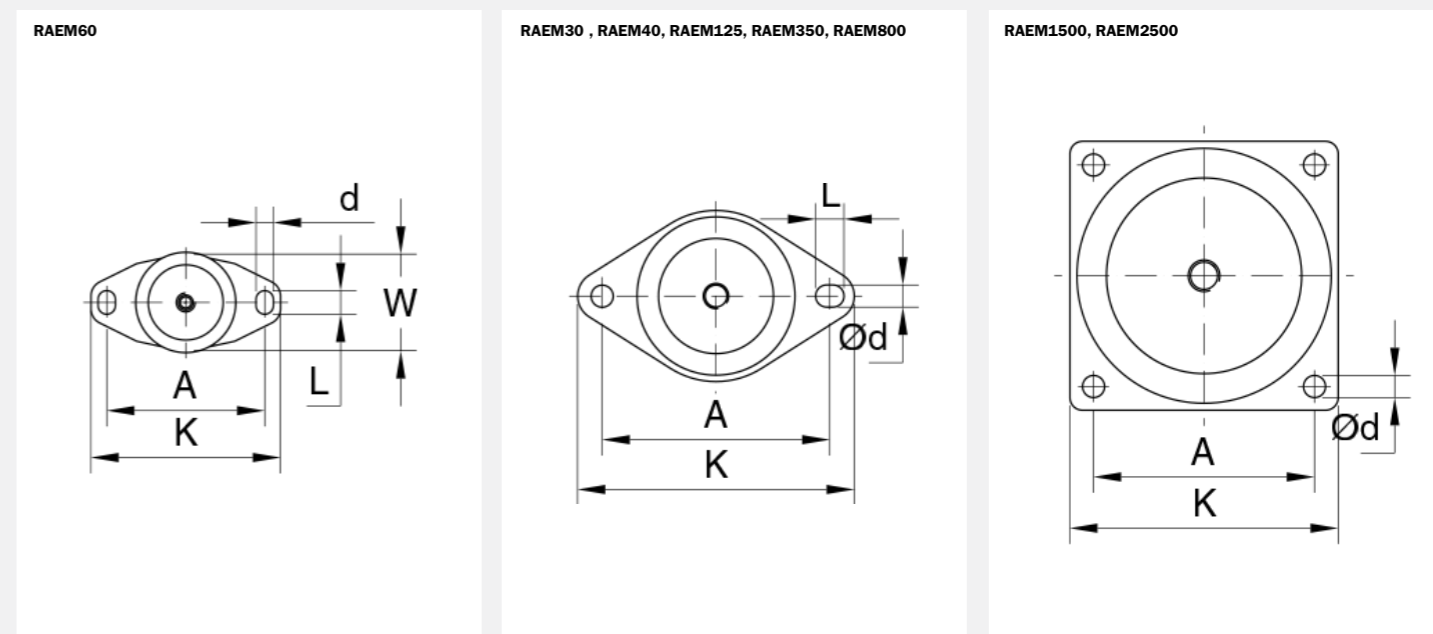
PRODUCT DATA

TYPE	HARDNESS	DRAWING NO.	PART NO.	DIMENSIONS (mm)							MAX. LOAD (Kg)	MAX. BOLT TORQUE (Nm)	
				ØD	A	H	K	Ød	L	G			
RAEM 40	40 °IRHD	17-4023-1	10-00122	64	88	35.5	110	9	12	M10	30	15	
	60 °IRHD	17-4024-1	10-00123								60		
RAEM 60	40 °IRHD	17-4025-1	10-00183	63	100	35.5	120	11	15	M12	60	25	
	60 °IRHD	17-4026-2	10-00184								120		
RAEM 125	40 °IRHD	17-2336-1	10-00108	84	110	35.5	135	11	15	M10	80	15	
	60 °IRHD	17-2338-1	10-00109								180		
	40 °IRHD	17-2336-2	10-00168							M12	80		25
	60 °IRHD	17-2338-2	10-00169								180		
RAEM 350	40 °IRHD	17-2341-1	10-00174	110	140-148	42	175	14	18	M12	200	25	
	60 °IRHD	17-2342-1	10-00175								400		
	40 °IRHD	17-2341-2	10-00114							M16	200		50
	60 °IRHD	17-2342-2	10-00115								400		
RAEM 800	40 °IRHD	17-2347-2	10-00120	155	182	54	216	14	18	M16	450	50	
	60 °IRHD	17-2348-1	10-00121								800		
RAEM 1500	40 °IRHD	17-4020-1	10-00158	182	146	85	180	14	-	M20	900	100	
	60 °IRHD	17-4018-1	10-00159								1700		
RAEM 2500	40 °IRHD	17-4021-2	10-00160	224	180	105.5	220	17.5	-	M24	1700	200	
	60 °IRHD	17-4022-1	10-00161								3400		

TECHNICAL DRAWING



TECHNICAL DRAWING



SAW® Mounting (Rectangular)

Rectangular SAW® mountings are also known as 'Sandwich' mountings because they feature a rubber section sandwiched between plates of metal.

This arrangement allows a large difference between the compression and shear stiffnesses, thus providing the potential to 'tune' a mounting system by rotating the mountings.

The Rectangular SAW® Mountings have the following features:

- Available with plate or stud fixings
- Can be loaded in compression or shear, or a combination of both, for example in a 'Vee' arrangement
- Can be manufactured with or without interleaves to change the ratio of shear to compression stiffness

Typical Applications Include:

- Low frequency machinery
- Vibratory screens
- Crushing equipment
- Engine mounts



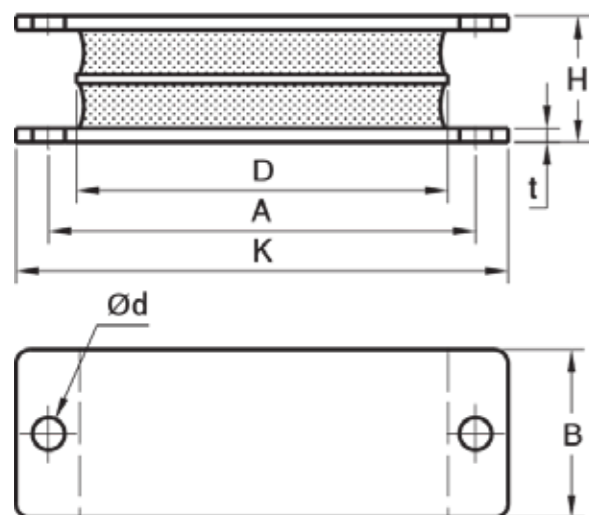
SAW® Mounting (Rectangular)

PRODUCT DATA

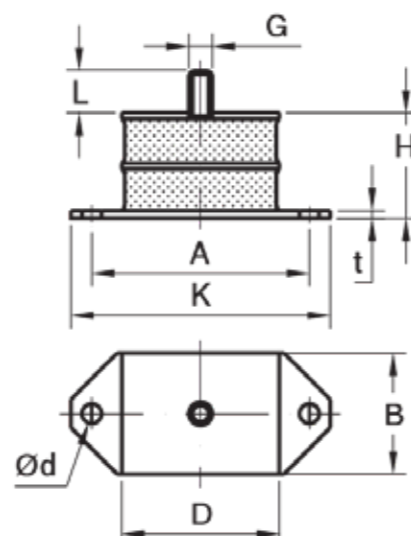
DRAWING NO.	PART NO.	TYPE	DIMENSIONS (mm)								MAX. LOAD (Kg)		STIFFNESS (N/mm)	
			A	B	K	H	D	Ød	t	Offsets	COMPRESSION	SHEAR	COMPRESSION	SHEAR
SAW (RECTANGULAR PLATE FIXING)														
31-0322	10-00658	45 °IRHD	89	57	108	43	63.5	11	5	-	180	50	895	36
	10-00659	60 °IRHD									360	75	1530	72
31-0242	10-00648	45 °IRHD	146	57	168	43	127	11	5	-	450	120	1765	80
	10-00651	60 °IRHD									900	150	3408	160
31-0285	10-00652	70 °IRHD	14	57	168	43	127	11	5	-	1050	150	6343	240
	10-00656	45 °IRHD									275	150	767	72
051 18 004	10-00657	60 °IRHD	146	57	168	43	127	11	5	-	546	150	1655	144
	96787	45 NR 11									140	110	400	70
051 18 004	96788	55 NR 11	146	57	168	51	117.5	10.8	4	11	280	190	800	130
	96789	60 NR 11									306	200	870	150
	96790	70 NR 11									470	220	1340	200
051 18 723	49038296	60NR11	295	112	322	90	-	14	8	12	800	550	2700	460
	96791	45 NR 11	146	57	168	43.2	127	10.8	4	-	740	170	2740	130
051 18 002	96793	55 NR 11									900	220	3330	200
	96792	65 NR 11									1510	240	5590	240
	96794	70 NR 11									1890	300	7000	380
051 18 719	49002463	60 NR 11	-	110	290	50	240	-	10	-	2500	580	12500	480
051 18 720	49002649	45 NR 11	235	170	255	49	140	9	6	-	4100	400	20500	500
	49002650	60 NR 11									9800	750	49000	940

TECHNICAL DRAWING

PLATE FIXING



BOLT FIXING



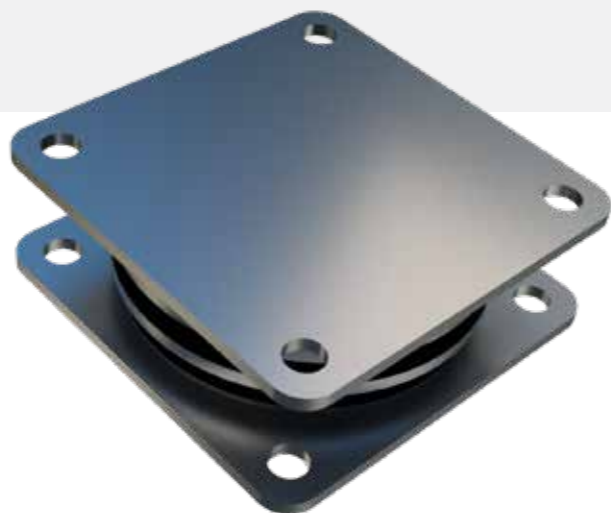
DRAWING NO.	PART NO.	TYPE	DIMENSIONS (mm)										MAX. LOAD (kg)		STIFFNESS (N/mm)	
			A	B	K	H	ØD	Ød	t	G	L	COMPRESSION	SHEAR	COMPRESSION	SHEAR	
SAW (RECTANGULAR BOLT FIXING)																
31-0406	10-00661	45 °IRHD	74.5	41	89	36	54	6.5	2.5	M8	14	90	40	290	29	
	10-00971	60 °IRHD										180	70	560	57	
	10-00663	70 °IRHD										250	90	832	85	
051 18 001	96796	45 NR 11	75	41	90	35.8	54	6.5	2.5	M8	14	120	44	500	40	
	96797	50 NR 11										150	50	630	50	
	96798	60 NR 11										230	60	960	80	
	96745	70 NR 11										300	80	1250	110	

SAW® Mounting

SAW® mounts are heavy duty mountings for static and shock loads in compression. The mounts provide high isolation in the horizontal shear direction.

SAW® mountings consist of a cylindrical shaped rubber section with integrally bonded interleaf metal plates, bonded between two square heavy duty outer metal fixing plates. Designed for large compressive forces with minimum deformation, while providing low shear stiffness rates. The combination of a stable low installation height, high compressive strength and low shear stiffness makes SAW® a versatile high performance antivibration mounting. The 4 clearance holes in each fixing plate allow easy installation.

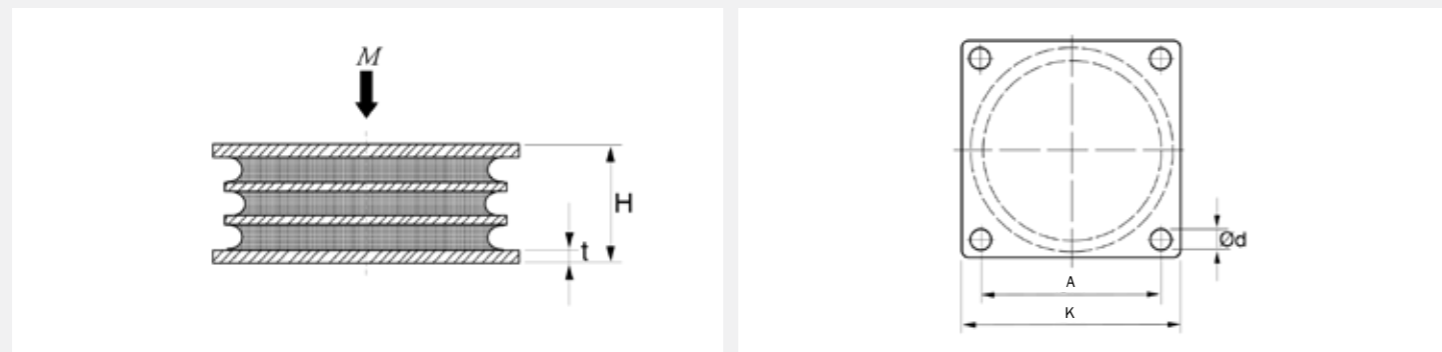
By connecting 2 SAW®- elements in a series, i.e. one on top of the other, an increased isolation efficiency is achieved in both shear and compression planes. Where larger deflections are required in the vertical plane, SAW® mountings are mounted at a calculated angle configuration to provide the optimum spring rate.



Typical Applications Include:

- Crushers
- Edge Runners
- Mills
- Hoppers and feeders
- Grinders
- Vibratory rollers
- Screens

TECHNICAL DRAWING



PRODUCT DATA

TYPE	HARDNESS	DRAWING NO.	PART NO.	DIMENSIONS (mm)					MAX. LOAD (Kg)
				A	K	H	Ød	t	
SAW 125	40 °IRHD	17-4058	10-00141	118	148	52	13.5	5	2250
	60 °IRHD		10-00142						4500
SAW 150	40 °IRHD	17-4059	10-00143	136	166	63	13.5	6	3750
	60 °IRHD		10-00144						7500
SAW 200	40 °IRHD	17-4060	10-00075	184	220	82	17	8	6000
	60 °IRHD		10-00076						12000
SAW 300	40 °IRHD	17-4061	10-00077	270	310	120	22	10	15000
	60 °IRHD		10-00078						30000

Rubberized Stop Washer

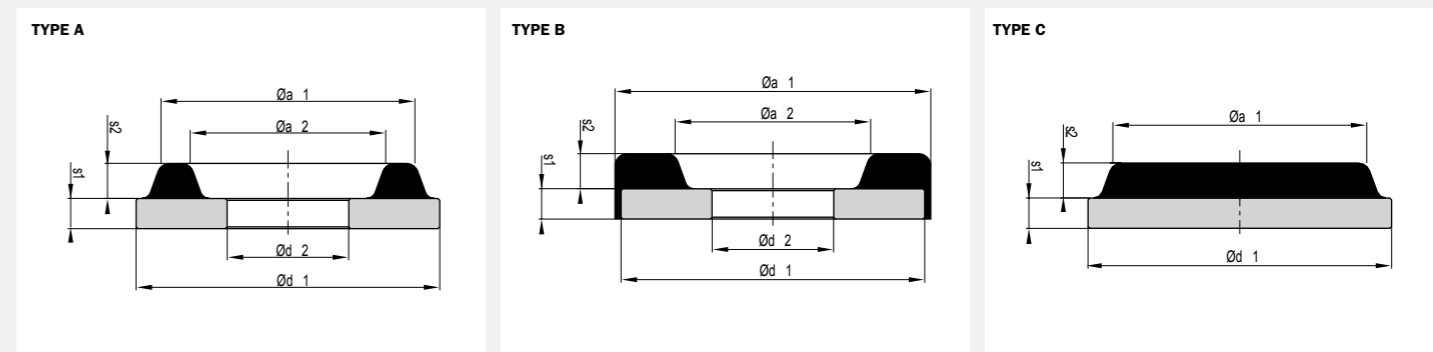
Rubber stop washers are versatile components for effectively limiting movement. They are preferably used for axial path limitation with Conical Mounts or Bushes. These elastomer-coated washers have different stiffnesses and dampening properties.

Typical Applications Include:

- Buffers
- Used with the Metacone range for rebound protection
- Universal applications



TECHNICAL DRAWING



PRODUCT DATA

DRAWING NO.	PART NO.	HARDNESS	DIMENSIONS (mm)					MAX. LOAD (Kg)	
			Ød ₁	Ød ₂	Øa ₁	Øa ₂	S ₁		S ₂
TYPE I									
039 18 005/101	93127	80 NR 11	49	12.5	44	28	3	3	-
	93950	60 NR 11							
077 18 700/101	511928	60 NR 11	75	16.2	65	47	5	4	-
077 18 707/101	49042823	70 NR 13		16.3					
040 18 048/101	90819	60 NR 11	75	20.2	65	47	5	6	-
077 18 007/102	90831	60 NR 11	75	20.2	65	47	4	5	-
	511081	70 NBR 68							
077 18 003/102	90501	60 NR 11	90	24.3	78	60	8	8	-
TYPE II									
077 18 710/101	49035471	70 NR 13	56	16	58	37	5	4	-
077 18 706/101	49042822	70 NR 13	56	21	58	37	5	4	-
19-0563	20-00612	SE 75	50	9	55	24	3	12	150
19-0728	20-00631	SE 250	70	11	75	31.5	4	13	400
19-0729	20-00632	SE 750	110	14	115	49	4	20	1100
FULLY RUBBERISED WASHER									
077 18 705/101	60900266	70 NR 13	40	-	32.55	-	5	2	-

Spherilastik® Bearings

A heavy duty flexible bearing which combines high load capacity with the ability to accommodate torsional and angular movements in all planes without lubrication and metal to metal wear. It is available with center bore or solid member depending on fixing requirements.

General guidance notes for selection:

- Properties quoted for the components in this document relate to continuous steady loading or deformation conditions
- For continuous dynamic cyclic loading or deformation, the maximum values should be reduced to approximately 30% of the figures quoted, depending on frequency.

For medium and low incidence loading and deformation, the tabled values may be increased up to 2 to 3 times.

Combined stressing in the different modes and the effects of stress reversals may require a more critical assessment.

Typical Applications Include:

- Traction and braking reaction rods
- Hydraulic damper fixings



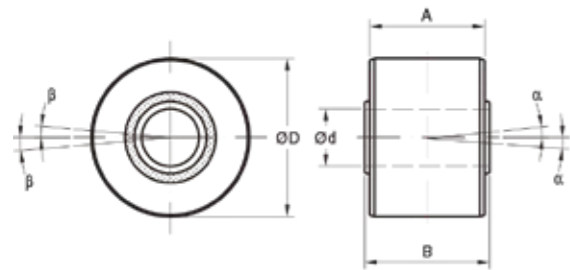
Spherilastik® Bearings

PRODUCT DATA

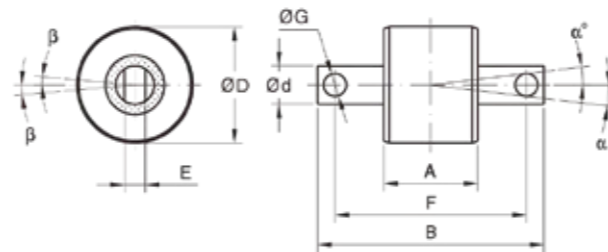
DRAWING NO.	PART NO.	DIMENSIONS (mm)								RADIAL		TORSION		CARDANIC		
		Housing		Ød	Tolerance for Ød	A	B	E	F	ØG	STIFFNESS (kN/mm)	MAX. LOAD (kN)	STIFFNESS (Nm/deg)	±β (degrees)	STIFFNESS (Nm/deg)	±α (degrees)
		ØD	Tolerance for ØD													
SPHERICAL MOUNT – CENTRE BORE																
054 18 036	90721	45	+0.086/-0.07	16	+0.043/0	35	42	-	-	-	22	1	4	4	3	1
054 18 068	92525	65	+0.087/-0.04	16	+0.027/0	32	60	-	-	-	23	18	8	4	4	1
13-1316	10-00257	66.7	+0/-0.04	25.4	+0.08/0	47.6	54	-	-	-	70	34	16	8	16	6
054 18 191	93644	75	+0.089/-0.04	20	+0.033/0	46	50	-	-	-	34	20	24	4	20	4
054 18 070	92041	90	+0.1/-0.05	30	+0.033/0	45	76	-	-	-	85	45	47	3	40	3
13-2106-1	10-00291	90.5	+0.01/-0.03	28.6	+0.12/-0.02	70	76.2	-	-	-	100	58	49	8	49	6
13-1006	10-00237	90.5	+0.02/-0.03	28.6	+0.05/-0.03	70	76.2	-	-	-	93	58	49	8	49	6
054 18 163	93418	100	+0.1/-0.05	53	+0.03/0	46.5	50	-	-	-	44	27	88	3	56	3
054 18 163	93643	100	+0.1/-0.05	53	+0.03/0	46.5	50	-	-	-	50	34	110	3	64	3
13-1285	10-00255	104.8	+0/-0.04	38.1	+0.08/0	76.2	82.6	-	-	-	90	78	79	8	49	7
054 18 122	2118217	110	+0.089/-0.05	40	+0.039/0	76	78	-	-	-	73	67	75	3	57	3
13-1180	10-01099	127	+0.04/-0.02	44.5	+0.08/0	101.6	104.8	-	-	-	87	93	119	7	108	7
13-4007	10-00273	127	+0.04/-0.02	50.1	+0.04/-0.1	101.6	104.8	-	-	-	260	220	262	6	227	5
13-2624	10-03344	127	+0.04/-0.02	31	+0.5/0	101.6	120	-	-	-	87	93	119	7	108	7
054 18 756	509887	130	+0.067/-0.03	60	+0.03/0	87	98	-	-	-	198	165	182	3	243	3
054 18 740	2124226	140	+0.185/-0.122	60	+0.03/0	90	100	-	-	-	180	129	478	3	308	6
13-1990	10-03251	150	+0.07/-0.02	60	+0.1/0	120	133.8	-	-	-	240	250	300	7	280	6
13-2623	10-03723	150	+0.07/-0.02	37	+0.25/0	120	140	-	-	-	150	205	155	8	125	8
054 18 204	596836	172	+0.21/-0.15	80	+0.03/0	120	138	-	-	-	126	105	445	3	295	3
SPHERICAL MOUNT – TRUNNION																
13-4089-00	10-01608	45	+0.05/-0.01	30	-	36	105	12	75	13	55	7	6	8	6	8
13-2202-1	10-00302	66.7	+0.1/-0	35	-	47.6	120	20	90	13	70	34	12	8	16	6
054 18 711	462023	66.67	+0.06/-0.03	40	+/- 0,25	47.6	135	16	96	18	76	25	34	3	24	3
054 18 710	465259	66.67	+0.06/-0.03	40	+/- 0,25	47.6	135	16	96	18	31	25	23	3	9	3
054 18 732	479059	66.67	+0.06/-0.03	40	+/- 0,25	47.6	160	18	120	18	76	25	27	3	20	3
13-2033	10-00283	84	+0.05/0	40	-	65	155	20	120	17	150	75	49	6	49	6
054 18 202	90205	90	+0.18/-0.12	50	+/- 0,1	65	170	30	130	22	85	46	62	3	43	3
13-2192-1	10-00878	90.5	+0.01/-0.03	48	-	71.4	170	30	130	21	90	58	49	8	49	6
13-2400	10-03615	104.8	+0/-0.04	50.5	-	76.2	195	30	152	23	220	150	75	8	71	7
13-2607-1	10-02168	104.8	+0/-0.04	50.5	-	76.2	195	30	152	25	220	150	75	8	71	7
13-2223	10-00304	104.8	+0/-0.04	50.5	-	76.2	170	30	130	19	220	150	79	8	131	6
13-2568	10-02512	104.8	+0/-0.04	50.5	-	76.2	170	30	130	21	220	150	79	8	131	7
054 18 190	92834	110	+0.2/-0.14	54	+/- 0,2	80	200	32	150	26	50	59	66	4	47	4
054 18 702	500742	120	+0.2/-0.14	60	+/- 0,3	90	220	40	170	28	120	82	150	3	110	3
13-4011	10-04047	127	+0.04/-0.02	51.5	-	101.6	232	30	190	26	190	220	150	8	125	7
054 18 735	2123524	140	+0.23/-0.17	60	+/- 0,3	100	240	36	190	25	15	30	52	7	34	7

TECHNICAL DRAWING

SPERILASTIK® BEARINGS, CENTRE BORE TYPE



SPERILASTIK® BEARINGS, TRUNNION TYPE



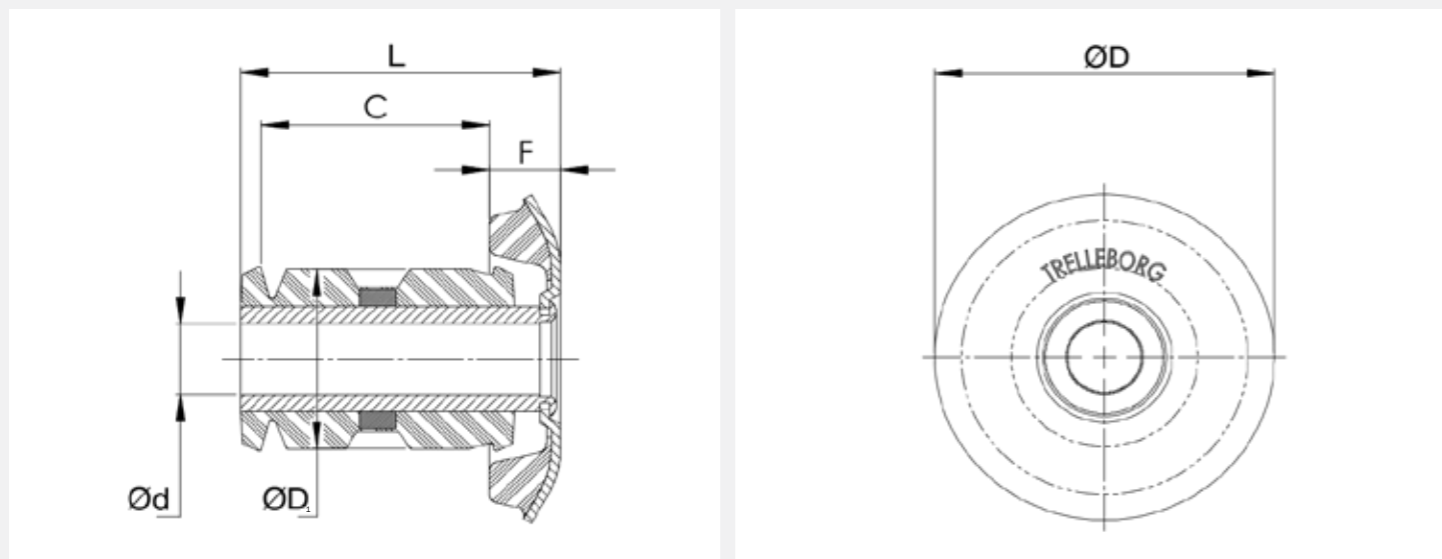
Tilt Cab Mount (TCM)

The Trelleborg Tilt Cab Mount (TCM) is specially designed for high levels of vibration isolation while simultaneously controlling axial movements with an integral buffer. The combination of isolator and buffer results in the mounting functioning with increased effectiveness over a conventional multi-mount system.

The robust and failsafe design enables suitability for ROPS and FOPS cab structures. The mount offers a load range from 180 to 380kg with a rising-rate stiffness characteristic to help limit motion and transmitted acceleration. It's simple press fit and tapered cap to allow cab/clevis to slip over mount without catching. The TCM also features a built-in vertical motion limiter to prevent excessive cab displacements during a shock input, a feature which also protects the bush from overload therefore ensuring long service life.



TECHNICAL DRAWING



PRODUCT DATA

DRAWING NO.	PART NO.	TYPE	DIMENSIONS (mm)						MAX. LOAD (Kg)	STIFFNESS (N/mm)				
			Ød	ØD	F	L	HOUSING			RADIAL	AXIAL			
							ØD ₁	C						
13-4455-1	10-04845	50 °IRHD	16	75	15.5	70	38	50.5	180	3200	1580			
	10-02038	60 °IRHD										290	5000	2500
	10-04846	70 °IRHD												

Spherical Roller Bearing (Tonnenlager)

Spherical roller bearings are ideal for their vertical loading and insulation against low-amplitude vibrations.

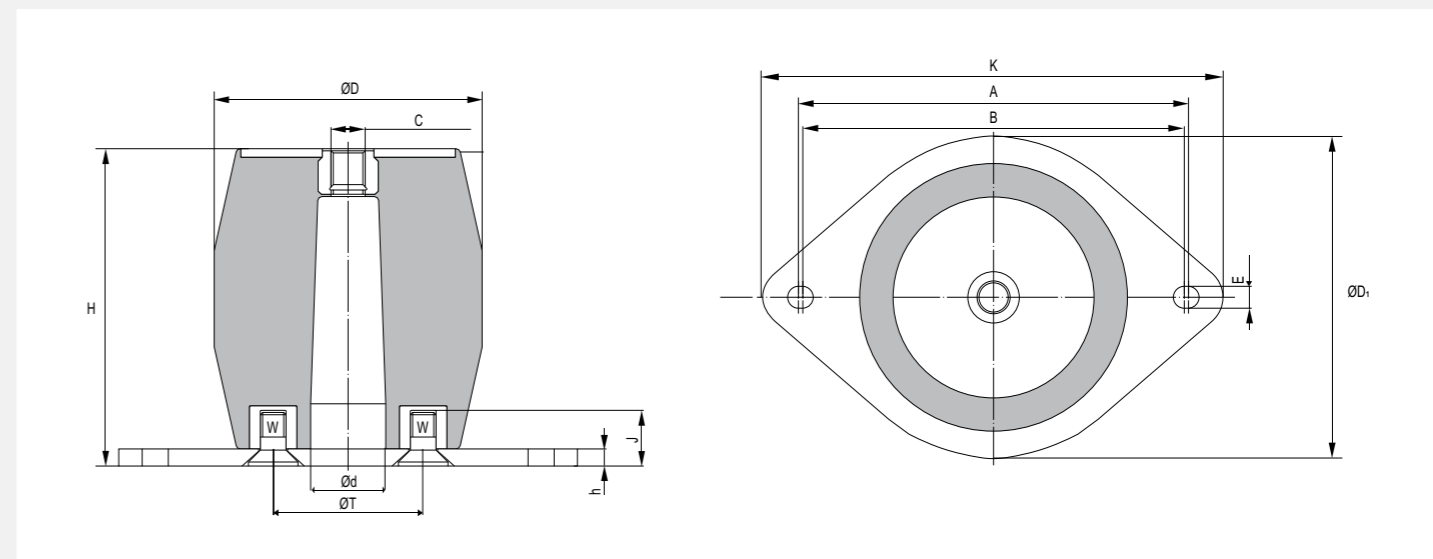
Masses that experience or themselves cause minor vibration amplitudes according to deflection can be mounted on spherical roller bearings. This makes this mount configuration suitable for selected engines, compressors, units, mounting equipment and also heavy duty switch cabinets, control systems, stationary control panels, measurement equipment.

Typical Applications Include:

- Engine
- Compressors
- Heavy duty switch cabinets
- Control systems
- Stationary control panels
- Measuring equipment



TECHNICAL DRAWING



PRODUCT DATA

DRAWING NO.	PART NO.	TYPE	DIMENSIONS (mm)											AXIAL		BOLT SIZE	MAX. BOLT TORQUE (Nm)	
			ØD	Ød	H	ØT	J	C	W	L	ØD ₁	E	STIFFNESS (N/mm)	MAX. LOAD (Kg)				
															WITHOUT BASE PLATE			
039 18 756/101	49040061	45 NR 511	125	35	142	70	18	M16	M12	-	-	-	180	900	M16 - 5.6	94.5		
	49002648	58 NR 511															280	1380
	49040132	70 NR 511																

DRAWING NO.	PART NO.	TYPE	DIMENSIONS (mm)											AXIAL		BOLT SIZE	MAX. BOLT TORQUE (Nm)			
			ØD ₁	ØD	K	A	B	H	C	Ød	ØT	W	J	E	STIFFNESS (N/mm)			MAX. LOAD (Kg)		
																			WITH BASE PLATE	
039 18 756/111	49040133	45 NR 511	150	125	214	182	178	150	M16	35	70	M12	26	10.2	180	900	M16 - 5.6	94.5		
	49040134	58 NR 511																	280	1380
	49040135	70 NR 511																		

UD VP Bushes

UD bush consists of two concentric sleeves with rubber securely bonded between them. Designed to accommodate torsional movements, axial and radial loads. The rubber is pre-stressed to give maximum dynamic strength and durability.

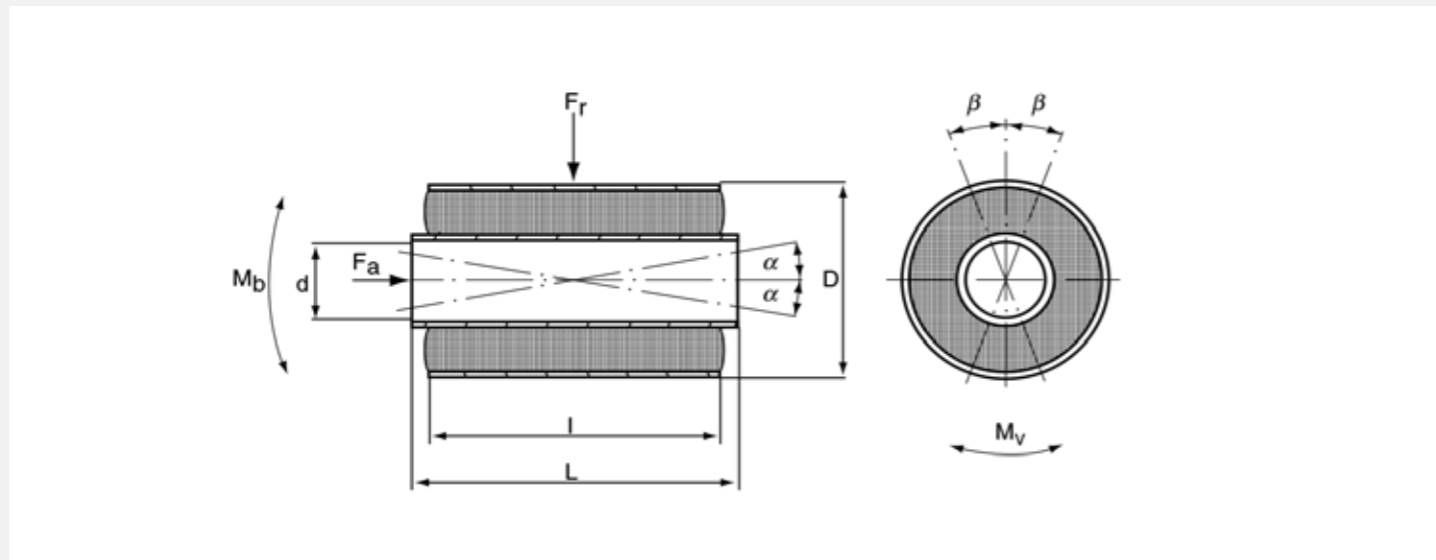
The bonded rubber takes up full movement. Therefore, lubrication or other bearing maintenance is not required. The bush has excellent sound and vibration isolation characteristics, enabling structures fitted with the sleeves to be silent and vibration free.

For vehicle suspension, pivot arms and all types of mechanical linkage, this mount permits oscillating movement through the deflection of rubber in shear. Suitable to replace roller bearings where small motions are required (up to 20 degrees). Reduces shock loads and noise transmission in structures.

Typical Applications Include:

- Vehicle suspension arms
- Vibratory feeders
- Conveyor tracks
- Mechanical linkages
- Pivot bearings

TECHNICAL DRAWING



UD Bushes

PRODUCT DATA

DRAWING NO.	PART NO.	TYPE	DIMENSIONS (mm)						RADIAL		AXIAL			TORSION		
			$\varnothing d$	TOLERANCE FOR $\varnothing d$	Housing		I	L	STIFFNESS (N/mm)	MAX. LOAD (N)	STIFFNESS (N/mm)	MAX. DEFLECTION (mm)	MAX. LOAD (kg)	MAX. TORQUE (Nm)	STIFFNESS (Nm/deg)	$\pm\beta$ (degrees)
13-1232	20-01612	60 °IRHD	8	+0.13/-0	20	0.06/-0.01	15	17	2000	700	205	1.3	15	2	0.17	13
001 18 156	91089	40 NR 11	10	+0.036/-0	20	+0.125/-0.04	18.5	20.5	3670	1068	200	0.6	12	2.7	0.2	12.6
001 18 036	90007	60 NR 11	10	+0.036/-0	20	+0.125/-0.04	20	24	14000	2719	680	0.6	41	2	0.6	3.5
001 18 168	90122	60 NR 11	8	+0.036/-0	20	+0.125/-0.04	35	40	6750	2622	510	1.3	70	3.2	0.5	7
001 18 305	91237	60 NR 11	8	+0.036/-0	22	+0.125/-0.04	12	20	1130	437	140	1.6	23	1.1	0.2	7
001 18 156	90112	60 NR 11	10	+0.036/-0	22	+0.125/-0.04	18.5	20.5	7000	2039	450	0.6	28	2.7	0.5	5.2
001 18 337	91497	60 NR 11	10	+0.036/-0	22	+0.125/-0.04	15	16	4000	1165	280	1.0	28	2	0.6	3.5
001 18 037	90009	60 NR 11	10	+0.036/-0	22	+0.125/-0.04	20	24	7200	1748	530	1.0	53	3	0.6	5
001 18 040	90014	60 NR 11	12	+0.043/-0	22	+0.125/-0.04	24	28	6500	1262	860	0.7	60	4	0.9	4.3
13-1230	10-00249	55 °IRHD	10	+0.13/-0	24	+0.8/-0	15	18	1360	500	170	1.7	28	3	0.24	13
001 18 287	92683	60 NR 11	12	+0.043/-0	24	+0.125/-0.04	36	37	15670	4564	790	1.2	95	6	1.1	5.6
13-4127	10-00021	60 °IRHD	10	+/-0.1	25	+0.05/+0.25	25	20	2000	2300	170	4.4	76	5	0.3	15
13-4128	10-00022	60 °IRHD	10	+/-0.1	25	+0.05/+0.25	40	35	2350	3800	380	3.9	151	6	0.4	15
001 18 039	90012	40 NR 11	10	+0.036/-0	25	+0.132/-0.05	20	24	1400	680	130	1.6	21	1.2	0.2	6.6
001 18 039	90011	60 NR 11	10	+0.036/-0	25	+0.132/-0.05	20	24	3800	1845	340	1.6	55	2.9	0.4	6.6
001 18 041	90016	60 NR 11	12	+0.043/-0	25	+0.132/-0.05	24	28	8220	3593	540	1.2	65	4.7	0.9	5.4
001 18 043	90018	60 NR 11	12	+0.043/-0	28	+0.132/-0.05	24	28	4500	2622	400	1.2	48	4.2	0.7	6
001 18 043	90076	60 AEM 23	12	+0.043/-0	28	+0.132/-0.05	24	28	4500	2622	400	1.2	48	4.2	0.7	6
002 18 886	49004146	60 NR 11	12	+0.043/-0	28	+0.132/-0.05	24	28	4500	2622	400	1.2	48	4.2	0.7	6
001 18 157	90890	40 NR 11	12	+0.043/-0	30	+0.132/-0.05	17	18	580	340	90	1.4	13	1.3	0.2	7.4
001 18 044	49035877	40 NR 11	12	+0.043/-0	30	+0.132/-0.05	24	28	1580	922	160	1.4	23	2.1	0.3	7.2
001 18 157	90113	60 NR 11	12	+0.043/-0	30	+0.132/-0.05	17	18	1500	874	200	1.5	30	3	0.4	7.4
001 18 169	49035876	40 NR 11	12	+0.043/-0	30	+0.132/-0.05	36	40	1670	971	210	1.5	32	2.9	0.4	7.5
001 18 044	90019	60 NR 11	12	+0.043/-0	30	+0.132/-0.05	24	28	2750	1602	300	1.6	48	4.5	0.6	7.2
001 18 169	90123	60 NR 11	12	+0.043/-0	30	+0.132/-0.05	36	40	4000	2330	520	1.5	78	7	0.9	7.5
001 18 050	90028	60 NR 11	16	+0.043/-0	30	+0.132/-0.05	32	38	13410	5341	880	1.3	120	10	1.9	5.2
13-4273	20-02673	60 °IRHD	14.3	+0.1/-0.02	30.2	+0.04/-0.04	44.5	50.8	11000	6000	695	1.9	130	20	1.5	13
001 18 159	90117	60 NR 11	16	+0.043/-0	32	+0.16/-0.06	16	17	1830	1068	380	1.5	60	5	0.9	5.6
001 18 170	90124	60 NR 11	18	+0.043/-0	32	+0.16/-0.06	20	20	10000	3884	540	1.2	65	7.3	1.7	4.4
001 18 047	90021	60 NR 11	14	+0.043/-0	32	+0.16/-0.06	28	32	4000	2330	530	2.0	106	7	1.0	6.7
001 18 158	90115	60 NR 11	12	+0.043/-0	32	+0.16/-0.06	55	59	8440	7380	750	2.4	180	11	1.4	7.7
13-0797	10-00217	60 °IRHD	15.9	+0.1/-0.03	33.4	+0/-0.08	60.3	65	18800	9500	960	2.1	159	31	2.4	13
001 18 171	93000	40 NR 11	18	+0.043/-0	34	+0.16/-0.06	25	25	1420	1651	220	1.6	35	3.8	0.7	5.3
001 18 171	91567	60 NR 11	18	+0.043/-0	34	+0.16/-0.06	25	25	4330	2525	640	1.5	100	9.2	1.7	5.3
001 18 055	90033	60 NR 11	18	+0.043/-0	34	+0.16/-0.06	36	42	12630	4904	1050	1.2	126	13	2.5	5.3
13-4129	10-00023	60 °IRHD	15	+/-0.1	35	+0.05/+0.25	30	25	3000	3500	220	6.8	152	9	0.6	15
13-4130	10-00024	60 °IRHD	15	+/-0.1	35	+0.05/+0.25	50	45	6500	6000	520	4.8	254	15	1	15
001 18 048	90022	40 NR 11	14	+0.043/-0	35	+0.16/-0.06	28	32	1050	612	160	1.5	24	2.9	0.4	7.5
001 18 048	90023	60 NR 11	14	+0.043/-0	35	+0.16/-0.06	28	32	2670	1554	430	1.5	64	6	0.8	7.5
001 18 060	90035	60 NR 11	20	+0.052/-0	38	+0.16/-0.06	40	46	16400	7962	940	1.8	170	19	3.6	5.3
13-1782	10-00277	60 °IRHD	12.7	+0.18/-0	38.1	+0.13/-0	25.4	31.8	788	1100	163	3.3	48	11	0.52	22
13-1657	10-00271	60 °IRHD	12.7	+0.18/-0	38.1	+0.13/-0	44.5	50.8	2100	2200	300	3.3	95	16	0.73	22
001 18 054	90032	60 NR 11	16	+0.043/-0	40	+0.16/-0.06	32	38	2670	2330	400	2.5	100	10	1.2	8.1
001 18 049	90026	60 NR 11	14	+0.043/-0	40	+0.16/-0.06	28	34	750	874	330	3.6	120	7	0.8	8.6
001 18 392	91566	60 NR 11	25	+0.052/-0	40	+0.16/-0.06	30	30	21500	6312	1090	1.1	120	36	5.1	7
001 18 130	90100	60 NR 11	25	+0.052/-0	40	+0.16/-0.06	40	40	27500	10681	1230	1.1	135	22	5.5	4
001 18 130	477724	60 NBR 68	25	+0.052/-0	40	+0.16/-0.06	40	40	27500	10681	1230	1.1	135	22	5.5	4
001 18 288	91270	60 NR 11	20	+0.052/-0	40	+0.16/-0.06	36	36	10000	6117	730	2.2	160	16.6	2.8	6
001 18 061	90037	60 NR 11	20	+0.052/-0	40	+0.16/-0.06	40	46	12540	7671	820	2.2	180	19	3.2	5.9
001 18 069	90043	60 NR 11	25	+0.052/-0	40	+0.16/-0.06	50	56	57140	19420	2200	0.9	200	34	9.7	3.5
001 18 069	49004699	60 NBR 68	25	+0.052/-0	40	+0.16/-0.06	50	56	57140	19420	2200	0.9	200	34	9.7	3.5
001 18 163	90955	60 NR 11	25	+0.052/-0	42	+0.17/-0.07	22	23	5000	2913	750	1.6	120	15	3.5	4.3
001 18 224	90137	40 NR 11	20	+0.052/-0	44	+0.17/-0.07	38	42	2000	1554	280	2.9	83	7.5	1.1	7
002 18 919	49040213	45 NR 39	20	-0,15	44	+0.17/-0.07	38	42	2000	1554	280	2.9	83	7.5	1.1	7

UD Bushes

PRODUCT DATA

DRAWING NO.	PART NO.	TYPE	DIMENSIONS (mm)					RADIAL		AXIAL			TORSION			
			Ød	TOLERANCE FOR Ød	Housing		I	L	STIFFNESS (N/mm)	MAX. LOAD (N)	STIFFNESS (N/mm)	MAX. DEFLECTION (mm)	MAX. LOAD (kg)	MAX. TORQUE (Nm)	STIFFNESS (Nm/deg)	±β (degrees)
001 18 224	91711	60 NR 11	20	+0.052/0	44	+0.17/-0.07	38	42	5000	3884	710	2.9	210	18	2.6	7
001 18 564	54004164	60 NR 11	25.7	+0.052/0	44.5	0 / -0.1	38	41.5	9170	5341	640	2.1	140	42	4.2	10
13-4131	10-00025	60 °IRHD	20	+/-0.1	45	+0.05/+0.25	40	35	4000	6800	330	7.9	266	24	1.6	15
13-4132	10-00026	60 °IRHD	20	+/-0.1	45	+0.05/+0.25	75	70	8000	13500	820	6.7	560	48	3.2	15
001 18 181	2118578	40 NR 11	20	+0.052/0	45	+0.17/-0.07	30	30	1670	1457	230	1.9	45	5.8	0.8	7.1
001 18 181	91034	60 NR 11	20	+0.052/0	45	+0.17/-0.07	30	30	4110	3593	550	2.0	110	14	2.0	7.1
001 18 064	90039	60 NR 11	20	+0.052/0	45	+0.17/-0.07	40	46	5400	5243	650	2.6	175	19	2.6	7.4
001 18 070	90044	60 NR 11	25	+0.052/0	45	+0.17/-0.07	50	56	18250	11167	1560	1.8	280	34	6.4	5.3
001 18 127	90094	60 NR 11	20	+0.052/0	45	+0.17/-0.07	64	70	14580	16993	1130	3.1	360	30	4.2	7.2
13-1004	10-00235	60 °IRHD	15.9	+0.15/-0.3	47.7	+0.05/-0.08	44.5	50.8	1981	2500	304	4.2	125	26	1.3	20
001 18 173	90126	60 NR 11	30	+0.052/0	48	+0.17/-0.07	56	62	47500	18449	1730	1.5	260	92	11.5	8
13-4133	10-00027	60 °IRHD	25	+/-0.1	50	+0.05/+0.25	45	40	4500	9000	450	8.4	385	46	3.3	14
13-4134	10-00028	60 °IRHD	25	+/-0.1	50	+0.05/+0.25	85	80	10500	18000	960	7.8	763	69	4.9	14
001 18 075	90328	40 NR 11	30	+0.052/0	50	+0.17/-0.07	60	66	14670	8545	750	1.6	120	25	5.2	4.8
001 18 065	90040	60 NR 11	20	+0.052/0	50	+0.17/-0.07	40	46	3420	5243	540	4.1	225	19	2.3	8.1
001 18 624	93126	60 NR 11	24	+0.052/0	50	+0.17/-0.07	64	70	12500	9710	660	3.6	243	46	5.1	9
001 18 072	90045	60 NR 11	25	+0.052/0	50	+0.17/-0.07	50	56	10000	9710	970	2.9	290	34	5.2	6.6
001 18 126	90093	60 NR 11	24	+0.052/0	50	+0.17/-0.07	76	82	21250	16507	1110	2.7	300	92	6.6	14
001 18 136	92150	40 NR 11	24	+0.052/0	50	+0.17/-0.07	102	115	15170	17672	940	3.1	300	70	4.4	15.9
001 18 075	90046	60 NR 11	30	+0.052/0	50	+0.17/-0.07	60	66	3550	1845	1940	1.6	310	42	3.0	14
001 18 136	90102	60 NR 11	24	+0.052/0	50	+0.17/-0.07	102	115	31250	36413	2170	2.4	520	70	10.6	6.6
002 18 005	49017278	60 NR 91	28	+0.052/0	52	+0.21/-0.087	48	54	10000	9710	800	2.0	160	40	5.7	7
001 18 079	90052	60 NR 11	32	+0.062/0	55	+0.21/-0.087	65	72	50500	19614	2700	2.0	540	78	19.0	4.1
001 18 645	54004214	60 NR 11	32	-0.15	56	+0.21/-0.087	49	54	13930	9467	1000	2.6	260	64	8.0	8
13-4135	10-00029	60 °IRHD	30	+/-0.2	60	+0.05/+0.25	55	45	5000	12000	530	9.6	519	78	5.6	14
3010195	54004190	60 NR	30	+0.052/0	60	+0.21/-0.087	24	26	3550	1845	632	1.7	110	42	3.0	14
001 18 078	90051	60 NR 11	30	+0.052/0	60	+0.21/-0.087	60	68	11820	12623	1310	2.5	340	63	9.0	7
001 18 117	49004031	40 NR 11	38	+0.062/0	64	+0.21/-0.087	80	88	23130	17964	750	2.7	210	53	11.0	4.8
001 18 561	54004244	60 NR 11	40	+0.062/0	64	+0.21/-0.087	43	46	15000	8739	1200	2.2	265	80	11.4	7
001 18 117	90089	60 NR 11	38	+0.062/0	64	+0.21/-0.087	80	88	56250	43695	2640	2.7	740	130	27.1	4.8
13-4137	10-00031	60 °IRHD	35	+/-0.2	65	+0.05/+0.25	60	50	8500	16000	720	9.2	675	92	7.7	12
001 18 220	91092	40 NR 11	30	+0.052/0	65	+0.21/-0.087	70	70	5150	6506	380	3.9	150	23	3.6	6.4
001 18 220	95300	60 NBR 68	30	+0.052/0	65	+0.21/-0.087	70	70	12230	15439	970	3.8	380	55	8.6	6.4
001 18 220	91318	60 NR 11	30	+0.052/0	65	+0.21/-0.087	70	70	10540	13303	1030	3.8	400	55	8.6	6.4
002 18 885	49004145	60 NR 11	30	+0.052/0	65	+0.21/-0.087	70	70	10540	13303	1030	3.8	400	55	8.6	6.4
001 18 088	90060	60 NR 11	40	+0.062/0	65	+0.21/-0.087	80	88	50000	19420	2260	2.7	625	130	27.7	4.7
001 18 084	90057	60 NR 11	36	+0.062/0	65	+0.21/-0.087	72	80	19240	19614	1810	3.5	650	96	16.6	5.8
13-4139	10-00033	60 °IRHD	40	+/-0.2	70	+0.05/+0.25	65	55	17000	20500	870	9.5	843	138	11.5	12
13-1698	10-00276	60 °IRHD	35	+0.1/-0.07	71.2	+0.05/+0.08	41.1	45	3800	4500	347	5.1	220	97	6.9	14
001 18 716	49012091	60 NR 11	57	+0.074/0	73	+0.021/-0.002	62	71	115000	43307	3500	2.0	700	200	66.7	3
13-4141	10-00035	60 °IRHD	45	+/-0.2	75	+0.05/+0.25	70	60	20000	24000	1100	9.1	1020	240	20	12
001 18 090	90061	60 NR 11	40	+0.062/0	75	+0.22/-0.1	80	88	18670	27188	1370	3.4	480	130	19.4	6.7
001 18 093	90063	60 NR 11	45	+0.062/0	75	+0.22/-0.1	90	100	55580	64766	2260	3.5	815	185	36.3	5.1
001 18 285	91820	60 NR 11	42	+0.062/0	78	+0.22/-0.1	45	45	8480	13594	1070	4.3	470	85	14.2	6
13-4143	10-00037	60 °IRHD	50	+/-0.2	80	+0.05/+0.25	75	65	30000	28500	1350	8.9	1225	275	25	11
001 18 297	91424	60 NR 11	45	+0.062/0	80	+0.22/-0.1	45	45	7250	8448	870	2.9	260	90	15.5	5.8
001 18 095	93394	60 NBR 68	50	+0.062/0	80.0	+0.22/-0.1	100	110	94440	82535	3750	2.4	900	300	68.2	4.4
001 18 095	90066	60 NR 11	50	+0.062/0	80	+0.22/-0.1	100	110	94440	82535	3750	2.4	900	300	68.2	4.4
001 18 141	49039427	45 NR 11	58	+0.074/0	93	+0.34/-0.13	85	95	15500	15051	1100	2.9	330	140	29.8	4.7
001 18 141	90106	60 NR 11	58	+0.074/0	93	+0.34/-0.13	85	95	33000	32043	2330	2.9	700	281	59.8	4.7
001 18 360	90900	60 NR 11	50	+0.062/0	95	+0.26/-0.12	100	110	25450	40782	2180	4.3	960	255	38.1	6.7
001 18 489	54004359	60 NR 11	75	+0.074/0	100	+0.125/-0.025	50	50	56000	27188	2750	2.0	550	248	91.9	2.7
001 18 097	90070	60 NR 11	50	+0.062/0	100	+0.26/-0.12	100	110	17250	33500	1650	6.1	1026	255	35.9	7.1
001 18 102	96921	40 NR 11	50	+0.062/0	125	+0.42/-0.17	138	195	5600	15536	800	6.7	550	180	17.1	10.5

UD Bushes

PRODUCT DATA

DRAWING NO.	PART NO.	TYPE	DIMENSIONS (mm)					RADIAL		AXIAL			TORSION			
			Ød	TOLERANCE FOR Ød	Housing		I	L	STIFFNESS (N/mm)	MAX. LOAD (N)	STIFFNESS (N/mm)	MAX. DEFLECTION (mm)	MAX. LOAD (kg)	MAX. TORQUE (Nm)	STIFFNESS (Nm/deg)	±β (degrees)
001 18 485	54004365	70 NR 11	80	+0.074/0	125	+0.33/-0.17	107	102	52870	56473	2980	4.2	1280	808	144.3	5.6
001 18 102	96141	60 NR 11	50	+0.062/0	125	+0.42/-0.17	138	195	12600	33985	1700	7.5	1300	550	52.4	10.5
001 18 318	92770	60 NR 11	70	+0.074/0	126	+0.33/-0.17	111	120	52000	50492	3200	4.9	1600	610	122.0	5
001 18 772	96165	60 NR 11	100	+0.087/0	140	+0.42/-0.17	110	120	116360	124288	5100	2.8	1480	1045	316.7	3.3
001 18 641	54004357	60 NR 11	75	+0.074/0	141	+0.2	155	165	73530	121375	2880	6.6	1930	1840	175.2	10.5
001 18 802	96246	60 NR 11	110	+0.087/0	160	+0.44/-0.19	170	180	110000	160215	6000	4.9	3000	1850	440.5	4.2
001 18 805	96248	60 NR 11	124	+0.01/-0	180	+0.46/-0.21	220	230	440000	388400	10750	3.9	4300	3000	1000.0	3
001 18 805	96247	70 NR 11	124	+0.01/-0	180	+0.46/-0.21	220	230	460000	446660	15000	3.9	6000	4600	1533.3	3
001 18 531	93059	60 NR 11	136	+0.01/-0	218	+0.44/-0.26	201.6	235	130000	252460	7500	0.7	525	4700	1000.0	4.7
001 18 531	480706	60 NBR 68	136	+0.01/-0	218	+0.44/-0.26	201.6	235	130000	252460	7500	6.9	5250	4700	1000.0	4.7
001 18 440	54004068	60 NR 11	16	+0.01/-0	30	+0.132/-0.05	25	25	5750	2233	520	1.3	67	13.7	1.2	11
002 18 919	49040227	60 NR 11	20	-0.15	44	+0.17/-0.07	38	42	5000	3884	710	2.9	210	18	2.6	7
002 18 920	49040214	45 NR 97	25	-0.15	55	+0.17/-0.07	55	60	4000	3884	380	2.6	100	17	2.5	6.8
002 18 920	49040228	60 NR 11	25	-0.15	55	+0.21/-0.087	55	60	8000	7768	1000	2.6	260	35	5.1	6.8



UH®

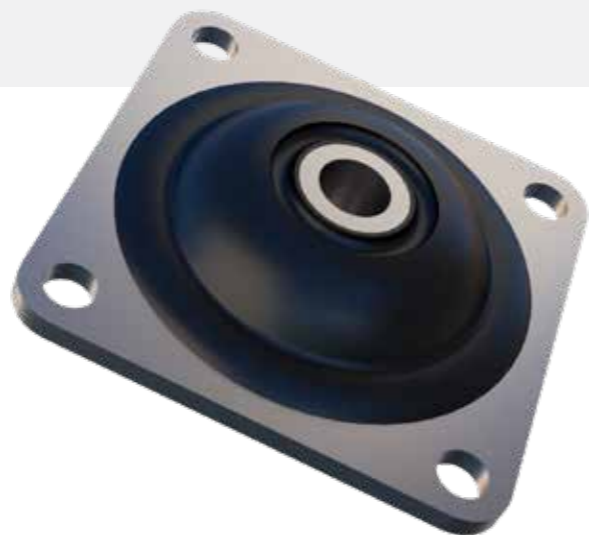
UH® is an antivibration mounting designed to accommodate axial static and shock loads in both directions. The dynamic natural frequency is constant irrespective of the static load.

Mounting type UH® is particularly suitable for the suspension of both mobile and static cabs as well as platforms on agricultural vehicles. When fitted with overload/rebound washers, a high strength fail-safe installation is provided.

Moreover, it is possible to alter the characteristics of the mounting by providing a dome-shaped washer at the upper rubber section. This will provide impact resistance to deflection beyond the permissible limit. Effectively isolating vibration and noise, the UH® mounting also protects tanks and ancillary equipment against metal fatigue caused by chassis distortion.

Typical Applications Include:

- Tractors
- Excavators
- Lifting cranes
- Forklift trucks
- Forestry vehicles
- Off-road equipment



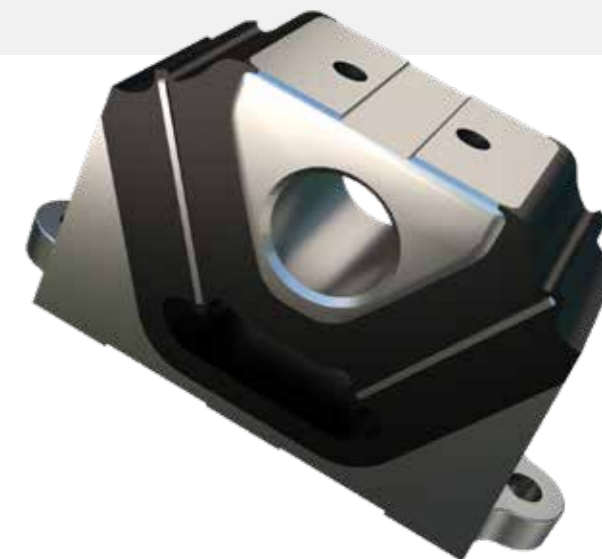
Vee-Keillager

Vee-Keillager have ideal stiffness characteristics for rail vehicle engine suspension. The vertical stiffness rate ensures that when the mounting is properly loaded, the vertical natural frequency does not coincide with the body bending frequency and the high longitudinal stiffness controls shunting shock motion. The mounting is usually connected to the solebars via the base casting, and a buffer is attached to the Vee section casting to limit tensile loads.

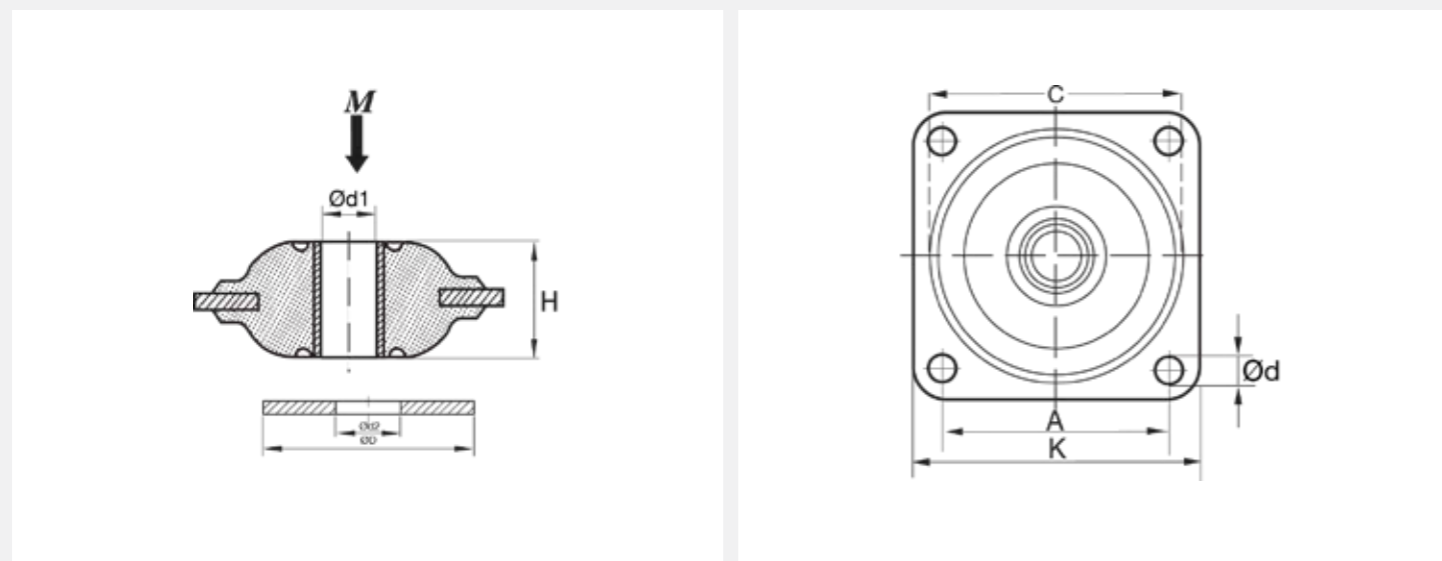
Vee-Keillager has the following features:

- Three dissimilar translational stiffness for the best vibration isolation and motion control
- Strong castings for safety and reliability

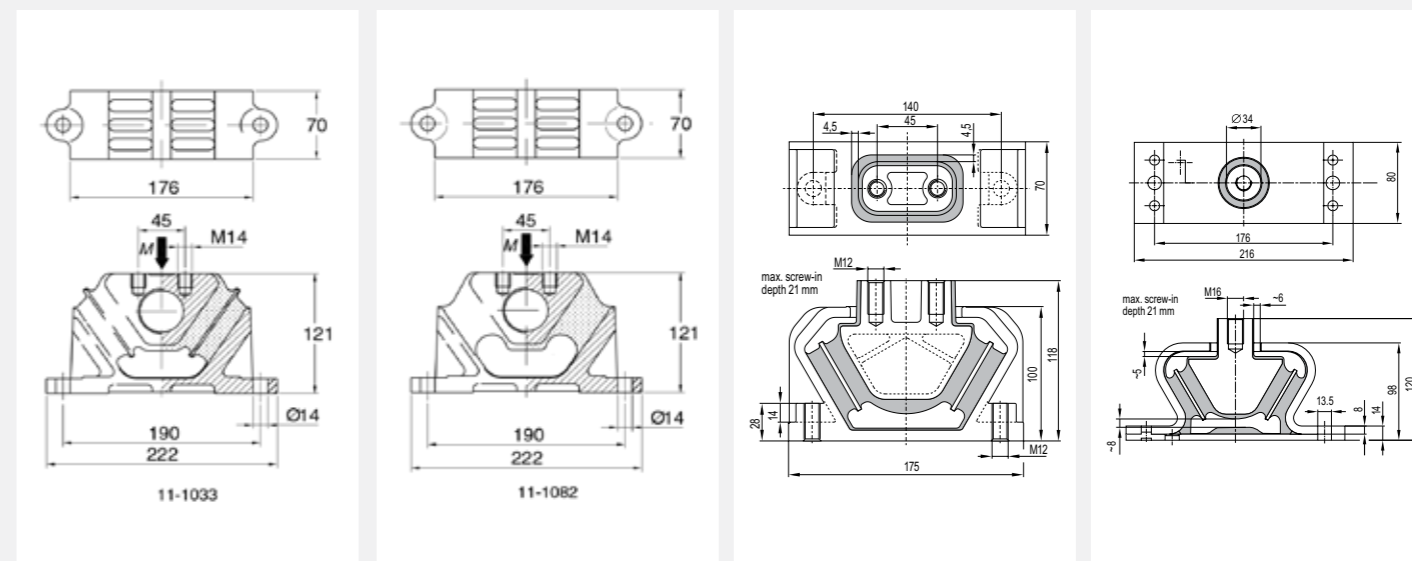
A high load capacity mounting with relatively large rubber volume providing a high degree of vibration and noise isolation and makes it ideally suited for suspending engines installed in public service and goods vehicles.



TECHNICAL DRAWING



TECHNICAL DRAWING



PRODUCT DATA

DRAWING NO.	PART NO.	TYPE	DIMENSIONS (mm)						MAX. LOAD (kg)	MAX. TORQUE (Nm)	WASHER PART NO.
			K	A	H	C	Ød	Ød ₁			
15-4131	10-00086	UH 50	100.5	80	37	91	10.5	15	250	80	20-00608
15-4132	10-00088	UH 70							400	120	20-00608

PRODUCT DATA

DRAWING NO.	PART NO.	TYPE	AXIAL		RADIAL STIFFNESS (N/mm)	
			MAX. LOAD (Kg)	STIFFNESS (N/mm)	X	Y
VEE-KEILLAGER MOUNT						
11-1082/1	10-00201	35 °IRHD	90	148	407	29.6
11-1082	10-00849	40 °IRHD	115	172	473	34.4
033 18 730	49025346	40 NR 39	175	350	700	100

Vee-Keillager

PRODUCT DATA

DRAWING NO.	PART NO.	TYPE	AXIAL		RADIAL STIFFNESS (N/mm)	
			MAX. LOAD (Kg)	STIFFNESS (N/mm)	X	Y
VEE-KEILLAGER MOUNT						
11-1082	10-00205	55 °IRHD	210	316	869	63.2
033 18 700	511470	42 NR 39	220	440	1700	500
11-1082/1	10-00204	60 °IRHD (EPDM)	260	450	1200	150
11-1082	10-00804	60 °IRHD	260	440	1210	88
11-1082/1	10-00203	60 °IRHD	260	440	1210	88
033 18 730	49025347	50 NR 39	292	580	1400	200
11-1082	10-00206	65 °IRHD	315	538	1479.5	107.6
033 18 700	2129315	50 NR 39	340	680	2600	770
11-1033	10-04854	45 °IRHD (SIL)	370	680	1870	136
033 18 730	49025348	60 NR 39	400	800	2400	330
11-1033	10-02379	75°IRHD (EPDM)	1290	1900	5225	380
033 18 701	2129323	60 NR 39	1400	2800	10800	3200



VT Mount

Type VT has been designed so that upon installation the rubber section is subjected to shear loads, thus providing high deflection even at low loads. Two different parts are available. The VT-upper provides for protection against tension preventing the isolated unit from falling down if overloading occurs.

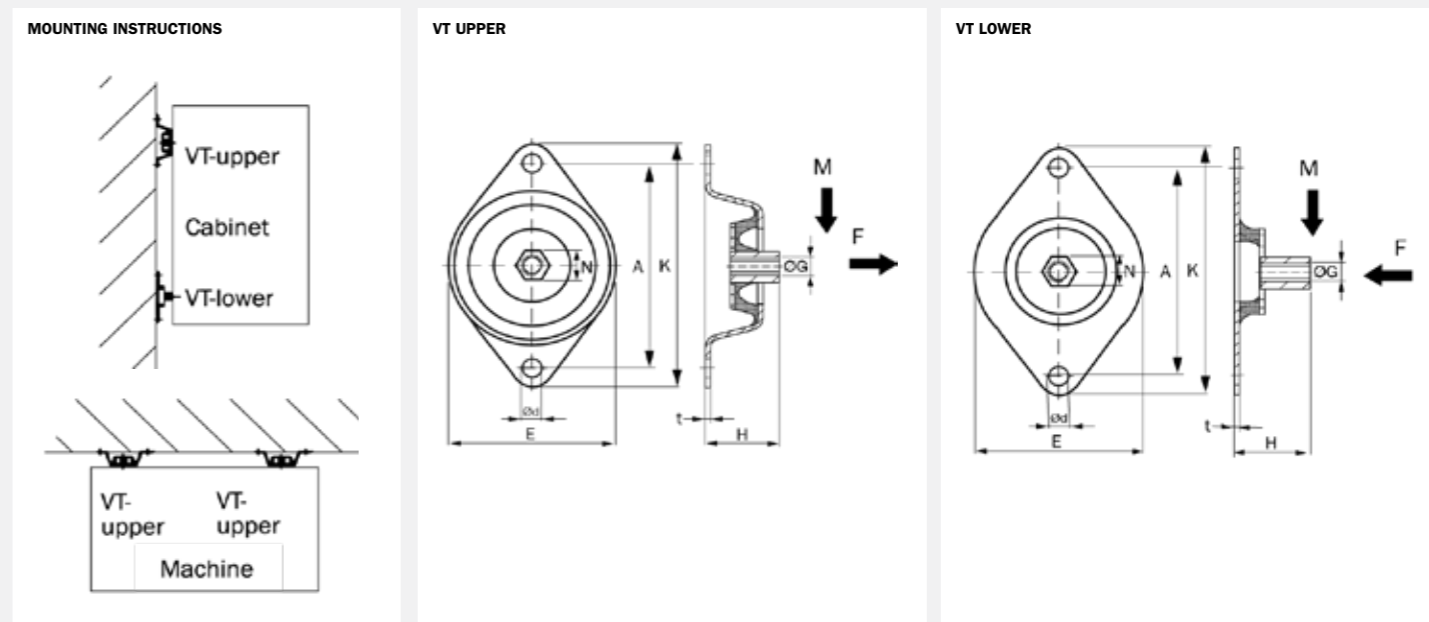
VT-lower is designed to accept horizontal compression loads and allow shear deflection vertically.

Typical Applications Include:

- Instrument cabinets
- Light machinery
- Fans
- Refrigeration units



TECHNICAL DRAWING

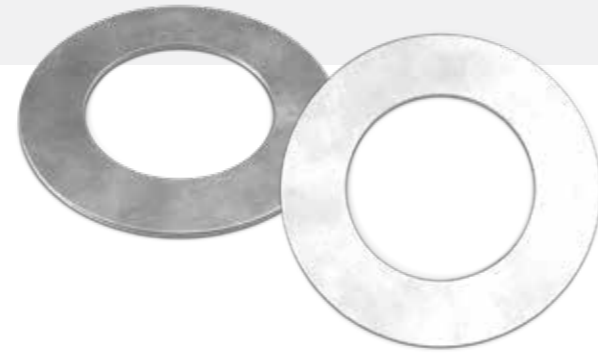


PRODUCT DATA

DRAWING NO.	PART NO.	TYPE	DIMENSIONS (mm)								RADIAL (M) MAX. LOAD (kg)	COMPRESSION (F) MAX. LOAD (kg)
			E	K	A	H	Ød	N	t	ØG		
17-4378	10-01369	VT UPPER 40 °IRHD	75	114	96	33	9	15	1.5	M8	14	30
	10-01370	VT UPPER 60 °IRHD									25	70
17-4349	10-01373	VT LOWER 40 °IRHD	75	114	96	33	9	15	1.5	M8	14	30
17-4350	10-00015	VT LOWER 60 °IRHD									25	70

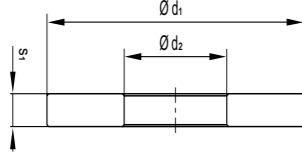
Washers

Overload and rebound washers (top and bottom) are necessary to limit maximum movement in the event of shock loading.

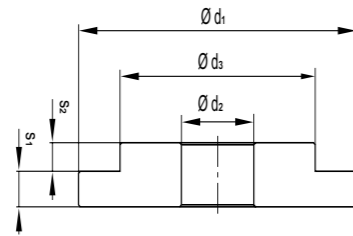


TECHNICAL DRAWING

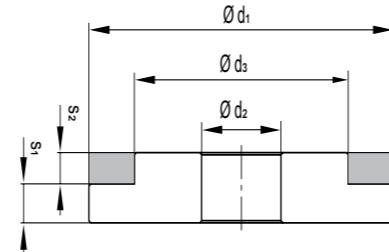
TYPE A



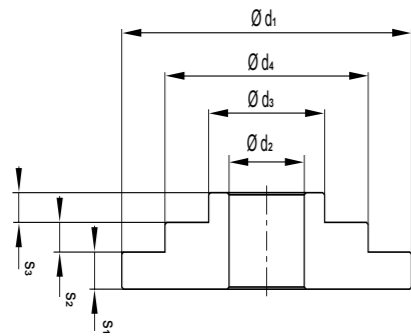
TYPE B



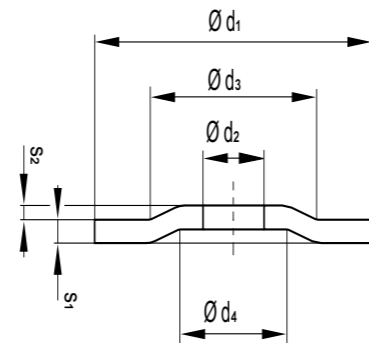
TYPE C



TYPE D



TYPE E



Washers

PRODUCT DATA

DRAWING NO.	PART NO.	DIMENSIONS (mm)					BOLT SIZE	MAX. TORQUE (Nm)
		ØD ₁	ØD ₂	S ₁	S ₂	ØD ₃		
TYPE A								
039 18 753/212	49041777	40	9	2.5	-	-	M8 5.6	11
18-0379C	20-00531	50	10	4	-	-	M10	25
039 18 755/212	49041776	50	11	2.5	-	-	M10 5.6	23
18-0472D	20-00536	51	16	4	-	-	M16	60
20-0562B	20-00416	52	12	3	-	-	M12	40
18-0472C	20-00535	55	12	5	-	-	M12	40
20-0562D	20-00644	55	20	5	-	-	M20	120
039 18 768/212	49041778	70	13	3	-	-	M12 5.6	39
040 18 922/101	49032678	75	16.2	4	-	-	M16 5.6	90
18-0391C	20-00532	80	16	5	-	-	M16	60
18-1101C	20-00533	100	20	6	-	-	M20	120
039 18 766/212	49041775	100	21	6.3	-	-	M20 5.6	180
18-1550C	20-02818	139	24	10	-	-	M24	200
TYPE B								
040 18 038/101	97139	35	17	4	2	28	M16 5.6	90
057 18 001/204	49056605	48	10.5	5	5	15	M10 5.6	23
18-0241D	20-00529	55	12	5	2.5	25	M12	40
20-0562K	20-01103	57	12	3	1.5	22	M12	40
040 18 039/101	97138	60	12.7	5	3	24.5	M12 5.6	39
17.10166	54002459	75	16.2	-	5	32	M16 5.6	90
040 18 036/101	97141	75	20.2	5	3	35	M20 5.6	180
18-0311B	20-00773	80	16	6.5	3	31.5	M16	60
20-0562N	20-00528	80	20	6	3	34.5	M20	120
040 18 037/101	97140	104	17	5	3	46	M16 5.6	90
20-0562C	20-00643	110	20	5	3	52.5	M20	120
040 18 035/101	97142	110	24.3	6	4	45.9	M24 5.6	320
18-0146C	20-00527	116	24	8	4	47	M24	200
TYPE C								
15-0286	10-03666	50	12	3	3	28.5	M12	40
15-3528	20-02894	67.5	20	5	5	30	M20	120
15-3526	10-03862	95	24.5	8	6	38	M24	200
TYPE D								
040 18 917/101	49026836	75	16.5	5	3	45	M16 5.6	90

DRAWING NO.	PART NO.	DIMENSIONS (mm)							BOLT SIZE	MAX. TORQUE (Nm)
		ØD ₁	ØD ₂	ØD ₃	ØD ₄	S ₁	S ₂	S ₃		
TYPE E										
057 18 756/223	511927	80	16.5	31	43	5	11	5	M16 5.6	90
040 18 935/101	50032235	92	17	28	34	5	4	2	M16 5.6	90

Application Questionnaire

CUSTOMER INFORMATION

Enquiry from	
Telephone NO.	
Fax NO.	
E-mail Address	
End User	

APPLICATION DETAILS

Application Description	
Mobile or Stationary	
Total Number of Installations	
Minimum temperature @ mountings (°C)	
MAXimum temperature @ mountings (°C)	
Environmental Conditions	

ENGINE DETAILS

Manufacturer			
Model			
Weight (kg)			
Speed Range (rpm)			
NO. of Cylinders			
Cylinder Configuration			
Mass Moments of Inertia (kg/mm ²)	lxx	lyy	lzz
C.O.G from datum RFOB (mm)	X	Y	Z
Block Sizes (mm)	X	Y	Z

TRANSMISSION DETAILS

Manufacturer			
Model			
Weight (kg)			
NO. of Cylinders			
Mass Moments of Inertia (kg/mm ²)	lxx	lyy	lzz
C.O.G position from Datum (mm)	X	Y	Z
Block Size (mm)	X	Y	Z

MOUNT INFORMATION

Mount Number	Position from datum (RFOB)		
	X	Y	Z
1			
2			
3			
4			
5			
6			

FURTHER INFORMATION

Please supply a drawing of proposed layout.
 Have all suspended masses been detailed?
 Are there any mounting point restrictions?

Please fax, scan or post the completed questionnaire back to your sales contact or our technical centre. Contact details are available on the back cover of this catalogue.

Alternatively you can contact us via our website www.trelleborg.com/anti-vibration-solutions/contact or via our app MountFinder Pro.

Notes

Mount Finder Pro

Find your perfect anti-vibration mount with the new MountFinder Pro mobile application.

MountFinder Pro directly measures your machines RPM to help determine the very best anti-vibration solution for your application.

Available for download now from iTunes and the Google Play store.





Using advanced polymer technology, Trelleborg's Antivibration Solutions (AVS) operation specializes in the field of rubber-to-metal bonding for the removal of unwanted noise and vibration. Part of the Industrial Solutions division of Trelleborg Group, we harness over 100 years of experience to solve a wide range of application and environmental challenges in sectors including rail, marine, industrial and off-highway. Focused on isolation, attenuation and suspension solutions of unrivalled quality and reliability, we have a reputation for high quality, outstanding performance and long service life. Our commitment and expert polymer technologies optimize comfort, health and safety while creating maximum business value through improved longevity, productivity and cost effectiveness.

WWW.TRELLEBORG.COM/ANTI-VIBRATION-SOLUTIONS

ANTIVIBRATION@TRELLEBORG.COM

