



CHECK VALVES

CRISSAIR Inc, is a world class, leading manufacturer of all styles of Check Valves.

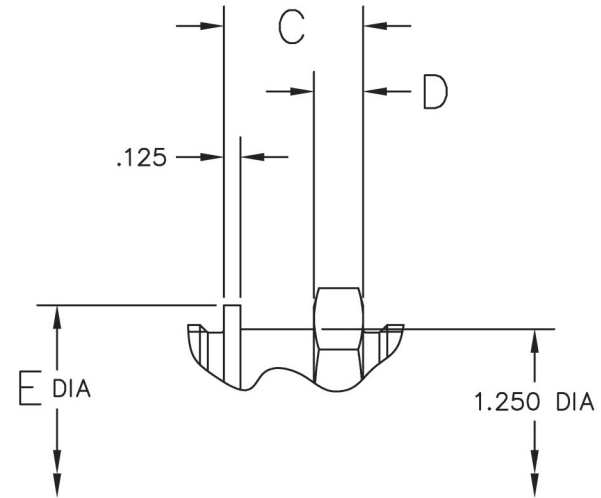
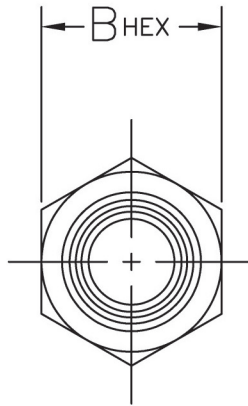
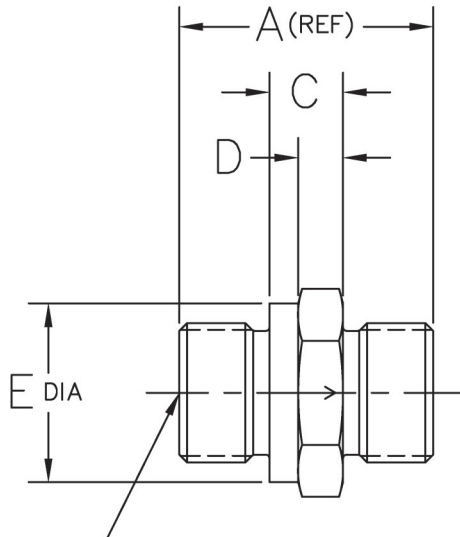
- **Inline Check Valves:** Crissair's line of inline check valves generally utilize a design containing a poppet and one-piece body. This unique design offers excellent performance and unmatched reliability for hydraulic, lubrication, and pneumatic systems. Many of Crissair's designs are qualified to MIL-V-19069 and MIL-V-25675, and can be found on the Qualified Products List QPL-25675.
- **Cartridge Check Valves:** The cartridge style check valves generally utilize the same internal components and design architecture as the inline check valves, but are specially designed to thread or insert into next level manifold assemblies.
- **Zero Leak designs** generally incorporate elastomeric poppets and/or seats.
- **Fuel Swing Check Valves:** Crissair's line of swing check valves are used in fuel or pneumatic system applications where low pressure drops and low leakage rates are of the essence. Many of Crissair's designs are qualified to MIL-V-7899 and can be found on the Qualified Products List QPL-7899.
- **Split Flapper Check Valves** are used within bleed air and environmental control systems (ECS). Some designs utilize materials capable of withstanding extremely high temperatures.

This catalog contains a small sample of drawings. Please contact Crissair for additional drawings and/or configurations.

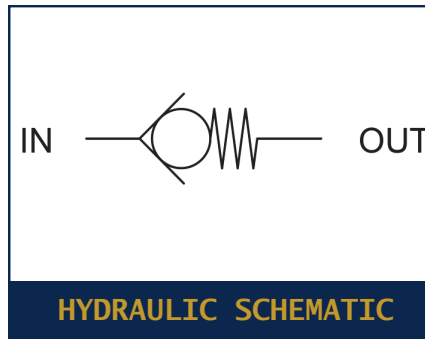




PART NUMBER: 2C4300 CHECK VALVE, SERIES, FLARELESS



BOTH PORTS PER MS33514E F
T THREADS (REF)



PERFORMANCE SPECIFICATIONS:

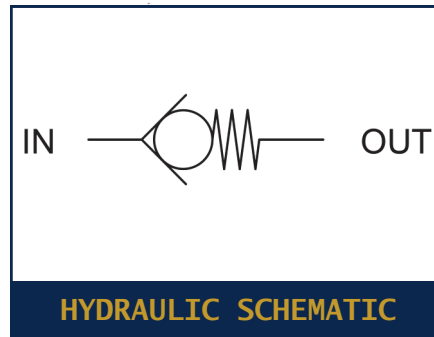
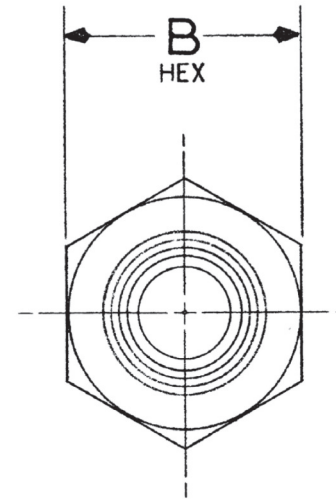
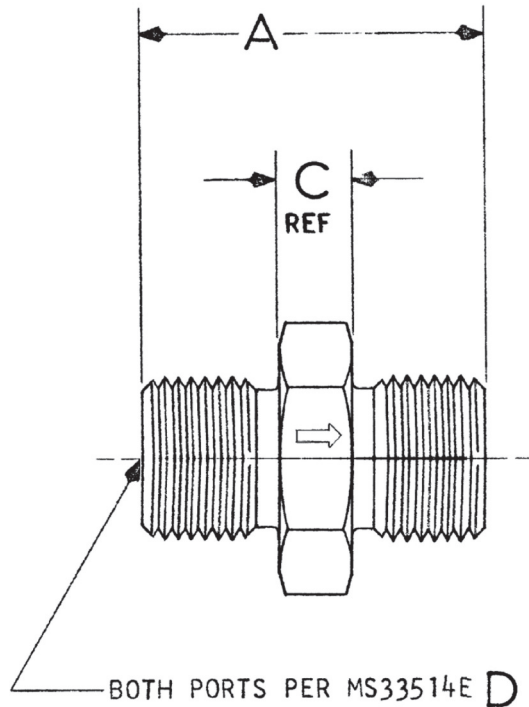
QUALIFIED PER: MIL-V-19069
 FLUIDS: ALL AIRCRAFT HYDRAULIC FLUIDS
 MATERIAL: BODY 17-4PH CRES
 BODY 431 CRES AVAILABLE WITH 2C5300 SERIES
 POPPET 440C CRES
 TEMPERATURE RANGE: -65°F TO 450°F
 OPERATING PRESSURE: 3000 PSIG
 PROOF PRESSURE: 4500 PSIG
 CRACKING PRESSURE: 2 TO 8 PSID
 FLOW: SEE TABLE AT 15 PSID MAX
 INTERNAL LEAKAGE (CHECKED DIRECTION):
 1 DPM MAX AT 5 PSID
 NONE AT 1000 TO 3000 PSID

MS24423-16	2C4316	1	1.312-12UNJF-3A	16	2.438	1.625	1.062	.375	1.615	29.0	.515
MS24423-12	2C4312	3/4	1.062-12UNJF-3A	12	1.938	1.375	.562	.343	1.365	16.0	.336
MS24423-10	2C4310	5/8	.8750-14UNJF-3A	10	1.781	1.125	.531	.312	1.115	10.5	.207
MS24423-8	2C4380	1/2	.7500-16UNJF-3A	8	1.624	1.000	.500	.281	.990	6.0	.162
MS24423-6	2C4360	3/8	.5625-18UNJF-3A	6	1.407	.813	.469	.250	.803	3.5	.092
—	2C4350	5/16	.5000-20UNJF-3A	5	1.344	.750	.438	.219	.740	2.3	.069
MS24423-4	2C4340	1/4	.4375-20UNF-3A	4	1.344	.688	.438	.219	.678	1.2	.062
MS PART NO	CRISSAIR PART NO	TUBE OD	T THREAD	F	A REF	B HEX	C	D	E DIA	RATED FLOW (GPM)	MAX WT (LBS)

CATEGORY 1: CHECK VALVES, INLINE



PART NUMBER: 2C1700 CHECK VALVE, SERIES, FLARELESS



PERFORMANCE SPECIFICATIONS:

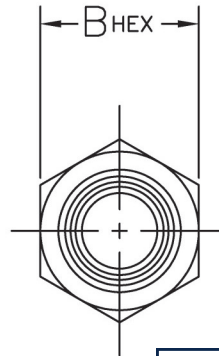
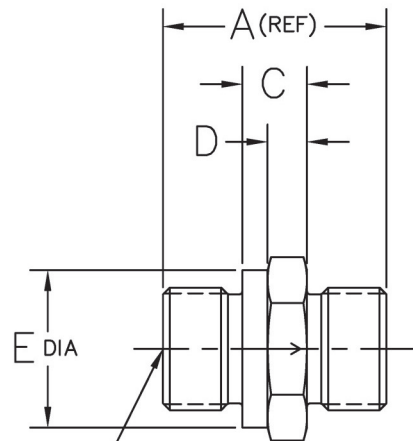
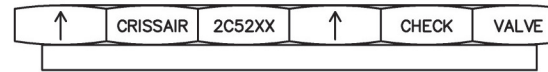
FLUIDS: ALL AIRCRAFT HYDRAULIC FLUIDS
 MATERIAL: BODY 17-4PH CRES
 POPPET 440C CRES
 TEMPERATURE RANGE: -65°F TO 275°F
 OPERATING PRESSURE: 3000 PSIG
 PROOF PRESSURE: 4500 PSIG
 CRACKING PRESSURE: 2 TO 8 PSID
 FLOW: SEE TABLE AT 10 PSID MAX
 INTERNAL LEAKAGE (CHECKED DIRECTION):
 1 DPM MAX AT 5 PSID
 NONE AT 1000 TO 3000 PSID

2C1716	1	16	2.437	1.625	1.062	29.0	.424
2C1712	3/4	12	1.875	1.375	.500	16.0	.275
2C1710	5/8	10	1.625	1.125	.375	10.5	.184
2C1780	1/2	8	1.440	1.000	.316	6.0	.120
2C1760	3/8	6	1.250	.813	.312	3.5	.073
2C1750	5/16	5	1.125	.750	.219	2.3	.051
2C1740	1/4	4	1.125	.688	.219	1.2	.043
CRISSAIR PART NO	TUBE OD	D	A	B HEX	C REF	RATED FLOW (GPM)	MAX WT (LBS)

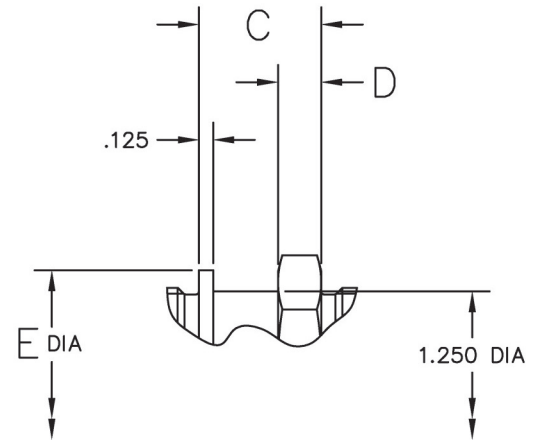
CATEGORY 1: CHECK VALVES, INLINE



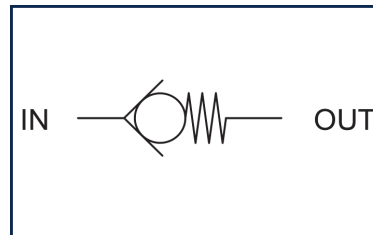
PART NUMBER: 2C5200 CHECK VALVE, SERIES, FLARELESS



MARKING DETAIL



BOTH PORT PER MS33514E (SIZE PER COLUMN F)
EXCEPT FOR HOLE SIZE A ON MS33514E



HYDRAULIC SCHEMATIC

CONFIGURATION OF SIZE 16 ONLY

PERFORMANCE SPECIFICATIONS:

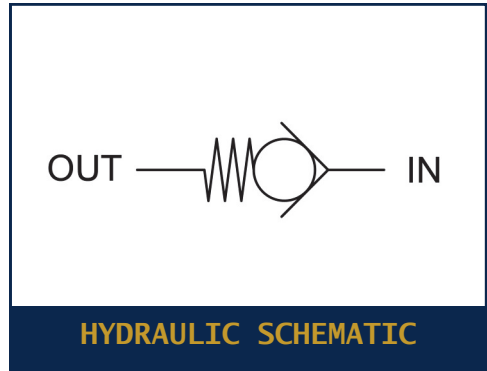
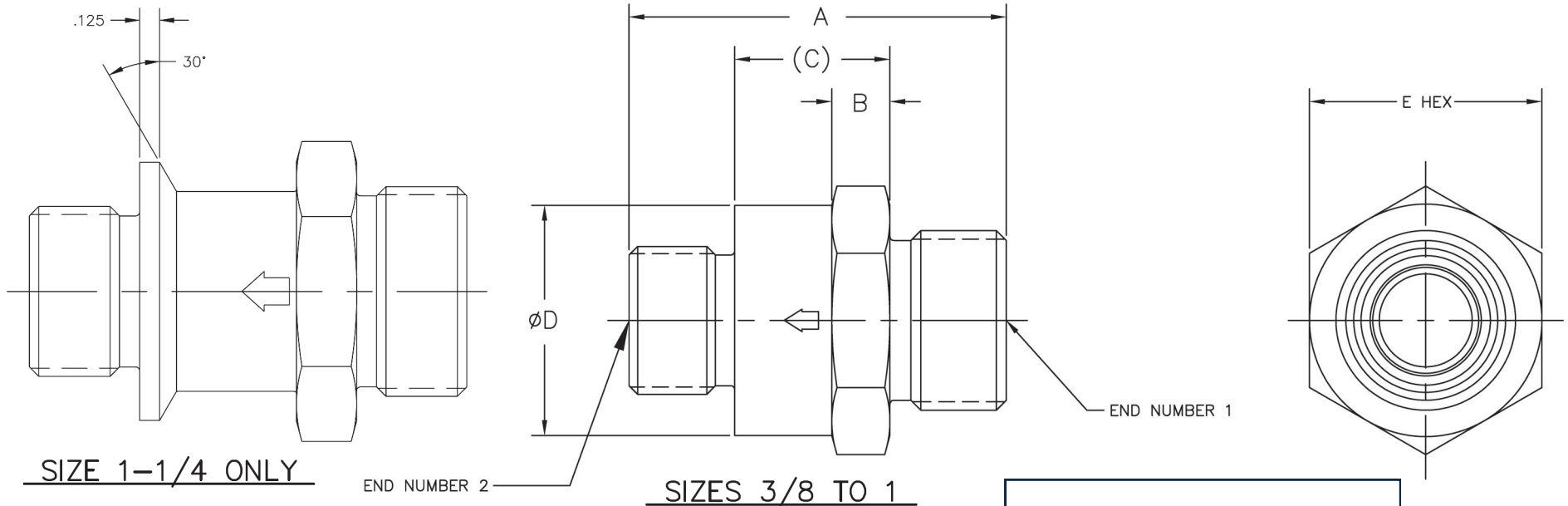
QUALIFIED PER: MIL-V-19069
 FLUIDS: ALL AIRCRAFT HYDRAULIC FLUIDS
 MATERIAL: BODY 2024-T351 AL
 POPPET 440C CRES
 TEMPERATURE RANGE:-65°F TO 275°F
 OPERATING PRESSURE: 3000 PSIG
 PROOF PRESSURE: 4500 PSIG
 CRACKING PRESSURE: 2 TO 8 PSID
 FLOW: SEE TABLE AT 15 PSID MAX
 INTERNAL LEAKAGE (CHECKED DIRECTION):
 1 DPM MAX AT 5 PSID
 NONE AT 1000 TO 3000 PSID

2C5216	1	1 5/16-12UNJF-3A	16	2.438	1.625	1.062	.375	1.615	29.0	.273
2C5212	3/4	1 1/16-12UNJF-3A	12	1.938	1.375	.562	.343	1.365	16.0	.162
2C5210	5/8	7/8-14UNJF-3A	10	1.781	1.125	.531	.312	1.115	10.5	.099
2C5280	1/2	3/4-16UNJF-3A	8	1.624	1.000	.500	.281	.990	6.0	.077
2C5260	3/8	9/16-18UNJF-3A	6	1.407	.813	.469	.250	.803	3.5	.039
2C5250	5/16	1/2-20UNJF-3A	5	1.344	.750	.438	.219	.740	2.3	.030
2C5240	1/4	7/16-20UNJF-3A	4	1.344	.688	.438	.219	.678	1.2	.026
CRISSAIR PART NO	TUBE OD	TUBE THREAD (REF)	F	A REF	B HEX	C	D	E DIA	RATED FLOW (GPM)	MAX WT (LBS)

CATEGORY 1: CHECK VALVES, INLINE



CHECK VALVE, SERIES, FLARELESS



PERFORMANCE SPECIFICATIONS:

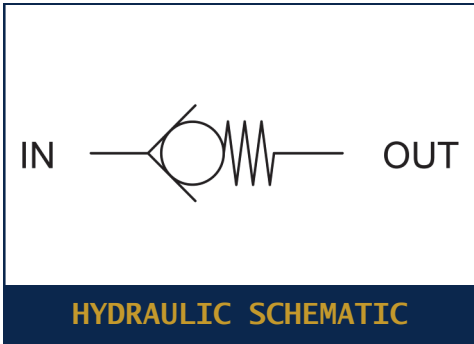
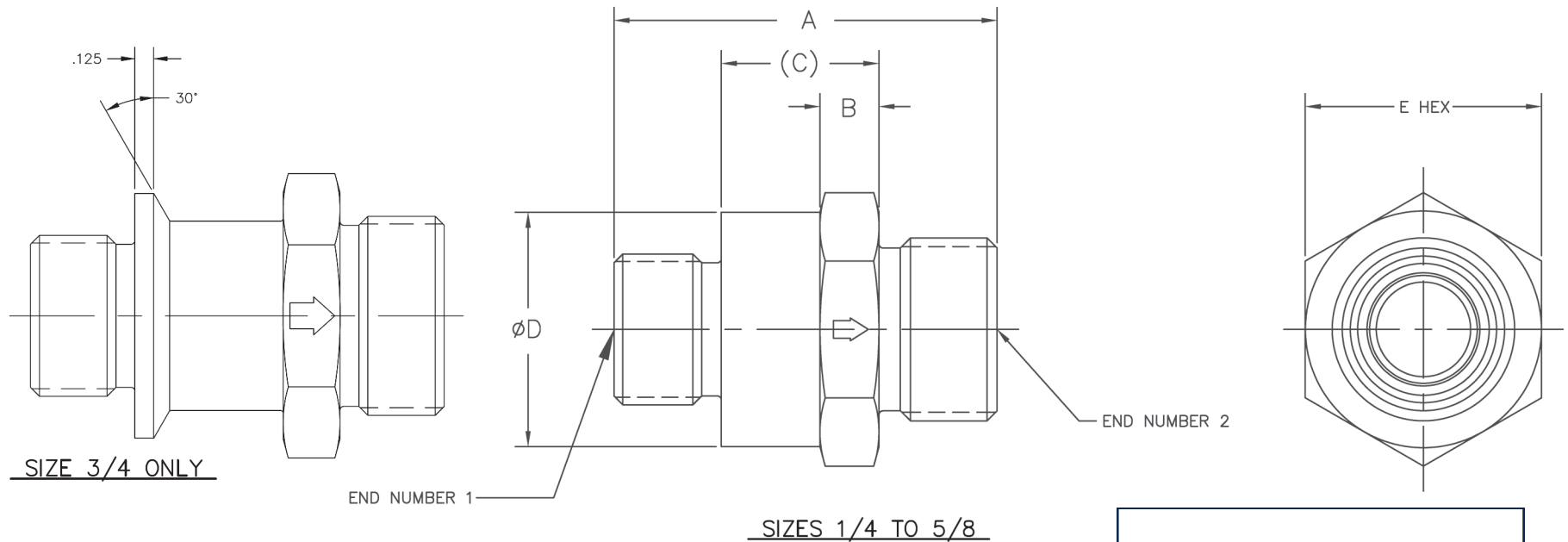
FLUIDS: ALL AIRCRAFT HYDRAULIC FLUIDS
 MATERIAL: BODY 17-4PH CRES
 POPPET 440C CRES
 TEMPERATURE RANGE: -65°F TO 275°F
 OPERATING PRESSURE: 4000 PSIG
 PROOF PRESSURE: 6000 PSIG
 CRACKING PRESSURE: 2 TO 8 PSID
 FLOW: SEE TABLE
 INTERNAL LEAKAGE (CHECKED DIRECTION):
 1 DPM MAX AT 5 PSID
 NONE AT 1000 TO 4000 PSID

4C2850-2	1 1/4	29.0	14	MS33514E20	MS33514E16	2.460	.375	1.084	1.865	1.875	.95
4C2862-2	1	16.0	12	MS33514E16	MS33514E12	2.030	.343	.654	1.615	1.625	.70
4C2860-2	3/4	10.5	12	MS33514E12	MS33514E10	1.850	.312	.537	1.365	1.375	.36
4C2858-2	5/8	6.0	14	MS33514E10	MS33514E8	1.670	.281	.483	1.115	1.125	.22
4C2856-2	1/2	3.5	12	MS33514E8	MS33514E6	1.480	.250	.449	.990	1.000	.15
4C2854	3/8	1.2	10	MS33514E6	MS33514E4	1.380	.219	.458	.803	.813	.10
CRISSAIR PART NO	TUBE SIZE	FLOW (GPM)	ΔP (PSID)	FITTING END NO1 (FLARELESS TUBE)	FITTING END NO2 (FLARELESS TUBE)	A ±.015	B ±.015	C (REF)	D ±.015	E ±.015	MAX WT (LBS)

CATEGORY 1: CHECK VALVES, INLINE



CHECK VALVE, SERIES, FLARELESS



PERFORMANCE SPECIFICATIONS:

FLUIDS: ALL AIRCRAFT HYDRAULIC FLUIDS

MATERIAL: BODY 17-4PH CRES

POPPET 440C CRES

TEMPERATURE RANGE: -65°F TO 275°F

OPERATING PRESSURE: 4000 PSIG

PROOF PRESSURE: 6000 PSIG

CRACKING PRESSURE: 2 TO 8 PSID

FLOW: SEE TABLE

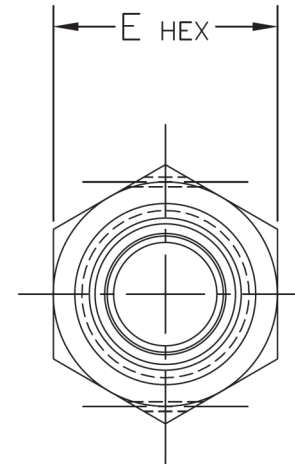
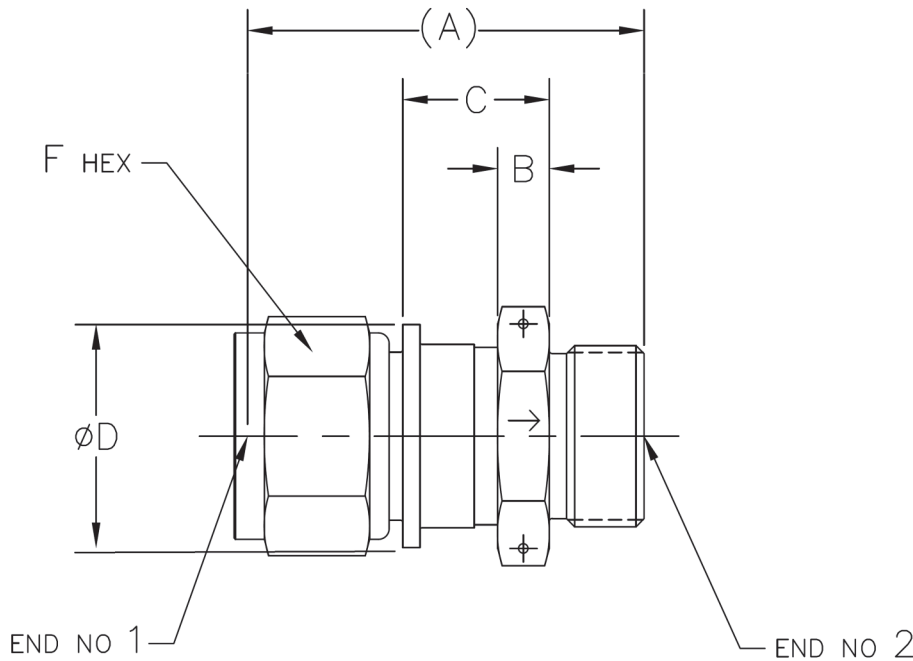
INTERNAL LEAKAGE (CHECKED DIRECTION):
1 DPM MAX AT 5 PSID
NONE AT 1000 TO 4000 PSID

4C2850-1	3/4	29.0	12	MS33514E12	MS33514E16	2.730	.375	1.354	1.615	1.625	.60
4C2862-1	5/8	16.0	10	MS33514E10	MS33514E12	2.230	.343	.917	1.365	1.375	.47
4C2860-1	1/2	10.5	10	MS33514E8	MS33514E10	2.020	.312	.833	1.115	1.125	.29
4C2858-1	3/8	6.0	12	MS33514E6	MS33514E8	1.800	.281	.769	.990	1.000	.21
4C2856-1	1/4	3.5	25	MS33514E4	MS33514E6	1.630	.250	.708	.803	.813	.13
CRISSAIR PART NO	TUBE SIZE	FLOW (GPM)	ΔP (PSID)	FITTING END NO 1 (FLARELESS TUBE)	FITTING END NO 2 (FLARELESS TUBE)	A ±.015	B ±.015	C (REF)	D ±.015	E ±.015	MAX WT (LBS)

CATEGORY 1: CHECK VALVES, INLINE



CHECK VALVE, SERIES, B-NUT/FLARELESS



PERFORMANCE SPECIFICATIONS:

FLUIDS: ALL AIRCRAFT HYDRAULIC FLUIDS
 MATERIAL: BODY 15-5PH CRES
 POPPET 440C CRES
 SWIVEL NUT 304 CRES
 TEMPERATURE RANGE: -65°F TO 275°F
 OPERATING PRESSURE: 3000 PSIG
 4000 PSIG FOR 1C3200 SERIES
 PROOF PRESSURE: 4500 PSIG
 6000 PSIG FOR 1C3200 SERIES
 CRACKING PRESSURE: 2 TO 8 PSID
 FLOW: SEE TABLE AT 15 PSID MAX
 INTERNAL LEAKAGE (CHECKED DIRECTION):
 1 DPM MAX AT 0 TO 1000 PSID
 NONE AT 1000 TO 3000 PSID

ALSO AVAILABLE WITH BODY
IN AL ALLOY AND TITANIUM



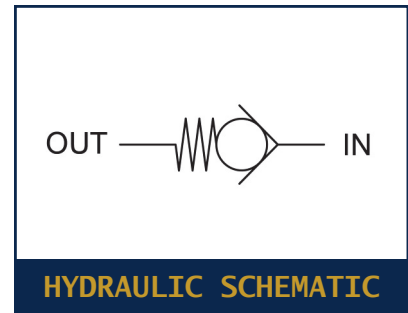
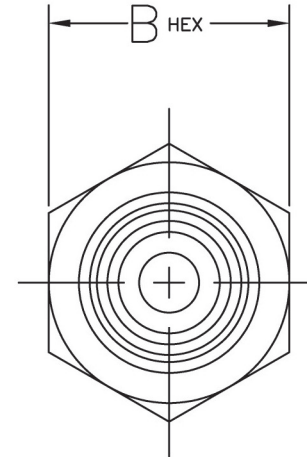
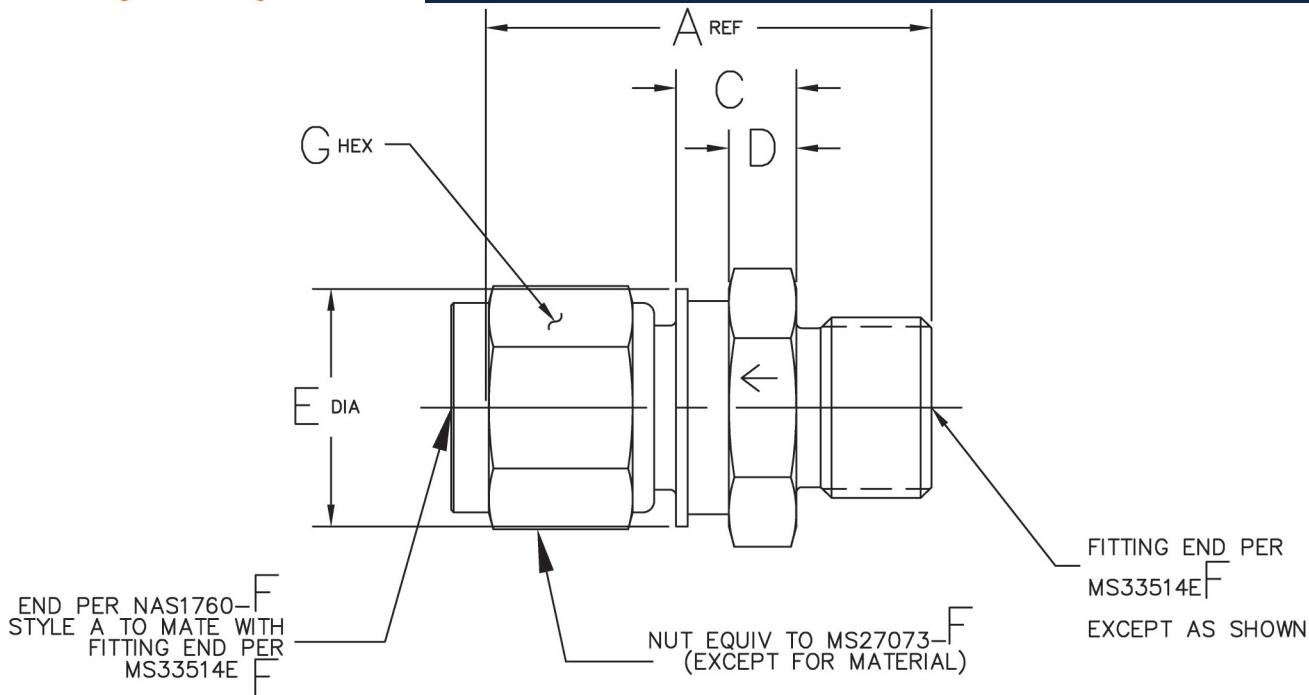
HYDRAULIC SCHEMATIC

1C3600	1	29.0	NAS1760A16	MS33514E16	2.876	.375	1.062	1.615	1.625	1.500
1C3598	3/4	16.0	NAS1760A12	MS33514E12	2.201	.343	.562	1.365	1.375	1.250
1C3596	5/8	10.5	NAS1760A10	MS33514E10	2.056	.312	.531	1.115	1.125	1.000
1C3510	1/2	6.0	NAS1760A8	MS33514E8	1.853	.281	.500	.990	1.000	.875
1C3594	3/8	3.5	NAS1760A6	MS33514E6	1.621	.250	.469	.803	.812	.688
1C3592	1/4	1.2	NAS1760A4	MS33514E4	1.491	.219	.438	.678	.688	.562
CRISSAIR PART NO	TUBE SIZE	FLOW (GPM)	FITTING END NO 1 (FLARELESS B-NUT)	FITTING END NO 2 (FLARELESS TUBE)	A (REF)	B ±.015	C ±.015	D ±.015	E ±.015	F ±.010

CATEGORY 1: CHECK VALVES, INLINE



CHECK VALVE, SERIES, B-NUT/FLARELESS



PERFORMANCE SPECIFICATIONS:

FLUIDS: ALL AIRCRAFT HYDRAULIC FLUIDS

MATERIAL: BODY 17-4PH CRES

POPPET 440C CRES

SWIVEL NUT 6AL-4V TITANIUM

TEMPERATURE RANGE:-65°F TO 275°F

OPERATING PRESSURE: 4000 PSIG

PROOF PRESSURE: 6000 PSIG

CRACKING PRESSURE: 2 TO 8 PSID

FLOW: SEE TABLE AT 15 PSID MAX

INTERNAL LEAKAGE (CHECKED DIRECTION):

1 DPM MAX AT 5 PSID TO 1000 PSID

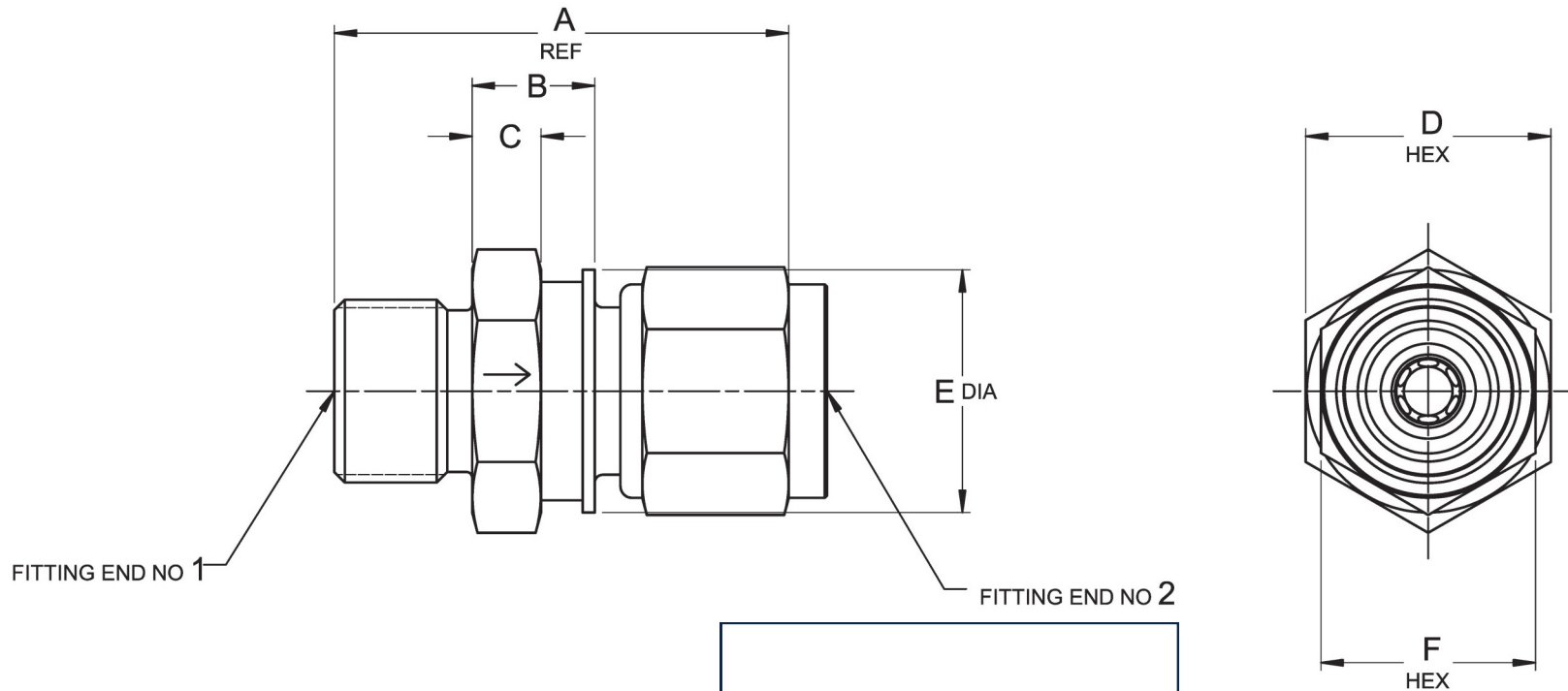
NONE AT 1000 TO 4000 PSID

1C3416	16	2.876	1.625	1.062	.375	1.615	1.496	20.0	.957
1C3414	14	2.600	1.500	.812	.360	1.490	(1.371)	16.0	.888
1C3412	12	2.201	1.375	.562	.343	1.365	1.246	10.5	.795
1C3410	10	2.056	1.125	.531	.312	1.115	.996	6.0	.362
1C3408	8	1.853	1.000	.500	.281	.990	.871	3.5	.270
1C3406	6	1.621	.813	.469	.250	.803	.684	1.2	.150
1C3404	4	1.491	.688	.438	.219	.678	.559	0.4	.104
CRISSAIR PART NO	F	A REF	B HEX	C	D	E DIA	G HEX	RATED FLOW (GPM)	MAX WT (LBS)

CATEGORY 1: CHECK VALVES, INLINE



CHECK VALVE, SERIES, B-NUT/FLARELESS



PERFORMANCE SPECIFICATIONS:

FLUIDS: ALL AIRCRAFT HYDRAULIC FLUIDS

MATERIAL: BODY 2024-T351 AL

POPPET 440C CRES

SWIVEL NUT 2024-T6 OR T851 AL

TEMPERATURE RANGE:-65°F TO 275°F

OPERATING PRESSURE: 3000 PSIG

PROOF PRESSURE: 4500 PSIG

CRACKING PRESSURE: 2 TO 8 PSID

FLOW: SEE TABLE AT 15 PSID MAX

INTERNAL LEAKAGE (CHECKED DIRECTION):

1 DPM MAX AT 5 PSID

NONE AT 1000 TO 3000 PSID



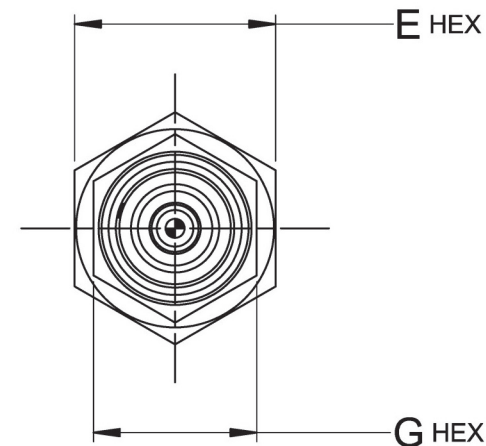
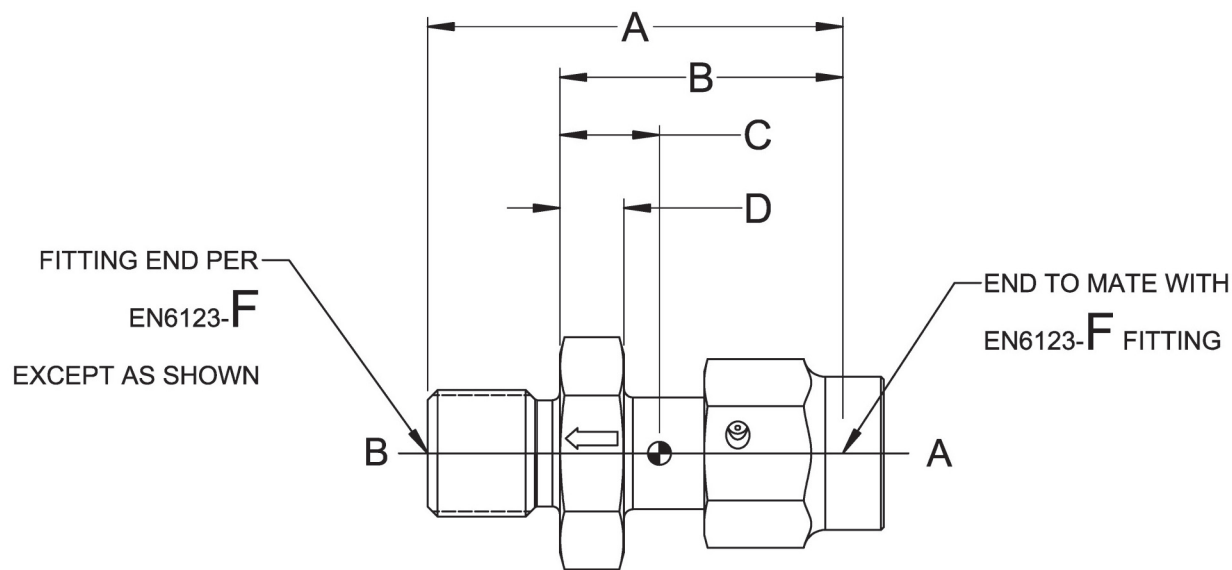
HYDRAULIC SCHEMATIC

7C2008	MS33514E8 (.7500-16 UNJF-3A)	NAS1760-8 (.7500-16 UNJF-3B)	1.853	.500	.281	1.000	.990	.875	3.5	.102
7C2006	MS33514E6 (.5625-18 UNJF-3A)	NAS1760-6 (.5625-18 UNJF-3B)	1.621	.469	.250	.813	.803	.687	1.2	.059
7C2004	MS33514E4 (.4375-20 UNJF-3A)	NAS1760-4 (.4375-20 UNJF-3B)	1.491	.438	.219	.688	.678	.562	0.4	.037
CRISSAIR PART NO	FITTING END NO. 1	FITTING END NO. 2	A REF	B	C	D HEX	E DIA	F HEX	RATED FLOW (GPM)	MAX WT (LBS)

CATEGORY 1: CHECK VALVES, INLINE



CHECK VALVE, SERIES, B-NUT/FLARELESS



PERFORMANCE SPECIFICATIONS:

FLUIDS: ALL AIRCRAFT HYDRAULIC FLUIDS

MATERIAL: BODY 15-5PH CRES

POPPET PH13-8MO CRES

SWIVEL 15-5PH CRES

TEMPERATURE RANGE: -65°F TO 275°F

OPERATING PRESSURE: 5075 PSIG

PROOF PRESSURE: 7612 PSIG

CRACKING PRESSURE: 2 TO 7.25 PSID

FLOW: 1C5554: 5.28 GPM AT 160 PSID

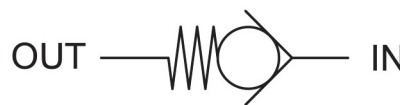
1C5556: 7.9 GPM AT 29 PSID

13.2 GPM AT 43.5 PSID

INTERNAL LEAKAGE (CHECKED DIRECTION):

2 DPM MAX AT 3 TO 73 PSID

NONE AT 73 TO 7612 PSID



HYDRAULIC SCHEMATIC

1C5554	4	1.422	.984 .954	.341	.234 .204	.691 .678	.565 .552
1C5556	8	1.866	1.319 1.289	.451	.266 .236	1.003 .990	.878 .865
CRISSAIR PART NO	F	A	B	C	D	E HEX	G HEX

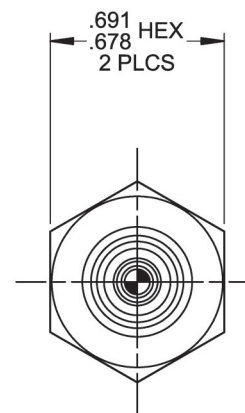
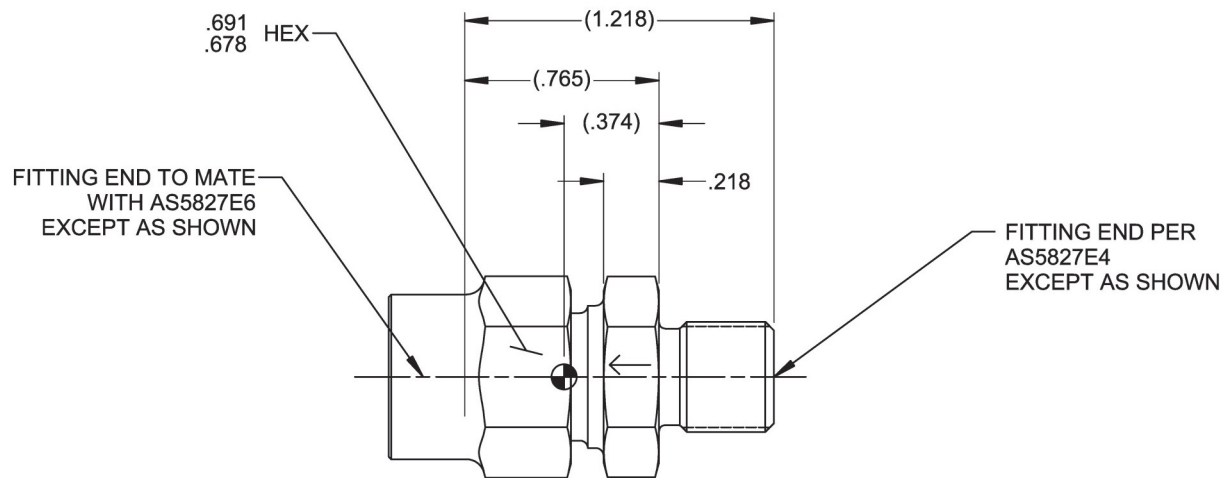
CATEGORY 1: CHECK VALVES, INLINE



PART NUMBER: 1C5396, B-NUT/FLARELESS



ISOMETRIC VIEW
FOR REFERENCE ONLY



PERFORMANCE SPECIFICATIONS:

FLUIDS: ALL AIRCRAFT HYDRAULIC FLUIDS

MATERIAL: BODY 15-5PH CRES

POPPET PH13-8MO CRES

SWIVEL 15-5PH CRES

TEMPERATURE RANGE: -65°F TO 275°F

OPERATING PRESSURE: 6000 PSIG

PROOF PRESSURE: 9000 PSIG

CRACKING PRESSURE: 2 TO 8 PSID

FLOW: 2 GPM AT 29 PSID MAX

INTERNAL LEAKAGE (CHECKED DIRECTION):

5 DPM MAX AT 0 TO 1000 PSID

1 DPM MAX AT 1001 TO 6000 PSID

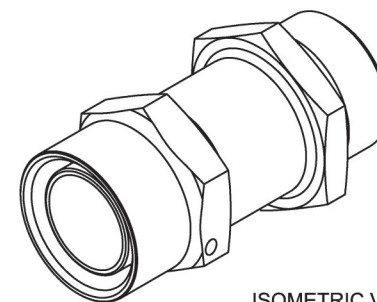


HYDRAULIC SCHEMATIC

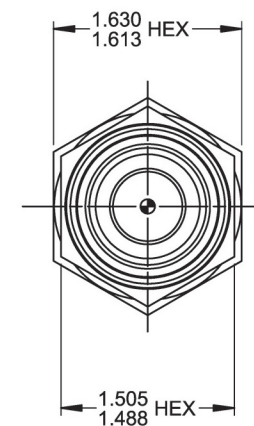
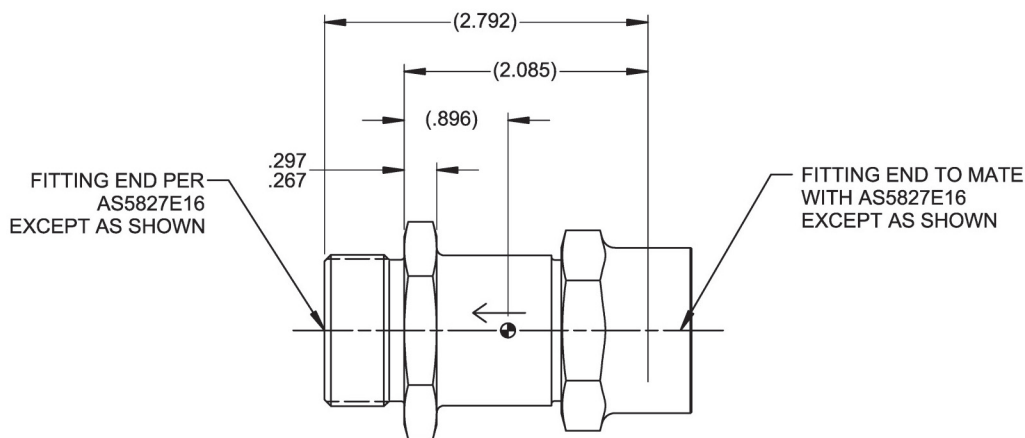
CATEGORY 1: CHECK VALVES, INLINE



PART NUMBER: 1C5388, B-NUT/FLARELESS



ISOMETRIC VIEW FOR REFERENCE ONLY



PERFORMANCE SPECIFICATIONS:

FLUIDS: ALL AIRCRAFT HYDRAULIC FLUIDS

MATERIAL: BODY 15-5PH CRES

POPPET PH13-8MO CRES

SWIVEL 15-5PH CRES

TEMPERATURE RANGE: -65°F TO 275°F

OPERATING PRESSURE: 5000 PSIG

PROOF PRESSURE: 7500 PSIG

CRACKING PRESSURE: 2 TO 8 PSID

FLOW: 40 GPM AT 36 PSID MAX

INTERNAL LEAKAGE (CHECKED DIRECTION):
5 DPM MAX AT 0 TO 5000 PSID

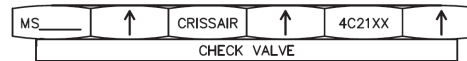


HYDRAULIC SCHEMATIC

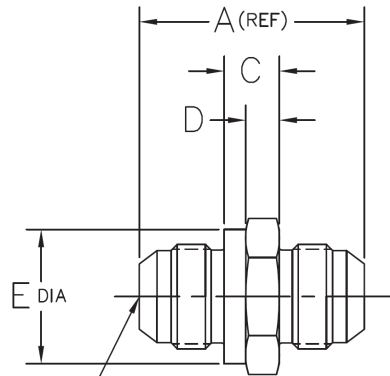
CATEGORY 1: CHECK VALVES, INLINE



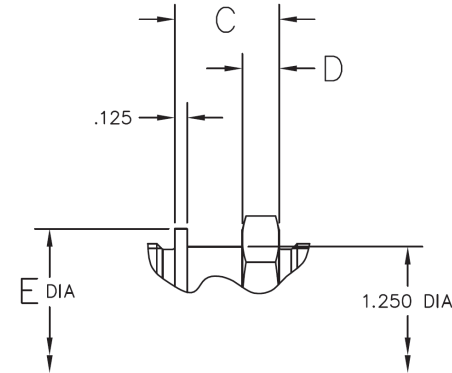
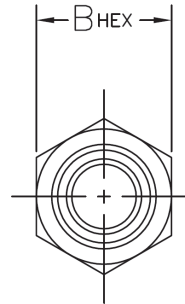
PART NUMBER: 4C2100 CHECK VALVE, SERIES, FLARED



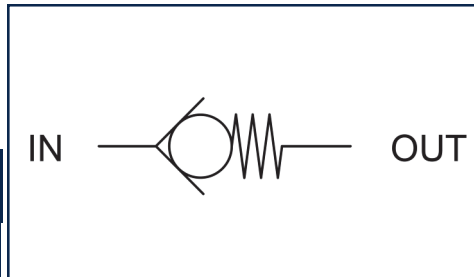
MARKING DETAIL



BOTH ENDS PER MS33656-F STYLE E
T THREADS (REF)



CONFIGURATION OF SIZE 16 ONLY



HYDRAULIC SCHEMATIC

PERFORMANCE SPECIFICATIONS:

FLUIDS: ALL AIRCRAFT HYDRAULIC FLUIDS

MATERIAL: BODY 17-4PH CRES

BODY 431 CRES AVAILABLE FOR 2C6500 SERIES

BODY 303 CRES AVAILABLE FOR 2C5100 SERIES

POPPET 440C CRES

TEMPERATURE RANGE: -65°F TO 450°F

OPERATING PRESSURE: 3000 PSIG

PROOF PRESSURE: 4500 PSIG

CRACKING PRESSURE: 2 TO 8 PSID

FLOW: SEE TABLE AT 15 PSID MAX

INTERNAL LEAKAGE (CHECKED DIRECTION):

1 DPM MAX AT 5 PSID

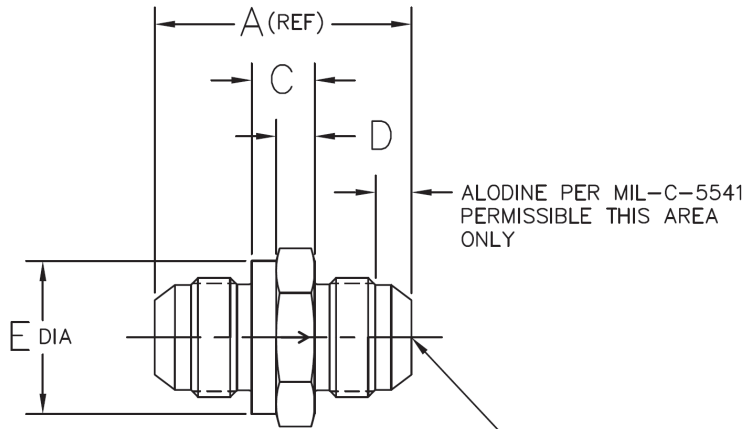
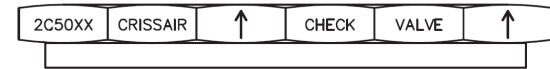
NONE AT 1000 TO 3000 PSID

MS24593-16	4C2116	1	1 5/16-12UNJ-3A	16	2.884	1.625	1.062	.375	1.615	29.0	.648
MS24593-12	4C2112	3/4	1 1/16-12UNJ-3A	12	2.290	1.375	.562	.343	1.365	16.0	.405
MS24593-10	4C2110	5/8	7/8-14UNJF-3A	10	2.047	1.125	.531	.312	1.115	10.5	.250
MS24593-8	4C2180	1/2	3/4-16UNJF-3A	8	1.814	1.00	.500	.281	.990	6.0	.189
MS24593-6	4C2160	3/8	9/16-18UNJF-3A	6	1.581	.813	.469	.250	.803	3.5	.104
MS24593-5	4C2150	5/16	1/2-20UNJF-3A	5	1.538	.750	.438	.219	.740	2.3	.078
MS24593-4	4C2140	1/4	7/16-20UNJF-3A	4	1.538	.688	.438	.219	.678	1.2	.070
MS P/N	CRISSAIR PART NO	TUBE OD	T THREAD	F	A REF	B HEX	C	D	E DIA	RATED FLOW (GPM)	MAX WT (LBS)

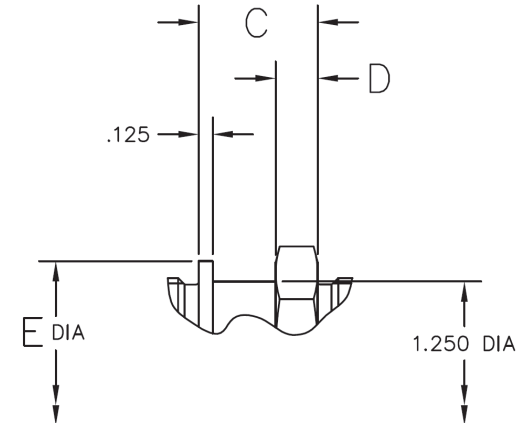
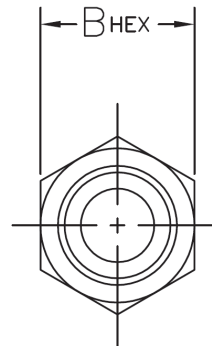
CATEGORY 1: CHECK VALVES, INLINE



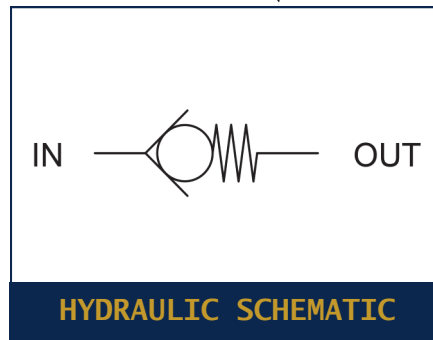
PART NUMBER: 2C5000 CHECK VALVE, SERIES, FLARED



BOTH PORTS PER MS33656-F STYLE E



CONFIGURATION OF 2C5016 ONLY



PERFORMANCE SPECIFICATIONS:

FLUIDS: ALL AIRCRAFT HYDRAULIC FLUIDS
 MATERIAL: BODY 2024-T351 AL
 POPPET 440C CRES
 TEMPERATURE RANGE: -65°F TO 300°F
 OPERATING PRESSURE: 3000 PSIG
 PROOF PRESSURE: 4500 PSIG
 CRACKING PRESSURE: 2 TO 8 PSID
 FLOW: SEE TABLE AT 10 PSID MAX
 INTERNAL LEAKAGE (CHECKED DIRECTION):
 1 DPM MAX AT 5 PSID
 NONE AT 1000 TO 3000 PSID

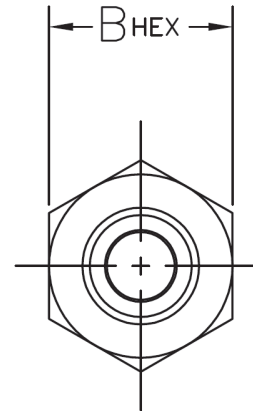
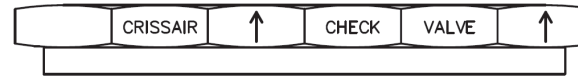
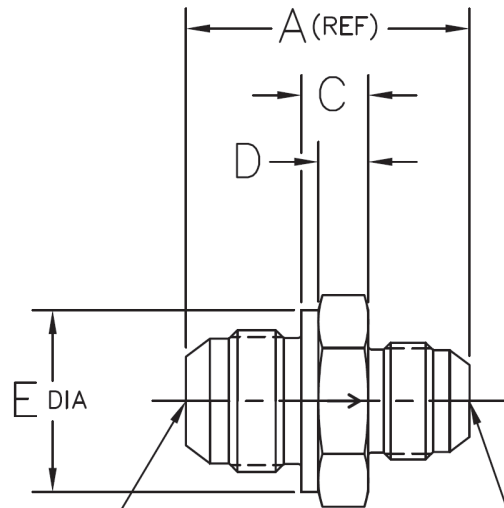
HYDRAULIC SCHEMATIC

2C5016	.273	1	16	2.884	1.625	1.062	.375	1.615	29.0	2C5017
2C5012	.162	3/4	12	2.290	1.375	.562	.343	1.365	16.0	2C5013
2C5010	.099	5/8	10	2.047	1.125	.531	.312	1.115	10.5	2C5011
2C5080	.077	1/2	8	1.814	1.000	.500	.281	.990	6.0	2C5081
2C5060	.039	3/8	6	1.581	.813	.469	.250	.803	3.5	2C5061
2C5050	.030	5/16	5	1.538	.750	.438	.219	.740	2.3	2C5051
2C5040	.026	1/4	4	1.538	.688	.438	.219	.678	1.2	2C5041
CRISSAIR PART NO	MAX WT (LBS)	TUBE OD	F	A REF	B HEX	C	D	E DIA	RATED FLOW (GPM)	APPLICABLE ASSY DWG NO

CATEGORY 1: CHECK VALVES, INLINE

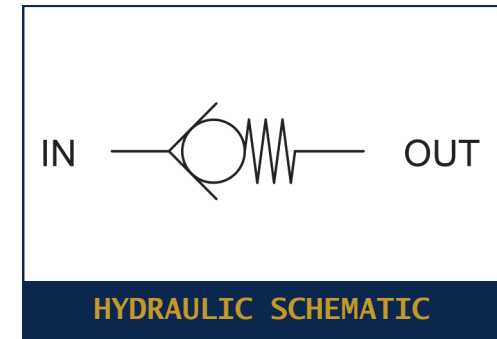


PART NUMBER: 1C1400 CHECK VALVE, SERIES, FLARED



INLET FITTING
PER MS33656E-F
EXCEPT AS
SHOWN

OUTLET FITTING
PER MS33656E-G
EXCEPT AS
SHOWN



PERFORMANCE SPECIFICATIONS:

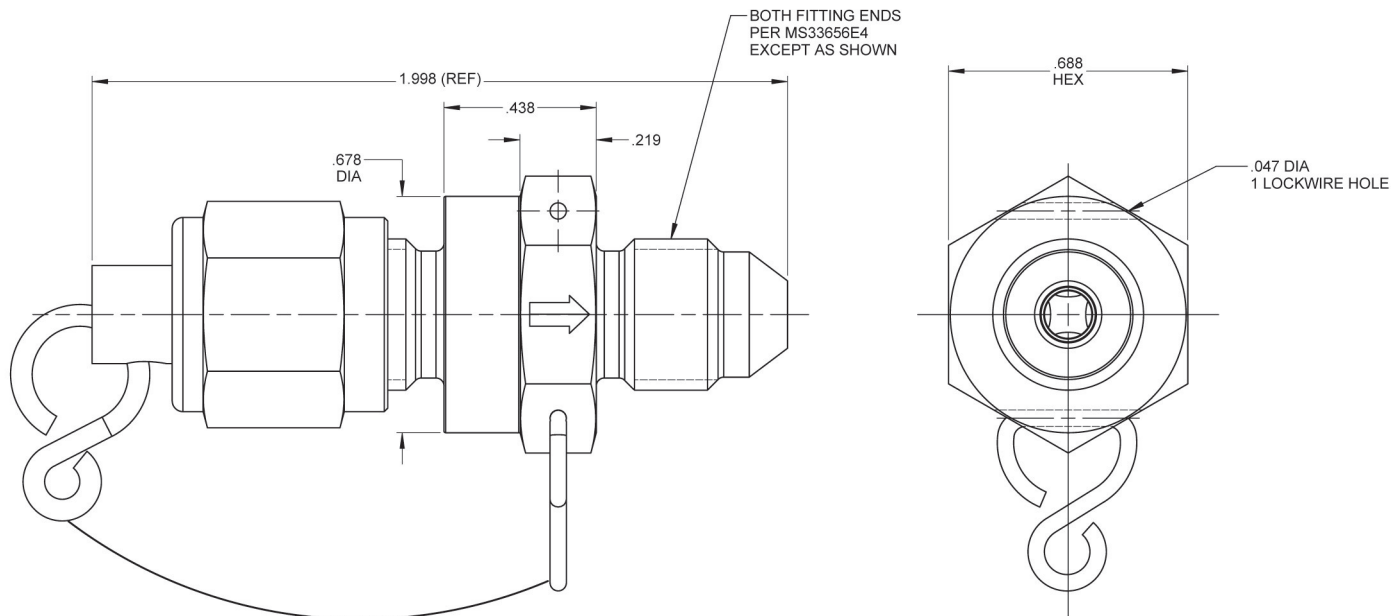
FLUIDS: ALL AIRCRAFT HYDRAULIC FLUIDS
 MATERIAL: BODY 303 CRES
 POPPET 440C CRES
 TEMPERATURE RANGE: -65°F TO 275°F
 OPERATING PRESSURE: 3000 PSIG
 PROOF PRESSURE: 4500 PSIG
 CRACKING PRESSURE: 2 TO 8 PSID
 FLOW: SEE TABLE FOR FLOW OF MIL-H-83282 AT 100° ± 5°F
 INTERNAL LEAKAGE (CHECKED DIRECTION):
 1 DPM MAX AT 5 PSID
 NONE AT 1000 TO 3000 PSID

1C1460	.120	6	5	1.575	.813	.469	.250	.803	2.3	15
1C1450	.100	5	4	1.569	.750	.469	.250	.740	1.2	15
1C1412	.600	16	12	2.275	1.625	.500	.375	1.615	16.0	15
1C1410	.405	12	10	2.125	1.375	.503	.375	1.365	10.5	15
1C1408	.250	10	8	1.946	1.125	.531	.312	1.115	6.0	15
1C1406	.189	8	6	1.713	1.000	.500	.250	.990	3.5	15
1C1404	.104	6	4	1.575	.813	.469	.250	.803	1.2	15
CRISSAIR PART NO	MAX WT (LBS)	INLET F FITTING	OUTLET G FITTING	A REF	B HEX	C	D	E DIA	RATED FLOW (GPM)	MAX ΔP PSID

CATEGORY 1: CHECK VALVES, INLINE



PART NUMBER: 1C2224 CHECK VALVE, FLARED



PERFORMANCE SPECIFICATIONS:

FLUIDS: ALL AIRCRAFT HYDRAULIC FLUIDS

MATERIAL: BODY 17-4PH CRES

BODY 303 CRES AVAILABLE FOR 1C1010

POPPET 440C CRES

TEMPERATURE RANGE: -65°F TO 275°F

OPERATING PRESSURE: 5600 PSIG

3000 PSIG FOR 1C1010

PROOF PRESSURE: 8400 PSIG

4500 PSIG FOR 1C1010

CRACKING PRESSURE: 2 TO 8 PSID

FLOW: 1.2 GPM AT 10 PSID MAX

INTERNAL LEAKAGE (CHECKED DIRECTION):

1 DPM MAX AT 5 PSID

NONE AT 1000 TO 3000 PSID

WEIGHT: .123 LBS MAX

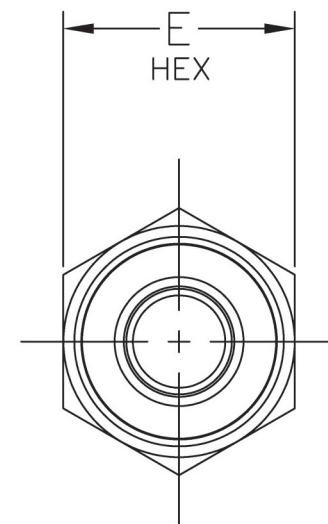
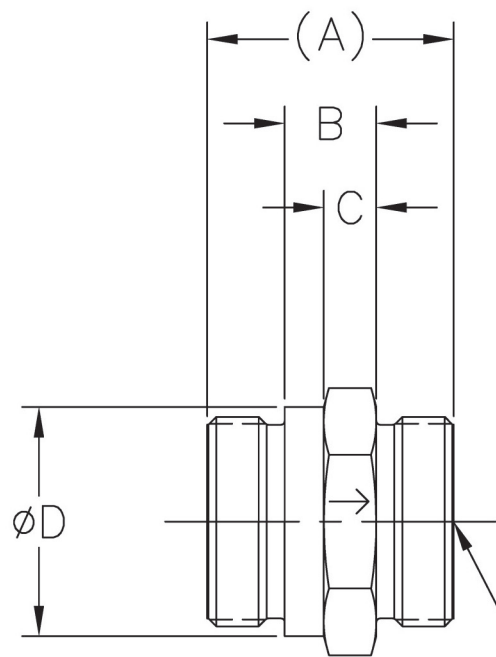


HYDRAULIC SCHEMATIC

CATEGORY 1: CHECK VALVES, INLINE



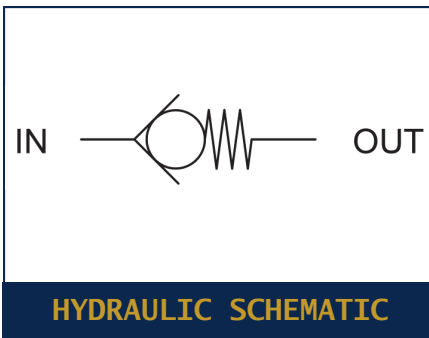
PART NUMBER: 7C1550 CHECK VALVE, SERIES, BEAM SEAL



BOTH FITTING ENDS
PER AS85720/1-F
EXCEPT AS SHOWN

PERFORMANCE SPECIFICATIONS:

FLUIDS: ALL AIRCRAFT HYDRAULIC FLUIDS
 MATERIAL: BODY 17-4PH CRES
 POPPET 440C CRES
 TEMPERATURE RANGE: -65°F TO 275°F
 OPERATING PRESSURE: 5000 PSIG
 PROOF PRESSURE: 7500 PSIG
 CRACKING PRESSURE: 2 TO 8 PSID
 FLOW: SEE TABLE AT 15 PSID MAX
 INTERNAL LEAKAGE (CHECKED DIRECTION):
 1 DPM MAX AT 5 PSID
 NONE AT 1000 TO 5000 PSID

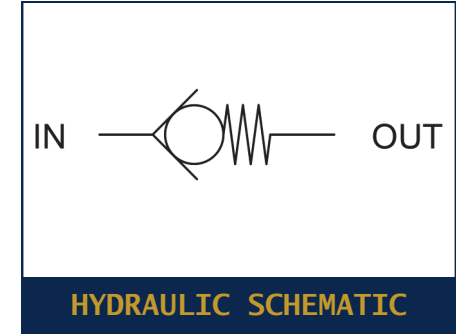
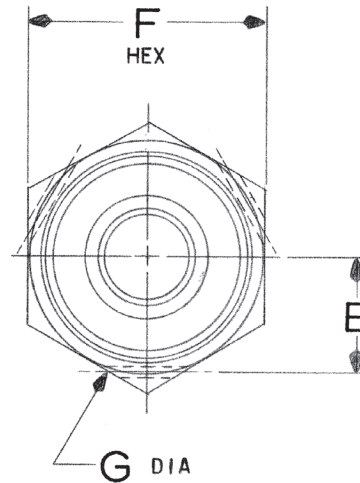
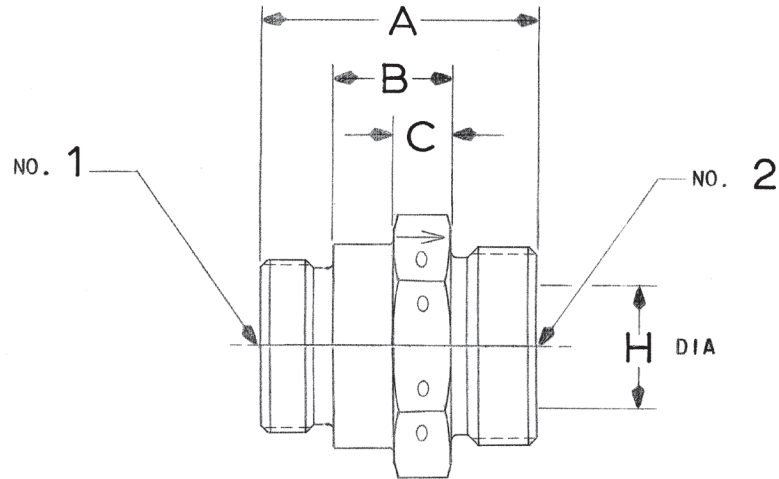


7C1566	16	1.465	.545	.312	1.365	1.375	16.0	.43
7C1562	12	1.260	.436	.281	1.115	1.125	10.5	.24
7C1560	10	1.140	.396	.250	.990	1.000	6.0	.17
7C1558	8	1.000	.384	.218	.803	.813	3.5	.11
7C1556	6	.840	.250	.188	.678	.688	1.2	.06
7C1554	4	.817	.267	.188	.615	.625	1.0	.04
CRISSAIR PART NO	F	(A)	B	C	ØD	E HEX	RATED FLOW (GPM)	MAX WT (LBS)

CATEGORY 1: CHECK VALVES, INLINE



PART NUMBER: 4C2800 CHECK VALVE, SERIES, BEAM SEAL



PERFORMANCE SPECIFICATIONS:

FLUIDS: ALL AIRCRAFT HYDRAULIC FLUIDS
 MATERIAL: BODY 17-4PH CRES
 POPPET 440C CRES
 TEMPERATURE RANGE: -65°F TO 275°F
 OPERATING PRESSURE: 4000 PSIG
 PROOF PRESSURE: 6000 PSIG
 CRACKING PRESSURE: 2 TO 8 PSID
 FLOW: SEE TABLE AT 15 PSID MAX
 4C2812 AT 18 PSID MAX
 4C2814 AT 25 PSID MAX
 INTERNAL LEAKAGE (CHECKED DIRECTION):
 1 DPM MAX AT 5 PSID
 NONE AT 1000 TO 4000 PSID

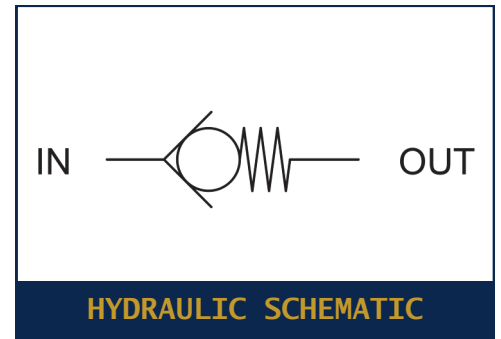
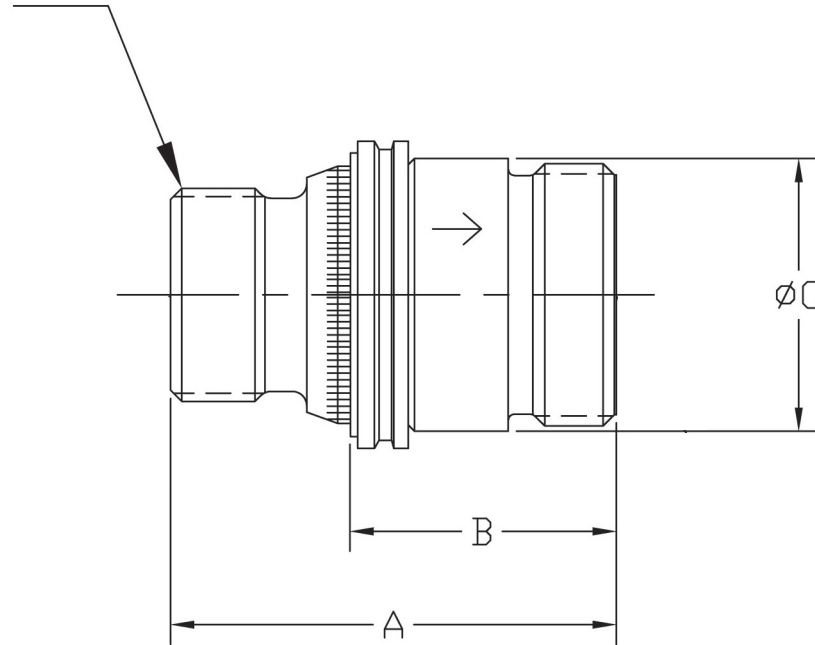
4C2814	R44090-14 1.1250-16 UNJ-3A	R44090-16 1.2500-14 UNJ-3A	1.688	.798	.312	.688	1.375	.070	.764 .770	22.0	.417
4C2812	R44090-12 1.0000-16 UNJ-3A	R44090-14 1.1250-16 UNJ-3A	1.410	.568	.312	.688	1.375	.070	.764 .770	16.0	.300
4C2810	R44090-10 .8438-18 UNJS-3A	R44090-12 1.0000-16 UNJ-3A	1.315	.531	.281	.562	1.125	.070	.639 .645	10.5	.213
4C2808	R44090-8 .7188-20 UNJS-3A	R44090-10 .8438-18 UNJS-3A	1.180	.500	.250	.500	1.000	.047	.513 .519	6.0	.175
4C2806	R44090-6 .5625-20 UNJS-3A	R44090-8 .7188-20 UNJS-3A	1.041	.438	.219	.406	.813	.047	.385 .390	3.5	.092
4C2804	R44090-4 .4375-24 UNJS-3A	R44090-6 .5625-20 UNJS-3A	1.008	.438	.188	.344	.688	.047	.260 .265	1.2	.072
CRISSAIR PART NO	FITTING END ^{NO} 1	FITTING END ^{NO} 2	(A)	B ±.015	C ±.015	E ±.015	F HEX ±.010	G DIA +.015 -.001	H DIA	RATED FLOW (GPM)	MAX WT (LBS)

CATEGORY 1: CHECK VALVES, INLINE



CHECK VALVE, SERIES, ROSAN/FLARELESS

FITTING END TO MATE WITH
ROSAN BOSS PS10035



PERFORMANCE SPECIFICATIONS:

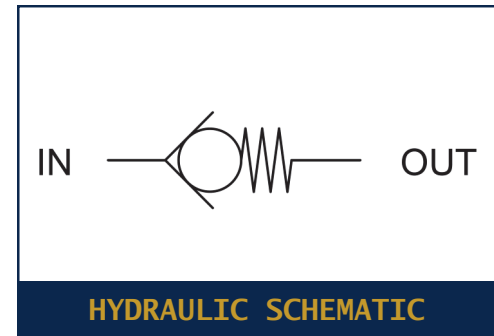
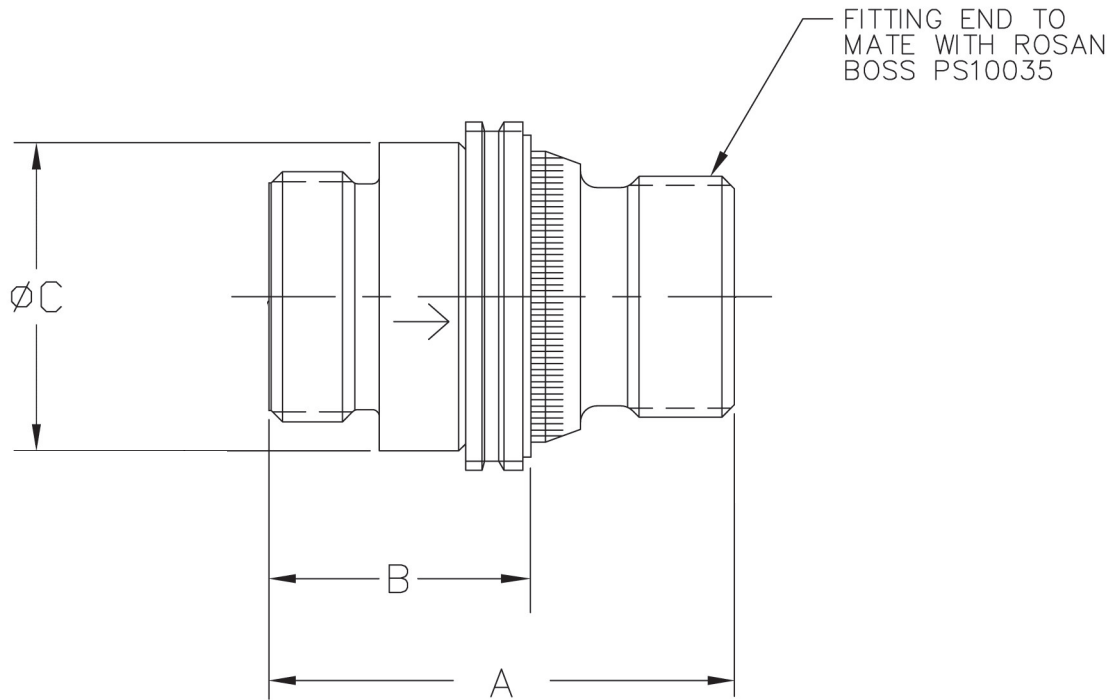
FLUIDS: ALL AIRCRAFT HYDRAULIC FLUIDS
 MATERIAL: BODY 17-4 CRES
 POPPET 440C CRES
 LOCKRING A-286 CRES
 TEMPERATURE RANGE: -65°F TO 275°F
 OPERATING PRESSURE: 3000 PSIG
 PROOF PRESSURE: 4500 PSIG
 CRACKING PRESSURE: 2 TO 8 PSID
 FLOW: SEE TABLE AT 15 PSID MAX
 INTERNAL LEAKAGE (CHECKED DIRECTION):
 1 DPM MAX AT 5 PSID
 NONE AT 1000 TO 3000 PSID

4C2876-1	1	29.0	.611	-20 1.3125-18 UNJEF-3A	MS33514E16	2.320	1.554	1.400
4C2872-1	3/4	16.0	.283	-12 .8125-20 UNJEF-3A	MS33514E12	2.190	1.493	1.050
4C2870-1	5/8	10.5	.175	-10 .6785-24 UNJEF-3A	MS33514E10	1.920	1.285	.860
4C2868-1	1/2	6.0	.175	-10 .6785-24 UNJEF-3A	MS33514E8	1.800	1.165	.860
4C2866-1	3/8	3.5	.068	-6 .4375-20 UNJF-3A	MS33514E6	1.550	.985	.575
4C2864-1	1/4	1.2	.038	-4 .3125-24 UNJF-3A	MS33514E4	1.430	.919	.432
CRISSAIR PART NO	TUBE SIZE	FLOW (GPM)	MAX WT (LBS)	FITTING END NO 1 ROSAN (DRA 9 RF)	FITTING END NO 2 (FLARELESS TUBE)	A ±.015	B ±.020	C ±.015

CATEGORY 1: CHECK VALVES, INLINE



CHECK VALVE, SERIES, ROSAN/FLARELESS



PERFORMANCE SPECIFICATIONS:

FLUIDS: ALL AIRCRAFT HYDRAULIC FLUIDS

MATERIAL: BODY 17-4 CRES

POPPET 440C CRES

LOCKRING A286 CRES

TEMPERATURE RANGE: -65°F TO 275°F

OPERATING PRESSURE: 3000 PSIG

PROOF PRESSURE: 4500 PSIG

CRACKING PRESSURE: 2 TO 8 PSID

FLOW: SEE TABLE AT 15 PSID MAX

INTERNAL LEAKAGE (CHECKED DIRECTION):

1 DPM MAX AT 5 PSID

NONE AT 1000 TO 3000 PSID

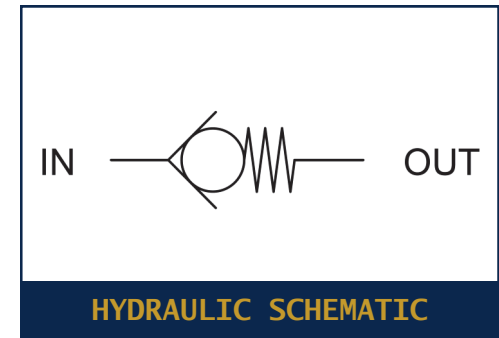
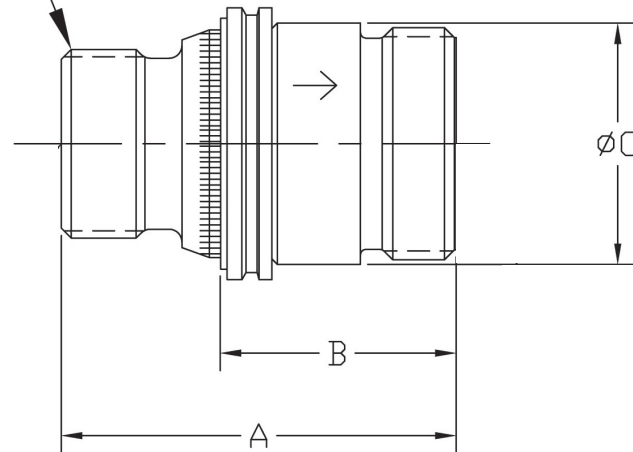
4C2876-2	1	29.0	MS33514E16	⁻²⁰ 1.3125-18 UNJEF-3A	2.420	1.655	1.400
4C2872-2	3/4	16.0	MS33514E12	⁻¹⁶ 1.1250-18 UNJEF-3A	2.030	1.275	1.305
4C2870-2	5/8	10.5	MS33514E10	⁻¹² .8125-20 UNJEF-3A	1.840	1.140	1.040
4C2868-2	1/2	6.0	MS33514E8	⁻¹⁰ .6785-24 UNJEF-3A	1.700	1.063	.860
4C2866-2	3/8	3.5	MS33514E6	⁻⁸ .5625-18 UNJF-3A	1.580	.980	.750 .711
4C2864-2	1/4	1.2	MS33514E4	⁻⁶ .4375-20 UNJF-3A	1.520	.955	.560
CRISSAIR PART NO	TUBE SIZE	FLOW (GPM)	FITTING END ^{NO} 1 (FLARELESS TUBE)	FITTING END ^{NO} 2 ROSAN (DRA 9 RF)	A ±.015	B ±.020	C ±.015

CATEGORY 1: CHECK VALVES, INLINE



CHECK VALVE, SERIES, ROSAN/DYNATUBE

FITTING END TO MATE WITH
ROSAN BOSS PS10035



PERFORMANCE SPECIFICATIONS:

FLUIDS: ALL AIRCRAFT HYDRAULIC FLUIDS

MATERIAL: BODY 17-4PH CRES

POPPET 440C CRES

LOCKRING A-286 CRES

TEMPERATURE RANGE: -65°F TO 450°F

OPERATING PRESSURE: 3000 PSIG NOMINAL

PROOF PRESSURE: 4500 PSIG

CRACKING PRESSURE: 2 TO 8 PSID

FLOW: SEE TABLE AT 15 PSID

INTERNAL LEAKAGE (CHECKED DIRECTION):

1 DPM MAX AT 5 PSID

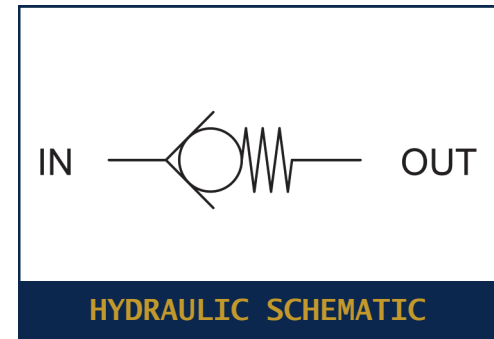
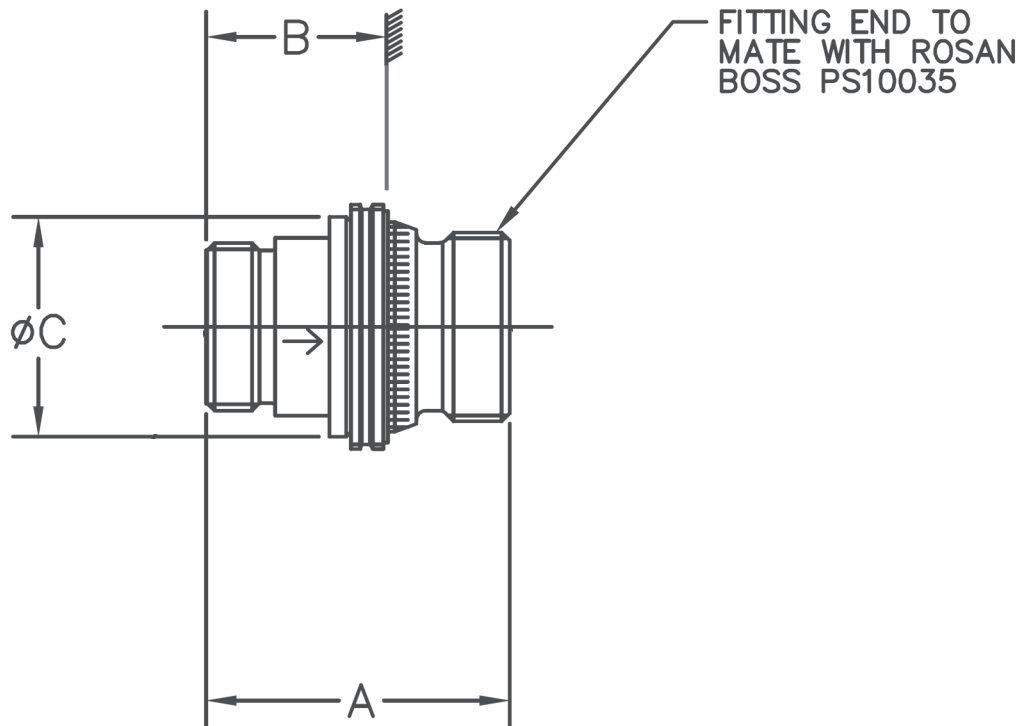
NONE AT 1000 TO 3000 PSID

4C2620-1	1 1/2	50.0	-24 1.625-18 UNJEF-3A	R44090-25S 1.8438-14 UNJS-3A	2.670	1.866	1.800	1.100
4C2616-1	1 1/4	29.0	-20 1.3125-18 UNJEF-3A	R44090-21S 1.5781-14 UNJS-3A	2.040	1.274	1.625 1.516	.660
4C2612-1	1	16.0	-16 1.1250-18 UNJEF-3A	R44090-16 1.2500-14 UNJS-3A	1.940	1.206	1.280	.640
4C2610-1	3/4	10.5	-12 .8125-20 UNJEF-3A	R44090-12 1.0000-16 UNJS-3A	1.700	1.003	1.040	.340
4C2680-1	5/8	6.0	-10 .6875-24 UNJEF-3A	R44090-10 .8438-18 UNJS-3A	1.580	.945	.860	.240
4C2660-1	1/2	3.5	-8 .5625-18 UNJF-3A	R44090-8 .7188-20 UNJS-3A	1.420	.820	.730	.150
4C2640-1	3/8	1.2	-6 .4375-20 UNJF-3A	R44090-6 .5625-20 UNJS-3A	1.360	.795	.577	.106
CRISSAIR PART NO	TUBE SIZE	FLOW (GPM)	FITTING END NO 1 ROSAN (DRA 9 RF)	FITTING END NO 2 DYNATUBE (TYPE A)	A ±.010	B ±.020	C ±.010	MAX WT (LBS)

CATEGORY 1: CHECK VALVES, INLINE



CHECK VALVE, SERIES, ROSAN/DYNATUBE



PERFORMANCE SPECIFICATIONS:

FLUIDS: ALL AIRCRAFT HYDRAULIC FLUIDS

MATERIAL: BODY 17-4PH CRES

POPPET 440C CRES

LOCKRING A-286 CRES

TEMPERATURE RANGE: -65°F TO 450°F

OPERATING PRESSURE: 3000 PSIG NOMINAL

PROOF PRESSURE: 4500 PSIG

CRACKING PRESSURE: 2 TO 8 PSID

FLOW: SEE TABLE AT 15 PSID

INTERNAL LEAKAGE (CHECKED DIRECTION):

1 DPM MAX AT 5 PSID

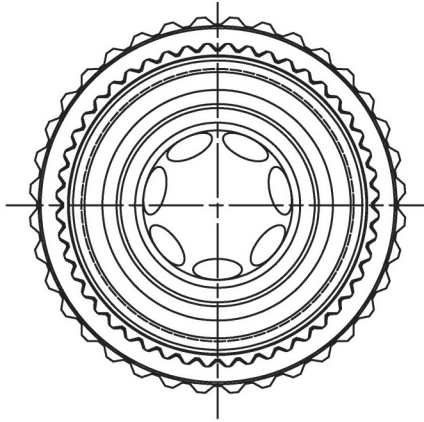
NONE AT 1000 TO 3000 PSID

4C2620-2	1 1/4	50.0	R44090-21S 1.5781-14 UNJS-3A	-24 1.6250-18 UNJEF-3A	2.700	1.896	1.600	1.010
4C2616-2	1	29.0	R44090-16 1.2500-14 UNJS-3A	-20 1.3125-18 UNJEF-3A	2.180	1.415	1.310	.550
4C2612-2	3/4	16.0	R44090-12 1.0000-16 UNJ-3A	-16 1.1250-18 UNJEF-3A	1.810	1.075	1.060	.340
4C2610-2	5/8	10.5	R44090-10 .8438-18 UNJS-3A	-12 .12520-20 UNJEF-3A	1.570	.870	1.040	.250
4C2680-2	1/2	6.0	R44090-8 .7188-20 UNJS-3A	-10 .6875-24 UNJEF-3A	1.450	.873	.870	.135
4C2660-2	3/8	3.5	R44090-6 .5625-20 UNJS-3A	-8 .5625-18 UNJEF-3A	1.380	.780	.720	.124
4C2640-2	1/4	1.2	R44090-4 .4375-24 UNJS-3A	-6 .4375-20 UNJEF-3A	1.330	.765	.577	.093
CRISSAIR PART NO.	TUBE SIZE	FLOW (GPM)	FITTING END ^{NO1} DYNATUBE (TYPE B)	FITTING END ^{NO2} ROSAN (DRA 9RF)	A ±.010	B ±.020	C ±.010	MAX WT (LBS)

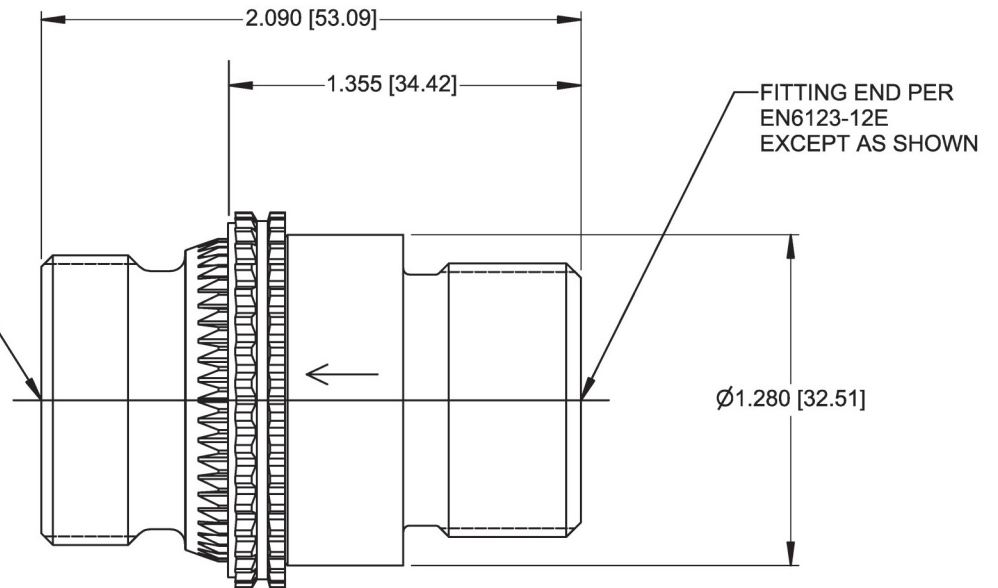
CATEGORY 1: CHECK VALVES, INLINE



PART NUMBER: 7C1112 CHECK VALVE, ROSAN/FLARELESS

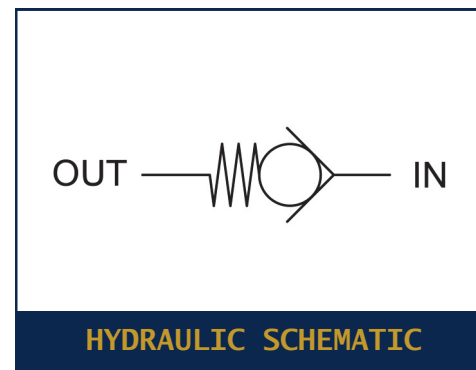


FITTING END TO MATE WITH AS1300-16 EXCEPT AS SHOWN



PERFORMANCE SPECIFICATIONS:

FLUIDS: ALL AIRCRAFT HYDRAULIC FLUIDS
MATERIAL: BODY 15-5PH CRES
POPPET PH13-8MO
LOCKRING A-286 CRES
TEMPERATURE RANGE: -65°F TO 275°F
OPERATING PRESSURE: 5000 PSIG
PROOF PRESSURE: 7500 PSIG
CRACKING PRESSURE: 2 TO 8 PSID
FLOW: 11.23 GPM AT 8 PSID MAX
INTERNAL LEAKAGE (CHECKED DIRECTION):
1 DPM MAX AT 5 PSID
NONE AT 1000 TO 5000 PSID
WEIGHT: .437 LBS MAX

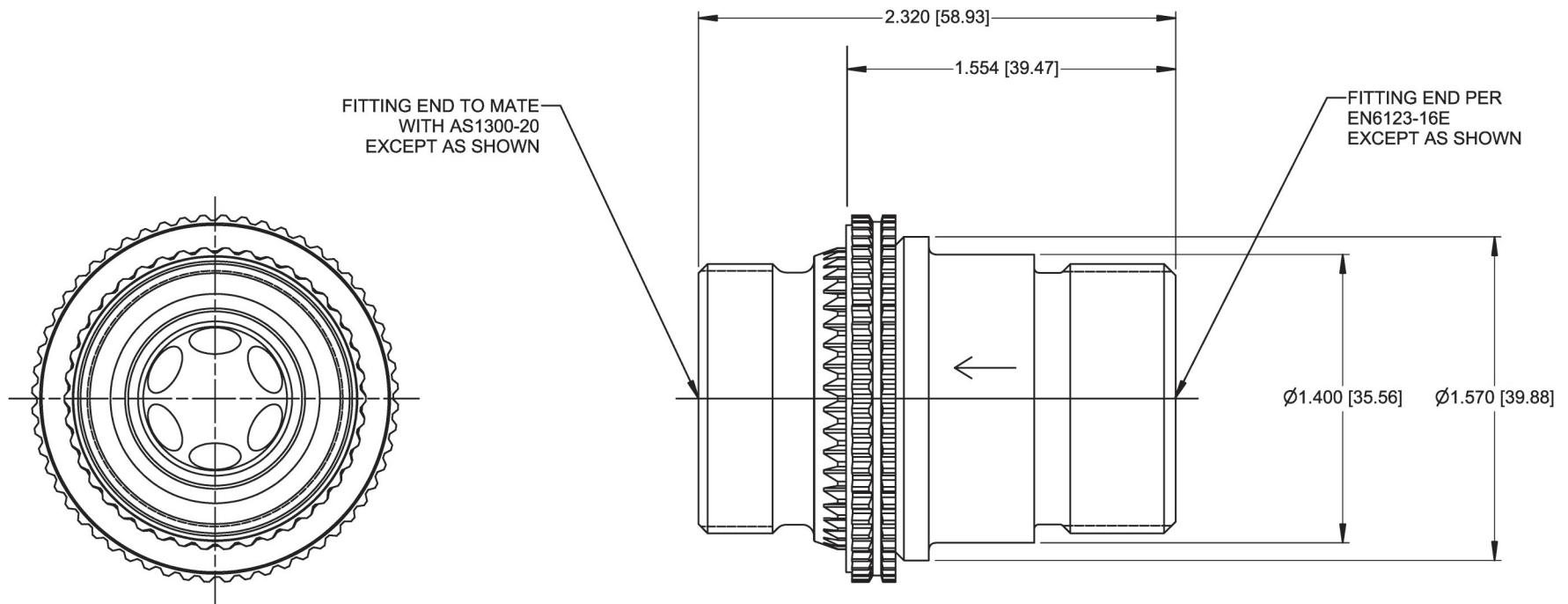


HYDRAULIC SCHEMATIC

CATEGORY 1: CHECK VALVES, INLINE

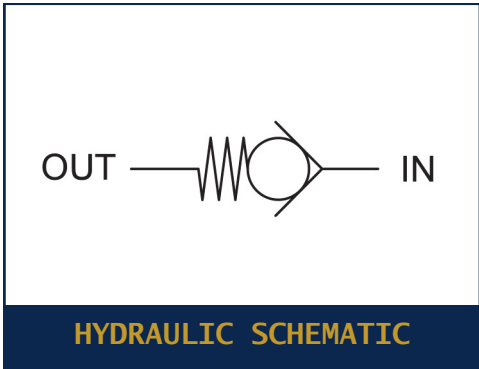


PART NUMBER: 7C1116 CHECK VALVE, ROSAN/FLARELESS



PERFORMANCE SPECIFICATIONS:

FLUIDS: ALL AIRCRAFT HYDRAULIC FLUIDS
MATERIAL: BODY 15-5PH CRES
 POPPET PH13-8MO
 LOCKRING A-286 CRES
TEMPERATURE RANGE: -65°F TO 275°F
OPERATING PRESSURE: 5000 PSIG
PROOF PRESSURE: 7500 PSIG
CRACKING PRESSURE: 2 TO 8 PSID
FLOW: 20 GPM AT 15 PSID MAX
INTERNAL LEAKAGE (CHECKED DIRECTION):
 1 DPM MAX AT 5 PSID
 NONE AT 1000 TO 5000 PSID
WEIGHT: .587 LBS MAX



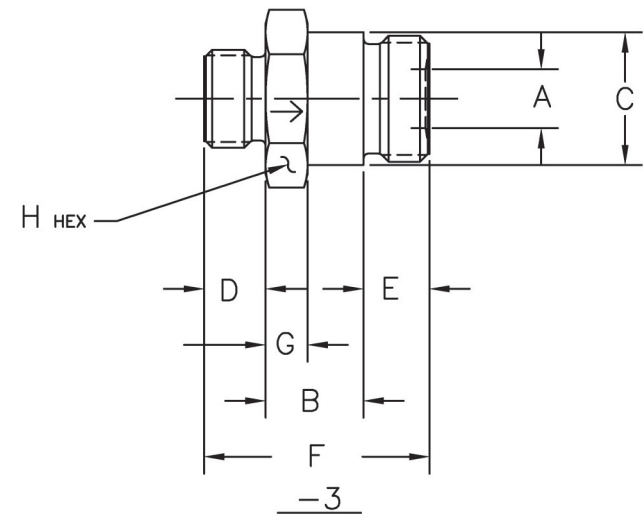
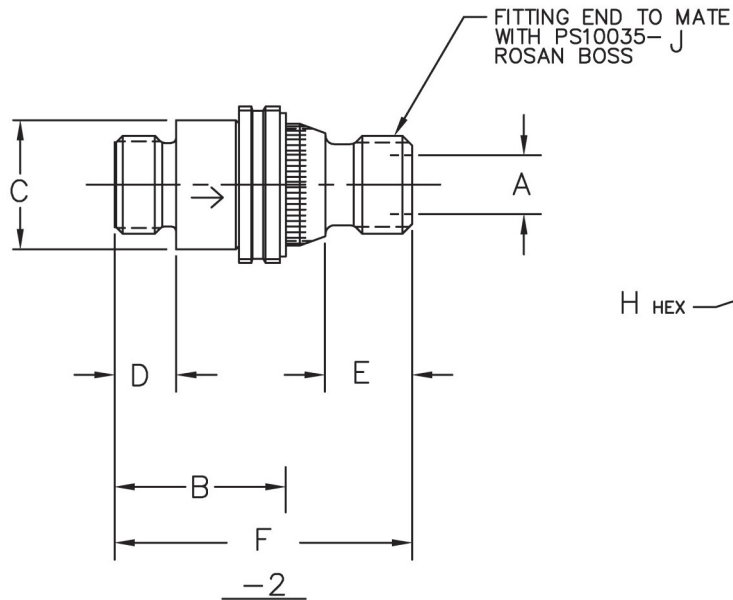
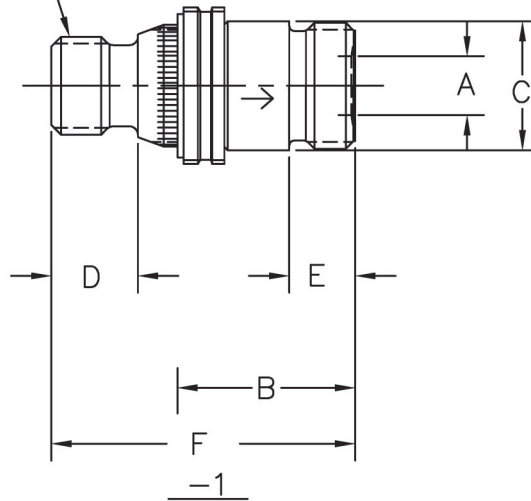
HYDRAULIC SCHEMATIC

CATEGORY 1: CHECK VALVES, INLINE



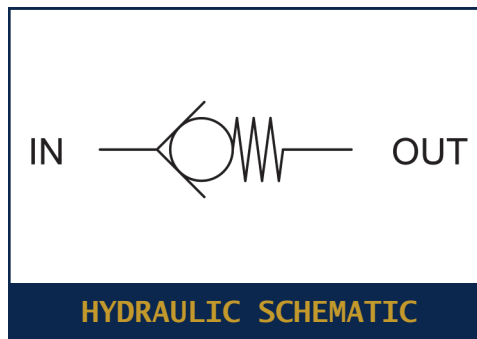
PART NUMBER: 4C2600 CHECK VALVE, SERIES

FITTING END TO MATE WITH PS10035-J ROSAN BOSS



PERFORMANCE SPECIFICATIONS:

FLUIDS: ALL AIRCRAFT HYDRAULIC FLUIDS
 MATERIAL: BODY 17-4PH CRES
 POPPET 440C CRES
 LOCKRING (-1 & -2 ONLY) A-286 CRES
 TEMPERATURE RANGE: -65°F TO 450°F
 OPERATING PRESSURE: 5000 PSIG NOMINAL
 PROOF PRESSURE: 7500 PSIG
 CRACKING PRESSURE: 2 TO 8 PSID
 FLOW: SEE TABLE AT 15 PSID MAX
 INTERNAL LEAKAGE (CHECKED DIRECTION):
 1 DPM MAX AT 5 PSID
 NONE AT 1000 TO 5000 PSID



FULL TABLE ON NEXT PAGE

PHYSICAL SPECIFICATIONS

CATEGORY 1: CHECK VALVES, INLINE



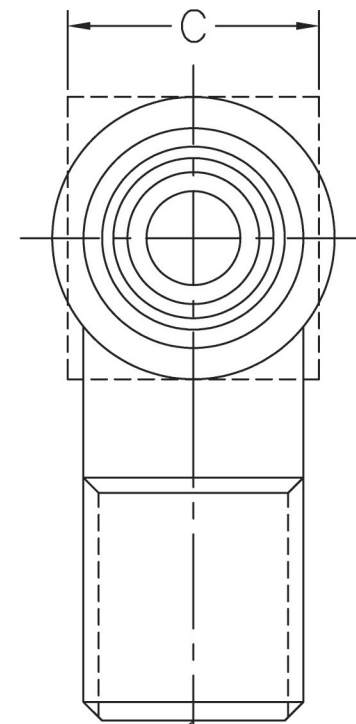
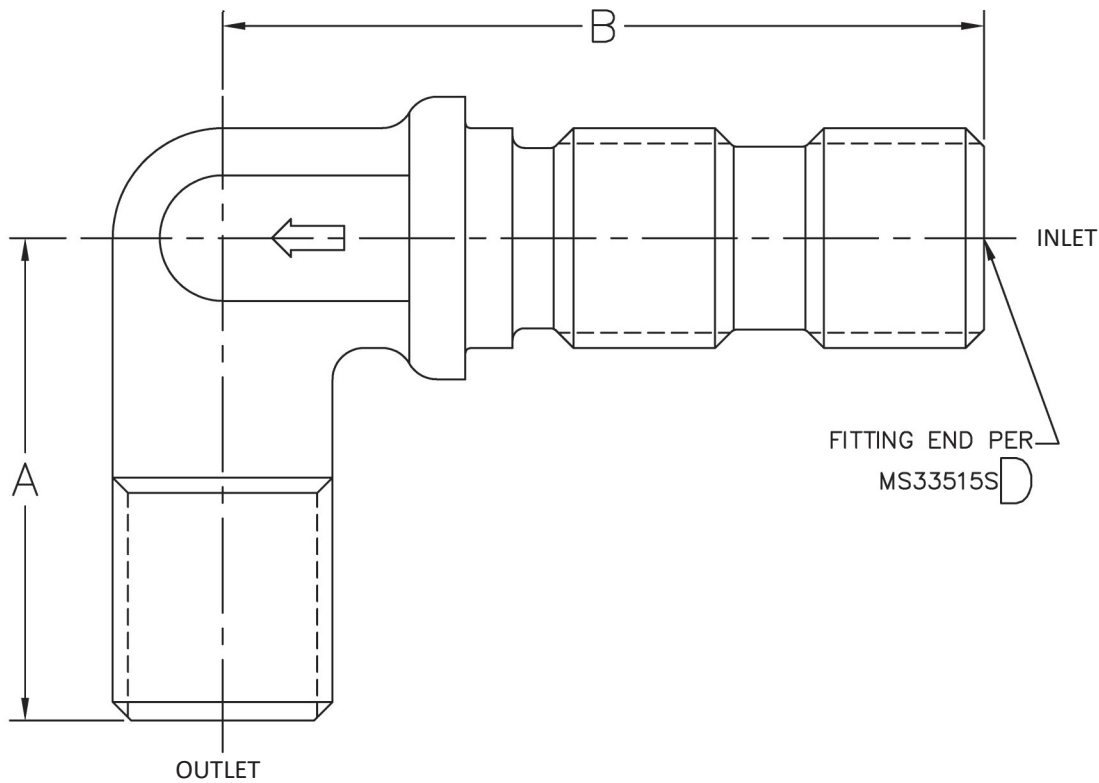
PART NUMBER: 4C2600 CHECK VALVE, SERIES

4C2620-1	ROSAN-24 (1.6250-18 UNJEF-3A)	DYNATUBE R44090-25S (1.8438-14 UNJS-3A)	1.275 1.267	1.886 1.846	1.800	.600	.565 .535	2.670	-	-	24	50.0	1.100
4C2620-2	DYNATUBE R44090-21S (1.5781-14 UNJS-3A)	ROSAN-24 (1.6250-18 UNJEF-3A)	1.275 1.267	1.916 1.876	1.800	.457	.600	2.700	-	-	24	50.0	1.010
4C2620-3	DYNATUBE R44090-21S (1.5781-14 UNJS-3A)	DYNATUBE R44090-25S (1.8438-14 UNJS-3A)	1.275 1.267	-	1.510	.457	.450 .420	2.700	.480	2.000	-	50.0	-
4C2616-1	ROSAN-20 (1.3125-18 UNJEF-3A)	DYNATUBE R44090-21S (1.5781-14 UNJS-3A)	1.021 1.013	1.294 1.254	1.250	.561	.365 .335	2.040	-	-	20	29.0	.660
4C2616-2	DYNATUBE R44090-16 (1.2500-14 UNJS-3A)	ROSAN-20 (1.3125-18 UNJEF-3A)	1.021 1.013	1.426 1.402	1.510	.460	.560	2.180	-	-	20	29.0	.550
4C2616-3	DYNATUBE R44090-16 (1.2500-14 UNJS-3A)	DYNATUBE R44090-21S (1.5781-14 UNJS-3A)	1.021 1.013	-	1.250	.460	.365 .335	1.840	.380	1.625	-	29.0	.570
4C2612-1	ROSAN-16 (1.1250-18 UNJEF-3A)	DYNATUBE R44090-16 (1.2500-14 UNJS-3A)	.771 .763	1.226 1.186	1.280	.557	.460	1.940	-	-	16	16.0	.640
4C2612-2	DYNATUBE R44090-12 (1.0000-16 UNJ-3A)	ROSAN-16 (1.1250-18 UNJEF-3A)	.771 .763	1.088 1.064	1.310	.412	.557	1.810	-	-	16	16.0	.340
4C2612-3	DYNATUBE R44090-12 (1.0000-16 UNJ-3A)	DYNATUBE R44090-16 (1.2500-14 UNJS-3A)	.771 .763	-	.990	.412	.368 .338	1.440	.312	1.375	-	16.0	.360
4C2610-1	ROSAN-12 (.8125-20 UNJEF-3A)	DYNATUBE R44090-12 (1.0000-16 UNJ-3A)	.645 .639	1.023 .983	1.040	.520	.412	1.700	-	-	12	10.5	.340
4C2610-2	DYNATUBE R44090-10 (.8438-18 UNJS-3A)	ROSAN-12 (.8125-20 UNJEF-3A)	.645 .639	.885 .861	1.040	.372	.520	1.570	-	-	12	10.5	.250
4C2610-3	DYNATUBE R44090-10 (.8438-18 UNJS-3A)	DYNATUBE R44090-12 (1.0000-16 UNJ-3A)	.645 .639	.531	1.060	.372	.412	1.315	.281	1.125	-	10.5	.270
4C2680-1	ROSAN-10 (.6875-24 UNJEF-3A)	DYNATUBE R44090-10 (.8438-18 UNJS-3A)	.519 .513	.945	.860	.458	.372	1.580	-	-	10	6.0	.240
4C2680-2	DYNATUBE R44090-8 (.7188-20 UNJS-3A)	ROSAN-10 (.6875-24 UNJEF-3A)	.519 .513	.827 .803	.870	.308	.458	1.450	-	-	10	6.0	.135
4C2680-3	DYNATUBE R44090-8 (.7188-20 UNJS-3A)	DYNATUBE R44090-10 (.8438-18 UNJS-3A)	.519 .513	.500	.875	.308	.372	1.180	.250	1.000	-	6.0	.195
4C2660-1	ROSAN-8 (.5625-18 UNJF-3A)	DYNATUBE R44090-8 (.7188-20 UNJS-3A)	.390 .385	.840 .800	.730	.422	.308	1.420	-	-	08	3.5	.150
4C2660-2	DYNATUBE R44090-6 (.5625-20 UNJS-3A)	ROSAN-8 (.5625-18 UNJF-3A)	.390 .385	.800 .760	.720	.295	.422	1.380	-	-	08	3.5	.124
4C2660-3	DYNATUBE R44090-6 (.5625-20 UNJS-3A)	DYNATUBE R44090-8 (.7188-20 UNJS-3A)	.390 .385	.438	.780	.295	.308	1.041	.188	.812	-	3.5	.127
4C2640-1	ROSAN-6 (.4375-20 UNJF-3A)	DYNATUBE R44090-6 (.5625-20 UNJS-3A)	.265 .260	.815 .775	.577	.388	.295	1.360	-	-	06	1.2	.106
4C2640-2	DYNATUBE R44090-4 (.4375-24 UNJS-3A)	ROSAN-6 (.4375-24 UNJF-3A)	.265 .260	.785 .745	.577	.275	.388	1.330	-	-	06	1.2	.093
4C2640-3	DYNATUBE R44090-4 (.4375-24 UNJS-3A)	DYNATUBE R44090-6 (.5625-20 UNJS-3A)	.265 .260	.438	.593	.275	.295	1.008	.188	.688	-	1.2	.081
CRISSAIR PART NO	FITTING END ^{NO} 1	FITTING END ^{NO} 2	ØA	B	ØC	D	E	F	G	H	J	RATED FLOW (GPM)	MAX WT (LBS)

CATEGORY 1: CHECK VALVES, INLINE



PART NUMBER: 2C7250 CHECK VALVE, SERIES, FLARELESS



PERFORMANCE SPECIFICATIONS:

FLUIDS: ALL AIRCRAFT HYDRAULIC FLUIDS

MATERIAL: BODY 303 CRES

POPPET 440C CRES

TEMPERATURE RANGE: -65°F TO 275°F

OPERATING PRESSURE: 3000 PSIG

PROOF PRESSURE: 4500 PSIG

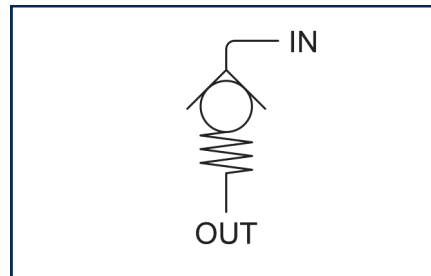
CRACKING PRESSURE: 2 TO 8 PSID

FLOW: SEE TABLE AT 15 PSID MAX

INTERNAL LEAKAGE (CHECKED DIRECTION):

1 DPM MAX AT 5 PSID

NONE AT 1000 TO 3000 PSID



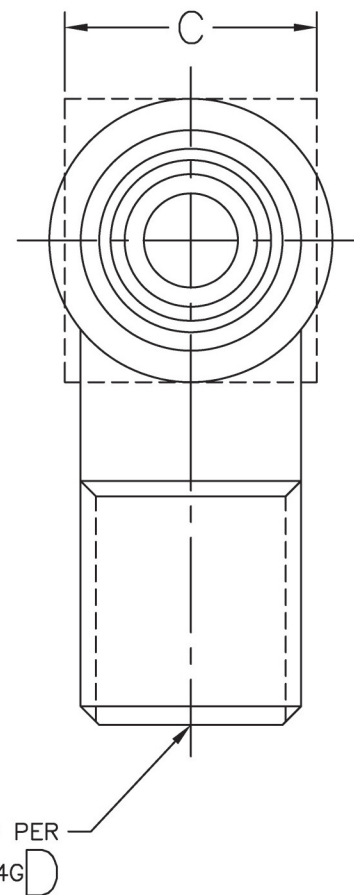
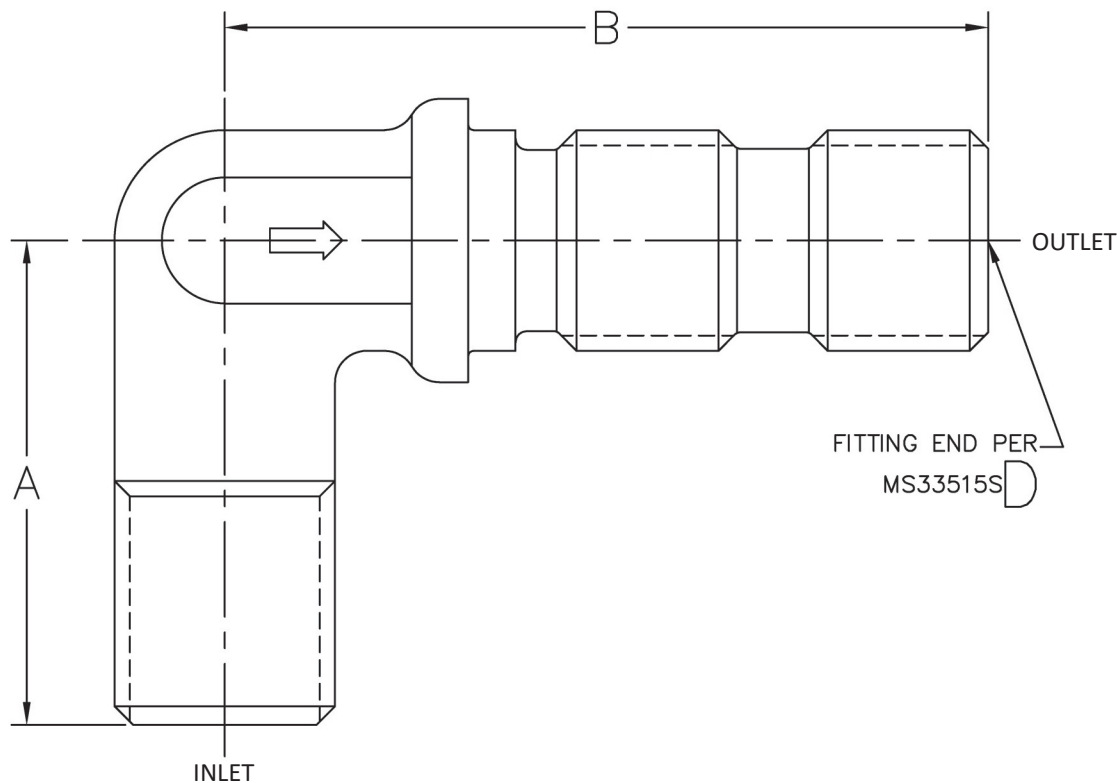
HYDRAULIC SCHEMATIC

2C7250-16	2.438	2.594	1.500	16	29.0
2C7250-12	1.906	2.468	1.250	12	16.0
2C7250-10	1.671	2.250	1.000	10	10.0
2C7250-8	1.500	1.968	.875	8	6.0
2C7250-6	1.266	1.688	.625	6	3.5
2C7250-5	1.156	1.532	.625	5	2.3
2C7250-4	1.062	1.500	.500	4	1.2
CRISSAIR PART NO	A +.046 -.000	B +.046 -.000	C ±.015	D	RATED FLOW (GPM)

CATEGORY 1: CHECK VALVES, INLINE



PART NUMBER: 2C7270 CHECK VALVE, SERIES, FLARELESS



PERFORMANCE SPECIFICATIONS:

FLUIDS: ALL AIRCRAFT HYDRAULIC FLUIDS

MATERIAL: BODY 303 CRES

POPPET 440C CRES

TEMPERATURE RANGE: -65°F TO 275°F

OPERATING PRESSURE: 3000 PSIG

PROOF PRESSURE: 4500 PSIG

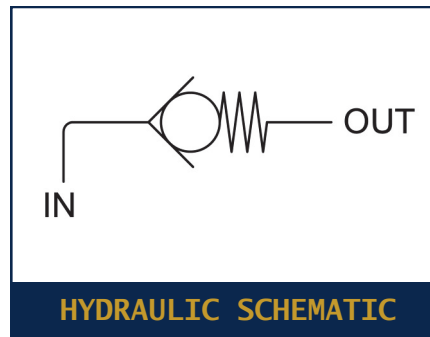
CRACKING PRESSURE: 2 TO 8 PSID

FLOW: SEE TABLE AT 15 PSID MAX

INTERNAL LEAKAGE (CHECKED DIRECTION):

1 DPM MAX AT 5 PSID

NONE AT 1000 TO 3000 PSID



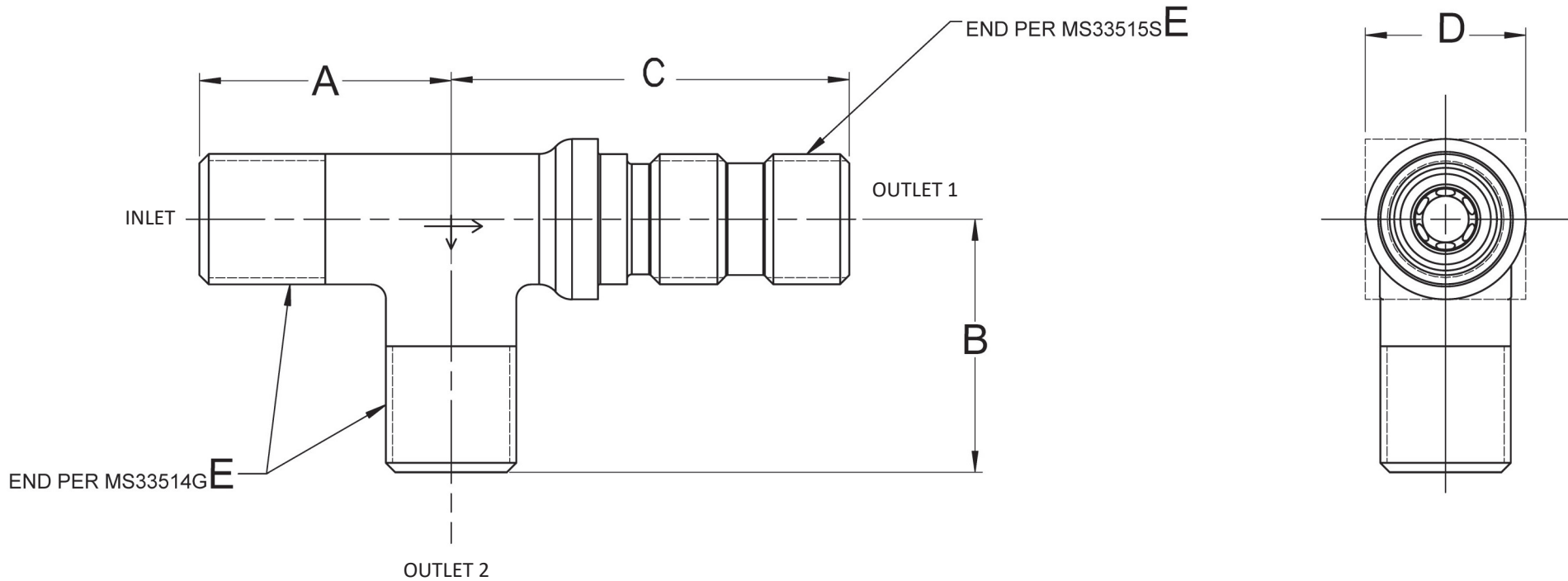
HYDRAULIC SCHEMATIC

2C7270-16	1.718	2.594	1.500	16	29.0
2C7270-12	1.625	2.468	1.250	12	16.0
2C7270-10	1.500	2.250	1.000	10	10.0
2C7270-8	1.312	1.968	.875	8	6.0
2C7270-6	1.062	1.688	.625	6	3.5
2C7270-5	1.032	1.532	.625	5	2.3
2C7270-4	.938	1.500	.500	4	1.2
CRISSAIR PART NO	A +.046 -.000	B +.046 -.000	C ±.015	D	RATED FLOW (GPM)

CATEGORY 1: CHECK VALVES, INLINE



PART NUMBER: 2C7390 CHECK VALVE, SERIES, FLARELESS



PERFORMANCE SPECIFICATIONS:

FLUIDS: ALL AIRCRAFT HYDRAULIC FLUIDS

MATERIAL: BODY 303 CRES

POPPET 440C CRES

TEMPERATURE RANGE: -65°F TO 275°F

OPERATING PRESSURE: 3000 PSIG

PROOF PRESSURE: 4500 PSIG

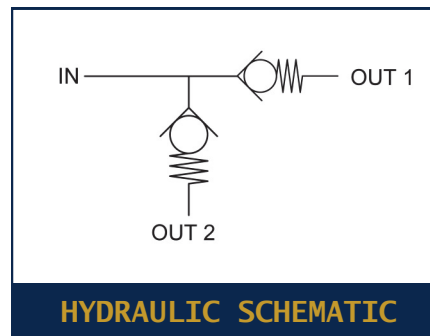
CRACKING PRESSURE: 2 TO 8 PSID

FLOW: SEE TABLE AT 15 PSID MAX

INTERNAL LEAKAGE (CHECKED DIRECTION):

1 DPM MAX AT 5 PSID

NONE AT 1000 TO 3000 PSID



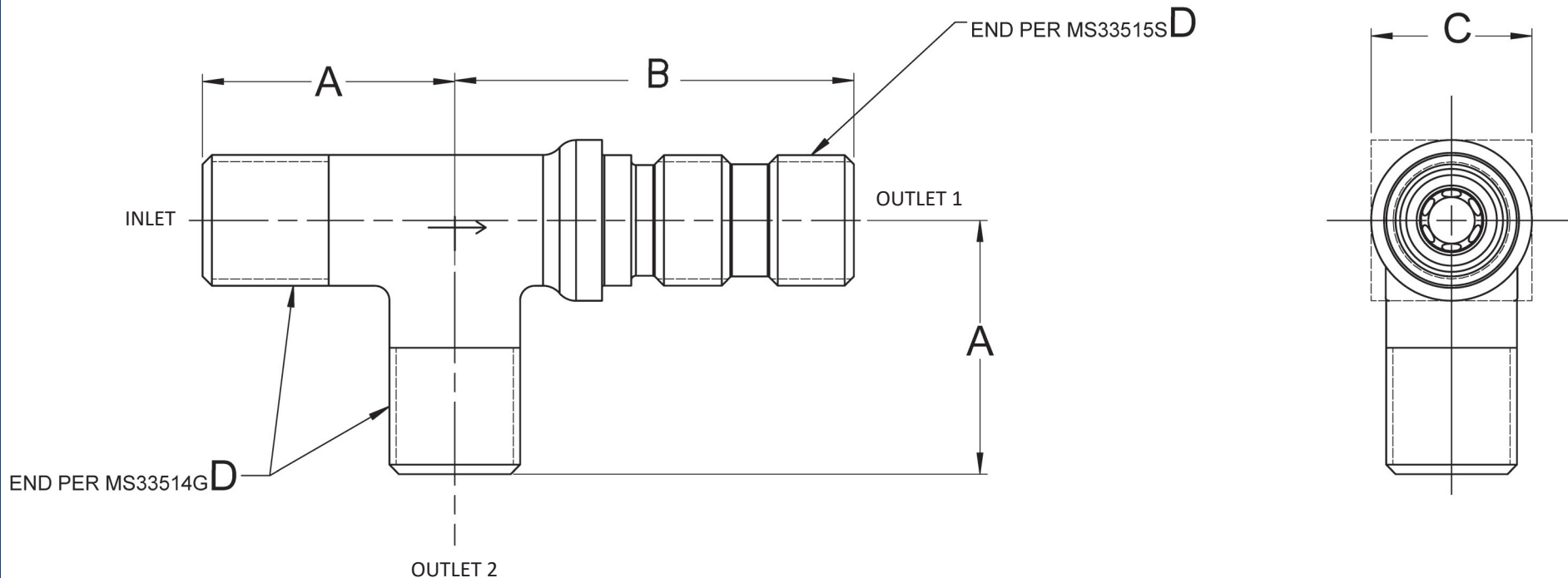
HYDRAULIC SCHEMATIC

2C7390-16	1.718	2.438	2.594	1.500	16	29.0
2C7390-12	1.625	1.906	2.468	1.250	12	16.0
2C7390-10	1.500	1.671	2.250	1.000	10	10.0
2C7390-8	1.312	1.500	1.968	.875	8	6.0
2C7390-6	1.062	1.062 1.090	1.688	.625	6	3.5
2C7390-5	1.032	1.156	1.532	.625	5	2.3
2C7390-4	.938	1.062	1.500	.500	4	1.2
CRISSAIR PART NO	A +.046 -.000	B +.046 -.000	C +.046 -.000	D ±.015	E	RATED FLOW (GPM)

CATEGORY 1: CHECK VALVES, INLINE



PART NUMBER: 2C7400 CHECK VALVE, SERIES, FLARELESS



PERFORMANCE SPECIFICATIONS:

FLUIDS: ALL AIRCRAFT HYDRAULIC FLUIDS

MATERIAL: BODY 2024-T4 AL

POPPET 440C CRES

TEMPERATURE RANGE: -65°F TO 275°F

OPERATING PRESSURE: 3000 PSIG

PROOF PRESSURE: 4500 PSIG

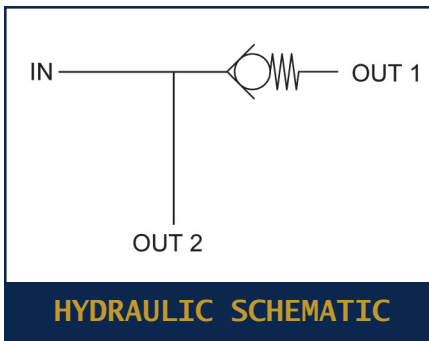
CRACKING PRESSURE: 2 TO 8 PSID

FLOW: SEE TABLE AT 15 PSID MAX

INTERNAL LEAKAGE (CHECKED DIRECTION):

1 DPM MAX AT 5 PSID

NONE AT 1000 TO 3000 PSID



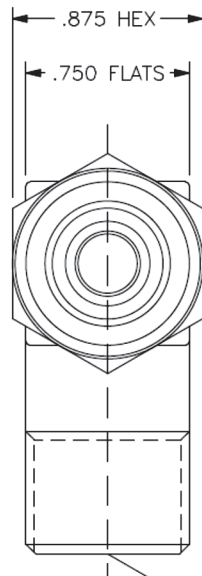
HYDRAULIC SCHEMATIC

2C7400-16	1.718	2.594	1.500	16	29.0
2C7400-12	1.625	2.468	1.250	12	16.0
2C7400-10	1.500	2.250	1.000	10	10.0
2C7400-8	1.312	1.968	.875	8	6.0
2C7400-6	1.062	1.688	.625	6	3.5
2C7400-5	1.032	1.532	.625	5	2.3
2C7400-4	.938	1.500	.500	4	1.2
CRISSAIR PART NO	A +.046 -.000	B +.046 -.000	C ±.015	D	RATED FLOW (GPM)

CATEGORY 1: CHECK VALVES, INLINE

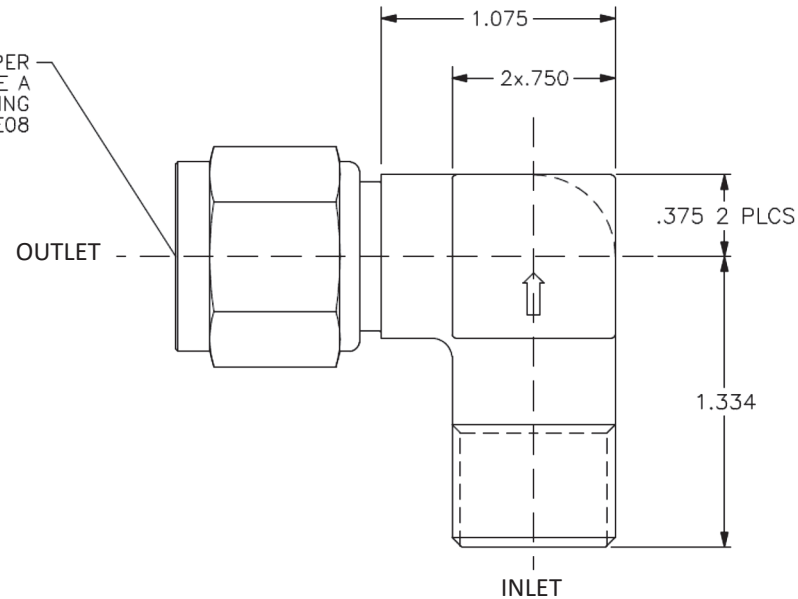


PART NUMBER: 1C4782 CHECK VALVE, B-NUT/FLARELESS



FITTING END PER
NAS1760-08 STYLE A
TO MATE WITH FITTING
END PER MS33514E08

FITTING END PER
MS33514G08
EXCEPT AS SHOWN



PERFORMANCE SPECIFICATIONS:

FLUIDS: ALL AIRCRAFT HYDRAULIC FLUIDS

MATERIAL: BODY 304 CRES

POPPET 440C CRES

SWIVEL NUT 304 CRES

TEMPERATURE RANGE: -65°F TO 275°F

OPERATING PRESSURE: 3000 PSIG

PROOF PRESSURE: 4500 PSIG

CRACKING PRESSURE: 2 TO 8 PSID

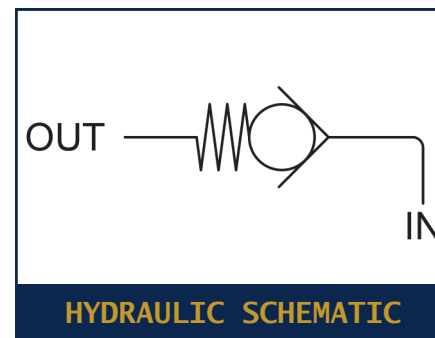
FLOW: 3.5 GPM AT 15 PSID MAX

INTERNAL LEAKAGE (CHECKED DIRECTION):

1 DPM MAX AT 5 PSID

NONE AT 1000 TO 3000 PSID

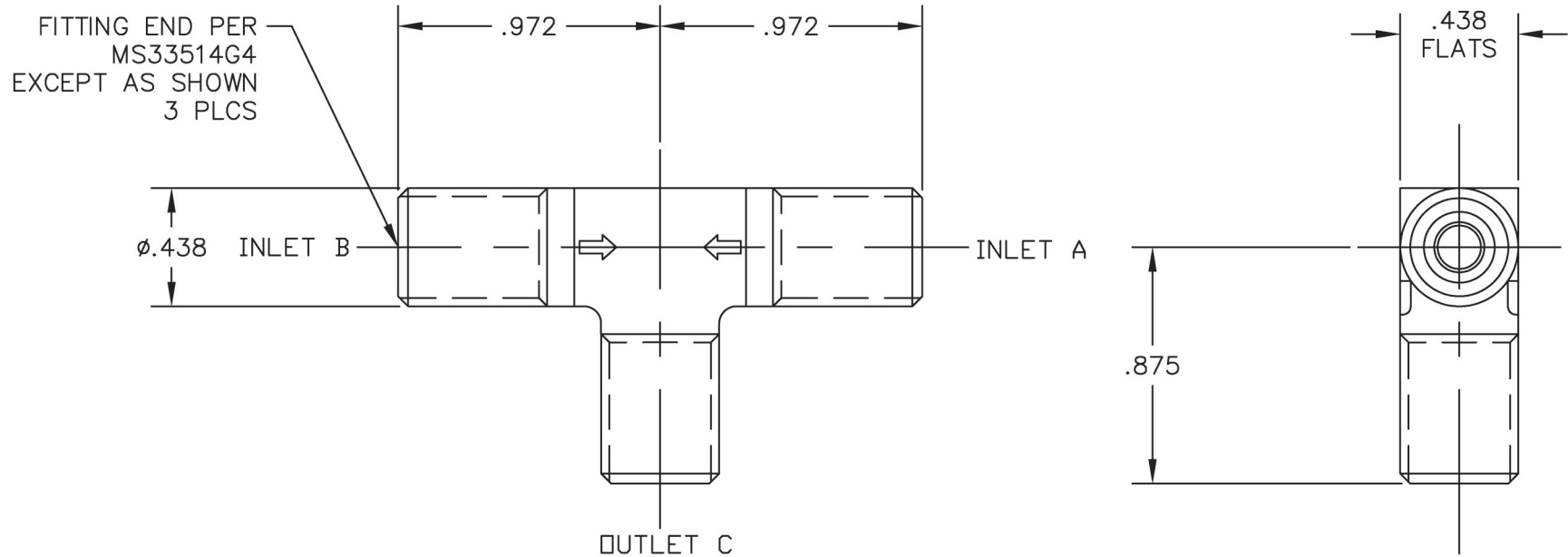
WEIGHT: .37 LBS MAX



CATEGORY 1: CHECK VALVES, INLINE

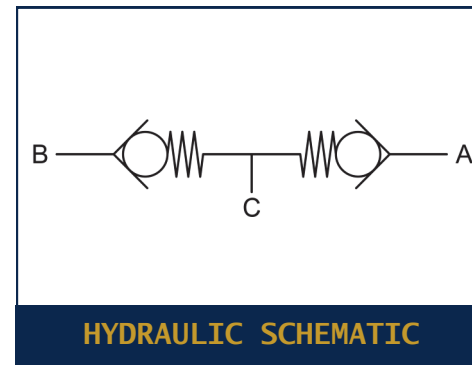


PART NUMBER: 1C4404 CHECK VALVE, TEE FLOW, FLARELESS



PERFORMANCE SPECIFICATIONS:

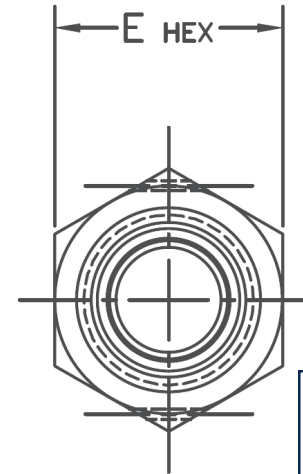
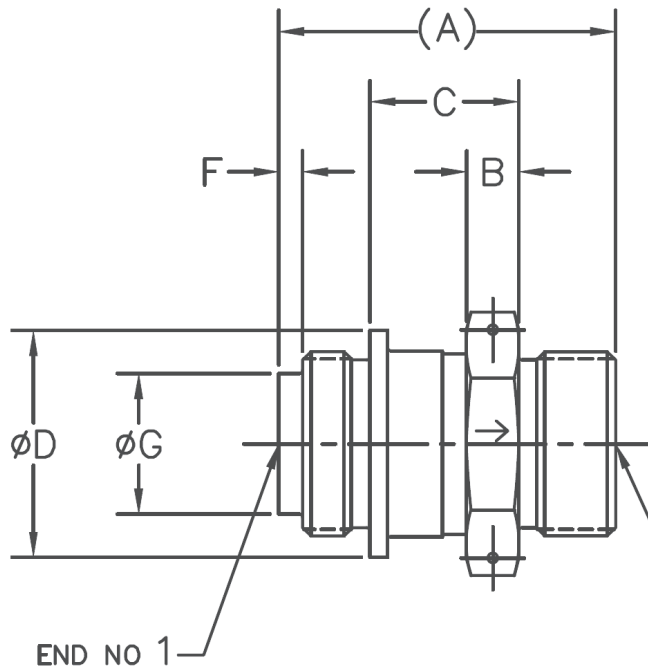
FLUIDS: ALL AIRCRAFT HYDRAULIC FLUIDS OR BLEED AIR
MATERIAL: BODY 347 CRES
POPPET 440C CRES
TEMPERATURE RANGE: -65°F TO 860°F (FLUID)
-65°F TO 250°F (AMBIENT)
OPERATING PRESSURE: 2 TO 300 PSIG
PROOF PRESSURE: 675 PSIG AT ROOM TEMPERATURE
OPENING PRESSURE: FULLY OPEN AT 1 PSID
CLOSING PRESSURE: 0 TO 8 PSID IN REVERSE FLOW DIRECTION
FLOW: 1.5 GPM AT 7 PSID MAX AT 100°F (HYDRAULIC FLUID)
INTERNAL LEAKAGE (CHECKED DIRECTION):
5.0 SCFH MAX AT 300 PSID
IN REVERSE FLOW DIRECTION (BLEED AIR)
WEIGHT: .090 LBS MAX



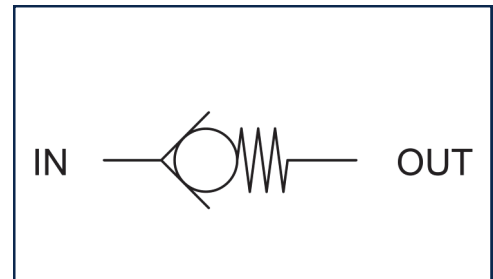
CATEGORY 1: CHECK VALVES, INLINE



CHECK VALVE, SERIES, FLARELESS/MOD



ALSO AVAILABLE WITH BODY
IN AL ALLOY AND TITANIUM



HYDRAULIC SCHEMATIC

PERFORMANCE SPECIFICATIONS:

FLUIDS: ALL AIRCRAFT HYDRAULIC FLUIDS

MATERIAL: BODY 15-5PH CRES

POPPET 440C CRES

TEMPERATURE RANGE: -65°F TO 275°F

OPERATING PRESSURE: 3000 PSIG

PROOF PRESSURE: 4500 PSIG

CRACKING PRESSURE: 2 TO 8 PSID

FLOW: SEE TABLE AT 15 PSID MAX

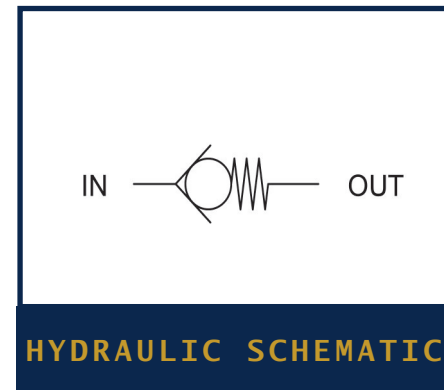
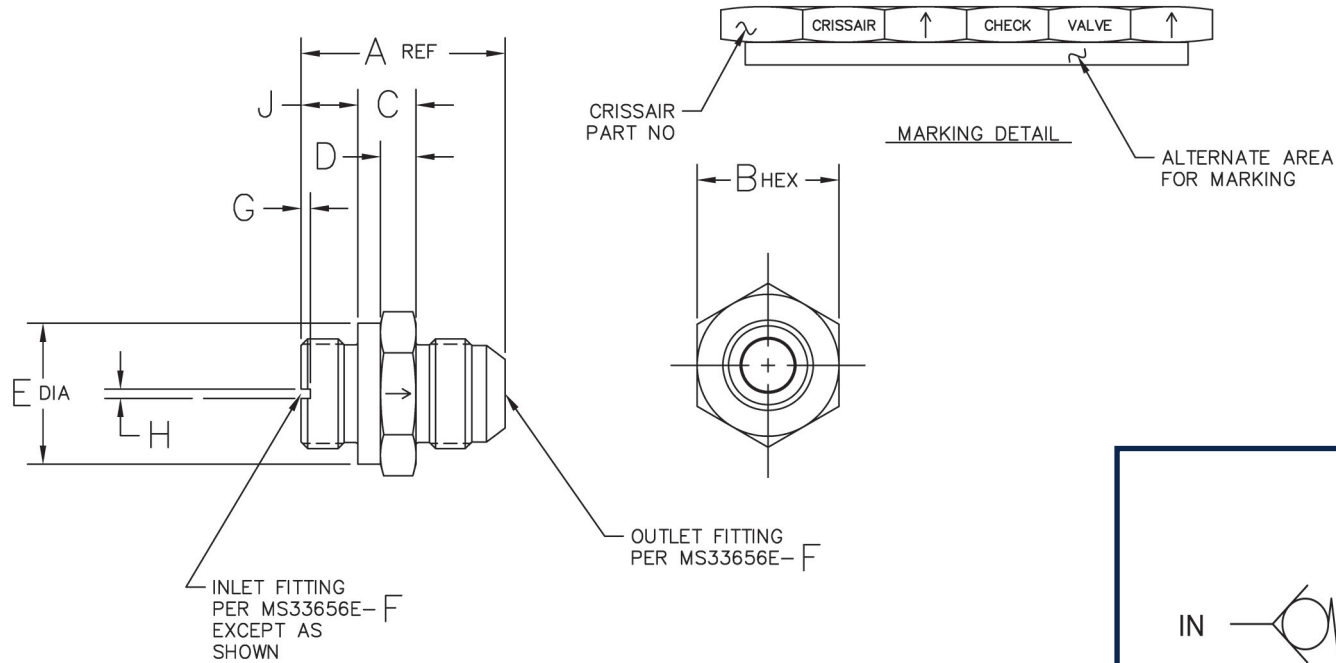
INTERNAL LEAKAGE (CHECKED DIRECTION):
1 DPM AT 0 TO 1000 PSID
NONE AT 1000 TO 3000 PSID

1C3614	1	29.0	AS930B-16	MS33514E16	2.400	.375	1.062	1.615	1.625	.170	1.000
1C3612	3/4	16.0	AS930B-12	MS33514E12	1.900	.343	.562	1.365	1.375	.170	.750
1C3610	5/8	10.5	AS930B-10	MS33514E10	1.746	.312	.531	1.115	1.125	.150	.625
1C3512	1/2	6.0	AS930B-8	MS33514E8	1.632	.281	.500	.990	1.000	.130	.500
1C3608	3/8	3.5	AS930B-6	MS33514E6	1.478	.250	.469	.803	.813	.140	.375
1C3606	1/4	1.2	AS930B-4	MS33514E4	1.441	.219	.438	.678	.688	.150	.250
CRISSAIR PART NO	TUBE SIZE	FLOW (GPM)	FITTING END ^{NO 1} (MODIFIED AS930)	FITTING END ^{NO 2} (FLARELESS TUBE)	A (REF)	B ±.015	C ±.015	D ±.015	E ±.015	F ±.010	G ±.015

CATEGORY 1: CHECK VALVES, INLINE



PART NUMBER: 1C1700 CHECK VALVE, SERIES, FLARED/MOD



PERFORMANCE SPECIFICATIONS:

FLUIDS: ALL AIRCRAFT HYDRAULIC FLUIDS

MATERIAL: BODY 303 CRES

POPPET 440C CRES

TEMPERATURE RANGE: -65°F TO 275°F

OPERATING PRESSURE: 3000 PSIG

PROOF PRESSURE: 4500 PSIG

CRACKING PRESSURE: 2 TO 8 PSID

FLOW: SEE TABLE

INTERNAL LEAKAGE (CHECKED DIRECTION):

1 DPM MAX AT 5 PSID

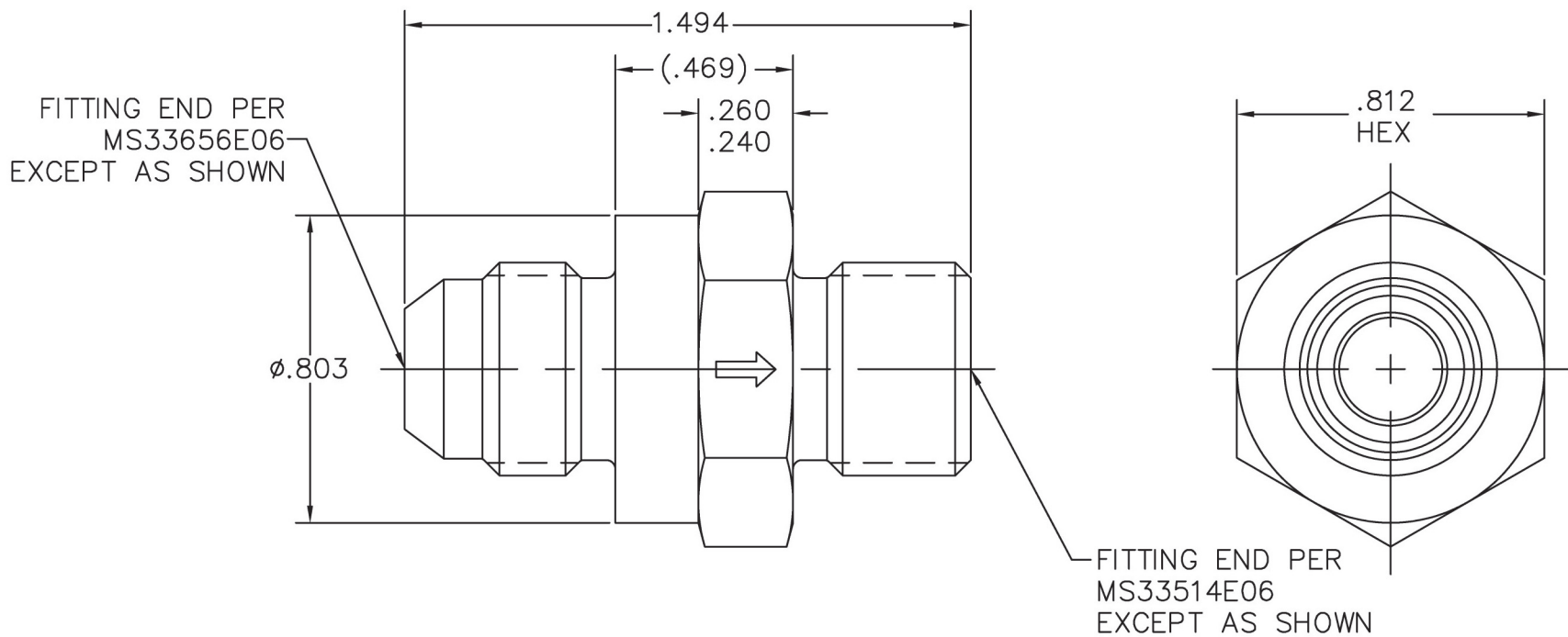
NONE AT 1000 TO 3000 PSID

1C1704	.077	4	.080	.060	.350	1.338	.688	.438	.219	.678	1.2	15
1C1706	.104	6	.080	.060	.370	1.395	.813	.469	.250	.803	3.5	15
1C1710	.250	10	.090	.090	.492	1.781	1.125	.531	.312	1.115	10.5	15
CRISSAIR PART NO	WEIGHT LBS MAX	F FITTING	G	H	J	A REF	B HEX	C	D	E DIA	RATED FLOW (GPM)	MAX ΔP PSID

CATEGORY 1: CHECK VALVES, INLINE

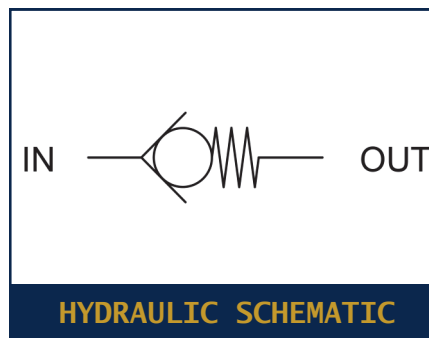


PART NUMBER: 1C4102 CHECK VALVE, FLARED/FLARELESS



PERFORMANCE SPECIFICATIONS:

FLUIDS: ANY AIRCRAFT HYDRAULIC FLUIDS
MATERIAL: BODY 17-4PH CRES
 POPPET 440C CRES
TEMPERATURE RANGE: -65°F TO 275°F
OPERATING PRESSURE: 3000 PSIG
PROOF PRESSURE: 4500 PSIG
CRACKING PRESSURE: 2 TO 8 PSID
FLOW: 3.5 GPM AT 15 PSID MAX
INTERNAL LEAKAGE (CHECKED DIRECTION):
 1 DPM MAX AT 5 PSID
 NONE AT 1000 TO 3000 PSID
WEIGHT: .10 LBS MAX

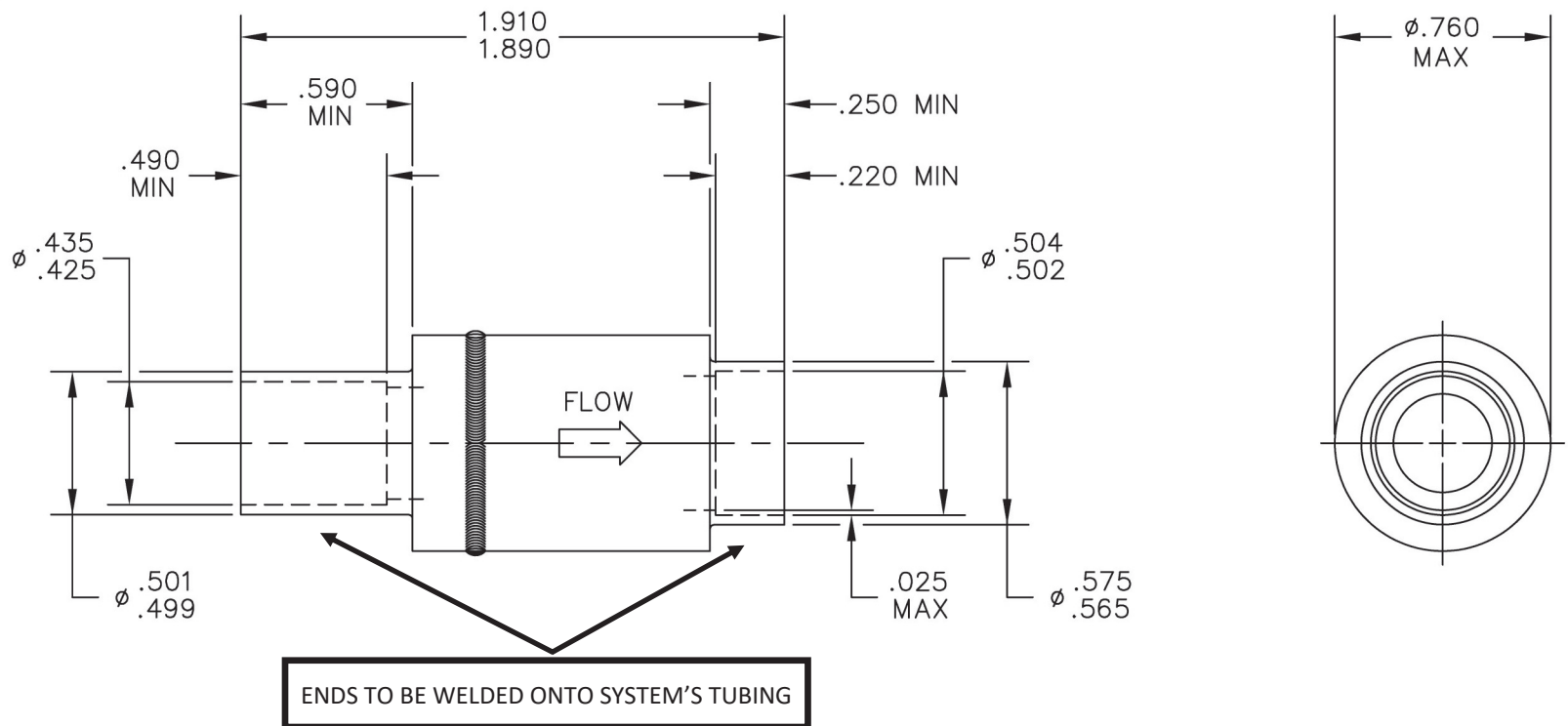


HYDRAULIC SCHEMATIC

CATEGORY 1: CHECK VALVES, INLINE

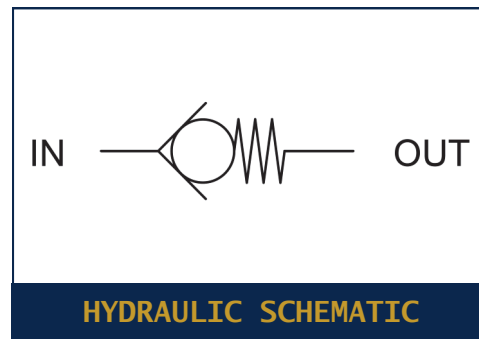


PART NUMBER: 1C3688 CHECK VALVE, WELDED ENDS



PERFORMANCE SPECIFICATIONS:

FLUIDS: AIR WITH MIL-L-7808 OR MIL-L-23699 MIST
MATERIAL: BODY 347 CRES
 POPPET 440C CRES
TEMPERATURE RANGE: -65°F TO 400°F
OPERATING PRESSURE: 65 PSIG
PROOF PRESSURE: 100 PSIG
CRACKING PRESSURE: 0.5 PSID
FLOW: 0.5 LB/MIN AT 1.0 PSID MAX
INTERNAL LEAKAGE (CHECKED DIRECTION):
 0.001 LB/MIN MAX AT 0.5 TO 65 PSID
WEIGHT: 0.13 LBS MAX



HYDRAULIC SCHEMATIC

CATEGORY 1: CHECK VALVES, ZERO LEAK, INLINE



CRISSAIR HAS HUNDREDS OF OTHER CHECK VALVES NOT LISTED IN THE CATALOG WITH DIFFERENT MATERIALS, FITTINGS, AND SIZE CONFIGURATIONS.

CONTACT CRISSAIR FOR ADDITIONAL INFORMATION/DRAWINGS AT

(661) 367-3300 OR SALES@CRISSAIR.COM.

YOU CAN ALSO VISIT WWW.CRISSAIR.COM.