



Introduce real, natural materials into your play environment with the Spinning Rock. A giant boulder effortlessly spins so users of any age can feel its weight and texture as well as explore its history. Think about it- Aren't we all just on a Spinning Rock? It's like a free view of yourself from space!



Spinning Rock
1000202

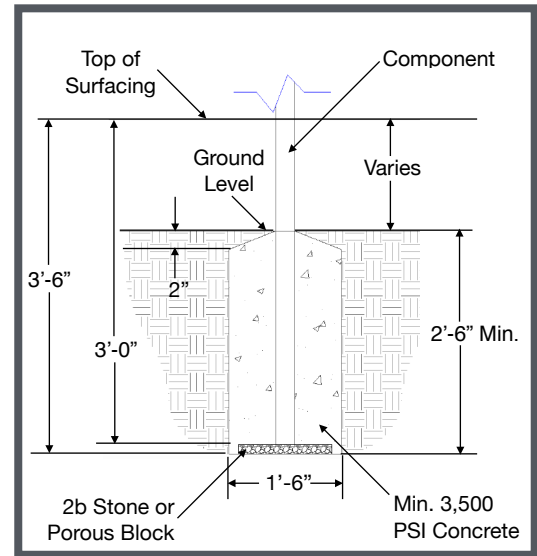
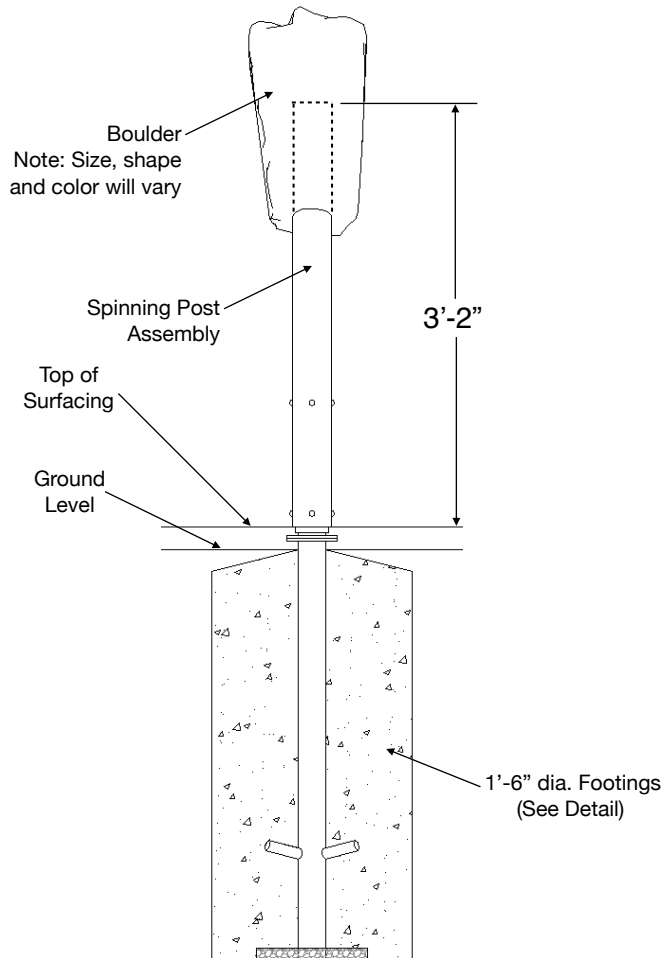
L: 1'-2" x W: 1'-2" x H: 3'-10"
350 LBS



Each boulder has its own unique coloring and natural characteristics.

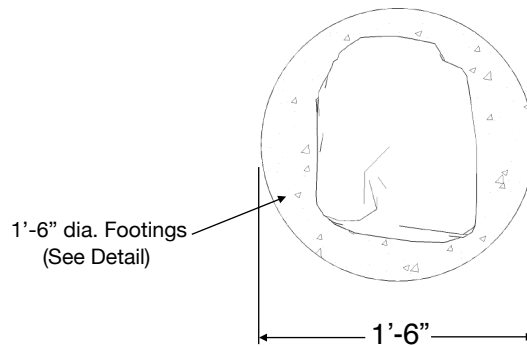
~ Dimensions and weights are approximate ~
~ Heights shown from top of surfacing ~
User Group Age: All Ages

Installation Instructions



Typical Component Footing Detail

Check local soil conditions.
(Not to Scale)



Included Items:

Item	Description	Quantity
Boulder	Play Equipment	1
Spinning Post Asm	Play Equipment	1
Hardware	Mounting Hardware	1
Loctite PL500 or Similar	Adhesive	1

~ All dimensions are approximate ~

User Group Age: All Ages

Last Revised 8/9/19

5121 Winnetka Ave N • Suite 108

New Hope, MN 55428

612.670.8195

info@cre8play.com

cre8play.com

Installation Instructions

NOTE: Read installation instructions thoroughly before starting installation process.

Step 1: Lay out the area and prepare the site for install. Concrete must be installed over a solid, level base. Check local soil condition and codes.

Step 2: Refer to the typical in-ground footing detail on excavating a hole for the the Spinning Rock.

Step 3: Select the bearing unit, the support post, and the appropriate hardware. Lower the bearing unit onto the support post, align the holes, and attach. There are (4) four connections (see hardware kit 8-01).

Step 4: Select the Spinning Rock frame and the appropriate hardware. Place the Spinning Rock frame over the bearing unit. Insert the bearing unit up through the frame. Align the holes in the frame with the holes in the bearing unit and attach. There are (8) eight connections (see hardware kit 8-02). Fully tighten all hardware.

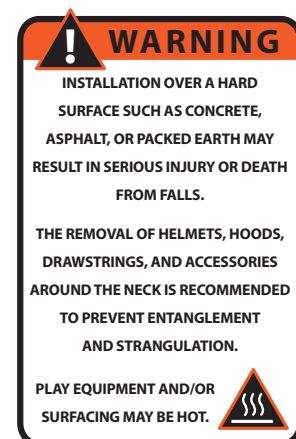
Step 5: Place entire component into excavated footing, temporarily bracing when level and plumb. Pour a concrete footing. The concrete should be flush with the ground level, as shown in the typical footing detail. Allow time for the concrete to cure completely before continuing.

Step 6: Remove temporary bracing.

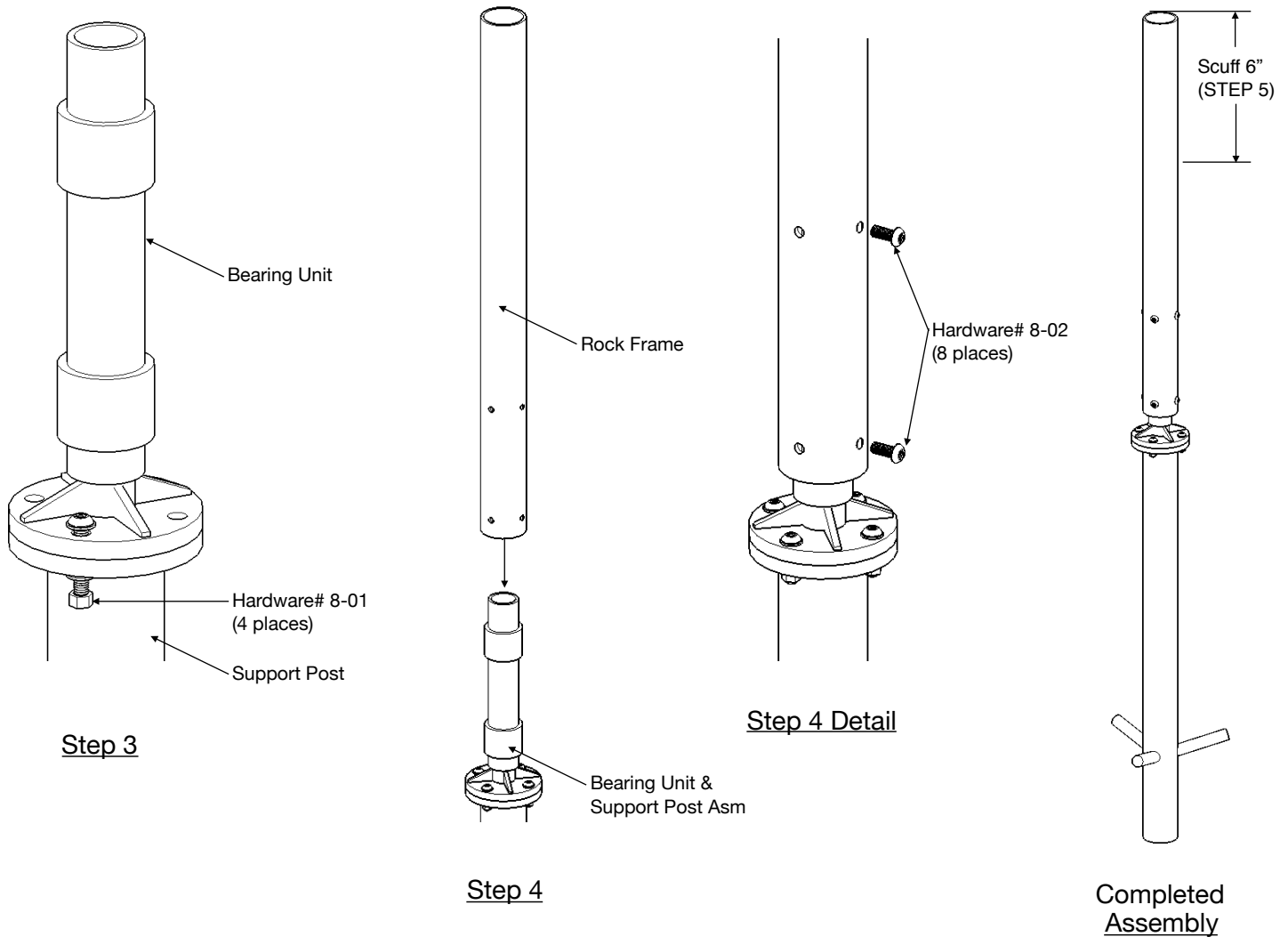
Step 7: Using 100 grit sandpaper, scuff the top 6" of Spinning Rock frame (including top). Cover the scuffed area with PL500 block adhesive or similar, provided by Cre8Play. Slowly lower the boulder onto wet adhesive until it settles into place. Wipe off excess adhesive and let cure before use.

NOTES PRIOR TO CONSTRUCTION:

- Use appropriate equipment to lift and move the play equipment.
- Check local codes and requirements prior to digging or installing any equipment.



Installation Instructions

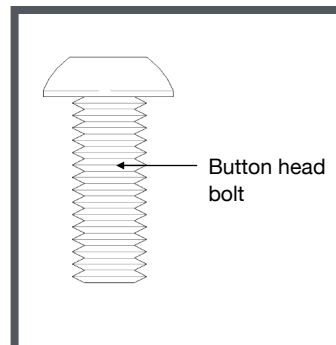


HARDWARE KIT 8-01

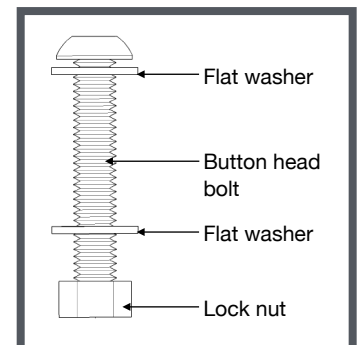
1/2" X 1-3/4" BUTTON HEAD, PIN-IN, SS BOLT	X4
1/2" FLAT WASHER, SS, 1.25" OD	X8
1/2" Nylock Nut, SS	X4

HARDWARE KIT 8-02

3/8" X 3/4" BUTTON HEAD, PIN-IN, SS BOLT	X8
--	----



Button head bolt



Button head bolt, flat washers and lock nut

~ All dimensions are approximate ~

User Group Age: All Ages

Last Revised 8/9/19