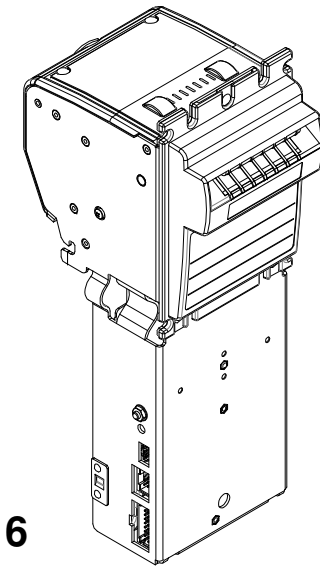




PAYMENT SOLUTIONS



MSM-IN1116

Software description

CURRENCY:

5, 10, 20, 50, 100, 500, 1000 Indian Rupees (INR)
(see Bill Set Description BSD-INR7-B for more details)



PAYMENT SOLUTIONS

2720 Steeles Avenue West, Units 2-3, Concord, ON, Canada, L4K 4S3
TEL: (905) 303-8874, 1(800)-584-2633
FAX: (905) 303-8875, 1(800)-593-2633
Web Address: www.cashcode.com
Email: support@cashcode.com

EXTERNAL COMMUNICATION INTERFACE:

CCNET interface

DIP SWITCHES SETTING:

SW.#1	ON state	OFF state	Default Setting
SW1.1	5 Rupees Enabled	5 Rupees Disabled	ON
SW1.2	10 Rupees Enabled	10 Rupees Disabled	ON
SW1.3	20 Rupees Enabled	20 Rupees Disabled	ON
SW1.4	50 Rupees Enabled	50 Rupees Disabled	ON
SW1.5	100 Rupees Enabled	100 Rupees Disabled	ON
SW1.6	500 Rupees Enabled	500 Rupees Disabled	ON
SW1.7	1000 Rupees Enabled	1000 Rupees Disabled	ON
SW1.8	High Acceptance	High Security	ON
SW. #2	ON state	OFF state	
SW2.1	Four Way	One Way	ON
SW2.2	Stacker Up	Stacker Down	ON
SW2.3	9 600 bps	19 200 bps	ON
SW2.4	Interface Mode	Service Mode	ON

OPTIONAL ACCESSORIES AND DOCUMENTS

- **CashCode Bill Set Description** **Part# BSD-INR7-B**
- **CCNET interface Description:** **Part# MAN-CCNET**
- **Interface test software:** **Part# OPT-SW-CCNET**