

## DESCRIPTION

Recessed 4-inch LED downlight provides narrow, medium or wide distribution patterns ideal for general area lighting. Lumen packages range from 1000 to 4000 lumens in color temperatures of 2700K, 3000K, 3500K, and 4000K; in 80 or 90CRI. Luminaire is airtight and can be installed in new construction or below the finished ceiling in remodeling applications. Intended applications include office spaces, healthcare, hospitality, schools, house of worship and other institutional uses.

Catalog #		Type
Project		
Comments		Date
Prepared by		

## SPECIFICATION FEATURES

### Housing Frame

- Boat shaped galvanized steel plaster frame with adjustable plaster lip accommodates 1/2" to 1-1/2" thick ceilings
- May be installed in new construction; or from below the finished (non-accessible) ceiling in remodeling.
- Provided with (2) old work remodel clips to secure the frame to the ceiling

### Universal Mounting Bracket

- Mounting bracket adjusts 2" vertically from above the ceiling or thru the aperture
- Use with the included mounting bars or with 1/2" EMT
- Removable to facilitate installation from below the finished ceiling

### Mounting Bars

- Captive preinstalled No Fuss™ mounting bars lock to tee grid with screwdriver or pliers
- Centering mechanism allows for consistent positioning of fixtures

### LED Module

- Proximity phosphors over chip on board LEDs provide a uniform source with high efficiency and no pixilation
- Available in 80 or 90 CRI minimum, accuracy within 3 SDCM provides color uniformity
- 90 CRI, R9>50 (refer to chromaticity tech sheet online for details [www.eaton.com/lighting](http://www.eaton.com/lighting))
- Correlated color temperature options
  - 2700K
  - 3000K
  - 3500K
  - 4000K
- Passive thermal management achieves L70 at 50,000 hours in IC and non IC applications
- Integral diffuse lens provides visual shielding
- Integral connector allows quick connection to housing flex

### Lumen Options

- Nominal lumen values
  - 1000 lm
  - 1500 lm
  - 2000 lm
  - 3000 lm
  - 4000 lm

### Reflector

- Self-flanged aluminum reflectors are available in narrow, medium or wide distribution patterns
- Medium distribution polymer non-conductive reflector may be used to meet local codes for 'dead front' applications
- Wall wash reflector features a rotatable insert assembly with integral linear spread lens for alignment of vertical illumination.
- Reflectors attach to LED module with (3) speed clamps
- Multiple painted or plated finishes are available

### Reflector / Module Retention

- Reflector / module assembly is securely retained in the housing with (2) torsion springs

### Driver

- Field replaceable constant current driver provides low noise operation
- UNV 120-277VAC 50/60Hz input standard
- 347VAC 50/60Hz input option (Canada only)
- Continuous, flicker-free 1% - 100% dimming with 0 -10V analog control
- Optional low voltage DC driver for use with Eaton's DLVP distributed low voltage power system combines power and control

### Emergency Option

- Provides 90 minutes of standby lighting meeting most life safety codes for egress lighting
- Available with integral or remote charge indicator and test switch

### Connected Lighting System Options

- WaveLinX tile mount daylight sensor includes control module, sensor and cable providing comprehensive lighting control
- LumaWatt Pro (powered by Enlighted) wireless tile mount sensor and control kit

### Junction Box

- Galvanized steel junction box
- 20in<sup>3</sup> internal volume excluding voltage barrier
- 25 in<sup>3</sup> internal total volume
- Voltage barrier for 0-10V dimming wires [occupies (1) 1/2" pry-out space]
- Listed for (8) #12 AWG (four in, four out) 90° C conductors and feed-thru branch wiring
- (3) 1/2" and (2) 3/4" trade size pry-outs available
- (3) 4-port push wire nuts for mains voltage, with 1-port for fixture connection

### Compliance

- cULus damp and wet location listed in protected ceilings; and IP20 - Above finished ceiling; IP64 - Below finished ceiling
- Non-IC rated for 2000, 3000 and 4000 lumen models. Insulation must be kept 3" from top and sides.
- IC rated for 1000 and 1500 lumen models, and suitable for direct contact to air permeable insulation
- Not for use in direct contact with spray foam insulation, consult NEMA LSD57-2013
- Airtight per ASTM-E283-04
- Suitable for use in clothes closets when installed in accordance with the NEC 410.16 spacing requirements
- EMI/RFI emissions FCC CFR Title 47 Part 15 Class A at 120/277V & Class B at 120V
- Contains no mercury or lead and RoHS compliant
- Photometric testing in accordance of IES LM-79-08
- Lumen maintenance projection in accordance of IES LM-80-08 and TM-21-11
- 1000 and 1500 lumen 90CRI ICAT models may be used to comply with State of California Title 24 residential code, with JA8-2016-E database certification
- May be used to comply with State of California Title 24 non-residential code, as a dimmable LED luminaire
- ENERGY STAR certified, reference certified light fixtures database

### Warranty

- Five year limited warranty, consult website for details. [www.eaton.com/lighting/legal](http://www.eaton.com/lighting/legal)



**HC4**  
Housing Frame

**HM4**  
LED Module

**41**  
**41PS**

Series Reflectors

4-inch Lens Downlight  
and Lens Wall Wash

1000/1500/2000/  
3000/4000 Lumen



## ENERGY DATA

Series	1000 lumen	
Input Voltage (VAC)	120V	277V
Input Current (A)	0.085	0.042
Input Power (W)	10.1	10.9
In-rush Current (A)	0.644	1.95
In-rush Duration (ms)	0.125	0.24
THDi (%)	8.6	15.6
PF:	≥ 0.90	
(Nominal input 120-277VAC & 100% of rated output power)		
Minimum starting temperature -40°C (-40°F)		
Sound Rating: Class A standards		

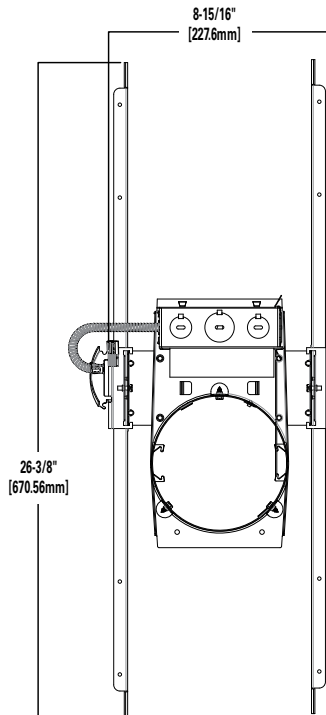
Series	1500 lumen	
Input Voltage (VAC)	120V	277V
Input Current (A)	0.119	0.055
Input Power (W)	14.2	14.9
In-rush Current (A)	0.212	0.85
In-rush Duration (ms)	0.28	0.32
THDi (%)	7.8	16.3
PF:	≥ 0.90	
(Nominal input 120-277VAC & 100% of rated output power)		
Minimum starting temperature -40°C (-40°F)		
Sound Rating: Class A standards		

Series	2000 lumen	
Input Voltage (VAC)	120V	277V
Input Current (A)	0.176	0.082
Input Power (W)	21.1	21.4
In-rush Current (A)	0.588	0.624
In-rush Duration (ms)	0.3	0.38
THDi (%)	8.8	11.2
PF:	≥ 0.90	
(Nominal input 120-277VAC & 100% of rated output power)		
Minimum starting temperature -40°C (-40°F)		
Sound Rating: Class A standards		

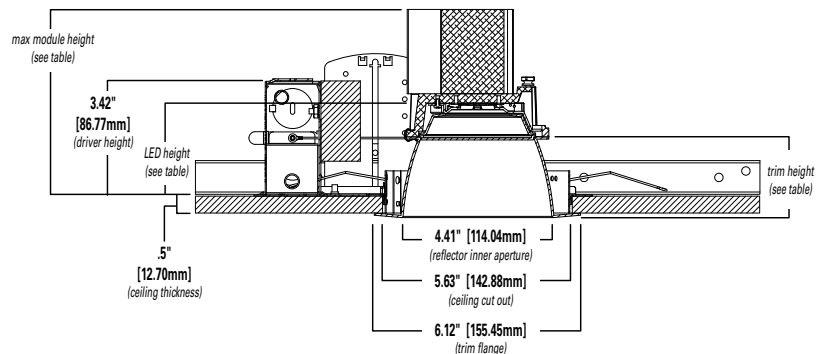
Series	3000 lumen	
Input Voltage (VAC)	120V	277V
Input Current (A)	0.228	0.102
Input Power (W)	27.2	27
In-rush Current (A)	0.898	1.7
In-rush Duration (ms)	0.36	0.38
THDi (%)	9.7	9.3
PF:	≥ 0.90	
(Nominal input 120-277VAC & 100% of rated output power)		
Minimum starting temperature -40°C (-40°F)		
Sound Rating: Class A standards		

Series	4000 lumen	
Input Voltage (VAC)	120V	277V
Input Current (A)	0.345	0.15
Input Power (W)	41.3	40.7
In-rush Current (A)	1.05	2.23
In-rush Duration (ms)	0.32	0.34
THDi (%)	10.06	14.01
PF:	≥ 0.90	
(Nominal input 120-277VAC & 100% of rated output power)		
Minimum starting temperature -40°C (-40°F)		
Sound Rating: Class A standards		

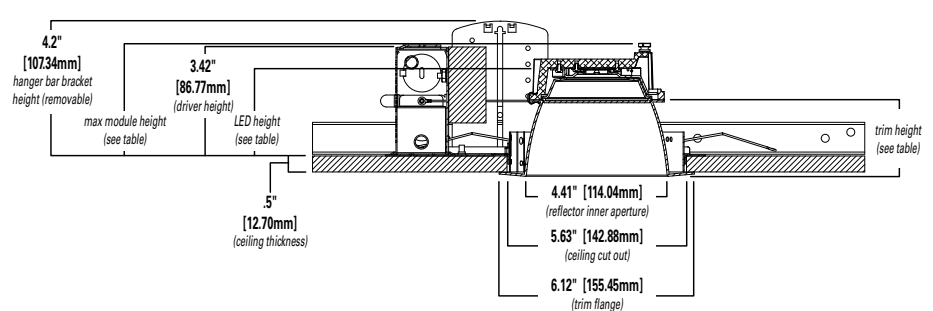
## DIMENSIONS



**NEW CONSTRUCTION - HIGH LUMEN**  
3000 AND 4000 LUMEN



**NEW CONSTRUCTION - LOW LUMEN**  
1000, 1500, AND 2000 LUMENS



**High Lumen (3000 & 4000 Lumens)**

Distribution	Max. Module Height	Trim Height	LED Height
Narrow	5.6"	2.5"	2.9"
Medium	5.7"	2.6"	3.0"
Wide	5.5"	2.4"	2.8"
Baffle	5.5"	2.4"	2.8"

**Low Lumen (1000, 1500 & 2000 Lumens)\***

Max. Module Height	Trim Height	LED Height
3.6"	2.5"	2.7"
3.7"	2.6"	2.8"
3.5"	2.4"	2.6"
3.1"	2.4"	2.6"

\*Max. height w/hanger bar bracket 4.2"

## Ordering Information

**Sample Number:** HC420D010REM7 - HM412835 - 41MDC

A complete luminaire consists of a housing frame, LED module, and reflector (ordered separately)

Mounting Frame	Lumens	Input / Control
<b>HC4</b> = 4" new construction and remodeler housing  <b>HC4CP</b> = 4" new construction and remodeler housing, CCEA Chicago Plenum rated	<b>10</b> = 1000 lumens (nominal) <b>15</b> = 1500 lumens (nominal) <b>20</b> = 2000 lumens (nominal) <b>30</b> = 3000 lumens (nominal) <b>40</b> = 4000 lumens (nominal)	<b>D010</b> = 120-277VAC 50/60Hz 0-10V analog 1%-100% dimming <b>D010347</b> = 347VAC 50/60Hz 0-10V analog 1%-100% dimming (Canada only) <sup>1</sup> <b>DLV</b> = Distributed Low Voltage driver, 1%-100% dimming DLV for use with Eaton's DLVP system only. Refer to DLVP low-voltage power module and DLVP specifications for details. <sup>1</sup>

Options	Accessories
<b>REM7</b> = 7 watt emergency module with remote test / indicator light, use with D010 only <sup>1</sup> <b>REM14</b> = 14 watt emergency module with remote test / indicator light, use with D010 only <sup>1</sup> <b>REMV7</b> = 7 watt emergency module with remote test / indicator light, use with DLV only <sup>1, 2</sup> <b>REMV14</b> = 14 watt emergency module with remote test / indicator light, use with DLV only <sup>1, 2</sup> <b>IEM7</b> = integral 7 watt emergency module with integral test / indicator light, use with D010 only <sup>1</sup> <b>IEM14</b> = integral 14 watt emergency module with integral test / indicator light, use with D010 only <sup>1</sup> <b>IEMV7</b> = integral 7 watt emergency module with integral test / indicator light, use with DLV only <sup>1, 2</sup> <b>IEMV14</b> = integral 14 watt emergency module with integral test / indicator light, use with DLV only <sup>1, 2</sup> <b>LWTPD1</b> = factory installed LumaWatt Pro wireless tile mount sensor kit, use with D010 only <sup>1</sup> <b>SWPD1</b> = factory installed WaveLinX tile mount daylight sensor, includes control module, sensor, and cable, use with D010 only <sup>1</sup>	<b>HB128APK</b> = L channel hanger bar, 26", pair (replacement) <b>RMB22</b> = Adjustable wood joist mounting bars, pair, extend to 22" long <b>H347</b> = 347 to 120V step down transformer, 75VA <b>H347200</b> = 347 to 120V step down transformer, 200VA <b>PORLWTPD1</b> = LumaWatt Pro wireless sensor kit, field installed, use with D010 only <sup>1</sup> <b>TMSWPD1</b> = WaveLinX wireless sensor kit, field installed, use with D010 only <sup>1</sup>

LED Module	Lumens	CRI/CCT
<b>HM4</b> = 4" LED module	<b>12</b> =1000, 1500 and 2000 lumens (nominal), use with HC410*, HC415*, HC420* housings <b>34</b> =3000 and 4000 lumens (nominal), use with HC430*, HC440* housings	<b>827</b> = 80 CRI (minimum), 2700K CCT <b>830</b> = 80 CRI (minimum), 3000K CCT <b>835</b> = 80 CRI (minimum), 3500K CCT <b>840</b> = 80 CRI (minimum), 4000K CCT <b>927</b> = 90 CRI (minimum), 2700K CCT <b>930</b> = 90 CRI (minimum), 3000K CCT <b>935</b> = 90 CRI (minimum), 3500K CCT <b>940</b> = 90 CRI (minimum), 4000K CCT

Reflector	Distribution <sup>3</sup>	Finish	Flange	Accessories
<b>41</b> = 4" conical reflector	<b>ND</b> = narrow 50° beam angle 0.84 SC (nominal) <b>MD</b> = medium 60° beam angle 1.00 SC (nominal) <b>WD</b> = wide 75° beam angle 1.24 SC (nominal) <b>RWW</b> = rotatable wall wash with linear spread lens	<b>C</b> = Specular clear <b>H</b> = Semi-specular clear <b>W</b> = White (white flange)	<b>Blank</b> = Polished flange standard with C & H reflectors <b>Blank</b> = White flange standard with W reflector <b>WF</b> = White flange option available with C & H reflectors	<b>41RWWPK</b> = rotatable wall wash insert for 4" reflector –replacement part kit

Baffle	Distribution <sup>3</sup>	Finish	Flange	Accessories
<b>41</b> = 4" baffle reflector	<b>WD</b> = wide 75° beam angle 1.24 SC (nominal) <b>RWW</b> = rotatable wall wash with linear spread lens	<b>BB</b> = Black baffle (white flange) <b>WB</b> = White baffle (white flange)	<b>Blank</b> = White flange standard with BB, & WB	<b>41RWWPK</b> = rotatable wall wash insert for 4" reflector –replacement part kit

IEM Reflector	Distribution <sup>3</sup>	Finish	Flange	Integral Emergency
<b>41</b> = 4" conical reflector for integral emergency only	<b>ND</b> = narrow 50° beam angle 0.84 SC (nominal) <b>MD</b> = medium 60° beam angle 1.00 SC (nominal) <b>WD</b> = wide 75° beam angle 1.24 SC (nominal)	<b>C</b> = Specular clear <b>H</b> = Semi-specular clear <b>W</b> = White (white flange)	<b>Blank</b> = Polished flange standard with C & H reflectors <b>Blank</b> = White flange standard with W reflector <b>WF</b> = White flange option available with C & H reflectors	<b>IEM</b> = Reflector for integral emergency only

IEM Baffle	Distribution <sup>3</sup>	Finish	Flange	Integral Emergency
<b>41</b> = 4" baffle reflector for integral emergency only	<b>WD</b> = wide 75° beam angle 1.24 SC (nominal)	<b>BB</b> = Black baffle (white flange) <b>WB</b> = White baffle (white flange)	<b>Blank</b> = White flange standard with BB, & WB	<b>IEM</b> = Reflector for integral emergency only

Reflector	Distribution <sup>3</sup>	Finish	Flange
<b>41PS</b> = 4" non-conductive polymer 'dead front' conical reflector <sup>4</sup>	<b>MD</b> = medium 60° beam angle 1.00 SC (nominal)	<b>W</b> = White (white flange)	<b>Blank</b> = White flange standard with W reflector

**Notes:**

1. Not available with CP version
2. ULus for U.S. only
3. Values are nominal for white reflector, others may vary.
4. 41PS reflector only available in NON-IC environments and up to 3000 lumens.

## PHOTOMETRY

### NARROW DISTRIBUTION - SPECULAR CLEAR FINISH, 2000 LUMEN MODEL, 80 CRI, 3500K

NARROW (50° BEAM*)		CANDLEPOWER DISTRIBUTION		CONE OF LIGHT				CANDELA TABLE		ZONAL LUMEN SUMMARY			LUMINANCE	
Test Number	P255618							Degrees Vertical	Candela	Zone	Lumens	% Fixture	Average Candela Degrees	Average 0° Luminance
Housing	HC420D010							0	2112	0-30	1219	73.1	45	15974
Module	HM412835							5	2079	0-40	1553	93.1	55	2141
Reflector	41NDC							15	1784	0-60	1666	99.9	65	0
Lumens	1667 Lm							25	1157	0-90	1667	100	75	0
Efficacy	83.4 Lm/W	35	534	90-180	0	0	85	0						
SC	0.84	45	116	10'	21.1	8.2	90	0						
UGR	12.2	55	13	12'	14.7	9.8								
		65	0											
		75	0											
		85	0											
		90	0											

### MEDIUM DISTRIBUTION - SPECULAR CLEAR FINISH, 2000 LUMEN MODEL, 80 CRI, 3500K

MEDIUM (60° BEAM*)		CANDLEPOWER DISTRIBUTION		CONE OF LIGHT				CANDELA TABLE		ZONAL LUMEN SUMMARY			LUMINANCE	
Test Number	P255618							Degrees Vertical	Candela	Zone	Lumens	% Fixture	Average Candela Degrees	Average 0° Luminance
Housing	HC420D010							0	1761	0-30	1209	67.4	45	22576
Module	HM412835							5	1764	0-40	1615	90.1	55	4707
Reflector	41MDC							15	1686	0-60	1784	99.5	65	1753
Lumens	1793 Lm							25	1257	0-90	1793	100	75	941
Efficacy	89.7 Lm/W	35	655	90-180	0	0	85	0						
SC	1.0	45	164	10'	17.6	9.6								
UGR	13.6	55	28	12'	12.2	11.6								
		65	8											
		75	2											
		85	0											
		90	0											

### WIDE DISTRIBUTION - SPECULAR CLEAR FINISH, 2000 LUMEN MODEL, 80 CRI, 3500K

WIDE (75° BEAM*)		CANDLEPOWER DISTRIBUTION		CONE OF LIGHT				CANDELA TABLE		ZONAL LUMEN SUMMARY			LUMINANCE	
Test Number	P256018							Degrees Vertical	Candela	Zone	Lumens	% Fixture	Average Candela Degrees	Average 0° Luminance
Housing	HC420D010							0	1257	0-30	1054	55.8	45	43057
Module	HM412835							5	1265	0-40	1571	83.2	55	8564
Reflector	41WDC							15	1295	0-60	1871	99.1	65	2906
Lumens	1889 Lm							25	1247	0-90	1889	100	75	1883
Efficacy	94.4 Lm/W	35	841	90-180	0	0	85	0						
SC	1.24	45	312	10'	12.6	12.2								
UGR	15.7	55	50	12'	8.7	14.6								
		65	13											
		75	5											
		85	0											
		90	0											

\*Value are nominal for specular clear reflectors, others may vary.  
SC = Spacing Criteria  
UGR = Unified Glare Rating

#### Photometric Multipliers (nominal lumen values)

1000 Lumen	1500 Lumen	2000 Lumen	3000 Lumen	4000 Lumen
0.53	0.72	1.00	1.38	1.87

Multipliers for relative lumen values with other series models.

#### CCT Multipliers – 80CRI

2700K	3000K	3500K	4000K
0.91	0.94	1.00	1.01

Multipliers for relative lumen values with other series color temperatures.

#### Color Finish Multipliers

Finish code	C	H	W/WB	BB
Finish	Specular Clear	Semi-Specular	Matte White White Baffle	Black Baffle
Multiplier	1.00	0.95	0.97	0.82

Multipliers for relative lumen values with other color finishes.

#### CCT Multipliers – 90CRI

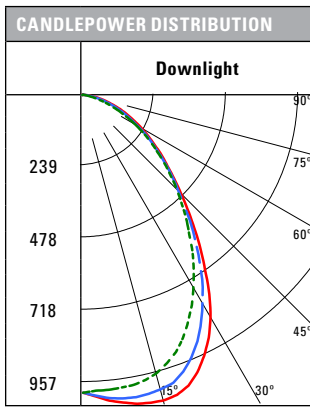
2700K	3000K	3500K	4000K
0.75	0.82	0.89	0.89

Multipliers for relative lumen values with other series color temperatures.

## PHOTOMETRY

### WALL WASH DISTRIBUTION - SPECULAR CLEAR FINISH, 2000 LUMEN MODEL, 80 CRI, 3500K

WALL WASH	
Test Number	P256338
Housing	HC420D010
Module	HM412835
Reflector	41RWWC
Lumens	1816 Lm
Efficacy	90.8 Lm/W
SC	1.20



CANDELA TABLE	
Degrees Vertical	Candela
0	901
5	929
15	957
25	871
35	647
45	420
55	267
65	156
75	70
85	8
90	0

ZONAL LUMEN SUMMARY		
Zone	Lumens	% Fixture
0-30	700	38.5
0-40	1078	59.3
0-60	1630	89.8
0-90	1816	100
90-180	0	0
0-180	1816	100

LUMINANCE	
Average Candela Degrees	Average 0° Luminance
45	57956
55	45350
65	35998
75	26547
85	8498

SC = Spacing Criteria, nominal for specular clear reflector, others may vary.

SINGLE UNIT FOOTCANDLES								
2.5' from wall (distance from fixture along wall)								
	1	2	3	4	5	6	7	8
1	9.4	6.9	3.2	1.1	0.3	0.1	0	
2	12.4	9.5	5.2	2.4	0.9	0.3	0.1	
3	13.7	11.1	5.9	2.5	1.1	0.4	0.2	
4	10.7	9.4	6.1	3	1.2	0.5	0.2	
5	7.7	7	5.4	3.1	1.5	0.6	0.2	
6	5.5	5.2	4.3	3	1.6	0.8	0.3	
7	4	3.9	3.4	2.6	1.6	0.9	0.4	
8	3	2.9	2.6	2.1	1.5	0.9	0.5	
9	2.3	2.2	2.1	1.8	1.4	1	0.6	
10	1.8	1.8	1.6	1.4	1.2	0.9	0.6	

MULTIPLE UNIT FOOTCANDLES								
2.5' from wall (distance from fixture along wall)				2.5' from wall (distance from fixture along wall)				
	1	2	3	4	5	6	7	8
1	10.5	9.8	10.5	10.5	9.8	10.5	10.5	10.5
2	14.8	14.5	14.8	14.8	14.5	14.8	14.8	14.8
3	16.2	17	16.2	16.2	17	16.2	16.2	16.2
4	13.7	15.8	13.7	13.7	15.8	13.7	13.7	13.7
5	10.8	12.6	10.8	10.8	12.6	10.8	10.8	10.8
6	8.5	9.6	8.5	8.5	9.6	8.5	8.5	8.5
7	6.6	7.3	6.6	6.6	7.3	6.6	6.6	6.6
8	5.2	5.6	5.2	5.2	5.6	5.2	5.2	5.2
9	4.1	4.4	4.1	4.1	4.4	4.1	4.1	4.1
10	3.2	3.4	3.2	3.2	3.4	3.2	3.2	3.2

#### Photometric Multipliers (nominal lumen values)

1000 Lumen	1500 Lumen	2000 Lumen	3000 Lumen	4000 Lumen
0.53	0.72	1.00	1.38	1.87

Multipliers for relative lumen values with other series models.

#### Color Finish Multipliers

Finish code	C	H	W/WB	BB
Finish	Specular Clear	Semi-Specular	Matte White White Baffle	Black Baffle
Multiplier	1.00	0.95	0.97	0.82

Multipliers for relative lumen values with other color finishes.

#### CCT Multipliers – 80CRI

2700K	3000K	3500K	4000K
0.91	0.94	1.00	1.01

Multipliers for relative lumen values with other series color temperatures.

#### CCT Multipliers – 90CRI

2700K	3000K	3500K	4000K
0.75	0.82	0.89	0.89

Multipliers for relative lumen values with other series color temperatures.