

**HC4**

4-inch LED Downlight & Wall Wash

**HALO Commercial**



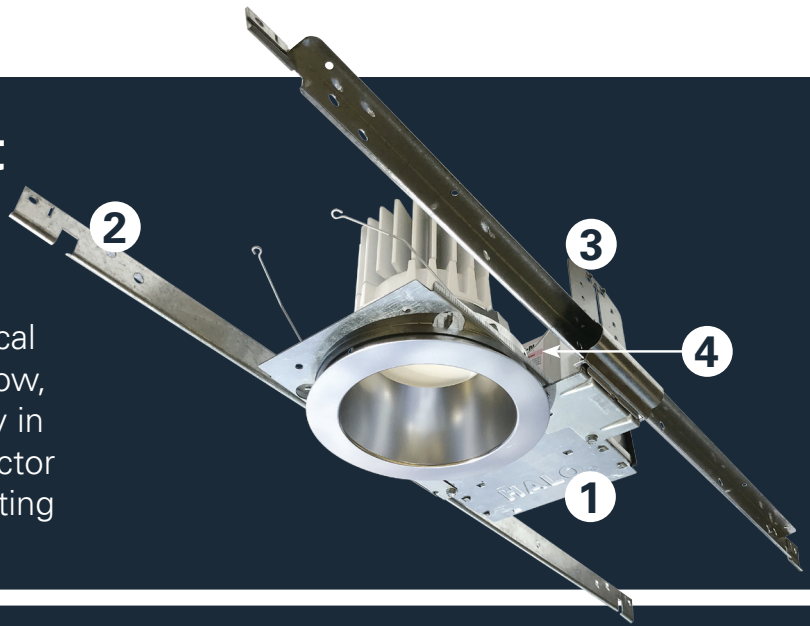
**EATON**

*Powering Business Worldwide*

# HC4

## 4-inch LED Downlight and Wall Wash

Versatile 4-inch commercial downlight optimized for lumen efficiency and optical performance. Reflectors offered in narrow, medium, wide distribution for efficiency in lumen delivery. Value priced and contractor installation friendly with connected lighting options available.



### Standard Features

#### 1. Housing Frame

- a. 4" Boat-shaped galvanized steel frames with die-formed aperture
- b. New construction or remodeling installation with boat shaped frame
- c. Plaster lip collar pre-set to 1/2" and adjusts for ceilings up to 1-1/2" thick

#### 2. No Fuss Bar Hangers

- a. Pre-installed and centered mounting bars
- b. Bars lock to tee grid with screwdriver or pliers
- c. Centering marks on the bar bracket

#### 3. Adjustable Mounting Brackets

- a. Bar brackets adjust 2" vertically from above the ceiling or through the aperture
- b. Brackets for use with the included "No Fuss" mounting bars or with 1/2" EMT
- c. Brackets are removable for remodel installation from below the ceiling

#### 4. Junction Box

- a. Listed for (8) #12 AWG 90° C conductors (4-in/4-out)
- b. Listed for feed through branch wiring
- c. (3) 1/2" and (2) 3/4" trade size pry-outs
- d. Low voltage barrier section for 0-10V dimming wires
- e. (3) 4-port push wire nuts (1-port is fixture connection)

### LED Modules



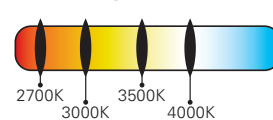
**HM4 Low Lumen LED Module**  
Lumens  
1000 | 1500 | 2000



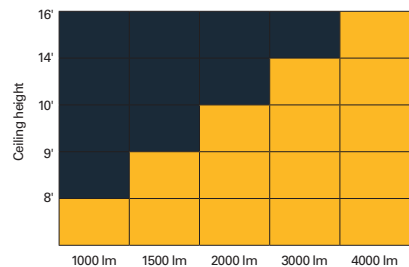
**HM4 High Lumen LED Module**  
Lumens  
3000 | 4000

The HC4 LED modules are available in a range of correlated color temperatures (CCT). The user can choose from a range of four 80 or 90 CRI color temperatures 2700K, 3000K, 3500K and 4000K.

#### Color temperature



#### Lumen options



*Nominal values for 15 - 20 footcandles at nadir.*

### Reflectors



Specular Clear



Semi-Specular (Haze)



Black Baffle



White Baffle



White



Wall Wash



White Polymer (Dead Front)

#### Beam distribution options\*



narrow  
53°



medium  
61°



wide  
76°

Beam Distribution*			
Code	Distribution	Spacing Criteria	Beam Angle
ND	Narrow	0.84	53°
MD	Medium	1.0	61°
WD	Wide	1.2	76°

\* Nominal values may vary depending on selected CRI/CCT and reflector finish.

# 4" HC4 LED Downlight & Wall Wash

4-inch aperture LED downlight offered in narrow, medium, wide, and wall wash distributions ideal for general area lighting. Lumen options range from 1000 to 4000 lumens in color temperatures of 2700K, 3000K, 3500K, and 4000K; in 80 or 90CRI. Luminaire is airtight and can be installed in new construction or below the finished ceiling in remodeling applications. Intended for office spaces, healthcare, hospitality, and institutional uses.

**Sample Number:** HC410D010REM7 - HM412830 - 41NDC

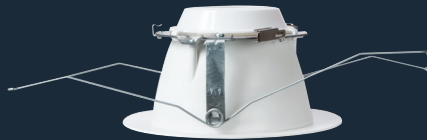
A complete luminaire consists of a mounting frame, LED module, and reflector (order separately)

## 120-277VAC, 0-10V analog dimming

Mounting Frame	Lumens	Driver	Options
<b>HC4</b> = 4" new construction and remodeler frame  <b>HC4CP</b> = 4" Chicago Plenum new construction and remodeler frame	<b>Fixed, Factory Set</b> <b>10</b> = 1000 lumens (nominal), use with HM412 module <b>15</b> = 1500 lumens (nominal), use with HM412 module <b>20</b> = 2000 lumens (nominal), use with HM412 module <b>30</b> = 3000 lumens (nominal), use with HM434 module <b>40</b> = 4000 lumens (nominal), use with HM434 module	<b>D010</b> =120-277VAC, 50/60Hz, 0-10V 1% -100% dimming  <b>DLV</b> =distributed low voltage dimming (1%-100%) driver <sup>1</sup>  For use with Eaton's DLVP system only. Refer to DLVP system specifications for details.	<b>REM7</b> =7 watt emergency battery with remote indicator & test switch <sup>1</sup> <b>REM14</b> =14 watt emergency battery with remote indicator & test switch <sup>1</sup> <b>IEM7</b> =Integral Emergency battery w/ integral indicator & test switch (D010 only) <sup>1</sup> <b>IEM14</b> =Integral Emergency battery w/ integral indicator & test switch (D010 only) <sup>1</sup> <b>LWTPD1</b> =Factory installed LumaWatt Pro tile mount sensor kit (D010 only) <sup>1</sup> <b>SWPD1</b> =WaveLinX tile mount sensor kit (D010 only) <sup>1</sup>  <b>REM7</b> =7W LV EM w/ remote test (DLV only) <sup>1,2</sup> <b>REM14</b> =14W LV EM w/ remote test (DLV only) <sup>1,2</sup> <b>IEM7</b> =7W Integral EM w/ integral test (DLV only) <sup>1,2</sup> <b>IEM14</b> =14W Integral EM w/ integral test (DLV only) <sup>1,2</sup>

**Notes:** 1. Not available in Chicago Plenum. 2. ULus for U.S. only.

LED Module	Lumens	CRI/CCT
<b>HM4</b> = 4" LED module  Use with 41 & 42 series reflectors. Compatible with HC4 & HC4R frames.	<b>12</b> =1000, 1500, 2000 lumens (nominal). For use with HC410*, HC415*, HC420* frames. <b>34</b> =3000, 4000 lumens (nominal). For use with HC430* and HC440* frames.	<b>827</b> =80CRI / 2700K <b>830</b> =80CRI / 3000K <b>835</b> =80CRI / 3500K <b>840</b> =80CRI / 4000K  <b>927</b> =90CRI / 2700K <b>930</b> =90CRI / 3000K <b>935</b> =90CRI / 3500K <b>940</b> =90CRI / 4000K



Precision formed 4-inch reflectors designed to deliver narrow, medium and wide beam distributions. A non-conductive polymer reflector may be used to meet 'dead-front' requirements.

Reflector	Beam Distribution <sup>3</sup>	Finish	Flange	Accessories
<b>41</b> = 4" conical reflector	<b>ND</b> = narrow (53°, 0.84 SC) <b>MD</b> = medium (61°, 1.00 SC) <b>WD</b> = wide (76°, 1.24 SC) <b>RWW</b> = rotatable wall wash with linear spread lens	<b>C</b> = Specular clear <b>H</b> = Semi-specular clear (haze) <b>W</b> = Matte white (white flange)	<b>Blank</b> = Polished flange on C, H reflectors <b>Blank</b> = White flange on W reflectors <b>WF</b> = White flange option for C & H reflectors	<b>41RWWPK</b> = 4" rotatable wall wash insert, replacement part kit

Baffle	Beam Distribution <sup>3</sup>	Finish	Flange	Accessories
<b>41</b> = 4" baffle reflector	<b>WD</b> = wide (75°, 1.24 SC) <b>RWW</b> = rotatable wall wash with linear spread lens	<b>BB</b> =black baffle (white flange) <b>WB</b> =white baffle (white flange)	<b>Blank</b> = White flange on BB & WB	<b>41RWWPK</b> = 4" rotatable wall wash insert, replacement part kit

IEM Reflector	Beam Distribution <sup>3</sup>	Finish	Flange	Integral Emergency
<b>41</b> = 4" conical reflector for integral emergency only	<b>ND</b> = narrow (53°, 0.84 SC) <b>MD</b> = medium (61°, 1.00 SC) <b>WD</b> = wide (76°, 1.24 SC)	<b>C</b> = Specular clear <b>H</b> = Semi-specular clear (haze) <b>W</b> = Matte white (white flange)	<b>Blank</b> = Polished flange on C, H reflectors <b>Blank</b> = White flange on W reflectors <b>WF</b> = White flange option for C & H reflectors	<b>IEM</b> = Reflector for integral emergency only

IEM Baffle	Beam Distribution <sup>3</sup>	Finish	Flange	Integral Emergency
<b>41</b> = 4" conical reflector for integral emergency only	<b>WD</b> = wide (76°, 1.24 SC)	<b>BB</b> =black baffle (white flange) <b>WB</b> =white baffle (white flange)	<b>Blank</b> = White flange on BB & WB	<b>IEM</b> = Reflector for integral emergency only

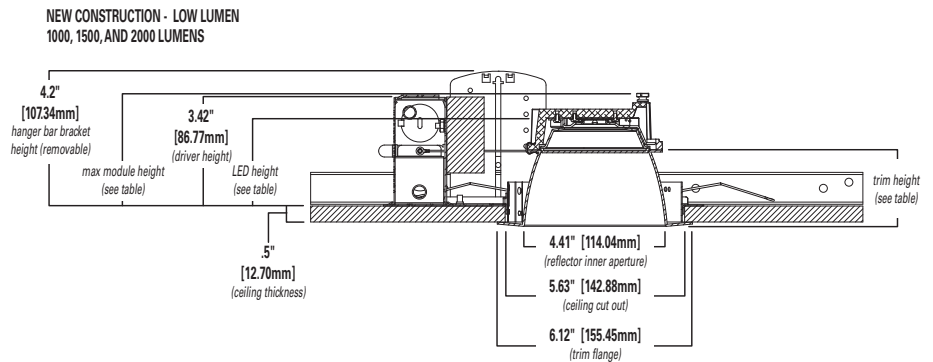
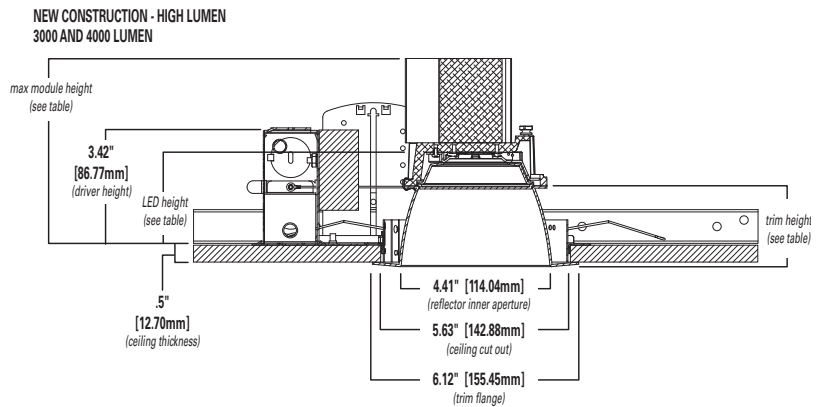
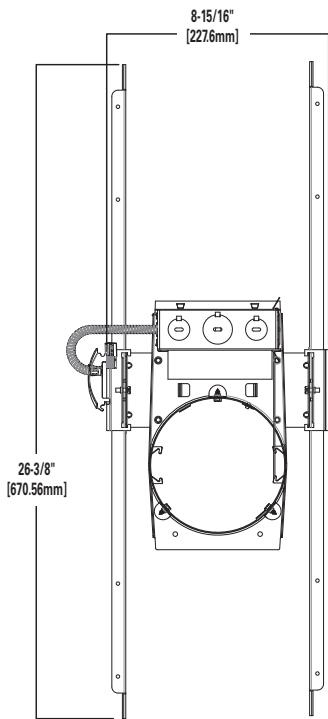
Reflector	Beam Distribution <sup>3</sup>	Finish	Flange
<b>41PS</b> = 4" non-conductive polymer 'dead-front' conical reflector <sup>4</sup>	<b>MD</b> = medium (61°, 1.00 SC)	<b>W</b> = Matte white (white flange)	<b>Blank</b> = White flange on W reflector

1. Not available with CP version 2. ULus for U.S. only 3. Values are nominal for white reflector, others may vary. 4. 41PS reflector only available in NON-IC environments and up to 3000 lumens.

# Energy Data - HC4 Series

Nominal Lumens Model Number	1000 lumen HC410		1500 lumen HC415		2000 lumen HC420		3000 lumen HC430		4000 lumen HC440	
LED Module	Low Lumen Module		Low Lumen Module		Low Lumen Module		High Lumen Module		High Lumen Module	
Input Voltage 120-277VAC	120V	277V	120V	277V	120V	277V	120V	277V	120V	277V
Current (A)	0.085	0.042	0.119	0.055	0.176	0.082	0.228	0.102	0.345	0.15
Power (W)	10.1	10.9	14.2	14.9	21.1	21.4	27.2	27	41.3	40.7
In-rush (A)	0.644	1.95	0.212	0.85	0.588	0.624	0.898	1.7	1.05	2.23
In-rush Duration (ms)	0.125	0.24	0.28	0.32	0.3	0.38	0.36	0.38	0.32	0.34
THD (%)	8.6	15.6	7.8	16.3	8.8	11.2	9.7	9.3	10.06	14.01
PF ≥	≥ 0.90									
Minimum starting temperature	-40 C (-40 F)									

# Dimensions - HC4 Series



### High Lumen (3000 & 4000 Lumens)

Distribution	Max. Module Height	Trim Height	LED Height
Narrow	5.6"	2.5"	2.9"
Medium	5.7"	2.6"	3.0"
Wide	5.5"	2.4"	2.8"
Baffle	5.5"	2.4"	2.8"

### Low Lumen (1000, 1500 & 2000 Lumens)\*

Max. Module Height	Trim Height	LED Height
3.6"	2.5"	2.7"
3.7"	2.6"	2.8"
3.5"	2.4"	2.6"
3.1"	2.4"	2.6"

\*Max. height w/hanger bar bracket 4.2"

# 4" HC4R LED Retrofit Downlight

4-inch aperture LED retrofit downlight is designed for installation into other 4.75" (4-3/4") to 4.875" (4-7/8") nominal aperture commercial housings. The retrofit reflector offered in medium distribution is ideal for general area lighting. Lumen packages range 1000 to 4000 lumens (nominal) in color temperatures of 2700K, 3000K, 3500K, and 4000K; in 80 or 90CRI. Installs from below the ceiling into existing open frame recessed housings. Applications include office spaces, healthcare, hospitality, and other institutional uses.

**Sample Number:** HC410D010REM7 - HM412830 - 41NDC

A complete luminaire consists of a mounting frame, LED module, and reflector (order separately)

## 120-277VAC, 0-10V analog dimming

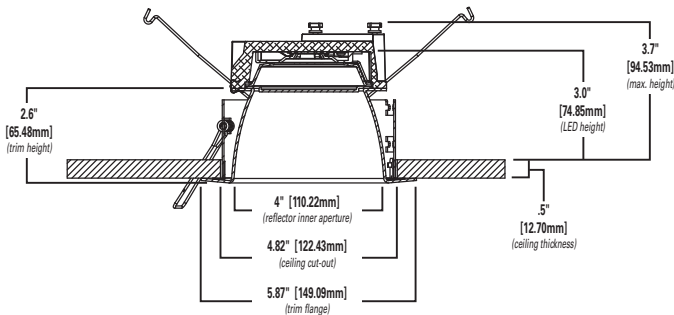
Mounting Frame	Lumens	Driver	Options
<b>HC4R</b> = 4" retrofit kit for 4.75" (4-3/4") to 4.875" (4-7/8") nominal aperture existing open frame commercial housings	<b>Fixed, Factory Set</b> <b>10</b> = 1000 lumens (nominal), use with HM412 module <b>15</b> = 1500 lumens (nominal), use with HM412 module <b>20</b> = 2000 lumens (nominal), use with HM412 module <b>30</b> = 3000 lumens (nominal), use with HM434 module <b>40</b> = 4000 lumens (nominal), use with HM434 module	<b>D010</b> =120-277VAC, 50/60Hz, 0-10V 1% -100% dimming	<b>REM7</b> =7 watt emergency battery with remote indicator & test switch <b>REM14</b> =14 watt emergency battery with remote indicator & test switch <b>LWTPD1</b> =Factory installed LumaWatt Pro tile mount sensor kit (D010 only) <b>SWPD1</b> =WaveLinX tile mount sensor kit (D010 only)

LED Module	Lumens	CRI/CCT
<b>HM4</b> = 4" LED module Compatible with HC4 & HC4R frames.	<b>12</b> =1000, 1500, 2000 lumens (nominal). For use with HC4R10*, HC4R15*, HC4R20* frames. <b>34</b> =3000, 4000 lumens (nominal). For use with HC4R30* and HC4R40* frames.	<b>827</b> =80CRI / 2700K <b>830</b> =80CRI / 3000K <b>835</b> =80CRI / 3500K <b>840</b> =80CRI / 4000K <b>927</b> =90CRI / 2700K <b>930</b> =90CRI / 3000K <b>935</b> =90CRI / 3500K <b>940</b> =90CRI / 4000K

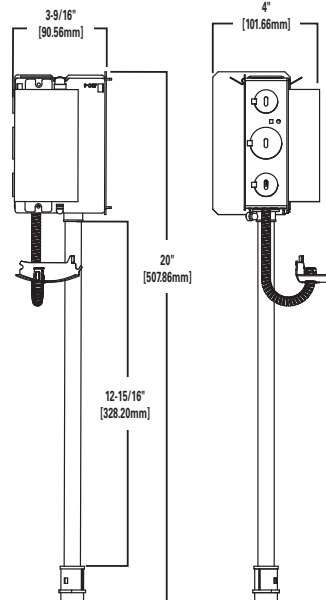
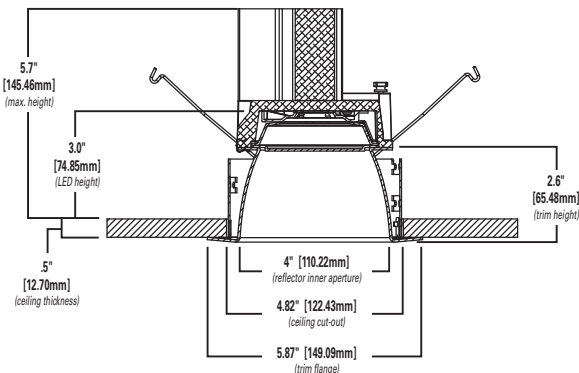
Reflector	Beam Distribution	Finish	Flange	Accessories
<b>42R</b> = 4" retrofit conical reflector, for use with HC4R frame/collar only	<b>MD</b> = medium (66°, 1.15 SC)	<b>C</b> = Specular clear <b>H</b> = Semi-specular clear (haze) <b>W</b> = Matte white (white flange)	<b>Blank</b> = Polished flange on C, H reflectors <b>Blank</b> = White flange on W reflectors <b>WF</b> = White flange option for C & H reflectors	

## Dimensions - HC4R Series

RETROFIT - LOW LUMEN  
1000, 1500, AND 2000 LUMENS



RETROFIT - HIGH LUMEN  
3000 AND 4000 LUMENS



**Our Lighting  
Product Lines**

Ametrix  
AtLite  
Corelite  
Ephesus  
Fail-Safe  
HALO  
HALO Commercial  
Invue  
io  
IRiS  
Lumark  
Lumière  
McGraw-Edison  
Metalux  
MWS  
Neo-Ray  
Portfolio  
RSA  
Shaper  
Streetworks  
Sure-Lites

**Our Controls Product Lines**

Fifth Light Technology  
Greengate  
iLight (International Only)  
iLumin  
Zero 88

**Connected Lighting Systems**

Distributed Low-Voltage Power  
HALO Home  
iLumen Plus  
LumaWatt Pro  
WaveLinx

**Eaton**  
1121 Highway 74 South  
Peachtree City, GA 30269  
P: 770-486-4800  
[www.eaton.com/lighting](http://www.eaton.com/lighting)

**Canada Sales**  
5925 McLaughlin Road  
Mississauga, Ontario L5R 1B8  
P: 905-501-3000  
F: 905-501-3172

© 2019 Eaton  
All Rights Reserved  
Printed in USA  
Publication No. BR517008EN  
May 2, 2019 10:58 AM

Eaton is a registered trademark.

All other trademarks are property  
of their respective owners.

Product availability, specifications,  
and compliances are subject to  
change without notice.