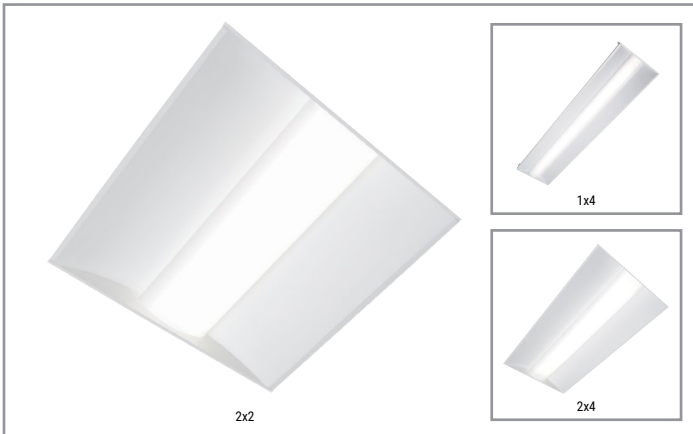


Project		Catalog #		Type	
Prepared by		Notes		Date	



Metalux

CZS Selectable Troffer

Cruze ST Selectable Lumens and CCT
1x4 / 2x2 / 2x4

Typical Applications

Offices • Education • Healthcare • Retail

Interactive Menu

- Order Information [page 3](#)
- Photometric Data [page 4](#)
- Control Solutions [page 5](#)
- Product Warranty

Product Features

- Design friendly with (3) selectable color temperatures and (3) selectable lumen packages
- Latch-less design provides clean architectural look and feel
- Curved and square lens for an upgraded look
- Up to 156 LPW for increased energy savings and reduced watts per square foot

Product Certification

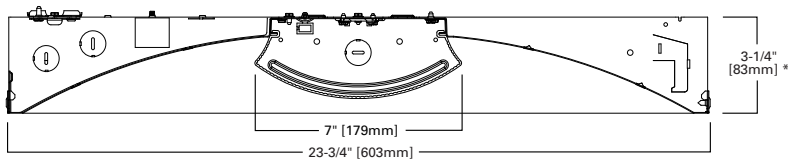


Product Features



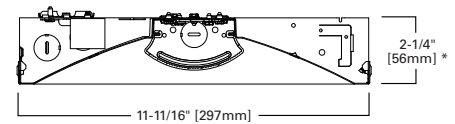
Dimensional and Mounting Details

2x2 / 2x4



*When combined with emergency total height is increased by 1 inch.

1x4

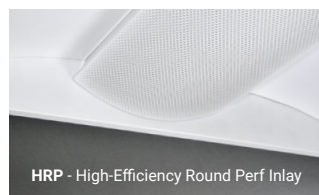


*Battery option increases total height by 1 inch.

Shielding Options



See ordering information for more shielding options.



[additional product diagrams](#)

Non-configurable SKUs

Default CCT/Lumen Setting: 4000K/Medium

Size	Catalog	Lumen Setting	CCT	CRI (Min)	Delivered Nominal Lumens	Watts	Efficacy (lm/W)
2X2	22CZSCT3-UNV	Low	3000K	80	2717	21.4	127
			3500K	80	2979	20.6	145
			4000K	80	2887	21.4	135
		Medium	3000K	80	3271	27.1	121
			3500K	80	3652	26.1	140
			4000K	80	3479	27.2	128
		High	3000K	80	3609	30.8	117
			3500K	80	4074	29.7	137
			4000K	80	3833	31.2	123
2X4	24CZSCT3-UNV	Low	3000K	80	3500	24.7	142
			3500K	80	3737	23.9	156
			4000K	80	3728	24.7	151
		Medium	3000K	80	4766	35.1	136
			3500K	80	5166	33.7	153
			4000K	80	5073	35.3	144
		High	3000K	80	5972	46.7	128
			3500K	80	6579	44.4	148
			4000K	80	6341	46.8	135
1X4	14CZSCT3-UNV	Low	3000K	80	2964	20.9	142
			3500K	80	3167	20.3	156
			4000K	80	3169	20.9	152
		Medium	3000K	80	3658	26.5	138
			3500K	80	3921	25.7	153
			4000K	80	3899	26.5	147
		High	3000K	80	4089	30.3	135
			3500K	80	4401	29.1	151
			4000K	80	4362	30.3	144

Shipping Data

Size	Wt.	Pallet Size	Pallet Qty.
2' x 2'	12.5 lbs.	49"L x 52"W x 55"H	48
2' x 4'	20.4 lbs.	49"L x 52"W x 46"H	28
1' x 4'	22 lbs.	52"L x 49"W x 53.5"H	32

Product Specifications

Construction

- Die formed of code gauge prime cold rolled steel with full length die-formed stiffeners
- Unibody endplates attached with interlocking tabs and screws
- Four auxiliary fixture end suspension points
- Integral Grid-lock feature for endplates for added safety
- Optional earthquake clips available

Integrated Controls

- Standard 0-10V dimming driver down to 10%
- Integrated WaveLinX options provide wireless individual fixture control and enable code compliance, increased energy savings, grouping of fixtures, and connection to WaveLinX control systems

LED and Light Engine

- Selectable Color temperature choices 3000K, 3500K, and 4000K
- Selectable lumen output choices of low, medium, high
- TM21 life at 60,000 hours up to L94 and calculated L70 exceeds 290,000 hrs.
- Driver 120-277V Standard
- Default CCT/Lumen setting is 4000K and Medium Power

Emergency Options

- Optional emergency battery available in 7W and 14W
- Self diagnostic 10W emergency battery option available
- 90-minute backup period for code compliance
- Factory installed integral test switch visible from room side
- Integral emergency transfer relay options available

Finish

- Pre-paint matte white
- 90% reflective, matte white enamel finish
- Full fixture housing pre-painted matte white (choose PAF option for "Paint after Fabrication")

Shielding

- Ribbed acrylic frosted lens standard
- Optional smooth acrylic frosted lens (S)
- Optional High-Efficiency Round Perf Inlay (HRP)
- Optional square ribbed frosted acrylic lens (SQR)

Compliance

- IC rated for insulation contact
- cULus listed for damp locations
- RoHS compliant
- Tested to IESNA LM-79 and LM-80
- Stated life tested to TM21 standards

Warranty

- Five-year limited warranty

Configurable/Make-To-Order SKUs

SAMPLE ORDER NUMBER: **24CZSCT3-UNV-EL14W-PAL**

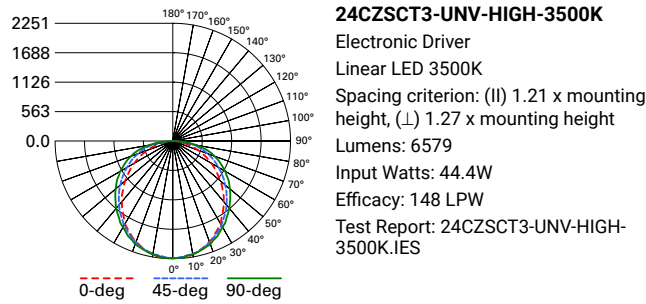
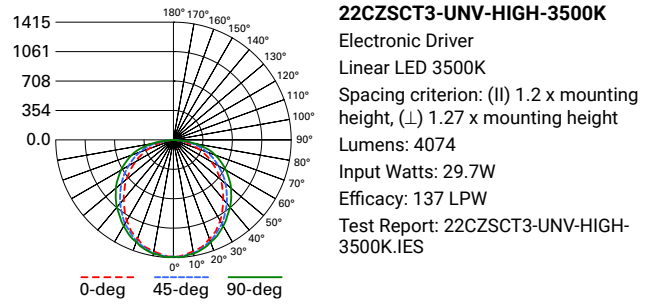
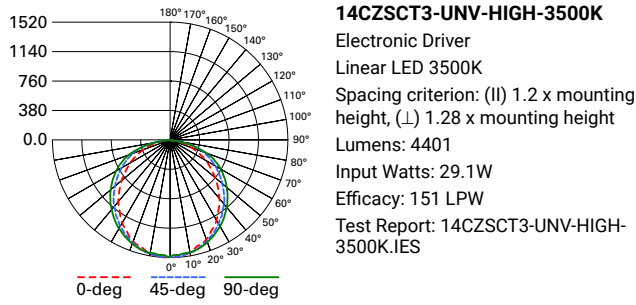
Domestic Preferences	Rating	Series	Air	Shielding
Domestic Preferences ⁽¹⁾	Rating	Series	Air	Shielding
[Blank] =Standard BAA =Buy American Act TAA =Trade Agreements Act	[Blank] =Standard ATW-SW4 = Chicago Rated ⁽²⁾	14CZSCT3 =1' x 4' Cruze ST Selectable 22CZSCT3 =2' x 2' Cruze ST Selectable 24CZSCT3 =2' x 4' Cruze ST Selectable	[Blank] =Standard A =Air (Vented) ⁽³⁾	[Blank] =Ribbed Frosted Acrylic Lens (standard) S =Smooth Frosted Acrylic Lens HRP =High-Efficiency Round Perf Inlay SQR =Square Ribbed Frosted Acrylic Lens
Notes (1) Only product configurations with these designated prefixes are built to be compliant with the Buy American Act of 1933 (BAA) or Trade Agreements Act of 1979 (TAA), respectively. Please refer to DOMESTIC PREFERENCES website for more information. Components shipped separately may be separately analyzed under domestic preference requirements.	Notes (2) No sensor or installed FLEX options available with ATW-SW4 option.	Notes Selectable Lumens (See table on pg. 2 for details) 1x4 -30L/40L/50L 2x2 -30L/40L/50L 2x4 -40L/50L/65L Selectable Color 3000K/3500K/4000K	Notes (3) Air version is intended for air return through plenum. See air return data table for air flow volumes. Air option not available with ATW-SW4.	

Voltage	Options / Emergency	Flex	Driver Type
Voltage	Options / Emergency	Flex ⁽⁶⁾	Driver Type
UNV =Universal Voltage 120-277	[Blank] =Standard GL =Single Element Fuse GM =Double Element Fuse EL7W =7-watt 120V-277V emergency battery pack ⁽⁵⁾ EL14W =14-watt 120V-277V emergency battery pack ⁽⁵⁾ EL10WSD =Bodine 10W emergency battery pack with self diagnostic installed ⁽⁵⁾ ETRD =Iota Emergency Transfer Relay with dimming control ⁽⁴⁾ PAF =Painted After Fabrication	[Blank] =Standard Dimming Flex A3/8-4/18GDIM =Flex, hot, neutral, ground, 2 dimming leads A3/8-5/18GDIM =Flex, 2 hots, neutral, ground, 2 dimming leads Non-Dimming Flex A3/8-2/18G =Flex, hot, neutral, ground A3/8-3/18G =Flex, 2 hots, neutral, ground	[Blank] =Standard (0-10V Driver, 10%-100%)
	Notes (4) Used to bypass local control during outage. Must be used in conjunction with UL 1008 device (provided by others). ETRD option only requires one relay when used on a dimming fixture. 347 not available. (5) Factory installed with integral test switch/indicator/laser test. For approximate delivered lumens multiply the lumens per watt of the desired fixture by the wattage of the emergency battery pack (100 lm/W x 7=700 lumens). IES-format photometry for luminaire under emergency operation available. Battery option increases total height by 1 inch.	Notes (6) Multiple options available in online configurator. See additional notes on Flex below. Flexible Metal Conduit Options Flex options available for 0-10V dimming control, emergency and night light functions. 72-inch factory-installed and pre-wired to driver, fitted to luminaire housing access plate with 90° enclosed FMC connector. Not all options may be combined and installation ratings vary by type.	

Integrated Sensing Systems	Packaging	Accessories
Integrated Sensing Systems	Packaging	Accessories (order separately)
[Blank] =No Sensor WLS (formerly WAB) =WaveLinX LITE Wireless Sensor, Occupancy w/ photocell, Independent & Networked ^(B) WPS (formerly WAA) =WaveLinX PRO Wireless Sensor, Occupancy w/ photocell, Networked ^(A)	[Blank] =Standard (Unit Pack) PAL =Job Pack, out of carton PALC =Job Pack, in carton	CZ2-EQCLIP-U-PK =“CZ2” Earthquake Clip Kit (4 clips per bag kit) ⁽⁷⁾ DF-14W-U =1' x 4' Drywall Frame Kit DF-22W-U =2' x 2' Drywall Frame Kit DF-24W-U =2' x 4' Drywall Frame Kit SK-22-WS =2' x 2' Shallow Surface Mount Kit SK-24-WS =2' x 4' Shallow Surface Mount Kit SK-14-WT =1' x 4' Tall Surface Mount Kit SK-22-WT =2' x 2' Tall Surface Mount Kit SK-24-WT =2' x 4' Tall Surface Mount Kit
Notes Integrated options must be used in conjunction with the associated system and may not be compatible with other options or accessories. Please refer to the following: (A) Consult WaveLinX system pages for additional details and compatibility. (B) Consult WaveLinX Lite system pages for additional details and compatibility.		Notes (7) An EQ Grid Clip is recommended for all 9/16" ceiling systems. Four required per fixture.

Photometric Data

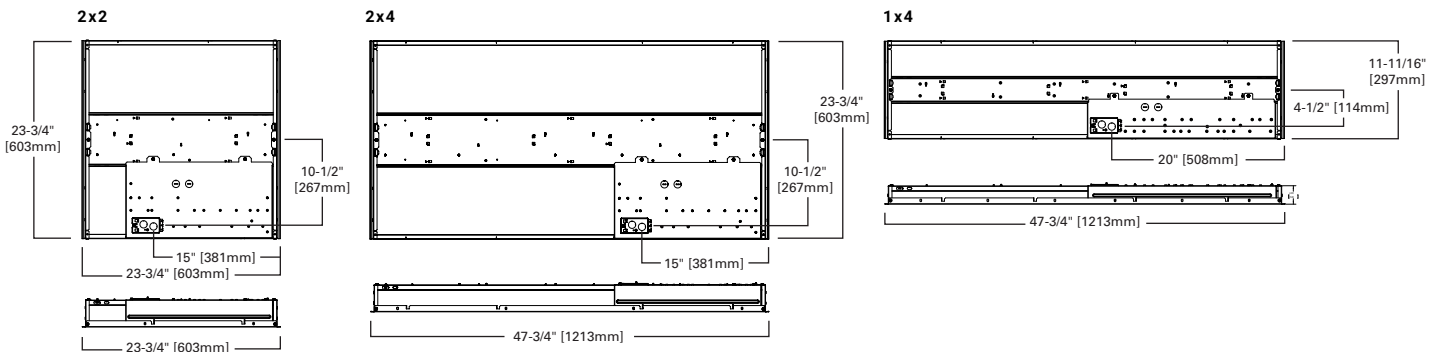
View IES files



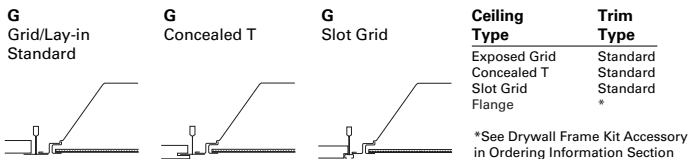
Shielding

Lumen Adjustment Factors		
S	HRP	SQR
1.05	0.81	0.96

Dimensional and Mounting Details



Ceiling Compatibility



Control Solutions

- WaveLinX LITE wireless
- WaveLinX PRO wireless
- WaveLinX CAT wired
- WaveLinX Wired



The CZS with WaveLinX offers no-hassle lighting control with multiple luminaire level control solutions.



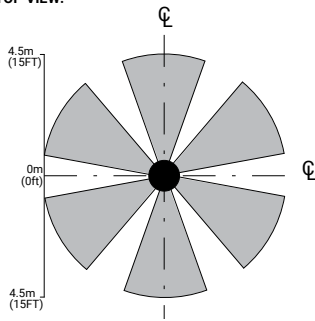
WaveLinX PRO is a wireless lighting control solution, for connected spaces, that significantly reduces a building's energy consumption. From a single floor to an entire campus, WaveLinX PRO connects more than lighting assets; it shares aggregated sensor data with the WaveLinX CORE platform and other building systems, so building owners can improve operations, spaces environment, and tenants' experience. WaveLinX PRO offers a rich portfolio of wireless devices, WaveLinX PRO-enabled luminaires, and an intuitive WaveLinX mobile app for office, education, warehouse, and parking garage applications.



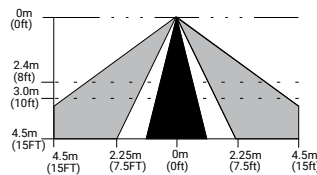
WaveLinX LITE is a cost effective, wireless digital lighting control solution, with out-of-the-box functionality, that saves energy and meets code. It's designed for applications that require occupancy-based, daylighting, or manual light control. Customize installations for office, education, warehouse and parking garages using the secure, simple mobile app.

Integrated Sensor Coverage Pattern

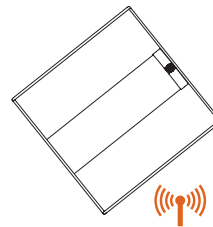
TOP VIEW:



SIDE VIEW:



With Integrated WaveLinX Sensor



Note: Installation of integrated sensors within 3-ft (1m) of HVAC air vents is not recommended. The pattern shown is intended solely as a general guide and is not to scale.

Integrated Controls Options

Option	Out of the Box Functionality	Luminaire Level Lighting Control (LLC)	Automatic Dimming Photocell	Occupancy Sensing	CCT Control
WLS	X	X	X	X	
WLN		X			
WPS		X	X	X	X
WPN		X			X

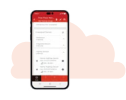
Note: WaveLinX utilizes scenes to allow users to change an area's fixtures Correlated Color Temperature (CCT) and intensity using commissioned manual wireless wallstation scene control. To enable CCT adjustments through WaveLinX, include WPS or WPN devices in addition to VividTune or BioUp technologies for integrated fixture control.

Systems comparison chart

Cooper Lighting Solutions provides many lighting system solutions designed to satisfy code requirements and meet the unique needs of any project.



Luminaire with standalone sensor



Standalone Spaces WaveLinX LITE



Standalone Spaces WaveLinX CAT



Networked Spaces WaveLinX PRO



Enterprise WaveLinX CORE

	Luminaire with standalone sensor	Standalone Spaces WaveLinX LITE	Standalone Spaces WaveLinX CAT	Networked Spaces WaveLinX PRO	Enterprise WaveLinX CORE
Occupancy	Yes	Yes	Yes	Yes	Yes
Daylighting	Yes	Yes	Yes	Yes	Yes
Wallstations	-	Yes	Yes	Yes	Yes
Gateways	-	-	-	1 WAC	300 WACs
Devices (MAX)	-	40 per Area (1120 per space)	40 per Area	200 per WAC2	32,500 per CORE Enterprise
Software	-	WaveLinX LITE Mobile App	WaveLinX CAT Mobile App	WaveLinX Mobile App	CORE
Areas	-	28 per Space	Unlimited	50 per WAC2	up to 3,000
Zones	-	16 per Area	16 per Area	16 per Area	up to 9,000
Scheduling	-	-	-	Local	Global
VividTune™	-	-	-	Yes	Yes
Plug-Load Control	-	Yes	Yes	Yes	Yes
Low-Voltage Power	-	-	Yes	Yes	Yes
Integration	-	-	-	-	BACnet, API
Dashboards	-	-	-	-	Energy, Occupancy
Configuration	-	Installer	Installer	Technician	Technician / IT