

Project		Catalog #		Type	
Prepared by		Notes		Date	



McGraw-Edison

GFLD Galleon II Floodlight

Floodlight Luminaire

Product Features



Interactive Menu

- Ordering Information [page 2](#)
- Product Specifications [page 2](#)
- Mounting Details [page 3](#)
- Optical Distributions [page 8](#)
- Energy and Performance Data [page 6](#)
- Control Options [page 11](#)

Product Certifications



Quick Facts

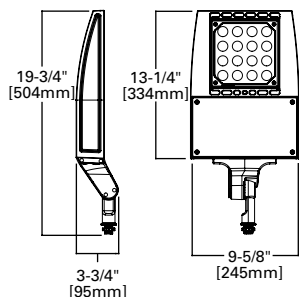
- Lumen Packages range from 1,200 - 54,000 (18W - 368W)
- 10 NEMA Type flood distributions
- Efficacy up to 170 lumens per watt

Connected Systems

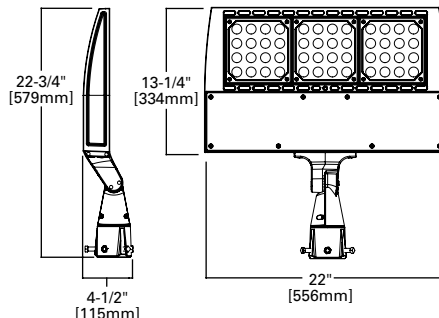
- WaveLinx Lite
- WaveLinx

Dimensional Details

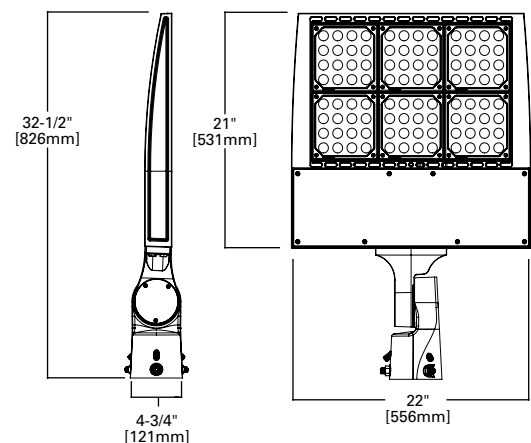
1 Square - Knuckle Mount



3 Square - Adjustable Slipfitter Mount



6 Square - Adjustable Slipfitter Mount



NOTES:
1. Visit <https://www.designlights.org/search/> to confirm qualification. Not all product variations are DLC qualified.
2. IDA Certified for 3000K CCT and warmer only.

Ordering Information

SAMPLE NUMBER: GFLD-SA1C-940-U-TSB-T-BK

Product Family ^{1,2}	Light Engine		Color Temperature	Voltage	Distribution and IES NEMA Type (HxV)	Mounting Options	Finish	
	Configuration	Drive Current						
GFLD=Galleon II Floodlight BAA-GFLD=Galleon Floodlight Buy American Act Compliant ²⁴ TAA-GFLD=Galleon Floodlight Trade Agreements Act Compliant ²⁴	SA1=1 Square SA2=2 Squares SA3=3 Squares SA4=4 Squares SA5=5 Squares SA6=6 Squares	A=350mA ³ B=615mA C=800mA D=1050mA E=1200mA	722=70CRI, 2200K 727=70CRI, 2700K 730=70CRI, 3000K 735=70CRI, 3500K 740=70CRI, 4000K 750=70CRI, 5000K 927=90CRI, 2700K 930=90CRI, 3000K 935=90CRI, 3500K 940=90CRI, 4000K AMB=Amber, 590nm ⁴	U=120-277V 1=120V 2=208V 3=240V 4=277V 8=480V ²⁵ 9=347V	TSB=Tight Spot Baffle ²¹ TS=Tight Spot ²¹ NR=Narrow Symmetrical Round MR=Medium Symmetrical Round MWR=Medium Wide Symmetrical Round WR=Wide Symmetrical Round NAT=Narrow Asymmetrical Rectangular ²¹ WAF=Wide Asymmetrical Flood ²¹ VWR=Very Wide Symmetrical Round ²² LAM=Lambertian ²²	NEMA 1x1 NEMA 2x2 NEMA 3x3 NEMA 4x4 NEMA 5x5 NEMA 6x6 NEMA 6x4 NEMA 7x6 NEMA 7x7 NEMA 7x7	T=Trunnion P=Adjustable Pole Mount ⁵ S=Adjustable Slipfitter ⁶ K=Knuckle ^{3,7} W=Wall Mount Y=Yoke ⁵	AP=Grey BZ=Bronze BK=Black DP=Dark Platinum GM=Graphite Metallic WH=White
Options (Add as Suffix)		Controls and Systems Options (Add as Suffix)			Accessories (Order Separately)			
DIM=External 0-10V Dimming Leads ²⁰ F=Single Fuse ¹² FF=Double Fuse ¹² 20K=20kV UL 1449 Fused Surge Protective Device 2L=Two Circuits ¹⁸ CC=Coastal Construction L90=Optics Rotated 90° Left ⁸ R90=Optics Rotated 90° Right ⁸ AHD145=After Hours Dim, 5 Hours ⁹ AHD245=After Hours Dim, 6 Hours ⁹ AHD255=After Hours Dim, 7 Hours ⁹ AHD355=After Hours Dim, 8 Hours ⁹ HA=50°C High Ambient DALI=DALI Drivers WG=Factory installed Wire Guard ¹⁰ LVR=Factory installed Fixed Louver SLD=Factory installed Vandal Shield TB=3-position Terminal Block		BPC=Button Type Photocontrol ²³ PR=NEMA 3-PIN Photocontrol Receptacle PR7=NEMA 7-PIN Photocontrol Receptacle ¹¹ WPS2XX=WaveLinX Pro, SR Driver, Dimming Motion and Daylight, WAC Programmable, 7' - 15' Mounting ^{14,19} WPS4XX=WaveLinX Pro, SR Driver, Dimming Motion and Daylight, WAC Programmable, 15' - 40' Mounting ^{14,19} WLS2XX=WaveLinX Lite, SR Driver, Dimming Motion and Daylight, Bluetooth Programmable, 7' - 15' Mounting ^{14,19} WLS4XX=WaveLinX Lite, SR Driver, Dimming Motion and Daylight, Bluetooth Programmable, 15' - 40' Mounting ^{14,19} SPB1=Dimming Motion and Daylight Sensor, Bluetooth Programmable, < 8' Mounting ¹³ SPB2=Dimming Motion and Daylight Sensor, Bluetooth Programmable, 8' - 20' Mounting ¹³ SPB4=Dimming Motion and Daylight Sensor, Bluetooth Programmable, 21' - 40' Mounting ¹³ SPB2=Dimming Motion and Daylight Sensor, Bluetooth Programmable, <8' Mounting ¹¹ DIM10-L20=Synapse Occupancy Sensor (9'-20' Mounting) ¹¹ DIM10-L40=Synapse Occupancy Sensor (21'-40' Mounting) ¹¹			OA/RA1013=Photocontrol Shorting Cap MA1252=10kV Surge Module Replacement WOLC-7P-10A=WaveLinX Outdoor Control Module ¹⁵ WPS2-XX=Wavelinx Wireless Sensor, 7'-15' Mounting Height ¹⁴ WPS4-XX=Wavelinx Wireless Sensor, 15'-40' Mounting Height ¹⁴ VSR/1/XX=Visor for 1 square housing ¹⁶ VSR/3/XX=Visor for 3 square housing ¹⁶ VSR/6/XX=Visor for 6 square housing ¹⁶ LS/WG/1=Field installed Wire Guard, 1 Sq ¹⁰ LS/WG/3=Field installed Wire Guard, 3 Sq ¹⁰ LS/WG/6=Field installed Wire Guard, 6 Sq ¹⁰ LS/LVR=Field installed Fixed Louver ¹⁷ LS/SLD/1=Field installed Vandal Shield, 1 Sq LS/SLD/3=Field installed Vandal Shield, 3 Sq LS/SLD/6=Field installed Vandal Shield, 6 Sq SRA238=Slipfitter adaptor for 2-3/8" O.D. tenon			
NOTES: 1. Customer is responsible for engineering analysis to confirm pole and fixture compatibility for all applications. Refer to our white paper WP513001EN for additional support information. 2. DesignLights Consortium® Qualified. Refer to www.designlights.org Qualified Products List under Family Models for details. 3. Available with SA1 only. 4. Narrow-band 590nm +/- 5nm for wildlife and observatory use. Choose drive current B; supplied at 500mA drive current only. Not available with HA option. 5. Not available with SA1. 6. SA1, SA2 and SA3 housings fit to 2-3/8" tenon. SA4, SA5 and SA6 housings fit to 3" tenon; for mounting to 2-3/8" O.D. tenon, order accessory SRA238. 7. Utilizes 1/2" NPS threads. 8. L90, R90 only available with NAT and WAF optics. 9. Requires the use of BPC photocontrol or the PR7 or PR photocontrol receptacle with photocontrol accessory. 10. Extended lead times may apply. 11. Not available if any SPB or WaveLinX sensor is selected. 12. Single fuse (F) specify voltage 120V, 277V or 347V. Double fuse (FF) specify voltage 208V, 240V or 480V. 13. Sensor configuration mobile application required for configuration. See controls page for details. 14. Replace "XX" with housing color (WH, BZ or BK). 15. Requires PR7 receptacle. 16. Replace "XX" with finish. 17. Order one per light square. 18. 2L not available with motion sensors (WaveLinX, SPB or DIM10). 20K, AHD or FF, 2L in 1 square housing not available with 347V or 480V. 19. WAC Gateway required to enable field-configurability. Order WAC-PoE and WPOE-120 (10V to PoE injector) power supply if needed. WAC not required for Bluetooth Programmable sensors. 20. Low voltage control lead brought out 18" outside fixture. Not available with DALI or integrated controls options. 21. Available in 90 CRI only. 22. Available in 70 CRI only. 23. Specify voltage. 24. Only product configurations with these designated prefixes are built to be compliant with the Buy American Act of 1933 (BAA) or Trade Agreements Act of 1979 (TAA), respectively. Please refer to DOMESTIC PREFERENCES website for more information. Components shipped separately may be separately analyzed under domestic preference requirements. 25. Not to be used with ungrounded or impedance grounded systems.								

Product Specifications

Construction

- Single-piece die-cast aluminum housing with integrated heat sink
- Available in three housing sizes: small (1 light square), medium (2 or 3 light squares), and large (4, 5 or 6 light squares)
- Housing and optics IK10 rated

Optics

- Ten IES NEMA optical distributions for Flood applications
- Shield and guard options include Visor (VSR), Vandal Shield (SLD), Wire Guard (WG) and Fixed Louver (LVR)
- TSB NEMA 1x1 optical distribution includes factory installed black polycarbonate baffle for optimal control
- VSR constructed of stamped aluminum and available in 6 standard finishes; VSR/1 and VSR/3 provide 30° of occlusion, VSR/6 provides 15° of occlusion; Two VSR/3 may be installed on a single large housing for maximum occlusion

- SLD constructed of Makrolon GP, UV stabilized clear polycarbonate, with a thickness of 3/16" and impact rated IK10; Secured at 4 fastening points and spaced 3/16" from optical lens
- WG constructed of 11-gauge wire in a 1"x1" cell pattern; Chrome color poly powder coat finish
- LVR constructed of black polycarbonate, providing 26° of occlusion; Field rotatable to 90°, 180° and 270

Electrical

- Standard with 0-10V dimming
- Standard with 10kV surge module; optional 20kV surge module
- Suitable for operation in -40°C to 40°C ambient environments
- Optional 50°C high ambient (HA) configuration

Mounting

- Available with Adjustable Slipfitter, Adjustable Pole mount, Trunnion, Knuckle, Yoke or Wall mount
- All arms factory installed and painted to match housing

Typical Applications

- Outdoor area, building façade, monuments, flags, bridges

Finish

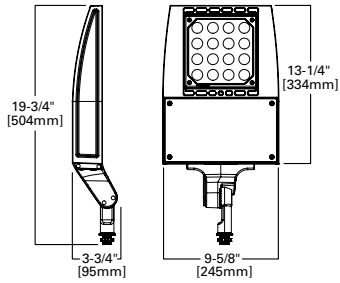
- Six standard finishes use super durable TGIC polyester powder coat paint, providing 2.5 mil nominal thickness and salt-spray tested to 3,000 hours per ASTM B117.
- RAL and custom color matches available
- Coastal Construction (CC) option salt-spray tested to 5,000 hours per ASTM B117

Warranty

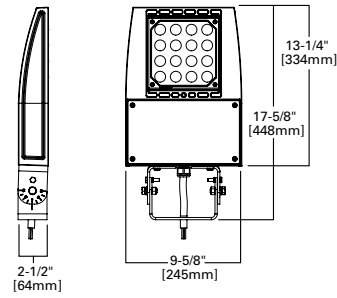
- Five year limited warranty

Mounting Details - 1 Square

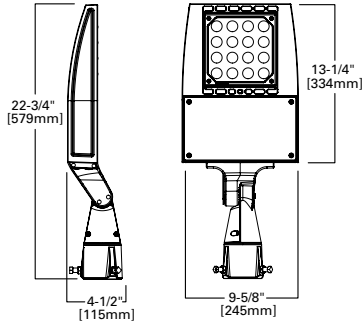
1 Square - Knuckle Mount (K)



1 Square - Trunnion Mount (T)

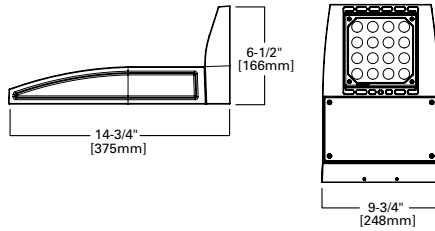


1 Square - Adjustable Slipfitter Mount (S)



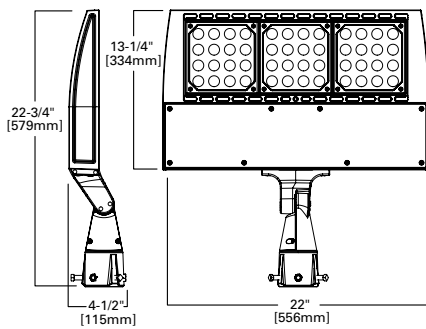
Tenon OD: 2-1/2"

1 Square - Wall Mount (W)

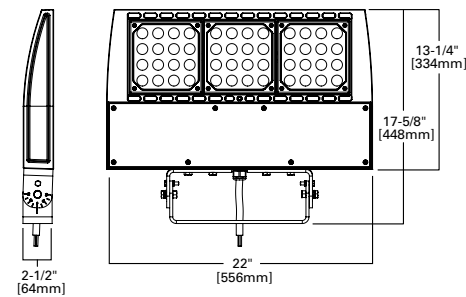


Mounting Details - 3 Square

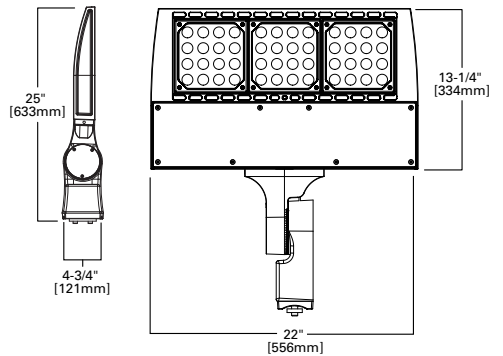
3 Square - Adjustable Slipfitter Mount (S)



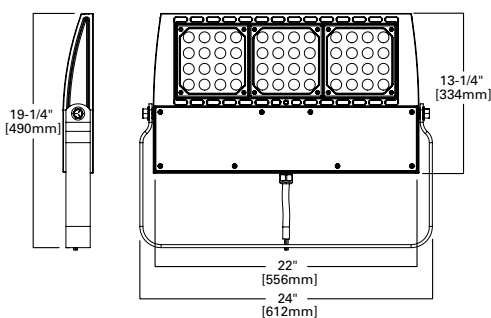
3 Square - Trunnion Mount (T)



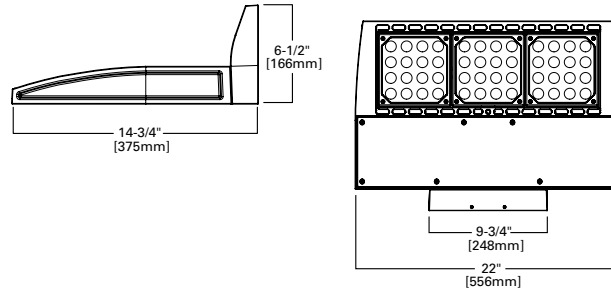
3 Square - Adjustable Pole Mount (P)



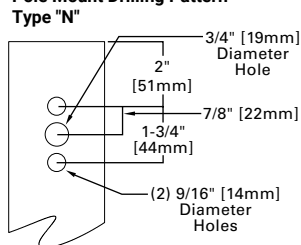
3 Square - Yoke Mount (Y)



3 Square - Wall Mount (W)

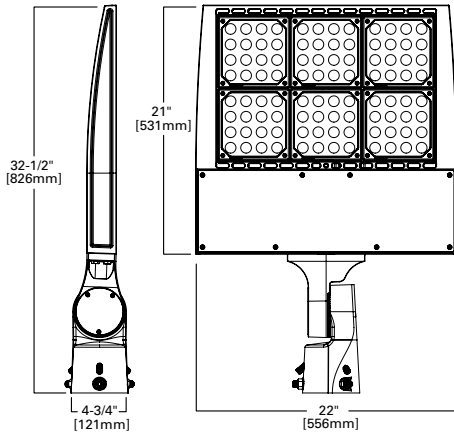


Pole Mount Drilling Pattern

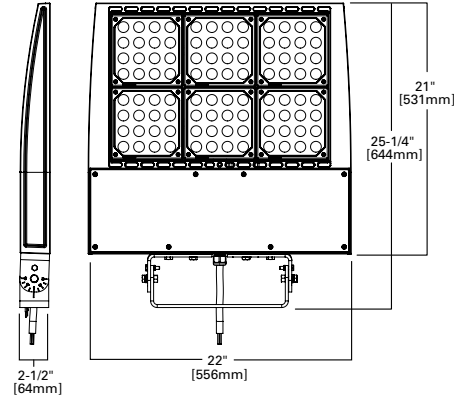


Mounting Details - 6 Square

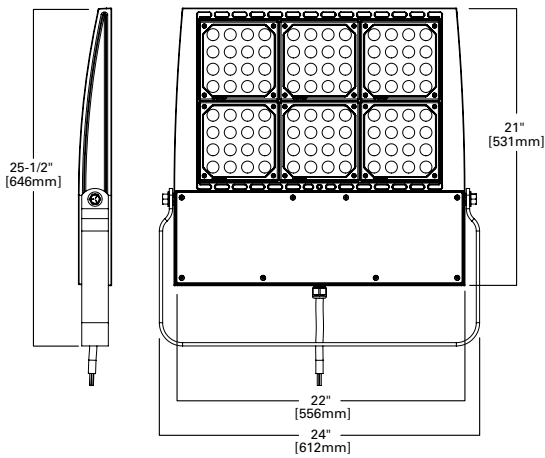
6 Square - Adjustable Slipfitter Mount (S)



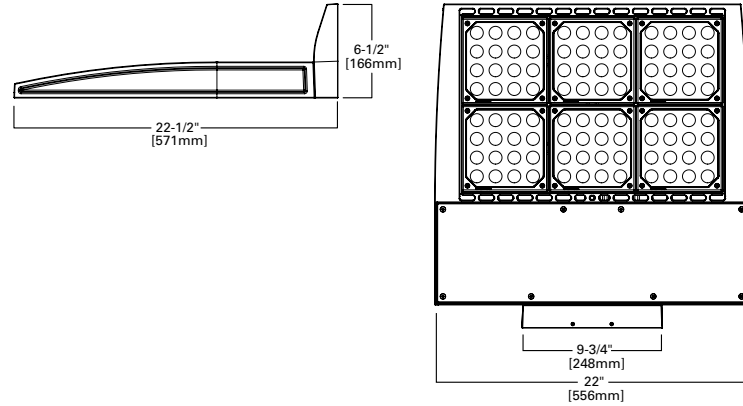
6 Square - Trunnion Mount (T)



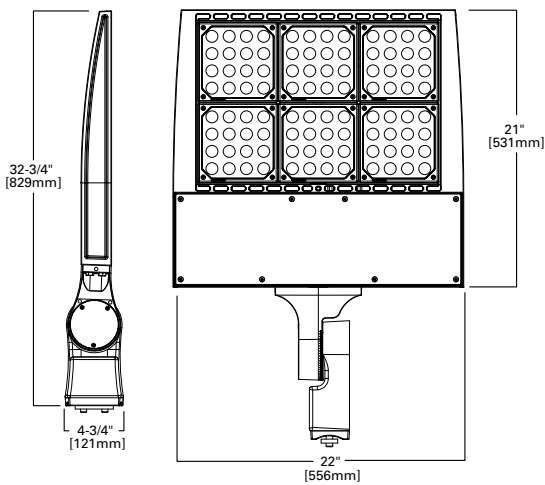
6 Square - Yoke Mount (Y)



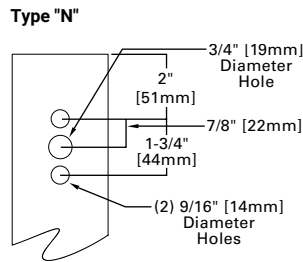
6 Square - Wall Mount (W)



6 Square - Adjustable Pole Mount (P)

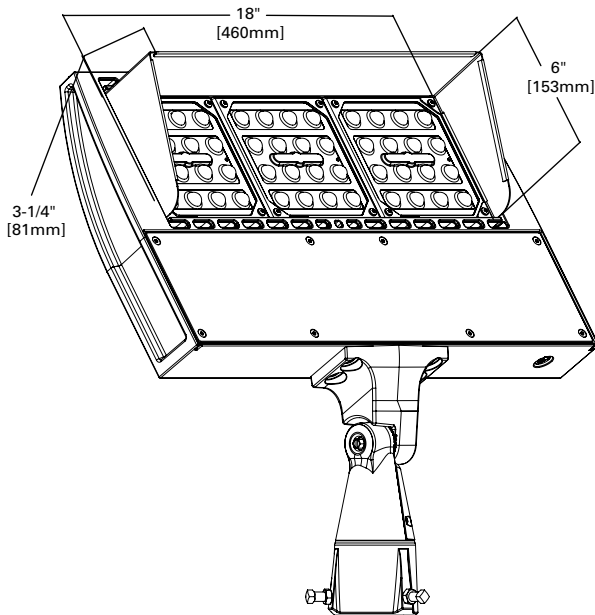


Pole Drilling Patterns

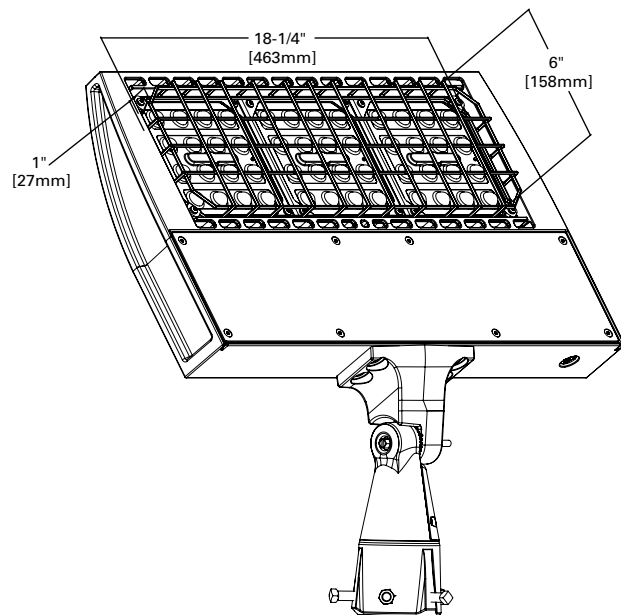


Product Accessories

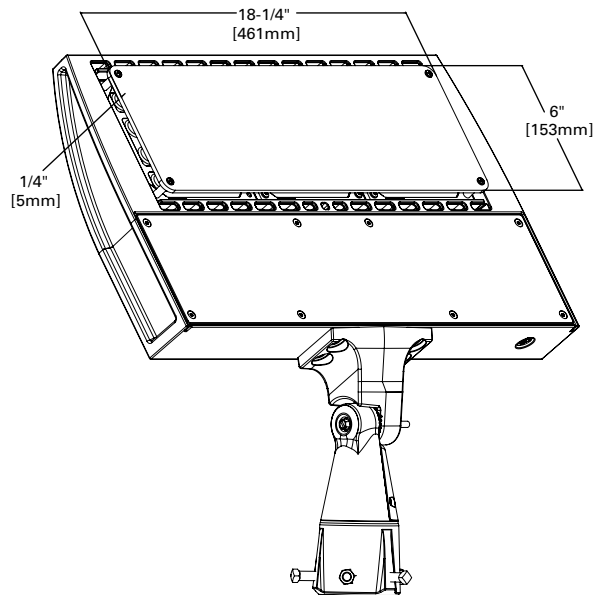
Visor Shield (VSR) ¹



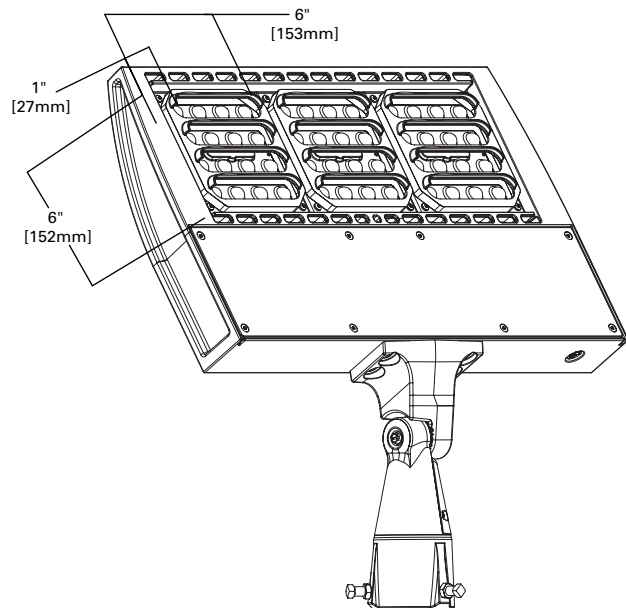
Wire Guard (WG) ¹



Vandal Shield (SLD) ¹



Fixed Louver (LVR) ²



- NOTES:**
 1. Shown configured for a 3-square housing. Also available configured for 1-square and 6-square housings.
 2. Use one per square.

Energy and Performance Data

70 CRI 4000K CCT

Square Count	Drive Current		Optical Distribution, IES NEMA Type (H x V)						Power (W)
			NR	MR	MWR	WR	VWR	LAM	
			3 x 3	4 x 4	5 x 5	6 x 6	7 x 7	7 x 7	
1 square	A 350mA	Lumens	3,023	2,961	2,952	2,892	2,926	2,906	18
		Lm/W	167	164	163	160	162	161	
	B 615mA	Lumens	4,987	4,885	4,869	4,771	4,826	4,793	34
		Lm/W	149	146	145	142	144	143	
	C 800mA	Lumens	6,187	6,061	6,041	5,919	5,987	5,946	44
		Lm/W	142	139	139	136	138	137	
	D 1050mA	Lumens	7,433	7,281	7,257	7,111	7,193	7,144	57
		Lm/W	130	127	127	124	126	125	
	E 1200mA	Lumens	8,161	7,994	7,968	7,807	7,897	7,843	66
		Lm/W	123	121	120	118	119	118	
2 square	B 615mA	Lumens	10,153	9,945	9,913	9,713	9,825	9,758	64
		Lm/W	160	156	156	153	154	153	
	C 800mA	Lumens	12,596	12,338	12,298	12,050	12,189	12,106	83
		Lm/W	152	149	149	146	148	147	
	D 1050mA	Lumens	15,133	14,823	14,775	14,477	14,644	14,544	109
		Lm/W	139	136	136	133	135	134	
	E 1200mA	Lumens	16,614	16,274	16,221	15,894	16,077	15,968	126
		Lm/W	132	129	129	126	128	127	
3 square	B 615mA	Lumens	14,434	14,048	14,139	14,418	13,967	13,987	94
		Lm/W	154	150	151	154	149	149	
	C 800mA	Lumens	18,070	17,587	17,701	18,050	17,485	17,510	122
		Lm/W	148	145	145	148	144	144	
	D 1050mA	Lumens	22,549	21,946	22,088	22,524	21,819	21,851	160
		Lm/W	141	137	138	141	136	136	
	E 1200mA	Lumens	24,983	24,315	24,472	24,955	24,174	24,209	185
		Lm/W	135	131	132	135	131	131	
4 square	B 615mA	Lumens	20,971	20,542	20,475	20,063	20,294	20,156	130
		Lm/W	162	159	158	155	157	156	
	C 800mA	Lumens	26,254	25,717	25,633	25,117	25,407	25,233	168
		Lm/W	156	153	152	149	151	150	
	D 1050mA	Lumens	32,762	32,092	31,987	31,343	31,704	31,487	221
		Lm/W	148	145	144	142	143	142	
	E 1200mA	Lumens	36,298	35,555	35,439	34,725	35,126	34,886	256
		Lm/W	142	139	138	136	137	136	
5 square	B 615mA	Lumens	25,726	25,200	25,118	24,612	24,896	24,725	159
		Lm/W	162	159	158	155	157	156	
	C 800mA	Lumens	32,207	31,548	31,445	30,812	31,167	30,954	206
		Lm/W	156	153	153	149	151	150	
	D 1050mA	Lumens	40,190	39,368	39,239	38,449	38,892	38,627	271
		Lm/W	148	145	145	142	143	142	
	E 1200mA	Lumens	44,528	43,617	43,474	42,599	43,090	42,795	314
		Lm/W	142	139	139	136	137	136	
6 square	B 615mA	Lumens	30,677	30,049	29,951	29,348	29,686	29,483	191
		Lm/W	161	158	157	154	156	155	
	C 800mA	Lumens	38,404	37,619	37,496	36,741	37,165	36,910	248
		Lm/W	155	152	151	148	150	149	
	D 1050mA	Lumens	47,924	46,943	46,790	45,848	46,376	46,059	326
		Lm/W	147	144	144	141	142	141	
	E 1200mA	Lumens	53,096	52,010	51,840	50,796	51,382	51,030	377
		Lm/W	141	138	138	135	136	135	

Energy and Performance Data

90 CRI 4000K CCT

Square Count	Drive Current		Optical Distribution, IES NEMA Type (H x V)								Power (W)
			TSB	TS	NR	MR	MWR	WR	NAT	WAF	
			1 x 1	2 x 2	3 x 3	4 x 4	5 x 5	6 x 6	6 x 4	7 x 6	
1 Square	A 350mA	Lumens	1,439	2,267	2,244	2,183	2,169	2,201	2,042	1,981	18
		Lm/W	80	126	125	121	121	122	113	110	
	B 615mA	Lumens	2,373	3,740	3,702	3,602	3,578	3,631	3,368	3,268	33
		Lm/W	71	112	111	108	107	109	101	98	
	C 800mA	Lumens	2,944	4,640	4,593	4,468	4,439	4,505	4,179	4,054	44
		Lm/W	68	107	106	103	102	104	96	93	
	D 1050mA	Lumens	3,537	5,575	5,518	5,368	5,333	5,412	5,020	4,870	55
		Lm/W	64	101	100	97	96	98	91	88	
	E 1200mA	Lumens	3,883	6,121	6,058	5,894	5,855	5,942	5,512	5,347	64
		Lm/W	61	96	95	93	92	94	87	84	
2 Square	B 615mA	Lumens	4,743	7,476	7,400	7,200	7,152	7,258	6,733	6,531	63
		Lm/W	75	118	117	114	113	114	106	103	
	C 800mA	Lumens	5,930	9,346	9,250	9,000	8,940	9,073	8,416	8,165	83
		Lm/W	71	112	111	108	108	109	101	98	
	D 1050mA	Lumens	7,293	11,494	11,377	11,068	10,995	11,158	10,351	10,041	110
		Lm/W	66	105	104	101	100	102	94	91	
	E 1200mA	Lumens	8,016	12,634	12,505	12,166	12,086	12,265	11,377	11,037	127
		Lm/W	63	100	99	96	95	97	90	87	
3 Square	B 615mA	Lumens	6,887	10,855	10,744	10,453	10,384	10,538	9,775	9,483	91
		Lm/W	76	119	118	115	114	116	107	104	
	C 800mA	Lumens	8,609	13,569	13,431	13,067	12,980	13,173	12,219	11,854	119
		Lm/W	72	114	112	109	109	110	102	99	
	D 1050mA	Lumens	10,588	16,688	16,518	16,070	15,964	16,201	15,028	14,579	158
		Lm/W	67	106	105	102	101	103	95	92	
	E 1200mA	Lumens	11,638	18,344	18,156	17,664	17,548	17,808	16,519	16,025	182
		Lm/W	64	101	100	97	96	98	91	88	
4 Square	B 615mA	Lumens	9,584	15,105	14,951	14,546	14,450	14,664	13,603	13,196	126
		Lm/W	76	120	119	116	115	116	108	105	
	C 800mA	Lumens	11,834	18,653	18,462	17,962	17,844	18,108	16,797	16,295	164
		Lm/W	72	114	113	110	109	111	103	99	
	D 1050mA	Lumens	14,444	22,766	22,533	21,923	21,778	22,101	20,501	19,888	217
		Lm/W	67	105	104	101	100	102	95	92	
	E 1200mA	Lumens	15,785	24,880	24,625	23,958	23,800	24,153	22,404	21,735	250
		Lm/W	63	99	98	96	95	96	90	87	
5 Square	B 615mA	Lumens	11,756	18,530	18,341	17,844	17,726	17,989	16,686	16,188	154
		Lm/W	76	120	119	116	115	117	108	105	
	C 800mA	Lumens	14,517	22,882	22,648	22,034	21,889	22,214	20,605	19,990	201
		Lm/W	72	114	113	110	109	111	103	100	
	D 1050mA	Lumens	17,718	27,927	27,641	26,893	26,715	27,111	25,148	24,397	266
		Lm/W	67	105	104	101	101	102	95	92	
	E 1200mA	Lumens	19,364	30,520	30,208	29,390	29,196	29,629	27,484	26,663	307
		Lm/W	63	99	98	96	95	97	90	87	
6 square	B 615mA	Lumens	14,019	22,096	21,870	21,277	21,137	21,450	19,897	19,303	185
		Lm/W	76	119	118	115	114	116	107	104	
	C 800mA	Lumens	17,311	27,285	27,006	26,274	26,101	26,488	24,570	23,836	241
		Lm/W	72	113	112	109	108	110	102	99	
	D 1050mA	Lumens	21,128	33,301	32,960	32,068	31,856	32,328	29,988	29,092	319
		Lm/W	66	104	103	101	100	101	94	91	
	E 1200mA	Lumens	23,090	36,393	36,021	35,045	34,814	35,330	32,772	31,793	368
		Lm/W	63	99	98	95	95	96	89	86	

Optical Distributions

70 CRI, 4000K CCT

Distributions	NR	MR	MWR
IES NEMA Type	3 H X 3 V	4 H X 4 V	5 H X 5 V
Horizontal Beam Angle (50%)	13.7	28.8	51
Vertical Beam Angle (50%)	13.7	29	52.3
Horizontal Field Angle (10%)	31.6	52.3	74.5
Vertical Field Angle (10%)	31.6	52.3	74.5
Peak Intensity (cd) 1 square ¹	76,375	25,494	9,350
Peak Intensity (cd) 3 squares ¹	233,804	77,545	28,717
Peak Intensity (cd) 6 squares ¹	496,900	165,870	60,833
Luminous Intensity Polar Plot			
<p>--- Vertical Plane Through 0° Lateral</p> <p>— Horizontal Cone Through 0° Vertical</p>			
Distributions	WR	VWR	LAM
IES NEMA Type	6 H X 6 V	7 H X 7 V	7 H X 7 V
Horizontal Beam Angle (50%)	53.8	79.6	117.8
Vertical Beam Angle (50%)	53.8	79.6	117.8
Horizontal Field Angle (10%)	100.8	135.9	152.8
Vertical Field Angle (10%)	100.8	135.9	152.8
Peak Intensity (cd) 1 square ¹	7,661	4,366	2,563
Peak Intensity (cd) 3 squares ¹	24,489	13,365	7,910
Peak Intensity (cd) 6 squares ¹	49,848	28,407	16,673
Luminous Intensity Polar Plot			
<p>--- Vertical Plane Through 0° Lateral</p> <p>— Horizontal Cone Through 0° Vertical</p>			
<p>NOTES:</p> <p>1. 4000K CCT, 1200mA Drive Current *E*</p>			

Optical Distributions

90 CRI, 4000K CCT

Distributions	TSB	TS	NR	MR
NEMA Type	1H X 1V	2H X 2V	3H X 3V	4H X 4V
Horizontal Beam Angle (50%)	9°	12°	24°	34°
Vertical Beam Angle (50%)	10°	12°	24°	34°
Horizontal Field Angle (10%)	16°	25°	39°	64°
Vertical Field Angle (10%)	17°	25°	39°	64°
Peak Intensity (cd) 1 square ¹	99,104	83,758	32,041	13,293
Peak Intensity (cd) 3 squares ¹	297,030	251,014	96,028	39,837
Peak Intensity (cd) 6 squares ¹	589,313	497,992	190,517	79,036
Luminous Intensity Polar Plot				
Distributions	MWR	WR	NAT	WAF
NEMA Type	5H X 5V	6H X 6V	6H X 4V	7H X 6V
Horizontal Beam Angle (50%)	47°	68°	77°	86°
Vertical Beam Angle (50%)	48°	69°	21°	61°
Horizontal Field Angle (10%)	85°	117°	127°	136°
Vertical Field Angle (10%)	84°	115°	56°	115°
Peak Intensity (cd) 1 square ¹	7,511	4,386	7,685	3,665
Peak Intensity (cd) 3 squares ¹	22,510	13,146	23,030	10,985
Peak Intensity (cd) 6 squares ¹	44,658	26,081	45,690	21,794
Luminous Intensity Polar Plot				
NOTES:	1. 4000K CCT, 1200mA Drive Current "E"			

Energy and Performance Data

Drive Current "A" (350mA)

Number of Light Squares	1
Nominal Power (Watts)	18
Input Current @ 120V	0.15
Input Current @ 208V	0.09
Input Current @ 240V	0.08
Input Current @ 277V	0.07

Drive Current "B" (615mA)

Number of Light Squares	1	2	3	4	5	6
Nominal Power (Watts)	33	63	93	121	154	182
Input Current @ 120V	0.28	0.53	0.78	1.06	1.31	1.56
Input Current @ 208V	0.16	0.31	0.46	0.62	0.77	0.92
Input Current @ 240V	0.14	0.27	0.40	0.54	0.67	0.80
Input Current @ 277V	0.13	0.24	0.35	0.47	0.58	0.70
Input Current @ 347V	0.10	0.18	0.27	0.36	0.45	0.54
Input Current @ 480V	0.07	0.13	0.20	0.27	0.33	0.40

Drive Current "C" (800mA)

Number of Light Squares	1	2	3	4	5	6
Nominal Power (Watts)	44	82	121	164	204	243
Input Current @ 120V	0.37	0.69	1.01	1.38	1.70	2.03
Input Current @ 208V	0.21	0.40	0.59	0.80	1.00	1.19
Input Current @ 240V	0.18	0.35	0.51	0.69	0.86	1.02
Input Current @ 277V	0.16	0.30	0.45	0.61	0.76	0.90
Input Current @ 347V	0.13	0.24	0.36	0.47	0.59	0.71
Input Current @ 480V	0.09	0.17	0.26	0.34	0.43	0.52

Drive Current "D" (1050mA)

Number of Light Squares	1	2	3	4	5	6
Nominal Power (Watts)	57	108	160	213	269	321
Input Current @ 120V	0.48	0.91	1.34	1.81	2.24	2.68
Input Current @ 208V	0.28	0.53	0.78	1.06	1.31	1.56
Input Current @ 240V	0.24	0.46	0.66	0.92	1.12	1.33
Input Current @ 277V	0.21	0.40	0.58	0.81	1.00	1.16
Input Current @ 347V	0.16	0.32	0.47	0.64	0.80	0.94
Input Current @ 480V	0.12	0.23	0.34	0.47	0.58	0.68

Drive Current "E" (1200mA)

Number of Light Squares	1	2	3	4	5	6
Nominal Power (Watts)	65	125	184	245	309	368
Input Current @ 120V	0.55	1.04	1.53	2.08	2.58	3.07
Input Current @ 208V	0.32	0.61	0.89	1.22	1.50	1.79
Input Current @ 240V	0.28	0.52	0.76	1.05	1.28	1.52
Input Current @ 277V	0.24	0.46	0.66	0.92	1.13	1.32
Input Current @ 347V	0.19	0.37	0.54	0.74	0.91	1.09
Input Current @ 480V	0.14	0.27	0.39	0.54	0.66	0.78

Fixture Weights and EPAs

Tilt Angle (Degrees)	Number of Light Squares	Weight	EPA
0°	1	10.0 lbs (4.5 kg)	0.45
	2-3	19.6 lbs (8.9 kg)	0.63
	4-6	32.9 lbs (14.9 kg)	0.77
60°	1	10.0 lbs (4.5 kg)	1.16
	2-3	19.6 lbs (8.9 kg)	2.37
	4-6	32.9 lbs (14.9 kg)	3.72

Control Options

0-10V (DIM)

This fixture is offered standard with 0-10V dimming driver(s). The DIM option provides 0-10V dimming wire leads for use with a lighting control panel or other control method.

Photocontrol (BPC, PR and PR7)

Optional button-type photocontrol (BPC) and photocontrol receptacles (PR and PR7) provide a flexible solution to enable "dusk-to-dawn" lighting by sensing light levels. Advanced control systems compatible with NEMA 7-pin standards can be utilized with the PR7 receptacle.

After Hours Dim (AHD)

This feature allows photocontrol-enabled luminaires to achieve additional energy savings by dimming during scheduled portions of the night. The dimming profile will automatically take effect after a "dusk-to-dawn" period has been calculated from the photocontrol input. Specify the desired dimming profile for a simple, factory-shipped dimming solution requiring no external control wiring. Reference the After Hours Dim supplemental guide for additional information.

Dimming Occupancy Sensor (SPB)

These passive infrared (PIR) sensors are connected to a standard dimming driver, activating the luminaire at night when motion is detected. After a prescribed time period, the luminaire turns off or is dimmed to a selected level. The sensor default parameters are listed in the table below. The SPB can be configured utilizing the Sensor Configuration mobile application for iOS and Android devices. An integral photocontrol can be activated with the app for "dusk-to-dawn" control or daylight harvesting - the factory default is off. Three sensor lenses are available to optimize the coverage pattern for mounting heights up to 40'. Four sensor colors are available; Bronze, Black, Gray and White, and are automatically selected based on the luminaire finish as indicated by the table below.

SPB sensor finish matched to luminaire finish		
Luminaire Finish		SPB Sensor Finish
WH	White	White
BK	Black	Black
GM	Graphite Metallic	Black
BZ	Bronze	Bronze
AP	Gray	Gray
DP	Dark Platinum	Gray

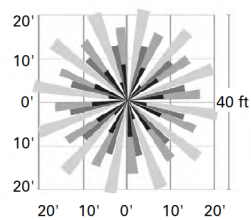
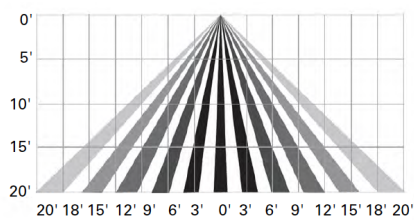
WaveLinX Wireless Control and Monitoring System

Operates on a wireless mesh network based on IEEE 802.15.4 standards enabling wireless control of outdoor lighting.

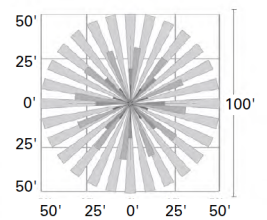
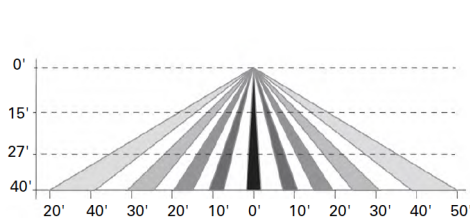
WaveLinX (WPS2 and WPS4) outdoor wireless sensors offer passive infrared (PIR) occupancy and photocell for closed loop daylight harvesting, and can be factory or field-installed. Sensors are factory preset to dim down to 50% after 15 minutes of no motion detected. Two lens options are available for mounting heights of 7' to 40'. Use the WaveLinX mobile application for set-up and configuration. At least one Wireless Area Controller (WAC) is required for full functionality and remote communication (including adjustment of any factory pre-sets).

WaveLinX Lite (WLS4 and WLS2) outdoor wireless sensors provide PIR occupancy and photocell for closed loop daylight harvesting, and can be factory or field-installed. Sensors are factory preset to dim down to 50% after 15 minutes of no motion detected. Two lens options are available for mounting heights of 7' to 40'. Use the WaveLinX Lite mobile application for set-up and configuration. WAC not required.

For mounting heights up to 15' (WPS2 and WLS2)



For mounting heights up to 40' (WPS4 and WLS4)



Default Program Settings (Out of the Box Functionality)

Occupancy Sensor			
Setting	SPB	WaveLinX Light Commercial	WaveLinX
High Mode %	100%	100%	100%
Low Mode %	10%	50%	50%
Time Delay	5 min	15 min	15 min
Cut Off Delay	1 hr	Disabled	Disabled
Photocell Enabled	No	Yes	Yes

WaveLinX Outdoor Control Module (WOLC-7P-10A) accessory provides a photocontrol enabling astronomical or time-based schedules to provide ON, OFF and dimming control of fixtures utilizing a 7-PIN receptacle. The out-of-the-box functionality is ON at dusk and OFF at dawn.

Synapse (DIM10)

SimplySNAP integrated wireless controls system by Synapse. Includes factory installed DIM10 Synapse control module and FSP-201 motion sensor; requires additional Synapse system components for operation. Contact Synapse at www.synapsewireless.com for product support, warranty and terms and conditions.