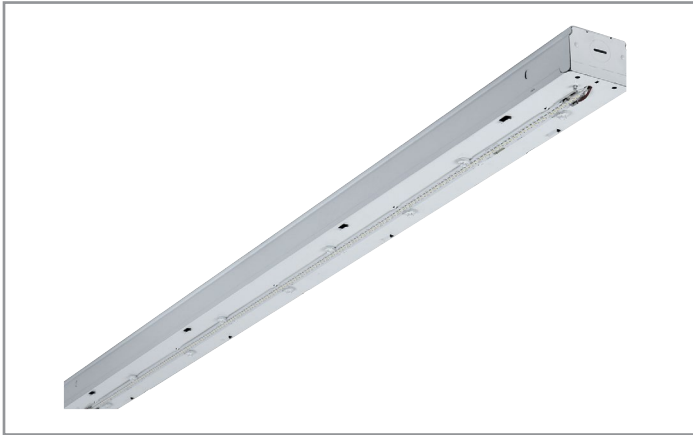


Project		Catalog #		Type	
Prepared by		Notes		Date	



Metalux

SNX Base

LED Striplight

Typical Applications

Commercial • Cove • Warehouse/Distribution • Retail • Industrial • General Aisle or Open Areas • Utility/Storage Rooms

Interactive Menu

- Order Information [page 2](#)
- Photometrics [page 3](#)
- Energy and Performance Data [page 4](#)
- Control Solutions [page 6](#)
- Product Warranty

Product Certification



Product Features

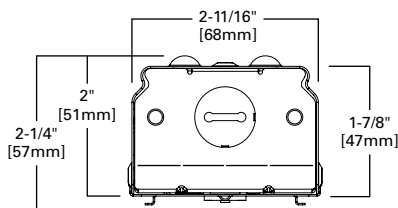


Top Product Features

- Standard (SL) and High lumen/High Efficacy (HL) packages
- Three (3) CCT and Lumen selectable options available
- Up to 22,000 lumen and 176 LPW
- Decorative end cover and multiple finishes provide a polished look
- 80 and 90CRI option for superior color quality
- Integral factory installed controls option allows more energy savings
- Tool-less channel cover and electrical assembly
- Options to meet Buy American and other domestic preference requirements

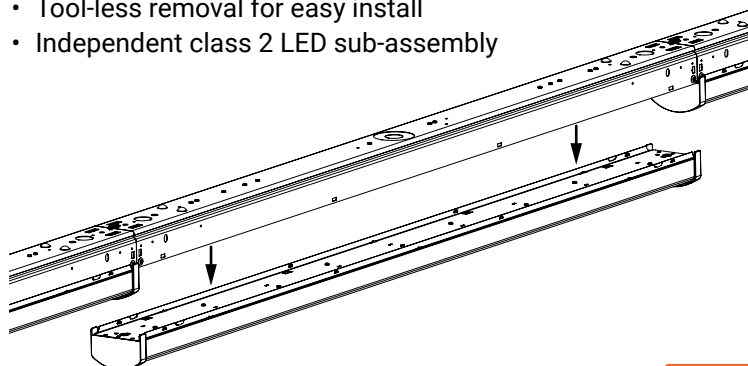
Dimensional Details

End View - No Lens



Captive Light Channel Assembly

- Tool-less removal for easy install
- Independent class 2 LED sub-assembly



[additional product diagrams](#)

Order Information

SAMPLE ORDER NUMBER: **4SNX-48SL-UNV-L935-CD1-BLK-U**

Domestic Preferences ⁽¹⁾	Length	Series	Standard Nominal Lumen Packages ⁽³⁾			Voltage ⁽⁴⁾	Color Temp / CCT																																																															
[Blank]=Standard BAA=Buy American Act TAA=Trade Agreements Act	2=2' Length 4=4' Length 8T=8' Length	SNX=Commercial LED Striplight ⁽²⁾	<table border="1"> <thead> <tr> <th>2 ft</th> <th colspan="2">4 ft</th> <th colspan="2">8 ft</th> </tr> </thead> <tbody> <tr> <td>SL3</td> <td>SL3</td> <td>60SL</td> <td>SL3</td> <td>114SL ⁽⁵⁾</td> </tr> <tr> <td>19SL</td> <td>20SL</td> <td>63SL</td> <td>40SL</td> <td>120SL ⁽⁵⁾</td> </tr> <tr> <td>23SL</td> <td>22SL</td> <td>67SL</td> <td>44SL</td> <td>126SL ⁽⁵⁾</td> </tr> <tr> <td>25SL</td> <td>26SL</td> <td>74HL</td> <td>52SL</td> <td>134SL ⁽⁵⁾</td> </tr> <tr> <td>30SL</td> <td>31SL</td> <td>81HL</td> <td>62SL</td> <td>148HL ⁽⁵⁾</td> </tr> <tr> <td>40HL</td> <td>33SL</td> <td>84HL</td> <td>66SL</td> <td>162HL ⁽⁵⁾</td> </tr> <tr> <td>44HL</td> <td>37SL</td> <td>87HL</td> <td>74SL</td> <td>168HL ⁽⁵⁾</td> </tr> <tr> <td>47HL</td> <td>41SL</td> <td>90HL</td> <td>82SL</td> <td>174HL ⁽⁵⁾</td> </tr> <tr> <td></td> <td></td> <td></td> <td>45SL</td> <td>93HL</td> </tr> <tr> <td></td> <td></td> <td></td> <td>48SL</td> <td>100HL</td> </tr> <tr> <td></td> <td></td> <td></td> <td>51SL</td> <td>104HL</td> </tr> <tr> <td></td> <td></td> <td></td> <td>57SL</td> <td>102SL ⁽⁵⁾</td> </tr> </tbody> </table>	2 ft	4 ft		8 ft		SL3	SL3	60SL	SL3	114SL ⁽⁵⁾	19SL	20SL	63SL	40SL	120SL ⁽⁵⁾	23SL	22SL	67SL	44SL	126SL ⁽⁵⁾	25SL	26SL	74HL	52SL	134SL ⁽⁵⁾	30SL	31SL	81HL	62SL	148HL ⁽⁵⁾	40HL	33SL	84HL	66SL	162HL ⁽⁵⁾	44HL	37SL	87HL	74SL	168HL ⁽⁵⁾	47HL	41SL	90HL	82SL	174HL ⁽⁵⁾				45SL	93HL				48SL	100HL				51SL	104HL				57SL	102SL ⁽⁵⁾	<p>UNV=Universal Voltage 120-277 347V=347V 480V=480V ⁽⁹⁾</p>	<p>CCT Select ⁽⁶⁾ CC83=Switchable CCT, 80CRI, 35/4/5000K CC93=Switchable CCT, 90CRI, 35/4/5000K</p> <p>CCT/CRI L830=3000K, 80 CRI L835=3500K, 80 CRI L840=4000K, 80 CRI L850=5000K, 80 CRI L930=3000K, 90 CRI L935=3500K, 90 CRI L940=4000K, 90 CRI L950=5000K, 90 CRI</p>
2 ft	4 ft		8 ft																																																																			
SL3	SL3	60SL	SL3	114SL ⁽⁵⁾																																																																		
19SL	20SL	63SL	40SL	120SL ⁽⁵⁾																																																																		
23SL	22SL	67SL	44SL	126SL ⁽⁵⁾																																																																		
25SL	26SL	74HL	52SL	134SL ⁽⁵⁾																																																																		
30SL	31SL	81HL	62SL	148HL ⁽⁵⁾																																																																		
40HL	33SL	84HL	66SL	162HL ⁽⁵⁾																																																																		
44HL	37SL	87HL	74SL	168HL ⁽⁵⁾																																																																		
47HL	41SL	90HL	82SL	174HL ⁽⁵⁾																																																																		
			45SL	93HL																																																																		
			48SL	100HL																																																																		
			51SL	104HL																																																																		
			57SL	102SL ⁽⁵⁾																																																																		

SL denotes standard lumen output. HL denotes high lumen output using additional LEDs to obtain lumen package.
SL3=Low/Med/High output (see performance table for lumen package).

Drive Type ⁽⁷⁾	Number of Drivers	Options			Knockouts
<p>CD=0-10V Dimming Driver (10% - 100% Dimming) HCD=0-10V Dimming Driver (1% - 100% Dimming) SD=Step-dim (Bi Level) SLTD=DALI Driver LH=Lutron HiLume (LDE1 series) 1%-100% EcoSystem Driver with Soft-on Fade to Black dimming ⁽²²⁾</p>	<p>1=1 Driver 2=2 Drivers</p>	<p>Emergency ^{(9),(10)} EL7W=7-watt 120V-277V emergency battery pack ⁽¹¹⁾ EL10W=10-watt 120V-277V emergency battery pack ⁽¹¹⁾ EL14W=14-watt 120V-277V emergency battery pack ⁽¹¹⁾ EL10WSD=10W emergency battery pack with self-diagnostic installed ^{(11),(12)} EL14WSD=14W emergency battery pack with self-diagnostic installed ^{(11),(12)} GTR2=Bodine Generator Transfer Relay ⁽¹³⁾ ETRD=Emergency Transfer Relay with dimming control ⁽¹³⁾</p>	<p>Wiring ^{(14),(15)} PI/CPI=Plug in and cross over plug in options ⁽²²⁾ PC6/120=(NEMA 5-15P) 6' Cord with NEMA Straight Plug PC6/277=(NEMA L7-15P) 6' Cord with NEMA Twist Plug C6(1)=1 circuit, 6 ft. cord no plug C3(1)=1 circuit, 3 ft. cord no plug</p>	<p>Sensor ⁽¹⁰⁾ [Blank]=No Sensor WLS (formerly WAB)=WaveLinX LITE Wireless Sensor, Occupancy w/ photocell, Independent & Networked ⁽⁸⁾ WPS (formerly WAA)=WaveLinX PRO Wireless Sensor, Occupancy w/ photocell, Networked ^(A) WLS4=WaveLinX LITE Sensor, High Bay Occupancy w/ photocell, Independent & Networked ⁽⁸⁾ WPS4 (formerly SWPD3)=WaveLinX PRO Sensor, High Bay Occupancy w/ photocell, Networked ^(A) ZW-SWPD3=WaveLinX Wireless Sensor, Sidecar mount only, with 1200 sq ft. coverage ^{(21),(8)} Sensor Location MID=Mid-row ⁽²⁰⁾</p>	<p>[Blank]=Clean Channel FKO=Full Size KO's</p>

Paint Finish	Packaging	Accessories (Order Separately) ⁽¹⁷⁾			
<p>[Blank]=Standard White PAF=Painted after fab. (White) BLK=PAF Black ⁽¹⁶⁾ GRY=PAF Gray ⁽¹⁶⁾</p>	<p>U=Unit Pack</p>	<p>AYC-CHAIN/SET-U=36" Chain Hanger (Use 1 set per fixture) SCF=Fixed Stem Set (Specify Length) ⁽¹⁸⁾ SCS=Swivel Stem Set (Specify Length) ⁽¹⁸⁾ SCA=Adjustable 48" Stem Set ⁽¹⁸⁾ EYE-CHAIN/SET-B=Eye Bolt Chain (Use 1 set per fixture) WG-SNX/SN-2FT-B=2 ft Wire Guard WG-SNX/SN-4FT-B=4 ft Wire Guard A-1-B/SPACER-B=Spacer 1-1/2" to 2-1/2" from ceiling (Use 2 per fixture) ⁽¹⁸⁾ TOGGLE=Single Toggle No. 2 (Specify Length) ⁽¹⁸⁾ Y-Toggle-10-2PK=(2) Y-Toggle Cable Kits at 10FT long GRP-SNF-U=Gripper Hanger CLC-SNLED-EXT-B=SN/SNX Long Row Aligner Extension ISHH-01=Integrated SVPDx Sensor Programming Remote</p>	<p>Round Lenses SNX-LENS-LW-2FT-U= Replacement Lens 2 ft, Full Frost SNX-LENS-LN-2FT-U= Replacement Lens 2 ft, Semi Frost SNX-LENS-LC-2FT-U= Replacement Lens 2 ft, Clear SNX-LENS-LW-4FT-U= Replacement Lens 4 ft, Full Frost SNX-LENS-LN-4FT-U= Replacement Lens 4 ft, Semi Frost SNX-LENS-LC-4FT-U= Replacement Lens 4 ft, Clear</p>	<p>Square Lenses SNX-SQLENS-SLW-2FT-U= Replacement Lens 2 ft, Full Frost SNX-SQLENS-SLW-4FT-U= Replacement Lens 4 ft, Full Frost</p> <p>Flat Lenses SNX-Flat Lens-FDL-2FT-U=Replacement Lens 2 ft, Full Frost SNX-Flat Lens-FDL-4FT-U=Replacement Lens 4 ft, Full Frost</p>	<p>Finished End Cap ⁽¹⁹⁾ DECOEND-RND PK=(2) Full end caps, SNX w/ Round Lens DECOEND-FDL PK=(2) Full end caps, SNX w/ Flat FDL Lens DECOEND-SLW PK=(2) Full end caps, SNX w/ Square Lens</p>

Notes: (1) Only product configurations with these designated prefixes are built to be compliant with the Buy American Act of 1933 (BAA) or Trade Agreements Act of 1979 (TAA), respectively. Please refer to [DOMESTIC PREFERENCES](#) website for more information. Components shipped separately may be separately analyzed under domestic preference requirements. (2) Designlights Consortium® Qualified and classified for both DLC Standard and DLC Premium, refer to [www.designlights.org](#) for details. (3) Nominal lumen values. See table for value and fixture length. (4) 347/480V max ambient temp 40C. (5) Requires two drivers. (6) SL3 to be ordered in conjunction w/CCT Select. (7) 2ft with Sensor limited to CD and HCD drivers only. (9) 4 ft and 8 ft only. (10) When ordering sensor or EBP option, specify UNV (for 120 or 277V), 347 or 480V. (11) With integral test switch/indicator/laser test. For approximate delivered lumens multiply the lumens per watt of the desired fixture by the wattage of the emergency battery pack (100 lm/W x 7=700 lumens). IES-format photometry for luminaire under emergency operation available. (12) EL10WSD and EL12WSD not available w/347V. (13) Used to bypass local control during outage. Must be used in conjunction with UL1008 device (provided by others). GTR2 option includes 2 relays on fixtures with dimming drivers. ETRD option only requires one relay when used on a dimming fixture. Must specify voltage as 120 or 277V when ordering GTR2. (14) Consult tech support on numerous options for this feature. (15) Most common C&P shown. Must specify location for cord. All "end" locations will be on the end with sensor installed. (16) Black or gray fixture and lens ends. Refer to Finish Multiplier table for performance. (17) Accessories sold separately will be separately analyzed under domestic preference requirements. Consult factory for further information. (18) Order 2 per fixture. (19) Finished Deco end cover cannot be used with ZW end mount sensor or over any end mount fitting. (20) Integral Mid-Row sensor does not apply for ZW-SVPD3. (21) WLSX provided in separate enclosure. (22) For more information on PI/CPI options, refer to [022341_pi_tiltw](#) ([cooperlighting.com](#)) (23) Consult Marketplace Options- Lutron system pages for additional details and compatibility. Compatible only with driver series shown, and may require two or more drivers. Requires field commissioning to operate or dim. Contact Lutron at [www.lutron.com](#)

Integrated options must be used in conjunction with the associated system and may not be compatible with other options or accessories. Please refer to the following: (A) Consult WaveLinX system pages for additional details and compatibility. (B) Consult WaveLinX Lite system pages for additional details and compatibility.

Product Specifications

Construction

- Die-formed cold rolled steel channel and cover
- Convertible end plate for continuous row alignment
- Tool-less channel/wireway cover and captive electrical assembly
- Groove for Tong Hanger
- Surface, pendant or stem mount capable. See available mounting options.

Controls

- Standard with 0-10V dimming driver (10% standard, 1% optional)
- Integrated WaveLinX sensor options provide wireless individual fixture control and enable code compliance, increased energy savings, grouping of fixtures, and connection to WaveLinX control systems
- DALI 2.0 and step-dimming available
- For motion control, reference sensor locations for both end and middle of the row applications

Electrical

- Long-life LED system with electrical driver for optimal performance
- LED's available in 3000K, 3500K, 4000K or 5000K with CRI of 80 standard or optional 90 CRI
- Three CCT select option available for 80 or 90CRI in warm to cool color temps, see ordering logic
- Lumen select option available in full, medium or low brightness, see performance table and ordering logic
- Electronic drivers available for 120-277V, 347V and 480 applications
- Operating temperature of -20°C to 50°C

Emergency Battery Pack Option

- Optional 120V-277V integral emergency battery pack available in 7W or 14W
- 90-minute backup period for code compliance
- Generator transfer options available

Finish

- Standard baked white enamel finish with multi-stage, iron phosphate pretreatment. Baked white enamel finish is standard
- PAF option for added rust protection
- Other paint finishes available: Black (BLK) and GRAY (GR)

Compliance

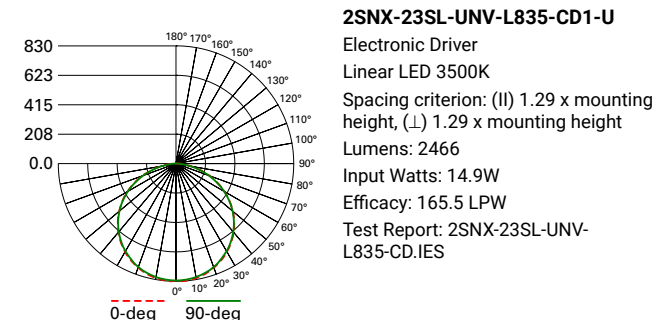
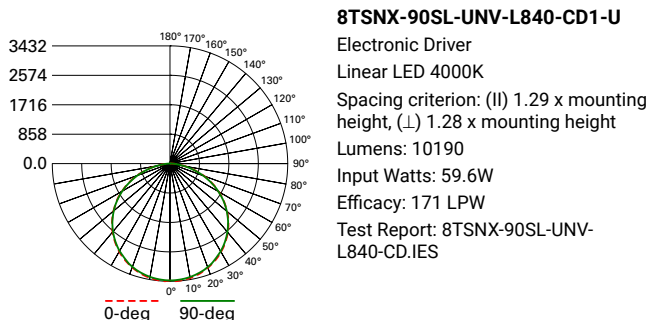
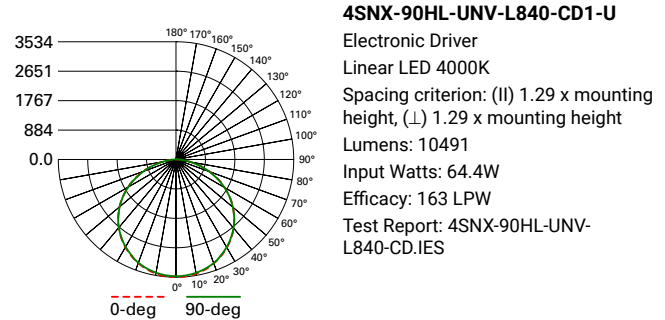
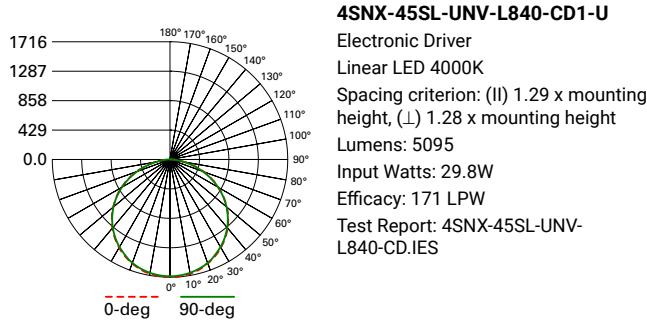
- cULus Listed for damp locations
- RoHS compliant
- Complies with IESNA LM-79 and LM-80 standards
- NEMA 410 compliant (drivers)
- State of California Title 24 high efficacy luminaire
- DesignLights Consortium® Qualified and classified for DLC Standard and DLC Premium (refer to www.designlights.org)
- Suitable for closet use when installed to NEC 410.16 spacings standards

Limited Warranty

- Five year limited warranty

Photometric Data

[View IES files](#)



CCT Table

Approximate Color Temperature Multiplier	
2700K	.93
3000K	.98
3500K	1.0
4000K	1.02
5000K	1.02

CRI

Lumen multiplier (80CRI to 90CRI)				
3000K	3500K	4000K	5000K	
0.805	0.840	0.846	0.901	

Shipping Data

Length	Wt.
2 ft.	4.3 lbs.
4 ft.	8.2 lbs.
8 ft.	15.1 lbs.

Lumen Maintenance

Product Model ⁽¹⁾	Ambient Temperature	TM-21 Lumen Maintenance (60,000 hours)	Theoretical L90 (Hours)	Theoretical L70 (Hours)
SNX-SL	25C	89	53,000	175,000
	40C and higher	89	49,000	163,000
SNX-HL	25C	89	55,000	180,000
	40C and higher	87	46,000	155,000

Notes: (1) 4ft and 8ft TM-21 data are equivalent.

Energy and Performance Data - Fixed Output

Lumen Package		Delivered Lumens	Wattage	Efficacy Im/W
2 ft		Open (L/lens)		Open (L/lens)
19	SL	2037	12.0	169.8
23	SL	2466	14.9	165.5
25	SL	2759	17.5	157.7
30	SL	3253	21.0	154.9
40	HL	4550	27.6	164.9
44	HL	4902	31.1	157.6
47	HL	5244	33.7	155.6

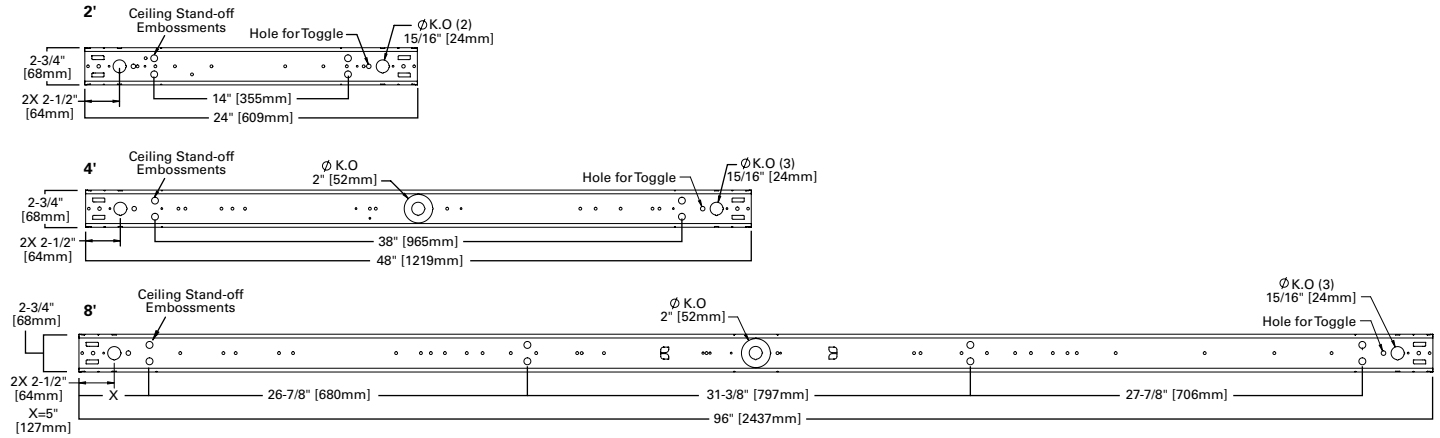
Lumen Package		Delivered Lumens	Wattage	Efficacy Im/W
4 ft		Open (L/lens)		Open (L/lens)
20	SL	2132	12.1	176.2
22	SL	2482	13.8	179.9
26	SL	2866	16.4	174.8
31	SL	3369	19.5	172.8
33	SL	3618	21.1	171.5
37	SL	4074	24.0	169.8
41	SL	4422	26.3	168.1
45	SL	4932	29.8	165.5
48	SL	5270	32.1	164.2
51	SL	5519	35.0	157.7
57	SL	6184	39.7	155.8
60	SL	6507	42.0	154.9
63	SL	6830	44.4	153.8
67	SL	7302	47.9	152.4
74	HL	8391	51.8	162.0
81	HL	9101	55.1	165.2
84	HL	9510	57.9	164.2
87	HL	9805	62.2	157.6
90	HL	10255	64.4	159.2
93	HL	10487	67.4	155.6
100	HL	11270	72.5	155.4
104	HL	11686	75.5	154.8

Lumen Package		Delivered Lumens	Wattage	Efficacy Im/W
8 ft		Open (L/lens)		Open (L/lens)
40	SL	4264	24.2	176.2
44	SL	4856	27.6	175.9
52	SL	5733	32.8	174.8
62	SL	6739	39.0	172.8
66	SL	7235	42.2	171.4
74	SL	8148	48.0	169.8
82	SL	8845	52.6	168.2
90	SL	9864	59.6	165.5
96	SL	10541	64.2	164.2
102	SL	11038	70.0	157.7
114	SL	12367	79.4	155.8
120	SL	13014	84.0	154.9
126	SL	13661	88.8	153.8
134	SL	14603	95.8	152.4
148	HL	16782	103.6	162.0
162	HL	18201	110.2	165.2
168	HL	19020	115.8	164.2
174	HL	19609	124.4	157.6
180	HL	20311	128.8	157.7
186	HL	20974	134.8	155.6
200	HL	22540	145.0	155.4

Energy and Performance Data - Selectable Output

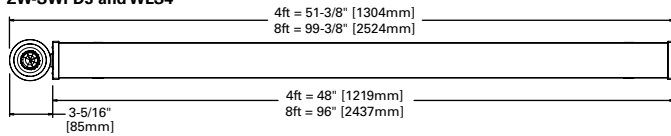
			Lumen Select	Delivered Lumens			Wattage			Efficacy Im/W		
			CCT Select	3500K	4000K	5000K	3500K	4000K	5000K	3500K	4000K	5000K
Less Lens or Open	80	2 ft.	Low	1042	1116	1116	6.9	6.6	6.7	151.0	169.1	166.6
			Med	2084	2233	2232	13.9	13.2	13.3	149.9	169.2	167.8
			High	3157	3383	3382	21.0	20.0	20.2	150.3	169.2	167.4
		4 ft.	Low	2331	2445	2377	16.7	16.1	16.9	139.6	151.9	140.7
			Med	4662	4891	4754	33.5	32.3	33.7	139.2	151.4	141.1
			High	7064	7410	7203	50.7	48.9	51.1	139.3	151.5	141.0
	8 ft.	Low	4662	4885	4754	33.5	32.3	33.7	139.2	151.2	141.1	
		Med	9324	9769	9507	66.9	64.5	67.5	139.4	151.5	140.8	
		High	14128	14802	14405	101.4	97.8	102.2	139.3	151.3	140.9	
	90	2 ft.	Low	882	945	947	6.9	6.6	6.7	127.8	143.2	141.3
			Med	1764	1890	1894	13.9	13.2	13.3	126.9	143.2	142.4
			High	2673	2863	2869	21.0	20.0	20.2	127.3	143.2	142.0
4 ft.		Low	1973	2067	2016	16.7	16.1	16.9	118.1	128.4	119.3	
		Med	3947	4134	4033	33.5	32.3	33.7	117.8	128.0	119.7	
		High	5980	6264	6110	50.7	48.9	51.1	117.9	128.1	119.6	
8 ft.		Low	3947	4134	4033	33.5	32.3	33.7	117.8	128.0	119.7	
		Med	7894	8268	8065	66.9	64.5	67.5	118.0	128.2	119.5	
		High	11960	12528	12220	101.4	97.8	102.2	117.9	128.1	119.6	

Dimensional and Mounting Details

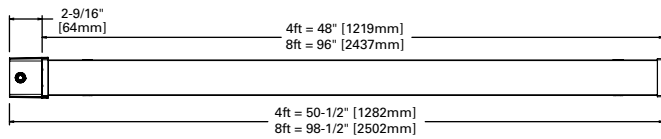


Fixture Size with Sensor

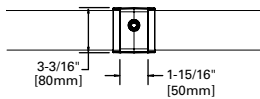
ZW-SWPD3 and WLS4



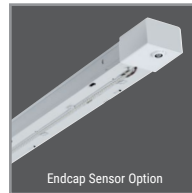
WAA or WAB



Mid-Row Sensor



Options



Control Solutions

- WaveLinX LITE wireless
- WaveLinX PRO wireless
- WaveLinX CAT wired
- WaveLinX Wired



The SNX with WaveLinX offers no-hassle lighting control with multiple luminaire level control solutions.



WaveLinX PRO is a wireless lighting control solution, for connected spaces, that significantly reduces a building's energy consumption. From a single floor to an entire campus, WaveLinX PRO connects more than lighting assets; it shares aggregated sensor data with the WaveLinX CORE platform and other building systems, so building owners can improve operations, spaces environment, and tenants' experience. WaveLinX PRO offers a rich portfolio of wireless devices, WaveLinX PRO-enabled luminaires, and an intuitive WaveLinX mobile app for office, education, warehouse, and parking garage applications.

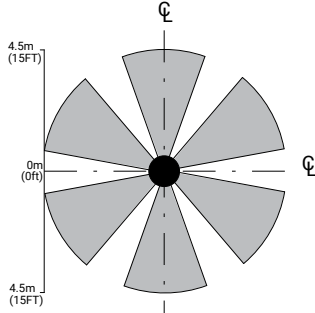


WaveLinX LITE is a cost effective, wireless digital lighting control solution, with out-of-the-box functionality, that saves energy and meets code. It's designed for applications that require occupancy-based, daylighting, or manual light control. Customize installations for office, education, warehouse and parking garages using the secure, simple mobile app.

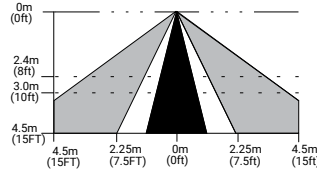
Integrated Sensor Coverage Pattern

WaveLinX PRO/LITE Sensor – WLS and WPS

TOP VIEW:



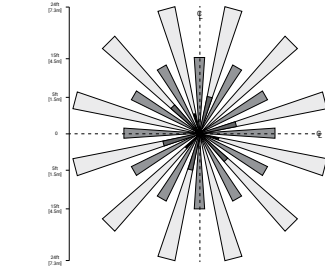
SIDE VIEW:



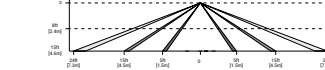
Note: Installation of integrated sensors within 3-ft (1m) of HVAC air vents is not recommended. The pattern shown is intended solely as a general guide and is not to scale.

WaveLinX PRO/LITE Sensor – WLS2 and WPS2

TOP VIEW:

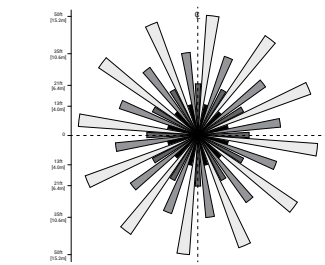


SIDE VIEW:

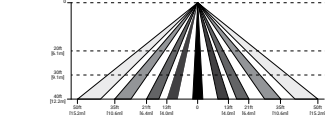


WaveLinX PRO/LITE Sensor – WLS4 and WPS4

TOP VIEW:

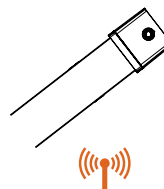


SIDE VIEW:

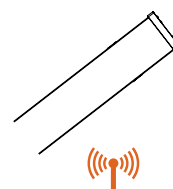


Add a hidden WaveLinX sensor node (WPN, WLN) to your space lighting design!

With Integrated WaveLinX Sensor



With Integrated WaveLinX Node



Allows to:

- Keeps luminaire aesthetics
- Connect fixtures without the realstate to include sensor option such as downlights
- Connect sealed fixtures without a standard sensor option such as products for clinical space.

Integrated Controls Options

Option	Out of the Box Functionality	Luminaire Level Lighting Control (LLLC)	Automatic Dimming Photocell	Occupancy Sensing	CCT Control
WLS	X	X	X	X	
WPS		X	X	X	

Systems comparison chart

Cooper Lighting Solutions provides many lighting system solutions designed to satisfy code requirements and meet the unique needs of any project.



Luminaire with standalone sensor



Standalone Spaces WaveLinX LITE



Standalone Spaces WaveLinX CAT



Networked Spaces WaveLinX PRO



Enterprise WaveLinX CORE

	Luminaire with standalone sensor	Standalone Spaces WaveLinX LITE	Standalone Spaces WaveLinX CAT	Networked Spaces WaveLinX PRO	Enterprise WaveLinX CORE
Occupancy	Yes	Yes	Yes	Yes	Yes
Daylighting	Yes	Yes	Yes	Yes	Yes
Wallstations	-	Yes	Yes	Yes	Yes
Gateways	-	-	-	1 WAC	300 WACs
Devices (MAX)	-	40 per Area (1120 per space)	40 per Area	200 per WAC2	32,500 per CORE Enterprise
Software	-	WaveLinX LITE Mobile App	WaveLinX CAT Mobile App	WaveLinX Mobile App	CORE
Areas	-	28 per Space	Unlimited	50 per WAC2	up to 3,000
Zones	-	16 per Area	16 per Area	16 per Area	up to 9,000
Scheduling	-	-	-	Local	Global
VividTune™	-	-	-	Yes	Yes
Plug-Load Control	-	Yes	Yes	Yes	Yes
Low-Voltage Power	-	-	Yes	Yes	Yes
Integration	-	-	-	-	BACnet, API
Dashboards	-	-	-	-	Energy, Occupancy
Configuration	-	Installer	Installer	Technician	Technician / IT