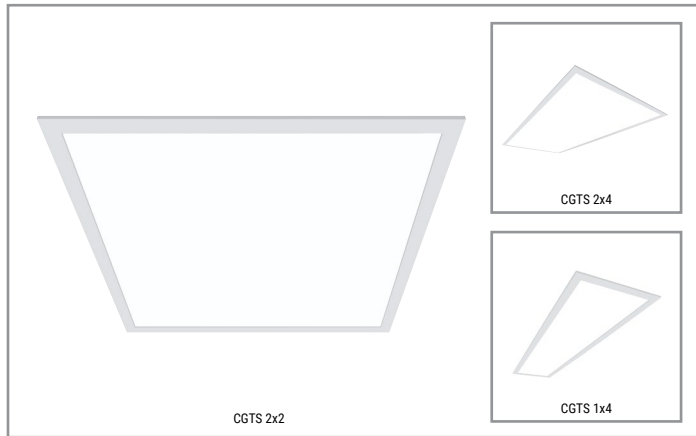


Project		Catalog #		Type	
Prepared by		Notes		Date	



# Metalux

## CGTS Selectable Lumens and CCT

1x4, 2x2, 2x4 LED Backlit Panel

### Typical Applications

Offices • Education • Healthcare • Retail

**Interactive Menu**

- Order Information [page 2](#)
- Photometric Data [page 4](#)
- Product Warranty

### Product Certification



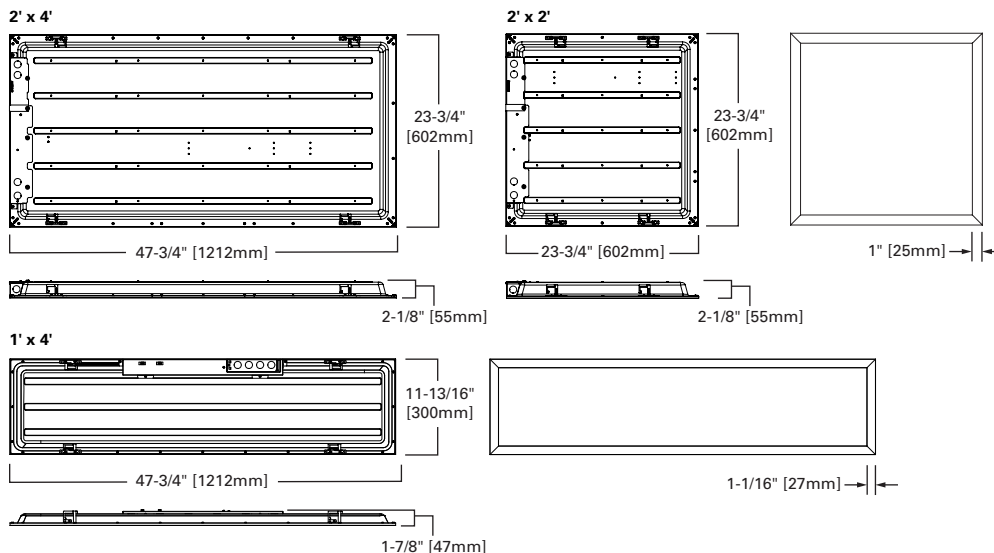
### Product Features



### Top Product Features

- Three color temperature and three lumen package choices for use in a variety of applications
- Selectable switches are located on top of the junction box, for quick adjustment before and after installation
- Acrylic micro-optics provide uniform illumination across the entire lens
- Extruded aluminum frame tightly seals to the housing for optimal performance and aesthetics
- Minimum fixture height ideal for shallow plenum.

## CGTS Dimensions



See page 3 for Junction Box details for CGTS

[additional product diagrams](#)



## CGTS Ordering Information/Performance

Default CCT/Lumen Setting: 4000K/Medium

Size	Catalog	UPC	Lumen Setting	CCT	CRI (Min)	Delivered Nominal Lumens	Watts	Efficacy (lm/W)
1x4	14CGTS-L3C3	080083282517	Low	3500K	80	3271	22.2	147
				4000K	80	3412	21.4	159
				5000K	80	3362	22	153
			Medium	3500K	80	4581	32.6	141
				4000K	80	4827	31.3	154
				5000K	80	4679	32.6	144
			High	3500K	80	4887	37.1	132
				4000K	80	5147	35.5	145
				5000K	80	4982	37.1	134
2x2	22CGTS-L3C3	080083194728	Low	3500K	80	2720	22.0	124
				4000K	80	2826	21.3	133
				5000K	80	2770	21.9	127
			Medium	3500K	80	3681	30.2	122
				4000K	80	3890	28.9	135
				5000K	80	3748	30.1	125
			High	3500K	80	4700	40.6	116
				4000K	80	5063	38.5	132
				5000K	80	4808	40.5	119
2x4	24CGTS-L3C3	080083194704	Low	3500K	80	3600	27.8	130
				4000K	80	3710	27.1	137
				5000K	80	3651	27.8	131
			Medium	3500K	80	5016	39.7	126
				4000K	80	5241	38.5	136
				5000K	80	5081	39.7	128
			High	3500K	80	6426	52.8	122
				4000K	80	6918	50.7	136
				5000K	80	6648	52.8	126

### CGTS Shipping Data

	1x4	2x2	2x4
Weight (lb.)	9.18	8.3	14.5
Pallet Qty	54	36	20
Pallet Size	53" x 49"		

### CGTS Options

Catalog	Description	Example	Notes
EL7W <sup>(1)</sup>	7W EM Pack, Installed	22CGTS-L3C3-EL7W	Remote Indicator/Test Switch
EL14W <sup>(1)</sup>	14W EM Pack, Installed	24CGTS-L3C3-EL14W	Remote Indicator/Test Switch
A3/8-4/18GDIM	6' Length, 3/8" Cable, 2 Wire, 2 Dimming Leads, Ground	24CGTS-L3C3-A3/8-4/18GDIM	
EL7W-A3/8-5/18GDIM EL14W-A3/8-5/18GDIM	7W or 14W EM Pack, Installed, and 6' Flex, 3/8" Cable, 3 Wire, 2 Dimming Leads, Ground	24CGTS-L3C3-EL14W-A3/8-5/18GDIM 22CGTS-L3C3-EL7W-A3/8-5/18GDIM 14CGTS-L3C3-EL7W-A3/8-5/18GDIM	EL7W and EL14W can be used with only 5/18G flex. EM pack is always specified before (to the left of) the flex, in the catalog number.
RMK2	1x4 Regress Mount Kit, Installed	14CGTS-L3C3-RMK2	
	2x2 Regress Mount Kit, Installed	22CGTS-L3C3-RMK2	
	2x4 Regress Mount Kit, Installed	24CGTS-L3C3-RMK2	

**Notes:** (1) Factory installed with remote test switch/indicator/laser test. For approximate delivered lumens multiply the lumens per watt of the desired fixture by the wattage of the emergency battery pack (100 lm/W x 7=700 lumens). IES-format photometry for luminaire under emergency operation available. Battery option increases total height by 1 inch.

## CGTS Accessories

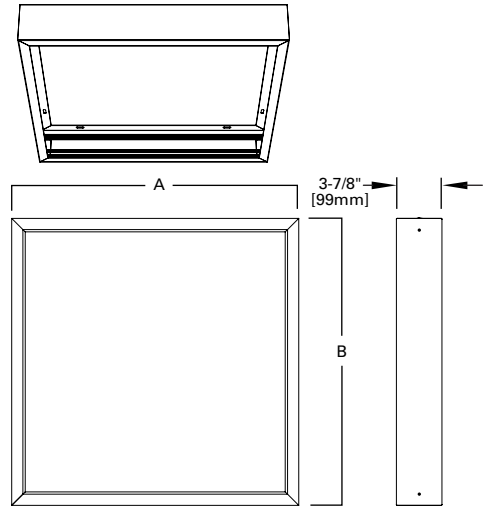
### Surface Mounting Options

Catalog No.	Description	UPC	A	B
CGTSURF24	2x4 CGT Surface Mount Kit	080083083107	24-5/8" [625mm]	48-5/8" [1235mm]
CGTSURF22	2x2 CGT Surface Mount Kit	080083083121	24-5/8" [625mm]	24-5/8" [625mm]
CGTSURF14	1x4 CGT Surface Mount Kit	080083083145	12-5/8" [321mm]	48-5/8" [1235mm]

**Note:** Cannot be used with EL7W or EL14W options.

### Drywall Frame Kit

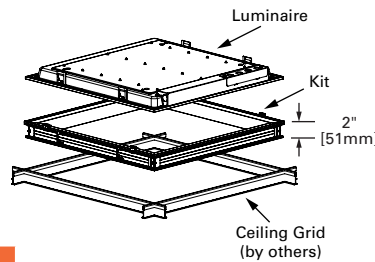
Catalog No.	Description	UPC
DF-24W-U	2x4 dry wall frame kit	0662401232970
DF-22W-U	2x2 dry wall frame kit	0662401232963
DF-14W-U	1x4 dry wall frame kit	0662401232949



### Regress Mount Kit

Catalog No.	Description	UPC	Size
RMK2-14-W	1x4 Regress Mount Kit	080083288021	1x4
RMK2-22-W	2x2 Regress Mount Kit	080083287185	2x2
RMK2-24-W	2x4 Regress Mount Kit	080083288007	2x4

### Regress Panel Field Assembly



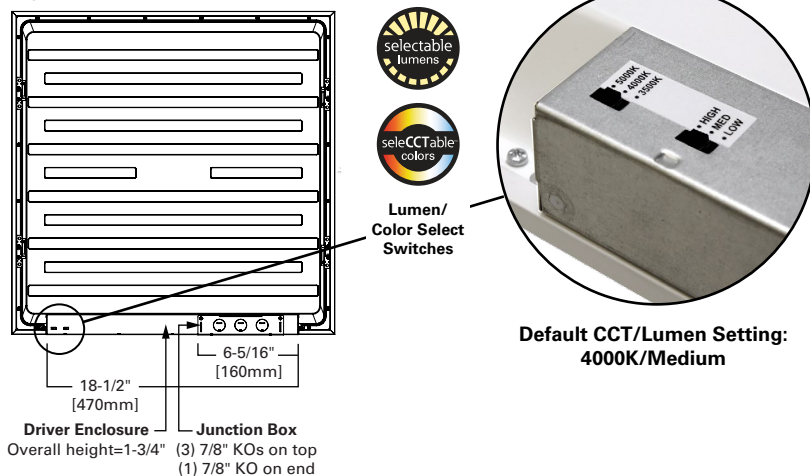
### Suspension Kit

Catalog	UPC	Description
FPSUS24-B	080083876686	2 point Y-hanger suspension kit includes sleeved aircraft cable, carabiner, ceiling connection, SO cord, cord connectors and round 4" J-box cover plate
FPSUS24	080083258895	2 point Y-hanger suspension kit includes aircraft cable, carabiner, ceiling connection, SO cord, cord connectors and round 4" J-box cover plate

Mounting height from ceiling  
**Min.** = 7-1/4" [184mm]  
**Max.** = 27" [286mm]

## CGTS Driver Enclosure / Junction Box

Top View (2' x 2')



Lumen/  
Color Select  
Switches

**Default CCT/Lumen Setting:  
4000K/Medium**

## CGTS Product Specifications

### Construction

- Die-formed steel back plate is post-painted to ensure durability
- Housing is constructed absent of holes
- Aluminum frame weld and ground, for a seamless appearance

### Mounting

- Integral grid clips secure fixture to the ceiling structure
- Junction box constructed of code gauge galvanized steel with access plate
- Multiple 7/8" KO's provided, suitable for up to 12AWG wiring
- Surface and suspension kits available for use in grid or hard surfaces
- Factory installed flexible cable with dimming leads available

### Controls

- Standard UNV 120 - 277V driver with 0-10V dimming, 10% standard
- Can be used with tile mounted sensor or other remote mount controls
- Selectable driver for three color temperature choices and three lumen package choices

### Electrical

- CGTS projected lumen maintenance based on TM21 testing standards is >L82@60,000 hours
- Driver rated for FCC part 15 Class B for use in residential or commercial applications
- LEDs are 80 CRI (minimum) and switch to 3500K, 4000K, or 5000K.
- Emergency battery pack options available in 7W and 14W
- Default CCT/Lumen Setting:4000K/Medium

### Optical Shielding

- Acrylic micro-optics enable uniform distribution of LEDs for uniform lens illumination
- Smooth, frosted lens delivers uniform illumination across the entire lens
- Durable lens with surface texture to minimize scratch and impact damage

### Certifications

- cULus listed for 25C ambient environments, indoor applications
- IC rated for direct insulation contact
- UL damp location listed
- IESNA LM-79 and LM-80 standards compliant

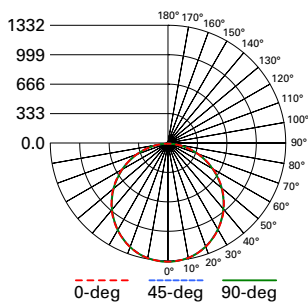
- Qualifies as State of California Title 24 high efficiency luminaire
- FCC part 15 class B (residential) compliant
- DesignLights Consortium® Qualified and classified for DLC standard. Refer to the DLC Qualified Products list at [www.designlights.org/QPL](http://www.designlights.org/QPL) to confirm which versions are qualified
- Meets IP5X rating from the room side with no modification needed
- Fixture is rated for NSF/ANSI standard 2 - Light fixture for Splash Zone and Non-Food Zone

### Warranty

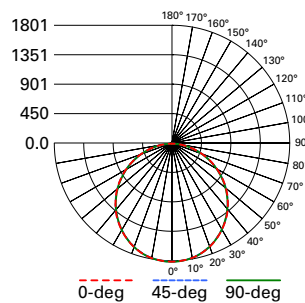
- Five year standard warranty
- Extended ten year warranty available

## CGTS Photometric Data

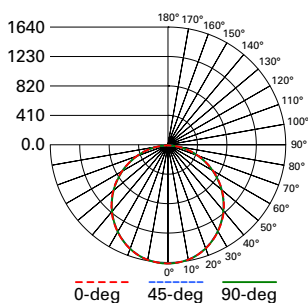
[View IES files](#)



**22CGTS-MID-UNV-L840**  
 Electronic Driver  
 Linear LED 4000K  
 Spacing criterion: (H) 1.26 x mounting height, (L) 1.25 x mounting height  
 Lumens: 3890  
 Input Watts: 28.9W  
 Efficacy: 134.6 LPW  
 Test Report: 22CGTS-MID-UNV-L840.IES



**24CGTS-MID-UNV-L840**  
 Electronic Driver  
 Linear LED 4000K  
 Spacing criterion: (H) 1.26 x mounting height, (L) 1.26 x mounting height  
 Lumens: 5241  
 Input Watts: 38.5W  
 Efficacy: 136.1 LPW  
 Test Report: 24CGTS-MID-UNV-L840.IES



**14CGTS-MID-UNV-L840**  
 Electronic Driver  
 Linear LED 4000K  
 Spacing criterion: (H) 1.28 x mounting height, (L) 1.28 x mounting height  
 Lumens: 4827  
 Input Watts: 31.3W  
 Efficacy: 154 LPW  
 Test Report: 14CGTS-MID-UNV-L840.IES