

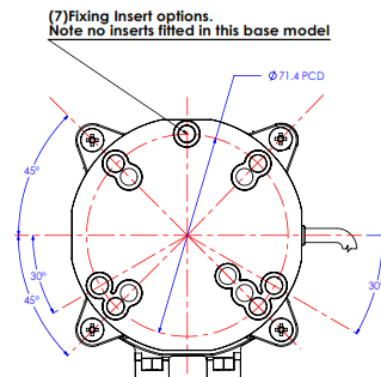
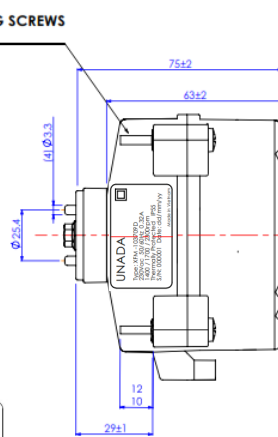
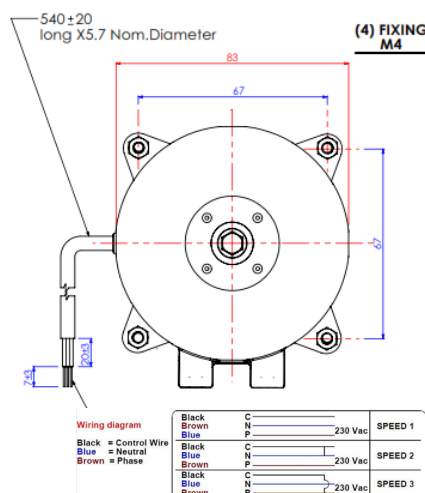
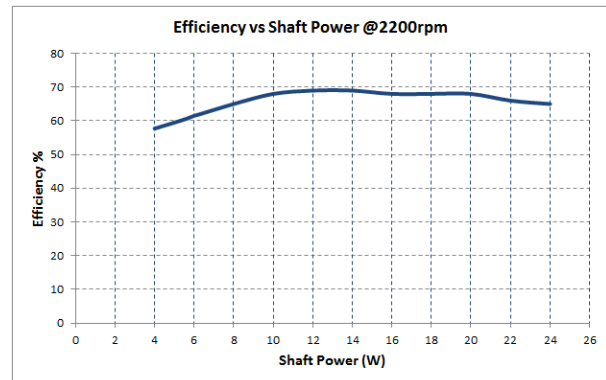
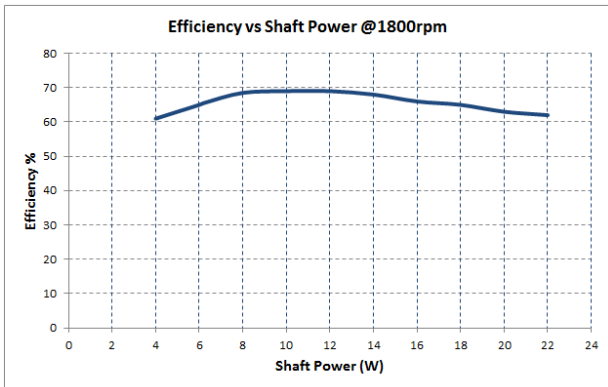
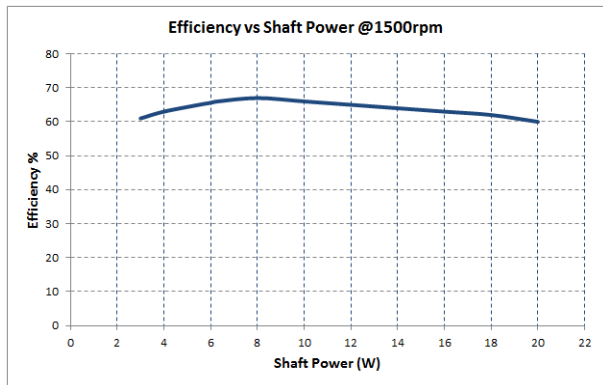
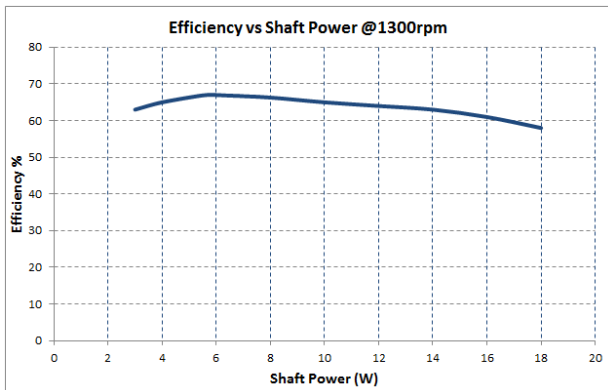
Datasheet: UC+ (FM103609xx/FM103709xx)



Unada Commutated EC Motor

ITEM	SPECIFICATION
Rated voltage	120 / 230Vac (+/-10%), 50/60Hz
Temperature range	-40°C to +50°C
Rated current	0.42A / 0.25A
Efficiency	≤ 70%
Output Power	0 – 25W
Rated speed	400 to 2300rpm (+/-1%)
Speed Selection	3 discrete programmable speeds.
Direction of rotation	CCW, CW, reversible
Reverse Speed	Timed reverse programmable options
Motor Protection	Thermally Protected
Ground Protection	Double Insulation
Insulation Class	Class B
Bearing	608 sealed ball bearings
Approvals	UL / TÜV / CE / RCM
Ingress Protection	IP55
Hydrocarbon Compatibility	EN60335-2-89 certified

Performance:



REF:103609_A0