

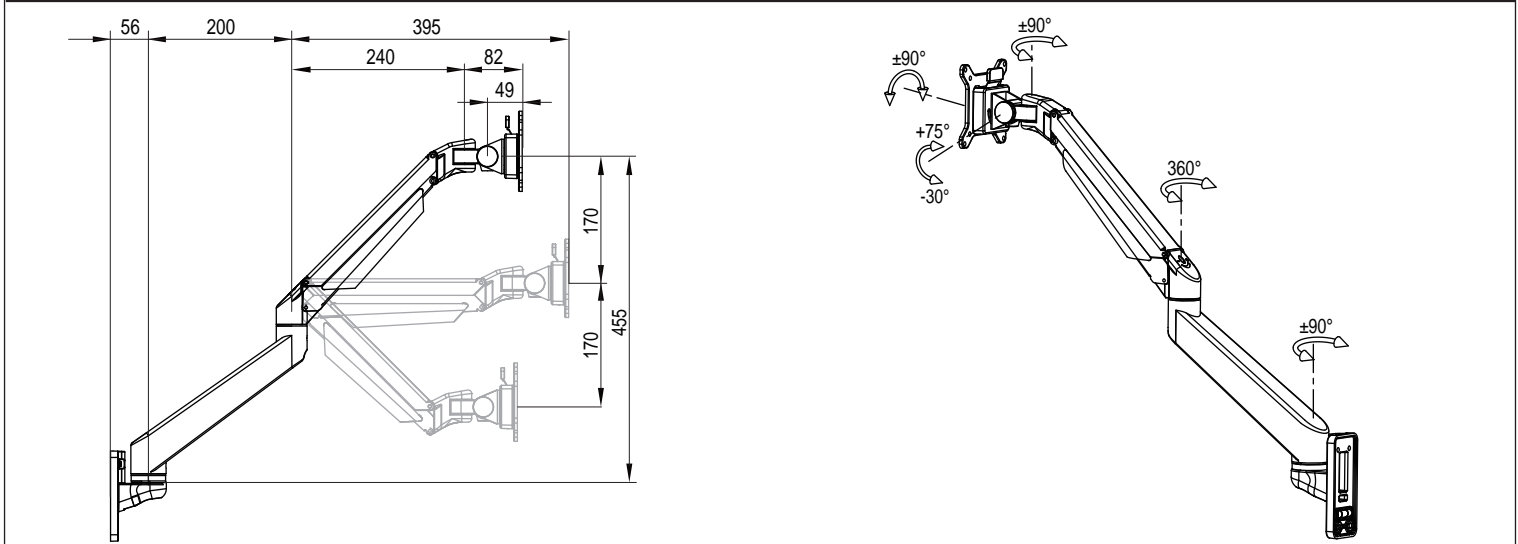
LCD Monitor Arm // Installation Manual

Product name: Articulating Monitor Arm Mount - Reach SKU:660REACH

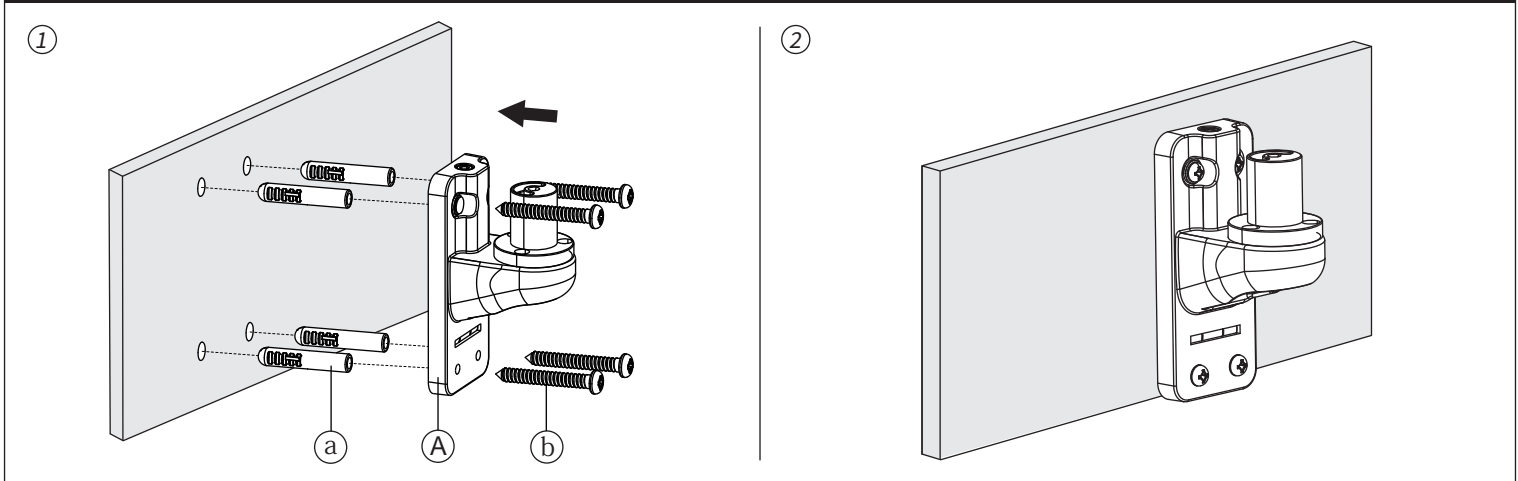
Product Specification

Sketch											
Item	Monitor size	Weight range (kg)	Lift(mm)	Tilt	Swivel	Pivot	VESA	Packing size (mm)	N.W(kg)	G.W(kg)	Hole layout (mm)
Specification	≤30°	2-10	340	+75°~ -30°	±90°	±90°	75*75 100*100	Inner: 475*195*140	Inner: 2.6	Inner: 3.1	28.6x104
		8-20						Outer: 490*210*440			

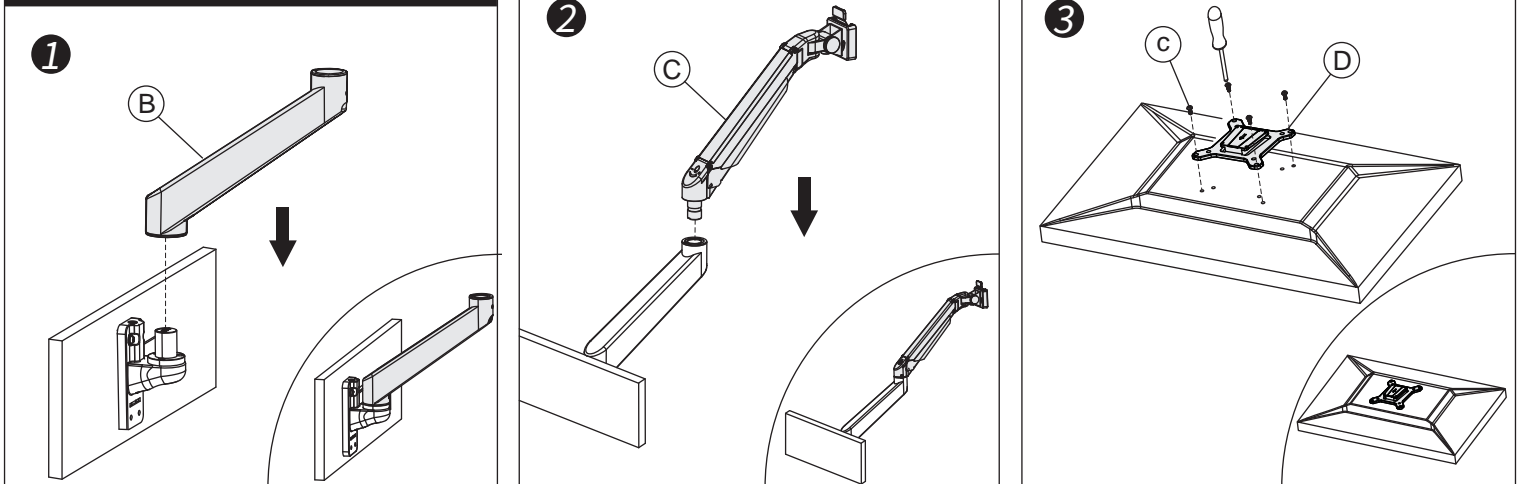
Product Size

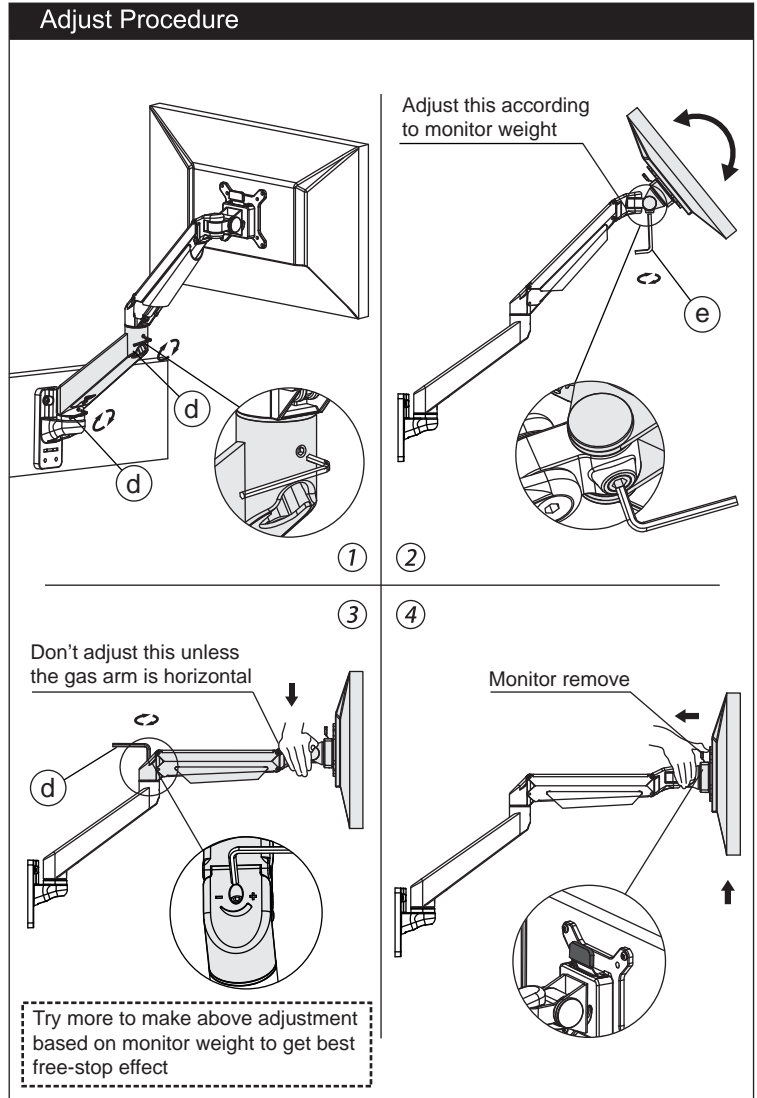
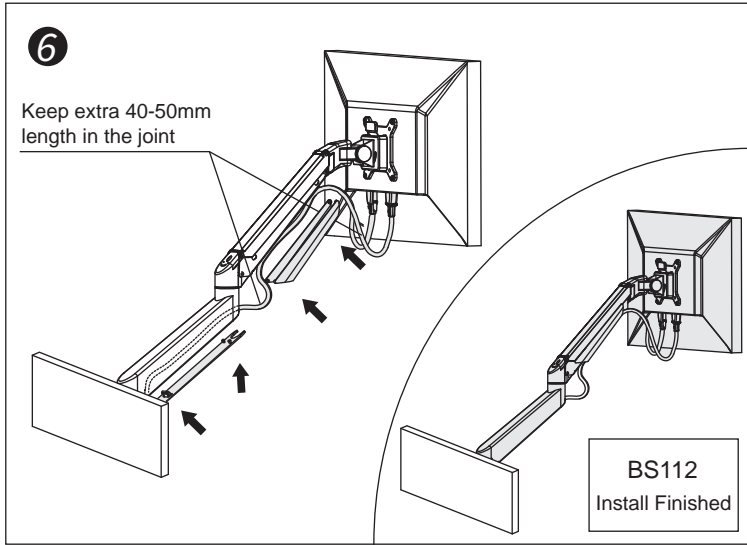
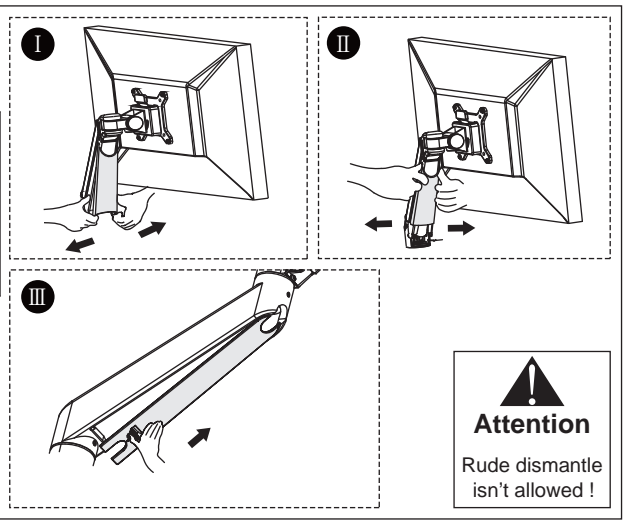
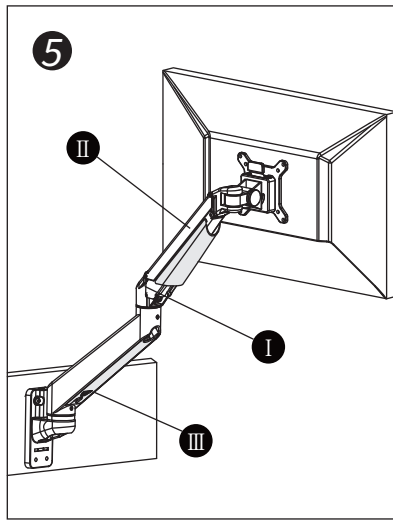
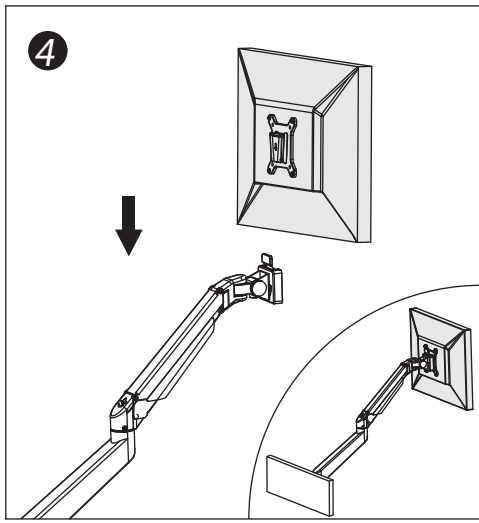


Installation of Wall-fixed Base



Install Procedure



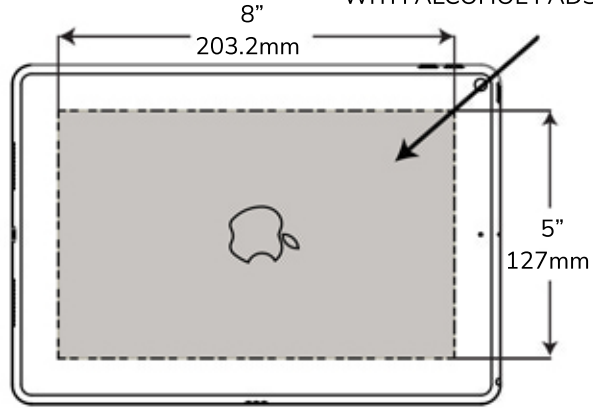


Module List			
No.	Sketch	Specs	Quantity
A			1
B			1
C			1
D			1

Part List			
No.	Sketch	Specs	Quantity
a		Ø10x40	4
b		M6x40	4
c		M4x12	4
d		M4	1
e		M6	1

Assembly Instructions

1 IDENTIFY THE FIXING AREA,
AND CLEAN
WITH ALCOHOL PADS PROVIDED



2 PEEL COVER
TO EXPOSE
ADHESIVE PAD

3 INSTALL MOUNT,
CENTERED
ON THE CLEANED AREA

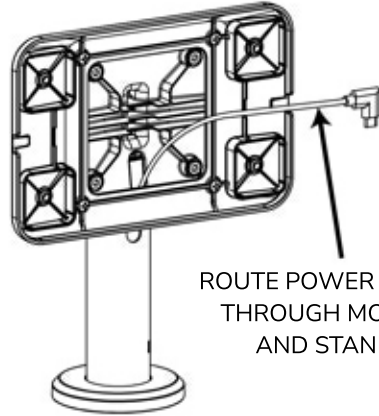
ACHIEVES FULL STRENGTH
AFTER 12 HOURS

4 REMOVE MOUNT FROM DEVICE
BY REMOVING M4 PIN TORX SCREWS
USING PROVIDED T-15 SCREWDRIVER

5 INSTALL MOUNT ON
ANY 100mm VESA COMPATIBLE STAND OR ARM
USING PROVIDED M4x10mm PHILLIPS PAN HEAD SCREWS

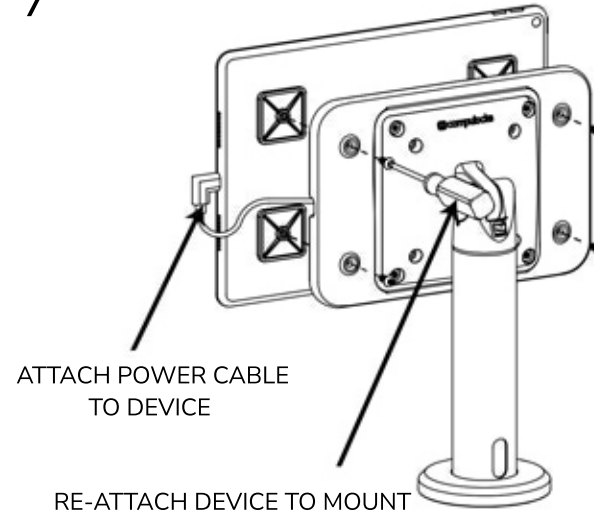
Assembly Instructions

6



ROUTE POWER CABLE
THROUGH MOUNT
AND STAND

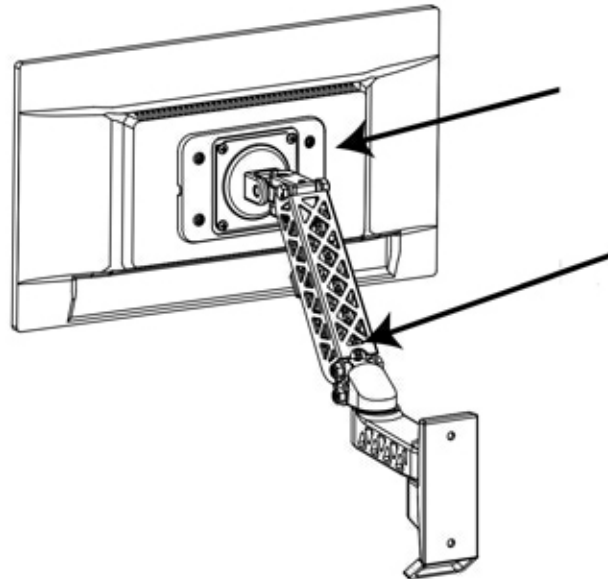
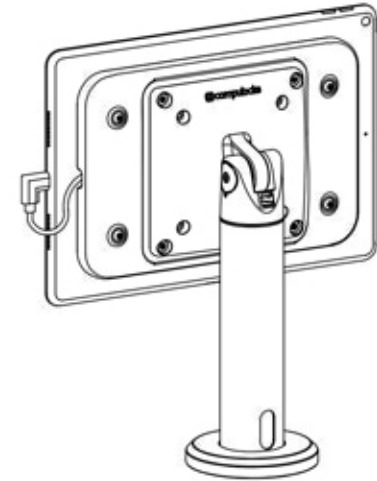
7



ATTACH POWER CABLE
TO DEVICE

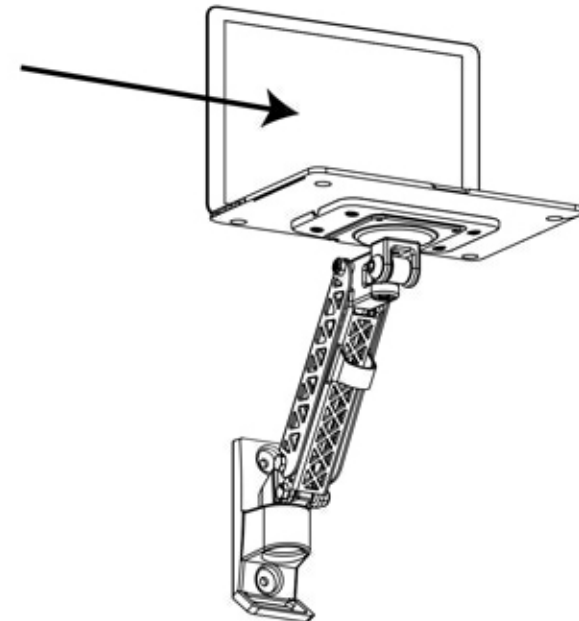
RE-ATTACH DEVICE TO MOUNT
WITH M4 PIN TORX SCREWS
USING PROVIDED T-15 SCREWDRIVER

8



IT MOUNT CAN FIX TO ANY
LAPTOP OR TABLET

IT MOUNT IS COMPATIBLE WITH ANY
100mm VESA STAND, ARM OR MOUNT



Compatible With All Compulocks' Stands

