

E11F01P57



2X Diplexer 1710-2170/2300-2400, dc bypass on all branches

- Preconfigured dc pass/block
- BTS-to-feeder and feeder-to-antenna application

OBSOLETE

This product was discontinued on: December 1, 2019

Replaced By:

E11F02P49

Twin Diplexer, 1695-2180/2300-2690 MHz, dc bypass all ports

Product Classification

Product Type Diplexer

General Specifications

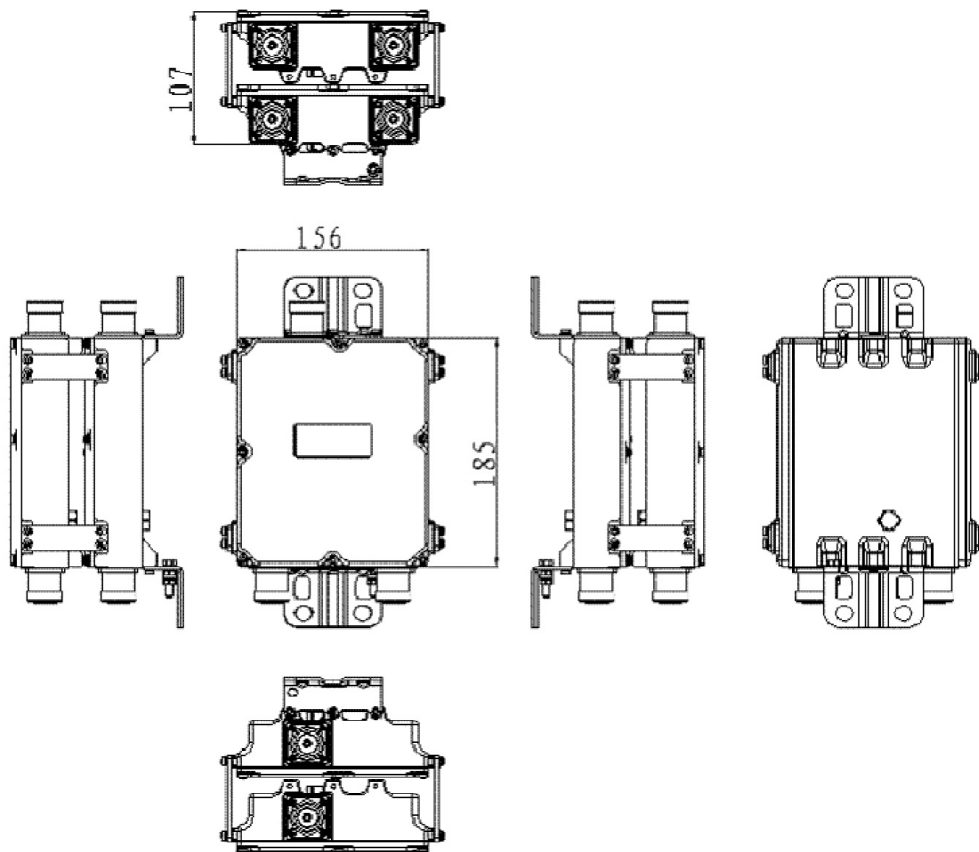
Product Family	CBC1723
Color	Gray
Common Port Label	COM
Modularity	2-Twin
Mounting	Pole Wall
Mounting Pipe Hardware	Band clamps (2)
RF Connector Interface	7-16 DIN Female
RF Connector Interface Body Style	Medium neck

Dimensions

Height	185 mm 7.283 in
Width	156 mm 6.142 in
Depth	107 mm 4.213 in
Mounting Pipe Diameter Range	42.6–122 mm

Outline Drawing

E11F01P57



Electrical Specifications

Impedance	50 ohm
License Band, Band Pass	AWS 1700 DCS 1800 IMT 2100 PCS 1900 WCS 2300

Electrical Specifications, dc Power/Alarm

dc/AISG Pass-through, combiner	Branch 1 Branch 2
dc/AISG Pass-through, demultiplexer	Branch 1 Branch 2
Lightning Surge Current	10 kA
Lightning Surge Current Waveform	8/20 waveform

Electrical Specifications

Sub-module	1 2	1 2
Branch	1	2
Port Designation	1710-2170	2300-2400
License Band	AWS 1700, Band Pass DCS 1800, Band Pass	WCS 2300, Band

E11F01P57

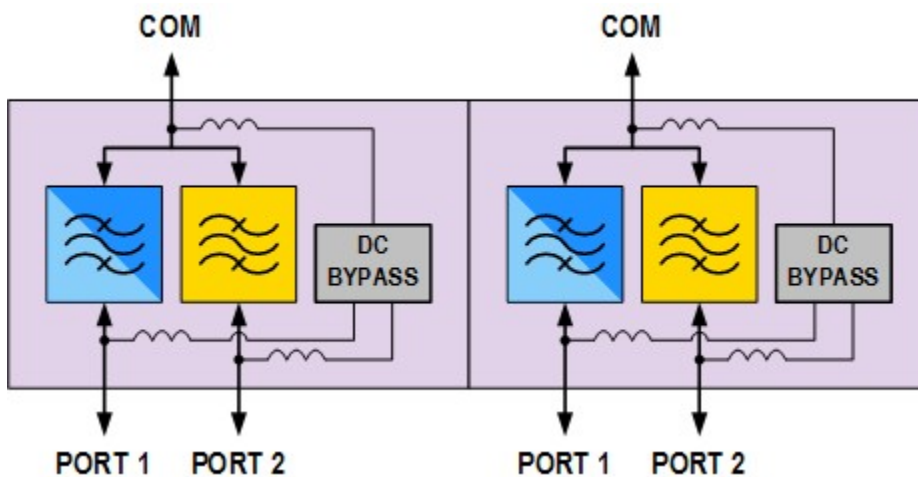
IMT 2100, Band Pass
PCS 1900, Band Pass

Pass

Electrical Specifications, Band Pass

Frequency Range, MHz	1710–2170	2300–2400
Insertion Loss, maximum, dB	0.4	0.4
Return Loss, minimum, dB	18	18
Return Loss, typical, dB	20	20
Isolation, minimum, dB	70	70
Input Power, RMS, maximum, W	300	300
Input Power, PEP, maximum, W	3000	3000
3rd Order PIM, maximum, dBc	-150	-150
3rd Order PIM Test Method	Two +43 dBm carriers	Two +43 dBm carriers

Block Diagram



Environmental Specifications

Operating Temperature	-40 °C to +65 °C (-40 °F to +149 °F)
Relative Humidity	5%–100%
Corrosion Test Method	IEC 60068-2-11, 30 days
Ingress Protection Test Method	IEC 60529:2001, IP67

Packaging and Weights

Included	Mounting hardware
Volume	3.1 L

E11F01P57

Weight, net

4.8 kg | 10.582 lb

Regulatory Compliance/Certifications

Agency

Classification

CHINA-ROHS

Below maximum concentration value

ISO 9001:2015

Designed, manufactured and/or distributed under this quality management system

REACH-SVHC

Compliant as per SVHC revision on www.commscope.com/ProductCompliance

ROHS

Compliant

UK-ROHS

Compliant

