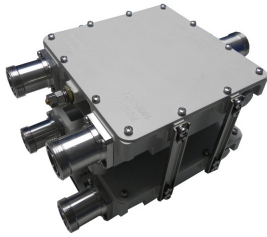


# E11F05P29



Twin Diplexer, DCS 1800/UMTS 2100, AISG compatible, dc pass on Low port for Unit 1 and dc pass on High port for Unit 2

- Industry leading PIM performance
- Designed for network Modernization, introduction of LTE1800 on existing site
- Designed for network Modernization, introduction of UMTS2100 on existing site
- Twin configuration

## OBSOLETE

This product was discontinued on: June 30, 2022

### Replaced By:

E14F05P17

Twin Diplexer, DCS 1800/UMTS 2100, AISG compatible, dc pass all ports, with 4.3-10 connectors

## Product Classification

**Product Type** Diplexer

## General Specifications

**Product Family** CBC1821

**Color** Gray

**Common Port Label** COMM

**Modularity** 1+1-Pair

**Mounting** Pole | Wall

**Mounting Pipe Hardware** Band clamps (2)

**RF Connector Interface** 7-16 DIN Female

**RF Connector Interface Body Style** Long neck

## Dimensions

**Height** 149 mm | 5.866 in

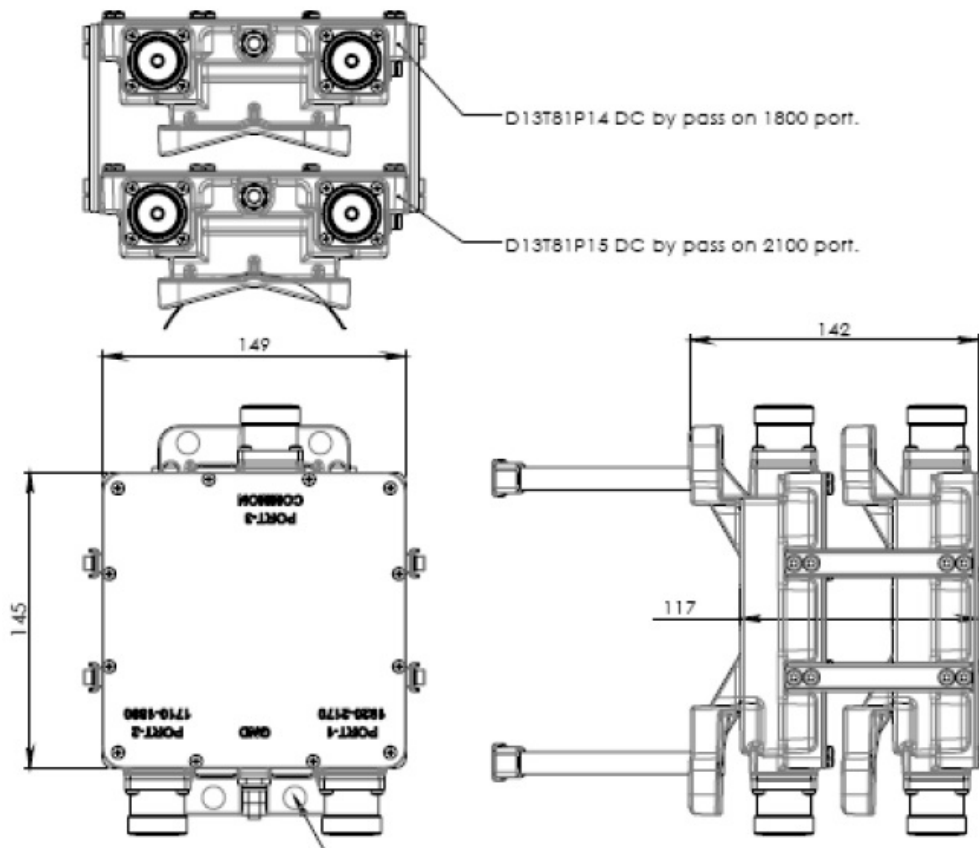
**Width** 145 mm | 5.709 in

**Depth** 117 mm | 4.606 in

**Mounting Pipe Diameter Range** 40–160 mm

# E11F05P29

## Outline Drawing



## Electrical Specifications

|                                |                     |
|--------------------------------|---------------------|
| <b>Impedance</b>               | 50 ohm              |
| <b>License Band, Band Pass</b> | DCS 1800   IMT 2100 |

## Electrical Specifications, dc Power/Alarm

|  |                     |
|--|---------------------|
| <b>dc/AISG Pass-through, combiner</b>      | Branch 1   Branch 2 |
| <b>dc/AISG Pass-through, demultiplexer</b> | Branch 1   Branch 2 |
| <b>Lightning Surge Current</b>             | 3 kA                |
| <b>Lightning Surge Current Waveform</b>    | 10/350 waveform     |

## Electrical Specifications

|                         |                  |                  |
|-------------------------|------------------|------------------|
| <b>Sub-module</b>       | <b>1   2</b>     | <b>1   2</b>     |
| <b>Branch</b>           | 1                | 2                |
| <b>Port Designation</b> | PORT 2 1710-1880 | Port 1 1920-2170 |

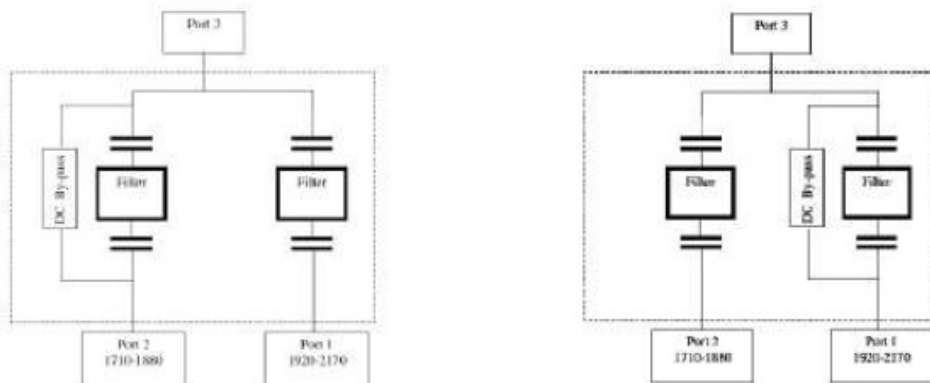
# E11F05P29

**License Band** DCS 1800, Band Pass IMT 2100, Band Pass

## Electrical Specifications, Band Pass

| Frequency Range, MHz         | 1710–1880            | 1920–2170            |
|------------------------------|----------------------|----------------------|
| Insertion Loss, typical, dB  | 0.15                 | 0.25                 |
| Return Loss, minimum, dB     | 18                   | 18                   |
| Return Loss, typical, dB     | 20                   | 20                   |
| Isolation, minimum, dB       | 50                   | 50                   |
| Input Power, RMS, maximum, W | 250                  | 250                  |
| 3rd Order PIM, typical, dBc  | -161                 |                      |
| 3rd Order PIM Test Method    | Two +43 dBm carriers |                      |
| 7th Order PIM, typical, dBc  |                      | -168                 |
| 7th Order PIM Test Method    |                      | Two +43 dBm carriers |

## Block Diagram



## Environmental Specifications

|                                       |                                      |
|---------------------------------------|--------------------------------------|
| <b>Operating Temperature</b>          | -40 °C to +60 °C (-40 °F to +140 °F) |
| <b>Corrosion Test Method</b>          | IEC 60068-2-11, 30 days              |
| <b>Ingress Protection Test Method</b> | IEC 60529:2001, IP67                 |

## Packaging and Weights

|                 |                   |
|-----------------|-------------------|
| <b>Included</b> | Mounting hardware |
| <b>Volume</b>   | 2.5 L             |

# E11F05P29

---

**Weight, net**

3.5 kg | 7.716 lb

## Regulatory Compliance/Certifications

**Agency**

ISO 9001:2015



**Classification**

Designed, manufactured and/or distributed under this quality management system