

SYSTEM BYPASS PANEL- SPECIFICATION 1

1. SYSTEM MAINS SUPPLY RATING

- 1.1 Mains voltage (Un): 3Ph, 400V, 50Hz (provided by others)
- 1.2 Design Circuit Current (Ib): = 100 Amps
- 1.3 Rated conditional short-circuit current (Icc) : 15kA

2. STANDARDS

- 2.1 Panel built to IEC Publication 60439-1 and APC by Schneider Electric supplied specifications.
- 2.2 Phase identification complies with EN/CENLEC standards.

3. PANEL TRACEABILITY

- 3.1 Panel will be CE marked and approved.
- 3.2 Panel will be provided with a nameplate according to IEC60439-01 standards sub section 5.1.
- 3.3 Panel will be supplied with Unit Identification, Serial Number and signed Test Certificate

4. ENVIRONMENTS

- 4.1 The assembly is made for an ambient temperature for operation of : 0°C to 40°C.
- 4.2 The assembly is made for an ambient temperature for storage of : -15°C to 40°C.

5. ENCLOSURE

- 5.1 The assembly material is steel with surface coating.
- 5.2 Internal marking of the unit complies with IEC60439-1 standard, sub-section 5.1.
- 5.3 A power flow single line silk screen diagram shall be on the front of the panel so as to indicate the electrical power flow of the circuit.
- 5.4 The assembly is made for Indoor Wall Installation.
- 5.5 Panel will allow for Universal external cable entry and exit & comply with Form 2 IP2X according to IEC60439-1 standards.
- 5.6 CAN Boards are mounted in a separate compartment.

6. ELECTRICAL CONDUCTORS

- 6.1 All AC cable are labeled A, B, C & N (internal terminal blocks labeled as L1, L2, L3, N and PE)
- 6.2 All cables are halogen free.
- 6.3 Power wiring and Control wiring are segregated.
- 6.4 Power cabling will have greater or equal current carrying capacity than the highest functional unit.
- 6.5 Phases will be identified at all connection points.

THIS DRAWING AND SPECIFICATIONS HEREIN ARE THE PROPERTY OF SCHNEIDER ELECTRIC AND SHALL NOT BE COPIED, REPRODUCED OR USED IN WHOLE OR IN PART, AS THE BASIS FOR THE MANUFACTURE OR SALE OF ITEMS WITHOUT WRITTEN PERMISSION FROM SCHNEIDER ELECTRIC. THIS DRAWING IS BASED UPON LATEST AVAILABLE INFORMATION AND IS SUBJECT TO CHANGE WITHOUT NOTICE.



TITLE:
GALAXY 3500
60kVA, 3x(10/20kVA) UPS UNITS, 400V, 3PH
SYSTEM BYPASS PANEL-WALL MOUNT
SPECIFICATION 1
PROJECT: SUBMITTAL DRAWINGS SHEET 1 OF 7

DWG NO:	SBPAR10K20H-WP	REV:	0
DRAWN:	K NAGENDRA		30-JUN-09
ENGINEER:	I.KENNEDY		30-JUN-09
APPROVED:	C.LARSEN		30-JUN-09
			FIRST ANGLE PROJECTION

SYSTEM BYPASS PANEL- SPECIFICATION 2

7. POWER CIRCUIT

- 7.1 Q2a, Q2b & Q2c are 3P 40A switches.
- 7.2 Q3 & Q4 are 4P 100A switches.
- 7.3 FU1 is a 3A, 600V fuse.

8. CONTROL CIRCUIT

- 8.1 Lamps H2a, H2b, H2c, H3 and H4 are 24VDC green LEDs.
- 8.2 Lamps H2a, H2b, H2c, H3 and H4 are located on front panel.
- 8.3 Control Cabling is labeled at all connection points.
- 8.4 CAN boards are contained within a separate chamber and not placed in an area where they can be damaged.
- 8.5 CAN Boards supplied by APC by Schneider Electric (OP4533B X 3).
- 8.6 CAN Cables or intermediate terminals are labeled using CAN Board referenced terminal numbers.
- 8.7 Number of voltage free contacts:
 - 1 pc. no. for Q2a, Q2b, Q2c, Q3 and Q4.

9. CONNECTIONS

- 9.1 Panel will allow for Universal external cable entry and exit & comply with form 2 IP2X according to IEC60439-01 standards.
- 9.2 Incoming and outgoing cables to be connected to terminals in enclosure section.
- 9.3 Control wiring are direct unbroken connections from each functional unit to APC by Schneider Electric supplied CAN boards, unless intermediate terminals are used. If intermediate terminals are used, they will be placed in each separate functional unit chamber.

10. PACKAGING

- 10.1 Panel will be completely covered, secured in a box and have external identification, APC by Schneider Electric Serial number, dimensions and weight as per APC by Schneider Electric Packaging Specifications.
- 10.2 Panel must be packaged to allow for safe shipment by road or rail anywhere in Europe Middle East or Africa Region.

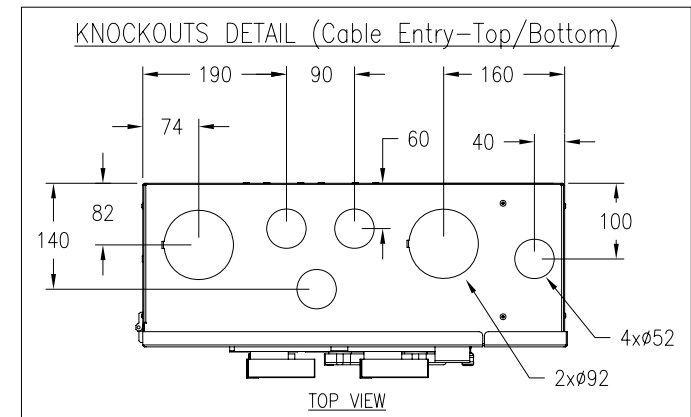
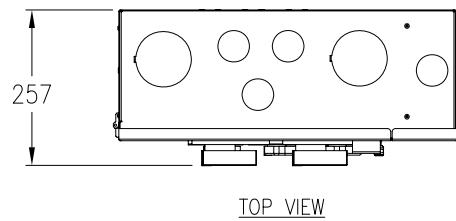
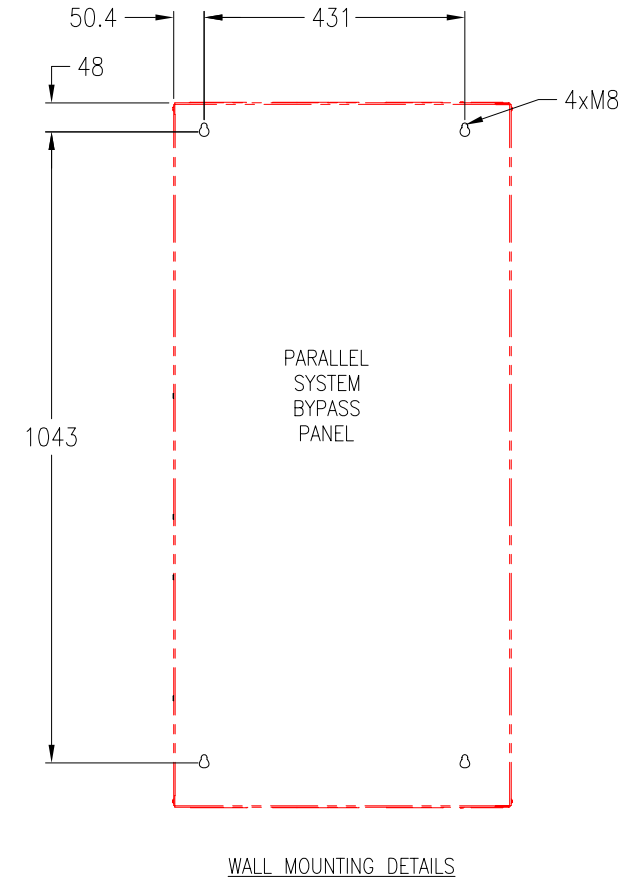
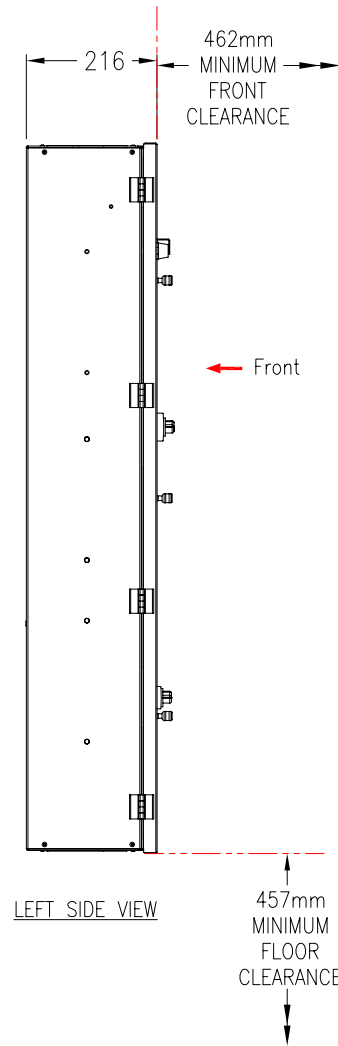
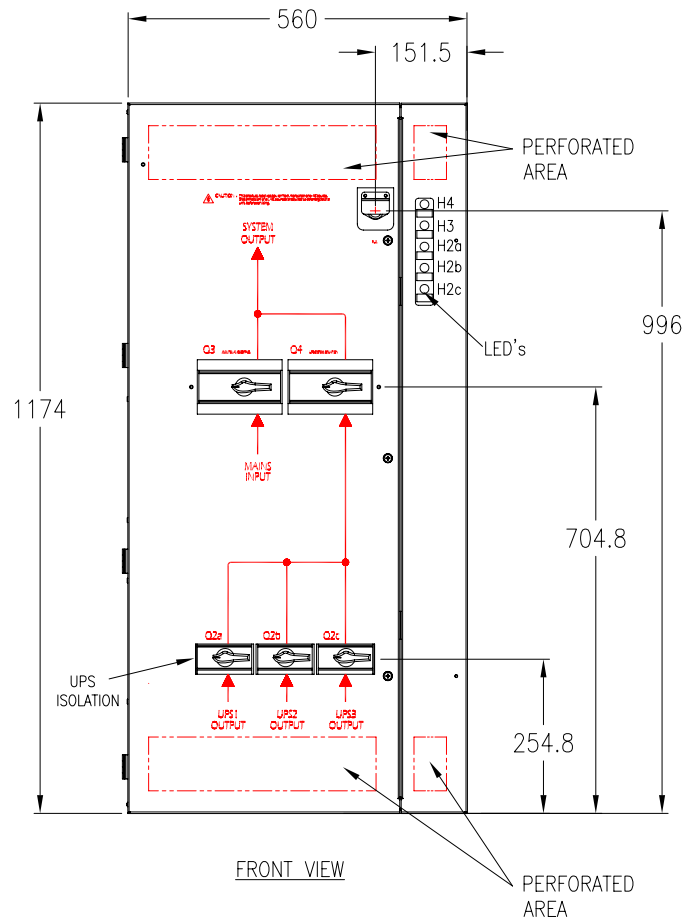
THIS DRAWING AND SPECIFICATIONS HEREIN ARE THE PROPERTY OF SCHNEIDER ELECTRIC AND SHALL NOT BE COPIED, REPRODUCED OR USED IN WHOLE OR IN PART, AS THE BASIS FOR THE MANUFACTURE OR SALE OF ITEMS WITHOUT WRITTEN PERMISSION FROM SCHNEIDER ELECTRIC. THIS DRAWING IS BASED UPON LATEST AVAILABLE INFORMATION AND IS SUBJECT TO CHANGE WITHOUT NOTICE.



TITLE:
GALAXY 3500
60kVA, 3x(10/20kVA) UPS UNITS, 400V, 3PH
SYSTEM BYPASS PANEL-WALL MOUNT
SPECIFICATION 2
PROJECT: SUBMITTAL DRAWINGS SHEET 2 OF 7

DWG NO:	SBPAR10K20H-WP	REV.	0
DRAWN:	K NAGENDRA		30-JUN-09
ENGINEER:	I.KENNEDY		30-JUN-09
APPROVED:	C.LARSEN		30-JUN-09

FIRST
ANGLE
PROJECTION



- NOTES:**
1. INSTALLATION SHALL COMPLY WITH ALL APPLICABLE NATIONAL, STATE AND LOCAL ELECTRICAL REGULATIONS.
 2. PLEASE REFER TO PRODUCT MANUALS FOR ADDITIONAL DETAILS PRIOR TO INSTALLATION AND SITE PREPARATION WORK.
 3. ALL DIMENSIONS ARE IN MILLIMETERS, UNLESS OTHERWISE SPECIFIED.
 4. CABLE ENTRY IS FROM TOP OR BOTTOM OF UNIT.
 5. FRONT SERVICE ACCESS IS REQUIRED.
 6. NET WEIGHT OF THE UNIT IS 48kg.
 7. ENCLOSURE COLOR IS BLACK.

THIS DRAWING AND SPECIFICATIONS HEREIN ARE THE PROPERTY OF SCHNEIDER ELECTRIC AND SHALL NOT BE COPIED, REPRODUCED OR USED IN WHOLE OR IN PART, AS THE BASIS FOR THE MANUFACTURE OR SALE OF ITEMS WITHOUT WRITTEN PERMISSION FROM SCHNEIDER ELECTRIC. THIS DRAWING IS BASED UPON LATEST AVAILABLE INFORMATION AND IS SUBJECT TO CHANGE WITHOUT NOTICE.



TITLE:
GALAXY 3500
60kVA, 3x(10/20kVA) UPS UNITS, 400V, 3PH
SYSTEM BYPASS PANEL-WALL MOUNT
MAIN MECHANICAL

PROJECT: SUBMITTAL DRAWINGS SHEET 3 OF 7

DWG NO: SBPAR10K20H-WP

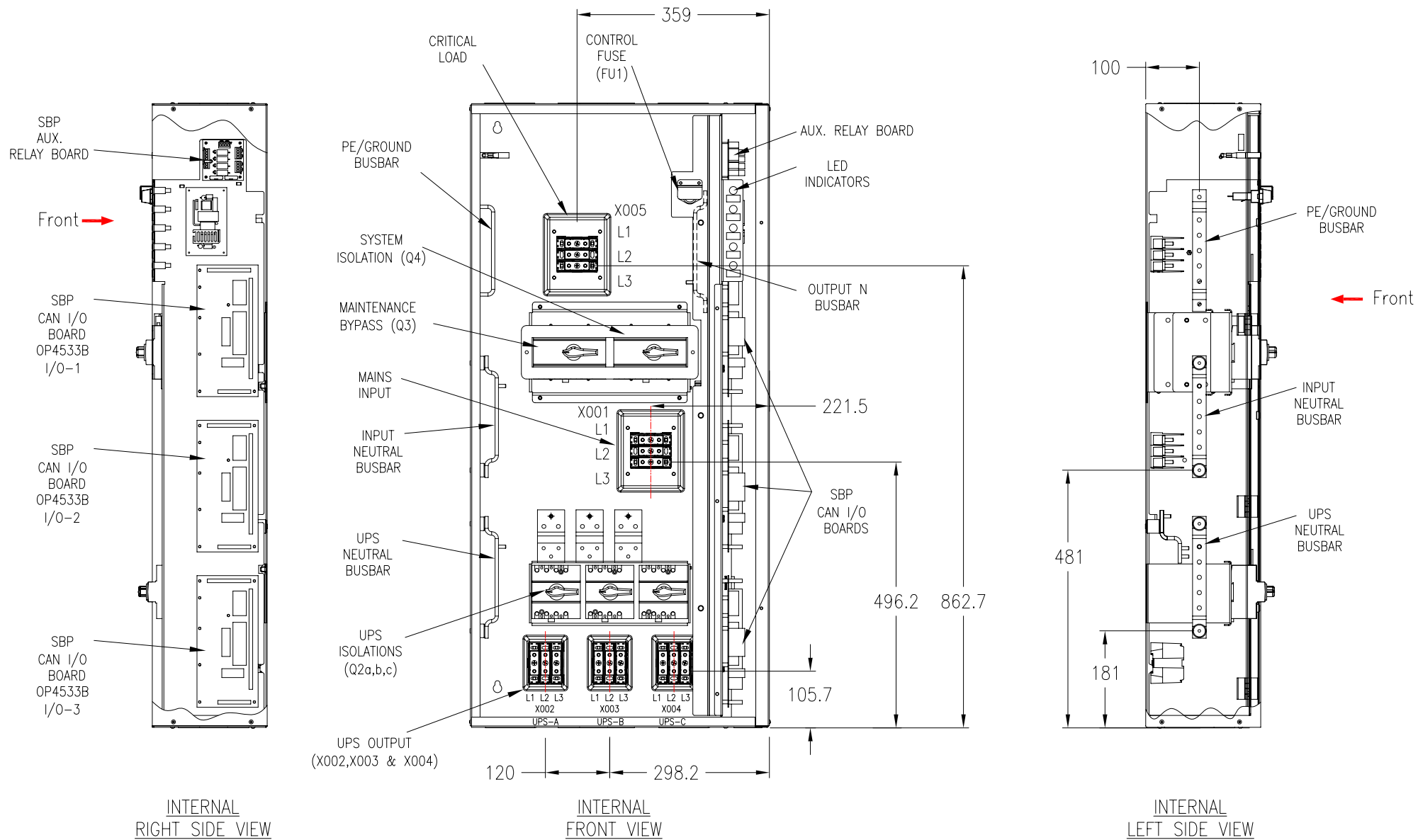
DRAWN: K NAGENDRA 30-JUN-09

ENGINEER: I.KENNEDY 30-JUN-09

APPROVED: C.LARSEN 30-JUN-09

REV: 0

FIRST ANGLE PROJECTION



NOTES:

1. INSTALLATION SHALL COMPLY WITH ALL APPLICABLE NATIONAL, STATE AND LOCAL ELECTRICAL REGULATIONS.
2. PLEASE REFER TO PRODUCT MANUALS FOR ADDITIONAL DETAILS PRIOR TO INSTALLATION AND SITE PREPARATION WORK.
3. ALL DIMENSIONS ARE IN MILLIMETERS, UNLESS OTHERWISE SPECIFIED.
4. TORQUE VALUE:

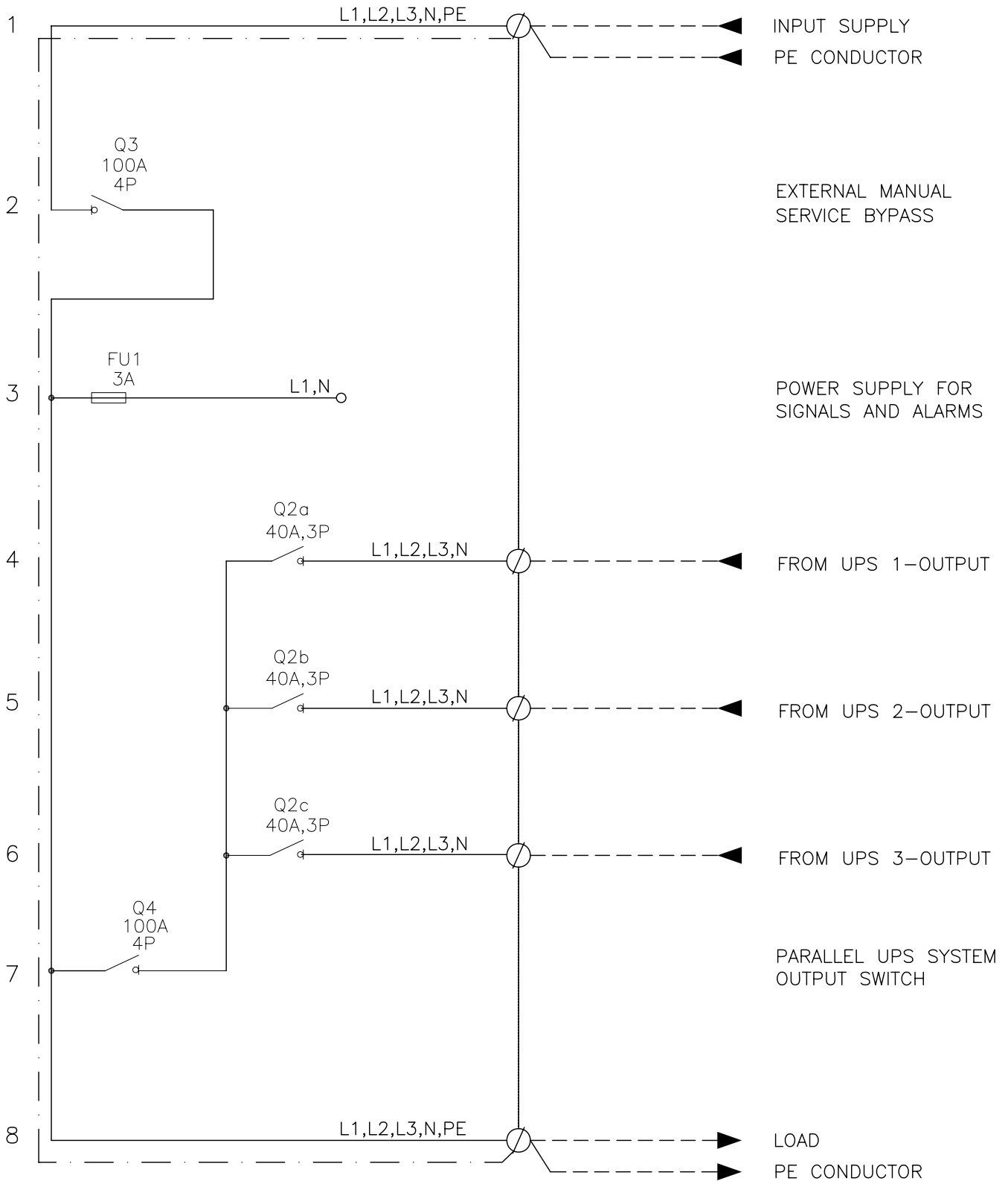
TERMINAL BLOCKS (M6x15) X002, X003 & X004	- 6.89 Nm
TERMINAL BLOCKS (M10x30) X001 & X005	- 6.89 Nm
BUSBARS M5 OR M6	- 11.3 Nm

THIS DRAWING AND SPECIFICATIONS HEREIN ARE THE PROPERTY OF SCHNEIDER ELECTRIC AND SHALL NOT BE COPIED, REPRODUCED OR USED IN WHOLE OR IN PART, AS THE BASIS FOR THE MANUFACTURE OR SALE OF ITEMS WITHOUT WRITTEN PERMISSION FROM SCHNEIDER ELECTRIC. THIS DRAWING IS BASED UPON LATEST AVAILABLE INFORMATION AND IS SUBJECT TO CHANGE WITHOUT NOTICE.



TITLE: 60kVA, 3x(10/20kVA) UPS UNITS, 400V, 3PH SYSTEM BYPASS PANEL - WALL MOUNT INTERNAL VIEW	DWG NO: SBPAR10K20H-WP	REV: 1
PROJECT: SUBMITTAL DRAWINGS SHEET 5 OF 7	DRAWN: BALAMURUGAN	20-FEB-12
	ENGINEER: I.KENNEDY	20-FEB-12
	APPROVED: C.LARSEN	20-FEB-12
		FIRST ANGLE PROJECTION

POWER CIRCUIT



NOTES:

1. DASH-DOT (— · — · — · —) LINES INSIDE OF SBP UNIT, REPRESENT PE-CONDUCTOR CONNECTION.
2. DASHED (— — —) LINES OUTSIDE OF SBP UNIT, REPRESENT CABLING PROVIDED BY OTHERS.

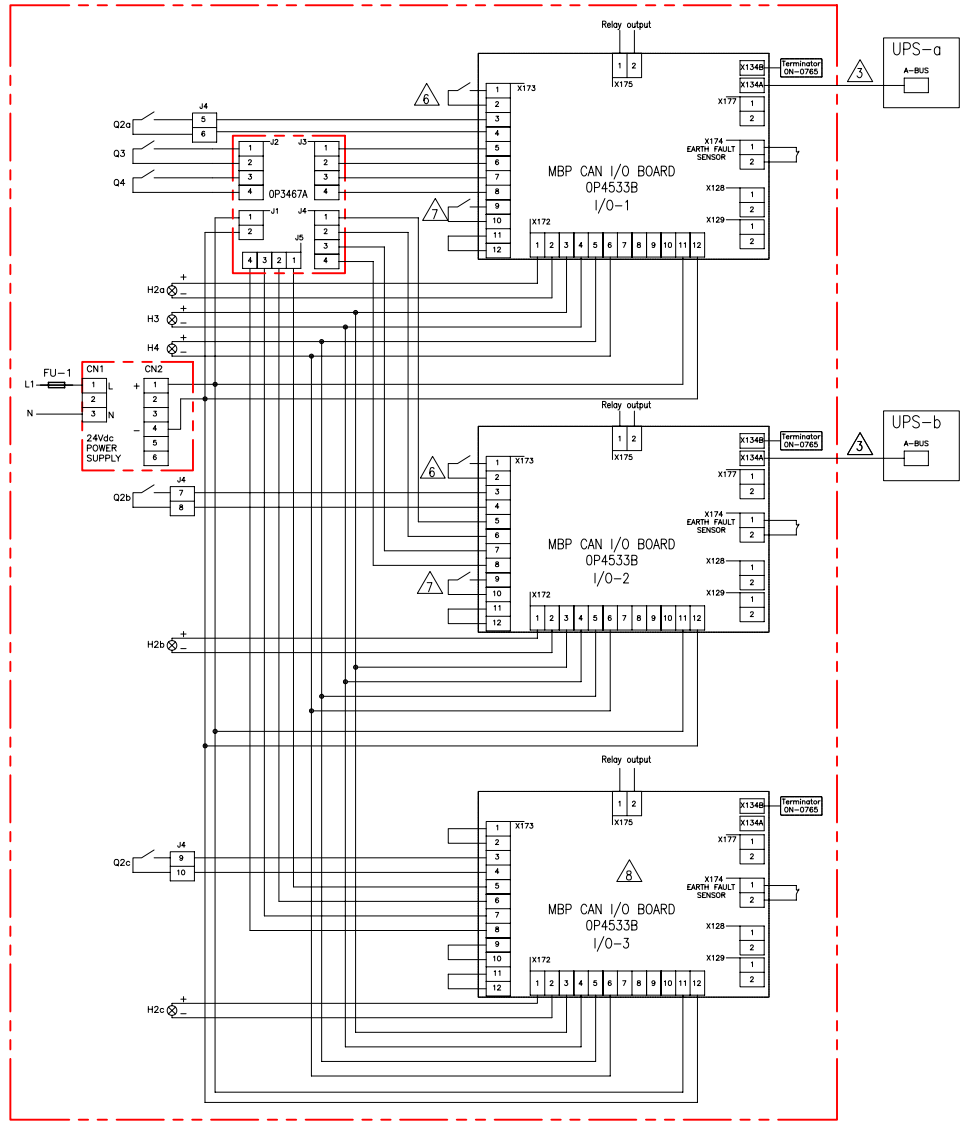
THIS DRAWING AND SPECIFICATIONS HEREIN ARE THE PROPERTY OF SCHNEIDER ELECTRIC AND SHALL NOT BE COPIED, REPRODUCED OR USED IN WHOLE OR IN PART, AS THE BASIS FOR THE MANUFACTURE OR SALE OF ITEMS WITHOUT WRITTEN PERMISSION FROM SCHNEIDER ELECTRIC. THIS DRAWING IS BASED UPON LATEST AVAILABLE INFORMATION AND IS SUBJECT TO CHANGE WITHOUT NOTICE.



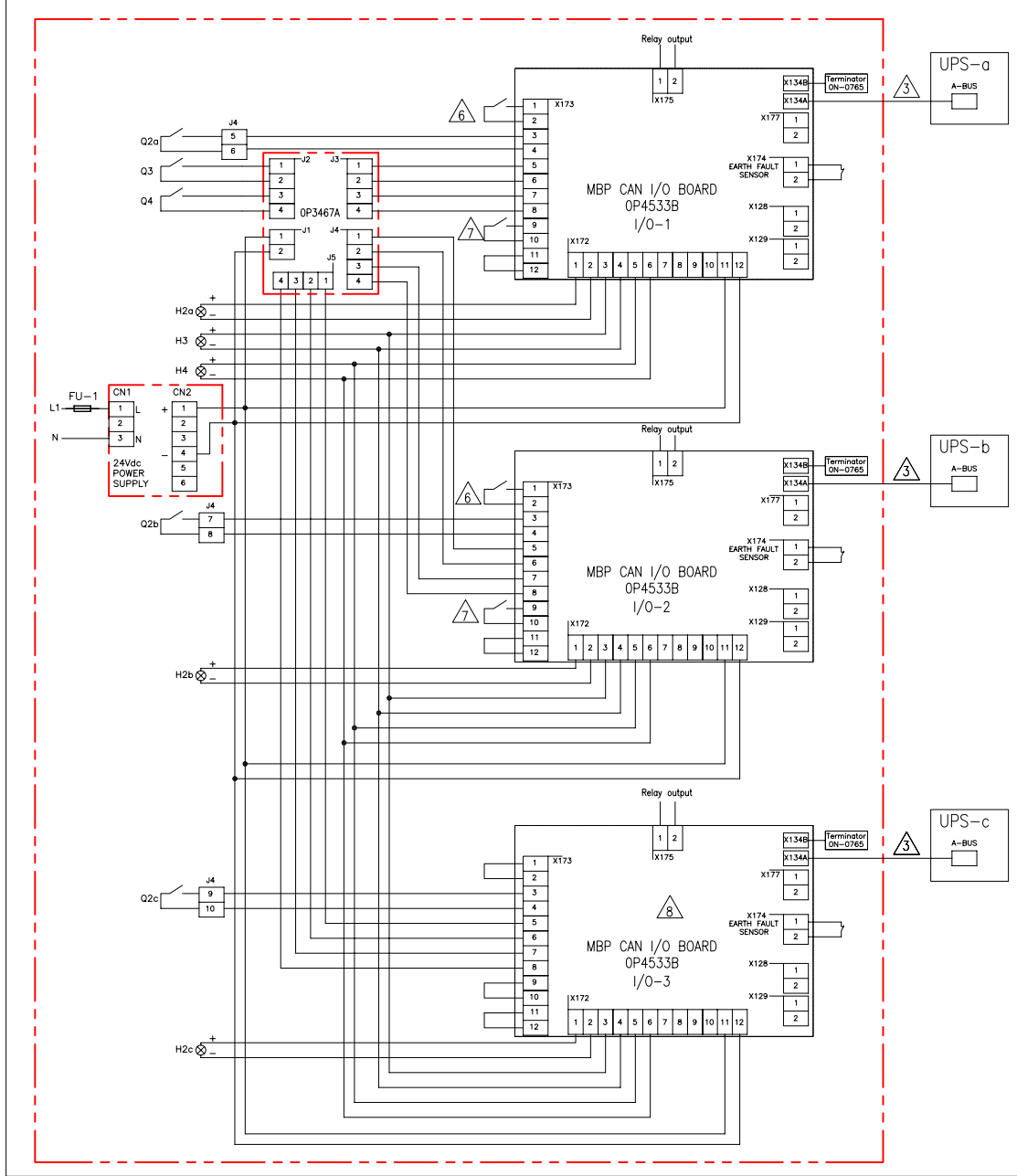
TITLE: GALAXY 3500
60kVA, 3x(10/20kVA) UPS UNITS, 400V, 3PH
SYSTEM BYPASS PANEL—WALL MOUNT
POWER CIRCUIT
PROJECT: SUBMITTAL DRAWINGS | SHEET 6 OF 7

DWG NO:	SBPAR10K20H-WP		REV:	0
DRAWN:	K NAGENDRA	30-JUN-09	FIRST ANGLE PROJECTION	
ENGINEER:	I. KENNEDY	30-JUN-09		
APPROVED:	C. LARSEN	30-JUN-09		

SBP CONTROL CIRCUIT (APPLICABLE WHEN USED WITH 2 UPS SYSTEMS IN PARALLEL)



SBP CONTROL CIRCUIT (APPLICABLE WHEN USED WITH 3 UPS SYSTEMS IN PARALLEL)



- NOTES:**
1. INSTALLATION SHALL COMPLY WITH ALL APPLICABLE NATIONAL, STATE AND LOCAL CODES.
 2. PLEASE REFER TO PRODUCT MANUALS FOR ADDITIONAL DETAILS PRIOR TO INSTALLATION AND SITE PREPARATION WORK.
 - △ 3. ABUS RJ50/SUB-D15 M CAT5E 26AWG/4P STP BK 30M PROVIDED BY APC
 4. FOR BOARD PART NUMBERS CHECK THE LATEST REVISIONS.
 5. THE PARALLEL COMMUNICATION BOX IS NOT PART OF SKU TO BE ORDERED SEPARATELY.
 - △ 6. THESE CONTACTS PROVIDED BY THE CUSTOMER. AUX. CONTACTS OF PROTECTION DEVICES TO MAINS INPUT OF UPS-a, UPS-b, UPS-c TO BE WIRED TO CAN I/O BOARD 1, 2, 3 RESPECTIVELY AS SHOWN.
 - △ 7. THESE CONTACTS PROVIDED BY THE CUSTOMER. AUX. CONTACTS OF PROTECTION DEVICES TO BYPASS INPUT OF UPS-a, UPS-b, UPS-c TO BE WIRED TO CAN I/O BOARD 1, 2, 3 RESPECTIVELY AS SHOWN.
 - △ 8. CAN I/O BOARD IS NOT IN USE FOR 2 MODULE CONFIGURATIONS.

THIS DRAWING AND SPECIFICATIONS HEREIN ARE THE PROPERTY OF SCHNEIDER ELECTRIC AND SHALL NOT BE COPIED, REPRODUCED OR USED IN WHOLE OR IN PART, AS THE BASIS FOR THE MANUFACTURE OR SALE OF ITEMS WITHOUT WRITTEN PERMISSION FROM SCHNEIDER ELECTRIC. THIS DRAWING IS BASED UPON LATEST AVAILABLE INFORMATION AND IS SUBJECT TO CHANGE WITHOUT NOTICE.



TITLE:
MGE GALAXY 3500
60kVA, 3x(10/20kVA) UPS UNITS, 400V, 3PH
SYSTEM BYPASS PANEL-WALL MOUNT
WIRING DETAILS

DWG NO: SBPAR10K20H-WP
DRAWN: K NAGENDRA
ENGINEER: I.KENNEDY
APPROVED: C.LARSEN

REV: 1
17-FEB-12
17-FEB-12
17-FEB-12
FIRST ANGLE PROJECTION