

RUNTIME AND WEIGHT DETAILS

SKU Number/ (Runtime in Minutes)	Runtime Details		Net Weight with YUASA Battery in kg	Net Weight with CSB Battery in kg
	Type and Quantity of Batteries			
	YUASA	CSB		
G3HT30KHB1S (10 min)	NPW45-12 (90 numbers)	GP1272 (90 numbers)	443	429
	NPW45-12 (150)	GP12120 (90 numbers)		
G3HT30KHB2S (25 min)	NPW45-12 (90 numbers)	GP12120 (64 numbers)	443	446
	NPW45-12 (150)	GP12120 (90 numbers)		
G3HT40KHB1S (10 min)	NPW45-12 (90 numbers)	GP12120 (90 numbers)	605	546
	NPW45-12 (150)	GP12120 (90 numbers)		

△ CENTER OF GRAVITY DETAILS

RATING	RUNTIME (minutes)	SKU No.	Center of Gravity (distance in mm)		
			X	Y	Z
30kVA	10	G3HT30KHB1S	249	521	395
	25	G3HT30KHB2S	249	561	395
40kVA	10	G3HT40KHB1S	249	521	395
	20	G3HT40KHB2S	249	561	395

NOTES:

- INSTALLATION SHALL COMPLY WITH ALL APPLICABLE NATIONAL AND LOCAL ELECTRICAL REGULATIONS.
- PLEASE REFER TO PRODUCT MANUALS FOR ADDITIONAL DETAILS.
- ALL DIMENSIONS ARE IN MILLIMETERS UNLESS OTHERWISE SPECIFIED.
- CABLE ENTRY IS REAR OF UNIT.
- REAR CLEARANCE: FOR VENTILATION MINIMUM 500mm FOR SERVICE MINIMUM 700mm.
- WEIGHT OF UNIT WITHOUT BATTERY IS 198kg AND WITH BATTERY IS 605kg (MAX.).
- COLOR: PEARL GREY (RAL 9023).
- ANCHORING BRACKETS ARE PART OF SKU AND PROVIDED BY APC.
- REFER TO TABLE FOR CENTER OF GRAVITY DETAILS.
- UPS SHOWN WITH YUASA BATTERIES, CONTACT APC FOR OTHER BATTERY OPTIONS.
- UP TO TWO UPS UNITS CAN RUN IN PARALLEL WITH A DISTANCE UP TO 12m BETWEEN EACH OTHER.

THIS DRAWING AND SPECIFICATIONS HEREIN ARE THE PROPERTY OF SCHNEIDER ELECTRIC AND SHALL NOT BE COPIED, REPRODUCED OR USED IN WHOLE OR IN PART, AS THE BASIS FOR THE MANUFACTURE OR SALE OF ITEMS WITHOUT WRITTEN PERMISSION FROM SCHNEIDER ELECTRIC. THIS DRAWING IS BASED UPON LATEST AVAILABLE INFORMATION AND IS SUBJECT TO CHANGE WITHOUT NOTICE.

Schneider Electric

TITLE:

MGE GALAXY 300
INPUT : 400V, 3PH
OUTPUT: 30-40kVA, 400V, 3PH
MAIN MECHANICAL

DWG NO:

G3HT30K40H

REV. 2

DRAWN: C KRISHNA

17-JUL-15

ENGINEER: ALEX ZHANG

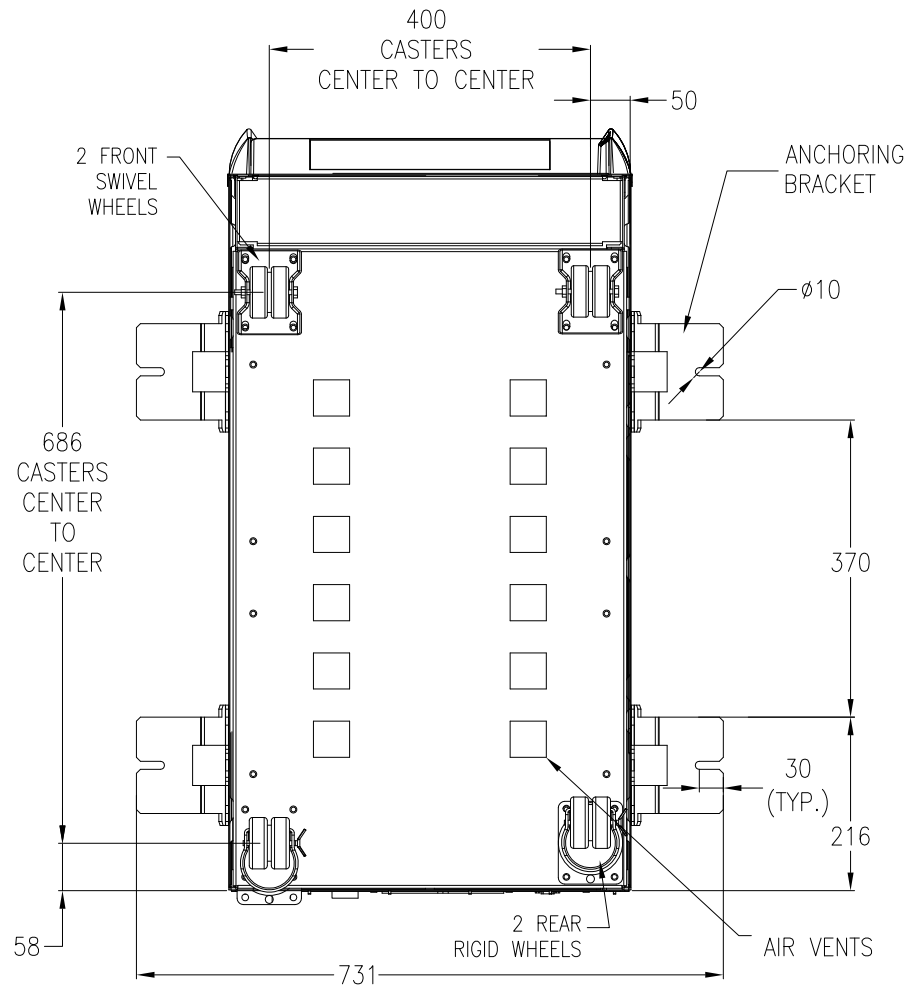
17-JUL-15

PROJECT: SUBMITTAL DRAWINGS SHEET 1 OF 5

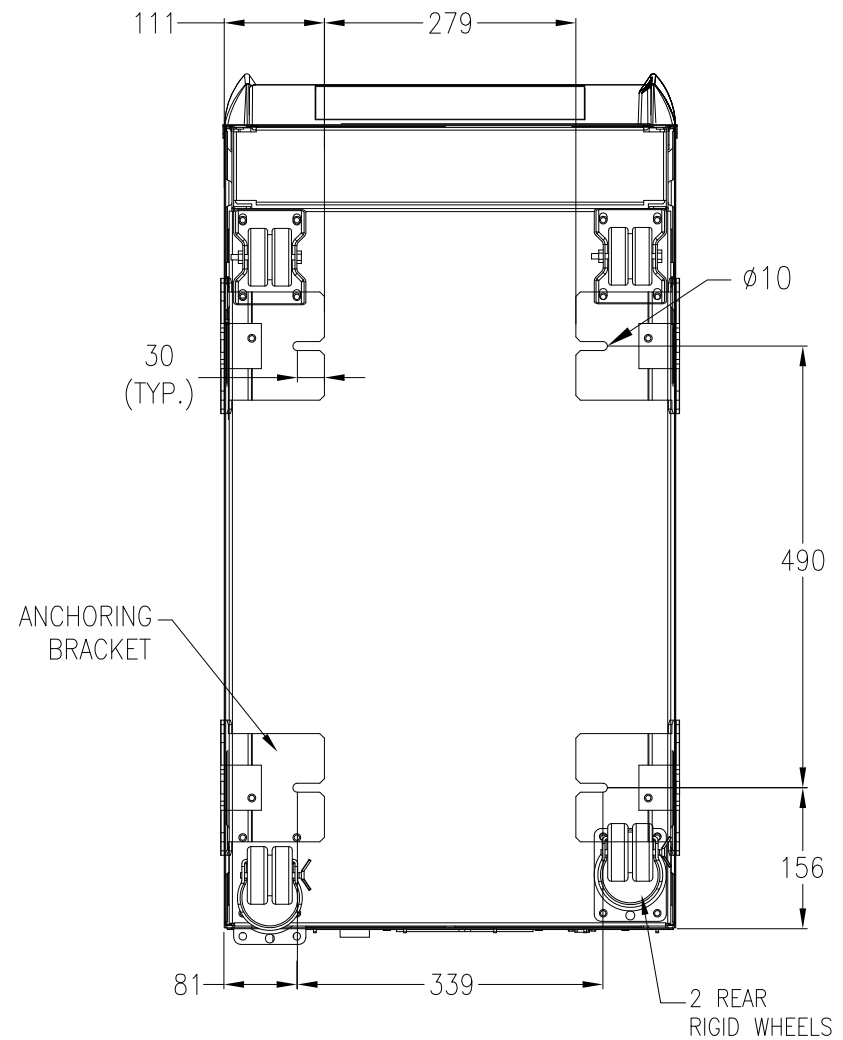
APPROVED: C.LARSEN/S.WAGH

17-JUL-15

FIRST ANGLE PROJECTION



BOTTOM VIEW
(ANCHORING UNLIMITED SPACE)



ANCHORING
(FOR LIMITED SPACE AVAILABILITY)

NOTES:

1. INSTALLATION SHALL COMPLY WITH ALL APPLICABLE NATIONAL AND LOCAL ELECTRICAL REGULATIONS.
2. PLEASE REFER TO PRODUCT MANUALS FOR ADDITIONAL DETAILS.
3. ALL DIMENSIONS ARE IN MILLIMETERS UNLESS OTHERWISE SPECIFIED.
4. SOME STRUCTURAL DETAILS HAVE BEEN OMITTED FOR THE PURPOSE OF CLARITY.

THIS DRAWING AND SPECIFICATIONS HEREIN ARE THE PROPERTY OF SCHNEIDER ELECTRIC AND SHALL NOT BE COPIED, REPRODUCED OR USED IN WHOLE OR IN PART, AS THE BASIS FOR THE MANUFACTURE OR SALE OF ITEMS WITHOUT WRITTEN PERMISSION FROM SCHNEIDER ELECTRIC. THIS DRAWING IS BASED UPON LATEST AVAILABLE INFORMATION AND IS SUBJECT TO CHANGE WITHOUT NOTICE.



TITLE:

MGE GALAXY 300
INPUT : 400V, 3PH
OUTPUT: 30-40kVA, 400V, 3PH

PROJECT: SUBMITTAL DRAWINGS SHEET 2 OF 5

DWG NO:

G3HT30K40H

DRAWN: C KRISHNA

17-JUL-15

ENGINEER: ALEX ZHANG

17-JUL-15

APPROVED: C.LARSEN/S.WAGH

17-JUL-15

REV. 1

FIRST ANGLE PROJECTION

VIEW-G

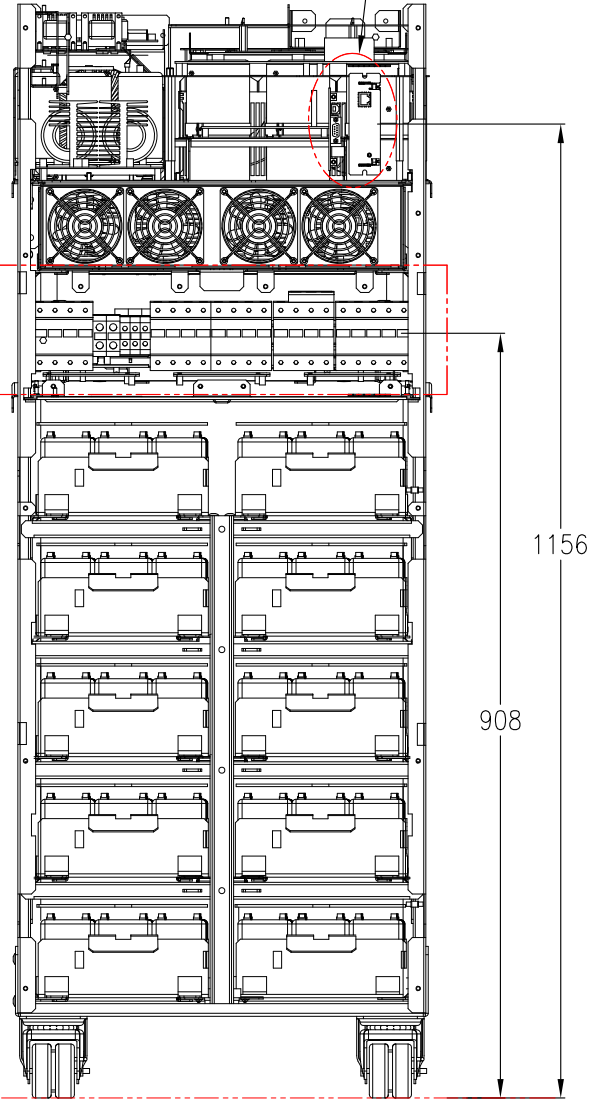


DETAIL-A
(REFER TO ENLARGED VIEW)

DETAIL-B
(REFER TO ENLARGED VIEW)

BREAKERS

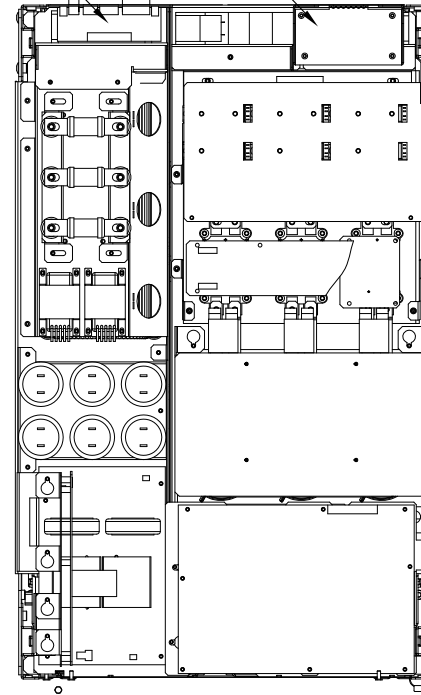
4
BATTERY



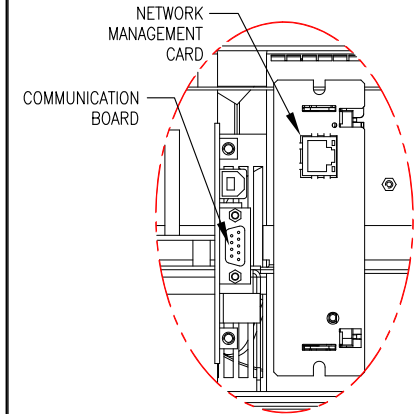
FRONT VIEW

DRY CONNECTOR, EPO,
EXTERNAL BATTERY BREAKER
SIGNAL AND EXTERNAL BATTERY
TEMPERATURE(ATIZ)
REFER TO DETAIL-D
ON SHEET-4

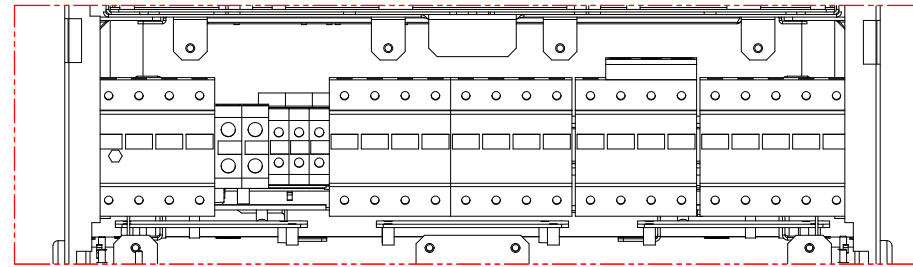
PARALLEL BOARD
(WILL BE MOUNTED WHEN
THE UNIT INSTALLED IN A
PARALLEL CONFIGURATION)



VIEW-G DETAILS



DETAIL-A
(NETWORK CARD AND
COMMUNICATION CARD)



+ve,N,-ve N,L1,L2,L3 L1,L2,L3 L1,L2,L3 N,L1,L2,L3
BATTERY MAINS INPUT AC BYPASS MAINTENANCE OUTPUT
SWITCH SWITCH SOURCE BYPASS SWITCH
(QB) (QM1) SWITCH SWITCH (QOP)
(QM2) (Q3BP)

DETAIL-B
(BREAKER DETAILS)

NOTES:

- 1.INSTALLATION SHALL COMPLY WITH ALL APPLICABLE NATIONAL AND LOCAL CODES.
- 2.PLEASE REFER TO PRODUCT MANUALS FOR ADDITIONAL DETAILS.
- 3.ALL DIMENSIONS ARE IN MILLIMETERS UNLESS OTHERWISE SPECIFIED.
- △4.BATTERY ARRANGEMENT SHOWN FOR SKU-G3HT40KHB2S CONFIGURATION.
BATTERY TYPE - YUASA (NPW45-12), QTY.-150 No's, RUNTIME-20min

THIS DRAWING AND SPECIFICATIONS HEREIN ARE THE PROPERTY OF SCHNEIDER ELECTRIC AND SHALL NOT BE COPIED, REPRODUCED OR USED IN WHOLE OR IN PART, AS THE BASIS FOR THE MANUFACTURE OR SALE OF ITEMS WITHOUT WRITTEN PERMISSION FROM SCHNEIDER ELECTRIC. THIS DRAWING IS BASED UPON LATEST AVAILABLE INFORMATION AND IS SUBJECT TO CHANGE WITHOUT NOTICE.



TITLE:

MGE GALAXY 300
INPUT : 400V, 3PH
OUTPUT: 30-40kVA, 400V, 3PH
INTERNAL DETAILS-1

DWG NO:

G3HT30K40H

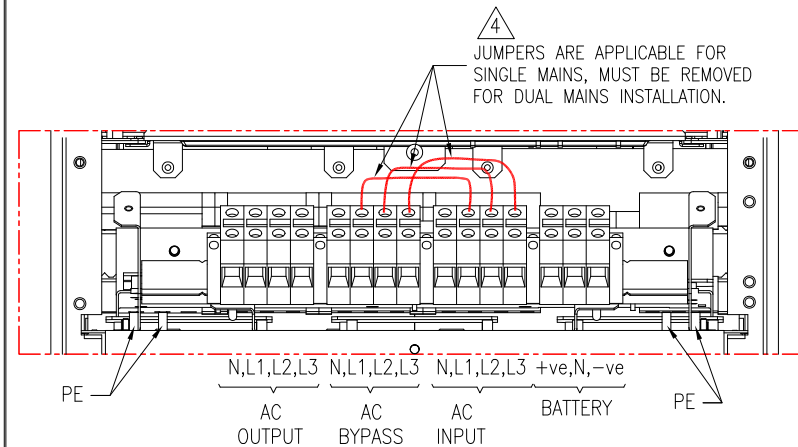
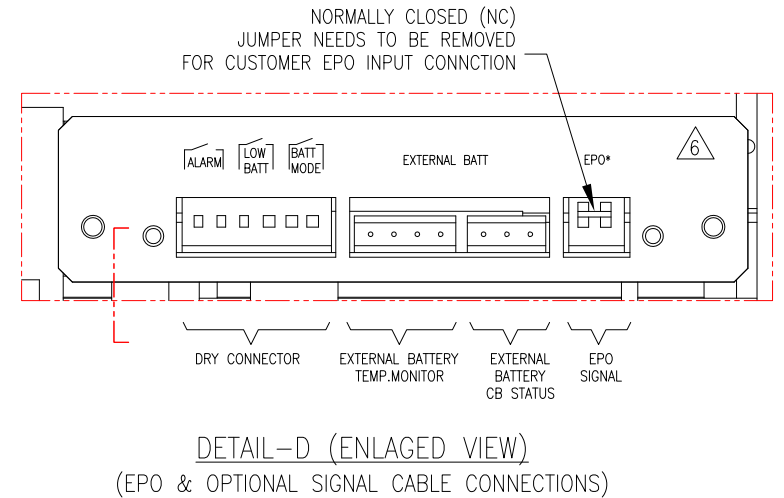
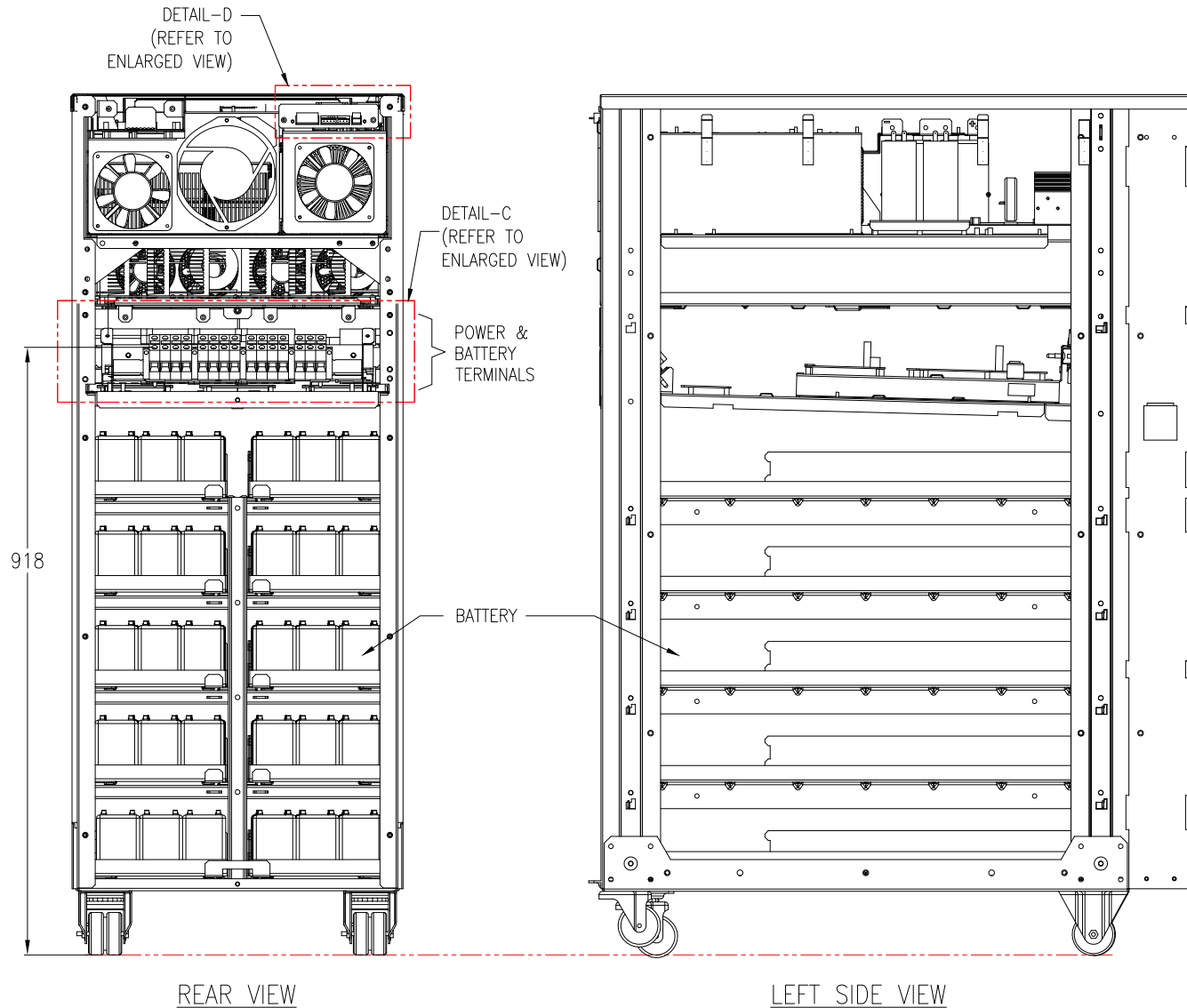
REV. 1

DRAWN: JP / KN 02-DEC-15
ENGINEER: ALEX ZHANG 02-DEC-15

FIRST ANGLE PROJECTION

PROJECT: SUBMITTAL DRAWINGS SHEET 3 OF 5

APPROVED: ANDERSEN/S.WAGH 02-DEC-15



- NOTES:**
1. INSTALLATION SHALL COMPLY WITH ALL APPLICABLE NATIONAL AND LOCAL ELECTRICAL REGULATIONS.
 2. PLEASE REFER TO PRODUCT MANUALS FOR ADDITIONAL DETAILS.
 3. ALL DIMENSIONS ARE IN MILLIMETERS UNLESS OTHERWISE SPECIFIED.
 - △ 4. G300 IS DESIGNED FOR SINGLE AND DUAL MAINS CONFIGURATION. SINGLE MAINS CONFIGURATION IS DEFAULT.
 5. SOME STRUCTURAL DETAILS HAVE BEEN OMITTED FOR THE PURPOSE OF CLARITY.
 - △ 6. PLEASE REFER TO CORRESPONDING WIRING DIAGRAMS FOR INTERFACING DETAILS.

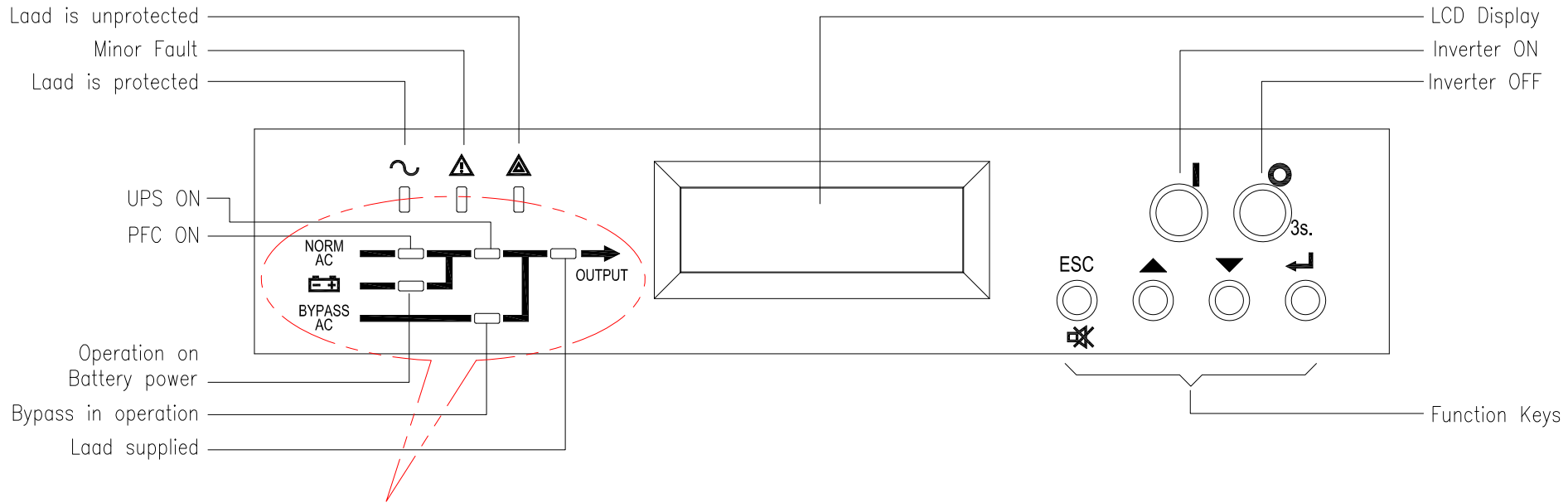
DETAIL-C (ENLARGED VIEW)
(CABLE TERMINAL DETAILS)
REFER TO SHEET-5 FOR RECOMMENDED CABLE SIZES

THIS DRAWING AND SPECIFICATIONS HEREIN ARE THE PROPERTY OF SCHNEIDER ELECTRIC AND SHALL NOT BE COPIED, REPRODUCED OR USED IN WHOLE OR IN PART, AS THE BASIS FOR THE MANUFACTURE OR SALE OF ITEMS WITHOUT WRITTEN PERMISSION FROM SCHNEIDER ELECTRIC. THIS DRAWING IS BASED UPON LATEST AVAILABLE INFORMATION AND IS SUBJECT TO CHANGE WITHOUT NOTICE.



TITLE:	MGE GALAXY 300 INPUT : 400V, 3PH OUTPUT: 30-40kVA, 400V, 3PH INTERNAL DETAILS-2	DWG NO:	G3HT30K40H	REV:	2
PROJECT: SUBMITTAL DRAWINGS	SHEET 4 OF 5	DRAWN:	C KRISHNA	17-JUL-15	FIRST ANGLE PROJECTION
		ENGINEER:	ALEX ZHANG	17-JUL-15	
		APPROVED:	C.LARSEN/S.WAGH	17-JUL-15	

DISPLAY INTERFACE (ENLARGED VIEW)



LED Status of the flow diagram
 GREEN—when the function is active
 RED—when a fault has occurred in the function
 OFF—when the function is inactive

NOTES:

1. WIRING SHALL COMPLY WITH ALL APPLICABLE NATIONAL AND LOCAL ELECTRICAL REGULATIONS.
2. PLEASE REFER TO PRODUCT MANUALS FOR ADDITIONAL DETAILS.

THIS DRAWING AND SPECIFICATIONS HEREIN ARE THE PROPERTY OF SCHNEIDER ELECTRIC AND SHALL NOT BE COPIED, REPRODUCED OR USED IN WHOLE OR IN PART, AS THE BASIS FOR THE MANUFACTURE OR SALE OF ITEMS WITHOUT WRITTEN PERMISSION FROM SCHNEIDER ELECTRIC. THIS DRAWING IS BASED UPON LATEST AVAILABLE INFORMATION AND IS SUBJECT TO CHANGE WITHOUT NOTICE.



TITLE:	MGE GALAXY 300 INPUT : 400V, 3PH OUTPUT: 30-40kVA, 400V, 3PH	DWG NO:	G3HT30K40H	REV.	1
PROJECT: SUBMITTAL DRAWINGS	SHEET 5 OF 5	DRAWN:	C KRISHNA	26-APR-11	FIRST ANGLE PROJECTION
		ENGINEER:	ALEX ZHANG	29-APR-11	
		APPROVED:	C.LARSEN/S.WAGH	29-APR-11	