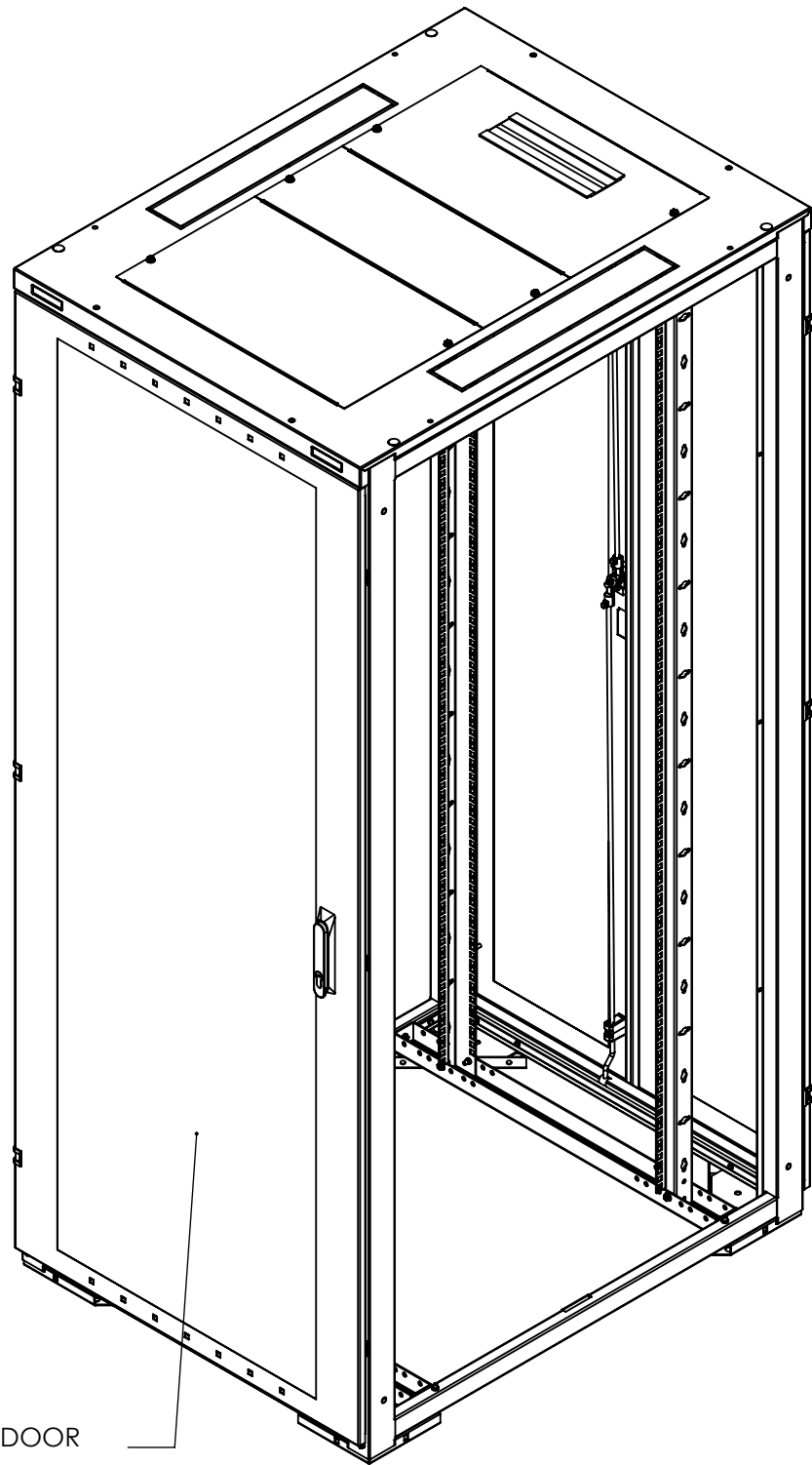
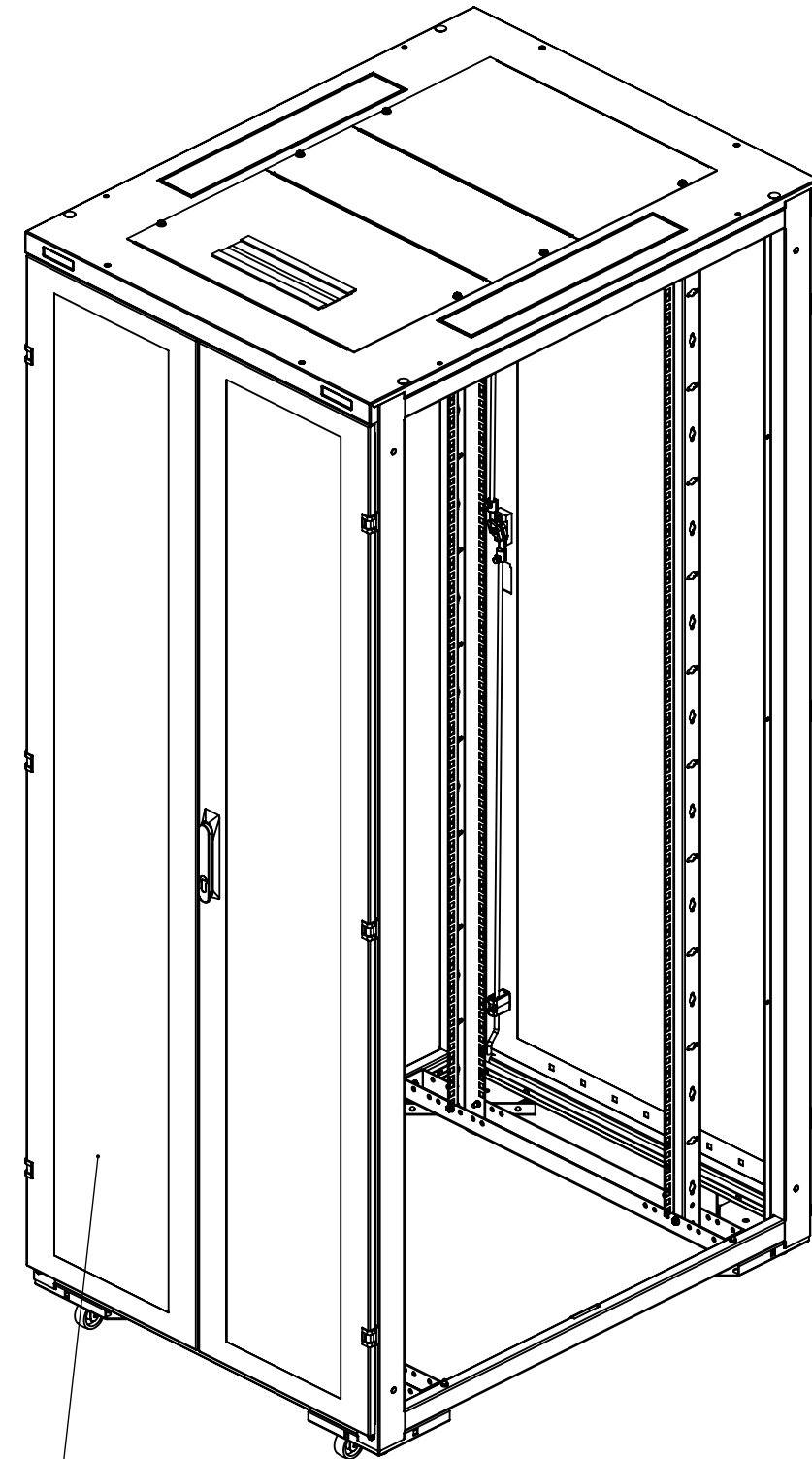


REVISION				
REV	DESCRIPTION	BY	DATE	CHANGE NO.
1	NOTES & DESCRIPTION UPDATED	JL	01/10/14	CBH-




PERFORATED FRONT DOOR

FRONT ISO



PERFORATED REAR DOORS

REAR ISO

 Powering Business Worldwide Walrow Industrial Estate Highbridge, Somerset England TA9 4AQ Phone +44 (0) 1278 783371 FAX +44 (0) 1278 789037 www.cooperline.com	TITLE: REC SERIES RACK 42U & 47U 800w PERFORATED DOORS RCA42810NPBE / RCA42812NPBE RCA47810NPBE / RCA47812NPBE		REFERENCE DWG(S):	SUBMITTAL NO: S00024955	
	DRAWN BY: JL	CHECKED BY: GGB	REV: 1	DATE: 17/09/14	
	MODEL SOURCE FILE: 00024955		REV: 00	SHEET: 1 OF 3	
	EQUIPMENT FURNISHED HAS BEEN FABRICATED IN ACCORDANCE WITH THIS DRAWING.				

B-Line by Eaton
Commerce Way, Highbridge, Somerset
TA9 4AQ - United Kingdom

EATON

IT-RACK RCA428**NPBE

CE SN: EIA-310-E & IEC60950 2014 Made In The UK

UPC 

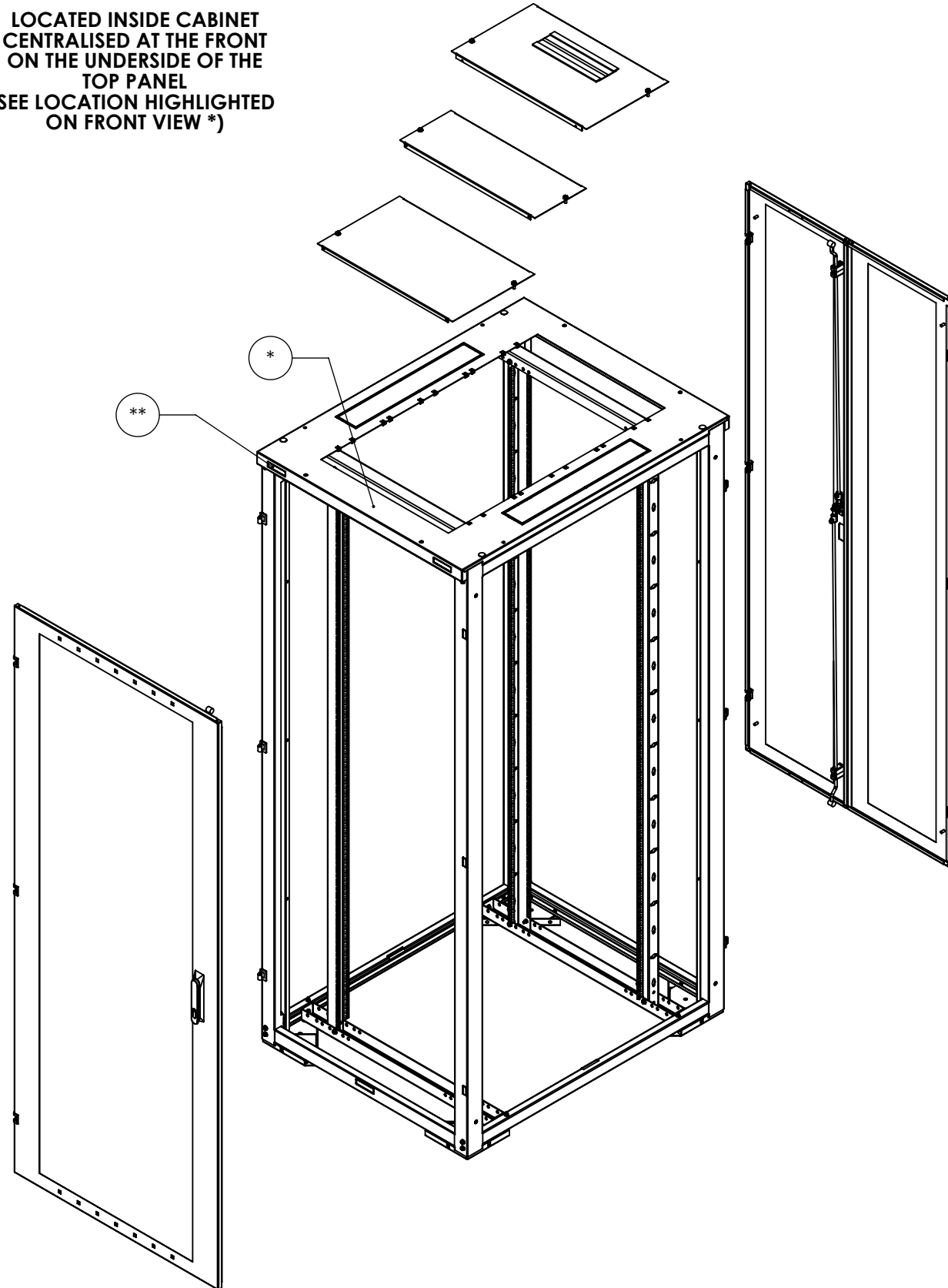
EXAMPLE EATON SERIAL LABEL

LOCATED INSIDE CABINET
CENTRALISED AT THE FRONT
ON THE UNDERSIDE OF THE
TOP PANEL
(SEE LOCATION HIGHLIGHTED
ON FRONT VIEW *)



EXAMPLE EATON LOGO LABEL

LOCATED TOP LEFT OF CABINET FRAME
FRONT AND REAR
(SEE LOCATION HIGHLIGHTED
ON FRONT VIEW **)




REVISION				
REV	DESCRIPTION	BY	DATE	CHANGE NO.
1	NOTES & DESCRIPTION UPDATED	JL	01/10/14	CBH-

SPECIFICATION :

- : BASIC FRAME WITH JACKING FEET + CASTORS
- : 2 X PAIRS OF FULLY ADJUSTABLE 19-INCH RAILS
- : UNIT HEIGHT LABELS (FRONT & REAR, BOTTOM TO TOP)
- : PERFORATED STEEL FRONT DOOR WITH 3-POINT LOCKING SWING HANDLE (80% PERFORATED AREA)
- : DOUBLE PERFORATED STEEL REAR DOORS WITH 2-POINT LOCKING SWING HANDLE (80% PERFORATED AREA)
- : NO SIDE PANELS
- : TOP COMPRISING OF 1 X BRUSH PANEL (REAR), ALL OTHERS PLAIN PANELS
- : SUPPLIED WITH EARTH KIT (LOOSE)
- : SUPPLIED WITH FIXING KIT
- : BAYING KIT
- : STATIC LOAD RATING - 1100KG
- : FINISHED BLACK RAL9005
- : SUPPLIED FULLY ASSEMBLED
- : ON HEAT TREATED EURO PALLET

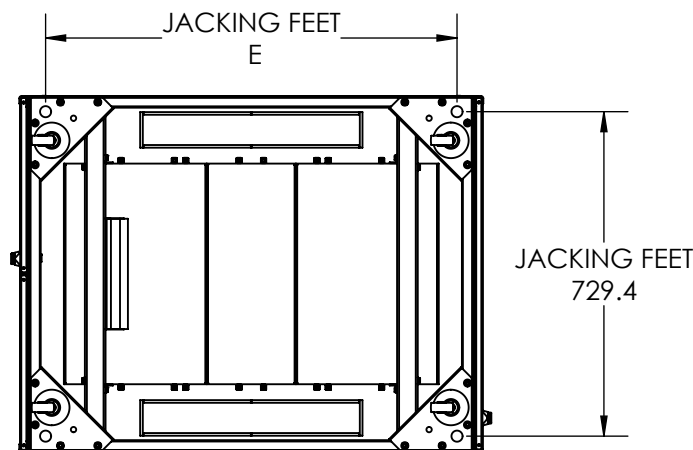
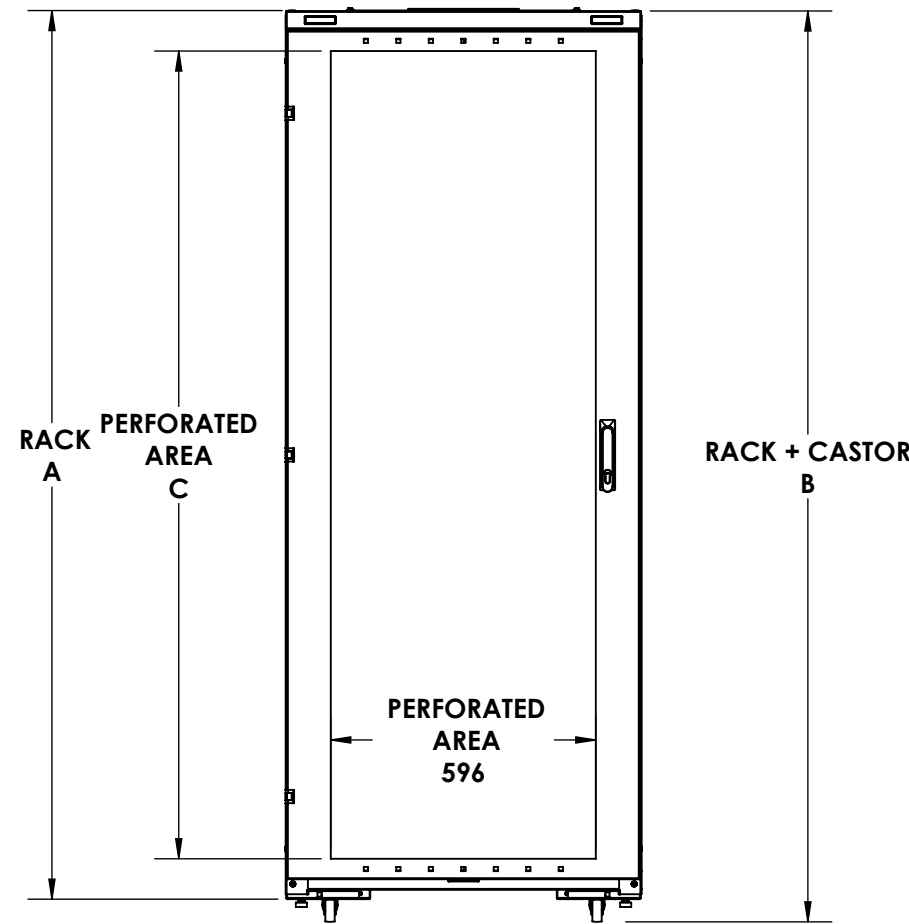
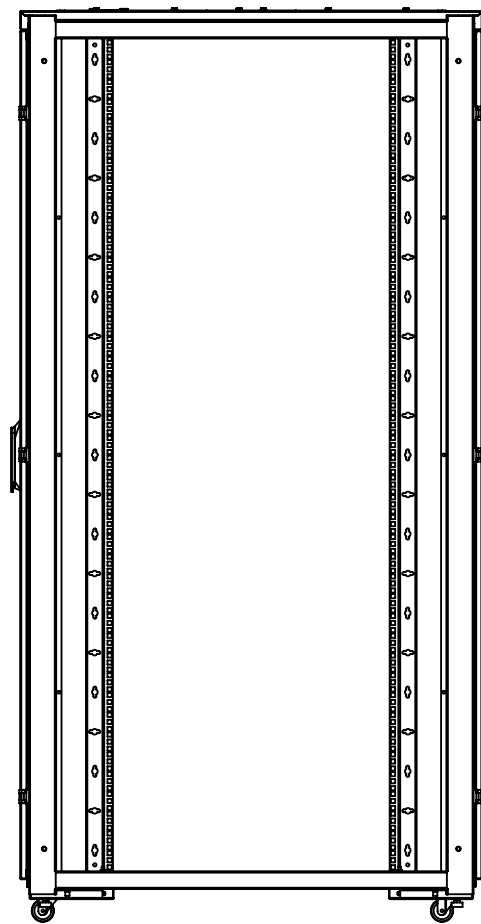
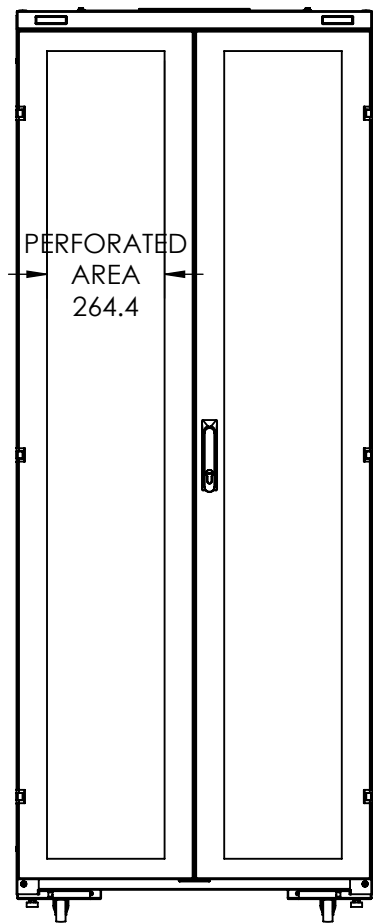
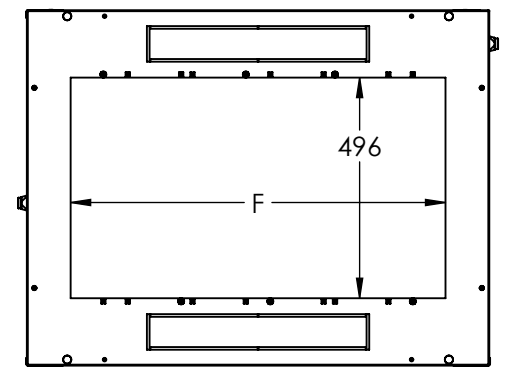
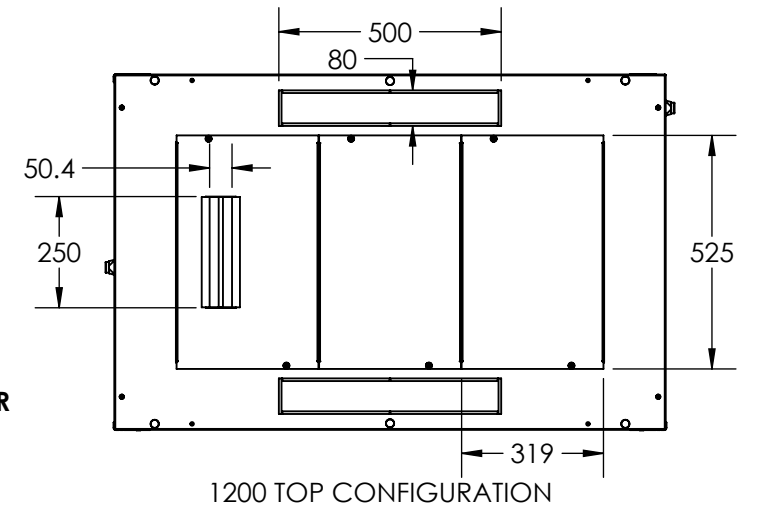
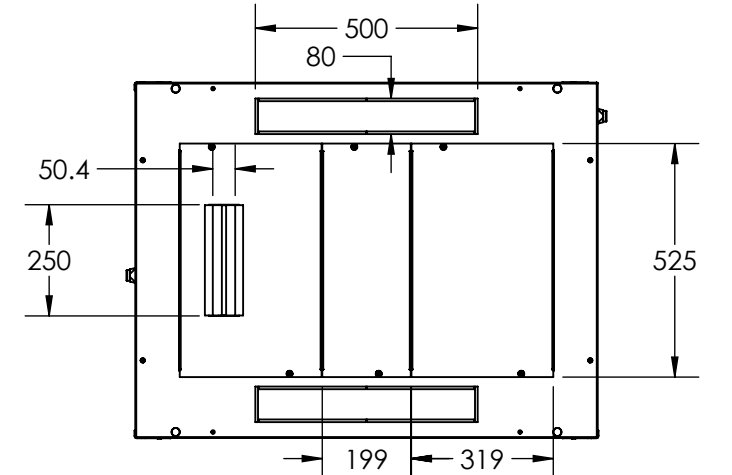
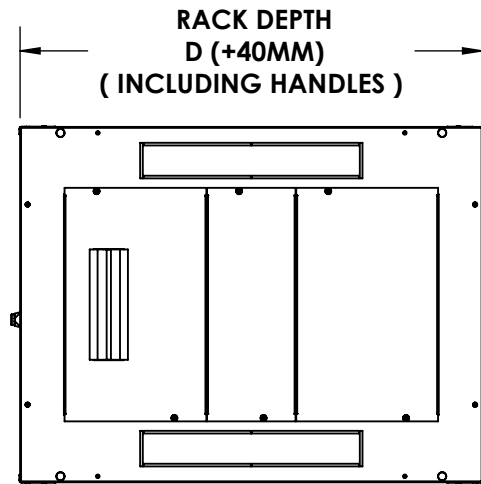
THIS DRAWING AND/OR THE TECHNICAL INFORMATION CONTAINED HEREON IS THE PROPERTY OF COOPER B-LINE, INC. ("B-LINE"), AND IS ISSUED IN CONFIDENCE FOR B-LINE ENGINEERING PURPOSES ONLY AND MAY NOT BE REPRODUCED OR USED FOR ANY PURPOSE WHATSOEVER WITHOUT THE EXPRESS WRITTEN PERMISSION OF B-LINE TO THE USER. THIS DRAWING AND/OR TECHNICAL INFORMATION IS THE PROPERTY OF B-LINE AND IS LOANED FOR MUTUAL ASSISTANCE; TO BE RETURNED WHEN ITS INTENDED PURPOSE HAS BEEN SERVED.

 Powering Business Worldwide Walrow Industrial Estate Highbridge, Somerset England TA9 4AQ Phone +44 (0) 1278 783371 FAX +44 (0) 1278 789037 www.cooperline.com	TITLE: REC SERIES RACK 42U & 47U 800w PERFORATED DOORS RCA42810NPBE / RCA42812NPBE RCA47810NPBE / RCA47812NPBE	REFERENCE DWG(S):	SUBMITTAL NO: S00024955
		DRAWN BY: JL CHECKED BY: GGB REV: 1 DATE: 17/09/14	MODEL SOURCE FILE: 00024955 REV: 00 SHEET: 2 OF 3

EQUIPMENT FURNISHED HAS BEEN FABRICATED IN ACCORDANCE WITH THIS DRAWING.

S00024955

REVISION				
REV	DESCRIPTION	BY	DATE	CHANGE NO.
1	NOTES & DESCRIPTION UPDATED	JL	01/10/14	CBH-



PART No.	U. HEIGHT	DIM.'A'	DIM.'B'	DIM.'C'	DIM.'D'	DIM.'E'	DIM.'F'	WEIGHT
RCA42810NPBE	42U	1998mm	2049mm	1816mm	1040mm	925mm	843mm	94Kg
RCA42812NPBE	42U	1998mm	2049mm	1816mm	1240mm	1125mm	963mm	96.5Kg
RCA47810NPBE	47U	2220mm	2271mm	2033mm	1040mm	925mm	843mm	100.5Kg
RCA47812NPBE	47U	2200mm	2271mm	2033mm	1240mm	1125mm	963mm	104Kg

THIS DRAWING AND/OR THE TECHNICAL INFORMATION CONTAINED HEREON IS THE PROPERTY OF COOPER B-LINE, INC. ("B-LINE"), AND IS ISSUED IN CONFIDENCE FOR B-LINE ENGINEERING PURPOSES ONLY AND MAY NOT BE REPRODUCED OR USED FOR ANY PURPOSE WHATSOEVER WITHOUT THE EXPRESS WRITTEN PERMISSION OF B-LINE TO THE USER. THIS DRAWING AND/OR TECHNICAL INFORMATION IS THE PROPERTY OF B-LINE AND IS LOANED FOR MUTUAL ASSISTANCE. TO BE RETURNED WHEN ITS INTENDED PURPOSE HAS BEEN SERVED.

Powering Business Worldwide
Walrow Industrial Estate
Highbridge, Somerset
England TA9 4AQ
Phone +44 (0) 1278 783371
FAX +44 (0) 1278 789037
www.cooperbline.com

TITLE:
**REC SERIES RACK 42U & 47U 800w
PERFORATED DOORS**
RCA42810NPBE / RCA42812NPBE
RCA47810NPBE / RCA47812NPBE

REFERENCE DWG(S):

SUBMITTAL NO:
S00024955

DRAWN BY: JL	CHECKED BY: GGB	REV: 1
DATE: 17/09/14		
MODEL SOURCE FILE: 00024955	REV: 00	SHEET: 3 OF 3

EQUIPMENT FURNISHED HAS BEEN FABRICATED IN ACCORDANCE WITH THIS DRAWING.