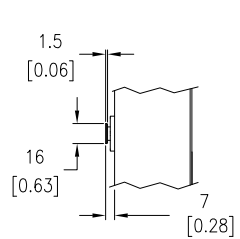
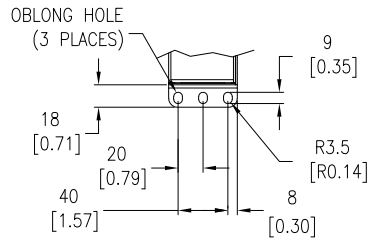


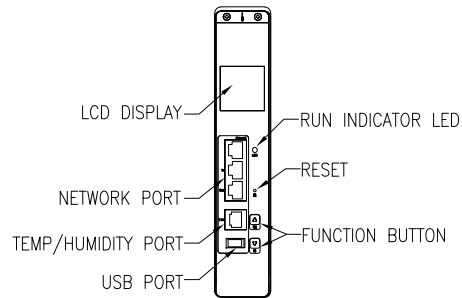
VIEW A
IEC 309 32A,
200/240V/415V, 3L+N+PE PLUG
ENLARGED VIEW



DETAIL B
PEG TOOL LESS MOUNTING
ENLARGED VIEW



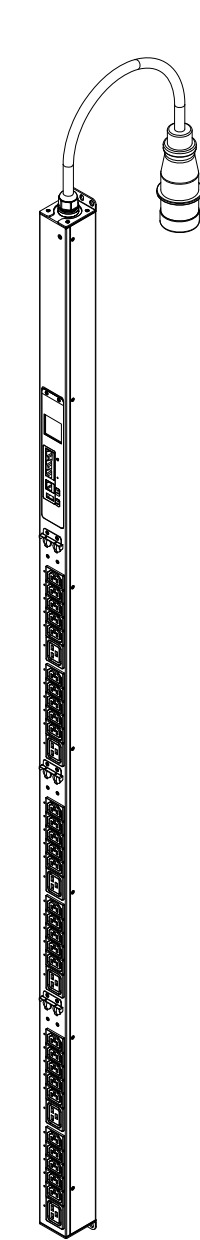
DETAIL C
UNIVERSAL MOUNTING
BRACKET
ENLARGED VIEW



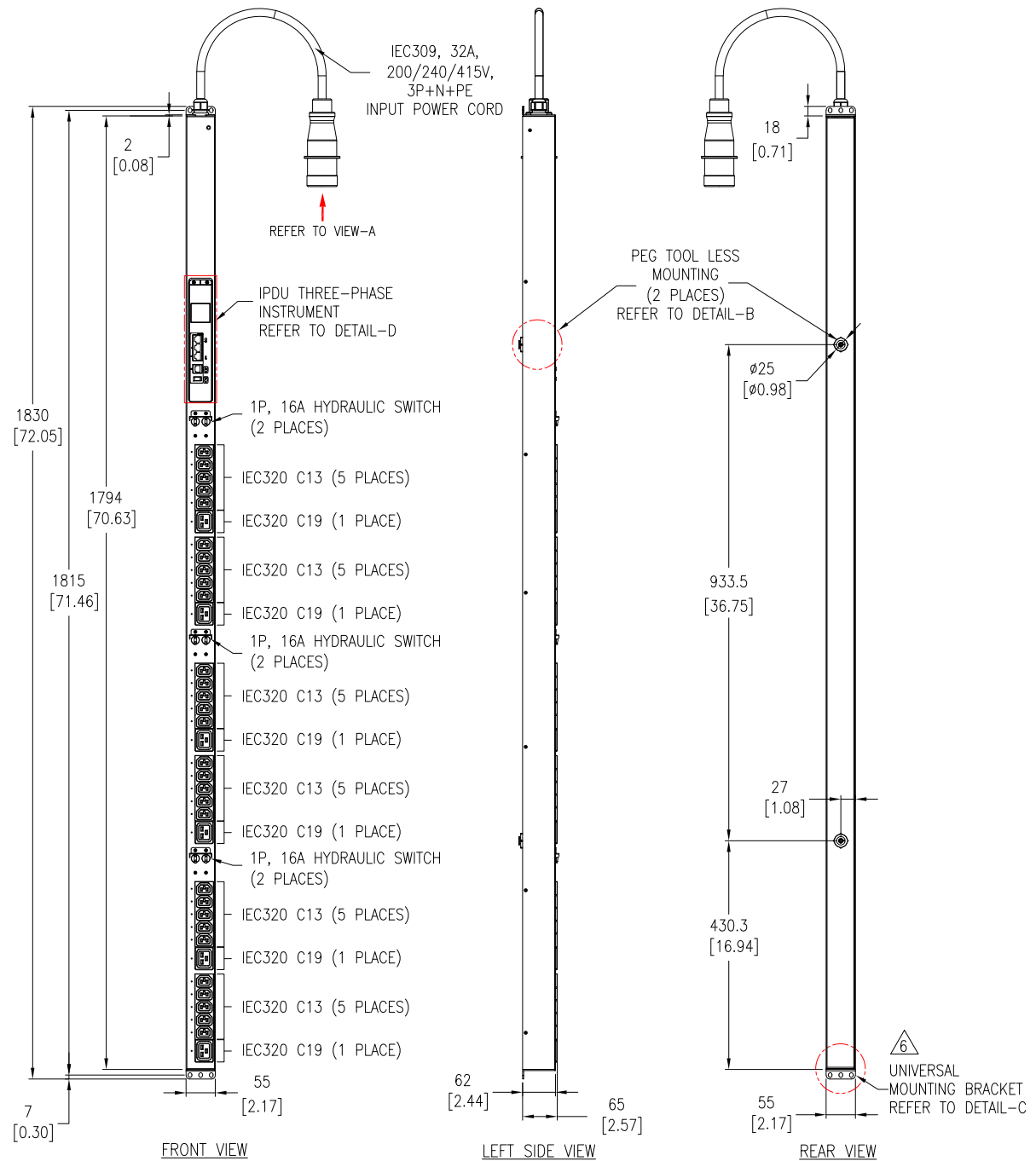
DETAIL D
IDPU INSTRUMENT
ENLARGED VIEW

NOTES:

1. INSTALLATION SHALL COMPLY WITH ALL APPLICABLE NATIONAL, STATE AND LOCAL ELECTRICAL CODES.
2. REFER TO PRODUCT DOCUMENTATION FOR ADDITIONAL DETAILS PRIOR TO INSTALLATION AND PREPARATION WORK.
3. UNLESS OTHERWISE SPECIFIED, ALL DIMENSIONS ARE IN MILLIMETERS [INCHES].
4. NET WEIGHT OF UNIT IS 8.28kg [18.25 lb].
5. LENGTH OF THE CORD IS 2000mm [78.5 Inches].
- △ 6. UNIVERSAL MOUNTING BRACKET IS AN ALTERNATIVE MOUNTING METHOD TO THE TOOL LESS MOUNT FOR 3RD PARTY ENCLOSURES. BRACKET IS PROVIDED WITH THE UNIT.
7. REFER TO WARNING LABEL ON REAR OF UNIT FOR SCREW MOUNTING.



ISOMETRIC VIEW

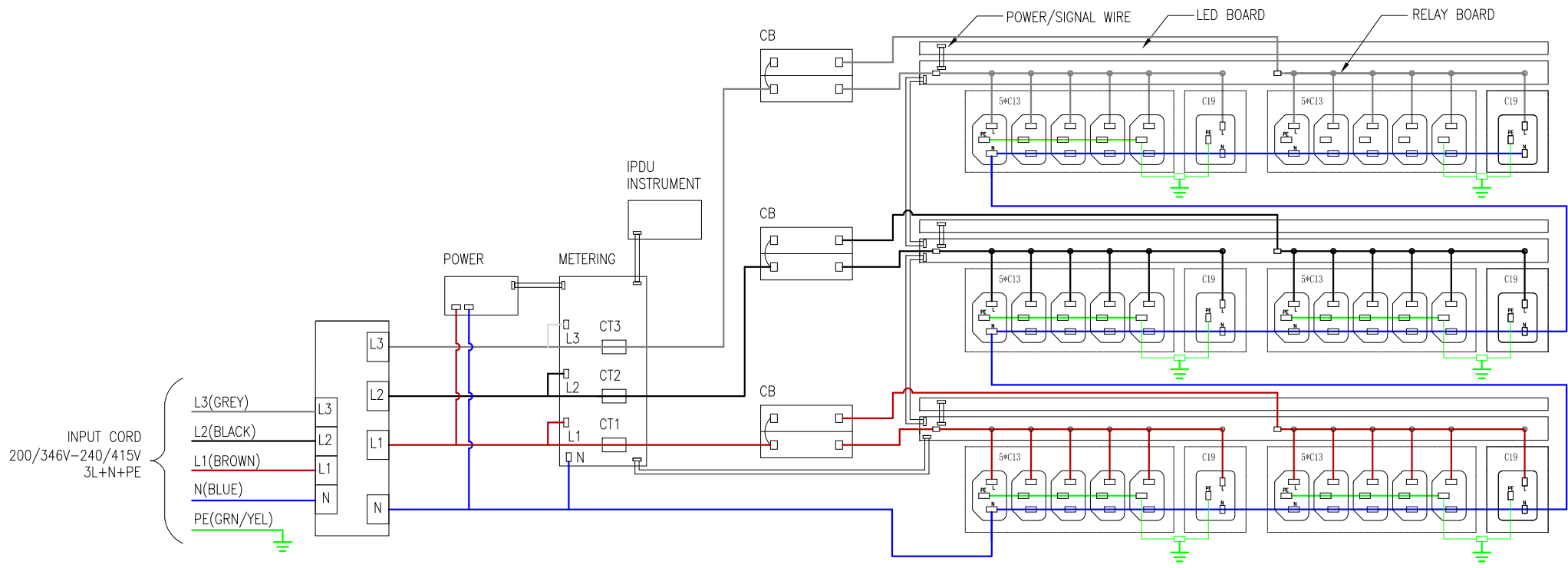


THIS DRAWING AND SPECIFICATIONS HEREIN ARE THE PROPERTY OF SCHNEIDER ELECTRIC AND SHALL NOT BE COPIED, REPRODUCED OR USED IN WHOLE OR IN PART, AS THE BASIS FOR THE MANUFACTURE OR SALE OF ITEMS WITHOUT WRITTEN PERMISSION FROM SCHNEIDER ELECTRIC. THIS DRAWING IS BASED UPON LATEST AVAILABLE INFORMATION AND IS SUBJECT TO CHANGE WITHOUT NOTICE.



TITLE: Easy PDU, Switched ZERO U, 32A, 230V
INPUT: IEC309, 3L+N+PE
OUTPUT: (30)IEC320 C13 & (6)IEC320 C19
GENERAL ARRANGEMENT
PROJECT: SUBMITTAL DRAWING SHEET 1 OF 2

DWG NO:	EPDU1232SX3620	REV:	0
DRAWN:	JAYAPRAKASH	25-NOV-20	FIRST ANGLE PROJECTION
ENGINEER:	Troy LIU	25-NOV-20	
APPROVED:	Tong XU	25-NOV-20	



NOTES:

1. INSTALLATION SHALL COMPLY WITH ALL APPLICABLE NATIONAL, STATE AND LOCAL ELECTRICAL CODES.
2. REFER TO PRODUCT DOCUMENTATION FOR ADDITIONAL DETAILS PRIOR TO INSTALLATION AND PREPARATION WORK.
3. THIS DRAWING DEPICTS THE POWER SYSTEM CONNECTIONS AND IS NOT REPRESENTATIVE OF THE PHYSICAL LAYOUT. PLEASE REFER TO MECHANICAL DRAWINGS FOR PHYSICAL LAYOUT.

THIS DRAWING AND SPECIFICATIONS HEREIN ARE THE PROPERTY OF SCHNEIDER ELECTRIC AND SHALL NOT BE COPIED, REPRODUCED OR USED IN WHOLE OR IN PART, AS THE BASIS FOR THE MANUFACTURE OR SALE OF ITEMS WITHOUT WRITTEN PERMISSION FROM SCHNEIDER ELECTRIC. THIS DRAWING IS BASED UPON LATEST AVAILABLE INFORMATION AND IS SUBJECT TO CHANGE WITHOUT NOTICE.



TITLE: Easy PDU, Switched ZERO U, 32A, 230V
 INPUT: IEC309, 3L+N+PE
 OUTPUT: (30)IEC320 C13 & (6)IEC320 C19
 SCHEMATIC DIAGRAM
 PROJECT: SUBMITTAL DRAWING SHEET 2 OF 2

DWG NO: EPDU1232SX3620
 DRAWN: JAYAPRAKASH
 ENGINEER: Troy LIU
 APPROVED: Tong XU

REV: 0
 25-NOV-20
 25-NOV-20
 25-NOV-20
 FIRST ANGLE PROJECTION