



NetCloud Services for Branch



ARC CBA550 Spec Sheet



Cradlepoint ARC CBA550 LTE Adapter is sold as part of an all-inclusive branch networking package.

NetCloud Packages for Branch include:

- An LTE adapter tailored for branch networking
- A NetCloud Service Plan tailored for branch networking and set for a specific term
- 24x7 support and limited lifetime warranty

What to Buy

Description	Part Numbers
North America (U.S., Canada)	
— NetCloud Essentials for Branch LTE Adapters with CBA550-150M-D-D	BBx-0550150M-NON
Europe (EU) & Asia Pacific (APAC)	
— NetCloud Essentials for Branch LTE Adapters with CBA550-150M-B-E	BB1-0550150M-GOM

x = 1, 3, or 5 years

NetCloud Essentials packages and plans contain all the features and capabilities required for a broad range of mobile or in-vehicle applications. Essentials packages include 24x7 Support (Phone Support: 24 hour weekdays with Emergency response on weekends, Web: 24x7, Chat: 24x5) and a Limited Lifetime Warranty.

See additional details of what is included in the Essential NetCloud software: cradlepoint.com/netcloud-manager

For more details on the ARC CBA550 LTE Adapters, included with the NetCloud Packages for Branch LTE Adapters, see below.

What's in the Box

- CBA550 with embedded 150M multi-carrier modem with SIM-based, Auto-Carrier Selection
- Universal LTE antennas, part no. 170761-000.
- Ethernet cable
- Mounting hardware
- Safety, Regulatory, and Warranty guide

Key Features

WAN

- 150M-D: 150/50 Mbps DL/UL FDD LTE w/HSPA+ Fallback
- Advanced Modem Failure Check
- IP Passthrough
- Standby

LAN

- VLAN 802.1Q
- DHCP Server, Client, Relay
- DNS and DNS Proxy
- DynDNS
- UPnP
- DMZ
- MAC Address Filtering

Management

- Cradlepoint NetCloud Manager
- Web UI, API, CLI, SSH
- Data Usage Alerts (router and per client)
- Device Alerts
- SNMP
- SMS control

Routing

- Routing Rules
- NAT-less Routing
- Virtual Server/Port Forwarding
- IPv6

Security

- RADIUS and TACACS+ support*
- 802.1x authentication for Ethernet
- ALGs
- MAC Address Filtering
- Advanced Security Mode (local user management only)

- Per-Client Web Filtering
- IP Filtering
- Content Filtering (basic)
- Website Filtering

*-Native support for authentication. Authorization and accounting support through hotspot/captive portal services.

Specifications

The following features are delivered through the NetCloud Service:

WAN:

- Embedded 150M Category 4, LTE modem with DC-HSPA Failover

LAN:

- One LAN 10/100 Ethernet port

TEMPERATURE:

- 0 °C to 50 °C (32 °F to 122 °F) operating
- -20 °C to 70 °C (-4 °F to 158 °F) storage

HUMIDITY (non-condensing):

- 10% to 85% operating
- 5% to 90% storage

POWER:

- 802.3af (15 W) or 802.3at (30 W) PoE capable

POWER CONSUMPTION (Typical):

- Idle: 1.5W
- Heavy Usage (max power): 5.1W

SIZE: 4.8 x 4.8 x 1.7 in (122 x 122 x 42 mm)

HOUSING:

- White plastic, locking compatible
- Wall, desk, or DIN Rail mounting

CERTIFICATIONS:

- FCC, CE, IC
- Safety: UL/CUL/CB Scheme
- Materials: WEEE, RoHS, RoHS-2, California Prop 65

Accessories

See the [Cradlepoint Certified Antennas for Fixed Sites](#) page for more information about antennas. Also see the [Antenna Ordering and Installation Guide](#), available as a PDF in the Resources section of antenna and router product pages.

Enterprise-Class Modem Specifications

ARC CBA550-150M-D-D LTE HSPA+ North America (U.S. & Canada)

ARC CBA550-150M-D-D model includes an embedded LTE Category 4, 4G LTE modem. The 150M modems support SIM-Based, Auto-Carrier selection. Simply insert the SIM and wait for the router to automatically detect the SIM and establish a connection.

- Technology: LTE Cat 4 (3GPP Rel 11), DC-HSPA+
- Downlink Rates: LTE 150 Mbps, HSPA+ 42.2 Mbps*
- Uplink Rates: LTE 50 Mbps, HSPA+ 5.76 Mbps*
- Frequency Bands:
 - LTE: Band 2 (1900 MHz), Band 4 - AWS (1700/2100 MHz), Band 5 (850 MHz), Band 12 (700 MHz), Band 13 (700 MHz), Band 14 (700 MHz), Band 66 - AWS 3 (1700/2100 MHz), Band 71 (600 MHz)
 - WCDMA/HSPA+/UMTS: Band 2, Band 4, Band 5
- Power: LTE 23 dBm \pm 1; HSPA+ 23 dBm \pm 1; (typical conducted)
- Antennas: Two SMA male (plug). The recommended maximum torque is 4 inch-pounds (4 in-lbs).
- Industry Standards & Certs: FCC, IC, PTCRB, AT&T, FirstNet Ready, Verizon
- SIM: Two 2FF slots
- The CBA550-150M-D is certified on public safety networks for North America (U.S., Canada)

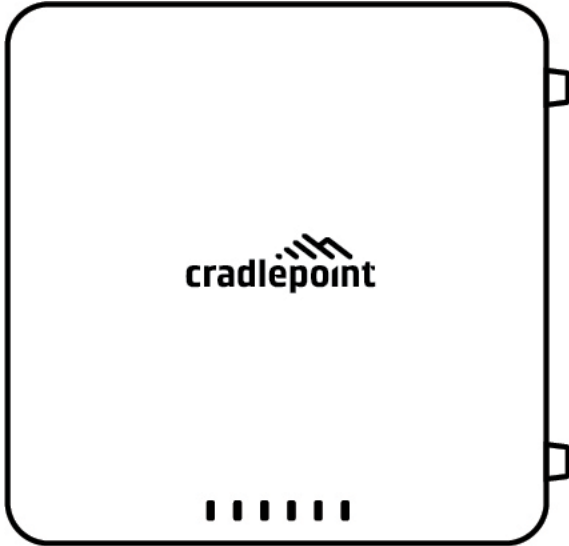
ARC CBA550-150M-E LTE HSPA+ Europe & Asia Pacific (EU/APAC)

ARC CBA550-150M-E model includes an embedded LTE Category 4, 4G LTE modem. The 150M modems support SIM-Based, Auto-Carrier selection. Simply insert the SIM and wait for the router to automatically detect the SIM and establish a connection.

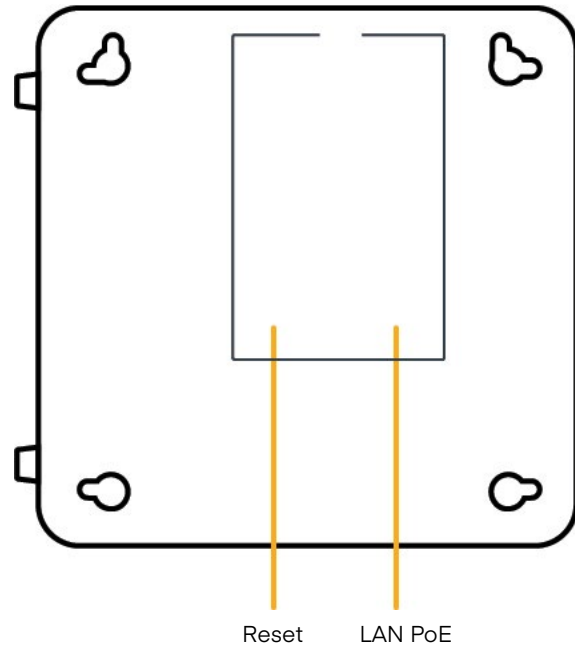
- Technology: LTE Cat 4 (3GPP Rel 11), DC-HSPA+
- Downlink Rates: LTE 150 Mbps, HSPA+ 42.2 Mbps*
- Uplink Rates: LTE 50 Mbps, HSPA+ 5.76 Mbps*
- Frequency Bands:
 - LTE FDD: Band 1 (2100 MHz), Band 3 (1800 MHz), Band 5 (800 MHz), Band 7 (2600 MHz), Band 8 (900 MHz), Band 20 (800 MHz), Band 38 (2600 MHz), Band 40 (2300 MHz), Band 41 (2500 MHz)
 - DC-HSPA+/UMTS: Band 1, Band 5, Band 8
 - GSM/EDGE: Band 3, Band 8
- Power: LTE 23 dBm \pm 2; HSPA+ 23 dBm \pm 1; (typical conducted)
- Antennas: Two SMA male (plug). The recommended maximum torque is 4 inch-pounds (4 in-lbs).
- Industry Standards & Certs: CE
- SIM: Two 2FF slots
- The CBA550-150M-E is certified on public safety networks for Europe and Asia Pacific

Hardware

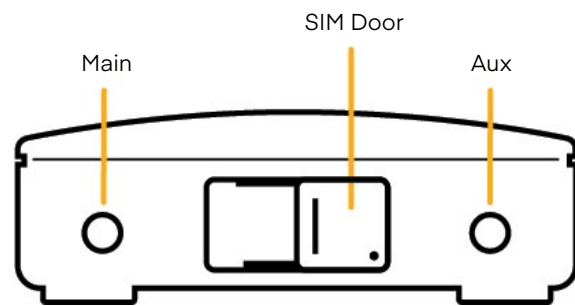
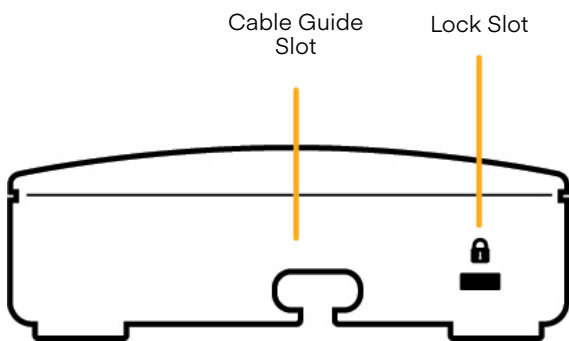
Top View:



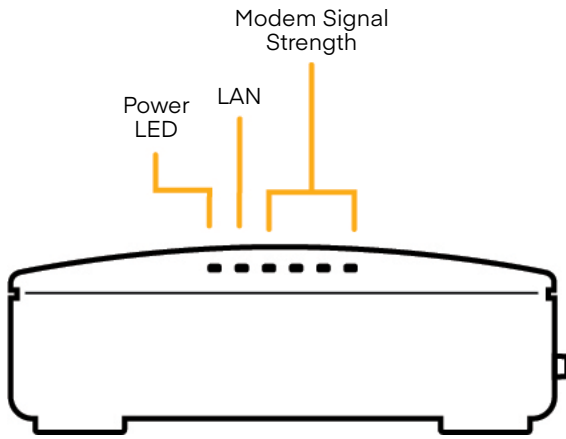
Bottom View:



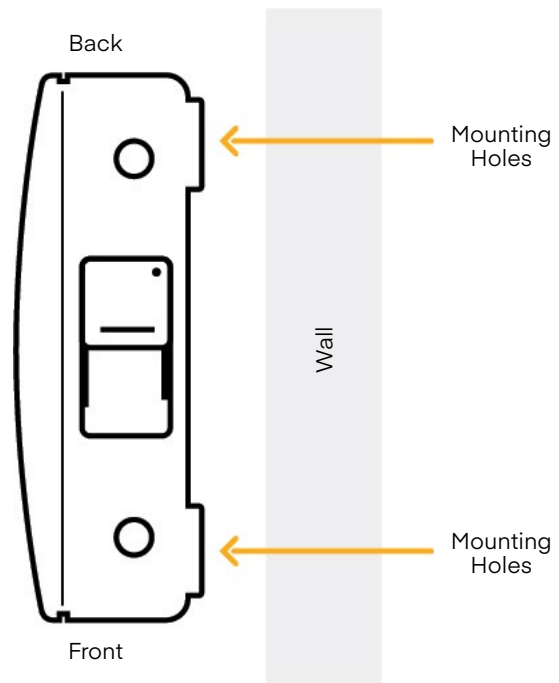
Side View:



LEDs:



Wall Mounting:



Support & Warranty

The CBA550 is only sold as a component of NetCloud Packages.

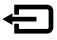

- NetCloud Packages include support for the full subscription term.
- All Cradlepoint hardware products are covered by a limited lifetime warranty for as long as they are under a NetCloud Service Plan subscription.
- The CBA550 includes a limited lifetime warranty when purchased from an authorized Cradlepoint Partner.

*Theoretical

**To be enabled with a future modem software update.

FirstNet and FirstNet Ready are registered trademarks and service marks of the First Responder Network Authority, an independent authority within the U.S. Department of Commerce.

LED Indicators

INDICATOR	BEHAVIOR
<p>On top of router</p>	<p>POWER The Cradlepoint CBA550 must be powered by PoE.</p> <ul style="list-style-type: none"> — Blue = Powered ON: 4G. — Green = Powered ON: 3G. — Amber = Attention. — No Light = Not receiving power. Check the power switch and the power source connection.
	<p>INTEGRATED MODEM Indicates information about the integrated modem.</p> <ul style="list-style-type: none"> — Green = Modem has established an active connection. — Blinking Green = Modem is connecting. — Amber = Modem is not active. — Blinking Amber = Data connection error. No modem connection possible. — Blinking Red = Modem is in the process of resetting.
	<p>SIGNAL STRENGTH Blue LED bars indicate the active modem's signal strength.</p> <ul style="list-style-type: none"> — 4 Solid Bars = Strongest signal. — 1 Blinking Bar = Weakest signal. (A blinking bar indicates half of a bar.)