

Service Manual

Air Conditioner



Indoor Unit
CS-Z25TKEA
CS-Z35TKEA
CS-Z42TKEA
CS-Z50TKEA
CS-Z71TKEA


Outdoor Unit
CU-Z25TKEA
CU-Z35TKEA
CU-Z42TKEA
CU-Z50TKEA
CU-Z71TKEA

Destination
Europe

WARNING

This service information is designed for experienced repair technicians only and is not designed for use by the general public. It does not contain warnings or cautions to advise non-technical individuals of potential dangers in attempting to service a product. Products powered by electricity should be serviced or repaired only by experienced professional technicians. Any attempt to service or repair the products dealt with in this service information by anyone else could result in serious injury or death.

IMPORTANT SAFETY NOTICE

There are special components used in this equipment which are important for safety. These parts are marked by  in the Schematic Diagrams, Circuit Board Diagrams, Exploded Views and Replacement Parts List. It is essential that these critical parts should be replaced with manufacturer's specified parts to prevent shock, fire or other hazards. Do not modify the original design without permission of manufacturer.

PRECAUTION OF LOW TEMPERATURE

In order to avoid frostbite, be assured of no refrigerant leakage during the installation or repairing of refrigerant circuit.

CAUTION

R32 REFRIGERANT – This Air Conditioner contains and operates with refrigerant R32.

THIS PRODUCT MUST ONLY BE INSTALLED OR SERVICED BY QUALIFIED PERSONNEL.

Refer to Commonwealth, State, Territory and local legislation, regulations, codes, installation & operation manuals, before the installation, maintenance and/or service of this product.



TABLE OF CONTENTS

	PAGE		PAGE
1. Safety Precautions	3	code, no cooling / no warming.....	69
2. Precaution for Using R32 Refrigerant	6	14. Operation Control	71
3. Specifications	10	14.1 Basic Function	71
4. Features	19	14.2 Indoor Fan Motor Operation	72
5. Location of Controls and Components	20	14.3 Outdoor Fan Motor Operation	73
5.1 Indoor Unit.....	20	14.4 Airflow Direction.....	74
5.2 Outdoor Unit	20	14.5 Quiet Operation (Cooling Mode/Cooling Area of Dry Mode)	76
5.3 Remote Control	20	14.6 Quiet Operation (Heating)	76
6. Dimensions	21	14.7 Powerful Mode Operation.....	76
6.1 Indoor Unit.....	21	14.8 Timer Control.....	77
6.2 Outdoor Unit	23	14.9 Weekly Timer Setting	77
7. Refrigeration Cycle Diagram	24	14.10 Auto Restart Control.....	78
7.1 CS-Z25TKEA CU-Z25TKEA CS-Z35TKEA CU-Z35TKEA CS-Z42TKEA CU-Z42TKEA.....	24	14.11 Indication Panel.....	78
7.2 CS-Z50TKEA CU-Z50TKEA CS-Z71TKEA CU-Z71TKEA.....	25	15. Protection Control	79
8. Block Diagram	26	15.1 Protection Control for All Operations.....	79
8.1 CS-Z25TKEA CU-Z25TKEA CS-Z35TKEA CU-Z35TKEA CS-Z42TKEA CU-Z42TKEA.....	26	15.2 Protection Control for Cooling & Soft Dry Operation.....	81
8.2 CS-Z50TKEA CU-Z50TKEA CS-Z71KEA CU-Z71TKEA.....	27	15.3 Protection Control for Heating Operation ..	82
9. Wiring Connection Diagram	28	16. Servicing Mode	84
9.1 Indoor Unit.....	28	16.1 Auto OFF/ON Button	84
9.2 Outdoor Unit	29	17. Troubleshooting Guide	85
10. Electronic Circuit Diagram	31	17.1 Refrigeration Cycle System.....	85
10.1 Indoor Unit.....	31	17.2 Breakdown Self Diagnosis Function.....	87
10.2 Outdoor Unit	32	17.3 Error Codes Table	88
11. Printed Circuit Board	34	17.4 Self-diagnosis Method.....	90
11.1 Indoor Unit.....	34	18. Disassembly and Assembly Instructions ...	118
11.2 Outdoor Unit	36	18.1 CS-Z25TKEA CS-Z35TKEA.....	118
12. Installation Instruction	37	18.2 CS-Z42TKEA CS-Z50TKEA CS-Z71TKEA.....	124
12.1 Select the Best Location.....	37	18.3 Outdoor Electronic Controller Removal Procedure	130
12.2 Indoor Unit.....	38	19. Technical Data	132
12.3 Outdoor Unit	44	19.1 Cool Mode Performance Data.....	132
13. Installation and Servicing Air Conditioner using R32	51	19.2 Heat Mode Performance Data.....	135
13.1 About R32 Refrigerant.....	51	20. Service Data	136
13.2 Characteristics of R32 Refrigerant	51	20.1 Cool Mode Outdoor Air Temperature Characteristic.....	136
13.3 Refrigerant piping installation • Tools used in services.....	53	20.2 Heat Mode Outdoor Air Temperature Characteristic.....	141
13.4 New installation, Relocation, Repairing of Refrigerant Cycle System The Procedures	57	20.3 Piping Length Correction Factor.....	146
13.5 Piping installation of R32.....	58	21. Exploded View and Replacement Parts List	148
13.6 Installation, Relocation, and Service	59	21.1 Indoor Unit	148
13.7 Repairing of refrigerant cycle / Brazing point.....	63	21.2 Outdoor Unit	152
13.8 <Reference> Analysis method for no error			


• Specifications, designs and contents in this Service Manual are subject to change without notice.

1. Safety Precautions





- Read the following “SAFETY PRECAUTIONS” carefully before perform any servicing.
- Electrical work must be installed or serviced by a licensed electrician. Be sure to use the correct rating of the power plug and main circuit for the model installed.
- The caution items stated here must be followed because these important contents are related to safety. The meaning of each indication used is as below. Incorrect installation or servicing due to ignoring of the instruction will cause harm or damage, and the seriousness is classified by the following indications.

 WARNING	This indication shows the possibility of causing death or serious injury.
 CAUTION	This indication shows the possibility of causing injury or damage to properties.














- The items to be followed are classified by the symbols:

	This symbol denotes item that is PROHIBITED from doing.
---	---


- Explanation of symbols displayed on the indoor unit or outdoor unit.

 WARNING	This symbol shows that this equipment uses a flammable refrigerant. If the refrigerant is leaked, together with an external ignition source, there is a possibility of ignition.
 CAUTION	This symbol shows that the Operation Manual should be read carefully.
 CAUTION	This symbol shows that a service personnel should be handling this equipment with reference to the Installation Manual.
 CAUTION	This symbol shows that there is information included in the Operation Manual and/or Installation Manual.





- Carry out test run to confirm that no abnormality occurs after the servicing. Then, explain to user the operation, care and maintenance as stated in instructions. Please remind the customer to keep the operating instructions for future reference.

 WARNING		
1.	Do not use means to accelerate the defrosting process or to clean, other than those recommended by the manufacturer. Any unfit method or using incompatible material may cause product damage, burst and serious injury.	
2.	Do not install outdoor unit near handrail of veranda. When installing air-conditioner unit on veranda of a high rise building, child may climb up to outdoor unit and cross over the handrail causing an accident.	
3.	Do not use unspecified cord, modified cord, joint cord or extension cord for power supply cord. Do not share the single outlet with other electrical appliances. Poor contact, poor insulation or over current will cause electrical shock or fire.	
4.	The appliance shall be stored in a well ventilated room with floor area larger than A min (m ²) [refer Table A] and without any continuously operating ignition sources. Keep away from open flames, any operating gas appliances or any operating electric heater. Else, it may explode and cause injury or death.	
5.	Do not tie up the power supply cord into a bundle by band. Abnormal temperature rise on power supply cord may happen.	
6.	Do not insert your fingers or other objects into the unit, high speed rotating fan may cause injury.	
7.	Do not sit or step on the unit, you may fall down accidentally.	
8.	The appliance shall be installed, and/or operated in a room with floor area larger than A min (m ²) [refer Table A] and keep away from ignition sources, such as heat/sparks/open flame, or, hazardous areas, such as gas appliances, gas cooking, reticulated gas supply systems, or electric cooking appliances, etc.	
9.	Keep plastic bag (packaging material) away from small children, it may cling to nose and mouth and prevent breathing.	
10.	When installing or relocating air conditioner, do not let any substance other than the specified refrigerant, eg. air etc mix into refrigeration cycle (piping). Mixing of air etc. will cause abnormal high pressure in refrigeration cycle and result in explosion, injury etc.	
11.	Do not pierce or burn as the appliance is pressurized. Do not expose the appliance to heat, flame, sparks, or other sources of ignition. Else, it may explode and cause injury or death.	
12.	Do not add or replace refrigerant other than specified type. It may cause product damage, burst and injury etc.	



 **WARNING**

13.	Do not perform flare connection inside a building or dwelling or room, when joining the heat exchanger of indoor unit with interconnecting piping. Refrigerant connection inside a building or dwelling or room must be made by brazing or welding. Joint connection of indoor unit by flaring method can only be made at outdoor or at outside of a building or dwelling or room. Flare connection may cause gas leak and flammable atmosphere.	
14.	<ul style="list-style-type: none"> • For R32 model, use piping, flare nut and tools which is specified for R32 refrigerant. Using of existing (R22) piping, flare nut and tools may cause abnormally high pressure in the refrigerant cycle (piping), and possibly result in explosion and injury. • Thickness for copper pipes used with R32 must be more than 0.8 mm. Never use copper pipes thinner than 0.8 mm. • It is desirable that the amount of residual oil less than 40 mg/10 m. 	
15.	Engage authorized dealer or specialist for installation and servicing. If installation or servicing done by the user is defective, it will cause water leakage, electrical shock or fire.	
16.	For refrigeration system work, Install according to this installation instructions strictly. If installation is defective, it will cause water leakage, electrical shock or fire.	
17.	Use the attached accessories parts and specified parts for installation and servicing. Otherwise, it will cause the set to fall, water leakage, fire or electrical shock.	
18.	Install at a strong and firm location which is able to withstand weight of the set. If the strength is not enough or installation is not properly done, the set will drop and cause injury.	
19.	For electrical work, follow the national regulation, legislation and this installation instructions. An independent circuit and single outlet must be used. If electrical circuit capacity is not enough or defect found in the electrical work, it will cause electrical shock or fire.	
20.	Do not use joint cable for indoor/outdoor connection cable. Use the specified indoor/outdoor connection cable, refer to instruction CONNECT THE CABLE TO THE INDOOR UNIT and connect tightly for indoor/outdoor connection. Clamp the cable so that no external force will have impact on the terminal. If connection or fixing is not perfect, it will cause heat up or fire at the connection.	
21.	Wire routing must be properly arranged so that control board cover is fixed properly. If control board cover is not fixed perfectly, it will cause heat-up or fire at connection point of terminal, fire or electrical shock.	
22.	This equipment is strongly recommended to be installed with Earth Leakage Circuit Breaker (ELCB) or Residual Current Device (RCD), with sensitivity of 30mA at 0.1 sec or less. Otherwise, it may cause electrical shock and fire in case of equipment breakdown or insulation breakdown.	
23.	During installation, install the refrigerant piping properly before running the compressor. Operation of compressor without fixing refrigeration piping and valves at opened position will cause suck-in of air, abnormal high pressure in refrigeration cycle and result in explosion, injury etc.	
24.	During pump down operation, stop the compressor before removing the refrigeration piping. Removal of refrigeration piping while compressor is operating and valves are opened will cause suck-in of air, abnormal high pressure in refrigeration cycle and result in explosion, injury etc.	
25.	Tighten the flare nut with torque wrench according to specified method. If the flare nut is over-tightened, after a long period, the flare may break and cause refrigerant gas leakage.	
26.	After completion of installation or service, confirm there is no leakage of refrigerant gas. It may generate toxic gas when the refrigerant contacts with fire.	
27.	Ventilate if there is refrigerant gas leakage during operation. It may cause toxic gas when the refrigerant contacts with fire.	
28.	Be aware that refrigerants may not contain an odour.	
29.	This equipment must be properly earthed. Earth line must not be connected to gas pipe, water pipe, earth of lightning rod and telephone. Otherwise, it may cause electrical shock in case of equipment breakdown or insulation breakdown.	
30.	Do not modify the machine, part, material during repairing service.	
31.	If wiring unit is supplied as repairing part, do not repair or connect the wire even only partial wire break. Exchange the whole wiring unit.	
32.	Do not wrench the fasten terminal. Pull it out or insert it straightly.	
33.	Must not use other parts except original parts describe in catalog and manual.	

 **CAUTION**


1.	Do not install the unit in a place where leakage of flammable gas may occur. In case gas leaks and accumulates at surrounding of the unit, it may cause fire.	
2.	Prevent liquid or vapor from entering sumps or sewers since vapor is heavier than air and may form suffocating atmospheres.	
3.	Do not release refrigerant during piping work for installation, servicing, reinstallation and during repairing a refrigerant parts. Take care of the liquid refrigerant, it may cause frostbite.	
4.	Do not install this appliance in a laundry room or other location where water may drip from the ceiling, etc.	


 **CAUTION**

5.	Do not touch the sharp aluminium fin, sharp parts may cause injury.	
6.	Carry out drainage piping as mentioned in installation instructions. If drainage is not perfect, water may enter the room and damage the furniture.	
7.	Select an installation location which is easy for maintenance. Incorrect installation, service or repair of this air conditioner may increase the risk of rupture and this may result in loss damage or injury and/or property.	
8.	Power supply connection to the room air conditioner. Use power supply cord 3 x 1.5 mm ² (1.0 ~ 1.75HP), 3 x 2.5 mm ² (2.0 ~ 2.5HP) type designation 60245 IEC 57 or heavier cord. Connect the power supply cord of the air conditioner to the mains using one of the following method. Power supply point should be in easily accessible place for power disconnection in case of emergency. In some countries, permanent connection of this air conditioner to the power supply is prohibited. 1) Power supply connection to the receptacle using power plug. Use an approved 15/16A (1.0 ~ 1.75HP) or 16A (2.0HP) or 20A (2.5HP), power plug with earth pin for the connection to the socket. 2) Power supply connection to a circuit breaker for the permanent connection. Use an approved 16A (1.0 ~ 2.0HP) or 20A (2.5HP) circuit breaker for the permanent connection. It must be a double pole switch with a minimum 3.0 mm contact gap.	
9.	Installation or servicing work: It may need two people to carry out the installation or servicing work.	
10.	Pb free solder has a higher melting point than standard solder; typically the melting point is 50°F – 70°F (30°C – 40°C) higher. Please use a high temperature solder iron. In case of the soldering iron with temperature control, please set it to 700 ± 20°F (370 ± 10°C). Pb free solder will tend to splash when heated too high (about 1100°F / 600°C).	
11.	Do not touch the sharp aluminum fins or edges of metal parts. If you are required to handle sharp parts during installation or servicing, please wear hand glove. Sharp parts may cause injury.	
12.	Tighten the flare nut with torque wrench according to specified method. If the flare nut is over-tightened, after a long period, the flare may break and cause refrigerant gas leakage.	
13.	Do not touch outdoor unit air inlet and aluminium fin. It may cause injury.	

2. Precaution for Using R32 Refrigerant

- The basic installation work procedures are the same as conventional refrigerant (R410A, R22) models. However, pay careful attention to the following points:

 WARNING	
1.	Since the working pressure is higher than that of refrigerant R22 models, some of the piping and installation and service tools are special. (See "2.1. Special tools for R32 (R410A)".) Especially, when replacing a refrigerant R22 model with a new refrigerant R32 model, always replace the conventional piping and flare nuts with the R32 and R410A piping and flare nuts on the outdoor unit side. For R32 and R410A, the same flare nut on the outdoor unit side and pipe can be used.
2.	Models that use refrigerant R32 and R410A have a different charging port thread diameter to prevent erroneous charging with refrigerant R22 and for safety. Therefore, check beforehand. [The charging port thread diameter for R32 and R410A is 12.7 mm (1/2 inch).]
3.	Be more careful than R22 so that foreign matter (oil, water, etc.) does not enter the piping. Also, when storing the piping, securely seal the opening by pinching, taping, etc. (Handling of R32 is similar to R410A.)

 CAUTION	
1.	<p>Installation (Space)</p> <ul style="list-style-type: none"> Must ensure the installation of pipe-work shall be kept to a minimum. Avoid use dented pipe and do not allow acute bending. Must ensure that pipe-work shall be protected from physical damage. Must comply with national gas regulations, state municipal rules and legislation. Notify relevant authorities in accordance with all applicable regulations. <ul style="list-style-type: none"> Must ensure mechanical connections be accessible for maintenance purposes. In cases that require mechanical ventilation, ventilation openings shall be kept clear of obstruction. When disposal of the product, do follow to the precautions in #12 and comply with national regulations. Always contact to local municipal offices for proper handling. Interconnecting refrigerant pipework, i.e. pipework external to the unitary components, should be marked with a Class label (see Figure 9.1 of Code of Practice) every two metres where the pipework is visible. This includes pipework located in a ceiling space or any void which a person may access for maintenance or repair work within that space.
2.	<p>2-1. Service personnel</p> <ul style="list-style-type: none"> Any qualified person who is involved with working on or breaking into a refrigerant circuit should hold a current valid certificate from an industry-accredited assessment authority, which authorizes their competence to handle refrigerants safely in accordance with an industry recognised assessment specification. Servicing shall only be performed as recommended by the equipment manufacturer. Maintenance and repair requiring the assistance of other skilled personnel shall be carried out under the supervision of the person competent in the use of flammable refrigerants. Servicing shall be performed only as recommended by the manufacturer. <p>2-2. Work</p> <ul style="list-style-type: none"> Prior to beginning work on systems containing flammable refrigerants, safety checks are necessary to ensure that the risk of ignition is minimised. For repair to the refrigerating system, the precautions in #2-2 to #2-8 must be followed before conducting work on the system. Work shall be undertaken under a controlled procedure so as to minimize the risk of a flammable gas or vapor being present while the work is being performed. All maintenance staff and others working in the local area shall be instructed and supervised on the nature of work being carried out. Avoid working in confined spaces. Wear appropriate protective equipment, including respiratory protection, as conditions warrant. Ensure that the conditions within the area have been made safe by limit of use of any flammable material. Keep all sources of ignition and hot metal surfaces away. <p>2-3. Checking for presence of refrigerant</p> <ul style="list-style-type: none"> The area shall be checked with an appropriate refrigerant detector prior to and during work, to ensure the technician is aware of potentially flammable atmospheres. Ensure that the leak detection equipment being used is suitable for use with flammable refrigerants, i.e. non sparking, adequately sealed or intrinsically safe. In case of leakage/spillage happened, immediately ventilate area and stay upwind and away from spill/release. In case of leakage/spillage happened, do notify persons downwind of the leaking/spill, isolate immediate hazard area and keep unauthorized personnel out. <p>2-4. Presence of fire extinguisher</p> <ul style="list-style-type: none"> If any hot work is to be conducted on the refrigeration equipment or any associated parts, appropriate fire extinguishing equipment shall be available at hand. Have a dry powder or CO₂ fire extinguisher adjacent to the charging area.



CAUTION

2-5. No ignition sources

- No person carrying out work in relation to a refrigeration system which involves exposing any pipe work that contains or has contained flammable refrigerant shall use any sources of ignition in such a manner that it may lead to the risk of fire or explosion. He/She must not be smoking when carrying out such work.
- All possible ignition sources, including cigarette smoking, should be kept sufficiently far away from the site of installation, repairing, removing and disposal, during which flammable refrigerant can possibly be released to the surrounding space.
- Prior to work taking place, the area around the equipment is to be surveyed to make sure that there are no flammable hazards or ignition risks.
- "No Smoking" signs shall be displayed.

2-6. Ventilated area

- Ensure that the area is in the open or that it is adequately ventilated before breaking into the system or conducting any hot work.
- A degree of ventilation shall continue during the period that the work is carried out.
- The ventilation should safely disperse any released refrigerant and preferably expel it externally into the atmosphere.

2-7. Checks to the refrigeration equipment

- Where electrical components are being changed, they shall be fit for the purpose and to the correct specification.
- At all times the manufacturer's maintenance and service guidelines shall be followed.
- If in doubt consult the manufacturer's technical department for assistance.
- The following checks shall be applied to installations using flammable refrigerants.
 - The charge size is in accordance with the room size within which the refrigerant containing parts are installed.
 - The ventilation machinery and outlets are operating adequately and are not obstructed.
 - If an indirect refrigerating circuit is being used, the secondary circuit shall be checked for the presence of refrigerant.
 - Marking to the equipment continues to be visible and legible. Markings and signs that are illegible shall be corrected.
 - Refrigeration pipe or components are installed in a position where they are unlikely to be exposed to any substance which may corrode refrigerant containing components, unless the components are constructed of materials which are inherently resistant to being corroded or are properly protected against being so corroded.

2-8. Checks to electrical devices

- Repair and maintenance to electrical components shall include initial safety checks and component inspection procedures.
- Initial safety checks shall include but not limit to:-
 - That capacitors are discharged: this shall be done in a safe manner to avoid possibility of sparking.
 - That there is no live electrical components and wiring are exposed while charging, recovering or purging the system.
 - That there is continuity of earth bonding.
- At all times the manufacturer's maintenance and service guidelines shall be followed.
- If in doubt consult the manufacturer's technical department for assistance.
- If a fault exists that could compromise safety, then no electrical supply shall be connected to the circuit until it is satisfactorily dealt with.
- If the fault cannot be corrected immediately but it is necessary to continue operation, an adequate temporary solution shall be used.
- The owner of the equipment must be informed or reported so all parties are advised thereafter.

Repairs to sealed components

- During repairs to sealed components, all electrical supplies shall be disconnected from the equipment being worked upon prior to any removal of sealed covers, etc.
 - If it is absolutely necessary to have an electrical supply to equipment during servicing, then a permanently operating form of leak detection shall be located at the most critical point to warn of a potentially hazardous situation.
 - Particular attention shall be paid to the following to ensure that by working on electrical components, the casing is not altered in such a way that the level of protection is affected. This shall include damage to cables, excessive number of connections, terminals not made to original specification, damage to seals, incorrect fitting of glands, etc.
- 3.
- Ensure that apparatus is mounted securely.
 - Ensure that seals or sealing materials have not degraded such that they no longer serve the purpose of preventing the ingress of flammable atmospheres.
 - Replacement parts shall be in accordance with the manufacturer's specifications.

NOTE: The use of silicon sealant may inhibit the effectiveness of some types of leak detection equipment. Intrinsically safe components do not have to be isolated prior to working on them.

Repair to intrinsically safe components

- Do not apply any permanent inductive or capacitance loads to the circuit without ensuring that this will not exceed the permissible voltage and current permitted for the equipment in use.
- 4.
- Intrinsically safe components are the only types that can be worked on while live in the presence of a flammable atmosphere.
 - The test apparatus shall be at the correct rating.
 - Replace components only with parts specified by the manufacturer. Unspecified parts by manufacturer may result ignition of refrigerant in the atmosphere from a leak.

Cabling

- Check that cabling will not be subject to wear, corrosion, excessive pressure, vibration, sharp edges or any other adverse environmental effects.
- The check shall also take into account the effects of aging or continual vibration from sources such as compressors or fans.

Detection of flammable refrigerants

- Under no circumstances shall potential sources of ignition be used in the searching or detection of refrigerant leaks.
- A halide torch (or any other detector using a naked flame) shall not be used.

 CAUTION

Leak detection methods

- Electronic leak detectors shall be used to detect flammable refrigerants, but the sensitivity may not be adequate, or may need re-calibration.
(Detection equipment shall be calibrated in a refrigerant-free area.)
 - Ensure that the detector is not a potential source of ignition and is suitable for the refrigerant used.
 - Leak detection equipment shall be set at a percentage of the LFL of the refrigerant and shall be calibrated to the refrigerant employed and the appropriate percentage of gas (25 % maximum) is confirmed.
- 7.
- Leak detection fluids are suitable for use with most refrigerants but the use of detergents containing chlorine shall be avoided as the chlorine may react with the refrigerant and corrode the copper pipe-work.
 - If a leak is suspected, all naked flames shall be removed/extinguished.
 - If a leakage of refrigerant is found which requires brazing, all of the refrigerant shall be recovered from the system, or isolated (by means of shut off valves) in a part of the system remote from the leak. Oxygen free nitrogen (OFN) shall then be purged through the system both before and during the brazing process.

Removal and evacuation

- When breaking into the refrigerant circuit to make repairs – or for any other purpose – conventional procedures shall be used. However, it is important that best practice is followed since flammability is a consideration. The following procedure shall be adhered to:

- remove refrigerant -> • purge the circuit with inert gas -> • evacuate -> • purge again with inert gas ->
- open the circuit by cutting or brazing

- 8.
- The refrigerant charge shall be recovered into the correct recovery cylinders.
 - The system shall be “flushed” with OFN to render the unit safe.
 - This process may need to be repeated several times.
 - Compressed air or oxygen shall not be used for this task.
 - Flushing shall be achieved by breaking the vacuum in the system with OFN and continuing to fill until the working pressure is achieved, then venting to atmosphere, and finally pulling down to a vacuum.
 - This process shall be repeated until no refrigerant is within the system.
 - When the final OFN charge is used, the system shall be vented down to atmospheric pressure to enable work to take place.
 - This operation is absolutely vital if brazing operations on the pipe work are to take place.
 - Ensure that the outlet for the vacuum pump is not close to any ignition sources and there is ventilation available.

Charging procedures

- In addition to conventional charging procedures, the following requirements shall be followed.
 - Ensure that contamination of different refrigerants does not occur when using charging equipment.
 - Hoses or lines shall be as short as possible to minimize the amount of refrigerant contained in them.
 - Cylinders shall be kept upright.
 - Ensure that the refrigeration system is earthed prior to charging the system with refrigerant.
 - Label the system when charging is complete (if not already).
 - Extreme care shall be taken not to over fill the refrigeration system.
- 9.
- Prior to recharging the system it shall be pressure tested with OFN (refer to #7).
 - The system shall be leak tested on completion of charging but prior to commissioning.
 - A follow up leak test shall be carried out prior to leaving the site.
 - Electrostatic charge may accumulate and create a hazardous condition when charging and discharging the refrigerant. To avoid fire or explosion, dissipate static electricity during transfer by grounding and bonding containers and equipment before charging/discharging.

Decommissioning

- Before carrying out this procedure, it is essential that the technician is completely familiar with the equipment and all its details.
- It is recommended good practice that all refrigerants are recovered safely.
- Prior to the task being carried out, an oil and refrigerant sample shall be taken in case analysis is required prior to re-use of reclaimed refrigerant.
- It is essential that electrical power is available before the task is commenced.
 - a) Become familiar with the equipment and its operation.
 - b) Isolate system electrically.
 - c) Before attempting the procedure ensure that:

- mechanical handling equipment is available, if required, for handling refrigerant cylinders;
- all personal protective equipment is available and being used correctly;
- the recovery process is supervised at all times by a competent person;
- recovery equipment and cylinders conform to the appropriate standards.

- 10.
- d) Pump down refrigerant system, if possible.
 - e) If a vacuum is not possible, make a manifold so that refrigerant can be removed from various parts of the system.
 - f) Make sure that cylinder is situated on the scales before recovery takes place.
 - g) Start the recovery machine and operate in accordance with manufacturer’s instructions.
 - h) Do not over fill cylinders. (No more than 80 % volume liquid charge).
 - i) Do not exceed the maximum working pressure of the cylinder, even temporarily.
 - j) When the cylinders have been filled correctly and the process completed, make sure that the cylinders and the equipment are removed from site promptly and all isolation valves on the equipment are closed off.
 - k) Recovered refrigerant shall not be charged into another refrigeration system unless it has been cleaned and checked.
- Electrostatic charge may accumulate and create a hazardous condition when charging or discharging the refrigerant. To avoid fire or explosion, dissipate static electricity during transfer by grounding and bonding containers and equipment before charging/discharging.

 CAUTION

Labelling

- 11.
- Equipment shall be labelled stating that it has been de-commissioned and emptied of refrigerant.
 - The label shall be dated and signed.
 - Ensure that there are labels on the equipment stating the equipment contains flammable refrigerant.

Recovery

- 12.
- When removing refrigerant from a system, either for servicing or decommissioning, it is recommended good practice that all refrigerants are removed safely.
 - When transferring refrigerant into cylinders, ensure that only appropriate refrigerant recovery cylinders are employed.
 - Ensure that the correct number of cylinders for holding the total system charge are available.
 - All cylinders to be used are designated for the recovered refrigerant and labelled for that refrigerant (i.e. special cylinders for the recovery of refrigerant).
 - Cylinders shall be complete with pressure relief valve and associated shut-off valves in good working order.
 - Recovery cylinders are evacuated and, if possible, cooled before recovery occurs.
 - The recovery equipment shall be in good working order with a set of instructions concerning the equipment that is at hand and shall be suitable for the recovery of flammable refrigerants.
 - In addition, a set of calibrated weighing scales shall be available and in good working order.
 - Hoses shall be complete with leak-free disconnect couplings and in good condition.
 - Before using the recovery machine, check that it is in satisfactory working order, has been properly maintained and that any associated electrical components are sealed to prevent ignition in the event of a refrigerant release. Consult manufacturer if in doubt.
 - The recovered refrigerant shall be returned to the refrigerant supplier in the correct recovery cylinder, and the relevant Waste Transfer Note arranged.
 - Do not mix refrigerants in recovery units and especially not in cylinders.
 - If compressors or compressor oils are to be removed, ensure that they have been evacuated to an acceptable level to make certain that flammable refrigerant does not remain within the lubricant.
 - The evacuation process shall be carried out prior to returning the compressor to the suppliers.
 - Only electric heating to the compressor body shall be employed to accelerate this process.
 - When oil is drained from a system, it shall be carried out safely.

3. Specifications

Indoor		Model	CS-Z25TKEA			CS-Z35TKEA			
		POS (EAN)	5025232873319			5025232873333			
Outdoor		Model	CU-Z25TKEA			CU-Z35TKEA			
		POS (EAN)	5025232873326			5025232873340			
Performance Test Condition		EUROVENT			EUROVENT				
Power Supply		Phase, Hz	Single, 50			Single, 50			
		V	230			230			
		Min.	Mid.	Max.	Min.	Mid.	Max.		
Cooling	Capacity	kW	0.85	2.50	3.00	0.85	3.50	4.00	
		BTU/h	2900	8530	10200	2900	11900	13600	
		kcal/h	730	2150	2580	730	3010	3440	
	Running Current	A	–	2.45	–	–	4.00	–	
	Input Power	W	170	510	700	170	860	1.10k	
	Annual Consumption		–	258	–	–	435	–	
	EER CLASS		–	A	–	–	A	–	
	EER	W/W	5.00	4.90	4.29	5.00	4.07	3.64	
		BTU/hW	17.06	16.73	14.57	17.06	13.84	12.36	
		kcal/hW	4.29	4.22	3.69	4.29	3.50	3.13	
	ErP	Pdesign	kW	2.5			3.5		
		SEER	(W/W)	8.5			8.5		
		Annual Consumption	kWh	103			144		
		Class		A+++			A+++		
	Power Factor	%	–	91	–	–	93	–	
	Indoor Noise (H / L / QLo)	dB-A	39 / 25 / 21			42 / 28 / 21			
		Power Level dB	55 / – / –			58 / – / –			
	Outdoor Noise (H / L / QLo)	dB-A	46 / – / –			48 / – / –			
		Power Level dB	61 / – / –			63 / – / –			
	Heating	Capacity	kW	0.85	3.40	5.40	0.85	4.00	6.60
BTU/h			2900	11600	18400	2900	13600	22500	
kcal/h			730	2920	4640	730	3440	5680	
Running Current		A	–	3.40	–	–	4.20	–	
Input Power		W	165	700	1.31k	165	920	1.82k	
COP CLASS			–	A	–	–	A	–	
COP		W/W	5.15	4.86	4.12	5.15	4.35	3.63	
		BTU/hW	17.58	16.57	14.05	17.58	14.78	12.36	
		kcal/hW	4.42	4.17	3.54	4.42	3.74	3.12	
ErP		Pdesign	kW	2.8			3.6		
		Tbivalent	°C	-10			-10		
		SCOP	(W/W)	4.5			4.4		
		Annual Consumption	kWh	871			1145		
		Class		A+			A+		
Power Factor		%	–	90	–	–	95	–	
Indoor Noise (H / L / QLo)		dB-A	41 / 27 / 22			43 / 30 / 22			
		Power Level dB	58 / – / –			60 / – / –			
Outdoor Noise (H / L / QLo)		dB-A	48 / – / –			50 / – / –			
		Power Level dB	63 / – / –			65 / – / –			
Low Temp. : Capacity (kW) / I.Power (W) / COP		3.91 / 1.16k / 3.37			4.78 / 1.61k / 2.97				
Extr Low Temp. : Capacity (kW) / I.Power (W) / COP		3.33 / 1.29k / 2.58			4.07 / 1.70k / 2.39				
Max Current (A) / Max Input Power (W)		7.7 / 1.74k			8.3 / 1.82k				
Starting Current (A)		3.40			4.20				

Indoor		Model		CS-Z25TKEA	CS-Z35TKEA	
		POS (EAN)		5025232873319	5025232873333	
Outdoor		Model		CU-Z25TKEA	CU-Z35TKEA	
		POS (EAN)		5025232873326	5025232873340	
Compressor	Type			Hermetic Motor / Rotary	Hermetic Motor / Rotary	
	Motor Type			Brushless (4-poles)	Brushless (4-poles)	
	Output Power		W	900	900	
Indoor Fan	Type			Cross-flow Fan	Cross-flow Fan	
	Material			ASG20K1	ASG20K1	
	Motor Type			DC (8-poles)	DC (8-poles)	
	Input Power		W	47.3	47.3	
	Output Power		W	40	40	
	Speed	QLo	Cool	rpm	650	640
			Heat	rpm	670	680
		Lo	Cool	rpm	730	800
			Heat	rpm	810	880
		Me	Cool	rpm	910	1010
			Heat	rpm	1010	1140
		Hi	Cool	rpm	1100	1220
			Heat	rpm	1220	1400
		SHi	Cool	rpm	1200	1270
			Heat	rpm	1320	1450
Outdoor Fan		Type			Propeller Fan	Propeller Fan
		Material			PP	PP
	Motor Type			DC (8-poles)	DC (8-poles)	
	Input Power		W	-	-	
	Output Power		W	40	40	
	Speed	Hi	Cool	rpm	800	860
			Heat	rpm	800	890
Moisture Removal		L/h (Pt/h)	1.5 (3.2)	2.0 (4.2)		
Indoor Airflow	QLo	Cool	m ³ /min (ft ³ /min)	5.49 (194)	5.22 (184)	
		Heat	m ³ /min (ft ³ /min)	5.71 (202)	5.60 (198)	
	Lo	Cool	m ³ /min (ft ³ /min)	6.36 (225)	6.74 (238)	
		Heat	m ³ /min (ft ³ /min)	7.22 (255)	7.50 (265)	
	Me	Cool	m ³ /min (ft ³ /min)	8.35 (295)	8.73 (308)	
		Heat	m ³ /min (ft ³ /min)	9.43 (333)	9.97 (352)	
	Hi	Cool	m ³ /min (ft ³ /min)	10.40 (365)	10.70 (380)	
		Heat	m ³ /min (ft ³ /min)	11.70 (415)	12.40 (440)	
	SHi	Cool	m ³ /min (ft ³ /min)	11.43 (404)	11.20 (395)	
		Heat	m ³ /min (ft ³ /min)	12.73 (450)	12.91 (456)	
Outdoor Airflow	Hi	Cool	m ³ /min (ft ³ /min)	32.20 (1135)	34.40 (1215)	
		Heat	m ³ /min (ft ³ /min)	32.20 (1135)	35.60 (1255)	
Refrigerant Cycle	Control Device			Expansion Valve	Expansion Valve	
	Refrigerant Oil		cm ³	FW50S (450)	FW50S (450)	
	Refrigerant Type		g (oz)	R32, 960 (33.9)	R32, 1000 (35.3)	
F-Gas	GWP			675	675	
	CO ₂ eq (ton) (Precharged Amount / Maximum Amount)			0.648 / 0.732	0.675 / 0.759	

Indoor			Model	CS-Z25TKEA	CS-Z35TKEA		
			POS (EAN)	5025232873319	5025232873333		
Outdoor			Model	CU-Z25TKEA	CU-Z35TKEA		
			POS (EAN)	5025232873326	5025232873340		
Dimension	Unit	Height (I/D / O/D)	mm (inch)	295 (11-5/8) / 619 (24-3/8)		295 (11-5/8) / 619 (24-3/8)	
		Width (I/D / O/D)	mm (inch)	919 (36-3/16) / 824 (32-15/32)		919 (36-3/16) / 824 (32-15/32)	
		Depth (I/D / O/D)	mm (inch)	194 (7-21/32) / 299 (11-25/32)		194 (7-21/32) / 299 (11-25/32)	
Weight	Net (I/D / O/D)	kg (lb)	9 (20) / 37 (82)		10 (22) / 38 (84)		
Piping	Pipe Diameter (Liquid / Gas)		mm (inch)	6.35 (1/4) / 9.52 (3/8)		6.35 (1/4) / 9.52 (3/8)	
	Standard Length		m (ft)	5.0 (16.4)		5.0 (16.4)	
	Length Range (min – max)		m (ft)	3 (9.8) ~ 20 (65.6)		3 (9.8) ~ 20 (65.6)	
	I/D & O/D Height Different		m (ft)	15.0 (49.2)		15.0 (49.2)	
	Additional Gas Amount		g/m (oz/ft)	10 (0.1)		10 (0.1)	
	Length for Additional Gas		m (ft)	7.5 (24.6)		7.5 (24.6)	
Drain Hose	Inner Diameter		mm	16.7		16.7	
	Length		mm	650		650	
Indoor Heat Exchanger	Fin Material			Aluminium (Pre Coat)		Aluminium (Pre Coat)	
	Fin Type			Slit Fin		Slit Fin	
	Row × Stage × FPI			2 × 15 × 21		2 × 15 × 21	
	Size (W × H × L)		mm	610 × 315 × 25.4		610 × 315 × 25.4	
Outdoor Heat Exchanger	Fin Material			Aluminium		Aluminium	
	Fin Type			Corrugated Fin (Pre Coat)		Corrugated Fin (Pre Coat)	
	Row × Stage × FPI			2 × 28 × 17		2 × 28 × 17	
	Size (W × H × L)		mm	36.4 × 588 × 781.3:752.7		36.4 × 588 × 856.3:827.7	
Air Filter	Material			Polypropelene		Polypropelene	
	Type			One-touch		One-touch	
Power Supply				Indoor		Indoor	
Power Supply Cord				Nil		Nil	
Thermostat				Electronic Contol		Electronic Contol	
Protection Device				Electronic Contol		Electronic Contol	
				Dry Bulb	Wet Bulb	Dry Bulb	Wet Bulb
Indoor Operation Range	Cooling	Maximum °C (°F)		32 (89.6)	23 (73.4)	32 (89.6)	23 (73.4)
		Minimum °C (°F)		16 (60.8)	11 (51.8)	16 (60.8)	11 (51.8)
	Heating	Maximum °C (°F)		30 (86.0)	–	30 (86.0)	–
		Minimum °C (°F)		16 (60.8)	–	16 (60.8)	–
Outdoor Operation Range	Cooling	Maximum °C (°F)		43 (109.4)	26 (78.8)	43 (109.4)	26 (78.8)
		Minimum °C (°F)		-20 (-40)	–	-20 (-40)	–
	Heating	Maximum °C (°F)		24 (75.2)	18 (64.4)	24 (75.2)	18 (64.4)
		Minimum °C (°F)		-15 (5.0)	–	-15 (5.0)	–

- Cooling capacities are based on indoor temperature of 27°C Dry Bulb (80.6°F Dry Bulb), 19.0°C Wet Bulb (66.2°F Wet Bulb) and outdoor air temperature of 35°C DRY BULB (95°F Dry Bulb), 24°C Wet Bulb (75.2°F Wet Bulb).
- Heating capacities are based on indoor temperature of 20°C Dry Bulb (68°F Dry Bulb) and outdoor air temperature of 7°C Dry Bulb (44.6°F Dry Bulb), 6°C Wet Bulb (42.8°F Wet Bulb).
- Heating low temperature capacity, Input Power and COP measured at 230 V, indoor temperature 20°C, outdoor 2/1°C.
- Heating extreme low temperature capacity, Input Power and COP measured at 230 V, indoor temperature 20°C, outdoor -7/-8°C.
- Standby power consumption ≤10.0w (when switched OFF by remote control, except under self protection control).
- Specifications are subjected to change without prior notice for further improvement.

Indoor	Model	CS-Z42TKEA			CS-Z50TKEA				
	POS (EAN)	5025232873357			5025232873364				
Outdoor	Model	CU-Z42TKEA			CU-Z50TKEA				
	POS (EAN)	5025232873388			5025232873395				
Performance Test Condition		EUROVENT			EUROVENT				
Power Supply	Phase, Hz	Single, 50			Single, 50				
	V	230			230				
		Min.	Mid.	Max.	Min.	Mid.	Max.		
Cooling	Capacity	kW	0.98	4.20	5.00	0.98	5.00	6.00	
		BTU/h	3340	14300	17100	3340	17100	20500	
		kcal/h	840	3610	4300	840	4300	5160	
	Running Current	A	–	5.00	–	–	6.30	–	
	Input Power	W	200	1.10k	1.54k	280	1.39k	1.94k	
	Annual Consumption		–	550	–	–	695	–	
	EER CLASS		–	A	–	–	A	–	
	EER	W/W	4.90	3.82	3.25	3.50	3.60	3.09	
		BTU/hW	16.70	13.00	11.10	11.93	12.30	10.57	
		kcal/hW	4.20	3.28	2.79	3.00	3.09	2.66	
	ErP	Pdesign	kW	4.2			5.0		
		SEER	(W/W)	8.5			8.5		
		Annual Consumption	kWh	173			206		
		Class		A+++			A+++		
	Power Factor	%	–	96	–	–	96	–	
	Indoor Noise (H / L / QLo)	dB-A	43 / 32 / 29			44 / 37 / 30			
		Power Level dB	59 / – / –			60 / – / –			
	Outdoor Noise (H / L / QLo)	dB-A	48 / – / –			48 / – / –			
		Power Level dB	63 / – / –			63 / – / –			
	Heating	Capacity	kW	0.98	5.40	7.25	0.98	5.80	8.00
			BTU/h	3340	18400	24700	3340	19800	27300
			kcal/h	840	4640	6240	840	4990	6880
		Running Current	A	–	6.10	–	–	6.50	–
		Input Power	W	220	1.35k	2.15k	340	1.44k	2.50k
		COP CLASS		–	A	–	–	A	–
		COP	W/W	4.45	4.00	3.37	2.88	4.03	3.20
BTU/hW			15.18	13.63	11.49	9.82	13.75	10.92	
kcal/hW			3.82	3.44	2.90	2.47	3.47	2.75	
ErP		Pdesign	kW	3.8			4.4		
		Tbivalent	°C	-10			-10		
		SCOP	(W/W)	4.3			4.4		
		Annual Consumption	kWh	1237			1400		
		Class		A+			A+		
Power Factor		%	–	96	–	–	96	–	
Indoor Noise (H / L / QLo)		dB-A	44 / 35 / 29			44 / 37 / 30			
		Power Level dB	60 / – / –			60 / – / –			
Outdoor Noise (H / L / QLo)		dB-A	50 / – / –			50 / – / –			
		Power Level dB	65 / – / –			65 / – / –			
Low Temp. : Capacity (kW) / I.Power (W) / COP		5.25 / 1.90k / 2.76			5.80 / 2.21k / 2.62				
Extr Low Temp. : Capacity (kW) / I.Power (W) / COP		4.30 / 1.95k / 2.21			5.00 / 2.25k / 2.22				
Max Current (A) / Max Input Power (W)		9.4 / 2.15k			11.1 / 2.53k				
Starting Current (A)		6.10			6.50				

Indoor			Model	CS-Z42TKEA	CS-Z50TKEA	
			POS (EAN)	5025232873357	5025232873364	
Outdoor			Model	CU-Z42TKEA	CU-Z50TKEA	
			POS (EAN)	5025232873388	5025232873395	
Compressor	Type			Hermetic Motor / Rotary	Hermetic Motor / Rotary	
	Motor Type			Brushless (4-poles)	Brushless (4-poles)	
	Output Power	W		900	900	
Indoor Fan	Type			Cross-flow Fan	Cross-flow Fan	
	Material			ASG33	ASG33	
	Motor Type			DC (8-poles)	DC (8-poles)	
	Input Power		W	89.0	89.0	
	Output Power		W	40	40	
	Speed	QLo	Cool	rpm	700	730
			Heat	rpm	720	760
		Lo	Cool	rpm	760	900
			Heat	rpm	880	950
		Me	Cool	rpm	900	1000
			Heat	rpm	1010	1080
		Hi	Cool	rpm	1050	1100
			Heat	rpm	1150	1210
		SHi	Cool	rpm	1100	1150
			Heat	rpm	1200	1260
Outdoor Fan		Type			Propeller Fan	Propeller Fan
		Material			PP	PP
	Motor Type			DC (8-poles)	DC (8-poles)	
	Input Power		W	-	-	
	Output Power		W	40	40	
	Speed	Hi	Cool	rpm	860	720
			Heat	rpm	890	700
Moisture Removal			L/h (Pt/h)	2.4 (5.1)	2.8 (5.9)	
Indoor Airflow	QLo	Cool	m ³ /min (ft ³ /min)	11.30 (400)	11.89 (420)	
		Heat	m ³ /min (ft ³ /min)	11.70 (413)	12.48 (441)	
	Lo	Cool	m ³ /min (ft ³ /min)	12.48 (441)	15.24 (538)	
		Heat	m ³ /min (ft ³ /min)	14.85 (524)	16.23 (573)	
	Me	Cool	m ³ /min (ft ³ /min)	15.34 (542)	17.21 (608)	
		Heat	m ³ /min (ft ³ /min)	17.51 (618)	18.79 (664)	
	Hi	Cool	m ³ /min (ft ³ /min)	18.20 (640)	19.20 (680)	
		Heat	m ³ /min (ft ³ /min)	20.20 (715)	21.30 (750)	
	SHi	Cool	m ³ /min (ft ³ /min)	19.18 (677)	20.17 (712)	
		Heat	m ³ /min (ft ³ /min)	21.15 (747)	22.33 (789)	
Outdoor Airflow	Hi	Cool	m ³ /min (ft ³ /min)	34.40 (1215)	39.70 (1400)	
		Heat	m ³ /min (ft ³ /min)	35.60 (1255)	38.60 (1365)	
Refrigerant Cycle	Control Device			Expansion Valve	Expansion Valve	
	Refrigerant Oil		cm ³	FW50S (450)	FW50S (450)	
	Refrigerant Type		g (oz)	R32, 1.08k (38.1)	R32, 1.15k (40.6)	
F-Gas	GWP			675	675	
	CO ₂ eq (ton) (Precharged Amount / Maximum Amount)			0.729 / 0.856	0.776 / 1.004	

Indoor			Model	CS-Z42TKEA	CS-Z50TKEA		
			POS (EAN)	5025232873357	5025232873364		
Outdoor			Model	CU-Z42TKEA	CU-Z50TKEA		
			POS (EAN)	5025232873388	5025232873395		
Dimension	Unit	Height (I/D / O/D)	mm (inch)	302 (11-29/32) / 619 (24-3/8)		302 (11-29/32) / 695 (27-3/8)	
		Width (I/D / O/D)	mm (inch)	1120 (44-1/8) / 824 (32-15/32)		1120 (44-1/8) / 875 (34-15/32)	
		Depth (I/D / O/D)	mm (inch)	236 (9-5/16) / 299 (11-25/32)		236 (9-5/16) / 320 (12-5/8)	
Weight	Net (I/D / O/D)	kg (lb)	12 (26) / 38 (84)		12 (26) / 43 (95)		
Piping	Pipe Diameter (Liquid / Gas)		mm (inch)	6.35 (1/4) / 12.70 (1/2)		6.35 (1/4) / 12.70 (1/2)	
	Standard Length		m (ft)	5.0 (16.4)		5.0 (16.4)	
	Length Range (min – max)		m (ft)	3 (9.8) ~ 20 (65.6)		3 (9.8) ~ 30 (98.4)	
	I/D & O/D Height Different		m (ft)	15.0 (49.2)		15.0 (49.2)	
	Additional Gas Amount		g/m (oz/ft)	10 (0.1)		15 (0.2)	
	Length for Additional Gas		m (ft)	7.5 (24.6)		7.5 (24.6)	
Drain Hose	Inner Diameter		mm	16.7		16.7	
	Length		mm	650		650	
Indoor Heat Exchanger	Fin Material		Aluminium (Pre Coat)		Aluminium (Pre Coat)		
	Fin Type		Slit Fin		Slit Fin		
	Row × Stage × FPI		2 × 17 × 21		2 × 17 × 21		
	Size (W × H × L)		mm	836.5 × 357 × 25.4		836.5 × 357 × 25.4	
Outdoor Heat Exchanger	Fin Material		Aluminium		Aluminium		
	Fin Type		Corrugated Fin (Pre Coat)		Corrugated Fin (Pre Coat)		
	Row × Stage × FPI		2 × 28 × 17		2 × 31 × 19		
	Size (W × H × L)		mm	36.4 × 588 × 856.3:827.7		36.4 × 651 × 854.5:824.5	
Air Filter	Material		Polypropelene		Polypropelene		
	Type		One-touch		One-touch		
Power Supply			Indoor		Indoor		
Power Supply Cord			Nil		Nil		
Thermostat			Electronic Contol		Electronic Contol		
Protection Device			Electronic Contol		Electronic Contol		
			Dry Bulb	Wet Bulb	Dry Bulb	Wet Bulb	
Indoor Operation Range	Cooling	Maximum °C (°F)	32 (89.6)	23 (73.4)	32 (89.6)	23 (73.4)	
		Minimum °C (°F)	16 (60.8)	11 (51.8)	16 (60.8)	11 (51.8)	
	Heating	Maximum °C (°F)	30 (86.0)	–	30 (86.0)	–	
		Minimum °C (°F)	16 (60.8)	–	16 (60.8)	–	
Outdoor Operation Range	Cooling	Maximum °C (°F)	43 (109.4)	26 (78.8)	43 (109.4)	26 (78.8)	
		Minimum °C (°F)	-20 (-40)	–	-20 (-40)	–	
	Heating	Maximum °C (°F)	24 (75.2)	18 (64.4)	24 (75.2)	18 (64.4)	
		Minimum °C (°F)	-15 (5.0)	–	-15 (5.0)	–	

- Cooling capacities are based on indoor temperature of 27°C Dry Bulb (80.6°F Dry Bulb), 19.0°C Wet Bulb (66.2°F Wet Bulb) and outdoor air temperature of 35°C DRY BULB (95°F Dry Bulb), 24°C Wet Bulb (75.2°F Wet Bulb).
- Heating capacities are based on indoor temperature of 20°C Dry Bulb (68°F Dry Bulb) and outdoor air temperature of 7°C Dry Bulb (44.6°F Dry Bulb), 6°C Wet Bulb (42.8°F Wet Bulb).
- Heating low temperature capacity, Input Power and COP measured at 230 V, indoor temperature 20°C, outdoor 2/1°C.
- Heating extreme low temperature capacity, Input Power and COP measured at 230 V, indoor temperature 20°C, outdoor -7/-8°C.
- Standby power consumption ≤10.0w (when switched OFF by remote control, except under self protection control).
- Specifications are subjected to change without prior notice for further improvement.

Indoor		Model	CS-Z71TKEA			
		POS (EAN)	5025232873371			
Outdoor		Model	CU-Z71TKEA			
		POS (EAN)	5025232873401			
Performance Test Condition		EUROVENT				
Power Supply		Phase, Hz	Single, 50			
		V	230			
		Min.	Mid.	Max.		
Cooling	Capacity		kW	0.98	7.10	8.10
			BTU/h	3340	24200	27600
			kcal/h	840	6110	6970
	Running Current		A	–	9.90	–
	Input Power		W	420	2.24k	2.67k
	Annual Consumption			–	1120	–
	EER CLASS			–	B	–
	EER		W/W	2.33	3.17	3.03
			BTU/hW	7.95	10.80	10.34
			kcal/hW	2.00	2.73	2.61
	ErP	Pdesign		kW	7.1	
		SEER		(W/W)	6.1	
		Annual Consumption		kWh	407	
		Class			A++	
	Power Factor		%	–	98	–
	Indoor Noise (H / L / QLo)		dB-A	47 / 38 / 35		
			Power Level dB	63 / – / –		
	Outdoor Noise (H / L / QLo)		dB-A	52 / – / –		
			Power Level dB	66 / – / –		
	Heating	Capacity		kW	0.98	8.60
BTU/h				3340	29300	33800
kcal/h				840	7400	8510
Running Current		A	–	10.90	–	
Input Power		W	400	2.45k	2.85k	
COP CLASS			–	B	–	
COP		W/W	2.45	3.51	3.47	
		BTU/hW	8.35	11.96	11.86	
		kcal/hW	2.10	3.02	2.99	
ErP		Pdesign		kW	5.5	
		Tbivalent		°C	-10	
		SCOP		(W/W)	4.0	
		Annual Consumption		kWh	1925	
		Class			A+	
Power Factor		%	–	98	–	
Indoor Noise (H / L / QLo)		dB-A	47 / 38 / 35			
		Power Level dB	63 / – / –			
Outdoor Noise (H / L / QLo)		dB-A	54 / – / –			
		Power Level dB	68 / – / –			
Low Temp. : Capacity (kW) / I.Power (W) / COP		7.17 / 2.52k / 2.85				
Extr Low Temp. : Capacity (kW) / I.Power (W) / COP		6.13 / 2.48k / 2.47				
Max Current (A) / Max Input Power (W)		14.8 / 3.22k				
Starting Current (A)		10.90				

Indoor		Model		CS-Z71TKEA	
		POS (EAN)		5025232873371	
Outdoor		Model		CU-Z71TKEA	
		POS (EAN)		5025232873401	
Compressor	Type		Hermetic Motor / Rotary		
	Motor Type		Brushless (4-poles)		
	Output Power		W	1.70k	
Indoor Fan	Type		Cross-flow Fan		
	Material		ASG33		
	Motor Type		DC (8-poles)		
	Input Power		W	105.0	
	Output Power		W	40	
	Speed	QLo	Cool	rpm	800
			Heat	rpm	860
		Lo	Cool	rpm	850
			Heat	rpm	960
		Me	Cool	rpm	1020
			Heat	rpm	1100
		Hi	Cool	rpm	1200
			Heat	rpm	1240
		SHi	Cool	rpm	1250
			Heat	rpm	1290
Outdoor Fan		Type		Propeller Fan	
		Material		PP	
	Motor Type		DC (8-poles)		
	Input Power		W	-	
	Output Power		W	40	
	Speed	Hi	Cool	rpm	820
Heat			rpm	820	
Moisture Removal		L/h (Pt/h)		4.1 (8.7)	
Indoor Airflow	QLo	Cool	m ³ /min (ft ³ /min)	12.63 (446)	
		Heat	m ³ /min (ft ³ /min)	13.76 (486)	
	Lo	Cool	m ³ /min (ft ³ /min)	13.57 (479)	
		Heat	m ³ /min (ft ³ /min)	15.65 (553)	
	Me	Cool	m ³ /min (ft ³ /min)	16.79 (592)	
		Heat	m ³ /min (ft ³ /min)	18.30 (646)	
	Hi	Cool	m ³ /min (ft ³ /min)	20.20 (715)	
		Heat	m ³ /min (ft ³ /min)	21.00 (740)	
	SHi	Cool	m ³ /min (ft ³ /min)	21.13 (746)	
		Heat	m ³ /min (ft ³ /min)	21.89 (773)	
Outdoor Airflow	Hi	Cool	m ³ /min (ft ³ /min)	44.70 (1580)	
		Heat	m ³ /min (ft ³ /min)	44.70 (1580)	
Refrigerant Cycle	Control Device		Expansion Valve		
	Refrigerant Oil		cm ³	FW50S (800)	
	Refrigerant Type		g (oz)	R32, 1.32k (46.6)	
F-Gas	GWP		675		
	CO ₂ eq (ton) (Precharged Amount / Maximum Amount)		0.891 / 1.229		

Indoor			Model	CS-Z71TKEA
			POS (EAN)	5025232873371
Outdoor			Model	CU-Z71TKEA
			POS (EAN)	5025232873401
Dimension	Unit	Height (I/D / O/D)	mm (inch)	302 (11-29/32) / 695 (27-3/8)
		Width (I/D / O/D)	mm (inch)	1120 (44-1/8) / 875 (34-15/32)
		Depth (I/D / O/D)	mm (inch)	236 (9-5/16) / 320 (12-5/8)
Weight	Net (I/D / O/D)	kg (lb)	13 (29) / 49 (108)	
Piping	Pipe Diameter (Liquid / Gas)		mm (inch)	6.35 (1/4) / 15.88 (5/8)
	Standard Length		m (ft)	5.0 (16.4)
	Length Range (min – max)		m (ft)	3 (9.8) ~ 30 (98.4)
	I/D & O/D Height Different		m (ft)	20.0 (65.6)
	Additional Gas Amount		g/m (oz/ft)	25 (0.3)
	Length for Additional Gas		m (ft)	10 (32.8)
Drain Hose	Inner Diameter		mm	16.7
	Length		mm	650
Indoor Heat Exchanger	Fin Material		Aluminium (Pre Coat)	
	Fin Type		Slit Fin	
	Row × Stage × FPI		2 × 17 × 21	
	Size (W × H × L)		mm	836.5 × 357 × 25.4
Outdoor Heat Exchanger	Fin Material		Aluminium	
	Fin Type		Corrugated Fin (Pre Coat)	
	Row × Stage × FPI		2 × 31 × 19	
	Size (W × H × L)		mm	36.4 × 651 × 904.5:874.5
Air Filter	Material		Polypropelene	
	Type		One-touch	
Power Supply			Indoor	
Power Supply Cord			Nil	
Thermostat			Electronic Contol	
Protection Device			Electronic Contol	
			Dry Bulb	Wet Bulb
Indoor Operation Range	Cooling	Maximum °C (°F)	32 (89.6)	23 (73.4)
		Minimum °C (°F)	16 (60.8)	11 (51.8)
	Heating	Maximum °C (°F)	30 (86.0)	–
		Minimum °C (°F)	16 (60.8)	–
Outdoor Operation Range	Cooling	Maximum °C (°F)	43 (109.4)	26 (78.8)
		Minimum °C (°F)	-20 (-40)	–
	Heating	Maximum °C (°F)	24 (75.2)	18 (64.4)
		Minimum °C (°F)	-15 (5.0)	–

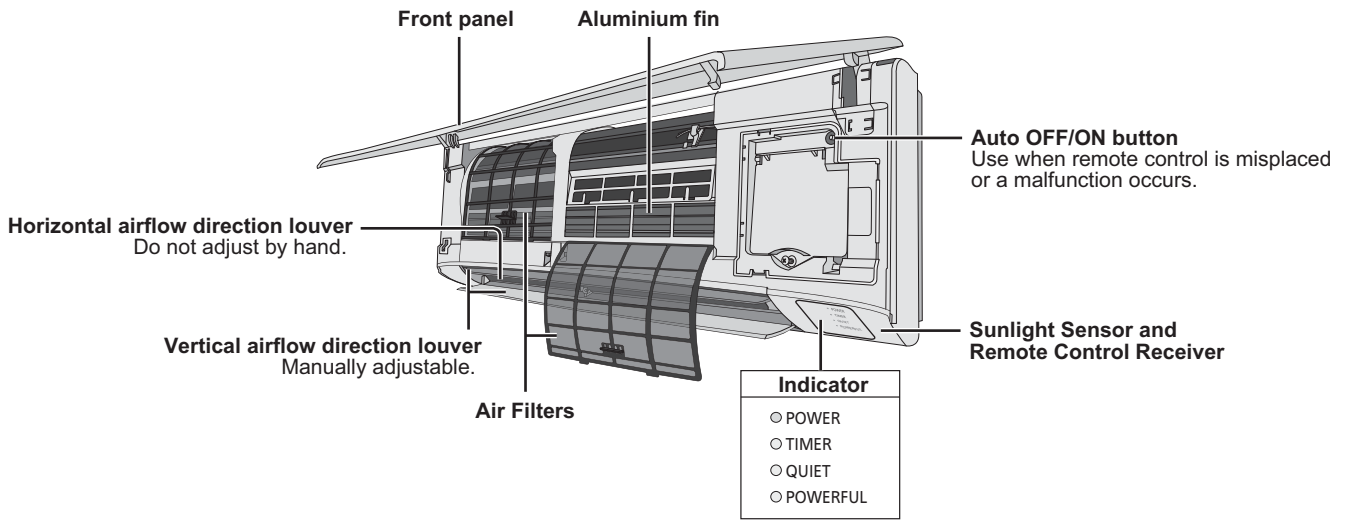
- Cooling capacities are based on indoor temperature of 27°C Dry Bulb (80.6°F Dry Bulb), 19.0°C Wet Bulb (66.2°F Wet Bulb) and outdoor air temperature of 35°C DRY BULB (95°F Dry Bulb), 24°C Wet Bulb (75.2°F Wet Bulb).
- Heating capacities are based on indoor temperature of 20°C Dry Bulb (68°F Dry Bulb) and outdoor air temperature of 7°C Dry Bulb (44.6°F Dry Bulb), 6°C Wet Bulb (42.8°F Wet Bulb).
- Heating low temperature capacity, Input Power and COP measured at 230 V, indoor temperature 20°C, outdoor 2/1°C.
- Heating extreme low temperature capacity, Input Power and COP measured at 230 V, indoor temperature 20°C, outdoor -7/-8°C.
- Standby power consumption ≤10.0w (when switched OFF by remote control, except under self protection control).
- Specifications are subjected to change without prior notice for further improvement.

4. Features

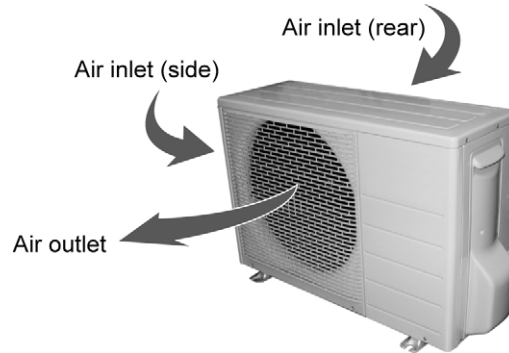
- **Inverter Technology**
 - Wider output power range
 - Energy saving
 - Quick Cooling
 - Quick Heating
 - More precise temperature control
- **Environment Protection**
 - Non-ozone depletion substances refrigerant (R32)
- **Long Installation Piping**
 - Long piping up to 20 meters (Z25~42TKEA) and 30 meters (Z50/71TKEA) during single split connection only
- **Easy to use remote control**
- **Quality Improvement**
 - Random auto restart after power failure for safety restart operation
 - Gas leakage protection
 - Prevent compressor reverse cycle
 - Inner protector to protect compressor
 - Noise prevention during soft dry operation
- **Operation Improvement**
 - Quiet mode to reduce the indoor unit operating sound
 - Powerful mode to reach the desired room temperature quickly
 - 24-hour timer setting
- **Serviceability Feature**
 - Breakdown Self Diagnosis function

5. Location of Controls and Components

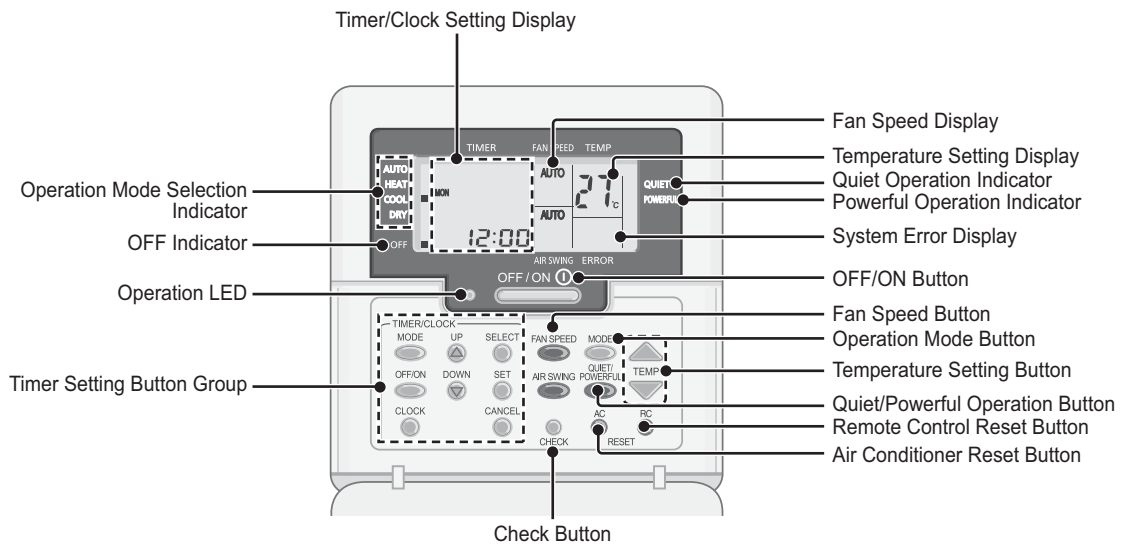
5.1 Indoor Unit



5.2 Outdoor Unit



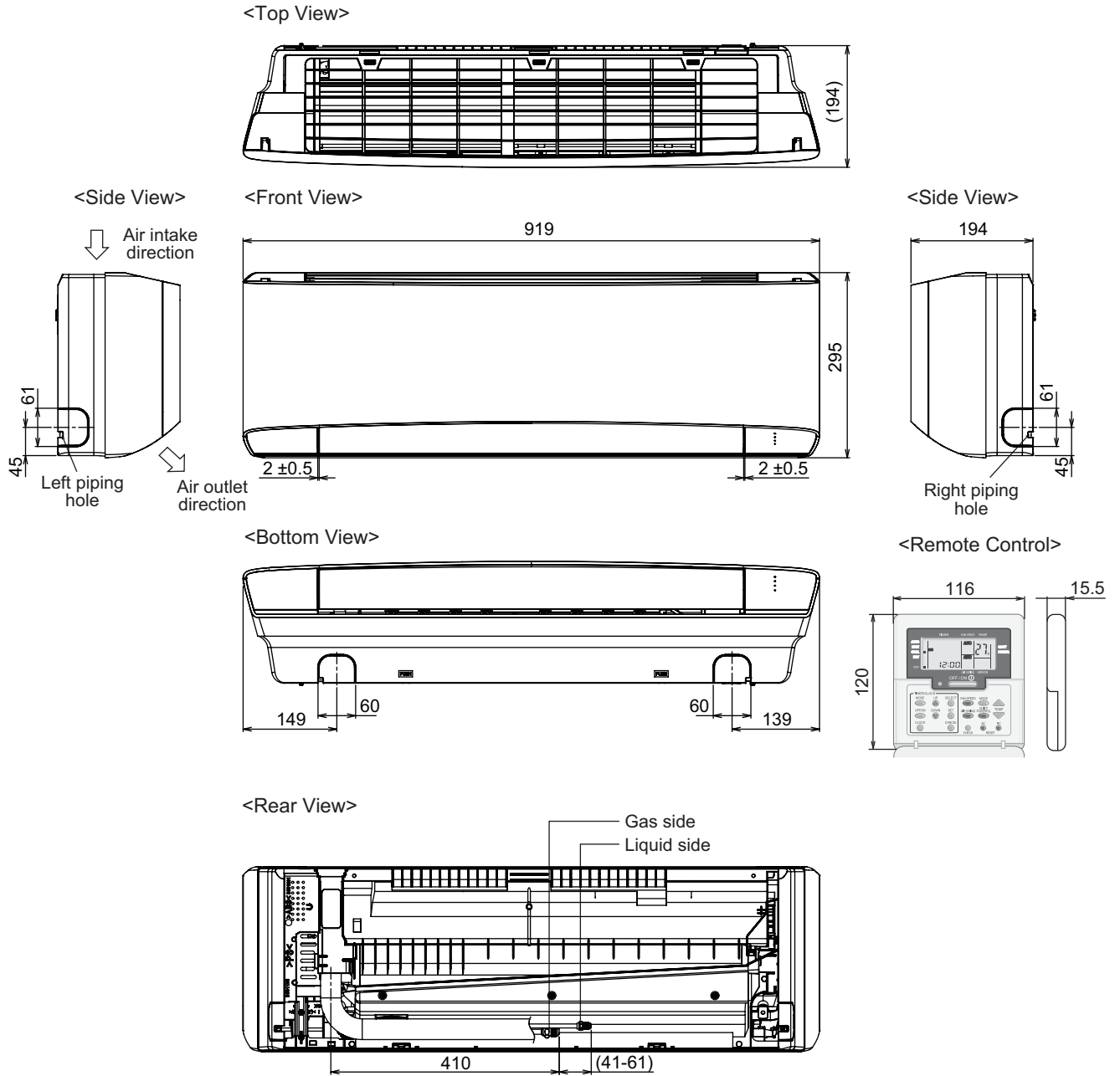
5.3 Remote Control



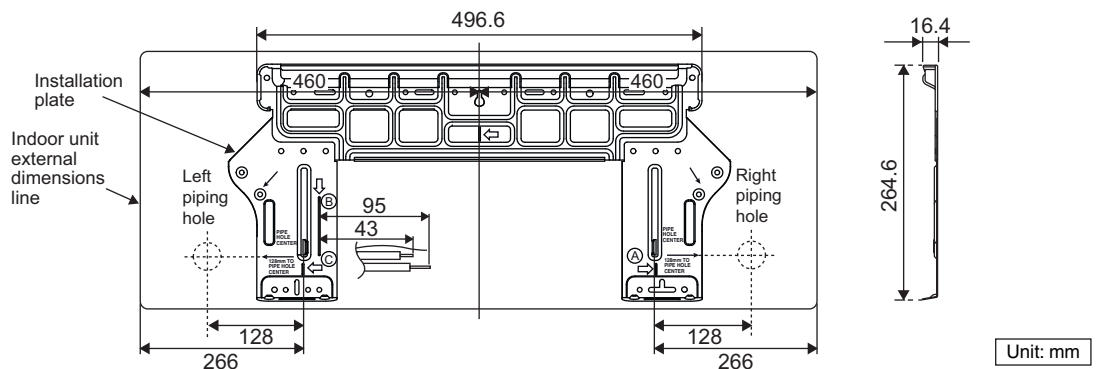
6. Dimensions

6.1 Indoor Unit

6.1.1 CS-Z25TKEA CS-Z35TKEA

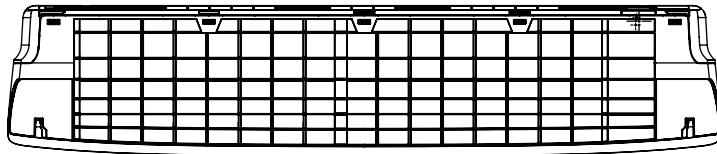


Relative position between the indoor unit and the installation plate <Front View>

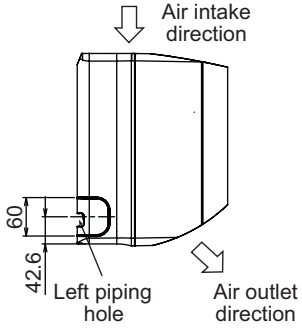


6.1.2 CS-Z42TKEA CS-Z50TKEA CS-Z71TKEA

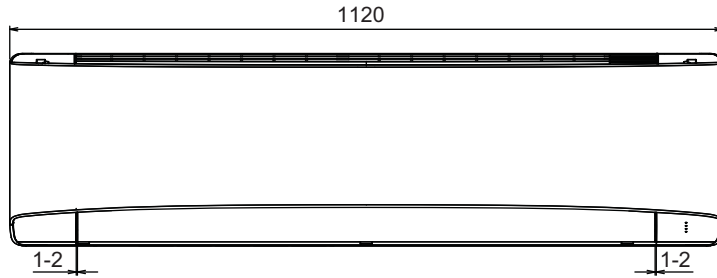
<Top View>



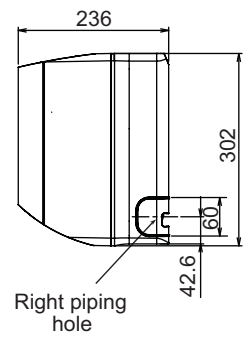
<Side View>



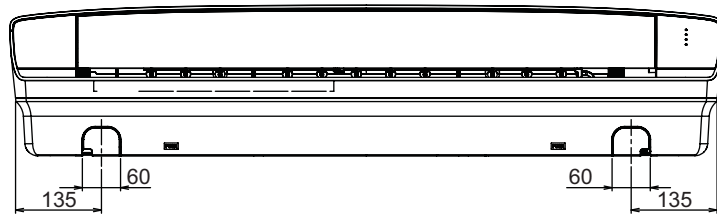
<Front View>



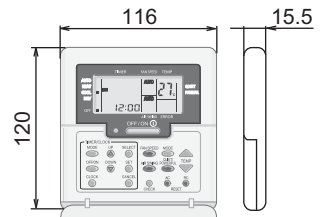
<Side View>



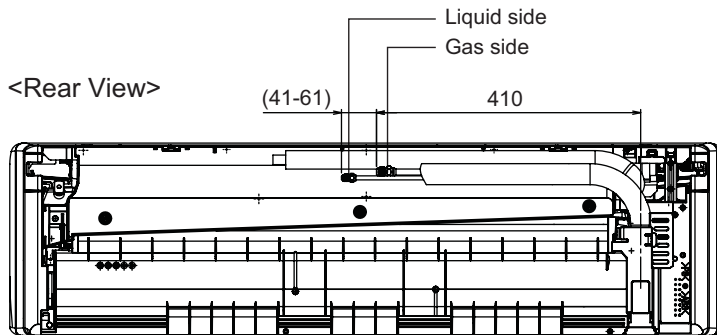
<Bottom View>



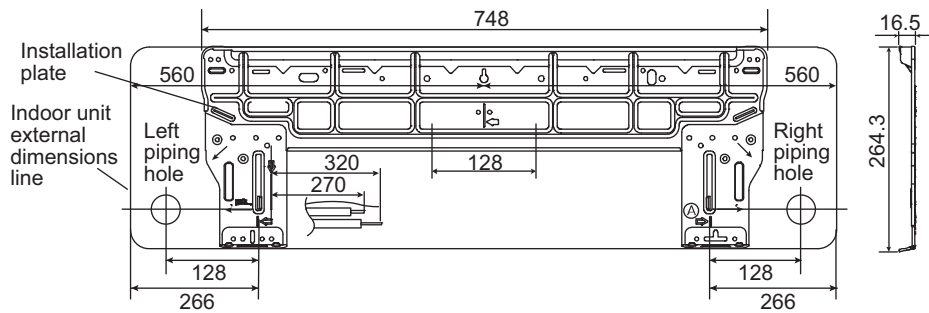
<Remote Control>



<Rear View>



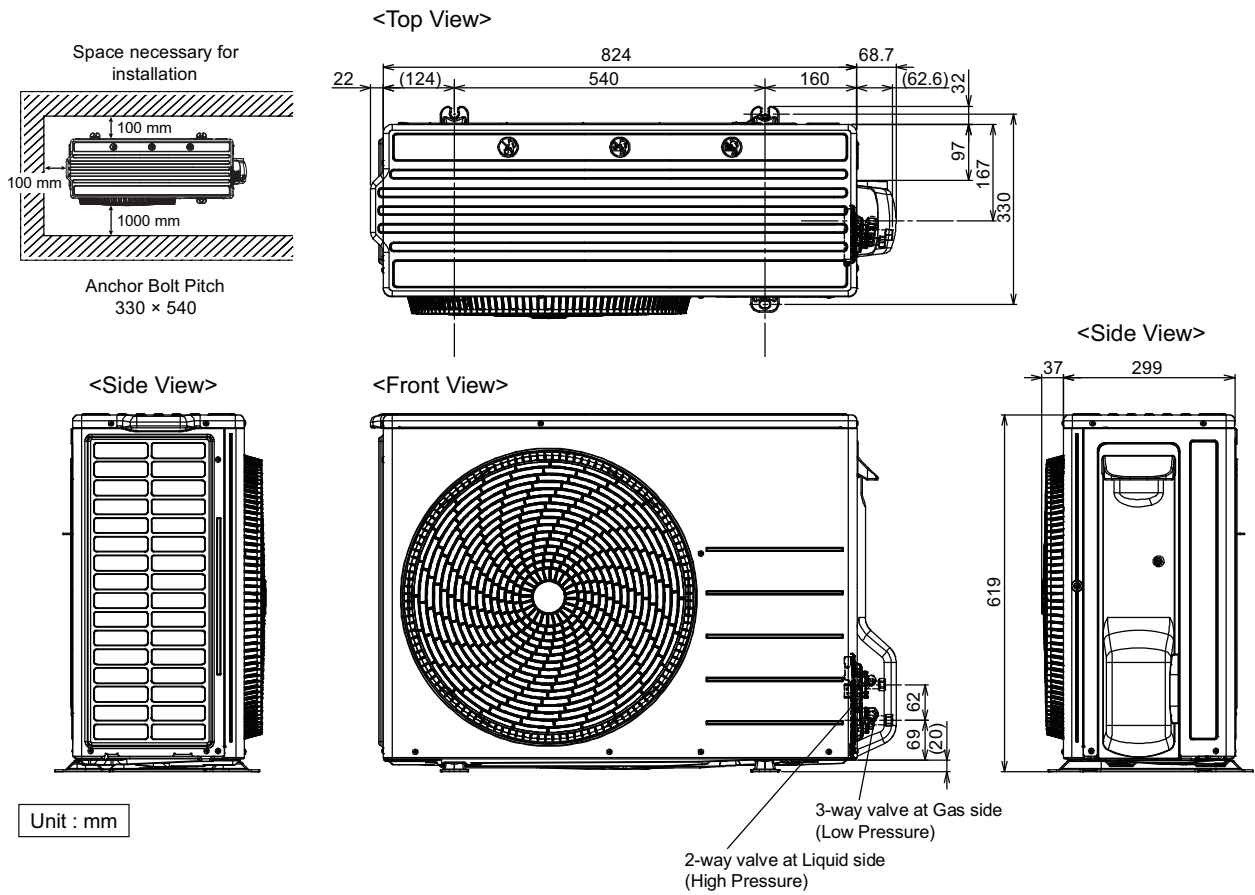
Relative position between the indoor unit and the installation plate <Front View>



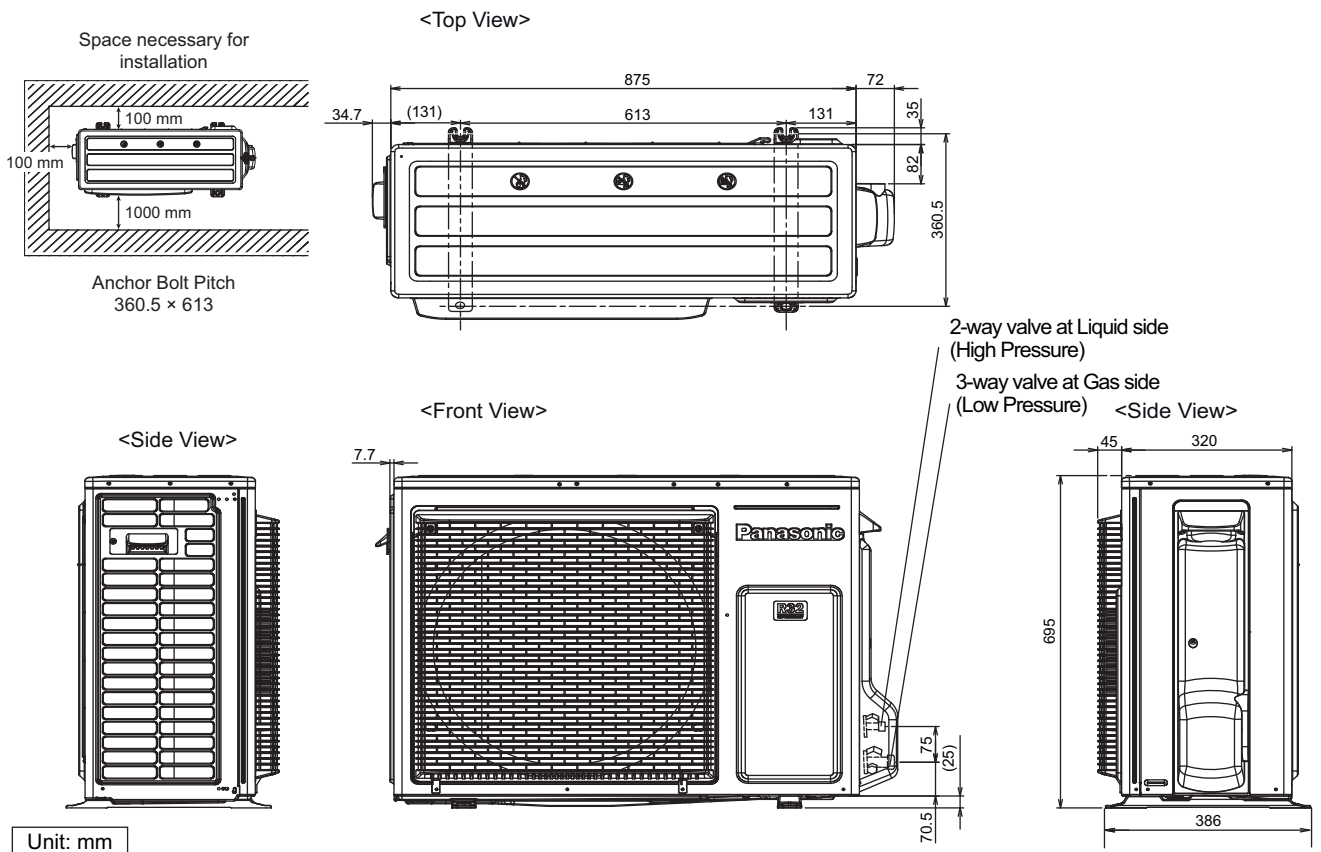
Unit: mm

6.2 Outdoor Unit

6.2.1 CU-Z25TKEA CU-Z35TKEA CU-Z42TKEA

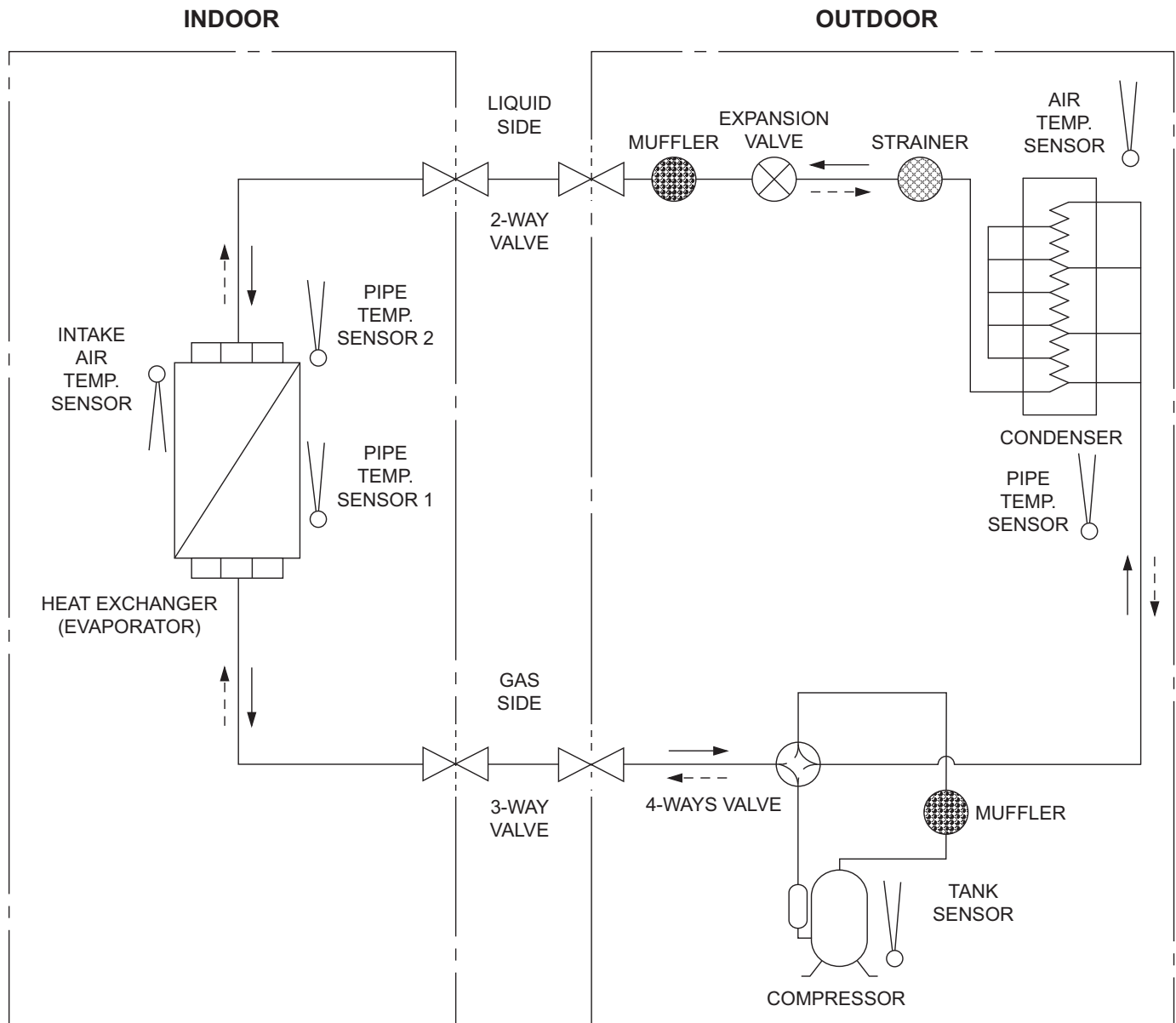


6.2.2 CU-Z50TKEA CU-Z71TKEA



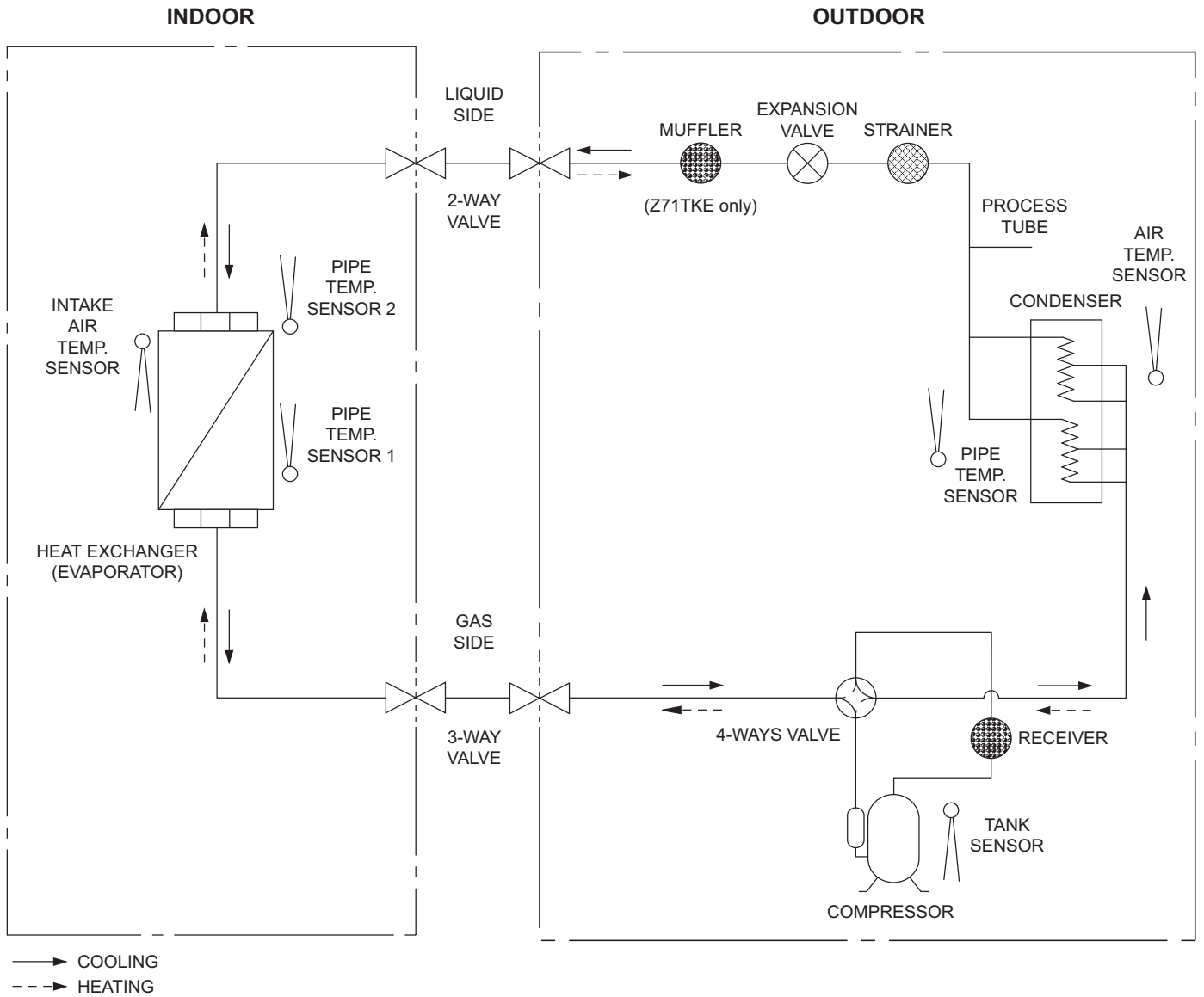
7. Refrigeration Cycle Diagram

7.1 CS-Z25TKEA CU-Z25TKEA CS-Z35TKEA CU-Z35TKEA CS-Z42TKEA CU-Z42TKEA



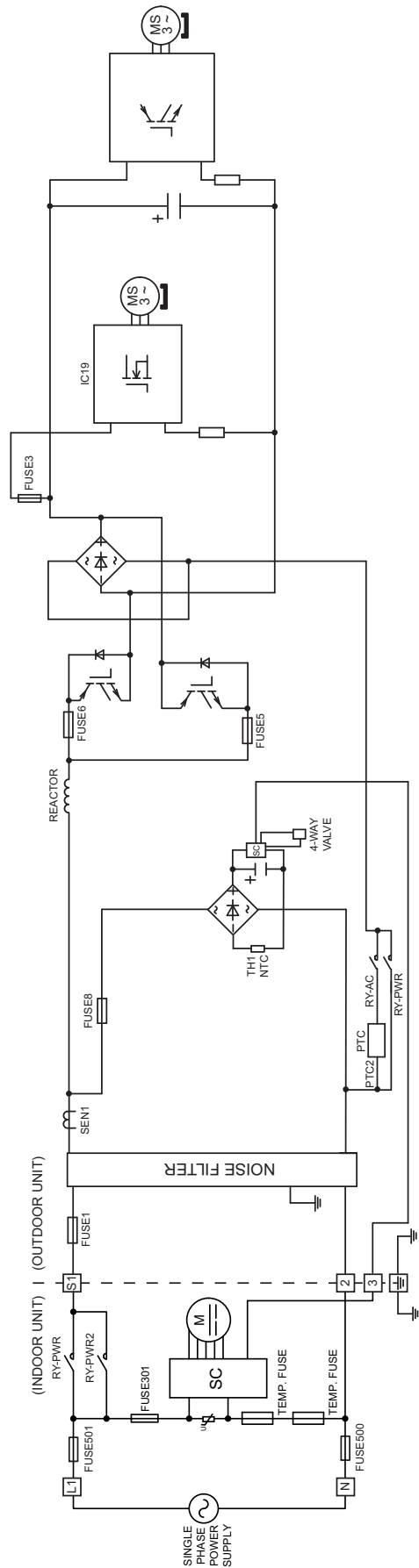
—> COOLING
- - -> HEATING

7.2 CS-Z50TKEA CU-Z50TKEA CS-Z71TKEA CU-Z71TKEA

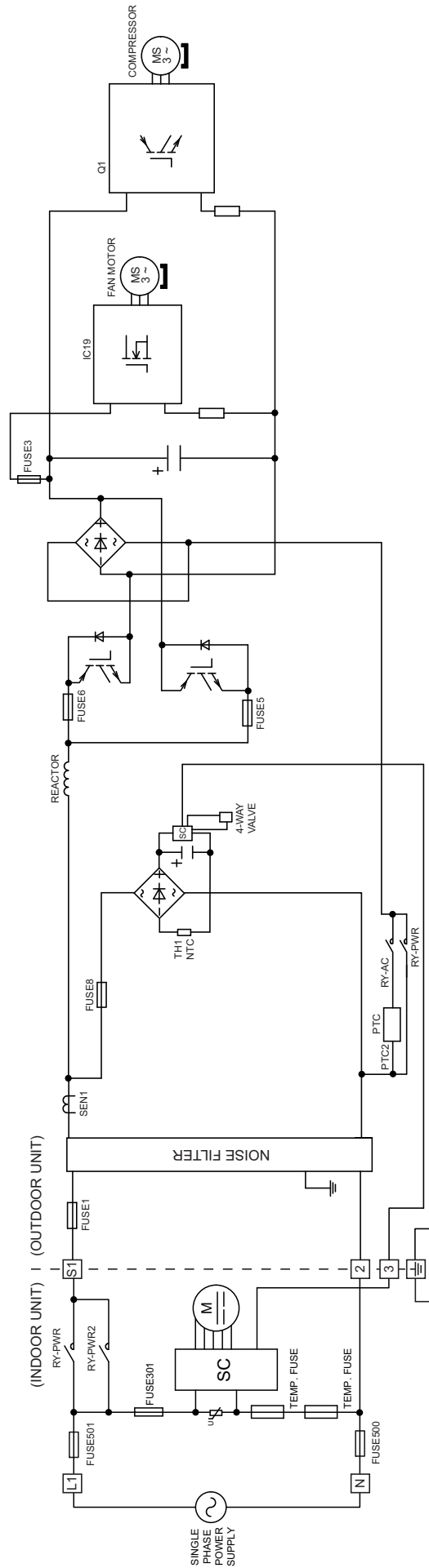


8. Block Diagram

8.1 CS-Z25TKEA CU-Z25TKEA CS-Z35TKEA CU-Z35TKEA CS-Z42TKEA CU-Z42TKEA

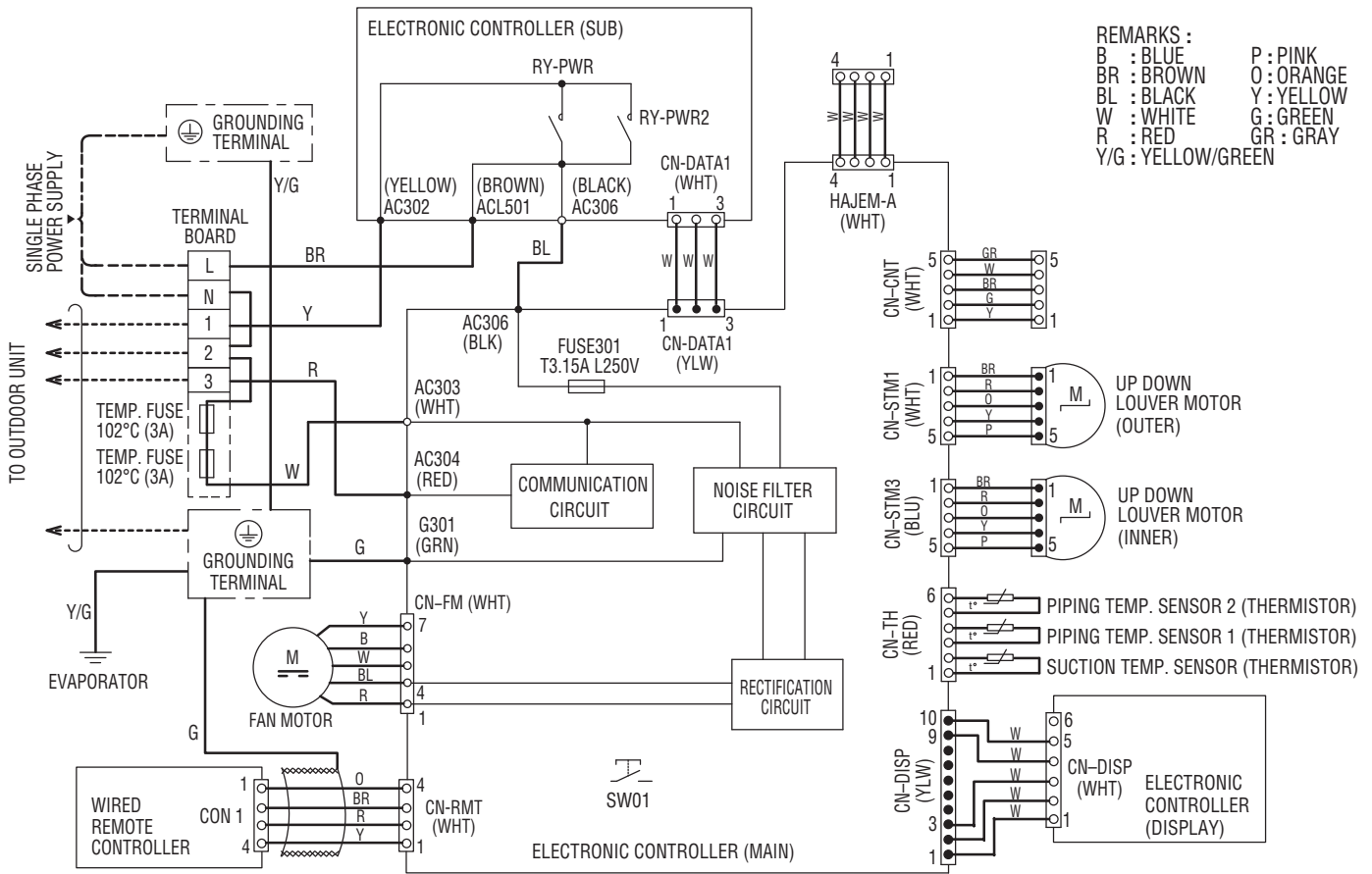


8.2 CS-Z50TKEA CU-Z50TKEA CS-Z71KEA CU-Z71TKEA



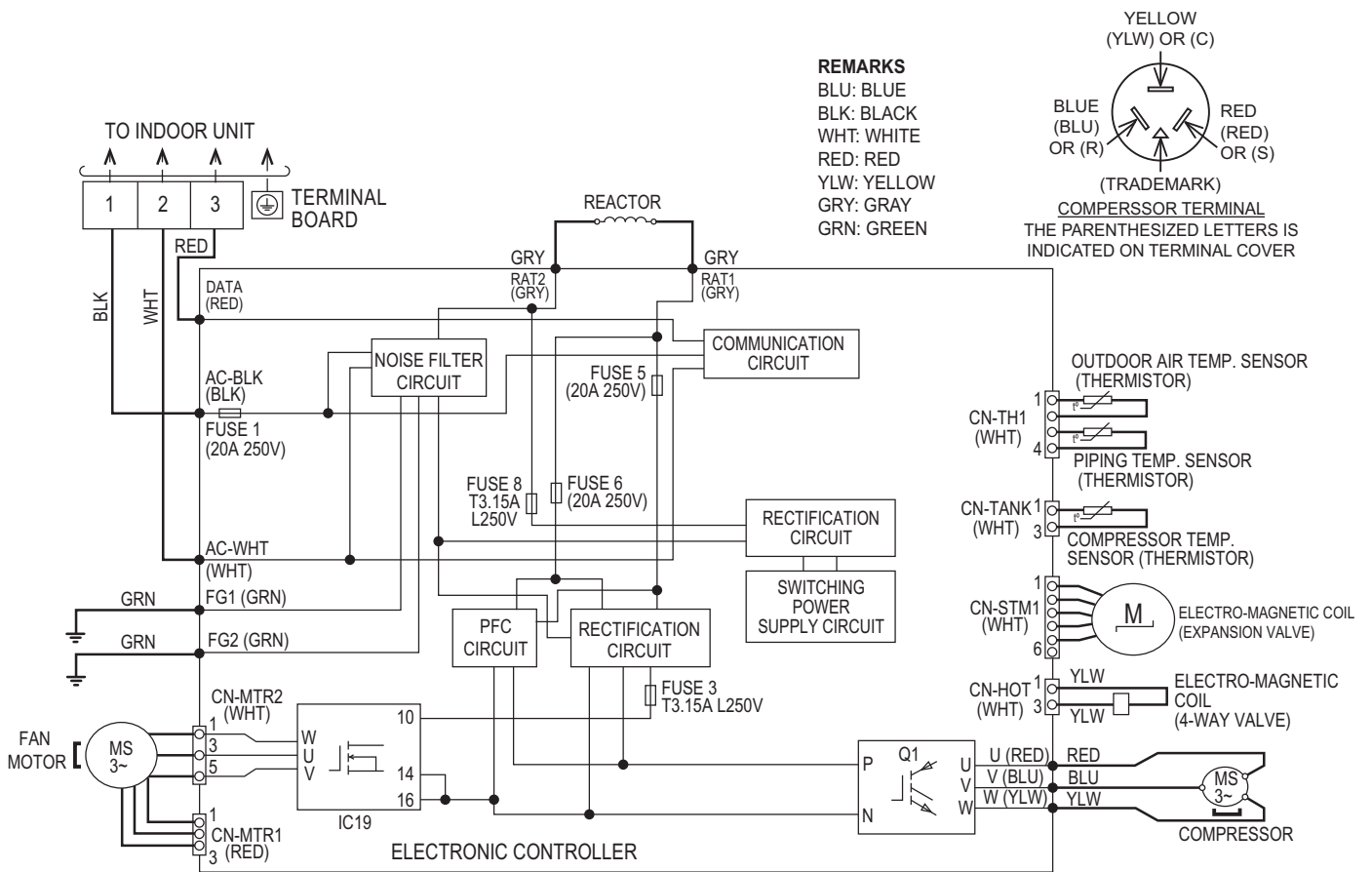
9. Wiring Connection Diagram

9.1 Indoor Unit



9.2 Outdoor Unit

9.2.1 CU-Z25TKEA CU-Z35TKEA CU-Z42TKEA

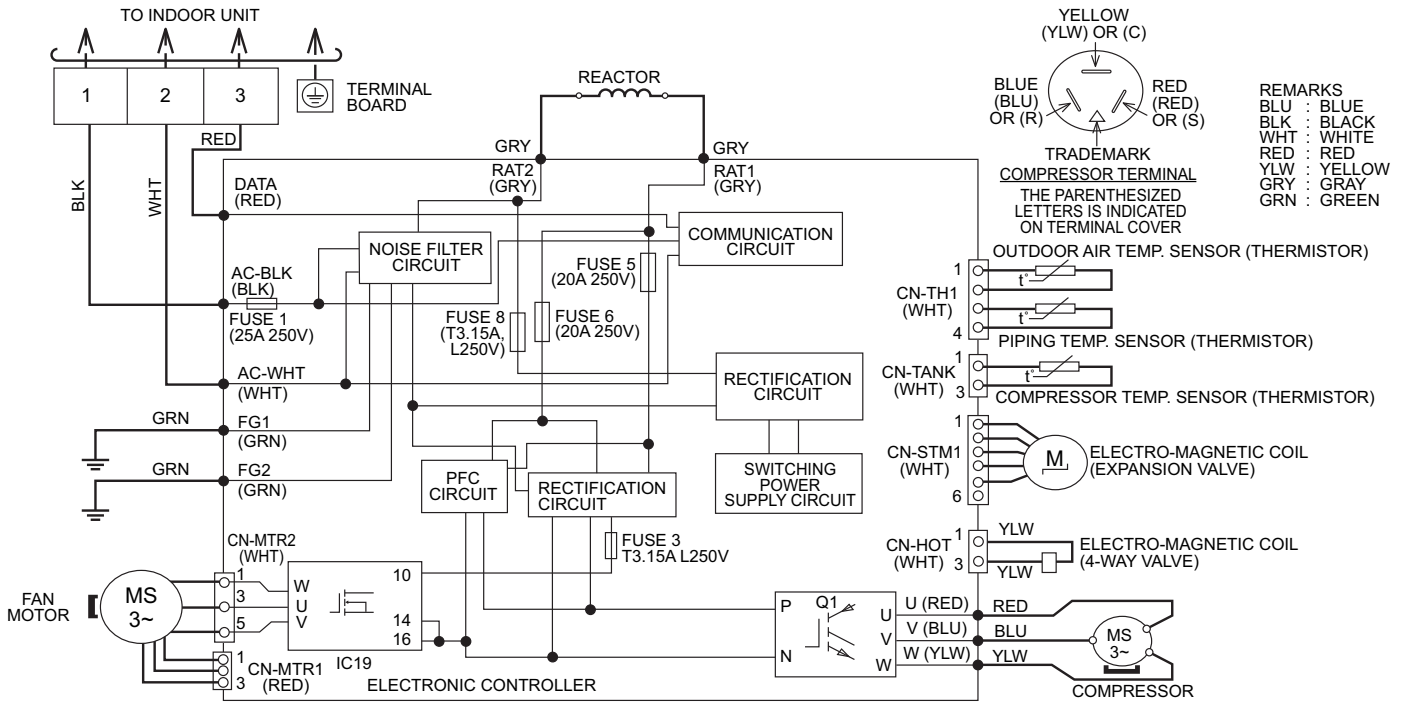


Resistance of Compressor Windings

MODEL	CU-Z24TKEA / CU-Z35TKEA / CU-Z42TKEA
CONNECTION	9RD132XAB21 (Ω)
U-V	1.897
U-W	1.907
V-W	1.882

Note: Resistance at 20°C of ambient temperature.

9.2.2 CU-Z50TKEA CU-Z71TKEA



Resistance of Compressor Windings

MODEL	CU-Z50TKEA
CONNECTION	9RD132XAA21 (Ω)
U-V	1.897
U-W	1.907
V-W	1.882

Note: Resistance at 20°C of ambient temperature.

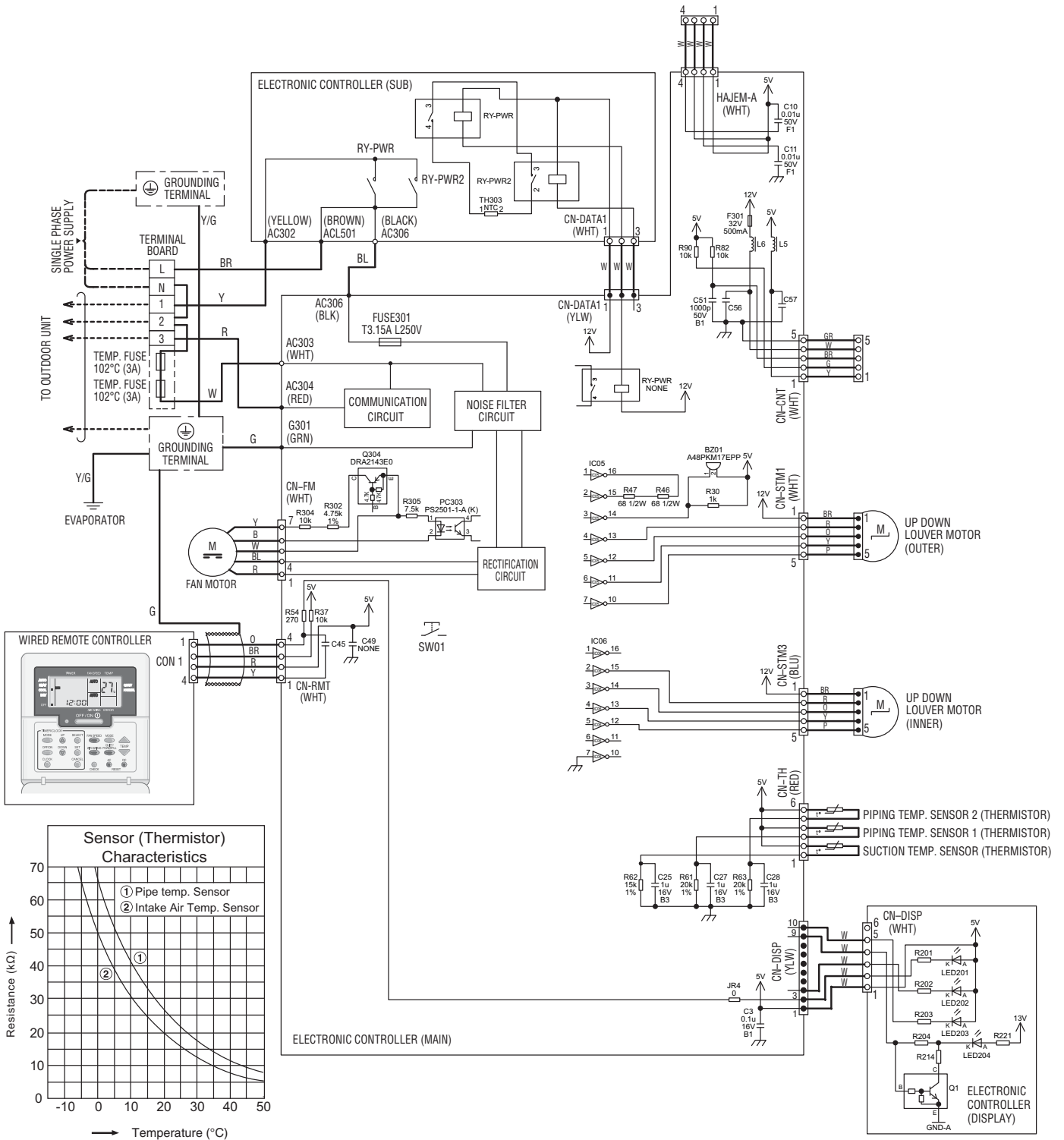
Resistance of Compressor Windings

MODEL	CU-Z71TKEA
CONNECTION	9KD240XBA21 (Ω)
U-V	0.720
U-W	0.726
V-W	0.708

Note: Resistance at 20°C of ambient temperature.

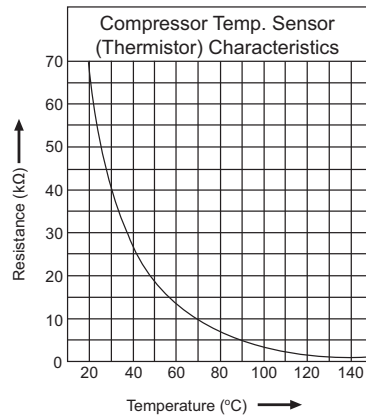
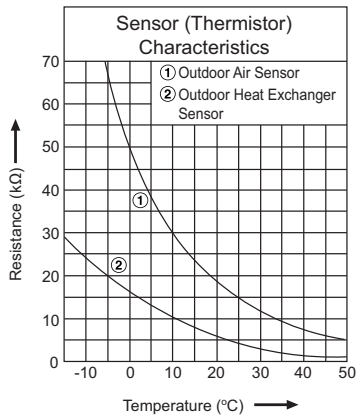
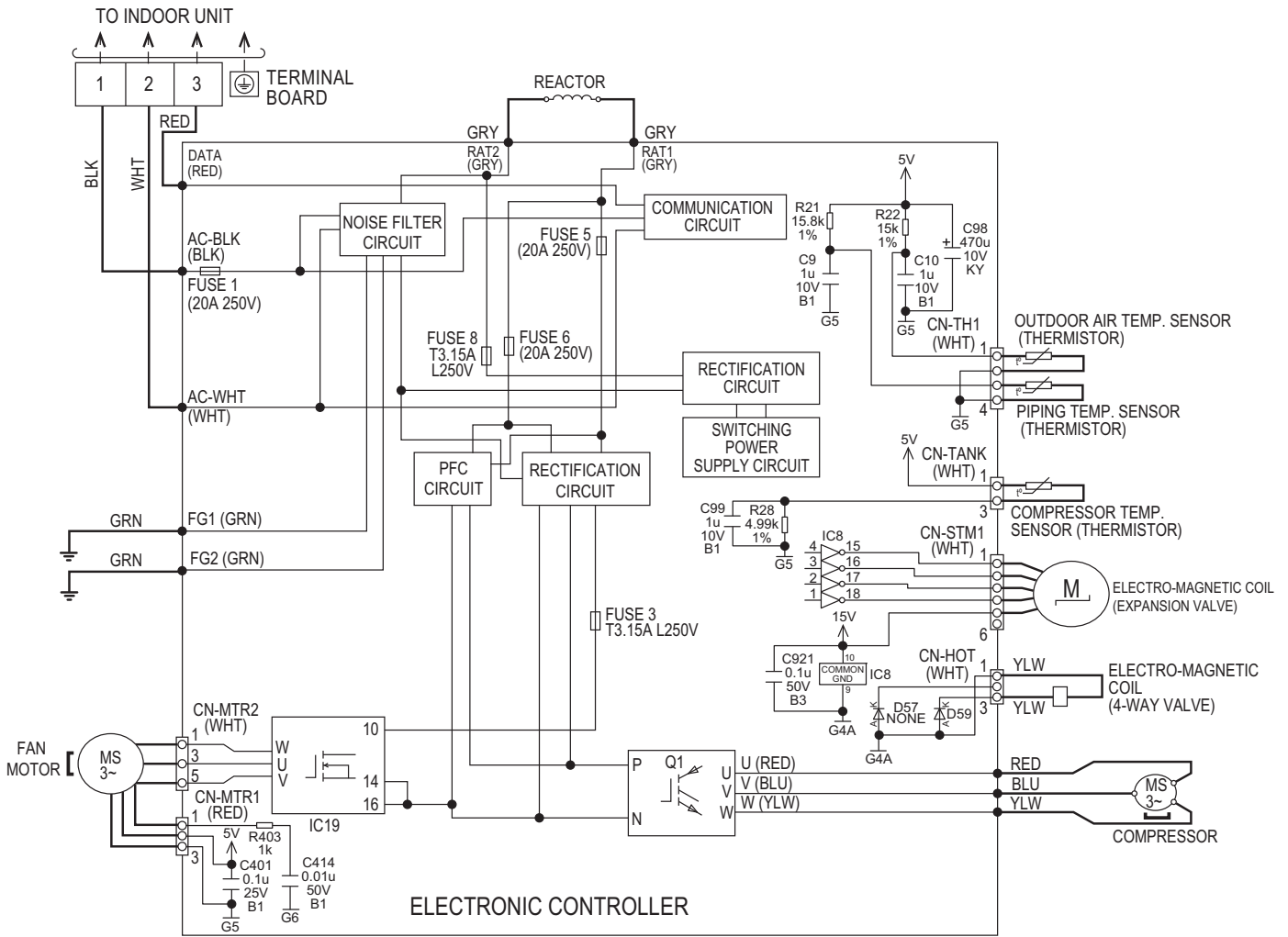
10. Electronic Circuit Diagram

10.1 Indoor Unit

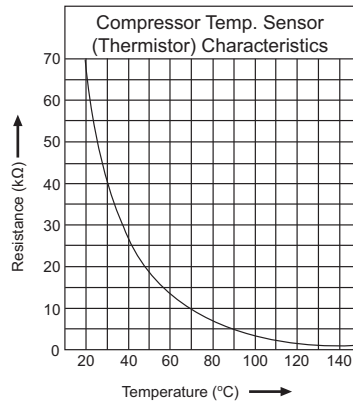
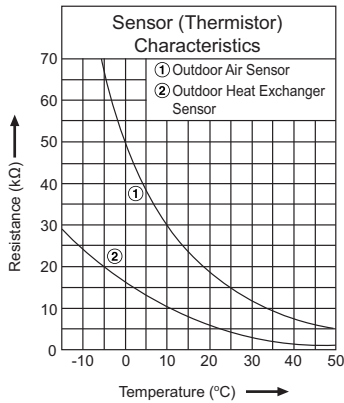
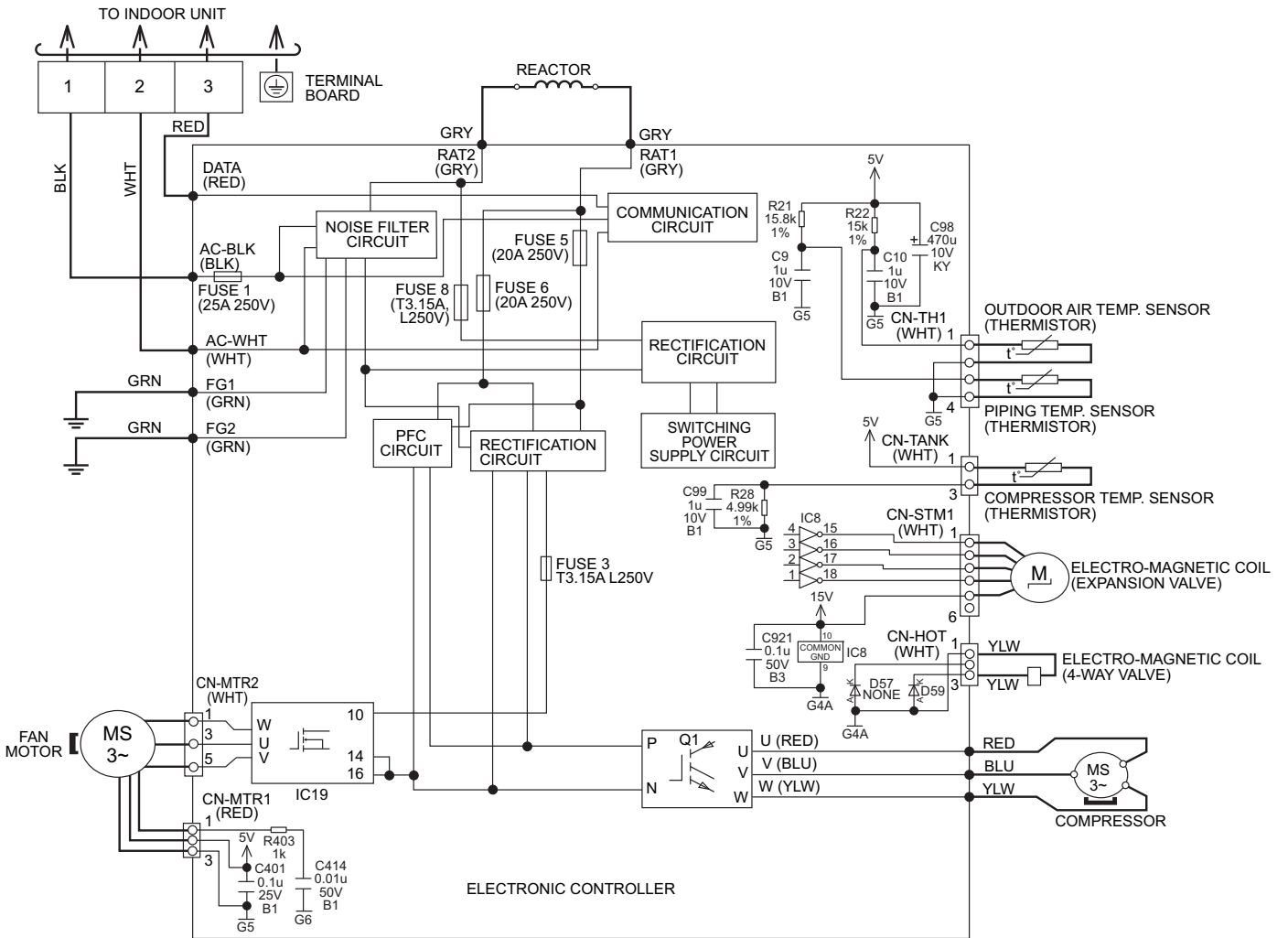


10.2 Outdoor Unit

10.2.1 CU-Z25TKEA CU-Z35TKEA CU-Z42TKEA



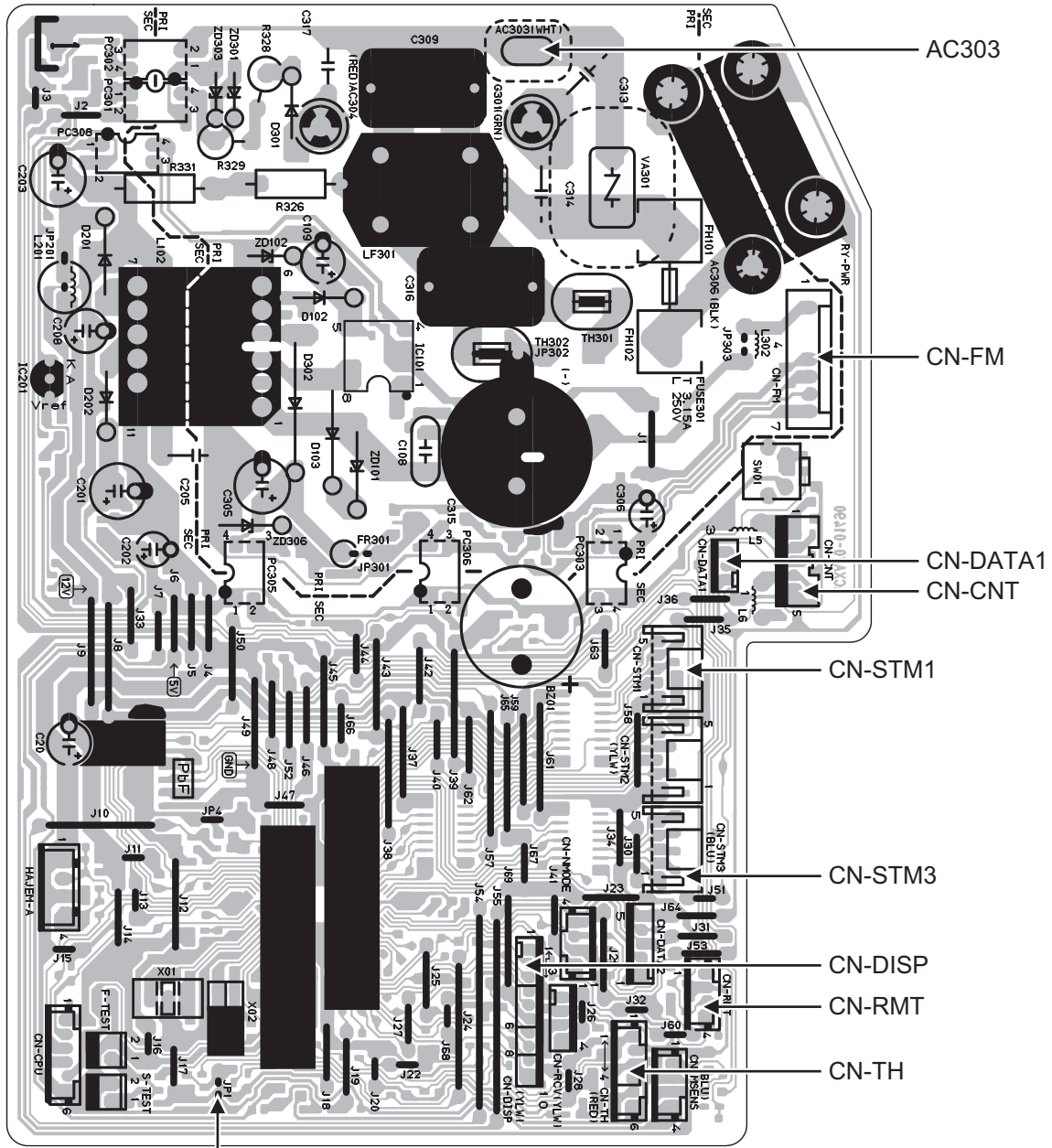
10.2.2 CU-Z50TKEA CU-Z71TKEA



11. Printed Circuit Board

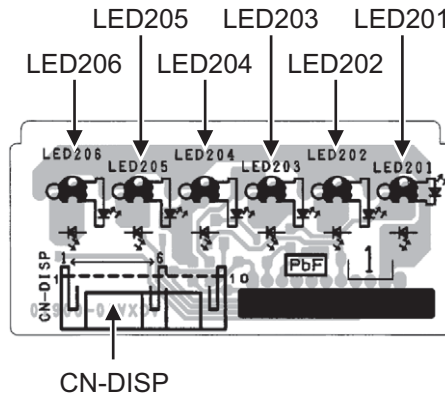
11.1 Indoor Unit

11.1.1 Main Printed Circuit Board

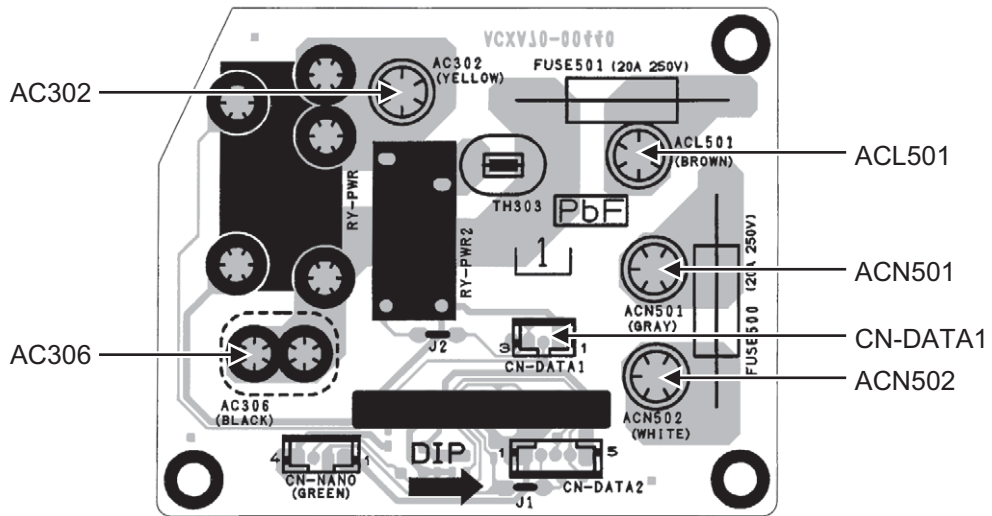


JP1 (Random Auto Restart enable/disable)

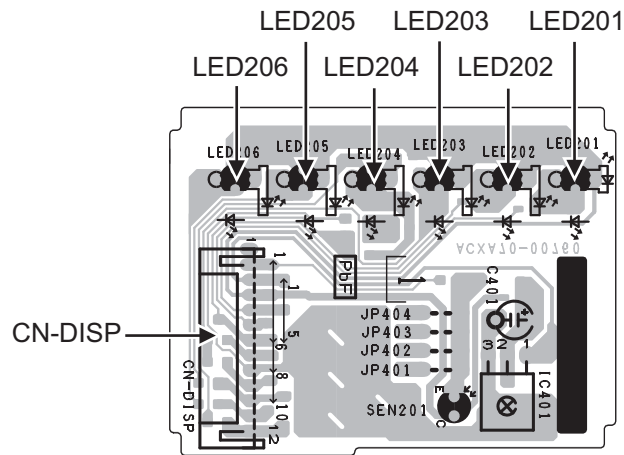
11.1.2 Indicator Printed Circuit Board (CS-Z25TKEA CS-Z35TKEA)



11.1.3 Sub Printed Circuit Board

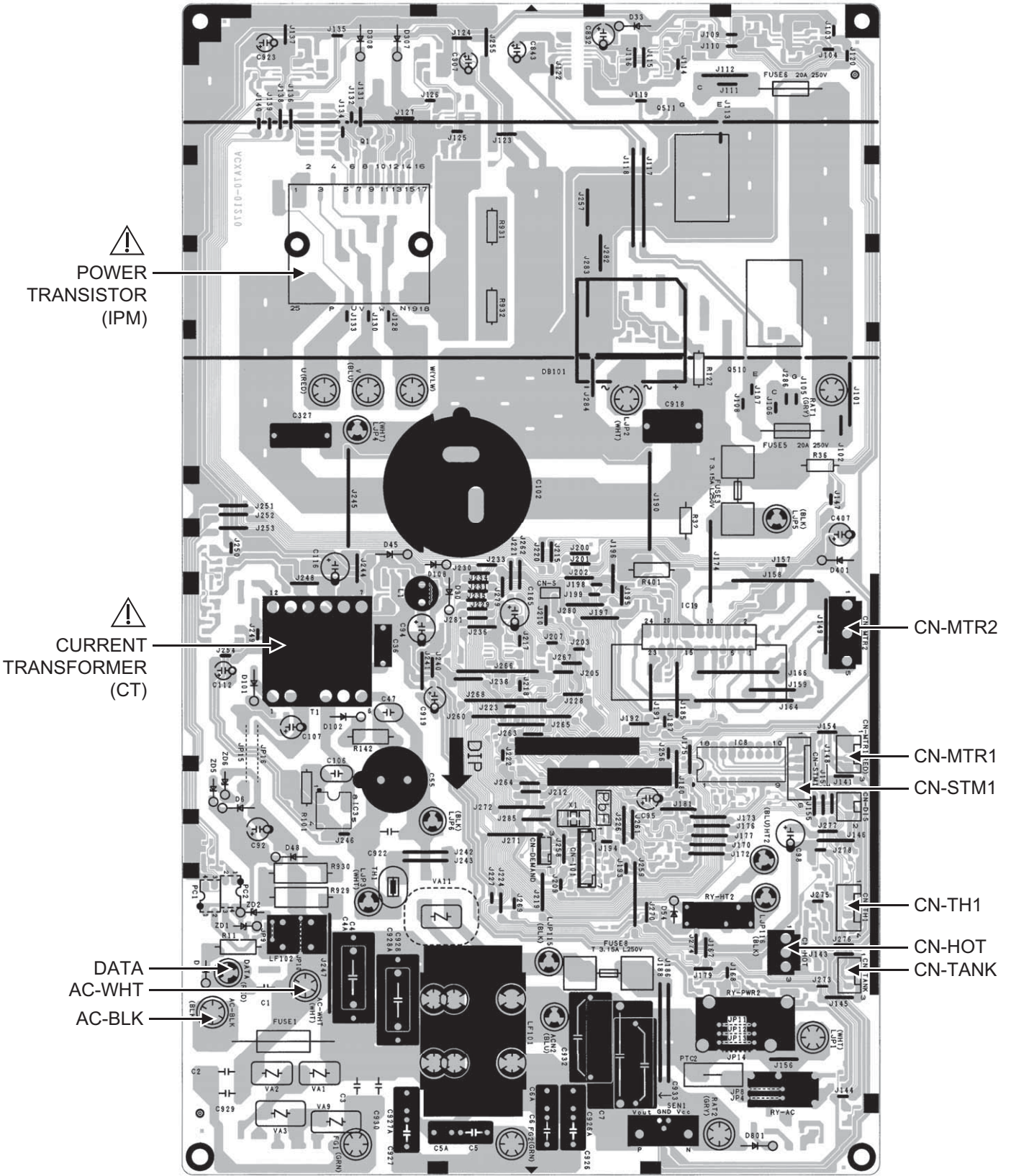


11.1.4 Indicator Printed Circuit Board (CS-Z42TKEA CS-Z50TKEA CS-Z71TKEA)



11.2 Outdoor Unit

11.2.1 Main Printed Circuit Board



12. Installation Instruction

12.1 Select the Best Location

12.1.1 Indoor Unit

- Do not install the unit in excessive oil fume area such as kitchen, workshop and etc.
- There should not be any heat source or steam near the unit.
- There should not be any obstacles blocking the air circulation.
- A place where air circulation in the room is good.
- A place where drainage can be easily done.
- A place where noise prevention is taken into consideration.
- Do not install the unit near the door way.
- Ensure the spaces indicated by arrows from the wall, ceiling, fence or other obstacles.
- Installation height for the indoor unit is recommended at 2.5 m.

12.1.2 Outdoor Unit

- If an awning is built over the unit to prevent direct sunlight or rain, be careful that heat radiation from the condenser is not obstructed.
- There should not be any animal or plant which could be affected by hot air discharged.
- Keep the spaces indicated by arrows from wall, ceiling, fence or other obstacles.
- Do not place any obstacles which may cause a short circuit of the discharged air.
- If piping length is over the [piping length for additional gas], additional refrigerant should be added as shown in the table.

Table A

Model	Capacity W (HP)	Piping size		Std. Length (m)	Max Elevation (m)	Min. Piping Length (m)	Max. Piping Length (m)	Additional Refrigerant (g/m)	Piping Length for add. gas (m)	Indoor A _{min} (m ²)	
		Gas	Liquid							1.8 m for wall mounted	2.5 m for wall mounted
Z25***	1.0HP	9.52 mm (3/8")	6.35 mm (1/4")	5	15	3	20	10	7.5	1.12	0.58
Z35***	1.5HP	12.7 mm (1/2")			15	3	20	10	7.5	1.21	0.63
Z42***	1.75HP	15.88 mm (5/8")			15	3	20	10	7.5	1.38	0.72
Z50***	2.0HP	15.88 mm (5/8")			15	3	30	15	7.5	2.11	1.09
Z71***	2.5HP	15.88 mm (5/8")			20	3	30	25	10	3.16	1.64

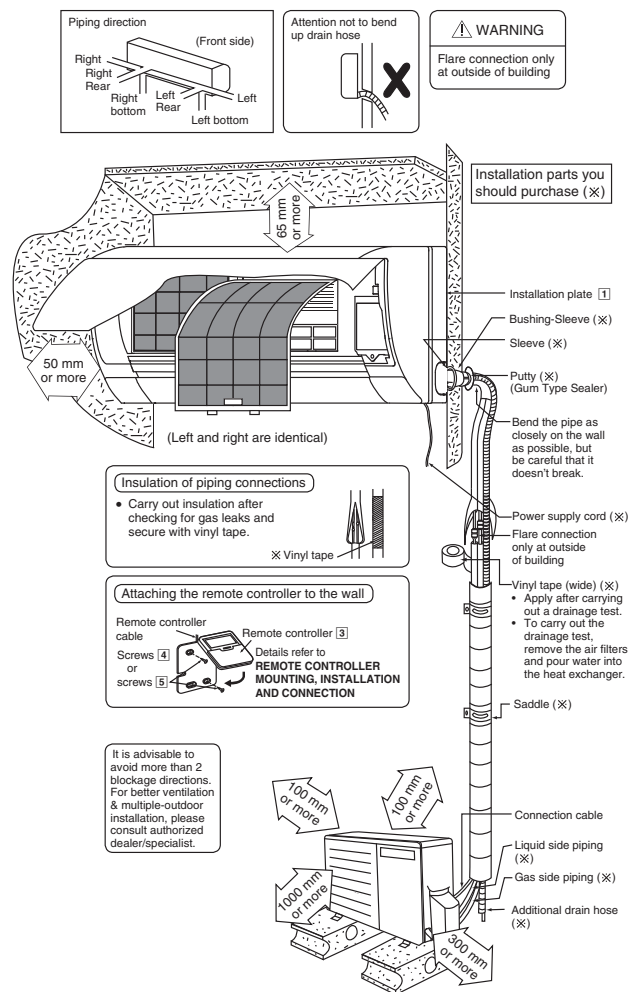
Example: For Z25***

If the unit is installed at 10 m distance, the quantity of additional refrigerant should be 25 g (10-7.5) m x 10 g/m = 25 g.

$$A_{\min} = (M / (2.5 \times (LFL)^{(5/4)} \times h_0))^2$$

- A_{min} = Required minimum room area, in m²
- M = Refrigerant charge amount in appliance, in kg
- LFL = Lower flammable limit (0.306 kg/m³)
- h₀ = Installation height of the appliance
: (1.8 m for wall mounted is standard reference installed height)
: (2.5 m for wall mounted is recommended installed height given by manufacturer)

12.1.3 Indoor/Outdoor Unit Installation Diagram

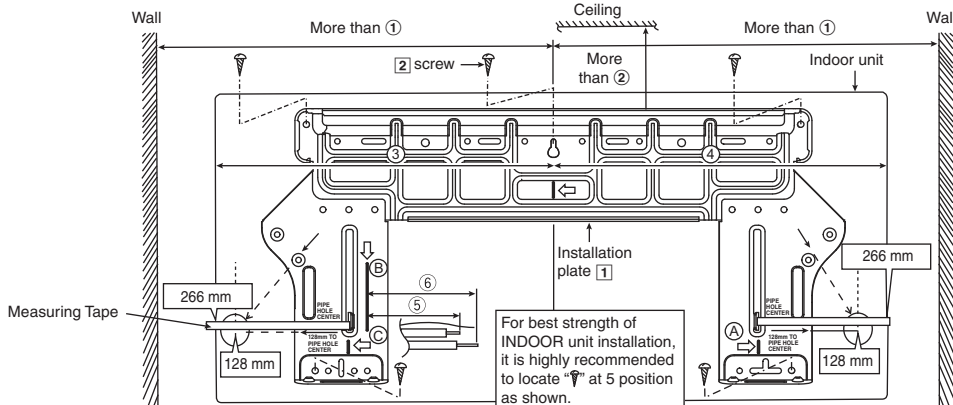


- This illustration is for explanation purposes only. The indoor unit will actually face a different way.

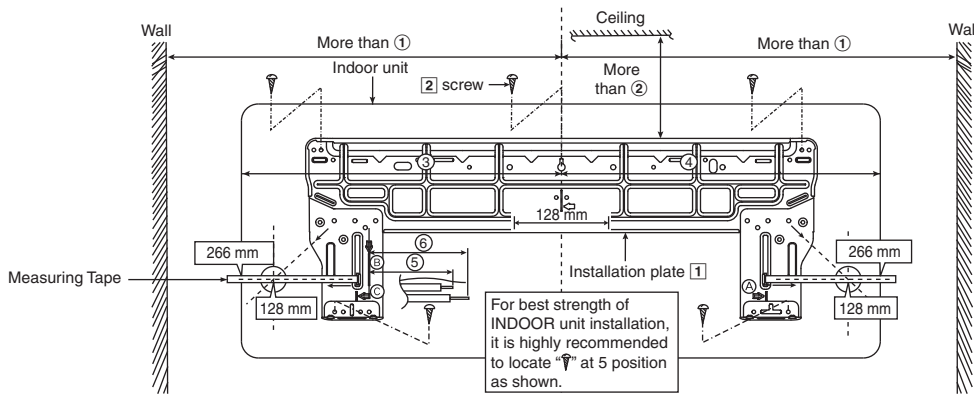
12.2 Indoor Unit

12.2.1 How to Fix Installation Plate

The mounting wall shall be strong and solid enough to prevent it from vibration.



Model	Dimension					
	①	②	③	④	⑤	⑥
Z25***, Z35***	515 mm	85 mm	460 mm	460 mm	43 mm	95 mm



Model	Dimension					
	①	②	③	④	⑤	⑥
Z50***, Z42***, Z71***	615 mm	95 mm	560 mm	560 mm	270 mm	320 mm

The center of installation plate should be at more than ① at right and left of the wall.

The distance from installation plate edge to ceiling should more than ②.

From installation plate center to unit's left side is ③.

From installation plate center to unit's right side is ④.

- Ⓑ : For left side piping, piping connection for liquid should be about ⑤ from this line.
 : For left side piping, piping connection for gas should be about ⑥ from this line.

- Mount the installation plate on the wall with 5 screws or more (at least 5 screws).
 (If mounting the unit on the concrete wall, consider using anchor bolts.)
 - Always mount the installation plate horizontally by aligning the marking-off line with the thread and using a level gauge.
- Drill the piping plate hole with $\varnothing 70$ mm hole-core drill.
 - Line according to the left and right side of the installation plate. The meeting point of the extended line is the center of the hole. Another method is by putting measuring tape at position as shown in the diagram above. The hole center is obtained by measuring the distance namely 128 mm for left and right hole respectively.
 - Drill the piping hole at either the right or the left and the hole should be slightly slanting to the outdoor side.

12.2.2 To Drill a Hole in the Wall and Install a Sleeve of Piping

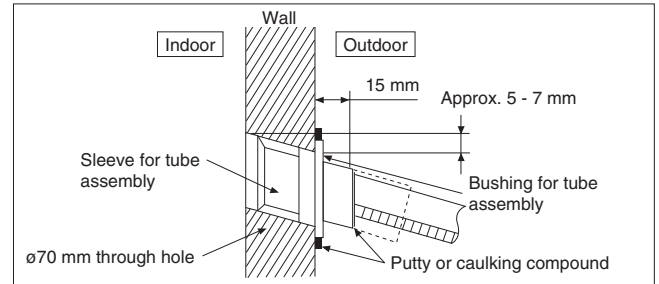
- 1 Insert the piping sleeve to the hole.
- 2 Fix the bushing to the sleeve.
- 3 Cut the sleeve until it extrudes about 15 mm from the wall.



CAUTION

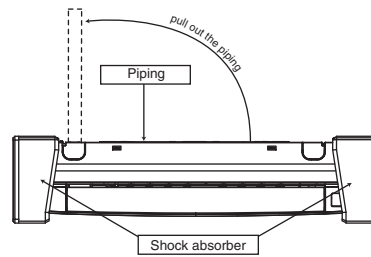
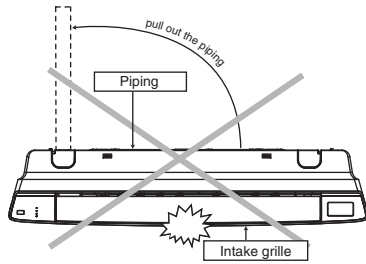
- ❗ When the wall is hollow, please be sure to use the sleeve for tube assembly to prevent dangers caused by mice biting the connection cable.

- 4 Finish by sealing the sleeve with putty or caulking compound at the final stage.



12.2.3 Indoor Unit Installation

- Do not turn over the unit without its shock absorber during pull out the piping. It may cause intake grille damage.
- Use shock absorber during pull out the piping to protect the intake grille from damage.



12.2.3.1 For the Right Rear Piping

Step-1 Pull out the Indoor piping

Step-2 Install the Indoor Unit

Step-3 Secure the Indoor Unit

Step-4 Insert the power supply cord and connection cable

- Insert the cables from bottom of the unit through the control board hole until terminal board area.

12.2.3.2 For the Right and Right Bottom Piping

Step-1 Pull out the Indoor piping

Step-2 Install the Indoor Unit

Step-3 Insert the power supply cord and connection cable

- Insert the cables from bottom of the unit through the control board hole until terminal board area.

Step-4 Secure the Indoor Unit

12.2.3.3 For the Embedded Piping

Step-1 Replace the drain hose

Step-2 Bend the embedded piping

- Use a spring bender or equivalent to bend the piping so that the piping is not crushed.

Step-3 Pull the connection cable into Indoor Unit

- The power supply cord and indoor unit and outdoor unit connection cable can be connected without removing the front grille.

Step-4 Cut and flare the embedded piping

- When determining the dimensions of the piping, slide the unit all the way to the left on the installation plate.
- Refer to the section "Cutting and flaring the piping".

Step-5 Install the Indoor Unit

Step-6 Connect the piping

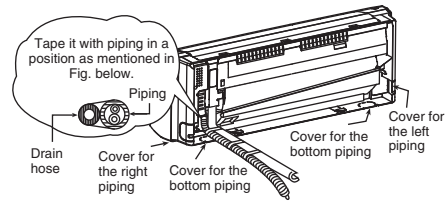
- Please refer to "Connecting the piping" column in outdoor unit section. (Below steps are done after connecting the outdoor piping and gas-leakage confirmation.)

Step-7 Insulate and finish the piping

- Please refer to "Insulation of piping connection" column as mentioned in indoor/outdoor unit installation.

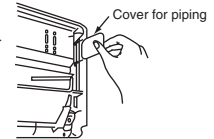
Step-8 Secure the Indoor Unit

Right Rear piping

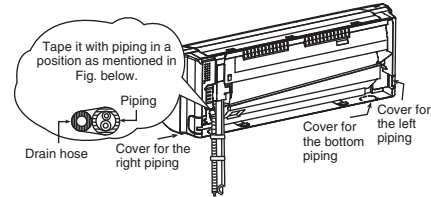


How to keep the cover

In case of the cover is cut, keep the cover at the rear of chassis as shown in the illustration for future reinstallation. (Left, right and 2 bottom covers for piping.)

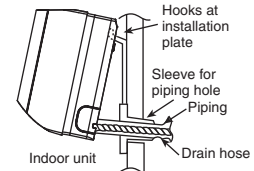


Right and Right Bottom piping



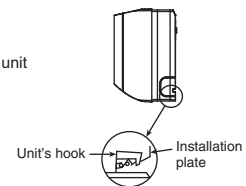
Install the indoor unit

Hook the indoor unit onto the upper portion of installation plate. (Engage the indoor unit with the upper edge of the installation plate). Ensure the hooks are properly seated on the installation plate by moving it in left and right.

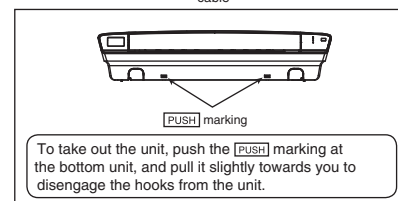
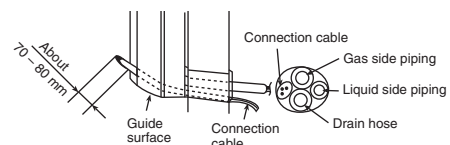


Secure the Indoor Unit

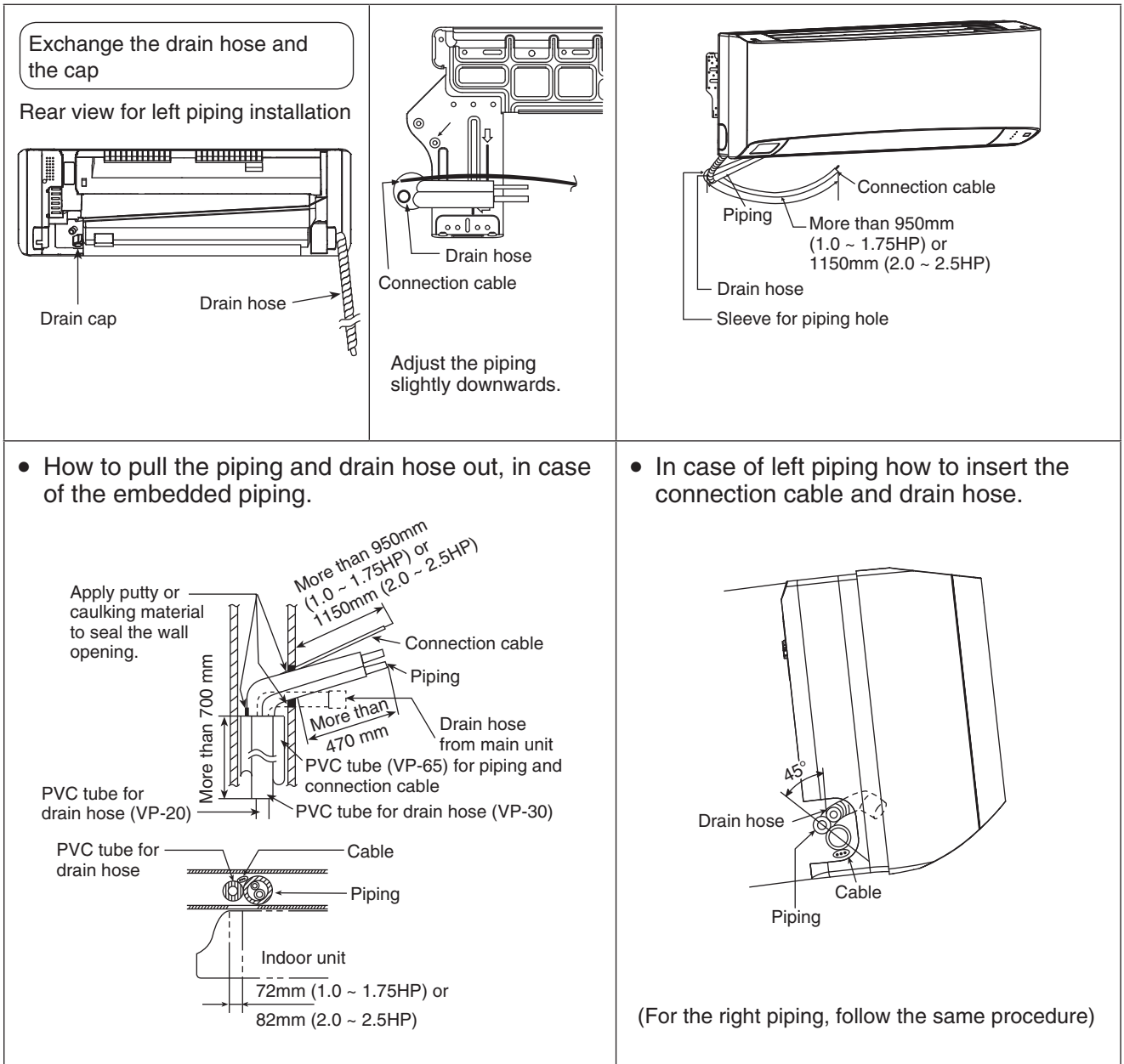
Press the lower left and right side of the unit against the installation plate until hooks engages with their slot (sound click).



Insert the connection cable



(This can be used for left rear piping and bottom piping also.)

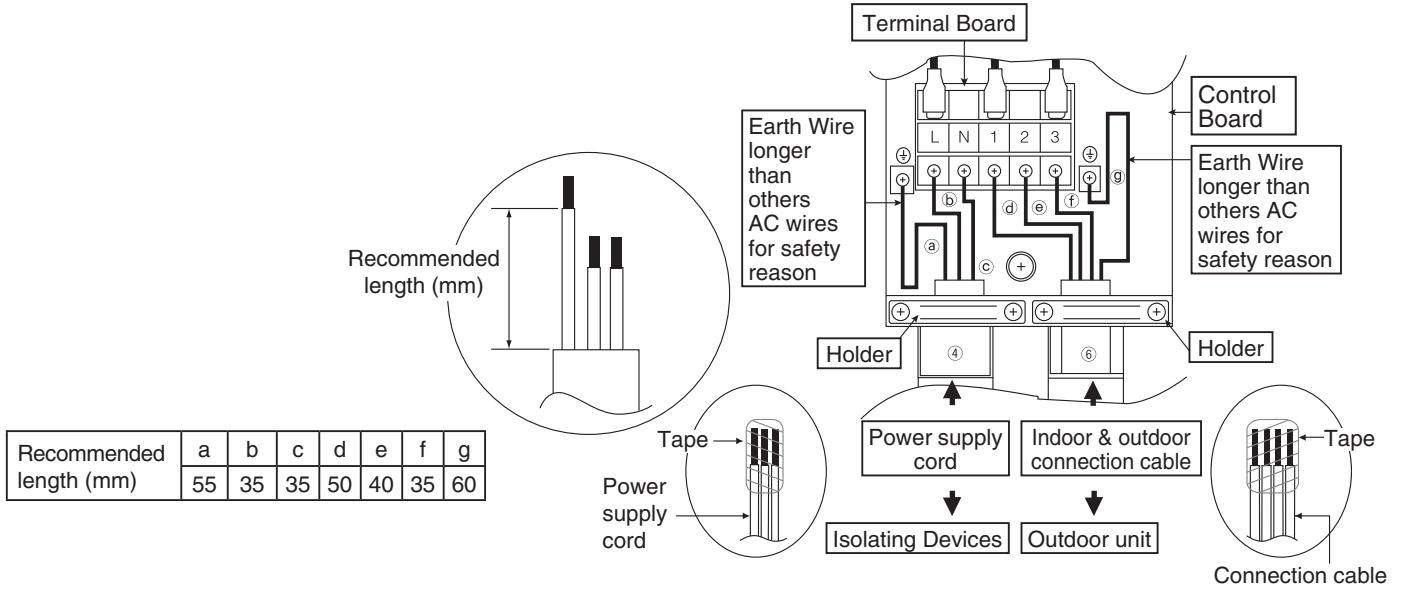
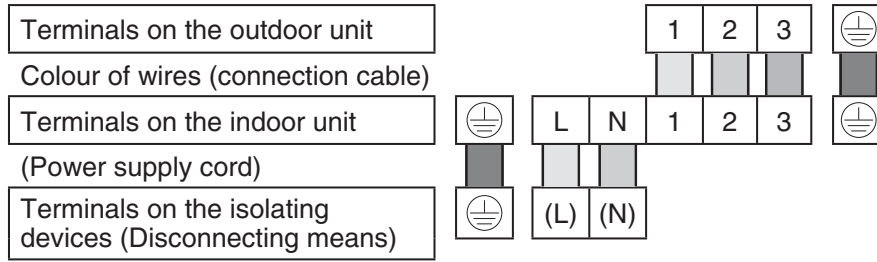


12.2.4 Connect the Cable to the Indoor Unit

The power supply cord, indoor and outdoor unit connection cable can be connected without removing the front grille.

- 1 Install the indoor unit on the installing holder that mounted on the wall.
- 2 Open the front panel and grille door by loosening the screw.
- 3 Cable connection to the power supply through Isolating Devices (Disconnecting means).
 - Connect the approved polychloroprene sheathed **power supply cord** $3 \times 1.5 \text{ mm}^2$ (1.0 ~ 1.75HP) or $3 \times 2.5 \text{ mm}^2$ (2.0 ~ 2.5HP), type designation 60245 IEC 57 or heavier cord to the terminal board, and connect the other end of the cable to Isolating Devices (Disconnecting means).
 - Do not use joint power supply cord. Replace the wire if the existing wire (from concealed wiring, or otherwise) is too short.
 - In unavoidable case, joining of power supply cord between isolating devices and terminal board of air conditioner shall be done by using approved socket and plug rated 15/16A (1.0 ~ 1.75HP) or 16A (2.0HP) or 20A (2.5HP). Wiring work to both socket and plug must follow to national wiring standard.
- 4 Bind all the power supply cord lead wire with tape and route the power supply cord via the left escapement.
- 5 **Connection cable** between indoor unit and outdoor unit shall be approved polychloroprene sheathed $4 \times 1.5 \text{ mm}^2$ (1.0 ~ 1.75HP) or $4 \times 2.5 \text{ mm}^2$ (2.0 ~ 2.5HP) flexible cord, type designation 60245 IEC 57 or heavier cord. Allowable connection cable length of each indoor unit shall be 30 m or less.
- 6 Bind all the indoor and outdoor connection cable with tape and route the connection cable via the right escapement.

7 Remove the tapes and connect the power supply cord and connection cable between indoor unit and outdoor unit according to the diagram below.

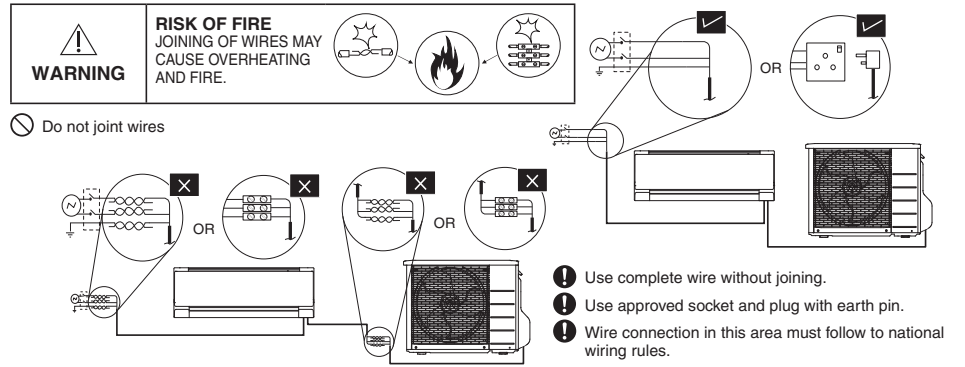
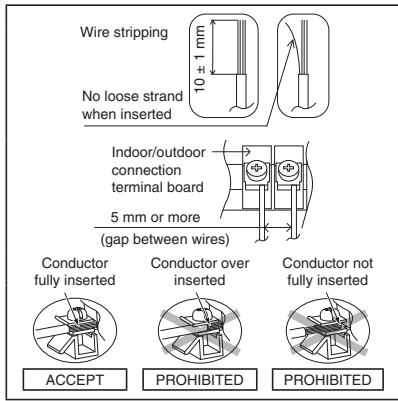


⚠ WARNING

⚡ This equipment must be properly earthed.

- Note:
- Isolating Devices (Disconnecting means) should have minimum 3.0 mm contact gap.
 - Ensure the colour of wires of outdoor unit and the terminal Nos. are the same to the indoor's respectively.
 - Earth wire shall be Yellow/Green (Y/G) in colour and longer than other AC wires as shown in the figure for the electrical safety in case of the slipping out of the cord from the anchorage.

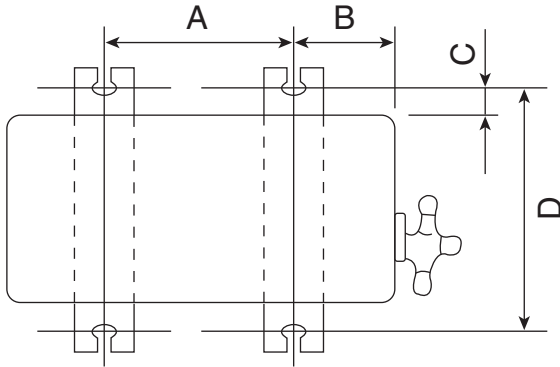
12.2.4.1 Wire Stripping Connecting and Requirement



12.3 Outdoor Unit

12.3.1 Install the Outdoor Unit

- After selecting the best location, start installation to Indoor/Outdoor Unit Installation Diagram.
 - Fix the unit on concrete or rigid frame firmly and horizontally by bolt nut ($\varnothing 10$ mm).
 - When installing at roof, please consider strong wind and earthquake.
Please fasten the installation stand firmly with bolt, screws or nails.



Model	A	B	C	D
Z25***, Z35***, Z42***	540 mm	160 mm	18.5 mm	330 mm
Z50***, Z71***	613 mm	131 mm	24 mm	360.5 mm

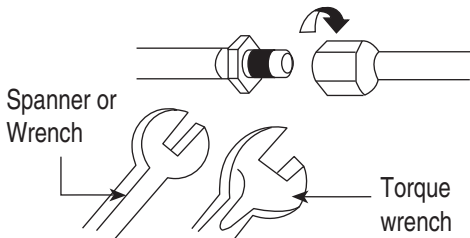
12.3.2 Connect the Piping

12.3.2.1 Connecting the Piping to Indoor

For connection joint location at outside building
Please make flare after inserting flare nut (locate at joint portion of tube assembly) onto the copper pipe.
(In case of using long piping)

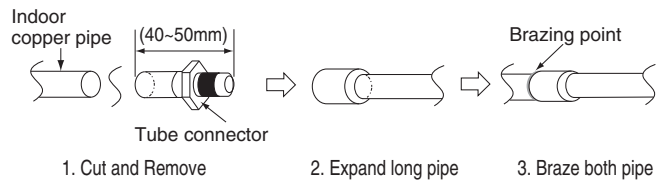
Connect the piping

- Align the center of piping and sufficiently tighten the flare nut with fingers.
- Further tighten the flare nut with torque wrench in specified torque as stated in the table.



For connection joint location at inside building

- Decide the length.
- Cut and remove the tube connectors at indoor copper pipings (both gas and liquid piping) by using pipe cutter. Remove burrs from cut edge.
- Use pipe expander to expand the end of long piping.
- Align the center of piping and braze the piping joints.



12.3.2.2 Connecting the Piping to Outdoor

Decide piping length and then cut by using pipe cutter. Remove burrs from cut edge.

Make flare after inserting the flare nut (locate at valve) onto the copper pipe. Align center of piping to valve and then tighten with torque wrench to the specified torque as stated in the table.

Do not overtighten, overtightening may cause gas leakage.	
Piping size	Torque
6.35 mm (1/4")	[18 N•m (1.8 kgf•m)]
9.52 mm (3/8")	[42 N•m (4.3 kgf•m)]
12.7 mm (1/2")	[55 N•m (5.6 kgf•m)]
15.88 mm (5/8")	[65 N•m (6.6 kgf•m)]
19.05 mm (3/4")	[100 N•m (10.2 kgf•m)]

12.3.3 Evacuation of the Equipment

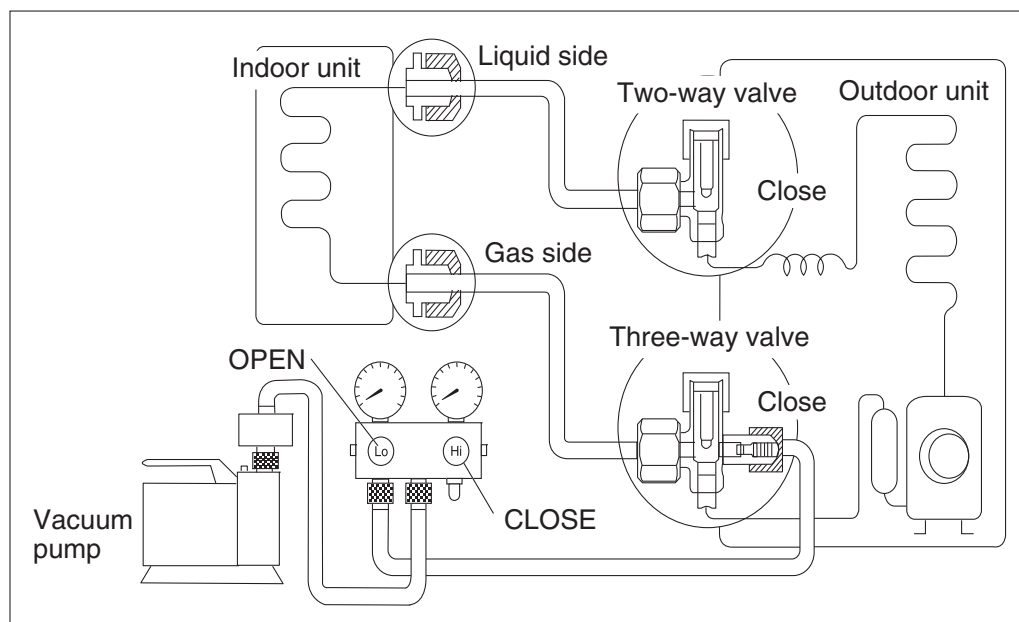
WHEN INSTALLING AN AIR CONDITIONER, BE SURE TO EVACUATE THE AIR INSIDE THE INDOOR UNIT AND PIPES in the following procedure.



Do not purge the air with refrigerants but use a vacuum pump to vacuum the installation.



There is no extra refrigerant in the outdoor unit for air purging.









- 1 Connect a charging hose with a push pin to the Low side of a charging set and the service port of the 3-way valve.
 - Be sure to connect the end of the charging hose with the push pin to the service port.
- 2 Connect the center hose of the charging set to a vacuum pump.
- 3 Turn on the power switch of the vacuum pump and make sure that the needle in the gauge moves from 0 cmHg (0 MPa) to -76 cmHg (-0.1 MPa). Then evacuate the air approximately ten minutes.
- 4 Close the Low side valve of the charging set and turn off the vacuum pump. Make sure that the needle in the gauge does not move after approximately five minutes.

Note : BE SURE TO TAKE THIS PROCEDURE IN ORDER TO AVOID REFRIGERANT GAS LEAKAGE.
- 5 Disconnect the charging hose from the vacuum pump and from the service port of the 3-way valve.
- 6 Tighten the service port caps of the 3-way valve at a torque of 18 N•m with a torque wrench.
- 7 Remove the valve caps of both of the 2-way valve and 3-way valve. Position both of the valves to “OPEN” using a hexagonal wrench (4 mm).
- 8 Mount valve caps onto the 2-way valve and the 3-way valve.
 - Be sure to check for gas leakage.

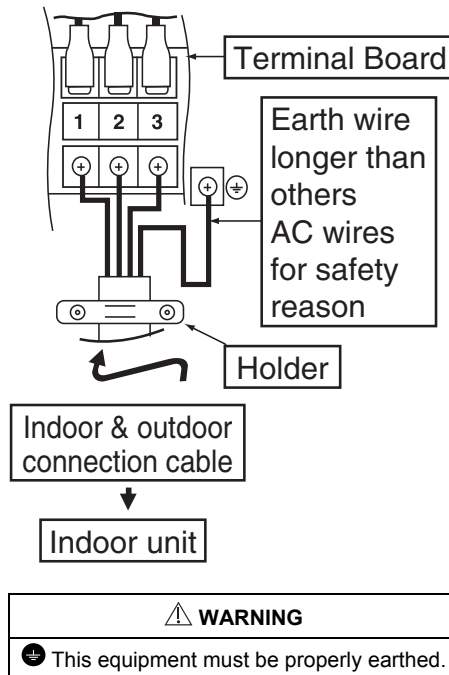
- If gauge needle does not move from 0 cmHg (0 MPa) to -76 cmHg (-0.1 MPa), in step ③ above take the following measure:
- If the leak stops when the piping connections are tightened further, continue working from step ③.
- If the leak does not stop when the connections are retightened, repair location of leak.
- Do not release refrigerant during piping work for installation and reinstallation.
- Take care of the liquid refrigerant, it may cause frostbite.

12.3.4 Connect the Cable to the Outdoor Unit

- 1 Remove the control board cover from the unit by loosening the screw.
- 2 **Connection cable** between indoor unit and outdoor unit shall be approved polychloroprene sheathed $4 \times 1.5 \text{ mm}^2$ (1.0 ~ 1.75HP) or $4 \times 2.5 \text{ mm}^2$ (2.0 ~ 2.5HP) flexible cord, type designation 60245 IEC 57 or heavier cord. Do not use joint connection cable. Replace the wire if the existing wire (from concealed wiring, or otherwise) is too short. Allowable connection cable length of each indoor unit shall be 30 m or less.

Terminals on the outdoor unit	1	2	3	
Colour of wires				
Terminals on the indoor unit	1	2	3	

- 3 Secure the cable onto the control board with the holder.
- 4 Attach the control board cover back to the original position with screw.
- 5 For wire stripping and connection requirement, refer to instruction 11.2.4 of indoor unit.



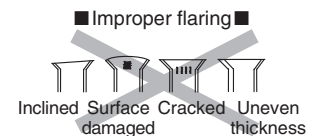
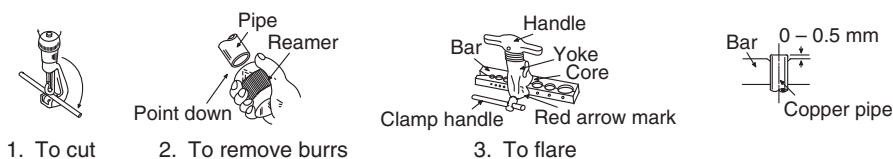
- Earth wire shall be Yellow/Green (Y/G) in colour and longer than other AC wires for safety reason.

12.3.5 Piping Insulation

- 1 Please carry out insulation at pipe connection portion as mentioned in Indoor/Outdoor Unit Installation Diagram. Please wrap the insulated piping end to prevent water from going inside the piping.
- 2 If drain hose or connecting piping is in the room (where dew may form), please increase the insulation by using POLY-E FOAM with thickness 6 mm or above.

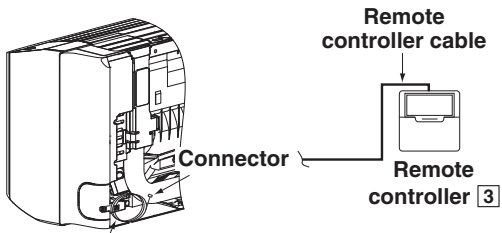
12.3.5.1 Cutting and Flaring the Piping

- 1 Please cut using pipe cutter and then remove the burrs.
- 2 Remove the burrs by using reamer. If burrs is not removed, gas leakage may be caused. Turn the piping end down to avoid the metal powder entering the pipe.
- 3 Please make flare after inserting the flare nut onto the copper pipes.




When properly flared, the internal surface of the flare will evenly shine and be of even thickness. Since the flare part comes into contact with the connections, carefully check the flare finish.

12.3.6 Remote Controller Mounting, Installation and Connection

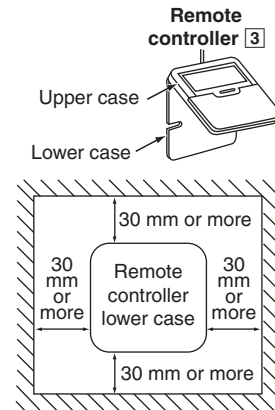


Remote controller cable

 CAUTION
Install the remote controller cable at least 5 cm away from electric wires of other appliances to avoid miss-operation (electromagnetic noise).

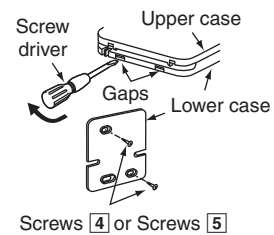
■ Remote control mounting location

- Allow sufficient space around the remote controller **3** as shown in the illustration at right.
- Install in a place which is away from direct sunlight and high humidity.
- Install in a flat surface to avoid warping of the remote controller. If installed to a wall with an uneven surface, damage to the LCD case or operation problems may result.
- Install in a place where the LCD can be easily seen for operation. (Standard height from the floor is 1.2 to 1.5 meters.)
- Avoid installing the remote controller cable near refrigerant pipes or drain pipes, else it will cause electrical shock or fire.



■ Remote Controller Installation

- Remove the remote controller **3** lower case. (Insert a flat-tipped screw driver or similar tool 2 to 3 mm into one of the gaps at the bottom of the case, and twist to open. Refer to the illustration at right.) Be careful not to damage the lower case.
- Do not remove the protective tape which is affixed to the upper case circuit board when remove the remote controller lower case.
- Secure the lower case to an outlet box or wall. Refer to (A) or (B) instructions below depending on your choice of cable installation.
- Be sure to use only the screws provided.
- Do not over tighten the screws, as it may result in damage to the lower case.

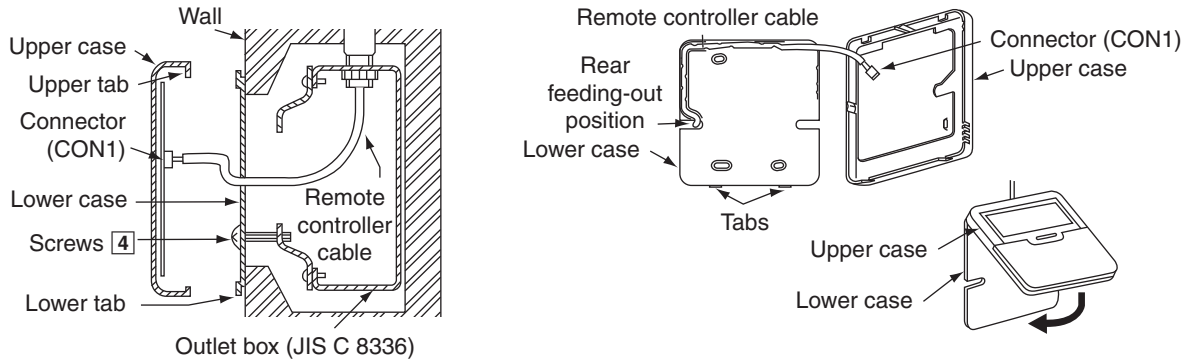


A. IF REMOTE CONTROLLER CABLE IS EMBEDDED

- 1 Embed an outlet box (JIS C 8336) into the wall. Outlet box maybe purchased separately. Medium size square outlet box (obtain locally) Part No. DS3744 (Panasonic Co., Ltd.) or equivalent.
- 2 Secure the remote controller lower case to the outlet box with the two accessory screws [4]. Make sure that the lower case is flat against the wall at this time, with no bending.
- 3 Pass the remote controller cable into the box.
- 4 Route the remote controller cable inside the lower case through rear feeding-out direction.
- 5 Insert firmly the connector of remote controller cable to connector (CON1) in the upper case circuit board. (Refer to the illustration at below.)
- 6 Secure the remote controller upper case to the lower case with the tabs provided.

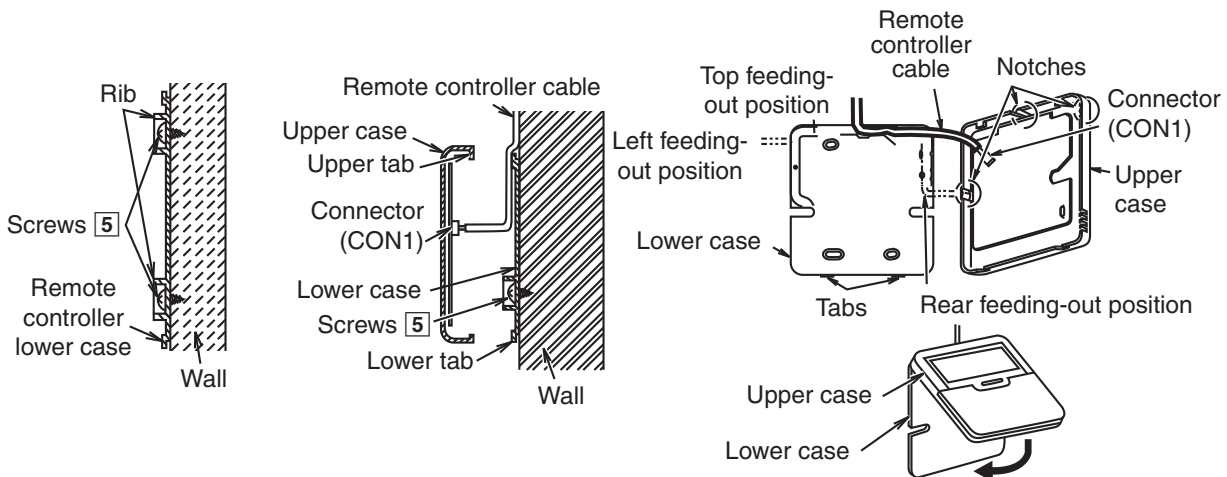
⚠ CAUTION

When the wall is hollow, please be sure to use the sleeve for remote controller cable to prevent dangers caused by mice biting the cable.



B. IF REMOTE CONTROLLER CABLE IS EXPOSED

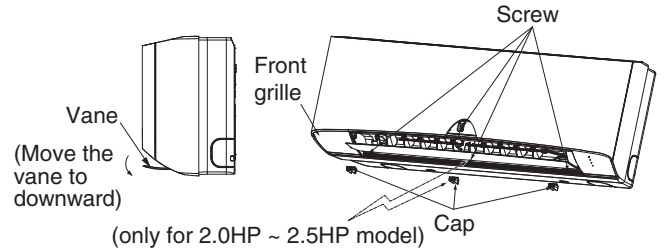
- 1 Install the remote controller lower case to the wall with the two accessory screws [5].
- 2 Fasten the screws properly until screw head is lower than the rib and reach the base of remote controller lower case to ensure they do not damage the PCB inside the remote controller [3].
- 3 The feeding-out direction for the remote controller cable can be either via top, left or right side.
- 4 Use nipper to cut a notch at the upper case. (Select the intended feeding-out position)
- 5 Route the remote controller cable inside the lower case in accordance with the intended feeding-out direction. (Refer to the illustration at right).
- 6 Insert firmly the connector of remote controller cable to connector (CON1) in the upper case circuit board. (Refer to the illustration at right)
- 7 Secure the remote controller upper case to the lower case with the tabs provided.



12.3.7 How to Take Out Front Grille

Please follow the steps below to take out front grille if necessary such as when servicing.

- 1 Set the vertical airflow direction louvers to the horizontal position.
- 2 Slide down the 2 caps (1.0 ~ 1.75HP) or 3 caps (2.0 ~ 2.5HP) on the front grille as shown in the illustration at right, and then remove the 3 (1.0 ~ 1.75HP) or 4 (2.0 ~ 2.5HP) mounting screws.
- 3 Pull the lower section of the front grille towards you to remove the front grille.

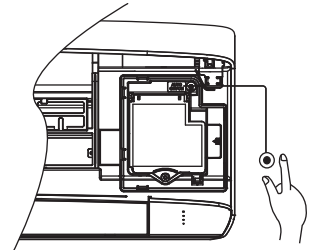


When reinstalling the front grille, first set the vertical airflow direction louver to the horizontal position and then carry out above steps 2 - 3 in the reverse order.

12.3.8 Auto Switch Operation

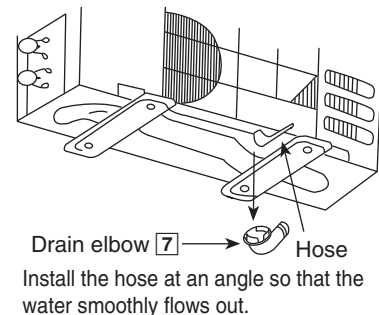
The below operations will be performed by pressing the "AUTO" switch.

- 1 **AUTO OPERATION MODE**
The Auto operation will be activated immediately once the Auto Switch is pressed and release before 5 sec..
- 2 **TEST RUN OPERATION (FOR PUMP DOWN/SERVICING PURPOSE)**
The Test Run operation will be activated if the Auto Switch is pressed continuously for more than 5 sec. to below 8 sec..
A "pep" sound will occur at the fifth sec., in order to identify the starting of Test Run operation.
- 3 **HEATING TRIAL OPERATION**
Press the "AUTO" switch continuously for more than 8 sec. to below 11 sec. and release when a "pep pep" sound is occurred at eight sec. (However, a "pep" sound is occurred at fifth sec..) Then press Remote controller "A/C Reset" button once.
Remote controller signal will activate operation to force heating mode.
- 4 **REMOTE CONTROLLER RECEIVING SOUND ON/OFF**
The ON/OFF of Remote controller receiving sound can be change over by the following steps:
 - a) Press "AUTO" switch continuously for more than 16 sec. to below 21 sec..
A "pep", "pep", "pep", "pep" sound will occur at the sixteenth sec..
 - b) Press the "A/C Reset" button once. Remote controller signal will activate the Remote controller sound setting mode.
 - c) Press the "AUTO" switch once to select Remote controller receiving sound ON/OFF. A "peep" sound indicates receiving sound ON, and a "pep" sound indicates receiving sound OFF.



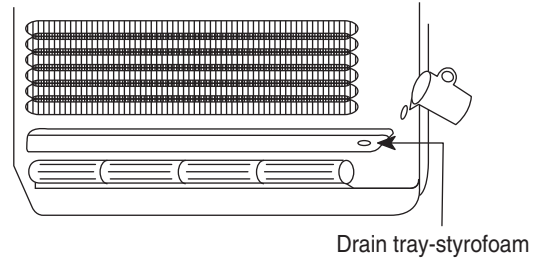
12.3.9 Disposal of Outdoor Unit Drain Water

- If a drain elbow is used, the unit should be placed on a stand which is taller than 3 cm.
- If the unit is used in an area where temperature falls below 0°C for 2 or 3 days in succession, it is recommended not to use a drain elbow, for the drain water freezes and the fan will not rotate.



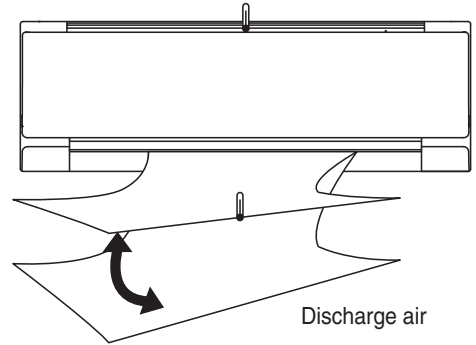
12.3.10 Check the Drainage

- Open front panel and remove air filters.
(Drainage checking can be carried out without removing the front grille.)
- Pour a glass of water into the drain tray-styrofoam.
- Ensure that water flows out from drain hose of the indoor unit.



12.3.11 Evaluation of the Performance

- Operate the unit at cooling/heating operation mode for fifteen minutes or more.
- Measure the temperature of the intake and discharge air.
- Ensure the difference between the intake temperature and the discharge is more than 8°C during Cooling operation or more than 14°C during Heating operation.



13. Installation and Servicing Air Conditioner using R32

13.1 About R32 Refrigerant

For air conditioning refrigerants such as R410A, the refrigerants were collected back in order to prevent their air dissipation, to curbe the global warming impact, in case they were released into the atmosphere. In the “4th Environmental Basic Plan”, 80% reduction of greenhouse gas emissions by 2050 is required, and due to this requirement, further reduction in the emission of high greenhouse effect gas, such as CFCs, is required. Therefore, the conversion of air conditioning refrigerant into the ones who has smaller greenhouse effect, even if it is dissipated into the atmosphere, became our responsibility.

Nevertheless, in case of air conditioning refrigerant, it would be the best if there is a refrigerant which has smaller impact on global warming, but ensures good energy efficiency and performance, and is safe; however, there is no such refrigerant which satisfies all these conditions. As a result, we have been considering the practical usage, within the safety frame-work, of R32 refrigerant which has short lifetime in the atmosphere, and has smaller effect of global warming, but is slightly flammable.

In 2004, due to the revision of air conditioner safety standards by the International Electro-safety Commission (IEC), the safety standards of air conditioners using slightly flammable refrigerant was issued. In 2010, the regulations of American Society of Heating, Refrigerating and Air-Conditioning Engineers in the United States (ANSI/ASHRAE34) was issued adopting the grades for refrigerants which are difficult to inflame due to their slow burning rates, and as a result have smaller damages in cases of fire. The burning rate of R32 is lower by 10cm / per second, and safety standardization for various usage is now being processed.

13.2 Characteristics of R32 Refrigerant

1. Chemical Characteristics

R32 is one of the refrigerants used in R410A, has almost no toxicity, and chemically stable compound formed by hydrogen, carbon and fluorine.

R32 has short lifetime of 4 to 9 years in case of being released into the atmosphere; therefore, it has smaller greenhouse gas effect but has slight inflammability because of the large proportion of hydrogen.

Chemical Characteristic Table of R32, R410A and R22.

	R32	R410A	R22
Chemical Formula	CH ₂ F ₂	CH ₂ F ₂ / CHF ₂ CF ₃	CH ₂ ClF
Composition (mixture ratio wt.%)	Single Composition	R32 / R125A (50 / 50 wt.%)	Single Composition
Boiling Point (°C)	-51.7	-51.5	-40.8
Pressure (physical) *1	3.14	3.07	1.94
Capacity (physical) *2	160	141	100
COP (physical) *3	95	91	100
Ozone Depletion Potential (ODP)	0	0	0.055
Global Warming Potential (GWP) *4	675	2090	1810
Inflammability *5	Slightly Inflammable (A2L)	Non-inflammable (A1)	Non-inflammable (A1)
Toxicity	None	None	None

*1 : Physical property of temperature condition 50°C

*2 : Relative value of temperature condition 0/50°C, providing R22=100

*3 : Te/Tc/SC/SH=5/50/3/0°C

*4 : GWP=Global Warming Potential, each figure is based on “4th IPCC4 Report”

*5 : Based on ANSI / ASHRAE std. 34-2010

2. Characteristic of Pressure

As shown in Table 2, R32 does not have much difference in vapor pressure at the same refrigerant temperature comparing to R410A, but comparing to R22, it is higher at 1.6 times more. Thus, the same as in case of R410A, it is necessary to do installation and service using high-pressure tools and components.

Table 2. Saturated vapor pressure comparison table

(Unit: MPa)

Temperature	Refrigerant		
	R32	R410A	R22
-20	0.30	0.30	0.14
0	0.71	0.70	0.40
20	1.37	1.35	0.81
40	2.38	2.32	1.43
60	3.84	3.73	2.33
65	4.29	4.17	2.60

Reference : Thermal properties table of Japan Society of Refrigerating and Air Conditioning Engineers (60, 65°C)
NIST REFPROP V8.0 (-20 ~ 40°C)

13.3 Refrigerant piping installation • Tools used in services

13.3.1 Required Tools

R32 refrigerant air conditioners use the common parts as R410A air conditioners for two-way valves and three-way valves (diameters of service ports); thus, they maintain commonality in the maintenance of the compressive strength, the size of pipe flaring, and the size of flare nuts as R410A. Therefore, for refrigerant pipe installation and services, you can use tools for R410A.

However, mixing of refrigerants is not allowed, so that you have to separate the cylinders for the recovery of refrigerants.

Tools used for installation • relocation • replacement of air conditioning units

Works	R32	R410A	R22
Flaring	Flare tools for R410A (clutch type)		Flare tools for R22 (clutch type)
Connection of pipes	Torque wrench (diameter 1/4 3/8)		
	Torque wrench (diameter 1/2 5/8) *1		Toque wrench (diameter 1/2 5/8)
Manifold gauge charging hose	R32 & R410A Common (As at November 2013)		R22 Only
Air purging	Vacuum pump + Reducer / expander		Vacuum pump
Gas leakage test	Detection liquid or soup water, HFC detector		

*1. Nut diameters of 1/2 5/8, the size of torque wrench common with R410A

For other installation, you can use general tools such as screw drivers (+, -), metal saws, electric drills, long-nose pliers, hole core drills (ø70 or ø65), linen tape, levels, temperature gauges, clamp meters, electric knives, nippers, pipe cutters, reamers or scrapers, spring benders, (diameters 1/4 3/8 1/2 5/8), monkey wrenches, fixing wrenches (17 or 12 mm), feeler gauges, hexagon wrenches (4 mm), testers, megohm testers, etc.

Tools used for services

Works	R32	R410A	R22
Insertion of refrigerant	Digital scale for refrigerant charging, refrigerant cylinders, cylinder adopters and packing *a		
Recovery of refrigerant	Refrigerant recovery devices, refrigerant cylinders, manifold gauges, charging hoses *b		

*a. Use cylinder for each refrigerant, cylinder adopter and packing.

*b. Use refrigerant recovery cylinder separately for each refrigerant (**no mixture of refrigerant allowed**). Please be aware that there are some refrigerant collection devices which do not have self-certification.

13.3.2 Tools for R32 (common with R410A)

1. Flare gauges

Use flare gauges when you perform flaring with flare tools (crutch type). Flare gauges are used to set the pipe ends at 0.5 ~ 1.5 mm from clump bars of flare tools.

Flare gauges



2. Flare tools (clutch type)

Flare tools have larger holes of clump bars in order to set the pipe end at 0 ~ 0.5 mm, and have stronger springs inside to ensure solid flaring torques. These flare tools can be used commonly for R22.

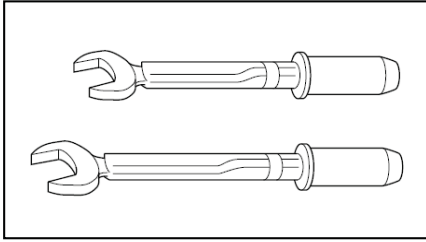
Flare tools (clutch type)



3. Torque wrenches (diameters 1/2, 5/8)

In order to strengthen the compressive strength, the diameters of wrenches change depending on the flare nut sizes.

Torque wrenches



Differences in torque wrenches

	R32 (common R410A)	R22
1/2 (diameter × torque)	26 mm × 55 N•m (550 kgf•m)	24 mm × 55 N•m (550 kgf•m)
5/8 (diameter × torque)	29 mm × 65 N•m (650 kgf•m)	27 mm × 65 N•m (650 kgf•m)

4. Manifold gauges

R22 gauges cannot be used because of the high pressures.

Each port of manifold has different shapes in order to prevent inserting wrong refrigerant.

*However, the port shape for R410A and R32 is the same; therefore, attention need to be paid not to insert wrong refrigerant.

Differences in high/low pressure gauges

	R32 (common R410A)	R22
High pressure gauges (red)	-0.1 ~ 5.3 MPa -76 cmHg ~ 53 kgf / cm ²	-76 cmHg ~ 35 kgf / cm ²
Low pressure gauges (blue)	-0.1 ~ 3.8 MPa -76 cmHg ~ 38 kgf / cm ²	-76 cmHg ~ 17 kgf / cm ²

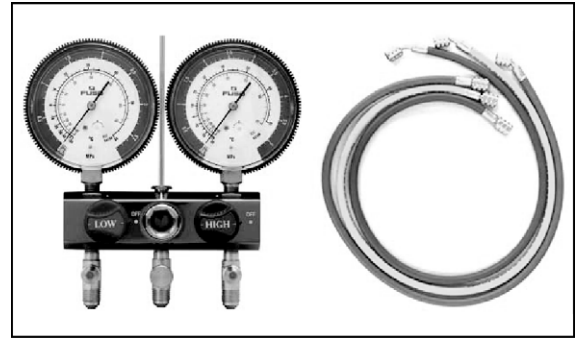
Difference in manifold port sizes

	R32 (common R410A)	R22
Port sizes	1/2 UNF20	7/16 UNF20

5. Charging hoses

The pressure resistance of charge hoses is increased. At the same time, the material is changed to HFC resistant, and the size of each manifold adopter is changed, as the port size of manifold gauge itself. Further, some hoses are with anti-gas pressure backflow valves placed near the adopters. (hoses with the valves recommended)

Manifold gauges / Charging hoses



Differences in charging hoses

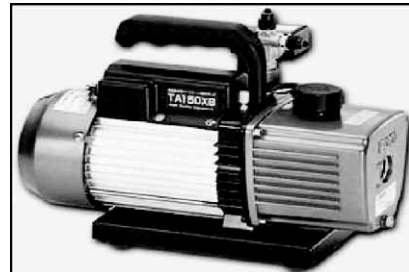
		R32 (common R410A)	R22
Pressure Resistance	Normal operation pressure	5.1 MPa (52 kgf / cm ²)	3.4 MPa (35 kgf / cm ²)
	Burst pressure	27.4 MPa (280 kgf / cm ²)	17.2 MPa (175 kgf / cm ²)
Material		HNBR rubber Internal nylon coating	NBR rubber

6. Vacuum pump and Vacuum pump adopter

When using a vacuum pump, it is necessary to set a solenoid valve in order to prevent backflow of vacuum pump oil into the charge hoses, and use a vacuum pump with oil backflow prevention function, or use the vacuum pump with vacuum pump adopter.

If vacuum pump oil (mineral oil-based) mixes with R410A (R32), it may cause damage to the machine.

Vacuum pump



Vacuum pump adopter



7. HFC refrigerant_Electric gas leakage tester
 R32 refrigerant is often used for other mixed refrigerant (R410A, R404A, R407C etc.). Therefore, the usage of existing HFC detectors is possible, but in order to detect more accurately, we recommend to use detectors specially set and adjusted for R32 detection.

HFC refrigerant_Electric gas leakage tester



8. Digital scale for refrigerant charging
 R32 and R410A have high pressure level and their evaporation speed is high. Thus, if you recover the refrigerant by cylinder charging method, the refrigerant evaporates within the weighing scale glass, which makes reading the scale difficult, rather than liquidating the refrigerant into the cylinder. (Charging cylinders for R22 have different pressure resistance, scale, connection port size; therefore, they are not usable) At the same time, the digital scale for refrigerant charging is strengthened by receiving the weight of the refrigerant cylinders with four pillars at the corners. The connection ports of charging hoses have two separate ports for R22 (7/16 UNF20) and R32/R410A (1/2 UNF20) therefore, they can be used for the insertion of the existing refrigerants.

Digital scale for refrigerant charging



9. Refrigerant cylinders
 Refrigerant cylinders for R410A are painted in pink, and the ones for R32 are painted in other colors that might subject to change according to the international standards. R32 is a single refrigerant, so that both liquid and gas insertion are possible. Additional charging is also possible. (R410A is a mixed refrigerant, so only liquid insertion is possible)

Refrigerant cylinders



10. Connection ports of refrigerant cylinders and packing
 Charging ports which fit to the charging hose connection port size (1/2 UNF20) is needed. At the same time, the packing has to be of HFC resistant materials.

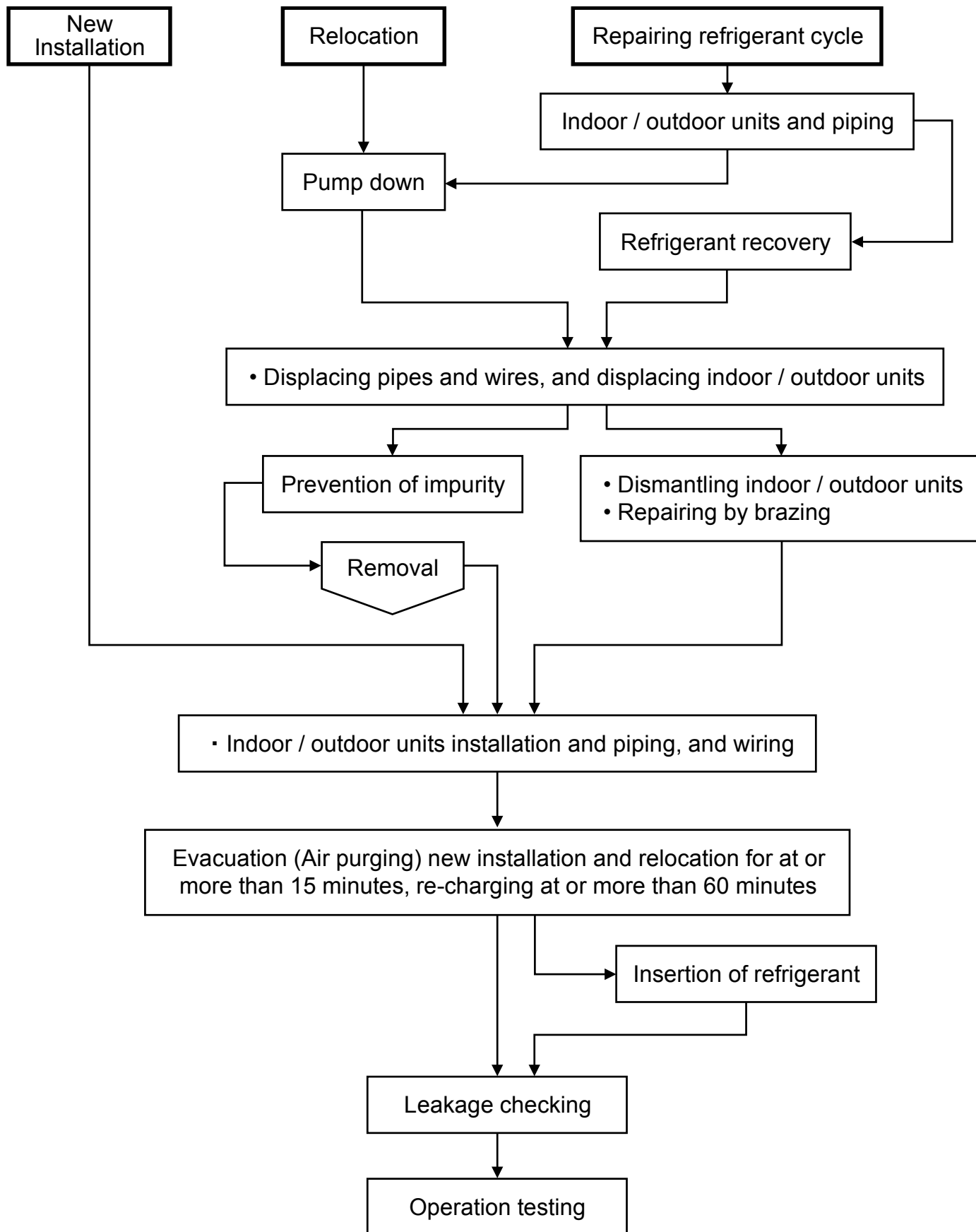
Connection ports and packing



11. Tools used for refrigerant piping installations and services

	Tools for R410A	Common with R32	Possibility of usage for R22
1.	Pipe cutters, reamers or scrapers	○	○
2.	Flare tools (clutch type)	○	○
3.	Torque wrench (1/4, 3/8)	○	○
4.	Torque wrench (1/2, 5/8)	○	×
5.	Manifold gauges · charging hoses	○	×
6.	Vacuum pumps, vacuum pump adopters	○ Connection 5/16	○ Connection 1/4
7.	Electric gas leakage testers for HFC *1	○	△
8.	Digital scale for refrigerant charging	○	○
9.	HCF recovery devices (connection port 5/16) *2	○ Connection 5/16	○ Connection 1/4
10.	Refrigerant cylinders (pressure resistant: FC3)	Same specs ×	×
11.	Refrigerant cylinders (pink)	Other (colors that might subject to change according to the international standards).	×
12.	Refrigerant cylinder connection ports and packing	○	×
13.	Allen wrench (4 mm) Electric knives	○	○
*1	Those testers only for HCFC22 (R22), but not for HCF32 (R32) and HCF410A (R410A) cannot be for common use.		
*2	Recovery devices which are self-certified for each HCF type can be used.		
	<p>[Knowledge for the common usage of tools for R410A & R32]</p> <ul style="list-style-type: none"> • R410A and R32 machines use different compressor oils. • If unregulated compressor oil gets mixed into, it may cause damage to the machine function. • Careful pump down will ensure the recovery of compressor oil, and it will minimize the remaining amount of the oil in the manifold gauge and charging hose. • If you only perform the recovery of refrigerant and not be able to perform pump down, <u>you have to dispose the compressor oil in the charging hose.</u> 		
	<p>[Precaution of repairing refrigerant cycle]</p> <ul style="list-style-type: none"> • In the brazing, open 2-way and 3-way valves, and make sure the refrigerant is completely recovered back and not remaining the system. • When repairing outside, make sure no refrigerant is in the air, ensure good air flow, and perform the brazing. 		
	<p>[Inserting wrong refrigerant]</p> <ul style="list-style-type: none"> • It may cause “not cooling” and “not heating” customer claims because each component (expansion valve, compressor, PCB) of the refrigeration cycle is specially adjusted for R32. • At the same time, it is not subject to product warranty, if wrong refrigerant was inserted into the system. 		

13.4 New installation, Relocation, Repairing of Refrigerant Cycle System The Procedures



13.5 Piping installation of R32

13.5.1 Pipe materials used and flaring

Copper pipes are used for refrigerant piping. Pipes which comply with JIS Regulations need to be used. Room air conditioners which use R410A and R32 have higher pressure; thus, using pipes which comply with the Regulations is important.

The pipe thickness is regulated by revised JIS B 8607 "Flaring and brazing fittings for refrigerant" and the pipe thickness for R410A, R32 is shown in the table.

Pipe thickness

O and OL materials		Thickness (mm)		
Diameter	Diameter (mm)	R410A	R32	R22
1/4	6.35	0.80		
3/8	9.52	0.80		
1/2	12.70	0.80		
5/8	15.88	1.00		

Caution

- For connection piping, use copper phosphate seamless pipes (1220T) as regulated in "JIS H 3300" and the pipe thickness is 0.8 mm.
- In the market, there are some pipes of 0.7 mm thickness, but do not use these pipes (0.8 mm thickness has to be strictly followed).
- It is recommended to use pipes whose adhesion amount of oil is at or less than 40 mg / 10 m. At the same time, do not use pipes with dent, de-shape, and color change (especially inside).

13.5.2 Processing and connection of pipes

For refrigerant pipe installation, be aware of moisture and dirt do not get into the pipes, and make sure of no refrigerant leakage.

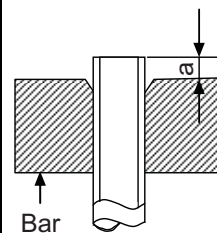
◎ The procedure of flaring and precautions

- Cutting of pipes : use pipe cutter and cut the pipe slowly not to de-shape the pipe.
- Removal of burrs on the edge of pipe (reamer or scraper)
If the condition of pipe edge after the deburring is no good or if burrs attaches on the flaring, it may cause refrigerant leakage. Turn the pipe end down and perform deburring carefully.
- Insert the flare nut (use the nut which is a part of the CZ parts)
- Flaring

Ensure the cleanliness of clump bar and pipe, and perform flaring carefully.

Use the existing flare tools or flare tools for R410A. Be aware that the sizes and dimensions of flaring is different in each flaring tool. If you use the existing flaring tools, use flaring gauge to measure the length of the flaring part.

Piping size (mm)	Dimensions "a" (mm) R22			Dimensions "a" (mm) R410A/R32		
	Flare tools		Flare tools for R410A	Flare tools		Flare tools for R410A
	Clutch type	Wing nut type	Clutch type	Clutch type	Wing nut type	Clutch type
6.35 (1/4")	0.5 ~ 1.0	1.0 ~ 1.5	0 ~ 0.5	1.0 ~ 1.5	1.5 ~ 2.0	0 ~ 0.5
9.52 (3/8")	0.5 ~ 1.0	1.0 ~ 1.5	0 ~ 0.5	1.0 ~ 1.5	1.5 ~ 2.0	0 ~ 0.5
12.70 (1/2")	0.5 ~ 1.0	1.5 ~ 2.0	0 ~ 0.5	1.0 ~ 1.5	2.0 ~ 2.5	0 ~ 0.5
15.88 (5/8")	0.5 ~ 1.0	1.5 ~ 2.0	0 ~ 0.5	1.0 ~ 1.5	2.0 ~ 2.5	0 ~ 0.5



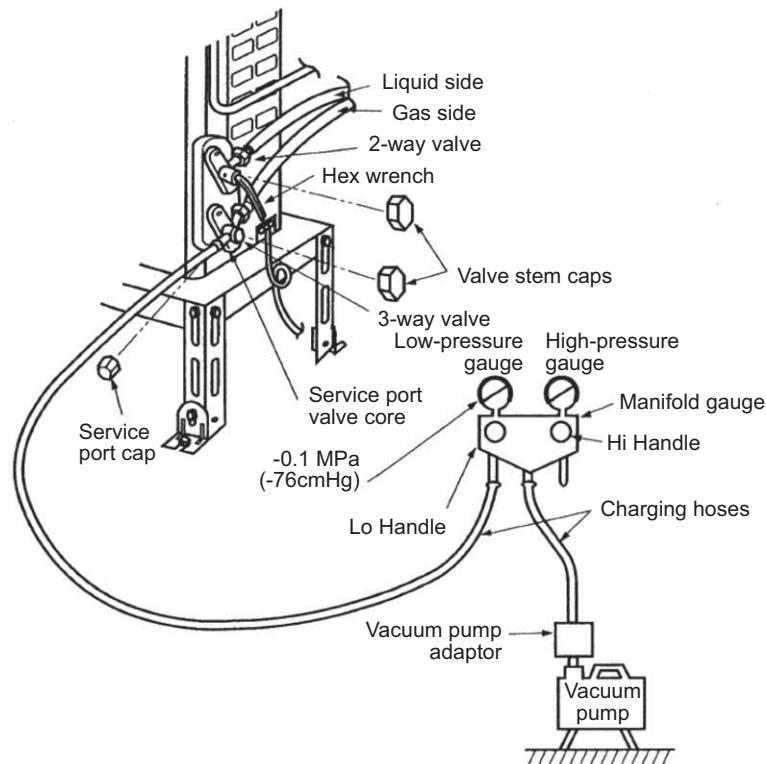
Nut outer diameter (mm)	
R22	R410A/R32
17	17
22	22
24	26
27	29

13.6 Installation, Relocation, and Service

13.6.1 Air purge and gas leak test for new installation (using new refrigerant pipes) using vacuum pump

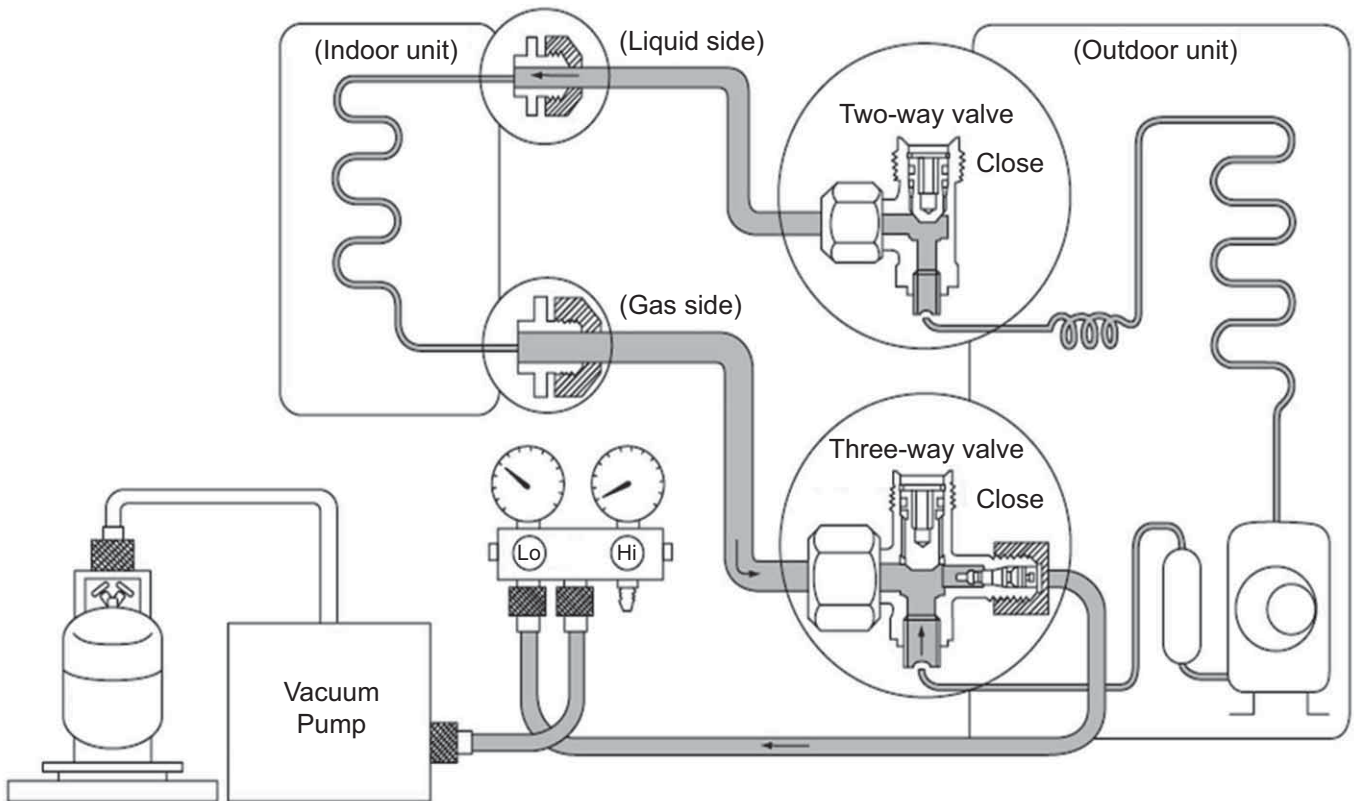
(From the point of view of global environment protection, do not release CFCs into the atmosphere during installation work)

1. Connect the charging hose of manifold gauge to the service port of 3-way valve (pushing insect pin).
2. Fully open the handle Lo of manifold gauge and operate vacuum pump.
(If the needle of the low-pressure gauge reaches the vacuum immediately, check 1 procedure again)
3. Perform vacuuming 15 minutes or more, and make sure low pressure gauge reaches to -0.1 MPa (-76cmHg).
When the vacuuming completes, fully open the handle Lo of manifold gauge and stop the operation of vacuum pump, and leave it for 1 ~ 2 minutes. Then, remove the connection side of the charging hose of vacuum pump adaptor after checking the needle of manifold gauge does not turn back.
4. Open the stem of 2-way valve to 90° in anti-clock wise, and close the 2-way valve after 10 seconds, and perform gas leakage test.
5. Remove the charge hose from the service port of 3-way valve, and open the stems of 2-way and 3-way valves (open the valves to anti-clock wise carefully, do not use full strength to open)
6. Tighten the service port cap with torque wrench $18\text{ N}\cdot\text{m}$ ($1.8\text{ kgf}\cdot\text{m}$)
Tighten the caps of 2-way and 3-way valves with torque wrench $18\text{ N}\cdot\text{m}$ ($1.8\text{ kgf}\cdot\text{m}$)
7. After the tightening of each cap, check gas leakage around the cap.



13.6.2 Process of refrigerant recovery

1. Connect the center charging hose of manifold gauge to the in-let side of recovery device.
2. Connect the valves of the discharge side of recovery device and liquid side of refrigerant cylinder with red hose (charging hose).
3. Connect the yellow float switch cable of the recovery device to the refrigerant cylinder.
4. Open the low pressure side valve of manifold gauge.
5. Slightly loosen the charging hose of in-let connecting side of recovery device and perform air purge.
6. Open the liquid valve of refrigerant cylinder and slightly loosen the charging hose in discharging side of recovery device, and perform air purge (the recovery cylinder needs slight inside pressure).
7. Insert electric plug of recovery device into electrical outlet (the fan operation starts).
8. Turn the valve 1 and 2 of recovery device to pressure equalization point.
9. After a few seconds, turn back the valve 1 and 2 to the original position.
10. Turn the switch of the recovery device to "ON". (the compressor operation starts)
11. When the low pressure of manifold gauge is close to "0", close the low pressure side valve, turn "OFF" the recovery device switch.
12. Remove the center charging hose of manifold gauge from the recovery device.



13.6.3 Relocation

1. Removing the air conditioning unit

a) Recovery of outdoor unit refrigerant by pumping down

Press “forced cooling button” (as a general rule, since 1998 the name of cooling testing button is changed, and this name is unified within the air conditioning industry), and then you are able to start cooling operation in which the room temperature is low, and you can recover the refrigerant from the outdoor unit.

1. Check the valve stems of two-way and three-way valves are open by being turned to anti-clockwise (Remove the caps, and confirm the bars are fully open. Use hexagon wrench <4 mm> to open and close the valves).
2. Press the “Emergency Operation” button of the indoor units for five seconds and release [Forced cooling operation] (for old models, press “forced cooling” button). Then, operate the air conditioning unit for about 10 minutes.
3. Turn the stem of the two-way valve to the clock-wise and close the valve.
4. After about 2 ~ 3 minutes, turn the stem of the three-way valve quickly to the clock-wise, and stop the operation.

Caution: In the pump down operation, stop the compressor before removing the refrigerant pipes.

If you do not stop the compressor operation, and if the valve is open and remove the refrigerant pipes, the air may be sucked into the system and causes extreme high temperature in the refrigerant cycle. This may result in rupture or injury, etc.

5. Attach and tighten the caps of two-way and three-way valves with torque wrench.
6. Remove the connecting pipes (liquid side and gas side).

b) Removal of indoor and outdoor units

1. Remove the connecting pipes and wires between the indoor and outdoor units.
2. Attach capping flare nuts on the edges of the pipes, connecting the indoor and outdoor units, in order to prevent dust and moisture get into the pipes.
3. Remove the indoor and outdoor units.

2. Unit installation

Use new refrigerant pipes for the installation, and perform air purging using vacuum pump and gas leakage testing stated in 14.5.1.

13.6.4 Replacement of air conditioning units and evacuation (when re-using the existing pipes)

When replacing the air conditioning units, you might use the existing pipes, but it is recommended to perform flaring again. In case of unit replacement, even if the unit is new refrigerant air conditioner, if the refrigerant oil is different, it may cause problem. Further, when re-using the existing refrigerant pipes, it is recommended to evacuate the pipes as much as possible, due to the reason that much refrigerant oil may be attached on the surface of the pipes. If the pipes are used without evacuation, the remaining refrigerant oil may cause under-performance and abnormal refrigerant cycle caused by non-compatibility of those oils.

13.6.5 Inter-changeability of refrigerant

Do not operate air conditioning units inserting wrong (or mixed) refrigerant (R22, R410A, R32). It may cause malfunction of the units, and at the same time, may cause serious incident such as rupture of the refrigerant cycle.

13.6.6 Re-insertion of refrigerant in service

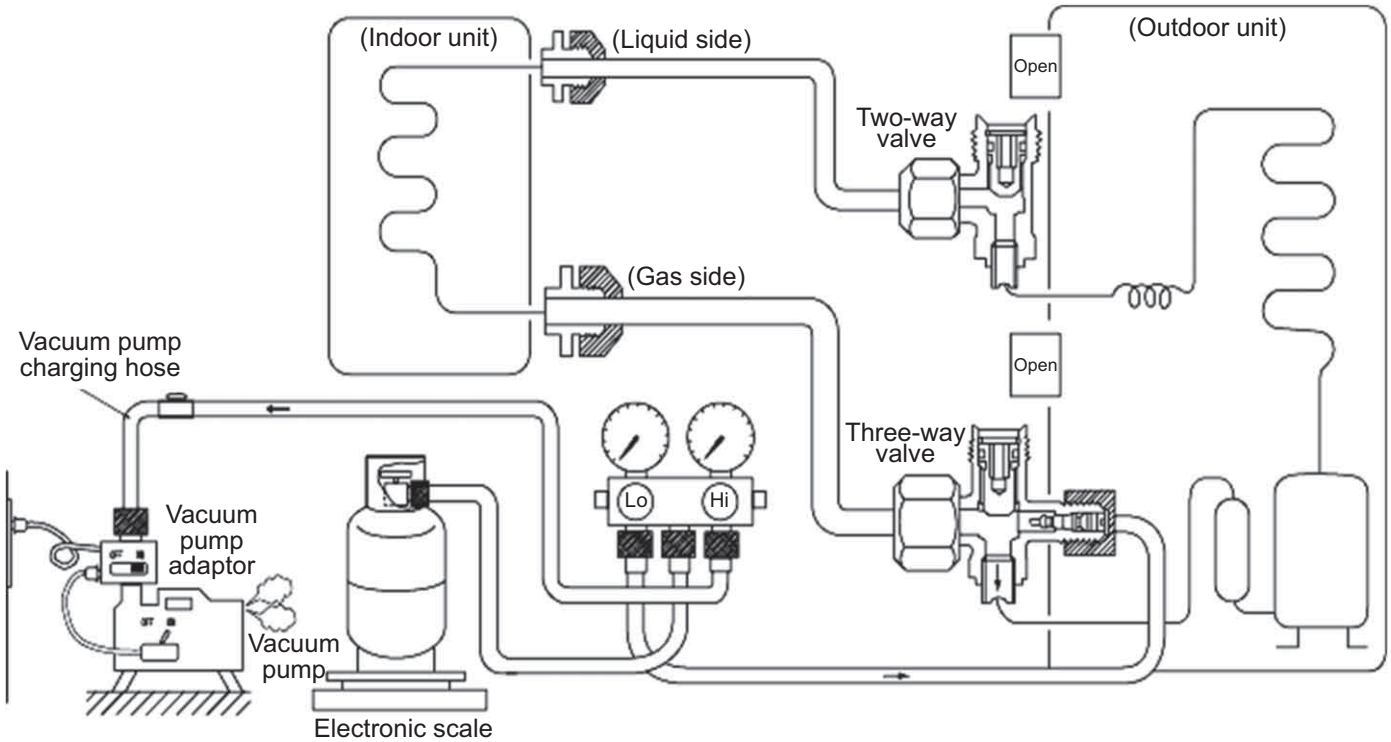
When re-insertion is needed, follow the procedures to ensure the insertion of new refrigerant at correct amount.

1. Attach charging hose (blue) to the service port of the outdoor unit.
2. Attach charging hose (red) to the vacuum pump. Fully open the 2-way and 3-way valves.
3. Place the refrigerant cylinder on the digital scale for refrigerant charging and connect the charge hose (yellow) to the connection port of the vacuum pump and the digital scale. Leave the cylinder valve fully open.
4. Fully open the handles Lo and Hi of the manifold gauge, and switch on the vacuum pump, and then perform evacuation for at or more than one hour.
5. Confirm the compound gauge of -0.1 MPa (-76 cmHg) and fully open the handles of Lo and Hi, and switch off the vacuum pump. Leave it for about 1 ~ 2 minutes and confirm the needle of the compound gauge does not turn back.

Refer to the picture below to follow the procedures below.

6. Remove the charging hose (red) of the manifold gauge from the vacuum pump adaptor.
7. After adjusting the digital scale to zero, open the cylinder valve and the valve Lo of the manifold gauge, and insert the refrigerant.
8. If it is not possible to insert the refrigerant at regulated amount at once, operate the cooling mode and gradually insert the refrigerant (recommended amount approx. $150 \text{ g} / 1 \text{ time}$)
*Do not insert much refrigerant at once.
9. Close the open/close valve and insert the refrigerant in the charging hose to the outdoor unit.
*Perform this procedure during operating cooling operation. Close the stem of the two-way valve, and when the pressure of the manifold gauge becomes zero (0), quickly remove the charging hose (blue). Immediately open the 2-way valve, and stop the cooling operation.
10. Final checking ••• Confirm the 2-way and 3-way valves are fully open.

Attach the caps of the service port and control valve, and then check the gas leakage around the caps.



13.7 Repairing of refrigerant cycle / Brazing point

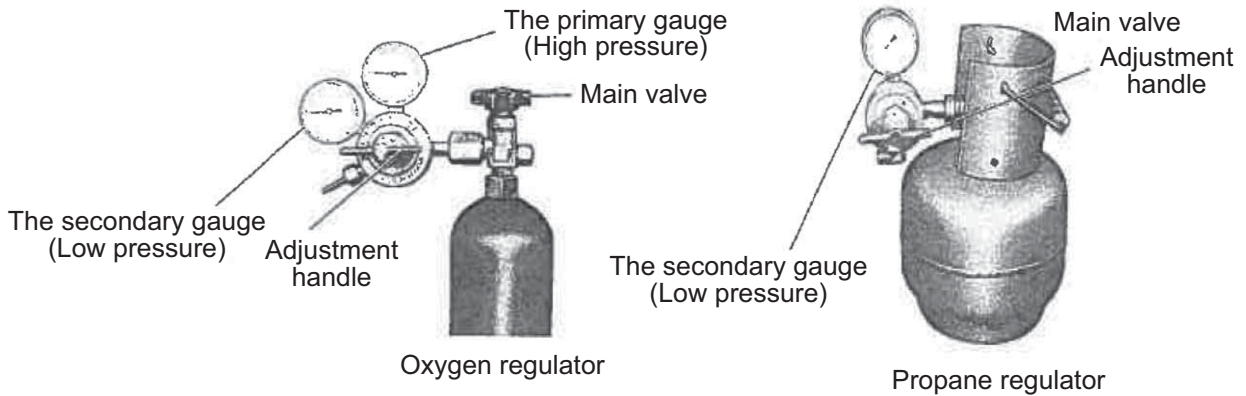
13.7.1 Preparation for repairing of refrigerant cycle / brazing

Brazing which is a technique needed for repairing refrigerant cycle requires advanced technique and experience, and this brazing procedure can only be performed by the workers who completed "Gas Welding Skill Training" regulated by the Occupational Safety and Health Act, and went through the training programs of refrigerant operations. Dismantling and re-connecting (assembling) refrigerant system requires working space, and the space has to ensure good air flow and fire prevention (water bucket and fire extinguisher). Moreover, the worker has to ensure the wearing of goggles, gloves, safety shoes, and long sleeve shirts, and be aware of work safety and attempt to prevent secondary defect (quality assurance of products). For brazing the indoor / outdoor unit structural components (heat exchangers, compressors, expansion valves, four-way valve blocks), after the recovery of all refrigerant, confirm that no refrigerant remains in the system, and fully open the 2-way and 3-way valves. When the brazing is conducted outside, check and make sure no refrigerant is contained in the air (be careful with vaporized refrigerant). Furthermore, protect the compressor terminal with metal plates, and heat but use wet clothes to cool down (releasing the heat) the expansion valves, and four way valves (prevent destruction of parts). In brazing, it is important to pour the brazing material without melting the base metal based on capillary action principle. In case of holes and oxidizing caused by overheating, do not perform re-brazing or alteration but replace the parts.

13.7.2 Adjustment of vacuum pump pressure

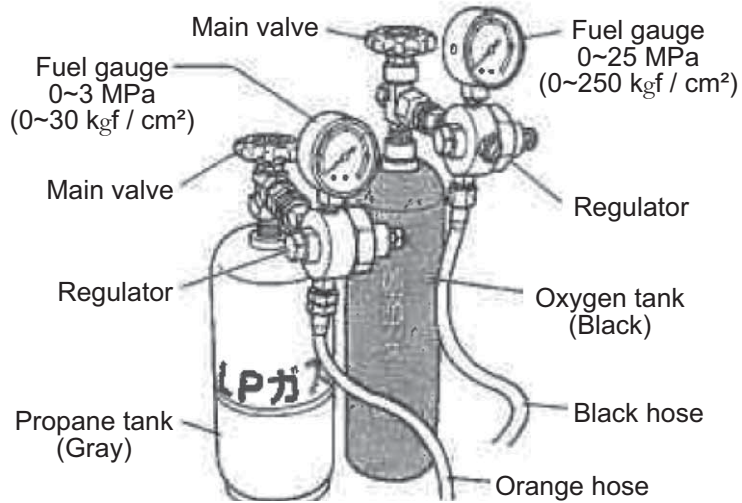
1. Cylinder with adjustment handle

1. Check and confirm the adjustment handle of the 1st pressure adjuster is loosen (anticlockwise). If cylinder valve is opened when the 1st gauge pressure adjust handle is closed, the 2nd gauge might get broken.



2. Open the cylinder valve, and check the remaining amount with the first side pressure gauge.
3. Check the pressure of 2nd gauge and turn the adjustment handle to clock-wise direction to adjust the pressure.
 - ⊙ Oxygen 2nd side gauge pressure 0.5 MPa (5.0 kgf / cm²)
 - ⊙ Propane 2nd side gauge pressure 0.05 MPa (0.5 kgf / cm²)

2. Cylinder without adjustment valve
 2nd side gauge pressure is adjusted by the adjuster.
 Check the both side valves of the torch and open the cylinder valve to check the remaining refrigerant in the cylinder.
 Caution: Do not attach oil component on the connection port of the adjuster.
 Especially, use an oxygen cylinder adjuster which is no oil substance type. Do not dismantle or repair the adjuster and pressure gauge.



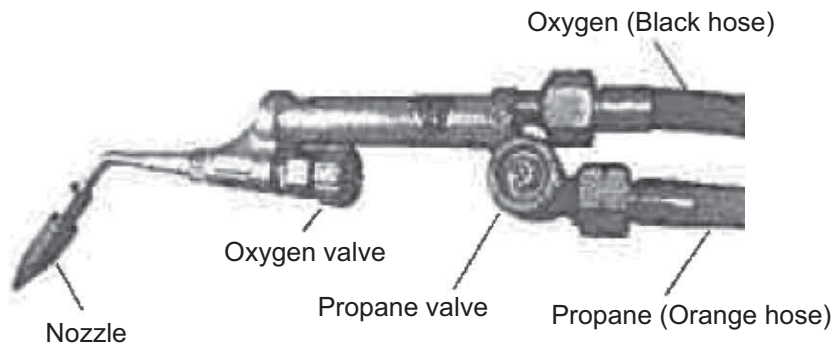
13.7.3 Checking of gas provision

Checking there is no fire around the torch, and then confirm the provision of gas.

1. Slightly open the "propane valve" of the torch, and make sure the gas comes out from the torch crater and then close the "propane valve".
 2. Slightly open the "oxygen valve" of the torch and make sure the gas comes out from the torch crater and then close the "oxygen valve".
- Check there is no gas leakage around the hose connection.

13.7.4 Adjustment of flame

1. Slightly open the "propane valve" of the torch and lit with spark lighter.
 This moment, the flame is only by propane and the color is red.
2. Gradually open the "oxygen valve" of the torch to mix oxygen, and adjust the amount of propane and oxygen with the valve to make the flame suitable for brazing work.
 If the white core flame splits into two, the torch crater might be clogged. In this case, remove the crater from the torch and check.



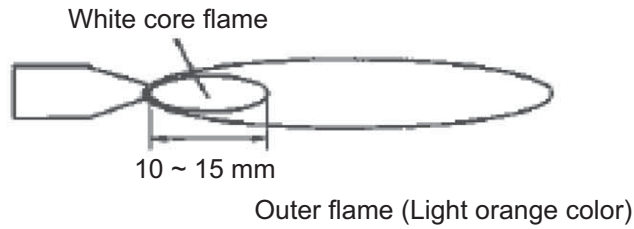
13.7.5 Types of flame

Types of flame change based on the proportion of propane and oxygen.

[Neutral Flame]

Perform brazing with this flame

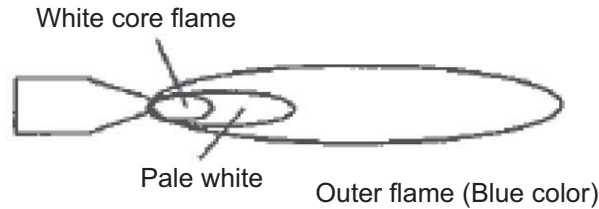
(This is a flame when oxygen and propane are mixed at proper proportion, and has lesser effect on the brazed metals)



[Carbide Flame]

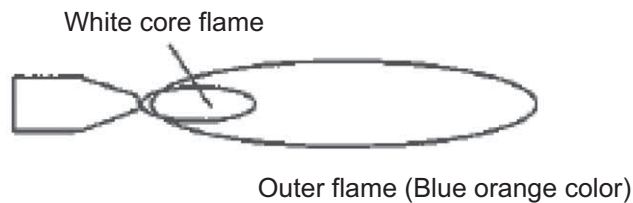
When propane is excessive, the flame has white color flame in between the white core flame and outer flame. (This is due to the lack of oxygen and the proportion of unburned propane is excessive.)

The black carbon created during the brazing work may contaminate the surface of the brazed metal).



[Oxidizing Flame]

Oxygen is more compared to the neutral flame. Although the flame size is small, this has the highest flame heat. However, due to the excessive oxygen contained in the flame, the brazing point gets oxidized. (This flame may cause holes, due to the high heat. The pipe may get melt)



13.7.6 Closing the flame

[In case of short break]

1. Close the "propane valve" of the torch.
2. Close the "oxygen valve" of the torch.

[In case of finishing work]

1. As above, close the flame following the procedure of "In case of short break".
2. Completely close the valves of oxygen and propane cylinders.
3. Release the remaining gas inside the hose by opening the "oxygen valve" and "propane valve" of the torch. Confirm the 1st and 2nd side gauge pressures of "oxygen" and "propane" cylinder pressure adopter are "zero".

13.7.7 Selection of brazing material

Use BAg brazing material (silver solder) to increase the welding performance.

Category	JIS Standard Number	Composition of ingredients (%)						Temperature (°C)			Tensile strength (Reference)		Characteristics and applications
		Ag	Cu	Zu	Cd	Ni	P	Solidus	Liquidus	Brazing temp	Kgf·cm ²	Base material	
BAg	BAg • 1A	49.0 ~ 51.0	14.5 ~ 16.5	14.5 ~ 18.5	17.0 ~ 19.0	—	—	approx. 625	approx. 635	635 ~ 760	45.5	S20C	Liquidity is good at low temperature, it is preferable to a small junction of the gap in the universal form.
	BAg • 1	44.0 ~ 56.0	14.0 ~ 16.0	14.0 ~ 18.0	23.0 ~ 25.0	—	—	approx. 605	approx. 620	620 ~ 760	45.5	S20C	It has similar performance to the BAg • 1A, and suitable for every base material except the light weight metal.
	BAg • 2	34.0 ~ 36.0	25.0 ~ 27.0	19.0 ~ 23.0	17.0 ~ 19.0	—	—	approx. 605	approx. 700	700 ~ 845	45.5	S20C	It is a brazing filler metal in universal form, suitable for a slightly larger gap junction.
	BAg • 3	48.0 ~ 51.0	14.5 ~ 16.5	13.5 ~ 17.5	15.0 ~ 17.0	2.5 ~ 3.5	—	approx. 630	approx. 690	690 ~ 815	35 ~ 70	SS ~ SUS	It has good corrosion resistance in stainless steel-based brazing, suitable for brazing tungsten carbide, aluminum bronze and copper.
BCuP	BCuP-2	—	remain	—	—	—	6.8 ~ 7.5	approx. 710	approx. 785	690 ~ 815	21 ~ 24.5	Cu	Good liquidity, suitable for brazing copper tube.
	BCuP-3	4.8 ~ 5.2	remain	—	—	—	5.8 ~ 6.7	approx. 645	approx. 815	720 ~ 815	21 ~ 24.5	Cu	Suitable for brazing when the joint spacing is not constant
	BCuP-5	14.5 ~ 15.5	remain	—	—	—	4.8 ~ 5.3	approx. 645	approx. 800	705 ~ 815	21 ~ 24.5	Cu	When brazing of copper and copper, it is used without a flux, but not possible for brazing basic materials

Caution

BCuP (phosphorus copper wax) is easy to react with sulfur, and makes a brittle compound water soluble, and causes gas leakage. In hot spring areas, use other brazing materials or paint the surface for protection.

13.7.8 Need of flux

Use flux to protect the base materials.

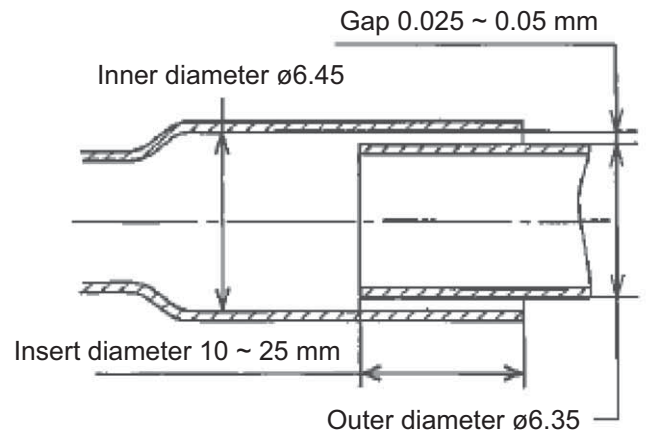
1. Remove impurity and oxide film on the metal base, and improve the flow of the brazing material.
2. Prevent oxidation of the metal surface in brazing.
3. Reduce the surface tension of the brazing material.

13.7.9 Need of nitrogen gas

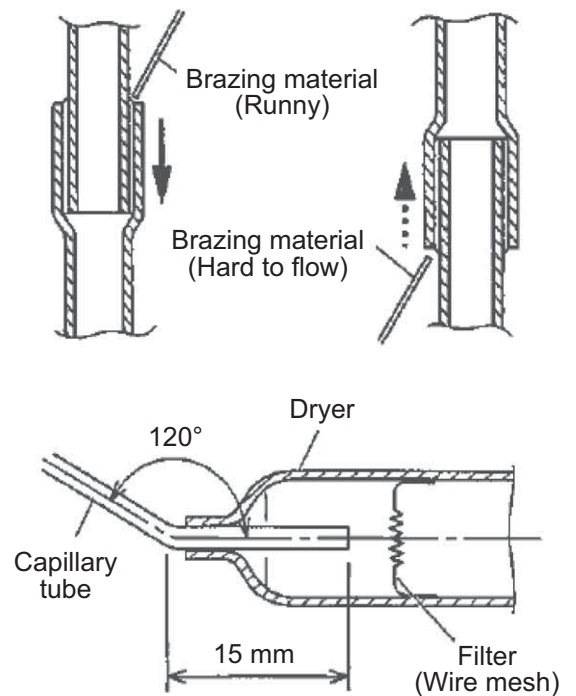
In order to prevent oxidation in the pipe, perform the brazing operation in nitrogen gas flow. Flow rate 0.05 m³ / h, or pressure reducing valve at 0.02 MPa (0.2kgf / cm²) below.

13.7.10 Checking of brazing (insert) points

1. No impurity on the brazing point
If dirt or oil is attached on the brazing point, the brazing filler metal does not reach to junction, and it may cause poor welding.
2. Adequate gap space in the brazing point
The advantage of capillary current situation is used in brazing. If the gap space is too large, this phenomenon may not occur and it may cause poor welding because brazing filler metal does not flow to join the front part.
3. Appropriate size for insertion
The guideline for pipe insertion dimensions is to three times the diameter of the base material, but you need to decide the insertion size in consideration of the clogging of the brazing material. Generally, for thin pipes, you need to increase the insert size, and for thick pipe vice versa.

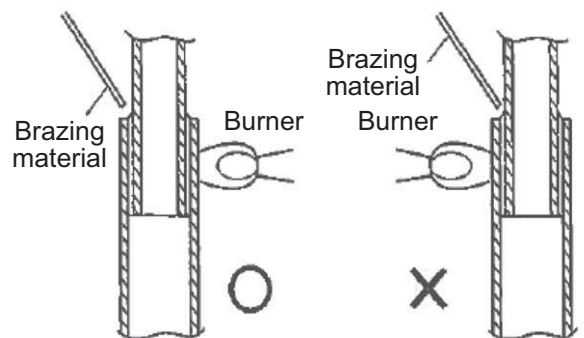


4. Brazing material to flow from top to bottom
Brazing filler metal will easily flow to the connecting portion by capillary action. Further, by bending the brazing portion of [dryer side] of the capillary tube at 120°, you can prevent the damage of dryer inside and the clogging of brazing material caused by the excessive insertion of capillary tube.



13.7.11 Brazing and heating

1. Place the flame to a pipe which has more heat capacity in order to let the brazing material melt by the pipe heat. Heat the pipe up to the melting temperature of the brazing material, but when it is overheating, assess the temperature by pipe color in order not to melt the pipe.



The pre-heating is to heat the base material until the melting temperature, and requires certain training to distinguish the color of the heated base material in order not to melt the material.

The color and temperature of copper tube

- Becoming red color ••••• 480°C
- Dull red ••••• 650°C
- Cherish red ••••• 760°C
- Brightening cherish red ••••• 870°C

(Reference)

Melting temperature of copper ••••••• Approx. 1083°C

Maximum temperature obtained in propane and oxygen ••••••• Approx. 1083°C

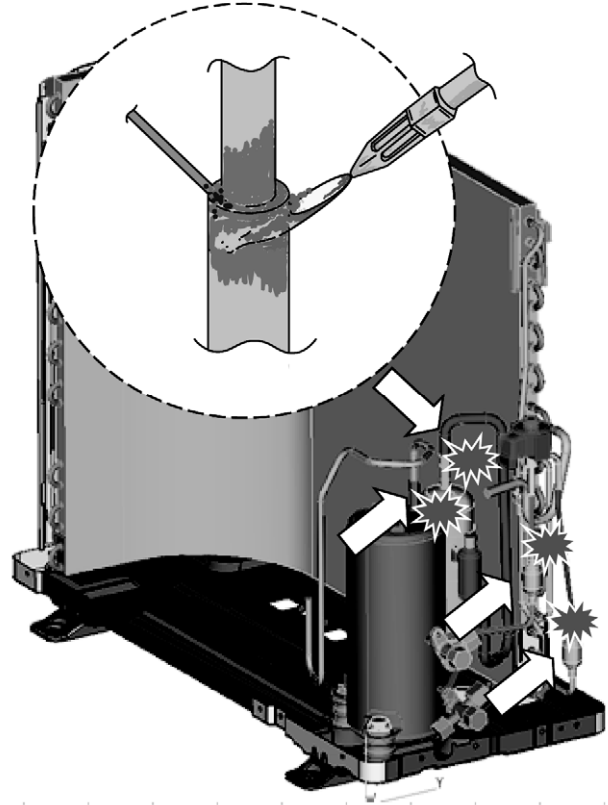
The important point is to heat the bonding part uniformly within a short period of time until reaching to the brazing temperature in the following manner.

2. Apply the flame on to the side with better heat transmission. If the pipe thickness is consistent, by heating like 30% iron and 70% copper, the copper pipe inside reaches to brazing temperature. Iron pipes have low heat transmission and only the part the flame is applied get high temperature, and this causes oxidization of the pipe. The flow of the brazing filler is affected negatively.

3. Apply the flame on to the side of larger heat capacity.

When brazing a thin tubes such as capillary tube and dryer, etc., caution has to be taken to apply the flame to the dryer side (thick pipe side), in order to prevent burn out by the heat.

4. When brazing the compressor connection pipes (suction and discharge), remove the sound insulation plate and the fan, and place the compressor stand vertically (to prevent the leakage of compressor refrigerating machine oil), and apply the flame from the compressor body side.



13.7.12 Terminologies of brazing

Pin holes → Small holes are generated on the surface of the brazing metal.

Wet temperature → Liquidus temperature at which the brazing material starts flowing out by heating, generally it is the liquidus-line temperature.

Blow holes → Hollows made by gas in the brazing material of brazing portion (gas reservoirs).

Pits → As a result of blow holes, small dents generated on the outside surface of welding.

Voids → The brazing material does not reach completely to the brazing part. It cannot be identified from outside.

13.8 <Reference> Analysis method for no error code, no cooling / no warming

13.8.1 Preparation for appropriate diagnosis

In order to obtain appropriate operation characteristics, minimum 15 minutes or more operation time [testing operation (rated operation)] is required.

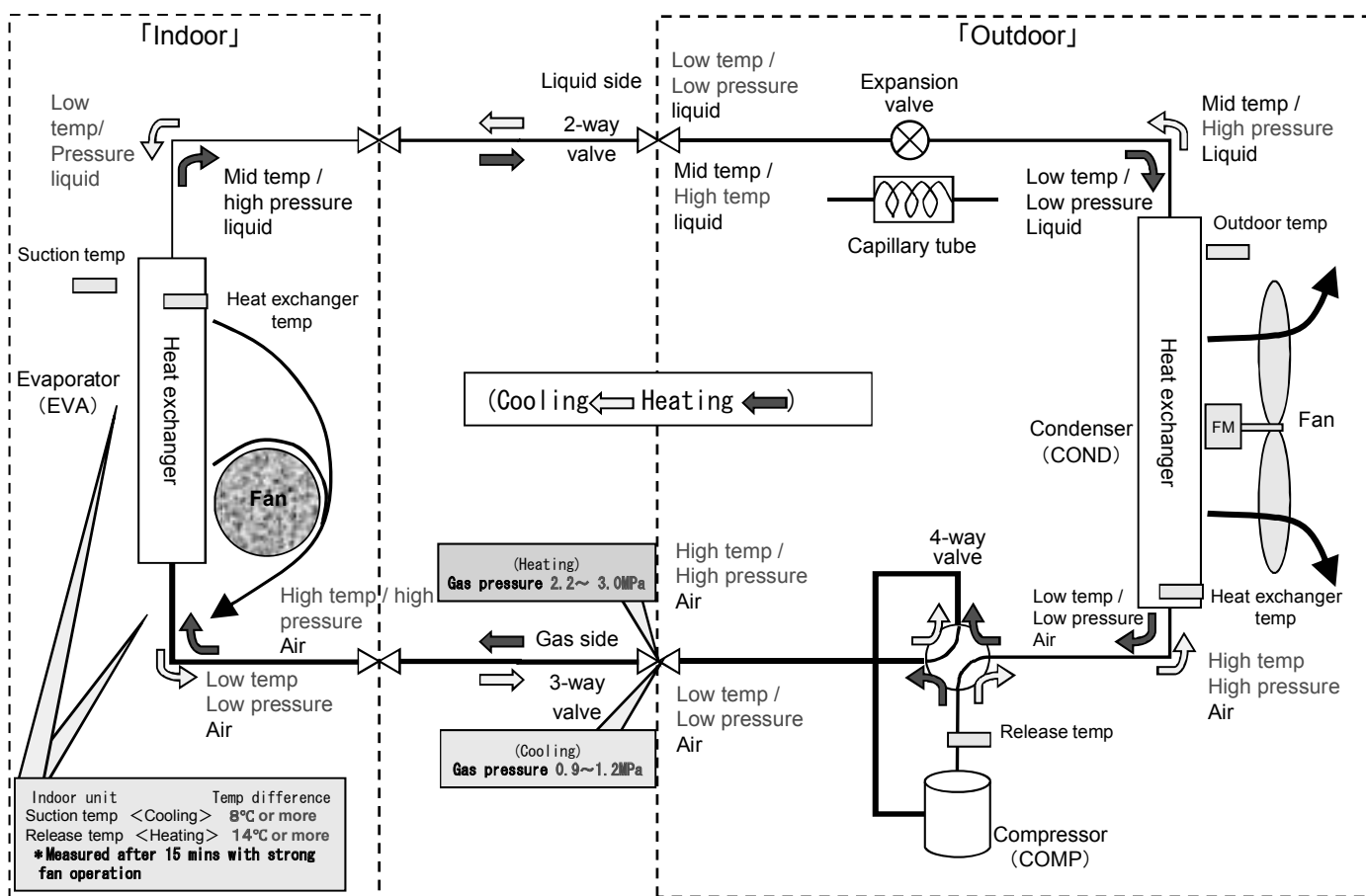
1. Method of rated operation (rated operation)

For the models which have two buttons of “emergency operation and forced cooling operation”, press forced cooling button once. For the models which have only emergency operation button, press the button once for 5 seconds and when hear “beep” sound, release the button. Then, cooling operation starts.

2. Checking the mal-functions of indoor / outdoor units

- 1) Any obstacles against heat release and air suction? (short circuit)
(Forget to remove the outdoor unit cover or fallen leaves blocking the outdoor unit)
- 2) Are the indoor unit air filters clean? (obstructing heat suction)
- 3) Is the setting temperature on the remote controller correct? (is the setting temperature set at lower/higher than the room temperature?)

13.8.2 Understanding and verification of refrigerant cycle



1. Measuring temperature
 - 1) Indoor unit suction temperature, release temperature, temperature difference, → Measure by thermometer
 - 2) 2-way valve pipe temperature in cooling mode is low temperature (benchmark : 5 ~ 10°C), in heating mode is medium temperature (benchmark : 25 ~ 35°C).
 - 3) 3-way valve pipe temperature in cooling mode is low temperature (benchmark : 7 ~ 15°C) in heating mode is high temperature (benchmark : 38 ~ 50°C).
2. Measuring electric current
 - Measuring electric current in operation → check by clamp meter (refer to table of technical characteristic guideline)
3. Measuring pressure
 - Measuring gas pressure → check the pressure by manifold gauge (refer to table of technical characteristic guideline)
4. Any sound from the expansion valve?
(when starting the operation and the outdoor unit is turned on, the expansion valve is re-set, check if there is any edged sound or clack sound)

13.8.3 Guidance for diagnosis of refrigerant cycle

Comparison with normal operation	Cooling mode	
	High	Low
Refrigerant pressure	Excess insertion of refrigerant	Clogged capillary, expansion valve malfunction
	Heat releasing obstruction	Clog by moisture
	Dirty condenser, attachment of impurity	Lack of refrigerant gas
	Compressor malfunction	
Operation electric current	Excess insertion of refrigerant	Lack of refrigerant gas
	Heat releasing obstruction	Compressor malfunction
	Dirty condenser, impurity	Mixture of air
		(Insufficient evacuation)
2-way valve temperature	Excess insertion of refrigerant	Clogged capillary, expansion valve malfunction
	Compressor malfunction	Lack of refrigerant gas
3-way valve temperature	Lack of refrigerant gas • Compressor malfunction	Excess insertion of refrigerant
	Clogged capillary, expansion valve malfunction	

Suction temperature & Release air temperature	Temperature difference at or less than 8°C in cooling operation • • • Causes		
	• Heat releasing obstruction	• Dirty condenser	• Attachment of impurity
	• Lack of refrigerant gas	• Excess insertion of refrigerant	
	• Mixture of air	• Mixture of moisture	
	• Clogged capillary	• Expansion valve malfunction	• Compressor malfunction

◎ Above all are based on the condition that the installation work is properly performed (no issues in indoor / outdoor pipe connections, etc.)

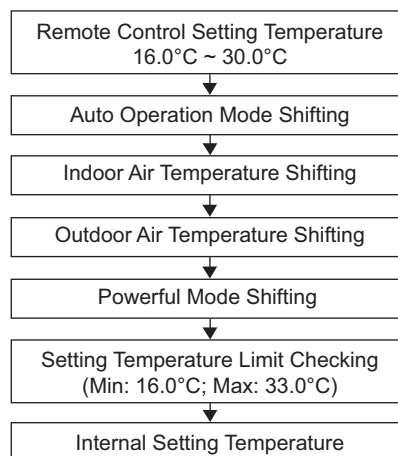
14. Operation Control

14.1 Basic Function

Inverter control, which equipped with a microcomputer in determining the most suitable operating mode as time passes, automatically adjusts output power for maximum comfort always. In order to achieve the suitable operating mode, the microcomputer maintains the set temperature by measuring the temperature of the environment and performing temperature shifting. The compressor at outdoor unit is operating following the frequency instructed by the microcomputer at indoor unit that judging the condition according to internal setting temperature and intake air temperature.

14.1.1 Internal Setting Temperature

Once the operation starts, remote control setting temperature will be taken as base value for temperature shifting processes. These shifting processes are depending on the air conditioner settings and the operation environment. The final shifted value will be used as internal setting temperature and it is updated continuously whenever the electrical power is supplied to the unit.



14.1.2 Cooling Operation

14.1.2.1 Thermostat control

- Compressor is OFF when Intake Air Temperature - Internal Setting Temperature $< -1.5^{\circ}\text{C}$ continue for 3 minutes.
- When compressor is OFF (Thermostat OFF) and AUTO FAN is set, the fan will stop periodically.
- Compressor is ON after waiting for 3 minutes, if the Intake Air Temperature - Internal Setting Temperature $>$ Compressor OFF point.

14.1.3 Soft Dry Operation

14.1.3.1 Thermostat control

- Compressor is OFF when Intake Air Temperature - Internal Setting Temperature $< -2.0^{\circ}\text{C}$ continue for 3 minutes.
- When compressor is OFF (Thermostat OFF) and AUTO FAN is set, the fan will stop periodically.
- Compressor is ON after waiting for 3 minutes, if the Intake Air Temperature - Internal Setting Temperature $>$ Compressor OFF point.

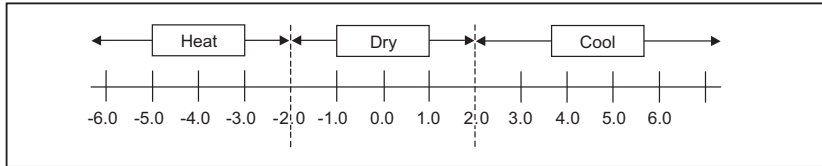
14.1.4 Heating Operation

14.1.4.1 Thermostat control

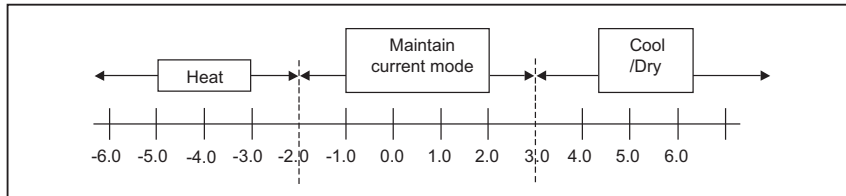
- Compressor is OFF when Intake Air Temperature - Internal Setting Temperature $> +2.0^{\circ}\text{C}$ continue for 3 minutes.
- Compressor is ON after waiting for 3 minutes, if the Intake Air Temperature - Internal Setting Temperature $<$ Compressor OFF point.

14.1.5 Automatic Operation

- This mode can be set using remote control and the operation is decided by remote control setting temperature, remote control operation mode and indoor intake air temperature.
- During operation mode judgment, indoor fan motor (with speed of Lo-) is running for 30 seconds to detect the indoor intake air temperature.
- Every 10 minutes, the indoor temperature is judged.
- For the 1st judgment
 - If indoor intake temperature - remote control setting temperature $\geq 2.0^{\circ}\text{C}$, COOL mode is decided.
 - If $-2.0^{\circ}\text{C} \leq$ indoor intake temperature - remote control setting temperature $< 2.0^{\circ}\text{C}$, DRY mode is decided.
 - If indoor intake temperature - remote control setting temperature $< -2.0^{\circ}\text{C}$, HEAT mode is decided.



- For the 2nd judgment onwards
 - If indoor intake temperature - remote control setting temperature $\geq 3.0^{\circ}\text{C}$, if previous operate in DRY mode, then continue in DRY mode. otherwise COOL mode is decided.
 - If $-2.0^{\circ}\text{C} \leq$ indoor intake temperature - remote control setting temperature $< 3.0^{\circ}\text{C}$, maintain with previous mode.
 - If indoor intake temperature - remote control setting temperature $< -2.0^{\circ}\text{C}$, HEAT mode is decided.



14.2 Indoor Fan Motor Operation

14.2.1 Basic Rotation Speed (rpm)

A. Basic Rotation Speed (rpm)

i. Manual Fan Speed

[Cooling, Dry]

- Fan motor's number of rotation is determined according to remote control setting.

Remote control	○	○	○	○	○
Tab	Hi	Me+	Me	Me-	Lo

[Heating]

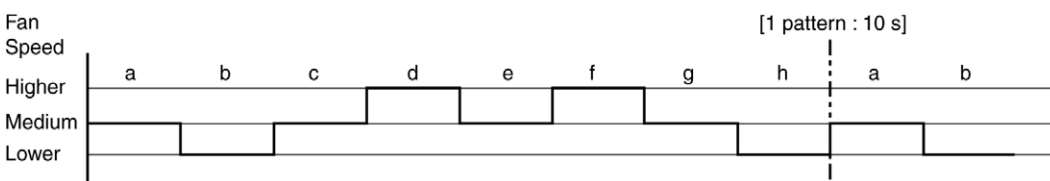
- Fan motor's number of rotation is determined according to remote control setting.

Remote control	○	○	○	○	○
Tab	SHi	Me+	Me	Me-	Lo

ii Auto Fan Speed

[Cooling, Dry]

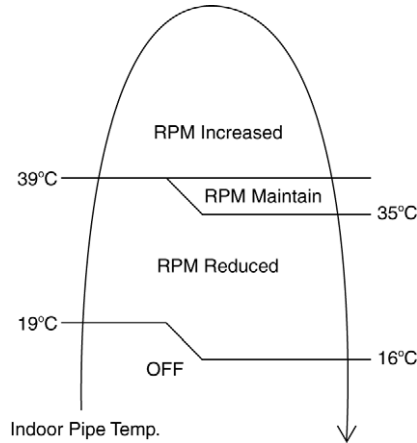
- According to room temperature and setting temperature, indoor fan speed is determined automatically.
- When set temperature is not achieved, the indoor fan will operate according to pattern below.



- When set temperature achieved, the indoor fan speed will be fixed. When thermostat off, the fan stop periodically.

[Heating]

- According to indoor pipe temperature, automatic heating fan speed is determined as follows.

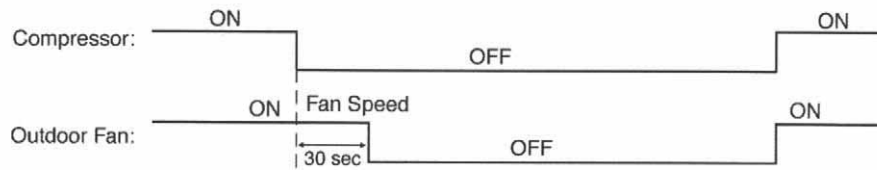


B. Feedback control

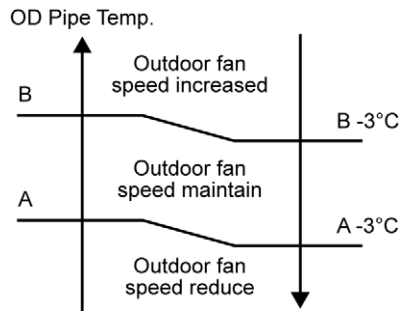
- Immediately after the fan motor started, feedback control is performed once every second.
- During fan motor on, if fan motor feedback ≥ 2550 rpm or < 50 rpm continue for 10 seconds, then fan motor error counter increase, fan motor is then stop and restart. If the fan motor counter becomes 7 times, then H19 - fan motor error is detected. Operation stops and cannot on back.

14.3 Outdoor Fan Motor Operation

- It starts when compressor starts operation and it stops 30 seconds after compressor stops operation.

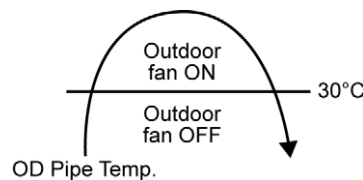


- During cooling operation, and outdoor ambient temperature is below 8°C, outdoor fan speed will be controlled according to outdoor piping temperature as following:



	OD Pipe Temperature
A	26°C
B	33°C

- During above condition, when indoor heat exchanger temperature is below 5°C, the outdoor fan will stop according to outdoor piping temperature as following:



14.4 Airflow Direction

- There are two types of airflow, vertical airflow (directed by horizontal vane) and horizontal airflow (directed by vertical vanes).
- Control of airflow direction can be automatic (angles of direction is determined by operation mode, heat exchanger temperature and intake air temperature) and manual (angles of direction can be adjusted using remote control).

14.4.1 Vertical Airflow

Z25/35TKEA

Operation Mode	Airflow Direction	Inner Vane Angle (°)					Outer Vane Angle (°)					
		1	2	3	4	5	1	2	3	4	5	
Cooling	Auto	110 ~ 65					50 ~ 85					
	Manual	110	110	90	70	65	50	62	72	83	85	
Soft Dry	Auto	110 ~ 65					50 ~ 85					
	Manual	110	110	90	70	65	50	62	72	83	85	
Heating	Auto	A	110					50				
		B	90					83				
		C	110					62				
	Manual	110	110	100	90	80	50	62	72	83	90	

Z42/50/71TKEA

Operation Mode	Airflow Direction	Inner Vane Angle (°)					Outer Vane Angle (°)					
		1	2	3	4	5	1	2	3	4	5	
Cooling	Auto	140 ~ 90					47 ~ 74					
	Manual	140	135	120	105	90	47	58	64	69	74	
Soft Dry	Auto	140 ~ 90					47 ~ 74					
	Manual	140	135	120	105	90	47	58	64	69	74	
Heating	Auto	A	140					47				
		B	125					69				
		C	135					58				
	Manual	140	135	130	125	105	47	58	64	69	79	

1. Automatic vertical airflow direction can be set using remote control; the vane swings up and down within the angles as stated above. For heating mode operation, the angle of the vane depends on the indoor heat exchanger temperature as Figure 1 below. It does not swing during fan motor stop. When the air conditioner is stopped using remote control, the vane will shift to close position.
2. Manual vertical airflow direction can be set using remote control; the angles of the vane are as stated above and the positions of the vane are as Figure 2 below. When the air conditioner is stopped using remote control, the vane will shift to close position.

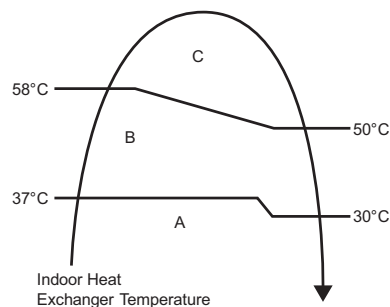


Figure 1

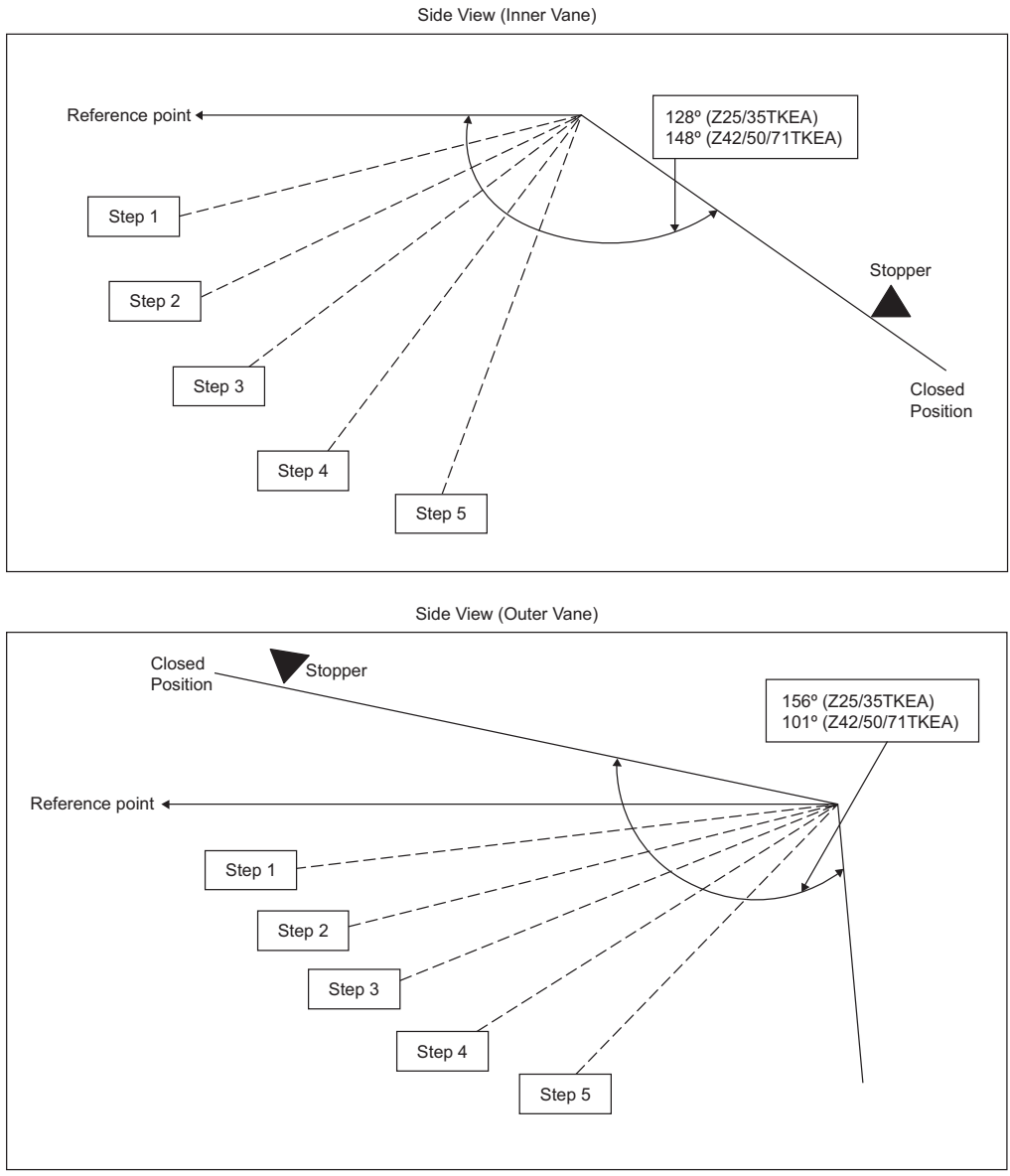


Figure 2

* The horizontal vane angle tolerance is within +/- 5 degree.

14.4.2 Horizontal Airflow

The horizontal airflow direction louvers can be adjusted manually by hand.

14.5 Quiet Operation (Cooling Mode/Cooling Area of Dry Mode)

- Purpose
 - To provide quiet cooling operation compare to normal operation.
- Control condition
 - Quiet operation start condition
 - When “POWERFUL/QUIET” button at remote control is pressed twice. QUIET will be shown on remote control display.
 - Quiet operation stop condition
 - When one of the following conditions is satisfied, quiet operation stops:
 - POWERFUL/QUIET button is pressed again.
 - Stop by OFF/ON switch.
 - Timer “off” activates.
 - When quiet operation is stopped, operation is shifted to normal operation with previous setting.
 - When operation mode is changed, quiet operation is shifted to quiet operation of the new mode.
 - During quiet operation, if timer “on” activates, quiet operation maintains.
 - After off, when on back, quiet operation is not memorised.
- Control contents
 - Fan speed is changed to Lo-.

14.6 Quiet Operation (Heating)

- Purpose
 - To provide quiet heating operation compare to normal operation.
- Control condition
 - Quiet operation start condition
 - When “POWERFUL/QUIET” button at remote control is pressed twice. QUIET will be shown on remote control display.
 - Quiet operation stop condition
 - When one of the following conditions is satisfied, quiet operation stops:
 - POWERFUL/QUIET button is pressed again.
 - Stop by OFF/ON switch.
 - Timer “off” activates.
 - When quiet operation is stopped, operation is shifted to normal operation with previous setting.
 - When operation mode is changed, quiet operation is shifted to quiet operation of the new mode, except fan mode only.
 - During quiet operation, if timer “on” activates, quiet operation maintains.
 - After off, when on back, quiet operation is not memorised.
- Control contents
 - Fan speed manual
 - Fan speed is changed to Lo-.
 - Fan Speed Auto
 - Fan speed is changed to Lo-.

14.7 Powerful Mode Operation

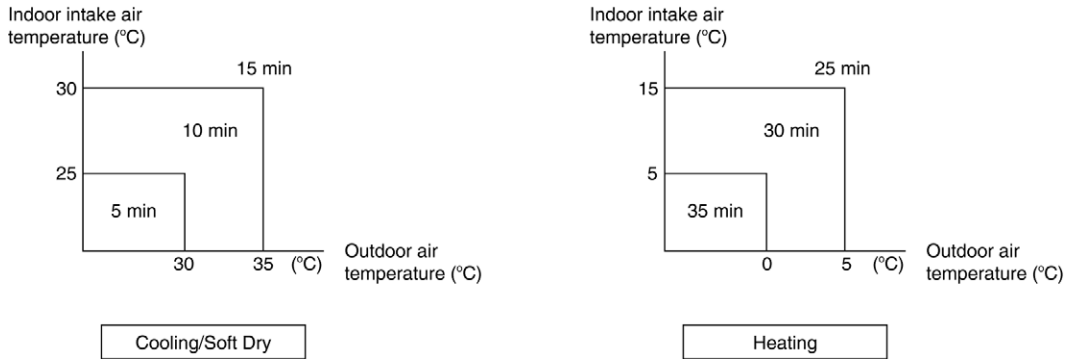
- When the powerful mode is selected, the internal setting temperature will shift lower up to 2.0°C (for Cooling/Soft Dry) or higher up to 3.5°C (for Heating) than remote control setting temperature for 20 minutes to achieve the setting temperature quickly.

14.8 Timer Control

- There are 2 sets of ON and OFF timer available to turn the unit ON or OFF at different preset time.
- If more than one timer had been set, the upcoming timer will be displayed and will activate in sequence.

14.8.1 ON Timer Control

- ON timer 1 and ON timer 2 can be set using remote control, the unit with timer set will start operate earlier than the setting time.
This is to provide a comfortable environment when reaching the set ON time.
- 60 minutes before the set time, indoor (at fan speed of Lo-) and outdoor fan motor start operate for 30 seconds to determine the indoor intake air temperature and outdoor air temperature in order to judge the operation starting time.
- From the above judgment, the decided operation will start operate earlier than the set time as shown below.

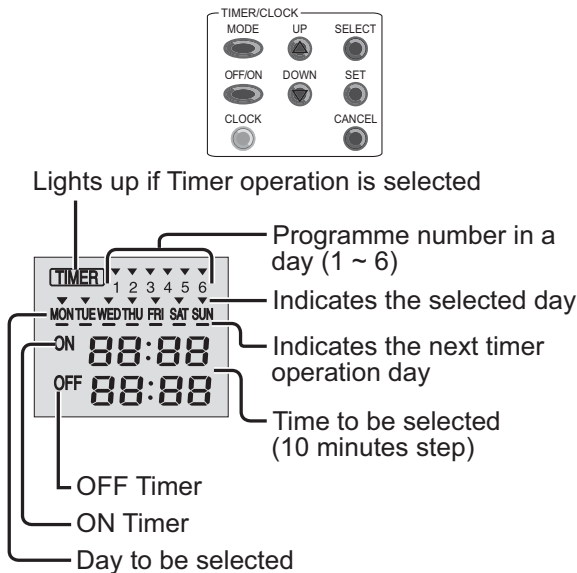


14.8.2 OFF Timer Control

OFF timer 1 and OFF timer 2 can be set using remote control, the unit with timer set will stop operate at set time.

14.9 Weekly Timer Setting




Promotes energy saving by allowing you to set up to 6 programmes in any given day.







- 1 Press **TIMER** for 4 seconds to change display to weekly timer.



- 2 Press **TIMER** or to select your desired day.
- 3 Press to confirm your selection.

- 4 "1" will be blinking, press  to set programme 1.
- 5 Press TIMER  to select ON or OFF timer.
- 6 Press TIMER  or  to select your desired time.

If you want to set the timer together with your desired temperature, press  to select the temperature.

- 7 Press  to confirm programme 1. The selected day will be highlighted with .
 - After 2 seconds, the display will move to the next programme. Repeat steps 4 to 7 to set programmes 2 to 6.
 - During timer setup, if no button is pressed within 30 seconds, or if the  button is pressed, the setting at that moment is confirmed and timer setup is ended.

14.10 Auto Restart Control

- When the power supply is cut off during the operation of air conditioner, the compressor will re-operate within three to four minutes (there are 10 patterns between 2 minutes 58 seconds and 3 minutes 52 seconds to be selected randomly) after power supply resumes.
- This type of control is not applicable during ON/OFF Timer setting.
- This control can be omitted by open the circuit of JP1 at indoor unit printed circuit board.

14.11 Indication Panel

LED	POWER	TIMER	QUIET	POWERFUL
Color	White	White	White	White
Light ON	Operation ON	Timer Setting ON	QUIET ON	POWERFUL ON
Light OFF	Operation OFF	Timer Setting OFF	QUIET OFF	POWERFUL OFF

Note:

- If POWER LED is blinking, the possible operation of the unit are Hot Start, during Deice operation, operation mode judgment, or ON timer sampling.
- If Timer LED is blinking, there is an abnormality operation occurs.

15. Protection Control

15.1 Protection Control for All Operations

15.1.1 Restart Control (Time Delay Safety Control)

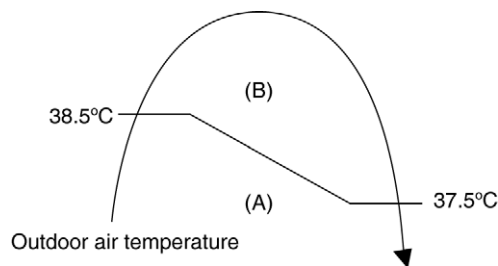
- The Compressor will not turn on within 3 minutes from the moment operation stops, although the unit is turned on again by pressing OFF/ON button at remote control within this period.
- This control is not applicable if the power supply is cut off and on again.
- This phenomenon is to balance the pressure inside the refrigerant cycle.

15.1.2 Total Running Current

- 1 When the outdoor unit total running current (AC) exceeds X value, the frequency instructed for compressor operation will be decreased.
- 2 If the running current does not exceed X value for 5 seconds, the frequency instructed will be increased.
- 3 However, if total outdoor unit running current exceeds Y value, compressor will be stopped immediately for 3 minutes.

Model	Z25TKEA		Z35TKEA		Z42TKEA		Z50TKEA		Z71TKEA	
Operation Mode	X (A)	Y (A)	X (A)	Y (A)	X (A)	Y (A)	X (A)	Y (A)	X (A)	Y (A)
Cooling / Soft Dry (A)	4.44	14.66	6.97	14.66	7.60	14.66	11.13	14.66	14.75	19.01
Cooling / Soft Dry (B)	3.89		6.61		6.52		10.59		14.21	
Cooling / Soft Dry (C)	3.89		6.61		6.52		10.59		14.21	
Heating	5.70		8.15		9.14		10.32		11.95	

- 4 The first 30 minutes of cooling operation, (A) will be applied.

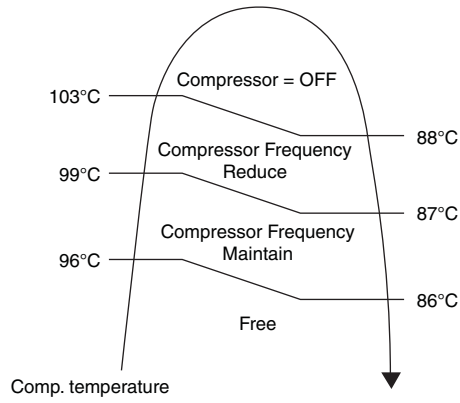


15.1.3 IPM (Power transistor) Prevention Control

- Overheating Prevention Control
 - 1 When the IPM temperature rises to 120°C, compressor operation will stop immediately.
 - 2 Compressor operation restarts after 3 minutes the temperature decreases to 110°C.
 - 3 If this condition repeats continuously 4 times within 20 minutes, timer LED will be blinking ("F96" is indicated).
- DC Peak Current Control
 - 1 When electric current to IPM exceeds set value of 16.0 ± 2.0A (Z25/35/42TK) and 30.0 ± 3.0A (Z50/71TK), the compressor will stop operate. Then, operation will restart after 3 minutes.
 - 2 If the set value is exceeded again more than 30 seconds after the compressor starts, the operation will restart after 1 minute.
 - 3 If the set value exceeded again within 30 seconds after the compressor starts, the operation will restart after 1 minute. If this condition repeats continuously for 7 times, all indoor and outdoor relays will be cut off, timer LED will be blinking ("F99" is indicated).

15.1.4 Compressor Overheating Prevention Control

- Instructed frequency for compressor operation will be regulated by compressor temperature. The changes of frequency are as below.
- If compressor temperature exceeds 103°C, compressor will be stopped, occurs 4 times per 20 minutes, timer LED will be blinking. ("F97" is indicated.)



15.1.5 Low Pressure Prevention Control (Gas Leakage Detection)

- Control start conditions
 - For 5 minutes, the compressor continuously operates and outdoor total current is between 0.75A and 0.95A (Z25/35/42TK), 1.38A and 1.65A (Z50/71TK).
 - During Cooling and Soft Dry operations:
Indoor suction temperature - indoor piping temperature is below 4°C.
 - During Heating operations :
Indoor piping temperature - indoor suction is under 5°C.
- Control contents
 - Compressor stops (and restart after 3 minutes).
 - If the conditions above happen 2 times within 20 minutes, the unit will:
 - Stop operation
 - Timer LED blinks and “F91” indicated.

15.1.6 Low Frequency Protection Control 1

- When the compressor operate at frequency lower than 24 Hz continued for 20 minutes, the operation frequency will be changed to 23 Hz for 2 minutes.

15.1.7 Low Frequency Protection Control 2

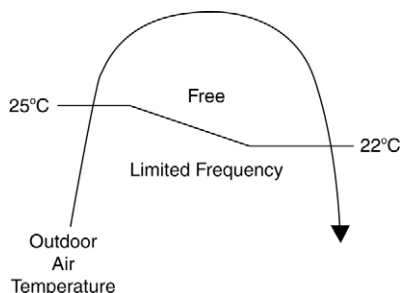
- When all the below conditions comply, the compressor frequency will change to lower frequency.

Temperature, T, for:	Cooling/Soft Dry	Heating
Indoor intake air (°C)	$T < 14$ or $T \geq 30$	$T < 14$ or $T \geq 28$
Outdoor air (°C)	$T < 13$ or $T \geq 38$	$T < 4$ or $T \geq 24$
Indoor heat exchanger (°C)	$T < 30$	$T \geq 0$

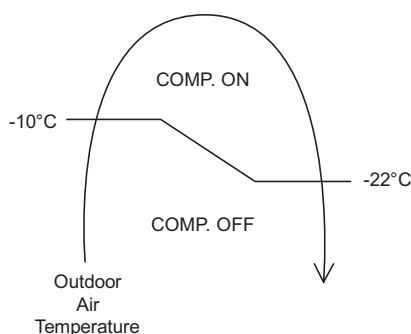
15.2 Protection Control for Cooling & Soft Dry Operation

15.2.1 Outdoor Air Temperature Control

- The compressor operating frequency is regulated in accordance to the outdoor air temperature as shown in the diagram below.
- This control will begin 1 minute after the compressor starts.
- Compressor frequency will adjust base on outdoor air temperature.



- The compressor will be stopped to avoid compressor overloading.



15.2.2 Cooling Overload Control

- Detects the Outdoor pipe temperature and carry out below restriction/limitation (Limit the compressor Operation frequency).
- The compressor stop if outdoor pipe temperature exceeds 60°C.
- If the compressor stops 4 times in 20 minutes, Timer LED blinking (F95 indicated: outdoor high pressure rise protection).

15.2.3 Freeze Prevention Control 1

- When indoor heat exchanger temperature is lower than 0°C continuously for 6 minutes, compressor will stop operating.
- Compressor will resume its operation 3 minutes after the indoor heat exchanger is higher than 5°C.
- At the same time, indoor fan speed will be higher than during its normal operation.
- If indoor heat exchanger temperature is higher than 5°C for 5 minutes, the fan speed will return to its normal operation.

15.2.4 Freeze Prevention Control 2

- Control start conditions
 - During Cooling operation and soft dry operation
 - During thermo OFF condition, indoor intake temperature is less than 10°C or
 - Compressor stops for freeze prevention control
 - Either one of the conditions above occurs 5 times in 60 minutes.
- Control contents
 - Operation stops
 - Timer LED blinks and “H99” indicated

15.2.5 Dew Prevention Control 1

- To prevent dew formation at indoor unit discharge area.
- This control will be activated if:
 - Outdoor air temperature and Indoor pipe temperature judgment by microcontroller is fulfilled.
 - When Cooling or Dry mode is operated more than 20 minutes or more.
- This control stopped if:
 - Compressor stopped.
 - Remote control setting changed (fan speed / temperature).
 - Outdoor air temperature and indoor intake temperature changed.
- Fan speed will be adjusted accordingly in this control.

15.2.6 Odor Cut Control

- To reduce the odor released from the unit.
 - Start Condition
 - AUTO FAN Speed is selected during COOL or DRY operation.
 - During freeze prevention control and timer preliminary operation, this control is not applicable.
 - Control content
 - Depends on compressor conditions:
 1. Compressor OFF → Compressor ON.
The indoor unit fan stops temporarily and then starts to blow at minimum airflow for 30 seconds.
 2. Compressor ON → Compressor OFF.
The indoor unit fan stops for 90 seconds and then blows at minimum airflow for 20 seconds.

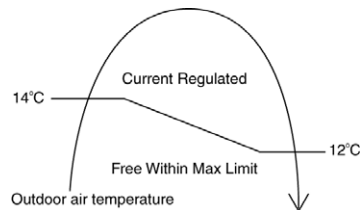
15.3 Protection Control for Heating Operation

15.3.1 Intake Air Temperature Control

Compressor will operate at limited freq., if indoor intake air temperature is 30°C or above.

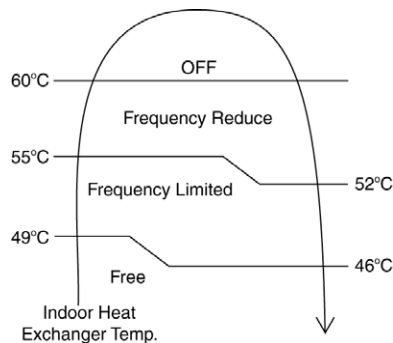
15.3.2 Outdoor Air Temperature Control

- The Max current value is regulated when the outdoor air temperature rise above 14°C in order to avoid compressor overloading.



15.3.3 Overload Protection Control

- The compressor operating frequency is regulated in accordance to indoor heat exchanger temperature as shown below.
- If the heat exchanger temperature exceeds 60°C, compressor will stop.



15.3.4 Low Temperature Compressor Oil Return Control

- In heating operation, if the outdoor temperature falls below -10°C when compressor starts, the compressor frequency will be regulated up to 600 seconds.

15.3.5 Cold Draught Prevention Control

- When indoor pipe temperature is low, cold draught operation starts where indoor fan speed will be reduced.

15.3.6 Deice Operation

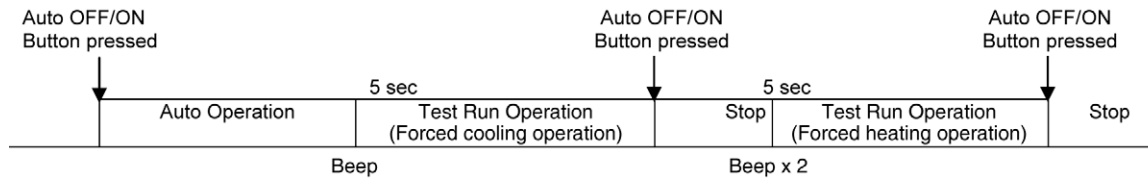
- When outdoor pipe temperature and outdoor air temperature is low, deice operation start where indoor fan motor and outdoor fan motor stop and operation LED blinks.

15.3.7 Low Pressure Protection Control

- During low ambient heating operation, if the pipe temperature drops below -24°C , the max frequency will be reduced and limited.
- If it does not rises after 3 minutes, the compressor will stop.
- The compressor will start again if the pipe temperature rises above -20°C .

16. Servicing Mode

16.1 Auto OFF/ON Button



1 AUTO OPERATION MODE

The Auto operation will be activated immediately once the Auto OFF/ON button is pressed. This operation can be used to operate air conditioner with limited function if remote control is misplaced or malfunction.

2 TEST RUN OPERATION (FOR PUMP DOWN/SERVICING PURPOSE)

The Test Run operation will be activated if the Auto OFF/ON button is pressed continuously for more than 5 seconds. A “beep” sound will heard at the fifth seconds, in order to identify the starting of Test Run operation (Forced cooling operation). Within 5 minutes after Forced cooling operation start, the Auto OFF/ON button is pressed for more than 5 seconds. A 2 “beep” sounds will heard at the fifth seconds, in order to identify the starting of Forced heating operation.

17. Troubleshooting Guide

17.1 Refrigeration Cycle System

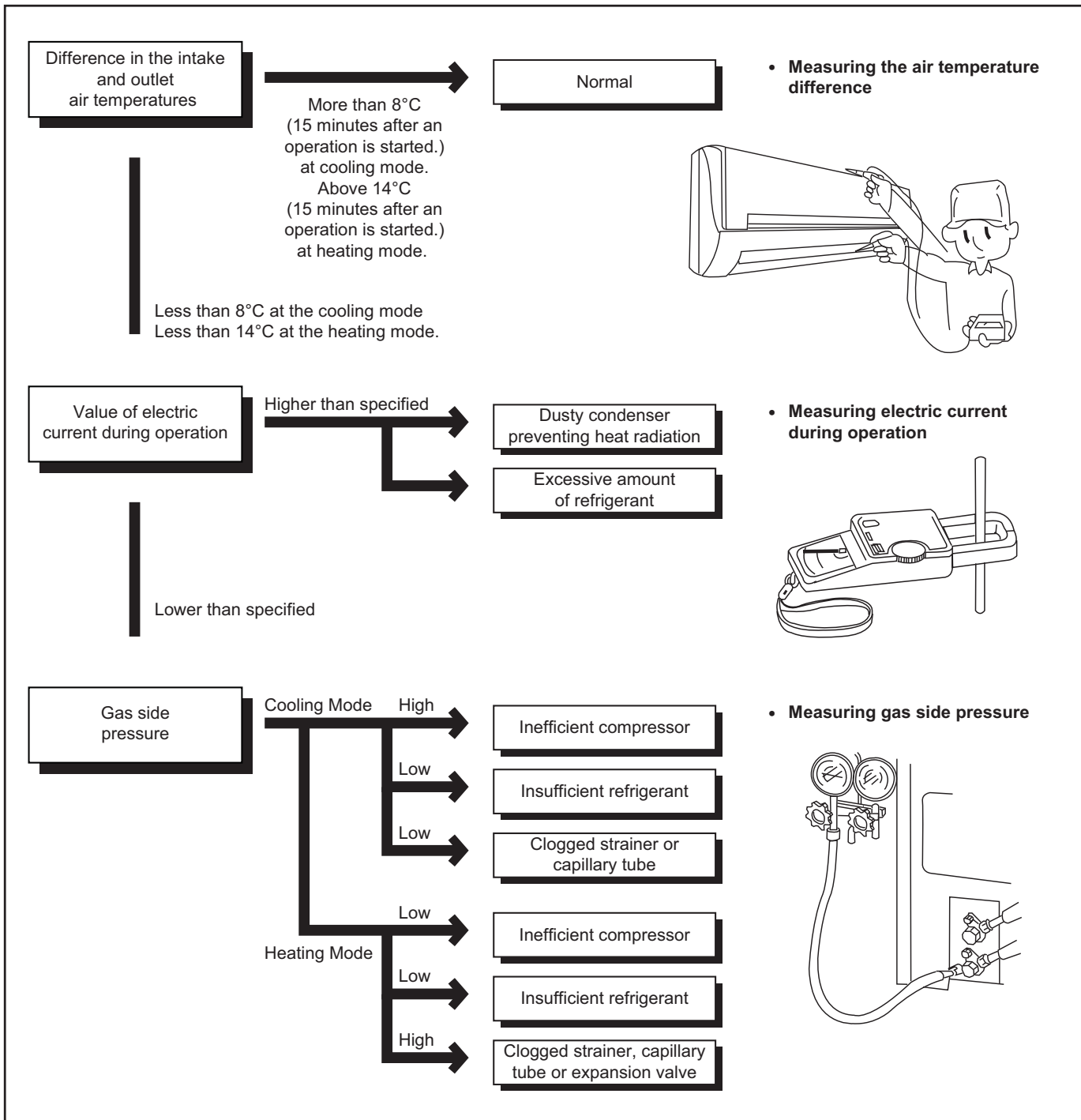
In order to diagnose malfunctions, make sure that there are no electrical problems before inspecting the refrigeration cycle. Such problems include insufficient insulation, problem with the power source, malfunction of a compressor and a fan.

The normal outlet air temperature and pressure of the refrigeration cycle depends on various conditions, the standard values for them are shown in the table on the right.

Normal Pressure and Outlet Air Temperature (Standard)

	Gas Pressure MPa (kg/cm ² G)	Outlet air Temperature (°C)
Cooling Mode	0.9 ~ 1.2 (9 ~ 12)	13 ~ 17
Heating Mode	2.0 ~ 2.7 (20 ~ 27)	32 ~ 42

- *Condition:
- Indoor fan speed = High
 - Outdoor temperature 35°C at the cooling mode and 7°C at the heating mode
 - Compressor operates at rated frequency



17.1.1 Relationship Between the Condition of the Air Conditioner and Pressure and Electric Current

Condition of the air conditioner	Cooling Mode			Heating Mode		
	Low Pressure	High Pressure	Electric current during operation	Low Pressure	High Pressure	Electric current during operation
Insufficient refrigerant (gas leakage)	↘	↘	↘	↘	↘	↘
Clogged capillary tube or Strainer	↘	↘	↘	↗	↗	↗
Short circuit in the indoor unit	↘	↘	↘	↗	↗	↗
Heat radiation deficiency of the outdoor unit	↗	↗	↗	↘	↘	↘
Inefficient compression	↗	↘	↘	↗	↘	↘

- Carry out the measurement of pressure, electric current, and temperature fifteen minutes after an operation is started.

17.2 Breakdown Self Diagnosis Function

17.2.1 Self Diagnosis Function (Three Digits Alphanumeric Code)

- Once abnormality has occurred during operation, the unit will stop its operation, and Timer LED blinks.
 - Although Timer LED goes off when power supply is turned off, if the unit is operated under a breakdown condition, the LED will light up again.
 - In operation after breakdown repair, the Timer LED will no more blink. The last error code (abnormality) will be stored in IC memory.
- 6 When the latest abnormality code on the main unit and code transmitted from the remote controller are matched, power LED will light up for 30 seconds and a beep sound (continuously for 4 seconds) will be heard. If no codes are matched, power LED will light up for 0.5 seconds and no sound will be heard.

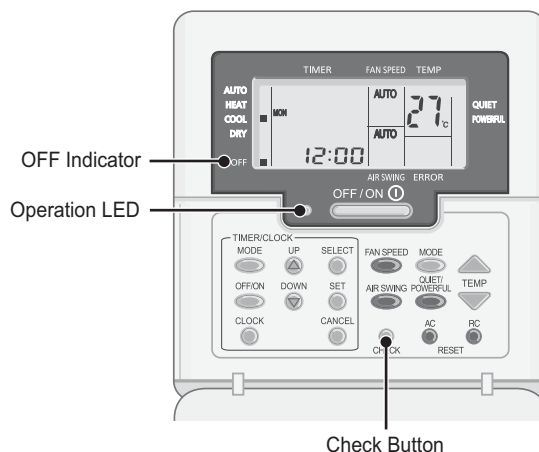
17.2.2 To Make a Diagnosis

- 1 Timer LED start to blink and the unit automatically stops the operation.
- 2 Press the CHECK button on the remote controller continuously for 5 seconds.
- 3 “- -” will be displayed on the remote controller display.
Note: Display only for “- -”. (No transmitting signal, no receiving sound and no Power LED blinking.)
- 4 Press the “TIMER” ▲ or ▼ button on the remote controller. The code “H00” (no abnormality) will be displayed and signal will be transmitted to the main unit.
- 5 Every press of the button (up or down) will increase abnormality numbers and transmit abnormality code signal to the main unit.
- 6 When the latest abnormality code on the main unit and code transmitted from the remote controller are matched, power LED will light up for 30 seconds and a beep sound (continuously for 4 seconds) will be heard. If no codes are matched, power LED will light up for 0.5 seconds and no sound will be heard.
- 7 The breakdown diagnosis mode will be canceled unless pressing the CHECK button continuously for 5 seconds or operating the unit for 30 seconds.
- 8 The LED will be off if the unit is turned off or the RESET button on the main unit is pressed.

17.2.3 To Display Memorized Error Code (Protective Operation)

- 1 Turn power on.
- 2 Press the CHECK button on the remote controller continuously for 5 seconds.
- 3 “- -” will be displayed on the remote controller display.
Note: Display only for “- -”. (No transmitting signal, no receiving sound and no Power LED blinking.)
- 4 Press the “TIMER” ▲ or ▼ button on the remote controller. The code “H00” (no abnormality) will be displayed and signal will be transmitted to the main unit. The power LED lights up. If no abnormality is stored in the memory, three beeps sound will be heard.
- 5 Every press of the button (up or down) will increase abnormality numbers and transmit abnormality code signal to the main unit.

- 7 The breakdown diagnosis mode will be canceled unless pressing the CHECK button continuously for 5 seconds or operating the unit for 30 seconds.
- 8 The same diagnosis can be repeated by turning power on again.



17.2.4 To Clear Memorized Error Code after Repair (Protective Operation)

- 1 Turn power on (in standby condition).
- 2 Press the AUTO button for 5 seconds (A beep receiving sound) on the main unit to operate the unit at Forced Cooling Operation modes.
- 3 Press the CHECK button on the remote controller for about 1 second with a pointed object to transmit signal to main unit. A beep sound is heard from main unit and the data is cleared.

17.2.5 Temporary Operation (Depending On Breakdown Status)

- 1 Press the AUTO button (A beep receiving sound) on the main unit to operate the unit. (Remote control will become possible.)
- 2 The unit can temporarily be used until repaired.

17.3 Error Codes Table

Diagnosis display	Abnormality / Protection control	Abnormality Judgment	Protection Operation	Problem	Check location
H00	No memory of failure	—	Normal operation	—	—
H11	Indoor/outdoor abnormal communication	After operation for 1 minute	Indoor fan only operation can start by entering into force cooling operation	Indoor/outdoor communication not establish	<ul style="list-style-type: none"> Indoor/outdoor wire terminal Indoor/outdoor PCB Indoor/outdoor connection wire
H12	Indoor unit capacity unmatched	90s after power supply	—	Total indoor capability more than maximum limit or less than minimum limit, or number of indoor unit less than two	<ul style="list-style-type: none"> Indoor/outdoor connection wire Indoor/outdoor PCB Specification and combination table in catalogue
H14	Indoor intake air temperature sensor abnormality	Continuous for 5s	—	Indoor intake air temperature sensor open or short circuit	<ul style="list-style-type: none"> Indoor intake air temperature sensor lead wire and connector
H15	Compressor temperature sensor abnormality	Continuous for 5s	—	Compressor temperature sensor open or short circuit	<ul style="list-style-type: none"> Compressor temperature sensor lead wire and connector
H16	Outdoor current transformer (CT) abnormality	—	—	Current transformer faulty or compressor faulty	<ul style="list-style-type: none"> Outdoor PCB faulty or compressor faulty
H19	Indoor fan motor mechanism lock	Continuous happen for 7 times	—	Indoor fan motor lock or feedback abnormal	<ul style="list-style-type: none"> Fan motor lead wire and connector Fan motor lock or block
H23	Indoor heat exchanger temperature sensor abnormality	Continuous for 5s	—	Indoor heat exchanger temperature sensor open or short circuit	<ul style="list-style-type: none"> Indoor heat exchanger temperature sensor lead wire and connector
H24	Indoor heat exchanger temperature sensor 2 abnormality	Continuous for 5s	—	Indoor heat exchanger temperature sensor 2 open or short circuit	<ul style="list-style-type: none"> Indoor heat exchanger temperature sensor 2 lead wire and connector
H25	Indoor ion device abnormality	Port is ON for 10s during ion device off	—	—	<ul style="list-style-type: none"> ion device PCB
H27	Outdoor air temperature sensor abnormality	Continuous for 5s	—	Outdoor air temperature sensor open or short circuit	<ul style="list-style-type: none"> Outdoor air temperature sensor lead wire and connector
H28	Outdoor heat exchanger temperature sensor 1 abnormality	Continuous for 5s	—	Outdoor heat exchanger temperature sensor 1 open or short circuit	<ul style="list-style-type: none"> Outdoor heat exchanger temperature sensor 1 lead wire and connector
H30	Outdoor discharge pipe temperature sensor abnormality	Continuous for 5s	—	Outdoor discharge pipe temperature sensor open or short circuit	<ul style="list-style-type: none"> Outdoor discharge pipe temperature sensor lead wire and connector
H32	Outdoor heat exchanger temperature sensor 2 abnormality	Continuous for 5s	—	Outdoor heat exchanger temperature sensor 2 open or short circuit	<ul style="list-style-type: none"> Outdoor heat exchanger temperature sensor 2 lead wire and connector
H33	Indoor / outdoor misconnection abnormality	—	—	Indoor and outdoor rated voltage different	<ul style="list-style-type: none"> Indoor and outdoor units check
H34	Outdoor heat sink temperature sensor abnormality	Continuous for 2s	—	Outdoor heat sink temperature sensor open or short circuit	<ul style="list-style-type: none"> Outdoor heat sink sensor
H36	Outdoor gas pipe temperature sensor abnormality	Continuous for 5s	Heating protection operation only	Outdoor gas pipe temperature sensor open or short circuit	<ul style="list-style-type: none"> Outdoor gas pipe temperature sensor lead wire and connector
H37	Outdoor liquid pipe temperature sensor abnormality	Continuous for 5s	Cooling protection operation only	Outdoor liquid pipe temperature sensor open or short circuit	<ul style="list-style-type: none"> Outdoor liquid pipe temperature sensor lead wire and connector
H38	Indoor/Outdoor mismatch (brand code)	—	—	Brand code not match	<ul style="list-style-type: none"> Check indoor unit and outdoor unit
H39	Abnormal indoor operating unit or standby units	3 times happen within 40 minutes	—	Wrong wiring and connecting pipe, expansion valve abnormality, indoor heat exchanger sensor open circuit	<ul style="list-style-type: none"> Check indoor/outdoor connection wire and connection pipe Indoor heat exchanger sensor lead wire and connector Expansion valve and lead wire and connector

Diagnosis display	Abnormality / Protection control	Abnormality Judgment	Protection Operation	Problem	Check location
H41	Abnormal wiring or piping connection	—	—	Wrong wiring and connecting pipe, expansion valve abnormality	<ul style="list-style-type: none"> • Check indoor/outdoor connection wire and connection pipe • Expansion valve and lead wire and connector
H59	ECONAVI sensor abnormality	Continuous for 25s	—	ECONAVI sensor open or short circuit	<ul style="list-style-type: none"> • ECONAVI sensor (defective or disconnected) • ECONAVI PCB
H64	Outdoor high pressure sensor abnormality	Continuous for 1 minutes	—	High pressure sensor open circuit during compressor stop	<ul style="list-style-type: none"> • High pressure sensor • Lead wire and connector
H67	Nanoe abnormality	Nanoe stop for 5 minutes for 3 times	—	Nanoe faulty	<ul style="list-style-type: none"> • PCB • Nanoe system • High voltage
H70	Light sensor abnormality	Continuous for 24 hours, 15 days	—	Light sensor open or short circuit	<ul style="list-style-type: none"> • Light sensor (defective or disconnect)
H97	Outdoor fan motor mechanism lock	2 times happen within 30 minutes	—	Outdoor fan motor lock or feedback abnormal	<ul style="list-style-type: none"> • Outdoor fan motor lead wire and connector • Fan motor lock or block
H98	Indoor high pressure protection	—	—	Indoor high pressure protection (Heating)	<ul style="list-style-type: none"> • Check indoor heat exchanger • Air filter dirty • Air circulation short circuit
H99	Indoor operating unit freeze protection	—	—	Indoor freeze protection (Cooling)	<ul style="list-style-type: none"> • Check indoor heat exchanger • Air filter dirty • Air circulation short circuit
F11	4-way valve switching abnormality	4 times happen within 30 minutes	—	4-way valve switching abnormal	<ul style="list-style-type: none"> • 4-way valve • Lead wire and connector
F17	Indoor standby units freezing abnormality	3 times happen within 40 minutes	—	Wrong wiring and connecting pipe, expansion valve leakage, indoor heat exchanger sensor open circuit	<ul style="list-style-type: none"> • Check indoor/outdoor connection wire and pipe • Indoor heat exchanger sensor lead wire and connector • Expansion valve lead wire and connector
F90	Power factor correction (PFC) circuit protection	4 times happen within 10 minutes	—	Power factor correction circuit abnormal	<ul style="list-style-type: none"> • Outdoor PCB faulty
F91	Refrigeration cycle abnormality	2 times happen within 20 minutes	—	Refrigeration cycle abnormal	<ul style="list-style-type: none"> • Insufficient refrigerant or valve close
F93	Compressor abnormal revolution	4 times happen within 20 minutes	—	Compressor abnormal revolution	<ul style="list-style-type: none"> • Power transistor module faulty or compressor lock
F94	Compressor discharge overshoot protection	4 times happen within 30 minutes	—	Compressor discharge pressure overshoot	<ul style="list-style-type: none"> • Check refrigeration system
F95	Outdoor cooling high pressure protection	4 times happen within 20 minutes	—	Cooling high pressure protection	<ul style="list-style-type: none"> • Check refrigeration system • Outdoor air circuit
F96	Power transistor module overheating protection	4 times happen within 30 minutes	—	Power transistor module overheat	<ul style="list-style-type: none"> • PCB faulty • Outdoor air circuit (fan motor)
F97	Compressor overheating protection	3 times happen within 30 minutes	—	Compressor overheat	<ul style="list-style-type: none"> • Insufficient refrigerant
F98	Total running current protection	3 times happen within 20 minutes	—	Total current protection	<ul style="list-style-type: none"> • Check refrigeration system • Power source or compressor lock
F99	Outdoor direct current (DC) peak detection	Continuous happen for 7 times	—	Power transistor module current protection	<ul style="list-style-type: none"> • Power transistor module faulty or compressor lock

17.4 Self-diagnosis Method

17.4.1 H11 (Indoor/Outdoor Abnormal Communication)

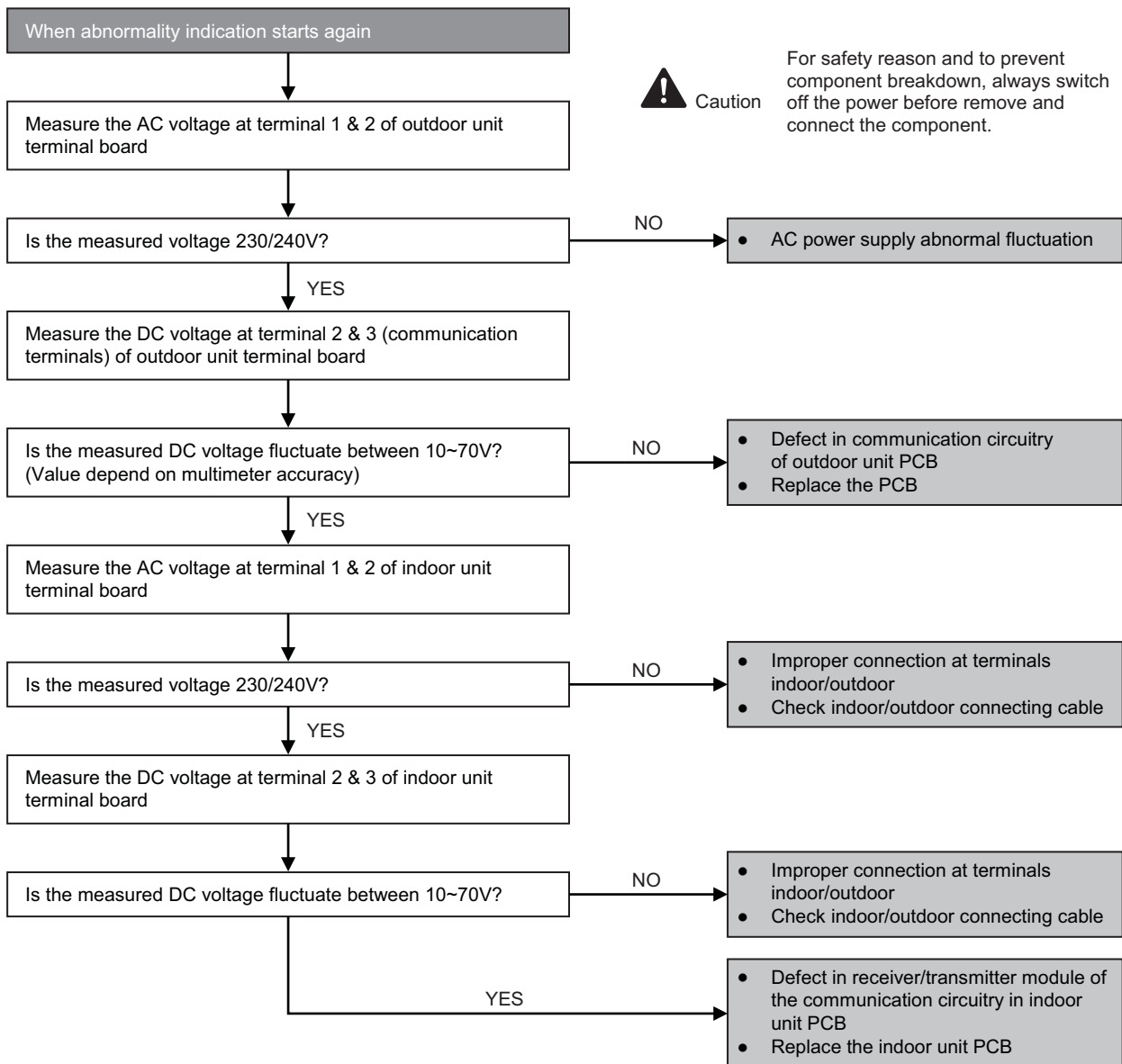
Malfunction Decision Conditions

- During startup and operation of cooling and heating, the data received from outdoor unit in indoor unit signal transmission is checked whether it is normal.

Malfunction Caused

- Faulty indoor unit PCB.
- Faulty outdoor unit PCB.
- Indoor unit-outdoor unit signal transmission error due to wiring error.
- Indoor unit-outdoor unit signal transmission error due to breaking of wire in the connection wires between the indoor and outdoor units.

Troubleshooting



17.4.2 H12 (Indoor/Outdoor Capacity Rank Mismatched)

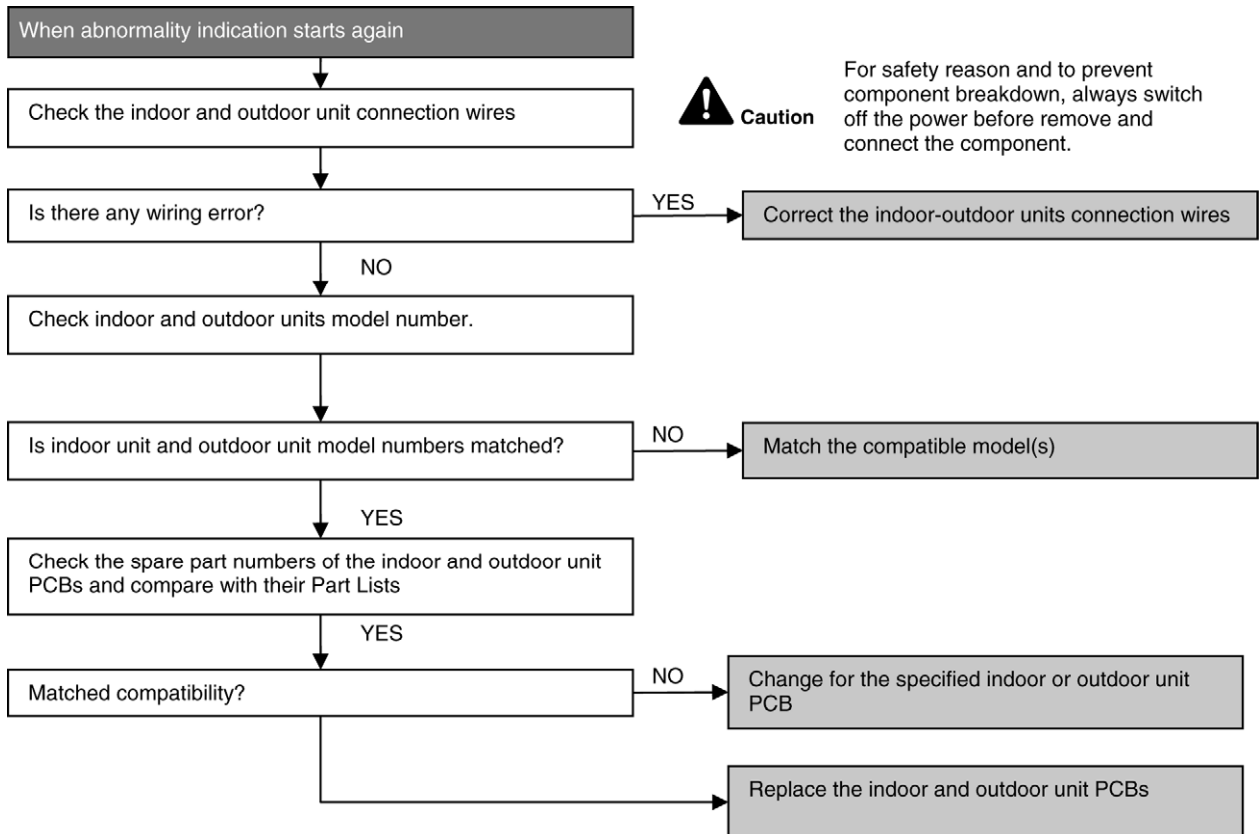
Malfunction Decision Conditions

- During startup, error code appears when different types of indoor and outdoor units are interconnected.

Malfunction Caused

- Wrong models interconnected.
- Wrong indoor unit or outdoor unit PCBs mounted.
- Indoor unit or outdoor unit PCBs defective.
- Indoor-outdoor unit signal transmission error due to wrong wiring.
- Indoor-outdoor unit signal transmission error due to breaking of wire 3 in the connection wires between the indoor and outdoor units.

Troubleshooting



17.4.3 H14 (Indoor Intake Air Temperature Sensor Abnormality)

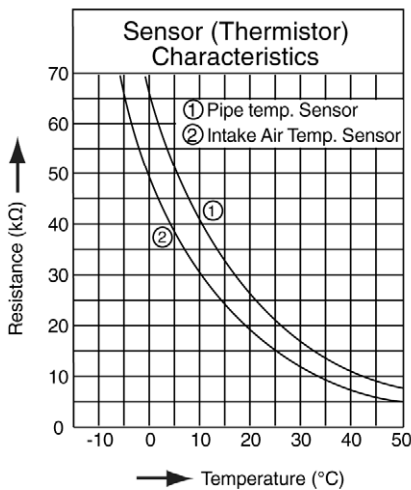
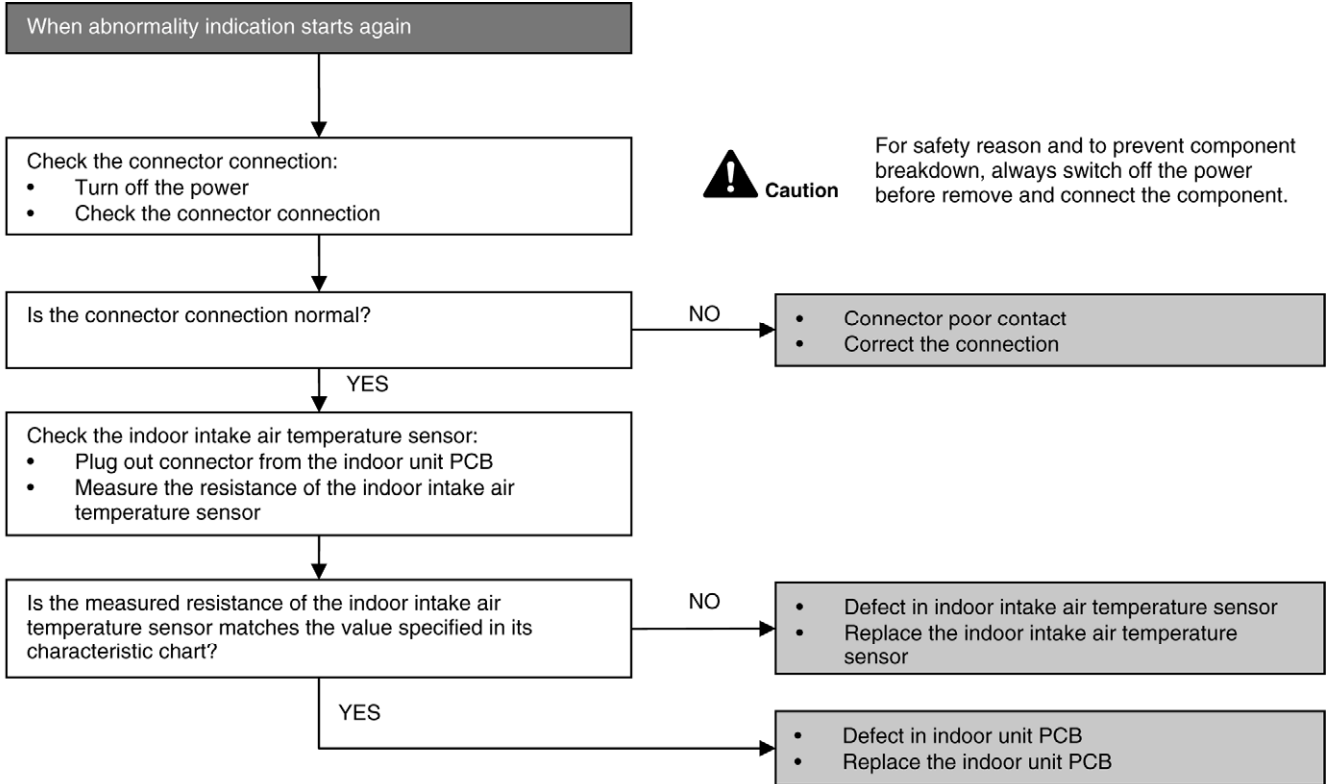
Malfunction Decision Conditions

- During startup and operation of cooling and heating, the temperatures detected by the indoor intake air temperature sensor are used to determine sensor errors.

Malfunction Caused

- Faulty connector connection.
- Faulty sensor.
- Faulty PCB.

Troubleshooting



17.4.4 H15 (Compressor Temperature Sensor Abnormality)

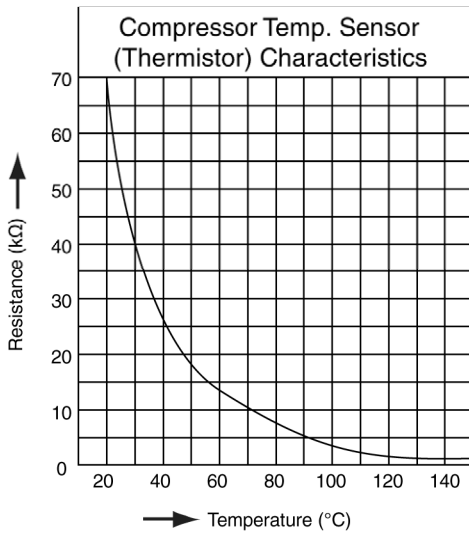
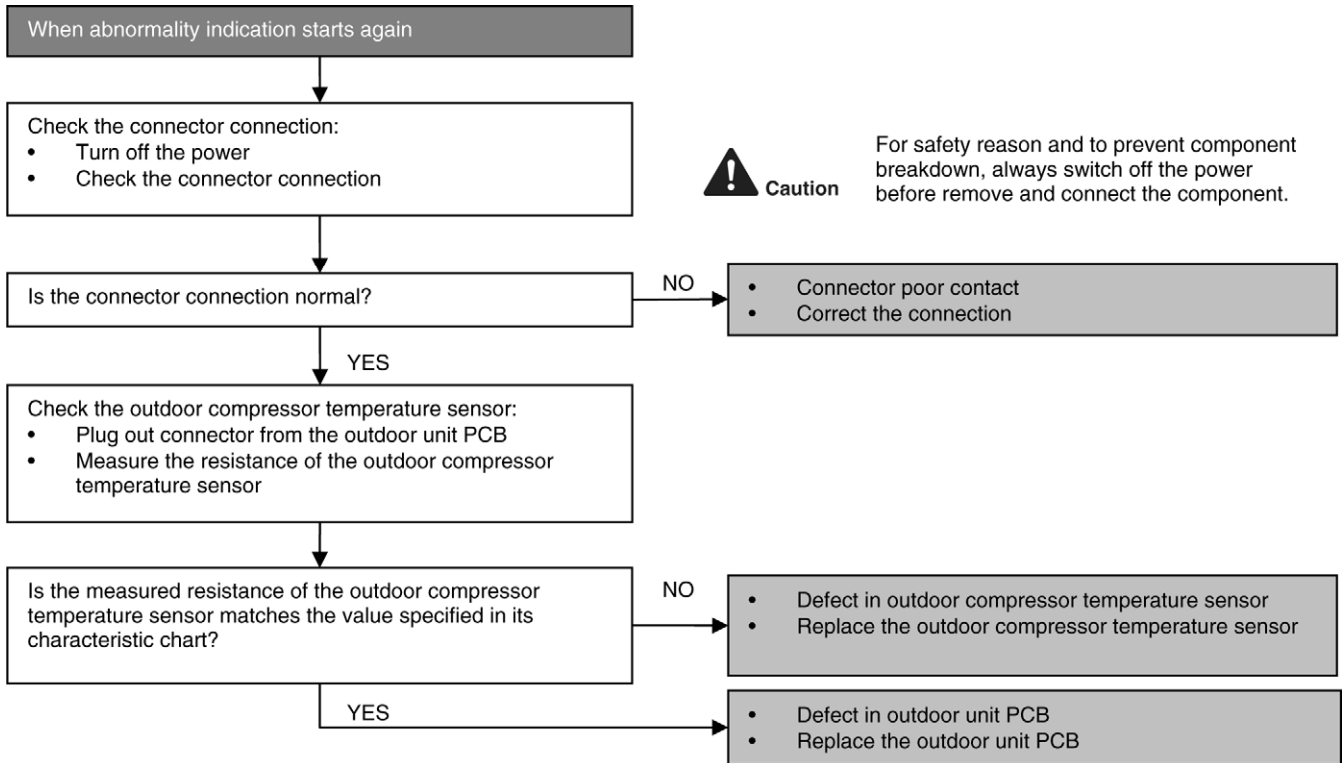
Malfunction Decision Conditions

- During startup and operation of cooling and heating, the temperatures detected by the outdoor compressor temperature sensor are used to determine sensor errors.

Malfunction Caused

- Faulty connector connection.
- Faulty sensor.
- Faulty PCB.

Troubleshooting



17.4.5 H16 (Outdoor Current Transformer)

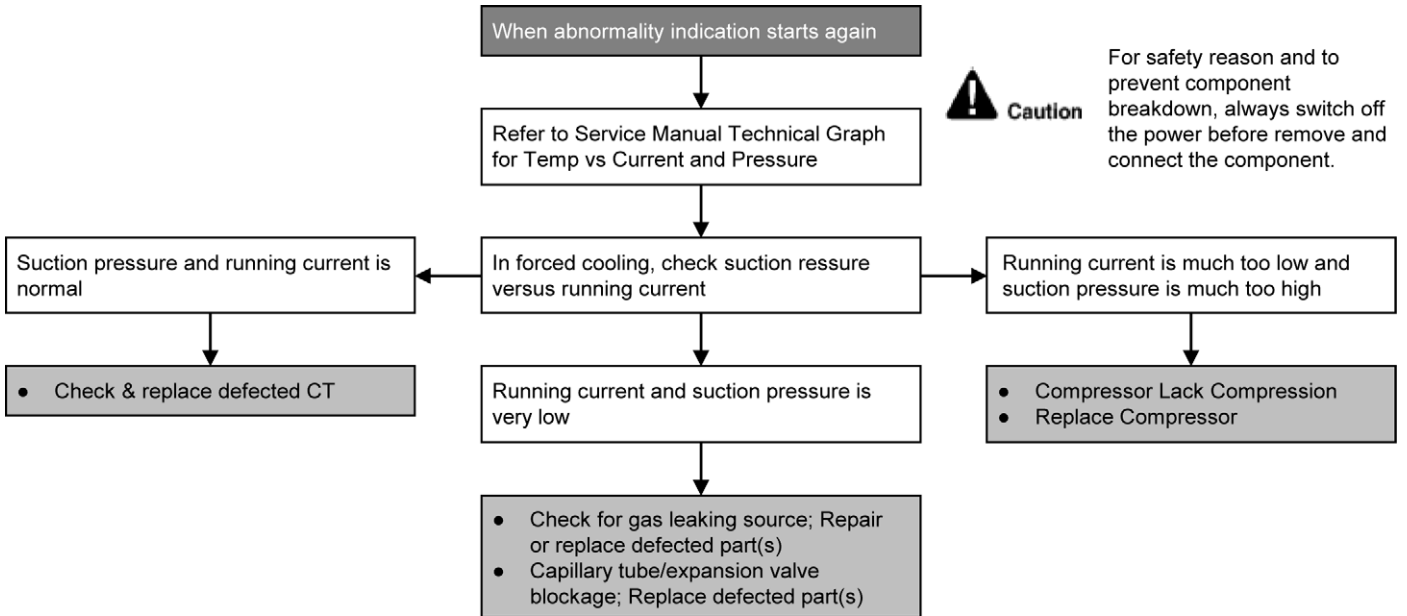
Malfunction Decision Conditions

- An input current, detected by Current Transformer CT, is below threshold value when the compressor is operating at certain frequency value for 3 minutes.

Malfunction Caused

- Lack of gas
- Broken CT (current transformer)
- Broken Outdoor PCB

Troubleshooting



17.4.6 H19 (Indoor Fan Motor – DC Motor Mechanism Locked)

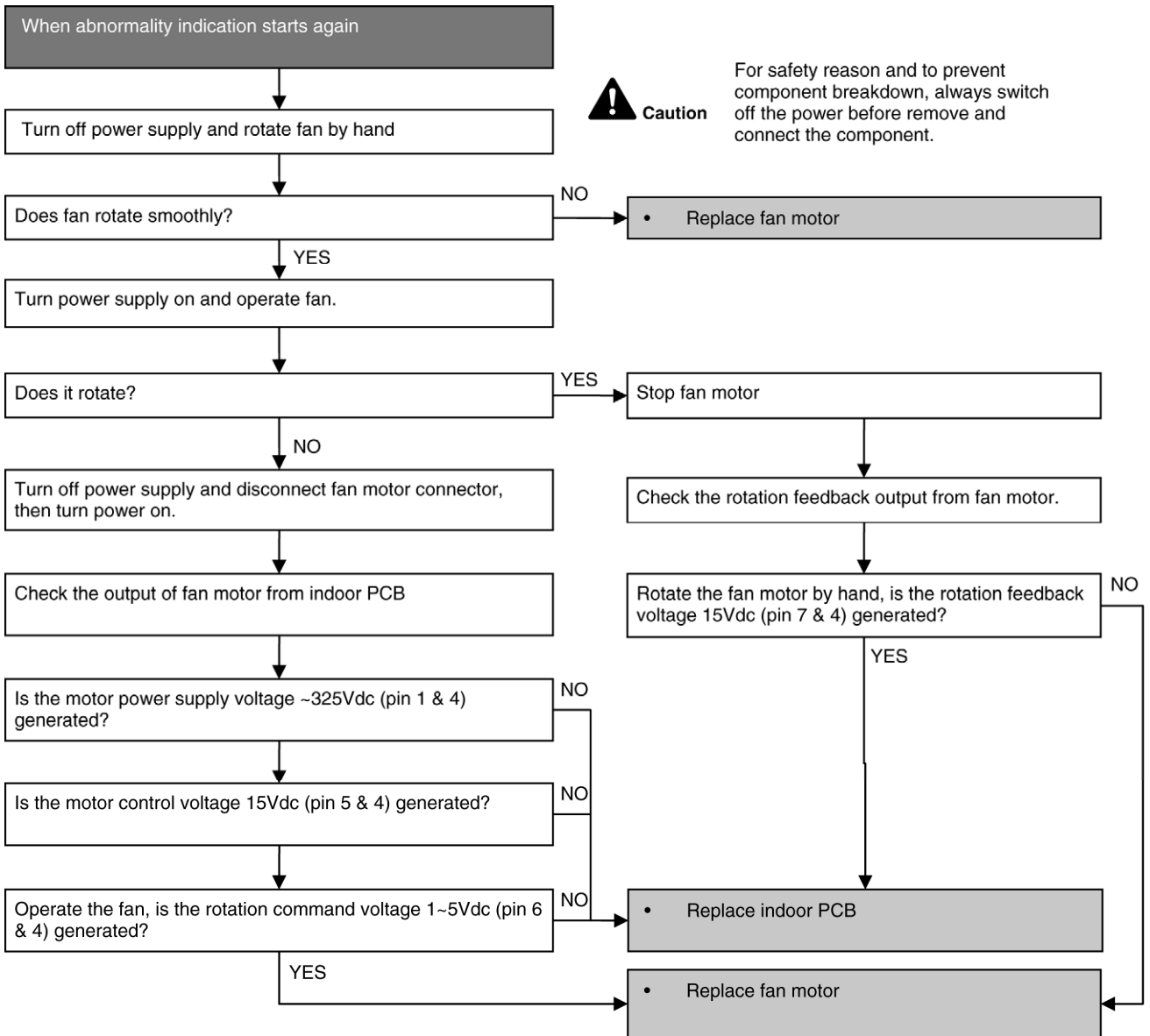
Malfunction Decision Conditions

- The rotation speed detected by the Hall IC during fan motor operation is used to determine abnormal fan motor (feedback of rotation > 2550 rpm or < 50 rpm)

Malfunction Caused

- Operation stops due to short circuit inside the fan motor winding.
- Operation stops due to breaking of wire inside the fan motor.
- Operation stops due to breaking of fan motor lead wires.
- Operation stops due to Hall IC malfunction.
- Operation error due to faulty indoor unit PCB.

Troubleshooting



17.4.7 H23 (Indoor Pipe Temperature Sensor Abnormality)

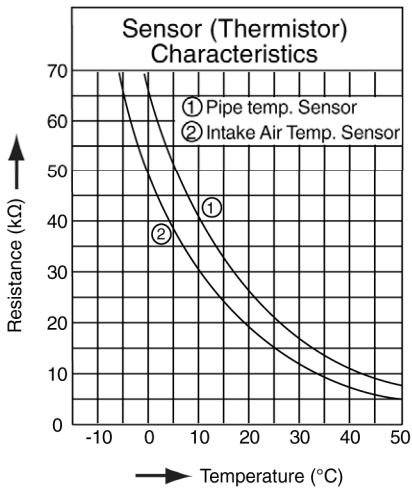
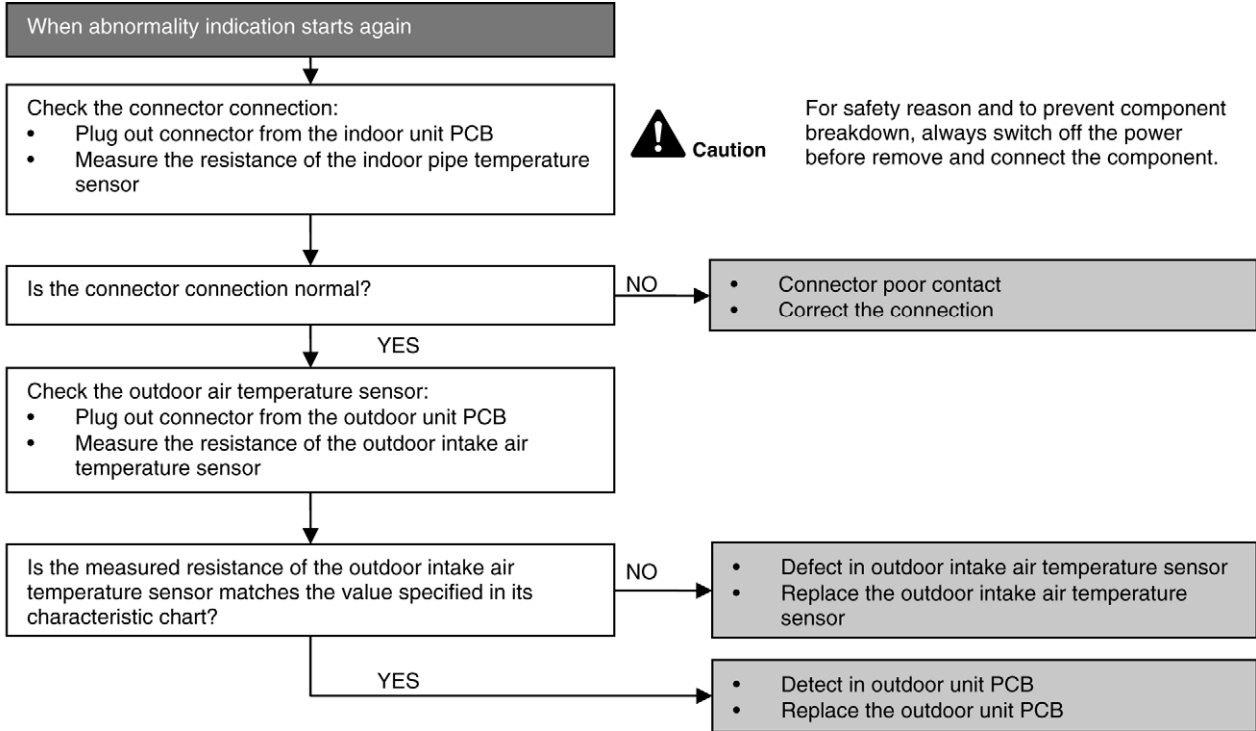
Malfunction Decision Conditions

- During startup and operation of cooling and heating, the temperatures detected by the indoor heat exchanger temperature sensor are used to determine sensor errors.

Malfunction Caused

- Faulty connector connection.
- Faulty sensor.
- Faulty PCB.

Troubleshooting



17.4.8 H27 (Outdoor Air Temperature Sensor Abnormality)

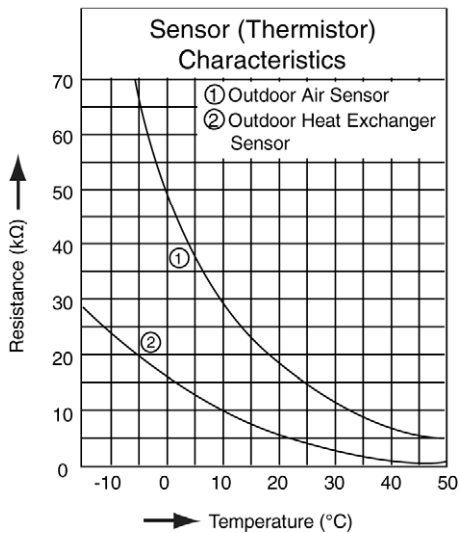
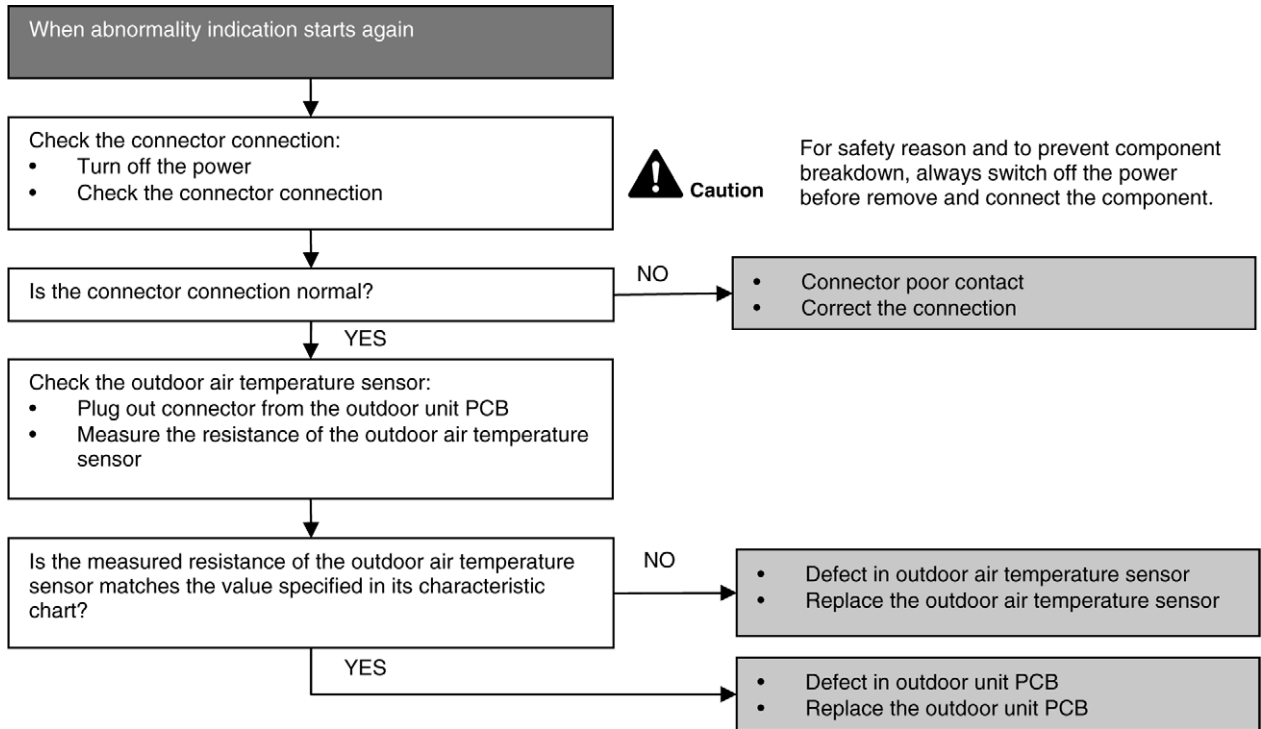
Malfunction Decision Conditions

- During startup and operation of cooling and heating, the temperatures detected by the outdoor air temperature sensor are used to determine sensor errors.

Malfunction Caused

- Faulty connector connection.
- Faulty sensor.
- Faulty PCB.

Troubleshooting



17.4.9 H28 (Outdoor Pipe Temperature Sensor Abnormality)

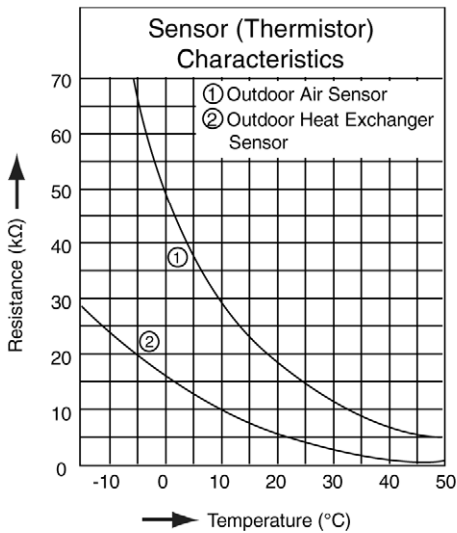
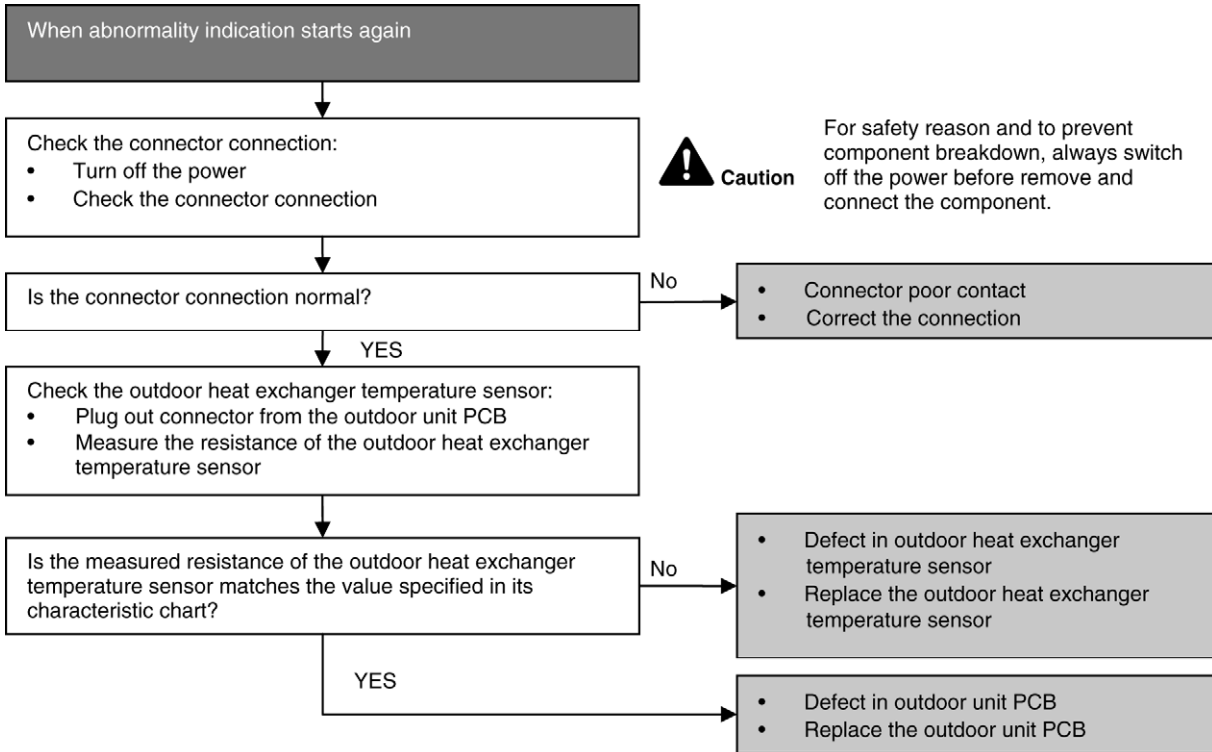
Malfunction Decision Conditions

- During startup and operation of cooling and heating, the temperatures detected by the outdoor pipe temperature sensor are used to determine sensor errors.

Malfunction Caused

- Faulty connector connection.
- Faulty sensor.
- Faulty PCB.

Troubleshooting



17.4.10 H30 (Compressor Discharge Temperature Sensor Abnormality)

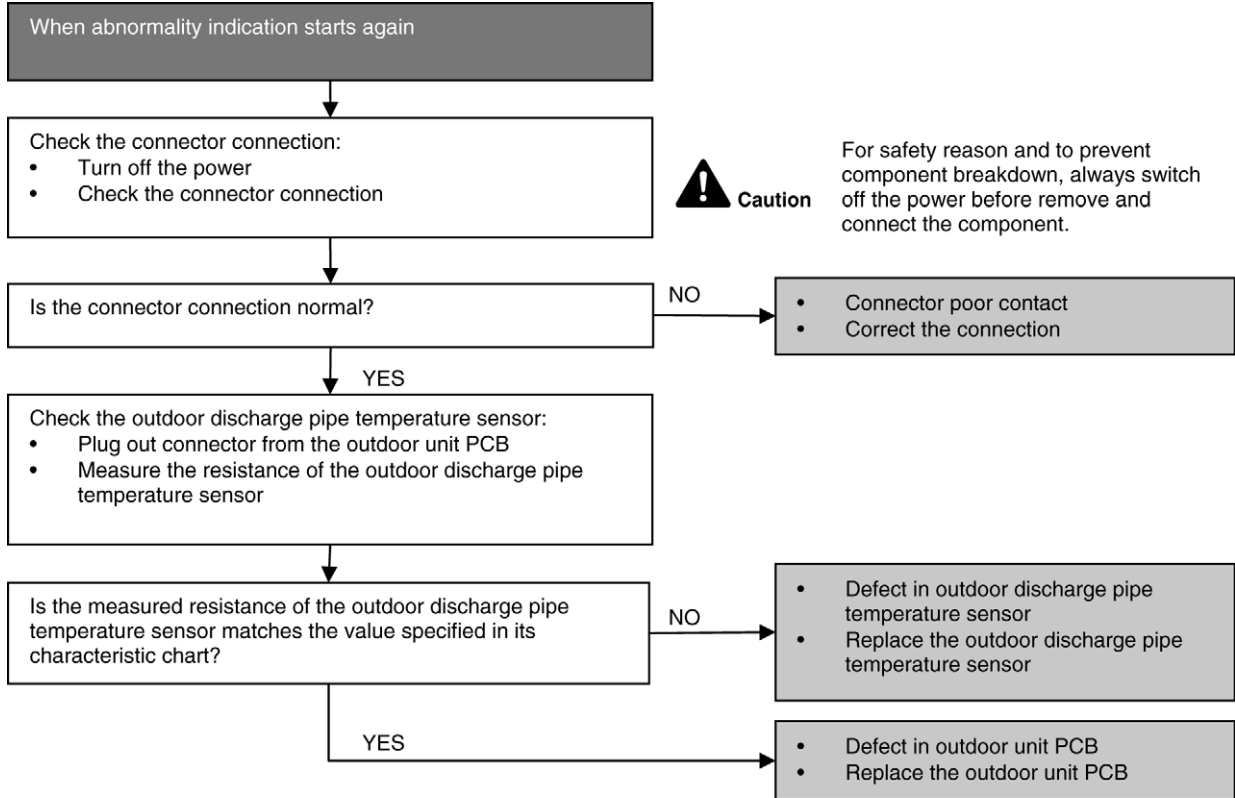
Malfunction Decision Conditions

- During startup and operation of cooling and heating, the temperatures detected by the outdoor discharge pipe temperature sensor are used to determine sensor errors.

Malfunction Caused

- Faulty connector connection.
- Faulty sensor.
- Faulty PCB.

Troubleshooting



17.4.11 H32 (Outdoor Heat Exchanger Temperature Sensor 2 Abnormality)

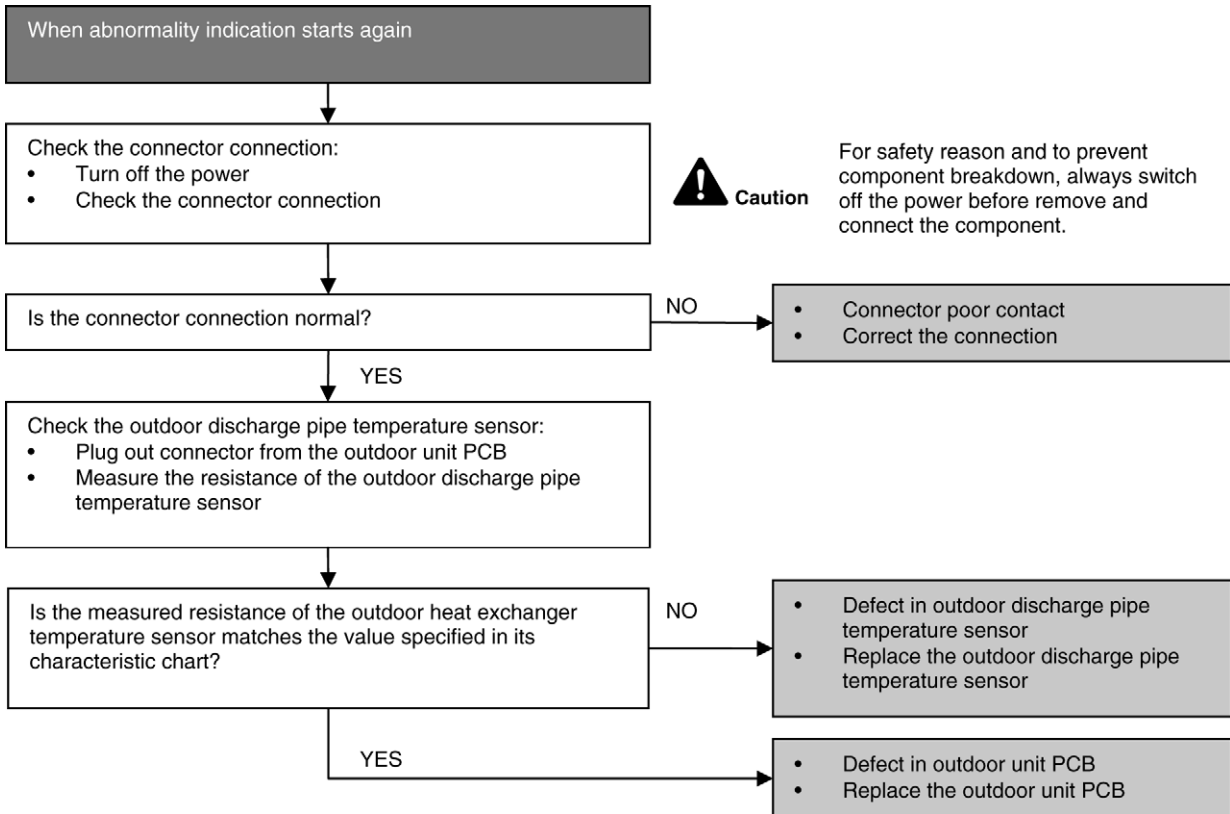
Malfunction Decision Conditions

- During startup and operation of cooling and heating, the temperatures detected by the outdoor heat exchanger temperature sensor are used to determine sensor errors.

Malfunction Caused

- Faulty connector connection.
- Faulty sensor.
- Faulty PCB.

Troubleshooting



17.4.12 H33 (Unspecified Voltage between Indoor and Outdoor)

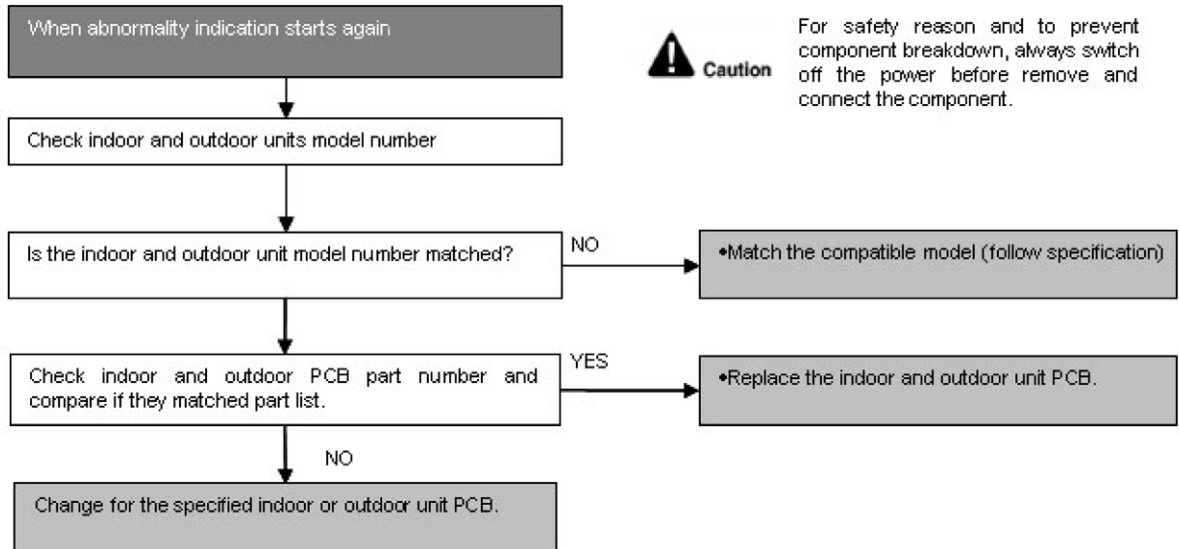
Malfunction Decision Conditions

- The supply power is detected for its requirement by the indoor/outdoor transmission.

Malfunction Caused

- Wrong models interconnected.
- Wrong indoor unit and outdoor unit PCBs used.
- Indoor unit or outdoor unit PCB defective.

Troubleshooting



17.4.13 H34 (Outdoor Heat Sink Temperature Sensor Abnormality)

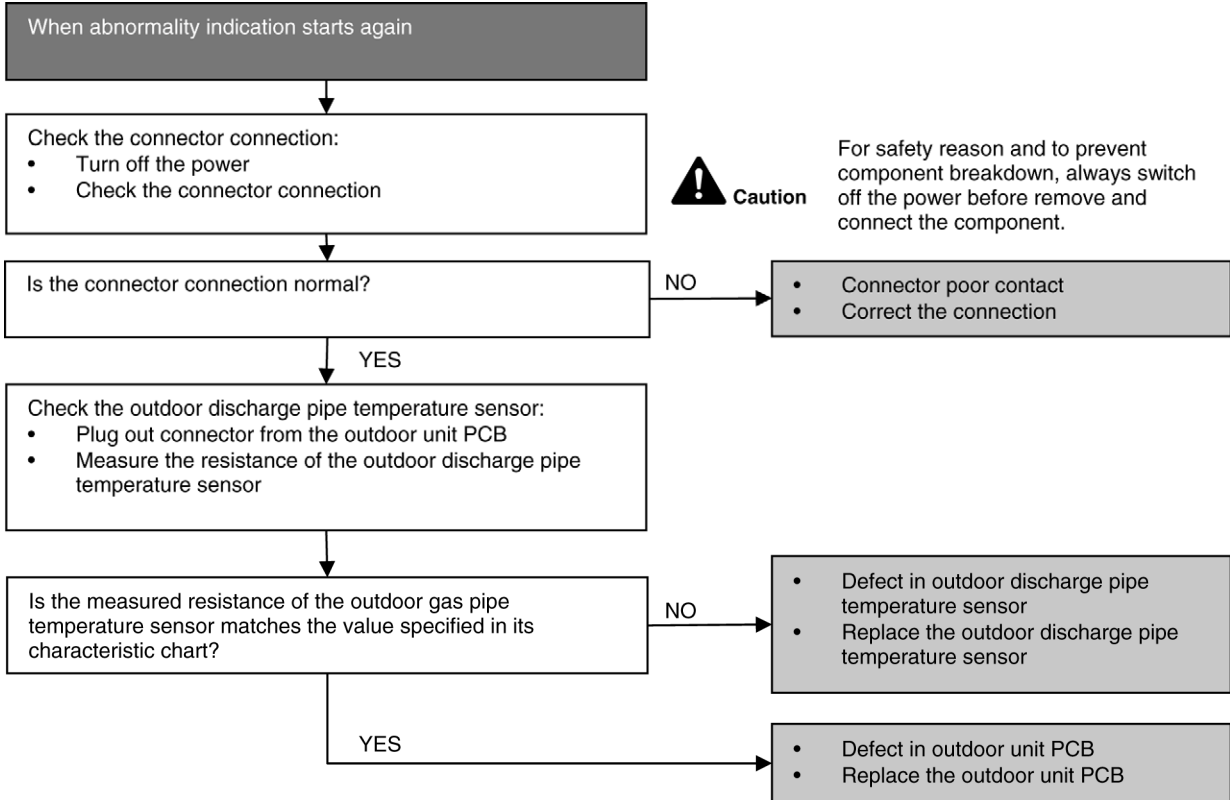
Malfunction Decision Conditions

- During startup and operation of cooling and heating, the temperatures detected by the outdoor heat sink temperature sensor are used to determine sensor errors.

Malfunction Caused

- Faulty connector connection.
- Faulty sensor.
- Faulty PCB.

Troubleshooting



17.4.14 H36 (Outdoor Gas Pipe Sensor Abnormality)

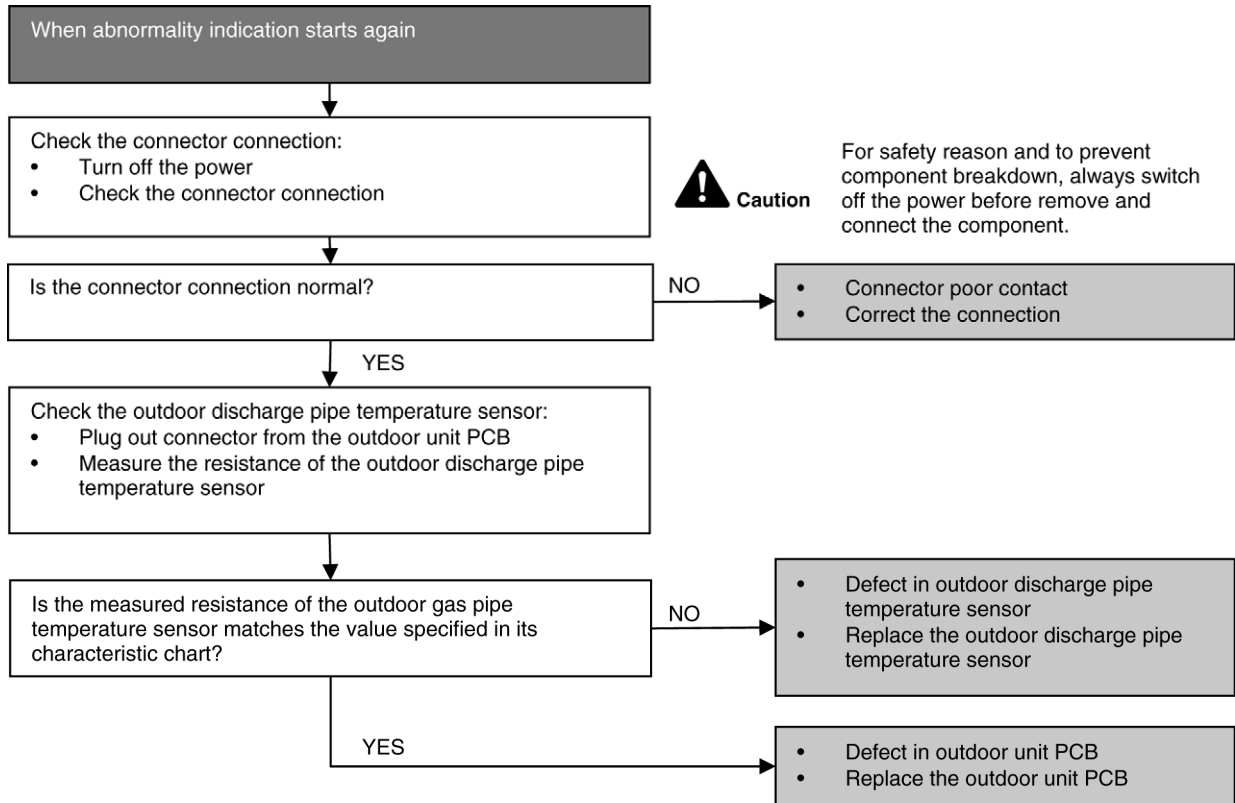
Malfunction Decision Conditions

- During startup and operation of cooling and heating, the temperatures detected by the outdoor gas pipe temperature sensor are used to determine sensor errors.

Malfunction Caused

- Faulty connector connection.
- Faulty sensor.
- Faulty PCB.

Troubleshooting



17.4.15 H37 (Outdoor Liquid Pipe Temperature Sensor Abnormality)

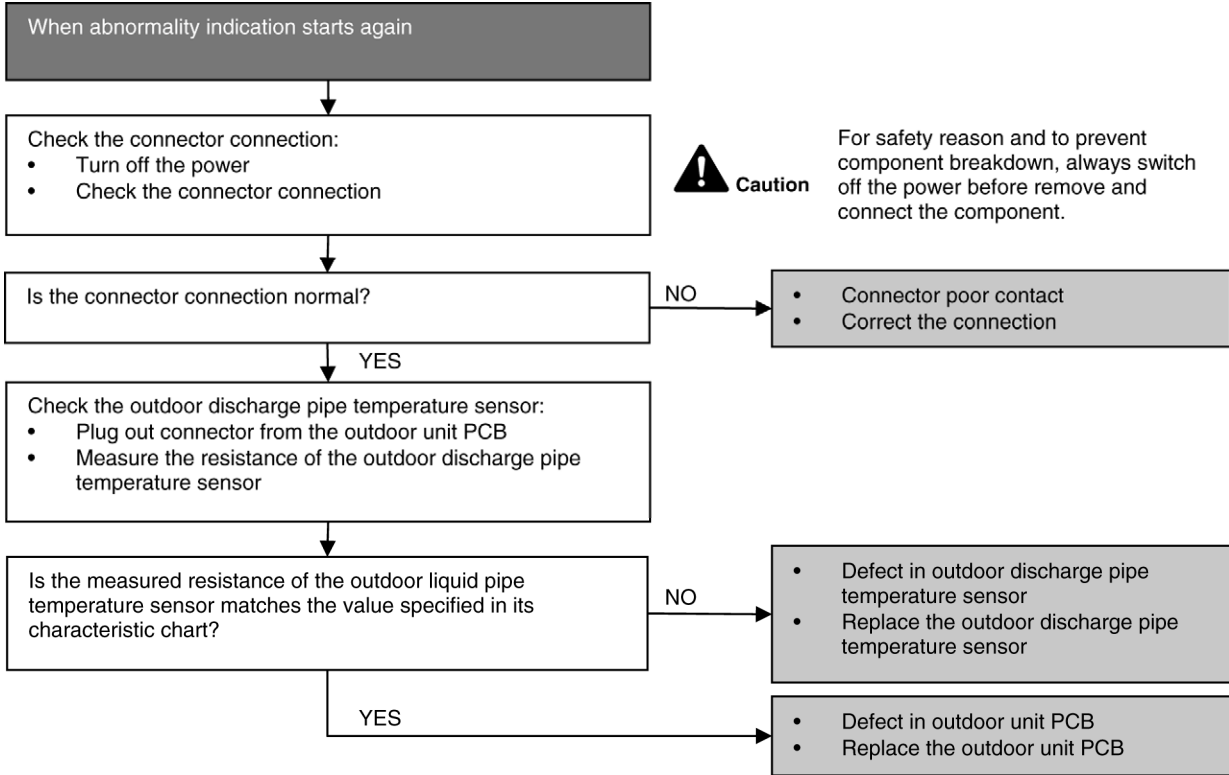
Malfunction Decision Conditions

- During startup and operation of cooling and heating, the temperatures detected by the outdoor liquid pipe temperature sensor are used to determine sensor errors.

Malfunction Caused

- Faulty connector connection.
- Faulty sensor.
- Faulty PCB.

Troubleshooting



17.4.16 H97 (Outdoor Fan Motor – DC Motor Mechanism Locked)

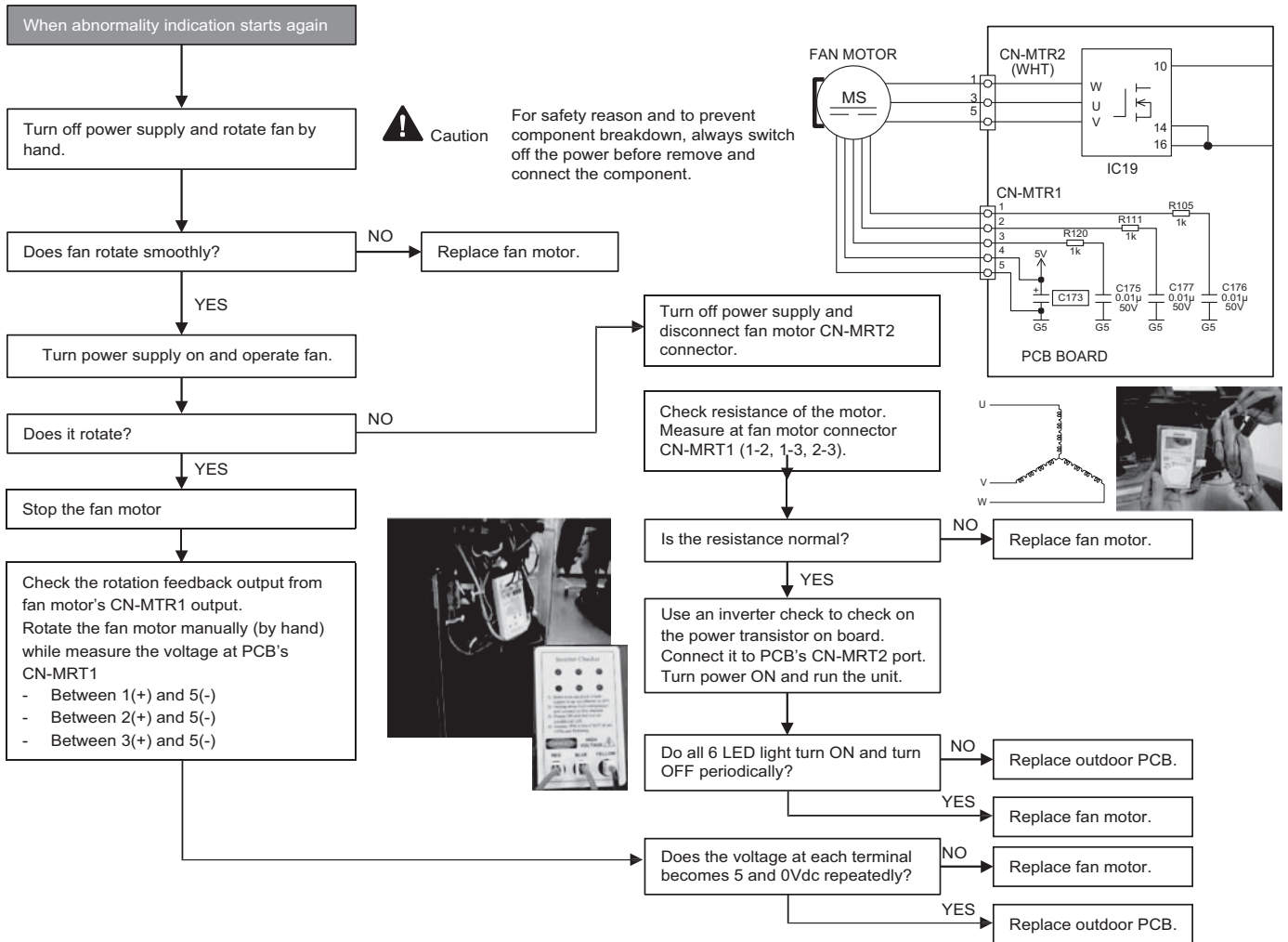
Malfunction Decision Conditions

- The rotation speed detected by the Hall IC during fan motor operation is used to determine abnormal fan motor.

Malfunction Caused

- Operation stops due to short circuit inside the fan motor winding.
- Operation stops due to breaking of wire inside the fan motor.
- Operation stops due to breaking of fan motor lead wires.
- Operation stops due to Hall IC malfunction.
- Operation error due to faulty outdoor unit PCB.

Troubleshooting



17.4.17 H98 (Error Code Stored in Memory and no alarm is triggered / no TIMER LED flashing)

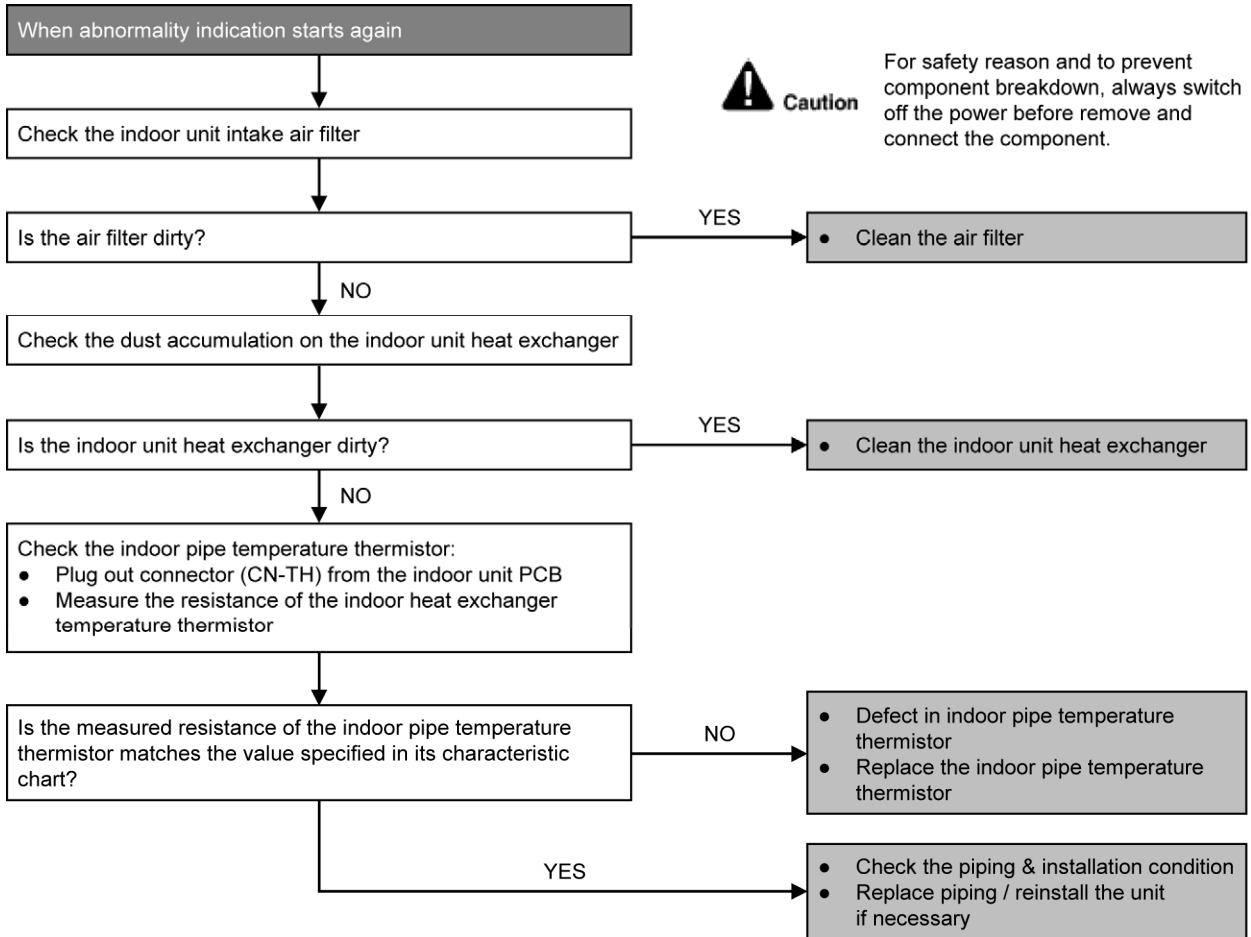
Malfunction Decision Conditions

- Indoor high pressure is detected when indoor heat exchanger is detecting very high temperature when the unit is operating in heating operation.
- Phenomena: unit is stopping and re-starting very often in heating mode

Malfunction Caused

- Indoor heat exchanger thermistor
- Clogged air filter or heat exchanger
- Over-bent pipe (liquid side)

Troubleshooting



17.4.18 H99 (Indoor Freeze Prevention Protection: Cooling or Soft Dry)

Error Code will not display (no Timer LED blinking) but store in EEPROM

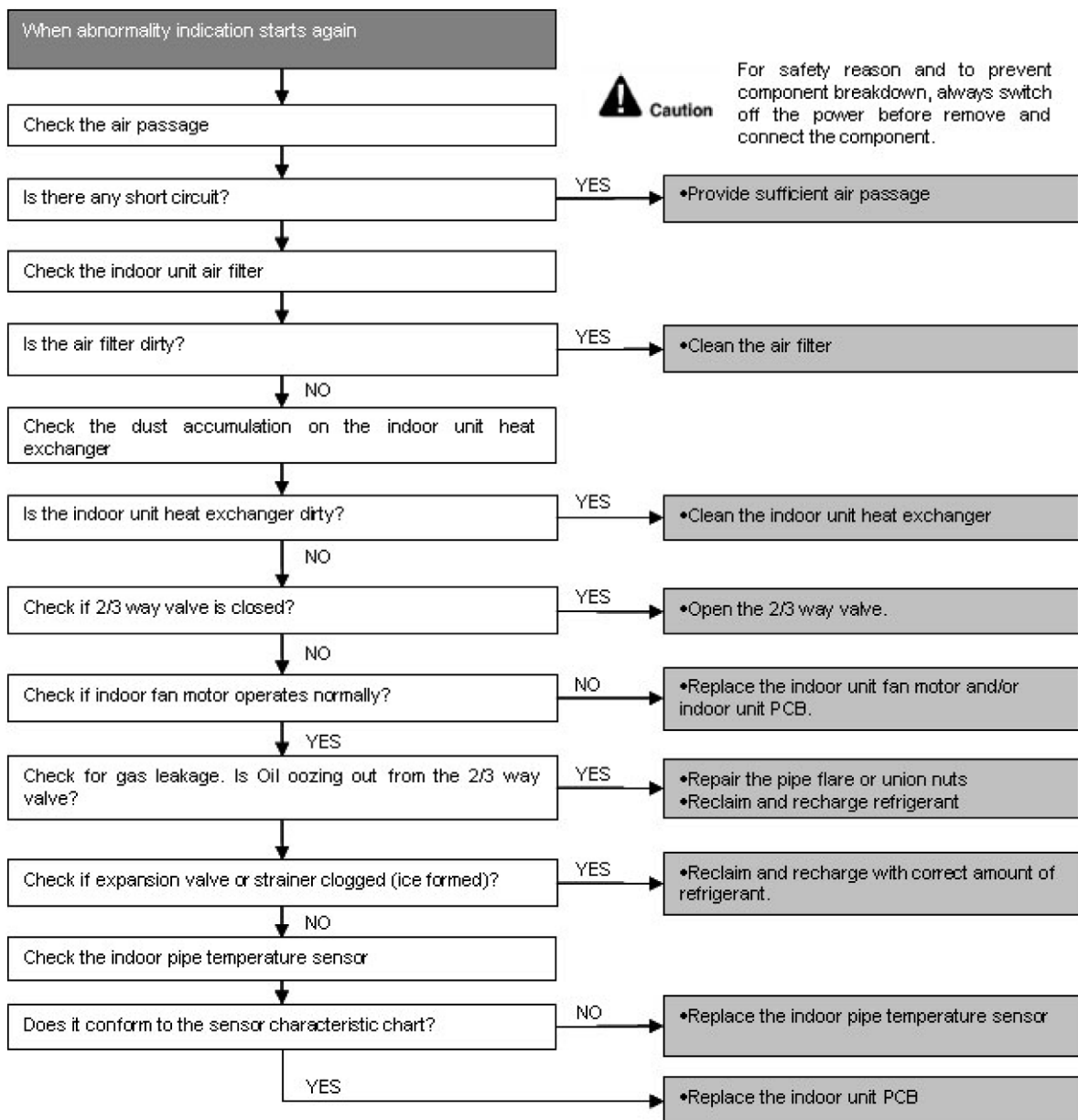
Malfunction Decision Conditions

- Freeze prevention control takes place (when indoor pipe temperature is lower than 2°C)

Malfunction Caused

- Air short circuit at indoor unit
- Clogged indoor unit air filter
- Dust accumulation on the indoor unit heat exchanger
- 2/3 way valve closed
- Faulty indoor unit fan motor
- Refrigerant shortage (refrigerant leakage)
- Clogged expansion valve or strainer
- Faulty indoor pipe temperature sensor
- Faulty indoor unit PCB

Troubleshooting



17.4.19 F11 (4-way Valve Switching Failure)

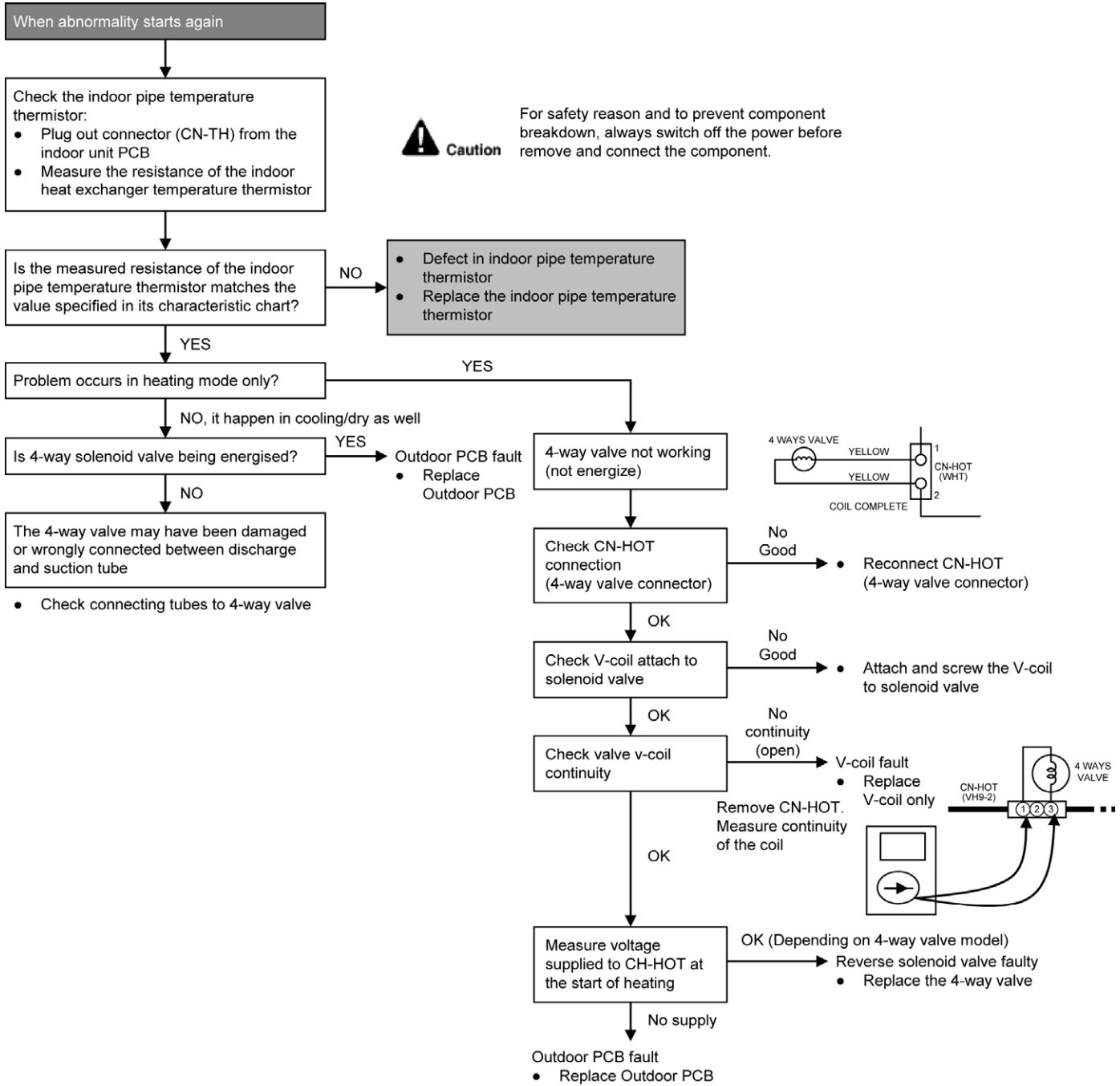
Malfunction Decision Conditions

- When indoor heat exchanger is cold during heating (except deice) or when indoor heat exchanger is hot during cooling and compressor operating, the 4-way valve is detected as malfunction.

Malfunction Caused

- Indoor heat exchanger (pipe) thermistor
- 4-way valve malfunction

Troubleshooting



* Check gas side pipe – for hot gas flow in cooling mode

17.4.20 F17 (Indoor Standby Units Freezing Abnormality)

Malfunction Decision Conditions

- When the different between indoor intake air temperature and indoor pipe temperature is above 10°C or indoor pipe temperature is below -1.0°C.

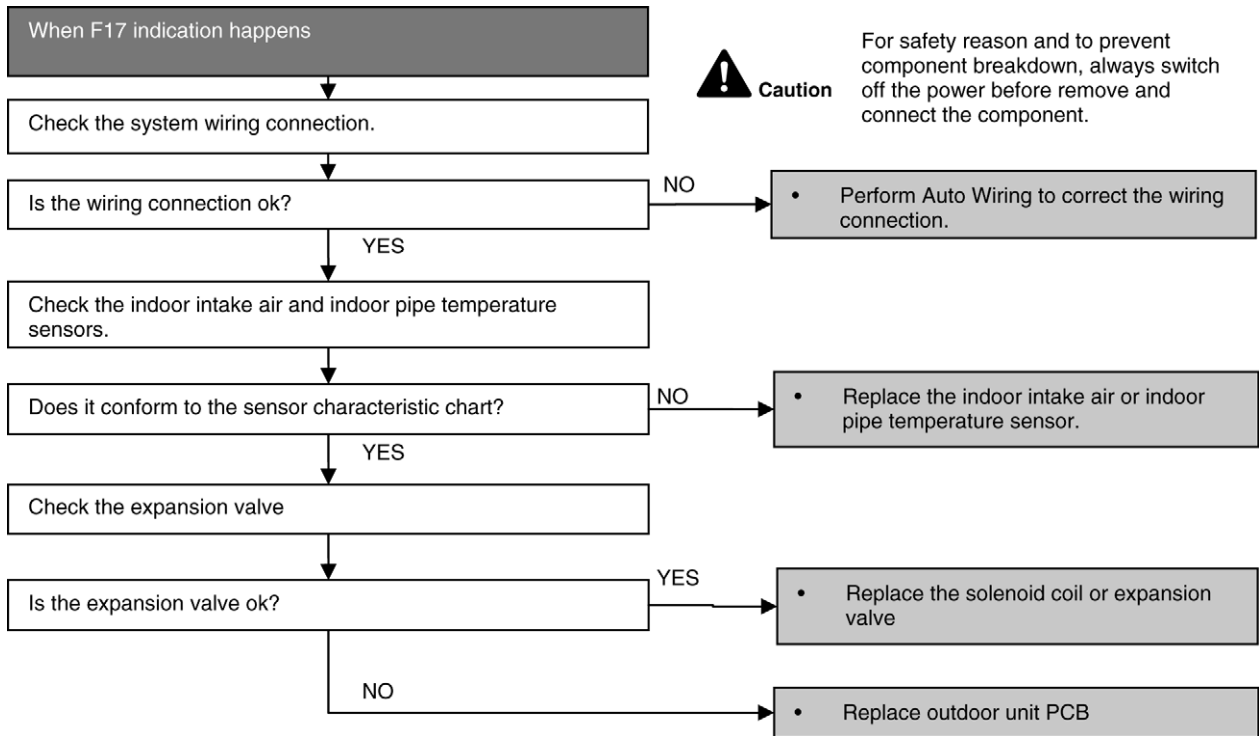
Remark:

When the indoor standby unit is freezing, the outdoor unit transfers F17 error code to the corresponding indoor unit and H39 to other indoor unit(s).

Malfunction Caused

- Wrong wiring connection
- Faulty sensor
- Faulty expansion valve

Troubleshooting



17.4.21 F90 (Power Factor Correction Protection)

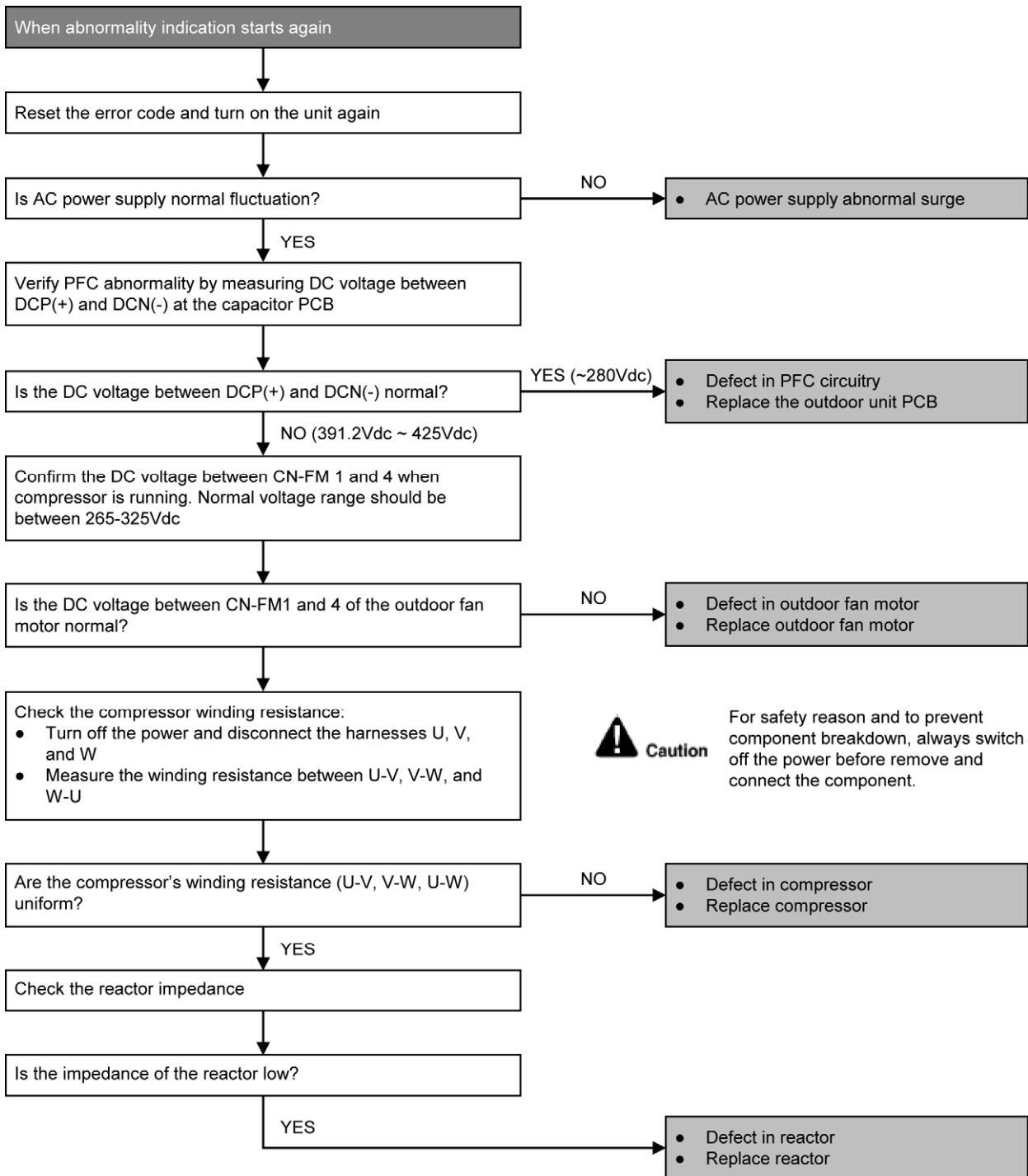
Malfunction Decision Conditions

- To maintain DC voltage level supply to power transistor.
- To detect high DC voltage level after rectification.

Malfunction Caused

- During startup and operation of cooling and heating, when Power Factor Correction (PFC) protection circuitry at the outdoor unit main PCB senses abnormal DC voltage level for power transistors.
- When DC voltage detected is LOW, transistor switching will turn ON by controller to push-up the DC level.
- When DC voltage detected is HIGH (391Vdc – 425Vdc), active LOW signal will send by the controller to turn OFF relay RY-C.

Troubleshooting



17.4.22 F91 (Refrigeration Cycle Abnormality)

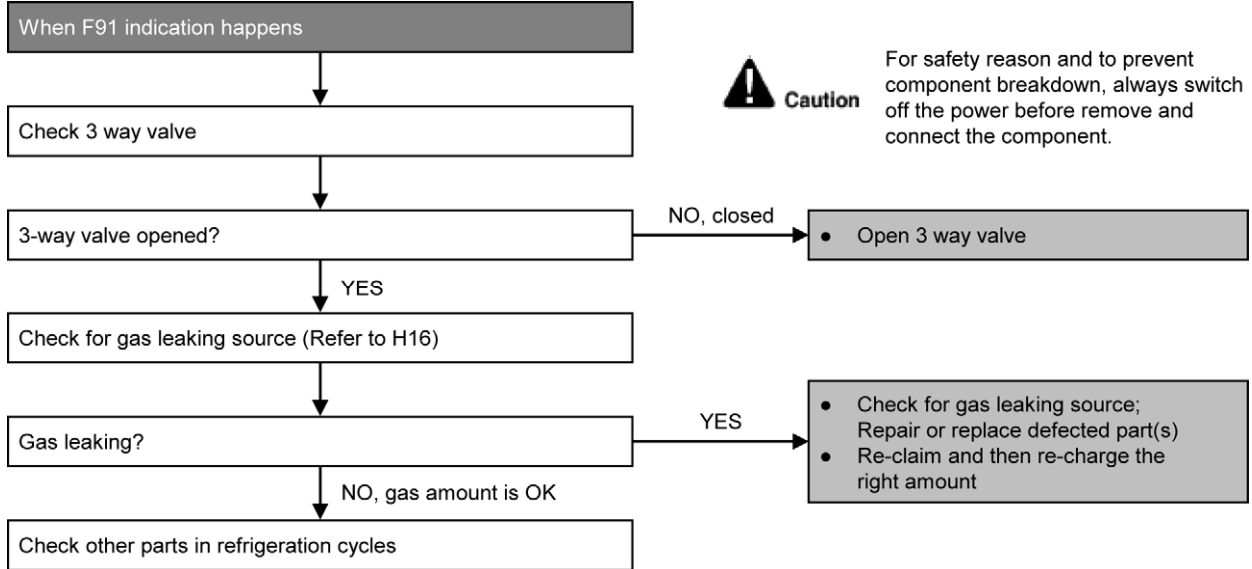
Malfunction Decision Conditions

- The input current is low while the compressor is running at higher than the setting frequency.

Malfunction Caused

- Lack of gas.
- 3-way valve close.

Troubleshooting



17.4.23 F93 (Compressor Rotation Failure)

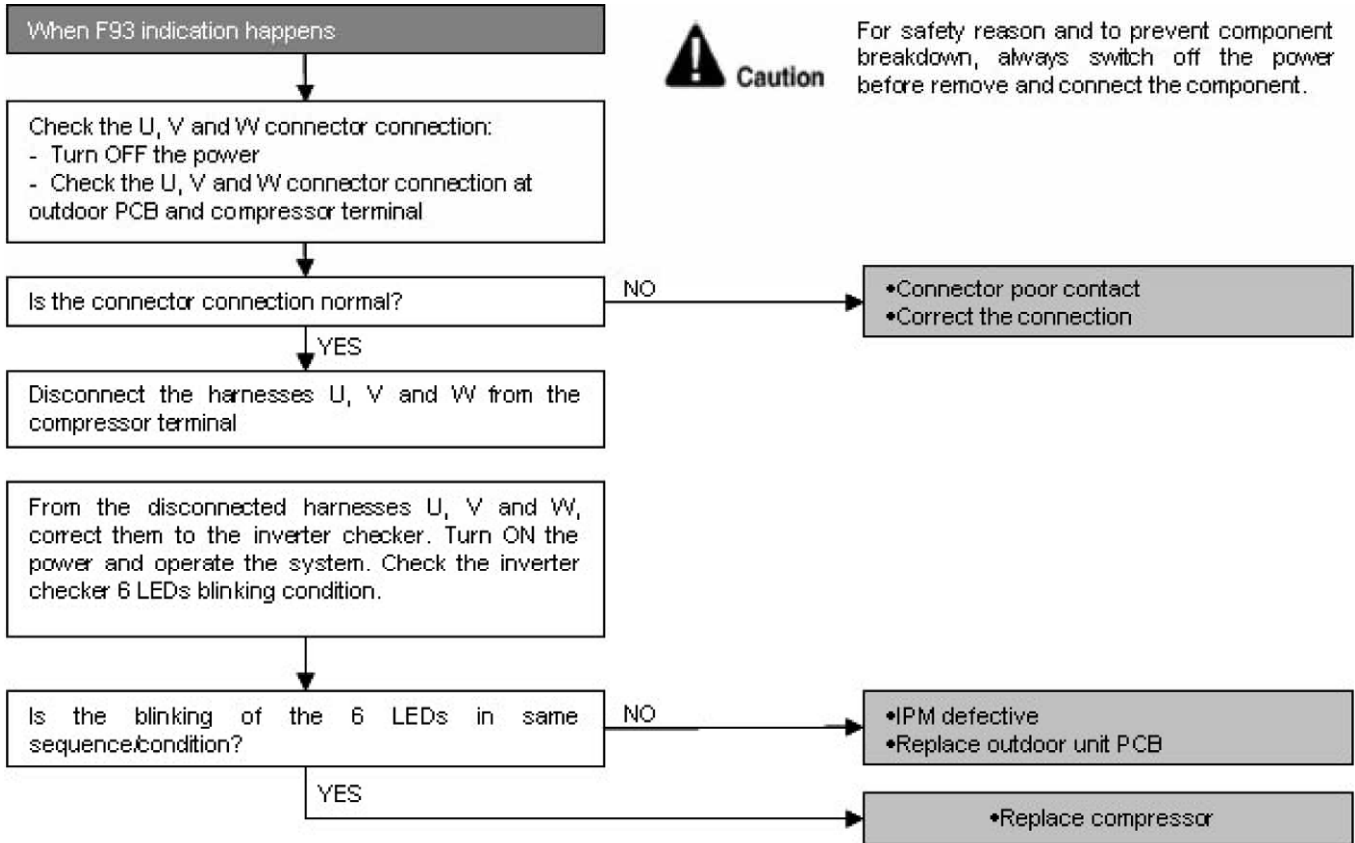
Malfunction Decision Conditions

- A compressor rotation failure is detected by checking the compressor running condition through the position detection circuit.

Malfunction Caused

- Compressor terminal disconnect
- Faulty Outdoor PCB
- Faulty compressor

Troubleshooting



17.4.24 F95 (Outdoor High Pressure Protection: Cooling or Soft Dry)

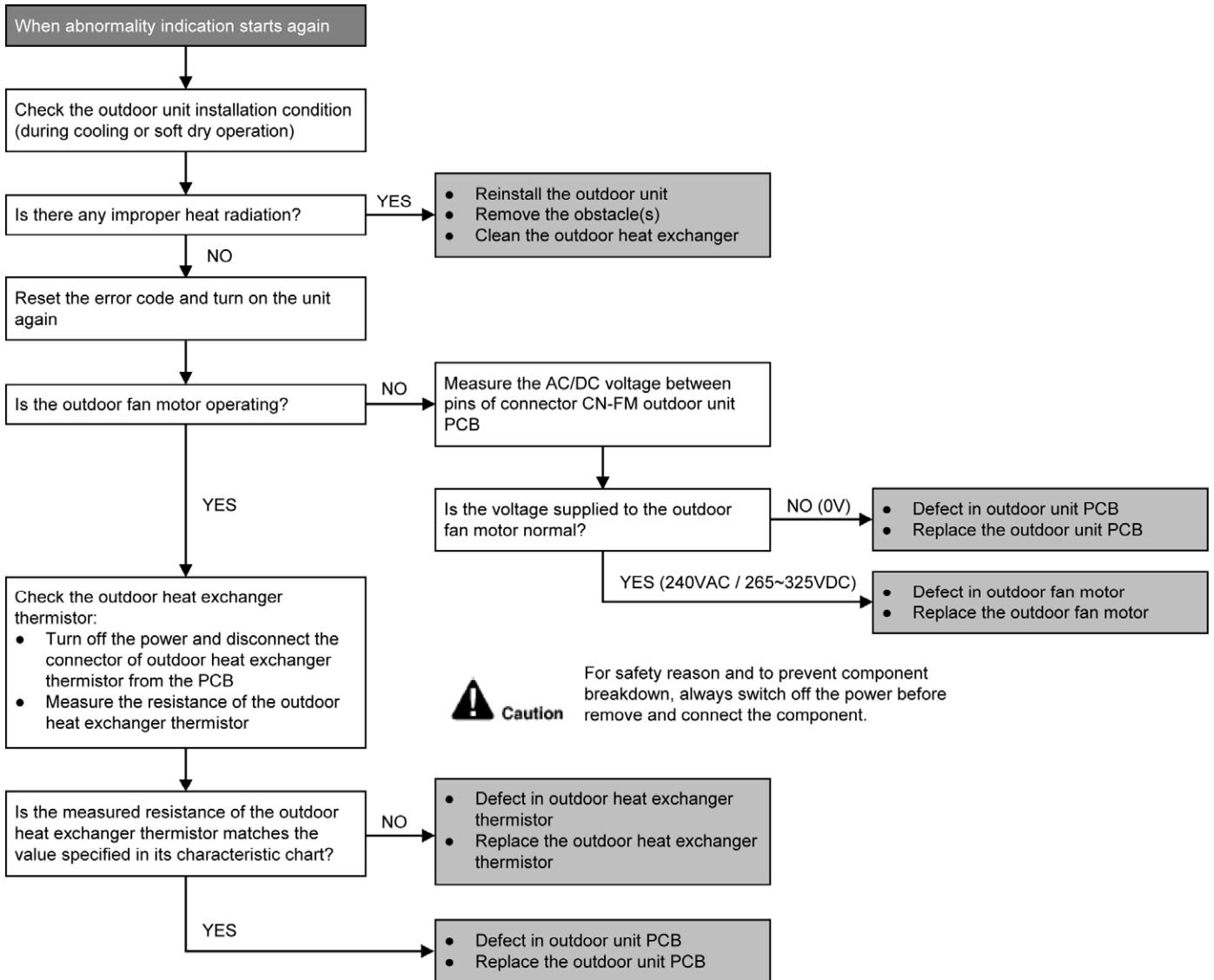
Malfunction Decision Conditions

- During operation of cooling or soft dry, when outdoor unit heat exchanger high temperature data is detected by the outdoor unit heat exchanger thermistor.

Malfunction Caused

- Outdoor heat exchanger temperature rise due to short-circuit of hot discharge air flow.
- Outdoor heat exchanger temperature rise due to defective of outdoor fan motor.
- Outdoor heat exchange temperature rise due to defective outdoor heat exchanger thermistor.
- Outdoor heat exchanger temperature rise due to defective of outdoor unit PCB.

Troubleshooting



17.4.25 F96 (IPM Overheating)

Malfunction Decision Conditions

- During operating of cooling and heating, when IPM temperature data (100°C) is detected by the IPM temperature sensor.

Multi Models only

- Compressor Overheating: During operation of cooling and heating, when the compressor OL is activated.
- Heat Sink Overheating: During operation of cooling and heating, when heat sink temperature data (90°C) is detected by the heat sink temperature sensor.

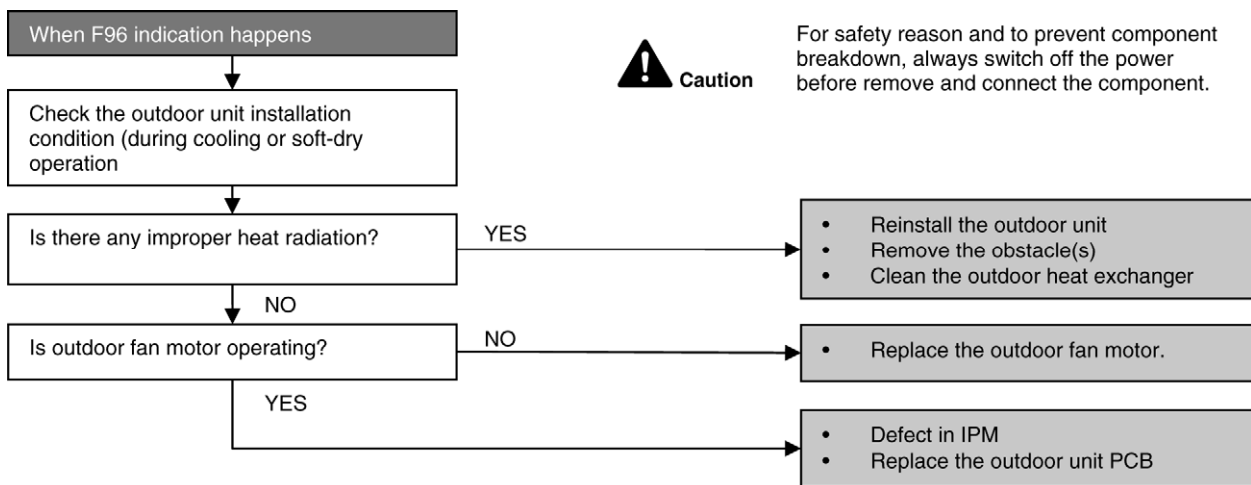
Malfunction Caused

- IPM overheats due to short circuit of hot discharge air flow.
- IPM overheats due to defective of outdoor fan motor.
- IPM overheats due to defective of internal circuitry of IPM.
- IPM overheats due to defective IPM temperature sensor.

Multi Models Only

- Compressor OL connector poor contact.
- Compressor OL faulty.

Troubleshooting



17.4.26 F97 (Compressor Overheating)

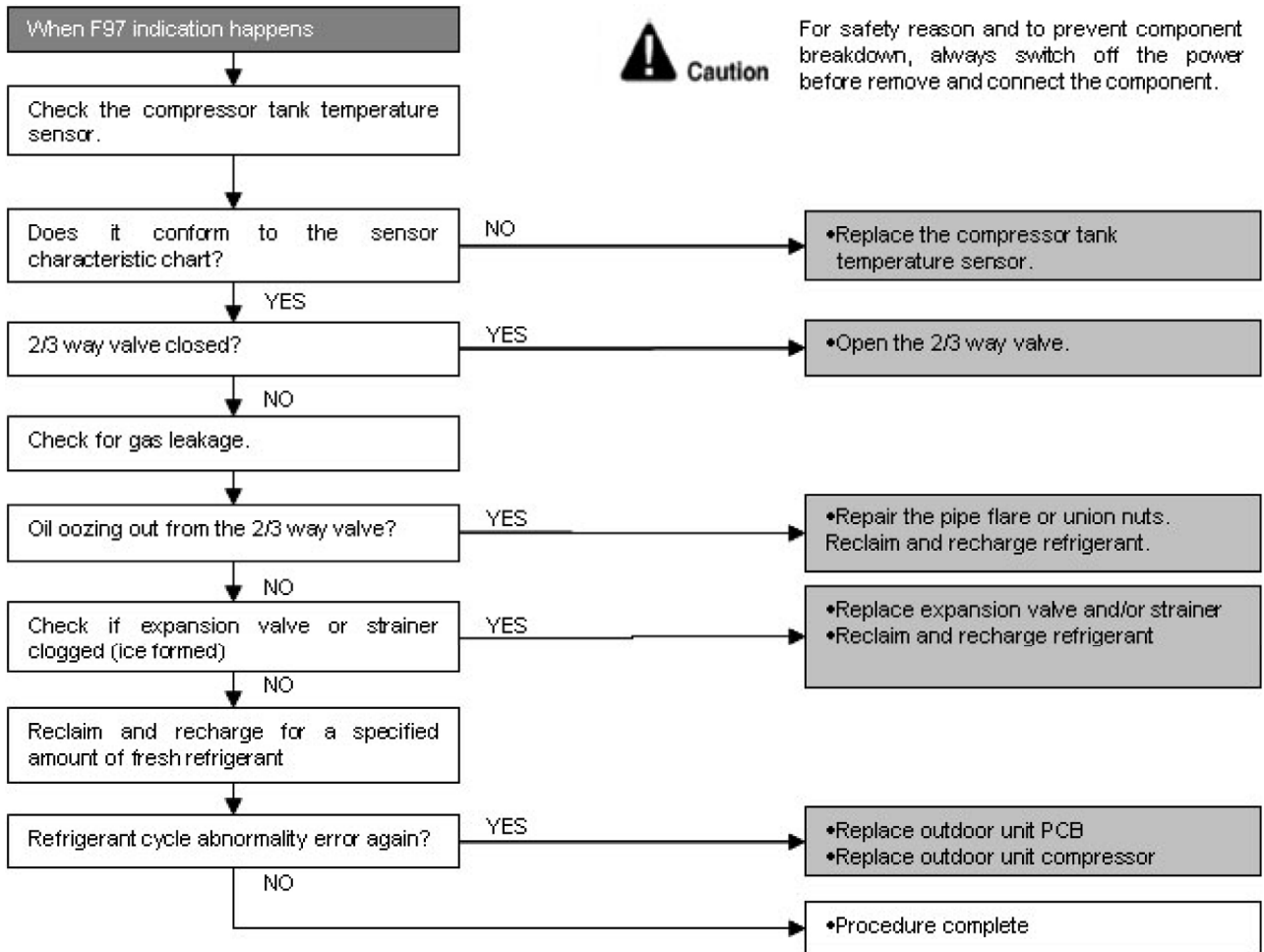
Malfunction Decision Conditions

- During operation of cooling and heating, when compressor tank temperature data (112°C) is detected by the compressor tank temperature sensor.

Malfunction Caused

- Faulty compressor tank temperature sensor
- 2/3 way valve closed
- Refrigerant shortage (refrigerant leakage)
- Faulty outdoor unit PCB
- Faulty compressor

Troubleshooting



17.4.27 F98 (Input Over Current Detection)

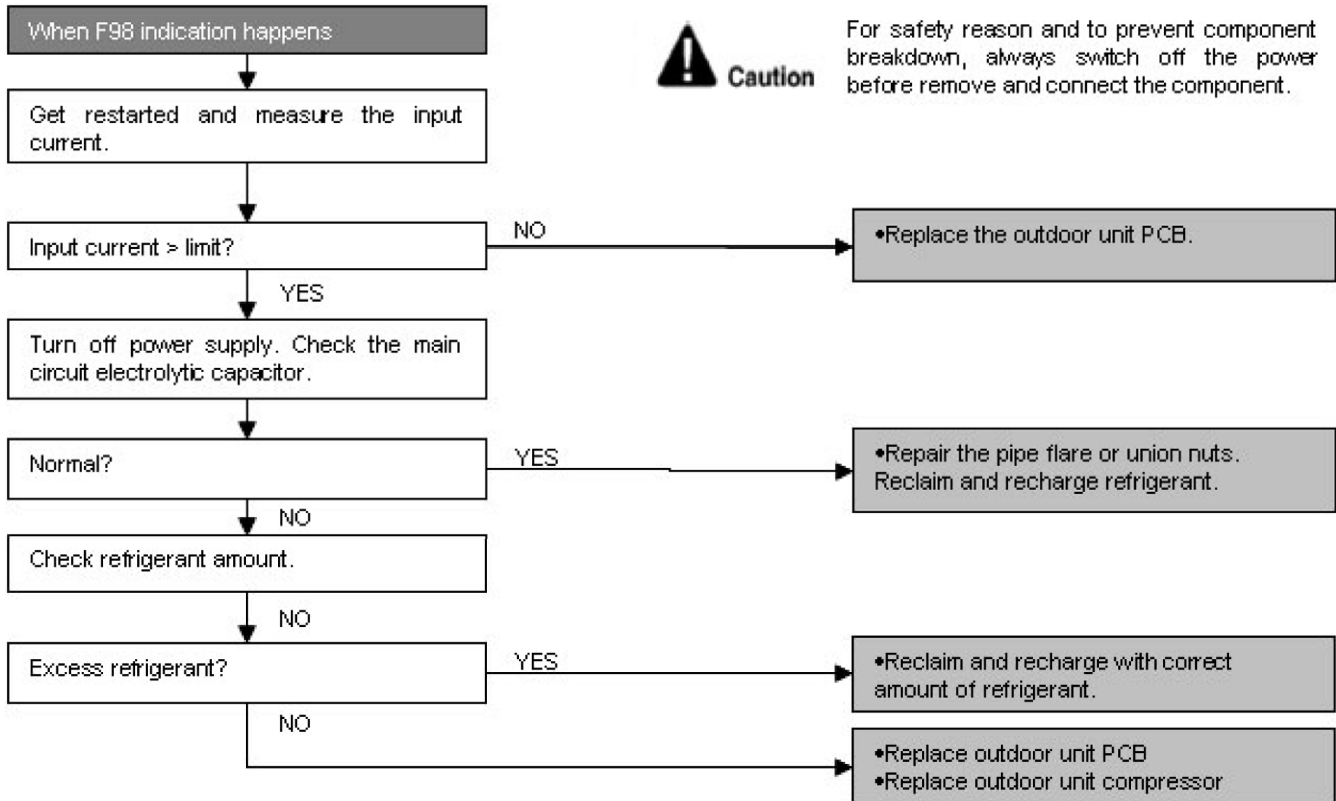
Malfunction Decision Conditions

- During operation of cooling and heating, when an input over-current (X value in Total Running Current Control) is detected by checking the input current value being detected by current transformer (CT) with the compressor running.

Malfunction Caused

- Excessive refrigerant.
- Faulty outdoor unit PCB.

Troubleshooting



17.4.28 F99 (DC Peak Detection)

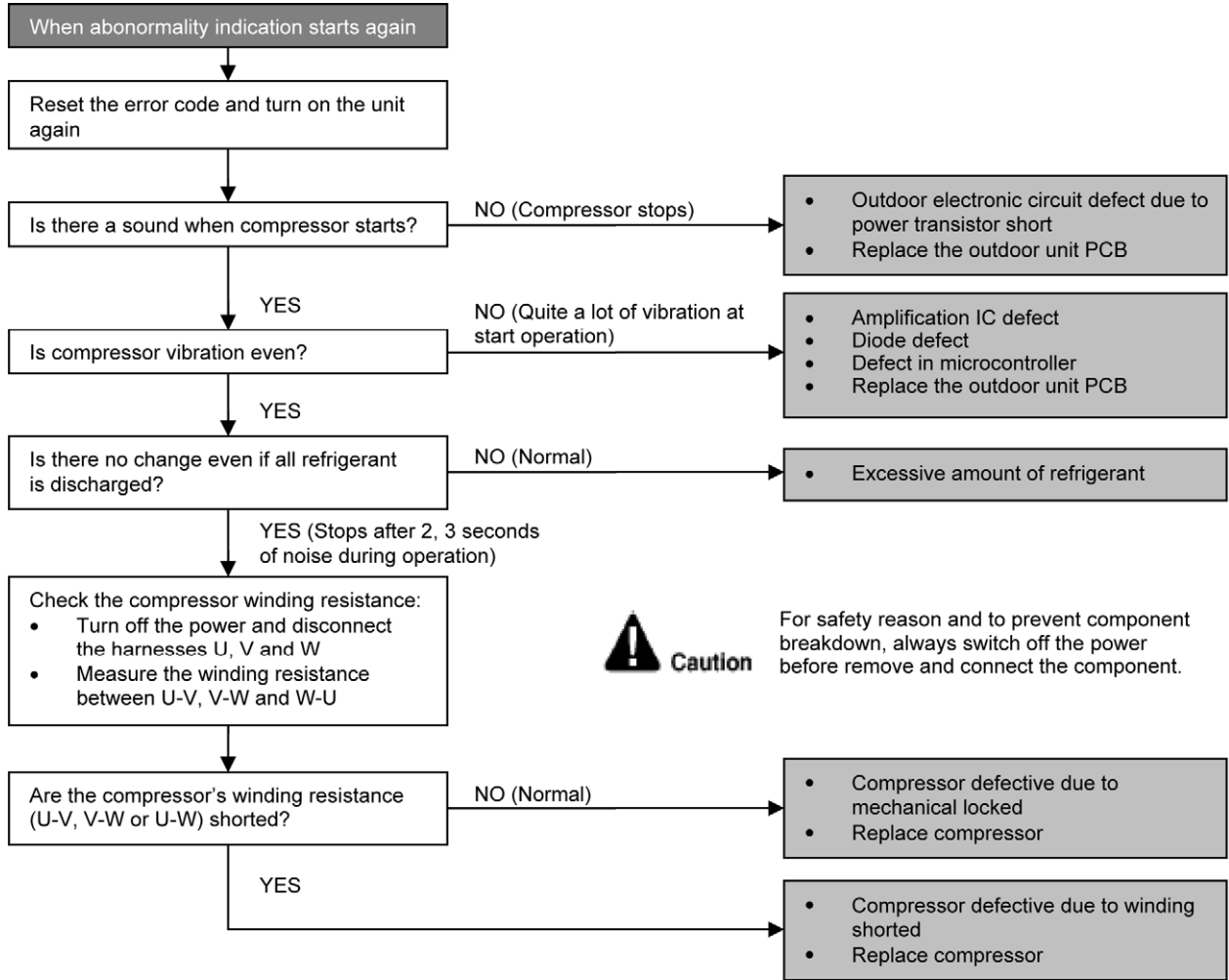
Malfunction Decision Conditions

During startup and operation of cooling and heating, when inverter DC peak data is received by the outdoor internal DC Peak sensing circuitry.

Malfunction Caused

- DC current peak due to compressor failure.
- DC current peak due to defective power transistor(s).
- DC current peak due to defective outdoor unit PCB.
- DC current peak due to short circuit.

Troubleshooting



18. Disassembly and Assembly Instructions



WARNING

High Voltage is generated in the electrical parts area by the capacitor. Ensure that the capacitor has discharged sufficiently before proceeding with repair work. Failure to heed this caution may result in electric shocks.

18.1 CS-Z25TKEA CS-Z35TKEA

18.1.1 Indoor Electronic Controllers, Cross Flow Fan and Indoor Fan Motor Removal Procedures

18.1.1.1 To Remove Front Grille

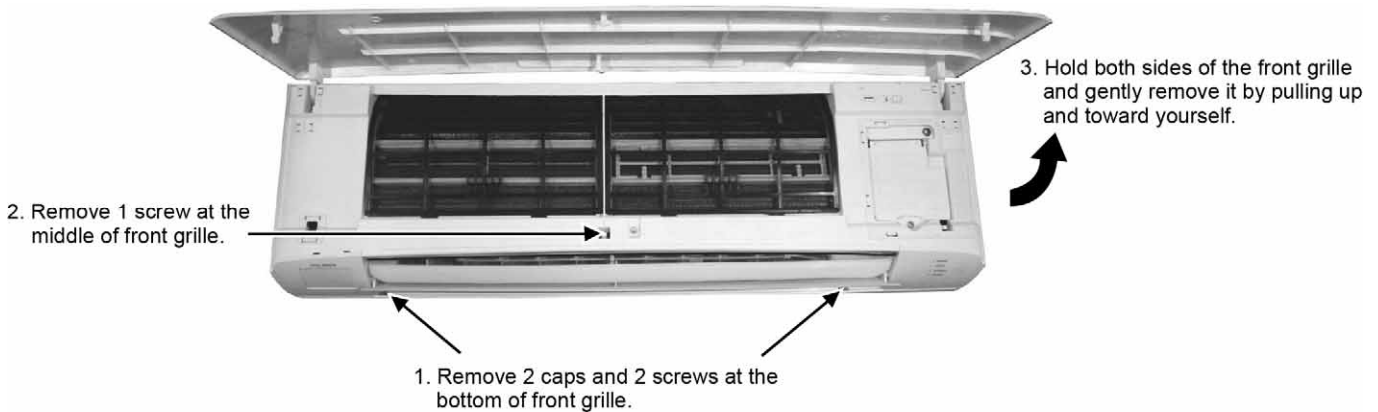
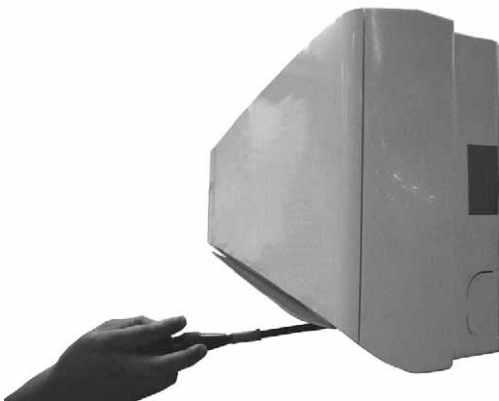
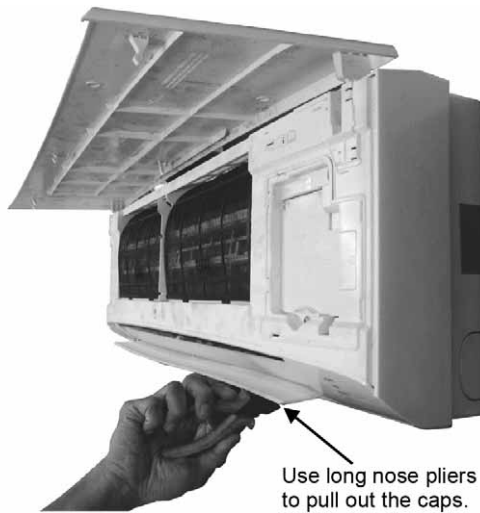


Figure 1

18.1.1.2 Caps Removal



CAUTION

- Use a manual screw driver with at least 150 mm shaft length. Do not use a hand drill type.
- Slightly tilt the screw driver handle downward so that the shaft does not touch the flap. Be careful not to scratch the flap while undoing the screws.

18.1.1.3 To Remove Electronic Controller



Figure 2

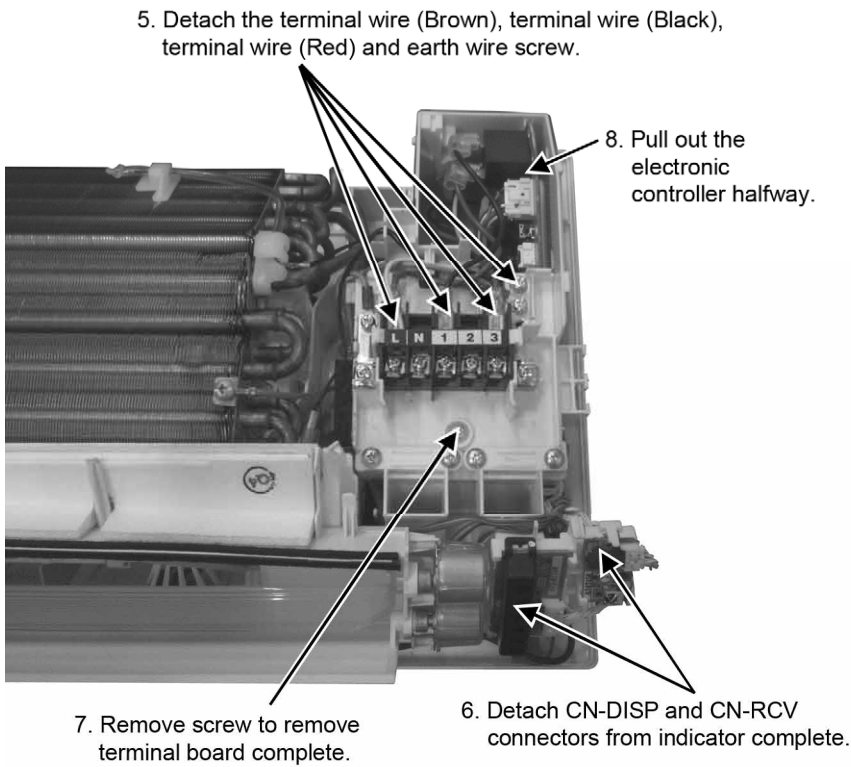


Figure 3

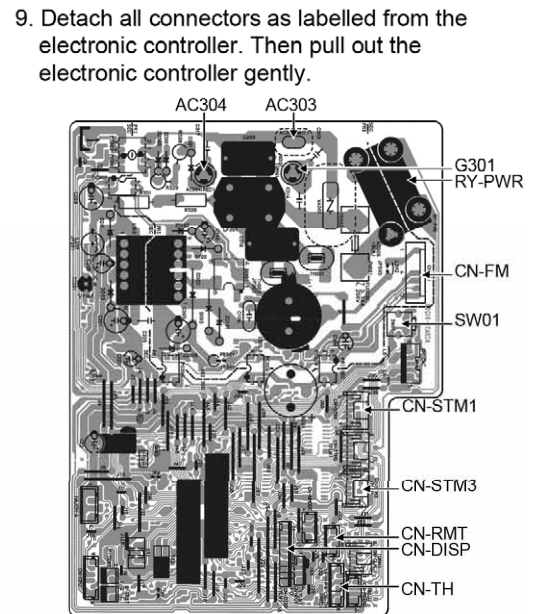


Figure 4

18.1.1.4 To Remove Discharge Grille

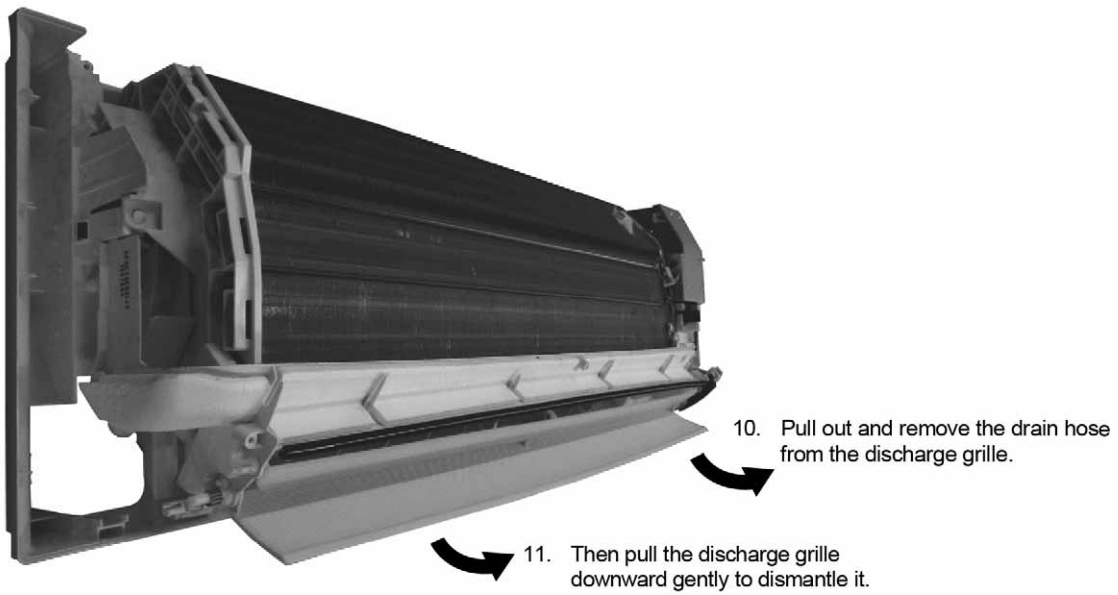


Figure 5

18.1.1.5 To Remove Control Board

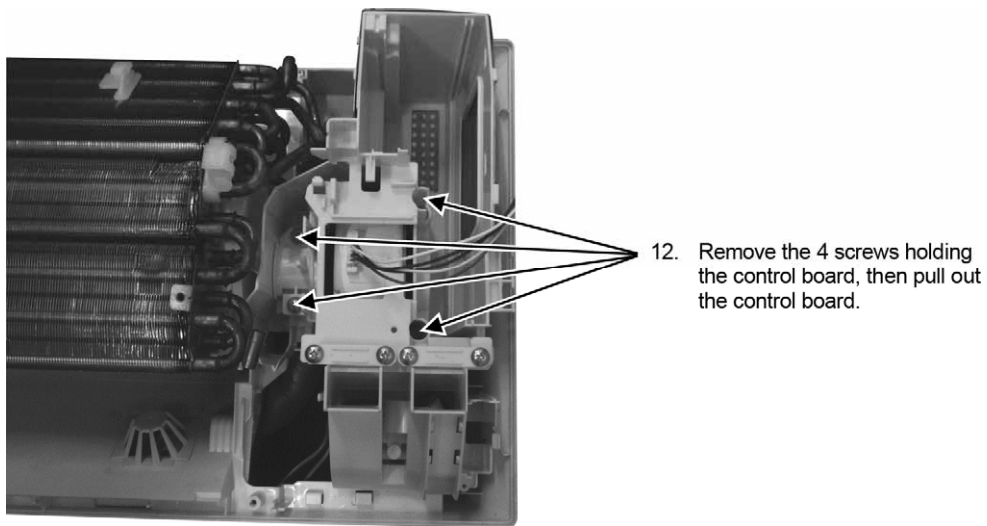


Figure 6

18.1.1.6 To Remove Cross Flow Fan and Indoor Fan Motor

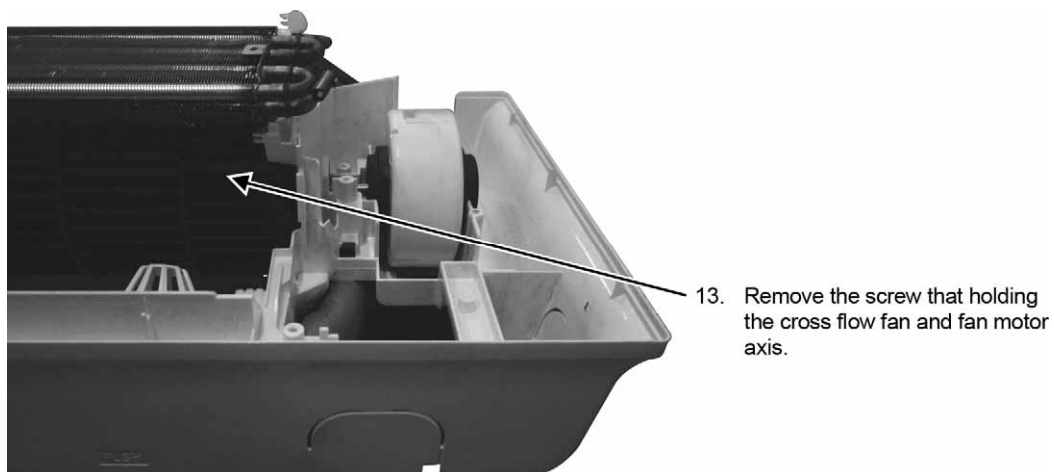


Figure 7

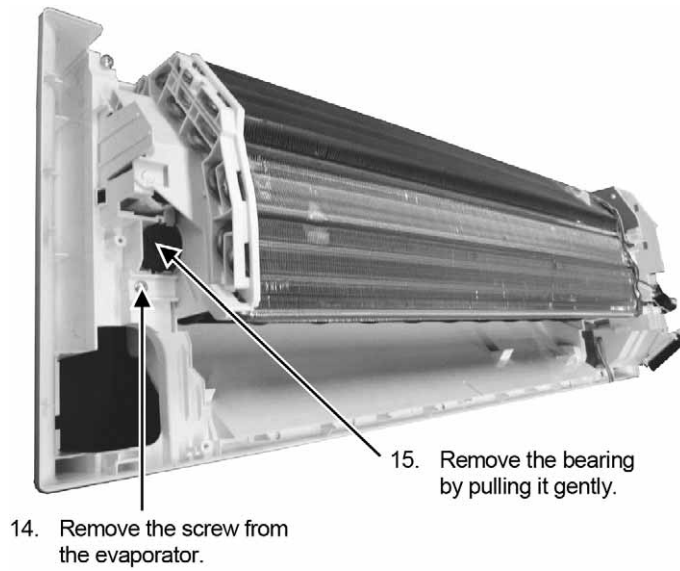


Figure 8

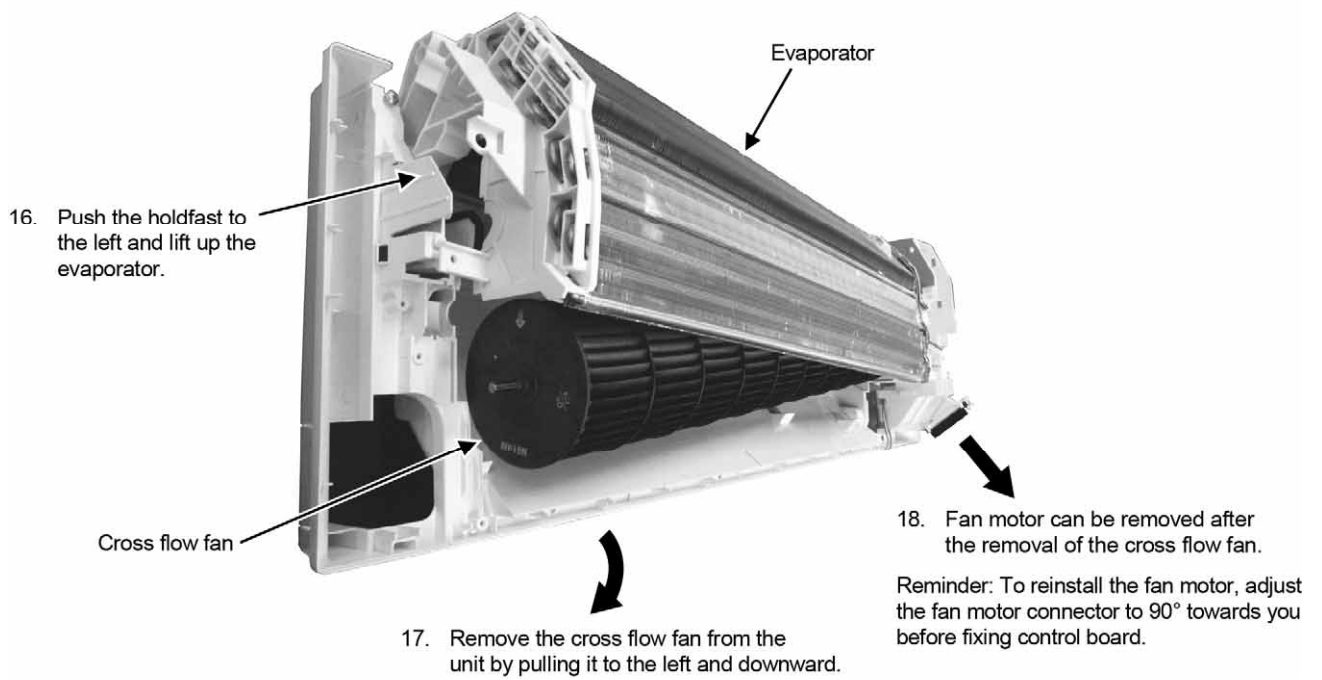


Figure 9

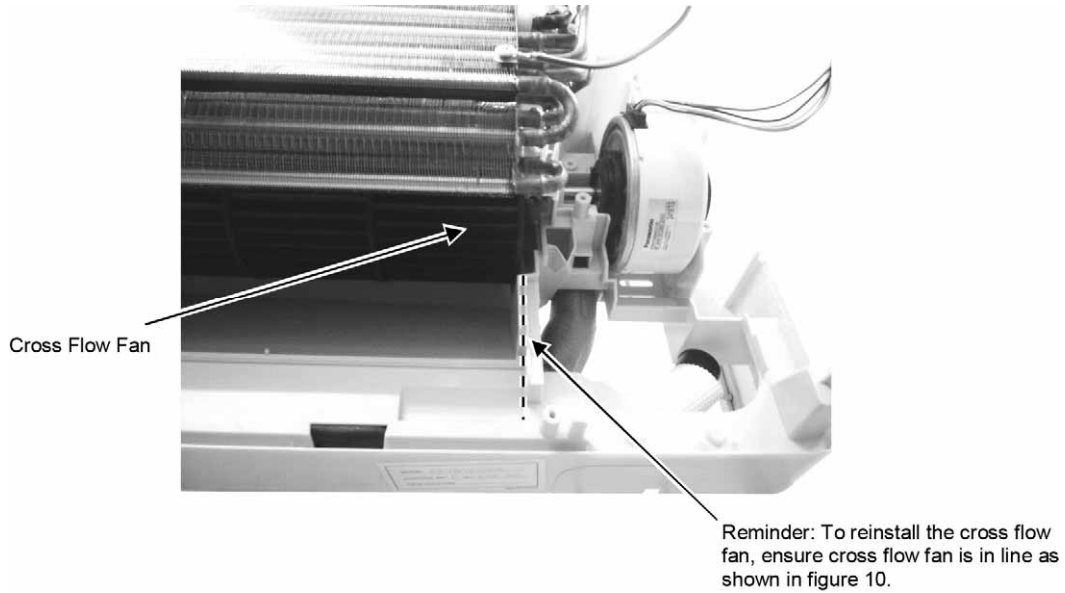
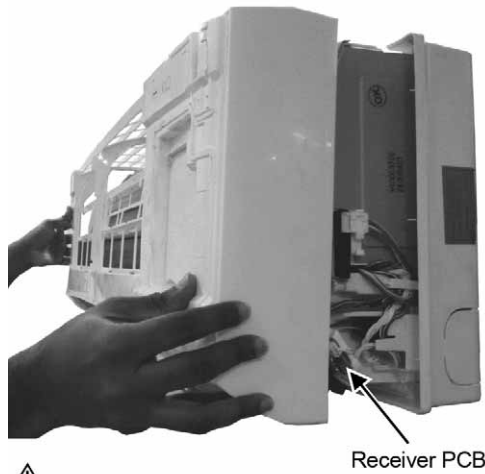


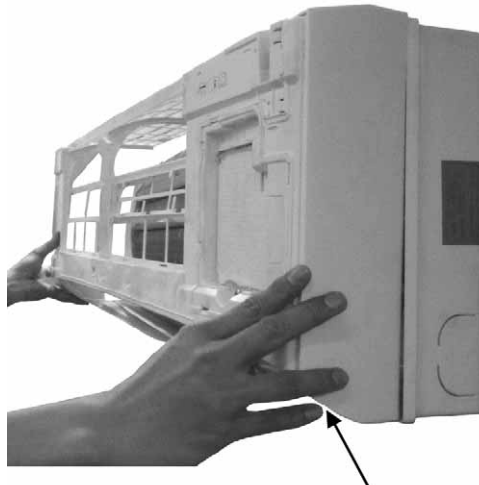
Figure 10

18.1.1.7 To Assemble the Front Grille



⚠ CAUTION
Do not directly fix the front grille complete, to avoid hitting the Receiver PCB.

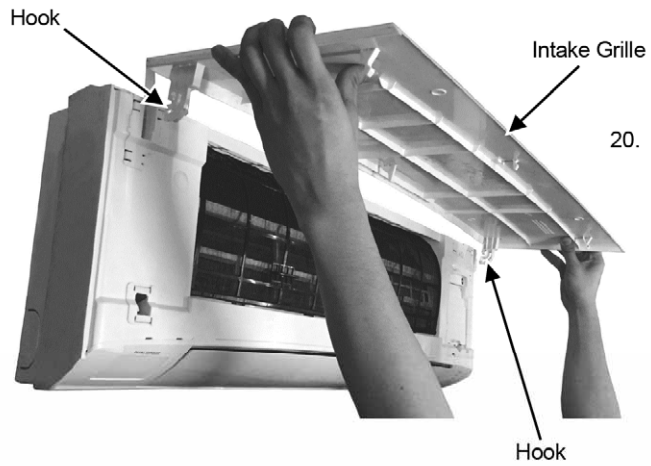
Figure 11



19. Gently assemble the right side of the front grille first then fix the left side.

Figure 12

18.1.1.8 To Assemble the Intake Grille



20. Align the intake grille hooks into the slot.



21. Place in the hook to the slot.



22. Then slightly bend the intake grille and push in the hooks into the slot.

Figure 13

⚠ WARNING

High Voltage is generated in the electrical parts area by the capacitor. Ensure that the capacitor has discharged sufficiently before proceeding with repair work. Failure to heed this caution may result in electric shocks.

18.2 CS-Z42TKEA CS-Z50TKEA CS-Z71TKEA

18.2.1 Indoor Electronic Controllers, Cross Flow Fan and Indoor Fan Motor Removal Procedures

18.2.1.1 To Remove Front Grille

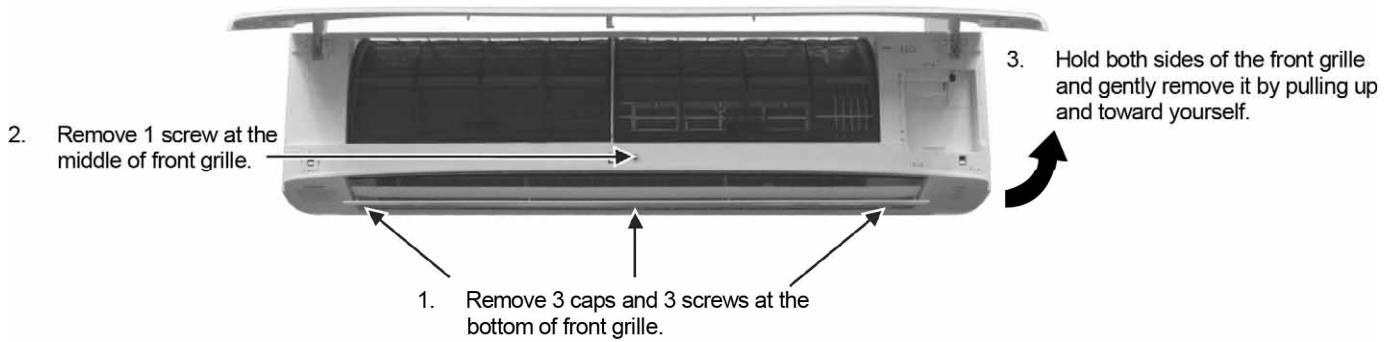
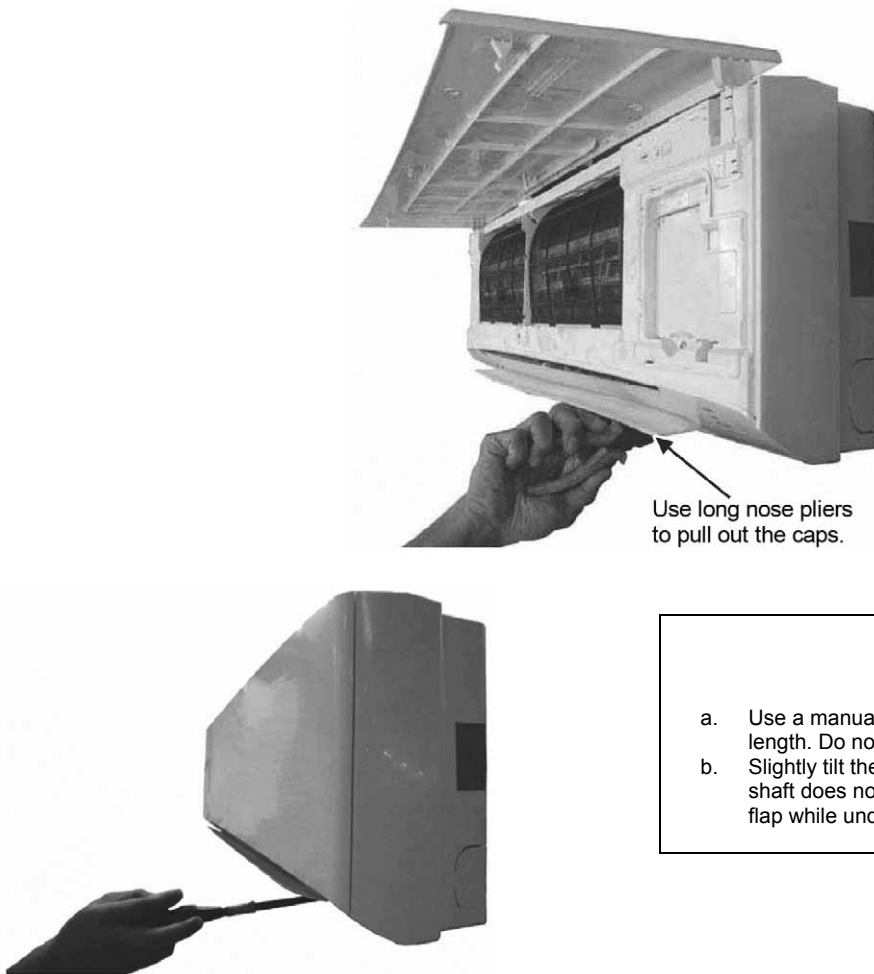


Figure 1

18.2.1.2 Caps Removal



⚠ CAUTION

- Use a manual screw driver with at least 150 mm shaft length. Do not use a hand drill type.
- Slightly tilt the screw driver handle downward so that the shaft does not touch the flap. Be careful not to scratch the flap while undoing the screws.

18.2.1.3 To Remove Electronic Controller



Figure 2

5. Detach the terminal wire (Brown), terminal wire (Black), terminal wire (Red) and earth wire screw.

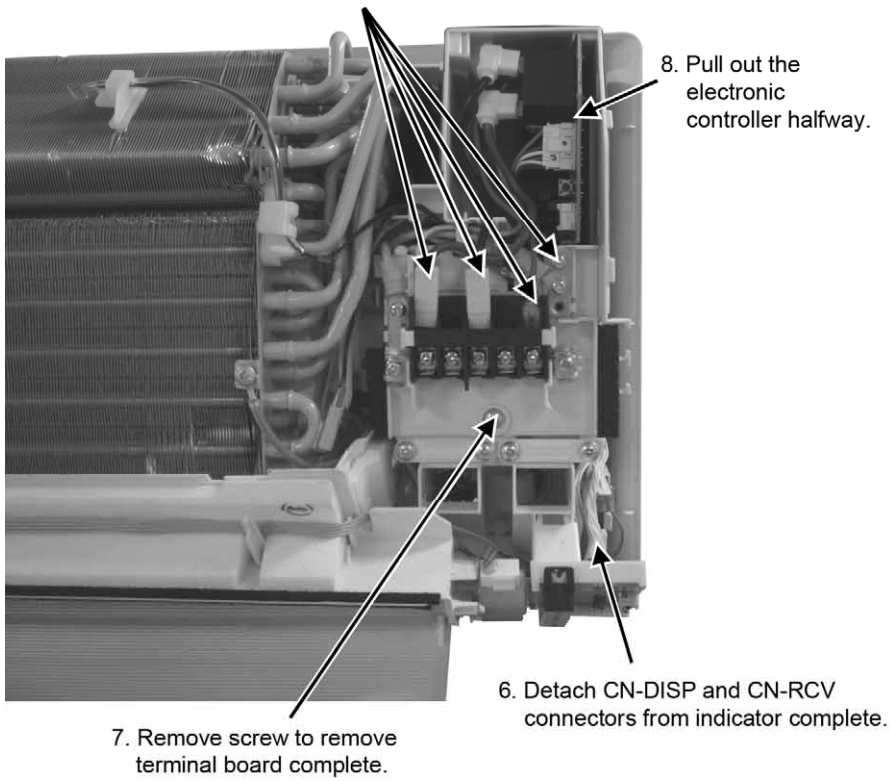


Figure 3

9. Detach all connectors as labelled from the electronic controller. Then pull out the electronic controller gently.

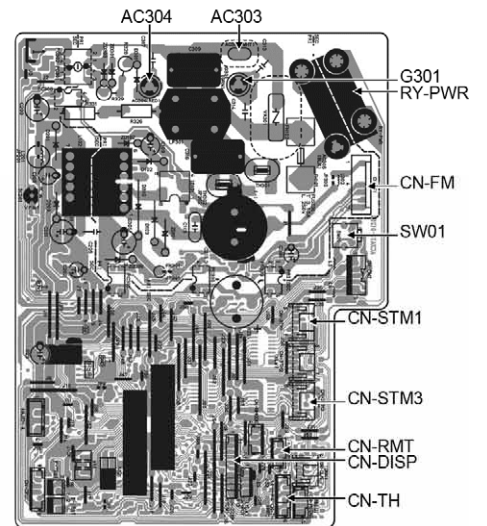


Figure 4

18.2.1.4 To Remove Discharge Grille

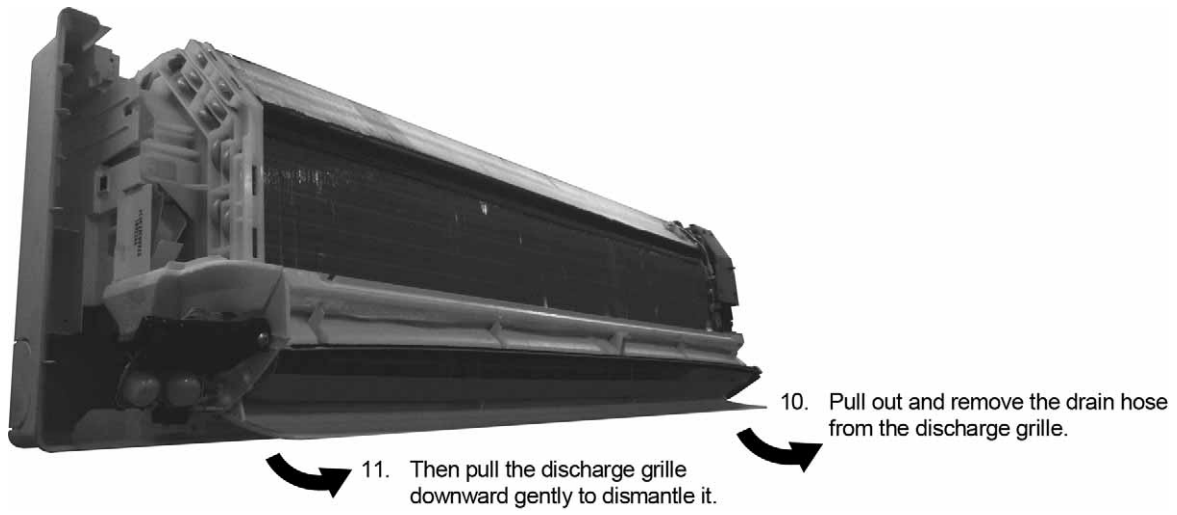


Figure 5

18.2.1.5 To Remove Control Board

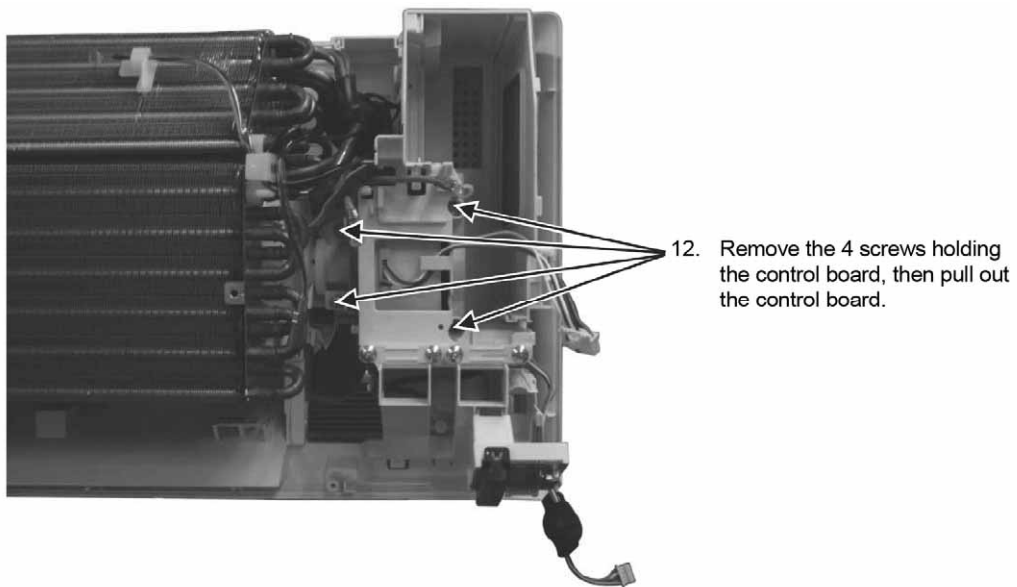


Figure 6

18.2.1.6 To Remove Cross Flow Fan and Indoor Fan Motor

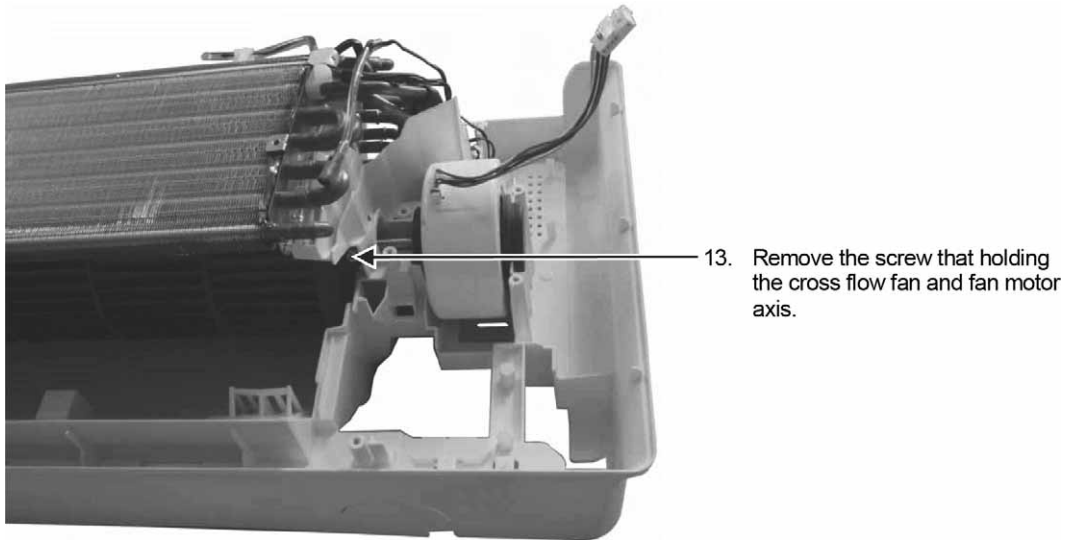


Figure 7

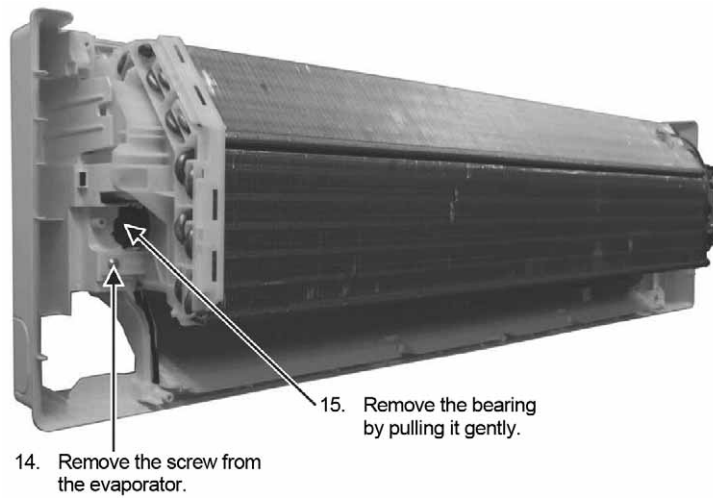


Figure 8

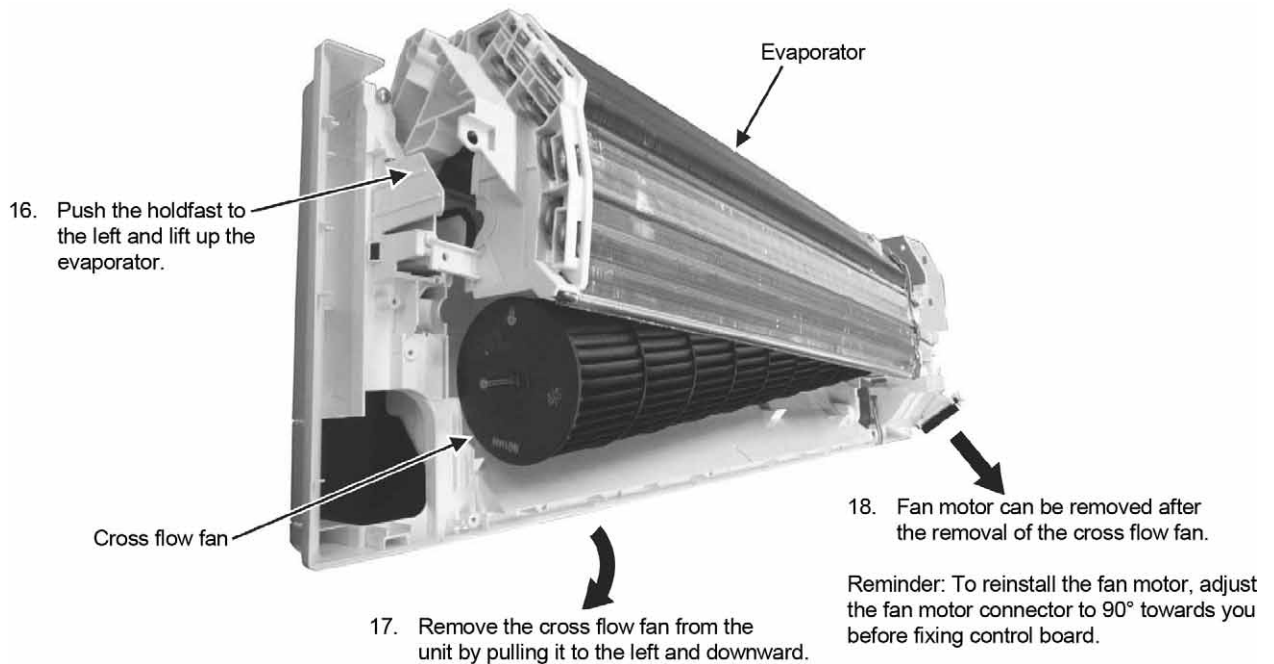
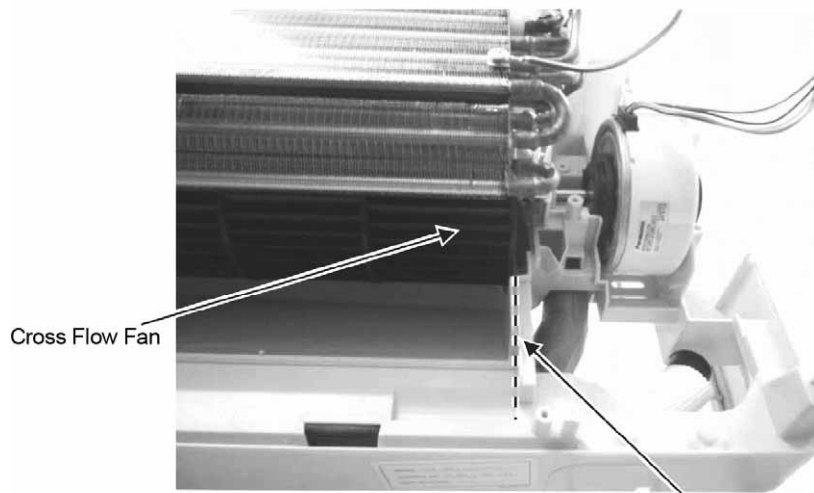


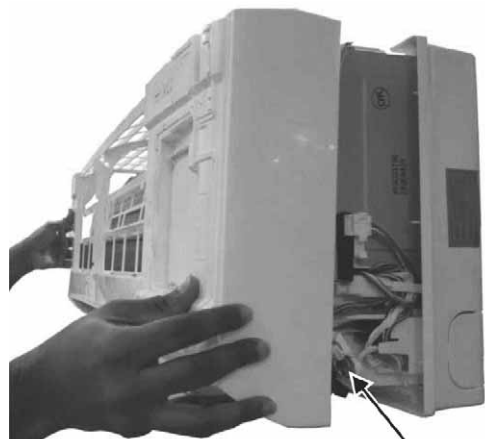
Figure 9



Reminder: To reinstall the cross flow fan, ensure cross flow fan is in line as shown in figure 10.

Figure 10

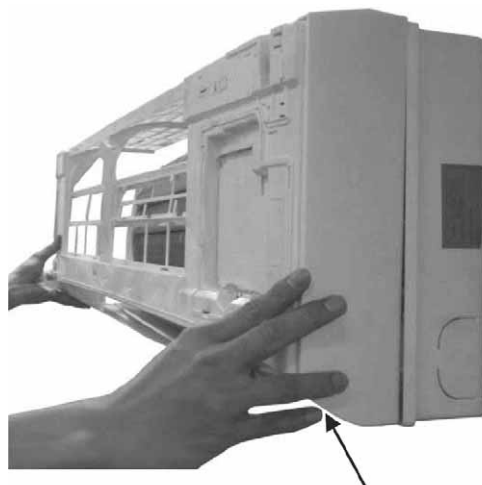
18.2.1.7 To Assemble the Front Grille



⚠ CAUTION
Do not directly fix the front grille complete, to avoid hitting the Receiver PCB.

Receiver PCB

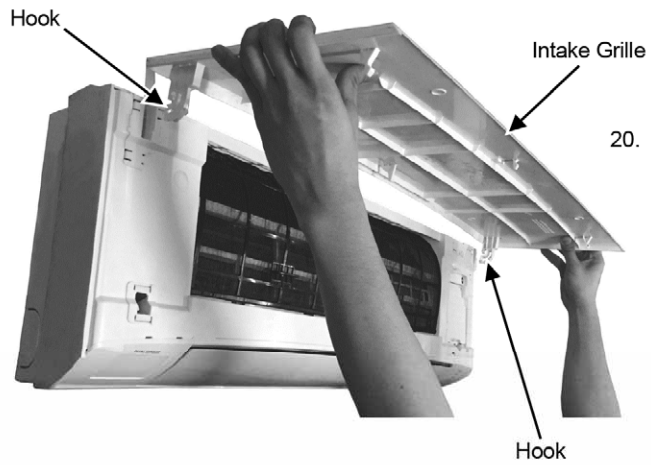
Figure 11



19. Gently assemble the right side of the front grille first then fix the left side.

Figure 12

18.2.1.8 To Assemble the Intake Grille



20. Align the intake grille hooks into the slot.



21. Place in the hook to the slot.



22. Then slightly bend the intake grille and push in the hooks into the slot.

Figure 13

18.3 Outdoor Electronic Controller Removal Procedure

18.3.1 CU-Z25TKEA CU-Z35TKEA CU-Z42TKEA

 Caution! When handling electronic controller, be careful of electrostatic discharge.

1 Remove the 5 screws of the Top Panel.

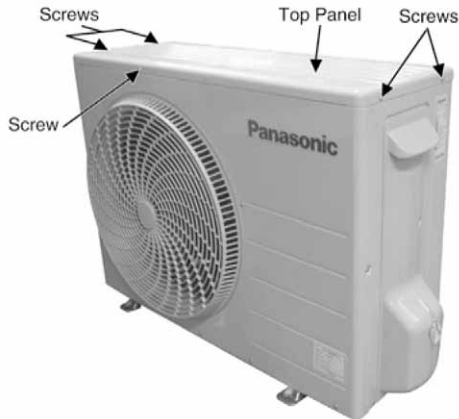


Fig. 1

2 Remove the 8 screws of the Front Panel.

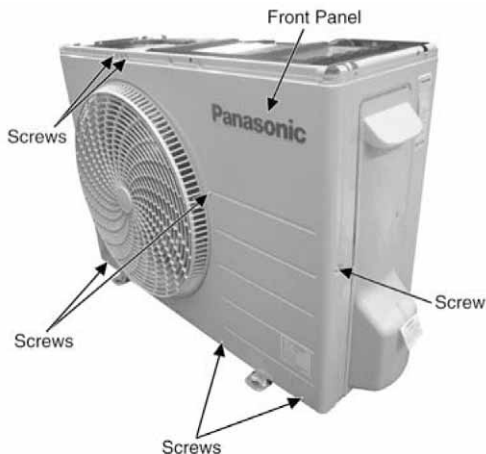


Fig. 2

3 Remove the screw of the Terminal Board Cover.

4 Remove the Top Cover of the Control Board by 4 hooks.

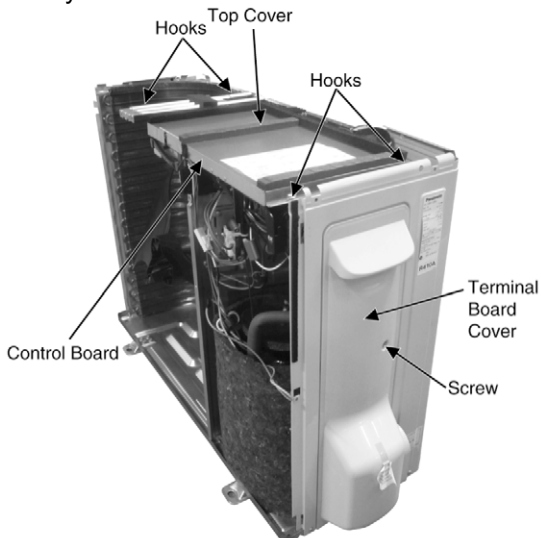


Fig. 3

5 Remove the Control Board as follows:

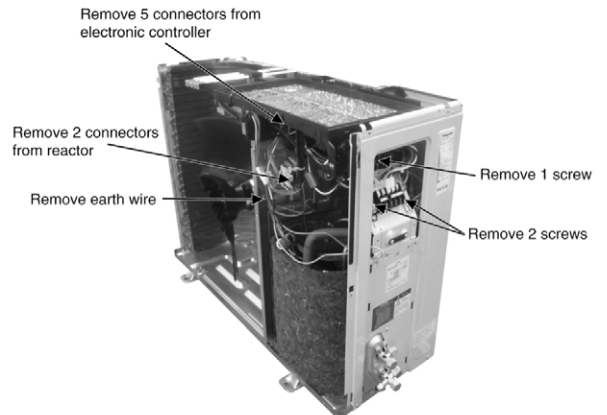


Fig. 4

Remove the Terminal Cover and 3 Terminal Compressor

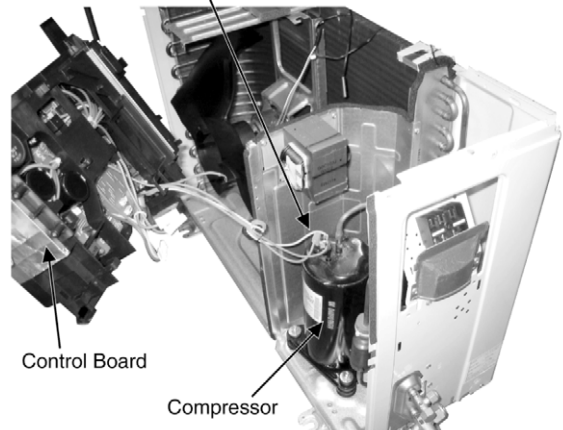


Fig. 5

Electronic Controller

Control Board

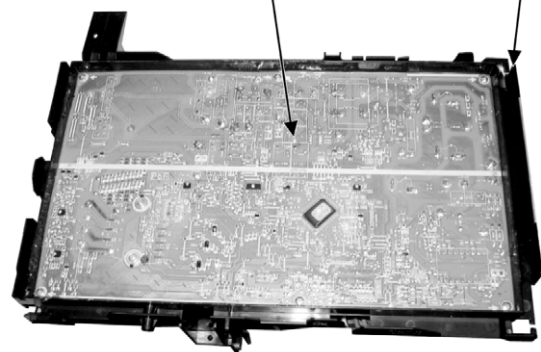


Fig. 6

18.3.2 CU-Z50TKEA CU-Z71TKEA

⚠ Caution! When handling electronic controller, be careful of electrostatic discharge.

1 Remove the 5 screws of the Top Panel.

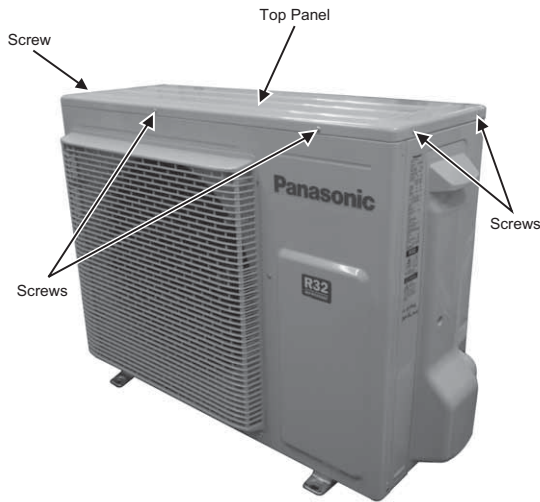


Fig. 1

5 Remove 2 screws for the plate of Terminal Board Cover.

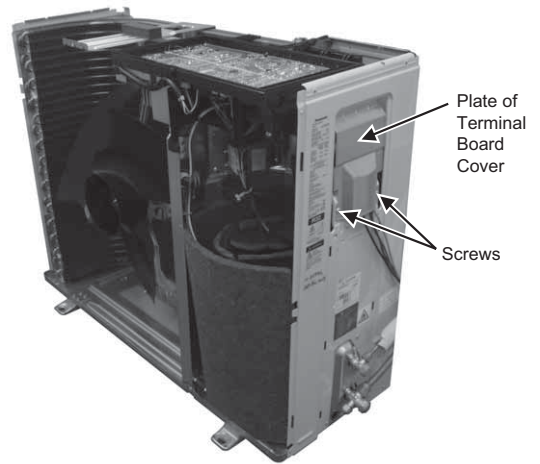


Fig. 4

2 Remove the 8 screws of the Front Panel.

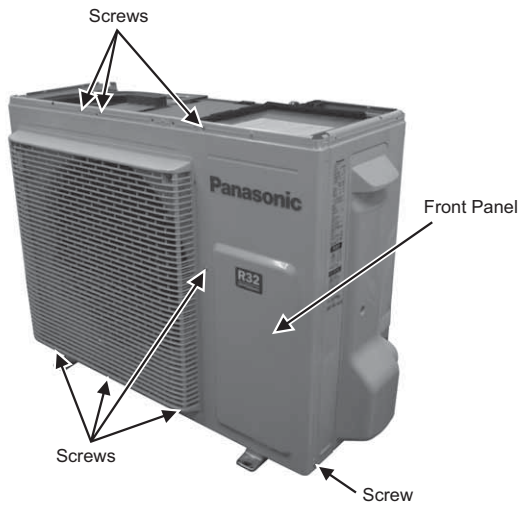


Fig. 2

6 Remove the Control Board.

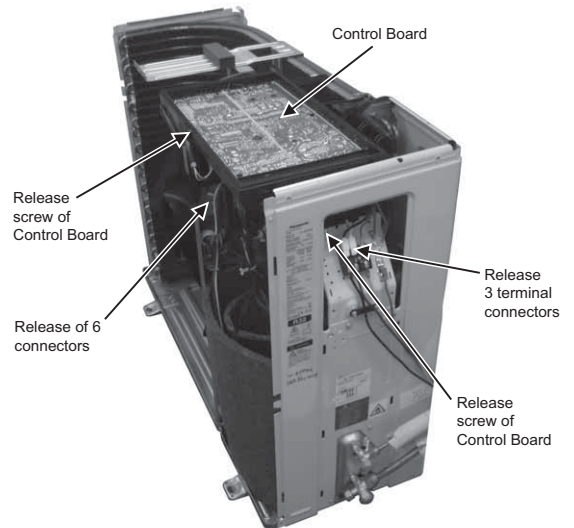


Fig. 5

3 Remove the screw of the Terminal Board Cover.

4 Remove the Top Cover of the Electronic Controller by 4 hooks.

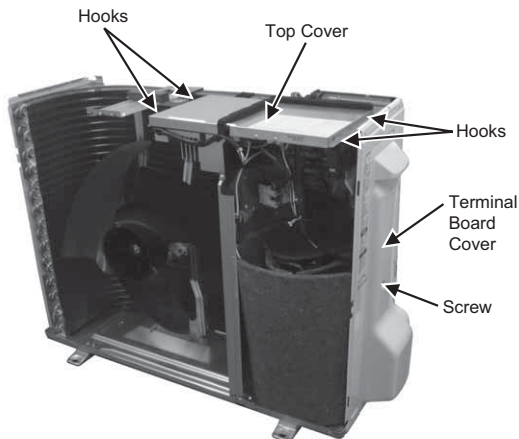


Fig. 3

7. Remove the 4 screws of the Electronic Controller.

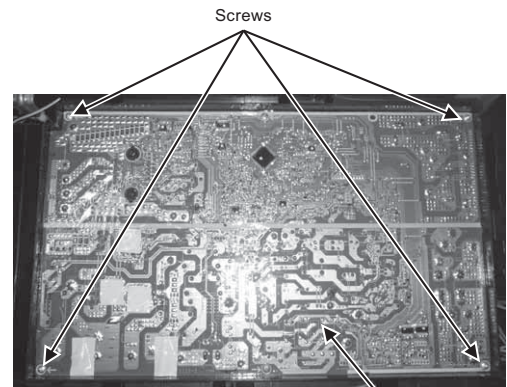


Fig. 6

19. Technical Data

Technical data provided are based on the air conditioner running under free frequency.

19.1 Cool Mode Performance Data

Unit setting: Standard piping length, Hi Fan, Cool mode at 16°C Voltage: 230V

19.1.1 CS-Z25TKEA/CU-Z25TKEA

Indoor (°C)		Outdoor DB (°C)											
DB	WB	-20			-15			-7			0		
		TC	SHC	IP	TC	SHC	IP	TC	SHC	IP	TC	SHC	IP
27	19.0	2618	2224	361	2708	2251	443	3121	2425	284	2967	2210	287
	22.0	2962	1688	314	3043	1717	327	3399	1860	235	3097	1849	289
23	15.7	2385	1922	324	2467	1988	397	2042	1817	171	2568	2402	320
	18.4	2558	1500	272	2646	1552	334	1527	897	172	2723	1650	319
20	13.3	2287	2140	301	2281	1936	295	1865	1738	168	2277	2216	381
	15.8	2470	1667	323	2727	1647	358	1912	1447	168	2449	1744	359

Indoor (°C)		Outdoor DB (°C)											
DB	WB	5			16			25			35		
		TC	SHC	IP	TC	SHC	IP	TC	SHC	IP	TC	SHC	IP
27	19.0	3045	1739	338	2990	2079	284	2810	1977	387	2500	1877	510
	22.0	3320	1517	335	3337	1574	269	3095	1498	378	2719	1373	504
23	15.7	2870	1802	326	2840	2020	298	2629	1946	394	2343	1853	509
	18.4	2970	1458	338	3075	1603	289	2800	1488	389	2515	1391	509
20	13.3	2589	1734	336	1788	1428	128	1930	1658	285	1834	1603	447
	15.8	2714	1411	347	1799	1200	121	2524	1442	391	2252	1348	506

(Dry bulb value based on 46% humidity)

19.1.2 CS-Z35TKEA/CU-Z35TKEA

Indoor (°C)		Outdoor DB (°C)											
DB	WB	-20			-15			-7			0		
		TC	SHC	IP	TC	SHC	IP	TC	SHC	IP	TC	SHC	IP
27	19.0	3495	2589	733	3508	2582	745	4370	3395	479	4153	3094	484
	22.0	3958	2075	517	3973	2083	525	4759	2603	396	4336	2589	487
23	15.7	3184	2565	658	3196	2575	668	2859	2544	288	3596	3362	540
	18.4	3414	2003	552	3427	2010	561	2137	1256	290	3813	2310	538
20	13.3	3042	2533	633	2955	2508	496	2611	2433	284	3188	3103	643
	15.8	3519	2126	593	3533	2134	602	2676	2025	284	3428	2442	605

Indoor (°C)		Outdoor DB (°C)											
DB	WB	5			16			25			35		
		TC	SHC	IP	TC	SHC	IP	TC	SHC	IP	TC	SHC	IP
27	19.0	4263	2434	570	4186	2911	479	3934	2768	653	3500	2627	860
	22.0	4648	2124	566	4672	2203	454	4333	2097	638	3807	1922	851
23	15.7	4018	2523	549	3976	2828	503	3680	2724	664	3280	2594	858
	18.4	4158	2042	569	4305	2245	488	3919	2083	656	3520	1947	858
20	13.3	3624	2428	567	2503	1999	217	2702	2322	480	2568	2244	754
	15.8	3800	1976	585	2519	1680	204	3534	2018	659	3152	1887	854

(Dry bulb value based on 46% humidity)

19.1.3 CS-Z42TKEA/CU-Z42TKEA

Indoor (°C)		Outdoor DB (°C)											
DB	WB	-20			-15			-7			0		
		TC	SHC	IP	TC	SHC	IP	TC	SHC	IP	TC	SHC	IP
27	19.0	4642	4189	663	4926	4445	626	5244	4074	613	4984	3713	619
	22.0	5059	2982	751	5392	3279	765	5711	3124	506	5203	3107	623
23	15.7	4790	4320	658	4357	4136	902	3431	3053	368	4315	4035	691
	18.4	4572	2997	879	4935	3236	656	2565	1507	370	4575	2772	689
20	13.3	2916	2858	517	2976	2917	613	3133	2920	363	3825	3723	822
	15.8	3582	2697	768	3324	2547	664	3212	2430	363	4114	2931	774

Indoor (°C)		Outdoor DB (°C)											
DB	WB	5			16			25			35		
		TC	SHC	IP	TC	SHC	IP	TC	SHC	IP	TC	SHC	IP
27	19.0	5116	2921	730	5024	3493	613	4720	3322	835	4200	3153	1100
	22.0	5578	2549	723	5607	2644	581	5199	2517	816	4568	2307	1088
23	15.7	4821	3028	702	4771	3394	643	4416	3269	850	3936	3112	1097
	18.4	4990	2450	728	5166	2694	624	4703	2499	839	4225	2337	1097
20	13.3	4349	2913	725	3003	2399	277	3243	2786	615	3082	2693	964
	15.8	4560	2371	748	3023	2016	261	4241	2422	843	3783	2265	1092

(Dry bulb value based on 46% humidity)

19.1.4 CS-Z50TKEA/CU-Z50TKEA

Indoor (°C)		Outdoor DB (°C)											
DB	WB	-20			-15			-7			0		
		TC	SHC	IP	TC	SHC	IP	TC	SHC	IP	TC	SHC	IP
27	19.0	5389	5143	973	5398	4560	1193	5704	4573	921	5750	4624	937
	22.0	5969	3943	954	6271	3739	1000	6365	3724	842	6226	3692	969
23	15.7	5087	4660	1129	5205	4542	1048	5241	4581	854	5088	4484	961
	18.4	5693	4119	957	5644	3718	813	5670	3705	911	5480	3609	1017
20	13.3	4652	4460	1174	4122	3935	680	4016	3935	812	3821	3745	637
	15.8	4973	4606	1209	6401	4265	1349	4301	3139	795	4468	3180	766

Indoor (°C)		Outdoor DB (°C)											
DB	WB	5			16			25			35		
		TC	SHC	IP	TC	SHC	IP	TC	SHC	IP	TC	SHC	IP
27	19.0	5672	4612	911	5800	4639	859	5385	4421	1087	5000	4322	1390
	22.0	6148	3610	960	6377	3697	821	5910	3494	1102	5446	3345	1408
23	15.7	5239	4591	885	5046	4403	888	4827	4237	1097	4497	4256	1390
	18.4	5681	3693	917	5544	3526	864	5274	3479	1117	4899	3333	1403
20	13.3	3454	3385	516	4916	4818	907	4446	4132	1101	4177	4060	1387
	15.8	3980	2999	545	5160	3505	884	4803	3372	1124	4453	3237	1403

(Dry bulb value based on 46% humidity)

19.1.5 CS-Z71TKEA/CU-Z71TKEA

Indoor (°C)		Outdoor DB (°C)											
DB	WB	-20			-15			-7			0		
		TC	SHC	IP	TC	SHC	IP	TC	SHC	IP	TC	SHC	IP
27	19.0	7575	6303	1568	7588	5588	1922	8018	5604	1484	8083	5666	1509
	22.0	8390	4832	1537	8816	4582	1612	8946	4563	1357	8752	4525	1561
23	15.7	7151	6595	1820	7317	5566	1688	7368	5614	1377	7152	5495	1548
	18.4	8003	5048	1542	7933	4556	1310	7971	4540	1468	7703	4423	1639
20	13.3	6539	6313	1893	5794	4823	1096	5645	4922	1309	5371	4899	1027
	15.8	6990	5645	1949	8998	5227	2174	6046	3847	1282	6280	3897	1234

Indoor (°C)		Outdoor DB (°C)											
DB	WB	5			16			25			35		
		TC	SHC	IP	TC	SHC	IP	TC	SHC	IP	TC	SHC	IP
27	19.0	7973	5652	1467	8153	5685	1385	7569	5418	1752	7100	5350	2240
	22.0	8642	4424	1547	8964	4531	1323	8307	4282	1776	7655	4099	2268
23	15.7	7365	5626	1427	7093	5396	1430	6785	5192	1768	6321	5215	2240
	18.4	7986	4526	1477	7794	4321	1393	7414	4264	1800	6887	4084	2261
20	13.3	4855	4411	832	6911	6889	1462	6249	5064	1775	5872	4975	2235
	15.8	5595	3675	879	7254	4296	1425	6752	4132	1812	6259	3967	2261

(Dry bulb value based on 46% humidity)

TC - Total Cooling Capacity (W)
 SHC - Sensible Heat Capacity (W)
 IP - Input Power (W)

19.2 Heat Mode Performance Data

Unit setting: Standard piping length, Hi Fan, Heat mode at 30°C Voltage: 230V

19.2.1 CS-Z25TKEA/CU-Z25TKEA

Indoor (°C)	Outdoor WB (°C)									
	-15/-16		-7/-8		2/1		7/6		12/11	
	TC	IP	TC	IP	TC	IP	TC	IP	TC	IP
24	2919	1275	3143	1340	3795	1187	3170	699	3282	696
20	3030	1180	3330	1290	3910	1160	3400	700	3606	695
16	3119	1097	3158	1139	4039	1137	3581	699	3836	696

19.2.2 CS-Z35TKEA/CU-Z35TKEA

Indoor (°C)	Outdoor WB (°C)									
	-15/-16		-7/-8		2/1		7/6		12/11	
	TC	IP	TC	IP	TC	IP	TC	IP	TC	IP
24	3574	1675	3841	1766	4640	1648	3729	918	3862	914
20	3710	1550	4070	1700	4780	1610	4000	920	4242	914
16	3819	1441	3860	1501	4937	1578	4213	919	4513	915

19.2.3 CS-Z42TKEA/CU-Z42TKEA

Indoor (°C)	Outdoor WB (°C)									
	-15/-16		-7/-8		2/1		7/6		12/11	
	TC	IP	TC	IP	TC	IP	TC	IP	TC	IP
24	3776	1923	4058	2026	5096	1945	5034	1348	5213	1341
20	3920	1780	4300	1950	5250	1900	5400	1350	5727	1341
16	4035	1655	4078	1721	5423	1862	5688	1349	6092	1343

19.2.4 CS-Z50TKEA/CU-Z50TKEA

Indoor (°C)	Outdoor WB (°C)									
	-15		-7		2		7		12	
	TC	IP	TC	IP	TC	IP	TC	IP	TC	IP
24	3792	2004	4533	2254	5583	2220	5441	1439	5597	1433
20	3919	1931	5000	2250	5800	2210	5800	1440	6054	1433
16	4234	1828	5171	2246	6226	1876	5713	1432	6475	1439

19.2.5 CS-Z71TKEA/CU-Z71TKEA

Indoor (°C)	Outdoor WB (°C)									
	-15		-7		2		7		12	
	TC	IP	TC	IP	TC	IP	TC	IP	TC	IP
24	4702	2082	5558	2485	6902	2532	8068	2449	8298	2438
20	4860	2006	6130	2480	7170	2520	8600	2450	8977	2438
16	5251	1899	6340	2475	7697	2140	8471	2437	9601	2448

TC - Total Cooling Capacity (W)
 SHC - Sensible Heat Capacity (W)
 IP - Input Power (W)

20. Service Data

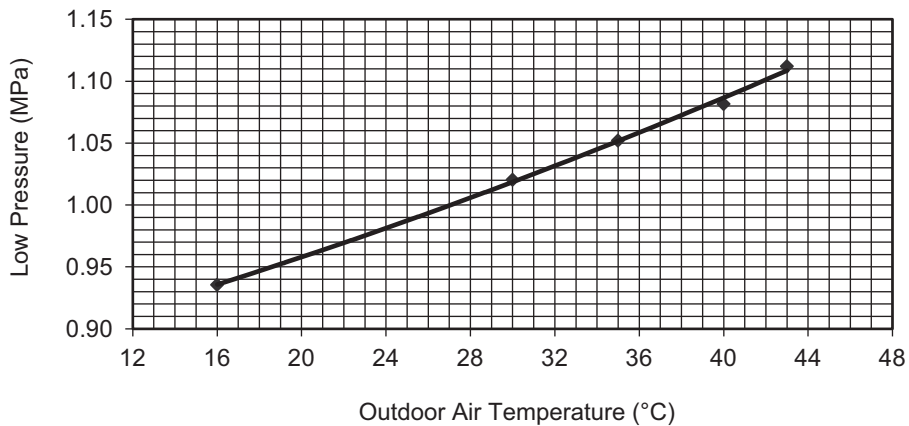
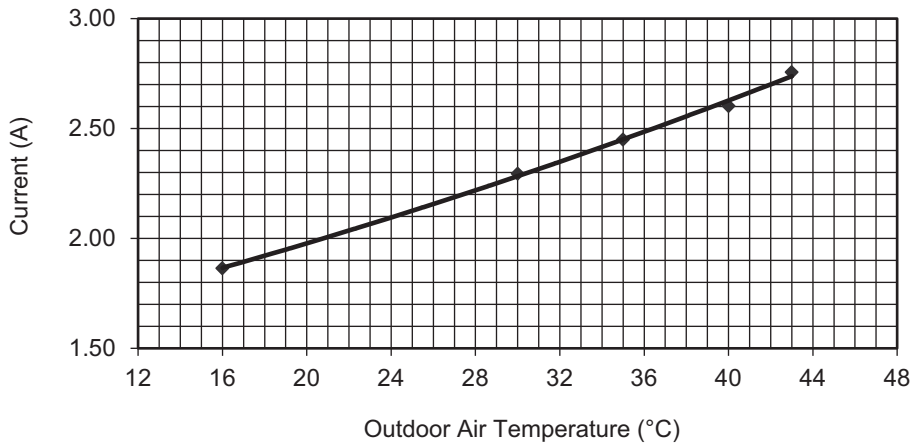
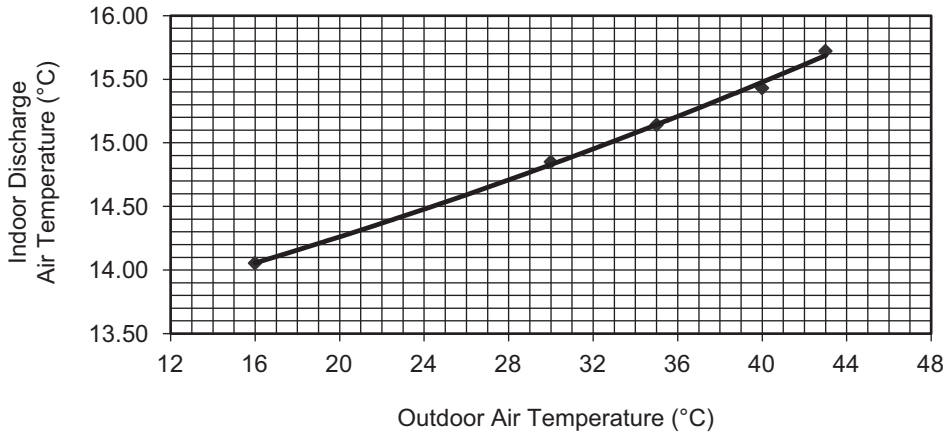
Service data provided are based on the air conditioner running under rated frequency during forced cooling / forced heating mode.

20.1 Cool Mode Outdoor Air Temperature Characteristic

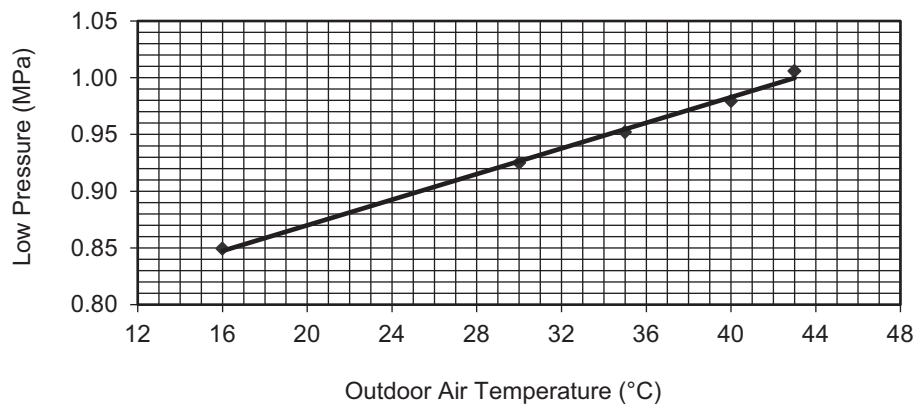
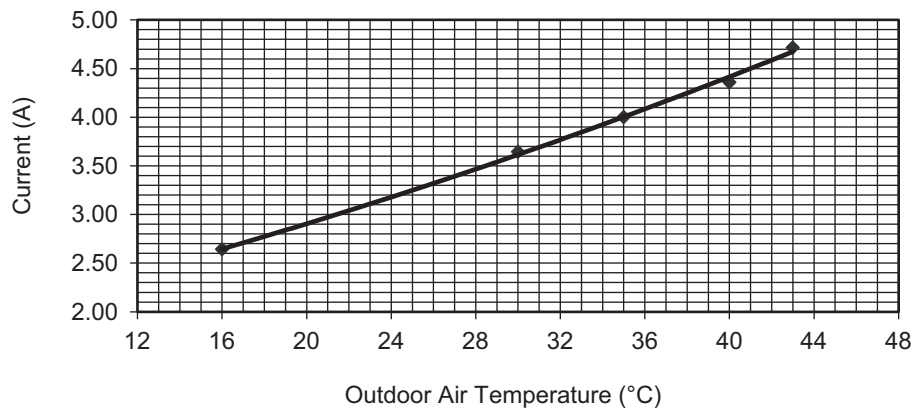
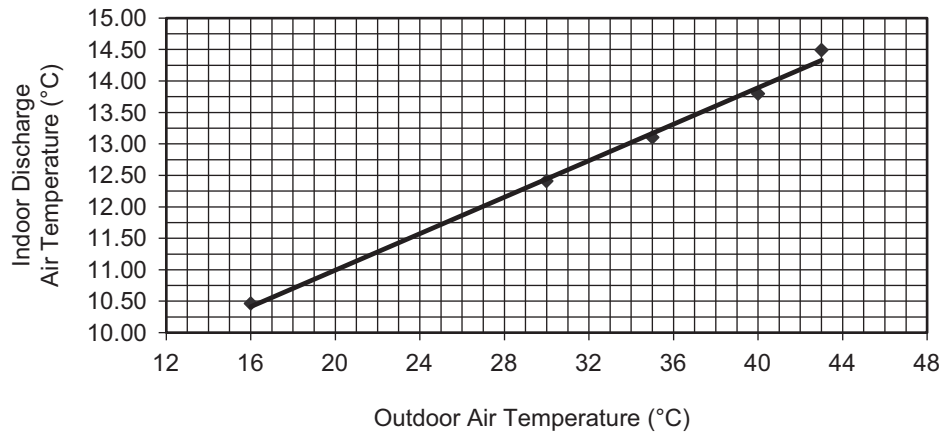
Condition

- Indoor room temperature: 27°C Dry Bulb/19°C Wet Bulb
- Unit setting: Standard piping length, forced cooling at 16°C, Hi fan
- Compressor frequency: Rated for cooling operation
- Piping length: 5m
- Voltage: 230V

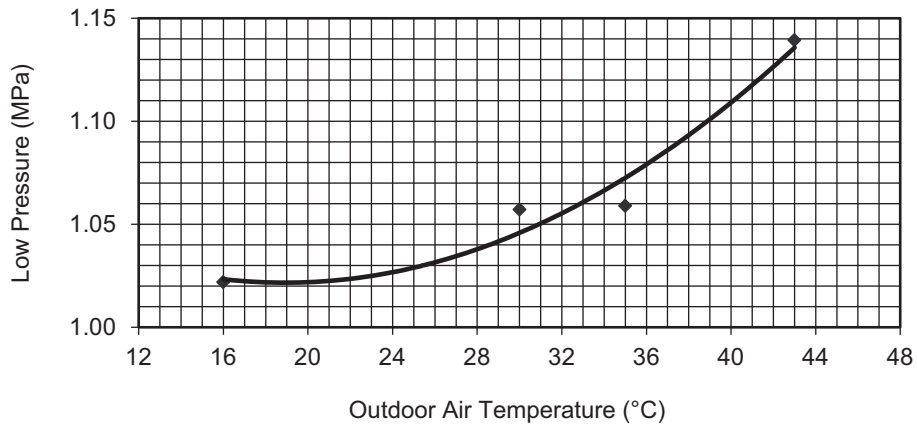
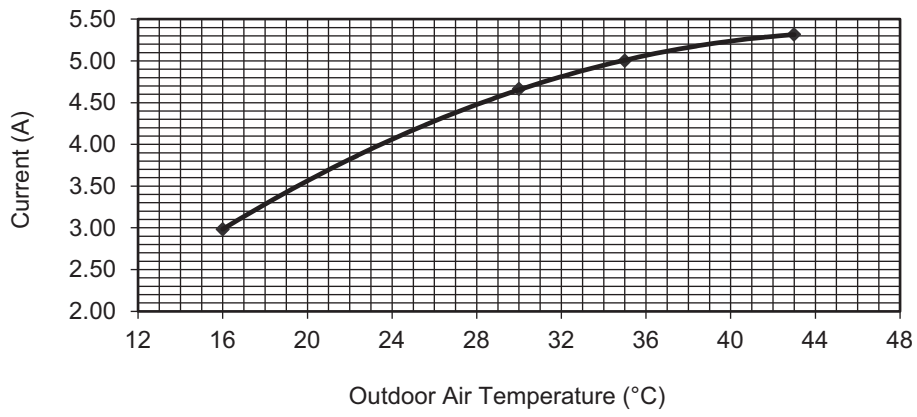
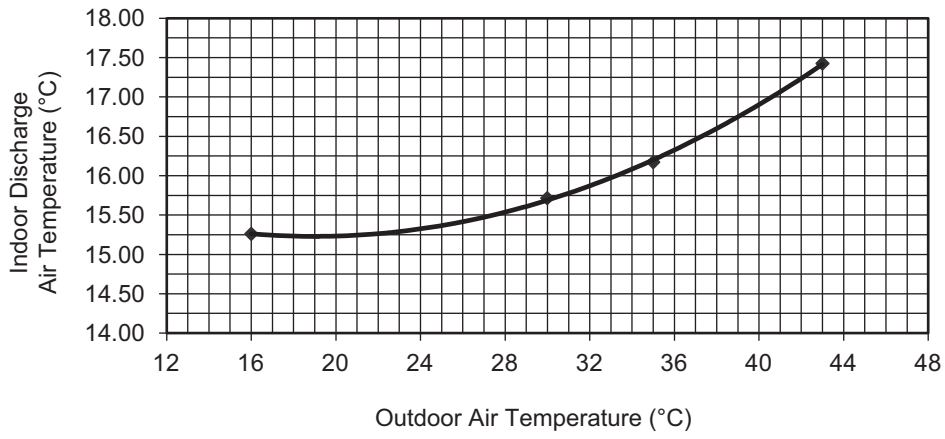
20.1.1 CS-Z25TKEA CU-Z25TKEA



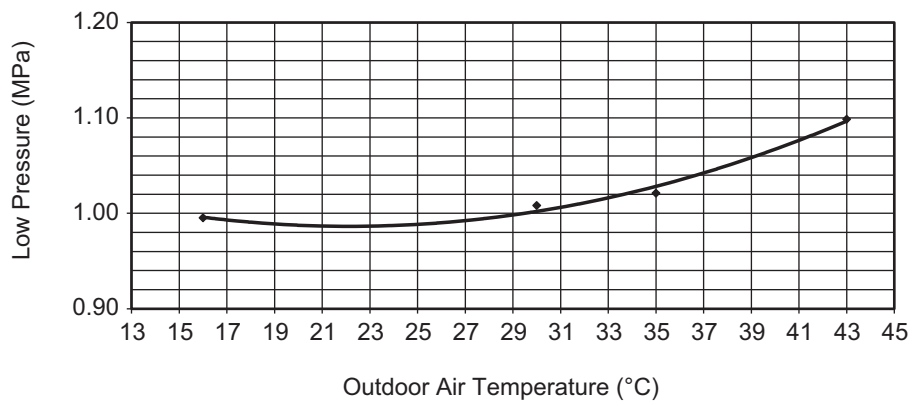
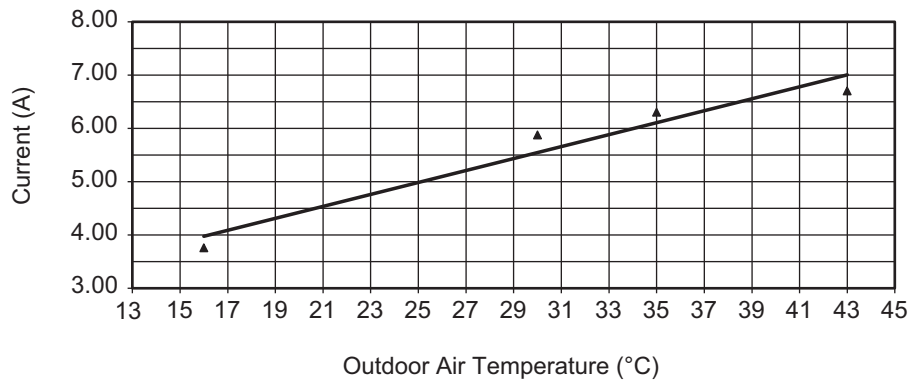
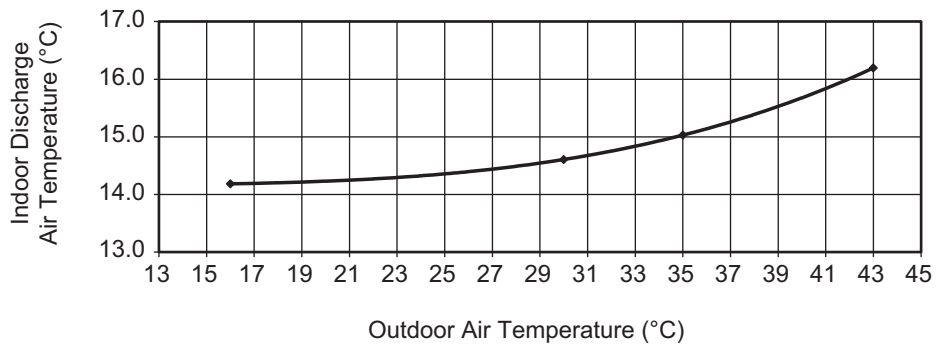
20.1.2 CS-Z35TKEA CU-Z35TKEA



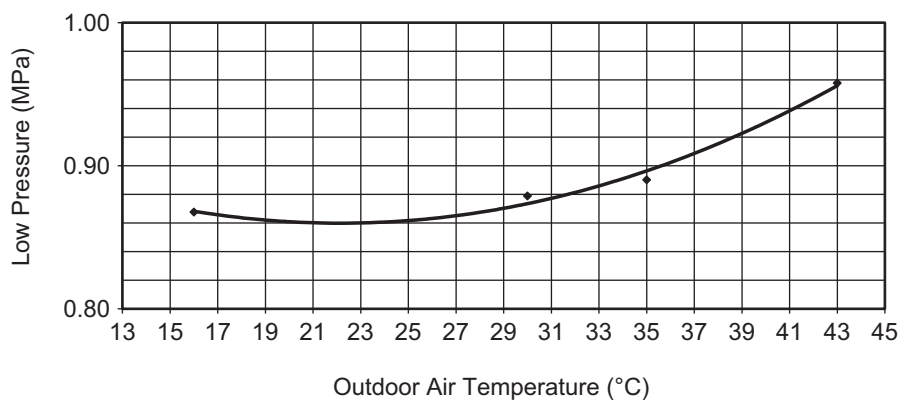
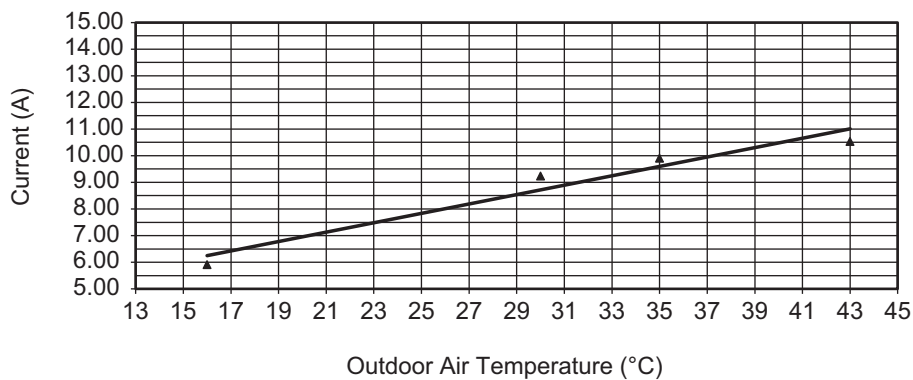
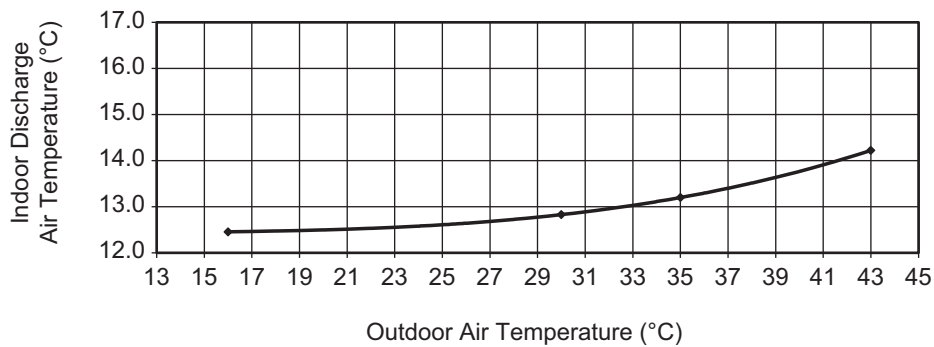
20.1.3 CS-Z42TKEA CU-Z42TKEA



20.1.4 CS-Z50TKEA CU-Z50TKEA



20.1.5 CS-Z71TKEA CU-Z71TKEA

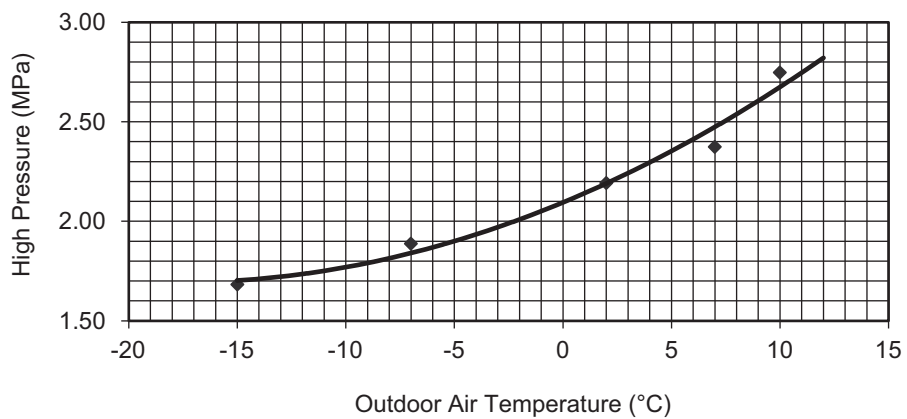
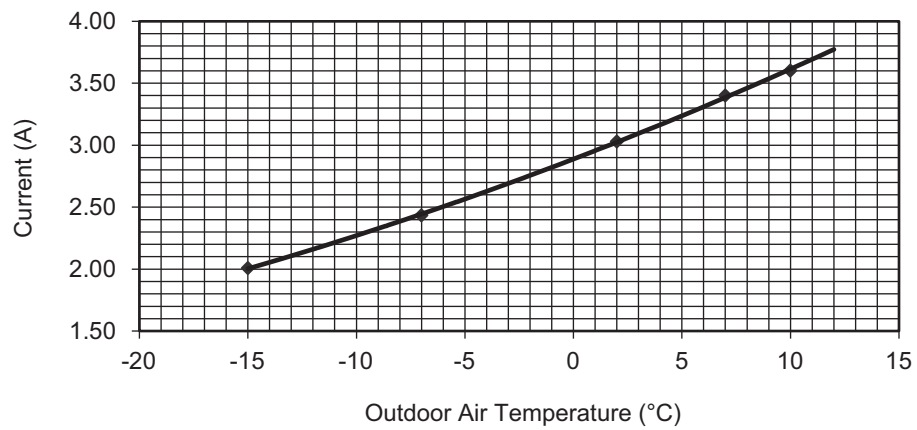
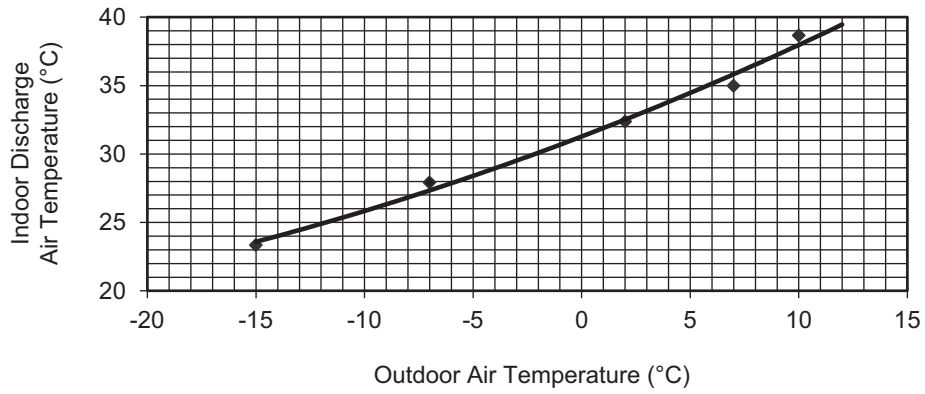


20.2 Heat Mode Outdoor Air Temperature Characteristic

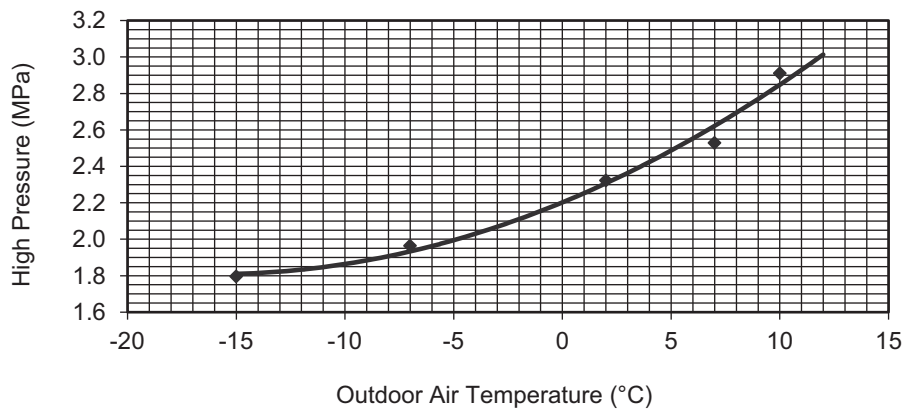
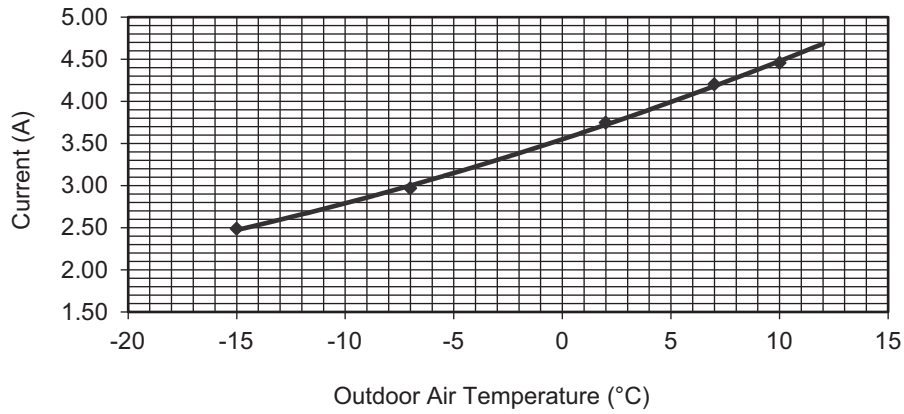
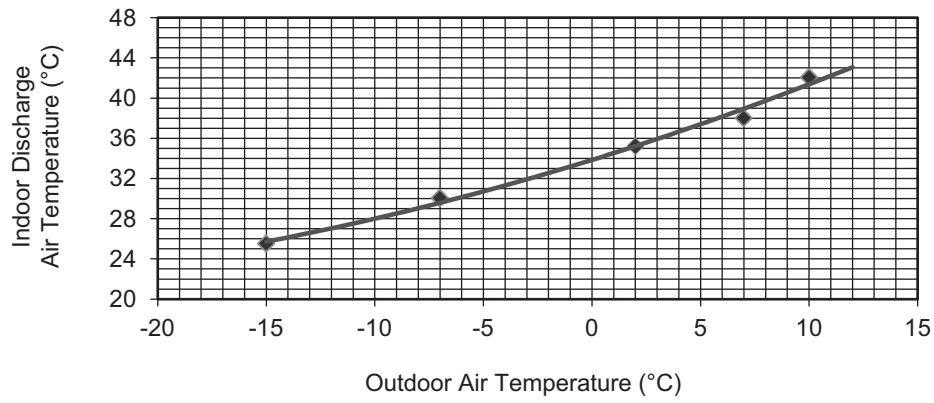
Condition

- Indoor room temperature: 20°C Dry Bulb/ -°C Wet Bulb
- Unit setting: Standard piping length, forced heating at 30°C, Hi fan
- Compressor frequency: Rated for Heating operation
- Piping length: 5m
- Voltage: 230V

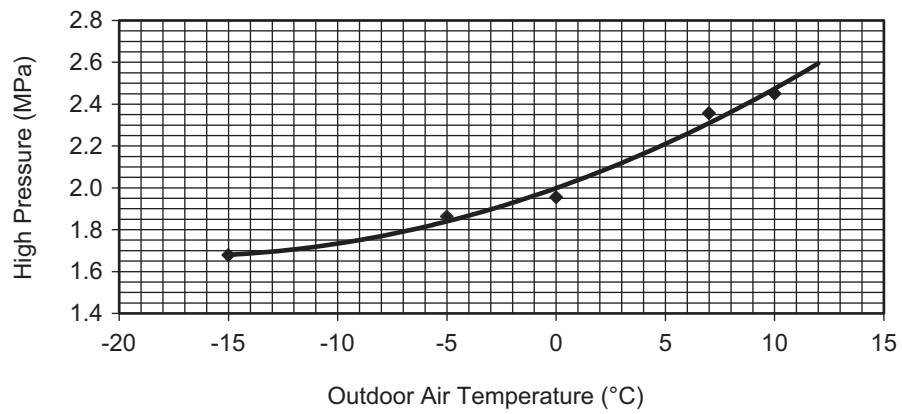
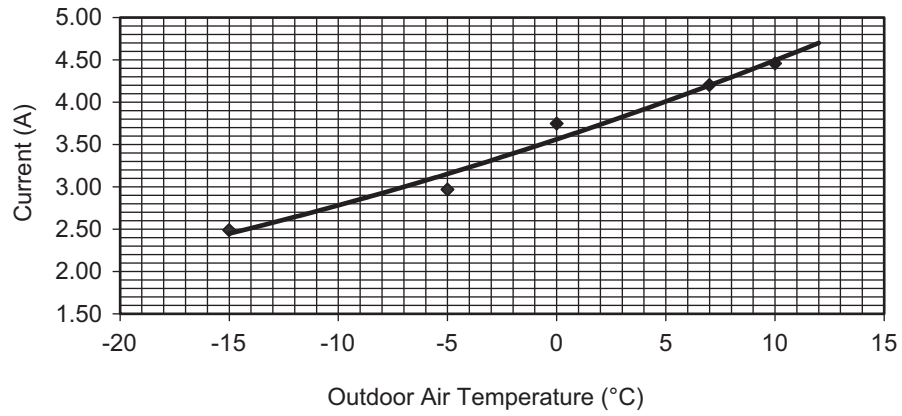
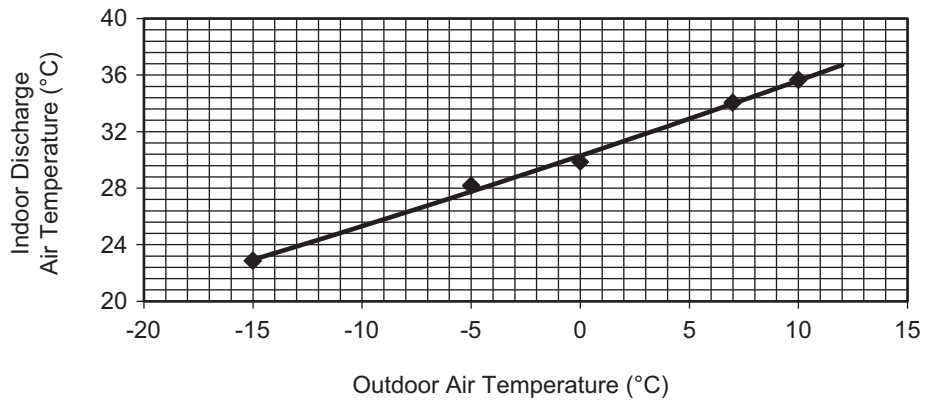
20.2.1 CS-Z25TKEA CU-Z25TKEA



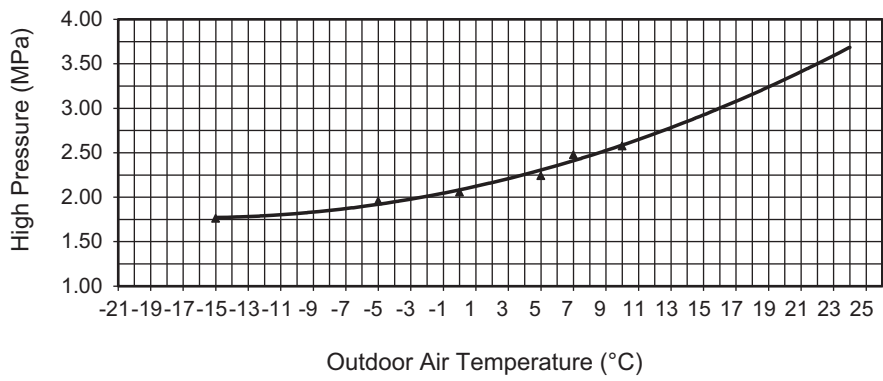
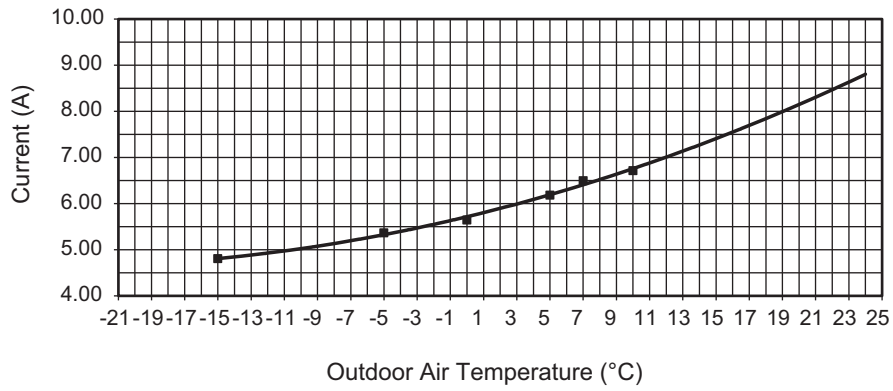
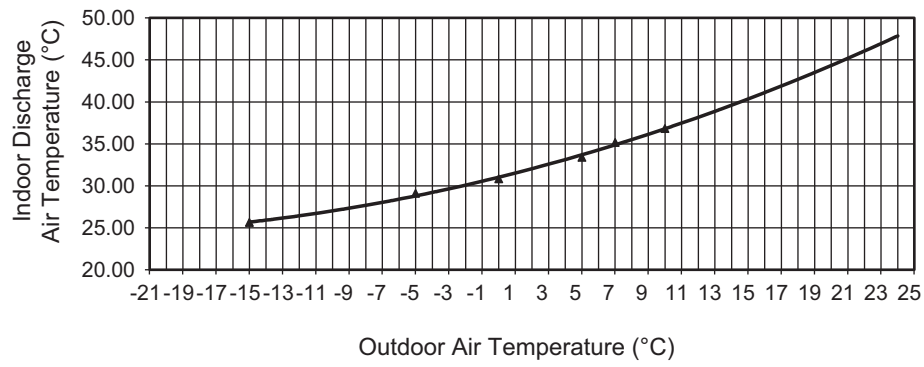
20.2.2 CS-Z35TKEA CU-Z35TKEA



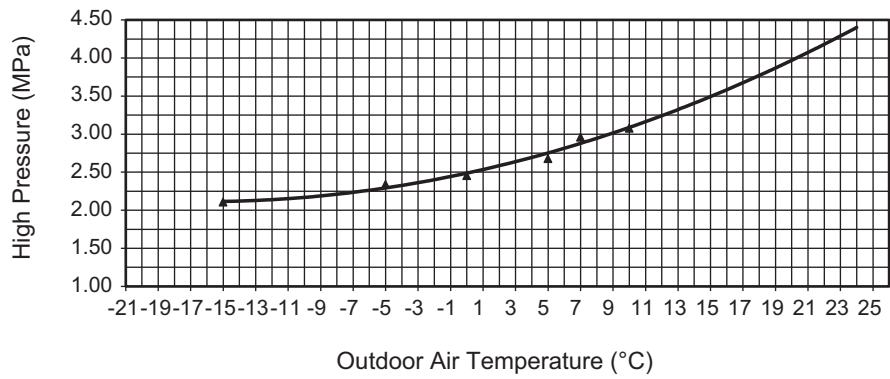
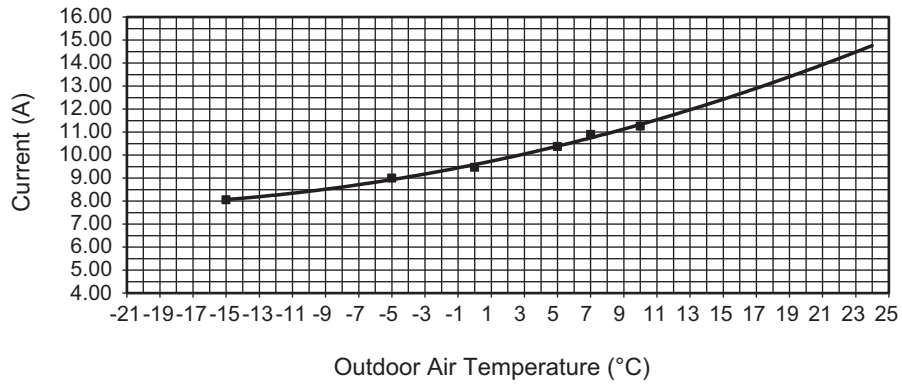
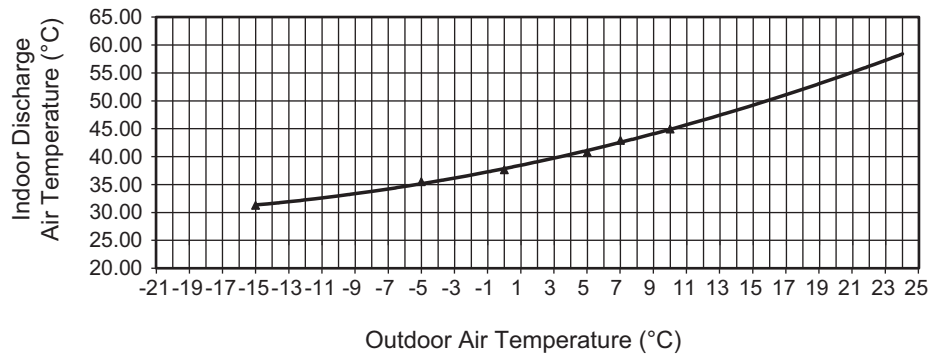
20.2.3 CS-Z42TKEA CU-Z42TKEA



20.2.4 CS-Z50TKEA CU-Z50TKEA



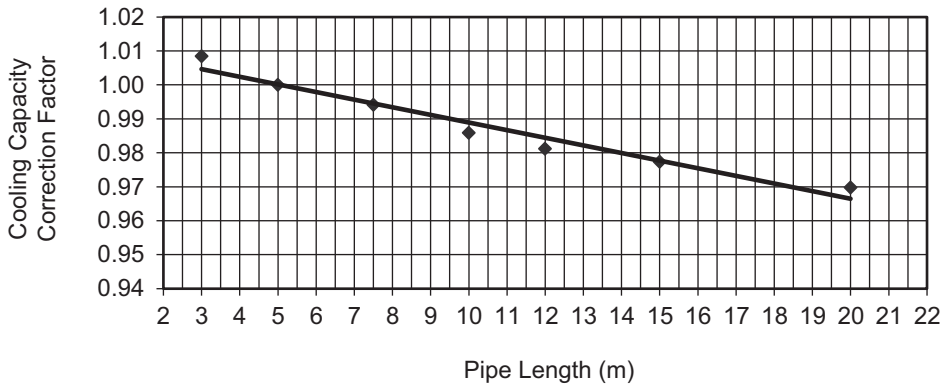
20.2.5 CS-Z71TKEA CU-Z71TKEA



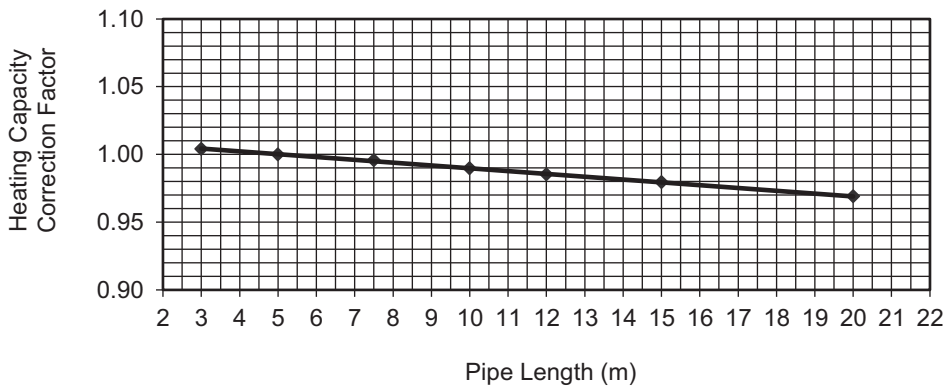
20.3 Piping Length Correction Factor

The characteristic of the unit has to be corrected in accordance with the piping length.

20.3.1 CS-Z25TKEA CU-Z25TKEA CS-Z35TKEA CU-Z35TKEA CS-Z42TKEA CU-Z42TKEA



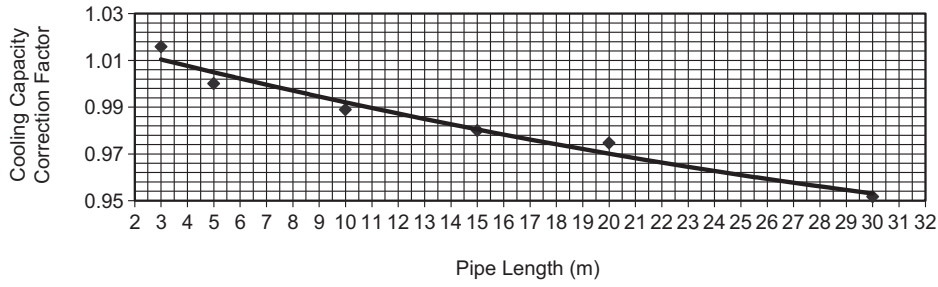
Pipe Length (m)	Cooling Capacity Correction Factor
3	1.0084
5	1.0000
7.5	0.9941
10	0.9859
12	0.9812
15	0.9773
20	0.9698



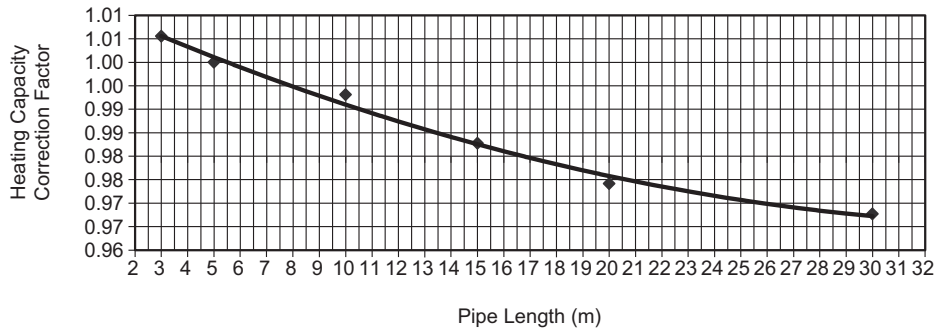
Pipe Length (m)	Heating Capacity Correction Factor
3	1.0041
5	1.0000
7.5	0.9956
10	0.9897
12	0.9853
15	0.9795
20	0.9690

Note: The graphs show the factor after added right amount of additional refrigerant

20.3.2 CS-Z50TKEA CU-Z50TKEA CS-Z71TKEA CU-Z71TKEA



3	1.0159
5	1.0000
10	0.9889
15	0.9800
20	0.9746
30	0.951634



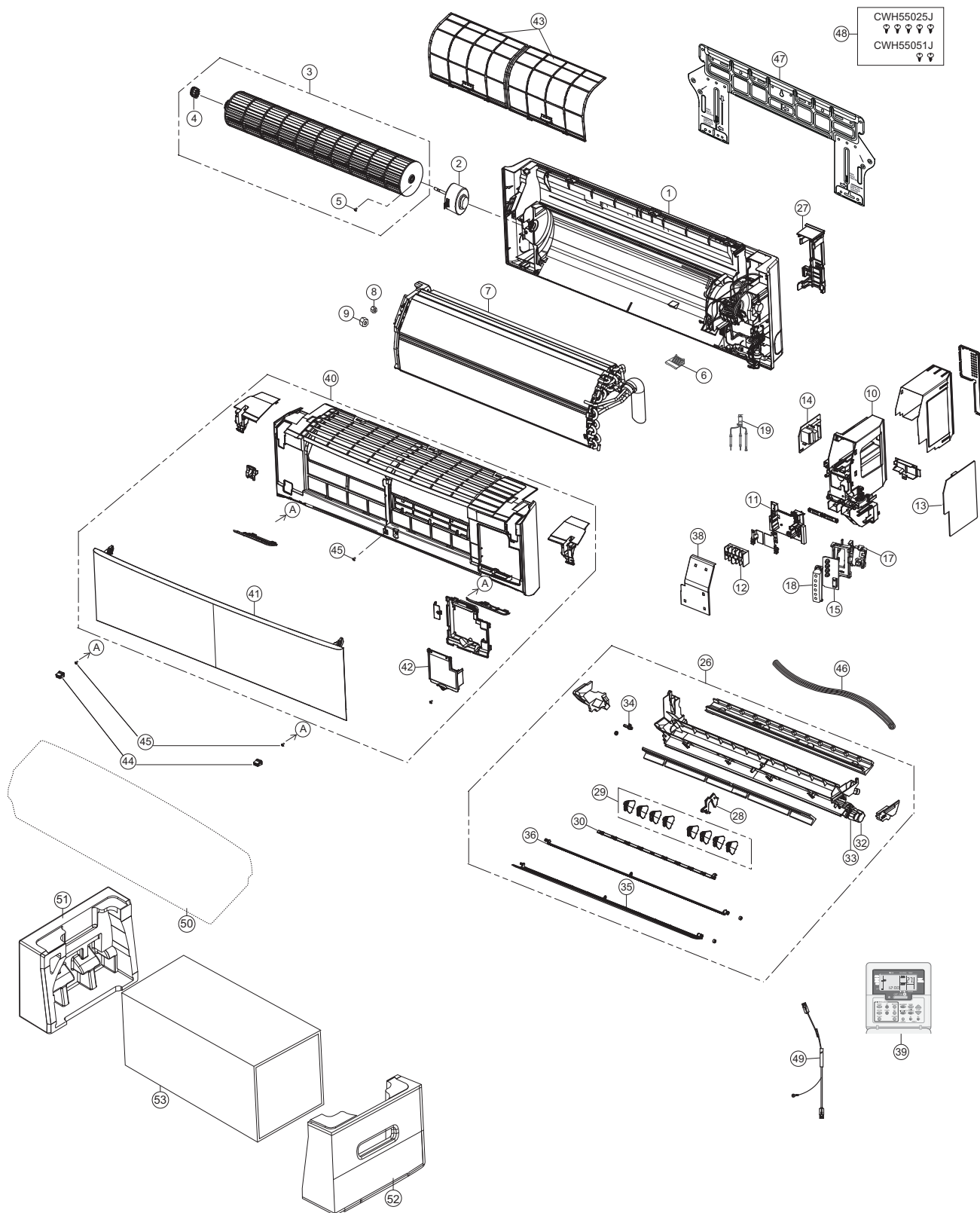
3	1.0056
5	1.0000
10	0.9931
15	0.9828
20	0.9741
30	0.9677

Note: The graphs show the factor after added right amount of additional refrigerant
 Maximum piping length for Z50TKEA is 20 meters.
 Maximum piping length for Z71TKEA is 30 meters.

21. Exploded View and Replacement Parts List

21.1 Indoor Unit

21.1.1 CS-Z25TKEA CS-Z35TKEA



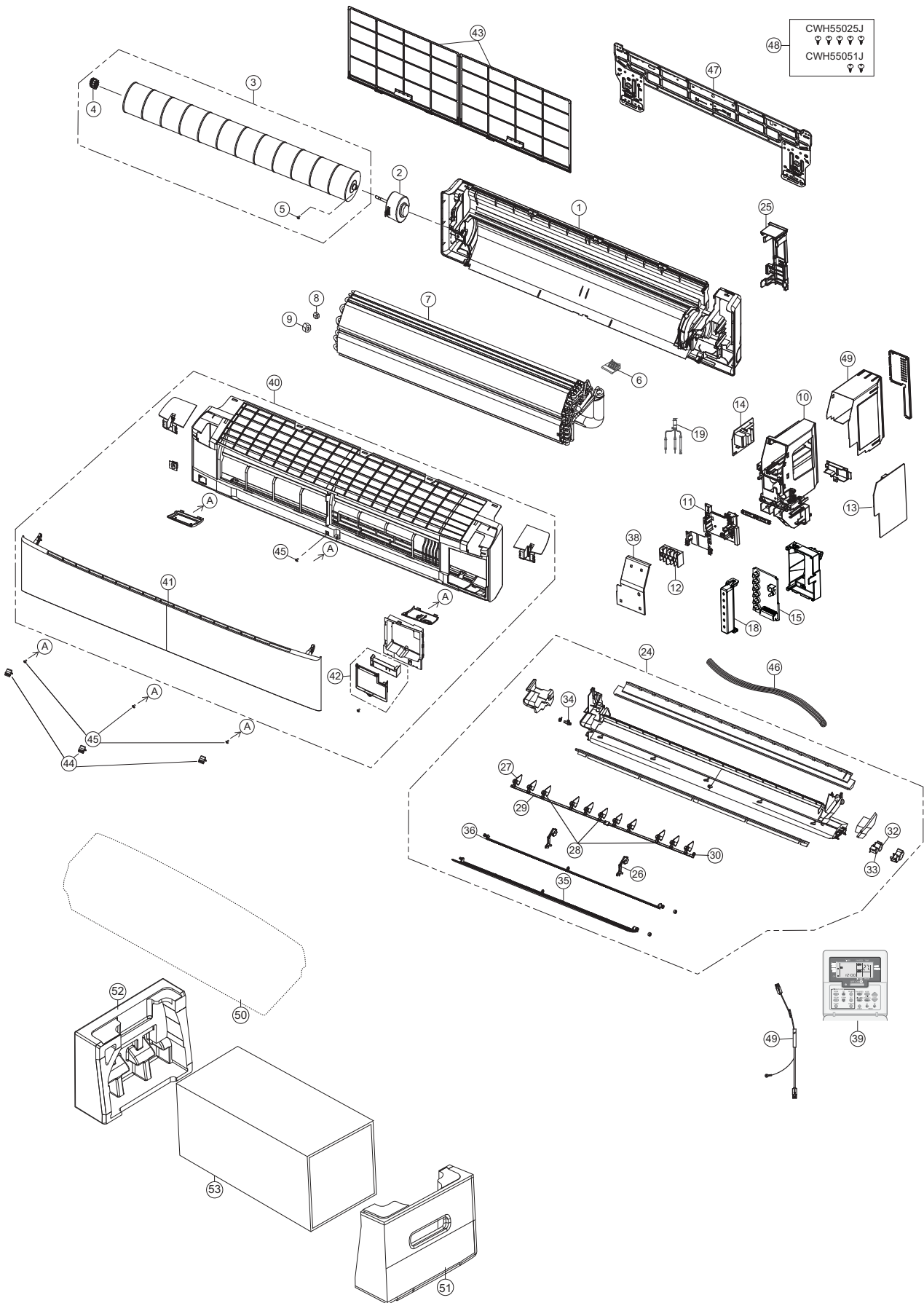
Note
The above exploded view is for the purpose of parts disassembly and replacement.
The non-numbered parts are not kept as standard service parts.

SAFETY	REF. NO.	PART NAME & DESCRIPTION	QTY.	CS-Z25TKEA	CS-Z35TKEA	REMARK
	1	CHASSIS COMPLETE	1	ACXD50C00200	←	
⚠	2	FAN MOTOR	1	L6CBYYL0175	←	O
	3	CROSS-FLOW FAN COMPLETE	1	CWH02C1076	←	
	4	BEARING ASSY	1	CWH64K1006	←	
	5	SCREW - CROSS-FLOW FAN	1	CWH551146	←	
	6	PARTICULAR PIECE	1	CWD933067B	←	
	7	EVAPORATOR	1	CWB30C4659	ACXB30C00920	
	8	FLARE NUT (LIQUID)	1	CWT251048	←	
	9	FLARE NUT (GAS)	1	CWT251049	←	
	10	CONTROL BOARD CASING	1	ACXH10-00200	←	
	11	PARTICULAR PIECE	1	CWD933138	←	
⚠	12	TERMINAL BOARD COMPLETE	1	CWA28C2382	←	O
⚠	13	ELECTRONIC CONTROLLER - MAIN	1	ACXA73C40870	ACXA73C40880	O
⚠	14	ELECTRONIC CONTROLLER - SUB	1	ACXA73-22640	←	O
⚠	15	ELECTRONIC CONTROLLER - INDICATOR	1	ACXA73-08140	←	O
	17	HOLDER - RECEIVER	1	ACXD93-00700	←	
	18	INDICATOR HOLDER	1	ACXD93-00930	←	
	19	SENSOR COMPLETE	1	CWA50C2664	←	O
	26	DISCHARGE GRILLE COMPLETE	1	ACXE20C00540	←	
	27	BACK COVER CHASSIS	1	CWD933233C	←	
	28	FULCRUM	1	ACXH62-00040	←	
	29	VERTICAL VANE	8	CWE241457	←	
	30	CONNECTING BAR	2	CWE261320	←	
⚠	32	AIR SWING MOTOR - OUTER VANE	1	CWA981241	←	O
⚠	33	AIR SWING MOTOR - INNER VANE	1	CWA981299	←	O
	34	CAP - DRAIN TRAY	1	CWH521259	←	
	35	HORIZONTAL VANE COMPLETE - OUTER	1	ACXE24C00240	←	
	36	HORIZONTAL VANE COMPLETE - INNER	1	CWE24C1531	←	
	38	CONTROL BOARD COVER - COMPLETE	1	ACXH13C00150	←	
	39	REMOTE CONTROL COMPLETE	1	CWA75C4264	←	O
	40	FRONT GRILLE COMPLETE	1	ACXE10C06760	ACXE10C06770	O
	41	INTAKE GRILLE COMPLETE	1	ACXE22K00090	←	
	42	GRILLE DOOR COMPLETE	1	CWE14C1090	←	
	43	AIR FILTER	2	CWD001279	←	
	44	CAP - FRONT GRILLE	2	ACXH52-00020	←	
	45	SCREW - FRONT GRILLE	4	XTT4+16CFJ	←	
	46	DRAIN HOSE	1	ACXH85-00210	←	
	47	INSTALLATION PLATE	1	CWH361147	←	
	48	BAG COMPLETE - INSTALLATION SCREW	1	CWH82C1942	←	
	49	REMOTE CONTROL - CABEL	1	CWA221113	←	
	50	BAG	1	CWG861497	←	
	51	SHOCK ABSORBER - LEFT	1	ACXG70-00380	←	
	52	SHOCK ABSORBER - RIGHT	1	ACXG70-00390	←	
	53	C. C. CASE	1	ACXG50-39080	ACXG50-39090	

(NOTE)

- All parts are supplied from PAPAMY, Malaysia (Vendor Code: 00029488).
- "O" marked parts are recommended to be kept in stock.

21.1.2 CS-Z42TKEA CS-Z50TKEA CS-Z71TKEA



Note
 The above exploded view is for the purpose of parts disassembly and replacement.
 The non-numbered parts are not kept as standard service parts.

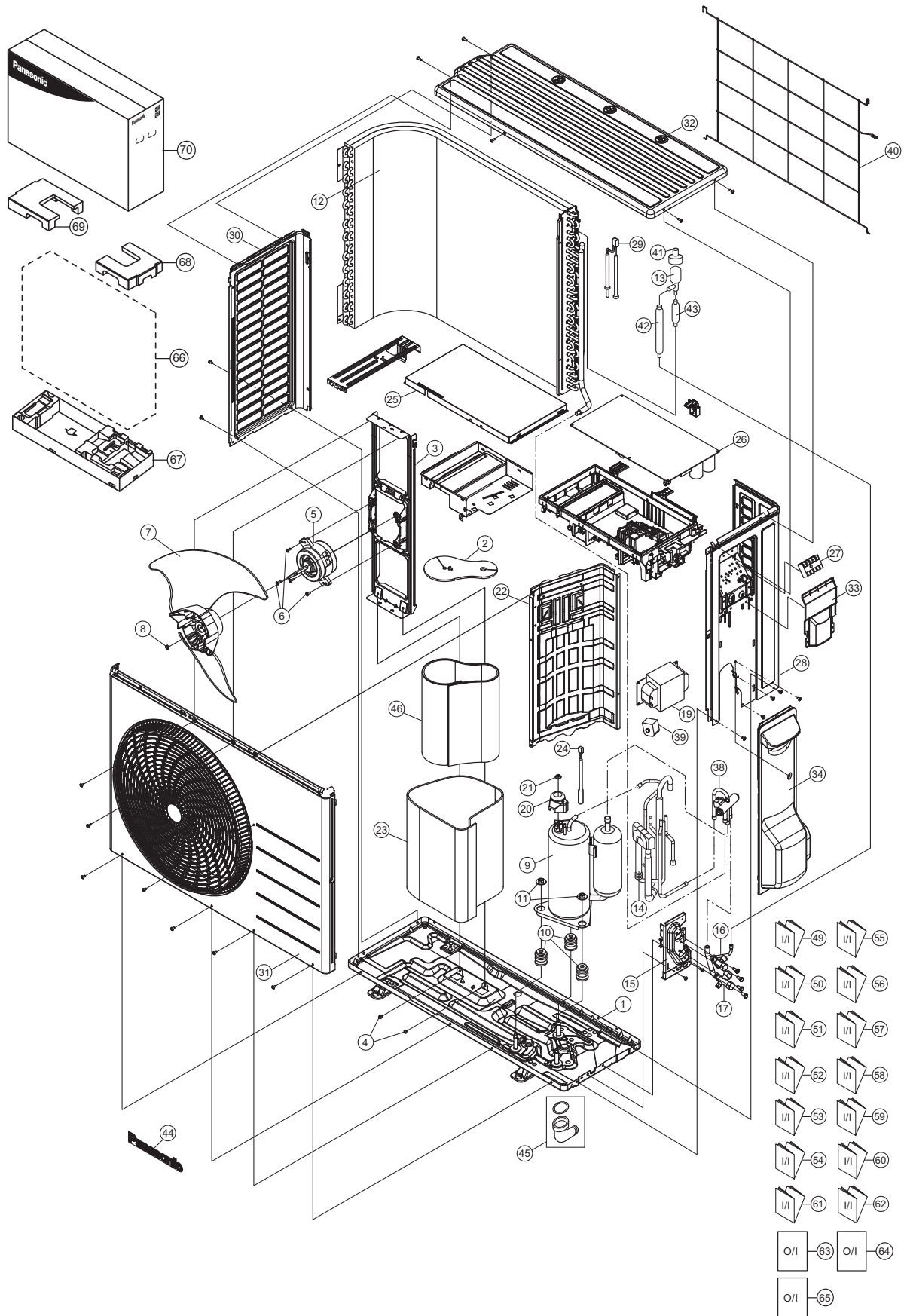
SAFETY	REF. NO.	PART NAME & DESCRIPTION	QTY.	CS-Z42TKEA	CS-Z50TKEA	CS-Z71TKEA	REMARK
	1	CHASSIS COMPLETE	1	ACXD50C01590	←	←	
⚠	2	FAN MOTOR	1	ARW7676ACCB	←	L6CBYYYYL0194	O
	3	CROSS-FLOW FAN COMPLETE	1	CWH02C1136	←	←	
	4	BEARING ASSY	1	CWH64K1010	←	←	
	5	SCREW - CROSS-FLOW FAN	1	CWH551146	←	←	
	6	PARTICULAR PIECE	1	CWD933067B	←	←	
	7	EVAPORATOR	1	ACXB30C02270	←	ACXB30C02870	
	8	FLARE NUT (LIQUID)	1	CWT251048	←	←	
	9	FLARE NUT (GAS)	1	CWT251032	←	CWT251033	
	10	CONTROL BOARD CASING	1	ACXH10-00720	←	←	
	11	PARTICULAR PIECE	1	CWD933138	←	←	
⚠	12	TERMINAL BOARD COMPLETE	1	CWA28C2382	←	←	O
⚠	13	ELECTRONIC CONTROLLER - MAIN	1	ACXA73C40890	ACXA73C40900	ACXA73C40910	O
⚠	14	ELECTRONIC CONTROLLER - SUB	1	ACXA73-22640	←	←	O
⚠	15	ELECTRONIC CONTROLLER - INDICATOR	1	ACXA73-22630	←	←	O
	18	INDICATOR HOLDER	1	ACXD93-01960	←	←	
	19	SENSOR COMPLETE	1	CWA50C3226	←	CWA50C2664	O
	24	DISCHARGE GRILLE COMPLETE	1	ACXE20C00990	←	←	
	25	BACK COVER CHASSIS	1	ACXD93-10180	←	←	
	26	FULCRUM	2	ACXH62-00080	←	←	
	27	VERTICAL VANE	8	ACXE24-00400	←	←	
	28	VERTICAL VANE	3	ACXE24-00630	←	←	
	29	CONNECTING BAR - LEFT	1	ACXE26-00190	←	←	
	30	CONNECTING BAR - RIGHT	1	ACXE26-00200	←	←	
⚠	32	AIR SWING MOTOR - OUTER VANE	1	CWA981304	←	←	O
⚠	33	AIR SWING MOTOR - INNER VANE	1	CWA981299	←	←	O
	34	CAP - DRAIN TRAY	1	CWH521259	←	←	
	35	HORIZONTAL VANE COMPLETE - OUTER	1	ACXE24C01030	←	←	
	36	HORIZONTAL VANE COMPLETE - INNER	1	ACXE24C00540	←	←	
	38	CONTROL BOARD COVER - COMPLETE	1	ACXH13C00150	←	←	
	39	REMOTE CONTROL COMPLETE	1	CWA75C4264	←	←	
	40	FRONT GRILLE COMPLETE	1	ACXE10C06780	←	ACXE10C06790	
	41	INTAKE GRILLE COMPLETE	1	ACXE22K00960	←	←	
	42	GRILLE DOOR COMPLETE	1	ACXE14C00050	←	←	
	43	AIR FILTER	2	ACXD00-00250	←	←	
	44	CAP - FRONT GRILLE	3	ACXH52-00100	←	←	
	45	SCREW - FRONT GRILLE	4	XTT4+16CFJ	←	←	
	46	DRAIN HOSE	1	ACXH85-00210	←	←	
	47	INSTALLATION PLATE	1	CWH361098	←	←	
	48	BAG COMPLETE - INSTALLATION SCREW	1	CWH82C1942	←	←	
	49	REMOTE CONTROL - CABEL	1	CWA221113	←	←	
	50	BAG	1	ACXG86-00130	←	←	
	51	SHOCK ABSORBER	1	ACXG70-00840	←	←	
	52	SHOCK ABSORBER	1	ACXG70-00850	←	←	
	53	C. C. CASE	1	ACXG50-39100	ACXG50-39110	ACXG50-39120	

(NOTE)

- All parts are supplied from PAPAMY, Malaysia (Vendor Code: 00029488).
- "O" marked parts are recommended to be kept in stock.

21.2 Outdoor Unit

21.2.1 CU-Z25TKEA CU-Z35TKEA CU-Z42TKEA



Note
 The above exploded view is for the purpose of parts disassembly and replacement.
 The non-numbered parts are not kept as standard service parts.

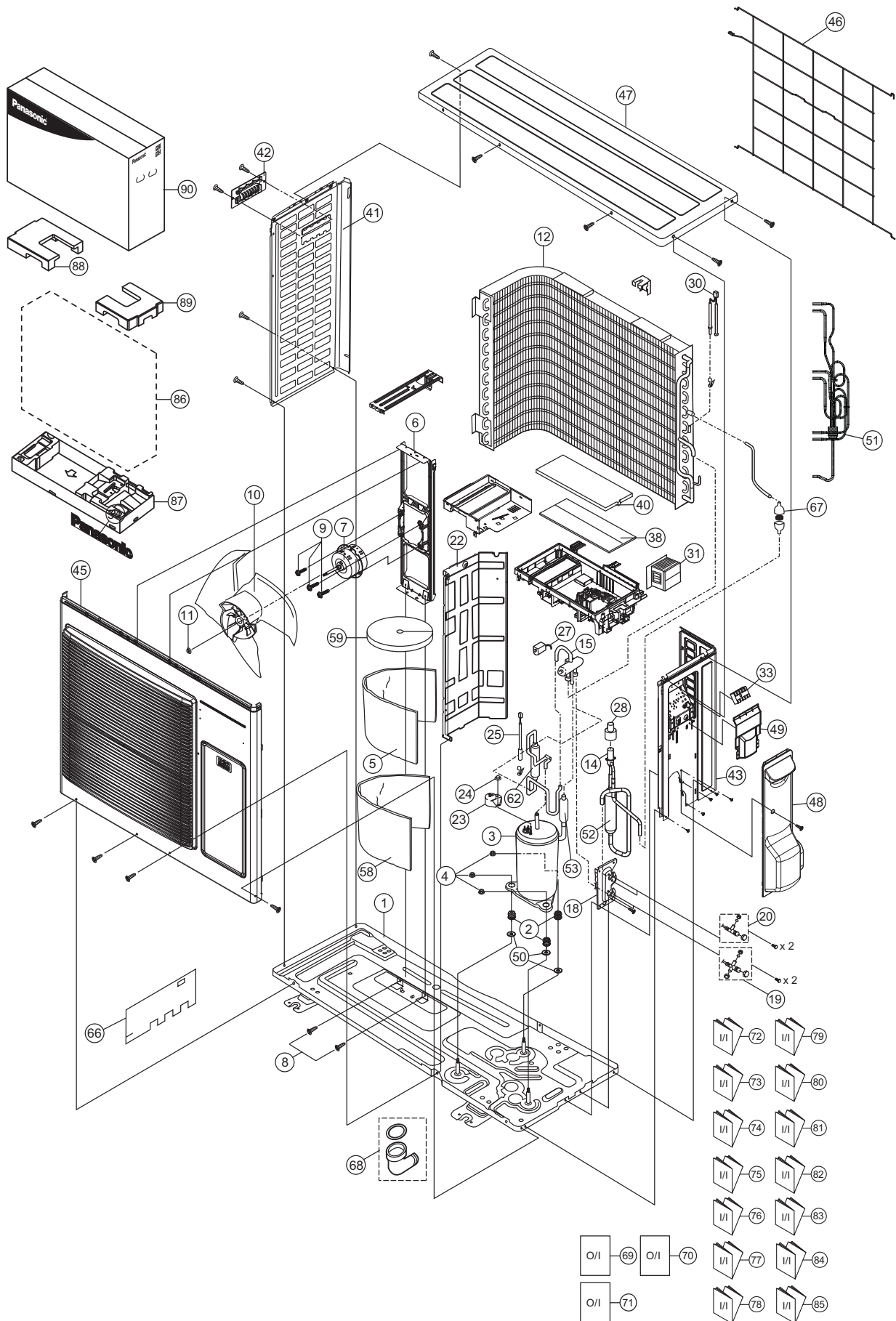
SAFETY	REF. NO.	PART NAME & DESCRIPTION	QTY.	CU-Z25TKEA	CU-Z35TKEA	CU-Z42TKEA	REMARK
	1	CHASSIS COMPLETE	1	CWD52K1277	←	←	
	2	SOUND PROOF MATERIAL - COMP. TOP	1	CWG302630	←	←	
	3	FAN MOTOR BRACKET	1	CWD541167	←	←	
	4	SCREW - FAN MOTOR BRACKET	2	CWH551217	←	←	
⚠	5	FAN MOTOR	1	L6CAYYYL0064	←	←	O
	6	SCREW - FAN MOTOR MOUNT	4	CWH55252J	←	CWH551106J	
	7	PROPELLER FAN ASSY	1	CWH03K1066	←	←	
	8	NUT - PROPELLER FAN	1	CWH56053J	←	←	
⚠	9	COMPRESSOR	1	9RD132XAB21	←	←	O
	10	ANTI - VIBRATION BUSHING	3	CWH50077	←	←	
	11	NUT - COMPRESSOR MOUNT	3	CWH561096	←	←	
	12	CONDENSER	1	ACXB32C01690	CWB32C3547	←	
	13	EXPANSION VALVE	1	CWB051078	←	←	
	14	DISCHARGE MUFFLER (4 W. VALVE)	1	CWB121010	←	←	
	15	HOLDER COUPLING	1	CWH351233	←	←	
	16	2-WAYS VALVE (LIQUID)	1	CWB021590	CWB021589	←	O
	17	3-WAY VALVE (GAS)	1	CWB011374	←	CWB011344	O
⚠	19	REACTOR	1	G0C392J00028	←	G0C392J00023	O
	20	TERMINAL COVER	1	CWH171039A	←	←	
	21	NUT - TERMINAL COVER	1	CWH7080300J	←	←	
	22	SOUND PROOF BOARD	1	CWH151364	CWH151273	←	
	23	SOUND PROOF MATERIAL - COMP. BODY	1	CWG302952	←	←	
	24	SENSOR CO - COMP TEMP	1	CWA50C2894	←	←	O
	25	CONTROL BOARD COVER - TOP	1	CWH131473	←	←	
	26	ELECTRONIC CONTROLLER - MAIN	1	ACXA73C42010R	ACXA73C42020R	ACXA73C42030R	O
⚠	27	TERMINAL BOARD ASSY	1	CWA28K1036J	←	←	O
	28	CABINET SIDE PLATE CO.	1	CWE04C1468	CWE04C1411	←	
	29	SENSOR CO - AIR TEMP AND PIPE TEMP	1	CWA50C3079	←	←	O
	30	CABINET SIDE PLATE	1	CWE041579A	←	←	
	31	CABINET FRONT PLATE CO.	1	ACXE06C02900	←	←	
	32	CABINET TOP PLATE	1	CWE031148A	←	←	
	33	PLATE - C. B. COVER TERMINAL	1	CWH131470	←	←	
	34	CONTROL BOARD COVER CO.	1	CWH13C1253	←	←	
	38	4-WAYS VALVE	1	ACXB00-00130	←	CWB001063	
⚠	39	V-COIL COMPLETE - 4 WAY VALVE	1	ACXA43C00250	←	←	O
	40	WIRE NET	1	CWD041200A	←	←	
⚠	41	V-COIL COMPLETE - EXP. VALVE	1	ACXA43C00640	←	←	O
	42	DISCHARGE MUFFLER	1	CWB121058	←	←	
	43	STRAINER	1	CWB11094	←	←	
	44	PANASONIC BADGE	1	CWE373439	←	←	
	45	BAG - COMPLETE	1	CWG87C900	←	←	
	46	SOUND PROOF MATERIAL	1	CWG302745	←	←	
	49	INSTALLATION INSTRUCTION	1	ACXF60-27950	←	←	
	50	INSTALLATION INSTRUCTION	1	ACXF60-27960	←	←	
	51	INSTALLATION INSTRUCTION	1	ACXF60-27970	←	←	
	52	INSTALLATION INSTRUCTION	1	ACXF60-27980	←	←	
	53	INSTALLATION INSTRUCTION	1	ACXF60-27990	←	←	

SAFETY	REF. NO.	PART NAME & DESCRIPTION	QTY.	CU-Z25TKEA	CU-Z35TKEA	CU-Z42TKEA	REMARK
	54	INSTALLATION INSTRUCTION	1	ACXF60-28000	←	←	
	55	INSTALLATION INSTRUCTION	1	ACXF60-28010	←	←	
	56	INSTALLATION INSTRUCTION	1	ACXF60-28020	←	←	
	57	INSTALLATION INSTRUCTION	1	ACXF60-28030	←	←	
	58	INSTALLATION INSTRUCTION	1	ACXF60-28040	←	←	
	59	INSTALLATION INSTRUCTION	1	ACXF60-28050	←	←	
	60	INSTALLATION INSTRUCTION	1	ACXF60-28060	←	←	
	61	INSTALLATION INSTRUCTION	1	ACXF60-28070	←	←	
	62	INSTALLATION INSTRUCTION	1	ACXF60-28080	←	←	
	63	OPERATING INSTRUCTION	1	ACXF55-18920	←	←	
	64	OPERATING INSTRUCTION	1	ACXF55-18930	←	←	
	65	OPERATING INSTRUCTION	1	ACXF55-19300	←	←	
	66	BAG	1	ACXG86-03760	←	←	
	67	BASE BOARD - COMPLETE	1	CWG62C1162	←	←	
	68	SHOCK ABSORBER	1	CWG713415	←	←	
	69	SHOCK ABSORBER	1	CWG713416	←	←	
	70	C. C. CASE	1	CWG566848	←	←	

(NOTE)

- All parts are supplied from PAPAMY, Malaysia (Vendor Code: 00029488).
- “O” marked parts are recommended to be kept in stock.

21.2.2 CU-Z50TKEA CU-Z71TKEA



Note

The above exploded view is for the purpose of parts disassembly and replacement.
The non-numbered parts are not kept as standard service parts.

SAFETY	REF. NO.	PART NAME & DESCRIPTION	QTY.	CU-Z50TKEA	CU-Z71TKEA	REMARK
	1	CHASSIS COMPLETE	1	ACXD52K00320	ACXD52K00280	
	2	ANTI - VIBRATION BUSHING	3	CWH50077	CWH50055	
⚠	3	COMPRESSOR	1	9RD132XAA21	9KD240XBA21	O
	4	NUT - COMPRESSOR MOUNT	3	CWH561096	CWH561049	
	5	SOUND PROOF MATERIAL - COMP. BODY	1	CWG302950	CWG302997	
	6	FAN MOTOR BRACKET	1	ACXD54-00140	←	
⚠	7	FAN MOTOR	1	L6CAYYYL0076	←	O
	8	SCREW - FAN MOTOR BRACKET	2	CWH551217	←	
	9	SCREW - FAN MOTOR MOUNT	4	CWH551106J	←	
	10	PROPELLER FAN ASSY	1	ACXH03K00070	←	
	11	NUT - PROPELLER FAN	1	CWH56053J	←	
	12	CONDENSER	1	ACXB32C08610	←	
	14	EXPANSION VALVE	1	CWB051078	CWB051079	
	15	4-WAYS VALVE	1	ACXB00-00140	←	
	18	HOLDER COUPLING	1	ACXH35-00080	←	
	19	3-WAY VALVE (GAS)	1	ACXB01-03760	CWB011363	O
	20	2-WAYS VALVE (LIQUID)	1	ACXB02-02560	ACXB02-02570	O
	22	SOUND PROOF BOARD	1	ACXH15-00200	ACXH15-00230	
	23	TERMINAL COVER	1	CWH171039A	←	
	24	NUT - TERMINAL COVER	1	CWH7080300J	←	
	25	SENSOR CO - COMP TEMP	1	CWA50C2185	←	O
⚠	27	V-COIL COMPLETE - 4 WAY VALVE	1	ACXA43C00250	←	O
⚠	28	V-COIL COMPLETE - EXP. VALVE	1	ACXA43C00640	←	O
	30	SENSOR CO - AIR TEMP AND PIPE TEMP	1	CWA50C3079	←	
⚠	31	REACTOR	1	G0C392J00027	G0C392J00029	O
⚠	33	TERMINAL BOARD ASSY	1	CWA28K1036J	←	O
⚠	38	ELECTRONIC CONTROLLER - MAIN	1	ACXA73C40920R	ACXA73C40930R	O
	40	CONTROL BOARD COVER - TOP	1	ACXH13-00490	←	
	41	CABINET SIDE PLATE - LEFT	1	ACXE04-00580	←	
	42	HANDLE	1	CWE161010	←	
	43	CABINET SIDE PLATE CO.	1	ACXE04C00720	ACXE04C00700	
	45	CABINET FRONT PLATE CO.	1	ACXE06K00080	←	
	46	WIRE NET	1	ACXD04-00130A	←	
	47	CABINET TOP PLATE	1	ACXE03-00200	←	
	48	CONTROL BOARD COVER CO.	1	ACXH13C00170	←	
	49	PLATE - C. B. COVER TERMINAL	1	CWH131470	←	
	50	PACKING		-	CWB81043	
	51	TUBE ASSY (CAPILLARY TUBE)	1	-	ACXT00C05240	
	52	RECEIVER	1	CWB14011	CWB14030	
	53	ACCUMULATOR	1	-	ACXB13-00010	
	54	PANASONIC BADGE	1	CWE373439	←	
	58	SOUND PROOF MATERIAL	1	CWG302636	←	
	59	SOUND PROOF MATERIAL - COMP. TOP	1	CWG302630	CWG302246	
	62	DISCHARGE MUFFLER	1	-	CWB121013	
	66	SOUND PROOF MATERIAL	1	CWG302632	-	
	67	STRAINER	1	CWB11094	CWB111032	
	68	BAG - COMPLETE	1	CWG87C900	←	
	69	OPERATING INSTRUCTION	1	ACXF55-18920	←	
	70	OPERATING INSTRUCTION	1	ACXF55-18930	←	

SAFETY	REF. NO.	PART NAME & DESCRIPTION	QTY.	CU-Z50TKEA	CU-Z71TKEA	REMARK
	71	OPERATING INSTRUCTION	1	ACXF55-19300	←	
	72	INSTALLATION INSTRUCTION	1	ACXF60-27950	←	
	73	INSTALLATION INSTRUCTION	1	ACXF60-27960	←	
	74	INSTALLATION INSTRUCTION	1	ACXF60-27970	←	
	75	INSTALLATION INSTRUCTION	1	ACXF60-27980	←	
	76	INSTALLATION INSTRUCTION	1	ACXF60-27990	←	
	77	INSTALLATION INSTRUCTION	1	ACXF60-28000	←	
	78	INSTALLATION INSTRUCTION	1	ACXF60-28010	←	
	79	INSTALLATION INSTRUCTION	1	ACXF60-28020	←	
	80	INSTALLATION INSTRUCTION	1	ACXF60-28030	←	
	81	INSTALLATION INSTRUCTION	1	ACXF60-28040	←	
	82	INSTALLATION INSTRUCTION	1	ACXF60-28050	←	
	83	INSTALLATION INSTRUCTION	1	ACXF60-28060	←	
	84	INSTALLATION INSTRUCTION	1	ACXF60-28070	←	
	85	INSTALLATION INSTRUCTION	1	ACXF60-28080	←	
	86	BAG	1	CWG861461	←	
	87	BASE BOARD - COMPLETE	1	CWG62C1197	←	
	88	SHOCK ABSORBER	1	CWG713217	←	
	89	SHOCK ABSORBER	1	CWG713218	←	
	90	C. C. CASE	1	CWG568360	←	

(NOTE)

- All parts are supplied from PAPAMY, Malaysia (Vendor Code: 00029488).
- "O" marked parts are recommended to be kept in stock.