



Power Cord Specifications

This appendix provides supported power cable specifications.

- [Supported Power Cords and Plugs, on page 1](#)
- [AC Power Cord Illustrations, on page 3](#)

Supported Power Cords and Plugs

Each power supply has a separate power cord. Standard power cords or jumper power cords are available for connection to the controller. The jumper power cords, for use in racks, are available as an optional alternative to the standard power cords.



Note Only the approved power cords or jumper power cords provided with the controller are supported.

Table 1: Supported Power Cords for the Controller

Description	Feet	Meters	Power Cord Reference Illustration
SFS-250V-10A-AR Power Cord, 250 VAC 10 A IRAM 2073 Plug Argentina	8.2	2.5	Figure <i>SFS-250V-10A-AR</i>
CAB-9K10A-AU 250 VAC 10 A 3112 Plug Australia	8.2	2.5	Figure <i>CAB-9K10A-AU</i>
SFS-250V-10A-CN Power Cord, 250 VAC 10 A GB 2009 Plug China	8.2	2.5	Figure <i>SFS-250V-10A-CN</i>

Description	Feet	Meters	Power Cord Reference Illustration
CAB-9K10A-EU Power Cord, 250 VAC 10 A M 2511 Plug Europe	8.2	2.5	Figure <i>CAB-9K10A-EU</i>
SFS-250V-10A-ID Power Cord, 250 VAC 16A EL-208 Plug South Africa, United Arab Emirates, India	8.2	2.5	Figure <i>SFS-250V-10A-ID</i>
SFS-250V-10A-IS Power Cord, 250 VAC 10 A SI32 Plug Israel	8.2	2.5	Figure <i>SFS-250V-10A-IS</i>
CAB-9K10A-IT Power Cord, 250 VAC 10 A CEI 23-16 Plug Italy	8.2	2.5	Figure <i>CAB-9K10A-IT</i>
CAB-9K10A-SW Power Cord, 250 VAC 10 A MP232 Plug Switzerland	8.2	2.5	Figure <i>CAB-9K10A-SW</i>
CAB-9K10A-UK Power Cord, 250 VAC 10 A BS1363 Plug (13 A fuse) United Kingdom	8.2	2.5	Figure <i>CAB-9K10A-UK</i>
CAB-AC-250V/13A Power Cord, 250 VAC 13 A IEC60320 Plug North America	6.6	2.0	Figure <i>CAB-AC-250V/13A</i>
CAB-N5K6A-NA Power Cord, 250 VAC 13 A NEMA 6-15 Plug, North America	8.2	2.5	Figure <i>CAB-N5K6A-NA</i>
CAB-9K12A-NA Power cord, 125 VAC, 13 A, NEMA 5-15 Plug North America	8.2	2.5	Figure <i>CAB-9K12A-NA</i>

Description	Feet	Meters	Power Cord Reference Illustration
CAB-C13-CBN Cabinet Jumper Power Cord, 250 VAC 10 A, C13-C14 Connectors	2.2	0.68	Figure CAB-C13-CBN, Jumper Power Cord (0.68 m)
CAB-C13-C14-2M Cabinet Jumper Power Cord, 250 VAC 10 A, C13-C14 Connectors	6.6	2.0	Figure CAB-C13-C14-2M, Jumper Power Cord (2 m)
CAB-C13-C14-AC Cabinet Jumper Power Cord, 250 VAC 10 A, C13-C14 Connectors	9.8	3.0	Figure CAB-C13-C14-AC, Jumper Power Cord (3 m)

AC Power Cord Illustrations

This section includes the AC power cord illustrations. See *SFS-250V-10A-AR* to *CAB-C13-C14-AC*, Jumper Power Cord (3 m).

Figure 1: *SFS-250V-10A-AR*

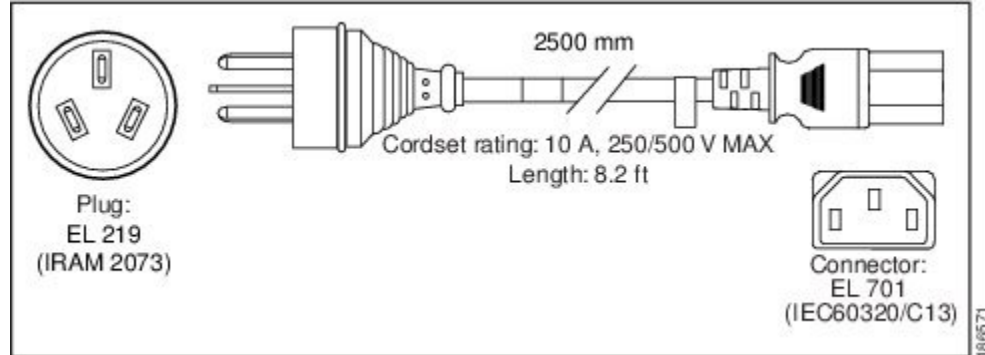


Figure 2: *CAB-9K10A-AU*

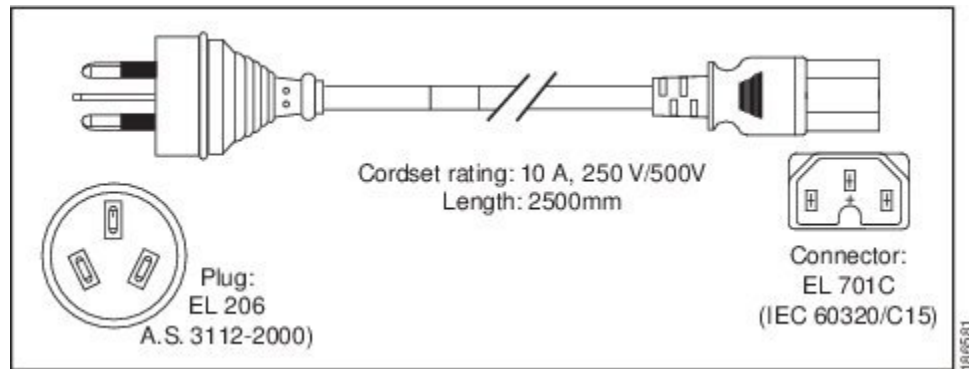


Figure 3: SFS-250V-10A-CN

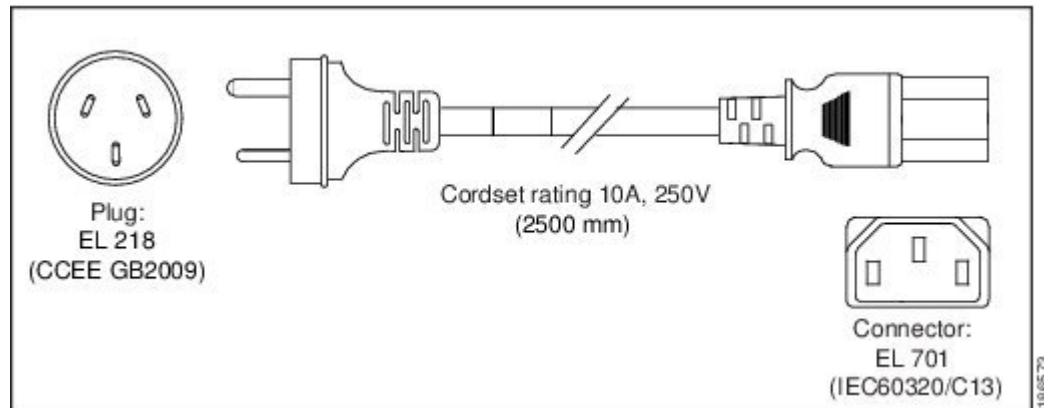


Figure 4: CAB-9K10A-EU

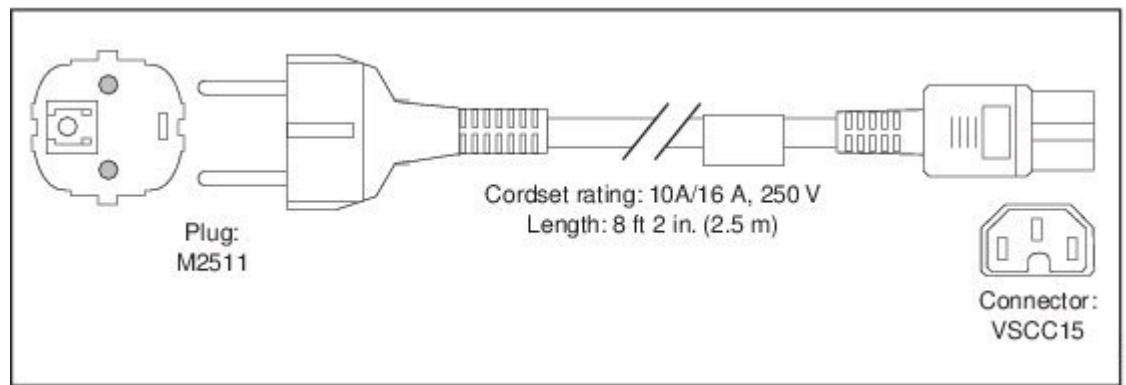


Figure 5: SFS-250V-10A-ID

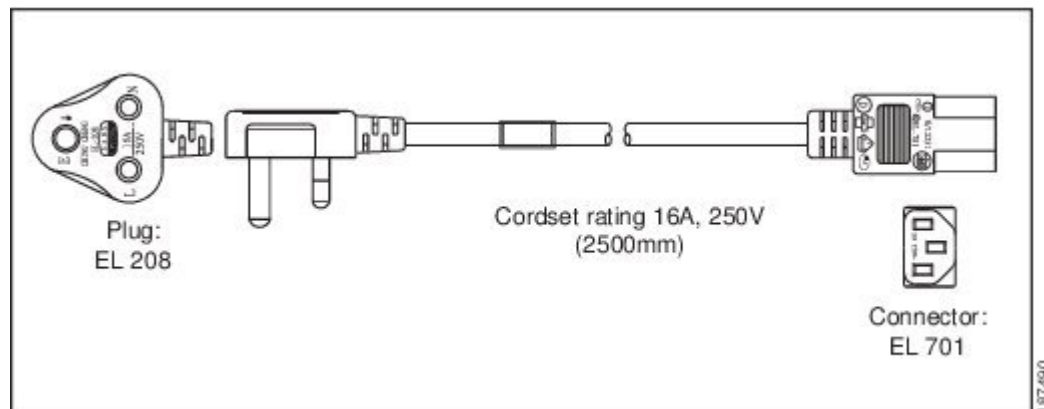
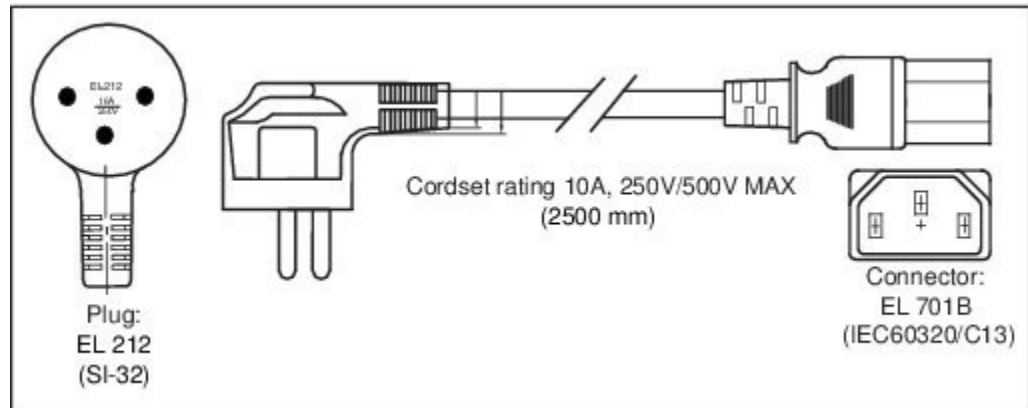
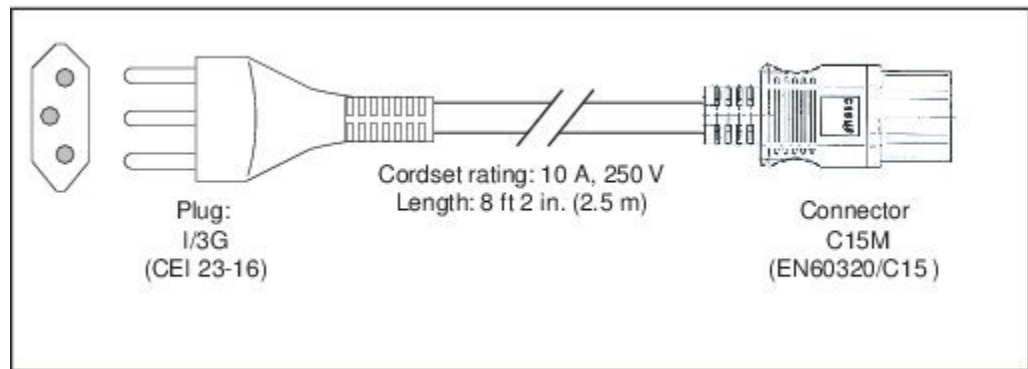


Figure 6: SFS-250V-10A-IS



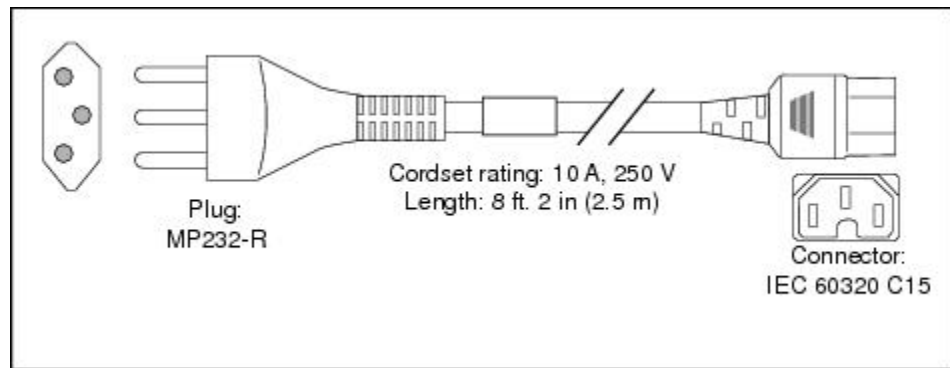
186574

Figure 7: CAB-9K10A-IT



186575

Figure 8: CAB-9K10A-SW



186578

Figure 9: CAB-9K10A-UK

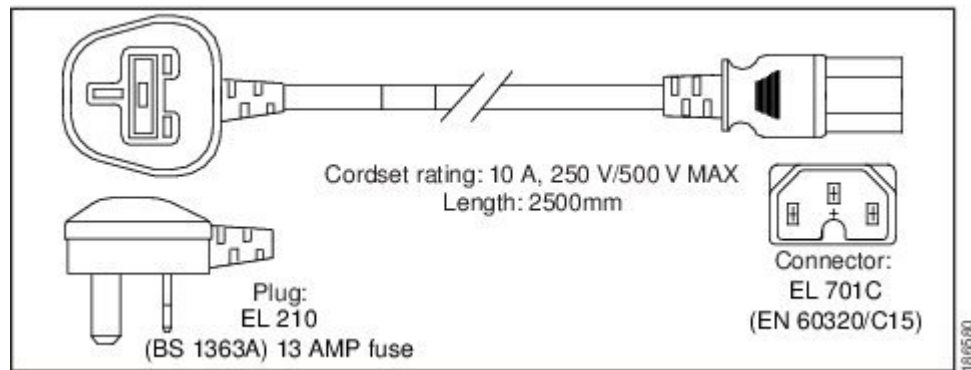


Figure 10: CAB-AC-250V/13A

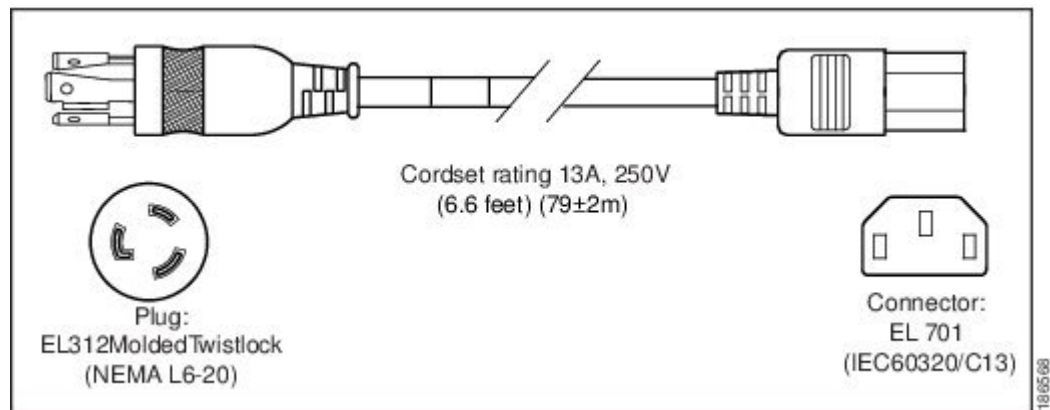


Figure 11: CAB-N5K6A-NA

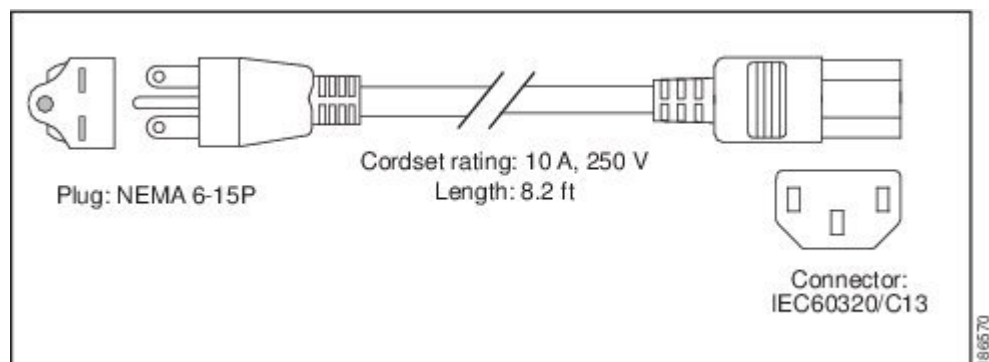


Figure 12: CAB-9K12A-NA

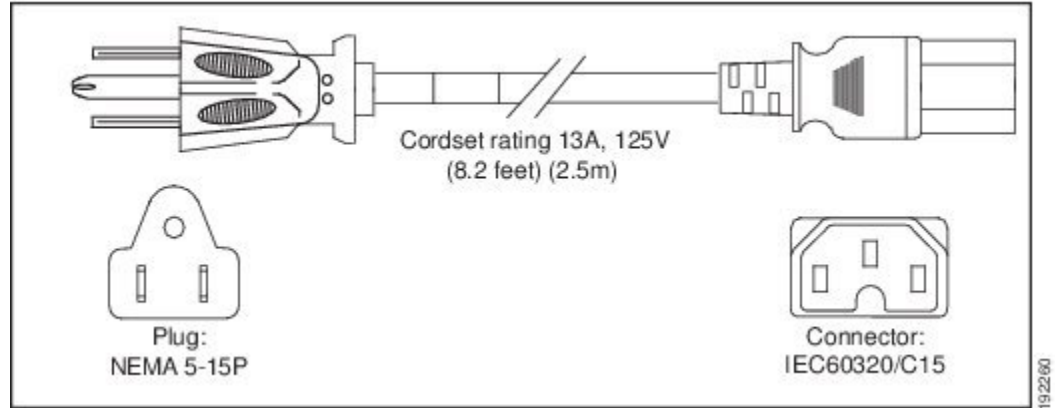


Figure 13: CAB-C13-CBN, Jumper Power Cord (0.68 m)

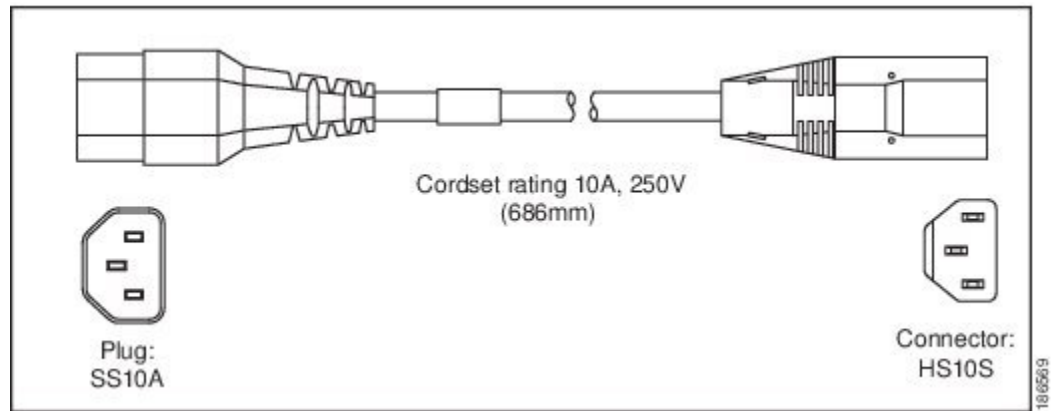


Figure 14: CAB-C13-C14-2M, Jumper Power Cord (2 m)

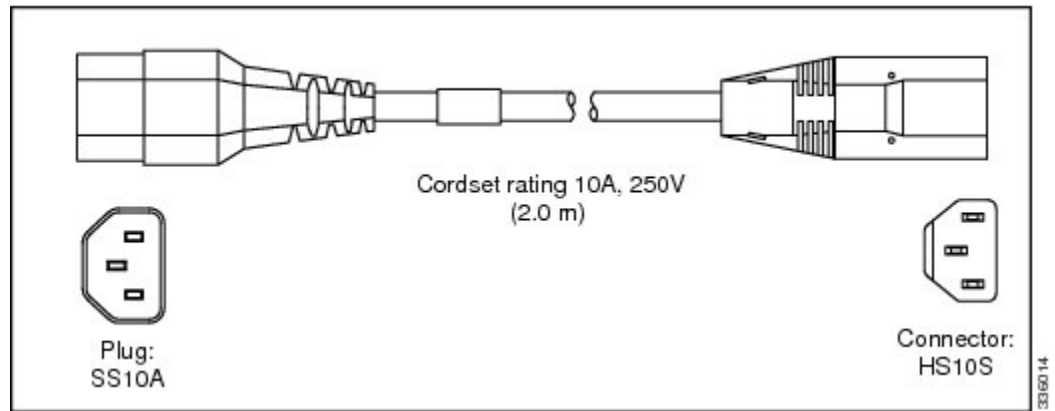


Figure 15: CAB-C13-C14-AC, Jumper Power Cord (3 m)

