



System Specifications

- [Environmental Specifications, on page 1](#)
- [Switch Dimensions, on page 1](#)
- [AC Power Cable Specifications, on page 2](#)
- [Power Cables for NXA-PAC-1100W Power Supplies, on page 3](#)
- [Power Cables for NXA-PAC-1500W Power Supplies, on page 4](#)
- [DC Power Cable Specifications, on page 5](#)
- [HVDC Power Cable Specifications, on page 5](#)
- [HVAC/HVDC Power Cable Specifications, on page 6](#)

Environmental Specifications

Environment		Specification
Temperature	Ambient operating temperature	32 to 104°F (0 to 40°C)
	Ambient nonoperating	−40 to 158°F (−40 to 70°C)
Humidity	Ambient operating humidity	10 to 85%
	Ambient nonoperating	5 to 95%
Altitude	Ambient operating altitude	0 to 10,000 feet (0 to 3050 m)
	Ambient nonoperating	−1000 to 30,000 feet (−304 to 15,150 m)

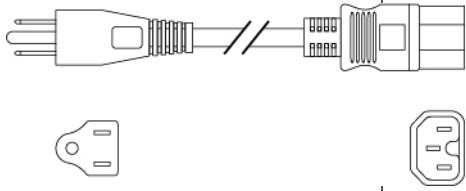
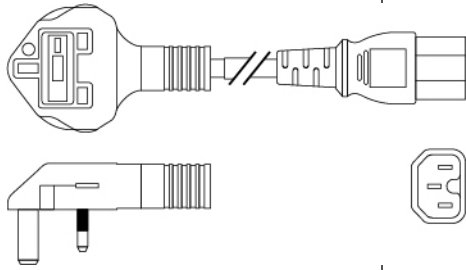
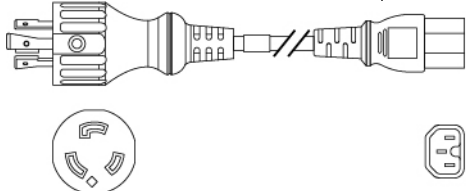
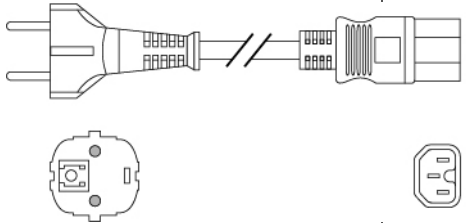
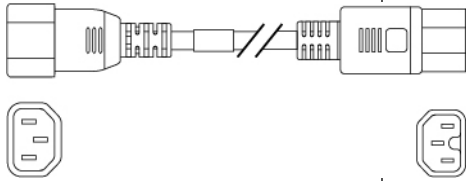

Switch Dimensions

Switch Component	Width	Depth	Height
Cisco Nexus 3408-S chassis	17.3 inches (43.9 cm)	31.6 inches (80.26 cm)	6.97 inches (17.7 cm) (4 RU)
Cisco Nexus 3432D-S chassis	17.29 inches (43.94 cm)	25.48 inches (64.74 cm)	1.72 inches (4.37 cm) (1 RU)

AC Power Cable Specifications

Cable	Description	Length
SFS-250V-10A-AR (Argentina)	250 VAC 10 A, IRAM 2073 plug	8.2 feet (2.5 m)
CAB-9K10A-AU (Australia)	250 VAC 10 A, 3112 plug	8.2 feet (2.5 m)
SFS-250V-10A-CN (China)	250 VAC 10 A, GB 2009 plug	8.2 feet (2.5 m)
CAB-9K10A-EU (Europe)	250 VAC 10 A, M 2511 plug	8.2 feet (2.5 m)
SFS-250V-10A-ID (South Africa, United Arab Emerits, and India)	250 VAC 16 A, EL-208 plug	8.2 feet (2.5 m)
SFS-250V-10A-IS (Israel)	250 VAC 10 A, SI-32 plug	8.2 feet (2.5 m)
CAB-9K10A-IT (Italy)	250 VAC 10 A, CEI 23-16 plug	8.2 feet (2.5 m)
CAB-9K10A-SW (Switzerland)	250 VAC 10 A, MP232 plug	8.2 feet (2.5 m)
CAB-9K10A-UK (United Kingdom)	250 VAC 10 A, BS1363 plug (13-A fuse)	8.2 feet (2.5 m)
CAB-AC-250V/13A (North America)	250 VAC 13 A, NEMA L6-20 plug	6.6 feet (2.0 m)
CAB-N5K6A-NA (North America)	250 VAC 10 A, NEMA 6-15 plug	8.2 feet (2.5 m)
CAB-9K12A-NA (North America)	125 VAC 13 A, NEMA 5-15 plug	8.2 feet (2.5 m)
CAB-C13-CBN	250 VAC 10 A, SS 10-A plug	8.2 feet (2.5 m)
CAB-C13-C14-2M	Cabinet Jumper Power Cord, 250 VAC 10 A, C13-C14 Connectors	6.6 feet (2 m)
CAB-C13-C14-AC	Cabinet Jumper Power Cord, 250 VAC 10 A, C13-C14 Connectors	9.8 feet (3 m)
CAB-C13-C14-JMPR	Cabinet Jumper Power Cord 250 VAC 13 A, C13-C14 Connectors	2.2 feet (0.7 m)
CAB-IND-10A	250 VAC 10 A, EL-208B plug	8.2 feet (2.5 m)

Power Cables for NXA-PAC-1100W Power Supplies

Cable	Description	Illustration
CAB-TA-NA	North America AC Type A Power Cable	
CAB-TA-UK	United Kingdom AC Type A Power Cable	
CAB-TA-250V-JP	Japan 250V AC Type A Power Cable	
CAB-TA-EU	Europe AC Type A Power Cable	
CAB-C15-CBN	Cabinet Jumper Power Cord, 250 VAC 13A, C14-C15 Connectors	
CAB-ACBZ-12A	AC Power Cord (Brazil) 12A/125V BR-3-20 plug up to 12A	

Cable	Description	Illustration
CAB-TA-IN	India AC Type A Power Cable	
CAB-TA-IS	Israel AC Type A Power Cable	

Power Cables for NXA-PAC-1500W Power Supplies

Cable	Description	Length	Weight
CAB-250V-10A-AR	Power Cord, 250VAC 10A IRAM 2073 Plug, Argentina	8.2 feet (2.5 m)	0.32 kg
CAB-9K10A-EU	Power Cord, 250VAC 10A CEE 7/7 Plug, EU	8.2 feet (2.5 m)	0.30 kg
CAB-9K10A-SW	Power Cord, 250VAC 10A MP232 Plug, Switzerland	8.2 feet (2.5 m)	0.28 kg
CAB-9K10A-AU	Power Cord, 250VAC 10A 3112 Plug, Australia	8.2 feet (2.5 m)	0.28 kg
CAB-9K10A-IT	Power Cord, 250VAC 10A CEI 23-16/VII Plug, Italy	8.2 feet (2.5 m)	0.26 kg
CAB-9K12A-NA	Power Cord, 125VAC 13A NEMA 5-15 Plug, North America	8.2 feet (2.5 m)	0.32 kg
CAB-TA-NA	Power Cord, 125VAC 12A, North America	8.2 feet (2.5 m)	0.40 kg
CAB-TA-UK	Power Cord, 250VAC 10A, United Kingdom	8.2 feet (2.5 m)	0.30 kg
CAB-TA-250V-JP	Power Cord, 250VAC 15A, Japan	8.2 feet (2.5 m)	0.38 kg

Cable	Description	Length	Weight
CAB-TA-EU	Power Cord, 250VAC 10A, Continental Europe	8.2 feet (2.5 m)	0.24 kg
CAB-C15-CBN	Jumper Cord, 250VAC 12A, United States, Canada, Australia	4 feet (1.22 m)	0.20 kg
CAB-TA-IN	Power Cord, 250VAC 10A, South Africa	8.2 feet (2.5 m)	0.28 kg
CAB-TA-IS	Power Cord, 250VAC 16A, Israel	8.2 feet (2.5 m)	0.26 kg
CAB-C15-CBN-JP	Power Cord, 250VAC 12A, Japan	9.84 feet (3 m)	0.38 kg
CAB-C15-CBN-EURA	Power Cord, 250VAC 13A, EU	9.84 feet (3 m)	0.26 kg
CAB-C15-CBN-CK	Power Cord, 250VAC 13A, China	9.84 feet (3 m)	0.32 kg
CAB-PWR-C15-CHN-A	Power Cord, 250VAC 10A, China	8.2 feet (2.5 m)	0.32 kg

DC Power Cable Specifications

Power Supply	Power Cord	Cord Set Description
All except Argentina, Brazil, and Japan	NO-POWER-CORD	No power cord included with switch



Note For N2200-PDC-350W-B or N2200-PDC-400W DC power supplies

The terminal block used (2-position) accepts wire sizes 22AWG-14AWG.

For the maximum input current of approximately 15A, a 18AWG wire meets minimum requirements. 16AWG adds some margin, and is recommended.

There is no earth ground connection on this input terminal block, thus the earth grounding is provided by the system being grounded.

HVDC Power Cable Specifications

Type	Power Cord Part Number	Cord Set Description
HVDC	CAB-HVDC-3T-2M	6.6-foot (2.0 m) cable with Saf-D-Grid and three terminal connectors

HVAC/HVDC Power Cable Specifications

Power Cord Part Number	Cord Set Description
CAB-AC-16A-SG-IS	Power cord, SI 16S3/Saf-D-Grid, 250 VAC 16A, Israel
CAB-AC-20A-SG-C20	Cabinet jumper power cord, 250 VAC, 20A, IEC C20/Saf-D-Grid, North America
CAB-AC-20A-SG-US	Power cord, 110 VAC 20A, Straight Blade, NEMA 5-20P/Saf-D-Grid, North America
CAB-AC-20A-SG-US1	Power cord, 125 VAC 20A, twist lock, NEMA L5-20/Saf-D-Grid, North America
CAB-AC-20A-SG-US2	Power cord, 250 VAC 20A, straight-blade, NEMA 6-20/Saf-D-Grid, North America
CAB-AC-20A-SG-US3	Power cord, 250 VAC 20A, twist lock, NEMA L6-20/Saf-D-Grid, North America
CAB-AC-16A-SG-IN	Power cord, IEC60309/Saf-D-Grid, 250 VAC 16A, International
CAB-AC-16A-SG-IT	Power cord, CEI 23-50/Saf-D-Grid to IEC-C19 250 VAC 16A, Italy
NO-POWER-CORD	No power cord included with switch