



Cisco Video Surveillance 8000 Series IP Camera Accessory Guide

August 7, 2019

Cisco Video Surveillance 8000 Series IP Cameras can be mounted in a variety of configurations. This document describes the parts that are required for some of the more popular mounting configurations. It also shows the dimensions of each mounting part.

Contents

This document includes the following sections:

- [Pendant Mounting Options, page 2](#)
- [Ceiling Mounting Option, page 4](#)
- [Wall Mounting Options, page 5](#)
- [Corner Mounting Option, page 7](#)
- [Pole Mounting Option, page 8](#)
- [Flush Mounting Option, page 9](#)
- [Indoor Dome Cover Option, page 10](#)
- [Junction Box Mounting Option, page 11](#)
- [Outdoor Conduit Mounting Option, page 12](#)
- [Accessory Dimensions, page 13](#)



Americas Headquarters:
Cisco Systems, Inc., 170 West Tasman Drive, San Jose, CA 95134-1706 USA

Pendant Mounting Options

Figure 1 and Figure 2 shows the pendant mounting options for dome and panoramic cameras. These cameras include the Cisco IP Camera models 8020, 8030, 8620, 8630, 8070, and 8930 models.

Figure 1 *Pendant Mounting, Cisco IP Camera 8020, 8030, 8620, 8630, and 8070*

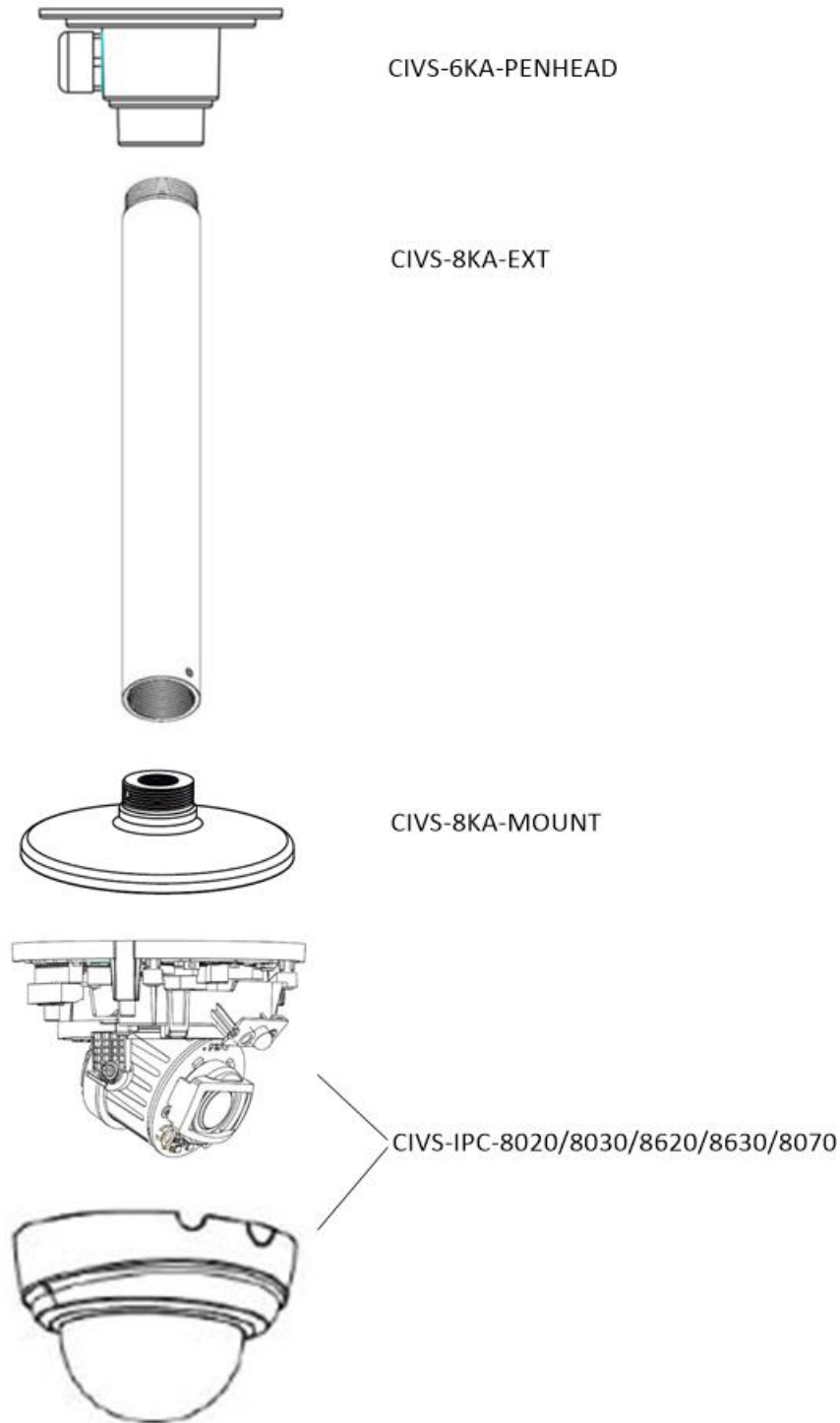
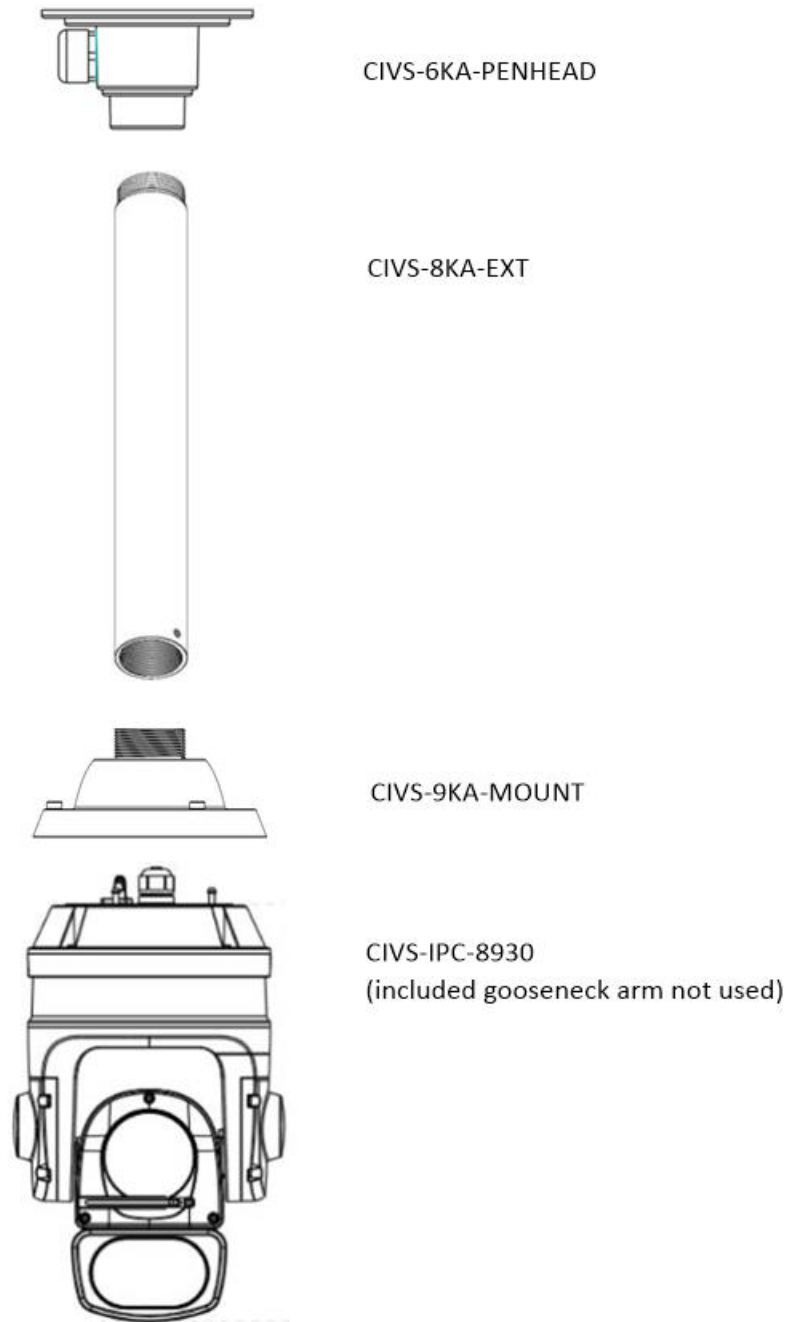


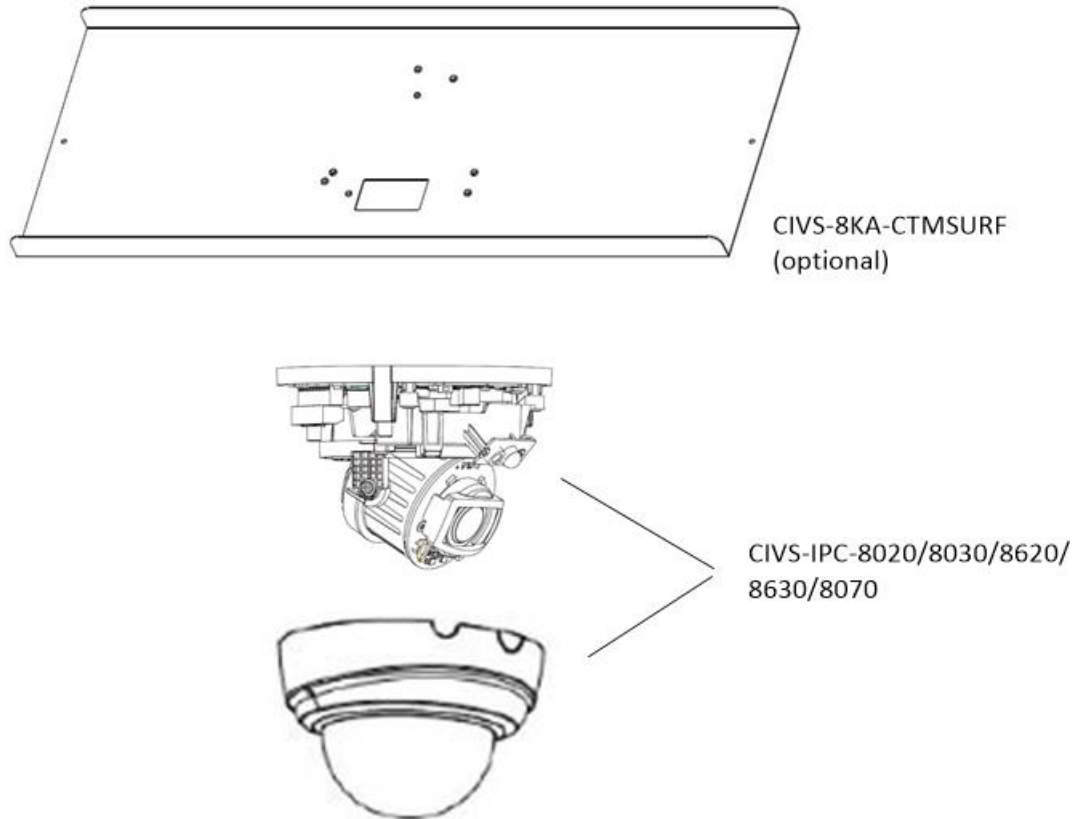
Figure 2 *Pendant Mounting, Cisco IP Camera 8930*



Ceiling Mounting Option

Figure 3 shows the ceiling mounting option for dome and panoramic cameras. These cameras include the Cisco IP Camera models 8020, 8030, 8620, 8630, and 8070.

Figure 3 Ceiling Mounting, Cisco IP Camera 8020, 8030, 8620, 8630, and 8070



Wall Mounting Options

Figure 4, and Figure 5 shows the mounting options for dome and panoramic cameras. These camera include the Cisco IP Camera models 8030, 8630, and 8070.

Figure 4 Wall Mounting for Through-the-Wall Wiring Connection, Cisco IP Camera 8030, 8630, and 8070

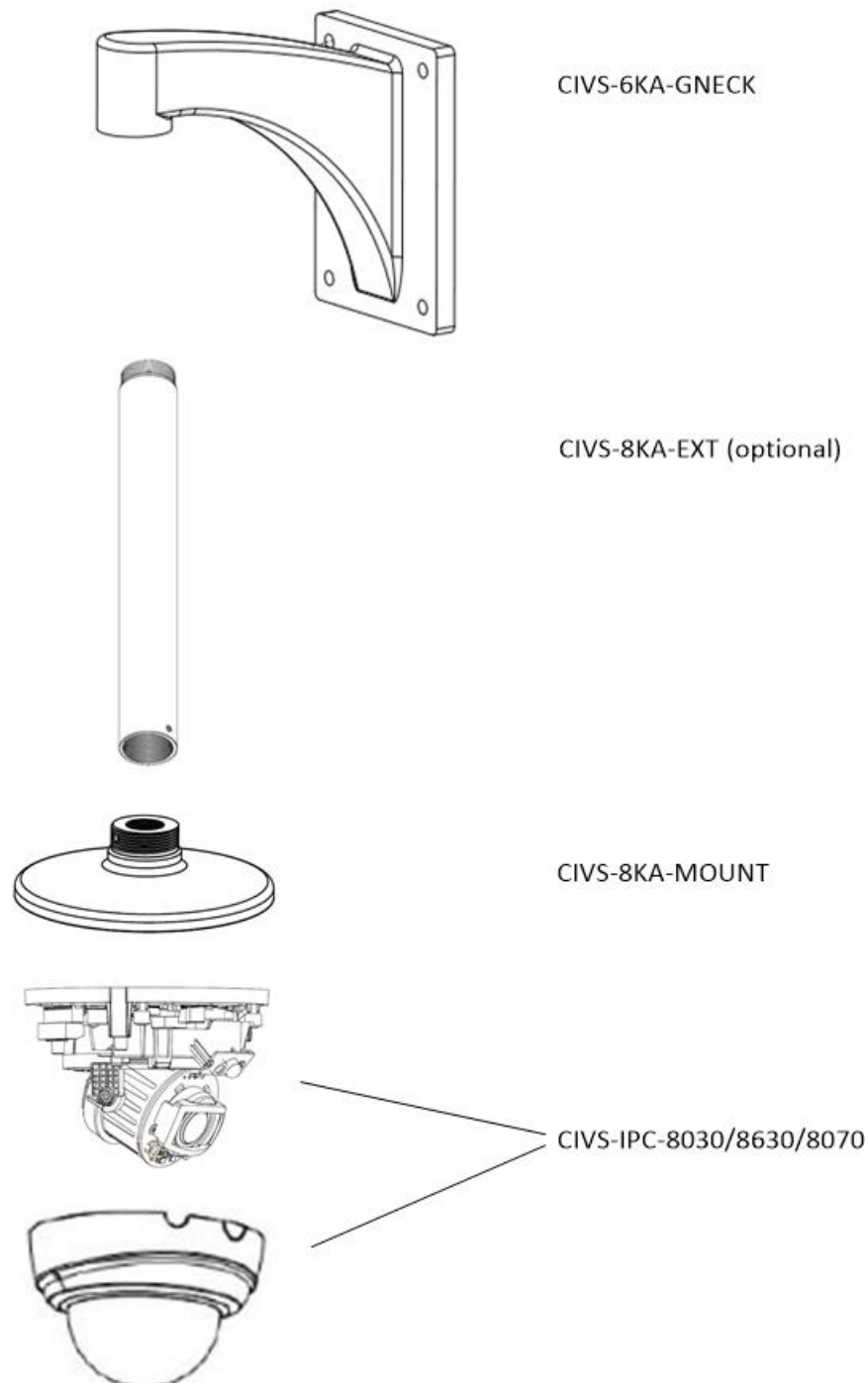
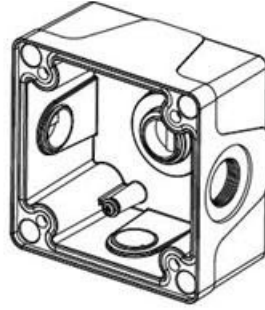
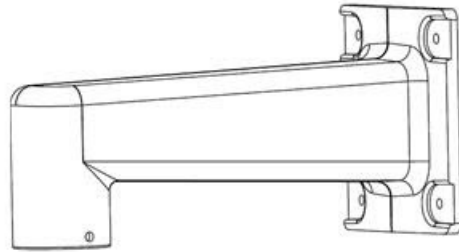


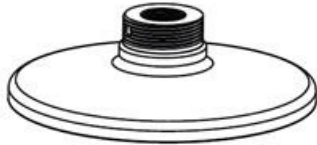
Figure 5 Wall Mounting for Junction Box Connection, Cisco IP Camera 8030, 8630, and 8070



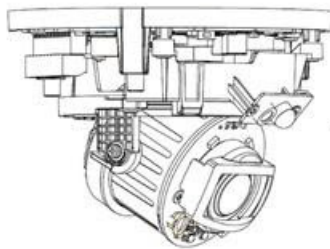
CIVS-8KA-JBOX



CIVS-IPCA-WALMT8



CIVS-8KA-MOUNT



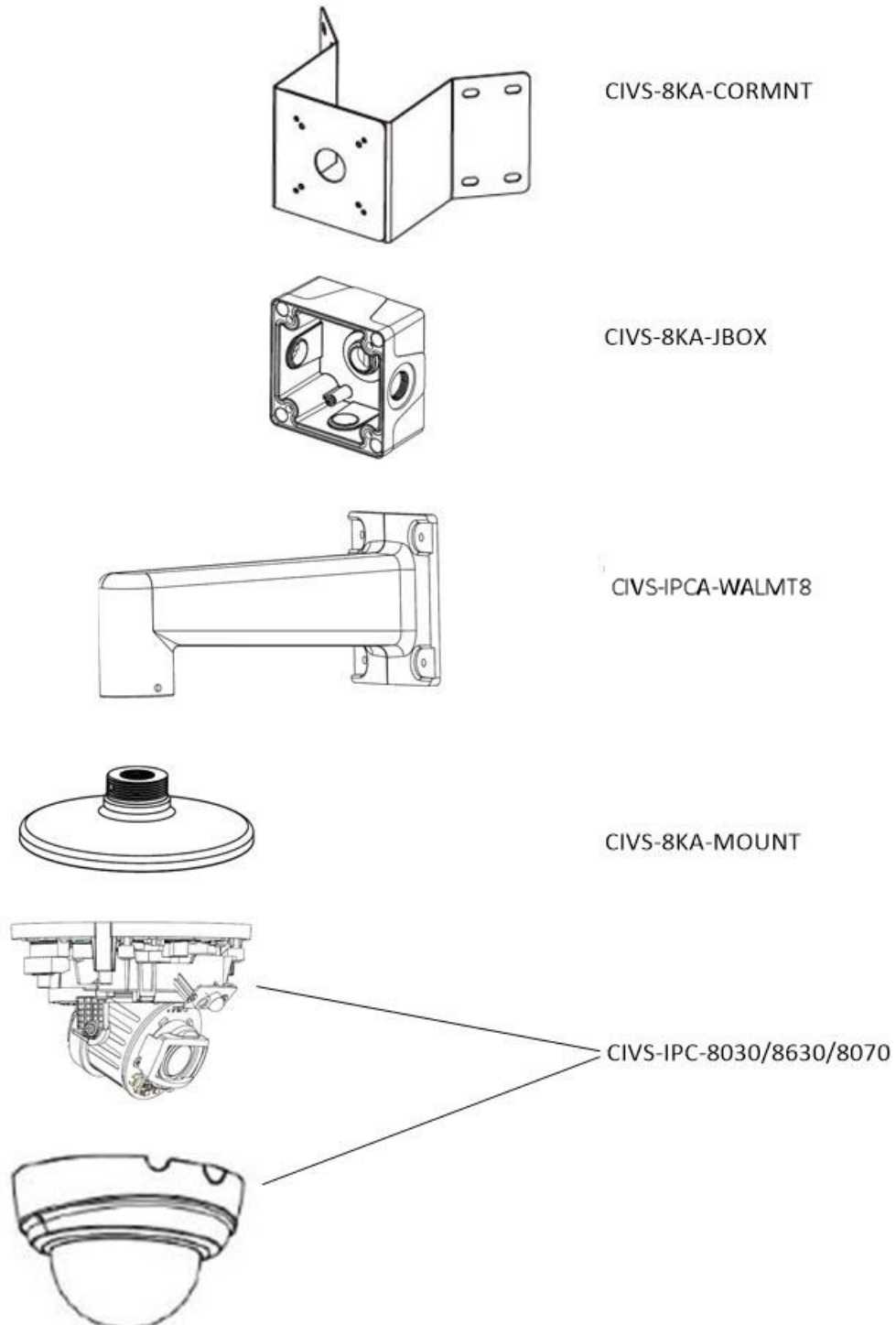
CIVS-IPC-8030/8630/8070



Corner Mounting Option

Figure 6 shows the corner mounting option for dome cameras. These camera include the Cisco IP Camera models 8030, 8630, and 8070.

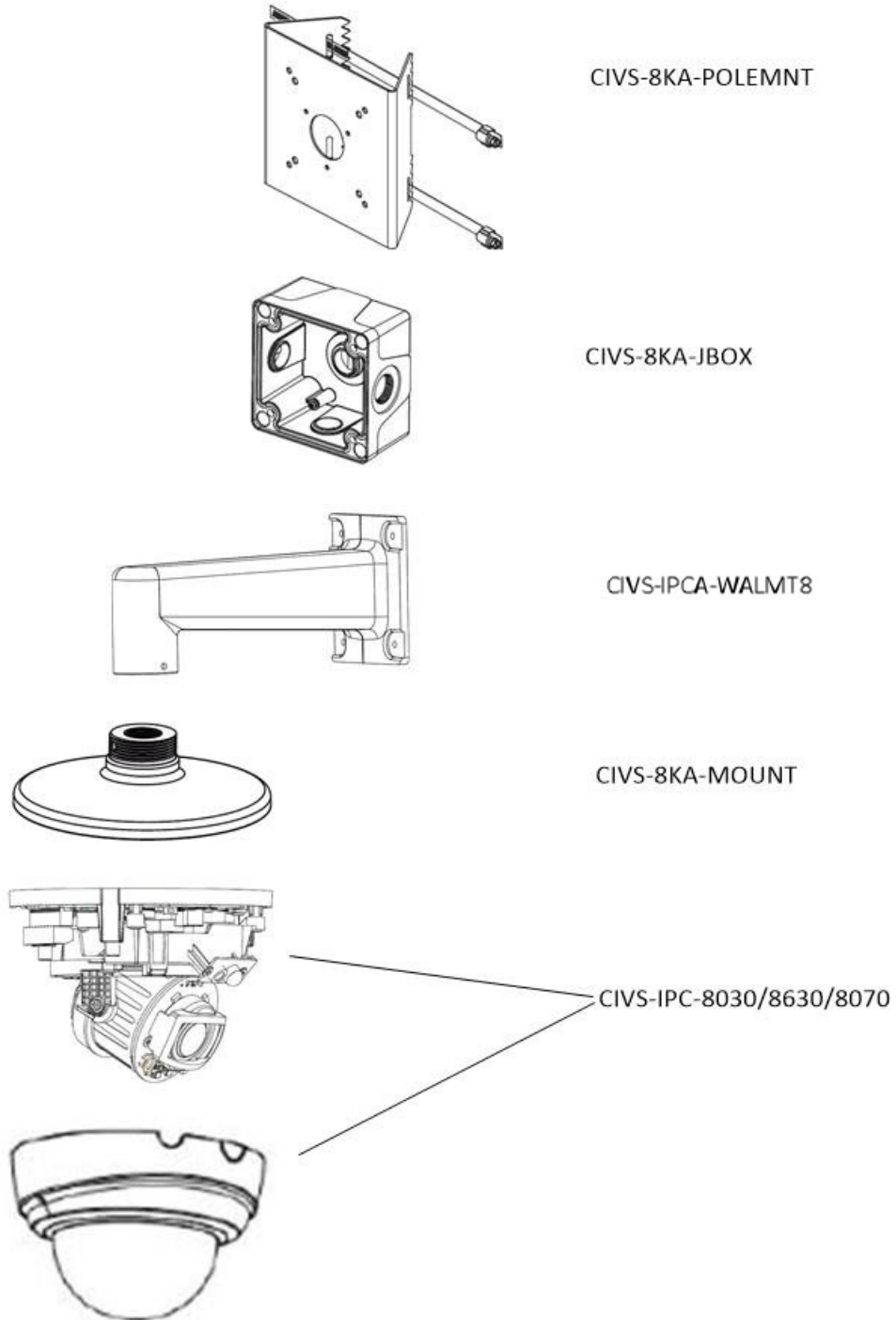
Figure 6 *Corner Mounting, Cisco IP Camera 8030, 8630, and 8070*



Pole Mounting Option

Figure 7 shows the pole mounting option for dome cameras. These camera include the Cisco IP Camera models 8030, 8630, and 8070.

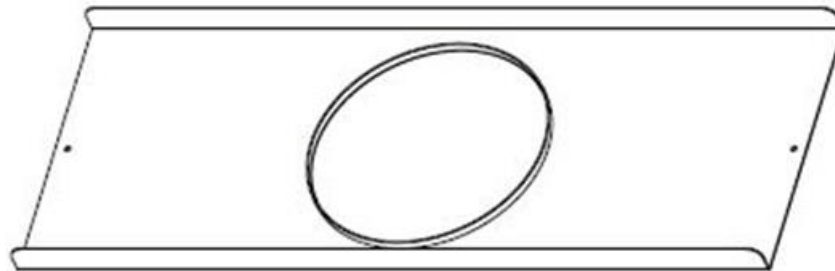
Figure 7 Pole Mounting, Cisco IP Camera 8030, 8630, and 8070



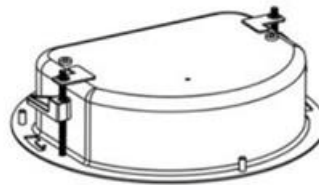
Flush Mounting Option

Figure 8 shows the flush mounting option for the Cisco IP Camera 8020 and 8620.

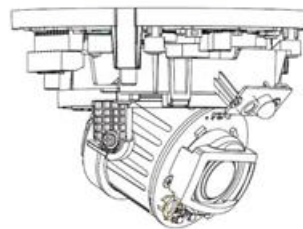
Figure 8 Flush Mounting, Cisco IP Camera 8020 and 8620



CIVS-8KA-CTMFLSH



CIVS-8KA-FLSHMNT



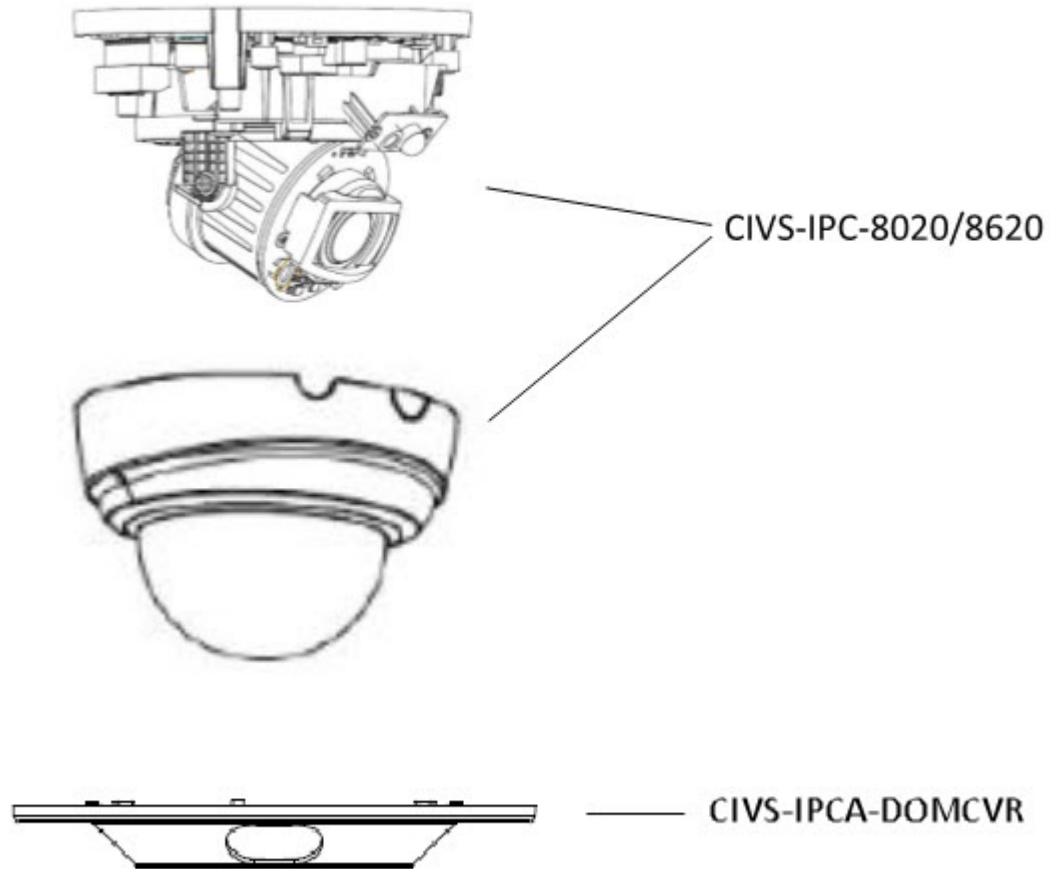
CIVS-IPC-8020/8620



Indoor Dome Cover Option

Figure 9 shows the Indoor Dome cover option for the Cisco IP Camera 8020 and 8620.

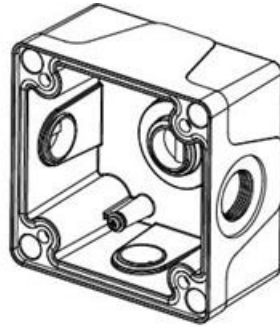
Figure 9 Indoor Dome Cover, Cisco IP Camera 8020 and 8620



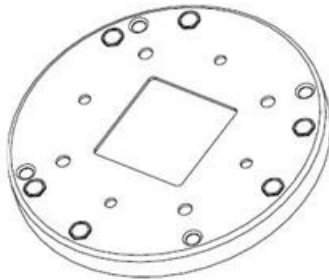
Junction Box Mounting Option

Figure 10 shows the junction box mounting option for dome cameras. These camera include the Cisco IP Camera models 8020, and 8620.

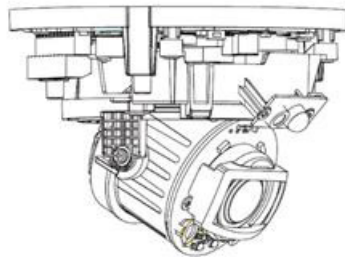
Figure 10 Junction Box Mounting, Cisco IP Camera 8020 and 8620



CIVS-8KA-JBOX (optional)



CIVS-8KA-ADPPLT



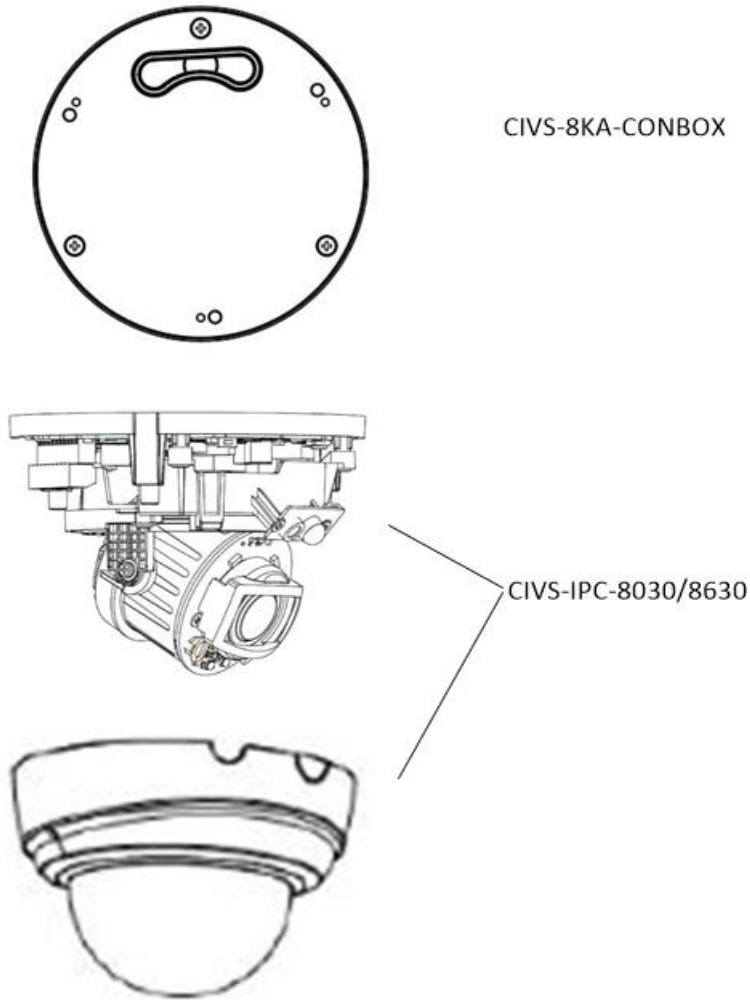
CIVS-IPC-8020/8620



Outdoor Conduit Mounting Option

Figure 11 shows the outdoor conduit mounting option for the Cisco IP Camera 8030 and 8630.

Figure 11 Outdoor Conduit Mounting, Cisco IP Camera 8030 and 8630



Accessory Dimensions

Figure 12 through Figure 26 show the dimensions and key specifications of the mounting accessories that this document describes. All dimension measurements are shown in millimeters unless specified otherwise.

Figure 12 CIVS-8KA-MOUNT Dimensions

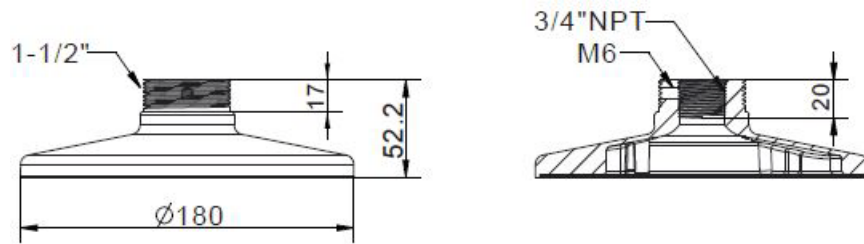


Figure 13 CIVS-8KA-EXT Dimensions

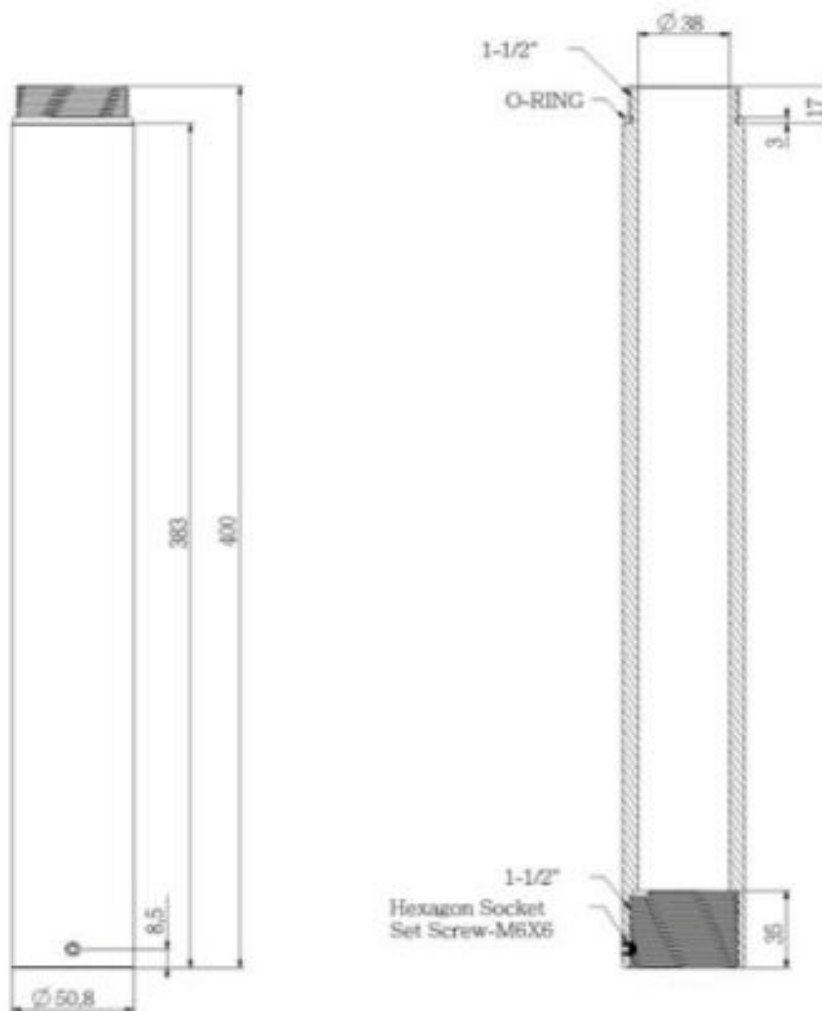


Figure 14 CIVS-6KA-PENHEAD Dimensions

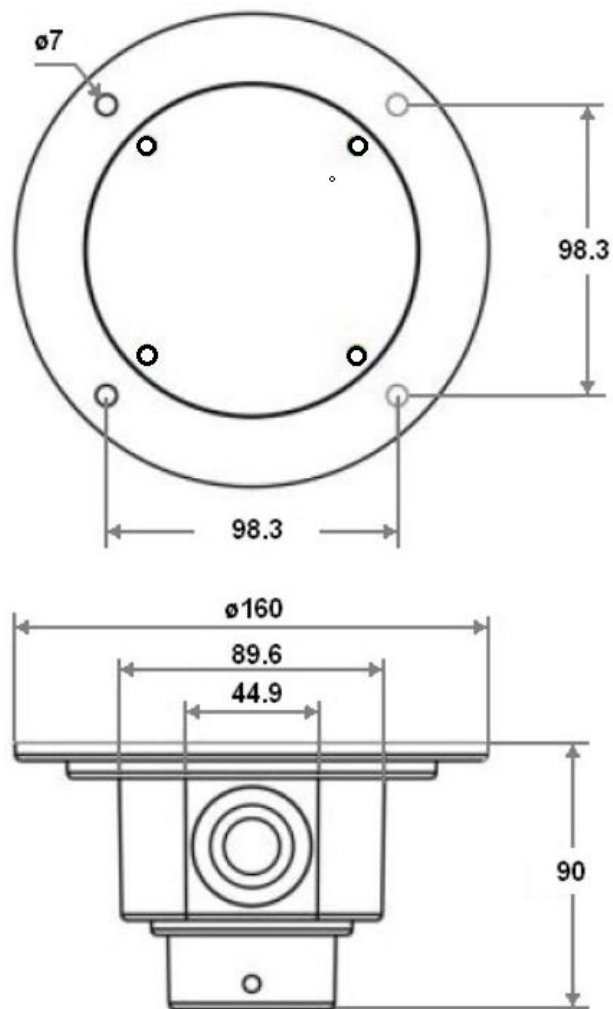


Figure 15 CIVS-8KA-CONBOX Dimensions

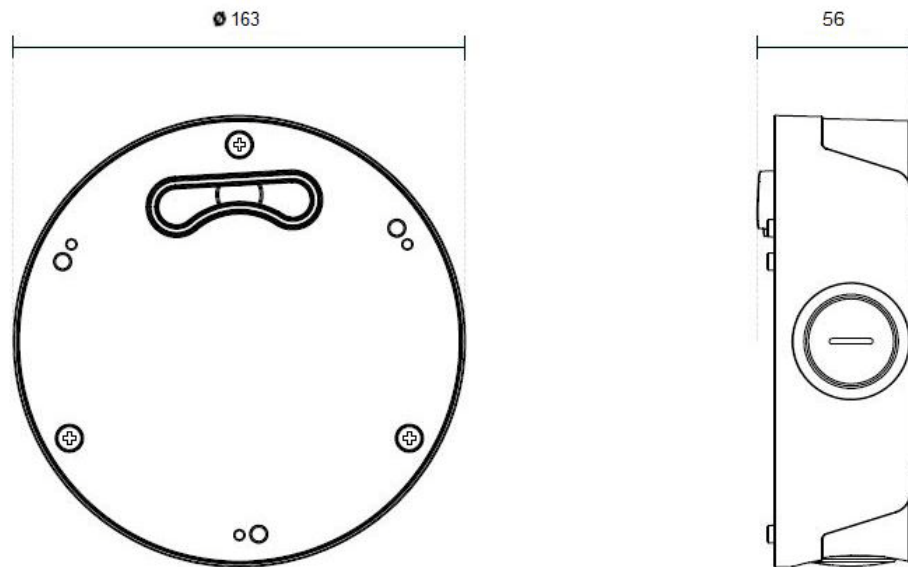


Figure 16 CIVS-6KA-GNECK Dimensions

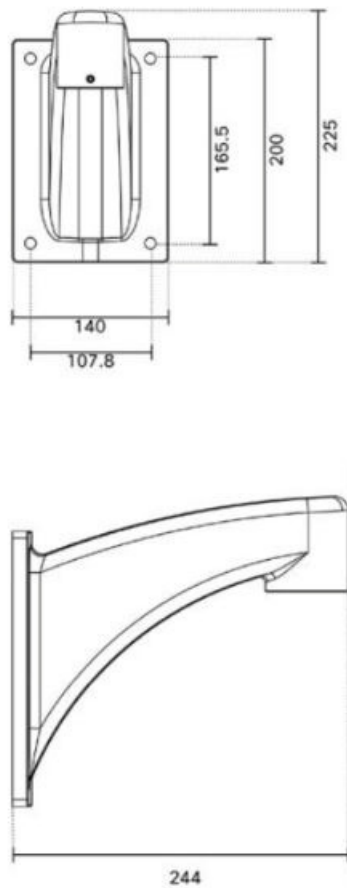


Figure 17 CIVS-IPCA-WALMT8 Dimensions

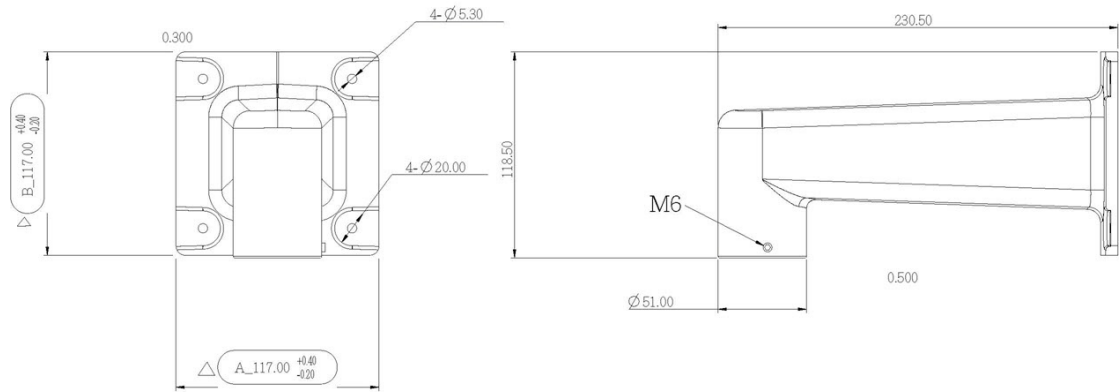


Figure 18 CIVS-8KA-CORMNT Dimensions

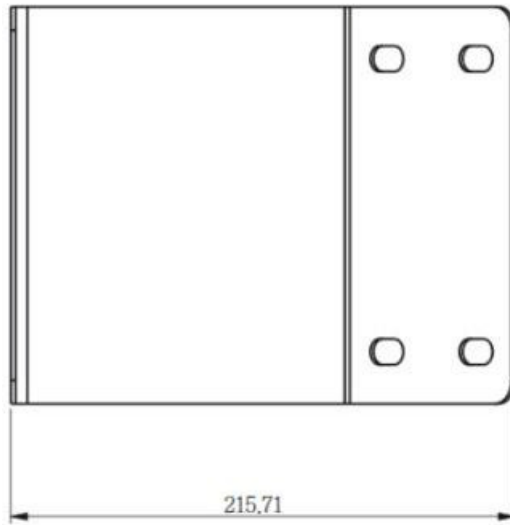
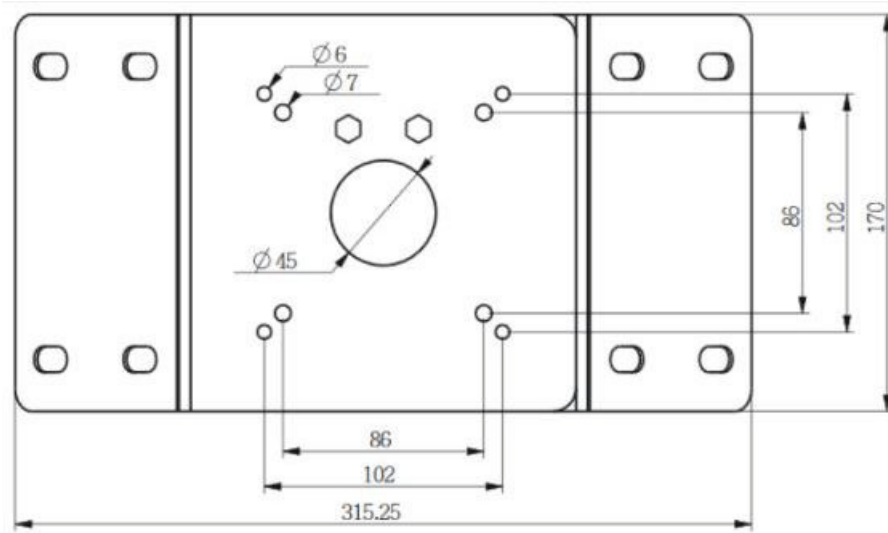


Figure 19 CIVS-8KA-POLEMNT Dimensions

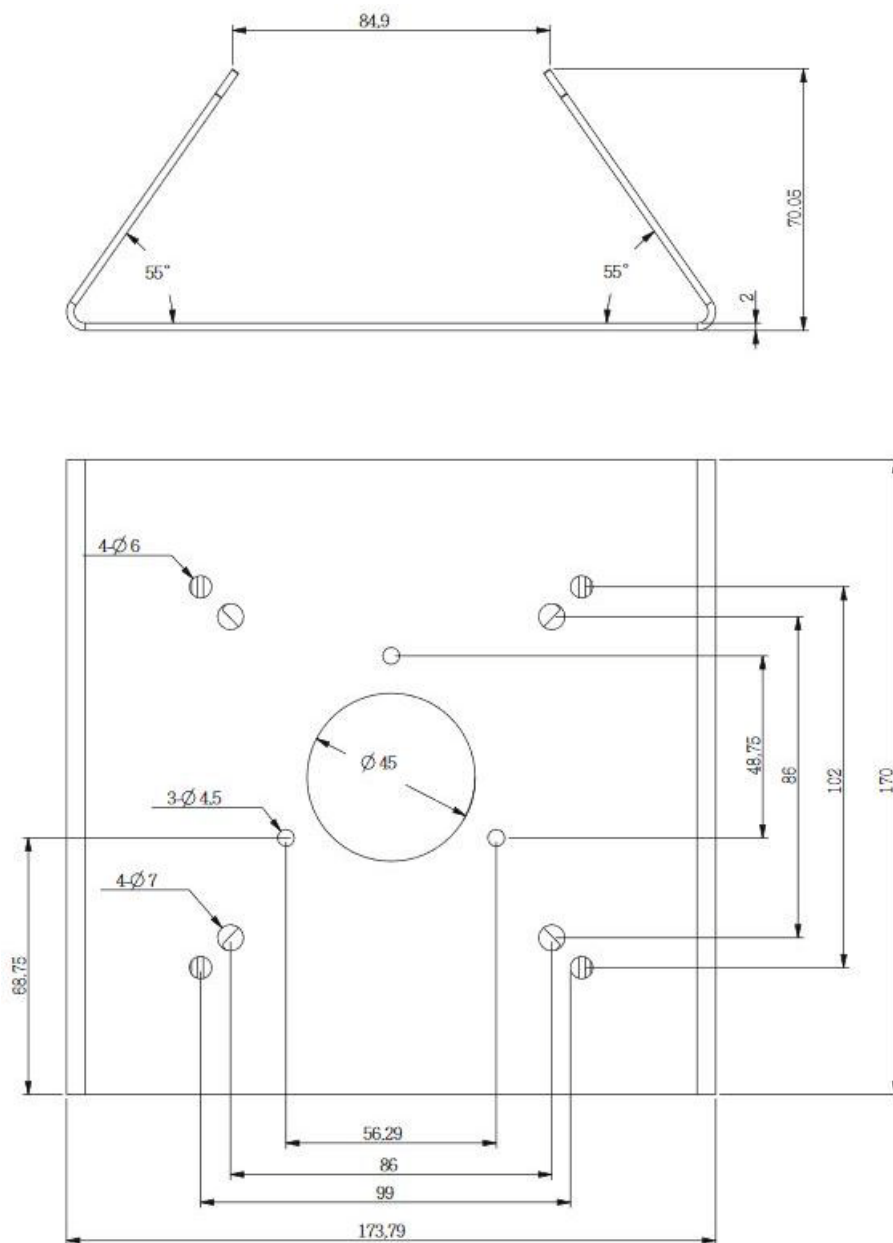


Figure 20 CIVS-8KA-CTMSURF Dimensions

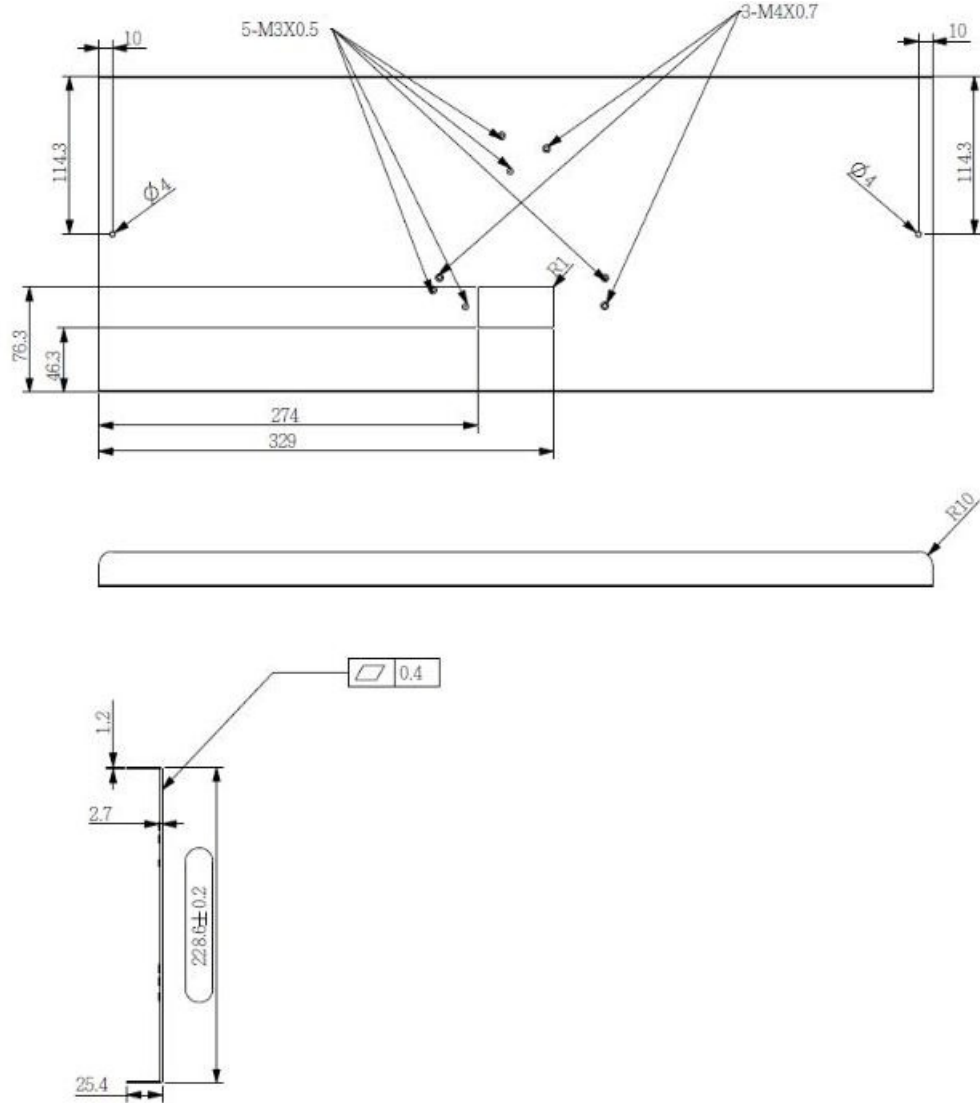


Figure 21 CIVS-8KA-CTMFLSH Dimensions

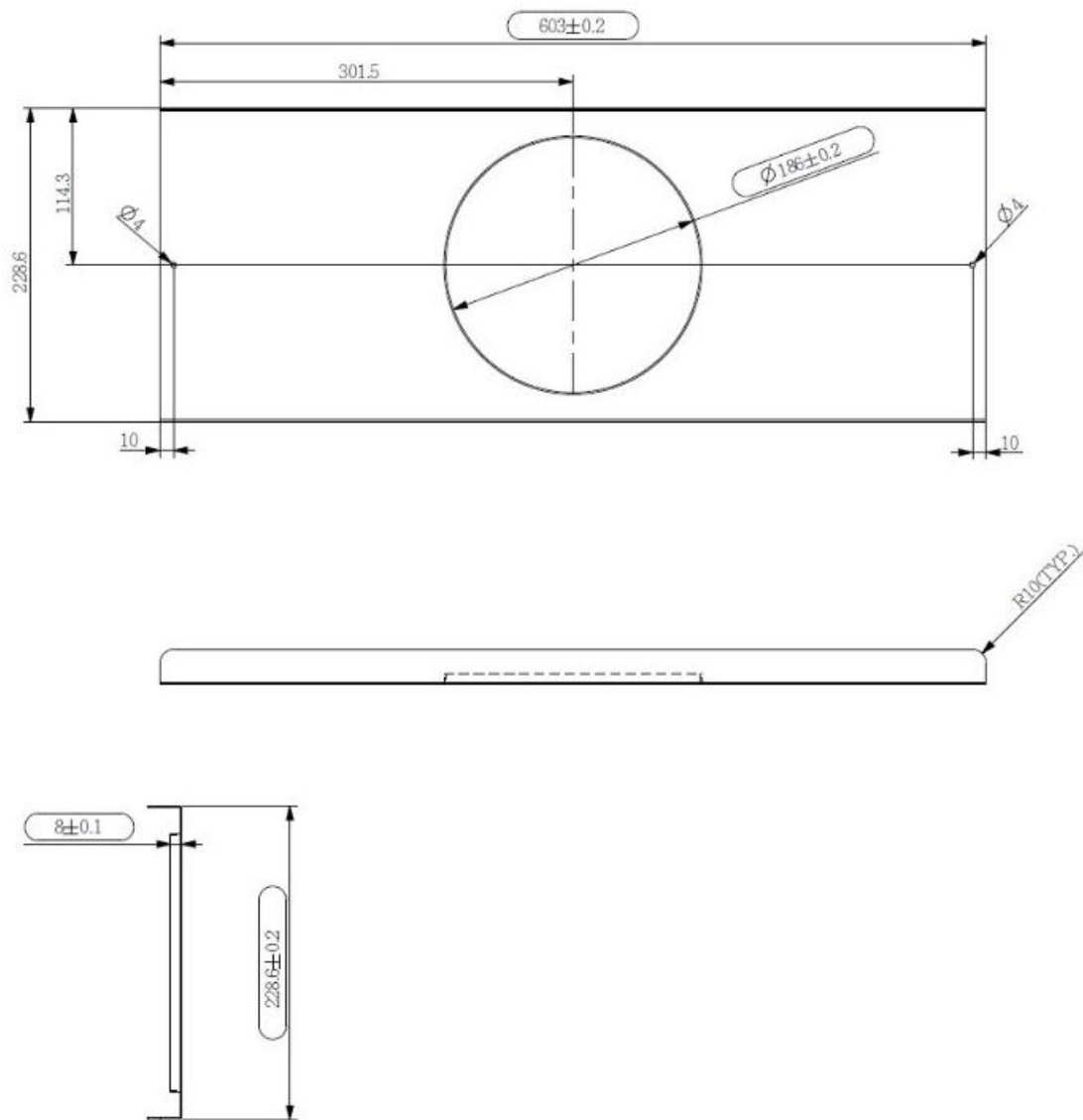


Figure 22 CIVS-9KA-MOUNT Dimensions

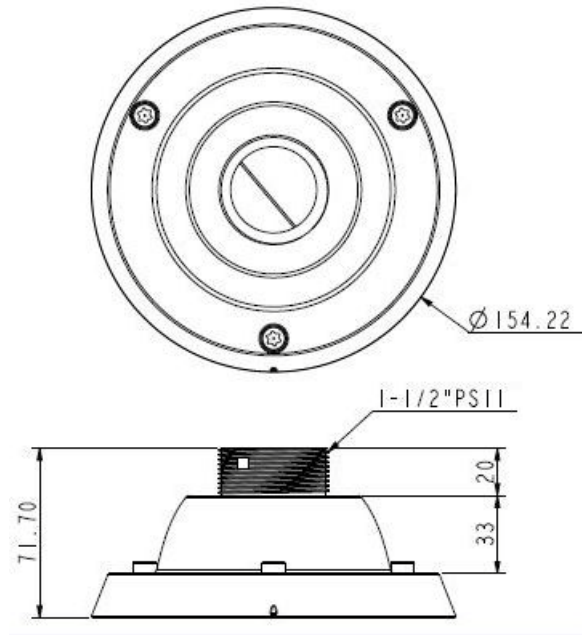


Figure 23 CIVS-8KA-JBOX Dimensions

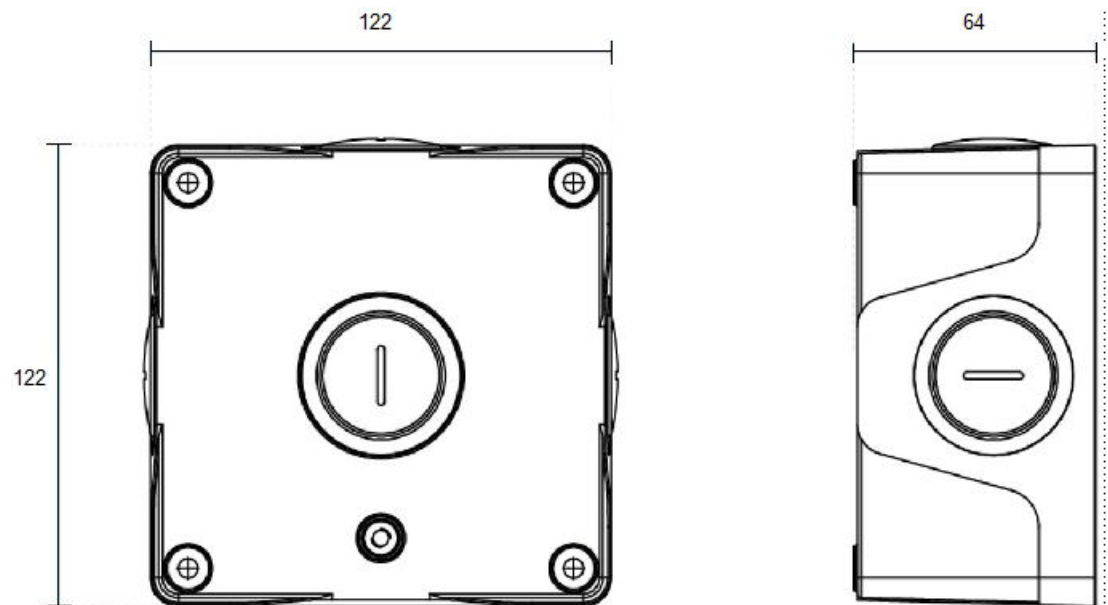


Figure 24 CIVS-8KA-JBOX Dimensions

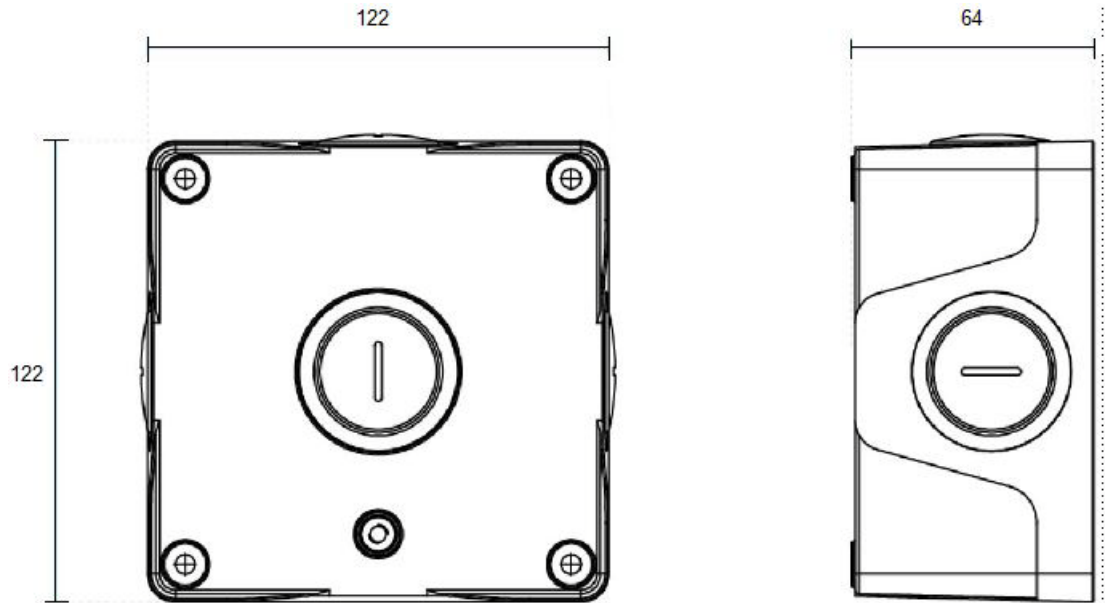


Figure 25 CIVS-8KA-FLSHMNT Dimensions

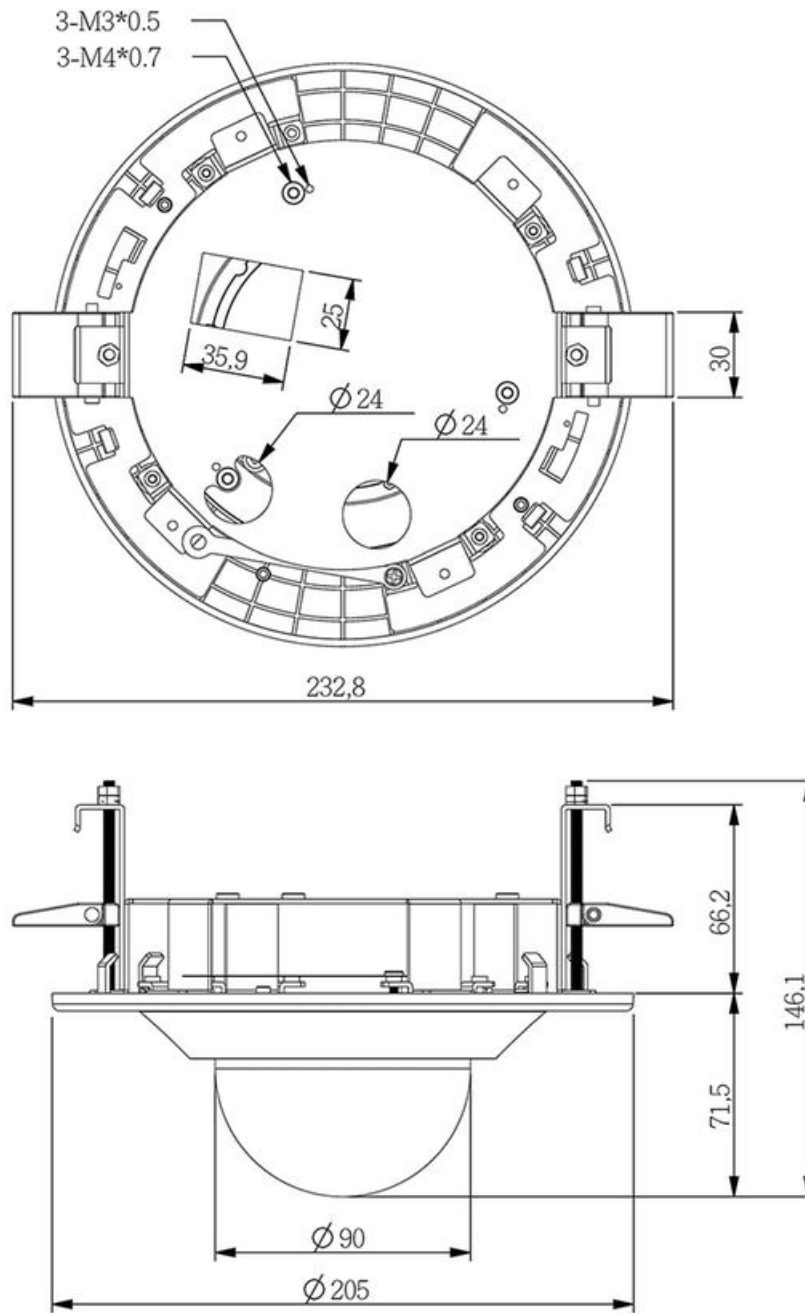


Figure 26 CIVS-8KA-ADPPLT Dimensions

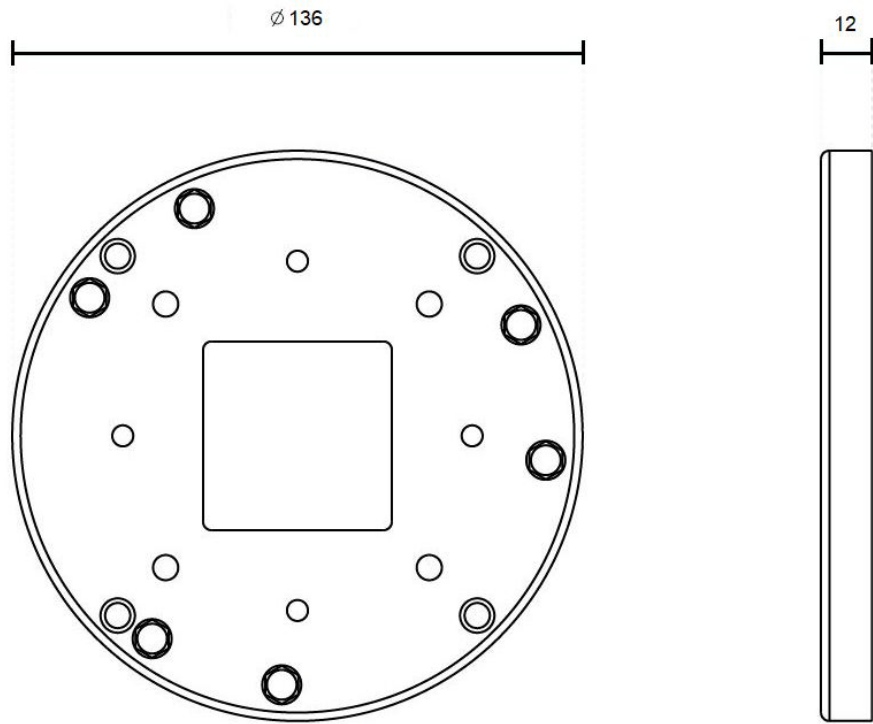


Figure 27 CIVS-8KA-JBOX Dimensions

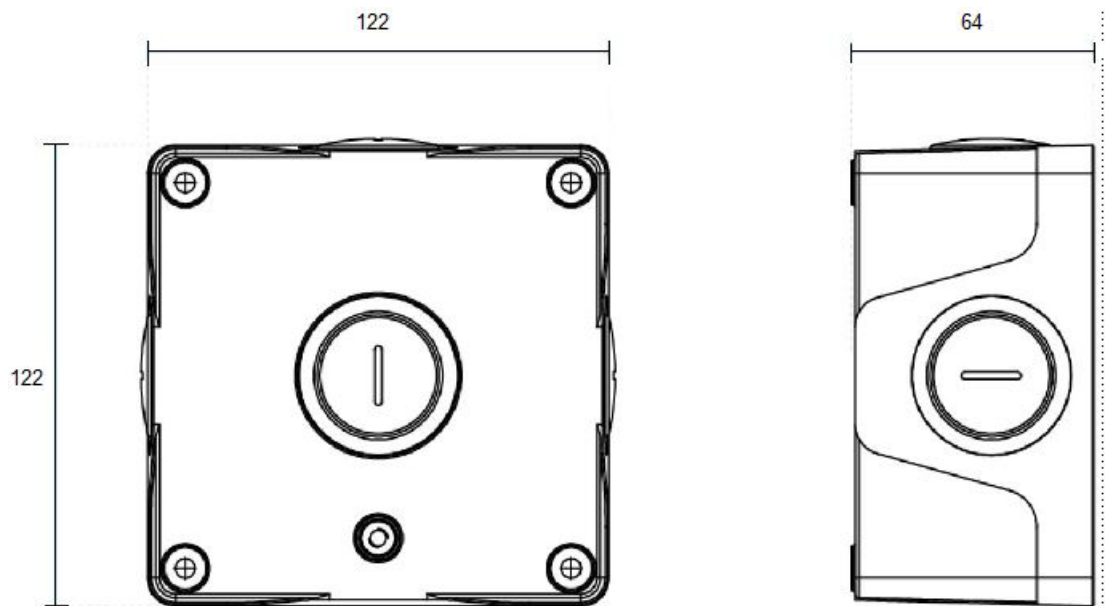
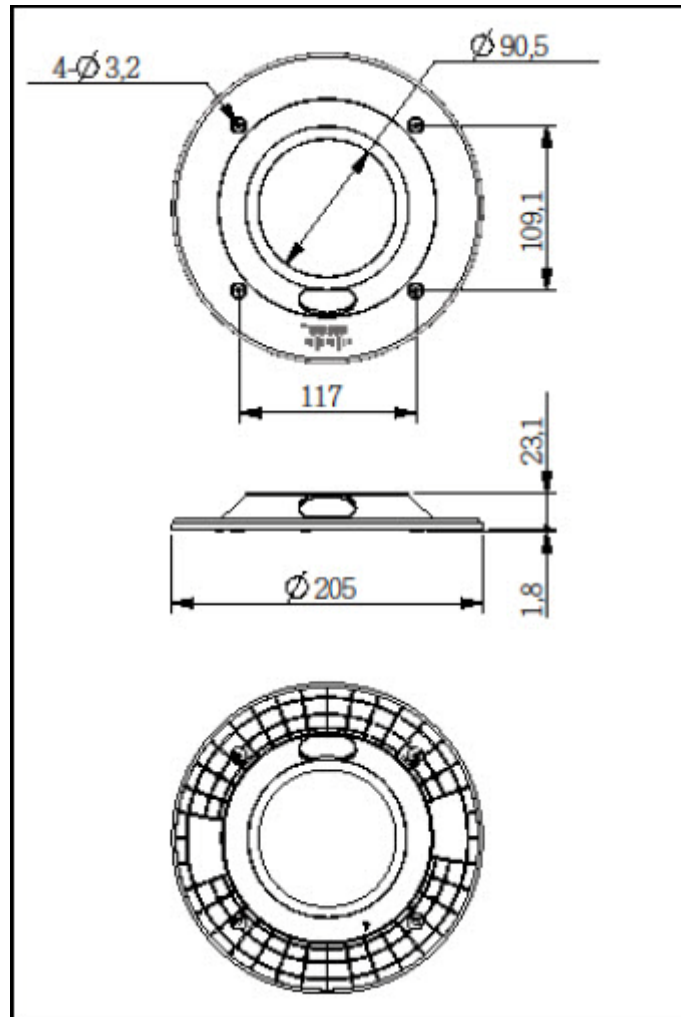


Figure 28 CIVS-IPCA-DOMCVR Dimensions



Cisco and the Cisco logo are trademarks or registered trademarks of Cisco and/or its affiliates in the U.S. and other countries. To view a list of Cisco trademarks, go to this URL: www.cisco.com/go/trademarks. Third-party trademarks mentioned are the property of their respective owners. The use of the word partner does not imply a partnership relationship between Cisco and any other company. (1110R)

© 2019 Cisco Systems, Inc. All rights reserved.

