



Cisco ASR-920-24SZ-IM, ASR-920-24-SZ-M, ASR-920-24TZ-M Aggregation Services Router Hardware Installation Guide

First Published: 2016-07-04

Last Modified: 2022-04-11

Americas Headquarters

Cisco Systems, Inc.
170 West Tasman Drive
San Jose, CA 95134-1706
USA
<http://www.cisco.com>
Tel: 408 526-4000
800 553-NETS (6387)
Fax: 408 527-0883



CONTENTS

CHAPTER 1

Overview 1

Cisco ASR 920 Series Routers Features 1

GigabitEthernet Copper Ports 2

GE SFP Ports 2

SFP+ Ports 2

Interface Modules 2

Gigabit Ethernet RJ45 Interface Module (A900-IMA8T) 2

10-Gigabit Ethernet XFP Interface Module (A900-IMA1X) 3

2x1 10 Gigabit Ethernet SFP+ Interface Module (A900-IMA2Z) 4

8-Port 1 Gigabit Ethernet + 1-Port 10 Gigabit Ethernet SFP+ Combination Interface Module (A900-IMA8T1Z) 4

8 Port T1/E1 Interface Module (A900-IMA8D) 5

Interface Availability on Interface Modules 6

Front and Back Panel 6

Specifications 10

External Interfaces 12

Network Interfaces 12

Network Timing Interfaces 12

External Alarm Inputs 13

Management Interfaces 13

Power Supply and Fans 13

Check LED Indicators 14

Online Insertion and Removal 19

Licensing the Router 20

CHAPTER 2

Preparing for Installation 21

Safety Guidelines	21
Standard Warning Statements	21
Safety Guidelines for Personal Safety and Equipment Protection	22
Safety Precautions for Module Installation and Removal	23
Safety with Electricity	23
Power Supply Considerations	26
Preventing ESD Damage	26
Site Planning	27
General Precautions	27
Site Planning Checklist	27
Site Selection Guidelines	28
Environmental Requirements	28
Physical Characteristics	28
Air Flow Guidelines	28
Floor Loading Considerations	31
Site Power Guidelines	31
Electrical Circuit Requirements	32
Site Cabling Guidelines	32
Asynchronous Terminal Connections	33
Interference Considerations	33
Electromagnetic Interference	33
Radio Frequency Interference	33
Lightning and AC Power Fault Interference	34
Rack-Mounting Guidelines	34
Precautions for Rack-Mounting	34
Rack Selection Guidelines	34
Equipment Rack Guidelines	35
Installation Checklist	36
Creating a Site Log	37
Receiving the Router	37
Chassis-Lifting Guidelines	39
Tools and Equipment	40
Unpacking and Verifying the Shipped Contents	40

CHAPTER 3**Installing the Router 43**

- Prerequisites 43
- Installing the Router in a Rack 43
 - Installing the Chassis Brackets 44
 - Installing the Router Chassis in the Rack 50
 - Attaching the Cable Guides 52
- Wall Mounting the Routers 53
 - Attaching the Brackets to the Router for Wall-Mounting 53
 - Mounting Routers on the Wall 54
- Installing and Removing the Interface Module 56
 - Installing the Interface Module 57
 - Removing the Interface Module 58
 - Hot-Swapping the Interface Module 59
- Installing and Removing the Fan Tray 60
 - Installing the Fan Tray 60
 - Removing the Fan Tray 62
- Installing the Power Supply 64
 - Preventing Power Loss 65
 - Power Connection Guidelines 65
 - Guidelines for DC-Powered Systems 66
 - Guidelines for AC-Powered Systems 66
 - Installing a DC Power Supply 66
 - Installing a DC Power Supply Module 67
 - Attach Cables to the DC Power Supply 68
 - Power On the DC Power Supply 69
 - Removing and Replacing a DC Power Supply 69
 - Installing an AC Power Supply 71
 - Installing an AC Power Supply Module 71
 - Activating an AC Power Supply 72
 - Removing and Replacing an AC Power Supply 74
- Installing and Removing SFP Modules 76
 - Installing SFP Modules 77
 - Removing SFP Modules 79

Connecting to the 10/100/1000 Ports	80
Connecting to SFP Modules	81
Connecting to Fiber-Optic SFP Modules	81
Installing the Chassis Ground Connection	82
Power Connection Guidelines	84
Guidelines for DC-Powered Systems	84
Guidelines for AC-Powered Systems	85
Prevent Power Loss	85
Activating a DC Power Supply	85
Activating an AC Power Supply	86
Connecting a Router to the Network	86
Connecting Console Cables	86
Connecting to the USB Serial Port Using Microsoft Windows	86
Connecting to the Console Port Using Mac OS X	88
Connecting to the Console Port Using Linux	88
Installing the Cisco USB Device Driver	89
Uninstalling the Cisco USB Device Driver	89
Connecting to the EIA Console Port	90
Connecting a Management Ethernet Cable	91
Installing and Removing SFP and SFP+ Modules	91
Connecting a USB Flash Device	92
Removing a USB Flash Device	92
Connecting Timing Cables	93
Connecting a Cable to the BITS Interface	93
Connecting Cables to the GPS Interface	93
Connecting Ethernet Cables	94
Connecting Cables to SFP Modules	95
Connector and Cable Specifications	95

CHAPTER 4
Initial Configuration 97

Checking Conditions Prior to System Startup	97
Powering Up the Router	97
Verifying the Front Panel LEDs	102
Verifying the Hardware Configuration	102

Check Hardware and Software Compatibility	102
Configuring the Router at Startup	102
Accessing the CLI Using the Console	103
Configuring Global Parameters	104
Checking the Running Configuration Settings	105
Saving the Running Configuration to NVRAM	105
Safely Powering Off the Router	105
Automatic Shutdown of the Router	106

CHAPTER 5	Troubleshooting	107
	Pinouts	107
	BITS Port Pinouts	107
	GPS Port Pinout	108
	Time-of-Day Port Pinouts	108
	Alarm Port Pinouts	109
	Management Ethernet Port Pinouts	109
	USB Console Port Pinouts	110
	USB Flash or MEM Port Pinouts	110
	RJ45C Port Pinouts	111
	Check Optical Fiber Specifications	111
	Check Alarm Conditions	112

CHAPTER 6	Site Log	113
------------------	-----------------	------------

CHAPTER 7	Supported PIDs	115
------------------	-----------------------	------------



CHAPTER 1

Overview

The Cisco ASR 920 Series Aggregation Services Router is a family of modular and fixed configuration routers that enables Service Providers to provide business, residential, and mobile access services to their users. It is the Carrier Ethernet access platform providing Ethernet services.

The Cisco ASR 920 Series Routers family complement and extend Cisco's current and planned Carrier Ethernet routing portfolio providing a cost optimized, and extended temperature range access platform.

- [Cisco ASR 920 Series Routers Features, on page 1](#)

Cisco ASR 920 Series Routers Features

The Cisco ASR 920 Series Routers family includes:

- ASR 920-Modular [ASR-920-24SZ-IM]—This sub-family with 1.5 RU form factor has fixed ENET interfaces (four 10GE and twenty-four 1GE Fiber), one slot for modular interface card and redundant modular power supplies (AC/DC). The interface modules from ASR 900 family of routers can be leveraged for use with this model.
- ASR 920-Fixed [ASR-920-24SZ-M/ASR-920-24TZ-M]—This sub-family with 1 RU form factor has fixed ENET interfaces (four 10GE and twenty-four 1GE Copper or SFP) and redundant modular power supplies (AC/DC).

The following table provides a snapshot of the number and type of supported ports:

Table 1: Supported Ports on Cisco ASR 920-24SZ-IM, ASR-920-24SZ-M, ASR-920-24TZ-M Router

ASR 920 Sub-family	1 GE Port	10 GE Port	Type of 1 GE Port	Type of 10 GE Port	Timing Ports
ASR-920-24SZ-IM	24	4	24 Fiber	Built in 4 SFP+	ToD and BITS/GPS 1 PPS and GPS 10 MHz
ASR-920-24SZ-M/ASR-920-24TZ-M	24	4	24 Fiber 24 Copper	Built in 4 SFP+	NA



Note Due to EMC restrictions, only a maximum of 8 DS1 TPOp is supported out of the 12 ports on the top row (1–23) of the router.

GigabitEthernet Copper Ports

Fixed copper GigabitEthernet (GE) interfaces are provided through standard RJ-45 connectors. These ports support the following features:

- Standard 10/100/1000Base-T/TX operation with forced or auto-negotiation for speed and duplex.
- Automatic crossover (auto-MDIX) for straight-through and crossover connections.
- Pause flow control as defined by the 802.3x standard.
- Frame size of 9216 bytes.
- Synchronous ENET operation that provides its recovered receive clock as an input clock source for the SETS as well as uses the system-wide reference clock to derive its transmit clock.

GE SFP Ports

The GE SFP ports support the following features:

- 100Base-FX and 1000Base-X SFP modules.
- Copper SFP modules
- Digital optical monitoring as specified by the SFP.
- Any mix of SFPs is supported unless specifically noted.
- Pause flow control as defined by the 802.3x standard.
- Frame size of 9216 bytes.
- Synchronous ENET operation that provides its recovered receive clock as an input clock source for the SETS as well as uses the system-wide reference clock to derive its transmit clock.



Note Copper based SFPs do not support synchronous ENET operations.

SFP+ Ports

The SFP+ ports support the following features:

- Digital optical monitoring as specified by the optical transceiver module.
- Any mix of SFPs is supported unless specifically noted.
- Pause flow control as defined by the 802.3x standard.
- Frame size of 9216 bytes.

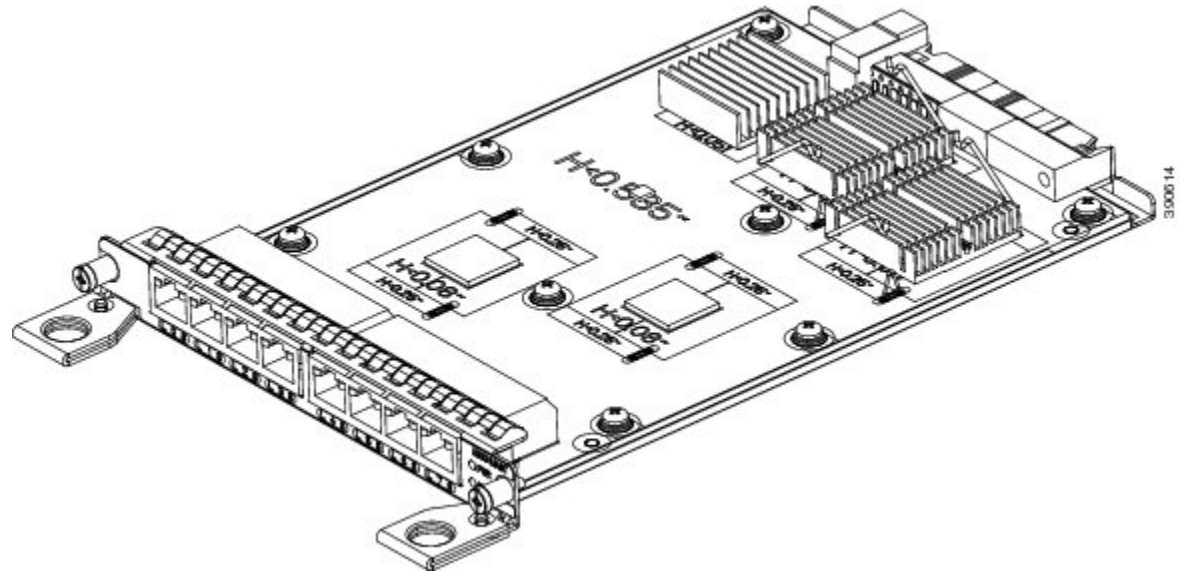
Interface Modules

The Cisco ASR-920-24SZ-IM Router interface modules are field-replaceable units. In addition to the ports provided on an RSP, the Cisco ASR-920-24SZ-IM Router supports the interface modules.

Gigabit Ethernet RJ45 Interface Module (A900-IMA8T)

The Gigabit Ethernet RJ45 interface module provides eight Gigabit Ethernet copper ports. The figure below shows the interface module.

Figure 1: 8 x 1-Gigabit Ethernet RJ45 (Copper) Interface Module

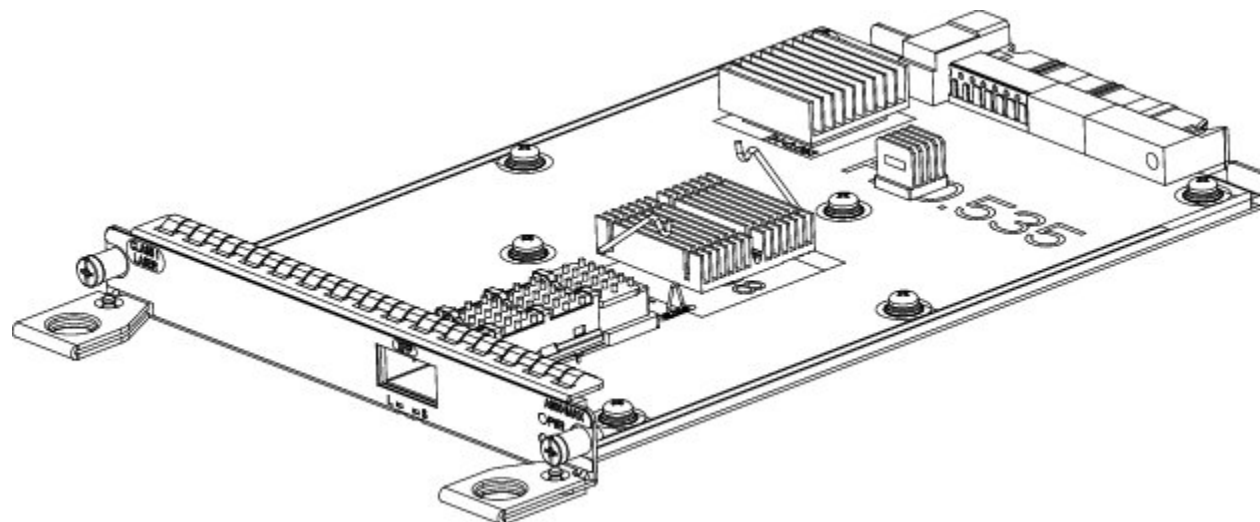


- For more information about installing an RJ45 Gigabit Ethernet module, see the *Installing the Interface Module* section.
- To determine interfaces available on the RJ45 Gigabit Ethernet module, see the *Interface Availability on Interface Modules* section.

10-Gigabit Ethernet XFP Interface Module (A900-IMA1X)

The 10-Gigabit Ethernet XFP interface module provides a single port supporting a 10-Gigabit Ethernet XFP module. The following figure shows the interface module.

Figure 2: 1 x 10-Gigabit Ethernet XFP Interface Module



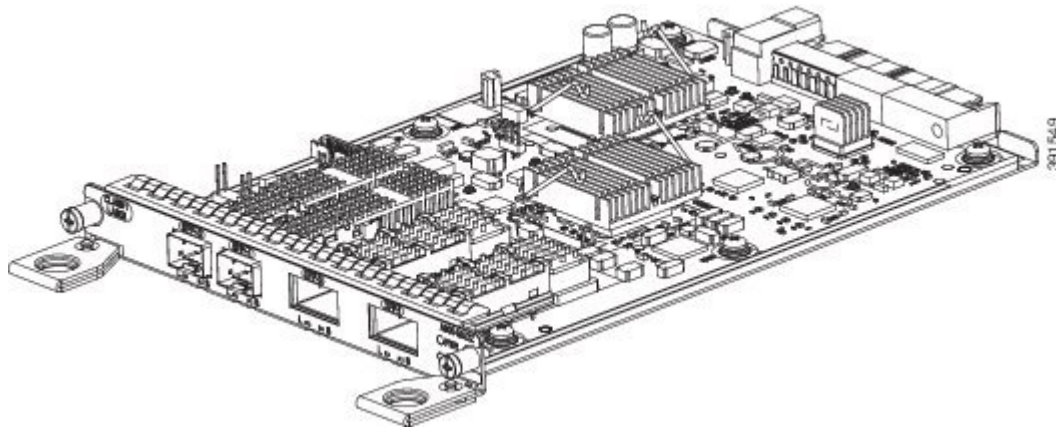
- For more information about installing a 10-Gigabit Ethernet XFP module, see the *Installing the Interface Module* section.

- To determine interfaces available on the 10-Gigabit Ethernet XFP module, see the *Interface Availability on Interface Modules* section.
- For information on supported SFPs, see the Cisco ASR 900 Series Aggregation Services Router Interface Modules Data Sheet at <http://www.cisco.com/c/en/us/products/routers/asr-903-series-aggregation-services-routers/datasheet-listing.html>.

2x1 10 Gigabit Ethernet SFP+ Interface Module (A900-IMA2Z)

The 2-port 10-Gigabit Ethernet interface module provides a dual port supporting a 10-Gigabit Ethernet SFP+ and XFP module.

Figure 3: 2X10 Gigabit Ethernet Interface Module

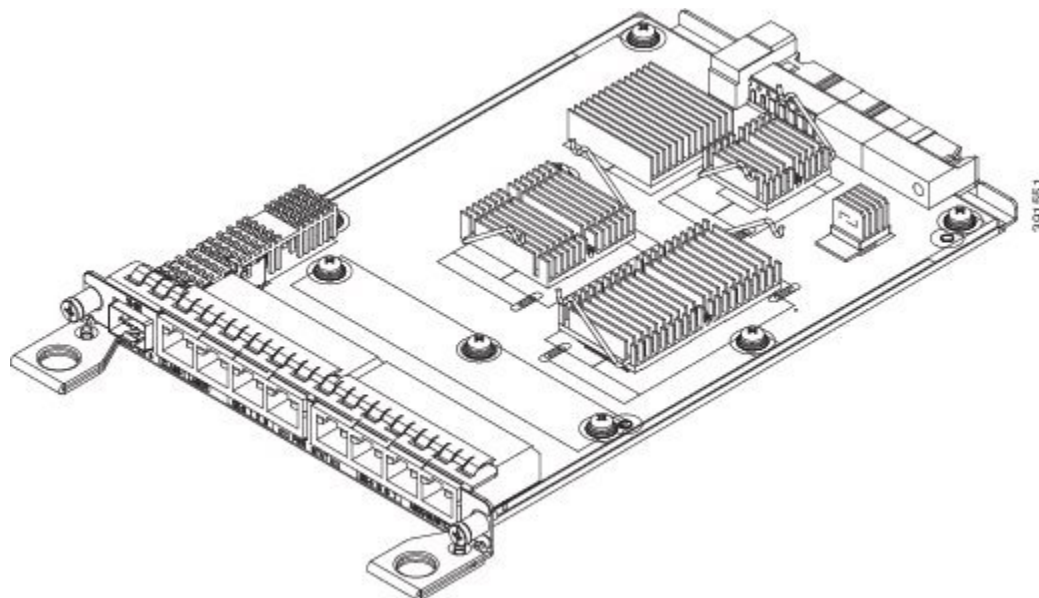


- For more information about installing the 2X10 GE SFP Gigabit Ethernet module, see the *Installing the Interface Module* section.
- To determine interfaces available on the 2X10 GE SFP Gigabit Ethernet module, see the *Interface Availability on Interface Modules* section.
- For information on supported SFPs, see the Cisco ASR 900 Series Aggregation Services Router Interface Modules Data Sheet at <http://www.cisco.com/c/en/us/products/routers/asr-903-series-aggregation-services-routers/datasheet-listing.html>.

8-Port 1 Gigabit Ethernet + 1-Port 10 Gigabit Ethernet SFP+ Combination Interface Module (A900-IMA8T1Z)

This 8-port 1 Gigabit Ethernet (RJ45 Copper) interface module with the 1-port 10 Gigabit Ethernet interface module is a high density combination interface module. This module supports 8 Gigabit Ethernet Copper ports and 1 10 Gigabit Ethernet SFP+ port.

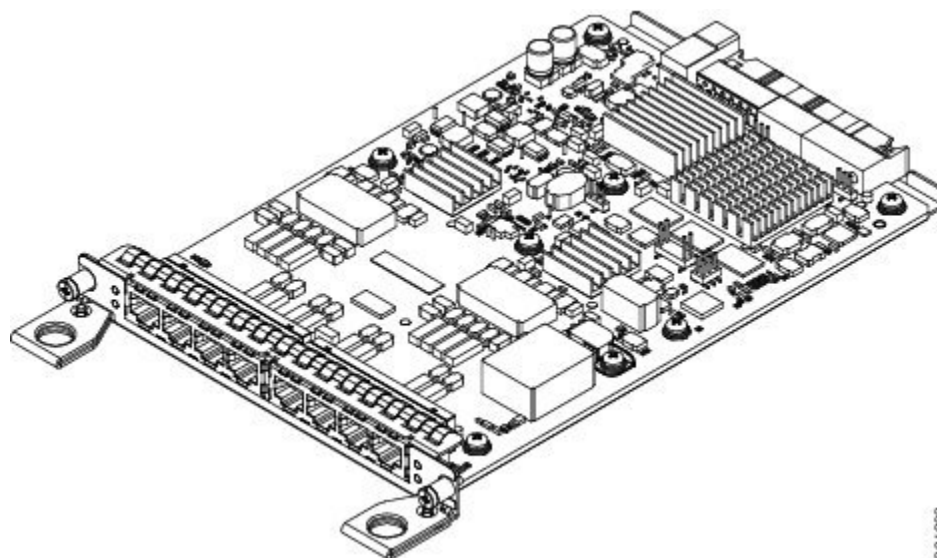
Figure 4: 8-port 1 GE (RJ45) + 1-port 10 GE SFP+ Interface Module



8 Port T1/E1 Interface Module (A900-IMA8D)

The 8T1/E1 interface module provides connectivity for up to 8 x T1/E1 ports through RJ48C connectors on the front panel. The following figure shows the interface module.

Figure 5: 8 x T1/E1 Interface Module



- For more information about installing a 8 Port T1/E1 interface module, see the *Installing the Interface Module* section.
- To determine interfaces available on the 8 Port T1/E1 interface module, see the *Interface Availability on Interface Modules* section.

- For LED indicator information on the 8 Port T1/E1 interface module, see the *8 T1/E1 Interface Module LEDs* section.
- For RJ45C pinout information on the 8 Port T1/E1 interface module, see the *RJ45C Port Pinouts* section.

Interface Availability on Interface Modules



Note Cisco ASR-920-24SZ-IM Router does not support over-subscription mode. You must disable the ports as appropriate to restrict the system usage to 64 Gbps. Enabling all the interfaces in over-subscription mode can result in an unpredictable system performance.

The following table provides a snapshot of the interfaces available on supported interface modules:

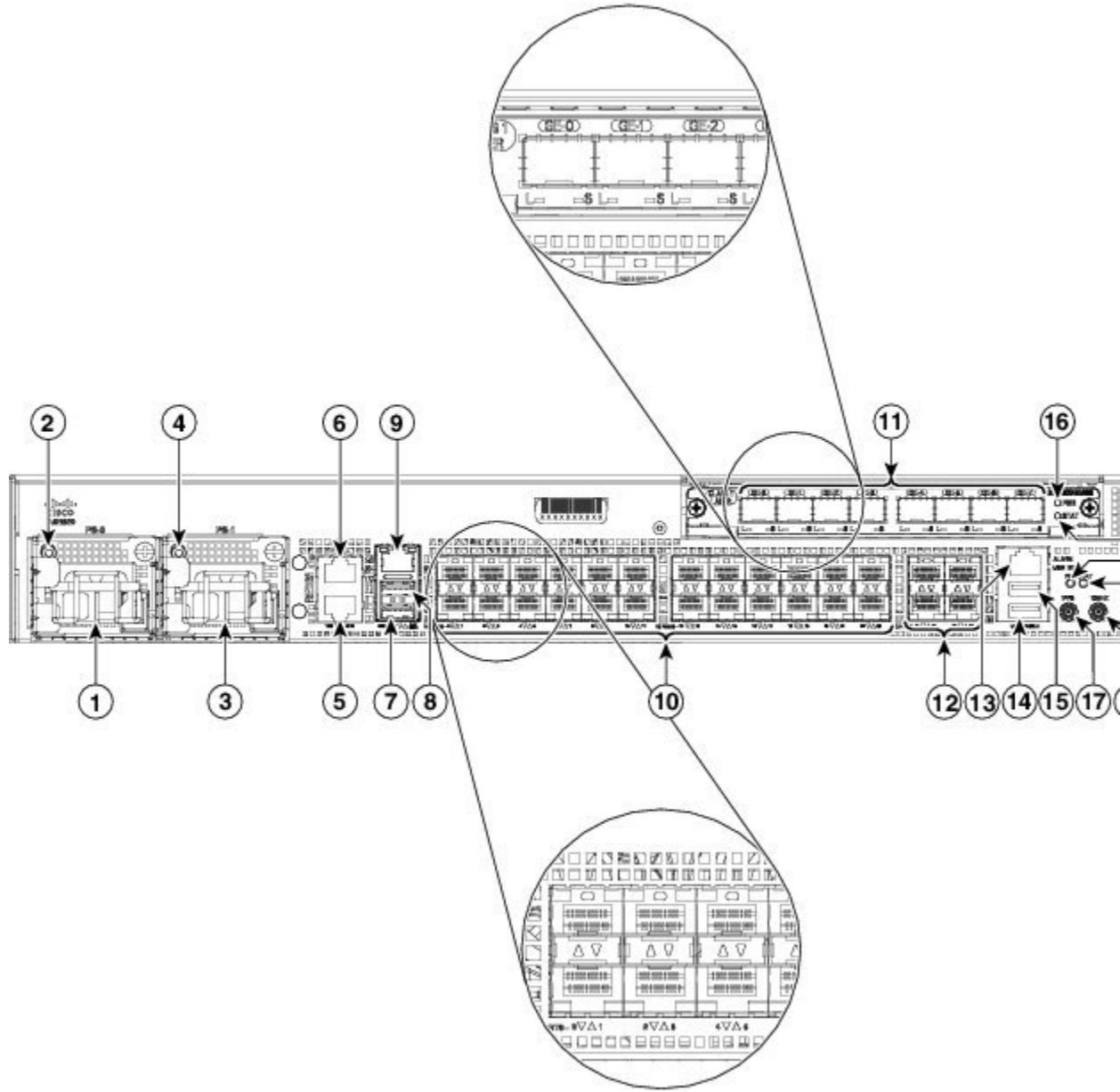
Table 2: Interface Availability on Supported Interface Modules

Interface Module	Quantity	Interfaces in Resulting System	System Oversubscribed	Front Panel Ports Disabled				
	Cu	SFP	10GE	T1/E1	OC3/OC12	DS3/E3		
None	0	0	24	4	0	0	0	
A900-IMA8T	1	8	16	4	0	0	0	No 16 to 23
A900-IMA2Z	1	0	24	6	0	0	0	Yes
A900-IMA1X	1	0	24	5	0	0	0	Yes
A900-IMA8D	1	0	20	4	8	0	0	No 20 to 23

Front and Back Panel

The following figures show the port numbering for the Cisco ASR-920-24SZ-IM Router:

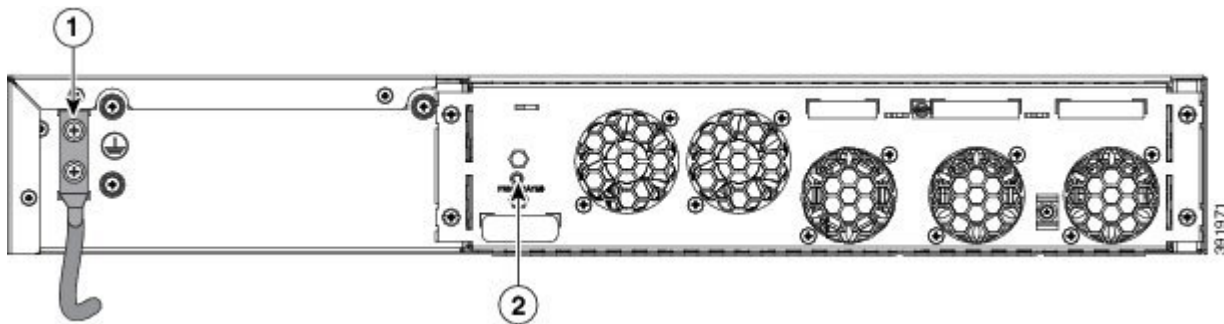
Figure 6: Front Panel of Cisco ASR-920-24SZ-IM Router



1	Power Supply 0 (AC or DC)	12	4x10GE SFP+
2	Power Supply 0 LED (AC or DC)	13	Alarm port
3	Power Supply 1 (AC or DC)	14	USB Console port
4	Power Supply 1 LED (AC or DC)	15	USB Memory port

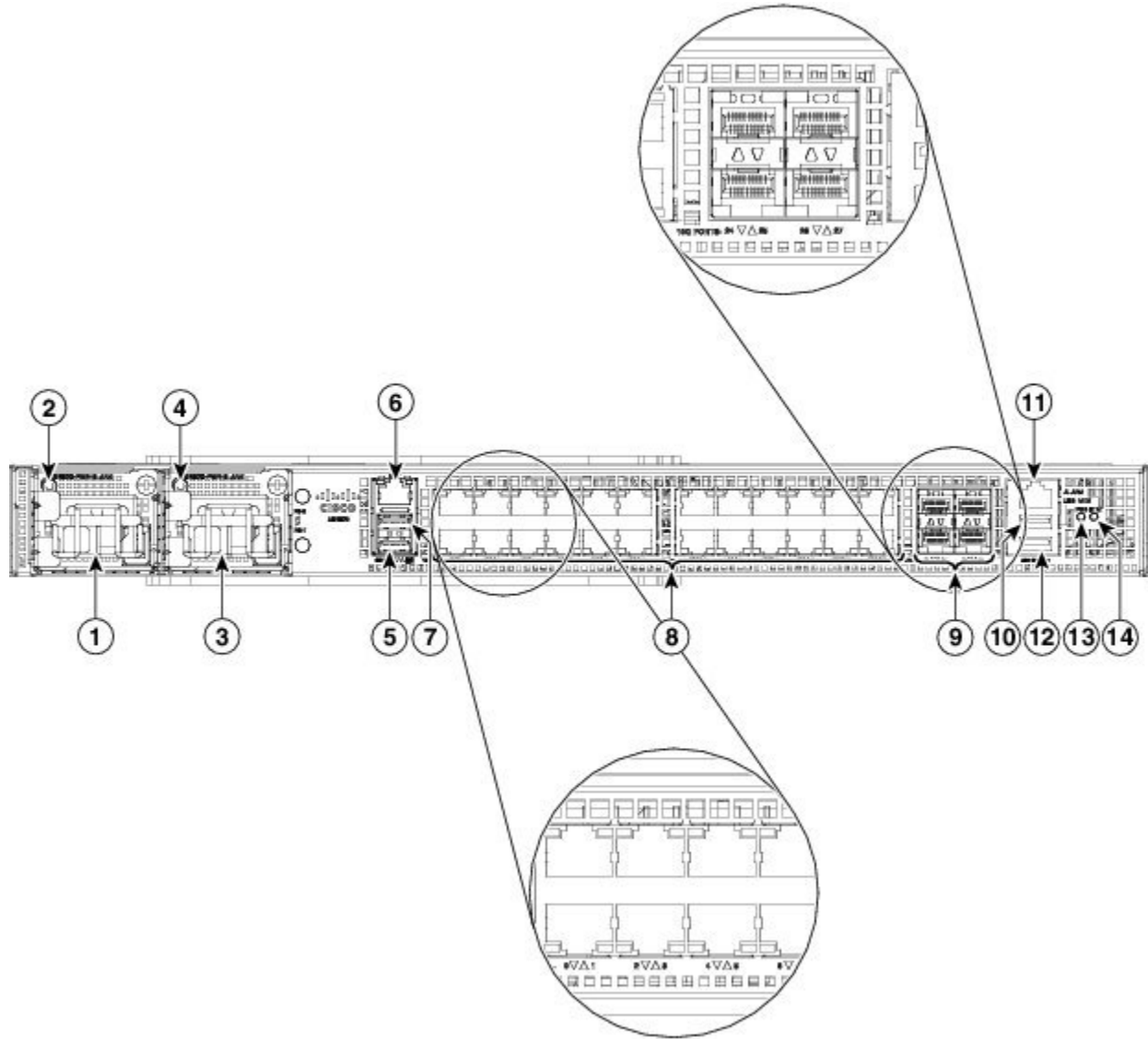
5	RJ-48 slot for ToD	16	Interface Module (IM) power LED
6	RJ-48 slot for BITS	17	1 PPS co-axial connector
7	Console port (TIA/EIA-232F)	18	10 MHz co-axial connector
8	Auxiliary Console port	19	IM Status LED
9	Management port	20	System Status LED
10	24x1GE SFP Fiber ports Note Port 0 is located at the bottom left, port 1 is located at the top left, and so on.	21	Board power LED
11	Slot for ports on the interface module	-	-

Figure 7: Back Panel of Cisco ASR-920-24SZ-IM Router



1	Grounding lugs	2	Fan status LED
---	----------------	---	----------------

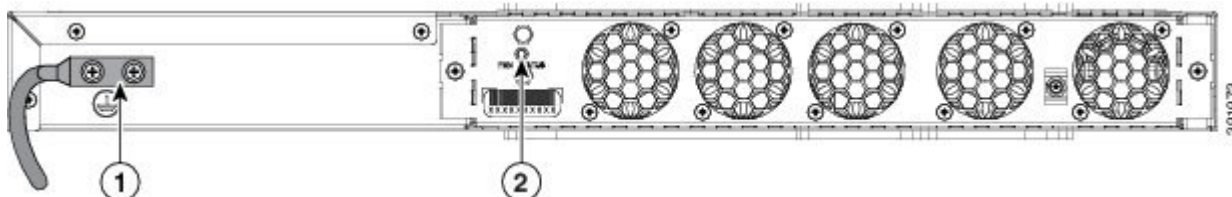
Figure 8: Front Panel of Cisco ASR-920-24SZ-M, ASR-920-24TZ-M Router



1	Power Supply 0 (AC or DC)	8	24x1GE SFP Fiber (Cisco ASR-920-24SZ-M) 24x1GE SFP Copper (Cisco ASR-920-24TZ-M)
2	Power Supply 0 LED (AC or DC)	9	4x10GE SFP+
3	Power Supply 1 (AC or DC)	10	USB Memory port
4	Power Supply 1 LED (AC or DC)	11	Alarm port
5	Console port (TIA/EIA-232F)	12	USB Console port

6	Management port	13	Board power LED
7	Auxiliary Console port	14	System Status LED

Figure 9: Back Panel of Cisco ASR-920-24SZ-M, ASR-920-24TZ-M Router



1	Grounding lugs	2	Fan status LED
---	----------------	---	----------------

Specifications

The table below describes the other features of Cisco ASR-920-24SZ-IM Router (AC and DC) and Cisco ASR-920-24SZ-M, ASR-920-24TZ-M Router (AC and DC) Routers.

Table 3: Cisco ASR 920-24SZ-IM, ASR-920-24SZ-M, ASR-920-24TZ-M Router Specifications

Specification	ASR-920-24SZ-IM	ASR-920-24SZ-M, ASR-920-24TZ-M
Dimension Width x Depth x Height	17.5 x 9.43 x 2.6 inches Note Dimensions exclude the PSU and IM handle.	17.5 x 9.43 x 1.72 inches Note Dimensions exclude the PSU and IM handle.
Weight	7.08 kg (inclusive of rack brackets, twenty-four SFP and four SFP+ optics, two AC PSUs and an IM card)	ASR-920-24SZ-M: 5.53 kg ASR-920-24TZ-M: 4.90 kg (inclusive of rack brackets, twenty-four SFP (only for ASR-920-24SZ-M) and four SFP+ optics and two AC PSUs)
Rack Unit	One and a half RU	One RU
Airflow	Front to back and side to back	Front to back
Cable access	Front cable access	Front cable access
System throughput	64 Gbps	64 Gbps
Modularity	Interface module	None
Power Supply		
Redundant	Yes	Yes
AC	Yes	Yes
Power Specification	250 W Maximum	250 W Maximum

Specification	ASR-920-24SZ-IM	ASR-920-24SZ-M, ASR-920-24TZ-M
DC	Yes	Yes
Power Specification	250 W Maximum	250 W Maximum
System Power Consumption	180 W Maximum, 130 W Typical (including installed IM)	ASR-920-24SZ-M: 145 W Maximum, 110 W Typical ASR-920-24TZ-M: 130 W Maximum, 100 W Typical
Power Dissipation	614.18 BTU/hr Maximum, 443.57 BTU/hr Typical (including installed IM)	ASR-920-24SZ-M: 494.76 BTU/hr Maximum, 375.33 BTU/hr Typical ASR-920-24TZ-M: Max: 443.57 BTU/hr Maximum, 341.21 BTU/hr Typical
Operating Temperature/Humidity	-40° C to 70° C 5-95% RH	-40° C to 70° C 5-95% RH
Alarms	<ul style="list-style-type: none"> • 4 alarm dry contact inputs (normally open) • LED indicators for critical, major and minor alarms 	<ul style="list-style-type: none"> • 4 alarm dry contact inputs (normally open) • LED indicators for critical, major and minor alarms
TDM Support	Supported through IM card	None
Mounting option	<ul style="list-style-type: none"> • Front or rear rail 19 inches or 23 inches • ETSI 300 mm cabinet • Wall Mount (with only side mount option). <p>Note For more information, see <i>Wall Mounting the Routers</i> section.</p>	<ul style="list-style-type: none"> • Front or rear rail 19 inches or 23 inches • ETSI 300 mm cabinet • Wall Mount (with only side mount option). <p>Note For more information, see <i>Wall Mounting the Routers</i> section.</p>
Port Configuration	24x1G and 4x10G ports and IM card ports	24x1G and 4x10G ports
Port Numbering	24x1G SFP – Port [0:23] 4x10G SFP+ – Port [24:27]	24x1G SFP (Fiber) – Port [0:23](ASR-920-24SZ-M) 24x1G SFP (Copper) – Port [0:23](ASR-920-24TZ-M) 4x10G SFP+ – Port [24:27]
Combo Ports	No combo ports	No combo ports

Specification	ASR-920-24SZ-IM	ASR-920-24SZ-M, ASR-920-24TZ-M
LEDs	Data Port LEDs System Status LED Management Port LED PSU LED Fan Tray LED	System Status LED Management Port LED PSU LED Fan Tray LED
Temperature Sensors	Five temperature sensors for Board Two temperature sensors for each PSU	Five temperature sensors for Board Two temperature sensors for each PSU
Timing Interfaces	External ports for BITS/ToD SMA ports for 1 PPS and 10 M 1588v2 and SyncE feature supported	No external timing ports 1588v2 and SyncE feature supported

External Interfaces

The Cisco ASR 920-24SZ-IM, ASR-920-24SZ-M, ASR-920-24TZ-M Router have these external physical interfaces on the front panel:

Network Interfaces

The network interfaces are provided through fixed ports.

- GE SFP ports (fiber)—supports 100/1000 modes (ASR 920-24SZ-IM and ASR-920-24SZ-M)
- GE SFP ports (copper)—supports 10/100/1000 operation (ASR-920-24TZ-M)
- 10GE SFP+—supports 10G mode.

Network Timing Interfaces



Note Network timing interface is available only on Cisco ASR-920-24SZ-IM Router.

- BITS input or output—The BITS interfaces support clock recovery from either a T1 at 1.544 MHz or an E1 at 2.048 MHz, configurable by software. BITS interface is provided through a standard RJ-48 connector on the front panel.
- 1PPS input or output and ToD input or output—This shielded RJ-45 interface is used for input or output of time-of-day (ToD) and 1PPS pulses. ToD format includes both NTP and IEEE 1588-2008 time formats.

The same RS422 pins for 1PPS and TOD are shared between input and output directions. The direction for each can be independently configurable through software.

- GPS 10 Mhz input and output—10 MHz input for GPS Synchronization. This connector on the front panel can provide 10MHz output as well from Cisco ASR-920-24SZ-IM Router. The direction can be configured using software.

- GPS 1 PPS input and output—1 PPS input for GPS Synchronization. This connector on the front panel can provide 1 PPS output as well from Cisco ASR-920-24SZ-IM Router. The direction can be configured using software.

External Alarm Inputs

The Cisco ASR 920-24SZ-IM, ASR-920-24SZ-M, ASR-920-24TZ-M Router supports four dry contact alarm inputs through an RJ-45 jack on the front panel.

- Normally Open—indicates that no current flows through the alarm circuit and the alarm is generated when the current is flowing.

Each alarm input can be provisioned as critical, major, or minor.

Management Interfaces

The Cisco ASR 920-24SZ-IM, ASR-920-24SZ-M, ASR-920-24TZ-M Router have the following management interfaces:

Power Supply and Fans

The Cisco ASR 920-24SZ-IM, ASR-920-24SZ-M, ASR-920-24TZ-M routers support either AC or DC power supplies in a 1+1 redundant configuration. One AC and one DC power supply in the same router is also a supported configuration. The PSUs are hot-swappable. Load is shared between PSUs when both the PSUs are inserted and powered-up. Status LED provided on both AC and DC PSU indicates the status and output condition.

Table 4: Power Supply Specification

Specification	AC	DC
Voltage	100 V – 240 V, 50/60Hz	-48/-60 V or 24 V
Current	2.6 A through a standard C16 type receptacle	5.5 A –48/-60 V 11 A –24 V through a two-position terminal block
Input Power	260 W (ASR-920-PWR-A)	260 W (ASR-920-PWR-D)



Note DC PSU can be switched on or off using a switch on the front panel of the DC PSU.



Note For DC PSU, the UVP and OVP limits vary depending on the input voltage applied at power up: For -48/-60 V: UVP= -36 Vdc and OVP = -72 Vdc For 24 V: UVP =18 Vdc and OVP = 32 Vdc



Note This product requires surge protection as part of the building installation. To comply with the Telcordia GR-1089 NEBS standard for electromagnetic compatibility and safety, an external surge protective device (SPD) is required at the AC power service equipment.



Note For DC systems, if a surge of more than 1KV is expected, add an appropriate external surge protective device.

The Cisco ASR 920-24SZ-IM, ASR-920-24SZ-M, ASR-920-24TZ-M routers have removable fan tray as part of the system. The fan tray is hot-swappable. The system is designed to operate at its maximum operating temperature of 70° C and at 65° C in case of failure of a single fan, for a maximum of four hours.

Table 5: Feature History

Feature Name	Release Information	Description
Switching Fan Speed	Cisco IOS XE Cupertino 17.8.1	This feature enables the fan speed for Cisco ASR-920-24SZ-M and Cisco ASR-920-24TZ-M to switch from default dynamic fan speed to static fan speed in the presence of smart SFP. This enables the smart SFPs to function efficiently.

The dynamic fan-speed algorithm sets the fan speed based on the ASIC temperature.

Prior to Cisco IOS XE Cupertino Release 17.8.1, when the smart SFP was inserted, it would not function with the static fan-speed algorithm mode. This was resulting in the increase of the router's temperature.

Starting with Cisco IOS XE Cupertino Release 17.8.1, when the smart SFP is inserted, the switch from default dynamic fan-speed algorithm to static fan-speed algorithm helps the smart SFP to function efficiently.

Use the **show platform fan-algorithm** command to verify the fan-speed algorithm configuration for the router:

```
Router#show platform fan-algorithm
```

```
Fan Algorithm : Static
```

```
Router#
```

Check LED Indicators

This section describes the different types of front panel LEDs and their behavior.

PWR and STAT LEDs

The PWR and STAT LEDs are available on the front panel. These LEDs provide power on the board (PWR) and overall router health (STAT) status. During power up state, these LEDs provide booting status and report errors.



Note The digital code signing functionality validates the integrity and authenticity of the ROMMON image before booting it.

Table 6: PWR and STAT LED Indications

PWR LED State	STAT LED state	Indication	Comment
Amber	Off	Power in the system is all right and FPGA configuration is taking place.	Permanent Amber/Off indicates FPGA configuration failure.
Amber	Red	FPGA Image Validation Error.	System is in unresponsive state. No console messages.
Flashing Amber and Green alternatively	Amber	Upgrade FPGA image error, continuing with Golden FPGA image.	—
Flashing Amber and Green alternatively	Off	FPGA configuration successful and Digital code signing successfully validated FPGA image. Digital code signing passed the control to Microloader to boot ROMMON.	—
Flashing Amber and Green alternatively	Red	Digital code signing reported failure in ROMMON image validation.	System is in unresponsive state. No console messages.
Green	Flashing Amber	ZTP process has begun.	Both LEDs turn Green once provisioning is complete.
Green	Off	IOS-XE image is booting.	
Green	Green	Successfully booted and system is operating normally.	—
Green	Amber	A minor alarm or synchronization is in Holdover or free-running mode	—
Green	Red	A major or critical alarm (high temperature reported for any sensor) or multiple fan failure.	—

CPU Management Port LEDs

The LED for the 10/100/1000 Management port is integrated on the connector itself. There are two LEDs in the connector—the LED on the left indicates the Link/Activity status and the LED on the right is non-functional.



Note The CPU management port LED on the right is non-functional and hence doesn't indicate any port status.

Table 7: CPU Management Port LED Indication

LED	LED State	Indication
Left	Green	Link up in 1000 Mbps
	Blinking Green	Activity in 1000 Mbps
	Amber/Orange	Link up in 100/10 Mbps
	Blinking Amber/Orange	Activity in 100/10 Mbps
	Off	Link down

SFP LEDs

Each SFP port has an LED indicator. The LED is configured such that the up arrow indicates the port on the upside and the down arrow indicates the port on the downside.

Table 8: SFP Port LED Indication

LED	LED State	Indication
Labeled same as the SFP port number	Green	Link up in 1000Base-X/100Base-FX
	Blinking Green	Activity in 1000 Base-X/100Base-FX
	Yellow	Fault/Error
	Off	Link down

SFP+ LEDs

Each SFP+ port has an LED indicator.

Table 9: SFP+ Port LED Indication

LED	LED State	Indication
Labeled same as the SFP port number	Green	Link up in 10G
	Blinking Green ¹	Activity in 10G
	Yellow	Fault/Error
	Off	Link down

¹ For A900-IMA8T1Z and A900-IMA2Z, LED status would be Green for Activity in 10G/1G port.

8 T1/E1 Interface Module LEDs

The table below summarizes the LEDs for the 8 x T1/E1 interface module.

Table 10: 8 x T1/E1 Interface Module LEDs

LED	LED State	Indication
Active	Green	Active
	Off	Operationally down; card is disabled or shot
Blinking green	All ports up and one or more ports in a loopback state	
Amber	One or more configured ports are down	
Blinking Amber	One or more configured ports are down and at least one configured port is in a loopback state	
Power	Green	All power rails are within supported range
	Red	Disabled
	Off	No power to the interface Module
Operating Status (STAT)	Red	Failed
	Off	Disabled or power down
	Blinking red	Booting
	Green	Active
Off	All ports are disabled or shut down	

RJ-45 LEDs

Each RJ-45 port has two LED indicators. Left LED indicates the Link status; right LED indicates the status of the duplex LED.

Table 11: RJ-45 LED Indication

LED	LED State	Indication
Left	Green	Link up in 10/100/1000Base-T
	Blinking Green	Activity in 10/100/1000Base-T
	Yellow	Fault/Error/Link down
	Off	Administratively down
Right	Green	Link up in full duplex
	Off	Link up in half duplex

Power Supply Unit LEDs

Each power supply unit has a corresponding LED on the front panel.

Table 12: PSU LED Indication

LED	LED State	Indication
CK	Green	Power Supply is working and 12V output is alright.
	Red	12V output failure (Either input not present or fault in the power supply unit).

System–Interface LED Behavior

Table 13: 1G Copper and 1G SFP LED Indication

Event	1G Copper Port LEDs (Link/Duplex)	1G SFP Port LEDs
ROMMON	Off/Off	Off
IOS Shut	Off/Off	Off
IOS No shut (cable disconnect)	Yellow/Off	Yellow
IOS No shut (cable connect) (media-type RJ-45)	Green/Green	Off
IOS No shut (cable connect) (media-type SFP)	Off/Off	Green
IOS No shut (cable connect) (media-type auto)	Off/Off	Green

Table 14: Management Port LED Indication

Event	10G Port LEDs	Management Port LEDs (Link/Duplex)
ROMMON (cable connect)	Off	Green/Green (1000 Mbps, Full Duplex) Orange/Green (100/10 Mbps, Full Duplex)
ROMMON (cable disconnect)	Off	Off/Off
IOS Shut	Off	Off/Off
IOS No shut (cable disconnect)	Orange	Off/Off
IOS No shut (cable connect)	Green	Green/Green in 1G mode Orange/Green in 100/10M mode

Fan Tray LEDs

Table 15: Fan Tray LEDs

Color/ State	Description
Off	System is not powered on
Green	All fans are working normally
Amber	Single or multiple fan failures and critical error
Off	ROMMON

Online Insertion and Removal

The Cisco ASR 920-24SZ-IM, ASR-920-24SZ-M, ASR-920-24TZ-M Router supports the following OIR operations:

- When an SFP is removed, there is no effect on traffic flowing on other ports.
- When an SFP is installed, the system initializes that port for operation based upon the current configuration. If the inserted SFP is incompatible with the current configuration for that port, the port does not become operational until the configuration is updated.
- Both power supplies are installed and active and the load may be shared between them or a single PSU could support the whole load. When a power supply is not working or the input cable is removed, the remaining power supply takes the entire load without disruption.
- Except for TDM IM, you can hot-swap an interface module with a similar interface module on Cisco ASR-920-24SZ-IM Router. For more information, see *Hot-Swapping the Interface Module* section.
- When a fan tray is removed or replaced, there is no need to power down the router. However, when the fan tray is removed from chassis the router shuts down automatically after some time, depending on the ambient temperature. The time duration before the router shuts down is shown in the table below:

Table 16: Cisco ASR-920-24SZ-IM Router Shut Down Time Table

Sl.	Inlet Ambient Temperature (°Celsius)	Shut Down Time (Minimum)
1	-10 to -5	14 minutes
2	-4 to 15	8 minutes
3	16 to 29	6 minutes 30 seconds
4	30 to 40	4 minutes 30 seconds
5	41 to 44	3 minutes 20 seconds
6	45 to 49	2 minutes 50 seconds
7	50 to 54	2 minutes 10 seconds
8	55 to 59	1 minutes 35 seconds
9	60 to 64	1 minute

Sl.	Inlet Ambient Temperature (°Celsius)	Shut Down Time (Minimum)
10	65 and above	35 seconds

Licensing the Router

The Cisco ASR 920-24SZ-IM, ASR-920-24SZ-M, ASR-920-24TZ-M Router support the following types of licenses:

- Port Licensing—Port Upgrade license is available as a "Pay as you Grow" model.
 - 1G upgrade license
 - 10G upgrade license
- Bulk licensing—Bulk port licensing allows you to enable all the ports with a single license.
- Timing license (1588)—Timing license is required if the router is used as a master clock.
- Advanced Metro IP Access
- Metro IP Access
- Metro Access (default)

The following methods are used to activate the above licenses:

- Cisco Software Licensing—The Cisco Software License Activation feature is a set of processes and components to activate Cisco software feature sets by obtaining and validating fee-based Cisco software licenses.



Note Licenses generated by the Cisco Software Licensing are tied to the UDI of the chassis and a corresponding watchtower device certificate (WDC) is stored in the system.

- Cisco Smart Licensing—Smart Licensing is usage-based licensing where devices register with the Cisco Secure server.



CHAPTER 2

Preparing for Installation

This chapter describe how to prepare for the installation of the Cisco ASR 920-24SZ-IM, ASR-920-24SZ-M, ASR-920-24TZ-M Router at your site.

- [Safety Guidelines, on page 21](#)
- [Site Planning, on page 27](#)
- [Receiving the Router, on page 37](#)

Safety Guidelines

Before you begin the installation of the Cisco ASR 920-24SZ-IM, ASR-920-24SZ-M, ASR-920-24TZ-M Router, review the safety guidelines in this chapter to avoid injuring yourself or damaging the equipment.

In addition, before replacing, configuring, or maintaining the Cisco ASR 920-24SZ-IM, ASR-920-24SZ-M, ASR-920-24TZ-M Router, review the safety warnings listed in the [Regulatory Compliance and Safety Information for the Cisco ASR 920 Series Aggregation Services Router](#) document.

Standard Warning Statements



Warning

To prevent bodily injury when mounting or servicing this unit in a rack, you must take special precautions to ensure that the system remains stable. The following guidelines are provided to ensure your safety: This unit should be mounted at the bottom of the rack if it is the only unit in the rack. When mounting this unit in a partially filled rack, load the rack from the bottom to the top with the heaviest component at the bottom of the rack. If the rack is provided with stabilizing devices, install the stabilizers before mounting or servicing the unit in the rack. Statement 1006



Warning

This unit is intended for installation in restricted access areas. A restricted access area can be accessed only through the use of a special tool, lock and key, or other means of security. Statement 1017



Warning

Ultimate disposal of this product should be handled according to all national laws and regulations. Statement 1040



Warning To prevent the system from overheating, do not operate it in an area that exceeds the maximum recommended ambient temperature of 158°F (70°C). Statement 1047



Warning The chassis should be mounted on a rack that is permanently affixed to the building. Statement 1049



Warning IMPORTANT SAFETY INSTRUCTIONS: This warning symbol means danger. You are in a situation that could cause bodily injury. Before you work on any equipment, be aware of the hazards involved with electrical circuitry and be familiar with standard practices for preventing accidents. Use the statement number provided at the end of each warning to locate its translation in the translated safety warnings that accompanied this device. Statement 1071



Warning This is a Class A Device and is registered for EMC requirements for industrial use. The seller or buyer should be aware of this. If this type was sold or purchased by mistake, it should be replaced with a residential-use type. Statement 294



Warning This is a class A product. In a domestic environment this product may cause radio interference in which case the user may be required to take adequate measures. Statement 340



Warning This equipment is in compliance with the essential requirements and other relevant provisions of Directive 1999/5/EC. Statement 287



Warning Suitable for mounting on and over a concrete or other non-combustible surface only. Statement 345

Safety Guidelines for Personal Safety and Equipment Protection

The following guidelines help ensure your safety and protect the equipment. This list does not include all the potentially hazardous situations. Therefore, you should be on alert.

- Before moving the system, always disconnect all the power cords and interface cables.
- Never assume that power is disconnected from a circuit; always check.
- Before and after installation, keep the chassis area clear and dust free.
- Keep tools and assembly components away from walk areas where you or others could trip over them.
- Do not work alone if potentially hazardous conditions exist.
- Do not perform any action that creates a potential hazard to people or makes the equipment unsafe.
- Do not wear loose clothing that may get caught in the chassis.

- When working under conditions that may be hazardous to your eyes, wear safety glasses.

Safety Precautions for Module Installation and Removal

Be sure to observe the following safety precautions when you work on the router.



Warning Class 1 laser product. Statement 1008



Warning Do not stare into the beam or view it directly with optical instruments. Statement 1011



Warning Invisible laser radiation present. Statement 1016



Warning Invisible laser radiation may be emitted from disconnected fibers or connectors. Do not stare into beams or view directly with optical instruments. Statement 1051

Safety with Electricity



Warning Before working on a chassis or working near power supplies, unplug the power cord on AC units; disconnect the power at the circuit breaker on DC units. Statement 12



Warning Before working on equipment that is connected to power lines, remove jewelry (including rings, necklaces, and watches). Metal objects will heat up when connected to power and ground and can cause serious burns or weld the metal object to the terminals. Statement 43



Warning Avoid using or servicing any equipment that has outdoor connections during an electrical storm. There may be a risk of electric shock from lightning. Statement 1088



Warning Before performing any of the following procedures, ensure that power is removed from the DC circuit. Statement 1003



Warning Read the installation instructions before connecting the system to the power source. Statement 1004



Warning This product relies on the building's installation for short-circuit (overcurrent) protection. For a DC installation, ensure that the branch circuit breaker is rated a maximum 15A for DC systems. For AC systems, 15A for voltages greater than 200Vac; 20A for voltages below 127Vac. Statement 1005



Warning Take care when connecting units to the supply circuit so that wiring is not overloaded. Statement 1018



Warning The plug-socket combination must be accessible at all times, because it serves as the main disconnecting device. Statement 1019



Warning To avoid electric shock, do not connect safety extra-low voltage (SELV) circuits to telephone-network voltage (TNV) circuits. LAN ports contain SELV circuits, and WAN ports contain TNV circuits. Some LAN and WAN ports both use RJ45 connectors. Use caution when connecting cables. Statement 1021



Warning A readily accessible two-poled disconnect device must be incorporated in the fixed wiring. Statement 1022



Warning To reduce the risk of fire, use only 26 AWG or larger telecommunication line cord. Statement 1023



Warning This equipment must be grounded. Never defeat the ground conductor or operate the equipment in the absence of a suitably installed ground conductor. Contact the appropriate electrical inspection authority or an electrician if you are uncertain that suitable grounding is available. Statement 1024



Warning Use copper conductors only. Statement 1025



Warning This unit might have more than one power supply connection. All connections must be removed to de-energize the unit. Statement 1028



Warning To prevent personal injury or damage to the chassis, never attempt to lift or tilt the chassis using the handles on modules (such as power supplies, fans, or cards); these types of handles are not designed to support the weight of the unit. Statement 1032



Warning Connect the unit only to DC power source that complies with the safety extra-low voltage (SELV) requirements in IEC 60950 based safety standards. Statement 1033



Warning When installing or replacing the unit, the ground connection must always be made first and disconnected last. Statement 1046



Warning This equipment must be grounded. Never defeat the ground conductor or operate the equipment in the absence of a suitably installed ground conductor. Contact the appropriate electrical inspection authority or an electrician if you are uncertain that suitable grounding is available. Statement 1024



Warning Installation of the equipment must comply with local and national electrical codes. Statement 1074



Warning Hazardous voltage or energy may be present on power terminals. Always replace cover when terminals are not in service. Be sure uninsulated conductors are not accessible when cover is in place. Statement 1086

When working on equipment that is powered by electricity, follow these guidelines:

- Locate the room's emergency power-off switch. If an electrical accident occurs, you know where to quickly turn off the power.
- Before starting work on the system, turn off the DC main circuit breaker and disconnect the power terminal block cable.
- Disconnect all power when:
 - Working on or near power supplies
 - Installing or removing a device chassis or network processor module
 - Performing most hardware upgrades
- Never install equipment that appears damaged.
- Carefully examine your work area for possible hazards, such as moist floors, ungrounded power extension cables, and missing safety grounds.
- Never assume that power is disconnected from a circuit; always check.
- Never perform any action that creates a potential hazard to people or makes the equipment unsafe.
- If an electrical accident occurs and you are uninjured:
 - Use caution to avoid injuring yourself.
 - Turn off power to the device.

- If possible, send another person to get medical aid. Otherwise, determine the condition of the victim, and then call for help.
- Determine whether the person needs rescue pulsing or external cardiac compressions; then take appropriate action.

Use the following guidelines when working with any equipment that is disconnected from a power source, but connected to telephone wiring or network cabling:

- When installing or modifying telephone lines, use caution.
- Never install telephone jacks in wet locations unless the jack is designed to handle such locations.
- Never install telephone wiring during a lightning storm.

Power Supply Considerations

Check the power at your site to ensure that you are receiving clean power (free of spikes and noise). If necessary, install a power conditioner.

Preventing ESD Damage



Warning This equipment needs to be grounded. Use a green and yellow 6 AWG ground wire to connect the host to earth ground during normal use. Statement 383

Electrostatic discharge (ESD) can damage equipment and impair electrical circuitry. ESD may occur when electronic printed circuit cards are improperly handled and can cause complete or intermittent failures. When removing and replacing modules, always follow ESD prevention procedures:

- Ensure that the router chassis is electrically connected to earth ground.
- Wear an ESD-preventive wrist strap, ensuring that it makes good skin contact. To channel unwanted ESD voltages safely to ground, connect the clip to an unpainted surface of the chassis frame. To guard against ESD damage and shocks, the wrist strap and cord must operate effectively.
- If no wrist strap is available, ground yourself by touching a metal part of the chassis.
- When installing a component, use any available ejector levers or captive installation screws to properly seat the bus connectors in the backplane or midplane. These devices prevent accidental removal, provide proper grounding for the system, and help to ensure that bus connectors are properly seated.
- When removing a component, use available ejector levers or captive installation screws, if any, to release the bus connectors from the backplane or midplane.
- Handle components by their handles or edges only; do not touch the printed circuit boards or connectors.
- Place a removed component board side up on an antistatic surface or in a static-shielding container. If you plan to return the component to the factory, immediately place it in a static-shielding container.
- Avoid contact between the printed circuit boards and clothing. The wrist strap only protects components from ESD voltages on the body; ESD voltages on clothing can still cause damage.
- Never attempt to remove the printed circuit board from the metal carrier.



Note For the safety of your equipment, periodically check the resistance value of the antistatic wrist strap. It should be between 1 and 10 Mohm.

Site Planning

The sections describe how to plan for the installation of the Cisco ASR 920 Series Router.

General Precautions

Observe the following general precautions when using and working with your Cisco ASR 920 Router:

- Keep your system components away from radiators and heat sources and do not block cooling vents.
- Do not spill food or liquids on your system components and never operate the product in a wet environment.
- Do not push any objects into the openings of your system components. Doing so can cause fire or electric shock by shorting out interior components.
- Position system cables and power supply cable carefully. Route system cables and the power supply cable and plug so that they are not stepped on or tripped over. Be sure that nothing else rests on your system component cables or power cable.
- Do not modify power cables or plugs. Consult a licensed electrician or your power company for site modifications. Always follow your local and national wiring rules.
- If you turn off your system, wait at least 30 seconds before turning it on again to avoid damage of system components.

Site Planning Checklist

Use the following checklist to perform and account for all the site planning tasks described in this chapter:

- The site meets the environmental requirements.
- The site's air conditioning system can compensate for the heat dissipation of the Cisco ASR 920-24SZ-IM, ASR-920-24SZ-M, ASR-920-24TZ-M Router.
- The floor space that the Cisco ASR 920-24SZ-IM, ASR-920-24SZ-M, ASR-920-24TZ-M Router occupies can support the weight of the system.
- Electrical service to the site complies with the requirements.
- The electrical circuit servicing the Cisco ASR 920-24SZ-IM, ASR-920-24SZ-M, ASR-920-24TZ-M Router complies with the requirements.
- Consideration has been given to the console port wiring and limitations of the cabling involved, according to TIA/EIA-232F.
- The Cisco ASR 920-24SZ-IM, ASR-920-24SZ-M, ASR-920-24TZ-M Router Ethernet cabling distances are within the prescribed limitations.
- The equipment rack in which you plan to install the Cisco ASR 920-24SZ-IM, ASR-920-24SZ-M, ASR-920-24TZ-M Router complies with prescribed requirements.
- When selecting the location of the rack, careful consideration must be given to safety, ease of maintenance, and proper airflow.

Site Selection Guidelines

The Cisco ASR 920-24SZ-IM, ASR-920-24SZ-M, ASR-920-24TZ-M Router require specific environmental operating conditions. Temperature, humidity, altitude, and vibration can affect the performance and reliability of the router. The following sections provide specific information to help you plan for the proper operating environment.

The Cisco ASR 920-24SZ-IM, ASR-920-24SZ-M, ASR-920-24TZ-M Router are designed to meet the industry EMC, safety, and environmental standards described in the Regulatory Compliance and Safety Information for the Cisco ASR 920 Series Router document.

Environmental Requirements

Environmental monitoring of the Cisco ASR 920-24SZ-IM, ASR-920-24SZ-M, ASR-920-24TZ-M Router protects the system and components from damage caused by excessive voltage and temperature conditions. To ensure normal operation and avoid unnecessary maintenance, plan and prepare your site configuration before installation. After installation, make sure that the site maintains the environmental characteristics described in *Cisco ASR 920-24SZ-IM, ASR-920-24SZ-M, ASR-920-24TZ-M Router Specifications* table.

For an outside plant installation (cell site cabinet, hut etc.), it is required that the Cisco ASR 920-24SZ-IM, ASR-920-24SZ-M, ASR-920-24TZ-M Router be protected against airborne contaminants, dust, moisture, insects, pests, corrosive gases, polluted air or other reactive elements present in the outside air. To achieve this level of protection, we recommend that the unit be installed in a fully sealed enclosure or cabinet. Examples of such cabinets include IP65 cabinets with heat exchanger complying with Telecordia GR487. Temperature must be maintained within -40°C to 70°C .

The equipment shall be placed inside a space protected from direct outside weather and environmental stresses by an enclosure, and where the operating climate, as defined by Class 2 of GR-3108-CORE, is between

- -40°C (-40°F) and 70°C (158°F)
- 5 and 85% RH

Physical Characteristics

Be familiar with the physical characteristics of the Cisco ASR 920-24SZ-IM, ASR-920-24SZ-M, ASR-920-24TZ-M Router to assist you in placing the system in the proper location. For more information, see *Cisco ASR 920-24SZ-IM, ASR-920-24SZ-M, ASR-920-24TZ-M Router Specifications* table.

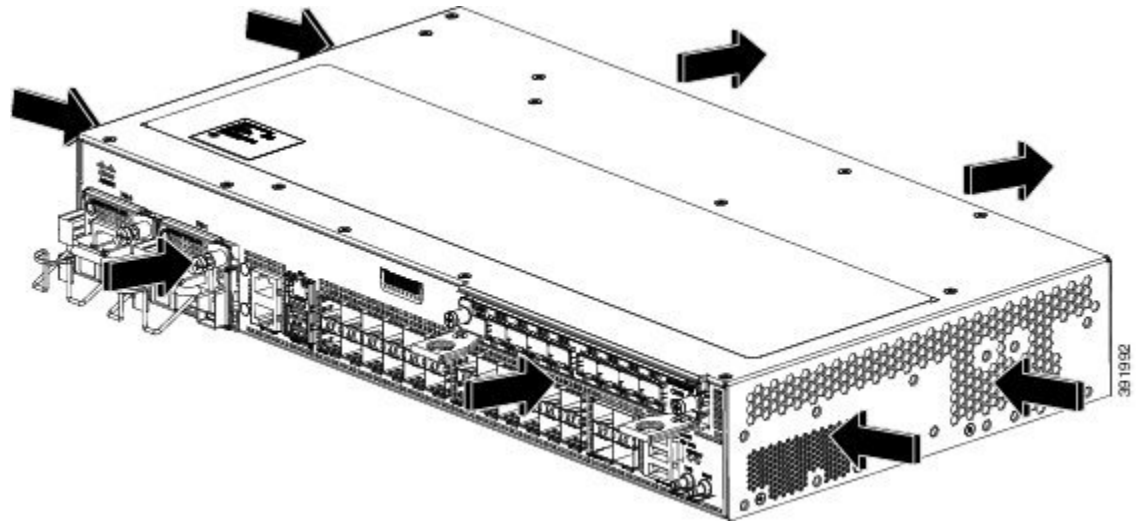
Air Flow Guidelines

Cool air is circulated through the Cisco ASR 920-24SZ-IM, ASR-920-24SZ-M, ASR-920-24TZ-M Router by fans located along the back side of the router.

The internal fans maintain acceptable operating temperatures for the internal components by drawing in cool air through the vents, and circulating the air through the chassis.

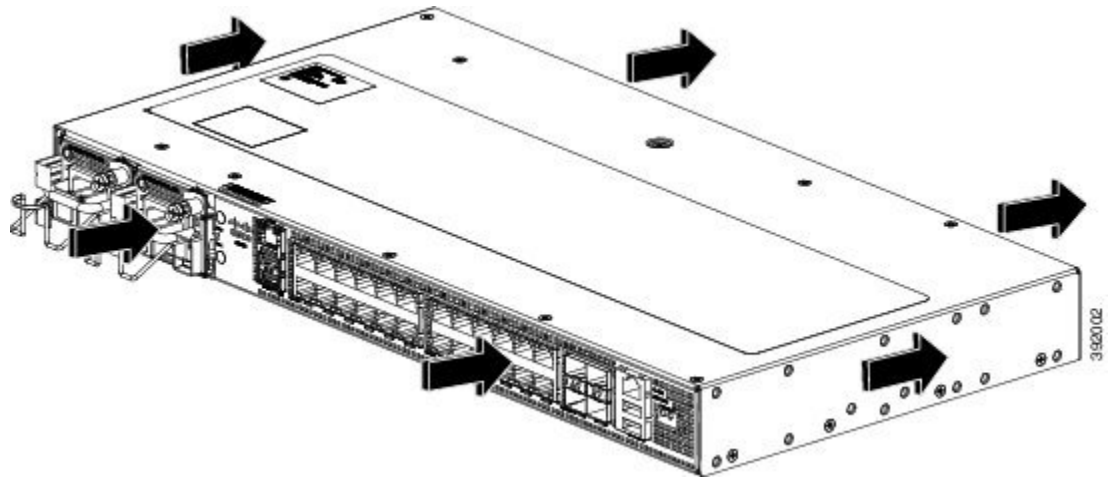
The direction of air flow is from front-to-back. The following figure shows the direction of the air flow through the Cisco ASR-920-24SZ-IM Router.

Figure 10: Air Flow in the Cisco ASR-920-24SZ-IM Router



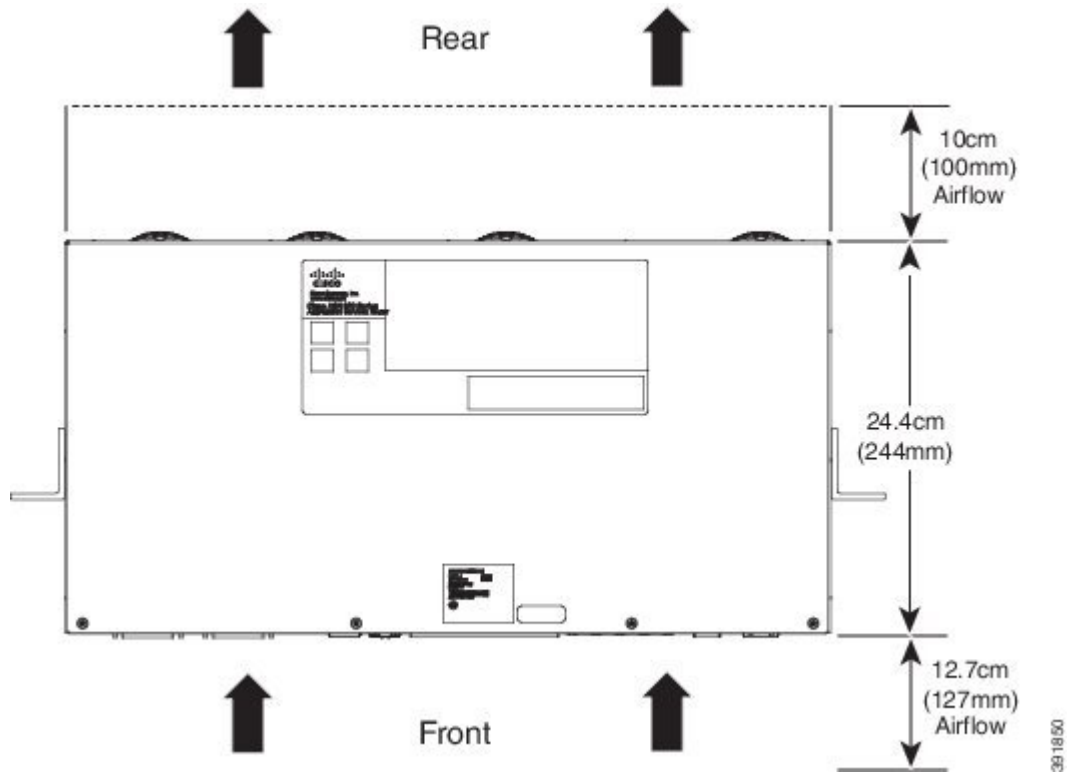
The following figure shows the direction of the air flow through the Cisco ASR-920-24SZ-M, ASR-920-24TZ-M Router.

Figure 11: Air Flow in the Cisco ASR-920-24SZ-M, ASR-920-24TZ-M Router



To ensure adequate air flow through the equipment rack, it is recommended that you maintain a minimum clearance distance as mentioned below, at all times.

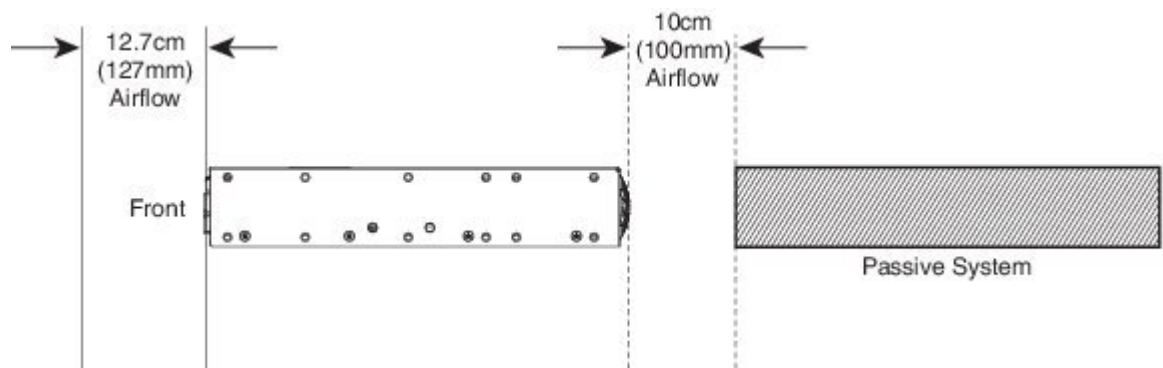
- front clearance—12.7 cm
- rear clearance—10 cm



Note the following points:

- When installing Cisco ASR 920-24SZ-IM, ASR-920-24SZ-M, ASR-920-24TZ-M Router in a back-to-back position with another device, ensure that there is a minimum of 10 cm air flow clearance between the two devices.

Also ensure that the device behind the Cisco ASR 920-24SZ-IM, ASR-920-24SZ-M, ASR-920-24TZ-M Router is not installed in a way that it blows air into the Cisco ASR 920-24SZ-IM, ASR-920-24SZ-M, ASR-920-24TZ-M Router.



- If airflow through the equipment rack and the routers that occupy it is blocked or restricted, or if the ambient air being drawn into the rack is too warm, an overtemperature condition may occur within the rack and the routers that occupy it.
- The site should also be as dust-free as possible. Dust tends to clog the router fans, reducing the flow of cooling air through the equipment rack and the routers that occupy it, thus increasing the risk of an overtemperature condition.

- Enclosed racks must have adequate ventilation. Ensure that the rack is not congested because each router generates heat. An enclosed rack should have louvered sides and a fan to provide cooling air. Heat that is generated by the equipment near the bottom of the rack can be drawn upward into the intake ports of the equipment above.
- When mounting a chassis in an open rack, ensure that the rack frame does not block the exhaust fans.
- When rack-installed equipment fails, especially equipment in an enclosed rack, try operating the equipment by itself, if possible. Power off all the other equipment in the rack (and in adjacent racks) to give the router maximum cooling air and clean power.
- Avoid installing the Cisco ASR 920-24SZ-IM, ASR-920-24SZ-M, ASR-920-24TZ-M Router in a location in which the chassis air intake vents may draw in the exhaust air from adjacent equipment. Consider how the air flows through the router; the airflow direction is front to back, with ambient air drawn in from the vents located on the sides of the chassis.



Caution When mounting the router in any type of rack equipment, ensure that the inlet air to the router does not exceed 70° C.

Air Flow Guidelines for ETSI Rack Installation

To install a Cisco ASR 920-24SZ-IM, ASR-920-24SZ-M, ASR-920-24TZ-M Router in a 2-post or 4-post rack, the front and rear doors of the cabinet must be removed. It is recommended that you maintain a minimum clearance distance as mentioned below, at all times.

- front clearance—12.7 cm
- rear clearance—10 cm

If you are mounting the chassis in a 4-post enclosed cabinet, ensure that you have a minimum of 10 cm of clearance on each side of the chassis.

Floor Loading Considerations

Ensure that the floor under the rack supporting the Cisco ASR 920-24SZ-IM, ASR-920-24SZ-M, ASR-920-24TZ-M Routers is capable of supporting the combined weight of the rack and all the other installed equipment.

To assess the weight of a fully configured Cisco ASR 920 Series Router, see the *Cisco ASR 920-24SZ-IM, ASR-920-24SZ-M, ASR-920-24TZ-M Router Specifications* table.

For additional information about floor loading requirements, see the [GR-63-CORE, Network Equipment Building System \(NEBS\) Requirements: Physical Protection](#) document.

Site Power Guidelines

The Cisco ASR 920-24SZ-IM, ASR-920-24SZ-M, ASR-920-24TZ-M Router have specific power and electrical wiring requirements. Adhering to these requirements ensures reliable operation of the system. Follow these precautions and recommendations when planning your site power for the Cisco ASR 920-24SZ-IM, ASR-920-24SZ-M, ASR-920-24TZ-M Router:

- The redundant power option provides a second, identical power supply to ensure that power to the chassis continues uninterrupted if one power supply fails or input power on one line fails.

- Connect each of the two power supplies to a separate input power source. If you fail to do this, your system might be susceptible to total power failure due to a fault in the external wiring or a tripped circuit breaker.
- To prevent a loss of input power, be sure that the total maximum load on each circuit supplying the power supplies is within the current ratings of the wiring and the breakers.
- Check the power at your site before installation, and periodically after installation to ensure that you are receiving clean power. Install a power conditioner, if necessary.
- Provide proper grounding to avoid personal injury and damage to the equipment due to lightning striking power lines or due to power surges. The chassis ground must be attached to a central office or other interior ground system.

**Caution**

This product requires short-circuit (overcurrent) protection to be provided as part of the building installation. Install only in accordance with national and local wiring regulations.

**Note**

The Cisco ASR 920-24SZ-IM, ASR-920-24SZ-M, ASR-920-24TZ-M Router installation must comply with all the applicable codes, and is approved for use with copper conductors only. The ground bond-fastening hardware should be of compatible material and preclude loosening, deterioration, and electrochemical corrosion of hardware and joined material. Attachment of the chassis ground to a central office or other interior ground system must be made with a 6-AWG gauge wire copper ground conductor at a minimum.

For information on power specifications, see *Power Supply Specification* table.

Electrical Circuit Requirements

Each Cisco ASR 920-24SZ-IM, ASR-920-24SZ-M, ASR-920-24TZ-M Router requires a dedicated electrical circuit. If you equip the router with dual-power feeds, provide a separate circuit for each power supply to avoid compromising the power redundancy feature.

The Cisco ASR 920-24SZ-IM, ASR-920-24SZ-M, ASR-920-24TZ-M Routers can be powered by a DC source or an AC source. Ensure that equipment grounding is present and observe the power-strip ratings. Make sure that the total ampere rating of all the products plugged into the power strip does not exceed 80% of the rating.

Site Cabling Guidelines

This section contains guidelines for wiring and cabling at your site. When preparing your site for network connections to the Cisco ASR 920-24SZ-IM, ASR-920-24SZ-M, ASR-920-24TZ-M Router, consider the type of cable required for each component, and the cable limitations. Consider the distance limitations for signaling, electromagnetic interference (EMI), and connector compatibility. Possible cable types are fiber, thick or thin coaxial, foil twisted-pair, or unshielded twisted-pair cabling.

Also consider any additional interface equipment you need, such as transceivers, hubs, switches, modems, channel service units (CSU), or data service units (DSU).

Before you install the Cisco ASR 920-24SZ-IM, ASR-920-24SZ-M, ASR-920-24TZ-M Router, have all the additional external equipment and cables on hand. For information about ordering, contact a Cisco customer service representative.

The extent of your network and the distances between the network interface connections depend, in part, on the following factors:

- Signal type
- Signal speed
- Transmission medium

The distance and rate limits referenced in the following sections are the IEEE-recommended maximum speeds and distances for signaling purposes. Use this information as a guideline when planning your network connections *prior* to installing the Cisco ASR 920-24SZ-IM, ASR-920-24SZ-M, ASR-920-24TZ-M Router.

If wires exceed the recommended distances, or if wires pass between buildings, give special consideration to the effect of a lightning strike in your vicinity. The electromagnetic pulse caused by lightning or other high-energy phenomena can easily couple enough energy into unshielded conductors to destroy electronic devices. If you have had problems of this sort in the past, you may want to consult experts in electrical surge suppression and shielding.

Asynchronous Terminal Connections

The Cisco ASR 920-24SZ-IM, ASR-920-24SZ-M, ASR-920-24TZ-M Router provides a console port to connect a terminal or computer for local console access. The port has an RJ-45 connector and supports RS-232 asynchronous data with distance recommendations specified in the IEEE RS-232 standard.

Interference Considerations

When wires are run for any significant distance, there is a risk that stray signals will be induced on the wires as interference. If interference signals are strong, they may cause data errors or damage to the equipment.

The sections describe the sources of interference and how to minimize their effects on the Cisco ASR 920-24SZ-IM, ASR-920-24SZ-M, ASR-920-24TZ-M Router system.

Electromagnetic Interference

All the equipment powered by AC current can propagate electrical energy that can cause EMI and possibly affect the operation of other equipment. The typical sources of EMI are equipment power cords and power service cables from electric utility companies.

Strong EMI can destroy the signal drivers and receivers in the Cisco ASR 920-24SZ-IM, ASR-920-24SZ-M, ASR-920-24TZ-M Router and even create an electrical hazard by causing power surges through the power lines into installed equipment. These problems are rare, but could be catastrophic.

To resolve these problems, you need specialized knowledge and equipment that could consume substantial time and money. However, you can ensure that you have a properly grounded and shielded electrical environment, paying special attention to the need for electrical surge suppression.

For information about the electrode magnetic compliance standards supported on the Cisco ASR 920-24SZ-IM, ASR-920-24SZ-M, ASR-920-24TZ-M Router, see the [Regulatory Compliance and Safety Information for the Cisco ASR 920 Series Router](#) document.

Radio Frequency Interference

When electromagnetic fields act over a long distance, radio frequency interference (RFI) may be propagated. Building wiring can often act as an antenna, receiving the RFI signals and creating more EMI on the wiring.

If you use twisted-pair cable in your plant wiring with a good distribution of grounding conductors, the plant wiring is unlikely to emit radio interference. If you exceed the recommended distances, use a high-quality twisted-pair cable with one ground conductor for each data signal.

Lightning and AC Power Fault Interference

If signal wires exceed the recommended cabling distances, or if signal wires pass between buildings, you should consider the effect that a lightning strike in your vicinity might have on the Cisco ASR 920-24SZ-IM, ASR-920-24SZ-M, ASR-920-24TZ-M Router.

The electromagnetic pulse (EMP) generated by lightning or other high-energy phenomena can couple enough energy into unshielded conductors to damage or destroy electronic equipment. If you have previously experienced such problems, you should consult with RFI and EMI experts to ensure that you have adequate electrical surge suppression and shielding of signal cables in your Cisco ASR 920-24SZ-IM, ASR-920-24SZ-M, ASR-920-24TZ-M Router operating environment.

Rack-Mounting Guidelines

The sections provide guidelines for rack-mounting the Cisco ASR 920-24SZ-IM, ASR-920-24SZ-M, ASR-920-24TZ-M Router.

Precautions for Rack-Mounting

The following rack-mount guidelines are provided to ensure your safety:

- Ensure that the rack is level and stable before extending a component from the rack.
- Ensure that proper airflow is provided to the components in the rack.
- Do not step on or stand on any component or system when servicing other systems or components in a rack.
- When mounting the Cisco ASR 920-24SZ-IM, ASR-920-24SZ-M, ASR-920-24TZ-M Router in a partially filled rack, load the rack from the bottom to the top, with the heaviest component at the bottom of the rack.
- If the rack is provided with stabilizing devices, install the stabilizers before mounting or servicing the unit in the rack.

Rack Selection Guidelines

The Cisco ASR 920-24SZ-IM, ASR-920-24SZ-M, ASR-920-24TZ-M Router can be mounted in most two-post or four-post, 19-inch equipment racks that comply with the Electronic Industries Association (EIA) standard for equipment racks (EIA-310-D 19-inch). The rack must have at least two posts with mounting flanges to mount the chassis.



Caution When mounting a chassis in any type of rack equipment, ensure that the inlet air to the chassis does not exceed 70° C.

The distance between the center lines of the mounting holes on the two mounting posts must be 18.31 inch ± 0.06 inch (46.50 cm ± 0.15 cm). The rack-mounting hardware included with the chassis is suitable for most 19-inch equipment racks.

Consider installing the router in a rack with the following features:

- NEBS-compliant, 19-inch wide (48.3-cm) rack.
- EIA or European Telecommunications Standards Institute (ETSI) hole patterns in the mounting rails. The required mounting hardware is shipped with the Cisco ASR 920-24SZ-IM, ASR-920-24SZ-M,

ASR-920-24TZ-M Router. If the rack that you plan to install the system in has metric-threaded rails, you must provide your own metric-mounting hardware.

- Perforated top and open bottom for ventilation to prevent overheating.
- Leveling feet for stability.



Caution The Cisco ASR 920-24SZ-IM, ASR-920-24SZ-M, ASR-920-24TZ-M Router is not recommended to be installed in an enclosed rack because the chassis requires an unobstructed flow of cooling air to maintain acceptable operating temperatures for its internal components. If you use an enclosed rack, ensure that the air flow requirements are maintained as discussed in *Air Flow Guidelines*.

Equipment Rack Guidelines

The placement of a rack can affect personnel safety, system maintenance, and the system's ability to operate within the environmental characteristics. Choose a proper location for the Cisco ASR 920-24SZ-IM, ASR-920-24SZ-M, ASR-920-24TZ-M Router by following the guidelines described here.

Locating for Safety

If the Cisco ASR 920-24SZ-IM, ASR-920-24SZ-M, ASR-920-24TZ-M Router is the heaviest or the only piece of equipment in the rack, consider installing it at or near the bottom to ensure that the rack's center of gravity is as low as possible.

For additional information about the proper placement of electronic equipment, consult the [GR-63-CORE, Network Equipment Building System \(NEBS\) Requirements: Physical Protection](#) document.

Locating for Easy Maintenance

It is recommended that you maintain a minimum clearance distance as mentioned below, at all times.

- front clearance—12.7 cm
- rear clearance—10 cm

This space ensures that you can remove the Cisco ASR 920-24SZ-IM, ASR-920-24SZ-M, ASR-920-24TZ-M Router components and perform routine maintenance and upgrades easily.

Avoid installing the Cisco ASR 920-24SZ-IM, ASR-920-24SZ-M, ASR-920-24TZ-M Router in a congested rack and consider how routing of cables from other pieces of equipment in the same rack could affect access to the router cards.

The front and rear of the chassis must remain unobstructed to ensure adequate airflow and prevent overheating inside the chassis.

To avoid problems during installation and ongoing operations, follow these general precautions when you plan equipment locations and connections:

- Use the **show environment all** command regularly to check the internal system status. The environmental monitor continually checks the interior chassis environment; it provides warnings about high temperature and creates reports on other potentially dangerous occurrences. If warning messages are displayed, take immediate action to identify the cause, and correct the problem.
- Keep the Cisco ASR 920-24SZ-IM, ASR-920-24SZ-M, ASR-920-24TZ-M Router off the floor and out of areas that collect dust.
- Follow ESD-prevention procedures to avoid damage to equipment. Damage from static discharge can cause immediate or intermittent equipment failure.

Locating for Proper Airflow

Ensure that the Cisco ASR 920-24SZ-IM, ASR-920-24SZ-M, ASR-920-24TZ-M Router location has enough airflow to keep the system operating within the environmental characteristics and the air temperature is sufficient to compensate for the heat dissipated by the system. For more information, see the *Air Flow Guidelines* section.

Installation Checklist

To assist you with your installation and to provide a record of what was done by whom and when, photocopy the Cisco ASR 920-24SZ-IM, ASR-920-24SZ-M, ASR-920-24TZ-M Router Installation Checklist shown in the table below. Use this to record the completion and verification of each procedure. After the checklist is completed, place it in your Site Log along with the other records pertaining to your new Cisco router.

Table 17: Cisco ASR 920-24SZ-IM, ASR-920-24SZ-M, ASR-920-24TZ-M Router Installation Checklist

Task	Verified By	Date
Date on which chassis received		
Chassis and all accessories unpacked		
Types and numbers of interfaces verified		
Safety recommendations and guidelines reviewed		
Installation Checklist copied		
Site Log established and background information entered		
Site power voltages verified		
Site environmental specifications verified		
Required passwords, IP addresses, device names, and so on, available		
Required tools available		
Network connection equipment available		
Cable-management brackets installed (optional, but recommended)		
AC power cables connected to AC sources and router		

Task	Verified By	Date
DC power cables connected to DC sources and router		
Network interface cables and devices connected		
System power turned on		
System boot complete (STATUS LED is on)		
Correct software configuration displayed after system banner appears		

Creating a Site Log

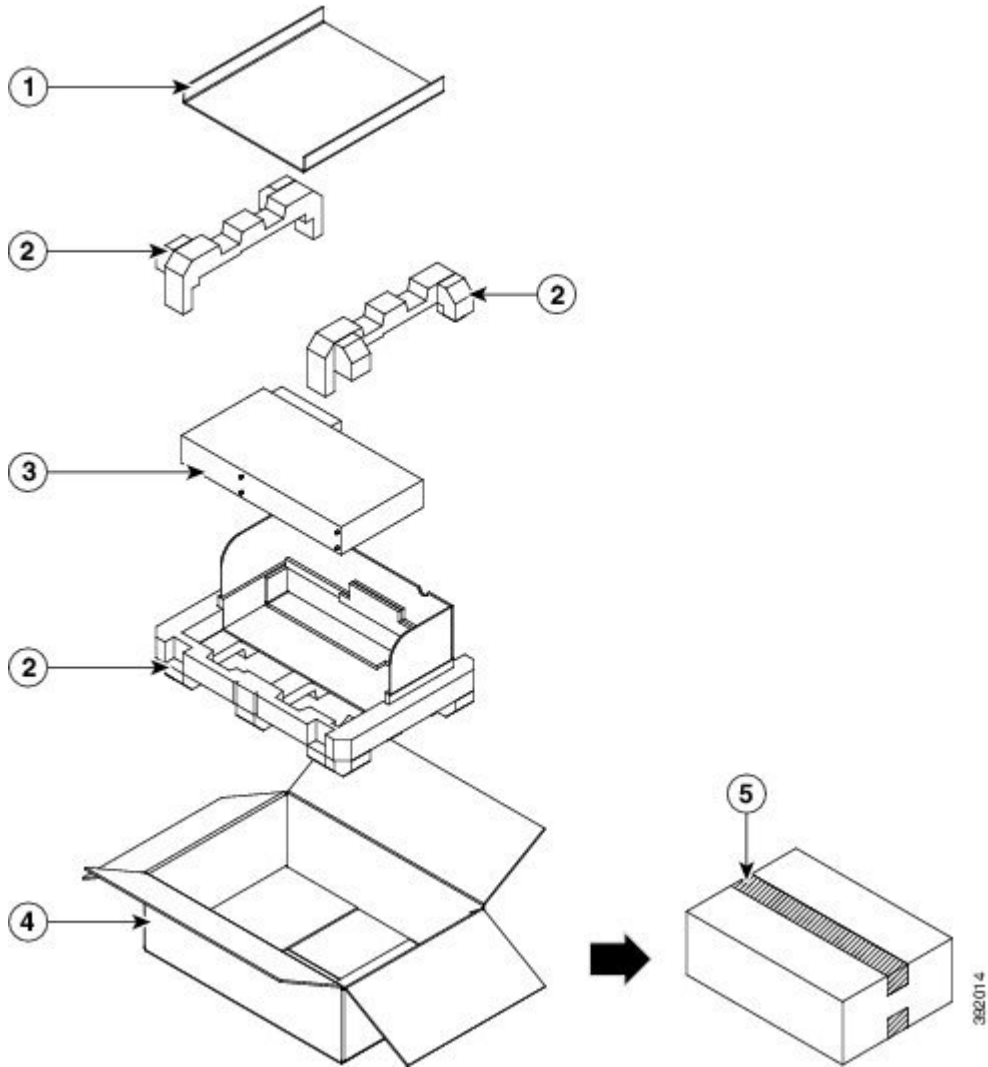
The Site Log provides a record of all the actions related to installing and maintaining the router. Keep it in an accessible place near the chassis so that anyone who performs tasks has access to it.

Create the Site Log prior to the installation. (See *Site Log* section for more information about the Site Log as well as a sample Site Log that can be used to make copies.)

Receiving the Router

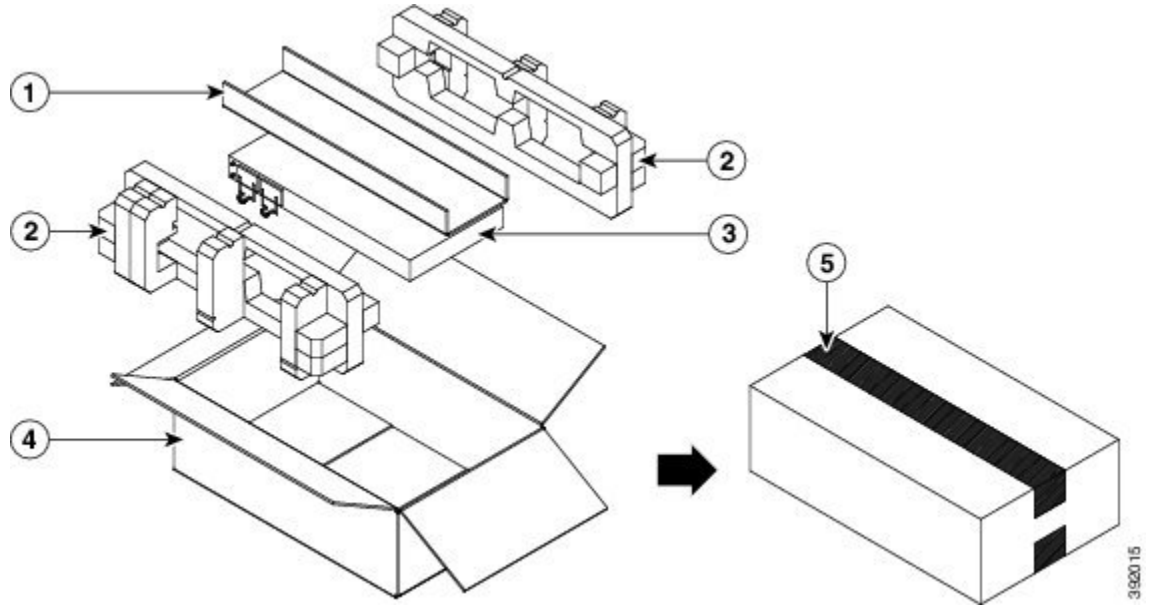
Each Cisco ASR 920-24SZ-IM, ASR-920-24SZ-M, ASR-920-24TZ-M Router chassis is shipped in a container that is strapped to a pallet, as illustrated in the following figures.

Figure 12: Cisco ASR-920-24SZ-IM Router Packaged for Shipping



Label	Description	Label	Description
1	Outside carton for accessories	4	Packing carton
2	Assembly packaging material	5	Carton sealing tape
3	Router	—	—

Figure 13: Cisco ASR-920-24SZ-M, ASR-920-24TZ-M Router Packaged for Shipping



Label	Description	Label	Description
1	Outside carton for accessories	4	Packing carton
2	Assembly packaging material	5	Carton sealing tape
3	Router	—	—

Chassis-Lifting Guidelines

The chassis is not intended to be moved frequently. Before you install the system, ensure that your site is properly prepared so that you can avoid having to move the chassis later to accommodate power sources and network connections.

Each time you lift the chassis or any heavy object, follow these guidelines:

- Ensure that your footing is solid, and balance the weight of the chassis between your feet.
- Lift the chassis slowly; never move suddenly or twist your body as you lift.
- Keep your back straight and lift with your legs, not your back. If you must bend down to lift the chassis, bend at the knees, not at the waist, to reduce the strain on your back muscles.
- Do not remove installed components from the chassis.
- Always disconnect all external cables before lifting or moving the chassis.



Warning

To prevent personal injury or damage to the chassis, never attempt to lift or tilt the chassis using the handles on modules (such as power supplies, fans, or cards); these types of handles are not designed to support the weight of the unit. Statement 1032

Tools and Equipment

You need the following tools and equipment to install and upgrade the router and its components:

- ESD-preventive cord and wrist strap
- Antistatic mat or antistatic foam
- Number 1 and Number 2 Phillips-head screwdrivers
- #12-24 pan-head screws to secure the router to the equipment rack
- Cables for connecting to the network ports (depending on the configuration)



Note For more information about cable specifications, see the *Troubleshooting* section.

- Ethernet hub, switch, or PC with a network interface card for connecting to the Ethernet ports
- Console terminal (an ASCII terminal or a PC running terminal emulation software) that is configured for 9600 baud, 8 data bits, no parity, no flow control, and 1 stop bit
- Console cable for connecting to the console port
- Ratcheting torque screwdriver with a Phillips head that exerts up to 30-pound force per square inch (in-lb) or 0.02-kilograms force per square millimeter (kgf/mm²) of pressure
- Crimping tool as specified by the ground lug manufacturer
- Wire-stripping tools for stripping both 6-AWG and 12-AWG wires
- Tape measure and level



Warning Only trained and qualified personnel should be allowed to install or replace this equipment. Statement 49

Unpacking and Verifying the Shipped Contents

When you receive your chassis, perform the following steps:

Procedure

- Step 1** Inspect the box for any shipping damage. If there is obvious physical damage, contact your Cisco service representative.
- Step 2** Unpack the Cisco ASR 920-24SZ-IM, ASR-920-24SZ-M, ASR-920-24TZ-M Router.
- Step 3** Perform a visual inspection of the chassis.
- Step 4** Use the table below to check the contents of the Cisco ASR 920-24SZ-IM, ASR-920-24SZ-M, ASR-920-24TZ-M Router shipping container. Do not discard the shipping container. You will need the container if you move or ship the Cisco ASR 920-24SZ-IM, ASR-920-24SZ-M, ASR-920-24TZ-M Router in the future.

Table 18: Cisco ASR 920-24SZ-IM, ASR-920-24SZ-M, ASR-920-24TZ-M Router Default Shipping Container Contents

Component	Description
Chassis	Cisco ASR 920-24SZ-IM, ASR-920-24SZ-M, ASR-920-24TZ-M Router chassis
Accessories kit	Chassis rack-mount brackets (19-inch EIA) with eight screws
	Two cable guides with two screws
	One earth lug with two 10-32 screws
	USB Type-A to USB Type-A Male cable
Documentation	Cisco ASR 920 Series Router Pointer Card
Optional equipment	<p>Check the container for the following optional equipment:</p> <ul style="list-style-type: none"> • Power cord if an AC power supply was shipped. There are no cords for the DC power supply units.

Note Most Cisco documentation is available online. The Cisco ASR 920 Series Router Pointer Card that is shipped with your Cisco ASR 920-24SZ-IM, ASR-920-24SZ-M, ASR-920-24TZ-M Router contains links and information about the various documents that are available online.



CHAPTER 3

Installing the Router

This chapter describes how to install the Cisco ASR 920-24SZ-IM, ASR-920-24SZ-M, ASR-920-24TZ-M Router.

- [Prerequisites, on page 43](#)
- [Installing the Router in a Rack, on page 43](#)
- [Wall Mounting the Routers, on page 53](#)
- [Installing and Removing the Interface Module, on page 56](#)
- [Installing and Removing the Fan Tray, on page 60](#)
- [Installing the Power Supply, on page 64](#)
- [Installing and Removing SFP Modules, on page 76](#)
- [Connecting to the 10/100/1000 Ports, on page 80](#)
- [Installing the Chassis Ground Connection, on page 82](#)
- [Connecting a Router to the Network, on page 86](#)

Prerequisites

Before installing the Cisco ASR 920-24SZ-IM, ASR-920-24SZ-M, ASR-920-24TZ-M Router, it is important to prepare for the installation by:

- Preparing the site (site planning) and reviewing the installation plans or method of procedures (MOP). See *Site Planning* section.
- Unpacking and inspecting the Cisco ASR 920-24SZ-IM, ASR-920-24SZ-M, ASR-920-24TZ-M Router. See *Receiving the Router* section.
- Gathering the tools and test equipment required to properly install the Cisco ASR 920-24SZ-IM, ASR-920-24SZ-M, ASR-920-24TZ-M Router. See *Tools and Equipment* section.

For more instructions on how to prepare for the installation of the Cisco ASR 920-24SZ-IM, ASR-920-24SZ-M, ASR-920-24TZ-M Router, see Chapter 2, *Preparing for Installation*.

Installing the Router in a Rack

The procedures in this section apply to both horizontal and vertical mounting of the router in a rack.

Installing the Chassis Brackets

The chassis is shipped with mounting brackets that can be installed on the front or rear of the chassis. To install the brackets on the front of the chassis, perform these steps:

Procedure

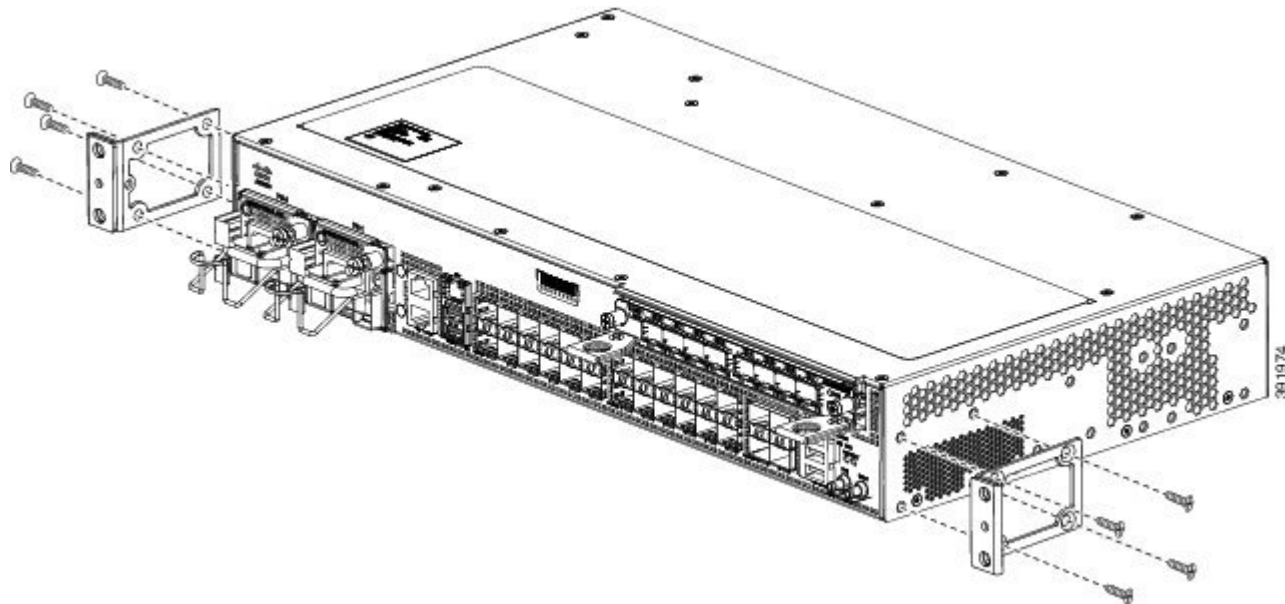
Step 1 Remove the rack-mount brackets from the accessory kit and position them beside the router chassis.

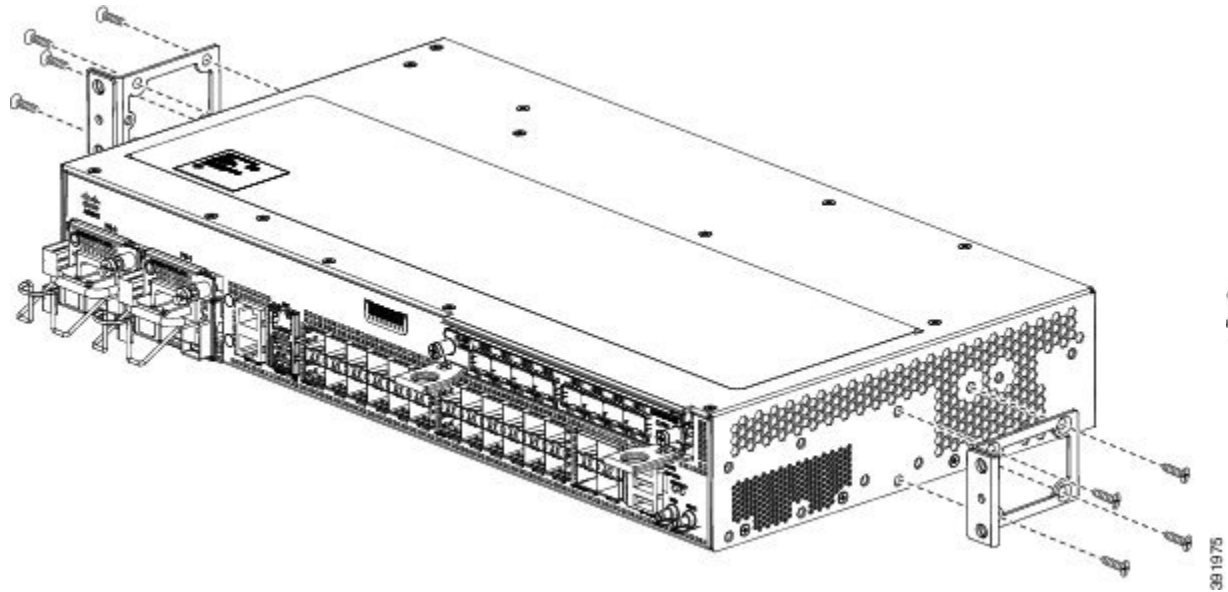
Step 2 Position one of the brackets against the chassis side, and align the screw holes.

19-inch EIA Rack

The following figures show how to attach the brackets at the front, middle, and rear positions on the Cisco ASR-920-24SZ-IM Router for a 19-inch EIA rack.

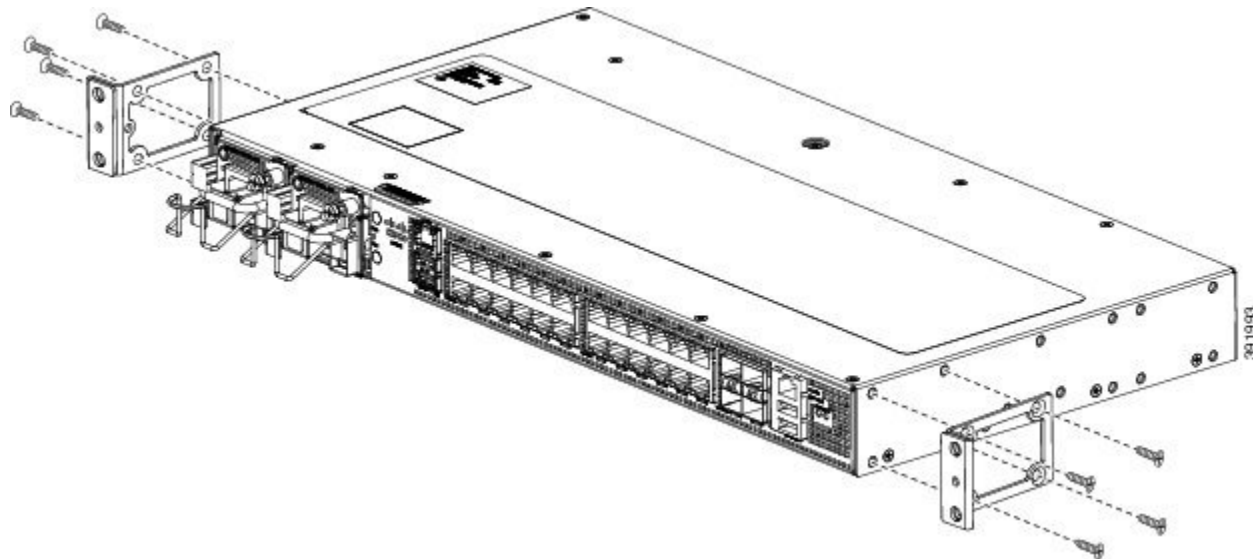
Figure 14: Attaching Mounting Brackets to Cisco ASR-920-24SZ-IM Router for a 19-inch EIA Rack (Front, Middle, and Rear Positions)

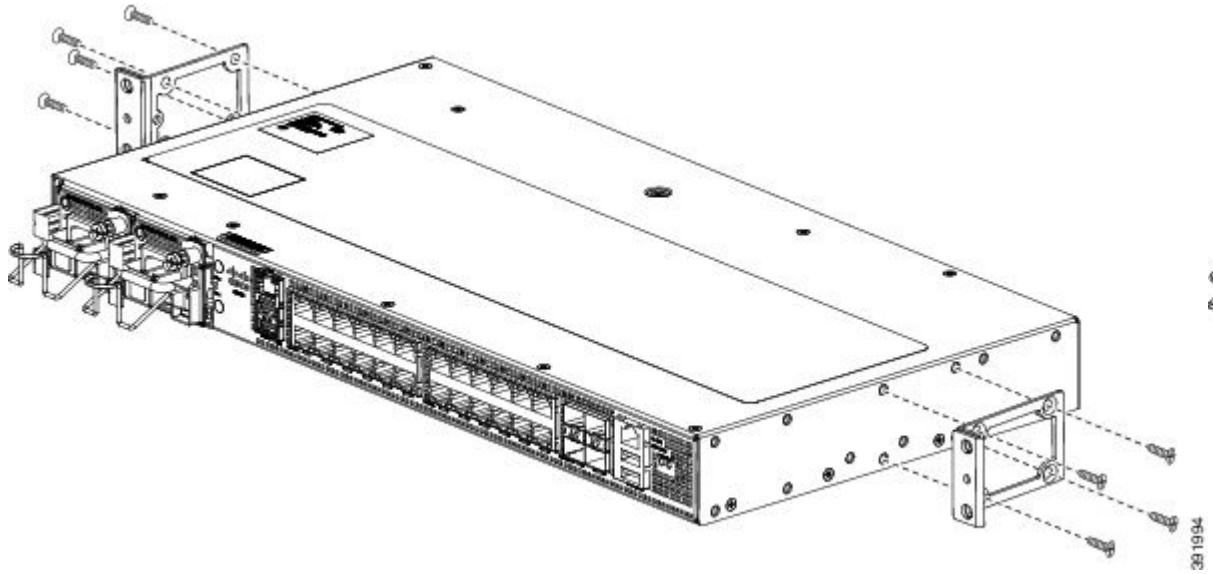




The following figures show how to attach the brackets at the front, middle, and rear positions on the Cisco ASR-920-24SZ-M, ASR-920-24TZ-M Router for a 19-inch EIA rack.

Figure 15: Attaching Mounting Brackets to Cisco ASR-920-24SZ-M, ASR-920-24TZ-M Router for a 19-inch EIA Rack (Front, Middle, and Rear Positions)

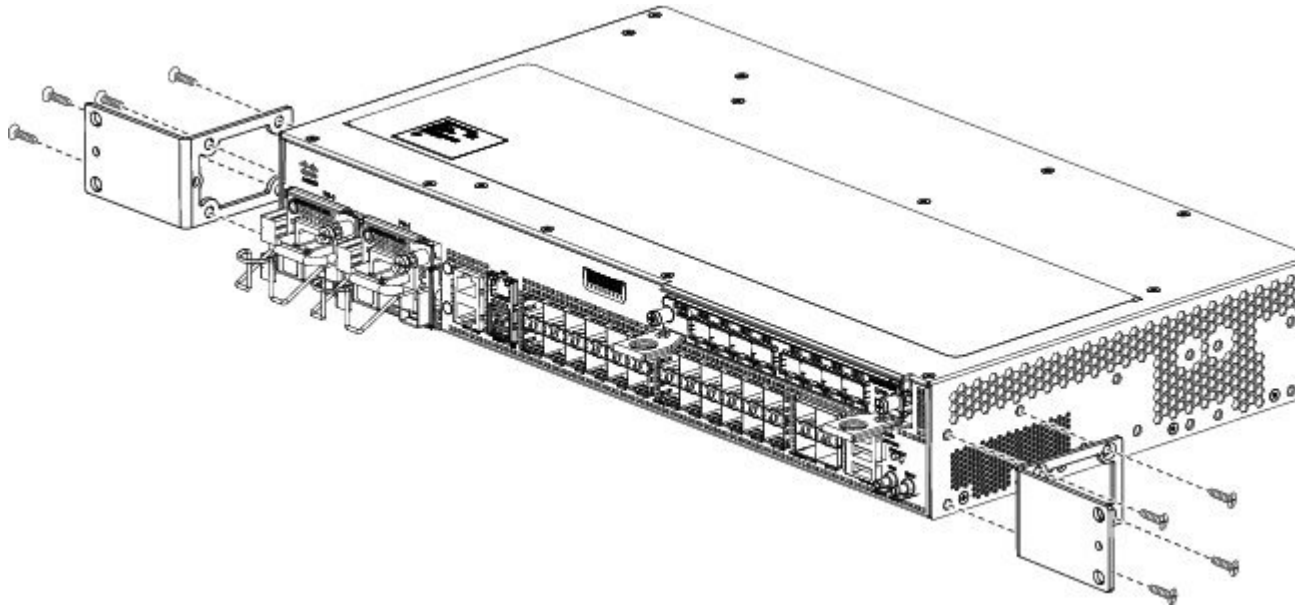


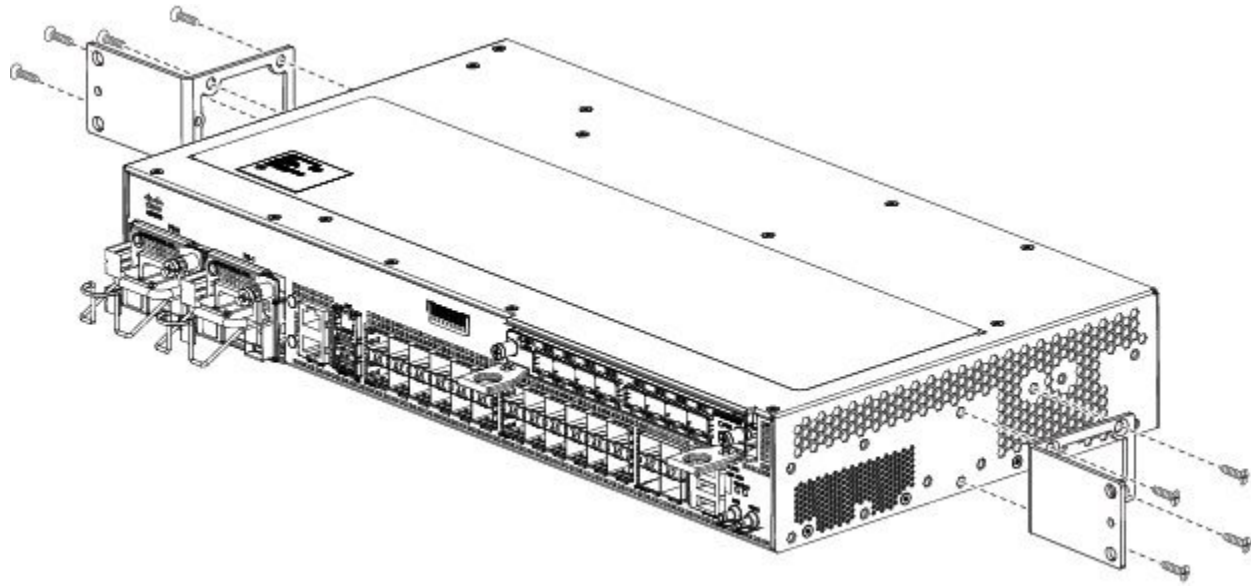


23-inch Rack

The following figures show how to attach the brackets on the Cisco ASR-920-24SZ-IM Router for a 23-inch rack.

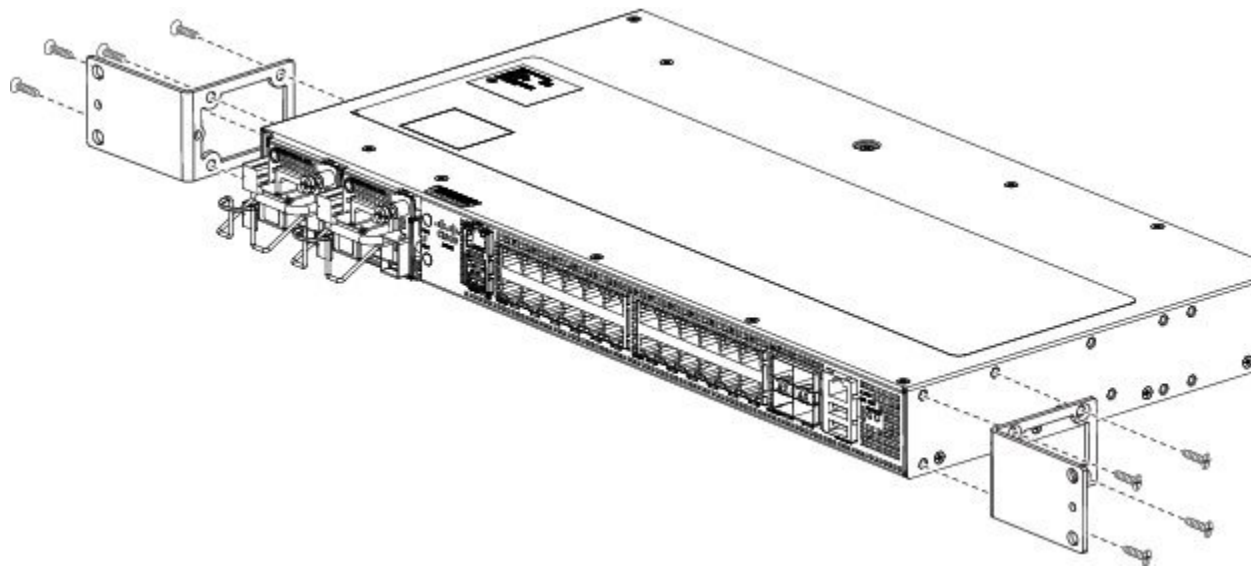
Figure 16: Attaching Mounting Brackets to Cisco ASR-920-24SZ-IM Router for a 23-inch Rack (Front, Middle, and Rear Positions)

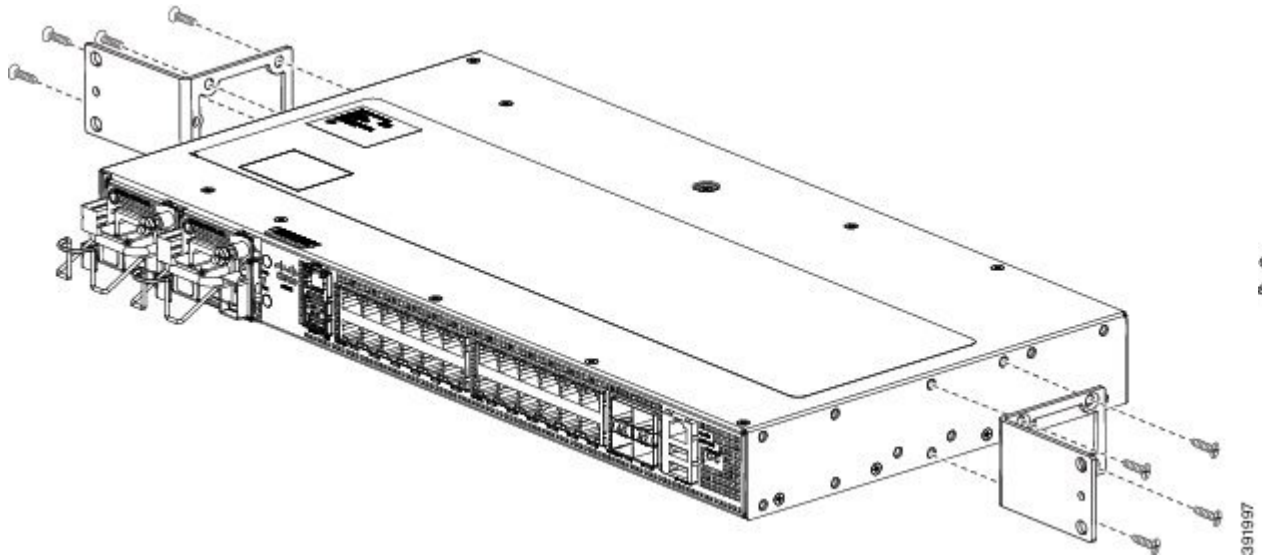




The following figures show how to attach the brackets on the Cisco ASR-920-24SZ-M, ASR-920-24TZ-M Router for a 23-inch rack.

Figure 17: Attaching Mounting Brackets to Cisco ASR-920-24SZ-M, ASR-920-24TZ-M Router for a 23-inch Rack (Front, Middle, and Rear Positions)

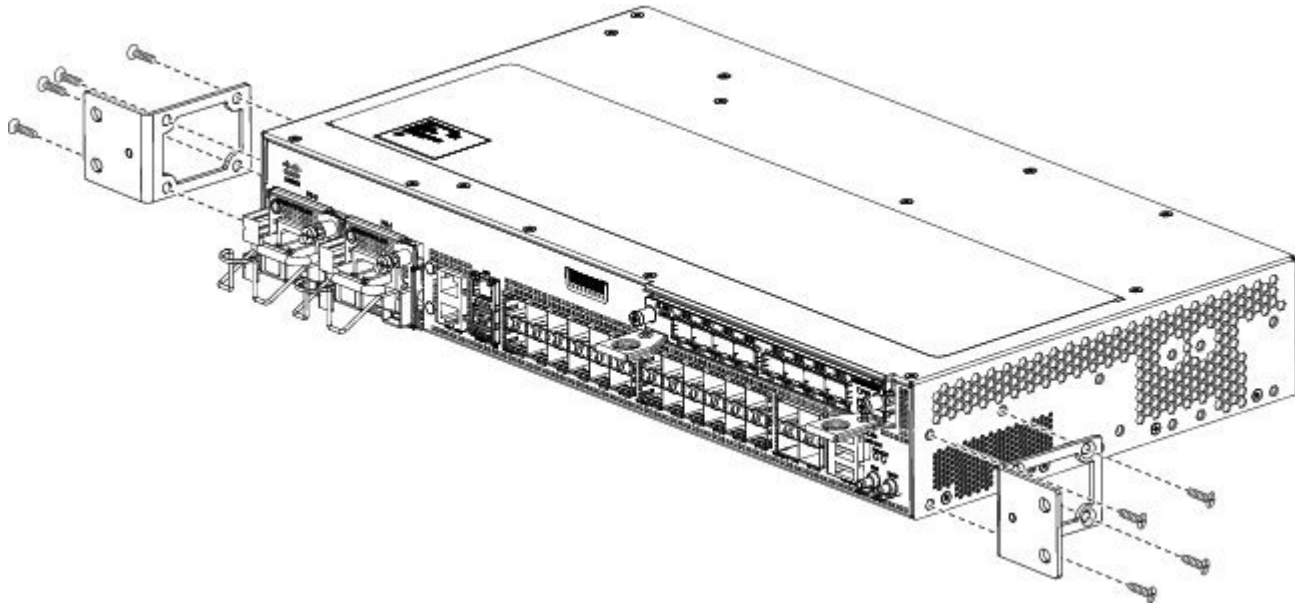


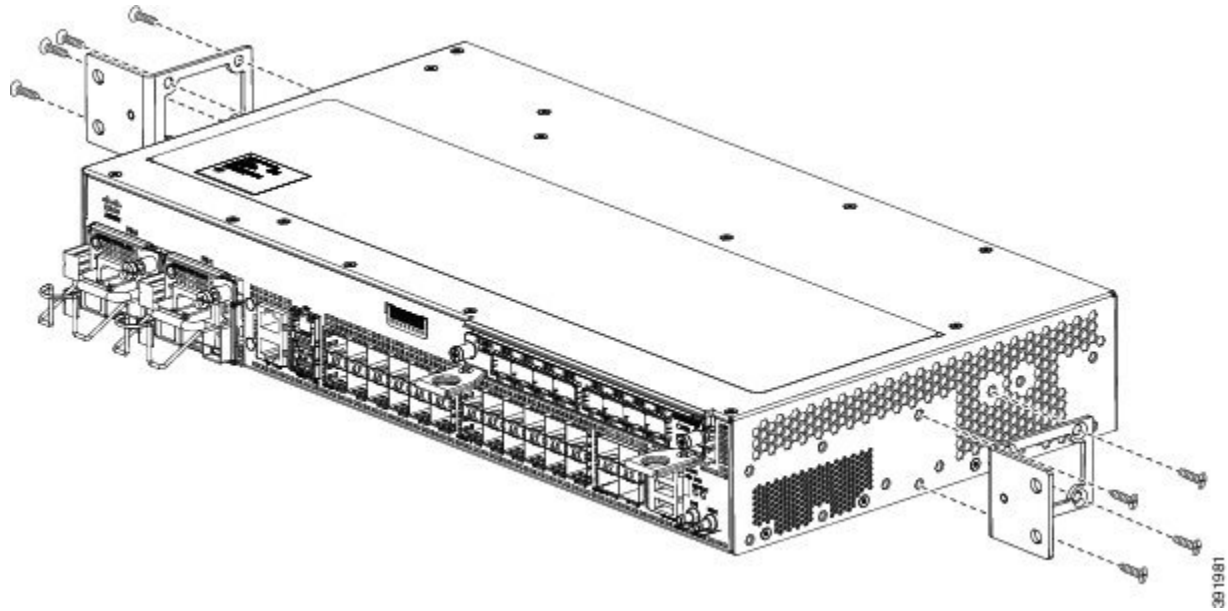


300-mm ETSI Rack

The following figures show how to attach the brackets on the Cisco ASR-920-24SZ-IM Router for a 300 mm ETSI rack.

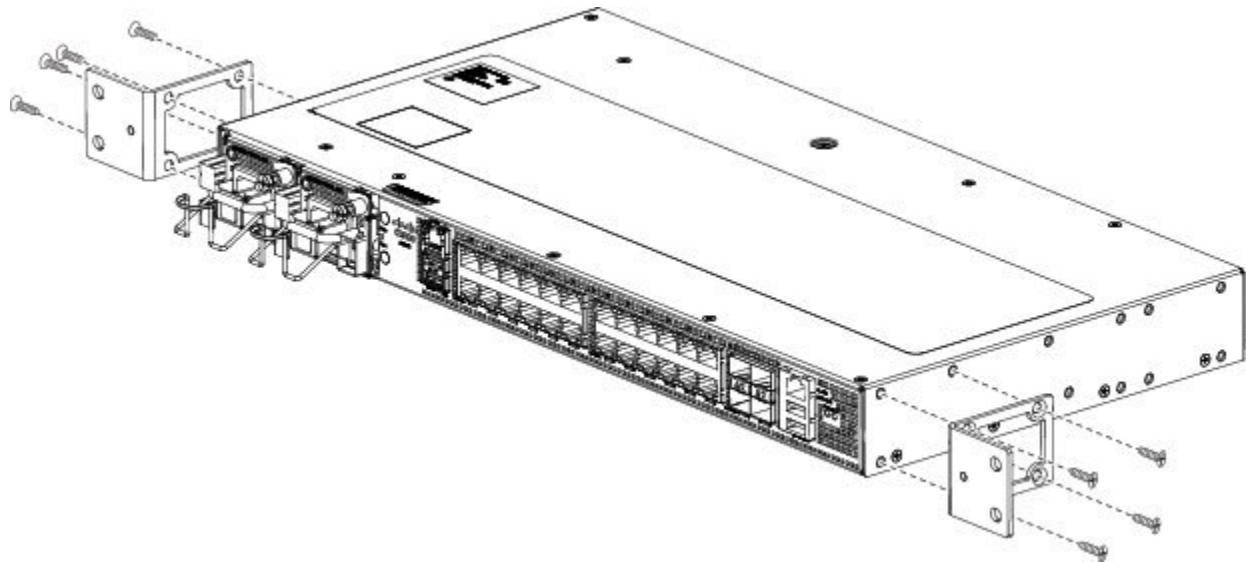
Figure 18: Attaching Mounting Brackets to Cisco ASR-920-24SZ-IM Router for a 300 mm ETSI Rack (Front, Middle, and Rear Positions)

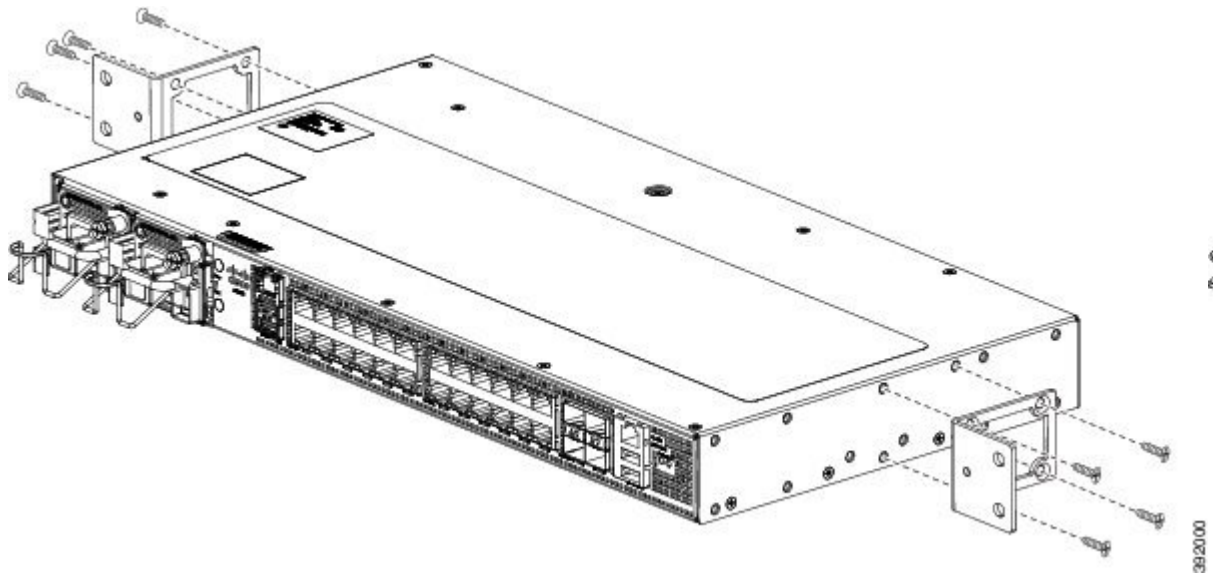




The following figures show how to attach the brackets on the Cisco ASR-920-24SZ-M, ASR-920-24TZ-M Router for a 300 mm ETSI rack.

Figure 19: Attaching Mounting Brackets to Cisco ASR-920-24SZ-M, ASR-920-24TZ-M Router for a 300 mm ETSI Rack (Front, Middle, and Rear Positions)





- Step 3** Secure the bracket to the chassis with the screws removed when performing Step 1. The recommended maximum torque is 10 in.-lb.
- Step 4** Repeat Step 3 for the other bracket.

Installing the Router Chassis in the Rack



Note Ensure adequate air flow when mounting the router in a rack. For more information, see the *Air Flow Guidelines* section.



Note Install the cable guides before installing the router in a 19-inch EIA rack. See *Attaching the Cable Guides* section.

To install the router chassis in the equipment rack, perform these steps:

Procedure

- Step 1** Position the chassis in the rack as follows:
- If the front of the chassis (front panel) is at the front of the rack, insert the rear of the chassis between the mounting posts.
 - If the rear of the chassis is at the front of the rack, insert the front of the chassis between the mounting posts.

Step 2 Align the mounting holes in the bracket (and optional cable guide) with the mounting holes in the equipment rack.

The following figures show how to install the Cisco ASR-920-24SZ-IM Router in a 19-inch EIA rack.

Figure 20: Installing the Cisco ASR-920-24SZ-IM Router in a 19-inch EIA Rack

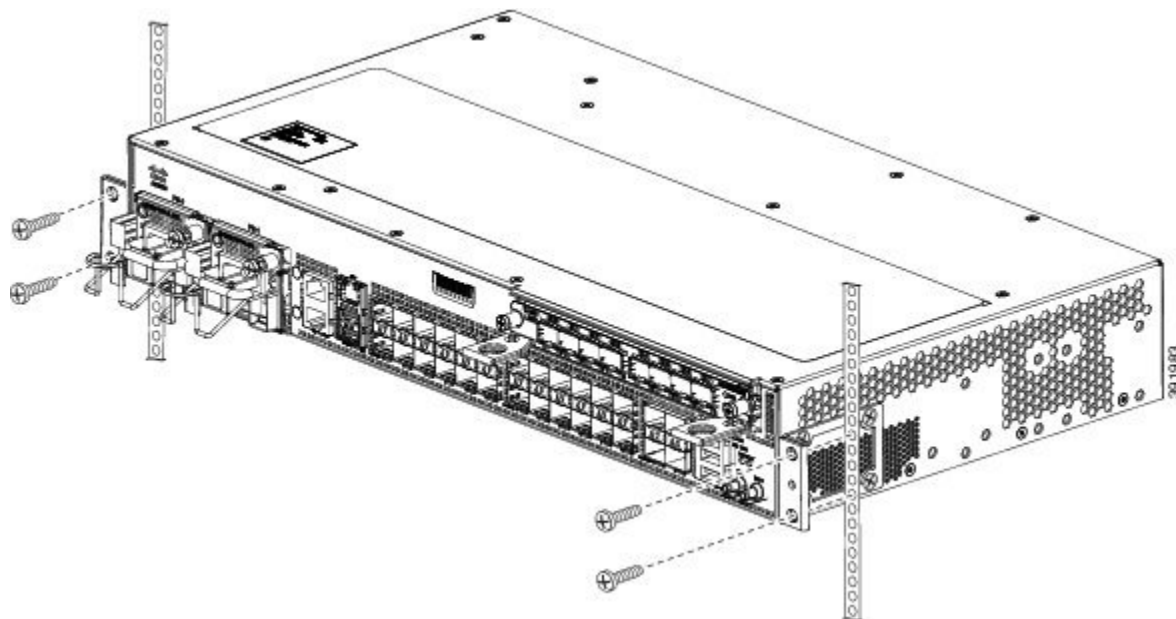
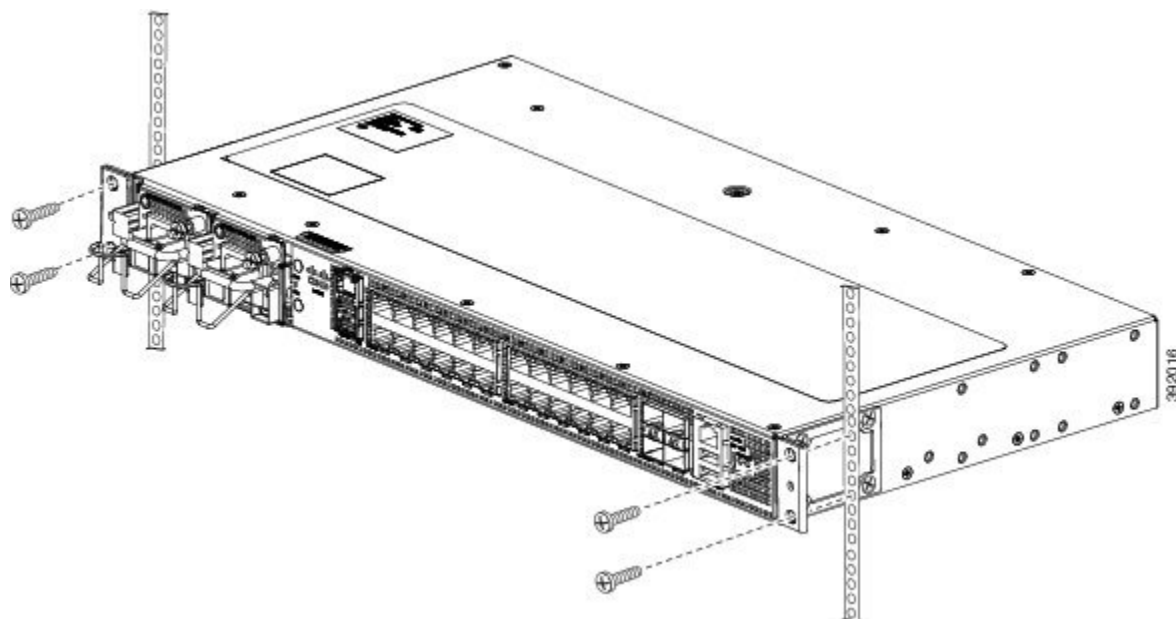


Figure 21: Installing the Cisco ASR-920-24SZ-M, ASR-920-24TZ-M Router in a 19-inch EIA Rac



Step 3 Install the four M6x12mm zinc-plated steel screws through the holes in the bracket and into the threaded holes in the equipment rack posts.

- Step 4** Use a tape measure and level to verify that the chassis is installed straight and level.
-

Attaching the Cable Guides

The Cisco ASR-920-24SZ-IM Router supports the following cable guides:

- A920-CBL-GUIDE (left and right)—help in routing the cables from all components on the front panel thereby enabling a proper cable-bending radius.



Note If the chassis is mounted using 19-inch brackets, you must assemble the cable guides before installing the chassis on the rack.

To install the cable guides, perform these steps:

Procedure

- Step 1** Position the cable guide-left and cable guide-right against the front of the chassis and align the four screw holes, as shown in the figure for 19-inch rack and in the figure for other racks using standard kit.

Figure 22: Cable Guide Installation On Cisco ASR-920-24SZ-IM Router For 19-inch Rack Brackets

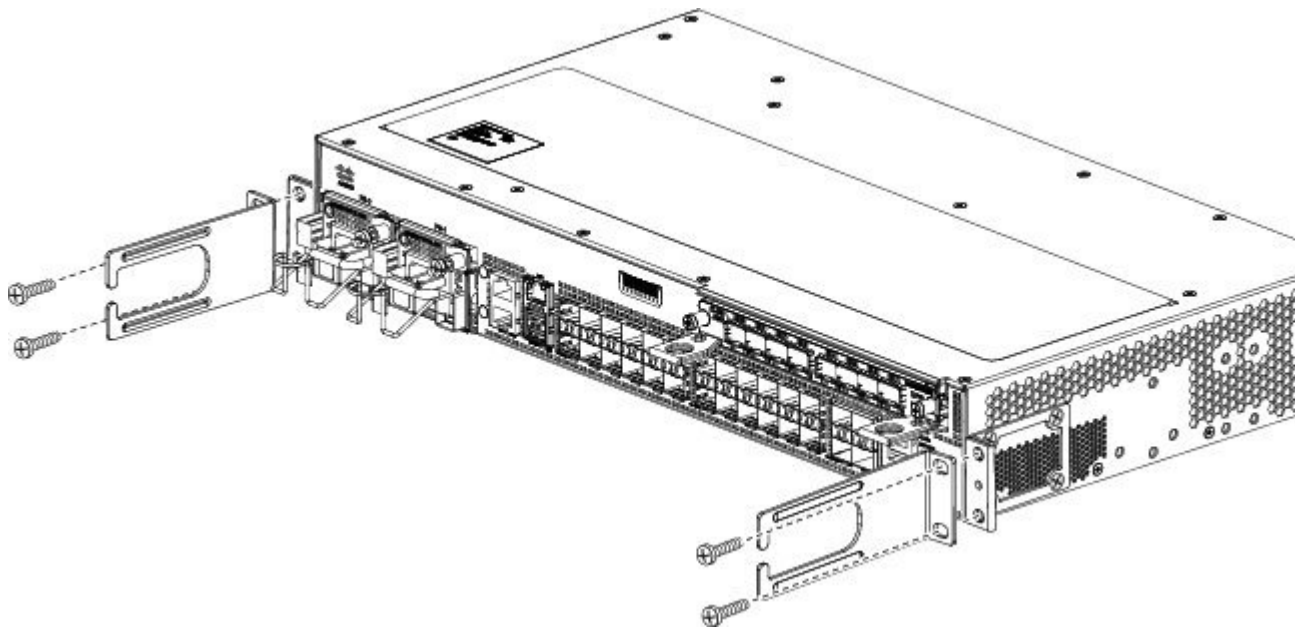
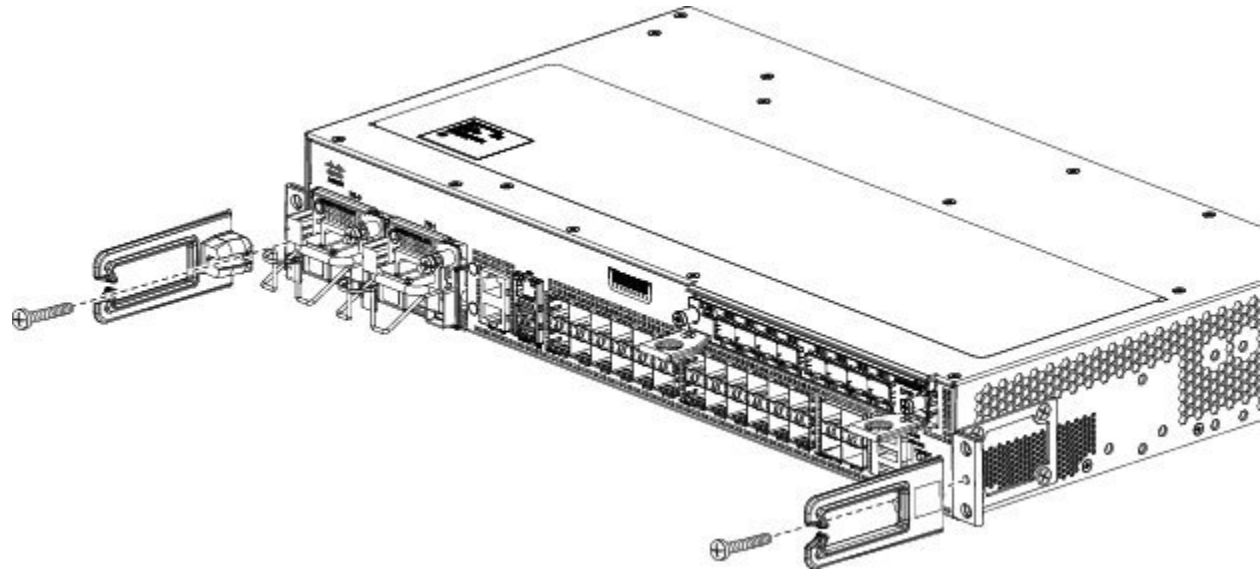


Figure 23: Installing the Cable Guides on Cisco ASR-920-24SZ-IM Router (As Per the Standard Kit)



- Step 2** Secure the cable guides with the four M6x12mm screws supplied with the cable kit. The recommended maximum torque is 3N-m.
-

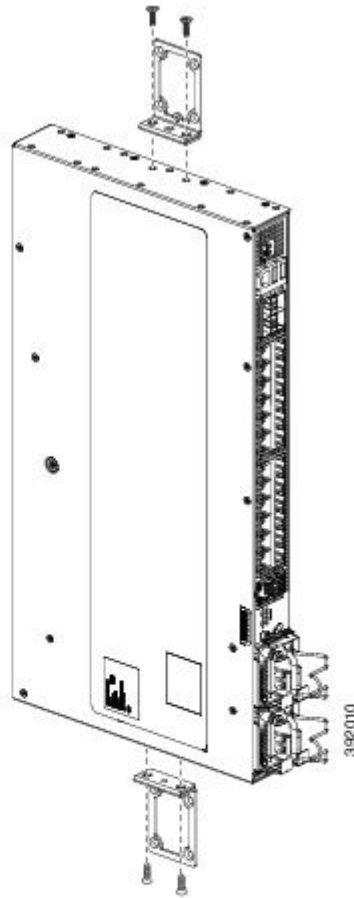
Wall Mounting the Routers

This section shows the procedures to install the Cisco ASR 920-24SZ-IM, ASR-920-24SZ-M, ASR-920-24TZ-M Router on a wall.

Attaching the Brackets to the Router for Wall-Mounting

The following figure shows how to attach a 19-inch bracket to the Cisco ASR-920-24SZ-M, ASR-920-24TZ-M Router.

Figure 24: Attaching 19-inch Brackets on Cisco ASR-920-24SZ-M, ASR-920-24TZ-M Router for Wall Mounting



Mounting Routers on the Wall

For the best support of the Cisco ASR 920-24SZ-IM, ASR-920-24SZ-M, ASR-920-24TZ-M Router and cables, ensure the router is attached securely to wall studs or to a firmly attached plywood mounting backboard.



Warning Suitable for mounting on and over a concrete or other non-combustible surface only. Statement 345



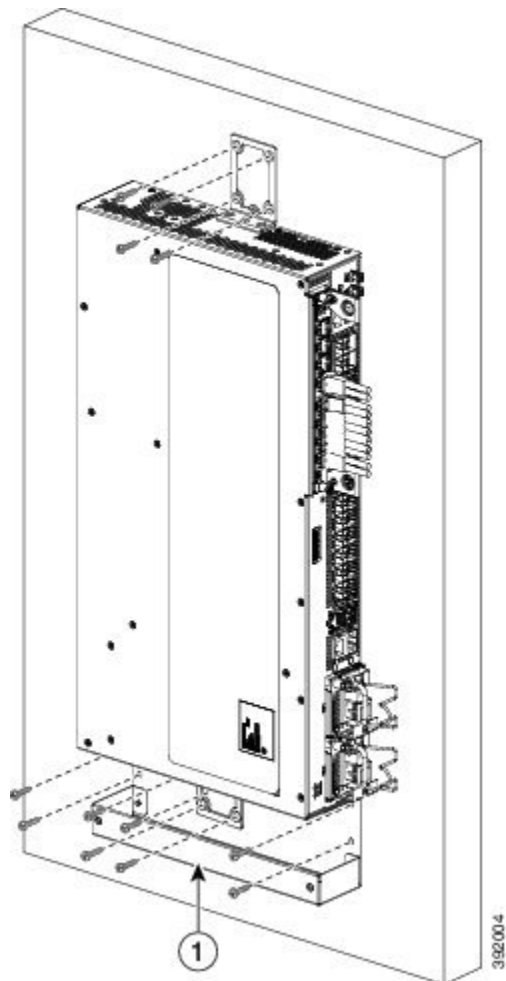
Note

Procedure

Step 1 Mount the router with the front panel as shown in the following figures.

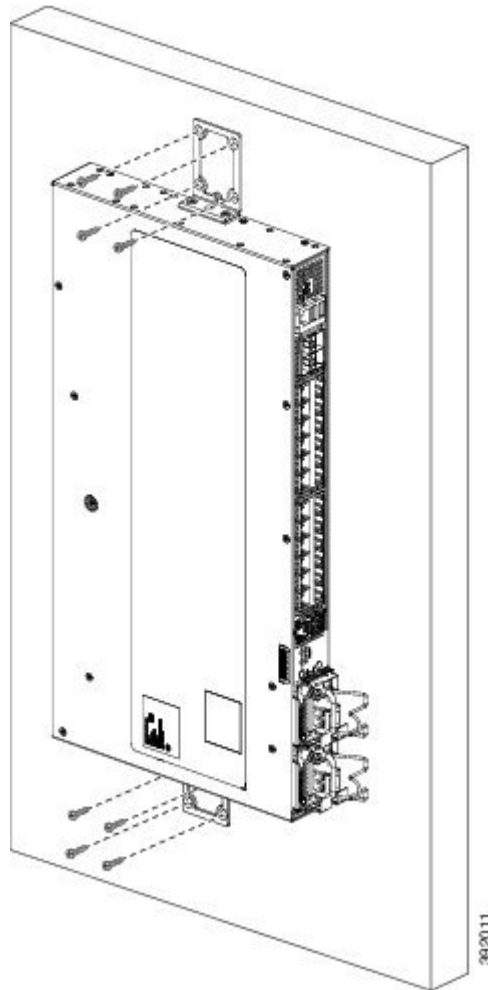
The following figures show the wall installation of Cisco ASR-920-24SZ-IM Router and the wall installation of Cisco ASR-920-24SZ-M, ASR-920-24TZ-M Router.

Figure 25: Mounting the Cisco ASR-920-24SZ-IM Router on the Wall



1	Drip tray for Cisco ASR-920-24SZ-IM Router
---	--

Figure 26: Mounting the Cisco ASR-920-24SZ-M, ASR-920-24TZ-M Router on the Wall



Caution When mounting the Cisco ASR 920-24SZ-IM, ASR-920-24SZ-M, ASR-920-24TZ-M Router vertically, ensure that the power supplies are at the bottom.

Caution When mounting the ASR-920-24SZ-1M to a wall, you must install the drip tray (Cisco part number 700-47267-01) as shown below to meet IEC 60950-1 product safety requirements.

To install the drip tray for Cisco ASR-920-24SZ-IM Router, complete the following steps:

- Step 2** Place the drip tray below the router as shown in the figure above.
- Step 3** Tighten the four screws to affix the drip tray to the wall.

Installing and Removing the Interface Module

The sections describe the installation and removal of interface module on the Cisco ASR-920-24SZ-IM Router.

Installing the Interface Module

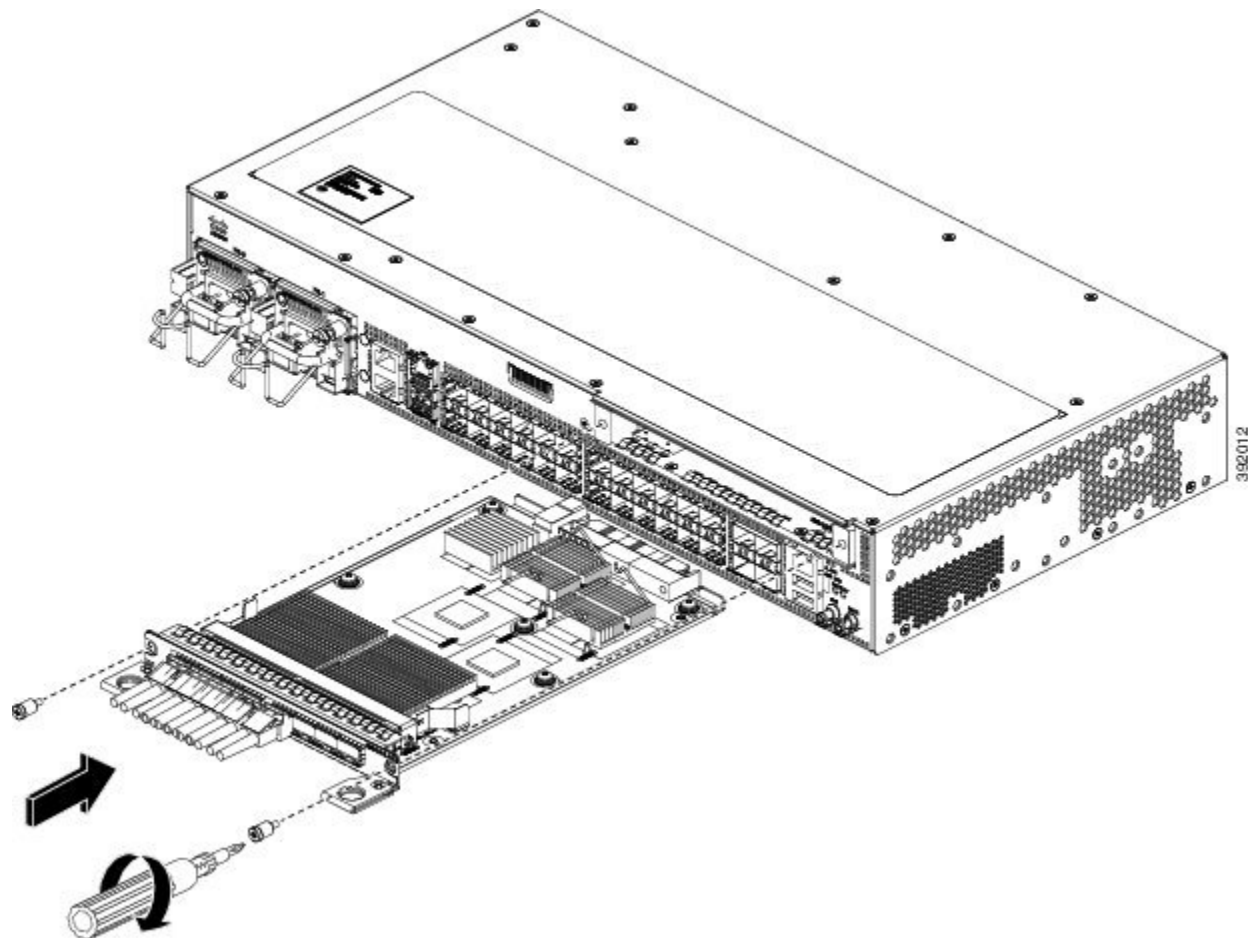


Note Before installing the interface module, read the Activating or Deactivating Interface Module section in the [Cisco ASR 920 Series Aggregation Services Router Configuration Guide](#).

Procedure

- Step 1** Before inserting an interface module, make sure that the chassis is grounded.
- Step 2** If present, remove the blank filler plate covering the interface module slot. To remove, pull the blank filler plate completely out of the router slot using the captive screws.
- Step 3** To insert the interface module, carefully align the edges of the interface module between the upper and lower edges of the interface module slot in the router.
- Step 4** Carefully slide the interface module into the router slot until the interface module makes contact with the backplane. The following figure shows how to install the interface module on Cisco ASR-920-24SZ-IM Router.

Figure 27: Inserting an Interface Module on Cisco ASR-920-24SZ-IM Router



- Step 5** Tighten the locking thumbscrews on both sides of the interface module. The recommended maximum torque is 5.5 in.-lb (.62 N-m).
- Step 6** Connect all the cables to each interface module.
-

What to do next



Caution Do not use interface module or power supply ejector handles to lift the chassis; using these handles to lift the chassis can deform or damage the handles.

Removing the Interface Module

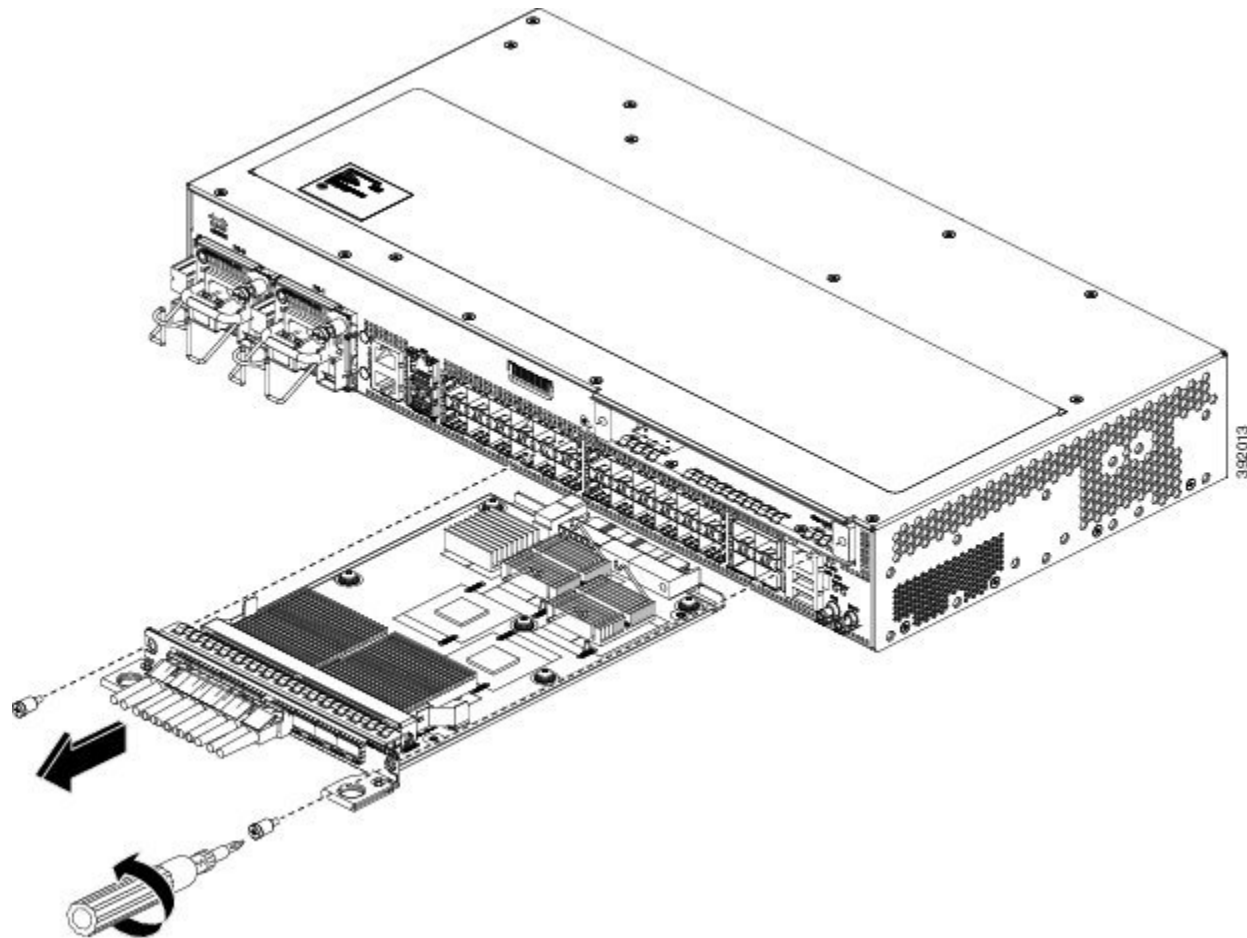


Note Before removing the interface module, read the Activating or Deactivating Interface Module section in the [Cisco ASR 920 Series Aggregation Services Router Configuration Guide](#).

Procedure

- Step 1** To remove an interface module, disconnect all the cables from each interface module.
- Step 2** Loosen the locking thumbscrews on both sides of the interface module.
- Step 3** Slide the interface module out of the router slot by pulling on the handles. If you are removing a blank filler plate, pull the blank filler plate completely out of the router slot using the captive screws.
- Note** If the interface module slot is to remain empty, install a blank filler plate (Cisco part number 800-35323-01) over the opening, and secure it with captive installation screws.

Figure 28: Removing an Interface Module from Cisco ASR-920-24SZ-IM Router



Hot-Swapping the Interface Module



Note Before hot-swapping the interface module, read the Activating or Deactivating Interface Module section in the [Cisco ASR 920 Series Aggregation Services Router Configuration Guide](#).

The Cisco ASR-920-24SZ-IM Router provides a feature that allows you to remove and replace an interface module without powering down the router. This feature, called hot-swapping or Online Insertion and Removal (OIR), allows you to remove and replace an interface module without disrupting router operation.



Caution The Cisco ASR-920-24SZ-IM Router does not support hot-swapping or OIR of TDM IM. To activate a TDM IM you must reload the router. Without reloading the router, the IM or associated front panel ports cannot be used. If reload is aborted, the ports 20 to 23 remain disabled and IM remains in Out-of-Service (OOS) state until next reload.

When you remove or insert an interface module while the router is powered on and running, the router does the following:

1. Determines if there is sufficient power for the module.
2. Scans the backplane for configuration changes.
3. Initializes the newly inserted module.
4. Places any previously configured interfaces on the module back to the state they were in when they were removed.

The router runs diagnostic tests on any new interfaces and the test results indicate the following:

- If the tests are successful it means the router is operating normally.
- If the new module is faulty, the router resumes normal operation, but leaves the new interfaces disabled.
- If the diagnostic tests fail, the router stops operating, which usually indicates that the new module has a problem in the bus and should be removed.

**Caution**

To avoid erroneous failure messages, note the current configuration of all the interfaces before you remove or replace an interface module, and allow at least 2 minutes for the system to reinitialize after a module has been removed or replaced. This time is recommended in order to allow for synchronization between components within the interface module and for synchronization with the RSP.

Installing and Removing the Fan Tray

The sections describe the installation and removal of fan tray on the Cisco ASR 920-24SZ-IM, ASR-920-24SZ-M, ASR-920-24TZ-M Router.

Installing the Fan Tray

The fan tray is a modular unit that provides cooling to the Cisco ASR 920-24SZ-IM, ASR-920-24SZ-M, ASR-920-24TZ-M Router. Follow these steps to install the fan tray in the chassis:

Procedure

Step 1 Guide the fan tray into the chassis until it is fully seated. The following figures show how to orient the fan tray for Cisco ASR-920-24SZ-IM Router and Cisco ASR-920-24SZ-M, ASR-920-24TZ-M Router respectively.

Caution Keep your fingers, clothing, and jewelry away from the fans. Always handle the fan tray by the handle.

Step 2 Secure the fan tray to the chassis using the attached captive installation screws. The recommended maximum torque is 5.5 in.-lb (.62 N-m).

Figure 29: Installing the Fan Tray on Cisco ASR-920-24SZ-IM Router

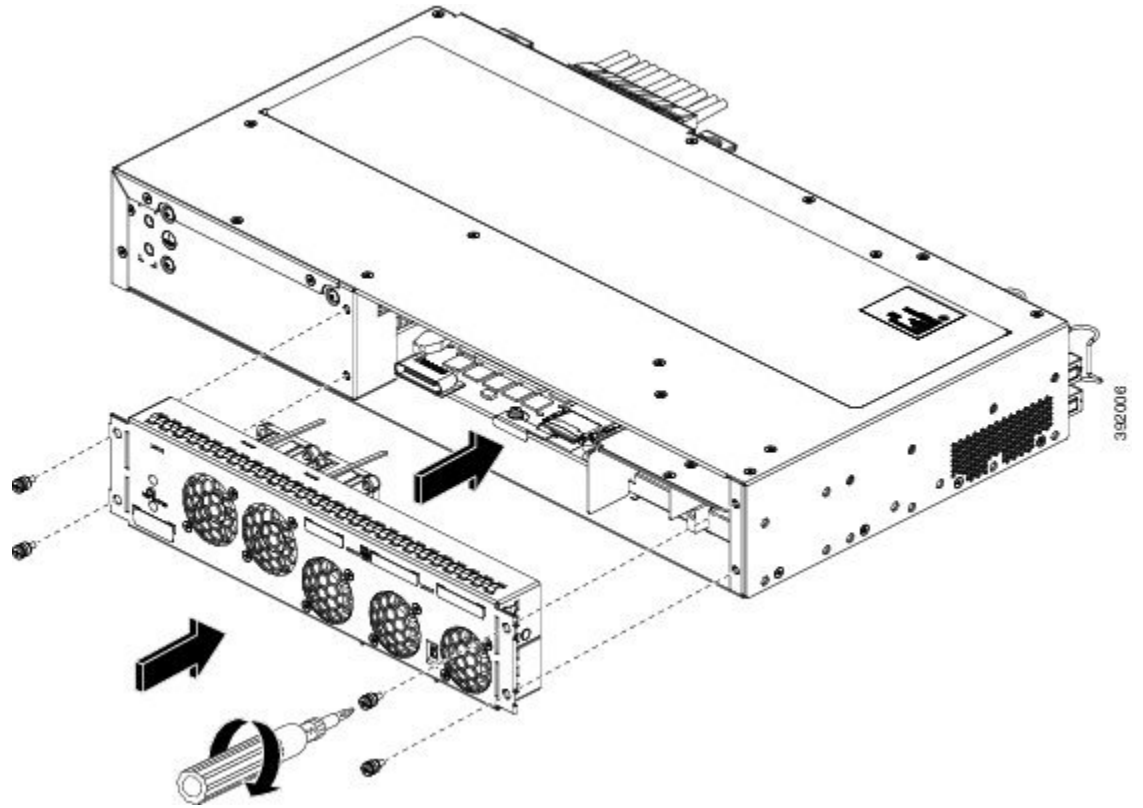
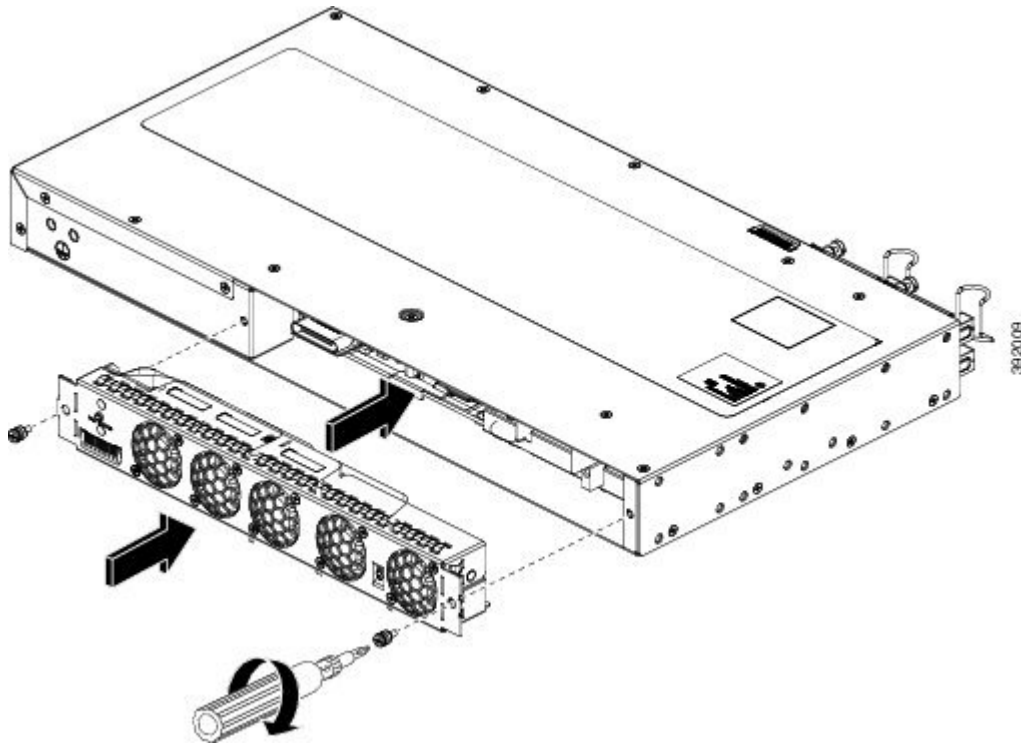


Figure 30: Installing the Fan Tray on Cisco ASR-920-24SZ-M, ASR-920-24TZ-M Router



This completes the procedure for installing or replacing the fan tray in a Cisco ASR 920-24SZ-IM, ASR-920-24SZ-M, ASR-920-24TZ-M Router.

For more information about air flow guidelines, see the *Air Flow Guidelines* section.

Removing the Fan Tray

The fan tray supports online insertion and removal (OIR). There is no need to power down the Cisco ASR 920-24SZ-IM, ASR-920-24SZ-M, ASR-920-24TZ-M Router to remove or replace the fan tray. However, the router will shut down if the fan tray is removed from the chassis for more than five minutes.



Caution The router can stay active for up to 5 minutes if the temperature is below the ambient limit. However, in the event of an overtemperature alarm, the router can shut down in less than 5 minutes. In the event of a critical temperature alarm, the router shuts down immediately.



Caution To avoid erroneous failure messages, allow at least 2 minutes for the system to reinitialize after the fan tray has been removed or replaced.

Follow these steps to remove and replace the fan tray on the Cisco ASR 920-24SZ-IM, ASR-920-24SZ-M, ASR-920-24TZ-M Router:

Procedure

- Step 1** Using a No. 2 Phillips screwdriver or your fingers, loosen the captive installation screws that secures the fan tray to the chassis. Figure 3-18 shows the front of the Cisco ASR-920-24SZ-IM Router fan tray, including the captive installation screws. Figure 3-19 shows the front of the Cisco ASR-920-24SZ-M, ASR-920-24TZ-M Router fan tray, including the captive installation screws.

Figure 31: Removing the Fan Tray From Cisco ASR-920-24SZ-IM Router

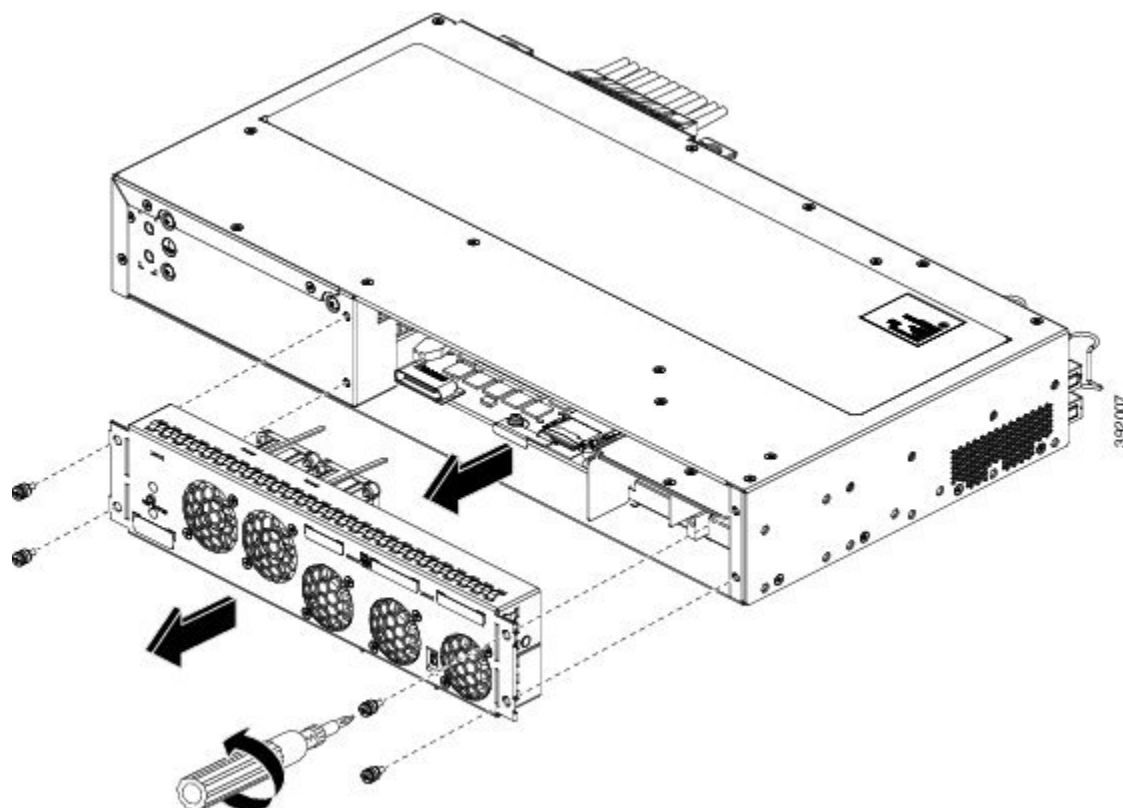
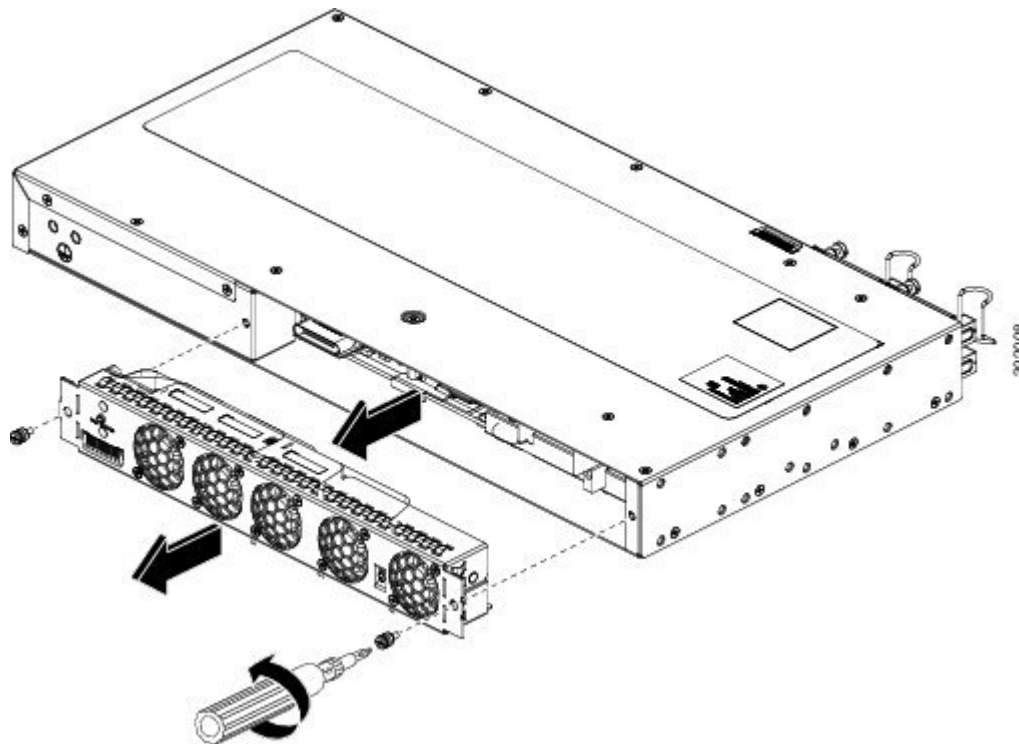


Figure 32: Removing the Fan Tray From Cisco ASR-920-24SZ-M, ASR-920-24TZ-M Router



Caution Keep your fingers, clothing, and jewelry away from the fans. Always handle the fan tray by the handle.

Step 2 Pull the fan tray towards you, no more than 1 inch, to disengage it from the power receptacle on the midplane. The fans might still be turning when you remove the fan assembly from the chassis. Keep fingers, screwdrivers, and other objects away from the openings in the fan assembly's housing. Statement 263

Step 3 Wait at least 5 seconds to allow the fans to stop spinning. Then, pull the fan tray backward towards you and out of the chassis.

Note As the fan tray slides out of the chassis, support the bottom of the fan tray with one hand and keep your other hand on the fan tray handle.

This completes the steps for removing the fan tray from the chassis.

To install a new fan tray, follow the steps in the *Installing the Fan Tray* section.

Installing the Power Supply

The Cisco ASR 920-24SZ-IM, ASR-920-24SZ-M, ASR-920-24TZ-M Router provides the choice of two different power supplies:

- DC power—48 V/60 Vdc or 24 Vdc

The DC power supply uses 2 position terminal block-style connector. The terminal block connector is of suitable size to carry the appropriate AWG wire size to handle the input current of the power supply. ON/OFF switch is provided.

- AC power—100 VAC to 240 VAC

The AC power supply has an IEC 320-type power receptacle and a 15-A service connector. You can use standard straight power cords with the AC power supply. The power supply includes a power cord retainer clip that can only accept straight power cords. No ON/OFF switch is provided.

Each power supply provides a single primary input power connection. You can install dual-power supplies for redundancy.



Warning Read the installation instructions before connecting the system to the power source. Statement 1004



Note Products that have an AC power connection are required to have an external surge protective device (SPD) provided as part of the building installation to comply with the Telcordia GR-1089 NEBS standard for electromagnetic compatibility and safety.



Caution Do not use interface module or power supply ejector handles to lift the chassis; using these handles to lift the chassis can deform or damage the handles.

The sections provide more information on the Cisco ASR 920-24SZ-IM, ASR-920-24SZ-M, ASR-920-24TZ-M Router power supplies:

Preventing Power Loss

Use the following guidelines to prevent power loss to the router:

- To prevent loss of input power, ensure that the total maximum load on each circuit supplying the power supplies is within the current ratings of the wiring and breakers.
- In some systems, you can use an UPS to protect against power failures at your site. Avoid UPS types that use ferroresonant technology. These UPS types can become unstable with systems such as the Cisco ASR 920-24SZ-IM, ASR-920-24SZ-M, ASR-920-24TZ-M Router, which can have substantial current-draw fluctuations due to bursty data traffic patterns.

Power Connection Guidelines

This section provides guidelines for connecting the device power supplies to the site power source.



Warning This equipment is intended to be grounded to comply with emission and immunity requirements. Ensure that the switch functional ground lug is connected to earth ground during normal use. Statement 1064

**Warning**

The plug-socket combination must be accessible at all times, because it serves as the main disconnecting device. Statement 1019

**Warning**

This product requires short-circuit (overcurrent) protection, to be provided as part of the building installation. Install only in accordance with national and local wiring regulations. Statement 1045

Guidelines for DC-Powered Systems

Basic guidelines for DC-powered systems include the following:

- Each chassis power supply should have its own dedicated input power source. The source must comply with the safety extra-low voltage (SELV) requirements in the UL 60950, CSA 60950, EN 60950, and IEC 60950 standards.
- The circuit must be protected by a dedicated two-pole circuit breaker. The circuit breaker should be sized according to the power supply input rating and local or national code requirements.
- The circuit breaker is considered the disconnect device and should be easily accessible.
- The system ground is the power supply and chassis ground.
- Do not connect the DC return wire to the system frame or to the system-grounding equipment.
- Use the grounding lug to attach a wrist strap for ESD protection during servicing.

Guidelines for AC-Powered Systems

Basic guidelines for AC-powered systems include the following:

- Each chassis power supply should have its own dedicated branch circuit.
- The circuit breaker should be sized according to the power supply input rating and local or national code requirements.
- The AC power receptacles used to plug in the chassis must be the grounding type. The grounding conductors that connect to the receptacles should connect to protective earth ground at the service equipment.

Installing a DC Power Supply

The sections describe how to install a DC power supply in the Cisco ASR 920-24SZ-IM, ASR-920-24SZ-M, ASR-920-24TZ-M Router:

**Note**

This equipment is suitable for installation in Network Telecommunications Facilities and locations where the NEC applies. The equipment is suitable for installation as part of the Common Bonding Network (CBN).

**Caution**

The grounding architecture of this product is DC-isolated (DC-I) for DC-powered products. DC-powered products have a nominal operating DC voltage of 48 VDC. Minimal steady state DC operating voltage is 19.2 VDC.

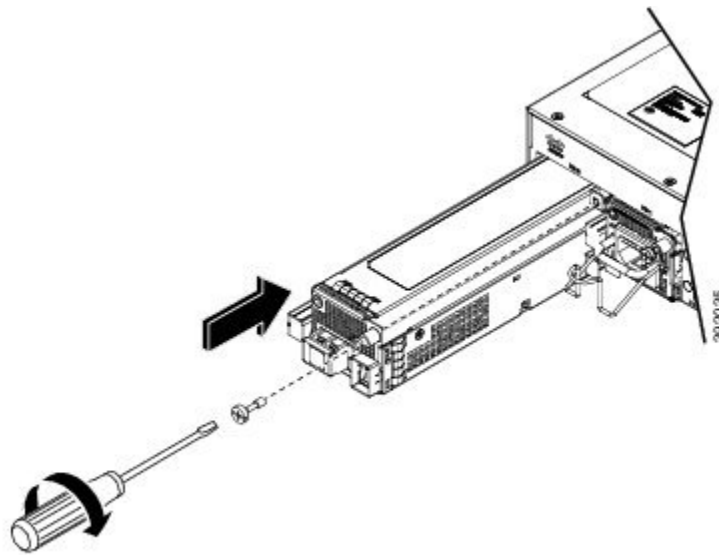
Installing a DC Power Supply Module

Perform the following procedure to install a power supply module:

Procedure

- Step 1** Ensure that the system (earth) ground connection has been made. For ground connection installation instructions, see the *Installing the Chassis Ground Connection* section.
- Step 2** If present, remove the blank power supply filler plate from the chassis power supply bay opening by loosening the captive installation screws.
- Step 3** Verify that power to the DC circuit connected to the power supply you are installing is off. To ensure that power has been removed from the DC circuits, locate the circuit breakers for the DC circuits, switch the circuit breakers to the OFF position, and tape the circuit-breaker switches in the OFF position.
- Step 4** Grasp the power supply metal tab with one hand. Place your other hand underneath the power supply. Slide the power supply into the power supply bay as shown in the figure below. Make sure that the power supply is fully seated in the bay.

Figure 33: Installing a DC Power Supply



- Step 5** Tighten the captive installation screw of the power supply. The recommended maximum torque is 5.5 in.-lb (.62 N-m).
If you are installing a redundant DC power supply, repeat these steps for the second power source too.

Attach Cables to the DC Power Supply



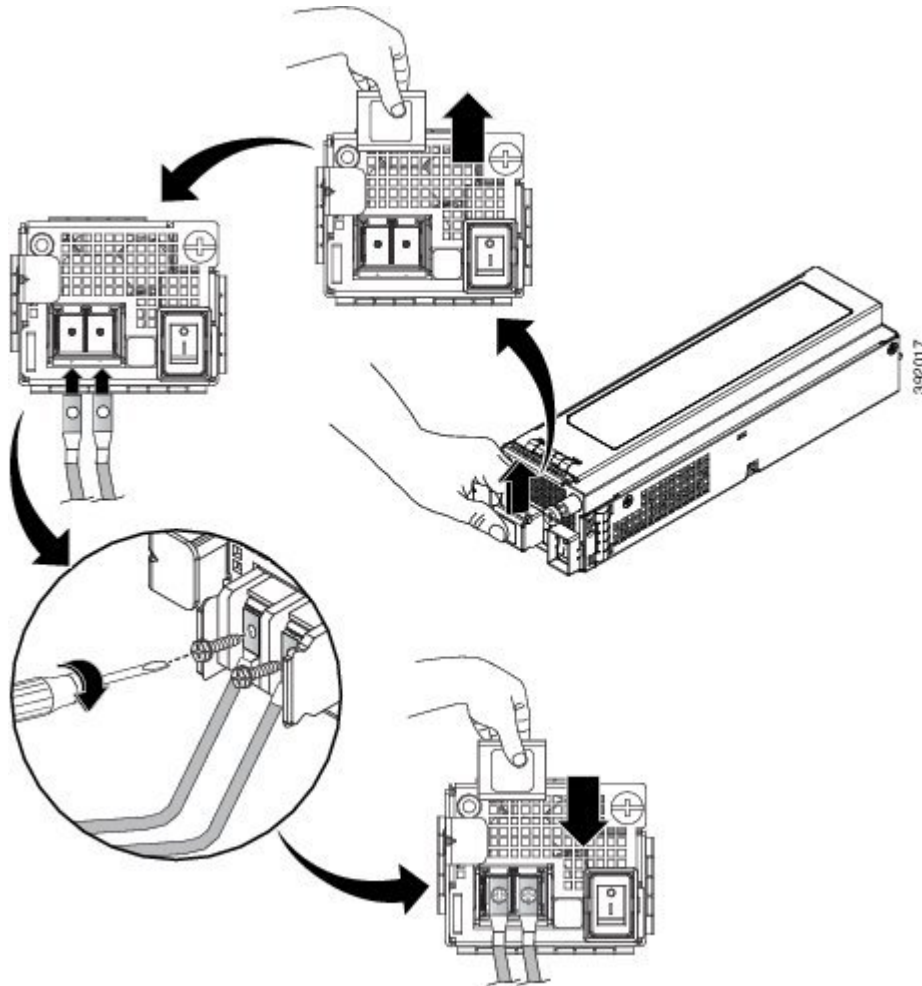
Note When installing DC power supply, use 14 AWG, 90°C wires. Always ensure that the building’s installation for short-circuit (overcurrent) protection does not exceed 15A.

To attach the DC power supplies:

Procedure

- Step 1** Open the DC power supply guard.
- Step 2** Attach the DC supply wires in the designated screws. See the figure below.

Figure 34: Connecting the DC Power Supply Wires



- Step 3** Close the DC power supply guard.

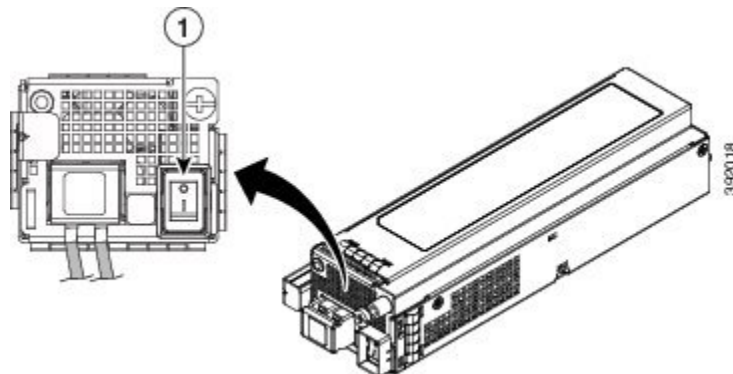
Power On the DC Power Supply

After the router is either rack mounted or mounted on the wall, perform these tasks to complete the installation:

Procedure

Step 1 Power on the DC power supply. See the figure below.

Figure 35: Powering on the DC Power Supply



1 power on/off switch

Step 2 Connect the front-panel ports.

Removing and Replacing a DC Power Supply

This section provides information about removing and replacing a DC power supply in the Cisco ASR 920-24SZ-IM, ASR-920-24SZ-M, ASR-920-24TZ-M Router.



Note The Cisco ASR 920-24SZ-IM, ASR-920-24SZ-M, ASR-920-24TZ-M Router power supplies are hot-swappable. If you have installed redundant power supplies, you can replace a single power supply without interrupting power to the router.



Caution To avoid erroneous failure messages, allow at least 2 minutes for the system to reinitialize after a power supply has been removed or replaced.



Warning When installing or replacing the unit, the ground connection must always be made first and disconnected last. Statement 1046



Warning Before performing any of the following procedures, ensure that power is removed from the DC circuit. Statement 1003



Warning Only trained and qualified personnel should be allowed to install, replace, or service this equipment. Statement 1030



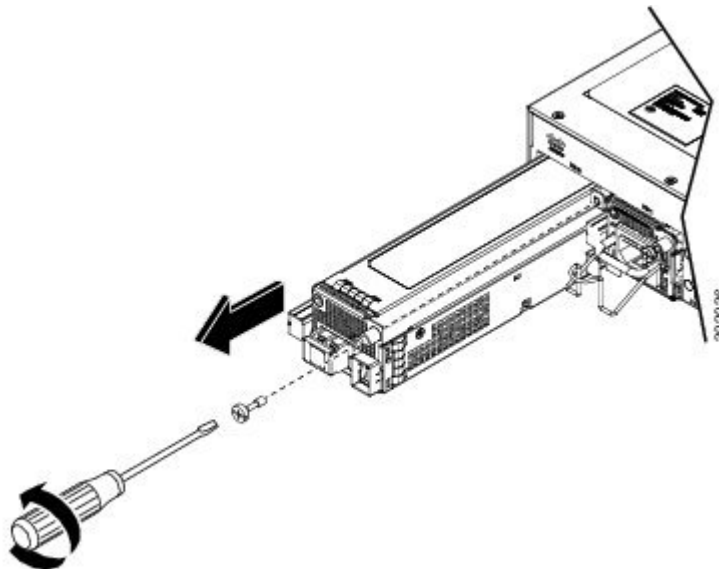
Warning Installation of the equipment must comply with local and national electrical codes. Statement 1074

Follow these steps to remove and replace the DC power supply on the Cisco ASR 920-24SZ-IM, ASR-920-24SZ-M, ASR-920-24TZ-M Router:

Procedure

- Step 1** Before servicing the power supply, switch off the circuit breaker in your equipment area. As an additional precaution, tape the circuit-breaker switch in the Off position.
- Step 2** Slip on the ESD-preventive wrist strap that was included in the accessory kit.
- Step 3** Switch the power supply circuit-breaker switch to the Off (O) position.
- Step 4** Pull the terminal block plug connector out of the terminal block head in the power supply.
- Step 5** Loosen the captive screw on the DC power supply. See the figure below.

Figure 36: Removing a DC Power Supply



Caution Do not use the captive installation screw to pull out the power supply.

- Step 6** Grasping the power supply handle with one hand, pull the power supply out from the chassis while supporting it with the other hand.
- Step 7** Replace the DC power supply within 5 minutes. See *Installing a DC Power Supply* figure. If the power supply bay is to remain empty, install a blank filler plate (Cisco part number 800-39165-01) over the opening, and secure it with captive installation screws.
-

Installing an AC Power Supply

The sections describe how to install an AC power supply in the Cisco ASR 920-24SZ-IM, ASR-920-24SZ-M, ASR-920-24TZ-M Router:



Warning This product requires short-circuit (over current) protection, to be provided as part of the building installation. Install only in accordance with national and local wiring regulations. Statement 1045



Note Ensure that the power cords are always secured with the help of a cable guide to avoid a cable overhang or any strain on the connector.

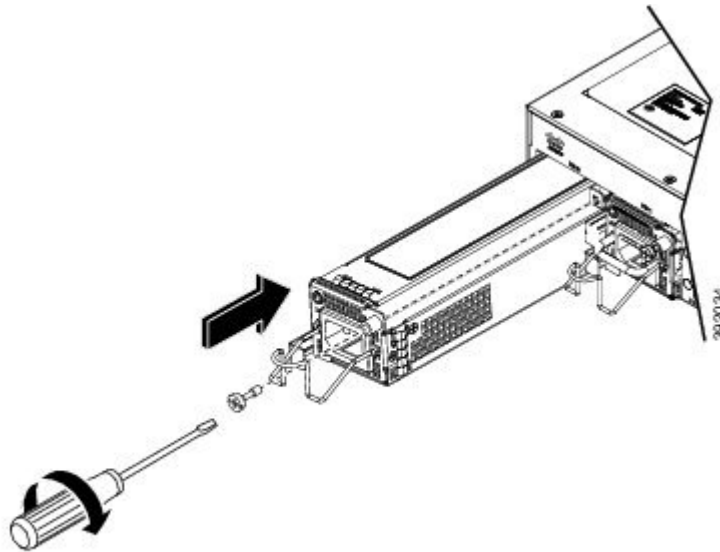
Installing an AC Power Supply Module

Follow these steps to install an AC power supply module:

Procedure

- Step 1** Ensure that the system (earth) ground connection has been made. For ground connection installation instructions, see the *Installing the Chassis Ground Connection* section.
- Step 2** If necessary, remove the blank power supply filler plate from the chassis power supply bay opening, by loosening the captive installation screws.
- Step 3** Grasp the power supply handle with one hand. Place your other hand underneath the power supply, as shown in the figure below. Slide the power supply into the power supply bay. Make sure that the power supply is fully seated in the bay.

Figure 37: Installing the AC Power Supply



Step 4 Tighten the captive installation screw of the power supply. The recommended maximum torque is 5.5 in.-lb (.62 N-m).

Warning Power supply captive installation screws must be tight to ensure protective grounding continuity. Statement 289

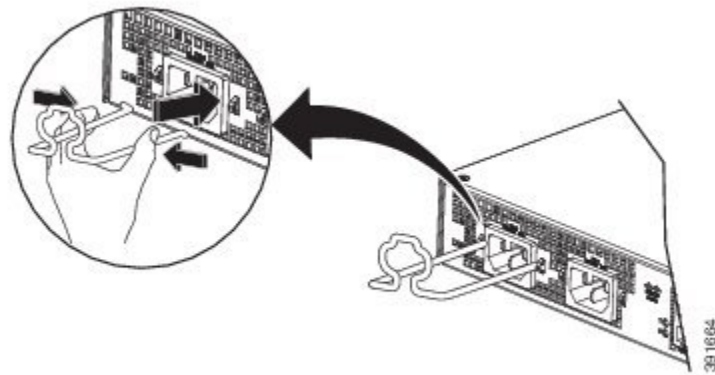
Activating an AC Power Supply

Follow these steps to activate an AC power supply:

Procedure

Step 1 Attach the AC power retainer cord as shown in the figure below.

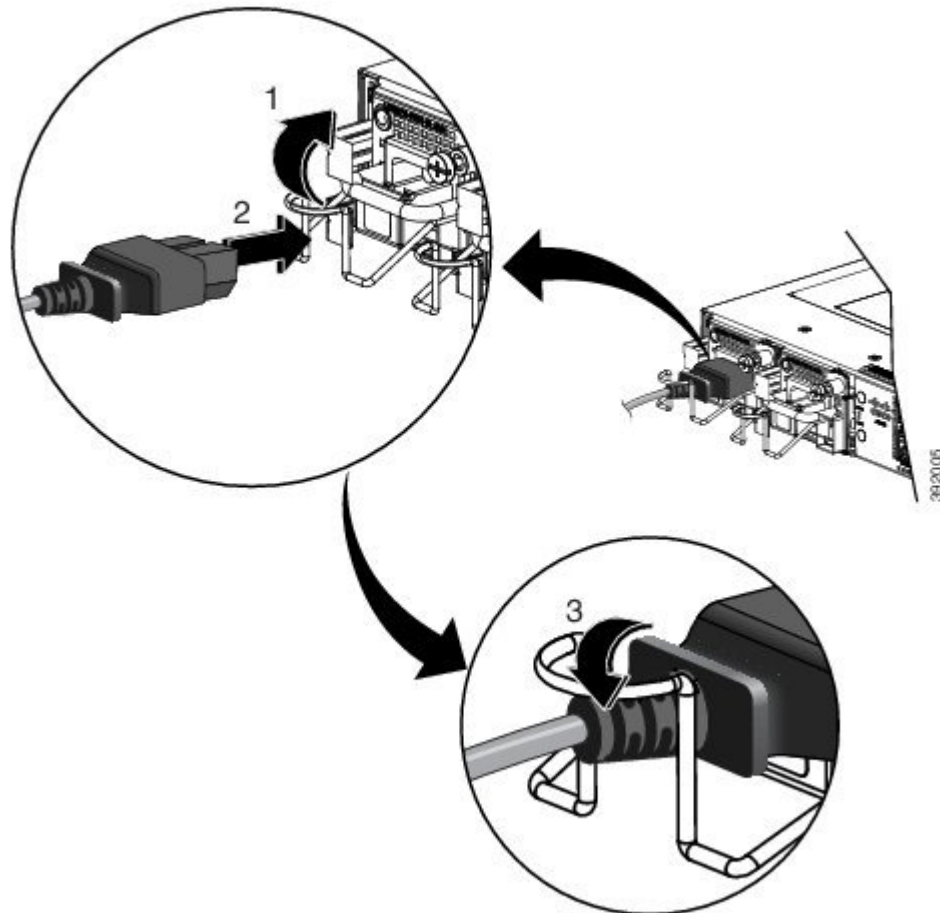
Figure 38: Attaching the AC Power Retainer Cord



Step 2 Lift the power retainer and plug in the AC power supply.

Step 3 Push the retainer clip towards the power cord until it rests on the boot, this ensures accidental removal or drop-off of the power cord.

Figure 39: Locking the Power Retainer Cord



- Step 4** Connect the other end of the power cord to an AC-input power source.
- Step 5** Verify power supply operation by checking that the power supply LED is green.
- Step 6** If the LEDs indicate a power problem, see *LED Indicators* section for troubleshooting information.
- Step 7** If you are installing a redundant power supply, repeat these steps for the second power source.

Note If you are installing a redundant AC power supply, ensure that each power supply is connected to a separate power source in order to prevent power loss in the event of a power failure.

Removing and Replacing an AC Power Supply

This section describes how to remove and replace an AC power supply.



Note The Cisco ASR 920-24SZ-IM, ASR-920-24SZ-M, ASR-920-24TZ-M Router power supplies are hot-swappable. If you have installed redundant power supplies, you can replace a single power supply without interrupting power to the router.



Caution To avoid erroneous failure messages, allow at least 2 minutes for the system to reinitialize after a power supply has been removed or replaced.



Warning When you install the unit, the ground connection must always be made first and disconnected last. Statement 1046



Warning Before performing any of the following procedures, ensure that power is removed from the DC circuit. Statement 1003



Warning Only trained and qualified personnel should be allowed to install, replace, or service this equipment. Statement 1030



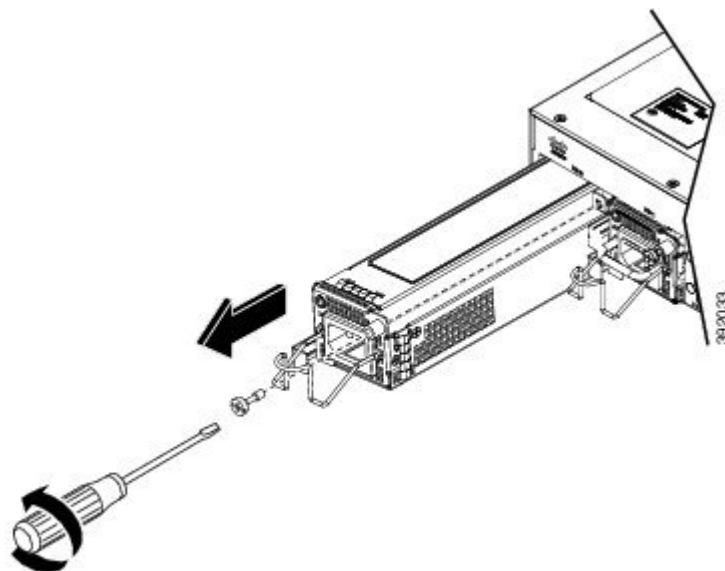
Warning Installation of the equipment must comply with local and national electrical codes. Statement 1074

Follow these steps to remove and replace an AC power supply:

Procedure

- Step 1** Disconnect the power cord from the power source. Do not touch the metal prongs on the power cord when it is still connected to the power supply.
- Step 2** Remove the power cord from the power connection on the power supply. Do not touch the metal prongs embedded in the power supply.
- Step 3** Loosen the captive installation screw as shown in the figure below.

Figure 40: Removing the AC Power Supply



Caution Do not use the captive installation screw or the power retainer to pull out the power supply.

- Step 4** Grasp the AC power supply metal tab with one hand, and slide it part of the way out of the chassis. Place your other hand underneath the power supply, and slide it completely out of the chassis. See *Installing the AC Power Supply* figure.
- Step 5** Replace the AC power supply within 5 minutes. See *Installing the AC Power Supply* figure. If the power supply bay is to remain empty, install a blank filler plate (Cisco part number 800-39165-01) over the opening, and secure it with captive installation screws.

Installing and Removing SFP Modules

These sections describe how to install and remove SFP modules. The modules are inserted into the SFP module slots as depicted in *Installing an SFP Module without a Bale-Clasp Latch into an SFP Module Slot on Cisco ASR 920-24SZ-IM, ASR-920-24SZ-M, ASR-920-24TZ-M Router* figure. These field-replaceable modules provide interfaces.

See the *Supported PIDs* section for the list of SFP modules that the router supports. Each port must match the wavelength specifications on the other end of the cable. For reliable communications, the cable must not exceed the stipulated cable length.

Use only Cisco SFP modules on the Cisco router. Each SFP module has an internal serial EEPROM that is encoded with security information. This encoding provides a way for Cisco to identify and validate that the SFP module meets the requirements for the router.

For detailed instructions on installing, removing, and cabling the SFP module, see the SFP module documentation.

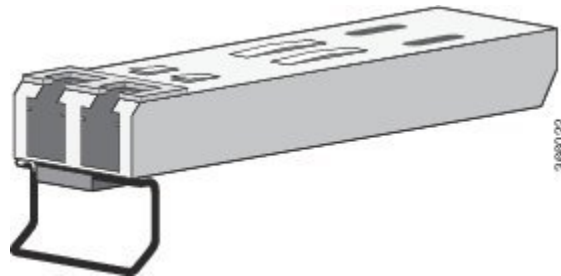
Installing SFP Modules

The figure below shows an SFP module that has a bale-clasp latch.



Caution We strongly recommend that you do not install or remove fiber-optic SFP modules with cables attached because of the potential damage to the cables, the cable connector, or the optical interfaces in the SFP module. Disconnect all cables before removing or installing an SFP module. Removing and installing an SFP module can shorten its useful life. Do not remove and insert SFP modules more often than is absolutely necessary.

Figure 41: SFP Module with a Bale-Clasp Latch



To insert an SFP module into the module slot, follow these steps:

Procedure

-
- Step 1** Attach an ESD-preventive wrist strap to your wrist and to a bare metal surface on the chassis.
- Some SFP modules identify the top side of the module with send (TX) and receive (RX) markings or arrows that show the direction of the connection.
- Step 2** If the SFP module that you are using has the markings, use them to identify the top side of the module.
- Step 3** Align the SFP module in front of the slot opening.
- Step 4** Insert the SFP module into the slot until you feel the connector on the module snap into place in the rear of the slot. See *Installing an SFP Module with a Bale-Clasp Latch into an SFP Module Slot on Cisco ASR 920-24SZ-IM, ASR-920-24SZ-M, ASR-920-24TZ-M Router* figure for installing SFP Module with a Bale-Clasp Latch and *Installing an SFP Module without a Bale-Clasp Latch into an SFP Module Slot on Cisco ASR 920-24SZ-IM, ASR-920-24SZ-M, ASR-920-24TZ-M Router* figure for installing SFP Module without a Bale-Clasp Latch.

Figure 42: Installing an SFP Module with a Bale-Clasp Latch into an SFP Module Slot on Cisco ASR 920-24SZ-IM, ASR-920-24SZ-M, ASR-920-24TZ-M Router

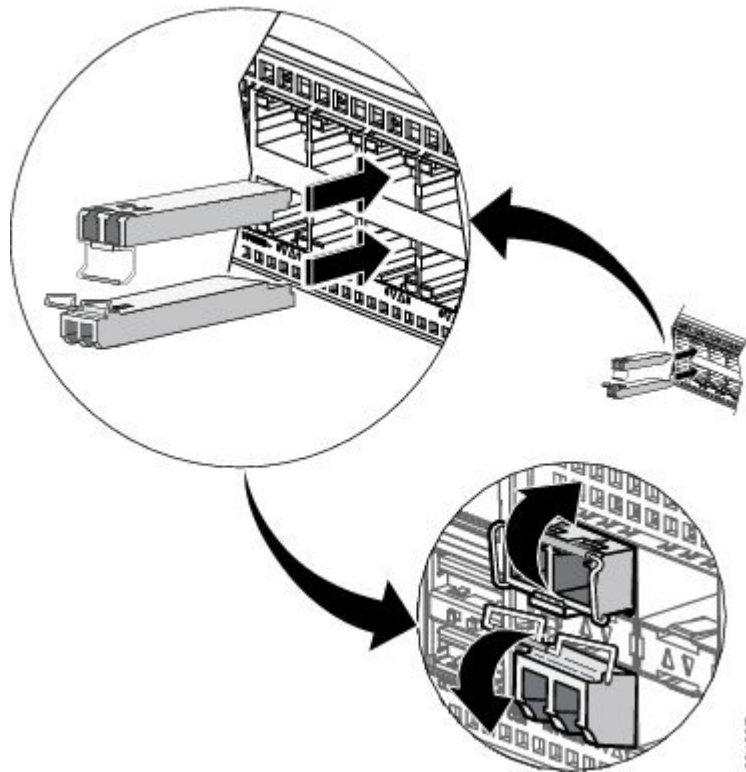
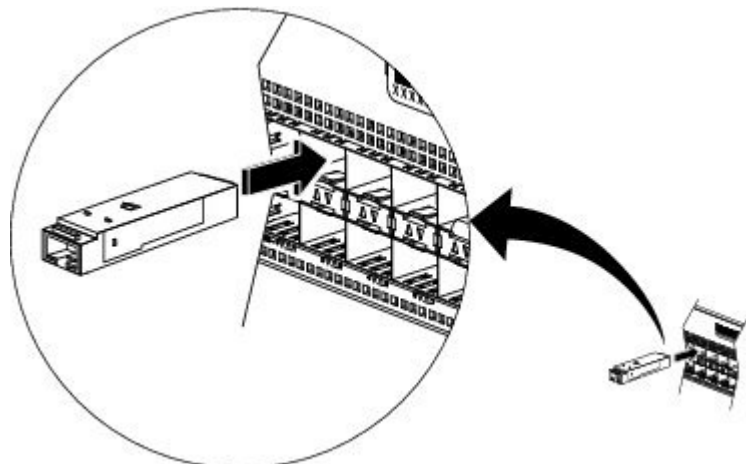


Figure 43: Installing an SFP Module without a Bale-Clasp Latch into an SFP Module Slot on Cisco ASR 920-24SZ-IM, ASR-920-24SZ-M, ASR-920-24TZ-M Router



Caution Do not remove the dust plugs from the fiber-optic SFP module port or the rubber caps from the fiber-optic cable until you are ready to connect the cable. The plugs and caps protect the SFP module ports and cables from contamination and ambient light. Store the dust plugs for later use.

Step 5 Insert the cable connector into the SFP module:

- For fiber-optic SFP modules, insert the LC cable into the SFP module.
- For copper 1000BASE-T SFP modules, insert the RJ-45 cable connector into the SFP module.

Removing SFP Modules

To remove an SFP module from a module receptacle, follow these steps:

Procedure

- Step 1** Attach an ESD-preventive wrist strap to your wrist and to a bare metal surface on the chassis.
- Step 2** Disconnect the cable from the SFP module, and insert a dust plug into the cable end.
- Tip** For reattachment, note which cable connector plug is send (TX) and which is receive (RX).
- Step 3** SFP module with Bale-Clasp Latch—Pull the bale out and down to eject the module as shown in the figure below. If the bale-clasp latch is obstructed and you cannot use your index finger to open it, use a small, flat-blade screwdriver or other long, narrow instrument to open the bale-clasp latch.

Figure 44: Removing a SFP Module with Bale-Clasp Latch From Cisco ASR 920-24SZ-IM, ASR-920-24SZ-M, ASR-920-24TZ-M Router

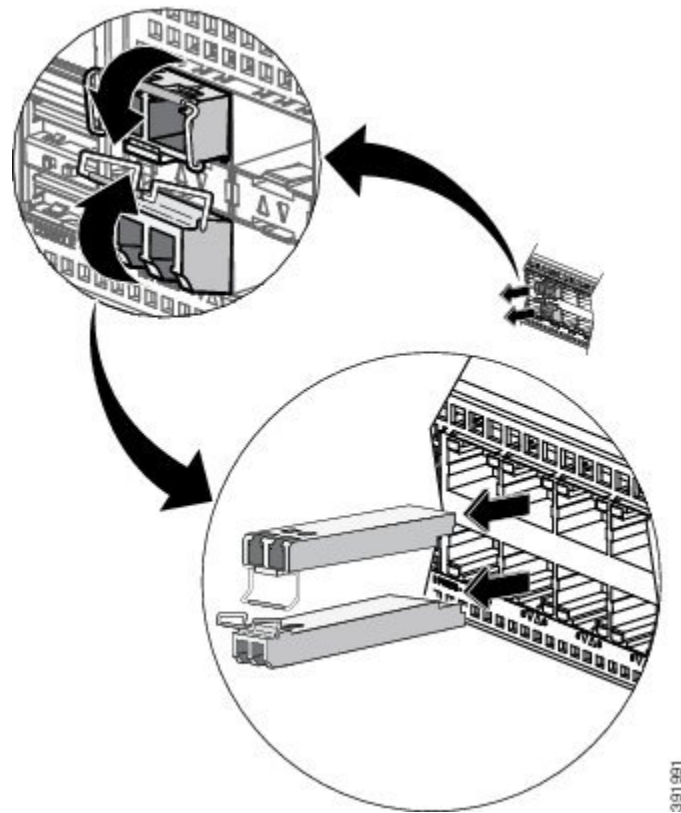
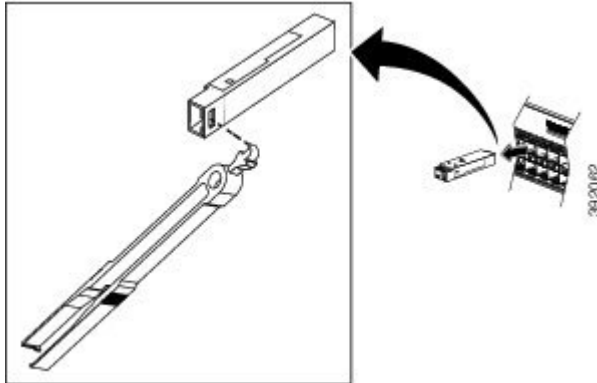


Figure 45: Removing a SFP Module without Bale-Clasp Latch From Cisco ASR 920-24SZ-IM, ASR-920-24SZ-M, ASR-920-24TZ-M Router



SFP module without Bale-Clasp Latch—Use the extraction tool to remove the SFP by inserting the tool into the side of the SFP module and pulling it out of the module slot.

- Step 4** Grasp the SFP module between your thumb and index finger, and carefully remove it from the module slot.
- Step 5** For fiber-optic SFP modules, insert a dust plug into the optical ports of the SFP module to keep the optical interfaces clean.
- Step 6** Place the removed SFP module in an antistatic bag or other protective environment.

Connecting to the 10/100/1000 Ports



- Note** The router 10/100/1000 ports configure themselves to operate at the speed of attached devices. If the attached ports do not support autonegotiation, you can explicitly set the speed and duplex parameters. Connecting devices that do not autonegotiate or that have their speed and duplex parameters manually set can reduce performance or result in no linkage.

To maximize performance, choose one of these methods for configuring the Ethernet ports:

- Let the ports autonegotiate both speed and duplex.
- Set the port speed and duplex parameters on both ends of the connection.

Procedure

- Step 1** When connecting to workstations, servers, and routers, connect a straight-through cable to an RJ-45 connector on the front panel. When connecting to routers or repeaters, use a crossover cable.

- Note** You can use the **mdix auto** interface configuration command in the CLI to enable the automatic medium-dependent interface crossover (auto-MDIX) feature. When the auto-MDIX feature is enabled, the router detects the required cable type for copper Ethernet connections and configures the interfaces accordingly. Therefore, you can use either a crossover or a straight-through cable for connections to a copper 10/100/1000, or an SFP module port on the router, regardless of the type of device on the other end of the connection.

- Step 2** Connect the other end of the cable to an RJ-45 connector on the other device. The port LED turns on when both the router and the connected device have established link.
- If the port LED does not turn on, the device at the other end might not be turned on, or there might be a cable problem or a problem with the adapter installed in the attached device.
- Note** On user network interface (UNI) ports, the port LED is green after the link is established.
- Step 3** Reconfigure and reboot the connected device, if necessary.
- Step 4** Repeat Steps 1 through 3 to connect each device.
-

Connecting to SFP Modules

This section describes how to connect to SFP modules. For instructions on how to connect to fiber-optic SFP modules, see the *Connecting to Fiber-Optic SFP Modules* section.

For instructions about how to install or remove an SFP module, see the *Installing and Removing SFP Modules* section.

Connecting to Fiber-Optic SFP Modules

Follow these steps to connect a fiber-optic cable to an SFP module:



Warning Class 1 laser product. Statement 1008



Caution Do not remove the rubber plugs from the SFP module port or the rubber caps from the fiber-optic cable until you are ready to connect the cable. The plugs and caps protect the SFP module ports and cables from contamination and ambient light.

Procedure

- Step 1** Remove the rubber plugs from the module port and fiber-optic cable, and store them for future use.
- Step 2** Insert one end of the fiber-optic cable into the SFP module port.
- Step 3** Insert the other cable end into a fiber-optic connector on a target device.
- Step 4** Observe the port status LED.
- The LED turns green when the router and the target device have an established link.
- If the LED is off, the target device might not be turned on, there might be a cable problem, or there might be problem with the adapter installed in the target device.
- Step 5** If necessary, reconfigure and restart the router or target device.
-

Installing the Chassis Ground Connection

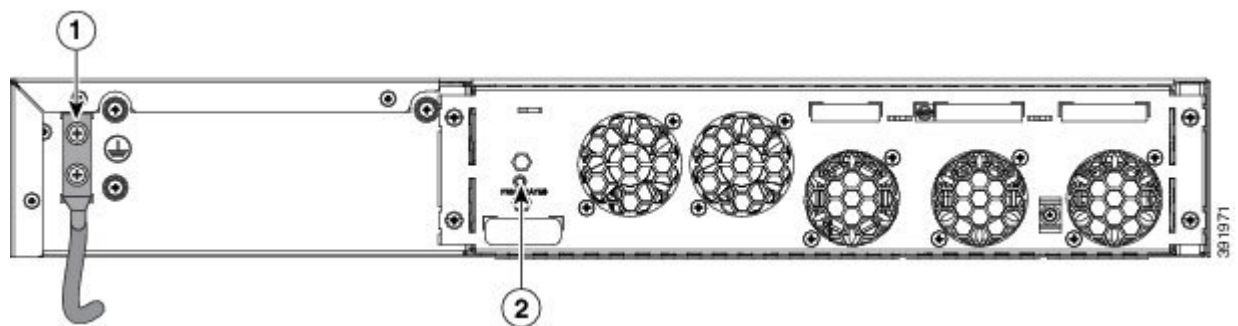
Before you connect the power or turn on the power to the Cisco ASR-920-24SZ-IM Router, you must provide an adequate chassis ground (earth) connection to your router.

This section describes how to ground the Cisco ASR-920-24SZ-IM Router chassis. The grounding lug location is on the back panel of the router.



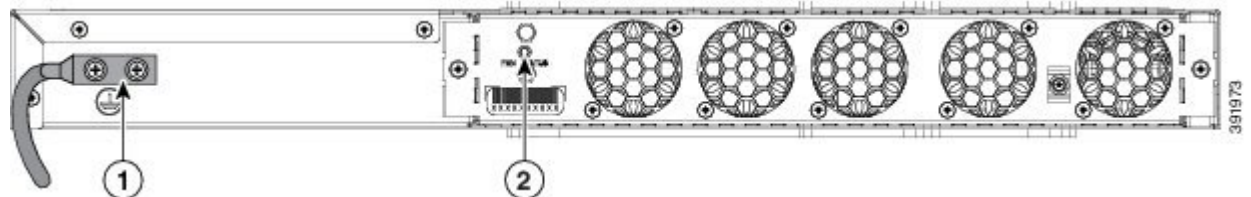
Tip Ensure that the grounding lug wire does not cover the fan opening.

Figure 46: Attaching a Grounding Lug to the Rear of the Cisco ASR-920-24SZ-IM Router



1	Grounding lugs	2	Fan status LED
---	----------------	---	----------------

Figure 47: Attaching a Grounding Lug to the Rear of the Cisco ASR-920-24SZ-M, ASR-920-24TZ-M Router



1	Grounding lugs	2	Fan status LED
---	----------------	---	----------------

To ensure that the chassis ground connection that you provide is adequate, you need the following parts and tools:

- Ratcheting torque screwdriver with Phillips head that exerts up to 15 in.-lb (1.69 N-m) of torque for attaching the ground wire to the router
- Crimping tool as specified by the ground lug manufacturer
- 6-AWG or larger copper wire for the ground wire
- Wire-stripping tools appropriate to the wire you are using



Caution Before making connections to the Cisco ASR 920-24SZ-IM, ASR-920-24SZ-M, ASR-920-24TZ-M Router, ensure that you disconnect the power at the circuit breaker. Otherwise, severe injury to you or damage to the router may occur.



Warning This equipment must be grounded. Never defeat the ground conductor or operate the equipment in the absence of a suitably installed ground conductor. Contact the appropriate electrical inspection authority or an electrician if you are uncertain that suitable grounding is available. Statement 1024



Warning Use copper conductors only. Statement 1025



Warning When installing or replacing the unit, the ground connection must always be made first and disconnected last. Statement 1046

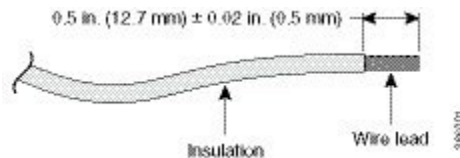
This unit is to be installed in a restrictive access location and must be permanently grounded to a minimum 6-AWG copper ground wire.

Perform the following procedure to ground the Cisco ASR 920-24SZ-IM, ASR-920-24SZ-M, ASR-920-24TZ-M Router using a 2-hole lug and the corresponding mounting point. Most carriers require a minimum 6-AWG ground connection. Verify your carrier's requirements for the ground connection.

Procedure

Step 1 If your ground wire is insulated, use a wire-stripping tool to strip the ground wire to 0.5 inch \pm 0.02 inch (12.7 mm \pm 0.5 mm) (See the figure below).

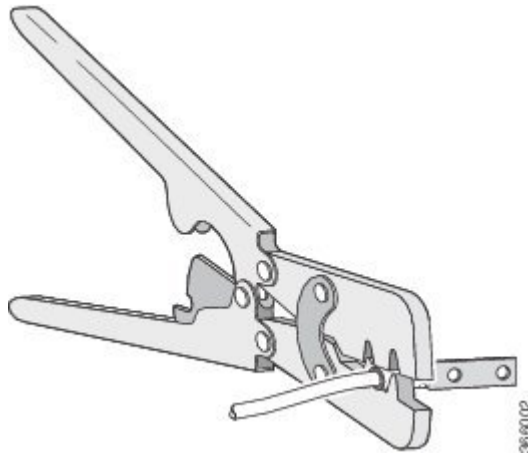
Figure 48: Stripping a Ground Wire



Step 2 Slide the open end of your 2-hole ground lug over the exposed area of the ground wire.

Step 3 Using a crimping tool (as specified by the ground lug manufacturer), crimp the ground lug to the ground wire as shown in the figure below.

Figure 49: Crimping a Ground Lug on to the Ground Wire



- Step 4** Use a Phillips head screwdriver to attach the 2-hole ground lug and wire assembly to the router with the 2 pan-head Phillips head screws.
- Step 5** Connect the other end of the ground wire to a suitable grounding point at your site.

Power Connection Guidelines

This section provides guidelines for connecting the Cisco ASR 920 Series Aggregation Services Router power supplies to the site power source.



Warning This equipment is intended to be grounded to comply with emission and immunity requirements. Ensure that the switch functional ground lug is connected to earth ground during normal use. Statement 1064



Warning The plug-socket combination must be accessible at all times because it serves as the main disconnecting device. Statement 1019



Warning This product requires short-circuit (overcurrent) protection, to be provided as part of the building installation. Install only in accordance with national and local wiring regulations. Statement 1045

Guidelines for DC-Powered Systems

Basic guidelines for DC-powered systems include the following:

- Each chassis power supply should have its own dedicated input power source. The source must comply with the safety extra-low voltage (SELV) requirements in the UL 60950, CSA 60950, EN 60950, and IEC 60950 standards.

- The circuit must be protected by a dedicated two-pole circuit breaker. The circuit breaker should be sized according to the power supply input rating and local or national code requirements.
- The circuit breaker is considered the disconnect device and should be easily accessible.
- The system ground is the power supply and chassis ground.
- Do not connect the DC return wire to the system frame or to the system-grounding equipment.
- Use the grounding lug to attach a wrist strap for ESD protection during servicing.
- Ensure the DC return is grounded at the source side.

Guidelines for AC-Powered Systems

Basic guidelines for AC-powered systems include the following:

- Each chassis power supply should have its own dedicated branch circuit.
- The circuit breaker should be sized according to the power supply input rating and local or national code requirements.
- The AC power receptacles used to plug in the chassis must be the grounding type. The grounding conductors that connect to the receptacles should connect to protective earth ground at the service equipment.

Prevent Power Loss

Use the following guidelines to prevent power loss to the router:

- To prevent loss of input power, ensure that the total maximum load on each circuit supplying the power supplies is within the current ratings of the wiring and breakers.
- In some systems, you can use an UPS to protect against power failures at your site. Avoid UPS types that use ferroresonant technology. These UPS types can become unstable with systems such as the Cisco ASR 920 Series Router, which can have substantial current-draw fluctuations due to bursty data traffic patterns.

Determining power requirements is useful for planning the power distribution system needed to support the router.

Activating a DC Power Supply

Perform the following procedure to activate a DC power supply:

Procedure

-
- | | |
|---------------|---|
| Step 1 | Remove the tape from the circuit-breaker router handle, and restore power by moving the circuit-breaker router handle to the On (I) position. |
| Step 2 | Verify power supply operation by checking if the respective power supply front panel LED (PS0 or PS1) is green. |
| Step 3 | If the LEDs indicate a power problem, see the <i>Troubleshooting</i> section. |
| Step 4 | If you are connecting a redundant DC power supply, repeat these steps for the second power source. |
- Note** If you are connecting a redundant DC power supply, ensure that each power supply is connected to a separate power source in order to prevent power loss in the event of a power failure.
-

Activating an AC Power Supply

Perform the following procedure to activate an AC power supply:

Procedure

- Step 1** Plug the power cord into the power supply.
 - Step 2** Connect the other end of the power cord to an AC-input power source.
 - Step 3** Verify power supply operation by checking if the respective power supply front panel LED (PS0 or PS1) is green.
 - Step 4** If the LEDs indicate a power problem, see the *Troubleshooting* section for troubleshooting information.
 - Step 5** If you are connecting a redundant AC power supply, repeat these steps for the second power source.
- Note** If you are connecting a redundant AC power supply, ensure that each power supply is connected to a separate power source in order to prevent power loss in the event of a power failure.
-

Connecting a Router to the Network

The sections describe how to connect a Cisco ASR 920-24SZ-IM, ASR-920-24SZ-M, ASR-920-24TZ-M Router to the network:



-
- Note** Connect only SELV services to all the Cisco ASR 920-24SZ-IM, ASR-920-24SZ-M, ASR-920-24TZ-M Router ports.
-

Connecting Console Cables

This section describes how to connect to the Cisco ASR 920 Router using console cables:

Connecting to the USB Serial Port Using Microsoft Windows

This procedure shows how to connect to the USB serial port using Microsoft Windows.



-
- Note** Install the USB device driver before establishing a physical connection between the router and the PC, by plugging the USB console cable into the USB serial port. Otherwise, the connection fails. For more information, see the *Installing the Cisco USB Device Driver* section.
-

Procedure

Step 1 Connect a USB Type A-to-Type A cable to the USB console port, as shown in figure. If you are using the USB serial port for the first time on a Windows-based PC, install the USB driver now according to the instructions in the following sections:

- Installing the Cisco USB Device Driver
- Uninstalling the Cisco USB Device Driver

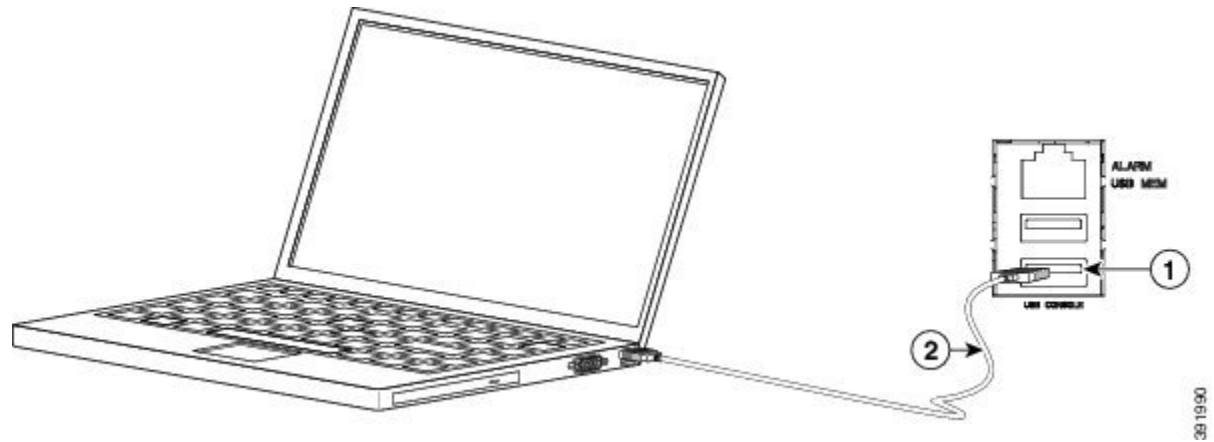
Note You cannot use the USB port and the EIA port concurrently. When the USB port is used, it takes priority over the EIA port.

Step 2 Connect the USB Type A cable to the PC.

Step 3 To communicate with the router, start a terminal emulator application, such as Microsoft Windows HyperTerminal. Configure the software with the following parameters:

- 9600 baud
- 8 data bits
- no parity
- 1 stop-bit
- no flow control

Figure 50: Connecting the USB Console Cable to the Cisco ASR 920 Router



Label	Cable	Label	Cable
1	USB Type-A console port	2	USB USB Type-A to USB Type-A console cable

Connecting to the Console Port Using Mac OS X

This procedure describes how to connect a Mac OS X system USB port to the console using the built-in OS X terminal utility.

Procedure

- Step 1** Use the Finder to choose Applications > Utilities > Terminal.
- Step 2** Connect the OS X USB port to the router.
- Step 3** Enter the following commands to find the OS X USB port number:

Example:

```
macbook:user$ cd /dev
macbook:user$ ls -ltr /dev/*usb*
crw-rw-rw-  1 root  wheel   19,  6 Dec  9 16:25 /dev/tty.usbmodem1411
crw-rw-rw-  1 root  wheel   19,  7 Dec  9 16:25 /dev/cu.usbmodem1411DT-macbook:dev user$
```

- Step 4** Connect to the USB port with the following command followed by the router USB port speed:

Example:

```
macbook:user$ screen /dev/tty.usbmodem1411 9600
```

To disconnect the OS X USB console from the terminal window, enter Ctrl-a followed by Ctrl-\

Connecting to the Console Port Using Linux

This procedure shows how to connect a Linux system USB port to the console using the built-in Linux terminal utility.

Procedure

- Step 1** Open the Linux terminal window.
- Step 2** Connect the Linux USB port to the router.
- Step 3** Enter the following commands to find the Linux USB port number:

Example:

```
root@usb-suse# cd /dev
root@usb-suse /dev# ls -ltr *ACM*
crw-r--r--  1 root  root    188,  0 Jan 14 18:02 ttyACM0
root@usb-suse /dev#
```

- Step 4** Connect to the USB port with the following command, followed by the router USB port speed:

Example:

```
root@usb-suse /dev# screen /dev/ttyACM0 9600
```


To disconnect the Linux USB console from the terminal window, enter Ctrl-a followed by : then quit

Installing the Cisco USB Device Driver

A USB device driver must be installed the first time a Microsoft Windows-based PC is connected to the USB serial port on the router.

This procedure describes how to install the Microsoft Windows USB device driver in Microsoft Windows XP / Windows Vista / Windows 2000 / Windows 7 / Windows 8. Download the driver for your router model from the Tools and Resources Download Software site, [USB Console Software](#) category.



Note To Download the driver, you must have a valid service contract associated to your Cisco.com profile.

Procedure

- Step 1** Unzip the file asr-9xx_usbconsole_drivers.zip.
 - Step 2** Double-click xrusbser_ver2100_installer.exe in the XR21x141x-Win-DriversOnly-Vers2.1.0.0/EXE folder. Installation Wizard GUI is displayed.
 - Step 3** Click Next. The InstallShield Wizard Completed window is displayed.
 - Step 4** Click Finish.
 - Step 5** Connect the USB cable to the PC and router USB console ports. Follow the on-screen instructions to complete the installation of the driver.
 - Step 6** XR21V1401 USB UART Device driver successfully installed message is displayed.
The USB console is ready for use.
-

Uninstalling the Cisco USB Device Driver

This procedure describes how to uninstall the Microsoft Windows USB device driver in Microsoft Windows XP / Windows Vista / Windows 2000 / Windows 7 / Windows 8.



Note Disconnect the router console terminal before uninstalling the driver.

Procedure

- Step 1** Choose Start > Control Panel > Add or Remove Programs (Uninstall a program).
- Step 2** Scroll to Windows Driver Package - Exar corporation (xrusbser) Ports and click Remove. The Program Maintenance window is displayed.

Step 3 Click Yes to uninstall the driver.

Connecting to the EIA Console Port



Note The US-to-RJ45 adapter cable and the DB9 console cable are not included with the Cisco ASR 920-24SZ-IM, ASR-920-24SZ-M, ASR-920-24TZ-M Router; they can be ordered separately from Cisco.



Note The serial console cable kit is not included with the Cisco ASR 920-24SZ-IM, ASR-920-24SZ-M, ASR-920-24TZ-M Router; it is ordered separately.

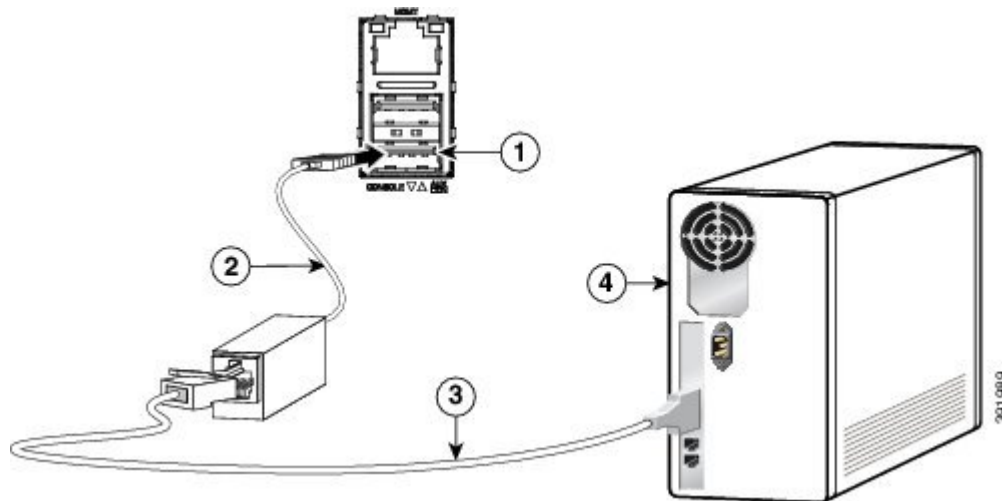
To connect a terminal to the EIA Console port on the router, follow these steps:

Procedure

Step 1 Connect the USB end of the USB-to RJ-45 cable to the EIA Console port.

Step 2 Connect the RJ-45 end of the DB-9 adapter cable to the USB-to RJ-45 cable, as shown in the figure below.

Figure 51: Connecting a Modem to the Cisco ASR 920-24SZ-IM, ASR-920-24SZ-M, ASR-920-24TZ-M Router



1	EIA Console port	2	USB-to-RJ-45 adapter
3	RJ-45 to DB-9 cable	4	Desktop or system

Step 3 Connect the DB-9 end of the console cable to the DB-9 end of the terminal.

Step 4 To communicate with the router, start a terminal emulator application, such as Microsoft Windows HyperTerminal. This software should be configured with the following parameters:

- 9600 baud
 - 8 data bits
 - no parity
 - 1 stop-bit
 - no flow control
-

Connecting a Management Ethernet Cable

When using the Ethernet Management port in the default mode (speed-auto and duplex-auto) the port operates in the auto-MDI/MDI-X mode. The port automatically provides the correct signal connectivity through the Auto-MDI/MDI-X feature. The port automatically senses a crossover or straight-through cable and adapts to it.

However, when the Ethernet Management port is configured to a fixed speed (10, 100, or 1000 Mbps) through command-line interface (CLI) commands, the port is forced to the MDI mode.

When in a fixed-speed configuration and MDI mode:

- Use a crossover cable to connect to an MDI port
- Use a straight-through cable to connect to an MDI-X port



Warning

To comply with the Telcordia GR-1089 NEBS standard for electromagnetic compatibility and safety, connect the Management Ethernet ports only to intra-building or unexposed wiring or cable. The intrabuilding cable must be shielded and the shield must be grounded at both ends. The intra-building port(s) of the equipment or subassembly must not be metalically connected to interfaces that connect to the OSP or its wiring. These interfaces are designed for use as intra-building interfaces only (Type 2 or Type 4 ports as described in GR-1089-CORE) and require isolation from the exposed OSP cabling. The addition of Primary Protectors is not sufficient protection in order to connect these interfaces metalically to OSP wiring. Statement

Installing and Removing SFP and SFP+ Modules

The Cisco ASR 920-24SZ-IM, ASR-920-24SZ-M, ASR-920-24TZ-M Router supports a variety of SFP and SFP+ modules, including optical and Ethernet modules. For information on how to install and remove SFP and SFP+ modules, see the documentation for the SFP or SFP+ module at:

http://www.cisco.com/en/US/partner/products/hw/modules/ps5455/prod_installation_guides_list.html

For information about inspecting and cleaning fiber-optic connections, see:

http://www.cisco.com/en/US/partner/tech/tk482/tk876/technologies_white_paper09186a0080254eba.shtml



Caution

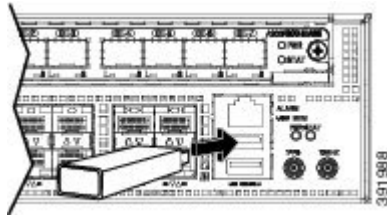
We recommend that you wait for 30 seconds between the removal and insertion of an SFP on an interface module. We recommend this to allow the transceiver software to initialize and synchronize with the Cisco ASR 920-24SZ-IM, ASR-920-24SZ-M, ASR-920-24TZ-M Router. Changing an SFP quicker could result in transceiver initialization issues that disable the SFP.

Connecting a USB Flash Device

To connect a USB flash device to the Cisco ASR 920 Router, insert the memory stick in the USB port labeled USB MEM. The flash memory module can be inserted only one way, and can be inserted or removed regardless of whether the router is powered up or not.

The following figure shows the USB port connector on the Cisco ASR 920 Router.

Figure 52: Cisco ASR 920 Router Flash Token Memory Stick



Removing a USB Flash Device

To remove and replace a USB flash token memory stick from and into a Cisco ASR 920 Router, follow these steps:



Note If the USB flash device is abruptly removed, the constant sync operations of the file system in progress fail due to the USB device removal. These errors occur with ext2 or ext3 or ext4 file systems and are not seen with fat32 file system. This is a default behavior on any Linux platform.

The following error messages are displayed when you remove the USB device:

```
*Jun 24 10:29:45.766: %IOSXE-3-PLATFORM: R0/0: kernel: EXT2-fs (sda1): previous I/O error
to superblock detected
*Jun 24 10:29:45.878: %IOSXE-3-PLATFORM: R0/0: kernel: EXT2-fs (sda1): previous I/O error
to superblock detected
*Jun 24 10:29:46.012: %IOSXE-3-PLATFORM: R0/0: kernel: EXT2-fs (sda1): previous I/O error
to superblock detected
*Jun 24 10:29:46.013: %IOSXE-3-PLATFORM: R0/0: kernel: EXT2-fs (sda1): previous I/O error
to superblock detected
```

Procedure

Step 1 Execute the `eject usb0:` command before removing the USB from the router.

Example:

```
rommon 2 > eject usb0
rommon 2 >
```

If you do not run this command before removing the USB, the following error message is displayed:

```
rommon 2 > dir usb0:
usb_stor_BBB_comdat:usb_bulk_msg error
failed to send CBW status 34
RESET:stall
usb_stor_BBB_comdat:usb_bulk_msg error
failed to send CBW status 34
```

```
RESET:stall
usb_stor_BBE_comdat:usb_bulk_msg error
```

- Step 2** Pull the memory stick from the USB port.
- Step 3** To replace the Cisco USB flash memory stick, simply insert the module into the USB port labeled USB MEM, as shown in figure. The flash memory module can be inserted only one way, and can be inserted or removed regardless of whether the router is powered up or not.

This completes the USB flash memory installation procedure.

Connecting Timing Cables

The sections describe how to connect timing cables to the Cisco ASR 920 Router:



Warning To comply with the Telcordia GR-1089 NEBS standard for electromagnetic compatibility and safety, connect the ToD ports only to intra-building or unexposed wiring or cable. The intrabuilding cable must be shielded and the shield must be grounded at both ends. The intra-building port(s) of the equipment or subassembly must not be metallicly connected to interfaces that connect to the OSP or its wiring. These interfaces are designed for use as intra-building interfaces only (Type 2 or Type 4 ports as described in GR-1089-CORE) and require isolation from the exposed OSP cabling. The addition of Primary Protectors is not sufficient protection in order to connect these interfaces metallicly to OSP wiring.

Connecting a Cable to the BITS Interface

The following steps describe how to connect a cable to the router's BITS port:

Procedure

- Step 1** Confirm that the router is powered off.
- Step 2** Connect one end of the cable to the BITS port using a straight-through, shielded RJ48C-to-RJ48C cable.
- Step 3** Connect the other end to the BTS patch or demarcation panel at your site.
- Step 4** Turn on the power to the router.

For information about the BITS port pinouts, see the *Troubleshooting* section.

Connecting Cables to the GPS Interface

The sections describe how to connect cables from the Cisco ASR 920 Router to a GPS unit for input or output timing of frequency:



Note When installing the cables to the RSP, we recommend that you leave a service loop of extra cable to enable fan tray removal.

Connecting a Cable to the Input 10-Mhz or 1-PPS Interface

Procedure

- Step 1** Connect one end of a shielded mini-coax cable to the GPS unit.
- Step 2** Connect the other end of the shielded mini-coax cable to the 10-Mhz or 1-PPS port on the RSP of the Cisco ASR 920 Router.
-

Connecting a Cable to the Output 10-Mhz or 1-PPS Interface

Procedure

- Step 1** Connect one end of a shielded mini-coax cable to the Slave unit.
- Step 2** Connect the other end of the shielded mini-coax cable to the 10-Mhz or 1-PPS port on the RSP of the Cisco ASR 920 Router.
-

Connecting a Cable to the ToD Interface

Procedure

- Step 1** Connect one end of a straight-through Ethernet cable to the GPS unit.
- Step 2** Connect the other end of the straight-through Ethernet cable to the ToD or 1-PPS port on the RSP of the Cisco ASR 920 Router.

Note For instructions on how to configure clocking, see the *Cisco ASR 920 Series Aggregation Services Routers Configuration Guide*.

Connecting Ethernet Cables

The Cisco ASR 920-24SZ-IM, ASR-920-24SZ-M, ASR-920-24TZ-M Router interface modules support RJ-45 and Ethernet SFP ports. For instructions on how to connect cables to Ethernet SFP ports, see the *Connecting Cables to SFP Modules* section.

The RJ-45 port supports standard straight-through and crossover Category 5 unshielded twisted-pair (UTP) cables. Cisco does not supply Category 5 UTP cables; these cables are available commercially.

**Warning**

To comply with the Telcordia GR-1089 NEBS standard for electromagnetic compatibility and safety, connect the Gigabit Ethernet ports only to intra-building or unexposed wiring or cable. The intrabuilding cable must be shielded and the shield must be grounded at both ends. The intra-building port(s) of the equipment or subassembly must not be metallicly connected to interfaces that connect to the OSP or its wiring. These interfaces are designed for use as intra-building interfaces only (Type 2 or Type 4 ports as described in GR-1089-CORE) and require isolation from the exposed OSP cabling. The addition of Primary Protectors is not sufficient protection in order to connect these interfaces metallicly to OSP wiring.

Follow these steps to connect a cable to a copper Gigabit Ethernet port:

Procedure

- Step 1** Confirm that the router is powered off.
- Step 2** Connect one end of the cable to the Gigabit Ethernet port on the router.
- Step 3** Connect the other end to the BTS patch or demarcation panel at your site.

Connecting Cables to SFP Modules

For information on connecting cables to Cisco optical and Ethernet SFP interfaces, see:

http://www.cisco.com/en/US/partner/products/hw/modules/ps5455/prod_installation_guides_list.html.

Connector and Cable Specifications

For more information on cable specifications and pinouts, see the Troubleshooting section.



CHAPTER 4

Initial Configuration

This chapter guides you through a basic router configuration, which is sufficient for you to access your network. Complex configuration procedures are beyond the scope of this publication and can be found in the modular configuration and modular command reference publications in the Cisco IOS software configuration documentation set that corresponds to the software release installed on your Cisco hardware.

To configure a Cisco ASR 920-24SZ-IM, ASR-920-24SZ-M, ASR-920-24TZ-M Router from a console, connect a terminal to the router console port.

- [Checking Conditions Prior to System Startup](#) , on page 97
- [Powering Up the Router](#), on page 97
- [Configuring the Router at Startup](#), on page 102
- [Safely Powering Off the Router](#), on page 105
- [Automatic Shutdown of the Router](#), on page 106

Checking Conditions Prior to System Startup

Ensure that the following conditions are addressed before starting up the router:

- The optional Gigabit Ethernet Management port cable is installed.
- The chassis is securely mounted and grounded.
- The power and interface cables are connected.
- Your PC with terminal emulation program (HyperTerminal or equivalent) is connected to the console port and powered up.
- Your PC terminal emulation program is configured for 9600 baud, 8 data bits, 1 stop-bit, no parity, and no flow control is set to none.
- You have selected passwords for access control.
- Captive installation screws are tight on all the removable components.
- The console terminal is turned on.
- You have determined the IP addresses for the Ethernet and serial interfaces.

Powering Up the Router

After installing your Cisco ASR 920-24SZ-IM, ASR-920-24SZ-M, ASR-920-24TZ-M Router and connecting cables, start the router and follow these steps:

Procedure

Step 1 Switch on the power supply.

Caution Do not press any keys on the keyboard until the messages stop and the PWR LED is solid green. Any keys pressed during this time are interpreted as the first command typed when the messages stop, which might cause the router to power off and start over. It takes a few minutes for the messages to stop.

Step 2 Observe the initialization process. When the system boot is complete (the process can take a few minutes), the Cisco ASR 920-24SZ-IM, ASR-920-24SZ-M, ASR-920-24TZ-M Router begins to initialize.

Loading the Default System Boot Image

Example:

```
System Bootstrap, Version 15.4(3r)S4, RELEASE SOFTWARE (fc1)
Technical Support: http://www.cisco.com/techsupport
Copyright (c) 2014 by cisco Systems, Inc.
Compiled Fri 20-Jun-14 17:24 by alnguyen
Boot ROM1
Last reset cause: PowerOn
UEA platform with 3670016 Kbytes of main memory
Located asr920-universalk9_npe.BLD_V155_1_S_XE314_THROTTLE_LATEST_20140909_040038-std.bin
Image size 266103444 inode num 13, bks cnt 64967 blk size 8*512
-----
Boot image size = 266103444 (0xfdc6a94) bytes
Package header rev 0 structure detected
Calculating SHA-1 hash...done
validate_package: SHA-1 hash:
    calculated c1ecf015:d2973516:c7f1f486:d12c6c55:af781feb
    expected   c1ecf015:d2973516:c7f1f486:d12c6c55:af781feb
Image validated
Passing control to the main image..
%IOSXEBOOT-4-DEBUG_CONF: (rp/0): File /bootflash/debug.conf is absent, ignoring
%IOSXEBOOT-4-WATCHDOG_DISABLED: (rp/0): Hardware watchdog timer disabled: disabled by
BOOT_PARAM
Restricted Rights Legend
Use, duplication, or disclosure by the Government is
subject to restrictions as set forth in subparagraph
(c) of the Commercial Computer Software - Restricted
Rights clause at FAR sec. 52.227-19 and subparagraph
(c) (1) (ii) of the Rights in Technical Data and Computer
Software clause at DFARS sec. 252.227-7013.
    cisco Systems, Inc.
    170 West Tasman Drive
    San Jose, California 95134-1706
Cisco IOS Software, ASR920 Software (PPC_LINUX_IOSD-UNIVERSALK9_NPE-M), Experimental Version
 15.5(20140909:060433)
[v155_1_s_xe314_throttle-BLD-BLD_V155_1_S_XE314_THROTTLE_LATEST_20140909_040038-ios 183]
Copyright (c) 1986-2014 by Cisco Systems, Inc.
Compiled Tue 09-Sep-14 04:01 by mcpre
Cisco IOS-XE software, Copyright (c) 2005-2014 by cisco Systems, Inc.
All rights reserved. Certain components of Cisco IOS-XE software are
licensed under the GNU General Public License ("GPL") Version 2.0. The
software code licensed under GPL Version 2.0 is free software that comes
with ABSOLUTELY NO WARRANTY. You can redistribute and/or modify such
GPL code under the terms of GPL Version 2.0. For more details, see the
documentation or "License Notice" file accompanying the IOS-XE software,
or the applicable URL provided on the flyer accompanying the IOS-XE
software.
```

```

% failed to initialize nvram
% attempting to recover from backup
% failed to initialize backup nvram
  Tmpdisk creation successful, status = 0
flashfs[17]: 0 files, 1 directories
flashfs[17]: 0 orphaned files, 0 orphaned directories
flashfs[17]: Total bytes: 1935360
flashfs[17]: Bytes used: 1024
flashfs[17]: Bytes available: 1934336
This product contains cryptographic features and is subject to United
States and local country laws governing import, export, transfer and
use. Delivery of Cisco cryptographic products does not imply
third-party authority to import, export, distribute or use encryption.
Importers, exporters, distributors and users are responsible for
compliance with U.S. and local country laws. By using this product you
agree to comply with applicable laws and regulations. If you are unable
to comply with U.S. and local laws, return this product immediately.
A summary of U.S. laws governing Cisco cryptographic products may be found at:
http://www.cisco.com/wwl/export/crypto/tool/stqrg.html
If you require further assistance please contact us by sending email to
export@cisco.com.
cisco ASR1000 (Freescale P2020) processor (revision 1.2 GHz) with 916936K/6147K bytes of
memory.
Processor board ID CAT1814V0H6
24 Gigabit Ethernet interfaces
4 Ten Gigabit Ethernet interfaces
32768K bytes of non-volatile configuration memory.
3670016K bytes of physical memory.
1328927K bytes of SD flash at bootflash:.
3932032K bytes of USB flash at usb0:.

--- System Configuration Dialog ---

Would you like to enter the initial configuration dialog? [yes/no]: no
Press RETURN to get started!
*Sep 25 23:30:01.541: TRACE - Smart Agent successfully registered as a RF client
*Sep 25 23:30:01.541: TRACE - Smart Agent registered as a CF client succeeded
*Sep 25 23:30:01.541: TRACE - Smart Agent set CF bundle mode succeeded
*Sep 25 23:30:03.678: %IOS_LICENSE_IMAGE_APPLICATION-6-LICENSE_LEVEL: Module name =
ASR-920-24TZ-M Next reboot level = metroaccess and License = No valid license found
*Sep 25 23:30:09.212: %IOSXE_RP_NV-3-NV_ACCESS_FAIL: Initial read of NVRAM contents failed
*Sep 25 23:30:12.458: %IOSXE_RP_NV-3-BACKUP_NV_ACCESS_FAIL: Initial read of backup NVRAM
contents failed
*Sep 25 23:30:13.941: TRACE - Smart Agent receives a RF status event 408
*Sep 25 23:30:13.941: TRACE - RF status event: unsupported status event: 408
*Sep 25 23:30:16.911: TRACE - Smart Agent receives a RF progression state event 100 0
*Sep 25 23:30:16.911: TRACE - RF progression state: state prog initialization
*Sep 25 23:30:16.921: TRACE - Smart Agent receives a RF progression state event 200 0
*Sep 25 23:30:16.921: TRACE - RF progression state: Active starts progression
*Sep 25 23:30:16.922: TRACE - Registry smart_agent_pf_get_sys_data Not used
*Sep 25 23:30:16.922: TRACE - Get Sys Data from PI The requested operation is not supported
*Sep 25 23:30:16.922: TRACE - UDI Retrieval returned Success
*Sep 25 23:30:16.922: %SMART_LIC-6-AGENT_READY: Smart Agent for Licensing is initialized
*Sep 25 23:30:16.923: %SMART_LIC-6-HA_ROLE_CHANGED: Smart Agent HA role changed to Active.
*Sep 25 23:30:16.928: TRACE - Smart Agent receives a RF progression state event 201 0
*Sep 25 23:30:16.928: TRACE - RF progression state: Active drain
*Sep 25 23:30:16.931: TRACE - Smart Agent receives a RF progression state event 202 0
*Sep 25 23:30:16.931: TRACE - RF progression state: Active preconfig
*Sep 25 23:30:16.936: TRACE - Smart Agent receives a RF progression state event 203 0
*Sep 25 23:30:16.936: TRACE - RF progression state: Active postconfig
*Sep 25 23:30:16.939: TRACE - Smart Agent receives a RF progression state event 204 0
*Sep 25 23:30:16.939: TRACE - RF progression state: Agent is now fully Active 0
*Sep 25 23:30:17.662: pak_debug_init: Successfully initialized pak debug trace buffer
*Sep 25 23:30:17.789: ***** Box changed from Router mode to Router mode
*Sep 25 23:30:18.114: %SPANTREE-5-EXTENDED_SYSID: Extended SysId enabled for type vlanCannot
Get the number of ports in MAC notification

```

```

*Sep 25 23:30:20.314: %LINK-3-UPDOWN: Interface Lsmpi0, changed state to up
*Sep 25 23:30:20.314: %LINK-3-UPDOWN: Interface EOBC0, changed state to up
*Sep 25 23:30:20.314: %LINK-5-CHANGED: Interface GigabitEthernet0, changed state to
administratively down
*Sep 25 23:30:20.315: %LINK-3-UPDOWN: Interface LIIN0, changed state to up
*Sep 25 23:30:20.503: ***** About to start Config Read
*Sep 25 23:30:07.035: %CMRP-3-PFU_MISSING:cmd: The platform does not detect a power
supply in slot 1
*Sep 25 23:30:20.305: %SERVICES-3-NORESOLVE_ACTIVE:linux_iosd-image: Error resolving active
FRU: BINOS_FRU_RP
*Sep 25 23:30:21.030: %LINEPROTO-5-UPDOWN: Line protocol on Interface Lsmpi0, changed state
to up
*Sep 25 23:30:21.030: %LINEPROTO-5-UPDOWN: Line protocol on Interface EOBC0, changed state
to up
*Sep 25 23:30:21.030: %LINEPROTO-5-UPDOWN: Line protocol on Interface GigabitEthernet0,
changed state to down
*Sep 25 23:30:21.030: %LINEPROTO-5-UPDOWN: Line protocol on Interface LIIN0, changed state
to up
*Sep 25 23:30:48.537: %EMD-3-IDPROM_ACCESS:emd: Failed access or process an IDPROM because
Invalid argument -Traceback= 1#8e437c5ca404c03d7153d48baa94e0a1 errmsg:EF59000+2230
:10000000+7868 :10000000+9B74 :10000000+9CE4 :10000000+AD88 :10000000+B2F0 evlib:F334000+E438
evlib:F334000+105E4 :10000000+8FE0 c:E682000+1E938 c:E682000+1EAE0
*Sep 25 23:32:15.098: %CMRP-3-IDPROM_ACCESS:cmd: Failed to access or process IDPROM
'power supply': Invalid argument -Traceback= 1#fa970cle29e154delad81d144390dd96
errmsg:E26F000+2230 :10000000+39D6C :10000000+72744 :10000000+4E7D4 :10000000+6EDDC
evlib:E64A000+E438 evlib:E64A000+105E4 :10000000+652F8 c:D9C3000+1E938 c:D9C3000+1EAE0
*Sep 25 23:32:30.069: %LINK-3-UPDOWN: Interface GigabitEthernet0, changed state to down
*Sep 25 23:32:30.744: %LINEPROTO-5-UPDOWN: Line protocol on Interface GigabitEthernet0/0/0,
changed state to down
*Sep 25 23:32:30.745: %LINEPROTO-5-UPDOWN: Line protocol on Interface GigabitEthernet0/0/1,
changed state to down
*Sep 25 23:32:30.745: %LINEPROTO-5-UPDOWN: Line protocol on Interface GigabitEthernet0/0/2,
changed state to down
*Sep 25 23:32:30.750: %LINEPROTO-5-UPDOWN: Line protocol on Interface GigabitEthernet0/0/3,
changed state to down
*Sep 25 23:32:30.751: %LINEPROTO-5-UPDOWN: Line protocol on Interface GigabitEthernet0/0/4,
changed state to down
*Sep 25 23:32:30.751: %LINEPROTO-5-UPDOWN: Line protocol on Interface GigabitEthernet0/0/5,
changed state to down
*Sep 25 23:32:30.751: %LINEPROTO-5-UPDOWN: Line protocol on Interface GigabitEthernet0/0/6,
changed state to down
*Sep 25 23:32:30.752: %LINEPROTO-5-UPDOWN: Line protocol on Interface GigabitEthernet0/0/7,
changed state to down
*Sep 25 23:32:30.752: %LINEPROTO-5-UPDOWN: Line protocol on Interface GigabitEthernet0/0/8,
changed state to down
*Sep 25 23:32:30.753: %LINEPROTO-5-UPDOWN: Line protocol on Interface GigabitEthernet0/0/9,
changed state to down
*Sep 25 23:32:31.574: ***** System Flag Notify SYSFLAG_CONFIGURED 1
*Sep 25 23:32:31.763: %IOSXE_OIR-6-INSSPA: SPA inserted in subslot 0/0
*Sep 25 23:32:32.004: ***** System Flag Notify SYSFLAG_INIT 1
*Sep 25 23:32:32.004: %SYS-5-RESTART: System restarted --
Cisco IOS Software, ASR920 Software (PPC_LINUX_IOSD-UNIVERSALK9_NPE-M), Experimental Version
15.5(20140909:060433)
[v155_1_s_xe314 throttle-BLD-BLD_V155_1_S_XE314_THROTTLE_LATEST_20140909_040038-ios 183]
Copyright (c) 1986-2014 by Cisco Systems, Inc.
Compiled Tue 09-Sep-14 04:01 by mcpre
*Sep 25 23:32:39.345: %LINK-3-UPDOWN: Interface LIIN0, changed state to up
*Sep 25 23:32:42.971: %SYS-6-BOOTTIME: Time taken to reboot after reload = 670 seconds
Translating "devicehelper.cisco.com"...domain server (255.255.255.255)
Authentication passed
*Sep 25 23:33:38.709: Error: Lic request failed for bundle count 1, Return code :Request
failed due to no license
*Sep 25 23:33:38.711: %SPA_OIR-6-ONLINECARD: SPA (24xGE-4x10GE-FIXED-C) online in subslot
0/0

```

```
*Sep 25 23:33:38.712: %LICENSE-1-REQUEST_FAILED: License request for feature lGEupgradelicense
1.0 failed. UDI=ASR-920-24TZ-M:CAT1814V0H6
*Sep 25 23:33:40.081: %LINK-3-UPDOWN: Interface GigabitEthernet0/0/0, changed state to down
*Sep 25 23:33:40.281: %LINK-3-UPDOWN: Interface GigabitEthernet0/0/1, changed state to down
*Sep 25 23:33:40.329: %LINK-3-UPDOWN: Interface GigabitEthernet0/0/2, changed state to down
*Sep 25 23:33:40.329: %LINK-3-UPDOWN: Interface GigabitEthernet0/0/3, changed state to down
*Sep 25 23:33:40.329: %LINK-3-UPDOWN: Interface GigabitEthernet0/0/4, changed state to down
*Sep 25 23:33:40.425: %LINK-3-UPDOWN: Interface GigabitEthernet0/0/7, changed state to down
*Sep 25 23:33:40.473: %LINK-3-UPDOWN: Interface GigabitEthernet0/0/8, changed state to down
*Sep 25 23:33:40.521: %LINK-3-UPDOWN: Interface GigabitEthernet0/0/9, changed state to down
*Sep 25 23:33:40.569: %LINK-3-UPDOWN: Interface GigabitEthernet0/0/10, changed state to
down
*Sep 25 23:33:40.569: %LINK-3-UPDOWN: Interface GigabitEthernet0/0/11, changed state to
down
*Sep 25 23:33:40.569: %LINK-3-UPDOWN: Interface GigabitEthernet0/0/12, changed state to
down
*Sep 25 23:33:40.569: %LINK-3-UPDOWN: Interface GigabitEthernet0/0/13, changed state to
down
*Sep 25 23:33:40.569: %LINK-3-UPDOWN: Interface GigabitEthernet0/0/14, changed state to
down
*Sep 25 23:33:40.569: %LINK-3-UPDOWN: Interface GigabitEthernet0/0/15, changed state to
down
*Sep 25 23:33:40.617: %LINK-3-UPDOWN: Interface GigabitEthernet0/0/16, changed state to
down
*Sep 25 23:33:40.617: %LINK-3-UPDOWN: Interface GigabitEthernet0/0/17, changed state to
down
*Sep 25 23:33:40.617: %LINK-3-UPDOWN: Interface GigabitEthernet0/0/18, changed state to
down
*Sep 25 23:33:40.617: %LINK-3-UPDOWN: Interface GigabitEthernet0/0/19, changed state to
down
*Sep 25 23:33:40.618: %LINK-3-UPDOWN: Interface GigabitEthernet0/0/20, changed state to
down
*Sep 25 23:33:40.618: %LINK-3-UPDOWN: Interface GigabitEthernet0/0/21, changed state to
down
*Sep 25 23:33:40.618: %LINK-3-UPDOWN: Interface GigabitEthernet0/0/22, changed state to
down
*Sep 25 23:33:40.665: %LINK-3-UPDOWN: Interface GigabitEthernet0/0/23, changed state to
down
*Sep 25 23:33:40.665: %LINK-3-UPDOWN: Interface TenGigabitEthernet0/0/24, changed state to
down
*Sep 25 23:33:40.665: %LINK-3-UPDOWN: Interface TenGigabitEthernet0/0/25, changed state to
down
*Sep 25 23:33:40.713: %LINK-3-UPDOWN: Interface TenGigabitEthernet0/0/26, changed state to
down
*Sep 25 23:33:40.714: %LINK-3-UPDOWN: Interface TenGigabitEthernet0/0/27, changed state to
down
*Sep 25 23:33:40.809: %LINK-3-UPDOWN: Interface GigabitEthernet0/0/5, changed state to down
*Sep 25 23:33:40.857: %LINK-3-UPDOWN: Interface GigabitEthernet0/0/6, changed state to down
*Sep 25 23:33:42.265: GigabitEthernet0/0/18: Port License not activated, activate license
to use port.
*Sep 25 23:33:42.361: GigabitEthernet0/0/19: Port License not activated, activate license
to use port.
*Sep 25 23:33:42.457: GigabitEthernet0/0/20: Port License not activated, activate license
to use port.
*Sep 25 23:33:42.553: GigabitEthernet0/0/21: Port License not activated, activate license
to use port.
*Sep 25 23:33:42.649: GigabitEthernet0/0/22: Port License not activated, activate license
to use port.
*Sep 25 23:33:42.745: GigabitEthernet0/0/23: Port License not activated, activate license
to use port.
*Sep 25 23:33:42.841: TenGigabitEthernet0/0/24: Port License not activated, activate license
to use port.
*Sep 25 23:33:42.937: TenGigabitEthernet0/0/25: Port License not activated, activate license
to use port.
```

```
*Sep 25 23:33:42.985: TenGigabitEthernet0/0/26: Port License not activated, activate license
to use port.
*Sep 25 23:33:43.128: TenGigabitEthernet0/0/27: Port License not activated, activate license
to use port.
*Sep 25 23:33:47.106: %LINK-3-UPDOWN: Interface GigabitEthernet0/0/0, changed state to up
*Sep 25 23:33:47.829: %LINEPROTO-5-UPDOWN: Line protocol on Interface GigabitEthernet0/0/0,
changed state to up
Router>
```

During the boot process, observe the system LEDs. After the router has booted, the green STAT LED comes on and stays on.

Verifying the Front Panel LEDs

The front-panel indicator LEDs provide power, activity, and status information useful during bootup. For more detailed information about the LEDs, see the *LED Indicators* section.

Verifying the Hardware Configuration

To display and verify the hardware features, enter the following commands:

- **show version**—Displays the system hardware version, the installed software version, the names and sources of configuration files, the boot images, and the amount of installed DRAM, NVRAM, and flash memory.
- **show diag slot**—Displays the IDPROM information for the assemblies in the chassis.

Check Hardware and Software Compatibility

To check the minimum software requirements of Cisco IOS-XE software with the hardware installed on your Cisco ASR 920 Router, Cisco maintains the **Software Research** tool on Cisco.com. The tool provides the minimum Cisco IOS-XE requirements for individual hardware modules and components.



Note To access this tool, you must have a Cisco.com login account.

To access the **Software Research** tool:

1. Go to <http://software.cisco.com/selection/research.html>.
2. In the **Search by Product** tab, type *ASR 920*.
3. The Cisco Suggested Release versions are displayed.

Configuring the Router at Startup

This section explains how to create a basic running configuration for your Cisco ASR 920-24SZ-IM, ASR-920-24SZ-M, ASR-920-24TZ-M Router.



Note You must acquire the correct network addresses from your system administrator or consult your network plan to determine the correct addresses before you can complete the router configuration.

Before continuing the configuration process, check the current state of the router by entering the **show version** command. This command displays the release of Cisco IOS software that is available on the router.

For information on modifying the configuration after you create it, see the [Cisco IOS configuration and Cisco IOS Master Command List, All Releases](#) guides.

To configure a Cisco ASR 920-24SZ-IM, ASR-920-24SZ-M, ASR-920-24TZ-M Router from the console, you must connect a terminal or terminal server to the console port on the Cisco ASR 920-24SZ-IM, ASR-920-24SZ-M, ASR-920-24TZ-M Router. To configure the Cisco ASR 920-24SZ-IM, ASR-920-24SZ-M, ASR-920-24TZ-M Router using the management Ethernet port, you must have the router's IP address.

Accessing the CLI Using the Console

To access the command line interface using the console, follow these steps:

Procedure

Step 1 When your system is booting, type No at the prompt.

Example:

```
--- System Configuration Dialog ---  
Would you like to enter the initial configuration dialog? [yes/no]: no
```

Step 2 Press Return to enter the user EXEC mode.

The following prompt is displayed:

Example:

```
Router>
```

Step 3 From the user EXEC mode, enter the enable command, as shown in the following example:

Example:

```
Router> enable
```

Step 4 At the password prompt, enter your system password, as shown in the following example. If an enable password has not been set on your system, you can skip this step.

Example:

```
Password: enablepass
```

When your password is accepted, the privileged EXEC mode prompt is displayed:

Example:

```
Router#
```

You now have access to the CLI in the privileged EXEC mode. You can enter the necessary commands to complete the required tasks.

Step 5 To exit the console session, enter the quit command, as shown in the following example:

Example:

```
Router# quit
```

Configuring Global Parameters

When you first start the setup program, configure the global parameters. These parameters are used for controlling system-wide settings. Perform the following steps to enter the global parameters:

Procedure

Step 1 Connect a console terminal to the console port, and then boot the router. For more information on connecting a console terminal, see Connecting Console Cables section.

Note The following is only an example of the output display; prompts may vary.

When you see this information, it means that you have successfully booted your router:

Example:

```
Restricted Rights Legend
```

```
Use, duplication, or disclosure by the Government is
subject to restrictions as set forth in subparagraph
(c) of the Commercial Computer Software - Restricted
Rights clause at FAR sec. 52.227-19 and subparagraph
(c) (1) (ii) of the Rights in Technical Data and Computer
Software clause at DFARS sec. 252.227-7013.
```

```
        cisco Systems, Inc.
        170 West Tasman Drive
        San Jose, California 95134-1706
```

```
.
.
.
```

```
--- System Configuration Dialog ---
```

```
Would you like to enter the initial configuration dialog? [yes/no]: yes
```

```
Press RETURN to get started!
```

Step 2 The first sections of the configuration script appear only at an initial system startup. On subsequent uses of the setup facility, the script begins with a System Configuration Dialog as shown below: When you are prompted about whether you want to enter the initial configuration dialog, enter yes.

Example:

```
Would you like to enter the initial configuration dialog? [yes/no] yes
At any point you may enter a question mark '?' for help.
Use ctrl-c to abort configuration dialog at any prompt.
```


Default settings are in square brackets '[']'.
Basic management setup configures only enough connectivity for management of the system, extended setup will ask you to configure each interface on the system.

Basic management setup configures enough connectivity for managing the system; extended setup will ask you to configure each interface on the system.

Checking the Running Configuration Settings

To check the value of the settings you have entered, enter the `show running-config` command at the Router# prompt:

```
Router# show running-config
```

To review the changes you have made to the configuration use the `show startup-config` command in the user EXEC mode to see the changes and copy run-start stored in the NVRAM.

Saving the Running Configuration to NVRAM

To store the configuration or changes to your startup configuration in NVRAM, enter the `copy running-config startup-config` command at the prompt:

```
Router# copy running-config startup-config
```

Using this command saves the configuration settings that you created in the router using the configuration mode and the setup facility. If you fail to do this, your configuration will be lost, and will not be available when you reload the router next.

Safely Powering Off the Router

This section explains how to shut down the Cisco ASR 920-24SZ-IM, ASR-920-24SZ-M, ASR-920-24TZ-M Router. We recommend that before turning off all power to the chassis, you issue the `reload` command. This ensures that the operating system cleans up all the file systems. After the reload operation is complete, the Cisco ASR 920-24SZ-IM, ASR-920-24SZ-M, ASR-920-24TZ-M Router can be powered off safely.

To power off the Cisco ASR 920-24SZ-IM, ASR-920-24SZ-M, ASR-920-24TZ-M Router safely,:

Procedure

- Step 1** Slip on the ESD-preventive wrist strap included in the accessory kit.
- Step 2** Enter the `reload` command.
- Step 3** Confirm the reload command.

Example:

```
Rmcp-6ru-1#reload
Proceed with reload? [confirm]
Aug 17 00:06:47.051 R0/0: %PMAN-5-EXITACTION: Process manager is exiting: prs exit with
reload chassis code
```

Step 4 After confirming the reload command, wait until the system bootstrap message is displayed before powering off the system:

Example:

```
System Bootstrap, Version 15.4(3)S1, RELEASE SOFTWARE (fc1)
Technical Support: http://www.cisco.com/techsupport
Copyright (c) 2012 by Cisco Systems, Inc.
Current image running: Boot ROM0
Last reset cause: RSP-Board
UEA platform with 2097152 Kbytes of main memory
```

Step 5 Remove power cables, if any, from the Cisco ASR 920-24SZ-IM, ASR-920-24SZ-M, ASR-920-24TZ-M Router:

- For power supplies with a circuit breaker switch, position the switch to the Off (O) position.
- For power supplies with a standby switch, place the standby switch in the Standby position.

Note After powering off the router, wait for a minimum of 30 seconds before powering it on again.

Automatic Shutdown of the Router

This section lists the scenarios in which the Cisco ASR 920-24SZ-IM, ASR-920-24SZ-M, ASR-920-24TZ-M Router shutdown is automatically initiated by software:

1. After removal, fan tray is not re-inserted back within stipulated time period. For more information on shutdown time, see *Cisco ASR-920-24SZ-IM Router Shut Down Time Table*.
2. The on-board or the PSU temperature sensors detect the shutdown limit.
3. Multiple fan failures (two or more than two) fans fail.

After the router shutdown, the PSU LED turns red to indicate that the PSU is switched off.



Note To restart the router, you must power cycle AC/DC input. Before powering on the PSU, switch off the PSU input for 30 seconds.



CHAPTER 5

Troubleshooting

This chapter provides information about troubleshooting issues, if any, on the Cisco ASR 920-24SZ-IM, ASR-920-24SZ-M, ASR-920-24TZ-M Router:

- [Pinouts, on page 107](#)

Pinouts

The sections describe the pinouts for the Cisco ASR 920-24SZ-IM, ASR-920-24SZ-M, ASR-920-24TZ-M Router interfaces.

BITS Port Pinouts



Note BITS port is supported only on Cisco ASR-920-24SZ-IM Router.

The table below summarizes the BITS port pinouts.

Table 19: BITS Port Pinouts

Pin	Signal Name	Direction	Description
1	RX Ring	Input	Receive Ring
2	RX Tip	Input	Receive Tip
3	—	—	Not used
4	TX Ring	Output	TX Ring
5	TX Tip	Output	TX Tip
6	—	—	Not used
7	—	—	Not used

Pin	Signal Name	Direction	Description
8	—	—	Not used

GPS Port Pinout

The table below summarizes the GPS port pinouts.



Note GPS port is supported only on Cisco ASR-920-24SZ-IM Router.



Note The 10 Mhz and 1 PPS interfaces can be configured as input or output using Cisco IOS CLI commands. For more information, see the *Cisco ASR 920 Series Aggregation Services Router Configuration Guide*.

Table 20: GPS Port Pinout

Category	10 Mhz (input and output)	1PPS (input and output)
Waveform	Input—Sine wave Output—Square wave	Input—Pulse shape Output—Pulse shape
Amplitude	Input— > 1.7 volt p-p(+8 to +10 dBm) Output— > 2.4 volts TTL compatible	Input— > 2.4 volts TTL compatible Output— > 2.4 volts TTL compatible
Impedance	50 ohms	50 ohms
Pulse Width	50% duty cycle	26 microseconds
Rise Time	Input—AC coupled Output—5 nanoseconds	40 nanoseconds

Time-of-Day Port Pinouts

The table below summarizes the ToD/1-PPS port pinouts.



Note ToD port is supported only on Cisco ASR-920-24SZ-IM Router.

Table 21: RJ-45 1PPS/ToD Port Pinouts

Pin	Signal Name	Direction	Description
1	RESERVED	Output	Do Not Connect
2	RESERVED	Input	Do Not Connect
3	1PPS_N	Output or Input	1PPS RS422 signal
4	GND	—	—
5	GND	—	—
6	1PPS_P	Output or Input	1PPS RS422 signal
7	TOD_N	Output or Input	Time-of-Day character
8	TOD_P	Output or Input	Time-of-Day character

Alarm Port Pinouts

The following table summarizes the external alarm input pinouts.

Table 22: External Alarm Input Pinouts

Pin	Signal Name	Description
1	ALARM0_IN	Alarm input 0
2	ALARM1_IN	Alarm input 1
3	—	No connect
4	ALARM2_IN	Alarm input 2
5	ALARM3_IN	Alarm input 3
6	—	No connect
7	—	No connect
8	COMMON	Alarm common

Management Ethernet Port Pinouts

The following table summarizes the Management Ethernet port pinouts.

Table 23: Fan Alarm Port Pinout

Pin	Signal Name
1	TRP0+
2	TRP0-
3	TRP1+
4	TRP2+
5	TRP2-
6	TRP1-
7	TRP3+
8	TRP3-

USB Console Port Pinouts

The following table summarizes the USB console port pinouts.

Table 24: Single USB Console Port Pinouts

Pin	Signal Name	Description
A1	Vcc	+5VDC
A2	D-	Data -
A3	D+	Data +
A4	Gnd	Ground



Note The USB console port +5VDC is input, and operates as an USB peripheral device.

USB Flash or MEM Port Pinouts

The following table summarizes the USB flash or MEM port pinouts.

Table 25: Single USB Flash or MEM Port Pinouts

Pin	Signal Name	Description
A1	Vcc	+5VDC (500mA)
A2	D-	Data -
A3	D+	Data +
A4	Gnd	Ground



Note USB TYPE-A receptacle is used.



Note The USB flash or MEM port +5VDC is output. Cisco ASR 920-24SZ-IM, ASR-920-24SZ-M, ASR-920-24TZ-M Router provides power for USB flash or MEM port. This port operates as a USB host device.

RJ45C Port Pinouts

The following table summarizes the RJ45C port pinouts on the 8 Port T1/E1 Interface Module.

Table 26: RJ45C Port Pinouts

Pin	Signal Name
1	RX_TIP
2	RX_RING
4	TX_TIP
5	TX_RING
3, 6, 7, 8	Not Connected

Check Optical Fiber Specifications

The specification for optical fiber transmission defines two types of fiber: single mode and multimode. Within the single-mode category, three transmission types are defined: short reach, intermediate reach, and long reach. Within the multimode category, only short reach is available. For information about optical SFP modules, see the documentation for the SFP module at:

http://www.cisco.com/en/US/partner/products/hw/modules/ps5455/prod_installation_guides_list.html .

Check Alarm Conditions

The table below summarizes the meaning of the alarm conditions on the Cisco ASR 920-24SZ-IM, ASR-920-24SZ-M, ASR-920-24TZ-M Router.

Table 27: Alarm Condition Summary

Alarm Type	Alarm Meaning
Critical	Port in down state. Environmental sensor threshold exceeded critical level (voltage, temperature)
Major	Environmental sensor threshold exceeded major level (voltage, temperature)
Info	Port administratively shut down.



CHAPTER 7

Supported PIDs

PID	Description
ASR920-S-M=	ASR 920 Metro Access Services Paper PAK
ASR920-S-I=	ASR 920 Metro IP Access Services Paper PAK
ASR920-S-A=	ASR 920 Advanced Metro IP Access Services Paper PAK
ASR920-ATM=	ASR 920 ATM License Paper PAK
ASR920-1588	ASR 920 IEEE 1588-2008 BC/MC License Paper PAK
ASR920-1588=	ASR 920 IEEE 1588-2008 BC/MC License Paper PAK
ASR920-1G-12	Cisco ASR920 Series - 12 ports GE license Paper PAK
ASR920-1G-12=	Cisco ASR920 Series - 12 ports GE license Paper PAK
ASR920-10G-2=	Cisco ASR920 Series - 2 ports 10GE license Paper PAK
ASR920-12G-2-10G	Cisco ASR920 Series - 12 ports 1GE and 2 ports 10GE license
ASR920-S-I-A=	ASR 920 Metro IP to Advanced Metro IP Access Paper PAK
ASR920-S-M-I=	ASR 920 Metro Access to Metro IP Access Paper PAK
ASR920-S-M-A=	ASR 920 Metro Access to Advanced Metro IP Access Paper PAK
L-ASR920-S-M=	ASR 920 Metro Access Services E-Delivery PAK
L-ASR920-S-I=	ASR 920 Metro IP Access Services E-Delivery PAK
L-ASR920-S-A=	ASR 920 Advanced Metro IP Access Services E-Delivery PAK
L-ASR920-ATM=	ASR 920 ATM License E-Delivery PAK
L-ASR920-1588=	ASR 920 IEEE 1588-2008 BC/MC License E-Delivery PAK
L-ASR920-S-M-A=	ASR 920 Metro Access to Adv Metro IP Access E-Delivery PAK
L-ASR920-S-I-A=	ASR 920 Metro IP to Advanced Metro IP Access E-Delivery PAK

PID	Description
L-ASR920-S-M-I=	ASR 920 Metro Access to Metro IP Access E-Delivery PAK
L-ASR920-1G-12=	Cisco ASR920 Series - 12 ports GE license E-Delivery PAK
L-ASR920-10G-2=	Cisco ASR920 Series - 2 ports 10GE license E-Delivery PAK
Power Supply Cables	
CAB-AC-SA	Power Cord - South Africa, 16/10A,250V,1830mm, -40C to +85C
CAB-AC-ARG	Power Cord - Argentina, 10A,250V,2500mm, -40C to +85C
CAB-AC-ISR	Power Cord - Israel, 16/10A,250V,2500mm, -40C to +85C
CAB-AC-TAI	Power Cord - Taiwan, 15/10A,125V,2500mm, -40C to +85C
CAB-AC-CHI	Power Cord - China, 10A,250V,2500mm, -40C to +85C
CAB-AC-KOR	Power Cord - Korea, 16/10A,125V,2500mm, -40C to +85C
CAB-AC-EUR	Power Cord - Europe, 16/10A,250V, 2500mm, -40C to +85C
CAB-AC-ITL	Power Cord - Italy, 10A,250V, 2500mm, -40C to +85C
CAB-AC-UK	Power Cord - UK, 13/10A, 250V, 2500mm, -40C to +85C
CAB-AC-AUS	Power Cord - Australia, 10A,250V,2500mm, -40C to +85C
CAB-AC-US	Power Cord - US, 15A,125V,2500mm,-40C to +85C
CAB-AC-BRA	Power Cord - Brazil, 10A,250V,2500mm, -40C to +85C
CAB-AC-IND	Power Cord - India, 16/10A,250V,2500mm, -40C to +85C
CAB-AC-SUI	Power Cord - Swiss, 10A,250V,2500mm, -40C to +85C

Table 29: Supported PIDs—Accessory Kit

PID	Description
A920-RCKMT-ETSI	ETSI Rack mount Option for the Cisco ASR 920
A920-RCKMT-ETSI=	ETSI Rack mount Option for the Cisco ASR 920, Spare
A920-RCKMT-19	EIA 19in Rack mount Option for the Cisco ASR 920
A920-RCKMT-19=	EIA 19in Rack mount Option for the Cisco ASR 920, Spare
A920-RCKMT-23	EIA 23in Rack mount Option for the Cisco ASR 920
A920-RCKMT-23=	EIA 23in Rack mount Option for the Cisco ASR 920, Spare
A900-CONS-KIT-U	ASR 900 USB Console Cabling Kit

PID	Description
A900-CONS-KIT-U=	ASR 900 USB Console Cabling Kit, Spare
A920-CONS-KIT-S	ASR 920 Serial Console Cabling Kit
A920-CONS-KIT-S=	ASR 920 Serial Console Cabling Kit, Spare
ASR920-CBL-BRKT	ASR 920 Cable Bracket for 19" and 23" rackmounts
ASR920-CBL-BRKT=	ASR 920 Cable Bracket, Spare for 19" and 23" rackmounts
ASR920-CBL-BRKT-E	ASR 920 Cable Bracket for ETSI rackmounts
ASR920-CBL-BRKT-E=	ASR 920 Cable Bracket, Spare for ETSI rackmounts
A920-DRIP-TRAY	ASR 920 Drip Tray - Modular
A920-DRIP-TRAY=	ASR 920 Drip Tray - Modular, Spare
A900-DCAP-SFP-L=	ASR 920 SFP dust cap, Spare Note If the SFP ports are unused, install the SFP dust cap for the unused ports.
A900-DCAP-RJ45-L=	ASR 920 RJ-45 dust cap, Spare Note If the RJ-45 ports are unused, install the RJ-45 dust cap for the unused ports.
A900-DCAP-USB-L=	ASR 920 USB dust cap, Spare Note If the USB ports are unused, install the USB dust cap for the unused ports.

