



Provisioning Transponder and Muxponder Cards

This chapter describes transponder (TXP), muxponder (MXP), GE_XP, 10GE_XP, GE_XPE, 10GE_XPE, ADM-10G, OTU2_XP, 100G-LC-C, 10x10G-LC, CFP-LC, 100G-CK-C, 100G-ME-C, 100ME-CKC, 100GS-CK-LC, 400G-XP-LC, WSE, AR_MXP, AR_XP, and AR_XPE cards, as well as their associated plug-in modules (Small Form-factor Pluggables [SFP, SFP+, XFP, CXP, or CFP module]). For card safety and compliance information, see the [Regulatory Compliance and Safety Information for Cisco ONS Products](#) document.



Note Unless otherwise specified, “ONS 15454” refers to both ANSI and ETSI shelf assemblies.



Note The cards and procedures described in this chapter are supported on the Cisco ONS 15454, Cisco ONS 15454 M6, Cisco ONS 15454 M2 platforms, unless noted otherwise.



Note In this chapter, “100G-LC-C card” refers to the 15454-M-100G-LC-C card. “10x10G-LC” refers to the 15454-M-10x10G-LC card. “CFP-LC” refers to the 15454-M-CFP-LC card.



Note Cisco ONS 15454 DWDM supports IBM's 5G DDR (Double Data Rate) InfiniBand interfaces. 5G DDR InfiniBand is referred to as IB_5G.

- [Card Overview](#), on page 4
- [Safety Labels](#), on page 12
- [Interface Classes](#), on page 12
- [TXP_MR_10G Card](#), on page 19
- [TXP_MR_10E Card](#), on page 21
- [TXP_MR_2.5G and TXPP_MR_2.5G Cards](#), on page 25
- [40E-TXP-C and 40ME-TXP-C Cards](#), on page 28
- [MXP_2.5G_10G Card](#), on page 28
- [MXP_2.5G_10E Card](#), on page 30

- MXP_2.5G_10E_C and MXP_2.5G_10E_L Cards, on page 33
- MXP_MR_2.5G and MXPP_MR_2.5G Cards, on page 38
- MXP_MR_10DME_C and MXP_MR_10DME_L Cards, on page 43
- 40G-MXP-C, 40E-MXP-C, and 40ME-MXP-C Cards, on page 50
- GE_XP, 10GE_XP, GE_XPE, and 10GE_XPE Cards, on page 56
- ADM-10G Card, on page 78
- OTU2_XP Card, on page 94
- TXP_MR_10EX_C Card, on page 102
- MXP_2.5G_10EX_C card, on page 103
- MXP_MR_10DMEX_C Card, on page 108
- AR_MXP, AR_XP, and AR_XPE Cards, on page 115
- 100G-LC-C, 100G-ME-C, 100G-CK-C, 100GS-CK-LC, 100ME-CKC, and 200G-CK-LC Cards, on page 136
- 10x10G-LC Card, on page 141
- CFP-LC Card, on page 145
- MR-MXP Card, on page 146
- Key Features of 100G-LC-C, 100G-ME-C, 100G-CK-C, 100ME-CKC, 10x10G-LC, 100GS-CK-LC, 200G-CK-LC, CFP-LC, and MR-MXP Cards, on page 151
- Functions and Features, on page 162
- Related Procedures for 100G-LC-C, 100G-ME-C, 100G-CK-C, 100ME-CKC, 10x10G-LC, CFP-LC, 100GS-CK-LC, 200G-CK-LC, and MR-MXP Cards, on page 162
- 400G-XP-LC Card, on page 162
- Supported MSM Configurations, on page 186
- WSE Card, on page 187
- MLSE UT, on page 194
- SFP, SFP+, QSFP+, XFP, CXP, CFP, CFP2 and CPAK Modules, on page 194
- NTP-G128 Managing Pluggable Port Modules, on page 195
- Transponder and Muxponder Protection Topologies, on page 211
- Path Diversion Support for Client Protection, on page 222
- NTP-G33 Creating a Y-Cable Protection Group, on page 222
- NTP-G199 Creating a Splitter Protection Group, on page 228
- NTP-G198 Creating 1+1 Protection for Cards, on page 230
- NTP-G98 Provisioning the 2.5G Multirate Transponder Card Line Settings and PM Parameter Thresholds, on page 232
- NTP-G96 Provisioning the 10G Multirate Transponder Card Line Settings, PM Parameters, and Thresholds, on page 256
- NTP-G292 Provisioning the 40G Multirate Transponder Card Line Settings, PM Parameters, and Thresholds, on page 272
- NTP-G170 Provisioning the ADM-10G Card Peer Group, Ethernet Settings, Line Settings, PM Parameters, and Thresholds, on page 288
- NTP-G333 Adding an ADM-10G Card to an Existing Topology, on page 313
- NTP-G97 Modifying the 4x2.5G Muxponder Card Line Settings and PM Parameter Thresholds, on page 314
- NTP-G99 Modifying the 2.5G Data Muxponder Card Line Settings and PM Parameter Thresholds, on page 335
- NTP-G148 Modifying the 10G Data Muxponder Card Line Settings and PM Parameter Thresholds, on page 357

- [NTP-G293 Modifying the 40G Muxponder Card Line Settings and PM Parameter Thresholds, on page 367](#)
- [NTP-G281 Managing the GE_XP, 10GE_XP, GE_XPE, and 10GE_XPE Card Channel Group Settings, on page 394](#)
- [NTP-G283 Managing the Card CFM Settings, on page 405](#)
- [NTP-G285 Managing the Card EFM Settings, on page 417](#)
- [NTP-G287 Managing the Card REP Settings, on page 422](#)
- [NTP-G165 Modifying the Ethernet, Line and PM Thresholds, on page 428](#)
- [NTP-G237 Retrieving and Clearing MAC Addresses on SVLANs, on page 452](#)
- [NTP-G311 Provisioning the Storm Control Settings, on page 454](#)
- [NTP-G205 Enabling Link Integrity on a Card, on page 455](#)
- [DLP-G289 Provisioning CVLAN Rate Limiting on a Card, on page 457](#)
- [NTP-G208 Provisioning SVLAN Rate Limiting on a Card, on page 457](#)
- [NTP-G204 Enabling IGMP Snooping on a Card, on page 460](#)
- [NTP-G206 Enabling MVR on a Card, on page 462](#)
- [NTP-G314 Adding a Card on FAPS Ring, on page 473](#)
- [NTP-G197 Provisioning the OTU2_XP Card Line Settings, PM Parameters, and Thresholds, on page 476](#)
- [NTP-G162 Changing the ALS Maintenance Settings, on page 501](#)
- [NTP-G302 Configuring Loopback on a Card, on page 503](#)
- [NTP-G299 Configuring Backplane Loopback on a Card, on page 504](#)
- [NTP-G192 Forcing FPGA Update, on page 506](#)
- [NTP-G196 Forcing FPGA Update on a Card in Protection Group, on page 507](#)
- [NTP-G232 Enabling Error Decorrelator, on page 508](#)
- [NTP-G315 Enabling the Wavelength Drifted Channel Automatic Shutdown Feature, on page 509](#)
- [NTP-G316 Enabling REP and FAPS on the Same Port, on page 509](#)
- [NTP-G321 Provisioning Multiple Operating Modes, on page 510](#)
- [NTP-G322 Modifying the Card Line Settings and PM Parameter Thresholds, on page 511](#)
- [NTP-G235 Provisioning an Operating Mode, on page 540](#)
- [NTP-G361 Provisioning an Operating Mode on the 400G-XP-LC Card, on page 541](#)
- [NTP-G362 Manual FPGA Upgrade on the 400G-XP-LC Card, on page 543](#)
- [NTP-G366 Viewing the ODU Utilization for ODU Circuits, on page 544](#)
- [NTP-G367 Provisioning Encryption on 400G-XP-LC Card, on page 545](#)
- [NTP-G236 Modifying the 100G-LC-C, 100G-CK-C, 100G-ME-C, 100ME-CKC, 10x10G-LC, 100GS-CK-LC, , 200G-CK-LC, CFP-LC, WSE, MR-MXP, or 400G-XP-LC Card Line Settings and PM Parameter Thresholds, on page 550](#)
- [NTP-G351 Retrieving MAC Addresses on Cards, on page 591](#)
- [NTP-G338 Provisioning an Operating Mode on the WSE Card, on page 591](#)
- [NTP-G339 Modifying the WSE Card Line Settings and PM Parameter Thresholds, on page 592](#)
- [NTP-G340 Provisioning Encryption on the WSE and MR-MXP Cards, on page 607](#)
- [NTP-G342 Provisioning FIPS and CC Mode, on page 615](#)
- [NTP-G363 Provisioning LSC on Cards, on page 618](#)
- [SUDI 2099 Certificate for WSE, MR-MXP, and 400G-XP-LC Cards, on page 623](#)
- [Improved CSR encryption using RSA-4096, on page 626](#)

Card Overview

The card overview section lists the cards described in this chapter and provides compatibility information.

The purpose of a TXP, MXP, GE_XP, 10GE_XP, GE_XPE, 10GE_XPE, ADM-10G, OTU2_XP, AR_MXP, AR_XP, or AR_XPE card is to convert the “gray” optical client interface signals into trunk signals that operate in the “colored” dense wavelength division multiplexing (DWDM) wavelength range. Client-facing gray optical signals generally operate at shorter wavelengths, whereas DWDM colored optical signals are in the longer wavelength range (for example, 1490 nm = violet; 1510 nm = blue; 1530 nm = green; 1550 nm = yellow; 1570 nm = orange; 1590 nm = red; 1610 nm = brown). Some of the newer client-facing PPMs, however, operate in the colored region. Transponding or muxponding is the process of converting the signals between the client and trunk wavelengths.

An MXP generally handles several client signals. It aggregates, or multiplexes, lower rate client signals together and sends them out over a higher rate trunk port. Likewise, it demultiplexes optical signals coming in on a trunk and sends them out to individual client ports. A TXP converts a single client signal to a single trunk signal and converts a single incoming trunk signal to a single client signal. GE_XP, 10GE_XP, GE_XPE, and 10GE_XPE cards can be provisioned as TXPs, as MXPs, or as Layer 2 switches.

All of the TXP and MXP cards perform optical to electrical to optical (OEO) conversion. As a result, they are not optically transparent cards. The reason for this is that the cards must operate on the signals passing through them, so it is necessary to do an OEO conversion.

On the other hand, the termination mode for all of the TXPs and MXPs, which is done at the electrical level, can be configured to be transparent. In this case, neither the Line nor the Section overhead is terminated. The cards can also be configured so that either Line or Section overhead can be terminated, or both can be terminated.



Note The MXP_2.5G_10G card, by design, when configured in the transparent termination mode, actually does terminate some of the bytes. See "[Termination Modes](#)" section for details.

Card Compatibility

Table 1: Platform and Software Release Compatibility for Transponder and Muxponder Cards

Card Name	R4.5 - R4.6	R4.7 - R6.0	R7.0 and R7.2	R8.0 - R8.5	R9.0 and R9.1
TXP_MR_10G	15454-DWDM	15454-DWDM	15454-DWDM	15454-DWDM	15454-DWDM
TXP_MR_10E	No	15454-DWDM	15454-DWDM	15454-DWDM	15454-DWDM
TXP_MR_10E_C	No	No	15454-DWDM	15454-DWDM	15454-DWDM
TXP_MR_10E_L	No	No	15454-DWDM	15454-DWDM	15454-DWDM
TXP_MR_2.5G and TXPP_ MR_2.5G	15454-DWDM	15454-DWDM	15454-DWDM	15454-DWDM	15454-DWDM
MXP_2.5G_10G	15454-DWDM	15454-DWDM	15454-DWDM	15454-DWDM	15454-DWDM

Card Name	R4.5 - R4.6	R4.7 - R6.0	R7.0 and R7.2	R8.0 - R8.5	R9.0 and R9.1
MXP_2.5G_10E	No	15454-DWDM	15454-DWDM	15454-DWDM	15454-DWDM
MXP_2.5G_10E_C	No	No	15454-DWDM	15454-DWDM	15454-DWDM
MXP_2.5G_10E_L	No	No	15454-DWDM	15454-DWDM	15454-DWDM
MXP_MR_2.5G and MXPP_MR_2.5G	No	15454-DWDM	15454-DWDM	15454-DWDM	15454-DWDM
MXP_MR_10DME_C	No	No	15454-DWDM	15454-DWDM	15454-DWDM
MXP_MR_10DME_L	No	No	15454-DWDM	15454-DWDM	15454-DWDM
GE_XP and 10GE_XP	No	No	No	15454-DWDM	15454-DWDM
GE_XPE and 10GE_XPE	No	No	No	No	15454-DWDM
ADM-10G	No	No	No	15454-DWDM	15454-DWDM
OTU2_XP	No	No	No	No	15454-DWDM
TXP_MR_10EX_C, MXP_2.5G_10EX_C, and MXP_MR_10DMEX_C	No	No	No	No	No and 15454-DWDM for R9.1
40E-TXP-C, 40ME-TXP-C, 40E-MXP-C, and 40ME-MXP-C	No	No	No	No	No
40E-MXP-C	No	No	No	No	No
40G-MXP-C	No	No	No	No	No
AR_XP	No	No	No	No	No
AR_MXP and AR_XPE	No	No	No	No	No
100G-LC-C, 100G-ME-C, 10x10G-LC, and 100GS-CK-LC	No	No	No	No	No

Card Name	R4.5 - R4.6	R4.7 - R6.0	R7.0 and R7.2	R8.0 - R8.5	R9.0 and R9.1
CFP-LC	No	No	No	No	No
WSE	No	No	No	No	No
100G-CK-LC, 100ME-CK-LC, and 400G-XP-LC	No	No	No	No	No

Table 2: Platform and Software Release Compatibility for Transponder and Muxponder Cards

Card Name	R9.2	R9.2.1	R9.3	R9.4	R9.6.x	R9.8
TXP_MR_10G	15454 - DWDM	15454 - DWDM	15454 - DWDM	15454 - DWDM	15454 - DWDM	15454 - DWDM
TXP_MR_10E	15454 - DWDM	15454 - DWDM	15454 - DWDM	15454 - DWDM	15454 - DWDM	15454 - DWDM
TXP_MR_10E_C	15454 - M2, 15454 - M6, 15454 - DWDM	15454 - M2, 15454 - M6, 15454 - DWDM	15454 - M2, 15454 - M6, 15454 - DWDM	15454 - M2, 15454 - M6, 15454 - DWDM	15454 - M2, 15454 - M6, 15454 - DWDM	15454 - M2, 15454 - M6, 15454 - DWDM
TXP_MR_10E_L	15454 - DWDM	15454 - DWDM	15454 - DWDM	15454 - DWDM	15454 - DWDM	15454 - DWDM
TXP_MR_2.5G and TXPP_MR_2.5G	15454 - M2, 15454 - M6, 15454 - DWDM	15454 - M2, 15454 - M6, 15454 - DWDM	15454 - M2, 15454 - M6, 15454 - DWDM	15454 - M2, 15454 - M6, 15454 - DWDM	15454 - M2, 15454 - M6, 15454 - DWDM	15454 - M2, 15454 - M6, 15454 - DWDM
MXP_2.5G_10G	15454 - DWDM	15454 - DWDM	15454 - DWDM	15454 - DWDM	15454 - DWDM	15454 - DWDM
MXP_2.5G_10E	15454 - DWDM	15454 - DWDM	15454 - DWDM	15454 - DWDM	15454 - DWDM	15454 - DWDM
MXP_2.5G_10E_C	15454 - M2, 15454 - M6, 15454 - DWDM	15454 - M2, 15454 - M6, 15454 - DWDM	15454 - M2, 15454 - M6, 15454 - DWDM	15454 - M2, 15454 - M6, 15454 - DWDM	15454 - M2, 15454 - M6, 15454 - DWDM	15454 - M2, 15454 - M6, 15454 - DWDM
MXP_2.5G_10E_L	15454 - DWDM	15454 - DWDM	15454 - DWDM	15454 - DWDM	15454 - DWDM	15454 - DWDM

MXP_MR_2.5G and MXPP_MR_2.5G	15454 - M2, 15454 - M6, 15454 - DWDM	15454 - M2, 15454 - M6, 15454 - DWDM	15454 - M2, 15454 - M6, 15454 - DWDM	15454 - M2, 15454 - M6, 15454 - DWDM	15454 - M2, 15454 - M6, 15454 - DWDM	15454 - M2, 15454 - M6, 15454 - DWDM
MXP_MR_10DME_C	15454 - M2, 15454 - M6, 15454 - DWDM	15454 - M2, 15454 - M6, 15454 - DWDM	15454 - M2, 15454 - M6, 15454 - DWDM	15454 - M2, 15454 - M6, 15454 - DWDM	15454 - M2, 15454 - M6, 15454 - DWDM	15454 - M2, 15454 - M6, 15454 - DWDM
MXP_MR_10DME_L	15454 - DWDM	15454 - DWDM	15454 - DWDM	15454 - DWDM	15454 - DWDM	15454 - DWDM
GE_XP and 10GE_XP	15454 - M2, 15454 - M6, 15454 - DWDM	15454 - M2, 15454 - M6, 15454 - DWDM	15454 - M2, 15454 - M6, 15454 - DWDM	15454 - M2, 15454 - M6, 15454 - DWDM	15454 - M2, 15454 - M6, 15454 - DWDM	15454 - M2, 15454 - M6, 15454 - DWDM
GE_XPE and 10GE_XPE	15454 - M2, 15454 - M6, 15454 - DWDM	15454 - M2, 15454 - M6, 15454 - DWDM	15454 - M2, 15454 - M6, 15454 - DWDM	15454 - M2, 15454 - M6, 15454 - DWDM	15454 - M2, 15454 - M6, 15454 - DWDM	15454 - M2, 15454 - M6, 15454 - DWDM
ADM - 10G	15454 - M2, 15454 - M6, 15454 - DWDM	15454 - M2, 15454 - M6, 15454 - DWDM	15454 - M2, 15454 - M6, 15454 - DWDM	15454 - M2, 15454 - M6, 15454 - DWDM	15454 - M2, 15454 - M6, 15454 - DWDM	15454 - M2, 15454 - M6, 15454 - DWDM
OTU2_XP	15454 - M2, 15454 - M6, 15454 - DWDM	15454 - M2, 15454 - M6, 15454 - DWDM	15454 - M2, 15454 - M6, 15454 - DWDM	15454 - M2, 15454 - M6, 15454 - DWDM	15454 - M2, 15454 - M6, 15454 - DWDM	15454 - M2, 15454 - M6, 15454 - DWDM
TXP_MR_10EX_C, MXP_2.5G_10EX_C, and MXP_MR_10DMEX_C	15454 - M2, 15454 - M6, 15454 - DWDM	15454 - M2, 15454 - M6, 15454 - DWDM	15454 - M2, 15454 - M6, 15454 - DWDM	15454 - M2, 15454 - M6, 15454 - DWDM	15454 - M2, 15454 - M6, 15454 - DWDM	15454 - M2, 15454 - M6, 15454 - DWDM
40E - TXP - C, 40ME - TXP - C, 40E - MXP - C, and 40ME - MXP - C	No	15454 - M2, 15454 - M6, 15454 - DWDM	15454 - M2, 15454 - M6, 15454 - DWDM	15454 - M2, 15454 - M6, 15454 - DWDM	15454 - M2, 15454 - M6, 15454 - DWDM	15454 - M2, 15454 - M6, 15454 - DWDM

40E - MXP - C	No	15454 - M2, 15454 - M6, 15454 - DWDM	15454 - M2, 15454 - M6, 15454 - DWDM	15454 - M2, 15454 - M6, 15454 - DWDM	15454 - M2, 15454 - M6, 15454 - DWDM	15454 - M2, 15454 - M6, 15454 - DWDM
40G - TXP - C	15454 - DWDM, 15454 - M2, 15454 - M6	15454 - M2, 15454 - M6, 15454 - DWDM	15454 - M2, 15454 - M6, 15454 - DWDM	15454 - M2, 15454 - M6, 15454 - DWDM	15454 - M2, 15454 - M6, 15454 - DWDM	15454 - M2, 15454 - M6, 15454 - DWDM
40G - MXP - C	15454-M2, 15454-M6, 15454-DWDM	15454 - M2, 15454 - M6, 15454 - DWDM	15454 - M2, 15454 - M6, 15454 - DWDM	15454 - M2, 15454 - M6, 15454 - DWDM	15454 - M2, 15454 - M6, 15454 - DWDM	15454 - M2, 15454 - M6, 15454 - DWDM
AR_XP	No	No	No	15454 - M2, 15454 - M6, 15454 - DWDM	15454 - M2, 15454 - M6, 15454 - DWDM	15454 - M2, 15454 - M6, 15454 - DWDM
AR_MXP and AR_XPE	No	No	No	No	15454 - M2, 15454 - M6, 15454 - DWDM	15454 - M2, 15454 - M6, 15454 - DWDM
100G - LC - C, 100G - ME-C, and 10x10G-LC	No	No	No	No	15454 - M2, 15454 - M6	15454 - M2, 15454 - M6
CFP-LC	No	No	No	No	15454 - M6	15454 - M6
WSE	No	No	No	No	No	15454 - M2, 15454 - M6
100GS-CK-LC	No	No	No	No	No	No
200G-CK-LC	No	No	No	No	No	No
MR-MXP	No	No	No	No	No	No
100ME-CKC	No	No	No	No	No	No
100G-CK-C	No	No	No	No	No	No
400G-XP-LC	No	No	No	No	No	No

Table 3: Platform and Software Release Compatibility for Transponder and Muxponder Cards

Card Name	R10.1	R10.3	R10.5	R10.5.2	R10.6.1/10.6.2	R10.7 /10.8/10.9	R11.x.x
TXP_MR_10G	15454DWDM	15454DWDM	15454DWDM	15454DWDM	15454DWDM	15454DWDM	15454DWDM

TXP_MR_10E	15454 - DWDM	15454 - DWDM	15454 - DWDM	15454 - DWDM, NCS 2015	15454 - DWDM, NCS 2015	15454 - DWDM, NCS 2015	15454 - DWDM, NCS 2015
TXP_MR_10EC	15454 - M2, 15454 - M6, 15454 - DWDM	15454 - M2, 15454 - M6, 15454 - DWDM	15454 - M2, 15454 - M6, 15454 - DWDM	15454 - M2, 15454 - M6, 15454 - DWDM	15454 - M2, 15454 - M6, 15454 - DWDM	15454 - M2, 15454 - M6, 15454 - DWDM	15454 - M2, 15454 - M6, 15454 - DWDM
TXP_MR_10EL	15454 - DWDM	15454 - DWDM	15454 - DWDM	15454 - DWDM	15454 - DWDM	15454 - DWDM	15454 - DWDM
TXP_MR_25G and TXPP_MR_25G	15454 - M2, 15454 - M6, 15454 - DWDM	15454 - M2, 15454 - M6, 15454 - DWDM	15454 - M2, 15454 - M6, 15454 - DWDM	15454 - M2, 15454 - M6, 15454 - DWDM	15454 - M2, 15454 - M6, 15454 - DWDM	15454 - M2, 15454 - M6, 15454 - DWDM	15454 - M2, 15454 - M6, 15454 - DWDM
MXP_25G_10G	15454 - DWDM	15454 - DWDM	15454 - DWDM	15454 - DWDM	15454 - DWDM	15454 - DWDM	15454 - DWDM
MXP_25G_10E	15454 - DWDM	15454 - DWDM	15454 - DWDM	15454 - DWDM	15454 - DWDM	15454 - DWDM	15454 - DWDM
MXP_25G_10EC	15454 - M2, 15454 - M6, 15454 - DWDM	15454 - M2, 15454 - M6, 15454 - DWDM	15454 - M2, 15454 - M6, 15454 - DWDM	15454 - M2, 15454 - M6, 15454 - DWDM	15454 - M2, 15454 - M6, 15454 - DWDM	15454 - M2, 15454 - M6, 15454 - DWDM	15454 - M2, 15454 - M6, 15454 - DWDM
MXP_25G_10EL	15454 - DWDM	15454 - DWDM	15454 - DWDM	15454 - DWDM	15454 - DWDM	15454 - DWDM	15454 - DWDM
MXP_MR_25G and MXP_MR_25G	15454 - M2, 15454 - M6, 15454 - DWDM	15454 - M2, 15454 - M6, 15454 - DWDM	15454 - M2, 15454 - M6, 15454 - DWDM	15454 - M2, 15454 - M6, 15454 - DWDM	15454 - M2, 15454 - M6, 15454 - DWDM	15454 - M2, 15454 - M6, 15454 - DWDM	15454 - M2, 15454 - M6, 15454 - DWDM
MXP_MR_10M2EC	15454 - M2, 15454 - M6, 15454 - DWDM	15454 - M2, 15454 - M6, 15454 - DWDM	15454 - M2, 15454 - M6, 15454 - DWDM	15454 - M2, 15454 - M6, 15454 - DWDM	15454 - M2, 15454 - M6, 15454 - DWDM	15454 - M2, 15454 - M6, 15454 - DWDM (From R10.8) NCS 2015	15454 - M2, 15454 - M6, 15454 - DWDM (From R10.8) NCS 2015
MXP_MR_10M2EL	15454 - DWDM	15454 - DWDM	15454 - DWDM	15454 - DWDM	15454 - DWDM	15454 - DWDM	15454 - DWDM

GE_XP and 10GE_XP	15454 - M2, 15454 - M6, 15454 - DWDM	15454 - M2, 15454 - M6, 15454 - DWDM	15454 - M2, 15454 - M6, 15454 - DWDM	15454 - M2, 15454 - M6, 15454 - DWDM	15454 - M2, 15454 - M6, 15454 - DWDM	15454 - M2, 15454 - M6, 15454 - DWDM (From R10.8) NCS 2015	15454 - M2, 15454 - M6, 15454 - DWDM (From R10.8) NCS 2015
GE_XPE and 10GE_XPE	15454 - M2, 15454 - M6, 15454 - DWDM	15454 - M2, 15454 - M6, 15454 - DWDM	15454 - M2, 15454 - M6, 15454 - DWDM	15454 - M2, 15454 - M6, 15454 - DWDM	15454 - M2, 15454 - M6, 15454 - DWDM	15454 - M2, 15454 - M6, 15454 - DWDM (From R10.8) NCS 2015	15454 - M2, 15454 - M6, 15454 - DWDM (From R10.8) NCS 2015
ADM - 10G	15454 - M2, 15454 - M6, 15454 - DWDM	15454 - M2, 15454 - M6, 15454 - DWDM	15454 - M2, 15454 - M6, 15454 - DWDM	15454 - M2, 15454 - M6, 15454 - DWDM	15454 - M2, 15454 - M6, 15454 - DWDM	15454 - M2, 15454 - M6, 15454 - DWDM	15454 - M2, 15454 - M6, 15454 - DWDM
OTU2_XP	15454 - M2, 15454 - M6, 15454 - DWDM	15454 - M2, 15454 - M6, 15454 - DWDM	15454 - M2, 15454 - M6, 15454 - DWDM	15454 - DWDM, 15454 - M2, 15454 - M6, NCS 2015	15454 - DWDM, 15454 - M2, 15454 - M6, NCS 2015	15454 - DWDM, 15454 - M2, 15454 - M6, NCS 2015	15454 - DWDM, 15454 - M2, 15454 - M6, NCS 2015
TXP MPX and MXP	15454 - M2, 15454 - M6, 15454 - DWDM	15454 - M2, 15454 - M6, 15454 - DWDM	15454 - M2, 15454 - M6, 15454 - DWDM	15454 - M2, 15454 - M6, 15454 - DWDM	15454 - M2, 15454 - M6, 15454 - DWDM	15454 - M2, 15454 - M6, 15454 - DWDM	15454 - M2, 15454 - M6, 15454 - DWDM
40E-TXP-C , 40ME - TXP - C, 40E-MXP-C, and 40ME- MXP-C	15454 - M2, 15454 - M6, 15454 - DWDM	15454 - M2, 15454 - M6, 15454 - DWDM	15454 - M2, 15454 - M6, 15454 - DWDM	15454 - M2, 15454 - M6, 15454 - DWDM	15454 - M2, 15454 - M6, 15454 - DWDM	15454 - M2, 15454 - M6, 15454 - DWDM	15454 - M2, 15454 - M6, 15454 - DWDM
40E-MXP -C	15454 - M2, 15454 - M6, 15454 - DWDM	15454 - M2, 15454 - M6, 15454 - DWDM	15454 - M2, 15454 - M6, 15454 - DWDM	15454 - DWDM, 15454 - M2, 15454 - M6, NCS 2015	15454 - DWDM, 15454 - M2, 15454 - M6, NCS 2015	15454 - DWDM, 15454 - M2, 15454 - M6, NCS 2015	15454 - DWDM, 15454 - M2, 15454 - M6, NCS 2015
40G-TXP -C	15454 - M2, 15454 - M6, 15454 - DWDM	15454 - M2, 15454 - M6, 15454 - DWDM	15454 - M2, 15454 - M6, 15454 - DWDM	15454 - M2, 15454 - M6, 15454 - DWDM	15454 - M2, 15454 - M6, 15454 - DWDM	15454 - M2, 15454 - M6, 15454 - DWDM	15454 - M2, 15454 - M6, 15454 - DWDM

40G-MXP -C	15454 - M2, 15454 - M6, 15454 - DWDM	15454 - M2, 15454 - M6, 15454 - DWDM	15454 - M2, 15454 - M6, 15454 - DWDM	15454 - M2, 15454 - M6, 15454 - DWDM	15454 - M2, 15454 - M6, 15454 - DWDM	15454 - M2, 15454 - M6, 15454 - DWDM	15454 - M2, 15454 - M6, 15454 - DWDM
AR_XP	15454 - M2, 15454 - M6, 15454 - DWDM	15454 - M2, 15454 - M6, 15454 - DWDM	15454 - M2, 15454 - M6, 15454 - DWDM	15454 - DWDM, 15454 - M2, 15454 - M6, NCS 2015	15454 - DWDM, 15454 - M2, 15454 - M6, NCS 2015	15454 - DWDM, 15454 - M2, 15454 - M6, NCS 2015	15454 - DWDM, 15454 - M2, 15454 - M6, NCS 2015
AR_MXP and AR_XPE	15454 - M2, 15454 - M6, 15454 - DWDM	15454 - M2, 15454 - M6, 15454 - DWDM	15454 - M2, 15454 - M6, 15454 - DWDM, NCS 2015	15454 - M2, 15454 - M6, 15454 - DWDM, NCS 2015	15454 - M2, 15454 - M6, 15454 - DWDM, NCS 2015	15454 - M2, 15454 - M6, 15454 - DWDM, NCS 2015	15454 - M2, 15454 - M6, 15454 - DWDM, NCS 2015
100G-LC -C, 100G- ME-C, and 10x10G-LC	15454 - M2, 15454 - M6	15454 - M2, 15454 - M6	15454 - M2, 15454 - M6, NCS 2015	15454 - M2, 15454 - M6, NCS 2015	15454 - M2, 15454 - M6, NCS 2015	15454 - M2, 15454 - M6, NCS 2015	15454 - M2, 15454 - M6, NCS 2015
CFP-LC	15454 - M6	15454 - M6	15454 - M6	15454 - M6, NCS 2015	15454 - M6, NCS 2015	15454 - M6, NCS 2015	15454 - M6, NCS 2015
WSE	15454 - M2, 15454 - M6	15454 - M2, 15454 - M6	15454 - M2, 15454 - M6, NCS 2015	15454 - M2, 15454 - M6, NCS 2015	15454 - M2, 15454 - M6, NCS 2015	15454 - M2, 15454 - M6, NCS 2015	15454 - M2, 15454 - M6, NCS 2015
100GS -CK-LC	15454 - M2, 15454 - M6	15454 - M2, 15454 - M6	15454 - M2, 15454 - M6, NCS 2015	15454 - M2, 15454 - M6, NCS 2015	15454 - M2, 15454 - M6, NCS 2015	15454 - M2, 15454 - M6, NCS 2015	15454 - M2, 15454 - M6, NCS 2015
200G -CK-LC	No	15454 - M2, 15454 - M6	15454 - M2, 15454 - M6, NCS 2015	15454 - M2, 15454 - M6, NCS 2015	15454 - M2, 15454 - M6, NCS 2015	15454 - M2, 15454 - M6, NCS 2015	15454 - M2, 15454 - M6, NCS 2015
MR-MXP	No	15454 - M2, 15454 - M6	15454 - M2, 15454 - M6, NCS 2015	15454 - M2, 15454 - M6, NCS 2015	15454 - M2, 15454 - M6, NCS 2015	15454 - M2, 15454 - M6, NCS 2015	15454 - M2, 15454 - M6, NCS 2015
100ME-CKC	15454 - M2, 15454 - M6	15454 - M2, 15454 - M6	15454 - M2, 15454 - M6, NCS 2015	15454 - M2, 15454 - M6, NCS 2015	15454 - M2, 15454 - M6, NCS 2015	15454 - M2, 15454 - M6, NCS 2015	15454 - M2, 15454 - M6, NCS 2015
100G-CK-C	15454 - M2, 15454 - M6	15454 - M2, 15454 - M6	15454 - M2, 15454 - M6, NCS 2015	15454 - M2, 15454 - M6, NCS 2015	15454 - M2, 15454 - M6, NCS 2015	15454 - M2, 15454 - M6, NCS 2015	15454 - M2, 15454 - M6, NCS 2015
400G-XP-LC	No	No	No	No	15454 - M6 and NCS 2015	15454 - M2, 15454 - M6 and NCS 2015	15454 - M2, 15454 - M6 and NCS 2015

Version Number Compatibility for Transponder and Muxponder Cards

Older versions of the TXP_MR_10E_C, TXP_MR_2.5G, TXPP_MR_2.5G, and MXP_2.5G_10E_C cards cannot be installed in the Cisco ONS 15454 M2 and Cisco ONS 15454 M6 shelves because of an incompatible backplane connector.

The following table describes the version numbers of the cards that are compatible with the Cisco ONS 15454 M2 and Cisco ONS 15454 M6 shelves. The version numbers can be viewed from the HW Rev field in the Inventory tab.

Table 4: Version Number Compatibility

Card	Version Number
TXP_MR_2.5G	Version 06 or later of the different unit part number
TXPP_MR_2.5G	Version 06 or later of the different unit part number
MXP_2.5G_10E_C	Version 04 or later of the 800-26774 part number
TXP_MR_10E_C	Version 04 or later of the 800-26772 part number

Safety Labels

For information about safety labels, see the ["Safety Labels"](#) section.

Interface Classes

The input interface cards have been grouped in classes listed in the following table. The subsequent tables list the optical performance and output power of each interface class.

Table 5: Card Interfaces Assigned to Input Power Classes

Input Power Class	Card
A	10-Gbps multirate transponder cards (TXP_MR_10G, TXP_MR_10E, TXP_MR_10E_C, and TXP_MR_10E_L) with forward error correction (FEC) enabled, 10-Gbps muxponder cards (MXP_2.5G_10G, MXP_2.5G_10E, MXP_MR_10DME_C, MXP_MR_10DME_L, MXP_2.5G_10E_C, and MXP_2.5G_10E_L) with FEC enabled, 40-Gbps transponder cards (40E-TXP-C, and 40ME-TXP-C), and 40-Gbps muxponder cards (40G-MXP-C, 40E-MXP-C, and 40ME-MXP-C)
B	10-Gbps multirate transponder card (TXP_MR_10G) without FEC and the 10-Gbps muxponder card (MXP_2.5G_10G, MXP_MR_10DME_C, MXP_MR_10DME_L), 40-Gbps transponder cards (40E-TXP-C, and 40ME-TXP-C), and 40-Gbps muxponder cards (40G-MXP-C, 40E-MXP-C, and 40ME-MXP-C), and ADM-10G cards with FEC disabled
C	OC-192 LR ITU cards without FEC, 10-Gbps multirate transponder (TXP_MR_10E, TXP_MR_10E_C, and TXP_MR_10E_L) and muxponder (MXP_2.5G_10E, MXP_2.5G_10E_L, and MXP_MR_10DME_L) cards with FEC disabled

Input Power Class	Card
D	2.5-Gbps multirate transponder card (TXP_MR_2.5G), both protected and unprotected, with FEC enabled
E	OC-48 100-GHz dense wavelength division multiplexing (DWDM) muxponder card (MXP_MR_2.5G) and 2.5-Gbps multirate transponder card (TXP_MR_2.5G), protected or unprotected; FEC disabled; and retime, reshape, and regenerate (3R) mode enabled
F	2.5-Gbps multirate transponder card (TXP_MR_2.5G), protected or unprotected, in regenerate and reshape (2R) mode
G	OC-48 ELR 100 GHz card
H	2/4 port GbE transponder (GBIC WDM 100GHz)
I	10-Gbps multirate transponder cards (TXP_MR_10E, TXP_MR_10E_C, and TXP_MR_10E_L) and 10-Gbps muxponder cards (MXP_2.5G_10E, MXP_2.5G_10E_L, and MXP_MR_10DME_L) with enhanced FEC (E-FEC) enabled, 40-Gbps transponder cards (40E-TXP-C, and 40ME-TXP-C), and 40-Gbps muxponder cards (40G-MXP-C, 40G-MXP-C, 40E-MXP-C, and 40ME-MXP-C) with E-FEC enabled
K	OC-192/STM-64 LR ITU cards without FEC, 100GHz 10Gbps Ethernet Xponder (GE_XP, GE_XPE, 10GE_XP, 10GE_XPE), Sonet/SDH add/drop (ADM_10G), OTU2 Xponder (OTU2_XP), with FEC disabled
L	40Gbps Duobinary CRS-1 DWDM ITU-T line card
M	2.5 Gbps DWDM ITU-T SPF
N	10Gbps enhanced full tunable transponder (TXP_MR_10E_C) and muxponder (MXP_2.5G_10E_C, MXP_MR_10DME_C) with E-FEC enabled
O	10Gbps Ethernet Xponder (GE_XP, GE_XPE, 10GE_XP, 10GE_XPE), 10Gbps Sonet/SDH add/drop (ADM_10G), OTU2 Xponder (OTU2_XP), with FEC enabled
P	10Gbps Ethernet Xponder (GE_XP, GE_XPE, 10GE_XP, 10GE_XPE), 10Gbps Sonet/SDH add/drop (ADM_10G), OTU2 Xponder (OTU2_XP), with E-FEC enabled
T	40Gbps DPSK CRS-1 DWDM ITU-T line card
V	OC-192/STM-64 LR ITU cards without FEC, full tunable 10Gbps Ethernet Xponder (GE_XP, GE_XPE, 10GE_XP, 10GE_XPE), Sonet/SDH add/drop (ADM_10G), OTU2 Xponder (OTU2_XP), with FEC disabled, full tunable
W	10Gbps Ethernet Xponder (GE_XP, GE_XPE, 10GE_XP, 10GE_XPE), Sonet/SDH add/drop (ADM_10G), OTU2 Xponder (OTU2_XP), with FEC enabled, full tunable
X	10Gbps Ethernet Xponder (GE_XP, GE_XPE, 10GE_XP, 10GE_XPE), Sonet/SDH add/drop (ADM_10G), OTU2 Xponder (OTU2_XP), with E-FEC enabled, full tunable
Y	10Gbps enhanced full tunable transponder (TXP_MR_10EX_C) and muxponder (MXP_2.5G_10EX_C, MXP_MR_10DMEX_C), with FEC enabled and maximum likelihood sequence estimator (MLSE) correction

Input Power Class	Card
Z	10Gbps enhanced full tunable transponder (TXP_MR_10EX_C) and muxponder (MXP_2.5G_10EX_C, MXP_MR_10DMEX_C), with E-FEC enabled and MLSE correction

Table 6: 40-Gbps Interface Optical Performance

Parameter	Class A		Class B		Class I	
	Power Limited	OSNR Limited (if appl.) OSNR = optical signal-to-noise ratio	Power Limited	OSNR Limited (if appl.)	Power Limited	OSNR Limited (if appl.)
Maximum bit rate	40 Gbps		40 Gbps		40 Gbps	
Regeneration	3R		3R		3R	
FEC	Yes		No		Yes (E-FEC)	
Threshold	Optimum		Average		Optimum	
Maximum BER BER = bit error rate	10–15		10–12		10–15	
OSNR sensitivity OSNR = optical signal-to-noise ratio	23 dB	9 dB	23 dB	19 dB	20 dB	8 dB
Power sensitivity	-24 dBm	-18 dBm	-21 dBm	-20 dBm	-26 dBm	-18 dBm
Power overload	-8 dBm		-8 dBm		-8 dBm	
Transmitted Power Range—These values, decreased by patchcord and connector losses, are also the input power values for the OADM cards.						
40-Gbps multirate transponder/40-Gbps FEC transponder (40E-TXP-C, and 40ME-TXP-C)	+2.5 to 3.5 dBm		+2.5 to 3.5 dBm		—	
OC-192 LR ITU	—		—		—	
Dispersion compensation tolerance	+/-800 ps/nm		+/-1,000 ps/nm		+/-800 ps/nm	

Table 7: 10-Gbps Interface Optical Performance (Class A, B, C, I, and K)

Parameter	Class A		Class B		Class C		Class I		Class K	
	Power Limited	OSNR Limited	Power Limited	OSNR Limited	Power Limited	OSNR Limited	Power Limited	OSNR Limited	Power Limited	OSNR Limited
Maximum bit rate	10 Gbps		10 Gbps		10 Gbps		10 Gbps		10 Gbps	
Regeneration	3R		3R		3R		3R		3R	
FEC	Yes		No		No		Yes (E-FEC)		No	
Threshold	Optimum		Average		Average		Optimum		Average	
Maximum BER	10–15		10–12		10–12		10–15		10–12	
OSNR sensitivity	23 dB	8.5 dB	23 dB	19 dB	19 dB	19 dB	20 dB	6 dB	23 dB	16 dB ³
									This value is for Xen Pak XFP used with Catalyst card.	
									23 dB	17 dB ⁴
Power sensitivity	–24 dBm	–18 dBm	–21 dBm	–20 dBm	–22 dBm	–22 dBm	–26 dBm	–18 dBm	–24 dBm ³	–17 dBm ³
									–23 dBm ⁴	–18 dBm ⁴
									–23 dBm ⁵	–17 dBm ⁵
Power overload	–8 dBm		–8 dBm		–9 dBm		–8 dBm		–7 dBm	

Parameter	Class A		Class B		Class C		Class I		Class K	
	Power Limited	OSNR Limited	Power Limited	OSNR Limited	Power Limited	OSNR Limited	Power Limited	OSNR Limited	Power Limited	OSNR Limited
Transmitted Power Range—These values, decreased by patchcord and connector losses, are also the input power values for optical add drop multiplexer (OADM) cards.										
10-Gbps multirate transponder /10-Gbps FEC transponder	+2.5 to 3.5 dBm (for TXP_MR_10G)		+2.5 to 3.5 dBm		+3.0 to 6.0 dBm		+3.0 to 6.0 dBm		—	
	+3.0 to 6.0 dBm (for TXP_MR_10E)									
OC-192 LR ITU	—		—		+3.0 to 6.0 dBm		—		-1.0 to +3.0 dBm	
10-Gbps Ethernet Xponder, Sonet/SDH Add/Drop, OTU2 Xponder	—		—		—		—		-1.0 to +3.0 dBm	
Dispersion compensation tolerance	+/-800 ps/nm		+/-1,000 ps/nm		+/-1,000 ps/nm		+/-800 ps/nm		-400 to +800 ps/nm	

Table 8: 10-Gbps Interface Optical Performance (Class N, O, P, and V)

Parameter	Class N		Class O		Class P		Class V	
	Power Limited	OSNR Limited	Power Limited	OSNR Limited	Power Limited	OSNR Limited	Power Limited	OSNR Limited
Maximum bit rate	10 Gbps		10 Gbps		10 Gbps		10 Gbps	
Regeneration	3R		3R		3R		3R	
FEC	Yes (E-FEC)		Yes		Yes (E-FEC)		No	
Threshold	Optimum		Optimum		Optimum		Average	
Maximum BER	10–15		10–15		10–15		10–12	
OSNR sensitivity	19 dB	5 dB	11 dB	11 dB	23 dB	8 dB	23 dB	16 dB
Power sensitivity	-27 dBm	-20 dBm	-18 dBm	-18 dBm	-27 dBm	-18 dBm	-24 dBm	-18 dBm
Power overload	-8 dBm		-7 dBm		-7 dBm		-7 dBm	

Parameter	Class N		Class O		Class P		Class V	
	Power Limited	OSNR Limited	Power Limited	OSNR Limited	Power Limited	OSNR Limited	Power Limited	OSNR Limited
Transmitted Power Range—These values, decreased by patchcord and connector losses, are also the input power values for the optical add drop multiplexer (OADM) cards.								
10-Gbps multirate transponder/10-Gbps FEC transponder	+3.0 to 6.0 dBm		—		—		—	
OC-192 LR ITU	—		—		—		0 to +3.0 dBm	
10-Gbps Ethernet Xponder, Sonet/SDH Add/Drop, OTU2 Xponder	—		-1.0 to +3.0 dBm		-1.0 to +3.0 dBm		0 to +3.0 dBm	
Dispersion compensation tolerance	+/-800 ps/nm		-500 to +1100 ps/nm		-500 to +1100 ps/nm		-500 to +1600 ps/nm	

Table 9: 10-Gbps Interface Optical Performance (Class W, X, Y, and Z)

Parameter	Class W		Class X		Class Y		Class Z	
	Power Limited	OSNR Limited	Power Limited	OSNR Limited	Power Limited	OSNR Limited	Power Limited	OSNR Limited
Maximum bit rate	10 Gbps		10 Gbps		10 Gbps		10 Gbps	
Regeneration	3R		3R		3R		3R	
FEC	Yes		Yes (E-FEC)		Yes		Yes (E-FEC)	
Threshold	Optimum		Optimum		Optimum		Optimum	
Maximum BER	10-15		10-15		10-15		10-15	
OSNR sensitivity	8.5 dB	8.5 dB	19 dB	5 dB	23 dB	8 dB	19 dB	
Power sensitivity	-18 dBm	-18 dBm	-27 dBm	-20 dBm	-24 dBm	-20 dBm	-27 dBm	
Power overload	-7 dBm		-7 dBm		-8 dBm		-8 dBm	
Transmitted Power Range—These values, decreased by patchcord and connector losses, are also the input power values for the optical add drop multiplexer (OADM) cards.								
10-Gbps multirate transponder/10-Gbps FEC transponder	—		—		+3.0 to 6.0 dBm		+3.0 to 6.0 dBm	

Parameter	Class W		Class X		Class Y		Class Z	
	Power Limited	OSNR Limited	Power Limited	OSNR Limited	Power Limited	OSNR Limited	Power Limited	OSNR Limited
OC-192 LR ITU	—	—	—	—	—	—	—	—
10-Gbps Ethernet Xponder, Sonet/SDH Add/Drop, OTU2 Xponder	0 to +3.0 dBm		0 to +3.0 dBm		—		—	
Dispersion compensation tolerance	-500 to +1100 ps/nm		-500 to +1300 ps/nm		-800 to +1600 ps/nm		-2200 to +3700 ps/nm	

Table 10: 2.5-Gbps Interface Optical Performance (Class D, E, and F)

Parameter	Class D		Class E		Class F	
	Power Limited	OSNR Limited	Power Limited	OSNR Limited	Power Limited	OSNR Limited
Maximum bit rate	2.5 Gbps		2.5 Gbps		2.5 Gbps	
Regeneration	3R		3R		2R	
FEC	Yes		No		No	
Threshold	Average		Average		Average	
Maximum BER	10–15		10–12		10–12	
OSNR sensitivity	14 dB	5 dB	14 dB	10 dB	15 dB	15 dB
Power sensitivity	-31 dBm	-25 dBm	-30 dBm	-23 dBm	-24 dBm	-24 dBm
Power overload	-9 dBm		-9 dBm		-9 dBm	
Transmitted Power Range—These values, decreased by patchcord and connector losses, are also the input power values for the optical add drop multiplexer (OADM) cards.						
TXP_MR_2.5G and TXPP_MR_2.5G	-1.0 to 1.0 dBm		-1.0 to 1.0 dBm		-1.0 to 1.0 dBm	
MXP_MR_2.5G and MXPP_MR_2.5G	—		+2.0 to +4.0 dBm		—	
OC-48 ELR 100 GHz	—		—		—	
2/4 port GbE Transponder (GBIC WDM 100GHz)	—		—		—	
2.5 Gbps DWDM ITU-T SPF	—		—		—	
Dispersion compensation tolerance	-1200 to +5400 ps/nm		-1200 to +5400 ps/nm		-1200 to +3300 ps/nm	

Table 11: 2.5-Gbps Interface Optical Performance (Class G, H, and M)

Parameter	Class G		Class H		Class M	
	Power Limited	OSNR Limited	Power Limited	OSNR Limited	Power Limited	OSNR Limited
Maximum bit rate	2.5 Gbps		1.25 Gbps		2.5 Gbps	
Regeneration	3R		3R		3R	
FEC	No		No		No	
Threshold	Average		Average		Average	
Maximum BER	10–12		10–12		10–12	
OSNR sensitivity	14 dB	11 dB	13 dB	8 dB	14 dB	9 dB
Power sensitivity	–27 dBm	–23 dBm	–28 dBm	–18 dBm	–28 dBm	–22 dBm
Power overload	–9 dBm		–7 dBm		–9 dBm	
Transmitted Power Range—These values, decreased by patchcord and connector losses, are also the input power values for the optical add drop multiplexer (OADM) cards.						
TXP_MR_2.5G	—		—		—	
TXPP_MR_2.5G	—		—		—	
MXP_MR_2.5G	–2.0 to 0 dBm		—		—	
MXPP_MR_2.5G	—		—		—	
OC-48 ELR 100 GHz	—		—		—	
2/4 port GbE Transponder (GBIC WDM 100GHz)	–1200 to +3300 ps/nm		0 to +3 dBm		—	
2.5 Gbps DWDM ITU-T SPF	—		—		0 to +4 dBm	
Dispersion compensation tolerance	—		–1000 to +3600 ps/nm		–800 to +2400 ps/nm	

TXP_MR_10G Card

The TXP_MR_10G card has reached end of support.

(Cisco ONS 15454 only)

The TXP_MR_10G processes one 10-Gbps signal (client side) into one 10-Gbps, 100-GHz DWDM signal (trunk side). It provides one 10-Gbps port per card that can be provisioned for an STM-64/OC-192 short reach

(1310-nm) signal, compliant with ITU-T G.707, ITU-T G.709, ITU-T G.691, and Telcordia GR-253-CORE, or a 10GBASE-LR signal compliant with IEEE 802.3.

The TXP_MR_10G card is tunable over two neighboring wavelengths in the 1550-nm, ITU 100-GHz range. It is available in 16 different versions, each of which covers two wavelengths, for a total coverage of 32 different wavelengths in the 1550-nm range.



Note ITU-T G.709 specifies a form of forward error correction (FEC) that uses a “wrapper” approach. The digital wrapper lets you transparently take in a signal on the client side, wrap a frame around it and restore it to its original form. FEC enables longer fiber links because errors caused by the optical signal degrading with distance are corrected.

The trunk port operates at 9.95328 Gbps (or 10.70923 Gbps with ITU-T G.709 Digital Wrapper/FEC) and at 10.3125 Gbps (or 11.095 Gbps with ITU-T G.709 Digital Wrapper/FEC) over unamplified distances up to 80 km (50 miles) with different types of fiber such as C-SMF or dispersion compensated fiber limited by loss and/or dispersion.



Caution Because the transponder has no capability to look into the payload and detect circuits, a TXP_MR_10G card does not display circuits under card view.



Caution You must use a 15-dB fiber attenuator (10 to 20 dB) when working with the TXP_MR_10G card in a loopback on the trunk port. Do not use direct fiber loopbacks with the TXP_MR_10G card. Using direct fiber loopbacks causes irreparable damage to the TXP_MR_10G card.

You can install TXP_MR_10G cards in Slots 1 to 6 and 12 to 17 and provision this card in a linear configuration. TXP_MR_10G cards cannot be provisioned as a bidirectional line switched ring (BLSR)/Multiplex Section - Shared Protection Ring (MS-SPRing), a path protection/subnetwork connection protection (SNCP), or a regenerator. They can only be used in the middle of BLSR/MS-SPRing and 1+1 spans when the card is configured for transparent termination mode.

The TXP_MR_10G port features a 1550-nm laser for the trunk port and a 1310-nm laser for the for the client port and contains two transmit and receive connector pairs (labeled) on the card faceplate.

The MTU setting is used to display the OverSizePkts counters on the receiving trunk and client port interfaces. Traffic of frame sizes up to 65535 bytes pass without any packet drops, from the client port to the trunk port and vice versa irrespective of the MTU setting.

The TXP_MR_10G card has the following available wavelengths and versions:

- ITU grid blue band:
 - 1538.19 to 1538.98 nm, 10T-L1-38.1
 - 1539.77 to 1540.56 nm, 10T-L1-39.7
 - 1530.33 to 1531.12 nm, 10T-L1-30.3
 - 1531.90 to 1532.68 nm, 10T-L1-31.9
 - 1534.25 to 1535.04 nm, 10T-L1-34.2

- 1535.82 to 1536.61 nm, 10T-L1-35.8
- 1542.14 to 1542.94 nm, 10T-L1-42.1
- 1543.73 to 1544.53 nm, 10T-L1-43.73
- ITU grid red band:
 - 1554.13 to 1554.94 nm, 10T-L1-54.1
 - 1555.75 to 1556.55 nm, 10T-L1-55.7
 - 1546.12 to 1546.92 nm, 10T-L1-46.1
 - 1547.72 to 1548.51 nm, 10T-L1-47.7
 - 1550.12 to 1550.92 nm, 10T-L1-50.1
 - 1551.72 to 1552.52 nm, 10T-L1-51.7
 - 1558.17 to 1558.98 nm, 10T-L1-58.1
 - 1559.79 to 1560.61 nm, 10T-L1-59.7

For more information about the TXP_MR_10G card, see

http://www.cisco.com/en/US/prod/collateral/optical/ps5724/ps2006/ps320/product_data_sheet0900aecd80121bf7_ps13234_Products_Data_Sheet.html

Related Procedures for TXP_MR_10G Card

The following is the list of procedures and tasks related to the configuration of the TXP_MR_10G card:

- [NTP-G96 Provisioning the 10G Multirate Transponder Card Line Settings, PM Parameters, and Thresholds, on page 256](#)
- [NTP-G33 Creating a Y-Cable Protection Group, on page 222](#)
- [NTP-G75 Monitor Transponder and Muxponder Performance](#)

TXP_MR_10E Card

The card is fully backward compatible with the TXP_MR_10G card. It processes one 10-Gbps signal (client side) into one 10-Gbps, 100-GHz DWDM signal (trunk side) that is tunable over four wavelength channels (spaced at 100 GHz on the ITU grid) in the C band and tunable over eight wavelength channels (spaced at 50 GHz on the ITU grid) in the L band. There are eight versions of the C-band card, with each version covering four wavelengths, for a total coverage of 32 wavelengths. There are five versions of the L-band card, with each version covering eight wavelengths, for a total coverage of 40 wavelengths.

You can install TXP_MR_10E cards in Slots 1 to 6 and 12 to 17 in ONS 15454 DWDM chassis, Slots 2 and 3 in ONS 15454 M2 chassis, Slots 2 to 7 in ONS 15454 M6, Slots 2 to 16 in Cisco NCS 2015 chassis and provision the cards in a linear configuration, BLSR/MS-SPRing, path protection/SNCP, or a regenerator. The card can be used in the middle of BLSR/MS-SPRing or 1+1 spans when the card is configured for transparent termination mode.

The TXP_MR_10E card features a 1550-nm tunable laser (C band) or a 1580-nm tunable laser (L band) for the trunk port and ONS-XC-10G-S1 1310-nm or ONS-XC-10G-L2 1550-nm laser XFP module for the client port that can be ordered separately.

When TNCS-2 and TNCS-2O cards are present as control cards, LDCC is not supported for the TXP_MR_10E card.



Note When the ONS-XC-10G-L2 XFP is installed, the TXP_MR_10E card must be installed in Slots 6, 7, 12, or 13 in the ONS 15454 chassis.

On its faceplate, the TXP_MR_10E card contains two transmit and receive connector pairs, one for the trunk port and one for the client port. Each connector pair is labeled.

Key Features

The key features of the TXP_MR_10E card are:

- A tri-rate client interface (available through the ONS-XC-10G-S1 XFP, ordered separately)
 - OC-192 (SR1)
 - 10GE (10GBASE-LR)
 - 10G-FC (1200-SM-LL-L)
 - IB_5G
- OC-192 to ITU-T G.709 OTU2 provisionable synchronous and asynchronous mapping
- The MTU setting is used to display the OverSizePkts counters on the receiving Gigabit Ethernet client port interfaces. Traffic of frame sizes up to 65535 bytes pass without any packet drops, from the client port to the trunk port irrespective of the MTU setting.

TXP_MR_10E Functions

The following functions of the TXP_MR_10E card are explained in "Card Features" chapter:

- Client Interface
- DWDM Trunk Interface
- FEC
- Client-to-Trunk Mapping

For more information about the TXP_MR_10E card, see

http://www.cisco.com/en/US/prod/collateral/optical/ps5724/ps2006/ps5320/product_data_sheet/0900aecd803f63e8_ps13234_Products_Data_Sheet.html

Related Procedures for TXP_MR_10E Card

The following is the list of procedures and tasks related to the configuration of the TXP_MR_10E card:

- [NTP-G96 Provisioning the 10G Multirate Transponder Card Line Settings, PM Parameters, and Thresholds, on page 256](#)

- [NTP-G33 Creating a Y-Cable Protection Group, on page 222](#)
- [NTP-G75 Monitor Transponder and Muxponder Performance](#)

TXP_MR_10E_C and TXP_MR_10E_L Cards

The TXP_MR_10E_C and TXP_MR_10E_L cards are fully backward compatible with the TXP_MR_10G and TXP_MR_10E cards. They process one 10-Gbps signal (client side) into one 10-Gbps, 100-GHz DWDM signal (trunk side). The TXP_MR_10E_C is tunable over the entire set of C-band wavelength channels (82 channels spaced at 50 GHz on the ITU grid). The TXP_MR_10E_L is tunable over the entire set of L-band wavelength channels (80 channels spaced at 50 GHz on the ITU grid) and is particularly well suited for use in networks that employ DS fiber or SMF-28 single-mode fiber.

The advantage of these cards over previous versions (TXP_MR_10G and TXP_MR_10E) is that there is only one version of each card (one C-band version and one L-band version) instead of several versions needed to cover each band.

You can install TXP_MR_10E_C and TXP_MR_10E_L cards in Slots 1 to 6 and 12 to 17 in ONS 15454 DWDM chassis, Slot 2 in ONS 15454 M2 chassis, Slots 2 to 6 in ONS 15454 M6 and provision the cards in a linear configuration, BLSR/MS-SPRing, path protection/SNCP, or a regenerator. The cards can be used in the middle of BLSR/MS-SPRing or 1+1 spans when the cards are configured for transparent termination mode.

The TXP_MR_10E_C and TXP_MR_10E_L cards feature a universal transponder 2 (UT2) 1550-nm tunable laser (C band) or a UT2 1580-nm tunable laser (L band) for the trunk port and a separately orderable ONS-XC-10G-S1 1310-nm or ONS-XC-10G-L2 1550-nm laser XFP module for the client port.



Note When the ONS-XC-10G-L2 XFP is installed, the TXP_MR_10E_C or TXP_MR_10E-L card is required to be installed in a high-speed slot (slot 6, 7, 12, or 13).

On its faceplate, the TXP_MR_10E_C and TXP_MR_10E_L cards contain two transmit and receive connector pairs, one for the trunk port and one for the client port. Each connector pair is labeled.

Key Features

The key features of the TXP_MR_10E_C and TXP_MR_10E_L cards are:

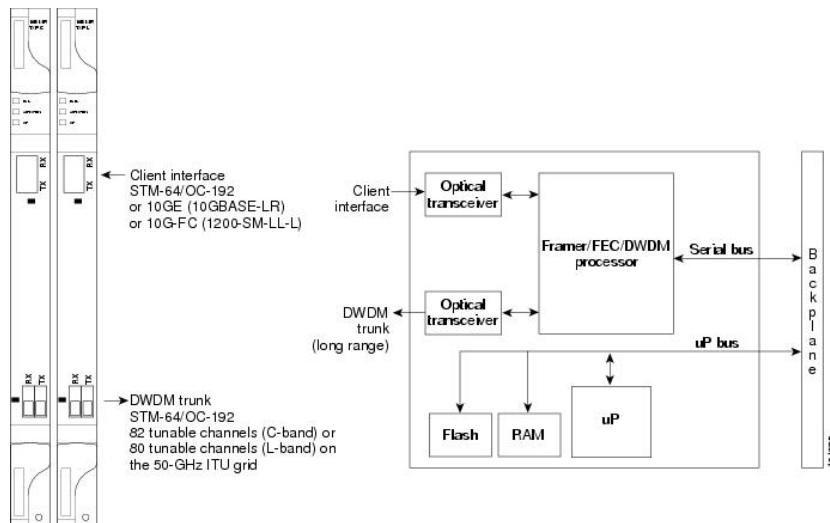
- A tri-rate client interface (available through the ONS-XC-10G-S1 XFP, ordered separately):
 - OC-192 (SR1)
 - 10GE (10GBASE-LR)
 - 10G-FC (1200-SM-LL-L)
- A UT2 module tunable through the entire C band (TXP_MR_10E_C card) or L band (TXP_MR_10E_L card). The channels are spaced at 50 GHz on the ITU grid.
- OC-192 to ITU-T G.709 OTU2 provisionable synchronous and asynchronous mapping.

- The MTU setting is used to display the OverSizePkts counters on the receiving Gigabit Ethernet client port interfaces. Traffic of frame sizes up to 65535 bytes pass without any packet drops, from the client port to the trunk port irrespective of the MTU setting.

For a detailed list of the supported pluggables, see, http://www.cisco.com/c/en/us/td/docs/optical/spares/gbic/guides/b_ons_pluggables.html

Faceplates and Block Diagram

Figure 1: TXP_MR_10E_C and TXP_MR_10E_L Faceplates and Block Diagram



For information about safety labels for the cards, see the "Class 1M Laser Product Cards" section.



Caution You must use a 15-dB fiber attenuator (10 to 20 dB) when working with the TXP_MR_10E_C or TXP_MR_10E_L card in a loopback on the trunk port. Do not use direct fiber loopbacks with the cards. Using direct fiber loopbacks causes irreparable damage to the cards.

TXP_MR_10E_C and TXP_MR_10E_L Functions

The following functions of the TXP_MR_10E_C and TXP_MR_10E_L cards are explained in "Card Features" chapter:

- Automatic Laser Shutdown
- Card level indicators
- Port level indicators
- Client Interface
- DWDM Trunk Interface
- FEC

- Client-to-Trunk Mapping

Related Procedures for TXP_MR_10E_C and TXP_MR_10E_L Cards

The following is the list of procedures and tasks related to the configuration for both TXP_MR_10E_C and TXP_MR_10E_L:

- [NTP-G96 Provisioning the 10G Multirate Transponder Card Line Settings, PM Parameters, and Thresholds, on page 256](#)
- [DLP-G358 Provisioning TXP_MR_10E_L and TXP_MR_10E_C Cards for Acceptance Testing](#)
- [NTP-G75 Monitor Transponder and Muxponder Performance](#)

TXP_MR_2.5G and TXPP_MR_2.5G Cards

The TXP_MR_2.5G card processes one 8-Mbps to 2.488-Gbps signal (client side) into one 8-Mbps to 2.5-Gbps, 100-GHz DWDM signal (trunk side). It provides one long-reach STM-16/OC-48 port per card, compliant with ITU-T G.707, ITU-T G.709, ITU-T G.957, and Telcordia GR-253-CORE.

The TXPP_MR_2.5G card processes one 8-Mbps to 2.488-Gbps signal (client side) into two 8-Mbps to 2.5-Gbps, 100-GHz DWDM signals (trunk side). It provides two long-reach STM-16/OC-48 ports per card, compliant with ITU-T G.707, ITU-T G.957, and Telcordia GR-253-CORE.

The TXP_MR_2.5G and TXPP_MR_2.5G cards are tunable over four wavelengths in the 1550-nm, ITU 100-GHz range. They are available in eight versions, each of which covers four wavelengths, for a total coverage of 32 different wavelengths in the 1550-nm range.

For a detailed list of the supported pluggables, see, http://www.cisco.com/c/en/us/td/docs/optical/spares/gbic/guides/b_ons_pluggables.html



Note ITU-T G.709 specifies a form of FEC that uses a “wrapper” approach. The digital wrapper lets you transparently take in a signal on the client side, wrap a frame around it, and restore it to its original form. FEC enables longer fiber links because errors caused by the optical signal degrading with distance are corrected.

The trunk/line port operates at up to 2.488 Gbps (or up to 2.66 Gbps with ITU-T G.709 Digital Wrapper/FEC) over unamplified distances up to 360 km (223.7 miles) with different types of fiber such as C-SMF or higher if dispersion compensation is used.



Caution Because the transponder has no capability to look into the payload and detect circuits, a TXP_MR_2.5G or TXPP_MR_2.5G card does not display circuits under card view.

The TXP_MR_2.5G and TXPP_MR_2.5G cards support 2R (retime, regenerate) and 3R (retime, reshape, and regenerate) modes of operation where the client signal is mapped into a ITU-T G.709 frame. The mapping function is simply done by placing a digital wrapper around the client signal. Only OC-48/STM-16 client signals are fully ITU-T G.709 compliant, and the output bit rate depends on the input client signal. The following table shows the possible combinations of client interfaces, input bit rates, 2R and 3R modes, and ITU-T G.709 monitoring.

Table 12: 2R and 3R Mode and ITU-T G.709 Compliance by Client Interface

Client Interface	Input Bit Rate	3R vs. 2R	ITU-T G.709
OC-48/STM-16	2.488 Gbps	3R	On or Off
DV-6000	2.38 Gbps	2R	—
2 Gigabit Fibre Channel (2G-FC)/fiber connectivity (FICON)	2.125 Gbps	3R No monitoring	On or Off
High-Definition Television (HDTV)	1.48 Gbps	2R	—
Gigabit Ethernet (GE)	1.25 Gbps	3R	On or Off
1 Gigabit Fibre Channel (1G-FC)/FICON	1.06 Gbps	3R	On or Off
OC-12/STM-4	622 Mbps	3R	On or Off
OC-3/STM-1	155 Mbps	3R	On or Off
Enterprise System Connection (ESCON)	200 Mbps	2R	—
SDI/D1/DVB-ASI video	270 Mbps	2R	—
ISC-1 Compat	1.06 Gbps	2R	Off
ISC-3	1.06 or 2.125 Gbps	2R	—
ETR_CLO	16 Mbps	2R	—



Note ITU-T G.709 and FEC support is disabled for all the 2R payload types in the TXP_MR_2.5G and TXPP_MR_2.5G cards.

The output bit rate is calculated for the trunk bit rate by using the 255/238 ratio as specified in ITU-T G.709 for OTU1. The following table lists the calculated trunk bit rates for the client interfaces with ITU-T G.709 enabled.

Table 13: Trunk Bit Rates With ITU-T G.709 Enabled

Client Interface	ITU-T G.709 Disabled	ITU-T G.709 Enabled
OC-48/STM-16	2.488 Gbps	2.66 Gbps
2G-FC	2.125 Gbps	2.27 Gbps
GE	1.25 Gbps	1.34 Gbps
1G-FC	1.06 Gbps	1.14 Gbps
OC-12/STM-3	622 Mbps	666.43 Mbps

Client Interface	ITU-T G.709 Disabled	ITU-T G.709 Enabled
OC-3/STM-1	155 Mbps	166.07 Mbps

For 2R operation mode, the TXP_MR_2.5G and TXPP_MR_2.5G cards have the ability to pass data through transparently from client side interfaces to a trunk side interface, which resides on an ITU grid. The data might vary at any bit rate from 200-Mbps up to 2.38-Gbps, including ESCON, DVB-ASI, ISC-1, and video signals. In this pass-through mode, no performance monitoring (PM) or digital wrapping of the incoming signal is provided, except for the usual PM outputs from the SFPs. Similarly, this card has the ability to pass data through transparently from the trunk side interfaces to the client side interfaces with bit rates varying from 200-Mbps up to 2.38-Gbps. Again, no PM or digital wrapping of received signals is available in this pass-through mode.

For 3R operation mode, the TXP_MR_2.5G and TXPP_MR_2.5G cards apply a digital wrapper to the incoming client interface signals (OC-N/STM-N, 1G-FC, 2G-FC, GE). PM is available on all of these signals except for 2G-FC, and varies depending upon the type of signal. For client inputs other than OC-48/STM-16, a digital wrapper might be applied but the resulting signal is not ITU-T G.709 compliant. The card applies a digital wrapper that is scaled to the frequency of the input signal.

The TXP_MR_2.5G and TXPP_MR_2.5G cards have the ability to take digitally wrapped signals in from the trunk interface, remove the digital wrapper, and send the unwrapped data through to the client interface. PM of the ITU-T G.709 OH and SONET/SDH OH is implemented.

You can install TXP_MR_2.5G and TXPP_MR_2.5G cards in Slots 1 to 6 and 12 to 17 in ONS 15454 DWDM chassis, Slots 2 and 3 in ONS 15454 M2 chassis, Slots 2 to 7 in ONS 15454 M6. You can provision this card in a linear configuration. TXP_MR_10G and TXPP_MR_2.5G cards cannot be provisioned as a BLSR/MS-SPRing, a path protection/SNCP, or a regenerator. They can be used in the middle of BLSR/MS-SPRing or 1+1 spans only when the card is configured for transparent termination mode.

The TXP_MR_2.5G card features a 1550-nm laser for the trunk/line port and a 1310-nm laser for the client port. It contains two transmit and receive connector pairs (labeled) on the card faceplate. The card uses dual LC connectors for optical cable termination.

The TXPP_MR_2.5G card features a 1550-nm laser for the trunk/line port and a 1310-nm or 850-nm laser (depending on the SFP) for the client port and contains three transmit and receive connector pairs (labeled) on the card faceplate. The card uses dual LC connectors for optical cable termination.

Related Procedures for TXP_MR_2.5G and TXPP_MR_2.5G Cards

The following is the list of procedures and tasks related to the configuration for both TXP_MR_2.5G and TXPP_MR_2.5G:

- [NTP-G98 Provisioning the 2.5G Multirate Transponder Card Line Settings and PM Parameter Thresholds, on page 232](#)
- [NTP-G33 Creating a Y-Cable Protection Group, on page 222](#)
- [NTP-G75 Monitor Transponder and Muxponder Performance](#)

40E-TXP-C and 40ME-TXP-C Cards

The 40E-TXP-C and 40ME-TXP-C cards process a single 40-Gbps signal (client side) into a single 40-Gbps, 50-GHz DWDM signal (trunk side). It provides one 40-Gbps port per card that can be provisioned for an OC-768/STM-256 very short reach (1550-nm) signal compliant with ITU-T G.707, ITU-T G.691, and Telcordia GR-253-CORE, 40G Ethernet LAN signal compliant with IEEE 802.3ba, or OTU3 signal compliant with ITU-T G.709.

You can install and provision the 40E-TXP-C and 40ME-TXP-C cards in a linear configuration in:

- Slots 1 to 5 and 12 to 16 in ONS 15454 DWDM chassis
- Slot 2 in ONS 15454 M2 chassis
- Slots 2 to 6 in ONS 15454 M6 chassis

When a protection switch occurs on the 40E-TXP-C, and 40ME-TXP-C cards, the recovery from PSM protection switch takes about 3 to 4 minutes.

For more information about the 40E-TXP-C and 40ME-TXP-C cards, see http://www.cisco.com/en/US/prod/collateral/optical/ps5724/ps2006/data_sheet_c78-643796.html.

Related Procedures for 40E-TXP-C and 40ME-TXP-C Cards

The following is the list of procedures and tasks related to the configuration of 40E-TXP-C and 40ME-TXP-C:

- [NTP-G292 Provisioning the 40G Multirate Transponder Card Line Settings, PM Parameters, and Thresholds, on page 272](#)
- [NTP-G33 Creating a Y-Cable Protection Group, on page 222](#)
- [NTP-G75 Monitor Transponder and Muxponder Performance](#)

MXP_2.5G_10G Card

The MXP_2.5G_10G card has reached end of support.

The MXP_2.5G_10G card multiplexes/demultiplexes four 2.5-Gbps signals (client side) into one 10-Gbps, 100-GHz DWDM signal (trunk side). It provides one extended long-range STM-64/OC-192 port per card on the trunk side (compliant with ITU-T G.707, ITU-T G.709, ITU-T G.957, and Telcordia GR-253-CORE) and four intermediate- or short-range OC-48/STM-16 ports per card on the client side. The port operates at 9.95328 Gbps over unamplified distances up to 80 km (50 miles) with different types of fiber such as C-SMF or dispersion compensated fiber limited by loss and/or dispersion.

Client ports on the MXP_2.5G_10G card are also interoperable with SONET OC48.

The MXP_2.5G_10G card is tunable over two neighboring wavelengths in the 1550-nm, ITU 100-GHz range. It is available in 16 different versions, each of which covers two wavelengths, for a total coverage of 32 different wavelengths in the 1550-nm range.

For a detailed list of the supported pluggables, see, http://www.cisco.com/c/en/us/td/docs/optical/spares/gbic/guides/b_ons_pluggables.html



Note ITU-T G.709 specifies a form of FEC that uses a “wrapper” approach. The digital wrapper lets you transparently take in a signal on the client side, wrap a frame around it and restore it to its original form. FEC enables longer fiber links because errors caused by the optical signal degrading with distance are corrected.

The port can also operate at 10.70923 Gbps in ITU-T G.709 Digital Wrapper/FEC mode.



Caution Because the transponder has no capability to look into the payload and detect circuits, an MXP_2.5G_10G card does not display circuits under card view.



Caution You must use a 20-dB fiber attenuator (15 to 25 dB) when working with the MXP_2.5G_10G card in a loopback on the trunk port. Do not use direct fiber loopbacks with the MXP_2.5G_10G card. Using direct fiber loopbacks causes irreparable damage to the MXP_2.5G_10G card.

You can install MXP_2.5G_10G cards in Slots 1 to 6 and 12 to 17 in ONS 15454 DWDM chassis, Slots 2 and 3 in ONS 15454 M2 chassis, Slots 2 to 7 in ONS 15454 M6.



Caution Do not install an MXP_2.5G_10G card in Slot 3 if you have installed a DS3/EC1-48 card in Slots 1 or 2. Likewise, do not install an MXP_2.5G_10G card in Slot 17 if you have installed a DS3/EC1-48 card in Slots 15 or 16. If you do, the cards will interact and cause DS-3 bit errors.

You can provision this card in a linear configuration. MXP_2.5G_10G cards cannot be provisioned as a BLSR/MS-SPRing, a path protection/SNCP, or a regenerator. They can be used in the middle of BLSR/MS-SPRing or 1+1 spans only when the card is configured for transparent termination mode.

The MXP_2.5G_10G port features a 1550-nm laser on the trunk port and four 1310-nm lasers on the client ports and contains five transmit and receive connector pairs (labeled) on the card faceplate. The card uses a dual LC connector on the trunk side and SFP connectors on the client side for optical cable termination.



Note When you create a 4xOC-48 OCHCC circuit, you need to select the G.709 and Synchronous options. A 4xOC-48 OCHCC circuit is supported by G.709 and synchronous mode. This is necessary to provision a 4xOC-48 OCHCC circuit.

For more information about the MXP_2.5G_10G card, see

http://www.cisco.com/en/US/prod/collateral/optical/ps724/ps2006/ps5320/product_data_sheet0900aecd80121bee_ps13234_Products_Data_Sheet.html.

Related Procedures for MXP_2.5G_10G Card

The following is the list of procedures and tasks related to the configuration of MXP_2.5G_10G:

- [NTP-G97 Modifying the 4x2.5G Muxponder Card Line Settings and PM Parameter Thresholds, on page 314](#)
- [NTP-G33 Creating a Y-Cable Protection Group, on page 222](#)

- [NTP-G75 Monitor Transponder and Muxponder Performance](#)

MXP_2.5G_10E Card

The MXP_2.5G_10E card has reached end of support.

The faceplate designation of the card is “4x2.5G 10E MXP.” The MXP_2.5G_10E card is a DWDM muxponder that supports full transparent termination the client side. The card multiplexes four 2.5 Gbps client signals (4 x OC48/STM-16 SFP) into a single 10-Gbps DWDM optical signal on the trunk side. The MXP_2.5G_10E provides wavelength transmission service for the four incoming 2.5 Gbps client interfaces. The MXP_2.5G_10E muxponder passes all SONET/SDH overhead bytes transparently.

The MXP_2.5G_10E card is not compatible with the MXP_2.5G_10G card, which does not support full transparent termination. You can install MXP_2.5G_10E cards in Slots 1 to 6 and 12 to 17 in ONS 15454 DWDM chassis, Slots 2 and 3 in ONS 15454 M2 chassis, Slots 2 to 7 in ONS 15454 M6. You can provision this card in a linear configuration, as a BLSR/MS-SPRing, a path protection/SNCP, or a regenerator. The card can be used in the middle of BLSR/MS-SPRing or 1+1 spans when the card is configured for transparent termination mode.

The MXP_2.5G_10E features a 1550-nm laser on the trunk port and four 1310-nm lasers on the client ports and contains five transmit and receive connector pairs (labeled) on the card faceplate. The card uses a dual LC connector on the trunk side and uses SFP modules on the client side for optical cable termination. The SFP pluggable modules are short reach (SR) or intermediate reach (IR) and support an LC fiber connector.



Note When you create a 4xOC-48 OCHCC circuit, you need to select the G.709 and Synchronous options. A 4xOC-48 OCHCC circuit is supported by G.709 and synchronous mode. This is necessary to provision a 4xOC-48 OCHCC circuit.

Key Features

The MXP_2.5G_10E card has the following high level features:

- Four 2.5 Gbps client interfaces (OC-48/STM-16) and one 10 Gbps trunk. The four OC-48 signals are mapped into a ITU-T G.709 OTU2 signal using standard ITU-T G.709 multiplexing.
- Onboard E-FEC processor: The processor supports both standard Reed-Solomon (RS, specified in ITU-T G.709) and E-FEC, which allows an improved gain on trunk interfaces with a resultant extension of the transmission range on these interfaces. The E-FEC functionality increases the correction capability of the transponder to improve performance, allowing operation at a lower OSNR compared to the standard RS (255,239) correction algorithm. A new block code (BCH) algorithm implemented in E-FEC allows recovery of an input BER up to 1E-3.
- Pluggable client interface optic modules: The MXP_2.5G_10E card has modular interfaces. Two types of optics modules can be plugged into the card. These include an OC-48/STM 16 SR-1 interface with a 7-km (4.3-mile) nominal range (for short range and intra-office applications) and an IR-1 interface with a range up to 40 km (24.9 miles). SR-1 is defined in Telcordia GR-253-CORE and in I-16 (ITU-T G.957). IR-1 is defined in Telcordia GR-253-CORE and in S-16-1 (ITU-T G.957).

- High level provisioning support: The MXP_2.5G_10E card is initially provisioned using CiscoTransport Planner software. Subsequently, the card can be monitored and provisioned using CTC software.
- Link monitoring and management: The MXP_2.5G_10E card uses standard OC-48 OH (overhead) bytes to monitor and manage incoming interfaces. The card passes the incoming SDH/SONET data stream and its overhead bytes transparently.
- Control of layered SONET/SDH transport overhead: The card is provisionable to terminate regenerator section overhead. This is used to eliminate forwarding of unneeded layer overhead. It can help reduce the number of alarms and help isolate faults in the network.
- Automatic timing source synchronization: The MXP_2.5G_10E normally synchronizes from the control card. If for some reason, such as maintenance or upgrade activity, the control card is not available, the MXP_2.5G_10E automatically synchronizes to one of the input client interface clocks.
- Configurable squelching policy: The card can be configured to squelch the client interface output if there is LOS at the DWDM receiver or if there is a remote fault. In the event of a remote fault, the card manages multiplex section alarm indication signal (MS-AIS) insertion.

For a detailed list of the supported pluggables, see, http://www.cisco.com/c/en/us/td/docs/optical/spares/gbic/guides/b_ons_pluggables.html

MXP_2.5G_10E Functions

The following functions of the MXP_2.5G_10E card are explained in "Card Features" chapter:

- Client Interface
- DWDM Interface
- Multiplexing Function
- Timing Synchronization
- FEC
- SONET/SDH Overhead Byte Processing
- Card-Level Indicators
- Client Interface Monitoring
- Jitter
- Lamp Test
- Onboard Traffic Generation

Wavelength Identification

The card uses trunk lasers that are wave-locked, which allows the trunk transmitter to operate on the ITU grid effectively. The laser is tunable over eight wavelengths at 50-GHz spacing or four at 100-GHz spacing.

Table 14: MXP_2.5G_10E Trunk Wavelengths

Band	Wavelength (nm)	Band	Wavelength (nm)
30.3	1530.33	46.1	1546.12
30.3	1531.12	46.1	1546.92
30.3	1531.90	46.1	1547.72
30.3	1532.68	46.1	1548.51
34.2	1534.25	50.1	1550.12
34.2	1535.04	50.1	1550.92
34.2	1535.82	50.1	1551.72
34.2	1536.61	50.1	1552.52
38.1	1538.19	54.1	1554.13
38.1	1538.98	54.1	1554.94
38.1	1539.77	54.1	1555.75
38.1	1540.56	54.1	1556.55
42.1	1542.14	58.1	1558.17
42.1	1542.94	58.1	1558.98
42.1	1543.73	58.1	1559.79
42.1	1544.53	58.1	1560.61

For more information about the MXP_2.5G_10E card, see

http://www.cisco.com/en/US/prod/collateral/optical/ps5724/ps2006/ps5320/product_data_sheet0900aecd801018ac.html.

Related Procedures for MXP_2.5G_10E Card

The following is the list of procedures and tasks related to the configuration of MXP_2.5G_10E Card:

- [NTP-G97 Modifying the 4x2.5G Muxponder Card Line Settings and PM Parameter Thresholds, on page 314](#)
- [NTP-G33 Creating a Y-Cable Protection Group, on page 222](#)
- [NTP-G75 Monitor Transponder and Muxponder Performance](#)

MXP_2.5G_10E_C and MXP_2.5G_10E_L Cards

The MXP_2.5G_10E_C and MXP_2.5G_10E_L cards are DWDM muxponders that support transparent termination mode on the client side. The faceplate designation of the cards is “4x2.5G 10E MXP C” for the MXP_2.5G_10E_C card and “4x2.5G 10E MXP L” for the MXP_2.5G_10E_L card. The cards multiplex four 2.5-Gbps client signals (4 x OC48/STM-16 SFP) into a single 10-Gbps DWDM optical signal on the trunk side. The MXP_2.5G_10E_C and MXP_2.5G_10E_L cards provide wavelength transmission service for the four incoming 2.5 Gbps client interfaces. The MXP_2.5G_10E_C and MXP_2.5G_10E_L muxponders pass all SONET/SDH overhead bytes transparently.

The digital wrapper function (ITU-T G.709 compliant) formats the DWDM wavelength so that it can be used to set up GCCs for data communications, enable FEC, or facilitate PM.

The MXP_2.5G_10E_C and MXP_2.5G_10E_L cards work with OTN devices defined in ITU-T G.709. The cards support ODU1 to OTU2 multiplexing, an industry standard method for asynchronously mapping a SONET/SDH payload into a digitally wrapped envelope. See the ["Multiplexing Function"](#) section.

The MXP_2.5G_10E_C and MXP_2.5G_10E_L cards are not compatible with the MXP_2.5G_10G card, which does not support transparent termination mode.

You can install MXP_2.5G_10E_C and MXP_2.5G_10E_L cards in Slots 1 to 6 and 12 to 17 in ONS 15454 DWDM chassis, Slots 2 and 3 in ONS 15454 M2 chassis, Slots 2 to 7 in ONS 15454 M6. You can provision a card in a linear configuration, as a BLSR/MS-SPRing, a path protection/SNCP, or a regenerator. The cards can be used in the middle of BLSR/MS-SPRing or 1+1 spans when the cards are configured for transparent termination mode.

The MXP_2.5G_10E_C card features a tunable 1550-nm C-band laser on the trunk port. The laser is tunable across 82 wavelengths on the ITU grid with 50-GHz spacing between wavelengths. The MXP_2.5G_10E_L features a tunable 1580-nm L-band laser on the trunk port. The laser is tunable across 80 wavelengths on the ITU grid, also with 50-GHz spacing. Each card features four 1310-nm lasers on the client ports and contains five transmit and receive connector pairs (labeled) on the card faceplate. The cards use dual LC connectors on the trunk side and use SFP modules on the client side for optical cable termination. The SFP pluggable modules are SR or IR and support an LC fiber connector.



Note When you create a 4xOC-48 OCHCC circuit, you need to select the G.709 and Synchronous options. A 4xOC-48 OCHCC circuit is supported by G.709 and synchronous mode. This is necessary to provision a 4xOC-48 OCHCC circuit.

Key Features

The MXP_2.5G_10E_C and MXP_2.5G_10E_L cards have the following high level features:

- Four 2.5 Gbps client interfaces (OC-48/STM-16) and one 10 Gbps trunk. The four OC-48 signals are mapped into a ITU-T G.709 OTU2 signal using standard ITU-T G.709 multiplexing.
- Onboard E-FEC processor: The processor supports both standard RS (specified in ITU-T G.709) and E-FEC, which allows an improved gain on trunk interfaces with a resultant extension of the transmission range on these interfaces. The E-FEC functionality increases the correction capability of the transponder to improve performance, allowing operation at a lower OSNR compared to the standard RS (255,239)

correction algorithm. A new BCH algorithm implemented in E-FEC allows recovery of an input BER up to 1E-3.

- **Pluggable client interface optic modules:** The MXP_2.5G_10E_C and MXP_2.5G_10E_L cards have modular interfaces. Two types of optics modules can be plugged into the card. These include an OC-48/STM 16 SR-1 interface with a 7-km (4.3-mile) nominal range (for short range and intra-office applications) and an IR-1 interface with a range up to 40 km (24.9 miles). SR-1 is defined in Telcordia GR-253-CORE and in I-16 (ITU-T G.957). IR-1 is defined in Telcordia GR-253-CORE and in S-16-1 (ITU-T G.957).
- **High level provisioning support:** The cards are initially provisioned using Cisco TransportPlanner software. Subsequently, the card can be monitored and provisioned using CTC software.
- **Link monitoring and management:** The cards use standard OC-48 OH (overhead) bytes to monitor and manage incoming interfaces. The cards pass the incoming SDH/SONET data stream and its overhead bytes transparently.
- **Control of layered SONET/SDH transport overhead:** The cards are provisionable to terminate regenerator section overhead. This is used to eliminate forwarding of unneeded layer overhead. It can help reduce the number of alarms and help isolate faults in the network.
- **Automatic timing source synchronization:** The MXP_2.5G_10E_C and MXP_2.5G_10E_L cards normally synchronize from the control card. If for some reason, such as maintenance or upgrade activity, the control card is not available, the cards automatically synchronize to one of the input client interface clocks.
- **Configurable squelching policy:** The cards can be configured to squelch the client interface output if there is LOS at the DWDM receiver or if there is a remote fault. In the event of a remote fault, the card manages MS-AIS insertion.
- **The cards are tunable across the full C band (MXP_2.5G_10E_C) or full L band (MXP_2.5G_10E_L),** thus eliminating the need to use different versions of each card to provide tunability across specific wavelengths in a band.

For information about safety labels for the cards, see the "Class 1 Laser Product Cards" section.

For a detailed list of the supported pluggables, see, http://www.cisco.com/c/en/us/td/docs/optical/spares/gbic/guides/b_ons_pluggables.html

MXP_2.5G_10E_C and MXP_2.5G_10E_L Functions

The following functions of the MXP_2.5G_10E_C and MXP_2.5G_10E_L cards are explained in the "Card Features" chapter:

- Client Interface
- DWDM Interface
- Multiplexing Function
- Timing Synchronization
- FEC
- SONET/SDH Overhead Byte Processing
- Client Interface Monitoring

- Automatic Laser Shutdown
- Jitter
- Lamp Test
- Onboard Traffic Generation
- Card level indicators
- Port level indicators

Wavelength Identification

The card uses trunk lasers that are wavelocked, which allows the trunk transmitter to operate on the ITU grid effectively. Both the MXP_2.5G_10E_C and MXP_2.5G_10E_L cards implement the UT2 module. The MXP_2.5G_10E_C card uses a C-band version of the UT2 and the MXP_2.5G_10E_L card uses an L-band version. For MXP_2.5G_10E_C card, the laser is tunable over 82 wavelengths in the C band at 50-GHz spacing on the ITU grid.

Table 15: MXP_2.5G_10E_C Trunk Wavelengths

Channel Number	Frequency (THz)	Wavelength (nm)	Channel Number	Frequency (THz)	Wavelength (nm)
1	196.00	1529.55	42	193.95	1545.72
2	195.95	1529.94	43	193.90	1546.119
3	195.90	1530.334	44	193.85	1546.518
4	195.85	1530.725	45	193.80	1546.917
5	195.80	1531.116	46	193.75	1547.316
6	195.75	1531.507	47	193.70	1547.715
7	195.70	1531.898	48	193.65	1548.115
8	195.65	1532.290	49	193.60	1548.515
9	195.60	1532.681	50	193.55	1548.915
10	195.55	1533.073	51	193.50	1549.32
11	195.50	1533.47	52	193.45	1549.71
12	195.45	1533.86	53	193.40	1550.116
13	195.40	1534.250	54	193.35	1550.517
14	195.35	1534.643	55	193.30	1550.918
15	195.30	1535.036	56	193.25	1551.319
16	195.25	1535.429	57	193.20	1551.721

Channel Number	Frequency (THz)	Wavelength (nm)	Channel Number	Frequency (THz)	Wavelength (nm)
17	195.20	1535.822	58	193.15	1552.122
18	195.15	1536.216	59	193.10	1552.524
19	195.10	1536.609	60	193.05	1552.926
20	195.05	1537.003	61	193.00	1553.33
21	195.00	1537.40	62	192.95	1553.73
22	194.95	1537.79	63	192.90	1554.134
23	194.90	1538.186	64	192.85	1554.537
24	194.85	1538.581	65	192.80	1554.940
25	194.80	1538.976	66	192.75	1555.343
26	194.75	1539.371	67	192.70	1555.747
27	194.70	1539.766	68	192.65	1556.151
28	194.65	1540.162	69	192.60	1556.555
29	194.60	1540.557	70	192.55	1556.959
30	194.55	1540.953	71	192.50	1557.36
31	194.50	1541.35	72	192.45	1557.77
32	194.45	1541.75	73	192.40	1558.173
33	194.40	1542.142	74	192.35	1558.578
34	194.35	1542.539	75	192.30	1558.983
35	194.30	1542.936	76	192.25	1559.389
36	194.25	1543.333	77	192.20	1559.794
37	194.20	1543.730	78	192.15	1560.200
38	194.15	1544.128	79	192.10	1560.606
39	194.10	1544.526	80	192.05	1561.013
40	194.05	1544.924	81	192.00	1561.42
41	194.00	1545.32	82	191.95	1561.83

For MXP_2.5G_10E_L card, the laser is fully tunable over 80 wavelengths in the L band at 50-GHz spacing on the ITU grid.

Table 16: MXP_2.5G_10E_L Trunk Wavelengths

Channel Number	Frequency (THz)	Wavelength (nm)	Channel Number	Frequency (THz)	Wavelength (nm)
1	190.85	1570.83	41	188.85	1587.46
2	190.8	1571.24	42	188.8	1587.88
3	190.75	1571.65	43	188.75	1588.30
4	190.7	1572.06	44	188.7	1588.73
5	190.65	1572.48	45	188.65	1589.15
6	190.6	1572.89	46	188.6	1589.57
7	190.55	1573.30	47	188.55	1589.99
8	190.5	1573.71	48	188.5	1590.41
9	190.45	1574.13	49	188.45	1590.83
10	190.4	1574.54	50	188.4	1591.26
11	190.35	1574.95	51	188.35	1591.68
12	190.3	1575.37	52	188.3	1592.10
13	190.25	1575.78	53	188.25	1592.52
14	190.2	1576.20	54	188.2	1592.95
15	190.15	1576.61	55	188.15	1593.37
16	190.1	1577.03	56	188.1	1593.79
17	190.05	1577.44	57	188.05	1594.22
18	190	1577.86	58	188	1594.64
19	189.95	1578.27	59	187.95	1595.06
20	189.9	1578.69	60	187.9	1595.49
21	189.85	1579.10	61	187.85	1595.91
22	189.8	1579.52	62	187.8	1596.34
23	189.75	1579.93	63	187.75	1596.76
24	189.7	1580.35	64	187.7	1597.19
25	189.65	1580.77	65	187.65	1597.62
26	189.6	1581.18	66	187.6	1598.04

Channel Number	Frequency (THz)	Wavelength (nm)	Channel Number	Frequency (THz)	Wavelength (nm)
27	189.55	1581.60	67	187.55	1598.47
28	189.5	1582.02	68	187.5	1598.89
29	189.45	1582.44	69	187.45	1599.32
30	189.4	1582.85	70	187.4	1599.75
31	189.35	1583.27	71	187.35	1600.17
32	189.3	1583.69	72	187.3	1600.60
33	189.25	1584.11	73	187.25	1601.03
34	189.2	1584.53	74	187.2	1601.46
35	189.15	1584.95	75	187.15	1601.88
36	189.1	1585.36	76	187.1	1602.31
37	189.05	1585.78	77	187.05	1602.74
38	189	1586.20	78	187	1603.17
39	188.95	1586.62	79	186.95	1603.60
40	188.9	1587.04	80	186.9	1604.03

Related Procedures for MXP_2.5G_10E_C and MXP_2.5G_10E_L Cards

The following is the list of procedures and tasks related to the configuration of MXP_2.5G_10E_C and MXP_2.5G_10E_L cards:

- [NTP-G97 Modifying the 4x2.5G Muxponder Card Line Settings and PM Parameter Thresholds](#)
- [NTP-G33 Creating a Y-Cable Protection Group, on page 222](#)
- [NTP-G75 Monitor Transponder and Muxponder Performance](#)

MXP_MR_2.5G and MXPP_MR_2.5G Cards

The MXP_MR_2.5G card aggregates a mix and match of client Storage Area Network (SAN) service client inputs (GE, FICON, Fibre Channel, and ESCON) into one 2.5 Gbps STM-16/OC-48 DWDM signal on the trunk side. It provides one long-reach STM-16/OC-48 port per card and is compliant with Telcordia GR-253-CORE.



Note In Software Release 7.0 and later, two additional operating modes have been made available to the user: pure ESCON (all 8 ports running ESCON), and mixed mode (Port 1 running FC/GE/FICON, and Ports 5 through 8 running ESCON). When the card is part of a system running Software Release 6.0 or below, only one operating mode, (FC/GE) is available for use.

The 2.5-Gbps Multirate Muxponder–Protected–100 GHz–Tunable 15xx.xx-15yy.yy (MXPP_MR_2.5G) card aggregates various client SAN service client inputs (GE, FICON, Fibre Channel, and ESCON) into one 2.5 Gbps STM-16/OC-48 DWDM signal on the trunk side. It provides two long-reach STM-16/OC-48 ports per card and is compliant with ITU-T G.957 and Telcordia GR-253-CORE.

Because the cards are tunable to one of four adjacent grid channels on a 100-GHz spacing, each card is available in eight versions, with 15xx.xx representing the first wavelength and 15yy.yy representing the last wavelength of the four available on the card. In total, 32 DWDM wavelengths are covered in accordance with the ITU-T 100-GHz grid standard, G.692, and Telcordia GR-2918-CORE, Issue 2.

For a detailed list of the supported pluggables, see, http://www.cisco.com/c/en/us/td/docs/optical/spares/gbic/guides/b_ons_pluggables.html

Table 17: Card Versions

Card Version	Frequency Channels at 100 GHz (0.8 nm) Spacing			
1530.33–1532.68	1530.33 nm	1531.12 nm	1531.90 nm	1532.68 nm
1534.25–1536.61	1534.25 nm	1535.04 nm	1535.82 nm	1536.61 nm
1538.19–1540.56	1538.19 nm	1538.98 nm	1539.77 nm	1540.56 nm
1542.14–1544.53	1542.14 nm	1542.94 nm	1543.73 nm	1544.53 nm
1546.12–1548.51	1546.12 nm	1546.92 nm	1547.72 nm	1548.51 nm
1550.12–1552.52	1550.12 nm	1550.92 nm	1551.72 nm	1552.52 nm
1554.13–1556.55	1554.13 nm	1554.94 nm	1555.75 nm	1556.55 nm
1558.17–1560.61	1558.17 nm	1558.98 nm	1559.79 nm	1560.61 nm

The muxponders are intended to be used in applications with long DWDM metro or regional unregenerated spans. Long transmission distances are achieved through the use of flat gain optical amplifiers.

The client interface supports the following payload types:

- 2G FC
- 1G FC
- 2G FICON
- 1G FICON
- GE
- ESCON



Note Because the client payload cannot oversubscribe the trunk, a mix of client signals can be accepted, up to a maximum limit of 2.5 Gbps.

The current version of the ITU-T Transparent Generic Framing Procedure (GFP-T) G.7041 supports transparent mapping of 8B/10B block-coded protocols, including Gigabit Ethernet, Fibre Channel, and FICON.

In addition to the GFP mapping, 1-Gbps traffic on Port 1 or 2 of the high-speed serializer/deserializer (SERDES) is mapped to an STS-24c channel. If two 1-Gbps client signals are present at Port 1 and Port 2 of the SERDES, the Port 1 signal is mapped into the first STS-24c channel and the Port 2 signal into the second STS-24c channel. The two channels are then mapped into an OC-48 trunk channel.

Table 18: MXP_MR_2.5G and MXPP_MR_2.5G Client Interface Data Rates and Encapsulation

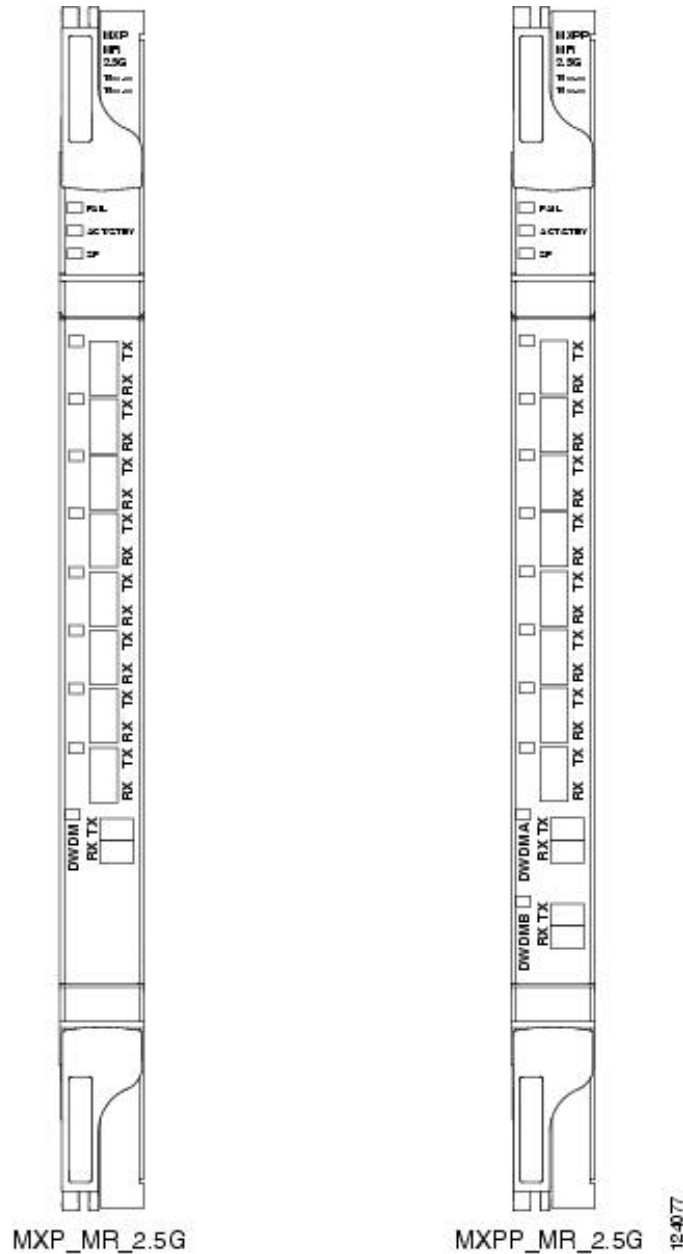
Client Interface	Input Data Rate	ITU-T GFP-T G.7041 Encapsulation
2G FC	2.125 Gbps	Yes
1G FC	1.06 Gbps	Yes
2G FICON	2.125 Gbps	Yes
1G FICON	1.06 Gbps	Yes
GE	1.25 Gbps	Yes
ESCON	0.2 Gbps	Yes

Table 19: Client Data Rates and Ports

Mode	Port(s)	Aggregate Data Rate
2G FC	1	2.125 Gbps
1G FC	1, 2	2.125 Gbps
2G FICON	1	2.125 Gbps
1G FICON	1, 2	2.125 Gbps
GE	1, 2	2.5 Gbps
1G FC -ESCON (mixed mode)	1, 5, 6, 7, 8	1.06 Gbps 0.8 Gbps 1.86 Gbps total
1G FICON -ESCON (mixed mode)	1, 5, 6, 7, 8	1.06 Gbps 0.8 Gbps 1.86 Gbps total
GE -ESCON (mixed mode)	1, 5, 6, 7, 8	1.25 Gbps 0.8 Gbps Total 2.05 Gbps
ESCON	1, 2, 3, 4, 5, 6, 7, 8	1.6 Gbps

Faceplates and Block Diagram

Figure 2: MXP_MR_2.5G and MXPP_MR_2.5G Faceplates



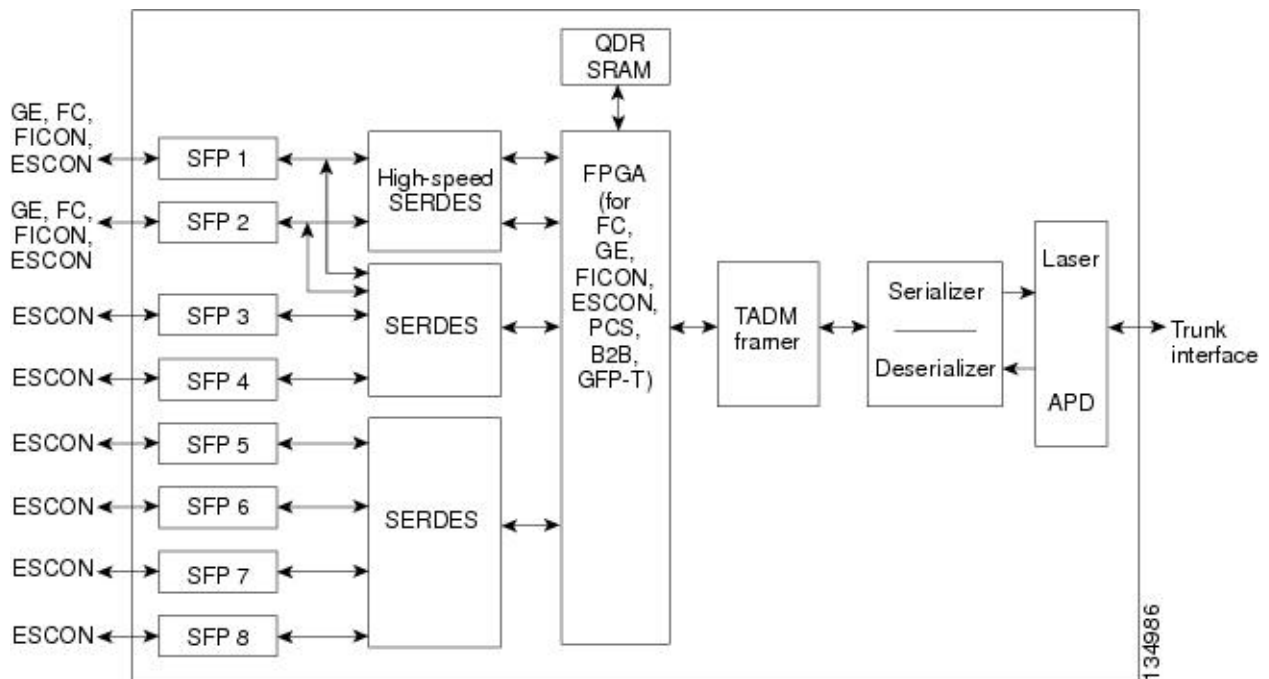
For information about safety labels for the cards, see the ["Class 1M Laser Product Cards"](#) section.

The card has eight SFP client interfaces. Ports 1 and 2 can be used for GE, FC, FICON, or ESCON. Ports 3 through 8 are used for ESCON client interfaces. There are two SERDES blocks dedicated to the high-speed interfaces (GE, FC, FICON, and ESCON) and two SERDES blocks for the ESCON interfaces. A FPGA is provided to support different configurations for different modes of operation. This FPGA has a Universal Test and Operations Physical Interface for ATM (UTOPIA) interface. A transceiver add/drop multiplexer (TADM) chip supports framing. Finally, the output signal is serialized and connected to the trunk front end

with a direct modulation laser. The trunk receive signal is converted into an electrical signal with an avalanche photodiode (APD), is deserialized, and is then sent to the TADM framer and FPGA.

The MXPP_MR_2.5G is the same, except a 50/50 splitter divides the power at the trunk interface. In the receive direction, there are two APDs, two SERDES blocks, and two TADM framers. This is necessary to monitor both the working and protect paths. A switch selects one of the two paths to connect to the client interface.

Figure 3: MXP_MR_2.5G and MXPP_MR_2.5G Block Diagram



Caution You must use a 20-dB fiber attenuator (15 to 25 dB) when working with the MXP_MR_2.5G and MXPP_MR_2.5G cards in a loopback configuration on the trunk port. Do not use direct fiber loopbacks with the MXP_MR_2.5G and MXPP_MR_2.5G cards. Using direct fiber loopbacks causes irreparable damage to the MXP_MR_2.5G and MXPP_MR_2.5G cards.

MXP_MR_2.5G and MXPP_MR_2.5G Functions

The following functions of the MXP_MR_2.5G and MXPP_MR_2.5G cards are explained in the "[Card Features](#)" chapter:

- Performance Monitoring
- Distance Extension
- Slot Compatibility
- Interoperability with Cisco MDS Switches
- Client and Trunk Ports

- Automatic Laser Shutdown
- Card level indicators
- Port level indicator

Related Procedures for MXP_MR_2.5G and MXPP_MR_2.5G Cards

The following is the list of procedures and tasks related to the configuration of MXP_MR_2.5G and MXPP_MR_2.5G cards:

- [NTP-G99 Modifying the 2.5G Data Muxponder Card Line Settings and PM Parameter Thresholds, on page 335](#)
- [NTP-G33 Creating a Y-Cable Protection Group, on page 222](#)
- [NTP-G75 Monitor Transponder and Muxponder Performance](#)

MXP_MR_10DME_C and MXP_MR_10DME_L Cards

The MXP_MR_10DME_C and MXP_MR_10DME_L cards aggregate a mix of client SAN service client inputs (GE, FICON, and Fibre Channel) into one 10.0 Gbps STM-64/OC-192 DWDM signal on the trunk side. It provides one long-reach STM-64/OC-192 port per card and is compliant with Telcordia GR-253-CORE and ITU-T G.957.

The cards support aggregation of the following signal types:

- 1-Gigabit Fibre Channel
- 2-Gigabit Fibre Channel
- 4-Gigabit Fibre Channel
- 1-Gigabit Ethernet
- 1-Gigabit ISC-Compatible (ISC-1)
- 2-Gigabit ISC-Peer (ISC-3)



Note On the card faceplates, the MXP_MR_10DME_C and MXP_MR_10DME_L cards are displayed as 10DME_C and 10DME_L, respectively.



Caution The card can be damaged by dropping it. Handle it safely.



Note Because the client payload cannot oversubscribe the trunk, a mix of client signals can be accepted, up to a maximum limit of 10 Gbps.

The MXP_MR_10DME_C card can be installed in Slots 2 to 7 in Cisco NCS 2015 chassis. This card upgrades to a new bootcode automatically when it is installed between slots 2 and 7. After the bootcode upgrade, the card can be installed in Slots 2 to 16 of the Cisco NCS 2015 chassis.



Note The MXP_MR_10DME_C and MXP_MR_10DME_L cards are not compatible with the MXP_2.5G_10G card, which does not support transparent termination mode.

The MXP_MR_10DME_C card features a tunable 1550-nm C-band laser on the trunk port. The laser is tunable across 82 wavelengths on the ITU grid with 50-GHz spacing between wavelengths. The MXP_MR_10DME_L features a tunable 1580-nm L-band laser on the trunk port. The laser is tunable across 80 wavelengths on the ITU grid, also with 50-GHz spacing. Each card supports eight SFP based client ports and one trunk port. The cards use dual LC connectors on the trunk side and use SFP modules on the client side for optical cable termination. The SFP pluggable modules are SR or IR and support an LC fiber connector.

The current version of the GFP-T G.7041 supports transparent mapping of 8B/10B block-coded protocols, including Gigabit Ethernet, Fibre Channel, ISC, and FICON.

Table 20: MXP_MR_10DME_C and MXP_MR_10DME_L Client Interface Data Rates and Encapsulation

Client Interface	Input Data Rate	GFP-T G.7041 Encapsulation
2G FC	2.125 Gbps	Yes
1G FC	1.06 Gbps	Yes
2G FICON/2G ISC-Compatible (ISC-1)/ 2G ISC-Peer (ISC-3)	2.125 Gbps	Yes
1G FICON/1G ISC-Compatible (ISC-1)/ 1G ISC-Peer (ISC-3)	1.06 Gbps	Yes
Gigabit Ethernet	1.25 Gbps	Yes

There are two FPGAs on each MXP_MR_10DME_C and MXP_MR_10DME_L, and a group of four ports is mapped to each FPGA. Group 1 consists of Ports 1 through 4, and Group 2 consists of Ports 5 through 8. The following table shows some of the mix and match possibilities on the various client data rates for Ports 1 through 4, and Ports 5 through 8. An X indicates that the data rate is supported in that port.

Table 21: Supported Client Data Rates for Ports 1 through 4 and Ports 5 through 8

Port (Group 1)	Port (Group 2)	Gigabit Ethernet	1G FC	2G FC	4G FC
1	5	X	X	X	X
2	6	X	X	—	—
3	7	X	X	X	—
4	8	X	X	—	—

GFP-T PM is available through RMON and trunk PM is managed according to Telcordia GR-253-CORE and ITU G.783/826. Client PM is achieved through RMON for FC and GE.

A buffer-to-buffer credit management scheme provides FC flow control. With this feature enabled, a port indicates the number of frames that can be sent to it (its buffer credit), before the sender is required to stop transmitting and wait for the receipt of a “ready” indication. The MXP_MR_10DME_C and MXP_MR_10DME_L cards support FC credit-based flow control with a buffer-to-buffer credit extension of up to 1600 km (994.1 miles) for 1G FC, up to 800 km (497.1 miles) for 2G FC, or up to 400 km (248.5 miles) for 4G FC. The feature can be enabled or disabled.

The MXP_MR_10DME_C and MXP_MR_10DME_L cards feature a 1550-nm laser for the trunk/line port and a 1310-nm or 850-nm laser (depending on the SFP) for the client ports. The cards contain eight 12.5 degree downward tilt SFP modules for the client interfaces. For optical termination, each SFP uses two LC connectors, which are labeled TX and RX on the faceplate. The trunk port is a dual-LC connector with a 45 degree downward angle.

The throughput of the MXP_MR_10DME_C and MXP_MR_10DME_L cards is affected by the following parameters:

- Distance extension—If distance extension is enabled on the card, it provides more throughput but more latency. If distance extension is disabled on the card, the buffer to buffer credits on the storage switch affects the throughput; higher the buffer to buffer credits higher is the throughput.



Note For each link to operate at the maximum throughput, it requires a minimum number of buffer credits to be available on the devices which the link connects to. The number of buffer credits required is a function of the distance between the storage switch extension ports and the link bandwidth, that is, 1G, 2G, or 4G. These buffer credits are provided by either the storage switch (if distance extension is disabled) or by both the storage switch and the card (if distance extension is enabled).

- Forward Error Correction (FEC)—If Enhanced FEC (E-FEC) is enabled on the trunk port of the card, the throughput is significantly reduced in comparison to standard FEC being set on the trunk port.



Note If distance extension is enabled on the card, the FEC status does not usually affect the throughput of the card.

- Payload size—The throughput of the card decreases with decrease in payload size.

The resultant throughput of the card is usually the combined effect of the above parameters.

Key Features

The MXP_MR_10DME_C and MXP_MR_10DME_L cards have the following high-level features:

- Onboard E-FEC processor: The processor supports both standard RS (specified in ITU-T G.709) and E-FEC, which allows an improved gain on trunk interfaces with a resultant extension of the transmission range on these interfaces. The E-FEC functionality increases the correction capability of the transponder to improve performance, allowing operation at a lower OSNR compared to the standard RS (255,239)

correction algorithm. A new BCH algorithm implemented in E-FEC allows recovery of an input BER up to 1E-3.

- Pluggable client interface optic modules: The MXP_MR_10DME_C and MXP_MR_10DME_L cards have modular interfaces. Two types of optics modules can be plugged into the card. These include an OC-48/STM 16 SR-1 interface with a 7-km (4.3-mile) nominal range (for short range and intra-office applications) and an IR-1 interface with a range up to 40 km (24.9 miles). SR-1 is defined in Telcordia GR-253-CORE and in I-16 (ITU-T G.957). IR-1 is defined in Telcordia GR-253-CORE and in S-16-1 (ITU-T G.957).
- Y-cable protection: Supports Y-cable protection between the same card type only, on ports with the same port number and signal rate. See the ["Y-Cable Protection Availability on TXP, MXP, and Xponder Cards"](#) section for more detailed information.
- High level provisioning support: The cards are initially provisioned using Cisco TransportPlanner software. Subsequently, the card can be monitored and provisioned using CTC software.
- ALS: A safety mechanism used in the event of a fiber cut. For details regarding ALS provisioning for the MXP_MR_10DME_C and MXP_MR_10DME_L cards, see the [NTP-G162 Changing the ALS Maintenance Settings](#) section.
- Link monitoring and management: The cards use standard OC-48 OH bytes to monitor and manage incoming interfaces. The cards pass the incoming SDH/SONET data stream and its OH bytes transparently.
- Control of layered SONET/SDH transport overhead: The cards are provisionable to terminate regenerator section overhead. This is used to eliminate forwarding of unneeded layer overhead. It can help reduce the number of alarms and help isolate faults in the network.
- Automatic timing source synchronization: The MXP_MR_10DME_C and MXP_MR_10DME_L cards normally synchronize from the control card. If for some reason, such as maintenance or upgrade activity, the control card is not available, the cards automatically synchronize to one of the input client interface clocks.



Note MXP_MR_10DME_C and MXP_MR_10DME_L cards cannot be used for line timing.

- Configurable squelching policy: The cards can be configured to squelch the client interface output if there is LOS at the DWDM receiver or if there is a remote fault. In the event of a remote fault, the card manages MS-AIS insertion.
- The cards are tunable across the full C band (MXP_MR_10DME_C) or full L band (MXP_MR_10DME_L), thus eliminating the need to use different versions of each card to provide tunability across specific wavelengths in a band.
- You can provision a string (port name) for each fiber channel/FICON interface on the MXP_MR_10DME_C and MXP_MR_10DME_L cards, which allows the MDS Fabric Manager to create a link association between that SAN port and a SAN port on a Cisco MDS 9000 switch.
- From Software Release 9.0, the fast switch feature of MXP_MR_10DME_C and MXP_MR_10DME_L cards along with the buffer-to-buffer credit recovery feature of MDS switches, prevents reinitialization of ISL links during Y-cable switchovers.

For a detailed list of the supported pluggables, see, http://www.cisco.com/c/en/us/td/docs/optical/spares/gbic/guides/b_ons_pluggables.html

MXP_MR_10DME_C and MXP_MR_10DME_L Functions

The following functions of the MXP_MR_10DME_C and MXP_MR_10DME_L cards are explained in the "Card Features" chapter:

- Card level indicators
- Port level indicators

Wavelength Identification

The card uses trunk lasers that are wavelocked, which allows the trunk transmitter to operate on the ITU grid effectively. Both the MXP_MR_10DME_C and MXP_MR_10DME_L cards implement the UT2 module. The MXP_MR_10DME_C card uses a C-band version of the UT2 and the MXP_MR_10DME_L card uses an L-band version.

The MXP_MR_10DME_C card is tunable over 82 wavelengths in the C band at 50-GHz spacing on the ITU grid.

Table 22: MXP_MR_10DME_C Trunk Wavelengths

Channel Number	Frequency (THz)	Wavelength (nm)	Channel Number	Frequency (THz)	Wavelength (nm)
1	196.00	1529.55	42	193.95	1545.72
2	195.95	1529.94	43	193.90	1546.119
3	195.90	1530.334	44	193.85	1546.518
4	195.85	1530.725	45	193.80	1546.917
5	195.80	1531.116	46	193.75	1547.316
6	195.75	1531.507	47	193.70	1547.715
7	195.70	1531.898	48	193.65	1548.115
8	195.65	1532.290	49	193.60	1548.515
9	195.60	1532.681	50	193.55	1548.915
10	195.55	1533.073	51	193.50	1549.32
11	195.50	1533.47	52	193.45	1549.71
12	195.45	1533.86	53	193.40	1550.116
13	195.40	1534.250	54	193.35	1550.517
14	195.35	1534.643	55	193.30	1550.918
15	195.30	1535.036	56	193.25	1551.319

Channel Number	Frequency (THz)	Wavelength (nm)	Channel Number	Frequency (THz)	Wavelength (nm)
16	195.25	1535.429	57	193.20	1551.721
17	195.20	1535.822	58	193.15	1552.122
18	195.15	1536.216	59	193.10	1552.524
19	195.10	1536.609	60	193.05	1552.926
20	195.05	1537.003	61	193.00	1553.33
21	195.00	1537.40	62	192.95	1553.73
22	194.95	1537.79	63	192.90	1554.134
23	194.90	1538.186	64	192.85	1554.537
24	194.85	1538.581	65	192.80	1554.940
25	194.80	1538.976	66	192.75	1555.343
26	194.75	1539.371	67	192.70	1555.747
27	194.70	1539.766	68	192.65	1556.151
28	194.65	1540.162	69	192.60	1556.555
29	194.60	1540.557	70	192.55	1556.959
30	194.55	1540.953	71	192.50	1557.36
31	194.50	1541.35	72	192.45	1557.77
32	194.45	1541.75	73	192.40	1558.173
33	194.40	1542.142	74	192.35	1558.578
34	194.35	1542.539	75	192.30	1558.983
35	194.30	1542.936	76	192.25	1559.389
36	194.25	1543.333	77	192.20	1559.794
37	194.20	1543.730	78	192.15	1560.200
38	194.15	1544.128	79	192.10	1560.606
39	194.10	1544.526	80	192.05	1561.013
40	194.05	1544.924	81	192.00	1561.42
41	194.00	1545.32	82	191.95	1561.83

The MXP_MR_10DME_L card is fully tunable over 80 wavelengths in the L band at 50-GHz spacing on the ITU grid.

Table 23: MXP_MR_10DME_L Trunk Wavelengths

Channel Number	Frequency (THz)	Wavelength (nm)	Channel Number	Frequency (THz)	Wavelength (nm)
1	190.85	1570.83	41	188.85	1587.46
2	190.8	1571.24	42	188.8	1587.88
3	190.75	1571.65	43	188.75	1588.30
4	190.7	1572.06	44	188.7	1588.73
5	190.65	1572.48	45	188.65	1589.15
6	190.6	1572.89	46	188.6	1589.57
7	190.55	1573.30	47	188.55	1589.99
8	190.5	1573.71	48	188.5	1590.41
9	190.45	1574.13	49	188.45	1590.83
10	190.4	1574.54	50	188.4	1591.26
11	190.35	1574.95	51	188.35	1591.68
12	190.3	1575.37	52	188.3	1592.10
13	190.25	1575.78	53	188.25	1592.52
14	190.2	1576.20	54	188.2	1592.95
15	190.15	1576.61	55	188.15	1593.37
16	190.1	1577.03	56	188.1	1593.79
17	190.05	1577.44	57	188.05	1594.22
18	190	1577.86	58	188	1594.64
19	189.95	1578.27	59	187.95	1595.06
20	189.9	1578.69	60	187.9	1595.49
21	189.85	1579.10	61	187.85	1595.91
22	189.8	1579.52	62	187.8	1596.34
23	189.75	1579.93	63	187.75	1596.76
24	189.7	1580.35	64	187.7	1597.19
25	189.65	1580.77	65	187.65	1597.62

Channel Number	Frequency (THz)	Wavelength (nm)	Channel Number	Frequency (THz)	Wavelength (nm)
26	189.6	1581.18	66	187.6	1598.04
27	189.55	1581.60	67	187.55	1598.47
28	189.5	1582.02	68	187.5	1598.89
29	189.45	1582.44	69	187.45	1599.32
30	189.4	1582.85	70	187.4	1599.75
31	189.35	1583.27	71	187.35	1600.17
32	189.3	1583.69	72	187.3	1600.60
33	189.25	1584.11	73	187.25	1601.03
34	189.2	1584.53	74	187.2	1601.46
35	189.15	1584.95	75	187.15	1601.88
36	189.1	1585.36	76	187.1	1602.31
37	189.05	1585.78	77	187.05	1602.74
38	189	1586.20	78	187	1603.17
39	188.95	1586.62	79	186.95	1603.60
40	188.9	1587.04	80	186.9	1604.03

For more information about the MXP_MR_10DME_C and MXP_MR_10DME_L cards, see http://www.cisco.com/en/US/prod/collateral/optical/ps5724/ps2006/ps5320/product_data_sheet0900aecd803fc51a.html.

Related Procedures for MXP_MR_10DME_C and MXP_MR_10DME_L Cards

The following is the list of procedures and tasks related to the configuration of MXP_MR_10DME_C and MXP_MR_10DME_L cards:

- [NTP-G148 Modifying the 10G Data Muxponder Card Line Settings and PM Parameter Thresholds, on page 357](#)
- [NTP-G33 Creating a Y-Cable Protection Group, on page 222](#)
- [NTP-G75 Monitor Transponder and Muxponder Performance](#)

40G-MXP-C, 40E-MXP-C, and 40ME-MXP-C Cards

The 40G-MXP-C, 40E-MXP-C, and 40ME-MXP-C cards aggregate a variety of client service inputs (Gigabit Ethernet, Fibre Channel, OTU2, OTU2e, and OC-192) into a single 40-Gbps OTU3/OTU3e signal on the trunk side.



Note In CTC, the 40E-MXP-C and 40ME-MXP-C card is displayed with the same card name, 40E-MXP-C.

The 40G-MXP-C, 40E-MXP-C, and 40ME-MXP-C cards support aggregation of the following signals:

- With overclock enabled on the trunk port:
 - OC-192/STM-64 (only on 40E-MXP-C and 40ME-MXP-C cards)
 - 10 Gigabit Fibre Channel
 - OTU2e
 - 10 Gigabit Ethernet LAN-Phy (CBR mapping) (only on 40E-MXP-C and 40ME-MXP-C cards)
- With overclock disabled on the trunk port:
 - 8 Gigabit Fibre Channel
 - 10 GigabitEthernet LAN-Phy (GFP framing)
 - 10 GigabitEthernet LAN-Phy (WIS framing)
 - OC-192/STM-64
 - OTU2



Caution Handle the card with care. Dropping or misuse of the card could result in permanent damage.

You can install and provision the 40G-MXP-C, cards in a linear configuration in:

- Slots 1 to 5 and 12 to 16 in ONS 15454 DWDM chassis
- Slot 2 in ONS 15454 M2 chassis
- Slots 2 to 15 in Cisco NCS 2015 chassis (for 40E-MXP-C card)

The client ports of the 40G-MXP-C, 40E-MXP-C, and 40ME-MXP-C cards interoperates with all the existing TXP/MXP (OTU2 trunk) cards.

The auto negotiation is not supported on the 40G-MXP-C, 40E-MXP-C, and 40ME-MXP-C cards in 8G FC client mode. Hence, during interoperation, the auto negotiation of the 8G-FC client port of the other device connected to 8G-FC client port on 40G-MXP-C, 40E-MXP-C, or 40ME-MXP-C card must be set to Fixed/Disabled.

The client port of 40G-MXP-C, 40E-MXP-C, and 40ME-MXP-C cards do not interoperate with OTU2_XP card when the signal rate is OTU1e (11.049 Gbps) and the “No Fixed Stuff” option is enabled on the trunk port of OTU2_XP card.

For OTU2 and OTU2e client protocols, Enhanced FEC (EFEC) is not supported on Port 1 of the 40G-MXP-C, 40E-MXP-C, and 40ME-MXP-C cards.

Table 24: Client Interface Data Rates for 40G-MXP-C, 40E-MXP-C and 40ME-MXP-C Cards

40G-MXP-C, 40E-MXP-C and 40ME-MXP-C Client Port	FEC Configuration Supported on OTU2/OTU2e Client Protocol
Port 1	Only Standard FEC
Port 2	Standard and Enhanced FEC
Port 3	Standard and Enhanced FEC
Port 4	Standard and Enhanced FEC

When setting up the card for the first time, or when the card comes up after clearing the LOS-P condition due to fiber cut, the trunk port of the 40G-MXP-C card takes about 6 minutes to lock a signal. The trunk port of the 40G-MXP-C card raises an OTUK-LOF alarm when the card is comes up. The alarm clears when the trunk port locks the signal.

When a protection switch occurs on the 40E-MXP-C and 40ME-MXP-C cards, the recovery from PSM protection switch takes about 3 to 4 minutes.

Key Features

The 40G-MXP-C, 40E-MXP-C, and 40ME-MXP-C cards provides the following key features:

- The 40G-MXP-C card uses the RZ-DQPSK 40G modulation format.
- The 40E-MXP-C and 40ME-MXP-C cards uses the CP-DQPSK modulation format.
- Onboard E-FEC processor—The E-FEC functionality improves the correction capability of the transponder to improve performance, allowing operation at a lower OSNR compared to the standard RS (239,255) correction algorithm. A new BCH algorithm implemented (according to G.975.1 I.7) in E-FEC allows recovery of an input BER up to 1E-3. The 40G-MXP-C, 40E-MXP-C, and 40ME-MXP-C cards support both the standard RS (specified in ITU-T G.709) and E-FEC standard, which allows an improved gain on trunk interfaces with a resultant extension of the transmission range on these interfaces.
- Y-cable protection—Supports Y-cable protection only between the same card type on ports with the same port number and signal rate. For more information on Y-cable protection, see the "[Y-Cable Protection Availability on TXP, MXP, and Xponder Cards](#)" section.



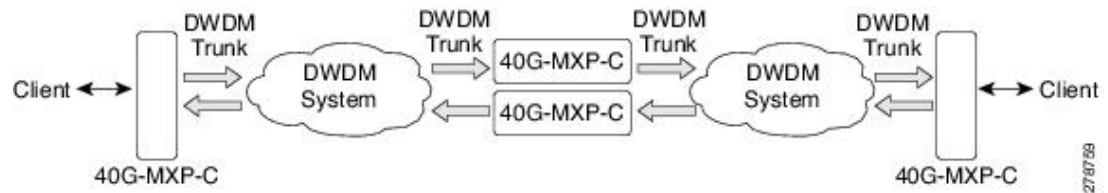
Note Y-cable cannot be created on a 10 GE port when WIS framing is enabled on the 40G-MXP-C, 40E-MXP-C, and 40ME-MXP-C cards.

- Unidirectional regeneration—The 40G-MXP-C, 40E-MXP-C, and 40ME-MXP-C cards supports unidirectional regeneration configuration. Each 40G-MXP-C, 40E-MXP-C, and 40ME-MXP-C card in the configuration regenerates the signal received from another 40G-MXP-C, 40E-MXP-C, and 40ME-MXP-C card in one direction.



Note When you configure the 40G-MXP-C, 40E-MXP-C, and 40ME-MXP-C cards in the Unidirectional Regen mode, ensure that the payload is not configured on the pluggable port modules of the 40G-MXP-C, 40E-MXP-C, and 40ME-MXP-C card.

Figure 4: 40G-MXP-C, 40E-MXP-C, and 40ME-MXP-C Cards in Unidirectional Regeneration Configuration



- High level provisioning support—The cards are initially provisioned using Cisco Transport Planner software. Subsequently, the card can be monitored and provisioned using CTC software.
- Automatic Laser Shutdown (ALS)—A safety mechanism, Automatic Laser Shutdown (ALS), is used in the event of a fiber cut. The Auto Restart ALS option is supported only for OC-192/STM-64 and OTU2 payloads. The Manual Restart ALS option is supported for all payloads. For more information on provisioning ALS for the 40G-MXP-C, 40E-MXP-C, and 40ME-MXP-C cards, see the [NTP-G162 Changing the ALS Maintenance Settings](#) section.
- Control of layered SONET/SDH transport overhead—The cards are provisionable to terminate regenerator section overhead. This is used to eliminate forwarding of unneeded layer overhead. It can help reduce the number of alarms and help isolate faults in the network.
- Automatic timing source synchronization—The 40G-MXP-C, 40E-MXP-C, and 40ME-MXP-C cards synchronize to the card cards. Because of a maintenance or upgrade activity, if the control cards are not available, the cards automatically synchronize to one of the input client interface clocks.
- Squelching policy—The cards are set to squelch the client interface output if there is LOS at the DWDM receiver, or if there is a remote fault. In the event of a remote fault, the card manages MS-AIS insertion.
- The 40G-MXP-C, 40E-MXP-C, and 40ME-MXP-C cards are tunable across the full C-band wavelength.

For a detailed list of the supported pluggables, see, http://www.cisco.com/c/en/us/td/docs/optical/spares/gbic/guides/b_ons_pluggables.html

Wavelength Identification

The 40G-MXP-C, 40E-MXP-C, and 40ME-MXP-C cards use trunk lasers that are wavelocked, which allows the trunk transmitter to operate on the ITU grid effectively. These cards implement the UT2 module; they use a C-band version of the UT2. The laser is tunable over 82 wavelengths in the C-band at 50-GHz spacing on the ITU grid.

Table 25: 40G-MXP-C, 40E-MXP-C, and 40ME-MXP-C Trunk Wavelengths

Channel Number	Frequency (THz)	Wavelength (nm)	Channel Number	Frequency (THz)	Wavelength (nm)
1	196.00	1529.55	42	193.95	1545.72
2	195.95	1529.94	43	193.90	1546.119
3	195.90	1530.334	44	193.85	1546.518
4	195.85	1530.725	45	193.80	1546.917
5	195.80	1531.116	46	193.75	1547.316
6	195.75	1531.507	47	193.70	1547.715
7	195.70	1531.898	48	193.65	1548.115
8	195.65	1532.290	49	193.60	1548.515
9	195.60	1532.681	50	193.55	1548.915
10	195.55	1533.073	51	193.50	1549.32
11	195.50	1533.47	52	193.45	1549.71
12	195.45	1533.86	53	193.40	1550.116
13	195.40	1534.250	54	193.35	1550.517
14	195.35	1534.643	55	193.30	1550.918
15	195.30	1535.036	56	193.25	1551.319
16	195.25	1535.429	57	193.20	1551.721
17	195.20	1535.822	58	193.15	1552.122
18	195.15	1536.216	59	193.10	1552.524
19	195.10	1536.609	60	193.05	1552.926
20	195.05	1537.003	61	193.00	1553.33
21	195.00	1537.40	62	192.95	1553.73
22	194.95	1537.79	63	192.90	1554.134
23	194.90	1538.186	64	192.85	1554.537
24	194.85	1538.581	65	192.80	1554.940
25	194.80	1538.976	66	192.75	1555.343
26	194.75	1539.371	67	192.70	1555.747

Channel Number	Frequency (THz)	Wavelength (nm)	Channel Number	Frequency (THz)	Wavelength (nm)
27	194.70	1539.766	68	192.65	1556.151
28	194.65	1540.162	69	192.60	1556.555
29	194.60	1540.557	70	192.55	1556.959
30	194.55	1540.953	71	192.50	1557.36
31	194.50	1541.35	72	192.45	1557.77
32	194.45	1541.75	73	192.40	1558.173
33	194.40	1542.142	74	192.35	1558.578
34	194.35	1542.539	75	192.30	1558.983
35	194.30	1542.936	76	192.25	1559.389
36	194.25	1543.333	77	192.20	1559.794
37	194.20	1543.730	78	192.15	1560.200
38	194.15	1544.128	79	192.10	1560.606
39	194.10	1544.526	80	192.05	1561.013
40	194.05	1544.924	81	192.00	1561.42
41	194.00	1545.32	82	191.95	1561.83

For more information on 40G-MXP-C card, see

http://www.cisco.com/en/US/prod/collateral/optical/ps5724/ps2006/datasheet_c78-598898.html.

For more information on 40E-MXP-C and 40ME-MXP-C cards, see

http://www.cisco.com/en/US/prod/collateral/optical/ps5724/ps2006/data_sheet_c78-606950.html.

Related Procedures for 40G-MXP-C, 40E-MXP-C, and 40ME-MXP-C Cards

The following is the list of procedures and tasks related to the configuration of 40G-MXP-C, 40E-MXP-C, and 40ME-MXP-C cards:

- [NTP-G293 Modifying the 40G Muxponder Card Line Settings and PM Parameter Thresholds, on page 367](#)
- [NTP-G33 Creating a Y-Cable Protection Group, on page 222](#)
- [NTP-G75 Monitor Transponder and Muxponder Performance](#)

GE_XP, 10GE_XP, GE_XPE, and 10GE_XPE Cards



Note GE_XPE card is the enhanced version of the GE_XP card and 10GE_XPE card is the enhanced version of the 10GE_XP card.

The cards aggregate Ethernet packets received on the client ports for transport on C-band trunk ports that operate on a 100-GHz grid. The trunk ports operate with ITU-T G.709 framing and either FEC or E-FEC. The GE_XP and 10GE_XP cards are designed for bulk point-to-point transport over 10GE LAN PHY wavelengths for Video-on-Demand (VOD), or broadcast video across protected 10GE LAN PHY wavelengths. The GE_XPE and 10GE_XPE cards are designed for bulk GE_XPE or 10GE_XPE point-to-point, point-to-multipoint, multipoint-to-multipoint transport over 10GE LAN PHY wavelengths for Video-on-Demand (VOD), or broadcast video across protected 10GE LAN PHY wavelengths.



Note When all the cards in the chassis are simultaneously reset by the user, the GE_XP and 10GE_XP cards undergo a hard reset instead of a soft reset. This causes traffic loss for traffic going through these cards.

You can install and provision the GE_XP, and GE_XPE cards in a linear configuration in:

- Slots 1 to 5 and 12 to 16 in ONS 15454 DWDM chassis
- Slot 2 in ONS 15454 M2 chassis
- Slots 2 to 6 in ONS 15454 M6 chassis
- Slots 2 to 7 in Cisco NCS 2015 chassis. These cards upgrade to a new bootcode automatically when they are installed between slots 2 and 7.

After the bootcode upgrade, the cards can be installed in Slots from 2 to 16 in Cisco NCS 2015 chassis.

The 10GE_XP and 10GE_XPE cards can be installed in Slots 1 through 6 or 12 through 17. The GE_XP and GE_XPE are double-slot cards with twenty Gigabit Ethernet client ports and two 10 Gigabit Ethernet trunk ports. The 10GE_XP and 10GE_XPE are single-slot cards with two 10 Gigabit Ethernet client ports and two 10 Gigabit Ethernet trunk ports. The client ports support SX, LX, and ZX SFPs and SR and 10GBASE-LR XFPs. (LR2 XFPs are not supported.) The trunk ports support a DWDM XFP.

The RAD pluggables (ONS-SC-E3-T3-PW= and ONS-SC-E1-T1-PW=) do not support:

- No loopbacks (Terminal or Facility)
- RAI (Remote Alarm Indication) alarm
- AIS and LOS alarm



Caution A fan-tray assembly (15454E-CC-FTA for the ETSI shelf, or 15454-CC-FTA for the ANSI shelf) must be installed in a shelf where a GE_XP, 10GE_XP, GE_XPE, or 10GE_XPE card is installed.

GE_XP, 10GE_XP, GE_XPE, and 10GE_XPE cards can be provisioned to perform different Gigabit Ethernet transport roles. All the cards can work as Layer 2 switches. However, the 10GE_XP and 10GE_XPE cards can also perform as a 10 Gigabit Ethernet transponders (10GE TXP mode), and the GE_XP and GE_XPE can perform as a 10 Gigabit Ethernet or 20 Gigabit Ethernet muxponders (10GE MXP or 20GE MXP mode).



Note Changing the GE_XP, 10GE_XP, GE_XPE, or 10GE_XPE card mode requires the ports to be in a OOS-DSBL (ANSI) or Locked, disabled (ETSI) service state. In addition, no circuits can be provisioned on the cards when the mode is being changed.

Table 26: GE_XP, 10GE_XP, GE_XPE, and 10GE_XPE Card Modes

Card Mode	Cards	Description
Layer 2 Ethernet switch	GE_XP 10GE_XP GE_XPE 10GE_XPE	Provides capability to switch between any two ports irrespective of client or trunk port. Supported Ethernet protocols and services include 1+1 protection, QoS (Quality of Service), CoS (Class of Service), QinQ, MAC learning, MAC address retrieval, service provider VLANs (SVLANs), IGMP snooping and Multicast VLAN Registration (MVR), link integrity, and other Ethernet switch services.
10GE TXP	10GE_XP 10GE_XPE	Provides a point-to-point application in which each 10 Gigabit Ethernet client port is mapped to a 10 Gigabit Ethernet trunk port.
10GE MXP 20GE MXP	GE_XP GE_XPE	Provides the ability to multiplex the twenty Gigabit Ethernet client ports on the card to one or both of its 10 Gigabit Ethernet trunk ports. The card can be provisioned as a single MXP with twenty Gigabit Ethernet client ports mapped to one trunk port (Port 21) or as two MXPs with ten Gigabit Ethernet client ports mapped to a trunk port (Ports 1 to 10 mapped to Port 21, and Ports 11-20 mapped to Port 22).

Key Features

The GE_XP, 10GE_XP, GE_XPE, and 10GE_XPE cards have the following high-level features:

- Link Aggregation Control Protocol (LACP) that allows you to bundle several physical ports together to form a single logical channel.
- Ethernet Connectivity Fault Management (CFM) protocol that facilitates proactive connectivity monitoring, fault verification, and fault isolation.
- Ethernet Operations, Administration, and Maintenance (OAM) protocol that facilitates link monitoring, remote failure indication, and remote loopback.
- Resilient Ethernet Protocol (REP) that controls network loops, handles link failures, and improves convergence time.
- Configurable service VLANs (SVLANs) and customer VLANs (CVLANs).
- Ingress rate limiting that can be applied on both SVLANs and CVLANs. You can create SVLAN and CVLAN profiles and can associate a SVLAN profile to both UNI and NNI ports; however, you can associate a CVLAN profile only to UNI ports.

- CVLAN rate limiting that is supported for QinQ service in selective add mode.
- Differentiated Services Code Point (DSCP) to class of service (CoS) mapping that you can configure for each port. You can configure the CoS of the outer VLAN based on the incoming DSCP bits. This feature is supported only on GE_XPE and 10GE_XPE cards.
- Ports, in Layer 2 switch mode, can be provisioned as network-to-network interfaces (NNIs) or user-network interfaces (UNIs) to facilitate service provider to customer traffic management.
- Broadcast drop-and-continue capability for VOD and broadcast video applications.
- Gigabit Ethernet MXP, TXP, and Layer 2 switch capability.
- Far-End Laser Control (FELC) that is supported on copper SFPs from Release 8.52 and later releases. For more information on FELC, see the "[Far-End Laser Control](#)" section.
- Layer 2 switch mode that provides VLAN translation, QinQ, ingress CoS, egress QoS, Fast Ethernet protection switching, and other Layer 2 Ethernet services.
- Interoperable with TXP_MR_10E and TXP_MR_10E_C cards. Also interoperable with Cisco Catalyst 6500 and Cisco 7600 series Gigabit Ethernet, 10 GE interfaces and CRS-1 10GE interfaces.
- The GE_XP and GE_XPE cards have twenty Gigabit Ethernet client ports and two 10 Gigabit Ethernet trunk ports. The 10GE_XP and 10GE_XPE cards have two 10 Gigabit Ethernet client ports and two 10 Gigabit Ethernet trunk ports. The client Gigabit Ethernet signals are mapped into an ITU-T G.709 OTU2 signal using standard ITU-T G.709 multiplexing when configured in one of the MXP modes (10GE MXP or 20GE MXP).
- ITU-T G.709 framing with standard Reed-SoloMon (RS) (255,239) FEC. Performance monitoring and ITU-T G.709 Optical Data Unit (ODU) synchronous and asynchronous mapping. E-FEC with ITU-T G.709 ODU and 2.7 Gbps with greater than 8 dB coding gain.
- IEEE 802.3 frame format that is supported for 10 Gigabit Ethernet interfaces. The minimum frame size is 64 bytes. The maximum frame size is user-provisionable.
- MAC learning capability in Layer 2 switch mode.
- MAC address retrieval in cards provisioned in the L2-over-DWDM mode.
- When a port is in UNI mode, tagging can be configured as transparent or selective. In transparent mode, only SVLANs in the VLAN database of the node can be configured. In selective mode, a CVLAN-to-SVLAN relationship can be defined.
- Layer 2 VLAN port mapping that allows the cards to be configured as multiple Gigabit Ethernet TXPs and MXPs.
- Y-cable protection is configurable in TXP and MXP modes.
- Two protection schemes are available in Layer 2 mode. They are:
 - 1+1 protection—Protection scheme to address card, port, or shelf failures for client ports.
 - Fast Automatic Protection—Protection scheme to address card, port, or shelf failures for trunk ports.
- End-to-end Ethernet link integrity.
- Pluggable client interface optic modules (SFPs and XFPs)—Client ports support tri-rate SX, LX, and ZX SFPs, and 10-Gbps SR1 XFPs.

- Pluggable trunk interface optic modules; trunk ports support the DWDM XFP.
- Internet Group Management Protocol (IGMP) snooping that restricts the flooding of multicast traffic by forwarding multicast traffic to those interfaces where a multicast device is present.
- Multicast VLAN Registration (MVR) for applications using wide-scale deployment of multicast traffic across an Ethernet ring-based service provider network.
- Ingress CoS that assigns a CoS value to the port from 0 (highest) to 7 (lowest) and accepts CoS of incoming frames.
- Egress QoS that defines the QoS capabilities for the egress port.
- MAC address learning that facilitates switch processing.
- Storm Control that limits the number of packets passing through a port. You can define the maximum number of packets allowed per second for the following types of traffic: Broadcast, Multicast, and Unicast. The threshold for each type of traffic is independent and the maximum number of packets allowed per second for each type of traffic is 16777215.

For a detailed list of the supported pluggables, see, http://www.cisco.com/c/en/us/td/docs/optical/spares/gbic/guides/b_ons_pluggables.html

Protocol Compatibility list

Table 27: Protocol Compatibility List for GE_XP, 10GE_XP, GE_XPE, and 10GE_XPE Cards

Protocol	LI	1+1	FAPS	IGMP	REP	LACP	CFM	EFM
LI		No	Yes	Yes	No	No	Yes	No
1+1	No		Yes	Yes	No	No	Yes	No
FAPS	Yes	Yes		Yes	No	No	Yes	No
IGMP	Yes	Yes	Yes		Yes	No	Yes	No
REP	No	No	No	Yes		No	Yes	No
LACP	No	No	No	No	No		No	No
CFM	Yes	Yes	Yes	Yes	Yes	No		No
EFM	No	No	No	No	No	No	No	

The 10GE_XP and 10GE_XPE card trunk ports are displayed as follows:

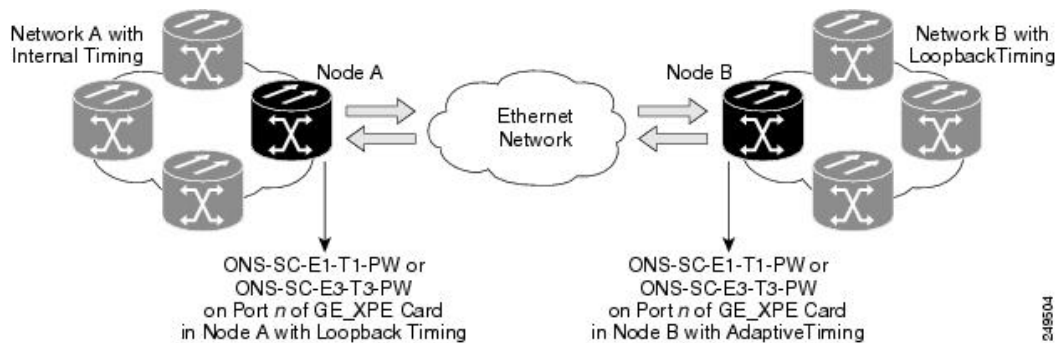
- Trunk 1 and Trunk 2 on the faceplate
- 3-1 and 4-1 on CTC
- 3 (Trunk) and 4 (Trunk) on the Optics Thresholds table

Client Interface

The client interface is implemented with separately orderable SFP or XFP modules. The client interfaces support the following tri-rate SFPs and XFPs using dual LC connectors and multimode fiber:

- SFP - GE/1G-FC/2G-FC - 850 nm - MM - LC (PID ONS-SE-G2F-SX)
- SFP - GE/1G-FC/2G-FC 1300 nm - SM - LC (PID ONS-SE-G2F-LX)
- SFP - GE/1G-FC/2G-FC 1300 nm - SM - LC (PID ONS-SE-G2F-ZX)
- SFP - 10/100/1000Base-T - Copper (PID ONS-SE-ZE-EL) Intra office up to 100; Cable: RJ45 STP CAT5, CAT5E, and CAT6
- SFP - 1000Base BX D/Gigabit Ethernet 1550 nm - SM - LC (PID ONS-SE-GE-BXD)
- SFP - 1000Base BX U/Gigabit Ethernet 1550 nm - SM - LC (PID ONS-SE-GE-BXU)
- SFP - Fast Ethernet 1310 nm - SM - LC (PID ONS-SI-100-LX10)
- SFP - Fast Ethernet 1310 nm - MM - LC (PID ONS-SI-100-FX)
- SFP - Fast Ethernet over DS1/E1 - SM - LC (PID ONS-SC-EOP1)
- SFP - Fast Ethernet over DS3/E3 - SM - LC (PID ONS-SC-EOP3)
- SFP - E1/DS1 over Fast Ethernet - SM - LC (PID ONS-SC-E1-T1-PW)
- SFP - E3/DS3 PDH over Fast Ethernet - SM - LC (PID ONS-SC-E3-T3-PW)

Figure 5: Recommended Topology for Using ONS-SC-E1-T1-PW and ONS-SC-E3-T3-PW SFPs



The client interfaces support the following dual-rate XFP using dual LC connectors and single-mode fiber:

- XFP - OC-192/STM-64/10GE/10-FC/OTU2 - 1310 SR - SM LC (PID: ONS-XC-10G-S1)
- XFP - 10GE - 1550 nm - SM - LC (PID ONS-XC-10G-L2)
- XFP - 10GE - 1550 nm - SM - LC (PID ONS-XC-10G-C)



Note If ONS-XC-10G-C XFP is used on GE_XP, 10GE_XP, GE_XPE, and 10GE_XPE cards on client port 1, the maximum temperature at which the system qualifies is +45 degree Celsius.

The client interfaces support the following multimode XFP using dual LC connectors and multi-mode fiber:

- XFP - OC-192/10GFC/10GE - 850 nm MM LC (PID ONS-XC-10G-SR-MM)

DWDM Trunk Interface

The GE_XP, 10GE_XP, GE_XPE, and 10GE_XPE cards have two 10 Gigabit Ethernet trunk ports operating at 10 Gigabit Ethernet (10.3125 Gbps) or 10 Gigabit Ethernet into OTU2 (nonstandard 11.0957 Gbps). The ports are compliant with ITU-T G.707, ITU-T G.709, and Telcordia GR-253-CORE standards. The ports are capable of carrying C-band and L-band wavelengths through insertion of DWDM XFPs. Forty channels are available in the 1550-nm C band 100-GHz ITU grid, and forty channels are available in the L band.

The maximum system reach in filterless applications without the use of optical amplification or regenerators is nominally rated at 23 dB over C-SMF and NZ-DS SMF fibers. This rating is not a product specification, but is given for informational purposes. It is subject to change.

Configuration Management

The GE_XP, 10GE_XP, GE_XPE, and 10GE_XPE cards support the following configuration management parameters:

- Port name—User-assigned text string.
- Admin State/Service State—Administrative and service states to manage and view port status.
- MTU—Provisionable maximum transfer unit (MTU) to set the maximum number of bytes per frames accepted on the port.
- Mode—Provisional port mode, either Autonegotiation or the port speed.
- Flow Control—Flow control according to IEEE 802.1x pause frame specification can be enabled or disabled for TX and RX ports.
- Bandwidth—Provisionable maximum bandwidth allowed for the port.
- Ingress CoS—Assigns a CoS value to the port from 0 (highest) to 7 (lowest) and accepts CoS of incoming frames.
- Egress QoS—Defines the QoS capabilities at the egress port.
- NIM—Defines the port network interface management type based on Metro Ethernet Forum specifications. Ports can be defined as UNI or NNI.
- MAC Learning—MAC address learning to facilitate switch processing.
- VLAN tagging provided according to the IEEE 802.1Q standard.



Note When the GE_XP, 10GE_XP, GE_XPE, and 10GE_XPE cards are provisioned in a MXP or TXP mode, only the following parameters are available: Port Name, State, MTU, Mode, Flow control, and Bandwidth.

Security

GE_XP, 10GE_XP, GE_XPE, and 10GE_XPE card ports can be provisioned to block traffic from a user-defined set of MAC addresses. The remaining traffic is normally switched. You can manually specify the set of blocked MAC addresses for each port. Each port of the card can receive traffic from a limited predefined set of MAC addresses. The remaining traffic will be dropped. This capability is a subset of the Cisco IOS “Port Security” feature.

Card Protection

The following card protection schemes are available for the GE_XP, 10GE_XP, GE_XPE, and 10GE_XPE cards.

- Y-Cable protection
- 1+1 protection
- L2 over DWDM protection- Fast Automatic Protection Switch (FAPS)

Related Procedures for Card Protection

The following are the related procedures for creating card protection on GE_XP, 10GE_XP, GE_XPE, and 10GE_XPE cards:

- [NTP-G33 Creating a Y-Cable Protection Group, on page 222](#)
- [NTP-G198 Creating 1+1 Protection for Cards, on page 230](#)
- [DLP-G381 Provisioning Layer 2 Protection Settings, on page 442](#)

IGMP Snooping

As networks increase in size, multicast routing becomes critically important as a means to determine which segments require multicast traffic and which do not. IP multicasting allows IP traffic to be propagated from one source to a number of destinations, or from many sources to many destinations. Rather than sending one packet to each destination, one packet is sent to the multicast group identified by a single IP destination group address. GE_XP, 10GE_XP, GE_XPE, and 10GE_XPE cards can learn up to a maximum of 1024 multicast groups. This includes groups on all the VLANs.

Internet Group Management Protocol (IGMP) snooping restricts the flooding of multicast traffic by forwarding multicast traffic to those interfaces where a multicast device is present.

When the GE_XP, 10GE_XP, GE_XPE, or 10GE_XPE card receives an IGMP leave group message from a host, it removes the host port from the multicast forwarding table after generating group specific queries to ensure that no other hosts interested in traffic for the particular group are present on that port. Even in the absence of any “leave” message, the cards have a timeout mechanism to update the group table with the latest information. After a card relays IGMP queries from the multicast router, it deletes entries periodically if it does not receive any IGMP membership reports from the multicast clients.

In a multicast router, general queries are sent on a VLAN when Protocol Independent Multicast (PIM) is enabled on the VLAN. The GE_XP, 10GE_XP, GE_XPE, or 10GE_XPE card forwards queries to all ports belonging to the VLAN. All hosts interested in this multicast traffic send Join requests and are added to the forwarding table entry. The Join requests are forwarded only to router ports. By default, these router ports are

learned dynamically. However, they can also be statically configured at the port level in which case the static configuration overrides dynamic learning.

For information about interaction of IGMP with other protocols, see the [Protocol Compatibility list](#).

IGMP Snooping Guidelines and Restrictions

The following guidelines and restrictions apply to IGMP snooping on GE_XP, 10GE_XP, GE_XPE, and 10GE_XPE cards:

- IGMP snooping V2 is supported as specified in RFC 4541.
- IGMP snooping V3 is not supported and the packets are flooded in the SVLAN.
- Layer 2 multicast groups learned through IGMP snooping are dynamic.
- GE_XP and 10GE_XP cards support IGMP snooping on 128 stacked VLANs and GE_XPE and 10GE_XPE cards support up to 256 stacked VLANs that are enabled.
- IGMP snooping can be configured per SVLAN or CVLAN. By default, IGMP snooping is disabled on all SVLANs and CVLANs.
- IGMP snooping on CVLAN is enabled only when:
 - MVR is enabled.
 - UNI ports are in selective add and selective translate modes. For each UNI port, a CVLAN must be specified for which IGMP snooping is to be enabled.
- IGMP snooping can be enabled only on one CVLAN per port. If you enable IGMP snooping on CVLAN, you cannot enable IGMP snooping on the associated SVLAN and vice versa. The number of VLANs that can be enabled for IGMP snooping cannot exceed 128.
- When IGMP snooping is enabled on double-tagged packets, CVLAN has to be the same on all ports attached to the same SVLAN.
- When IGMP snooping is working with the Fast Automatic Protection Switch (FAPS) in a ring-based setup, it is advisable to configure all NNI ports as static router ports. This minimizes the multicast traffic hit when a FAPS switchover occurs.

The following conditions are raised from IGMP snooping at the card:

- MCAST-MAC-TABLE-FULL—This condition is raised when the multicast table is full and a new join request is received. This table is cleared when at least one entry gets cleared from the multicast table after the alarm is raised.
- MCAST-MAC-ALIASING—This condition is raised when there are multiple L3 addresses that map to the same L2 address in a VLAN. This is a transient condition.

For more information on severity level of these conditions and procedure to clear these alarms, refer to the [Cisco ONS 15454 DWDM Troubleshooting Guide](#).

Fast-Leave Processing



Note Fast-Leave processing is also known as Immediate-Leave.

IGMP snooping Fast-Leave processing allows the GE_XP, 10GE_XP, GE_XPE, or 10GE_XPE to remove an interface that sends a leave message from the forwarding table without first sending group specific queries to the interface. When you enable IGMP Fast-Leave processing, the card immediately removes a port from the IP multicast group when it detects an IGMP, version 2 (IGMPv2) leave message on that port.

Static Router Port Configuration

Multicast-capable ports are added to the forwarding table for every IP multicast entry. The card learns of such ports through the PIM method.

Report Suppression

Report suppression is used to avoid a storm of responses to an IGMP query. When this feature is enabled, a single IGMP report is sent to each multicast group in response to a single query. Whenever an IGMP snooping report is received, report suppression happens if the report suppression timer is running. The Report suppression timer is started when the first report is received for a general query. Then this time is set to the response time specified in general query.

IGMP Statistics and Counters

An entry in a counter contains multicasting statistical information for the IGMP snooping capable GE_XP, 10GE_XP, GE_XPE, or 10GE_XPE card. It provides statistical information about IGMP messages that have been transmitted and received. IGMP statistics and counters can be viewed via CTC from the Performance > Ether Ports > Statistics tab.

This information can be stored in the following counters:

- cisTxGeneralQueries—Number of general queries transmitted through an interface.
- cisTxGroupSpecificQueries—Total group specific queries transmitted through an interface.
- cisTxReports—Total membership reports transmitted through an interface.
- cisTxLeaves—Total Leave messages transmitted through an interface.
- cisRxGeneralQueries—Total general queries received at an interface.
- cisRxGroupSpecificQueries—Total Group Specific Queries received at an interface.
- cisRxReports—Total Membership Reports received at an interface.
- cisRxLeaves—Total Leave messages received at an interface.
- cisRxValidPackets—Total valid IGMP packets received at an interface.
- cisRxInvalidPackets—Total number of packets that are not valid IGMP messages received at an interface.

Related Procedure for Enabling IGMP Snooping

To enable IGMP snooping on the GE_XP, 10GE_XP, GE_XPE, and 10GE_XPE cards, see the [NTP-G204 Enabling IGMP Snooping on a Card, on page 460](#).

Multicast VLAN Registration

Multicast VLAN Registration (MVR) is designed for applications using wide-scale deployment of multicast traffic across an Ethernet-ring-based service provider network (for example, the broadcast of multiple television channels over a service-provider network). MVR allows a subscriber on a port to subscribe and unsubscribe to a multicast stream on the network-wide multicast VLAN. It allows the single multicast VLAN to be shared in the network while subscribers remain in separate VLANs. MVR provides the ability to continuously send multicast streams in the multicast VLAN, but to isolate the streams from the subscriber VLANs for bandwidth and security reasons.

MVR assumes that subscriber ports subscribe and unsubscribe (“Join” and “Leave”) these multicast streams by sending out IGMP Join and Leave messages. These messages can originate from an IGMP version-2-compatible host with an Ethernet connection. MVR operates on the underlying mechanism of IGMP snooping. MVR works only when IGMP snooping is enabled.

The card identifies the MVR IP multicast streams and their associated MAC addresses in the card forwarding table, intercepts the IGMP messages, and modifies the forwarding table to include or remove the subscriber as a receiver of the multicast stream, even though the receivers is in a different VLAN than the source. This forwarding behavior selectively allows traffic to cross between different VLANs.



Note When MVR is configured, the port facing the router must be configured as NNI in order to allow the router to generate or send multicast stream to the host with the SVLAN. If router port is configured as UNI, the MVR will not work properly.

Related Procedure for Enabling MVR

To enable MVR on the GE_XP, 10GE_XP, GE_XPE, and 10GE_XPE cards, see the [NTP-G206 Enabling MVR on a Card, on page 462](#).

MAC Address Learning

The GE_XPE and 10 GE_XPE cards support 32K MAC addresses. MAC address learning can be enabled or disabled per SVLAN on GE_XPE and 10 GE_XPE cards. The cards learn the MAC address of packets they receive on each port and add the MAC address and its associated port number to the MAC address learning table. As stations are added or removed from the network, the GE_XPE and 10 GE_XPE cards update the MAC address learning table, adding new dynamic addresses and aging out those that are currently not in use.

MAC address learning can be enabled or disabled per SVLAN. When the configuration is changed from enable to disable, all the related MAC addresses are cleared. The following conditions apply:

- If MAC address learning is enabled on per port basis, the MAC address learning is not enabled on all VLANs, but only on VLANs that have MAC address learning enabled.
- If per port MAC address learning is disabled then the MAC address learning is disabled on all VLANs, even if it is enabled on some of the VLAN supported by the port.

- If the per port MAC address learning is configured on GE-XP and 10 GE-XP cards, before upgrading to GE-XPE or 10 GE-XPE cards, enable MAC address learning per SVLAN. Failing to do so disables MAC address learning.

Related Procedure for MAC Address Learning

To enable MAC address learning on the GE_XP, 10GE_XP, GE_XPE, and 10GE_XPE cards, see the [DLP-G221 Enabling MAC Address Learning on SVLANs, on page 449](#).

MAC Address Retrieval

MAC addresses learned can be retrieved or cleared on GE_XP, 10GE_XP, GE_XPE, and 10GE_XPE cards provisioned in L2-over-DWDM mode. The MAC addresses can be retrieved using the CTC or TL1 interface.

GE_XPE and 10GE_XPE cards support 32K MAC addresses and GE_XP and 10GE_XP cards support 16K MAC addresses. To avoid delay in processing requests, the learned MAC addresses are retrieved using an SVLAN range. The valid SVLAN range is from 1 to 4093.

The MAC addresses of the GE_XP, 10GE_XP, GE_XPE, and 10GE_XPE cards can also be retrieved. The card MAC addresses are static and are used for troubleshooting activities. One MAC address is assigned to each client, trunk, and CPU ports of the GE_XP, 10GE_XP, GE_XPE, or 10GE_XPE card. These internal MAC addresses can be used to determine if the packets received on the far-end node are generated by GE_XP, 10GE_XP, GE_XPE, and 10GE_XPE cards.

For MAC address retrieval, the following conditions apply:

- The cards must be provisioned in L2-over-DWDM mode.
- MAC address learning must be enabled per SVLAN on GE_XPE or 10 GE_XPE cards.
- MAC address learning must be enabled per port on GE_XP or 10 GE_XP cards.

Related Procedure for MAC Address Retrieving

To retrieve and clear MAC addresses on the GE_XP, 10GE_XP, GE_XPE, and 10GE_XPE cards, see the [NTP-G237 Retrieving and Clearing MAC Addresses on SVLANs, on page 452](#).

Link Integrity

The GE_XP, 10GE_XP, GE_XPE, and 10GE_XPE card support end-to-end Ethernet link integrity. This capability is integral to providing an Ethernet private line service and correct operation of Layer 2 and Layer 3 protocols on the attached Ethernet devices.

The link integrity feature propagates a trunk fault on all the affected SVLAN circuits in order to squelch the far end client interface. Ethernet-Advanced IP Services (E-AIS) packets are generated on a per-port/SVLAN basis. An E-AIS format is compliant with ITU Y.1731.



Note E-AIS packets are marked with a CoS value of 7 (also called .1p bits). Ensure that the network is not overloaded and there is sufficient bandwidth for this queue in order to avoid packet drops.

When link integrity is enabled on a per-port SVLAN basis, E-AIS packets are generated when the following alarms are raised;

- LOS-P
- OTUKLOF/LOM
- SIGLOSS
- SYNCHLOSS
- OOS
- PPM not present

When link integrity is enabled, GE_XP and 10 GE_XP card supports up to 128 SVLANs and GE_XPE, 10 GE_XPE can support up to 256 SVLANs.

Related Procedure for Enabling Link Integrity

To enable link integrity on the GE_XP, 10GE_XP, GE_XPE, and 10GE_XPE cards, see the [NTP-G205 Enabling Link Integrity on a Card, on page 455](#).

Ingress CoS

Ingress CoS functionality enables differentiated services across the GE_XPE and 10GE_XPE cards. A wide range of networking requirements can be provisioned by specifying the class of service applicable to each transmitted traffic.

When a CVLAN is configured as ingress CoS, the per-port settings are not considered. A maximum of 128 CVLAN and CoS relationships can be configured.

Related Procedure for Enabling Ingress CoS

To enable Ingress CoS on the GE_XP, 10GE_XP, GE_XPE, and 10GE_XPE cards, see the:

- [DLP-G380 Provisioning Ethernet Settings, on page 430](#)
- [DLP-G612 Modifying the Parameters of the Channel Group Using CTC, on page 396](#)

CVLAN Rate Limiting

CVLAN rate limiting is supported on GE_XP, 10GE_XP, GE_XPE, and 10GE_XPE cards. CVLAN rate limiting is supported for QinQ service in selective add mode. The following limitations and restrictions apply to CVLAN rate limiting:

- CVLAN rate limiting is not supported for the following service types:
 - Selective translate mode
 - Transparent mode
 - Selective double add mode
 - Selective translate add mode

- Untagged packets
 - CVLAN range
 - Services associated with the channel group
- CVLAN rate limiting and SVLAN rate limiting cannot be applied to the same service instance.
 - Pseudo-IOS command line interface (PCLI) is not supported for CVLAN rate limiting.
 - A VLAN profile with Link Integrity option enabled cannot be used to perform CVLAN rate limiting.
 - On GE_XP and 10 GE_XP cards, CVLAN rate limiting can be applied to up to 128 services. However, the number of provisionable CVLAN rate limiting service instances is equal to 192 minus the number of SVLAN rate limiting service instances present on the card (subject to a minimum of 64 CVLAN rate limiting service instances).
 - On GE_XPE and 10 GE_XPE cards, CVLAN rate limiting can be applied to up to 256 services. However, the number of provisionable CVLAN rate limiting service instances is equal to 384 minus the number of SVLAN rate limiting service instances present on the card (subject to a minimum of 128 CVLAN rate limiting service instances).

Related Procedure for Provisioning CVLAN Rate

To provision CVLAN rate on the GE_XP, 10GE_XP, GE_XPE, and 10GE_XPE cards, see the [DLP-G289 Provisioning CVLAN Rate Limiting on a Card, on page 457](#).

DSCP to CoS Mapping

DSCP to CoS mapping can be configured for each port. You can configure the CoS of the outer VLAN based on the incoming DSCP bits. This feature is supported only on GE_XPE and 10GE_XPE cards. PCLI is not supported for DSCP to CoS mapping.

DSCP to CoS mapping is supported for the following service types:

- Selective add mode
- Selective translate mode
- Transparent mode
- Selective double add mode
- Selective translate add mode
- Untagged packets
- CVLAN range
- Services associated with the channel group

Related Procedure for Provisioning CoS Based on DSCP

To provision CoS based on DSCP on the GE_XPE and 10GE_XPE cards, see the [DLP-G384 Provisioning the QinQ Settings, on page 447](#).

Link Aggregation Control Protocol

Link Aggregation Control Protocol (LACP) is part of the IEEE802.3ad standard that allows you to bundle several physical ports together to form a single logical channel. LACP allows a network device such as a switch to negotiate an automatic bundling of links by sending LACP packets to the peer device.

LACP allows you to form a single Layer 2 link automatically from two or more Ethernet links. This protocol ensures that both ends of the Ethernet link are functional and agree to be members of the aggregation group before the link is added to the group. LACP must be enabled at both ends of the link to be operational.

For more information on LACP, refer to the IEEE802.3ad standard. For information about interaction of LACP with other protocols, see the [Protocol Compatibility list](#).

Advantages of LACP

LACP provides the following advantages:

- High-speed network that transfers more data than any single port or device.
- High reliability and redundancy. If a port fails, traffic continues on the remaining ports.
- Hashing algorithm that allows to apply load balancing policies on the bundled ports.

Functions of LACP

LACP performs the following functions in the system:

- Maintains configuration information to control aggregation.
- Exchanges configuration information with other peer devices.
- Attaches or detaches ports from the link aggregation group based on the exchanged configuration information.
- Enables data flow when both sides of the aggregation group are synchronized.

Modes of LACP

LACP can be configured in the following modes:

- On — Default. In this mode, the ports do not exchange LACP packets with the partner ports.
- Active — In this mode, the ports send LACP packets at regular intervals to the partner ports.
- Passive — In this mode, the ports do not send LACP packets until the partner sends LACP packets. After receiving the LACP packets from the partner ports, the ports send LACP packets.

Parameters of LACP

LACP uses the following parameters to control aggregation:

- System Identifier—A unique identification assigned to each system. It is the concatenation of the system priority and a globally administered individual MAC address.
- Port Identification—A unique identifier for each physical port in the system. It is the concatenation of the port priority and the port number.

- Port Capability Identification—An integer, called a key, that identifies the capability of one port to aggregate with another port. There are two types of keys:
 - Administrative key—The network administrator configures this key.
 - Operational key—The LACP assigns this key to a port, based on its aggregation capability.
- Aggregation Identifier—A unique integer that is assigned to each aggregator and is used for identification within the system.

Unicast Hashing Schemes

LACP supports the following unicast hashing schemes:

- Ucast SA VLAN Incoming Port
- Ucast DA VLAN Incoming Port
- Ucast SA DA VLAN Incoming port
- Ucast Src IP TCP UDP
- Ucast Dst IP TCP UDP
- Ucast Src Dst IP TCP UDP



Note Unicast hashing schemes apply to unicast traffic streams only when the destination MAC address is already learned by the card. Hence, MAC learning must be enabled to support load balancing as per the configured hashing scheme. If the destination MAC address is not learned, the hashing scheme is Ucast Src Dst IP TCP UDP.

LACP Limitations and Restrictions

The LACP on the GE_XP, 10GE_XP, GE_XPE, and 10GE_XPE cards has the following limitations and restrictions:

- Hot standby link state is not supported on the channel group.
- Marker protocol generator is not supported.
- ALS cannot be configured on the channel group.
- Loopback configuration cannot be applied on the channel group.

Related Procedure for LACP

To provision Channel Group using LACP, see the [NTP-G281 Managing the GE_XP, 10GE_XP, GE_XPE, and 10GE_XPE Card Channel Group Settings](#), on page 394.

Ethernet Connectivity Fault Management

Ethernet Connectivity Fault Management (CFM) is part of the IEEE 802.1ag standard. The Ethernet CFM is an end-to-end per service instance that supports the Ethernet layer Operations, Administration, and Management (OAM) protocol. It includes proactive connectivity monitoring, link trace on a per service basis, fault verification, and fault isolation for large Ethernet metropolitan-area networks (MANs) and WANs.

CFM is disabled on the card by default. CFM is enabled on all the ports by default.

For more information on CFM, refer to the IEEE 802.1ag standard. For information about interaction of CFM with other protocols, see the [Protocol Compatibility list](#). The following sections contain conceptual information about Ethernet CFM.

Maintenance Domain

A maintenance domain is an administrative domain that manages and administers a network. You can assign a unique maintenance level (from 0 to 7) to define the hierarchical relationship between domains. The larger the domain, the higher the maintenance level for that domain. For example, a service provider domain would be larger than an operator domain and might have a maintenance level of 6, while the operator domain maintenance level would be 3 or 4.

Maintenance domains cannot intersect or overlap because that would require more than one entity to manage it, which is not allowed. Domains can touch or nest if the outer domain has a higher maintenance level than the nested domain. Maintenance levels of nesting domains must be communicated among the administrating organizations. For example, one approach would be to have the service provider assign maintenance levels to operators.

The CFM protocol supports up to eight maintenance domains on GE_XP, 10GE_XP, GE_XPE, and 10GE_XPE cards.

Maintenance Association

A maintenance association identifies a service within the maintenance domain. You can have any number of maintenance associations within each maintenance domain. The CFM protocol supports up to 1500 maintenance associations on GE_XP, 10GE_XP, GE_XPE, and 10GE_XPE cards.



Note Each maintenance association is mapped to a maintenance domain. This mapping is done to configure a Maintenance End Point (MEP). The CFM protocol supports up to 1000 mappings on GE_XP, 10GE_XP, GE_XPE, and 10GE_XPE cards.

Maintenance End Points

Maintenance End Points (MEPs) reside at the edge of the maintenance domain and are active elements of the Ethernet CFM. MEPs transmit Continuity Check messages at periodic intervals and receive similar messages from other MEPs within a domain. MEPs also transmit Loopback and Traceroute messages at the request of the administrator. MEPs confine CFM messages within the boundary of a maintenance domain through the maintenance level. There are two types of MEPs:

- Up (Inwards, towards the bridge)
- Down (Outwards, towards the wire).

You can create up to 255 MEPs and MIPs together on GE_XP and 10GE_XP cards. You can create up to 500 MEPs and MIPs together on GE_XPE and 10GE_XPE cards.

The MEP continuity check database (CCDB) stores information that is received from other MEPs in the maintenance domain. The card can store up to 4000 MEP CCDB entries.

Maintenance Intermediate Points

Maintenance Intermediate Points (MIPs) are internal to the maintenance domain and are passive elements of the Ethernet CFM. They store information received from MEPs and respond to Linktrace and Loopback CFM messages. MIPs forward CFM frames received from MEPs and other MIPs, drop all CFM frames at a lower level, and forward all CFM frames at a higher level.

You can create up to 255 MEPs and MIPs together on GE_XP and 10GE_XP cards. You can create up to 500 MEPs and MIPs together on GE_XPE and 10GE_XPE cards.

The MIP CCDB maintains the information received for all MEPs in the maintenance domain. The card can store up to 4000 MIP CCDB entries.

CFM Messages

The Ethernet CFM on GE_XP, 10GE_XP, GE_XPE, and 10GE_XPE cards supports the following messages:

- **Continuity Check**—These messages are exchanged periodically among MEPs. They allow MEPs to discover other MEPs within a domain and allow MIPs to discover MEPs. These messages are confined to a domain.
- **Loopback**—These messages are unicast messages that a MEP transmits, at the request of an administrator, to verify connectivity to a specific maintenance point. A reply to a loopback message indicates whether a destination is reachable.
- **Traceroute**—These messages are multicast messages that a MEP transmits, at the request of an administrator, to track the path to a destination MEP.

CFM Limitations and Restrictions

The CFM on the GE_XP, 10GE_XP, GE_XPE, and 10GE_XPE cards has the following limitations and restrictions:

- CFM is not supported on channel groups.
- CFM is not enabled on protected ports running REP, FAPS, and 1+1.
- Y.1731 enhancements including AIS, LCK, and performance monitoring messages along with CFM are not supported.
- IEEE CFM MIB is not supported.
- L1 and CFM are mutually exclusive on a SVLAN because LI and CFM use the same MAC address.
- MAC security and CFM are mutually exclusive on the card due to hardware resource constraints.

Related Procedure for Ethernet CFM

For information about the supported Ethernet CFM features on the GE_XP, 10GE_XP, GE_XPE, and 10GE_XPE cards, see the [NTP-G283 Managing the Card CFM Settings, on page 405](#).

Ethernet OAM

The Ethernet OAM protocol is part of the IEEE 802.3ah standard and is used for installing, monitoring, and troubleshooting Ethernet MANs and Ethernet WANs. This protocol relies on an optional sublayer in the data link layer of the OSI model. The Ethernet OAM protocol was developed for Ethernet in the First Mile (EFM) applications. The terms Ethernet OAM and EFM are interchangeably used and both mean the same.

Normal link operation does not require Ethernet OAM. You can implement Ethernet OAM on any full-duplex point-to-point or emulated point-to-point Ethernet link for a network or part of a network (specified interfaces). OAM frames, called OAM Protocol Data Units (OAM PDUs), use the slow protocol destination MAC address 0180.c200.0002. OAM PDUs are intercepted by the MAC sublayer and cannot propagate beyond a single hop within an Ethernet network.

Ethernet OAM is disabled on all interfaces by default. When Ethernet OAM is enabled on an interface, link monitoring is automatically turned on.

For more information on Ethernet OAM protocol, refer to IEEE 802.3ah standard. For information about interaction of Ethernet OAM with other protocols, see the [Protocol Compatibility list](#).

Components of the Ethernet OAM

Ethernet OAM consists of two major components, the OAM Client and the OAM Sublayer.

OAM Client

The OAM client establishes and manages the Ethernet OAM on a link. The OAM client also enables and configures the OAM sublayer. During the OAM discovery phase, the OAM client monitors the OAM PDUs received from the remote peer and enables OAM functionality. After the discovery phase, the OAM client manages the rules of response to OAM PDUs and the OAM remote loopback mode.

OAM Sublayer

The OAM sublayer presents two standard IEEE 802.3 MAC service interfaces:

- One interface facing toward the superior sub-layers, which include the MAC client (or link aggregation).
- Other interface facing toward the subordinate MAC control sublayer.

The OAM sublayer provides a dedicated interface for passing OAM control information and OAM PDUs to and from the client.

Benefits of the Ethernet OAM

Ethernet OAM provides the following benefits:

- Competitive advantage for service providers
- Standardized mechanism to monitor the health of a link and perform diagnostics

Features of the Ethernet OAM

The Ethernet OAM protocol has the following OAM features:

- Discovery—Identifies devices in the network and their OAM capabilities. The Discovery feature uses periodic OAM PDUs to advertise the OAM mode, configuration, and capabilities. An optional phase allows the local station to accept or reject the configuration of the peer OAM entity.

- Link Monitoring—Detects and indicates link faults under a variety of conditions. It uses the event notification OAM PDU to notify the remote OAM device when it detects problems on the link.
- Remote Failure Indication—Allows an OAM entity to convey the failure conditions to its peer through specific flags in the OAM PDU.
- Remote Loopback—Ensures link quality with a remote peer during installation or troubleshooting.

Ethernet OAM Limitations and Restrictions

The Ethernet OAM on the GE_XP, 10GE_XP, GE_XPE, and 10GE_XPE cards has the following limitations and restrictions:

- CFM, REP, link integrity, LACP, FAPS, IGMP on SVLAN and L2 1+1 protection are not supported with EFM.
- IEEE EFM MIB is not supported.
- EFM cannot be enabled or disabled at the card level.
- Unidirectional functionality is not supported.
- Errored Symbol Period, Rx CRC errors, Tx CRC errors are not supported.
- OAM PDUs are limited to 1 frame per second.
- Dying Gasp and critical events are not supported.



Note Dying Gasp RFI is not generated on GE_XP, 10GE_XP, GE_XPE, and 10GE_XPE cards. However, if the peer device sends a dying gasp RFI, the card detects it and raises an alarm.

Related Procedure for Ethernet OAM

For information about the supported Ethernet OAM features on the GE_XP, 10GE_XP, GE_XPE, and 10GE_XPE cards, see the [NTP-G285 Managing the Card EFM Settings, on page 417](#).

Resilient Ethernet Protocol

The Resilient Ethernet Protocol (REP) is a protocol used to control network loops, handle link failures, and improve convergence time.

REP performs the following tasks:

- Controls a group of ports connected in a segment.
- Ensures that the segment does not create any bridging loops.
- Responds to link failures within the segment.
- Supports VLAN load balancing.

For information about interaction of REP with other protocols, see the [Protocol Compatibility list](#).

REP Segments

A REP segment is a chain of ports connected to each other and configured with a segment ID. Each segment consists of regular segment ports and two edge ports. A GE_XP, 10GE_XP, GE_XPE, or 10GE_XPE card can have up to 2 ports that belong to the same segment, and each segment port can have only one external neighbor port.

A segment protects only against a single link failure. Any more failures within the segment result in loss of connectivity.

Characteristics of REP Segments

REP segments have the following characteristics:

- If all the ports in the segment are operational, one port blocks traffic for each VLAN. If VLAN load balancing is configured, two ports in the segment control the blocked state of VLANs.
- If any port in the segment is not operational, all the other operational ports forward traffic on all VLANs to ensure connectivity.
- In case of a link failure, the alternate ports are immediately unblocked. When the failed link comes up, a logically blocked port per VLAN is selected with minimal disruption to the network.

REP Port States

Ports in REP segments take one of three roles or states: Failed, Open, or Alternate.

- A port configured as a regular segment port starts as a failed port.
- When the neighbor adjacencies are determined, the port transitions to the alternate port state, blocking all the VLANs on the interface. Blocked port negotiations occur and when the segment settles, one blocked port remains in the alternate role and all the other ports become open ports.
- When a failure occurs in a link, all the ports move to the failed state. When the alternate port receives the failure notification, it changes to the open state, forwarding all VLANs.

Link Adjacency

Each segment port creates an adjacency with its immediate neighbor. Link failures are detected and acted upon locally. If a port detects a problem with its neighbor, the port declares itself non-operational and REP converges to a new topology.

REP Link Status Layer (LSL) detects its neighbor port and establishes connectivity within the segment. All VLANs are blocked on an interface until the neighbor port is identified. After the neighbor port is identified, REP determines the neighbor port that must be the alternate port and the ports that must forward traffic.

Each port in a segment has a unique port ID. When a segment port starts, the LSL layer sends packets that include the segment ID and the port ID.

A segment port does not become operational if the following conditions are satisfied:

- No neighbor port has the same segment ID or more than one neighbor port has the same segment ID.
- The neighbor port does not acknowledge the local port as a peer.

Fast Reconvergence

REP runs on a physical link and not on per VLAN. Only one hello message is required for all VLANs that reduces the load on the protocol.

REP Hardware Flood Layer (HFL) is a transmission mechanism that floods packets in hardware on an admin VLAN. HFL avoids the delay that is caused by relaying messages in software. HFL is used for fast reconvergence in the order of 50 to 200 milliseconds.

VLAN Load Balancing

You must configure two edge ports in the segment for VLAN load balancing. One edge port in the REP segment acts as the primary edge port; the other edge port as the secondary edge port. The primary edge port always participates in VLAN load balancing in the segment. VLAN load balancing is achieved by blocking certain VLANs at a configured alternate port and all the other VLANs at the primary edge port.

REP Configuration Sequence

You must perform the following tasks in sequence to configure REP:

- Configure the REP administrative VLAN or use the default VLAN 1. The range of REP admin VLAN is 1 to 4093. VLAN 4094 is not allowed.
- Add ports to the segment in interface configuration mode.
- Enable REP on ports and assign a segment ID to it. REP is disabled on all ports by default. The range of segment ID is 1 to 1024.
- Configure two edge ports in the segment; one port as the primary edge port and the other as the secondary edge port.
- If you configure two ports in a segment as the primary edge port, for example, ports on different switches, REP selects one of the ports to serve as the primary edge port based on port priority. The Primary option is enabled only on edge ports.
- Configure the primary edge port to send segment topology change notifications (STCNs) and VLAN load balancing to another port or to other segments. STCNs and VLAN load balancing configurations are enabled only for edge ports.



Note A port can belong to only one segment. Only two ports can belong to the same segment. Both the ports must be either regular ports or edge ports. However, if the No-neighbor port is configured, one port can be an edge port and another port can be a regular port.

REP Supported Interfaces

REP supports the following interfaces:

- REP is supported on client (UNI) and trunk (NNI) ports.
- Enabling REP on client ports allows protection at the access or aggregation layer when the cards are connected to the L2 network.

- Enabling REP on trunk ports allows protection at the edge layer when the cards are connected in a ring.

REP Limitations and Restrictions

The REP on the GE_XP, 10GE_XP, GE_XPE, and 10GE_XPE cards has the following limitations and restrictions:

- Fast re-convergence and VLAN load balancing are not supported on UNI ports in transparent mode.
- Native VLAN is not supported.
- CFM, EFM, link integrity, LACP, FAPS, and L2 1+1 protection are not supported on ports that are configured as part of REP segment and vice versa.
- When a node installed with GE_XP, GE_XPE, 10GE_XP, or 10GE_XPE cards configured with REP or LACP is upgraded, traffic loss may occur. This traffic loss is due to reconvergence when the cards soft reset during the upgrade process.
- NNI ports cannot be configured as the primary edge port or blocking port at the access or aggregation layer.
- Only three REP segments can be configured on GE_XP, 10GE_XP, GE_XPE, and 10GE_XPE cards.
- Consider the following configuration:

More than one REP closed segment is configured on the GE_XP, 10GE_XP, GE_XPE, and 10GE_XPE cards and the same HFL admin VLAN is enabled on the switches.

If two different segments are configured on more than one common switch, the following consequences happen.

- Layer 1 loop
- Flooding of HFL packets across segments if one REP segment fails
- Segment goes down due to LSL time out even if the segment does not have faults

Hence, it is recommended not to configure two different segments on more than one common switch.

- Consider the following configuration:
 - VLAN Load Balancing is configured on GE_XP, 10GE_XP, GE_XPE, and 10GE_XPE cards by specifying the VLB preempt delay.
 - Primary and secondary edge ports are configured on the same switch.
 - HFL or LSL is activated.

This configuration leads to high convergence time during manual preemption, VLB activation, and deactivation (400 to 700 milliseconds).

Related Procedure for Managing the REP Settings

To manage the REP settings on the GE_XP, 10GE_XP, GE_XPE, and 10GE_XPE cards, see the [NTP-G287 Managing the Card REP Settings, on page 422](#).

For more information about the GE_XP, 10GE_XP, GE_XPE, and 10GE_XPE cards, see:

- http://www.cisco.com/en/US/prod/collateral/optical/ps5724/ps2006/product_data_sheet0900aecd805ebef7.html
- http://www.cisco.com/en/US/prod/collateral/optical/ps5724/ps2006/product_data_sheet0900aecd805ec093.html

Related Procedures for GE_XP, 10GE_XP, GE_XPE, and 10GE_XPE Cards

The following is the list of procedures and tasks related to the configuration of the GE_XP, 10GE_XP, GE_XPE, and 10GE_XPE cards:

- [NTP-G165 Modifying the Ethernet, Line and PM Thresholds, on page 428](#)
- [NTP-G311 Provisioning the Storm Control Settings, on page 454](#)
- [NTP-G208 Provisioning SVLAN Rate Limiting on a Card, on page 457](#)
- [NTP-G314 Adding a Card on FAPS Ring, on page 473](#)
- [NTP-G75 Monitor Transponder and Muxponder Performance](#)

ADM-10G Card

The ADM-10G card operates on ONS 15454 SONET, ONS 15454 SDH, ONS 15454 M2, ONS 15454 M6, and DWDM networks to carry optical signals and Gigabit Ethernet signals over DWDM wavelengths for transport. The card aggregates lower bit-rate client SONET or SDH signals (OC-3/STM-1, OC-12/STM-4, OC-48/STM-16, or Gigabit Ethernet) onto a C-band tunable DWDM trunk operating at a higher OC-192/STM-64 rate. In a DWDM network, the ADM-10G card transports traffic over DWDM by mapping Gigabit Ethernet and SONET or SDH circuits onto the same wavelength with multiple protection options.

You can install and provision the ADM-10G card in a linear configuration in:

- Slots 1 to 5 and 12 to 16 in standard and high-density ONS 15454 ANSI shelves (15454-SA-ANSI or 15454-SA-HD), the ETSI ONS 15454 standard shelf assembly, or the ONS 15454 ETSI high-density shelf assembly
- Slot 2 in ONS 15454 M2 chassis
- Slots 2 to 6 in ONS 15454 M6 chassis



Caution Fan-tray assembly 15454E-CC-FTA (ETSI shelf)/15454-CC-FTA (ANSI shelf) must be installed in a shelf where the ADM-10G card is installed.

The card is compliant with ITU-T G.825 and ITU-T G.783 for SDH signals. It supports concatenated and non-concatenated AU-4 mapped STM-1, STM-4, and STM-16 signals as specified in ITU-T G.707. The card also complies with Section 5.6 of Telcordia GR-253-CORE and supports synchronous transport signal (STS) mapped OC-3, OC-12, and OC-48 signals as specified in the standard.

The client SFP and trunk XFP are compliant with interface requirements in Telcordia GR-253-CORE, ITU-T G.957 and/or ITU-T G.959.1, and IEEE 802.3.

Key Features

The ADM-10G card has the following high-level features:

- Operates with the control card.
- Interoperable with TXP_MR_10E, TXP_MR_10E_C, TXP_MR_10EX_C, and OTU2_XP cards.
- Has built-in OC-192/STM-64 add/drop multiplexing function including client, trunk, and STS cross-connect.
- Supports both single-card and double-card (ADM-10G peer group) configuration.
- Supports path protection/SNCP on client and trunk ports for both single-card and double-card configuration. The card does not support path protection/SNCP between a client port and a trunk port. Path protection/SNCP is supported only between two client ports or two trunk ports.
- Supports 1+1 protection on client ports for double-card configuration only.
- Supports SONET, SDH, and Gigabit Ethernet protocols on client SFPs.
- Supports XFP DWDM trunk interface single wavelengths.
- Returns zero bit errors when a control card switches from active to standby or when manual or forced protection switches occur.
- Has 16 SFP-based client interfaces (gray, colored, coarse wavelength division multiplexing (CWDM), and DWDM optics available).
- Supports STM1, STM4, STM16, and Gigabit Ethernet client signals (8 Gigabit Ethernet maximum).
- Has one XFP-based trunk interface supporting E-FEC/FEC and ITU-T G.709 for double-card configuration.
- Has two XFP-based trunk interface supporting E-FEC/FEC and ITU-T G.709 for single-card configuration.
- Has two SR XFP interlink interfaces supporting redundancy connection with protection board and pass-through traffic for double-card configuration.
- Supports frame-mapped generic framing procedure (GFP-F) and LEX mapping for Ethernet over SONET or SDH.
- Can be installed or pulled from operation, in any slot, without impacting other service cards in the shelf.
- Supports client to client hairpinning, that is, creation of circuits between two client ports for both single-card and double-card configuration. See the [Circuit Provisioning](#) for more detailed information.

For a detailed list of the supported pluggables, see, http://www.cisco.com/c/en/us/td/docs/optical/spares/gbic/guides/b_ons_pluggables.html

ADM-10G POS Encapsulation, Framing, and CRC

The ADM-10G card supports Cisco EoS LEX (LEX) and generic framing procedure framing (GFP-F) encapsulation on 8 POS ports corresponding to 8 GigE ports (Port 1 to Port 8) in both single-card and double-card (ADM-10G peer group) configuration.

You can provision framing on the ADM-10G card as either the default GFP-F or LEX framing. With GFP-F framing, you can configure a 32-bit cyclic redundancy check (CRC) or none (no CRC) (the default). LEX

framing supports 16-bit or 32-bit CRC configuration. The framing type cannot be changed when there is a circuit on the port.

On the CTC, navigate to card view and click the Provisioning > Line> Ethernet Tab. To see the various parameters that can be configured on the ethernet ports, see the “CTC Display of ethernet Port Provisioning Status” section in the Cisco ONS 15454 and Cisco ONS 15454 SDH Ethernet Card Software Feature and Configuration Guide. Parameters such as, admin state, service state, framing type, CRC, MTU and soak time for a port can be configured.

It is possible to create an end-to-end circuit between equipment supporting different kinds of encapsulation (for example, LEX on one side and GFP-F on other side). But, under such circumstances, traffic does not pass through, and an alarm is raised if there is a mismatch.

POS Overview

Ethernet data packets need to be framed and encapsulated into a SONET/SDH frame for transport across the SONET/SDH network. This framing and encapsulation process is known as packet over SONET/SDH (POS).

The Ethernet frame comes into the ADM-10G card on a standard Gigabit Ethernet port and is processed through the card's framing mechanism and encapsulated into a POS frame. When the POS frame exits, the ADM-10G card is in a POS circuit, and this circuit is treated as any other SONET circuit (STS) or SDH circuit (VC) in the node. It is cross-connected and rides the SONET/SDH signal out the port of an optical card and across the SONET/SDH network.

The destination of the POS circuit is a card or a device that supports the POS interface. Data packets in the destination card frames are removed and processed into ethernet frames. The Ethernet frames are then sent to a standard Ethernet port of the card and transmitted onto an Ethernet network.

POS Framing Modes

A POS framing mode is the type of framing mechanism employed by the ADM-10G card to frame and encapsulate data packets into a POS signal. These data packets were originally encapsulated in Ethernet frames that entered the standard Gigabit Ethernet interface of the ADM-10G card.

GFP-F Framing

The GFP-F framing represent standard mapped Ethernet over GFP-F according to ITU-T G.7041. GFP-F defines a standard-based mapping of different types of services onto SONET/SDH. GFP-F maps one variable length data packet onto one GFP packet. GFP-F comprises of common functions and payload specific functions. Common functions are those shared by all payloads. Payload-specific functions are different depending on the payload type. GFP-F is detailed in the ITU recommendation G.7041.

LEX Framing

LEX encapsulation is a HDLC frame based Cisco Proprietary protocol, where the field is set to values specified in Internet Engineering Task Force (IETF) RFC 1841. HDLC is one of the most popular Layer 2 protocols. The HDLC frame uses the zero insertion/deletion process (commonly known as bit stuffing) to ensure that the bit pattern of the delimiter flag does not occur in the fields between flags. The HDLC frame is synchronous and therefore relies on the physical layer to provide a method of clocking and synchronizing the transmission and reception of frames. The HDLC framing mechanism is detailed in the IETF's RFC 1662, “PPP in HDLC-like Framing.”

GFP Interoperability

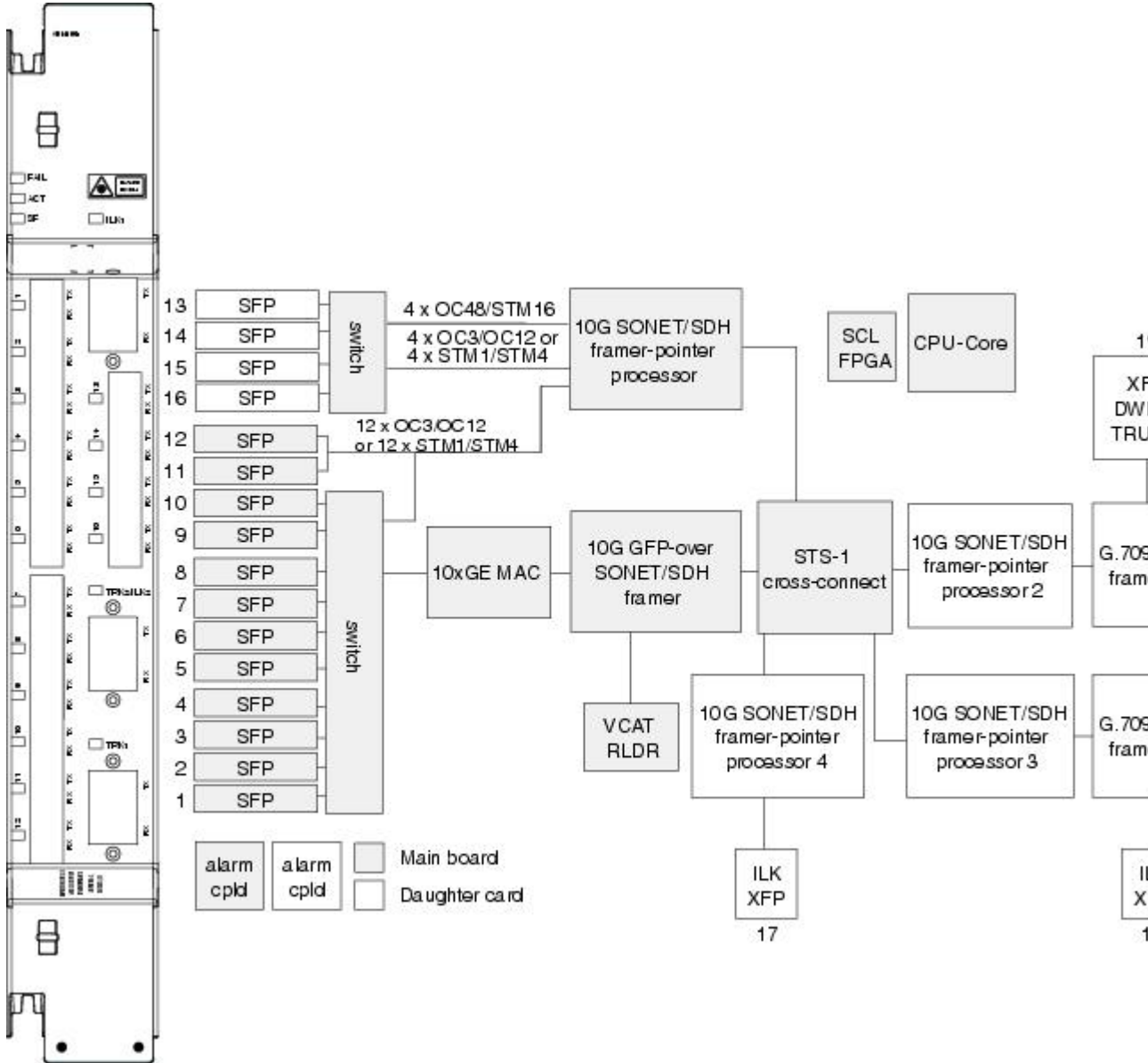
The ADM-10G card defaults to GFP-F encapsulation that is compliant with ITU-T G.7041. This mode allows the card to operate with ONS 15310-CL, ONS 15310-MA, ONS 15310-MA SDH, or ONS 15454 data cards (for example, ONS 15454 CE100T-8 or ML1000-2 cards). GFP encapsulation also allows the ADM-10G card to interoperate with other vendors Gigabit Ethernet interfaces that adhere to the ITU-T G.7041 standard.

LEX Interoperability

The LEX encapsulation is compliant with RFC 1841. This mode allows the card to operate with ONS 15310-CL, ONS 15310-MA, ONS 15310-MA SDH, or ONS 15454 data cards (for example, G1000-4/G1K-4 cards, CE-1000-4, ONS 15454 CE100T-8 or ML1000-2 cards).

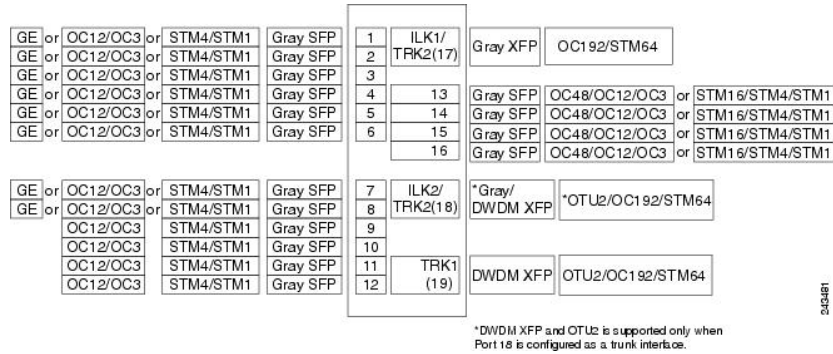
Faceplate and Block Diagram

Figure 6: ADM-10G Card Faceplate and Block Diagram



Port Configuration Rules

Figure 7: ADM-10G Card Port Capacities



Port 17 acts as trunk2 or ILK1 interface based on single-card or double-card configuration.

Client Interfaces

The ADM-10G card uses LC optical port connectors supports up to 16 SFPs that can be utilized for OC-N/STM-N traffic. Eight of the SFPs can be used for Gigabit Ethernet. The interfaces can support any mix of OC-3/STM-1, OC-12/STM-4, OC-48/STM-16, or Gigabit Ethernet of any reach, such as SX, LX, ZX, SR, IR, or LR. The interfaces support a capacity of:

- 4 x OC-48/STM-16
- 16 x OC-12/STM-4
- 16 x OC-3/STM-1
- 8 x GE

The supported client SFPs and XFPs are:

- Gray SFPs
 - 1000Base-SX SFP 850 nm (ONS-SE-G2F-SX=)
 - 1000Base-LX SFP 1310 nm (ONS-SE-G2F-LX=)
 - OC48/STM16 IR1, OC12/STM4 SR1, OC3/STM1 SR1, GE-LX multirate SFP 1310 nm (ONS-SE-Z1=)
 - OC3/STM1 IR1, OC12/STM4 IR1 multirate SFP 1310 nm (ONS-SI-622-I1=)
 - OC48/STM16 SR1 SFP 1310 nm (ONS-SI-2G-S1=)
 - OC48/STM16 IR1 SFP 1310 nm (ONS-SI-2G-I1=)
 - OC48/STM16, 1550 LR2, SM LC (ONS-SE-2G-L2=)
- Colored DWDM SFPs
 - 1000Base-ZX SFP 1550 nm (ONS-SI-GE-ZX=)
 - OC3/STM1 LR2 SFP 1550 nm (ONS-SI-155-L2=)

- OC48/STM16 LR2 SFP 1550 nm (ONS-SI-2G-L2=)
- OC48/STM16 SFP (ONS-SC-2G-xx.x)



Note xx.x = 28.7 to 60.6. ONS-SC-2G-28.7, ONS-SC-2G-33.4, ONS-SC-2G-41.3, ONS-SC-2G-49.3, and ONS-SC-2G-57.3 are supported from Release 8.5 and later.

- CWDM SFPs
 - OC48/STM16/GE CWDM SFP (ONS-SC-Z3-xxxx)
- XFPs
 - OC-192/STM-64/10GE XFP 1550 nm (ONS-XC-10G-I2)

Interlink Interfaces

Two 2R interlink interfaces, called ILK1 (Port 17) and ILK2 (Port 18), are provided for creation of ADM-10G peer groups in double-card configurations. In a single-card configuration, Port 17 (OC-192/STM-64) and Port 18 (OC-192/STM-64 or OTU2 payload) must be configured as trunk interfaces. In a double-card configuration (ADM-10G peer group), Ports 17 and 18 must be configured as ILK1 and ILK2 interfaces, respectively. Physically cabling these ports between two ADM-10G cards, located on the same shelf, allows you to configure them as an ADM-10G peer group. The ILK ports carry 10 Gb of traffic each.

The interlink interfaces support STM64 SR1 (ONS-XC-10G-S1=) XFP and 10GE BASE SR (ONS-XC-10G-SR-MM=) XFPs.

DWDM Trunk Interface

The ADM-10G card supports OC-192/STM-64 signal transport and ITU-T G.709 digital wrapping according to the ITU-T G.709 standard. The ADM-10G card supports three trunk XFPs:

- Two DWDM trunks, and one trunk interface in a single-card configuration.
- One DWDM trunk XFP in a double-card configuration.

The supported DWDM trunk XFPs are:

- 10G DWDM (ONS-XC-10G-xx.x=) (colored XFP)
- STM64 SR1 (ONS-XC-10G-S1=) (gray XFP)

Configuration Management

When using OC-48/STM-16 traffic, some contiguous port configurations are unavailable due to hardware limitations. This limitation does not impact the Gigabit Ethernet payload.



Note The ADM-10G card cannot be used in the same shelf with SONET or SDH cross-connect cards.

Table 28: OC-48/STM-16 Configuration Limitations

OC-48/STM-16 Port Number	Ports Restricted from Optical Traffic
OC-48/STM-16 on Port 13	No OC-N/STM-N on Port 1 through Port 3
OC-48/STM-16 on Port 14	No OC-N/STM-N on Port 4 through Port 6
OC-48/STM-16 on Port 15	No OC-N/STM-N on Port 7 through Port 9
OC-48/STM-16 on Port 16	No OC-N/STM-N on Port 10 through Port 12



Note The total traffic rate for each trunk cannot exceed OC-192/STM-64 on each ADM-10G card, or for each ADM-10G peer group.



Note Gigabit Ethernet is supported on Ports 1 through 8. Ports 9 through Port 12 support only OC-3/STM-1 or OC-12/STM-4.

Additionally, the following guidelines apply to the ADM-10G card:

- Trunk Port 17 supports OC-192/STM-64.
- Trunk Ports 18 and 19 support OC-192/STM-64 and OTU2.
- The interlink port supports OC-192/STM-64.
- Up to six ADM-10G cards can be installed in one shelf.
- Up to 24 ADM-10G cards can be installed per network element (NE) regardless of whether the card is installed in one shelf or in multiple shelves.
- The card can be used in all 15454-SA-ANSI and 15454-SA-HD shelves as well as ETSI ONS 15454 standard and high-density shelves.
- A lamp test function can be activated from CTC to ensure that all LEDs are functional.
- The card can operate as a working protected or working non-protected card.
- In a redundant configuration, an active card hardware or software failure triggers a switch to the standby card. This switch is detected within 10 ms and is completed within 50 ms.
- ADM-10G cards support jumbo frames with MTU sizes of 64 to 9,216 bytes; the maximum is 9,216.
- After receiving a link or path failure, the ADM-10G card can shut down only the downstream Gigabit Ethernet port.



Note In ADM-10G cards, the Gigabit Ethernet port does not support flow control.

Security

The ADM-10G card that an SFP or XFP is plugged into implements the Cisco Standard Security Code Check Algorithm that keys on the vendor ID and serial number.

If a pluggable port module (PPM) is plugged into a port on the card but fails the security code check because it is not a Cisco PPM, a minor NON-CISCO-PPM alarm is raised.

If a PPM with an unqualified product ID is plugged into a port on this card—that is, the PPM passes the security code as a Cisco PPM but it has not been qualified for use on the ADM-10G card—a minor UNQUAL-PPM alarm is raised.

Protection

The ADM-10G card supports 1+1 and SONET path protection and SDH SNCP protection architectures in compliance with Telcordia GR-253-CORE, Telcordia GR-1400-CORE, and ITU-T G.841 specifications.

Circuit Protection Schemes

The ADM-10G card supports path protection/SNCP circuits at the STS/VC4 (high order) level and can be configured to switch based on signal degrade calculations. The card supports path protection/SNCP on client and trunk ports for both single-card and double-card configuration.



Note The ADM-10G card supports path protection/SNCP between client ports and trunk port 17. The card does not support path protection/SNCP between client ports and trunk ports 18 or 19. The card does not support path protection/SNCP between port 17 and trunk ports 18 and 19.

The card allows open-ended path protection/SNCP configurations incorporating other vendor equipment. In an open-ended path protection/SNCP, you can specify one source point and two possible endpoints (or two possible source points and one endpoint) and the legs can include other vendor equipment. The source and endpoints are part of the network discovered by CTC.

Port Protection Schemes

The ADM-10G card supports unidirectional and bidirectional 1+1 APS protection schemes on client ports for double-card configuration (ADM-10G peer group) only. 1+1 APS protection scheme is not supported in single-card configuration. For 1+1 optical client port protection, you can configure the system to use any pair of like facility interfaces that are on different cards of the ADM-10G peer group.

Circuit Provisioning

The ADM-10G card supports STS circuit provisioning both in single-card and double-card (ADM-10G peer group) configuration. The card allows you to create STS circuits between:

- Client and trunk ports
- Two trunk ports
- Two client ports (client-to-client hairpinning)



Note Circuits between two trunk ports are called pass-through circuits.

For an ADM-10G card in single-card configuration, if you are creating STS circuits between two client ports, the following limitation must be considered:

- Gigabit Ethernet to Gigabit Ethernet connections are not supported.

For an ADM-10G card that is part of an ADM-10G peer group, if you are creating STS circuits between two client ports or between client and trunk ports, the following limitations must be considered:

- Gigabit Ethernet to Gigabit Ethernet connections are not supported.
- Optical channel (OC) to OC, OC to Gigabit Ethernet, and Gigabit Ethernet to OC connections between two peer group cards are supported. Peer group connections use interlink port bandwidth, hence, depending on the availability/fragmentation of the interlink port bandwidth, it may not be possible to create an STS circuit from the Gigabit Ethernet/OC client port to the peer card trunk port. This is because, contiguous STSs (that is, STS-3c, STS-12c, STS-24c, and so on) must be available on the interlink port for circuit creation.

An alarm is raised on the port having the STS circuit created on the port of the ADM-10G card. Right click the alarm and choose Select Affected Circuits to view the circuits affected by this alarm. CTC informs that no STS circuits are affected by the alarm instead of highlighting the circuit passing over that port in Circuits pane.



Note There are no limitations to create an STS circuit between two trunk ports.

The two ADM-10G cards used in a paired mode use interlink ports ILK1 (Port 17) and ILK2 (Port 18). A CCAT or VCAT circuit created between the peer ADM-10G cards uses the ILK1 port if the source or destination is Port 19. The circuits created with a single ADM-10G card uses the ILK2 port.

If the circuit is of type STS- nc (where n is an integer and can take values 3,6,9,12,18,24,36,48,96) and uses the ILK2 port, then the starting timeslot needs to use specific timeslots for traffic to flow. The timeslots can be $12m+1$ for STS-12c circuits and $48m+1$ (where m is an integer and can take values 0,1,2,3...) for STS-48c circuits. The timeslots can be $3m+1$ for the other STS- nc circuits.

The following example illustrates how to use the correct timeslot for an ILK2 port:

If there is no circuit on the ILK2 port and a STS-3c circuit is created, the circuit uses timeslots 1 to 3. An STS-12c circuit must be created on the ILK2 port later. The STS-12c circuit must have used timeslots 4 to 15. However, the STS-12c circuit uses timeslots starting from $12m+1$ (1, 13, 25, and so on) as defined in the above rule. Therefore, before creating the STS-12c circuit, dummy circuits must be created in CTC that consumes STS-9 bandwidth.

ADM-10G CCAT and VCAT Characteristics

The ADM-10G card supports high-order (HO) contiguous concatenation (CCAT) and HO virtual concatenation (VCAT) circuits on 8 GigE ports (Port 1 to Port 8) in both single-card and double-card (ADM-10G peer group) configuration.

To enable end-to-end connectivity in a VCAT circuit that traverses through a third-party network, you can use Open-Ended VCAT circuit creation.

The ADM-10G card supports flexible non-LCAS VCAT groups (VCGs). With flexible VCGs, the ADM-10G can perform the following operations:

- Add or remove members from groups
- Put members into or out of service, which also adds/removes them from the group
- Add or remove cross-connect circuits from VCGs

Any operation on the VCG member is service effecting (for instance, adding or removing members from the VCG). Adding or removing cross-connect circuits is not service-affecting, if the associated members are not in the group

The ADM-10G card allows independent routing and protection preferences for each member of a VCAT circuit. You can also control the amount of VCAT circuit capacity that is fully protected, unprotected, or uses Protection Channel Access (PCA) (when PCA is available). Alarms are supported on a per-member as well as per virtual concatenation group (VCG) basis.

The ADM-10G card supports both automatic and manual routing for VCAT circuit, that is, all members are manually or automatically routed. Bidirectional VCAT circuits are symmetric, which means that the same number of members travel in each direction. With automatic routing, you can specify the constraints for individual members; with manual routing, you can select different spans for different members. Two types of automatic and manual routing are available for VCAT members: common fiber routing and split routing.

The ADM-10G card supports VCAT common fiber routing and VCAT split fiber (diverse) routing. With VCAT split fiber routing, each member can be routed independently through the SONET or SDH or DWDM network instead of having to follow the same path as required by CCAT and VCAT common fiber routing. This allows a more efficient use of network bandwidth, but the different path lengths and different delays encountered may cause slightly different arrival times for the individual members of the VCG. The VCAT differential delay is this relative arrival time measurement between members of a VCG. The maximum tolerable VCAT split fiber routing differential delay for the ADM-10G card is approximately 55 milliseconds. A loss of alignment alarm is generated if the maximum differential delay supported is exceeded.

The differential delay compensation function is automatically enabled when you choose split fiber routing during the CTC circuit configuration process. CCAT and VCAT common fiber routing do not enable or need differential delay support.



Caution

Protection switches with switching time of less than 60 milliseconds are not guaranteed with the differential delay compensation function enabled. The compensation time is added to the switching time.



Note

For TL1, EXPBUFFERS parameter must be set to ON in the ENT-VCG command to enable support for split fiber routing.

Available Circuit Sizes

Table 29: Supported SONET Circuit Sizes of ADM-10G card

CCAT	VCAT High Order
STS-1	STS-1-1nV ($n= 1$ to 21)
STS-3c	STS-3c-mv ($m= 1$ to 7)
STS-6c	
STS-9c	
STS-12c	
STS-24c	

Table 30: Supported SDH Circuit Sizes of ADM-10G card

CCAT	VCAT High Order
VC-4	VC-4-mv ($m= 1$ to 7)
VC-4-2c	
VC-4-3c	
VC-4-4c	
VC-4-8c	



Note In ADM-10G cards, the Gigabit Ethernet port does not support flow control. When less than seven VC-4s are configured for the port, with the client traffic expected to be below the line rate, a burst in traffic beyond the supposed bandwidth leads to packet loss. It is, therefore, recommended to use an external flow control mechanism with less than seven VC-4s configured. Connecting a GE-XP or GE-XPE card between the client traffic and the ADM-10G Gigabit Ethernet interface enables such flow control.

Related Procedure for VCAT Circuit

The following is the list of procedures related to creating VCAT circuits:

- [NTP-G245 Creating an Automatically Routed VCAT Circuit](#)
- [NTP-G246 Creating a Manually Routed VCAT Circuit](#)

Intermediate Path Performance Monitoring

Intermediate path performance monitoring (IPPM) allows a node to monitor the constituent channel of an incoming transmission signal. You can enable IPPM for STS/VC-4s payload on OCn and Trunk ports of ADM-10G card. The IPPM is compliant with GR253/G.826.

Software Release 9.2 and higher enables the ADM-10G card to monitor the near-end and far-end PM data on individual STS/VC-4 payloads by enabling IPPM. After provisioning IPPM on the card, service providers can monitor large amounts of STS/VC-4 traffic through intermediate nodes, thus making troubleshooting and maintenance activities more efficient. IPPM occurs only on STS/VC-4 paths that have IPPM enabled, and TCAs are raised only for PM parameters on the selected IPPM paths.

For a CCAT circuit, you can enable IPPM only on the first STS/VC-4 of the concatenation group. For a VCAT circuit, you can enable IPPM independently on each member STS/VC-4 of the concatenation group.

Related Procedure for IPPM

To enable IPPM on the ADM-10G card, see:

- [NTP-G247 Enabling or Disabling Path Performance Monitoring on Intermediate Nodes](#)

Pointer Justification Count Performance Monitoring

Pointers are used to compensate for frequency and phase variations. Pointer justification counts indicate timing errors on SONET networks. When a network is out of synchronization, jitter and wander occur on the transported signal. Excessive wander can cause terminating equipment to slip.

Slips cause different effects in service. Voice service has intermittent audible clicks. Compressed voice technology has short transmission errors or dropped calls. Fax machines lose scanned lines or experience dropped calls. Digital video transmission has distorted pictures or frozen frames. Encryption service loses the encryption key, causing data to be transmitted again.

Pointers provide a way to align the phase variations in STS and VC4 payloads. The STS payload pointer is located in the H1 and H2 bytes of the line overhead. Clocking differences are measured by the offset in bytes from the pointer to the first byte of the STS synchronous payload envelope (SPE) called the J1 byte. Clocking differences that exceed the normal range of 0 to 782 can cause data loss.

There are positive (PPJC) and negative (NPJC) pointer justification count parameters. PPJC is a count of path-detected (PPJC-PDET-P) or path-generated (PPJC-PGEN-P) positive pointer justifications. NPJC is a count of path-detected (NPJC-PDET-P) or path-generated (NPJC-PGEN-P) negative pointer justifications depending on the specific PM name. PJCDIFF is the absolute value of the difference between the total number of detected pointer justification counts and the total number of generated pointer justification counts. PJCS-PDET-P is a count of the one-second intervals containing one or more PPJC-PDET or NPJC-PDET. PJCS-PGEN-P is a count of the one-second intervals containing one or more PPJC-PGEN or NPJC-PGEN.

A consistent pointer justification count indicates clock synchronization problems between nodes. A difference between the counts means that the node transmitting the original pointer justification has timing variations with the node detecting and transmitting this count. Positive pointer adjustments occur when the frame rate of the SPE is too slow in relation to the rate of the STS-1.

You must enable PPJC and NPJC performance monitoring parameters for ADM-10Gcard. In CTC, the count fields for PPJC and NPJC PMs appear white and blank unless they are enabled on the card view Provisioning tab.

Performance Monitoring Parameter Definitions

This section describes the STS and VC-4 path performance monitoring parameters that ADM-10G card support.

Table 31: STS Near-end Path Performance Monitoring Parameters

Parameter	Definition
CV-P	Near-End STS Path Coding Violations (CV-P) is a count of BIP errors detected at the STS path layer (that is, using the B3 byte). Up to eight BIP errors can be detected per frame; each error increments the current CV-P second register.
ES-P	Near-End STS Path Errored Seconds (ES-P) is a count of the seconds when at least one STS path BIP error was detected. An AIS Path (AIS-P) defect (or a lower-layer, traffic-related, near-end defect) or a Loss of Pointer Path (LOP-P) defect can also cause an ES-P.
SES-P	Near-End STS Path Severely Errored Seconds (SES-P) is a count of the seconds when K (2400) or more STS path BIP errors were detected. An AIS-P defect (or a lower-layer, traffic-related, near-end defect) or an LOP-P defect can also cause an SES-P.
UAS-P	Near-End STS Path Unavailable Seconds (UAS-P) is a count of the seconds when the STS path was unavailable. An STS path becomes unavailable when ten consecutive seconds occur that qualify as SES-Ps, and continues to be unavailable until ten consecutive seconds occur that do not qualify as SES-Ps.
FC-P	Near-End STS Path Failure Counts (FC-P) is a count of the number of near-end STS path failure events. A failure event begins when an AIS-P failure, an LOP-P failure, a UNEQ-P failure, or a Section Trace Identifier Mismatch Path (TIM-P) failure is declared. A failure event also begins if the STS PTE that is monitoring the path supports Three-Bit (Enhanced) Remote Failure Indication Path Connectivity (ERFI-P-CONN) for that path. The failure event ends when these failures are cleared.
PPJC-PDET-P	Positive Pointer Justification Count, STS Path Detected (PPJC-PDET-P) is a count of the positive pointer justifications detected on a particular path in an incoming SONET signal.
PPJC-PGEN-P	Positive Pointer Justification Count, STS Path Generated (PPJC-PGEN-P) is a count of the positive pointer justifications generated for a particular path to reconcile the frequency of the SPE with the local clock.
NPJC-PDET-P	Negative Pointer Justification Count, STS Path Detected (NPJC-PDET-P) is a count of the negative pointer justifications detected on a particular path in an incoming SONET signal.
NPJC-PGEN-P	Negative Pointer Justification Count, STS Path Generated (NPJC-PGEN-P) is a count of the negative pointer justifications generated for a particular path to reconcile the frequency of the SPE with the local clock.

Parameter	Definition
PJCDIFF-P	Pointer Justification Count Difference, STS Path (PJCDIFF-P) is the absolute value of the difference between the total number of detected pointer justification counts and the total number of generated pointer justification counts. That is, PJCDiff-P is equal to (PPJC-PGEN-P - NPJC-PGEN-P) - (PPJC-PDET-P - NPJC-PDET-P).
PJCS-PDET-P	Pointer Justification Count Seconds, STS Path Detect (NPJCS-PDET-P) is a count of the one-second intervals containing one or more PPJC-PDET or NPJC-PDET.
PJCS-PGEN-P	Pointer Justification Count Seconds, STS Path Generate (PJCS-PGEN-P) is a count of the one-second intervals containing one or more PPJC-PGEN or NPJC-PGEN.

Table 32: VC-4 Near-end Path Performance Monitoring Parameters

Parameter	Definition
HP-EB	High-Order Path Errored Block (HP-EB) indicates that one or more bits are in error within a block.
HP-BBE	High-Order Path Background Block Error (HP-BBE) is an errored block not occurring as part of an SES.
HP-ES	High-Order Path Errored Second (HP-ES) is a one-second period with one or more errored blocks or at least one defect.
HP-SES	High-Order Path Severely Errored Seconds (HP-SES) is a one-second period containing 30 percent or more errored blocks or at least one defect. SES is a subset of ES.
HP-UAS	High-Order Path Unavailable Seconds (HP-UAS) is a count of the seconds when the VC path was unavailable. A high-order path becomes unavailable when ten consecutive seconds occur that qualify as HP-SESs, and it continues to be unavailable until ten consecutive seconds occur that do not qualify as HP-SESs.
HP-BBER	High-Order Path Background Block Error Ratio (HP-BBER) is the ratio of BBE to total blocks in available time during a fixed measurement interval. The count of total blocks excludes all blocks during SESs.
HP-ESR	High-Order Path Errored Second Ratio (HP-ESR) is the ratio of errored seconds to total seconds in available time during a fixed measurement interval.
HP-SESR	High-Order Path Severely Errored Second Ratio (HP-SESR) is the ratio of SES to total seconds in available time during a fixed measurement interval.
HP-PPJC-PDET	High-Order, Positive Pointer Justification Count, Path Detected (HP-PPJC-Pdet) is a count of the positive pointer justifications detected on a particular path on an incoming SDH signal.

Parameter	Definition
HP-NPJC-PDET	High-Order, Negative Pointer Justification Count, Path Detected (HP-NPJC-Pdet) is a count of the negative pointer justifications detected on a particular path on an incoming SDH signal.
HP-PPJC-PGEN	High-Order, Positive Pointer Justification Count, Path Generated (HP-PPJC-Pgen) is a count of the positive pointer justifications generated for a particular path.
HP-NPJC-PGEN	High-Order, Negative Pointer Justification Count, Path Generated (HP-NPJC-Pgen) is a count of the negative pointer justifications generated for a particular path.
HP-PJCDIFF	High-Order Path Pointer Justification Count Difference (HP-PJCDiff) is the absolute value of the difference between the total number of detected pointer justification counts and the total number of generated pointer justification counts. That is, HP-PJCDiff is equal to $(HP-PPJC-PGen - HP-NPJC-PGen) - (HP-PPJC-PDet - HP-NPJC-PDet)$.
HP-PJCS-PDET	High-Order Path Pointer Justification Count Seconds (HP-PJCS-PDet) is a count of the one-second intervals containing one or more HP-PPJC-PDet or HP-NPJC-PDet.
HP-PJCS-PGEN	High-Order Path Pointer Justification Count Seconds (HP-PJCS-PGen) is a count of the one-second intervals containing one or more HP-PPJC-PGen or HP-NPJC-PGen.

ADM-10G Functions

The following functions of the ADM-10G card are explained in the "[Card Features](#)" chapter:

- Automatic Laser Shutdown
- Card level indicators
- Port level indicators

Related Procedures for ADM-10G Card

The following is the list of procedures and tasks related to the configuration of the ADM-10G card:

- [NTP-G170 Provisioning the ADM-10G Card Peer Group, Ethernet Settings, Line Settings, PM Parameters, and Thresholds, on page 288](#)
- [NTP-G200 Creating, Deleting, and Managing STS or VC Circuits for the ADM-10G Card](#)
- [NTP-G75 Monitor Transponder and Muxponder Performance](#)
- [NTP-G333 Adding an ADM-10G Card to an Existing Topology, on page 313](#)

DLP-G775 Displaying the Bandwidth Usage of the STS Timeslots

Purpose	This task displays the bandwidth usage of the STS timeslots on the interlink interfaces, ILK1 (Port 17) and ILK2 (Port 18), in ADM-10G double-card configuration.
Tools/Equipment	None
Prerequisite Procedures	<ul style="list-style-type: none"> • DLP-G46 Log into CTC • DLP-G403 Creating the ADM-10G Peer Group, on page 289
Required/As Needed	As needed
Onsite/Remote	Onsite or remote
Security Level	Provisioning or higher

Procedure

-
- Step 1** In node view (single-shelf mode) or shelf view (multishelf view), double-click the ADM-10G card where you want to display the bandwidth usage of the STS timeslots on the interlink interfaces.
- Step 2** Click the **Maintenance > ILK Utilization** tabs.
- Step 3** In the Interlink Ports drop-down list, choose the interlink port for which you want to display the bandwidth usage and click **Refresh**.
- The bandwidth usage of STS 1 to 192 timeslots are displayed in the Free/Occupied column. The bandwidth usage values are updated only after clicking the Refresh button.
- Step 4** Return to your originating procedure (NTP).
-

OTU2_XP Card

The OTU2_XP card is a single-slot card with four ports with XFP-based multirate (OC-192/STM-64, 10GE, 10G FC, IB_5G) Xponder. The OTU2_XP card supports multiple configurations.

Table 33: OTU2_XP Card Configurations and Ports

Configuration	Port 1	Port 2	Port 3	Port 4
2 x 10G transponder	Client port 1	Client port 2	Trunk port 1	Trunk port 2
2 x 10G standard regenerator (with enhanced FEC (E-FEC) only on one port)	Trunk port 1	Trunk port 2	Trunk port 1	Trunk port 2

Configuration	Port 1	Port 2	Port 3	Port 4
10 GE LAN Phy to WAN Phy	Client port	Client port in transponder or trunk port in regenerator configuration	Trunk port	Trunk port in transponder or regenerator configuration
1 x 10G E-FEC regenerator (with E-FEC on two ports)	Not used	Not used	Trunk port	Trunk port
1 x 10G splitter protected transponder	Client port	Not used	Trunk port (working)	Trunk port (protect)

All the four ports are ITU-T G.709 compliant and support 40 channels (wavelengths) at 100-GHz channel spacing in the C-band (that is, the 1530.33 nm to 1561.42 nm wavelength range).

The OTU2_XP card can be installed in Slots 1 to 6 and 12 to 17 in ONS 15454 DWDM chassis, Slots 2 and 3 in ONS 15454 M2, Slots 2 to 7 in ONS 15454 M6, Slots 2 to 16 in Cisco NCS 2015 chassis. The OTU2_XP card supports SONET SR1, IR2, and LR2 XFPs, 10GE BASE SR, SW, LR, LW, ER, EW, and ZR XFPs, and 10G FC MX-SN-I and SM-LL-L XFPs.



Caution Fan-tray assembly 15454E-CC-FTA (ETSI shelf)/15454-CC-FTA (ANSI shelf) must be installed in a shelf where the OTU2_XP card is installed.

When TNCS-2 and TNCS-20 cards are present as control cards, LDCC is not supported for the OTU2_XP card.

Key Features

The OTU2_XP card has the following high-level features:

- 10G transponder, regenerator, and splitter protection capability.
- Compatible with the ONS 15454 ANSI high-density shelf assembly, the ETSI ONS 15454 shelf assembly, and the ETSI ONS 15454 high-density shelf assembly. Compatible with TCC2/TCC2P/TCC3/TNC/TNCE/TSC/TSCE cards.



Note Due to memory limitations, TCC2/TCC2P cards are not supported from Release 10.5.2 onwards. As a result, in a multishelf configuration, the TCC2/TCC2P card cannot be a node controller or a shelf controller. Upgrade the TCC2/TCC2P card to a TCC3 card

- Interoperable with TXP_MR_10E and TXP_MR_10E_C cards.
- Four port, multirate (OC-192/STM-64, 10G Ethernet WAN Phy, 10G Ethernet LAN Phy, 10G Fibre Channel, IB_5G) client interface. The client signals are mapped into an ITU-T G.709 OTU2 signal using standard ITU-T G.709 multiplexing.

- ITU-T G.709 framing with standard Reed-SoloMon (RS) (255,239) FEC. Performance monitoring and ITU-T G.709 Optical Data Unit (ODU) synchronous mapping. Enhanced FEC (E-FEC) with ITU-T G.709 ODU with greater than 8 dB coding gain.
- The trunk rate remains the same irrespective of the FEC configuration. The error coding performance can be provisioned as follows:
 - FEC—Standard ITU-T G.709.
 - E-FEC—Standard ITU-T G.975.1 (subclause I.7)
- IEEE 802.3 frame format supported for 10 Gigabit Ethernet interfaces. The minimum frame size is 64 bytes. The maximum frame size is user-provisionable.
- Supports fixed/no fixed stuff mapping (insertion of stuffing bytes) for 10G Ethernet LAN Phy signals (only in transponder configuration).
- Supports 10G Ethernet LAN Phy to 10G Ethernet WAN Phy conversion on Ports 1 (client port) and 3 (trunk port).
- Supports 10G Ethernet LAN Phy to WAN Phy conversion using CTC and TL1. When enabled on the OTU2_XP card, the first Channel (Ports 1 and 3) supports LAN to WAN conversion. The second channel carries normal 10GE, 10G FC, and OC192/STM64 traffic.
- The LAN Phy to WAN Phy conversion functions in accordance to WAN Interface Sublayer (WIS) mechanism as defined by IEEE802.3ae (IEEE Std 802.3ae-2002, Amendment to CSMA/CD).
- Default configuration is transponder, with trunk ports configured as ITU-T G.709 standard FEC.
- In transponder or regenerator configuration, if one of the ports is configured the corresponding port is automatically created.
- In regenerator configuration, only Ports 3 and 4 can be configured as E-FEC. Ports 1 and 2 can be configured only with standard FEC.
- When port pair 1-3 or 2-4 is configured as regenerator (that is, card mode is standard regenerator), the default configuration on Ports 3 and 4 is automatically set to standard FEC.
- When Ports 3 and 4 are configured as regenerator (that is, card mode is E-FEC regenerator), the default configuration on both these ports is automatically set to E-FEC.
- In a splitter-protected transponder configuration, the trunk ports (Port 3 and Port 4) are configured as ITU-T G.709 standard FEC or E-FEC. OCHCC circuits with different trunk wavelengths can be configured for the working and protect paths. The process of setting the trunk wavelengths is similar to the “DLP-G367 Change the 2.5G Multirate Transponder Trunk Wavelength Settings” task on page 11-175. OCHCC circuits having different trunk wavelengths on the working and protect paths can be upgraded to GMPLS circuits.
- Supports protection through Y-cable protection scheme.



Note When enabled, the 10G Ethernet LAN Phy to WAN Phy conversion feature does not support Y-cable protection on the LAN to WAN interface (ports 1 and 3).

- Client ports support SONET SR1, IR2, and LR2 XFPs, 10GE BASE SR, SW, LR, LW, ER, EW, and ZR XFPs, and 10G FC MX-SN-I and SM-LL-L XFPs.

- Following are the OTU2 link rates that are supported on the OTU2_XP trunk port:
 - Standard G.709 (10.70923 Gbps) when the client is provisioned as “SONET” (including 10G Ethernet WAN PHY) (9.95328 Gbps).
 - G.709 overclocked to transport 10GE as defined by ITU-T G. Sup43 Clause 7.2 (11.0491 Gbps) when the client is provisioned as “10G Ethernet LAN Phy” (10.3125 Gbps) with “No Fixed Stuff” enabled.
 - G.709 overclocked to transport 10GE as defined by ITU-T G. Sup43 Clause 7.1 (11.0957 Gbps) when the client is provisioned as “10G Ethernet LAN Phy” (10.3125 Gbps) with “No Fixed Stuff” disabled.
 - G.709 proprietary overclocking mode to transport 10G FC (11.3168 Gbps) when the client is provisioned as “10G Fiber Channel” (10.518 Gbps).
 - Proprietary rate at the trunk when the client is provisioned as IB_5G.
- The MTU setting is used to display the OverSizePkts counters on the receiving Gigabit Ethernet client port interfaces. Traffic of frame sizes up to 65535 bytes pass without any packet drops, from the client port to the trunk port irrespective of the MTU setting.
- The OTU2_XP card configured in the Transponder or Mixed mode does not support egress Ethernet variables such as ifOutOctets, ifOutDiscards, ifOutMulticastPkts, and ifOutBroadcastPkts.

For a detailed list of the supported pluggables, see, http://www.cisco.com/c/en/us/td/docs/optical/spares/gbic/guides/b_ons_pluggables.html

OTU2_XP Card Interface

The OTU2_XP card is a multi-functional card that operates in different configurations, such as transponder, standard regenerator, E-FEC regenerator, and 10G Ethernet LAN Phy to WAN Phy conversion mode. The OTU2_XP card acts as a protected transponder, when the 10G Ethernet LAN Phy to WAN Phy is in splitter protected transponder configuration mode.

Depending on the configuration of the OTU2_XP card, the ports act as client or trunk ports (see [Table 33: OTU2_XP Card Configurations and Ports](#)). The following section describes the client and trunk rates supported on the OTU2_XP card for different card configurations:

Client Interface

In transponder and 10G Ethernet LAN Phy to WAN Phy card configurations, Ports 1 and 2 act as client ports and in splitter protected transponder configuration, Port 1 acts as a client port. For these card configurations, the client rates supported are:

- OC-192/STM-64
- 10G Ethernet WAN Phy
- 10G Ethernet LAN Phy
- 10G Fibre Channel
- IB_5G

Trunk Interface

In transponder, 10G Ethernet LAN Phy to WAN Phy, and splitter protected transponder card configurations, Ports 3 and 4 act as trunk ports. For these card configurations, the trunk rates supported are:

- OC-192/STM-64
- 10G Ethernet WAN Phy
- 10G Ethernet LAN Phy
- 10G Fibre Channel
- OTU2 with ITU-T G.709 for OC-192 client interface
- OTU2e with ITU-T G.709 for 10G Ethernet LAN Phy client interface
- Proprietary rate at the trunk when the client is provisioned as IB_5G

In standard regenerator card configuration, all four ports act as trunk ports and in E-FEC regenerator configuration, Ports 3 and 4 act as the trunk ports. For these card configurations, the trunk rate supported is OTU2 G.709



Note The above mentioned OTU2 signal must be an OC-192/STM-64, 10G Ethernet WAN Phy, 10G Ethernet LAN Phy, or 10G Fibre Channel signal packaged into an OTU2 G.709 frame. Additionally, the standard regenerator and E-FEC regenerator configuration supports an OTU2 signal that is OTU2 has been generated by multiplexing four ODU1 signals.

Configuration Management

The OTU2_XP card supports the following configuration management parameters:

- **Card Configuration**—Provisionable card configuration: Transponder, Standard Regen, Enhanced FEC, or Mixed, or 10G Ethernet LAN Phy to WAN Phy.
- **Port Mode**—Provisionable port mode when the card configuration is set as Mixed. The port mode can be chosen as either Transponder or Standard Regen for each port pair (1-3 and 2-4). For card configurations other than Mixed, CTC automatically sets the port mode depending on the selected card configuration. For 10G Ethernet LAN Phy to WAN Phy mode, CTC automatically selects the port pair (1-3) as 10G Ethernet LAN Phy to WAN Phy. Port pair (2-4) in 10G Ethernet LAN Phy to WAN Phy mode is selected as Transponder or Standard Regen.
- **Termination Mode**—Provisionable termination mode when the card configuration is set as either Transponder or Mixed. The termination mode can be chosen as Transparent, Section, or Line. For Standard Regen and Enhanced FEC card configurations, CTC automatically sets the termination mode as Transparent. For 10G Ethernet LAN Phy to WAN Phy mode, CTC automatically selects the Termination Mode of port pair (1-3) as Line. You cannot provision the Termination Mode parameter.
- **Fault Signalling**—Provisionable Fault Signaling mode configuration when the card configuration is set as either Transponder, Mixed, or Standard Regen. The Fault Signaling mode configuration can be chosen as AIS/Send Local Fault or Squelch/Laser-Off. For Enhanced FEC card configuration, CTC automatically sets the AIS/Send Local Fault or Squelch/Laser-Off mode configuration as AIS/Send Local Fault. For 10G Ethernet LAN Phy to WAN Phy mode, the CTC automatically selects the AIS/Send Local Fault or

Squelch/Laser-Off of port pair (1-3) as Squelch/Laser-Off. You cannot provision the AIS/Send Local Fault or Squelch/Laser-Off parameter.



Note When Fault Signaling is enabled in Standard Regen configuration with port pairs (1-3) and (2-4), Squelch/Laser-Off is supported on ports 1 and 2 and AIS/Send Local Fault on ports 3 and 4.



Note When you choose the 10G Ethernet LAN Phy to WAN Phy conversion, the Termination mode is automatically set to LINE. The AIS/Squelch is set to Squelch/Laser-Off and ODU Transparency is set to Cisco Extended Use for Ports 1 and 3.

- Regen Line Name—User-assigned text string for regeneration line name.
- ODU Transparency—Provisionable ODU overhead byte configuration, either Transparent Standard Use or Cisco Extended Use. See the [ODU Transparency](#) for more detailed information. For 10G Ethernet LAN Phy to WAN Phy mode, CTC automatically selects the ODU Transparency as Cisco Extended Use. You cannot provision the ODU Transparency parameter.
- Port name—User-assigned text string.
- Admin State/Service State—Administrative and service states to manage and view port status.
- ALS Mode—Provisionable ALS function.
- Reach—Provisionable optical reach distance of the port.
- Wavelength—Provisionable wavelength of the port.
- AINS Soak—Provisionable automatic in-service soak period.

OTU2_XP Card Configuration Rules

The following rules apply to OTU2_XP card configurations:

- When you preprovision the card, port pairs 1-3 and 2-4 come up in the default Transponder configuration.
- The port pairs 1-3 and 2-4 can be configured in different modes only when the card configuration is Mixed. If the card configuration is Mixed, you must choose different modes on port pairs 1-3 and 2-4 (that is, one port pair in Transponder mode and the other port pair in Standard Regen mode).
- If the card is in Transponder configuration, you can change the configuration to Standard Regen or Enhanced FEC.
- If the card is in Standard Regen configuration and you have configured only one port pair, then configuring payload rates for the other port pair automatically changes the card configuration to Mixed, with the new port pair in Transponder mode.
- If the card is in Standard Regen configuration, you cannot directly change the configuration to Enhanced FEC. You have to change to Transponder configuration and then configure the card as Enhanced FEC.

- If the card is in Enhanced FEC configuration, Ports 1 and 2 are disabled. Hence, you cannot directly change the configuration to Standard Regen or Mixed. You must remove the Enhanced FEC group by moving the card to Transponder configuration, provision PPM on Ports 1 and 2, and then change the card configuration to Standard Regen or Mixed.
- If the card is in Standard Regen or Enhanced FEC configuration, you cannot change the payload rate of the port pairs. You have to change the configuration to Transponder, change the payload rate, and then move the card configuration back to Standard Regen or Enhanced FEC.
- If any of the affected ports are in IS (ANSI) or Unlocked-enabled (ETSI) state, you cannot change the card configuration.
- If IB_5G payload has to be provisioned, the NE Default should match the values. For more information on editing the NE Default values, see the "[NTP-G135 Edit Network Element Defaults](#)" task.

Table 34: OTU2_XP Card Configuration for IB_5G Payload Provisioning

Parameter	NE Default Name	Value
FEC	OTU2-XP.otn.otnLines.FEC	Standard
ITU-T G.709 OTN	OTU2-XP.otn.otnLines.G709OTN	Enable
Termination Mode	OTU2-XP.config.port.TerminationMode	Transparent
ODU Transparency	OTU2-XP.config.port.OduTransparency	Cisco Extended Use
AIS/Squelch	OTU2-XP.config.port.AisSquelchMode	Squelch

- If the card is changed to 10G Ethernet LAN Phy to WAN Phy, the first PPM port is deleted and replaced by a 10G Ethernet port; the third PPM port is deleted and automatically replaced with OC192/STM64 (SONET/SDH) port. The third PPM port is automatically deleted and the third PPM port is replaced with OC192/STM64 (SONET/SDH).

Table 35: Card Configuration Transition Summary

Card Configuration	Transition To				
	Transponder	Standard Regen	Enhanced FEC	Mixed	10G Ethernet LAN Phy to WAN Phy
Transponder	—	Yes	Yes	Yes	Yes
Standard Regen	Yes	—	No	Yes	Yes
Enhanced FEC	Yes	No	—	No	No
Mixed	Yes	Yes	No	—	Yes

Card Configuration	Transition To				
	Transponder	Standard Regen	Enhanced FEC	Mixed	10G Ethernet LAN Phy to WAN Phy
10G Ethernet LAN Phy to WAN Phy	Yes	Yes	No	<p>The 10G Ethernet LAN Phy to WAN Phy to Mixed is supported if the Port pair 1-3 is chosen as Transponder.</p> <p>The 10G Ethernet LAN Phy to WAN Phy to Mixed is not supported if the Port pair 1-3 is chosen as Standard Regen.</p>	—

Security

The OTU2_XP card, when an XFP is plugged into it, implements the Cisco Standard Security Code Check Algorithm that keys on vendor ID and serial number.

If a PPM is plugged into a port on the card but fails the security code check because it is not a Cisco PPM, a NON-CISCO-PPM Not Reported (NR) condition occurs.

If a PPM with a non-qualified product ID is plugged into a port on this card, that is, the PPM passes the security code as a Cisco PPM but it has not been qualified for use on the OTU2_XP card, a UNQUAL-PPM NR condition occurs.

ODU Transparency

A key feature of the OTU2_XP card is the ability to configure the ODU overhead bytes (EXP bytes and RES bytes 1 and 2) using the ODU Transparency parameter. The two options available for this parameter are:

- **Transparent Standard Use**—ODU overhead bytes are transparently passed through the card. This option allows the OTU2_XP card to act transparently between two trunk ports (when the card is configured in Standard Regen or Enhanced FEC).
- **Cisco Extended Use**—ODU overhead bytes are terminated and regenerated on both ports of the regenerator group.

The ODU Transparency parameter is configurable only for Standard Regen and Enhanced FEC card configuration. For Transponder card configuration, this parameter defaults to Cisco Extended Use and cannot be changed.



Note The Forward Error Correction (FEC) Mismatch (FEC-MISM) alarm will not be raised on OTU2_XP card when you choose Transparent Standard Use.

For more information about the OTU2_XPcard, see
http://www.cisco.com/en/US/prod/collateral/optical/ps5724/ps2006/data_sheet_c78-500937.html

Related Procedures for OTU2_XP Card

The following is the list of procedures and tasks related to the configuration of the OTU2_XP card:

- [NTP-G33 Creating a Y-Cable Protection Group, on page 222](#)
- [NTP-G199 Creating a Splitter Protection Group, on page 228](#)
- [NTP-G75 Monitor Transponder and Muxponder Performance](#)

TXP_MR_10EX_C Card

The TXP_MR_10EX_C card is a multirate transponder card. The card is fully backward compatible with TXP_MR_10E_C cards (only when the error decorrelator is disabled in the CTC on the TXP_MR_10EX_C card). It processes one 10-Gbps signal (client side) into one 10-Gbps, 100-GHz DWDM signal (trunk side). The TXP_MR_10EX_C card is tunable over the 82 channels of C-band (82 channels spaced at 50 GHz on the ITU grid).

You can install TXP_MR_10EX_C card in Slots 1 to 6 and 12 to 17 in ONS 15454 DWDM chassis, Slots 2 and 3 in ONS 15454 M2 chassis, Slots 2 to 7 in ONS 15454 M6. The card can be provisioned in linear, BLSR/MS-SPRing, path protection/SNCP configurations or as a regenerator. The card can be used in the middle of BLSR/MS-SPRing or 1+1 spans when the card is configured for transparent termination mode. The TXP_MR_10EX_C card features an MLSE-based Universal Transponder 1550-nm tunable laser and a separately orderable ONS-XC-10G-S1 1310-nm or ONS-XC-10G-L2 1550-nm laser XFP module for the client port.



Note The PRE FEC BER performance of the TXP_MR_10EX_C card may be significantly low when compared to the TXP_MR_10E card. However, this does not affect the Post FEC BER performance, but could possibly affect any specific monitoring application that relies on the PRE FEC BER value (for example, protection switching). In this case, the replacement of TXP_MR_10E card with the TXP_MR_10EX_C may not work properly.



Note When the ONS-XC-10G-L2 XFP is installed, the TXP_MR_10EX_C card must be installed in a high-speed slot (slot 6, 7, 12, or 13)

Key Features

The key features of the TXP_MR_10EX_C card are:

- A multi-rate client interface (available through the ONS-XC-10G-S1 XFP, ordered separately):
 - OC-192 (SR1)
 - 10GE (10GBASE-LR)
 - 10G-FC (1200-SM-LL-L)
 - (ONS-XC-10G-S1 version 3 only) IB_5G
- An MLSE-based UT module tunable through 82 channels of C-band. The channels are spaced at 50 GHz on the ITU grid.
- OC-192 to ITU-T G.709 OTU2 provisionable synchronous and asynchronous mapping.
- Proprietary rate at the trunk when the client is provisioned as IB_5G.
- The MTU setting is used to display the OverSizePkts counters on the receiving Gigabit Ethernet client port interfaces. Traffic of frame sizes up to 65535 bytes pass without any packet drops, from the client port to the trunk port irrespective of the MTU setting.

For information about safety labels for the card, see the "[Class 1M Laser Product Cards](#)" section.



Caution You must use a 15-dB fiber attenuator (10 to 20 dB) when working with the TXP_MR_10EX_C card in a loopback on the trunk port. Do not use direct fiber loopbacks with this card, because they can cause irreparable damage to the card.

For more information about the TXP_MR_10EX_C card, see

http://www.cisco.com/en/US/prod/collateral/optical/ps5724/ps2006/data_sheet_c78-580763.html

For a detailed list of the supported pluggables, see, http://www.cisco.com/c/en/us/td/docs/optical/spares/gbic/guides/b_ons_pluggables.html

Related Procedures for TXP_MR_10EX_C Card

The following is the list of procedures and tasks related to the configuration of the TXP_MR_10EX_C card:

- [NTP-G96 Provisioning the 10G Multirate Transponder Card Line Settings, PM Parameters, and Thresholds, on page 256](#)
- [NTP-G75 Monitor Transponder and Muxponder Performance](#)

MXP_2.5G_10EX_C card

The MXP_2.5G_10EX_C card is a DWDM muxponder supports transparent termination mode on the client side. The faceplate designation of the card is "4x2.5G 10EX MXP." The card multiplexes four 2.5-Gbps client signals (4xOC48/STM-16 SFP) into a single 10-Gbps DWDM optical signal on the trunk side. The card

provides wavelength transmission service for the four incoming 2.5-Gbps client interfaces. The MXP_2.5G_10EX_C muxponder passes all SONET/SDH overhead bytes transparently.

The digital wrapper function (ITU-T G.709 compliant) formats the DWDM wavelength so that it can be used to set up GCCs for data communications, enable FEC, or facilitate PM.

The MXP_2.5G_10EX_C card works with OTN devices defined in ITU-T G.709. The card supports ODU1 to OTU2 multiplexing, an industry standard method for asynchronously mapping a SONET/SDH payload into a digitally wrapped envelope. See the "Multiplexing Function" section.

The MXP_2.5G_10EX_C card is not compatible with the MXP_2.5G_10G card, which does not support transparent termination mode.

You can install the MXP_2.5G_10EX_C card in Slots 1 to 6 and 12 to 17 in ONS 15454 DWDM chassis, Slots 2 and 3 in ONS 15454 M2 chassis, Slots 2 to 7 in ONS 15454 M6. You can provision a card in a linear configuration, a BLSR/MS-SPRing, a path protection/SNCP, or a regenerator. The card can be used in the middle of BLSR/MS-SPRing or 1+1 spans when the card is configured for transparent termination mode.

The MXP_2.5G_10EX_C card features a tunable 1550-nm C-band laser on the trunk port. The laser is tunable across 82 wavelengths on the ITU grid with 50-GHz spacing between wavelengths. The card features four 1310-nm lasers on the client ports and contains five transmit and receive connector pairs (labeled) on the card faceplate. The card uses dual LC connectors on the trunk side and SFP modules on the client side for optical cable termination. The SFP pluggable modules are SR or IR and support an LC fiber connector.



Note When you create a 4xOC-48 OCHCC circuit, you need to select the G.709 and Synchronous options. A 4xOC-48 OCHCC circuit is supported by G.709 and synchronous mode, which are necessary to provision the 4xOC-48 OCHCC circuit.

Key Features

The MXP_2.5G_10EX_C card has the following high-level features:

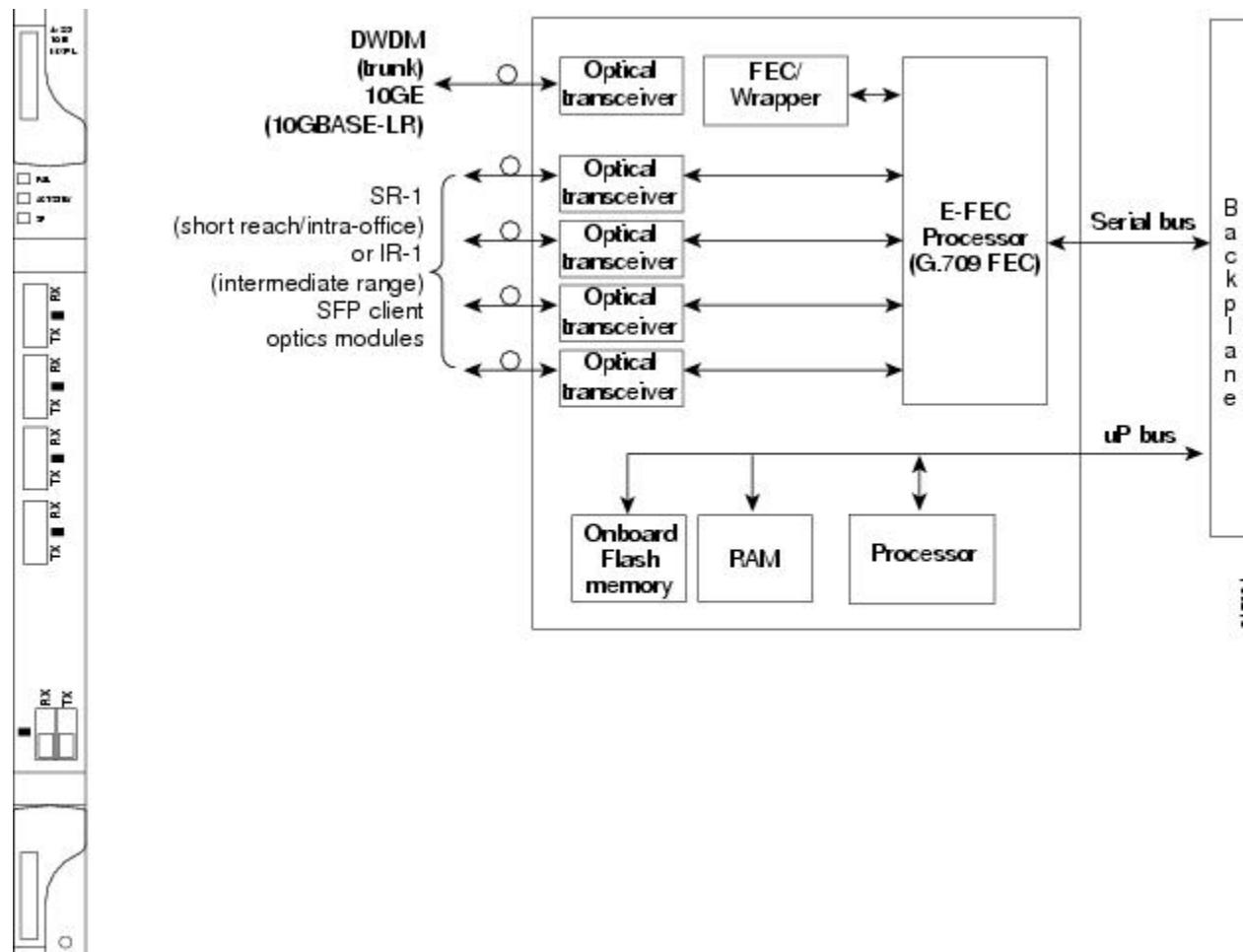
- Four 2.5-Gbps client interfaces (OC-48/STM-16) and one 10-Gbps trunk. The four OC-48 signals are mapped into an ITU-T G.709 OTU2 signal using standard ITU-T G.709 multiplexing.
- Onboard E-FEC processor: The processor supports both standard RS (specified in ITU-T G.709) and E-FEC, which allows an improved gain on trunk interfaces with a resultant extension of the transmission range on these interfaces. The E-FEC functionality increases the correction capability of the transponder to improve performance, allowing operation at a lower OSNR compared to the standard RS (255,239) correction algorithm.
- Pluggable client-interface optic modules: The MXP_2.5G_10EX_C card has modular interfaces. Two types of optic modules can be plugged into the card. These modules include an OC-48/STM-16 SR-1 interface with a 7-km (4.3-mile) nominal range (for short range and intra-office applications) and an IR-1 interface with a range of up to 40 km (24.9 miles). SR-1 is defined in Telcordia GR-253-CORE and in I-16 (ITU-T G.957). IR-1 is defined in Telcordia GR-253-CORE and in S-16-1 (ITU-T G.957).
- High-level provisioning support: The card is initially provisioned using Cisco TransportPlanner software. Subsequently, the card can be monitored and provisioned using CTC software.
- Link monitoring and management: The card uses standard OC-48 OH (overhead) bytes to monitor and manage incoming interfaces. The card passes the incoming SDH/SONET data stream and its overhead bytes transparently.

- Control of layered SONET/SDH transport overhead: The card is provisionable to terminate regenerator section overhead, which eliminates forwarding of unneeded layer overhead. It can help reduce the number of alarms and help isolate faults in the network.
- Automatic timing source synchronization: The MXP_2.5G_10EX_C card normally synchronizes from the control card. If for some reason, such as maintenance or upgrade activity, the control card is not available, the card automatically synchronizes to one of the input client-interface clocks.
- Configurable squelching policy: The card can be configured to squelch the client interface output if LOS occurs at the DWDM receiver or if a remote fault occurs. In the event of a remote fault, the card manages MS-AIS insertion.
- The card is tunable across the full C-band, thus eliminating the need to use different versions of each card to provide tunability across specific wavelengths in a band.

For a detailed list of the supported pluggables, see, http://www.cisco.com/c/en/us/td/docs/optical/spares/gbic/guides/b_ons_pluggables.html

Faceplate and Block Diagram

Figure 8: MXP_2.5G_10EX_C Faceplate and Block Diagram



For information about safety labels for the card, see the "Class 1 Laser Product Cards" section.

MXP_2.5G_10EX_C Functions

The following functions of the MXP_2.5G_10EX_C card are explained in the "Card Features" chapter:

- Client Interface
- DWDM Interface
- FEC
- Multiplexing Function
- Timing Synchronization
- SONET/SDH Overhead Byte Processing
- Client Interface Monitoring
- Automatic Laser Shutdown
- Jitter
- Lamp Test
- Onboard Traffic Generation
- Card level indicators
- Port level indicators

Wavelength Identification

The card uses trunk lasers that are wavelocked, which allows the trunk transmitter to operate on the ITU grid effectively. The MXP_2.5G_10EX_C card implements the MLSE-based UT module. The MXP_2.5G_10EX_C card uses a C-band version of the UT2.

The MXP_2.5G_10EX_C card is tunable over 82 wavelengths in the C-band at 50-GHz spacing on the ITU grid.

Table 36: MXP_2.5G_10EX_C Trunk Wavelengths

Channel Number	Frequency (THz)	Wavelength (nm)	Channel Number	Frequency (THz)	Wavelength (nm)
1	196.00	1529.55	42	193.95	1545.72
2	195.95	1529.94	43	193.90	1546.119
3	195.90	1530.334	44	193.85	1546.518
4	195.85	1530.725	45	193.80	1546.917
5	195.80	1531.116	46	193.75	1547.316
6	195.75	1531.507	47	193.70	1547.715

Channel Number	Frequency (THz)	Wavelength (nm)	Channel Number	Frequency (THz)	Wavelength (nm)
7	195.70	1531.898	48	193.65	1548.115
8	195.65	1532.290	49	193.60	1548.515
9	195.60	1532.681	50	193.55	1548.915
10	195.55	1533.073	51	193.50	1549.32
11	195.50	1533.47	52	193.45	1549.71
12	195.45	1533.86	53	193.40	1550.116
13	195.40	1534.250	54	193.35	1550.517
14	195.35	1534.643	55	193.30	1550.918
15	195.30	1535.036	56	193.25	1551.319
16	195.25	1535.429	57	193.20	1551.721
17	195.20	1535.822	58	193.15	1552.122
18	195.15	1536.216	59	193.10	1552.524
19	195.10	1536.609	60	193.05	1552.926
20	195.05	1537.003	61	193.00	1553.33
21	195.00	1537.40	62	192.95	1553.73
22	194.95	1537.79	63	192.90	1554.134
23	194.90	1538.186	64	192.85	1554.537
24	194.85	1538.581	65	192.80	1554.940
25	194.80	1538.976	66	192.75	1555.343
26	194.75	1539.371	67	192.70	1555.747
27	194.70	1539.766	68	192.65	1556.151
28	194.65	1540.162	69	192.60	1556.555
29	194.60	1540.557	70	192.55	1556.959
30	194.55	1540.953	71	192.50	1557.36
31	194.50	1541.35	72	192.45	1557.77
32	194.45	1541.75	73	192.40	1558.173
33	194.40	1542.142	74	192.35	1558.578

Channel Number	Frequency (THz)	Wavelength (nm)	Channel Number	Frequency (THz)	Wavelength (nm)
34	194.35	1542.539	75	192.30	1558.983
35	194.30	1542.936	76	192.25	1559.389
36	194.25	1543.333	77	192.20	1559.794
37	194.20	1543.730	78	192.15	1560.200
38	194.15	1544.128	79	192.10	1560.606
39	194.10	1544.526	80	192.05	1561.013
40	194.05	1544.924	81	192.00	1561.42
41	194.00	1545.32	82	191.95	1561.83

Related Procedures for MXP_2.5G_10EX_C Card

The following is the list of procedures and tasks related to the configuration of the MXP_2.5G_10EX_C card:

- [NTP-G97 Modifying the 4x2.5G Muxponder Card Line Settings and PM Parameter Thresholds, on page 314](#)
- [NTP-G75 Monitor Transponder and Muxponder Performance](#)

MXP_MR_10DMEX_C Card

The MXP_MR_10DMEX_C card aggregates a mix of client SAN service-client inputs (GE, FICON, and Fibre Channel) into one 10-Gbps STM-64/OC-192 DWDM signal on the trunk side. It provides one long-reach STM-64/OC-192 port per card and is compliant with Telcordia GR-253-CORE and ITU-T G.957.

The card supports aggregation of the following signal types:

- 1-Gigabit Fibre Channel
- 2-Gigabit Fibre Channel
- 4-Gigabit Fibre Channel
- 1-Gigabit Ethernet
- 1-Gigabit ISC-Compatible (ISC-1)
- 2-Gigabit ISC-Peer (ISC-3)



Caution The card can be damaged by dropping it. Handle it carefully.

The MXP_MR_10DMEX_C muxponder passes all SONET/SDH overhead bytes transparently.

The digital wrapper function (ITU-T G.709 compliant) formats the DWDM wavelength so that it can be used to set up GCCs for data communications, enable FEC, or facilitate PM. The MXP_MR_10DMEX_C card works with the OTN devices defined in ITU-T G.709. The card supports ODU1 to OTU2 multiplexing, an industry standard method for asynchronously mapping a SONET/SDH payload into a digitally wrapped envelope. See the "[Multiplexing Function](#)" section.



Note You cannot disable ITU-T G.709 on the trunk side. If ITU-T G.709 is enabled, then FEC cannot be disabled.



Note Because the client payload cannot oversubscribe the trunk, a mix of client signals can be accepted, up to a maximum limit of 10 Gbps.

You can install the MXP_MR_10DMEX_C card in Slots 1 to 6 and 12 to 17 in ONS 15454 DWDM chassis, Slots 2 and 3 in ONS 15454 M2 chassis, Slots 2 to 7 in ONS 15454 M6.



Note The MXP_MR_10DMEX_C card is not compatible with the MXP_2.5G_10G card, which does not support transparent termination mode.

The MXP_MR_10DMEX_C card features a tunable 1550-nm C-band laser on the trunk port. The laser is tunable across 82 wavelengths on the ITU grid with 50-GHz spacing between wavelengths. Each card features four 1310-nm lasers on the client ports and contains five transmit and receive connector pairs (labeled) on the card faceplate. The card uses dual LC connectors on the trunk side and SFP modules on the client side for optical cable termination. The SFP pluggable modules are SR or IR and support an LC fiber connector.

The current version of the GFP-T G.7041 supports transparent mapping of 8B/10B block-coded protocols, including Gigabit Ethernet, Fibre Channel, ISC, and FICON.

In addition to the GFP mapping, 1-Gbps traffic on Port 1 or 2 of the high-speed SERDES is mapped to an STS-24c channel. If two 1-Gbps client signals are present at Port 1 and Port 2 of the high-speed SERDES, the Port 1 signal is mapped into the first STS-24c channel and the Port 2 signal into the second STS-24c channel. The two channels are then mapped into an OC-48 trunk channel.

Table 37: MXP_MR_10DMEX_C Client Interface Data Rates and Encapsulation

Client Interface	Input Data Rate	GFP-T G.7041 Encapsulation
2G FC	2.125 Gbps	Yes
1G FC	1.06 Gbps	Yes
2G FICON/2G ISC-Compatible (ISC-1)/ 2G ISC-Peer (ISC-3)	2.125 Gbps	Yes
1G FICON/1G ISC-Compatible (ISC-1)/ 1G ISC-Peer (ISC-3)	1.06 Gbps	Yes
Gigabit Ethernet	1.25 Gbps	Yes

The MXP_MR_10DMEX_C card includes two FPGAs, and a group of four ports is mapped to each FPGA. Group 1 consists of Ports 1 through 4, and Group 2 consists of Ports 5 through 8. The following table shows some of the mix and match possibilities on the various client data rates for Ports 1 through 4, and Ports 5 through 8. An X indicates that the data rate is supported in that port.

Table 38: Supported Client Data Rates for Ports 1 through 4 and Ports 5 through 8

Port (Group 1)	Port (Group 2)	Gigabit Ethernet	1G FC	2G FC	4G FC
1	5	X	X	X	X
2	6	X	X	—	—
3	7	X	X	X	—
4	8	X	X	—	—

GFP-T PM is available through RMON and trunk PM is managed according to Telcordia GR-253-CORE and ITU G.783/826. Client PM is achieved through RMON for FC and GE.

A buffer-to-buffer credit management scheme provides FC flow control. With this feature enabled, a port indicates the number of frames that can be sent to it (its buffer credit), before the sender is required to stop transmitting and wait for the receipt of a “ready” indication. The MXP_MR_10DMEX_C card supports FC credit-based flow control with a buffer-to-buffer credit extension of up to 1600 km (994.1 miles) for 1G FC, up to 800 km (497.1 miles) for 2G FC, or up to 400 km (248.5 miles) for 4G FC. The feature can be enabled or disabled.

The MXP_MR_10DMEX_C card features a 1550-nm laser for the trunk/line port and a 1310-nm or 850-nm laser (depending on the SFP) for the client ports. The card contains eight 12.5-degree downward-tilt SFP modules for the client interfaces. For optical termination, each SFP uses two LC connectors, which are labeled TX and RX on the faceplate. The trunk port is a dual-LC connector with a 45-degree downward angle.

Key Features

The MXP_MR_10DMEX_C card has the following high-level features:

- **Onboard E-FEC processor:** The processor supports both standard RS (specified in ITU-T G.709) and E-FEC, which allows an improved gain on trunk interfaces with a resultant extension of the transmission range on these interfaces. The E-FEC functionality increases the correction capability of the transponder to improve performance, allowing operation at a lower OSNR compared to the standard RS (255,239) correction algorithm.
- **Pluggable client-interface optic modules:** The MXP_MR_10DMEX_C card has modular interfaces. Two types of optics modules can be plugged into the card. These modules include an OC-48/STM-16 SR-1 interface with a 7-km (4.3-mile) nominal range (for short range and intra-office applications) and an IR-1 interface with a range of up to 40 km (24.9 miles). SR-1 is defined in Telcordia GR-253-CORE and in I-16 (ITU-T G.957). IR-1 is defined in Telcordia GR-253-CORE and in S-16-1 (ITU-T G.957).
- **Y-cable protection:** The card supports Y-cable protection between the same card type only, on ports with the same port number and signal rate. See the "[Y-Cable Protection Availability on TXP, MXP, and Xponder Cards](#)" section for more detailed information.
- **High-level provisioning support:** The card is initially provisioned using Cisco TransportPlanner software. Subsequently, the card can be monitored and provisioned using CTC software.

- ALS: This safety mechanism is used in the event of a fiber cut. For details regarding ALS provisioning for the MXP_MR_10DMEX_C card, see the [NTP-G162 Changing the ALS Maintenance Settings](#) section.
- Link monitoring and management: The card uses standard OC-48 OH (overhead) bytes to monitor and manage incoming interfaces. The card passes the incoming SDH/SONET data stream and its OH (overhead) bytes transparently.
- Control of layered SONET/SDH transport overhead: The card is provisionable to terminate regenerator section overhead, which eliminates forwarding of unneeded layer overhead. It can help reduce the number of alarms and help isolate faults in the network.
- Automatic timing source synchronization: The MXP_MR_10DMEX_C card normally synchronizes from the control card. If for some reason, such as maintenance or upgrade activity, the control card is not available, the card automatically synchronizes to one of the input client-interface clocks.



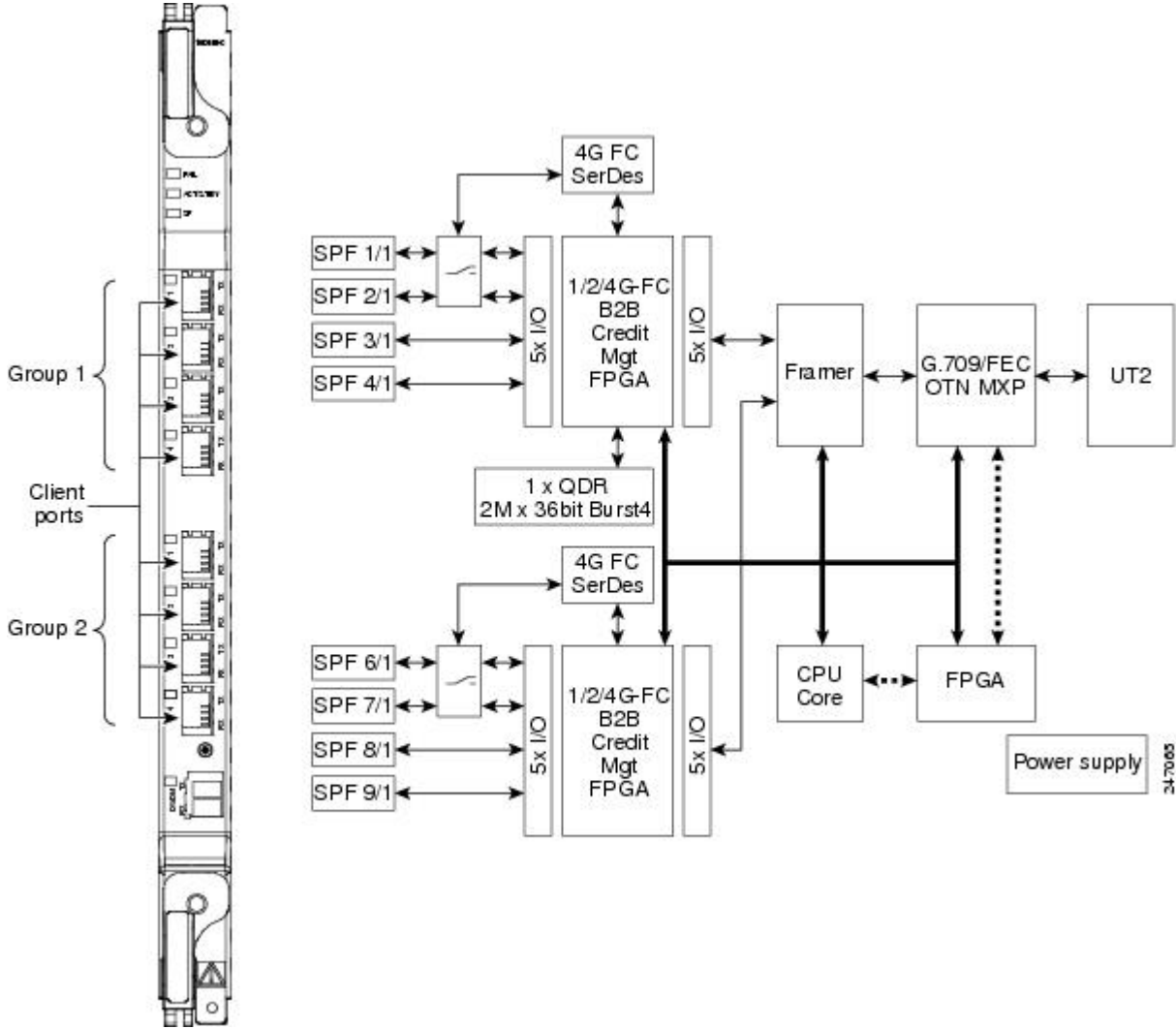
Note MXP_MR_10DMEX_C card cannot be used for line timing.

- Configurable squelching policy: The card can be configured to squelch the client-interface output if LOS occurs at the DWDM receiver or if a remote fault occurs. In the event of a remote fault, the card manages MS-AIS insertion.
- The card is tunable across the full C-band, thus eliminating the need to use different versions of each card to provide tunability across specific wavelengths in a band.
- You can provision a string (port name) for each fiber channel/FICON interface on the MXP_MR_10DMEX_C card, which allows the MDS Fabric Manager to create a link association between that SAN port and a SAN port on a Cisco MDS 9000 switch.


For a detailed list of the supported pluggables, see, http://www.cisco.com/c/en/us/td/docs/optical/spares/gbic/guides/b_ons_pluggables.html

Faceplate and Block Diagram

Figure 9: MXP_MR_10DMEX_C Faceplate and Block Diagram



For information about safety labels for the card, see the "Class 1M Laser Product Cards" section.

 **Caution** You must use a 20-dB fiber attenuator (15 to 25 dB) when working with the card in a loopback on the trunk port. Do not use direct fiber loopbacks with the card, because they can cause irreparable damage to the MXP_MR_10DMEX_C card.

MXP_MR_10DMEX_C Functions

The following functions of the MXP_MR_10DMEX_C card are explained in the "Card Features" chapter:

- Card level indicators

- Port level indicators

Wavelength Identification

The card uses trunk lasers that are wavelocked, which allows the trunk transmitter to operate on the ITU grid effectively. The MXP_MR_10DMEX_C card uses a C-band version of the MLSE-based UT module.

The MXP_MR_10DMEX_C card is tunable over 82 wavelengths in the C-band at 50-GHz spacing on the ITU grid.

Table 39: MXP_MR_10DMEX_C Trunk Wavelengths

Channel Number	Frequency (THz)	Wavelength (nm)	Channel Number	Frequency (THz)	Wavelength (nm)
1	196.00	1529.55	42	193.95	1545.72
2	195.95	1529.94	43	193.90	1546.119
3	195.90	1530.334	44	193.85	1546.518
4	195.85	1530.725	45	193.80	1546.917
5	195.80	1531.116	46	193.75	1547.316
6	195.75	1531.507	47	193.70	1547.715
7	195.70	1531.898	48	193.65	1548.115
8	195.65	1532.290	49	193.60	1548.515
9	195.60	1532.681	50	193.55	1548.915
10	195.55	1533.073	51	193.50	1549.32
11	195.50	1533.47	52	193.45	1549.71
12	195.45	1533.86	53	193.40	1550.116
13	195.40	1534.250	54	193.35	1550.517
14	195.35	1534.643	55	193.30	1550.918
15	195.30	1535.036	56	193.25	1551.319
16	195.25	1535.429	57	193.20	1551.721
17	195.20	1535.822	58	193.15	1552.122
18	195.15	1536.216	59	193.10	1552.524
19	195.10	1536.609	60	193.05	1552.926
20	195.05	1537.003	61	193.00	1553.33
21	195.00	1537.40	62	192.95	1553.73

Channel Number	Frequency (THz)	Wavelength (nm)	Channel Number	Frequency (THz)	Wavelength (nm)
22	194.95	1537.79	63	192.90	1554.134
23	194.90	1538.186	64	192.85	1554.537
24	194.85	1538.581	65	192.80	1554.940
25	194.80	1538.976	66	192.75	1555.343
26	194.75	1539.371	67	192.70	1555.747
27	194.70	1539.766	68	192.65	1556.151
28	194.65	1540.162	69	192.60	1556.555
29	194.60	1540.557	70	192.55	1556.959
30	194.55	1540.953	71	192.50	1557.36
31	194.50	1541.35	72	192.45	1557.77
32	194.45	1541.75	73	192.40	1558.173
33	194.40	1542.142	74	192.35	1558.578
34	194.35	1542.539	75	192.30	1558.983
35	194.30	1542.936	76	192.25	1559.389
36	194.25	1543.333	77	192.20	1559.794
37	194.20	1543.730	78	192.15	1560.200
38	194.15	1544.128	79	192.10	1560.606
39	194.10	1544.526	80	192.05	1561.013
40	194.05	1544.924	81	192.00	1561.42
41	194.00	1545.32	82	191.95	1561.83

Related Procedures for MXP_MR_10DMEX_C Card

The following is the list of procedures and tasks related to the configuration of the MXP_MR_10DMEX_C card:

- [NTP-G148 Modifying the 10G Data Muxponder Card Line Settings and PM Parameter Thresholds, on page 357](#)
- [NTP-G75 Monitor Transponder and Muxponder Performance](#)

AR_MXP, AR_XP, and AR_XPE Cards

The AR_MXP (Any-Rate Muxponder), AR_XP (Any-Rate Xponder), and AR_XPE (Any-Rate Enhanced Xponder) cards are supported on ONS 15454 DWDM platform. The AR_MXP card supports a trunk bandwidth of up to 10 Gbps. The AR_XP and AR_XPE cards support a trunk bandwidth of up to 20 Gbps. The AR_MXP, AR_XP, and AR_XPE cards aggregate a mix of client SAN services (FC or FICON 1G/2G/4G/8G, ESCON and ISC3-STP 1G/2G), Ethernet (FE, GE, 10GE LAN), OCn (OC3/STM-1, OC12/STM-4, and OC48/STM-16), OTU (OTU1, OTU2e/1e), and Video (SD-SDI, HD-SDI, and 3G-SDI) into one 10 Gbps signal on the trunk side.



Note When all the cards in the chassis are simultaneously reset by the user, the AR_XP card undergoes a hard reset instead of a soft reset. This causes traffic loss for traffic going through these cards.

Table 40: AR_MXP, AR_XP, and AR_XPE Client Interface Data Rates and Encapsulation

Client Interface	Input Data Rate	GFP Encapsulation
OC3/ STM1	155.52 Mbps	—
OC12/STM4	622.08 Mbps	—
OC48/STM16	2.488 Gbps	—
FE	100 Mbps	GFP-F
GE	1.125 Gbps	GFP-F GFP-T (as per G.709 mentioned in 17.7.1.1 1000BASE-X transcoding) for AR_XPE card
10GE LAN	10.31 Gbps	—
1GFC	1.06 Gbps	GFP-T
2GFC	2.125 Gbps	GFP-T
4GFC	4.25 Gbps	GFP-T
8GFC	8.5 Gbps	GFP-T for AR_MXP and AR_XP cards GMP for AR_XPE card
OTU1	2.66 Gbps	—
OTU2	10.7 Gbps	—
ESCON	200 Mbps	GFP-T
1G ISC3-STP	1.06 Gbps	GFP-T
2G ISC3-STP	2.125 Gbps	GFP-T
HD-SDI	1.485 Gbps	GFP-F

Client Interface	Input Data Rate	GFP Encapsulation
SD-SDI	270 Mbps	GFP-F
3G-SDI	2.970 Gbps	GFP-F

Key Features

The AR_MXP, AR_XP, and AR_XPE cards support the following key features:

- Multiple Operating Modes—The AR_MXP, AR_XP, or AR_XPE card can be configured into multiple operating modes. The cards are equipped with pluggables for client and trunk options, and offer a large variety of configurations. For more information about multiple operating modes, see [11.0.3 Multiple Operating Modes, page 11-105](#).
- Operating Mode to Client Payload Mapping—Each operating mode supports a specific set of client payloads.

Table 41: AR_MXP, AR_XP, and AR_XPE Card Supported Client-Payload Mapping—SONET/SDH, Ethernet, OTU1, and FC

Card Mode	Rate	SONET/SDH			Ethernet			OTU		FC		
		OC-3/STM-1	OC-12/STM-4	OC-48/STM-16	FE	GE	10GE	OTU1	OTU2e	FC01GFC1G	FC02GFC2G	FC04GFC4G
TXP_MR	LOW	Yes	Yes	Yes	Yes	Yes	N/A	No	No	Yes	Yes	Yes
	HIGH	No	No	No	No	No	Yes	No	Yes	No	No	No
TXPP_MR	LOW	Yes	Yes	Yes	Yes	Yes	N/A	No	No	Yes	Yes	Yes
	HIGH	N/A	N/A	N/A	N/A	N/A	N/A	N/A	N/A	N/A	N/A	N/A
MXP_DME	HIGH	No	No	No	No	Yes	N/A	No	No	Yes	Yes	Yes
MXPP_DME	HIGH	No	No	No	No	Yes	N/A	No	No	Yes	Yes	Yes
MXP_MR	LOW	Yes	Yes	No	Yes	Yes	N/A	No	No	Yes	No	No
	HIGH	Yes	Yes	Yes	Yes	Yes	N/A	Yes	No	Yes	Yes	Yes
MXPP_MR	LOW	Yes	Yes	No	Yes	Yes	N/A	No	No	Yes	No	No
	HIGH	Yes	Yes	Yes	Yes	Yes	N/A	Yes	No	Yes	Yes	Yes
MXP-4x2.5-10G	HIGH	No	No	Yes	No	No	N/A	Yes	No	No	No	No
MXPP-4x2.5-10G	HIGH	No	No	Yes	No	No	N/A	Yes	No	No	No	No
MXP-VD-10G	HIGH	No	No	No	No	No	N/A	No	No	No	No	No
RGN	HIGH	No	No	No	No	No	N/A	No	Yes	No	No	No
	LOW	No	No	No	No	No	N/A	Yes	No	No	No	No

Table 42: AR_MXP, AR_XP, and AR_XPE Card Supported Client-Payload Mapping—ISC and Video

Card Mode	Rate	ISC			Video		
		ISC-1	3SP1G	3SP2G	SD-SDI	HD-SDI	3G-SDI
TXP_MR	LOW	No	Yes	Yes	No	No	No
	HIGH	No	No	No	No	No	No
TXPP_MR	LOW	No	No	N/A	No	No	No
	HIGH	N/A	N/A	N/A	N/A	N/A	N/A
MXP_DME	HIGH	No	No	No	No	No	No
MXPP_DME	HIGH	No	No	No	No	No	No
MXP_MR	LOW	No	No	No	No	No	No
	HIGH	No	No	No	Yes	Yes	No
MXPP_MR	LOW	No	No	No	No	No	No
	HIGH	No	No	No	Yes	Yes	No
MXP-4x2.5-10G	HIGH	No	No	No	No	No	No
MXPP-4x2.5-10G	HIGH	No	No	No	No	No	No
MXP-VD-10G	HIGH	No	No	No	No	No	Yes
RGN	HIGH	No	No	No	No	No	No
	LOW	No	No	No	No	No	No

- Auto Sensing—The AR_MXP, AR_XP, and AR_XPE cards support auto sensing of client payloads. The line card analyzes the received client signal and configures the payload on the client port automatically without user intervention.

Auto sensing feature is supported on the Gigabit Ethernet, OC-3/STM-1, OC-12/STM-4, and OC-48/STM-16 payloads. Following operating card modes support the autosensing feature:

- TXP (low rate)
- TXPP (low rate)
- MXP_MR (low and high Rate)
- MXPP_MR (low and high rate)

CTC supports the configuration of all the provisioning parameters supported by the autosensed payload. However, creation and deletion of the

circuits are the only configurations supported on the “AUTO” payload.

- Video Multiplexing—The AR_XP and AR_XPE cards support the capability to multiplex SD-SDI, HD-SDI, and 3G-SDI signals over the OTU2 trunk interface allowing to maximize the wavelength

bandwidth, maintain full transparency for uncompressed signals, and reduce latency. The video multiplexing of 3G-SDI signal is not supported on the AR_MXP card.

- **Regenerator Mode**—This mode regenerates the OTU2e or OTU1 signals with ODU transparent or CISCO Extended Use options. For OTU2e, FEC can be Disabled, Standard G.975, EFEC I.4 or EFEC I.7, and for OTU1, FEC can be Standard G.975 or Disabled.
- **High Speed GCCs**—The AR_MXP, AR_XP, and AR_XPE cards support the provisioning of GCC channel on OTN (OTU1/OTU2) enabled client and trunk ports. A maximum of five GCC channels on the Cisco ONS 15454 shelf ten GCC channels on Cisco ONS 15454 M2 or Cisco ONS 15454 M6 shelf can be created. The high speed GCC enables you to create the GCC when both the NE and FE line cards are in Cisco ONS 15454 M2 or Cisco ONS 15454 M6 shelf. The legacy GCC on Cisco ONS 15454 shelf can be selected on one side and the Cisco ONS 15454, Cisco ONS 15454 M2 or Cisco ONS 15454 M6 shelf on the other side.
- **Y-cable protection**—Y-cable protection between the same card type is supported only on ports with the same port number and signal rate. Switching time is high between two AR_XPE cards when auto negotiation is enabled. Hence, if Y-cable protection is configured on AR_XPE cards, auto-negotiation must be disabled on the client ports so that the switching time is less than 50 ms. For more detailed information, see "[Y-Cable Protection Availability on TXP, MXP, and Xponder Cards](#)" section.
- **Splitter protection**—For splitter protection, OCHCC circuits with different trunk wavelengths for the working and protect paths can be configured. The process of setting the trunk wavelengths is similar to the “DLP-G367 Change the 2.5G Multirate Transponder Trunk Wavelength Settings” task on page 11-175. OCHCC circuits having different trunk wavelengths on the working and protect paths can be upgraded to GMPLS circuits.
- **SyncE Support**—Customers using a packet network find it difficult to provide timing to multiple remote network elements (NEs) through an external time division multiplexed (TDM) circuit. The SyncE feature helps to overcome this problem by providing effective timing to the remote NEs through a packet network. SyncE leverages the physical layer of the Ethernet to transmit frequency to the remote sites. SyncE's functionality and accuracy resemble the SONET/SDH network because of its physical layer characteristic. The SyncE feature provides the required synchronization at the physical level. Operation messages maintain SyncE links and ensure that a node always derives timing from the most reliable source. SyncE uses the Ethernet Synchronization Message Channel (ESMC) to enable traceability of the best clock source to correctly define the timing source and prevent a timing loop. SyncE is not supported on the AR_XPE card.
- **Licensing**—The AR_MXP and AR_XP cards offer you an unprecedented flexibility. The cards support a wide range of different applications and configurations. To help you take advantage of such flexibility to lower capital expenditures (CapEx) on your network, Cisco provides a licensing model for AR_MXP and AR_XP cards. Licensing is not supported on the AR_XPE card. For more information on licensing, see the Licensing Configuration Guide.
- **GFP-T Mapping**— The GFP-T framing mode can be provisioned on the AR_XP and AR_MXP cards in the CTC card view > Provisioning > Line tab. The AR_XP and AR_MXP cards must be configured in the high-rate MXP_DME mode. When GFP-T framing mode is provisioned, autonegotiation is enabled but does not impact traffic.

When the software version of the node is changed from Release 10.6.2 to releases prior to 10.6.1, the AR_XP card undergoes a hard reset. This is applicable for the ONS 15454, 15454 M2 and 15454 M6 chassis.

The AR_MXP, AR_XP, and AR_XPE cards can be installed in any service slots in the chassis. The AR_MXP, AR_XP, and AR_XPE cards do not interoperate with all the existing TXP or MXP cards. The AR_MXP card

allows you to configure only one high rate XFP port. This can be a muxponder mode where N [N= 1 to 8] client ports goes out via 1 trunk XFP port or in a transponder mode where client and trunk are XFP ports. There is no limitation in the AR_XP and AR_XPE cards, where you can use both high rate trunk ports simultaneously.

The AR_XPE card does not interoperate with AR_MXP and AR_XP cards.

The GE client interfaces on the AR-XPE card interoperate with NCS 4000 platform, when ODU2 is multiplexed on a 100G trunk interface, with both 100GS-CK-LC and 200G-CK-LC cards, in MXP-10X10G operating mode. The GE client mapping on AR-XPE cards must be performed directly on ODU0, and then on ODU2 not passing through the ODU1 container.

Multiple Operating Modes

A single AR_MXP, AR_XP, or AR_XPE card can be configured into multiple operating modes. Criteria for selecting a particular operational mode are defined by the network level design. CTP helps you to choose the appropriate operational mode. Each operating mode is divided into two categories based on the trunk rate:

- Low rate (trunk rate < 5G)
- High rate (trunk rate > 5G)

The AR_XP or AR_XPE card allows you to configure two high rate operational modes, where as you can configure only one high rate operational mode on the AR_MXP card.

When you configure the AR_MXP, AR_XP, or AR_XPE card in to multiple operational modes, make sure that the following tasks are completed:

- In order to make the ports operational and to correctly report alarms, OCHCC circuit must be created for the following operating modes::
 - Low-rate MXP_MR
 - High-rate MXP_MR
 - Low-rate MXPP_MR
 - High-rate MXPP_MR
- Same operational mode is configured at both ends and ensure the port numbers are same on both ends.
- The OCHCC circuit should be created between the same client port numbers at the near and far end.
- Ensure ODU1 and timeslots are matching at both ends.
- For AR_XPE card that is configured with 1GE or 1GFC payload, ensure that ODU0 and ODU1 are matching at both ends.
- For auto sensing payloads created on auto ports, you should check the Auto Sensing checkbox in the provisioning pane.
- GMPLS circuits can be created on AR_MXP, AR_XP, and AR_XPE cards.
- PPMs must be provisioned on all ports before configuring the operational mode.
- The following conditions determine the maximum bandwidth at the client side when a 4GFC payload is configured in the TXP_MR or TXPP_MR mode:
 - The maximum client bandwidth should not exceed 28G when TXP_MR or TXPP_MR operating mode is configured on the AR_MXP, AR_XP, or AR_XPE card and other operating modes, like

low-rate or high-rate TXP_MR, TXPP_MR, MXP_DME, MXPP_DME, MXP_MR, MXPP_MR, MXP-4X2.5G-10G, MXPP-4X2.5G-10G, and MXP-VDC-10G, are configured on the same card.

- The maximum client bandwidth should not exceed 20G when a TXP_MR or TXPP_MR operating mode is configured on the AR_MXP, AR_XP, or AR_XPE card and if more than two or more combinations of Low-rate or high-rate TXP_MR, TXPP_MR, MXP_DME, MXPP_DME, MXP_MR, MXPP_MR, MXP-4X2.5G-10G, MXPP-4X2.5G-10G, and MXP-VDC-10G, operating modes are configured on the same card.
- The utilized client bandwidth is 8G when the TXP_MR operating mode is configured with a 4GFC as payload.
- The utilized client bandwidth is 12G when the TXPP_MR operating mode is configured with a 4GFC as payload.
- There is no restriction on the bandwidth if only TXP_MR or TXPP_MR operating mode with 4GFC payload is configured on the card. For example, four instances of TXP_MR mode with 4GFC payload on one AR_MPX, AR_XP, or AR_XPE card.
- The low-rate or high-rate RGN operating mode does not add to the client side bandwidth. For example, four instances of TXP_MR mode with 4GFC and one instance of high-rate RGN mode on same card.

For all the other payloads and operating modes, the client bandwidth utilized is the client payload data rate.

- If you revert to a release earlier than Release 9.80, ensure that you delete the following card modes:
 - Low-rate TXPP_MR if the client payload is 4GFC.
 - High-rate TXP_MR if the client payload is 10 GE.

The AR_MXP, AR_XP, and AR_XPE cards support the following operating modes:

- [TXP_MR \(Unprotected Transponder\)](#)
- [TXPP_MR \(Protected Transponder\)](#)
- [MXP_DME \(Unprotected Data Muxponder\)](#)
- [MXPP_DME \(Protected Data Muxponder\)](#)
- [MXP_MR \(Unprotected Multirate Muxponder\)](#)
- [MXPP_MR \(Protected Multirate Muxponder\)](#)
- [MXP-4x2.5-10G \(OC48/OTU1 Unprotected Muxponder\)](#)
- [MXPP-4x2.5-10G \(OC48/OTU1 Protected Muxponder\)](#)
- [RGN \(OTU1/OTU2 Regenerator\)](#)
- [MXP-VD-10G \(Video Muxponder\)](#)

TXP_MR (Unprotected Transponder)

The AR_MXP, AR_XP, or AR_XPE card can be configured as a low-rate or a high-rate TXP_MR card mode.



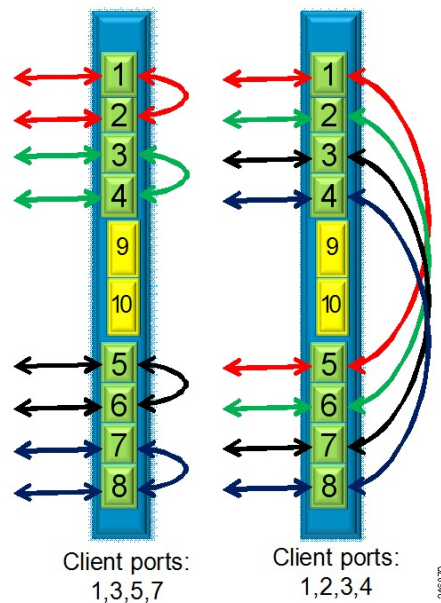
Note OTN cannot be enabled for 4GFC trunk ports.

- Low Rate—A maximum of four TXP_MR configurations can be provisioned on a single AR_MXP, AR_XP, or AR_XPE card. The AR_MXP, AR_XP, or AR_XPE card can be configured as a low-rate TXP_MR card by adhering to the following provisioning rules:
 1. Two SFP ports must be grouped. The allowed port pairs are 1-2, 3-4, 5-6, 7-8, 1-5, 2-6, 3-7, and/or 4-8.
 2. Ports 2, 4, 5, 6, 7, or 8 can be configured as trunk ports.
 3. Ports 1, 2, 3, 4, 5 or 7 can be configured as client ports.



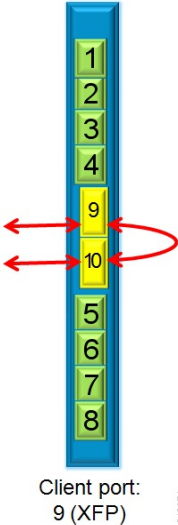
Note The trunk port is not created when the low-rate TXP_MR card operating mode is configured. It is created after the client payload is created.

Figure 10: Low-Rate TXP_MR Card Operating Mode Configuration



- High Rate—Only one TXP_MR configuration can be provisioned on a single AR_MXP, AR_XP, or AR_XPE card. The AR_MXP, AR_XP, or AR_XPE card can be configured as a high-rate TXP_MR card by adhering to the following provisioning rules:
 1. XFP ports 9 and 10 must be grouped.
 2. Port 10 must be configured as a trunk port.
 3. Port 9 must be configured as a client port.

Figure 11: High-Rate TXP_MR Card Operating Mode Configuration



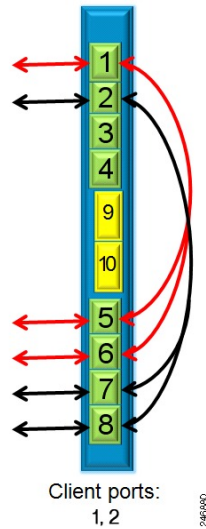
TXPP_MR (Protected Transponder)

The AR_MXP, AR_XP, or AR_XPE card can be configured as a low-rate TXPP_MR card mode. A maximum of two TXPP_MR configurations can be provisioned on a single AR_MXP, AR_XP, or AR_XPE card. The AR_MXP, AR_XP, or AR_XPE card can be configured as a low-rate TXPP_MR card by adhering to the following provisioning rules:

1. Three SFP ports must be grouped. The allowed port pairs are 1-5-6 or 2-7-8, or both.
2. Ports 5 and 6, and 7 and 8 must be configured as trunk ports, where 6 and 8 are the protect trunk ports for 5 and 6 respectively.
3. Ports 1 and 2 must be configured as client ports.

Splitter protection is automatically created between ports 5-6 and 7-8.

Figure 12: Low-Rate TXPP_MR Card Operating Mode Configuration

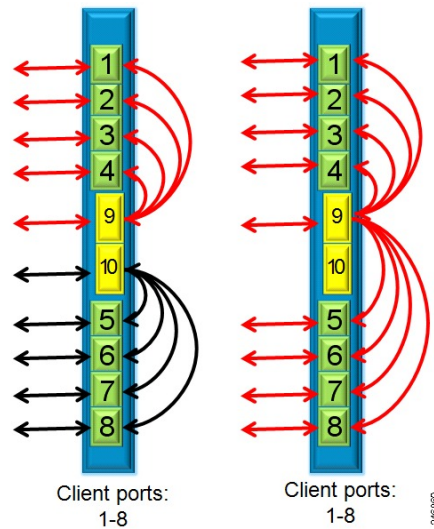


MXP_DME (Unprotected Data Muxponder)

The AR_XP or AR_XPE card can be configured as a high-rate 4:1 or 8:1 MXP_DME card mode. The AR_MXP card can be configured as a high rate 8:1 MXP_DME card mode.

- 4:1 MXP_DME mode—A maximum of two MXP_DME configurations can be provisioned on a single AR_XP or AR_XPE card. The AR_XP or AR_XPE card can be configured as a high-rate 4:1 MXP_DME card by adhering to the following provisioning rules:
 1. Four SFP ports and one XFP port must be grouped. The allowed port pairs are 1-2-3-4-9 or 5-6-7-8-10, or both.
 2. Port 9 or 10 must be configured as a trunk port.
 3. Ports 1, 2, 3, and 4, or 5, 6, 7, and 8 must be configured as client ports.
- 8:1 MXP_DME mode—Only one MXP_DME configuration can be provisioned on a single AR_MXP, AR_XP, or AR_XPE card. The AR_MXP, AR_XP, AR_XPE card can be configured as a high-rate 8:1 MXP_DME card by adhering to the following provisioning rules:
 1. Eight SFP ports and one XFP port must be grouped. The allowed port pairs are 1-2-3-4-5-6-7-8-9.
 2. Port 9 must be configured as a trunk port.
 3. Ports 1 to 8 must be configured as client ports.

Figure 13: High-Rate MXP_DME Card Operating Mode Configuration



MXPP_DME (Protected Data Muxponder)

The AR_XP or AR_XPE card can be configured as a high-rate 4:2 or 8:2 MXPP_DME card mode.

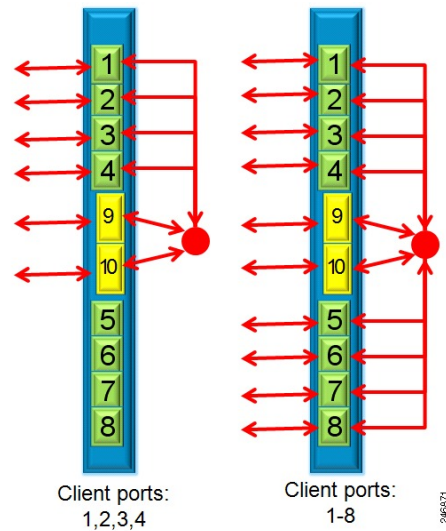
- 4:2 MXPP_DME mode—Only one MXPP_DME configuration can be provisioned on a single AR_XP or AR_XPE card. The AR_XP or AR_XPE card can be configured as a high-rate 4:2 MXPP_DME card by adhering to the following provisioning rules:
 1. Four SFP ports and two XFP ports must be grouped. The allowed port pairs are 1-2-3-4-9-10 or 5-6-7-8-9-10.
 2. Ports 9 and 10 must be configured as trunk ports.
 3. Ports 1, 2, 3, and 4, or 5, 6, 7, and 8 must be configured as client ports.

Splitter protection is automatically created between ports 9 and 10. Port 10 will be the protected trunk port for port 9.

- 8:2 MXPP_DME mode—Only one MXPP_DME configuration can be provisioned on a single AR_XP or AR_XPE card. The AR_XP or AR_XPE card can be configured as a high-rate 8:2 MXPP_DME card by adhering to the following provisioning rules:
 1. Eight SFP ports and two XFP ports must be grouped. The allowed port pairs are 1-2-3-4-5-6-7-8-9-10.
 2. Ports 9 and 10 must be configured as trunk ports.
 3. Ports 1 to 8 must be configured as client ports.

Splitter protection is automatically created between ports 9 and 10. Port 10 will be the protected trunk port for port 9.

Figure 14: High-Rate MXPP_DME Card Operating Mode Configuration



MXP_MR (Unprotected Multirate Muxponder)

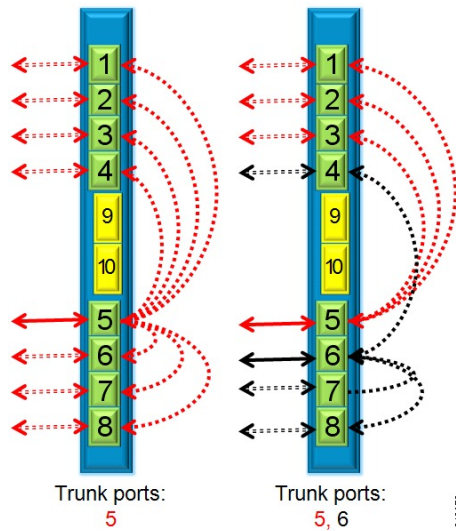
The AR_MXP, AR_XP, or AR_XPE card can be configured as a low-rate or a high-rate MXP_MR card mode.

- Low Rate—A maximum of two MXP_MR configurations can be provisioned depending on the availability of client ports. The AR_MXP, AR_XP, or AR_XPE card can be configured as a low-rate MXP_MR card by adhering to the following provisioning rules:
 1. N:1 muxponder must be created, where N varies from client ports 2 to 7.
 2. Only ports 5, 6, 7, or 8 can be configured as trunk ports.
 3. Ports 1 to 8 can be configured as client ports, if they are not configured as trunk ports.

Any client port can be added or deleted, if the trunk bandwidth supports the new payload without impacting the traffic on the existing services. Minimum of two client ports should be part of the operational mode group.

On the AR_XPE card, 1GE or 1G FC payload cannot be configured with other payloads. When a 1GE or 1GFC payload is configured on a port of MXP_MR (low rate) mode, then only 1GE or 1GFC payload can be configured on the other ports.

Figure 15: Low-Rate MXP_MR Card Operating Mode Configuration



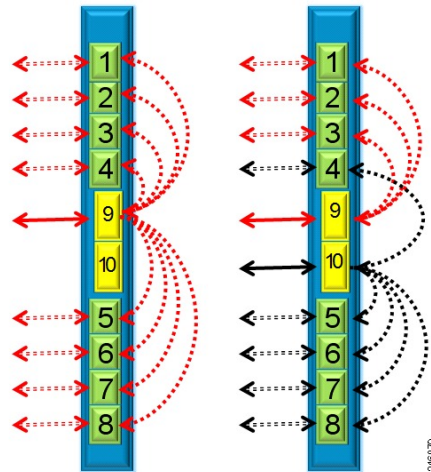
- High Rate—A maximum of two MXP_MR configurations can be provisioned on a AR_XP or AR_XPE card and only one such configuration can be provisioned on an AR_MXP card. The AR_MXP, AR_XP, or AR_XPE card can be configured as a high-rate MXP_MR card by adhering to the following provisioning rules:

1. N:1 muxponder must be created, where N varies from client ports 2 to 8.
2. Only ports 9 and 10 can be configured as trunk ports.
3. Ports 1 to 8 can be configured as client ports.

Any client payload can be added or deleted, if the trunk bandwidth supports the new payload without impacting the traffic on the existing services.

On the AR_XPE card, when you create a OCHCC circuit using 1GE or 1GFC payload, only ODU0 mapping is supported and timeslot mapping is not supported. When a OCHCC circuit is created on a particular ODU1 timeslot with payloads using timeslot mapping, OCHCC circuits cannot be created on payloads using ODU0 mapping, but can be created on the other ODU1 timeslot. In MXP_MR (high-rate) mode, while creating a OCHCC circuits on the GE or 1GFC client payload, you can select the ODU1 and ODU0 timeslots instead of ODU1 and timeslot selection.

Figure 16: High-Rate MXP_MR Card Operating Mode Configuration



MXPP_MR (Protected Multirate Muxponder)

The AR_MXP, AR_XP, or AR_XPE card can be configured as a low-rate or a high-rate MXPP_MR card mode.

- Low Rate—A maximum of two MXPP_MR configurations can be provisioned depending on the availability of client ports. Any client payload can be added or deleted, if the trunk bandwidth supports the new payload without impacting the traffic on the existing services.

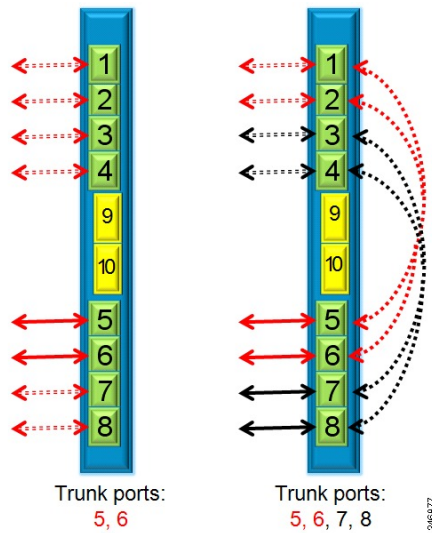
The AR_MXP, AR_XP, or AR_XPE card can be configured as a low-rate MXPP_MR card by adhering to the following provisioning rules:

1. N:2 muxponder must be created, where N varies from client ports 2 to 6.
2. Only ports 5 and 6 or 7 and 8, or both can be configured as trunk port.
3. Ports 1 to 8 can be configured as client ports, if ports are not configured as a trunk ports and are not part of another muxponder.

Splitter protection is automatically created between ports 5 and 6 or 7 and 8.

On the AR_XPE card, 1GE or 1G FC payload cannot be configured with other payloads. When a 1GE or 1GFC payload is configured on a port of MXPP_MR (low rate) mode, then only 1GE or 1GFC payload can be configured on the other ports.

Figure 17: Low-Rate MXPP_MR Card Operating Mode Configuration



- High Rate—A maximum of one MXPP_MR configuration can be provisioned on a AR_XP or AR_XPE card. Any client payload can be added or deleted, if the trunk bandwidth supports the new payload without impacting the traffic on the existing services.

The AR_XP or AR_XPE card can be configured as a high-rate MXPP_MR card by adhering to the following provisioning rules:

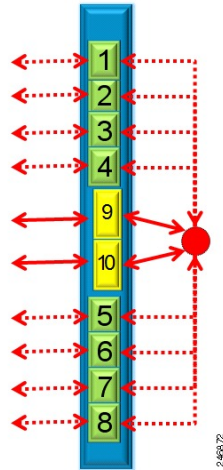
1. N:2 muxponder must be created, where N varies from client ports 2 to 8.
2. Only ports 9 and 10 can be configured as trunk ports.
3. Ports 1 to 8 can be configured as client ports.

Splitter protection is automatically created between ports 9 and 10. Port 10 will be the protected trunk port for port 9.

On the AR_XPE card, when you create a OCHCC circuit using 1GE or 1GFC payload, only ODU0 mapping is supported and timeslot mapping is not supported. When a OCHCC circuit is created on a particular ODU1 timeslot with payloads using timeslot mapping, OCHCC circuits cannot be created on payloads using ODU0 mapping, but can be created on the other ODU1 timeslot.

When you create a OCHCC circuit between two nodes, with a Provisional Patch Cord (PPC) between the trunks in splitter protection mode, then, while editing the OCHCC circuit, check the far-end and near-end details. The near-end and far-end should either be the client and the trunk port respectively or vice-versa. The client port cannot exist with the trunk port. In some cases, the client and the trunk ports are displayed together, which is incorrect.

Figure 18: High-Rate MXPP_MR Card Operating Mode Configuration



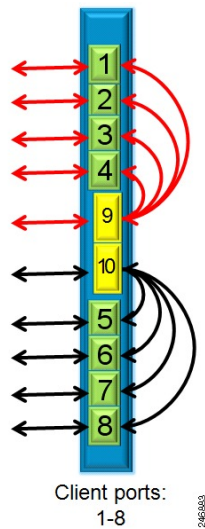
MXP-4x2.5-10G (OC48/OTU1 Unprotected Muxponder)

The AR_MXP, AR_XP, or AR_XPE card can be configured as a high-rate MXP-4x2.5-10G card mode. Only one MXP-4x2.5-10G configuration can be provisioned on an AR_MXP card and a maximum of two on a AR_XP or AR_XPE card.

The AR_MXP, AR_XP, or AR_XPE card can be provisioned as MXP-4x2.5-10G card by adhering to the following provisioning rules:

1. The allowed port pairs are 1-2-3-4-9 or 5-6-7-8-10, or both.
2. Ports 9 and 10 can be configured as trunk ports.
3. Ports 1-2-3-4 or 5-6-7-8 can be configured as client ports.

Figure 19: High-Rate MXP-4x2.5-10G Card Operating Mode Configuration



MXPP-4x2.5-10G (OC48/OTU1 Protected Muxponder)

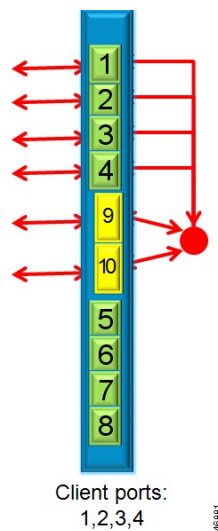
The AR_XP or AR_XPE card can be configured as a high-rate MXPP-4x2.5-10G card mode. Only one MXPP-4x2.5-10G configuration can be provisioned on a AR_XP or AR_XPE card.

The AR_XP or AR_XPE card can be configured as MXPP-4x2.5-10G card by adhering to the following provisioning rules:

1. Four SFP ports and two XFP ports must be configured. The allowed port pair is 1-2-3-4-9-10 or 5-6-7-8-9-10, or both.
2. Only ports 9 and 10 can be configured as trunk ports.
3. Ports 1-2-3-4 or 5-6-7-8 can be configured as client ports.

Splitter protection is automatically created between ports 9 and 10. Port 10 will be the protected trunk port for port 9.

Figure 20: High-Rate MXPP-4x2.5-10G Card Operating Mode Configuration



MXP_MR_S (Unprotected Multirate Muxponder-Static) and MXPP_MR_S (Protected Multirate Muxponder-Static)

The MXP_MR_S and MXPP_MR_S operating modes are similar to the existing MXP_MR and MXPP_MR operating modes except for static timeslot and ODU allocation. A specific set of client payloads or a mix of client payloads can be used only if the trunk bandwidth and timeslot are available as per the static allocation mapping.

For example, the MXP_MR_S and MXPP_MR_S modes can be used to provision a dual 4xOC-48 or a mix of 2-OC-48 + 2-GE or 1-OC-48 + 6-GE into one OTU2 muxponder.

This works similar to traditional transponders/muxponders where operators can choose to use OCH-CC or just provision OCH-Trail/OCH-NC for creating the circuits.

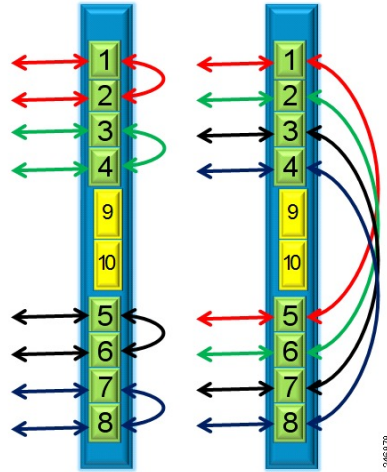
RGN (OTU1/OTU2 Regenerator)

The AR_MXP, AR_XP, or AR_XPE card can be configured as a low-rate or high-rate RGN card mode.

- Low Rate—A maximum of four RGN configurations can be provisioned on a single AR_MXP, AR_XP, or AR_XPE card. The AR_MXP, AR_XP, or AR_XPE card can be configured as a low-rate RGN card by adhering to the following provisioning rules:

The allowed port pairs are 1-2, 3-4, 5-6, 7-8 or 1-5, 2-6, 3-7, 4-8.

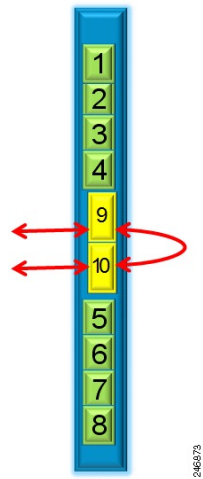
Figure 21: Low-Rate RGN Card Operating Mode Configuration



- High Rate—Only one RGN configuration can be provisioned on a AR_MXP, AR_XP, or AR_XPE card. The AR_MXP, AR_XP, or AR_XPE card can be configured as a high rate RGN card by adhering to the following provisioning rules:

The allowed port pairs are 9-10.

Figure 22: High-Rate RGN Card Operating Mode Configuration



The 10 GE over OTU2e/OTU1e signal with disabled FEC, standard FEC, 1.4 or 1.7 EFEC mode can be regenerated. The ODU transparency can either be Transparent Standard Use or Cisco Extended Use.



Note Payload PMs are not supported in this operating mode.

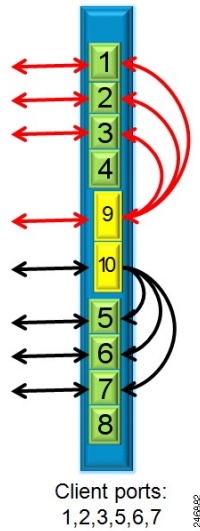
MXP-VD-10G (Video Muxponder)

The AR_XP or AR_XPE card can be configured as a high-rate MXP-VD-10G card mode. A maximum of two MXP-VD-10G configurations can be provisioned on a AR_XP or AR_XPE card.

The AR_XP or AR_XPE card can be configured as MXP-VD-10G card by adhering to the following provisioning rules:

1. The allowed port pairs are 1-2-3-9 or 5-6-7-10.
2. Only ports 9 and 10 can be configured as trunk ports.
3. Ports 1-2-3 and 5-6-7 can be configured as client ports.

Figure 23: High-Rate MXP-VD-10G Card Operating Mode Configuration



Scenarios of Different Operational mode Configurations on a AR_XP, or AR_XPE Card

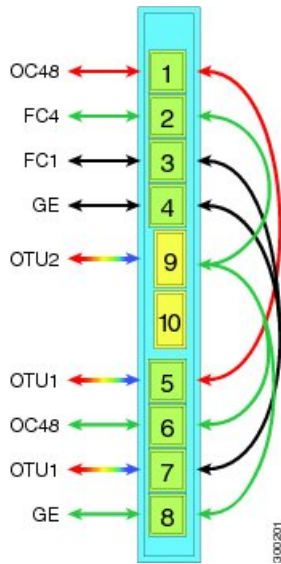
The following section provides a few sample scenarios of different operational modes that can be configured on an AR_XP or AR_XPE card:

Scenario 1

In this example, the following three operational modes are configured on the AR_XP or AR_XPE card:

- Low-rate TXP_MR (Cl=1;Tr=5)
- Low-rate MXP_MR (Cl=3,4;Tr=7)
- High-rate 3:1 MXP_MR (Cl=2,6,8;Tr=9)

Figure 24: Scenario 1

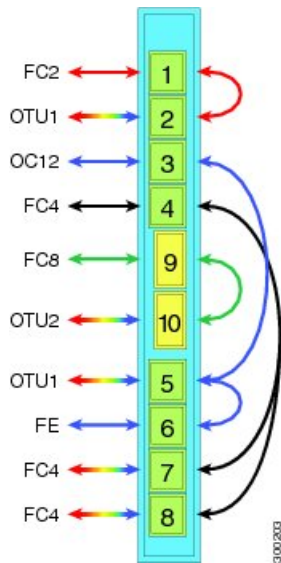


Scenario 2

In this example, the following four operational modes are configured on the AR_XP or AR_XPE card:

- Low-rate TXP_MR (Cl=1;Tr=2)
- 8G FC TXP (Cl=9;Tr=10)
- Low-rate MR_MXP (Cl=4;TR=7,8)
- Low-rate MR_MXP (Cl=3,6;TR=5)

Figure 25: Scenario 2

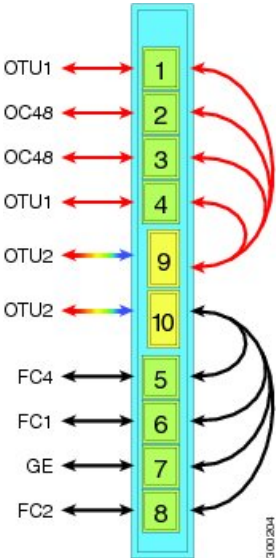


Scenario 3

In this example, the following two operational modes are configured on the AR_XP card:

- High-rate MXP-4x2.5-10G (CI=1,2,3,4;Tr=9)
- High-rate 4:1 MXP_DME (CI=5,6,7,8;Tr=10)

Figure 26: Scenario 3

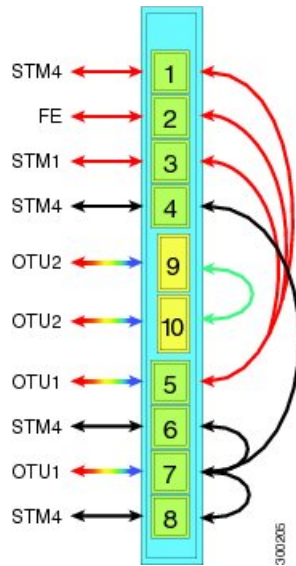


Scenario 4

In this example, the following three operational modes are configured on the AR_XP or AR_XPE card:

- Low-rate MXP_MR (CI=1,2,3;Tr=5)
- Low-rate MXP_MR (CI=4,6,8; Tr=7)
- RGN(CI=9;Tr=10)

Figure 27: Scenario 4

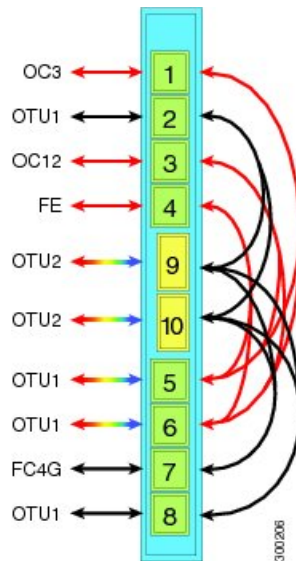


Scenario 5

In this example, the following two operational modes are configured on the AR_XP or AR_XPE card:

- Low-rate MXPP_MR (Cl=1,3,4;Tr=5,6)
- High-rate MXPP_MR (Cl=2,7,8;Tr=9,10)

Figure 28: Scenario 5



AR_MXP, AR_XP, and AR_XPE Functions and Features

The AR_MXP, AR_XP, and AR_XPE cards have the following functions and features are explained in the "Card Features" chapter:

- Client Interface
- DWDM Interfac
- DWDM Trunk Interface
- Enhanced FEC (E-FEC) Feature
- Timing Synchronization
- Y-Cable Protection
- Jitter Consideration

For more information about the AR_MXP and AR_XPE cards, see

http://www.cisco.com/en/US/prod/collateral/optical/ps5724/ps2006/data_sheet_c78-682432.html

For more information about the AR_XPE card, see

http://www.cisco.com/en/US/prod/collateral/optical/ps5724/ps2006/datasheet_c78-726878.html

Related Procedures for AR_MXP, AR_XP, and AR_XPE Cards

The following is the list of procedures and tasks related to the configuration of the AR_MXP, AR_XP, and AR_XPE cards:

- [NTP-G321 Provisioning Multiple Operating Modes, on page 510](#)
- [NTP-G322 Modifying the Card Line Settings and PM Parameter Thresholds, on page 511](#)
- [NTP-G75 Monitor Transponder and Muxponder Performance](#)

100G-LC-C, 100G-ME-C, 100G-CK-C, 100GS-CK-LC, 100ME-CKC, and 200G-CK-LC Cards

The 100G-LC-C, 100G-ME-C, 100G-CK-C, and 100ME-CKC cards are tunable DWDM trunk cards, which simplifies the integration and transport of 100 Gigabit Ethernet interfaces and services into enterprises or service provider optical networks. The 100GS-CK-LC and 200G-CK-LC cards simplify the integration and transport of 100 and 200 Gigabit Ethernet interfaces and services into enterprises or service provider optical networks. These cards are supported on Cisco ONS 15454 M2, Cisco ONS 15454 M6, and Cisco NCS 2015 platforms.

The cards interoperate with 10x10G-LC and CFP-LC cards through a chassis backplane.



Note The 100GS-CK-LC and 200G-CK-LC cards do not operate with the CFP-LC card.

The cards provide the following benefits:

- Provides 100 Gbps wavelengths transport over fully uncompensated networks, with more than 2,500 km of unregenerated optical links.
- Enables 100-Gbps transport over very high Polarization Mode Dispersion (PMD).
- Improves overall system density of up to 100 Gbps per slot, which is five times greater than what can be achieved with 40 Gbps units.

Up to six cards can be installed per ONS 15454 M6 shelf, supporting up to 42 100-Gbps interfaces per 42-rack units (RU) bay frame. It is possible to place up to two 100G TXPs, one 100 G Regen, or one 100 G MXP in an ONS 15454 M6 shelf.



Note The fan-tray assembly 15454-M6-FTA2 (for the M6 chassis), 15454-M2-FTA2 (for the M2 chassis) must be installed in the shelf where the cards are installed. When an ONS-SC+-10G-C pluggable is used along with the 10x10G-LC card, the maximum operating temperature of the shelf must not exceed 50 degrees Celsius.

100G-LC-C, 100G-CK-C, 100ME-CKC, and 100G-ME-C Cards

The 100G-CK-C card works similar to the 100G-LC-C card. The 100G-CK-C card has the new CPAK client interface replacing the CXP client interface of the 100G-LC-C card. The CPAK client interface enables different payload combinations such that this card can be used instead of the 100G-LC-C and CFP-LC cards.

The 100G-ME-C and 100ME-CKC cards are metro edge versions of 100G-LC-C and 100G-CK-C respectively. The metro edge cards have chromatic dispersion of +/-5000 ps/nm and does not support 20% FEC.

The 100G-CK-C and 100ME-CKC cards support the following pluggables:

- CPAK-100G-SR10 pluggable with 100GE/OTU4 and 40GE payloads
- CPAK-100G-LR4 pluggable with 100GE/OTU4 payloads
- CPAK-100G-SR4 pluggable with 100GE payloads

The 100G-LC-C and 100G-ME-C cards support these client signal types:

- 100GE/OTU4
- OTU4 from BP OTL4.10 (interconnect with CFP client)
- 100GE from BP CAUI (interconnect with CFP client)
- 3 x OTU3e(255/227) from BP OTL3.4 (interconnect with 10 x10G client)
- 2 x OTU3 from BP OTL3.4 (interconnect with CFP client)
- 2 x 40 GE from BP XLAUI (interconnect with CFP client)

In addition to the above, the 100G-CK-C and 100ME-CKC cards support these client signal types:

- 100GE/OTU4 for the CPAK-100G-SR10/CPAK-100G-LR4 client interface
- 40GE for the CPAK-100G-SR10 client interface
- The 100G-LC-C card and 100G-CK-C cards provide a 100 G DWDM trunk interface that supports up to 70000 ps/nm of CD robustness.

- The 100G-LC-C card and 100G-CK-C cards enables configuration of the CD dispersion tolerance to 50000 ps/nm and 30000 ps/nm to reduce power consumption.

100GS-CK-LC and 200G-CK-LC Cards

The 100GS-CK-LC and 200G-CK-LC cards are tunable DWDM trunk cards, which simplify the integration and transport of 100 and 200 Gigabit Ethernet interfaces and services into enterprises or service provider optical networks. The 200G-CK-LC card is an enhancement of the 100GS-CK-LC card.

The 100GS-CK-LC and 200G-CK-LC cards provide the following benefits:

- Allow choosing 16 QAM and QPSK as the modulation formats at the line side.
- Provide Standard G-FEC (Reed-Solomon), Soft Decision FEC (SD-FEC) encoding with 20% overhead, and Hard Decision FEC (HD-FEC) encoding with 7% overhead.
- Provide Nyquist filtering for best performance and optimal band usage.
- Support gridless tunability.
- Allow client access either through the local 100G CPAK interface or through backplane lines.
- In MXP-10X10G operating mode, allow 10GE and OC-192 clients (multiplexed on 100G trunk) to interoperate with NCS 4000 platform. The NCS 2000 line cards must fill the PT and MSI bytes to interoperate with the supported NCS 4000 10G client. The interoperability applies for Hard Decision FEC (HD-FEC) encoding with 7% overhead and GFEC trunk modes.

The 200G-CK-LC card also supports feature-based licensing. The 200G-CK-LIC is the licensed card version of the 200G-CK-LC card. The licensed card version has only some basic functionality enabled while other features can be enabled separately with specific licenses.

The 200G-CK-LC card has the following limitation:

- Terminal loopback on the client port is not supported for the CPAK-FRS pluggable.
- When the line card is under a warm reboot and is still not operational, and if traffic goes down in the system, then the traffic is not recovered. This issue is seen when the client port is connected to the QSFP28-100G-FR-S or CPAK-FRS pluggable.

Key Features

The card key features are listed in the [Key Features of 100G-LC-C, 100G-ME-C, 100G-CK-C, 100ME-CKC, 10x10G-LC, 100GS-CK-LC, 200G-CK-LC, CFP-LC, and MR-MXP Cards](#).

The cards are single-slot cards and can be installed in Slot 2 to Slot 7 in the Cisco ONS 15454 M6 chassis, Slot 2 and Slot 3 in the Cisco ONS 15454 M2 chassis. The 100G-LC-C and 100G-ME-C cards have one DWDM port and one CXP port. The 100G-CK-C and 100ME-CK-C cards have one DWDM port and one CPAK port.

Operating Modes for 100G-LC-C, 100G-ME-C, 100G-CK-C, 100GS-CK-LC, 200G-CK-LC, and 100ME-CKC Cards

Each operating mode can be configured using the specific set of cards and client payloads. [Key Features of 100G-LC-C, 100G-ME-C, 100G-CK-C, 100ME-CKC, 10x10G-LC, 100GS-CK-LC, 200G-CK-LC, CFP-LC,](#)

and [MR-MXP Cards, on page 151](#) describes how each mode can be configured, the supported payloads, and the valid port pair for a specific operating mode.

100G Operating Modes

The 100G-LC-C, 100G-ME-C, 100G-CK-C, 100GS-CK-LC, 100ME-CKC, and 200G-CK-LC cards support the following 100G operating modes. The operating mode configuration for the 100G operating modes is performed on the client card.

- TXP-100G (Standalone 100GE Transponder)
- RGN-100G (100G Regenerator)

TXP-100G (Standalone 100GE Transponder)

The cards can be configured as a standalone 100 Gigabit Ethernet transponder. The 100 Gigabit Ethernet traffic is supported on the CXP/CPAK and coherent optical trunk. The 100 Gigabit Ethernet or OTU4 payload traffic is routed from the CXP/CPAK to the optical trunk, passing through the T100 framer and vice versa. The supported client signals in this mode are 100 Gigabit Ethernet LAN-PHY or OTU4 data rates.

RGN-100G (100G Regenerator)

The cards can be configured as a regenerator. Two cards can be connected to work in a back-to-back mode connecting through the chassis backplane in the same shelf. The allowed slot pairs are 2-3, 4-5, 6-7, 8-9, 10-11, 12-13, or 14-15.

The client signals supported are 100 Gigabit Ethernet or OTU4. Regeneration is performed leveraging on the OTU4 backplane interconnection. OTU4 overhead is terminated, allowing ODU4 to transparently pass through. GCC0 is terminated, while GCC1 and GCC2 are allowed to pass through.

The CXP client is not required because communication between the two cards acting as a regeneration group is supported through the chassis backplane.

MXP-2x40G

The 100G-CK-C and 100ME-CKC cards support the MXP-2x40G operating mode. The 100G-CK-C and 100ME-CKC cards can be configured as a 2-port 40 GE muxponder. Two 40 GE flows through the CPAK client interface and are multiplexed in the 100G trunk interface. The traffic on the second client interface can be configured only after the traffic is provisioned on the first client interface. This operating mode is not supported on the 100GS-CK-LC card.



Note The synchronization for the 100G-CK-LC card is derived only from port 1. Hence, the traffic on port 2 must originate from the same synchronization source as port 1. The two ports must carry traffic from the same synchronization source.



Note GCC Rate in the Edit GCC Termination Window is shown as 192K instead of the supported 1200K. This is a known behavior.

If ONS 15454 with the MXP-2x40G operating mode is connected to a NCS 6000 router, ensure that both the 40G ports are connected to the same group of six ports on the NCS 6000 router. The 40G ports 1 and 2 need to connect to 1-6, 7-12, 13-18 ports on the NCS 6000 router.

200G Operating Modes

The 100GS-CK-LC and 200G-CK-LC cards also support the 200G operating modes. The operating mode configuration for these modes is performed on the trunk card.

- MXP_200G
- MXP_10x10G_100G
- MXP_CK_100G

MXP_200G

Three cards, trunk card, peer card, and skip card are required to configure this operating mode. The skip card is adjacent to the peer card.

The trunk card is 100GS-CK-LC or 200G-CK-LC card; the peer card and skip cards are MR-MXP. The first 10x10G is taken from the two SFP and two QFSP+ ports of the peer MR-MXP card and the second 10x10G is taken from the two SFP and two QFSP+ ports of the skip MR-MXP card.

200G-CK-LC card supports another configuration in the MXP_200G operating mode. In this configuration, 2x40GE clients on QSFP+ ports and 2x10GE clients on SFP+ ports of both the peer MR-MXP and skip MR-MXP cards are multiplexed into 200G traffic on the trunk 200G-CK-LC card.

The operating mode can be provisioned on the following slots:

- ONS 15454 M6: 100GS-CK-LC or 200G-CK-LC card in slots 2 or 7, peer and skip MR-MXP cards in adjacent slots 3, 4 or 5, 6
- NCS 2015: 100GS-CK-LC or 200G-CK-LC card in slots 2, 7, 8, 13, or 14, peer and skip MR-MXP cards in adjacent slots.

MXP_10x10G_100G

Three cards, trunk card, peer card, and skip card are required to configure this operating mode.

The trunk card is 100GS-CK-LC or 200G-CK-LC card; the peer card is 10x10G-LC and the skip card is MR-MXP. The first 10x10G is taken from the ten SFP ports of the peer 10x10G-LC card and the second 10x10G is taken from the two SFP and two QFSP+ ports of the skip MR-MXP card.

The operating mode can be provisioned on the following slots:

- ONS 15454 M6: 100GS-CK-LC or 200G-CK-LC card in slots 2 or 7, peer and skip MR-MXP cards in adjacent slots 3, 4 or 5, 6
- NCS 2015: 100GS-CK-LC or 200G-CK-LC card in slots 2, 7, 8, 13, or 14, peer and skip MR-MXP cards in adjacent slots.

MXP_CK_100G

Two cards, trunk and peer cards are required to configure this operating mode. The trunk card is 100GS-CK-LC or 200G-CK-LC; the peer card is MR-MXP. The first 100G is taken from the CPAK client port of the trunk 100GS-CK-LC or 200G-CK-LC card and the second 100G is taken from the CPAK client port of the MR-MXP card.

200G-CK-LC card supports another configuration in the MXP_CK_100G operating mode. In this configuration, 10x10GE clients on QSFP+ or SFP+ ports of the peer MR-MXP card and 100GE client on the CPAK port of the 200G-CK-LC card are multiplexed into a 200G configuration on the trunk 200G-CK-LC card.

The operating mode can be provisioned on the following slots:

- ONS 15454 M6: 100GS-CK-LC or 200G-CK-LC card and the peer MR-MXP card need to be in adjacent slots 2-3, 4-5, 6-7
- NCS 2015: 100GS-CK-LC or 200G-CK-LC card and the peer MR-MXP card need to be in adjacent slots 2-3, 4-5, 6-7, 8-9, 10-11, 12-13, 14-15

For more information about the cards, see:

- http://www.cisco.com/en/US/prod/collateral/optical/ps5724/ps2006/data_sheet_c78-713298.html
- http://www.cisco.com/en/US/solutions/collateral/ns340/ns394/ns398/ns406/data_sheet_c78-729401.html
- <http://www.cisco.com/c/en/us/products/collateral/optical-networking/network-convergence-system-2000-series/datasheet-c78-733529.html>
- <http://www.cisco.com/c/en/us/products/collateral/optical-networking/network-convergence-system-2000-series/datasheet-c78-733699.html>

10x10G-LC Card

In this chapter, "10x10G-LC" refers to the 15454-M-10x10G-LC card.

The 10x10G-LC card is a DWDM client card, which simplifies the integration and transport of 10 Gigabit Ethernet interfaces and services to enterprises or service provider optical networks. The 10x10G-LC card is supported on ONS 15454 M2 and ONS 15454 M6 platforms.

The 10x10G-LC card is a single-slot card and can be installed in any service slot of the chassis. The 10x10G-LC card consists of a 10-port SFP+ based (with gray-colored, coarse wavelength division multiplexing ([CWDM] and DWDM optics available) and one 100 G CXP-based port.

The 10x10G-LC card interoperates with 100G-LC -C, 100G-CK-C, 100GS-CK-C, and 200G-CK-C cards through a chassis backplane.



Note The fan-tray assembly 15454-M6-FTA2 (for the Cisco ONS 15454 M6 chassis) or 15454-M2-FTA2 (for the Cisco ONS 15454 M2/Cisco NCS 2002 chassis) must be installed in the shelf where a 10x10G-LC card is installed. When an ONS-SC+-10G-C pluggable is used along with the 10x10G-LC card, the maximum operating temperature of the shelf must not exceed 50 degrees Celsius.

The 10x10G-LC card supports the following signal types:

- OC-192/STM-64 (9.95328 Gbps)
- 10 Gigabit Ethernet LAN PHY (10.3125 Gbps)
- 10 G FC (10.518 Gbps)
- 8 G FC
- OTU-2
- G.709 overlocked to transport 10 Gigabit Ethernet as defined by ITU-T G. Sup43 Clause 7.1 (11.0957 Gbps)
- IB_5G (supported only in TXP-10G operating mode)



Note You may observe traffic glitches on the receiving direction of client ports 7, 8, 9, and 10 on the 400G-XP-LC card that you connect to CXP port of a 10x10G-LC card in fanout mode. To bringup traffic in such cases, change the admin state of the CXP port from **OOS-DSBLD** state to **IS-NR** state. Repeat the same action if you continue to observe glitches.

The key features of 10x10G-LC card are listed in [Key Features of 100G-LC-C, 100G-ME-C, 100G-CK-C, 100ME-CKC, 10x10G-LC, 100GS-CK-LC, 200G-CK-LC, CFP-LC, and MR-MXP Cards](#).

Operating Modes for 10x10G-LC Card

The 10x10G-LC card supports the following operating modes:

- MXP-10x10G (10x10G Muxponder)
- RGN-10G (5x10G Regenerator)/TXP-10G (5x10G Transponder)
- Low Latency
- Fanout-10X10G
- TXPP-10G

Each operating mode can be configured using specific set of cards and client payloads. [Key Features of 100G-LC-C, 100G-ME-C, 100G-CK-C, 100ME-CKC, 10x10G-LC, 100GS-CK-LC, 200G-CK-LC, CFP-LC, and MR-MXP Cards](#) lists the valid port pair for a specific operating mode and the supported payloads, and describes how each mode can be configured.

MXP-10x10G (10x10G Muxponder)

The 10x10G-LC card can be configured as a 10x10G muxponder. It can be connected with a 100G-LC-C, 100G-ME-C, 100G-CK-LC, 100GS-CK-LC or 100ME-CKC card to support 10-port 10 G muxponder capabilities. The 100G-LC-C, 100G-ME-C, 100G-CK-C, 100GS-CK-LC, 200G-CK-LC, or 100ME-CKC card can be connected through the chassis backplane (no client CXP/CPAK is required) with the 10x10G-LC card to provide OTN multiplexing of the 10 G data streams into a single 100 G DWDM OTU4 wavelength. When 10x10G-LC card is configured with the 100GS-CK-LC card, OC-192/STM-64, and 10 Gigabit Ethernet LAN PHY payloads are supported. The allowed slot pairs are 2-3, 4-5, 6-7, 8-9, 10-11, 12-13, or 14-15.

The 10x10G muxponder mode supports client signals that are a combination of any 10 Gigabit Ethernet LAN-PHY, OC-192, STM-64, 10 G FC/FICON, 8 G FC/FICON, or OTU2 data rates.

RGN-10G (5x10G Regenerator)/TXP-10G (5x10G Transponder)

The 10x10G-LC card works as a standalone card, supporting the multitransponder functionality. The 10 Gbps SFP+ ports should be paired to provide the 10 G transponder functionality for each port of the port pair. By using the grey optics SFP+ to provide the client equipment connectivity and DWDM SFP+ on the WDM side, up to five 10 G transponders are supported by a single 10x10G-LC card. Up to six 10x10G-LC cards are supported on the Cisco ONS 15454 M6 chassis allowing for 30 10 Gbps transponders in a single shelf.

All ports can be equipped with or without the G.709 Digital Wrapper function that provides wide flexibility in terms of the supported services.

As the client and trunk ports are completely independent, it is also possible to equip both SFP+ of the same pair of ports with the DWDM SFP+, thereby allowing them to function as a WDM regenerator. The CXP pluggable is unused in this configuration.

Each of the SFP+ ports can be provisioned as a client or trunk. When one port is selected as a trunk, the other port of the pair is automatically selected as the client port. The allowed port pairs are 1-2, 3-4, 5-6, 7-8, or 9-10.

For RGN-10G mode, both ports are trunk ports.

It is not a constraint to provision five pairs of TXP-10G mode or five pairs of RGN-10G mode. A mix of TXP-10G and RGN-10G modes can be configured. For example, pairs 1-2 and 5-6 can be configured as TXP-10G mode and the remaining pairs as RGN-10G mode.

Table 43: Supported Payload Mapping Between Two SFP+ Ports

SFP+ Payload (Peer-1)	SFP+ Payload (Peer -2)
10GE-LAN (CBR Mapped)	OTU2e or 10GE-LAN (CBR Mapped)
OTU2	OC192 or OTU2

Low Latency

The 10x10G-LC card can be configured in low latency mode. This configuration minimizes the time spent by the signal to cross the card during the regeneration process. Although each SFP port functions as a unidirectional regenerator, adjacent SFP ports must be selected while provisioning this mode. Both ports are trunk ports. The allowed ports are 1-2, 3-4, 5-6, 7-8, or 9-10. A mix of TXP-10G, RGN-10G, and low latency modes can be configured.

The low latency mode supports 10GE and 10G FC data rates. The same payload must be provisioned on both SFP ports involved in this operating mode. GCC cannot be provisioned on the ports used in low latency mode. The low latency mode does not support terminal and facility loopback.

Fanout-10X10G

The 10x10G-LC card can be configured in the fanout-10x10G mode. The fanout configuration configures the CXP side as the client and SFP side as the trunk. This configuration functions as ten independent transponders. The CXP lanes are managed independently and the payload for each CXP-lane-SFP+ pair is independent of the other pairs.

The fanout configuration provides the following mapping for the port pairs:

- CXP lane 2-SFP1
- CXP lane 3-SFP2
- CXP lane 4-SFP3
- CXP lane 5-SFP4
- CXP lane 6-SFP5
- CXP lane 7-SFP6
- CXP lane 8-SFP7
- CXP lane 9-SFP8
- CXP lane 10-SFP9
- CXP lane 11-SFP10



Note CXP lane 1 and CXP lane 12 are not supported in this configuration.

The fanout configuration supports the following payload types and mapping modes:

- 10GE (CXP line), transparent (no mapping), 10GE (SFP)
- 10GE (CXP line), GFP mapping, OTU2 (SFP)
- 10GE (CXP line), CBR mapping, OTU2e (SFP)

TXPP-10G

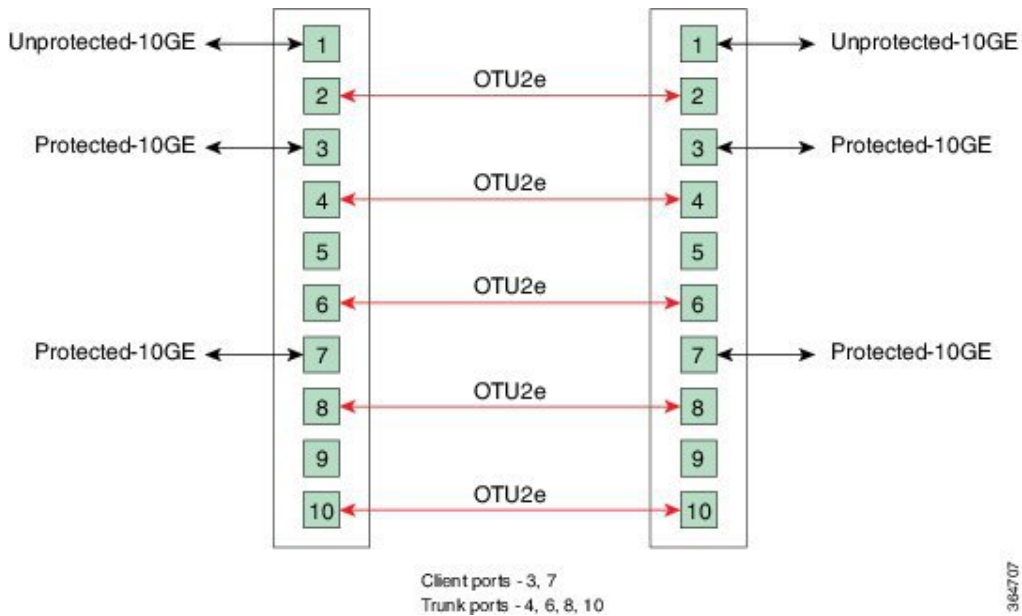
Splitter protection can be implemented on the 10x10G-LC card in TXPP-10G mode. The 10x10G-LC card supports up to two splitter protection groups with one client and two trunk ports. The client and trunk ports on the two groups are:

- Port 3 (client), port 4, and port 6 (trunks) on the first protection group
- Port 7 (client), port 8, and port 10 (trunks) on the second protection group

Port 1 and port 2 are available for unprotected transponders and can be configured in the standard TXP-10G mode, with the first port selected as the trunk and the other port selected as the client. Two ports, port 5 and port 9, are left unused. A Y-Cable protection group cannot be defined on the same 10x10G-LC card when it is provisioned in the TXPP-10G mode. The splitter protection is supported only for 10GE traffic, with trunk ports set to disabled FEC, standard FEC, or enhanced FEC (E-FEC) mode.

The following figure shows the 10x10G-LC card configured for splitter protection.

Figure 29: Splitter Protection on the 10x10G-LC card





Note If the card is configured only once in the TXPP-10G mode, with port 3 or port 7 as the client port, the rest of the ports are available for configuration in the standard TXP-10G mode (except port 5 and port 9, which are left unused). The TXPP-10G mode configuration is successful only when three licenses for the three ports (one client and two trunk ports) involved in splitter protection are available for the card. No new licensing is required for the splitter protection operating mode.

For more information about the 10x10G-LC card, see http://www.cisco.com/en/US/prod/collateral/optical/ps5724/ps2006/data_sheet_c78-713296.html.

CFP-LC Card

In this chapter, "CFP-LC" refers to the _15454-M-CFP-LC card.

The CFP-LC card is a client card, which simplifies the integration and transport of 40 GE and 100 GE interfaces and services to enterprises or service provider optical networks. The CFP-LC card is supported on the Cisco ONS 15454 M6 and NCS 2015 platform. The CFP-LC card provides 100 Gbps services to support 100 G DWDM wavelengths generated by the 100G-LC-C card. The traffic coming from CFP interfaces is switched to the trunk port through a cross-switch.

The CFP-LC card supports the following signal types:

- 100 Gigabit Ethernet
- 40 Gigabit Ethernet
- OTU-3
- OTU-4

Client ports can be equipped with a large variety of CFP pluggables.

Key Features

The key features of CFP-LC card are listed in [Key Features of 100G-LC-C, 100G-ME-C, 100G-CK-C, 100ME-CKC, 10x10G-LC, 100GS-CK-LC, 200G-CK-LC, CFP-LC, and MR-MXP Cards](#).

The CFP-LC card is a double-slot card and can be installed in Slot 3 or Slot 5 in the Cisco ONS 15454 M6 chassis, and the 100G-LC-C peers cards must be placed in the adjacent slots (2 and 5 or 4 and 7). If the card is plugged in one of the unsupported slots or in a Cisco ONS 15454 M2 chassis, the system raises an EQPT::MEA (Mismatch of Equipment Alarm) notification. Up to two CFP-LC cards per Cisco ONS 15454 M6 shelf assembly can be installed, supporting up to 28x 40-Gbps or 14x 100 Gbps interfaces per 42-rack units (RU) bay frame.

The CFP-LC card is equipped with two 100 G CFP pluggable modules and a cross-bar embedded switch module. The CFP-LC card provides two backplane interfaces (working both at 100 Gb or 40 Gb) that are suitable for the cross-switch application on the incoming CFP signals. The CFP-LC card can be configured to send all client CFP services towards the backplane to be connected with up to two 100G-LC-C cards placed in the two adjacent slots (upper and lower) of the Cisco ONS 15454 M6 chassis in order to provide two 100 G transponders configurations.



Note The fan-tray assembly 15454-M6-FTA2 (for the M6 chassis) must be installed in the shelf where a CFP-LC card is installed.

Operating Modes for CFP-LC Card

The CFP-LC card supports the following operating modes:

- 2x40G Muxponder
- CFP-TXP (100G Transponder)

Each operating mode can be configured using the specific set of cards and client payloads. [Key Features of 100G-LC-C, 100G-ME-C, 100G-CK-C, 100ME-CKC, 10x10G-LC, 100GS-CK-LC, 200G-CK-LC, CFP-LC, and MR-MXP Cards](#) lists the valid port pair for a specific operating mode and the supported payloads, and describes how each mode can be configured.

2x40G Muxponder

The CFP-LC card can be configured as a 2-port 40 G muxponder. It can be connected with the 100G-LC-C, 100G-ME-C, 100G-CK-C, or 100ME-CKC card to support 2-port 40 G muxponder capabilities. The 100G-LC-C, 100G-ME-C, 100G-CK-C, 100ME-CKC card can be connected through the Cisco ONS 15454 M6 backplane (no client CXP/CPAK required) with the CFP-LC card to provide OTN multiplexing of the 40 G data streams into a single 100 G WDM OTU4 wavelength. The 2x40G muxponder mode supports client signals that are a mix and combination of any 40 Gigabit Ethernet LAN-PHY or OTU3 data rates.

CFP-TXP (100G Transponder)

The CFP-LC card can be configured as a 100G transponder. It can be connected with the 100G-LC-C, 100G-ME-C, 100G-CK-C, or 100ME-CKC card to support the client interface for the 100-Gbps transponder capabilities. The 100G CXP pluggable available on the 100G-LC or 100G-ME-C card supports only 100GE-BASE-SR10 client interface, while the 100GE-BASE-LR4 is supported using a CFP form factor only. The 100G CPAK pluggable available on the 100G-CK-C or 100ME-CKC card supports the CPAK-100G-SR10 and CPAK-100G-LR4 client interfaces.

The CFP-LC card can be connected through the Cisco ONS 15454 M6 backplane with up to two 100G-LC cards placed in the upper or lower slot of the same shelf to provide the equivalent functionalities of two 100 G LR4 transponders, leveraging on CFP pluggables as the client interface.

For more information about the CFP-LC card, see

http://www.cisco.com/en/US/prod/collateral/optical/ps5724/ps2006/data_sheet_c78-713295.html

MR-MXP Card

In this chapter, "MR-MXP" refers to the NCS2K-MR-MXP card.

The MR-MXP card is a mixed rate 10G and 40G client muxponder that is supported on Cisco ONS 15454 M2 and Cisco ONS 15454 M6 platforms. The card is equipped with one CPAK port, two SFP ports, and two QSFP+ ports. The card can interoperate with 100GS-CK-LC, 200G-CK-LC, and 10x10G-LC cards through a chassis backplane.



Note The FPGA and firmware upgrade (via CTC) for MR-MXP cards should be done one by one. Wait till the card completely comes up, to active or standby (based on configuration) before upgrading the next card in the chassis. If this is not followed, the load on the TNC card increases causing longer booting time for the line cards in the chassis and in a few cases, the line cards might not boot up.

When the node is upgraded to R10.5.2.4 or R10.6.x from a previous release, traffic loss on the MR-MXP card might occur for few seconds. When the node is reverted from R10.6.x to R10.5.x, cold reboot is required.

The TRAF-AFFECT-RESET-REQUIRED (Traffic Affecting Reset Required) alarm is raised on the MR-MXP card in CTC after the node is upgraded to R10.5.2.4 or R10.6. Hence, it is recommended to reboot the card.

1. In the Card view, go to **Provisioning > Card**.
2. Click **FPGA/FIRMWARE Upgrade/Traffic Affecting Reset** to reboot the card.



Note Firmware upgrade is allowed only when the ports are in OOS (out-of-service) or Maintenance service state

When the node is upgraded to R10.8 followed by reset of the active control card, FPGA upgrade of the MR-MXP card fails.

Perform the following steps to upgrade FPGA successfully.

- Soft reset the MR-MXP card.
- In the Card view, go to **Provisioning > Card**.
- Click **FPGA/FIRMWARE Upgrade/Traffic Affecting Reset** to upgrade FPGA.

Encryption as an Appliance

The MR-MXP-K9 and MR-MXP-K9= PIDs of MR-MXP card are referred as Encryption as an appliance PIDs. The card authentication and payload encryption are enabled by default and cannot be disabled for these PIDs.

The MR-MXP-K9 and MR-MXP-K9= PIDs of MR-MXP card do not interoperate with other PIDs of the MR-MXP card. In MXP-200G operating mode, the two MR-MXP cards must have the same PIDs.

Key Features

The card key features are listed in the [Key Features of 100G-LC-C, 100G-ME-C, 100G-CK-C, 100ME-CKC, 10x10G-LC, 100GS-CK-LC, 200G-CK-LC, CFP-LC, and MR-MXP Cards](#).

The MR-MXP card provides the following features:

- Termination point for a 100G client payload on the CPAK port. The aggregated payloads are forwarded to a 200G companion trunk card.
- Provides encryption capability on the virtual port or OTU4 backplane port. This card provides confidentiality of the data, which is sent over a fiber optic communication channel, using Next Generation Cryptography. The encryption works only after provisioning the high speed or low speed encryption

license. To provision encryption on the MR-MXP card, see [NTP-G340 Provisioning Encryption on the WSE and MR-MXP Cards, on page 607](#).

- Supports feature-based licensing. The base functionality is enabled in the licensed card version. Additional features such as encryption are provided through specific feature licenses. The MR-MXP-LIC is the licensed card version of the MR-MXP card. For more information on licensing, see the *Licensing Configuration Guide*.
- Third Party Certificates-From Release 10.7, the MR-MXP card supports the generation of a Certificate Signing Request (CSR) and the installation of Locally Significant Certificates (LSCs) that can be used to authenticate the peer card connection. Third party certificates also referred to as Locally Significant Certificates (LSCs) are certificates that are signed by a Certification Authority (CA) other than Cisco Certificate Authority. LSCs allow customers to have their own Public Key Infrastructure (PKI) to provide better security, to have control of their own CA, and to define policies, restrictions, and usages on the generated certificates.

A public-private key is generated inside the target system and then the generated public key along with other product or customer specific information (collectively called as a Certificate Signing Request) is then sent to be signed by a CA (customer owned or a third party) after which, the signed certificates are imported or installed via a trusted and secure channel or method into the target system. After the signed certificates are installed, it can be used in conjunction with the private key to authenticate any remote connection before exchanging sensitive information with the same.

For a detailed list of the supported pluggables, see, http://www.cisco.com/c/en/us/td/docs/optical/spares/gbic/guides/b_ons_pluggables.html

Operating Modes for MR-MXP Card

The MR-MXP card supports the following 200G operating modes:

- MXP-200G
- MXP-10x10G-100G
- MXP-CK-100G

Each operating mode can be configured using specific set of cards and client payloads. The operating mode is configured on the companion trunk card (100GS-CK-LC or 200G-CK-LC). For more information about these operating modes, see [Key Features of 100G-LC-C, 100G-ME-C, 100G-CK-C, 100ME-CKC, 10x10G-LC, 100GS-CK-LC, 200G-CK-LC, CFP-LC, and MR-MXP Cards](#).

The MR-MXP card supports the following 100G operating modes:

- MXP-100G
- TXP-100G
- 100G-B2B



Note All 100G and 200G operating modes support the encryption feature except for the MXP-CK-100G mode.

MXP-100G

The MXP-100G operating mode is provisioned with MR-MXP card on the client side and the adjacent 200G-CK-LC card or 100GS-CK-LC card on the trunk side. The operating mode can be provisioned only from the client side but can be deleted from both client and trunk sides. This mode supports 10GE as the payload. This mode uses the SFP+ and QSFP+ ports on MR-MXP client card and the DWDM port on the 200G-CK-LC card or 100GS-CK-LC card. The aggregate signal from the client is sent to trunk through the backplane.

The MXP-100G operating mode is also provisioned with MR-MXP card on the client side and the adjacent 200G-CK-LC card on the trunk side. The operating mode can be provisioned only from the client side but can be deleted from both client and trunk sides. This mode supports 2X10GE+2X40GE as the payload. This mode uses the SFP+ and QSFP+ ports on MR-MXP client card and the DWDM port on the 200G-CK-LC card. The aggregate signal from the client is sent to trunk through the backplane.

The operating mode can be provisioned on the following slots:

- ONS 15454 M2: Slots 2 and 3
- ONS 15454 M6: Slots 2 and 3, 4 and 5, 6 and 7
- NCS 2015: Slots 2 and 3, 4 and 5, 6 and 7, 8 and 9, 10 and 11, 12 and 13, 14 and 15

TXP-100G

TXP-100G operating mode is provisioned with MR-MXP card on the client side and the adjacent 200G-CK-LC card or 100GS-CK-LC card on the trunk side. The operating mode can be provisioned only from the client side but can be deleted from both client and trunk sides. This mode supports 100GE as the payload. This mode uses the CPAK port on MR-MXP client card and the DWDM port on the 200G-CK-LC card or 100GS-CK-LC card. The aggregate signal from client is sent to trunk through the backplane.

The operating mode can be provisioned on the following slots:

- ONS 15454 M2: Slots 2 and 3
- ONS 15454 M6: Slots 2 and 3, 4 and 5, 6 and 7
- NCS 2015: Slots 2 and 3, 4 and 5, 6 and 7, 8 and 9, 10 and 11, 12 and 13, 14 and 15

100G-B2B

The 100G-B2B operating mode can be provisioned with MR-MXP card on the client side and the adjacent MR-MXP card on the trunk side. The operating mode performs encryption of an 100GE client signal taken from the CPAK interface or 10x10GE client signal taken from the two QSFP and SFP interfaces of the client MR-MXP card and maps it to an OTU4 signal with encryption. The OTU4 signal is passed to the trunk MR-MXP card in the peer slot through the back plane. The trunk MR-MXP card converts the OTU4 signal to grey wavelength with either an SR-10 or an LR-4 through the CPAK interface of the trunk card. The 100GE client payload can be divided into either four or 10 sub-lanes.

The CPAK port or two QSFP and 2 SFP+ ports can be selected on the client card during the provisioning. The operating mode can be provisioned from any MR-MXP card in the peer slot pair. When the operating mode is created, the card that the user selects to create operating mode acts as the client card and the peer card for that card acts as the trunk card. When payloads are created on both the client and trunk cards, CTC provides the option to select the number of lanes as required for LR4/SR10 based payload.

The operating mode can be provisioned on the following slots:

- ONS 15454 M2: Slots 2 and 3
- ONS 15454 M6: Slots 2 and 3, 4 and 5, 6 and 7

- NCS 2015: Slots 2 and 3, 4 and 5, 6 and 7, 8 and 9, 10 and 11, 12 and 13, 14 and 15

The provisioning operations like payload/operating mode creation and FEC settings in 100G-B2B operating mode of MR-MXP card takes longer when compared to other operating modes.

Sub Operating Modes

The sub OpMode in MR-MXP cards determines the operating mode on the card client ports. For example, the QSFP+ port can be provisioned either as a 40GE port or can be divided into four 10G ports. This provisioning is controlled by the sub OpMode. The sub OpMode is created by default when the operating mode is configured on the card.

- **OPM_10x10G**—This is the default sub OpMode for the MXP-100G, MXP-200G, and MXP-10x10G-100G operating modes. In this sub OpMode, the SFP and QSFP+ ports are divided in such a way that 10 10GE payloads can be provisioned. When a PPM is provisioned on a QSFP+ port, four internal ports are created. A 10 GE payload can be provisioned on each of these ports. The OPM-10x10G operating mode is provisioned with MR-MXP card on the client side and the adjacent MR-MXP card on the trunk side. The operating mode can be provisioned only from the client side but can be deleted from both client and trunk sides. The aggregate signal from client is sent to trunk through the backplane.
- **OPM_100G**—This is the default sub OpMode for the MXP-CK-100G operating mode where the CPAK port can be provisioned with a 100GE or OTU4 payload. The 100GE payload can be divided into either four or ten sub-lanes. For 100GE payload, the OPM-100G operating mode is provisioned with MR-MXP card on the client side and the adjacent MR-MXP card on the trunk side. For OTU4 payload, the OPM-100G operating mode is provisioned with MR-MXP card on the client side and the adjacent 200G-CK-LC card on the trunk side. The operating mode can be provisioned only from the client side but can be deleted from both client and trunk sides. The aggregate signal from client is sent to trunk through the backplane.
- **OPM_2x40G_2x10G**—This sub OpMode is provisioned for the MXP-100G operating mode to support the 2X10GE+2X40GE payload. This operating mode is provisioned with MR-MXP card on the client side and the adjacent 200G-CK-LC card on the trunk side. The operating mode can be provisioned only from the client side but can be deleted from both client and trunk sides. The aggregate signal from client is sent to trunk through the backplane.

This sub OpMode is also provisioned for the MXP-200G operating mode to support the following sub OpMode combinations on both peer and skip MR-MXP cards.

- OPM_10x10G and OPM_10x10G
- OPM_2x40G_2x10G and OPM_2x40G_2x10G
- OPM_2x40G_2x10G and OPM_10x10G
- OPM_10x10G and OPM_2x40G_2x10G

Limitations for MR-MXP Card

- Line timing is not supported.
- DCC communication channel is not supported for OC192/STM64.
- GCC0 communication channel is not supported.

- Trace is not supported for OC192/STM64.
- Overclocking of OTU2 payload is not supported.
- Y cable protection is not supported.
- Only G-FEC is supported on OTN payloads.
- The lanes in a QSFP+ port support only homogeneous payloads.
- Terminal loopback on the client port is not supported for the CPAK-FRS pluggable.
- When the line card is under a warm reboot and is still not operational, and if traffic goes down in the system, then the traffic is not recovered. This issue is seen when the client port is connected to the QSFP28-100G-FR-S or CPAK-FRS pluggable.

Key Features of 100G-LC-C, 100G-ME-C, 100G-CK-C, 100ME-CKC, 10x10G-LC, 100GS-CK-LC, 200G-CK-LC, CFP-LC, and MR-MXP Cards

Table 44: Feature History

Feature Name	Release Information	Feature Description
Dynamic Power Allocation on 200G-CK-LC and 400G-XP-LC Cards	Cisco NCS 2000 Release 11.12	This feature allows you to dynamically allocate power based on the line card operating mode. This maximises the usage of the NCS 2015 chassis slots in a 2+2 PSU configuration. This feature is supported on the 200G-CK-LC and 400G-XP-LC cards.

The 100G-LC-C, 100G-ME-C, 100G-CK-C, 100ME-CKC, 10x10G-LC, 100GS-CK-LC, 200G-CK-LC, CFP-LC, and MR-MXP cards support the following key features:

- **Operating Modes**—The cards can be configured into multiple operating modes. The cards can be equipped with pluggables for client and trunk options, and offer a large variety of configurations. When you configure the card into multiple operational modes, make sure that the following tasks are completed:
 - The card must be preprovisioned and the modes must be configured. None of the modes are provisioned on the card by default. All operating modes are created on the card level. These are card-specific provisioning, which decides the behavior of a particular card.
 - Depending on the card mode selected, the supported payload for that particular card mode must be provisioned on the PPMs.
 - The payloads can be provisioned after configuring the operational mode on the card.

For a detailed list of the supported pluggables, see, http://www.cisco.com/c/en/us/td/docs/optical/spares/gbic/guides/b_ons_pluggables.html

Each operating mode can be configured using the specific set of cards and client payloads.

Table 45: Operating Modes and Supported Payloads for 100G-LC-C, 100G-ME-C, 100G-CK-C, 100ME-CKC, 10x10G-LC, 100GS-CK-LC, 200G-CK-LC, CFP-LC, and MR-MXP Cards

Card (provisioning executed on this card)	Operational Mode	Peer Card (connected through backplane)	Supported Client Payloads
100G-LC-C, 100G-ME-C, 100G-CK-C, 100ME-CKC	TXP-100G (Standalone 100G Transponder)	—	100GE, OTU4
	RGN-100G (100G Regenerator)	100G-LC-C, 100G-ME-C, 100G-CK-C, 100ME-CKC	— Regeneration of any 100 G configuration
	MXP-2x40G (for 100G-CK-C, 100ME-CKC)	—	40GE

Card (provisioning executed on this card)	Operational Mode	Peer Card (connected through backplane)	Supported Client Payloads
100GS-CK-LC and 200G-CK-LC	TXP-100G (Standalone 100G Transponder)	—	100GE and OTU4 OTU4 is supported only for the 200G-CK-LC card.
	RGN-100G (100G Regenerator)	100GS-CK-LC or 200G-CK-LC	Regeneration of any 100 G configuration
	MXP-200G	MR-MXP Skip card is MR-MXP OC192/SMT64, and OTU2 payloads are supported in MLR QSFP+	10GE, OC192/STM64, and OTU2 OC192/STM64, and OTU2 payloads are supported only when the sub OpMode in MR-MXP is OPM_10x10G.
	MXP-10x10G-100G	10x10G-LC Skip card is MR-MXP	10GE, OC192/STM64, and OTU2 OC192/STM64, and OTU2 payloads are supported only when the sub OpMode in MR-MXP is OPM_10x10G.
	MXP-CK-100G	MR-MXP	

Card (provisioning executed on this card)	Operational Mode	Peer Card (connected through backplane)	Supported Client Payloads
			<p>10GE, 100GE, OC192/STM64, and OTU2</p> <p>10GE, OC192/STM64, and OTU2 payloads are supported only when the sub OpMode in MR-MXP is OPM_10x10G.</p> <p>OTU4 (only with 200G-CK-LC card)</p> <p>When 200G-CK-LC and MR-MXP cards are provisioned in MXP-CK-100G operating mode with OTU4 payload, the FEC parameter on the 200G-CK-LC client can be set only to Standard and cannot be changed to Disable or Enhanced.</p> <p>100GE and OTU4 payloads are supported only when the sub OpMode in MR-MXP is OPM_100G.</p>

Card (provisioning executed on this card)	Operational Mode	Peer Card (connected through backplane)	Supported Client Payloads
10x10G-LC	MXP-10x10G (10x10G Muxponder)	100G-LC-C, 100G-ME-C, 100G-CK-C, 100ME-CKC, , 100GS-CK-LC 200G-CK-LC	OC192/STM-64, 10GE-LAN Phy, 10GE-WAN Phy (using OC192), OTU2, OTU2e, 8G FC, 10G FC, FICON Only OC192/STM64 and 10GE are supported when the 10x10G-LC card is connected with the 100GS-CK-LC card. Only OC192/STM64, 10GE, and OTU2 are supported when the 10x10G-LC card is connected with the 200G-CK-LC card.
	RGN-10G (5x10G Regenerator)	—	10GE-LAN Phy, OTU2
	TXP-10G (5x10G Transponder)	—	10GE-LAN Phy, OTU2e, OTU2, OC192/STM-64, 8G FC, 10G FC, IB_5G
	Low Latency	—	10GE, 10G FC
	Fanout-10X10G	—	10GE
	TXPP-10G	—	10GE
CFP-LC	2x40G Muxponder	100G-LC-C or 100G-CK-C card	OTU3/40GE-LAN Phy
	CFP-TXP (100G Transponder)—One port	100G-LC-C or 100G-CK-C card	OTU4, 100GE
	CFP-TXP (100G Transponder)—Two ports	Two 100G-LC-C or 100G-CK-C cards	OTU4, 100GE

Card (provisioning executed on this card)	Operational Mode	Peer Card (connected through backplane)	Supported Client Payloads
MR-MXP	MXP-100G	200G-CK-LC card or 100GS-CK-LC card	10GE, OC192/STM64, and OTU2 OTU2 payloads are supported only when the sub OpMode in MR-MXP is OPM_10x10G.
	MXP-100G	200G-CK-LC card	2X10GE+2X40GE This payload is supported only when the sub OpMode in MR-MXP is OPM_2x40G_2x10G.
	TXP-100G	200G-CK-LC card or 100GS-CK-LC card	100GE
	100G-B2B	MR-MXP	100GE, 10x10GE
	MXP-200G	200G-CK-LC card or 100GS-CK-LC card Skip card is MR-MXP	10GE, OC192/STM64, 40G, and OTU2
	MXP-CK-100G	200G-CK-LC card or 100GS-CK-LC card	100GE,10GE,OC192/STM64, and OTU2
	MXP-CK-100G	200G-CK-LC	OTU4 This payload is supported only when the sub OpMode in MR-MXP is OPM_100G.
	MXP-10X10G-100G	200G-CK-LC card or 100GS-CK-LC card	10GE,OC192/STM64, and OTU2

For operating modes of the respective cards, see the [Operating Modes for 100G-LC-C, 100G-ME-C, 100G-CK-C, 100GS-CK-LC, 200G-CK-LC, and 100ME-CKC Cards](#), [Operating Modes for 10x10G-LC Card](#), [Operating Modes for CFP-LC Card](#), and [Operating Modes for MR-MXP Card](#), on page 148.

- Protocol Transparency—The 100G-LC-C, 100G-ME-C, 100G-CK-C, 100ME-CKC, 100GS-CK-LC, and 200G-CK-LC cards deliver any 100 Gbps services for cost-effective, point-to-point networking. The 10x10G-LC card delivers any 10 Gbps services for cost-effective, point-to-point networking. In case of 100 G muxponder clients that are mapped into OTU4 DWDM wavelength.

Table 46: Transponder Client Configurations and Mapping for 100G-LC-C and 100G-CK-C Cards

Client			Trunk	
Format	Rate (Gbps)	Mapping	Format	Rate with 7% GFEC, 20% GFEC, or EFEC OH (Gbps)
100GE LAN-PHY	101.125	Bit transparent through standard G.709v3 mapping	OTU4	111.809
OTU4	111.809	Transparent G.709 standard		

Table 47: Transponder Client Configurations and Mapping for 10x10G-LC Card

Client		Mapping
Format	Rate (Gbps)	
10GE LAN-PHY (MXP-10x10G mode)	10.3125	CBR-BMP clause 17.2.4 (ex G sup43 7.1) + GMP ODU2e to OPU3e4
10GE LAN-PHY (MXP-10x10G mode)	10.3125	GFP-F clause 17.4.1 (ex G sup43 7.3) + GMP ODU2 to OPU3e4
10GE LAN-PHY (TXP-10G mode)	10.3125	CBR-BMP clause 17.2.4 (ex G sup43 7.1)
10GE LAN-PHY (TXP-10G mode)	10.3125	GFP-F clause 17.4.1 (ex G sup43 7.3)
OC-192/STM-64	9.953	CBR-BMP clause 17.2.2 (Sync) + GMP ODU2 to OPU3e4
10G FC	10.518	513b Transc + AMP GFP-F clause 17.8.2 + GMP ODU2e to OPU3e4
8G FC	8.500	CBR-BMP clause 17.9 (OduFlex) + GMP ODU2 to OPU3e4 (8 timeslot mapping)
8G FC	8.500	GMP ODU2 to OPU3e4
OTU2	10.709	ODU transparent + GMP ODU2 to OPU3e4
OTU2e	11.095	ODU transparent + GMP ODU2e to OPU3e4
IB-5G	5.0000	GMP ODU2e to OPU3e4

Table 48: Client Configurations and Mapping for CFP-LC Card

Client			Trunk	
Format	Rate (Gbps)	Mapping	Format	Rate with 7% GFEC or EFEC OH (Gbps)
100GE LAN-PHY	101.125	Bit transparent through standard G.709v3 mapping	OTU4	111.809
OTU4	111.809	Transparent G.709 standard		
40GE LAN-PHY	41.250	1024b/1027b transc + OPU4 GMP G709 Appendix VIII		
OTU3	43.018	Transparent G.709 standard		

- **Flow-Through Timing**—The cards allow the timing to flow through from client to line optical interface. The received timing from client interface is used to time the line transmitter interface. This flow-through timing allows multiple cards to be placed in the same shelf but be fully independently timed, independent of the NE timing.
- **Far-End Laser Control (FELC)**—FELC is supported on the cards. For more information on FELC, see "[Far-End Laser Control](#)" section.
- **Performance Monitoring**—The 100-Gbps DWDM trunk provides support for both transparent and non-transparent signal transport performance monitoring. The Digital Wrapper channel is monitored according to G.709 (OTN) and G.8021 standards. Performance Monitoring of optical parameters on the client and DWDM line interface include Loss Of Signal (LOS), Laser Bias Current, Transmit Optical Power, and Receive Optical Power. Calculation and accumulation of the performance monitoring data are supported in 15-minute and 24-hour intervals as per G.7710. Physical system parameter measured at the wavelength level like Mean PMD, accumulated Chromatic Dispersion, or Received OSNR are also included in the set of performance monitoring parameters. These can greatly simplify troubleshooting operations and enhance the set of data which can be collected directly from the equipment. The performance monitoring for the CFP-LC card takes into account that the two CFP-LC cards are an host board supporting CFP client equipment, while the digital monitoring if the incoming client is implemented on the 100G cards. There is a virtual port connection that displays the Digital Wrapper monitoring according to G.709 (OTN) as well as the RMON for Ethernet signals, while the optical performance monitoring is directly available on the two CFP-LC cards. Calculation and accumulation of the performance monitoring data are supported in 15-minute and 24-hour intervals as per G.7710.
- **Loopback**—The terminal, facility, or backplane loopback can be provisioned on all the ports of the 100G-LC-C, 100G-CK-C, 100G-ME-C, 100ME-CKC, 10x10G-LC, 100GS-CK-LC, and 200G-CK-LC cards configured in any operating mode except for the low latency mode. The backplane facility loopback cannot be configured on the 10x10G -LC card configured in the MXP-10x10G mode. The loopback can be provisioned only when the port is in OOS-MT state. A new port cannot be provisioned when the backplane loopback is configured on the 10x10G-LC card. For the CFP-LC card configured in the

CFP-TXP or CFP-MXP mode, the facility or terminal loopback can be configured on the backplane of the peer 100G-LC-C, 100G-CK-C, 100G-ME-C, 100ME-CKC, 100GS-CK-LC, and 200G-CK-LC cards. Terminal and facility loopback can be provisioned on MR-MXP cards configured in any operating mode.

In Release 10.0.2, the facility loopback and drop feature can be provisioned on the client, trunk, and backplane interfaces of the 100G-LC-C, 10x10G-LC, CFP-LC, and 100G-CK-C cards as follows:

- Trunk facility loopback (drop) and client facility loopback (drop) is supported on:
 - 100G-LC-C cards configured in the TXP mode (with CXP client pluggable) for OTU4 and 100GE client payloads.
 - 100G-CK-LC configured in the TXP mode (with CPAK client pluggable) for OTU4 and 100GE client payloads.

When facility loopback (drop) is provisioned on the trunk interface, the trunk RX signal is sent back to the trunk TX port and an ODUk-AIS (for OTU4 payloads) or an LF (for 100GE payloads) signal is forwarded to the client port in the downstream direction for any of the squelch settings. When facility loopback (drop) is provisioned on the client interface, the client RX signal is sent back to the client TX port and an ODUk-AIS signal is forwarded to the trunk port in the downstream direction for any of the squelch settings.

- Backplane facility loopback (drop) is supported on:
 - 100G-LC-C and CFP-LC configured in the TXP mode (with CFP client pluggable) for OTU4 and 100GE client payloads.
 - 100G-CK-C and CFP-LC configured in the TXP mode (with CFP client pluggable) for OTU4 and 100GE client payloads.

When facility loopback (drop) is provisioned on the backplane interface, the client RX signal is sent back to the client TX port and an ODUk-AIS signal is forwarded to the trunk port in the downstream direction for any of the squelch settings.

- Fault propagation on 10GE, 40GE, and 100GE clients— In R 10.3, a new squelch option named LF is supported for GigE payloads. A local fault (LF) indication is forwarded to the client port in the downstream direction when a failure on the trunk port occurs. The LF option is supported for :
 - 10GE payloads on 10x10G-LC cards configured in the:
 - RGN-10G or TXP-10G mode
 - MXP-10x10G mode (paired with 100G-LC-C, 100G-CK-C, or 100GS-CK-LC card)
 - MXP-10x10G-100G mode (paired with a 100GS-CK-LC or 200G-CK-LC card)
 - 100GE payloads on:
 - 100G-LC-C, 100G-CK-LC, 100GS-CK-LC, or 200G-CK-LC cards configured in the TXP-100G mode
 - CFP-LC cards configured in the CFP-TXP mode (paired with 100G-LC-C or 100G-CK-C card)
 - 40GE payloads on:

- CFP-LC card configured in the 2x40G Muxponder mode (paired with a 100G-LC-C or 100G-CK-C card)
- 100G-CK-C card configured in the MXP-2x40G mode
- Trail Trace Identifier—In R 10.3, the Trail Trace Identifier (TTI) in the path monitoring overhead is supported in OTU, and ODU OTN frames. It is possible to to individually manage the Source Access Point Identifier (SAPI), Destination Access Point Identifier (DAPI), and User Operator Data fields on VTXP. This feature is also supported on these cards.
 - 10x10G-LC— OTU4 and ODU4 payloads
 - CFP-LC— OTU4, ODU4, OTU3, and ODU3 payloads
 - 100G-LC-C, 100G-CK-LC, 100GS-CK-LC, 200G-CK-LC— OTU4 and ODU4 payloads

The Trail Trace Identifier Mismatch (TTIM) alarm is raised after comparing only the SAPI bytes.

TTI monitoring is not supported between two nodes (node 1, node 2) in the following conditions:

- Node 1 and node 2 are installed with a release earlier to R10.3. Node 2 is upgraded to R 10.3. New TTI strings provisioned at either node1 or node 2 raises the TTIM alarm.
- Node 1 is installed with the R 10.3 software. Node 2 is installed with a release earlier to R10.3. New TTI strings provisioned at either node1 or node 2 raises the TTIM alarm.
- Node 1 is installed with R 10.3 software and TTI settings are configured. Node 2 is installed with the R10.3 software but the database is loaded from a release earlier to R10.3.
- Generalized Multiprotocol Label Switching — The Generalized Multiprotocol Label Switching (GMPLS) circuit can be created on the 100G-LC-C, 100G-CK-C, 10 x10G-LC, 100GS-CK-LC, and 200G-CK-LC cards. However, this circuit cannot be created when the card is in 100G regenerator mode. When the card is configured in MXP-10 x10G card mode, only GMPLS Optical Channel Network Connections (OCHNCs) can be created.
- Automatic Laser Shutdown (ALS) can be configured on all the ports. ALS is supported only on the ports that are configured with OC192/STM64, OTU2, and OTU4 payloads.
- GCC channels—can be provisioned on the OTU2 client and trunk ports of the 10 x10G-LC card, OTU3 port (virtual port on the peer 100G-LC-C or 100G-CK-C card) of the CFP-LC card, and the OTU4 client and trunk ports of the 100G-LC-C or 100G-CK-C card.
- 50 ms switching with PSM—A protection switch time of less than 50 ms can be achieved with two CFP-LC cards on their 100GE client ports using a PSM card that is configured in the standalone mode. The client ports of the CFP-LC cards are connected to the working and protect ports of the PSM card. An OCHCC circuit must be created between the two client ports. PSM is also supported on 100GS-CK-LC or 200G-CK-LC cards on their trunk ports where the protection switch time of 50 ms is achieved in the TXP-100G configuration with 20%SD FEC.
- The optical TX power can be set to a value from -10.0 to +0.25 dBm on the trunk port of the 100G-LC-C, 100G-CK-C card, or 200G-CK-LC card -10.0 to -0.5 dBm for 100GS-CK-LC card; to enable it to interoperate with ASR 9000 series routers and Cisco CRS-3 routers. The TX shutdown feature allows you to turn off the TX power on the 100G-LC-C, 100G-CK-C, or 200G-CK-LC cards when the trunk port is out of service or in maintenance. The 100G-LC-C, 100G-CK-C, and 200G-CK-LC cards have the ability to receive optical signals even when the TX power is turned off.

- Pseudo Random Binary Sequence (PRBS)—For 100G-CK-C and 100G-LC-C cards, the trunk ports can generate PRBS_31 pattern and detect PRBS_11, PRBS_23, and PRBS_31 patterns. Only PRBS_31 is supported on the 100GS-CK-LC card. The detection is always on and does not need to be enabled. The generation can be enabled that prompts the card to fulfill the OPU with PRBS_31 pattern.
- Licensing—The 100G-LC-C card adds the capability to cost-effectively transport the 10G service offering as a Pay-As-You-Grow licensing model for the 10 x 10G muxponder. A licensed card works in conjunction with a licensed 10 x10G line card. The two cards that can only work in this configuration and in combination of the other licensed pair card offers a price-sensitive solution with the ability to equip one 10G service.

The 200G-CK-LC card also supports licensing. The 200G-CK-LIC is the licensed card version of the 200G-CK-LC card. The licensed card version has only some basic functionality enabled while other features can be enabled separately with specific licenses. For more information on licensing, see the Licensing Configuration Guide.



Note Licensing is not supported on the CFP-LC, 100G-CK-C and 100GS-CK-LC cards.

- Multivendor Interoperability - From Release 10.6.2, the 200G-CK linecard can be configured to inter-operate with other vendor interfaces. A new option called, Interop Mode is available to disable/enable interoperability. This option is available, when, the:
 - Modulation format is 100G-QPSK
 - FEC is set to 7% High Gain FEC
 - Admin state of the trunk port is set to OOS-DSBLD (Out of service and disabled).
 - License L-NCS2K-DQPSK-LH= is active.

The Interop Mode is available on the full PID (NCS2K-200G-CK) and on the licensed PID version, 200G-CK-LIC, when license L-NCS2K-DQPSK-LH= is active.

The behavior and performance of the card configured with HG-FEC Multivendor FEC, is the same as the old HG-FEC mode (no optical performance variation). The only difference is that the DGD data retrieved from the CTC PM tab has a reduced accuracy.

- 200G-CK-LC and 10x10G-LC cards—Supports protection through Y-cable protection scheme. Y-cable protection is supported when the 200G-CK-LC card is configured in TXP-100G operating mode and the 100G client CPAK ports are provisioned with 100GE payload. This configuration uses the CPAK-100G-LR4 pluggable. Y-cable protection is supported when the 10x10G-LC card is configured in MXP-10x10G operating mode with 200G-CK-LC card and the 10x10G-LC card is provisioned with 10GE, OC-192/STM-64 payloads. This configuration uses the ONS-SC+-10G-LR and ONS-SC+-10G-SR pluggables.
- Dynamic allocation of power—The maximum power allocated to the 200G-CK-LC card in a NCS 2015 chassis is based on the configured operating mode. The following table displays the power allocation for each of the supported operating modes.

Operating Mode	Typical Power (W)	Maximum Power (W)
TXP-100G	146	155

Operating Mode	Typical Power (W)	Maximum Power (W)
RGN-100G	146	155
MXP_200G	166	178
MXP_CK_100G	166	178
MXP_10x10G_100G	166	178

Functions and Features

The cards have the following functions and features, explained in the [Card Features](#) chapter:

- Enhanced FEC (E-FEC) Feature
- Timing Synchronization
- Jitter Considerations
- Card level indicators
- Port level indicators

Related Procedures for 100G-LC-C, 100G-ME-C, 100G-CK-C, 100ME-CKC, 10x10G-LC, CFP-LC, 100GS-CK-LC, 200G-CK-LC, and MR-MXP Cards

- [NTP-G235 Provisioning an Operating Mode, on page 540](#)
- [NTP-G236 Modifying the 100G-LC-C, 100G-CK-C, 100G-ME-C, 100ME-CKC, 10x10G-LC, 100GS-CK-LC, , 200G-CK-LC, CFP-LC, WSE, MR-MXP, or 400G-XP-LC Card Line Settings and PM Parameter Thresholds, on page 550](#)
- [NTP-G75 Monitor Transponder and Muxponder Performance](#)

400G-XP-LC Card

The 400G-XP-LC card is a tunable DWDM trunk card that simplifies the integration and transport of 10 Gigabit and 100 Gigabit Ethernet interfaces and services to enterprises and service provider optical networks. The card is a double-slot unit that provides 400 Gbps of client and 400 Gbps of trunk capacity. The card supports six QSFP+ based client ports that can be equipped with 4x 10 Gbps optics and four QSFP28 or QSFP+ based client ports that can be equipped with 100 Gbps QSFP28 and 4x 10 Gbps QSFP+ optics. The card is capable of aggregating client traffic to either of the two 200 Gbps coherent CFP2 trunk ports. The CFP2 - 11 trunk port of the 400G-XP-LC card can interoperate with the 10x10G-LC card through the chassis backplane. To enable this interoperability between the 400G-XP-LC and 10x10G-LC cards, the

OPM_PEER_ODU2 and OPM_PEER_ODU2e slice modes are supported on Slice 2 when the 400G-XP-LC card is configured in the MXP mode.

The table below details the layout constraints when the 400G-XP-LC card is paired with the 10x10G-LC card in the Cisco ONS 15454 M6 and Cisco NCS 2015 chassis.

Table 49: Slot Constraints for the 400G-XP-LC and 10x10G-LC Cards

Chassis	Slot (10x10G-LC)	Slot (400G-XP)	Notes
Cisco ONS 15454 M6	2	3-4	Only one of these two combinations can be deployed at a time.
	4	5-6	
NCS 2015	2	3-4	A maximum of four of these combinations can be deployed at a time.
	4	5-6	
	6	7-8	
	8	9-10	
	10	11-12	
	12	13-14	
	14	15-16	

The 400G-XP-LC card supports the following client signals:

- 10 GE: The payload can be provisioned for the OPM_10x10G, OPM_PEER_ODU2, or OPM_PEER_ODU2e slice mode for any trunk configuration. 10GE is provisioned for the OPM_PEER_ODU2 and OPM_PEER_ODU2e slice modes in the GFP and CBR mapping modes respectively. The cross-connect circuit bandwidth is ODU2e.
- 100 GE: The payload can be provisioned for the OPM_100G slice mode for any trunk configuration. The cross-connect circuit bandwidth is ODU4.
- OTU2: This payload is supported only on the QSFP-4X10G-MLR pluggable. The payload can be provisioned for the OPM_10x10G or OPM_PEER_ODU2 slice mode for any trunk configuration. The cross-connect circuit bandwidth is ODU2.
- OTU2e: This payload is supported only on the QSFP-4X10G-MLR pluggable. The payload can be provisioned for the OPM_10x10G or OPM_PEER_ODU2e slice mode for any trunk configuration. The cross-connect circuit bandwidth is ODU2e.
- FC-10G: This payload is supported only on the ONS-QSFP-4X10-MLR pluggable for 400G-XP-LC cards configured in the MXP mode. The payload can be provisioned for the OPM_10x10G slice mode for any trunk configuration. The cross-connect circuit bandwidth is ODU2. The default fault signalling mode is local fault.
- FC-8G: This payload is supported only on the ONS-QC16FC-LW pluggable for 400G-XP-LC cards configured in the MXP mode. The payload can be provisioned for the OPM_10x10G slice mode for any trunk configuration with the exception of CDR ports (7,8,9, and 10). You can configure a mix of FC-8G and 16G FC payloads on the same PPM for the common ports of OPM_6x16G_FC and OPM_10x10G slice modes. The cross-connect circuit bandwidth is ODU2. The default fault signalling mode is NOS.

- OC192/STM64: This payload is supported only on the QSFP-4X10G-MLR pluggable. The payload can be provisioned for the OPM_10x10G or OPM_PEER_ODU2 slice mode for any trunk configuration. The cross-connect circuit bandwidth is ODU2.
- OTU4: This payload is supported only on the ONS-QSFP28-LR4 pluggable. The payload can be provisioned for the OPM_100G slice mode for any trunk configuration. The cross-connect circuit bandwidth is ODU4.
- 16G FC: This payload is supported only on the ONS-QC+-4X16FC-MM pluggable. A new operating mode, OPM_6x16G_FC is introduced to support this payload on ports 1, 2, 3, 4, 5, and 6. This operating mode can be provisioned on any slice, with trunk configuration set to M_100G and M_200G.
- 40GE: This payload is supported in the MXP operating mode. This payload can be provisioned for the OPM_2x40G_2x10G slice mode for any trunk configuration. The pluggables supported are QSFP-40G-SR4, QSFP-40G-LR4, and QSFP-40-SR-BD. 40GE cannot be provisioned on the shared ports 2 and 5. These shared ports can be provisioned only with 10GE payloads. 10G supported QSFP+ pluggables can be used on the shared ports for 10GE provisioning. The default fault signalling mode is squelch.



Note For any card mode except REGEN with slide mode as OPM-10x10G, you can configure a mix of 10G payloads (OC192/STM64, OTU2, 10GE, FC-10G) on the same slice or client port with the exception of CDR ports (7, 8, 9, and 10). On CDR ports, the first configured 10G lane would determine the configurable payloads for the other three port lanes.



Note If a slice is configured using the OPM_10x10G slice mode, it can be used only for 10G circuit creation whereas if a slice is configured using the OPM_100G slice mode, it can be used only for 100G circuit creation.



Note Until R11.1, ODU alarms and PMs on cross-connected trunks ODUs are raised under the OTU4C2 trunk port of the 400G-XP-LC card for both near-end and far-end directions. From R11.1, ODU alarms and PMs are raised under the specific cross-connected trunks ODUs for both near-end and far-end directions for OTU4 client payload. OTN alarms and PMs are raised under the OTU4C2 trunk port of the 400G-XP-LC card for both near-end and far-end directions.



Note GCC Rate in the Edit GCC Termination Window is shown as 192K instead of the supported 1200K. This is a known behavior.

The 400G-XP-LC card is supported on Cisco ONS 15454 M2, Cisco ONS 15454 M6, and Cisco NCS 2015 platforms.

One 400G-XP-LC card can be installed in the Cisco ONS 15454 M2 DC chassis that is powered by 15454-M2-DC or 15454-M2-DC-E. Three 400G-XP-LC cards can be installed in the Cisco ONS 15454 M6 chassis that is powered by 15454-M6-DC, 15454-M6-DC40, or 15454-M6-AC2 (180V AC to 264V AC).

Seven 400G-XP-LC cards can be installed in the Cisco NCS 2015 chassis that is powered by DC 2 + 2, DC 3 + 1, or AC 2 + 2 PSU.

The 400G-XP-LC supports PSM. The switch time for all 10G payloads is less than 50 ms. The switch time for 100G trunk rate is higher than the 200G.

Limitations

- To achieve a switch time of less than 50 ms, the squelch mode should either be LF or AIS.
- Switch time of less than 50 ms is not supported on client ports 7, 8, 9, and 10.
- PSM in standalone mode is supported.
- Terminal loopback on the client port is not supported for the QSFP28-FRS pluggable.
- Terminal loopback is not supported on the client port having non-FRS pluggable at the near-end node when the peer client port at the far-end node has QSFP28-FRS pluggable or vice versa.
- Encrypted traffic is not supported on the client port with a QSFP28-FRS pluggable.
- When the line card is under a warm reboot and is still not operational, and if traffic goes down in the system, then the traffic is not recovered. This issue is seen when the client port is connected to the QSFP28-100G-FR-S or CPAK-FRS pluggable.



Note The maximum short term operating temperature of the Cisco ONS 15454 M2 shelf must not exceed 50 degrees when the 400G-XP-LC card is installed.



Note It is recommended to wait for two seconds after performing every TL1 operation.



Note You may observe traffic glitches on the receiving direction of client ports 7, 8, 9, and 10 on the 400G-XP-LC card that you connect to CXP port of a 10x10G-LC card in fanout mode. To bringup traffic in such cases, change the admin state of the CXP port from **OOS-DSBLD** state to **IS-NR** state. Repeat the same action if you continue to observe glitches.

For more information about the 400G-XP-LC card, see <http://www.cisco.com/c/en/us/products/collateral/optical-networking/network-convergence-system-2000-series/datasheet-c78-736916.html>.

Key Features

The 400G-XP-LC card supports the following key feature:

- **Operating Modes**—The card can be configured in various operating modes. The cards can be equipped with pluggables for client and trunk ports, and offer a large variety of configurations. When you configure the card, make sure that the following tasks are completed:
 - The trunk port PPMs must be preprovisioned before configuring the card operating mode. When the 400G-XP-LC card is paired with the 10x10G-LC card, all the operating mode

provisioning must be performed on the 400G-XP-LC card. The client payloads can be provisioned after configuring the operational mode on the card.

The table below details the configurations supported on the 400G-XP-LC card for the supported card modes.

Table 50: Configuration Options for the 400G-XP-LC Card Modes

Configuration	Options			
Card configuration	MXP	OTNXC	REGEN	MXP_2x150G (8QAM)
Trunk configuration (per trunk)	None	None	None	M_150G
	M_100G	M_100G	M_100G	
	M_200G	M_200G	M_200G	
Slice configuration	None	None	Slice configuration is not supported	None
	OPM_2x40G_2x10G	OPM_100G		OPM_100G
	OPM_100G	OPM_10x10G		OPM_10x10G
	OPM_10x10G			OPM_6x16G_FC
	OPM_6x16G_FC			
	OPM_PEER_ODU2 (Available only for Slice 2 when 400G-XP-LC is paired with 10x10G-LC)			
	OPM_PEER_ODU2e (Available only for Slice 2 when 400G-XP-LC is paired with 10x10G-LC)			

For more information about the trunk and slice configuration, see [Slice Definition and Line Card Configuration for 400G-XP-LC Card](#), on page 174.

- Each trunk port functions as a muxponder instance has the following features:
 - The trunk port supports Analog Coherent Optical (ACO) CFP2 coherent pluggable.



Note Before removing the CFP2 pluggable from any of two trunk ports, ensure that the relevant trunk port is set to the OOS (Out-of-service) state. Wait until the trunk port LED turns off. Wait for a further 120 seconds before extracting the CFP2 pluggable.

- Configurable trunk capacity:
 - 100 Gbps coherent DWDM transmission with quadrature phase shift keying (QPSK) modulation.
 - 200 Gbps coherent DWDM transmission with 16-state quadrature amplitude modulation (16-QAM) modulation.
 - Configurable trunk FEC: SD-FEC with 15% or 25% overhead.
 - Configurable differential/non-differential line encoding.
 - Nyquist shaping if channels at trunk TX.
 - Flex spectrum tunability over the full extended C-Band.
 - 100 Gbps through 100 Gbps QSFP28 client ports.
 - 10 Gbps through 4x 10 Gbps QSFP+ client ports.
 - 16 Gbps through 4 x 16 Gbps QSFP+ client ports.
- The supported CD ranges are detailed in the table below:

Table 51: CD Range for 400G-XP-LC Card

	200G 16-QAM		100G QPSK	
	Low	High	Low	High
Default Working CD Range	-10000	50000	-20000	90000
Default CD Thresholds	-9000	45000	-18000	72000
Allowed CD Range (Working and Thresholds)	-60000	60000	-280000	280000

- Loopback—The following loopback types are supported:
 - Client ports - Terminal (Inward), Facility (Line)
 - Trunk ports - Terminal (Inward)
 - Iports - Facility (Line), Terminal loopback (Drop)



Note Before you provision loopback on the iports, place the relevant trunk ports in the OOS-MT state. This causes the iports to move to the OOS-MT state.

- Automatic Laser Shutdown (ALS) can be configured on all the ports.
- Provides encryption capability on the OTU4 (IPort) ports. This card provides confidentiality of the data, which is sent over a fiber optic communication channel, using Next Generation Cryptography. To provision encryption on the 400G-XP-LC card, see "NTP-G367 Provisioning Encryption on 400G-XP-LC Card". The MXP operating mode supports the encryption feature. The 400G-XP-LC card does not support Encryption as an Appliance.
- 100GE ethernet client ports can be provisioned with or without IEEE 802.3 bj FEC. The options are Auto, Force-Fec-On, Force-Fec-Off.
- Trail Trace Identifier (TTI)—TTI in the section monitoring overhead is supported . Source Access Point Identifier (SAPI), Destination Access Point Identifier (DAPI), and User Operator Data fields are supported in Release 10.6.2 and later releases.
- Trunk Port Interworking—The two CFP2 trunk ports can interoperate with each other when the source and destination 400G-XP-LC cards have the same trunk mode and slice mode configuration. For more information, see [Trunk Port Interworking in 400G-XP-LC Cards, on page 178](#).
- PRBS Support—The ODU4 internal ports can support configuration of PRBS with all operating modes when the source and destination 400G-XP-LC cards have the same trunk mode. For more information, see [Enable PRBS Support on the 400G-XP-LC Card, on page 182](#).
- GCC0 Support—The 400G-XP-LC card supports provision of GCC0 channel on the trunk port. For more information, see [GCC0 Support on the 400G-XP-LC Card, on page 184](#).
- OTN cross-connection support—For more information, see [OTN Cross-connect Capability on 400G-XP-LC Cards, on page 170](#).
- Licensing—The licenses for the 400G-XP card are installed by default.
- Third Party Certificates-From Release 11.0, the 400G-XP-LC card supports the generation of a Certificate Signing Request (CSR) and the installation of Locally Significant Certificates (LSCs) that can be used to authenticate the peer card connection. Third party certificates also referred to as Locally Significant Certificates (LSCs) are certificates that are signed by a Certification Authority (CA) other than Cisco Certificate Authority. LSCs allow customers to have their own Public Key Infrastructure (PKI) to provide better security, to have control of their own CA, and to define policies, restrictions, and usages on the generated certificates.

A public-private key is generated inside the target system and then the generated public key along with other product or customer specific information (collectively called as a Certificate Signing Request) is then sent to be signed by a CA (customer owned or a third party) after which, the signed certificates are imported or installed via a trusted and secure channel or method into the target system. After the signed certificates are installed, it can be used in conjunction with the private key to authenticate any remote connection before exchanging sensitive information with the same.
- LLDP support—The source MAC address of 10 or 100GE ports can be retrieved after an LLDP packet is received on the client port. LLDP filtering is enabled or disabled on the 10GE or 100GE ports using the Provisioning > Line > Ethernet tab in CTC.



Note There may be a traffic hit on LLDP enabled ports during a soft boot or while LLDP packet monitoring is being enabled using CTC or TL1, if the LLDP bandwidth on the port is greater than one Mbps.

- Interoperability—The 400G-XP-LC card is interoperable with the NC55-6X200-DWDM-S card supported on NCS 5500 and the NCS4K-4H-OPW-QC2 Card supported on NCS 4000.

The following table describes the configurations, payload types, and pluggables supported for interoperability between the 400G-XP-LC card and the NCS4K-4H-OPW-QC2 card.

Table 52: 400G-XP-LC Interoperability with the NCS4K-4H-OPW-QC2 card.

Payload type	Trunk configuration	Pluggables for trunk ports on 400G-XP-LC	Pluggables for client ports on 400G-XP-LC	Pluggables for trunk ports on 4H-OPW-QC2	Pluggables for client ports on 4H-OPW-QC2
100GE	OTU4	CFP2	QSFP-100G-SR4S	CFP2	QSFP-100G-SR4S
100GE	OTU4C2	CFP2	QSFP-100G-SR4S	CFP2	QSFP-100G-SR4S
OTU2	OTU4	CFP2	ONS-QSFP-4X10 MLR	CFP2	ONS-QSFP28-LR4
OTU2	OTU4C2	CFP2	ONS-QSFP-4X10 MLR	CFP2	ONS-QSFP28-LR4
10GE	OTU4	CFP2	ONS-QSFP-4X10 MLR	CFP2	ONS-QSFP-4X10 MLR
10GE	OTU4C2	CFP2	ONS-QSFP-4X10 MLR	CFP2	ONS-QSFP-4X10 MLR

The following table describes the configurations, payload types, and pluggables supported for interoperability between the 400G-XP-LC card and the NC55-6X200-DWDM-S card.

Table 53: 400G-XP-LC Interoperability with the NC55-6X200-DWDM-S card.

Payload type	Trunk configuration	Pluggables for trunk ports on 400G-XP-LC	Pluggables for client ports on 400G-XP-LC	Pluggables for trunk ports on 6X200-DWDM-S	Pluggables for client ports on 6X200-DWDM-S
100GE	OTU4	CFP2	QSFP-100G-SR4S	CFP2	QSFP-100G-SR4S
100GE	OTU4C2	CFP2	QSFP-100G-SR4S	CFP2	QSFP-100G-SR4S

- Dynamic allocation of power—The maximum power allocated to the 400G-XP-LC card in a NCS 2015 chassis is based on the configured operating mode. The following table displays the power allocation for each of the supported operating modes.

Operating Mode	Typical Power (W)	Maximum Power (W)
MXP	330	380

Operating Mode	Typical Power (W)	Maximum Power (W)
OTNXC	300	345
REGEN	280	320
MXP_2x150G	330	345

For a detailed list of the supported pluggables, see http://www.cisco.com/c/en/us/td/docs/optical/spares/gbic/guides/b_ons_pluggables.html.

OTN Cross-connect Capability on 400G-XP-LC Cards

The 400G-XP-LC card supports a new OTN cross-connect (OTNXC) operating mode. You cannot edit the trunk and slice mode after the 400G-XP-LC card is configured in OTNXC mode. This mode allows ODU2e switching between client to trunk ports or trunk to trunk ports within a single 400G-XP-LC card for 100G and 200G trunk rates. Both trunk ports are configured with the same rate (100G or 200G).

Only 10GE client payloads are supported in Release 10.x.x. From Release 11.0 onwards, OTU2, OTU2e, OC192/STM64, 100GE, and OTU4 are also supported as client payloads. Each 10GE is mapped to an ODU or ODU2e channel. Each 10G client port of the 400G-XP-LC card consists of only one ODU or ODU2e and each OTU4C2 (200G) trunk port of the 400G-XP-LC card consists of 20 ODUs or ODU2es.

You can create 20xODU or 20xODU2e trunk-to-trunk cross-connections or up to 40x10GE client-to-trunk cross-connections. Client-to-trunk cross-connections can be protected or unprotected. The card supports up to 20x10GE circuits with SNC-N 1+1 bidirectional protection.

The OTNXC card mode requires a new trunk FPGA image. The 400G-XP LC card should be running on firmware (SCP) version 5.24 or above. A Condition message warns the user about availability of a new image. To upgrade the FPGA image, see [NTP-G362 Manual FPGA Upgrade on the 400G-XP-LC Card, on page 543](#).

You can create single card cross-connects or end-to-end cross-connects in an OTN ring. Before you create an end-to-end ODU circuit, WSON OCH trails or SSON trails must be configured between the nodes that help discover the topology.

OTNXC Constraints

The following constraints apply to ODU circuit creation between 400G-XP-LC cards configured in the OTNXC mode.

- Both trunk ports of the 400G-XP-LC card are configured with the same rate (100G or 200G)
- An ODU circuit cannot be created between two client ports of the 400G-XP-LC card.
- Each client port belongs to one of the four card slices. Slice 1 and Slice 2 are linked to the first trunk port and Slice 3 and Slice 4 are linked to the second trunk port. Cross-connecting between slices of the same trunk is not allowed. The possible cross-connections that can be created are within the same client slice or between the client slice and any of the other trunk slices.
- There is a bandwidth limitation between the two internal ASICs of the 400G-XP-LC card due to which a maximum of 20x10G interlink connections can be defined. These resources are consumed by either trunk-to-trunk cross-connects or client-to-trunk cross-connects when the client does not belong to the trunk slice.

- Protected cross-connects are restricted to client ports 1, 2, 3, 7, and 8 belonging to slices 1 and 2.
- Do not provision more than one path for nonprotected circuits.
- The NE defaults thresholds for ODU interfaces cannot be set for cross-connected ODUs.
- With 100GE payload on QSFP-100G-FR-S on 400G-XP-LC card with OTNXC mode, protection switching time is high during Manual/Force switching (varies between 2.5 to 3.5 seconds); however auto switching time is less than 50 ms.

ODU Utilization Panes

There are three utilization panes that display the ODU utilization for the 400G-XP-LC card at the card level, network level, and cross-connect level. To view the ODU utilization, see [NTP-G366 Viewing the ODU Utilization for ODU Circuits, on page 544](#).

OTNXC Exceptions

The following exceptions apply to ODU circuits between 400G-XP-LC cards configured in the OTNXC mode:

- WSON OCH trail creation is allowed between the trunks ports of 400G-XP-LC cards configured in different operating modes (MXP and OTNXC)
- Downgrading WSON OCH trails to non-WSON OCH trails is allowed even though OTN circuits exist.
- OCH trail deletion is allowed if though the trunk port has an ODU cross-connect passing through it.
- Restoration and revert operations are allowed on an OCH trail when the 400G-XP-LC card is configured in OTNXC mode.
- If the circuit protection type is SNC-N, the circuit service state is OOS-PARTIAL (Locked-partial) if the source or destination nodes have a fault on both the trunk ports causing the port service state to change to OOS-AU,FLT (ANSI) or Unlocked-disabled,failed (ETSI) or if three or more intermediate nodes have the service state as FLT.

If the circuit protection type is None, the circuit service state is OOS-PARTIAL (Locked-partial) if the source or intermediate nodes have the service state as FLT.

- When the traffic is manually switched to the protect path in a protected revertive ODU circuit, the WKSWPR alarm is raised on the node. The alarm may not persist after a control card reset.
- Performing a database restore operation, may not clear the WKSWPR alarm.
- Single card cross-connects may persist in CTC for some time even after the node is disconnected.
- When the user enables PRBS on the trunk port and attempts to create second SNC, the "unsupported operation" error message appears.

Interoperability

The 400G-XP-LC card has two trunk ports, each supporting up to 20 ODU2es. These ODU2es are numbered from 1 through 20. ODU2es 1 through 10 belong to the first ODU4 slice and ODU2es 11 through 20 belong

to the second ODU4 slice. Each ODU number has a pre-defined group of timeslots as seen in the following table.

Trunk Port	ODU4 Slice	ODU Trunk Number	ODU Trunk FAC	Tributary Port Number	Timeslots
Trunk 1 (FAC 10)	Slice 1	1	96	1	1 11 21 31 41 51 61 71
		2	97	2	2 12 22 32 42 52 62 72
		3	98	3	3 13 23 33 43 53 63 73
		4	99	4	4 14 24 34 44 54 64 74
		5	100	5	5 15 25 35 45 55 65 75
		6	101	6	6 16 26 36 46 56 66 76
		7	102	7	7 17 27 37 47 57 67 77
		8	103	8	8 18 28 38 48 58 68 78
		9	104	9	9 19 29 39 49 59 69 79
		10	105	10	10 20 30 40 50 60 70 80
	Slice 2	11	106	1	1 11 21 31 41 51 61 71
		12	107	2	2 12 22 32 42 52 62 72
		13	108	3	3 13 23 33 43 53 63 73
		14	109	4	4 14 24 34 44 54 64 74
		15	110	5	5 15 25 35 45 55 65 75
		16	111	6	6 16 26 36 46 56 66 76

Trunk Port	ODU4 Slice	ODU Trunk Number	ODU Trunk FAC	Tributary Port Number	Timeslots
		17	112	7	7 17 27 37 47 57 67 77
		18	113	8	8 18 28 38 48 58 68 78
		19	114	9	9 19 29 39 49 59 69 79
		20	115	10	10 20 30 40 50 60 70 80
Trunk 2 (FAC 11)	Slice 1	1	116	1	1 11 21 31 41 51 61 71
		2	117	2	2 12 22 32 42 52 62 72
		3	118	3	3 13 23 33 43 53 63 73
		4	119	4	4 14 24 34 44 54 64 74
		5	120	5	5 15 25 35 45 55 65 75
		6	121	6	6 16 26 36 46 56 66 76
		7	122	7	7 17 27 37 47 57 67 77
		8	123	8	8 18 28 38 48 58 68 78
		9	124	9	9 19 29 39 49 59 69 79
		10	125	10	10 20 30 40 50 60 70 80
	Slice 2	11	126	1	1 11 21 31 41 51 61 71
		12	127	2	2 12 22 32 42 52 62 72
		13	128	3	3 13 23 33 43 53 63 73

Trunk Port	ODU4 Slice	ODU Trunk Number	ODU Trunk FAC	Tributary Port Number	Timeslots
		14	129	4	4 14 24 34 44 54 64 74
		15	130	5	5 15 25 35 45 55 65 75
		16	131	6	6 16 26 36 46 56 66 76
		17	132	7	7 17 27 37 47 57 67 77
		18	133	8	8 18 28 38 48 58 68 78
		19	134	9	9 19 29 39 49 59 69 79
		20	135	10	10 20 30 40 50 60 70 80

When the 400G-XP-LC card interoperates with the NCS4K-4H-OPW-QC2 card, the first ODU4 slice of the 400G-XP-LC trunk is connected to the second ODU4 slice of the same NCS4K-4H-OPW-QC2 trunk.



Note The ODU circuit between the 400G-XP-LC and NCS4K-4H-OPW-QC2 cards is created even when the ODU number is incorrect. Please ensure that the correct source and destination ODU numbers are selected.

Regeneration Mode for 400G-XP-LC

From Release 10.8.0, the 400G-XP-LC can be configured as a regenerator. The regeneration functionality is available only on the trunk ports. A new card operating mode, REGEN, is available. No client ports are involved. The two trunk ports must have the same rate to achieve regeneration (wavelengths and FEC of the trunks can vary).



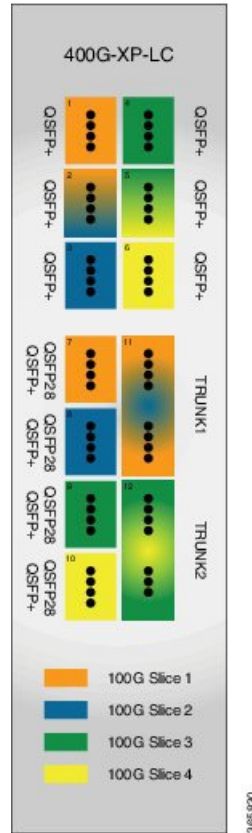
Note For traffic to flow in the REGEN mode, it is mandatory that the 400G-XP-LC should be running on firmware (SCP) version 5.24 or later.

We recommend that you use the REGEN mode only with the MXP operating mode (the output from the MXP trunk of a 400G-XP-LC can be connected to trunk ports in REGEN mode).

Slice Definition and Line Card Configuration for 400G-XP-LC Card

The image below displays the client and trunk ports of the 400G-XP-LC card.

Figure 30: 400G-XP-LC Card



The client to trunk port mapping is fixed in the 400G-XP-LC card as detailed in this table:

Table 54: Trunk -Client Port Mapping on the 400G-XP-LC Card

Trunk	Client Port	Pluggable Type
Trunk 1 (CFP2-11)- Slice 1 and Slice 2	Ports 1, 2, 3	QSFP+
	Ports 7, 8	QSFP+ or QSFP28 ¹
Trunk 2 (CFP2-12) - Slice 3 and Slice 4	Ports 4, 5, 6	QSFP+
	Ports 9, 10	QSFP+ or QSFP28

¹ QSFP+ and QSFP28 share the same form factor.

The trunk ports can be configured with either 100G or 200G rates. The client ports are grouped into four slices. The slice mode defines the aggregation capacity and can be configured independently.

The configuration of each of the two trunk ports is independent of the configuration of the other and is done using either one of the two trunk operating modes.

Trunk Operating Modes (trunk capacity)

- M-100G: 100G QPSK. One slice is enabled on the trunk. Slice 2 is enabled for Trunk 1 and Slice 4 is enabled on Trunk 2.

- M-200G: 200G 16 QAM. Two slices are enabled on the trunk.

From Release 10.6.2, the NCS2K-400G-XP linecard supports the 16G fiber channel payload. This new payload is supported only on the ONS-QC-16GFC-SW= pluggable. The supported payload mapping is CBR, with encoding 64b or 66b.



Note The maximum transmit launch power (per lane) of the ONS-QC-16GFC-SW= pluggable is +1dBm (the lowest transmit launch power is -7.6dBm).

To support the 16G FC payload, a new operating mode, OPM_6x16G_FC is introduced. This operating mode can be provisioned on any MXP card configuration slice, with M_100G and M_200G trunk ports. The OPM_6x16G_FC can also be provisioned with any other another slice opmode in the card.

The OPM_6X16G_FC shall enable 16G-FC clients on ports 1, 2, 3, 4, 5 and 6. The client ports 2 and 5 (shared between 2 slices) cannot support different payload bit-rates. This means that in case of contextual provisioning of OPM_6x16G_FC and OPM_10x10G on slices 1 and 2 or slices 3 and 4 , the available options are:

- provision a ONS-QC-16GFC-SW= pluggable on the shared ports and have 6x 16G-FC payloads and 8x 10G payloads (10GE or OTU2)
- provision a QSFP-4X10G-MLR (or ONS-QSFP-4X10G-LR-S) pluggable on the shared ports and have 4x 16G-FC + 10x 10G payloads (10GE and/or OTU2)

Slice Mode:

- OPM-100G: Enables 100G client on the QSFP 28 port.
- OPM-10x10G: Enables 10G client over a set of QSFP+ ports.
- OPM-6x16G_FC: Enables 16G client over a set of QSFP+ ports.
- OPM_2x40G_2x10G: Enables 40G client over a set of QSFP+ ports.

Traffic from the client ports are aggregated on the 100G or 200G trunk at the intermediate ports. There are four intermediate ports (iports), two per trunk. The iports are automatically configured when the slices are configured.

The relation between the two trunk ports (Ports 11 and 12), client ports (Ports 1 through 10) and the four slices are represented in the tables below.

The OPM-6x16G_FC mode is referred to as 6x16G_FC and OPM_2x40G_2x10G mode is referred to as 2x40G_2x10G in this table.

Table 55: Trunk, Slice, and Port Configuration for Trunk 1 of the 400G-XP-LC Card

Trunk 1			Client Ports				
Trunk Mode	Slice Operation Mode		1	2 ²	3	7	8
	Slice 1	Slice 2	Port Lanes				

M-200G	OPM-100G	OPM-100G	-	-	-	4x ³	4x
	OPM-100G	OPM-10x10G	-	3,4	1 to 4	4x	1 to 4
	OPM-10x10G	OPM-100G	1 to 4	1, 2	-	1 to 4	4x
	OPM-10x10G	OPM-10x10G	1 to 4	1 to 4	1 to 4	1 to 4	1 to 4
	6x16G_FC	OPM-100G	1 to 4	1,2			4x
	6x16G_FC	OPM-10x10G	1 to 4	1,2 or 3,4 ⁴	1 to 4		1 to 4
	OPM-100G	6x16G_FC	-	3,4	1 to 4	4x	
	OPM-10x10G	OPM-6x16G	1 to 4	1,2 or 3,4 ⁵	1 to 4	1 to 4	
	OPM-6x16G	6x16G_FC	1 to 4	1,2 and 3,4	1 to 4		
	2x40G_2x10G	2x40G_2x10G	40G	1,2 + 3,4	40G	40G	40G
	2x40G_2x10G	OPM-10x10G	40G	1,2 + 3,4	1 to 4	40G	1 to 4
	2x40G_2x10G	OPM_100G	40G	1,2	-	40G	4x
	OPM-10x10G	2x40G_2x10G	1 to 4	1,2 + 3,4	40G	1 to 4	40G
OPM_100G	2x40G_2x10G	-	3,4	40G	4x	40G	
M-100G	NA	OPM-100G		-	-		4x
		OPM-10x10G		3,4	1 to 4		1 to 4
		6x16G_FC		3,4	1 to 4		
		2x40G_2x10G	-	3,4	40G	-	40G

² Port 2 is shared between Slice 1 and Slice 2.

³ 4x refers to all four lanes of the QSFP28 pluggable.

⁴ Depending on the PPM provisioned, ports 1 and 2 can be 16G FC or ports 3 and 4 can be 10GE/OTU2.

⁵ Depending on the PPM provisioned, ports 3 and 4 can be 16G FC or ports 1 and 2 can be 10GE/OTU2.

The OPM-6x16G_FC mode is referred to as 6x16G_FC and OPM_2x40G_2x10G mode is referred to as 2x40G_2x10G in this table.

Table 56: Trunk, Slice, and Port Configuration for Trunk 2 of the 400G-XP-LC Card

Trunk 2			Client Ports				
Trunk Mode	Slice Operation Mode		4	5 ⁶	6	9	10
	Slice 3	Slice 4	Port Lanes				

M-200G	OPM-100G	OPM-100G	-	-	-	4x	4x
	OPM-100G	OPM-10x10G	-	3,4	1 to 4	4x	1 to 4
	OPM-10x10G	OPM-100G	1 to 4	1, 2	-	1 to 4	4x
	OPM-10x10G	OPM-10x10G	1 to 4	1 to 4	1 to 4	1 to 4	1 to 4
	6x16G_FC	OPM-100G	1 to 4	1,2	-	-	4x
	6x16G_FC	OPM-10x10G	1 to 4	1,2 or 3,4 ⁷	1 to 4	-	1 to 4
	OPM-100G	6x16G_FC	-	3,4	1 to 4	4x	-
	OPM-10x10G	6x16G_FC	1 to 4	1,2 or 3,4 ⁸	1 to 4	1 to 4	-
	6x16G_FC	6x16G_FC	1 to 4	1,2 and 3,4	1 to 4	1 to 4	-
	2x40G_2x10G	2x40G_2x10G	40G	1,2 + 3,4	40G	40G	40G
	2x40G_2x10G	OPM-10x10G	40G	1,2 + 3,4	1 to 4	40G	1 to 4
	2x40G_2x10G	OPM_100G	40G	1,2	-	40G	4x
	OPM-10x10G	2x40G_2x10G	1 to 4	1,2 + 3,4	40G	1 to 4	40G
	OPM_100G	2x40G_2x10G	-	3,4	40G	4x	40G
M-100G	NA	OPM-100G	-	-	-	-	1 to 4
		OPM-10x10G		3,4	1 to 4		1 to 4
				3,4	1 to 4		
		2x40G_2x10G	-	3,4	40G	-	40G

⁶ Port 5 is shared between Slice 3 and Slice 4.

⁷ Depending on the PPM provisioned, ports 1 and 2 can be 16G FC or ports 3 and 4 can be 10GE/OTU2.

⁸ Depending on the PPM provisioned, ports 3 and 4 can be 16G FC or ports 1 and 2 can be 10GE/OTU2.

Trunk Port Interworking in 400G-XP-LC Cards

To provide greater flexibility on the network design and deployment, the two CFP2 trunk ports of the 400G-XP-LC card can interoperate with each other when the same trunk operating mode and slice configurations exist on both source and destination cards.

OCHCC circuits can be created between compatible client ports as detailed in the tables below.

Table 57: Compatible Client Ports for M-100G Trunk Port Configuration

Trunk 1 - CFP2 Port 11		Source/Destination Client Ports	Source/Destination Client Ports	Trunk 2 - CFP2 Port 12	
Slice configuration 1	Slice 2: OPM_100G	8	10	Slice 4: OPM_100G	Slice configuration 1
Slice configuration 2	Slice 2: OPM_10x10G	2-3	5-3	Slice 4: OPM_10x10G	Slice configuration 2
		2-4	5-4		
		3-1	6-1		
		3-2	6-2		
		3-3	6-3		
		3-4	6-4		
		8-1	10-1		
		8-2	10-2		
		8-3	10-3		
Slice configuration 2	Slice 2: OPM_6x16G_FC	2-3	5-3	Slice 4: OPM_6x16G_FC	Slice configuration 2
		2-4	5-4		
		3-1	6-1		
		3-2	6-2		
		3-3	6-3		
		3-4	6-4		

Table 58: Compatible Client Ports for M-200G Trunk Port Configuration

Trunk 1 - CFP2 Port 11		Source/Destination Client Ports	Source/Destination Client Ports	Trunk 2 - CFP2 Port 12	
Slice configuration 1	Slice1: OPM_100G	7	9	Slice 3: OPM_100G	Slice configuration 1
	Slice 2: OPM_10x10G	2-3	5-3	Slice 4: OPM_10x10G	
	Slice 1: OPM_100G	7	9	Slice 3: OPM_100G	

Trunk 1 - CFP2 Port 11		Source/Destination Client Ports	Source/Destination Client Ports	Trunk 2 - CFP2 Port 12	
Slice configuration 2	Slice 2: OPM_10x10G	2-3	5-3	Slice 4: OPM_10x10G	Slice configuration 2
		2-4	5-4		
		3-1	6-1		
		3-2	6-2		
		3-3	6-3		
		3-4	6-4		
		8-1	10-1		
		8-2	10-2		
		8-3	10-3		
		8-4	10-4		
Slice configuration 3	Slice 1: OPM_10x10G	1-1	4-1	Slice 3: OPM_10x10G	Slice configuration 3
		1-2	4-2		
		1-3	4-3		
		1-4	4-4		
		2-1	5-1		
		2-2	5-2		
		7-1	9-1		
		7-2	9-2		
		7-3	9-3		
		7-4	9-4		
		Slice 2: OPM_100G	8	10	Slice 4: OPM_100G

Trunk 1 - CFP2 Port 11		Source/Destination Client Ports	Source/Destination Client Ports	Trunk 2 - CFP2 Port 12	
Slice configuration 4	Slice 1: OPM_10x10G	1-1	4-1	Slice 3: OPM_10x10G	Slice configuration 4
		1-2	4-2		
		1-3	4-3		
		1-4	4-4		
		2-1	5-1		
		2-2	5-2		
		7-1	9-1		
		7-2	9-2		
		7-3	9-3		
	7-4	9-4			
	Slice 2: OPM_10x10G	2-3	5-3	Slice 4: OPM_10x10G	
		2-4	5-4		
		3-1	6-1		
		3-2	6-2		
		3-3	6-3		
		3-4	6-4		
		8-1	10-1		
		8-2	10-2		
8-3		10-3			
8-4	10-4				
Slice configuration 1	Slice 1: OPM_6x16G_FC	1-1	4-1	Slice 3: OPM_6x16G_FC	Slice configuration 3
		1-2	4-2		
		1-3	4-3		
		1-4	4-4		
		2-1	5-1		
		2-2	5-2		

Trunk 1 - CFP2 Port 11		Source/Destination Client Ports	Source/Destination Client Ports	Trunk 2 - CFP2 Port 12	
Slice configuration 2	Slice 2: OPM_6x16G_FC	2-3	5-3	Slice 4: OPM_6x16G_FC	Slice configuration 4
		2-4	5-4		
		3-1	6-1		
		3-2	6-2		
		3-3	6-3		
		3-4	6-4		

Enable PRBS Support on the 400G-XP-LC Card

The ODU4 internal ports on the 400G-XP-LC card support configuration of PRBS with all operating modes.

Table 59: Feature History

Feature Name	Release Information	Feature Description
New PRBS pattern support for 400G-XP-LC card	Cisco NCS 2000 Release 11.13	CTC now supports INVERTEDPRBS_31 as one of the PRBS patterns that are used to perform data integrity checks on the encapsulated packet data payloads. When a network comprises of both NCS 2000 and NCS 1004 nodes, this enhancement facilitates interoperability between the 400G-XP-LC card and NCS1K4-OTN-XP cards, as the latter only supports INVERTEDPRBS_31 pattern.

Before you begin

Pseudo Random Binary Sequence (PRBS) feature allows users to perform data integrity checks on their encapsulated packet data payloads using a pseudo-random bit stream pattern. PRBS generates a bit pattern and sends it to the peer router that uses this feature to detect if the sent bit pattern is intact or not.

Procedure

-
- Step 1** In the node view, double-click the card where you want to provision PRBS. The card view appears.
- Step 2** Set the admin state to OOS, MT for the source and destination trunk ports. Which in turn puts corresponding IPorts in OOS, MT state.

Note The PRBS configuration supports the 400G-XP-LC card only when the port is in **Maintenance** State. In case the port is in **In-Service** or **Out-of-Service**, PRBS is disabled.

Step 3 Click the **Maintenance > PRBS Configuration** tabs.

Step 4 From the **Generator Pattern** drop-down list, choose a pattern. The supported patterns are None, PRBS_11, PRBS_31, and INVERTEDPRBS_31.

From Release 11.13, INVERTEDPRBS_31 is included as one of the patterns to support interoperability between the NCS1K4-OTN-XP card and the 400G-XP-LC card.

Note You must apply the same pattern in both source and destination Internal Ports (IPorts).

Step 5 Click **Apply**.

The 400G-XP-LC card provides a PRBS sync status with the following values:

- PATTERN_OK: When the IPort is receiving one of the recognized patterns.
- PATTERN_ERROR: When the IPort is receiving a recognized pattern but the pattern contains errors. This also occurs when there is a pattern mismatch.
- PATTERN_NONE: When the IPort is not receiving a recognized PRBS pattern.

In case of pattern errors, the card provides a PRBS error counter. The counter zeroes itself when the PRBS is disabled.

Step 6 Click **Refresh** in the PRBS window under **Maintenance** to check the pattern sync status on the IPorts.

Note If cross-connections or clients are not created, the pattern shows **PATTERN_OK** with mismatch configurations.

The mismatch configurations are:

- PRBS is enabled on one end and disabled on the other end.
- One pattern is enabled on one end and other pattern is enabled on the other end (Pattern Mismatch).

Limitations of PRBS Support on 400G-XP-LC card

- PRBS cannot be enabled on IPorts if corresponding client payloads are not provisioned.
- Client payloads cannot be provisioned if PRBS is enabled on the corresponding IPorts.
- CPRBS pattern shows **OK** even with mismatch configuration if no cross connections or clients are created.
- PRBS is supported when the source and destination 400G-XP-LC cards are configured with the same operating mode.
- PRBS for OTU4 clients is not available on 400G-XP-LC card in Release 11.0 or earlier releases.
- PRBS shall be supported when two IPorts carry similar client rates.

- When you restore the database that was deleted after the backup, the PRBS pattern does not sync up. Hence we recommend you to reconfigure the PRBS through CTC. See [Enable PRBS Support on the 400G-XP-LC Card, on page 182](#).

GCC0 Support on the 400G-XP-LC Card

- The 400G-XP-LC card supports provision of one GCC0 channel for each of the trunk ports on the operating modes-OTNXC, MXP, and MXP-2x150G(8QAM).
- In case of the OTU4C3 (8QAM) payload, only one GCC0 channel is configurable on the first trunk port (Port-11). The configuration on the second trunk port (Port-12) is automatically blocked.
- In case of the MXP-2x150G(8QAM) payload, the GCC0 channel is configurable only on the second trunk port (Port-12); no GCC0 channel configuration is supported on the first trunk port (Port-11).
- The OTU4 and OTU2 client ports do not support GCC0 channels on the card.
- The 400G-XP-LC card supports a maximum of two GCC0 channels on each trunk port.
- The OTU4C2 trunk port supports the Low Speed GCC 196K and High Speed GCC 1200K. The 400G-XP-LC card supports only the High Speed GCC rate, 1200K. So, GCC0 channels provisioning on 400G-XP-LC cards, which are part of 15454-M12 as Node Controller (NC) configurations, is not supported.
- The OTNXC or OCHTRAIL circuits are not supported over the direct GCC0 link on the 400G-XP-LC card.
- The GCC0 channel provisioning is not supported on REGEN card mode on the 400G-XP-LC card. However, GCC0 tunneling is enabled.
- From R11.1.1.2, the GCC0 channel provisioning is supported on the REGEN card mode on the 400G-XP-LC card. If the GCC0 provisioning is not provisioned, it acts transparent for GCC0 channel.



Note CTC session may hang when you create GCC0 channels on the regeneration node. We recommend you to relaunch the session for these nodes.

- The Field-Programmable Gate Array (FPGA) should be upgraded to the latest version before creating a GCC0 circuit on the 400G-XP-LC card trunk ports. The CTC throws an error message during the circuit creation if FPGA version is outdated.
- GCC0 channels provisioning is supported with hardware FPGA image version > 0.28. GCC provisioning will fail with a deny error message if FPGA version is = < 0.28.
Hardware FPGA image version information is available under **CTC > Card View > Maintenance > Info Tab > FPGA_HW_VERSION**.
- Hardware FPGA image version information will be available under **CTC > Card view > Maintenance > Info tab > PGA_HW_VERSION**.
- FPGA image upgrade is traffic impacting and, should be done in a maintenance window.
- To Upgrade FPGA Image, go to **CTC > Card View > Provisioning > Card** tab and, click on the **FPGA** or **FIRMWARE UPGRADE** button and follow the auto generated instruction.



Note Firmware upgrade is allowed only when the ports are in OOS (out-of-service) or Maintenance service state

- In presence of the TIM-SM alarm, GCC0 link remains down.

2x150G Support on the 400G-XP-LC Card

From Release 10.9, the 400G-XP-LC card supports the configuration of 2x150G mode in 8QAM modulation format. It is configurable on the trunk ports of the card by selecting M_150G as the Trunk Operating mode.

The M_150G mode does not support muxponder, cross connection, and regeneration configurations.

The M_150G trunk mode configuration supports client slices 1, 3 and 4. The available ports 1[1:4], 2[1:2], 4[1:4], 5[1:4], 6[1:4], 7[1:4], 9[1:4], 10[1:4]. When the M_150G trunk mode is configured, the slices 1, 3 and 4 are independently configurable as OPM_100G, OPM_10x10G or OPM_6x16G-FC. It is possible to change a slice mode without it being traffic affecting on the other provisioned slices. The admin state of both trunk ports are aligned.

On a M_150G configured trunk mode, all client payloads or options are the same as the standard M_200G MXP mode.

The M_150G trunk mode is applicable to both trunk ports. This is required because this mode splits the ODU4line frames into two interleaved 150G signals transported separately by the two trunk ports.

The trunk ports configured as M_150G support the same optical and FEC alarms or monitors provided by the M_200G mode. An LOS-P or LOF alarm on any of the two trunk ports of M_150G correlates all the OTU4C3 container OTN alarms.

The Line OTN Alarms and Performance Monitors of the 2x150G mode container frame (OTU4C3) is evaluated as the summarization of the Alarms or PMs related to the 3 embedded ODU4 internal ports 1, 3, and 4. The resulting values are available at the OTN layer of Trunk12.

Limitations of 2x150G Support on the 400G-XP-LC Card

- The trunk ports are put in the Out-of-Service state before unplugging any CFP2 trunk. Extracting an In-Service CFP2 trunk results in shutting down of the other trunk.
- The loopback setting of both M_150G trunks are aligned. However, the internal loopback ports are configurable independently with the same limitations as that of M_100G and the M_200G modes.
- The TTI-SM of the OTU4C3 container is configurable and is monitored only on Trunk 12.
- The GCC0 provisioning is supported only for Trunk-12.
- The FEC setting of both M_150G trunks are aligned.

Related Procedures for 400G-XP-LC Cards

- [NTP-G361 Provisioning an Operating Mode on the 400G-XP-LC Card, on page 541](#)

- [NTP-G236 Modifying the 100G-LC-C, 100G-CK-C, 100G-ME-C, 100ME-CKC, 10x10G-LC, 100GS-CK-LC, , 200G-CK-LC, CFP-LC, WSE, MR-MXP, or 400G-XP-LC Card Line Settings and PM Parameter Thresholds, on page 550](#)
- [NTP-G362 Manual FPGA Upgrade on the 400G-XP-LC Card, on page 543](#)
- [NTP-G75 Monitor Transponder and Muxponder Performance](#)
- [Enable PRBS Support on the 400G-XP-LC Card, on page 182](#)

Supported MSM Configurations

The following configurations are supported :

Configuration	Card Configuration	Payload	Total Client Interfaces
1	40 400G-XP-LC cards	10 GE	1600
2	20 400G-XP-LC cards 36 200G-CK-LC cards 72 MR-MXP cards	10 GE	1520
3	70 400G-XP-LC cards	100 GE	280
4	20 400G-XP-LC cards	100 GE	800
	36 200G-CK-LC cards 72 MR-MXP cards	10 GE	

Recommendations

Ensure you follow the recommendations stated below for optimum system performance.

- Five CTC sessions can run concurrently.
- Only one TL1 session can run at a time when TL1 scripts are run continuously for monitoring on a node.
- Only one OTDR scan can be run at a time.
- Only one EPNM session can run at a time.
- Two SNMP traps can be configured.
- Performing software downloads, database backup, and database restore operations must not be performed when the system is synchronizing with EPNM or when TL1 sessions are running.
- Software upgrade must not be run with the recommended environment (five CTC sessions, one OTDR scan, one TL1 session, one EPNM session, and two SNMP traps) enabled as it impacts the upgrade operation.
- The following operations may cause degradation of system performance:
 - Retrieving performance monitoring values using HTTP in a browser.
 - Performing a full SNMP walk.

- Running parallel sessions of EPNM and TL1.

WSE Card

The Wire Speed Encryption (WSE) card is an optical line card that provides encryption capability, at the OTN layer, to the Cisco ONS 15454 M2 and Cisco ONS 15454 M6 platforms. This card provides confidentiality of the data, which is sent over a fiber optic communication channel, using Next Generation Cryptography. In addition to providing encryption, this card also provides integrated transponder functionality.

The WSE card supports these client signals:

- 10GE LAN PHY mapped to OTU2e
- OTU2
- OTU2e
- OTU1e
- OC-192/STM-64
- 10GE WAN
- 10GE LAN mapped to OTU2
- 8G FC/10G FC

The WSE card does not support auto negotiation for SAN protocols (10GFC/8GFC). The WSE card supports only speed lock for SAN protocols.

The WSE card is tunable on 96 wavelength channels, spaced at 50-GHz over the entire C-band. The digital wrapper function (ITU-T G.709 compliant) formats the DWDM wavelength so that it can be used to set up GCCs for data communications, enable FEC, or facilitate PM. The WSE card works with the OTN devices defined in ITU-T G.709. The OTN client can be FEC, standard G.975 FEC, or disabled FEC.

For information on safety labels for the cards, see the "[Class 1M Laser Product Cards](#)" section.



Caution A 15 to 20 dB fiber attenuator must be used when working with the cards in a loopback on the trunk port. Do not use direct fiber loopbacks with the cards. Using direct fiber loopbacks causes irreparable damage to the DWDM/CWDM XFP/SFPs plugged in WSE card.

The WSE card is a single-slot card and can be installed in any service slots in the chassis. The card has 10 SFP+ ports. The trunk and client ports are fixed. The trunk ports are 2, 4, 6, 8, and 10; the client ports are 1, 3, 5, 7, and 9. The trunk SFP+ can be grey or DWDM. The trunks include FEC and EFEC for longer reach. Depending on the traffic pattern, the WSE card provides per port flexibility.

Up to six WSE cards can be installed per Cisco ONS 15454 M6 shelf assembly, supporting up to 30 encrypted streams in a 2-rack unit (RU) bay frame. Up to two WSE cards can be installed per Cisco ONS 15454 M2 shelf assembly, supporting up to 10 encrypted streams in a 6-rack unit (RU) bay frame. It is possible to aggregate the wavelength required with 40G and 100G cards in the same chassis. Up to 15 WSE cards can be installed per Cisco NCS 2015 shelf assembly.

When the software version of the node is changed from Release 10.6.2 to releases prior to 10.6.1, the WSE card undergoes a hard reset. This is applicable for the ONS 15454, 15454 M2, 15454 M6 chassis.

When the node is upgraded followed by reset of the active control card, FPGA upgrade of the WSE card fails. Perform the following steps to upgrade FPGA successfully.

- Soft reset the WSE card.
- In the Card view, go to **Provisioning > Card**.
- Click **FPGA/FIRMWARE Upgrade/Traffic Affecting Reset** to upgrade FPGA.



Note Firmware upgrade is allowed only when the ports are in OOS (out-of-service) or Maintenance service state.



Note In R11.12, the WSE card is shipped with new CPU and pre-programmed with FPGA version 0x36. When the WSE card is downgraded to release earlier than R11.12, the TRAF-AFFECT-RESET-REQUIRED alarm is raised; however, FPGA is not downgraded. FPGA downgrade from 0x36 version to 0x34 version or lower is not supported on the WSE card that is shipped with R11.12.

Key Features

The WSE card supports these key features:

- **Operating Modes**—The WSE card can be configured into multiple operating modes. The card can be equipped with pluggables for client and trunk options, and offers a large variety of configurations. For more information about multiple operating modes, see [Multiple Operating Modes](#).
- **Security Features**
 - **Secure Boot**—This feature does a boot verification in hardware. It ensures that only authentic Cisco software boots up on the Cisco platform, and provides tamper and cloning resistance.
 - **Digital Image Signing**—After the secure boot, the Digital Image Signing ensures that the software that runs on Cisco devices is authentic. This maintains the integrity of the image that is loaded on the WSE card.
 - **Key Exchange**—Key exchange between authenticated peer cards happens over the GCC2 channel that is secured using Transport Layer Security (TLS). The Elliptic Curve Diffie Hellman Ephemeral (ECDHE) algorithm is used for key exchange.
 - **Confidentiality of Data**—The WSE card protects against ciphertext manipulation and cut-and-paste attempts. AES algorithm in XTS mode of operation.
 - **Role Based Access Control**—Access control is enforced to ensure that there is complete separation in managing the transport (provisioning) and the security functionalities. As a result, depending on the role assigned to a user, only certain operations can be performed by that user.

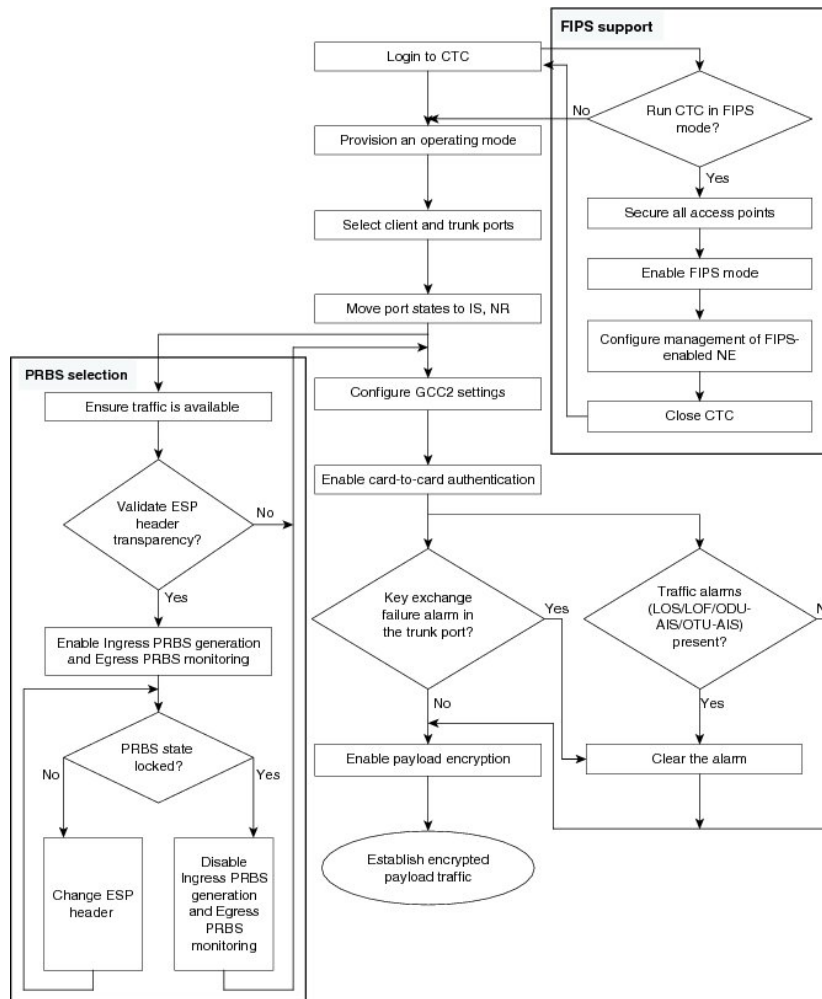
- **Card Authentication**—The Secure Unique Device Identification (SUDI) certificate that is formatted as an X.509 certificate and conforms to the IEEE 802.1 AR standard. It is signed using Cisco's Root Certificate Authority. This certificate carries a unique identifier used to authenticate the peer card as being a WSE card before the data is exchanged. Information cannot be exchanged with a card that is not authenticated.
- **High Speed GCCs**—The WSE card supports the provisioning of GCC channel on OTN (OTU2/OTU2e) enabled client and trunk ports. A maximum of ten GCC0 channels can be created per WSE card, on Cisco ONS 15454 M2 or Cisco ONS 15454 M6, or Cisco NCS 2015 shelf, and a maximum of five GCC2 channels can be created per WSE card, on Cisco ONS 15454 M2 or Cisco ONS 15454 M6, or Cisco NCS 2015 shelf.
- **OCH-trail Protection**—Provides protection for the DWDM signals through external optical switch units (Protection Switch Module [PSM]).
- **Licensing**—A licensed version of the card provides a cost-effective solution for customers who do not need to encrypt data on all five streams from day one itself. The licensed WSE card provides single stream encryption as a base functionality. When an additional encrypted stream is required, you need to purchase a software upgrade license. Licensing is required for only security features. A WSE card without a license acts as for transponder. For more information on licensing, see the Licensing Configuration Guide.
- **Third Party Certificates**—The WSE card supports the generation of a Certificate Signing Request (CSR) and installation of Locally Significant Certificates (LSCs) that can be used to authenticate the peer card connection.

For information on safety labels for the cards, see the "[Class 1M Laser Product Cards](#)" section.

For a detailed list of the supported pluggables, see, http://www.cisco.com/c/en/us/td/docs/optical/spares/gbic/guides/b_ons_pluggables.html

WSE Workflow Diagram

The following figure shows the workflow diagram of the WSE card. The diagram provides information on the tasks required to configure the WSE card.



Multiple Operating Modes

A single WSE card can be configured into multiple operating modes. The criteria for selecting a particular operating mode are defined by the network level design. CTC helps you to choose the appropriate operating mode. When you configure the WSE card into multiple operating modes, make sure that these tasks are completed:

- The PPMs must be configured on the card, and then the operating modes. None of the modes are provisioned on the card by default. All operating modes are created on a per port basis. This is card-specific provisioning, which decides the behavior of a particular card.
- Depending on the card mode selected, the supported payload for that particular card mode must be provisioned on the PPMs.

The WSE card supports these operating modes:

- TXP-10G
- RGN-10G

A mix of TXP-10G and RGN-10G modes can be configured on the WSE card.

TXP-10G

A maximum of five TXP-10G configurations can be provisioned on a single WSE card. When the card is configured in this mode, these features are supported:

- Enable or disable card authentication
- Enable or disable payload encryption

OTN cannot be disabled on the trunk port.

Table 60: Supported Payload Mapping in TXP-10G Mode

Client Payload	Trunk Mapping
10GE LAN PHY-CBR	OTU2e
OTU2	OTU2
OTU2e	OTU2e
8G FC	OTU2
10G FC	OTU2
10GE LAN PHY-GFP	OTU2
OTU1e	OTU1e

RGN-10G

In the RGN-10G mode, the card behaves as a standard regenerator with DWDM SFP+ on both the client and trunk ports. The card supports OTU1e, OTU2, and OTU2e regeneration on all the client and trunk pairs. When the WSE card is configured in this mode, card authentication and payload encryption features are not supported.

The OTN cannot be disabled when the card is configured in RGN-10G mode.

Card Authentication

The WSE cards provide TLS 1.2 based card-to-card authentication per port. An authentication failure on one trunk port does not affect the traffic on any other trunk port. The card authentication must be enabled to configure encryption on the card.

Cisco Signed certificates are installed on the WSE card by default. These certificates are exchanged between the cards during card authentication.

All ports are re-authenticated upon a soft-reset of the card.

In case of TLS or SSL authentication failure, the KEY_EX_FAIL alarm is raised on the particular trunk port.

Key Management

A single key, called a primary key, is exchanged for each TLS session. It is exchanged using an asymmetric key algorithm (Elliptic Curve Diffie Hellman). The primary key is used to derive a set of symmetric keys for payload encryption.

The user can change the primary key at anytime from CTC, which initiates another DH exchange between the sender and the receiver. The user can also specify the time when the primary key is periodically reset.

The keys used for encryption of data are never stored in plaintext on the card. All keys are deleted when the card reboots or is removed from the chassis. The key changes do not affect the traffic.

Important Notes on KEY-EX-FAIL Alarm

- After an upgrade of a software version, KEY-EX-FAIL alarm may be raised due to soft reset of the card. However, the traffic is not impacted, and the alarm will be cleared in the next exchange interval of the primary key
- When the MANRESET alarm (Manual System Reset alarm) is cleared on a client WSE card, the KEY-EX-FAIL alarm might be raised due to soft reset of the card. The alarm is raised when the server exits the existing connection and establishes a new connection during this period. However, the traffic is not impacted.

Payload Encryption

The payload on each port can be encrypted independent of the other streams. NIST approved Advanced Encryption Standard (AES) AES-256, a symmetric key cryptographic algorithm in XTS mode of operation, is used to encrypt the OTN payload. The payload encryption needs to be enabled at both source and destination trunk ports; otherwise, it is traffic affecting.

AES Secure Packet

The concept of a packet does not exist within OTN; however, packet-based traffic is necessary for encryption using XTS-AES algorithm. A single OTN frame cannot be tagged with the necessary Encapsulating Security Payload (ESP) header, which carry the information necessary for encryption and decryption of payloads. The ESP header and trailer require a total of 32 bytes within the OTN overhead.

The AES secure packet for each port can be made up of four or eight OTN frames. In CTC, the user can choose from these two options for transporting the ESP header and trailer:

- Four OTN frame based AES secure packet—The four OTN frame-based AES secure packet transports four ESP header and four ESP trailer bytes within each OTN frame. In the four OTN frame-based AES secure packet, eight overhead bytes are utilized in each OTN frame in order to transport all 32 bytes of ESP header and trailer within a single AES secure packet. Each location is four bytes wide, therefore two locations from each OTN frame are utilized, one for the ESP header and one for the ESP trailer.
- Eight OTN frame based AES secure packet— The eight OTN frame-based AES secure packet transports two ESP header and two ESP trailer bytes within each OTN frame. In the eight OTN frame-based AES secure packet, four overhead bytes are utilized in each OTN frame in order to transport all 32 bytes of ESP header and trailer within a single AES secure packet. Each location is four bytes wide; therefore, only one location from each OTN is utilized. Within the selected location, two bytes are used for the ESP header, and two bytes for the ESP trailer.

Pseudo Random Binary Sequence (PRBS) testing is used to ensure that the selected overhead bytes can be used to transport the ESP header and trailer safely. Both the transmitting node and receiving node must be aware that PRBS testing is taking place. Each node must also know which bytes are to be tested.

Functions and Features

The cards have the following functions and features, explained in the "Card Features" chapter:

- Enhanced FEC (E-FEC) Feature
- Timing Synchronization
- Card level indicators
- Port level indicators

Scenarios that Affect Traffic

Scenario 1: Traffic in a Stacked Topology

Consider an example where the WSE cards are connected in a stacked topology:

```
Client:WSE1:Trunk===Trunk:WSE2:Client===Client:WSE3:Trunk===Trunk:WSE4:Client
```

where WSE:Trunk represents OTU2e payload and WSE:Client represents 10GE signal.

In this scenario, card-to-card authentication and payload encryption are enabled on all the trunk ports, and loopback is not configured. In this stacked topology, the WSE2 and WSE3 client will report a synchronization loss since the keys are different, and an ODUk-AIS is raised on the trunk ports. The key is not exchanged between WSE1 and WSE2 cards, and WSE 3 and WSE4 cards. This creates a deadlock and the traffic does not recover.

Scenario 2: Traffic in a Far-end and Near-end Client Loopback

Consider an example where loopback is configured on the WSE cards:

```
TS(10GE): near-end WSE1(client):(trunk)=== far-end WSE2(trunk):(client loopback)
```

where the trunk represents OTU2e payload and client represents 10GE signal.

In WSE card, do not enable encryption with far-end or near-end client loopback as this results in synchronization loss at the client, and an ODUk-AIS is raised on the trunk port. The key is exchanged only after the ODUk-AIS on the trunk is cleared. This forms a deadlock and the traffic does not recover.

Scenario 3: Traffic After Enabling PRBS Ingress and Egress

In a scenario when WSE cards are connected in a point-to-point setup:

```
10GE(client)===OTU2e(trunk)---OTU2e(trunk)===10GE(client-loopback)
```

When PRBS Ingress and Egress are enabled at both ends of the setup, the traffic will go down. When PRBS Ingress and Egress are enabled at both ends of the setup, the traffic will go down.



Note When software version is downgraded to a previous version, the traffic may be affected with frame loss and BIP errors.

Related Procedures for WSE Card

- [NTP-G338 Provisioning an Operating Mode on the WSE Card, on page 591](#)
- [NTP-G339 Modifying the WSE Card Line Settings and PM Parameter Thresholds, on page 592](#)
- [NTP-G340 Provisioning Encryption on the WSE and MR-MXP Cards, on page 607](#)
- [NTP-G342 Provisioning FIPS and CC Mode, on page 615](#)
- [DLP-G803 Installing Locally Significant Certificates on Cards, on page 619](#)

MLSE UT

The maximum likelihood sequence estimation (MLSE) based universal transponder (UT) modules are added to the TXP_MR_10EX_C, MXP_2.5G_10EX_C, and MXP_MR_10DMEX_C cards to support the error decorrelator functionality to enhance system performance.

Error Decorrelator

The MLSE feature uses the error decorrelator functionality to reduce the chromatic dispersion (CD) and polarization mode dispersion (PMD), thereby extending the transmission range on the trunk interface. You can enable or disable the error decorrelator functionality using CTC or TL1. The dispersion compensation unit (DCU) is also used to reduce CD and PMD. The MLSE-based UT module helps to reduce CD and PMD without the use of a DCU.

SFP, SFP+, QSFP+, XFP, CXP, CFP, CFP2 and CPAK Modules

Small Form-factor Pluggable (SFP), Enhanced Small-Form-factor Pluggable (SFP+), Quad Small-Form-factor Pluggable Plus (QSFP+), 10-Gbps SFP (XFP), CXP, and C Form-factor pluggable (CFP and CPAK) modules are integrated fiber optic transceivers that provide high-speed serial links from a port or slot to the network. For more information on SFP, SFP+, QSFP+, XFP, CXP, CFP, CFP2 and CPAK modules and for a list of SFP, SFP+, XFP, CXP, CFP, CFP2 and CPAK modules supported by the transponder and muxponder cards, see the [Installing the GBIC, SFP, SFP+, XFP, CXP, CFP, and CFP2 Optical Modules in Cisco ONS Platforms](#).

In CTC, SFP, SFP+, QSFP+, XFP, CXP, CFP, CFP2 and CPAK modules are called pluggable port modules (PPMs). To provision SFP, SFP+, QSFP+, XFP, CXP, CFP, CFP2 or CPAK module and change the line rate for multirate PPMs, see the [DLP-G726 Preprovisioning a Multirate PPM](#) task.

NTP-G128 Managing Pluggable Port Modules

Purpose	Complete this procedure to provision a multirate PPM, provision the optical line rate of a multirate PPM, or delete a single-rate or multirate PPM.
Tools/Equipment	None
Prerequisite Procedures	<ul style="list-style-type: none"> • DLP-G723 Install PPM on a Line Card • DLP-G46 Log into CTC
Required/As Needed	As needed
Onsite/Remote	Onsite or remote
Security Level	Provisioning or higher



Note If a single-rate PPM is installed, the PPM screen will autoprovision and no further steps are necessary.



Note When you autoprovision a PPM, initial alarm and TCA defaults are supplied by Cisco Transport Controller (CTC) depending on your port and rate selections and the type of PPM. These default values can be changed after you install the PPM.



Note The hardware device that plugs into a TXP, MXP, AR_MXP, AR_XP, AR_XPE, 100G-LC-C, 10x10G-LC, CFP-LC, 100G-CK-C, 100G-ME-C, 100GS-CK-LC, 200G-CK-LC, 400G-XP-LC, 100ME-CKC, WSE, GE_XP, 10GE_XP, GE_XPE, 10GE_XPE, ADM-10G, or OTU2_XP card faceplate to provide a fiber interface to the card is called a Small Form-factor Pluggable (SFP, SFP+, XFP, or CXP) or C Form-factor pluggable (CFP, CFP2). In CTC, SFPs, XFPs, CXP, and CFPs are called pluggable port modules (PPMs). SFPs/XFPs/CXP/CFPs/CFP2s are hot-swappable I/O devices that plug into a port to link the port with the fiber-optic network. Multirate PPMs have provisionable port rates and payloads. For more information about [SFP, SFP+, QSFP+, XFP, CXP, CFP, CFP2 and CPAK Modules, on page 194](#).

Procedure

Step 1

Click the **Alarms** tab:

- Verify that the alarm filter is not turned on. See the ["DLP-G128 Disable Alarm Filtering"](#) as necessary.
- Verify that no unexplained conditions appear. If unexplained conditions appear, resolve them before continuing. Refer to the Troubleshooting Guide.

Step 2

If you are provisioning a MXP_MR_2.5G or MXPP_MR_2.5G card, complete the [DLP-G235 Changing the 2.5G Data Muxponder Card Mode](#). If not, continue with [Step 3](#)

- Step 3** If you are provisioning a MXP_MR_10DME_C, MXP_MR_10DME_L, or MXP_MR_10DMEX_C card, complete the [DLP-G332 Changing the 10G Data Muxponder Port Mode](#). If not, continue with [Step 4](#).
- Step 4** If you are provisioning a GE_XP, 10GE_XP, GE_XPE, and 10GE_XPE card, complete the [DLP-G379 Changing the GE_XP, 10GE_XP, GE_XPE, and 10GE_XPE Card Mode](#). If not, continue with [Step 5](#).
- Step 5** If you are provisioning a OTU2_XP card, complete the [DLP-G452 Changing the OTU2_XP Card Mode](#). If not, continue with [Step 6](#).
- Step 6** If you are provisioning a PPM on an ADM-10G card, complete the [DLP-G411 Provisioning an ADM-10G PPM and Port](#). If not, continue with [Step 10](#).
- Step 7** If you are provisioning a PPM on an AR_MXP, AR_XP, or AR_XPE card, complete the [NTP-G321 Provisioning Multiple Operating Modes, on page 510](#). If not, continue with [Step 10](#).
- Step 8** If you are provisioning a PPM on an 100G-LC-C, 10x10G-LC, CFP-LC, 100G-CK-C, 100G-ME-C, or 100ME-CKC card, complete the [NTP-G235 Provisioning an Operating Mode, on page 540](#). If not, continue with [Step 10](#).
- Step 9** If you are provisioning a PPM on an 400G-XP-LC card, complete the [NTP-G361 Provisioning an Operating Mode on the 400G-XP-LC Card, on page 541](#). If not, continued with [Step 10](#).
- Step 10** If you are provisioning a PPM on a WSE card, complete the [NTP-G338 Provisioning an Operating Mode on the WSE Card, on page 591](#). If not, continue with [Step 10](#).
- Step 11** Complete the [DLP-G726 Preprovisioning a Multirate PPM](#) task for TXP, MXP, AR_MXP, AR_XP, AR_XPE, 100G-LC-C, 10x10G-LC, CFP-LC, 100G-CK-C, 100G-ME-C, 100GS-CK-LC, , 200G-CK-LC, 100ME-CKC, 400G-XP-LC, WSE, GE_XP, 10GE_XP, GE_XPE, 10GE_XPE, or OTU2_XP ports with multirate PPMs. If you already preprovisioned the multirate PPM, skip this step and continue with [Step 11](#).
- Step 12** If you are provisioning an IBM ETR_CLO (External Time Reference – Control Link Oscillator) or InterSystem Coupling Link (ISC) service on the PPM, complete [DLP-G274 Verifying Topologies for ETR_CLO and ISC Services](#). Otherwise, continue with [Step 12](#).
- Step 13** Complete the [DLP-G278 Provisioning the Optical Line Rate](#) to assign a line rate to a TXP, MXP, AR_MXP, AR_XP, AR_XPE, WSE, 100G-LC-C, 10x10G-LC, CFP-LC, 100G-CK-C, 100G-ME-C, 100GS-CK-LC, 200G-CK-LC, 100ME-CKC, 400G-XP-LC, or OTU2_XP port after the PPM is provisioned. (This task is not performed for GE_XP, 10GE_XP, GE_XPE, and 10GE_XPE cards.)
- Step 14** If you need to delete a PPM at any point in this procedure, complete the [DLP-G727 Delete PPM Provisioning](#) task.
- Stop. You have completed this procedure.**

DLP-G235 Changing the 2.5G Data Muxponder Card Mode

Purpose	This task changes the card mode for MXP_MR_2.5G and MXPP_MR_2.5G muxponder cards. The card mode determines which PPMs can be provisioned for the card.
Tools/Equipment	None
Prerequisite Procedures	DLP-G46 Log into CTC
Required/As Needed	As needed
Onsite/Remote	Onsite or remote
Security Level	Provisioning or higher

Procedure

- Step 1** In node view (single-shelf mode) or shelf view (multishelf view), double-click the MXP_MR_2.5G or MXPP_MR_2.5G card where you want to change the card settings.
- Step 2** Click the **Provisioning > Line > SONET (ANSI)** or **SDH (ETSI)** tabs.
- Step 3** Locate the Trunk port table row and verify that the Service State column value is OOS-MA,DSBLD (ANSI) or Locked-enabled,disabled (ETSI). If the service state is correct, continue with [Step 6](#). If not, complete the following steps:
- Click the **Admin State** table cell and choose **OOS,DSBLD (ANSI)** or **Locked,Maintenance (ETSI)**.
 - Click **Apply**, then **Yes**.
- Step 4** Click the **Provisioning > Line > Client** tabs.
- Step 5** Locate the Trunk port table row and verify that the Service State column value is OOS-MA,DSBLD (ANSI) or Locked-enabled,disabled (ETSI). If the service state is correct, continue with Step 6. If not, complete the following steps:
- Click the **Admin State** table cell and choose **OOS,DSBLD (ANSI)** or **Locked,Maintenance (ETSI)**.
 - Click **Apply**, then **Yes**.
- Step 6** Click the **Provisioning > Card** tabs.
- Step 7** Change the Card Mode as needed:
- FC-GE**—Choose this option if you will provision any of the following PPM port rates: FC1G (Ports 1-1 and 2-1 only), FC2G (Port 1-1 only), FICON1G (Ports 1-1 and 2-1 only), FICON2G (Port 1-1 only), and ONE_GE (Ports 1-1 through 8-1).
 - Mixed**—Choose this option if you will provision any of the following PPM port rates: FC1G and ONE_GE (Port 1-1 only), ESCON (Ports 5-1 through 8-1 only)
 - ESCON**—Choose this option if you will provision the ESCON PPM on Ports 1-1 through 8-1.
- Note** The Provisioning > Card tab also has the display-only Tunable Wavelengths field. This field shows the supported wavelengths of the trunk port after the card is installed in the format: *first wavelength-last wavelength-frequency spacing-number of supported wavelengths*. For example, 1529.55nm-1561.83nm-50GHz-82.
- Step 8** Click **Apply**.
- Step 9** Return to your originating procedure (NTP).

DLP-G332 Changing the 10G Data Muxponder Port Mode

Purpose	This task changes the port mode for the MXP_MR_10DME_C, MXP_MR_10DME_L, and MXP_MR_10DMEX_C muxponder cards. The port mode determines which PPMs can be provisioned on the ports.
Tools/Equipment	None
Prerequisite Procedures	DLP-G46 Log into CTC

Required/As Needed	As needed
Onsite/Remote	Onsite or remote
Security Level	Provisioning or higher



Note The MXP_MR_10DME_C, MXP_MR_10DME_L, and MXP_MR_10DMEX_C cards have two port mode groups, one for Ports 1 through 4, and the second for Ports 5 through 8. To change the port mode, all ports within the selected port group must be in OOS (out-of-service) service state. Ports in the second port group do not need to be in OOS service state if you are not changing the port mode for the second port group. Before you change the port mode, you must also ensure that any PPM port rate provisioned for the selected port group is deleted (see the [DLP-G727 Delete PPM Provisioning](#)).

Procedure

- Step 1** In node view (single-shelf mode) or shelf view (multishelf view), double-click the MXP_MR_10DME_C, MXP_MR_10DME_L, or MXP_MR_10DMEX_C card where you want to change the port mode.
- Step 2** Click the **Provisioning** > **Card** tabs.
- Step 3** Change the port mode as described in [Table 61: 10G Data Muxponder Card Port Modes](#).

Note The PPM port rates are provisioned in the [DLP-G726 Preprovisioning a Multirate PPM](#) task.

Table 61: 10G Data Muxponder Card Port Modes

Parameter	Description	Options
Port 1-4 Mode	Sets the mode of operation for Ports 1-1 through 4-1.	<p>Chose one of the following:</p> <ul style="list-style-type: none"> FC-GE_ISC—Choose this option if you will provision any of the following PPM port rates: FC1G (Ports 1-1 through 4-1), FC2G (Ports 1-1 and 3-1 only), FICON1G (Ports 1-1 through 4-1), FICON2G (Ports 1-1 and 3-1 only), ONE_GE (Ports 1-1 through 4-1), ISC3 COMPAT (Ports 1-1 through 4-1), ISC3 PEER 1G (Ports 1-1 through 4-1), and ISC3 PEER 2G (Ports 1-1 and 3-1 only). FC4G—Choose this option if you will provision an FC4G or FICON4G PPM (Port 1-1 only).

Parameter	Description	Options
Port 5-8 Mode	Sets the mode of operation for Ports 5-1 through 8-1.	<p>Chose one of the following:</p> <ul style="list-style-type: none"> • FC-GE_ISC—choose this option if you will provision any of the following PPM port rates: FC1G (Ports 5-1 through 8-1), FC2G (Ports 5-1 and 7-1 only), FICON1G (Ports 5-1 through 8-1), FICON2G (Ports 5-1 and 7-1 only), ONE_GE (Ports 5-1 through 8-1), ISC3 COMPAT (Ports 5-1 through 8-1), ISC3 PEER 1G (Ports 5-1 through 8-1), and ISC3 PEER 2G (Ports 5-1 and 7-1 only). • FC4G—choose this option if you will provision an FC4G or FICON4G PPM port rate (Port 5-1 only).

Note The Provisioning > Cards tab also has a display-only Tunable Wavelengths field which shows the wavelengths supported by the card. If a MXP_MR_10DME_C card is installed, the 32 C-band wavelengths appear. If the MXP_MR_10DME_L card is installed, the 32 L-band wavelengths appear. If the MXP_MR_10DMEX_C card is installed, the 82 C-band wavelengths appear.

Step 4 Click **Apply**.

Step 5 Return to your originating procedure (NTP).

Note Loopbacks on MXP-MR-10DME are not applicable when Fiber Channel switches are present.

Note If the Fiber Channel switch version is not present then the Distance Extension settings are not supported.

DLP-G379 Changing the GE_XP, 10GE_XP, GE_XPE, and 10GE_XPE Card Mode

Purpose	This task changes the GE_XP, 10GE_XP, GE_XPE, and 10GE_XPE card mode. 10GE_XP and 10GE_XPE cards can be provisioned as a Layer 2 Ethernet switch or a 10G Ethernet TXP. GE_XP and GE_XPE cards can be provisioned as a Layer 2 Ethernet switch, 10G Ethernet MXP, or 20G Ethernet MXP.
Tools/Equipment	None
Prerequisite Procedures	DLP-G46 Log into CTC
Required/As Needed	As needed
Onsite/Remote	Onsite or remote
Security Level	Provisioning or higher

Procedure

- Step 1** In node view (single-shelf mode) or shelf view (multishelf view), double-click the GE_XP, 10GE_XP, GE_XPE, or 10GE_XPE card where you want to change the card mode.
- Step 2** In card view, click **Provisioning > Ether Ports > Ports**.
- Step 3** Verify that any provisioned client or trunk ports have an **OOS-MA,DSBLD (ANSI)** or **Locked-enabled,disabled(ETSI)** service state in the Service State column. If so, continue with [Step 4](#). If not, complete the following substeps.
- For the first port that is not out of service, in the Admin State column, choose **OOS-MA,DSBLD (ANSI)** or **Locked-enabled,disabled (ETSI)**.
 - Repeat [Step a](#) for each port that is not out of service.
 - Click **Apply**.
- Step 4** Click the **Provisioning > Card** tabs.
- Step 5** Choose one of the following card modes:

Table 62: GE_XP, 10GE_XP, GE_XPE, and 10GE_XPE Card Modes

Mode	Cards	Description
L2 over DWDM	GE_XP 10GE_XP GE_XPE 10GE_XPE	Provisions the GE_XP, 10GE_XP, GE_XPE, or 10GE_XPE as a Layer 2 switch.
10GE TXP	10GE_XP 10GE_XPE	Provisions the 10GE_XP or 10GE_XPE as a 10 Gigabit Ethernet transponder. Traffic received on the 10GE client Port 1-1 is sent to 10 Gigabit Ethernet trunk Port 3-1, and traffic received on 10 Gigabit Ethernet client Port 2-1 is sent to 10 Gigabit Ethernet trunk Port 4-1.
10GE MXP	GE_XP GE_XPE	Provisions the GE_XP or GE_XPE as a 10 Gigabit Ethernet muxponder. Traffic received on Gigabit Ethernet client Ports 1-1 through 10-1 is multiplexed and sent to 10 Gigabit Ethernet trunk Port 21-1, and traffic received on Gigabit Ethernet client Ports 11-1 through 20-1 is multiplexed and sent to 10 Gigabit Ethernet trunk Port 22-1.
20GE MXP	GE_XP GE_XPE	Provisions the GE_XP or GE_XPE as a 20 Gigabit Ethernet muxponder. Traffic received on Gigabit Ethernet client Ports 1-1 through 20-1 is multiplexed and sent to 10 Gigabit Ethernet trunk Port 21-1. Trunk port 22-1 is not used.

The GE-XP and GE-XPE cards operating in 10GE MXP mode and configured for 100% traffic flow, do not drop frames when up to nine ports are in use. However, when all the ten ports are in use, some frames are dropped. When the tenth port is to be used, configure the Committed Info Rate (CIR) at 55% on any one of the ports. For more information about configuring the CIR, see [DLP-G380 Provisioning Ethernet Settings](#).

- Step 6** Click **Apply**, then click **Yes** in the confirmation dialog box.

Step 7 Return to your originating procedure (NTP).

DLP-G411 Provisioning an ADM-10G PPM and Port

Purpose	This task provisions a fixed-rate PPM and port on an ADM-10G PPM card.
Tools/Equipment	None
Prerequisite Procedures	DLP-G46 Log into CTC
Required/As Needed	As needed
Onsite/Remote	Onsite or remote
Security Level	Provisioning or higher

Procedure

- Step 1** In node view (single-shelf mode) or shelf view (multishelf view), double-click the ADM-10G card where you want to provision PPM settings.
- Step 2** Click the **Provisioning > Pluggable Port Modules** tabs.
- Step 3** In the Pluggable Port Modules area, click **Create**. The Create PPM dialog box appears.
- Step 4** In the Create PPM dialog box, complete the following:
- PPM—Choose the SFP you want to install from the drop-down list.
 - PPM Type—Choose the number of ports supported by your SFP from the drop-down list. If only one port is supported, **PPM (1 port)** is the only option.
- Step 5** Click **OK**. The newly created PPM appears in the Pluggable Port Modules area. The row in the Pluggable Port Modules area turns white and the Actual Equipment Type column lists the equipment name.
- Step 6** In the Pluggable Ports area, click **Create**. The Create Ports dialog box appears.
- Step 7** In the Create Ports dialog box, complete the following:
- Port—Choose the port you want to configure from the drop-down list.
 - Port Type—Choose the port type, such as OC-3, OC-12, OC-48, or ONE-GE from the drop-down list.
 - Ports 1 - 8 can only be OC-3, OC-12, or ONE_GE
 - Ports 9 - 12 can on be OC-3 or OC-12
 - Ports 13 - 16 can only be OC-3, OC-12, or OC-48
- Step 8** Click **OK**. The newly created port appears in the Pluggable Ports area. The port type you provisioned is listed in the Rate column.
- Step 9** If you want to provision a PPM or another port, repeat Steps 4 through 8.

Step 10 Return to your originating procedure (NTP).

DLP-G452 Changing the OTU2_XP Card Mode

Purpose	This task changes the OTU2_XP card mode. The card mode determines which PPMs can be provisioned for the card.
Tools/Equipment	None
Prerequisite Procedures	DLP-G46 Log into CTC
Required/As Needed	As needed
Onsite/Remote	Onsite or remote
Security Level	Provisioning or higher



Caution Changing the card configuration to 10G Ethernet LAN Phy to WAN Phy automatically replaces the current port configurations (Ports 1 and 3) to 10G Ethernet and OC192. This resets and reboots the OTU2_XP card.

Procedure

- Step 1** In node view (single-shelf mode) or shelf view (multishelf view), double-click the OTU2_XP card where you want to change the card mode.
- Step 2** In card view, click the **Provisioning > Line > Ports** tabs.
- Step 3** Verify that all provisioned client or trunk ports have an OOS-MA, DSBLD (ANSI) or Locked-enabled, disabled (ETSI) service state in the Service State column. If so, continue with [Step 4](#). If not, complete the following substeps.
- For the first port that is not out of service, in the Admin State column, choose **OOS, DSBLD > Locked, disabled (ANSI) or (ETSI)**.
 - Repeat [Step a](#) for each port that is not out of service.
 - Click **Apply**.
- Step 4** Click the **Provisioning > Card** tabs.
- Step 5** Change the Card Configuration as needed:
- **Transponder**—Choose this option to provision the OTU2_XP card as a transponder. Port pairs 1-3 and 2-4 are both configured as transponders. This is the default card configuration.
 - **Standard Regen**—Choose this option to provision the OTU2_XP card as a standard regenerator (with E-FEC only on one port). Port pairs 1-3 and 2-4 are both configured as regenerators.
 - **Enhanced FEC**—Choose this option to provision the OTU2_XP card as an E-FEC regenerator (with E-FEC on two ports). Port pair 3-4 is configured as enhanced regenerator. Ports 1 and 2 are not used.

- **Mixed**—Choose this option to provision the OTU2_XP card as a transponder and a standard regenerator (mixed configuration). One of the port pair (1-3 or 2-4) is configured as a transponder and the other port pair as a standard regenerator.
- **10G Ethernet LAN Phy to WAN Phy**—Choose this option to provision the OTU2_XP card to enable the 10G Ethernet LAN Phy to WAN Phy conversion. Port pair 1-3 supports LAN Phy to WAN Phy conversion. Port pair 2-4 can be configured either as a transponder or a standard regenerator.

Note If you revert to the previous release (release earlier than 9.10), be sure to disable the 10G Ethernet LAN Phy to WAN Phy conversion feature. If you do not disable the 10G Ethernet LAN Phy to WAN Phy feature, an error message stating that the user needs to disable 10G Ethernet LAN Phy to WAN Phy feature before reverting to the previous release is displayed.

Note Table 11-188 on page 11-439 lists the Ethernet variables supported on Ports 1 and 3 of the OTU2_XP card that has the 10G Ethernet LAN Phy to WAN Phy enabled. When the card is in the 10G Ethernet LAN Phy to WAN Phy mode, no 10G FC RMONS are supported on Ports 2 and 4.

For more information on OTU2_XP card configuration rules, see the [OTU2_XP Card Configuration Rules](#) section.

Step 6 Click **Apply**. Then click **Yes** in the confirmation dialog box.

Step 7 Return to your originating procedure (NTP).

DLP-G274 Verifying Topologies for ETR_CLO and ISC Services

Purpose	This task verifies that the DWDM network topology can support the IBM ETR_CLO and ISC services.
Tools/Equipment	Cisco TransportPlanner site plan
Prerequisite Procedures	DLP-G46 Log into CTC
Required/As Needed	As needed
Onsite/Remote	Onsite or remote
Security Level	Provisioning or higher

Procedure

Step 1 Display your site plan in Cisco TransportPlanner.

Step 2 Verify that the topology where you plan to run the ETR_CLO or ISC service can support the service. The following topologies support ETR_CLO or ISC:

- **Single span**—Two terminal sites with no intermediate sites in between and one of the following sets of cards installed:
 - 32MUX-O and 32DMX-O cards

- 32WSS and 32DMX cards
- 32WSS and 32-DMX-O cards
- 40-MUX-C and 40-DMX-C/40-DMX-CE cards
- 40-WSS-C/40-WSS-CE and 40-DMX-C/40-DMX-CE cards

Figure 31: Single-Span Topology

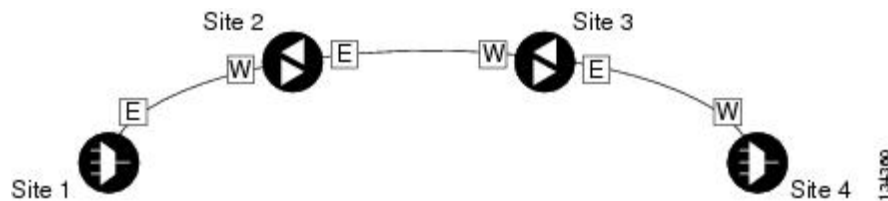


- Point-to-Point—Two terminal sites with one of the following sets of cards installed:

- 32MUX-O and 32DMX-O cards
- 32WSS and 32DMX cards
- 32WSS and 32-DMX-O cards
- 40-MUX-C and 40-DMX-C/40-DMX-CE cards
- 40-WSS-C/40-WSS-CE and 40-DMX-C/40-DMX-CE cards

Line amplifiers can be installed between the terminal sites, but intermediate (traffic terminating) sites cannot be installed.

Figure 32: Point-to-Point Topology



- Two hubs—Two hub nodes in a ring with one of the following sets of cards installed:

- 32MUX-O and 32DMX-O cards
- 32WSS and 32DMX cards
- 32WSS and 32-DMX-O cards
- 40-MUX-C and 40-DMX-C/40-DMX-CE cards
- 40-WSS-C/40-WSS-CE and 40-DMX-C/40-DMX-CE cards

Line amplifiers can be installed between the hubs.

Figure 33: Hubs with No Line Amplifiers

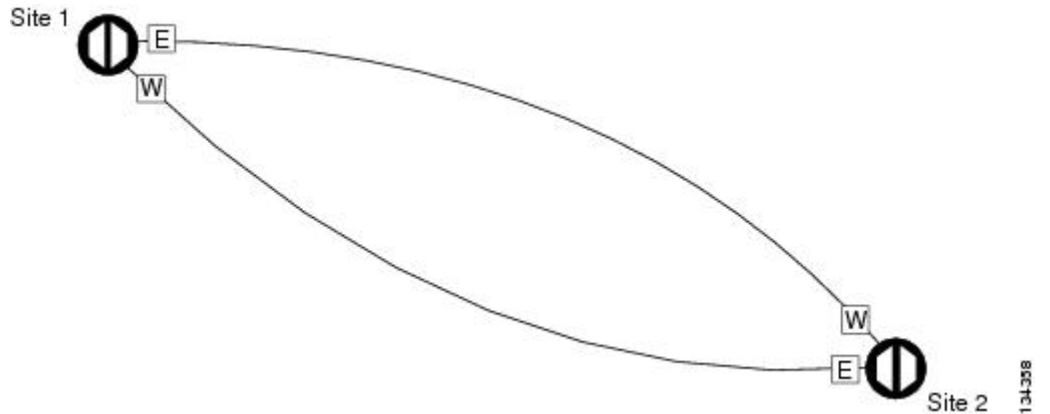
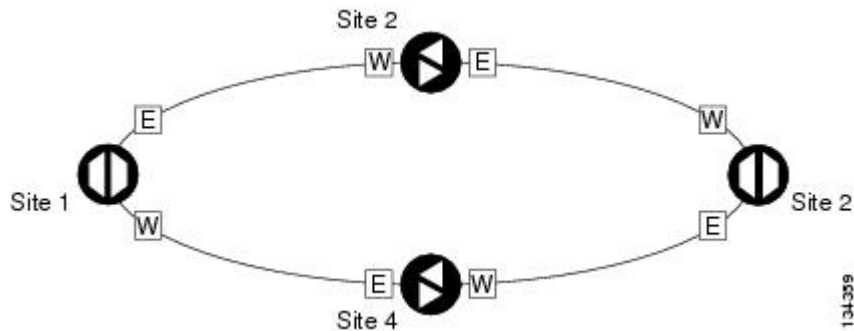


Figure 34: Hubs with Line Amplifiers



Step 3 Return to your originating procedure (NTP).

DLP-G278 Provisioning the Optical Line Rate

Purpose	This task provisions the line rate for TXP, MXP, AR_MXP, AR_XP, AR_XPE, 100G-LC-C, 10x10G-LC, CFP-LC, 100G-CK-C, 100G-ME-C, 100ME-CKC, 100GS-CK-LC, 200G-CK-LC, WSE, 400G-XP-LC, GE_XP, 10GE_XP, GE_XPE, 10GE_XPE, ADM-10G, and OTU2_XP cards.
Tools/Equipment	None
Prerequisite Procedures	<ul style="list-style-type: none"> • DLP-G46 Log into CTC • DLP-G726 Preprovisioning a Multirate PPM • DLP-G274 Verifying Topologies for ETR_CLO and ISC Services, on page 203
Required/As Needed	As needed
Onsite/Remote	Onsite or remote

Security Level	Provisioning or higher
----------------	------------------------



Note The optical line rate for cards with single-rate PPMs is provisioned automatically when you complete the "DLP-G726 Preprovisioning a Multirate PPM" task if the trunk port is out of service. If the optical line rate was provisioned automatically, you do not need to complete this task for the MXP_2.5G_10G, MXP_2.5G_10E, MXP_2.5G_10E_C, MXP_2.5G_10E_L, MXP_2.5G_10EX_C, GE_XP, 10GE_XP, GE_XPE, 10GE_XPE, or OTU2_XP card. If the trunk port was in-service when you provisioned the PPM, complete this task to provision the optical line rate manually for those cards.

Procedure

- Step 1** In node view (single-shelf mode) or shelf view (multishelf view), double-click the card where you want to provision PPM ports. If the data rate that you are provisioning is DV-6000, HDTV, ESCON, SDI/D1 Video, ISC1, ISC3 (for TXP_MR_2.5G and TXPP_MR_2.5G cards), or ETR_CLO, complete the following steps. Otherwise, continue with [Step 4](#).
- Click the **Provisioning > OTN > OTN Lines** tabs.
 - In the ITU-T G.709 OTN field for the respective PPM, choose **Disable**.
 - In the FEC field for the respective PPM, choose **Disable**.
 - Click **Apply**.
- Step 2** For the TXP_MR-10G card, click the **Provisioning > Data Rate Selection** tabs. For all other cards, go to [Step 4](#).
- Step 3** In the Data Rate Selection area, click **Create** and choose the type of port from the drop-down list. The supported port types are SONET (including 10G Ethernet WAN Phy) and 10G Ethernet LAN Phy.
- Step 4** Click the **Provisioning > Pluggable Port Modules** tabs.
- Step 5** In the Pluggable Ports area, click **Create**. The Create Port dialog box appears.
- Step 6** In the Create Port dialog box, complete the following:
- Port—Choose the port and port number from the drop-down list. The first number indicates the PPM in the Pluggable Port Modules area, and the second number indicates the port number on the PPM. For example, the first PPM with one port appears as 1-1 and the second PPM with one port appears as 2-1. The PPM number can be 1 to 4, but the port number is always 1.
 - Port Type—Choose the type of port from the drop-down list. The port type list displays the supported port rates on your PPM. See table "PPM Port Types" for definitions of the supported rates.
- Step 7** Click **OK**. The row in the Pluggable Ports area turns white if the physical SFP is installed and light blue if the SFP is not installed. If the optical parameter values differ from the NE Default settings, change the port state to In-Service (for ANSI) or Unlocked (for ETSI) to synchronize the values with the NE Default settings.
- Step 8** Repeat [Step 5](#) through [Step 7](#) to configure the rest of the port rates as needed.

Table 63: PPM Port Types

Card	Port Type
TXP_MR_2.5G TXPP_MR_2.5G	<ul style="list-style-type: none"> • OC-3/STM1—155 Mbps • OC-12/STM4—622 Mbps • OC-48/STM16—2.48 Gbps • ONE_GE—One Gigabit Ethernet 1.125 Gbps • ESCON—Enterprise System Connection 200 Mbps (IBM signal) • DV6000—Proprietary signal from video vendor • SDI_D1_VIDEO—Serial Digital Interface and Digital Video signal type 1 • HDTV—High Definition Television • PASS-THRU—Not specified • FC1G—Fibre Channel 1.06 Gbps • FC2G—Fibre Channel 2.125 Gbps • FICON1G—Fiber connectivity 1.06 Gbps (IBM signal) • FICON2G—Fiber connectivity 2.125 Gbps (IBM signal) • ETR_CLO—External Time Reference–Control Link Oscillator • ISC compat—InterSystem Coupling Link 1 (ISC1) • ISC peer—InterSystem Coupling Link 3 (ISC3) • DVB-ASI — Proprietary signal from video vendor. Digital Video Broadcast - Asynchronous Serial Interface • ISC1— InterSystem Channel 1 Gbps (IBM signal)
MXP_2.5G_10G MXP_2.5G_10E MXP_2.5G_10E_C MXP_2.5G_10E_L MXP_2.5G_10EX_C	<ul style="list-style-type: none"> • OC-48/STM16—2.48 Gbps <p>Automatically provisioned when the PPM is created if the trunk port is out of service.</p>
TXP_MR_10G Provisioned on the Data Rate Selection tab.	<ul style="list-style-type: none"> • SONET (OC-192)/SDH (STM-64) including 10G Ethernet WAN Phy • 10G Ethernet LAN Phy

Card	Port Type
TXP_MR_10E TXP_MR_10E_C TXP_MR_10E_L TXP_MR_10EX_C	<ul style="list-style-type: none"> • SONET (OC-192)/SDH (STM-64) including 10G Ethernet WAN Phy—10 Gbps • 10G Ethernet LAN Phy—10 Gbps Ethernet • 10G Fibre Channel—10 Gbps Fibre Channel • (TXP_MR_10EX_C only) IB_5G
40E-TXP-C 40ME-TXP-C	<ul style="list-style-type: none"> • SONET (OC-768)/SDH (STM-256) • 40G Ethernet LAN Phy • OTU3
MXP_MR_2.5G MXPP_MR_2.5G	<p>If the card mode is FC_GE:</p> <ul style="list-style-type: none"> • FC1G ISL—Fibre Channel 1.06 Gbps (Ports 1-1 and 2-1) • FC2G ISL—Fibre Channel 2.125 Gbps (Port 1-1 only) • FICON1G ISL—Fiber connectivity 1.06 Gbps (IBM signal) (Ports 1-1 and 2-1) • FICON2G ISL—Fiber connectivity 2.125 Gbps (IBM signal) (Port 1-1 only) • ONE_GE—One Gigabit Ethernet 1.125 Gbps (Ports 1-1 and 2-1 only) <p>If the card mode is Mixed:</p> <ul style="list-style-type: none"> • FC1G ISL—Fibre Channel 1.06 Gbps (Port 1-1 only) • FICON1G ISL—Fiber connectivity 1.06 Gbps (IBM signal) (Port 1-1 only) • ONE_GE—One Gigabit Ethernet 1.125 Gbps (Port 1-1 only) • ESCON—Enterprise System Connection 200 Mbps (IBM signal) (Ports 5-1 through 8-1) <p>If the card mode is ESCON:</p> <ul style="list-style-type: none"> • ESCON—Enterprise System Connection 200 Mbps (IBM signal) (Ports 1-1 through 8-1)

Card	Port Type
MXP_MR_10DME_C MXP_MR_10DME_L MXP_MR_10DMEX_C	<p>If the port mode is FC_GE_ISC:</p> <ul style="list-style-type: none"> • FC1G—Fibre Channel 1.06 Gbps (Ports 1-1 through 8-1) • FC2G—Fibre Channel 2.125 Gbps (Ports 1-1, 3-1, 5-1, and 7-1 only; ports are not available if the port that follows—2-1, 4-1, 6-1, or 8-1—has a PPM provisioned.) • FICON1G—Fiber connectivity 1.06 Gbps (IBM signal) FICON2G—Fiber connectivity 2.125 Gbps (IBM signal) (Ports 1-1, 3-1, 5-1, and 7-1 only; ports are not available if the port that follows—2-1, 4-1, 6-1, or 8-1—has a PPM provisioned.) • ONE_GE—One Gigabit Ethernet 1.125 Gbps (Ports 1-1 through 8-1) • ISC COMPAT (Ports 1-1 through 8-1) • ISC3 PEER 1G (Ports 1-1 through 8-1) • ISC3 PEER 2G (Ports 1-1, 3-1, 5-1, and 7-1 only; ports are not available if the port that follows—2-1, 4-1, 6-1, or 8-1—has a PPM provisioned.) <p>If the port mode is FC4G:</p> <ul style="list-style-type: none"> • FC4G—Fibre Channel 4.25 Gbps (Ports 1-1 or 5-1 only; ports are not available if any of the three ports that follow has a PPM provisioned.) • FICON4G—Fiber connectivity 4.25 Gbps (IBM signal) (Ports 1-1 or 5-1 only; ports are not available if any of the three ports that follow has a PPM provisioned.)
40G-MXP-C 40E-MXP-C 40ME-MXP-C	<ul style="list-style-type: none"> • SONET (OC-192)/SDH (STM-64) • FC8G • FC10G • TEN_GE • OTU2
GE_XP 10GE_XP GE_XPE 10GE_XPE	<ul style="list-style-type: none"> • GE_XP and GE_XPE client ports1 • 10GE_XP and 10GE_XPE client and trunk ports; GE_XP and GE_XPE trunk ports1

Card	Port Type
OTU2_XP	<ul style="list-style-type: none"> • SONET (including 10G Ethernet WAN Phy)—10 Gbps • 10G Ethernet LAN Phy—10 Gbps Ethernet • 10G Fiber Channel—10 Gbps Fibre Channel • IB_5G—InfiniBand 5 Gbps <p>Note If you have an OTU2 signal in which the OPU2 has been generated by multiplexing four ODU1 signals, choose SONET as the port rate. This allows the OTU2 signal to be transported transparently in standard or E-FEC regenerator configuration.</p>
AR_MXP AR_XP AR_XPE	<ul style="list-style-type: none"> • OC-3/STM1—155 Mbps • OC-12/STM4—622 Mbps • OC-48/STM16—2.48 Gbps • Gigabit Ethernet—1.125 Gbps • Fast Ethernet—100 Mbps • ESCON-Enterprise System Connection 200 Mbps (IBM signal) • FC1G—Fibre Channel 1.06 Gbps • FC2G—Fibre Channel 2.125 Gbps • FC4G—Fibre Channel 4.25 Gbps • FC8G—Fibre Channel 8.5 Gbps • FICON1G—Fiber connectivity 1.06 Gbps (IBM signal) • FICON2G—Fiber connectivity 2.125 Gbps (IBM signal) • FICON4G—Fiber connectivity 4.25 (IBM signal) • FICON8G—Fiber connectivity 8.5 Gbps (IBM signal) • SD-SDI—270 Mbps • HD-SDI—1.485 Gbps • Third-generation SDI (3G-SDI)—2.970 Gbps • OTU2E —11.09 Gbps • OTU1—2.66 Gbps

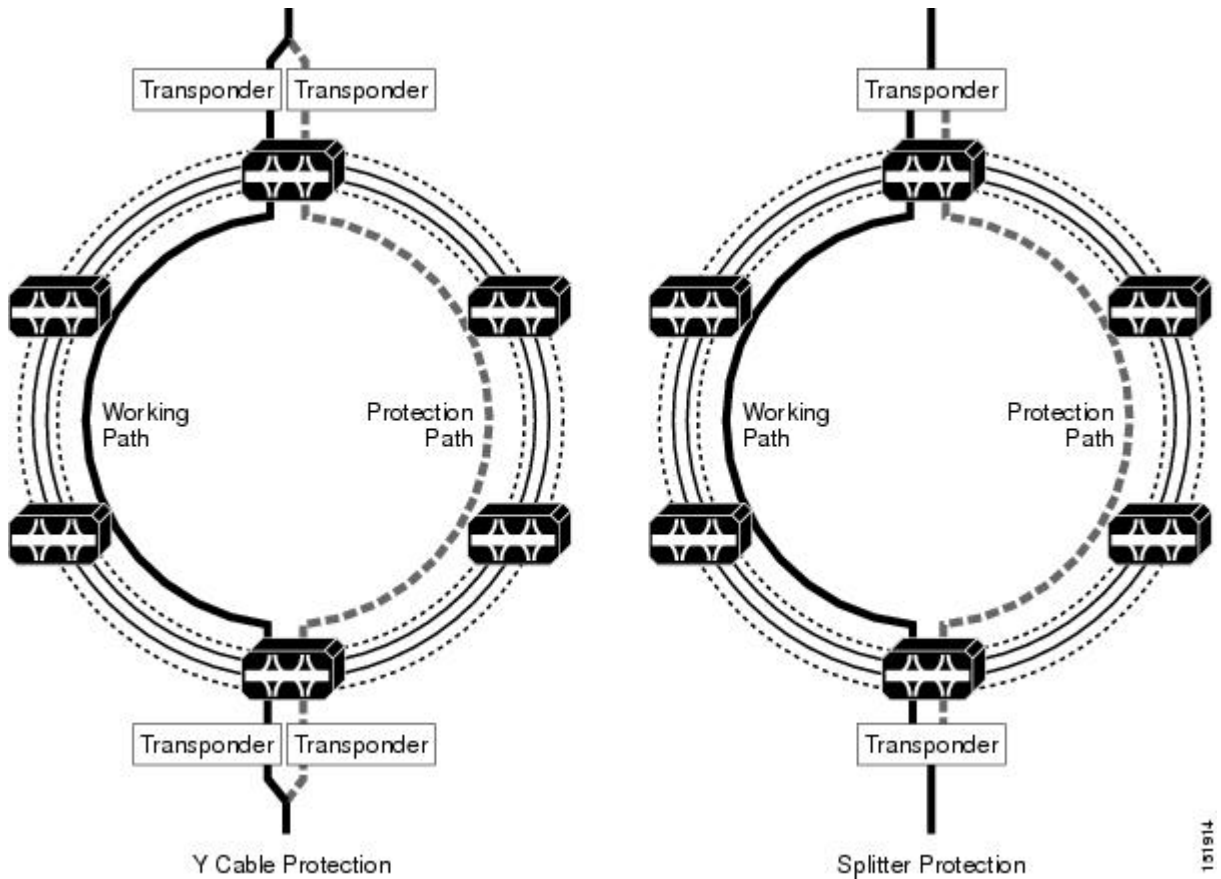
Card	Port Type
100G-LC-C 10x10G-LC CFP-LC 100G-CK-C 100G-ME-C 100ME-CKC 400G-XP-LC	<ul style="list-style-type: none"> • SONET (OC-192)/SDH (STM-64) • 10G Ethernet LAN Phy • 40G Ethernet LAN Phy • 100 GE • FC 8G • FC 10G • OTU2 • OTU3 • OTU4 • IB_5G
WSE	<ul style="list-style-type: none"> • 10GE LAN PHY • 8G FC • 10G FC • SONET (OC-192)/SDH (STM-64) • OTU2 • OTU2e

Step 9 Return to your originating procedure (NTP).

Transponder and Muxponder Protection Topologies

The ONS 15454 supports Y-cable and splitter protection for transponder (TXP) and muxponder (MXP) cards. The following figure shows Y-cable and splitter protection.

Figure 35: Y-Cable and Splitter Protection



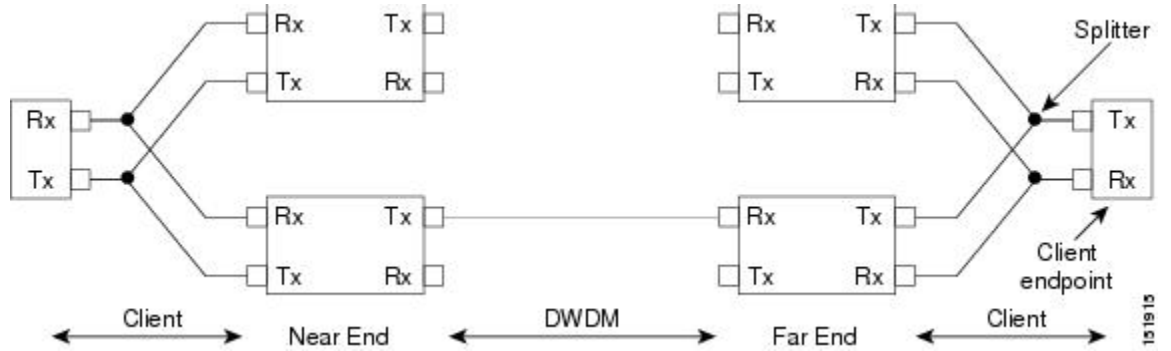
Y-Cable Protection

The Y-cable protection scheme employs two Y cables, which are hardware combiner/splitters. A signal injected into the stem of the Y is duplicated into both arms of the Y with 50 percent attenuation in each arm. Signals injected into the arms of the Y are summed into the stem of the Y.

A Y-cable protection group requires two DWDM cards with the arms of the Y-cables connected to the client ports on the DWDM cards, and the stems of the Y-cables connected to the client source, such as an OC-N card. When a TXP Y-cable protection group is required, the two TXP cards must be installed in the same shelf assembly in adjacent slots.

The following figure shows a functional block diagram of Y-cable protection.

Figure 36: Y-Cable Protection

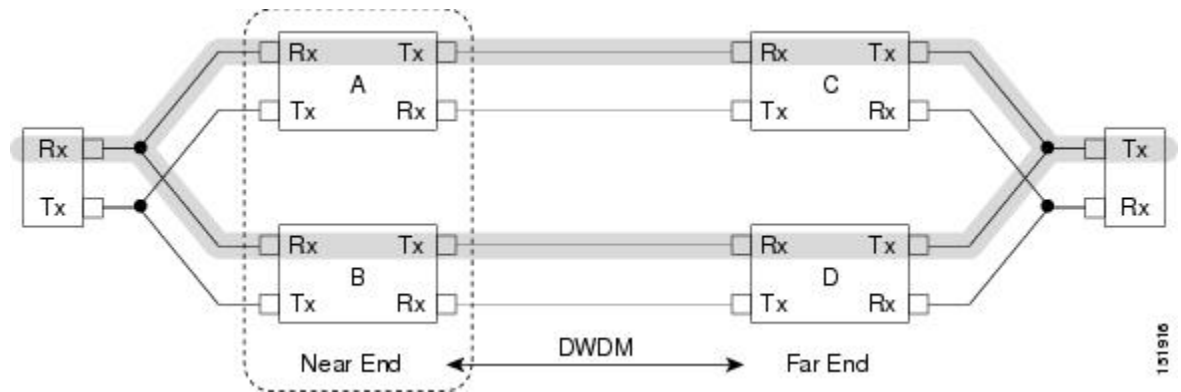


A Y-cable protection group has two paths:

- Transmit (TX) path, defined as the client RX and the trunk TX
- Receive (RX) path, defined as the trunk RX and the client TX

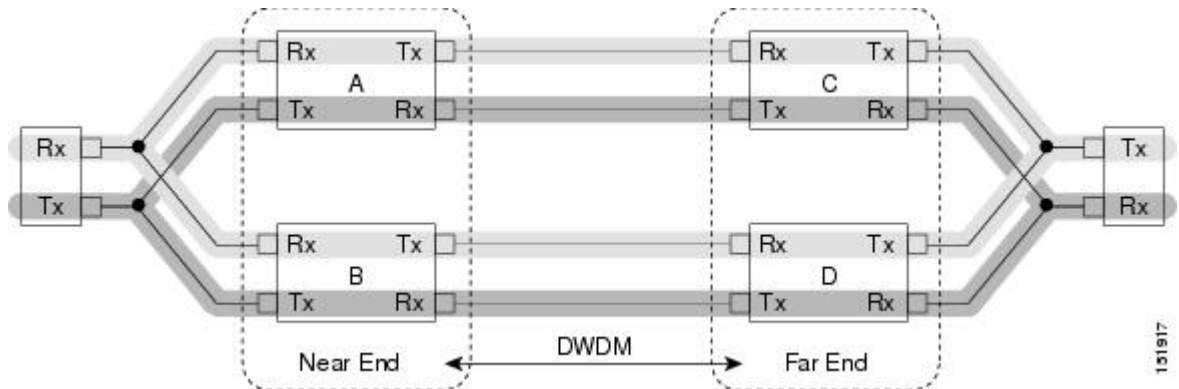
The basic behavior of the Y-cable group is that an incoming client signal is bridged to the two TX paths, and one RX path is selected for the outgoing client signal. Thus, a Y-cable protection group only protects against defects in the RX path. The following figure shows the RX path for the near-end Y-cable protection group.

Figure 37: Rx Path for Near-End Y-Cable Protection



To protect against all defects, a pair of Y-cable protection groups is required. Each protects against defects in its own RX path. The following figure shows how the near-end and the far-end jointly protect against defects.

Figure 38: Near-End and Far-End Y-Cable Protection



A Y-cable protection group is defined by two client ports on two different cards. One client port is designated as working and the other is designated as protect. Some of the rules in a Y-cable protection are as follows:

- The cards must have the same equipment type.
- The cards must have the same payload data type.
- The cards must have the same termination mode.
- The client ports must have the same payload type.
- The client ports must have the same facility number.
- The cards must have the same operating mode.

For example, a Y-cable protection group can include MXP Client 2 on the working and protect cards, but cannot include Client 2 on the working card if Client 3 is on the protect card. TXP cards have a single client (facility 1), so this requirement is satisfied by default.

Zero, one, two, or all of the client ports on an MXP card can be in Y-cable protection groups. Some clients can be in a protection group while others are unprotected.

The client ports on a card that are in Y-cable protection groups are either all working or all protect. You cannot mix working and protect client ports on the same card. For convenience, the trunk ports adopt the designation (working or protect) of the client ports.

The Y-cable protection groups on an MXP card switch independently. A Y-cable protection group performs protection switching by disabling the transmitter on the standby client port and enabling the active client port.

The protection group does not enable the active transmitter, because the active transmitter may have been disabled for other reasons. The port is disabled if it has an OOS-DBLD service state, is squelched, or is shutdown by automatic laser shutdown (ALS). The protection group releases a signal that the active transmitter is disabled. This activity changes the RX path but not the TX path. A Y-cable protection group can only protect its RX path.

A Y-cable protection group enables its client receivers unless the client facilities have an OOS-DSBLD service state. This means that client receivers (and trunk transmitters) are operational regardless of the active/standby status of the card. Traffic might not be lost if both client lasers in a Y-cable protection group are enabled. If the output powers of the two lasers are not identical, then the receiver at the stem of the Y-cable can opt for the stronger client laser and ignore the weaker signal.

Splitter Protection

The protection group is defined by the two trunk ports on the splitter card. One trunk port is designated working and the other is designated as protect. A splitter card has a single trunk laser and a hardware splitter that duplicates the trunk signal out of the card's two trunk ports. The switch in the card receives one of the two trunk input signals and the received signal is connected to the client ports.

A splitter protection group has two TX paths and two RX paths on the same card; the paths share client ports. The TX path is defined as the client RX and the trunk TX, and the RX path is defined as the trunk RX and the client TX. In a splitter group, an incoming client signal is bridged to the TX paths, and one RX path is selected for the outgoing client signal.

A splitter protection group performs switching by enabling the receiver of the active trunk port and then routing the active trunk traffic to the client ports. The protection group does not disable the transmitter on the standby trunk port.

Splitter protection is supported in AR_MXP, AR_XP, AR_XPE, and 10x10G-LC cards by configuring the operating mode.

When any client port of the 10x10G-LC card is involved in Y-cable protection group, then splitter protection must not be allowed in that card.

Switch Criteria

Cisco Transport Controller (CTC), the ONS 15454 software interface, performs protection switches based on priority, trunk and client line conditions, switch commands, unidirectional/bidirectional switching, and other criteria.

Switch Priority

Switch priorities are defined in the following table.

Table 64: Switch Priorities

Request/State	Abbreviation	Priority
Lockout of Protection	LO	8 (highest)
Forced Switch	FS	7
Signal Fail	SF	6
Signal Degrade	SD	5
Manual Switch	MS	4
Wait to Restore	WTR	3
Do Not Revert	DNR	2
No Request	NR	1 (lowest)

All switch criteria are assigned a numerical priority, which is reversed from ITU-T G.873.1 to avoid confusion when comparing priorities. In this document, a higher priority is numerically greater than a lower priority.

If the protection channel and the working channel have conditions with the same priority, and the priority is greater than Do Not Revert (DNR), then the condition on the protection channel takes precedence.

In practice, only two priorities can exist independently and simultaneously on the working and protection channels: signal fail (SF) and signal degrade (SD). This requirement means that if both channels have, for example, an SF condition without any higher conditions present, then the protection group chooses the working channel. Traffic switches away from the highest-priority condition.

Line Conditions on the Trunk

The following line conditions on the trunk generate the priorities given:

- OTUn-LOS on a trunk, if ITU-T G.709 is enabled, has an SF priority.
- OTUn-LOF on a trunk, if ITU-T G.709 is enabled, has an SF priority.
- OTUn-LOM on a trunk, if ITU-T G.709 is enabled, has an SF priority.
- OTUn-AIS on a trunk, if ITU-T G.709 is enabled, has an SF priority.
- ODUUn-AIS on a trunk, if ITU-T G.709 is enabled, has an SF priority.
- OTU BER SF on a trunk, if ITU-T G.709 is enabled, has an SF priority.
- OTU BER SD on a trunk, if ITU-T G.709 is enabled, has an SD priority.
- TIM on OTU SM TTI on a trunk, if ITU-T G.709 is enabled, has an SF priority.
- TIM on ODU PM TTI on a trunk, if ITU-T G.709 is enabled, has an SF priority.
- S-LOF on a trunk, if ITU-T G.709 is disabled and the trunk is OCn, has an SF priority.
- S-LOS on a trunk, if ITU-T G.709 is disabled and the trunk is OCn, has an SF priority.
- SF on a trunk, if ITU-T G.709 is disabled and the trunk is OCn, has an SF priority.
- SD on a trunk, if ITU-T G.709 is disabled and the trunk is OCn, has an SD priority.
- AIS-L on a trunk, if ITU-T G.709 is disabled and the trunk is OCn, has an SF priority.
- RS-LOF on a trunk, if ITU-T G.709 is disabled and the trunk is STMn, has an SF priority.
- RS-LOS on a trunk, if ITU-T G.709 is disabled and the trunk is STMn, has an SF priority.
- SF on a trunk, if ITU-T G.709 is disabled and the trunk is STMn, has an SF priority.
- SD on a trunk, if ITU-T G.709 is disabled and the trunk is STMn, has an SD priority.
- MS-AIS on a trunk, if ITU-T G.709 is disabled and the trunk is STMn, has an SF priority.
- TIMS-S on J0 on a trunk, if ITU-T G.709 is disabled and TIM is enabled, has an SF priority.
- RS-TIM-S on J0 on a trunk, if ITU-T G.709 is disabled and TIM is enabled, has an SF priority.
- CARLOSS on a trunk, if ITU-T G.709 is disabled and the payload is GigE, has an SF priority.
- SIGLOSS on a trunk, if ITU-T G.709 is disabled and the payload is Fibre Channel (any speed), has an SF priority.
- GE-OOSYNC on a trunk, if ITU-T G.709 is disabled and the payload is 10GigE, has an SF priority.
- OOS on a trunk, if ITU-T G.709 is disabled and the payload is GigE, has an SF priority.
- OOS on a trunk, if ITU-T G.709 is disabled and the payload is Fibre Channel, has an SF priority.
- SYNCLOS on a trunk, if ITU-T G.709 is disabled and the payload is Fibre Channel, has an SF priority.

Line Conditions on the Client

Most of the defects on client ports are corrected by switching at the far-end protection group.

In a Y-cable protection group, a line alarm indication signal (AIS-L) on the client signal has an SF priority if generic framing procedure (GFP) is not used and the client framing is SONET.

Switch Commands

Switch commands have the following priorities:

- A Lockout of Protect (Lockon Working) switch command has an LO priority on the protect port.
- A Force From Working (Force to Protect) switch command has an FS priority on the working port.
- A Force From Protect (Force To Working) switch command has an FS priority on the protect port.
- A Manual From Working (Manual To Protect) switch command has an MS priority on the working port.
- A Manual From Protect (Manual To Working) switch command has an MS priority on the protect port.
- A Clear command cancels (unlocks) any switch command.

Unidirectional and Bidirectional Switching

Y-cable and splitter protection support unidirectional switching. In unidirectional switching, the near-end protection group switches without regard for the status of the far-end protection group.

Therefore, the near-end working facilities can be active at the same time the far-end protection facilities are in standby. This does not mean that a defect at the far end will not cause a near-end switch. A defect at the far end might result in a condition at the near end, which then causes a switch, but the switch is caused by the near-end condition.

Bidirectional protection cannot be provisioned unless the near end and far end have the same hardware and data modes and the trunks are connected as working-to-working and protect-to-protect.

Any other configuration results in an undefined behavior. Y-cable and splitter protection groups are not required to detect misconfigured bidirectional protection.

A Y-cable or splitter protection group switches unidirectionally unless at least one trunk signal is intact and there is an operational card terminating the trunk signal at the far end.

Other Switch Criteria

This section details switch criteria other than line conditions. A card is said to become operational after it has received and processed the first provisioning message after a warm or cold boot. A card ceases to be operational when it is reset, either with a soft reset request or a hardware reset.

A soft reset of a card does not cause a protection switch or a traffic disruption greater than the disruption induced by the soft reset of an unprotected card. If one or both cards are not operational, then any disruption of traffic on the active card will cause traffic loss until both cards have become operational again.

Switch conditions with a priority lower than FS are ignored by a Y-cable protection group unless both cards are operational. Switch conditions cannot be used to restore traffic while one member of the protection group is reset. For instance, if the working/active card is soft reset and a Forced Switch to the protect card is issued, the protect client laser will turn on but the working client laser will not turn off. Traffic will be lost until the working card becomes operational and can process the Forced Switch request.

The LO and FS switch conditions are accepted by the shelf regardless of the operational status of the cards in a Y-cable protection group or a splitter protection group. A nonoperational card cannot process the switch condition; the provisioning has been accepted by the shelf controller and will be issued to the cards when it becomes operational.

The LO and FS switch conditions are implemented immediately by the operational cards in a Y-cable protection group even if one card is nonoperational. This might cause traffic loss.

Y-cable protection switching is inhibited during a shelf controller reset. Protection switching does not resume until the cards receive their first provisioning message from the active shelf controller.

Each card in a Y-cable protection group begins its provisioning hold-off timer after processing the first provisioning message. For proper behavior, both cards should be provisioned within the provisioning hold-off timer interval. A card missing condition has an SF+ priority. This gives the card missing condition a higher priority than any span alarm.

- A card MEA condition has an SF priority.
- An SFP failure condition has an SF priority.
- An SFP mismatch (failure to support the data rate or mode) condition has an SF priority.
- An SFP missing condition has an SF priority.
- A wavelength mismatch condition has an SF priority.
- A port that is OOS-DSBLD has an SF+ priority.
- The OOS-DSBLD condition has a higher priority than any span alarm.
- A port that is shutdown by ALS has an SF priority.

The hold-off timer interval is not applicable for WSE, 10x10G-LC, 100G-LC-C, 100G-CK-C, 100GS-CK-LC, and 200G-CK-LC cards.

Switch Stability

Y-cable and splitter protection groups use a variety of timers to prevent oscillation, as detailed in the following requirements. No timer is provisionable.

The protection groups implement soak-to-clear timers. A soak-to-clear timer starts when a switch condition clears. While the timer is running, the protection group behaves as though the switch condition is still present. If the switch condition recurs before the timer has expired, the timer is canceled. When the switch condition clears, the timer is restarted.

The durations of soak-to-clear timers are not user-provisionable and are unrelated to the soak times for alarms and conditions. A soak-to-clear timer is not started when a switch condition clears if the switch condition has a lower priority than the currently active switch condition. For example, an SD BER soak-to-clear timer will not start if SD BER clears while AIS is present, since AIS has a higher priority than SD BER. All line defects with an SF priority, except for SF BER, share a single one-second soak-to-clear timer. SF BER and SD BER line conditions have a 10-second soak-to-clear timer.

The protection group does not switch sooner than 1.5 seconds after the last switch (the switch hold-off timer). This timer prevents rapid oscillation of the protection group.

A Y-cable protection group does not switch for the first 5 seconds after it is created unless both cards in the protection group become active before 5 seconds elapses. This delay allows both cards in the protection group to be provisioned before any switching decisions are made.

A Y-cable protection group does not switch sooner than 0.5 seconds after a client or trunk facility moves from the OOS-SDBLD state. This hold-off timer allows the cards to ignore transients caused by a port going in-service. The ALS condition has a 3 second soak-to-clear timer.

Revertive and Nonrevertive Attributes

Both revertive and nonrevertive switching is supported; the default switch mode is nonrevertive.

Network element (NE) defaults contain a revertive attribute for Y-cable and splitter protection. When applicable in revertive mode, the revert delay timer, also called the Wait-To-Restore (WTR) timer, is software provisionable for Y-cable and splitter protection. The WTR timer is provisionable between 0.5 and 12 minutes, in 0.5 minute increments, and it has a default value of 5 minutes.

When applicable, the NE defaults contain a WTR attribute for Y-cable and splitter protection. When a Y-cable protection group is deleted, a dialog box will appear warning of possible traffic loss.

Communications Channels

In a Y-cable protection group, only the working client can be provisioned with a section data communications channel (SDCC) or line data communications channel (LDCC), and only the working client port can be provisioned as a timing reference (as permitted by payload). The working and protect trunks can be provisioned separately with communication channels (SDCC, LDCC, or generic communications channel [GCC], as permitted by payload type). The communication channels are not protected.

Inherited Port Properties

Selected port properties of the protection port are inherited from the working port. In this section, the word port refers to a Y-cable client port or a splitter trunk port:

- The maximum Ethernet Frame Size of the protect port is inherited from the working port.
- The Port Type (SONET or SDH) of the protect port is inherited from the working port.
- The Termination Mode of the protect port is inherited from the working port.
- The SF BER threshold of the protect port is inherited from the working port.
- The SD BER threshold of the protect port is inherited from the working port.
- The SyncMsgIn and SendDoNotUse attributes of the protect port are inherited from the working port.
- Section trace provisioning of the protect port is inherited from the working port.
- The line thresholds of the protect port are inherited from the working port.
- The SDCC/LDCC/GCC provisioning of the protect port is inherited from the working port.
- The ALS provisioning of the protect port is inherited from the working port.

ALS is not permitted on the client ports of Y-cable protection groups. This requirement applies only to splitter protection groups.

Switch Status Reporting

Y-cable and splitter protection groups indicate to management software the active/standby status of facilities and cards involved in the protection group. A facility has an active/standby status within the protection group and it has a status that is reported to the management software. These two do not always coincide. Internally, the protection group always has one active facility and one standby facility. In some circumstances, the protection group reports both facilities as standby.

The reported status of any port on a nonoperational card is undefined. While a card is reset, its status might or might not be reported properly. Because the card does not report any status, the report to the user is a function of the management software, not the protection group.

A Y-cable protection group reports a separate status for the TX path and the RX path, for every facility. The active/standby status of the protection group is reported as the status of the RX path. If the status of the far-end protection group is known, then the status of the far-end protection group is reported as the status of the near-end TX path.

The ability of a protection group to know the status of the far-end protection group is a function of the equipment type and the trunk type. If the status of the far-end protection group is not known, the status of the near-end protection group shall be reported as the status of the TX path.

A Y-cable protection group has at most one active client port. A port in a Y-cable or splitter protection group is reported as standby if it has an OOS-DSBLD service state, regardless of its status within the protection group. A port in a Y-cable or splitter protection group is reported as active if it does not have an OOS-DSBLD

state and if it carries overhead traffic (GCC, SDCC, LDCC, or E1 bytes), regardless of its status within the protection group.

A client port in a Y-cable protection group is reported as active if it does not have an OOS-DSBLD service state and if it is active within the protection group. A trunk port in a Y-cable protection group is reported as active if it does not have an OOS-DSBLD service state and if any client port on the same card is active.

Transponders have exactly one client port, and the relationship of client to trunk is clear. Muxponder cards have multiple client ports, which means that multiple protection groups are present. If any client port on a muxponder is active, and if the trunk is in-service, the trunk is also reported as active.

Client ports and trunk ports on unprotected cards (cards not part of any protection group) are reported as active if they do not have an OOS-DSBLD service state.

Switch Conditions

Protection groups generate conditions and transient conditions to provide a status to the node management software. Common conditions include:

- The protection group raises a MAN-REQ condition against the working facility while a Manual Switch to Protection switch command is in effect.
- The protection group raises a MAN-REQ condition against the protection facility while a Manual Switch to Working switch command is in effect.
- The protection group raises a FORCED-REQ condition against the working facility while a Forced Switch to Protection switch command is in effect.
- The protection group raises a FORCED-REQ condition against the protection facility while a Forced Switch to Working switch command is in effect.
- The protection group raises a LOCKOUT-REQ condition against the protection facility while a Lockout of Protection switch command is in effect.
- The protection group signals an APS-CLEAR condition when a switch command is preempted by a higher-priority switch condition.
- The protection group signals a FAILTOSW condition while a switch command is inhibiting a protection switch due to a lower-priority line condition.
- The protection group raises a WTR condition against the working facility while the Wait To Restore timer is running.
- The protection group, if it is in revertive mode, raises a WKSWPR condition against the working facility while the protection facility is active.
- The protection group, if it is in nonrevertive mode, signals a WKSWPR condition against the working facility when the protection facility becomes active.
- The protection group, if it is nonrevertive, signals a WKSWBK condition against the working facility when the working facility becomes active.

Protection Switching Performance Requirements

Protection switching is executed within 50 ms of a defect appearing at the near end. Loss of light on the client outputs of a Y-cable protection group does not exceed 20 ms during a switch.

During a protection switch, the standby client transmitter turns off, and the active client transmitter turns on. If the standby transmitter turns off before the active transmitter is fully on, a loss of light occurs at the stem of the Y-cable. This loss of light does not last longer than 20 ms. If a payload cannot tolerate a loss of light less than 20 ms, then that payload cannot be used with Y-cable protection.

Usability Requirements

The following section discusses regeneration groups, automatic laser shutdown, and client signal failures.

Regeneration Groups

A regeneration group boosts the power and improves the signal-to-noise (S/N) ratio in a DWDM signal. The purpose is to extend the reach of a DWDM signal between two termination points. In an ideal condition, regeneration is totally transparent to the endpoints. However, some regeneration techniques fall short of this ideal condition and might modify, delay, or even drop overhead signals (ITU-T G.709, GFP, or other section-level signaling protocols).

The behavior of Y-cable and splitter protection groups is unchanged by the presence of a single peer-to-peer regeneration group in one or both of the DWDM spans. This requirement cannot be met if the regeneration corrupts the overhead bytes that are necessary for protection switching.

Automatic Laser Shutdown

ALS disables the transmitter of a facility if the receiver of the same facility detects a loss of light. ALS exists as a human-safety standard. After ALS shuts down the transmitter, it is not restarted until the loss of light condition clears. To facilitate restarting lasers when both ends of a span are shut down by ALS, the facility can be provisioned to send short test pulses of light. ALS is not permitted on the client ports of a Y-cable protection group.

Client Signal Failures

Y-cable protection groups can protect against failures of the client RX signal at the end. The far-end client RX failure can be in the fiber (in an “arm” of the Y), in the equipment (for example, the SFP), or in the provisioning (client OOS-DSBLD). These failure types require special handling because they are out-of-band with respect to the normal client payload. The term used for these failures is client signal fail (CSF). This has the same meaning as GFP-CSF, but does not imply that GFP-CSF is used for the signaling. Client signal failures include:

- An S-LOF on a client port, if the client is OC-N, is signaled to the downstream client port as a CSF.
- An S-LOS on a client port, if the client is OC-N, is signaled to the downstream client port as a CSF.
- An RS-LOF on a client port, if the client is STM-N, is signaled to the downstream client port as a CSF.
- An RS-LOS on a client port, if the client is STM-N, is signaled to the downstream client port as a CSF.
- A GE-OOSYNC on a client port, if the client is GigE or 10GigE, is signaled to the downstream client port as a CSF.
- An SFP missing condition on a client port is signaled to the downstream silent port as a CSF.
- An SFP mismatch (failure to support client data rate) condition on a client port is signaled to the downstream client port as a CSF.
- An SFP failure condition on a client port is signaled to the downstream client port as a CSF.
- An OOS-DSBLD condition on a client port is signaled to the downstream client port as a CSF.

In-service Upgrade

A Y-cable group switches normally during a software activation or software revert if both cards in the Y-cable group are running the same software release.

This behavior is different from that of OC-N 1+1 protection groups, which will not switch until the software activation is complete. The Y-cable group is able to switch before either card has booted to the new release

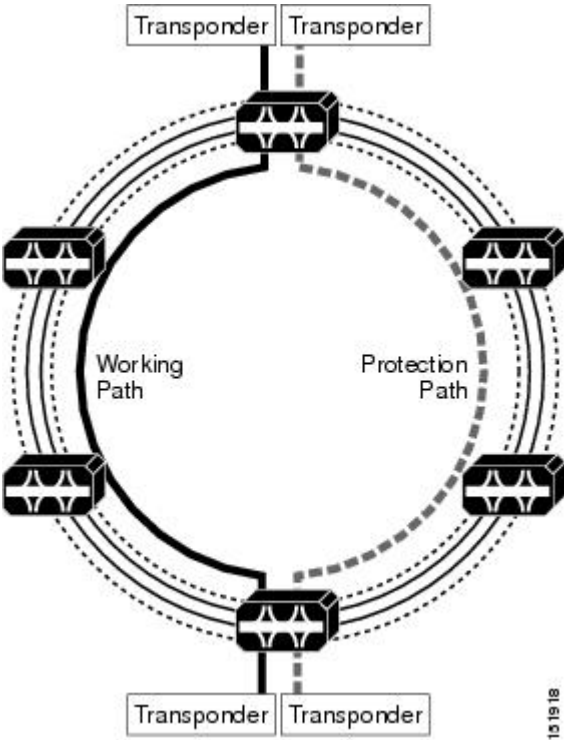
and after both cards have booted to the new release. This requirement does not preempt the other requirements that both cards be operational and that an active TCC2/TCC2P be installed.

Path Diversion Support for Client Protection

The ONS 15454 DWDM system provides the capability to provision unprotected wavelengths on a per-wavelength basis and supports the reuse of unprotected wavelengths on adjacent spans.

The following figure provides examples of unprotected wavelengths.

Figure 39: Example of Unprotected Wavelengths



NTP-G33 Creating a Y-Cable Protection Group

Purpose	This procedure creates a Y-cable protection group between the client ports of two TXP, MXP, AR_XP, AR_MXP, AR_XPE, 10x10G-LC, CFP-LC, 100G-CK-C, 100GS-CK-LC, 200G-CK-LC, GE_XP, 10GE_XP, GE_XPE, 10GE_XPE, or OTU2_XP cards when the cards are provisioned in the TXP or MXP mode.
Tools/Equipment	<ul style="list-style-type: none"> • Installed TXP, MXP, AR_MXP, AR_XP, AR_XPE, 10x10G-LC, CFP-LC, 100G-CK-C, 100GS-CK-LC, 200G-CK-LC, GE_XP, 10GE_XP, GE_XPE, 10GE_XPE, or OTU2_XP card. • Cisco TransportPlanner Traffic Matrix

Prerequisite Procedures	<ul style="list-style-type: none"> • NTP-G15 Installing the Common Control Cards on ONS 15454 Shelf • NTP-G14 Install DWDM Equipment • DLP-G46 Log into CTC • NTP-G139 Verifying Cisco Transport Planner Reports and Files
Required/As Needed	As needed
Onsite/Remote	Onsite or remote
Security Level	Provisioning or higher



Note Y-cable protection is available for the 100GS-CK-LC and 200G-CK-LC cards only in the MXP-10x10G operating modes



Note In the MXP-10x10G opmode, for the 200G-CK-LC and 10x10G-LC cards, Y-cable creation for OTU2 client payload of 10x10G-LC is not supported in R10.70.



Note In the MXP-10x10G-100G opmode, Y-cable creation for client ports of 10x10G-LC, for the combination of 200G-CK-LC and 100GS-CK-LC trunk cards is not supported in R10.70.



Note Y-cable protection is available for the 10x10G-LC card when it is provisioned in one of the following modes:

- TXP-10G mode—The client ports are provisioned with 10G Ethernet LAN Phy, 8G FC, 10G FC, OTU2, and OC192/STM-64 payloads.
- MXP-10G mode—The client ports are provisioned with 10GE, 8G FC, 10G FC, OTU2, and OC192/STM-64 payloads.



Note Y-cable protection is available for the 100G-CK-C card for the CPAK-100G-LR4 pluggable with 100GE/OTU4 payloads.



Note Y-cable protection is available for the GE_XP, 10GE_XP, GE_XPE, and 10GE_XPE cards when they are provisioned in the 10GE MXP, 20GE MXP, or 10GE TXP mode. If you are provisioning Y-cable protection for GE_XP, 10GE_XP, GE_XPE, and 10GE_XPE cards, the Ethernet mode must be set to 1000 and 10000 Mbps respectively. To provision the Ethernet mode, see the [DLP-G380 Provisioning Ethernet Settings, on page 430](#). Y-cable protection cannot be provisioned for the GE_XP, 10GE_XP, GE_XPE, and 10GE_XPE cards when they are provisioned in L2-over-DWDM mode.



Note Y-cable protection is available for the OTU2_XP card when it is provisioned in the TXP card mode. The OTU2-XP and 40E-MXP-C card cannot implement Y-cable protection for the client ports in 10 GE LAN PHY mode. Hence, a pair of OTU2_XP cards is used at each end in pass-through mode (Transponder mode with G.709 disabled) to implement Y-cable protection. The 40E-MXP-CE card can implement Y-cable protection without the OTU2-XP card for the client ports in LAN PHY GFP mode. However, the 40E-MXP-CE card cannot implement Y-cable protection without the OTU2-XP card for the client ports in LAN PHY WIS mode.



Note For SONET or SDH payloads, Loss of Pointer Path (LOP-P) alarms can occur on a split signal if the ports are not in a Y-cable protection group.

Procedure

- Step 1** View the Cisco Transport Planner Traffic Matrix (see the [Cisco Transport Planner Node Setup Information and Files](#) table) for your site. Verify the cards that need Y-cable protection groups. (Cards requiring Y-cable protection are indicated with “Y-Cable” in the Traffic Matrix table Protection Type column.) For more information, see the *Cisco Transport Planner DWDM Operations Guide*.
- Step 2** Verify that the cards are installed according to the requirements specified in [Cable Connections for Y-Cable Protection of One Client Signal. Protection Types, on page 226](#) lists the protection types available for DWDM client cards.
- Step 3** Verify that pluggable ports are provisioned for the same payload and payload rate on the cards where you want to create the Y-cable protection group:
- Display the card in card view.
 - Click the **Provisioning > Pluggable Port Module** tab.
 - Verify that a pluggable port is provisioned in the Pluggable Port Module area, and the payload type and rate is provisioned for it in the Pluggable Ports area. If they are not the same, for example, if the pluggable port and rate are not the same, you must either delete the provisioned rate and create a new rate to match using the [DLP-G725 Preprovisioning PPM Slot](#) task or replace the pluggable port (SFP or XFP) using the [DLP-G728 Remove PPM from the Line Card](#) task.
- Step 4** In node view (single-shelf mode) or shelf view (multishelf mode), click the **Provisioning > Protection** tabs.
- Step 5** In the Protection Groups area, click **Create**.
- Step 6** In the Create Protection Group dialog box, enter the following:

- **Name**—Type a name for the protection group. The name can have up to 32 alphanumeric (a-z, A-Z, 0-9) characters. Special characters are permitted. For TL1 compatibility, do not use question mark (?), backslash (\), or double quote (") characters.
- **Type**—Choose **Y Cable** from the drop-down list.
- **Protect Port**—From the drop-down list, choose the port that will be the standby or protection port to the active port. The list displays the available transponder or muxponder ports. If transponder or muxponder cards are not installed, no ports appear in the drop-down list.

After you choose the protect port, a list of available working ports appear in the Available Ports list. If no cards are available, no ports appear. If this occurs, you can not complete this task until you install the physical cards or preprovision the slots.

Step 7 From the Available Ports list, select the port that will be protected by the port you selected in Protect Ports. Click the top arrow button to move the port to the Working Ports list.

Step 8 Complete the remaining fields:

- **Revertive**—Check this check box if you want traffic to revert to the working port after failure conditions remain corrected for the amount of time entered in the Reversion Time field.
- **Reversion time**—If Revertive is checked, select a reversion time from the drop-down list. The range is 0.5 to 12.0 minutes. The default is 5.0 minutes. Reversion time is the amount of time that will elapse before the traffic reverts to the working card. The reversion timer starts after conditions causing the switch are cleared.

Note The bidirectional switching option is available for Y-cable protection groups only in the following cases:

- On the MXP_MR_10DME card when ISC3_PEER_1G/ISC3_PEER_2G is the client payload.
- On the MXP_MR_10DME and MXP_MR_2.5G cards when Fibre Channel is the client payload. In this case bidirectional switching is:
 - Automatically enabled when Distance Extension is enabled.
 - Automatically disabled when Distance Extension is disabled.

The bidirectional switching option is available for all SONET and SDH 1+1 protection groups.

Step 9 Click **OK**.

Step 10 Repeat this procedure for every Y-cable protection group indicated in the Cisco TransportPlanner Traffic Matrix.

Stop. You have completed this procedure.

Protection Types

Table 65: Protection Types

Protection Type	Cards	Description and Installation Requirements
Y-cable		<p>Pairs a working transponder or muxponder card or port with a protect transponder or muxponder card or port. The protect port must be on a different card than the working port and it must be the same card type as the working port. The working and protect port numbers must be the same, that is, Port 1 can only protect Port 1, Port 2 can only protect Port 2, and so on.</p> <p>Note The working and protect card must be in the same shelf in a multishelf node.</p>

Protection Type	Cards	Description and Installation Requirements
	MXP_2.5_10G MXP_2.5_10E MXP_2.5_10E_C MXP_2.5_10E_L TXP_MR_10EX_C TXP_MR_10G TXP_MR_10E TXP_MR_10E_C TXP_MR_10E_L TXP_MR_2.5G 40E-TXP-C 40ME-TXP-C MXP_MR_2.5G MXP_MR_10DME_C MXP_MR_10DME_L MXP_MR_10DMEX_C 40G-MXP-C 40E-MXP-C 40ME-MXP-C GE_XP (when provisioned in 10GE MXP or 20GE MXP card mode) 10GE_XP (when provisioned in 10GE TXP card mode) GE_XPE 10GE_XPE OTU2_XP AR_MXP AR_XP AR_XPE 10x10G-LC CFP-LC 100G-CK-C	

Protection Type	Cards	Description and Installation Requirements
Splitter	TXPP_MR_2.5G MXPP_MR_2.5G AR_MXP AR_XP AR_XPE 10x10G-LC	A splitter protection group is automatically created when a TXPP_MR_2.5G, MXPP_MR_2.5G, AR_MXP, AR_XP, AR_XPE, or 10x10G-LC card is installed. You can edit the splitter protection group name.
	OTU2_XP	A splitter protection group is configurable for the OTU2_XP card. To create a splitter protection group on ports 3 and 4 of the OTU2_XP card, see the NTP-G199 Creating a Splitter Protection Group, on page 228 .
1+1	GE_XP 10GE_XP GE_XPE 10GE_XPE	In the Layer 2 (L2) card mode 1+1 protection is provided to protect against client port and card failure.

NTP-G199 Creating a Splitter Protection Group

Purpose	This procedure creates a splitter protection group between the trunk ports of an OTU2_XP card. For additional information about splitter protection, see the "Splitter Protection" section.
Tools/Equipment	Installed OTU2_XP card Cisco TransportPlanner Traffic Matrix
Prerequisite Procedures	In the Hardware Installation Guide: <ul style="list-style-type: none"> • NTP-G15 Install the Common Control Cards • NTP-G14 Install DWDM Equipment • DLP-G46 Log into CTC • NTP-G139 Verifying Cisco Transport Planner Reports and Files
Required/As Needed	As needed
Onsite/Remote	Onsite or remote
Security Level	Provisioning or higher



Note A splitter protection group is automatically created when a TXPP_MR_2.5G, MXPP_MR_2.5G, or PSM card is installed. You can edit the splitter protection group name for these cards. The splitter protection group is deleted when you delete the TXPP_MR_2.5G, MXPP_MR_2.5G, or PSM card.



Note Splitter protection is available for the OTU2_XP card when it is provisioned in Transponder configuration only. In a splitter-protected Transponder configuration, Port 1 is the client port, Port 3 is the working trunk port, and Port 4 is the standby trunk port.



Note For SONET or SDH payloads, Loss of Pointer Path (LOP-P) alarms can occur on a split signal if the ports are not in a splitter protection group.

Procedure

- Step 1** View the Cisco TransportPlanner Traffic Matrix (see the [Cisco Transport Planner Node Setup Information and Files](#) table) for your site. Verify which OTU2_XP card needs a splitter protection group. (Cards requiring splitter protection are indicated with “Splitter” in the Traffic Matrix table Protection Type column. Refer to the *Cisco Transport Planner DWDM Operations Guide* for more information.)
- Step 2** Verify that the OTU2_XP card is installed according to the requirements specified in [Cable Connections for Y-Cable Protection of One Client Signal](#)
- Step 3** Verify that the pluggable port (SFP or XFP) slot is provisioned for the same payload rate as the pluggable port on the OTU2_XP card where you will create the splitter protection group:
- Display the OTU2_XP card in card view.
 - Click the **Provisioning > Pluggable Port Module** tabs.
 - Verify that a pluggable port (SFP or XFP) slot is provisioned in the Pluggable Port Module area, and that the payload rate of the pluggable port (SFP or XFP) slot is same as the payload rate of the pluggable port on the OTU2_XP card provisioned in the Pluggable Ports area. If they are not the same, you must either delete the provisioned rate and create a new rate to match using the [DLP-G725 Preprovisioning PPM Slot](#) task or replace the pluggable port (SFP or XFP) using the [DLP-G728 Remove PPM from the Line Card](#) task.
- Step 4** In node view (single-shelf mode) or shelf view (multishelf view), click the **Provisioning > Protection** tabs.
- Step 5** In the Protection Groups area, click **Create**.
- Step 6** In the Create Protection Group dialog box, enter the following:
- Name—Type a name for the protection group. The name can have up to 32 alphanumeric (a-z, A-Z, 0-9) characters. Special characters are permitted. For TL1 compatibility, do not use question mark (?), backslash (\), or double quote (") characters.
 - Type—Choose **Splitter** from the drop-down list.
 - Protect Card—From the drop-down list, choose the port that will be the standby or protection port to the active port. The list displays the available OTU2_XP ports. If transponder or muxponder cards are not

installed or if the trunk ports of the card are part of a regenerator group, no ports appear in the drop-down list.

After you choose the protect port, a list of available working ports appear in the Available Cards list. If no cards are available, no ports appear. If this occurs, you cannot complete this task until you install the physical cards or preprovision the slots using the [DLP-G353 Preprovisioning a Slot](#).

Step 7 From the Available Cards list, select the port that will be protected by the port you selected in Protect Cards. Click the top arrow button to move the port to the Working Cards list.

Step 8 Complete the remaining fields:

- **Revertive**—Check this check box if you want traffic to revert to the working port after failure conditions remain corrected for the amount of time entered in the Reversion Time field.
- **Reversion time**—If Revertive is checked, select a reversion time from the drop-down list. The range is 0.5 to 12.0 minutes. The default is 5.0 minutes. Reversion time is the amount of time that will elapse before the traffic reverts to the working card. The reversion timer starts after conditions causing the switch are cleared.

Note The Bidirectional Switching option is not applicable for splitter protection groups.

Step 9 Click **OK**.

Step 10 Repeat this procedure for every splitter protection group indicated in the Cisco TransportPlanner Traffic Matrix.

Stop. You have completed this procedure.

NTP-G198 Creating 1+1 Protection for Cards

Purpose	This procedure creates a 1+1 protection group to protect against client port and card failure of GE_XP, 10GE_XP, GE_XPE, 10GE_XPE cards.
Tools/Equipment	None
Prerequisite Procedures	In the Hardware Installation Guide: <ul style="list-style-type: none"> • DLP-G46 Log into CTC • NTP-G139 Verifying Cisco Transport Planner Reports and Files
Required/As Needed	As needed
Onsite/Remote	Onsite or remote
Security Level	Provisioning or higher

Procedure

-
- Step 1** Verify that the GE_XP, 10GE_XP, GE_XPE, or 10GE_XPE card is installed according to the requirements specified in [Cable Connections for Y-Cable Protection of One Client Signal](#)
- Step 2** Complete the [NTP-G242 Creating an Internal Patchcord Manually](#) by selecting the Trunk to Trunk (L2) option, at the trunk port where you want to create 1+1 protection.
- Step 3** Complete the [DLP-G461 Creating a 1+1 Protection Group for Cards, on page 231](#) to create a protection group.
- Step 4** Configure the standby port behavior, by setting the Protection Action to **None** or **Squelch**. For detailed information on how to configure the standby port behavior, see the [DLP-G380 Provisioning Ethernet Settings, on page 430](#) task.
- Note** Do not enable squelch in a 1 + 1 protection group, if the 100FX, 100LX SFP, and ONS-SE-ZE-EL SFP is used in the protection group and is connected to the peer via the parallel cable (not Y-cable)
- Note** When you configure L2 1 + 1 protection on 10GE_XP and 10GE_XPE cards, set the Protection Action to None on the client ports. Setting the Protection Action as **Squelch results in unexpected switching behavior**.
- Step 5** Configure the standby and active port speed, by setting the mode parameter to Auto or 1000 or any other values. For detailed information on how to configure the standby port behavior, see the [DLP-G380 Provisioning Ethernet Settings, on page 430](#) task.
- Stop. You have completed this procedure.**
-

DLP-G461 Creating a 1+1 Protection Group for Cards

Purpose	This procedure creates a 1+1 protection group for GE_XP, 10GE_XP, GE_XPE, or 10GE_XPE slots where internal patchcords were created.
Tools/Equipment	None
Prerequisite Procedures	DLP-G344 Verifying Provisionable and Internal Patchcords
Required/As Needed	As needed
Onsite/Remote	Onsite or remote
Security Level	Provisioning or higher

Procedure

-
- Step 1** In node view (single-shelf mode) or multishelf view (multishelf mode), click the **Provisioning > Protection** tabs.
- Step 2** In the Protection Groups area, click **Create**.
- Step 3** In the Create Protection Group dialog box, enter the following:

- **Name**—Type a name for the protection group. The name can have up to 32 alphanumeric (a-z, A-Z, 0-9) characters. Special characters are permitted. For TL1 compatibility, do not use question mark (?), backslash (\), or double quote (") characters.
- **Type**—Choose **L2 1+1 (port)** from the drop-down list.
- **Protect Port**—From the drop-down list, choose the port that will be the standby or protection port for the active port. The list displays the available transponder or muxponder ports. If transponder or muxponder cards are not installed, no ports appear in the drop-down list.

After you choose the protect port, a list of available working ports appear in the Available Ports list. If no cards are available, no ports appear. If this occurs, you cannot complete this task until you install the physical cards or preprovision the slots using the [DLP-G353 Preprovisioning a Slot](#) task.

Step 4 From the Available Ports list, select the port that will be protected by the port you selected in the Protected Port drop-down list. Click the top arrow button to move the port to the Working Ports list.

Step 5 Complete the remaining fields:

- **Revertive**—Check this check box if you want traffic to revert to the working port after failure conditions remain corrected for the amount of time entered in the Reversion Time field.
- **Reversion time**—If Revertive is checked, select a reversion time from the drop-down list. The range is 0.5 to 12.0 minutes. The default is 5.0 minutes. Reversion time is the amount of time that will elapse before the traffic reverts to the working card. The reversion timer starts after conditions causing the switch are cleared.

The bidirectional switching option is available for SONET and SDH 1+1 protection groups.

Step 6 Click **OK**.

Step 7 Repeat this procedure for every 1+1 protection group indicated in the Cisco TransportPlanner Traffic Matrix.

Step 8 Return to your originating procedure (NTP).

NTP-G98 Provisioning the 2.5G Multirate Transponder Card Line Settings and PM Parameter Thresholds

Purpose	This procedure changes the line and threshold settings for TXP_MR_2.5G and TXPP_MR_2.5G transponder cards.
Tools/Equipment	None
Prerequisite Procedures	DLP-G723 Install PPM on a Line Card DLP-G726 Preprovisioning a Multirate PPM (if necessary) DLP-G278 Provisioning the Optical Line Rate, on page 205
Required/As Needed	As needed
Onsite/Remote	Onsite or remote
Security Level	Provisioning or higher

Procedure

- Step 1** As needed, complete the [NTP-G103 Backing Up the Database](#) task to preserve the existing transmission settings.
- Step 2** Perform any of the following tasks as needed:
- [DLP-G229 Changing the 2.5G or 10G Transponder Card Settings](#), on page 233
 - [DLP-G230 Changing the 2.5G Multirate Transponder Line Settings](#), on page 235
 - [DLP-G231 Changing the 2.5G Multirate Transponder Line Section Trace Settings](#), on page 237
 - [DLP-G232 Changing the Multirate Transponder SONET or SDH Line Threshold Settings](#), on page 241
 - [DLP-G320 Changing the 2.5G Multirate Transponder Line RMON Thresholds](#), on page 244
 - [DLP-G305 Provisioning the 2.5G Multirate Transponder Trunk Port Alarm and TCA Thresholds](#), on page 245
 - [DLP-G306 Provisioning the 2.5G Multirate Transponder Client Port Alarm and TCA Thresholds](#), on page 247
 - [DLP-G234 Changing the Multirate Transponder OTN Settings](#), on page 252
 - [DLP-G367 Changing the Multirate Transponder Trunk Wavelength Settings](#), on page 239

Stop. You have completed this procedure.

DLP-G229 Changing the 2.5G or 10G Transponder Card Settings

Purpose	This task changes the card settings for TXP_MR_2.5G and TXPP_MR_2.5G, TXP_MR_10G, TXP_MR_10E, TXP_MR_10E_C, TXP_MR_10E_L, and TXP_MR_10EX_C transponder cards.
Tools/Equipment	None
Prerequisite Procedures	DLP-G46 Log into CTC
Required/As Needed	As needed
Onsite/Remote	Onsite or remote
Security Level	Provisioning or higher

Procedure

- Step 1** In node view (single-shelf mode) or shelf view (multishelf view), double-click the card where you want to change the card settings.
- Step 2** Click the **Provisioning > Card** tabs.
- Step 3** Modify any of the settings described in the following table.

Note The Card subtab Framing Type and Tunable Wavelengths fields are display-only. Framing Type shows the card framing type, either SONET or SDH, depending on whether the card is installed in an ANSI or ETSI chassis. The Tunable Wavelengths field shows the tunable wavelengths for the physical TXP_MR_2.5G or TXPP_MR_2.5G that is installed.

Table 66: 2.5G or 10G Transponder Card Settings

Parameter	Description	Options
Termination Mode	Sets the mode of operation (option only supported for SONET/SDH payloads).	<ul style="list-style-type: none"> • Transparent • Section (ANSI) or Regeneration Section (ETSI) - Only for TXP_MR_2.5G, TXPP_MR_2.5G, and TXP_MR_10E. • Line (ANSI) or Multiplex Section (ETSI)
AIS/Squelch Configuration	(TXP_MR_10E, TXP_MR_10E_C, TXP_MR_10E_L, or TXP_MR_10EX_C only) Sets the transparent termination mode configuration.	<ul style="list-style-type: none"> • Squelch • AIS
Regeneration Peer Slot	<p>Sets the slot containing another multirate card to create a regeneration peer group. A regeneration peer group facilitates the management of two multirate cards that are needed to perform a complete signal regeneration.</p> <p>The regeneration peer group synchronizes provisioning of the two cards. Payload type and ITU-T G.709 optical transport network (OTN) changes made on one multirate card are reflected on the peer multirate card.</p> <p>Note Y-cable protection groups cannot be created on TXP cards that are in a regeneration peer group.</p>	<ul style="list-style-type: none"> • None • 1 • 2 • 3 • 4 • 5 • 6 • 12 • 13 • 14 • 15 • 16 • 17
Regeneration Group Name	Sets the regeneration peer group name.	User defined

Parameter	Description	Options
Tunable Wavelengths	(Only for 10G multirate transponder cards) Shows the supported wavelengths of the trunk port after the card is installed. For the TXP_MR_10E_C, or TXP_MR_10E_L cards, the first and last supported wavelength, frequency spacing, and number of supported wavelengths are shown in the format: <i>first wavelength-last wavelength-frequency spacing-number of supported wavelengths</i> . For example, the TXP_MR_10E_C card would show: 1529.55nm-1561.83nm-50GHz-82. The TXP_MR_10E show the four wavelengths supported by the card that is installed. The TXP_MR_10G show the two wavelengths supported by the card that is installed.	—

Step 4 Click **Apply**.

Step 5 Return to your originating procedure (NTP).

DLP-G230 Changing the 2.5G Multirate Transponder Line Settings

Purpose	This task changes the line settings for the client port of the TXP_MR_2.5G and TXPP_MR_2.5G transponder cards.
Tools/Equipment	None
Prerequisite Procedures	DLP-G46 Log into CTC
Required/As Needed	As needed
Onsite/Remote	Onsite or remote
Security Level	Provisioning or higher

Procedure

Step 1 In node view (single-shelf mode) or shelf view (multishelf view), double-click the TXP_MR_2.5G or TXPP_MR_2.5G card where you want to change the line settings.

Step 2 Click the **Provisioning > Line > SONET** tabs.

Step 3 Modify any of the settings described in the following table.

Note The 2.5G multirate transponder trunk settings are provisioned in the [DLP-G305 Provisioning the 2.5G Multirate Transponder Trunk Port Alarm and TCA Thresholds](#), on page 245.

Table 67: TXP_MR_2.5G and TXPP_MR_2.5G Transponder Card Line Settings

Parameter	Description	Options
Port	(Display only) Displays the port number.	<ul style="list-style-type: none"> • 1 • 2 (Trunk) • 3 (Trunk) (TXPP_MR_2.5G card only)
Port Name	The user can assign a logical name for each of the ports shown by filling in this field.	User-defined. Name can be up to 80 alphanumeric special characters. Blank by default.
Admin State	Sets the port service state unless network conditions prevent the change. For more information about administrative states, see the Administrative and Service States document.	<ul style="list-style-type: none"> • IS (ANSI) or Unlocked (ETSI) • IS,AINS (ANSI) or Unlocked,automatic (ETSI) • OOS,DSBLD (ANSI) or Locked,disabled • OOS,MT (ANSI) or Locked,maintenance
Service State	(Display only) Identifies the autonomously generated state that gives the overall condition of the port. Service states appear in the format: Primary State-Primary State Qualifier, Secondary State. For more information about service states, see the Administrative and Service States document.	<ul style="list-style-type: none"> • IS-NR (ANSI) or Unlocked-enabled (ETSI) • OOS-AU,AINS (ANSI) or Unlocked-disabled automaticInService (ETSI) • OOS-MA,DSBLD (ANSI) or Locked-enabled,disabled (ETSI) • OOS-MA,MT (ANSI) or Locked-enabled,maintenance (ETSI)
SF BER	(OC-N and STM-N payloads only) Sets the signal fail bit error rate.	<ul style="list-style-type: none"> • 1E-3 • 1E-4 • 1E-5
SD BER	(OC-N and STM-N payloads only) Sets the signal degrade bit error rate.	<ul style="list-style-type: none"> • 1E-5 • 1E-6 • 1E-7 • 1E-8 • 1E-9
ALS Mode	Sets the automatic laser shutdown (ALS) function.	<ul style="list-style-type: none"> • Disabled (default) • Auto Restart • Manual Restart • Manual Restart for Test

Parameter	Description	Options
Reach	Displays the optical reach distance of the client port.	Options: ANSI/ETSI <ul style="list-style-type: none"> • Autoprovision/Autoprovision (default) • SR • SR 1/I-1—Short reach up to 2-km distance • IR 1/S1—Intermediate reach, up to 15-km distance • IR 2/S2—Intermediate reach up to 40-km distance • LR 1/L1—long reach, up to 40-km distance • LR 2/L2—long reach, up to 80-km distance • LR 3/L3—long reach, up to 80-km distance
Wavelength	Displays the wavelength of the client port.	<ul style="list-style-type: none"> • First Tunable Wavelength • Further wavelengths: 1310 nm through 1610 nm, 100-GHz ITU spacing; coarse wavelength multiplexing (CWDM) spacing <p>Note: supported wavelengths are marked with (**)</p>
AINS Soak	(OC-N and STM-N payloads only) Sets the automatic in-service soak period.	<ul style="list-style-type: none"> • Duration of valid input signal, in hours, after which the card becomes in service automatically • 0 to 48 hours, 15-minute increments
Type	(OC-N and STM-N payloads only) The optical transport type.	<ul style="list-style-type: none"> • SONET • SDH

Step 4 Click **Apply**.

Step 5 Return to your originating procedure (NTP).

DLP-G231 Changing the 2.5G Multirate Transponder Line Section Trace Settings

Purpose	This task changes the section trace settings for TXP_MR_2.5G and TXPP_MR_2.5G transponder cards.
Tools/Equipment	None
Prerequisite Procedures	DLP-G46 Log into CTC
Required/As Needed	As needed

Onsite/Remote	Onsite or remote
Security Level	Provisioning or higher



Note This task only applies to SONET services.

Procedure

- Step 1** In node view (single-shelf mode) or shelf view (multishelf view), double-click the TXP_MR_2.5G or TXPP_MR_2.5G card where you want to change the section trace settings.
- Step 2** Click the **Provisioning > Line > Section Trace** tabs.
- Step 3** Modify any of the settings described in the following table.

Table 68: TXP_MR_2.5G and TXPP_MR_2.5G Transponder Card Section Trace Settings

Parameter	Description	Options
Port	(Display only) Port number.	<ul style="list-style-type: none"> • 1 • 2 (Trunk) • 3 (Trunk) (TXPP_MR_2.5G only)
Received Trace Mode	Sets the trace mode.	<ul style="list-style-type: none"> • Off/None • Manual
Disable AIS/RDI on TIM-S	If an TIM on Section overhead alarm arises because of a J0 overhead string mismatch, no alarm indication signal is sent to downstream nodes if this box is checked.	<ul style="list-style-type: none"> • Checked (AIS/RDI on TIM-S is disabled) • Unchecked (AIS/RDI on TIM-S is not disabled)
Transmit Section Trace String Size	Sets the trace string size.	<ul style="list-style-type: none"> • 1 byte • 16 byte
Transmit	Displays the current transmit string; sets a new transmit string. You can click the button on the right to change the display. Its title changes, based on the current display mode. Click Hex to change the display to hexadecimal (button changes to ASCII); click ASCII to change the display to ASCII (button changes to Hex).	String of trace string size

Parameter	Description	Options
Expected	Displays the current expected string; sets a new expected string. You can click the button on the right to change the display. Its title changes, based on the current display mode. Click Hex to change the display to hexadecimal (button changes to ASCII); click ASCII to change the display to ASCII (button changes to Hex).	String of trace string size
Received	(Display only) Displays the current received string. You can click Refresh to manually refresh this display, or check the Auto-refresh every 5 sec check box to keep this display updated automatically.	String of trace string size
Auto-refresh	If checked, automatically refreshes the display every 5 seconds.	Checked/unchecked (default)

Step 4 Click **Apply**.

Step 5 Return to your originating procedure (NTP).

DLP-G367 Changing the Multirate Transponder Trunk Wavelength Settings

Purpose	This task changes the trunk wavelength settings for the TXP_MR_2.5G and TXPP_MR_2.5G, TXP_MR_10G, TXP_MR_10E, TXP_MR_10E_C, TXP_MR_10E_L, and TXP_MR_10EX_C cards.
Tools/Equipment	None
Prerequisite Procedures	DLP-G46 Log into CTC
Required/As Needed	As needed
Onsite/Remote	Onsite or remote
Security Level	Provisioning or higher



Note Before modifying the wavelength settings, change the port state to OOS,DSBLD (for ANSI) or Locked,disabled (for ETSI) and delete the circuit and patchcord provisioning present on the port. Payload or communication channel provisioning can be retained.

Procedure

- Step 1** In node view (single-shelf mode) or shelf view (multishelf view), double-click the multirate card where you want to change the trunk wavelength settings.
- Step 2** Click the **Provisioning > Line > Wavelength Trunk Settings** tabs.
- Step 3** Modify any of the settings as described in the following table.

Table 69: Multirate Transponder Card Wavelength Trunk Settings

Parameter	Description	Options
Port	(Display only) Displays the port number.	<ul style="list-style-type: none"> • 2 (Trunk) • 3 (Trunk) (TXPP_MR_2.5G only)
Band	Indicates the wavelength band that can be provisioned. If the physical TXP_MR_10G, TXP_MR_10E, TXP_MR_10E_C, TXP_MR_10E_L, and TXP_MR_10EX_C is installed, this field is display-only.	<ul style="list-style-type: none"> • C—The C-band wavelengths are available in the Wavelength field. • L—The L-band wavelengths are available in the Wavelength field.
Even/Odd	Sets the wavelengths available for provisioning for TXP_MR_10E_C, and TXP_MR_10E_L cards.	<ul style="list-style-type: none"> • Even—Displays even C-band or L-band wavelengths in the Wavelength field. • Odd—Displays odd C-band or L-band wavelengths in the Wavelength field.
Wavelength	The wavelength provisioned for the trunk.	<ul style="list-style-type: none"> • First Tunable Wavelength • Further wavelengths in 100-GHz ITU-T C-band or L-band spacing, depending on the card that is installed. For TXP_MR_10G and TXP_MR_10E cards, the wavelengths carried by the card are identified with two asterisks. The wavelengths supported by the SFPs/XFPs plugged to the card are identified with two asterisks. Other wavelengths have a dark grey background. If the card is not installed, all wavelengths appear with a dark grey background.

- Step 4** Click **Apply**.
- Step 5** Return to your originating procedure (NTP).

DLP-G232 Changing the Multirate Transponder SONET or SDH Line Threshold Settings

Purpose	This task changes the line threshold settings for TXP_MR_2.5G and TXPP_MR_2.5G transponder cards carrying OC-3/STM-1, OC-12/STM-4, and OC-48/STM-16 payloads. You can also use this task to change the line threshold settings for TXP_MR_10G, TXP_MR_10E, TXP_MR_10E_C, TXP_MR_10E_L, and TXP_MR_10EX_C transponder cards carrying SONET or SDH payloads, including the physical 10G Ethernet WAN Phy payload.
Tools/Equipment	None
Prerequisite Procedures	DLP-G46 Log into CTC
Required/As Needed	As needed
Onsite/Remote	Onsite or remote
Security Level	Provisioning or higher

Procedure

Step 1 In node view (single-shelf mode) or shelf view (multishelf view), double-click the multirate transponder card where you want to change the line threshold settings.

Step 2 Click the **Provisioning** > **Line Thresholds** tabs.

Note You must modify Near End and Far End independently; 15 Min and 1 Day independently; and Line and Section independently. To do so, choose the appropriate radio button and click **Refresh**.

Step 3 Modify any of the settings in the following table.

Note Some parameters and options in the following table do not apply to all the multirate cards. If a parameter or option does not apply, that parameter or option does not appear in CTC.

Table 70: Multirate Transponder Card Line Thresholds Settings

Parameter	Description	Options - ANSI	Options - ETSI
Port	(Display only) Port number	<ul style="list-style-type: none"> • 1 • 2 (Trunk) • 3 (Trunk) (TXPP_MR_2.5G only) 	<ul style="list-style-type: none"> • 1 • 2 (Trunk) • 3 (Trunk) (TXPP_MR_2.5G only)

Parameter	Description	Options - ANSI	Options - ETSI
EB	Path Errored Block indicates that one or more bits are in error within a block	Numeric. Threshold display options include: <ul style="list-style-type: none"> • Direction—Near End or Far End • Interval—15 Min (minutes) or 1 day • Types—Line or Section (near end only) Choose an option in each category and click Refresh .	Numeric. Threshold display options include: <ul style="list-style-type: none"> • Direction—Near End or Far End • Interval—15 Min (minutes) or 1 day • Types—Multiplex Section or Regeneration Section (near end only) Choose an option in each category and click Refresh .
CV	Coding violations	Numeric. Threshold display options include: <ul style="list-style-type: none"> • Direction—Near End or Far End • Interval—15 Min (minutes) or 1 day • Types—Line or Section (near end only) Choose an option in each category and click Refresh .	—
ES	Errored seconds	Numeric. Threshold display options include: <ul style="list-style-type: none"> • Direction—Near End or Far End • Interval—15 Min (minutes) or 1 day • Types—Line or Section (near end only) Choose an option in each category and click Refresh .	Numeric. Threshold display options include: <ul style="list-style-type: none"> • Direction—Near End or Far End • Interval—15 Min (minutes) or 1 day • Types—Multiplex Section or Regeneration Section (near end only) Choose an option in each category and click Refresh .
SES	Severely errored seconds	Numeric. Threshold display options include: <ul style="list-style-type: none"> • Direction—Near End or Far End • Interval—15 Min (minutes) or 1 day • Types—Line or Section (near end only) Choose an option in each category and click Refresh .	Numeric. Threshold display options include: <ul style="list-style-type: none"> • Direction—Near End or Far End • Interval—15 Min (minutes) or 1 day • Types—Multiplex Section or Regeneration Section (near end only) Choose an option in each category and click Refresh .

Parameter	Description	Options - ANSI	Options - ETSI
FC	(Line or Multiplex Section only) Failure count	Numeric. Threshold display options include: <ul style="list-style-type: none"> • Direction—Near End or Far End • Interval—15 Min (minutes) or 1 day • Types—Line or Section (near end only) Choose an option in each category and click Refresh .	—
SEFS	(Near End Section or Regeneration Section only) Severely errored framing seconds	Numeric. Threshold display options include: <ul style="list-style-type: none"> • Direction—Near End or Far End • Interval—15 Min (minutes) or 1 day • Types—Line or Section (near end only) Choose an option in each category and click Refresh .	—
UAS	Unavailable seconds	Numeric. Threshold display options include: <ul style="list-style-type: none"> • Direction—Near End or Far End • Interval—15 Min (minutes) or 1 day • Types—SM (OTUk) or PM (ODUk) for 2.5G cards and Line or Section (near end only) for 10G cards. Choose an option in each category and click Refresh .	Numeric. Threshold display options include: <ul style="list-style-type: none"> • Direction—Near End or Far End • Interval—15 Min (minutes) or 1 day • Types—SM (OTUk) or PM (ODUk) for 2.5G cards and Multiplex Section or Regeneration Section (near end only) for 10G cards. Choose an option in each category and click Refresh .
BBE	Background block errors	—	Numeric. Threshold display options include: <ul style="list-style-type: none"> • Direction—Near End or Far End • Interval—15 Min (minutes) or 1 day • Types—SM (OTUk) or PM (ODUk) for 2.5G cards and Multiplex Section or Regeneration Section (near end only) for 10G cards Choose an option in each category and click Refresh .

Parameter	Description	Options - ANSI	Options - ETSI
OFS	(Near End Section or Regeneration Section only) Out of frame seconds	—	Numeric. Threshold display options <ul style="list-style-type: none"> • Direction—Near End or Far End • Interval—15 Min (minutes) or 30 Min (minutes) • Types—Line or Section (near end or far end) Choose an option in each category. Refresh.

Step 4 Click **Apply**.

Step 5 Return to your originating procedure (NTP).

DLP-G320 Changing the 2.5G Multirate Transponder Line RMON Thresholds

Purpose	This task changes the line remote monitoring (RMON) threshold settings for TXP_MR_2.5G and TXPP_MR_2.5G transponder cards carrying the 1G Ethernet or 1G FC/FICON payloads.
Tools/Equipment	None
Prerequisite Procedures	DLP-G46 Log into CTC
Required/As Needed	As needed
Onsite/Remote	Onsite or remote
Security Level	Provisioning or higher

Procedure

- Step 1** In card view, display the TXP_MR_2.5G or TXPP_MR_2.5G card where you want to change the line threshold settings.
- Step 2** Click the **Provisioning > Line Thresholds > RMON Thresholds** tabs.
- Step 3** Click **Create**. The Create Threshold dialog box appears.
- Step 4** From the Port drop-down list, choose the applicable port.
- Step 5** From the Variable drop-down list, choose an Ethernet variable. See the following table for a list of available Ethernet variables.

Table 71: TXP_MR_2.5G and TXPP_MR_2.5G Card 1G Ethernet and 1G FC/FICON Thresholds

Variable	Description
iffInErrors	Number of inbound packets that contained errors preventing them from being delivered to a higher-layer protocol.

rxTotalPkts	Total number of received packets.
8b10bStatsEncodingDispErrors	Number of IETF 8b10b disparity violations on the Fibre Channel line side.
8b10bIdleOrderedSets	Number of received packets containing idle ordered sets.
8b10bNonIdleOrderedSets	Number of received packets containing non-idle ordered sets.
8b10bDataOrderedSets	Number of received packets containing data ordered sets.

Step 6 From the Alarm Type drop-down list, indicate whether the event will be triggered by the rising threshold, the falling threshold, or both the rising and falling thresholds.

Step 7 From the Sample Type drop-down list, choose either **Relative** or **Absolute**. Relative restricts the threshold to use the number of occurrences in the user-set sample period. Absolute sets the threshold to use the total number of occurrences, regardless of time period.

Step 8 Enter the appropriate number of seconds for the Sample Period.

Step 9 Enter the appropriate number of occurrences for the Rising Threshold.

For a rising type of alarm, the measured value must move from below the falling threshold to above the rising threshold. For example, if a network is running below a rising threshold of 1000 collisions every 15 seconds and a problem causes 1001 collisions in 15 seconds, the excess occurrences trigger an alarm.

Step 10 Enter the appropriate number of occurrences in the Falling Threshold field. In most cases a falling threshold is set lower than the rising threshold.

A falling threshold is the counterpart to a rising threshold. When the number of occurrences is above the rising threshold and then drops below a falling threshold, it resets the rising threshold. For example, when the network problem that caused 1001 collisions in 15 seconds subsides and creates only 799 collisions in 15 seconds, occurrences fall below a falling threshold of 800 collisions. This resets the rising threshold so that if network collisions again spike over a 1000 per 15-second period, an event again triggers when the rising threshold is crossed. An event is triggered only the first time a rising threshold is exceeded (otherwise, a single network problem might cause a rising threshold to be exceeded multiple times and cause a flood of events).

Step 11 Click **OK**.

Step 12 Return to your originating procedure (NTP).

DLP-G305 Provisioning the 2.5G Multirate Transponder Trunk Port Alarm and TCA Thresholds

Purpose	This task changes the TXP_MR_2.5G and TXPP_MR_2.5G trunk port alarm and threshold crossing alert (TCA) thresholds.
Tools/Equipment	None
Prerequisite Procedures	DLP-G46 Log into CTC
Required/As Needed	As needed
Onsite/Remote	Onsite or remote

Security Level	Provisioning or higher
----------------	------------------------



Note In this task, trunk port refers to Port 2 for TXP_MR_2.5G cards, and to Ports 2 and 3 for TXPP_MR_2.5G cards.

Procedure

- Step 1** In node view (single-shelf mode) or shelf view (multishelf view), double-click the TXP_MR_2.5G or TXPP_MR_2.5G card where you want to change the trunk port alarm and TCA settings.
- Step 2** Click the **Provisioning > Pluggable Port Modules** tab. Under Pluggable Ports, record the Rate that is provisioned.
- Step 3** Look up the rate in the following table and note whether it is 2R or 3R.

Table 72: 2R and 3R Mode and ITU-T G.709 Compliance by Client Interface

Client Interface	Input Bit Rate	3R vs. 2R	ITU-T G.709
OC-48/STM-16	2.488 Gbps	3R	On or Off
DV-6000	2.38 Gbps	2R	—
2 Gigabit Fibre Channel (2G-FC)/fiber connectivity (FICON)	2.125 Gbps	3R (no monitoring)	On or Off
High-Definition Television (HDTV)	1.48 Gbps	2R	—
Gigabit Ethernet (GE)	1.25 Gbps	3R	On or Off
1 Gigabit Fibre Channel (1G-FC)/FICON	1.06 Gbps	3R	On or Off
OC-12/STM-4	622 Mbps	3R	On or Off
OC-3/STM-1	155 Mbps	3R	On or Off
Enterprise System Connection (ESCON)	200 Mbps	2R	—
SDI/D1 video	270 Mbps	2R	—
ISC-1 Compact	1.06 Gbps	3R	Off
ISC-3	1.06 or 2.125 Gbps	2R	—
ETR_CLO	16 Mbps	2R	—

- Step 4** Click the **Provisioning > Optics Thresholds** tabs.
- Step 5** Under **Types**, verify that the TCA radio button is checked. If not, check it and click **Refresh**.

Step 6 Referring to the following table, verify the trunk port TCA thresholds for RX Power High and RX Power Low depending on whether the rate is 2R or 3R. Provision new thresholds as needed by double-clicking the threshold value you want to change, deleting it, entering a new value, and hitting **Enter**.

Note Do not modify the Laser Bias parameters.

Note You must modify 15 Min and 1 Day independently. To do so, choose the appropriate radio button and click **Refresh**.

Table 73: TXP_MR_2.5G and TXPP_MR_2.5G Trunk Port TCA Thresholds

Signal	TCA RX Power Low	TCA RX Power High
3R	-23 dBm	-9 dBm
2R	-24 dBm	-9 dBm

Step 7 Click **Apply**.

Step 8 Under Types, click the **Alarm** radio button and click **Refresh**.

Step 9 Verify the trunk port Alarm thresholds for RX Power High is -7 dBm, and for RX Power Low is -26 dBm. Provision new thresholds as needed by double-clicking the threshold value you want to change, deleting it, entering a new value, and hitting **Enter**.

Step 10 Click **Apply**.

Step 11 Return to your originating procedure (NTP).

DLP-G306 Provisioning the 2.5G Multirate Transponder Client Port Alarm and TCA Thresholds

Purpose	This task provisions the client port alarm and TCA thresholds for the TXP_MR_2.5G and TXPP_MR_2.5G cards.
Tools/Equipment	None
Prerequisite Procedures	DLP-G278 Provisioning the Optical Line Rate, on page 205 DLP-G46 Log into CTC
Required/As Needed	As needed
Onsite/Remote	Onsite or remote
Security Level	Provisioning or higher

Procedure

Step 1 In node view (single-shelf mode) or shelf view (multishelf view), double-click the TXP_MR_2.5G or TXPP_MR_2.5G card where you want to change the client port alarm and TCA settings.

Step 2 Click the **Provisioning > Optics Thresholds** tabs. The TCA thresholds are shown by default.

Step 3 Referring to the following table, verify the Port 1 (client) TCA thresholds for RX Power High, RX Power Low, TX Power High, and TX Power Low based on the client interface at the other end. Provision new thresholds as needed by double-clicking the threshold value you want to change, deleting it, entering a new value, and hitting **Enter**.

Note Do not modify the Laser Bias parameters.

Note You must modify 15 Min and 1 Day independently. To do so, choose the appropriate radio button and click **Refresh**.

Note The hardware device that plugs into a TXP, MXP, GE_XP, 10GE_XP, GE_XPE, 10GE_XPE, or ADM-10G card faceplate to provide a fiber interface to the card is called a Small Form-factor Pluggable (SFP or XFP). In CTC, SFPs and XFPs are called pluggable port modules (PPMs). SFPs/XFPs are hot-swappable input/output devices that plug into a port to link the port with the fiber-optic network. Multirate PPMs have provisionable port rates and payloads. For more information about SFPs and XFPs, see the [SFP, SFP+, QSFP+, XFP, CXP, CFP, CFP2 and CPAK Modules](#), on page 194.

Table 74: TXP_MR_2.5G and TXPP_MR_2.5G Card Client Interface TCA Thresholds

Port Type (by CTC)	Pluggable Port Module (SFP)	TCA RX Power Low	TCA RX Power High	TCA TX Power Low	TCA TX Power High
OC-3	15454-SFP3-1-IR	-23	-8	-21	-2
STM-1	15454E-SFP-L.1.1	-24	-10	-21	-2
OC-12	15454-SFP12-4-IR	-28	-7	-21	-2
STM-4	15454E-SFP-L.4.1	-28	-8	-21	-2
OC-48	ONS-SE-2G-S1	-18	-3	-16	3
	15454-SFP-OC48-IR	-18	0	-11	6
STM-16	ONS-SE-2G-S1	-18	-3	-16	3
	15454E-SFP-L.16.1				
ONE_GE	15454-SFP-GEFC-SX 15454E-SFP-GEFC-S ONS-SE-G2F-SX	-17	0	-16	3
	15454-SFP-GE+-LX 15454E-SFP-GE+-LX ONS-SE-G2F-LX	-20	-3	-16	3
ESCON	15454-SFP-200 15454E-SFP-200 ONS-SE-200-MM	-21	-14	-35	-8

Port Type (by CTC)	Pluggable Port Module (SFP)	TCA RX Power Low	TCA RX Power High	TCA TX Power Low	TCA TX Power High
DV6000	15454-SFP-OC48-IR	-18	0	-11	6
	15454E-SFP-L.16.1	-18	-3	-16	3
SDI_D1_VIDEO	15454-SFP12-4-IR	-28	-7	-21	-2
	15454E-SFP-L.4.1	-28	-8	-21	-2
HDTV	15454-SFP-GE+-LX 15454E-SFP-GE+-LX ONS-SE-G2F-LX	-20	-3	-16	3
PASS-THRU	2R MODE (not specified)	—	—	—	—
FC1G	15454-SFP-GEFC-SX 15454E-SFP-GEFC-S ONS-SE-G2F-SX	-17	0	-16	3
	15454-SFP-GE+-LX 15454E-SFP-GE+-LX ONS-SE-G2F-LX	-20	-3	-16	3
FC2G	15454-SFP-GEFC-SX 15454E-SFP-GEFC-S ONS-SE-G2F-SX	-15	0	-16	3
	15454-SFP-GE+-LX 15454E-SFP-GE+-LX ONS-SE-G2F-LX	-20	-3	-16	3
FICON1G	15454-SFP-GEFC-SX 15454E-SFP-GEFC-S ONS-SE-G2F-SX	-17	0	-16	3
	15454-SFP-GE+-LX 15454E-SFP-GE+-LX ONS-SE-G2F-LX	-20	-3	-16	3
FICON2G	15454-SFP-GEFC-SX 15454E-SFP-GEFC-S ONS-SE-G2F-SX	-15	0	-16	3
	15454-SFP-GE+-LX 15454E-SFP-GE+-LX ONS-SE-G2F-LX	-20	-3	-16	3
ETR_CLO	15454-SFP-200 15454E-SFP-200 ONS-SE-200-MM	-17	0	-16	3

Port Type (by CTC)	Pluggable Port Module (SFP)	TCA RX Power Low	TCA RX Power High	TCA TX Power Low	TCA TX Power High
ISC compat	15454-SFP-GE+-LX 15454E-SFP-GE+-LX ONS-SE-G2F-LX	-20	-3	-16	3
ISC peer	15454-SFP-GE+-LX 15454E-SFP-GE+-LX ONS-SE-G2F-LX	-20	-3	-16	3

Step 4 Click **Apply**.

Step 5 Under Types, click the **Alarm** radio button and click **Refresh**.

Step 6 Referring to the following table, verify the Alarm thresholds for RX Power High, RX Power Low, TX Power High, and TX Power Low based on the client interface that is provisioned. Provision new thresholds as needed by double-clicking the threshold value you want to change, deleting it, entering a new value, and hitting **Enter**.

Table 75: TXP_MR_2.5G and TXPP_MR_2.5G Card Client Interface Alarm Thresholds

Port Type (by CTC)	Pluggable Port Module (SFP)	Alarm RX Power Low	Alarm RX Power High	Alarm TX Power Low	Alarm TX Power High
OC-3	15454-SFP3-1-IR	-26	-5	-17	-6
STM-1	15454E-SFP-L.1.1	-27	-7	-17	-6
OC-12	15454-SFP12-4-IR	-31	-4	-17	-6
STM-4	15454E-SFP-L.4.1	-31	-5	-17	-6
OC-48	ONS-SE-2G-S1	-21	0	-12	-1
	15454-SFP-OC48-IR	-21	3	-7	2
STM-16	ONS-SE-2G-S1	-21	0	-12	-1
	15454E-SFP-L.16.1				
ONE_GE	15454-SFP-GEFC-SX 15454E-SFP-GEFC-S ONS-SE-G2F-SX	-20	3	-12	-2
	15454-SFP-GE+-LX 15454E-SFP-GE+-LX ONS-SE-G2F-LX	-23	0	-12	-1
ESCON	15454-SFP-200 15454E-SFP-200 ONS-SE-200-MM	-24	-11	-31	-12
DV6000	15454-SFP-OC48-IR	-21	3	-7	2
	15454E-SFP-L.16.1	-21	0	-12	-5

Port Type (by CTC)	Pluggable Port Module (SFP)	Alarm RX Power Low	Alarm RX Power High	Alarm TX Power Low	Alarm TX Power High
SDI_D1_VIDEO	15454-SFP12-4-IR	-31	-4	-17	-6
	15454E-SFP-L.4.1	-31	-5	-17	-6
HDTV	15454-SFP-GE+-LX 15454E-SFP-GE+-LX ONS-SE-G2F-LX	-23	0	-12	-1
PASS-THRU	2R MODE (not specified)	—	—	—	—
FC1G	15454-SFP-GEFC-SX 15454E-SFP-GEFC-S ONS-SE-G2F-SX	-20	3	-12	-2
	15454-SFP-GE+-LX 15454E-SFP-GE+-LX ONS-SE-G2F-LX	-23	0	-12	-1
FC2G	15454-SFP-GEFC-SX 15454E-SFP-GEFC-S ONS-SE-G2F-SX	-18	3	-12	-2
	15454-SFP-GE+-LX 15454E-SFP-GE+-LX ONS-SE-G2F-LX	-23	0	-12	-1
FICON1G	15454-SFP-GEFC-SX 15454E-SFP-GEFC-S ONS-SE-G2F-SX	-20	3	-12	-2
	15454-SFP-GE+-LX 15454E-SFP-GE+-LX ONS-SE-G2F-LX	-23	0	-12	-1
FICON2G	15454-SFP-GEFC-SX 15454E-SFP-GEFC-S ONS-SE-G2F-SX	-18	3	-12	-2
	15454-SFP-GE+-LX 15454E-SFP-GE+-LX ONS-SE-G2F-LX	-23	0	-12	-1
ETR_CLO	15454-SFP-200 15454E-SFP-200 ONS-SE-200-MM	-20	3	-12	-2
ISC compat	15454-SFP-GE+-LX 15454E-SFP-GE+-LX ONS-SE-G2F-LX	-23	0	-12	-1

Port Type (by CTC)	Pluggable Port Module (SFP)	Alarm RX Power Low	Alarm RX Power High	Alarm TX Power Low	Alarm TX Power High
ISC peer	15454-SFP-GE+-LX 15454E-SFP-GE+-LX ONS-SE-G2F-LX	-23	0	-12	-1

Step 7 Click **Apply**.

Step 8 Return to your originating procedure (NTP).

DLP-G234 Changing the Multirate Transponder OTN Settings

Purpose	This task changes the OTN settings for the TXP_MR_2.5G, TXPP_MR_2.5G, TXP_MR_10G, TXP_MR_10E, TXP_MR_10E_C, TXP_MR_10E_L, TXP_MR_10EX_C, 40E-TXP-C, and 40ME-TXP-C transponder cards.
Tools/Equipment	None
Prerequisite Procedures	DLP-G46 Log into CTC
Required/As Needed	As needed
Onsite/Remote	Onsite or remote
Security Level	Provisioning or higher

Procedure

- Step 1** In node view (single-shelf mode) or shelf view (multishelf view), double-click the card where you want to change the OTN settings.
- Step 2** Click the **Provisioning > OTN** tabs, then choose one of the following subtabs: **OTN Lines**, **G.709 Thresholds**, **FEC Thresholds**, or **Trail Trace Identifier**.
- Step 3** Modify any of the settings described in the following tables.

Note You must modify Near End and Far End; 15 Min and 1 Day; and SM and PM settings independently. To do so, choose the appropriate radio button and click **Refresh**.

Table 76: Multirate Transponder Card OTN Line Settings

Parameter	Description	Options
Port	(Display only) Displays the port number.	<ul style="list-style-type: none"> • 1 (only when data rate is set to OTU3) • 2 (Trunk) • 3 (Trunk) (TXPP_MR_2.5G)

Parameter	Description	Options
G.709 OTN	Sets the OTN lines according to ITU-T G.709. For TXP-MR-10EX_C cards, the G.709 OTN should be enabled.	<ul style="list-style-type: none"> • Enable • Disable
FEC	Sets the OTN lines to forward error correction (FEC). FEC mode can be Disabled, Enabled, or Enhanced FEC mode can be enabled to provide greater range and lower bit error rate. For TXP_MR_10E, 40E-TXP-C, and 40ME-TXP-C cards, Standard is the same as enabling FEC. For TXP-MR-10EX_C cards, the FEC should be enabled.	<ul style="list-style-type: none"> • Enable—FEC is on. • Disable—FEC is off. • Standard—(TXP_MR_10E, 40E-TXP-C, and 40ME-TXP-C only) Standard FEC is on. • Enhanced—(TXP_MR_10E, 40E-TXP-C, and 40ME-TXP-C only) Enhanced FEC is on.
SF BER	(Display only) The signal fail bit error rate.	<ul style="list-style-type: none"> • 1E-5
SD BER	Sets the signal degrade bit error rate.	<ul style="list-style-type: none"> • 1E-5 • 1E-6 • 1E-7 • 1E-8 • 1E-9
Asynch/Synch Mapping	(TXP_MR_10E only) Sets how the ODUk (client payload) is mapped to the optical channel (OTUk).	<ul style="list-style-type: none"> • Asynch mapping • Synch mapping

Table 77: Multirate Transponder Card ITU-T G.709 Threshold Settings

Parameter	Description	Options
Port	(Display only) Port number.	<ul style="list-style-type: none"> • 2 (Trunk) • 3 (Trunk) (TXPP_MR_2.5G)
ES	Errored seconds	<p>Numeric. Can be set for Near End or Far End, for 15-minute or one-day intervals, or for SM (OTUk) or PM (ODUk). Select a bullet and click Refresh.</p> <p>Note SM (OTUk) is the ITU-T G.709 optical channel transport unit order of k overhead frame used for management and performance monitoring. PM (ODUk) is the ITU-T G.709 optical channel data unit order of k overhead frame unit used for path performance monitoring.</p>

Parameter	Description	Options
SES	Severely errored seconds	Numeric. Can be set for Near End or Far End, for 15-minute or one-day intervals, or for SM (OTUk) or PM (ODUk). Select a bullet and click Refresh .
UAS	Unavailable seconds	Numeric. Can be set for Near End or Far End, for 15-minute or one-day intervals, or for SM (OTUk) or PM (ODUk). Select a bullet and click Refresh .
BBE	Background block errors	Numeric. Can be set for Near End or Far End, for 15-minute or one-day intervals, or for SM (OTUk) or PM (ODUk). Select a bullet and click Refresh .
FC	Failure counter	Numeric. Can be set for Near End or Far End, for 15-minute or one-day intervals, or for SM (OTUk) or PM (ODUk). Select a bullet and click Refresh .

Note Latency for a 1G-FC payload without ITU-T G.709 is 4 microseconds, and with ITU-T G.709 is 40 microseconds. Latency for a 2G-FC payload without ITU-T G.709 is 2 microseconds, and with ITU-T G.709 is 20 microseconds. Consider these values when planning a FC network that is sensitive to latency.

Table 78: Multirate Transponder Card FEC Threshold Settings

Parameter	Description	Options
Port	(Display only) Port number.	<ul style="list-style-type: none"> • 2 (Trunk) • 3 (Trunk) (TXPP_MR_2.5G)
Bit Errors Corrected	Sets the value for bit errors corrected during the selected time period.	Numeric. Can be set for 15-minute or one-day intervals.
Uncorrectable Words	Sets the value for uncorrectable words during the selected time period.	Numeric. Can be set for 15-minute or one-day intervals.

Table 79: Multirate Transponder Card Trail Trace Identifier Settings

Parameter	Description	Options
Port	(Display only) Port number.	<ul style="list-style-type: none"> • 1 (OTU3) for 40E-TXP-C and 40ME-TXP-C cards • 2 (Trunk) • 3 (Trunk) (TXPP_MR_2.5G)
Level	Sets the level.	<ul style="list-style-type: none"> • Section • Path

Parameter	Description	Options
Received Trace Mode	Sets the trace mode.	<ul style="list-style-type: none"> • Off/None • Manual
Disable AIS/RDI on TIM-S	If a TIM on Section overhead alarm is raised because of a J0 overhead string mismatch, no alarm indication signal is sent to downstream nodes if this box is checked.	<ul style="list-style-type: none"> • Checked (AIS/RDI on TIM-S is disabled) • Unchecked (AIS/RDI on TIM-S is enabled)
Transmit	Displays the current transmit string; sets a new transmit string. You can click the button on the right to change the display. Its title changes, based on the current display mode. Click Hex to change the display to hexadecimal (button changes to ASCII); click ASCII to change the display to ASCII (button changes to Hex Mode).	String of trace string size; trail trace identifier is 64 bytes in length.
Expected	Displays the current expected string; sets a new expected string. You can click the button on the right to change the display. Its title changes, based on the current display mode. Click Hex to change the display to hexadecimal (button changes to ASCII); click ASCII to change the display to ASCII (button changes to Hex Mode).	String of trace string size
Received	(Display only) Displays the current received string. You can click Refresh to manually refresh this display, or check the Auto-refresh every 5 sec check box to keep this panel updated.	String of trace string size
Auto-refresh	If checked, automatically refreshes the display every 5 minutes.	Checked/unchecked (default)

Step 4 Click **Apply**.

Step 5 Return to your originating procedure (NTP).

NTP-G96 Provisioning the 10G Multirate Transponder Card Line Settings, PM Parameters, and Thresholds

Purpose	This procedure changes the line and threshold settings for 10G multirate transponder cards including the TXP_MR_10G, TXP_MR_10E, TXP_MR_10E_C, TXP_MR_10E_L, and TXP_MR_10EX_C cards.
Tools/Equipment	None
Prerequisite Procedures	<ul style="list-style-type: none"> • NTP-G179 Installing the Transponder and Muxponder Cards • DLP-G46 Log into CTC • DLP-G723 Install PPM on a Line Card • DLP-G726 Preprovisioning a Multirate PPM (if necessary) • DLP-G278 Provisioning the Optical Line Rate, on page 205
Required/As Needed	As needed
Onsite/Remote	Onsite or remote
Security Level	Provisioning or higher



Note The TXP_MR_10G card does not support PPMs.

Procedure

- Step 1** As needed, complete the [NTP-G103 Backing Up the Database](#) to preserve the existing transmission settings.
- Step 2** If you are provisioning a TXP_MR_10G card, complete the [DLP-G365 Provisioning the TXP_MR_10G Data Rate, on page 257](#), and if you are provisioning a TXP_MR_10E or TXP_MR_10EX_C card, complete the [DLP-G712 Provisioning the TXP_MR_10E or TXP_MR_10EX_C Data Rate, on page 257](#). If not, continue with the next step.
- Step 3** Perform any of the following tasks as needed:
- [DLP-G229 Changing the 2.5G or 10G Transponder Card Settings, on page 233](#)
 - [DLP-G217 Changing the 10G Multirate Transponder Line Settings, on page 258](#)
 - [DLP-G218 Changing the 10G or 40G Multirate Transponder Line Section Trace Settings, on page 263](#)
 - [DLP-G232 Changing the Multirate Transponder SONET or SDH Line Threshold Settings, on page 241](#)
 - [DLP-G319 Changing the 10G Multirate Transponder Line RMON Thresholds for 10G Ethernet LAN Phy Payloads, on page 265](#)

- [DLP-G301 Provisioning the 10G Multirate Transponder Trunk Port Alarm and TCA Thresholds](#), on page 268
- [DLP-G302 Provisioning the 10G Multirate Transponder Client Port Alarm and TCA Thresholds](#), on page 270
- [DLP-G234 Changing the Multirate Transponder OTN Settings](#), on page 252
- [DLP-G367 Changing the Multirate Transponder Trunk Wavelength Settings](#), on page 239

Stop. You have completed this procedure.

DLP-G365 Provisioning the TXP_MR_10G Data Rate

Purpose	This task changes the TXP_MR_10G card data rate.
Tools/Equipment	None
Prerequisite Procedures	DLP-G46 Log into CTC
Required/As Needed	As needed
Onsite/Remote	Onsite or remote
Security Level	Provisioning or higher

Procedure

- Step 1** In node view (single-shelf mode) or shelf view (multishelf view), double-click the TXP_MR_10G card where you want to change the card data rate settings.
- Step 2** Click the **Provisioning > Data Rate Selection** tabs.
- Step 3** Click **Create**.
- Step 4** In the Create Port dialog box, choose one of the following data rates:
- SONET (ANSI) or SDH (ETSI) (including 10G Ethernet WAN Phy)
 - 10G Ethernet LAN Phy
- Step 5** Click **Ok**.
- Step 6** Return to your originating procedure (NTP).

DLP-G712 Provisioning the TXP_MR_10E or TXP_MR_10EX_C Data Rate

Purpose	This task changes the TXP_MR_10E or TXP_MR_10EX_C card data rate.
Tools/Equipment	None

Prerequisite Procedures	DLP-G46 Log into CTC
Required/As Needed	As needed
Onsite/Remote	Onsite or remote
Security Level	Provisioning or higher

Procedure

-
- Step 1** In node view (single-shelf mode) or shelf view (multishelf view), double-click the TXP_MR_10E or TXP_MR_10EX_C card where you want to change the card data rate settings.
- Step 2** Click the **Provisioning > Pluggable Port Modules** tabs.
- Step 3** In the Pluggable Port Modules area, click **Create**. The Create PPM dialog box appears.
- Step 4** In the Create PPM dialog box, complete the following:
- PPM—Choose the SFP you want to install from the drop-down list.
 - PPM Type—Choose the number of ports supported by your SFP from the drop-down list. If only one port is supported, PPM (1 port) is the only option.
- Step 5** Click **OK**. The newly created PPM appears in the Pluggable Port Modules area. The row in the Pluggable Port Modules area turns white and the Actual Equipment Type column lists the equipment name.
- Step 6** In the Pluggable Ports area, click **Create**. The Create Ports dialog box appears.
- Step 7** In the Create Port dialog box, choose one of the following data rates:
- SONET (ANSI) or SDH (ETSI) (including 10G Ethernet WAN Phy)
 - 10G Ethernet LAN Phy
 - 10G FIBER Channel
 - (TXP-MR-10EX_C card only) IB_5G
- Step 8** Click **OK**.
- Step 9** Return to your originating procedure (NTP).
-

DLP-G217 Changing the 10G Multirate Transponder Line Settings

Purpose	This task changes the line settings for TXP_MR_10G, TXP_MR_10E, TXP_MR_10E_C, TXP_MR_10E_L, and TXP_MR_10EX_C cards.
Tools/Equipment	None
Prerequisite Procedures	DLP-G46 Log into CTC
Required/As Needed	As needed
Onsite/Remote	Onsite or remote

Security Level	Provisioning or higher
-----------------------	------------------------

Procedure

Step 1 In node view (single-shelf mode) or shelf view (multishelf view), double-click the TXP_MR_10G, TXP_MR_10E, TXP_MR_10E_C, TXP_MR_10E_L, or TXP_MR_10EX_C card where you want to change the line settings.

Step 2 Click the **Provisioning > Line > SONET/SDH/Ethernet** tabs. SONET is the option for ANSI shelves when 10G Ethernet WAN phy is the Pluggable Port Rate, SDH is the option for ETSI shelves when 10G Ethernet WAN phy is the Pluggable Port Rate, and Ethernet is the option for ANSI or ETSI shelves when 10GE LAN Phy is the Pluggable Port Rate.

Step 3 Modify any of the settings described in the following table.

Note In the following table, some parameter tabs do not always apply to all 10G multirate transponder cards. If a tab does not apply, it will not appear in CTC.

Table 80: TXP_MR_10G, TXP_MR_10E, TXP_MR_10E_C, TXP_MR_10E_L, or TXP_MR_10EX_C Line Settings

Parameter	Description	ONS 15454 (ANSI) Options	ONS 15454 SDH (ETSI) Options
Port	(Display only) Displays the port number.	<ul style="list-style-type: none"> • 1 (OC192) (10G Ethernet WAN Phy) (if TXP_MR_10G) • 1 (TEN_GE) (if Ethernet LAN is provisioned on the TXP_MR_10G card) • 1-1 (OC192) (10G Ethernet WAN Phy on the TXP_MR_10E card) • 1-1 (TEN_GE) (if Ethernet LAN is provisioned on the TXP_MR_10E card) • 1-1 (FC10G) (if 10G fiber channel is provisioned on the TXP_MR_10E card) • 2 (Trunk) • (TXP_MR_10EX_C only) IB_5G 	<ul style="list-style-type: none"> • 1 (STM-64) (10G Ethernet) (if TXP_MR_10G) • 1 (TEN_GE) (if Ethernet LAN is provisioned on the TXP_MR_10E card) • 1-1 (STM-64) (10G Ethernet WAN Phy on the TXP_MR_10E card) • 1-1 (TEN_GE) (if Ethernet LAN is provisioned on the TXP_MR_10E card) • 1-1 (FC10G) (if 10G fiber channel is provisioned on the TXP_MR_10E card) • 2 (Trunk) • (TXP_MR_10EX_C only)
Port Name	Provides the ability to assign the specified port a name.	User-defined. Name can be up to 80 alphanumeric/special characters. Blank by default.	User-defined. Name can be up to 80 alphanumeric/special characters. Blank by default.

Parameter	Description	ONS 15454 (ANSI) Options	ONS 15454 SDH (ETSI) Options
Admin State	Sets the port service state. For more information about administrative states, see the Administrative and Service States document.	<ul style="list-style-type: none"> • IS • IS,AINS • OOS,DSBLD • OOS,MT 	<ul style="list-style-type: none"> • Unlocked • Unlocked,automaticInService • Locked,disabled • Locked,maintenance
Service State	(Display only) Identifies the autonomously generated state that gives the overall condition of the port. Service states appear in the format: Primary State-Primary State Qualifier, Secondary State. For more information about service states, see the Administrative and Service States document.	<ul style="list-style-type: none"> • IS-NR • OOS-AU,AINS • OOS-MA,DSBLD • OOS-MA,MT 	<ul style="list-style-type: none"> • Unlocked-enabled • Unlocked-disabled, automaticIn • Locked-enabled,disabled • Locked-enabled,maintenance
SF BER	(SONET [ANSI] or SDH [ETSI] including 10G Ethernet WAN Phy only) Sets the signal fail bit error rate.	<ul style="list-style-type: none"> • 1E-3 • 1E-4 • 1E-5 	<ul style="list-style-type: none"> • 1E-3 • 1E-4 • 1E-5
SD BER	(SONET [ANSI] or SDH [ETSI] including 10G Ethernet WAN Phy only) Sets the signal degrade bit error rate.	<ul style="list-style-type: none"> • 1E-5 • 1E-6 • 1E-7 • 1E-8 • 1E-9 	<ul style="list-style-type: none"> • 1E-5 • 1E-6 • 1E-7 • 1E-8 • 1E-9
Type	(SONET [ANSI] or SDH [ETSI] including 10G Ethernet WAN Phy only) The optical transport type.	<ul style="list-style-type: none"> • SONET • SDH 	<ul style="list-style-type: none"> • SONET • SDH

Parameter	Description	ONS 15454 (ANSI) Options	ONS 15454 SDH (ETSI) Options
ALS Mode	Sets the ALS function mode. The DWDM transmitter supports ALS according to ITU-T G.644 (06/99). ALS can be disabled, or it can be set for one of three mode options.	<ul style="list-style-type: none"> Disabled (default): ALS is off; the laser is not automatically shut down when traffic outages (LOS) occur. Auto Restart: ALS is on; the laser automatically shuts down when traffic outages (LOS) occur. It automatically restarts when the conditions that caused the outage are resolved. Manual Restart: ALS is on; the laser automatically shuts down when traffic outages (LOS) occur. However, the laser must be manually restarted when conditions that caused the outage are resolved. Manual Restart for Test: Manually restarts the laser for testing. 	<ul style="list-style-type: none"> Disabled (default): ALS is off; the laser is not automatically shut down when traffic outages (LOS) occur. Auto Restart: ALS is on; the laser automatically shuts down when traffic outages (LOS) occur. It automatically restarts when the conditions that caused the outage are resolved. Manual Restart: ALS is on; the laser automatically shuts down when traffic outages (LOS) occur. However, the laser must be manually restarted when conditions that caused the outage are resolved. Manual Restart for Test: Manually restarts the laser for testing.
AINS Soak	(SONET [ANSI] or SDH [ETSI] including 10G Ethernet WAN Phy only) Sets the automatic in-service soak period. Double-click the time and use the up and down arrows to change settings.	<ul style="list-style-type: none"> Duration of valid input signal, in hh.mm format, after which the card becomes in service (IS) automatically 0 to 48 hours, 15-minute increments 	<ul style="list-style-type: none"> Duration of valid input signal, in hh.mm format, after which the card becomes in service (IS) automatically 0 to 48 hours, 15-minute increments
ProvidesSync	(TXP_MR_10E, OC192 only) Sets the ProvidesSync card parameter. If checked, the card is provisioned as a network element (NE) timing reference.	Checked or unchecked	Checked or unchecked
SyncMsgIn	(TXP_MR_10E, OC192 only) Sets the EnableSync card parameter. Enables synchronization status messages (S1 byte), which allow the node to choose the best timing source.	Checked or unchecked	Checked or unchecked

Parameter	Description	ONS 15454 (ANSI) Options	ONS 15454 SDH (ETSI) Options
Max Size	(TXP_MR_10E, TXP_MR_10G LAN Phy only) Sets the maximum Ethernet packet size.	<ul style="list-style-type: none"> • 1548 bytes • Jumbo (1518 to 9216 bytes) 	<ul style="list-style-type: none"> • 1548 bytes • Jumbo (1518 to 9216 bytes)
Incoming MAC Address	(TXP_MR_10E, TXP_MR_10G LAN Phy only) Sets the incoming MAC address.	Value of MAC address. Six bytes in hexadecimal format.	Value of MAC address. Six bytes in hexadecimal format.
Wavelength	Displays the wavelength of the client port.	<ul style="list-style-type: none"> • First Tunable Wavelength • Further wavelengths: 1310 nm through 1560.61 nm, 100-GHz ITU spacing; coarse wavelength division multiplexing (CWDM) spacing <p>Note: supported wavelengths are marked by asterisks (**)</p>	<ul style="list-style-type: none"> • First Tunable Wavelength • Further wavelengths: 1310 nm through 1560.61 nm, 100-GHz ITU spacing; coarse wavelength division multiplexing (CWDM) spacing <p>Note: supported wavelengths are marked by asterisks (**)</p>
Reach	Displays the optical reach distance of the client port.	The Reach options depend on the traffic type that has been selected.	The Reach options depend on the traffic type that has been selected.

Parameter	Description	ONS 15454 (ANSI) Options	ONS 15454 SDH (ETSI) Options
Squelch Hold Off Timer	<p>(Only for TXP_MR_10E card) Sets the period in milliseconds that the client interface waits for resolution of issues on the trunk side. The client squelching starts after this period.</p> <p>The user can configure the squelch hold off timer in CTC only under the following conditions:</p> <ul style="list-style-type: none"> • The card must be configured in TXP or MXP operating modes. • The client payload must be 10GE or 100GE. • The Squelch drop-down in CTC must be set to Squelch. 	<ul style="list-style-type: none"> • Disable (0 ms) - Default value • 50 ms • 100 ms • 250 ms • 500 ms 	<ul style="list-style-type: none"> • Disable (0 ms) - Default value • 50 ms • 100 ms • 250 ms • 500 ms

Step 4 Click **Apply**.

Step 5 Return to your originating procedure (NTP).

DLP-G218 Changing the 10G or 40G Multirate Transponder Line Section Trace Settings

Purpose	This task changes the line section trace settings for the TXP_MR_10G, TXP_MR_10E, TXP_MR_10E_C, TXP_MR_10E_L, TXP_MR_10EX_C, 40E-TXP-C, and 40ME-TXP-C transponder cards.
Tools/Equipment	None
Prerequisite Procedures	DLP-G46 Log into CTC
Required/As Needed	As needed
Onsite/Remote	Onsite or remote

Security Level	Provisioning or higher
----------------	------------------------

Procedure

Step 1 In node view (single-shelf mode) or shelf view (multishelf view), double-click the card where you want to change the section trace settings.

Step 2 Click the **Provisioning > Line > Section Trace** tabs.

Note The Section Trace tab is available for the 10G Multirate Transponder cards only if no PPMs are provisioned, or the OC192 PPM is provisioned. The tab is not available if a 10G Ethernet LAN Phy or 10G Fibre Channel PPM is provisioned.

Step 3 Modify any of the settings described in the following table.

Table 81: 10G or 40G Card Section Trace Settings

Parameter	Description	SONET Options	SDH Options
Port	Sets the port number.	<ul style="list-style-type: none"> • 1-1 (OC192) and 2—Trunk for 10G cards • 1 (OC-768) and 2 (OC-768) for 40G cards 	<ul style="list-style-type: none"> • 1-1 (STM64) and 2—Trunk for 10G • 1 (STM-256) and (STM-256) for 40G
Received Trace Mode	Sets the trace mode.	<ul style="list-style-type: none"> • Off/None • Manual 	<ul style="list-style-type: none"> • Off/None • Manual
Transmit Section Trace String Size	Sets the trace string size.	<ul style="list-style-type: none"> • 1 byte • 16 byte 	<ul style="list-style-type: none"> • 1 byte • 16 byte
Transmit	Displays the current transmit string; sets a new transmit string. You can click the button on the right to change the display. Its title changes, based on the current display mode. In Transmit String Type, click Hex Mode to change the display to hexadecimal (button changes to ASCII); click ASCII to change the display to ASCII (button changes to Hex Mode). The supported range for 1 bit Hex TX trace is 20 to 7E. If TX trace is provisioned outside this range, client transmits 00.	String of trace string size	String of trace string s
Disable AIS/RDI on TIM-S	If an TIM on Section overhead alarm arises because of a J0 overhead string mismatch, no alarm indication signal is sent to downstream nodes if this box is checked.	<ul style="list-style-type: none"> • Checked (AIS/RDI on TIM-S is disabled) • Unchecked (AIS/RDI on TIM-S is not disabled) 	<ul style="list-style-type: none"> • Checked (AIS/RDI on TIM-S is disabled) • Unchecked (AIS/RDI on TIM-S is not disabled)

Parameter	Description	SONET Options	SDH Options
Expected	Displays the current expected string; sets a new expected string. You can click the button on the right to change the display. Its title changes, based on the current display mode. In Expected String Type, click Hex Mode to change the display to hexadecimal (button changes to ASCII); click ASCII to change the display to ASCII (button changes to Hex Mode).	String of trace string size	String of trace string
Received	(Display only) Displays the current received string. You can click Refresh to manually refresh this display, or check the Auto-refresh every 5 sec check box to keep this panel updated.	String of trace string size	String of trace string
Auto-refresh	If checked, automatically refreshes the display every 5 seconds.	Checked/unchecked (default)	Checked/unchecked

- Step 4** Click **Apply**.
- Step 5** Click **Default** to restore default values.
- Step 6** Return to your originating procedure (NTP).

DLP-G319 Changing the 10G Multirate Transponder Line RMON Thresholds for 10G Ethernet LAN Phy Payloads

Purpose	This task changes the line threshold settings for TXP_MR_10G, TXP_MR_10E, TXP_MR_10E_C, TXP_MR_10E_L, and TXP_MR_10EX_C transponder cards carrying the physical 10G Ethernet LAN payload.
Tools/Equipment	None
Prerequisite Procedures	DLP-G46 Log into CTC
Required/As Needed	As needed
Onsite/Remote	Onsite or remote
Security Level	Provisioning or higher

Procedure

- Step 1** Display the TXP_MR_10G, TXP_MR_10E, TXP_MR_10E_C, TXP_MR_10E_L, or TXP_MR_10EX_C card where you want to change the line threshold settings in card view.
- Step 2** Click the **Provisioning > Line Thresholds > RMON Thresholds** tabs.

Step 3 Click **Create**. The Create Threshold dialog box appears.

Step 4 From the Port drop-down list, choose the applicable port.

Step 5 From the Variable drop-down list, choose an Ethernet variable. See the following table for a list of available Ethernet variables.

Table 82: TXP_MR_10G, TXP_MR_10E, TXP_MR_10E_C, TXP_MR_10E_L, or TXP_MR_10EX_C Card GE LAN Phy Variables

Variable	Description
ifInOctets	Total number of octets received on the interface, including framing characters.
rxTotalPkts	Total number of received packets.
ifInMulticastPkts	Number of multicast frames received error free.
ifInBroadcastPkts	Number of packets, delivered by a sublayer to an higher sublayer, that were addressed to a broadcast address at this sublayer.
ifInErrors	Number of inbound packets that contained errors preventing them from being delivered to a higher-layer protocol.
ifInErrorBytePkts (TXP_MR_10G only)	Number of receive error bytes.
ifInFramingErrorPkts (TXP_MR_10G only)	Number of receive framing error counters.
ifInJunkInterPkts (TXP_MR_10G only)	Number of receive interpacket junk counters.
ifOutOctets (TXP_MR_10G only)	Total number of octets transmitted out of the interface, including framing characters.
txTotalPkts (TXP_MR_10G only)	Total number of transmit packets.
ifOutMulticastPkts (TXP_MR_10G only)	Number of multicast frames transmitted error free.
ifOutBroadcastPkts (TXP_MR_10G only)	Total number of packets that higher-level protocols requested be transmitted, and that were addressed to a broadcast address at this sublayer, including those that were discarded or not sent.
dot3StatsFCSErrors	Number of frames with frame check errors, that is, there is an integral number of octets, but an incorrect Frame Check Sequence (FCS).
dot3StatsFrameTooLong (TXP_MR_10G only)	Number of received frames that were larger than the maximum size permitted.
etherStatsUndersizePkts	Total number of packets received that were less than 64 octets long (excluding framing bits, but including FCS octets) and were otherwise well formed.

etherStatsFragments	Total number of packets received that were less than 64 octets in length (excluding framing bits but including FCS octets) and had either a bad FCS with an integral number of octets (FCS Error) or a bad FCS with a non-integral number of octets (Alignment Error). Note that it is entirely normal for etherStatsFragments to increment. This is because it counts both runts (which are normal occurrences due to collisions) and noise hits.
etherStatsPkts64Octets	Total number of packets (including bad packets) received that were 64 octets in length (excluding framing bits but including FCS octets).
etherStatsPkts65to127Octets	Total number of packets (including bad packets) received that were between 65 and 127 octets in length inclusive (excluding framing bits but including FCS octets).
etherStatsPkts128to255Octets	The total number of packets (including bad packets) received that were between 128 and 255 octets in length inclusive (excluding framing bits but including FCS octets).
etherStatsPkts256to511Octets	Total number of packets (including bad packets) received that were between 256 and 511 octets in length inclusive (excluding framing bits but including FCS octets).
etherStatsPkts512to1023Octets	Total number of packets (including bad packets) received that were between 512 and 1023 octets in length inclusive (excluding framing bits but including FCS octets).
etherStatsPkts1024to1518Octets	Total number of packets (including bad packets) received that were between 1024 and 1518 octets in length inclusive (excluding framing bits but including FCS octets).
etherStatsBroadcastPkts	Total number of good packets received that were directed to the broadcast address. Note that this does not include multicast packets.
etherStatsMulticastPkts	Total number of good packets received that were directed to a multicast address. Note that this number does not include packets directed to the broadcast address.
etherStatsOversizePkts	The total number of packets received that were longer than 1518 octets (excluding framing bits, but including FCS octets) and were otherwise well formed.
etherStatsJabbers	Total number of packets received that were longer than 1518 octets (excluding framing bits, but including FCS octets), and had either a bad FCS with an integral number of octets (FCS Error) or a bad FCS with a nonintegral number of octets (Alignment Error).
etherStatsOctets	Total number of octets of data (including those in bad packets) received on the network (excluding framing bits but including FCS octets).

etherStatsCRCAlignErrors (TXP_MR_10G only)	Total number of packets received that had a length (excluding framing bits, but including FCS octets) of between 64 and 1518 octets, inclusive, but had either a bad FCS with an integral number of octets (FCS Error) or a bad FCS with a non-integral number of octets (Alignment Error).
rxPauseFrames (TXP_MR_10G only)	Number of received IETF 802.x pause frames.
rxControlFrames	Number of MAC control frames passed by the MAC sublayer to the MAC control sublayer.
rxUnknownOpcodeFrames (TXP_MR_10G only)	Number of MAC control frames received that contain an opcode that is not supported by the device.

Step 6 From the Alarm Type drop-down list, indicate whether the event will be triggered by the rising threshold, the falling threshold, or both the rising and falling thresholds.

Step 7 From the Sample Type drop-down list, choose either **Relative** or **Absolute**. Relative restricts the threshold to use the number of occurrences in the user-set sample period. Absolute sets the threshold to use the total number of occurrences, regardless of time period.

Step 8 Type in an appropriate number of seconds for the Sample Period.

Step 9 Type in the appropriate number of occurrences for the Rising Threshold.

For a rising type of alarm, the measured value must move from below the falling threshold to above the rising threshold. For example, if a network is running below a rising threshold of 1000 collisions every 15 seconds and a problem causes 1001 collisions in 15 seconds, the excess occurrences trigger an alarm.

Step 10 Enter the appropriate number of occurrences in the Falling Threshold field. In most cases a falling threshold is set lower than the rising threshold.

A falling threshold is the counterpart to a rising threshold. When the number of occurrences is above the rising threshold and then drops below a falling threshold, it resets the rising threshold. For example, when the network problem that caused 1001 collisions in 15 seconds subsides and creates only 799 collisions in 15 seconds, occurrences fall below a falling threshold of 800 collisions. This resets the rising threshold so that if network collisions again spike over a 1000 per 15-second period, an event again triggers when the rising threshold is crossed. An event is triggered only the first time a rising threshold is exceeded (otherwise, a single network problem might cause a rising threshold to be exceeded multiple times and cause a flood of events).

Step 11 Click **OK**.

Note To view all RMON thresholds, click **Show All RMON thresholds**.

Step 12 Return to your originating procedure (NTP).

DLP-G301 Provisioning the 10G Multirate Transponder Trunk Port Alarm and TCA Thresholds

Purpose	This task provisions the TXP_MR_10G, TXP_MR_10E, TXP_MR_10E_C, TXP_MR_10E_L, or TXP_MR_10EX_C trunk port alarm and threshold cross alert (TCA) thresholds.
----------------	--

Tools/Equipment	None
Prerequisite Procedures	DLP-G46 Log into CTC
Required/As Needed	As needed
Onsite/Remote	Onsite or remote
Security Level	Provisioning or higher

Procedure

- Step 1** In node view (single-shelf mode) or shelf view (multishelf view), double-click the TXP_MR_10G, TXP_MR_10E, TXP_MR_10E_C, TXP_MR_10E_L, or TXP_MR_10EX_C card where you want to change the trunk port alarm and TCA settings.
- Step 2** Click the **Provisioning** > **Optics Thresholds** tabs.
- Step 3** Under Types, verify that the TCA radio button is checked. If not, check it, then click **Refresh**.
- Step 4** Referring to the following table, verify the trunk port (Port 2) TCA thresholds for RX Power High, RX Power Low, TX Power High, and TX Power Low. Provision new thresholds as needed by double-clicking the threshold value you want to change, deleting the existing value, and entering the new value. Hit **Enter**, then click **Apply**.

Note You must modify 15 Min and 1 Day independently. To do so, choose the appropriate radio button and click **Refresh**.

Note Do not modify the Laser Bias parameters.

Table 83: 10G Multirate Transponder Trunk Port TCA Thresholds

Card	TCA RX	TCA RX	TCA TX	TCA TX
	Power High	Power Low	Power High	Power Low
TXP_MR_10G	-8 dBm	-18 dBm	7 dBm	-1 dBm
TXP_MR_10E TXP_MR_10E_C TXP_MR_10E_L TXP_MR_10EX_C	-9 dBm	-18 dBm	9 dBm	0 dBm

- Step 5** Click **Apply**.
- Step 6** Under Types, click the **Alarm** radio button and click **Refresh**.
- Step 7** Referring to the following table, verify the trunk port (Port 2) Alarm thresholds for RX Power High, RX Power Low, TX Power High, and TX Power Low. Provision new thresholds as needed by double-clicking the threshold value you want to change, deleting the existing value, and entering the new value. Hit **Enter**, then click **Apply**.

Note You must modify 15 Min and 1 Day independently. To do so, choose the appropriate radio button and click **Refresh**.

Table 84: 10G Multirate Transponder Trunk Port Alarm Thresholds

Card	Alarm RX	Alarm RX	Alarm TX	Alarm TX
	Power High	Power Low	Power High	Power Low
TXP_MR_10G	-8 dBm	-20 dBm	4 dBm	2 dBm
TXP_MR_10E	-8 dBm	-20 dBm	7 dBm	3 dBm
TXP_MR_10E_C				
TXP_MR_10E_L				
TXP_MR_10EX_C				

Step 8 Click **Apply**.

Step 9 Return to your originating procedure (NTP).

DLP-G302 Provisioning the 10G Multirate Transponder Client Port Alarm and TCA Thresholds

Purpose	This task provisions the client port alarm and TCA thresholds for the TXP_MR_10G, TXP_MR_10E, TXP_MR_10E_C, TXP_MR_10E_L, and TXP_MR_10EX_C cards.
Tools/Equipment	None
Prerequisite Procedures	DLP-G278 Provisioning the Optical Line Rate, on page 205 DLP-G46 Log into CTC
Required/As Needed	Required
Onsite/Remote	Onsite or remote
Security Level	Provisioning or higher

Procedure

- Step 1** In node view (single-shelf mode) or shelf view (multishelf view), double-click the TXP_MR_10G, TXP_MR_10E, TXP_MR_10E_C, TXP_MR_10E_L, or TXP_MR_10EX_C card where you want to change the client port alarm and TCA settings.
- Step 2** Click the **Provisioning > Optics Thresholds** tabs. The TCA thresholds are shown by default.
- Step 3** Under Types, verify that the TCA radio button is checked. If not, check it, then click **Refresh**.
- Step 4** Referring to the following table, verify the Port 1 (Client) TCA thresholds for RX Power High, RX Power Low, TX Power High, and TX Power Low based on the client interface at the other end. Provision new thresholds as needed by double-clicking the threshold value you want to change, deleting the existing value, and entering the new value. Hit Enter, then click **Apply**.

Note You must modify 15 Min and 1 Day independently. To do so, choose the appropriate radio button and click **Refresh**.

Note Do not modify the Laser Bias parameters.

Note The hardware device that plugs into a TXP, MXP, GE_XP, 10GE_XP, GE_XPE, 10GE_XPE, or ADM-10G card faceplate to provide a fiber interface to the card is called a Small Form-factor Pluggable (SFP or XFP). In CTC, SFPs and XFPs are called pluggable port modules (PPMs). SFPs/XFPs are hot-swappable input/output devices that plug into a port to link the port with the fiber-optic network. Multirate PPMs have provisionable port rates and payloads. For more information about SFPs and XFPs, see the [SFP, SFP+, QSFP+, XFP, CXP, CFP, CFP2 and CPAK Modules](#), on page 194.

Table 85: TXP_MR_10G, TXP_MR_10E, TXP_MR_10E_C, TXP_MR_10E_L, or TXP_MR_10EX_C Card Client Interface TCA Thresholds

Pluggable Port Rate	Pluggable Port Module (XFP)	TCA RX Power High	TCA RX Power Low	TCA TX Power High	TCA TX Power Low
SONET (or SDH)	TXP_MR_10E uses ONS-XC-10G-S1 TXP_MR_10G (XFP not present)	-1	-11	-1	-6
10G Ethernet LAN Phy	TXP_MR_10E uses ONS-XC-10G-S1 TXP_MR_10G (XFP not present)	0.5	-14.4	-1	-6
10G Fibre Channel	TXP_MR_10E uses ONS-XC-10G-S1	0.5	-14.4	-1	-6
IB_5G (Only the TXP_MR_10EX_C card supports IB_5G)	TXP_MR_10EX_C uses ONS-XC-10G-S1 Version 3	1.0	-14.0	5.0	12.0

Step 5 Click **Apply**.

Step 6 Under Types, click the **Alarm** radio button and click **Refresh**.

Step 7 Referring to the following table, provision the Port 1 (Client) Alarm thresholds for RX Power High, RX Power Low, TX Power High, and TX Power Low based on the client interface that is provisioned.

Note You must modify 15 Min and 1 Day independently. To do so, choose the appropriate radio button and click **Refresh**.

Table 86: TXP_MR_10G, TXP_MR_10E, TXP_MR_10E_C, TXP_MR_10E_L, or TXP_MR_10EX_C Card Client Interface Alarm Thresholds

Pluggable Port Rate	Pluggable Port Module (XFP)	Alarm RX Power High	Alarm RX Power Low	Alarm TX Power High	Alarm TX Power Low
SONET (or SDH)	TXP_MR_10E uses ONS-XC-10G-S1 TXP_MR_10G (XFP not present)	3	-16	1	-8
10G Ethernet LAN Phy	TXP_MR_10E uses ONS-XC-10G-S1 TXP_MR_10G (XFP not present)	3	-16	1	-8
10G Fibre Channel	TXP_MR_10E uses ONS-XC-10G-S1	3	-16	1	-8
IB_5G (Only the TXP_MR_10EX_C card supports IB_5G)	TXP_MR_10EX_C uses ONS-XC-10G-S1 Version 3	3.0	-16	1.0	-8

Step 8 Click **Apply**.

Step 9 Return to your originating procedure (NTP).

NTP-G292 Provisioning the 40G Multirate Transponder Card Line Settings, PM Parameters, and Thresholds

Purpose	This procedure changes the line settings, PM parameters, and threshold settings for 40G multirate transponder cards (40E-TXP-C, 40ME-TXP-C).
Tools/Equipment	None
Prerequisite Procedures	<ul style="list-style-type: none"> • NTP-G179 Installing the Transponder and Muxponder Cards • DLP-G46 Log into CTC • DLP-G723 Install PPM on a Line Card • DLP-G726 Preprovisioning a Multirate PPM (if necessary) • DLP-G278 Provisioning the Optical Line Rate, on page 205
Required/As Needed	As needed
Onsite/Remote	Onsite or remote

Security Level	Provisioning or higher
-----------------------	------------------------



Note The 40E-TXP-C and 40ME-TXP-C cards do not support PPMs.

Procedure

- Step 1** As needed, complete the [NTP-G103 Backing Up the Database](#) task to preserve the existing transmission settings.
- Step 2** If you are provisioning a 40E-TXP-C or 40ME-TXP-C card, complete the [DLP-G656 Provisioning the 40E-TXP-C and 40ME-TXP-C Data Rate, on page 273](#) task. If not, continue with the next step.
- Step 3** Perform any of the following tasks as needed:
- [DLP-G657 Changing the 40G Multirate Transponder Card Settings, on page 274](#)
 - [DLP-G658 Changing the 40G Multirate Transponder Line Settings, on page 275](#)
 - [DLP-G659 Changing the 40G Multirate Transponder SONET, SDH, or Ethernet Line Settings, on page 277](#)
 - [DLP-G218 Changing the 10G or 40G Multirate Transponder Line Section Trace Settings, on page 263](#)
 - [DLP-G661 Changing the 40G Multirate Transponder Line Thresholds for SONET or SDH Payloads, on page 283](#)
 - [DLP-G663 Provisioning the 40G Multirate Transponder Trunk Port Alarm and TCA Thresholds, on page 285](#)
 - [DLP-G664 Provisioning the 40G Multirate Transponder Client Port Alarm and TCA Thresholds, on page 286](#)
 - [DLP-G234 Changing the Multirate Transponder OTN Settings, on page 252](#)

Stop. You have completed this procedure.

DLP-G656 Provisioning the 40E-TXP-C and 40ME-TXP-C Data Rate

Purpose	This task changes the 40E-TXP-C and 40ME-TXP-C card data rate.
Tools/Equipment	None
Prerequisite Procedures	DLP-G46 Log into CTC
Required/As Needed	As needed
Onsite/Remote	Onsite or remote
Security Level	Provisioning or higher

Procedure

- Step 1** In node view (single-shelf mode) or shelf view (multishelf view), double-click the 40E-TXP-C card where you want to change the card data rate settings.
- Step 2** Click the **Provisioning > Data Rate Selection** tabs.
- Step 3** Click **Create**.
- Step 4** In the Create Port dialog box, choose one of the following data rates:
- SONET (ANSI) OC-768 or SDH (ETSI) STM-256
 - 40G Ethernet LAN Phy (only when overclock mode is ON)
 - OTU3
- Step 5** Click **OK**.
- Step 6** Return to your originating procedure (NTP).
-

DLP-G657 Changing the 40G Multirate Transponder Card Settings

Purpose	This task changes the card settings of the 40E-TXP-C and 40ME-TXP-C cards.
Tools/Equipment	None
Prerequisite Procedures	DLP-G46 Log into CTC
Required/As Needed	As needed
Onsite/Remote	Onsite or remote
Security Level	Provisioning or higher

Procedure

- Step 1** In node view (single-shelf mode) or shelf view (multishelf view), double-click the 40E-TXP-C card where you want to change the card settings.
- Step 2** Click the **Provisioning > Card** tabs.
- Step 3** Modify any of the settings described in the following table.

Table 87: 40E-TXP-C and 40ME-TXP-C Card Settings

Parameter	Description	ANSI Options	ETSI Options
Regeneration Peer Slot	<p>Sets the slot containing another 40E-TXP-C or 40ME-TXP-C card to create a regeneration peer group. A regeneration peer group facilitates the management of two 40E-TXP-C or 40ME-TXP-C cards that are needed to perform a complete signal regeneration.</p> <p>The regeneration peer group synchronizes provisioning of the two cards. Payload type and ITU-T G.709 optical transport network (OTN) changes made on one 40E-TXP-C or 40ME-TXP-C card is reflected on the peer 40E-TXP-C or 40ME-TXP-C card.</p> <p>Note Y-cable protection groups cannot be created on TXP cards that are in a regeneration peer group.</p>	<ul style="list-style-type: none"> • None • 1 • 2 • 3 • 4 • 5 • 12 • 13 • 14 • 15 • 16 	<ul style="list-style-type: none"> • None • 1 • 2 • 3 • 4 • 5 • 12 • 13 • 14 • 15 • 16
Regeneration Group Name	(Display only) The regeneration peer group name.	—	—
Trunk Wavelengths	(Display only) Shows the supported wavelengths of the trunk port after the card is installed. The 40E-TXP-C, or 40ME-TXP-C that is installed shows the C-band wavelengths that it supports.	—	—

Step 4 Click **Apply**.

Step 5 Return to your originating procedure (NTP).

DLP-G658 Changing the 40G Multirate Transponder Line Settings

Purpose	This task changes the line settings of the 40E-TXP-C and 40ME-TXP-C cards.
Tools/Equipment	None
Prerequisite Procedures	DLP-G46 Log into CTC
Required/As Needed	As needed
Onsite/Remote	Onsite or remote
Security Level	Provisioning or higher

Procedure

- Step 1** In node view (single-shelf mode) or shelf view (multishelf view), double-click the 40E-TXP-C card where you want to change the line settings.
- Step 2** Click the **Provisioning > Line > Ports** tabs.
- Step 3** Modify any of the settings for the Client tab as described in the following table.

Table 88: Line Settings of the 40E-TXP-C, and 40ME-TXP-C Cards

Parameter	Description	Options
Port	(Display only) Displays the port number.	1 and 2
Port Name	Assigns a logical name for each of the ports shown by filling in this field.	User-defined. The port name can be up to 80 alphanumeric special characters, or both. The port name is blank by default.
Admin State	Sets the port service state unless network conditions prevent the change. For more information about service states, see the Administrative and Service States document.	<ul style="list-style-type: none"> IS (ANSI) or Unlocked (ETSI) OOS,DSBLD (ANSI) or Locked,disabled (ETSI) OOS,MT (ANSI) or Locked,maintenance (ETSI) IS,AINS (ANSI) or Unlocked,automaticInService (ETSI)
Service State	(Display only) Identifies the autonomously generated state that gives the overall condition of the port. Service states appear in the format: Primary State-Primary State Qualifier, Secondary State. For more information about service states, see the Administrative and Service States document.	<ul style="list-style-type: none"> IS-NR (ANSI) or Unlocked-enabled (ETSI) OOS-AU,AINS (ANSI) or Unlocked-disabled, automaticInService (ETSI) OOS-MA,DSBLD (ANSI) or Locked-enabled,disabled (ETSI) OOS-MA,MT (ANSI) or Locked-enabled,maintenance (ETSI)
ALS Mode	(Client port only) Sets the ALS function mode.	<ul style="list-style-type: none"> Disabled (default)—ALS is off; the laser is not automatically shut down when traffic outage or loss of signal (LOS) occurs. Auto Restart: (OC-768/STM-256/OTU-3 only) ALS is on; the laser automatically shuts down when traffic outage or LOS occurs. It automatically restarts when the conditions that caused the outage are resolved. Manual Restart—ALS is on; the laser automatically shuts down when traffic outage or LOS occurs. However, the laser must be manually restarted when conditions that caused the outage are resolved. Manual Restart for Test—Manually restarts the laser for testing.
Reach	(Display only) Displays the optical reach distance of the port.	<ul style="list-style-type: none"> Autoprovision—(trunk port only) The system automatically provisions the reach. VSR—(client port only) The system provisions the optical reach (VSR) for the port.

Parameter	Description	Options
Wavelength	Provisions the wavelength for the port.	<ul style="list-style-type: none"> • First Tunable Wavelength • Further wavelengths: Further wavelengths in 100 nm C-band spacing. The wavelengths carried by the card are identified with two asterisks. If the card is not supported, the wavelengths appear with a dark grey background.
Fault Signalling	(Display only) Applicable only to client port 1. When the termination mode is set to transparent, Squelch/Laser-Off is enabled. For section/line termination mode, AIS/Send Local Fault is enabled. For trunk port, Squelch/Laser-Off is disabled.	<ul style="list-style-type: none"> • Squelch/Laser-Off • AIS/Send Local Fault • Disable/Transparent <p>Note Both Squelch/Laser-Off and AIS/Send Local Fault options are supported when Termination Mode is Transparent. If Termination Mode selected is Section/Line Termination Mode, then only AIS/Send Local Fault is supported. This is applicable for OC-192/STM-64 and OC-768/STM-256. For OTN payload, Squelch/Laser-Off and AIS/Send Local Fault options are supported.</p>
Overclock	Enables or disables overclock mode on trunk port.	<ul style="list-style-type: none"> • OFF (default) • ON
Rx Wavelength	Provisions the wavelength of the trunk port.	<ul style="list-style-type: none"> • First Tunable Wavelength • Further wavelengths: Further wavelengths in 100 nm C-band spacing. The wavelengths carried by the card are identified with two asterisks. If the card is not supported, the wavelengths appear with a dark grey background.

Step 4 Click **Apply**.

Step 5 Return to your originating procedure (NTP).

DLP-G659 Changing the 40G Multirate Transponder SONET, SDH, or Ethernet Line Settings

Purpose	This task changes the SONET, SDH, or Ethernet line settings for 40E-TXP-C and 40ME-TXP-C cards.
Tools/Equipment	None
Prerequisite Procedures	DLP-G46 Log into CTC

Required/As Needed	As needed
Onsite/Remote	Onsite or remote
Security Level	Provisioning or higher

Procedure

Step 1 In node view (single-shelf mode) or shelf view (multishelf view), double-click the 40E-TXP-C card where you want to change the SONET, SDH, or Ethernet line settings.

Step 2 Click the **Provisioning > Line > SONET/SDH/Ethernet** tabs.

Step 3 Modify any of the settings described in the following table.

Note In the following table, some parameter tabs do not always apply to all 40G multirate transponder cards. If a tab does not apply, it will not appear in CTC.

Table 89: SONET, SDH Line Settings of the 40E-TXP-C and 40ME-TXP-C Cards

Parameter	Description	ANSI Options	ETSI Options
Port	(Display only) Displays the port number.	<ul style="list-style-type: none"> • 1 (OC-768) • 1 (40G Ethernet LAN Phy) • 1 (OTU3) 	<ul style="list-style-type: none"> • 1 (STM-256) • 1 (40G Ethernet LAN Phy) • 1 (OTU3)
SF BER	(SONET [ANSI] or SDH [ETSI] only) Sets the signal fail bit error rate.	<ul style="list-style-type: none"> • 1E-3 • 1E-4 • 1E-5 	<ul style="list-style-type: none"> • 1E-3 • 1E-4 • 1E-5
SD BER	(SONET [ANSI] or SDH [ETSI] only) Sets the signal degrade bit error rate.	<ul style="list-style-type: none"> • 1E-5 • 1E-6 • 1E-7 • 1E-8 • 1E-9 	<ul style="list-style-type: none"> • 1E-5 • 1E-6 • 1E-7 • 1E-8 • 1E-9
ProvidesSync	(OC-768/STM-256 only) Sets the ProvidesSync card parameter. If checked, the card is provisioned as a network element (NE) timing reference.	Checked or unchecked	Checked or unchecked

Parameter	Description	ANSI Options	ETSI Options
SyncMsgIn	(OC-768/STM-256 only) Sets the EnableSync card parameter. Enables synchronization status messages (S1 byte), which allow the node to choose the best timing source.	Checked or unchecked	Checked or unchecked
Admin SSM In	Overrides the synchronization status message (SSM) and the synchronization traceability unknown (STU) value. If the node does not receive an SSM signal, it defaults to STU.	<ul style="list-style-type: none"> • PRS—Primary Reference Source (Stratum 1) • STU—Sync traceability unknown • ST2—Stratum 2 • ST3—Stratum 3 • SMC—SONET minimum clock • ST4—Stratum 4 • DUS—Do not use for timing synchronization • RES—Reserved; quality level set by user 	<ul style="list-style-type: none"> • G811—Primary reference clock • STU—Sync traceability unknown • G812T—Transit node traceable • G812L—Local node traceable • SETS—Synchronous equipment • DUS—Do not use for synchronization
Send DoNotUse	(OC-768/STM-256 only) Sets the Send DoNotUse card state. When checked, sends a do not use (DUS) message on the S1 byte.	Checked or unchecked	Checked or unchecked
Type	(SONET [ANSI] or SDH [ETSI] only) Indicates the optical transport type.	<ul style="list-style-type: none"> • SONET • SDH 	<ul style="list-style-type: none"> • SONET • SDH
Termination Mode	(OC-768/STM-256 only) Sets the mode of operation. Note This option is only available for SONET/SDH payloads.	<ul style="list-style-type: none"> • Transparent • Section • Line 	<ul style="list-style-type: none"> • Transparent • Regeneration Section • Multiplex Section

Table 90: Ethernet Line Settings of the 40E-TXP-C and 40ME-TXP-C Cards

Parameter	Description	ANSI Options	ETSI Options
Port	(Display only) Displays the port number.	<ul style="list-style-type: none"> • 1-1 to 1-16 (OC3/OC12/OC48/GE) • 17-1 (Trunk/Interlink) • 18-1 (Trunk/Interlink) • 19-1 (Trunk) <p>Note Port 17 and Port 18 are trunk ports that support OC192 payload in a single-card configuration. These ports are interlink ports in a double-card configuration (ADM-10G peer group).</p>	<ul style="list-style-type: none"> • 1-1 to 1-16 (STM1/STM4/STM16) • 17-1 (Trunk/Interlink) • 18-1 (Trunk/Interlink) • 19-1 (Trunk) <p>Note Port 17 and Port 18 are trunk ports that support STM64 payload in a single-card configuration. These ports are interlink ports in a double-card configuration (ADM-10G peer group).</p>
Port Name	Provides the ability to assign the specified port a name.	User-defined. Name can be up to 80 alphanumeric/special characters. Blank by default.	User-defined. Name can be up to 80 alphanumeric/special characters. Blank by default.
Admin State	Sets the port service state. For more information about administrative states, see the Administrative and Service States document.	<ul style="list-style-type: none"> • IS • IS,AINS • OOS,DSBLD • OOS,MT 	<ul style="list-style-type: none"> • Unlocked • Unlocked,automaticInService • Locked,disabled • Locked,maintenance
Service State	(Display only) Identifies the autonomously generated state that gives the overall condition of the port. Service states appear in the format: Primary State-Primary State Qualifier, Secondary State. For more information about service states, see the Administrative and Service States document.	<ul style="list-style-type: none"> • IS-NR • OOS-AU,AINS • OOS-MA,DSBLD • OOS-MA,MT 	<ul style="list-style-type: none"> • Unlocked-enabled • Unlocked-disabled, automaticInService • Locked-enabled,disabled • Locked-enabled,maintenance

Parameter	Description	ANSI Options	ETSI Options
ALS Mode	Sets the ALS function mode. The DWDM transmitter supports ALS according to ITU-T G.644 (06/99). ALS can be disabled, or it can be set for one of three mode options.	<ul style="list-style-type: none"> Disabled (default): ALS is off; the laser is not automatically shut down when traffic outages (LOS) occur. Manual Restart: ALS is on; the laser automatically shuts down when traffic outages (LOS) occur. However, the laser must be manually restarted when conditions that caused the outage are resolved. Manual Restart for Test: Manually restarts the laser for testing. 	<ul style="list-style-type: none"> Disabled (default): ALS is off; the laser is not automatically shut down when traffic outages occur. Manual Restart: ALS is on; the laser automatically shuts down when traffic outages (LOS) occur. However, the laser must be manually restarted when conditions that caused the outage are resolved. Manual Restart for Test: Manually restarts the laser for testing.
AINS Soak	Sets the automatic in-service soak period. Double-click the time and use the up and down arrows to change settings.	<ul style="list-style-type: none"> Duration of valid input signal, in hh.mm format, after which the card becomes in service (IS) automatically 0 to 48 hours, 15-minute increments <p>Note The AINS service state is not supported on interlink ports.</p>	<ul style="list-style-type: none"> Duration of valid input signal, in hh.mm format, after which the card becomes in service automatically 0 to 48 hours, 15-minute increments <p>Note The AINS service state is not supported on interlink ports.</p>
Reach	Displays the optical reach distance of the client port.	The Reach options depend on the traffic type that has been selected.	The Reach options depend on the traffic type that has been selected.

Step 4 Click **Apply**.

Step 5 Return to your originating procedure (NTP).

DLP-G692 Changing the 40G Multirate Transponder OTU Settings

Purpose	This task changes the OTU settings of the 40E-TXP-C, and 40ME-TXP-C transponder cards.
Tools/Equipment	None

Prerequisite Procedures	DLP-G46 Log into CTC
Required/As Needed	As needed
Onsite/Remote	Onsite or remote
Security Level	Provisioning or higher

Procedure

- Step 1** In node view (single-shelf mode) or shelf view (multishelf view), double-click the 40E-TXP-C or 40ME-TXP-C card where you want to change the OTU settings.
- Step 2** Click the **Provisioning > Line > OTU** tabs.
- Step 3** Modify any of the settings described in the following table.

Table 91: OTU Settings of the 40E-TXP-C, and 40ME-TXP-C Cards

Parameter	Description	ANSI Options	ETSI Options
Port	(Display only) Displays the port number that is applicable only for OC-192/STM-64 payloads.	<ul style="list-style-type: none"> • 1-1 • 2-1 • 3-1 • 4-1 	<ul style="list-style-type: none"> • 1-1 • 2-1 • 3-1 • 4-1
SyncMsgIn	(Display only) (OC-768/STM-256 only) Sets the EnableSync card parameter. Enables synchronization status messages (S1 byte), which allow the node to choose the best timing source.	Checked or unchecked	Checked or unchecked
Admin SSM	Overrides the synchronization status message (SSM) and the synchronization traceability unknown (STU) value. If the node does not receive an SSM signal, it defaults to STU.	<ul style="list-style-type: none"> • PRS—Primary Reference Source (Stratum 1) • STU—Sync traceability unknown • ST2—Stratum 2 • ST3—Stratum 3 • SMC—SONET minimum clock • ST4—Stratum 4 • DUS—Do not use for timing synchronization • RES—Reserved; quality level set by user 	<ul style="list-style-type: none"> • G811—Primary reference clock • STU—Sync traceability unknown • G812T—Transit node clock traceable • G812L—Local node clock traceable • SETS—Synchronous equipment • DUS—Do not use for timing synchronization

Parameter	Description	ANSI Options	ETSI Options
ProvidesSync	(Display only) (OC-768/STM-256 only) Sets the ProvidesSync card parameter. If checked, the card is provisioned as a network element (NE) timing reference.	Checked or unchecked	Checked or unchecked

Step 4 Click **Apply**.

Step 5 Return to your originating procedure (NTP).

DLP-G661 Changing the 40G Multirate Transponder Line Thresholds for SONET or SDH Payloads

Purpose	This task changes the line threshold settings of 40E-TXP-C and 40ME-TXP-C transponder cards carrying SONET or SDH payloads, including the physical 40G Ethernet WAN Phy payload.
Tools/Equipment	None
Prerequisite Procedures	DLP-G46 Log into CTC
Required/As Needed	As needed
Onsite/Remote	Onsite or remote
Security Level	Provisioning or higher

Procedure

- Step 1** In node view (single-shelf mode) or shelf view (multishelf view), double-click the 40E-TXP-C card where you want to change the line threshold settings.
- Step 2** Click the **Provisioning > Line Thresholds > SONET Thresholds** (ANSI) or **SDH Thresholds** (ETSI) tabs.
- Step 3** Modify any of the settings described in the following table.

Table 92: Line Threshold Settings for the 40E-TXP-C, and 40ME-TXP-C Cards

Parameter	Description	ANSI Options	ETSI Options
Port	(Display only) Port number	<ul style="list-style-type: none"> • 1 (OC-768) • 2 (OC-768) 	<ul style="list-style-type: none"> • 1 (STM-256) • 2 (STM-256)

Parameter	Description	ANSI Options	ETSI Options
CV	Coding violations	<p>Numeric. Threshold display options include:</p> <ul style="list-style-type: none"> • Direction—Near End or Far End • Interval—15 Min (minutes) or 1 day • Types—Line or Section (near end only) <p>Choose an option in each category and click Refresh.</p>	—
ES	Errored seconds	<p>Numeric. Threshold display options include:</p> <ul style="list-style-type: none"> • Direction—Near End or Far End • Interval—15 Min (minutes) or 1 day • Types—Line or Section (near end only) <p>Choose an option in each category and click Refresh.</p>	<p>Numeric. Threshold display options include:</p> <ul style="list-style-type: none"> • Direction—Near End or Far End • Interval—15 Min (minutes) or 1 day • Types—Multiplex Section or Regeneration Section (near end only) <p>Choose an option in each category and click Refresh.</p>
SES	Severely errored seconds	<p>Numeric. Threshold display options include:</p> <ul style="list-style-type: none"> • Direction—Near End or Far End • Interval—15 Min (minutes) or 1 day • Types—Line or Section (near end only) <p>Choose an option in each category and click Refresh.</p> <p>Click Reset to Default to restore default values.</p>	<p>Numeric. Threshold display options include:</p> <ul style="list-style-type: none"> • Direction—Near End or Far End • Interval—15 Min (minutes) or 1 day • Types—Multiplex Section or Regeneration Section (near end only) <p>Choose an option in each category and click Refresh.</p> <p>Click Reset to Default to restore default values.</p>
FC	(Line or Multiplex Section only) Failure count	<p>Numeric. Threshold display options include:</p> <ul style="list-style-type: none"> • Direction—Near End or Far End • Interval—15 Min (minutes) or 1 day • Types—Line or Section (near end only) <p>Choose an option in each category and click Refresh.</p> <p>Click Reset to Default to restore default values.</p>	—

Parameter	Description	ANSI Options	ETSI Options
UAS	(Line or Multiplex Section only) Unavailable seconds	Numeric. Threshold display options include: <ul style="list-style-type: none"> • Direction—Near End or Far End • Interval—15 Min (minutes) or 1 day • Types—Line or Section (near end only) Choose an option in each category and click Refresh . Click Reset to Default to restore default values.	Numeric. Threshold display options include: <ul style="list-style-type: none"> • Direction—Near End or Far End • Interval—15 Min (minutes) or 1 day • Types—Multiplex Section or Regeneration Section (near end only) Choose an option in each category and click Refresh . Click Reset to Default to restore default values.

Step 4 Click **Apply**.

Step 5 Return to your originating procedure (NTP).

DLP-G663 Provisioning the 40G Multirate Transponder Trunk Port Alarm and TCA Thresholds

Purpose	This task provisions the 40E-TXP-C, and 40ME-TXP-C trunk port alarm and threshold cross alert (TCA) thresholds.
Tools/Equipment	None
Prerequisite Procedures	DLP-G46 Log into CTC
Required/As Needed	As needed
Onsite/Remote	Onsite or remote
Security Level	Provisioning or higher

Procedure

- Step 1** In node view (single-shelf mode) or shelf view (multishelf view), double-click the 40E-TXP-C card where you want to change the trunk port alarm and TCA settings.
- Step 2** Click the **Provisioning > Optics Thresholds** tabs.
- Step 3** Under Types area, verify that the TCA radio button is selected. If not, click it, then click **Refresh**.
- Step 4** Referring to the following table, verify the trunk port (Port 2) TCA thresholds for RX Power High, RX Power Low, TX Power High, and TX Power Low. Provision new thresholds as needed by double-clicking the threshold value you want to change, deleting the existing value, and entering the new value. Press **Enter**, then click **Apply**.
- Step 5** Under Intervals area, select 15 Min or 1 Day, then click Refresh.

Note Do not modify the Laser Bias parameters.

Table 93: Trunk Port TCA Thresholds of the 40E-TXP-C, and 40ME-TXP-C Cards

Card	TCA RX Power High (dbm)	TCA RX Power Low (dbm)	TCA TX Power High (dbm)	TCA TX Power Low (dbm)
40E-TXP-C 40ME-TXP-C	-9.0	-22.0	9.0	0.0

Step 6 Click **Apply**.

Step 7 Under Types area, click the **Alarm** radio button and click **Refresh**.

Step 8 Referring to the following table, verify the trunk port (Port 2) alarm thresholds for RX Power High, RX Power Low, TX Power High, and TX Power Low. Provision new thresholds as needed by double-clicking the threshold value you want to change, deleting the existing value, and entering the new value. Press **Enter**, then click **Apply**.

Step 9 Under Intervals area, select 15 Min or 1 Day, then click Refresh.

Table 94: Trunk Port Alarm Thresholds of the 40E-TXP-C, and 40ME-TXP-C Cards

Card	Alarm RX Power High	Alarm RX Power Low	Alarm TX Power High	Alarm TX Power Low
40E-TXP-C 40ME-TXP-C	-9.0	-22.0	9.0	0.0

Step 10 Click **Apply**.

Step 11 Click **Default** to restore default values.

Step 12 Return to your originating procedure (NTP).

DLP-G664 Provisioning the 40G Multirate Transponder Client Port Alarm and TCA Thresholds

Purpose	This task provisions the client port alarm and TCA thresholds for the 40E-TXP-C, and 40ME-TXP-C cards.
Tools/Equipment	None
Prerequisite Procedures	DLP-G278 Provisioning the Optical Line Rate, on page 205 DLP-G46 Log into CTC
Required/As Needed	Required
Onsite/Remote	Onsite or remote
Security Level	Provisioning or higher

Procedure

- Step 1** In node view (single-shelf mode) or shelf view (multishelf view), double-click the 40E-TXP-C card where you want to change the client port alarm and TCA settings.
- Step 2** Click the **Provisioning > Optics Thresholds** tabs. The TCA thresholds are shown by default.
- Step 3** Under Types area, verify that the TCA radio button is selected. If not, click it, then click **Refresh**.
- Step 4** Referring to the following table, verify the client port (Port 1) TCA thresholds for RX Power High, RX Power Low, TX Power High, and TX Power Low based on the client interface at the other end. Provision new thresholds as needed by double-clicking the threshold value you want to change, deleting the existing value, and entering the new value. Press Enter, then click **Apply**.
- Step 5** Under Intervals area, select 15 Min or 1 Day, then click Refresh.

Note Do not modify the Laser Bias parameters.

Table 95: Client Interface TCA Thresholds of the 40E-TXP-C, and 40ME-TXP-C Cards

Pluggable Port Rate	TCA RX Power High	TCA RX Power Low	TCA TX Power High	TCA TX Power Low
40G Ethernet LAN Phy	3.0	-6.0	6.0	-3.0
OC-768/STM-256	3.0	-6.0	6.0	-3.0
OTU3	3.0	-6.0	6.0	-3.0

- Step 6** Click **Apply**.
- Step 7** Under Types area, click the **Alarm** radio button and click **Refresh**.
- Step 8** Referring to the following table, provision the client port (Port 1) alarm thresholds for RX Power High, RX Power Low, TX Power High, and TX Power Low based on the client interface that is provisioned.
- Step 9** Under Intervals area, select 15 Min or 1 Day, then click Refresh.

Table 96: Card Client Interface Alarm Thresholds of the 40E-TXP-C, and 40ME-TXP-C Cards

Pluggable Port Rate	Alarm RX Power High	Alarm RX Power Low	Alarm TX Power High	Alarm TX Power Low
40G Ethernet LAN Phy	5.0	-8.0	4.0	-1.0
OC-768/STM-256	5.0	-8.0	4.0	-1.0
OTU3	5.0	-8.0	4.0	-1.0

- Step 10** Click **Apply**.
- Step 11** Return to your originating procedure (NTP).

NTP-G170 Provisioning the ADM-10G Card Peer Group, Ethernet Settings, Line Settings, PM Parameters, and Thresholds

Purpose	This procedure creates an ADM-10G peer group and changes line settings, PM parameters, and threshold settings for ADM-10G cards.
Tools/Equipment	None
Prerequisite Procedures	DLP-G46 Log into CTC DLP-G723 Install PPM on a Line Card DLP-G411 Provisioning an ADM-10G PPM and Port, on page 201 DLP-G278 Provisioning the Optical Line Rate, on page 205
Required/As Needed	As needed
Onsite/Remote	Onsite or remote
Security Level	Provisioning or higher

Procedure

-
- Step 1** As needed, complete the [NTP-G103 Backing Up the Database](#) task to preserve the existing transmission settings.
- Step 2** To provision a peer group, complete the [DLP-G403 Creating the ADM-10G Peer Group, on page 289](#).
- Step 3** To display the bandwidth usage of the STS timeslots, complete the [DLP-G775 Displaying the Bandwidth Usage of the STS Timeslots, on page 94](#).
- Step 4** To provision Ethernet settings, complete the [DLP-G469 Provisioning the ADM-10G Card Ethernet Settings, on page 290](#).
- Step 5** To change line settings, complete the following tasks as needed:
- [DLP-G397 Changing the ADM-10G Line Settings, on page 291](#)
 - [DLP-G398 Changing the ADM-10G Line Section Trace Settings, on page 296](#)
 - [DLP-G399 Changing the ADM-10G Line Thresholds for SONET and SDH Payloads, on page 298](#)
 - [DLP-G412 Changing the ADM-10G Line RMON Thresholds for the 1G Ethernet Payload, on page 302](#)
- Step 6** To change thresholds, complete the following tasks as needed:
- [DLP-G400 Provisioning the ADM-10G Interlink or Trunk Port Alarm and TCA Thresholds, on page 305](#)
 - [DLP-G401 Provisioning the ADM-10G Client Port Alarm and TCA Thresholds, on page 307](#)
 - [DLP-G402 Changing the ADM-10G OTN Settings, on page 308](#)

Stop. You have completed this procedure.

DLP-G403 Creating the ADM-10G Peer Group

Purpose	This task creates peer group protection for two ADM-10G cards within the same node, located on the same shelf. Perform this task on only one of the two peer cards.
Tools/Equipment	None
Prerequisite Procedures	<ul style="list-style-type: none"> • NTP-G179 Installing the Transponder and Muxponder Cards • DLP-G46 Log into CTC
Required/As Needed	As needed
Onsite/Remote	Onsite or remote
Security Level	Provisioning or higher



Note You cannot perform this task on a single ADM-10G card; it is only available if a second ADM-10G card can be accessed through the interlink ports (Port 17 and Port 18).



Note Due to a hardware limitation, you cannot provision the SDCC/LDCC on Port 17.

Procedure

- Step 1** In node view (single-shelf mode) or shelf view (multishelf view), double-click the ADM-10G card where you want to change the card settings.
- Step 2** Click the **Provisioning > Card** tabs.
- Step 3** In the ADM Group Peer drop-down list, choose the slot number where the companion ADM-10G card is located.
- Step 4** In the ADM Peer Group field, enter a group name.
- Step 5** Click **Apply**.

Note The Card Parameters Tunable Wavelengths area is read-only and does not contain any wavelengths until circuits are separately provisioned for the card.
- Step 6** Return to your originating procedure (NTP).

DLP-G469 Provisioning the ADM-10G Card Ethernet Settings

Purpose	This task changes the Ethernet settings for the ADM-10G card.
Tools/Equipment	None
Prerequisite Procedures	DLP-G46 Log into CTC
Required/As Needed	As needed
Onsite/Remote	Onsite or remote
Security Level	Provisioning or higher

Procedure

- Step 1** In node view (single-shelf mode) or shelf view (multishelf view), double-click the ADM-10G card where you want to change the Ethernet settings. The card view appears.
- Step 2** Click the **Provisioning > Line > Ethernet** tabs.
- Step 3** Modify any of the settings for the Ethernet tab as described in the following table. The parameters that appear depend on the card mode.

Table 97: ADM-10G Card Ethernet Settings

Parameter	Description	Options
Port	(Display only) The Port number (<i>n-n</i>) and rate.	—
MTU	The maximum size of the Ethernet frames accepted by the port.	Jumbo. Default: 64 to 9216 Numeric: 1548
Mode	Sets the Ethernet mode.	<ul style="list-style-type: none"> • 1000 Mbps
Framing	Sets the framing type.	<ul style="list-style-type: none"> • GFP-F • HDLC
CRC Encap	Sets the CRC encap values for the framing type.	CRC encap value for GFP-F: <ul style="list-style-type: none"> • None (default) • 32-Bit CRC encap value for HDLC: <ul style="list-style-type: none"> • 16-Bit • 32-Bit (default)

Parameter	Description	Options
AINS Soak	Automatic in-service soak time. The duration of time that must pass with an uninterrupted signal before the traffic/termination transitions to the IS-NR (ANSI) or unlocked-enabled (ETSI) service state.	<ul style="list-style-type: none"> Duration of valid input signal, in hh.mm format the card becomes in service (IS) automatically 0 to 48 hours, 15-minute increments

Step 4 Click **Apply**.

Step 5 Return to your originating procedure (NTP).

DLP-G397 Changing the ADM-10G Line Settings

Purpose	This task changes the line settings for the ADM-10G card.
Tools/Equipment	None
Prerequisite Procedures	DLP-G46 Log into CTC
Required/As Needed	As needed
Onsite/Remote	Onsite or remote
Security Level	Provisioning or higher

Procedure

Step 1 In node view (single-shelf mode) or shelf view (multishelf view), double-click the ADM-10G card where you want to change the line settings.

Step 2 Click the **Provisioning > Line > Ports** tabs.

Step 3 Modify any of the settings described in the following table as needed.

Note In the following table, some parameter tabs do not always apply to all ADM-10G cards. If a tab does not apply, it will not appear in CTC.

Table 98: ADM-10G Line Port Tab Settings

Parameter	Description	ANSI Options	ETSI Options
Port	(Display only) Displays the port number.	<ul style="list-style-type: none"> • 1-1 to 1-16 (OC3/OC12/OC48/GE) • 17-1 (Trunk/Interlink) • 18-1 (Trunk/Interlink) • 19-1 (Trunk) <p>Note Port 17 and Port 18 are trunk ports that support OC192 payload in a single-card configuration. These ports are interlink ports in a double-card configuration (ADM-10G peer group).</p>	<ul style="list-style-type: none"> • 1-1 to 1-16 (STM1/STM4/STM16/GE) • 17-1 (Trunk/Interlink) • 18-1 (Trunk/Interlink) • 19-1 (Trunk) <p>Note Port 17 and Port 18 are trunk ports that support STM64 payload in a single-card configuration. These ports are interlink ports in a double-card configuration (ADM-10G peer group).</p>
Port Name	Provides the ability to assign the specified port a name.	User-defined. Name can be up to 80 alphanumeric/special characters. Blank by default.	User-defined. Name can be up to 80 alphanumeric/special characters. Blank by default.
Admin State	Sets the port service state. For more information about administrative states, see the Administrative and Service States document.	<ul style="list-style-type: none"> • IS • IS,AINS • OOS,DSBLD • OOS,MT 	<ul style="list-style-type: none"> • Unlocked • Unlocked,automaticInService • Locked,disabled • Locked,maintenance

Parameter	Description	ANSI Options	ETSI Options
Service State	(Display only) Identifies the autonomously generated state that gives the overall condition of the port. Service states appear in the format: Primary State-Primary State Qualifier, Secondary State. For more information about service states, see the Administrative and Service States document.	<ul style="list-style-type: none"> • IS-NR • OOS-AU,AINS • OOS-MA,DSBLD • OOS-MA,MT 	<ul style="list-style-type: none"> • Unlocked-enabled • Unlocked-disabled, automaticInService • Locked-enabled,disabled • Locked-enabled,maintenance
ALS Mode	Sets the ALS function mode. The DWDM transmitter supports ALS according to ITU-T G.644 (06/99). ALS can be disabled, or it can be set for one of three mode options.	<ul style="list-style-type: none"> • Disabled (default): ALS is off; the laser is not automatically shut down when traffic outages (LOS) occur. • Auto Restart: (Not applicable for Gigabit Ethernet client interfaces) ALS is on; the laser automatically shuts down when traffic outages (LOS) occur. It automatically restarts when the conditions that caused the outage are resolved. • Manual Restart: ALS is on; the laser automatically shuts down when traffic outages (LOS) occur. However, the laser must be manually restarted when conditions that caused the outage are resolved. • Manual Restart for Test: Manually restarts the laser for testing. 	<ul style="list-style-type: none"> • Disabled (default): ALS is off; the laser is not automatically shut down when traffic outages (LOS) occur. • Auto Restart: (Not applicable for Gigabit Ethernet client interfaces) ALS is on; the laser automatically shuts down when traffic outages (LOS) occur. It automatically restarts when the conditions that caused the outage are resolved. • Manual Restart: ALS is on; the laser automatically shuts down when traffic outages (LOS) occur. However, the laser must be manually restarted when conditions that caused the outage are resolved. • Manual Restart for Test: Manually restarts the laser for testing.

Parameter	Description	ANSI Options	ETSI Options
AINS Soak	Sets the automatic in-service soak period. Double-click the time and use the up and down arrows to change settings.	<ul style="list-style-type: none"> Duration of valid input signal, in hh.mm format, after which the card becomes in service (IS) automatically 0 to 48 hours, 15-minute increments <p>Note The AINS service state is not supported on interlink ports.</p>	<ul style="list-style-type: none"> Duration of valid input signal, in hh.mm format, after which the card becomes in service (IS) automatically 0 to 48 hours, 15-minute increments <p>Note The AINS service state is not supported on interlink ports.</p>
Reach	Displays the optical reach distance of the client port.	The Reach options depend on the traffic type that has been selected.	The Reach options depend on the traffic type that has been selected.
Wavelength	Tunable wavelength.	Shows the supported wavelengths of the trunk port after the card is installed in the format: <i>first wavelength-last wavelength-frequency spacing-number of supported wavelengths</i> . For example, 1529.55nm-1561.83nm-50GHz-8 are supported wavelengths. You can also view the bandwidth of the wavelength information in THz.	Shows the supported wavelengths of the trunk port after the card is installed in the format: <i>first wavelength-last wavelength-frequency spacing-number of supported wavelengths</i> . For example, 1529.55nm-1561.83nm-50GHz-8 are supported wavelengths. You can also view the bandwidth of the wavelength information in THz.

Step 4 Click **Apply**.

Step 5 Click the **Provisioning > Line >SONET** or **SDH** tabs.

Step 6 Modify any of the settings described in the following table as needed.

Table 99: ADM-10G Line SONET or SDH Tab Settings

Parameter	Description	ANSI Options	ETSI Options
Port	(Display only) Displays the client and trunk port number.	<ul style="list-style-type: none"> • 1-1 to 1-16 (OC3/OC12/OC48/GE) • 17-1 (OC192) • 18-1 (OC192/Interlink) • 19-1 (OC192) <p>Note Port 17 and Port 18 are trunk ports that support OC192 payload in a single-card configuration. These ports are interlink ports in a double-card configuration (ADM-10G peer group).</p>	<ul style="list-style-type: none"> • 1-1 to 1-16 (STM1/STM4/STM16/GE) • 17-1 (STM64) • 18-1 (STM64/Interlink) • 19-1 (STM64) <p>Note Port 17 and Port 18 are trunk ports that support STM64 payload in a single-card configuration. These ports are interlink ports in a double-card configuration (ADM-10G peer group).</p>
ProvidesSync	When checked, the card is provisioned as an NE timing reference.	Checked or unchecked	Checked or unchecked
SyncMsgIn	Enables synchronization status messages (S1 byte), which allow the node to choose the best timing source.	Checked or unchecked	Checked or unchecked
SF BER	Sets the signal fail bit error rate.	<ul style="list-style-type: none"> • 1E-3 • 1E-4 • 1E-5 	<ul style="list-style-type: none"> • 1E-3 • 1E-4 • 1E-5
Send DoNotUse	When checked, sends a DUS message on the S1 byte.	Checked or unchecked	Checked or unchecked

Parameter	Description	ANSI Options	ETSI Options
SD BER	Sets the signal degrade bit error rate.	<ul style="list-style-type: none"> • 1E-5 • 1E-6 • 1E-7 • 1E-8 • 1E-9 	<ul style="list-style-type: none"> • 1E-5 • 1E-6 • 1E-7 • 1E-8 • 1E-9
Type	(Display only) Type of node.	<ul style="list-style-type: none"> • SONET • SDH 	<ul style="list-style-type: none"> • SDH
Admin SSM In	Overrides the synchronization status message (SSM) synchronization traceability unknown (STU) value. If the node does not receive an SSM signal, it defaults to STU.	<ul style="list-style-type: none"> • PRS—Primary Reference Source (Stratum 1) • ST2—Stratum 2 • TNC—Transit node clock • ST3E—Stratum 3E • ST3—Stratum 3 • SMC—SONET minimum clock • ST4—Stratum 4 • DUS—Do not use for timing synchronization • RES—Reserved; quality level set by user 	<ul style="list-style-type: none"> • G811—Primary reference clock • STU—Sync traceability unknown • G812T—Transit node clock traceable • G812L—Local node clock traceable • SETS—Synchronous equipment • DUS—Do not use for timing synchronization

Step 7 Return to your originating procedure (NTP).

DLP-G398 Changing the ADM-10G Line Section Trace Settings

Purpose	This task changes the line section trace settings for the ADM-10G cards.
Tools/Equipment	None
Prerequisite Procedures	DLP-G46 Log into CTC
Required/As Needed	As needed
Onsite/Remote	Onsite or remote
Security Level	Provisioning or higher



Note The **Section Trace** tab is available for ports configured as OC-N (Ports 1 through 16, Ports 17 and 18 [only in a single-card configuration] and Port 19). Section trace is not available on interlink ports.

Procedure

- Step 1** In node view (single-shelf mode) or shelf view (multishelf view), double-click the ADM-10G card where you want to change the section trace settings. The card view appears.
- Step 2** Click the **Provisioning > Line > Section Trace** tabs.
- Step 3** Modify any of the settings described in the following table.

Table 100: ADM-10G Section Trace Settings

Parameter	Description	ANSI Options	ETSI Options
Port	Sets the port number.	<ul style="list-style-type: none"> • 1-1 to 1-16 (OC3/OC12/OC48/GE) • 17-1 (OC 192) • 18-1 (OC192) • 19-1 (OC192) <p>Note Port 17 and Port 18 are trunk ports that support OC192 payload in a single-card configuration. These ports are interlink ports in a double-card configuration (ADM-10G peer group).</p>	<ul style="list-style-type: none"> • 1-1 to 1-16 (STM1/STM4/STM16/GE) • 17-1 (STM64) • 18-1 (STM64) • 19-1 (STM64) <p>Note Port 17 and Port 18 are trunk ports that support STM64 payload in a single-card configuration. These ports are interlink ports in a double-card configuration (ADM-10G peer group).</p>
Received Trace Mode	Sets the trace mode.	<ul style="list-style-type: none"> • Off/None • Manual 	<ul style="list-style-type: none"> • Off/None • Manual
Transmit Section Trace String Size	Sets the trace string size.	<ul style="list-style-type: none"> • 1 byte • 16 byte • 64 byte 	<ul style="list-style-type: none"> • 1 byte • 16 byte • 64 byte

Parameter	Description	ANSI Options	ETSI Options
Current	Current Transmit String displays the current transmit string; New Transmit String sets a new transmit string. Current String Type allows you to choose between ASCII or Hexadecimal format. Click Hex to change the display to hexadecimal (button changes to ASCII); click ASCII to change the display to ASCII (button changes to Hex).	String of trace string size	String of trace string size
Received	(Display only) Current Received String displays the current received string. You can click Refresh to manually refresh this display, or check the Auto-refresh every 5 sec check box to keep this panel updated.	String of trace string size	String of trace string size
Auto-refresh	If checked, automatically refreshes the display every 5 seconds.	Checked/unchecked (default)	Checked/unchecked (default)

Step 4 Click **Apply**.

Step 5 Return to your originating procedure (NTP).

DLP-G399 Changing the ADM-10G Line Thresholds for SONET and SDH Payloads

Purpose	This task changes the line threshold settings for ADM-10G cards carrying SONET payloads.
Tools/Equipment	None
Prerequisite Procedures	DLP-G46 Log into CTC
Required/As Needed	As needed
Onsite/Remote	Onsite or remote
Security Level	Provisioning or higher

Procedure

- Step 1** In node view (single-shelf mode) or shelf view (multishelf view), double-click the ADM-10G card where you want to change the line threshold settings. The card view appears.
- Step 2** Click the **Provisioning > Line Thresholds > SONET Thresholds** or **SDH Thresholds** tabs.
- Step 3** Modify any of the settings described in the following table.

Table 101: ADM-10G Card Line Threshold Settings

Parameter	Description	ANSI Options	ETSI Options
Port	(Display only) Port number	<ul style="list-style-type: none"> • 1-1 to 1-16 (OC3/OC12/OC48/GE) • 17-1 (OC 192) • 18-1 (OC192) • 19-1 (OC192) <p>Note Port 17 and Port 18 are trunk ports that support OC192 payload in a single-card configuration. These ports are interlink ports in a double-card configuration (ADM-10G peer group).</p>	<ul style="list-style-type: none"> • 1-1 to 1-16 (STM1/STM4/STM16/GE) • 17-1 (STM 64) • 18-1 (STM64) • 19-1 (STM64) <p>Note Port 17 and Port 18 are trunk ports that support STM64 payload in a single-card configuration. These ports are interlink ports in a double-card configuration (ADM-10G peer group).</p>
EB	Path Errored Block indicates that one or more bits are in error within a block	—	<p>Numeric. Threshold display options include:</p> <ul style="list-style-type: none"> • Direction—Near End or Far End • Interval—15 Min (minutes) or 1 day • Types—Multiplex Section or Regeneration Section (near end only) <p>Choose an option in each category and click Refresh.</p>

Parameter	Description	ANSI Options	ETSI Options
CV	Coding violations	<p>Numeric. Threshold display options include:</p> <ul style="list-style-type: none"> • Direction—Near End or Far End • Interval—15 Min (minutes) or 1 day • Types—Line or Section (near end only) <p>Choose an option in each category and click Refresh.</p>	—
ES	Errored seconds	<p>Numeric. Threshold display options include:</p> <ul style="list-style-type: none"> • Direction—Near End or Far End • Interval—15 Min (minutes) or 1 day • Types—Line or Section (near end only) <p>Choose an option in each category and click Refresh.</p>	<p>Numeric. Threshold display options include:</p> <ul style="list-style-type: none"> • Direction—Near End or Far End • Interval—15 Min (minutes) or 1 day • Types—Line or Section (near end only) <p>Choose an option in each category and click Refresh.</p>
SES	Severely errored seconds	<p>Numeric. Threshold display options include:</p> <ul style="list-style-type: none"> • Direction—Near End or Far End • Interval—15 Min (minutes) or 1 day • Types—Line or Section (near end only) <p>Choose an option in each category and click Refresh.</p>	<p>Numeric. Threshold display options include:</p> <ul style="list-style-type: none"> • Direction—Near End or Far End • Interval—15 Min (minutes) or 1 day • Types—Line or Section (near end only) <p>Choose an option in each category and click Refresh.</p>

Parameter	Description	ANSI Options	ETSI Options
BBE	Background block errors	—	<p>Numeric. Threshold display options include:</p> <ul style="list-style-type: none"> • Direction—Near End or Far End • Interval—15 Min (minutes) or 1 day • Types—Multiplex Section or Regeneration Section (near end only) <p>Choose an option in each category and click Refresh.</p>
FC	(Line Section only) Failure count	<p>Numeric. Threshold display options include:</p> <ul style="list-style-type: none"> • Direction—Near End or Far End • Interval—15 Min (minutes) or 1 day • Types—Line or Section (near end only) <p>Choose an option in each category and click Refresh.</p>	—
PSC	Protection Switching Count	<p>Numeric. Threshold display options include:</p> <ul style="list-style-type: none"> • Direction—Near End or Far End • Interval—15 Min (minutes) or 1 day <p>Choose an option in each category and click Refresh.</p>	—
PSD	Protection Switching Duration	<p>Numeric. Threshold display options include:</p> <ul style="list-style-type: none"> • Direction—Near End or Far End • Interval—15 Min (minutes) or 1 day <p>Choose an option in each category and click Refresh.</p>	—

Parameter	Description	ANSI Options	ETSI Options
UAS	(Line Section only) Unavailable seconds	Numeric. Threshold display options include: <ul style="list-style-type: none"> • Direction—Near End or Far End • Interval—15 Min (minutes) or 1 day • Types—Line or Section (near end only) Choose an option in each category and click Refresh .	Numeric. Threshold display options include: <ul style="list-style-type: none"> • Direction—Near End or Far End • Interval—15 Min (minutes) or 1 day • Types—Line or Section (near end only) Choose an option in each category and click Refresh .

Step 4 Click **Apply**.

Step 5 Return to your originating procedure (NTP).

DLP-G412 Changing the ADM-10G Line RMON Thresholds for the 1G Ethernet Payload

Purpose	This task changes the line RMON threshold settings for an ADM-10G card carrying the 1G Ethernet payload.
Tools/Equipment	None
Prerequisite Procedures	DLP-G46 Log into CTC DLP-G411 Provisioning an ADM-10G PPM and Port, on page 201
Required/As Needed	As needed
Onsite/Remote	Onsite or remote
Security Level	Provisioning or higher



Note This task can only be performed if the ADM-10G card has at least one PPM port provisioned for Gigabit Ethernet.

Procedure

Step 1 In node view (single-shelf mode) or shelf view (multishelf view), double-click the ADM-10G card where you want to change the line RMON thresholds. The card view appears.

Step 2 Click the **Provisioning > Line Thresholds > RMON Thresholds** tabs.

- Step 3** Click **Create**. The Create Threshold dialog box appears.
- Step 4** From the Port drop-down list, choose the applicable port.
- Step 5** From the Variable drop-down list, choose the applicable Ethernet variable. See the following table for a list of available Ethernet variables.

Table 102: ADM-10G Gigabit Ethernet Thresholds

Variable	Description
ifInOctets	Total number of octets received on the interface, including framing characters.
ifInErrors	Number of inbound packets that contained errors preventing them from being deliverable to a higher-layer protocol.
ifOutOctets	Total number of octets transmitted out of the interface, including framing characters.
ifInMulticastPkts	Number of multicast frames received error-free.
ifInBroadcastPkts	Number of packets, delivered by a sublayer to a higher layer or sublayer, that were addressed to a broadcast address at this sublayer.
ifInErrorBytePkts	Number of receive error bytes.
dot3StatsFCSErrors	Number of frames with frame check errors; that is, there is an integral number of octets, but there is also an incorrect frame check sequence (FCS).
dot3StatsFrameTooLong	Number of received frames that were larger than the permitted maximum size.
dot3ControlInUnknownOpcodes	A count of MAC control frames received on this interface that contain an opcode not supported by this device.
dot3InPauseFrames	A count of MAC control frames received on this interface with an opcode indicating the PAUSE operation.
dot3OutPauseFrames	A count of MAC control frames transmitted on this interface with an opcode indicating the PAUSE operation.
etherStatsUndersizePkts	Total number of packets received that were well-formed and less than 64 octets long (excluding framing bits and including FCS octets).
etherStatsFragments	Total number of packets received that were less than 64 octets in length (excluding framing bits but including FCS octets) and had either a bad FCS with an integral number of octets (FCS error) or a bad FCS with a non-integral number of octets (alignment error). Note It is normal for etherStatsFragments to increment. This is because it counts both runts (which are normal occurrences due to collisions) and noise hits.

etherStatsPkts64Octets	Total number of packets (including bad packets) transmitted and received by the interface that were 64 octets in length (excluding framing bits and including FCS octets).
etherStatsPkts65to127Octets	Total number of packets (including bad packets) transmitted and received by the interface that were between 65 and 127 octets in length, inclusive.
etherStatsPkts128to255Octets	The total number of packets (including bad packets) transmitted and received by the interface that were between 128 and 255 octets in length, inclusive, excluding framing bits and including FCS octets.
etherStatsPkts256to511Octets	Total number of packets (including bad packets) transmitted and received by the interface that were between 256 and 511 octets in length, inclusive.
etherStatsPkts512to1023Octets	Total number of packets (including bad packets) transmitted and received by the interface that were between 512 and 1023 octets in length, inclusive, excluding framing bits and including FCS octets.
etherStatsPkts1024to1518Octets	Total number of packets (including bad packets) transmitted and received by the interface that were between 1024 and 1518 octets in length, inclusive, excluding framing bits and including FCS octets.
etherStatsBroadcastPkts	Total number of good packets transmitted and received by the interface that were directed to the broadcast address. Note Multicast packets are not included.
etherStatsMulticastPkts	Total number of good packets transmitted and received by the interface that were directed to a multicast address. Note This number does not include packets directed to the broadcast address.
etherStatsOversizePkts	Total number of packets transmitted and received by the interface that were well-formed and longer than 1518 octets, excluding framing bits and including FCS octets.
etherStatsJabbers	Total number of packets received that were longer than 1518 octets (excluding framing bits and including FCS octets), and had a bad FCS with an integral number of octets (FCS error) or a bad FCS with a non-integral number of octets (alignment error).
rxTotalPkts	Total number of received packets.
txTotalPkts	Total number of transmit packets.

Step 6 From the Alarm Type drop-down list, indicate whether the event will be triggered by the rising threshold, the falling threshold, or both the rising and falling thresholds.

Step 7 From the Sample Type drop-down list, choose either **Relative** or **Absolute**.

Relative restricts the threshold to use the number of occurrences in the user-set sample period. Absolute sets the threshold to use the total number of occurrences, regardless of time period.

Step 8 Type an appropriate number of seconds for the Sample Period.

Step 9 Type the appropriate number of occurrences for the Rising Threshold.

For a rising type of alarm, the measured value must move from below the falling threshold to above the rising threshold. For example, if a network is running below a rising threshold of 1000 collisions every 15 seconds and a problem causes 1001 collisions in 15 seconds, the excess occurrences trigger an alarm.

Step 10 Enter the appropriate number of occurrences in the Falling Threshold field. In most cases a falling threshold is set lower than the rising threshold.

A falling threshold is the counterpart to a rising threshold. When the number of occurrences is above the rising threshold and then drops below a falling threshold, it resets the rising threshold. For example, when the network problem that caused 1001 collisions in 15 seconds subsides and creates only 799 collisions in 15 seconds, occurrences fall below a falling threshold of 800 collisions. This resets the rising threshold so that if network collisions again spike over a 1000 per 15-second period, an event again triggers when the rising threshold is crossed. An event is triggered only the first time a rising threshold is exceeded (otherwise, a single network problem might cause a rising threshold to be exceeded multiple times and cause a flood of events).

Step 11 Click **OK**.

Step 12 Return to your originating procedure (NTP).

DLP-G400 Provisioning the ADM-10G Interlink or Trunk Port Alarm and TCA Thresholds

Purpose	This task provisions the ADM-10G interlink or trunk port alarm and threshold crossing alert (TCA) thresholds.
Tools/Equipment	None
Prerequisite Procedures	DLP-G46 Log into CTC
Required/As Needed	As needed
Onsite/Remote	Onsite or remote
Security Level	Provisioning or higher

Procedure

Step 1 In node view (single-shelf mode) or shelf view (multishelf view), double-click the ADM-10G card where you want to change the interlink or trunk port alarm and TCA settings.

Step 2 Click the **Provisioning > Optics Thresholds** tabs.

Step 3 Under Types, verify that the TCA radio button is checked. If not, check it, then click **Refresh**.

Step 4 Referring to the following table, verify the interlink or trunk port TCA thresholds for RX Power High, RX Power Low, TX Power High, and TX Power Low. Provision new thresholds as needed by double-clicking the threshold value you want to change, deleting it, entering a new value, and pressing **Enter**.

Note You must modify 15 Min and 1 Day independently. To do so, choose the appropriate radio button and click **Refresh**.

Note Do not modify the Laser Bias parameters.

Table 103: ADM-10G Interlink and Trunk Port TCA Thresholds

Port	TCA RX Power High	TCA RX Power Low	TCA TX Power High	TCA TX Power Low
17-1 and 18-1 (Trunk/Interlink) Note Port 17 and Port 18 are trunk ports in single-card configuration and an interlink port in double-card configuration (ADM-10G peer group).	-7.0 dBm	-27.0 dBm	6.0 dBm	-4.0 dBm
19-1 (Trunk)	-7.0 dBm	-27.0 dBm	6.0 dBm	-4.0 dBm

Step 5 Click **Apply**.

Step 6 Under Types, click the **Alarm** radio button and click **Refresh**.

Step 7 Referring to the following table, verify the interlink or trunk port alarm thresholds for RX Power High, RX Power Low, TX Power High, and TX Power Low.

Step 8 Provision new thresholds as needed by double-clicking the threshold value you want to change, deleting it, entering a new value, and pressing **Enter**.

Note You must modify 15 Min and 1 Day independently. To do so, choose the appropriate radio button and click **Refresh**.

Table 104: ADM-10G Interlink and Trunk Port Alarm Thresholds

Port	Alarm RX Power High	Alarm RX Power Low	Alarm TX Power High	Alarm TX Power Low
17-1 (Trunk/Interlink) Note Port 17 is a trunk port in single-card configuration and an interlink port in double-card configuration (ADM-10G peer group).	1.0 dBm	-13.0 dBm	1.0 dBm	-8.0 dBm

Port	Alarm RX	Alarm RX	Alarm TX	Alarm TX
	Power High	Power Low	Power High	Power Low
18-1 (Trunk/Interlink) Note Port 18 is a trunk port in single-card configuration and an interlink port in double-card configuration (ADM-10G peer group).	-5.0 dBm	-30.0 dBm	5.0 dBm	-3.0 dBm
19-1 (Trunk)	-5.0 dBm	-30.0 dBm	5.0 dBm	-3.0 dBm

- Step 9** Click **Apply**.
- Step 10** Return to your originating procedure (NTP).

DLP-G401 Provisioning the ADM-10G Client Port Alarm and TCA Thresholds

Purpose	This task provisions the client port alarm and TCA thresholds for the ADM-10G card.
Tools/Equipment	None
Prerequisite Procedures	DLP-G278 Provisioning the Optical Line Rate, on page 205 DLP-G46 Log into CTC
Required/As Needed	Required
Onsite/Remote	Onsite or remote
Security Level	Provisioning or higher

Procedure

- Step 1** In node view (single-shelf mode) or shelf view (multishelf view), double-click the ADM-10G card where you want to change the client port alarm and TCA settings.
- Step 2** Click the **Provisioning > Optics Thresholds** tabs.
- Step 3** Under Types, verify that the **TCA** radio button is checked. If not, check it, then click **Refresh**.
- Step 4** Referring to [Table 74: TXP_MR_2.5G and TXPP_MR_2.5G Card Client Interface TCA Thresholds, on page 248](#) and [Table 75: TXP_MR_2.5G and TXPP_MR_2.5G Card Client Interface Alarm Thresholds, on page 250](#), verify the Port 1 to 16 (Client) Alarm thresholds for RX Power High, RX Power Low, TX Power High, and TX Power Low based on the client interface that is provisioned.
- Step 5** Provision new thresholds as needed by double-clicking the threshold value you want to change, deleting it, entering a new value, and pressing **Enter**.
- Note** You must modify 15 Min and 1 Day independently. To do so, choose the appropriate radio button and click **Refresh**.

- Step 6** Click **Apply**.
- Step 7** Under Types, click the **Alarm** radio button and click **Refresh**.
- Step 8** Referring to [Table 74: TXP_MR_2.5G and TXPP_MR_2.5G Card Client Interface TCA Thresholds, on page 248](#) and [Table 75: TXP_MR_2.5G and TXPP_MR_2.5G Card Client Interface Alarm Thresholds, on page 250](#), verify the interlink ports 17-1 and 18-1 for RX Power High, RX Power Low, TX Power High, and TX Power Low settings.
- Step 9** Provision new thresholds as needed by double-clicking the threshold value you want to change, deleting it, entering a new value, and pressing **Enter**.
- Step 10** Click **Apply**.
- Step 11** Return to your originating procedure (NTP).

DLP-G402 Changing the ADM-10G OTN Settings

Purpose	This task changes the line OTN settings for the ADM-10G card.
Tools/Equipment	None
Prerequisite Procedures	DLP-G46 Log into CTC
Required/As Needed	As needed
Onsite/Remote	Onsite or remote
Security Level	Provisioning or higher

Procedure

- Step 1** In node view (single-shelf mode) or shelf view (multishelf view), double-click the ADM-10G card where you want to change the OTN settings.
- Step 2** Click the **Provisioning > OTN** tabs, then click one of the following subtabs: **OTN Lines**, **ITU-T G.709 Thresholds**, **FEC Thresholds**, or **Trail Trace Identifier**.
- Step 3** Modify any of the settings described in the following tables.

Note You must modify Near End and Far End independently; 15 Min and 1 Day independently; and SM and PM independently. To do so, choose the appropriate radio buttons and click **Refresh**.

Table 105: ADM-10G Card OTN Lines Settings

Parameter	Description	Options
Port	(Display only) Displays the port number and optional name.	<ul style="list-style-type: none"> • 18-1 (Trunk/Interlink) • 19-1 (Trunk) <p>Note Port 18 is a trunk port in single-card configuration and an interlink port in double-card configuration (ADM-10G peer group).</p>
ITU-TG.709 OTN	Sets the OTN lines according to ITU-T G.709.	<ul style="list-style-type: none"> • Enable • Disable
FEC	Sets the OTN lines FEC mode. FEC mode can be Disabled, Enabled, or, for the TXP_MR_10E, Enhanced FEC mode can be enabled to provide greater range and lower bit error rate. For TXP_MR_10E cards, Standard is the same as enabling FEC.	<ul style="list-style-type: none"> • Disable—FEC is off. • Standard—Standard FEC is on. • Enhanced—Enhanced FEC is on.
SD BER	Sets the signal degrade bit error rate.	<ul style="list-style-type: none"> • 1E-5 • 1E-6 • 1E-7 • 1E-8 • 1E-9
SF BER	(Display only) Indicates the signal fail bit error rate.	<ul style="list-style-type: none"> • 1E-5
Synch Mapping	Sets how the ODUk (client payload) is mapped to the optical channel (OTUk).	Synch mapping

Table 106: ADM-10G Card ITU-T G.709 Threshold Settings

Parameter	Description	Options
Port	(Display only) Displays the port number and optional name.	<ul style="list-style-type: none"> • 18-1 (Trunk/Interlink) • 19-1 (Trunk) <p>Note Port 18 is a trunk port in single-card configuration and an interlink port in double-card configuration (ADM-10G peer group).</p>

Parameter	Description	Options
ES	Errored seconds. Selecting the SM (OTUk) radio button selects FEC, overhead management, and PM using OTUk. Selecting the PM radio button selects path PM using ODUk.	<p>Numeric. Threshold display options include:</p> <ul style="list-style-type: none"> • Direction—Near End or Far End • Interval—15 Min (minutes) or 1 day • Types—SM (OTUk) or PM (ODUk) <p>Choose an option in each category and click Refresh.</p> <p>Note SM (OTUk) is the ITU-T G.709 optical channel transport unit order of k overhead frame used for management and performance monitoring. PM (ODUk) is the ITU-T G.709 optical channel data unit order of k overhead frame unit used for path performance monitoring.</p>
SES	Severely errored seconds	<p>Numeric. Threshold display options include:</p> <ul style="list-style-type: none"> • Direction—Near End or Far End • Interval—15 Min (minutes) or 1 day • Types—SM (OTUk) or PM (ODUk) <p>Choose an option in each category and click Refresh.</p>
UAS	Unavailable seconds	<p>Numeric. Threshold display options include:</p> <ul style="list-style-type: none"> • Direction—Near End or Far End • Interval—15 Min (minutes) or 1 day • Types—SM (OTUk) or PM (ODUk) <p>Choose an option in each category and click Refresh.</p>
BBE	Background block errors	<p>Numeric. Threshold display options include:</p> <ul style="list-style-type: none"> • Direction—Near End or Far End • Interval—15 Min (minutes) or 1 day • Types—SM (OTUk) or PM (ODUk) <p>Choose an option in each category and click Refresh.</p>

Parameter	Description	Options
FC	Failure counter	Numeric. Threshold display options include: <ul style="list-style-type: none"> • Direction—Near End or Far End • Interval—15 Min (minutes) or 1 day • Types—SM (OTUk) or PM (ODUk) Choose an option in each category and click Refresh .

Table 107: ADM-10G Card FEC Threshold Settings

Parameter	Description	Options
Port	(Display only) Displays the port number and optional name.	<ul style="list-style-type: none"> • 18-1 (Trunk/Interlink) • 19-1 (Trunk) <p>Note Port 18 is a trunk port in single-card configuration and an interlink port in double-card configuration (ADM-10G peer group).</p>
Bit Errors Corrected	Displays the number of bit errors corrected during the selected time period.	Numeric display. Can be set for 15-minute or 1 day intervals.
Uncorrectable Words	Displays the number of uncorrectable words in the selected time period.	Numeric display. Can be set for 15-minute or 1 day intervals.

Table 108: ADM-10G Trail Trace Identifier Settings

Parameter	Description	Options
Port	Sets the port number.	<ul style="list-style-type: none"> • 18-1 (Trunk/Interlink) • 19-1 (Trunk) <p>Note Port 18 is a trunk port in single-card configuration and an interlink port in double-card configuration (ADM-10G peer group).</p>
Level	Sets the level.	<ul style="list-style-type: none"> • Section • Path

Parameter	Description	Options
Received Trace Mode	Sets the trace mode.	<ul style="list-style-type: none"> • Off/None • Manual
Disable FDI on TTIM	If a Trace Identifier Mismatch on Section/Path overhead alarm arises because of a J0/J1 overhead string mismatch, no Forward Defect Indication (FDI) signal is sent to the downstream nodes if this box is checked.	<ul style="list-style-type: none"> • Checked (FDI on TTIM is disabled) • Unchecked (FDI on TTIM is not disabled)
Transmit	Current Transmit String displays the current transmit string; New sets a new transmit string. You can click the button on the right to change the display. Its title changes, based on the current display mode. In Transmit String Type, click Hex to change the display to hexadecimal (button changes to ASCII); click ASCII to change the display to ASCII (button changes to Hex).	String of trace string size; trail trace identifier is 64 bytes in length.
Expected	Current Expected String displays the current expected string; New sets a new expected string. You can click the button on the right to change the display. Its title changes, based on the current display mode. In Expected String Type, click Hex to change the display to hexadecimal (button changes to ASCII); click ASCII to change the display to ASCII (button changes to Hex).	String of trace string size
Received	(Display only) Current Received String displays the current received string. You can click Refresh to manually refresh this display, or check the Auto-refresh every 5 sec check box to keep this panel updated.	String of trace string size
Auto-refresh (every 5 sec)	If checked, automatically refreshes the display every 5 seconds.	Checked/unchecked (default)

Step 4 Click **Apply**.

Step 5 Return to your originating procedure (NTP).

NTP-G333 Adding an ADM-10G Card to an Existing Topology

Purpose	This procedure adds an ADM-10G card to an existing topology. Perform the steps in this procedure when OCHNC and DCC are present in the network. In case of OCH trails, delete all the circuits in Step 3 that traverses the port before deleting the OCH-trail.
Tools/Equipment	None
Prerequisite Procedures	<ul style="list-style-type: none"> • DLP-G46 Log into CTC. • Complete the turn up procedures in the "Turning Up a Node" chapter for the node to be added. • An updated Cisco Transport Planner network plan recalculated with the new node.
Required/As Needed	As needed
Onsite/Remote	Onsite or remote
Security Level	Provisioning or higher

Procedure

- Step 1** If path protected circuits exist between Node A and Node B, complete the [DLP-A197 Initiate a Path Protection Force Switch](#) task. This task applies a force switch on the path between Node A and Node B.
- Step 2** Complete the [NTP-G129 Add a DWDM Node](#) task to add Node C.
- Step 3** Complete the [DLP-G106 Deleting Optical Channel Network Connections](#) task to delete OCHNC circuit between Node A and Node B.
- Step 4** Complete the [NTP-G59 Creating, Deleting, and Managing Optical Channel Network Connections](#) task to create OCHNC circuit between Node A-->Node C and Node C-->Node B for wavelength connectivity.
- Note** The ports on the card in Node C must be tuned to the same wavelength as Node A and Node B.
- Step 5** Create DCC terminations on Node C. See the [DLP-A377 Provision Section DCC Terminations](#) task. Alternatively, if additional bandwidth is needed for CTC management, complete the [DLP-A378 Provision Line DCC Terminations](#) task.

TNC reloads when SDCC and LDCC co-exist on the same card. This behavior is observed in the following cards:

- TXP-MR-10G
- TXP-MR-2.5G
- TXPP-MR-2.5G
- TXP-MR-10E
- MXP-MR-2.5G

- MXPP-MR-2.5G
- MXP-MR-10DME
- MXP-MR-10DMEX
- ADM-10G
- TXP-MR-10EX
- TXPP-MR-10EX
- OTU2-XP

Step 6 Ensure that the DCCs are functional between Node A-->Node C and Node C-->Node B. See the "DLP-G76 Provision DCC/GCC Terminations" task.

Step 7 Complete the following task to create pass-through STS or VC circuits in Node C.

- [NTP-G200 Creating, Deleting, and Managing STS or VC Circuits for the ADM-10G Card](#)

Step 8 Complete the [NTP-A301 Merge Circuits](#) task for each circuit created.

Step 9 If path protected circuits exist between Node A and Node B, complete the [DLP-A198 Clear a Path Protection Force Switch](#) task. This task clears a force switch on the path between Node A and Node B.

Stop. You have completed this procedure.

NTP-G97 Modifying the 4x2.5G Muxponder Card Line Settings and PM Parameter Thresholds

Purpose	This procedure changes the line and threshold settings for the MXP_2.5G_10G, MXP_2.5G_10E, MXP_2.5G_10E_C, MXP_2.5G_10E_L, and MXP_2.5G_10EX_C muxponder cards.
Tools/Equipment	None
Prerequisite Procedures	<ul style="list-style-type: none"> • NTP-G179 Installing the Transponder and Muxponder Cards • DLP-G46 Log into CTC • DLP-G723 Install PPM on a Line Card • DLP-G726 Preprovisioning a Multirate PPM (if necessary) • DLP-G278 Provisioning the Optical Line Rate, on page 205
Required/As Needed	As needed
Onsite/Remote	Onsite or remote
Security Level	Provisioning or higher

Procedure

- Step 1** As needed, complete the [NTP-G103 Backing Up the Database](#) task to preserve the existing transmission settings.
- Step 2** Perform any of the following tasks as needed:
- [DLP-G222 Changing the 4x2.5G Muxponder Card Settings](#), on page 315
 - [DLP-G223 Changing the 4x2.5G Muxponder Line Settings](#), on page 317
 - [DLP-G224 Changing the 4x2.5G Muxponder Section Trace Settings](#), on page 320
 - [DLP-G225 Changing the 4x2.5G Muxponder Trunk Settings](#), on page 321
 - [DLP-G226 Changing the 4x2.5G Muxponder SONET/SDH Line Thresholds Settings](#), on page 325
 - [DLP-G303 Provisioning the 4x2.5G Muxponder Trunk Port Alarm and TCA Thresholds](#), on page 327
 - [DLP-G304 Provisioning the 4x2.5G Muxponder Client Port Alarm and TCA Thresholds](#), on page 329
 - [DLP-G228 Changing the 4x2.5G Muxponder Line OTN Settings](#), on page 331
 - [DLP-G369 Changing the 4x2.5G Muxponder Trunk Wavelength Settings](#), on page 323
- Step 3** As needed, complete the [NTP-G103 Backing Up the Database](#) task.
- Stop. You have completed this procedure.**

DLP-G222 Changing the 4x2.5G Muxponder Card Settings

Purpose	This task changes the card settings for the MXP_2.5G_10G, MXP_2.5G_10E, MXP_2.5G_10E_C, MXP_2.5G_10E_L, and MXP_2.5G_10EX_C muxponder cards, including payload type, termination mode, and wavelength.
Tools/Equipment	None
Prerequisite Procedures	DLP-G46 Log into CTC
Required/As Needed	As needed
Onsite/Remote	Onsite or remote
Security Level	Provisioning or higher

Procedure

- Step 1** In node view (single-shelf mode) or shelf view (multishelf view), double-click the MXP_2.5G_10G, MXP_2.5G_10E, MXP_2.5G_10E_C, MXP_2.5G_10E_L, or MXP_2.5G_10EX_C card where you want to change the card settings.
- Step 2** Click the **Provisioning > Card** tabs.

Step 3 Modify any of the settings described in the following table. The Parameters shown in the following table do not apply to all 4x2.5G muxponder cards. If the parameter or option does not apply, it is not shown in CTC.

Table 109: MXP_2.5G_10G, MXP_2.5G_10E, MXP_2.5G_10E_C, MXP_2.5G_10E_L, or MXP_2.5G_10EX_C Card Settings

Parameter	Description	Options
Termination Mode	<p>Sets the mode of operation. Options that do not apply to a card do not display.</p> <p>The MXP_2.5G_10G card is based on SONET/SDH multiplexing. The transparent mode terminates and rebuilds the B1 byte (as well as other bytes) of the incoming OC-48/STM-16 signal. The B2 byte is not touched.</p> <p>The MXP_2.5G_10E, MXP_2.5G_10E_C, MXP_2.5G_10E_L, and MXP_2.5G_10EX_C cards are fully transparent in transparent mode based on the OTN/ITU-T G.709 multiplexing scheme. It does not terminate the B1 byte or other bytes.</p> <p>It encapsulates OC-48/STM-16 bytes into ODU1 first, then multiplexes them into an OTU2.</p>	<p>For ANSI platforms:</p> <ul style="list-style-type: none"> • Transparent • Section (MXP_2.5G_10E, MXP_2.5G_10E_C, MXP_2.5G_10E_L, and MXP_2.5G_10EX_C only) • Line (MXP_2.5G_10G only) <p>For ETSI platforms:</p> <ul style="list-style-type: none"> • Transparent • Multiplex Section (MXP_2.5G_10G, only) • Regeneration Section (MXP_2.5G_10E, MXP_2.5G_10E_C, MXP_2.5G_10E_L, and MXP_2.5G_10EX_C only)
AIS/Squelch	(MXP_2.5G_10E, MXP_2.5G_10E_C, MXP_2.5G_10E_L, and MXP_2.5G_10EX_C only) Sets the transparent termination mode configuration.	<ul style="list-style-type: none"> • Ais • Squelch
Tunable Wavelengths	(Display only) Shows the supported wavelengths of the trunk port after the card is installed. For the MXP_2.5G_10E_C, or MXP_2.5G_10E_L cards, the first and last supported wavelength, frequency spacing, and number of supported wavelengths are shown in the format: <i>first wavelength-last wavelength-frequency spacing-number of supported wavelengths</i> . For example, the MXP_2.5G_10E_C card would show: 1529.55nm-1561.83nm-50GHz-82. The MXP_2.5G_10G and MXP_2.5G_10E show the four wavelengths supported by the card that is installed. You can also view the bandwidth of the wavelength information in THz.	—

Step 4 Click **Apply**.

Step 5 Return to your originating procedure (NTP).

DLP-G223 Changing the 4x2.5G Muxponder Line Settings

Purpose	This task changes the line settings for the MXP_2.5G_10G, MXP_2.5G_10E, MXP_2.5G_10E_C, MXP_2.5G_10E_L, and MXP_2.5G_10EX_C muxponder cards.
Tools/Equipment	None
Prerequisite Procedures	DLP-G46 Log into CTC
Required/As Needed	As needed
Onsite/Remote	Onsite or remote
Security Level	Provisioning or higher

Procedure

Step 1 In node view (single-shelf mode) or shelf view (multishelf view), double-click the MXP_2.5G_10G, MXP_2.5G_10E, MXP_2.5G_10E_C, MXP_2.5G_10E_L, or MXP_2.5G_10EX_C card where you want to change the line settings.

Step 2 Click the **Provisioning** > **Line** > **SONET** (ANSI) or **SDH** (ETSI) tabs.

Note The SONET tab appears only if you have created a PPM for a given port.

Step 3 Modify any of the settings described in the following table.

Note You must modify Near End and Far End independently; 15 Min and 1 Day independently; and Line and Section independently. To do so, choose the appropriate radio button and click **Refresh**.

Table 110: MXP_2.5G_10G, MXP_2.5G_10E, MXP_2.5G_10E_C, MXP_2.5G_10E_L, or MXP_2.5G_10EX_C Card Line Settings

Parameter	Description	Options
Port	(Display only) Port number. Ports 1 to 4 are client ports (OC-48/STM-16). Port 5 is the DWDM trunk (OC-192/STM-64) that provides wavelength services. Client ports will not appear if the pluggable port module is not provisioned for it.	<ul style="list-style-type: none"> • 1 • 2 • 3 • 4 • 5 (Trunk) (MXP_2.5G_10G only)
Port Name	Provides the ability to assign the specified port a logical name.	User-defined. Name can be up to 80 alphanumeric characters. Blank by default.

Parameter	Description	Options
Admin State	Sets the port service state unless network conditions prevent the change. For more information about administrative states, see the Administrative and Service States document.	<ul style="list-style-type: none"> • IS (ANSI) or Unlocked (ETSI) • IS,AINS (ANSI) or Unlocked,automaticInService (ETSI) • OOS,DSBLD (ANSI) or Locked,disabled (ETSI) • OOS,MT (ANSI) or Locked,maintenance (ETSI)
Service State	(Display only) Identifies the autonomously generated state that gives the overall condition of the port. Service states appear in the format: Primary State-Primary State Qualifier, Secondary State. For more information about service states, see the Administrative and Service States document.	<ul style="list-style-type: none"> • IS-NR (ANSI) or Unlocked-enabled (ETSI) • OOS-AU,AINS (ANSI) or Unlocked-disabled,automaticInService (ETSI) • OOS-MA,DSBLD (ANSI) or Locked-enabled,disabled (ETSI) • OOS-MA,MT (ANSI) or Locked-enabled,maintenance (ETSI)
SF BER	Sets the signal fail bit error rate.	<ul style="list-style-type: none"> • 1E-3 • 1E-4 • 1E-5
SD BER	Sets the signal degrade bit error rate.	<ul style="list-style-type: none"> • 1E-5 • 1E-6 • 1E-7 • 1E-8 • 1E-9
ALS Mode	Sets the ALS function mode. The DWDM transmitter supports ALS according to ITU-T G.644 (06/99). ALS can be disabled or can be set for one of three mode options.	<ul style="list-style-type: none"> • Disable (default): ALS is off; the laser is not automatically shut down when traffic outages occur. • Auto Restart: ALS is on; the laser automatically shuts down when traffic outages (LOS) occur. It automatically restarts when the conditions that caused the outage are resolved. • Manual Restart: ALS is on; the laser automatically shuts down when traffic outages (LOS) occur. However, the laser must be manually restarted when the conditions that caused the outage are resolved. • Manual Restart for Test: Manually restarts the laser for testing.

Parameter	Description	Options
AINS Soak	Sets the automatic in-service soak period. Double-click the time and use the up and down arrows to change settings.	<ul style="list-style-type: none"> • Duration of valid input signal, in hh.mm which the card becomes in service (IS) • 0 to 48 hours, 15-minute increments
Type	Sets the optical transport type.	<ul style="list-style-type: none"> • SONET • SDH
SyncMsgIn	Enables synchronization status messages (S1 byte), which allow the node to choose the best timing source. (This parameter does not appear for the MXP_2.5G_10E trunk port.)	Checked or unchecked
ProvidesSync	Sets the ProvidesSync card parameter. If checked, the card is provisioned as an NE timing reference. (This parameter does not appear for the MXP_2.5G_10E trunk port.)	Checked or unchecked
Reach	Displays the optical reach distance of the client port.	Options: ANSI/ETSI <ul style="list-style-type: none"> • Autoprovision/Autoprovision (default) • SR • SR 1/I-1—Short reach up to 2-km distance • IR 1/S1—Intermediate reach, up to 15-km distance • IR 2/S2—Intermediate reach up to 40-km distance • LR 1/L1—long reach, up to 40-km distance • LR 2/L2—long reach, up to 80-km distance • LR 3/L3—long reach, up to 80-km distance
Wavelength	Displays the wavelength of the client port.	<ul style="list-style-type: none"> • First Tunable Wavelength • Further wavelengths: 850 nm through 1600 nm with 100-GHz ITU spacing CWDM spacing also view the bandwidth of the wavelength information in THz.

Step 4 Click **Apply**.

Step 5 Return to your originating procedure (NTP).

DLP-G224 Changing the 4x2.5G Muxponder Section Trace Settings

Purpose	This task changes the section trace settings for the MXP_2.5G_10G, MXP_2.5G_10E, MXP_2.5G_10E_C, MXP_2.5G_10E_L, and MXP_2.5G_10EX_C muxponder cards.
Tools/Equipment	None
Prerequisite Procedures	DLP-G46 Log into CTC
Required/As Needed	As needed
Onsite/Remote	Onsite or remote
Security Level	Provisioning or higher



Note The Section Trace tab appears only if you have created a PPM for the card.

Procedure

- Step 1** In node view (single-shelf mode) or shelf view (multishelf view), double-click the MXP_2.5G_10G, MXP_2.5G_10E, MXP_2.5G_10E_C, MXP_2.5G_10E_L, or MXP_2.5G_10EX_C card where you want to change the section trace settings.
- Step 2** Click the **Provisioning** > **Line** > **Section Trace** tabs.
- Step 3** Modify any of the settings described in the following table.

Table 111: MXP_2.5G_10G, MXP_2.5G_10E, MXP_2.5G_10E_C, MXP_2.5G_10E_L, or MXP_2.5G_10EX_C Card Section Trace Settings

Parameter	Description	Options
Port	Sets the port number.	<ul style="list-style-type: none"> • 1 • 2 • 3 • 4 • 5 (Trunk; MXP_2.5G_10G only)
Received Trace Mode	Sets the trace mode.	<ul style="list-style-type: none"> • Off/None • Manual
Disable AIS/RDI on TIM-S	If an TIM on Section overhead alarm arises because of a J0 overhead string mismatch, no alarm indication signal is sent to downstream nodes if this box is checked.	<ul style="list-style-type: none"> • Checked (AIS/RDI on TIM-S is disabled) • Unchecked (AIS/RDI on TIM-S is not disabled)

Parameter	Description	Options
Transmit Section Trace String Size	Sets the trace string size. Select either radio button.	<ul style="list-style-type: none"> • 1 byte • 16 byte
Transmit	Displays the current transmit string; sets a new transmit string. You can click the button on the right to change the display. Its title changes, based on the current display mode. Click Hex to change the display to hexadecimal (button changes to ASCII); click ASCII to change the display to ASCII (button changes to Hex).	String of trace string size
Expected	Displays the current expected string; sets a new expected string. You can click the button on the right to change the display. Its title changes, based on the current display mode. Click Hex to change the display to hexadecimal (button changes to ASCII); click ASCII to change the display to ASCII (button changes to Hex).	String of trace string size
Received	(Display only) Displays the current received string. You can click Refresh to manually refresh this display, or check the Auto-refresh every 5 sec check box to keep this panel updated.	String of trace string size
Auto-refresh	If checked, automatically refreshes the display every 5 minutes.	Checked/unchecked (default)

Step 4 Click **Apply**.

Step 5 Return to your originating procedure (NTP).

DLP-G225 Changing the 4x2.5G Muxponder Trunk Settings

Purpose	This task provisions the trunk settings for the MXP_2.5G_10E, MXP_2.5G_10E_C, MXP_2.5G_10E_L, and MXP_2.5G_10EX_C muxponder cards.
Tools/Equipment	None
Prerequisite Procedures	DLP-G46 Log into CTC
Required/As Needed	As needed
Onsite/Remote	Onsite or remote

Security Level	Provisioning or higher
----------------	------------------------



Note This task does not apply to the MXP_2.5G_10G card.

Procedure

- Step 1** In node view (single-shelf mode) or shelf view (multishelf view), double-click the MXP_2.5G_10E, MXP_2.5G_10E_C, MXP_2.5G_10E_L, or MXP_2.5G_10EX_C card where you want to change the trunk settings.
- Step 2** Click the **Provisioning > Line > Trunk** tabs.
- Step 3** Modify any of the settings described in the following table.

Table 112: MXP_2.5G_10E, MXP_2.5G_10E_C, MXP_2.5G_10E_L, or MXP_2.5G_10EX_C Card Trunk Settings

Parameter	Description	Options
Port	(Display only) Displays the port number. Port 5 is the DWDM trunk (OC-192/STM-64) that provides wavelength services.	5 (Trunk)
Port Name	Provides the ability to assign the specified port a logical name.	User-defined. Name can be up to 80 alphanumeric special characters. Blank by default.
Admin State	Sets the port service state unless network conditions prevent the change. For more information about administrative states, see the Administrative and Service States document.	<ul style="list-style-type: none"> • IS (ANSI) or Unlocked (ETSI) • IS,AINS (ANSI) or Unlocked,automaticInService (ETSI) • OOS,DSBLD (ANSI) or Locked,disabled (ETSI) • OOS,MT (ANSI) or Locked,maintenance (ETSI)
Service State	(Display only) Identifies the autonomously generated state that gives the overall condition of the port. Service states appear in the format: Primary State-Primary State Qualifier, Secondary State. For more information about service states, see the Administrative and Service States document.	<ul style="list-style-type: none"> • IS-NR (ANSI) or Unlocked-enabled (ETSI) • OOS-AU,AINS (ANSI) or Unlocked-disabled,automaticInService (ETSI) • OOS-MA,DSBLD (ANSI) or Locked-enabled,disabled (ETSI) • OOS-MA,MT (ANSI) or Locked-enabled,maintenance (ETSI)

Parameter	Description	Options
ALS Mode	Sets the ALS function mode. The DWDM transmitter supports ALS according to ITU-T G.644 (06/99). ALS can be disabled or can be set for one of three mode options.	<ul style="list-style-type: none"> • Disabled (default): ALS is off; the laser automatically shut down when traffic outages (LOS) occur. • Auto Restart: ALS is on; the laser automatically shuts down when traffic outages (LOS) occur. The laser automatically restarts when the conditions that caused the outage are resolved. • Manual Restart: ALS is on; the laser automatically shuts down when traffic outages (LOS) occur. However, the laser must be manually restarted when conditions that caused the outage are resolved. • Manual Restart for Test: Manually restarts the laser for testing.
AINS Soak	(OC-N and STM-N payloads only) Sets the automatic in-service soak period.	<ul style="list-style-type: none"> • Duration of valid input signal, in hh:mm:ss, after which the card becomes in service automatically • 0 to 48 hours, 15-minute increments

Step 4 Click **Apply**.

Step 5 Return to your originating procedure (NTP).

DLP-G369 Changing the 4x2.5G Muxponder Trunk Wavelength Settings

Purpose	This task changes the trunk wavelength settings for the MXP_2.5G_10G, MXP_2.5G_10E, MXP_2.5G_10E_C, MXP_2.5G_10E_L, and MXP_2.5G_10EX_C cards.
Tools/Equipment	None
Prerequisite Procedures	DLP-G46 Log into CTC
Required/As Needed	As needed
Onsite/Remote	Onsite or remote
Security Level	Provisioning or higher

Procedure

- Step 1** In node view (single-shelf mode) or shelf view (multishelf view), double-click the MXP_2.5G_10G, MXP_2.5G_10E, MXP_2.5G_10E_C, MXP_2.5G_10E_L, and MXP_2.5G_10EX_C card where you want to change the trunk wavelength settings.
- Step 2** Click the **Provisioning > Line > Wavelength Trunk Settings** tabs.
- Step 3** Modify any of the settings described in the following table.

Table 113: MXP_2.5G_10G, MXP_2.5G_10E, MXP_2.5G_10E_C, MXP_2.5G_10E_L, and MXP_2.5G_10EX_C Card Wavelength Trunk Settings

Parameter	Description	Options
Port	(Display only) Displays the port number.	5 (Trunk)
Band	(Display only) Indicates the wavelength band available from the card that is installed. If the card is preprovisioned, the field can be provisioned to the band of the card that will be installed.	<ul style="list-style-type: none"> • C—The C-band wavelengths are available in the Wavelength field. • L—The L-band wavelengths are available in the Wavelength field.
Even/Odd	Sets the wavelengths available for provisioning for MXP_2.5G_10E_C and MXP_2.5G_10E_L cards. (This field does not apply to MXP_2.5G_10G or MXP_2.5G_10E cards.)	<ul style="list-style-type: none"> • Even—Displays even C-band or L-band wavelengths in the Wavelength field. • Odd—Displays odd C-band or L-band wavelengths in the Wavelength field.
Wavelength	The wavelength provisioned for the trunk.	<ul style="list-style-type: none"> • First Tunable Wavelength • Further wavelengths in 100-GHz ITU-T C-band or L-band spacing, depending on the card that is installed. For MXP_2.5G_10G and MXP_2.5G_10E cards, the wavelengths carried by the card are identified with two asterisks. If the card is not installed, all wavelengths appear with a dark grey background. You can view the bandwidth of wavelength information in THz.

- Step 4** Click **Apply**.
- Step 5** Return to your originating procedure (NTP).

DLP-G226 Changing the 4x2.5G Muxponder SONET/SDH Line Thresholds Settings

Purpose	This task changes the SONET (ANSI) or SDH (ETSI) line threshold settings for the MXP_2.5G_10G, MXP_2.5G_10E, MXP_2.5G_10E_C, MXP_2.5G_10E_L, and MXP_2.5G_10EX_C muxponder cards.
Tools/Equipment	None
Prerequisite Procedures	DLP-G46 Log into CTC
Required/As Needed	As needed
Onsite/Remote	Onsite or remote
Security Level	Provisioning or higher

Procedure

- Step 1** In node view (single-shelf mode) or shelf view (multishelf view), double-click the MXP_2.5G_10G, MXP_2.5G_10E, MXP_2.5G_10E_C, MXP_2.5G_10E_L, or MXP_2.5G_10EX_C card where you want to change the line threshold settings.
- Step 2** Click the **Provisioning > Line Thresholds** tabs.
- Step 3** Modify any of the settings described in the following table. Some parameter tabs or selections do not always apply to all 4x2.5G muxponder cards. If the tabs or selections do not appear, they do not appear in CTC.

Table 114: MXP_2.5G_10G, MXP_2.5G_10E, MXP_2.5G_10E_C, MXP_2.5G_10E_L, or MXP_2.5G_10EX_C Card Line Threshold Settings

Parameter	Description	SONET Options	SDH Options
Port	(Display only) Port number	<ul style="list-style-type: none"> • 1 • 2 • 3 • 4 • 5 (MXP_2.5G_10G only) 	<ul style="list-style-type: none"> • 1 • 2 • 3 • 4 • 5 (MXP_2.5G_10G only)
EB	Path Errored Block indicates that one or more bits are in error within a block	—	Numeric. Threshold display options <ul style="list-style-type: none"> • Direction—Near End or Far End • Interval—15 Min (minutes) • Types—Multiplex Section or Regeneration Section (near end) Choose an option in each category. Refresh.

Parameter	Description	SONET Options	SDH Options
CV	Coding violations	Numeric. Threshold display options include: <ul style="list-style-type: none"> • Direction—Near End or Far End • Interval—15 Min (minutes) or 1 day • Types—Line or Section (near end only) Choose an option in each category and click Refresh .	—
ES	Errored seconds	Numeric. Threshold display options include: <ul style="list-style-type: none"> • Direction—Near End or Far End • Interval—15 Min (minutes) or 1 day • Types—Line or Section (near end only) Choose an option in each category and click Refresh .	Numeric. Threshold display options include: <ul style="list-style-type: none"> • Direction—Near End or Far End • Interval—15 Min (minutes) or 1 day • Types—Multiplex Section or Regeneration Section (near end only) Choose an option in each category and click Refresh .
SES	Severely errored seconds	Numeric. Threshold display options include: <ul style="list-style-type: none"> • Direction—Near End or Far End • Interval—15 Min (minutes) or 1 day • Types—Line or Section (near end only) Choose an option in each category and click Refresh .	Numeric. Threshold display options include: <ul style="list-style-type: none"> • Direction—Near End or Far End • Interval—15 Min (minutes) or 1 day • Types—Multiplex Section or Regeneration Section (near end only) Choose an option in each category and click Refresh .
SEFS	(Near End Section or Regeneration Section only) Severely errored framing seconds	Numeric. Threshold display options include: <ul style="list-style-type: none"> • Direction—Near End or Far End • Interval—15 Min (minutes) or 1 day • Types—Line or Section (near end only) Choose an option in each category and click Refresh .	—

Parameter	Description	SONET Options	SDH Options
BBE	Background block errors	—	Numeric. Threshold display options include: <ul style="list-style-type: none"> • Direction—Near End or Far End • Interval—15 Min (minutes) or 1 day • Types—Multiplex Section (near end only) or Regeneration Section (near end only) Choose an option in each category and click Refresh .
FC	(Line or Multiplex Section only) Failure count	Numeric. Threshold display options include: <ul style="list-style-type: none"> • Direction—Near End or Far End • Interval—15 Min (minutes) or 1 day • Types—Line or Section (near end only) Choose an option in each category and click Refresh .	—
UAS	(Line or Multiplex Section only) Unavailable seconds	Numeric. Threshold display options include: <ul style="list-style-type: none"> • Direction—Near End or Far End • Interval—15 Min (minutes) or 1 day • Types—Line or Section (near end only) Choose an option in each category and click Refresh .	Numeric. Threshold display options include: <ul style="list-style-type: none"> • Direction—Near End or Far End • Interval—15 Min (minutes) or 1 day • Types—Multiplex Section (near end only) or Regeneration Section (near end only) Choose an option in each category and click Refresh .

Step 4 Click **Apply**.

Step 5 Return to your originating procedure (NTP).

DLP-G303 Provisioning the 4x2.5G Muxponder Trunk Port Alarm and TCA Thresholds

Purpose	This task changes the MXP_2.5G_10G, MXP_2.5G_10E, MXP_2.5G_10E_C, MXP_2.5G_10E_L, and MXP_2.5G_10EX_C trunk port alarm and TCA thresholds.
Tools/Equipment	None
Prerequisite Procedures	DLP-G46 Log into CTC
Required/As Needed	As needed

Onsite/Remote	Onsite or remote
Security Level	Provisioning or higher

Procedure

- Step 1** In node view (single-shelf mode) or shelf view (multishelf view), double-click the MXP_2.5G_10G, MXP_2.5G_10E, MXP_2.5G_10E_C, MXP_2.5G_10E_L, or MXP_2.5G_10EX_C card where you want to change the trunk port alarm and TCA settings.
- Step 2** Click the **Provisioning > Optics Thresholds** tabs.
- Step 3** Select **TCA** (if not already selected), a 15 Min or 1 Day PM interval radio button and then click **Refresh**.
- Note** You must modify 15 Min and 1 Day independently. To do so, choose the appropriate radio button and click **Refresh**.
- Step 4** Referring to the following table, verify the trunk port (Port 5) TCA thresholds for RX Power High, RX Power Low, TX Power High, and TX Power Low.
- Step 5** Provision new thresholds as needed by double-clicking the threshold value you want to change, deleting it, entering a new value, and pressing **Enter**.
- Note** Do not modify the Laser Bias parameters.

Table 115: MXP_2.5G_10G, MXP_2.5G_10E, MXP_2.5G_10E_C, MXP_2.5G_10E_L, or MXP_2.5G_10EX_C Trunk Port TCA Thresholds

Card	TCA RX	TCA RX	TCA TX	TCA TX
	Power High	Power Low	Power High	Power Low
MXP_2.5G_10G	-8 dBm	-18 dBm	7 dBm	-1 dBm
MXP_2.5G_10E	-9 dBm	-18 dBm	9 dBm	0 dBm
MXP_2.5G_10E_C	-9 dBm	-18 dBm	9 dBm	0 dBm
MXP_2.5G_10E_L	-9 dBm	-18 dBm	9 dBm	0 dBm
MXP_2.5G_10EX_C	-9 dBm	-18 dBm	9 dBm	0 dBm

- Step 6** Click **Apply**.
- Step 7** Under Types, click the **Alarm** radio button and click **Refresh**.
- Step 8** Referring to the following table, verify the trunk port (Port 5) Alarm thresholds for RX Power High, RX Power Low, TX Power High, and TX Power Low.
- Step 9** Provision new thresholds as needed by double-clicking the threshold value you want to change, deleting it, entering a new value, and pressing **Enter**.
- Note** Do not modify the Laser Bias parameters.

Table 116: MXP_2.5G_10G, MXP_2.5G_10E, MXP_2.5G_10E_C, MXP_2.5G_10E_L, or MXP_2.5G_10EX_C Trunk Port Alarm Thresholds

Card	Alarm RX Power High	Alarm RX Power Low	Alarm TX Power High	Alarm TX Power Low
MXP_2.5G_10G	-8 dBm	-20 dBm	4 dBm	2 dBm
MXP_2.5G_10E	-8 dBm	-20 dBm	7 dBm	3 dBm
MXP_2.5G_10E_C	-8 dBm	-20 dBm	7 dBm	3 dBm
MXP_2.5G_10E_L	-8 dBm	-20 dBm	7 dBm	3 dBm
MXP_2.5G_10EX_C	-8 dBm	-20 dBm	7 dBm	3 dBm

- Step 10** Click **Apply**.
- Step 11** Return to your originating procedure (NTP).

DLP-G304 Provisioning the 4x2.5G Muxponder Client Port Alarm and TCA Thresholds

Purpose	This task provisions the client port alarm and TCA thresholds for the MXP_2.5G_10G, MXP_2.5G_10E, MXP_2.5G_10E_C, MXP_2.5G_10E_L, and MXP_2.5G_10EX_C cards.
Tools/Equipment	None
Prerequisite Procedures	DLP-G46 Log into CTC DLP-G278 Provisioning the Optical Line Rate, on page 205
Required/As Needed	Required
Onsite/Remote	Onsite or remote
Security Level	Provisioning or higher

Procedure

- Step 1** In node view (single-shelf mode) or shelf view (multishelf view), double-click the MXP_2.5G_10G, MXP_2.5G_10E, MXP_2.5G_10E_C, MXP_2.5G_10E_L, or MXP_2.5G_10EX_C card where you want to change the client port alarm and TCA settings.
- Step 2** Click the **Provisioning > Optics Thresholds** tabs. The TCA thresholds are shown by default.
- Step 3** Referring to the following table, verify the client Port N (where $N = 1$ through 4) TCA thresholds for RX Power High, RX Power Low, TX Power High, and TX Power Low based on the client interface at the other end.

Step 4 Provision new thresholds as needed by double-clicking the threshold value you want to change, deleting it, entering a new value, and pressing **Enter**.

Note You must modify 15 Min and 1 Day independently. To do so, choose the appropriate radio button and click **Refresh**.

Note Do not modify the Laser Bias parameters.

Note The hardware device that plugs into a TXP, MXP, GE_XP, 10GE_XP, GE_XPE, 10GE_XPE, or ADM-10G card faceplate to provide a fiber interface to the card is called a Small Form-factor Pluggable (SFP or XFP). In CTC, SFPs and XFPs are called pluggable port modules (PPMs). SFPs/XFPs are hot-swappable input/output devices that plug into a port to link the port with the fiber-optic network. Multirate PPMs have provisionable port rates and payloads. For more information about SFPs and XFPs, see the [SFP, SFP+, QSFP+, XFP, CXP, CFP, CFP2 and CPAK Modules, on page 194](#)

Table 117: MXP_2.5G_10G, MXP_2.5G_10E, MXP_2.5G_10E_C, MXP_2.5G_10E_L, or MXP_2.5G_10EX_C Card Client Interfaces TCA Thresholds

Port Type (by CTC)	Pluggable Port Module (SFP)	TCA RX Power High	TCA RX Power Low	TCA TX Power High	TCA TX Power Low
OC-48	ONS-SE-2G-S1	-3	-18	3	-16
	15454-SFP-OC48-IR	0	-18	6	-11
STM-16	ONS-SE-2G-S1	-3	-18	3	-16
	15454E-SFP-L.16.1	0	-18	6	-11

Step 5 Provision each additional client port.

Step 6 Under Types, click the **Alarm** radio button and click **Refresh**.

Step 7 Referring to the following table, verify the client Port *N* (where *N* = 1 through 4) Alarm thresholds for RX Power High, RX Power Low, TX Power High, and TX Power Low based on the client interface that is provisioned.

Step 8 Provision new thresholds as needed by double-clicking the threshold value you want to change, deleting it, entering a new value, and pressing **Enter**.

Note Do not modify the Laser Bias parameters.

Table 118: MXP_2.5G_10G, MXP_2.5G_10E, MXP_2.5G_10E_C, or MXP_2.5G_10E_L Card Client Interfaces Alarm Thresholds

Port Type (by CTC)	Pluggable Port Module (SFP)	Alarm RX Power High	Alarm RX Power Low	Alarm TX Power High	Alarm TX Power Low
OC-48	ONS-SE-2G-S1	0	-21	0	-13
	15454-SFP-OC48-IR	3	-21	3	-8
STM-16	ONS-SE-2G-S1	0	-21	0	-13
	15454E-SFP-L.16.1	3	-21	3	-8

- Step 9** Click **Apply**.
- Step 10** Return to your originating procedure (NTP).

DLP-G228 Changing the 4x2.5G Muxponder Line OTN Settings

Purpose	This task changes the line OTN settings for MXP_2.5G_10G, MXP_2.5G_10E, MXP_2.5G_10E_C, MXP_2.5G_10E_L, and MXP_2.5G_10EX_C muxponder cards.
Tools/Equipment	None
Prerequisite Procedures	DLP-G46 Log into CTC
Required/As Needed	As needed
Onsite/Remote	Onsite or remote
Security Level	Provisioning or higher

Procedure

- Step 1** In node view (single-shelf mode) or shelf view (multishelf view), double-click the MXP_2.5G_10G, MXP_2.5G_10E, MXP_2.5G_10E_C, MXP_2.5G_10E_L, or MXP_2.5G_10EX_C card where you want to change the line OTN settings.
- Step 2** Click the **Provisioning > OTN** tabs, then choose one of the following subtabs: **OTN Lines**, **OTN G.709 Thresholds**, **FEC Thresholds**, or **Trail Trace Identifier**.
- Step 3** Modify any of the settings as described in the following tables.

- Note** You must modify Near End and Far End independently, 15 Min and 1 Day independently, and SM and PM independently. To do so, choose the appropriate radio button and click **Refresh**.
- Note** In the following table, some parameter tabs or values do not always apply to all MXP_2.5G_10G, MXP_2.5G_10E, MXP_2.5G_10E_C, or MXP_2.5G_10E_L cards. If the tabs or values do not apply, they do not appear in CTC.

Table 119: MXP_2.5G_10G, MXP_2.5G_10E, MXP_2.5G_10E_C, MXP_2.5G_10E_L, or MXP_2.5G_10EX_C Card Line OTN Settings

Parameter	Description	Options
Port	(Display only) Displays the port number.	5 (Trunk)
G.709 OTN	Sets the OTN lines according to ITU-T G.709.	<ul style="list-style-type: none"> • Enable • Disable

Parameter	Description	Options
FEC	Sets the OTN line FEC mode. FEC mode can be Disabled or Enabled. With the MXP_2.5G_10E card, Enhanced FEC (E-FEC) mode can be enabled to provide greater range and lower bit error rate. E-FEC applies only to the MXP_2.5G_10E card.	<ul style="list-style-type: none"> • Enable—(MXP_2.5G_10G only) FEC is on. • Disable—FEC is off. • Standard—(MXP_2.5G_10E only) FEC is on. • Enhanced—(MXP_2.5G_10E only) Enhanced FEC is on.
SD BER	Sets the signal degrade bit error rate.	<ul style="list-style-type: none"> • 1E-5 • 1E-6 • 1E-7 • 1E-8 • 1E-9
SF BER	(Display only) Sets the signal fail bit error rate.	<ul style="list-style-type: none"> • 1E-5
Asynch/Synch Mapping	(MXP_2.5G_10E only) The MXP_2.5G_10E can perform standard ODU multiplexing according to ITU-T G.709. The card uses this to aggregate the four OC-48 client signals.	<ul style="list-style-type: none"> • ODU Multiplex

Table 120: MXP_2.5G_10G, MXP_2.5G_10E, MXP_2.5G_10E_C, MXP_2.5G_10E_L, or MXP_2.5G_10EX_C ITU-T G.709 Threshold Settings

Parameter	Description	Options
Port	(Display only) Port number	5 (Trunk)

Parameter	Description	Options
ES	Errored seconds	<p>Numeric. Threshold display options include:</p> <ul style="list-style-type: none"> • Direction—Near End or Far End • Interval—15 Min (minutes) or 1 day • Types—SM (OTUk) or PM (ODUk) <p>Choose an option in each category and click Refresh.</p> <p>Note SM (OTUk) is the ITU-T G.709 optical channel transport unit order of k overhead frame used for management and performance monitoring. PM (ODUk) is the ITU-T G.709 optical channel data unit order of k overhead frame unit used for path performance monitoring.</p>
SES	Severely errored seconds. Two types of thresholds can be asserted. Selecting the SM (OTUk) radio button selects FEC, overhead management, and PM using OTUk. Selecting the PM radio button selects path PM using ODUk.	<p>Numeric. Threshold display options include:</p> <ul style="list-style-type: none"> • Direction—Near End or Far End • Interval—15 Min (minutes) or 1 day • Types—SM (OTUk) or PM (ODUk) <p>Choose an option in each category and click Refresh.</p>
UAS	Unavailable seconds	<p>Numeric. Threshold display options include:</p> <ul style="list-style-type: none"> • Direction—Near End or Far End • Interval—15 Min (minutes) or 1 day • Types—SM (OTUk) or PM (ODUk) <p>Choose an option in each category and click Refresh.</p>
BBE	Background block errors	<p>Numeric. Threshold display options include:</p> <ul style="list-style-type: none"> • Direction—Near End or Far End • Interval—15 Min (minutes) or 1 day • Types—SM (OTUk) or PM (ODUk) <p>Choose an option in each category and click Refresh.</p>

Parameter	Description	Options
FC	Failure counter	Numeric. Threshold display options include: <ul style="list-style-type: none"> • Direction—Near End or Far End • Interval—15 Min (minutes) or 1 day • Types—SM (OTUk) or PM (ODUk) Choose an option in each category and click Refresh .

Table 121: MXP_2.5G_10G, MXP_2.5G_10E, MXP_2.5G_10E_C, MXP_2.5G_10E_L, or MXP_2.5G_10EX_C FEC Threshold Settings

Parameter	Description	Options
Port	(Display only) Displays the port number.	5 (Trunk)
Bit Errors Corrected	Displays the number of bit errors corrected during the interval selected. The interval can be set for 15 minutes or one day.	Numeric
Uncorrectable Words	Displays the number of uncorrectable words during the interval selected. The interval can be set for 15 minutes or one day.	Numeric

Table 122: MXP_2.5G_10G, MXP_2.5G_10E, MXP_2.5G_10E_C, MXP_2.5G_10E_L, or MXP_2.5G_10EX_C Trail Trace Identifier Settings

Parameter	Description	Options
Port	Sets the port number. The trail trace identifier is applicable only to the trunk interface, which handles ITU-T G.709 frames.	5 (Trunk)
Level	Sets the level.	<ul style="list-style-type: none"> • Section • Path
Received Trace Mode	Sets the trace mode.	<ul style="list-style-type: none"> • Off/None • Manual
Disable FDI on TTIM	If a Trace Identifier Mismatch on Section overhead alarm arises because of a J0 overhead string mismatch, no Forward Defect Indication (FDI) signal is sent to the downstream nodes if this box is checked.	<ul style="list-style-type: none"> • Checked (FDI on TTIM is disabled) • Unchecked (FDI on TTIM is not disabled)

Parameter	Description	Options
Transmit	Displays the current transmit string; sets a new transmit string. You can click the button on the right to change the display. Its title changes, based on the current display mode. Click Hex to change the display to hexadecimal (button changes to ASCII); click ASCII to change the display to ASCII (button changes to Hex).	String of trace string size; trail trace identifier is 64 bytes in length.
Expected	Displays the current expected string; sets a new expected string. You can click the button on the right to change the display. Its title changes, based on the current display mode. Click Hex to change the display to hexadecimal (button changes to ASCII); click ASCII to change the display to ASCII (button changes to Hex).	String of trace string size
Received	(Display only) Displays the current received string. You can click Refresh to manually refresh this display, or check the Auto-refresh every 5 sec box to keep this panel updated.	String of trace string size
Auto-refresh	If checked, automatically refreshes the display every 5 minutes.	Checked/unchecked (default)

Step 4 Click **Apply**.

Step 5 Return to your originating procedure (NTP).

NTP-G99 Modifying the 2.5G Data Muxponder Card Line Settings and PM Parameter Thresholds

Purpose	This procedure changes the line and threshold settings for the MXP_MR_2.5G and MXPP_MR_2.5G muxponder cards.
Tools/Equipment	None
Prerequisite Procedures	<ul style="list-style-type: none"> • NTP-G179 Installing the Transponder and Muxponder Cards • DLP-G46 Log into CTC • DLP-G723 Install PPM on a Line Card • DLP-G726 Preprovisioning a Multirate PPM (if necessary) • DLP-G278 Provisioning the Optical Line Rate, on page 205

Required/As Needed	As needed
Onsite/Remote	Onsite or remote
Security Level	Provisioning or higher

Procedure

Step 1 As needed, complete the [NTP-G103 Backing Up the Database](#) task to preserve the existing transmission settings.

Step 2 Perform any of the following tasks as needed:

- [DLP-G236 Changing the 2.5G or 10G Data Muxponder Client Line Settings](#)
- [DLP-G237 Changing the 2.5G Data Muxponder Distance Extension Settings](#)
- [DLP-G238 Changing the 2.5G or 10G Data Muxponder SONET/SDH Settings](#)
- [DLP-G239 Changing the 2.5G or 10G Data Muxponder Section Trace Settings](#)
- [DLP-G240 Changing the 2.5G or 10G Data Muxponder SONET or SDH Line Thresholds](#)
- [DLP-G321 Changing the 2.5G or 10G Data Muxponder Line RMON Thresholds](#)
- [DLP-G307 Provisioning the 2.5G Data Muxponder Trunk Port Alarm and TCA Thresholds](#)
- [DLP-G308 Provisioning the 2.5G Data Muxponder Client Port Alarm and TCA Thresholds](#)
- [DLP-G370 Changing the 2.5G or 10G Data Muxponder Trunk Wavelength Settings](#)

Note To use the Alarm Profiles tab, including creating alarm profiles and suppressing alarms, see the [Alarm and TCA Monitoring and Management](#) document.

Stop. You have completed this procedure.

DLP-G236 Changing the 2.5G or 10G Data Muxponder Client Line Settings

Purpose	This task changes the client line settings for MXP_MR_2.5G, MXPP_MR_2.5G, MXP_MR_10DME_C, MXP_MR_10DME_L, and MXP_MR_10DMEX_C muxponder cards.
Tools/Equipment	None
Prerequisite Procedures	DLP-G46 Log into CTC
Required/As Needed	As needed
Onsite/Remote	Onsite or remote
Security Level	Provisioning or higher

Procedure

Step 1 In node view (single-shelf mode) or shelf view (multishelf view), double-click the card where you want to change the line settings.

Step 2 Click the **Provisioning > Line > Client** tabs. Tabs and parameter selections vary according to PPM provisioning.

Note The hardware device that plugs into a TXP, MXP, GE_XP, 10GE_XP, GE_XPE, 10GE_XPE, or ADM-10G card faceplate to provide a fiber interface to the card is called a Small Form-factor Pluggable (SFP or XFP). In CTC, SFPs and XFPs are called pluggable port modules (PPMs). SFPs/XFPs are hot-swappable input/output devices that plug into a port to link the port with the fiber-optic network. Multirate PPMs have provisionable port rates and payloads. For more information about SFPs and XFPs, see the [SFP, SFP+, QSFP+, XFP, CXP, CFP, CFP2 and CPAK Modules, on page 194](#).

Step 3 Modify any of the settings for the Client tab as described in the following table.

Table 123: 2.5G or 10G Data Muxponder Card Client Settings

Parameter	Description	Options
Port	(Display only) Port number.	<ul style="list-style-type: none"> • 1 and 2 for 2.5G data muxponder cards • 1 through 8 for 10G data muxponder cards
Port Name	The user can assign a logical name for each of the ports shown by filling in this field.	<p>User-defined. Name can be up to 80 alphanumeric/special characters. Blank by default.</p> <p>Note You can provision a string (port name) for each channel/FICON interface on the cards, which is used by the MDS Fabric Manager to create a link association between that SAN port and a SAN port on a Cisco MDS 9000 switch.</p>
Admin State	Sets the port service state unless network conditions prevent the change. For more information about administrative states, see the Administrative and Service States document.	<ul style="list-style-type: none"> • IS (ANSI) or Unlocked (ETSI) • OOS,DSBLD (ANSI) or Locked,disabled (ETSI) • OOS,MT (ANSI) or Locked,maintenance (ETSI)
Service State	Identifies the autonomously generated state that gives the overall condition of the port. Service states appear in the format: Primary State-Primary State Qualifier, Secondary State. For more information about service states, see the Administrative and Service States document.	<ul style="list-style-type: none"> • IS-NR (ANSI) or Unlocked-enabled (ETSI) • OOS-AU,AINS (ANSI) or Unlocked-disabled, autonomous (ETSI) • OOS-MA,DSBLD (ANSI) or Locked-enabled,disabled (ETSI) • OOS-MA,MT (ANSI) or Locked-enabled,maintenance (ETSI)

Parameter	Description	Options
ALS Mode	Sets the ALS function mode.	<ul style="list-style-type: none"> • Disabled (default): ALS is off; the laser is not automatically down when traffic outages (LOS) occur. • Auto Restart: (MXP_MR_2.5G only) ALS is on; the laser automatically shuts down when traffic outages (LOS) occur and automatically restarts when the conditions that caused the outage are resolved. • Manual Restart: ALS is on; the laser automatically shuts down when traffic outages (LOS) occur. However, the laser must be manually restarted when conditions that caused the outage are resolved. • Manual Restart for Test: Manually restarts the laser for testing.
Reach	Displays the optical reach distance of the client port.	<p>The reach distances that appear in the drop-down list depend on the card:</p> <ul style="list-style-type: none"> • Autoprovision—The system automatically provisions the reach from the pluggable port module (PPM) reach value on the card hardware. • SX—Short laser wavelength on multimode fiber optic cable with a maximum length of 550 meters. The operating wavelength range is 770-860 nm. • LX—Long wavelength for a long haul fiber optic cable with a maximum length of 10 km. The operating wavelength range is 1270-1355 nm. • CX—Two pairs of 150-ohm shielded twisted pair cable with a maximum length of 25 meters. • T—Four pairs of Category 5 Unshielded Twisted Pair cable with a maximum length of 100 meters. • DX—Single mode up to 40 km. The operating wavelength range is 1430-1580 nm. • HX—Single mode up to 40 km. The operating wavelength range is 1280-1335 nm. • ZX—Extended wavelength single-mode optical fiber with a maximum length of 100 km. The operating wavelength range is 1500-1580 nm. • VX—Single mode up to 100 km. The operating wavelength range is 1500-1580 nm.
Wavelength	Displays the wavelength of the client port.	<ul style="list-style-type: none"> • First Tunable Wavelength • Further wavelengths: 850 nm through 1560.61 nm; 100-nm spacing; CWDM spacing

Parameter	Description	Options
Squelch	Shuts down the far-end laser in response to certain defects. (Squelch does not apply to ISC COMPACT payloads.)	<ul style="list-style-type: none"> • Squelch • Disable

Step 4 Click **Apply**.

Step 5 Return to your originating procedure (NTP).

DLP-G237 Changing the 2.5G Data Muxponder Distance Extension Settings

Purpose	This task changes the distance extension settings for MXP_MR_2.5G and MXPP_MR_2.5G muxponder cards.
Tools/Equipment	None
Prerequisite Procedures	DLP-G46 Log into CTC
Required/As Needed	As needed
Onsite/Remote	Onsite or remote
Security Level	Provisioning or higher



Note Distance extension settings can be changed only if the facilities are out of service (OOS,DSBLD).



Note The distance extension parameters only apply to client ports (Ports 1 to 8) and not to the trunk ports (Port 9 for MXP_MR_2.5G card or Ports 9 and 10 for the MXPP_MR_2.5G card).

Procedure

Step 1 In node view (single-shelf mode) or shelf view (multishelf view), double-click the MXP_MR_2.5G or MXPP_MR_2.5G card where you want to change the distance extension settings.

Step 2 Click the **Provisioning > Line > Client** tabs. A client port must be provisioned for the tab to be present.

Note The hardware device that plugs into a TXP, MXP, GE_XP, 10GE_XP, GE_XPE, 10GE_XPE, or ADM-10G card faceplate to provide a fiber interface to the card is called a Small Form-factor Pluggable (SFP or XFP). In CTC, SFPs and XFPs are called pluggable port modules (PPMs). SFPs/XFPs are hot-swappable input/output devices that plug into a port to link the port with the fiber-optic network. Multirate PPMs have provisionable port rates and payloads. For more information about SFPs and XFPs, see the [SFP, SFP+, QSFP+, XFP, CXP, CFP, CFP2 and CPAK Modules, on page 194](#).

- Step 3** Locate the Client port table row and verify that the Service State column value is OOS-MA,DSBLD (ANSI) or Locked-enabled,disabled (ETSI). If yes, continue with [Step 4](#). If not, complete the following substeps:
- Click the **Admin State** table cell and choose **OOS,DSBLD** (ANSI) or **Locked,Maintenance** (ETSI).
 - Click **Apply**, then **Yes**.
- Step 4** Click the **Provisioning > Line > Distance Extension** tabs. Tabs and parameter selections vary according to PPM provisioning.
- Step 5** Modify any of the settings for the Distance Extension tab as described in the following table.

Table 124: MXP_MR_2.5G or MXPP_MR_2.5G Card Line Distance Extension Settings

Parameter	Description	Options
Port	(Display only) Port number	<ul style="list-style-type: none"> • 1 • 2
Enable Distance Extension	Allows end-to-end distances of up to 1600 km for FC1G and up to 800 km for FC2G. If Distance Extension is enabled, set the connected Fibre Channel switches to Interop or Open Fabric mode, depending on the Fibre Channel switch. By default, the MXP_MR_2.5G and MXPP_MR_2.5G card will interoperate with the Cisco Multilayer Director Switch (MDS) storage products.	Checked or unchecked
Auto Detect Credits	Allows automatic detection of buffer credits for Fibre Channel flow control.	Checked or unchecked
Credits Available	(Display only) Displays the number of buffer credits available.	Numeric (range depends on the client equipment attached to the card)
Autoadjust GFP Buffer Threshold	Allows the threshold of the generic framing procedure (GFP) buffer between two MXP_MR_2.5G or two MXPP_MR_2.5G cards to be automatically adjusted.	Checked or unchecked
GFP Buffers Available	Displays the number of GFP buffers available between two MXP_MR_2.5G or two MXPP_MR_2.5G cards.	Numeric

- Step 6** Click **Apply**.
- Step 7** Return to your originating procedure (NTP).
-

DLP-G238 Changing the 2.5G or 10G Data Muxponder SONET/SDH Settings

Purpose	This task changes the OC-48 (ANSI) or STM-16 (ETSI) settings for MXP_MR_2.5G and MXPP_MR_2.5G muxponder cards. This task also changes the OC-192 (ANSI) or STM-64 (ETSI) settings for the MXP_MR_10DME_C and MXP_MR_10DME_L muxponder cards.
Tools/Equipment	None
Prerequisite Procedures	DLP-G46 Log into CTC
Required/As Needed	As needed
Onsite/Remote	Onsite or remote
Security Level	Provisioning or higher



Note SONET (OC-48)/SDH (STM-16) settings apply only to the trunk ports (Port 9 for the MXP_MR_2.5G card and Ports 9 and 10 for the MXPP_MR_2.5G card.)

Procedure

- Step 1** In node view (single-shelf mode) or shelf view (multishelf view), double-click the card where you want to change the OC-48/STM-64 settings.
- Step 2** Click the **Provisioning > Line > SONET** (ANSI) or **SDH** (ETSI). Tabs and parameter selections vary according to PPM provisioning.
- Step 3** Modify any of the settings for the SONET or SDH tab as described in the following table.

Table 125: MXP_MR_2.5G or MXPP_MR_2.5G Card Line SONET or SDH Settings

Parameter	Description	Options
Port	(Display only) Port number.	9 (trunk for MXP_MR_2.5G, MXP_MR_10DME_C, MXP_MR_10DME_L) or 9 and 10 (trunks for MXPP_MR_2.5G)
Port Name	Provides the ability to assign the specified port a name.	User-defined. Name can be up to 80 alphanumeric characters. Blank by default.
Admin State	Sets the port service state unless network conditions prevent the change. For more information about administrative states, see the Administrative and Service States document.	<ul style="list-style-type: none"> • IS (ANSI) or Unlocked (ETSI) • IS,AINS (ANSI) or Unlocked,automatic (ETSI) • OOS,DSBLD (ANSI) or Locked,disabled (ETSI) • OOS,MT (ANSI) or Locked,maintenance (ETSI)

Parameter	Description	Options
Service State	(Display only) Identifies the autonomously generated state that gives the overall condition of the port. Service states appear in the format: Primary State-Primary State Qualifier, Secondary State. For more information about service states, see the Administrative and Service States document.	<ul style="list-style-type: none"> • IS-NR (ANSI) or Unlocked-enabled (ETSI) • OOS-AU,AINS (ANSI) or Unlocked-disabled automaticInService (ETSI) • OOS-MA,DSBLD (ANSI) or Locked-enabled (ETSI) • OOS-MA,MT (ANSI) or Locked-enabled,ma (ETSI)
SF BER	Sets the signal fail bit error rate.	<ul style="list-style-type: none"> • 1E-3 • 1E-4 • 1E-5
SD BER	Sets the signal degrade bit error rate.	<ul style="list-style-type: none"> • 1E-5 • 1E-6 • 1E-7 • 1E-8 • 1E-9
ALS Mode	Sets the ALS function mode. The DWDM transmitter supports ALS according to ITU-T G.644 (06/99). ALS can be disabled or can be set for one of three mode options.	<ul style="list-style-type: none"> • Disable (default): ALS is off; the laser is not automatically shut down when traffic outages occur. • Auto Restart: ALS is on; the laser automatically shut down when traffic outages (LOS) occur. It automatically restarts when the conditions that caused the outage are resolved. • Manual Restart: ALS is on; the laser automatically shut down when traffic outages (LOS) occur. However, the laser must be manually restarted when conditions that caused the outage are resolved. • Manual Restart for Test: Manually restarts the laser for testing.
AINS Soak	Sets the automatic in-service soak period. Double-click the time and use the up and down arrows to change settings.	<ul style="list-style-type: none"> • Duration of valid input signal, in hh.mm format, after which the card becomes in service (IS) automatically • 0 to 48 hours, 15-minute increments
Type	The optical transport type.	<ul style="list-style-type: none"> • SONET (ANSI) • SDH (ETSI)

Parameter	Description	Options
SyncMsgIn	Sets the EnableSync card parameter. Enables synchronization status messages (S1 byte), which allow the node to choose the best timing source.	Checked or unchecked
Send DoNotUse	Sets the Send DoNotUse card state. When checked, sends a DUS message on the S1 byte.	Checked or unchecked
ProvidesSync	Sets the ProvidesSync card parameter. If checked, the card is provisioned as an NE timing reference.	Checked or unchecked

SF BER and SD BER thresholds apply only to trunk ports (Port 9 for MXP_MR_2.5G and Ports 9 and 10 for MXPP_MR_2.5G).

- Step 4** Click **Apply**.
- Step 5** Return to your originating procedure (NTP).

DLP-G239 Changing the 2.5G or 10G Data Muxponder Section Trace Settings

Purpose	This task changes the section trace settings for the MXP_MR_2.5G, MXPP_MR_2.5G, MXP_MR_10DME_C and MXP_MR_10DME_L muxponder cards.
Tools/Equipment	None
Prerequisite Procedures	DLP-G46 Log into CTC
Required/As Needed	As needed
Onsite/Remote	Onsite or remote
Security Level	Provisioning or higher

Procedure

- Step 1** In node view (single-shelf mode) or shelf view (multishelf view), double-click the card where you want to change the section trace settings.
- Step 2** Click the **Provisioning** > **Line** > **Section Trace** tabs. Tabs and parameter selections vary according to PPM provisioning.

Note The hardware device that plugs into a TXP, MXP, GE_XP, 10GE_XP, GE_XPE, 10GE_XPE, or ADM-10G card faceplate to provide a fiber interface to the card is called a Small Form-factor Pluggable (SFP or XFP). In CTC, SFPs and XFPs are called pluggable port modules (PPMs). SFPs/XFPs are hot-swappable input/output devices that plug into a port to link the port with the fiber-optic network. Multirate PPMs have provisionable port rates and payloads. For more information about SFPs and XFPs, see the [SFP, SFP+, QSFP+, XFP, CXP, CFP, CFP2 and CPAK Modules, on page 194](#).

Step 3 Modify any of the settings in the Section Trace tab as described in the following table.

Table 126: 2.5G or 10G Data Muxponder Card Line Section Trace Settings

Parameter	Description	Options
Port	(Display only) Port number.	<ul style="list-style-type: none"> • 9 (trunk port for MXP_MR_2, MXP_MR_10DME_C, and MXP_MR_10DME_L) • 9 and 10 (trunk ports for MXPP_MR_2.5G)
Received Trace Mode	Sets the received trace mode.	<ul style="list-style-type: none"> • Off/None • Manual
Disable AIS/RDI on TIM-S	If an TIM on Section overhead alarm arises because of a J0 overhead string mismatch, no alarm indication signal is sent to downstream nodes if this box is checked.	<ul style="list-style-type: none"> • Checked (AIS/RDI on TIM-S disabled) • Unchecked (AIS/RDI on TIM-S enabled)
Transmit Section Trace String Size	Sets the trace string size.	<ul style="list-style-type: none"> • 1 byte • 16 byte
Transmit	Displays the current transmit string; sets a new transmit string. You can click the button on the right to change the display. Its title changes, based on the current display mode. Click Hex to change the display to hexadecimal (button changes to ASCII); click ASCII to change the display to ASCII (button changes to Hex).	String of trace string size
Expected	Displays the current expected string; sets a new expected string. You can click the button on the right to change the display. Its title changes, based on the current display mode. Click Hex to change the display to hexadecimal (button changes to ASCII); click ASCII to change the display to ASCII (button changes to Hex).	String of trace string size
Received	(Display only) Displays the current received string. You can click Refresh to manually refresh this display, or check the Auto-refresh every 5 sec check box to keep this panel updated.	String of trace string size
Auto-refresh	If checked, automatically refreshes the display every 5 seconds.	Checked/unchecked (default)

Step 4 Click **Apply**.

Step 5 Return to your originating procedure (NTP).

DLP-G370 Changing the 2.5G or 10G Data Muxponder Trunk Wavelength Settings

Purpose	This task changes the trunk wavelength settings for the MXP_MR_2.5G, MXPP_MR_2.5G, MXP_MR_10DME_C, and MXP_MR_10DME_L cards.
Tools/Equipment	None
Prerequisite Procedures	DLP-G46 Log into CTC
Required/As Needed	As needed
Onsite/Remote	Onsite or remote
Security Level	Provisioning or higher

Procedure

- Step 1** In node view (single-shelf mode) or shelf view (multishelf view), double-click the card where you want to change the trunk wavelength settings.
- Step 2** Click the **Provisioning > Line > Wavelength Trunk Settings** tabs.
- Step 3** Modify any of the settings as described in the following table.

Table 127: 2.5G or 10G Data Muxponder Card Wavelength Trunk Settings

Parameter	Description	Options
Port	(Display only) Displays the port number.	9 (Trunk) 10 (Trunk) (MXPP_MR_2.5G only)
Band	(Display only) Indicates the wavelength band that can be provisioned. The field is display-only when a physical MXP_MR_10DME_C or MXP_MR_10DME_L is installed. If the card is provisioned in CTC only, you can provision the band for the card that will be installed.	<ul style="list-style-type: none"> C—The C band wavelengths are available in the Wavelength field. (MXP_MR_10DME_C, and MXP_MR_10DME_L only) L—The L-band wavelengths are available in the Wavelength field.
Even/Odd	Sets the wavelengths available for provisioning. This field does not apply to MXP_MR_2.5G or MXPP_MR_2.5G cards	<ul style="list-style-type: none"> Even—Displays even C-band or L-band wavelengths in the Wavelength field. Odd—Displays odd C-band or L-band wavelengths in the Wavelength field.

Parameter	Description	Options
Wavelength	The wavelength provisioned for the trunk.	<ul style="list-style-type: none"> • First Tunable Wavelength • Further wavelengths in 100-GHz ITU-T, C-band spacing. If the card is installed, the wavelengths it carries are identified with two asterisks. Other wavelengths have a dark grey background. If the card is not installed, all wavelengths appear with a dark grey background.

Step 4 Click **Apply**.

Step 5 Return to your originating procedure (NTP).

DLP-G240 Changing the 2.5G or 10G Data Muxponder SONET or SDH Line Thresholds

Purpose	This task changes the SONET or SDH line threshold settings for MXP_MR_2.5G, MXPP_MR_2.5G, MXP_MR_10DME_C, and MXP_MR_10DME_L muxponder cards.
Tools/Equipment	None
Prerequisite Procedures	DLP-G46 Log into CTC
Required/As Needed	As needed
Onsite/Remote	Onsite or remote
Security Level	Provisioning or higher

Procedure

Step 1 In node view (single-shelf mode) or shelf view (multishelf view), double-click the card where you want to change the line threshold settings.

Step 2 Click the **Provisioning > Line Thresholds > SONET Thresholds (ANSI)** or **SDH Thresholds (ETSI)** tabs.

Step 3 Modify any of the settings as shown in the following table.

Note You must modify Near End and Far End independently, 15 Min and 1 Day independently, and Line and Section independently. To do so, choose the appropriate radio button and click **Refresh**.

Note In the following table, some parameters or options do not apply to all the cards. If the parameters or options do not apply, they do not appear in CTC.

Table 128: 2.5G or 10G Data Muxponder Card Line Threshold Settings

Field	Description	ONS 15454 Options	ONS 15454 SDH Options
Port	(Display only) Port number	<ul style="list-style-type: none"> • 9 (MXP_MR_2.5G) • 9 and 10 (MXPP_MR_2.5G) • 9 (Trunk) for MXP_MR_10DME_C and MXP_MR_10DME_L 	<ul style="list-style-type: none"> • 9 (MXP_MR_2.5G) • 9 and 10 (MXPP_MR_2.5G) • 9 (Trunk) for MXP_MR_10DME_C and MXP_MR_10DME_L
EB	Path Errored Block indicates that one or more bits are in error within a block	—	Numeric. Threshold display options include: <ul style="list-style-type: none"> • Direction—Near End or Far End • Interval—15 Min (minutes) or 1 day • Types—Multiplex Section or Far End Section (near end only) Choose an option in each category and click Refresh .
CV	Coding violations	Numeric. Threshold display options include: <ul style="list-style-type: none"> • Direction—Near End or Far End • Interval—15 Min (minutes) or 1 day • Types—Line or Section (near end only) Choose an option in each category and click Refresh .	—
ES	Errored seconds	Numeric. Threshold display options include: <ul style="list-style-type: none"> • Direction—Near End or Far End • Interval—15 Min (minutes) or 1 day • Types—Line or Section (near end only) Choose an option in each category and click Refresh .	Numeric. Threshold display options include: <ul style="list-style-type: none"> • Direction—Near End or Far End • Interval—15 Min (minutes) or 1 day • Types—Multiplex Section or Far End Section (near end only) Choose an option in each category and click Refresh .
SES	Severely errored seconds	Numeric. Threshold display options include: <ul style="list-style-type: none"> • Direction—Near End or Far End • Interval—15 Min (minutes) or 1 day • Types—Line or Section (near end only) Choose an option in each category and click Refresh .	Numeric. Threshold display options include: <ul style="list-style-type: none"> • Direction—Near End or Far End • Interval—15 Min (minutes) or 1 day • Types—Multiplex Section or Far End Section (near end only) Choose an option in each category and click Refresh .

Field	Description	ONS 15454 Options	ONS 15454 SDH Options
BBE	Background block errors	—	Numeric. Threshold display options include: <ul style="list-style-type: none"> • Direction—Near End or Far End • Interval—15 Min (minutes) or 1 day • Types—SM (OTUk) or PM (ODUk) Choose an option in each category and click Refresh .
SEFS	(Section or Regeneration Section only) Severely errored framing seconds	Numeric. Threshold display options include: <ul style="list-style-type: none"> • Direction—Near End or Far End • Interval—15 Min (minutes) or 1 day • Types—Section only Choose an option in each category and click Refresh .	—
FC	(Line or Multiplex Section only) Failure count	Numeric. Threshold display options include: <ul style="list-style-type: none"> • Direction—Near End or Far End • Interval—15 Min (minutes) or 1 day • Types—Section only Choose an option in each category and click Refresh .	—
UAS	(Line or Multiplex Section only) Unavailable seconds	Numeric. Threshold display options include: <ul style="list-style-type: none"> • Direction—Near End or Far End • Interval—15 Min (minutes) or 1 day • Types—Section only Choose an option in each category and click Refresh .	Numeric. Threshold display options include: <ul style="list-style-type: none"> • Direction—Near End or Far End • Interval—15 Min (minutes) or 1 day • Types—Regeneration Section (only) Choose an option in each category and click Refresh .

Step 4 Click **Apply**.

Step 5 Return to your originating procedure (NTP).

DLP-G321 Changing the 2.5G or 10G Data Muxponder Line RMON Thresholds

Purpose	This task changes the line threshold settings for MXP_MR_10G and MXPP_MR_2.5G transponder cards carrying the 1G Ethernet or 1G FC/FICON payloads. This task changes the line threshold settings for MXP_MR_10DME_C and MXP_MR_10DME_L cards carrying Ethernet, FC/FICON, or ISC/ISC3 payloads.
Tools/Equipment	None
Prerequisite Procedures	DLP-G46 Log into CTC
Required/As Needed	As needed
Onsite/Remote	Onsite or remote
Security Level	Provisioning or higher

Procedure

- Step 1** In node view (single-shelf mode) or shelf view (multishelf view), display the card where you want to change the line RMON threshold settings.
- Step 2** Click the **Provisioning > Line Thresholds > RMON Thresholds** tabs.
- Step 3** Click **Create**. The Create Threshold dialog box appears.
- Step 4** From the Port drop-down list, choose the applicable port, either the payload port, for example “1-1 (ONE_GE)”, or the equivalent ITU-T G.7041 GFP (Generic Frame Procedure) port.
- Step 5** From the Variable drop-down list, choose an Ethernet, FC, FICON, or ISC variable.

Table 129: MXP_MR_2.5G and MXPP_MR_2.5G Card 1G Ethernet or 1G, 2G FC/FICON Variables

Variable	Description
ifInOctets	Number of bytes received since the last counter reset.
rxTotalPkts	Total number of receive packets.
ifInDiscards	Number of inbound packets that were chosen to be discarded even though no errors had been detected to prevent their being deliverable to a higher-layer protocol.
ifInErrors	Total number of receive errors.
ifOutOctets	The total number of octets transmitted out of the interface, including framing characters.
txTotalPkts	Total number of transmitted packets.
ifOutDiscards	Number of outbound packets that were chosen to be discarded even though no errors had been detected to prevent their being transmitted.

mediaIndStatsRxFramesTruncated	Total number of frames received that are less than 5 bytes. This value is a part of high-level data link control (HDLC) and GFP port statistics.
mediaIndStatsRxFramesTooLong	Number of received frames that exceed the maximum transmission unit (MTU). This value is part of HDLC and GFP port statistics.
mediaIndStatsRxFramesBadCRC	Number of receive data frames with payload cyclic redundancy check (CRC) errors when HDLC framing is used.
mediaIndStatsTxFramesBadCRC	Number of transmitted data frames with payload CRC errors when HDLC framing is used.
8b10bInvalidOrderedSets	Number of 8b10b disparity violations on the Fibre Channel line side.
8b10bStatsEncodingDispErrors	Number of 8b10b disparity violations on the Fibre Channel line side.

Table 130: MXP_MR_10DME_C or MXP_MR_10DME_L Ethernet Variables

Variable	Description
ifInOctets	Number of bytes received since the last counter reset.
rxTotalPkts	Total number of receive packets.
ifInErrors	Total number of receive errors.
ifOutOctets	The total number of octets transmitted out of the interface, including framing characters.
txTotalPkts	Total number of transmitted packets.
mediaIndStatsRxFramesTruncated	Total number of frames received that are less than 5 bytes. This value is a part of HDLC and GFP port statistics.
mediaIndStatsRxFramesTooLong	Number of received frames that exceed the MTU. This value is part of HDLC and GFP port statistics.
mediaIndStatsRxFramesBadCRC	Number of receive data frames with payload CRC errors when HDLC framing is used.
mediaIndStatsTxFramesBadCRC	Number of transmitted data frames with payload CRC errors when HDLC framing is used.
8b10bInvalidOrderedSetsDispErrorsSum	Number of code violations/running disparity errors in the 8b/10b encoded characters received.

Table 131: MXP_MR_10DME_C or MXP_MR_10DME_L FC/FICON Variables

Variable	Description
ifInOctets	Number of bytes received since the last counter reset.

Variable	Description
rxTotalPkts	Total number of receive packets.
ifInErrors	Total number of receive errors.
ifOutOctets	The total number of octets transmitted out of the interface, including framing characters.
txTotalPkts	Total number of transmitted packets.
ifOutOversizePkts	Total number of oversized packets output from the interface.
mediaIndStatsRxFramesTruncated	Total number of frames received that are less than 5 bytes. This value is a part of HDLC and GFP port statistics.
mediaIndStatsRxFramesTooLong	Number of received frames that exceed the MTU. This value is part of HDLC and GFP port statistics.
mediaIndStatsRxFramesBadCRC	Number of receive data frames with payload CRC errors when HDLC framing is used.
mediaIndStatsTxFramesBadCRC	Number of transmitted data frames with payload CRC errors when HDLC framing is used.
fcStatsZeroTxCredits	This is a count that increments when the FC/FICON Tx credits go from a non-zero value to zero.
fcStatsRxRecvrReady	Number of received RDY (Receive Ready) order set.
fcStatsTxRecvrReady	Number of transmitted RDY (Receive Ready) order set.
8b10bInvalidOrderedSetsDispErrorsSum	Number of Code Violations/Running Disparity errors in the 8b/10b encoded characters received.

Table 132: MXP_MR_10DME_C or MXP_MR_10DME_L ISC and ISC3Variables

Variable	Description
ifInOctets	Number of bytes received since the last counter reset.
rxTotalPkts	Total number of receive packets.
ifOutOctets	The total number of octets transmitted out of the interface, including framing characters.
txTotalPkts	Total number of transmitted packets.
8b10bInvalidOrderedSetsDispErrorsSum	Number of Code Violations/Running Disparity errors in the 8b/10b encoded characters received.

Table 133: MXP_MR_10DME_C or MXP_MR_10DME_L GFP RMON Variables

Variable	Description
----------	-------------

gfpStatsRxSBitErrors	Received generic framing protocol (GFP) frames with single bit errors in the core header (these errors are correctable).
gfpStatsRxTypeInvalid	Received GFP frames with invalid type (these are discarded). For example, receiving GFP frames that contain Ethernet data when we expect Fibre Channel data.
gfpStatsRxSblkCRCErrors	Total number of superblock CRC errors with the receive transparent GFP frame. A transparent GFP frame has multiple superblocks which each contain Fibre Channel data.
gfpStatsCSFRaised	Number of Rx client management frames with Client Signal Fail indication.
gfpStatsLFDRaised	The number of Core HEC CRC Multiple Bit Errors. Note This count is only for cHEC multiple bit error when in frame. It is a count of when the state machine goes out of frame.

Step 6 From the Alarm Type drop-down list, indicate whether the event will be triggered by the rising threshold, the falling threshold, or both the rising and falling thresholds.

Step 7 From the Sample Type drop-down list, choose either **Relative** or **Absolute**. Relative restricts the threshold to use the number of occurrences in the user-set sample period. Absolute sets the threshold to use the total number of occurrences, regardless of time period.

Step 8 Type in an appropriate number of seconds for the Sample Period.

Step 9 Type in the appropriate number of occurrences for the Rising Threshold.

For a rising type of alarm, the measured value must move from below the falling threshold to above the rising threshold. For example, if a network is running below a rising threshold of 1000 collisions every 15 seconds and a problem causes 1001 collisions in 15 seconds, the excess occurrences trigger an alarm.

Step 10 Enter the appropriate number of occurrences in the Falling Threshold field. In most cases a falling threshold is set lower than the rising threshold.

A falling threshold is the counterpart to a rising threshold. When the number of occurrences is above the rising threshold and then drops below a falling threshold, it resets the rising threshold. For example, when the network problem that caused 1001 collisions in 15 seconds subsides and creates only 799 collisions in 15 seconds, occurrences fall below a falling threshold of 800 collisions. This resets the rising threshold so that if network collisions again spike over a 1000 per 15-second period, an event again triggers when the rising threshold is crossed. An event is triggered only the first time a rising threshold is exceeded (otherwise, a single network problem might cause a rising threshold to be exceeded multiple times and cause a flood of events).

Step 11 Click **OK**.

Note To view all RMON thresholds, click **Show All RMON thresholds**.

Step 12 Return to your originating procedure (NTP).

DLP-G307 Provisioning the 2.5G Data Muxponder Trunk Port Alarm and TCA Thresholds

Purpose	This task changes the MXP_MR_2.5G and MXPP_MR_2.5G trunk port alarm and TCA thresholds.
Tools/Equipment	None
Prerequisite Procedures	DLP-G46 Log into CTC
Required/As Needed	As needed
Onsite/Remote	Onsite or remote
Security Level	Provisioning or higher



Note Throughout this task, trunk port refers to Port 9 (MXP_MR_2.5G and MXPP_MR_2.5G) and Port 10 (MXPP_MR_2.5G only).

Procedure

-
- Step 1** In node view (single-shelf mode) or shelf view (multishelf view), double-click the MXP_MR_2.5G or MXPP_MR_2.5G card where you want to change the trunk port alarm and TCA settings.
- Step 2** Click the **Provisioning > Optics Thresholds** tabs.
- Note** You must modify 15 Min and 1 Day independently. To do so, choose the appropriate radio button and click **Refresh**.
- Step 3** Verify the trunk port TCA thresholds for RX Power High is -9 dBm and for RX Power Low is -23 dBm.
- Step 4** Provision new thresholds as needed by double-clicking the threshold value you want to change, deleting it, entering a new value, and hitting **Enter**.
- Step 5** Under Types, click the **Alarm** radio button and click **Refresh**.
- Note** Do not modify the Laser Bias parameters.
- Step 6** Verify the trunk port Alarm thresholds for RX Power High is -7 dBm and for RX Power Low is -26 dBm.
- Step 7** Provision new thresholds as needed by double-clicking the threshold value you want to change, deleting it, entering a new value, and hitting **Enter**.
- Step 8** Click **Apply**.
- Step 9** Return to your originating procedure (NTP).
-

DLP-G308 Provisioning the 2.5G Data Muxponder Client Port Alarm and TCA Thresholds

Purpose	This task provisions the client port alarm and TCA thresholds for the MXP_MR_2.5G and MXPP_MR_2.5G cards.
Tools/Equipment	None
Prerequisite Procedures	DLP-G278 Provisioning the Optical Line Rate, on page 205 DLP-G46 Log into CTC
Required/As Needed	Required
Onsite/Remote	Onsite or remote
Security Level	Provisioning or higher

Procedure

- Step 1** In node view (single-shelf mode) or shelf view (multishelf view), double-click the MXP_MR_2.5G or MXPP_MR_2.5G card where you want to change the client port alarm and TCA settings.
- Step 2** Click the **Provisioning > Optics Thresholds** tabs. The TCA thresholds are shown by default.
- Step 3** Referring to the following table, verify the client port (Ports 1 through 8) TCA thresholds for RX Power High, RX Power Low, TX Power High, and TX Power Low based on the client interface at the other end. Provision new thresholds as needed by double-clicking the threshold value you want to change, deleting it, entering a new value, and hitting **Enter**.
- Note** Do not modify the Laser Bias parameters.
- Note** You must modify 15 Min and 1 Day independently. To do so, choose the appropriate radio button and click **Refresh**.
- Note** The hardware device that plugs into a TXP, MXP, GE_XP, 10GE_XP, GE_XPE, 10GE_XPE, or ADM-10G card faceplate to provide a fiber interface to the card is called a Small Form-factor Pluggable (SFP or XFP). In CTC, SFPs and XFPs are called pluggable port modules (PPMs). SFPs/XFPs are hot-swappable input/output devices that plug into a port to link the port with the fiber-optic network. Multirate PPMs have provisionable port rates and payloads. For more information about SFPs and XFPs, see the [SFP, SFP+, QSFP+, XFP, CXP, CFP, CFP2 and CPAK Modules, on page 194](#).

Table 134: MXP_MR_2.5G and MXPP_MR_2.5G Card Client Interface TCA Thresholds

Port Type (by CTC)	Pluggable Port Module (XFP)	TCA RX Power Low	TCA RX Power High	TCA TX Power Low	TCA TX Power High
FC1G	15454-SFP-GEFC-SX 15454E-SFP-GEFC-S ONS-SE-G2F-SX	-17	0	-16	3
	15454-SFP-GE+-LX 15454E-SFP-GE+-LX ONS-SE-G2F-LX	-20	-3	-16	3
FC2G	15454-SFP-GEFC-SX 15454E-SFP-GEFC-S ONS-SE-G2F-SX	-15	0	-16	3
	15454-SFP-GE+-LX 15454E-SFP-GE+-LX ONS-SE-G2F-LX	-20	-3	-16	3
FICON1G	15454-SFP-GEFC-SX 15454E-SFP-GEFC-S ONS-SE-G2F-SX	-17	0	-16	3
	15454-SFP-GE+-LX 15454E-SFP-GE+-LX ONS-SE-G2F-LX	-20	-3	-16	3
FICON2G	15454-SFP-GEFC-SX 15454E-SFP-GEFC-S ONS-SE-G2F-SX	-17	0	-16	3
	15454-SFP-GE+-LX 15454E-SFP-GE+-LX ONS-SE-G2F-LX	-20	-3	-16	3
ONE_GE	15454-SFP-GEFC-SX 15454E-SFP-GEFC-S ONS-SE-G2F-SX	-17	0	-16	3
	15454-SFP-GE+-LX 15454E-SFP-GE+-LX ONS-SE-G2F-LX	-20	-3	-16	3
ESCON	ONS-SE-200-MM	-21	-14	-32	-11

Step 4 Click **Apply**.

Step 5 Repeat Steps 3 and 4 to provision each additional client port.

Step 6 Under Types, click the **Alarm** radio button and click **Refresh**.

Step 7 Referring to the following table, verify the client port (Ports 1 through 8) Alarm thresholds for RX Power High, RX Power Low, TX Power High, and TX Power Low based on the client interface that is provisioned.

Provision new thresholds as needed by double-clicking the threshold value you want to change, deleting it, entering a new value, and hitting **Enter**.

Table 135: MXP_MR_2.5G and MXPP_MR_2.5G Card Client Interface Alarm Thresholds

Port Type (by CTC)	Pluggable Port Module (XFP)	Alarm RX Power Low	Alarm RX Power High	Alarm TX Power Low	Alarm TX Power High
FC1G	15454-SFP-GEFC-SX 15454E-SFP-GEFC-S ONS-SE-G2F-SX	-20	3	-13	-1
	15454-SFP-GE+-LX 15454E-SFP-GE+-LX ONS-SE-G2F-LX	-23	0	-13	0
FC2G	15454-SFP-GEFC-SX 15454E-SFP-GEFC-S ONS-SE-G2F-SX	-18	3	-13	-1
	15454-SFP-GE+-LX 15454E-SFP-GE+-LX ONS-SE-G2F-LX	-23	0	-13	0
FICON1G	15454-SFP-GEFC-SX 15454E-SFP-GEFC-S ONS-SE-G2F-SX	-20	3	-13	-1
	15454-SFP-GE+-LX 15454E-SFP-GE+-LX ONS-SE-G2F-LX	-23	0	-13	0
FICON2G	15454-SFP-GEFC-SX 15454E-SFP-GEFC-S ONS-SE-G2F-SX	-20	3	-13	-1
	15454-SFP-GE+-LX 15454E-SFP-GE+-LX ONS-SE-G2F-LX	-23	0	-13	0
ONE_GE	15454-SFP-GEFC-SX 15454E-SFP-GEFC-S ONS-SE-G2F-SX	-20	3	-13	-1
	15454-SFP-GE+-LX 15454E-SFP-GE+-LX ONS-SE-G2F-LX	-23	0	-13	0
ESCON	ONS-SE-200-MM	-24	-11	-35	-8

Step 8 Click **Apply**.

Step 9 Repeat Steps 7 and 8 to provision each additional client port.

Step 10 Return to your originating procedure (NTP).

NTP-G148 Modifying the 10G Data Muxponder Card Line Settings and PM Parameter Thresholds

Purpose	This procedure changes the line and threshold settings for the MXP_MR_10DME_C, MXP_MR_10DME_L, and MXP_MR_10DMEX_C muxponder cards.
Tools/Equipment	None
Prerequisite Procedures	<ul style="list-style-type: none"> • NTP-G179 Installing the Transponder and Muxponder Cards • DLP-G46 Log into CTC • DLP-G723 Install PPM on a Line Card • DLP-G726 Preprovisioning a Multirate PPM (if necessary) • DLP-G278 Provisioning the Optical Line Rate, on page 205
Required/As Needed	As needed
Onsite/Remote	Onsite or remote
Security Level	Provisioning or higher

Procedure

Step 1 As needed, complete the [NTP-G103 Backing Up the Database](#) task to preserve the existing transmission settings.

Step 2 Perform any of the following tasks as needed:

- [DLP-G236 Changing the 2.5G or 10G Data Muxponder Client Line Settings](#)
- [DLP-G334 Changing the 10G Data Muxponder Distance Extension Settings](#)
- [DLP-G370 Changing the 2.5G or 10G Data Muxponder Trunk Wavelength Settings](#)
- [DLP-G238 Changing the 2.5G or 10G Data Muxponder SONET/SDH Settings](#)
- [DLP-G239 Changing the 2.5G or 10G Data Muxponder Section Trace Settings](#)
- [DLP-G240 Changing the 2.5G or 10G Data Muxponder SONET or SDH Line Thresholds](#)
- [DLP-G321 Changing the 2.5G or 10G Data Muxponder Line RMON Thresholds](#)
- [DLP-G338 Provisioning the 10G Data Muxponder Trunk Port Alarm and TCA Thresholds](#)
- [DLP-G339 Provisioning the 10G Data Muxponder Client Port Alarm and TCA Thresholds](#)

- [DLP-G366 Changing the 10G Data Muxponder OTN Settings](#)

Note To use the Alarm Profiles tab, including creating alarm profiles and suppressing alarms, see the [Alarm and TCA Monitoring and Management](#) document.

Stop. You have completed this procedure.

DLP-G334 Changing the 10G Data Muxponder Distance Extension Settings

Purpose	This task changes the distance extension settings for the MXP_MR_10DME_C, MXP_MR_10DME_L, and MXP_MR_10DMEX_C muxponder card ports provisioned for Fibre Channel or FICON payloads.
Tools/Equipment	None
Prerequisite Procedures	DLP-G46 Log into CTC
Required/As Needed	As needed
Onsite/Remote	Onsite or remote
Security Level	Provisioning or higher

Procedure

Step 1 In node view (single-shelf mode) or shelf view (multishelf view), double-click the MXP_MR_10DME_C, MXP_MR_10DME_L, or MXP_MR_10DMEX_C card where you want to change the distance extension settings.

Step 2 Click the **Provisioning > Line > Distance Extension** tabs.

Note The distance extension parameters only apply to client ports (Ports 1 to 8) and not to the trunk port (Port 9).

Note The client port must be in the OOS,DSBLD (ANSI) or Locked,disabled (ETSI) state in order to change the distance extension settings. If a Y-cable is provisioned on the client port, both the working and protect client ports must be in OOS,DSBLD (ANSI) or Locked,disabled (ETSI) state before you change the distance extension settings.

Step 3 Modify any of the settings as described in the following table.

Table 136: MXP_MR_10DME_C, MXP_MR_10DME_L, or MXP_MR_10DMEX_C Card Line Distance Extension Settings

Parameter	Description	Options
Port	(Display only) Port number. Up to eight ports might appear based on the number of pluggable port modules that are provisioned.	—

Parameter	Description	Options
Enable Distance Extension	Allows end-to-end distances of up to 1600 km for FC1G and up to 800 km for FC2G. If Distance Extension is enabled, set the connected Fibre Channel switches to Interop or Open Fabric mode, depending on the Fibre Channel switch. By default, the MXP_MR_10DME_C and MXP_MR_10DME_L card will interoperate with the Cisco MDS storage products.	Checked or unchecked
Fast Switch	<p>If unchecked, the end-to-end fiber channel link is reinitialized every time a Y-cable protection switch occurs. If checked, reinitialization of the link is avoided when a Y-cable protection switch occurs, thus reducing the traffic hit considerably.</p> <p>This feature is supported for FC1G, FC2G, FC4G, FICON1G, FICON2G, and FICON4G trunk failures as well as user-initiated Y-cable protection switch such as, Manual, Force, or Lockout. It is recommended that you do not enable the Fast Switch option as the link may not come up after a Y-cable protection switch in certain cases.</p> <p>Note This option can be used only if you have unchecked Enable Distance Extension option.</p>	Checked or unchecked (default)

Step 4 Click **Apply**.

Step 5 Return to your originating procedure (NTP).

DLP-G338 Provisioning the 10G Data Muxponder Trunk Port Alarm and TCA Thresholds

Purpose	This task changes the MXP_MR_10DME_C and MXP_MR_10DME_L trunk port alarm and TCA thresholds.
Tools/Equipment	None
Prerequisite Procedures	DLP-G46 Log into CTC
Required/As Needed	As needed
Onsite/Remote	Onsite or remote

Security Level	Provisioning or higher
-----------------------	------------------------

Procedure

Step 1 In node view (single-shelf mode) or shelf view (multishelf view), double-click the MXP_MR_10DME_C or MXP_MR_10DME_L card where you want to change the trunk port alarm and TCA settings.

Step 2 Click the **Provisioning > Optics Thresholds** tabs.

Note You must modify 15 Min and 1 Day independently. To do so, choose the appropriate radio button and click **Refresh**.

Note Do not modify the Laser Bias parameters.

Step 3 If TCA is not selected, click **TCA** and then click Refresh.

Step 4 Verify the trunk port (Port 9) TCA thresholds are set at the values shown as follows. Provision new thresholds as needed by double-clicking the threshold value you want to change, deleting it, entering a new value, and press **Enter**.

- RX Power High: -9 dBm
- RX Power Low: -18 dBm
- TX Power High: 9 dBm
- TX Power Low: 0 dBm

Step 5 Under Types, click the **Alarm** radio button and click **Refresh**.

Note Do not modify the Laser Bias parameters.

Step 6 Verify the trunk port (Port 9) Alarm thresholds are set at the values shown as follows. Provision new thresholds as needed by double-clicking the threshold value you want to change, deleting it, entering a new value, and press **Enter**.

- RX Power High: -8 dBm
- RX Power Low: -20 dBm
- TX Power High: 7 dBm
- TX Power Low: 3 dBm

Step 7 Click **Apply**.

Step 8 Return to your originating procedure (NTP).

DLP-G339 Provisioning the 10G Data Muxponder Client Port Alarm and TCA Thresholds

Purpose	This task provisions the client port alarm and TCA thresholds for the MXP_MR_10DME_C and MXP_MR_10DME_L cards.
Tools/Equipment	None
Prerequisite Procedures	DLP-G278 Provisioning the Optical Line Rate, on page 205 DLP-G46 Log into CTC
Required/As Needed	Required
Onsite/Remote	Onsite or remote
Security Level	Provisioning or higher

Procedure

Step 1 In node view (single-shelf mode) or shelf view (multishelf view), double-click the MXP_MR_10DME_C and MXP_MR_10DME_L card where you want to change the client port alarm and TCA settings.

Step 2 Click the **Provisioning > Optics Thresholds** tabs. The TCA thresholds are shown by default.

Step 3 Referring to the following table, verify the client ports (Ports 1 through 8) TCA thresholds for RX Power High, RX Power Low, TX Power High, and TX Power Low based on the client interface at the other end. Provision new thresholds as needed by double-clicking the threshold value you want to change, deleting it, entering a new value, and hitting **Enter**.

Note Do not modify the Laser Bias parameters.

Note You must modify 15 Min and 1 Day independently. To do so, choose the appropriate radio button and click **Refresh**.

Note The hardware device that plugs into a TXP, MXP, GE_XP, 10GE_XP, GE_XPE, 10GE_XPE, or ADM-10G card faceplate to provide a fiber interface to the card is called a Small Form-factor Pluggable (SFP or XFP). In CTC, SFPs and XFPs are called pluggable port modules (PPMs). SFPs/XFPs are hot-swappable input/output devices that plug into a port to link the port with the fiber-optic network. Multirate PPMs have provisionable port rates and payloads. For more information about SFPs and XFPs, see the [DLP-G278 Provisioning the Optical Line Rate, on page 205](#).

Table 137: MXP_MR_10DME_C and MXP_MR_10DME_L Card Client Interfaces TCA Thresholds

PPM Port Rate	Pluggable Port Module (XFP)	TCA RX Power High	TCA RX Power Low	TCA TX Power High	TCA TX Power Low
FC1G	15454-SFP-GEFC-SX 15454E-SFP-GEFC-S ONS-SE-G2F-SX	0	-17	3	-16
	15454-SFP-GE+-LX 15454E-SFP-GE+-LX ONS-SE-G2F-LX	-3	-20	3	-16
FC2G	15454-SFP-GEFC-SX 15454E-SFP-GEFC-S ONS-SE-G2F-SX	0	-15	3	-16
	15454-SFP-GE+-LX 15454E-SFP-GE+-LX ONS-SE-G2F-LX	-3	-20	3	-16
FICON1G	15454-SFP-GEFC-SX 15454E-SFP-GEFC-S ONS-SE-G2F-SX	0	-17	3	-16
	15454-SFP-GE+-LX 15454E-SFP-GE+-LX ONS-SE-G2F-LX	-3	-20	3	-16
FICON2G	15454-SFP-GEFC-SX 15454E-SFP-GEFC-S ONS-SE-G2F-SX	0	-17	3	-16
	15454-SFP-GE+-LX 15454E-SFP-GE+-LX ONS-SE-G2F-LX	-3	-20	3	-16
ISC3 PEER 1G	ONS-SE-G2F-SX	0	-17	3	-16
ISC3 PEER 2G	ONS-SE-G2F-LX	0	-20	3	-16
FC4G	ONS-SE-4G-MM	0	-12	4	-15
	ONS-SE-4G-SM	-1	-15	4	-15
FICON4G	ONS-SE-4G-MM	0	-12	4	-15
	ONS-SE-4G-SM	-1	-15	4	-15

Step 4 Click **Apply**.

Step 5 Repeat Steps 3 and 4 to provision each additional client port.

Step 6 Under Types, click the **Alarm** radio button and click **Refresh**.

Step 7

Referring to the following table, verify the client port (Ports 1 through 8) Alarm thresholds for RX Power High, RX Power Low, TX Power High, and TX Power Low based on the client interface that is provisioned. Provision new thresholds as needed by double-clicking the threshold value you want to change, deleting it, entering a new value, and hitting **Enter**.

Table 138: MXP_MR_10DME_C and MXP_MR_10DME_L Card Client Interface Alarm Thresholds

PPM Port Rate	Pluggable Port Module (XFP)	Alarm RX Power Low	Alarm RX Power High	Alarm TX Power Low	Alarm TX Power High
FC1G	15454-SFP-GEFC-SX 15454E-SFP-GEFC-S ONS-SE-G2F-SX	-20	3	-13	-1
	15454-SFP-GE+-LX 15454E-SFP-GE+-LX ONS-SE-G2F-LX	-23	0	-13	0
FC2G	15454-SFP-GEFC-SX 15454E-SFP-GEFC-S ONS-SE-G2F-SX	-18	3	-13	-1
	15454-SFP-GE+-LX 15454E-SFP-GE+-LX ONS-SE-G2F-LX	-23	0	-13	0
FICON1G	15454-SFP-GEFC-SX 15454E-SFP-GEFC-S ONS-SE-G2F-SX	-20	3	-13	-1
	15454-SFP-GE+-LX 15454E-SFP-GE+-LX ONS-SE-G2F-LX	-23	0	-13	0
FICON2G	15454-SFP-GEFC-SX 15454E-SFP-GEFC-S ONS-SE-G2F-SX	-20	3	-13	-1
	15454-SFP-GE+-LX 15454E-SFP-GE+-LX ONS-SE-G2F-LX	-23	0	-13	0
ISC3 PEER 1G	ONS-SE-G2F-SX	-20	3	-13	-1
ISC3 PEER 2G	ONS-SE-G2F-LX	-23	0	-13	0
FC4G	ONS-SE-4G-MM	-15	3	-11	-1
	ONS-SE-4G-SM	-18	2	-11	0
FICON4G	ONS-SE-4G-MM	-15	3	-11	-1
	ONS-SE-4G-SM	-18	2	-11	0

- Step 8** Click **Apply**.
- Step 9** Repeat Steps 7 and 8 to provision each additional client port.
- Step 10** Return to your originating procedure (NTP).

DLP-G366 Changing the 10G Data Muxponder OTN Settings

Purpose	This task changes the OTN settings for the MXP_MR_10DME_C and MXP_MR_10DME_L cards.
Tools/Equipment	None
Prerequisite Procedures	DLP-G46 Log into CTC
Required/As Needed	As needed
Onsite/Remote	Onsite or remote
Security Level	Provisioning or higher

Procedure

- Step 1** In node view (single-shelf mode) or shelf view (multishelf view), double-click the MXP_MR_10DME_C and MXP_MR_10DME_L card where you want to change the OTN settings.
- Step 2** Click the **Provisioning > OTN** tabs, then choose one of the following subtabs: **OTN Lines**, **G.709 Thresholds**, **FEC Thresholds**, or **Trail Trace Identifier**.
- Step 3** Modify any of the settings described in the following tables.

Note You must modify Near End and Far End; 15 Min and 1 Day; and SM and PM independently. To do so, choose the appropriate radio button and click **Refresh**.

Table 139: MXP_MR_10DME_C and MXP_MR_10DME_L Card OTN Line Settings

Parameter	Description	Options
Port	(Display only) Displays the port number.	9 (Trunk)
G.709 OTN	Sets the OTN lines according to ITU-T G.709.	<ul style="list-style-type: none"> • Enable • Disable
FEC	Sets the OTN lines to forward error correction (FEC).	<ul style="list-style-type: none"> • Standard • Enhanced
SF BER	(Display only) Sets the signal fail bit error rate.	<ul style="list-style-type: none"> • 1E-5

Parameter	Description	Options
SD BER	Sets the signal degrade bit error rate.	<ul style="list-style-type: none"> • 1E-5 • 1E-6 • 1E-7 • 1E-8 • 1E-9
Asynch/Synch Mapping	Sets how the ODUk (client payload) is mapped to the optical channel (OTUk).	<ul style="list-style-type: none"> • Asynch mapping • Synch mapping

Table 140: MXP_MR_10DME_C and MXP_MR_10DME_L Card ITU-T G.709 Threshold Settings

Parameter	Description	Options
Port	(Display only) Port number.	9 (Trunk)
ES	Errored seconds	Numeric. Can be set for Near End or Far End, for 15-minute or one-day intervals, or for SM (OTUk) or PM (ODUk). Select a bullet and click Refresh .
SES	Severely errored seconds	Numeric. Can be set for Near End or Far End, for 15-minute or one-day intervals, or for SM (OTUk) or PM (ODUk). Select a bullet and click Refresh .
UAS	Unavailable seconds	Numeric. Can be set for Near End or Far End, for 15-minute or one-day intervals, or for SM (OTUk) or PM (ODUk). Select a bullet and click Refresh .
BBE	Background block errors	Numeric. Can be set for Near End or Far End, for 15-minute or one-day intervals, or for SM (OTUk) or PM (ODUk). Select a bullet and click Refresh .
FC	Failure counter	Numeric. Can be set for Near End or Far End, for 15-minute or one-day intervals, or for SM (OTUk) or PM (ODUk). Select a bullet and click Refresh .

Latency for a 1G-FC payload without ITU-T G.709 is 4 microseconds, and with ITU-T G.709 is 40 microseconds. Latency for a 2G-FC payload without ITU-T G.709 is 2 microseconds, and with ITU-T G.709 is 20 microseconds. Consider these values when planning a FC network that is sensitive to latency.

Table 141: MXP_MR_10DME_C and MXP_MR_10DME_L Card FEC Threshold Settings

Parameter	Description	Options
Port	(Display only) Port number.	2
Bit Errors Corrected	Sets the value for bit errors corrected.	Numeric. Can be set for 15-minute or one-day intervals.

Parameter	Description	Options
Uncorrectable Words	Sets the value for uncorrectable words.	Numeric. Can be set for 15-minute or one-day intervals.

Table 142: MXP_MR_10DME_C and MXP_MR_10DME_L Card Trail Trace Identifier Settings

Parameter	Description	Options
Port	(Display only) Port number.	2
Level	Sets the level.	<ul style="list-style-type: none"> • Section • Path
Received Trace Mode	Sets the trace mode.	<ul style="list-style-type: none"> • Off/None • Manual
Transmit	Displays the current transmit string; sets a new transmit string. You can click the button on the right to change the display. Its title changes, based on the current display mode. Click Hex to change the display to hexadecimal (button changes to ASCII); click ASCII to change the display to ASCII (button changes to Hex).	String of trace string size
Disable FDI on TTIM	If a Trace Identifier Mismatch on Section overhead alarm arises because of a J0 overhead string mismatch, no Forward Defect Indication (FDI) signal is sent to the downstream nodes if this box is checked.	<ul style="list-style-type: none"> • Checked (FDI on TTIM is disabled) • Unchecked (FDI on TTIM is not disabled)
Expected	Displays the current expected string; sets a new expected string. You can click the button on the right to change the display. Its title changes, based on the current display mode. Click Hex to change the display to hexadecimal (button changes to ASCII); click ASCII to change the display to ASCII (button changes to Hex).	String of trace string size
Received	(Display only) Displays the current received string. You can click Refresh to manually refresh this display, or check the Auto-refresh every 5 sec check box to keep this panel updated.	String of trace string size

Step 4 Click **Apply**.

Step 5 Return to your originating procedure (NTP).

NTP-G293 Modifying the 40G Muxponder Card Line Settings and PM Parameter Thresholds

Purpose	This procedure changes the line and parameter threshold settings of the 40G-MXP-C, 40E-MXP-C, and 40ME-MXP-C muxponder cards.
Tools/Equipment	None
Prerequisite Procedures	<ul style="list-style-type: none"> • NTP-G179 Installing the Transponder and Muxponder Cards • DLP-G46 Log into CTC • DLP-G723 Install PPM on a Line Card • DLP-G726 Preprovisioning a Multirate PPM (if necessary) • DLP-G278 Provisioning the Optical Line Rate, on page 205
Required/As Needed	As needed
Onsite/Remote	Onsite or remote
Security Level	Provisioning or higher

Procedure

Step 1 Complete the [NTP-G103 Backing Up the Database](#) task to save the existing settings before modifying.

Step 2 Perform any of the following tasks as needed:

- [DLP-G662 Changing the 40G Multirate Muxponder Card Settings](#)
- [DLP-G666 Changing the 40G Muxponder Line Settings](#)
- [DLP-G735 Provisioning the 40G Muxponder Ethernet Settings](#)
- [DLP-G667 Changing the 40G Muxponder SONET \(OC-192\)/SDH \(STM-64\) Settings](#)
- [DLP-G668 Changing the 40G Muxponder Section Trace Settings](#)
- [DLP-G669 Changing the 40G Muxponder SONET or SDH Line Thresholds](#)
- [DLP-G670 Changing the 40G Muxponder Line RMON Thresholds for Ethernet, 8G FC, or 10G FC Payloads](#)
- [DLP-G671 Provisioning the 40G Muxponder Trunk Port Alarm and TCA Thresholds](#)
- [DLP-G672 Provisioning the 40G Muxponder Client Port Alarm and TCA Thresholds](#)
- [DLP-G673 Changing the 40G Muxponder OTN Settings](#)

Note To use the Alarm Profiles tab, including creating alarm profiles and suppressing alarms, see the [Alarm and TCA Monitoring and Management](#) document.

Stop. You have completed this procedure.

DLP-G662 Changing the 40G Multirate Muxponder Card Settings

Purpose	This task changes the card settings of the 40G-MXP-C, 40E-MXP-C, and 40ME-MXP-C cards.
Tools/Equipment	None
Prerequisite Procedures	DLP-G46 Log into CTC
Required/As Needed	As needed
Onsite/Remote	Onsite or remote
Security Level	Provisioning or higher

Procedure

- Step 1** In node view (single-shelf mode) or shelf view (multishelf view), double-click the 40G-MXP-C, or 40E-MXP-C card where you want to change the card settings.
- Step 2** Click the **Provisioning > Card** tabs.
- Step 3** Modify either of the settings described in the following table.

Table 143: 40G-MXP-C, 40E-MXP-C, and 40ME-MXP-C Card Settings

Parameter	Description	ANSI Options	ETSI Options
Card Mode	Sets the card mode.	<ul style="list-style-type: none"> • Muxponder • Unidirectional Regen Set the mode to Unidirectional Regen under the following conditions: <ul style="list-style-type: none"> • Trunk port is in OOS,DSBLD state. • Pluggable port modules of the card must not be configured for payload. • Regeneration peer slot must be set to None. 	<ul style="list-style-type: none"> • Muxponder • Unidirectional Regen Set the mode to Unidirectional Regen under the following conditions: <ul style="list-style-type: none"> • Trunk port is in OOS,DSBLD state. • Pluggable port modules of the card must not be configured for payload. • Regeneration peer slot must be set to None.
Timing Source	<p>Sets the clock selection. The line card sets the clock switch based on the provisioning of the card. The clock can be set in two ways: Internal Clock and TNC Clock.</p> <ul style="list-style-type: none"> • Internal Clock: This is the default value for normal operations; to avoid the traffic hits in case of missing TNC. • TNC Clock: This is the default value to avoid traffic hit during maintenance activities like software download. After the maintenance activity is complete, the clock must be set to use the internal clock. <p>Note A warning message is displayed when the provisioning is set because this activity affects traffic.</p>	—	—
Trunk Wavelengths	(Display only) Shows supported wavelengths of the trunk port after the card is installed. The 40G-MXP-C, 40E-MXP-C, and 40ME-MXP-C card that is installed shows the C-band wavelengths that it supports.	—	—

Step 4 Click **Apply**.

Step 5 Return to your originating procedure (NTP).

DLP-G666 Changing the 40G Muxponder Line Settings

Purpose	This task changes the line settings of the 40G-MXP-C, 40E-MXP-C, and 40ME-MXP-C muxponder cards.
Tools/Equipment	None
Prerequisite Procedures	DLP-G46 Log into CTC
Required/As Needed	As needed
Onsite/Remote	Onsite or remote
Security Level	Provisioning or higher

Procedure

- Step 1** In node view (single-shelf mode) or shelf view (multishelf view), double-click the 40G-MXP-C or 40E-MXP-C card where you want to change the line settings.
- Step 2** Click the **Provisioning > Line > Ports** tabs. Tabs and parameters vary according to the PPM provisioning.
- Step 3** Modify any of the settings as described in the following table.

Table 144: Line Settings of the 40G-MXP-C, 40E-MXP-C, and 40ME-MXP-C Cards

Parameter	Description	Options
Port	(Display only) Displays the port number.	<ul style="list-style-type: none"> • 1 through 4 (client) • 5 (trunk)
Port Name	Assigns a logical name for each of the port.	<p>User-defined. This can be up to 80 alphanumeric or special characters, or both. The port name is blank by default.</p> <p>Note You can assign a port name for each fiber channel/FICON interface on the 40G-MXP-C, 40E-MXP-C, and 40ME-MXP-C card, enable the MDS Fabric Manager to associate the SAN port with a SAN port on the Cisco MDS 9000 switch.</p>
Admin State	Sets the port service state unless network conditions prevent the change. For more information, see the Administrative and Service States document.	<ul style="list-style-type: none"> • IS (ANSI) or Unlocked (ETSI) • OOS,DSBLD (ANSI) or Locked,disabled (ETSI) • OOS,MT (ANSI) or Locked,maintenance (ETSI) • IS,AINS (ANSI) or Unlocked,automaticInService (ETSI)

Parameter	Description	Options
Service State	(Display only) Shows the general condition of the port. Service states appear in the format: Primary State-Primary State Qualifier, Secondary State. For more information about service states, see the Administrative and Service States document.	<ul style="list-style-type: none"> • IS-NR (ANSI) or Unlocked-enabled (ETSI) • OOS-AU,AINS (ANSI) or Unlocked-disabled automaticInService (ETSI) • OOS-MA,DSBLD (ANSI) or Locked-enabled,d • OOS-MA,MT (ANSI) or Locked-enabled,maint
ALS Mode	(Client ports only) Activates the ALS mode.	<ul style="list-style-type: none"> • Disabled (default)—ALS is off; the laser is not shut down when traffic outage or loss of signal • Auto Restart—(OC-192/STM-64 only) ALS is automatically shuts down during LOS. It automa when the conditions that caused the outage are • Manual Restart—ALS is on; the laser automa down when traffic outage or LOS occurs. How must be manually restarted when conditions th outage are resolved. • Manual Restart for Test—Manually restarts th testing.
AINS Soak	Sets the automatic in-service soak period. Double-click the time and use the up and down arrows to the change settings.	<ul style="list-style-type: none"> • Duration of valid input signal, in hh.mm format the card status changes to in service (IS) automa • 0 to 48 hours, 15-minute increments

Parameter	Description	Options
Reach	Sets the optical reach distance of the client port.	<ul style="list-style-type: none"> • Autoprovision—The system automatically provisions reach from the pluggable port module (PPM) reach to the hardware. • EW • LW • SW • LRM • ER • LR • SR • ZR • IR 2 • LR 2 • DWDM • CWDM40km
Wavelength	Provisions the port wavelength.	<ul style="list-style-type: none"> • First Tunable Wavelength • Further wavelengths: Further wavelengths in the 100 GHz ITU-T C-band spacing. The card wavelengths are marked with asterisks. If the card is not installed, all wavelengths are marked with a dark grey background.
Fault Signalling	Shuts down the far-end laser in response to certain defects.	<ul style="list-style-type: none"> • Squelch/Laser-Off <ul style="list-style-type: none"> Note Squelch does not apply to ISC COMB payloads. • Disable/Transparent <ul style="list-style-type: none"> Note Both Squelch/Laser-Off and AIS/Send Local Fault options are supported when the Termination Mode is Disable/Transparent. If the Termination Mode selected is Squelch/Laser-Off, the Termination Mode selected is Squelch/Laser-Off. If the Termination Mode selected is Send Local Fault, then only AIS is supported. This is not applicable for OC-192/STM-64 and OC-768/STM-256. For OTN payload, Squelch/Laser-Off and AIS/Send Local Fault options are supported.

Parameter	Description	Options
Overclock	(Trunk port only) Enables or disables overclock mode on the trunk port.	<ul style="list-style-type: none"> • OFF (default) • ON <p>Note Before the overclock is changed, existing 10G Ethernet LAN-Phy ports are not supported if a LAN-Phy is present on the 40E-MXP-C and 40ME-MXP-C cards.</p>
Rx Wavelength	(Trunk port only) Provisions the trunk port wavelength.	<ul style="list-style-type: none"> • First Tunable Wavelength • Further wavelengths: Further wavelengths in the ITU-T C-band spacing. The card wavelengths are listed with asterisks. If the card is not installed, all wavelengths are listed with a dark grey background.
Squelch Hold Off Timer	<p>(Only for 40E-MXP-C card) Sets the period in milliseconds that the client interface waits for resolution of issues on the trunk side. The client squelching starts after this period.</p> <p>The user can configure the squelch hold off timer in CTC only under the following conditions:</p> <ul style="list-style-type: none"> • The card must be configured in TXP or MXP operating modes. • The client payload must be 10GE or 100GE. • The Squelch drop-down in CTC must be set to Squelch. 	<ul style="list-style-type: none"> • Disable (0 ms) - Default value • 50 ms • 100 ms • 250 ms • 500 ms

Step 4 Click **Apply**.

Step 5 Return to your originating procedure (NTP).

DLP-G735 Provisioning the 40G Muxponder Ethernet Settings

Purpose	This task changes the Ethernet settings for the 40G-MXP-C, 40E-MXP-C, and 40ME-MXP-C cards.
Tools/Equipment	None
Prerequisite Procedures	DLP-G46 Log into CTC
Required/As Needed	As needed

Onsite/Remote	Onsite or remote
Security Level	Provisioning or higher

Procedure

- Step 1** In node view (single-shelf mode) or shelf view (multishelf view), double-click the 40G Muxponder card (40G-MXP-C, 40E-MXP-C, or 40ME-MXP-C card) where you want to change the Ethernet settings. The card view appears.
- Step 2** Click the **Provisioning > Line > Ethernet** tabs. The Ethernet tab is available once the 10G Ethernet LAN Phy payload is selected as the port rate for the pluggable port module.
- Step 3** Modify any of the settings for the Ethernet tab as described in the following table.

Table 145: 40G-MXP-C, 40E-MXP-C, and 40ME-MXP-C Card Ethernet Settings

Parameter	Description	Options
Port	(Display only) The Port number (<i>n-n</i>) and rate.	—
Port Name	Allows you to enter a port name.	—
MTU	(Display only) The maximum size of the Ethernet frames accepted by the port.	Jumbo: 64 to 9216 bytes (Default)
Mapping Mode	Sets the Ethernet mapping mode.	<ul style="list-style-type: none"> • GFP • WIS • CBR (only for 40E-MXP-C and 40ME-MXP-C) <p>Note CBR is automatically mapped when a 10G Ethernet LAN Phy payload is co with overlock on the trunk port turned mapping cannot be changed.</p>
Enable Flow Control	Activates flow control when the check box is selected.	—

- Step 4** Click **Apply**.
- Step 5** Return to your originating procedure (NTP).

DLP-G667 Changing the 40G Muxponder SONET (OC-192)/SDH (STM-64) Settings

Purpose	This task changes the SONET OC-192 or SDH STM-64 settings for the 40G-MXP-C, 40E-MXP-C, and 40ME-MXP-C muxponder cards.
Tools/Equipment	None

Prerequisite Procedures	DLP-G46 Log into CTC
Required/As Needed	As needed
Onsite/Remote	Onsite or remote
Security Level	Provisioning or higher

Procedure

- Step 1** In node view (single-shelf mode) or shelf view (multishelf view), double-click the 40G-MXP-C, or 40E-MXP-C card where you want to change the SONET (OC-192) or SDH (STM-64) settings.
- Step 2** Click the **Provisioning > Line > SONET (ANSI) or SDH (ETSI)**. Tabs and parameters vary according to the PPM provisioning.
- Step 3** Modify any of the settings described in the following table.

Table 146: Line SONET or SDH Settings of the 40G-MXP-C, 40E-MXP-C, and 40ME-MXP-C Cards

Parameter	Description	Options
Port	(Display only) Displays the port number.	5 (Trunk)
Port Name	Assigns a logical name assigned to a port. This field is blank by default.	User-defined. This can be up to 80 alphanumeric characters, or both. The port name is blank by default.
SF BER	Sets the signal fail bit error rate.	<ul style="list-style-type: none"> • 1E-3 • 1E-4 • 1E-5
SD BER	Sets the signal degrade bit error rate.	<ul style="list-style-type: none"> • 1E-5 • 1E-6 • 1E-7 • 1E-8 • 1E-9
ProvidesSync	(Display only) Displays the ProvidesSync card parameter state.	Checked or unchecked
SyncMsgIn	Sets the EnableSync card parameter. Enables synchronization status messages (S1 byte), which allow the node to choose the best timing source.	Checked or unchecked

Parameter	Description	Options
Admin SSM In	Overrides the synchronization status message (SSM) and the synchronization traceability unknown (STU) value. If the node does not receive an SSM signal, it defaults to STU. Note If SyncMsgIn check box is checked in 40E-MXP-C card, the Admin SSM In value does not change from STU.	<ul style="list-style-type: none"> • STU—Sync traceability unknown • ST2—Stratum 2 • ST3—Stratum 3 • SMC—SONET minimum clock • ST4—Stratum 4 • DUS—Do not use for timing synchronization • RES—Reserved; quality level set by user
Send DoNotUse	Sets the Send DoNotUse card state. When checked, sends a DUS (do not use) message on the S1 byte.	Checked or unchecked
Type	Indicates the optical transport type.	<ul style="list-style-type: none"> • SONET (ANSI) • SDH (ETSI)
Termination Mode	(Display-only for Standard Regeneration and Enhanced FEC card configurations) Sets the mode of operation.	<ul style="list-style-type: none"> • Transparent • Section (ANSI) or Regeneration Section (RS) • Line (ANSI) or Multiplex Section (MS) (ETSI)

Step 4 Click **Apply**.

Step 5 Return to your originating procedure (NTP).

DLP-G668 Changing the 40G Muxponder Section Trace Settings

Purpose	This task changes the section trace settings of the 40G-MXP-C, 40E-MXP-C, and 40ME-MXP-C muxponder cards.
Tools/Equipment	None
Prerequisite Procedures	DLP-G46 Log into CTC
Required/As Needed	As needed
Onsite/Remote	Onsite or remote
Security Level	Provisioning or higher

Procedure

- Step 1** In node view (single-shelf mode) or shelf view (multishelf view), double-click the 40G-MXP-C, or 40E-MXP-C card where you want to change the section trace settings.
- Step 2** Click the **Provisioning > Line > Section Trace** tabs. Tabs and parameter selections vary according to the PPM provisioning.
- Step 3** Modify any of the settings described in the following table.

Table 147: Line Section Trace Settings of the 40G-MXP-C, 40E-MXP-C, and 40ME-MXP-C Cards

Parameter	Description	Options
Port	(Display only) Displays the port number that is applicable only for OC-192/STM-64 payloads.	<ul style="list-style-type: none"> • 1-1 • 2-1 • 3-1 • 4-1
Received Trace Mode	Sets the trace mode.	<ul style="list-style-type: none"> • Off/None • Manual
Disable AIS/RDI on TIM-S	Disables the alarm indication signal.	<ul style="list-style-type: none"> • Checked (AIS/RDI on T disabled) • Unchecked (AIS/RDI on disabled)
Transmit Section Trace String Size	Sets the trace string size.	<ul style="list-style-type: none"> • 1 byte • 16 byte
Transmit	Displays and sets the current transmit string. You can click the button on the right to change the display. Its title changes, based on the current display mode. In Transmit String Type, click Hex Mode to change the display to hexadecimal (button changes to ASCII); click ASCII to change the display to ASCII (button changes to Hex Mode). The supported range for 1 bit Hex TX trace is 20 to 7E. If TX trace is provisioned outside this range, client transmits 00.	Transmit string size
Expected	Displays and sets the current expected string. You can click the button on the right to change the display. Its title changes, based on the current display mode. In Expected String Type, click Hex Mode to change the display to hexadecimal (button changes to ASCII); click ASCII to change the display to ASCII (button changes to Hex Mode). The supported range for 1 bit Hex TX trace is 20 to 7E. If TX trace is provisioned outside this range, client transmits 00.	Expected string size

Parameter	Description	Options
Received	(Display only) Displays the current received string. Click Refresh to manually refresh this display, or check the Auto-refresh every 5 sec check box to keep this panel updated.	Received string size
Auto-refresh	Automatically refreshes the display every 5 seconds.	<ul style="list-style-type: none"> • Checked • Unchecked (default)

Step 4 Click **Apply**.

Step 5 Return to your originating procedure (NTP).

DLP-G691 Changing the 40G Muxponder OTU Settings

Purpose	This task changes the OTU settings of the 40G-MXP-C, 40E-MXP-C, and 40ME-MXP-C muxponder cards.
Tools/Equipment	None
Prerequisite Procedures	DLP-G46 Log into CTC
Required/As Needed	As needed
Onsite/Remote	Onsite or remote
Security Level	Provisioning or higher

Procedure

Step 1 In node view (single-shelf mode) or shelf view (multishelf view), double-click the 40G-MXP-C, or 40E-MXP-C card where you want to change the OTU settings.

Step 2 Click the **Provisioning > Line > OTU** tabs. Tabs and parameter selections vary according to the PPM provisioning.

Step 3 Modify any of the settings described in the following table.

Table 148: OTU Settings of the 40G-MXP-C, 40E-MXP-C, and 40ME-MXP-C Cards

Parameter	Description	ANSI Options	ETSI Options
Port	(Display only) Displays the port number that is applicable only for OC-192/STM-64 payloads.	<ul style="list-style-type: none"> • 1-1 • 2-1 • 3-1 • 4-1 	<ul style="list-style-type: none"> • 1-1 • 2-1 • 3-1 • 4-1

Parameter	Description	ANSI Options	ETSI Options
SyncMsgIn	(Display only) (OC-768/STM-256 only) Sets the EnableSync card parameter. Enables synchronization status messages (S1 byte), which allow the node to choose the best timing source.	Checked or unchecked	Checked or unchecked
Admin SSM	Overrides the synchronization status message (SSM) and the synchronization traceability unknown (STU) value. If the node does not receive an SSM signal, it defaults to STU.	<ul style="list-style-type: none"> • PRS—Primary Reference Source (Stratum 1) • STU—Sync traceability unknown • ST2—Stratum 2 • ST3—Stratum 3 • SMC—SONET minimum clock • ST4—Stratum 4 • DUS—Do not use for timing synchronization • RES—Reserved; quality level set by user 	<ul style="list-style-type: none"> • G811—Primary reference • STU—Sync traceability unknown • G812T—Transit node clock traceable • G812L—Local node clock traceable • SETS—Synchronous equ • DUS—Do not use for timing synchronization
ProvidesSync	(Display only) (OC-768/STM-256 only) Sets the ProvidesSync card parameter. If checked, the card is provisioned as a network element (NE) timing reference.	Checked or unchecked	Checked or unchecked

Step 4 Click **Apply**.

Step 5 Return to your originating procedure (NTP).

DLP-G669 Changing the 40G Muxponder SONET or SDH Line Thresholds

Purpose	This task changes the SONET or SDH line threshold settings of the 40G-MXP-C, 40E-MXP-C, and 40ME-MXP-C muxponder cards.
Tools/Equipment	None
Prerequisite Procedures	DLP-G46 Log into CTC
Required/As Needed	As needed
Onsite/Remote	Onsite or remote
Security Level	Provisioning or higher

Procedure

- Step 1** In node view (single-shelf mode) or shelf view (multishelf view), double-click the 40G-MXP-C, or 40E-MXP-C card where you want to change the line threshold settings.
- Step 2** Click the **Provisioning > Line Thresholds > SONET Thresholds (ANSI)** or **SDH Thresholds (ETSI)** tabs.
- Step 3** Modify any of the settings shown in the following table. Some parameters and options do not apply to all 40-G-MXP-C cards. If the parameter or options do not apply, they do not appear in CTC.

Table 149: Line Threshold Settings of the 40G-MXP-C, 40E-MXP-C, and 40ME-MXP-C Cards

Parameter	Description	ANSI Options	ETSI Options
Port	(Display only) Port number. Applicable for only OC-192/STM-64 payloads.	<ul style="list-style-type: none"> • 1-1 • 2-1 • 3-1 • 4-1 	<ul style="list-style-type: none"> • 1-1 • 2-1 • 3-1 • 4-1
CV	Coding violations	Numeric. Threshold display options include: <ul style="list-style-type: none"> • Direction—Near End or Far End • Interval—15 Min (minutes) or 1 day • Types—Line or Section (near end only) Choose an option individually in each category and click Refresh .	—
ES	Errored seconds	Numeric. Threshold display options include: <ul style="list-style-type: none"> • Direction—Near End or Far End • Interval—15 Min (minutes) or 1 day • Types—Line or Section (near end only) Choose an option individually in each category and click Refresh .	Numeric. Threshold display options include: <ul style="list-style-type: none"> • Direction—Near End or Far End • Interval—15 Min (minutes) or 1 day • Types—Multiplex Section or Regeneration Section (near end only) Choose an option individually in each category and click Refresh .

Parameter	Description	ANSI Options	ETSI Options
SES	Severely errored seconds	<p>Numeric. Threshold display options include:</p> <ul style="list-style-type: none"> • Direction—Near End or Far End • Interval—15 Min (minutes) or 1 day • Types—Line or Section (near end only) <p>Choose an option individually in each category and click Refresh.</p> <p>Click Reset to Default to restore default values.</p>	<p>Numeric. Threshold display options include:</p> <ul style="list-style-type: none"> • Direction—Near End or Far End • Interval—15 Min (minutes) or 1 day • Types—Multiplex Section or Regeneration Section (near end only) <p>Choose an option individually in each category and click Refresh.</p> <p>Click Reset to Default to restore default values.</p>
FC	(Line or Multiplex Section only) Failure count	<p>Numeric. Threshold display options include:</p> <ul style="list-style-type: none"> • Direction—Near End or Far End • Interval—15 Min (minutes) or 1 day • Types—Line or Section (near end only) <p>Choose an option individually in each category and click Refresh.</p> <p>Click Reset to Default to restore default values.</p>	—
UAS	(Line or Multiplex Section only) Unavailable seconds	<p>Numeric. Threshold display options include:</p> <ul style="list-style-type: none"> • Direction—Near End or Far End • Interval—15 Min (minutes) or 1 day • Types—Line or Section (near end only) <p>Choose an option individually in each category and click Refresh.</p> <p>Click Reset to Default to restore default values.</p>	<p>Numeric. Threshold display options include:</p> <ul style="list-style-type: none"> • Direction—Near End or Far End • Interval—15 Min (minutes) or 1 day • Types—Multiplex Section or Regeneration Section (near end only) <p>Choose an option individually in each category and click Refresh.</p> <p>Click Reset to Default to restore default values.</p>

Step 4 Click **Apply**.

Step 5 Return to your originating procedure (NTP).

DLP-G670 Changing the 40G Muxponder Line RMON Thresholds for Ethernet, 8G FC, or 10G FC Payloads

Purpose	This task changes the line threshold settings of 40G-MXP-C, or 40E-MXP-C card carrying Ethernet, 8G FC, or 10G FC payloads.
Tools/Equipment	None
Prerequisite Procedures	DLP-G46 Log into CTC
Required/As Needed	As needed
Onsite/Remote	Onsite or remote
Security Level	Provisioning or higher

Procedure

- Step 1** In node view (single-shelf mode) or shelf view (multishelf view), display the 40G-MXP-C, or 40E-MXP-C card where you want to change the line threshold settings in the card view.
- Step 2** Click the **Provisioning > Line Thresholds > RMON Thresholds** tabs.
- Step 3** Click **Create**. The Create Threshold dialog box appears.
- Step 4** From the Port drop-down list, choose the payload port— for example “1-1 (TEN_GE)”, or the equivalent ITU-T G.7041 GFP (Generic Frame Procedure) port.
- Step 5** From the Variable drop-down list, choose an Ethernet or FC variable.

Table 150: Ethernet Variables of the 40G-MXP-C, 40E-MXP-C, and 40ME-MXP-C Cards

Variable	Description
ifInOctets	Number of bytes received since the last counter reset.
rxTotalPkts	Total number of received packets.
ifInUcastPkts	Number of packets, delivered by this sub-layer to a higher sub-layer, which were not addressed to a multicast or broadcast address at this sub-layer.
inInMulticastPkts	Number of packets, delivered by this sub-layer to a higher sub-layer, which were addressed to a multicast address at this sub-layer. For a MAC layer protocol, this includes both Group and Functional addresses.
ifInBroadcastPkts	Number of packets, delivered by this sub-layer to a higher sub-layer, which were addressed to a broadcast address at this sub-layer.
ifInErrors	Total number of received errors.
ifOutOctets	Total number of octets transmitted out of the interface, including framing characters.

Variable	Description
txTotalPkts	Total number of transmitted packets.
dot3StatsFCSErrors	Count of frames received on a particular interface that are an integral number of octets in length but do not pass the Frame Check Sequence (FCS) check.
dot3StatsFrameTooLong	Count of frames received on a particular interface that exceed the maximum permitted frame size.
dot3StatsInPauseFrames	Count of frames received on this interface with an opcode indicating the PAUSE operation.
dot3StatsOutPauseFrames	Count of MAC control frames transmitted on this interface with an opcode indicating the PAUSE operation.
etherStatsUndersizePkts	Total number of packets transmitted and received by the interface that were less than 64 octets long (excluding framing bits, but including FCS octets) and were otherwise well formed.
etherStatsFragments	Total number of packets received that were less than 64 octets in length (excluding framing bits but including FCS octets) and had either a bad Frame Check Sequence (FCS) with an integral number of octets (FCS Error) or a bad FCS with a non-integral number of octets.
etherStatsPkts	Total number of packets (including bad packets, broadcast packets, and multicast packets) transmitted and received by the interface.
etherStatsPkts64Octets	Total number of packets (including bad packets) transmitted and received by the interface that were 64 octets in length (excluding framing bits but including FCS octets).
etherStatsPkts65to127Octets	Total number of packets (including error packets) transmitted and received by the interface that were between 65 and 127 octets in length inclusive (excluding framing bits but including FCS octets).
etherStatsPkts128to255Octets	Total number of packets (including error packets) transmitted and received by the interface that were between 128 and 255 octets in length inclusive (excluding framing bits but including FCS octets).
etherStatsPkts256to511Octets	Total number of packets (including error packets) transmitted and received by the interface that were between 256 and 511 octets in length inclusive (excluding framing bits but including FCS octets).
etherStatsPkts512to1023Octets	Total number of packets (including error packets) transmitted and received by the interface that were between 512 and 1023 octets in length inclusive (excluding framing bits but including FCS octets).
etherStatsPkts1024to1518Octets	Total number of packets (including error packets) transmitted and received by the interface that were between 1024 and 1518 octets in length inclusive (excluding framing bits but including FCS octets).

Variable	Description
etherStatsBroadcastPkts	Total number of good packets transmitted and received by the interface that were directed to the broadcast address.
etherStatsMulticastPkts	Total number of good packets transmitted and received by the interface that were directed to a multicast address. Note that this number does not include packets directed to the broadcast address.
etherStatsOversizePkts	Total number of packets transmitted and received by the interface that were longer than 1518 octets (excluding framing bits, but including FCS octets) and were otherwise well formed.
etherStatsJabbers	Total number of packets transmitted and received by the interface that were longer than 1518 octets (excluding framing bits, but including FCS octets), and were not an integral number of octets in length or had a bad FCS.
etherStatsOctets	Total number of octets of data (including those in bad packets) transmitted and received by the interface on the network (excluding framing bits but including FCS octets).

Table 151: FC Variables of the 40G-MXP-C, 40E-MXP-C, and 40ME-MXP-C Cards

Variable	Description
ifInOctets	Number of bytes received since the last counter reset.
rxTotalPkts	Total number of received packets.
ifInErrors	Total number of received errors.
ifOutOctets	Total number of octets transmitted out of the interface, including framing characters.
txTotalPkts	Total number of transmitted packets.
ifOutErrors	Number of outbound packets or transmission units that could not be transmitted because of errors.
mediaIndStatsRxFramesTruncated	Total number of frames received that are less than 5 bytes. This value is a part of HDLC and GFP port statistics.
mediaIndStatsRxFramesTooLong	Number of received frames that exceed the MTU. This value is part of HDLC and GFP port statistics.
mediaIndStatsRxFramesBadCRC	Number of receive data frames with payload CRC errors when HDLC framing is used.
mediaIndStatsTxFramesBadCRC	Number of transmitted data frames with payload CRC errors when HDLC framing is used.
mediaIndStatsTxFramesTooLong	Total number of transmitted data frames that are less than 5 bytes. This value is a part of HDLC and GFP port statistics.

Variable	Description
mediaIndStatsTxFramesTruncated	Number of transmitted data frames that exceed the MTU. This value is part of HDLC and GFP port statistics.

Table 152: GFP RMON Variables of the 40G-MXP-C, 40E-MXP-C, and 40ME-MXP-C Cards

Variable	Description
gfpStatsRxFrame	Total number of received data frames.
gfpStatsTxFrame	Total number of transmitted data frames.
gfpStatsRxSblkCRCErrors	Total number of superblock CRC errors with the receive transparent GFP frame. A transparent GFP frame has multiple superblocks where each contains Fibre Channel data.
gfpStatsRxOctets	Total number of GFP data octets received.
gfpStatsTxOctets	Total number of GFP data octets transmitted.
gfpStatsRxSBitErrors	Received GFP frames with single bit errors in the core header (these errors can be corrected).
gfpStatsRxMBitErrors	Received GFP frames with multiple bit errors in the core header (these errors cannot be corrected).
gfpStatsRxTypeInvalid	Received GFP frames with invalid type (these are discarded). For example, receiving GFP frames that contain Ethernet data when we expect Fibre Channel data.
gfpStatsLFDRAised	Count of core HEC CRC multiple bit errors. Note This count is only of eHec multiple bit errors when in frame. This can be looked at as a count of when the state machine goes out of frame.
gfpRxCmfFrame	—
gfpTxCmfFrame	—

- Step 6** From the Alarm Type drop-down list, choose an alarm type. The alarm type indicates whether or not an event is triggered by the type of threshold.
- Step 7** From the Sample Type drop-down list, choose either **Relative** or **Absolute**. Relative restricts the threshold to use the number of occurrences in the user-set sample period. Absolute sets the threshold to use the total number of occurrences, regardless of time period.
- Step 8** Enter the number of Sample Period occurrences.
- Step 9** Enter the number of Rising Threshold occurrences.

To trigger the alarm, the measured value of a threshold must always move from below the falling threshold to above the rising threshold. For example, if a network moves from below a rising threshold of 1000 collisions every 15 seconds to 1001 collisions.

Step 10 Enter the appropriate number of occurrences for the Falling Threshold field. In most cases a falling threshold is set lower than the rising threshold.

A falling threshold is the exact opposite of a rising threshold. When the number of occurrences is above the rising threshold and then drops below a falling threshold, it resets the rising threshold. For example, when the network problem that caused 1001 collisions in 15 seconds subsides and creates only 799 collisions in 15 seconds, occurrences fall below a falling threshold of 800 collisions. This resets the rising threshold so that if network collisions again spike over a 1000 per 15-second period, an event again triggers when the rising threshold is crossed. An event is triggered only the first time a rising threshold is exceeded.

Step 11 Click **OK**.

Step 12 Return to your originating procedure (NTP).

DLP-G671 Provisioning the 40G Muxponder Trunk Port Alarm and TCA Thresholds

Purpose	This task changes the trunk port alarm and TCA thresholds of the 40G-MXP-C, 40E-MXP-C, and 40ME-MXP-C cards.
Tools/Equipment	None
Prerequisite Procedures	DLP-G46 Log into CTC
Required/As Needed	As needed
Onsite/Remote	Onsite or remote
Security Level	Provisioning or higher

Procedure

Step 1 In node view (single-shelf mode) or shelf view (multishelf view), double-click the 40G-MXP-C, or 40E-MXP-C card where you want to change the trunk port alarm and TCA settings.

Step 2 Click the **Provisioning** > **Optics Thresholds** tabs.

Note You must modify 15 Min and 1 Day independently. To do so, select the appropriate radio button and click **Refresh**.

Note Do not modify the Laser Bias parameters.

Step 3 If TCA is not selected, click **TCA** and then click Refresh. If it is selected, continue with [Step 4](#).

Step 4 Verify the trunk port (Port 5) TCA thresholds are set at the values shown as follows:

- Laser Bias High (%): 95.0
- RX Power High (dBm): -9.0
- RX Power Low (dBm): -22.0

- TX Power High (dBm): 9.0
- TX Power Low (dBm): 0.0

Provision new thresholds as needed by replacing the old values with new ones.

Step 5 Under Types area, click the **Alarm** radio button and click **Refresh**.

Note Do not modify the Laser Bias parameters.

Step 6 Verify the trunk port (Port 5) alarm thresholds are set at the values shown as follows:

- Laser Bias High (%): 98.0
- RX Power High (dBm): -8.0
- RX Power Low (dBm): -24.0
- TX Power High (dBm): 7.0
- TX Power Low (dBm): 3.0

Provision new thresholds as needed replacing the old values with new ones.

Step 7 Click **Apply**.

Step 8 Return to your originating procedure (NTP).

DLP-G672 Provisioning the 40G Muxponder Client Port Alarm and TCA Thresholds

Purpose	This task provisions the client port alarm and TCA thresholds of the 40G-MXP-C, 40E-MXP-C, and 40ME-MXP-C cards.
Tools/Equipment	None
Prerequisite Procedures	<ul style="list-style-type: none"> • DLP-G46 Log into CTC • DLP-G278 Provisioning the Optical Line Rate, on page 205
Required/As Needed	Required
Onsite/Remote	Onsite or remote
Security Level	Provisioning or higher

Procedure

Step 1 In node view (single-shelf mode) or shelf view (multishelf view), double-click the 40G-MXP-C, or 40E-MXP-C card where you want to change the client port alarm and TCA settings.

Step 2 Click the **Provisioning > Optics Thresholds** tabs.

Step 3 If TCA is not selected, click **TCA** and then click Refresh. If it is selected, continue with [Step 4](#).

Step 4 Referring to the following table, verify the client ports (Ports 1 through 4) TCA thresholds for RX Power High, RX Power Low, TX Power High, and TX Power Low based on the client interface at the other end. Provision new thresholds as needed by replacing the old values with new ones.

Note Do not modify the Laser Bias parameters.

Note You must modify 15 Min and 1 Day independently. To do so, select the appropriate radio button and click **Refresh**.

Table 153: Client Interfaces TCA Thresholds of the 40G-MXP-C, 40E-MXP-C, and 40ME-MXP-C Cards

PPM Port Rate	Pluggable Port Module (XFP)	TCA RX Power High	TCA RX Power Low	TCA TX Power High	TCA TX Power Low
FC8G	ONS-XC-8G-FC-SM	-9	-22	9.0	0.0
FC10G	ONS-XC-10G-1470 through ONS-XC-10G-1610 ONS-XC-10G-C ONS-XC-10G-S1	-9	-22	9.0	0.0
	ONS-XC-10G-I2	2.0	-15.8	8.0	-7.0
	ONS-XC-10G-L2	1.0	-14.0	5.0	-12.0
	ONS-XC-10G-SR-MM	0.0	0.0	6.0	-6.0
10GE	ONS-XC-10G-30.3 through ONS-XC-10G-61.4 ONS-XC-10G-C ONS-XC-10G-SR-M ONS-XC-10G-S1	-9	-22	9.0	0.0
	ONS-XC-10G-I2	2.0	-15.8	8.0	-7.0
	ONS-XC-10G-L2	-7.0	-24.0	6.5	-2.5
OC-192	ONS-XC-10G-30.3 through ONS-XC-10G-61.4 ONS-XC-10G-C ONS-XC-10G-1470 through ONS-XC-10G-1610 ONS-XC-10G-I2 ONS-XC-10G-SR-MM	-9	-22	9.0	0.0
	ONS-XC-10G-L2	-9.0	-26.0	8.0	-8.0
	ONS-XC-10G-S1	-1.0	-11.0	5.0	-12.0

PPM Port Rate	Pluggable Port Module (XFP)	TCA RX Power High	TCA RX Power Low	TCA TX Power High	TCA TX Power Low
OTU2	ONS-XC-10G-30.3 through ONS-XC-10G-61.4 ONS-XC-10G-C ONS-XC-10G-1470 through ONS-XC-10G-1610 ONS-XC-10G-I2 ONS-XC-10G-L2 ONS-XC-10G-SR-MM ONS-XC-10G-S1	-9	-22	9.0	0.0

Step 5 Click **Apply**.

Step 6 Repeat Steps 3 and 4 to provision the additional client ports.

Step 7 Under Types area, click the **Alarm** radio button and click **Refresh**.

Step 8 Referring to the following table, verify the client port (Ports 1 through 8) Alarm thresholds for RX Power High, RX Power Low, TX Power High, and TX Power Low based on the client interface that is provisioned. Provision new thresholds as needed replacing the old values with new ones.

Table 154: Client Interface Alarm Thresholds of the 40G-MXP-C, 40E-MXP-C, and 40ME-MXP-C Cards

PPM Port Rate	Pluggable Port Module (XFP)	Alarm RX Power Low	Alarm RX Power High	Alarm TX Power Low	Alarm TX Power High
FC8G	ONS-XC-8G-FC-SM ONS-XC-10G-S1	-9	-22	9.0	0.0
FC10G	ONS-XC-10G-30.3 through ONS-XC-10G-61.4 ONS-XC-10G-C ONS-XC-10G-1470 through ONS-XC-10G-1610 ONS-XC-10G-S1	-9	-22	9.0	0.0
	ONS-XC-10G-I2	4.5	-18.3	4.5	-3.5
	ONS-XC-10G-L2	-4.5	-26.5	6.5	-2.5
	ONS-XC-10G-SR-MM	2.0	-2.0	2.0	-2.0
10GE	ONS-XC-10G-30.3 through ONS-XC-10G-61.4 ONS-XC-10G-C ONS-XC-10G-S1 ONS-XC-10G-SR-MM	-9	-22	9.0	0.0
	ONS-XC-10G-I2	4.5	-18.3	4.5	-3.5
	ONS-XC-10G-L2	-4.5	-26.5	6.5	-2.5

PPM Port Rate	Pluggable Port Module (XFP)	Alarm RX Power Low	Alarm RX Power High	Alarm TX Power Low	Alarm TX Power High
OC-192	ONS-XC-10G-30.3 through ONS-XC-10G-61.4 ONS-XC-10G-C ONS-XC-10G-1470 through ONS-XC-10G-1610 ONS-XC-10G-I2 ONS-XC-8G-FC-SM ONS-XC-10G-SR-MM	-9	-22	9.0	0.0
	ONS-XC-10G-L2	-7.0	-28.0	4.0	-4.0
	ONS-XC-10G-S1	-1.0	-13.0	1.0	-8.0
OTU2	ONS-XC-10G-30.3 through ONS-XC-10G-61.4 ONS-XC-10G-C ONS-XC-10G-1470 through ONS-XC-10G-1610 ONS-XC-10G-S1 ONS-XC-10G-I2 ONS-XC-10G-L2 ONS-XC-8G-FC-SM ONS-XC-10G-SR-MM	-9	-22	9.0	0.0

- Step 9** Click **Apply**.
- Step 10** Repeat Steps 7 and 8 to provision additional client ports.
- Step 11** Return to your originating procedure (NTP).

DLP-G673 Changing the 40G Muxponder OTN Settings

Purpose	This task changes the OTN settings for the 40G-MXP-C, 40E-MXP-C, and 40ME-MXP-C cards.
Tools/Equipment	None
Prerequisite Procedures	DLP-G46 Log into CTC
Required/As Needed	As needed
Onsite/Remote	Onsite or remote
Security Level	Provisioning or higher

Procedure

- Step 1** In node view (single-shelf mode) or shelf view (multishelf view), double-click the 40G-MXP-C, or 40E-MXP-C card where you want to change the OTN settings.
- Step 2** Click the **Provisioning > OTN** tabs, then choose one of the following subtabs: **OTN Lines**, **ITU-T G.709 Thresholds**, **FEC Thresholds**, or **Trail Trace Identifier**.
- Step 3** Modify any of the settings described in the following tables.

Note You must modify Near End and Far End, 15 Min and 1 Day, and SM and PM independently. To do so, select the appropriate radio button and click **Refresh**.

Table 155: OTN Line Settings of the 40G-MXP-C, 40E-MXP-C, and 40ME-MXP-C Cards

Parameter	Description	Options
Port	(Display only) Displays the port number. Applicable for trunk ports and ports with OTU2 payload.	<ul style="list-style-type: none"> • 1-1 • 2-1 • 3-1 • 4-1 • 5 (Trunk)
ITU-T G.709 Thresholds	Sets the OTN lines according to ITU-T G.709.	<ul style="list-style-type: none"> • Enable • Disable
FEC	Sets the OTN lines to forward error correction (FEC).	<ul style="list-style-type: none"> • Standard • Enhanced
SF BER	(Display only) Sets the signal fail bit error rate.	<ul style="list-style-type: none"> • 1E-5
SD BER	Sets the signal degrade bit error rate.	<ul style="list-style-type: none"> • 1E-5 • 1E-6 • 1E-7 • 1E-8 • 1E-9

Table 156: ITU-T G.709 Threshold Settings of the 40G-MXP-C, 40E-MXP-C, and 40ME-MXP-C Cards

Parameter	Description	Options
Port	(Display only) Displays the port number. Applicable for trunk ports and ports with OTU2 payload.	<ul style="list-style-type: none"> • 1-1 • 2-1 • 3-1 • 4-1 • 5 (Trunk)
ES	Errored seconds	Numeric. Can be set for Near End or Far End, for 15-minute or one-day intervals, or for SM (OTUk) or PM (ODUk). Select the radio button individually and click Refresh . Click Reset to Default to restore default values.
SES	Severely errored seconds	Numeric. Can be set for Near End or Far End, for 15-minute or one-day intervals, or for SM (OTUk) or PM (ODUk). Select the radio button individually and click Refresh .
UAS	Unavailable seconds	Numeric. Can be set for Near End or Far End, for 15-minute or one-day intervals, or for SM (OTUk) or PM (ODUk). Select the radio button individually and click Refresh .
BBE	Background block errors	Numeric. Can be set for Near End or Far End, for 15-minute or one-day intervals, or for SM (OTUk) or PM (ODUk). Select the radio button individually and click Refresh .
FC	Failure counter	Numeric. Can be set for Near End or Far End, for 15-minute or one-day intervals, or for SM (OTUk) or PM (ODUk). Select radio button individually and click Refresh .

Table 157: FEC Threshold Settings of the 40G-MXP-C, 40E-MXP-C, and 40ME-MXP-C Cards

Parameter	Description	Options
Port	(Display only) Displays the port number. Applicable for trunk ports and ports with OTU2 payload.	<ul style="list-style-type: none"> • 1-1 • 2-1 • 3-1 • 4-1 • 5 (Trunk)

Parameter	Description	Options
Bit Errors Corrected	Sets the value for bit errors corrected.	Numeric. Can be set for 15-minute or one-day intervals.
Uncorrectable Words	Sets the value for uncorrectable words.	Numeric. Can be set for 15-minute or one-day intervals.

Table 158: Trail Trace Identifier Settings of the 40G-MXP-C, 40E-MXP-C, and 40ME-MXP-C Cards

Parameter	Description	Options
Port	(Display only) Displays the port number. Applicable for trunk ports and ports with OTU2 payload.	<ul style="list-style-type: none"> • 1-1 • 2-1 • 3-1 • 4-1 • 5 (Trunk)
Received Trace Mode	Sets the trace mode.	<ul style="list-style-type: none"> • Off/None • Manual
Disable AIS/RDI on TIM-S	Disables alarm indication signal.	<ul style="list-style-type: none"> • Checked (AIS/RDI on TIM-S is disabled) • Unchecked (AIS/RDI on TIM-S is not disabled)
Transmit Section Trace String Size	Sets the trace string size.	<ul style="list-style-type: none"> • 1 byte • 16 byte
Transmit	Displays and sets the current transmit string. You can click the button on the right to change the display. Its title changes, based on the current display mode. In Transmit String Type, click Hex Mode to change the display to hexadecimal (button changes to ASCII); click ASCII to change the display to ASCII (button changes to Hex Mode).	Transmit string size
Expected	Displays and sets the current expected string. You can click the button on the right to change the display. Its title changes, based on the current display mode. In Expected String Type, click Hex Mode to change the display to hexadecimal (button changes to ASCII); click ASCII to change the display to ASCII (button changes to Hex Mode).	Expected string size

Parameter	Description	Options
Received	(Display only) Displays the current received string. Click Refresh to manually refresh this display, or check the Auto-refresh every 5 sec check box to keep this panel updated.	Received string size
Auto-refresh	Refreshes the display automatically every 5 seconds.	<ul style="list-style-type: none"> • Checked • Unchecked (default)

Step 4 Click **Apply**.

Step 5 Return to your originating procedure (NTP).

NTP-G281 Managing the GE_XP, 10GE_XP, GE_XPE, and 10GE_XPE Card Channel Group Settings

Purpose	This procedure changes the channel group settings for GE_XP, 10GE_XP, GE_XPE, and 10GE_XPE cards.
Tools/Equipment	None
Prerequisite Procedures	<ul style="list-style-type: none"> • NTP-G179 Installing the Transponder and Muxponder Cards • DLP-G46 Log into CTC • DLP-G379 Changing the GE_XP, 10GE_XP, GE_XPE, and 10GE_XPE Card Mode, on page 199 • DLP-G726 Preprovisioning a Multirate PPM (if necessary)
Required/As Needed	As needed
Onsite/Remote	Onsite or remote
Security Level	Provisioning or higher

Procedure

Perform any of the following tasks as needed:

- [DLP-G611 Creating a Channel Group Using CTC](#)
- [DLP-G612 Modifying the Parameters of the Channel Group Using CTC](#)
- [DLP-G613 Managing Ports in a Channel Group, on page 401](#)
- [DLP-G614 Deleting a Channel Group, on page 401](#)

- [DLP-G615 Retrieving Information on Channel Group, REP, CFM, and EFM, on page 402](#)
- [DLP-G616 Viewing PM Parameters of a Channel Group, on page 403](#)
- [DLP-G617 Viewing Utilization PM Parameters of a Channel Group, on page 404](#)
- [DLP-G618 Viewing History PM Parameters of a Channel Group, on page 404](#)
- [DLP-G619 Create a Channel Group on the GE_XP, 10GE_XP, GE_XPE, or 10GE_XPE Cards Using PCLI](#)
- [DLP-G620 Add Ports to a Channel Group on the GE_XP, 10GE_XP, GE_XPE, or 10GE_XPE Cards Using PCLI](#)

Stop. You have completed this procedure.

DLP-G611 Creating a Channel Group Using CTC

Purpose	This task creates a channel group on the GE_XP, 10GE_XP, GE_XPE, and 10GE_XPE cards.
Tools/Equipment	None
Prerequisite Procedures	DLP-G46 Log into CTC
Required/As Needed	As needed
Onsite/Remote	Onsite or remote
Security Level	Provisioning or higher



Note You can create up to 11 channel groups on the GE_XP and GE_XPE cards and up to 2 channel groups on the 10GE_XP and 10GE_XPE cards. You can create a channel group with ports only when the ports do not have any UNI QinQ settings or NNI SVLAN settings. Otherwise, the channel group will be created with empty ports.

For information about interaction of LACP with other protocols, see the [Protocol Compatibility list, on page 59](#).

Procedure

- Step 1** Verify that the GE_XP, 10GE_XP, GE_XPE, or 10GE_XPE card is installed according to the requirements specified in [Cable Connections for Y-Cable Protection of One Client Signal](#) table.
- Step 2** Verify that the GE_XP, 10GE_XP, GE_XPE, or 10GE_XPE card is installed in L2-over-DWDM mode. See the [DLP-G379 Changing the GE_XP, 10GE_XP, GE_XPE, and 10GE_XPE Card Mode, on page 199](#).
- Step 3** In card view, click the **Provisioning > Channel Groups** tabs.
- Step 4** Click **Create**. The Channel Group Creation dialog box appears.

- Step 5** Enter the name of the channel group in the Name field.
- Step 6** From the Stand Alone list, choose the ports that will belong to this channel group and click the right arrow button to move the selected ports to the Bundled list.
- Step 7** From the LACP Mode drop-down list, choose the LACP mode as needed:
- On—Default mode. In this mode, the ports will not exchange LACP packets with the partner ports.
 - Active—In this mode, the ports will send LACP packets at regular intervals to the partner ports.
 - Passive—In this mode, the ports will not send LACP packets until the partner ports send LACP packets. After receiving the LACP packets from the partner ports, the ports will send LACP packets.
- Step 8** From the LACP Hashing drop-down list, select the LACP hashing algorithm that the protocol uses to perform the load balancing task between the bundled ports.
- The following hashing algorithms are supported:
- Ucast SA VLAN Incoming Port
 - Ucast DA VLAN Incoming Port
 - Ucast SA DA VLAN Incoming port
 - Ucast Src IP TCP UDP
 - Ucast Dst IP TCP UDP
 - Ucast Src Dst IP TCP UDP
- Step 9** Click **Create**.
- A new row is added in the LACP table and all the other parameters in the channel group are set to default values. The default values of these parameters are taken from the first port that is attached to the channel group.
- Step 10** Return to your originating procedure (NTP).

DLP-G612 Modifying the Parameters of the Channel Group Using CTC

Purpose	This task modifies the parameters of the channel group.
Tools/Equipment	None
Prerequisite Procedures	DLP-G46 Log into CTC
Required/As Needed	As needed
Onsite/Remote	Onsite or remote
Security Level	Provisioning or higher



Note Ports cannot be added or removed using this procedure. For adding or removing the ports, see the [DLP-G613 Managing Ports in a Channel Group](#), on page 401.

Procedure

- Step 1** In node view (single-shelf mode) or shelf view (multishelf view), double-click the GE_XP, 10GE_XP, GE_XPE, or 10GE_XPE card where you want to modify the parameters of the channel group.
- Step 2** In card view, click the **Provisioning > Channel Groups** tabs.
- Step 3** Choose a channel group from the existing channel groups.
- Step 4** Modify the channel group settings as described in the following table.

Table 159: Channel Group Settings

Parameter	Description	Options
Channel Group	(Display only) ID and name of the channel group.	N.A.
Name	Sets the name of the channel group.	—
Ports	(Display only) Port number (<i>n-n</i>) and rate (GE or TEN_GE of the channel group).	N.A.
LACP Mode	Sets the LACP mode. The channel group must be in OOS-DSBLD admin state.	<ul style="list-style-type: none"> • On • Active • Passive
Hashing	Sets the LACP hashing algorithm. The channel group must be in OOS-DSBLD admin state.	<ul style="list-style-type: none"> • Ucast SA VLAN Incoming Port • Ucast DA VLAN Incoming Port • Ucast SA DA VLAN Incoming port • Ucast Src IP TCP UDP • Ucast Dst IP TCP UDP • Ucast Src Dst IP TCP UDP
Admin State	Sets the administrative state on the channel group.	<ul style="list-style-type: none"> • IS • OOS, DSBLD

Parameter	Description	Options
Service State	(Display only) Sets the service state that indicates the operational state of the channel group.	<ul style="list-style-type: none"> • IS-NR • OOS-MA, DSBLD
MTU	Sets the maximum transfer unit (MTU), which sets the maximum number of bytes per frame accepted on the port. The member ports must be in OOS-DSBLD admin state. The default MTU value in the channel group is taken from the default settings in the node.	Numeric. Default: 9700 Range: 64 to 9700
Mode	Sets the provisional port mode. If the port mode is Auto, the Expected Speed field determines which ports can belong to the bundle. The member ports must be in OOS-DSBLD admin state.	<ul style="list-style-type: none"> • Auto • 1000 Mbps
Expected Speed	Sets the expected speed of ports of the channel group. The channel group must be in OOS-DSBLD admin state.	<ul style="list-style-type: none"> • 10 Mbps • 100 Mbps • 1000 Mbps
Duplex	(Display only) Expected duplex capability of ports of the channel group.	<ul style="list-style-type: none"> • Full
Committed Info Rate	Sets the guaranteed information rate based on the service-level agreement of the service provider. The channel group must be in OOS-DSBLD admin state.	Numeric. Default: 100% Range: 0 to 100% Granularity: 0.1%
Committed Burst Size	Sets the maximum number of bits transferred per second. The channel group must be in OOS-DSBLD admin state.	<ul style="list-style-type: none"> • 4k (default) • 8k • 16k • 32k • 64k • 128k • 256k • 512k • 1M • 2M • 4M • 8M • 16M

Parameter	Description	Options
Excess Burst Size	Sets the maximum number of bits credited for later transfer if the committed burst rate cannot be transmitted. The channel group must be in OOS-DSBLD admin state.	<ul style="list-style-type: none"> • 4k (default) • 8k • 16k • 32k • 64k • 128k • 256k • 512k • 1M • 2M • 4M • 8M • 16M
NIM	<p>Sets the network interface mode (NIM) for the channel group. The member ports must be in OOS-DSBLD admin state.</p> <p>The channel group NIM is set to UNI or NNI based on the mode of the first port that is added to the channel group.</p>	<ul style="list-style-type: none"> • UNI Mode (Default)—provisions the port as a User-Network Interface (UNI). This is the interface that faces the subscriber. • NNI Mode—provisions the port as a Network-to-Network Interface (NNI). This is the interface that faces the service provider network.

Parameter	Description	Options
Ingress CoS	Provisions the IEEE 802.1p ingress class of service (CoS). Ingress CoS is used to set the priority of the Ethernet frame in the service provider network. The member ports must be in OOS-DSBLD admin state.	<ul style="list-style-type: none"> • 0 • 1 • 2 • 3 • 4 • 5 • 6 • 7 • Trust • CVLAN • DSCP
Inner Ethertype (Hex)	Defines the inner Ethertype field. The Ethertype field indicates which protocol is being transported in an Ethernet frame. The member ports must be in OOS-DSBLD admin state to modify the Inner Ethertype value to a non-default value.	Numeric. Default: 8100 (IEEE Std 802.1Q customer VLAN tag type) Range: 0x600 to 0xffff.
Outer Ethertype (Hex)	Defines the outer Ethertype field. The Ethertype field identifies which protocol is being transported in an Ethernet frame. The member ports must be in OOS-DSBLD admin state.	Numeric. Default: 8100 (IEEE standard 802.1Q service provider VLAN tag type) Range: 0x600 to 0xffff
MAC Learning	Enables or disables MAC learning for the port on GE_XP, 10GE_XP, GE_XPE, and 10GE_XPE cards. MAC learning is used by Layer 2 switches to learn the MAC addresses of network nodes so that the Layer 2 switches send traffic to the right location. In GE_XPE or 10GE_XPE cards, enable MAC address learning per SVLAN.	<ul style="list-style-type: none"> • Checked—MAC learning is enabled for this port. • Unchecked—(Default) MAC learning is disabled for this port.

Note When you set the Committed Info Rate above 40% on 10GE_XP and 10GE_XPE cards, the Committed Burst Size and Excess Burst Size must be set to at least 32K. The Committed Burst Size and Excess Burst Size can be increased based on the packet size and Committed Info Rate value.

Step 5 Click **Apply**.

Step 6 Return to your originating procedure (NTP).

DLP-G613 Managing Ports in a Channel Group

Purpose	This task adds or removes ports to or from an existing channel group.
Tools/Equipment	None
Prerequisite Procedures	DLP-G46 Log into CTC
Required/As Needed	As needed
Onsite/Remote	Onsite or remote
Security Level	Provisioning or higher



- Note**
- You can assign up to eight ports to a channel group on GE_XP and GE_XPE cards and up to three ports on the 10GE_XP and 10GE_XPE cards.
 - You can assign the ports to a channel group only if the ports are in OOS-DSBLD admin state. The ports must not have any UNI QinQ rule or NNI SVLAN configuration.
 - If the channel group is configured in UNI mode, only the UNI ports can be added to the channel group. If the channel group is configured in NNI mode, only the NNI ports can be added to the channel group.

Procedure

- Step 1** In node view (single-shelf mode) or shelf view (multishelf view), double-click the GE_XP, 10GE_XP, GE_XPE, or 10GE_XPE card where you want to add ports to an existing channel group.
- Step 2** In card view, click the **Provisioning > Channel Groups** tabs.
- Step 3** Choose a channel group from the existing channel groups.
- Step 4** Click **Add/Remove Ports**.
- Step 5** To add ports to an existing channel group, from the Stand Alone list, choose the required ports and click the right arrow button to move the selected ports to the Bundled list.
- Step 6** To remove ports from an existing channel group, complete the following: from the Bundled list, choose the required ports and click the left arrow button to move the selected ports to the Stand Alone list.
- Step 7** Click **Apply**.
- Step 8** Return to your originating procedure (NTP).

DLP-G614 Deleting a Channel Group

Purpose	This task deletes a channel group.
Tools/Equipment	None
Prerequisite Procedures	DLP-G46 Log into CTC

Required/As Needed	As needed
Onsite/Remote	Onsite or remote
Security Level	Provisioning or higher

Procedure

-
- Step 1** In node view (single-shelf mode) or shelf view (multishelf view), double-click the GE_XP, 10GE_XP, GE_XPE, or 10GE_XP card where you want to delete the channel group.
- Step 2** In card view, click the **Provisioning > Channel Groups** tabs.
- Step 3** Choose a channel group that you want to delete.
- Step 4** Click **Delete**.
- Step 5** Return to your originating procedure (NTP).
-

DLP-G615 Retrieving Information on Channel Group, REP, CFM, and EFM

Purpose	This task enables you to view and retrieve information on the channel group, Resilient Ethernet Protocol (REP), Connectivity Fault Management (CFM), and Ethernet in the First Mile (EFM) on the GE_XP, 10GE_XP, GE_XPE, and 10GE_XPE cards.
Tools/Equipment	None
Prerequisite Procedures	DLP-G46 Log into CTC
Required/As Needed	As needed
Onsite/Remote	Onsite or remote
Security Level	Retrieve or higher

Procedure

-
- Step 1** Verify that the GE_XP, 10GE_XP, GE_XPE, or 10GE_XPE card is installed in L2-over-DWDM mode. See the [DLP-G379 Changing the GE_XP, 10GE_XP, GE_XPE, and 10GE_XPE Card Mode, on page 199](#)
- Step 2** In card view, click the **Maintenance > Show Commands** tabs.
- Step 3** From the Command drop-down list, choose a command.
- The following commands are supported:
- ETH LACP—Displays detailed LACP information from the GE_XP, 10GE_XP, GE_XPE, or 10GE_XPE cards.
 - REP TOPO—Displays the topology information for a specific REP segment.
 - REP TOPO ARCHIVE—Displays the previous topology information for a specific REP segment.

- **REP INTERFACE**—Displays information on the REP interface status and configuration. You can retrieve detailed information for each segment by selecting Detailed from the Level drop-down list and providing the segment ID.
- **OAM DISCOVERY**—Displays discovery information for all the EFM interfaces or for a specific EFM interface.
- **OAM SUMMARY**—Displays the active EFM sessions on a device.
- **OAM STATISTICS**—Displays detailed information about the EFM packets.
- **OAM STATUS**—Displays information about the EFM configurations for all the EFM interfaces or for a specific interface.

For more information, see the [Pseudo Command Line Interface Reference](#) document.

- Step 4** From the Level drop-down list, choose Normal or Detailed.
- Step 5** Click Show. Depending on the command, the appropriate output appears in the text area.
- Step 6** Return to your originating procedure (NTP).

DLP-G616 Viewing PM Parameters of a Channel Group

Purpose	This task enables you to view current statistical performance monitoring (PM) counts on the GE_XP, 10GE_XP, GE_XPE, and 10GE_XPE cards and channel groups to detect possible performance problems.
Tools/Equipment	None
Prerequisite Procedures	DLP-G46 Log into CTC
Required/As Needed	As needed
Onsite/Remote	Onsite or remote
Security Level	Retrieve or higher

Procedure

- Step 1** In node view (single-shelf mode) or shelf view (multishelf mode), double-click the GE_XP, 10GE_XP, GE_XPE, or 10GE_XPE card where you want to view the channel group statistics. The card view appears.
- Step 2** Click the **Performance > Channel Groups > Statistics** tabs.
- Step 3** Click **Refresh**. Performance monitoring statistics for each channel group on the card appear in the Statistics tab.

View the PM parameter names in the Param column. The current PM parameter values appear in the Port # (CHGRP) column. For PM parameter definitions, see the [Monitor Performance](#) document.

Note To refresh, reset, or clear PM counts, see the “[NTP-G73 Change the PM Display](#)” procedure.

Step 4 Return to your originating procedure (NTP).

DLP-G617 Viewing Utilization PM Parameters of a Channel Group

Purpose	This task enables you to view line utilization PM counts on the GE_XP, 10GE_XP, GE_XPE, and 10GE_XPE cards and channel groups to detect possible performance problems.
Tools/Equipment	None
Prerequisite Procedures	DLP-G46 Log into CTC
Required/As Needed	As needed
Onsite/Remote	Onsite or remote
Security Level	Retrieve or higher

Procedure

Step 1 In node view, double-click the GE_XP, 10GE_XP, GE_XPE, or 10GE_XPE card where you want to view the channel group utilization. The card view appears.

Step 2 Click the **Performance > Channel Groups > Utilization** tabs.

Step 3 Click **Refresh**. The utilization percentages for each channel group on the card appear in the Utilization tab.

View the Port # column to find the channel group you want to monitor.

The transmit (Tx) and receive (Rx) bandwidth utilization values, for the previous time intervals, appear in the Prev-*n* columns. For PM parameter definitions, see the [Monitor Performance](#) document.

Note To refresh, reset, or clear PM counts, see the “[NTP-G73 Change the PM Display](#)” procedure.

Step 4 Return to your originating procedure (NTP).

DLP-G618 Viewing History PM Parameters of a Channel Group

Purpose	This task enables you to view historical PM counts at selected time intervals on GE_XP, 10GE_XP, GE_XPE, and 10GE_XPE cards and channel groups to detect possible performance problems.
Tools/Equipment	None
Prerequisite Procedures	DLP-G46 Log into CTC
Required/As Needed	As needed
Onsite/Remote	Onsite or remote

Security Level	Retrieve or higher
-----------------------	--------------------

Procedure

- Step 1** In node view (single-shelf mode) or shelf view (multishelf mode), double-click the GE_XP, 10GE_XP, GE_XPE, and 10GE_XPE card where you want to view the channel group history PM data. The card view appears.
- Step 2** Click the **Performance > Channel Groups > History** tabs.
- Step 3** From the Port field, choose a channel group.
- Step 4** Click **Refresh**. Performance monitoring statistics for each channel group on the card appear in the History tab.
- View the PM parameter names that appear in the Param column. The PM parameter values appear in the Prev-*n* columns. For PM parameter definitions, see the [Monitor Performance](#) document.
- Note** To refresh, reset, or clear PM counts, see the “[NTP-G73 Change the PM Display](#)” procedure.
- Step 5** Return to your originating procedure (NTP).

NTP-G283 Managing the Card CFM Settings

Purpose	This procedure changes the CFM settings for GE_XP, 10GE_XP, GE_XPE, and 10GE_XPE cards.
Tools/Equipment	None
Prerequisite Procedures	<ul style="list-style-type: none"> • DLP-G379 Changing the GE_XP, 10GE_XP, GE_XPE, and 10GE_XPE Card Mode, on page 199 • DLP-G726 Preprovisioning a Multirate PPM (if necessary)
Required/As Needed	As needed
Onsite/Remote	Onsite or remote
Security Level	Provisioning or higher

Procedure

Perform any of the following tasks as needed:

- [DLP-G621 Enabling CFM on a Card](#)
- [DLP-G622 Enabling CFM for a Port](#)
- [DLP-G623 Creating a Maintenance Domain Profile](#)

- [DLP-G624 Deleting a Maintenance Domain Profile](#)
- [DLP-G625 Creating a Maintenance Association Profile](#)
- [DLP-G626 Modifying a Maintenance Association Profile](#)
- [DLP-G627 Deleting a Maintenance Association Profile](#)
- [DLP-G628 Mapping Profiles](#)
- [DLP-G629 Creating a MEP](#)
- [DLP-G630 Deleting a MEP](#)
- [DLP-G631 Creating a MIP](#)
- [DLP-G632 Deleting a MIP](#)
- [DLP-G633 Pinging a MEP](#)
- [DLP-G634 Displaying Output of a Traceroute MEP](#)
- [DLP-G635 Enable CFM on the GE_XP, 10GE_XP, GE_XPE, or 10GE_XPE Cards Using PCLI](#)
- [DLP-G615 Retrieving Information on Channel Group, REP, CFM, and EFM](#)
- [DLP-G636 Create a Maintenance Domain on the GE_XP, 10GE_XP, GE_XPE, or 10GE_XPE Cards Using PCLI](#)
- [DLP-G637 Create a Maintenance Intermediate Point on the GE_XP, 10GE_XP, GE_XPE, or 10GE_XPE Cards Using PCLI](#)
- [DLP-G638 Create a Maintenance End Point on the GE_XP, 10GE_XP, GE_XPE, or 10GE_XPE Cards Using PCLI](#)

Stop. You have completed this procedure.

DLP-G621 Enabling CFM on a Card

Purpose	This task allows you to enable or disable CFM on GE_XP, 10GE_XP, GE_XPE, and 10GE_XPE cards.
Tools/Equipment	None
Prerequisite Procedures	DLP-G46 Log into CTC
Required/As Needed	As needed
Onsite/Remote	Onsite or remote
Security Level	Retrieve or higher



Note CFM is disabled on the card by default. CFM must be enabled at both card and port levels for the CFM service to work.

For information about interaction of CFM with other protocols, see the “Protocol Compatibility list” section.

Procedure

-
- Step 1** Verify that the GE_XP, 10GE_XP, GE_XPE, or 10GE_XPE card is installed in L2-over-DWDM mode. See the [DLP-G379 Changing the GE_XP, 10GE_XP, GE_XPE, and 10GE_XPE Card Mode, on page 199](#).
- Step 2** In card view, click the **Provisioning > Security** tab.
- Step 3** Uncheck the **MAC security** check box to disable MAC security.
- Step 4** In card view, click the **Provisioning > CFM > Configuration > Global Settings** tabs.
- Step 5** Check the **Enable CFM** check box that is present at the bottom of the screen.
- Step 6** Choose the value for CC Timer field. The value can be 1 second, 10 seconds, or 1 minute.
- Note** Continuity Check (CC) messages are periodically exchanged between maintenance end points (MEPs). The CC Timer field is used to set the time frequency for transmission of CC messages.
- Step 7** Click **Apply** to enable CFM on the card.
- Note** Uncheck the **Enable CFM** check box to disable CFM on the card.
- Step 8** Return to your originating procedure (NTP).
-

DLP-G622 Enabling CFM for a Port

Purpose	This task allows you to enable or disable CFM for each port on GE_XP, 10GE_XP, GE_XPE, and 10GE_XPE cards.
Tools/Equipment	None
Prerequisite Procedures	DLP-G46 Log into CTC
Required/As Needed	As needed
Onsite/Remote	Onsite or remote
Security Level	Retrieve or higher

Procedure

-
- Step 1** Verify that the GE_XP, 10GE_XP, GE_XPE, or 10GE_XPE card is installed in L2-over-DWDM mode. See the [DLP-G379 Changing the GE_XP, 10GE_XP, GE_XPE, and 10GE_XPE Card Mode, on page 199](#)

Note CFM must be enabled at both card and port levels for the CFM service to work. However, CFM is enabled on all the ports by default.

Step 2 In card view, click the **Provisioning > CFM > Configuration > Global Settings** tabs.

Step 3 If you want to enable CFM on a specific port, check the **Enable CFM** check box against that port.

Step 4 Choose the value for CC Timer field. The value can be 1 second, 10 seconds, or 1 minute.

Note Continuity Check (CC) messages are periodically exchanged between MEPs. The CC Timer field is used to set the time frequency for transmission of CC messages.

Step 5 Click **Apply** to enable CFM on the port.

Note Uncheck the **Enable CFM** check box against the port to disable CFM on the port.

Step 6 Return to your originating procedure (NTP).

DLP-G623 Creating a Maintenance Domain Profile

Purpose	This task allows you to create a maintenance domain profile on the GE_XP, 10GE_XP, GE_XPE, and 10GE_XPE cards.
Tools/Equipment	None
Prerequisite Procedures	DLP-G46 Log into CTC
Required/As Needed	As needed
Onsite/Remote	Onsite or remote
Security Level	Retrieve or higher

You can create up to eight maintenance domain profiles on the GE_XP, 10GE_XP, GE_XPE, or 10GE_XPE cards. The maximum number of characters for the maintenance domain profile and the maintenance association profile must not exceed 43 characters.

Procedure

Step 1 Verify that the GE_XP, 10GE_XP, GE_XPE, or 10GE_XPE card is installed in L2-over-DWDM mode. See the [DLP-G379 Changing the GE_XP, 10GE_XP, GE_XPE, and 10GE_XPE Card Mode, on page 199](#).

Step 2 In card view, click the **Provisioning > CFM > Configuration > Domain Profiles** tabs or in node/network view, click the **Provisioning > CFM Profiles > Domain Profiles** tabs.

Note Use the network view to store the domain profile on multiple nodes.

Step 3 Click **Add row(s)**.

Step 4 Enter the name of the domain in the Domain Name field.

Step 5 Enter the level of the domain profile in the Level field. The range of the domain profile level is from 0 to 7.

Step 6 Click **Store**.

- Step 7** Choose the card slot where you want to store this domain profile and click **OK**.
- Step 8** Return to your originating procedure (NTP).

DLP-G624 Deleting a Maintenance Domain Profile

Purpose	This task allows you to delete a maintenance domain profile on the GE_XP, 10GE_XP, GE_XPE, and 10GE_XPE cards.
Tools/Equipment	None
Prerequisite Procedures	DLP-G46 Log into CTC
Required/As Needed	As needed
Onsite/Remote	Onsite or remote
Security Level	Retrieve or higher

Procedure

- Step 1** Verify that the GE_XP, 10GE_XP, GE_XPE, or 10GE_XPE card is installed in L2-over-DWDM mode. See the [DLP-G379 Changing the GE_XP, 10GE_XP, GE_XPE, and 10GE_XPE Card Mode](#), on page 199.
- Step 2** In card view, click the **Provisioning > CFM > Configuration > Domain Profiles** tabs or in node/network view, click the **Provisioning > CFM Profiles > Domain Profiles** tabs.
- Step 3** Select the domain profiles that you want to delete.
- Step 4** Check the **on Node** check box.
- Step 5** Click **Delete Sel. row(s)**.
- Step 6** Choose the card slot where you want to delete this profile and click **OK**.
- Step 7** In the **Deleting Profile** dialog box, click **Yes**.
- Step 8** Return to your originating procedure (NTP).

DLP-G625 Creating a Maintenance Association Profile

Purpose	This task allows you to create a maintenance association profile on GE_XP, 10GE_XP, GE_XPE, and 10GE_XPE cards.
Tools/Equipment	None
Prerequisite Procedures	DLP-G46 Log into CTC
Required/As Needed	As needed
Onsite/Remote	Onsite or remote
Security Level	Retrieve or higher



Note You can create up to 1500 maintenance association profiles on GE_XP, 10GE_XP, GE_XPE, or 10GE_XPE cards.

Procedure

- Step 1** Verify that the GE_XP, 10GE_XP, GE_XPE, or 10GE_XPE card is installed in L2-over-DWDM mode. See the [DLP-G379 Changing the GE_XP, 10GE_XP, GE_XPE, and 10GE_XPE Card Mode, on page 199](#).
- Step 2** In card view, click the **Provisioning > CFM > Configuration > MA Profiles** tabs or in node/network view, click the **Provisioning > CFM Profiles > MA Profiles** tabs.
- Note** Use the network view to store the maintenance association profile on multiple nodes.
- Step 3** Click **Add row(s)**.
- Step 4** Enter the name of the maintenance association in the Maintenance Profile Name field.
- Step 5** Enter the VLAN ID in the VLAN ID field. The range of the VLAN ID is from 1 to 4093.
- Step 6** Check the **CC Enable** check box to receive Continuity Check messages.
- Step 7** Click **Store**.
- Step 8** Choose the card slot where you want to store this maintenance association profile and click **OK**.
- Step 9** Return to your originating procedure (NTP).

DLP-G626 Modifying a Maintenance Association Profile

Purpose	This task allows you to modify a maintenance association profile on GE_XP, 10GE_XP, GE_XPE, and 10GE_XPE cards.
Tools/Equipment	None
Prerequisite Procedures	DLP-G46 Log into CTC
Required/As Needed	As needed
Onsite/Remote	Onsite or remote
Security Level	Retrieve or higher



Note Ensure that the maintenance association profile you want to modify is not associated with a maintenance domain profile.

Procedure

-
- Step 1** Verify that the GE_XP, 10GE_XP, GE_XPE, or 10GE_XPE card is installed in L2-over-DWDM mode. See the [DLP-G379 Changing the GE_XP, 10GE_XP, GE_XPE, and 10GE_XPE Card Mode, on page 199](#).
- Step 2** In card view, click the **Provisioning > CFM > Configuration > MA Profiles** tabs or in node/network view, click the **Provisioning > CFM Profiles > MA Profiles** tabs.
- Step 3** Select the maintenance association profiles that you want to modify.
- Step 4** Click **Modify Selected Profile(s)**.
- Step 5** Modify the values as required and click **OK**.
- Step 6** Return to your originating procedure (NTP).
-

DLP-G627 Deleting a Maintenance Association Profile

Purpose	This task allows you to delete a maintenance association profile on GE_XP, 10GE_XP, GE_XPE, and 10GE_XPE cards.
Tools/Equipment	None
Prerequisite Procedures	DLP-G46 Log into CTC
Required/As Needed	As needed
Onsite/Remote	Onsite or remote
Security Level	Retrieve or higher



-
- Note** Ensure that the maintenance association profile you want to delete is not associated with a maintenance domain profile.
-

Procedure

-
- Step 1** Verify that the GE_XP, 10GE_XP, GE_XPE, or 10GE_XPE card is installed in L2-over-DWDM mode. See the [DLP-G379 Changing the GE_XP, 10GE_XP, GE_XPE, and 10GE_XPE Card Mode, on page 199](#).
- Step 2** In card view, click the **Provisioning > CFM > Configuration > MA Profiles** tabs or in node/network view, click the **Provisioning > CFM Profiles > MA Profiles** tabs.
- Step 3** Select the maintenance association profiles that you want to delete.
- Step 4** Check the **on Node** check box.
- Step 5** Click **Delete Sel. row(s)**.
- Step 6** Choose the card slot where you want to delete this profile and click **OK**.
- Step 7** In the Deleting Profile dialog box, click **Yes**.

Step 8 Return to your originating procedure (NTP).

DLP-G628 Mapping Profiles

Purpose	This task allows you to map a maintenance association profile to a maintenance domain profile on the GE_XP, 10GE_XP, GE_XPE, and 10GE_XPE cards.
Tools/Equipment	None
Prerequisite Procedures	DLP-G46 Log into CTC
Required/As Needed	As needed
Onsite/Remote	Onsite or remote
Security Level	Retrieve or higher



Note Ensure that you have already created maintenance domain profiles and maintenance association profiles.

Procedure

Step 1 Verify that the GE_XP, 10GE_XP, GE_XPE, or 10GE_XPE card is installed in L2-over-DWDM mode. See the [DLP-G379 Changing the GE_XP, 10GE_XP, GE_XPE, and 10GE_XPE Card Mode](#), on page 199.

Step 2 In card view, click the **Provisioning > CFM > Configuration > MA-Domain Mapping** tabs.

Step 3 From the main drop-down list, choose a maintenance domain profile.

Step 4 Click **Link MA Profiles**.

Step 5 From the Available Profiles list, choose the required MA profiles and click the right arrow button to move the MA profiles to the Linked Profiles list and click **OK**.

Note The maintenance association profiles that are mapped with a specific maintenance domain profile must have a unique SVLAN ID.

Step 6 Return to your originating procedure (NTP).

DLP-G629 Creating a MEP

Purpose	This task allows you to create a Maintenance End Point (MEP) for a given VLAN range on a specific maintenance domain.
Tools/Equipment	None
Prerequisite Procedures	DLP-G46 Log into CTC

Required/As Needed	As needed
Onsite/Remote	Onsite or remote
Security Level	Retrieve or higher



Note You can create up to 255 MEPs and MIPs on the GE_XP and 10GE_XP cards. You can create up to 500 MEPs and MIPs on the GE_XPE and 10GE_XPE cards.

Procedure

- Step 1** Verify that the GE_XP, 10GE_XP, GE_XPE, or 10GE_XPE card is installed in L2-over-DWDM mode. See the [DLP-G379 Changing the GE_XP, 10GE_XP, GE_XPE, and 10GE_XPE Card Mode, on page 199](#).
- Step 2** In card view, click the **Provisioning > CFM > Configuration > MEP** tabs.
- Step 3** Click **Create**.
- Step 4** From the Port drop-down list, choose a port where you want to create the MEP.
- Note** CFM must be enabled on the port to create a MEP. The port must not belong to a channel group.
- Step 5** From the Domain drop-down list, choose a maintenance domain.
- Step 6** Enter the SVLAN ID in the Vlan Id field.
- Note** The specified VLAN must be configured on the selected port. The specified VLAN must also appear in the MA-Domain Mapping table.
- Step 7** Enter the MP ID (identifier of the maintenance end point) in the MPID field and click **OK**. The range of the MP ID is from 1 to 8191.
- The MP ID must not be the same between the maintenance end points.
- Step 8** Return to your originating procedure (NTP).

DLP-G630 Deleting a MEP

Purpose	This task allows you to delete a MEP on the GE_XP, 10GE_XP, GE_XPE, and 10GE_XPE cards.
Tools/Equipment	None
Prerequisite Procedures	DLP-G46 Log into CTC
Required/As Needed	As needed
Onsite/Remote	Onsite or remote
Security Level	Retrieve or higher

Procedure

-
- Step 1** Verify that the GE_XP, 10GE_XP, GE_XPE, or 10GE_XPE card is installed in L2-over-DWDM mode. See the [DLP-G379 Changing the GE_XP, 10GE_XP, GE_XPE, and 10GE_XPE Card Mode, on page 199](#).
 - Step 2** In card view, click the **Provisioning > CFM > Configuration > MEP** tabs.
 - Step 3** Select the MEPs that you want to delete.
 - Step 4** Click **Delete**.
 - Step 5** Return to your originating procedure (NTP).
-

DLP-G631 Creating a MIP

Purpose	This task allows you to create a Maintenance Intermediate Point (MIP) for a given VLAN range with a specific maintenance level.
Tools/Equipment	None
Prerequisite Procedures	DLP-G46 Log into CTC
Required/As Needed	As needed
Onsite/Remote	Onsite or remote
Security Level	Retrieve or higher



-
- Note** You can create up to 255 MEPs and MIPs on the GE_XP and 10GE_XP cards. You can create up to 500 MEPs and MIPs on the GE_XPE and 10GE_XPE cards.
-

Procedure

-
- Step 1** Verify that the GE_XP, 10GE_XP, GE_XPE, or 10GE_XPE card is installed in L2-over-DWDM mode. See the [DLP-G379 Changing the GE_XP, 10GE_XP, GE_XPE, and 10GE_XPE Card Mode, on page 199](#)
 - Step 2** In card view, click the **Provisioning > CFM > Configuration > MIP** tabs.
 - Step 3** Click **Create**.
 - Step 4** From the Port drop-down list, choose a port where you want to create the MIP.
 - Note** The port must not belong to a channel group.
 - Step 5** From the Level drop-down list, choose a maintenance level. The range of the maintenance level is from 0 to 7.
 - Step 6** Enter the SVLAN range in the Vlan range field. The range of the SVLAN is from 1 to 4093.
 - Note** The specified SVLAN must be configured on the selected port.

- Step 7** Click **OK**.
- Step 8** Return to your originating procedure (NTP).

DLP-G632 Deleting a MIP

Purpose	This task allows you to delete a MIP on the GE_XP, 10GE_XP, GE_XPE, and 10GE_XPE cards.
Tools/Equipment	None
Prerequisite Procedures	DLP-G46 Log into CTC
Required/As Needed	As needed
Onsite/Remote	Onsite or remote
Security Level	Retrieve or higher

Procedure

- Step 1** Verify that the GE_XP, 10GE_XP, GE_XPE, or 10GE_XPE card is installed in L2-over-DWDM mode. See the [DLP-G379 Changing the GE_XP, 10GE_XP, GE_XPE, and 10GE_XPE Card Mode, on page 199](#).
- Step 2** In card view, click the **Provisioning > CFM > Configuration > MIP** tabs.
- Step 3** Select the MIPs that you want to delete.
- Step 4** Click **Delete**.
- Step 5** Return to your originating procedure (NTP).

DLP-G633 Pinging a MEP

Purpose	This task allows you to display the output of the ping command on the GE_XP, 10GE_XP, GE_XPE, and 10GE_XPE cards.
Tools/Equipment	None
Prerequisite Procedures	DLP-G46 Log into CTC
Required/As Needed	As needed
Onsite/Remote	Onsite or remote
Security Level	Retrieve or higher

Procedure

-
- Step 1** Verify that the GE_XP, 10GE_XP, GE_XPE, or 10GE_XPE card is installed in L2-over-DWDM mode. See the [DLP-G379 Changing the GE_XP, 10GE_XP, GE_XPE, and 10GE_XPE Card Mode, on page 199](#) task.
- Step 2** In card view, click the **Provisioning > CFM > Ping** tabs.
- Step 3** Enter the MP ID value in the MPID field. The range of the MP ID is from 1 to 8191.
- Note** Remote MP ID user cannot ping local MP ID.
- Step 4** (Optional) Enter the MAC address of the remote maintenance point in the Mac Addr field. The format of MAC address is *abcd.abcd.abcd*.
- Step 5** Enter the SVLAN ID in the VLAN ID field. The range of the SVLAN ID is from 1 to 4093.
- Step 6** Enter the domain name in the Domain Name field.
- Step 7** Enter the size of the ping packet in the DataGram Size field. The default value is 100.
- Step 8** Enter the number of ping packets in the No of Requests field. The default value is 5.
- Step 9** Click **Ping**. The output of the ping command appears in the Ping Response area.
- Step 10** Return to your originating procedure (NTP).
-

DLP-G634 Displaying Output of a Traceroute MEP

Purpose	This task allows you to display the output of the traceroute command on the GE_XP, 10GE_XP, GE_XPE, and 10GE_XPE cards.
Tools/Equipment	None
Prerequisite Procedures	DLP-G46 Log into CTC
Required/As Needed	As needed
Onsite/Remote	Onsite or remote
Security Level	Retrieve or higher

Procedure

-
- Step 1** Verify that the GE_XP, 10GE_XP, GE_XPE, or 10GE_XPE card is installed in L2-over-DWDM mode. See the [DLP-G379 Changing the GE_XP, 10GE_XP, GE_XPE, and 10GE_XPE Card Mode, on page 199](#)
- Step 2** In card view, click the **Provisioning > CFM > Traceroute** tabs.
- Step 3** Enter the remote MP ID value in the MPID field. The range of the MP ID is from 1 to 8191.
- Step 4** (Optional) Enter the MAC address of the remote maintenance point in the Mac Addr field. The format of MAC address is *abcd.abcd.abcd*.
- Step 5** Enter the SVLAN ID in the VLAN ID field. The range of the SVLAN ID is from 1 to 4093.
- Step 6** Enter the domain name in the Domain Name field.
- Step 7** Click **TraceRoute Response**.

The output of the traceroute command appears in the TraceRoute Response area.

- Verify the RlyHit message is shown in the traceroute display and LTM reaches a maintenance point whose MAC address matches the target MAC address.
- Verify the RlyFDB message is shown in the traceroute display when the next hop address is found in the forwarding database.
- Verify the RlyMPDB message is shown in the traceroute display when the next hop address is found in the CCDN.

Step 8 Return to your originating procedure (NTP).

NTP-G285 Managing the Card EFM Settings

Purpose	This procedure changes the EFM settings of the GE_XP, 10GE_XP, GE_XPE, and 10GE_XPE cards.
Tools/Equipment	None
Prerequisite Procedures	<ul style="list-style-type: none"> • NTP-G179 Installing the Transponder and Muxponder Cards • DLP-G379 Changing the GE_XP, 10GE_XP, GE_XPE, and 10GE_XPE Card Mode, on page 199 • DLP-G726 Preprovisioning a Multirate PPM (if necessary)
Required/As Needed	As needed
Onsite/Remote	Onsite or remote
Security Level	Provisioning or higher

Procedure

Perform any of the following tasks as needed:

- [DLP-G639 Enabling EFM for a Port](#)
- [DLP-G640 Configuring EFM Parameters](#)
- [DLP-G641 Configuring EFM Link Monitoring Parameters](#)
- [DLP-G642 Enabling Remote Loopback for a Port](#)
- [DLP-G615 Retrieving Information on Channel Group, REP, CFM, and EFM](#)
- [DLP-G643 Enable EFM on the GE_XP, 10GE_XP, GE_XPE, or 10GE_XPE Cards Using PCLI](#)
- [DLP-G644 Configure the EFM Mode on the GE_XP, 10GE_XP, GE_XPE, or 10GE_XPE Cards Using PCLI](#)

Stop. You have completed this procedure.

DLP-G639 Enabling EFM for a Port

Purpose	This task allows you to enable or disable EFM for each port on the GE_XP, 10GE_XP, GE_XPE, and 10GE_XPE cards.
Tools/Equipment	None
Prerequisite Procedures	DLP-G46 Log into CTC
Required/As Needed	As needed
Onsite/Remote	Onsite or remote
Security Level	Retrieve or higher



Note You can enable EFM on both UNI and NNI ports. You cannot enable or disable EFM for ports that belong to a channel group. For information about interaction of EFM with other protocols, see the “11.14.2 Protocol Compatibility list” section on page 11-62.

Procedure

- Step 1** Verify that the GE_XP, 10GE_XP, GE_XPE, or 10GE_XPE card is installed in L2-over-DWDM mode. See the [DLP-G379 Changing the GE_XP, 10GE_XP, GE_XPE, and 10GE_XPE Card Mode, on page 199](#).
- Step 2** In card view, click the **Provisioning** > **EFM** > **Configuration** tabs. The EFM details appear for each port.
- Step 3** From the EFM State drop-down list, choose **Enabled**.
- Step 4** Click **Apply** to enable EFM for that port.
- Note** From the EFM State drop-down list, choose Disabled to disable EFM for that port.
- Step 5** Return to your originating procedure (NTP).

DLP-G640 Configuring EFM Parameters

Purpose	This task allows you to configure EFM parameters on the GE_XP, 10GE_XP, GE_XPE, and 10GE_XPE cards.
Tools/Equipment	None
Prerequisite Procedures	DLP-G46 Log into CTC
Required/As Needed	As needed

Onsite/Remote	Onsite or remote
Security Level	Retrieve or higher

Procedure

- Step 1** Verify that the GE_XP, 10GE_XP, GE_XPE, or 10GE_XPE card is installed in L2-over-DWDM mode. See the [DLP-G379 Changing the GE_XP, 10GE_XP, GE_XPE, and 10GE_XPE Card Mode, on page 199](#).
- Step 2** In card view, click the **Provisioning > EFM > Configuration** tabs.
- Step 3** Modify the EFM parameter settings as described in the table.

Table 160: EFM Parameter Settings

Parameter	Description	Options
Port	(Display only) Port number (<i>n-n</i>) and rate (GE or TEN_GE).	—
EFM State	Sets the state of the EFM protocol for each port.	<ul style="list-style-type: none"> • Enabled • Disabled
Mode	Sets the operating mode of the port. If the mode is Active, the port sends OAM Protocol Data Units (OAMPDUs) at regular intervals to the partner ports. If the mode is Passive, the port will not send OAMPDUs until the partner ports send OAMPDUs.	<ul style="list-style-type: none"> • Active • Passive
Link Fault	<p>Sets the Remote Failure Indication (RFI) action. If the link is down on a port, the link fault RFI is sent to the partner port through OAMPDU. An alarm indicating the remote failure indication link fault (RFI-LF) is raised. The alarm is cleared after you clear the link fault condition.</p> <p>You can specify the following actions for link fault RFI:</p> <ul style="list-style-type: none"> • Error Block—The interface is placed in the error-block state and the RFI-LF alarm is raised. • None—Only the RFI-LF alarm is raised. <p>Note Dying Gasp and critical events are not supported.</p>	<ul style="list-style-type: none"> • Error Block • None
Session Timer	Sets the duration up to when the EFM session is retained with the partner port without receiving OAMPDUs.	<p>Default: 5 seconds</p> <p>Range: 2 to 30 seconds</p>

- Step 4** Click **Apply** to save the changes.

Step 5 Return to your originating procedure (NTP).

DLP-G641 Configuring EFM Link Monitoring Parameters

Purpose	This task allows you to configure EFM link monitoring parameters for each port on the GE_XP, 10GE_XP, GE_XPE, and 10GE_XPE cards.
Tools/Equipment	None
Prerequisite Procedures	DLP-G46 Log into CTC
Required/As Needed	As needed
Onsite/Remote	Onsite or remote
Security Level	Retrieve or higher

Procedure

Step 1 Verify that the GE_XP, 10GE_XP, GE_XPE, or 10GE_XPE card is installed in L2-over-DWDM mode. See the [DLP-G379 Changing the GE_XP, 10GE_XP, GE_XPE, and 10GE_XPE Card Mode, on page 199](#)

Step 2 In card view, click the **Provisioning > EFM > Link Monitoring** tabs.

Step 3 Modify the EFM link monitoring parameter settings as described in the table.

Table 161: EFM Link Monitoring Parameter Settings

Parameter	Description	Options
Port	(Display only) Port number (<i>n-n</i>) and rate (GE or TEN_GE).	—
EF Max	Sets the threshold value for the maximum number of errored frames to detect during a specific period.	Range: 1 to 65535
EF Min	Sets the threshold value for the minimum number of errored frames to detect during a specific period.	Range: 0 to 65535
EF Action	Specifies that when the parameter value exceeds the maximum threshold value, the applicable action is None. When the parameter value falls below the minimum threshold value, a threshold crossing alert (transient condition) is generated.	<ul style="list-style-type: none"> • None • Squelch
EF Window	Period in which the errored frame parameters are monitored.	Range: 10 to 600
EFP Max	Sets the threshold value for the maximum number of errored frames within the last <i>n</i> frames.	Range: 1 to 65535

Parameter	Description	Options
EFP Min	Sets the threshold value for the minimum number of errored frames within the last n frames.	Range: 0 to 65535
EFP Action	Specifies that when the parameter value exceeds the maximum threshold value, the applicable action is None. When the parameter value falls below the minimum threshold value, a threshold crossing alert (transient condition) is generated.	<ul style="list-style-type: none"> • None • Squelch
EFP Window	Period in which the EFP parameters are monitored.	Range: 1 to 65535
EFSS Max	Sets the threshold value for the maximum number of errored seconds within the last m seconds.	Range: 1 to 900
EFSS Min	Sets the threshold value for the minimum number of errored seconds within the last m seconds.	Range: 0 to 900
EFSS Action	Specifies that when the parameter value exceeds the maximum threshold value, the applicable action is None. When the parameter value falls below the minimum threshold value, a threshold crossing alert (transient condition) is generated.	<ul style="list-style-type: none"> • None • Squelch
EFSS Window	Specifies the period when the EFSS parameters are monitored.	Range: 100 to 9000

Step 4 Click **Apply** to save the changes.

Step 5 Return to your originating procedure (NTP).

DLP-G642 Enabling Remote Loopback for a Port

Purpose	This task allows you to enable remote loopback for each port on the GE_XP, 10GE_XP, GE_XPE, and 10GE_XPE cards.
Tools/Equipment	None
Prerequisite Procedures	DLP-G46 Log into CTC
Required/As Needed	As needed
Onsite/Remote	Onsite or remote
Security Level	Retrieve or higher

Procedure

-
- Step 1** Verify that the GE_XP, 10GE_XP, GE_XPE, or 10GE_XPE card is installed in L2-over-DWDM mode. See the [DLP-G379 Changing the GE_XP, 10GE_XP, GE_XPE, and 10GE_XPE Card Mode, on page 199](#).
- Step 2** In card view, click the **Provisioning** > **EFM** > **Loopback** tabs.
The remote loopback type details appear for each port.
- Step 3** From the Remote Loopback Type drop-down list, choose **Remote Loopback**.
- Step 4** Click **Apply** to save the changes.
- Step 5** Return to your originating procedure (NTP).
-

NTP-G287 Managing the Card REP Settings

Purpose	This procedure changes the REP settings for the GE_XP, 10GE_XP, GE_XPE, and 10GE_XPE cards.
Tools/Equipment	None
Prerequisite Procedures	<ul style="list-style-type: none"> • NTP-G179 Installing the Transponder and Muxponder Cards • DLP-G379 Changing the GE_XP, 10GE_XP, GE_XPE, and 10GE_XPE Card Mode, on page 199 • DLP-G726 Preprovisioning a Multirate PPM (if necessary)
Required/As Needed	As needed
Onsite/Remote	Onsite or remote
Security Level	Provisioning or higher

Procedure

Perform any of the following tasks as needed:

- [DLP-G713 Provisioning Administrative VLAN for Ports in a REP Segment](#)
- [DLP-G645 Creating a Segment](#)
- [DLP-G646 Editing a Segment](#)
- [DLP-G647 Activating VLAN Load Balancing](#)
- [DLP-G648 Deactivating VLAN Load Balancing](#)
- [DLP-G615 Retrieving Information on Channel Group, REP, CFM, and EFM](#)
- [DLP-G649 Create a Segment on the GE_XP, 10GE_XP, GE_XPE, or 10GE_XPE Cards Using PCLI](#)

- [DLP-G650 Configure STCN on the GE_XP, 10GE_XP, GE_XPE, or 10GE_XPE Cards Using PCLI](#)
- [DLP-G651 Configure Preemption Delay on the Primary Edge Port Using PCLI](#)
- [DLP-G652 Configure VLAN Load Balancing on the Primary Edge Port Using PCLI](#)

Stop. You have completed this procedure.

DLP-G713 Provisioning Administrative VLAN for Ports in a REP Segment

Purpose	This task allows you to provision administrative VLAN for NNI and UNI ports in a REP segment on the GE_XP, 10GE_XP, GE_XPE, and 10GE_XPE cards.
Tools/Equipment	None
Prerequisite Procedures	DLP-G46 Log into CTC
Required/As Needed	As needed
Onsite/Remote	Onsite or remote
Security Level	Retrieve or higher



Note One administrative CVLAN and one administrative SVLAN can be provisioned for each card. The REP segments using NNI ports send Hardware Flood Layer (HFL) messages using the administrative SVLAN. The REP segments using UNI ports send HFL messages using the administrative CVLAN. The two VLANs need not be the same.

Procedure

- Step 1** Verify that the GE_XP, 10GE_XP, GE_XPE, or 10GE_XPE card is installed in L2-over-DWDM mode. See [DLP-G379 Changing the GE_XP, 10GE_XP, GE_XPE, and 10GE_XPE Card Mode, on page 199](#).
- Step 2** In card view, click the **Provisioning > REP > Admin VLAN Configuration** tabs.
- Step 3** To provision administrative VLAN for NNI ports in a REP segment, perform the following steps:
- From the SVLAN drop-down list, choose a SVLAN. The following table describes the REP convergence time for SVLANs.

Table 162: REP Convergence Time for SVLANs

SVLAN	Administrative VLAN	REP Convergence Time
0 (default)	Not configured	4 to 5 seconds
1 to 4093	Configured	Less than 200 milliseconds

- b) Click **Apply**
- c) To associate the chosen SVLAN with the NNI ports, see [DLP-G382 Adding SVLANS to NNI Ports](#).

Step 4 To provision administrative VLAN for UNI ports in a REP segment, perform the following steps:

- a) Enter the CVLAN in the CVLAN field.
- b) Click **Apply**.
- c) To associate the CVLAN with the UNI ports, see [DLP-G384 Provisioning the QinQ Settings](#).

Step 5 Return to your originating procedure (NTP).

DLP-G645 Creating a Segment

Purpose	This task allows you to create a segment on the GE_XP, 10GE_XP, GE_XPE, and 10GE_XPE cards.
Tools/Equipment	None
Prerequisite Procedures	DLP-G46 Log into CTC
Required/As Needed	As needed
Onsite/Remote	Onsite or remote
Security Level	Retrieve or higher



Note

- You can create up to three segments on a card. Each segment can have up to two ports on the same switch.
- You must configure the REP administrative VLAN to activate the Hardware Flood Layer (HFL).
- Before creating REP segments, you must configure the administrative VLAN or use the default VLAN 1 and add the ports to the segment. Only one SVLAN can be configured per card for all the three segments. REP uses the administrative VLAN to flood its own control traffic.
- The administrative CVLAN is required if a REP port is configured as a UNI port. However, the REP ports are configured as NNI ports in many configurations, and hence the administrative CVLAN is not required in these configurations. The option to configure the administrative CVLAN is present in CTC.
- You must configure two edge ports in the segment. A segment has only one primary edge port. If you configure two ports in a segment as the primary edge port, for example, ports on different switches, REP selects one of the ports to serve as the primary edge port based on port priority.
- If REP is enabled on two ports on a switch, both the ports must be either regular ports or edge ports. However, if the No-neighbor port is configured, one port can be an edge port and another port can be a regular port.
- You can also optionally configure where to send segment topology change notifications (STCNs) and VLAN load balancing (VLB). STCNs are enabled only for primary edge ports. VLB configurations are enabled on any edge ports. For information about interaction of REP with other protocols, see the “11.14.2 Protocol Compatibility list” section on page 11-62

Procedure

- Step 1** Verify that the GE_XP, 10GE_XP, GE_XPE, or 10GE_XPE card is installed in L2-over-DWDM mode. See [DLP-G379 Changing the GE_XP, 10GE_XP, GE_XPE, and 10GE_XPE Card Mode, on page 199](#).
- Step 2** In card view, click the **Provisioning > REP > Segment tabs**.
- Step 3** Click **Create**.
- Step 4** Enter the segment ID in the Segment field. The range of the segment ID is from 1 to 1024.
- Step 5** From the Port drop-down list, choose a REP port that must belong to this segment.
- Note** A REP port can belong to only one segment.
- Step 6** From the Port Role area, choose whether you want to configure the port as an edge port or a regular port. The options are:
- a) Edge—The port is configured as an edge port.
 - Check the **Primary** check box to configure the edge port as a primary edge port. A segment can have only one primary edge port.

Note If an edge port is configured as primary edge port, the other edge port in the ring automatically becomes secondary edge port. If neither edge port is configured as primary edge port, one edge port is automatically selected as primary edge port, and the other edge port is secondary edge port. Configuring an edge port as a primary edge port is not mandatory. However, it is recommended since VLAN load balancing must be configured on the node with the primary edge port.
 - Uncheck the **Primary** check box to configure the edge port as a secondary edge port.
 - (Optional) Check the **Preferred** check box to configure the regular or edge port as a preferred alternate port (alternate to primary edge port). This port blocks a range of SVLANs for VLAN load balancing. There is no limit on the number of preferred ports in a REP ring. The preferred port, if configured, is relevant even without VLAN load balancing, as it takes priority over non-preferred ports for alternate port election.

Note Configuring a port as preferred does not ensure that it becomes the alternate port; it only gets preference over the other ports that are not configured as preferred when an alternate port is elected.
 - Check the **NoNeighbor** check box if the edge port must not have a neighbor port. REP does not check for neighbor adjacency.

Note When the **NoNeighbor** check box is checked, ensure that only one segment is created.
 - b) None—The port is configured as a regular port. If you choose this option, Segment Topology Change Notifications (STCN) and VLAN Load Balancing (VLB) configurations are disabled.

Check the **Preferred** check box to configure the regular port as a preferred alternate port.
- Step 7** From the STCN area, configure the destination of STCN messages:
- a) Check the **Enable** check box to enable sending STCN messages.
 - b) From the Port drop-down list, choose the STCN port to send STCN messages or enter the segment ID in the Segment field to send STCN messages. The STCN port and REP port must be unique.

- Step 8** From the VLAN Load Balancing area, configure VLAN Load Balancing on the primary edge port:
- Check the **Enable** check box to enable VLB.
 - Enter a single SVLAN or range of SVLANs in the SVLAN field. These SVLANs are blocked at the alternate ports. The primary edge port blocks the remaining VLANs.
 - Enter the Rep PortId in the Rep PortId field to identify the VLAN blocking alternate port. This unique port ID is automatically generated when REP is enabled.
 - Check the **Preferred** check box to select the segment port previously identified as the preferred alternate port for VLAN load balancing.
- When you check **Preferred** under VLAN Load Balancing area, you configure VLAN load balancing to use one of the previously configured preferred ports (under the Port Role area) to be the load balancing port. This restricts the load balancing port to be one among the preferred ports, but you cannot select a specific preferred port.
- Step 9** From the VLB Preempt Delay area, enter the trigger delay for automatic VLB activation. The range is 15 to 300 seconds.
- Step 10** Click **Next**.
- Step 11** Enter the details of the second port to add it to the segment.
- Step 12** Repeat step 6 to step 10 when the first port is configured as a regular port and the second port is configured as a primary edge port. Repeat step 6 to step 7 when the first port is configured as a primary edge port and the second port is configured as a regular port.
- Step 13** Click **Finish**.
- Step 14** Return to your originating procedure (NTP).

DLP-G646 Editing a Segment

Purpose	This task allows you to edit a segment on the GE_XP, 10GE_XP, GE_XPE, and 10GE_XPE cards.
Tools/Equipment	None
Prerequisite Procedures	DLP-G46 Log into CTC
Required/As Needed	As needed
Onsite/Remote	Onsite or remote
Security Level	Retrieve or higher



Note You can edit only the STCN and VLB entries for a segment.

Procedure

-
- Step 1** Verify that the GE_XP, 10GE_XP, GE_XPE, or 10GE_XPE card is installed in L2-over-DWDM mode. See [DLP-G379 Changing the GE_XP, 10GE_XP, GE_XPE, and 10GE_XPE Card Mode, on page 199](#).
- Step 2** In card view, click the **Provisioning** > **REP** > **Segment** tabs. The list of segments appear.
- Step 3** Choose a segment from the list of segments.
- Step 4** Click **Edit**.
- Step 5** Modify the values as required and click **Finish**.
- Step 6** Return to your originating procedure (NTP).
-

DLP-G647 Activating VLAN Load Balancing

Purpose	This task allows you to activate VLAN load balancing on the GE_XP, 10GE_XP, GE_XPE, and 10GE_XPE cards.
Tools/Equipment	None
Prerequisite Procedures	DLP-G46 Log into CTC
Required/As Needed	As needed
Onsite/Remote	Onsite or remote
Security Level	Retrieve or higher

Procedure

-
- Step 1** Verify that the GE_XP, 10GE_XP, GE_XPE, or 10GE_XPE card is installed in L2-over-DWDM mode. See [DLP-G379 Changing the GE_XP, 10GE_XP, GE_XPE, and 10GE_XPE Card Mode, on page 199](#).
- Step 2** In card view, click the **Provisioning** > **REP** > **Segment** tabs.
- Step 3** Choose a segment from the list of segments.
- Step 4** Click **Activate VLB**.
- Note** When VLAN load balancing is activated, the default configuration is manual preemption with the delay timer disabled.
- Step 5** Return to your originating procedure (NTP).
-

DLP-G648 Deactivating VLAN Load Balancing

Purpose	This task allows you to deactivate VLAN load balancing on the GE_XP, 10GE_XP, GE_XPE, and 10GE_XPE cards.
----------------	---

Tools/Equipment	None
Prerequisite Procedures	DLP-G46 Log into CTC
Required/As Needed	As needed
Onsite/Remote	Onsite or remote
Security Level	Retrieve or higher

Procedure

-
- Step 1** Verify that the GE_XP, 10GE_XP, GE_XPE, or 10GE_XPE card is installed in L2-over-DWDM mode. See [DLP-G379 Changing the GE_XP, 10GE_XP, GE_XPE, and 10GE_XPE Card Mode, on page 199](#).
- Step 2** In card view, click the **Provisioning > REP > Segment** tabs.
- Step 3** Choose a segment from the list of segments.
- Step 4** Click **Deactivate VLB**.
- Step 5** Return to your originating procedure (NTP).
-

NTP-G165 Modifying the Ethernet, Line and PM Thresholds

Purpose	This procedure changes Ethernet, line, and PM threshold settings for the GE_XP, 10GE_XP, GE_XPE, and 10GE_XPE cards.
Tools/Equipment	None
Prerequisite Procedures	<ul style="list-style-type: none"> • NTP-G179 Installing the Transponder and Muxponder Cards • DLP-G723 Install PPM on a Line Card
Required/As Needed	As needed
Onsite/Remote	Onsite or remote
Security Level	Provisioning or higher

Procedure

-
- Step 1** As needed, complete the [NTP-G103 Backing Up the Database](#) procedure, to preserve the existing transmission settings.
- Step 2** Verify the card mode:
- a) Display the GE_XP, 10GE_XP, GE_XPE, and 10GE_XPE card in card view.
 - b) Click the **Provisioning > Card** tabs.
 - c) Verify that the card mode is set to the mode designated by your site plan:

- L2-over-DWDM (GE_XP, 10GE_XP, GE_XPE, or 10GE_XPE)
- 10GE TXP (10GE_XP or 10 GE_XPE)
- 10GE MXP (GE_XP or GE_XPE)
- 20GE MXP (GE_XP or GE_XPE)

If the card mode is set correctly, continue with step 4. If not, complete the [DLP-G379 Changing the GE_XP, 10GE_XP, GE_XPE, and 10GE_XPE Card Mode](#), on page 199 task.

Step 3 Complete the [DLP-G380 Provisioning Ethernet Settings](#) task.

Step 4 If the ONS-SC-E1-T1-PW or ONS-SC-E3-T3-PW SFP is inserted in the GE_XPE card, complete the following tasks, as needed.

- [DLP-G684 Provisioning the PDH Ethernet Settings](#)
- [DLP-G685 Provisioning the Electrical Lines](#)

Step 5 If the GE_XP, 10GE_XP, GE_XPE, or 10GE_XPE card mode is L2-over-DWDM, complete the following tasks, as needed. If the card mode is not L2-over-DWDM, continue with step 7.

- [DLP-G381 Provisioning Layer 2 Protection Settings](#)
- [DLP-G382 Adding SVLANS to NNI Ports](#)
- [DLP-G383 Provisioning the Quality of Service Settings](#)
- [DLP-G384 Provisioning the QinQ Settings](#)
- [NTP-G205 Enabling Link Integrity on a Card](#)
- [DLP-G385 Provisioning the MAC Filter Settings](#)
- [NTP-G204 Enabling IGMP Snooping on a Card](#) or [NTP-G220 Enable IGMP Snooping on GE_XP, 10GE_XP, GE_XPE, or 10GE_XPE Cards Using PCLI](#).
- [NTP-G206 Enabling MVR on a Card](#) or [NTP-G224 Enable MVR on GE_XP, 10GE_XP, GE_XPE, or 10GE_XPE Cards Using PCLI](#).
- [DLP-G460 Enabling MAC Address Learning on SVLANS for GE_XPE or 10GE_XPE Cards](#) or [NTP-G226 Enable MAC Address Learning on SVLANS for GE_XP, 10GE_XP, GE_XPE, or 10GE_XPE Cards Using PCLI](#).

Step 6 Complete the following tasks, as needed:

- [DLP-G386 Provisioning the Trunk Port Alarm and TCA Threshold](#)
- [DLP-G387 Provisioning the Client Port Alarm and TCA Thresholds](#)
- [DLP-G388 Changing the RMON Threshold](#)
- [DLP-G389 Changing OTN Settings](#)

Note To use the Alarm Profiles tab, including creating alarm profiles and suppressing alarms, see the [Alarm and TCA Monitoring and Management](#) document.

Stop. You have completed this procedure.

DLP-G380 Provisioning Ethernet Settings

Purpose	This task changes the Ethernet settings for the GE_XP, 10GE_XP, GE_XPE, or 10GE_XPE card.
Tools/Equipment	None
Prerequisite Procedures	DLP-G46 Log into CTC
Required/As Needed	As needed
Onsite/Remote	Onsite or remote
Security Level	Provisioning or higher

Procedure

- Step 1** In node view (single-shelf mode) or shelf view (multishelf view), double-click the GE_XP, 10GE_XP, GE_XPE, or 10GE_XPE card where you want to change the Ethernet settings. The card view appears.
- Step 2** Click the **Provisioning** > **Ether Ports** > **Ethernet** tabs.
- Step 3** Modify any of the settings for the Ethernet tab as described in the table. The parameters that appear depend on the card mode.

Table 163: GE_XP, 10GE_XP, GE_XPE, and 10GE_XPE Ethernet Settings

Parameter	Description	Card Mode
Port	(Display only) The Port number (<i>n-n</i>) and rate (GE or TEN_GE).	<ul style="list-style-type: none"> • L2-over-DWDM • 10GE TXP • 10GE MXP • 20GE MXP
MTU	The maximum size of the Ethernet frames accepted by the port. The port must be in OOS/locked state.	<ul style="list-style-type: none"> • L2-over-DWDM • 10GE TXP • 10GE MXP • 20GE MXP

Parameter	Description	Card Mode
Mode	<p>Sets the Ethernet mode. The port must be in OOS/locked state before setting the card mode.</p> <p>Note For GE_XP and GE_XPE cards that are in Y-cable protection groups, Mode must be set to 1000 Mbps for those client ports that are configured in Y-cable. For 10GE_XP and 10GE_XPE cards that are in Y-cable protection groups, Mode must be set to 10000 Mbps.</p>	<ul style="list-style-type: none">• L2-over-DWDM• 10GE TXP• 10GE MXP• 20GE MXP

Parameter	Description	Card Mode
Flow Control	<p>Enables/disables flow control messaging with its peer port. When enabled, the port can send and receive PAUSE frames when buffer congestion occurs. When disabled, no PAUSE frames are transmitted and the PAUSE frames received are discarded.</p> <p>Note Flow control messaging is symmetric and not negotiated. When flow control is enabled on one port, the other end of the link (peer port) is not considered. That is, even if flow control is disabled on the peer port, the GE_XP, 10GE_XP, GE_XPE, or 10GE_XPE card will send PAUSE frames.</p>	<ul style="list-style-type: none"> • L2-over-DWDM • 10GE MXP • 10GE TXP • 20GE MXP
Media Type	<p>Note PROV-MISMATCH alarm is raised if the Media Type is not set to Ethernet Over DS1 (ANSI) or Ethernet Over E1 (ETSI) for ONS-SC-EOP1, Ethernet Over DS3 (ANSI) or Ethernet Over E3 (ETSI) for ONS-SC-EOP3, or DS1 Over Ethernet (ANSI) or E1 Over Ethernet (ETSI) for ONS-SC-E1-T1-PW or DS3 Over Ethernet (ANSI) or E3 Over Ethernet (ETSI) ONS-SC-E3-T3-PW. Set the correct Media Type to clear the PROV-MISMATCH alarm.</p>	<ul style="list-style-type: none"> • L2-over-DWDM • 10GE MXP • 20GE MXP
Committed Info Rate	<p>Sets the guaranteed information rate based on the service-level agreement of the service provider. The port must be in OOS/locked state.</p>	<ul style="list-style-type: none"> • L2-over-DWDM • 10GE MXP • 20GE MXP

Parameter	Description	Card Mode
Committed Burst Size	Sets the maximum number of bits that will be transferred per second. The port must be in OOS/locked state before the Committed Burst Size is provisioned.	<ul style="list-style-type: none">• L2-over-DWDM• 10GE MXP• 20GE MXP
Excess Burst Size	The maximum number of bits that are credited for later transfer in the event the committed burst rate cannot be transmitted. The port must be in OOS/locked state before the Excess Burst Size is provisioned.	<ul style="list-style-type: none">• L2-over-DWDM• 10GE MXP• 20GE MXP

Parameter	Description	Card Mode
NIM	Sets the port network interface mode (NIM). This parameter classifies port types designed for the Metro Ethernet market to simplify deployment, management, and troubleshooting. The port must be in OOS/locked state before the NIM is provisioned.	L2-over-DWDM
Egress QoS	Enables Quality of Service (QoS) on the port's egress or output queues. The port must be in OOS/locked state before the Egress QoS is provisioned.	L2-over-DWDM
MAC Learning	<p>Enables or disables MAC learning for the port on GE_XP, 10GE_XP, GE_XPE, and 10GE_XPE cards. MAC learning is used by Layer 2 switches to learn the MAC addresses of network nodes so the Layer 2 switches send traffic to the right location. Layer 2 switches, including the GE_XP, 10GE_XP, GE_XPE, and 10GE_XPE cards in L2-over-DWDM mode with MAC Learning configured, maintain a MAC learning table that associates the MAC addresses and VLANs with a given port.</p> <p>Note MAC addresses on SVLANs attached to the port must also be enabled to provision MAC address learning on GE_XPE and 10GE_XPE cards.</p> <p>Note MAC address table aging is 300 seconds. It cannot be changed.</p>	L2-over-DWDM

Parameter	Description	Card Mode
Ingress CoS	<p data-bbox="557 296 969 447">Provisions the IEEE 802.1p ingress Class of Service (CoS). The CoS .1p bits set the Ethernet frame priority. The port must be in OOS/locked state before the Ingress CoS is provisioned.</p> <p data-bbox="557 470 969 621">Ingress CoS is used to set the priority of the Ethernet frame in the service provider network, This parameter is used to set the CoS.1p bits in the SVLAN tag.</p> <p data-bbox="557 644 969 737">Ingress CoS applies only to ports provisioned as UNI mode. It does not apply to ports provisioned as NNI mode.</p>	L2-over-DWDM

Parameter	Description	Card Mode
Inner Ethertype (Hex)	<p>Defines the inner Ethertype field. The Ethertype field indicates which protocol is being transported in an Ethernet frame.</p> <p>The inner Ethertype applies to ports provisioned in UNI mode only. It does not apply to ports provisioned as NNI mode. The ports must be OOS/locked before the inner Ethertype is provisioned.</p>	L2-over-DWDM
Outer Ethertype (Hex)	<p>Defines the outer Ethertype field. The Ethertype field identifies which protocol is being transported in an Ethernet frame. The ports must be OOS/locked before the Outer Ethertype is provisioned.</p> <p>Note The PROV-MISMATCH alarm is raised on GE_XPE and 10GE_XPE cards if more than four different Outer Ethertype options are configured per card.</p>	L2-over-DWDM
IGMP Static Router Port	Adds multicast-capable ports to the forwarding table for every IP multicast.	L2-over-DWDM
AIS Action	Defines the AIS action type provisioned on the port.	L2-over-DWDM

Parameter	Description	Card Mode
Protection Action	Configures the standby port behavior. Set Protection Action to None if Media Type is set to Ethernet Over DS1 (ANSI) or Ethernet Over E1 (ETSI) for ONS-SC-EOP1, Ethernet Over DS3 (ANSI) or Ethernet Over E3 (ETSI) for ONS-SC-EOP3, or DS1 Over Ethernet (ANSI) or E1 Over Ethernet (ETSI) for ONS-SC-E1-T1-PW or DS3 Over Ethernet (ANSI) or E3 Over Ethernet (ETSI) for ONS-SC-E3-T3-PW.	L2-over-DWDM

The table shows the inner and outer Ethertype behavior based on the NIM setting (either NNI mode or UNI mode). When the NIM is set to UNI, and the QinQ mode is set to Selective, the Ethertype behavior depends on the SVLAN/CVLAN operation that is provisioned, either Add or Translate. (QinQ parameters are provisioned in the [DLP-G384 Provisioning the QinQ Settings](#) task.)

Note A packet can exit out of any UNI/NNI port if the outermost tag in the packet matches with the SVLAN provisioned on that port. In other words, in the egress path, the inner tags (even if present) of the packet are not matched with the inner SVLAN or CVLAN provisioned on the port.

Note The Committed Burst Size and Excess Burst Size must be configured based on the expected packet size to ensure that no packets are dropped when Flow Control is enabled. For example, if the CIR is 40% and packet size is 1 KB, the Committed Burst Size and Excess Burst Size should be set to 1 MB.

Note When you set the Committed Info Rate above 40% on 10GE_XP and 10GE_XPE cards, the Committed Burst Size and Excess Burst Size must be set to at least 32K. The Committed Burst Size and Excess Burst Size can be increased based on the packet size and Committed Info Rate value.

Table 164: Ethertype Behavior

Port Type/ Ethertype	NNI Mode	UNI Mode		
		Transparent	Selective Operation: Add	Selective Operat
Inner Ethertype	Not applicable: the outer Ethertype value is used.	Not applicable: all packets are mapped over the SVLAN.	Working (card-based)	Working (card-b
Outer Ethertype	Working (per port)	Not applicable: the outer Ethertype is contained in the inner VLAN (same as UNI Selective mode).	Not applicable: the outer Ethertype is the one contained in the inner VLAN.	This cannot be se by card. The oute automatically set Ethertype.

Step 4 Click **Apply**.

Step 5 Return to your originating procedure (NTP).

DLP-G684 Provisioning the PDH Ethernet Settings

Purpose	This task changes the PDH Ethernet settings for the GE_XPE card.
Tools/Equipment	None
Prerequisite Procedures	<ul style="list-style-type: none"> • DLP-G46 Log into CTC • Set the Media Type as DS1 Over Ethernet in Provisioning > Ether Ports > Ethernet tab in DLP-G380 Provisioning Ethernet Settings
Required/As Needed	As needed
Onsite/Remote	Onsite or remote
Security Level	Provisioning or higher

Procedure

- Step 1** In node view (single-shelf mode) or shelf view (multishelf view), double-click the GE_XPE card where you want to change the PDH Ethernet settings. The card view appears.
- Step 2** Click the **Provisioning > Ether Ports > PDH Ethernet Parameters** tabs. The PDH Ethernet Parameters tab appear only when the . The PDH Ethernet Parameters tab is available in GE_XPE card view only, provided the PPM for GE_XPE port is created in FE mode.
- Step 3** Modify any of the settings for the PDH Ethernet Parameters tab as described in table.

Table 165: GE_XPE Card PDH Ethernet Settings

Parameter	Description	Card Mode	Options
Port	(Display only) The Port number (<i>n-n</i>) and rate.	<ul style="list-style-type: none"> • L2-over-DWDM • 10GE MXP • 20GE MXP 	—
Port Name	(Display only) The port name.	<ul style="list-style-type: none"> • L2-over-DWDM • 10GE MXP • 20GE MXP 	—
	Sets the MPLS Inner Label value.	<ul style="list-style-type: none"> • L2-over-DWDM • 10GE MXP • 20GE MXP 	

Parameter	Description	Card Mode	Options
	Sets the MPLS Outer Label value.	<ul style="list-style-type: none"> • L2-over-DWDM • 10GE MXP • 20GE MXP 	
	Sets the jitter buffer value.	<ul style="list-style-type: none"> • L2-over-DWDM • 10GE MXP • 20GE MXP 	Table Variou buffer Note
	(ONS-SC-E1-T1-PW only) Sets the RX sensitivity value.	<ul style="list-style-type: none"> • L2-over-DWDM • 10GE MXP • 20GE MXP 	
	Only Unicast IP addresses are accepted.	<ul style="list-style-type: none"> • L2-over-DWDM • 10GE MXP • 20GE MXP 	—
	Only Unicast IP addresses are accepted.	<ul style="list-style-type: none"> • L2-over-DWDM • 10GE MXP • 20GE MXP 	—

Table 166: Jitter Buffer Values for Various Payload Types

Payload Type	Jitter Buffer Value	
	Lower Limit	Upper Limit
T1 (DS1)	1500	20000
T3 (DS3)	400	4500
E1	1500	200000
E3	400	60000

Step 4 Click **Apply**.

Step 5 Return to your originating procedure (NTP).

DLP-G685 Provisioning the Electrical Lines

Purpose	This task changes the Electrical Lines settings for the GE_XPE card.
Tools/Equipment	None
Prerequisite Procedures	<ul style="list-style-type: none"> • DLP-G46 Log into CTC • Set the Media Type as DS1 Over Ethernet in Provisioning > Ether Ports > Ethernet tab in DLP-G380 Provisioning Ethernet Settings
Required/As Needed	As needed
Onsite/Remote	Onsite or remote
Security Level	Provisioning or higher

Procedure

- Step 1** In node view (single-shelf mode) or shelf view (multishelf view), double-click the GE_XPE card where you want to change the Electrical Lines settings. The card view appears.
- Step 2** Click the **Provisioning > Ether Ports > Electrical Lines** tabs. The Electrical Lines tab appear only when the ONS-SC-E1-T1-PW or ONS-SC-E3-T3-PW SFP is inserted. The Electrical Lines tab is available in GE_XPE card view only, provided the PPM for GE_XPE port is created in FE mode.
- Step 3** Modify any of the settings for the Electrical Lines > DS1 or Electrical Lines > DS3 tab as described in table.

Table 167: GE_XPE Card Electrical Lines Settings

Parameter	Description	Card Mode	Opt
Port	(Display only) The Port number (<i>n-n</i>) and rate	<ul style="list-style-type: none"> • L2-over-DWDM • 10GE MXP • 20GE MXP 	—
Port Name	(Display only) The port name.	<ul style="list-style-type: none"> • L2-over-DWDM • 10GE MXP • 20GE MXP 	—

Parameter	Description	Card Mode
Clock Source	Sets the Clock Source	<ul style="list-style-type: none"> • L2-over-DWDM • 10GE MXP • 20GE MXP
		<ul style="list-style-type: none"> • L2-over-DWDM • 10GE MXP • 20GE MXP
		<ul style="list-style-type: none"> • L2-over-DWDM • 10GE MXP • 20GE MXP
		<ul style="list-style-type: none"> • L2-over-DWDM • 10GE MXP • 20GE MXP

Step 4 Click **Apply**.

Step 5 Return to your originating procedure (NTP).

DLP-G381 Provisioning Layer 2 Protection Settings

Purpose	This task provisions the Layer 2 protection settings for the GE_XP, 10GE_XP, GE_XPE, and 10GE_XPE cards when the cards are provisioned in L2-over-DWDM mode.
Tools/Equipment	None
Prerequisite Procedures	DLP-G46 Log into CTC
Required/As Needed	As needed
Onsite/Remote	Onsite or remote
Security Level	Provisioning or higher

GE_XP, 10GE_XP, GE_XPE, and 10GE_XPE Layer 2 protection settings must be planned for the entire VLAN ring. One card in the ring is provisioned as the primary card and one of its port is set to Blocking. The primary card coordinates the protection switching for the GE_XP, 10GE_XP, GE_XPE, or 10GE_XPE in a VLAN ring.

Up to 1024 SVLANs can be protected. This protection is used in FAPS ring. When a fault occurs on the working path of FAPs ring, all the SVLANs whose protection is set, are moved to the protection path of the FAPS ring. All the SVLANs can be protected or a range of SVLANs can be protected.



Note To perform this task, the GE_XP, 10GE_XP, GE_XPE, or 10GE_XPE card must be in L2-over-DWDM mode. To change the card mode, complete the [DLP-G379 Changing the GE_XP, 10GE_XP, GE_XPE, and 10GE_XPE Card Mode](#) task.



Note You can choose to enable another card in the ring to be the primary card. However, only one card in the ring can be provisioned as primary card. Make sure that the provisioning settings on the card that was previously configured as the primary are disabled as soon as another card is enabled as the primary card. To perform this task complete the [DLP-G507 Enabling a Different GE_XP, 10GE_XP, GE_XPE, or 10GE_XPE Card as Primary Card, on page 444](#) task.

Procedure

- Step 1** In node view (single-shelf mode) or shelf view (multishelf view), double-click the GE_XP, 10GE_XP, GE_XPE, or 10GE_XPE card where you want to change the protection settings. The card view appears.
- Step 2** Click the **Provisioning** > **Protection** tabs.
- Step 3** In the Status column, modify the port protection status by clicking the appropriate table cell and choosing one of the following from the drop-down list:
- Forwarding—Forwards the Ethernet packets that are received by the port.
 - Blocking—Blocks the Ethernet packets that are received by the port.

Note One port of the primary card within a VLAN ring must be set to Blocking. All other ports must be set to Forwarding.

Step 4 Check the **Master** check box if you want the card to serve as the protection coordinator for the VLAN ring. If not, continue with step 5.

Step 5 From the Protection drop-down list, choose one of the following:

- Enabled—Enables protection.
- Disabled—Disables protection.
- Forced—Converts all the SVLANs to protected SVLANs irrespective of the SVLAN protection configuration in the SVLAN database. This is applicable to a point-to-point linear topology. The SVLAN protection must be forced to move all SVLANs, including protected and unprotected SVLANs, to the protect path irrespective of provisioned SVLAN attributes.

Step 6 From the Hold Off Time drop-down list, choose one of the following:

- Disabled (default)—A FAPS switchover occurs immediately.
- 50 msec, 100 msec, 200 msec, 500 msec, 1 sec, 2 sec, or 5 sec—Holds off FAPS protection for the selected duration.

Note To get consistent results ensure Hold Off Time values are the same throughout the ring.

Note FAPS is an Layer 2 protection enabled on a VLAN. When a fiber fault occurs, Layer 1 protection is triggered immediately to restore the traffic. Setting the Hold Off Time option prevents Layer 2 FAPS protection from triggering at the same time as Layer 1 protection thereby avoiding traffic hits.

Step 7 Click **Refresh** to refresh the FAPS Layer 2 protection settings.

Step 8 Click **Protect SVLAN's** to protect the SVLANs.

The Protect All SVLAN's dialog appears.

- a) Choose the **Select All** option to protect all the SVLANs.
- b) Choose the **Range** option to provide the range of SVLANs to protect.
Upto 1024 SVLANs can be protected. SVLANs that are in use are excluded.
- c) Click **OK**.

Step 9 Set the following parameters for FAPS switching with CRC errors:

- a) Switch with CRC Alarm—Check this check box to enable FAPS switching with CRC errors.
- b) CRC Threshold—Threshold for CRC error count. The default CRC threshold value is $10(-e)2$. The available options are $10(-e)2$, $10(-e)3$, and $10(-e)4$.
- c) CRC Soak Count—Number of times the CRC error rate exceeds the CRC threshold value before raising the DATA-CRC alarm. The default CRC Soak Count is 10. The valid range is from 3 to 10.
- d) CRC Poll Interval—Time interval (in seconds) between the successive polls. The default CRC Poll Interval is 60 seconds.

For example, if the CRC Threshold value = $10(-e)2$, CRC Soak Count = 10, and CRC Poll Interval = 60 seconds, then FAPS occurs when the incoming CRC error rate is more than $10(-e)2$ continuously across 10 poll intervals ($10*60 = 600$ seconds).

- e) Clear/Suppress CRC Alarm—Uncheck the **Clear/Suppress CRC Alarm** check box for FAPS to occur. If you check this check box, the DATA-CRC alarm gets cleared and FAPS does not occur.

Note As long as the **Clear/Suppress CRC Alarm** checkbox is checked, the DATA-CRC alarm is not raised on that port and FAPS does not occur.

Note For consistent result, ensure that all the values that are set in Step 7 are same throughout the ring.

Step 10 Click **Apply**.

Step 11 Return to your originating procedure (NTP).

DLP-G507 Enabling a Different GE_XP, 10GE_XP, GE_XPE, or 10GE_XPE Card as Primary Card

Purpose	This task provisions another GE_XP, 10GE_XP, GE_XPE, or 10GE_XPE card on a stable VLAN ring, to be the primary card when the cards are provisioned in L2-over-DWDM mode. Layer 2 protection must be enabled for the entire VLAN ring. One card in the ring is provisioned as the primary card and one of its port is set to Blocking. The primary card coordinates the protection switching for the GE_XP, 10GE_XP, GE_XPE, or 10GE_XPE cards in a VLAN ring.
Tools/Equipment	None
Prerequisite Procedures	DLP-G46 Log into CTC DLP-G381 Provisioning Layer 2 Protection Settings To perform this task, the card must be in L2-over-DWDM mode. To change the card mode, complete the DLP-G379 Changing the GE_XP, 10GE_XP, GE_XPE, and 10GE_XPE Card Mode , on page 199 .
Required/As Needed	As needed
Onsite/Remote	Onsite or remote
Security Level	Provisioning or higher

You can choose to enable another card in the ring to be the primary card. However, only one card in the ring can be provisioned as primary card. Make sure that the provisioning settings on the card that was previously configured as the primary are disabled as soon as another card is enabled as the primary card.

Procedure

Step 1 In node view (single-shelf mode) or shelf view (multishelf view), double-click the GE_XP, 10GE_XP, GE_XPE, or 10GE_XPE card in a VLAN ring where you want to enable primary card provisioning.

Step 2 Perform the following steps:

- a) Click the **Provisioning > Protection** tabs.
- b) From the Status drop-down list, choose **Blocking** for a trunk port.

Note One port of the primary card within a VLAN ring must be set to Blocking. All other ports must be set to Forwarding.
- c) Check the **Master** check box for the card that serves as the protection coordinator for the VLAN ring.
- d) From the Protection drop-down list, choose **Enabled**.
- e) Click **Apply**.

Step 3 The primary card provisioning on the other card must be disabled. Perform the following steps:

- a) Click the **Provisioning > Protection** tabs.
- b) Uncheck the **Master** check box for the card where Primary node provisioning must be disabled.
- c) Click **Apply**.
- d) From the Protection drop-down list, choose **Disabled**.
- e) Click **Apply**.

Step 4 The protection on the card that was disabled in step 2 must be enabled again. Perform the following steps:

- a) Click the **Provisioning > Protection** tabs.
- b) From the Protection drop-down list, choose **Enabled**.
- c) Click **Apply**.
- d) From the Status drop-down list, choose **Forwarding** on both ports.
- e) Click **Apply**.

Step 5 Return to your originating procedure (NTP).

DLP-G382 Adding SVLANS to NNI Ports

Purpose	This task adds or removes service provider VLAN (SVLAN) provisioning to/from GE_XP, 10GE_XP, GE_XPE, and 10GE_XPE ports. This task only applies to GE_XP, 10GE_XP, GE_XPE, and 10GE_XPE cards in L2-over-DWDM mode.
Tools/Equipment	None
Prerequisite Procedures	<ul style="list-style-type: none"> • DLP-G46 Log into CTC • To perform this task, the card must be in L2-over-DWDM mode. To change the card mode, complete the DLP-G379 Changing the GE_XP, 10GE_XP, GE_XPE, and 10GE_XPE Card Mode, on page 199 • This task can only be performed on ports provisioned as NNI. See the DLP-G380 Provisioning Ethernet Settings task.
Required/As Needed	As needed
Onsite/Remote	Onsite or remote
Security Level	Provisioning or higher

Procedure

-
- Step 1** In node view (single-shelf mode) or shelf view (multishelf view), double-click the GE_XP, 10GE_XP, GE_XPE, or 10GE_XPE card where you want to change the SVLAN port settings. The card view appears.
- Step 2** Click the **Provisioning** > **SVLAN** tabs.
- Step 3** For each SVLAN shown in the table, click the check box under the Port [*port name*] table cell to include the SVLAN in that port. If you do not want the SVLAN included, uncheck the check box.
- Note** If no SVLANs appear in the SVLAN tab, complete the [DLP-G421 Creating and Storing an SVLAN Database](#) .
- Step 4** Click **Apply**.
- Step 5** Return to your originating procedure (NTP).
-

DLP-G383 Provisioning the Quality of Service Settings

Purpose	This task provisions the Weighted Round Robin (WRR) value and bandwidth for QoS Class of Service (CoS) egress queues on a GE_XP, 10GE_XP, GE_XPE, and 10GE_XPE card port.
Tools/Equipment	None
Prerequisite Procedures	<ul style="list-style-type: none"> • DLP-G46 Log into CTC • To perform this task, the card must be in L2-over-DWDM mode and the port must have QoS enabled. Refer to the DLP-G379 Changing the GE_XP, 10GE_XP, GE_XPE, and 10GE_XPE Card Mode, on page 199 and the DLP-G380 Provisioning Ethernet Settings, if needed.
Required/As Needed	As needed
Onsite/Remote	Onsite or remote
Security Level	Provisioning or higher

Procedure

-
- Step 1** In node view (single-shelf mode) or shelf view (multishelf view), double-click the GE_XP, 10GE_XP, GE_XPE, or 10GE_XPE card where you want to change the QoS settings.
- Step 2** Click the **Provisioning** > **QoS** tabs.
- Step 3** In the Port field at the bottom of the window, choose the port where you want to provision the QoS settings.
- Step 4** For each CoS egress queue, 0 through 7, define the following:
- WRR weight—sets the Weighted Round Robin (WRR) level for the CoS egress queue. The default is 1. The range is 0 to 15, where 0 is Strict Priority.)

Note The GE_XP, 10GE_XP, GE_XPE, and 10GE_XPE define a set of eight queues, one queue for each CoS. Only one of the queues can be assigned the 0 WRR weight (Strict Priority).

- **Bandwidth**—sets the bandwidth allocated for the CoS egress queue, 100 is the default. This bandwidth value is the percentage (%) of bandwidth with respect to the SFP, XFP, or port speed (100 Mbps for FE, 1 Gbps for GE, and 10 Gbps for 10GE) of the interface.

Step 5 Click **Apply**. Click **Yes** in the confirmation dialog box.

Step 6 Return to your originating procedure (NTP).

DLP-G470 Provisioning the CoS Settings

Purpose	This task provisions Class of Service (CoS) settings on the GE_XP, 10GE_XP, GE_XPE, or 10GE_XPE card.
Tools/Equipment	None
Prerequisite Procedures	<ul style="list-style-type: none"> • DLP-G46 Log into CTC • To perform this task, the card must be in L2-over-DWDM mode and the port must be in OOS state.
Required/As Needed	As needed
Onsite/Remote	Onsite or remote
Security Level	Provisioning or higher

Procedure

Step 1 In node view (single-shelf mode) or shelf view (multishelf view), double-click the GE_XP, 10GE_XP, GE_XPE, or 10GE_XPE card where you want to change the CoS settings.

Step 2 Complete Ingress CoS section in the [DLP-G380 Provisioning Ethernet Settings](#) task.

Step 3 Return to your originating procedure (NTP).

DLP-G384 Provisioning the QinQ Settings

Purpose	This task provisions the IEEE 802.1QinQ VLAN tags on the GE_XP, 10GE_XP, GE_XPE, or 10GE_XPE card UNI ports. QinQ tags expand the VLAN capability by tagging the tagged packets to produce a “double-tagged” Ethernet frame. For service providers the expanded VLAN allows specific services to be provided on specific VLANs for specific customers, while other types of services can be provided to other customers on other VLANs.
Tools/Equipment	None

Prerequisite Procedures	<ul style="list-style-type: none"> • DLP-G46 Log into CTC • DLP-G421 Creating and Storing an SVLAN Database • This task can only be performed on the cards UNI ports. (To provision the port Ethernet parameters, see the DLP-G380 Provisioning Ethernet Settings task.)
Required/As Needed	As needed
Onsite/Remote	Onsite or remote
Security Level	Provisioning or higher

Procedure

- Step 1** In node view (single-shelf mode) or shelf view (multishelf view), double-click the GE_XP, 10GE_XP, GE_XPE, or 10GE_XPE card where you want to change the QinQ settings.
- Step 2** Click the **Provisioning** > **QinQ** tabs.
- Step 3** Click the **Port** field and choose the port where you want to provision QinQ. Channel groups configured in UNI mode appear in the Port field along with the physical ports.
- Step 4** Click the **Mode** field and choose one of the following modes from the drop-down list:
- **Selective**—The incoming Ethernet packet is checked against the CVLAN and SVLAN table. If the CVLAN is not found, the packet is dropped. If you choose Selective, add an entry in the QinQ tab to map the administrative CVLAN to the SVLAN (if it is not same as the one used for data).
 - **Transparent**—All incoming packets are transported with the additional VLAN chosen in the SVLAN field. If you choose transparent, the traffic on administrative CVLAN will pass through.
- Step 5** Click the **BPDU** field and choose one of the following bridge protocol data unit (BPDU) modes from the drop-down list:
- **Drop (default)**—If checked, drops incoming packets with any of the following destination MAC addresses. The BPDU default can be applied for any UNI port.
 - 01-80-c2-00-00-00—IEEE 802.1D
 - 01-80-c2-00-00-02—Link Aggregation Control Protocol (LACP)
 - 01-80-0c-cc-cc-cc—VLAN Spanning Tree Plus (PVST+)
 - 01-00-c-cc-cc-cc—Cisco Discovery Protocol (CDP) type 0x2000, VLAN Trunk Protocol (VTP) type 0x2003, Port Aggregation Protocol (PAgP), type 0x0104, Uni-Directional Link Detection (UDLD) type 0x111, Dynamic Trunking Protocol (DTP) type 0x2004
 - **Tunnel**—If checked, transparently sends any of the destination MAC addresses listed above.
- Step 6** If the Mode was set to Selective, complete the following steps. If not, continue with step 7.
- To add a row, click **Add**.
 - Click the **CVLAN** table and type in the CVLAN range. You can enter a single value or a range using “-” between the two ends of the range.

Note If you are using Software Release 8.5 or earlier, it is recommended that you do not specify a CVLAN range due to certain limitations in the feature.

- c) Click the **SVLAN** table cell and choose an SVLAN from the drop-down list.
- d) Click the **Operation** table cell and choose an operation:
 - Add (default)—Adds the SVLAN on top of the CVLAN. The operation default can be applied for any UNI port.
 - Translate—CVLAN is translated with the SVLAN value.
 - Double Add—(GE_XPE and 10GE_XPE cards only) Adds an inner and an outer SVLAN to double tagged packets only. CVLAN settings are not required. If this double tagged selective operation is present on a port, no other selective operation can be present.
 - Translate Add—(GE_XPE and 10GE_XPE cards only) CVLAN gets translated to inner SVLAN and the SVLAN is added.

Note If Double Add and Translate Add are configured on a GE_XP or a 10GE_XP card, a PROV-MISMATCH alarm is raised. Until this alarm is cleared, provisioning on the card is not possible.

Note A CVLAN with a value of 0 means “untagged packet”.

Note Two or more CVLANs cannot be translated over the same SVLAN.

- e) (GE_XPE and 10GE_XPE cards only) Click the **COS** table cell and choose a value from the drop down list.
- f) Click **Apply**.
- g) Continue with step 9.

- Step 7** If the Mode was set to Transparent, in the SVLAN field, choose the SVLAN to be added to incoming packets.
- Step 8** Click DSCP-Cos mapping Table to provision CoS based on DSCP for each port.
- Step 9** For each DSCP, choose a CoS value from 0 to 7 and click **OK**.
- Step 10** Return to your originating procedure (NTP).

DLP-G221 Enabling MAC Address Learning on SVLANs

Purpose	This task enables MAC address learning on SVLANs for GE_XP, 10GE_XP, GE_XPE, or 10GE_XPE cards.
Tools/Equipment	None
Prerequisite Procedures	DLP-G46 Log into CTC VLANs must already be created on the selected card.
Required/As Needed	As needed
Onsite/Remote	Onsite or remote

Security Level	Provisioning or higher
-----------------------	------------------------

Procedure

- Step 1** Complete the following tasks, as needed:
- [DLP-G460 Enabling MAC Address Learning on SVLANs for GE_XPE or 10GE_XPE Cards](#)
 - [NTP-G226 Enable MAC Address Learning on SVLANs for GE_XP, 10GE_XP, GE_XPE, or 10GE_XPE Cards Using PCLI](#)
- Step 2** Return to your originating procedure (NTP).

DLP-G460 Enabling MAC Address Learning on SVLANs for GE_XPE or 10GE_XPE Cards

Purpose	This task enables MAC address learning on SVLANs attached to the port of a GE_XPE or 10GE_XPE card.
Tools/Equipment	None
Prerequisite Procedures	<ul style="list-style-type: none"> • DLP-G46 Log into CTC • To perform this task, the card must be in L2-over-DWDM mode. Refer to the DLP-G379 Changing the GE_XP, 10GE_XP, GE_XPE, and 10GE_XPE Card Mode, on page 199.
Required/As Needed	As needed
Onsite/Remote	Onsite or remote
Security Level	Provisioning or higher



Note MAC address learning is applicable only for GE_XPE and 10GE_XPE cards. If MAC address learning is configured on a GE_XP or a 10GE_XP card, a PROV-MISMATCH alarm is raised. Until this alarm is cleared, provisioning on the card is not possible.

Procedure

- Step 1** In node view (single-shelf mode) or shelf view (multishelf view), double-click the GE_XPE or 10GE_XPE card where you want to enable MAC address learning.
- Step 2** Enable MAC address learning on the port. Perform the following steps:
- Click **Provisioning > Ethernet**.

- b) Check the **MAC Learning** check box.

Note If the per port MAC address learning is configured on a GE_XP or 10 GE_XP cards, before upgrading to a GE_XPE or 10 GE_XPE card, enable MAC address learning per SVLAN. Not doing so disables MAC address learning.

- Step 3** Enable MAC address learning on the SVLAN attached to the port. Perform the following steps:
- Click **SVLAN > SVLAN DB** tabs.
 - Click **Load**. This loads an SVLAN database from a network node or local file and replaces any SVLANs that are in the network view VLAN DB table.
 - Check the **MAC Learning** check box related to the SVLAN (one or more than one SVLAN) to be configured with MAC address learning.
 - Click **Store**. This records and enables the new configuration.
- Step 4** Return to your originating procedure (NTP).

DLP-G385 Provisioning the MAC Filter Settings

Purpose	This task provisions the MAC address filter for the GE_XP, 10GE_XP, GE_XPE, or 10GE_XPE cards when the cards are provisioned in L2-over-DWDM mode. The MAC address filter is a list of MAC addresses whose packets should be accepted or dropped.
Tools/Equipment	None
Prerequisite Procedures	<ul style="list-style-type: none"> • DLP-G46 Log into CTC • DLP-G379 Changing the GE_XP, 10GE_XP, GE_XPE, and 10GE_XPE Card Mode
Required/As Needed	As needed
Onsite/Remote	Onsite or remote
Security Level	Provisioning or higher

Procedure

- Step 1** In node view (single-shelf mode) or shelf view (multishelf view), double-click the GE_XP, 10GE_XP, GE_XPE, or 10GE_XPE card where you want to change the MAC filter settings.
- Step 2** Click the **Provisioning > Security > MAC Filter** tabs.
- Step 3** Click the port for which you want to create a MAC filter.
- Step 4** Click **Edit**.
- Step 5** In the Edit MAC Address dialog box, click **Add**. A new table entry appears with the MAC address 00-00-00-00-00-00.
- Step 6** In the MAC Address Port field, type in the MAC address you want to filter over the default 00-00-00-00-00-00 address.

- Step 7** If you want to add more MAC addresses, repeat step 5 and step 6. (Up to eight MAC addresses can be added for each port.) If not, click **OK**.
- Step 8** On the MAC Filter table, provision the Allowed check box:
- Checked—All MAC addresses different from the address(es) entered in the table will be dropped.
 - Unchecked—All MAC addresses matching the address(es) entered in the table will be dropped.
- Step 9** Click **Apply**.
- Step 10** Repeat step 3 to step 9 for each port of the GE_XP, 10GE_XP, GE_XPE, or 10GE_XPE card that you want to set up.
- Step 11** Return to your originating procedure (NTP).

NTP-G237 Retrieving and Clearing MAC Addresses on SVLANs

Purpose	This procedure retrieves and clears MAC addresses learned on GE_XP, 10GE_XP, GE_XPE, or 10GE_XPE cards.
Tools/Equipment	None
Prerequisite Procedures	<ul style="list-style-type: none"> • DLP-G46 Log into CTC • DLP-G379 Changing the GE_XP, 10GE_XP, GE_XPE, and 10GE_XPE Card Mode, on page 199 • DLP-G221 Enabling MAC Address Learning on SVLANs
Required/As Needed	As needed
Onsite/Remote	Onsite or remote
Security Level	Provisioning or higher



Caution Retrieving and clearing learned MAC addresses are CPU intensive and traffic affecting. You must clear the MAC addresses only during a scheduled maintenance window.



Note It is not possible to simultaneously retrieve learned MAC addresses from both CTC and TL1 interfaces.

Procedure

- Step 1** In the node view (single-shelf mode) or shelf view (multishelf view), double-click the GE_XP, 10GE_XP, GE_XPE, or 10GE_XPE card where you want to retrieve the MAC addresses.
- Step 2** To retrieve the MAC addresses learned, perform the following steps:

- a) Click **Maintenance > MAC Addresses > Learned**.
- b) In the SVLAN field, type a valid SVLAN range. The SVLAN range is from 1 to 4093.
- c) Click **Refresh**.

The table displays the following fields:

- MAC Address—Displays the MAC address for the port.
- VLAN—Displays the VLAN identifier for the port.
- Port—Displays the port number.

- d) Right-click the column heading to display the following options:
 - Row Count—Displays the number of learned MAC addresses retrieved.
 - Sort Column—Sorts the table by the column's values.
 - Hide Column—Hides the column from view.
 - Reorder Columns Visibility—Displays all hidden columns.

Step 3 Click **Refresh** to refresh the list of MAC addresses learned.

Step 4 Click **Clear** to clear the MAC addresses learned on all the SVLANs of the card.

Note It is not possible to delete the MAC addresses learned on a per SVLAN basis.

Step 5 To view card MAC addresses, complete the [DLP-G546 Viewing MAC Addresses on a Card](#) task.

Stop. You have completed this procedure.

DLP-G546 Viewing MAC Addresses on a Card

Purpose	This task allows you to view the MAC addresses for each client and trunk port and the CPU port of the card.
Tools/Equipment	None
Prerequisite Procedures	DLP-G46 Log into CTC
Required/As Needed	As needed
Onsite/Remote	Onsite or remote
Security Level	Provisioning or higher

Procedure

Step 1 To view the card MAC addresses, click **Maintenance > MAC Addresses > Card**. The MAC addresses for each client and trunk port and the CPU port are displayed.

The table displays these fields:

- Port—Displays the port number.
- MAC Address—Displays the MAC address for the port.

Step 2 Return to your originating procedure (NTP).

NTP-G311 Provisioning the Storm Control Settings

Purpose	This task provisions the storm control settings for the GE_XP, 10GE_XP, GE_XPE, or 10GE_XPE cards when the cards are provisioned in L2-over-DWDM mode.
Tools/Equipment	None
Prerequisite Procedures	To perform this task, the card must be in L2-over-DWDM mode. To change the card mode, complete the DLP-G379 Changing the GE_XP, 10GE_XP, GE_XPE, and 10GE_XPE Card Mode, on page 199 .
Required/As Needed	As needed
Onsite/Remote	Onsite or remote
Security Level	Provisioning or higher

Procedure

- Step 1** In node view (single-shelf mode) or shelf view (multishelf view), double-click the GE_XP, 10GE_XP, GE_XPE, or 10GE_XPE card where you want to change the storm control settings.
- Step 2** Click the **Provisioning > Security > Storm Control** tabs.
- Step 3** Modify any of the settings as described in table.

Table 168: Storm Control Settings

Parameter	Description	Options
Port	(Display only) The Port number (<i>n-n</i>) and rate (GE or TEN_GE).	
DLF Storm Control	Enables or disables DLF storm control on the card.	<ul style="list-style-type: none"> • Checked—DLF storm control is enabled. • Unchecked—DLF storm control is disabled.
DLF Storm Control Threshold (pps)	Threshold value to set the number of unknown unicast packets per second.	Range: 0 to 16777215 packets per second

Parameter	Description	Options
Mcast Storm Control	Enables or disables Multicast storm control on the card.	<ul style="list-style-type: none"> • Checked—Multicast storm control is enabled. • Unchecked—Multicast storm control is disabled.
Mcast Storm Control Threshold (pps)	Threshold value to set the number of multicast packets per second.	Range: 0 to 16777215 packets per second
Bcast Storm Control	Enables or disables Broadcast storm control on the card.	<ul style="list-style-type: none"> • Checked—Broadcast storm control is enabled. • Unchecked—Broadcast storm control is disabled.
Bcast Storm Control Threshold (pps)	Threshold value to set the number of broadcast packets per second.	Range: 0 to 16777215 packets per second

Step 4 Click **Apply**.

Stop. You have completed this procedure.

NTP-G205 Enabling Link Integrity on a Card

Purpose	This task enables link integrity on GE_XP, 10GE_XP, GE_XPE, or 10GE_XPE cards.
Tools/Equipment	None
Prerequisite Procedures	None
Required/As Needed	As needed
Onsite/Remote	Onsite or remote
Security Level	Provisioning or higher

Procedure

Complete these tasks, as needed:

- [DLP-G509 Enabling Link Integrity Using CTC](#)
- [NTP-G216 Enable Link Integrity on GE_XP, 10GE_XP, GE_XPE, or 10GE_XPE Cards Using PCLI](#)

Stop. You have completed this procedure.

DLP-G509 Enabling Link Integrity Using CTC

Purpose	This task enables link integrity on GE_XP, 10GE_XP, GE_XPE, or 10GE_XPE cards.
Tools/Equipment	None
Prerequisite Procedures	DLP-G46 Log into CTC
Required/As Needed	As needed
Onsite/Remote	Onsite or remote
Security Level	Provisioning or higher

Procedure

- Step 1** From the View menu, choose **Go to Network View**.
- Step 2** Create or load an SVLAN profile. To create a SVLAN profile see the [DLP-G471 Creating SVLAN or CVLAN Profile](#) task.
- Note** Make sure the **Link Integrity** check box is selected to enable link integrity for a profile and save it to the node.
- Step 3** Associate the SVLAN profile (with Link Integrity enabled) to a SVLAN on a port. To do this perform these steps:
- In node view (single-shelf mode), or shelf view (multishelf mode), double-click the GE_XP, 10GE_XP, GE_XPE, or 10GE_XPE card. The card view appears.
 - Click the **Provisioning > Profiles Mapping > SVLAN** tabs.
 - Enter the SVLANs or SVLAN range in the **SVLAN to View** text box.

A table appears that displays SVLANs and available ports. The SVLAN profiles that was created must be applied to a SVLAN and a port. However, make sure the SVLAN has already been associated with the port via the QinQ tab (For information on how to associate a SVLAN to a port, see the [DLP-G384 Provisioning the QinQ Settings](#) task).
 - Select the SVLAN for a port and choose the available SVLAN profile from the drop-box.
 - Click **Apply**.
- Step 4** AIS action must be set on a per-UNI port basis. Select **None** or **Squelch** from the AIS action drop-down list. For detailed instructions, see the [DLP-G380 Provisioning Ethernet Settings](#) task.
- Step 5** Return to your originating procedure (NTP).
-

DLP-G289 Provisioning CVLAN Rate Limiting on a Card

Purpose	This task provisions CVLAN rate limiting on the GE_XP, 10GE_XP, GE_XPE, and 10GE_XPE cards.
Tools/Equipment	None
Prerequisite Procedures	DLP-G46 Log into CTC
Required/As Needed	As needed
Onsite/Remote	Onsite or remote
Security Level	Provisioning or higher

Procedure

-
- Step 1** From the View menu, choose **Go to Network View**.
- Step 2** Create or load a CVLAN profile by setting Committed Info Rate, Committed Burst, Excess Info, Excess Burst. To create a CVLAN Profile see the [DLP-G471 Creating SVLAN or CVLAN Profile](#).
- Note** You cannot provision CVLAN rate limiting on channel groups.
- Step 3** Associate the CVLAN profile to a CVLAN on a UNI port. To do this perform these steps:
- In node view (single-shelf mode), or shelf view (multishelf mode), double-click the GE_XP, 10GE_XP, GE_XPE, and 10GE_XPE card. The card view appears.
 - Click the **Provisioning > Profiles Mapping > CVLAN** tabs.
 - Enter the CVLANs or CVLAN range in the **CVLANs to View** text box.

A table appears that displays CVLANs and available ports. The CVLAN profiles that were created must be applied to a CVLAN and port. However, make sure the CVLAN has already been associated with the port via the QinQ tab (For information on how to associate a CVLAN profile to a UNI port, see the [DLP-G384 Provisioning the QinQ Settings](#)).
 - Select the CVLAN for a given port and choose the available CVLAN profile from the drop-down list.
 - Click **Apply**.
- Step 4** Return to your originating procedure (NTP).
-

NTP-G208 Provisioning SVLAN Rate Limiting on a Card

Purpose	This task provisions SVLAN rate limiting on the GE_XP, 10GE_XP, GE_XPE, and 10GE_XPE cards.
Tools/Equipment	None

Prerequisite Procedures	DLP-G46 Log into CTC
Required/As Needed	As needed
Onsite/Remote	Onsite or remote
Security Level	Provisioning or higher

Procedure

Complete the following tasks, as needed:

- [DLP-G515 Provisioning SVLAN Rate Limiting Using CTC](#)
- [NTP-G225 Provision SVLAN Rate Limiting on the GE_XP, 10GE_XP, GE_XPE, or 10GE_XPE Card Using PCLI](#)

Stop. You have completed this procedure.

DLP-G515 Provisioning SVLAN Rate Limiting Using CTC

Purpose	This task provisions SVLAN rate limiting on the GE_XP, 10GE_XP, GE_XPE, and 10GE_XPE cards.
Tools/Equipment	None
Prerequisite Procedures	DLP-G46 Log into CTC
Required/As Needed	As needed
Onsite/Remote	Onsite or remote
Security Level	Provisioning or higher

Procedure

- Step 1** From the View menu, choose **Go to Network View**.
- Step 2** Create or load a SVLAN profile by setting Committed Info Rate, Committed Burst, Excess Info, Excess Burst. To create a SVLAN Profile see the [DLP-G471 Creating SVLAN or CVLAN Profile](#) task.
- Step 3** Associate the SVLAN profile to a SVLAN on a port. To do this, perform the following steps:
- In node view (single-shelf mode), or shelf view (multishelf mode), double-click the GE_XP, 10GE_XP, GE_XPE, and 10GE_XPE card. The card view appears.
 - Click the **Provisioning > Profiles Mapping > SVLAN** tabs.
 - Enter the SVLANs or SVLAN range in the **SVLAN to View** text box.

A table appears that displays SVLANs and available ports. The SVLAN profiles that were created must be applied to a SVLAN and port. However, make sure the SVLAN has already been associated with the

port via the QinQ tab (For information on how to associate a SVLAN profile to a UNI port, see the [DLP-G384 Provisioning the QinQ Settings](#) task and to a NNI port see the [DLP-G382 Adding SVLANs to NNI Ports](#) task).

- d) Select the SVLAN for a given port and choose the available SVLAN profile from the drop-down list.
- e) Click **Apply**.

Step 4 Return to your originating procedure (NTP).

DLP-G471 Creating SVLAN or CVLAN Profile

Purpose	This task creates an SVLAN profile.
Tools/Equipment	None
Prerequisite Procedures	DLP-G46 Log into CTC
Required/As Needed	As needed
Onsite/Remote	Onsite or remote
Security Level	Provisioning or higher



Note You cannot associate SVLAN or CVLAN profiles to channel groups. You can associate a CVLAN profile only to a UNI port.

Procedure

Step 1 From the View menu, choose **Go to Network View**.

Step 2 Click the **Provisioning > SVLAN > Profiles** tabs.

Step 3 Click **Add** and a profile is added to the Profiles tab. Modify any of these settings:

- Name—The profile name can be up to 32 alphanumeric/special characters.
- Committed Info Rate—Sets the guaranteed information rate based on the service-level agreement of the service provider. The valid value ranges from 0 to 100% with 0.1% granularity. The default value is 100%.
- Committed Burst—Sets the maximum number of bits that will be transferred per second.
- Peak Info rate—Sets the maximum access rate based on the service-level agreement of the service provider. The valid value ranges from 0 to 100% with 0.1% granularity. The default value is 100%. However, the value must be greater than or equal to the Committed Info Rate.
- Peak Burst Size—The maximum number of bits that are credited for later transfer in the event the committed burst rate cannot be transmitted.

- **Link Integrity**—Enables link integrity for the SVLAN profile. Do not check this check box if you are creating a CVLAN profile.

Note When you set the Committed Info Rate above 40% on 10GE_XP and 10GE_XPE cards, the Committed Burst Size and Excess Burst Size must be set to at least 32K. The Committed Burst Size and Excess Burst Size can be increased based on the packet size and Committed Info Rate value.

Step 4 Click **Store**.

In the Store Profile(s) dialog box, choose one of the following:

- **To Node(s)**—Stores the SVLAN profile at one or more network nodes. Choose the network nodes where you want to store the SVLAN profile. To choose more than one node, press the Shift key, or click Select All.
- **To File**—Stores the SVLAN profile in a file. Enter a file name, then click Browse to navigate to a local or network drive where you want to store the file.

Step 5 Click **OK**.

Step 6 Return to your originating procedure (NTP).

NTP-G204 Enabling IGMP Snooping on a Card

Purpose	This procedure enables Internet Group Management Protocol (IGMP) snooping on a per-SVLAN basis on GE_XP, 10GE_XP, GE_XPE, or 10GE_XPE cards.
Tools/Equipment	None
Prerequisite Procedures	None
Required/As Needed	As needed
Onsite/Remote	Onsite or remote
Security Level	Provisioning or higher

Procedure

Complete the following tasks, as needed:

- [DLP-G511 Enabling IGMP Snooping, Fast Leave, Report Suppression, and Protection](#)
- [NTP-G220 Enable IGMP Snooping on GE_XP, 10GE_XP, GE_XPE, or 10GE_XPE Cards Using PCLI](#)
- [NTP-G217 Enable IGMP Fast-Leave Processing on GE_XP, 10GE_XP, GE_XPE, or 10GE_XPE Cards Using PCLI](#)
- [NTP-G219 Enable IGMP Report Suppression on GE_XP, 10GE_XP, GE_XPE, or 10GE_XPE Cards Using PCLI](#)

Stop. You have completed this procedure.

DLP-G511 Enabling IGMP Snooping, Fast Leave, Report Suppression, and Protection

Purpose	This procedure explains how to enable IGMP snooping, IGMP fast leave and IGMP report suppression on GE_XP, 10GE_XP, GE_XPE, or 10GE_XPE cards using CTC.
Tools/Equipment	None
Prerequisite Procedures	DLP-G46 Log into CTC
Required/As Needed	As needed
Onsite/Remote	Onsite or remote
Security Level	Provisioning or higher

Procedure

- Step 1** From the View menu, choose **Go to Network View**.
- Step 2** Click the **Provisioning > SVLAN > SVLAN DB** tabs. Click **Load** to load the SVLANs on the card where IGMP must be enabled.
- Step 3** For each SVLAN shown in the table, select the following:
- Protection—Check the **Protection** check box to protect the SVLAN.
Check the **Protect All SVLANs** check box to protect all the SVLANs. Up to 1024 SVLANs can be protected.
 - MAC Learning—(GE_XP card only) Check the **MAC Learning** check box to enable or disable MAC learning for the port.
 - IGMP—Check the **IGMP** check box to enable IGMP for the selected SVLAN.
 - IGMP Fast Leave—Checking the **IGMP Fast Leave** check box causes the switch to immediately remove a port from the IP multicast group when it detects an IGMP, version 2 (IGMPv2) leave message on that port.
 - IGMP Suppression—Check the **IGMP Suppression** check box to enable a single IGMP report to be sent to each multicast group in response to a single query.
- Step 4** Click **Store SVLAN DB**.
- If card protection is enabled and one or more SVLANs are not protected, CTC informs the user that protection check box is disabled on one or more SVLANs. This allows the user to check the Protection check box for SVLANs if required.
- In the Store SVLAN DB dialog box, choose one of the following:

- To Node/Shelf/Card—Select the node and shelf. All the GE_XP, 10GE_XP, GE_XPE, or 10GE_XPE cards in L2 over DWDM mode are displayed. Select the card where you want to store the SVLAN DB.
- Stores the SVLAN database at one or more network nodes. Choose the network nodes where you want to store the SVLAN database. To choose more than one node, press the Shift key, or click **Select All**.
- To File—Stores the SVLAN database in a file. Enter a file name, then click **Browse** to navigate to a local or network drive where you want to store the file.
- Select the card on which you want to save the changes made in step 3.

Step 5 Click **OK**.

Note If you want to add the multicast-capable ports to the forwarding table for every IP multicast, select the IGMP Static Router Port check box as described in the [DLP-G380 Provisioning Ethernet Settings](#) task.

Step 6 Return to your originating procedure (NTP).

NTP-G206 Enabling MVR on a Card

Purpose	This procedure enables Multicast VLAN Registration (MVR) on GE_XP, 10GE_XP, GE_XPE, or 10GE_XPE cards.
Tools/Equipment	None
Prerequisite Procedures	None
Required/As Needed	As needed
Onsite/Remote	Onsite or remote
Security Level	Provisioning or higher

Procedure

Complete the following tasks, as needed:

- [DLP-G513 Enabling MVR Using CTC](#)
- [NTP-G224 Enable MVR on GE_XP, 10GE_XP, GE_XPE, or 10GE_XPE Cards Using PCLI](#)

Stop. You have completed this procedure.

DLP-G513 Enabling MVR Using CTC

Purpose	This procedure enables Multicast VLAN Registration (MVR) on GE_XP, 10GE_XP, GE_XPE, or 10GE_XPE cards using CTC.
Tools/Equipment	None
Prerequisite Procedures	DLP-G382 Adding SVLANS to NNI Ports
Required/As Needed	As needed
Onsite/Remote	Onsite or remote
Security Level	Provisioning or higher

Procedure

-
- Step 1** In node view (single-shelf mode), or shelf view (multishelf mode), double-click the GE_XP, 10GE_XP, GE_XPE, or 10GE_XPE card where you want to enable MVR. The card view appears.
- Note** At least one SVLAN must be configured on the card.
- Step 2** Click the **Provisioning > MVR** tabs.
- Step 3** Check the **Enabled** check box and enter the following information:
- IGMP CVLAN—Check box to enable IGMP snooping on CVLAN. This check box is enabled only when MVR is enabled through the Enabled check box.
 - Multicast SVLAN—Select the MVR SVLAN ID. The default value is the SVLAN with the lowest ID configured on the card. The drop box lists all the SVLANs on the GE_XP, 10GE_XP, GE_XPE, or 10GE_XPE card.

Note SVLAN selected here can not be used for UNI port, make sure that the corresponding SVLAN on the NNI port is checked.
 - Multicast Address—Sets the specified multicast group address as the MVR multicast group. The default address is 239.255.255.255 and the range is 224.0.0.0 to 239.255.255.255. Except the subrange [224-239].[0/128].0.x.
 - Count—Sets the range of any additional multicast group addresses. The default is 1, and range is 1 to 256.
- Step 4** Click **Apply**
- Step 5** Return to your originating procedure (NTP).
-

DLP-G386 Provisioning the Trunk Port Alarm and TCA Threshold

Purpose	This task changes the GE_XP, 10GE_XP, GE_XPE, or 10GE_XPE card trunk port alarm and TCA thresholds.
----------------	---

Tools/Equipment	None
Prerequisite Procedures	DLP-G46 Log into CTC
Required/As Needed	As needed
Onsite/Remote	Onsite or remote
Security Level	Provisioning or higher



Note The GE_XP, 10GE_XP, GE_XPE, and 10GE_XPE cards have two trunk ports. The GE_XP and GE_XPE trunk ports are 21-1 and 22-1 on the card graphic and 21 (Trunk) and 22 (Trunk) on the Optics Thresholds table. The 10GE_XP and 10GE_XPE card trunk ports are 3-1 and 4-1 on the card graphic and 3 (Trunk) and 4 (Trunk) on the Optics Thresholds table.

Procedure

Step 1 In node view (single-shelf mode) or shelf view (multishelf view), double-click the GE_XP, 10GE_XP, GE_XPE, or 10GE_XPE card where you want to change the trunk port alarm and TCA settings.

Step 2 Click the **Provisioning > Optics Thresholds** tabs.

Note You must modify 15 Min and 1 Day independently. To do so, choose the appropriate radio button and click **Refresh**.

Note Do not modify the Laser Bias parameters.

Note The hardware device that plugs into a TXP, MXP, GE_XP, 10GE_XP, GE_XPE, 10GE_XPE or ADM-10G card faceplate to provide a fiber interface to the card is called a Small Form-factor Pluggable (SFP or XFP). In CTC, SFPs and XFPs are called pluggable port modules (PPMs). SFPs/XFPs are hot-swappable input/output devices that plug into a port to link the port with the fiber-optic network. Multirate PPMs have provisionable port rates and payloads. For more information about SFPs and XFPs, see the “11.26 SFP, SFP+, XFP, CXP, and CFP Modules” section.

Step 3 If TCA is not selected, click **TCA** and then click **Refresh**. When TCA is selected, continue with step 4.

Step 4 Verify the trunk port TCA thresholds are provisioned as shown in table. Provision new thresholds as needed by double-clicking the threshold value you want to change, deleting it, entering a new value, and hitting Enter.

Table 169: GE_XP, 10GE_XP, GE_XPE, or 10GE_XPE Card Trunk Interface TCA Thresholds

Pluggable Port Module (XFP)	TCA RX Power High	TCA RX Power Low	TCA TX Power High	TCA TX Power Low
XFP WDM no FEC	-7	-23	6	-4
XFP WDM standard FEC	-7	-27	6	-4
XFP WDM Enhanced FEC	-7	-27	6	-4

Step 5 Under Types, click the **Alarm** radio button and click **Refresh**.

Note Do not modify the Laser Bias parameters.

Step 6 Verify the trunk port alarm thresholds are provisioned as shown in table. Provision new thresholds as needed by double-clicking the threshold value you want to change, deleting it, entering a new value, and hitting Enter.

Table 170: GE_XP, 10GE_XP, GE_XPE, or 10GE_XPE Card Trunk Interface Alarm Thresholds

Pluggable Port Module (XFP)	Alarm RX Power High	Alarm RX Power Low	Alarm TX Power High	Alarm TX Power Low
XFP WDM no FEC	-5	-26	5	-3
XFP WDM standard FEC	-5	-30	5	-3
XFP WDM Enhanced FEC	-5	-30	5	-3

Step 7 Click **Apply**.

Step 8 Repeat step 3 to step 7 to provision the second trunk port.

Step 9 Return to your originating procedure (NTP).

DLP-G387 Provisioning the Client Port Alarm and TCA Thresholds

Purpose	This task provisions the client port alarm and TCA thresholds for the GE_XP, 10GE_XP, GE_XPE, and 10GE_XPE cards.
Tools/Equipment	None
Prerequisite Procedures	DLP-G726 Preprovisioning a Multirate PPM DLP-G46 Log into CTC
Required/As Needed	Required
Onsite/Remote	Onsite or remote
Security Level	Provisioning or higher



Note The GE_XP card has 20 client ports. The ports are 1-1 through 20-1 on the card graphic and 1 (Client) through 20 (Client) on the Optics Thresholds table. The 10GE_XP card has 2 client ports. The ports are 1-1 and 2-1 on the card graphic and 1 (Client) and 2 (Client) on the Optics Thresholds table.

The hardware device that plugs into the card faceplate to provide a fiber interface to the card is called a Small Form-factor Pluggable (SFP or XFP). In CTC, SFPs and XFPs are called pluggable port modules (PPMs). SFPs/XFPs are hot-swappable input/output devices that plug into a port to link the port with the fiber-optic network. Multirate PPMs have provisionable port rates and payloads. For more information about SFPs and XFPs, see the [SFP, SFP+, QSFP+, XFP, CXP, CFP, CFP2 and CPAK Modules](#), on page 194 section.

Procedure

- Step 1** In node view (single-shelf mode) or shelf view (multishelf view), double-click the GE_XP, 10GE_XP, GE_XPE, or 10GE_XPE card where you want to change the client port alarm and TCA settings.
- Step 2** Click the **Provisioning** > **Optics Thresholds** tabs. The TCA thresholds are shown by default.
- If TCA is not selected, click **TCA** and then click **Refresh**. When TCA is selected, continue with step 4.
 - Verify the client port TCA thresholds are provisioned as shown in table. Provision new thresholds as needed by double-clicking the threshold value you want to change, deleting it, entering a new value, and hitting **Enter**.

Table 171: GE_XP, 10GE_XP, GE_XPE, or 10GE_XPE Card Client Interface TCA Thresholds

Pluggable Port Module (XFP)	TCA RX Power High	TCA RX Power Low	TCA TX Power High	TCA TX Power Low
10GE LAN PHY 10GBASE-LR	1	-14	5	-12
1000Base-SX (1Gbps) ⁹	0	-17	3	-16
1000Base-LX ¹	-3	-20	3	-16

⁹ Gigabit Ethernet client

Note You must modify 15 Min and 1 Day independently. To do so, choose the appropriate radio button and click **Refresh**.

- Step 3** Under Types, click the **Alarm** radio button and click **Refresh**.

Note Do not modify the Laser Bias parameters.

- Step 4** Verify the client port Alarm thresholds are provisioned as shown in table. Provision new thresholds as needed by double-clicking the threshold value you want to change, deleting it, entering a new value, and hitting Enter.

Table 172: GE_XP, 10GE_XP, GE_XPE, or 10GE_XPE Card Client Interface Alarm Thresholds

Pluggable Port Module (XFP)	Alarm RX Power High	Alarm RX Power Low	Alarm TX Power High	Alarm TX Power Low
10GE LAN PHY 10GBASE-LR	3	-16	1	-8
1000Base-SX (1Gbps) ¹⁰	3	-20	-2	-12
1000Base-SX (2Gbps) ¹	3	-18	-2	-12
1000Base-LX ¹	0	-23	-1	-12

¹⁰ Gigabit Ethernet client

- Step 5** Click **Apply**.

- Step 6** Repeat step 3 to step 5 to provision each additional client port.

Step 7 Return to your originating procedure (NTP).

DLP-G388 Changing the RMON Threshold

Purpose	This task changes the GE_XP, 10GE_XP, GE_XPE, or 10GE_XPE card RMON threshold settings.
Tools/Equipment	None
Prerequisite Procedures	DLP-G46 Log into CTC
Required/As Needed	As needed
Onsite/Remote	Onsite or remote
Security Level	Provisioning or higher

Procedure

- Step 1** In node view (single-shelf mode) or shelf view (multishelf view), display the GE_XP, 10GE_XP, GE_XPE, or 10GE_XPE card where you want to change the RMON thresholds.
- Step 2** Click the **Provisioning > RMON Thresholds** tabs.
- Step 3** Click **Create**. The Create Threshold dialog box appears.
- Step 4** From the Port drop-down list, choose an individual port, or choose **All** to provision RMON thresholds for all ports.
- Step 5** From the Variable drop-down list, choose an Ethernet variable. See the table for a list of available Ethernet RMON variables.

Note Variable descriptions were obtained from the following Internet Engineering Task Force (IETF) Requests for Comment (RFCs): RFC 3635, RFC 2233, and RFC 1757. Refer to the RFCs for additional information.

Table 173: Gigabit Ethernet RMON Variables

Variable	Description
rxTotalPkts	Total number of receive packets.
ifInUcastPkts	The number of packets, delivered by this sub-layer to a higher (sub-)layer, which are addressed to a multicast or broadcast address at this sub-layer.
ifInMulticastPkts	The number of packets, delivered by this sub-layer to a higher (sub-)layer, which are addressed to a multicast address at this sub-layer. For a MAC layer protocol, this includes both Group and Functional addresses.
ifInBroadcastPkts	The number of packets, delivered by this sub-layer to a higher (sub-)layer, which are addressed to a broadcast address at this sub-layer.

Variable	Description
ifInDiscards	The number of inbound packets which were chosen to be discarded even though no errors had been detected to prevent their being deliverable to a higher-layer protocol. One possible reason for discarding such a packet could be to free up buffer space.
ifInOctets	Total number of octets received on the interface, including framing characters.
ifOutOctets	Total number of octets transmitted out of the interface, including framing characters.
txTotalPkts	Total number of transmitted packets.
ifOutMulticastPkts	The total number of packets that higher-level protocols requested be transmitted, and that were addressed to a multicast address at this sub-layer, including those that were discarded or not sent. For a MAC layer protocol, this includes both group and functional addresses.
ifOutBroadcastPkts	The total number of packets that higher-level protocols requested be transmitted, and that were addressed to a broadcast address at this sub-layer, including those that were discarded or not sent.
ifOutDiscards	The number of outbound packets which were chosen to be discarded even though no errors had been detected to prevent their being transmitted. One possible reason for discarding a packet could be to free up buffer space.
IfOutErrors	Number of outbound packets or transmission units that could not be transmitted because of errors.
dot3StatsFCSErrors	A count of frames received on a particular interface that are an integral number of bytes in length but do not pass the FCS check.
dot3StatsFrameTooLong	A count of frames received on a particular interface that exceed the maximum permitted frame size.
dot3ControlInUnknownOpCode	A count of MAC control frames received on this interface that contain an opcode not supported by this device.
dot3InPauseFrames	A count of MAC control frames received on this interface with an opcode indicating PAUSE operation.
dot33StatsFCSErrors	A count of frames received on a particular interface that are an integral number of bytes in length but do not pass the FCS check.
dot3StatsFrameTooLong	A count of frames received on a particular interface that exceed the maximum permitted frame size.
dot3ControlInUnknownOpCode	A count of MAC control frames received on this interface that contain an opcode not supported by this device.
dot3InPauseFrames	A count of MAC control frames received on this interface with an opcode indicating PAUSE operation.
dot3OutPauseFrames	A count of MAC Control frames transmitted on this interface with an opcode indicating PAUSE operation.

Variable	Description
etherStatsCRCAAlignErrors	Total number of packets received that had a length (excluding framing bits, but including FCS octets) of between 64 and 1518 octets, inclusive, but had either a bad FCS with a non-integral number of octets (FCS Error) or a bad FCS with an integral number of octets (FCS Error).
etherStatsUndersizePkts	The total number of packets received that were less than 64 octets long (excluding framing bits, but including FCS octets) and were otherwise well formed.
etherStatsFragments	The total number of packets received that were less than 64 octets in length (excluding framing bits, but including FCS octets) and had either a bad Frame Check Sequence (FCS Error) or a bad FCS with a non-integral number of octets (FCS Error).
etherStatsPkts	The total number of packets (including bad packets, broadcast packets, and multicast packets) received.
etherStatsPkts64Octets	The total number of packets (including bad packets) received that were 64 octets or longer (excluding framing bits but including FCS octets).
etherStatsPkts65to127Octets	The total number of packets (including error packets) received that were between 65 and 127 octets in length inclusive (excluding framing bits but including FCS octets).
etherStatsPkts128to255Octets	The total number of packets (including error packets) received that were between 128 and 255 octets in length inclusive (excluding framing bits but including FCS octets).
etherStatsPkts256to511Octets	The total number of packets (including error packets) received that were between 256 and 511 octets in length inclusive (excluding framing bits but including FCS octets).
etherStatsPkts512to1023Octets	The total number of packets (including error packets) received that were between 512 and 1023 octets in length inclusive (excluding framing bits but including FCS octets).
etherStatsPkts1024to1518Octets	The total number of packets (including error packets) received that were between 1024 and 1518 octets in length inclusive (excluding framing bits but including FCS octets).
etherStatsPkts1519to1522Octets	The total number of packets (including error packets) received that were between 1519 and 1522 octets in length inclusive (excluding framing bits but including FCS octets). Note This variable is supported only on client ports.
etherStatsBroadcastPkts	The total number of good packets received that were directed to the broadcast address.
etherStatsMulticastPkts	The total number of good packets received that were directed to a multicast address that this number does not include packets directed to the broadcast address.
etherStatsOversizePkts	The total number of packets received that were longer than 1518 octets (for untagged packets) or 1522 octets (for tagged packets) (excluding framing bits, but including FCS octets) and were otherwise well formed.
etherStatsJabbers	The total number of packets received that were longer than 1518 octets (for untagged packets) or 1522 octets (for tagged packets) (excluding framing bits, but including FCS octets) and were not an integral number of octets in length or had a bad FCS.

Variable	Description
etherStatsOctets	The total number of octets of data (including those in bad packets) received on the interface (excluding framing bits but including FCS octets).

Step 6 From the Alarm Type drop-down list, indicate whether the event will be triggered by the rising threshold, the falling threshold, or both the rising and falling thresholds.

Step 7 From the Sample Type drop-down list, choose either **Relative** or **Absolute**. Relative restricts the threshold to use the number of occurrences in the user-set sample period. Absolute sets the threshold to use the total number of occurrences, regardless of time period.

Step 8 Type in an appropriate number of seconds for the Sample Period.

Step 9 Type in the appropriate number of occurrences for the Rising Threshold.

For a rising type of alarm, the measured value must move from below the falling threshold to above the rising threshold. For example, if a network is running below a rising threshold of 1000 collisions every 15 seconds and a problem causes 1001 collisions in 15 seconds, the excess occurrences trigger an alarm.

Step 10 Enter the appropriate number of occurrences in the Falling Threshold field. In most cases a falling threshold is set lower than the rising threshold.

A falling threshold is the counterpart to a rising threshold. When the number of occurrences is above the rising threshold and then drops below a falling threshold, it resets the rising threshold. For example, when the network problem that caused 1001 collisions in 15 seconds subsides and creates only 799 collisions in 15 seconds, occurrences fall below a falling threshold of 800 collisions. This resets the rising threshold so that if network collisions again spike over a 1000 per 15-second period, an event again triggers when the rising threshold is crossed. An event is triggered only the first time a rising threshold is exceeded (otherwise, a single network problem might cause a rising threshold to be exceeded multiple times and cause a flood of events).

Step 11 Click **OK**.

Step 12 To view all RMON thresholds, click **Show All RMON thresholds**.

Step 13 Return to your originating procedure (NTP).

DLP-G389 Changing OTN Settings

Purpose	This task changes the optical transport network (OTN) settings for the GE_XP, 10GE_XP, GE_XPE, and 10GE_XPE cards.
Tools/Equipment	None
Prerequisite Procedures	DLP-G46 Log into CTC
Required/As Needed	As needed
Onsite/Remote	Onsite or remote
Security Level	Provisioning or higher

Procedure

- Step 1** In node view (single-shelf mode) or shelf view (multishelf view), double-click the GE_XP, 10GE_XP, GE_XPE, or 10GE_XPE card where you want to change the OTN settings.
- Step 2** Click the **Provisioning** > **OTN** tabs, then choose one of the following subtabs: OTN Lines, G.709 Thresholds, FEC Thresholds, or Trail Trace Identifier.
- Step 3** Modify any of the settings described in the tables.

Note You must modify Near End and Far End; 15 Min and 1 Day; and SM and PM independently. To do so, choose the appropriate radio button and click **Refresh**.

The table describes the values on the Provisioning > OTN > OTN Lines tab.

Table 174: GE_XP, 10GE_XP, GE_XPE, or 10GE_XPE Card OTN Line Settings

Parameter	Description	Options
Port	(Display only) Port number and description:	3 (Trunk) and 4 (Trunk). 10GE_XP and 10GE_XPE cards 21 (Trunk) and 22 (Trunk). GE_XP and GE_XPE cards
ITU-T G.709 OTN	Sets the OTN lines according to ITU-T G.709.	<ul style="list-style-type: none"> • Enable • Disable
FEC	Sets the OTN lines to forward error correction (FEC).	<ul style="list-style-type: none"> • Standard • Enhanced
SF BER	(Display only) Sets the signal fail bit error rate.	<ul style="list-style-type: none"> • 1E-5
SD BER	Sets the signal degrade bit error rate.	<ul style="list-style-type: none"> • 1E-5 • 1E-6 • 1E-7 • 1E-8 • 1E-9

The table describes the values on the Provisioning > OTN > ITU-T G.709 Thresholds tab.

Table 175: GE_XP, 10GE_XP, GE_XPE, or 10GE_XPE Card ITU-T G.709 Threshold Settings

Parameter	Description	Options
Port	(Display only) Port number and description:	3 (Trunk) and 4 (Trunk). 10GE_XP and 10GE_XPE cards 21 (Trunk) and 22 (Trunk). GE_XP and GE_XPE cards

Parameter	Description	Options
ES	Errored seconds	Numeric. Can be set for Near End or Far End, for 15-minute or one-day intervals, or for SM (OTUk) or PM (ODUk). Select a bullet and click Refresh .
SES	Severely errored seconds	Numeric. Can be set for Near End or Far End, for 15-minute or one-day intervals, or for SM (OTUk) or PM (ODUk). Select a bullet and click Refresh .
UAS	Unavailable seconds	Numeric. Can be set for Near End or Far End, for 15-minute or one-day intervals, or for SM (OTUk) or PM (ODUk). Select a bullet and click Refresh .
BBE	Background block errors	Numeric. Can be set for Near End or Far End, for 15-minute or one-day intervals, or for SM (OTUk) or PM (ODUk). Select a bullet and click Refresh .
FC	Failure counter	Numeric. Can be set for Near End or Far End, for 15-minute or one-day intervals, or for SM (OTUk) or PM (ODUk). Select a bullet and click Refresh .

The table describes the values on the Provisioning > OTN > FEC Threshold tab.

Table 176: GE_XP, 10GE_XP, GE_XPE, or 10GE_XPECard FEC Threshold Settings

Parameter	Description	Options
Port	(Display only) Port number and description:	3 (Trunk) and 4 (Trunk). 10GE_XP and 10GE_XPE cards 21 (Trunk) and 22 (Trunk). GE_XP and GE_XPE cards
Bit Errors Corrected	Sets the value for bit errors corrected.	Numeric. Can be set for 15-minute or one-day intervals.
Uncorrectable Words	Sets the value for uncorrectable words.	Numeric. Can be set for 15-minute or one-day intervals.

The table describes the values on the Provisioning > OTN > Trail Trace Identifier tab.

Table 177: GE_XP, 10GE_XP, GE_XPE, and 10GE_XPECard Trail Trace Identifier Settings

Parameter	Description	Options
Port	(Display only) Port number.	2
Level	Sets the level.	<ul style="list-style-type: none"> • Section • Path

Parameter	Description	Options
Received Trace Mode	Sets the trace mode.	<ul style="list-style-type: none"> • Off/None • Manual
Transmit	Displays the current transmit string; sets a new transmit string. You can click the button on the right to change the display. Its title changes, based on the current display mode. Click Hex to change the display to hexadecimal (button changes to ASCII); click ASCII to change the display to ASCII (button changes to Hex).	String of trace string size
Disable FDI on TTIM	If a Trace Identifier Mismatch on Section overhead alarm arises because of a J0 overhead string mismatch, no Forward Defect Indication (FDI) signal is sent to the downstream nodes if this box is checked.	<ul style="list-style-type: none"> • Checked (FDI on TTIM is disabled) • Unchecked (FDI on TTIM is not disabled)
Expected	Displays the current expected string; sets a new expected string. You can click the button on the right to change the display. Its title changes, based on the current display mode. Click Hex to change the display to hexadecimal (button changes to ASCII); click ASCII to change the display to ASCII (button changes to Hex).	String of trace string size
Received	(Display only) Displays the current received string. You can click Refresh to manually refresh this display, or check the Auto-refresh every 5 sec check box to keep this panel updated.	String of trace string size

Step 4 Click **Apply**.

Step 5 Return to your originating procedure (NTP).

NTP-G314 Adding a Card on FAPS Ring

Purpose	This procedure adds a GE_XP or 10GE_XP card on a FAPS ring.
Tools/Equipment	Installed GE_XP or 10GE_XP cards.

Prerequisite Procedures	DLP-G46 Log into CTC “NTP-G15 Install the Common Control Cards” in the Cisco ONS 15454 Hardware Installation Guide Complete the "NTP-G179 Install the Transponder and Muxponder Cards" procedure in "Turn up a node" chapter. DLP-G379 Changing the GE_XP, 10GE_XP, GE_XPE, and 10GE_XPE Card Mode, on page 199
Required/As Needed	As needed
Onsite/Remote	Onsite or remote
Security Level	Provisioning or higher

Procedure

Perform any of the following tasks as needed:

- [DLP-G687 Adding a Card Facing the Primary Card on FAPS Ring, on page 474](#)
- [DLP-G688 Adding a Card Between Secondary Cards on FAPS Ring, on page 475](#)

Stop. You have completed this procedure.

DLP-G687 Adding a Card Facing the Primary Card on FAPS Ring

Purpose	This procedure adds a GE_XP or 10GE_XP card that faces the primary card on a FAPS ring.
Tools/Equipment	None
Prerequisite Procedures	DLP-G46 Log into CTC
Required/As Needed	As needed
Onsite/Remote	Onsite or remote
Security Level	Provisioning or higher

Procedure

- Step 1** Verify that the GE_XP or 10GE_XP card is installed according to the requirements specified in table in [DLP-G375 Installing Fiber-Optic Cables on the Y-Cable Modules in the FlexLayer Shelf](#) task.
- Step 2** Insert the new GE-XP card with XFP on the slot.

- Step 3** Change the GE_XP card mode to L2-over-DWDM. See [DLP-G379 Changing the GE_XP, 10GE_XP, GE_XPE, and 10GE_XPE Card Mode](#), on page 199.
- Step 4** Create and store an SVLAN database on the new GE_XP card. See the [DLP-G421 Creating and Storing an SVLAN Database](#) task.
- Step 5** Enable FAPS protection on the new card.
- Step 6** Attach SVLAN to the trunk ports of the new card.
- Step 7** Choose OOS,DSBLD from the Admin State column for port 22 on the primary card that is facing toward the new card. This action places port 22 in the blocking state and port 21 in the forwarding state.
- Note** FAPS configuration mismatch alarm is raised on the primary card.
- Step 8** Switch the traffic to the protect path.
- Step 9** Choose OOS,DSBLD from the Admin State column for port 21 on the secondary card that is facing toward the new card.
- Step 10** Connect the fiber from the secondary card (that is facing toward the new card) to the new card in segment B.
- Step 11** Connect the fiber from the primary card to the new card in segment A.
- Step 12** Choose IS from the Admin State column for port 21 on the secondary card that is facing toward the new card.
- Step 13** Choose IS from the Admin State column for port 22 on the new card to bring up segment B.
- Step 14** Choose IS from the Admin State column for port 21 on the new card.
- Note** The FAPS state of the new card will be in the forwarding state for both the ports and port 21 of the secondary card will be in the blocking state.
- Step 15** Choose IS from the Admin State column for port 22 on the primary card to bring up segment A.
- Note** The FAPS state of port 21 on the primary card will be in the blocking state and port 22 will be in the forwarding state. The trunk ports of the remaining GE_XP cards will be in the forwarding state. The port 21 of the secondary card (that is facing toward the new card) will change to the forwarding state.
- Step 16** Return to your originating procedure (NTP).

DLP-G688 Adding a Card Between Secondary Cards on FAPS Ring

Purpose	This procedure adds a GE_XP or 10GE_XP card between the two secondary cards on a FAPS ring.
Tools/Equipment	None
Prerequisite Procedures	DLP-G46 Log into CTC
Required/As Needed	As needed
Onsite/Remote	Onsite or remote
Security Level	Provisioning or higher

Procedure

-
- Step 1** Verify that the GE_XP or 10GE_XP card is installed according to the requirements specified in table in the [DLP-G375 Installing Fiber-Optic Cables on the Y-Cable Modules in the FlexLayer Shelf](#) task.
- Step 2** Insert the new GE-XP card with XFP on the slot.
- Step 3** Change the GE_XP card mode to L2-over-DWDM. See the [DLP-G379 Changing the GE_XP, 10GE_XP, GE_XPE, and 10GE_XPE Card Mode, on page 199](#).
- Step 4** Create and store an SVLAN database on the new GE_XP card. See the [DLP-G421 Creating and Storing an SVLAN Database](#) task.
- Step 5** Attach SVLAN to the trunk ports of the new card.
- Step 6** Choose OOS, DSBLD from the Admin State column for port 22 on secondary card 1, and port 21 on secondary card 2 that are facing toward the new card.
- Step 7** Connect the fiber from the secondary card 1 to the new card in segment A.
- Step 8** Connect the fiber from the secondary card 2 to the new card in segment B.
- Step 9** Choose IS from the Admin State column for port 22 on the secondary card 1.
- Step 10** Choose IS from the Admin State column for port 21 on the new card to bring up segment A.
- Step 11** Choose IS from the Admin State column for port 22 on the new card.
- Step 12** Choose IS from the Admin State column for port 21 on the secondary card 2 to bring up segment B.
- Step 13** Return to your originating procedure (NTP).
-

NTP-G197 Provisioning the OTU2_XP Card Line Settings, PM Parameters, and Thresholds

Purpose	This procedure changes line settings, PM parameters, and threshold setting for the OTU2_XP card.
Tools/Equipment	None
Prerequisite Procedures	<ul style="list-style-type: none"> • NTP-G179 Installing the Transponder and Muxponder Cards • DLP-G723 Install PPM on a Line Card • DLP-G452 Changing the OTU2_XP Card Mode, on page 202
Required/As Needed	As needed
Onsite/Remote	Onsite or remote
Security Level	Provisioning or higher

Procedure

- Step 1** As needed, complete the [NTP-G103 Backing Up the Database](#) task, to preserve the existing transmission settings.
- Step 2** In node view (single-shelf mode) or shelf view (multishelf view), double-click the OTU2_XP card.
- Step 3** Verify the card mode:
- Display the OTU2_XP card in card view.
 - Click the **Provisioning > Card** tabs.
 - Verify that the card mode is set to the mode designated by your site plan:
 - Transponder
 - Standard Regen
 - Enhanced FEC
 - Mixed
 - 10G Ethernet LAN Phy to WAN Phy

If the card mode is set correctly, continue with step 6. If not, complete the [DLP-G452 Changing the OTU2_XP Card Mode, on page 202](#) task.
- Step 4** Refer to the OTU2_XP Card Configuration Rules section on before performing any task listed in step 5.
- Step 5** Perform any of the following tasks as needed.
- [DLP-G453 Changing the OTU2_XP Card Settings](#)
 - [DLP-G454 Changing the OTU2_XP Line Settings](#)
 - [DLP-G455 Changing the OTU2_XP Line Section Trace Settings](#)
 - [DLP-G456 Changing the OTU2_XP Line Thresholds for SONET or SDH Payloads](#)
 - [DLP-G457 Provisioning the OTU2_XP Port Alarm and TCA Threshold](#)
 - [DLP-G462 Changing the OTU2_XP Line RMON Thresholds](#)
 - [DLP-G458 Changing the OTU2_XP OTN Settings](#)
 - [DLP-G523 Changing the OTU2_XP Path Trace Settings](#)
 - [DLP-G524 Provisioning the OTU2_XP Path Settings for 10G Ethernet LAN Phy to WAN Phy Configuration](#)

Stop. You have completed this procedure.

DLP-G453 Changing the OTU2_XP Card Settings

Purpose	This task changes the card settings for the OTU2_XP card.
Tools/Equipment	None

Prerequisite Procedures	DLP-G46 Log into CTC
Required/As Needed	As needed
Onsite/Remote	Onsite or remote
Security Level	Provisioning or higher

Procedure

- Step 1** In node view (single-shelf mode) or shelf view (multishelf view), double-click the OTU2_XP card where you want to change the card settings.
- Step 2** Click the **Provisioning > Card** tab.
- Step 3** Modify any of the settings described in table.

Table 178: OTU2_XP Card Settings

Parameter	Description	ONS 15454 (ANSI) Options	ONS 15454 SDH (ETS)
Card Configuration	Sets the card configuration.	<ul style="list-style-type: none"> • Transponder • Standard Regen • Enhanced FEC • Mixed • 10G Ethernet LAN Phy to WAN Phy 	<ul style="list-style-type: none"> • Transponder • Standard Regen • Enhanced FEC • Mixed • 10G Ethernet LAN Phy to WAN Phy
Port Mode	Sets the port configuration when the card configuration is set as Mixed. For card configurations other than Mixed, this is a display-only parameter. You can configure Ports 2 and 4 as port mode, when the card is in 10G Ethernet LAN Phy to WAN Phy mode.	<ul style="list-style-type: none"> • Transponder • Standard Regen 	<ul style="list-style-type: none"> • Transponder • Standard Regen
Termination Mode	Sets the mode of operation. (This option is only available for SONET/SDH payloads). For Standard Regen and Enhanced FEC card configurations, this is a display-only parameter.	<ul style="list-style-type: none"> • Transparent • Section • Line 	<ul style="list-style-type: none"> • Transparent • Regeneration S (RS) • Multiplex Sect
Framing Type	(Display only) The card framing type, either SONET or SDH.	—	—
AIS/Squelch	Sets the transparent termination mode configuration.	<ul style="list-style-type: none"> • AIS • Squelch 	<ul style="list-style-type: none"> • AIS • Squelch

Parameter	Description	ONS 15454 (ANSI) Options	ONS 15454 SDH
Regen Line Name	Sets the regeneration line name.	—	—
ODU Transparency	Sets the ODU overhead byte configuration. For Transponder card configuration, this is a display-only parameter.	<ul style="list-style-type: none"> • Transparent Standard Use • Cisco Extended Use 	<ul style="list-style-type: none"> • Transparent • Cisco Exten
Proactive Protection Regen	Enables or disables the proactive protection regen mode.	<ul style="list-style-type: none"> • Enable • Disable 	<ul style="list-style-type: none"> • Enable • Disable

Step 4 Click **Apply**.

Step 5 Return to your originating procedure (NTP).

DLP-G454 Changing the OTU2_XP Line Settings

Purpose	This task changes the line settings for OTU2_XP card.
Tools/Equipment	None
Prerequisite Procedures	DLP-G46 Log into CTC
Required/As Needed	As needed
Onsite/Remote	Onsite or remote
Security Level	Provisioning or higher

Procedure

Step 1 In node view (single-shelf mode) or shelf view (multishelf view), double-click the OTU2_XP card where you want to change the line settings.

Step 2 Click the **Provisioning > Line > Ports/SONET/Ethernet** tabs.

Step 3 Modify any of the settings described in table.

Table 179: OTU2_XP Line Settings

Parameter	Description	ONS 15454 (ANSI) Options	ONS 15454 SDH (ETSI) Options
Port	(Display only) Displays the port number.	<ul style="list-style-type: none"> • 1-1 (OC192/10G Ethernet WAN Phy/10G Ethernet LAN Phy/10G FC) • 2-1 (OC192/10G Ethernet WAN Phy/10G Ethernet LAN Phy/10G FC) • 3-1 (OC192/10G Ethernet WAN Phy/10G Ethernet LAN Phy/10G FC) • 4-1 (OC192/10G Ethernet WAN Phy/10G Ethernet LAN Phy/10G FC) • IB_5G 	<ul style="list-style-type: none"> • 1-1 (STM-64/10G Ethernet WAN Phy/10G Ethernet LAN Phy/10G FC) • 2-1 (STM-64/10G Ethernet WAN Phy/10G Ethernet LAN Phy/10G FC) • 3-1 (STM-64/10G Ethernet WAN Phy/10G Ethernet LAN Phy/10G FC) • 4-1 (STM-64/10G Ethernet WAN Phy/10G Ethernet LAN Phy/10G FC) • IB_5G
Port Name	Provides the ability to assign the specified port a name.	User-defined. Name can be up to 80 alphanumeric/special characters. Blank by default. For more information, see, DLP-G104 Assigning a Name to a Port	User-defined. Name can be up to 80 alphanumeric/special characters. Blank by default. For more information, see, DLP-G104 Assigning a Name to a Port
Admin State	Sets the port service state. For more information about administrative states, see the Administrative and Service States document.	<ul style="list-style-type: none"> • IS • IS,AINS • OOS,DSBLD • OOS,MT 	<ul style="list-style-type: none"> • Unlocked • Unlocked,automaticInService • Locked,disabled • Locked,maintenance
Service State	(Display only) Identifies the autonomously generated state that gives the overall condition of the port. Service states appear in the format: Primary State-Primary State Qualifier, Secondary State. For more information about service states, see the Administrative and Service States document.	<ul style="list-style-type: none"> • IS-NR • OOS-AU,AINS • OOS-MA,DSBLD • OOS-MA,MT 	<ul style="list-style-type: none"> • Unlocked-enabled • Unlocked-disabled, automaticInService • Locked-enabled,disabled • Locked-enabled,maintenance

Parameter	Description	ONS 15454 (ANSI) Options	ONS 15454 SDH (ETSI)
ALS Mode	Sets the ALS function mode. The DWDM transmitter supports ALS according to ITU-T G.644 (06/99). ALS can be disabled, or it can be set for one of three mode options.	<ul style="list-style-type: none"> Disabled (default): ALS is off; the laser is not automatically shut down when traffic outages (LOS) occur. Auto Restart: ALS is on; the laser automatically shuts down when traffic outages (LOS) occur. It automatically restarts when the conditions that caused the outage are resolved. Manual Restart: ALS is on; the laser automatically shuts down when traffic outages (LOS) occur. However, the laser must be manually restarted when conditions that caused the outage are resolved. Manual Restart for Test: Manually restarts the laser for testing. 	<ul style="list-style-type: none"> Disabled (default): the laser is not shut down when traffic outages (LOS) occur. Auto Restart: ALS is on; the laser automatically shuts down when traffic outages (LOS) occur. It automatically restarts when the conditions that caused the outage are resolved. Manual Restart: ALS is on; the laser automatically shuts down when traffic outages (LOS) occur. However, the laser must be manually restarted when conditions that caused the outage are resolved. Manual Restart for Test: Manually restarts the laser for testing.
Reach	Displays the optical reach distance of the client/trunk ports.	The Reach options depend on the traffic type that has been selected.	The Reach options depend on the traffic type that has been selected.
Wavelength	Displays the wavelength of the client/trunk ports.	<ul style="list-style-type: none"> First Tunable Wavelength Further wavelengths: 850 nm through 1610 nm, 100-GHz ITU spacing; coarse wavelength division multiplexing (CWDM) spacing <p>Note Supported wavelengths are marked by asterisks (**).</p>	<ul style="list-style-type: none"> First Tunable Wavelength Further wavelengths: 850 nm through 1610 nm, 100-GHz ITU spacing; CWDM spacing <p>Note Supported wavelengths are marked by asterisks (**).</p>
AINS Soak	Sets the automatic in-service soak period. Double-click the time and use the up and down arrows to change settings.	<ul style="list-style-type: none"> Duration of valid input signal, in hh.mm format, after which the card becomes in service (IS) automatically 0 to 48 hours, 15-minute increments 	<ul style="list-style-type: none"> Duration of valid input signal, in hh.mm format, after which the card becomes in service (IS) automatically 0 to 48 hours, 15-minute increments

Parameter	Description	ONS 15454 (ANSI) Options	ONS 15454 SDH (ETSI) Options
SF BER	(SONET [ANSI] or SDH [ETSI] only) Sets the signal fail bit error rate.	<ul style="list-style-type: none"> • 1E-3 • 1E-4 • 1E-5 	<ul style="list-style-type: none"> • 1E-3 • 1E-4 • 1E-5
SD BER	(SONET [ANSI] or SDH [ETSI] only) Sets the signal degrade bit error rate.	<ul style="list-style-type: none"> • 1E-5 • 1E-6 • 1E-7 • 1E-8 • 1E-9 	<ul style="list-style-type: none"> • 1E-5 • 1E-6 • 1E-7 • 1E-8 • 1E-9
Type	(SONET [ANSI] or SDH [ETSI] only) The optical transport type.	<ul style="list-style-type: none"> • SONET • SDH <p>Note When Type is set to SDH in a SONET (ANSI) provisioning, SDCC or LDCC on OTU2_XP cards cannot be provisioned.</p>	<ul style="list-style-type: none"> • SONET • SDH
MTU	The maximum size of the Ethernet frames accepted by the port. The port must be in OOS/locked state. MTU stands for “Maximum Transmission Unit” typically meant for configuring the maximum frame size allowed. However, the OTU2_XP card does not block the frames based on Ethernet frame size and Jumbo frames are supported irrespective of the MTU setting. In 10G LAN Phy to WAN Phy mode, MTU can be set only to 1548 bytes.	<ul style="list-style-type: none"> • 1548 bytes • Jumbo (64 to 9,216 bytes) 	<ul style="list-style-type: none"> • 1548 bytes • Jumbo (64 to 9,216 bytes)
Incoming MAC Address	Sets the incoming MAC address.	Value of MAC address. Six bytes in hexadecimal format.	Value of MAC address. Six bytes in hexadecimal format.

Parameter	Description	ONS 15454 (ANSI) Options	ONS 15454 SDH (ETSI)
Flow Control (Only when the card is in 10G Ethernet LAN Phy to WAN Phy mode)	Enables/disables flow control messaging with its peer port. When enabled, the port can send and receive PAUSE frames when buffer congestion occurs. When disabled, no PAUSE frames are transmitted and the PAUSE frames received are discarded.	<ul style="list-style-type: none"> • ON (default)—Flow control is enabled. • OFF—Flow control is disabled. 	<ul style="list-style-type: none"> • ON (default)—Flow control is enabled. • OFF—Flow control is disabled.
Client Distance (Only when the card is in 10G Ethernet LAN Phy to WAN Phy mode)	Sets the fiber distance between the client of OTU2_XP card and the LAN port that is connected to the OTU2_XP client port.	<ul style="list-style-type: none"> • 10 km (default) • 30 km 	<ul style="list-style-type: none"> • 10 km (default) • 30 km
Squelch Hold Off Timer	<p>Sets the period in milliseconds that the client interface waits for resolution of issues on the trunk side. The client squelching starts after this period.</p> <p>The user can configure the squelch hold off timer in CTC only under the following conditions:</p> <ul style="list-style-type: none"> • The card must be configured in TXP or MXP operating modes. • The client payload must be 10GE or 100GE. • The Squelch drop-down in CTC must be set to Squelch. 	<ul style="list-style-type: none"> • Disable (0 ms) - Default value • 50 ms • 100 ms • 250 ms • 500 ms 	<ul style="list-style-type: none"> • Disable (0 ms) - Default value • 50 ms • 100 ms • 250 ms • 500 ms

Step 4 Click **Apply**.

Step 5 Return to your originating procedure (NTP).

DLP-G455 Changing the OTU2_XP Line Section Trace Settings

Purpose	This task changes the line section trace settings for the OTU2_XP card.
Tools/Equipment	None
Prerequisite Procedures	DLP-G46 Log into CTC
Required/As Needed	As needed

Onsite/Remote	Onsite or remote
Security Level	Provisioning or higher

Procedure

- Step 1** In node view (single-shelf mode) or shelf view (multishelf view), double-click the OTU2_XP card where you want to change the section trace settings.
- Step 2** Click the **Provisioning > Line > Section Trace** tabs.
- Step 3** Modify any of the settings described in table.

Table 180: OTU2_XP Section Trace Settings

Parameter	Description	ONS 15454 (ANSI) Options	ONS 15454 SDH (ETSI) Options
Port	Sets the port number.	<ul style="list-style-type: none"> • 1-1 (OC192) • 2-1 (OC192) • 3-1 (OC192) • 4-1 (OC192) 	<ul style="list-style-type: none"> • 1-1 (STM-64) • 2-1 (STM-64) • 3-1 (STM-64) • 4-1 (STM-64)
Received Trace Mode	Sets the trace mode.	<ul style="list-style-type: none"> • Off/None • Manual 	<ul style="list-style-type: none"> • Off/None • Manual
Disable AIS/RDI on TIM-S	<p>If a TIM on Section overhead alarm arises because of a J0 overhead string mismatch, no alarm indication signal is sent to downstream nodes if this box is checked.</p> <p>This is a display-only parameter under the following conditions:</p> <ul style="list-style-type: none"> • Received Trace Mode is Off/None • Termination Mode is set to Transparent or Section (see the DLP-G453 Changing the OTU2_XP Card Settings task). 	<ul style="list-style-type: none"> • Checked (AIS/RDI on TIM-S is disabled) • Unchecked (AIS/RDI on TIM-S is not disabled) 	<ul style="list-style-type: none"> • Checked (AIS/RDI on TIM-S is disabled) • Unchecked (AIS/RDI on TIM-S is not disabled)
Transmit Section Trace String Size	Sets the trace string size.	<ul style="list-style-type: none"> • 1 byte • 16 byte 	<ul style="list-style-type: none"> • 1 byte • 16 byte

Parameter	Description	ONS 15454 (ANSI) Options	ONS 15454 SDH (ETSI) Options
Transmit	Displays the current transmit string; sets a new transmit string. You can click the button on the right to change the display. Its title changes, based on the current display mode. Click Hex to change the display to hexadecimal (button changes to ASCII); click ASCII to change the display to ASCII (button changes to Hex).	String of trace string size	String of trace string size
Expected	Displays the current expected string; sets a new expected string. You can click the button on the right to change the display. Its title changes, based on the current display mode. Click Hex to change the display to hexadecimal (button changes to ASCII); click ASCII to change the display to ASCII (button changes to Hex).	String of trace string size	String of trace string size
Received	(Display only) Displays the current received string. You can click Refresh to manually refresh this display, or check the Auto-refresh check box to automatically refresh the display every 5 seconds.	String of trace string size	String of trace string size
Auto-refresh	If checked, automatically refreshes the display every 5 seconds.	Checked/unchecked (default)	Checked/unchecked (default)

Step 4 Click **Apply**.

Step 5 Return to your originating procedure (NTP).

DLP-G456 Changing the OTU2_XP Line Thresholds for SONET or SDH Payloads

Purpose	This task changes the line threshold settings for the OTU2_XP card carrying SONET or SDH payload.
Tools/Equipment	None
Prerequisite Procedures	DLP-G46 Log into CTC
Required/As Needed	As needed
Onsite/Remote	Onsite or remote
Security Level	Provisioning or higher

Procedure

Step 1 In node view (single-shelf mode) or shelf view (multishelf view), double-click the OTU2_XP card where you want to change the line threshold settings.

Step 2 Click the **Provisioning > Line Thresholds > SONET Thresholds (ANSI)** or **SDH Thresholds (ETSI)** tabs.

Note If you have enabled 10G Ethernet LAN Phy to WAN Phy on the OTU2_XP card, the STS option is automatically enabled. Only near end STS thresholds are supported. No STS thresholds are support for Far End.

Step 3 Modify any of the OTU2_XP card path threshold settings on a LAN Phy to WAN Phy mode.

Table 181: OTU2_XP Card Path Threshold Settings on a 10G Ethernet LAN Phy to WAN Phy Mode

Parameter	Description	ONS 15454 (ANSI) Options	ONS 15454 SDH (ETSI) Options
Port	(Display only) Port number.	<ul style="list-style-type: none"> Ports 3-1 (Trunk), STS-1 Ports 4-1 (Trunk), STS-1 	<ul style="list-style-type: none"> Port 3-1 (Trunk), VC4-1 Port 4-1 (Trunk), VC4-1

Step 4 Modify any of the OTU2_XP Card Line Threshold settings described in table.

Table 182: OTU2_XP Card Line Threshold Settings

Parameter	Description	ONS 15454 (ANSI) Options	ONS 15454 SDH (ETSI) Options
Port	(Display only) Port number	<ul style="list-style-type: none"> 1-1 (OC192) 2-1 (OC192) 3-1 (OC192) 4-1 (OC192) 	<ul style="list-style-type: none"> 1-1 (STM-64) 2-1 (STM-64) 3-1 (STM-64) 4-1 (STM-64)
CV	Coding violations	Numeric. Threshold display options include: <ul style="list-style-type: none"> Direction—Near End or Far End Interval—15 Min (minutes) or 1 day Types—(Near end only) Line or Section Choose an option in each category and click Refresh .	Numeric. Threshold display options include: <ul style="list-style-type: none"> Direction—Near End or Far End Interval—15 Min (minutes) or 1 day Types—(Near end only) Multiplex Section or Regeneration Section Choose an option in each category and click Refresh .

Parameter	Description	ONS 15454 (ANSI) Options	ONS 15454 SDH (ETSI) Options
ES	Errored seconds	Numeric. Threshold display options include: <ul style="list-style-type: none"> • Direction—Near End or Far End • Interval—15 Min (minutes) or 1 day • Types—(Near end only) Line or Section Choose an option in each category and click Refresh .	Numeric. Threshold display options include: <ul style="list-style-type: none"> • Direction—Near End or Far End • Interval—15 Min (minutes) or 1 day • Types—(Near end only) Line or Section or Regeneration Section Choose an option in each category and click Refresh .
SES	Severely errored seconds	Numeric. Threshold display options include: <ul style="list-style-type: none"> • Direction—Near End or Far End • Interval—15 Min (minutes) or 1 day • Types—(Near end only) Line or Section Choose an option in each category and click Refresh .	Numeric. Threshold display options include: <ul style="list-style-type: none"> • Direction—Near End or Far End • Interval—15 Min (minutes) or 1 day • Types—(Near end only) Line or Section or Regeneration Section Choose an option in each category and click Refresh .
FC	(Line or Multiplex Section only) Failure count	Numeric. Threshold display options include: <ul style="list-style-type: none"> • Direction—Near End or Far End • Interval—15 Min (minutes) or 1 day • Types—(Near end only) Line or Section Choose an option in each category and click Refresh .	Numeric. Threshold display options include: <ul style="list-style-type: none"> • Direction—Near End or Far End • Interval—15 Min (minutes) or 1 day • Types—(Near end only) Line or Section or Regeneration Section Choose an option in each category and click Refresh .
UAS	(Line or Multiplex Section only) Unavailable seconds	Numeric. Threshold display options include: <ul style="list-style-type: none"> • Direction—Near End or Far End • Interval—15 Min (minutes) or 1 day • Types—(Near end only) Line or Section Choose an option in each category and click Refresh .	Numeric. Threshold display options include: <ul style="list-style-type: none"> • Direction—Near End or Far End • Interval—15 Min (minutes) or 1 day • Types—(Near end only) Line or Section or Regeneration Section Choose an option in each category and click Refresh .

Step 5 Click **Apply**.

Step 6 Return to your originating procedure (NTP).

DLP-G457 Provisioning the OTU2_XP Port Alarm and TCA Threshold

Purpose	This task provisions the OTU2_XP port alarm and threshold crossing alert (TCA) thresholds.
Tools/Equipment	None
Prerequisite Procedures	DLP-G46 Log into CTC
Required/As Needed	As needed
Onsite/Remote	Onsite or remote
Security Level	Provisioning or higher

Procedure

- Step 1** In node view (single-shelf mode) or shelf view (multishelf view), double-click the OTU2_XP card where you want to change the trunk port alarm and TCA settings.
- Step 2** Click the **Provisioning > Optics Thresholds** tabs.
- Step 3** Under Types, verify that the TCA radio button is checked. If not, select it, then click **Refresh**.
- Step 4** Refer to table to provision the port TCA thresholds for RX Power High, RX Power Low, TX Power High, and TX Power Low.

Note You must modify 15 Min and 1 Day independently. To do so, choose the appropriate radio button and click **Refresh**.

Note Do not modify the Laser Bias parameters.

Table 183: OTU2_XP Port TCA Thresholds

Port	TCA RX	TCA RX	TCA TX	TCA TX
	Power High	Power Low	Power High	Power Low
1-1 (OC-192/10G Ethernet WAN Phy/10G Ethernet LAN Phy/10G FC/IB_5G)	1.0 dBm	-14.0 dBm	5.0 dBm	-12.0 dBm
2-1 (OC-192/10G Ethernet WAN Phy/10G Ethernet LAN Phy/10G FC/IB_5G)	1.0 dBm	-14.0 dBm	5.0 dBm	-12.0 dBm
3-1 (OC-192/10G Ethernet WAN Phy/10G Ethernet LAN Phy/10G FC/IB_5G)	1.0 dBm	-14.0 dBm	5.0 dBm	-12.0 dBm
4-1 (OC-192/10G Ethernet WAN Phy/10G Ethernet LAN Phy/10G FC/IB_5G)	1.0 dBm	-14.0 dBm	5.0 dBm	-12.0 dBm

- Step 5** Click **Apply**.
- Step 6** Under Types, click the **Alarm** radio button and click **Refresh**.

Step 7 Refer to table to provision the port alarm thresholds for RX Power High, RX Power Low, TX Power High, and TX Power Low.

Note You must modify 15 Min and 1 Day independently. To do so, choose the appropriate radio button and click **Refresh**.

Table 184: OTU2_XP Port Alarm Thresholds

Port	Alarm RX	Alarm RX	Alarm TX	Alarm TX
	Power High	Power Low	Power High	Power Low
1-1 (OC-192/10G Ethernet WAN Phy/10G Ethernet LAN Phy/10G FC/IB_5G)	3.0 dBm	-16.0 dBm	1.0 dBm	-8.0 dBm
2-1 (OC-192/10G Ethernet WAN Phy/10G Ethernet LAN Phy/10G FC/IB_5G)	3.0 dBm	-16.0 dBm	1.0 dBm	-8.0 dBm
3-1 (OC-192/10G Ethernet WAN Phy/10G Ethernet LAN Phy/10G FC/IB_5G)	3.0 dBm	-16.0 dBm	1.0 dBm	-8.0 dBm
4-1 (OC-192/10G Ethernet WAN Phy/10G Ethernet LAN Phy/10G FC/IB_5G)	3.0 dBm	-16.0 dBm	1.0 dBm	-8.0 dBm

Step 8 Click **Apply**.

Step 9 Return to your originating procedure (NTP).

DLP-G462 Changing the OTU2_XP Line RMON Thresholds

Purpose	This task changes the line threshold settings for OTU2_XP card carrying the 10G Ethernet or 10G FC payloads.
Tools/Equipment	None
Prerequisite Procedures	DLP-G46 Log into CTC
Required/As Needed	As needed
Onsite/Remote	Onsite or remote
Security Level	Provisioning or higher

Procedure

Step 1 In node view (single-shelf mode) or shelf view (multishelf view), double-click the OTU2_XP card where you want to change the line threshold in the card view.

Step 2 Click the **Provisioning > Line Thresholds > RMON Thresholds** tabs.

Step 3 Click **Create**.

Step 4 From the Port drop-down list, choose the applicable port.

Step 5 From the Variable drop-down list, choose an Ethernet variable.

Table 185: OTU2_XP Card 10G Ethernet Variables

Variable	Description
ifInOctets	Total number of octets received on the interface, including framing characters.
rxTotalPkts	Total number of received packets. rxTotalPkts increments for 10G FC payload packets with FCS errors. However, 10G Ethernet LAN Phy payload packets with CRC errors are not counted.
ifInMulticastPkts	Number of multicast frames received error free.
ifInBroadcastPkts	Number of packets, delivered by a sublayer to a higher sublayer, that were addressed to a broadcast address at this sublayer.
ifInErrors	Number of inbound packets that contained errors preventing them from being delivered to a higher-layer protocol.
dot3StatsFCSErrors	Number of frames with frame check errors, that is, there is an integral number of octets, but an incorrect Frame Check Sequence (FCS).
etherStatsUndersizePkts	Total number of packets received that were less than 64 octets long (excluding framing bits, but including FCS octets) and were otherwise well formed.
etherStatsFragments	Total number of packets received that were less than 64 octets in length (excluding framing bits but including FCS octets) and had either a bad FCS with an integral number of octets (FCS Error) or a bad FCS with a non-integral number of octets (Alignment Error). Note that it is entirely normal for etherStatsFragments to increment. This is because it counts both runts (which are normal occurrences due to collisions) and noise hits.
etherStatsPkts64Octets	Total number of packets (including bad packets) received that were 64 octets in length (excluding framing bits but including FCS octets).
etherStatsPkts65to127Octets	Total number of packets (including bad packets) received that were between 65 and 127 octets in length inclusive (excluding framing bits but including FCS octets).
etherStatsPkts128to255Octets	The total number of packets (including bad packets) received that were between 128 and 255 octets in length inclusive (excluding framing bits but including FCS octets).
etherStatsPkts256to511Octets	Total number of packets (including bad packets) received that were between 256 and 511 octets in length inclusive (excluding framing bits but including FCS octets).

Variable	Description
etherStatsPkts512to1023Octets	Total number of packets (including bad packets) received that were between 512 and 1023 octets in length inclusive (excluding framing bits but including FCS octets).
etherStatsPkts1024to1518Octets	Total number of packets (including bad packets) received that were between 1024 and 1518 octets in length inclusive (excluding framing bits but including FCS octets).
etherStatsBroadcastPkts	Total number of good packets received that were directed to the broadcast address. Note that this does not include multicast packets.
etherStatsMulticastPkts	Total number of good packets received that were directed to a multicast address. Note that this number does not include packets directed to the broadcast address.
etherStatsOversizePkts	Total number of packets received that were longer than 1518 octets (excluding framing bits, but including FCS octets) and were otherwise well formed.
etherStatsJabbers	Total number of packets received that were longer than 1518 octets (excluding framing bits, but including FCS octets), and had either a bad FCS with an integral number of octets (FCS Error) or a bad FCS with a non-integral number of octets (Alignment Error).
etherStatsOctets	Total number of octets of data (including those in bad packets) received on the network (excluding framing bits but including FCS octets).
rxControlFrames	Number of MAC control frames passed by the MAC sublayer to the MAC control sublayer.

Table 186: OTU2_XP Card 10G FC Variables

Variable	Description
ifInOctets	Total number of octets received on the interface, including framing characters.
mediaIndStatsRxFramesTruncated	Total number of fiber channel frames received that are less than the minimum 36-byte frame. This is inclusive of header, SOF, EOF, and CRC with no data bytes.
mediaIndStatsRxFramesTooLong	Total number of fiber channel frames received that exceed the maximum 2148-byte frame. This is inclusive of header, SOF, EOF, CRC, and data bytes.
mediaIndStatsRxFramesBadCRC	Total number of fiber channel frames received with CRC errors.
ifInDiscards	The number of inbound packets, which were chosen to be discarded even though no errors had been detected to prevent their being delivered to a higher-layer protocol. One possible reason for discarding such a packet could be to free up buffer space. ¹¹¹

Variable	Description
ifOutOctets	Total number of octets transmitted out of the interface, including framing characters. ¹
mediaIndStatsTxFramesBadCRC	Number of transmitted data frames with payload CRC errors when HDLC framing is used. ¹
transmitPauseFrames	Number of transmitted pause frames. ¹
txTotalPkts	Total number of transmit packets. ¹

¹¹ This variable is supported when the 10G Ethernet LAN Phy to WAN Phy mode is enabled on the OTU2_XP card.

- Step 6** From the Alarm Type drop-down list, choose the event triggers. The available options are rising threshold, falling threshold, or rising and falling thresholds.
- Step 7** From the Sample Type drop-down list, choose either **Relative** or **Absolute**. Relative restricts the threshold to use the number of occurrences in the user-set sample period. Absolute sets the threshold to use the total number of occurrences, regardless of time period.
- Step 8** Enter an appropriate number of seconds for the Sample Period.
- Step 9** Enter in the appropriate number of occurrences for the Rising Threshold.
- For a rising type of alarm, the measured value must move from below the falling threshold to above the rising threshold. For example, if a network is running below a rising threshold of 1000 collisions every 15 seconds and a problem causes 1001 collisions in 15 seconds, the excess occurrences trigger an alarm.
- Step 10** Enter the appropriate number of occurrences in the Falling Threshold field. In most cases a falling threshold is set lower than the rising threshold.
- A falling threshold is the counterpart to a rising threshold. When the number of occurrences is above the rising threshold and then drops below a falling threshold, it resets the rising threshold. For example, when the network problem that caused 1001 collisions in 15 seconds subsides and creates only 799 collisions in 15 seconds, occurrences fall below a falling threshold of 800 collisions. This resets the rising threshold so that if network collisions again spike over a 1000 per 15-second period, an event again triggers when the rising threshold is crossed. An event is triggered only the first time a rising threshold is exceeded (otherwise, a single network problem might cause a rising threshold to be exceeded multiple times and cause a flood of events).
- Step 11** Click **OK**.
- Note** To view all RMON thresholds, click **Show All RMON thresholds**.
- Step 12** Return to your originating procedure (NTP).

DLP-G458 Changing the OTU2_XP OTN Settings

Purpose	This task changes the OTN line settings for the OTU2_XP card.
Tools/Equipment	None
Prerequisite Procedures	DLP-G46 Log into CTC

Required/As Needed	As needed
Onsite/Remote	Onsite or remote
Security Level	Provisioning or higher

Procedure

- Step 1** In node view (single-shelf mode) or shelf view (multishelf view), double-click the OTU2_XP card where you want to change the OTN settings.
- Step 2** Click the **Provisioning > OTN** tabs. Then click one of the following subtabs: OTN Lines, ITU-T G.709 Thresholds, FEC Thresholds, Trail Trace Identifier, or Proactive Protection Regen.
- Step 3** Modify any of the settings described in the following tables.

Note You must modify Near End and Far End independently, 15 Min and 1 Day independently, and SM and PM independently. To do so, select the appropriate radio button and click **Refresh**.

The following table describes the values on the **Provisioning > OTN > OTN Lines** tabs.

Table 187: OTU2_XP Card OTN Lines Settings

Parameter	Description	Options
Port	(Display only) Displays the port number and optional name.	—
ITU-T G.709 OTN	Sets the OTN lines according to ITU-T G.709. Check the box to enable.	<ul style="list-style-type: none"> • Enable • Disable
FEC	Sets the OTN lines FEC mode. Enhanced FEC mode can be enabled to provide greater range and lower bit error rate.	<ul style="list-style-type: none"> • Disable—FEC is off. • Standard—Standard FEC is on. • Enhanced—Enhanced FEC is on.
SD BER	Sets the signal degrade bit error rate.	<ul style="list-style-type: none"> • 1E-5 • 1E-6 • 1E-7 • 1E-8 • 1E-9
SF BER	(Display only) Indicates the signal fail bit error rate.	<ul style="list-style-type: none"> • 1E-5

Parameter	Description	Options
No Fixed Stuff	<p>Sets the insertion of stuffing bytes. This parameter only applies to 10G Ethernet LAN Phy signals in transponder card configuration. This is a display-only parameter for all other card configurations.</p> <p>When the “No Fixed Stuff” parameter is disabled, the bit rate is 11.09 Gbps.</p> <p>When the “No Fixed Stuff” parameter is enabled, the bit rate is 11.05 Gbps.</p>	<ul style="list-style-type: none"> • Disable • Enable

The following table describes the values on the **Provisioning > OTN > ITU-T G.709 Thresholds** tab.

Table 188: OTU2_XP Card ITU-T G.709 Threshold Settings

Parameter	Description	Options
Port	(Display only) Displays the port number and optional name.	—
ES	Severely errored seconds. Two types of thresholds can be asserted. Selecting the SM (OTUk) radio button selects FEC, overhead management, and PM using OTUk. Selecting the PM radio button selects path PM using ODUk.	<p>Numeric. Threshold display options include:</p> <ul style="list-style-type: none"> • Direction—Near End or Far End • Interval—15 Min (minutes) or 1 day • Types—SM (OTUk) or PM (ODUk) <p>Choose an option in each category and click Refresh.</p> <p>Note SM (OTUk) is the ITU-T G.709 optical channel transport unit order of k overhead frame used for management and performance monitoring. PM (ODUk) is the ITU-T G.709 optical channel data unit order of k overhead frame unit used for path performance monitoring.</p>
SES	Severely errored seconds	<p>Numeric. Threshold display options include:</p> <ul style="list-style-type: none"> • Direction—Near End or Far End • Interval—15 Min (minutes) or 1 day • Types—SM (OTUk) or PM (ODUk) <p>Choose an option in each category and click Refresh.</p>

Parameter	Description	Options
UAS	Unavailable seconds	Numeric. Threshold display options include: <ul style="list-style-type: none"> • Direction—Near End or Far End • Interval—15 Min (minutes) or 1 day • Types—SM (OTUk) or PM (ODUk) Choose an option in each category and click Refresh .
BBE	Background block errors	Numeric. Threshold display options include: <ul style="list-style-type: none"> • Direction—Near End or Far End • Interval—15 Min (minutes) or 1 day • Types—SM (OTUk) or PM (ODUk) Choose an option in each category and click Refresh .
FC	Failure counter	Numeric. Threshold display options include: <ul style="list-style-type: none"> • Direction—Near End or Far End • Interval—15 Min (minutes) or 1 day • Types—SM (OTUk) or PM (ODUk) Choose an option in each category and click Refresh .

The following table describes the values on the **Provisioning > OTNFEC Thresholds** tab.

Table 189: OTU2_XP Card FEC Threshold Settings

Parameter	Description	Options
Port	(Display only) Displays the port number and optional name.	—
Bit Errors Corrected	Displays the number of bit errors corrected during the selected time period.	Numeric display. Can be set for 15-minute or one-day intervals.
Uncorrectable Words	Displays the number of uncorrectable words in the selected time period.	Numeric display. Can be set for 15-minute or one-day intervals.

The following table describes the values on the **Provisioning > OTN > Trail Trace Identifier** tab.

Note You cannot change the Path Trail Trace Identifier settings when the OTU2_XP card is in the Standard Regen mode, and if the ODU transparency is set to “Transparent Standard Use”. You can change the Path Trail Trace Identifier settings when the OTU2_XP card is in the Standard Regen mode, and if the ODU transparency is set to “Cisco Extended Use”.

Table 190: OTU2_XP Card Trail Trace Identifier Settings

Parameter	Description	Options
Port	Sets the port number.	—
Level	Sets the level.	<ul style="list-style-type: none"> • Section • Path
Received Trace Mode	Sets the trace mode.	<ul style="list-style-type: none"> • Off/None • Manual
Disable FDI on TTIM	If a Trace Identifier Mismatch on Section overhead alarm arises because of a J0 overhead string mismatch, no Forward Defect Indication (FDI) signal is sent to the downstream nodes if this box is checked.	<ul style="list-style-type: none"> • Checked (FDI on TTIM is disabled) • Unchecked (FDI on TTIM is not enabled)
Transmit	Displays the current transmit string; sets a new transmit string. You can click the button on the right to change the display. Its title changes, based on the current display mode. Click Hex to change the display to hexadecimal (button changes to ASCII); click ASCII to change the display to ASCII (button changes to Hex).	String of trace string size; trail trace identifier is 64 bytes in length.
Expected	Displays the current expected string; sets a new expected string. You can click the button on the right to change the display. Its title changes, based on the current display mode. Click Hex to change the display to hexadecimal (button changes to ASCII); click ASCII to change the display to ASCII (button changes to Hex).	String of trace string size
Received	(Display only) Displays the current received string. You can click Refresh to manually refresh this display, or check the Auto-refresh every 5 sec check box to keep this panel updated.	String of trace string size
Auto-refresh	If checked, automatically refreshes the display every 5 minutes.	Checked/unchecked (default)

The following table describes the values on the **Provisioning > OTN > Proactive Protection Regen** tabs.

Note Proactive protection regen is supported on ports of OTU2_XP only in Standard Regen and Enhanced FEC mode.

Table 191: OTU2_XP Card Proactive Protection Regen Settings

Parameter	Description	Options
Port	(Display only) Displays the port number and name (optional).	—
Trigger threshold	Sets the maximum BER threshold to trigger proactive protection.	<ul style="list-style-type: none"> • 1E-3 • 9E-4 to 1E-4 • 9E-5 to 1E-5 • 9E-6 to 1E-6 • 9E-7 to 1E-7
Trigger window (ms)	<p>Sets the duration for which BER is monitored before triggering the proactive protection.</p> <p>The trigger window value must be a multiple of:</p> <ul style="list-style-type: none"> • 10 ms for trigger thresholds between 1E-3 and 6E-6 • 100 ms for trigger threshold between 5E-6 to 1E-7 <p>Trigger window must be less than or equal to 10000 ms.</p>	Time in milliseconds.
Revert Threshold	<p>Sets the revert threshold value of BER.</p> <p>Note Revert Threshold settings must be less than the Trigger Threshold values.</p>	<ul style="list-style-type: none"> • 1E-4 • 9E-5 to 1E-5 • 9E-6 to 1E-6 • 9E-7 to 1E-7 • 9E-8 to 5E-8

Parameter	Description	Options
Revert window (ms)	<p>Sets the duration for which BER is monitored for settings that are less than the revert threshold value before which proactive protection provided to the router is removed.</p> <p>Revert Window value must be at least 2000ms and a multiple of:</p> <ul style="list-style-type: none"> • 10ms for a Revert Threshold of 1E-4 to 6E-7 • 100ms for a Revert Threshold of 5E-7 to 5E-8. <p>The revert window must be less than or equal to 10000ms.</p>	Time in milliseconds.

Step 4 Click **Apply**.

Step 5 Return to your originating procedure (NTP).

DLP-G523 Changing the OTU2_XP Path Trace Settings

Purpose	This task changes the path trace settings for the OTU2_XP card.
Tools/Equipment	None
Prerequisite Procedures	DLP-G46 Log into CTC
Required/As Needed	As needed
Onsite/Remote	Onsite or remote
Security Level	Provisioning or higher

Procedure

Step 1 In node view (single-shelf mode) or shelf view (multishelf view), double-click the OTU2_XP card where you want to change the path trace settings.

Step 2 Click the **Provisioning > Path > J1 Path Trace** tabs.

Step 3 Modify any of the settings described in table.

Table 192: OTU2_XP Path Trace Settings

Parameter	Description	ONS 15454 (ANSI) Options	ONS 15454 SDH (ETSI) Options
Port	Sets the port number.	<ul style="list-style-type: none"> • 3-1 (OC192) • 4-1 (OC192) 	<ul style="list-style-type: none"> • 3-1 (STM-64) • 4-1 (STM-64)
Received Trace Mode	Sets the trace mode.	<ul style="list-style-type: none"> • Off/None • Manual 	<ul style="list-style-type: none"> • Off/None • Manual
Transmit	Displays the current transmit string; sets a new transmit string. You can click the button on the right to change the display. Its title changes, based on the current display mode. Click Hex to change the display to hexadecimal (button changes to ASCII); click ASCII to change the display to ASCII (button changes to Hex).	String of trace string size	String of trace string size
Expected	Displays the current expected string; sets a new expected string. You can click the button on the right to change the display. Its title changes, based on the current display mode. Click Hex to change the display to hexadecimal (button changes to ASCII); click ASCII to change the display to ASCII (button changes to Hex).	String of trace string size	String of trace string size
Received	(Display only) Displays the current received string. You can click Refresh to manually refresh this display, or check the Auto-refresh check box to automatically refresh the display every 5 seconds.	String of trace string size	String of trace string size
Auto-refresh	If checked, automatically refreshes the display every 5 seconds.	Checked/unchecked (default)	Checked/unchecked (default)

Step 4 Click **Apply**.

Step 5 Return to your originating procedure (NTP).

DLP-G524 Provisioning the OTU2_XP Path Settings for 10G Ethernet LAN Phy to WAN Phy Configuration

Purpose	This task changes the path settings of the OTU2_XP card for 10G Ethernet LAN Phy to WAN Phy configuration.
Tools/Equipment	None
Prerequisite Procedures	DLP-G46 Log into CTC
Required/As Needed	As needed
Onsite/Remote	Onsite or remote
Security Level	Provisioning or higher

Procedure

- Step 1** In node view (single-shelf mode) or shelf view (multishelf view), double-click the OTU2_XP card where you want to change the path settings.
- Step 2** Click the **Provisioning > Path > SONET/SDH** tab. You can now provision the SF BER and SD BER values.
- Step 3** Modify any of the OTU2_XP path settings described in table.

Table 193: OTU2_XP Path Settings

Parameter	Description	ONS 15454 (ANSI) Options	ONS 15454 SDH (ETSI) Options
Port	Sets the port number.	<ul style="list-style-type: none"> • Port 3-1 (trunk) • Port 4-1 trunk 	<ul style="list-style-type: none"> • Port 3-1 (trunk) • Port 4-1 trunk
SF BER	Sets the signal fail bit error rate (SONET [ANSI] or SDH [ETSI]).	<ul style="list-style-type: none"> • 1E-3 • 1E-4 • 1E-5 	<ul style="list-style-type: none"> • 1E-3 • 1E-4 • 1E-5
SD BER	Sets the signal degrade bit error rate (SONET [ANSI] or SDH [ETSI]).	<ul style="list-style-type: none"> • 1E-5 • 1E-6 • 1E-7 • 1E-8 • 1E-9 	<ul style="list-style-type: none"> • 1E-5 • 1E-6 • 1E-7 • 1E-8 • 1E-9

- Step 4** Click **Apply**.
- Step 5** Return to your originating procedure (NTP).

NTP-G162 Changing the ALS Maintenance Settings

Purpose	This procedure changes the ALS maintenance settings for the cards. The automatic laser shutdown (ALS) function is normally disabled. Enable ALS only when the cards are directly connected to each other.
Tools/Equipment	None
Prerequisite Procedures	DLP-G46 Log into CTC
Required/As Needed	As needed
Onsite/Remote	Onsite or remote
Security Level	Provisioning or higher



Note ALS is applicable only for OCn and OTN payloads.

Procedure

- Step 1** In node view (single-shelf mode) or shelf view (multishelf mode), double-click the card where you want to change the ALS maintenance settings.
- Step 2** Click the **Maintenance > ALS** tabs.
- Step 3** Modify any of the settings described in table. The provisionable parameters are listed in the Options column in the table.

Table 194: ALS Settings

Parameter	Description	Options
Port	(Display only) Displays the port name.	—

Parameter	Description	Options
ALS Mode	Automatic laser shutdown. ALS provides the ability to shut down the laser when the card detects an LOS or LOS-P.	From the drop-down list, choose one of the following: <ul style="list-style-type: none"> • Disable—Deactivates ALS. • Auto Restart—(Default) ALS is active. The power is automatically shut down when needed and automatically tries to restart using a probe pulse until the cause of the failure is repaired. • Manual Restart • Manual Restart for Test
OSRI	Optical safety remote interlock. When set to On, the OSC TX output power is shut down.	From the drop-down list, choose one of the following: <ul style="list-style-type: none"> • On • Off
Recovery Pulse Duration	(Display only for Manual Restart ALS mode) Displays the duration of the optical power pulse that begins when the card restarts. The Recovery Pulse Duration value in Manual Restart ALS mode is always 2.5 seconds. From R10.9, this value cannot be changed by CTC.	—
Currently Shutdown	(Display only) Displays the current status of the laser.	—
Request Laser Restart	If checked, allows you to restart the laser for maintenance.	Checked or unchecked
Recovery Pulse Interval	(Display only) Displays the interval between optical power pulses.	—

Step 4 Click **Apply**. If the change affects traffic, a warning message displays. Click **Yes** to complete the change.
Stop. You have completed this procedure.

NTP-G302 Configuring Loopback on a Card

Purpose	This procedure configures or clears terminal or facility loopback on the 100G-LC-C, 10x10G-LC, CFP-LC, MR-MXP, 100G-CK-C, 100G-ME-C, 100ME-CKC, 100GS-CK-LC, 200G-CK-LC, 400G-XP-LC, and WSE cards. The loopback on the CFP-LC card can be configured on the backplane of the peer 100G-LC-C card. The facility loopback (drop) can be configured on the 100G-LC-C, CFP-LC, and 100G-CK-C cards. Note In WSE card, do not enable encryption with far-end client loop back. Enabling encryption with far-ed client loopback will result in sync loss until the key is exchanged. The key is exchanged only after the ODUk-AIS on the trunk is cleared.
Tools/Equipment	None
Prerequisite Procedures	DLP-G46 Log into CTC
Required/As Needed	As needed
Onsite/Remote	Onsite or remote
Security Level	Provisioning or higher



Caution This procedure is traffic-affecting.

Procedure

- Step 1** In node view (single-shelf mode) or shelf view (multishelf mode), double-click the card where you want to change the loopback settings.
- Step 2** Click **Maintenance > Loopback** tab.
- Note** In WSE card, do not enable encryption with far-end client loopback. This affects the traffic.
- Step 3** Modify any of the settings described in table. The provisionable parameters are listed in the Options column of the table.
- Note** Before you configure a loopback, the port admin state must be set to OOS,MT(ANSI) or Locked,maintenance (ETSI).

Table 195: Loopback Settings

Parameter	Description	Options
Port	(Display only) Name of the port.	—

Parameter	Description	Options
Admin State	Sets the port service state unless network conditions prevent the change. For more information about administrative states, see the Administrative and Service States document.	<ul style="list-style-type: none"> • IS (ANSI) or Unlocked (ETSI) • OOS,MT (ANSI) or Locked,maintenance (ETSI) • OOS,DSBLD (ANSI) or Locked,disabled (ETSI) • IS,AINS (ANSI) or Unlocked,AutomaticInService (ETSI)
Service State	(Display only) Identifies the autonomously generated state that gives the overall condition of the port. Service states appear in the format: Primary State-Primary State Qualifier, Secondary State. For more information about service states, see the Administrative and Service States document.	<ul style="list-style-type: none"> • IS-NR (ANSI) or Unlocked-enabled (ETSI) • OOS-AU,AINS (ANSI) or Unlocked-disabled, automaticInService (ETSI) • OOS-MA,DSBLD (ANSI) or Locked-enabled,disabled (ETSI) • OOS-MA,MT (ANSI) or Locked-enabled,maintenance (ETSI)
Loopback	Configures or clears a port for a terminal (inward), facility (line), facility loopback (drop), or terminal loopback (drop) on the required port.	<ul style="list-style-type: none"> • None—Clears loopback • Terminal (Inward) • Facility (Line) • Facility Loopback (Drop) • Terminal Loopback (Drop)

Step 4 Click **Apply**.

Stop. You have completed this procedure.

NTP-G299 Configuring Backplane Loopback on a Card

Purpose	<p>This procedure configures or clears the backplane terminal or facility loopback on the 100G-LC-C, 10x10G-LC, CFP-LC, 100G-CK-C, 100G-ME-C, 100ME-CKC, and 100GS-CK-LC cards. The backplane facility (drop) loopback can be configured on the 100G-LC-C, CFP-LC, and 100G-CK-C cards.</p> <p>Note The loopback on the CFP-LC card can be configured on the backplane of the peer 100G-LC-C card.</p>
----------------	---

Tools/Equipment	None
Prerequisite Procedures	DLP-G46 Log into CTC
Required/As Needed	As needed
Onsite/Remote	Onsite or remote
Security Level	Provisioning or higher



Caution This procedure is traffic-affecting.

Procedure

- Step 1** In node view (single-shelf mode) or shelf view (multishelf mode), double-click the card where you want to change the backplane loopback settings. The card view appears.
- Step 2** Click **Maintenance > Card** tabs.
- Step 3** Modify any of the settings described in the table. The provisionable parameters are listed in the Options column in the table.

Note Before you configure a backplane loopback, the port admin state must be set to OOS,MT(ANSI) or Locked,maintenance (ETSI).

Table 196: Backplane Loopback Settings

Parameter	Description	Options
Admin State	Sets the port service state unless network conditions prevent the change. For more information about administrative states, see the Administrative and Service States document.	<ul style="list-style-type: none"> • IS (ANSI) or Unlocked (ETSI) • OOS,MT (ANSI) or Locked,maintenance (ETSI)
Service State	(Display only) Identifies the autonomously generated state that gives the overall condition of the port. Service states appear in the format: Primary State-Primary State Qualifier, Secondary State. For more information about service states, see the Administrative and Service States document.	<ul style="list-style-type: none"> • IS-NR (ANSI) or Unlocked-enabled (ETSI) • OOS-MA,MT (ANSI) or Locked-enabled,maintenance (ETSI)
Loopback	Configures or clears backplane terminal (Inward), facility (Line),or facility (Drop) loopback on the card. You can configure the backplane loopback only if the card is removed from service.	<ul style="list-style-type: none"> • None • Backplane Facility • Backplane Terminal • Backplane Facility (Drop)

Step 4 Click **Apply**.

Stop. You have completed this procedure.

NTP-G192 Forcing FPGA Update

Purpose	This procedure forces an upgrade of the FPGA image on the MXP_MR_10DME_C and MXP_MR_10DME_L cards.
Tools/Equipment	None
Prerequisite Procedures	DLP-G46 Log into CTC
Required/As Needed	As needed
Onsite/Remote	Onsite or remote
Security Level	Provisioning or higher

Procedure

Step 1 Perform step 1 only if you are updating the node software, else proceed to step 2.

- a) Close the CTC window, if open.
- b) Delete the CTC Cache from the CTC Launcher browser window.
- c) Close the CTC Launcher browser window.
- d) Relaunch the CTC Launcher browser window.

Step 2 In node view (single-shelf mode) or shelf view (multishelf mode), double-click the MXP_MR_10DME_C or MXP_MR_10DME_L card to be upgraded.

Step 3 For all ports being provisioned on the card, click the **Provisioning > Line** tabs.

- a) Click the **Admin State** table cell and choose **OOS,DSBLD** (ANSI) or **Locked,Disabled** (ETSI).
- b) Click **Apply**, then **Yes**.

Step 4 Click the **Provisioning > Card** tabs.

Step 5 Change the Card Mode as needed:

- **FC-GE_ISC**—Choose this option if you will provision any of the following PPM port rates: FC1G (Ports 1-1 through 4-1), FC2G (Ports 1-1 and 3-1 only), FICON1G (Ports 1-1 through 4-1), FICON2G (Ports 1-1 and 3-1 only), ONE_GE (Ports 1-1 through 4-1), ISC3 COMPAT (Ports 1-1 through 4-1), ISC3 PEER 1G (Ports 1-1 through 4-1), and ISC3 PEER 2G (Ports 1-1 and 3-1 only).
- **FC4G**—Choose this option if you will provision an FC4G or FICON4G PPM (Port 1-1 only).

Step 6 Click the **Force FPGA Update** button. This upgrades the FPGA image in the MXP_MR_10DME_C or MXP_MR_10DME_L card, as appropriate. The MXP_MR_10DME_C or MXP_MR_10DME_L card reboots and the FPGA now contains the updated image.

Step 7 For all ports being provisioned on the card, click the **Provisioning > Line** tabs.

- a. Click the **Admin State** table cell and choose **IS** (ANSI) or **Unlocked** (ETSI).
- b. Click **Apply**, then **Yes**.

Stop. You have completed this procedure.

NTP-G196 Forcing FPGA Update on a Card in Protection Group

Purpose	This procedure forces an upgrade of the FPGA image on the MXP_MR_10DME_C and MXP_MR_10DME_L cards when the card is part of a protection group. This procedure applies to a near-end node that has two MXP_MR_10DME_C or MXP_MR_10DME_L cards, one card acting as the working card and the other as the protect card. The far-end node has a similar configuration. The near-end working card trunk port is connected to the far-end working card trunk port. The near-end protect card trunk port is connected to the far-end protect card trunk port.
Tools/Equipment	None
Prerequisite Procedures	DLP-G46 Log into CTC
Required/As Needed	As needed
Onsite/Remote	Onsite or remote
Security Level	Provisioning or higher

Procedure

- Step 1** Perform step 1 only if you are updating the node software. Else, proceed to step 2.
 - a) Close the CTC window, if open.
 - b) Delete the CTC Cache from the CTC Launcher browser window.
 - c) Close the CTC Launcher browser window.
 - d) Relaunch the CTC Launcher browser window.
- Step 2** Ensure traffic is running on the near-end and far-end working cards for each protection group on the MXP_MR_10DME_C or MXP_MR_10DME_L card.
- Step 3** In node view (single-node mode) or multishelf view (multishelf mode), click the **Provisioning > Protection** tab.
- Step 4** For each protection group, verify that the working card client port is reported as working/active and the protect card client port is reported as protect/standby.
- Step 5** Repeat step 6 and step 7 for the far-end node.
- Step 6** For each protection group on the near-end and far-end nodes, complete the [DLP-G182 Apply a Lockout](#) task to prevent traffic from switching to the protect card.

- Step 7** At the near-end and far-end nodes, complete the [NTP-G192 Forcing FPGA Update](#) task to force an upgrade of the FPGA image on the protect card.
- Step 8** For each protection group on the near-end and far-end nodes, complete the [DLP-G183 Clear a Lock-On or Lockout](#) task to remove a lockout and return a protection group to its usual switching method.
- Step 9** For each protection group on the near-end and far-end nodes, complete the [DLP-G179 Apply a Force Y-Cable or Splitter Protection Switch](#) task to move traffic from the working to the protect card.
- Step 10** At the near-end and far-end nodes, complete the [NTP-G192 Forcing FPGA Update](#) task to force an upgrade of the FPGA image on the working card.
- Step 11** For each protection group on the near-end and far-end nodes, complete the [DLP-G180 Clear a Manual or Force Y-Cable or Splitter Protection Switch](#) task to clear a Force protection switch on the working card. If the protection group is revertive, this operation causes the traffic to revert to the working card. If the protection group is non-revertive, this operation causes the traffic to remain on the protect card.

Stop. You have completed this procedure.

NTP-G232 Enabling Error Decorrelator

Purpose	This task enables error decorrelator on a TXP_MR_10EX_C, MXP_2.5G_10EX_C, or MXP_MR_10DMEX_C card.
Tools/Equipment	None
Prerequisite Procedures	DLP-G46 Log into CTC
Required/As Needed	As needed
Onsite/Remote	Onsite or remote
Security Level	Provisioning or higher

Procedure

- Step 1** In node view (single-shelf mode) or shelf view (multishelf view), double-click the TXP_MR_10EX_C, MXP_2.5G_10EX_C, or MXP_MR_10DMEX_C card where you want to enable error decorrelator.
- Step 2** Click the **Provisioning > Line > Error Decorrelator Settings** tabs.
- Step 3** In the Error Decorrelator Settings area, select **Enable**.

Note To inter-operate with other cards, disable the error decorrelator. Click the **Provisioning > Line > Error Decorrelator Settings** tabs and then select **Disable**.

Stop. You have completed this procedure.

NTP-G315 Enabling the Wavelength Drifted Channel Automatic Shutdown Feature

Purpose	This procedure allows you to enable or disable the wavelength drifted channel automatic shutdown feature for 40-SMR1-C, 40-SMR2-C, 80-WXC-C, 40-WXC-C, and 40-WSS-C cards.
Tools/Equipment	None
Prerequisite Procedures	DLP-G46 Log into CTC
Required/As Needed	As needed
Onsite/Remote	Onsite or remote
Security Level	Provisioning or higher

Procedure

-
- Step 1** In the node view (single-shelf mode) or multishelf view (multishelf mode), click the **Provisioning > Defaults** tabs. The Node Defaults page opens.
- Step 2** Select the card from the Defaults Selector pane where you want to enable or disable the wavelength drifted channel automatic shutdown feature.
- Step 3** Select the `<card name>.config.card.WavelengthDrift` from the Default Name column. Choose Disable or Enable from the Default Value drop-down list for the selected card.
- For example, if you select 40-SMR2-C card from the Defaults Selector folder, the Default Name column reads “40-SMR2-C.config.card.WavelengthDrift”.
- Step 4** Click **Apply** to save changes.
- Stop. You have completed this procedure.**
-

NTP-G316 Enabling REP and FAPS on the Same Port

Purpose	This task allows you enable REP and FAPS on the same port for the GE_XP and 10GE_XP cards. You can configure REP and FAPS on port 22 and 21 for GE_XP cards, and port 4 and 3 for 10GE_XP cards. The FAPS primary node on the edge ring should never be the node that has a common FAPS and REP port.
Tools/Equipment	None
Prerequisite Procedures	DLP-G46 Log into CTC

Required/As Needed	As needed
Onsite/Remote	Onsite or remote
Security Level	Provisioning or higher

Procedure

- Step 1** To enable REP, complete the following procedures:
- a) [DLP-G645 Creating a Segment](#)
 - b) [DLP-G647 Activating VLAN Load Balancing](#)
- Step 2** To enable FAPS, complete the [DLP-G381 Provisioning Layer 2 Protection Settings](#)
- Stop. You have completed this procedure.**
-

NTP-G321 Provisioning Multiple Operating Modes

Purpose	This procedure enables you to provision multiple operating modes on the AR_MXP, AR_XP, or AR_XPE cards.
Tools/Equipment	None
Prerequisite Procedures	<ul style="list-style-type: none"> • DLP-G46 Log into CTC • DLP-G726 Preprovisioning a Multirate PPM • DLP-G278 Provisioning the Optical Line Rate, on page 205
Required/As Needed	As needed
Onsite/Remote	Onsite or remote
Security Level	Provisioning or higher

Procedure

- Step 1** In node view (single-shelf mode) or shelf view (multishelf view), double-click the AR_MXP, AR_XP, or AR_XPE card where you want to provision an operating mode. The card view appears.
- Step 2** Click the **Provisioning > Card** tabs.
- Step 3** In the Card tab, click **Create**.
- Step 4** From the Card Config Rate Selection section, select **Low Rate Mode** or **High Rate Mode**.
- Step 5** In the Card Config Selection section:
- a) Choose the Operating Mode from the drop-down list.

The Operating Mode options vary depending on the Card Type (AR_MXP, AR_XP, or AR_XPE) and Card Config Rate Selection.

- b) For MXP_DME and MXPP_DME card modes, choose the Client Trunk Mapping from the drop-down list. For other card modes, CTC automatically selects the client trunk mapping.

Step 6 Click **Next**.

Step 7 Select the appropriate trunk port that is available and click **Next**.

Step 8 Select the appropriate client port that is available and click **Finish**.

The selected operating mode is provisioned on the AR_MXP, AR_XP, or AR_XPE card.

Note When you want to upgrade the FPGA image on the AR_MXP, AR_XP, or AR_XPE card, click the **FPGA/FIRMWARE Upgrade** button. This upgrades the FPGA image on the AR_MXP, AR_XP, or AR_XPE card as appropriate, without the need of upgrading the whole network.

Firmware upgrade is allowed only when the ports are in OOS (out-of-service) or Maintenance service state.

Stop. You have completed this procedure.

NTP-G322 Modifying the Card Line Settings and PM Parameter Thresholds

Purpose	This procedure changes the line and PM parameter threshold settings of the AR_MXP, AR_XP, or AR_XPE cards.
Tools/Equipment	None
Prerequisite Procedures	<ul style="list-style-type: none"> • NTP-G179 Installing the Transponder and Muxponder Cards • DLP-G723 Install PPM on a Line Card • DLP-G726 Preprovisioning a Multirate PPM (if necessary) • DLP-G278 Provisioning the Optical Line Rate, on page 205
Required/As Needed	As needed
Onsite/Remote	Onsite or remote
Security Level	Provisioning or higher

Procedure

Step 1 As needed, complete the [NTP-G103 Backing Up the Database](#) task, to preserve the existing transmission settings.

Step 2 Perform any of the following tasks as needed:

- [DLP-G695 Changing the Card Line Settings](#)
- [DLP-G698 Changing the AR_MXP, AR_XP, or AR_XPE Card Section Trace Settings](#)
- [DLP-G699 Enabling Auto-sensing for AR_MXP, AR_XP, or AR_XPE Cards](#)
- [DLP-G701 Changing the AR_MXP, AR_XP, or AR_XPE Card Line RMON Thresholds](#)
- [DLP-G702 Provisioning the AR_MXP, AR_XP, or AR_XPE Card with Trunk Port Alarm and TCA Thresholds](#)
- [DLP-G703 Provisioning the AR_MXP, AR_XP, or AR_XPE Card Client Port Alarm and TCA Thresholds](#)
- [DLP-G704 Changing the AR_MXP, AR_XP, or AR_XPE Card OTN Settings](#)
- [DLP-G734 Viewing the Mapping of ODU Object with Client Port](#)

Note To use the Alarm Profiles tab, including creating alarm profiles and suppressing alarms, see the [Alarm and TCA Monitoring and Management](#) document.

Stop. You have completed this procedure.

DLP-G695 Changing the Card Line Settings

Purpose	This task changes the line settings of the AR_MXP, AR_XP, or AR_XPE cards.
Tools/Equipment	None
Prerequisite Procedures	DLP-G46 Log into CTC
Required/As Needed	As needed
Onsite/Remote	Onsite or remote
Security Level	Provisioning or higher

Procedure

- Step 1** In node view (single-shelf mode) or shelf view (multishelf view), double-click the AR_MXP, AR_XP, or AR_XPE card where you want to change the line settings.
- Step 2** Click the **Provisioning > Line > Ports** tabs. Tabs and parameter selections vary according to PPM provisioning.
- Step 3** Modify any of the line settings in the Ports tab as described in table.

Table 197: AR_MXP, AR_XP, or AR_XPE Card Line Settings

Parameter	Description	Options
Port	(Display only) Displays the port number.	1 through 10

Parameter	Description	Options
Port Name	Assigns a logical name for the specified port.	User-defined. Name can be up to 80 alphanumeric characters, or both. Blank by default. See, DLP-G104 Assigning a Name to a Port Note You can provision a string (port name) for channel/FICON interface on the AR_MD or AR_XPE card, which allows the MD Manager to create a link association between a SAN port and a SAN port on a Cisco MDS 9000 switch.
Admin State	Sets the port service state unless network conditions prevent the change. For more information about administrative states, see the Administrative and Service States document.	<ul style="list-style-type: none"> • IS (ANSI) or Unlocked (ETSI) • OOS,DSBLD (ANSI) or Locked,disabled (ETSI) • OOS,MT (ANSI) or Locked,maintenance (ETSI) • IS,AINS (ANSI) or Unlocked,AutomaticInService (ETSI)
Service State	(Display only) Identifies the autonomously generated state that gives the overall condition of the port. Service states appear in the format: Primary State-Primary State Qualifier, Secondary State. For more information about service states, see the Administrative and Service States document.	<ul style="list-style-type: none"> • IS-NR (ANSI) or Unlocked-enabled (ETSI) • OOS-AU,AINS (ANSI) or Unlocked-disabled, automaticInService (ETSI) • OOS-MA,DSBLD (ANSI) or Locked-enabled,disabled (ETSI) • OOS-MA,MT (ANSI) or Locked-enabled,maintenance (ETSI)
ALS Mode	Sets the ALS function mode.	<ul style="list-style-type: none"> • Disabled (default)— ALS is off; the laser is not a shut down when traffic outage or loss of signal (LOS). • Manual Restart— ALS is on; the laser automatically shut down when traffic outage or loss of signal (LOS). However, the laser must be manually restarted when conditions that caused the outage are resolved. • Manual Restart for Test— Manually restarts the testing.
AINS Soak	Sets the automatic in-service soak period. Double-click the time and use the up and down arrows to change settings.	<ul style="list-style-type: none"> • Duration of valid input signal, in hh.mm format. The card state changes to in service (IS) automatically when the signal is received. • 0 to 48 hours, 15-minute increments.

Parameter	Description	Options
Reach	Sets the optical reach distance of the client port.	<p>The reach distances that appear in the drop-down list depend on the card:</p> <ul style="list-style-type: none"> • Autoprovision—The system automatically provisions the reach from the pluggable port module (PPM) reach to the hardware. • I1—Intermediate reach • S1—Short reach, up to 15-km distance • S2—Short reach up to 40-km distance • L1—long reach, up to 40-km distance • L2—long reach, up to 80-km distance • L3—long reach, up to 80-km distance • CWDM— CWDM Reach • MM— • ULH—Ultra long-haul (ULH) • DWDM—DWDM Reach
Wavelength	Displays the wavelength of the client port.	<ul style="list-style-type: none"> • First Tunable Wavelength • Further wavelengths: <ul style="list-style-type: none"> • 850 nm through 1561.83 nm • 100-GHz ITU spacing • CWDM spacing
Fault Signalling	Shuts down the far-end laser in response to certain defects. (Squelch does not apply to ISC COMPACT payloads.)	<ul style="list-style-type: none"> • G AIS/Send Local Fault • Squelch/Laser-Off • NOS • None
Termination Mode	Sets the mode of operation. (This option is only available for SONET/SDH payloads).	<ul style="list-style-type: none"> • Transparent

Step 4 Click **Apply**.

Step 5 Return to your originating procedure (NTP).

DLP-G696 Changing the AR_MXP, AR_XP, or AR_XPE Card Ethernet Settings

Purpose	This task changes the Ethernet settings of the AR_MXP, AR_XP, or AR_XPE cards.
Tools/Equipment	None
Prerequisite Procedures	DLP-G46 Log into CTC
Required/As Needed	As needed
Onsite/Remote	Onsite or remote
Security Level	Provisioning or higher

Procedure

- Step 1** In node view (single-shelf mode) or shelf view (multishelf view), double-click the AR_MXP, AR_XP, or AR_XPE card where you want to change the Ethernet settings. The card view appears.
- Step 2** Click the **Provisioning > Line > Ethernet** tabs.
- Step 3** Modify any of the Ethernet settings in the Ethernet tab as described in table. The parameters that appear depend on the card mode.

Table 198: AR_MXP, AR_XP, and AR_XPE Card Ethernet Settings

Parameter	Description	ONS 15454 (ANSI) Options	ONS 15454 SDH (ET Options
Port	(Display only) Displays the port number (<i>n-n</i>) and rate.	—	—
Port Name	(Display only) Displays the port Name.	—	—
MTU	Sets the maximum size of the Ethernet frames accepted by the port. The port must be in OOS/locked state.	Numeric. Default: 9700 Range 64 to 9700 (for R9.4 and later)	Numeric. Default: 9 Range 64 to 9700 (1 later)
Speed	Sets the expected speed of the ports.	100 Mbps for FE ports and 1000 Mbps for GE ports	100 Mbps for FE ports 1000 Mbps for GE ports
Duplex	(Display only) Displays expected duplex capability of ports.	Full	Full
Auto negotiation	If checked, enables autonegotiation on the same port.	Checked or unchecked	Checked or unchecked
ProvidesSync	Sets the ProvidesSync card parameter. If checked, the card is provisioned as a network element (NE) timing reference.	Checked or unchecked	Checked or unchecked

Parameter	Description	ONS 15454 (ANSI) Options	ONS 15454 SDH (ETSI) Options
SyncMsgIn	Sets the EnableSync card parameter. Enables synchronization status messages (S1 byte), which allow the node to choose the best timing source.	Checked or unchecked	Checked or unchecked
Admin SSM In	Overrides the synchronization status message (SSM) and the synchronization traceability unknown (STU) value. If the node does not receive an SSM signal, it defaults to STU.	<ul style="list-style-type: none"> • PRS—Primary Reference Source (Stratum 1) • ST2—Stratum 2 • TNC—Transit node clock • ST3E—Stratum 3E • ST3—Stratum 3 • SMC—SONET minimum clock • ST4—Stratum 4 • DUS—Do not use for timing synchronization • RES—Reserved; quality level set by user 	<ul style="list-style-type: none"> • G811—Primary reference clock • STU—Sync traceability unknown • G812T—Transit node clock traceable • G812L—Local node clock traceable • SETS—Synchronization equipment • DUS—Do not use for timing synchronization
Termination Mode	(Display-only for Standard Regeneration and Enhanced FEC card configurations) Sets the mode of operation.	—	—
Send DoNotUse	When checked, sends a DUS message on the S1 byte.	Checked or unchecked	Checked or unchecked
ESMC Enable	Enables the timing to be taken from the Ethernet port.	Checked or unchecked	Checked or unchecked
Video Type	Video	—	—

Step 4 Return to your originating procedure (NTP).

DLP-G697 Changing the AR_MXP, AR_XP, or AR_XPE Card SONET/SDH Settings

Purpose	This task changes the SONET /SDH settings of the AR_MXP, AR_XP, or AR_XPE cards.
Tools/Equipment	None
Prerequisite Procedures	DLP-G46 Log into CTC

Required/As Needed	As needed
Onsite/Remote	Onsite or remote
Security Level	Provisioning or higher

Procedure

- Step 1** In node view (single-shelf mode) or shelf view (multishelf view), double-click the AR_MXP, AR_XP, or AR_XPE card where you want to change the SONET (OC-192)/SDH (STM-64) settings.
- Step 2** Click the **Provisioning > Line > SONET (ANSI)** or **SDH (ETSI)** tabs. The tabs and parameter selections vary according to PPM provisioning.
- Step 3** Modify any of the settings as described in table.

Table 199: AR_MXP, AR_XP, or AR_XPE Card SONET/SDH Settings

Parameter	Description	Options
Port	(Display only) Displays the port number.	—
Port Name	Assign a name for the specified port.	User-defined. Name can be up to 80 alphanumeric characters, or both. Blank by default. DLP-G104 Assigning a Name to a Port
Admin State	Sets the port service state unless network conditions prevent the change. For more information about administrative states, see the Administrative and Service States document.	<ul style="list-style-type: none"> • IS (ANSI) or Unlocked (ETSI) • IS,AINS (ANSI) or Unlocked,automatic (ETSI) • OOS,DSBLD (ANSI) or Locked,disabled (ETSI) • OOS,MT (ANSI) or Locked,maintenance (ETSI)
Service State	(Display only) Identifies the autonomously generated state that gives the overall condition of the port. Service states appear in the format: Primary State-Primary State Qualifier, Secondary State. For more information about service states, see the Administrative and Service States document.	<ul style="list-style-type: none"> • IS-NR (ANSI) or Unlocked-enabled (ETSI) • OOS-AU,AINS (ANSI) or Unlocked-disabled,automaticInService (ETSI) • OOS-MA,DSBLD (ANSI) or Locked-enabled (ETSI) • OOS-MA,MT (ANSI) or Locked-enabled (ETSI)
SF BER ¹²	Sets the signal fail bit error rate.	<ul style="list-style-type: none"> • 1E-3 • 1E-4 • 1E-5

Parameter	Description	Options
SD BER1	Sets the signal degrade bit error rate.	<ul style="list-style-type: none"> • 1E-5 • 1E-6 • 1E-7 • 1E-8 • 1E-9
Type	Sets the optical transport type.	<ul style="list-style-type: none"> • SONET (ANSI) • SDH (ETSI)
ALS Mode	Sets the ALS function mode. The DWDM transmitter supports ALS according to ITU-T G.644 (06/99). ALS can be disabled or enabled for one of the three mode options.	<ul style="list-style-type: none"> • Disabled (default)—ALS is off; the laser is not automatically shut down when traffic outage or loss of signal (LOS) occurs. • Auto Restart—ALS is on; the laser automatically shuts down when traffic outage or loss of signal (LOS) occurs. It automatically restarts when the conditions that caused the outage are resolved. • Manual Restart—ALS is on; the laser automatically shuts down when traffic outage or loss of signal (LOS) occurs. However, the laser must be manually restarted when conditions that caused the outage are resolved. • Manual Restart for Test—Manually restarts the laser for testing.
AINS Soak	Sets the automatic in-service soak period. Double-click the time and use the up and down arrows to change settings.	<ul style="list-style-type: none"> • Duration of valid input signal, in hh.mm format, for which the card state changes to in service (IS) automatically. • 0 to 48 hours, 15-minute increments.
ProvidesSync	Sets the ProvidesSync card parameter. If checked, the card is provisioned as a NE timing reference.	Checked or unchecked
SyncMsgIn	Sets the EnableSync card parameter. Enables synchronization status messages (S1 byte), which allow the node to choose the best timing source.	Checked or unchecked
Admin SSM In	Overrides the synchronization status message (SSM) and the synchronization traceability unknown (STU) value. If the node does not receive an SSM signal, it defaults to STU.	STU

Parameter	Description	Options
Reach	Sets the optical reach distance of the client port.	<p>The reach distances that appear in the drop-down on the card:</p> <ul style="list-style-type: none"> • Autoprovision—The system to automatically set the reach from the pluggable port module to the value on the hardware. • I1/IR1—Intermediate Reach • S1/SR1—Intermediate reach, up to 15-km • S2/SR2—Intermediate reach up to 40-km • L1/LR1—long reach, up to 40-km distance • L2/LR2—long reach, up to 80-km distance • L3/LR3—long reach, up to 80-km distance • CWDM—CWDM Reach • MM • SR—Short Reach • ULH—Ultra long-haul (ULH) • DWDM—DWDM Reach
Wavelength	Displays the wavelength of the client port.	<ul style="list-style-type: none"> • First Tunable Wavelength • Further wavelengths: <ul style="list-style-type: none"> • 850 nm through 1561.83 nm • 100-GHz ITU spacing • CWDM spacing

¹² SF BER and SD BER thresholds apply only to trunk ports.

Step 4 Click **Apply**.

Step 5 Return to your originating procedure (NTP).

DLP-G698 Changing the AR_MXP, AR_XP, or AR_XPE Card Section Trace Settings

Purpose	This task changes the section trace settings of the AR_MXP, AR_XP, or AR_XPE cards.
Tools/Equipment	None

Prerequisite Procedures	DLP-G46 Log into CTC
Required/As Needed	As needed
Onsite/Remote	Onsite or remote
Security Level	Provisioning or higher

Procedure

- Step 1** In node view (single-shelf mode) or shelf view (multishelf view), double-click the AR_MXP, AR_XP, or AR_XPE card where you want to change the section trace settings.
- Step 2** Click the **Provisioning** > **Line** > **Section Trace** tabs. Tabs and parameter selections vary according to PPM provisioning.
- Step 3** Modify any of the settings in the Section Trace tab as described in the table.

Table 200: AR_MXP, AR_XP, or AR_XPE Card Line Section Trace Settings

Parameter	Description	Options
Port	(Display only) Displays the port number.	<ul style="list-style-type: none"> Client Ports (1-8)
Received Trace Mode	Sets the received trace mode.	<ul style="list-style-type: none"> Off/None Manual
Disable AIS/RDI on TIM-S	If a TIM on section overhead alarm arises because of a J0 overhead string mismatch, no alarm indication signal is sent to downstream nodes if this box is checked.	<ul style="list-style-type: none"> Checked (AIS/RDI on TIM-S disabled) Unchecked (AIS/RDI on TIM-S enabled)
Transmit Section Trace String Size	Sets the trace string size.	<ul style="list-style-type: none"> 1 byte 16 byte
Transmit	<p>Displays the current transmit string or sets a new transmit string. Click the button on the right to change the display. Its title changes, based on the current display mode. Click Hex to change the display to hexadecimal (button changes to ASCII); click ASCII to change the display to ASCII (button changes to Hex).</p> <p>Note For OCn and OTU traces, the junk squares appear in the New Transmit String field when you click the default button. Ignore the junk squares that appear in the New Transmit String field.</p>	String of trace string size

Parameter	Description	Options
Expected	Displays the current expected string or sets a new expected string. Click the button on the right to change the display. Its title changes, based on the current display mode. Click Hex to change the display to hexadecimal (button changes to ASCII); click ASCII to change the display to ASCII (button changes to Hex). Note For OCn and OTU traces, the junk squares appear in the New Expected String field when you click the default button. Ignore the junk squares that appear in the New Expected String field.	String of trace string size
Received	(Display only) Displays the current received string. Click Refresh to manually refresh this display, or select the Auto-refresh every 5 sec check box to keep this panel updated.	String of trace string size
Auto-refresh	If checked, automatically refreshes the display every 5 seconds.	Checked or unchecked (default)

- Step 4** Click **Apply**.
- Step 5** Return to your originating procedure (NTP).

DLP-G699 Enabling Auto-sensing for AR_MXP, AR_XP, or AR_XPE Cards

Purpose	This task enables the auto sensing for AR_MXP, AR_XP, or AR_XPE cards.
Tools/Equipment	None
Prerequisite Procedures	DLP-G46 Log into CTC
Required/As Needed	As needed
Onsite/Remote	Onsite or remote
Security Level	Provisioning or higher

Procedure

- Step 1** In node view (single-shelf mode) or shelf view (multishelf view), double-click the AR_MXP, AR_XP, or AR_XPE card where you want to enable auto sensing.
- Step 2** Click the **Provisioning > Line > Auto Ports** tabs. Tabs and parameter selections vary according to PPM provisioning.
- Step 3** Modify any of the settings in the Auto Ports tab as described in table.

Table 201: AR_MXP, AR_XP, or AR_XPE Auto Sensing Settings

Parameter	Description	Options
Port	(Display only) Displays the port number.	Client Ports (1-8)
Auto Sensing	If checked, enables auto sensing.	Checked or Unchecked
Actual Port Type	Displays the auto-sensed signal type.	—

Step 4 Return to your originating procedure (NTP).

DLP-G700 Changing the AR_MXP, AR_XP, or AR_XPE Card SONET/SDH Line Thresholds

Purpose	This task changes the SONET/SDH line threshold settings of AR_MXP, AR_XP, or AR_XPE cards.
Tools/Equipment	None
Prerequisite Procedures	DLP-G46 Log into CTC
Required/As Needed	As needed
Onsite/Remote	Onsite or remote
Security Level	Provisioning or higher

Procedure

- Step 1** In node view (single-shelf mode) or shelf view (multishelf view), double-click the AR_MXP, AR_XP, or AR_XPE card where you want to change the SONET/SDH line threshold settings.
- Step 2** Click the **Provisioning > Line Thresholds > SONET Thresholds (ANSI)** or **SDH Thresholds (ETSI)** tabs.
- Step 3** Modify any of the settings as shown in table.

Note You must modify Near End and Far End independently; 15 Min and 1 Day independently; and Line and Section independently. To do so, choose the appropriate radio button and click **Refresh**.

Table 202: AR_MXP, AR_XP, or AR_XPE Card SONET/SDH Line Threshold Settings

Parameter	Description	Options - ONS 15454	Options - ONS 15454 SDH
Port	(Display only) Displays the port number.	• Client Ports (1-8)	• Client Ports (1-8)

Parameter	Description	Options - ONS 15454	Options - ONS 15454 SDH
EB	Path Errored Block indicates that one or more bits are in error within a block.	—	Numeric. Threshold display options include: <ul style="list-style-type: none"> • Direction—Near End or Far End • Interval—15 Min (minutes) • Types—Multiplex Section or Regeneration Section (near end only) Choose an option in each category and click Refresh .
CV	Coding violations	Numeric. Threshold display options include: <ul style="list-style-type: none"> • Direction—Near End or Far End • Interval—15 Min (minutes) or 1 day • Types—Line or Section (near end only) Choose an option in each category and click Refresh .	—
ES	Errored seconds	Numeric. Threshold display options include: <ul style="list-style-type: none"> • Direction—Near End or Far End • Interval—15 Min (minutes) or 1 day • Types—Line or Section (near end only) Choose an option in each category and click Refresh .	Numeric. Threshold display options include: <ul style="list-style-type: none"> • Direction—Near End or Far End • Interval—15 Min (minutes) • Types—Multiplex Section or Regeneration Section (near end only) Choose an option in each category and click Refresh .
SES	Severely errored seconds	Numeric. Threshold display options include: <ul style="list-style-type: none"> • Direction—Near End or Far End • Interval—15 Min (minutes) or 1 day • Types—Line or Section (near end only) Choose an option in each category and click Refresh .	Numeric. Threshold display options include: <ul style="list-style-type: none"> • Direction—Near End or Far End • Interval—15 Min (minutes) • Types—Multiplex Section or Regeneration Section (near end only) Choose an option in each category and click Refresh .

Parameter	Description	Options - ONS 15454	Options - ONS 15454 SDH
SEFS	(Near End Section or Regeneration Section only) Severely errored framing seconds	—	Numeric. Threshold display options include: <ul style="list-style-type: none"> • Direction—Near End or Far End • Interval—15 Min (minutes) or 1 day • Types—Multiplex Section or Regeneration Section (near end only) Choose an option in each category and click Refresh .
BBE	Background block errors	—	Numeric. Threshold display options include: <ul style="list-style-type: none"> • Direction—Near End or Far End • Interval—15 Min (minutes) or 1 day • Types—Multiplex Section or Regeneration Section (near end only) Choose an option in each category and click Refresh .
FC	(Line or Multiplex Section only) Failure count	Numeric. Threshold display options include: <ul style="list-style-type: none"> • Direction—Near End or Far End • Interval—15 Min (minutes) or 1 day • Types—Line or Section (near end only) Choose an option in each category and click Refresh .	Numeric. Threshold display options include: <ul style="list-style-type: none"> • Direction—Near End or Far End • Interval—15 Min (minutes) or 1 day • Types—Multiplex Section or Regeneration Section (near end only) Choose an option in each category and click Refresh .
UAS	(Line or Multiplex Section only) Unavailable seconds	Numeric. Threshold display options include: <ul style="list-style-type: none"> • Direction—Near End or Far End • Interval—15 Min (minutes) or 1 day • Types—Line or Section (near end only) Choose an option in each category and click Refresh .	Numeric. Threshold display options include: <ul style="list-style-type: none"> • Direction—Near End or Far End • Interval—15 Min (minutes) or 1 day • Types—Multiplex Section or Regeneration Section (near end only) Choose an option in each category and click Refresh .

Step 4 Click **Apply**.

Step 5 Return to your originating procedure (NTP).

DLP-G701 Changing the AR_MXP, AR_XP, or AR_XPE Card Line RMON Thresholds

Purpose	This task changes the line threshold settings for AR_MXP, AR_XP, or AR_XPE cards carrying Ethernet, FC/FICON, or ISC/ISC3 payloads.
Tools/Equipment	None
Prerequisite Procedures	DLP-G46 Log into CTC
Required/As Needed	As needed
Onsite/Remote	Onsite or remote
Security Level	Provisioning or higher

Procedure

- Step 1** In node view (single-shelf mode) or shelf view (multishelf view), double-click the AR_MXP, AR_XP, or AR_XPE card where you want to change the line RMON threshold settings in card view.
- Step 2** Click the **Provisioning > Line Thresholds > RMON Thresholds** tabs.
- Step 3** Click **Create**.
- Step 4** From the Port drop-down list, choose the applicable port, either the payload port, for example “1-1 (ONE_GE)”, or the equivalent ITU-T G.7041 GFP (Generic Frame Procedure) port.
- Step 5** From the Variable drop-down list, choose an Ethernet, FC, FICON, or ISC variable. To change the values of the variables, see the following tables.

Table 203: AR_MXP, AR_XP, or AR_XPE Card Ethernet Variables

Variable	Description
ifInOctets	Number of bytes received since the last counter reset.
rxTotalPkts	Total number of received packets.
ifInUcastPkts	Number of packets delivered by this sublayer to a higher sublayer that are not addressed to a multicast or broadcast address.
ifInMulticastPkts	Number of packets delivered by this sublayer to a higher sublayer that are addressed to a multicast address. For a MAC layer protocol, this includes both group and functional addresses.
ifInBroadcastPkts	Number of packets delivered by this sublayer to a higher sublayer that are addressed to a broadcast address.
ifInErrors	Total number of received errors.

Variable	Description
ifOutOctets	Total number of octets transmitted out of the interface, including framing characters.
txTotalPkts	Total number of transmitted packets.
IfOutUcastPkts	Total count of good frames transmitted to a unicast group destination address.
ifOutMulticastPkts	Total number of packets that higher-level protocols requested to be transmitted, which were addressed to a multicast address at this sublayer. These include packets that were discarded or not sent. For a MAC layer protocol, this includes both group and functional addresses.
ifOutBroadcastPkts	Total number of packets that higher-level protocols requested to be transmitted, which were addressed to a broadcast address at this sublayer. These include packets that were discarded or not sent.
dot3StatsFCSErrors	Number of frames received on a particular interface that are an integral number of octets in length but do not pass the FCS check.
dot3StatsAlignmentErrors	Total number of frames received on a particular interface that are not an integral number of octets in length and do not pass the FCS check. This counter is only valid for FE modes of operation.
dot3StatsFrameTooLong	Number of frames received on a particular interface that exceed the maximum permitted frame size.
dot3StatsSymbolErrors	Number of frames received on an associated RX_ER assertion during a data reception error event (MII) or data reception error event, or carrier extension error (GMII) from the PCS.

Variable	Description
dot3StatsLayer1Errors	<p>Number of Layer 1 errors as defined within the following conditions:</p> <ul style="list-style-type: none"> • During Packet Reception—Layer 1 errors are only counted one time per packet. The Layer 1 error is indicated as a direct result of a line side protocol violation in which RX_DV is asserted. This is an uncommon event from which may be the reason why the device loses synchronization. • During Interpacket Reception—The Layer 1 error is indicated as a direct result of a line side protocol violation in which RX_DV is de-asserted. This is an uncommon event. The Layer 1 error is also asserted on detection of a False Carrier indication and is asserted on detection of Erred byte (interpacket) signal encoding. When the Layer 1 error is asserted during inter-packet reception, it is only statistically asserted in the vector.
dot3StatsLCVErrors	Number of received line code violations at the PCS layer.
etherStatsUndersizePkts	Total number of packets received that were less than 64 octets long (excluding framing bits, but including FCS octets) and were otherwise well formed.
etherStatsFragments	Total number of packets received that were less than 64 octets in length (excluding framing bits but including FCS octets) and had either a bad FCS with an integral number of octets (FCS Error) or a bad FCS with a non-integral number of octets (Alignment Error). Note that it is entirely normal for etherStatsFragments to increment. This is because it counts both runts (which are normal occurrences due to collisions) and noise hits.
etherStatsPkts64Octets	Total number of packets (including bad packets) received that were 64 octets in length (excluding framing bits but including FCS octets).
etherStatsPkts65to127Octets	Total number of packets (including bad packets) received that were between 65 and 127 octets in length inclusive (excluding framing bits but including FCS octets).
etherStatsPkts128to255Octets	Total number of packets (including bad packets) received that were between 128 and 255 octets in length inclusive (excluding framing bits but including FCS octets).
etherStatsPkts256to511Octets	Total number of packets (including bad packets) received that were between 256 and 511 octets in length inclusive (excluding framing bits but including FCS octets).

Variable	Description
etherStatsPkts512to1023Octets	Total number of packets (including bad packets) received that were between 512 and 1023 octets in length inclusive (excluding framing bits but including FCS octets).
etherStatsPkts1024to1518Octets	Total number of packets (including bad packets) received that were between 1024 and 1518 octets in length inclusive (excluding framing bits but including FCS octets).
etherStatsPkts1519toMaxSizeOctets	Total number of packets (including bad packets) received that were between 1519 and the maximum frame size as programmed within the RMAC Max Frame Length Configuration Register in length inclusive (excluding framing bits but including FCS octets).
etherStatsBroadcastPkts	Total number of good packets received that were directed to the broadcast address. Note that this does not include multicast packets.
etherStatsMulticastPkts	Total number of good packets received that were directed to a multicast address. Note that this number does not include packets directed to the broadcast address.
etherStatsOversizePkts	Total number of packets received that were longer than 1518 octets (excluding framing bits, but including FCS octets) and were otherwise well-formed.
etherStatsOversizePkts	Total number of packets received that were longer than 1518 octets (excluding framing bits, but including FCS octets) and were otherwise well formed.
etherStatsJabbers	Total number of packets received that were longer than 1518 octets (excluding framing bits, but including FCS octets), and had either a bad FCS with an integral number of octets (FCS Error) or a bad FCS with a non-integral number of octets (Alignment Error).
etherStatsOctets	Total number of octets of data (including those in bad packets) received on the network (excluding framing bits, but including FCS octets).
etherStatsPkts1519tomaxOctets	Total number of packets (including bad packets) received that were 1591 octets in length (excluding framing bits, but including FCS octets).
mediaIndStatsTXShortPkts	Number of transmitted frames containing less than the minimum permitted frame size as programmed with the transmit MAC Min Frame Length Configuration Register.

Table 204: AR_MXP, AR_XP, or AR_XPE FC/FICON Variables

Variable	Description
rxTotalPkts	Total number of received packets.
txTotalPkts	Total number of transmitted packets.
mediaIndStatsRxFramesBadCRC	Number of received data frames with payload CRC errors when HDLC framing is used.
mediaIndStatsTxFramesBadCRC	Number of transmitted data frames with payload CRC errors when HDLC framing is used.
mediaIndStatsRxLcvErrors	Number of L1 line code violations received for lower rate FC, which equate to invalid 8b10b ordered sets.
mediaIndStatsTxLcvErrors	Number of L1 line code violations transmitted for lower rate FC, which equate to invalid 8b10b ordered sets.
rx8b10bWords	Number of 8B/10B words received.
tx8b10bWords	Number of 8B/10B words transmitted.

Table 205: AR_MXP, AR_XP, and AR_XPE ISC Variables

Variable	Description
mediaIndStatsRxLcvErrors	Number of L1 line code violations received for constant bit rate protocols, which equate to invalid 8b10b ordered sets.
mediaIndStatsTxLcvErrors	Number of L1 line code violations transmitted for constant bit rate protocols, which equate to invalid 8b10b ordered sets.

Table 206: AR_MXP, AR_XP, and AR_XPE GFP RMON Variables

Variable	Description
gfpStatsRxCRCErrors	Total number of CRC errors with the receive transparent GFP frame.
gfpStatsRxSblkCRCErrors	Total number of superblock CRC errors with the receive transparent GFP frame. A transparent GFP frame has multiple superblocks which each contain fiber channel data.
gfpStatsCSFRaised	Number of Rx client management frames with Client Signal Fail indication.
gfpStatsLFDRaised	Number of Core HEC CRC Multiple Bit Errors. Note This count is only for cHEC multiple bit error when in frame. It is a count of when the state machine goes out of frame.

Variable	Description
gfpStatscHecRxMBitErrors	Number of received GFP frames with single bit errors in the core header (these errors are uncorrectable).
gfpStatstHecRxMBitErrors	Number of received GFP frames with single bit errors in the tHec (these errors are uncorrectable).

Step 6 From the Alarm Type drop-down list, indicate whether the event will be triggered by the rising threshold, the falling threshold, or both the rising and falling thresholds.

The available options are Rising Threshold, Falling Threshold, and Both Rising and Falling Threshold.

Step 7 From the Sample Type drop-down list, choose either **Relative** or **Absolute**.

Relative restricts the threshold to use the number of occurrences in the user-set sample period. Absolute sets the threshold to use the total number of occurrences, regardless of time period.

Step 8 Enter the appropriate number of seconds in the Sample Period field.

Step 9 Enter the appropriate number of occurrences in the Rising Threshold field.

For a rising type of alarm, the measured value must move from below the falling threshold to above the rising threshold. For example, if a network is running below a rising threshold of 1000 collisions every 15 seconds and a problem causes 1001 collisions in 15 seconds, the excess occurrences trigger an alarm.

Step 10 Enter the appropriate number of occurrences in the Falling Threshold field. In most cases a falling threshold is set lower than the rising threshold.

A falling threshold is the counterpart to a rising threshold. When the number of occurrences is above the rising threshold and then drops below a falling threshold, it resets the rising threshold. For example, when the network problem that caused 1001 collisions in 15 seconds subsides and creates only 799 collisions in 15 seconds, occurrences fall below a falling threshold of 800 collisions. This resets the rising threshold so that if network collisions again spike over a 1000 per 15-second period, an event again triggers when the rising threshold is crossed. An event is triggered only the first time a rising threshold is exceeded (otherwise, a single network problem might cause a rising threshold to be exceeded multiple times and cause a flood of events).

Step 11 Click **OK**.

Note To view all RMON thresholds, click **Show All RMON thresholds**.

Step 12 Return to your originating procedure (NTP).

DLP-G702 Provisioning the AR_MXP, AR_XP, or AR_XPE Card with Trunk Port Alarm and TCA Thresholds

Purpose	This task provisions the AR_MXP, AR_XP, or AR_XPE card with trunk port alarm and TCA thresholds.
Tools/Equipment	None
Prerequisite Procedures	DLP-G46 Log into CTC

Required/As Needed	As needed
Onsite/Remote	Onsite or remote
Security Level	Provisioning or higher

Procedure

-
- Step 1** In node view (single-shelf mode) or shelf view (multishelf view), double-click the AR_MXP, AR_XP, or AR_XPE card where you want to provision the trunk port alarm and TCA threshold settings.
- Step 2** Click the **Provisioning > Optics Thresholds** tabs.
- Note** You must modify 15 Min and 1 Day independently. To do so, choose the appropriate radio button and click **Refresh**.
- Note** Do not modify the Laser Bias parameters.
- Step 3** If TCA is not checked, check the **TCA** check box and then click **Refresh**. If it is checked, continue with step 4.
- Step 4** Verify if the trunk port (Port 9) TCA thresholds are set. Provision new thresholds as needed by double-clicking the threshold value you want to change, deleting it, entering a new value, and pressing Enter.
- Step 5** Under Types, click the **Alarm** radio button and click **Refresh**.
- Note** Do not modify the Laser Bias parameters.
- Step 6** Verify if the trunk port (Port 9) Alarm thresholds are set. Provision new thresholds as needed by double-clicking the threshold value you want to change, deleting it, entering a new value, and pressing Enter.
- Step 7** Click **Apply**.
- Step 8** Return to your originating procedure (NTP).
-

DLP-G703 Provisioning the AR_MXP, AR_XP, or AR_XPE Card Client Port Alarm and TCA Thresholds

Purpose	This task provisions the client port alarm and TCA thresholds for the AR_MXP, AR_XP, and AR_XPE cards.
Tools/Equipment	None
Prerequisite Procedures	DLP-G278 Provisioning the Optical Line Rate DLP-G46 Log into CTC
Required/As Needed	Required
Onsite/Remote	Onsite or remote
Security Level	Provisioning or higher

Procedure

- Step 1** In node view (single-shelf mode) or shelf view (multishelf view), double-click the AR_MXP, AR_XP, or AR_XPE card where you want to change the client port alarm and TCA threshold settings.
- Step 2** Click the **Provisioning > Optics Thresholds** tabs. The TCA thresholds are shown by default.
- Step 3** Referring to the following table, verify the TCA thresholds for client ports (ports 1 through 8) for RX Power High, RX Power Low, TX Power High, and TX Power Low based on the client interface at the other end. Provision new thresholds as needed by double-clicking the threshold value you want to change, deleting it, entering a new value, and pressing Enter.

Note Do not modify the Laser Bias parameters.

Note You must modify 15 Min and 1 Day independently. To do so, choose the appropriate radio button and click **Refresh**.

Note The hardware device that plugs into a AR_MXP, AR_XP, or AR_XPE card faceplate to provide a fiber interface to the card is called a Small Form-factor Pluggable (SFP or XFP). In CTC, SFPs and XFPs are called pluggable port modules (PPMs). SFPs/XFPs are hot-swappable I/O devices that plug into a port to link the port with the fiber-optic network. Multirate PPMs have provisionable port rates and payloads. For more information about SFPs and XFPs, see [SFP](#), [SFP+](#), [QSFP+](#), [XFP](#), [CXP](#), [CFP](#), [CFP2](#) and [CPAK Modules](#), on page 194.

Table 207: AR_MXP, AR_XP, and AR_XPE Card Client Interfaces TCA Thresholds

PPM Port Rate	Pluggable Port Module (XFP)	TCA RX Power High	TCA RX Power Low	TCA TX Power High	TCA TX Power Low
FC1G	ONS-SE-4G-SM ONS-SC-2G-XX.X ONS-SC-4G-XX.X	0	-17	3	-16
FC2G	ONS-SE-4G-SM ONS-SC-2G-XX.X ONS-SC-4G-XX.X	0	-15	3	-16
FICON1G	ONS-SE-4G-SM ONS-SC-2G-XX.X ONS-SC-4G-XX.X	0	-17	3	-16
FICON2G	ONS-SE-4G-SM ONS-SC-2G-XX.X ONS-SC-4G-XX.X	0	-17	3	-16
FC4G	ONS-SE-4G-SM ONS-SC-2G-XX.X ONS-SC-4G-XX.X	0	-12	4	-15
FICON4G	ONS-SE-4G-SM ONS-SC-2G-XX.X ONS-SC-4G-XX.X	0	-12	4	-15

PPM Port Rate	Pluggable Port Module (XFP)	TCA RX Power High	TCA RX Power Low	TCA TX Power High	TCA TX Power Low
FC8G	ONS-XC-8G-MM ONS-XC-8G-SM	0	-12	4	-15
FICON8G	ONS-XC-8G-MM ONS-XC-8G-SM	0	-12	4	-15
1GE	ONS-SI-GE-SX ONS-SI-GE-LX ONS-SI-GE-ZX ONS-SE-ZE-EL				
FE	ONS-SE-GE-BXU ONS-SE-GE-BXD				
ESCON	ONS-SE-200-MM				
OC3/STM1	ONS-SC-155-EL ONS-SI-155-SR-MM ONS-SI-155-I1 ONS-SI-155-L1 ONS-SI-155-L2				
OC12	ONS-SI-622-SR-MM				
OC12/STM4	ONS-SI-622-I1 ONS-SI-622-L1 ONS-SI-622-L2				
OC48/STM16	ONS-SI-2G-S1 ONS-SI-2G-L1 ONS-SI-2G-L2				
OTU1	ONS-SI-2G-S1 ONS-SE-Z1 ONS-SI-2G-L2 ONS-SC-2G-xxxx				
OTU2	ONS-XC-10G-96C				
3G-SDI, HD-SDI, SD-SDI	ONS-SC-HD3GV-RX=				

Step 4 Click **Apply**.

Step 5 Repeat step 3 and step 4 to provision each additional client port.

Step 6 Under Types, click the **Alarm** radio button and click **Refresh**.

Step 7 Referring to the following table, verify the client port (Ports 1 through 8) Alarm thresholds for RX Power High, RX Power Low, TX Power High, and TX Power Low based on the client interface that is provisioned.

Provision new thresholds as needed by double-clicking the threshold value you want to change, deleting it, entering a new value, and hitting **Enter**.

Table 208: AR_MXP, AR_XP, and AR_XPE Card Client Interface Alarm Thresholds

PPM Port Rate	Pluggable Port Module (XFP)	Alarm RX Power Low	Alarm RX Power High	Alarm TX Power Low	Alarm TX Power High
FC1G	ONS-SE-4G-SM ONS-SC-2G-XX.X ONS-SC-4G-XX.X	0	-17	3	-16
FC2G	ONS-SE-4G-SM ONS-SC-2G-XX.X ONS-SC-4G-XX.X	0	-15	3	-16
FICON1G	ONS-SE-4G-SM ONS-SC-2G-XX.X ONS-SC-4G-XX.X	0	-17	3	-16
FICON2G	ONS-SE-4G-SM ONS-SC-2G-XX.X ONS-SC-4G-XX.X	0	-17	3	-16
FC4G	ONS-SE-4G-SM ONS-SC-2G-XX.X ONS-SC-4G-XX.X	0	-12	4	-15
FICON4G	ONS-SE-4G-SM ONS-SC-2G-XX.X ONS-SC-4G-XX.X	0	-12	4	-15
FC8G	ONS-XC-8G-MM ONS-XC-8G-SM	0	-12	4	-15
FICON8G	ONS-XC-8G-MM ONS-XC-8G-SM	0	-12	4	-15
1GE	ONS-SI-GE-SX ONS-SI-GE-LX ONS-SI-GE-ZX ONS-SE-ZE-EL				
FE	ONS-SE-GE-BXU ONS-SE-GE-BXD				
ESCON	ONS-SE-200-MM				
OC3/STM1	ONS-SC-155-EL ONS-SI-155-SR-MM ONS-SI-155-I1 ONS-SI-155-L1 ONS-SI-155-L2				

PPM Port Rate	Pluggable Port Module (XFP)	Alarm RX Power Low	Alarm RX Power High	Alarm TX Power Low	Alarm TX Power High
OC12	ONS-SI-622-SR-MM				
OC12/STM4	ONS-SI-622-I1 ONS-SI-622-L1 ONS-SI-622-L2				
OC48/STM16	ONS-SI-2G-S1 ONS-SI-2G-L1 ONS-SI-2G-L2				
OTU1	ONS-SI-2G-S1 ONS-SE-Z1 ONS-SI-2G-L2 ONS-SC-2G-xxxx				
3G-SDI, HD-SDI, SD-SDI	ONS-SC-HD3GV-RX=				

- Step 8** Click **Apply**.
- Step 9** Repeat step 7 and step 8 to provision each additional client port.
- Step 10** Return to your originating procedure (NTP).

DLP-G704 Changing the AR_MXP, AR_XP, or AR_XPE Card OTN Settings

Purpose	This task changes the OTN settings for the AR_MXP, AR_XP, or AR_XPE cards.
Tools/Equipment	None
Prerequisite Procedures	DLP-G46 Log into CTC
Required/As Needed	As needed
Onsite/Remote	Onsite or remote
Security Level	Provisioning or higher

Procedure

- Step 1** In node view (single-shelf mode) or shelf view (multishelf view), double-click the AR_MXP, AR_XP, or AR_XPE card where you want to change the OTN settings.
- Step 2** Click the **Provisioning > OTN** tabs, then choose one of the following subtabs: OTN Lines, G.709 Thresholds, FEC Thresholds, Trail Trace Identifier, or Proactive Protection Regen.
- Step 3** Modify any of the settings described in the following tables.

Note You must modify Near End and Far End; 15 Min and 1 Day; and SM and PM independently. To do so, choose the appropriate radio button and click **Refresh**.

The following table describes the values on the Provisioning > OTN > OTN Lines tab.

Table 209: AR_MXP, AR_XP, and AR_XPE Card OTN Line Settings

Parameter	Description	Options
Port	(Display only) Displays the port number.	All client and trunk ports
G.709 OTN	Sets the OTN lines according to ITU-T G.709.	Enabled by default
FEC	Sets the OTN lines to forward error correction (FEC).	<ul style="list-style-type: none"> • Disable • Standard • Enhanced-I.4 • Enhanced-I.7
SF BER	(Display only) Displays the signal fail bit error rate.	<ul style="list-style-type: none"> • 1E-5
SD BER	Sets the signal degrade bit error rate.	<ul style="list-style-type: none"> • 1E-5 • 1E-6 • 1E-7 • 1E-8 • 1E-9
Asynch/Synch Mapping	Sets how the ODUk (client payload) is mapped to the optical channel (OTUk).	<ul style="list-style-type: none"> • Asynch mapping • Synch mapping
OTU Mapping	Sets the client payload mapping to the trunk	<ul style="list-style-type: none"> • ODU1e • ODU2e • CBR10G • ODU1Mux • ODU1
ProvidesSync	Sets the ProvidesSync card parameter. If checked, the card is provisioned as a NE timing reference.	Checked or unchecked

Parameter	Description	Options
SyncMsgIn	Sets the EnableSync card parameter. Enables synchronization status messages (S1 byte), which allow the node to choose the best timing source.	Checked or unchecked
Admin SSM In	Overrides the synchronization status message (SSM) and the synchronization traceability unknown (STU) value. If the node does not receive an SSM signal, it defaults to STU.	STU
Send DoNotUse	If checked, sends a DUS message on the S1 byte.	Checked or unchecked
ODU Transparency	Sets the ODU overhead byte configuration.	<ul style="list-style-type: none"> • Transparent Standard Use • Cisco Extended Use
Proactive Protection Regen	Enables or disables the proactive protection regen mode.	<ul style="list-style-type: none"> • Enable • Disable

The following table describes the values on the Provisioning > OTN > G.709 Thresholds tab.

Table 210: AR_MXP, AR_XP, and AR_XPE ITU-T G.709 Threshold Settings

Parameter	Description	Options
Port 13	(Display only) Displays the port number.	9 (Trunk)
ES	Errored seconds	Numeric. Can be set for Near End or Far End, for 15-minute or one-day intervals, or for SM (OTUk) or PM (ODUk). Select an option and click Refresh .
SES	Severely errored seconds	Numeric. Can be set for Near End or Far End, for 15-minute or one-day intervals, or for SM (OTUk) or PM (ODUk). Select an option and click Refresh .
UAS	Unavailable seconds	Numeric. Can be set for Near End or Far End, for 15-minute or one-day intervals, or for SM (OTUk) or PM (ODUk). Select an option and click Refresh .
BBE	Background block errors	Numeric. Can be set for Near End or Far End, for 15-minute or one-day intervals, or for SM (OTUk) or PM (ODUk). Select an option and click Refresh .
FC	Failure counter	Numeric. Can be set for Near End or Far End, for 15-minute or one-day intervals, or for SM (OTUk) or PM (ODUk). Select an option and click Refresh .

¹³ Latency for a 1G-FC payload without ITU-T G.709 is 4 microseconds, and with ITU-T G.709 is 40 microseconds. Latency for a 2G-FC payload without ITU-T G.709 is 2 microseconds, and with ITU-T G.709 is 20 microseconds. Consider these values when planning a FC network that is sensitive to latency.

The following table describes the values on the Provisioning > OTN > FEC Threshold tab.

Table 211: AR_MXP, AR_XP, and AR_XPE Card FEC Threshold Settings

Parameter	Description	Options
Port	(Display only) Displays the port number.	2
Bit Errors Corrected	Sets the value for bit errors corrected.	Numeric. Can be set for 15-minute or one-day intervals.
Uncorrectable Words	Sets the value for uncorrectable words.	Numeric. Can be set for 15-minute or one-day intervals.

The following table describes the values on the Provisioning > OTN > Trail Trace Identifier tab.

Table 212: AR_MXP, AR_XP, and AR_XPE Card Trail Trace Identifier Settings

Parameter	Description	Options
Port	(Display only) Displays the port number.	2
Level	Sets the level.	<ul style="list-style-type: none"> • Section • Path
Received Trace Mode	Sets the trace mode.	<ul style="list-style-type: none"> • Off/None • Manual
Transmit	Displays the current transmit string or sets a new transmit string. Click the button on the right to change the display. Its title changes, based on the current display mode. Click Hex to change the display to hexadecimal (button changes to ASCII); click ASCII to change the display to ASCII (button changes to Hex).	String of trace string size
Disable FDI on TTIM	If a Trace Identifier Mismatch on Section overhead alarm arises because of a J0 overhead string mismatch, no Forward Defect Indication (FDI) signal is sent to the downstream nodes if this box is checked.	<ul style="list-style-type: none"> • Checked (FDI on TTIM is disabled) • Unchecked (FDI on TTIM is not disabled)

Parameter	Description	Options
Expected	Displays the current expected string or sets a new expected string. Click the button on the right to change the display. Its title changes, based on the current display mode. Click Hex to change the display to hexadecimal (button changes to ASCII); click ASCII to change the display to ASCII (button changes to Hex).	String of trace string size
Received	(Display only) Displays the current received string. You can click Refresh to manually refresh this display, or check the Auto-refresh every 5 sec check box to keep this panel updated.	String of trace string size
Auto-refresh	If checked, automatically refreshes the display every 5 seconds.	Checked Unchecked (default)

Step 4 Click **Apply**.

Step 5 Return to your originating procedure (NTP).

DLP-G734 Viewing the Mapping of ODU Object with Client Port

Purpose	This procedure allows you to view the mapping of ODU object with the corresponding client port for the AR_XPE card.
Tools/Equipment	None
Prerequisite Procedures	DLP-G46 Log into CTC
Required/As Needed	As needed
Onsite/Remote	Onsite or remote
Security Level	Provisioning or higher

Procedure

Step 1 In node view (single-shelf mode) or shelf view (multishelf view), double-click the AR_XPE card to view the ODU object mapping with the corresponding client port. The card view appears.

Step 2 Click the **Provisioning** > **Card** ODU Interfaces tabs. Displays the parameters as described in the table.

Table 213: ODU Object and Client Port Mapping

Parameter	Description
ODU Object	Displays the ODUk(k=0) AID that is used to raise the ODU0 level alarms.
Trunk Port Number	Displays the physical trunk port details that map to the virtual ODUk(k=0) port or object.
ODU1	Displays the ODU1 frame number within the ODU-2 frame, which has the corresponding ODUk(k=0) frame.
ODU0	Displays the ODU0 frame number within a ODU1 frame.
Client Port Number	Displays the physical client port number that maps to the virtual ODUk(k=0) port or object.

Step 3 Return to your originating procedure (NTP).

NTP-G235 Provisioning an Operating Mode

Purpose	This procedure enables you to provision an operating mode on the 100G-LC-C, 100G-CK-C, 100GS-CK-LC, , 200G-CK-LC,100G-ME-C, 100ME-CKC, 10x10G-LC, CFP-LC, or MR-MXP card.
Tools/Equipment	None
Prerequisite Procedures	DLP-G46 Log into CTC
Required/As Needed	As needed
Onsite/Remote	Onsite or remote
Security Level	Provisioning or higher

Procedure

- Step 1** In node view (single-shelf mode) or shelf view (multishelf view), double-click the card where you want to provision an operating mode. The card view appears.
- Step 2** Click the **Provisioning > Card** tabs.
- Step 3** In the Card tab, click **Create**. The Operating Mode Configuration Creation window appears.
- Step 4** From the Card Configuration drop-down list, choose the configuration. The card configuration options vary depending on the card. If the TXP-10G, TXPP-10G, RGN-10G, or LOW LATENCY mode is selected on the 10x10G-LC card, go to Step 7. If the FANOUT-10x10G mode is selected in the 10x10G-LC card, go to Step 8.

For more information about the card configurations, see [Key Features of 100G-LC-C, 100G-ME-C, 100G-CK-C, 100ME-CKC, 10x10G-LC, 100GS-CK-LC, 200G-CK-LC, CFP-LC, and MR-MXP Cards, on page 151](#).

- Step 5** Choose the slot number from the Peer Card drop-down list. This field is enabled only if a peer card is required for the configuration.
- Step 6** Choose the slot number from the Skip Peer card drop-down list. This field is enabled only for MXP_200G and MXP_10x10G_100G operating modes.
- Step 7** Select the port pair in the Card Configuration Dialog area.
- The 10x10G-LC card supports a maximum of five TXP-10G modes, two TXPP-10G modes, five RGN-10G modes, five LOW LATENCY modes, or a combination of five TXP-10G, RGN-10G, and LOW LATENCY modes. For the TXPP-10G mode configuration, client ports can be port 3, port 7, or both. Port 4 and port 6 are selected as trunk ports when port 3 is selected as the client port. Port 8 and port 10 are selected as trunk ports when port 7 is selected as the client port. For MXP_200G, MXP_10x10G_100G, and MXP_CK_100G operating modes, the required ports are selected by default.
- Step 8** Click **Finish**. The selected operating mode is provisioned on the card.
- Step 9** Complete the [DLP-G726 Preprovisioning a Multirate PPM](#) task.
- Step 10** Complete the [DLP-G278 Provisioning the Optical Line Rate, on page 205](#) task.
- Stop. You have completed this procedure.**

NTP-G361 Provisioning an Operating Mode on the 400G-XP-LC Card

Purpose	This procedure enables you to provision an operating mode on the 400G-XP-LC card.
Tools/Equipment	None
Prerequisite Procedures	DLP-G46 Log into CTC
Required/As Needed	As needed
Onsite/Remote	Onsite or remote
Security Level	Provisioning or higher



Note Provision the PPM on the trunk ports (Port 11 and 12) of the 400G-XP-LC card before you provision the operating mode.

From Release 10.9, MXP 2x150G Operating modes are supported on the 400G-XP-LC card.

Procedure

- Step 1** In node view (single-shelf mode) or shelf view (multishelf view), double-click the 400G-XP-LC card where you want to provision an operating mode. The card view appears.

Step 2 Click the **Provisioning > Card** tabs.

Step 3 In the Card tab, click **Create**. The Operating Mode Configuration Creation window appears.

Step 4 From the Card Configuration drop-down list, choose the operating mode.

For the OTNXC and the REGEN card modes, both trunk ports are configured with the same rate (100G or 200G). The trunk port configuration that is created for CFP2-11 is copied to CFP2-12. For the MXP 2x150G card mode, both the trunk ports are configured at 150G.

Step 5 To configure the trunk port (CFP2 - 11, CFP2 - 12, or both trunk ports), perform the following steps:

- a) Choose the operating mode from the Trunk Operating Mode drop-down list. If the mode selected is M_100G, the Slice 1 or Slice 3 fields are disabled. If the mode selected is MXP_2x150G, the Slice 2 field is disabled.
- b) Choose the slice mode from the Slice drop-down list. The 10x10G-LC card is supported on Slice 2 only. The configuration can be done only from the 400G-XP-LC card.

For more information about the trunk, slice, and port configuration, see [Slice Definition and Line Card Configuration for 400G-XP-LC Card](#).

Slice configuration is not applicable for the REGEN mode.

Step 6 Click **Finish**.

The operating mode is provisioned on the card.

Step 7 Complete the [DLP-G726 Preprovisioning a Multirate PPM](#) task.

Step 8 Complete the [DLP-G278 Provisioning the Optical Line Rate, on page 205](#) task.

To edit an operating mode:

Table 214: Rules for Editing an Operating Mode on the 400G-XP-LC Card

Editing an Op Mode	Trunk Port	Client Port	Restrictions/Information
Modifying a slice mode within a trunk	Allowed with trunk in IS	Blocked if client payloads are provisioned on the slice being edited.	
Adding a trunk	-	-	Related trunk PPM must be provisioned.
Deleting a trunk	Blocked if trunk is in IS or if trunk is associated with internal patch cords (IPCs) or provisional patch cords (PPCs).	Blocked if client payloads are provisioned for the trunk being deleted	Blocked, if the trunk to be deleted is the only provisioned trunk on the card.
Modifying the trunk operating mode	Blocked if trunk is in IS or if trunk is associated IPCs or PPCs.	Blocked if client payloads are provisioned for the trunk being modified	The existing OTU4 or OTU4C2 trunk port is deleted and recreated.

Step 9 In the Card tab, choose the configured operating mode and click **Edit**. The Operating Mode Configuration window appears.

The OTNXC and the REGEN card mode cannot be edited after it is configured. To modify the card mode configuration, you need to delete the existing configuration and create a new one.

- Step 10** Choose the trunk port to be edited from the Edit Trunk Configuration drop-down list.
- Note** Only one trunk port configuration can be edited at a time. The table above details the rules for editing an operating mode.
- The Trunk Operating Mode cannot be edited for REGEN mode.
- Step 11** Modify the Trunk Operating Mode and the Slice modes as needed.
- Step 12** Click **Finish**.
- The operating mode is updated with the new configuration on the card.
- Step 13** Complete the [DLP-G726 Preprovisioning a Multirate PPM](#) task.
- Step 14** Complete the [DLP-G278 Provisioning the Optical Line Rate, on page 205](#) task.
- Step 15** To delete an operating mode, in the Card tab, choose the configured operating mode and click **Delete**.
- The operating mode is deleted. A card operating mode can be deleted only if client payloads are not provisioned and the trunk ports in the out-of-service (OOS) state with no IPCs or PPCs associated.
- Stop. You have completed this procedure.**

NTP-G362 Manual FPGA Upgrade on the 400G-XP-LC Card

Purpose	This procedure manually upgrades the FPGA/ firmware images in the 400G-XP-LC card.
Tools/Equipment	None
Prerequisite Procedures	None
Required/As Needed	As needed
Onsite/Remote	Onsite or remote
Security Level	Provisioning or higher



Note The manual FPGA / firmware upgrade is allowed only when there is a version mismatch. A **Different FPGA/ firmware image available** condition is raised to notify the user of the availability of a new firmware image. It is recommended to upgrade the FPGA / firmware on the cards, at both ends of the circuit.



Note Firmware upgrade is allowed only when the ports are in OOS (out-of-service) or Maintenance service state.



Caution This procedure is traffic-affecting.

Procedure

-
- Step 1** In node view (single-shelf mode) or shelf view (multishelf view), double-click the 400G-XP-LC card where you want to provision an operating mode. The card view appears.
- Step 2** Click the **Provisioning > Card** tabs.
- Step 3** Click the **FPGA/FIRMWARE Upgrade** button.
A warning message is displayed.
- Step 4** Click **Yes**.
The card undergoes a cold reset and the FPGA now contains the updated images. To view the FPGA and firmware versions, click the Card view > Maintenance > Info tabs.
- Stop. You have completed this procedure.**
-

NTP-G366 Viewing the ODU Utilization for ODU Circuits

Purpose	This procedure allows you to view the ODU utilization per 400G-XP-LC card, OTN span, and ILK consumption for each ODU circuit.
Tools/Equipment	None
Prerequisite Procedures	DLP-G46 Log into CTC
Required/As Needed	As needed
Onsite/Remote	Onsite or remote
Security Level	Provisioning or higher

Procedure

-
- Step 1** In node view (single-shelf mode) or shelf view (multishelf view), double-click the 400G-XP-LC card. The card view appears.
- Step 2** Click the **Provisioning > Card** tabs.
- Step 3** Click **ODU Utilization**.
An ODU utilization window for the 400G-XP-LC card is displayed where you can get information about the availability of each port for ODU circuit creation.
All ODU ports are displayed according to the slice configuration that was configured. Each row represents 100G or ODU4 bandwidth. The client ports are listed first followed by the trunk ports. The ports that are already used by the ODU circuit are displayed in green, the ports that are available for circuit creation are displayed in orange and the ports that are not applicable nor configured are displayed in gray.
If a slice is configured with the OPM_100G option, the ODU usage is reserved for ODU4 circuits. If a slice is configured with the OPM_10x10G option, the ODU usage is reserved for ODU2 circuits.

- Step 4** Click the **Maintenance > ODU > ODU** tabs. The pane displays the ILK consumption for each ODU circuit as described in the table.

Table 215: ILK Consumption

Parameter	Description
Circuit	Displays the circuit name.
Source Port	Displays the source port number.
Source ODU #	Displays the source ODU number in use
Destination Port	Displays the destination port number.
Destination ODU #	Displays the destination ODU number in use.
ILK Usage	Displays the ILK usage for the circuit. All protected circuits depicted by a tree hierarchy consume one ILK bandwidth.
Bandwidth	Displays the bandwidth for the circuit.

Note The ILK, client, and trunk ODU2e usage per 400G-XP-LC card is also displayed in terms of a percentage below the table.

- Step 5** To view the number of available link ODUs on the source and destination nodes, right-click the OTN span in the network map in the network view and select the Span Utilization option.

In the case of OTU4 trunk, the first 10 ODUs are not available and are depicted with "-". If the ODU is in use, it is depicted with an "x" and if the ODU is available, it is depicted with a tick mark. For the link ODU to be available, both the source and destination ODU must be available. The ODU utilization is also displayed as a percentage.

Stop. You have completed this procedure.

NTP-G367 Provisioning Encryption on 400G-XP-LC Card

Purpose	This procedure allows you to provision encryption on the 400G-XP-LC card.
Tools/Equipment	None
Prerequisite Procedures	<ul style="list-style-type: none"> • DLP-G46 Log into CTC • NTP-G361 Provisioning an Operating Mode on the 400G-XP-LC Card, on page 541
Required/As Needed	As needed
Onsite/Remote	Onsite or remote
Security Level	Security user or security super user

The encryption feature (Enable/Disable) requires a new hardware FPGA image. The 400G-XP LC card must be running with FPGA version 1.02 or higher. The FPGA version information can be checked using **Card view > Maintenance > Info > FPGA_HW_VERSION** in CTC. A Condition message warns the user about availability of a new image. To upgrade the FPGA image, see [NTP-G362 Manual FPGA Upgrade on the 400G-XP-LC Card, on page 543](#).

The encrypted traffic on 400G-XP-LC card goes down if the Key Exchange Fail (KEY-EX-FAIL) alarm remains for more than 40 hours.

Procedure

Perform any of the following tasks as needed:

- [DLP-G817 Configuring GCC2 Settings on 400G-XP-LC Card, on page 546](#)
- [DLP-G818 Enabling or Disabling Card Authentication and Payload Encryption on 400G-XP-LC Card, on page 547](#)
- [DLP-G819 Resetting the Primary Key on 400G-XP-LC Card, on page 548](#)
- [DLP-G820 Changing the Primary Key Reset Interval on 400G-XP-LC Card, on page 549](#)

Stop. You have completed this procedure.

DLP-G817 Configuring GCC2 Settings on 400G-XP-LC Card

Purpose	This task configures a GCC2 channel on OTN enabled trunk ports to establish a connection between two 400G-XP-LC cards by configuring the IP address and ports of the source and destination cards.
Tools/Equipment	None
Prerequisite Procedures	Disable Card Authentication on 400G-XP-LC Card
Required/As Needed	As Needed
Onsite/Remote	Onsite or Remote
Security Level	Security user or security super user



Note Each card on a node must have unique GCC2 source IP address. This IP address must not match with the source or destination IP address of other cards on the same node.

Procedure

-
- Step 1** In node view (single shelf mode), or shelf view (multi-shelf mode), double-click the 400G-XP-LC card for which you want to configure the GCC settings.
- Step 2** Go to **Provisioning > Encryption > GCC2 Settings**.
- Step 3** In the Card IP Address field, specify the IP address of the source 400G-XP-LC card.
- Step 4** Click on the Destination Card IP entry. Specify the IP address of the destination card.
- The range of source and destination IP address is 172.16.0.1 to 172.16.0.255. The destination IP address must be same for IPort1 and IPort2. The destination IP address must be same for IPort3 and IPort4.
- There can be only two destination card IP addresses and destination ports for the 400G-XP-LC card.
- Step 5** Click on the Destination Port entry. Specify the port number of the destination card.
- The values of Destination Port must be 1 or 3 for IPort1, 2 or 4 for IPort2, 3 or 1 for IPort3, 4 or 2 for IPort4 depending on the trunk port of the peer card this card is connected.
- Step 6** Click **Apply**.
- Step 7** Return to your originating procedure (NTP).
-

DLP-G818 Enabling or Disabling Card Authentication and Payload Encryption on 400G-XP-LC Card

Purpose	This task initiates the authentication of a destination 400G-XP-LC card with a source 400G-XP-LC card. This ensures that the source card communicates only with the destination card. This task also enables payload encryption on 400G-XP-LC card.
Tools/Equipment	None
Prerequisite Procedures	DLP-G817 Configuring GCC2 Settings on 400G-XP-LC Card, on page 546
Required/As Needed	Required
Onsite/Remote	Onsite or Remote
Security Level	Security user or security super user

Procedure

-
- Step 1** In node view (single shelf mode), or shelf view (multi-shelf mode), double-click the 400G-XP-LC card for which you need to enable or disable card authentication and payload encryption.
- Step 2** Go to **Provisioning > Encryption > Security**.
- Step 3** From the Port list, choose the port on which card authentication is to be enabled or disabled.
- Step 4** Check the **Card Authentication** checkbox to enable card authentication.

Uncheck the **Card Authentication** checkbox to disable card authentication.

Note When the **Card Authentication** check box is checked, the **Payload Encryption** check box is automatically checked and vice versa.

The primary key for encryption is exchanged between the source and destination 400G-XP-LC cards and OTN frames are encrypted.

- Step 5** Click **Apply**.
- Step 6** Repeat step 3 to step 5 for each port that carries the encrypted payload, as the card authentication takes place independently on each port of the source 400G-XP-LC card.
- Step 7** Return to your originating procedure (NTP).

DLP-G819 Resetting the Primary Key on 400G-XP-LC Card

Purpose	This task allows to reset the primary key for each encrypted stream of the source 400G-XP-LC card. For more information, see Key Management, on page 192 .
Tools/Equipment	None
Prerequisite Procedures	<ul style="list-style-type: none"> • DLP-G818 Enabling or Disabling Card Authentication and Payload Encryption on 400G-XP-LC Card, on page 547
Required/As Needed	As Needed
Onsite/Remote	Onsite or Remote
Security Level	Security user or security super user

Procedure

- Step 1** In node view (single shelf mode), or shelf view (multi-shelf mode), double-click the 400G-XP-LC card for which you want to reset the primary key.
- Step 2** Go to **Provisioning > Encryption > Key Management**.
- Step 3** Click the **Reset Master Key** button for a port to reset the primary key used for the payload encryption on that port.
- By resetting the primary key, a key exchange is enforced by overriding the existing primary key reset interval, and a new interval is calculated from the time the key is reset.
- Resetting the primary key does not affect traffic.
- Step 4** Click **Apply**.
- Step 5** Return to your originating procedure (NTP).

DLP-G820 Changing the Primary Key Reset Interval on 400G-XP-LC Card

Purpose	This task allows to change the primary key reset interval between two consecutive resets of the primary key that is used for payload encryption.
Tools/Equipment	None
Prerequisite Procedures	<ul style="list-style-type: none"> • DLP-G818 Enabling or Disabling Card Authentication and Payload Encryption on 400G-XP-LC Card, on page 547
Required/As Needed	As Needed
Onsite/Remote	Onsite or Remote
Security Level	Security user or security super user

Procedure

-
- Step 1** In node view (single shelf mode), or shelf view (multi-shelf mode), double-click the 400G-XP-LC card for which you want to change the primary key reset interval.
- Step 2** Go to **Provisioning > Encryption > Key Management**.
- Step 3** Click on the **Master Key Change Interval** entry for each port. Two spin boxes appear in place of the entry. The box on the left registers the time in hours; the box on the right, the time in minutes. The primary key interval can be set in multiples of 15 minutes between 15 minutes to 24 hours. The default interval value is 15 minutes.
- Step 4** Set the desired values in the boxes. When the time interval elapses, a new primary key is exchanged between the source and destination 400G-XP-LC cards.
- Step 5** Click **Apply**.
- Step 6** Return to your originating procedure (NTP).
-

Limitations of Encryption on 400G-XP-LC Card

- AES frame size and location for Encryption overhead cannot be changed.
- OTN overhead settings such as AES security setting, ESP header and trailer locations, and Ingress/Egress PRBS generation are not supported.
- Advanced settings such as Ingress/Egress BIP8 bypass is not supported.
- Payload authentication is not supported.
- Encryption PMs such as Sequence Mismatch parameter is not supported.
- When encryption is enabled, the operating mode cannot be disabled.

- Each card on a node must have unique GCC2 source IP address. This IP address must not match with the source or destination IP address of other cards on the same node.
- The client/trunk/Iport loopbacks are not supported if encryption is enabled on the corresponding Iport and vice versa for MXP operating mode.
- The trunk and Iport loopbacks are not supported if encryption is enabled on the corresponding Iport and vice versa for OTNXC operating mode.
- The trunk mode or slice modes cannot be edited if encryption is enabled on the corresponding Iports.

NTP-G236 Modifying the 100G-LC-C, 100G-CK-C, 100G-ME-C, 100ME-CKC, 10x10G-LC, 100GS-CK-LC, , 200G-CK-LC, CFP-LC, WSE, MR-MXP, or 400G-XP-LC Card Line Settings and PM Parameter Thresholds

Purpose	This procedure changes the line and PM parameter threshold settings of the 100G-LC-C, 100G-CK-C, 100G-ME-C, 100ME-CKC, 10x10G-LC, CFP-LC, 100GS-CK-LC, 200G-CK-LC, WSE, MR-MXP, or 400G-XP-LC cards.
Tools/Equipment	None
Prerequisite Procedures	<ul style="list-style-type: none"> • DLP-G46 Log into CTC • NTP-G179 Installing the Transponder and Muxponder Cards • DLP-G723 Install PPM on a Line Card • DLP-G726 Preprovisioning a Multirate PPM (if necessary) • DLP-G278 Provisioning the Optical Line Rate, on page 205
Required/As Needed	As needed
Onsite/Remote	Onsite or remote
Security Level	Provisioning or higher

Procedure

- Step 1** As needed, complete the [NTP-G103 Backing Up the Database](#) task, to preserve the existing transmission settings.
- Step 2** Perform any of the following tasks as needed:
- [DLP-G714 Changing the Card Line Settings](#)
 - [DLP-G715 Changing the Card Ethernet Settings](#)

- [DLP-G716 Changing the 10x10G-LC and WSE Card SONET/SDH Settings](#)
- [DLP-G717 Changing the 10x10G-LC and WSE Card Section Trace Settings](#)
- [DLP-G718 Changing the 10x10G-LC and WSE Card SONET/SDH Line Thresholds](#)
- [DLP-G719 Changing the Card Line RMON Thresholds](#)
- [DLP-G720 Provisioning the Card with Trunk Port Alarm and TCA Thresholds](#)
- [DLP-G721 Provisioning the Client Port Alarm and TCA Thresholds](#)
- [DLP-G722 Changing the Card OTN Settings](#)
- [DLP-G815 Changing the 400G-XP-LC Card ODU Settings, on page 586](#)
- [DLP-G770 Enabling PRBS Settings, on page 589](#)

Note To use the Alarm Profiles tab, including creating alarm profiles and suppressing alarms, see the [Alarm and TCA Monitoring and Management document](#).

Stop. You have completed this procedure.

DLP-G714 Changing the Card Line Settings

Purpose	This task changes the line settings of the 100G-LC-C, 100G-CK-C, 100G-ME-C, 100ME-CKC, 10x10G-LC, 100GS-CK-LC, 200G-CK-LC, CFP-LC, MR-MXP, MR-MXP-LIC, WSE, or 400G-XP-LC cards.
Tools/Equipment	None
Prerequisite Procedures	DLP-G46 Log into CTC
Required/As Needed	As needed
Onsite/Remote	Onsite or remote
Security Level	Provisioning or higher

Procedure

- Step 1** In node view (single-shelf mode) or shelf view (multishelf view), double-click the card where you want to change the line settings.
- Step 2** Click the **Provisioning > Line > Ports** tabs. Tabs and parameter selections vary according to pluggable port modules (PPM) provisioning.
- Step 3** Modify any of the line settings in the Ports tab as described in the following table.

Table 216: Card Line Settings

Parameter	Description	Options
Port	(Display only) Displays the port number.	1–12
Port Name	Assigns a logical name for the specified port.	User-defined. Name can be up to 80 alphanumeric or special characters, or both. Blank by default. See the "NTP-G104 Assign a Name to a Port" task in "Managing the Node" chapter.
Admin State	Sets the port service state unless network conditions prevent the change. For more information about administrative states, see the Administrative and Service States document.	<ul style="list-style-type: none"> • IS (ANSI) or Unlocked (ETSI) • OOS, DSBLD (ANSI) or Locked, disabled (ETSI) • OOS, MT (ANSI) or Locked, maintenance (ETSI) • IS, AINS (ANSI) or Unlocked, AutomaticInService (ETSI)
Service State	(Display only) Identifies the autonomously generated state that gives the overall condition of the port. Service states appear in the format: Primary State-Primary State Qualifier, Secondary State. For more information about service states, see the Administrative and Service States document.	<ul style="list-style-type: none"> • IS-NR (ANSI) or Unlocked-enabled (ETSI) • OOS-AU, AINS (ANSI) or Unlocked-disabled, automaticInService (ETSI) • OOS-MA, DSBLD (ANSI) or Locked-enabled, disabled (ETSI) • OOS-MA, MT (ANSI) or Locked-enabled, maintenance (ETSI) • OOS-MA, LPBK&MT (ANSI) or Locked-enabled, disabled & maintenance (ETSI)
ALS Mode	Sets the automatic laser shutdown (ALS) function mode.	<ul style="list-style-type: none"> • Disabled (default)—ALS is off; the laser is not automatically shut down when traffic outage or loss of signal (LOS) occurs. • Auto Restart—ALS is on; the laser automatically restarts when traffic outage or LOS occurs. It automatically restarts when the conditions that caused the outage are resolved. • Manual Restart—ALS is on; the laser automatically restarts when traffic outage or LOS occurs. However, the laser must be manually restarted when conditions that caused the outage are resolved. • Manual Restart for Test—Manually restarts the laser for testing.
AINS Soak	Sets the automatic in-service (AINS) soak period. Double-click the time and use the up and down arrows to change settings.	<ul style="list-style-type: none"> • Duration of valid input signal, in hh.mm format, after which the card state changes to in-service (IS) automatically. • 0–48 hours, 15-minutes increments.

Parameter	Description	Options
Reach	Sets the optical reach distance of the client port.	<ul style="list-style-type: none"> Autoprovision—The system automatically provisions reach from the pluggable port module (PPM) reach to the hardware. <p>Note The reach distances that appear in the drop menu depends on the card.</p> <p>Note On the 400G-XP-LC card, certain processes fail if unsupported PPMs are plugged into the card.</p>
Wavelength	Displays the wavelength of the client port.	<ul style="list-style-type: none"> First Tunable Wavelength <ul style="list-style-type: none"> Note In the dual node setup that includes a 400G-XP card, the upgrade is complete on one node and the other node is still in the upgrade package. In this scenario, when the upgrade activation is triggered, wavelength mismatch occurs. Hence we recommend you check the proper value for the wavelength in the First Tunable Wavelength. Further wavelengths: <ul style="list-style-type: none"> 850–1610 nm <p>Note On 100G, 200G, and 400G LC cards, the 1528.77 nm is displayed twice.</p>
OverClock	Enables or disables overclock mode.	<ul style="list-style-type: none"> OFF ON <p>Note When an OTU2 payload is provisioned on a 10x10G-LC card in the TXP-10G operating mode, the overclock parameter is automatically set to ON.</p>
Cd (Working Range) Low	Sets the threshold for minimum chromatic dispersion.	—

Parameter	Description	Options
Cd (Working Range) High	<p>Sets the threshold for maximum chromatic dispersion.</p> <p>In 200G-CK-LC card, the CD (Working Range) High and CD (Working Range) Low thresholds value in Provisioning > Line > Ports tab in CTC do not change automatically after installing the 100G_SD_FEC_OR_CD_RANGE license. Hence, it is required to manually change the threshold values in CTC. Otherwise, the Chromatic Dispersion (CD) alarm is raised.</p>	—
TX SHUTDOWN	<p>If checked, the Tx optical power is turned off. This can be done when the port is out of service or in maintenance.</p>	—
TX Power	Sets the Tx power to a specific value.	<p>The range is from -10.0 to 0.25 dBm.</p> <p>400G-XP-LC: The range for 100G is from -0.5 to -11.5 dBm. The range for 200G is from -1.5 to -11.5 dBm.</p>

Parameter	Description	Options
Fault Signalling	Shuts down the far-end laser in response to certain defects. (Squelch does not apply to ISC COMPACT payloads.)	<ul style="list-style-type: none"> <li data-bbox="1101 296 1349 321">• AIS/Send Local Fault <ul style="list-style-type: none"> <li data-bbox="1117 342 1624 464">Note AIS/Send Local Fault is not supported for the payloads. However, this option is available in the drop-down list in CTC to allow for a software upgrade from the previous version. <li data-bbox="1101 506 1317 531">• Squelch/Laser-Off <ul style="list-style-type: none"> <li data-bbox="1117 552 1624 1052">Note When the 100G-LC-C, 100G-CK-C, 100G-ME-C, 100ME-CKC, 100GS-CK-LC, 200G-CK-LC card is used in the standalone mode or with the CFP-TXP mode, the mode can be set to Squelch/Laser-Off or AIS/Send Local Fault on the trunk port of the 100G-LC-C, 100G-CK-C, 100G-ME-C, 100GS-CK-LC, 200G-CK-LC card. When the 100G-LC-C, 100G-CK-C, 100G-ME-C, 100GS-CK-LC, 200G-CK-LC card is used with the CFP-MXP mode, the mode can be set to AIS on the trunk port of the 100G-LC-C, 100G-CK-C, 100G-ME-C, 100GS-CK-LC, 200G-CK-LC, and 100ME-CKC card. <li data-bbox="1101 1094 1624 1157">• LF/Local Fault—Supported for 10GE, 40GE, 100GE payloads. <ul style="list-style-type: none"> <li data-bbox="1117 1178 1624 1241">Note For 16GFC, this is the default mode. For 10GE, you can change this to squelch, if necessary. <li data-bbox="1101 1283 1624 1346">• Disable/Transparent—Supported for any data rate: 10GE, 8G FC, 10G FC, 40GE, 100GE.

Parameter	Description	Options
Mapping Mode (10x10G-LC and WSE)	Sets the mapping mode.	<ul style="list-style-type: none"> <li data-bbox="1062 296 1133 317">• CBR <li data-bbox="1078 342 1133 363">Note CBR mapping mode supports Sync-E transparency. <li data-bbox="1062 443 1133 464">• GFP <li data-bbox="1078 489 1133 510">Note The mapping mode can be configured for 10GE payloads. The GFP port is pl service when both the client and trunk the 10x10G-LC card are in service. <li data-bbox="1078 648 1133 669">Note When the mapping mode is set to CBR 10x10G-LC card, the overclock param set to On. When the mapping mode is set to GFP 10x10G-LC card, the overclock param set to Off.
Termination Mode	Sets the termination mode.	<ul style="list-style-type: none"> <li data-bbox="1062 913 1208 934">• Transparent

Parameter	Description	Options
Squelch Hold Off Timer		<ul style="list-style-type: none">• Disable (0 ms) - Default value• 50 ms• 100 ms• 250 ms• 500 ms

Parameter	Description	Options
	<p>(Only for 100G-LC-C, 100G-CK-C, 100ME-CK-C, CFP-LC, 10x10G-LC, 100GS-CK-LC, 200G-CK-LC, and MR-MXP cards) Sets the period in milliseconds that the client interface waits for resolution of issues on the trunk side. The client squelching starts after this period.</p> <p>The user can configure the squelch hold off timer in CTC only under the following conditions:</p> <ul style="list-style-type: none"> • The card must be configured in TXP or MXP operating modes. • The client payload must be 10GE or 100GE. • The Squelch drop-down in CTC must be set to Squelch. <p>Note</p> <ul style="list-style-type: none"> • The squelch hold off timer value can be changed without changing the port admin state. • When the squelch holdoff timer is set to a value other than 0 ms, Y-Cable cannot be provisioned. • When the Squelch drop-down is changed from non-squelch to squelch, the squelch holdoff timer is set to 0 ms. • When the node is upgraded to R10.5.2, the squelch hold-off timer is set to 0 ms. • When the squelch timer value is changed, the changed value will be applicable in the next squelch interval. • When squelch hold off timer is active, the OTU2_XP, TXP_MR_10E, and 40E-MXP-C cards send junk frames; the 100G-LC-C, 100G-CK-C, 	

Parameter	Description	Options
	100ME-CK-C, CFP-LC, 10x10G-LC, MR-MXP cards send Local Fault (LF).	

Table 217: Reach Distances for 10x10G-LC, 100G-LC-C, 100G-CK-C, CFP-LC, MR-MXP, 100GS-CK-LC, 200G-CK-LC, 400G-XP-LC, and WSE Cards

Card	Payload	Reach
10x10G-LC	OTU2	SR-MM
		P1I1-2D1
		P1S1-2D2b
		P1L1-2D2
		DWDM
	OC192	SR-MM
		SR-1
		IR-2
		LR-2
		DWDM
	10G FC	10GFC-SW
		10GFC-LW
		10GFC-EW
		10GFC-ZW
		DWDM
	8G FC	8GFC-SW
		8GFC-LW
	10 GE	TEN_GE_SR
		TEN_GE_LR
		TEN_GE_ER
TEN_GE_ZR		
DWDM		
IB-5G	LX and SR-MM	
100G-CK-C	100 GE	100GBASE-SR10 and 100GBASE-LR4
	OTU4	4I1-9D1F
	40 GE	40GBASE-SR4

Card	Payload	Reach
100G-LC-C	100 GE	100GBASE-SR10
100GS-CK-LC	100 GE	100GBASE-SR10 and 100GBASE-LR4
200G-CK-LC	100 GE	100GBASE-SR10 and 100GBASE-LR4
CFP-LC	40 GE	40GBASE-FR
		40GBASE-LR4
	100 GE	100GBASE-LR4
	OTU3	VSR2000-3R2
		C4S1-2D1
OTU4	4I1-9D1F	
MR-MXP	10 GE	SR
		TEN_GE_SR
		MR-MXP
		TEN_GE_ER
		TEN_GE_ZR
		DWDM
		CX1
		CWDM40km
	100 GE	100GBASE-SR10
		100GBASE-LR4
	OTU2	MLR-QSFP+
		TEN_GE_LR
		TEN_GE_EP
	40GE	QSFP-SR4
		QSFP-LR4
	OC192/STM64	MLR-QSFP+
		TEN_GE_LR
		TEN_GE_EP

Card	Payload	Reach
400G-XP-LC	Trunk ports	
	OTU4	DWDM
	OTU4C2	
	Client ports	
	100 GE	100GBASE-LR4
		100GBASE-SR4
	OTU4	4I1-9D1F
	10 GE	TEN_GE_LR
	OTU2	P1I1 2D1
16GFC	16GFC-SW	

- Step 4** Click **Apply**.
- Step 5** Return to your originating procedure (NTP).

DLP-G715 Changing the Card Ethernet Settings

Purpose	This task changes the Ethernet settings of the 100G-LC-C, 100G-CK-C, 100G-ME-C, 100ME-CKC, 10x10G-LC, CFP-LC, 100GS-CK-LC, 200G-CK-LC, MR-MXP, WSE, or 400G-XP-LC cards. Note The ethernet settings of the CFP-LC card can be changed on the virtual port of the peer 100G-LC-C, 100G-CK-C, 100G-ME-C, or 100ME-CKC card.
Tools/Equipment	None
Prerequisite Procedures	DLP-G46 Log into CTC
Required/As Needed	As needed
Onsite/Remote	Onsite or remote
Security Level	Provisioning or higher

Procedure

- Step 1** In node view (single-shelf mode) or shelf view (multishelf view), double-click the card where you want to change the Ethernet settings. The card view appears.

Step 2 Click the **Provisioning > Line > Ethernet** tabs.

Step 3 Modify any of the Ethernet settings in the Ethernet tab. The parameters that appear depend on the card mode.

Table 218: Card Ethernet Settings

Parameter	Description	Options
Port	(Display only) Displays the port number n ($-n$) and rate.	—
Port Name	(Display only) Displays the port name.	—
Admin State	Sets the port service state unless network conditions prevent the change. For more information about administrative states, see the Administrative and Service States document.	<ul style="list-style-type: none"> • IS (ANSI) or Unlocked (ETSI) • OOS, DSBLD (ANSI) or Locked (ETSI) • OOS, MT (ANSI) or Locked,maintenance (ETSI) • IS, AINS (ANSI) or Unlocked,AutomaticInService (ETSI)
Service State	(Display only) Identifies the autonomously generated state that gives the overall condition of the port. Service states appear in the format: Primary State-Primary State Qualifier, Secondary State. For more information about service states, see the Administrative and Service States document.	<ul style="list-style-type: none"> • IS-NR (ANSI) or Unlocked-enabled (ETSI) • OOS-AU, AINS (ANSI) or Unlocked,automaticInService (ETSI) • OOS-MA, DSBLD (ANSI) or Locked-enabled,disabled (ETSI) • OOS-MA, MT (ANSI) or Locked-enabled,maintenance (ETSI) • OOS-MA, LPBK&MT (ANSI) or Locked-enabled,loopback & maintenance (ETSI)
ALS Mode	Sets the automatic laser shutdown (ALS) function mode.	<ul style="list-style-type: none"> • Disabled (default)— ALS is off; the card automatically shut down when traffic loss of signal (LOS) occurs. • Manual Restart— ALS is on; the card automatically shuts down when traffic loss of signal (LOS) occurs. However, the laser is manually restarted when conditions for the outage are resolved. • Manual Restart for Test— Manual restarts the laser for testing.
AINS Soak	Sets the automatic in-service (AINS) soak period. Double-click the time and use the up and down arrows to change settings.	<ul style="list-style-type: none"> • Duration of valid input signal, in hours, after which the card state changes from Locked (L) to In-Service (IS) automatically. • 0 to 48 hours, 15-minutes increments

Parameter	Description	Options
Reach	Sets the optical reach distance of the client port.	<ul style="list-style-type: none"> Autoprovision—The system automatically provisions the reach from the pluggable module (PPM) reach value on the hardware. <p>Note The reach distances that the drop-down list depends on the card.</p>
Wavelength	Displays the wavelength of the client port.	<ul style="list-style-type: none"> First Tunable Wavelength Further wavelengths: <ul style="list-style-type: none"> 850 nm through 1610 nm
MTU	Sets the maximum size of the Ethernet frames accepted by the port. The port must be in OOS/locked state.	Numeric. Default: 1548 Range 64 to 9700
Incoming MAC address (100G-LC-C and 10x10G-LC)	Sets the MAC address of the incoming Ethernet signal.	Value of the MAC address. Six bytes in hexadecimal format.
Mapping Mode (10x10G-LC)	Sets the mapping mode.	<ul style="list-style-type: none"> CBR GFP
Termination Mode	(Display-only) Sets the mode of operation.	<ul style="list-style-type: none"> Transparent
Video Type (100G-LC-C and 10x10G-LC)	Video	—
BJ Fec (400G-XP-LC)	Enables or disables BJ Fec on 100G ethernet client interfaces based on the QSP28 pluggables used	<ul style="list-style-type: none"> Auto (default) <p>Note When the auto mode is selected, BJ Fec is set to Off for QSFP28 and set to On for QSFP28.</p> <ul style="list-style-type: none"> Force-Fec-On Force-Fec-Off

Step 4 Click **Apply**.

Step 5 Return to your originating procedure (NTP).

DLP-G716 Changing the 10x10G-LC and WSE Card SONET/SDH Settings

Purpose	This task changes the SONET (OC-192)/SDH (STM-64) settings of the 10x10G-LC and WSE cards.
Tools/Equipment	None
Prerequisite Procedures	DLP-G46 Log into CTC
Required/As Needed	As needed
Onsite/Remote	Onsite or remote
Security Level	Provisioning or higher

Procedure

- Step 1** In node view (single-shelf mode) or shelf view (multishelf view), double-click the card where you want to change the SONET (OC-192)/SDH (STM-64) settings.
- Step 2** Click the **Provisioning > Line > SONET (ANSI) or SDH (ETSI)** tabs. Tabs and parameter selections vary according to PPM provisioning.
- Step 3** Modify any of the settings as described in the table.

Table 219: 10x10G-LC and WSE Card SONET/SDH Settings

Parameter	Description	Options
Port	(Display only) Displays the port number.	—
Port Name	Assign a name for the specified port.	User-defined. Name can be up to 80 alphanumeric characters, or both. Blank by default. DLP-G104 Assigning a Name to a Port
Admin State	Sets the port service state unless network conditions prevent the change. For more information about administrative states, see the Administrative and Service States document.	<ul style="list-style-type: none"> • IS (ANSI) or Unlocked (ETSI) • IS, AINS (ANSI) or Unlocked,automatic (ETSI) • OOS, DSBLD (ANSI) or Locked,disable • OOS, MT (ANSI) or Locked,maintenanc
Service State	(Display only) Identifies the autonomously generated state that gives the overall condition of the port. Service states appear in the format: Primary State-Primary State Qualifier, Secondary State. For more information about service states, see the Administrative and Service States document.	<ul style="list-style-type: none"> • IS-NR (ANSI) or Unlocked-enabled (ETSI) • OOS-AU, AINS (ANSI) or Unlocked-di-automaticInService (ETSI) • OOS-MA, DSBLD (ANSI) or Locked-en (ETSI) • OOS-MA, MT (ANSI) or Locked-enabled (ETSI)

Parameter	Description	Options
SF BER	Sets the signal fail (SF) bit error rate (BER).	<ul style="list-style-type: none"> • 1E-3 • 1E-4 (default) • 1E-5
SD BER	Sets the signal degrade (SD) bit error rate (BER).	<ul style="list-style-type: none"> • 1E-5 • 1E-6 • 1E-7 (default) • 1E-8 • 1E-9
Type	Sets the optical transport type.	<ul style="list-style-type: none"> • SONET (ANSI) • SDH (ETSI)
ALS Mode	Sets the automatic laser shutdown (ALS) function mode. The DWDM transmitter supports ALS according to ITU-T G.644 (06/99). ALS can be disabled or enabled for one of the three mode options.	<ul style="list-style-type: none"> • Disabled (default)—ALS is off; the laser is not automatically shut down when traffic outage or signal (LOS) occurs. • Auto Restart—ALS is on; the laser automatically shuts down when traffic outage or LOS occurs. It automatically restarts when the conditions that caused the outage are resolved. • Manual Restart—ALS is on; the laser automatically shuts down when traffic outage or LOS occurs. However, the laser must be manually restarted when the conditions that caused the outage are resolved. • Manual Restart for Test—Manually restarts the laser for testing.
AINS Soak	Sets the automatic in-service (AINS) soak period. Double-click the time and use the up and down arrows to change settings.	<ul style="list-style-type: none"> • Duration of valid input signal, in hh.mm format, after which the card state changes to in-service (INS) automatically. • 0 to 48 hours, 15-minutes increments.
ProvidesSync	Sets the ProvidesSync card parameter. If checked, the card is provisioned as a NE timing reference.	<ul style="list-style-type: none"> • Checked • Unchecked
SyncMsgIn	Sets the EnableSync card parameter. Enables synchronization status messages (S1 byte), which allow the node to choose the best timing source.	<ul style="list-style-type: none"> • Checked • Unchecked

Parameter	Description	Options
Send DoNotUse (WSE)	Sets the Send DoNotUse card state. When checked, sends a do not use (DUS) message on the S1 byte.	<ul style="list-style-type: none"> • Checked • Unchecked
Admin SSM In	Overrides the synchronization status message (SSM) and the synchronization traceability unknown (STU) value. If the node does not receive an SSM signal, it defaults to STU.	STU
Reach	Sets the optical reach distance of the client port.	<ul style="list-style-type: none"> • Autoprovision—The system to automatically the reach from the pluggable port module value on the hardware. <p>Note The reach distances that appear in the drop-down list depend on the hardware.</p>
Wavelength	Displays the wavelength of the client port.	<ul style="list-style-type: none"> • First Tunable Wavelength

Step 4 Click **Apply**.

Step 5 Return to your originating procedure (NTP).

DLP-G717 Changing the 10x10G-LC and WSE Card Section Trace Settings

Purpose	This task changes the section trace settings of the 10x10G-LC and WSE cards.
Tools/Equipment	None
Prerequisite Procedures	DLP-G46 Log into CTC
Required/As Needed	As needed
Onsite/Remote	Onsite or remote
Security Level	Provisioning or higher

Procedure

- Step 1** In node view (single-shelf mode) or shelf view (multishelf view), double-click the card where you want to change the section trace settings.
- Step 2** Click the **Provisioning > Line > Section Trace** tabs. Tabs and parameter selections vary according to PPM provisioning.
- Step 3** Modify any of the settings in the Section Trace tab as described in the table.

Table 220: 10x10G-LC and WSE Card Line Section Trace Settings

Parameter	Description	Options
Port	(Display only) Displays the port number.	—
Received Trace Mode	Sets the received trace mode.	<ul style="list-style-type: none"> • Off/None • Manual
Disable AIS/RDI on TIM-S?	<p>If a trace identifier mismatch (TIM) on a section overhead alarm arises because of a J0 overhead string mismatch, no alarm indication signal (AIS) is sent to the downstream nodes if this box is checked.</p> <p>If the Received Trace Mode field is set to Manual, the Disable AIS/RDI on TIM-S? checkbox is automatically checked.</p>	<ul style="list-style-type: none"> • Checked (AIS/RDI on TIM-S disabled) • Unchecked (AIS/RDI on TIM-S enabled)
Transmit Section Trace String Size	Sets the trace string size.	<ul style="list-style-type: none"> • 1 byte • 16 byte
Transmit	<p>Displays the current transmit string or sets a new transmit string.</p> <p>Note The transmit string cannot be configured when the termination mode is transparent.</p>	<ul style="list-style-type: none"> • Hex Mode— Click to change the display to hexadecimal (button changes to ASCII Mode). • ASCII Mode— Click to change the display to ASCII (button changes to Hex Mode). <p>Note The button title is based on the current display mode.</p>
Expected	Displays the current expected string or sets a new expected string.	<ul style="list-style-type: none"> • Hex Mode— Click to change the display to hexadecimal (button changes to ASCII Mode). • ASCII Mode— Click to change the display to ASCII (button changes to Hex Mode). <p>Note The button title is based on the current display mode.</p>

Parameter	Description	Options
Received	(Display only) Displays the current received string.	<ul style="list-style-type: none"> • Hex Mode— Click to change display to hexadecimal (button to ASCII Mode). • ASCII Mode— Click to change display to ASCII (button to Hex Mode). <p>Note The button is based on the display mode.</p>
Auto-refresh	If checked, automatically refreshes the display every 5 seconds.	<ul style="list-style-type: none"> • Checked • Unchecked (default)

Step 4 Click **Apply**.

Step 5 Return to your originating procedure (NTP).

DLP-G718 Changing the 10x10G-LC and WSE Card SONET/SDH Line Thresholds

Purpose	This task changes the SONET/SDH line threshold settings of the 10x10G-LC card.
Tools/Equipment	None
Prerequisite Procedures	DLP-G46 Log into CTC
Required/As Needed	As needed
Onsite/Remote	Onsite or remote
Security Level	Provisioning or higher

Procedure

Step 1 In node view (single-shelf mode) or shelf view (multishelf view), double-click the 10x10G-LC card where you want to change the SONET/SDH line threshold settings.

Step 2 Click the **Provisioning > Line Thresholds > SONET Thresholds (ANSI)** or **SDH Thresholds (ETSI)** tabs.

Step 3 Modify any of the settings as shown in the table.

Note You must modify each of these options independently: Near End and Far End, 15 Min and 1 Day, and Line and Section. To do so, choose the appropriate radio button and click **Refresh**.

Table 221: 10x10G-LC and WSE Card SONET/SDH Line Threshold Settings

Parameter	Description	SONET Options	SDH Options
Port	(Display only) Displays the port number.	<ul style="list-style-type: none"> • Client Ports 	<ul style="list-style-type: none"> • Client Ports
CV	Coding violations (CV)	<p>Numeric. Threshold display options include:</p> <ul style="list-style-type: none"> • Direction—Near End or Far End • Interval—15 Min (minutes) or 1 day • Types—Line or Section (near end only) <p>Choose an option in each category and click Refresh.</p>	—
EB	Errored Block (EB)	—	<p>Numeric. Threshold display options include:</p> <ul style="list-style-type: none"> • Direction—Near End or Far End • Interval—15 Min (minutes) or 1 day • Types—Multiplex Section or Regeneration Section (near end only) <p>Choose an option in each category and click Refresh.</p>
ES	Errored seconds (ES)	<p>Numeric. Threshold display options include:</p> <ul style="list-style-type: none"> • Direction—Near End or Far End • Interval—15 Min (minutes) or 1 day • Types—Line or Section (near end only) <p>Choose an option in each category and click Refresh.</p>	<p>Numeric. Threshold display options include:</p> <ul style="list-style-type: none"> • Direction—Near End or Far End • Interval—15 Min (minutes) or 1 day • Types—Multiplex Section or Regeneration Section (near end only) <p>Choose an option in each category and click Refresh.</p>
SES	Severely errored seconds (SES)	<p>Numeric. Threshold display options include:</p> <ul style="list-style-type: none"> • Direction—Near End or Far End • Interval—15 Min (minutes) or 1 day • Types—Line or Section (near end only) <p>Choose an option in each category and click Refresh.</p>	<p>Numeric. Threshold display options include:</p> <ul style="list-style-type: none"> • Direction—Near End or Far End • Interval—15 Min (minutes) or 1 day • Types—Multiplex Section or Regeneration Section (near end only) <p>Choose an option in each category and click Refresh.</p>

Parameter	Description	SONET Options	SDH Options
FC	(Line or Multiplex Section only) Failure count (FC)	Numeric. Threshold display options include: <ul style="list-style-type: none"> • Direction—Near End or Far End • Interval—15 Min (minutes) or 1 day • Types—Line or Section (near end only) Choose an option in each category and click Refresh .	—
BBE	Background block error (BBE)	—	Numeric. Threshold display options include: <ul style="list-style-type: none"> • Direction—Near End or Far End • Interval—15 Min (minutes) or 1 day • Types—Multiplex Section or Regeneration Section (near end only) Choose an option in each category and click Refresh .
UAS	(Line or Multiplex Section only) Unavailable seconds (UAS)	Numeric. Threshold display options include: <ul style="list-style-type: none"> • Direction—Near End or Far End • Interval—15 Min (minutes) or 1 day • Types—Line or Section (near end only) Choose an option in each category and click Refresh .	Numeric. Threshold display options include: <ul style="list-style-type: none"> • Direction—Near End or Far End • Interval—15 Min (minutes) or 1 day • Types—Multiplex Section or Regeneration Section (near end only) Choose an option in each category and click Refresh .

Step 4 Click **Apply**.

Step 5 Return to your originating procedure (NTP).

DLP-G719 Changing the Card Line RMON Thresholds

Purpose	This task changes the line RMON threshold settings for 100G-LC-C, 100G-CK-C, 100G-ME-C, 100ME-CKC, 10x10G-LC, CFP-LC, 100GS-CK-LC, 200G-CK-LC, MR-MXP, WSE, or 400G-XP-LC cards carrying Ethernet or FC payloads. Note The RMON threshold settings for the CFP-LC card can be changed on the virtual port of the peer 100G-LC-C, 100G-CK-C, 100G-ME-C, or 100ME-CKC card.
Tools/Equipment	None

Prerequisite Procedures	DLP-G46 Log into CTC
Required/As Needed	As needed
Onsite/Remote	Onsite or remote
Security Level	Provisioning or higher

Procedure

- Step 1** In node view (single-shelf mode) or shelf view (multishelf view), double-click the card where you want to change the line RMON threshold settings in the card view.
- Step 2** Click the **Provisioning > Line Thresholds > RMON Thresholds** tabs.
- Step 3** Click **Create**.
- Step 4** From the Port drop-down list, choose the applicable port, either the payload port, for example “1-1 (ONEHUNDRED_GE)” port.
- Step 5** From the Variable drop-down list, choose an Ethernet, FC, FICON, or GFP variable. See the following tables for the list of the available variables.

Table 222: Card Ethernet Variables

Variable	Description
ifInOctets	Number of bytes received since the last counter reset.
rxTotalPkts	Total number of received packets.
ifInUcastPkts ¹⁴	Total number of packets delivered by this sublayer to a higher sublayer that are not addressed to a multicast or broadcast address.
ifInMulticastPkts ¹	Total number of packets delivered by this sublayer to a higher sublayer that are addressed to a multicast address. For a MAC layer protocol, this includes both group and functional addresses.
ifInBroadcastPkts ¹	Total number of packets delivered by this sublayer to a higher sublayer that are addressed to a broadcast address.
ifInErrors	Total number of received errors.
ifOutOctets	Total number of octets transmitted out of the interface, including framing characters.
txTotalPkts	Total number of transmitted packets.
IfOutUcastPkts	Total count of packets transmitted to a unicast group destination address.

ifOutMulticastPkts	Total number of packets that higher-level protocols requested to be transmitted, which were addressed to a multicast address at this sublayer. These include packets that were discarded or not sent. For a MAC layer protocol, this includes both group and functional addresses.
ifOutBroadcastPkts	Total number of packets that higher-level protocols requested to be transmitted, which were addressed to a broadcast address at this sublayer. These include packets that were discarded or not sent.
dot3StatsAlignmentErrors	Total number of frames received on a particular interface that are not an integral number of octets in length and do not pass the FCS check. This counter is only valid for FE modes of operation.
dot3StatsFCSErrors	Total number of frames received on a particular interface that are an integral number of octets in length but do not pass the FCS check.
dot3StatsFrameTooLong	Total number of frames received on a particular interface that exceed the maximum permitted frame size.
etherStatsUndersizePkts	Total number of packets received that were less than 64 octets long (excluding framing bits, but including FCS octets) and were otherwise well-formed.
etherStatsFragments	Total number of packets received that were less than 64 octets in length (excluding framing bits, but including FCS octets) and had either a bad FCS with an integral number of octets (FCS error) or a bad FCS with a non-integral number of octets (alignment error). Note that it is entirely normal for etherStatsFragments to increment. This is because it counts both runts (which are normal occurrences due to collisions) and noise hits.
etherStatsPkts	Total number of frames received on an interface in both Rx and Tx directions.
etherStatsPkts64Octets	Total number of packets (including bad packets) received that were 64 octets in length (excluding framing bits, but including FCS octets).
etherStatsPkts65to127Octets	Total number of packets (including bad packets) received that were between 65 and 127 octets in length inclusive (excluding framing bits, but including FCS octets).
etherStatsPkts128to255Octets	Total number of packets (including bad packets) received that were between 128 and 255 octets in length inclusive (excluding framing bits, but including FCS octets).

etherStatsPkts256to511Octets	Total number of packets (including bad packets) received that were between 256 and 511 octets in length inclusive (excluding framing bits, but including FCS octets).
etherStatsPkts512to1023Octets	Total number of packets (including bad packets) received that were between 512 and 1023 octets in length inclusive (excluding framing bits, but including FCS octets).
etherStatsPkts1024to1518Octets	Total number of packets (including bad packets) received that were between 1024 and 1518 octets in length inclusive (excluding framing bits, but including FCS octets).
etherStatsBroadcastPkts	Total number of good packets received that were directed to the broadcast address. Note that this number does not include multicast packets.
etherStatsMulticastPkts	Total number of good packets received that were directed to a multicast address. Note that this number does not include packets directed to the broadcast address.
etherStatsOversizePkts	Total number of packets received that were longer than 1518 octets (excluding framing bits, but including FCS octets) and were otherwise well-formed.
etherStatsJabbers	Total number of packets received that were longer than 1518 octets (excluding framing bits, but including FCS octets), and had either a bad FCS with an integral number of octets (FCS error) or a bad FCS with a non-integral number of octets (alignment error).
etherStatsOctets	Total number of octets of data (including those in bad packets) received on the network (excluding framing bits, but including FCS octets).
etherStatsPkts1519tomaxOctets	Total number of packets (including bad packets) received that were 1591 octets in length (excluding framing bits, but including FCS octets).
pcs49RxErrBer	—
pcs49RxErrDec	—

¹⁴ The counter does not increment for traffic with incorrect Ethertype and packet size of more than 64 bytes on the 10x10G-LC and 100G-LC-C cards.

Table 223: 10x10G-LC and WSE FC/FICON Variables

Variable	Description
rxTotalPkts	Total number of received packets.
txTotalPkts	Total number of transmitted packets.

Variable	Description
mediaIndStatsRxFramesBadCRC	Total number of received data frames with payload CRC errors when HDLC framing is used.
mediaIndStatsTxFramesBadCRC	Total number of transmitted data frames with payload CRC errors when HDLC framing is used.
mediaIndStatsRxFramesTruncated	Total number of frames received that are less than 5 bytes. This value is a part of the high-level data link control (HDLC) and GFP port statistics.
mediaIndStatsTxFramesTruncated	Total number of transmitted data frames that exceed the MTU. This value is a part of the HDLC and GFP port statistics.
mediaIndStatsRxFramesTooLong	Total number of received frames that exceed the maximum transmission unit (MTU). This value is a part of the HDLC and GFP port statistics.
mediaIndStatsTxFramesTooLong	Total number of transmitted data frames that are less than 5 bytes. This value is a part of the HDLC and GFP port statistics.
ifInOctets	Total number of octets received on the interface, including the framing octet.
ifOutOctets	Total number of octets transmitted out of the interface, including framing characters.
ifInErrors	Total number of inbound packets that contained errors preventing them from being delivered to a higher-layer protocol.
ifOutErrors	Total number of outbound packets or transmission units that could not be transmitted because of errors.
pcs49RxErrBer	—
pcs49RxErrDec	—

Table 224: 10x10G-LC and WSE GFP RMON Variables

Variable	Description
gfpStatsRxFrame	Total number of received data frames.
gfpStatsTxFrame	Total number of transmitted data frames.
gfpStatsRxCRCErrors	Total number of CRC errors with the receive transparent GFP frame.
gfpStatsRxOctets	Total number of GFP data octets received.
gfpStatsTxOctets	Total number of GFP data octets transmitted.

gfpStatsRxSBitErrors	Received GFP frames with single bit errors in the core header (these errors can be corrected).
gfpStatsRxMBitErrors	Received GFP frames with multiple bit errors in the core header (these errors cannot be corrected).
gfpStatsRxTypeInvalid	Received GFP frames with invalid type (these are discarded). For example, receiving GFP frames that contain Ethernet data when we expect Fibre Channel data.
gfpRxCmfFrame	—
gfpRxCmfFrame	—

Step 6 From the Alarm Type drop-down list, indicate whether the event will be triggered by the rising threshold, falling threshold, or both the rising and falling thresholds.

The available options are Rising Threshold, Falling Threshold, and Rising and Falling Threshold.

Step 7 From the Sample Type drop-down list, choose either **Relative** or **Absolute**. Relative restricts the threshold to use the number of occurrences in the user-set sample period. Absolute sets the threshold to use the total number of occurrences, regardless of time period.

Step 8 Enter the appropriate number of seconds in the Sample Period field.

Step 9 Enter the appropriate number of occurrences in the Rising Threshold field.

For a rising type of alarm, the measured value must move from below the falling threshold to above the rising threshold. For example, if a network is running below a rising threshold of 1000 collisions every 15 seconds and a problem causes 1001 collisions in 15 seconds, the excess occurrences trigger an alarm.

Step 10 Enter the appropriate number of occurrences in the Falling Threshold field. In most cases a falling threshold is set lower than the rising threshold.

A falling threshold is the counterpart to a rising threshold. When the number of occurrences is above the rising threshold and then drops below a falling threshold, it resets the rising threshold. For example, when the network problem that caused 1001 collisions in 15 seconds subsides and creates only 799 collisions in 15 seconds, occurrences fall below a falling threshold of 800 collisions. This resets the rising threshold so that if network collisions again spike over a 1000 per 15-second period, an event again triggers when the rising threshold is crossed. An event is triggered only the first time a rising threshold is exceeded (otherwise, a single network problem might cause a rising threshold to be exceeded multiple times and cause a flood of events).

Step 11 Click **OK**.

Note To view all RMON thresholds, check the **Show All RMON thresholds** checkbox.

Step 12 Return to your originating procedure (NTP).

DLP-G720 Provisioning the Card with Trunk Port Alarm and TCA Thresholds

Purpose	This task provisions the 100G-LC-C, 100G-CK-C, 100G-ME-C, 100GS-CK-LC, 200G-CK-LC, 100ME-CKC, or 400G-XP-LC cards with trunk port alarm and TCA thresholds.
----------------	---

Tools/Equipment	None
Prerequisite Procedures	DLP-G46 Log into CTC
Required/As Needed	As needed
Onsite/Remote	Onsite or remote
Security Level	Provisioning or higher

Procedure

- Step 1** In node view (single-shelf mode) or shelf view (multishelf view), double-click the 100G-LC-C, 100G-CK-C, 100G-ME-C, 100GS-CK-LC, 200G-CK-LC, 100ME-CKC, or 400G-XP-LC card where you want to provision the trunk port alarm and TCA threshold settings.
- Step 2** Click the **Provisioning > Optics Thresholds** tabs.
- Note** You must modify 15 Min and 1 Day independently. To do so, choose the appropriate radio button and click **Refresh**.
- Note** Do not modify the Laser Bias parameters.
- Note** The **Optics Thresholds** tab incorrectly lists the 100GE aggregate port on the CPAK-FR-S pluggable for the 200G-CK-LC card and on the 100G-QSFP-FR-S pluggable for the 400G-XP-LC card.
- Step 3** If TCA is not selected, click the **TCA** radio button and then click **Refresh**. If it is checked, continue with step 4.
- Step 4** Verify if the port TCA thresholds are set. Provision new thresholds as needed by double-clicking the threshold value you want to change, deleting it, entering a new value, and pressing **Enter**.
- Step 5** Under Types, click the **Alarm** radio button and click **Refresh**.
- Note** Do not modify the Laser Bias parameters.
- Step 6** Verify if the port Alarm thresholds are set. Provision new thresholds as needed by double-clicking the threshold value you want to change, deleting it, entering a new value, and pressing **Enter**.
- Step 7** Click **Apply**.
- Step 8** Return to your originating procedure (NTP).

DLP-G721 Provisioning the Client Port Alarm and TCA Thresholds

Purpose	This task provisions the client port alarm and TCA thresholds for the 100G-LC-C, 10x10G-LC, CFP-LC, MR-MXP, 100G-CK-C, 100G-ME-C, 100GS-CK-LC, , 200G-CK-LC, 100ME-CKC, and 400G-XP-LC cards.
	Note The client port alarm and TCA thresholds cannot be provisioned on the QSFP+ ports of the MR-MXP cards.

Tools/Equipment	None
Prerequisite Procedures	<ul style="list-style-type: none"> • DLP-G278 Provisioning the Optical Line Rate, on page 205 • DLP-G46 Log into CTC
Required/As Needed	Required
Onsite/Remote	Onsite or remote
Security Level	Provisioning or higher

Procedure

- Step 1** In node view (single-shelf mode) or shelf view (multishelf view), double-click the card where you want to change the client port alarm and TCA threshold settings.
- Step 2** Click the **Provisioning > Optics Thresholds** tabs. The TCA thresholds are shown by default.
- Step 3** Verify if the TCA thresholds for client ports for RX Power High, RX Power Low, TX Power High, and TX Power Low parameters are set based on the client interface at the other end. Provision new thresholds as needed by double-clicking the threshold value you want to change, deleting it, entering a new value, and pressing Enter.
- Note** Do not modify the Laser Bias parameters.
- Note** You must modify 15 Min and 1 Day independently. To do so, choose the appropriate radio button and click **Refresh**.
- Note** The hardware device that plugs into a card faceplate to provide a fiber interface to the card is called a Small Form-factor Pluggable (SFP, QSFP+, XFP, or CXP) or a C Form-factor Pluggable (CFP, CFP2, or CPAK). In CTC, SFPs, QSFPs+, XFPs, CXPs, CFPs, and CPAKs are called pluggable port modules (PPMs). SFPs/QSFPs+/XFPs/CXPs/CFPs/CPAKs are hot-swappable I/O devices that plug into a port to link the port with the fiber-optic network. Multirate PPMs have provisionable port rates and payloads. For more information, see [SFP, SFP+, QSFP+, XFP, CXP, CFP, CFP2 and CPAK Modules, on page 194](#).
- Note** For multi-lane pluggables (CXP, CFP, CPAK), the thresholds are set on the first lane and copied on the remaining lanes. You can edit only the first lane.
- Step 4** Click **Apply**.
- Step 5** Repeat step 3 and step 4 to provision each additional client port.
- Step 6** Under Types, click the **Alarm** radio button and click **Refresh**.
- Step 7** Verify if the client port Alarm thresholds for RX Power High, RX Power Low, TX Power High, and TX Power Low parameters are set based on the client interface that is provisioned. Provision new thresholds as needed by double-clicking the threshold value you want to change, deleting it, entering a new value, and hitting **Enter**.
- Step 8** Click **Apply**.
- Step 9** Repeat step 7 and step 8 to provision each additional client port.

Step 10 Return to your originating procedure (NTP).

DLP-G722 Changing the Card OTN Settings

Purpose	This task changes the OTN settings for the 100G-LC-C, 100G-CK-C, 100G-ME-C, 100ME-CKC, 10x10G-LC, 100GS-CK-LC, 200G-CK-LC, CFP-LC, or 400G-XP-LC cards. Note The OTN settings cannot be provisioned on the virtual port of the MR-MXP card.
Tools/Equipment	None
Prerequisite Procedures	Login to CTC.
Required/As Needed	As needed
Onsite/Remote	Onsite or remote
Security Level	Provisioning or higher

Procedure

Step 1 In node view (single-shelf mode) or shelf view (multishelf view), double-click the card where you want to change the OTN settings.

Step 2 Click the **Provisioning > OTN** tabs, then choose one of the following subtabs: OTN Lines, ITU-T G.709 Thresholds, FEC Thresholds, Trail Trace Identifier, or Proactive Protection Regen.

Step 3 Modify any of the settings described in the following tables.

Note You must modify each of these options independently: Near End and Far End, 15 Min and 1 Day, and SM and PM. To do so, choose the appropriate radio button and click **Refresh**.

The following table describes the values on the Provisioning > OTN > OTN Lines tab.

Table 225: Card OTN Line Settings

Parameter	Description	Options
Port	(Display only) Displays the port number.	All client and trunk ports
ITU-T G.709 OTN	Sets the OTN lines according to ITU-T G.709.	Enabled by default
FEC	Sets the OTN lines to forward error correction (FEC).	See .
SF BER	(Display only) Displays the signal fail (SF) bit error rate (BER).	• 1E-5

Parameter	Description	Options
SD BER	Sets the signal degrade (SD) bit error rate (BER).	<ul style="list-style-type: none"> • 1E-5 • 1E-6 • 1E-7 (Default) • 1E-8 • 1E-9
ProvidesSync	Sets the ProvidesSync card parameter. If checked, the card is provisioned as a NE timing reference.	<ul style="list-style-type: none"> • Checked • Unchecked
SyncMsgIn	Sets the EnableSync card parameter. Enables synchronization status messages (S1 byte), which allow the node to choose the best timing source.	<ul style="list-style-type: none"> • Checked • Unchecked
Admin SSM In	Overrides the synchronization status message (SSM) and the synchronization traceability unknown (STU) value. If the node does not receive an SSM signal, it defaults to STU.	<ul style="list-style-type: none"> • STU—Sync traceability unknown • ST2—Stratum 2 • ST3—Stratum 3 • SMC—SONET minimum clock • ST4—Stratum 4 • DUS—Do not use for timing • RES—Reserved; quality level set
Interop Mode	Enables interoperability between 200G-CK linecards and other vendor interfaces.	<ul style="list-style-type: none"> • None (default value) • Enable

The following table describes the values on the Provisioning > OTN > ITU-T G.709 Thresholds tab.

Table 226: ITU-T G.709 Threshold Settings

Parameter	Description	Options
Port	(Display only) Displays the port number.	—
ES	Errored seconds (ES)	Numeric. Can be set for Near End or Far End, for 15-minute or one-day intervals, or for SM (OTUk) or PM (ODUk). Select an option and click Refresh .
SES	Severely errored seconds (SES)	Numeric. Can be set for Near End or Far End, for 15-minute or one-day intervals, or for SM (OTUk) or PM (ODUk). Select an option and click Refresh .

Parameter	Description	Options
UAS	Unavailable seconds (UAS)	Numeric. Can be set for Near End or Far End, for 15-minute or one-day intervals, or for SM (OTUk) or PM (ODUk). Select an option and click Refresh .
BBE	Background block errors (BBE)	Numeric. Can be set for Near End or Far End, for 15-minute or one-day intervals, or for SM (OTUk) or PM (ODUk). Select an option and click Refresh .
FC	Failure counter (FC)	Numeric. Can be set for Near End or Far End, for 15-minute or one-day intervals, or for SM (OTUk) or PM (ODUk). Select an option and click Refresh .

The following table describes the values on the Provisioning > OTN > FEC Thresholds tab.

Table 227: Card FEC Threshold Settings

Parameter	Description	Options
Port	(Display only) Displays the port number.	—
Bit Errors Corrected	Sets the value for bit errors corrected.	Numeric. Can be set for 15-minute or one-day intervals.
Uncorrectable Words	Sets the value for uncorrectable words.	Numeric. Can be set for 15-minute or one-day intervals.

The following table describes the values on the Provisioning > OTN > Trail Trace Identifier tab.

Table 228: Card Trail Trace Identifier Settings

Parameter	Description	Options
Port	Displays the port number.	—
Level	Sets the level.	<ul style="list-style-type: none"> • Section • Path
Received Trace Mode	Sets the trace mode.	<ul style="list-style-type: none"> • Off/None • Manual
Disable FDI on TTIM?	<p>If a Trace Identifier Mismatch on Section overhead alarm arises because of a J0 overhead string mismatch, no Forward Defect Indication (FDI) signal is sent to the downstream nodes if this box is checked.</p> <p>This field is enabled only if the Received Trace Mode is set to Manual.</p>	<ul style="list-style-type: none"> • Checked (FDI on TTIM is disabled) • Unchecked (FDI on TTIM is not disabled) <p>Note FDI is not supported for TTI-PM but is applicable for TTI-SM.</p>

Parameter	Description	Options
Transmit (Release 10.1 and earlier releases) Supported in 400G-XP-LC card	Displays the current transmit string or sets a new transmit string.	<ul style="list-style-type: none"> • Hex Mode—Click to change the display to hexadecimal (button changes to ASCII Mode). • ASCII Mode—Click to change the display to ASCII (button changes to Hex Mode). <p>Note Transmit is not supported for TTI-PM but is applicable for TTI-SM.</p> <p>Note The button title changes based on the current display mode.</p>
Expected (Release 10.1 and earlier releases) Supported in 400G-XP-LC card	Displays the current expected string or sets a new expected string.	<ul style="list-style-type: none"> • Hex Mode—Click to change the display to hexadecimal (button changes to ASCII Mode). • ASCII Mode—Click to change the display to ASCII (button changes to Hex Mode). <p>Note The button title changes based on the current display mode.</p>
Received (Release 10.1 and earlier releases) Supported in 400G-XP-LC card	(Display only) Displays the current received string.	<ul style="list-style-type: none"> • Hex Mode—Click to change the display to hexadecimal (button changes to ASCII Mode). • ASCII Mode—Click to change the display to ASCII (button changes to Hex Mode). <p>Note The button title changes based on the current display mode.</p>
<p>In Release 10.3 and later releases:</p> <p>Transmit Area—The Edit Transmit Area allows you to enter a new transmit string. The Current Transmit Area displays the current transmit string.</p> <p>Expected Area—The Edit Expected Area allows you to enter a new expected string. The Current Expected Area displays the current expected string.</p> <p>Received Area—The Current Received Area displays the current received string.</p>		

Parameter	Description	Options
SAPI	Source Access Point Identifier (SAPI) of the TTI.	—
DAPI	Destination Access Point Identifier (DAPI) of the TTI.	—
User Operator Data	User operator data of the TTI.	—
Edit Mode	Sets the transmit or expected string type to ASCII or Hex.	—
Fill from Current	Uses the values of the current or expected transmit string for the SAPI, DAPI, and User Operator Data fields.	—
Hex Mode	When the button label displays “Hex Mode”, the strings in the SAPI, DAPI and User Operator fields are in ASCII format. Click the Hex Mode button to display the string in hexadecimal format. The button name also changes to “ASCII Mode”. Click ASCII Mode to return the strings to ASCII format.	—
Auto-refresh	If checked, automatically refreshes the display every five seconds. Note Do not check the auto-refresh checkbox while configuring the TTI strings.	<ul style="list-style-type: none"> • Checked • Unchecked (default)

From Release 10.6.2, the 400G-XP line cards support SAPI/ DAPI (and not TTI).

The received trace value in the Provisioning -> OTN -> Trail Trace Identifier tab might be empty (even when TTI is not OFF and is receiving information) upon the following conditions, for these cards - 100GS-CK-LC, 200G-CK-LC, 400G-CK-L, MR-MXP :

- a. The user has logged into the node for the first time.
- b. The user has upgraded the node.
- c. The user has reset the card.

Click **Refresh** or **Reset** to view the received trace value immediately or click **Auto-refresh** to view the received trace value after five seconds.

Table 229: Support for Proactive Protection Regeneration

Card	Operating Mode	Supported Payloads
100G-LC-C and 100G-ME-C	TXP-100G or RGN-100G	100GE, OTU4

Card	Operating Mode	Supported Payloads
100G-CK-C and 100ME-CKC	TXP-100G or RGN-100G	<ul style="list-style-type: none"> CPAK-100G-LR4 with 100GE,OTU4 CPAK-100G-SR10 with 100GE,OTU4
10x10G-LC	MXP-10x10G	OTU2
CFP-LC	CFP-TXP	100GE, OTU4

Note The 100GS-CK-LC and 200G-CK-LC cards do not support proactive protection.

The following table describes the values on the Provisioning > OTN > Proactive Protection Regen tabs.

Table 230: Card Proactive Protection Regen Settings

Parameter	Description	Options
Port	(Display only) Displays the port number and name (optional).	—
Trigger Threshold	Sets the maximum BER threshold to trigger proactive protection.	<ul style="list-style-type: none"> 1E-3 9E-4 to 1E-4 9E-5 to 1E-5 9E-6 to 1E-6 9E-7 to 1E-7
Trigger Window (ms)	<p>Sets the duration when BER is monitored before triggering the proactive protection.</p> <p>The trigger window value must be a multiple of:</p> <ul style="list-style-type: none"> 10 ms for trigger thresholds between 1E-3 and 6E-6 100 ms for trigger threshold between 5E-6 to 1E-7 <p>Trigger window must be less than or equal to 500 ms for trigger thresholds between 1E-3 and 6E-6. The trigger window must be less than or equal to 3900 ms for trigger thresholds between 5E-6 to 1E-7.</p>	Time in milliseconds.

Parameter	Description	Options
Revert Threshold	<p>Sets the revert threshold value of BER.</p> <p>Note The revert threshold settings must be less than the trigger threshold values.</p>	<ul style="list-style-type: none"> • 1E-4 • 9E-5 to 1E-5 • 9E-6 to 1E-6 • 9E-7 to 1E-7 • 9E-8 to 5E-8
Revert Window (ms)	<p>Sets the duration when BER is monitored for settings that are less than the revert threshold value before which proactive protection provided to the router is removed.</p> <p>The revert window value must be at least 2000 ms and a multiple of:</p> <ul style="list-style-type: none"> • 10 ms for a revert threshold of 1E-4 to 6E-7 • 100 ms for a revert threshold of 5E-7 to 5E-8. <p>The revert window must be less than or equal to 3900 ms.</p>	Time in milliseconds.

Parameter	Description	Options
Enable Proactive Protection	Enables proactive protection.	<p>The available options for TXP-100G operating mode on the 100G-LC or 100G-CK card are:</p> <ul style="list-style-type: none"> • Disabled—Proactive protection is not enabled. • FRR Proactive Protection—Supported on all the pluggables except on ONS-CC-100G-LR4= and CPAK-100G-LR4 when the client payload is 100GE-LAN. • Pre-FEC PSM Proactive Protection—This option is supported on the trunk port only when the client has ONS-CC-100G-LR4= and CPAK-100G-LR4. Also, this option is applicable only when the card is configured in TXP-100G and CFP-TXP operating modes using 100GE or OTU4 payload. <p>The available options for MXP-10x10G operating mode are:</p> <ul style="list-style-type: none"> • Enabled • Disabled <p>The available options for 10x10G-LC card are:</p> <ul style="list-style-type: none"> • Egress Proactive Protection Enabled • Egress Proactive Protection Disabled

Step 4 Click **Apply**.

Step 5 Return to your originating procedure (NTP).

DLP-G815 Changing the 400G-XP-LC Card ODU Settings

Purpose	This task changes the ODU settings for the 400G-XP-LC cards configured in the OTNXC mode.
Note	The ODU parameters on the protected trunk-ODUs cannot be edited independently. The ports inherit the values of the working trunk-ODUs.
Note	The ODU line and ODU threshold settings are not applicable for ODU4 interfaces. The TCAs and conditions are directly raised on the trunk port.

Tools/Equipment	None
Prerequisite Procedures	Login to CTC.
Required/As Needed	As needed
Onsite/Remote	Onsite or remote
Security Level	Provisioning or higher

Procedure

- Step 1** In node view (single-shelf mode) or shelf view (multishelf view), double-click the 400G-XP-LC card where you want to change the ODU settings.
- Step 2** Click the **Provisioning > ODU** tabs, then choose one of the following subtabs: ODU Lines, ODU Thresholds, or ODU TTL.
- Step 3** In the Port drop-down list, choose a port.
- Step 4** Modify any of the settings described in the following tables.

Note You must modify each of these options independently: Near End and Far End, 15 Min and 1 Day, and SM and PM. To do so, choose the appropriate radio button and click **Refresh**.

The following table describes the values on the Provisioning > ODU > ODU Lines tab.

Table 231: Card ODU Line Settings

Parameter	Description	Options
ODU	(Display only) Displays the port number.	trunk ports
SF BER	(Display only) Displays the signal fail (SF) bit error rate (BER).	<ul style="list-style-type: none"> • 1E-5
SD BER	Sets the signal degrade (SD) bit error rate (BER).	<ul style="list-style-type: none"> • 1E-5 • 1E-6 • 1E-7 (Default) • 1E-8 • 1E-9

The following table describes the values on the Provisioning > ODU > ODU Thresholds tab.

Table 232: ODU Threshold Settings

Parameter	Description	Options
Port	(Display only) Displays the port number.	trunk ports

Parameter	Description	Options
ES	Errored seconds (ES)	Numeric. Can be set for Near End or Far End, for 15-minute or one-day intervals. Select an option and click Apply .
SES	Severely errored seconds (SES)	Numeric. Can be set for Near End or Far End, for 15-minute or one-day intervals. Select an option and click Apply .
UAS	Unavailable seconds (UAS)	Numeric. Can be set for Near End or Far End, for 15-minute or one-day intervals. Select an option and click Apply .
BBE	Background block errors (BBE)	Numeric. Can be set for Near End or Far End, for 15-minute or one-day intervals. Select an option and click Apply .
FC	Failure counter (FC)	Numeric. Can be set for Near End or Far End. Select an option and click Apply .

Note To restore the default values, select a row from the table and click Reset to Default.

The following table describes the values on the Provisioning > ODU > TTI tab.

Table 233: Card Trail Trace Identifier Settings

Parameter	Description	Options
Port	Displays the port number.	client ports
Level	Sets the level.	<ul style="list-style-type: none"> • Path
Received Trace Mode	Sets the trace mode.	<ul style="list-style-type: none"> • Off/None • Manual
Disable FDI on TTIM?	<p>If a Trace Identifier Mismatch on Section overhead alarm arises because of a J0 overhead string mismatch, no Forward Defect Indication (FDI) signal is sent to the downstream nodes if this box is checked.</p> <p>This field is enabled only if the Received Trace Mode is set to Manual.</p>	<ul style="list-style-type: none"> • Checked (FDI on TTIM is disabled) • Unchecked (FDI on TTIM is not disabled)
<p>Transmit Area—The Edit Transmit Area allows you to enter a new transmit string. The Current Transmit Area displays the current transmit string.</p> <p>Expected Area—The Edit Expected Area allows you to enter a new expected string. The Current Expected Area displays the current expected string.</p> <p>Received Area—The Current Received Area displays the current received string.</p>		

Parameter	Description	Options
SAPI	Source Access Point Identifier (SAPI) of the TTI.	—
DAPI	Destination Access Point Identifier (DAPI) of the TTI.	—
User Operator Data	User operator data of the TTI.	—
Edit Mode	Sets the transmit or expected string type to ASCII or Hex.	—
Edit Current Values	Uses the values of the current or expected transmit string for the SAPI, DAPI, and User Operator Data fields.	—
Hex Mode	When the button label displays “Hex Mode”, the strings in the SAPI, DAPI and User Operator fields are in ASCII format. Click the Hex Mode button to display the string in hexadecimal format. The button name also changes to “ASCII Mode”. Click ASCII Mode to return the strings to ASCII format.	—
Auto-refresh	If checked, automatically refreshes the display every five seconds. Note Do not check the auto-refresh checkbox while configuring the TTI strings.	<ul style="list-style-type: none"> • Checked • Unchecked (default)

Click **Refresh** or **Reset** to view the received trace value immediately or click **Auto-refresh** to view the received trace value after five seconds.

- Step 5** Click **Apply**.
- Step 6** Return to your originating procedure (NTP).

DLP-G770 Enabling PRBS Settings

Purpose	This task enables PRBS settings for the 100G-LC-C, 100G-CK-C, 100G-ME-C, 100ME-CKC, 100GS-CK-LC, and 200G-CK-LC cards.
Tools/Equipment	None
Prerequisite Procedures	DLP-G46 Log into CTC
Required/As Needed	As needed
Onsite/Remote	Onsite or remote

Security Level	Provisioning or higher
-----------------------	------------------------

Procedure

- Step 1** In node view (single-shelf mode) or shelf view (multishelf view), double-click the card where you want to enable the PRBS settings.
- Step 2** Click the **Maintenance > PRBS** tabs.
- Step 3** Modify any of the settings as described in the following table.

Table 234: Card PRBS Settings

Parameter	Description	Options
Port	(Display only) Displays the port number.	Trunk ports
Admin State	Sets the port service state unless network conditions prevent the change. For more information about administrative states, see the Administrative and Service States document.	<ul style="list-style-type: none"> • IS (ANSI) or Unlocked (ETSI) • IS,AINS (ANSI) or Unlocked,automaticInService (ETSI) • OOS,DSBLD (ANSI) or Locked,disabled (ETSI) • OOS,MT (ANSI) or Locked,maintenance (ETSI)
Generator Pattern	Displays the pattern generated by the line card.	PRBS_31
Detected Pattern	Displays the pattern detected by the line card.	<ul style="list-style-type: none"> • PRBS_11 • PRBS_23 • PRBS_31 <p>Only PRBS_31 is supported on the 100GS-CK-LC and 200G-CK-LC cards.</p>
Pattern Sync Status	Displays the pattern sync status.	<ul style="list-style-type: none"> • PATTERN_NONE • PATTERN_OK • PATTERN_ERROR

- Step 4** Click **Apply**.
- Step 5** Return to your originating procedure (NTP).

NTP-G351 Retrieving MAC Addresses on Cards

Purpose	This procedure enables you to retrieve the MAC address of the host connected to the MR-MXP ports for 10 GE clients or 400G-XP-LC ports for 10GE or 100GE ports using the Link Layer Discovery Protocol (LLDP).
Tools/Equipment	None
Prerequisite Procedures	None
Required/As Needed	As needed
Onsite/Remote	Onsite or remote
Security Level	Retrieve or higher

Procedure

- Step 1** In the node view (single-shelf mode) or shelf view (multishelf view), double-click the card where you want to retrieve the source MAC addresses.
- Step 2** Click the **Maintenance > LLDP** tabs.
- Step 3** Click **Retrieve**.

The table displays the following fields:

- Port-Displays the port number.
- Source MAC Address-Displays the MAC address of the node to which the port is connected.

Stop. You have completed this procedure.

NTP-G338 Provisioning an Operating Mode on the WSE Card

Purpose	This procedure enables you to provision an operating mode on the WSE card.
Tools/Equipment	None
Prerequisite Procedures	DLP-G46 Log into CTC
Required/As Needed	As needed
Onsite/Remote	Onsite or remote
Security Level	Super user

Procedure

-
- Step 1** In node view (single-shelf mode) or shelf view (multishelf view), double-click the WSE card where you want to provision an operating mode. The card view appears.
- Step 2** Click the **Provisioning** > **Card** tabs.
- Note** You cannot edit an existing operating mode on the WSE card.
- Step 3** In the Operating Modes tab, click **Create**.
- Step 4** Choose the configuration from the Card Configuration drop-down list. The card configuration options are TXP-10G and RGN-10G modes.
- Step 5** Select the defined port pair in the Card Configuration Dialog area. The WSE card supports a maximum of five TXP-10G modes, five RGN-10G modes, or a combination of five TXP-10G, and RGN-10G modes.
- Step 6** Click **Finish**. The selected operating mode is provisioned on the WSE card.
- Step 7** Complete the [DLP-G726 Preprovisioning a Multirate PPM](#) task.
- Step 8** Complete the [DLP-G278 Provisioning the Optical Line Rate, on page 205](#) task.
- Stop. You have completed this procedure.**
-

NTP-G339 Modifying the WSE Card Line Settings and PM Parameter Thresholds

Purpose	This procedure changes the line and PM parameter threshold settings of the WSE card.
Tools/Equipment	None
Prerequisite Procedures	<ul style="list-style-type: none"> • DLP-G46 Log into CTC • NTP-G179 Installing the Transponder and Muxponder Cards • DLP-G723 Install PPM on a Line Card • DLP-G726 Preprovisioning a Multirate PPM (if necessary) • DLP-G278 Provisioning the Optical Line Rate, on page 205
Required/As Needed	As needed
Onsite/Remote	Onsite or remote
Security Level	Provisioning or higher

Procedure

- Step 1** As needed, complete the [NTP-G103 Backing Up the Database](#) task, to preserve the existing transmission settings.
- Step 2** Perform any of the following tasks as needed:
- [DLP-G744 Changing the WSE Card Security Thresholds and Setting Authentication Error Thresholds](#)
 - [DLP-G740 Changing the WSE Card Ethernet Settings](#)
 - [DLP-G745 Changing the WSE Card Line RMON Thresholds](#)
 - [DLP-G746 Provisioning the WSE Card with Port Alarm and TCA Thresholds](#)
 - [DLP-G747 Change the WSE Card OTN Settings](#)
- Note** To use the Alarm Profiles tab, including creating alarm profiles and suppressing alarms, see the [Alarm and TCA Monitoring and Management](#) document.

Stop. You have completed this procedure.

DLP-G739 Changing the WSE Card Line Settings

Purpose	This task changes the line settings of the WSE card.
Tools/Equipment	None
Prerequisite Procedures	DLP-G46 Log into CTC
Required/As Needed	As needed
Onsite/Remote	Onsite or remote
Security Level	Provisioning or higher

Procedure

- Step 1** In node view (single-shelf mode) or shelf view (multishelf view), double-click the WSE card where you want to change the line settings.
- Step 2** Click the **Provisioning > Line > Ports** tabs.
Tabs and parameter selections vary according to pluggable port modules (PPM) provisioning.
- Step 3** Modify any of the line settings in the Ports tab as described in the following table.

Table 235: WSE Card Line Settings

Parameter	Description	Options
Port	(Display only) Displays the port number.	1 through 10
Port Name	Assigns a logical name for the specified port.	User-defined. Name can be up to 80 alphanumeric or special characters, or both. Blank by default. DLP-G104 Assigning a Name to a Port
Admin State	Sets the port service state unless network conditions prevent the change. For more information about administrative states, see the Administrative and Service States document.	<ul style="list-style-type: none"> • IS (ANSI) or Unlocked (ETSI) • OOS, DSBLD (ANSI) or Locked,disabled (ETSI) • OOS, MT (ANSI) or Locked,maintenance (ETSI) • IS, AINS (ANSI) or Unlocked,AutomaticInService (ETSI)
Service State	(Display only) Identifies the autonomously generated state that gives the overall condition of the port. Service states appear in the format: Primary State-Primary State Qualifier, Secondary State. For more information about service states, see the Administrative and Service States document.	<ul style="list-style-type: none"> • IS-NR (ANSI) or Unlocked-enabled (ETSI) • OOS-AU, AINS (ANSI) or Unlocked-disabled, automaticInService (ETSI) • OOS-MA, DSBLD (ANSI) or Locked-enabled,disabled (ETSI) • OOS-MA, MT (ANSI) or Locked-enabled,maintenance (ETSI) • OOS-MA, LPBK&MT (ANSI) or Locked-enabled,loopback & maintenance (ETSI)
ALS Mode	Sets the automatic laser shutdown (ALS) function mode.	<ul style="list-style-type: none"> • Disabled (default)— ALS is off; the laser is not automatically shut down when traffic outage or loss of signal (LOS) occurs. • Auto Restart—ALS is on; the laser automatically shuts down when traffic outage or LOS occurs. It automatically restarts when the conditions that caused the outage are resolved. • Manual Restart— ALS is on; the laser automatically shuts down when traffic outage or LOS occurs. However, the laser must be manually restarted when conditions that caused the outage are resolved. • Manual Restart for Test— Manually restarts the laser for testing.

Parameter	Description	Options
AINS Soak	Sets the automatic in-service (AINS) soak period. Double-click the time and use the up and down arrows to change settings.	<ul style="list-style-type: none"> • Duration of valid input signal, in hh.mm format, after which the card state changes to in-service (IS) automatically. • 0 to 48 hours, 15-minute increments.
Reach	Sets the optical reach distance of the client port.	Autoprovision—The system automatically provisions the reach from the pluggable port module (PPM) reach value on the hardware.
Wavelength	Displays the wavelength of the client port.	<ul style="list-style-type: none"> • First Tunable Wavelength • Further wavelengths: <ul style="list-style-type: none"> • – 850 nm through 1610 nm
OverClock	Enables or disables overclock mode.	<ul style="list-style-type: none"> • OFF • ON <p>Note When an OTU2 payload is provisioned on the WSE card in the TXP-10G or RGN-10G operating mode, the overclock parameter is automatically set to ON.</p>
Fault Signalling	Shuts down the far-end laser in response to certain defects.	<ul style="list-style-type: none"> • AIS/Send Local Fault • Squelch/Laser-Off
Mapping Mode	<p>Sets the mapping mode.</p> <p>In a WSE card with a 10-GE payload, when a network fault or failure occurs, and the user sets squelch to the Disable state, the faults propagated downstream are different in GFP and CBR mapping.</p> <p>In GFP mapping, the device connected to the client reports a momentary local fault, but in CBR mapping, the local fault is reported for the entire duration of the fault.</p>	<ul style="list-style-type: none"> • CBR • GFP
Termination Mode	Sets the termination mode.	Transparent

Table 236: Reach Distances for WSE Card

Card	Payload	Reach
WSE	OTU2	SR-MM
		P1I1-2D1
		P1S1-2D2b
		P1L1-2D2
		DWDM
	OTU2e	TEN_GE_SR
		TEN_GE_LR
		TEN_GE_ER
		TEN_GE_ZR
		DWDM

Step 4 Click **Apply**.

Step 5 Return to your originating procedure (NTP).

DLP-G740 Changing the WSE Card Ethernet Settings

Purpose	This task changes the ethernet settings of the WSE card.
Tools/Equipment	None
Prerequisite Procedures	DLP-G46 Log into CTC
Required/As Needed	As needed
Onsite/Remote	Onsite or remote
Security Level	Provisioning or higher

Procedure

- Step 1** In node view (single-shelf mode) or shelf view (multishelf view), double-click the WSE card where you want to change the ethernet settings.
- Step 2** Click the **Provisioning > Line > Ethernet** tabs.
Tabs and parameter selections vary according to pluggable port modules (PPM) provisioning.
- Step 3** Modify any of the line settings in the Ethernet tab as described in the table.

Table 237: WSE Card Ethernet Settings

Parameter	Description	Options
Port	(Display only) Displays the port number <i>n-n</i> and rate.	--
Port Name	(Display only) Displays the port name.	--
Admin State	Sets the port service state unless network conditions prevent the change. For more information about administrative states, see the Administrative and Service States document.	<ul style="list-style-type: none"> • IS (ANSI) or Unlocked (ETSI) • OOS, DSBLD (ANSI) or Locked,disabled (ETSI) • OOS, MT (ANSI) or Locked,maintenance (ETSI) • IS, AINS (ANSI) or Unlocked,AutomaticInService (ETSI)
Service State	(Display only) Identifies the autonomously generated state that gives the overall condition of the port. Service states appear in the format: Primary State-Primary State Qualifier, Secondary State. For more information about service states, see the Administrative and Service States document.	<ul style="list-style-type: none"> • IS-NR (ANSI) or Unlocked-enabled (ETSI) • OOS-AU, AINS (ANSI) or Unlocked-disabled, automaticInService (ETSI) • OOS-MA, DSBLD (ANSI) or Locked-enabled,disabled (ETSI) • OOS-MA, MT (ANSI) or Locked-enabled,maintenance (ETSI) • OOS-MA, LPBK&MT (ANSI) or Locked-enabled,loopback & maintenance (ETSI)
ALS Mode	Sets the automatic laser shutdown (ALS) function mode.	<ul style="list-style-type: none"> • Disabled (default)— ALS is off; the laser is not automatically shut down when traffic outage or loss of signal (LOS) occurs. • Manual Restart— ALS is on; the laser automatically shuts down when traffic outage or LOS occurs. However, the laser must be manually restarted when conditions that caused the outage are resolved. • Manual Restart for Test— Manually restarts the laser for testing.
AINS Soak	Sets the automatic in-service (AINS) soak period. Double-click the time and use the up and down arrows to change settings.	<ul style="list-style-type: none"> • Duration of valid input signal, in hh.mm format, after which the card state changes to in-service (IS) automatically. • 0 to 48 hours, 15-minute increments.

Parameter	Description	Options
Reach	Sets the optical reach distance of the client port.	Autoprovision—The system automatically provisions the reach from the pluggable port module (PPM) reach value on the hardware.
Wavelength	Displays the wavelength of the client port.	<ul style="list-style-type: none"> • First Tunable Wavelength • Further wavelengths: <ul style="list-style-type: none"> • – 850 nm through 1610 nm
MTU	Sets the maximum size of the Ethernet frames accepted by the port. The port must be in OOS/locked state.	Numeric. Default: 1548 Range 64 to 9700
Termination Mode	(Display-only) Sets the mode of operation.	Transparent

Step 4 Click **Apply**.

Step 5 Return to your originating procedure (NTP).

DLP-G744 Changing the WSE Card Security Thresholds and Setting Authentication Error Thresholds

Purpose	This task changes the security threshold settings of the WSE card. This task also sets the payload authentication error thresholds.
Tools/Equipment	None
Prerequisite Procedures	DLP-G46 Log into CTC
Required/As Needed	As needed
Onsite/Remote	Onsite or remote
Security Level	Security user or security super user

Procedure

Step 1 In node view (single-shelf mode) or shelf view (multishelf view), double-click the WSE card where you want to change the security threshold settings.

Step 2 Click the **Provisioning** > **Security Thresholds** tabs.

Step 3 Modify any of the settings as described in the table.

Note You must modify each of these options independently: TCA and Alarm, and 15 Min and 1 Day. To do so, choose the appropriate radio button and click **Refresh**.

Table 238: WSE Card Security Threshold Settings

Parameter	Description
Port	Selects the port number.
Sequence Mismatch	Shows the number of times the Sequence Number (SEQ) for an AES packet has differed at the encryption and decryption ends.

Step 4 Click **Apply**.

Step 5 To set the payload authentication error thresholds, go to **Provisioning > Security Thresholds** tab and click the **Alarm** radio button.

Step 6 Enter the authentication error threshold value in the Payload Authentication Error field.

The default value is 1. The range is 1 to 500.

The Payload Authentication Alarm is raised when the payload authentication error PM counter for 10 seconds in the Encryption PM tab exceeds the payload authentication error value set in the Security Thresholds tab. The Payload Authentication Alarm is not raised if payload authentication is enabled only on the near end or far end.

Step 7 Click **Apply**.

Step 8 Return to your originating procedure (NTP).

DLP-G745 Changing the WSE Card Line RMON Thresholds

Purpose	This task changes the line RMON threshold settings for WSE cards carrying Ethernet or FC payloads.
Tools/Equipment	None
Prerequisite Procedures	DLP-G46 Log into CTC
Required/As Needed	As needed
Onsite/Remote	Onsite or remote
Security Level	Provisioning or higher

Procedure

Step 1 In node view (single-shelf mode) or shelf view (multishelf view), double-click the WSE card where you want to change the RMON threshold settings in the card view.

Step 2 Click the **Provisioning > Line Thresholds > RMON Thresholds** tabs.

Step 3 Click Create. The Create Threshold dialog box appears.

Step 4 From the Port drop-down list, choose the applicable port, either the payload port, for example “1-1 (TEN_GE)” port.

Step 5 From the Variable drop-down list, choose an Ethernet variable. See Table 11-230 for a list of available Ethernet variables.

Table 239: WSE Card Ethernet Variables

Variable	Description
rxTotalPkts	Total number of received packets.
etherStatsPkts	Total number of frames received on an interface in both Rx and Tx d
etherStatsOctets	Total number of octets of data (including those in bad packets) receiv (excluding framing bits, but including FCS octets).
etherStatsOversizePkts	Total number of packets received that were longer than 1518 octets (o bits, but including FCS octets) and were otherwise well-formed.
dot3StatsFCSErrors	Total number of frames received on a particular interface that are an octets in length but do not pass the FCS check.
dot3StatsAlignmentErrors	Total number of frames received on a particular interface that are not of octets in length and do not pass the FCS check. This counter is only of operation.
dot3StatsSymbolErrors	Contains a count of received frames that have an associated RX_ER data reception error event (MII) or data reception error event or carri (GMII) from the PCS.
dot3StatsFrameTooLong	Total number of frames received on a particular interface that exceed permitted frame size.
dot3StatsLCVErrors/mediaIndStatsRxCvErrors	Number of received line code violations at the PCS layer.
dot3StatsLayer1Errors	Number of Layer 1 errors as defined within the following conditions <ul style="list-style-type: none"> • During Packet Reception—Layer 1 errors are only counted one The Layer 1 error is indicated as a direct result of a line side pro which RX_DV is asserted. This is an uncommon event from wh reason why the device loses synchronization. • During Interpacket Reception—The Layer 1 error is indicated a a line side protocol violation in which RX_DV is de-asserted. Th event. The Layer 1 error is also asserted on detection of a False and is asserted on detection of Erred byte (interpacket) signal er Layer 1 error is asserted during inter-packet reception, it is only s in the vector.
etherStatsJabbers	Total number of packets received that were longer than 1518 octets (o bits, but including FCS octets), and had either a bad FCS with an inte octets (FCS error) or a bad FCS with a non-integral number of octets
etherStatsUndersizePkts	Total number of packets received that were less than 64 octets long (o bits, but including FCS octets) and were otherwise well-formed.

Variable	Description
etherStatsFragments	Total number of packets received that were less than 64 octets in framing bits, but including FCS octets) and had either a bad FCS with a non-integral number of octets (FCS error) or a bad FCS with a non-integral number of octets. Note that it is entirely normal for etherStatsFragments to increment on both runts (which are normal occurrences due to collision) and on fragments.
etherStatsPkts64Octets	Total number of packets (including bad packets) received that were 64 octets in length inclusive (excluding framing bits, but including FCS octets).
etherStatsPkts65to127Octets	Total number of packets (including bad packets) received that were 65 to 127 octets in length inclusive (excluding framing bits, but including FCS octets).
etherStatsPkts128to255Octets	Total number of packets (including bad packets) received that were 128 to 255 octets in length inclusive (excluding framing bits, but including FCS octets).
etherStatsPkts256to511Octets	Total number of packets (including bad packets) received that were 256 to 511 octets in length inclusive (excluding framing bits, but including FCS octets).
etherStatsPkts512to1023Octets	Total number of packets (including bad packets) received that were 512 to 1023 octets in length inclusive (excluding framing bits, but including FCS octets).
etherStatsPkts1024to1518Octets	Total number of packets (including bad packets) received that were 1024 to 1518 octets in length inclusive (excluding framing bits, but including FCS octets).
etherStatsMulticastPkts	Total number of good packets received that were directed to a multicast address. Note that this number does not include packets directed to the broadcast address.
etherStatsBroadcastPkts	Total number of good packets received that were directed to the broadcast address. Note that this number does not include multicast packets.
etherStatsPkts1519tomaxOctets	Total number of packets (including bad packets) received that were 1519 to maximum octets in length inclusive (excluding framing bits, but including FCS octets).
ifInUcastPkts (The counter does not increment for traffic with incorrect Ethertype and packet size of more than 64 bytes on the WSE card.)	Total number of packets delivered by this sublayer to a higher sublayer. Note that this counter does not increment for traffic addressed to a multicast or broadcast address.
ifInMulticastPkts (The counter does not increment for traffic with incorrect Ethertype and packet size of more than 64 bytes on the WSE card.)	Total number of packets delivered by this sublayer to a higher sublayer. Note that this counter does not increment for traffic addressed to a unicast address. For a MAC layer protocol, this includes both unicast and broadcast addresses.
ifInBroadcastPkts (The counter does not increment for traffic with incorrect Ethertype and packet size of more than 64 bytes on the WSE card.)	Total number of packets delivered by this sublayer to a higher sublayer. Note that this counter does not increment for traffic addressed to a unicast or multicast address.
ifInErrors	Total number of received errors.
IfOutUcastPkts	Total count of packets transmitted to a unicast group destination.

Variable	Description
ifOutMulticastPkts	Total number of packets that higher-level protocols requested to be transmitted were addressed to a multicast address at this sublayer. These include packets that were discarded or not sent. For a MAC layer protocol, this includes both group and individual addresses.
ifOutBroadcastPkts	Total number of packets that higher-level protocols requested to be transmitted were addressed to a broadcast address at this sublayer. These include packets that were discarded or not sent.
ifOutOctets	Total number of octets transmitted out of the interface, including frames that were discarded.
mediaIndStatsTXFramesBadCRC	Total number of transmitted data frames with payload CRC errors when the CRC check is used.
mediaIndStatsTXShortPkts	Number of transmitted frames containing less than the minimum permitted frame length as programmed with the transmit MAC Min Frame Length Configuration.
txTotalPkts	Total number of transmitted packets.

Step 6 Click **Apply**.

Step 7 Return to your originating procedure (NTP).

DLP-G746 Provisioning the WSE Card with Port Alarm and TCA Thresholds

Purpose	This task provisions the WSE card with port alarm and TCA thresholds.
Tools/Equipment	None
Prerequisite Procedures	DLP-G46 Log into CTC
Required/As Needed	As needed
Onsite/Remote	Onsite or remote
Security Level	Provisioning or higher

Procedure

Step 1 In node view (single-shelf mode) or shelf view (multishelf view), double-click the WSE card where you want to provision the alarm and TCA threshold settings for the port.

Step 2 Click the **Provisioning > Optics Thresholds** tabs. The TCA thresholds are shown by default.

Note You must modify 15 Min and 1 Day independently. Choose the appropriate radio button and click **Refresh**.

Note Do not modify the Laser Bias parameters.

Step 3 If TCA is not selected, select the TCA option and then click Refresh. If it is checked, continue with Step 4.

- Step 4** Verify whether the port TCA thresholds for RX Power High, RX Power Low, TX Power High, and TX Power Low are set.
- Provision new thresholds as needed by double-clicking the threshold value you want to change, deleting it, entering a new value, and pressing Enter.
- Step 5** Under Types, click the **Alarm** radio button and click **Refresh**.
- Step 6** Verify whether the port alarm thresholds for RX Power High, RX Power Low, TX Power High, and TX Power Low are set.
- Provision new thresholds as needed by double-clicking the threshold value you want to change, deleting it, entering a new value, and pressing Enter.
- Step 7** Click **Apply**.
- Step 8** Return to your originating procedure (NTP).

DLP-G747 Change the WSE Card OTN Settings

Purpose	This task changes the OTN settings for the WSE card.
Tools/Equipment	None
Prerequisite Procedures	DLP-G46 Log into CTC
Required/As Needed	As needed
Onsite/Remote	Onsite or remote
Security Level	Provisioning or higher

Procedure

- Step 1** In node view (single-shelf mode) or shelf view (multishelf view), double-click the WSE card where you want to change the OTN settings.
- Step 2** Click the **Provisioning > OTN** tabs. Choose one of these subtabs: OTN Lines, ITU-T G.709 Thresholds, FEC Thresholds, or Trail Trace Identifier.
- Step 3** Modify any of the settings described in the tables.
- Note** You must modify each of these options independently: Near End and Far End, 15 Min and 1 Day, and SM and PM. Choose the appropriate radio button and click **Refresh**.

The table describes the values on the Provisioning > OTN > OTN Lines tab.

Table 240: WSE Card OTN Line Settings

Parameter	Description	Options
Port	(Display only) Displays the port number.	All client and trunk ports

Parameter	Description	Options
ITU-T G.709 OTN	Sets the OTN lines according to ITU-T G.709.	Enabled by default
FEC	Sets the OTN lines to forward error correction (FEC). When an OTN cloud is present between two WSE cards used in stacked card scenario, it is recommended to keep the same FEC setting on both ends of the OTN cloud to avoid FEC-MISM alarm on the WSE cards.	<ul style="list-style-type: none"> • Disable • Standard • Enhanced
SF BER	(Display only) Displays the signal fail (SF) bit error rate (BER).	1E-5
SD BER	Sets the signal degrade (SD) bit error rate (BER).	<ul style="list-style-type: none"> • 1E-5 • 1E-6 • 1E-7 (Default) • 1E-8 • 1E-9
ProvidesSync	Sets the ProvidesSync card parameter. If checked, the card is provisioned as a NE timing reference.	<ul style="list-style-type: none"> • Checked • Unchecked
SyncMsgIn	Sets the EnableSync card parameter. Enables synchronization status messages (S1 byte), which allow the node to choose the best timing source.	<ul style="list-style-type: none"> • Checked • Unchecked
Admin SSM In	Overrides the synchronization status message (SSM) and the synchronization traceability unknown (STU) value. If the node does not receive an SSM signal, it defaults to STU.	<ul style="list-style-type: none"> • PRS—Primary Reference Source • STU—Sync traceability unknown • ST2—Stratum 2 • ST3—Stratum 3 • SMC—SONET minimum clock • ST4—Stratum 4 • DUS—Do not use for timing • RES—Reserved; quality level set

The following table describes the values on the Provisioning > OTN > ITU-T G.709 Thresholds tab.

Table 241: WSE ITU-T G.709 Threshold Settings

Parameter	Description	Options
Port	(Display only) Displays the port number.	All client and trunk ports
ES	Errored seconds (ES)	Numeric. Can be set for Near End or Far End, for 15-minutes or one-day intervals, or for SM (OTUk) or PM (ODUk). Select an option and click Refresh .
SES	Severely errored seconds (SES)	Numeric. Can be set for Near End or Far End, for 15-minutes or one-day intervals, or for SM (OTUk) or PM (ODUk). Select an option and click Refresh .
UAS	Unavailable seconds (UAS)	Numeric. Can be set for Near End or Far End, for 15-minutes or one-day intervals, or for SM (OTUk) or PM (ODUk). Select an option and click Refresh .
BBE	Background block errors (BBE)	Numeric. Can be set for Near End or Far End, for 15-minutes or one-day intervals, or for SM (OTUk) or PM (ODUk). Select an option and click Refresh .
FC	Failure counter (FC)	Numeric. Can be set for Near End or Far End, for 15-minutes or one-day intervals, or for SM (OTUk) or PM (ODUk). Select an option and click Refresh .

The following table describes the values on the Provisioning > OTN > FEC Thresholds tab.

Table 242: WSE Card FEC Threshold Settings

Parameter	Description	Options
Port	(Display only) Displays the port number.	All client and trunk ports
Bit Errors Corrected	Sets the value for bit errors corrected.	Numeric. Can be set for 15-minutes or one-day intervals. Select an option and click Refresh .
Uncorrectable Words	Sets the value for uncorrectable words.	Numeric. Can be set for 15-minutes or one-day intervals. Select an option and click Refresh .

The following table describes the values on the Provisioning > OTN > Trail Trace Identifier tab.

Table 243: WSE Card Trail Trace Identifier Settings

Parameter	Description	Options
Port	(Display only) Displays the port number.	All client and trunk ports
Level	Sets the level.	<ul style="list-style-type: none"> • Section • Path

Parameter	Description	Options
Received Trace Mode	Sets the trace mode.	<ul style="list-style-type: none"> • Off/None • Manual
Disable FDI on TTIM?	<p>If a Trace Identifier Mismatch on Section overhead alarm arises because of a J0 overhead string mismatch, no Forward Defect Indication (FDI) signal is sent to the downstream nodes if this box is checked.</p> <p>This field is enabled only if the Received Trace Mode is set to Manual.</p>	<ul style="list-style-type: none"> • Checked (FDI on TTIM is disabled) • Manual <p>Unchecked (FDI on TTIM is not disabled)</p>
Transmit	Displays the current transmit string or sets a new transmit string.	<ul style="list-style-type: none"> • Hex Mode— Click to change the display to hexadecimal (button changes to ASCII Mode). • ASCII Mode—Click to change the display to ASCII (button changes to Hex Mode). <p>Note The button title changes based on the current display mode.</p>
Expected	Displays the current expected string or sets a new expected string.	<ul style="list-style-type: none"> • Hex Mode— Click to change the display to hexadecimal (button changes to ASCII Mode). • ASCII Mode—Click to change the display to ASCII (button changes to Hex Mode). <p>Note The button title changes based on the current display mode.</p>
Received	(Display only) Displays the current received string.	<ul style="list-style-type: none"> • Hex Mode— Click to change the display to hexadecimal (button changes to ASCII Mode). • ASCII Mode—Click to change the display to ASCII (button changes to Hex Mode). <p>Note The button title changes based on the current display mode.</p>
Auto-refresh	If checked, automatically refreshes the display every 5 seconds.	<ul style="list-style-type: none"> • Checked • Unchecked

Step 4 Click **Apply**.

Step 5 Return to your originating procedure (NTP).

NTP-G340 Provisioning Encryption on the WSE and MR-MXP Cards

Purpose	This procedure enables you to provision encryption on the WSE and MR-MXP cards.
Tools/Equipment	None
Prerequisite Procedures	<ul style="list-style-type: none"> • DLP-G46 Log into CTC • NTP-G338 Provisioning an Operating Mode on the WSE Card • NTP-G235 Provisioning an Operating Mode, on page 540
Required/As Needed	As needed
Onsite/Remote	Onsite or remote
Security Level	Security super user

The card authentication and payload encryption must be enabled to check Bit Interleaved Parity-8 (BIP-8) functionality on encrypted traffic.



Note When BIP-8 functionality is enabled on the MR-MXP card of the source node, the MR-MXP card of the destination node raises only the ODUk-SD alarm instead of ODUk-SD and ODUk-SF alarms. The WSE card raises both the ODUk-SD and ODUk-SF alarms for the same scenario.

Procedure

Perform any of the following tasks as needed:

- [DLP-G759 Configuring GCC2 Settings](#)
- [DLP-G748 Enabling or Disabling Card Authentication, on page 609](#)
- [DLP-G749 Enabling Payload Encryption](#)
- [DLP-G Enabling Payload Authentication, on page 610](#)
- [DLP-G751 Resetting the Primary Key, on page 611](#)
- [DLP-G752 Changing the Primary Key Reset Interval, on page 612](#)
- [DLP-G753 Setting AES Secure Packet Configuration](#)
- [DLP-G754 Specifying ESP Header and Trailer Locations](#)

- [DLP-G755 Enabling PRBS Generation and Monitoring](#)

Stop. You have completed this procedure.

DLP-G759 Configuring GCC2 Settings

Purpose	This task configures a GCC2 channel on OTN enabled trunk ports to establish a connection between two WSE or two MR-MXP cards by configuring the IP address and ports of the source and destination cards.
Tools/Equipment	None
Prerequisite Procedures	DLP-G748 Enabling or Disabling Card Authentication The card authentication and payload encryption are enabled by default and cannot be disabled for MR-MXP-K9 and MR-MXP-K9= PIDs.
Required/As Needed	As Needed
Onsite/Remote	Onsite or Remote
Security Level	Security super user

Procedure

- Step 1** In node view (single shelf mode), or shelf view (multi-shelf mode), double-click the WSE or MR-MXP card for which you want to configure the GCC settings.
- Step 2** Go to **Provisioning > Encryption > GCC2 Settings**.
- Step 3** In the Card IP Address field, provide the IP address of the source WSE or MR-MXP card.
- Step 4** Click on the Destination Card IP entry. Specify the IP address of the destination card.
- Step 5** Click on the Destination Port entry. Specify the port number of the destination card.
- There can be multiple destination card IPs and destination ports for WSE card and only a single destination card IP and destination port for MR-MXP card.
- Step 6** Click **Apply**.
- To change the MR-MXP or WSE card role from primary to secondary and vice versa:
- Remove only the card IP address or only the destination card IP address or both.
 - Modify or configure the required IP address in the Card IP Address or Destination Card IP field.
- Step 7** Return to your originating procedure (NTP).
-

DLP-G748 Enabling or Disabling Card Authentication

Purpose	This task initiates the authentication of a destination WSE or MR-MXP card with a source WSE or MR-MXP card. This ensures that the source card communicates only with the destination card. The card authentication and payload encryption are enabled by default and cannot be disabled for MR-MXP-K9 and MR-MXP-K9= PIDs.
Tools/Equipment	None
Prerequisite Procedures	None
Required/As Needed	Required
Onsite/Remote	Onsite or Remote
Security Level	Security Super User

Procedure

-
- Step 1** In node view (single shelf mode), or shelf view (multi-shelf mode), double-click the WSE or MR-MXP card for which you need to enable or disable card authentication.
- Step 2** Go to **Provisioning > Encryption > Security**.
- Step 3** (Only for WSE card) From the Port list, choose the port on which card authentication is to be enabled or disabled.
- Step 4** Check the **Card Authentication** checkbox to enable card authentication.
Uncheck the **Card Authentication** checkbox to disable card authentication.
The primary key for encryption is exchanged between the source and destination WSE or MR-MXP cards.
- Step 5** Click **Apply**.
- Step 6** (Only for WSE card) Repeat step 3 to step 5 for every port that carries the encrypted payload, as the card authentication takes place independently on each port of the source WSE card.
- Step 7** Return to your originating procedure (NTP).
-

DLP-G749 Enabling Payload Encryption

Purpose	This task enables encryption of OTN frames emerging from a port of the source WSE or MR-MXP card.
Tools/Equipment	None

Prerequisite Procedures	<ul style="list-style-type: none"> • DLP-G759 Configuring GCC2 Settings, on page 608 • DLP-G748 Enabling or Disabling Card Authentication, on page 609 <p>The card authentication and payload encryption are enabled by default and cannot be disabled for MR-MXP-K9 and MR-MXP-K9= PIDs.</p>
Required/As Needed	Required
Onsite/Remote	Onsite or Remote
Security Level	Security super user

Procedure

-
- Step 1** In node view (single shelf mode), or shelf view (multi-shelf mode), double-click the WSE or MR-MXP card for which you want to enable payload encryption.
- Step 2** Go to **Provisioning > Encryption > Security**.
- Step 3** Check the Payload Encryption check box to enable encryption of the OTN frames.
- In WSE card, do not enable encryption with far-end client loopback. This affects the traffic. In MR-MXP card, the client loopback is disabled when encryption is enabled.
- When encryption is enabled in the near end and disabled in the far end, the client port of MR-MXP card raises Local Fault (LF) and the client port of WSE card raises SYNCLOSS alarm.
- Step 4** Click **Apply**.
- Step 5** Return to your originating procedure (NTP).
-

DLP-G Enabling Payload Authentication

Purpose	<p>This task enables payload authentication on the MR-MXP card to validate the integrity of the received payloads.</p> <p>The payload authentication is enabled by default and can be disabled for MR-MXP-K9 and MR-MXP-K9= PIDs of MR-MXP card.</p>
Tools/Equipment	None
Prerequisite Procedures	<ul style="list-style-type: none"> • DLP-G748 Enabling or Disabling Card Authentication • DLP-G749 Enabling Payload Encryption
Required/As Needed	Required
Onsite/Remote	Onsite or Remote
Security Level	Super user

Procedure

-
- Step 1** In node view (single shelf mode), or shelf view (multi-shelf mode), double-click the MR-MXP card for which you want to enable payload authentication.
- Step 2** Go to **Provisioning > Encryption > Security** tab.
- Step 3** Check the **Payload Authentication** check box to enable payload authentication and click **Apply**.
- Step 4** Return to your originating procedure (NTP).
-

DLP-G751 Resetting the Primary Key

Purpose	This task lets you reset the primary key for each encrypted stream of the source WSE or MR-MXP card. For more information, see Key Management, on page 192 .
Tools/Equipment	None
Prerequisite Procedures	<ul style="list-style-type: none"> • DLP-G748 Enabling or Disabling Card Authentication, on page 609 • DLP-G749 Enabling Payload Encryption, on page 609
Required/As Needed	As Needed
Onsite/Remote	Onsite or Remote
Security Level	Security user or security super user

Procedure

-
- Step 1** In node view (single shelf mode), or shelf view (multi-shelf mode), double-click the WSE or MR-MXP card for which you want to reset the primary key.
- Step 2** Go to **Provisioning > Encryption > Key Management**.
- Step 3** (For WSE card) Click the **Reset Master Key** button for a port to reset the primary key used for the payload encryption on that port.

(For MR-MXP card) Click the **Reset Master Key** button to reset the primary key used for the payload encryption on the card.

By resetting the primary key, a key exchange is enforced by overriding the existing primary key reset interval, and a new interval is calculated from the time the key is reset.
- Step 4** Check the **TCA on Key Reset check** box to raise TCA notification indicating MASTERKEY-SUCCESS transient condition of the payload on a port listed in the Port column.

When this check box is checked on both the near end and far end, the Alarms and History tabs are updated with TCA notifications on both the near end and far end in the specified key change interval. Two key resets occur in every key reset interval.
- Step 5** Click **Apply**.

Step 6 Return to your originating procedure (NTP).

DLP-G752 Changing the Primary Key Reset Interval

Purpose	This task lets you change the primary key reset interval between two consecutive resets of the primary key that is used for payload encryption.
Tools/Equipment	None
Prerequisite Procedures	<ul style="list-style-type: none"> • DLP-G748 Enabling or Disabling Card Authentication, on page 609 • DLP-G749 Enabling Payload Encryption, on page 609
Required/As Needed	As Needed
Onsite/Remote	Onsite or Remote
Security Level	Security user or security super user

Procedure

Step 1 In node view (single shelf mode), or shelf view (multi-shelf mode), double-click the WSE or MR-MXP card for which you want to change the primary key reset interval.

Step 2 Go to **Provisioning > Encryption > Key Management**.

Step 3 Click on the **Master Key Change Interval** entry. For WSE card, two spin boxes appear in place of the entry and for MR-MXP card, four spin boxes appear.

For WSE card, the box on the left registers the time in hours; the box on the right, the time in minutes. For MR-MXP card, four boxes register the time in days, hours, minutes, and seconds.

For WSE card, the primary key interval can be set in multiples of 15 minutes between 15 minutes to 48 hours. For MR-MXP card, the primary key interval can be set between 50 seconds and 48 hours.

Step 4 Set the desired values in the boxes.

When the time interval elapses, a new primary key is exchanged between the source and destination WSE or MR-MXP cards.

Step 5 Check the **TCA on Key Reset check** box to raise TCA notification indicating MASTERKEY-SUCCESS transient condition of the payload on a port listed in the Port column.

When this check box is checked on both the near end and far end, the Alarms and History tabs are updated with TCA notifications on both the near end and far end in the specified key change interval. Two key resets occur in every key reset interval.

Step 6 Click **Apply**.

Step 7 Return to your originating procedure (NTP).

DLP-G753 Setting AES Secure Packet Configuration

Purpose	This task configures the number of OTN frames per AES secure packet. The AES secure packet for each port can be made up of 4 or 8 OTN frames. For more information, see AES Secure Packet, on page 192
Tools/Equipment	None
Prerequisite Procedures	<ul style="list-style-type: none"> • DLP-G759 Configuring GCC2 Settings, on page 608 • Disable Card Authentication for MR-MXP Card <p>The card authentication and payload encryption are enabled by default and cannot be disabled for MR-MXP-K9 and MR-MXP-K9= PIDs.</p>
Required/As Needed	As Needed
Onsite/Remote	Onsite or Remote
Security Level	Security super user

Procedure

-
- Step 1** In node view (single shelf mode), or shelf view (multi-shelf mode), double-click the WSE or MR-MXP card for which you want to set the AES secure packet configuration.
- Step 2** Go to **Provisioning > Encryption > OTN Overhead for Packet traffic**.
- Step 3** Click on the AES Secure Packet entry corresponding to the port where the AES secure packet must be configured. A dropdown list appears.
- Step 4** From the drop-down list, choose either **4 OTN Frame Based** or **8 OTN Frame Based**.
- Step 5** Click **Apply**.
- Step 6** Return to your originating procedure (NTP).
-

DLP-G754 Specifying ESP Header and Trailer Locations

Purpose	This task specifies the location of the ESP (Encapsulating Security Payload) Header and Trailer in each OTN frame of the AES secure packet.
Tools/Equipment	None
Prerequisite Procedures	<ul style="list-style-type: none"> • DLP-G759 Configuring GCC2 Settings, on page 608 • Disable Card Authentication for MR-MXP Card <p>The card authentication and payload encryption are enabled by default and cannot be disabled for MR-MXP-K9 and MR-MXP-K9= PIDs.</p>
Required/As Needed	As Needed

Onsite/Remote	Onsite or Remote
Security Level	Security super user

Procedure

- Step 1** In node view (single shelf mode), or shelf view (multi-shelf mode), double-click the WSE or MR-MXP card for which you want to specify the ESP header and trailer locations.
- Step 2** Go to **Provisioning > Encryption > OTN Overhead for Packet traffic**.
- Step 3** Click on the ESP Header Location entry corresponding to a port.
The locations available are A, B, C, D, E and F. The default values of ESP Header Location and ESP Trailer Location are location A. The ESP header and trailer require a total of 32 bytes within the OTN overhead.
- Step 4** Choose the ESP header location from the predefined values in the list.
The ESP Trailer Location is updated to match the location of the ESP header.
- Step 5** Click **Apply**.
- Step 6** Return to your originating procedure (NTP).

DLP-G755 Enabling PRBS Generation and Monitoring

Purpose	This task lets you enable PRBS generation at the ingress, and PRBS monitoring at the egress of each port for the source and destination WSE or MR-MXP cards. For MR-MXP card, PRBS Generation and Monitoring is possible only when card authentication and payload encryption are disabled.
Tools/Equipment	None
Prerequisite Procedures	<ul style="list-style-type: none"> • DLP-G759 Configuring GCC2 Settings, on page 608 • Disable Card Authentication and Payload Encryption for MR-MXP Card <p>The card authentication and payload encryption are enabled by default and cannot be disabled for MR-MXP-K9 and MR-MXP-K9= PIDs.</p>
Required/As Needed	As Needed
Onsite/Remote	Onsite or Remote
Security Level	Security super user



Note PRBS does not work for WSE card when client loopback is enabled.

Procedure

-
- Step 1** In node view (single shelf mode), or shelf view (multi-shelf mode), double-click the WSE or MR-MXP card for which you want to enable PRBS generation and PRBS monitoring.
- Step 2** Go to **Provisioning > Encryption > OTN Overhead for Packet traffic**.
- Step 3** Check the **Ingress PRBS Generator** check box for a port to enable PRBS generation at the ingress of that port. The ingress of a port is the data path in the encryption block.
- Step 4** Check the **Egress PRBS Monitor** check box for a port to enable PRBS monitoring at the egress of that port. The egress of a port is the data path in the decryption block.
- Step 5** Click **Apply**.
- Step 6** Return to your originating procedure (NTP).
-

NTP-G342 Provisioning FIPS and CC Mode

Purpose	This procedure lets you enable the FIPS and CC mode on the node.
Tools/Equipment	None
Prerequisite Procedures	None
Required/As Needed	As needed
Onsite/Remote	Onsite or remote
Security Level	Security super user



Note Provisioning a FIPS and CC mode is not supported in Macintosh computers.

Procedure

Perform any of the following tasks as needed:

- [DLP-G761 Enabling FIPS and CC Mode, on page 616](#)

Stop. You have completed this procedure.

DLP-G761 Enabling FIPS and CC Mode

Purpose	This task lets you enable the Federal Information Processing Standard (FIPS) mode and Common Criteria (CC) for the node. The CTC can be run in FIPS and CC mode. It supports FIPS 140-2 level 2 standards of encryption and cryptographic services. The CC certification ensures that the node is accessed, managed, monitored and provisioned in a highly secure manner. In the FIPS and CC mode, only the algorithms that are approved by FIPS and CC can be run. When the FIPS and CC mode is selected, the node reboots and performs a self-test at startup. Note Use this procedure with caution. Running FIPS and CC mode in a multi-shelf node with the WSE card in the primary shelf, might lead to loss of control with the secondary shelves if a problem occurs.
Tools/Equipment	None
Prerequisite Procedures	<ul style="list-style-type: none"> • DLP-G46 Log into CTC
Required/As Needed	As Needed
Onsite/Remote	Onsite or Remote
Security Level	Security super user



Note When FIPS mode is enabled during CTC startup, CTC cache directory path must not contain any space in the Settings > Cache tab. Otherwise, CTC cannot be launched successfully.

Procedure

Step 1 Select the node for which you want to enable FIPS and CC mode.

Step 2 Secure all the access points:

- In the node view, click **Provisioning > Security > Access**.
- Change the Access State of Pseudo IOS Access, Shell Access, EMS Access, TL1 Access , and SNMP Access to Secure state.
- Click **Apply**.

Step 3 Click the **FIPS and CC** tab.

Step 4 Select the **FIPS and CC Mode** check box to enable FIPS and CC mode for that node.

Caution In a situation that warrants a breach into the system, the system can be protected by erasing the private keys. To erase all the private keys in the WSE, MR-MXP, and TNC cards, click **Zeroise Key**. A warning message is displayed with details about the consequence of zeroizing the keys. This will rewrite all the private keys with zeros. This implementation for the private keys is a requirement as per the FIPS 140-2 compliance.

- Step 5** Click **Apply**.
- Step 6** Return to your originating procedure (NTP).

DLP-G760 Configuring Management of FIPS and CC Mode Enabled NE

Purpose	This task configures the requirements to manage the Federal Information Processing Standard (FIPS) and Common Criteria (CC) mode enabled network element. This procedure also applies to EMS and Shell Secure mode.
Tools/Equipment	None
Prerequisite Procedures	None
Required/As Needed	Required to use the FIPS and CC mode
Onsite/Remote	Onsite or Remote
Security Level	None

Procedure

- Step 1** Install JRE version 7.0.
- Uninstall previous versions of JREs from the control panel.
 - Restart the computer.
 - Download and install the latest JRE version 7.0. for Windows x64.
- Step 2** Go to Java Control Panel and click the **Advanced** tab. Expand **Security > General settings**. Perform these actions:
- Uncheck the **Use SSL 3.0** check box.
 - Check the **Use TLS 1.0** check box.
- Step 3** In the Java Control Panel, click the **General** tab. Click **Settings** and perform these actions to clear the JNLP cache:
- Clear the **Keep temporary files on my computer** check box.
 - Click **Delete Files**.
 - Select the files to delete and click **OK**.
 - Click **OK** and exit the Java Control Panel.
- Step 4** Install Java Cryptography Extension (JCE) version 7.0.
- Download the JCE.
 - Extract the contents of the downloaded policy file.
 - Copy and overwrite the security policy file to C:\Program Files\Java\jre7\lib\security\.
- <java-home>/lib/security [Unix]
- <java-home>\lib\security [Win32]

where <java-home> is the location where the Java SE Runtime Environment (JRE) is installed.

Step 5

Configure the browser settings:

- Chrome browser settings:
 - a. Go to **Chrome > Settings**.
 - b. Click the **Open Proxy settings** and click the **Advanced** tab.
 - c. Uncheck the **Use SSL 3.0** check box.
 - d. Check the **Use TLS 1.0** check box and click **OK**.
- Firefox browser settings:
 - a. Go to **Mozilla Firefox**.
 - b. Type **about:config** in the Address bar.
 - c. Type **TLS** in the Search box.
 - d. Enter the value for **security.tls.version.max** as 0, 1, 2, 3, where 0 refers to SSL 3.0, 1 refers to TLS 1.0, 2 refers to TLS 1.1, 3 refers to TLS 1.2, and so on.
 - e. Enter the value for **security.tls.version.min** as 0, 1, 2, 3, where 0 refers to SSL 3.0, 1 refers to TLS 1.0, 2 refers to TLS 1.1, 3 refers to TLS 1.2, and so on.

Click **OK** twice.

Step 6

Return to your originating procedure (NTP).

NTP-G363 Provisioning LSC on Cards

Purpose	This procedure provisions Locally Significant Certificates (LSCs) on the WSE, MR-MXP, and 400G-XP-LC cards.
Tools/Equipment	None
Prerequisite Procedures	DLP-G46 Log into CTC
Required/As Needed	As needed
Onsite/Remote	Remote
Security Level	Security super user



Note You cannot provision LSCs on MR-MXP trunk cards configured in the 100G-B2B mode.

Procedure

- Step 1** Complete [DLP-G803 Installing Locally Significant Certificates on Cards, on page 619](#), as needed.
- Step 2** Complete [DLP-G804 Switching Between LSC and MIC on Cards, on page 621](#), as needed.
- Step 3** Complete [DLP-G805 Viewing Certificates , on page 622](#), as needed.

Stop. You have completed this procedure.

DLP-G803 Installing Locally Significant Certificates on Cards

Purpose	This task provisions the generation of a CSR and installation of Locally Significant Certificates (LSCs) on the WSE, MR-MXP, and 400G-XP-LC cards.
Tools/Equipment	None
Prerequisite Procedures	<p>DLP-G46 Log into CTC</p> <p>Secure the Shell Access and EMS Access.</p> <ol style="list-style-type: none"> 1. In the node view, click Provisioning > Security > Access. 2. Change the Access State of Shell Access, and EMS Access to Secure State. 3. Click Apply.
Required/As Needed	As needed
Onsite/Remote	Remote
Security Level	Security super user



Note LSCs installed on the 400G-XP-LC card in R11.0 are deleted upon revert to R10.9.



Note Ensure the size of each certificate (SUDI, MID, and ROOT) does not exceed 2000 bytes on WSE, MR-MXP, and 400G-XP-LC cards.

Procedure

- Step 1** In the node view (single-shelf mode) or shelf view (multishelf view), click **Provisioning > Certificate > Certificate** tabs.
- Step 2** To generate the CSR file, perform the following steps:
- a) Click **Generate**.

The Generate Certificate dialog box appears.

- b) Select the **Shelf ID**, **Slot ID**, **Encryption Algorithm**, and **Hashing** from the drop-down lists.
- c) Enter the name in the **Common Name** text box.

This name must be the same on both the near-end and far-end cards.

- d) (Optional) Click **Additional Details**.
- e) Enter the **Country Name**, **State Name**, **Locality Name**, **Organization Name**, **Organization Unit Name**, and **Mail ID** in the corresponding text box.
- f) Click **Ok**.

Note When the user changes the Shelf ID of SSC through the LCD, the shelf and slot numbers for all the LSC entries of cards in a shelf might not be updated. The shelf and slot numbers might report as Not Applicable (N/A). It is recommended to reset the card or to delete the LSC entry and create it again.

After the CSR file is generated, you can view the certificate details by right-clicking on it and selecting View Details.

If the CSR generation fails, the Comments/Errors field is updated.

Step 3 To export the CSR file, perform the following steps:

- a) Select the certificate and click **Export**.

The Certificate Export dialog box appears.

- b) Click Browse to navigate to a local or network drive where you want to save the file.
- c) Select the **File Type** from the drop-down list.
- d) Click **Ok**.

The exported certificate is sent to the Certification Authority (CA) for generation of the LSC.

Step 4 To make CA sign the CSR request, you must enter the following X509v3 extension information in the certificate:

Table 244: X509v3 Extension Information in Certificate

Open SSL Config File Field	X509v3 Extension Field in the Certificate	Description	Example
basicConstraints	X509v3 Basic Constraints	Specifies to avoid interpreting an end user certificate as a CA certificate.	basicConstraints=CA:FALSE
nsComment	Netscape Comment	Displays the Netscape comment	nsComment="open ssl generated certificate"
subjectKeyIdentifier	X509v3 Subject Key Identifier	Specifies the key hash of the certificate	subjectKeyIdentifier=hash
authorityKeyIdentifier	X509v3 Authority Key Identifier	Specifies the key hash of the issuer certificate	authorityKeyIdentifier=keyid,issuer

Open SSL Config File Field	X509v3 Extension Field in the Certificate	Description	Example
keyUsage	X509v3 Key Usage	Specifies the key usage for a client certificate	keyUsage = critical,nonRepudiation,digitalSignature,keyEncipherment
nsCertType	X509v3 Extended Key Usage	Specifies to include client and server If this field is not populated, then the certificate can be used for anything other than object signing	nsCertType = client,server,email

This enables CA sign the CSR request in the certificate.

Step 5 To import the locally signed certificates from local or network drive into the system, perform the following steps:

- a) Select the certificate and click **Import**.
The Certificate Import dialog box appears.
- b) Select the **Certificate Format** and **No. of Files** from the drop-down lists.
- c) Browse and select the files.
Import the signed files in this sequence: SUDI, MID, and ROOT files.
- d) Click **Ok**.

If the certificate import fails, the Comments/Errors field is updated.

Step 6 To install and switch to the locally signed certificates in the line card, perform the following steps:

- a) Select the certificate and click **Install & Switch**.
The Certificate Install & Switch warning message is displayed.
- b) Check the **Auto delete after Install** check box to auto-delete the entries after installation.
- c) Click **Ok**.
The certificate undergoes a verification phase where the expired certificates are not installed. If the verification is successful, the certificate is installed in the line card. After installation, it switches from the MIC certificate to the LSC certificate.

Step 7 Return to your originating procedure (NTP).

DLP-G804 Switching Between LSC and MIC on Cards

Purpose	To switch between the Manufacturing Installed Certificate (MIC) and Locally Significant Certificate (LSC) on the WSE, MR-MXP, and 400G-XP-LC cards.
----------------	---

Tools/Equipment	None
Prerequisite Procedures	DLP-G46 Log into CTC DLP-G803 Installing Locally Significant Certificates on Cards, on page 619
Required/As Needed	As needed
Onsite/Remote	Remote
Security Level	Security super user



Note When the certificate option is switched from MIC to LSC on the client or server MR-MXP card, there is a peer certification mismatch between the client and server MR-MXP cards. This causes the PEER-CERT-VERIFICATION-FAILED alarm to be raised on the client MR-MXP card.

Procedure

- Step 1** In node view (single-shelf mode) or shelf view (multishelf view), double-click the card where you want to change the certificate being used. The card view appears.
- Step 2** In the card view, click **Provisioning > Certificate > Maintenance** tabs.
- Step 3** In the Certificate Options area:
- Click the **Use LSC (Locally Significant Certificate)** radio button to switch to LSC for the card.

Note The LSC-NOT-PRESENT-MIC-IN-USE alarm is raised when the LSC is not installed on the card and this option is selected in CTC. To generate and install the LSC, see [DLP-G803 Installing Locally Significant Certificates on Cards, on page 619](#).
 - Click the **Use MIC (Manufacturing Installed Certificate)** radio button to switch to MIC for the card.
- Step 4** Click **Apply**.
- Step 5** Return to your originating procedure (NTP).

DLP-G805 Viewing Certificates

Purpose	This task enables you to view the details of the Manufacturing Installed Certificate (MIC) or Locally Significant Certificate (LSC) that is in use on the WSE, MR-MXP, and 400G-XP-LC cards.
Tools/Equipment	None
Prerequisite Procedures	DLP-G46 Log into CTC #unique_667
Required/As Needed	As needed

Onsite/Remote	Remote
Security Level	Security super user

Procedure

Step 1 In node view (single-shelf mode) or shelf view (multishelf view), double-click the card. The card view appears.

Step 2 In the card view, click **Provisioning** > **Certificate** > **Details** tabs.

The **Certificate List Details** area displays the certificate type (MIC/LSC) that is in use. You can choose a level and view the certificate (in X.509 format) for that level.

Note Currently, Cisco ONS 15454 supports only ECDSA-p521, RSA-2048, and RSA-3072 key lengths to generate the CSR. Therefore, CTC shows “Invalid” in the **Certificates List Details** area when the key length exceeds. However, this limitation does not apply to the CA certificates used for signing the CSR. Hence, you can use a certificate with a key length higher than 3072 and sign the CSR as long as the size of each CA (Root or MID) certificate does not exceed the 2000 byte limit. In this case, the installation of the certificate chain goes through successfully, and traffic comes up without issues.

From R11.13 onwards, support is enabled for RSA-4096 key length to generate the CSR.

- The RSA-4096 key length prevents invalid values from appearing in the **Certificates List Details**. It also helps in increasing the size of the certificate for proper display.
- RSA-4096 is supported on three line cards: 400G-XP-LC, WSE and MR-MXP.
- The maximum number of files selected to import the signed certificates is reduced from five to three.
- The storage for each certificate in the ACT2LITE device is increased to 3000 bytes, in the existing software.

Step 3 Return to your originating procedure (NTP).

SUDI 2099 Certificate for WSE, MR-MXP, and 400G-XP-LC Cards

Table 245: Feature History

Feature Name	Release Information	Feature Description
Secure Unique Device Identification (SUDI) SUDI 2099 Certificate for WSE, MR-MXP, and 400G-XP-LC Cards	Cisco NCS 2000 Release 11.12	This enhancement allows you to extend the usage of WSE, MR-MXP and 400G-XP-LC cards with encryption functionality beyond year 2029. This extended validity helps to avoid encryption and card upgrade failures.

Table 246: Feature History

Feature Name	Release Information	Feature Description
WSE and 400G-XP-LC Encryption for Incorrect SUDI Certificates	Cisco NCS 2000 Release 11.13	With this enhancement, the system establishes the right Secure Unique Device Identification (SUDI) certificate combinations on 400G-XP-LC and WSE cards, which are referred to during configuring encryption applications. The check and alignment of certificates ensure users can configure encryption settings without errors and failures. The enhancement applies to both the 10 years and 99 years certificate validity types.

Secure Unique Device Identification (SUDI) certificate is formatted as an X.509 certificate and conforms to the IEEE 802.1 AR standard. It is signed using Cisco's Root Certificate Authority. This certificate carries a unique identifier that is used to authenticate the peer card before the data is exchanged. Information cannot be exchanged with a card that is not authenticated.

The WSE, MR-MXP, and 400G-XP-LC cards use Software SUDI certificates for encryption. These Manufacturing Installed Certificates (MIC) are valid for 10 years after the date of manufacture or till the year 2029, whichever date comes first. All these cards that have already been shipped have 2029 SUDI certificates programmed. However, once these certificates expire, the following events take place:

- The Transport Layer Security (TLS) session for encryption goes down.
- For WSE and MR-MXP cards, the traffic continues to use the most recent good encryption key until a service-impacting event occurs, following which, the traffic stops.
- For 400G-XP-LC cards, the card traffic continues to use the most recent good encryption key for up to 44 hours, or until a service-affecting event occurs before 44 hours.

Hence, to prevent this issue, upgrade the target node software to R11.1.2 or higher which supports the SUDI 2099 certificate with validity until the year 2099. The software utilizes SUDI 2099 certificates for cards that have already been shipped with SUDI 2099 certificates, per the rules outlined in [Table 247: SUDI Behavior of WSE, MR-MXP, and 400G-XP-LC Cards](#). Users can check the currently used certificate in CTC by navigating to the target *WSE Card View* in the *Encryption* tab.

When migrating to R11.1.2 or a higher version, it is necessary to upgrade both endpoints of the link. This means that if one device runs R11.1.2 and the other device runs a previous release, key exchange failure occurs due to a SUDI Certificate update. If the card has both the 2029 and 2099 certificates, the software automatically selects the latest certificate based on the status of the peer card.

For more details, see the field notice [72217](#).



Note SUDI certificates are only installed by the Cisco manufacturing team and cannot be shared through any method except for programming by the CISCO manufacturing team.

The following steps are performed for the cards that are already shipped.

- When the Expired Certificate error occurs after the certificate expiry date, the software ignores the error if it is a Cisco certificate and the certificate expired 2023–2029.
- The software reports a standing condition “MIC cert is expired switch to LSC.”



Note Only 2029 or 2099 SUDI certificate can be simultaneously used in the WSE, MR-MXP, and 400G-XP-LC cards to bring up the TLS session. When Key Exchange Fail (KEY-EX-FAIL) alarm is raised between two cards (2029 and 2099), soft reset the 2099 certificate card to align with the same 2029 certificate card.

We recommend you to upgrade software to bring up the TLS session for encryption if the certificate expiry date nears.

Table 247: SUDI Behavior of WSE, MR-MXP, and 400G-XP-LC Cards

Setup Combinations	Condition
Both the near-end and far-end cards have 2029 certificates	Both the cards boot with 2029 certificate.
Both the near-end and far-end cards have 2099 certificates	<ol style="list-style-type: none"> 1. Both the cards boot with 2099 certificate . 2. The user replaces the 2099 certificate with 2029 certificate on one end. In this scenario, perform soft reset on another end to load the same 2029 certificate and clear the Key Exchange Fail (KEY-EX-FAIL) alarm.
One end has 2029 certificate, and another end has 2099 certificate	Both the cards boot with 2029 certificate.
<p>Three cards with 2029 certificate on one end and 2099 certificate on the other two ends</p> <p>TC1 indicates encryption between card 1 and card 2 and TC2 indicates encryption between card 2 and card 3.</p>	<ol style="list-style-type: none"> 1. The user enables encryption for TC1 first and for TC2 later. In this scenario, card 1 and card 2 is loaded with 2029 certificate. Card 2 and card 3 is loaded with 2029 certificate. 2. The user enables encryption for TC2 first and for TC1 later. In this scenario, card 2 and card 3 is loaded with 2099 certificate. KEY-EX-FAIL alarm is raised for TC1. Perform soft reset of card 2 and card 3 to load the same 2029 certificate for all the three cards and clear the KEY-EX-FAIL alarm for TC1. <p>Note We recommend enabling encryption for the cards with older certificates first, followed by those with the latest certificate.</p>

Setup Combinations	Condition
<p>Three cards with 2029 certificate on one end and 2099 certificate on the other two ends</p> <p>TC1 indicates encryption between card 1 and card 2 and TC2 indicates encryption between card 2 and card 3.</p>	<ol style="list-style-type: none"> 1. The user performs soft or hard reset from card 1 and then from card 2 and card 3 at the same time. In this scenario, all the three cards are loaded with 2029 certificate. 2. The user performs soft or hard reset from card 3 and then from card 2 and card 1 at the same time. In this scenario, card 3 and card 2 are loaded with 2099 certificate and KEY-EX-FAIL alarm is cleared. However, certificate verification and key exchange between card 2 and card 1 fails. Hence, perform soft reset for card 2 and card 3 to load the same 2029 certificate. <p>Note We recommend performing a soft or hard reset first on cards with older certificates, followed by those with the latest certificate.</p>

WSE and 400G-XP-LC Encryption for Incorrect SUDI Certificates

From R11.13 onwards, SUDI files are added to NCS 2000 software package to resolve the incorrect SUDI certificate issue occurring on the 400G-XP-LC and WSE cards. The line card software detects this mismatch of the SUDI files and replaces them with the correct files during NCS 2000 software upgrade. It helps by aligning the incorrect certificate combinations on the card usage during encryption for the different types of certificates.

Improved CSR encryption using RSA-4096

Table 248: Feature History

Feature Name	Release Information	Feature Description
Improved CSR encryption using RSA-4096	Cisco NCS 2000 Release 11.13	The 400G-XP-LC, WSE, and MR-MXP cards now support RSA-4096 for Certificate Signing Request (CSR) encryption. As the RSA-4096 uses a longer encryption key compared to previously supported RSA-2048 and RSA-3072, it improves the security level of the signed certificate.

From R11.13 onwards, support for RSA-4096 key length based certificates is enabled for generating CSR for the encryption module. This support is provided in addition to the currently supported key lengths ECDSA-p521, RSA-2048 and RSA-3072. You can now sign the CSR using a certificate with a key length upto 4096. The

CSR with RSA-4096 key length is supported on the WSE, MR-MXP and 400G-XP-LC cards. Up to three signed certificates can be selected in CTC during import at a time.

From R11.13 onwards, 3000 bytes of storage is assigned to each certificate in the ACT2LITE device. This helps to generate the CSR with RSA-4096 key length and also to resolve the invalid certificate issue in CTC.



Note For RSA-4096 CSR, the user must wait for 40 minutes after the card turns to the active or standby mode, before attempting any CSR generate operation. The user must additionally wait for 40 minutes after the CSR generation operation before attempting another CSR generation operation on the same line card. Due to which the CSR generation now takes more time to complete.
