



Spare Parts List

for Cisco Webex Room 55 Dual, Room 70, and Room 70 G2



Products covered in this guide:

- Cisco Webex Room 55 Dual (Room 55 Dual)
- Cisco Webex Room 70 Single (Room 70 Single)
- Cisco Webex Room 70 Dual (Room 70 Dual)
- Cisco Webex Room 70 Single G2 (Room 70 Single G2)
- Cisco Webex Room 70 Dual G2 (Room 70 Dual G2)

This guide lists all spare parts and cables that may be ordered for these products. Part numbers (PIDs) are included for all items. All mounting options are covered.

Ordering information

To place an order, please contact your local Cisco representative or Cisco partner and refer to part numbers as listed in this document.

Cisco service and support

Cisco and our partners provide a broad portfolio of smart, personalized services and support. For more information about these services, go to:

<https://www.cisco.com/go/telepresenceservices>

Contents

- Room 55 Dual 3**
 - Spare parts 3
 - Floor stand kit and Wall mount kit details 4
- Room 70 Single 6**
 - Spare parts 6
 - Floor stand kit and Wall mount kit details 7
- Room 70 Dual 9**
 - Spare parts 9
 - Floor stand kit and Wall mount kit details 10
- Room 70 Single G2 12**
 - Spare parts 12
 - Floor stand kit and Wall mount kit details 13
- Room 70 Dual G2 15**
 - Spare parts 15
 - Floor stand kit and Wall mount kit details 16
- Cable overview 18**
 - Internal cables..... 18
 - External cables..... 19
 - Region-specific power cables 19
 - Speaker cable overview..... 20
- Cisco contacts 21**



Room 55 Dual

(Room 55D)

Ordering information:

- CS-ROOM55D-K9 (GPL, upfront pricing)
- CS-ROOM55D-MSRP-K9 (MSRP, subscription pricing)
- CS-ROOM55D-NR-K9 (no-radio)
- CS-ROOM55D-NR-K7 (no-encryption, no-radio)

Spare parts

Part number (PID)	Part description
CS-RQUADCAM=	Quad Camera for Room systems
CS-RCODPLUS-K9=	Codec Plus for Room systems
CS-RCODPLUS-NR-K9=	Codec Plus for Room systems, no-radio version
CS-RCODPLUS-NR-K7=	Codec Plus for Room systems, no-encryption and no-radio version
CS-ROOM55D-FSK=	Room 55D floor stand kit, freestanding or secured to the wall (both options included)
CS-ROOM55D-WMK=	Room 55D wall mount kit, hangs on wall
CTS-MX-FSK-SKI=	Skis (feet) for freestanding Room 55D, Room 70D, and Room 70D G2 (also included in CS-ROOM55D-FSK=)
CS-ROOM55-70-WSB=	One wall secure bracket for Room 55D, Room 70, and Room 70 G2. For a dual screen system you must order two brackets (also included in CS-ROOM55D-FSK=)
CS-ROOM55D-MON-L=	Left screen for Room 55D (without codec, loudspeakers, antennas, covers, and cables)
CS-ROOM55D-MON-R=	Right screen for Room 55D (without loudspeakers, covers, and cables)
CS-ROOM55D-MB=	Upper joining bracket for monitors (jack) for Room 55D
CS-ROOM55-MON-SCV=	Two side covers (left and right) for Room 55D monitors
CS-ROOM70-CFBB=	Center frame bottom bracket for Room 55D, Room 70D, and Room 70D G2 (also included in CS-ROOM55D-FSK=)
CS-ROOM55-70-CFBC=	Center frame bottom cover for Room 55D, Room 70, and Room 70 G2 (also included in CS-ROOM55D-FSK=)
CS-ROOM55D-CAMCV=	Top rear cover, center top profile, and rear center cover for Room 55D
CS-ROOM55D-FS-GRK=	Room 55D floor stand grille kit (both speaker grille and lower grille)
CS-ROOM55D-WM-GRK=	Room 55D wall mount grille kit (both speaker grille and lower grille)
CTS-MX700800-SPKR= ¹	One loudspeaker (first version)
CS-R70-R55D-SPKR= ¹	One loudspeaker (new version, introduced in early 2021)
FAN-ROOM70-2PK=	Two fans and air-out duct
ANT-ROOM70-KIT=	Two antennas with brackets
CS-TOUCH10= ²	Touch 10 (10 inch touch user interface), without cable
CS-T10-TS-K9= ²	Room Navigator (10 inch touch user interface), without cable (replaces Touch 10 from early 2021)
CS-MIC-TABLE-J=	Cisco Table Microphone (including cable with mini-jack connector)
CS-ROOM70-SCRWKIT=	Screws and tool kit for Room 55D, Room 70, and Room 70 G2. One kit covers one video system, either on a freestanding floor stand, wall secured floor stand, or wall mounted

¹ We introduced a new version of the loudspeaker in early 2021. If your video system has the first version, you can replace it with either CTS-MX700800-SPKR= or CS-R70-R55D-SPKR=. If your system has the new version, you can replace it only with CS-R70-R55D-SPKR=.

² We introduced the Room Navigator in early 2021. It can replace the Touch 10 provided your video system runs RoomOS or has software version CE9.14 or later.

For cables, see the "Cable overview" on page 18.

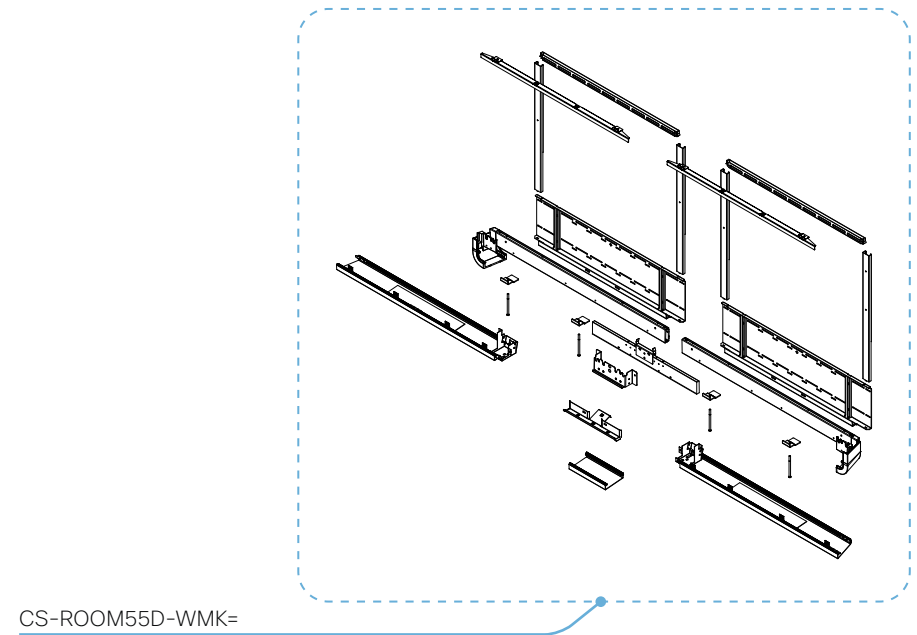
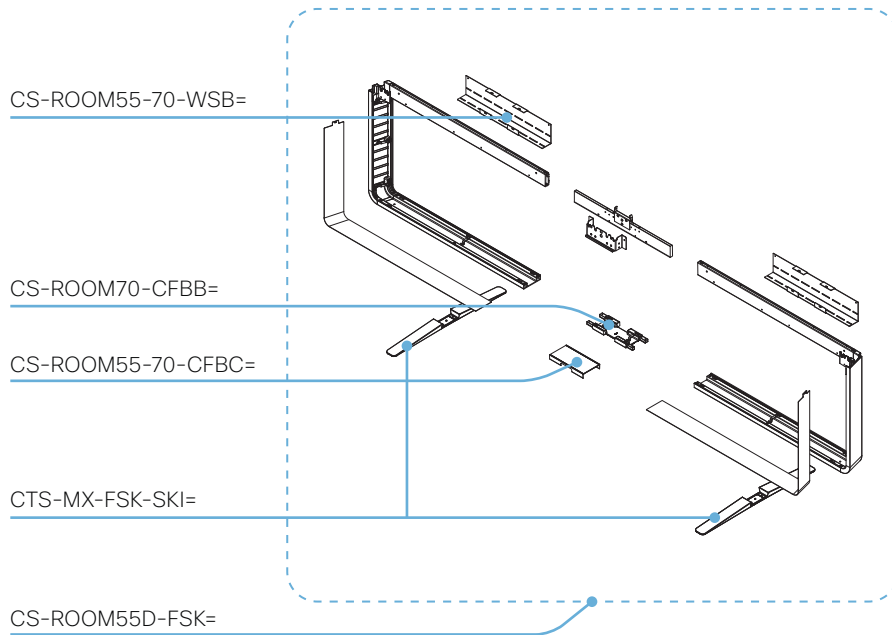
Floor stand kit and Wall mount kit details (page 1 of 2)

If you have a wall mounted Room 55 Dual, you have to order the following parts in order to change to one of the floor standing options:

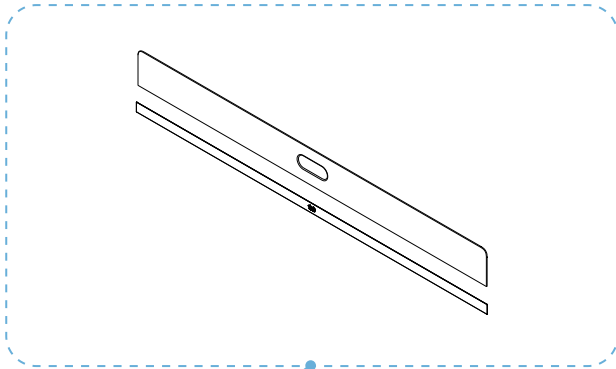
- Floor stand kit (CS-ROOM55D-FSK=)
- Floor stand grille kit (CS-ROOM55D-FS-GRK=)

If you have a Room 55 Dual that is mounted on a floor stand, you have to order the following parts in order to change to the wall mounted option:

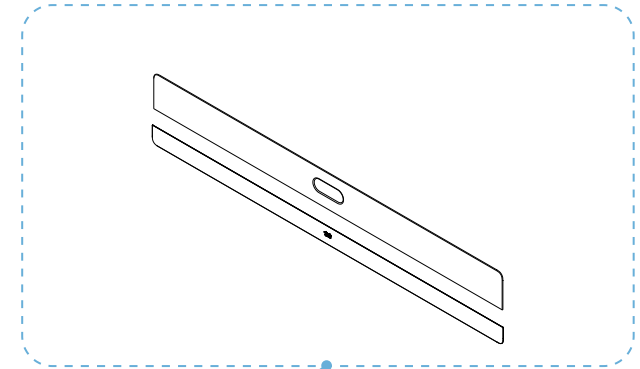
- Wall mount kit (CS-ROOM55D-WMK=)
- Wall mount grille kit (CS-ROOM55D-WM-GRK=)



Floor stand kit and Wall mount kit details (page 2 of 2)



CS-ROOM55D-FS-GRK=



CS-ROOM55D-WM-GRK=

Room 70 Single

(Room 70S)

Ordering information:

- CS-ROOM70S-K9 (GPL, upfront pricing)
- CS-ROOM70S-MSRP-K9 (MSRP, subscription pricing)
- CS-ROOM70S-NR-K9 (no-radio)
- CS-ROOM70S-NR-K7 (no-encryption, no-radio)

Spare parts

Part number (PID)	Part description
CS-RQUADCAM=	Quad Camera for Room systems
CS-RCODPLUS-K9=	Codec Plus for Room systems
CS-RCODPLUS-NR-K9=	Codec Plus for Room systems, no-radio version
CS-RCODPLUS-NR-K7=	Codec Plus for Room systems, no-encryption and no-radio version
CS-ROOM70S-FSK=	Room 70S and Room 70S G2 floor stand kit, freestanding or secured to the wall (both options included)
CS-ROOM70S-WMK=	Room 70S and Room 70S G2 wall mount kit, hangs on wall
CS-ROOM70S-SKI=	Skis (feet) for freestanding Room 70S and Room 70S G2 (also included in CS-ROOM70S-FSK=)
CS-ROOM55-70-WSB=	One wall secure bracket for Room 55D, Room 70, and Room 70 G2 (also included in CS-ROOM70S-FSK=)
CS-ROOM70S-MON-S=	Screen for Room 70S and Room 70S G2 (without codec, camera, loudspeakers, antennas, covers, and cables)
CS-ROOM70-MON-SCV=	Two side covers (left and right) for Room 70 and Room 70 G2 monitors
CS-ROOM55-70-CFBC=	Center frame bottom cover for Room 55D, Room 70, and Room 70 G2 (also included in CS-ROOM70S-FSK=)
CS-ROOM70S-FS-GRK=	Room 70S and Room 70S G2 floor stand grille kit (both speaker grille and lower grille)
CS-ROOM70S-WM-GRK=	Room 70S and Room 70S G2 wall mount grille kit (both speaker grille and lower grille)
CTS-MX700800-SPKR= ¹	One loudspeaker (first version)
CS-R70-R55D-SPKR= ¹	One loudspeaker (new version, introduced in early 2021)
FAN-ROOM70-2PK=	Two fans and air-out duct
ANT-ROOM70-KIT=	Two antennas with brackets
CS-TOUCH10= ²	Touch 10 (10 inch touch user interface), without cable
CS-T10-TS-K9= ²	Room Navigator (10 inch touch user interface), without cable (replaces Touch 10 from early 2021)
CTS-MIC-TABL20=	Cisco TelePresence Table Microphone 20 (including cable with mini-jack connector)
CS-MIC-TABLE-J=	Cisco Table Microphone (including cable with mini-jack connector)
CS-ROOM70-SCRWKIT=	Screws and tool kit for Room 55D, Room 70, and Room 70 G2. One kit covers one video system, either on a freestanding floor stand, wall secured floor stand, or wall mounted

¹ We introduced a new version of the loudspeaker in early 2021. If your video system has the first version, you can replace it with either CTS-MX700800-SPKR= or CS-R70-R55D-SPKR=. If your system has the new version, you can replace it only with CS-R70-R55D-SPKR=.

² We introduced the Room Navigator in early 2021. It can replace the Touch 10 provided your video system runs RoomOS or has software version CE9.14 or later.

For cables, see the “Cable overview” on page 18.

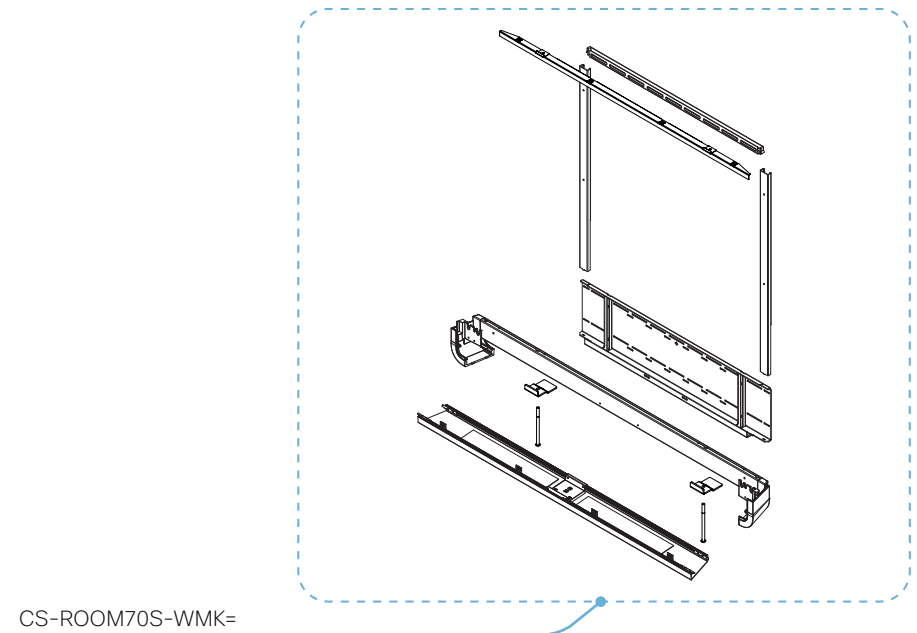
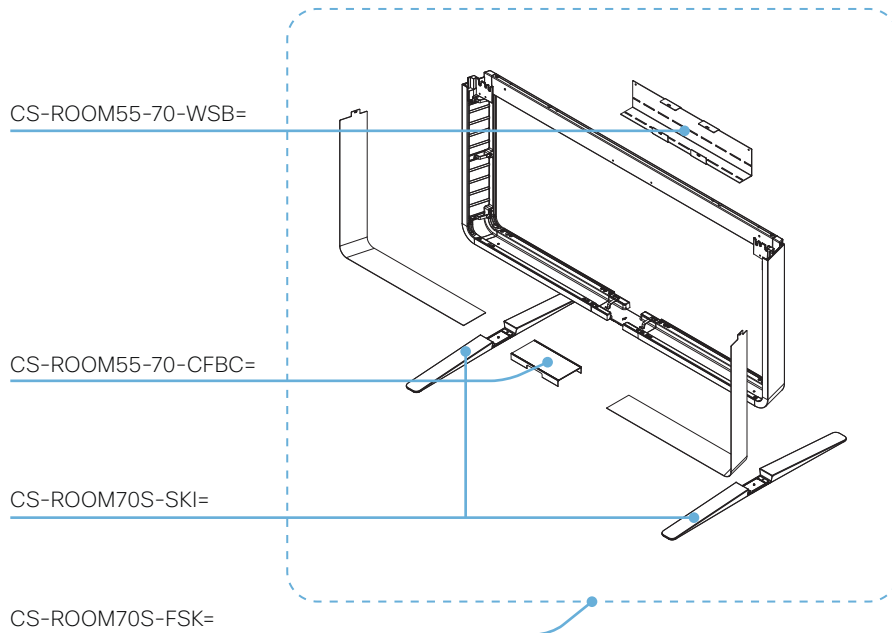
Floor stand kit and Wall mount kit details (page 1 of 2)

If you have a wall mounted Room 70 Single, you have to order the following parts in order to change to one of the floor standing options:

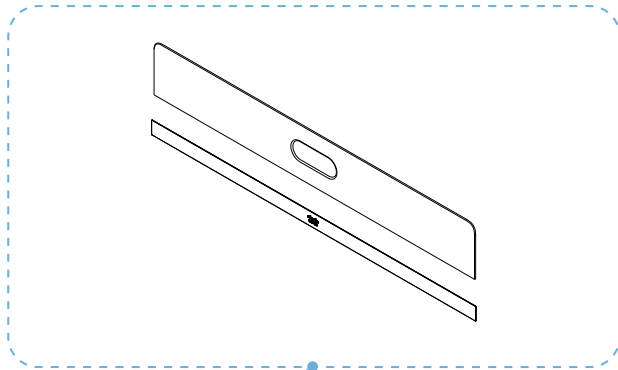
- Floor stand kit (CS-ROOM70S-FSK=)
- Floor stand grille kit (CS-ROOM70S-FS-GRK=)

If you have a Room 70 Single that is mounted on a floor stand, you have to order the following parts in order to change to the wall mounted option:

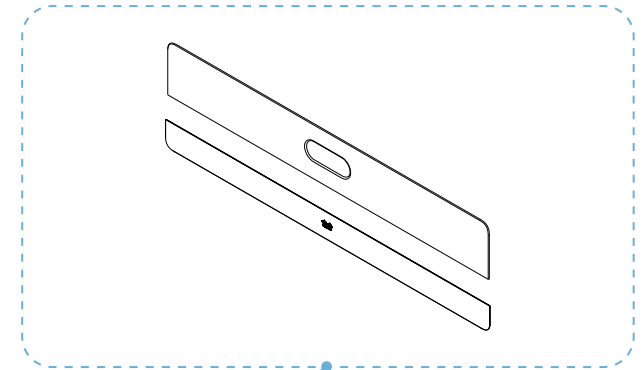
- Wall mount kit (CS-ROOM70S-WMK=)
- Wall mount grille kit (CS-ROOM70S-WM-GRK=)



Floor stand kit and Wall mount kit details (page 2 of 2)



CS-ROOM70S-FS-GRK=



CS-ROOM70S-WM-GRK=



Room 70 Dual

(Room 70D)

Ordering information:

- CS-ROOM70D-K9 (GPL, upfront pricing)
- CS-ROOM70D-MSRP-K9 (MSRP, subscription pricing)
- CS-ROOM70D-NR-K9 (no-radio)
- CS-ROOM70D-NR-K7 (no-encryption, no-radio)

Spare parts

Part number (PID)	Part description
CS-RQUADCAM=	Quad Camera for Room systems
CS-RCODPLUS-K9=	Codec Plus for Room systems
CS-RCODPLUS-NR-K9=	Codec Plus for Room systems, no-radio version
CS-RCODPLUS-NR-K7=	Codec Plus for Room systems, no-encryption and no-radio version
CS-ROOM70D-FSK=	Room 70D and Room 70D G2 floor stand kit, freestanding or secured to the wall (both options included)
CS-ROOM70D-WMK=	Room 70D and Room 70D G2 wall mount kit, hangs on wall
CTS-MX-FSK-SKI=	Skis (feet) for freestanding Room 55D, Room 70D, and Room 70D G2 (also included in CS-ROOM70D-FSK=)
CS-ROOM55-70-WSB=	One wall secure bracket for Room 55D, Room 70, and Room 70 G2. For a dual screen system you must order two brackets (also included in CS-ROOM70D-FSK=)
CS-ROOM70D-MON-L=	Left screen for Room 70D and Room 70D G2 (without codec, loudspeakers, antennas, covers, and cables)
CS-ROOM70D-MON-R=	Right screen for Room 70D and Room 70D G2 (without loudspeakers, covers, and cables)
CS-ROOM70D-MB=	Upper joining bracket for monitors (jack) for Room 70D and Room 70D G2
CS-ROOM70-MON-SCV=	Two side covers (left and right) for Room 70 and Room 70 G2 monitors
CS-ROOM70-CFBB=	Center frame bottom bracket for Room 55D, Room 70D, and Room 70D G2 (also incl. in CS-ROOM70D-FSK=)
CS-ROOM55-70-CFBC=	Center frame bottom cover for Room 55D, Room 70, and Room 70 G2 (also included in CS-ROOM70D-FSK=)
CS-ROOM70D-CAMCV=	Top rear cover, center top profile, and rear center cover for Room 70D and Room 70D G2
CS-ROOM70D-FS-GRK=	Room 70D and Room 70D G2 floor stand grille kit (both speaker grille and lower grille)
CS-ROOM70D-WM-GRK=	Room 70D and Room 70D G2 wall mount grille kit (both speaker grille and lower grille)
CTS-MX700800-SPKR= ¹	One loudspeaker (first version)
CS-R70-R55D-SPKR= ¹	One loudspeaker (new version, introduced in early 2021)
FAN-ROOM70-2PK=	Two fans and air-out duct
ANT-ROOM70-KIT=	Two antennas with brackets
CS-TOUCH10= ²	Touch 10 (10 inch touch user interface), without cable
CS-T10-TS-K9= ²	Room Navigator (10 inch touch user interface), without cable (replaces Touch 10 from early 2021)
CTS-MIC-TABL20=	Cisco TelePresence Table Microphone 20 (including cable with mini-jack connector)
CS-MIC-TABLE-J=	Cisco Table Microphone (including cable with mini-jack connector)
CS-ROOM70-SCRWKIT=	Screws and tool kit for Room 55D, Room 70, and Room 70 G2. One kit covers one video system, either on a freestanding floor stand, wall secured floor stand, or wall mounted

¹ We introduced a new version of the loudspeaker in early 2021. If your video system has the first version, you can replace it with either CTS-MX700800-SPKR= or CS-R70-R55D-SPKR=. If your system has the new version, you can replace it only with CS-R70-R55D-SPKR=.

² We introduced the Room Navigator in early 2021. It can replace the Touch 10 provided your video system runs RoomOS or has software version CE9.14 or later.

For cables, see the “Cable overview” on page 18.

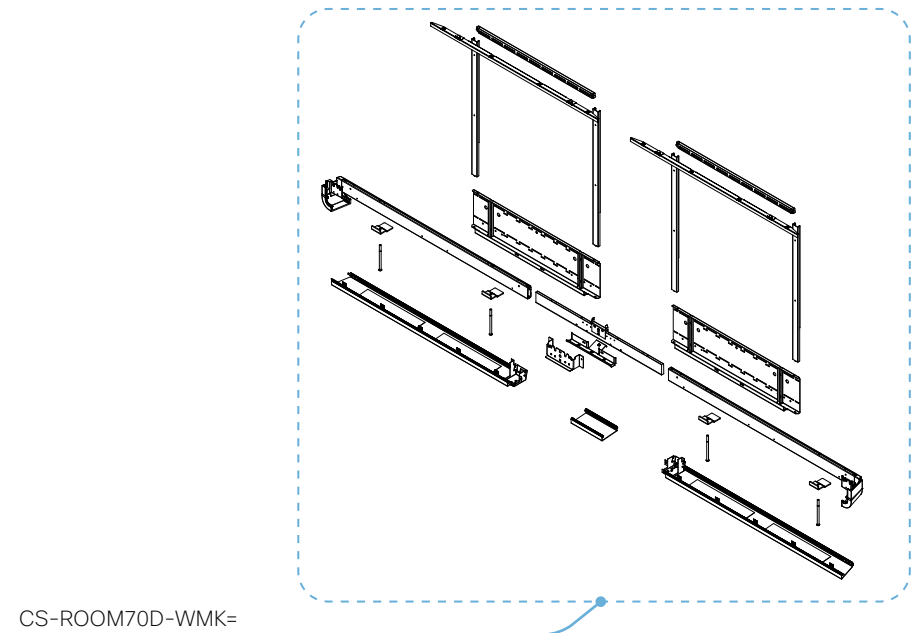
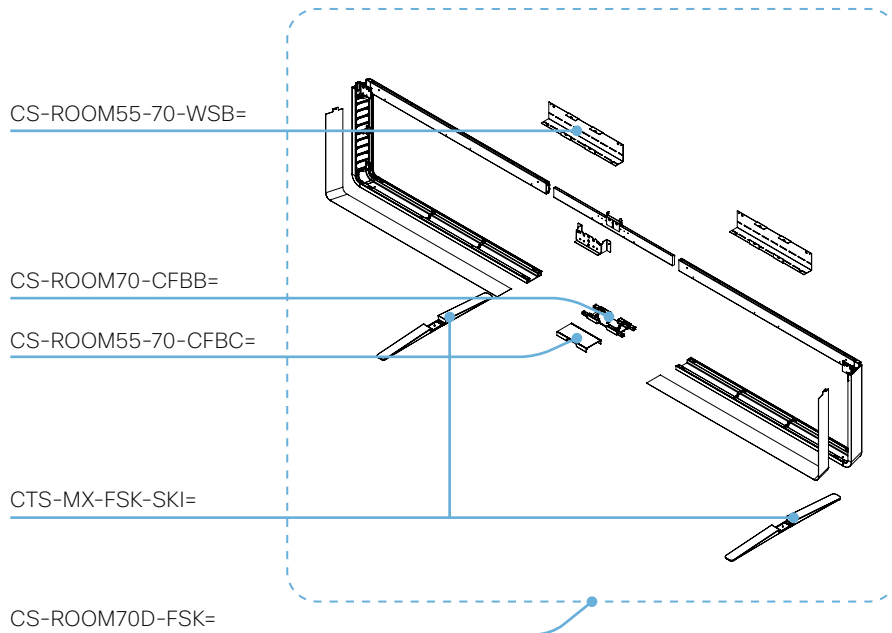
Floor stand kit and Wall mount kit details (page 1 of 2)

If you have a wall mounted Room 70 Dual, you have to order the following parts in order to change to one of the floor standing options:

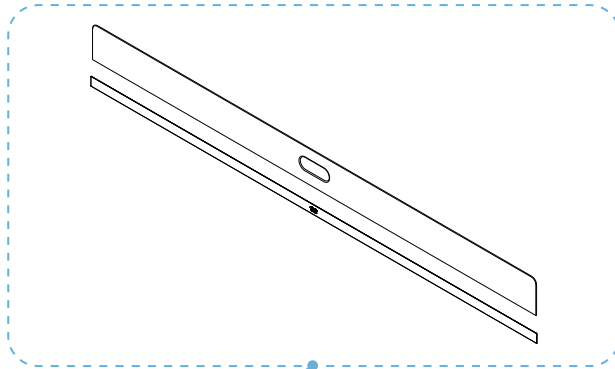
- Floor stand kit (CS-ROOM70D-FSK=)
- Floor stand grille kit (CS-ROOM70D-FS-GRK=)

If you have a Room 70 Dual that is mounted on a floor stand, you have to order the following parts in order to change to the wall mounted option:

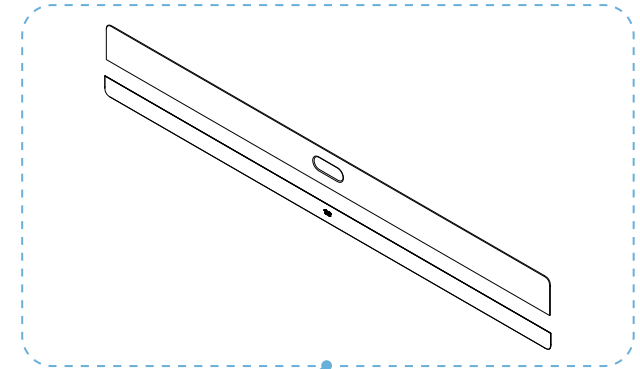
- Wall mount kit (CS-ROOM70D-WMK=)
- Wall mount grille kit (CS-ROOM70D-WM-GRK=)



Floor stand kit and Wall mount kit details (page 2 of 2)



CS-ROOM70D-FS-GRK=



CS-ROOM70D-WM-GRK=



Room 70 Single G2

(Room 70S G2)

Ordering information:

- CS-ROOM70SG2-K9 (GPL, upfront pricing)
- CS-ROOM70SG2-M-K9 (MSRP, subscription pricing)
- CS-ROOM70SG2-NR-K9 (no-radio)
- CS-ROOM70SG2-NR-K7 (no-encryption, no-radio)

Spare parts

Part number (PID)	Part description
CS-RQUADCAM=	Quad Camera for Room systems
CS-RCODPRO-K9=	Codec Pro for Room systems
CS-RCODPRO-NR-K9=	Codec Pro for Room systems, no-radio version
CS-RCODPRO-NR-K7=	Codec Pro for Room systems, no-encryption and no-radio version
CS-ROOM70S-FSK=	Room 70S and Room 70S G2 floor stand kit, freestanding or secured to the wall (both options included)
CS-ROOM70S-WMK=	Room 70S and Room 70S G2 wall mount kit, hangs on wall
CS-ROOM70S-SKI=	Skis (feet) for freestanding Room 70S and Room 70S G2 (also included in CS-ROOM70S-FSK=)
CS-ROOM55-70-WSB=	One wall secure bracket for Room 55D, Room 70, and Room 70 G2 (also included in CS-ROOM70S-FSK=)
CS-ROOM70S-MON-S=	Screen for Room 70S and Room 70S G2 (without codec, camera, loudspeakers, antennas, covers, and cables)
CS-ROOM70-MON-SCV=	Two side covers (left and right) for Room 70 and Room 70 G2 monitors
CS-ROOM55-70-CFBC=	Center frame bottom cover for Room 55D, Room 70, and Room 70 G2 (also included in CS-ROOM70S-FSK=)
CS-ROOM70S-FS-GRK=	Room 70S and Room 70S G2 floor stand grille kit (both speaker grille and lower grille)
CS-ROOM70S-WM-GRK=	Room 70S and Room 70S G2 wall mount grille kit (both speaker grille and lower grille)
CTS-MX700800-SPKR= ¹	One loudspeaker (first version)
CS-R70-R55D-SPKR= ¹	One loudspeaker (new version, introduced in early 2021)
FAN-ROOM70-2PK=	Two fans and air-out duct
ANT-ROOM70-KIT=	Two antennas with brackets
CS-TOUCH10= ²	Touch 10 (10 inch touch user interface), without cable
CS-T10-TS-K9= ²	Room Navigator (10 inch touch user interface), without cable (replaces Touch 10 from early 2021)
CS-MIC-TABLE-E=	Cisco Table Microphone (including cable with Euroblock connector)
CS-ROOM70-SCRWKIT=	Screws and tool kit for Room 55D, Room 70, and Room 70 G2. One kit covers one video system, either on a freestanding floor stand, wall secured floor stand, or wall mounted

For cables, see the “Cable overview” on page 18.

¹ We introduced a new version of the loudspeaker in early 2021. If your video system has the first version, you can replace it with either CTS-MX700800-SPKR= or CS-R70-R55D-SPKR=. If your system has the new version, you can replace it only with CS-R70-R55D-SPKR=.

² We introduced the Room Navigator in early 2021. It can replace the Touch 10 provided your video system runs RoomOS or has software version CE9.14 or later.

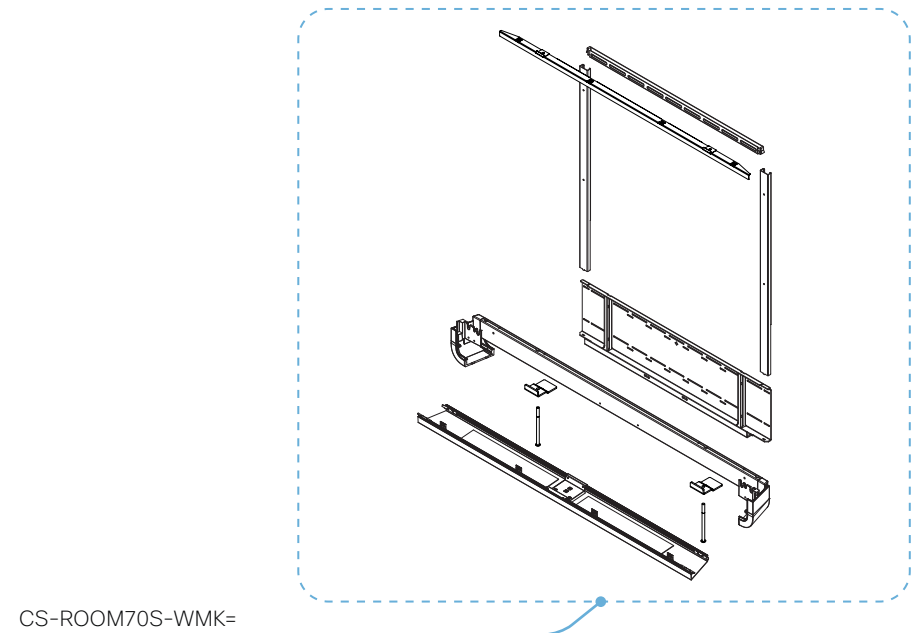
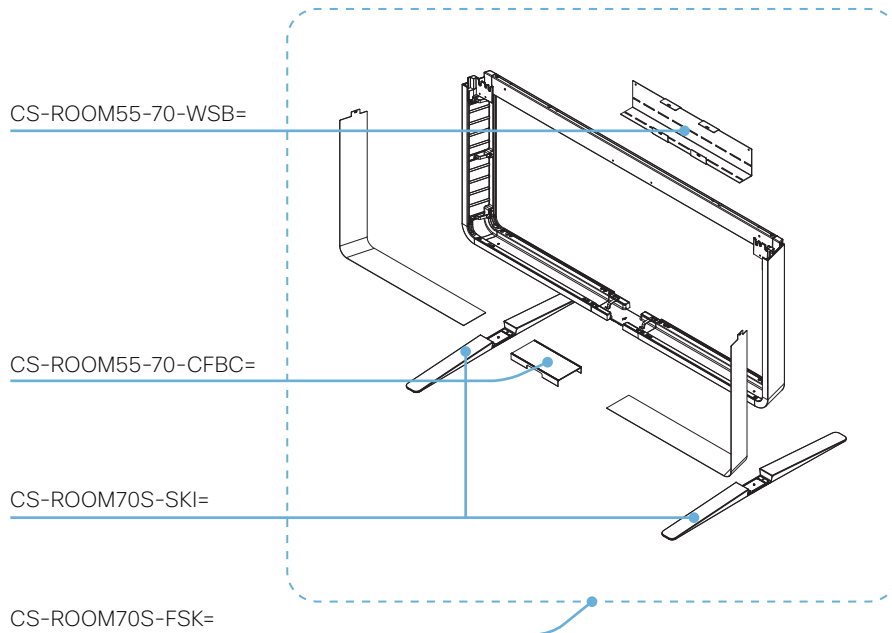
Floor stand kit and Wall mount kit details (page 1 of 2)

If you have a wall mounted Room 70 Single G2, you have to order the following parts in order to change to one of the floor standing options:

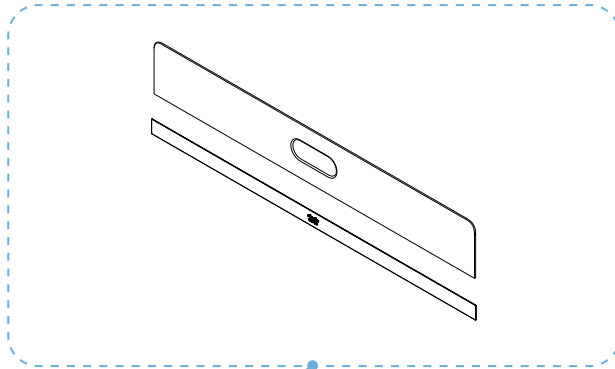
- Floor stand kit (CS-ROOM70S-FSK=)
- Floor stand grille kit (CS-ROOM70S-FS-GRK=)

If you have a Room 70 Single G2 that is mounted on a floor stand, you have to order the following parts in order to change to the wall mounted option:

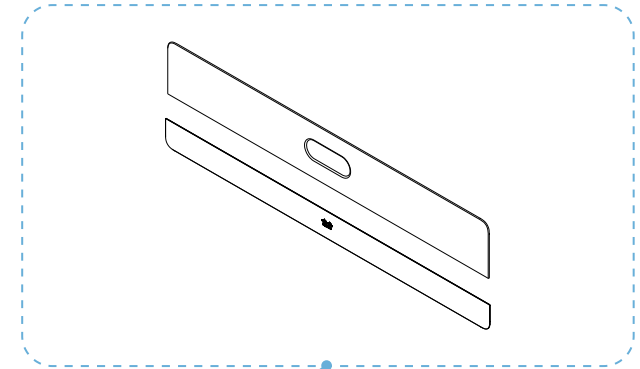
- Wall mount kit (CS-ROOM70S-WMK=)
- Wall mount grille kit (CS-ROOM70S-WM-GRK=)



Floor stand kit and Wall mount kit details (page 2 of 2)



CS-ROOM70S-FS-GRK=



CS-ROOM70S-WM-GRK=



Room 70 Dual G2

(Room 70D G2)

Ordering information:

- CS-ROOM70DG2-K9 (GPL, upfront pricing)
- CS-ROOM70DG2-M-K9 (MSRP, subscription pricing)
- CS-ROOM70DG2-NR-K9 (no-radio)
- CS-ROOM70DG2-NR-K7 (no-encryption, no-radio)

Spare parts

Part number (PID)	Part description
CS-RQUADCAM=	Quad Camera for Room systems
CS-RCODPRO-K9=	Codec Pro for Room systems
CS-RCODPRO-NR-K9=	Codec Pro for Room systems, no-radio version
CS-RCODPRO-NR-K7=	Codec Pro for Room systems, no-encryption and no-radio version
CS-ROOM70D-FSK=	Room 70D and Room 70D G2 floor stand kit, freestanding or secured to the wall (both options included)
CS-ROOM70D-WMK=	Room 70D and Room 70D G2 wall mount kit, hangs on wall
CTS-MX-FSK-SKI=	Skis (feet) for freestanding Room 55D, Room 70D, and Room 70D G2 (also included in CS-ROOM70D-FSK=)
CS-ROOM55-70-WSB=	One wall secure bracket for Room 55D, Room 70, and Room 70 G2. For a dual screen system you must order two brackets (also included in CS-ROOM70D-FSK=)
CS-ROOM70D-MON-L=	Left screen for Room 70D and Room 70D G2 (without codec, loudspeakers, antennas, covers, and cables)
CS-ROOM70D-MON-R=	Right screen for Room 70D and Room 70D G2 (without loudspeakers, covers, and cables)
CS-ROOM70D-MB=	Upper joining bracket for monitors (jack) for Room 70D and Room 70D G2
CS-ROOM70-MON-SCV=	Two side covers (left and right) for Room 70 and Room 70 G2 monitors
CS-ROOM70-CFBB=	Center frame bottom bracket for Room 55D, Room 70D, and Room 70D G2 (also included in CS-ROOM70D-FSK=)
CS-ROOM55-70-CFBC=	Center frame bottom cover for Room 55D, Room 70, and Room 70 G2 (also included in CS-ROOM70D-FSK=)
CS-ROOM70D-CAMCV=	Top rear cover, center top profile, and rear center cover for Room 70D and Room 70D G2
CS-ROOM70D-FS-GRK=	Room 70D and Room 70D G2 floor stand grille kit (both speaker grille and lower grille)
CS-ROOM70D-WM-GRK=	Room 70D and Room 70D G2 wall mount grille kit (both speaker grille and lower grille)
CTS-MX700800-SPKR= ¹	One loudspeaker (first version)
CS-R70-R55D-SPKR= ¹	One loudspeaker (new version, introduced in early 2021)
FAN-ROOM70-2PK=	Two fans and air-out duct
ANT-ROOM70-KIT=	Two antennas with brackets
CS-TOUCH10= ²	Touch 10 (10 inch touch user interface), without cable
CS-T10-TS-K9= ²	Room Navigator (10 inch touch user interface), without cable (replaces Touch 10 from early 2021)
CS-MIC-TABLE-E=	Cisco Table Microphone (including cable with Euroblock connector)
CS-ROOM70-SCRWKIT=	Screws and tool kit for Room 55D, Room 70, and Room 70 G2. One kit covers one video system, either on a freestanding floor stand, wall secured floor stand, or wall mounted

¹ We introduced a new version of the loudspeaker in early 2021. If your video system has the first version, you can replace it with either CTS-MX700800-SPKR= or CS-R70-R55D-SPKR=. If your system has the new version, you can replace it only with CS-R70-R55D-SPKR=.

² We introduced the Room Navigator in early 2021. It can replace the Touch 10 provided your video system runs RoomOS or has software version CE9.14 or later.

For cables, see the "Cable overview" on page 18.

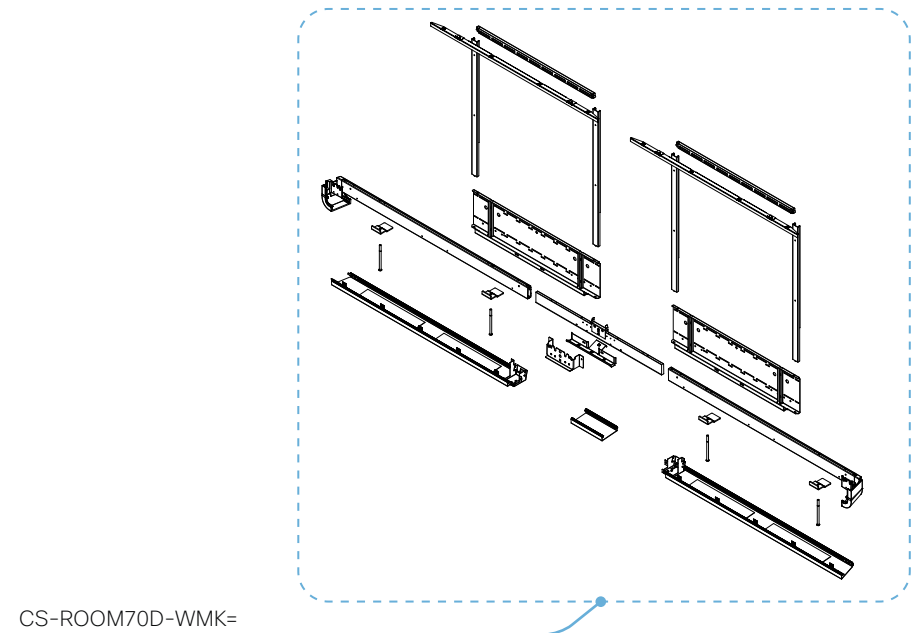
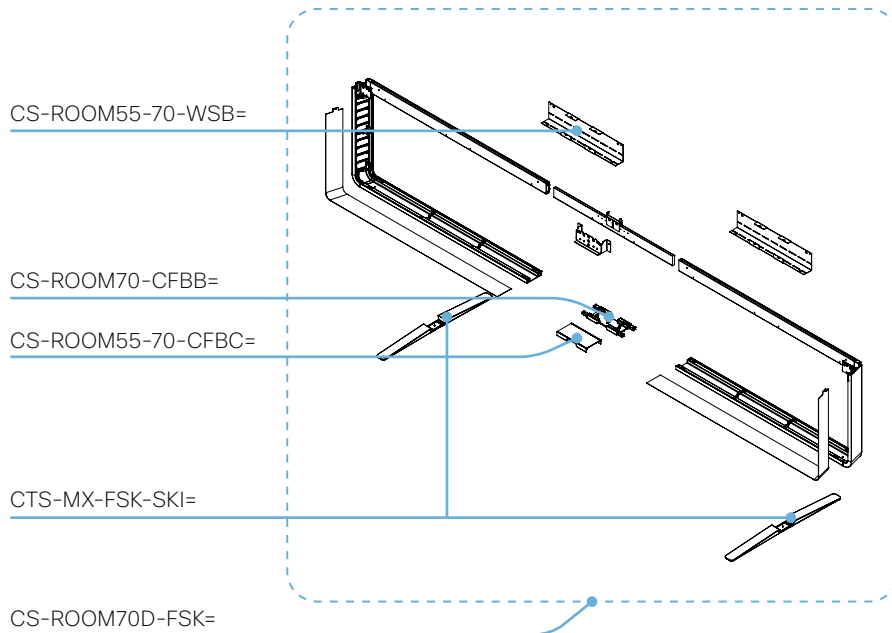
Floor stand kit and Wall mount kit details (page 1 of 2)

If you have a wall mounted Room 70 Dual G2, you have to order the following parts in order to change to one of the floor standing options:

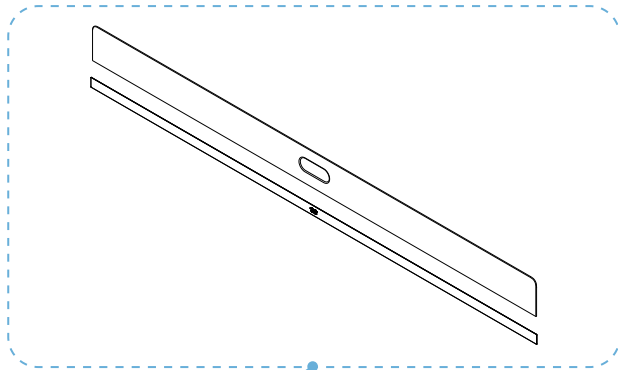
- Floor stand kit (CS-ROOM70D-FSK=)
- Floor stand grille kit (CS-ROOM70D-FS-GRK=)

If you have a Room 70 Dual G2 that is mounted on a floor stand, you have to order the following parts in order to change to the wall mounted option:

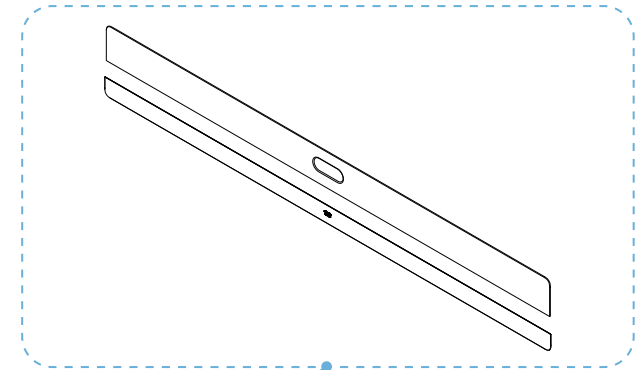
- Wall mount kit (CS-ROOM70D-WMK=)
- Wall mount grille kit (CS-ROOM70D-WM-GRK=)



Floor stand kit and Wall mount kit details (page 2 of 2)



CS-ROOM70D-FS-GRK=



CS-ROOM70D-WM-GRK=



Cable overview

Internal cables

These are cables between the codec, camera, screens, and loudspeakers. The **Products** column shows for which products a cable is used.

Part number (PID)	Part description	Number printed on cable	Products
CAB-2DC-BRL-0.93M=	DC power cable w/barrel plug, 0.93 m (screen to camera)	72-101338-xx	Room 55D, Room 70D, Room 70D G2
CAB-2DC-BRL-0.30M=	DC Power cable w/barrel plug, 0.3m (screen to camera)	72-101315-xx	Room 70S, Room 70S G2
CAB-2HDMI-2.06M=	HDMI to HDMI cable, 2.06 m (codec to camera)	72-101333-xx	Room 70D, Room 70D G2
CAB-2HDMI-1.26M=	HDMI to HDMI cable, 1.26 m (codec to camera)	72-101334-xx	Room 70S, Room 70S G2
CAB-2HDMI-1.71M=	HDMI to HDMI cable, 1.71 m (codec to camera)	72-101528-xx	Room 55D
CAB-ETHRJ45-2.20M=	Ethernet cable, RJ45, 2.20m (codec to camera)	72-101330-xx	Room 70D, Room 70D G2
CAB-ETHRJ45-1.40M=	Ethernet cable, RJ45, 1.40m (codec to camera)	72-101336-xx	Room 70S, Room 70S G2
CAB-ETHRJ45-1.87M=	Ethernet cable, RJ45, 1.87m (codec to camera)	72-101530-xx	Room 55D
CAB-2HDMILK-1.27M=	HDMI to HDMI cable, 1.27 m (codec to (left) screen)	72-101331-xx	Room 70S, Room 70D
CAB-2HDMILK-1.15M=	HDMI to HDMI cable, angled connector, 1.15 m (codec to (left) screen)	72-101557-xx	Room 70S, Room 70D, Room 70S G2, Room 70D G2
CAB-2HDMILK-0.86M=	HDMI to HDMI cable, angled connector, 0.86 m (codec to left screen)	72-101551-xx	Room 55D
CAB-2HDMILK-2.82M=	HDMI to HDMI cable, 2.82 m (codec to right screen)	72-101332-xx	Room 70D
CAB-2HDMILK-2.78M=	HDMI to HDMI cable, angled connector, 2.78m (codec to right screen)	72-101558-xx	Room 70D, Room 70D G2
CAB-2HDMILK-2.14M=	HDMI to HDMI cable, angled connector, 2.14 m (codec to right screen)	72-101552-xx	Room 55D
CAB-USB-A-B-1.35M=	USB A to USB B cable, 1.35m (codec to (left) screen)	72-101335-xx	Room 70S, Room 70D, Room 70S G2, Room 70D G2
CAB-USB-A-B-1.02M=	USB A to USB B cable, 1.02 m (codec to left screen)	72-101529-xx	Room 55D
CAB-USB-A-B-1.7M=	USB A to USB B cable, 1.7 m (left to right screen)	72-100851-xx	Room 70D, Room 70D G2
CAB-USB-A-B-1.45M=	USB A to USB B cable, 1.45m (left to right screen)	72-100648-xx	Room 55D
CAB-ROOM70-L3-SPK=	Left speaker cable (3 speakers)	72-101328-xx	Room 55D, Room 70D, Room 70D G2
CAB-ROOM70-R3-SPK=	Right speaker cable (3 speakers)	72-101326-xx	Room 70D, Room 70D G2
CAB-ROOM70-L-SPKR=	Left speaker cable (1 speaker)	72-101329-xx	Room 70S, Room 70D, Room 70S G2, Room 70D G2
CAB-ROOM70-R-SPKR=	Right speaker cable (1 speaker)	72-101327-xx	Room 70S, Room 70D, Room 70S G2, Room 70D G2
PWR-CAB-INT-0.2M=	Internal power cord, 0.2 m (main to codec), not for Japan	37-100960-xx	Room 55D, Room 70S, Room 70D, Room 70S G2, Room 70D G2
PWR-CAB-JPN-0.2M=	Internal power cord for Japan, 0.2 m (main to codec)	37-101000-xx	Room 55D, Room 70S, Room 70D, Room 70S G2, Room 70D G2
PWR-CAB-INT-0.7M=	Internal power cord, 0.7 m (between screens), not for Japan	72-4128-xx or 37-101030-xx	Room 55D, Room 70D, Room 70D G2
PWR-CAB-JPN-0.7M=	Internal power cord for Japan, 0.7 m (between screens)	37-1801-xx or 37-101031-xx	Room 55D, Room 70D, Room 70D G2

External cables

These are cables for network, presentations, and peripherals like microphones and Touch controller.

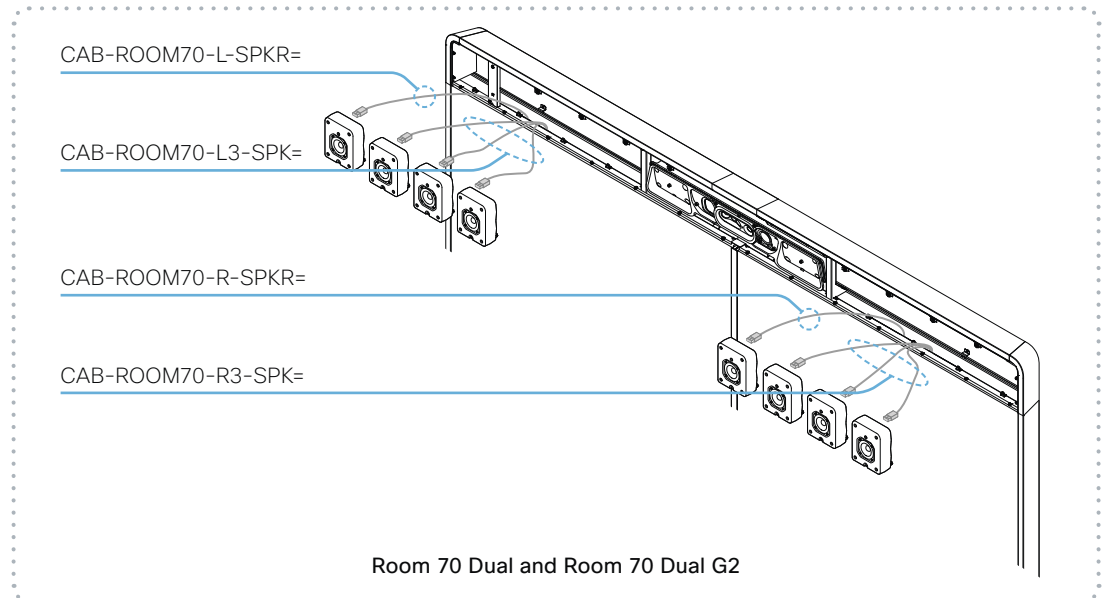
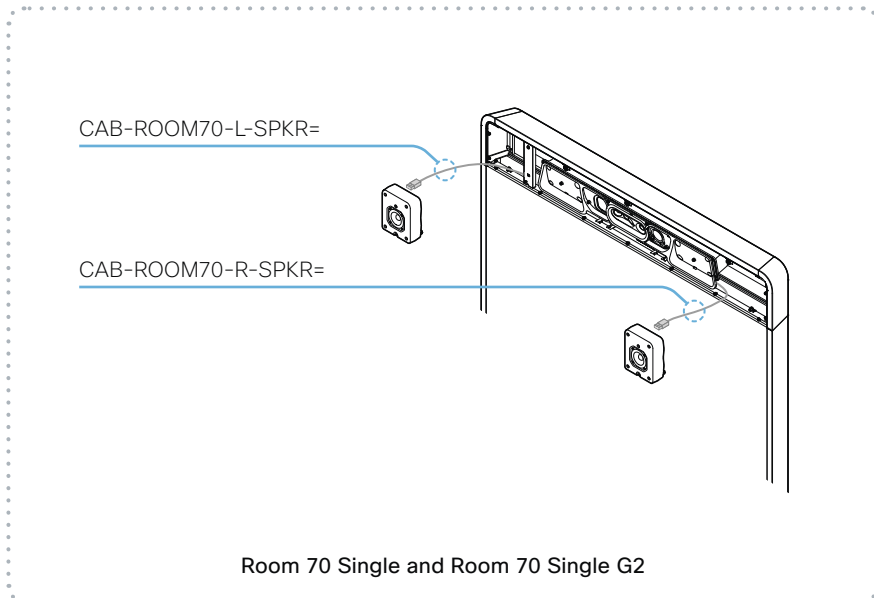
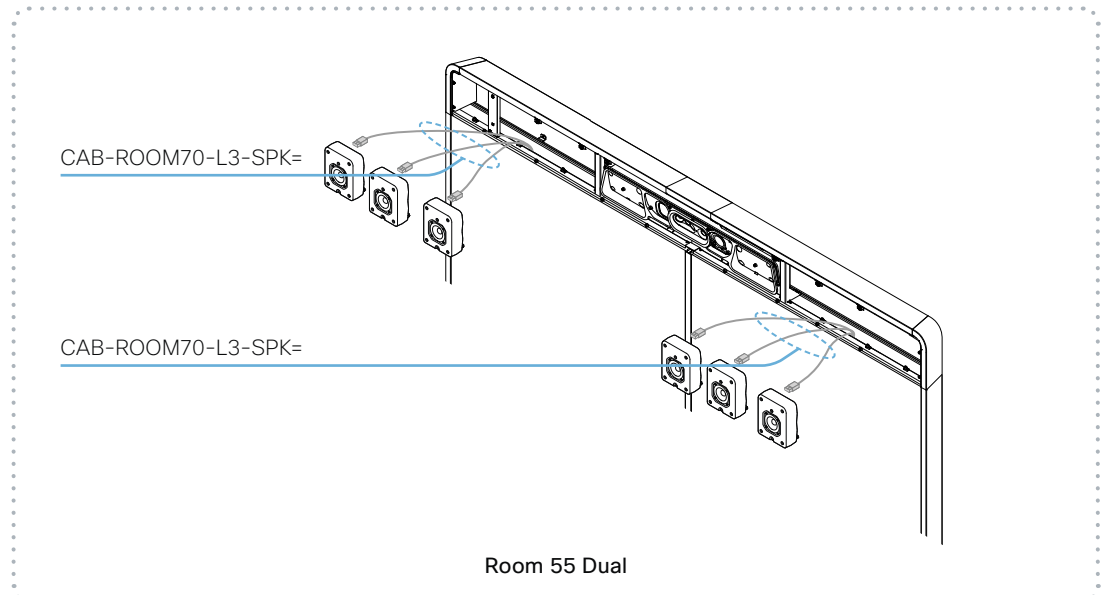
Part number (PID)	Part description	Number printed on the cable	Products
CAB-DV10-12.5=	Ethernet cable for Touch 10, flat, grey, 12.5m	72-100706-xx	Room 55D, Room 70S, Room 70D, Room 70S G2, Room 70D G2
CAB-DV10-4M=	Ethernet cable for Touch 10, flat, grey, 4m	72-100707-xx	Room 55D, Room 70S, Room 70D, Room 70S G2, Room 70D G2
CAB-PRES-2HDMI-GR=	Presentation cable, HDMI to HDMI, 4K capable, grey, 8m	72-101034-xx	Room 55D, Room 70S, Room 70D, Room 70S G2, Room 70D G2
CAB-ETH-5M-GR=	Ethernet cable, grey, 5m	72-101005-xx	Room 55D, Room 70S, Room 70D, Room 70S G2, Room 70D G2
CAB-MIC-T20EXT=	Extension cable for Table Microphone 20	72-101083-xx	Room 70S, Room 70D
CAB-MIC-EXT-J=	Extension cable for Table Microphone (mini-jack), 9m	72-101457-xx	Room 55D, Room 70D, Room 70S
CAB-MIC-EXT-E=	Extension cable for Table Microphone (Euroblock), 9m	74-100624-xx	Room 70S G2, Room 70D G2

Region-specific power cables

The region-specific power cables applies to all products: Room 55D, Room 70S, Room 70D, Room 70S G2, and Room 70D G2.

Part number (PID)	Part description
PWR-CORD-ARG-F=	Power cord for Argentina, 5m, 10A
PWR-CORD-AUS-F=	Power cord for Australia, 5m, 10A
PWR-CORD-BRA-F=	Power cord for Brazil, 5m, 10A
PWR-CORD-CHE-F=	Power cord for Switzerland, 5m, 10A
PWR-CORD-CHN-F=	Power cord for China, 5m, 10A
PWR-CORD-EUR-F=	Power cord for Europe, 5m, 10A
PWR-CORD-GBR-F=	Power cord for United Kingdom, 5m, 10A
PWR-CORD-IND-F=	Power cord for India, 5m, 10A
PWR-CORD-JPN-F=	Power cord for Japan, 5m, 10A
PWR-CORD-KOR-F=	Power cord for South Korea, 5m, 10A
PWR-CORD-USA-F=	Power cord for United States of America, 4.5m, 10A
PWR-CORD-ZAF-F=	Power cord for South Africa, 5m, 10A

Speaker cable overview





Cisco contacts

On our web site you will find an overview of the worldwide Cisco contacts.

Go to: <https://www.cisco.com/go/offices>

Corporate Headquarters
Cisco Systems, Inc.
170 West Tasman Dr.
San Jose, CA 95134 USA

Intellectual property rights

THE SPECIFICATIONS AND INFORMATION REGARDING THE PRODUCTS IN THIS MANUAL ARE SUBJECT TO CHANGE WITHOUT NOTICE. ALL STATEMENTS, INFORMATION, AND RECOMMENDATIONS IN THIS MANUAL ARE BELIEVED TO BE ACCURATE BUT ARE PRESENTED WITHOUT WARRANTY OF ANY KIND, EXPRESS OR IMPLIED. USERS MUST TAKE FULL RESPONSIBILITY FOR THEIR APPLICATION OF ANY PRODUCTS.

THE SOFTWARE LICENSE AND LIMITED WARRANTY FOR THE ACCOMPANYING PRODUCT ARE SET FORTH IN THE INFORMATION PACKET THAT SHIPPED WITH THE PRODUCT AND ARE INCORPORATED HEREIN BY THIS REFERENCE. IF YOU ARE UNABLE TO LOCATE THE SOFTWARE LICENSE OR LIMITED WARRANTY, CONTACT YOUR CISCO REPRESENTATIVE FOR A COPY.

The Cisco implementation of TCP header compression is an adaptation of a program developed by the University of California, Berkeley (UCB) as part of UCB's public domain version of the UNIX operating system. All rights reserved. Copyright © 1981, Regents of the University of California.

NOTWITHSTANDING ANY OTHER WARRANTY HEREIN, ALL DOCUMENT FILES AND SOFTWARE OF THESE SUPPLIERS ARE PROVIDED "AS IS" WITH ALL FAULTS. CISCO AND THE ABOVE-NAMED SUPPLIERS DISCLAIM ALL WARRANTIES, EXPRESSED OR IMPLIED, INCLUDING, WITHOUT LIMITATION, THOSE OF MERCHANTABILITY, FITNESS FOR A PARTICULAR PURPOSE AND NONINFRINGEMENT OR ARISING FROM A COURSE OF DEALING, USAGE, OR TRADE PRACTICE.

IN NO EVENT SHALL CISCO OR ITS SUPPLIERS BE LIABLE FOR ANY INDIRECT, SPECIAL, CONSEQUENTIAL, OR INCIDENTAL DAMAGES, INCLUDING, WITHOUT LIMITATION, LOST PROFITS OR LOSS OR DAMAGE TO DATA ARISING OUT OF THE USE OR INABILITY TO USE THIS MANUAL, EVEN IF CISCO OR ITS SUPPLIERS HAVE BEEN ADVISED OF THE POSSIBILITY OF SUCH DAMAGES.

Any Internet Protocol (IP) addresses and phone numbers used in this document are not intended to be actual addresses and phone numbers. Any examples, command display output, network topology diagrams, and other figures included in the document are shown for illustrative purposes only. Any use of actual IP addresses or phone numbers in illustrative content is unintentional and coincidental.

All printed copies and duplicate soft copies are considered un-Controlled copies and the original on-line version should be referred to for latest version.

Cisco has more than 200 offices worldwide. Addresses, phone numbers, and fax numbers are listed on the Cisco website at www.cisco.com/go/offices.

Cisco and the Cisco logo are trademarks or registered trademarks of Cisco and/or its affiliates in the U.S. and other countries. To view a list of Cisco trademarks, go to this URL: www.cisco.com/go/trademarks. Third-party trademarks mentioned are the property of their respective owners. The use of the word partner does not imply a partnership relationship between Cisco and any other company. (1110R)

Cisco product security overview

This product contains cryptographic features and is subject to United States and local country laws governing import, export, transfer, and use. Delivery of Cisco cryptographic products does not imply third-party authority to import, export, distribute, or use encryption. Importers, exporters, distributors, and users are responsible for compliance with U.S. and local country laws. By using this product you agree to comply with applicable laws and regulations. If you are unable to comply with U.S. and local laws, return this product immediately.

Further information regarding U.S. export regulations may be found at <http://www.bis.doc.gov/policiesandregulations/ear/index.htm>.