

Cisco HyperFlex HX240 M6 Edge All Flash and Hybrid Server Nodes

A printed version of this document is only a copy and not necessarily the latest version. Refer to the following link for the latest released version:

<https://www.cisco.com/c/en/us/products/hyperconverged-infrastructure/hyperflex-hx-series/datasheet-listing.html>



CONTENTS

OVERVIEW	3
DETAILED VIEWS	5
Chassis Front View - HXAF-E-240-M6SX (All Flash)	5
Chassis Rear View - HXAF-E-240-M6SX (All Flash)	6
Chassis Front View - HX-E-240-M6SX (Hybrid)	9
Chassis Rear View - HX-E-240-M6SX (Hybrid)	10
BASE SERVER NODE STANDARD CAPABILITIES and FEATURES	13
CONFIGURING the SERVER	16
STEP 1 VERIFY SERVER SKU	17
STEP 2 SELECT RISER CARDS (REQUIRED)	19
STEP 3 SELECT CPU(s)	20
STEP 4 SELECT MEMORY	24
Memory Configurations, Features	26
STEP 5 SELECT DRIVE CONTROLLERS	29
Cisco 12G SAS HBA	29
STEP 6 SELECT DRIVES	30
STEP 7 SELECT OPTION CARD(s)	35
STEP 8 ORDER OPTIONAL PCIe OPTION CARD ACCESSORIES	37
STEP 9 SELECT HYPERFLEX EDGE NETWORK TOPOLOGY	40
STEP 10 ORDER GPU CARDS (OPTIONAL)	42
STEP 11 ORDER POWER SUPPLY	43
STEP 12 SELECT INPUT POWER CORD(s)	44
STEP 13 ORDER TOOL-LESS RAIL KIT AND OPTIONAL REVERSIBLE CABLE MANAGEMENT ARM	48
STEP 14 ORDER SECURITY DEVICES (OPTIONAL)	49
STEP 15 SELECT LOCKING SECURITY BEZEL (OPTIONAL)	50
STEP 16 SELECT HYPERVISOR / HOST OPERATING SYSTEM	51
STEP 17 SELECT HYPERFLEX DATA PLATFORM (HXDP) SOFTWARE	53
STEP 18 CISCO INTERSIGHT	54
STEP 19 SELECT INSTALLATION SERVICE	55
STEP 20 SELECT SERVICE and SUPPORT LEVEL	56
SUPPLEMENTAL MATERIAL	64
Supported Network Topologies for HyperFlex Edge 2 Node Deployments	64
Supported Network Topologies for HyperFlex Edge 3 and 4 Node Deployments	71
Serial Port Details	78
KVM Cable	78
Chassis	79
Risers	81
Riser Card Configuration and Options	83
SPARE PARTS	89
UPGRADING or REPLACING CPUs	102
UPGRADING or REPLACING MEMORY	103
TECHNICAL SPECIFICATIONS	104
Dimensions and Weight	104
Power Specifications	106
Environmental Specifications	110
Extended Operating Temperature Hardware Configuration Limits	112
Compliance Requirements	114

OVERVIEW

Cisco HyperFlex Edge Systems are optimized for remote sites, branch offices, and edge environments. As a smaller form factor of Cisco HyperFlex, Cisco HyperFlex Edge keeps the full power of a next generation hyperconverged platform even without connecting to Cisco UCS Fabric Interconnects. Cisco HyperFlex Edge Systems support a variable configuration of 2, 3, or 4 HX converged nodes and supports the scale up of CPU, memory, and storage capacity (hot-add additional capacity drives).

NOTE: HX220 M6 Edge requires Cisco Intersight for cluster deployment and ongoing management.

The Cisco HyperFlex Edge operates using existing top of rack 1GE or 10/25GE switching with options for both single and dual switch configurations. HyperFlex Edge is typically deployed in environments with a minimal infrastructure footprint, hence the use of UCS compute-only nodes is not supported.

The HyperFlex HX240 M6 Edge All Flash/Hybrid Server Nodes extends the capabilities of Cisco's HyperFlex portfolio in a 2U form factor with the addition of the 3rd Gen Intel® Xeon® Scalable Processors (Ice Lake), 16 DIMM slots per CPU for 3200-MHz DDR4 DIMMs with DIMM capacity points up to 256 GB. The maximum memory capacity for 2 CPUs is listed here:

- 8 TB (32 x 256 GB DDR4 DIMMs)

There are two options to choose from:

- **HXAF-E-240-M6SX (All Flash)** (see [Figure 1 on page 5](#)):
 - Up to 24 front SFF SAS/SATA SSDs only.
 - I/O centric option provides up to 8 PCIe slots using all three rear risers.
 - Storage centric option provides 3 PCIe slots using slots in one of the rear risers and two rear risers with a total of up to 4 SFF drives.
- **HX-E-240-M6SX (Hybrid)** (see [Figure 1 on page 5](#)):
 - Up to 24 front SFF SAS/SATA HDDs and SSDs.
 - I/O centric option provides up to 8 PCIe slots using all three rear risers.
 - Storage centric option provides 3 PCIe slots using slots in one of the rear risers and two rear risers with a total of up to 4 SFF drives.

The server provides one or two internal slots (depending on the server type) for the following:

- Two slots for Cisco 12G SAS pass-through HBAs. Each HBA controls up to 16 SAS/SATA drives.



NOTE: PCIe drives are controlled directly from the CPUs.

The HX240 M6 Edge All Flash/Hybrid Server Nodes has two LOM ports (10Gbase-T LOM) and a single 1 GbE management port. A modular LAN on motherboard (mLOM) module provides up to two 100 GbE ports. A connector on the front of the chassis provides KVM functionality.

See [Figure 1 on page 4](#) for front and rear views of all the configurations of the HyperFlex HX240 M6 Edge All Flash/Hybrid Server Nodes.

Figure 1 Cisco UCS HX240 M6 Edge All Flash/Hybrid Server Nodes

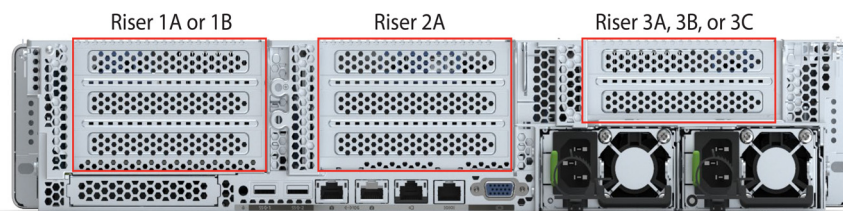
HXAF-E-240-M6SX (All Flash)

24 Front drives are SAS/SATA solid state drives (SSDs) and optionally 4 SAS/SATA rear drives

Front View see [Figure 2 on page 5](#) for details



Rear View (all slots shown unpopulated - see [Figure 3 on page 6](#) for details)



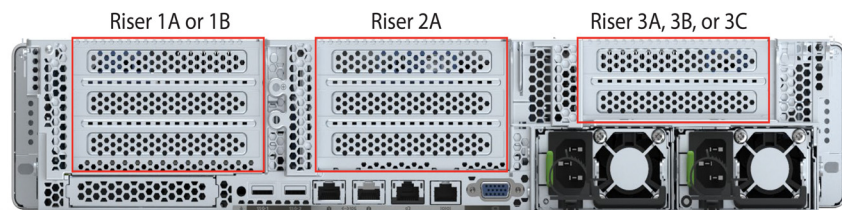
HX-E-240-M6SX (Hybrid)

24 Front drives are SAS/SATA hard drives (HDDs) and solid state drives (SSDs) also optionally 4 SAS/SATA rear drives

Front View see [Figure 4 on page 9](#) for details



Rear View (all slots shown unpopulated - see [Figure 5 on page 10](#) for details)

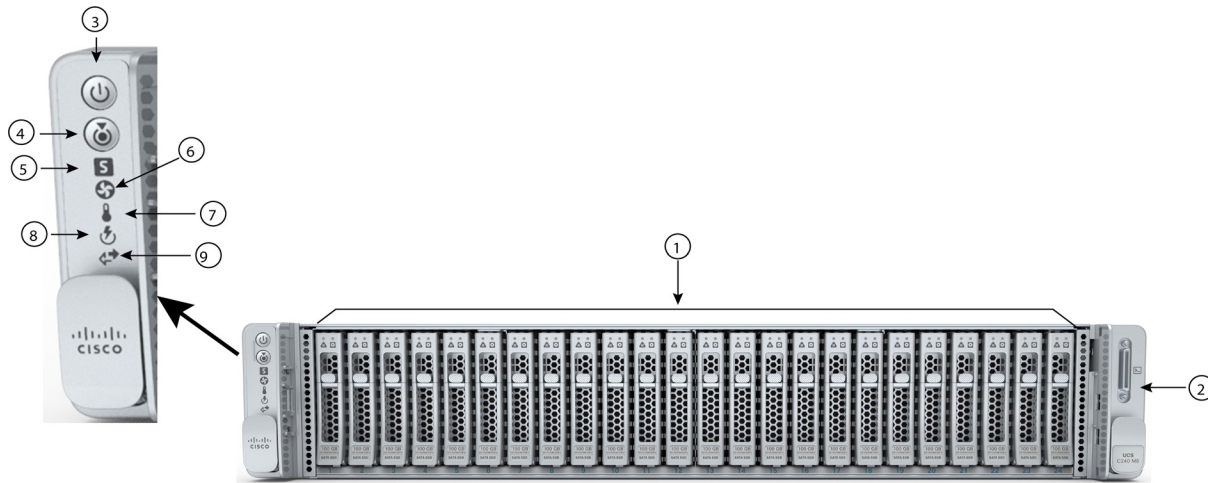


DETAILED VIEWS

Chassis Front View - HXAF-E-240-M6SX (All Flash)

Figure 2 shows the front View of the HXAF-E-240-M6SX (All Flash) Server Node configured with 24 front SAS/SATA drives. and optionally 4 SAS/SATA rear drives.

Figure 2 Chassis Front View

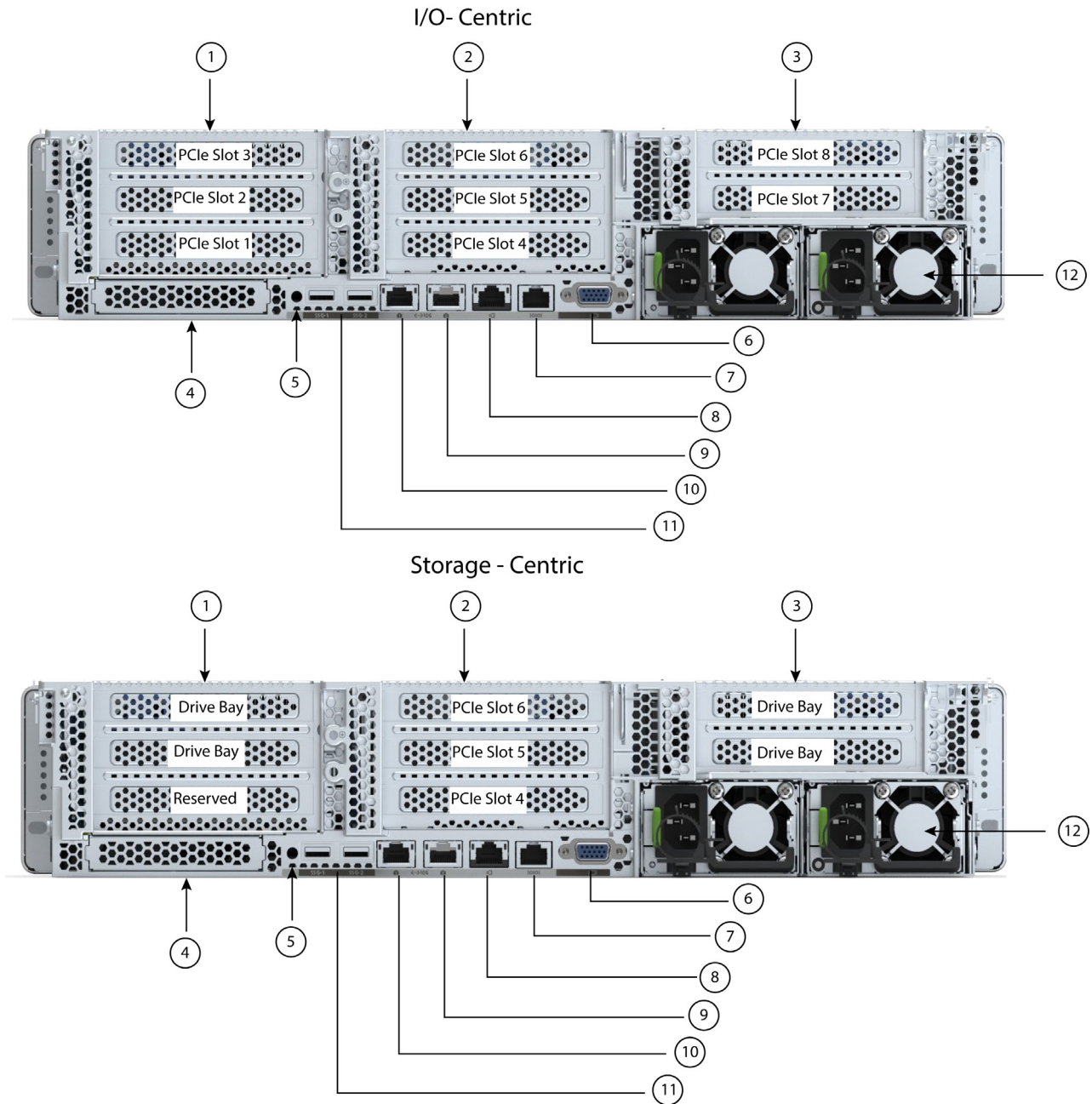


1	Drive bays 1 - 24 support SAS/SATA solid state drives (SSDs) NOTE: NVMe drives are not supported on HyperFlex All flash Edge nodes	6	Fan status LED
2	KVM connector (used with KVM cable that provides two USB 2.0, one VGA, and one serial connector)	7	Temperature status LED
3	Power button/Power status LED	8	Power supply status LED
4	Unit Identification button/LED	9	Network link activity LED
5	System status LED	-	-

Chassis Rear View - HXAF-E-240-M6SX (All Flash)

Figure 3 shows the external features of the rear panel. The I/O centric version shows all PCIe slots. The storage centric version shows a combination of PCIe risers and storage bays.

Figure 3 Chassis Rear View



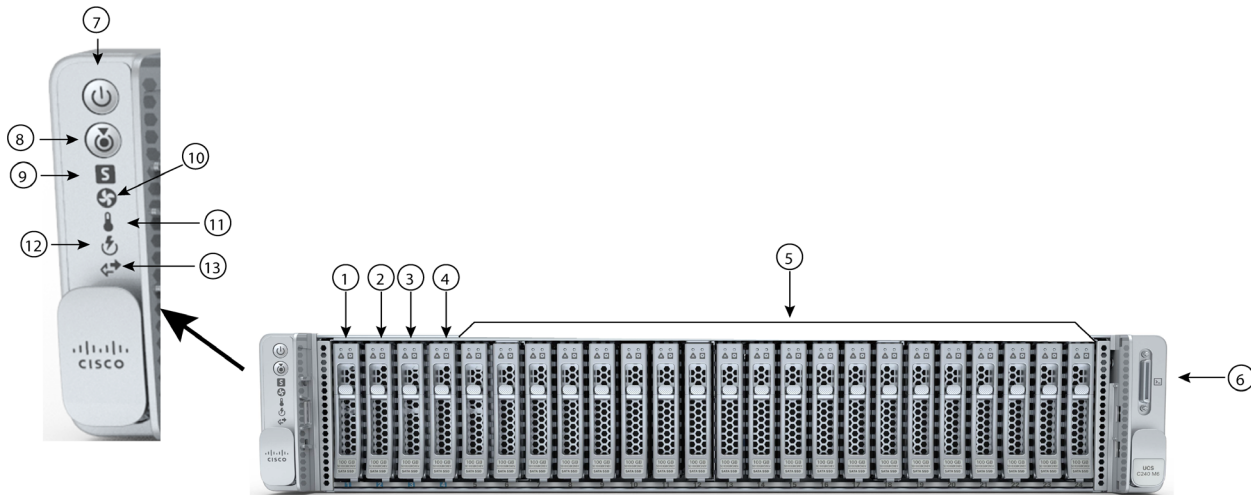
<p>1</p>	<p>There are two Riser 1 options:</p> <p>Riser 1A (I/O centric, CPU1 control)</p> <ul style="list-style-type: none"> ■ Supports three PCIe slots: <ul style="list-style-type: none"> • Slot 1 is full-height, 3/4 length, x8, NCSI • Slot 2 is full-height, full-length, x16, NCSI • Slot 3 is full-height, full-length, x8, no NCSI <p>Riser 1B (storage-centric)</p> <ul style="list-style-type: none"> ■ Supports two SFF drives (SAS/SATA) <ul style="list-style-type: none"> • Slot 1 is reserved • Slot 2 (drive bay 102), x4 (CPU1 control) • Slot 3 (drive bay 101), x4 (CPU1 control) • When using a hardware drive controller card (SAS HBA) in the server, SAS/SATA SSDs are supported in the rear bays. <p>See Riser Card Configuration and Options, page 83 for details.</p> <p>NOTE: NVMe drives are not supported on HyperFlex Edge nodes</p>	<p>7</p>	<p>COM port (RJ45 connector)</p>
<p>2</p>	<p>Riser 2A (always I/O centric, CPU2 control)</p> <ul style="list-style-type: none"> ■ Supports three PCIe slots: <ul style="list-style-type: none"> • Slot 4 is full-height, 3/4 length, x8 • Slot 5 is full-height, full-length, x16 • Slot 6 is full-height, full length, x8 <p>See Riser Card Configuration and Options, page 83 for details.</p>	<p>8</p>	<p>1 GbE dedicated Ethernet management port</p>

<p>3</p>	<p>There are two Riser 3 options:</p> <p>Riser 3A (I/O centric, CPU2 control)</p> <ul style="list-style-type: none"> ■ Supports two PCIe slots: <ul style="list-style-type: none"> • Slot 7 is full-height, full-length, x8, no NCSI • Slot 8 is full-height, full-length, x8, no NCSI <p>Riser 3B (storage-centric, CPU2 control)</p> <ul style="list-style-type: none"> ■ Supports two SFF drives (SAS/SATA) <ul style="list-style-type: none"> • Slot 7 (drive bay 104), x4 • Slot 8 (drive bay 103), x4 • When using a hardware drive controller card (SAS HBA) in the server, SAS/SATA SSDs are supported in the rear bays. <p>Riser 3C (for GPU, CPU2 control)</p> <ul style="list-style-type: none"> ■ Supports one full-height, full-length, double-wide GPU (PCIe slot 7 only), x16 <ul style="list-style-type: none"> • Slot 8 is blocked by double-wide GPU <p>See Riser Card Configuration and Options, page 83 for details.</p>	<p>9 -10</p>	<p>Dual 1/10 GbE Ethernet ports (LAN1, LAN2)</p> <p>LAN1 is left connector, LAN2 is right connector</p>
<p>4</p>	<p>Modular LAN-on-motherboard (mLOM) card slot (x16)</p>	<p>11</p>	<p>USB 3.0 ports (two)</p>
<p>5</p>	<p>System ID pushbutton/LED</p>	<p>12</p>	<p>Power supplies (two)</p>
<p>6</p>	<p>VGA display port (DB15 connector)</p>	<p>-</p>	<p>-</p>

Chassis Front View - HX-E-240-M6SX (Hybrid)

Figure 2 shows the front View of the HX-E-240-M6SX (Hybrid) Server Node configured with 24 front SAS/SATA drives. and optionally 4 SAS/SATA rear drives.

Figure 4 Chassis Front View

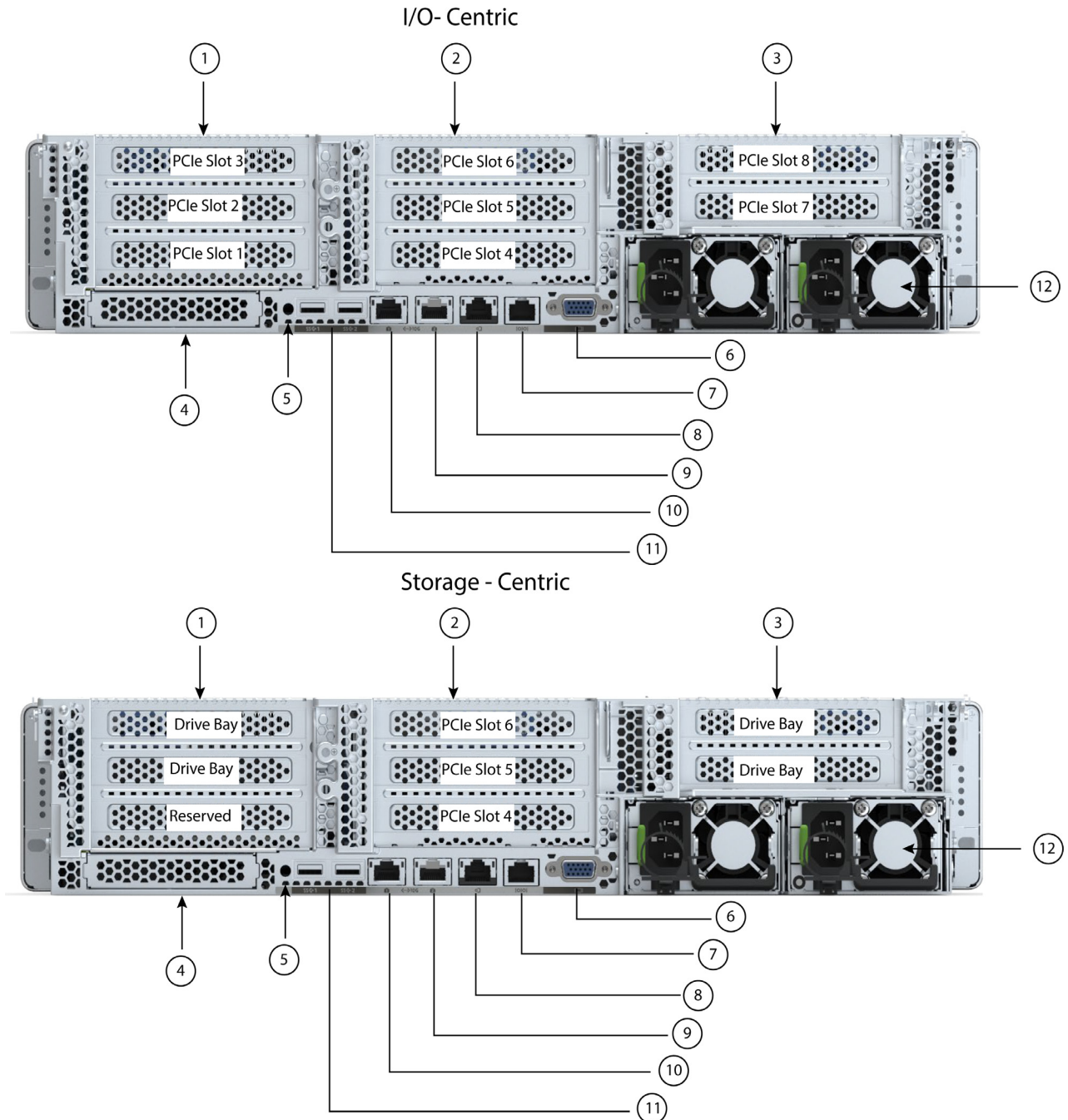


1 - 4	Drive bays 1 - 4 support SAS/SATA hard drives (HDDs) and solid state drives (SSDs) NOTE: NVMe drives are not supported on HyperFlex Edge nodes	9	System status LED
5	Drive bays 5 - 24 support SAS/SATA hard drives (HDDs) only.	10	Fan status LED
6	KVM connector (used with KVM cable that provides two USB 2.0, one VGA, and one serial connector)	11	Temperature status LED
7	Power button/Power status LED	12	Power supply status LED
8	Unit Identification button/LED	13	Network link activity LED

Chassis Rear View - HX-E-240-M6SX (Hybrid)

Figure 3 shows the external features of the rear panel. The I/O centric version shows all PCIe slots. The storage centric version shows a combination of PCIe risers and storage bays.

Figure 5 Chassis Rear View



<p>1</p>	<p>There are two Riser 1 options:</p> <p>Riser 1A (I/O centric, CPU1 control)</p> <ul style="list-style-type: none"> ■ Supports three PCIe slots: <ul style="list-style-type: none"> • Slot 1 is full-height, 3/4 length, x8, NCSI • Slot 2 is full-height, full-length, x16, NCSI • Slot 3 is full-height, full-length, x8, no NCSI <p>Riser 1B (storage-centric)</p> <ul style="list-style-type: none"> ■ Supports two SFF drives (SAS/SATA) <ul style="list-style-type: none"> • Slot 1 is reserved • Slot 2 (drive bay 102), x4 (CPU1 control) • Slot 3 (drive bay 101), x4 (CPU1 control) • When using a hardware drive controller card (SAS HBA) in the server, SAS/SATA HDDs are supported in the rear bays. <p>See Riser Card Configuration and Options, page 83 for details.</p> <p>NOTE: NVMe drives are not supported on HyperFlex Edge nodes</p>	<p>7</p>	<p>COM port (RJ45 connector)</p>
<p>2</p>	<p>Riser 2A (always I/O centric, CPU2 control)</p> <ul style="list-style-type: none"> ■ Supports three PCIe slots: <ul style="list-style-type: none"> • Slot 4 is full-height, 3/4 length, x8 • Slot 5 is full-height, full-length, x16 • Slot 6 is full-height, full length, x8 <p>See Riser Card Configuration and Options, page 83 for details.</p>	<p>8</p>	<p>1 GbE dedicated Ethernet management port</p>

<p>3</p>	<p>There are two Riser 3 options:</p> <p>Riser 3A (I/O centric, CPU2 control)</p> <ul style="list-style-type: none"> ■ Supports two PCIe slots: <ul style="list-style-type: none"> • Slot 7 is full-height, full-length, x8, no NCSI • Slot 8 is full-height, full-length, x8, no NCSI <p>Riser 3B (storage-centric, CPU2 control)</p> <ul style="list-style-type: none"> ■ Supports two SFF drives (SAS/SATA) <ul style="list-style-type: none"> • Slot 7 (drive bay 104), x4 • Slot 8 (drive bay 103), x4 • When using a hardware drive controller card (SAS HBA) in the server, SAS/SATA HDDs are supported in the rear bays. <p>Riser 3C (for GPU, CPU2 control)</p> <ul style="list-style-type: none"> ■ Supports one full-height, full-length, double-wide GPU (PCIe slot 7 only), x16 <ul style="list-style-type: none"> • Slot 8 is blocked by double-wide GPU <p>See Riser Card Configuration and Options, page 83 for details.</p>	<p>9 -10</p>	<p>Dual 1/10 GbE Ethernet ports (LAN1, LAN2)</p> <p>LAN1 is left connector, LAN2 is right connector</p>
<p>4</p>	<p>Modular LAN-on-motherboard (mLOM) card slot (x16)</p>	<p>11</p>	<p>USB 3.0 ports (two)</p>
<p>5</p>	<p>System ID pushbutton/LED</p>	<p>12</p>	<p>Power supplies (two)</p>
<p>6</p>	<p>VGA display port (DB15 connector)</p>	<p>-</p>	<p>-</p>




NOTE: For GPU support on a particular riser slot, see [Table 18 on page 42](#)

BASE SERVER NODE STANDARD CAPABILITIES and FEATURES

Table 1 lists the capabilities and features of the base server. Details about how to configure the server for a particular feature or capability (for example, number of processors, disk drives, or amount of memory) are provided in *CONFIGURING the SERVER, page 16*.

Table 1 Capabilities and Features

Capability/Feature	Description
Chassis	Two rack unit (2RU) chassis
CPU	One or two 3rd Gen Intel® Xeon® Scalable Processors (Ice Lake)
Chipset	Intel® C621A series chipset
Memory	32 slots for registered DIMMs (RDIMMs) or load-reduced DIMMs (LRDIMMs)
Multi-bit Error Protection	This server supports multi-bit error protection.
Video	<p>The Cisco Integrated Management Controller (CIMC) provides video using the Matrox G200e video/graphics controller:</p> <ul style="list-style-type: none"> ■ Integrated 2D graphics core with hardware acceleration ■ Embedded DDR memory interface supports up to 512 MB of addressable memory (8 MB is allocated by default to video memory) ■ Supports display resolutions up to 1920 x 1200 16bpp @ 60Hz ■ High-speed integrated 24-bit RAMDAC ■ Single lane PCI-Express host interface running at Gen 1 speed
Power subsystem	<p>Up to two of the following hot-swappable power supplies:</p> <ul style="list-style-type: none"> ■ 1050 W (AC) ■ 1050 W (DC) ■ 1600 W (AC) ■ 2300 W (AC) <p>One power supply is mandatory; one more can be added for 1 + 1 redundancy.</p>
Front Panel	A front panel controller provides status indications and control buttons.
ACPI	This server supports the advanced configuration and power interface (ACPI) 6.2 standard.
Fans	Six hot-swappable fans for front-to-rear cooling
Expansion slots	<ul style="list-style-type: none"> ■ Riser 1A (3 PCIe slots) ■ Riser 1B (2 drive bays) ■ Riser 2A (3 PCIe slots) ■ Riser 3A (2 PCIe slots) ■ Riser 3B (2 drive bays) ■ Riser 3C (1 full-length, double-wide GPU) <p> Note: Not all risers are available in every server configuration option.</p> <p>For more details on the variations of riser 1, riser 2, and riser 3, see Riser Card Configuration and Options, page 83.</p>

Capability/ Feature	Description
Interfaces	<ul style="list-style-type: none"> ■ Rear panel <ul style="list-style-type: none"> • One 1Gbase-T RJ-45 management port • Two 10Gbase-T LOM ports • One RS-232 serial port (RJ45 connector) • One DB15 VGA connector • Two USB 3.0 port connectors • One flexible modular LAN on motherboard (mLOM) slot that can accommodate various interface cards ■ Front panel <ul style="list-style-type: none"> • One KVM console connector (supplies two USB 2.0 connectors, one VGA DB15 video connector, and one serial port (RS232) RJ45 connector)
Internal storage devices	<p><u>Drive storage:</u></p> <p>The server is orderable in two different nodes:</p> <p>HXAF-E-240-M6SX (All Flash):</p> <ul style="list-style-type: none"> ■ Up to 24 front SFF solid state drives (SSDs). 24 Drives are used as below: <ul style="list-style-type: none"> • Three to twenty-two SAS/SATA SSD (for capacity) • One SAS/SATA SSD (for caching) • One SAS/SATA SSD (system drive for HXDP operations) ■ Up to 4 SFF rear-facing SAS/SATA drives (Optional) <p>HX-E-240-M6SX (Hybrid):</p> <ul style="list-style-type: none"> ■ Up to 24 front SFF hard drives (HDDs) and solid state drives (SSDs). 24 Drives are used as below: <ul style="list-style-type: none"> • Three to twenty-two SAS HDD (for capacity) • One SAS/SATA SSD (for caching) • One SAS/SATA SSD (system drive for HXDP operations) ■ Up to 4 SFF rear-facing SAS/SATA drives (Optional) <p><u>Other storage:</u></p> <ul style="list-style-type: none"> ■ A mini-storage module connector on the motherboard supports a boot-optimized RAID controller carrier that holds two SATA M.2 SSDs. Mixing different capacity SATA M.2 SSDs is not supported. This mini storage module for following usage: <ul style="list-style-type: none"> • ESXi hypervisor boot and HyperFlex storage controller VM
Integrated management processor	<p>Baseboard Management Controller (BMC) running Cisco Integrated Management Controller (CIMC) firmware.</p> <p>Depending on your CIMC settings, the CIMC can be accessed through the 1GE dedicated management port, the 1GE/10GE LOM ports, or a Cisco virtual interface card (VIC).</p> <p>CIMC manages certain components within the server, such as the Cisco 12G SAS HBA.</p>

Capability/Feature	Description
Storage controllers	<p>One or two 12G SAS HBAs plug into a dedicated slot.</p> <ul style="list-style-type: none"> ■ Cisco M6 12G SAS HBA <ul style="list-style-type: none"> • No RAID support • JBOD/Pass-through Mode support • Each HBA supports up to 16 SAS/SATA internal drives
Modular LAN on Motherboard (mLOM) slot	<p>The dedicated mLOM slot on the motherboard can flexibly accommodate the following cards:</p> <ul style="list-style-type: none"> ■ Cisco Virtual Interface Cards
(optional) Additional NICs	<p>PCIe slot 1 and PCIe slot 2 on the motherboard can flexibly accommodate the following cards:</p> <ul style="list-style-type: none"> ■ Intel i350 quad-port 1G copper PCIe ■ Intel X710-DA2 Dual Port 10Gb SFP+ NIC ■ Intel X710 quad-port 10G SFP+ NIC ■ Cisco-Inte X710T2LG 2x10 GbE RJ45 PCIe NIC ■ Cisco-Intel E810XXVDA2 2x25/10 GbE SFP28 PCIe NIC ■ Cisco-Intel E810XXVDA4L 4x25/10 GbE SFP28 PCIe NIC
Intersight	Intersight provides server management capabilities
CIMC	Cisco Integrated Management Controller 4.2(1) or later

CONFIGURING the SERVER

Follow these steps to configure the Cisco UCS HX240 M6 Edge All Flash/Hybrid Server Nodes:

- [STEP 1 VERIFY SERVER SKU, page 17](#)
- [STEP 2 SELECT RISER CARDS \(REQUIRED\), page 19](#)
- [STEP 3 SELECT CPU\(s\), page 20](#)
- [STEP 4 SELECT MEMORY, page 24](#)
- [STEP 5 SELECT DRIVE CONTROLLERS, page 29](#)
- [STEP 6 SELECT DRIVES, page 30](#)
- [STEP 7 SELECT OPTION CARD\(s\), page 35](#)
- [STEP 8 ORDER OPTIONAL PCIe OPTION CARD ACCESSORIES, page 37](#)
- [STEP 9 SELECT HYPERFLEX EDGE NETWORK TOPOLOGY, page 40](#)
- [STEP 10 ORDER GPU CARDS \(OPTIONAL\), page 42](#)
- [STEP 11 ORDER POWER SUPPLY, page 43](#)
- [STEP 12 SELECT INPUT POWER CORD\(s\), page 44](#)
- [STEP 13 ORDER TOOL-LESS RAIL KIT AND OPTIONAL REVERSIBLE CABLE MANAGEMENT ARM, page 48](#)
- [STEP 14 ORDER SECURITY DEVICES \(OPTIONAL\), page 49](#)
- [STEP 15 SELECT LOCKING SECURITY BEZEL \(OPTIONAL\), page 50](#)
- [STEP 16 SELECT HYPERVISOR / HOST OPERATING SYSTEM, page 51](#)
- [STEP 17 SELECT HYPERFLEX DATA PLATFORM \(HXDP\) SOFTWARE, page 53](#)
- [STEP 18 CISCO INTERSIGHT, page 54](#)
- [STEP 19 SELECT INSTALLATION SERVICE, page 55](#)
- [STEP 20 SELECT SERVICE and SUPPORT LEVEL, page 56](#)

STEP 1 VERIFY SERVER SKU

Table 2 PID of Major Line Bundle (MLB)

Product ID (PID)	Description
HX-M6-MLB	HX/HXAF/EDG M6 MLB This major line bundle (MLB) consists of the HyperFlex All Flash, Hybrid and Edge Server Nodes, with Intersight and HXDP software spare PIDs.

Select one server product ID (PID) from [Table 3](#).

Table 3 PID of the HX240 M6 Edge All Flash/Hybrid Base Server Nodes

Product ID (PID)	Description
HXAF-E-240-M6SX1 (All Flash)	Cisco HyperFlex HX240 All Flash Edge sever has Small form-factor (SFF) drives, with 24-drive backplane. <ul style="list-style-type: none"> ■ Front-loading drive bays 1–24 support 2.5-inch SAS/SATA drives. ■ Optionally, 4 rear facing SAS/SATA drives ■ No CPU, memory, drives, PCIe cards, or power supply included
HX-E-240-M6SX1 (Hybrid)	Cisco HyperFlex HX240 Hybrid Edge sever has Small form-factor (SFF) drives, with 24-drive backplane. <ul style="list-style-type: none"> ■ Front-loading drive bays 1–24 support 2.5-inch SAS/SATA drives. ■ Optionally, 4 rear facing SAS/SATA drives ■ No CPU, memory, drives, PCIe cards, or power supply included

Notes:

1. This product may not be purchased outside of the approved bundles (must be ordered under the MLB)

The HX240 M6 Edge All Flash/Hybrid Base Server Nodes do not include power supplies, CPUs, DIMM, hard disk drives (HDDs), solid-state drives (SSDs) riser 1, riser 2, riser 3, tool-less rail kit, or option cards.

Requires selection of one HyperFlex network topology based on the top of rack switch configuration and network redundancy requirements. Selecting a topology automatically adds the necessary networking adapters to the configuration.

HX240 M6 Edge All Flash/Hybrid Clusters:

HyperFlex Edge clusters can be configured in 2, 3 or 4 node configurations. Single node clusters and clusters larger than 4 nodes are not supported with HyperFlex Edge.



NOTE:

- Use the steps on the following pages to configure the server with the components that you want to include.
- Refer to [Cisco HyperFlex Drive Compatibility](#) document for future expansion and drive compatibility within the same node and HX cluster.

STEP 2 SELECT RISER CARDS (REQUIRED)

Select risers from [Table 4](#).

Table 4 PIDs of the Risers

Product ID (PID)	Description
HX-RIS1A-240M6 (default riser)	C240 M6 Riser1A (controlled with CPU1) <ul style="list-style-type: none"> ■ PCIe Slot 1 (bottom slot): full height, 3/4 length, x8, NCSI ■ PCIe Slot 2 (middle slot): full height, full length (GPU Card), x16, NCSI ■ PCIe Slot 3 (top slot): full height, full length, x8
HX-RIS1B-240M6 (storage riser)	C240 M6 Riser1B (controlled with CPU1) <ul style="list-style-type: none"> ■ Slot 1 is reserved ■ Slot 2 (middle slot, 2.5" drive bay 102), x4 ■ Slot 3 (top slot, 2.5" drive bay 101), x4
UCSC-RIS2A-240M6 (default riser)	C240 M6 Riser2A (controlled with CPU2) <ul style="list-style-type: none"> ■ Slot 4 (bottom slot): full height, 3/4 length, x8, NCSI ■ Slot 5 (middle slot): full height, full length (GPU Card), x16, NCSI ■ Slot 6 (top slot): full height, full length, x8
HX-RIS3A-240M6 (default riser)	C240 M6 Riser3A (controlled with CPU2) <ul style="list-style-type: none"> ■ Slot 7 (bottom slot): full height, full length (GPU Card), x8 ■ Slot 8 (top slot): full height, full length (GPU Card), x8
HX-RIS3B-240M6 (storage riser)	C240 M6 Riser 3B (controlled with CPU2) <ul style="list-style-type: none"> ■ Slot 7 (bottom slot, 2.5" drive bay 104), x4 ■ Slot 8 (top slot, 2.5" drive bay 103), x4
HX-RIS3C-240M6 (GPU riser)	C240 M6 Riser 3C (controlled with CPU2) <ul style="list-style-type: none"> ■ Slot 7 supports one full-height, full-length, double-wide GPU (PCIe slot 7 only), x16 ■ Slot 8 blocked by double-wide GPU



NOTE:

If there is any PCIe slot that does not have a card installed, you must order a blanking panel for that slot (UCSC-FBRS2-C240M6 = for riser 2 and UCSC-FBRS3-C240M6= for riser 3).

For additional details, see [Riser Card Configuration and Options, page 83](#).

STEP 3 SELECT CPU(s)

The standard CPU features are:

- 3rd Gen Intel® Xeon® Scalable Processors (Ice Lake)
- Intel® C621A series chipset
- Cache size of up to 60 MB
- Up to 40 cores

Select CPUs

The available CPUs are listed in [Table 5](#).

Table 5 Available CPUs

Product ID (PID)	Clock Freq (GHz)	Power (W)	Cache Size (MB)	Cores	UPI ¹ Links (GT/s)	Highest DDR4 DIMM Clock Support (MHz) ²
8000 Series Processors						
HX-CPU-I8380	2.3	270	60	40	3 at 11.2	3200
HX-CPU-I8368	2.4	270	57	38	3 at 11.2	3200
HX-CPU-I8362	2.8	265	48	32	3 at 11.2	3200
HX-CPU-I8360Y	2.4	250	54	36	3 at 11.2	3200
HX-CPU-I8358P	2.6	240	48	32	3 at 11.2	3200
HX-CPU-I8358	2.6	250	48	32	3 at 11.2	3200
HX-CPU-I8352Y	2.2	205	48	32	3 at 11.2	3200
HX-CPU-I8352V	2.1	195	54	36	3 at 11.2	2933
HX-CPU-I8352M	2.3	185	48	32	3 at 11.2	2933
HX-CPU-I8352S	2.2	205	48	32	3 at 11.2	3200
HX-CPU-I8351N ³	2.4	225	54	36	0	2933
6000 Series Processors						
HX-CPU-I6354	3.0	205	39	18	3 at 11.2	3200
HX-CPU-I6348	2.6	235	42	28	3 at 11.2	3200
HX-CPU-I6346	3.1	205	36	16	3 at 11.2	3200
HX-CPU-I6342	2.8	230	36	24	3 at 11.2	3200
HX-CPU-I6338N	2.2	185	48	32	3 at 11.2	2666
HX-CPU-I6338T	2.1	165	36	24	3 at 11.2	3200
HX-CPU-I6338	2.0	205	48	32	3 at 11.2	3200
HX-CPU-I6336Y	2.4	185	36	24	3 at 11.2	3200
HX-CPU-I6334	3.6	165	18	8	3 at 11.2	3200
HX-CPU-I6330N	2.2	165	42	28	3 at 11.2	2666
HX-CPU-I6330	2.0	205	42	28	3 at 11.2	2933

Table 5 Available CPUs

Product ID (PID)	Clock Freq (GHz)	Power (W)	Cache Size (MB)	Cores	UPI ¹ Links (GT/s)	Highest DDR4 DIMM Clock Support (MHz) ²
HX-CPU-I6326	2.9	185	24	16	3 at 11.2	3200
HX-CPU-I6314U ⁴	2.3	205	48	32	0	3200
HX-CPU-I6312U ⁵	2.4	185	36	24	0	3200
5000 Series Processors						
HX-CPU-I5320T	2.3	150	30	20	3 at 11.2	2933
HX-CPU-I5320	2.2	185	39	26	3 at 11.2	2933
HX-CPU-I5318N	2.1	150	36	24	3 at 11.2	2666
HX-CPU-I5318S	2.1	165	36	24	3 at 11.2	2933
HX-CPU-I5318Y	2.1	165	36	24	3 at 11.2	2933
HX-CPU-I5317	3.0	150	18	12	3 at 11.2	2933
HX-CPU-I5315Y	3.2	140	12	8	3 at 11.2	2933
4000 Series Processors						
HX-CPU-I4316	2.3	150	30	20	2 at 10.4	2666
HX-CPU-I4314	2.4	135	24	16	2 at 10.4	2666
HX-CPU-I4310T	2.3	105	15	10	2 at 10.4	2666
HX-CPU-I4310	2.1	120	18	12	2 at 10.4	2666
HX-CPU-I4309Y	2.8	105	12	8	2 at 10.4	2666

Notes:

1. UPI = Ultra Path Interconnect.
2. If higher or lower speed DIMMs are selected than what is shown in [Table 7 on page 25](#) for a given CPU speed, the DIMMs will be clocked at the lowest common denominator of CPU clock and DIMM clock.
3. The maximum number of HX-CPU-I8351N CPUs is one
4. The maximum number of HX-CPU-I6314U CPUs is one
5. The maximum number of HX-CPU-I6312U CPUs is one



CAUTION: For systems configured with 3rd Gen Intel® Xeon® Scalable Processors (Ice Lake) operating above 28° C [82.4° F], a fan fault or executing workloads with extensive use of heavy instructions sets such as Intel® Advanced Vector Extensions 512 (Intel® AVX-512), may assert thermal and/or performance faults with an associated event recorded in the System Event Log (SEL).

If an NVIDIA A10 or A100 is installed or rear HDDs are installed, the 28° C [82.4° F] restriction changes to 25° C [77° F].

Table 6 CPU Suffixes

CPU Suffix	Description	Features
N	Networking Optimized	Optimized for use in networking applications like L3 forwarding, 5G UPF, OVS DPDK, VPP FIB router, VPP IPsec, web server/NGINX, vEPC, vBNG, and vCMTS. SKUs have higher base frequency with lower TDPs to enable best performance/Watt
P	Cloud Optimized	SKU specifically designed for cloud IaaS environments to deliver higher frequencies at constrained TDPs
V	Cloud Optimized	SKUs specifically designed for cloud environments to deliver high rack density and maximize VM/cores per TCO\$
T	High T case	SKUs designed for Network Environment-Building System (NEBS) environments
U	1-socket Optimized	Optimized for targeted platforms adequately served by the cores, memory bandwidth and IO capacity available from a single processor
S	Max SGX enclave size	Supports Max SGX enclave size (512GB) to enhance and protect the most sensitive portions of a workload or service
M	Media and AI optimized	Media, AI and HPC Segment Optimized for lower TDP & higher frequencies delivering better perf/w
Y	Speed Select - Performance Profile	Intel® Speed Select Technology provides the ability to set a guaranteed base frequency for a specific number of cores, and assign this performance profile to a specific application/workload to guarantee performance requirements. It also provides the ability to configure settings during runtime and provide additional frequency profile configuration opportunities.

Supported Configurations

(1) DIMMs only configurations:

- Select one or two identical CPUs listed in [Table 5 Available CPUs, page 20](#)

(2) One-CPU Configuration

- Choose one CPU from any one of the rows of [Table 5 Available CPUs, page 20](#)
- HX Edge supports single socket for 10 core and above

(3) Two-CPU Configuration

- Choose two identical CPUs from any one of the rows of [Table 5 Available CPUs, page 20](#)



NOTE:

- You cannot have two I8351N or two I6314U or I6312U CPUs in a two-CPU configuration.
 - If you configure a server with one I8351N CPU or one I6314U CPU or one I6312U CPU you cannot later upgrade to a 2-CPU system with two of these CPUs.
-

Caveats

- The selection of 1 or 2 CPUs depends on the desired server functionality. See the following sections:
 - [STEP 4 SELECT MEMORY, page 24](#)
 - [STEP 5 SELECT DRIVE CONTROLLERS, page 29](#)
 - [STEP 6 SELECT DRIVES, page 30](#)
 - [STEP 7 SELECT OPTION CARD\(s\), page 35](#)

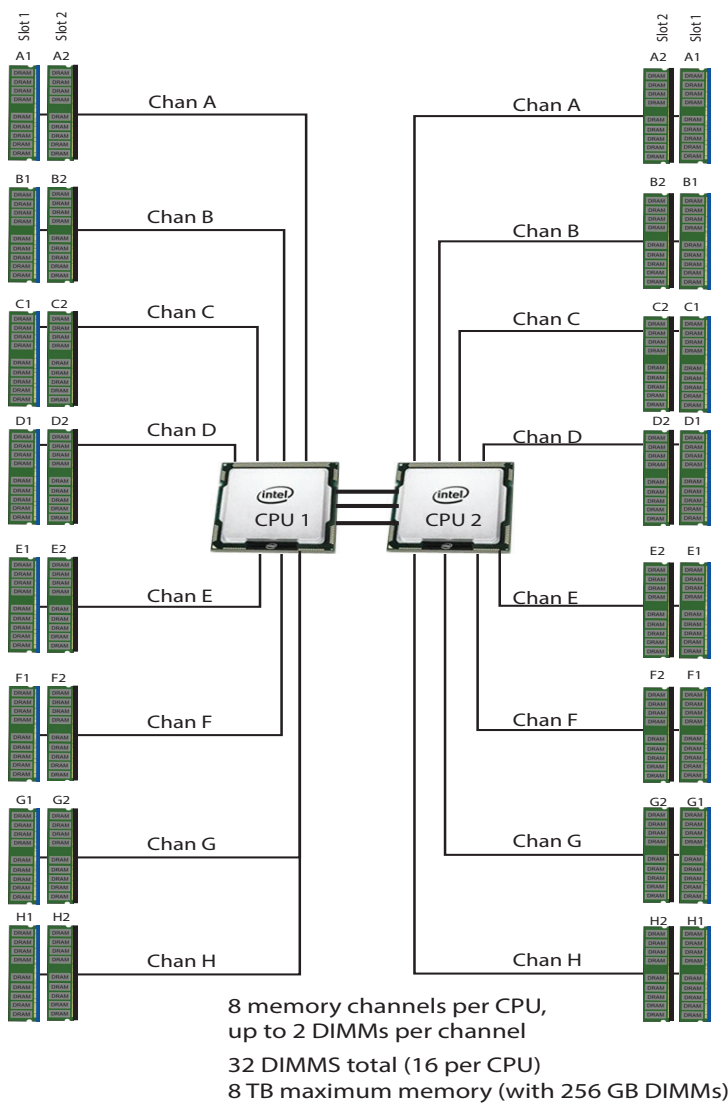
STEP 4 SELECT MEMORY

The available memory main characteristics for the HX240 M6 Edge All Flash/Hybrid Server Nodes are as follows:

- Clock speed: 3200 MHz
- Ranks per DIMM: 1, 2, 4, or 8
- Operational voltage: 1.2 V
- Registered ECC DDR4 DIMMS (RDIMMs), Load-reduced DIMMs (LRDIMMs)

Memory is organized with eight memory channels per CPU, with up to two DIMMs per channel, as shown in [Figure 6](#).

Figure 6 HX240 M6 Edge All Flash/Hybrid Server Nodes Memory Organization



Select DIMMs

The supported memory DIMMs are listed in [Table 7](#).

Table 7 Available DDR4 DIMMs

Product ID (PID)	PID Description	Voltage	Ranks /DIMM
3200-MHz DIMMs			
HX-MR-X16G1RW	16 GB RDIMM SRx4 3200 (8Gb)	1.2 V	1
HX-MR-X32G1RW	32 GB RDIMM SRx4 3200 (16Gb)	1.2 V	1
HX-MR-X32G2RW	32 GB RDIMM DRx4 3200 (8Gb)	1.2 V	2
HX-MR-X64G2RW	64 GB RDIMM DRx4 3200 (16Gb)	1.2 V	2
HX-ML-128G4RW	128 GB LRDIMM QRx4 3200 (16Gb) (non-3DS)	1.2 V	4
HX-ML-256G8RW ^{1,2}	256 GB LRDIMM 8Rx4 3200 (16Gb) (3DS)	1.2 V	8
DIMM Blank³			
UCS-DIMM-BLK	UCS DIMM Blank		

Notes:

1. 256 GB DIMM is available on HX240M6 server models, with the exclusion of HX240M6 LFF model.
2. 256 GB DIMMs cannot be combined with GPU cards, and the ambient temperature shall be limited to a maximum of 28°C.
3. Any empty DIMM slot must be populated with a DIMM blank to maintain proper cooling airflow.



NOTE:

- System performance is optimized when the DIMM type and quantity are equal for both CPUs, and when all channels are filled equally across the CPUs in the server.
- The selected DIMMs must be all of same type and number of DIMMs must be equal for both CPUs
- HyperFlex Data Platform reserves memory for each controller VM. Refer to the [<Install Guide>](#) for reservation details.
- The memory mirroring feature is not supported with HyperFlex nodes.

Memory Configurations, Features

System speed is dependent on the CPU DIMM speed support. Refer to [Available CPUs, page 20](#) for DIMM speeds.

- The server supports the following memory reliability, availability, and serviceability (RAS) BIOS options (only one option can be chosen):
 - Adaptive Double Device Data Correction (ADDDC) (default)
 - Maximum performance
- For best performance, observe the following:
 - When one DIMM is used, it must be populated in DIMM slot 1 (farthest away from the CPU) of a given channel.
 - When single- or dual-rank DIMMs are populated in two DIMMs per channel (2DPC) configurations, always populate the higher number rank DIMM first (starting from the farthest slot). For a 2DPC example, first populate with dual-rank DIMMs in DIMM slot 1. Then populate single-rank DIMMs in DIMM 2 slot.
- DIMMs for CPU 1 and CPU 2 (when populated) must always be configured identically.
- Cisco memory from previous generation servers (DDR3 and DDR4) is not compatible with the server.
- Memory can be configured in any number of DIMMs as pairs, although for optimal performance, see the following document

Approved Configurations

(1) 1-CPU configuration:

- Select from 1 to 16 DIMMs
 - 1, 2, 4, 6, 8, 12, or 16 DIMMs allowed
 - 3, 5, 7, 9, 10, 11, 13, 14, 15 DIMMs not allowed
 - DIMMs for both CPUs must be configured identically.

The DIMMs will be placed by the factory as shown in the following tables.

#DIMMs	CPU 1 DIMM Placement in Channels (for identically ranked DIMMs)
1	(A1)
2	(A1, E1)
4	(A1, C1); (E1, G1)
6	(A1, C1); (D1, E1); (G1, H1)
8	(A1, C1); (D1, E1); (G1, H1); (B1, F1)
12	(A1, C1); (D1, E1); (G1, H1); (A2, C2); (D2, E2); (G2, H2)
16	(A1, B1); (C1, D1); (E1, F1); (G1, H1); (A2, B2); (C2, D2); (E2, F2); (G2, H2)

(2) 2-CPU configuration:

- Select from 1 to 16 DIMMs per CPU
 - 1, 2, 4, 6, 8, 12, or 16 DIMMs allowed
 - 3, 5, 7, 9, 10, 11, 13, 14, 15 DIMMs not allowed
 - DIMMs for both CPUs must be configured identically.

The DIMMs will be placed by the factory as shown in the following tables.

#DIMMs	CPU 1 DIMM Placement in Channels (for identically ranked DIMMs)	CPU 2 DIMM Placement in Channels (for identically ranked DIMMs)
1	(A1)	(A1)
2	(A1, E1)	(A1, E1)
4	(A1, C1); (E1, G1)	(A1, C1); (E1, G1)
6	(A1, C1); (D1, E1); (G1, H1)	(A1, C1); (D1, E1); (G1, H1)
8	(A1, C1); (D1, E1); (G1, H1); (B1, F1)	(A1, C1); (D1, E1); (G1, H1); (B1, F1)
12	(A1, C1); (D1, E1); (G1, H1); (A2, C2); (D2, E2); (G2, H2)	(A1, C1); (D1, E1); (G1, H1); (A2, C2); (D2, E2); (G2, H2)
16	(A1, B1); (C1, D1); (E1, F1); (G1, H1); (A2, B2); (C2, D2); (E2, F2); (G2, H2)	(A1, B1); (C1, D1); (E1, F1); (G1, H1); (A2, B2); (C2, D2); (E2, F2); (G2, H2)



NOTE: System performance is optimized when the DIMM type and quantity are equal for both CPUs, and when all channels are filled equally across the CPUs in the server.

Table 8 3200-MHz DIMM Memory Speeds with Different Intel® Xeon® Ice Lake® Processors

DIMM and CPU Frequencies (MHz)	DPC	LRDIMM (8Rx4)- 256 GB (MHz)	LRDIMM (4Rx4)- 128 GB (MHz)	RDIMM (2Rx4) - 64 GB (MHz)	RDIMM (2Rx4) - 32 GB (MHz)	RDIMM (1Rx4) - 16 GB (MHz)
		1.2 V	1.2 V	1.2 V	1.2 V	1.2 V
DIMM = 3200 CPU = 3200	1DPC	3200	3200	3200	3200	3200
	2DPC	3200	3200	3200	3200	3200
DIMM = 3200 CPU = 2933	1DPC	2933	2933	2933	2933	2933
	2DPC	2933	2933	2933	2933	2933
DIMM = 3200 CPU = 2666	1DPC	2666	2666	2666	2666	2666
	2DPC	2666	2666	2666	2666	2666

DIMM Rules

- Allowed DIMM count for 1 CPU:
 - Minimum DIMM count = 1; Maximum DIMM count = 16
 - 1, 2, 4, 6, 8, 12, or 16 DIMMs allowed
 - 3, 5, 7, 9, 10, 11, 13, 14, or 15 DIMMs not allowed.
- Allowed DIMM count for 2 CPUs
 - Minimum DIMM count = 2; Maximum DIMM count = 32
 - 2, 4, 8, 12, 16, 24, or 32 DIMMs allowed
 - 6, 10, 14, 18, 20, 22, 26, 28, or 30 DIMMs not allowed.
- DIMM Mixing:
 - Mixing different types of DIMM (RDIMM with any type of LRDIMM or 3DS LRDIMM with non-3DS LRDIMM) is not supported within a server.
 - Mixing RDIMM with RDIMM types is allowed if they are mixed in same quantities, in a balanced configuration.
 - Mixing 16 GB, 32 GB, and 64 GB RDIMMs is supported.
 - 128 GB and 256 GB LRDIMMs cannot be mixed with other RDIMMs
 - 128 GB non-3DS LRDIMMs cannot be mixed with 256 GB 3DS LRDIMMs

See the detailed mixing DIMM configurations at the [HX M6 Memory Guide](#)

STEP 5 SELECT DRIVE CONTROLLERS

The following list summarizes how drives are controlled on the server:

- SAS/SATA drives are controlled through one or two Cisco 12G SAS pass-through HBAs
- PCIe drives are controlled directly from the CPUs

Cisco 12G SAS HBA

This HBA supports up to 16 SAS or SATA drives (HX-E-240-M6SX and HXAF-E-240-M6SX server has 24 front drives and 2 or 4 rear drives) operating at 3 Gbs, 6 Gbs, and 12Gbs. It supports JBOD or pass-through mode (not RAID) and plugs directly into the drive backplane. Two of these controllers are required to control 24 front drives and 2 or 4 rear drives.

Select Drive Controller Options

Select the following:

- Cisco 12G SAS HBA (see [Table 9](#))

Table 9 Hardware Controller Options

Product ID (PID)	PID Description
Controllers for Internal Drives	
Note that if a Cisco 12G SAS HBA is selected, it is factory-installed in the drive backplane connector.	
HX-SAS-240M6	Cisco 12G SAS HBA ¹ <ul style="list-style-type: none"> ■ Supports up to 16 internal SAS HDDs and SAS/SATA SSDs ■ Supports JBOD or pass-through mode

Notes:

1. Two of these controllers are required to control 24 front drives and four rear drives.

Approved Configurations

- The Cisco 12 Gbps Modular SAS HBA supports up to 26 internal drives with non-RAID support.

STEP 6 SELECT DRIVES

The standard disk drive features are:

- 2.5-inch small form factor
- Hot-pluggable
- Drives come mounted in sleds

Select Drives - HXAF-E-240-M6SX (All Flash)

The available drives are listed in [Table 10](#)

Table 10 Available Hot-Pluggable Sled-Mounted Drives

Product ID (PID)	PID Description	Drive Type	Capacity
Front Capacity Drive			
HX-SD19T61X-EV	1.9TB 2.5 inch Enterprise Value 6G SATA SSD	SATA	1.9 TB
HX-SD38T61X-EV	3.8TB 2.5 inch Enterprise Value 6G SATA SSD	SATA	3.8 TB
HX-SD76T61X-EV	7.6TB 2.5 inch Enterprise Value 6G SATA SSD	SATA	7.6 TB
HX-SD960G6S1X-EV	960GB 2.5 inch Enterprise Value 6G SATA SSD (HyperFlex Release 5.0(1c) and later)	SATA	960 GB
HX-SD19T6S1X-EV	1.9TB 2.5 inch Enterprise Value 6G SATA SSD (HyperFlex Release 5.0(1c) and later)	SATA	1.9 TB
HX-SD38T6S1X-EV	3.8TB 2.5 inch Enterprise Value 6G SATA SSD (HyperFlex Release 5.0(1c) and later)	SATA	3.8 TB
HX-SD76T6S1X-EV	7.6TB 2.5 inch Enterprise Value 6G SATA SSD (HyperFlex Release 5.0(1c) and later)	SATA	7.6 TB
Rear Capacity Drive			
HX-SD19T61X-EV	1.9TB 2.5 inch Enterprise Value 6G SATA SSD	SATA	1.9 TB
HX-SD38T61X-EV	3.8TB 2.5 inch Enterprise Value 6G SATA SSD	SATA	3.8 TB
HX-SD76T61X-EV	7.6TB 2.5 inch Enterprise Value 6G SATA SSD	SATA	7.6 TB
HX-SD960G6S1X-EV	960GB 2.5 inch Enterprise Value 6G SATA SSD (HyperFlex Release 5.0(1c) and later)	SATA	960 GB
HX-SD19T6S1X-EV	1.9TB 2.5 inch Enterprise Value 6G SATA SSD (HyperFlex Release 5.0(1c) and later)	SATA	1.9 TB
HX-SD38T6S1X-EV	3.8TB 2.5 inch Enterprise Value 6G SATA SSD (HyperFlex Release 5.0(1c) and later)	SATA	3.8 TB
HX-SD76T6S1X-EV	7.6TB 2.5 inch Enterprise Value 6G SATA SSD (HyperFlex Release 5.0(1c) and later)	SATA	7.6 TB
Front Cache Drive			
HX-SD800GK3X-EP	800GB 2.5in Enterprise Performance 12G SAS SSD(3X endurance)	SAS	800 GB

Table 10 Available Hot-Pluggable Sled-Mounted Drives

Product ID (PID)	PID Description	Drive Type	Capacity
Front System Drive			
HX-SD240GM1X-EV	240 GB 2.5 inch Enterprise Value 6G SATA SSD	SATA	240 GB
Boot Drive			
HX-M2-240GB	240GB SATA M.2	SATA	240 GB
HX-M2-HWRAID	Cisco Boot optimized M.2 Raid controller		
<p>NOTE: Cisco uses solid state drives (SSDs) from a number of vendors. All solid state drives (SSDs) are subject to physical write limits and have varying maximum usage limitation specifications set by the manufacturer. Cisco will not replace any solid state drives (SSDs) that have exceeded any maximum usage specifications set by Cisco or the manufacturer, as determined solely by Cisco.</p>			

Approved Configurations

- Capacity drive:
 - For 2 node edge Cluster:
 - **I/O centric:** three to sixteen front capacity drives
 - **Storage centric:** three to sixteen front capacity drives
 - For 3 node and 4 node edge Cluster:
 - **I/O centric:** three to twenty-two front capacity drives
 - **Storage centric:** three to twenty-six (twenty-two front + four rear) capacity drives



NOTE:

- Rear drives can only be selected once after the front drive slots are filled.
- A minimum of 3 capacity drives is supported for HX Edge configuration.
- For cluster scale related information please see the product [release notes](#)

- One cache drive
- One system drive
- One boot drive



NOTE:

- Order two identical M.2 SATA SSDs for the boot-optimized RAID controller. You cannot mix M.2 SATA SSD capacities. It is recommended that M.2 SATA SSDs be used as boot-only devices.
- It is recommended that M.2 SATA SSDs be used as boot-only devices.
- The Boot-Optimized RAID controller supports VMWare, Windows and Linux Operating Systems.
- CIMC/UCSM is supported for configuring of volumes and monitoring of the controller and installed SATA M.2 drives.
- The minimum version of Cisco IMC and Cisco UCS Manager that supports this controller is 4.2(1) and later. The name of the controller in the software is MSTOR-RAID
- The SATA M.2 drives can boot in UEFI mode only. Legacy boot mode is not supported.
- Hot-plug replacement is not supported. The server must be powered off.
- The boot-optimized RAID controller is supported when the server is used as a compute node in HyperFlex configurations.
- See [Figure 21 on page 79](#) for the location of the module connector on the motherboard. This connector accepts the boot-optimized RAID controller.

Caveats

- NVMe drives and Self Encrypting Drives (SEDs) are not supported for HX Edge configurations.

Select Drives - HX-E-240-M6SX (Hybrid)

The available drives are listed in [Table 11](#)

Table 11 Available Hot-Pluggable Sled-Mounted Drives

Product ID (PID)	PID Description	Drive Type	Capacity
Front Capacity Drive			
HX-HD12TB10K12N	1.2 TB 12G SAS 10K RPM SFF HDD	SAS	1.2 TB
HX-HD18TB10K4KN	1.8TB 12G SAS 10K RPM SFF HDD (4K)	SAS	1.8 TB
HX-HD24TB10K4KN	2.4 TB 12G SAS 10K RPM SFF HDD (4K)	SAS	2.4 TB
Rear Capacity Drive			
HX-HD12TB10K12N	1.2 TB 12G SAS 10K RPM SFF HDD	SAS	1.2 TB
HX-HD18TB10K4KN	1.8TB 12G SAS 10K RPM SFF HDD (4K)	SAS	1.8 TB
HX-HD24TB10K4KN	2.4 TB 12G SAS 10K RPM SFF HDD (4K)	SAS	2.4 TB
Front Cache Drive			
HX-SD16TK3X-EP	1.6TB 2.5in Enterprise Performance 12G SAS SSD(3X endurance)	SAS	1.6 TB
Front System Drive			
HX-SD240GM1X-EV	240GB 2.5 inch Enterprise Value 6G SATA SSD	SATA	240 GB
Boot Drive			
HX-M2-240GB	240GB SATA M.2	SATA	240 GB
HX-M2-HWRAID	Cisco Boot optimized M.2 Raid controller		
<p>NOTE: Cisco uses solid state drives (SSDs) from a number of vendors. All solid state drives (SSDs) are subject to physical write limits and have varying maximum usage limitation specifications set by the manufacturer. Cisco will not replace any solid state drives (SSDs) that have exceeded any maximum usage specifications set by Cisco or the manufacturer, as determined solely by Cisco.</p>			

Approved Configurations

- Capacity drive:
 - For 2 node edge Cluster:
 - **I/O centric:** three to sixteen front capacity drives
 - **Storage centric:** three to sixteen front capacity drives
 - For 3 node and 4 node edge Cluster:
 - **I/O centric:** three to twenty-two front capacity drives
 - **Storage centric:** three to twenty-six (twenty-two front + four rear) capacity drives



NOTE:

- Rear drives can only be selected once after the front drive slots are filled.
- A minimum of 3 capacity drives is supported for HX Edge configuration.
- For cluster scale related information please see the product [release notes](#)

- One cache drive
- One system drive
- One boot drive



NOTE:

- Order two identical M.2 SATA SSDs for the boot-optimized RAID controller. You cannot mix M.2 SATA SSD capacities. It is recommended that M.2 SATA SSDs be used as boot-only devices.
- The Boot-Optimized RAID controller supports VMWare, Windows and Linux Operating Systems.
- CIMC/UCSM is supported for configuring of volumes and monitoring of the controller and installed SATA M.2 drives.
- The minimum version of Cisco IMC and Cisco UCS Manager that supports this controller is 4.2(1) and later. The name of the controller in the software is MSTOR-RAID
- The SATA M.2 drives can boot in UEFI mode only. Legacy boot mode is not supported.
- Hot-plug replacement is not supported. The server must be powered off.
- The boot-optimized RAID controller is supported when the server is used as a compute node in HyperFlex configurations.
- See [Figure 21 on page 79](#) for the location of the module connector on the motherboard. This connector accepts the boot-optimized RAID controller.

Caveats

- NVMe drives and Self Encrypting Drives (SEDs) are not supported for HX Edge configurations.

STEP 7 SELECT OPTION CARD(S)

The standard PCIe card offerings are:

- Modular LAN on Motherboard (mLOM)
- Network Interface Cards (NICs)

Select Option Cards

The available option cards are listed in [Table 12](#).

Table 12 Available PCIe Option Cards

Product ID (PID)	PID Description	Location	Card Size ¹
Modular LAN on Motherboard (mLOM)			
HX-M-V25-04 ²	Cisco UCS VIC 1467 quad port 10/25G SFP28 mLOM	mLOM	HHHL, SS
Network Interface Cards (NICs)			
1 Gb NICs			
HX-PCIE-IRJ45 ³	Intel i350 quad-port 1G copper PCIe	Riser 1, 2, or 3	HHHL, SS
10 Gb NICs			
HX-PCIE-ID10GF	Intel X710-DA2 Dual Port 10Gb SFP+ NIC	Riser 1, 2, or 3	HHHL, SS
HX-PCIE-IQ10GF	Intel X710 quad-port 10G SFP+ NIC	Riser 1, 2, or 3	HHHL, SS
HX-P-ID10GC	Cisco-Intel X710T2LG 2x10 GbE RJ45 PCIe NIC	Riser 1, 2, or 3	HHHL, SS
25 Gb NICs			
HX-P-I8D25GF	Cisco-Intel E810XXVDA2 2x25/10 GbE SFP28 PCIe NIC	Riser 1, 2, or 3	HHHL, SS
HX-P-I8Q25GF	Cisco-Intel E810XXVDA4L 4x25/10 GbE SFP28 PCIe NIC	Riser 1 or 2	FHHL, SS

Notes:

1. HHHL = half-height, half-length; FHHL = Full-height, half-length; SS = single-slot; DS = double-slot
2. This PID is auto included with the selection of TOPO 4.
3. This PID is auto included with the selection of TOPO 2.



NOTE:

- Use of 10GE PCI card is not allowed with 6300 Series FI.
- The number of NICs supported depends on the HyperFlex network topology selected and the number of physical CPUs configured.
- These additional adapters are optional and may not be substituted for an HX Edge network topology selection.
- Connections to optional NIC adapters must be in a link-down or disconnected state during HyperFlex deployment.

Caveats

- For 1-CPU systems:
 - Only PCIe slots 1, 2, and 3 on PCIe riser 1A are available for a 1-CPU system.
 - The PCIe slots on riser 2 are not supported on 1-CPU systems. The riser 2 slots are full-height PCIe slots 4, 5, and 6 (see [Figure 3 on page 6](#)). These are the slots in the middle when looking at the rear of the server. Slot 4 is the bottom slot.
 - The PCIe slots on riser 3 are not supported on 1-CPU systems. The riser 3 slots are full-height PCIe slots 7 and 8 (see [Figure 3 on page 6](#)). These are the slots on the right when looking at the rear of the server. Slot 7 is the bottom slot.
 - Up to three additional PCIe cards may be added with HX-E-TOPO4 or HX-E-TOPO3 selections.
 - Up to two additional PCIe cards may be added with HX-E-TOPO2 selection.
- For 2-CPU systems:
 - The following PCIe slots are available:
 - Three on PCIe riser 1A (PCIe slots 1, 2, and 3),
 - Three on PCIe riser 2A (PCIe slots 4, 5, and 6),
 - Two on PCIe riser 3A (PCIe slots 7 and 8).
 - Up to eight additional PCIe cards may be added with HX-E-TOPO4 or HX-E-TOPO3 selections.
 - Up to seven additional PCIe card may be added with HX-E-TOPO2 selection
- To help ensure that your operating system is compatible with the card you have selected, or to see additional cards that have been qualified to work with the server, but are not sold on the Cisco price list, check the Hardware Compatibility List at this URL:
http://www.cisco.com/en/US/products/ps10477/prod_technical_reference_list.html

STEP 8 ORDER OPTIONAL PCIe OPTION CARD ACCESSORIES

- For list of supported optics and cables for VIC 1467, refer to the VIC 1400 series data sheets at the following links:
 - <https://www.cisco.com/c/en/us/products/servers-unified-computing/HX-b-series-blade-servers/datasheet-listing.html>

Select

- NIC Interoperability with Cisco Cables/Optics (*Table 13 & Table 14 on page 38*).
- NIC Interoperability with Intel Cables/Optics (*Table 15 on page 39*).

Table 13 10G NIC Interoperability with Cisco Cables/Optics

Cisco Product ID (PID)	HX- PCIE-ID10GF	HX- PCIE-IQ10GF	HX-P-ID10GC
Cisco Direct Attach Cables (DAC)			
SFP-H10GB-CU1M	✓	✓	
SFP-H10GB-CU3M	✓	✓	
SFP-H10GB-CU5M	✓	✓	
SFP-H10GB-ACU7M	✓	✓	
SFP-H10GB-ACU10M	✓	✓	
SFP-10G-AOC1M	✓	✓	
SFP-10G-AOC2M	✓	✓	
SFP-10G-AOC3M	✓	✓	
SFP-10G-AOC5M	✓	✓	
SFP-10G-AOC7M	✓	✓	
SFP-10G-AOC10M	✓	✓	
UTP/RJ45			✓
Cisco Optical Transceivers			
SFP-10G-SR	✓	✓	
SFP-10G-SR-S	✓	✓	
SFP-10G-LR	✓	✓	
SFP-10G-LR-S	✓	✓	
GLC-SX-MMD	✓	✓	

Table 14 25G NIC Interoperability with Cisco Cables/Optics

Cisco Product ID (PID)	HX-P-I8Q25GF	HX-P-I8D25GF
Cisco Direct Attach Cables (DAC)		
SFP-H10GB-CU1M	✓	✓
SFP-H10GB-CU3M	✓	✓
SFP-H10GB-CU4M		
SFP-H10GB-CU5M	✓	✓
SFP-H10GB-ACU7M		
SFP-H10GB-ACU10M		
SFP-10G-AOC7M	✓	✓
SFP-10G-AOC10M		
SFP-H25G-AOC10M	✓	✓
SFP-25G-AOC5M		
SFP-25G-AOC7M		
QSFP-4SFP25G-CU2M	✓	✓
SFP-H25G-CU1M	✓	✓
SFP-H25G-CU2M	✓	✓
SFP-H25G-CU2.5M		
SFP-H25G-CU3M	✓	✓
SFP-H25G-CU4M		
SFP-H25G-CU5M	✓	✓
Cisco Optical Transceivers		
SFP-10G-SR	✓	✓
SFP-10G-SR-S	✓	✓
SFP-10G-LR	✓	✓
SFP-25G-SR-S	✓	✓
SFP-10/25G-LR-S	✓	✓
SFP-10/25G-CSR-S	✓	✓

Table 15 NIC Interoperability with Intel Cables/Optics

Intel Product ID (PID)	HX-PCIE-ID10GF	HX-PCIE-IQ10GF
Intel Direct Attach Cables (DACs)		
XDACBL1M	✓	✓
XDACBL3M	✓	✓
XDACBL5M	✓	✓
Intel Optical Transceivers		
E10GSFPSR	✓	✓
E10GSFPLR	✓	✓

The information in the preceding tables was compiled from testing conducted by Cisco Transceiver Module Group (TMG) and vendors. The latest compatibility with optical modules and DACs can be found at <https://tmgmatrix.cisco.com/>.

Refer to the these links for additional connectivity options:

Intel:	Marvell/Qlogic:	Mellanox:
Product Guide	41000 series Interoperability Matrix	Firmware Release Notes
Speed White Paper	45000 series Interoperability Matrix	

STEP 9 SELECT HYPERFLEX EDGE NETWORK TOPOLOGY

HyperFlex Edge utilizes the existing top of rack (ToR) switches available in the customer environment.

Many topologies are supported to ensure the right fit for many environments. HyperFlex Edge supports single and dual switch topologies, depending on the level of high availability required. See the [SUPPLEMENTAL MATERIAL, page 64](#) for more details on each topology option.

Select one network topology from the options listed in [Table 16](#).

Table 16 Edge network category

Product ID (PID)	PID Description
HX-E-TOPO4	10/25 GbE Single or Dual Switch (2, 3, or 4 node)
HX-E-TOPO3	1GbE Single Switch (3 or 4 node only)
HX-E-TOPO2	1GbE Dual Switch (3 or 4 node), 1GbE Dual or Single (2 node)
Connectivity Mode	
HX-E-TOPO5 ^{1,2,3}	Hyperflex NIC Connectivity Mode

Notes:

1. Starting with HyperFlex 5.0(2a), the Hyperflex NIC Connectivity Mode is supported
2. Minimum 4 NIC Ports required, If NIC connectivity mode is selected, cannot select Riser1 HH X16 Slot or Riser2 HH X8 Slot Options
3. Refer to [Table 17](#) for the list of available cards for the TOPO5 (NIC connectivity mode)

Table 17 Available Cards for the HyperFlex NIC Connectivity Mode

Product ID (PID)	Description
HyperFlex NIC Connectivity Mode	
R2 Slot 4 x8 PCIe NIC	
HX-PCIE-ID10GF	Intel X710 dual-port 10G SFP+
HX-PCIE-IQ10GF	Intel X710 quad-port 10G SFP+ NIC
HX-P-I8D25GF	Cisco-Intel E810XXVDA2 2x25/10 GbE SFP28 PCIe NIC
HX-P-I8Q25GF	Cisco-Intel E810XXVDA4L 4x25/10 GbE SFP28 PCIe NIC
R2 Slot 6 x8 PCIe NIC	
HX-PCIE-ID10GF	Intel X710 dual-port 10G SFP+
HX-PCIE-IQ10GF	Intel X710 quad-port 10G SFP+ NIC
HX-P-I8D25GF	Cisco-Intel E810XXVDA2 2x25/10 GbE SFP28 PCIe NIC
HX-P-I8Q25GF	Cisco-Intel E810XXVDA4L 4x25/10 GbE SFP28 PCIe NIC

**NOTE:**

- A topology selection is required. Intel NIC adapters in [STEP 7](#) are used by guest VMs/applications only. These adapters may not be substituted for the adapters automatically included when selecting a topology.
 - Selecting **HX-E-TOPO4** will include the Cisco UCS 1467 quad port 10/25G SFP28 mLOM card (**HX-M-V25-04**) for 10/25GE topologies. Two ports on the 10GE are used for HyperFlex functions. The remaining two ports may be used by applications after the HyperFlex deployment is completed.
 - Selecting **HX-E-TOPO2** will include the Intel i350 quad port PCIe NIC for 1GE topologies. Two ports on the NIC are used for HyperFlex functions. The remaining two ports may be used by applications after the HyperFlex deployment is completed.
 - Cisco strongly recommends **HX-E-TOPO4** for all new deployments for the following reasons:
 - Higher storage performance
 - Expansion ready - Ability to support node expansion in a future HyperFlex Data Platform software release.
 - Investment protection provides up to 100GE of theoretical throughput per server.
 - Leaves PCIe slots free for accessories
 - Starting with HyperFlex 5.0(2a), the **TOPO5** option is supported
 - For full details on topology, see the [HyperFlex Networking Topologies Tech Note](#).
-

STEP 10 ORDER GPU CARDS (OPTIONAL)



NOTE: When a GPU is ordered, the server comes with low-profile heatsinks PID (HX-HSLP-M6=) and need to select special air duct PID (HX-ADGPU-245M6=) for double-wide GPUs.

Select GPU Options

The available GPU PCIe options and their riser slot compatibilities are listed in [Table 18](#).

Table 18 Available PCIe GPU Cards¹

GPU Product ID (PID)	PID Description	Card Size	Max GPU per Node	Riser Slot Compatibility					
				Riser 1A (Gen 4)	Riser 1B ²	Riser 2 (Gen 4)	Riser 3A (Gen 4)	Riser 3B ³	Riser 3C
HX-GPU-A10	TESLA A10, PASSIVE, 150W, 24GB	Single-wide	5	slot 2&3	N/A	slot 5&6	N/A	N/A	slot 7
HX-GPU-A30	TESLA A30, PASSIVE, 180W, 24GB	Double-wide	3	slot 2	N/A	slot 5	N/A	N/A	slot 7
HX-GPU-A40	TESLA A40 RTX, PASSIVE, 300W, 48GB	Double-wide	3	slot 2	N/A	slot 5	N/A	N/A	slot 7
HX-GPU-A100-80	TESLA A100, PASSIVE, 300W, 80GB	Double-wide	3	slot 2	N/A	slot 5	N/A	N/A	slot 7
HX-GPU-A16	NVIDIA A16 PCIE 250W 4X16GB	Double-wide	3	slot 2	N/A	slot 5	N/A	N/A	slot 7

Notes:

1. Refer to [installation guide](#) for the GPU related information.
2. Riser 1B does not accept GPUs.
3. Riser 3B does not accept GPUs.



NOTE:

- All GPU cards must be procured from Cisco as there is a unique SBIOS ID required by CIMC and UCSM.
- If you are adding GPUs later, please refer to [SPARE PARTS, page 89](#) section of the below spec sheet to find the accessories/cables needed along with the GPU spare.
- GPUs cannot be mixed.
- Please refer to [installation guide](#) for the GPU related information.

STEP 11 ORDER POWER SUPPLY

Power supplies share a common electrical and physical design that allows for hot-plug and tool-less installation into M6 HX-Series servers. Each power supply is certified for high-efficiency operation and offer multiple power output options. This allows users to “right-size” based on server configuration, which improves power efficiency, lower overall energy costs and avoid stranded capacity in the data center. Use the power calculator at the following link to determine the needed power based on the options chosen (CPUs, drives, memory, and so on):

<http://ucspowercalc.cisco.com>



WARNING:

- Starting 1st January 2024, only Titanium rated PSUs are allowed to be shipped to European Union (EU), European Economic Area (EEA), United Kingdom (UK), Switzerland and other countries that adopted Lot 9 Regulation.
- DC PSUs are not impacted by Lot 9 Regulation and are EU/UK Lot 9 compliant

Table 19 Power Supply

Product ID (PID)	PID Description
PSU (Input High Line 210VAC)	
HX-PSU1-1050W	1050W AC PSU Platinum (Not EU/UK Lot 9 Compliant)
HX-PSUV2-1050DC	1050W -48V DC Power Supply for Rack Server
HX-PSU1-1600W	1600W AC PSU Platinum (Not EU/UK Lot 9 Compliant)
HX-PSU1-2300W ¹	2300W AC Power Supply for Rack Servers Titanium
PSU (Input Low Line 110VAC)	
HX-PSU1-1050W	1050W AC PSU Platinum (Not EU/UK Lot 9 Compliant)
HX-PSUV2-1050DC	1050W -48V DC Power Supply for Rack Server
HX-PSU1-2300W	2300W AC Power Supply for Rack Servers Titanium
HX-PSU1-1050ELV	1050W AC PSU Enhanced Low Line (Not EU/UK Lot 9 Compliant)

Notes:

1. The 2300 W power supply uses a different power connector than the rest of the power supplies, so you must use different power cables to connect it. See [Table 20 on page 44](#) and [Table 21 on page 47](#).



NOTE: In a server with two power supplies, both power supplies must be identical.

STEP 12 SELECT INPUT POWER CORD(S)

Using [Table 20](#) and [Table 21](#), select the appropriate AC power cords. You can select a minimum of no power cords and a maximum of two. If you select the option R2XX-DMYPWRCORD, no power cord is shipped with the server.



NOTE: [Table 20](#) lists the power cords for servers that use power supplies less than 2300 W. [Table 21](#) lists the power cords for servers that use 2300 W power supplies. Note that the power cords for 2300 W power supplies use a C19 connector so they only fit the 2300 W power supply connector.

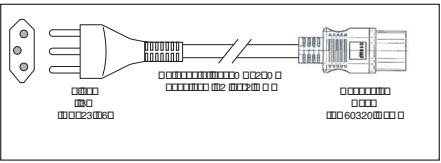
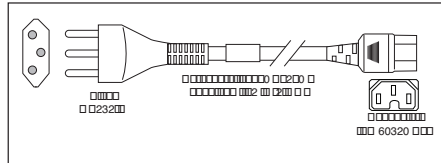
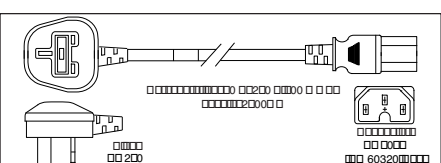
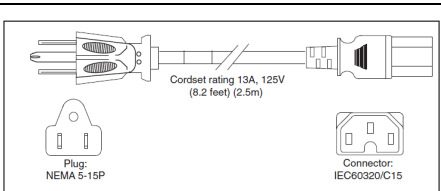
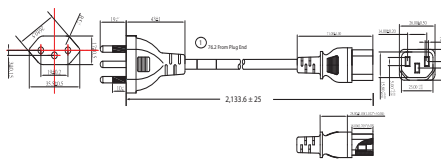
Table 20 Available Power Cords (for server PSUs less than 2300 W)

Product ID (PID)	PID Description	Images
NO-POWER-CORD	ECO friendly green option, no power cable will be shipped	
R2XX-DMYPWRCORD	No power cord (dummy PID to allow for a no power cord option)	Not applicable
CAB-48DC-40A-8AWG	C-Series -48VDC PSU Power Cord, 3.5M, 3 Wire, 8AWG, 40A	<p>Figure 1-3 CAB-48DC-40A-8AWG, DC Power Cord (3.5 m)</p>
CAB-N5K6A-NA	Power Cord, 200/240V 6A, North America	
CAB-AC-L620-C13	AC Power Cord, NEMA L6-20 - C13, 2M/6.5ft	
CAB-C13-CBN	CABASY,WIRE,JUMPER CORD, 27" L, C13/C14, 10A/250V	
CAB-C13-C14-2M	CABASY,WIRE,JUMPER CORD, PWR, 2 Meter, C13/C14,10A/250V	

Table 20 Available Power Cords (for server PSUs less than 2300 W)

Product ID (PID)	PID Description	Images
CAB-C13-C14-AC	CORD,PWR,JMP,IEC60320/C14,IEC60320/C13, 3.0M	
CAB-250V-10A-AR	Power Cord, 250V, 10A, Argentina	
CAB-9K10A-AU	Power Cord, 250VAC 10A 3112 Plug, Australia	
CAB-250V-10A-CN	AC Power Cord - 250V, 10A - PRC	
CAB-9K10A-EU	Power Cord, 250VAC 10A CEE 7/7 Plug, EU	
CAB-250V-10A-ID	Power Cord, 250V, 10A, India	
CAB-C13-C14-3M-IN	Power Cord Jumper, C13-C14 Connectors, 3 Meter Length, India	Image not available
CAB-C13-C14-IN	Power Cord Jumper,C13-C14 Connectors,1.4 Meter Length, India	Image not available
CAB-250V-10A-IS	Power Cord, SFS, 250V, 10A, Israel	

Table 20 Available Power Cords (for server PSUs less than 2300 W)

Product ID (PID)	PID Description	Images
CAB-9K10A-IT	Power Cord, 250VAC 10A CEI 23-16/VII Plug, Italy	
CAB-9K10A-SW	Power Cord, 250VAC 10A MP232 Plug, Switzerland	
CAB-9K10A-UK	Power Cord, 250VAC 10A BS1363 Plug (13 A fuse), UK	
CAB-9K12A-NA ¹	Power Cord, 125VAC 13A NEMA 5-15 Plug, North America	
CAB-250V-10A-BR	Power Cord - 250V, 10A - Brazil	
CAB-C13-C14-2M-JP	Power Cord C13-C14, 2M/6.5ft Japan PSE mark	Image not available
CAB-9K10A-KOR ¹	Power Cord, 125VAC 13A KSC8305 Plug, Korea	Image not available
CAB-ACTW	AC Power Cord (Taiwan), C13, EL 302, 2.3M	Image not available
CAB-JPN-3PIN	Japan, 90-125VAC 12A NEMA 5-15 Plug, 2.4m	Image not available
CAB-48DC-40A-INT	C-Series -48VDC PSU PWR Cord, 3.5M, 3 Wire, 8AWG, 40A (INT)	Image not available
CAB-48DC-40A-AS	C-Series -48VDC PSU PWR Cord, 3.5M, 3Wire, 8AWG, 40A (AS/NZ)	Image not available

Notes:

1. This power cord is rated to 125V and only supported for PSU rated at 1050W or less

Table 21 Available Power Cords (for servers with 2300 W PSUs)

Product ID (PID)	PID Description	Images
CAB-C19-CBN	Cabinet Jumper Power Cord, 250 VAC 16A, C20-C19 Connectors	Not applicable
CAB-S132-C19-ISRL	S132 to IEC-C19 14ft Israeli	Image not available
CAB-IR2073-C19-AR	IRSM 2073 to IEC-C19 14ft Argen	Image not available
CAB-BS1363-C19-UK	BS-1363 to IEC-C19 14ft UK	Image not available
CAB-SABS-C19-IND	SABS 164-1 to IEC-C19 India	Image not available
CAB-C2316-C19-IT	CEI 23-16 to IEC-C19 14ft Italy	Image not available
CAB-L520P-C19-US	NEMA L5-20 to IEC-C19 6ft US	Image not available
CAB-US515P-C19-US	NEMA 5-15 to IEC-C19 13ft US	Image not available
CAB-US520-C19-US	NEMA 5-20 to IEC-C19 14ft US	Image not available
CAB-US620P-C19-US	NEMA 6-20 to IEC-C19 13ft US	Image not available

STEP 13 ORDER TOOL-LESS RAIL KIT AND OPTIONAL REVERSIBLE CABLE MANAGEMENT ARM

Select a Tool-less Rail Kit

Select a tool-less rail kit (or no rail kit) from [Table 22](#).

Table 22 Tool-less Rail Kit Options

Product ID (PID)	PID Description
HX-RAIL-M6	Ball Bearing Rail Kit for C220 & C240 M6 rack servers
HX-RAIL-NONE	No rail kit option



NOTE: Cisco recommends a minimum quantity of 1 Rail Kit.

Select an Optional Reversible Cable Management Arm

The reversible cable management arm mounts on either the right or left slide rails at the rear of the server and is used for cable management. Use [Table 23](#) to order a cable management arm.

Table 23 Cable Management Arm

Product ID (PID)	PID Description
HX-CMA-C240M6	Reversible CMA for C240 M6 ball bearing rail kit

For more information about the tool-less rail kit and cable management arm, see the Cisco server Installation and Service Guide at this URL:

https://www.cisco.com/content/en/us/td/docs/unified_computing/ucs/c/hw/c240m6/install/c240m6.html



NOTE: If you plan to rackmount your HyperFlex HX240 M6 Edge All Flash/Hybrid Server Nodes, you must order a tool-less rail kit. The same rail kits and CMAs are used for M5 and M6 servers.

STEP 14 ORDER SECURITY DEVICES (OPTIONAL)

A Trusted Platform Module (TPM) is a computer chip (microcontroller) that can securely store artifacts used to authenticate the platform (server). These artifacts can include passwords, certificates, or encryption keys. A TPM can also be used to store platform measurements that help ensure that the platform remains trustworthy. Authentication (ensuring that the platform can prove that it is what it claims to be) and attestation (a process helping to prove that a platform is trustworthy and has not been breached) are necessary steps to ensure safer computing in all environments.

A chassis intrusion switch gives a notification of any unauthorized mechanical access into the server.

The security device ordering information is listed in [Table 24](#).

Table 24 Security Devices

Product ID (PID)	PID Description
HX-TPM-002C	TPM 2.0, TCG, FIPS140-2, CC EAL4+ Certified, for M6 servers
HX-INT-SW02	C220 and C240 M6 Chassis Intrusion Switch
UCSX-TPM-OPT-OUT	OPT OUT, TPM 2.0, TCG, FIPS140-2, CC EAL4+ Certified ¹

Notes:

1. Please note that Microsoft certification requires a TPM 2.0 for bare-metal or guest VM deployments. Opt-out of the TPM 2.0 voids the Microsoft certification



NOTE:

- The TPM module used in this system conforms to TPM 2.0, as defined by the Trusted Computing Group (TCG). It is also SPI-based.
- TPM installation is supported after-factory. However, a TPM installs with a one-way screw and cannot be replaced, upgraded, or moved to another server. If a server with a TPM is returned, the replacement server must be ordered with a new TPM.

STEP 15 SELECT LOCKING SECURITY BEZEL (OPTIONAL)

An optional locking bezel can be mounted to the front of the chassis to prevent unauthorized access to the drives.

Select the locking bezel from [Table 25](#).

Table 25 Locking Bezel Option

Product ID (PID)	Description
HXAF240C-BZL-M5SX	HXAF240c M5 Security Bezel
HX240C-BZL-M5S	HX240c M5 Security Bezel

STEP 16 SELECT HYPERVISOR / HOST OPERATING SYSTEM

Cisco Hypervisor/Operating systems options are available as follows. Select either VMware ESXi or Microsoft Windows Server as desired from [Table 26](#).

Table 26 Hypervisor/Host Operation System

Product ID (PID)	PID Description
ESXi Options	
VMware¹	
HX-VSP-7-0-FND-D	Factory Installed vSphere SW 7.0 1-CPU Enduser provides License
HX-VSP-7-0-FND2-D	Factory Installed vSphere SW 7.0 2-CPU Enduser provides License
VMware PAC Licenses²	
HX-VSP-EPL-1A	VMware vSphere 7.x Ent Plus (1 CPU, 32 core), 1-yr, Support Required
HX-VSP-EPL-3A	VMware vSphere 7.x Ent Plus (1 CPU, 32 core), 3-yr, Support Required
HX-VSP-EPL-5A	VMware vSphere 7.x Ent Plus (1 CPU, 32 core), 5-yr, Support Required
HX-VSP-STD-1A	VMware vSphere 7.x Standard (1 CPU, 32 core), 1-yr, Support Required
HX-VSP-STD-3A	VMware vSphere 7.x Standard (1 CPU, 32 core), 3-yr, Support Required
HX-VSP-STD-5A	VMware vSphere 7.x Standard (1 CPU, 32 core), 5-yr, Support Required
HX-VSP-ROBO1-STD	VMware vSphere 6.x ROBO Standard (25 VM pack)
HX-VSP-ROBO2-STD	VMware vSphere 6.x ROBO Standard (100 VM pack)
HX-VSP-ROBO3-STD	VMware vSphere 6.x ROBO Standard (500 VM pack)
HX-VSP-ROBO1-ADV	VMware vSphere 6.x ROBO Advanced (25 VM pack)
HX-VSP-ROBO2-ADV	VMware vSphere 6.x ROBO Advanced (100 VM pack)
HX-VSP-ROBO3-ADV	VMware vSphere 6.x ROBO Advanced (500 VM pack)
HX-VSP-ROBO1-ENT	VMware vSphere 7.x ROBO Enterprise (25 VM pack)
HX-VSP-ROBO2-ENT	VMware vSphere 7.x ROBO Enterprise (100 VM pack)
HX-VSP-ROBO3-ENT	VMware vSphere 7.x ROBO Enterprise (500 VM pack)
Operating system³	
Microsoft Options	
MSWS-19-DC16C-NS	Windows Server 2019 Data Center (16 Cores/Unlimited VMs) - No Cisco SVC
MSWS-19-ST16C-NS	Windows Server 2019 Standard (16 Cores/2 VMs) - No Cisco SVC
HX-MSWS-19-DC16C	Windows Server 2019 Data Center (16 Cores/Unlimited VMs)
HX-MSWS-19-ST16C	Windows Server 2019 Standard (16 Cores/2 VMs)

Notes:

1. Refer to <https://kb.vmware.com/s/article/82794> link for more details.
2. Choose quantity of two when choosing PAC licensing for dual CPU systems.
3. Optional guest OS licenses that may be purchased to run on top of the hypervisor

STEP 17 SELECT HYPERFLEX DATA PLATFORM (HXDP) SOFTWARE

HyperFlex Data Platform Edition & Subscription Period options are available as follows. Select as desired from [Table 27](#).

Table 27 HX Data Platform Software

Product ID (PID)	PID Description
Cisco HyperFlex Data Platform Software	
HXDP-E-PR	HyperFlex Data Platform Edge Premier (1 to 5) Yr
Cisco HyperFlex Data Platform Software - SLR	
HXDP-E-PR-SLR	HyperFlex Data Platform Edge Premier SLR (1 to 5) Yr
Cisco HyperFlex Data Platform Software Support	
SVS-DCM-SUPT-BAS	Basic Support for DCM
SVS-SSTCS-DCMGMT	Solution Support for DC Mgmt
SVS-L1DCS-HXDP	CXL1 for HXDP
SVS-L2DCS-HXDP	CXL2 for HXDP



NOTE: HyperFlex Data Platform Edge advantage is not supported with edge 240 nodes.

STEP 18 CISCO INTERSIGHT

Cisco Intersight™ is a Software-as-a-Service (SaaS) hybrid cloud operations platform which delivers intelligent automation, observability, and optimization to customers for traditional and cloud-native applications and infrastructure. Select as desired from [Table 28](#).

Table 28 Cisco Intersight

Product ID (PID)	PID Description
Cisco Intersight - SaaS	
DC-MGT-SAAS-EST-C	Cisco Intersight SaaS - Essentials (1 to 5) Yr
DC-MGT-SAAS-AD-C	Cisco Intersight SaaS - Advantage (new) (1 to 5) Yr
DC-MGT-SAAS-PR-C	Cisco Intersight SaaS - Premier (1 to 5) Yr
Cisco Intersight - Connected Virtual Appliance	
DC-MGT-ONPREM-EST	Cisco Intersight Connected Virtual Appliance - Essentials (1 to 5) Yr
DC-MGT-VAPP-AD	Cisco Intersight Connected Virtual Appliance - Advantage (1 to 5) Yr
DC-MGT-VAPP-PR	Cisco Intersight Connected Virtual Appliance - Premier (1 to 5) Yr
Cisco Intersight - Private Virtual Appliance	
DC-MGT-PVAPP-EST	Cisco Intersight Private Virtual Appliance - Essentials (1 to 5) Yr
DC-MGT-PVAPP-AD	Cisco Intersight Private Virtual Appliance - Advantage (1 to 5) Yr
DC-MGT-PVAPP-PR	Cisco Intersight Private Virtual Appliance - Premier (1 to 5) Yr
Cisco Intersight Support	
SVS-DCM-SUPT-BAS	Basic Support for DCM
SVS-SSTCS-DCMGMT	Solution Support for DC Mgmt
SVS-L1DCS-INTER	CXL1 for INTERSIGHT
SVS-L2DCS-INTER	CXL2 for INTERSIGHT

STEP 19 SELECT INSTALLATION SERVICE

Customers can purchase Cisco Advanced Services (AS). Select as desired from [Table 29](#)

Table 29 Installation services

Product ID (PID)	PID Description
Cisco Advanced Services	
ASF-ULT2-HPF-QSS	Quick Start Services - 1 Week
ASF-ULT2-HPF-ADS	Accelerated Deployment Services - 2 Weeks
AS-DCN-CNSLT	Advanced Services Consulting

STEP 20 SELECT SERVICE and SUPPORT LEVEL

A variety of service options are available, as described in this section.

HyperFlex Warranty, No Contract

If you have noncritical implementations and choose to have no service contract, the following coverage is supplied:

- Three-year parts coverage.
- Next business day (NBD) onsite parts replacement eight hours a day, five days a week.
- 90-day software warranty on media.
- Ongoing downloads of BIOS, drivers, and firmware updates.
- UCSM updates for systems with Unified Computing System Manager. These updates include minor enhancements and bug fixes that are designed to maintain the compliance of UCSM with published specifications, release notes, and industry standards.

Smart Net Total Care (SNTC)

For support of the entire HyperFlex System, Cisco offers the Cisco Smart Net Total Care Service. This service provides expert software and hardware support to help sustain performance and high availability of the unified computing environment. Access to Cisco Technical Assistance Center (TAC) is provided around the clock, from anywhere in the world.

For systems that include Unified Computing System Manager, the support service includes downloads of UCSM upgrades. The Cisco Smart Net Total Care Service includes flexible hardware replacement options, including replacement in as little as two hours. There is also access to Cisco's extensive online technical resources to help maintain optimal efficiency and uptime of the unified computing environment. For more information please refer to the following url: <http://www.cisco.com/c/en/us/services/technical/smart-net-total-care.html?stickynav=1>

You can choose a desired service listed in [Table 30](#).

Table 30 SNTC Service (PID HXAF-E-240-M6SX)

Service SKU	Service Level GSP	On Site?	Description
CON-PREM-HXAFE2SX	C2P	Yes	SNTC 24X7X20S
CON-UCSD8-HXAFE2SX	UCSD8	Yes	UC SUPP DR
CON-C2PL-HXAFE2SX	C2PL	Yes	LL 24X7X20S**
CON-OSP-HXAFE2SX	C4P	Yes	SNTC 24X7X40S
CON-UCSD7-HXAFE2SX	UCSD7	Yes	UCS DR 24X7X40S*
CON-C4PL-HXAFE2SX	C4PL	Yes	LL 24X7X40S**
CON-USD7L-HXAFE2SX	USD7L	Yes	LLUCS HW DR 24X7X40S***
CON-OSE-HXAFE2SX	C4S	Yes	SNTC 8X5X40S
CON-UCSD6-HXAFE2SX	UCSD6	Yes	UC SUPP DR 8X5X40S*

Table 30 SNTC Service (PID HXAF-E-240-M6SX)

CON-SNCO-HXAFE2SX	SNCO	Yes	SNTC 8x7xNCDOS****
CON-OS-HXAFE2SX	CS	Yes	SNTC 8X5XNBDOS
CON-UCSD5-HXAFE2SX	UCSD5	Yes	UCS DR 8X5XNBDOS*
CON-S2P-HXAFE2SX	S2P	No	SNTC 24X7X2
CON-S2PL-HXAFE2SX	S2PL	No	LL 24X7X2**
CON-SNTP-HXAFE2SX	SNTP	No	SNTC 24X7X4
CON-SNTPL-HXAFE2SX	SNTPL	No	LL 24X7X4**
CON-SNTE-HXAFE2SX	SNTE	No	SNTC 8X5X4
CON-SNC-HXAFE2SX	SNC	No	SNTC 8x7xNCD
CON-SNT-HXAFE2SX	SNT	No	SNTC 8X5XNBD
CON-SW-HXAFE2SX	SW	No	SNTC NO RMA
Note: For PID HXAF-E-240-M6SX, select Service SKU with HXE24MX suffix (Example: CON-OSP-HXE24MX)			
*Includes Drive Retention (see below for full description)			
**Includes Local Language Support (see below for full description) - Only available in China and Japan			
***Includes Local Language Support and Drive Retention - Only available in China and Japan			

Smart Net Total Care Onsite Troubleshooting Service

An enhanced offer over traditional Smart Net Total Care which provides onsite troubleshooting expertise to aid in the diagnostics and isolation of hardware issue within our customers’ Cisco HyperFlex System environment. It is delivered by a Cisco Certified field engineer (FE) in collaboration with remote TAC engineer and Virtual Internetworking Support Engineer (VISE).

You can choose a desired service listed in [Table 31](#).

Table 31 SNTC Onsite Troubleshooting Service (PID HXAF-E-240-M6SX)

Service SKU	Service Level GSP	On Site?	Description
CON-OSPT-HXAFE2SX	OSPT	Yes	24X7X4OS Trblshtg
CON-OSPTD-HXAFE2SX	OSPTD	Yes	24X7X4OS TrblshtgDR*
CON-OSPTL-HXAFE2SX	OSPTL	Yes	24X7X4OS TrblshtgLL**
CON-OPTLD-HXAFE2SX	OPTLD	Yes	24X7X4OS TrblshtgLLD***
Note: For PID HXAF-E-240-M6SX, select Service SKU with HXE24MX suffix (Example: CON-OSPT-HXE24MX)			
*Includes Drive Retention (see below for full description)			
**Includes Local Language Support (see below for full description) - Only available in China and Japan			

Table 31 SNTC Onsite Troubleshooting Service (PID HXAF-E-240-M6SX)

***Includes Local Language Support and Drive Retention - Only available in China and Japan
--

Solution Support (SSPT)

Solution Support includes both Cisco product support and solution-level support, resolving complex issues in multivendor environments, on average, 43% more quickly than product support alone. Solution Support is a critical element in data center administration, to help rapidly resolve any issue encountered, while maintaining performance, reliability, and return on investment.

This service centralizes support across your multivendor Cisco environment for both our products and solution partner products you've deployed in your ecosystem. Whether there is an issue with a Cisco or solution partner product, just call us. Our experts are the primary point of contact and own the case from first call to resolution. For more information please refer to the following url:

<http://www.cisco.com/c/en/us/services/technical/solution-support.html?stickynav=1>

You can choose a desired service listed in [Table 32](#).

Table 32 Solution Support Service (PID HXAF-E-240-M6SX)

Service SKU	Service Level GSP	On Site?	Description
CON-SSC2P-HXAFE2SX	SSC2P	Yes	SOLN SUPP 24X7X2OS
CON-SSC4P-HXAFE2SX	SSC4P	Yes	SOLN SUPP 24X7X4OS
CON-SSC4S-HXAFE2SX	SSC4S	Yes	SOLN SUPP 8X5X4OS
CON-SSCS-HXAFE2SX	SSCS	Yes	SOLN SUPP 8X5XNBDOS
CON-SSDR7-HXAFE2SX	SSDR7	Yes	SSPT DR 24X7X4OS*
CON-SSDR5-HXAFE2SX	SSDR5	Yes	SSPT DR 8X5XNBDOS*
CON-SSS2P-HXAFE2SX	SSS2P	No	SOLN SUPP 24X7X2
CON-SSSNP-HXAFE2SX	SSSNP	No	SOLN SUPP 24X7X4
CON-SSSNE-HXAFE2SX	SSSNE	No	SOLN SUPP 8X5X4
CON-SSSNC-HXAFE2SX	SSSNC	No	SOLN SUPP NCD
CON-SSSNT-HXAFE2SX	SSSNT	No	SOLN SUPP 8X5XNBD
Note: For PID HXAF-E-240-M6SX, select Service SKU with HXE24MX suffix (Example: CON-SSC4P-HXE24MX)			
*Includes Drive Retention (see below for full description)			

Solution Support for Service Providers

You can choose a desired service listed in [Table 33](#).

Table 33 Solution Support for Service Providers Service (PID HXAF-E-240-M6SX)

Service SKU	Service Level GSP	On Site?	Description
SP-SSC2P-HXAFE2SX	SPSSC2P	Yes	SP SOLN SUPP
SP-SSC4P-HXAFE2SX	SPSSC4P	Yes	SP SOLN SUPP
SP-SSC4S-HXAFE2SX	SPSSC4S	Yes	SP SOLN SUPP
SP-SSCS-HXAFE2SX	SPSSCS	Yes	SP SOLN SUPP
SP-SSS2P-HXAFE2SX	SPSSS2P	Yes	SP SOLN SUPP 24X7X2
SP-SSS4P-HXAFE2SX	SPSSS4P	Yes	SP SOLN SUPP 24X7X4
SP-SSSNE-HXAFE2SX	SPSSSNE	No	SP SOLN SUPP 8X5X4
SP-SSSNT-HXAFE2SX	SPSSSNT	No	SP SOLN SUPP
SP-SSSPB-HXAFE2SX	SPSSSPB	No	SP SOLN SUPP NO HW
Note: For PID HXAF-E-240-M6SX, select Service SKU with HXE24MX suffix (Example: SP-SSC4P-HXE24MX)			

Smart Net Total Care Hardware Only Service

For faster parts replacement than is provided with the standard Cisco HyperFlex warranty, Cisco offers the Cisco Smart Net Total Care Hardware Only Service. You can choose from two levels of advanced onsite parts replacement coverage in as little as four hours. Smart Net Total Care Hardware Only Service provides remote access any time to Cisco support professionals who can determine if a return materials authorization (RMA) is required.

You can choose a desired service listed in [Table 34](#).

Table 34 SNTC Hardware Only Service (PID HXAF-E-240-M6SX)

Service SKU	Service Level GSP	On Site?	Description
CON-UCW7-HXAFE2SX	UCW7	Yes	UCS HW 24X7X4OS
CON-UCWD7-HXAFE2SX	UCWD7	Yes	UCS HW+DR 24X7X4OS*
CON-UCW7L-HXAFE2SX	UCW7L	Yes	LL UCS 24X7X4OS**
CON-UWD7L-HXAFE2SX	UWD7L	Yes	LL UCS DR 24X7X4OS***
CON-UCW5-HXAFE2SX	UCW5	Yes	UCS HW 8X5XNBDOS
CON-UCWD5-HXAFE2SX	UCWD5	Yes	UCS HW+DR 8X5XNBDOS*
Note: For PID HXAF-E-240-M6SX, select Service SKU with HXE24MX suffix (Example: CON-UCW7-HXE24MX)			

Table 34 SNTC Hardware Only Service (PID HXAF-E-240-M6SX)

*Includes Drive Retention (see below for full description)
**Includes Local Language Support (see below for full description) - Only available in China and Japan
***Includes Local Language Support and Drive Retention - Only available in China and Japan

Partner Support Service

Cisco Partner Support Service (PSS) is a Cisco Collaborative Services service offering that is designed for partners to deliver their own branded support and managed services to enterprise customers. Cisco PSS provides partners with access to Cisco's support infrastructure and assets to help them:

- Expand their service portfolios to support the most complex network environments
- Lower delivery costs
- Deliver services that increase customer loyalty

PSS options enable eligible Cisco partners to develop and consistently deliver high-value technical support that capitalizes on Cisco intellectual assets. This helps partners to realize higher margins and expand their practice.

PSS is available to all Cisco PSS partners.

The two Partner Support Options include:

- Partner Support Service for HyperFlex
- Partner Support Service for HyperFlex Hardware Only

PSS provides hardware and software support, including triage support for third party software, backed by Cisco technical resources and level three support.

You can choose a desired service listed in [Table 35](#).

Table 35 PSS Service (PID HXAF-E-240-M6SX)

Service SKU	Service Level GSP	On Site?	Description
CON-PSJ8-HXAFE2SX	PSJ8	Yes	UCS PSS 24X7X2 OS
CON-PSJ7-HXAFE2SX	PSJ7	Yes	UCS PSS 24X7X4 OS
CON-PSJD7-HXAFE2SX	PSJD7	Yes	UCS PSS 24X7X4 DR*
CON-PSJ6-HXAFE2SX	PSJ6	Yes	UCS PSS 8X5X4 OS
CON-PSJD6-HXAFE2SX	PSJD6	Yes	UCS PSS 8X5X4 DR*
CON-PSJ4-HXAFE2SX	PSJ4	No	UCS SUPP PSS 24X7X2
CON-PSJ3-HXAFE2SX	PSJ3	No	UCS SUPP PSS 24X7X4
CON-PSJ2-HXAFE2SX	PSJ2	No	UCS SUPP PSS 8X5X4

Table 35 PSS Service (PID HXAF-E-240-M6SX)

CON-PSJ1-HXAFE2SX	PSJ1	No	UCS SUPP PSS 8X5XNBD
Note: For PID HXAF-E-240-M6SX, select Service SKU with HXE24MX suffix (Example: CON-PSJ7-HXE24MX)			
*Includes Drive Retention (see below for full description)			

PSS Hardware Only

PSS Hardware Only provides customers with replacement parts in as little as two hours and provides remote access any time to Partner Support professionals who can determine if a return materials authorization (RMA) is required. You can choose a desired service listed in [Table 36](#).

Table 36 PSS Hardware Only Service (PID HXAF-E-240-M6SX)

Service SKU	Service Level GSP	On Site?	Description
CON-PSW7-HXAFE2SX	PSW7	Yes	UCS W PSS 24X7X4 OS
CON-PSWD7-HXAFE2SX	PSWD7	Yes	UCS W PSS 24X7X4 DR*
CON-PSW6-HXAFE2SX	PSW6	Yes	UCS W PSS 8X5X4 OS
CON-PSWD6-HXAFE2SX	PSWD6	Yes	UCS W PSS 8X5X4 DR*
CON-PSW4-HXAFE2SX	PSW4	No	UCS W PL PSS 24X7X2
CON-PSW3-HXAFE2SX	PSW3	No	UCS W PL PSS 24X7X4
CON-PSW2-HXAFE2SX	PSW2	No	UCS W PL PSS 8X5X4
Note: For PID HXAF-E-240-M6SX, select Service SKU with HXE24MX suffix (Example: CON-PSW7-HXE24MX)			
*Includes Drive Retention (see below for full description)			

Distributor Support Service (DSS)

You can choose a desired service listed in [Table 37](#).

Table 37 DSS Service (PID HXAF-E-240-M6SX)

Service SKU	Service Level GSP	On Site?	Description
CON-DSCO-HXAFE2SX	DSCO	Yes	DSS CORE 24X7X2OS
CON-DSO-HXAFE2SX	DSO	Yes	DSS CORE 24X7X4

Table 37 DSS Service (PID HXAF-E-240-M6SX)

CON-DSNO-HXAFE2SX	DSNO	Yes	DSS CORE 8X5XNBDOS
CON-DSCC-HXAFE2SX	DSCC	No	DSS CORE 24X7X2
CON-DCP-HXAFE2SX	DCP	No	DSS CORE 24X7X4
CON-DSE-HXAFE2SX	DSE	No	DSS CORE 8X5X4
CON-DSN-HXAFE2SX	DSN	No	DSS CORE 8X5XNBD
Note: For PID HXAF-E-240-M6SX, select Service SKU with HXE24MX suffix (Example: CON-DSO-HXE24MX)			

Combined Support Service

Combined Services makes it easier to purchase and manage required services under one contract. SNTC services help increase the availability of your vital data center infrastructure and realize the most value from your unified computing investment. The more benefits you realize from the Cisco HyperFlex System, the more important the technology becomes to your business. These services allow you to:

- Optimize the uptime, performance, and efficiency of your HyperFlex system
- Protect your vital business applications by rapidly identifying and addressing issues
- Strengthen in-house expertise through knowledge transfer and mentoring
- Improve operational efficiency by allowing HyperFlex experts to augment your internal staff resources
- Enhance business agility by diagnosing potential issues before they affect your operations

You can choose a desired service listed in [Table 38](#).

Table 38 Combined Support Service (PID HXAF-E-240-M6SX)

Service SKU	Service Level GSP	On Site?	Description
CON-NCF2P-HXAFE2SX	NCF2P	Yes	CMB SVC 24X7X2OS
CON-NCF4P-HXAFE2SX	NCF4P	Yes	CMB SVC 24X7X4OS
CON-NCF4S-HXAFE2SX	NCF4S	Yes	CMB SVC 8X5X4OS
CON-NCFCS-HXAFE2SX	NCFCS	Yes	CMB SVC 8X5XNBDOS
CON-NCF2-HXAFE2SX	NCF2	No	CMB SVC 24X7X2
CON-NCFP-HXAFE2SX	NCFP	No	CMB SVC 24X7X4
CON-NCFE-HXAFE2SX	NCFE	No	CMB SVC 8X5X4
CON-NCFT-HXAFE2SX	NCFT	No	CMB SVC 8X5XNBD

Table 38 Combined Support Service (PID HXAF-E-240-M6SX)

CON-NCFW-HXAFE2SX	NCFW	No	CMB SVC SW
Note: For PID HXAF-E-240-M6SX, select Service SKU with HXE24MX suffix (Example: CON-NCF4P-HXE24MX)			

Drive Retention Service

With the Cisco Drive Retention Service, you can obtain a new disk drive in exchange for a faulty drive without returning the faulty drive.

Sophisticated data recovery techniques have made classified, proprietary, and confidential information vulnerable, even on malfunctioning disk drives. The Drive Retention service enables you to retain your drives and ensures that the sensitive data on those drives is not compromised, which reduces the risk of any potential liabilities. This service also enables you to comply with regulatory, local, and federal requirements.

If your company has a need to control confidential, classified, sensitive, or proprietary data, you might want to consider one of the Drive Retention Services listed in the above tables (where available)



NOTE: Cisco does not offer a certified drive destruction service as part of this service.

Local Language Technical Support

Where available, and subject to an additional fee, local language support for calls on all assigned severity levels may be available for specific product(s) - see tables above.

For a complete listing of available services for Cisco Unified Computing System, see the following URL:

http://www.cisco.com/en/US/products/ps10312/serv_group_home.html

SUPPLEMENTAL MATERIAL

Supported Network Topologies for HyperFlex Edge 2 Node Deployments

Cisco HyperFlex Edge offers both 1 Gigabit Ethernet (GE) and 10/25 Gigabit Ethernet (GE) installation option. Both topologies support single top-of-rack (ToR) and dual ToR switch options for ultimate network flexibility and redundancy.

Consider the following when determining the best topology for your cluster:

- Cisco highly recommends the 10/25GE topology for higher performance and future node expansion capabilities.
- The 1GE for clusters that will never require node expansion, and instances where the ToR switch does not have 10/25GE ports available.



NOTE: A network topology is chosen during initial deployment and cannot be changed or upgraded without a full reinstallation. Choose your network topology carefully and with future needs in mind.

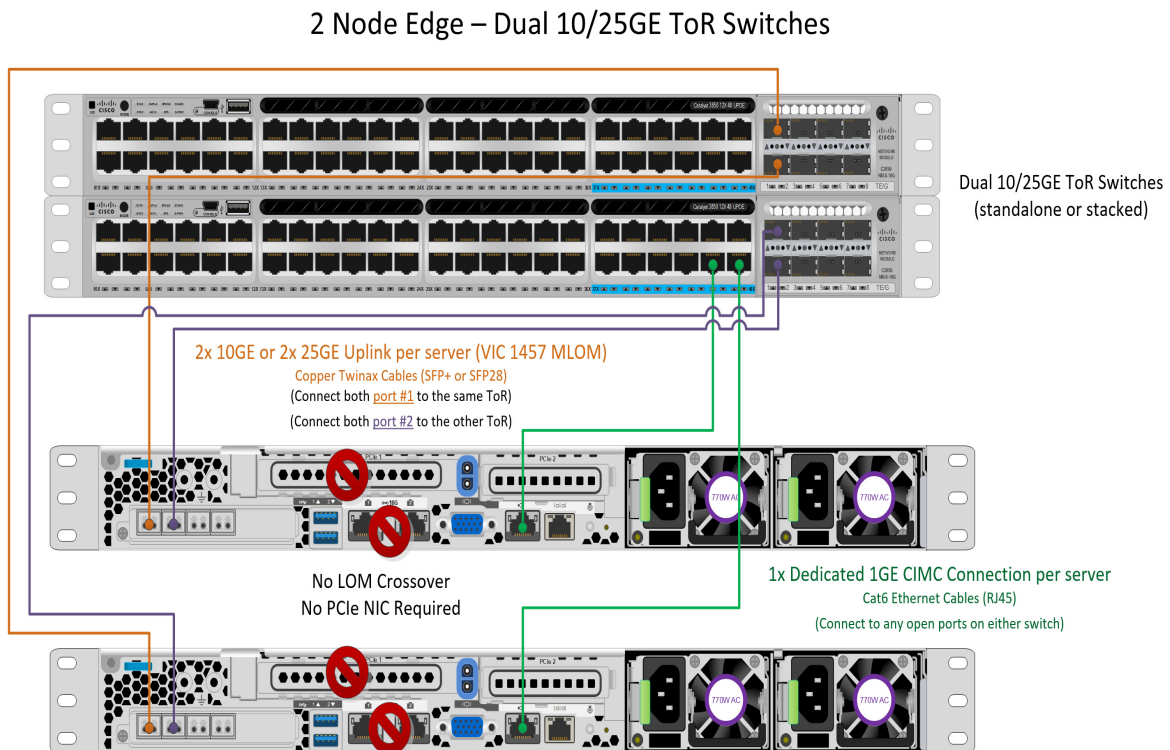
Below is a summary of the supported topologies, refer to the [Cisco HyperFlex Edge Deployment Guide, Pre-installation Checklist chapter](#), for full details.

10 or 25 Gigabit Ethernet Dual Switch Topology

Dual switch configuration provides a slightly more complex topology with full redundancy that protects against: switch failure, link failure, and port failure. It requires two switches that may be standalone or stacked, and two 10/25GE ports, one 1GE port for CIMC management, and one Cisco VIC 1467 per server. Trunk ports are the only supported network port configuration. refer [10/25 Gigabit Ethernet Switch Configuration Guidelines](#) for more information.

To deploy this topology, select HX-E-TOPO4 from [STEP 9](#)

Figure 7 Physical cabling for the 10/25GE Dual Switch Topology. Detailed diagrams for network topologies can be found in the [pre-installation checklist](#).

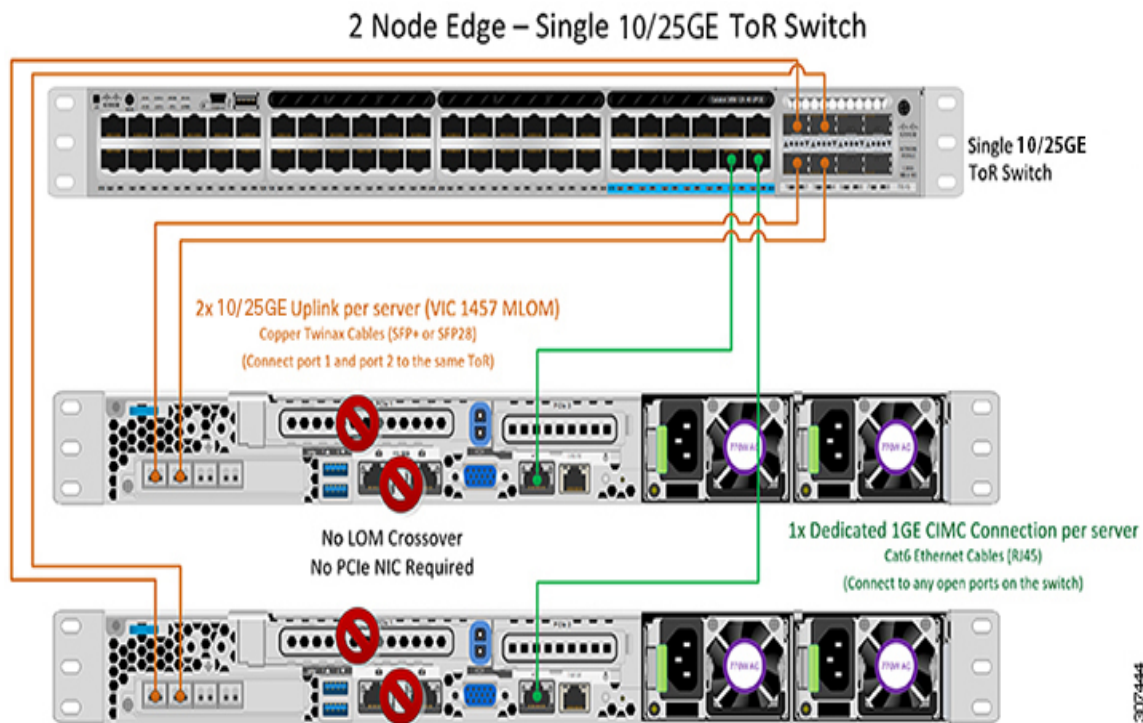


10 or 25 Gigabit Ethernet Single Switch Topology

Single switch configuration provides a simple topology requiring only a single switch, and two 10/25GE ports, one 1GE port for CIMC management, and one Cisco VIC 1467 per server. Switch level redundancy is not provided, however all links/ports and associated network services are fully redundant and can tolerate failures. refer [10/25 Gigabit Ethernet Switch Configuration Guidelines](#) for more information.

To deploy this topology, select HX-E-TOPO4 from [STEP 9](#)

Figure 8 Physical cabling for the 10/25GE Single Switch Topology. Detailed diagrams for network topologies can be found in the [pre-installation checklist](#).

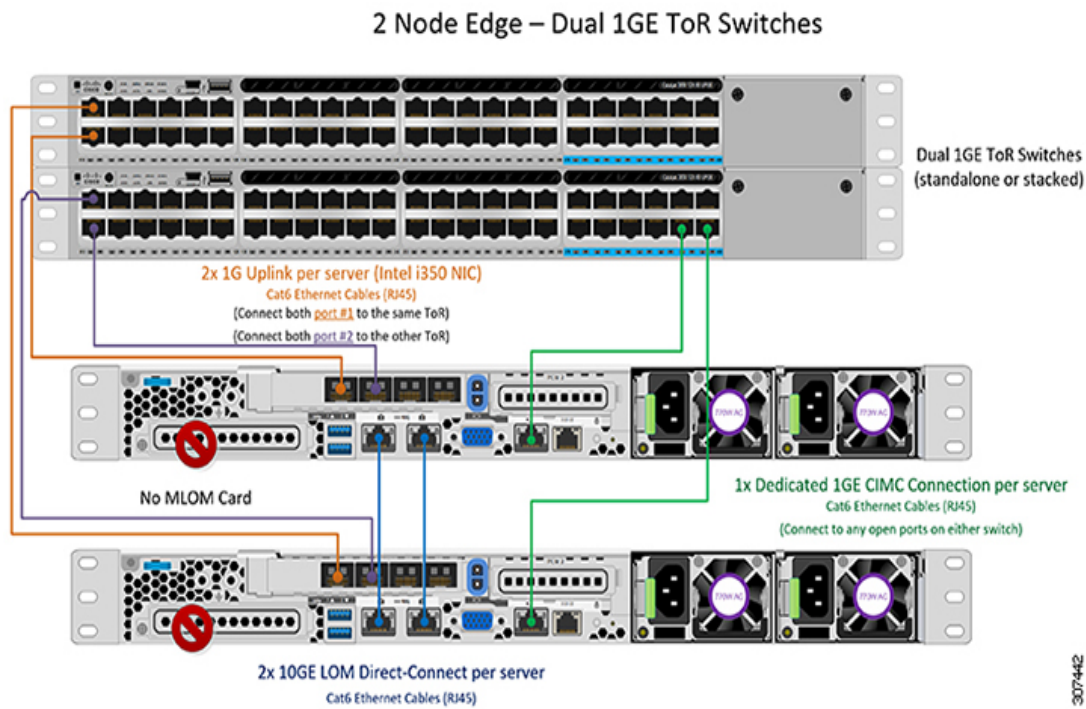


1 Gigabit Ethernet Dual Switch Topology

Dual switch cabling provides a slightly more complex topology with full redundancy that protects against: switch failure, link failure, switch port failure, and LOM/PCIe NIC HW failures. It requires two switches that may be standalone or stacked, and four 1GE ports for cluster and VM traffic, one 1GE port for CIMC management, and one Intel i350 PCIe NIC per server. Trunk ports are the only supported network port configuration. refer [1 Gigabit Ethernet Switch Configuration Guidelines](#) for more information

To deploy this topology, select HX-E-TOPO2 from [STEP 9](#)

Figure 9 Physical cabling for the 1GE Dual Switch Topology. Detailed diagrams for network topologies can be found in the [pre-installation checklist](#).

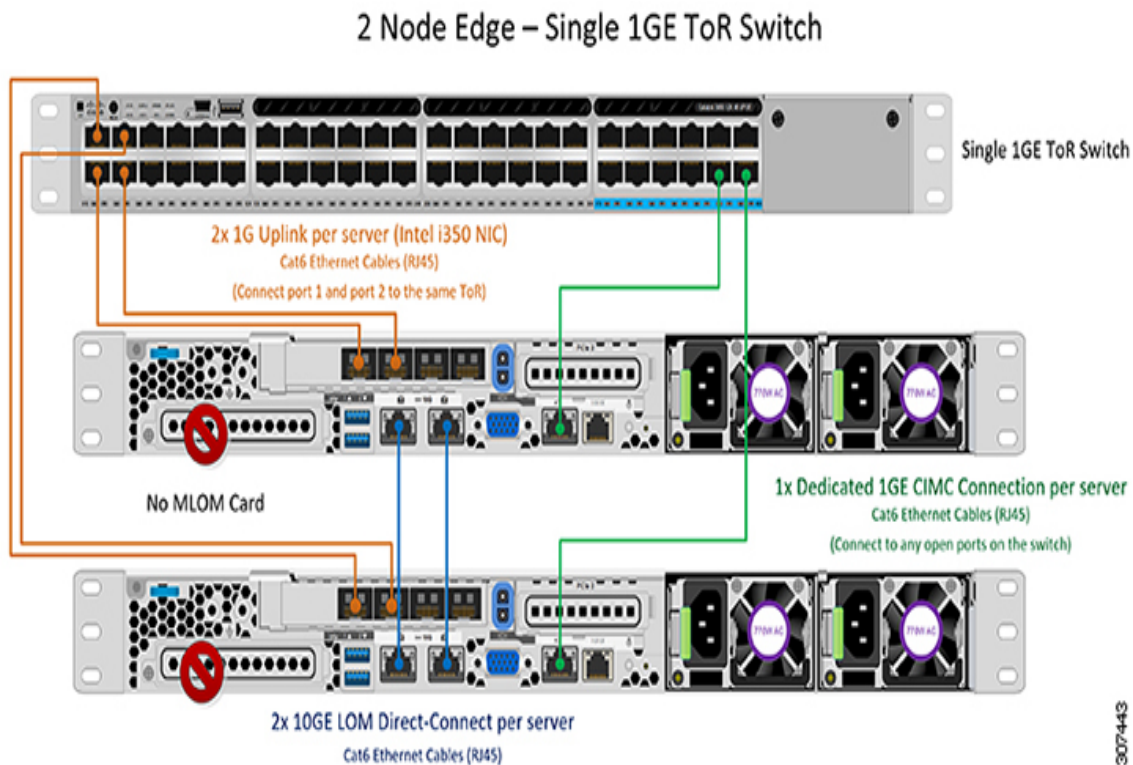


1 Gigabit Ethernet Single Switch Topology

Single switch configuration provides a simple topology requiring only a single switch, two 1GE ports for cluster and VM traffic, one 1GE port for CIMC management, and no additional PCIe NICs. Link or switch redundancy is not provided. Access ports and trunk ports are the two supported network port configurations. refer [1 Gigabit Ethernet Switch Configuration Guidelines](#) for more information

To deploy this topology, select HX-E-TOPO2 from [STEP 9](#)

Figure 10 Physical cabling for the 1GE Single Switch Topology. Detailed diagrams for network topologies can be found in the [pre-installation checklist](#).



NIC Based 10 or 25 Gigabit Ethernet Dual Switch Topology (quad port)

Dual switch configuration provides a slightly more complex topology with full redundancy that protects against: switch failure, link failure, and port failure. It requires two switches that may be standalone or stacked, and four 10/25GE ports, one 1GE port for CIMC management, and 1 x quad port NIC per server. Trunk ports are the only supported network port configuration. refer [10/25 Gigabit Ethernet Switch Configuration Guidelines](#) for more information.

To deploy this topology, select HX-E-TOP05 from [STEP 9](#)

Figure 11 Physical cabling for the Quad Port NIC Based 10/25GE Dual Switch Topology.

2 Node Edge - Dual 10/25GE ToR Switches



Dual 10/25GE ToR Switches (standalone or stacked)

Intel X710 quad-port 10G / Cisco-Intel E810XXVDA4L 4x25/10G



- Legend
- HX/ESXI Management
 - HX storage data
 - CIMC port

NIC Based 10 or 25 Gigabit Ethernet Dual Switch Topology (dual port)

Dual switch configuration provides a slightly more complex topology with full redundancy that protects against: switch failure, link failure, and port failure. It requires two switches that may be standalone or stacked, and four 10/25GE ports, one 1GE port for CIMC management, and 2 x dual port NIC per server. Trunk ports are the only supported network port configuration. refer [10/25 Gigabit Ethernet Switch Configuration Guidelines](#) for more information.

To deploy this topology, select HX-E-TOP05 from [STEP 9](#)

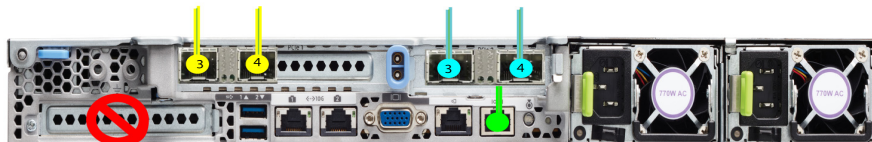
Figure 12 Physical cabling for the Dual Port NIC Based 10/25GE Dual Switch Topology.

2 Node Edge - Dual 10/25GE ToR Switches



Dual 10/25GE ToR Switches (standalone or stacked)

Intel X710-DA2 Dual Port 10G / Cisco-Intel E810XXVDA2 2x25/10 GE810XXVDA2 2x25/10 G



- Legend
- HX/ESXi Management
 - HX storage data
 - CIMC port

Supported Network Topologies for HyperFlex Edge 3 and 4 Node Deployments

Cisco HyperFlex 240 M6 Edge clusters should be deployed using Cisco Intersight installer. Cisco Intersight provides advanced multi-cluster monitoring and management capabilities; Cisco HyperFlex M6 edge nodes are not supported for installation using HyperFlex OVA installer VM.

Cisco HyperFlex Edge offers both 1 Gigabit Ethernet (GE) and 10/25 Gigabit Ethernet (GE) installation option. Both topologies support single top-of-rack (ToR) and dual ToR switch options for ultimate network flexibility and redundancy.

Consider the following when determining the best topology for your cluster:

- Cisco highly recommends the 10/25GE topology for higher performance and future node expansion capabilities.
- The 1GE topology is reserved for clusters that will never require node expansion, and instances where the ToR switch does not have 10/25GE ports available.



NOTE: A network topology is chosen during initial deployment and cannot be changed or upgraded without a full reinstallation. Choose your network topology carefully and with future needs in mind.

Below is a summary of the supported topologies, refer to the [Cisco HyperFlex Edge Deployment Guide, Pre-installation Checklist chapter](#), for full details.

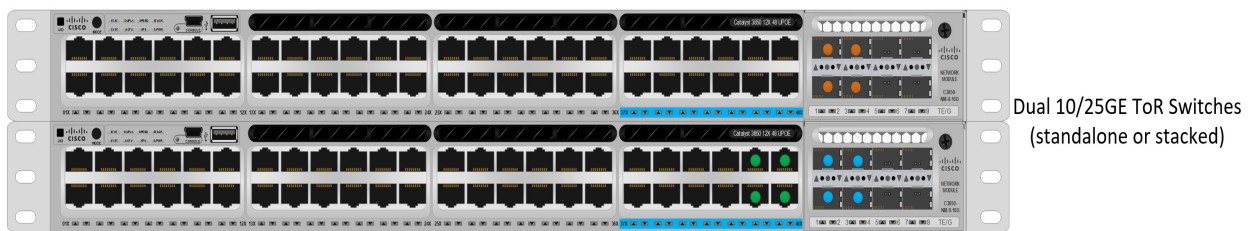
10 or 25 Gigabit Ethernet Dual Switch Topology

Dual switch configuration provides a slightly more complex topology with full redundancy that protects against: switch failure, link failure, and port failure. It requires two switches that may be standalone or stacked, and two 10/25GE ports, one 1GE port for CIMC management, and one Cisco VIC 1467 per server. Trunk ports are the only supported network port configuration. refer [10/25 Gigabit Ethernet Switch Configuration Guidelines](#) for more information.

To deploy this topology, select HX-E-TOP04 from [STEP 9](#)

Figure 13 Physical cabling for the 10/25GE Dual Switch Topology. Detailed diagrams for network topologies can be found in the [pre-installation checklist](#).

3 & 4 Node Edge – Dual 10/25GE ToR Switches



2x 10GE or 2x 25GE Uplink per server (VIC 1457 MLOM)
Copper Twinax Cables (SFP+ or SFP28)
(Connect all [port #1](#) to the same ToR)
(Connect all [port #2](#) to the other ToR)

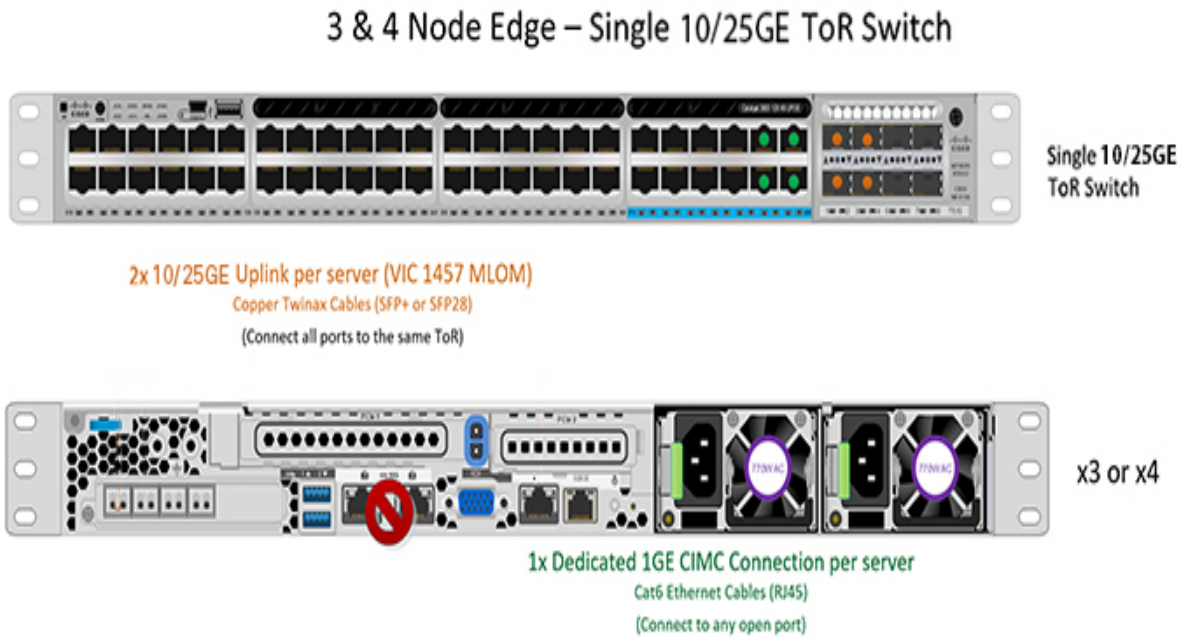


10 or 25 Gigabit Ethernet Single Switch Topology

Single switch configuration provides a simple topology requiring only a single switch, and two 10/25GE ports, one 1GE port for CIMC management, and one Cisco VIC 1467 per server. Switch level redundancy is not provided, however all links/ports and associated network services are fully redundant and can tolerate failures. refer [10/25 Gigabit Ethernet Switch Configuration Guidelines](#) for more information.

To deploy this topology, select HX-E-TOPO4 from [STEP 9](#)

Figure 14 Physical cabling for the 10/25GE Single Switch Topology. Detailed diagrams for network topologies can be found in the [pre-installation checklist](#).



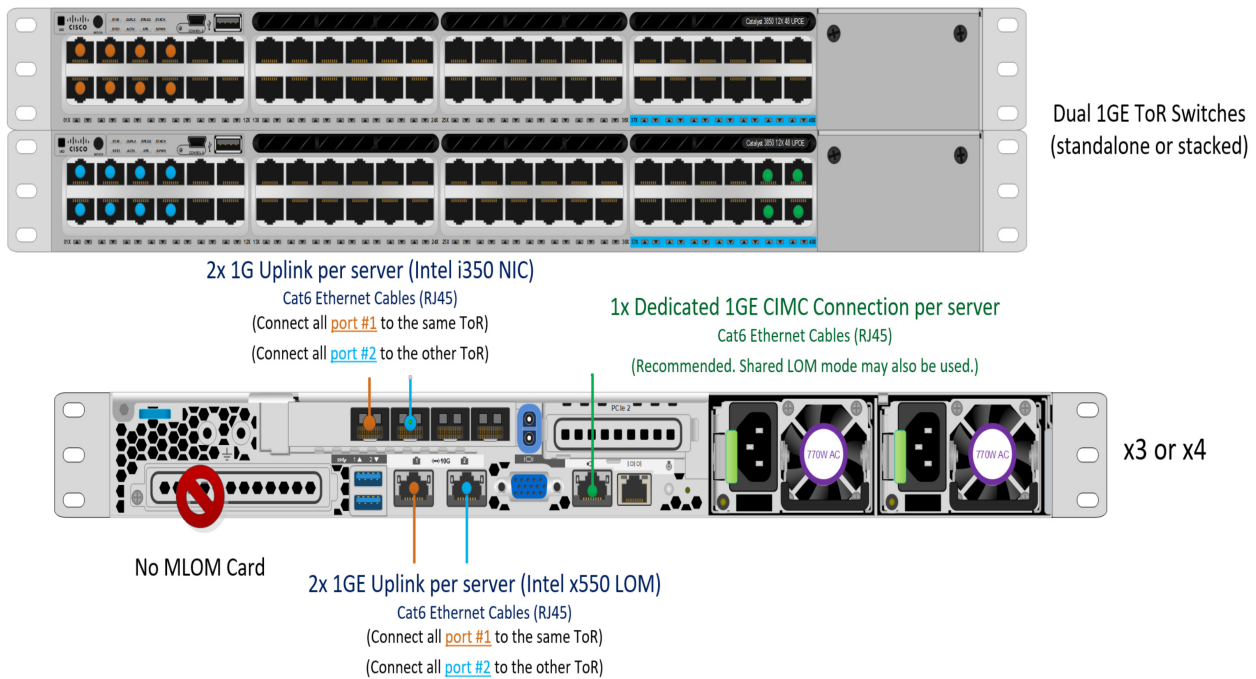
1 Gigabit Ethernet Dual Switch Topology

Dual switch cabling provides a slightly more complex topology with full redundancy that protects against: switch failure, link failure, switch port failure, and LOM/PCIe NIC HW failures. It requires two switches that may be standalone or stacked, and four 1GE ports for cluster and VM traffic, one 1GE port for CIMC management, and one Intel i350 PCIe NIC per server. Trunk ports are the only supported network port configuration. refer [1 Gigabit Ethernet Switch Configuration Guidelines](#) for more information.

To deploy this topology, select HX-E-TPO2 from [STEP 9](#)

Figure 15 Physical cabling for the 1GE Dual Switch Topology. Detailed diagrams for network topologies can be found in the [pre-installation checklist](#).

3 & 4 Node Edge – Dual 1GE ToR Switches



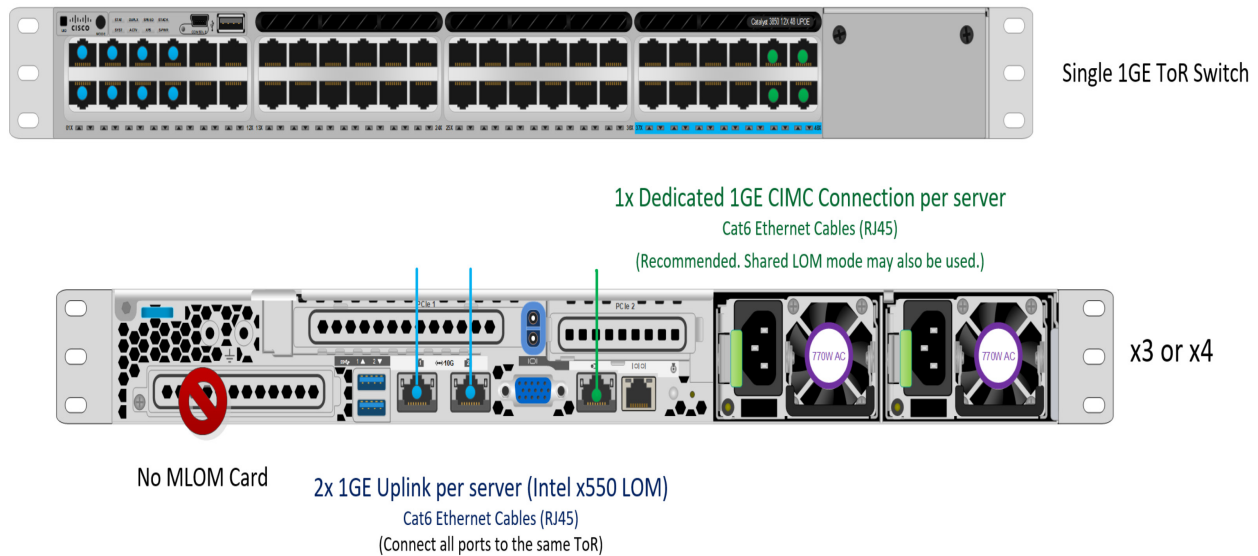
1 Gigabit Ethernet Single Switch Topology

Single switch configuration provides a simple topology requiring only a single switch, two 1GE ports for cluster and VM traffic, one 1GE port for CIMC management, and no additional PCIe NICs. Link or switch redundancy is not provided. Access ports and trunk ports are the two supported network port configurations. refer [1 Gigabit Ethernet Switch Configuration Guidelines](#) for more information.

To deploy this topology, select HX-E-TOPO3 from [STEP 9](#)

Figure 16 Physical cabling for the 1GE Single Switch Topology. Detailed diagrams for network topologies can be found in the [pre-installation checklist](#).

3 & 4 Node Edge – Single 1GE ToR Switch



NIC Based 10 or 25 Gigabit Ethernet Dual Switch Topology (quad port)

Dual switch configuration provides a slightly more complex topology with full redundancy that protects against: switch failure, link failure, and port failure. It requires two switches that may be standalone or stacked, and four 10/25GE ports, one 1GE port for CIMC management, and 1 x quad port NIC per server. Trunk ports are the only supported network port configuration. refer [10/25 Gigabit Ethernet Switch Configuration Guidelines](#) for more information.

To deploy this topology, select HX-E-TOP05 from [STEP 9](#)

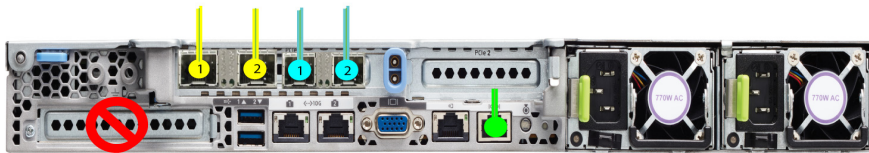
Figure 17 Physical cabling for the Quad Port NIC Based 10/25GE Dual Switch Topology.

3 or greater Node Edge/DC-no-FI - Dual 10/25GE



Dual 10/25GE ToR Switches (standalone or stacked)

Intel X710 quad-port 10G / Cisco-Intel E810XXVDA4L 4x25/10G



x3 or x4 for edge
x3 and up to 12 for DC-no-FI

- Legend
- HX/ESXi Managment
 - HX storage data
 - CIMC port

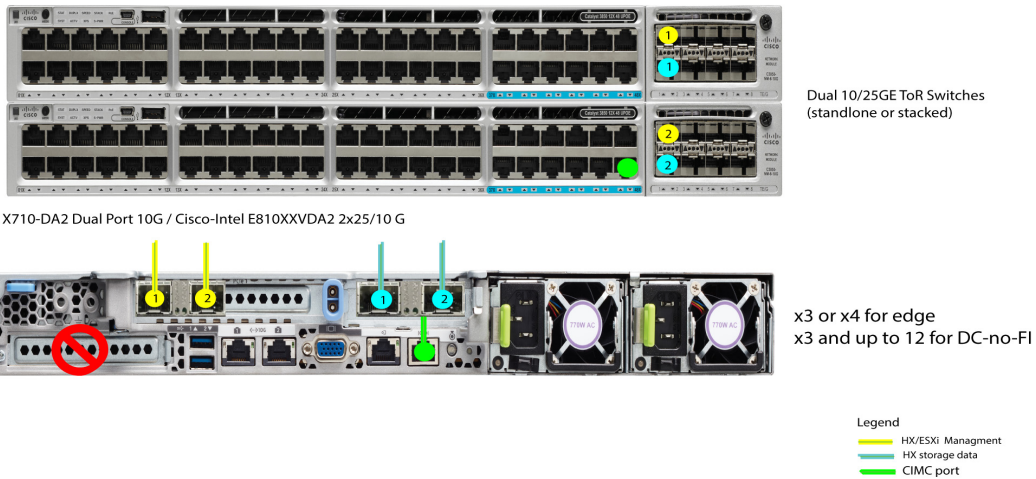
NIC Based 10 or 25 Gigabit Ethernet Dual Switch Topology (dual port)

Dual switch configuration provides a slightly more complex topology with full redundancy that protects against: switch failure, link failure, and port failure. It requires two switches that may be standalone or stacked, and four 10/25GE ports, one 1GE port for CIMC management, and 2 x dual port NIC per server. Trunk ports are the only supported network port configuration. refer [10/25 Gigabit Ethernet Switch Configuration Guidelines](#) for more information.

To deploy this topology, select HX-E-TOP05 from [STEP 9](#)

Figure 18 Physical cabling for the Dual Port NIC Based 10/25GE Dual Switch Topology.

3 or greater Node Edge/DC-no-FI - Dual 10/25GE

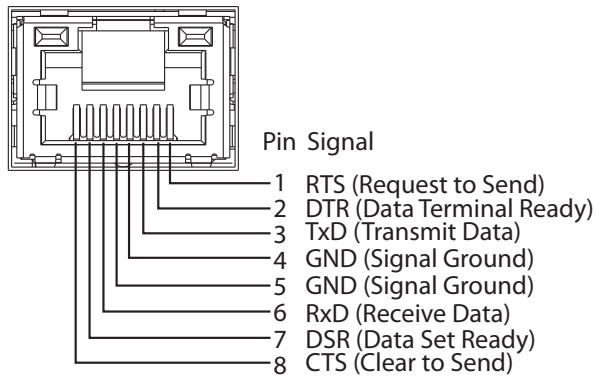


Serial Port Details

The pinout details of the rear RJ-45 serial port connector are shown in [Figure 19](#).

Figure 19 Serial Port (Female RJ-45 Connector) Pinout

Serial Port (RJ-45 Female Connector)



KVM Cable

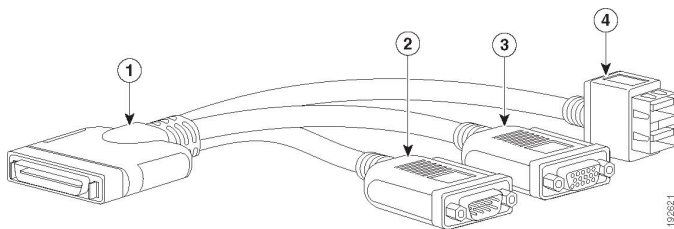
The KVM cable provides a connection into the server, providing a DB9 serial connector, a VGA connector for a monitor, and dual USB 2.0 ports for a keyboard and mouse. With this cable, you can create a direct connection to the operating system and the BIOS running on the server.

The KVM cable ordering information is listed in [Table 39](#).

Table 39 KVM Cable

Product ID (PID)	PID Description
N20-BKVM	KVM local IO cable for UCS servers console port

Figure 20 KVM Cable

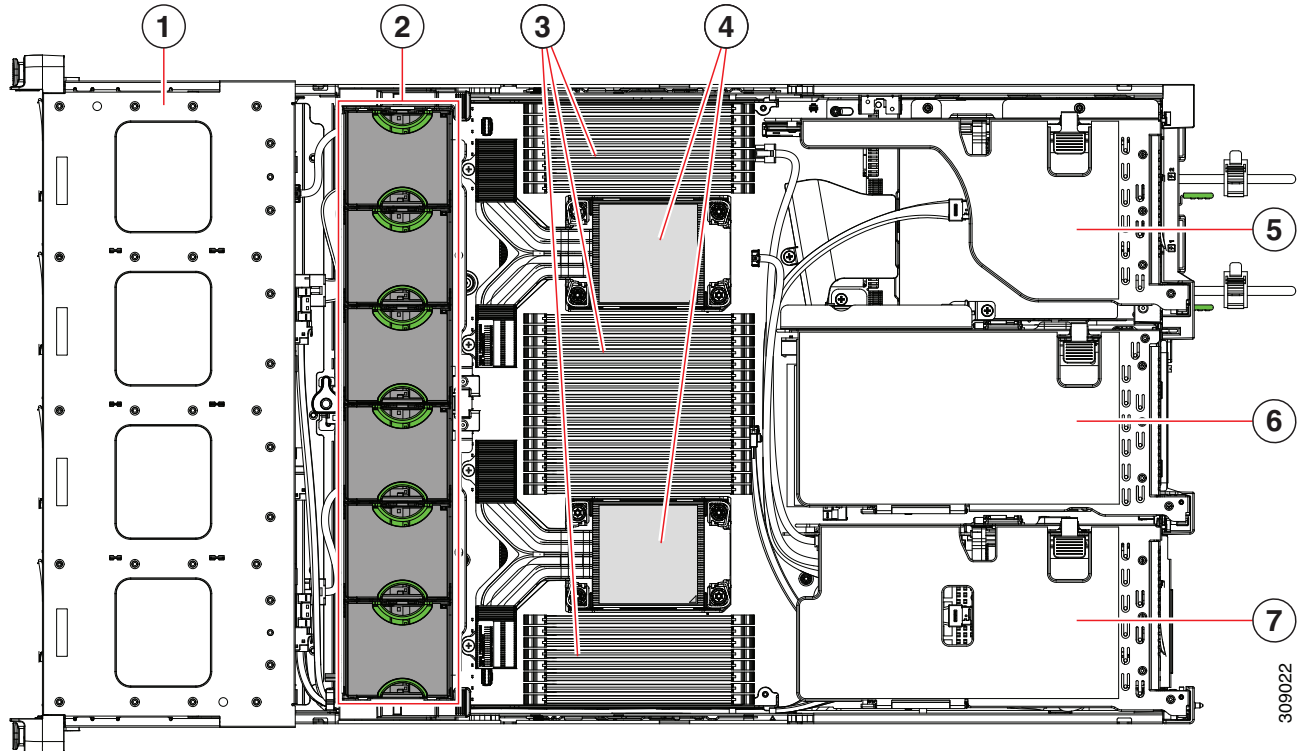


1	Connector (to server front panel)	3	VGA connector (for a monitor)
2	DB-9 serial connector	4	Two-port USB 2.0 connector (for a mouse and keyboard)

Chassis

An internal view of the HX240 M6 Edge All Flash/Hybrid Server Nodes chassis with the top cover removed is shown in [Figure 21](#).

Figure 21 HX240 M6 Edge All Flash/Hybrid Server Nodes With Top Cover Off



309022

1	Front-loading drive bays.	2	Cooling fan modules (six, hot-swappable)
3	DIMM sockets on motherboard (16 per CPU) An air baffle rests on top of the DIMMs and CPUs when the server is operating. The air baffle is not displayed in this illustration.	4	CPU sockets CPU 2 is at the top and CPU 1 is at the bottom.
5	PCIe riser 3 (PCIe slots 7 and 8 numbered from bottom to top), with the following options: <ul style="list-style-type: none"> ■ 3A (Default Option)—Slots 7 (x24 mechanical, x8 electrical), and 8 (x24 mechanical, x8 electrical). Both slots can accept a full height, full length GPU card. ■ 3B (Storage Option)—Slots 7 (x24 mechanical, x4 electrical) and 8 (x24 mechanical, x4 electrical). Both slots can accept 2.5-inch SFF universal HDDs. ■ 3C (GPU Option)—Slots 7 (x24 mechanical, x16 electrical) and 8 empty (NCSI support limited to one slot at a time). Slot 7 can support a full height, full length, double-wide GPU card. 	6	PCIe riser 2 (PCIe slots 4, 5, 6 numbered from bottom to top), with the following options: <ul style="list-style-type: none"> ■ 2A (Default Option)—Slot 4 (x24 mechanical, x8 electrical) supports full height, ¾ length card; Slot 5 (x24 mechanical, x16 electrical) supports full height, full length GPU card; Slot 6 (x24 mechanical, x8 electrical) supports full height, full length card.

7	<p>PCIe riser 1 (PCIe slot 1, 2, 3 numbered bottom to top), with the following options:</p> <ul style="list-style-type: none">■ 1A (Default Option)—Slot 1 (x24 mechanical, x8 electrical) supports full height, ¾ length card; Slot 2 (x24 mechanical, x16 electrical) supports full height, full length GPU card; Slot 3 (x24 mechanical, x8 electrical) supports full height, full length card.■ 1B (Storage Option)—Slot 1 is reserved; Slot 2 (x4 electrical), supports 2.5-inch SFF universal HDD; Slot 3 (x4 electrical), supports 2.5-inch SFF universal HDD	-	
---	---	---	--

Risers

Figure 22 shows the locations of the PCIe riser connectors on the HX240 M6 Edge All Flash/Hybrid Server Nodes motherboard.

Figure 22 HX240 M6 Edge All Flash/Hybrid Server Nodes Riser Connector Locations

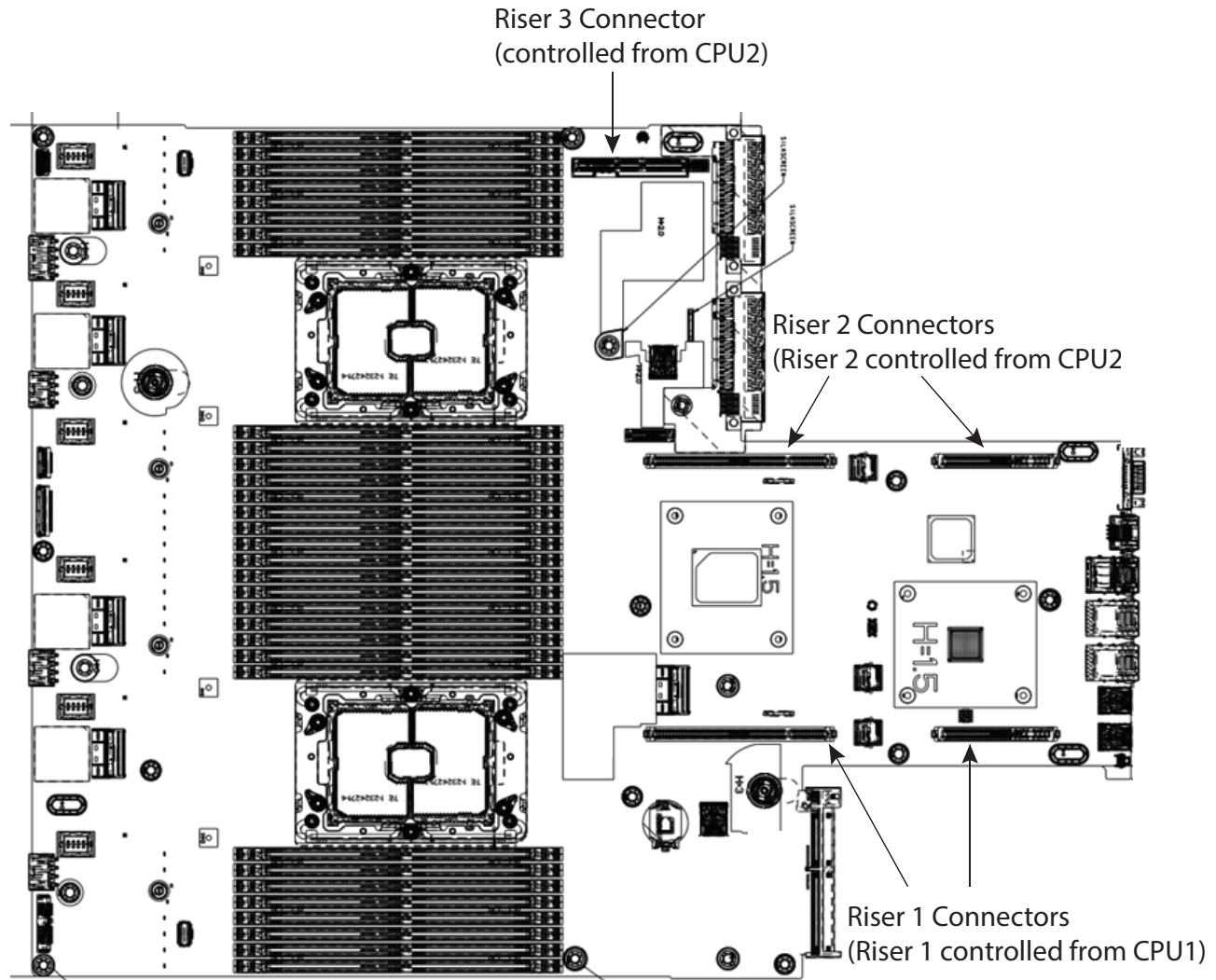
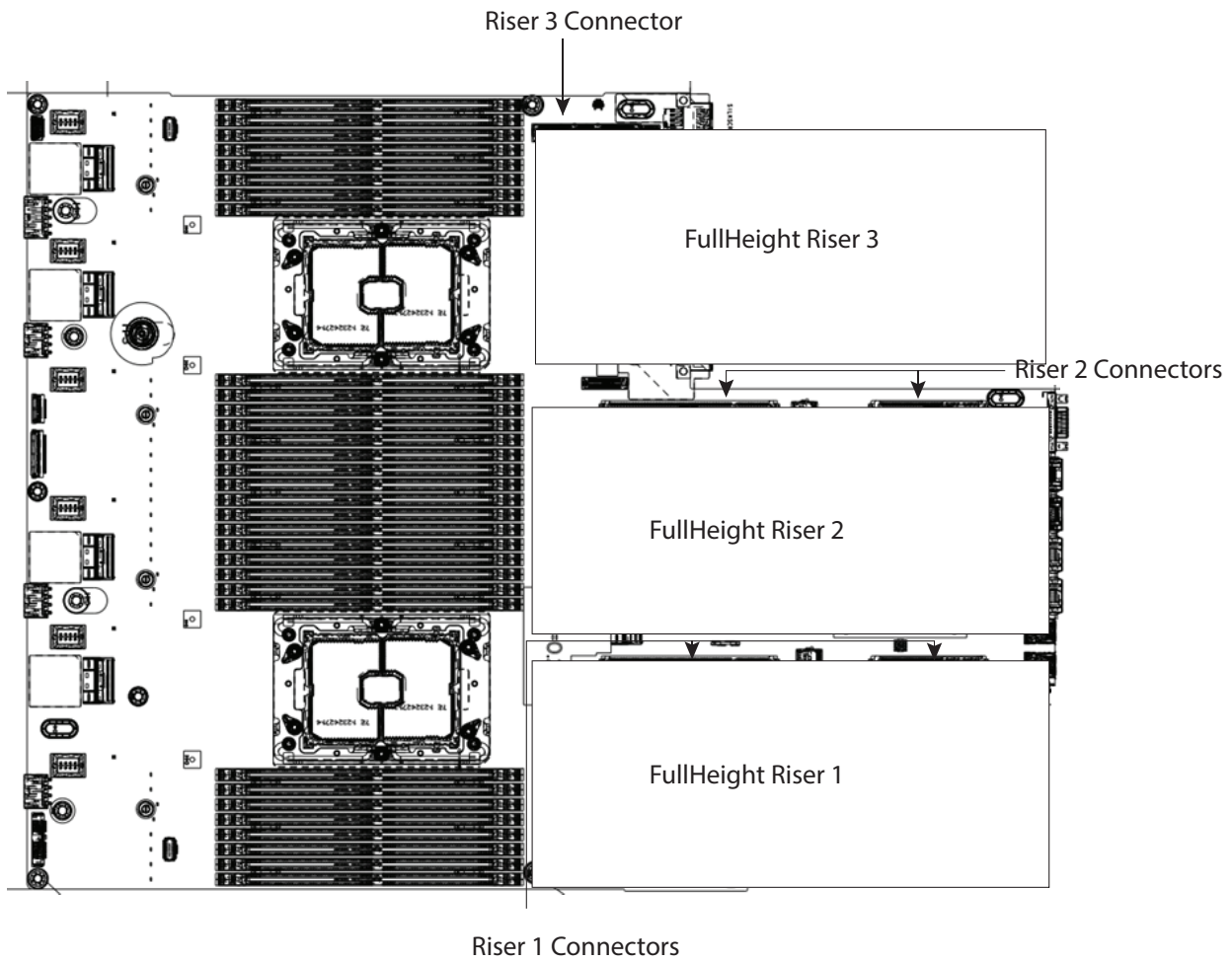


Figure 23 shows the locations of the PCIe riser connectors on the HX240 M6 Edge All Flash/Hybrid Server Nodes motherboard.

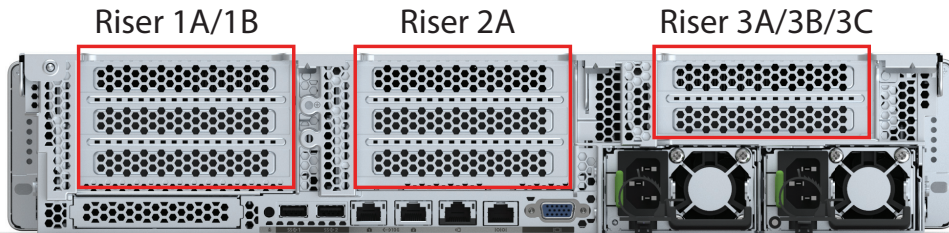
Figure 23 HX240 M6 Edge All Flash/Hybrid Server Nodes Riser Connector Locations



Riser Card Configuration and Options

The riser card locations are shown in *Figure 24*.

Figure 24 Riser Card Locations

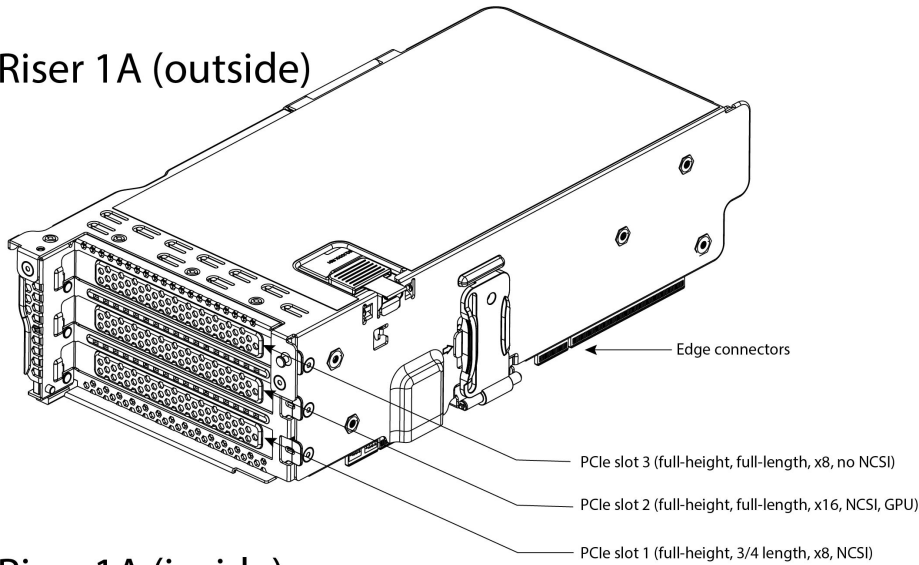


Riser 1A

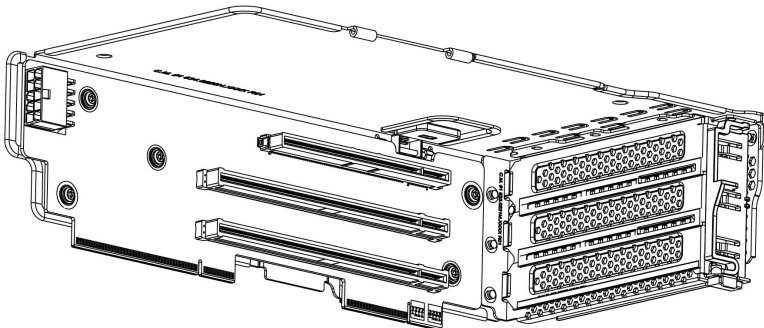
Riser 1A mechanical information is shown in *Figure 25*.

Figure 25 Riser Card 1A

PCIe Riser 1A (outside)



PCIe Riser 1A (inside)

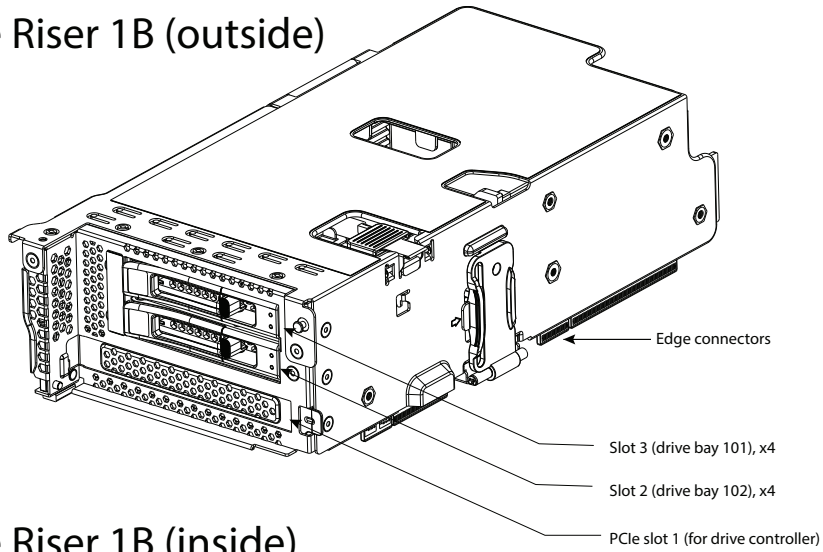


Riser 1B

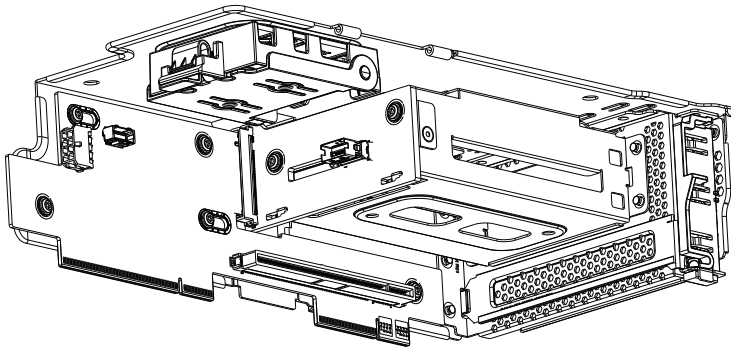
Riser 1B mechanical information is shown in [Figure 26](#).

Figure 26 Riser Card 1B

PCIe Riser 1B (outside)



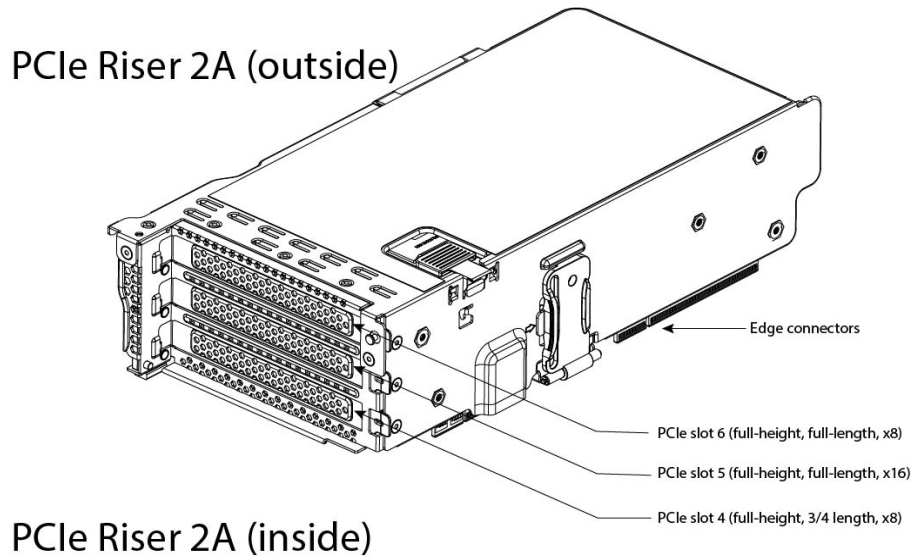
PCIe Riser 1B (inside)



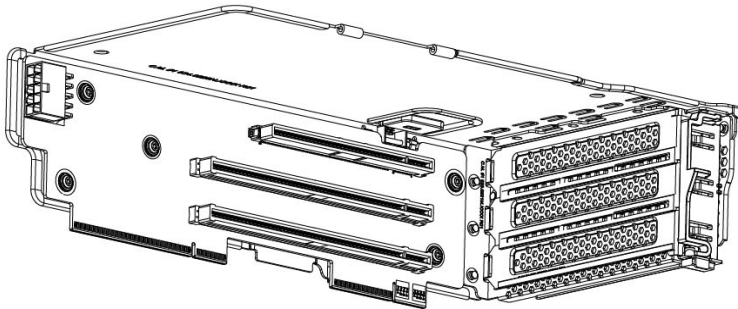
Riser 2A

Riser 2A mechanical information is shown in [Figure 27](#).

Figure 27 Riser Card 2A



PCIe Riser 2A (inside)

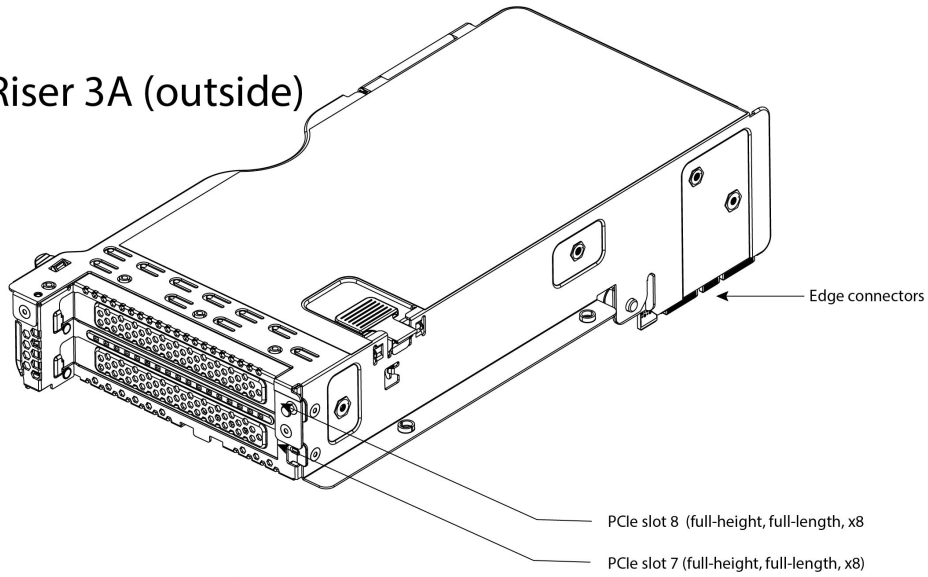


Riser 3A

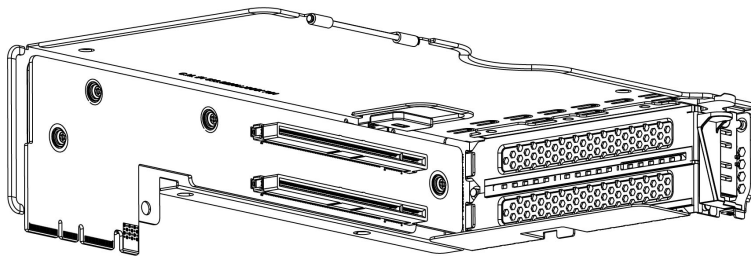
Riser 3A mechanical information is shown in [Figure 28](#).

Figure 28 Riser Card 3A

PCIe Riser 3A (outside)



PCIe Riser 3A (inside)

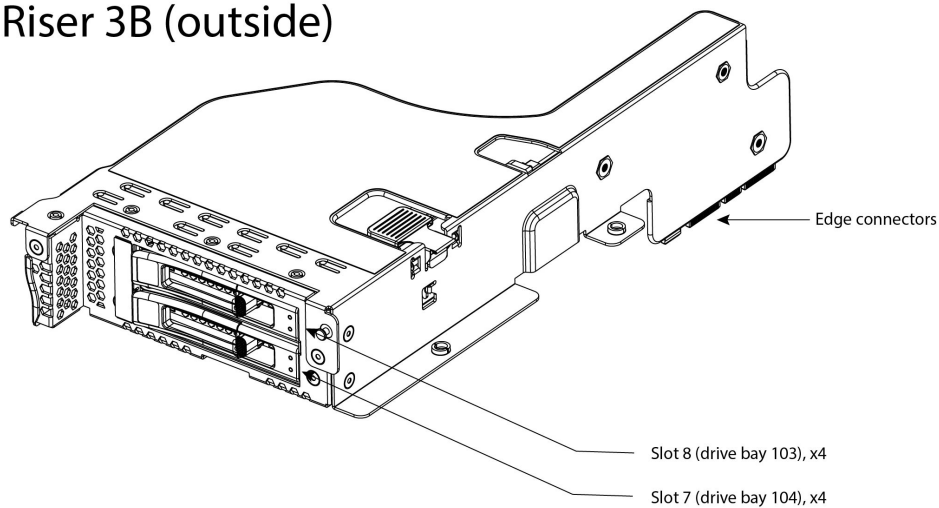


Riser 3B

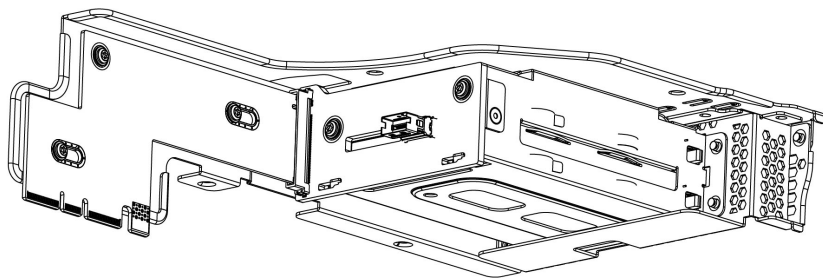
Riser 3B mechanical information is shown in [Figure 29](#).

Figure 29 Riser Card 3B

PCIe Riser 3B (outside)



PCIe Riser 3B (inside)

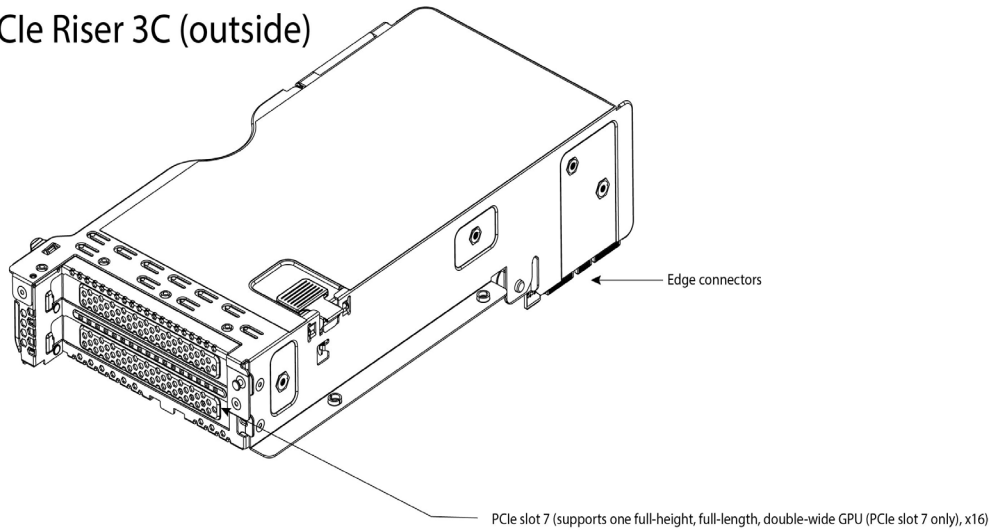


Riser 3C

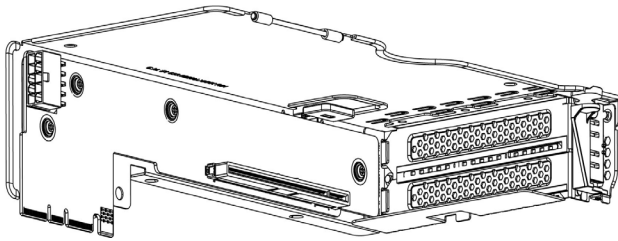
Riser 3C mechanical information is shown in [Figure 30](#).

Figure 30 Riser Card 3C

PCIe Riser 3C (outside)



PCIe Riser 3C (inside)



SPARE PARTS

This section lists the upgrade and service-related parts for the HyperFlex HX240 M6 Edge All Flash/Hybrid Server Nodes. Some of these parts are configured with every server.



NOTE: Some spare parts you order may also require accessories for full functionality. For example, drives or Drive controllers may need accompanying cables. CPUs may need heatsinks, thermal paste, and installation tools. The spares and their accessory parts are listed in [Table 40](#).

Table 40 Spare Parts

Product ID (PID)	PID Description
KVM Cable	
N20-BKVM=	KVM local IO cable for UCS servers console port
Risers	
HX-RIS1A-240M6=	C240 M6 Riser1A; (x8;x16x, x8); StBkt; (CPU1)
HX-RIS1B-240M6=	C240 M6 Riser1B; 2xHDD/SSD; StBkt; (CPU1)
UCSC-RIS2A-240M6=	C240 M6 Riser2A; (x8;x16;x8);StBkt; (CPU2)
HX-RIS3A-240M6=	C240 M6 Riser3A (x8;x8); StBkt; (CPU2)
HX-RIS3B-240M6=	C240 M6 Riser 3B; 2xHDD; StBkt; (CPU2)
HX-RIS3C-240M6=	C240 M6 Riser 3C
UCSC-FBRS2-C240M6=	C240M6 2U Riser2 Filler Blank
UCSC-FBRS3-C240M6=	C240M6 2U Riser3 Filler Blank
CPUs	
<p>Note: If you are ordering a second CPU, see the CPU Accessories section in this table for additional parts you may need to order for the second CPU.</p>	
8000 Series Processors	
HX-CPU-I8380=	Intel 8380 2.3GHz/270W 40C/60MB DDR4 3200MHz
HX-CPU-I8368=	Intel 8368 2.4GHz/270W 38C/57MB DDR4 3200MHz
HX-CPU-I8362=	Intel 8362 2.8GHz/265W 32C/48MB DDR4 3200MHz-
HX-CPU-I8360Y=	Intel 8360Y 2.4GHz/250W 36C/54MB DDR4 3200MHz
HX-CPU-I8358P=	Intel 8358P 2.6GHz/240W 32C/48MB DDR4 3200MHz
HX-CPU-I8358=	Intel 8358 2.6GHz/250W 32C/48MB DDR4 3200MHz

Table 40 Spare Parts (continued)

Product ID (PID)	PID Description
HX-CPU-I8352Y=	Intel 8352Y 2.2GHz/205W 32C/48MB DDR4 3200MHz
HX-CPU-I8352V=	Intel 8352V 2.1GHz/195W 36C/54MB DDR4 2933MHz
HX-CPU-I8352M=	Intel 8352M 2.3GHz/185W 32C/48MB DDR4 3200MHz
HX-CPU-I8352S=	Intel 8352S 2.2GHz/205W 32C/48MB DDR4 3200MHz
HX-CPU-I8351N=	Intel 8351N 2.4GHz/225W 36C/54MB DDR4 2933MHz
6000 Series Processors	
HX-CPU-I6354=	Intel 6354 3.0GHz/205W 18C/39MB DDR4 3200MHz
HX-CPU-I6348=	Intel 6348 2.6GHz/235W 28C/42MB DDR4 3200MHz
HX-CPU-I6346=	Intel 6346 3.1GHz/205W 16C/36MB DDR4 3200MHz
HX-CPU-I6342=	Intel 6342 2.8GHz/230W 24C/36MB DDR4 3200MHz
HX-CPU-I6338N=	Intel 6338T 2.1GHz/165W 24C/36MB DDR4 3200MHz
HX-CPU-I6338T=	Intel 6338N 2.2GHz/185W 32C/48MB DDR4 2667MHz
HX-CPU-I6338=	Intel 6338 2.0GHz/205W 32C/48MB DDR4 3200MHz
HX-CPU-I6336Y=	Intel 6336Y 2.4GHz/185W 24C/36MB DDR4 3200MHz
HX-CPU-I6334=	Intel 6334 3.6GHz/165W 8C/18MB DDR4 3200MHz
HX-CPU-I6330N=	Intel 6330N 2.2GHz/165W 28C/42MB DDR4 2667MHz
HX-CPU-I6330=	Intel 6330 2.0GHz/205W 28C/42MB DDR4 2933MHz
HX-CPU-I6326=	Intel 6326 2.9GHz/185W 16C/24MB DDR4 3200MHz
HX-CPU-I6314U=	Intel 6314U 2.3GHz/205W 32C/48MB DDR4 3200MHz
HX-CPU-I6312U=	Intel 6312U 2.4GHz/185W 24C/36MB DDR4 3200MHz
5000 Series Processors	
HX-CPU-I5320T=	Intel 5320T 2.3GHz/150W 20C/30MB DDR4 2933MHz
HX-CPU-I5320=	Intel 5320 2.2GHz/185W 26C/39MB DDR4 2933MHz
HX-CPU-I5318N=	Intel 5318Y 2.1GHz/165W 24C/36MB DDR4 2933MHz
HX-CPU-I5318S=	Intel 5318S 2.1GHz/165W 24C/36MB DDR4 2933MHz
HX-CPU-I5318Y=	Intel 5318N 2.1GHz/150W 24C/36MB DDR4 2667MHz
HX-CPU-I5317=	Intel 5317 3.0GHz/150W 12C/18MB DDR4 2933MHz
HX-CPU-I5315Y=	Intel 5315Y 3.2GHz/140W 8C/12MB DDR4 2933MHz
4000 Series Processors	

Table 40 Spare Parts (continued)






Product ID (PID)	PID Description
HX-CPU-I4316=	Intel 4316 2.3GHz/150W 20C/30MB DDR4 2667MHz
HX-CPU-I4314=	Intel 4314 2.4GHz/135W 16C/24MB DDR4 2667MHz
HX-CPU-I4310T=	Intel 4310T 2.3GHz/105W 10C/15MB DDR4 2667MHz
HX-CPU-I4310=	Intel 4310 2.1GHz/120W 12C/18MB DDR4 2667MHz
HX-CPU-I4309Y=	Intel 4309Y 2.8GHz/105W 8C/12MB DDR4 2667MHz
CPU Accessories	
UCS-CPU-TIM=  Note: This part is included with the purchase of spare CPU.Can be ordered separately.	Single CPU thermal interface material syringe for M5 server HS seal ¹
UCS-M6-CPU-CAR=  Note: This part is included with the purchase of spare CPU.Can be ordered separately.	Spare CPU Carrier for M6
UCSX-HSCK=  Note: This part is included with the purchase of spare CPU.Can be ordered separately.	UCS CPU/Heatsink Cleaning Kit, for up to 4 CPU/heatsink sets
UCS-CPUAT=  Note: This part is included with the purchase of spare CPU.Can be ordered separately.	CPU Assembly Tool for Servers
UCSC-HSHP-240M6=  Note: Order this Heatsink, if you are adding additional CPU/spare CPU	Heatsink for 2U SFF M6 PCIe SKU

Table 40 Spare Parts (continued)


Product ID (PID)	PID Description
UCSC-FAN-C240M6=	C240M6 2U Fan
3200-MHz DIMMs	
HX-MR-X16G1RW=	16 GB RDIMM SRx4 3200 (8Gb)
HX-MR-X32G1RW=	32 GB RDIMM SRx4 3200 (16Gb)
HX-MR-X32G2RW=	32 GB RDIMM DRx4 3200 (8Gb)
HX-MR-X64G2RW=	64 GB RDIMM DRx4 3200 (16Gb)
HX-ML-128G4RW=	128 GB LRDIMM QRx4 3200 (16Gb)
HX-ML-256G8RW=	256 GB LRDIMM 8Rx4 3200 (16Gb) (3DS)
DIMM Blank	
UCS-DIMM-BLK=	UCS DIMM Blank
HDDs	
 <p>Note: When ordering additional SAS/SATA front or rear drives, you may need to order a cable to connect from the drive to the motherboard. See the Drive Cables section in this table.</p>	
HXAF-E-240-M6SX (All Flash)	
Front Capacity Drive	
HX-SD19T61X-EV=	1.9TB 2.5 inch Enterprise Value 6G SATA SSD
HX-SD38T61X-EV=	3.8TB 2.5 inch Enterprise Value 6G SATA SSD
HX-SD76T61X-EV=	7.6TB 2.5 inch Enterprise Value 6G SATA SSD
HX-SD960G6S1X-EV=	960GB 2.5 inch Enterprise Value 6G SATA SSD
HX-SD19T6S1X-EV=	1.9TB 2.5 inch Enterprise Value 6G SATA SSD
HX-SD38T6S1X-EV=	3.8TB 2.5 inch Enterprise Value 6G SATA SSD
HX-SD76T6S1X-EV=	7.6TB 2.5 inch Enterprise Value 6G SATA SSD
Rear Capacity Drive	
HX-SD19T61X-EV=	1.9TB 2.5 inch Enterprise Value 6G SATA SSD
HX-SD38T61X-EV=	3.8TB 2.5 inch Enterprise Value 6G SATA SSD
HX-SD76T61X-EV=	7.6TB 2.5 inch Enterprise Value 6G SATA SSD
HX-SD960G6S1X-EV=	960GB 2.5 inch Enterprise Value 6G SATA SSD
HX-SD19T6S1X-EV=	1.9TB 2.5 inch Enterprise Value 6G SATA SSD

Table 40 Spare Parts (continued)

Product ID (PID)	PID Description
HX-SD38T6S1X-EV=	3.8TB 2.5 inch Enterprise Value 6G SATA SSD
HX-SD76T6S1X-EV=	7.6TB 2.5 inch Enterprise Value 6G SATA SSD
Front Cache Drive	
HX-SD800GK3X-EP=	800GB 2.5in Enterprise Performance 12G SAS SSD(3X endurance)
Front System Drive	
HX-SD240GM1X-EV=	240 GB 2.5 inch Enterprise Value 6G SATA SSD
Boot Drive	
HX-M2-240GB=	240GB SATA M.2
HX-M2-HWRAID=	Cisco Boot optimized M.2 Raid controller
HX-E-240-M6SX (Hybrid)	
Front Capacity Drive	
HX-HD12TB10K12N=	1.2 TB 12G SAS 10K RPM SFF HDD
HX-HD18TB10K4KN=	1.8TB 12G SAS 10K RPM SFF HDD (4K)
HX-HD24TB10K4KN=	2.4 TB 12G SAS 10K RPM SFF HDD (4K)
Rear Capacity Drive	
HX-HD12TB10K12N=	1.2 TB 12G SAS 10K RPM SFF HDD
HX-HD18TB10K4KN=	1.8TB 12G SAS 10K RPM SFF HDD (4K)
HX-HD24TB10K4KN=	2.4 TB 12G SAS 10K RPM SFF HDD (4K)
Front Cache Drive	
HX-SD16TK3X-EP=	1.6TB 2.5in Enterprise Performance 12G SAS SSD(3X endurance)
Front System Drive	
HX-SD240GM1X-EV=	240 GB 2.5 inch Enterprise Value 6G SATA SSD
Boot Drive	
HX-M2-240GB=	240GB SATA M.2
HX-M2-HWRAID=	Cisco Boot optimized M.2 Raid controller
Extender Board²	
UCSC-M2EXT-240M6=	C240M6 2U M.2 Extender board
Drive Cables	

Table 40 Spare Parts (continued)






Product ID (PID)	PID Description
CBL-SATA-C240M6=  Note: Order this cable if you are adding a front SAS/SATA drive to server nodes.	SATA cable C240M6 (2U)
CBL-RSASR1B-240M6=  Note: Order this cable if you order riser PID HX-RIS3B-240M6 and HX-SAS-240M6 for servers node	C240M6 2U x2 Rear SAS/SATA cable; (Riser1B)
CBL-RSASR3B-240M6=  Note: Order this cable if you order riser PID HX-RIS3B-240M6 and SAS/SATA rear drive and HX-SAS-240M6	C240M6 2U x2 Rear SAS/SATA cable; (Riser3B)
Drive Blanking Panel	
UCSC-BBLKD-S2	C-Series M5 SFF drive blanking panel
RAID Controllers	
 Note: When ordering additional RAID controllers, you may need to order a cable/supercap to connect from the RAID controller to the motherboard. See the RAID Controller Accessories section in this table.	
HX-SAS-240M6=	Cisco 12G SAS HBA
RAID Controller Accessories	
CBL-SAS12-240M6=  Note: Order this cable if you are ordering either of the following RAID PIDs: HX-SAS-240M6	C240M6 SAS cable 12 (2U)

Table 40 Spare Parts (continued)



Product ID (PID)	PID Description
CBL-SAS24-240M6=  Note: Order this cable if you are ordering two of HX-SAS-240M6	C240M6 SAS cable 24 (2U)
PCI cards	
Modular LAN on Motherboard (mLOM)	
HX-M-V25-04=	Cisco UCS VIC 1467 quad port 10/25G SFP28 mLOM
Network Interface Cards (NICs)	
1 Gb NICs	
HX-PCIE-IRJ45=	Intel i350 quad-port 1G copper PCIe
10 Gb NICs	
HX-PCIE-ID10GF=	Intel X710-DA2 Dual Port 10Gb SFP+ NIC
HX-PCIE-IQ10GF=	Intel X710 quad-port 10G SFP+ NIC
HX-P-ID10GC=	Cisco-Intel X710T2LG 2x10 GbE RJ45 PCIe NIC
25 Gb NICs	
HX-P-I8D25GF=	Cisco-Intel E810XXVDA2 2x25/10 GbE SFP28 PCIe NIC
HX-P-I8Q25GF=	Cisco-Intel E810XXVDA4L 4x25/10 GbE SFP28 PCIe NIC
GPU PCIe Cards	
 Note: If you are adding a GPU, you may need to add cables and other accessories for the GPU. See the GPU accessories and NVIDIA GPU Licenses section of this table.	
HX-GPU-A10=	TESLA A10, PASSIVE, 150W, 24GB
HX-GPU-A30=	Tesla A30
HX-GPU-A40=	TESLA A40 RTX, PASSIVE, 300W, 48GB
HX-GPU-A100-80=	TESLA A100, PASSIVE, 300W, 80GB
HX-GPU-A16=	NVIDIA A16 PCIE 250W 4X16GB
GPU accessories	

Table 40 Spare Parts (continued)







Product ID (PID)	PID Description
UCS-M10CBL-C240M5  Note: You may need to order this cable if you are adding an A10/M10 GPU	C240M5 NVIDIA M10/A10 Cable
UCS-P100CBL-240M5  Note: You may need to order this cable if you are adding an A100 /A40/ A16/A30 GPU	C240M5 NVIDIA P100 /RTX /A100 /A40/ A16 /A30 Cable
CBL-GPU-C240M6  Note: You may need to order this power cable if you are adding an A10 GPU	Y TYPE GPU POWER Cable for A10 GPU, C240M6 and C245M6
UCSC-HSLP-M6=  Note: You may need to order this Heatsink if you are adding an GPUs	Heatsink for 1U/2U LFF/SFF GPU SKU
UCSC-ADGPU-240M6=  Note: You may need to order this Air Duct if you are adding an GPUs	C240M6 GPU Air Duct 2U (for DW only)
NVIDIA GPU Licenses  Note: Order the GPU licenses if are adding the NVIDIA GPUs	
<ul style="list-style-type: none"> • If you already have a NVIDIA GPU and adding another one, or if you are replacing NVIDIA GPUs, then existing license should be fine. • if you don't have a GPU already installed, and you are adding the first one or two, you may need to order the license. 	
NV-VCS-1YR=	NVIDIA vCompute Server Subscription - 1 GPU - 1 Year
NV-VCS-3YR=	NVIDIA vCompute Server Subscription - 1 GPU - 3 Year

Table 40 Spare Parts (continued)

Product ID (PID)	PID Description
NV-VCS-5YR=	NVIDIA vCompute Server Subscription - 1 GPU - 5 Year
NV-VCS-R-1Y=	Renew NVIDIA vCompute Server Subscription - 1 GPU - 1 Year
NV-VCS-R-3Y=	Renew NVIDIA vCompute Server Subscription - 1 GPU - 3 Year
NV-VCS-R-5Y=	Renew NVIDIA vCompute Server Subscription - 1 GPU - 5 Year
NV-GRDWK-1-5S=	Quadro Perpetual Lic - NVIDIA vDWS 1CCU; 5Yr SUMS Req
NV-GRDVA-1-5S=	GRID Perpetual Lic - NVIDIA VDI APPs 1CCU; 5Yr SUMS Reqd
NV-GRDPC-1-5S=	GRID Perpetual Lic - NVIDIA VDI PC 1CCU; 5Yr SUMS Reqd
NV-GRD-EDP-5S=	EDU - Quadro Perpetual Lic - NVIDIA vDWS 1CCU; 5Yr SUMS Reqd
NV-GRID-WKP-5YR=	NVIDIA Quadro Production SUMS - vDWS 1CCU - 5 Year
NV-GRID-VAP-5YR=	NVIDIA GRID Production SUMS - VDI Apps 1CCU - 5 Year
NV-GRID-PCP-5YR=	NVIDIA GRID Production SUMS - VDI PC 1CCU - 5 Year
NV-GRID-EDP-5YR=	EDU - NVIDIA Quadro vDWS Production SUMS - 1CCU - 5 Year
NV-GRID-WKS-1YR=	NVIDIA Quadro SW Subscription - vDWS 1CCU - 1 Year
NV-GRID-WKS-3YR=	NVIDIA Quadro SW Subscription - vDWS 1CCU - 3 Year
NV-GRID-WKS-4YR=	NVIDIA Quadro SW Subscription - vDWS 1CCU - 4 Year
NV-GRID-WKS-5YR=	NVIDIA Quadro SW Subscription - vDWS 1CCU - 5 Year
NV-GRID-PCS-1YR=	NVIDIA GRID Software Subscription - VDI PC 1CCU - 1 Year
NV-GRID-PCS-3YR=	NVIDIA GRID Software Subscription - VDI PC 1CCU - 3 Year
NV-GRID-PCS-4YR=	NVIDIA GRID Software Subscription - VDI PC 1CCU - 4 Year
NV-GRID-PCS-5YR=	NVIDIA GRID Software Subscription - VDI PC 1CCU - 5 Year
NV-GRID-VAS-1YR=	NVIDIA GRID Software Subscription - VDI Apps 1CCU - 1 Year
NV-GRID-VAS-3YR=	NVIDIA GRID Software Subscription - VDI Apps 1CCU - 3 Year
NV-GRID-VAS-4YR=	NVIDIA GRID Software Subscription - VDI Apps 1CCU - 4 Year
NV-GRID-VAS-5YR=	NVIDIA GRID Software Subscription - VDI Apps 1CCU - 5 Year
NV-GRID-EDS-1YR=	EDU - NVIDIA Quadro vDWS SW Subscription - 1CCU - 1 Year
NV-GRID-EDS-3YR=	EDU - NVIDIA Quadro vDWS SW Subscription - 1CCU - 3 Year
NV-GRID-EDS-4YR=	EDU - NVIDIA Quadro vDWS SW Subscription - 1CCU - 4 Year
NV-GRID-EDS-5YR=	EDU - NVIDIA Quadro vDWS SW Subscription - 1CCU - 5 Year
NV-GRID-VAP-R-4Y=	Renew NVIDIA GRID vApps SUMS 1CCU 4 Year

Table 40 Spare Parts (continued)

Product ID (PID)	PID Description
NV-GRID-PCP-R-4Y=	Renew NVIDIA GRID vPC SUMS 1CCU 4 Year
NV-QUAD-WKP-R-4Y=	Renew NVIDIA Quadro vDWS SUMS 1CCU 4 Year
NV-QUAD-WKPE-R-4Y=	Renew NVIDIA Quadro vDWS SUMS 1CCU EDU 4 Year
NV-QUAD-WKS-R-1Y=	Renew NVIDIA Quadro vDWS Subscr 1CCU 1 Year
NV-QUAD-WKS-R-3Y=	Renew NVIDIA Quadro vDWS Subscr 1CCU 3 Year
NV-QUAD-WKS-R-4Y=	Renew NVIDIA Quadro vDWS Subscr 1CCU 4 Year
NV-QUAD-WKS-R-5Y=	Renew NVIDIA Quadro vDWS Subscr 1CCU 5 Year
NV-QUAD-WKSE-R-1Y=	Renew NVIDIA Quadro vDWS Subscr 1CCU EDU 1 Year
NV-QUAD-WKSE-R-3Y=	Renew NVIDIA Quadro vDWS Subscr 1CCU EDU 3 Year
NV-QUAD-WKSE-R-4Y=	Renew NVIDIA Quadro vDWS Subscr 1CCU EDU 4 Year
NV-GRID-VAS-R-1Y=	Renew NVIDIA GRID vApps Subscr 1CCU 1 Year
NV-GRID-VAS-R-3Y=	Renew NVIDIA GRID vApps Subscr 1CCU 3 Year
NV-GRID-VAS-R-4Y=	Renew NVIDIA GRID vApps Subscr 1CCU 4 Year
NV-GRID-VAS-R-5Y=	Renew NVIDIA GRID vApps Subscr 1CCU 5 Year
NV-GRID-PCS-R-1Y=	Renew NVIDIA GRID vPC Subscr 1CCU 1 Year
NV-GRID-PCS-R-3Y=	Renew NVIDIA GRID vPC Subscr 1CCU 3 Year
NV-GRID-PCS-R-4Y=	Renew NVIDIA GRID vPC Subscr 1CCU 4 Year
NV-GRID-PCS-R-5Y=	Renew NVIDIA GRID vPC Subscr 1CCU 5 Year
NV-QUAD-WKP-R-1Y=	Renew NVIDIA Quadro vDWS SUMS 1CCU 1 Year
NV-QUAD-WKP-R-3Y=	Renew NVIDIA Quadro vDWS SUMS 1CCU 3 Year
NV-QUAD-WKP-R-5Y=	Renew NVIDIA Quadro vDWS SUMS 1CCU 5 Year
NV-QUAD-WKPE-R-1Y=	Renew NVIDIA Quadro vDWS SUMS 1CCU EDU 1 Year
NV-QUAD-WKPE-R-3Y=	Renew NVIDIA Quadro vDWS SUMS 1CCU EDU 3 Year
NV-QUAD-WKPE-R-5Y=	Renew NVIDIA Quadro vDWS SUMS 1CCU EDU 5 Year
NV-GRID-VAP-R-1Y=	Renew NVIDIA GRID vApps SUMS 1CCU 1 Year
NV-GRID-VAP-R-3Y=	Renew NVIDIA GRID vApps SUMS 1CCU 3 Year
NV-GRID-VAP-R-5Y=	Renew NVIDIA GRID vApps SUMS 1CCU 5 Year
NV-GRID-PCP-R-1Y=	Renew NVIDIA GRID vPC SUMS 1CCU 1 Year
NV-GRID-PCP-R-3Y=	Renew NVIDIA GRID vPC SUMS 1CCU 3 Year

Table 40 Spare Parts (continued)

Product ID (PID)	PID Description
NV-GRID-PCP-R-5Y=	Renew NVIDIA GRID vPC SUMS 1CCU 5 Year
NV-GRD-VA2WKP-5S=	Upgrade NVIDIA VDI APPs to Quadro vDWS 1CCU; 5Yr SUMS Reqd
NV-GRD-VA2PCP-5S=	Upgrade NVIDIA VDI APPs to vPC 1CCU; 5Yr SUMS Reqd
NV-GRD-VA2WKPE-5S=	Upgrade NVIDIA VDI to Quadro vDWS 1CCU; 5Yr SUMS Reqd
NV-GRD-PC2WKP-5S=	Upgrade NVIDIA vPC to Quadro vDWS 1CCU; 5Yr SUMS Reqd
NV-GRD-PC2WKPE-5S=	Upgrade NVIDIA vPC to Quadro vDWS 1CCU; 5Yr SUMS Reqd
PSU (Input High Line 210VAC)	
HX-PSU1-1050W=	1050W AC PSU Platinum (Not EU/UK Lot 9 Compliant)
HX-PSUV2-1050DC=	1050W -48V DC Power Supply for Rack Server
HX-PSU1-1600W=	1600W AC PSU Platinum (Not EU/UK Lot 9 Compliant)
HX-PSU1-2300W=	2300W AC Power Supply for Rack Servers Titanium
PSU (Input Low Line 110VAC)	
HX-PSU1-1050W=	1050W AC PSU Platinum (Not EU/UK Lot 9 Compliant)
HX-PSUV2-1050DC=	1050W -48V DC Power Supply for Rack Server
HX-PSU1-2300W=	2300W AC Power Supply for Rack Servers Titanium
HX-PSU1-1050ELV	1050W AC PSU Enhanced Low Line (Not EU/UK Lot 9 Compliant)
Power Cables	
CAB-48DC-40A-8AWG=	C-Series -48VDC PSU Power Cord, 3.5M, 3 Wire, 8AWG, 40A
CAB-N5K6A-NA=	Power Cord, 200/240V 6A, North America
CAB-AC-L620-C13=	AC Power Cord, NEMA L6-20 - C13, 2M/6.5ft
CAB-C13-CBN=	CABASY,WIRE,JUMPER CORD, 27" L, C13/C14, 10A/250V
CAB-C13-C14-2M=	CABASY,WIRE,JUMPER CORD, PWR, 2 Meter, C13/C14,10A/250V
CAB-C13-C14-AC=	CORD,PWR,JMP,IEC60320/C14,IEC6 0320/C13, 3.0M
CAB-250V-10A-AR=	Power Cord, 250V, 10A, Argentina
CAB-9K10A-AU=	Power Cord, 250VAC 10A 3112 Plug, Australia
CAB-250V-10A-CN=	AC Power Cord - 250V, 10A - PRC
CAB-9K10A-EU=	Power Cord, 250VAC 10A CEE 7/7 Plug, EU
CAB-250V-10A-ID=	Power Cord, SFS, 250V, 10A, India
CAB-250V-10A-IS=	Power Cord, SFS, 250V, 10A, Israel

Table 40 Spare Parts (continued)

Product ID (PID)	PID Description
CAB-9K10A-IT=	Power Cord, 250VAC 10A CEI 23-16/VII Plug, Italy
CAB-9K10A-SW=	Power Cord, 250VAC 10A MP232 Plug, Switzerland
CAB-9K10A-UK=	Power Cord, 250VAC 10A BS1363 Plug (13 A fuse), UK
CAB-9K12A-NA=	Power Cord, 125VAC 13A NEMA 5-15 Plug, North America
CAB-250V-10A-BR=	Power Cord - 250V, 10A - Brazil
CAB-C13-C14-2M-JP=	Power Cord C13-C14, 2M/6.5ft Japan PSE mark
CAB-9K10A-KOR=	Power Cord, 125VAC 13A KSC8305 Plug, Korea
CAB-ACTW=	AC Power Cord (Taiwan), C13, EL 302, 2.3M
CAB-JPN-3PIN=	Japan, 90-125VAC 12A NEMA 5-15 Plug, 2.4m
Rail Kit	
HX-RAIL-M6=	Ball Bearing Rail Kit for C220 & C240 M6 rack servers
CMA	
HX-CMA-240M6=	Reversible CMA for C240 M6 ball bearing rail kit
Security	
HX-TPM-002C=	TPM 2.0, TCG, FIPS140-2, CC EAL4+ Certified, for M6 servers
HX-INT-SW02=	C220 and C240 M6 Chassis Intrusion Switch
Bezel	
HXAF240C-BZL-M5SX=	HXAF240c M5 Security Bezel
HX240C-BZL-M5S=	HX240c M5 Security Bezel
Select Hypervisor / Host Operating System	
ESXi Options	
VMware	
HX-VSP-7-0-FND-D=	Factory Installed vSphere SW 7.0 1-CPU Enduser provides License
HX-VSP-7-0-FND2-D=	Factory Installed vSphere SW 7.0 2-CPU Enduser provides License
VMware PAC Licenses	
HX-VSP-EPL-1A=	VMware vSphere 7.x Ent Plus (1 CPU, 32 core), 1-yr, Support Required
HX-VSP-EPL-3A=	VMware vSphere 7.x Ent Plus (1 CPU, 32 core), 3-yr, Support Required
HX-VSP-EPL-5A=	VMware vSphere 7.x Ent Plus (1 CPU, 32 core), 5-yr, Support Required
HX-VSP-STD-1A=	VMware vSphere 7.x Standard (1 CPU, 32 core), 1-yr, Support Required

Table 40 Spare Parts (continued)

Product ID (PID)	PID Description
HX-VSP-STD-3A=	VMware vSphere 7.x Standard (1 CPU, 32 core), 3-yr, Support Required
HX-VSP-STD-5A=	VMware vSphere 7.x Standard (1 CPU, 32 core), 5-yr, Support Required
HX-VSP-ROBO1-STD=	VMware vSphere 6.x ROBO Standard (25 VM pack)
HX-VSP-ROBO2-STD=	VMware vSphere 6.x ROBO Standard (100 VM pack)
HX-VSP-ROBO3-STD=	VMware vSphere 6.x ROBO Standard (500 VM pack)
HX-VSP-ROBO1-ADV=	VMware vSphere 6.x ROBO Advanced (25 VM pack)
HX-VSP-ROBO2-ADV=	VMware vSphere 6.x ROBO Advanced (100 VM pack)
HX-VSP-ROBO3-ADV=	VMware vSphere 6.x ROBO Advanced (500 VM pack)
Operating system	
Microsoft Options	
MSWS-19-DC16C-NS=	Windows Server 2019 Data Center (16 Cores/Unlimited VMs) - No Cisco SVC
MSWS-19-ST16C-NS=	Windows Server 2019 Standard (16 Cores/2 VMs) - No Cisco SVC
HX-MSWS-19-DC16C=	Windows Server 2019 Data Center (16 Cores/Unlimited VMs)
HX-MSWS-19-ST16C=	Windows Server 2019 Standard (16 Cores/2 VMs)

Notes:

1. This part is included with the purchase of option or spare CPU or CPU processor kits.
2. Order an extender board and two matching M.2 SATA SSDs along with a boot-optimized RAID controller (see [STEP 6 SELECT DRIVES](#)). See [Figure 21 on page 79](#) for the location of the extender board connector on the motherboard. The motherboard extender board connector accepts the extender board and the extender board accepts the boot-optimized RAID controller.

UPGRADING or REPLACING CPUs



NOTE: Before servicing any CPU, do the following:

- Decommission and power off the server.
- Slide the HX240 M6 Edge All Flash/Hybrid Server Nodes out from the rack.
- Remove the top cover.

To replace an existing CPU, follow these steps:

(1) Have the following tools and materials available for the procedure:

- T-30 Torx driver—Supplied with replacement CPU.
- #1 flat-head screwdriver—Supplied with replacement CPU.
- CPU assembly tool—Supplied with replacement CPU. Can be ordered separately as Cisco PID UCS-CPUAT=.
- Heatsink cleaning kit—Supplied with replacement CPU. Can be ordered separately as Cisco PID UCSX-HSCK=.
- Thermal interface material (TIM)—Syringe supplied with replacement CPU. Can be ordered separately as Cisco PID UCS-CPU-TIM=.

(2) Order the appropriate replacement CPU from [Table 5 on page 20](#):

Carefully remove and replace the CPU and heatsink in accordance with the instructions found in “Cisco M5 server Installation and Service Guide” found at:

https://www.cisco.com/c/en/us/td/docs/unified_computing/ucs/c/hw/C240M5/install/C240M5/C240M5_chapter_010.html?bookSearch=true#concept_bfk_kwp_hz

To add a new CPU, follow these steps:

(1) Have the following tools and materials available for the procedure:

- T-30 Torx driver—Supplied with new CPU.
- #1 flat-head screwdriver—Supplied with new CPU
- CPU assembly tool—Supplied with new CPU. Can be ordered separately as Cisco PID UCS-CPUAT=
- Thermal interface material (TIM)—Syringe supplied with replacement CPU. Can be ordered separately as Cisco PID UCS-CPU-TIM=

(2) Order the appropriate new CPU from [Table 5 on page 20](#)

(3) Order one heat sink for each new CPU. Order PID UCSC-HSHP-240M6= for servers with no GPU. Order PID UCSC-HSLP-M6= for servers with GPUs.

Carefully install the CPU and heatsink in accordance with the instructions found in “Cisco M5 server Installation and Service Guide,” found at:

https://www.cisco.com/c/en/us/td/docs/unified_computing/ucs/c/hw/C240M5/install/C240M5/C240M5_chapter_010.html?bookSearch=true#concept_bfk_kwp_hz

UPGRADING or REPLACING MEMORY



NOTE: Before servicing any DIMM do the following:

- Decommission and power off the server.
- Remove the top cover from the server
- Slide the server out the front of the chassis.

To add or replace DIMMs follow these steps:

Step 1 Open both DIMM connector latches.

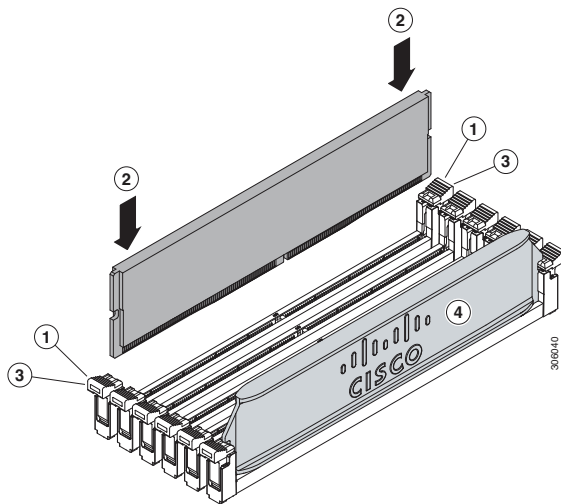
Step 2 Press evenly on both ends of the DIMM until it clicks into place in its slot

Note: Ensure that the notch in the DIMM aligns with the slot. If the notch is misaligned, it is possible to damage the DIMM, the slot, or both.

Step 3 Press the DIMM connector latches inward slightly to seat them fully.

Step 4 Populate all slots with a DIMM or DIMM blank. A slot cannot be empty.

Figure 31 Replacing Memory



For additional details on replacing or upgrading DIMMs, see “Cisco M5 Server Installation and Service Guide” found at this link:

https://www.cisco.com/c/en/us/td/docs/unified_computing/ucs/c/hw/C240M5/install/C240M5/C240M5_chapter_010.html?bookSearch=true#concept_c53_tbp_hz

TECHNICAL SPECIFICATIONS

Dimensions and Weight

Table 41 HX240 M6 Edge All Flash/Hybrid Server Nodes Dimensions and Weight

Parameter	Value
Height	3.42 in. (8.7 cm)
Width (Not including slam latches)	16.9 in. (42.9 cm)
Width (including slam latches)	18.9 in. (48.0 cm)
Depth	30 in. (76.2 cm)
Front Clearance	3 in. (76 mm)
Side Clearance	1 in. (25 mm)
Rear Clearance	6 in. (152 mm)
Weight	
Weight with following options and no rail kit: 0 HDD, 0 CPU, 0 DIMM, and 1 2300 W power supply	35.7 lbs (16.2 kg)
Weight with following options and including rail kit: 0 HDD, 0 CPU, 0 DIMM, and 1 2300 W power supply	44 lbs (20 kg)
Weight with following options and no rail kit: 1 HDD, 1 CPU, 1 DIMM, and 1 2300 W power supply	37.6 lbs (17 kg)
Weight with following options and including rail kit: 1 HDD, 1 CPU, 1 DIMM, and 1 2300 W power supply	45.9 lbs (20.8 kg)
Weight with following options and no rail kit: 8 HDDs, 2 CPUs, 32 DIMMs, and 2 2300 W power supplies	44.71 lbs (20.28 kg)
Weight with following options and including rail kit: 8 HDDs, 2 CPUs, 32 DIMMs, and 2 2300 W power supplies	49.2 lbs (22.32 kg)
Weight with following options and no rail kit: 0 HDD, 0 CPU, 0 DIMM, and 1 2300 W power supply	33.14 lbs (15 kg)
Weight with following options and including rail kit: 0 HDD, 0 CPU, 0 DIMM, and 1 2300 W power supply	41.45 lbs (18.8 kg)
Weight with following options and no rail kit: 1 HDD, 1 CPU, 1 DIMM, and 1 2300 W power supply	40.55 lbs (18.4kg)
Weight with following options and including rail kit: 1 HDD, 1 CPU, 1 DIMM, and 1 2300 W power supply	48.86 lbs (22.2 kg)
Weight with following options and no rail kit: 24 HDDs, 2 CPUs, 32 DIMMs, and 2 2300 W power supplies	58.8 lbs (26.7 kg)

Table 41 HX240 M6 Edge All Flash/Hybrid Server Nodes Dimensions and Weight

Parameter	Value
Weight with following options and including rail kit: 24 HDDs, 2 CPUs, 32 DIMMs, and 2 2300 W power supplies	61.7 lbs (28 kg)

Power Specifications

The server is available with the following types of power supplies:

- 1050 W (AC) power supply (see [Table 42](#)).
- 1050 W V2 (DC) power supply (see [Table 43](#))
- 1600 W (AC) power supply (see [Table 44](#))
- 2300 W (AC) power supply (see [Table 45](#))

Table 42 HX240 M6 Edge All Flash/Hybrid Server Nodes Power Specifications (1050 W AC power supply)

Parameter	Specification			
Input Connector	IEC320 C14			
Input Voltage Range (V rms)	100 to 240			
Maximum Allowable Input Voltage Range (V rms)	90 to 264			
Frequency Range (Hz)	50 to 60			
Maximum Allowable Frequency Range (Hz)	47 to 63			
Maximum Rated Output (W) ¹	800		1050	
Maximum Rated Standby Output (W)	36			
Nominal Input Voltage (V rms)	100	120	208	230
Nominal Input Current (A rms)	9.2	7.6	5.8	5.2
Maximum Input at Nominal Input Voltage (W)	889	889	1167	1154
Maximum Input at Nominal Input Voltage (VA)	916	916	1203	1190
Minimum Rated Efficiency (%) ²	90	90	90	91
Minimum Rated Power Factor ²	0.97	0.97	0.97	0.97
Maximum Inrush Current (A peak)	15			
Maximum Inrush Current (ms)	0.2			
Minimum Ride-Through Time (ms) ³	12			

Notes:

1. Maximum rated output is limited to 800W when operating at low-line input voltage (100-127V)
2. This is the minimum rating required to achieve 80 PLUS Platinum certification, see test reports published at <http://www.80plus.org/> for certified values
3. Time output voltage remains within regulation limits at 100% load, during input voltage dropout

Table 43 HX240 M6 Edge All Flash/Hybrid Server Nodes Power Specifications (1050 W V2 DC power supply)

Parameter	Specification
Input Connector	Molex 42820
Input Voltage Range (V rms)	-48
Maximum Allowable Input Voltage Range (V rms)	-40 to -72
Frequency Range (Hz)	NA
Maximum Allowable Frequency Range (Hz)	NA
Maximum Rated Output (W)	1050
Maximum Rated Standby Output (W)	36
Nominal Input Voltage (V rms)	-48
Nominal Input Current (A rms)	24
Maximum Input at Nominal Input Voltage (W)	1154
Maximum Input at Nominal Input Voltage (VA)	1154
Minimum Rated Efficiency (%) ¹	91
Minimum Rated Power Factor ¹	NA
Maximum Inrush Current (A peak)	15
Maximum Inrush Current (ms)	0.2
Minimum Ride-Through Time (ms) ²	5

Notes:

1. This is the minimum rating required to achieve 80 PLUS Platinum certification, see test reports published at <http://www.80plus.org/> for certified values
2. Time output voltage remains within regulation limits at 100% load, during input voltage dropout

Table 44 HX240 M6 Edge All Flash/Hybrid Server Nodes 1600 W (AC) Power Supply Specifications

Parameter	Specification			
Input Connector	IEC320 C14			
Input Voltage Range (V rms)	200 to 240			
Maximum Allowable Input Voltage Range (V rms)	180 to 264			
Frequency Range (Hz)	50 to 60			
Maximum Allowable Frequency Range (Hz)	47 to 63			
Maximum Rated Output (W)	1600			
Maximum Rated Standby Output (W)	36			
Nominal Input Voltage (V rms)	100	120	208	230
Nominal Input Current (A rms)	NA	NA	8.8	7.9
Maximum Input at Nominal Input Voltage (W)	NA	NA	1778	1758
Maximum Input at Nominal Input Voltage (VA)	NA	NA	1833	1813
Minimum Rated Efficiency (%) ¹	NA	NA	90	91
Minimum Rated Power Factor ²	NA	NA	0.97	0.97
Maximum Inrush Current (A peak)	30			
Maximum Inrush Current (ms)	0.2			
Minimum Ride-Through Time (ms) ²	12			

Notes:

1. This is the minimum rating required to achieve 80 PLUS Platinum certification, see test reports published at <http://www.80plus.org/> for certified values
2. Time output voltage remains within regulation limits at 100% load, during input voltage dropout

Table 45 HX240 M6 Edge All Flash/Hybrid Server Nodes 2300 W (AC) Power Supply Specifications

Parameter	Specification			
Input Connector	IEC320 C20			
Input Voltage Range (Vrms)	100 to 240			
Maximum Allowable Input Voltage Range (Vrms)	90 to 264			
Frequency Range (Hz)	50 to 60			
Maximum Allowable Frequency Range (Hz)	47 to 63			
Maximum Rated Output (W) ¹	2300			
Maximum Rated Standby Output (W)	36			
Nominal Input Voltage (Vrms)	100	120	208	230
Nominal Input Current (Arms)	13	11	12	10.8
Maximum Input at Nominal Input Voltage (W)	1338	1330	2490	2480
Maximum Input at Nominal Input Voltage (VA)	1351	1343	2515	2505
Minimum Rated Efficiency (%) ²	92	92	93	93
Minimum Rated Power Factor ²	0.99	0.99	0.97	0.97
Maximum Inrush Current (A peak)	30			
Maximum Inrush Current (ms)	0.2			
Minimum Ride-Through Time (ms) ³	12			

Notes:

1. Maximum rated output is limited to 1200W when operating at low-line input voltage (100-127V)
2. This is the minimum rating required to achieve 80 PLUS Titanium certification, see test reports published at <http://www.80plus.org/> for certified values
3. Time output voltage remains within regulation limits at 100% load, during input voltage dropout

For configuration-specific power specifications, use the Cisco UCS Power Calculator at this URL:

<http://ucspowercalc.cisco.com>

Environmental Specifications

The environmental specifications for the HX240 M6 Edge All Flash/Hybrid Server Nodes are listed in [Table 46](#).

Table 46 Environmental Specifications

Parameter	Minimum
Operating Temperature	Dry bulb temperature of 10°C to 35°C (50°F to 95°F) Maximum temperature change of 20°C (36°F) per hour (a temperature change within a specified period of time and not a rate of change) Humidity condition: Uncontrolled, not to exceed 50% RH starting condition Derate the maximum temperature by 1°C (33.8°F) per every 305 meters of altitude above 900m
Extended Operating Temperature	5°C to 40°C (41°F to 104°F) with no direct sunlight Humidity condition: Uncontrolled, not to exceed 50% RH starting condition Derate the maximum temperature by 1°C (33.8°F) per every 305 meters of altitude above 900m
Non-Operating Temperature	Dry bulb temperature of -40°C to 65°C (-40°F to 149°F)
Operating Relative Humidity	10% to 90% and 28°C (82.4°F) maximum dew-point temperature, non-condensing environment Minimum to be higher (more moisture) of -12°C (10.4°F) dew point or 8% relative humidity Maximum to be 24°C (75.2°F) dew point or 90% relative humidity
Non-Operating Relative Humidity	5% to 93% relative humidity, non-condensing, with a maximum wet bulb temperature of 28°C across the 20°C to 40°C dry bulb range.
Maximum Operating Duration	Unlimited
Operating Altitude	A maximum elevation of 3050 meters (10,006 ft)
Non-Operating Altitude	An elevation of 0 to 12,000 meters (39,370 ft)
Sound Power level, Measure A-weighted per ISO7779 LWAd (Bels) Operation at 23°C (73°F)	5.5
Sound Pressure level, Measure A-weighted per ISO7779 LpAm (dBA) Operation at 23°C (73°F)	40

Extended Operating Temperature Hardware Configuration Limits

Table 47 HX240 M6 Edge All Flash/Hybrid Server Nodes Extended Operating Temperature Hardware Configuration Limits

Platform ¹	ASHRAE A3 (5°C to 40°C) ²	ASHRAE A4 (5°C to 45°C) ³
Processors:	155W+	155W+ and 105W+ (4 or 6 Cores)
Memory:	LRDIMMs	LRDIMMs
Storage:	M.2 SATA SSDs	M.2 SATA SSDs HDDs or SSDs (Rear Bays)
Peripherals:	GPUs	GPUs VICs (Slots 1 and 4) NICs (Slots 1 and 4) HBAs (Slots 1 and 4)

Notes:

1. Two PSUs are required and PSU failure is not supported
2. Non-Cisco UCS qualified peripherals and/or peripherals that consume more than 25W are not supported
3. High power or maximum power fan control policy must be applied

Compliance Requirements

The regulatory compliance requirements for HX-Series servers are listed in [Table 48](#).

Table 48 HX-Series Regulatory Compliance Requirements

Parameter	Description
Regulatory Compliance	Products should comply with CE Markings per directives 2014/30/EU and 2014/35/EU
Safety	UL 60950-1 Second Edition CAN/CSA-C22.2 No. 60950-1 Second Edition EN 60950-1 Second Edition IEC 60950-1 Second Edition AS/NZS 60950-1 GB4943 2001
EMC - Emissions	47CFR Part 15 (CFR 47) Class A AS/NZS CISPR32 Class A CISPR32 Class A EN55032 Class A ICES003 Class A VCCI Class A EN61000-3-2 EN61000-3-3 KN32 Class A CNS13438 Class A
EMC - Immunity	EN55024 CISPR24 EN300386 KN35



Americas Headquarters
Cisco Systems, Inc.
San Jose, CA

Asia Pacific Headquarters
Cisco Systems (USA) Pte. Ltd.
Singapore

Europe Headquarters
Cisco Systems International BV Amsterdam,
The Netherlands

Cisco has more than 200 offices worldwide. Addresses, phone numbers, and fax numbers are listed on the Cisco Website at www.cisco.com/go/offices.

Cisco and the Cisco Logo are trademarks of Cisco Systems, Inc. and/or its affiliates in the U.S. and other countries. A listing of Cisco's trademarks can be found at www.cisco.com/go/trademarks. Third party trademarks mentioned are the property of their respective owners. The use of the word partner does not imply a partnership relationship between Cisco and any other company. (1005R)