

C11 TITANIUM EXTREME 1000
LIMITED EDITION CHRONOMETER

OWNER'S HANDBOOK

CHR. WARD
L O N D O N

TIME ON YOUR SIDE...

Your Christopher Ward watch has been designed and engineered by highly talented craftspeople to ensure not only accurate and precise timekeeping but also to bring a real pride of ownership that only luxury items of the highest quality can ever hope to deliver.

You have made an investment, a good one, and the aim of this handbook is to help you make the most of that investment during what I hope will be a lifetime of ownership.



Christopher Ward

CONTENTS

C11 TITANIUM EXTREME 1000	2-3
TECHNICAL INFORMATION	4-5
THE COSC CERTIFIED CHRONOMETER	6
HOW TO OPERATE YOUR C11 TITANIUM EXTREME 1000	7-13
OUR WATCH CARE PROGRAMME	14-15
KEEPING IN TOUCH	16

C11 TITANIUM EXTREME 1000 – LIMITED EDITION CHRONOMETER

The C11 Titanium Extreme 1000 is a true titan of a diving watch and is guaranteed to win admiration and envious glances in equal measure.

Titanium is a chemical element (Ti) which was discovered in Cornwall in 1791 by geologist William Gregor. It is as strong as steel, yet 45% lighter and is highly resistant to corrosion in seawater which makes it just about the best case material possible for a dive watch.

It's not only the case material, however, that makes the C11 Extreme one of the finest professional dive watches available. We have also engineered the case with a 4.3mm thick AR08 coated sapphire crystal to give water resistance for up to 1000 metres (nearly 3,300 feet) which puts this watch in a very small group

of watches that have been watertight to this depth. The helium release valve integrated into the case is activated during very deep dives when the differential between the inside and outside pressure reaches a critical point, preventing the watch from exploding.

Powered by a certified chronometer version of a Sellita SW200-1 automatic movement, adds all important accuracy to reliability.

So, this is a watch that very serious divers need to safely perform extreme dives. For the rest of us, it is a privilege to have the chance to own such a fine piece of engineering – especially one that looks as cool as the C11 Extreme!



TECHNICAL INFORMATION

FEATURES

- Swiss made
- Limited to 1000 pieces worldwide
- Self winding automatic chronometer
- COSC certified
- 38 hour power reserve
- Date calendar
- Anti-shock system
- Satin-brushed Titanium case
- Helium Release Valve
- 4.3mm museum-grade AR08 anti-reflective sapphire crystal
- Internal countdown bezel
- SuperLuminova™ hands and indexes
- Screw down crowns

- Screw down deep-etched engraved backplate
- High-density rubber dive strap with titanium clasp
- Unique engraved serial number

TECHNICAL INFORMATION

Diameter:	42mm
Height:	14.9mm
Calibre:	Sellita SW200-1 COSC
Case:	Titanium
Vibrations:	28,000 per hour
Water Resistance:	100 ATM (1000 metres)
Strap:	22mm Rubber



CHR. WARD
LONDON

Titanium Extreme 1000
CERTIFIED CHRONOMETER

SWISS MADE

THE COSC CERTIFIED CHRONOMETER

COSC (Contrôle Officiel Suisse des Chronomètres) is the Official Swiss Chronometer Testing Institute responsible for certifying both accuracy and precision of wristwatches in Switzerland.



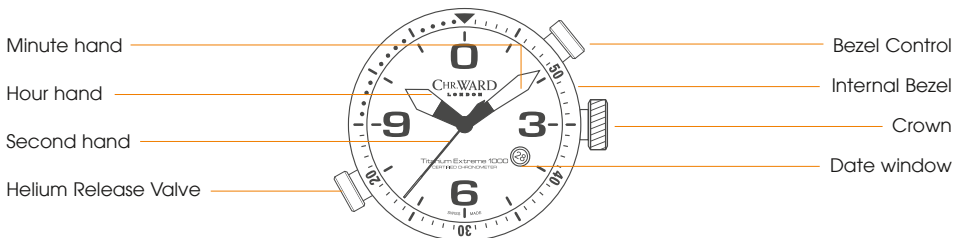
Certification follows exhaustive testing. In achieving the coveted status of Certified Chronometer, a movement must not only be made from the highest quality components, but also be the object of special care on part of the finest horologists and technicians as it is painstakingly assembled.

Only movements which meet the precision criteria are granted an official certificate. Each uncased movement is individually tested for fifteen days, in five positions, at three different temperatures. Movements are fitted with a second hand for tests and measurements are made daily with the aid of cameras. Based on all of these measurements, seven eliminatory criteria are calculated, each of which must be met.



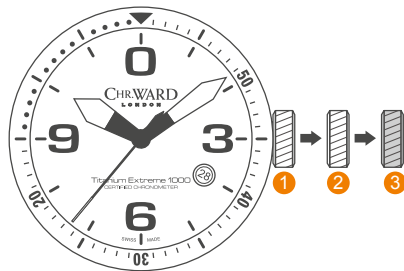
DISPLAY AND CONTROL BUTTONS

The C11 Titanium Extreme 1000 has a maximum power reserve of 38 hours when fully wound. To re-power the watch after a period of non-use, simply wind the crown in approximately (a minimum) of 20 revolutions. Normal wearing will very quickly allow the rotor to start re-powering the watch over time after putting it on your wrist.



SETTING THE TIME/DATE

- First unscrew the crown anti-clockwise from the case to position ① for winding in power. Wind in a clockwise direction to re-power the watch.
- Pull gently into position ②. For rapid date correction, turn in a clockwise direction.
- Pull gently into position ③. This position is used for handsetting, and stopping of the second hand. For precise time setting it is recommended to pass beyond the desired minute and to set the hand backwards.



PLEASE NOTE: The date cannot be changed during the date changing phase between 21.00 hrs and 02.00 hrs as the watch gearing will already be aligning itself to change the date. The crown should always be pushed in after adjustment and screwed in, and it is best to do so from position ③ to avoid advancing beyond the desired date.

You must always ensure the crown is fully tightened before any use in water.

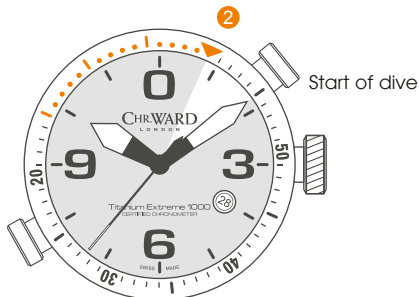
USING THE INTERNAL BEZEL

If using the internal bezel for a dive and lets say the recognised maximum “no-stop time” is 55 minutes, then in this example (shown left) the time at the surface immediately before the dive is 10.09am.

However the internal bezel is at the 12.00 hr position.

- 1 Turn the bezel control clockwise to move the 55min marker so that it aligns with the 9 minute position.
- 2 After 55 minutes the time will count down to zero shown by the triangle marker.

PLEASE NOTE: It is always useful and best practice to make a note on a dive slate before entering the water and to carry a set of dive tables should the dive plan change during the course of the dive. A safety stop for 3 to 5 minutes at 15ft is recommended at the end of all dives. A safety stop for 3 minutes at 15ft is required any time you come within 3 pressure groups of a no decompression limit, and for any dive to a depth of 100ft or deeper.



THE HELIUM RELEASE VALVE

A Helium release valve, or Helium escape valve, as it is also called, provides functionality for professional divers operating at great depths for prolonged periods of time or under saturation.

When commercial divers operate at great depths, they often spend prolonged hours in diving bells under pressure breathing a gas mix like trimix or similar, that contains the gas Helium. Since Helium molecules are the second smallest found in nature, the gas is able to work its way inside the watch, around any O-rings or other seals the watch may feature. This is not a problem as long as the divers stay under pressure, but when the decompression stops during resurfacing aren't long enough,

a pressure difference builds up between the trapped Helium inside the watch and the environment. A small, one-way valve integrated in the watch case is activated when the differential between the inner and the outside pressure reaches a critical level. Result: The valve releases the Helium trapped inside the case.

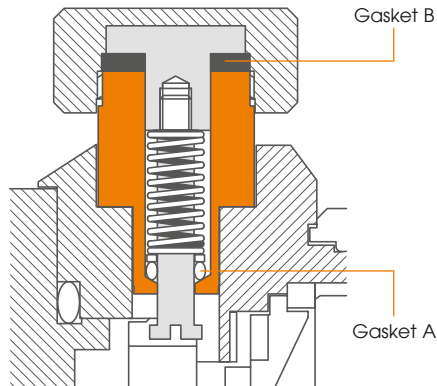
The C11 Titanium Extreme 1000 Helium release valve is operated semi-automatically. During an ascent any Helium that may have been trapped inside the watch can be allowed out through the one-way valve but water will not be allowed to ingress (see 'Using the Helium Release').

HOW TO USE THE HELIUM RELEASE VALVE

In its normal position ❶, the Helium release valve is fully closed and perfectly watertight thanks to **Gasket B**, but it is not functional, since it is screwed down.

During the decompression phase, unscrew the crown of the valve in order to release the mechanism to position ❷ (shown overleaf). The helium release valve is now watertight from the outside.

PLEASE NOTE: Diagrams are for illustration to show how a Helium release valve operates. Thus illustration shows the screw-down type as featured in your watch. If you're not diving with diving bells please check from time to time that your valve head is properly screwed down.

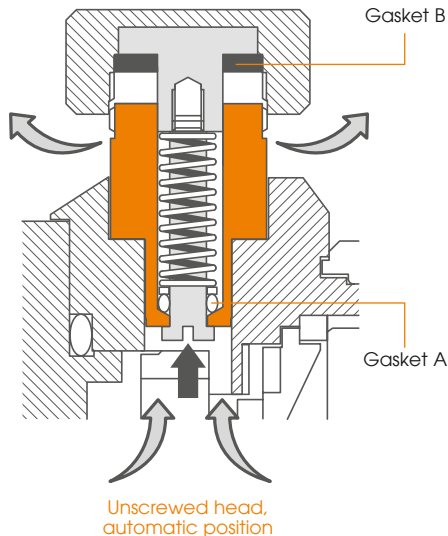


Screwed down,
fully closed position

As the interior pressure becomes greater than the exterior pressure, it pushes **Gasket A** out of its seating, thus releasing the gas.

Once the pressure is equalised, **Gasket A** returns to its original position, pushed by the spring.

This operation is automatically repeated several times during the decompression phase. Once atmospheric pressure is reached, screw down the crown of the valve.



WATER RESISTANCE

Although your watch has been through vigorous static pressure testing, it is worth remembering that there are many variables that can affect the water resistance of your watch.

For instance, arm movements during swimming and the sudden impact of diving and water sports will drastically increase the pressure the watch is under. Wearing your watch in the bath, shower, or sauna can also have an effect as a rapid increase in temperature can cause seals to expand and in extreme cases, malfunction or create condensation.

For these reasons, the water resistance rating of your watch (as shown) **should only ever be considered a guideline** and we strongly recommend they are always adhered to.



1 ATM (10 METRES)

Safe to wear your watch while washing your hands with tap water.



3 ATM (30 METRES)

Washing your car and/or general hose pipe usage.



5 ATM (50 METRES)

Water resistant to most household shower units.



10 ATM (100 METRES)

Safe to use while snorkelling in open water.



30 ATM (300 METRES)

Ideal for experienced divers and those practising scuba-diving.



50 ATM (500 METRES)

Professional divers, experiencing prolonged exposure underwater.



100 ATM (1000 METRES)

Professional deep sea diving.

OUR WATCH CARE PROGRAMME

Your watch is constructed from the finest components and materials available, including one of Switzerland's finest mechanical movements. As with all watches of this quality, with the right care and attention, your new Christopher Ward watch has the potential to become an heirloom piece giving further joy to future generations. It's for this reason we have created our industry leading approach to after-sales care, starting with our famous 60/60 Guarantee which remains the most comprehensive guarantee in the world of watchmaking.

Christopher Ward's 60/60 Guarantee is designed to deliver complete peace of mind and the best support possible throughout the lifetime of your ownership. The guarantee has two key elements and sits alongside our Servicing and Repairs Programme:

60/60 GUARANTEE

1. 60 DAY FREE RETURNS

Our success depends on you being completely happy with your new Christopher Ward watch. You have up to 60 days to return your watch, absolutely free of charge, and receive a replacement or full refund by return – so long as it has not been worn and is returned in box-perfect condition.

2. 60 MONTH MOVEMENT GUARANTEE

Your watch, at its heart, has a top quality precision engineered Swiss movement – so it's very unlikely to give you problems with the minimum amount of care and attention, including a regular service. We recommend you return your watch to us every 3/4 years for a service, so our expert technicians can keep your fine timepiece in peak condition.

SERVICING & REPAIRS...THE CHRISTOPHER WARD WAY...

Our innovative approach to servicing and repairing your Christopher Ward watch means that having your watch serviced or repaired doesn't mean months of waiting followed by an exorbitant bill – which is more or less the experience guaranteed by every other luxury watch brand. We have developed an easy, quick and affordable expert service and repairs programme that doesn't cost the earth and has your watch back where it belongs – on your wrist – in double-quick time.

Visit our website for more details about our 60/60 Guarantee and Service and Repair Programme.

KEEPING IN TOUCH WITH CHRISTOPHER WARD

From small beginnings just a few short years ago (our first workshop was actually a refurbished chicken shed!), Christopher Ward has won a worldwide following for his eponymous watch brand and can justifiably claim to manufacture the most affordable luxury watches in the world.

For many, the philosophy behind the brand, of trying to put luxury watches within the reach of everyone, is as attractive as the watches themselves, as is the very open approach of the business which means that Chris and the team spend a lot of time communicating personally with our customers – many of whom have become friends.

As the owner of a Christopher Ward watch, if ever you need to get hold of us we are at your service. We have listed some useful contact details on the back cover.

There is also always something new going on at our website at **www.christopherward.co.uk** and, if you haven't already discovered the independent forum dedicated to our brand at **www.christopherwardforum.com** we would recommend a visit. Informative and fun, it's a great place to hear the unexpurgated view of Christopher Ward of London!

CHR. WARD

L O N D O N

HEAD OFFICE

Christopher Ward (London) Limited,
1 Park Street, Maidenhead,
Berkshire SL6 1SL United Kingdom
+44 (0)1628 763040

CUSTOMER SERVICES

UNITED KINGDOM: +44 (0)1628 763040
UNITED STATES OF AMERICA: 1.877.226.8224
customerservices@christopherward.co.uk
technical@christopherward.co.uk

WEBSITE

www.christopherward.co.uk
www.christopherward.com
www.christopherward.eu