

# Virtual Regional Workshop – Machinery and Equipment Survey for Latin America and the Caribbean

January 25-28, 2022  
10:00 AM to 12:30 PM (Chilean time)



UNITED NATIONS



## Session 3: Item List and Specifications of Machinery and Equipment (MEQ) Survey

# Acknowledgements

Parts of the material shown were taken from presentations made during the

Fourth Virtual Regional Workshop  
22, 23 and 25 June 2021  
International Comparison Program  
for Asia and the Pacific 2021

We thank Asian Development Bank for the permission to use this material.



UNITED NATIONS

ECLAC

# BH Fabricated metal products, except machinery and equipment



UNITED NATIONS

ECLAC

## Item group: Underground cylindrical storage tanks

### Items included:

15.01.11.1.01.020: Double skinned underground horizontal cylindrical storage tank - Unspecified - larger

15.01.11.1.01.030: Double skinned underground horizontal cylindrical storage tank - Unspecified - smaller



UNITED NATIONS

ECLAC

## 15.01.11.1.01.020 - Double skinned underground horizontal cylindrical storage tank - Unspecified - larger



Make: Unspecified  
Model: Unspecified

Purpose/Introductory remarks:

This tank is for the underground storage of petrol though rather large for this application.

A smaller tank can be found at the next item position.

Several additional features are detailed in the notes.



UNITED NATIONS

ECLAC

## 15.01.11.1.01.020 - Double skinned underground horizontal cylindrical storage tank - Unspecified - larger

Make (and nationality)	Unspecified
Model	Unspecified
Specifications:	Metric    Imperial
Capacity:	100 m <sup>3</sup>    3530 ft <sup>3</sup>
Number of compartments:	one    one
Length x diameter:	14 x 3 m    45.9 x 9.8 ft
Thickness of steel: inner skin:	8.00 mm    0.31 in
Thickness of steel: outer skin:	4.00 mm    0.16 in
Thickness of steel: dished ends (inner and outer):	6.00 mm    0.24 in
Classification of steel (European norm):	EN 1025 S 275    EN 1025 S 275
Tested pressure: inner/outer:	0.3/0.4 bar    0.3/0.4 bar
Design pressure:	0.7 bar    0.7 bar
Working temp. range:	-20 C + 50 C    -2 F - +120 F
Black bitumen external finish:	yes    yes
Weight, empty:	15,500 kg    34172 lb
Uncoated internally (standard finish):	yes    yes



UNITED NATIONS

ECLAC

[PDF](#)

## 15.01.11.1.01.020 - Double skinned underground horizontal cylindrical storage tank - Unspecified - larger



**CEN 12285:**  
**Workshop fabricated steel tanks -**  
**Part 1: Horizontal cylindrical single**  
**skin and double skin tanks for the**  
**underground storage of flammable**  
**and non-flammable water polluting**  
**liquids**

### Notes:

Tank to be supplied with leak detection system, complete with connection kit, dipstick and a certificate of conformity to standard **CEN 12285**. The specification to include five holding down straps, overfill protection valves and internal suction pipes. There is also a 600 mm diameter manway and lower access shaft. The space between the two skins is filled with monopropylene glycol. Please note that the tank is uncoated internally and it is coated with bitumen externally. If there is another coating e.g. polyester, endopren, etc. please make a note.



UNITED NATIONS

ECLAC

## 15.01.11.1.01.030 - Double skinned underground horizontal cylindrical storage tank - Unspecified - smaller



Make: Unspecified  
Model: Unspecified

Major differences:

Capacity (50 m<sup>3</sup> instead of 100 m<sup>3</sup>)

This item is expected to be significantly cheaper than the 100 m<sup>3</sup> tank.

The price factor observed in the ECP Equipment Goods Survey was about 0.6. (GM for 50 m<sup>3</sup>: ~15000 Euro, GM for 100 m<sup>3</sup>: ~26000 Euro)



UNITED NATIONS

ECLAC



## 15.01.11.1.01.030 - Double skinned underground horizontal cylindrical storage tank - Unspecified - smaller

Make (and nationality)	Unspecified
Model	Unspecified
Specifications:	Metric    Imperial
Capacity:	50 m <sup>3</sup>    1675 ft <sup>3</sup>
Number of compartments:	one    one
Length x diameter:	10.8 X 2.5 m    35.4 x 8.2 ft
Thickness of steel: inner skin:	6.00 mm    0.24 in
Thickness of steel: outer skin:	4.00 mm    0.16 in
Thickness of steel: dished ends (inner and outer):	6.00 mm    0.24 in
Classification of steel (European norm):	EN 1025 S 275    EN 1025 S 275
Tested pressure: inner/outer:	0.3/0.4 bar    0.3/0.4 bar
Design pressure:	0.7 bar    0.7 bar
Working temp. range:	-20 C + 50 C    -2 F - +120 F
Black bitumen external finish:	yes    yes
Weight, empty:	8297 kg    18292 lb
Uncoated internally (standard finish):	yes    yes



UNITED NATIONS

ECLAC

[PDF](#)

## Item group: Stainless steel beer keg

Items included:

15.01.11.1.01.040: Stainless steel beer keg – Unspecified

Though other (non-carbonated) alcoholic or non-alcoholic drinks, may be housed in a keg as well, a keg for transport/storage of non-carbonated liquids should not be priced.



UNITED NATIONS

ECLAC

## 15.01.11.1.01.040 - Stainless steel beer keg - Unspecified



Make: Unspecified  
Model: Unspecified

Purpose/Introductory remarks:

For storage or transport of beer.  
Please note: A keg pressure meter and other equipment should not be included in the price.

The order size may have a significant impact on the price. In ECP the suggested order size was 1000 kegs. But: Unit price, delivery cost ... should be reported for one unit, too.



UNITED NATIONS

ECLAC

## 15.01.11.1.01.040 - Stainless steel beer keg - Unspecified

Make (and nationality)	Unspecified
Model	Unspecified
Specifications:	Metric    Imperial
Capacity:	50 litres    11 galls
Standard model built to EURONORM spec:	yes    yes
Overall height:	532 mm    20.9 in
Cylinder diameter:	395 mm    15.6 in
Crest diameter (incl. rolling rings):	408 mm    16.1 in
Distance from base of keg to top rolling ring:	320 mm    12.6 in
Material of cylinder stainless steel:	Type 304 high Nickel    Type 304 high Nickel
Material of rolling rings stainless steel:	Type 316    Type 316
Deep drawn construction:	yes    yes
Tare weight:	11.8 kg    26 lb



## Item group: Packaged steam boiler

Items included:

15.01.11.1.01.050: Packaged steam boiler – Unspecified

For heating purposes in mid-size to big industrial applications (continuous production of hot steam)

Examples for use:

Dairy: Production of milk powder, pasteurization heating

Brewery: Mash heating, bottle cleaning



UNITED NATIONS

ECLAC

## 15.01.11.1.01.050 - Packaged steam boiler - Unspecified



Make: Unspecified  
Model: Unspecified

Purpose/Introductory remarks:

Steam production capacity is 1 ton per hour (1000 kg).

Several models priced in ECP are mentioned in the notes. Item image and PDF document show the IVAR BHP 1000.



UNITED NATIONS

ECLAC

## 15.01.11.1.01.050 - Packaged steam boiler - Unspecified

Make (and nationality)	Unspecified
Model	Unspecified
Specifications:	Metric    Imperial
Type:	shell    shell
Rating: steam at 100 C:	1000 kg/h    2200 lb/h
Fuel:	oil/gas    oil/gas
Oil conditions (IF RELEVANT):	ambient temp.    ambient temp.
Working pressure:	6 bar - 16 bar/kW    90 - 240 psi/kW
Hydraulic test pressure:	18 atm    225 psi
Including burner, pump, etc.:	yes    yes
Burner type:	specify    specify
Gas volume:	1.1 cu. m.    38 sq. ft.
Volume:	2300 litres    511 galls
Weight without water:	3000 kg    6600 lb



UNITED NATIONS

ECLAC

[PDF](#)

## 15.01.11.1.01.050 - Packaged steam boiler - Unspecified



### Notes:

The item image shows the model IVAR BHP 1000. Examples of other models are: BYWORTH MX 1000, LPV CALDAIE CF 1000, Akkaya-Blowtherm KBB1000-6, Akkaya (Turkey) KBB1200-10, TING INOX MKD 1000, Certuss Universal 1000, BKS KAZAN BKDH 600 and FERROLI VAPOPRES.



UNITED NATIONS

ECLAC



## Item group: Hacksaws

### Items included:

15.01.11.1.01.060: Hacksaw - Unspecified

15.01.11.1.01.070: Hacksaw - Bahco (Sweden) - 325

15.01.11.1.01.080: Hacksaw - Unspecified

15.01.11.1.01.090: Hacksaw - Stanley (USA) - Turbocut (1-20-110)

### General remark on the item sequence:

The counterpart “branded” item for an “unspecified” item can be found in the item list at the next position, not at the previous position.



UNITED NATIONS

ECLAC

## 15.01.11.1.01.070 - Hacksaw - Bahco (Sweden) - 325



Make: Bahco (Sweden)

Model: 325

Purpose/Introductory remarks:

For cutting metal pipes, bars and the like. A model for professional use should be chosen, not a DIY model.



UNITED NATIONS

ECLAC

## 15.01.11.1.01.070 - Hacksaw - Bahco (Sweden) - 325

Make (and nationality)	Bahco (Sweden)
Model	325
Specifications:	Metric    Imperial
Strong rigid steel tube for ease of use:	aluminium frame    aluminium frame
Integrated blade storage:	no    no
Quick release blade changing mechanism:	yes    yes
No. of teeth/cm/inch:	9.4 teeth/cm    24 teeth/in
With tension guide on handle lever:	yes    yes
No. of cutting positions:	2    2
Blade length:	300 mm    11.8 in
Overall length:	395 mm    15.6 in
Maximum cutting capacity:	120 mm    4.7 in
Company website:	www.bahco.com    www.bahco.com



## 15.01.11.1.01.090 - Hacksaw - Stanley (USA) - Turbocut (1-20-110)



Make: Stanley (USA)

Model: Turbocut (1-20-110)

Major differences:

Steel frame instead of aluminum

Slightly lower cutting capacity

In the ECP survey 2019, the Stanley hacksaw was on average cheaper than the Bahco hacksaw. This also is the case for the preliminary results of ECP survey 2021.



UNITED NATIONS

ECLAC

## 15.01.11.1.01.090 - Hacksaw - Stanley (USA) - Turbocut (1-20-110)

Make (and nationality)	Stanley (USA)
Model	Turbocut (1-20-110)
Specifications:	Metric    Imperial
Strong rigid steel tube for ease of use:	yes    yes
Integrated blade storage:	steel frame    steel frame
No. of teeth/cm/inch:	9.4 teeth/cm    24 teeth/in
Blade length:	300 mm    11.8 in
Overall length:	430 mm    16.9 in
Maximum cutting capacity:	110 mm    4.3 in
Company website:	<a href="http://www.stanleyworks.co.uk">www.stanleyworks.co.uk</a>    <a href="http://www.stanleyworks.co.uk">www.stanleyworks.co.uk</a>



UNITED NATIONS

ECLAC

[PDF](#)

## Item group: Automotive tool sets

### Items included:

15.01.11.1.01.100: Automotive tool set - Unspecified

15.01.11.1.01.110: Automotive tool set - Facom (France) - Tool set CM.138  
without box



UNITED NATIONS

ECLAC

# 15.01.11.1.01.110 - Automotive tool set - Facom (France) - Tool set CM.138 without box



Make: Facom (France)

Model: Tool set CM.138 (without box)

Purpose/Introductory remarks:

Rather professional tool set for use in car repair shops

The ICP 2017 item was a set with a box, the ICP 2021 tool set comes in foam trays suitable for storage in a workshop trolley.



UNITED NATIONS

ECLAC

15.01.11.1.01.110 - Automotive tool set - Facom (France) - Tool set CM.138 without box


Make (and nationality)	Facom (France)
Model	Tool set CM.138 (without box)
Specifications:	Metric    Imperial
No. of pieces:	138    138
In 5 tray box:	without box    without box
No. of wrenches:	29    29
No. of sockets:	11+18    11+18
No. of screwdrivers:	29    29
No. of pairs of pliers:	4 (1 module)    4 (1 module)
No. of hammers:	2    2
Other pieces:	45    45
Company website:	www.facom.com    www.facom.com





# 15.01.11.1.01.110 - Automotive tool set - Facom (France) - Tool set CM.138 without box

Extract from the item-related PDF document:

	QTY	DESCRIPTION
MODM.440-1		17-piece module of offset ring wrenches 6 to 24 mm
MODM.467BJ12		12-piece module of offset ring wrenches 8 to 19 mm
MODM.A4		Module of Protwist® screwdrivers: 7xAN, 2xAWH
MODM.A5		Module of Protwist® screwdrivers: 7xANP, 3xAND
MODM.A6		Module of Protwist® screwdrivers: 7xANXR, 3xAE
MODM.CPEA1		Plier module
MODM.MI6		Impact module
MODM.R161-36		Module of 1/4" 6-point sockets + R.161B
MODM.S1A		Module of 1/2 6-point sockets + S.161B



UNITED NATIONS

ECLAC

# BH Electrical and optical equipment



UNITED NATIONS

ECLAC

## Item group: Colour photo copiers

### Items included:

15.01.11.2.01.010: Colour photo copier - Unspecified

15.01.11.2.01.020: Colour photo copier - Canon (Japan) - iR Advance C5550i

III



UNITED NATIONS

ECLAC

# 15.01.11.2.01.020 - Colour photo copier - Canon (Japan) - iR Advance C5550i III



Make: Canon (Japan)

Model: iR Advance C5550i III

Purpose/Introductory remarks:  
Standard office equipment,  
multifunctional model (print, copy,  
scan, send, store and optional fax  
functionality)

We are looking for the item with the  
pedestal Q2 shown below included  
instead of the cassette feeding unit  
shown in the image on the left.



UNITED NATIONS

ECLAC

# 15.01.11.2.01.020 - Colour photo copier - Canon (Japan) - iR Advance C5550i

III

Make (and nationality)	Canon (Japan)
Model	iR Advance C5550i III
Specifications:	Metric    Imperial
Laser dry elect'static system:	yes    yes
Maximum original size:	A3    A3
Copy sizes:	A6 to A3    A6 to A3
Reduction / enlargement ratios:	25% - 400%    25% - 400%
Copy speed (A4):	50 ppm    50 ppm
First copy time (colour):	5.2 sec    5.2 sec
Continuous copying:	1 - 999 copies    1 - 999 copies
Resolution:	600 x 600 dpi (reading) / 1200 x 1200 dpi (printing)    600 x 600 dpi (reading) / 1200 x 1200 dpi (printing)
Paper supply: two trays:	Dual 550-sheet Paper Cassettes, 100-sheet multipurpose tray    Dual 550-sheet Paper Cassettes, 100-sheet multipurpose tray
Including pedestal cabinet:	yes    yes
Including training and installation:	see note    see note
Weight:	142 kg (incl. toner)    313 lb (incl. toner)
Company website:	www.canon.co.uk    www.canon.co.uk



UNITED NATIONS

ECLAC

[PDF](#)

# 15.01.11.2.01.020 - Colour photo copier - Canon (Japan) - iR Advance C5550i III



## Notes:

This is the enhanced version of the C5550i. We search for the standard C5550i III model with the PLAIN PEDESTAL Q2 and without any extra options. Please indicate if (and how much) installation and/or training cost is included in your price.

**If these price components can not be separated, please make a note like “Installation and training are included in the unit price. The costs can not be given separately.”**

PEDESTAL Q2 =>



UNITED NATIONS

ECLAC

## Item group: Scanner scales

Items included:

15.01.11.2.01.030: Scanner scale - Unspecified

15.01.11.2.01.040: Scanner scale - Zebra Solutions (USA) - MP7000

The order size may have a significant impact on the price.  
In ECP the suggested order size is 10.

But: Unit price, delivery cost ... should be reported for one unit.



UNITED NATIONS

ECLAC

## 15.01.11.2.01.040 - Scanner scale - Zebra Solutions (USA) - MP7000



Make: Zebra Solutions (USA)  
Model: MP7000 medium size w.  
sapphire glass

Purpose/Introductory remarks:  
In-counter scanner scale, for example  
used in supermarkets. The  
manufacturer ID MP7000-  
MNS0M00WW may help to find the  
item.

Order size in ECP 2021: 10  
Expected to be way more expensive  
than the LS7808 priced in ICP 2017  
(expected factor: 2 to 3)



UNITED NATIONS

ECLAC



## 15.01.11.2.01.040 - Scanner scale - Zebra Solutions (USA) - MP7000

Make (and nationality)	Zebra Solutions (USA)
Model	MP7000 medium size w. sapphire glass
Specifications:	Metric    Imperial
Scanner type:	In-counter scanner scale    n-counter scanner scale
Interface:	USB, RS232    USB, RS232
Power consumption:	3.0/5.5/6.0 W (idle/active/max)    3.0/5.5/6.0 W (idle/active/max)
Width:	292 mm    11.5 in
Height:	128 mm    5.0 in
Depth:	102 mm    4.0 in
Length:	398 mm    15.7 in
Weight:	7.1 kg    15.7 lb
Company website:	www.zebra.com    www.zebra.com

Notes: We are looking for the **medium size version with sapphire glass**, **manufacturer ID MP7000-MNS0M00WW**.

**It is important to price the “scanner scale” model, not the “scanner” model.**



UNITED NATIONS

ECLAC

[PDF](#)

## Item group: Desktop computers

### Items included:

15.01.11.2.01.050: Desktop computer - Unspecified

15.01.11.2.01.060: Desktop computer - HP (USA) - Z2 Tower G5 Workstation

15.01.11.2.01.070: Desktop computer - Dell (USA) - OptiPlex 7080 Micro Form Factor

15.01.11.2.01.080: Desktop computer - Apple (USA) - Mac Pro

All desktop computers are with installed operating system, but without monitor. Main specifications are the CPU type and speed, the installed memory and type and size of the installed hard drive. If the duration/type of the warranty are given in the specs, they are important, too.



UNITED NATIONS

ECLAC

## 15.01.11.2.01.060 - Desktop computer - HP (USA) - Z2 Tower G5 Workstation



Make: Hewlett Packard/Compaq (USA)

Model: Z2 Tower G5 Workstation (259K6EA)

Purpose/Introductory remarks:

You may find this item using a slightly different order code, for Germany we found the code 259K6EA#ABD, for the UK we found 259K6EA#ABU.

This item is the counterpart “branded” item for the “unspecified” item 15.01.11.2.01.050.



UNITED NATIONS

ECLAC

## 15.01.11.2.01.060 - Desktop computer - HP (USA) - Z2 Tower G5 Workstation

Make (and nationality)	Hewlett Packard/Compaq (USA)
Model	Z2 Tower G5 Workstation (259K6EA)
Specifications:	Metric    Imperial
Operating system:	Win 10 Pro 64bit    Win 10 Pro 64bit
Processor type:	Intel Core i7-10700 8 core, 12 MB Cache    Intel Core i7-10700 8 core, 12 MB Cache
Processor speed:	3.8-5.1 GHz    3.8-5.1 GHz
Memory slots:	4 DIMM    4 DIMM
RAM memory:	16 GB DDR4-2666 SDRAM    16 GB DDR4-2666 SDRAM
Drive capacity:	512 GB SSD SATA    512 GB SSD SATA
Form factor:	Tower    Tower
Keyboard:	included HP USB keyboard+mouse    included HP USB keyboard+mouse
Monitor:	without    without
Warranty:	3 years    3 years
Weight:	7.0 kg    15.43 lb
Company website:	www.hp.com    www.hp.com

**The order code 259K6EA may help to find the item. In the next slide, the result obtained by searching for the order code in a well-known German price comparison page is shown.**

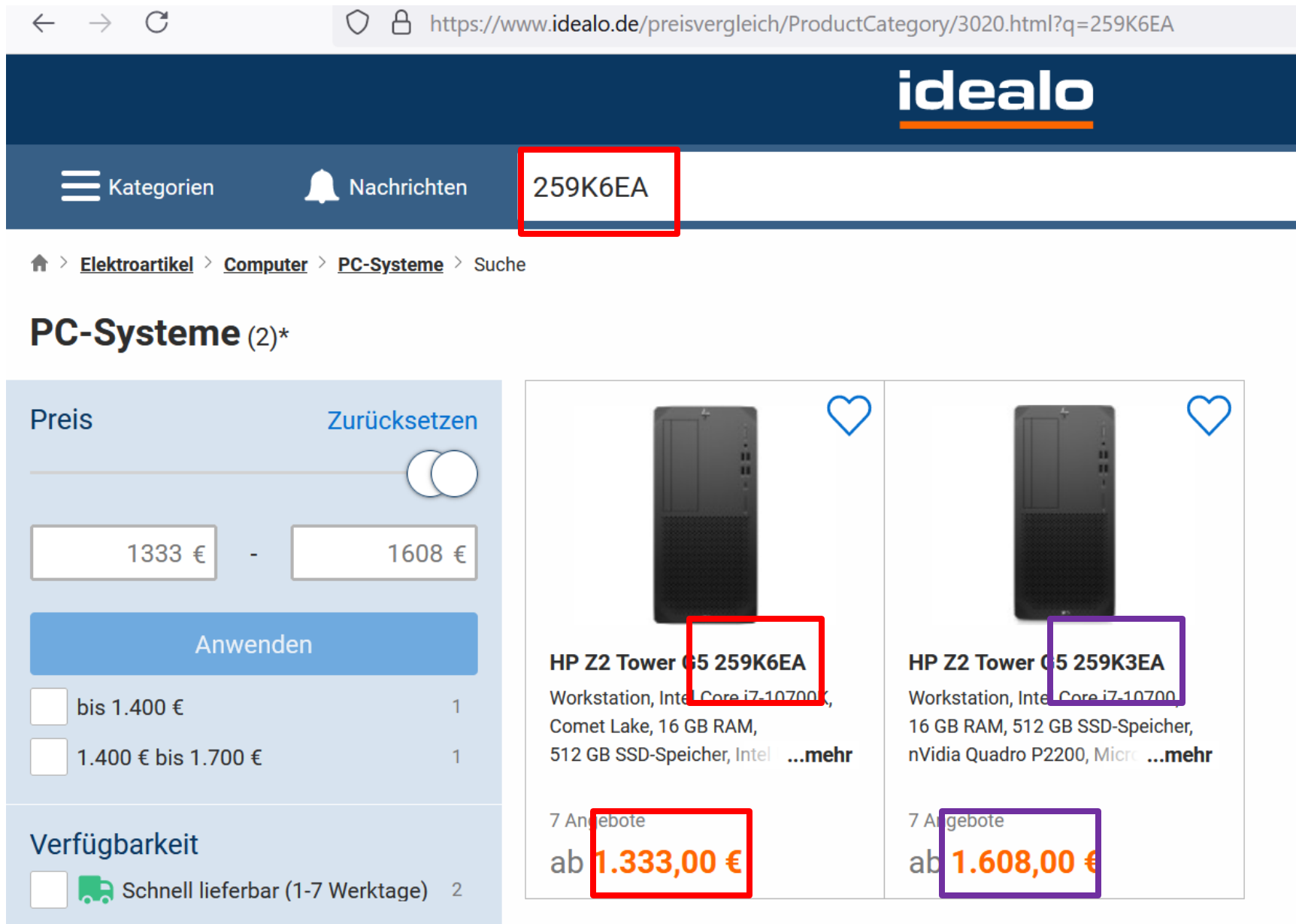


UNITED NATIONS

ECLAC


[PDF](#)

# 15.01.11.2.01.060 - Desktop computer - HP (USA) - Z2 Tower G5 Workstation



← → ↻ <https://www.idealo.de/preisvergleich/ProductCategory/3020.html?q=259K6EA>

**idealo**

☰ Kategorien  Nachrichten **259K6EA**

🏠 > [Elektroartikel](#) > [Computer](#) > [PC-Systeme](#) > Suche

## PC-Systeme (2)\*


Preis Zurücksetzen


-

bis 1.400 € 1

1.400 € bis 1.700 € 1


Verfügbarkeit

 Schnell lieferbar (1-7 Werktage) 2



**HP Z2 Tower G5 259K6EA**  
Workstation, Intel Core i7-10700 K,  
Comet Lake, 16 GB RAM,  
512 GB SSD-Speicher, Intel ...mehr

7 Angebote  
ab **1.333,00 €**



**HP Z2 Tower G5 259K3EA**  
Workstation, Intel Core i7-10700,  
16 GB RAM, 512 GB SSD-Speicher,  
nVidia Quadro P2200, Micro ...mehr

7 Angebote  
ab **1.608,00 €**



UNITED NATIONS

ECLAC

# 15.01.11.2.01.060 - Desktop computer - HP (USA) - Z2 Tower G5 Workstation

Preisvergleich	<input type="checkbox"/> Inkl. Versandkosten	<input type="checkbox"/> Sofort lieferbar	<input type="checkbox"/> Ohne Rücksendekosten
<p><b>HP Z2 Tower G5 Workstation (259K6EA) - 30 € Gutschein, Projektrabatt - HP Gold Partner</b></p> <p><b>1.333,00 €</b> 1.333,00 € inkl. Versand</p> <p><b>Günstigster Gesamtpreis</b></p> <p> </p> <p> <p>• bitte anfragen</p> <p>★★★★★ 87 Meinungen</p> <p><a href="#">Zum Shop</a></p> </p>			
<p><b>HP Z2 Tower G5 Workstation Core i7-10700K 16GB RAM 512GB SSD Windows 10 Pro</b></p> <p><b>1.349,00 €</b> 1.349,00 € inkl. Versand</p> <p>Preis inkl. Gutschein</p> <p> </p> <p> <p>• Lieferung innerhalb von 5 Werktagen nach Zahlungseingang.</p> <p>★★★★★ 25.762 Meinungen</p> <p><a href="#">Zum Shop</a></p> </p>			
<p><b>HP Z2 G5 TWR Desktop PC, Workstation Intel® Core™ i7 i7-9700K 16GB 512GB SSD Intel UHD Graphics 6</b></p> <p><b>1.398,99 €</b> 1.398,99 € inkl. Versand</p> <p> </p> <p> <p>• Lieferbar ab 20.07.2021</p> <p>• Rücksendung 30 Tage kostenfrei</p> <p>★★★★★ 5.702 Meinungen</p> <p><a href="#">Zum Shop</a></p> </p>			
<p><b>HP Z2 G5 TWR Desktop PC, Workstation Intel® Core™ i7 i7-9700K 16GB 512GB SSD Intel UHD Graphics 6</b></p> <p><b>1.398,99 €</b> 1.398,99 € inkl. Versand</p> <p> </p> <p> <p>• Lieferbar ab 20.07.2021</p> <p>★★★★★ 11.578 Meinungen</p> <p><a href="#">Zum Shop</a></p> </p>			
<p><b>HP Z2 Tower G5 259K6EA - i7-10700K 16GB/512GB SSD Win10 Pro</b></p> <p><b>1.412,60 €</b> 1.418,59 € inkl. Versand</p> <p> </p> <p> <p>• voraussichtlich verfügbar ab 22.07.2021</p> <p>• Rücksendung 30 Tage kostenfrei</p> <p>★★★★★ 24.118 Meinungen</p> <p><a href="#">Zum Shop</a></p> </p>			
<p><b>HP Workstation Z2 G5</b></p> <p><b>1.512,43 €</b> <del>1.517,92 €</del> inkl. Versand</p> <p> </p> <p> <p>• 19 - 21 Werktage</p> <p>★★★★★ 4.758 Meinungen</p> <p><a href="#">Zum Kauf</a></p> </p>			

- Several well-known shops
- Prices shown are prices including 19% VAT which needs to be eliminated from the price.
- For the lowest price, the availability is not clearly stated. This should thus perhaps be excluded from the average or confirmed by a phone call or an email enquiry.

Suggestion for the reported unit price in Germany:  $(1349+1398.99+1398.99+1412.60+1512.43)/5/1.19 = 1188.57 \text{ €}$



## 15.01.11.2.01.070 - Desktop computer - Dell (USA) - OptiPlex 7080 Micro Form Factor



Make: Dell (USA)

Model: OptiPlex 7080 Micro Form Factor

Major differences:

“Micro form factor” (HP: “Tower”), thus much smaller and less heavy; slower processor; smaller SSD

The Dell is expected to be cheaper than the HP; in the preliminary results for ECP 2021, the price difference is about 25 per cent.



UNITED NATIONS

ECLAC

## 15.01.11.2.01.070 - Desktop computer - Dell (USA) - OptiPlex 7080 Micro Form Factor

Make (and nationality)	Dell (USA)	
Model	OptiPlex 7080 Micro Form Factor	
Specifications:	Metric    Imperial	
Operating system:	Win 10 Pro 64bit    Win 10 Pro 64bit	
Processor type:	<del>Intel Core i7 9700 8 core, 12 MB cache</del>    Intel Core i7-10700T (8 Core, 2.0-4.5GHz, 16 MB)	
Processor speed:	2.0 GHz    2.0 GHz	
Memory slots:	4 DIMM    4 DIMM	
RAM memory:	1x16GB DDR4 non-ECC    1x16GB DDR4 non-ECC	
Drive capacity:	M.2 256 GB SSD    M.2 256 GB SSD	
Form factor:	Micro form tower    Micro form tower	
Keyboard:	Dell Wireless KM636    Dell Wireless KM636	
Monitor:	without    without	
Warranty:	3 years    3 years	
Weight:	1.30 kg    2.87 lb	
Company website:	www.dell.com    www.dell.com	



UNITED NATIONS

ECLAC

[PDF](#)



# 15.01.11.2.01.070 - Desktop computer - Dell (USA) - OptiPlex 7080 Micro Form Factor

Extract from the item-related PDF document:



<http://www.dell.com>  
[/en](http://www.dell.com/en-ie/work/shop/deals) Save on reliable technology for your business. [Shop now](http://www.dell.com/en-ie/work/shop/deals) (<http://www.dell.com/en-ie/work/shop/deals>)  
[ie?~ck=mn](http://www.dell.com/en-ie/work/shop/deals)).

## OptiPlex 7080 Micro Form Factor Summary

[Customize Tech Specs](http://www.dell.com/en-ie/work/shop/desktop-computers/optiplex-7080-micro-form-factor/) (<http://www.dell.com/en-ie/work/shop/desktop-computers/optiplex-7080-micro-form-factor/>)

**Dell Price €929.00**

[Add to Basket](#) ([/en-ie](#))

Original Price €1,429.23

Total Savings €500.23

Shipping Free

Ex. VAT

[Delivery information](http://www.dell.com/support/contents/ie/en/iebsdt1/article/eSupport-Order-Support/shipping-and-delivery) (<http://www.dell.com/support/contents/ie/en/iebsdt1/article/eSupport-Order-Support/shipping-and-delivery>)

Ships from factory in 2–3 business days



## 15.01.11.2.01.080 - Desktop computer - Apple (USA) - Mac Pro



Make: Apple (USA)

Model: Mac Pro

Major differences:

More RAM, bigger hard drive, way more expensive than the HP and the Dell.

Please note: This Mac Pro is also way more sophisticated and expensive (expected factor: 2 to 3) than the Mac Pro priced in ICP 2017. It may not be on stock but will probably be built to order (BTO).



UNITED NATIONS

ECLAC

## 15.01.11.2.01.080 - Desktop computer - Apple (USA) - Mac Pro

Make (and nationality)	Apple (USA)
Model	Mac Pro
Specifications:	Metric    Imperial
Operating system:	macOS    macOS
Processor type:	One 3.5GHz Octa-Core Intel Xeon W    One 3.5GHz Octa-Core Intel Xeon W
Processor speed:	3.5 GHz    3.5 GHz
Memory slots:	6 DIMM    6 DIMM
RAM memory:	32 GB DDR4 ECC    32 GB DDR4 ECC
Drive capacity:	1 TB SSD    1 TB SSD
Form factor:	Tower    Tower
Keyboard:	Magic Keyboard with mouse    Magic Keyboard with mouse
Monitor:	without    without
Warranty:	1 year    1 year
Weight:	18 kg    39.7 lb
Company website:	www.apple.com    www.apple.com



## Item group: Laptop computers

### Items included:

15.01.11.2.01.090: Laptop computer - Unspecified

15.01.11.2.01.100: Laptop computer - Dell (USA) - Latitude E5510

15.01.11.2.01.110: Laptop computer - IBM/Lenovo (USA/China) - ThinkPad  
T15p Gen 1

15.01.11.2.01.120: Laptop computer - Apple (USA) - MacBook Pro with Retina  
Display



UNITED NATIONS

ECLAC

## 15.01.11.2.01.100 - Laptop computer - Dell (USA) - Latitude E5510



Make: Dell (USA)

Model: Latitude E5510

Purpose/Introductory remarks:

Basic business laptop with 15.6" anti-glare full HD display, 16 GB RAM, 256 GB SSD



UNITED NATIONS

ECLAC

## 15.01.11.2.01.100 - Laptop computer - Dell (USA) - Latitude E5510

Make (and nationality)	Dell (USA)
Model	Latitude E5510
Specifications:	Metric    Imperial
Operating system:	Win 10 Pro 64bit    Win 10 Pro 64bit
Processor type:	Intel Core i7-10610U (4 Core, 1.8-4.9 GHz, 8 MB)    Intel Core i7-10610U (4 Core, 1.8-4.9 GHz, 8 MB)
Processor speed:	1.8 GHz    1.8 GHz
RAM memory:	1x16GB, DDR4 Non-ECC    1x16GB, DDR4 Non-ECC
Drive capacity:	M.2 256 GB SSD    M.2 256 GB SSD
Warranty:	1 year    1 year
Screen size:	15.6" Anti Glare    15.6" Anti Glare
Display resolution:	FHD 1920 x 1080    FHD 1920 x 1080
Battery:	4 Cell 68Whr ExpressCharge    4 Cell 68Whr ExpressCharge
Connectivity:	Wi-Fi + Bluetooth 5.1    Wi-Fi + Bluetooth 5.1
<del>Battery:</del>	<del>4 Cell 68Whr ExpressCharge    4 Cell 68Whr ExpressCharge</del>
Company website:	www.dell.com    www.dell.com



UNITED NATIONS

ECLAC

[PDF](#)

# 15.01.11.2.01.110 - Laptop computer - IBM/Lenovo (USA/China) - ThinkPad T15p Gen 1



Make: IBM/Lenovo (USA/China)  
Model: ThinkPad T15p Gen 1

Major differences:

Faster processor, bigger SSD, UHD instead of FHD, longer warranty ... and more expensive than the Dell



UNITED NATIONS

ECLAC

# 15.01.11.2.01.110 - Laptop computer - IBM/Lenovo (USA/China) - ThinkPad T15p Gen 1

Make (and nationality)	IBM/Lenovo (USA/China)
Model	ThinkPad T15p Gen 1
Specifications:	Metric    Imperial
Operating system:	Win 10 Pro 64    Win 10 Pro 64
Processor type:	i7-10750H (6-core, 2.6 to 5.0 GHz, 12 MB)    i7-10750H (6-core, 2.6 to 5.0 GHz, 12 MB)
RAM memory:	16GB DDR4 3200MHz SODIMM    16GB DDR4 3200MHz SODIMM
Drive capacity:	512 GB SSD M.2 2280    512 GB SSD M.2 2280
Warranty:	3 years    3 years
Screen size:	15.6" AntiGlare non-Touch    15.6" AntiGlare non-Touch
Display resolution:	UHD IPS (3840x2160)    UHD IPS (3840x2160)
Battery:	Li-polymer 6cell 68 Wh    Li-polymer 6cell 68 Wh
Connectivity:	WiFi 6 + BT 5.0    WiFi 6 + BT 5.0
<del>Battery:</del>	<del>Li-polymer 6cell 68 Wh    Li-polymer 6cell 68 Wh</del>
Company website:	www.lenovo.com    www.lenovo.com





# 15.01.11.2.01.120 - Laptop computer - Apple (USA) - MacBook Pro with Retina Display



Make: Apple (USA)

Model: MacBook Pro with Retina Display+TouchBar

Major differences:

Touch bar (for dynamic interaction), retina display (3072 x 1920 resolution instead of FHD/UHD, bigger hard drive, i9 processor instead of i7

The MacBook Pro is expected to be the most expensive of the three “branded” laptop items, the Dell should be the cheapest one.



UNITED NATIONS

ECLAC

## 15.01.11.2.01.120 - Laptop computer - Apple (USA) - MacBook Pro with Retina Display

Make (and nationality)	Apple (USA)
Model	MacBook Pro with Retina Display+TouchBar
Specifications:	Metric    Imperial
Operating system:	macOS    macOS
Processor type:	Intel Core i9 (8 core, 2.4 GHz)    Intel Core i9 (8 core, 2.4 GHz)
Processor speed:	2.4 GHz    2.4 GHz
RAM memory:	16 GB of 2666MHz DDR4    16 GB of 2666MHz DDR4
Drive capacity:	1 TB SSD M.2 2280 NVMe, Opal 2.0    1 TB SSD M.2 2280 NVMe, Opal 2.0
Warranty:	1 year    1 year
Screen size:	16" Retina display w. True Tone    16" Retina display w. True Tone
Display resolution:	IPS (3072 x 1920)    IPS (3072 x 1920)
Battery:	100 Wh lithium-polymer    100 Wh lithium-polymer
Connectivity:	WiFi + BT 5.0    WiFi + BT 5.0
<del>Battery:</del>	<del>100 Wh lithium polymer    100 Wh lithium polymer</del>
Company website:	www.apple.com    www.apple.com



UNITED NATIONS

ECLAC

[PDF](#)

## Item group: Laptop computers

### Examples for price differences because of different CPU or warranty:

#### Price differences because of different warranty

Dell 1 yr basic onsite -> 3 yr basic onsite	+70 USD
Dell 1 yr basic onsite -> 3 yr pro+	+200 USD
Apple Mac Book Air 3 yr warranty extension (AppleCare+)	+200 USD
Apple Mac Book Pro (M1) 3 yr warranty extension (AppleCare+)	+280 USD

#### Price difference because of different CPU type

Apple Mac Book Pro: Apple M1 instead of Intel i9 9880H	+80 USD
--	---------

Additional source for CPU prices: <https://ark.intel.com>

Example: Intel i9-9880H: 556 USD, i7-10700K: 374-384 USD



UNITED NATIONS

ECLAC

## Item group: Laser printers

### Items included:

15.01.11.2.01.130: Laser printer: colour - Unspecified

15.01.11.2.01.140: Laser printer: colour - Hewlett Packard (USA) - LaserJet Pro MFP M479fdw

15.01.11.2.01.150: Laser printer: colour - Unspecified

15.01.11.2.01.160: Laser printer: colour - Canon (Japan) - i-SENSYS MF744Cdw



UNITED NATIONS

ECLAC

15.01.11.2.01.140 - Laser printer: colour - Hewlett Packard (USA) -  
LaserJet Pro MFP M479fdw



Make: Hewlett Packard (USA)  
Model: LaserJet Pro MFP M479fdw  
(W1A80A)

Purpose/Introductory remarks:

Multi-function printer  
for small offices and workgroups

**Please note: There are two variants of the printer, the “dw” without fax option and the “fnw” without automatic two-sided printing. Please do not price these variants if the “fdw” is available.**



UNITED NATIONS

ECLAC

15.01.11.2.01.140 - Laser printer: colour - Hewlett Packard (USA) - LaserJet Pro MFP M479fdw

Make (and nationality)	Hewlett Packard (USA)
Model	LaserJet Pro MFP M479fdw (W1A80A)
Specifications:	Metric    Imperial
Resolution:	600 x 600 dpi    600 x 600 dpi
Printing capacity colour (A4):	up 27 ppm    up 27 ppm
Printing capacity black/white (A4):	up 27 ppm    up 27 ppm
Paper handling capacity:	250+50 sheets    250+50 sheets
Capacity of memory:	512 MB standard    512 MB standard
Width:	416 mm    16.4 in
Height:	399 mm    15.7 in
Depth:	472 mm    18.6 in
Weight:	23.4 kg    51.6 lb
Company website:	www.hp.com    www.hp.com



UNITED NATIONS

ECLAC

[PDF](#)

# 15.01.11.2.01.140 - Laser printer: colour - Hewlett Packard (USA) - LaserJet Pro MFP M479fdw

**idealo**

Kategorien Nachrichten M479fdw Merkzettel Anmelden

Suche

Ergebnisse (628)\* Sortieren nach: Beste Treffer zuerst

Multifunktionsdrucker (1) Toner (618) Elektroartikel (628) Drucker & Scanner (626) Druckerzubehör (625) Computer (621) Drucker Garantie (4)

Preis Zurücksetzen

8 € - 970 €

Anwenden

bis 40 € 209  
40 € bis 70 € 42  
70 € bis 100 € 164  
100 € bis 500 € 210  
ab 500 € 3

Verfügbarkeit

Schnell lieferbar (1-7 Werktage) 569

Hersteller

Hersteller suchen...

Produkt	Preis	Lieferung
HP Color LaserJet Pro MFP M479fdw (W1A80A)	ab 541,45 €	Sofort lieferbar, Lieferzeit 1-3 Werktage
HP - Hewlett Packard Color LaserJet Pro MFP M 479 fdw (415A / W2030A) - original - ...	91,12 €	Sofort lieferbar, Lieferzeit 1-3 Werktage
HP - Hewlett Packard Color LaserJet Pro MFP M 479 fdw (415X / W2032X) - original - ...	239,20 €	Sofort lieferbar, Lieferzeit 1-3 Werktage
HP - Hewlett Packard Color LaserJet Pro MFP M 479 fdw (W9090MC) - original - Toner...	111,95 €	Bestellbar, Lieferzeit 5-14 Werktage

When using price comparison pages and other internet sources please make sure not to price for example just a toner cartridge for the printer ...

15.01.11.2.01.160 - Laser printer: colour - Canon (Japan) - i-SENSYS  
MF744Cdw



Make: Canon (Japan)  
Model: i-SENSYS MF744Cdw  
(3101C010AA)

Major differences:

Different brand

The price for the Canon printer is expected to be quite close to the price for the Hewlett Packard printer.



UNITED NATIONS

ECLAC



## 15.01.11.2.01.160 - Laser printer: colour - Canon (Japan) - i-SENSYS MF744Cdw

Make (and nationality)	Canon (Japan)	
Model	i-SENSYS MF744Cdw (3101C010AA)	
Specifications:	Metric    Imperial	
Resolution:	600 x 600 dpi    600 x 600 dpi	
Printing capacity colour (A4):	27 ppm    27 ppm	
Printing capacity black/white (A4):	27 ppm    27 ppm	
Paper handling capacity:	250+50 sheet    250+50 sheet	
Capacity of memory:	1 GB    1 GB	
Interface:	Ethernet LAN + USB 2.0 high-speed speed    Ethernet LAN + USB 2.0 high-speed	
Colour scanning speed (A4 600dpi):	27 ppm    27 ppm	
Width:	471 mm    18.5 in	
Height:	460 mm    18.1 in	
Depth:	469 mm    18.5 in	
Weight:	26.7 kg    58.9 lb	
Company website:	www.canon.co.uk    www.canon.co.uk	



UNITED NATIONS

ECLAC

[PDF](#)

## Item group: Scanners

### Items included:

15.01.11.2.01.170: Scanner - Unspecified

15.01.11.2.01.180: Scanner - Fujitsu (Japan) - ScanSnap iX1500

### Please note:

Switching to a different brand was necessary because the Canon CanoScan 9000F is no longer available.

In the Survey collection form, the make is by mistake given as “Canon”; in the Survey catalogue (MS word document), the make is correct.



UNITED NATIONS

ECLAC

## 15.01.11.2.01.180 - Scanner - Fujitsu (Japan) - ScanSnap iX1500



Make: Fujitsu (Japan)

Model: ScanSnap iX1500

Purpose/Introductory remarks:

Scanner for use in small offices with software for document management

Expected to be way cheaper than the Canon Canoscan 9000F priced in ICP 2017 (expected factor: about 0.5)



UNITED NATIONS

ECLAC

## 15.01.11.2.01.180 - Scanner - Fujitsu (Japan) - ScanSnap iX1500

Make (and nationality)	<del>Canon (Japan)</del>
Model	ScanSnap iX1500
Specifications:	Metric    Imperial
Operating system:	Win 7/8/10, macOS v.10.12.4 or later    Win 7/8/10, macOS v.10.12.4 or later
Paper handling capacity:	50 sheets    50 sheets
Optical resolution:	600 dpi    600 dpi
Interface:	USB 3.1 + WiFi    USB 3.1 + WiFi
Colour scanning speed (A4 600dpi):	8 ppm    8 ppm
Paper size:	A3    A3
Width:	292 mm    11.5 in
Height:	152 mm    6.0 in
Depth:	161 mm    6.3 in
Weight:	3.4 kg    7.5 lb
Company website:	www.fujitsu.com    www.fujitsu.com



UNITED NATIONS

ECLAC

[PDF](#)

## Item group: Desktop monitors

### Items included:

- 15.01.11.2.01.190: Desktop monitor - Unspecified
- 15.01.11.2.01.200: Desktop monitor - Dell (USA) - P2421D
- 15.01.11.2.01.210: Desktop monitor - Unspecified
- 15.01.11.2.01.220: Desktop monitor - HP (USA) - P24h
- 15.01.11.2.01.230: Desktop monitor - Unspecified
- 15.01.11.2.01.240: Desktop monitor - Eizo (Japan) - Flexscan EV2456-BK

Please note: For monitors, displays and the like sometimes a reference to a standard may be found rather than a resolution.

Standard	Resolution
VGA	640 x 480
SVGA	800 x 600
XGA	1024 x 768
HD	1280 x 720
HD+	1600 x 900
FHD	1920 x 1080
QHD	2560 x 1440



UNITED NATIONS

ECLAC

## 15.01.11.2.01.200 - Desktop monitor - Dell (USA) - P2421D



Make: Dell (USA)

Model: P2421D

Purpose/Introductory remarks:

24" WQHD monitor for professional use, 16:9 aspect ratio

In addition to the 1-year warranty, there is a 3-Years Advanced Exchange Service (not necessarily available in all countries).



UNITED NATIONS

ECLAC

## 15.01.11.2.01.200 - Desktop monitor - Dell (USA) - P2421D

Make (and nationality)	Dell (USA)
Model	P2421D
Specifications:	Metric    Imperial
Resolution:	2560 x 1440    2560 x 1440
Warranty:	1 years    1 years
Screen diagonal:	60.45 cm    23.8 in
Contrast ratio:	<del>42</del>    1000:1
Brightness:	300 cd/sq.m.    300 cd/sq.m.
Pixel pitch:	0.206 mm    0.008 in
Response time:	8/5 ms (normal/fast)    8/5 ms (normal/fast)
Aspect ratio:	16:9    16:9
Video input:	DisplayPort (DisplayPort 1.2 mode), HDMI    DisplayPort (DisplayPort 1.2 mode), HDMI
Width:	53.8 cm    21.2 in
Height:	36.6 cm    14.0 in
Depth:	16.6 cm    6.5 in
Company website:	www.dell.com    www.dell.com

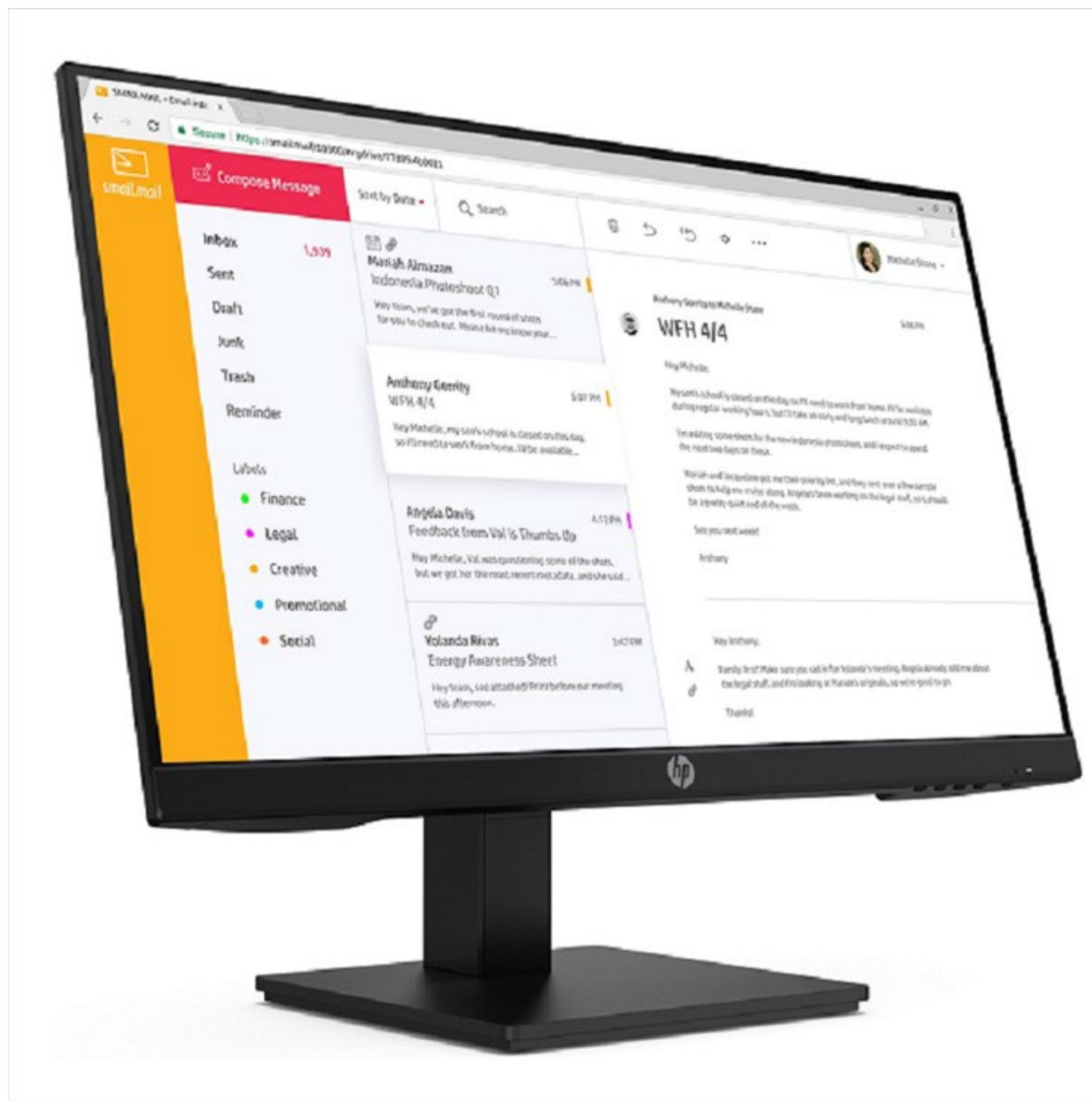


UNITED NATIONS

ECLAC

[PDF](#)

## 15.01.11.2.01.220 - Desktop monitor - HP (USA) - P24h



Make: HP (USA)

Model: P24h G4 FHD (7VH44AT)

Major differences:

Resolution FHD instead of WQHD for the Dell monitor, brightness 250 cd/m<sup>2</sup> compared to 300 cd/m<sup>2</sup>

The HP monitor at present is thus a bit cheaper than the Dell monitor.



UNITED NATIONS

ECLAC



## 15.01.11.2.01.220 - Desktop monitor - HP (USA) - P24h

Make (and nationality)	HP (USA)	
Model	P24h G4 FHD (7VH44AT)	
Specifications:	Metric    Imperial	
Resolution:	1920 x 1080    1920 x 1080	
Warranty:	3 years    3 years	
Screen diagonal:	58.4 cm    23 inches	
Contrast ratio:	1000:1 (static)    1000:1 (static)	
Brightness:	250 cd/m2    250 cd/m2	
Pixel pitch:	0.265 mm    0.265 mm	
Response time:	5 ms    5 ms	
Aspect ratio:	16:9    16:9	
Video input:	VGA, Display port 1.2, HDMI 1.4	VGA, Display port 1.2, HDMI 1.4
Width:	538 mm    21.2 in	
Height:	326 mm (without stand)    12.8 in (without stand)	
Depth:	46 mm    1.8 in	
Weight:	4.51 kg (with stand)    9.9 lb (with stand)	
Company website:	www.hp.com    www.hp.com	

## 15.01.11.2.01.240 - Desktop monitor - Eizo (Japan) - Flexscan EV2456-BK



Make: Eizo (Japan)

Model: Flexscan EV2456-BK

Major differences:

16:10 aspect ratio,  
resolution 1920x1200.

5 years warranty,  
brightness 350 cd/m<sup>2</sup>

Expected to be way more expensive  
than the Dell and the HP monitor  
(expected factor: about 2)



UNITED NATIONS

ECLAC

## 15.01.11.2.01.240 - Desktop monitor - Eizo (Japan) - Flexscan EV2456-BK

Make (and nationality)	Eizo (Japan)
Model	Flexscan EV2456-BK
Specifications:	Metric    Imperial
Resolution:	1920 x 1200    1920 x 1200
Warranty:	5 years    5 years
Monitor type:	IPS LCD with LED backlight    IPS LCD with LED backlight
Screen diagonal:	61.2 cm    24.1 in
Contrast ratio:	<del>42</del>    1000:1
Brightness:	350 cd/sq.m.    293 cd/sq.yd.
Pixel pitch:	0.270 mm    0.270 mm
Response time:	5 ms    5 ms
Aspect ratio:	16:10    16:10
Video input:	DisplayPort 1.3, HDMI 1.4, DVI-D 1.4, D-Sub mini 15 pin    DisplayPort 1.3, HDMI 1.4, DVI-D 1.4, D-Sub mini 15 pin
Width:	531 mm    20.9 in
Height:	342 mm (w/o stand)    13.5 in (w/o stand)
Depth:	46 mm    1.9 in
Weight:	5.7 kg (with stand)    12.6 lb (with stand)
Company website:	www.eizoglobal.com    www.eizoglobal.com



UNITED NATIONS

ECLAC

[PDF](#)

## Item group: Diesel generating sets

### Items included:

15.01.11.2.01.250: Diesel generating set for continuous i.e. prime use - Unspecified

15.01.11.2.01.260: Diesel generating set for continuous i.e. prime use - Caterpillar (USA) - C9

15.01.11.2.01.270: Diesel generating set for continuous i.e. prime use - Unspecified

15.01.11.2.01.280: Diesel generating set for continuous i.e. prime use - Atlas Copco (USA) - QAS 20 (Skid mounted)



UNITED NATIONS

ECLAC

# 15.01.11.2.01.260 - Diesel generating set for continuous i.e. prime use - Caterpillar (USA) - C9



Make: Caterpillar (USA)

Model: C9 (DE300E0)

Purpose/Introductory remarks:

Power generator, available at authorized local sales agents

(Abbreviations:

ACERT: Advanced Combustion Emissions Reduction Technology

ATAAC: Air-To-Air-After Cooling)



UNITED NATIONS

ECLAC

## 15.01.11.2.01.260 - Diesel generating set for continuous i.e. prime use - Caterpillar (USA) - C9

Make (and nationality)	Caterpillar (USA)
Model	C9 (DE300E0)
Specifications:	Metric    Imperial
Continuous i.e. prime use:	275 kva    275 kva
Three phase:	yes    yes
Electric system:	24 V DC    24 V DC
Frequency:	50 Hz    50 Hz
Speed:	1500 rpm   1500 rpm
Generator make: Olympian model no.:	LC 5114 J    LC 5114 J
Capacity of engine:	8.8 l    537 cu. in
Number of cylinders:	6    6
With baseframe incorporating fuel tank:	yes    yes
Fuel type:	Diesel    Diesel
Width:	1030 mm    41 in
Height:	1754 mm    69 in
Length:	2662 mm    105 in
Weight:	3429 kg    7560 lb
Company website:	www.cat.com    www.cat.com



UNITED NATIONS

ECLAC

[PDF](#)

# 15.01.11.2.01.260 - Diesel generating set for continuous i.e. prime use - Caterpillar (USA) - C9

## Cat® C9 DIESEL GENERATOR SETS



Image shown may not reflect actual configuration

### 250 ekW – 330 ekW

	50 Hz	
	Standby	Prime
DE250E0	250 kVA	230 kVA
DE275E0, E3	275 kVA	250 kVA
DE300E0, E3	300 kVA	275 kVA
DE330E0	330 kVA	300 kVA

### Notes:

We search for the C9 (DE330E0)  
 "Emission strategy: Non-certified emissions".

If you cannot price this model but find the C9 (DE330E3)  
 "Emissions strategy: EU Stage IIIa", please price this as equivalent, noting the differences in the specs.

### BENEFITS & FEATURES

#### CAT® GENERATOR SET PACKAGE

Cat generator set packages have been fully prototype tested and certified torsional vibration analysis reports are available. The packages are designed to meet the NFPA 110 requirement for loading, conform to the ISO 8528-5 steady state and fill transient response requirements.

#### CAT DIESEL ENGINES

The four-cycle Cat diesel engine combines consistent performance with excellent fuel economy and transient response that meets or

### SPECIFICATIONS

#### ENGINE SPECIFICATIONS

Engine Model	Cat® C9 ACERT In-line 6, 4-cycle diesel
Bore x Stroke	112mm x 149mm (4.4in x 5.9in)
Displacement	8.8 L (538 in³)
Compression Ratio	16.1:1
Aspiration	Turbocharged Air-to-Air Aftercooled
Fuel Injection System	MEUI
Governor	Electronic ADEM™ A4



UNITED NATIONS

ECLAC

15.01.11.2.01.280 - Diesel generating set for continuous i.e. prime use -  
Atlas Copco (USA) - QAS 20 (Skid mounted)



Make: Atlas Copco (USA)  
Model: QAS 20 (Skid mounted)

Major differences:

Less powerful, can be transported more easily, used for example at construction sites

The QAS 20 is way cheaper than the C9 (expected factor: about 0.40).



UNITED NATIONS

ECLAC



## 15.01.11.2.01.280 - Diesel generating set for continuous i.e. prime use - Atlas Copco (USA) - QAS 20 (Skid mounted)

Make (and nationality)	Atlas Copco (USA)
Model	QAS 20 (Skid mounted)
Specifications:	Metric    Imperial
Continuous i.e. prime use:	18.7 kVA    18.7 kVA
Three phase:	yes    yes
Frequency:	50 Hz    50 hz
Speed:	1500 rpm    1500 rpm
Capacity of engine:	2197 cc    134.0 cu in
Power of motor:	15.8 kw    21.2 hp
Number of cylinders:	4    4
Skid mounted:	yes    yes
Fuel type:	Diesel    Diesel
Weight:	795 kg    1753 lbs
Company website:	<a href="http://www.atlascopco.com">www.atlascopco.com</a>    <a href="http://www.atlascopco.com">www.atlascopco.com</a>



UNITED NATIONS

ECLAC

[PDF](#)

## Item group: Three phase squirrel cage electric motors

### Items included:

15.01.11.2.01.290: Three phase squirrel cage electric motor (cast iron frame) - Unspecified

15.01.11.2.01.300: Three phase squirrel cage electric motor (cast iron frame) - Asea Brown Boveri (Sweden) - M3BP 160MLB 4

15.01.11.2.01.310: Three phase squirrel cage electric motor (aluminium frame) - Unspecified

15.01.11.2.01.320: Three phase squirrel cage electric motor (aluminium frame) - Asea Brown Boveri (Sweden) - M3AA 160 MLB4



UNITED NATIONS

ECLAC

15.01.11.2.01.300 - Three phase squirrel cage electric motor (cast iron frame) - Asea Brown Boveri (Sweden) - M3BP 160MLB 4



Make: Asea Brown Boveri (Sweden)  
Model: M3BP 160MLB 4

Purpose/Introductory remarks:

Low voltage motor for various industrial applications, process performance motor



UNITED NATIONS

ECLAC

## 15.01.11.2.01.300 - Three phase squirrel cage electric motor (cast iron frame) - Asea Brown Boveri (Sweden) - M3BP 160MLB 4

Make (and nationality)	Asea Brown Boveri (Sweden)
Model	M3BP 160MLB 4
Specifications:	Metric    Imperial
Frame type:	cast iron frame    cast iron frame
Rated output:	15 kw    20 bhp
Rated speed:	1474-1478 rpm    1474-1478 rpm
Number of poles:	4    4
Minimum efficiency:	0.92    0.92
Type of mounting:	foot    foot
International efficiency class:	IE3 (premium efficiency)    IE3 (premium efficiency)
Electrical supply: V/Hz:	400-415V/50Hz    400-415V/50Hz
Insulation class/protection:	ICLF    ICLF
Height of shaft:	160 mm    6.3 in
Product number:	3GBP162420-ADL    3GBP162420-ADL
Weight:	179 kg    395 lbs
Company website:	www.abb.com    www.abb.com



UNITED NATIONS

ECLAC

[PDF](#)

15.01.11.2.01.320 - Three phase squirrel cage electric motor (aluminium frame) - Asea Brown Boveri (Sweden) - M3AA 160 MLB4



Make: Asea Brown Boveri (Sweden)  
Model: M3AA 160MLB 4

Major differences:

Aluminium frame instead of cast iron frame

Expected to have a similar price as the cast iron frame version, maybe a bit more expensive



UNITED NATIONS

ECLAC

15.01.11.2.01.320 - Three phase squirrel cage electric motor (aluminium frame)  
 - Asea Brown Boveri (Sweden) - M3AA 160 MLB4

Make (and nationality)	Asea Brown Boveri (Sweden)
Model	M3AA 160MLB 4
Specifications:	Metric    Imperial
Frame type:	aluminium frame    aluminium frame
Rated output:	15 kw    20 bhp
Rated speed:	1470-1476 rpm    1470-1476 rpm
Number of poles:	4    4
Minimum efficiency:	0.92    0.92
Type of mounting:	foot    foot
International efficiency class:	IE3 (premium efficiency)    IE3 (premium efficiency)
Electrical supply: V/Hz:	380-415V/50Hz    380-415V/50Hz
Insulation class/protection:	ICLF    ICLF
Height of shaft:	110 mm    4.33 in
Product number:	3GAA162420-ADK    3GAA162420-ADK
Weight:	140 kg    309 lb
Company website:	www.abb.com    www.abb.com



UNITED NATIONS

ECLAC

PDF

## Item group: Moving head lights

### Items included:

15.01.11.2.01.330: Moving head light - Unspecified

15.01.11.2.01.340: Moving head light - Martin (Denmark) - Rush MH 1 Profile Plus



UNITED NATIONS

ECLAC

# 15.01.11.2.01.340 - Moving head light - Martin (Denmark) - Rush MH 1 Profile Plus



Make: Martin (Denmark)  
Model: Rush MH 1 Profile Plus

Purpose/Introductory remarks:

Compact LED profile moving head for dry locations (indoor)



UNITED NATIONS

ECLAC



## 15.01.11.2.01.340 - Moving head light - Martin (Denmark) - Rush MH 1 Profile Plus

Make (and nationality)	Martin (Denmark)
Model	Rush MH 1 Profile Plus
Specifications:	Metric    Imperial
Lamp:	180 W LED engine    180 W LED engine
Total power consumption at 230V/50Hz:	300 W typical    300 W typical
Product number:	P/N 90280050    P/N 90280050
Width:	328 mm    12.9 in
Height:	588 mm    23.2 in
Length:	418 mm    16.5 in
Weight:	18 kg    39.7 lbs
Company website:	www.martin.dk    www.martin.dk



UNITED NATIONS

ECLAC

[PDF](#)

## Item group: Portable generators

### Items included:

15.01.11.2.01.350: Portable generator - Unspecified

15.01.11.2.01.360: Portable generator - Honda (Japan) - EC 3600



UNITED NATIONS

ECLAC

## 15.01.11.2.01.360 - Portable generator - Honda (Japan) - EC 3600



Make: Honda (Japan)

Model: EC 3600

Purpose/Introductory remarks:

Power generator, used for example for providing energy for power tools



UNITED NATIONS

ECLAC

## 15.01.11.2.01.360 - Portable generator - Honda (Japan) - EC 3600

Make (and nationality)	Honda (Japan)
Model	EC 3600
Specifications:	Metric    Imperial
Fuel type:	Petrol    Petrol
Four stroke engine:	yes    yes
Max power output:	3.6 kW    4.8 bhp
Output voltage (50 Hz):	115/230 V    115/230 V
Output: rated:	3.4 kW    4.6 bhp
Current:	31/15.5 A    31/15.5 A
Cont. op. hours w/o refuelling:	2.4    2.4
With generator frame housing:	yes    yes
Fuel tank capacity:	5.3 l    1.2 galls
Dry weight:	58 kg    128 lbs.
Width:	55 cm    21.7 in
Height:	54 cm    21.3 in
Length:	80 cm    31.5 in
Company website:	www.honda.com    www.honda.com



UNITED NATIONS

ECLAC

[PDF](#)

## Item group: Portable walky - talky radios

### Items included:

15.01.11.2.01.370: Portable walky - talky radio - Unspecified

15.01.11.2.01.380: Portable walky - talky radio - Motorola (USA) - DP 2400e

15.01.11.2.01.390: Portable walky - talky radio - Unspecified

15.01.11.2.01.400: Portable walky - talky radio - MIDLAND (USA) - G9Plus -  
PMR446/LPD

15.01.11.2.01.410: Portable walky - talky radio - Unspecified

15.01.11.2.01.420: Portable walky - talky radio - Kenwood (USA) - TK-3000 E

Please note: PMR is the abbreviation of “Personal Mobile Radio”. It can be used by private persons as well as by companies without the need of licensing/registering for the use of the radio frequencies.



UNITED NATIONS

ECLAC

## 15.01.11.2.01.380 - Portable walky - talky radio - Motorola (USA) - DP 2400e



Make: Motorola (USA)

Model: DP 2400e

Purpose/Introductory remarks:

Walky talkies are for example used for communication on worksites, by security companies and the like.

In ECP 2019, the Motorola was the most expensive of the three walky talkies.



UNITED NATIONS

ECLAC

## 15.01.11.2.01.380 - Portable walky - talky radio - Motorola (USA) - DP 2400e

Make (and nationality)	Motorola (USA)
Model	DP 2400e
Specifications:	Metric    Imperial
Battery:	Rechargeable Lithium-ion    Rechargeable Lithium-ion
Crystal controlled:	yes    yes
Number of channels:	16    16
Bands: VHF:	136 - 174 MHz    136 - 174 MHz
Bands: UHF:	403 - 527 MHz (UHF1)    403 - 527 MHz (UHF1)
Sensitivity:	0.16 µV/12 dB    0.16 µV/12 dB
Including single standard rate unit charger:	yes    yes
Excluding other accessories:	yes    yes
Weight (incl. batteries):	350 g    12.3 oz
Maximum power:	4 W UHF, 5 W VHF   4 W UHF, 5 W VHF
Width:	56 mm    2.20 in
Height:	122 mm    4.80 in
Depth:	36.4 mm    1.43 in
Company website:	www.motorola.com    www.motorola.com



UNITED NATIONS

ECLAC

PDF

# 15.01.11.2.01.400 - Portable walky - talky radio - MIDLAND (USA) - G9Plus - PMR446/LPD



Make: MIDLAND (USA)  
Model: G9Plus - PMR446/LPD

Major differences:

Different brand, weight, and power

The Midland is expected to be the cheapest of the three walky talkies.



UNITED NATIONS

ECLAC



## 15.01.11.2.01.400 - Portable walky - talky radio - MIDLAND (USA) - G9Plus - PMR446/LPD

Make (and nationality)	MIDLAND (USA)
Model	G9Plus - PMR446/LPD
Specifications:	Metric    Imperial
Battery:	Rechargeable AA Ni-MH 1.2V/1800 mAh    Rechargeable AA Ni-MH 1.2V/1800 mAh
Number of channels:	8 + 16    8 + 16
Bands: UHF:	PMR: 446.00625 + 446.09375 MHz    PMR: 446.00625 + 446.09375 MHz
Sensitivity:	0.35 $\mu$ V/12 dB    0.35 $\mu$ V/12 dB
Including single standard rate unit charger:	yes    yes
Excluding other accessories:	yes    yes
Weight (incl. batteries):	114 g    4 oz
Maximum power:	PMR 0,5 W, LPD 0,01 W    PMR 0,5 W, LPD 0,01 W
Width:	68 mm    2.67 in
Height:	120 mm    4.72 in
Depth:	35 mm    1.38 in
Company website:	www.midlandusa.com    www.midlandusa.com



UNITED NATIONS

ECLAC

[PDF](#)

# 15.01.11.2.01.420 - Portable walky - talky radio - Kenwood (USA) - TK-3000 E



Make: Kenwood (USA)

Model: TK-3000 E

Major differences:

Different brand

In ECP 2019, the Kenwood was less expensive than the Motorola, but still way more expensive than the Midland (ratios about 5 : 2 : 1)



UNITED NATIONS

ECLAC

## 15.01.11.2.01.420 - Portable walky - talky radio - Kenwood (USA) - TK-3000 E

Make (and nationality)	Kenwood (USA)
Model	TK-3000 E
Specifications:	Metric    Imperial
Battery:	Rechargeable Li-Ion 1130 mAh (KNB-63L)    Rechargeable Li-Ion 1130 mAh (KNB-63L)
Number of channels:	16    16
Bands: UHF:	440 - 470 MHz (Frequency Range)    440 - 470 MHz (Frequency Range)
Sensitivity:	0.35 $\mu$ V/12 dB    0.35 $\mu$ V/12 dB
Including single standard rate unit charger:	yes (type KSC-35)    yes (type KSC-35)
Excluding other accessories:	yes    yes
Weight (incl. batteries):	280 grams    10.8 ozs
Maximum power:	4 watts (power output)    4 watts (power output)
Width:	54 mm    2.13 in
Height:	122 mm    4.80 in
Depth:	34 mm    1.33 in
Company website:	www.kenwood-electronics.co.uk    www.kenwood-electronics.co.uk



UNITED NATIONS

ECLAC

[PDF](#)

## Item group: LCD displays (monitors)

### Items included:

15.01.11.2.01.430: LCD display (monitor) - Unspecified

15.01.11.2.01.440: LCD display (monitor) - Philips (Netherlands) -  
32BDL4051D

15.01.11.2.01.450: LCD display (monitor) - Unspecified

15.01.11.2.01.460: LCD display - NEC (Japan) - MultiSync C431

15.01.11.2.01.470: LCD display - Unspecified

15.01.11.2.01.480: LCD display - Samsung (South Korean) - S27R650F

### General remark on the item sequence:

The counterpart “branded” item for an “unspecified” item can be found in the item list at the next position, not at the previous position.



UNITED NATIONS

ECLAC

15.01.11.2.01.440 - LCD display (monitor) - Philips (Netherlands) -  
32BDL4051D



Make: Philips (Netherlands)

Model: 32BDL4051D

Purpose/Introductory remarks:  
Signage solution, display for a group/the public rather than for a single user

**Please note: In the validation workshop the 32BDL4050D was mentioned. This model lacks some of the features (including WiFi) the 32BDL4051D has. It should thus not be priced here, but could perhaps be an indicative item for the counterpart “unspecified” position.**



UNITED NATIONS

ECLAC

## 15.01.11.2.01.440 - LCD display (monitor) - Philips (Netherlands) - 32BDL4051D

Make (and nationality)	Philips (Netherlands)
Model	32BDL4051D
Specifications:	Metric    Imperial
Resolution:	1920 x 1080    1920 x 1080
Monitor type:	IPS    IPS
Screen diagonal:	32 in    32 in
Contrast ratio:	<del>46</del>    1100:1
Brightness:	400 cd/m2    400 cd/m2
Pixel pitch:	0.36375 mm    0.36375 mm
Response time:	10 ms    10 ms
Aspect ratio:	16:9    16:9
Video input:	Display Port1.2, DVI-I, HDMI   Display Port1.2, DVI-I, HDMI
Number of colours:	16.7 mil.    16.7 mil.
Width:	724.8 mm    28.5 in
Height:	424.3 mm (w/o stand)    16.7 in (w/o stand)
Depth:	64.1 mm    2.5 in
Weight:	6.15 kg    13.56 lb
Company website:	www.philips.com    www.philips.com



UNITED NATIONS

ECLAC

[PDF](#)

## 15.01.11.2.01.460 - LCD display - NEC (Japan) - MultiSync C431



Make: NEC (Japan)

Model: MultiSync C431

Major differences:

Screen diagonal 43" instead of 32" for the Philips monitor

VA (vertical alignment) panel technology instead of IPS (in plane switching)

Expected to be significantly more expensive than the Philips monitor (expected factor: about 1.5)



UNITED NATIONS

ECLAC

## 15.01.11.2.01.460 - LCD display - NEC (Japan) - MultiSync C431

Make (and nationality)	NEC (Japan)
Model	MultiSync C431
Specifications:	Metric    Imperial
Resolution:	1920 x 1080    1920 x 1080
Monitor type:	VA Edge LED backlight    VA Edge LED backlight
Screen diagonal:	43 in    43 in
Contrast ratio:	<del>167</del>    4000:1
Brightness:	400 cd/m <sup>2</sup>    400 cd/m <sup>2</sup>
Pixel pitch:	0.49 mm    0.49 mm
Response time:	8 ms (grey to grey)    8 ms (grey to grey)
Aspect ratio:	16:9    16:9
Video input:	DisplayPort, HDMI, Mini D-sub 15 pin    DisplayPort, HDMI, Mini D-sub 15 pin
Number of colours:	1073 mil.    1073 mil.
Width:	971 mm    38.2 in
Height:	559 mm (w/o stand)    22 in (w/o stand)
Depth:	45 mm    1.77 in
Weight:	12.5 kg (w/o stand)    27.6 lb (w/o stand)
Company website:	www.nec-display-solutions.com    www.nec-display-solutions.com



UNITED NATIONS

ECLAC

PDF



15.01.11.2.01.480 - LCD display - Samsung (South Korean) - S27R650F



Make: Samsung (South Korean)

Model: S27R650F

Major differences:

Much smaller than the other displays, less brightness ( $250 \text{ cd/m}^2$  instead of  $400 \text{ cd/m}^2$ ) and thus for a single user rather than for a small group

Significantly cheaper than the Philips and the NEC monitor (expected factor: about 0.3)



UNITED NATIONS

ECLAC

## 15.01.11.2.01.480 - LCD display - Samsung (South Korean) - S27R650F

Make (and nationality)	Samsung (South Korean)
Model	S27R650F
Specifications:	Metric    Imperial
Resolution:	1920 x 1080    1920 x 1080
Monitor type:	IPS    IPS
Screen diagonal:	27 in    27 in
Contrast ratio:	42    1000:1
Brightness:	250cd/m2    250cd/m2
Pixel pitch:	0.311 mm    0.311 mm
Response time:	5 ms    5 ms
Aspect ratio:	16:9    16:9
Video input:	DisplayPort+HDMI    DisplayPort+HDMI
Number of colours:	16.7 mil.    16.7 mil.
Width:	612.3 mm    24.1 in
Height:	361.6 mm    14.2 in
Depth:	76.2 mm    3.0 in
Weight:	4.2 kg without stand    9.3 lbs without stand
Company website:	www.samsung.com    www.samsung.com



UNITED NATIONS

ECLAC

[PDF](#)

## Item group: Professional mixers

### Items included:

15.01.11.2.01.490: Professional mixer - Unspecified

15.01.11.2.01.500: Professional mixer - Pioneer (Japan) - DJM-900NXS2



UNITED NATIONS

ECLAC

## 15.01.11.2.01.500 - Professional mixer - Pioneer (Japan) - DJM-900NXS2



Make: Pioneer (Japan)

Model: DJM-900NXS2

Purpose/Introductory remarks:

Typical DJ equipment

Generic mixers may be much cheaper than the Pioneer ...  
you pay for the name ...



UNITED NATIONS

ECLAC

## 15.01.11.2.01.500 - Professional mixer - Pioneer (Japan) - DJM-900NXS2

Make (and nationality)	Pioneer (Japan)
Model	DJM-900NXS2
Specifications:	Metric    Imperial
Number of channels:	4 + mic    4 + mic
Sampling rate:	96 kHz/24-bit    96 kHz/24-bit
Channel EQ:	3 band    3 band
Level meter size:	15 segment    15 segment
No. CD/LINE input:	4 (RCA)    4 (RCA)
No. PHONO inputs:	4 (RCA)    4 (RCA)
No. DIGITAL inputs:	4 (Coaxial)    4 (Coaxial)
No. MIC inputs:	2 (XLR/TRS Jack Combo)    2 (XLR/TRS Jack Combo)
Cross fader type:	Magvel Fader    Magvel Fader
Power consumption:	42 W    42 W
Colour:	Black    Black
Width:	333 mm    13.1 in
Height:	107.9 mm    4.2 in
Depth:	414.2 mm    16.3 in
Weight:	8 kg    17.6 lb
Company website:	www.pioneer.co.uk    www.pioneer.co.uk



UNITED NATIONS

ECLAC

[PDF](#)

## Item group: Analogue/digital combi oscilloscopes

### Items included:

15.01.11.2.01.510: Analogue/digital combi oscilloscope - Unspecified

15.01.11.2.01.520: Analogue/digital combi oscilloscope - Rohde & Schwarz  
(Germany) - R&S RTB2004 + RTB-B241

15.01.11.2.01.530: Analogue/digital combi oscilloscope - Unspecified

15.01.11.2.01.540: Analogue/digital combi oscilloscope - Rohde & Schwarz  
(Germany) - R&S RTC1000



UNITED NATIONS

ECLAC

# 15.01.11.2.01.520 - Analogue/digital combi oscilloscope - Rohde & Schwarz (Germany) - R&S RTB2004 + RTB-B241



Make: Rohde & Schwarz (Germany)  
Model: R&S RTB2004 + RTB-B241

Purpose/Introductory remarks:  
Measurement device for use in labs.

Rohde & Schwarz oscilloscopes may also be found under the brand name Hameg.

RTB-B241 is one of the three available bandwidth options.



UNITED NATIONS

ECLAC

## 15.01.11.2.01.520 - Analogue/digital combi oscilloscope - Rohde & Schwarz (Germany) - R&S RTB2004 + RTB-B241

Make (and nationality)	Rohde & Schwarz (Germany)
Model	R&S RTB2004 + RTB-B241
Specifications:	Metric    Imperial
Number of channels:	4 input, 16 digital    4 input, 16 digital
CombiScope: digital/analogue:	yes    yes
Bench/laboratory type:	yes    yes
Bandwidth:	> 100 Mhz    > 100 Mhz
Rise time:	< 3.5 ns    < 3.5 ns
Accuracy (two ranges):	1 mV/div to 5 V/div    1 mV/div to 5 V/div
Input impedance:	1 M $\Omega$ $\pm$ 2% with 19 pF $\pm$ 2 pF   1 M $\Omega$ $\pm$ 2% with 19 pF $\pm$ 2 pF
Input voltage:	$\pm$ 40 V    $\pm$ 40 V
Line voltage:	100 - 240 V AC    100 - 240 V AC
Width:	390 mm    15.4 in
Height:	220 mm    8.66 in
Depth:	152 mm    5.98 in
Weight:	2.5 kg    5.5 lb
Company website:	www.rohde-schwarz.com    www.rohde-schwarz.com



UNITED NATIONS

ECLAC

[PDF](#)



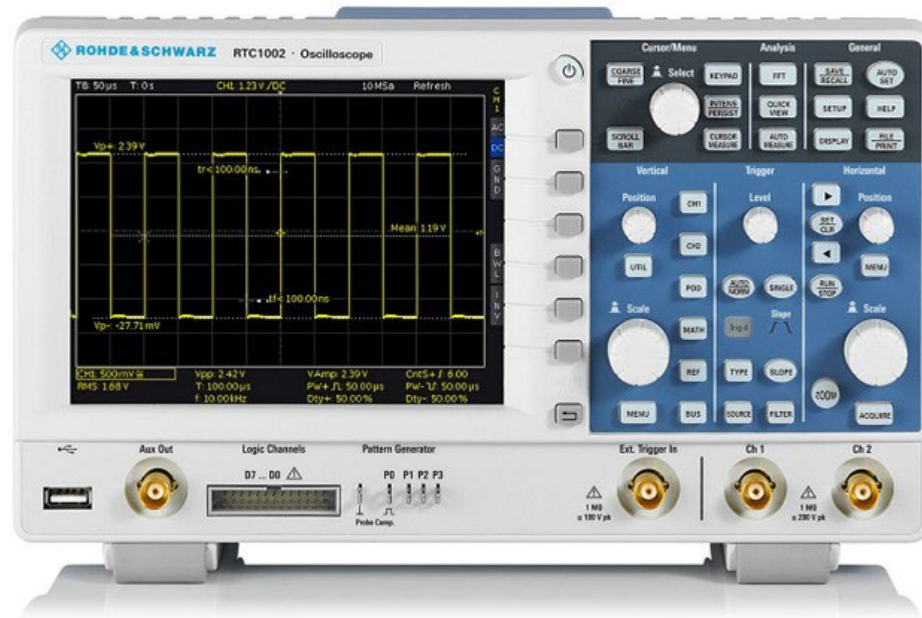
# 15.01.11.2.01.540 - Analogue/digital combi oscilloscope - Rohde & Schwarz (Germany) - R&S RTC1000

Make: Rohde & Schwarz (Germany)  
Model: R&S RTC1000

Major differences:

The RTC1000 has only 2 channels and is cheaper than the R&S RTB2004 with RTB-B241 option (expected factor: about 0.4).

The device is also way cheaper than the HMO-1024 priced in ICP 2017 (expected factor: about 0.55).



UNITED NATIONS

ECLAC

## 15.01.11.2.01.540 - Analogue/digital combi oscilloscope - Rohde & Schwarz (Germany) - R&S RTC1000

Make (and nationality)	Rohde & Schwarz (Germany)
Model	R&S RTC1000
Specifications:	Metric    Imperial
Number of channels:	2    2
Bench/laboratory type:	yes    yes
Bandwidth:	100 mhz    100 mhz
Rise time:	< 7 ns    < 7 ns
Input voltage:	max 200 V DC    max 200 V DC
Save/recall memories:	yes    yes
Width:	285 mm    11.2 in
Height:	175 mm    6.9 in
Depth:	140 mm    5.5 in
Weight:	2.5 kg    5.5 lb
Company website:	www.rohde-schwarz.com    www.rohde-schwarz.com



UNITED NATIONS

ECLAC

[PDF](#)

## Item group: Blood pressure monitors

### Items included:

15.01.11.2.01.550: Blood pressure monitor - Unspecified

15.01.11.2.01.560: Blood pressure monitor - Omron (Japan) - EVOLV HEM-7600-T-E



UNITED NATIONS

ECLAC

# 15.01.11.2.01.560 - Blood pressure monitor - Omron (Japan) - EVOLV HEM-7600-T-E



Make: Omron (Japan)

Model: EVOLV HEM-7600-T-E

Purpose/Introductory remarks:

All-in-one upper arm blood pressure monitor

This item is expected to be way cheaper than the HEM-907 priced in ICP 2017 (expected factor: about 0.35)



UNITED NATIONS

ECLAC

## 15.01.11.2.01.560 - Blood pressure monitor - Omron (Japan) - EVOLV HEM-7600-T-E

Make (and nationality)	Omron (Japan)
Model	EVOLV HEM-7600-T-E
Specifications:	Metric    Imperial
Measurement technology:	oscillometric measurement    oscillometric measurement
Digital display:	yes    yes
Automatic inflation/deflation:	yes    yes
Measurement range, pressure:	Sys 40 to 260 mm(Hg)    Sys 40 to 260 mm(Hg)
Measurement range, pulse rate:	40 to 180 beats/min    40 to 180 beats/min
Accuracy, pressure:	within +/-3 mmHg    within +/-3 mmHg
Accuracy, pulse rate:	within +/- 5% of reading    within +/- 5% of reading
Power supply with battery pack:	4 "AAA" batteries 1.5V    4 "AAA" batteries 1.5V
With adult arm cuff and AC adapter:	yes    yes
Width:	85 mm    3.3 in (monitor)
Height:	120 mm    4.7 in (monitor)
Depth:	20 mm    0.8 in (monitor)
Weight:	240 g (monitor)    8.5 oz (monitor)
Company website:	www.omron-healthcare.com    www.omron-healthcare.com



UNITED NATIONS

ECLAC

[PDF](#)

## Item group: Digital projectors

### Items included:

15.01.11.2.01.570: Digital projector - Unspecified

15.01.11.2.01.580: Digital projector - NEC (Japan) - P603X

15.01.11.2.01.590: Digital projector - Unspecified

15.01.11.2.01.600: Digital projector - Epson (Japan) - EB-W39



UNITED NATIONS

ECLAC

## 15.01.11.2.01.580 - Digital projector - NEC (Japan) - P603X



Make: NEC (Japan)

Model: P603X

Purpose/Introductory remarks:

Important parameters include the brightness (lumens), the resolution and the distance range.

The P603X is way more expensive than the NEC V332X priced in 2017 (expected factor: between 2 and 3).

Please note: The NECP604 mentioned in the ICP Asia and Pacific workshop should not be priced here, as it has more features (incl. HDBaseT). But it could perhaps be used as indicative item for the counterpart position.



UNITED NATIONS

ECLAC

## 15.01.11.2.01.580 - Digital projector - NEC (Japan) - P603X

Make (and nationality)	NEC (Japan)
Model	P603X
Specifications:	Metric    Imperial
Resolution:	1024 × 768 (XGA)    1024 × 768 (XGA)
Contrast ratio:	20000:1    20000:1
Aspect ratio:	4:3    4:3
Lamp:	330 W AC    330 W AC
High brightness:	3600 ANSI Lumens    3600 ANSI Lumens
Projection system:	Three primary colour liquid crystal shutter projection    Three primary colour liquid crystal shutter projection
Projection distance:	0.8 - 13.5 m    31.5 - 531.5 ins
Lamp life (non-eco mode):	4000 hours    4000 hours
Noise level (non-eco mode):	34 dB (A)    34 dB (A)
Lens:	manual/zoom    manual/zoom
Sound output:	5 W    5 W
With remote control:	yes    yes
Power supply:	100-240 V, 50-60 Hz    100-240 V, 50-60 Hz
Width:	420 mm    16.5 in
Height:	133 mm    5.2 in
Depth:	322 mm    12.7 in
Weight:	4.7 kg    10.4 lbs
Company website:	www.necdisplay.com    www.necdisplay.com





## 15.01.11.2.01.600 - Digital projector - Epson (Japan) - EB-W39



Make: Epson (Japan)

Model: EB-W39

Major differences:

Resolution, aspect ratio, projection distance

The EB-W39 is expected to be way cheaper than the P603X (expected factor: about 0.55), but more expensive than the EB-W32 priced in ICP 2017 (expected factor: about 1.3).



UNITED NATIONS

ECLAC

## 15.01.11.2.01.600 - Digital projector - Epson (Japan) - EB-W39

Make (and nationality)	Epson (Japan)
Model	EB-W39
Specifications:	Metric    Imperial
Resolution:	1280 x 800 (WXGA)    1280 x 800 (WXGA)
Contrast ratio:	15000:1    15000:1
Aspect ratio:	<del>0.6736111111111111</del>    16:10
Lamp:	210 W, UHE    210 W, UHE
High brightness:	3500 ANSI lumens    3500 ANSI lumens
Projection system:	3LCD 3D Technology    3LCD 3D Technology
Projection distance:	1.68 - 2.02 m (wide/tele in 60 inch screen)    1.68 - 2.02 m (wide/tele in 60 inch screen)
Lamp life (non-eco mode):	6,000 hours    6,000 hours
Noise level (non-eco mode):	37 dB (A)    37 dB (A)
Lens:	manual/zoom    manual/zoom
Sound output:	5 W    5 W
With remote control:	yes    yes
Power supply:	100-240 V, 50-60 Hz    100-240 V, 50-60 Hz
Width:	302 mm    11.9 in
Height:	87 mm    3.4 in
Depth:	249 mm    9.8 in
Weight:	2.7 kg    5.95 lb
Company website:	<a href="https://epson.com">https://epson.com</a>    <a href="https://epson.com">https://epson.com</a>



UNITED NATIONS

ECLAC

PDF

## Item group: Electronic digital theodolites

### Items included:

15.01.11.2.01.610: Electronic digital theodolite - Unspecified

15.01.11.2.01.620: Electronic digital theodolite - Leica (Switzerland) - Builder  
109 Set

15.01.11.2.01.630: Electronic digital theodolite - Unspecified

15.01.11.2.01.640: Electronic digital theodolite - Topcon (Japan) - DT - 209



UNITED NATIONS

ECLAC

## 15.01.11.2.01.620 - Electronic digital theodolite - Leica (Switzerland) - Builder 109 Set



Make: Leica (Switzerland)

Model: Builder 109 Set

Purpose/Introductory remarks:  
Complete set for measurements on  
construction sites.

Please note: The accuracy of angle  
measurements is important. For a  
model priced at the counterpart  
“unspecified” item, the Nikon NE-100  
series was priced. For this, a price of  
1730 USD was found for the NE-100  
(10” accuracy) and a price of 3180  
USD for the NE-102 (5”).



UNITED NATIONS

ECLAC

# 15.01.11.2.01.620 - Electronic digital theodolite - Leica (Switzerland) - Builder 109 Set

Make (and nationality)	Leica (Switzerland)
Model	Builder 109 Set
Specifications:	Metric    Imperial
Product number:	772727    772727
Angle measurement: Accuracy:	9" <del>inches</del>    9" <del>inches</del>
High resolution LCD display:	yes    yes
Standard measuring:	2 mm + 2 ppm (prism), 5 mm + 2 ppm (tracking)    2 mm + 2 ppm (prism), 5 mm + 2 ppm (tracking)
Laser plummet precision:	1.5 mm at 1.5 m    0.06 ins at 59 ins
Range on Kodak Gray Card:	80 m    262.5 ft
Range on Leica flat prism:	250 m    830 feet
Telescope: Magnification:	30 x    30 x
Telescope: Field of view:	1°21'/1.50 gon    1°21'/1.50 gon
Telescope: Objective lens:	40 mm    1.6 ins
With standard package:	yes    yes
Plummet : focussing range:	1.6 m to infinity    5.2 ft to infinity
Battery type:	Li-Ion    Li-Ion
Weight:	4.4 kg incl. Battery and Tribrach    9.7 lb (incl. Battery and Tribrach)
Company website:	www.leica-geosystems.com    www.leica-geosystems.com



UNITED NATIONS

ECLAC

[PDF](#)

## 15.01.11.2.01.640 - Electronic digital theodolite - Topcon (Japan) - DT - 209



Make: Topcon (Japan)

Model: DT - 209

Major differences:

Different brand

In the ECP 2017 survey, the Topcon DT-209 was cheaper than the Leica Builder 109 set (factor about 0.66), the result for ICP 2017 (ECLAC) was similar, but with prices from few countries only.



UNITED NATIONS

ECLAC

## 15.01.11.2.01.640 - Electronic digital theodolite - Topcon (Japan) - DT - 209

Make (and nationality)	Topcon (Japan)
Model	DT - 209
Specifications:	Metric    Imperial
Product number:	60214    60214
Angle measurement: Accuracy:	<del>9" inches</del>    <del>9" inches</del>
Telescope: Magnification:	26x    26x
Telescope: Field of view:	1°30'    1°30'
Telescope: Objective lens:	40 mm    1.6 ins
With standard package:	yes    yes
Two side LCD display 7 segments:	yes    yes
Sensitivity of level vials : plate/circular:	60 in/2mm,10 in./2m    60 in/2mm,10 in./2m
Plummet : image/magnification:	3x    3x
Plummet : field of view:	3 degrees    3degrees
Plummet : focussing range:	0.5 m to infinity    1.6 ft to infinity
With tilt sensor vor vertical angle correction:	yes    yes
With visible laser point:	yes    yes
Compensating range of tilt sensor:	plus/minus 3 minutes    plys/minus 3 minutes
Battery type:	4 x AA    4 x AA
Weight:	3.4 kg    7.5 lb
Company website:	www.topconeurope.com    www.topconeurope.com



UNITED NATIONS

ECLAC

PDF

## Item group: Professional digital cameras

### Items included:

15.01.11.2.01.650: Professional digital camera - Unspecified

15.01.11.2.01.660: Professional digital camera - Canon (Japan) - EOS 90 D



UNITED NATIONS

ECLAC



15.01.11.2.01.660 - Professional digital camera - Canon (Japan) - EOS 90 D



Make: Canon (Japan)

Model: EOS 90 D

Purpose/Introductory remarks:

**Please make sure to price just the camera body (without lens) as indicated in the item image.**

The 90 D is expected to be more expensive than the 80 D priced in ICP 2017 (expected factor: about 1.25)



UNITED NATIONS

ECLAC

## 15.01.11.2.01.660 - Professional digital camera - Canon (Japan) - EOS 90 D

Make (and nationality)	Canon (Japan)
Model	EOS 90 D
Specifications:	Metric    Imperial
For professional use:	yes    yes
Image sensor type:	No: 22.3 x 14.8 mm CMOS   No: 0.88 x 0.58 in CMOS
Total pixels:	34.4 mega    34.4 mega
Image processor type:	DIGIC 8    DIGIC 8
Focal length:	1.6 x multiplication (with EF lens)    1.6 x multiplication (with EF lens)
Focusing type:	TTL-CT-SIR with CMOS sensor    TTL-CT-SIR with CMOS sensor
Shutter speed:	30 to 1/8000 sec    30 to 1/8000 sec
LCD Monitor:	vari angle 7.7 cm TFT    vari angle 3.0 in TFT
Interface USB 2.0 Hi-speed:	yes    yes
Exclude:	lens and memory card    lens and memory card
Width:	140.7 mm    5.5 in
Height:	104.8 mm    4.1 in
Depth:	76.8 mm    3 in
Weight:	701 g    24.7 oz
Company website:	



UNITED NATIONS

ECLAC

PDF

## Item group: Laser meters

### Items included:

15.01.11.2.01.670: Laser Meter - Unspecified

15.01.11.2.01.680: Laser Meter - Hilti (Liechtenstein) - PD-E

### Please note:

Product codes may vary across countries or regions across the world. We found code 2061409 for several European countries (including UK and Germany). On the Hilti websites for Chile and Brazil, the product code 2062050 was found for the PD-E.



UNITED NATIONS

ECLAC

## 15.01.11.2.01.680 - Laser Meter - Hilti (Liechtenstein) - PD-E



Make: Hilti (Liechtenstein)

Model: PD-E Laser meter

Purpose/Introductory remarks:

Outdoor laser meter with integrated viewfinder for measurements up to 200 m.

Leica Disto models were mentioned by several countries in ICP 2021 for Asia and the Pacific. The closest match found was the Leica Disto D510. This could perhaps be used as indicative model for the counterpart “unspecified” item.



UNITED NATIONS

ECLAC

## 15.01.11.2.01.680 - Laser Meter - Hilti (Liechtenstein) - PD-E

Make (and nationality)	Hilti (Liechtenstein)
Model	PD-E Laser meter
Specifications:	Metric    Imperial
Product number:	2061409    2061409
Measuring range:	0 - 200 m    0 - 656 ft
Measurement accuracy:	1.0 mm    0.039 in
Measuring functions:	single/continuous, outdoor, digital level    single/continuous, outdoor, digital level
Data memory:	last 30 measurements, results with graphics    last 30 measurements, results with graphics
IP protection class:	IP 65 (EN 60529)    IP 65 (EN 60529)
Laser class:	< 1 mW, 635 nm, Class 2 (EN 60825), Class II (FDA CFR 21 art. 1040)    < 1 mW, 635 nm, Class 2 (EN 60825), Class II (FDA CFR 21 art. 1040)
Width:	60 mm    2.4 in
Height:	28 mm    1.1 in
Length:	129 mm    5.1 in
Weight:	165 g    5.8 oz
Company website:	www.hilti.com    www.hilti.com



UNITED NATIONS

ECLAC

PDF

# BH General purpose machinery



TP 32-320/2 A-F-A-BQGE-IX1



UNITED NATIONS

ECLAC

## Item group: Portable rotary screw compressors

### Items included:

15.01.11.5.01.010: Portable rotary screw compressor - Unspecified

15.01.11.5.01.020: Portable rotary screw compressor - Atlas Copco (Sweden)  
- XAS 68 Kd 8 Series

15.01.11.5.01.030: Portable rotary screw compressor - Unspecified

15.01.11.5.01.040: Portable rotary screw compressor - Atlas Copco (Sweden)  
- XAS 78 Kd 8 Series



UNITED NATIONS

ECLAC

# 15.01.11.5.01.020 - Portable rotary screw compressor - Atlas Copco (Sweden) - XAS 68 Kd 8 Series



Make: Atlas Copco (Sweden)

Model: XAS 68 Kd 8 Series

Purpose/Introductory remarks:  
Mobile compressor for supply of compressed air at construction sites etc.

Please note: The acronym Kd in the model name refers to the engine type Kubota diesel.



UNITED NATIONS

ECLAC



# 15.01.11.5.01.020 - Portable rotary screw compressor - Atlas Copco (Sweden) - XAS 68 Kd 8 Series

Make (and nationality)	Atlas Copco (Sweden)
Model	XAS 68 Kd 8 Series
Specifications:	Metric    Imperial
Engine capacity:	1.5 l    1498 cc
Engine: number of cylinders:	4    4
Engine oil capacity:	5.5 l    1.2 gal
Compressor oil capacity:	7.7 l    1.7 gal
Fuel tank capacity:	60 l    13.3 gal
Full load speed:	3000 rpm    3000 rpm
Output at rated speed:	26.5 kw    35.5 hp
Free air delivery:	3.5 m <sup>3</sup> /min.    135 CFM
Sound power level (EC Stage II):	98 dB    98 dB
With brakes and adjustable towbar:	yes    yes
Without particle filter:	yes    yes
Max. working pressure:	7 bar    100 psi
Width:	1350 mm    53 in
Height:	1400 mm    55 in
Length:	2290 mm    90 in
Weight:	650 kg (box unit)    1433 lb (box unit)
Company website:	www.atlascopco.com    www.atlascopco.com



UNITED NATIONS

ECLAC

[PDF](#)

# 15.01.11.5.01.040 - Portable rotary screw compressor - Atlas Copco (Sweden) - XAS 78 Kd 8 Series



Make: Atlas Copco (Sweden)  
Model: XAS 78 Kd 8 Series

Major differences:  
Higher max. free air delivery

The XAS 78 is expected to be slightly more expensive than the XAS 68.



UNITED NATIONS

ECLAC

# 15.01.11.5.01.040 - Portable rotary screw compressor - Atlas Copco (Sweden) - XAS 78 Kd 8 Series

Make (and nationality)	Atlas Copco (Sweden)
Model	XAS 78 Kd 8 Series
Specifications:	Metric    Imperial
Engine capacity:	1.5 l    1498 cc
Engine: number of cylinders:	4    4
Engine oil capacity:	5.5 l    1.2 gal
Compressor oil capacity:	7.7 l    1.7 gal
Fuel tank capacity:	60 l    13.3 gal
Full load speed:	3000 rpm    3000 rpm
Output at rated speed:	33 kw    44 hp
Free air delivery:	4.5 m <sup>3</sup> /min.    150 CFM
Sound power level (EC Stage II):	98 dB    98 dB
With brakes and adjustable towbar:	yes    yes
Without particle filter:	yes    yes
Max. working pressure:	7 bar    100 psi
Width:	1350 mm    53 in
Height:	1400 mm    55 in
Length:	2290 mm    90 in
Weight:	650 kg (box unit)    1433 lb (box unit)
Company website:	www.atlascopco.com    www.atlascopco.com



UNITED NATIONS

ECLAC

PDF

## Item group: Diesel engines

### Items included:

15.01.11.5.01.050: Diesel engine (general purpose) - Unspecified

15.01.11.5.01.060: Diesel engine (general purpose) - Yanmar (Japan) -  
3TNV88-BDSA

15.01.11.5.01.070: Industrial petrol engine - Unspecified

15.01.11.5.01.080: Industrial petrol engine - Honda (Japan) - GX 270 UT2  
SWC 4

15.01.11.5.01.090: Industrial petrol engine - Unspecified

15.01.11.5.01.100: Industrial petrol engine - Honda (Japan) - GX 160 UT2 SX  
4



UNITED NATIONS

ECLAC

15.01.11.5.01.060 - Diesel engine (general purpose) - Yanmar (Japan) -  
3TNV88-BDSA



Make: Yanmar (Japan)

Model: 3TNV88-BDSA

Purpose/Introductory remarks:

Industrial engine for various applications

**Please note: Whereas the survey catalogue (MS Word document) shows the correct specs, there are some errors in the Data collection form (MS Excel file).**



UNITED NATIONS

ECLAC

## 15.01.11.5.01.060 - Diesel engine (general purpose) - Yanmar (Japan) - 3TNV88-BDSA

Make (and nationality)	Yanmar (Japan)	
Model	3TNV88-BDSA	
Specifications:	Metric    Imperial	
Engine: number of cylinders:	3    3	
Engine type:	Vertical cylinder, 4-cycle, liquid cooled diesel    Vertical cylinder, 4-cycle, liquid cooled diesel	
Combustion type:	Direct injection    Direct injection	
Cyl. bore x stroke:	88 x 90 mm    3.46 x 3.54 ins	
Displacement:	1,642 cc    100.2 in <sup>3</sup>	
Rated output at 3000 rpm:	radiator    radiator	
Cooling system:	electric    electric	
Starting system:	26.9 kW @ 3000 rpm	
Starting system:	electric    electric	
Width:	522 mm    20.55 in	
Height:	667 mm    26.26 in	
Length:	600 mm    23.62 in	
Weight:	148 kg (dry weight)    326 lbs (dry weight)	
Company website:	global.yanmar.com    global.yanmar.com	

Displacement:	1,642 cc    100.2 in <sup>3</sup>
Cooling system:	radiator    radiator
Starting system:	electric    electric
Power output:	26.9 kW @ 3000 rpm



UNITED NATIONS

ECLAC

[PDF](#)

15.01.11.5.01.080 - Industrial petrol engine - Honda (Japan) - GX 270 UT2 SWC 4



Make: Honda (Japan)  
Model: GX 270 UT2 SWC 4

Purpose/Introductory remarks:  
Smaller engine, one cylinder, recoil starter; expected to be way cheaper than the Yanmar (expected factor: about 0.2).

Please note: You may need to enter the product code GX270UT2SWC4 to find the item on the internet.

The specified power output refers to the continuous rated power.



UNITED NATIONS

ECLAC

# 15.01.11.5.01.080 - Industrial petrol engine - Honda (Japan) - GX 270 UT2 SWC 4

Make (and nationality)	Honda (Japan)
Model	GX 270 UT2 SWC 4
Specifications:	Metric    Imperial
Engine: number of cylinders:	1    1
Engine oil capacity:	1.1 l    0.24 gal
Fuel tank capacity:	5.3 l    1.17 gal
Engine type:	Air cooled, 4-stroke OHV, petrol engine    Air cooled, 4-stroke, OHV petrol engine
Cyl. bore x stroke:	77 x 58 mm    3.0 x 2.3 in
Displacement:	270 cm <sup>3</sup>    16.5 in <sup>3</sup>
Cooling system:	forced air    forced air
Starting system:	Recoil starter    Recoil starter
Power output:	5.1 kw at 3600 rpm continuous    6.8 bhp at 3600 rpm continuous
Compression ratio:	8.5 : 1    8.5 : 1
<del>Starting system:</del>	<del>Recoil starter    Recoil starter</del>
Width:	428 mm    16.9 in
Height:	422 mm    16.6 in
Length:	381 mm    15 in
Weight:	25.8 kg    56.9 lbs
Company website:	www.honda-engines-eu.com    www.honda-engines-eu.com



UNITED NATIONS

ECLAC

PDF



# 15.01.11.5.01.100 - Industrial petrol engine - Honda (Japan) - GX 160 UT2 SX 4



Make: Honda (Japan)  
Model: GX 160 UT2 SX 4

Major differences:

This is smallest and cheapest one of the three engines.

It is expected to be much cheaper than the GX 270 (expected factor: about 0.5).



UNITED NATIONS

ECLAC

# 15.01.11.5.01.100 - Industrial petrol engine - Honda (Japan) - GX 160 UT2 SX

4

Make (and nationality)	Honda (Japan)
Model	GX 160 UT2 SX 4
Specifications:	Metric    Imperial
Engine: number of cylinders:	1    1
Engine oil capacity:	0.6 l    0.13 gal
Fuel tank capacity:	3.1 l    0.68 gal
Engine type:	Air cooled, 4-stroke OHV, petrol engine    Air cooled, 4-stroke, OHV petrol engine
Cyl. bore x stroke:	68 x 45 mm    2.7 x 1.8 in
Displacement:	160 cm <sup>3</sup>    9.8 in <sup>3</sup>
Cooling system:	forced air    forced air
Starting system:	Recoil starter    Recoil starter
Power output:	2.9 kW at 3,600 rpm continuous    3.9 hp at 3,600 rpm continuous
Compression ratio:	9:1    9:1
Width:	318 mm    13.6 in
Height:	341 mm    14.3 in
Length:	305 mm    12.3 in
Weight:	15.1 kg    33.3 lbs
Company website:	www.honda-engines-eu.com    www.honda-engines-eu.com



UNITED NATIONS

ECLAC

PDF

## Item group: Water pumps

### Items included:

15.01.11.5.01.110: Water pump 18 x 24 - Unspecified

15.01.11.5.01.120: Water pump 18 x 24 - Grundfos (Denmark) - TP 32-320/2  
A-F-A-BQQE-IX1

15.01.11.5.01.130: Water pump 20 x 32 - Unspecified

15.01.11.5.01.140: Water pump 20 x 32 - Grundfos (Denmark) - TP 32-380/2  
A-F-A-BQQE-JX1



UNITED NATIONS

ECLAC

# 15.01.11.5.01.120 - Water pump 18 x 24 - Grundfos (Denmark) - TP 32-320/2 A-F-A-BQQE-IX1

TP 32-320/2 A-F-A-BQQE-IX1



Make: Grundfos (Denmark)

Model: TP 32-320/2 A-F-A-BQQE-IX1

Purpose/Introductory remarks:

Single-stage, close-coupled in-line centrifugal pump with mechanical shaft seal and primely for applications such as heating/cooling/district energy

The product code for this model is 96086777. **If the product code of what you price is different, please make an appropriate note.**



UNITED NATIONS

ECLAC

# 15.01.11.5.01.120 - Water pump 18 x 24 - Grundfos (Denmark) - TP 32-320/2 A-F-A-BQQE-IX1

Make (and nationality)	Grundfos (Denmark)
Model	TP 32-320/2 A-F-A-BQQE-IX1
Specifications:	Metric    Imperial
Type:	Single stage centrifugal in-line single head    Single stage centrifugal in-line single head
Rated head:	24.0 m    78.9 ft
Rated flow:	17.6 m <sup>3</sup> /h    10.4 cfm
Speed:	2900 rpm    2900 rpm
Shaft: stainless steel:	yes    yes
Pump and impeller: cast iron:	yes    yes
Code for shaft seal:	BQQE    BQQE
Impeller diameter:	155 mm    6.1 in
Rated voltage/frequency:	3 x 380-415 V/50hz    3 x 380-415 V/50hz
Power of motor:	2.2 kw    2.9 bhp
No. of poles:	2    2
Rated current:	4.65 A    4.45 A
Max. working pressure:	16 bar    232 psi
Height:	575 mm    22.6 in
Length:	340 mm    13.4 in
Weight:	49.6 kg (net)    109.3 lb (net)
Company website:	www.grundfos.com    www.grundfos.com



UNITED NATIONS

ECLAC

[PDF](#)

# 15.01.11.5.01.120 - Water pump 18 x 24 - Grundfos (Denmark) - TP 32-320/2 A-F-A-BQQE-IX1

TP 32-320/2 A-F-A-BQQE-IX1



Notes:

New model.

Please check the model name and specifications carefully as there is a wide range of different versions with price-determining differences available.

If you can only find the model TP 32-320/2 A-F-A-BAQE-IX1 with BAQE sealing you may price this model as equivalent noting the technical differences in specifications.



UNITED NATIONS

ECLAC

# 15.01.11.5.01.140 - Water pump 20 x 32 - Grundfos (Denmark) - TP 32-380/2 A-F-A-BQQE-JX1

TP 32-380/2 A-F-A-BQQE-JX1



Make: Grundfos (Denmark)

Model: TP 32-380/2 A-F-A-BQQE-JX1

Major differences:

Higher rated head and performance

The product code for this model is 96086778. **If the product code of what you price is different, please make an appropriate note.**



UNITED NATIONS

ECLAC

# 15.01.11.5.01.140 - Water pump 20 x 32 - Grundfos (Denmark) - TP 32-380/2 A-F-A-BQQE-JX1

Make (and nationality)	Grundfos (Denmark)
Model	TP 32-380/2 A-F-A-BQQE-JX1
Specifications:	Metric    Imperial
Type:	Single stage centrifugal in-line single head    Single stage centrifugal in-line single head
Type: end suction:	yes    yes
Rated head:	31.38 m    103.0 ft
Rated flow:	18.9 m <sup>3</sup> /h    11.12 cfm
Speed:	2910 rpm    2910 rpm
Shaft: stainless steel:	yes    yes
Pump and impeller: cast iron:	yes    yes
Code for shaft seal:	BQQE    BQQE
Inlet nominal diameter:	32 mm    1.26 in
Impeller diameter:	169 mm    6.7 in
Rated voltage/frequency:	3x380-415 V/50 Hz    3x380-415 V/50 Hz
Power of motor:	3 kw    4 bhp
No. of poles:	2    2
Rated current:	6.3 A    6.3 A
Liquid temperature range:	-25 to +120 °C    -13 to +248 °F
Max. working pressure:	16 bar    232 psi
Height:	617 mm    24.3 in
Length:	340 mm    13.4 in
Weight:	56.5 kg (net)    124.5 lb (net)
Company website:	www.grundfos.com    www.grundfos.com



UNITED NATIONS

ECLAC

[PDF](#)



## Item group: Diesel fork lift trucks

### Items included:

- 15.01.11.5.01.150: Diesel fork lift truck - Unspecified
- 15.01.11.5.01.160: Diesel fork lift truck - Jungheinrich (Germany) - DFG 425 s
- 15.01.11.5.01.170: Diesel fork lift truck - Unspecified
- 15.01.11.5.01.180: Diesel fork lift truck - Doosan (Korea) - 9-series: D25S-9
- 15.01.11.5.01.190: Diesel fork lift truck - Unspecified
- 15.01.11.5.01.200: Diesel fork lift truck - Toyota (Japan) - Tonerio 52-8FDF25

**Please note: The prices of the “branded” items are expected to be quite similar, perhaps with the Jungheinrich model being the most expensive one.**



UNITED NATIONS

ECLAC

15.01.11.5.01.160 - Diesel fork lift truck - Jungheinrich (Germany) - DFG 425 s



Make: Jungheinrich (Germany)

Model: DFG 425 s

Purpose/Introductory remarks:

Dynamic and robust hydrostatic forklift truck for indoor and outdoor use



UNITED NATIONS

ECLAC

## 15.01.11.5.01.160 - Diesel fork lift truck - Jungheinrich (Germany) - DFG 425 s

Make (and nationality)	Jungheinrich (Germany)
Model	DFG 425 s
Specifications:	Metric    Imperial
Engine capacity:	2434 cu cm    148.5 cu in
Engine: number of cylinders:	4    4
Wheelbase:	1750 mm    69 in
Load capacity:	2500 kg    5000 lb
Load center:	500 mm    19.7 in
Standard lift height:	3300 mm    130 in
Extended mast height:	4051 mm    159 in
Standard free lift (duplex mast):	150 mm    5.9 in
Outer turning radius:	2310 mm    91 in
Transmission: torque conv./hydrostatic:	yes    yes
Engine power:	43.2 kw    57.9 hp
Weight: unladen:	3965 kg    8741 lb
Overall width:	1184 mm    46.6 in
Overall length:	3753 mm    147.8 in
Overall length to fork face:	2613 mm    103 in
Fork length:	1150 mm    45 in
Engine model:	Kubota V2403-CR-T    Kubota V2403-CR-T
Lifting speed: loaded:	0.56 m/s    0.56 m/s
Travel speed: loaded:	21.5 km/h    13.4 mi/h
Overhead guard height:	2235 mm    88 in
Company website:	www.jungheinrich.com    www.jungheinrich.com



UNITED NATIONS

ECLAC

[PDF](#)

## 15.01.11.5.01.180 - Diesel fork lift truck - Doosan (Korea) - 9-series: D25S-9



Make: Doosan (Korea)  
Model: 9-series: D25S-9

Major differences:

Different brand & features,  
pneumatic drive



UNITED NATIONS

ECLAC

## 15.01.11.5.01.180 - Diesel fork lift truck - Doosan (Korea) - 9-series: D25S-9

Make (and nationality)	Doosan (Korea)
Model	9-series: D25S-9
Specifications:	Metric    Imperial
Wheelbase:	1700 mm    67 in
Load capacity:	2500 kg    5500 lb
Load center:	500 mm    19.7 in
Standard lift height:	3230 mm    126 in
Extended mast height:	4490 mm    177 in
Standard free lift (duplex mast):	147 mm    5.8 in
Outer turning radius:	2270 mm    89.4 in
Transmission: torque conv./hydrostatic:	yes    yes
Overall width:	1170 mm    46.1 in
Overall length:	3674 mm    145 in
Overall length to fork face:	2625 mm    103 in
Overhead guard height:	2183 mm    85.9 in
Company website:	<a href="http://www.doosanlift.com">www.doosanlift.com</a>    <a href="http://www.doosanlift.com">www.doosanlift.com</a>



UNITED NATIONS

ECLAC

[www.doosanlift.com](http://www.doosanlift.com)

# 15.01.11.5.01.200 - Diesel fork lift truck - Toyota (Japan) - Toner 52-8FDF25



Make: Toyota (Japan)  
Model: Toner 52-8FDF25

Major differences:

Different brand



UNITED NATIONS

ECLAC

## 15.01.11.5.01.200 - Diesel fork lift truck - Toyota (Japan) - Toner 52-8FDF25

Make (and nationality)	Toyota (Japan)
Model	Toner 52-8FDF25
Specifications:	Metric    Imperial
Engine capacity:	1795 cc    110 cubic in
Engine: number of cylinders:	3    3
Wheelbase:	1650 mm    65 in
Load capacity:	2500 kg    5500 lb
Load center:	500 mm    19.7 in
Standard lift height:	3000mm    118.1 in
Extended mast height:	4250 mm    167.3 in
Standard free lift (duplex mast):	150 mm    5.9 in
Outer turning radius:	2280 mm    89.8 in
Engine power:	41 kW @ 2200 rpm    55 bhp @ 2200 rpm
Weight: unladen:	3620 kg    7981 lb
Overall width:	1150 mm    45.3 in
Overall length:	3640 mm    143.3 in
Overall length to fork face:	2640 mm    104 in
Fork length:	1000 mm    39.4 in
Engine model:	Toyota 1ZS (V)    Toyota 1ZS (V)
Lifting speed: loaded:	0.62 m/s    0.62 m/s
Travel speed: loaded:	19 km/h    11.8 mi/h
Overhead guard height:	2110 mm    83.1 in
Type: gas counterbalance:	yes    yes
Tyres: pneumatic profile solids:	yes    yes
T'mission: diesel electric:	yes    yes
Company website:	www.toyota-forklifts.co.uk    www.toyota-forklifts.co.uk



UNITED NATIONS

ECLAC

PDF

## Item group: Fire extinguishers

### Items included:

15.01.11.5.01.210: Dry powder fire extinguisher - Unspecified

15.01.11.5.01.220: Dry powder fire extinguisher - Gloria (Germany) - F2GM

15.01.11.5.01.230: Dry powder fire extinguisher - Unspecified

15.01.11.5.01.240: Dry powder fire extinguisher - Gloria (Germany) - PD 6 GA  
with PG

**Please note: The order size may have a significant impact on the price.  
In ECP the suggested order size is 10.**

**But: Unit price, delivery cost ... should be reported for 1.**

**In addition, the fire extinguishers should be priced without a service contract.**



UNITED NATIONS

ECLAC



## 15.01.11.5.01.220 - Dry powder fire extinguisher - Gloria (Germany) - F2GM



Make: Gloria (Germany)

Model: F2GM

Purpose/Introductory remarks:

Compact and easy to use fire extinguisher for fast and problem-free fire fighting in vehicles, boats, workshops etc.

Please note: The order code for this item is 001873.0000 as detailed in the notes.



UNITED NATIONS

ECLAC

## 15.01.11.5.01.220 - Dry powder fire extinguisher - Gloria (Germany) - F2GM

Make (and nationality)	Gloria (Germany)
Model	F2GM
Specifications:	Metric    Imperial
Extinguishing agent:	ABC powder    ABC powder
Propellant:	Nitrogen    Nitrogen
Max. working pressure:	15 bar    218 psi
Fire rating:	13A 89BC    13A 89BC
Quantity of powder:	2 kg    4.4 lbs
Duration of discharge:	10 sec    10 sec
Range of discharge:	4 m    13 ft
With controllable discharge:	yes    yes
Excluding maintenance contract:	yes    yes
With pressure gauge:	yes    yes
Diameter:	110 mm    4.3 in
Width:	145 mm    5.7 in
Height:	315 mm    12.4 in
Depth:	110 mm    4.3 in
Weight:	3.4 kg    7.5 lbs
Company website:	



UNITED NATIONS

ECLAC

[PDF](#)

# 15.01.11.5.01.240 - Dry powder fire extinguisher - Gloria (Germany) - PD 6 GA with PG



Make: Gloria (Germany)  
Model: PD 6 GA with PG

Major differences:  
Continuous pressure fire extinguisher with practical hand-lever fitting for use in various applications: outdoor areas, pharmacy laboratory, chemical industry, refineries, car parks, warehouses etc.

Please note: The order code for this item is 002111.1791 as detailed in the notes.



UNITED NATIONS

ECLAC

## 15.01.11.5.01.240 - Dry powder fire extinguisher - Gloria (Germany) - PD 6 GA with PG

Make (and nationality)	Gloria (Germany)
Model	PD 6 GA with PG
Specifications:	Metric    Imperial
Extinguishing agent:	ABC powder    ABC powder
Propellant:	Nitrogen    Nitrogen
Max. working pressure:	15 bar    218 psi
Fire rating:	34A 233BC    34A 233BC
Quantity of powder:	6 kg    13.2 lbs
Duration of discharge:	20 sec    20 sec
Range of discharge:	6 m    20 ft
With controllable discharge:	yes    yes
Excluding maintenance contract:	yes    yes
With pressure gauge:	yes    yes
Diameter:	160 mm    6.3 in
Width:	285 mm    11.2 in
Height:	505 mm    19.9 in
Depth:	160 mm    6.3 in
Weight:	9.1 kg    20 lb
Company website:	www.gloria.de    www.gloria.de



UNITED NATIONS

ECLAC

[PDF](#)

## Item group: Digital computing scales

### Items included:

15.01.11.5.01.250: Digital computing scale - Unspecified

15.01.11.5.01.260: Digital computing scale - Berkel (USA) - FX 50



UNITED NATIONS

ECLAC

## 15.01.11.5.01.260 - Digital computing scale - Berkel (USA) - FX 50



Make: Berkel (USA)

Model: FX 50

Purpose/Introductory remarks:

Price computing food scale for market stalls, butchers, greengrocers etc.

Please note: In some markets the model name Berkel FX50T is used.

We are looking for the model including the tower and integral displays, but without thermal printer.



UNITED NATIONS

ECLAC

## 15.01.11.5.01.260 - Digital computing scale - Berkel (USA) - FX 50

Make (and nationality)	Berkel (USA)
Model	FX 50
Specifications:	Metric    Imperial
Weighing capacity - total:	15 kg    30 lb
Weighing capacity - intervals:	5 g    0.01 lb
With tare indicator:	yes    yes
With self canceling tare:	yes    yes
With electronic display:	yes    yes
With flat weighing plate:	yes    yes
Without Integral printer:	without    without
Stainless steel, alum., plastic finish:	yes    yes
Euro compatible:	yes    yes
Including tower display:	yes    yes
Width:	331 mm    13 in
Height:	428 mm    16.8 in
Length:	410 mm    16 in
Company website:	<a href="http://www.averyberkel.com">www.averyberkel.com</a>    <a href="http://www.averyberkel.com">www.averyberkel.com</a>



UNITED NATIONS

ECLAC

PDF

## BH Special purpose machinery



UNITED NATIONS

ECLAC



## Item group: Diesel tractors

### Items included:

15.01.11.6.01.010: Diesel tractor: small - Unspecified

15.01.11.6.01.020: Diesel tractor: small - Massey Ferguson (USA) - MF 1740  
M

15.01.11.6.01.030: Diesel tractor: small - Unspecified

15.01.11.6.01.040: Diesel tractor: small - New Holland (Italy) - TD 5.95 Tier 4A



UNITED NATIONS

ECLAC

# 15.01.11.6.01.020 - Diesel tractor: small - Massey Ferguson (USA) - MF 1740 M



Make: Massey Ferguson (USA)  
Model: MF 1740 M (ROPS)

Purpose/Introductory remarks:  
Small tractor, easily manouverable

Please note: We are looking for the “ROPS” (roll over protection system) version, not the “Cab” version. The item image shows the MF 1735 M, not the 1740. If you cannot find the “M” model, the “A” model (which the “M” model replaced) may be priced as equivalent.



UNITED NATIONS

ECLAC

# 15.01.11.6.01.020 - Diesel tractor: small - Massey Ferguson (USA) - MF 1740 M

Make (and nationality)	Massey Ferguson (USA)
Model	MF 1740 M (ROPS)
Specifications:	Metric    Imperial
Engine displacement:	1825 cc turbo    111 in <sup>3</sup> turbo
Engine power (kW / HP):	29 kW    40 bhp
Number of cylinders:	3/turbocharged    3/turbocharged
Number of speeds:	hydrostatic transmission    hydrostatic transmission
Drivetrain:	Four wheel drive    Four wheel drive
Lift capacity:	1200 kg    2646 lb
Pump capacity:	41.5 l/min    9.1 galls/min
Wheelbase:	1695 mm    66.7 in
PTO rev/min:	540/750    540/750
Fuel tank capacity:	36 l    7.9 galls
Overall length:	3090 mm    121.6 in
Width:	1440 mm    56.7 in
Height:	2200 mm    86.6 in
Length:	3475 mm    136.8 in
Weight:	1425 kg    3142 lb
Company website:	www.masseyferguson.com    www.masseyferguson.com



## 15.01.11.6.01.040 - Diesel tractor: small - New Holland (Italy) - TD 5.95 Tier 4A



Make: New Holland (Italy)

Model: TD 5.95 Tier 4A

Major differences:

Still a rather small tractor, but much stronger and heavier than the MF 1740 M

The TD 5.95 is expected to be more expensive than the MF 1740 M (factor about 1.4).



UNITED NATIONS

ECLAC

## 15.01.11.6.01.040 - Diesel tractor: small - New Holland (Italy) - TD 5.95 Tier 4A

Make (and nationality)	New Holland (Italy)
Model	TD 5.95 Tier 4A
Specifications:	Metric    Imperial
Engine displacement:	3400 cc    207 in <sup>3</sup>
Engine power (kW / HP):	73 kw at 2300 rpm    99 hp at 2300 rpm
Number of cylinders:	4    4
Number of speeds:	12 forward/12 reverse    12 forward/12 reverse
Drivetrain:	Four wheel drive    Four wheel drive
Lift capacity:	3565 kg    7860 lb
Pump capacity:	47 l/min    12.4 gal/min
Wheelbase:	2280 mm    89.8 in
PTO rev/min:	540/540 Eco    540/540 Eco
Fuel tank capacity:	121 l    26.6 galls
Mechanical lift with Lift-o-Matic:	no    no
Turn angle:	40 degree    40 degree
With safety cab, noise and vibration insulated:	yes    yes
Width:	1920 mm    75.6 in
Height:	2665 mm    104.9 in
Length:	4320 mm    170 in
Weight:	3500 - 3740 kg    7716 - 8245 lb
Company website:	www.newholland.com    www.newholland.com



UNITED NATIONS

ECLAC

PDF

## Item group: Self propelled combine harvesters

### Items included:

15.01.11.6.01.050: Self propelled combine harvester - Unspecified

15.01.11.6.01.060: Self propelled combine harvester - New Holland (Italy) -

TC 5.80



UNITED NATIONS

ECLAC

15.01.11.6.01.060 - Self propelled combine harvester - New Holland (Italy) -  
TC 5.80



Make: New Holland (Italy)

Model: TC 5.80

Purpose/Introductory remarks:

For use on farms, self-propelled

Please price the basic machine only  
(without additional equipment).



UNITED NATIONS

ECLAC

# 15.01.11.6.01.060 - Self propelled combine harvester - New Holland (Italy) - TC 5.80

Make (and nationality)	New Holland (Italy)
Model	TC 5.80
Specifications:	Metric    Imperial
Engine power (kW / HP):	167 kw at 2000 rpm    227 hp at 2000 rpm
Fuel tank capacity:	400 l    88 imp galls
Cutting width:	396 - 518 - 610 cm    156 - 204 - 240 in
Threshing drum: width:	130 cm    51 in
Threshing drum: diameter:	60 cm    24 in
Drum type: beater:	8 bars    8 bars
Number of straw walkers:	5    5
With standard shoes:	yes    yes
Grain tank capacity:	6400 l    1408 imp galls
Closed cabin:	yes    yes
Flip-up maize headers:	6    6
Type of transmission:	h'static: 3 speed    h'static: 3 speed
Weight:	10700 kg    23589 lb
Company website:	www.newholland.com    www.newholland.com





## Item group: Backpack leaf blowers

### Items included:

15.01.11.6.01.070: Backpack leaf blower - Unspecified

15.01.11.6.01.080: Backpack leaf blower - Husqvarna (Sweden) - 350 BT



UNITED NATIONS

ECLAC

15.01.11.6.01.080 - Backpack leaf blower - Husqvarna (Sweden) - 350 BT



Make: Husqvarna (Sweden)

Model: 350 BT

Purpose/Introductory remarks:

Fuel operated

The product code 965877501 given in the notes may help to find the item.



UNITED NATIONS

ECLAC

## 15.01.11.6.01.080 - Backpack leaf blower - Husqvarna (Sweden) - 350 BT

Make (and nationality)	Husqvarna (Sweden)
Model	350 BT
Specifications:	Metric    Imperial
With E-Tech engine:	yes    yes
Displacement:	50.2 cc    3.1 inch <sup>3</sup>
Noise level dB(A):	95 (operators ear)    95 (operators ear)
Air speed:	80 m/sec    262 feet/sec
Air flow in pipe:	14 m <sup>3</sup> /min    494.4 ft <sup>3</sup> /min
Vibration level handle:	2.2 m/s <sup>2</sup>    2.2 m/s <sup>2</sup>
Power output:	1.5 kW    2.1 hp
Max. power speed:	7500 rpm    7500 rpm
Weight:	10.2 kg    22.5 lb
Company website:	<a href="http://www.husqvarna.com">www.husqvarna.com</a>    <a href="http://www.husqvarna.com">www.husqvarna.com</a>



UNITED NATIONS

ECLAC

[PDF](#)

## Item group: DC welding equipment

### Items included:

15.01.11.6.01.090: DC welding equipment - Unspecified

15.01.11.6.01.100: DC welding equipment - Esab (Sweden) - Caddy Arc 251i, A32

15.01.11.6.01.110: DC welding equipment - Unspecified

15.01.11.6.01.120: DC welding equipment - Esab (Sweden) - Origo Mig 4004i

15.01.11.6.01.130: DC welding equipment - Unspecified

15.01.11.6.01.140: DC welding equipment - Esab (Sweden) - Origo Arc 650c



UNITED NATIONS

ECLAC

## 15.01.11.6.01.100 - DC welding equipment - Esab (Sweden) - Caddy Arc 251i, A32



Make: Esab (Sweden)

Model: Caddy Arc 251i, A32

Purpose/Introductory remarks:

Manual metal arc (MMA) and tungsten inert gas (TIG) welding

A32 indicates the control panel.

The order number for the A32 package is 0460 300 880.



UNITED NATIONS

ECLAC

## 15.01.11.6.01.100 - DC welding equipment - Esab (Sweden) - Caddy Arc 251i, A32

Make (and nationality)	Esab (Sweden)
Model	Caddy Arc 251i, A32
Specifications:	Metric    Imperial
Open circuit voltage:	65/>35 V    65/>35 V
100 % duty cycle current / voltage:	150/26 V    150/26 V
60 % duty cycle current / voltage:	190/27.6 V    190/27.6 V
35 % duty cycle current / voltage:	250/30 V    250/30 V
Enclosure class protection:	IP23    IP23
Power supply: pH / Hz / V:	3 phase, 50/60 Hz, 400 V    3 phase, 50/60 Hz, 400 V
Width:	188 mm    7.4 in
Height:	208 mm    8.2 in
Length:	418 mm    16.5 in
Weight:	10.5 kg    23.1 lb
Company website:	www.esab.com    www.esab.com



UNITED NATIONS

ECLAC

[PDF](#)

## 15.01.11.6.01.120 - DC welding equipment - Esab (Sweden) - Origo Mig 4004i



Make: Esab (Sweden)

Model: Origo Mig 4004i

Major differences:

Metal inert gas (MIG) / metal active gas (MAG) / Manual metal arc (MMA) lightweight multi process welding equipment. We are looking for the basic 4004i model without the cooler. The order code for the basic 4004i model is 0465 154 880.

The 4004i is expected to be much more expensive than the 251i (expected factor: almost 2).



UNITED NATIONS

ECLAC

## 15.01.11.6.01.120 - DC welding equipment - Esab (Sweden) - Origo Mig 4004i

Make (and nationality)	Esab (Sweden)
Model	Origo Mig 4004i
Specifications:	Metric    Imperial
Wheeled rectifier type:	no    no
Open circuit voltage:	55 V    55 V
100 % duty cycle current / voltage:	350 A/31.5 V    350 A/31.5 V
Enclosure class protection:	IP 23    IP 23
Power supply: pH / Hz / V:	3 phase, 50/60 Hz, 380-440 V    3 phase, 50/60 Hz, 380-440 V
Width:	256 mm    10.1 in
Height:	445 mm    17.5 in
Length:	610 mm    24 in
Weight:	46 kg    101.4 lb
Company website:	www.esab.com    www.esab.com



UNITED NATIONS

ECLAC

[PDF](#)



## 15.01.11.6.01.140 - DC welding equipment - Esab (Sweden) - Origo Arc 650c



Make: Esab (Sweden)  
Model: Origo Arc 650c

Major differences:

Sturdy and robust welding equipment for manual heavy duty MMA (manual metal arc) welding with coated electrodes, TIG (tungsten inert gas) welding and Air Carbon Arc Gouging. We search for the A12 offshore version. The order no. for this version is 0349 311 500. The 650c is expected to be much more expensive than the 251i, too (expected factor: about 2).



UNITED NATIONS

ECLAC

## 15.01.11.6.01.140 - DC welding equipment - Esab (Sweden) - Origo Arc 650c

Make (and nationality)	Esab (Sweden)
Model	Origo Arc 650c
Specifications:	Metric    Imperial
Wheeled rectifier type:	yes    yes
Inf. variable thyristor controlled:	yes    yes
Open circuit voltage:	53 - 70 V    53 - 70 V
100 % duty cycle current / voltage:	400 A/36 V    400 A/36 V
60 % duty cycle current / voltage:	490 A/40 V    490 A/40 V
35 % duty cycle current / voltage:	650 A/44 V    650 A/44 V
Enclosure class protection:	IP 23    IP 23
Power supply: pH / Hz / V:	3 phase, 50/60 Hz, 230-550 V    3 phase, 50/60 Hz, 230-550 V
Width:	800 mm    31.5 in
Height:	780 mm    30.7 in
Length:	1310 mm    51.6 in
Weight:	223 kgs    491 lbs
Company website:	www.esab.com    www.esab.com



UNITED NATIONS

ECLAC

[PDF](#)

## Item group: Half sheet electronic orbital sanders

### Items included:

15.01.11.6.01.150: Half sheet electronic orbital sander - Unspecified

15.01.11.6.01.160: Half sheet electronic orbital sander - DeWalt (USA) -  
DWE6423 Sander

Please note: The Makita BO5031 sander mentioned in the Asia&Pacific workshop in December 2021 could be a good indicative item for the “unspecified” item position.



UNITED NATIONS

ECLAC

# 15.01.11.6.01.160 - Half sheet electronic orbital sander - DeWalt (USA) - DWE6423 Sander



Make: DeWalt (USA)

Model: DWE6423 Sander

Purpose/Introductory remarks:

For sanding fine finishes as well as for sanding or polishing large or curved surfaces

The DWE6423 is expected to be way cheaper than the model priced in ICP 2017 (expected factor: about 0.4).



UNITED NATIONS

ECLAC

15.01.11.6.01.160 - Half sheet electronic orbital sander - DeWalt (USA) -  
DWE6423 Sander

Make (and nationality)	DeWalt (USA)
Model	DWE6423 Sander
Specifications:	Metric    Imperial
Pad size:	125 mm    4.9 in
Orbit size:	2.6 mm    0.1 in
Number of orbits per min:	8000 - 12000    8000 - 12000
Ball bearing construction:	yes    yes
With dust collection system:	yes    yes
Motor power input:	280 W    280 W
Weight:	1.28 kg    2.82 lb
Company website:	www.dewalt.com    www.dewalt.com



## Item group: Heavy duty cordless combis

### Items included:

15.01.11.6.01.170: Heavy duty cordless combi - Unspecified

15.01.11.6.01.180: Heavy duty cordless combi - Bosch (Germany) - GSB 36

VE-2-LI Professional



UNITED NATIONS

ECLAC

## 15.01.11.6.01.180 - Heavy duty cordless combi - Bosch (Germany) - GSB 36 VE-2-LI Professional



Make: Bosch (Germany)

Model: GSB 36 VE-2-LI Professional

Purpose/Introductory remarks:

Screwdriving and drilling applications in wood, metal, used in masonry etc.

We search for the set including two batteries, charger, L-Boxx and auxiliary handle. The order code for the set is 06019C1100.

This model with 36V battery voltage is expected to be way more expensive than the GSB 18 VE-2LI Professional priced in ICP 2017 (expected factor: about 1.8)



UNITED NATIONS

ECLAC

# 15.01.11.6.01.180 - Heavy duty cordless combi - Bosch (Germany) - GSB 36 VE-2-LI Professional

Make (and nationality)	Bosch (Germany)
Model	GSB 36 VE-2-LI Professional
Specifications:	Metric    Imperial
Max drilling diam. In wood:	102 mm    4.0 in
Max torque:	100 Nm    100 Nm
Battery capacity:	4 Ah    4 Ah
Battery voltage:	36 V    36 V
Part number:	06019C1100    06019C1100
Height:	280 cm    9.2 ft
Weight:	3.4 kg    7.5 lb
Company website:	<a href="http://www.bosch-professional.com">www.bosch-professional.com</a>    <a href="http://www.bosch-professional.com">www.bosch-professional.com</a>



UNITED NATIONS

ECLAC

[PDF](#)



## Item group: Wheeled loaders and excavators

### Items included:

15.01.11.6.01.190: Wheeled loader and excavator - Unspecified

15.01.11.6.01.200: Wheeled loader and excavator - JCB (UK) - 3CX ECO

Sitemaster



UNITED NATIONS

ECLAC

# 15.01.11.6.01.200 - Wheeled loader and excavator - JCB (UK) - 3CX ECO Sitemaster



Make: JCB (UK)

Model: 3CX ECO Sitemaster

Purpose/Introductory remarks:

Civil engineering



UNITED NATIONS

ECLAC

## 15.01.11.6.01.200 - Wheeled loader and excavator - JCB (UK) - 3CX ECO Sitemaster

Make (and nationality)	JCB (UK)
Model	3CX ECO Sitemaster
Specifications:	Metric    Imperial
Engine type:	4.4l turbocharged (Stage IIIb)    275 in <sup>3</sup> turbocharged (Stage IIIb)
Engine displacement:	4.4l    275 in <sup>3</sup>
Engine power (kW / HP):	55 kW @ 2200 rpm    73.8 hp @ 2200 rpm
Number of cylinders:	4    4
Drivetrain:	Four wheel drive    Four wheel drive
Overall length:	5.62 m    18 ft. 5 in
Shovel/loader: width:	2.35 m.    7.6 ft.
Shovel/loader: capacity:	1.0 m <sup>3</sup>    1.3 yd <sup>3</sup>
Backhoe: max. digging depth:	5.97 m    19.4 ft.
ROPS cab, closed:	yes    yes
Tyres:	12.5 x 18 x 10/16.9 x 12PR    12.5 x 18 x 10/16.9 x 12PR
Incl. standard equipment:	yes    yes
Weight incl. fuel, shovel and bucket:	8135kg    17935 lbs
Transmission: forward/reverse speeds:	<del>4/2/90</del>    4/4
Company website:	www.jcb.com    www.jcb.com



UNITED NATIONS

ECLAC

[PDF](#)

## Item group: Tracked tractors

### Items included:

- 15.01.11.6.01.210: Tracked tractor (crawler dozer) - Unspecified
- 15.01.11.6.01.220: Tracked tractor (crawler dozer) - Caterpillar (USA) - D6 XE
- 15.01.11.6.01.230: Tracked tractor (crawler dozer) - Unspecified
- 15.01.11.6.01.240: Tracked tractor (crawler dozer) - Caterpillar (USA) - D6
- 15.01.11.6.01.250: Tracked tractor (crawler dozer) - Unspecified
- 15.01.11.6.01.260: Tracked tractor (crawler dozer) - Komatsu (Japan) - D51EXi-24



UNITED NATIONS

ECLAC

# 15.01.11.6.01.220 - Tracked tractor (crawler dozer) - Caterpillar (USA) - D6 XE



Make: Caterpillar (USA)

Model: D6 XE

Purpose/Introductory remarks:  
Levelling work

Please note that the D6 XE has an Electric Drive System with 715 V which “allows the engine to operate in a tighter rpm range, 1,400-1,700 rpm, which helps extend engine life and provide improved fuel economy. The increased drive train efficiency also allows the machine to provide more engine power to the ground, resulting in greater machine performance.”



UNITED NATIONS

ECLAC

## 15.01.11.6.01.220 - Tracked tractor (crawler dozer) - Caterpillar (USA) - D6 XE

Make (and nationality)	Caterpillar (USA)
Model	D6 XE
Specifications:	Metric    Imperial
Engine type:	Cat C9.3B    Cat C9.3B
Engine power (kW / HP):	177 kW (ISO 14396)    237 hp (ISO 14396)
Fuel tank capacity:	341 l    90 gal
Powershift:	no    no
Maximum forward speed:	11.7 km/h    7.2 mph
Standard width tracks:	1930 mm (Track Gauge)    76 in (Track on Grond - XL/XW)
Blade capacity:	SU 5.7 m <sup>3</sup>    SU 7.5 yd <sup>3</sup>
Blade width:	3312 mm    10.9 ft
Including standard dozer blade:	type 6 SU    type 6 SU
Excluding ripper:	yes    yes
ROPS canopy:	yes    yes
Sound suppression in cab:	yes    yes
Including standard equipment:	yes    yes
Type of transmission:	4-speed automatic electric drive    4-speed automatic electric drive
Weight:	22000 kg (Operating Weight)    48500 lbs. (Operating Weight)
Company website:	www.uk.cat.com    www.uk.cat.com



UNITED NATIONS

ECLAC

[PDF](#)

## 15.01.11.6.01.240 - Tracked tractor (crawler dozer) - Caterpillar (USA) - D6

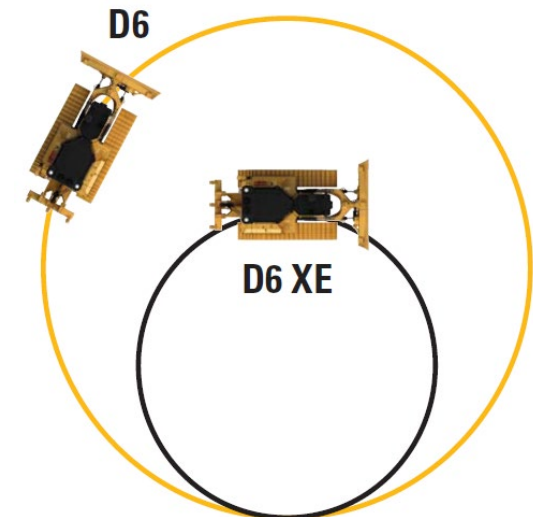


Make: Caterpillar (USA)

Model: D6

Major differences:

Different type of transmission (drive train) than the D6 XE; this also results in a bigger turning circle.



UNITED NATIONS

ECLAC

## 15.01.11.6.01.240 - Tracked tractor (crawler dozer) - Caterpillar (USA) - D6

Make (and nationality)	Caterpillar (USA)
Model	D6
Specifications:	Metric    Imperial
Engine type:	Cat C9.3B    Cat C9.3B
Engine power (kW / HP):	187 kw (ISO 14396)    251 bhp (ISO 14396)
Fuel tank capacity:	341 l    90 gal
Powershift:	yes    yes
Maximum forward speed:	11.7 km/h    7.2 mph
Standard width tracks:	1930 mm (Track Gauge)    76 in (Track on Grond - XL/XW)
Blade capacity:	SU 5.7 m <sup>3</sup>    SU 7.5 yd <sup>3</sup>
Blade width:	3312 mm    10.9 ft
Including standard dozer blade:	type 6 SU    type 6 SU
Excluding ripper:	yes    yes
ROPS canopy:	yes    yes
Sound suppression in cab:	yes    yes
Including standard equipment:	yes    yes
Type of transmission:	4-speed automatic powershift    4-speed automatic powershift
Weight:	22000 kg (Operating Weight)    48500 lbs. (Operating Weight)
Company website:	www.uk.cat.com    www.uk.cat.com



UNITED NATIONS

ECLAC

PDF



# 15.01.11.6.01.260 - Tracked tractor (crawler dozer) - Komatsu (Japan) - D51EXi-24



Make: Komatsu (Japan)

Model: D51EXi-24

Major differences:

Smaller and less powerful than the D6/D6XE, thus cheaper as both (expected factor: about 0.5 to 0.6)

The D6XE is the most expensive of the three “branded” items.



UNITED NATIONS

ECLAC

## 15.01.11.6.01.260 - Tracked tractor (crawler dozer) - Komatsu (Japan) - D51EXi-24

Make (and nationality)	Komatsu (Japan)
Model	D51EXi-24
Specifications:	Metric    Imperial
Engine type:	Komatsu SAA4D107-3    Komatsu SAA4D107-3
Engine power (kW / HP):	98 kw (ISO 924)    133 bhp (ISO 924)
Fuel tank capacity:	270 l    71 gal
Maximum forward speed:	9.0 km/h    5.6 mph
Standard width tracks:	560 mm (Shoe width (standard))    22 in (Shoe width (standard))
Blade capacity:	2.9 m <sup>3</sup>    3.8 yd <sup>3</sup>
Blade width:	3.350 mm    11 ft
Excluding ripper:	yes    yes
ROPS canopy:	yes    yes
Sound suppression in cab:	yes    yes
Including standard equipment:	yes    yes
Type of transmission:	hydrostatic transmission    hydrostatic transmission
Including straight tiltdozer (LxH):	3.350 × 1.120 mm (standard blade)    132 × 44 inch (standard blade)
Weight:	13830 kg (Operating Weight)    30490 lbs (Operating Weight)
Company website:	<a href="http://www.komatsuamerica.com">www.komatsuamerica.com</a>    <a href="http://www.komatsuamerica.com">www.komatsuamerica.com</a>



UNITED NATIONS

ECLAC

[PDF](#)

## Item group: Skid steer loaders

### Items included:

15.01.11.6.01.270: Skid steer loader - Unspecified

15.01.11.6.01.280: Skid steer loader - Komatsu (Japan) - SK 820-5 SF



UNITED NATIONS

ECLAC

## 15.01.11.6.01.280 - Skid steer loader - Komatsu (Japan) - SK 820-5 SF



Make: Komatsu (Japan)

Model: SK 820-5 SF

Purpose/Introductory remarks:

For moving and loading of sand, gravel and other materials



UNITED NATIONS

ECLAC

## 15.01.11.6.01.280 - Skid steer loader - Komatsu (Japan) - SK 820-5 SF

Make (and nationality)	Komatsu (Japan)
Model	SK 820-5 SF
Specifications:	Metric    Imperial
Engine type:	S4D84E-6BMFD    S4D84E-6BMFD
Engine power (kW / HP):	36.2 kW at 2600 rpm    48.5 hp at 2600 rpm
Number of cylinders:	4    4
Drivetrain:	Four wheel drive    Four wheel drive
Type of transmission:	Hydrostatic    Hydrostatic
Rated operating capacity:	900 kg    1984 lbs
Tipping load:	1800 kg    3968 lbs
Hydraulic pump capacity:	62 l/min    16.4 galls/min.
Max. working pressure:	206 bar    2988 psi
Working speed:	16.0 km/hr.    10.5 mph
Capacity of fuel tank:	68 l    15 galls
Emission standards:	EU IIIA    EU IIIA
Length with bucket:	3350 mm    132 ins
Operating weight:	3080 kg    6790 lbs
Working width:	1730 mm    68 in
Company website:	<a href="http://www.komatsuamerica.com">www.komatsuamerica.com</a>    <a href="http://www.komatsuamerica.com">www.komatsuamerica.com</a>



UNITED NATIONS

ECLAC

[PDF](#)

## Item group: Tandem vibrating rollers

### Items included:

15.01.11.6.01.290: Tandem vibrating roller - Unspecified

15.01.11.6.01.300: Tandem vibrating roller - Bomag (Germany) - BW 80 AD-5



UNITED NATIONS

ECLAC

## 15.01.11.6.01.300 - Tandem vibrating roller - Bomag (Germany) - BW 80 AD-5



Make: Bomag (Germany)

Model: BW 80 AD-5

Purpose/Introductory remarks:

Relatively small vibrating roller for compaction of sand, gravel, asphalt and other material. Because of the small width normally not used for road works, except perhaps for maintenance purposes.



UNITED NATIONS

ECLAC

15.01.11.6.01.300 - Tandem vibrating roller - Bomag (Germany) - BW 80 AD-5

Make (and nationality)	Bomag (Germany)
Model	BW 80 AD-5
Specifications:	Metric    Imperial
Engine type:	Kubota D 902    Kubota D 902
Engine power (kW / HP):	15 kw    20.1 bhp
Number of cylinders:	3    3
Track inner radius:	2080 mm    81.9 in
Working width:	800 mm    31.5 ins
Weight:	1550 kg    3417 lb
Company website:	www.bomag.com    www.bomag.com



UNITED NATIONS

ECLAC

[PDF](#)



## Item group: Compact track loaders

### Items included:

15.01.11.6.01.310: Compact track loader - Unspecified

15.01.11.6.01.320: Compact track loader - Bobcat (USA) - T590



UNITED NATIONS

ECLAC

## 15.01.11.6.01.320 - Compact track loader - Bobcat (USA) - T590



Make: Bobcat (USA)

Model: T590

Purpose/Introductory remarks:

For similar use as the skid steer loader, but can work on more uneven terrain because of the tracks



UNITED NATIONS

ECLAC

## 15.01.11.6.01.320 - Compact track loader - Bobcat (USA) - T590

Make (and nationality)	Bobcat (USA)
Model	T590
Specifications:	Metric    Imperial
Engine type:	Bobcat / D24    Bobcat / D24
Engine displacement:	2.4 l    158.7 in <sup>3</sup>
Engine power (kW / HP):	50.8 kW    68.1 hp
Number of cylinders:	4    4
Pump capacity:	64.7 l/min    14.2 galls/min
Fuel tank capacity:	138 l    36.5 gal
Tipping load:	2774 kg (ISO 14397-1)    6116 lbs (ISO 14397-1)
Rated operating capacity (SAE):	971 kg (ISO 14397-1)    2141 lbs (ISO 14397-1)
Fuel:	diesel    diesel
Cooling:	liquid    liquid
Travel speed:	16.7 km/h (max.)    10.4 mph (max.)
Auxiliary high flow:	101.1 l/min    22.2 galls/min
Length of track on ground:	140 cm    55.2 ins
Length:	265.7 cm (without attachment)    104.6 ins (without attachment)
Weight:	3664 kg    8078 lb
Company website:	www.bomag.com    www.bomag.com



## Item group: Warm whole milk separators

### Items included:

15.01.11.6.01.330: Warm whole milk separator - Unspecified

15.01.11.6.01.340: Warm whole milk separator - Tetrapak (Sweden) - Tetra Centri H10



UNITED NATIONS

ECLAC

# 15.01.11.6.01.340 - Warm whole milk separator - Tetrapak (Sweden) - Tetra Centri H10



Make: Tetrapak (Sweden)

Model: Tetra Centri H10

Purpose/Introductory remarks:

Used on farms for separation, standardization and clarification of hot milk



UNITED NATIONS

ECLAC

## 15.01.11.6.01.340 - Warm whole milk separator - Tetrapak (Sweden) - Tetra Centri H10

Make (and nationality)	Tetrapak (Sweden)
Model	Tetra Centri H10
Specifications:	Metric    Imperial
Engine power (kW / HP):	15 kw    20 bhp
Capacity: hot milk skimming:	7,000 l/h    1542 galls/hr
Capacity: hot milk standardization:	10,000 l/h    2202 galls/hr
Self-cleaning:	yes    yes
Inlet connection: diam.:	63.5 mm    2.5 in
Heavy phase outlet diam.:	63.5 mm    2.5 in
Light phase outlet diam.:	38.0 mm    1.5 in
Sediment holding space:	5 l    1.1 galls
With standard equipment:	yes    yes
With auxiliary equipment (necessary for operation):	yes    yes
Company website:	www.tetrapak.com    www.tetrapak.com



UNITED NATIONS

ECLAC

[PDF](#)

## Item group: Bread Ovens

### Items included:

15.01.11.6.01.350: Bread Oven - Unspecified

15.01.11.6.01.360: Bread Oven - Werner Pfleiderer (Germany) - Matador  
MD121



UNITED NATIONS

ECLAC

# 15.01.11.6.01.360 - Bread Oven - Werner Pfleiderer (Germany) - Matador MD121



Make: Werner Pfleiderer (Germany)  
Model: Matador MD121

Purpose/Introductory remarks:

Baking equipment for use in a bakery



UNITED NATIONS

ECLAC



15.01.11.6.01.360 - Bread Oven - Werner Pfleiderer (Germany) - Matador MD121

Make (and nationality)	Werner Pfleiderer (Germany)
Model	Matador MD121
Specifications:	Metric    Imperial
Total baking area:	12.0 m <sup>2</sup>    129 ft <sup>2</sup>
Deck length:	1600 mm    63.0 in
Capacity 1 kg long loaves:	144    144
Gas heating:	yes    yes
Fan assisted:	yes    yes
Number of tiers:	4    4
Width:	2435 mm    95.9 ins
Height:	2310 mm    90.9 ins
Length:	2550 mm    100.4 ins
Company website:	www.wp-l.de    www.wp-l.de



UNITED NATIONS

ECLAC

[PDF](#)

## Item group: Open fryers

### Items included:

15.01.11.6.01.370: Open fryer: double well - Unspecified

15.01.11.6.01.380: Open fryer: double well - Küppersbusch (Germany) -  
Premium Line 850 FEF 224

15.01.11.6.01.390: Open fryer: single well - Unspecified

15.01.11.6.01.400: Open fryer: single well - Henny Penny (USA) - OEA-321



UNITED NATIONS

ECLAC

15.01.11.6.01.380 - Open fryer: double well - Küppersbusch (Germany) -  
Premium Line 850 FEF 224



Make: Küppersbusch (Germany)  
Model: Premium Line 850 FEF 224

Purpose/Introductory remarks:

For use in commercial kitchens



UNITED NATIONS

ECLAC

## 15.01.11.6.01.380 - Open fryer: double well - Küppersbusch (Germany) - Premium Line 850 FEF 224

Make (and nationality)	Küppersbusch (Germany)	
Model	Premium Line 850 FEF 224	
Specifications:	Metric    Imperial	
Type:	Electric / two well	Electric/two well
Floor space:	0.51 m <sup>2</sup>    5.5 ft <sup>2</sup>	
Total capacity:	11.3 l    2.5 gal	
Usable capacity:	6.5 l    1.4 gal	
Fryer throughput: fries/hr:	2 Frying baskets	2 Frying baskets
Heating format:	18.3 kw    18.3 kw	
Width:	600 mm    23.6 in	
Height:	900 mm    35.4 in	
Depth:	850 mm    33.5 in	
Weight:	65 kg    143 lbs	
Company website:	www.kueppersbusch.com	www.kueppersbusch.com



UNITED NATIONS

## 15.01.11.6.01.400 - Open fryer: single well - Henny Penny (USA) - OEA-321



Make: Henny Penny (USA)

Model: OEA-321

Major differences:

Single well instead of double well

Please note: The OFE-142 was discussed in the validation workshop ICP Asia and Pacific 2021. It is a double well model with autolift function and thus not a good indicative item for the counterpart “unspecified” item.



UNITED NATIONS

ECLAC

## 15.01.11.6.01.400 - Open fryer: single well - Henny Penny (USA) - OEA-321

Make (and nationality)	Henny Penny (USA)	
Model	OEA-321	
Specifications:	Metric    Imperial	
Type:	Electric / single well	Electric/ single well
Floor space:	0.4 m <sup>2</sup>    4.3 ft <sup>2</sup>	
Total capacity:	29.5 kgs    65 lbs	
Usable capacity:	6.8 kgs    15 lbs	
Fryer throughput: fries/hr:	28.6 kg    63 lbs	
Heating format:	14.4 kw    14.4 kw	
Width:	441 mm    17.4 in	
Height:	1118 mm    44.0 in	
Depth:	949 mm    37.4 in	
Weight:	142 kg    312 lbs	
Company website:	www.hennypenny.com	www.hennypenny.com



UNITED NATIONS

ECLAC

[PDF](#)

## Item group: Single thread chainstitch button sewing machines

### Items included:

15.01.11.6.01.410: Single thread chainstitch button sewing machine - Unspecified

15.01.11.6.01.420: Single thread chainstitch button sewing machine - Juki (Japan) - MB-1373



UNITED NATIONS

ECLAC

# 15.01.11.6.01.420 - Single thread chainstitch button sewing machine - Juki (Japan) - MB-1373



Make: Juki (Japan)

Model: MB-1373

Purpose/Introductory remarks:

Used in the textile industry to attach buttons to fabric

Please note: In the validation workshop ICP Asia and Pacific 2021, the model MB-1377 was mentioned. This model could be indicative for the counterpart “unspecified” item. It has a different minimum feed length and is expected to be about 20% more expensive than the MB-1373.



UNITED NATIONS

ECLAC



## 15.01.11.6.01.420 - Single thread chainstitch button sewing machine - Juki (Japan) - MB-1373

Make (and nationality)	Juki (Japan)
Model	MB-1373
Specifications:	Metric    Imperial
Engine power (kW / HP):	0.2 kw    0.33 bhp
Flat buttons - 2 or 4 holes:	10 - 28 mm    0.4 - 1.1 in
Thickness of button, max:	5 mm    0.2 ins
Needle bar stroke:	48.6 mm    1.88 in
Number of stitches per cycle:	<del>11/17</del>    8/16/32
With table and thread holder:	yes    yes
Automatic thread cutter:	yes    yes
Including motor:	yes    yes
Machine head weight:	24 kg    53 lb
Max. sewing speed:	1500 stitches/min    1500 stitches/min
Company website:	www.juki.com    www.juki.com



UNITED NATIONS

ECLAC

[PDF](#)

## Item group: Centrifugal washers/extractors

### Items included:

15.01.11.6.01.430: Centrifugal washer/extractor: small - Unspecified

15.01.11.6.01.440: Centrifugal washer/extractor: small - Electrolux (Sweden) -  
W 5240 H

15.01.11.6.01.450: Centrifugal washer/extractor: small - Unspecified

15.01.11.6.01.460: Centrifugal washer/extractor: small - Lavamac (Belgium) -  
LH 400



UNITED NATIONS

ECLAC

15.01.11.6.01.440 - Centrifugal washer/extractor: small - Electrolux  
(Sweden) - W 5240 H



Make: Electrolux (Sweden)

Model: W 5240 H

Purpose/Introductory remarks:

For professional use for example in hotels, hospitals, ...

Please note: The extraction speed given in the item-related PDF document is different (1005 rpm instead of 890 rpm).



UNITED NATIONS

ECLAC

## 15.01.11.6.01.440 - Centrifugal washer/extractor: small - Electrolux (Sweden) - W 5240 H

Make (and nationality)	Electrolux (Sweden)
Model	W 5240 H
Specifications:	Metric    Imperial
Front loading:	Yes    Yes
Capacity: max.:	27 kg    60 lb
Drum volume:	240 l    63.3 galls
Diameter of drum:	795 mm    31.1 in
Extraction speed:	1005 rpm    1005 rpm
G-factor:	450    450
Total wash time:	48 min full load    48 min full load
Water consumption cold/hot:	167/42 l full load    40/10 galls full load
Extraction:	890 mm    35.0 in
Width:	1020 mm    40.2 in
Height:	1462 mm    57.6 in
Depth:	990 mm    39.0 in
Weight:	425 kg    937 lb
Company website:	www.electrolux.com    www.electrolux.com



UNITED NATIONS

ECLAC

[PDF](#)

# 15.01.11.6.01.460 - Centrifugal washer/extractor: small - Lavamac (Belgium) - LH 400



Make: Lavamac (Belgium)

Model: LH 400

Major differences:

Higher capacity

The Lavamac is expected to be significantly more expensive than the Electrolux (expected factor: about 1.3).



UNITED NATIONS

ECLAC

# 15.01.11.6.01.460 - Centrifugal washer/extractor: small - Lavamac (Belgium) - LH 400

Make (and nationality)	Lavamac (Belgium)
Model	LH 400
Specifications:	Metric    Imperial
Front loading:	yes    yes
Capacity: max.:	40 kgs    88 lbs
Drum volume:	400 l    97 galls
Diameter of drum:	914 mm    36 ins
G-factor:	350    350
Water consumption cold/hot:	445/79 l    119/21 gal
High spin washer extractor:	yes    yes
Electric heating:	yes    yes
Drum rpm spinning:	830 rpm    830 rpm
Drum rpm washing:	38 rpm    38 rpm
Power input - one motor version:	36 kw    48.3 bhp
Width:	1195 mm    47 in
Height:	1905 mm    75 in
Depth:	1430 mm    56.3 in
Weight:	1560 kg    3439 lbs
Company website:	www.lavamac.eu    www.lavamac.eu



UNITED NATIONS

ECLAC

[PDF](#)

## Item group: Plate setting machines

### Items included:

15.01.11.6.01.470: Plate setting machine - Unspecified

15.01.11.6.01.480: Plate setting machine - Heidelberg Graphic Equipment (Germany) - Suprasetter A75



UNITED NATIONS

ECLAC

15.01.11.6.01.480 - Plate setting machine - Heidelberg Graphic Equipment  
(Germany) - Suprasetter A75



Make: Heidelberg Graphic Equipment  
(Germany)

Model: Suprasetter A75

Purpose/Introductory remarks:

For use in medium/bigger print shops



UNITED NATIONS

ECLAC



## 15.01.11.6.01.480 - Plate setting machine - Heidelberg Graphic Equipment (Germany) - Suprasetter A75

Make (and nationality)	Heidelberg Graphic Equipment (Germany)
Model	Suprasetter A75
Specifications:	Metric    Imperial
CTP machine: semi-automatic:	yes    yes
2-page plate setter with internal drum:	yes    yes
Media: violet sensitive aluminium plates:	yes    yes
Max. plate format (WxH):	676x760 mm    26.61 x 29.92 in
Max. imaging area (WxH):	656x760 mm    25.83 x 29.92 in
Plate thickness:	0.15-0.30 mm    0.006-0.012 in
Laser type:	Thermal laser    Thermal laser
Max.resolution:	2540 dpi    2540 dpi
Productivity:	up to 22 plates/hour    up to 22 plates/hour
Power supply:	200-240V 50/60 Hz    200-240V 50/60 Hz
Width:	1550 mm    61.0 in
Height:	1218 mm    48.0 in
Depth:	1350 mm    53.2 in
Company website:	www.heidelberg.com    www.heidelberg.com



UNITED NATIONS

ECLAC

PDF

## Item group: Solar panels

### Items included:

15.01.11.6.01.490: Solar panel (collector) - Unspecified

15.01.11.6.01.500: Solar panel (collector) - Viessmann (Germany) - Vitosol  
200-T Type SP2A

15.01.11.6.01.510: Solar panel (collector) - Unspecified

15.01.11.6.01.520: Solar panel (collector) - Viessmann (Germany) - Vitosol  
100-FM Type SH1F



UNITED NATIONS

ECLAC

## 15.01.11.6.01.500 - Solar panel (collector) - Viessmann (Germany) - Vitosol 200-T Type SP2A



Make: Viessmann (Germany)  
Model: Vitosol 200-T Type SP2A

Purpose/Introductory remarks:

For the heating of water (domestic), supplement heating systems and swimming pool water via heat exchangers as well as for the generation of process heat. For installation on pitched and flat roofs, as well as for freestanding installations and on walls.



UNITED NATIONS

ECLAC

15.01.11.6.01.500 - Solar panel (collector) - Viessmann (Germany) - Vitosol 200-T Type SP2A

Make (and nationality)	Viessmann (Germany)
Model	Vitosol 200-T Type SP2A
Specifications:	Metric    Imperial
Tube diameter:	70 mm    2.75 in
Total area:	4.62 m <sup>2</sup>    49.7 ft <sup>2</sup>
Panel type:	Vaccum tube    Vaccum tube
Width:	2241 mm    88.2 in
Height:	2061 mm    81.1 in
Depth:	150 mm    5.9 in
Weight:	79 kg    174 lbs
Company website:	www.viessmann.de    www.viessmann.de



UNITED NATIONS

ECLAC

[PDF](#)

# 15.01.11.6.01.520 - Solar panel (collector) - Viessmann (Germany) - Vitosol 100-FM Type SH1F



Make: Viessmann (Germany)

Model: Vitosol 100-FM Type SH1F

Major differences:

Different collector type (flat panel),  
smaller area

The 100-FM SH1F is expected to be  
way cheaper than the 200-T SP2A.



UNITED NATIONS

ECLAC

15.01.11.6.01.520 - Solar panel (collector) - Viessmann (Germany) - Vitosol 100-FM Type SH1F

Make (and nationality)	Viessmann (Germany)
Model	Vitosol 100-FM Type SH1F
Specifications:	Metric    Imperial
Total area:	2.51 m <sup>2</sup>    26.5 ft <sup>2</sup>
Panel type:	Flat plate   Flat plate
Insulation:	yes, with 50 mm    yes, with 1.98 in
Width:	2380 mm    93.7 in
Height:	1056 mm    41.6 in
Depth:	72 mm    2.8 in
Weight:	42 kg    93 lbs
Company website:	www.viessmann.de    www.viessmann.de



## Item group: Solar energy inverters

### Items included:

15.01.11.6.01.530: Solar energy inverter - Unspecified

15.01.11.6.01.540: Solar energy inverter - Fronius (Austria) - Eco 25.0-3-S



UNITED NATIONS

ECLAC

## 15.01.11.6.01.540 - Solar energy inverter - Fronius (Austria) - Eco 25.0-3-S



Make: Fronius (Austria)

Model: Eco 25.0-3-S

Purpose/Introductory remarks: Used in solar energy projects (for energy generation and storage); converts DC coming from the solar panels to AC, tracks the voltage of the solar array, communicates with the utility grid and feeds power into the grid.

**Please note: The model with a "Max. input current" of 47.7 A is a different model, the Eco 27.0-3-S. This should not be priced.**



UNITED NATIONS

ECLAC



## 15.01.11.6.01.540 - Solar energy inverter - Fronius (Austria) - Eco 25.0-3-S

Make (and nationality)	Fronius (Austria)
Model	Eco 25.0-3-S
Specifications:	Metric    Imperial
Max. input current:	44.2 A    44.2 A
Max. array short circuit current:	71.6 A    71.6 A
Min. input voltage:	580 V    580 V
Max. input voltage:	1000 V    1000 V
Feed-in start voltage:	650 V    650 V
Number of MPP trackers:	1    1
Number of DC connections:	6    6
AC nominal output:	25000 W    25000 W
AC output current:	37.9 A / 36.2 A    37.9 A / 36.2 A
Frequency:	50 Hz / 60 Hz (45 - 65 Hz)    50 Hz / 60 Hz (45 - 65 Hz)
Width:	510 mm    20.1 in
Height:	725 mm    28.5 in
Depth:	225 mm    8.9 in
Weight:	35.7 kg    78.7 lb
Company website:	www.fronius.com    www.fronius.com



UNITED NATIONS

ECLAC

[PDF](#)

# BH Road transport equipment



UNITED NATIONS

ECLAC

## Item group: Vans

### Items included:

15.01.12.1.01.010: Van - Unspecified

15.01.12.1.01.020: Van - Mercedes Benz (Germany) - Sprinter 314 CDI

15.01.12.1.01.030: Van - Unspecified

15.01.12.1.01.040: Van - Ford (USA) - Transit 290 L2H2

15.01.12.1.01.050: Van - Unspecified

15.01.12.1.01.060: Van - VW (Germany) - Transporter 6.1 Startline



UNITED NATIONS

ECLAC

## 15.01.12.1.01.020 - Van - Mercedes Benz (Germany) - Sprinter 314 CDI



Make: Mercedes Benz (Germany)  
Model: Sprinter 314 Cdi L4 H2 RWD

Purpose/Introductory remarks:  
This is a van typically used for deliveries or by craftsmen.  
Gross vehicle weight: 3500 kg  
RWD is the abbreviation for Rear Wheel Drive



UNITED NATIONS

ECLAC

## 15.01.12.1.01.020 - Van - Mercedes Benz (Germany) - Sprinter 314 CDI

Make (and nationality)	Mercedes Benz (Germany)
Model	Sprinter 314 Cdi L4 H2 RWD
Specifications:	Metric    Imperial
Engine Euro 6 compliant:	yes    yes
Type of engine:	Twin-Turbocharged Diesel    Twin-Turbocharged Diesel
Engine displacement:	2143 cc    131 in <sup>3</sup>
Engine power:	100 kw    143 hp
Number of cylinders:	4    4
Gearbox:	6-speed, manual    6-speed, manual
Wheelbase:	4325 mm    170 ins
Roof version:	high roof    high roof
Side door:	1 sliding    1 sliding
Rear doors:	2 swing    2 swing
Drivetrain:	Rear wheel drive    Rear wheel drive
No. seats incl. driver:	3    3
Axle ratio:	3.9:1    3.9:1
Load length:	4707 mm    185 in
Load volume:	14 m <sup>3</sup>    494 ft <sup>3</sup>
Payload:	1219 kg    2687 lbs
Braking system:	ABS with EBD    ABS with EBD
Length:	6967 mm    274 in
Width:	2020 mm    80 in
Height:	2616 mm    103 in
Interior height:	1818 mm    71.6 in
Gross vehicle weight:	3500 kg    7700 lb
Gross train weight:	5500 kg    12100 lb
Company website:	www.mercedesbenz.com    www.mercedesbenz.com

We are looking for the long version with high roof (L4 H2 RWD). Please choose the most standard equipment version without extras. According to the official Mercedes brochure the engine with 100kw is equivalent to 143hp.

**Please note: For engine emission standards, instead of being Euro 6 compliant, the engine needs to be compliant with the national standards.**



UNITED NATIONS

ECLAC

[PDF](#)

## 15.01.12.1.01.040 - Van - Ford (USA) - Transit 290 L2H2



Make: Ford (USA)

Model: Transit 290 L2 H2 FWD

Major differences:

Different brand, shorter van, gross vehicle weight 2940 kg

FWD = Front Wheel Drive



UNITED NATIONS

ECLAC

## 15.01.12.1.01.040 - Van - Ford (USA) - Transit 290 L2H2

Make (and nationality)	Ford (USA)
Model	Transit 290 L2 H2 FWD
Specifications:	Metric    Imperial
Engine Euro 6 compliant:	yes    yes
Type of engine:	TCDi Diesel    TCDi Diesel
Engine displacement:	2.0 l    122 in <sup>3</sup>
Engine power:	96 kW    130 hp
Number of cylinders:	4    4
Gearbox:	6-speed, manual    6-speed, manual
Wheelbase:	3300 mm    129.9 in
Roof version:	Medium roof    Medium roof
Side door:	1 sliding    1 sliding
Rear doors:	2 swing    2 swing
Drivetrain:	Front wheel drive    Front wheel drive
No. seats incl. driver:	3    3
Axle ratio:	4.19:1    4.19:1
Load length:	3044 mm    120 in
Load volume:	10.0 m <sup>3</sup>    353 cu ft
Payload:	914 - 872 kg (max. gross payload exc. driver)    2015 - 1922 lbs (max. gross payload exc. driver)
Braking system:	ABS with ESP and TCS    ABS with ESP and TCS
Length:	5531 mm    218 in
Width:	2474 mm    97 in
Height:	2490 mm    98 in
Interior height:	2490 mm    98 in
Gross vehicle weight:	2940 kg    6482 lbs
Gross train weight:	5100 kg    11200 lb
Company website:	www.ford.com    www.ford.com



## 15.01.12.1.01.060 - Van - VW (Germany) - Transporter 6.1 Startline



Make: VW (Germany)

Model: Transporter 6.1 Panel Van  
(Startline SWB/T30)

Major differences:

Different brand, automatic gearbox  
gross vehicle weight 3000 kg  
SWB = Short WheelBase

Please note: In ECP 2019, the Mercedes was the most expensive of the three “branded” vans, the Ford was the cheapest. The preliminary figures in ECP 2021 are similar.



UNITED NATIONS

ECLAC



## 15.01.12.1.01.060 - Van - VW (Germany) - Transporter 6.1 Startline

Make (and nationality)	VW (Germany)
Model	Transporter 6.1 Panel Van (Startline SWB/T30)
Specifications:	Metric    Imperial
Engine Euro 6 compliant:	yes    yes
Type of engine:	2.0   TDI    2.0   TDI
Engine displacement:	1968 cm <sup>3</sup>    120 in <sup>3</sup>
Engine power:	110 kw    150 hp
Number of cylinders:	4    4
Gearbox:	7-speed, automatic (DSG)    7-speed, automatic (DSG)
Wheelbase:	3000 mm    118 ins
Roof version:	Low roof    Low roof
Side door:	1 sliding    1 sliding
Rear doors:	2 swing    2 swing
Drivetrain:	Front wheel drive    Front wheel drive
No. seats incl. driver:	3    3
Load length:	2572 mm    101 in
Load volume:	5.8 m <sup>3</sup>    205 cu ft
Payload:	1.064 kg    2.346 lb
Braking system:	ABS with EBD    ABS with EBD
Length:	4904 mm    193 in
Width:	1904 mm    75 in
Height:	1990 mm    78 in
Interior height:	1410 mm    55.5 ins
Gross vehicle weight:	3000 kg    6600 lbs
Gross train weight:	5200 kg    11400 lb
Company website:	<a href="http://www.volkswagen-commercial-vehicles.com">www.volkswagen-commercial-vehicles.com</a>    <a href="http://www.volkswagen-commercial-vehicles.com">www.volkswagen-commercial-vehicles.com</a>



UNITED NATIONS

ECLAC

PDF

# Virtual Regional Workshop – Machinery and Equipment Survey for Latin America and the Caribbean

January 25-28, 2022  
10:00 AM to 12:30 PM (Chilean time)



UNITED NATIONS



**Session 3: Item List and Specifications of  
Machinery and Equipment (MEQ) Survey  
(continued)**

## 15.01.12.1.01.020 - Van - Mercedes Benz (Germany) - Sprinter 314 CDI



For the counterpart unspecified item 15.01.12.1.01.010 - Van (High roof), the following indicative brand/model was suggested for the Asia and Pacific region:

**NISSAN (JAPAN)  
NV350 URVAN CARGO**

Please make sure to select the closest match.



UNITED NATIONS

ECLAC

## Item group: Double cab pick-ups

### Items included:

15.01.12.1.01.070: Double cab pick-up - Unspecified

15.01.12.1.01.080: Double cab pick-up - Toyota (Japan) - Hilux HL 2 Double Cab 4WD



UNITED NATIONS

ECLAC

## 15.01.12.1.01.080 - Double cab pick-up - Toyota (Japan) - Hilux HL 2 Double Cab 4WD



Make: Toyota (Japan)

Model: Hilux Double Cab Active 4WD

Purpose/Introductory remarks:

The open compartment of this pick-up makes the Hilux a popular choice for example for gardeners, rangers, roofers and construction craftsmen. The relatively high gross vehicle weight / gross combination weight also allows for towing additional machinery.



UNITED NATIONS

ECLAC

## 15.01.12.1.01.080 - Double cab pick-up - Toyota (Japan) - Hilux HL 2 Double Cab 4WD

Make (and nationality)	Toyota (Japan)
Model	Hilux Double Cab Active 4WD
Specifications:	Metric    Imperial
Engine Euro 6 compliant:	yes    yes
Type of engine:	2.8   D-4D diesel    2.8   D-4D diesel
Engine displacement:	2755 cc    168 in <sup>3</sup>
Engine power:	150 kw    205 hp
Number of cylinders:	4    4
Gearbox:	6-speed, manual    6-speed, manual
Wheelbase:	3085 mm    121.5 ins
Number of doors:	4 swing    4 swing
Drivetrain:	Four-wheel drive    Four-wheel drive
No. seats incl. driver:	5    5
Payload:	1060 kg    2336 lb
With air conditioning:	yes (manual)    yes (manual)
Braking system:	ABS    ABS
Length:	5330 mm    210 in
Width:	1855 mm    73 in
Height:	1815 mm    72 in
Length of open compartment:	1525 mm (Deck length)    60 ins (Deck length)
Gross vehicle weight:	3210 kg    7077 lb
Gross train weight:	6300 kgs    13889 lbs
Company website:	www.toyota.co.uk    www.toyota.co.uk

There is a car configurator on the internet page mentioned in the specs. Please note: Some specs can only be found in the brochure. Normally the Double cab version has 5 seats.

If due to the taxation system the Double Cab is also available as 2 seat version and the 2 seat version is the most standard configuration, please choose the 2 seat model and mark it as equivalent.

[PDF](#)



UNITED NATIONS

ECLAC

## 15.01.12.1.01.080 - Double cab pick-up - Toyota (Japan) - Hilux HL 2 Double Cab 4WD



For the counterpart unspecified item 15.01.12.1.01.070 - Double cab pickup the following indicative brands/models were suggested for the Asia and Pacific region:

ISUZU (JAPAN) - DMAX 4WD LS  
NISSAN (JAPAN) - NAVARA 4WD

Please make sure to select the closest match.



UNITED NATIONS

ECLAC

[PDF](#)

## Item group: Diesel minibuses

### Items included:

15.01.12.1.01.090: Diesel minibus - Unspecified

15.01.12.1.01.100: Diesel minibus - Mercedes Benz (Germany) - Vito Tourer  
110 CDI PRO

15.01.12.1.01.110: Diesel minibus - Unspecified

15.01.12.1.01.120: Diesel minibus - VW (Germany) - Transporter Caravelle  
6.1 Trendline



UNITED NATIONS

ECLAC



15.01.12.1.01.100 - Diesel minibus - Mercedes Benz (Germany) - Vito  
Tourer 110 CDI PRO



Make: Mercedes Benz (Germany)  
Model: Vito Tourer 110 CDI PRO (L3)

Purpose/Introductory remarks:

Transport of small groups of people,  
use as taxi or for shuttle service



UNITED NATIONS

ECLAC

# 15.01.12.1.01.100 - Diesel minibus - Mercedes Benz (Germany) - Vito Tourer 110 CDI PRO

Make (and nationality)	Mercedes Benz (Germany)
Model	Vito Tourer 110 CDI PRO (L3)
Specifications:	Metric    Imperial
Engine Euro 6 compliant:	yes    yes
Engine displacement:	1.749 cc    106.7 cu in
Engine power:	75 kW (diesel)    100 bhp (diesel)
Number of cylinders:	4    4
Gearbox:	6 speed manual    6 speed manual
Wheelbase:	3430 mm    135.0 in
Number of doors:	5    5
Drivetrain:	Front wheel drive    Front wheel drive
No. seats incl. driver:	8    8
Length:	5370 mm    211.4 in
Width:	1928 mm    75.9 in
Height:	1910 mm    75.2 in
Gross vehicle weight:	3100 kg    6724 lb
Company website:	www.mercedesbenz.com    www.mercedesbenz.com



UNITED NATIONS

ECLAC

[PDF](#)

# 15.01.12.1.01.120 - Diesel minibus - VW (Germany) - Transporter Caravelle 6.1 Trendline



Make: VW (Germany)

Model: Transporter Caravelle 6.1 Trendline (7 seats)

Major differences:

Different brand, engine, gearbox: automatic, number of seats

For the counterpart unspecified item 15.01.12.1.01.110 – Diesel minibus (110 kW), the MAXUS G10 (China) was suggested as indicative item.



UNITED NATIONS

ECLAC

# 15.01.12.1.01.120 - Diesel minibus - VW (Germany) - Transporter Caravelle 6.1 Trendline

Make (and nationality)	VW (Germany)
Model	Transporter Caravelle 6.1 Trendline (7 seats)
Specifications:	Metric    Imperial
Engine Euro 6 compliant:	yes    yes
Type of engine:	2.0   TDI diesel    2.0   TDI diesel
Engine displacement:	1968 cm <sup>3</sup>    120 in <sup>3</sup>
Engine power:	110 kW    150 hp
Number of cylinders:	4    4
Gearbox:	7 automatic    7 automatic
Wheelbase:	3000 mm    118 ins
Number of doors:	3    3
Drivetrain:	Front wheel drive    Front wheel drive
No. seats incl. driver:	7    7
Execution:	Trendline    Trendline
Length:	4904 mm    193 in
Width:	1904 mm    75 in
Height:	1970 mm    77.6 in
Gross vehicle weight:	3000 kg    6600 lb
Company website:	<a href="http://www.volkswagen-commercial-vehicles.com">www.volkswagen-commercial-vehicles.com</a>    <a href="http://www.volkswagen-commercial-vehicles.com">www.volkswagen-commercial-vehicles.com</a>



UNITED NATIONS

ECLAC

[PDF](#)

## Item group: Lorry chassis cabs

### Items included:

15.01.12.1.01.130: Lorry chassis cab - Unspecified

15.01.12.1.01.140: Lorry chassis cab - Mercedes Benz (Germany) - Sprinter  
519 BlueTEC

15.01.12.1.01.150: Lorry chassis cab - Unspecified

15.01.12.1.01.160: Lorry chassis cab - Ford (USA) - Transit 350 L3



UNITED NATIONS

ECLAC

# 15.01.12.1.01.140 - Lorry chassis cab - Mercedes Benz (Germany) - Sprinter 519 BlueTEC



Make: Mercedes Benz (Germany)  
Model: Sprinter 519 BlueTEC

Purpose/Introductory remarks:

Typical vehicle for transport to  
construction sites



UNITED NATIONS

ECLAC

# 15.01.12.1.01.140 - Lorry chassis cab - Mercedes Benz (Germany) - Sprinter 519 BlueTEC

Make (and nationality)	Mercedes Benz (Germany)
Model	Sprinter 519 BlueTEC
Specifications:	Metric    Imperial
Engine Euro 6 compliant:	yes    yes
Type of engine:	3.0L V6 Turbo Diesel    3.0L V6 Turbo Diesel
Engine displacement:	2987 cc    182.28 in <sup>3</sup>
Engine power:	140 kw @ 3,800 rpm    188 bhp @ 3,800 rpm
Number of cylinders:	6    6
Gearbox:	6-speed, manual    6-speed, manual
Wheelbase:	4325 mm    170 in
Drivetrain:	Rear wheel drive    Rear wheel drive
Body and payload allowance:	2686 kg    5922 lbs
Braking system:	ESP    ESP
Type of suspension: front:	spring    spring
Type of suspension: rear:	spring    spring
Type of cab:	crew cab    crew cab
Length:	6947 mm    273.5 in
Width:	2426 mm    95.5 in
Height:	2380 mm    93.7 in
Gross vehicle weight:	5000 kg    11030 lb
Company website:	www.mercedesbenz.com    www.mercedesbenz.com



UNITED NATIONS

ECLAC

[PDF](#)

## 15.01.12.1.01.160 - Lorry chassis cab - Ford (USA) - Transit 350 L3



Make: Ford (USA)

Model: Transit 350 L3 96 kW

Major differences:

Smaller engine, less engine power, less GVW (3500 instead of 5000), dual rear wheels instead of single, shorter cab

The Ford chassis cab is expected to be much cheaper than the Mercedes (expected factor: about 0.65).



UNITED NATIONS

ECLAC



## 15.01.12.1.01.160 - Lorry chassis cab - Ford (USA) - Transit 350 L3

Make (and nationality)	Ford (USA)
Model	Transit 350 L3 96 kW
Specifications:	Metric    Imperial
Engine Euro 6 compliant:	yes    yes
Type of engine:	2.0   TCDi Diesel    2.0   TCDi Diesel
Engine displacement:	1996 cc    134 in <sup>3</sup>
Engine power:	96 kW @ 3500 rpm    130 hp @ 3500 rpm
Number of cylinders:	4    4
Gearbox:	6-speed (forward) , manual    6-speed (forward) , manual
Wheelbase:	3750 mm    147 in
Drivetrain:	Rear wheel drive    Rear wheel drive
Dual rear wheels:	yes    yes
Axle ratio:	3.31:1    3.31:1
Body and payload allowance	1430 kg    3153 lb
Braking system:	Dual circuit front&rear discs    Dual circuit front&rear discs
Type of cab:	single cab    single cab
Length:	6022 mm    237.0 in
Width:	2474 mm    97.4 in
Height:	2202 mm    86.7 in
Gross vehicle weight:	3500 kg    7700 lbs
Company website:	www.ford.com    www.ford.com



UNITED NATIONS

ECLAC

[PDF](#)

## Item group: Tractor units

### Items included:

- 15.01.12.1.01.170: Tractor unit - Unspecified
- 15.01.12.1.01.180: Tractor unit - Mercedes Benz (Germany) - Actros 1835 LS 4x2 (OM 936)
- 15.01.12.1.01.190: Tractor unit - Unspecified
- 15.01.12.1.01.200: Tractor unit - Mercedes Benz (Germany) - Actros 1835 LS 4x2 (OM 470)
- 15.01.12.1.01.210: Tractor unit - Unspecified
- 15.01.12.1.01.220: Tractor unit - Scania (Sweden) - R 370 A 4x2 NA
- 15.01.12.1.01.230: Tractor unit - Unspecified
- 15.01.12.1.01.240: Tractor unit - Volvo (Sweden) - FM 420 4X2



UNITED NATIONS

ECLAC

# 15.01.12.1.01.180 - Tractor unit - Mercedes Benz (Germany) - Actros 1835 LS 4x2 (OM 936)



Make: Mercedes Benz (Germany)  
Model: Actros 1835 LS 4x2 (OM 936)

Purpose/Introductory remarks:  
Tractor units are used for distribution, short haul and long haul transport. The cab type/size chosen depend on the type of use and of the typical distance/travel time.

There is a truck configurator on the Mercedes Benz internet page (<https://toc.mercedes-benz.com/ex/>). The item-related PDF document shows how to use the configurator to find the right item.



UNITED NATIONS

ECLAC

## 15.01.12.1.01.180 - Tractor unit - Mercedes Benz (Germany) - Actros 1835 LS 4x2 (OM 936)

Make (and nationality)	Mercedes Benz (Germany)
Model	Actros 1835 LS 4x2 (OM 936)
Specifications:	Metric    Imperial
Engine Euro 6 compliant:	yes    yes
Engine displacement:	7.7 l    468 in <sup>3</sup>
Engine power:	260 kw    354 hp
Gearbox:	12-speed, automatic transmission    12-speed, automatic transmission
Wheelbase:	3550 mm    139.8 ins
Braking system:	ABS and ASR    ABS and ASR
Type of suspension: front:	spring    spring
Type of suspension: rear:	air    air
Type of cab:	L-cab StreamSpace    L-cab StreamSpace
Engine no.:	OM 936    OM 936
With standard sleeper cab: length:	2300 mm (L-cab StreamSpace)    90.6 ins (L-cab StreamSpace)
With standard roof:	yes    yes
Gross vehicle weight:	18000 kg    39683 lbs
Company website:	toc.mercedes-benz.com/ex/    toc.mercedes-benz.com/ex/

Please note: The Gross Combination Weight is 32000 kgs / 70548 lbs.

[PDF](#)



UNITED NATIONS

ECLAC

15.01.12.1.01.180 - Tractor unit - Mercedes Benz (Germany) - Actros 1835 LS 4x2 (OM 936)

Actros

1835 LS 4x2 BM 96340312

Semitrailer tractor

General information	
Model variant + Code	963403 W9Z F1E M2F M5C C1Q V1W V1A V2B
Creation date	04.03.2021
Cab version	L-cab StreamSpace, 2.30 m, tunnel 170 mm
Wheelbase	Wheelbase 3550 mm
Rear overhang	Frame overhang 1050 mm

Dimensions [mm]				
	Laden		Unladen	
Frame height at front	904		970	
Frame height at rear	947		982	
Extent of lift/sinking of rear axle	200	-80	200	-80
Total height incl. air intake	3605			
Ground clearance at front	235			
Ground clearance at rear	212			
Turning circle [m]	14.4			

Engine	
Engine: M2F	Eng. OM936, inline 6, 7.7 l, 260kW (354hp), 1400 Nm
Emissions standard: M5C	Engine version Euro VI, D

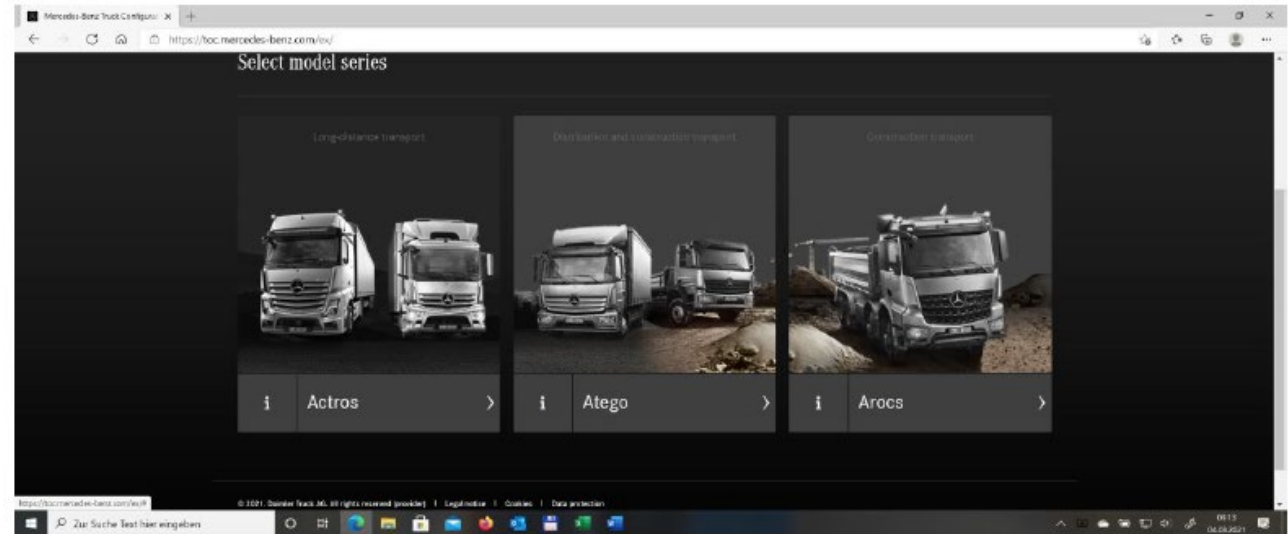


UNITED NATIONS

ECLAC

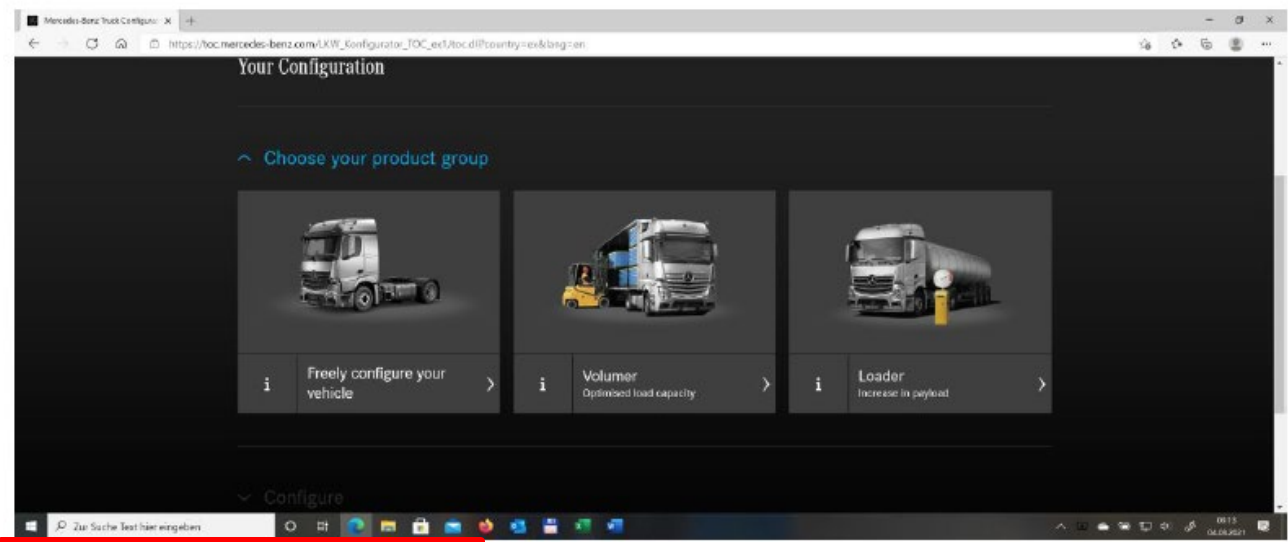
Also in the PDF:  
Example showing how to use  
the truck configurator  
(<https://toc.mercedes-benz.com/ex/>)  
(new link: <https://toc.mercedes-benz-trucks.com/ex/>)

Select Actros



Select Actros

Select Freely configure your  
vehicle



Select Freely configure your vehicle

## Next steps in the truck configurator:

- Select vehicle type
- Select Semitrailer tractor
- Select 18 t , 4X2
- Select engine
- Select OM 936, 260 KW
- Select cab
- Select L cab
- Select 2,3m cab, stream space, tunnel, 170mm
- Select wheelbase
- Select 3550 mm

Now a PDF document showing the exact configuration can be created. This PDF document combined with the description above is provided as the item-related PDF document.

[PDF](#)



# 15.01.12.1.01.200 - Tractor unit - Mercedes Benz (Germany) - Actros 1835 LS 4x2 (OM 470)



Make: Mercedes Benz (Germany)  
Model: Actros 1835 LS 4x2 (OM 470)

Major differences:  
Bigger engine, different cab

This version of the Actros is expected to be slightly more expensive than the one with the smaller engine and cab.



UNITED NATIONS

ECLAC



# 15.01.12.1.01.200 - Tractor unit - Mercedes Benz (Germany) - Actros 1835 LS 4x2 (OM 470)

Make (and nationality)	Mercedes Benz (Germany)
Model	Actros 1835 LS 4x2 (OM 470)
Specifications:	Metric    Imperial
Engine Euro 6 compliant:	yes    yes
Engine displacement:	10.7 l    653 in <sup>3</sup>
Engine power:	315 kW    428 hp
Gearbox:	12-speed, automatic transmission   12-speed, automatic transmission
Wheelbase:	3550 mm    139.8 in
Braking system:	ABS and ASR    ABS and ASR
Type of suspension: front:	spring    spring
Type of suspension: rear:	air    air
Type of cab:	Classic Space    Classic Space
Engine no.:	OM 470    OM 470
With standard sleeper cab: length:	2300 mm    90.6 in
With standard roof:	yes    yes
Gross vehicle weight:	18000 kg    39683 lbs
Company website:	<a href="http://trucks.mercedes-benz.com">http://trucks.mercedes-benz.com</a>    <a href="http://trucks.mercedes-benz.com">http://trucks.mercedes-benz.com</a>



UNITED NATIONS

ECLAC

PDF

## 15.01.12.1.01.220 - Tractor unit - Scania (Sweden) - R 370 A 4x2 NA



Make: Scania (Sweden)

Model: R 370 A 4x2 NA

Major differences:

Different brand, bigger engine, slightly less power



UNITED NATIONS

ECLAC

## 15.01.12.1.01.220 - Tractor unit - Scania (Sweden) - R 370 A 4x2 NA

Make (and nationality)	Scania (Sweden)
Model	R 370 A 4x2 NA
Specifications:	Metric    Imperial
Engine Euro 6 compliant:	yes    yes
Engine displacement:	12.74 l    778 in <sup>3</sup>
Engine power:	272 kW @ 1900 rpm    370 hp @ 1900 rpm
Gearbox:	12-speed gearbox with overdrive, 2 crawler gears, 2 reverse gears and retarder    12-speed gearbox with overdrive, 2 crawler gears, 2 reverse gears and retarder
Wheelbase:	3750 mm    147.6 in
Braking system:	ABS    ABS
Type of suspension: front:	spring    spring
Type of suspension: rear:	air    air
Type of cab:	R Normal (CR17N)    R Normal (CR17N)
Engine no.:	DC 13-162    DC 13-162
Fixed fifth wheel coupling:	included    included
Gross vehicle weight:	18000 kgs    39683 lbs
Company website:	www.scania.com    www.scania.com



UNITED NATIONS

ECLAC

PDF

## 15.01.12.1.01.220 - Tractor unit - Scania (Sweden) - R 370 A 4x2 NA

### Specification

Chassis adaptation	Tractor	01163A
Application	General cargo transport	02758AA
Operation	Long distance	02759C
Wheel configuration	4x2	00448A
Cab	R cab	00042H
Cab type	CR17N	00889FR
Fuel type	Diesel	19012A
WVTA, Whole Vehicle Type Approval according to EC	Complete COC document	04049A
Off-road vehicle classification (N3G)	without	06015Z
FUP approved	No	19008Z
RUP approved	Yes	19009A
Max truck height approved	Yes	19010A
Axle distance	3750 mm	01406EB
Dimension JABEP L020 (Rear Overhang)	775 mm	01537ZL
Max truck height	4 meters 96/53/EG	03239A
Suspension system	Leaf front + Air rear	00828A
Axle weight front, technical	8000 kg	00073H
Axle load rear, technical	11500 kg	00054L
GTW technical	45000 kg	06214FD
Suspension front, leaf springs	2x32, Parabolic	00034U
Axle load display	Without	02478Z
Anti-roll bar, front	Normal stiffness	00092C



UNITED NATIONS

ECLAC

# 15.01.12.1.01.220 - Tractor unit - Scania (Sweden) - R 370 A 4x2 NA

R 370 A4X2NA



## Powertrain

Engine type	DC13 162 370 hp Euro 6	00408TE
Engine stroke volume	13 litres	00142H
Power Take-Off ED	Prepared	04827A
Gearbox	GRSO926R	00017TZ
Rear axle gear	R780	00021AK
Rear axle gear ratio	2,59	00022DA
Opticruise	With	02519A
Performance modes	Economy, standard, power	05112A
Cruise control with active prediction (CCAP)	With	04844A
Clutch system	automatic	03575B
PTO EG right-hand side	without	05946Z
PTO EG left-hand side	without	06255Z
PTO EG top	without	05948Z
PTO EG rear	without	05947Z

## Chassis

Brake type	disc	01405B
Hill hold	hill hold	03485C
Retarder type	R3500	04579A



UNITED NATIONS

ECLAC

## 15.01.12.1.01.240 - Tractor unit - Volvo (Sweden) - FM 420 4X2



Make: Volvo (Sweden)  
Model: FM 420 4X2 Rear air suspension

Major differences:  
Different brand, specs close to the Scania tractor unit. Please note: Specs like the gross vehicle weight may vary slightly between countries.

In ECP 2021, the prices for the Volvo and the Scania are similar to the price for the more expensive of the two Mercedes models (or even slightly more expensive).



UNITED NATIONS

ECLAC

## 15.01.12.1.01.240 - Tractor unit - Volvo (Sweden) - FM 420 4X2

Make (and nationality)	Volvo (Sweden)
Model	FM 420 4X2 Rear air suspension
Specifications:	Metric    Imperial
Engine Euro 6 compliant:	yes    yes
Engine displacement:	12.8 l (D13K420)    787 in <sup>3</sup> (D13K420)
Engine power:	309 kw    420 bhp
Gearbox:	12-speed automatic (AT2612F)    12-speed automatic (AT2612F)
Wheelbase:	3700 mm    145.7 in
Braking system:	yes (EBS standard)    yes (EBS standard)
Type of suspension: front:	air    air
Type of suspension: rear:	air    air
Type of cab:	Sleeper cab (FM-SLP)    Sleeper cab (FM-SLP)
Fixed fifth wheel coupling:	included    included
Gross vehicle weight:	19500 kg    42990 lb
Company website:	www.volvotrucks.com    www.volvotrucks.com



UNITED NATIONS

ECLAC

[PDF](#)

# 15.01.12.1.01.240 - Tractor unit - Volvo (Sweden) - FM 420 4X2

## Engines

<b>11 LITRE</b>	<b>Max power</b>	<b>Max torque</b>
D11K330 (243 kW)	330 hp at 1700–1800 r/min	1600 Nm at 950–1400 r/min
D11K380 (280 kW)	380 hp at 1700–1800 r/min	1800 Nm at 950–1400 r/min
D11K430 (316 kW)	430 hp at 1700–1800 r/min	2050 Nm at 1000–1400 r/min
D11K460 (338 kW)	460 hp at 1700–1800 r/min	2200 Nm at 1050–1400 r/min
<b>13 LITRE</b>		
D13K420 (309 kW)	420 hp at 1400–1800 r/min	2100 Nm at 860–1400 r/min
D13K460 (345 kW)	460 hp at 1400–1800 r/min	2300 Nm at 900–1400 r/min
D13K500 (368 kW)	500 hp at 1400–1800 r/min	2500 Nm at 980–1270 r/min
G13C420 (309 kW) gas-powered	420 hp at 1400–1800 r/min	2100 Nm at 1000–1400 r/min
G13C460 (345 kW) gas-powered	460 hp at 1700–1800 r/min	2300 Nm at 1050–1400 r/min



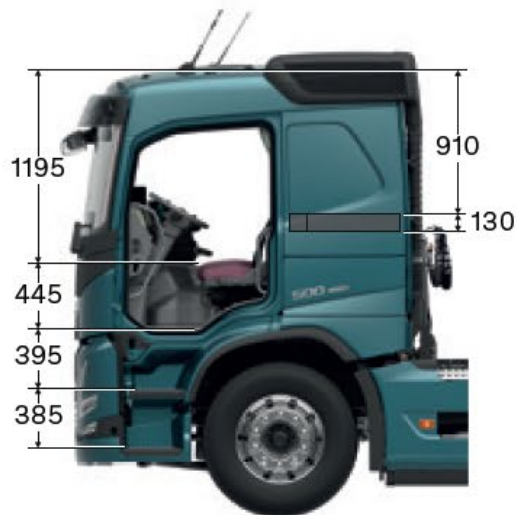
UNITED NATIONS

ECLAC

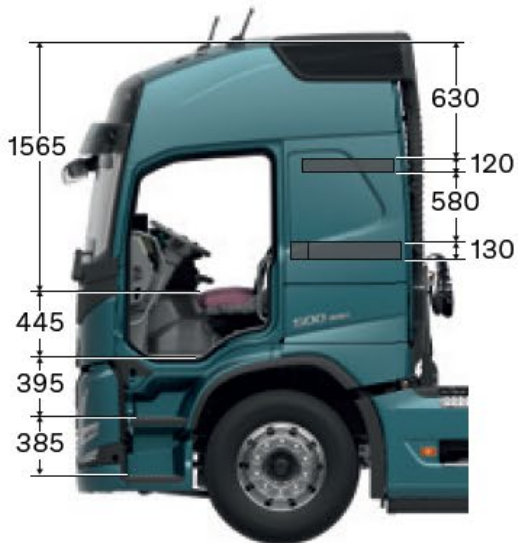


# 15.01.12.1.01.240 - Tractor unit - Volvo (Sweden) - FM 420 4X2

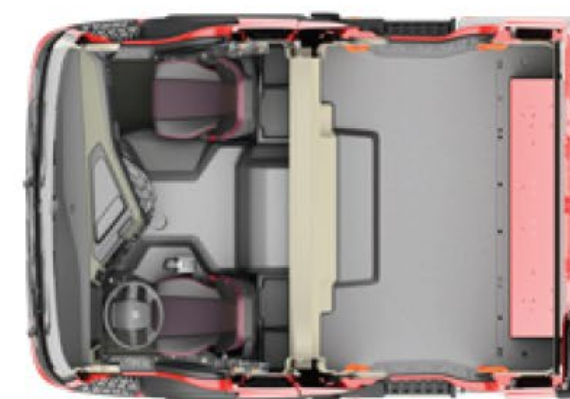
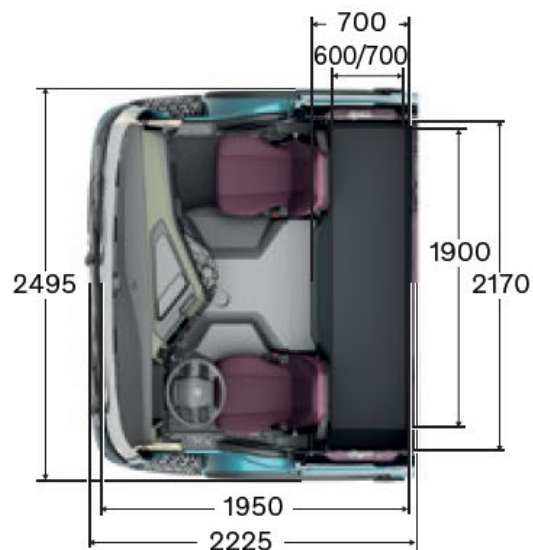
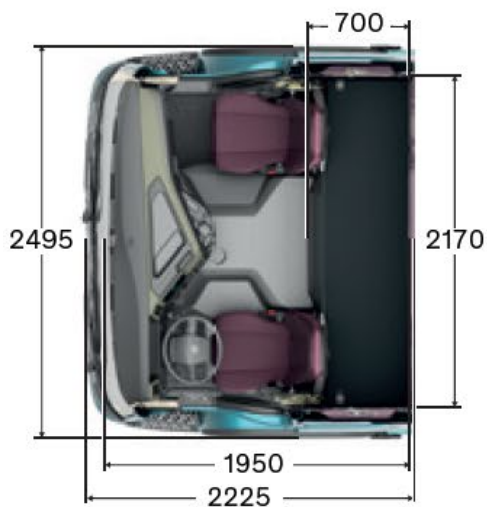
SLEEPER CAB



GLOBETROTTER CAB



CREW CAB



UNITED NATIONS

ECLAC

# THANK YOU !



UNITED NATIONS

ECLAC

