



BULBS FOR AUTOMOTIVE USE FUSES & FUSE-HOLDERS



EXPORT EUROPE & USA

General	+32 (0)2 648 35 17
Accounting	+32 (0)2 626 02 16
Fax	+32 (0)2 648 65 95
Informations	info@casteels.fr
Orders	orders@casteels.fr



Alphabetical index	3
Bulbs for automotive use	4
H1 Bulbs	4
H3 Bulbs	4
H4 Bulbs	5
H7 Bulbs	5
R2 Bulbs	6
H5 Bulbs	6
H8 Bulbs	6
H9 Bulbs	7
H10 Bulbs	7
H11 Bulbs	7
H12 Bulbs	8
H13 Bulbs	8
H15 Bulbs	8
H885 Bulbs	9
H886 Bulbs	9
HB3 Bulbs	9
HB4 Bulbs	10
H6 Bulbs	10
H21 Bulbs	10
F2 Bulbs	11
S1, S2 & S3 bulbs	11
Bulbs for projectors	11
P21 Bulbs	12
HID bulbs Xenon	12
Festoon bulbs	13
Indicators	13
Signal bulbs	14
Wedge bulbs	15
Wedge G25.5 bulbs	16
Dashboard indicators	16
Replacement kits (bulbs & fuses)	17
Replacement kits H1	17
Replacement kits H4	17
Replacement kits H7	17
Replacement kits R2	17
Replacement kits H1/H7	18
Replacement kits H1/H4/H7	18
Cases with dashboard indicators	18
Fuses	19
"Micro Low Profile" plug-in fuses	19
"Mini" plug-in fuses	19
"Mini" diode plug-in fuses	20
"Standard" plug-in fuses	20
"Standard" LED plug-in fuses	21
"Maxi" plug-in fuses	21
"Maxi" compact plug-in fuses	22
"Midi" fuses	22
"Mega" fuses	22
Unprotected ribbon fuses	22
ANL protected ribbon fuses (bakelite)	23

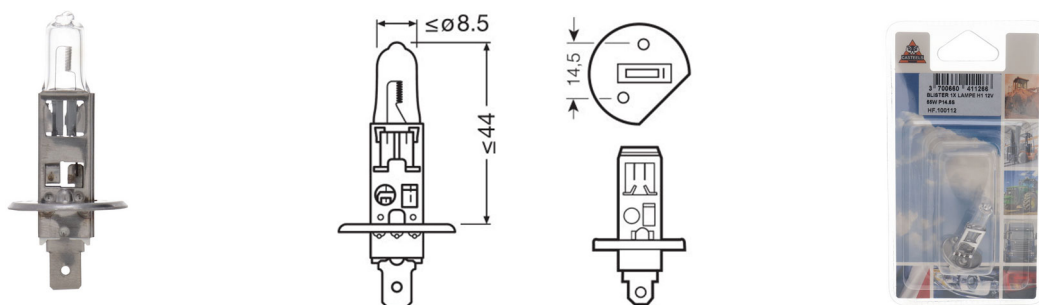
Glass fuses	23
Fuses for M8 battery terminal	24
BNA steatite fuses	24
Female fuses - FLSF (AS)	24
Male fuses - FLM (B)	25
Female "Mini" fuses - FLNMF (Jcase)	25
"Mini" female fuses - JLP Low Profile	25
Male fuses - FLL	25
Male fuses - FL5L	26
"Mini" plug-in circuit breaker fuses	26
"Standard" plug-in circuit breaker fuses	26
"Maxi" plug-in circuit breaker fuses	26
Circuit breaker fuses	27
Fuse clamps	27
Blister-packed fuses	28
Blister of "Micro Low Profile" fuses	28
Blisters of "Mini" fuses	28
Blister of "Mini" fuses with LED	28
Blisters of "Standard" fuses	28
Blister of "Standard" fuses with LED	28
Blister of "Maxi" fuses	29
Blister of "Midi" fuses	29
Blister of "Mega" fuses	29
Blister of glass fuses	29
Blisters of steatite BNA fuses	29
Blister of FLMY fuses	30
Blister of FLNMF fuses	30
Blister of FLSF fuses	30
Blister of FLL fuses	30
Blister of "Mini" circuit breaker fuses	30
Blister of "Standard" circuit breaker fuses	31
Blister of "Maxi" circuit breaker fuses	31
Boxes with fuses	32
Case with "Mini" fuses	32
Cases with "Standard" fuses	32
Cases with steatite fuses	32
Case with "Maxi" fuses	32
Cases with diverse fuses	33
Fuse boxes	34
"Mini" fuse box	34
"Mini" fuse boxes - Side terminals	34
"Standard" fuse boxes - Terminals below	34
"Standard" fuse boxes - Side terminals	34
"Standard" fuse boxes - Side terminals type 260	34
"Standard" fuse modular box - Type MERIT	35
"Standard" fuse boxes + pictograms	35
"Standard" fuse boxes for MF tractors	35
Steatite fuse boxes	35
"Midi" & "Mega" fuses distribution box	35
"Standard" fuses distribution box	36
"Standard" fuses distribution box - with indicator	36
Fuse holders	37

"Micro" watertight fuse-holder	37
"Mini" fuse-holder	37
Waterproof "Mini" fuse-holder	37
Waterproof "Mini"& "Standard" fuse-holder	37
"Standard" fuse-holder	37
"Standard" fuse-holder	38
"Standard" fuse-holder	38
"Standard" wired fuse-holder	38
"Standard" fuse-holder	38
"Standard" self-stripping fuse-holder	38
"Standard" fuse-holders	39
"Standard" waterproof fuse-holder	39
"Standard" waterproof wired fuse-holder	39
"Standard" waterproof wired fuse-holder	39
"Standard" waterproof fuse-holder	40
"Maxi" fuse-holder	40
"Maxi" wired fuse-holder	40
"Maxi" watertight fuse-holder	40
"Maxi" watertight wired fuse-holder	41
"Maxi" fuse-holder	41
"Midi" / Ribbon fuse-holder	41
"Midi" fuse-holders	41
"Midi" watertight fuse-holder	41
"Mega" fuse-holder	41
"Mega" fuse-holder	42
Ribbon fuse-holder ANL	42
Ribbon fuse-holder ANL	42
Glass bayonet fuse-holder	42
Glass wired fuse-holder	42
Glass fuse-holders	42
Steatite fuse-holders	43
Watertight fuse-holders	43
Bypass wired fuse-holders	43
Part numbers index	44

A	
ANL protected ribbon fuses (bakelite)	23
B	
Blister of "Maxi" circuit breaker fuses	31
Blister of "Maxi" fuses	29
Blister of "Mega" fuses	29
Blister of "Micro Low Profile" fuses	28
Blister of "Midi" fuses	29
Blister of "Mini" circuit breaker fuses	30
Blister of "Mini" fuses with LED	28
Blister of "Standard" circuit breaker fuses	31
Blister of "Standard" fuses with LED	28
Blister of FLL fuses	30
Blister of FLMY fuses	30
Blister of FLNMF fuses	30
Blister of FLSF fuses	30
Blister of glass fuses	29
Blisters of "Mini" fuses	28
Blisters of "Standard" fuses	28
Blisters of steatite BNA fuses	29
BNA steatite fuses	24
Bulbs for projectors	11
Bypass wired fuse-holders	43
C	
Case with "Maxi" fuses	32
Case with "Mini" fuses	32
Cases with "Standard" fuses	32
Cases with dashboard indicators	18
Cases with diverse fuses	33
Cases with steatite fuses	32
Circuit breaker fuses	27
D	
Dashboard indicators	16
F	
F2 Bulbs	11
Female "Mini" fuses - FLNMF (Ucase)	25
Female fuses - FLSF (AS)	24
Festoon bulbs	13
Fuse clamps	27
Fuses for M8 battery terminal	24
G	
Glass bayonet fuse-holder	42
Glass fuse-holders	42
Glass fuses	23
Glass wired fuse-holder	42
H	
H1 Bulbs	4
H10 Bulbs	7
H11 Bulbs	7
H12 Bulbs	8
H13 Bulbs	8
H15 Bulbs	8
H21 Bulbs	10
H3 Bulbs	4
H4 Bulbs	5
H5 Bulbs	6
H6 Bulbs	10
H7 Bulbs	5
H8 Bulbs	6
H885 Bulbs	9
H886 Bulbs	9
H9 Bulbs	7
HB3 Bulbs	9
HB4 Bulbs	10
HID bulbs Xenon	12
I	
Indicators	13
M	
"Maxi" compact plug-in fuses	22
"Maxi" fuse-holder	40, 41
"Maxi" plug-in circuit breaker fuses	26
"Maxi" plug-in fuses	21
"Maxi" watertight fuse-holder	40
"Maxi" watertight wired fuse-holder	41
"Maxi" wired fuse-holder	40
"Mega" fuse-holder	41, 42
"Mega" fuses	22
M	
"Micro Low Profile" plug-in fuses	19
"Micro" watertight fuse-holder	37
"Midi" & "Mega" fuses distribution box	35
"Midi" / Ribbon fuse-holder	41
"Midi" fuse-holders	41
"Midi" fuses	22
"Midi" watertight fuse-holder	41
"Mini" diode plug-in fuses	20
"Mini" female fuses - JLP Low Profile	25
"Mini" fuse box	34
"Mini" fuse boxes - Side terminals	34
"Mini" fuse-holder	37
"Mini" plug-in circuit breaker fuses	26
"Mini" plug-in fuses	19
Male fuses - FLL	25
Male fuses - FLM (B)	25
Male fuses - FLSL	26
P	
P21 Bulbs	12
R	
R2 Bulbs	6
Replacement kits H1	17
Replacement kits H1/H4/H7	18
Replacement kits H1/H7	18
Replacement kits H4	17
Replacement kits H7	17
Replacement kits R2	17
Ribbon fuse-holder ANL	42
S	
"Standard" fuse boxes - Side terminals	34
"Standard" fuse boxes - Side terminals type 260	34
"Standard" fuse boxes - Terminals below	34
"Standard" fuse boxes + pictograms	35
"Standard" fuse boxes for MF tractors	35
"Standard" fuse modular box - Type MERIT	35
"Standard" fuse-holder	37, 38
"Standard" fuse-holders	39
"Standard" fuses distribution box	36
"Standard" fuses distribution box - with indicator	36
"Standard" LED plug-in fuses	21
"Standard" plug-in circuit breaker fuses	26
"Standard" plug-in fuses	20
"Standard" self-stripping fuse-holder	38
"Standard" waterproof fuse-holder	39, 40
"Standard" waterproof wired fuse-holder	39
"Standard" wired fuse-holder	38
S1, S2 & S3 bulbs	11
Signal bulbs	14
Steatite fuse boxes	35
Steatite fuse-holders	43
U	
Unprotected ribbon fuses	22
W	
Waterproof "Mini" fuse-holder	37
Waterproof "Mini" & "Standard" fuse-holder	37
Watertight fuse-holders	43
Wedge bulbs	15
Wedge G25.5 bulbs	16

H1 BULBS P14.5s

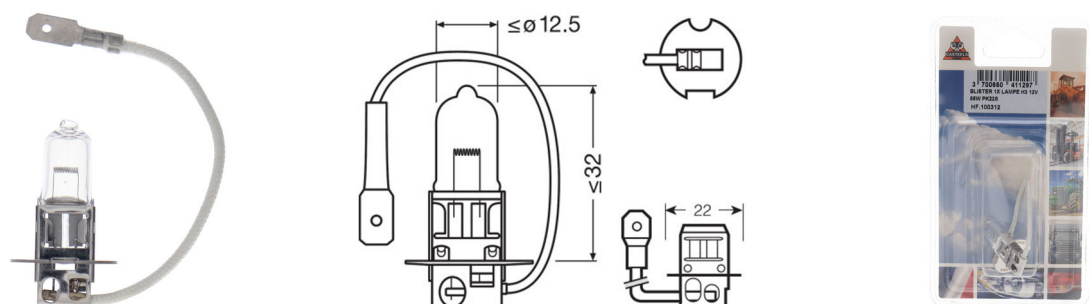
For projectors, headlamps & beacons 12V / 24V



Part number	V	W	(E)	UV	☛	Remarks	📦
Packed in box							
AA.H112	12	55	✓	✓	P14.5s		10
AA.H112BV	12	55	✓	✓	P14.5s	Xenon Blue	10
AA.H1120	12	100	-	✓	P14.5s		10
AA.H124	24	70	✓	✓	P14.5s		10
Packed in blister							
HF.100112	12	55	✓	✓	P14.5s		1
HF.100112BV	12	55	✓	✓	P14.5s	Xenon Blue	1
HF.101120	12	100	-	✓	P14.5s		1
HF.100124	24	70	✓	✓	P14.5s		1
Packed in box, with hanging notch							
AA.0010	12	55	✓	✓	P14.5s	Set of 2 "Xenon Blue" bulbs	1

H3 BULBS PK22s

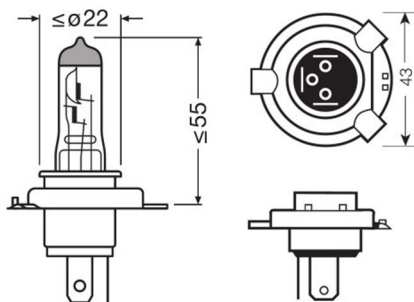
For projectors & work lamps 12V / 24V / 36V / 48V



Part number	V	W	(E)	UV	☛	Remarks	📦
Packed in box							
AA.H312	12	55	✓	✓	PK22s		10
AA.H3120	12	100	-	✓	PK22s		10
AA.H3121	12	130	-	✓	PK22s		10
AA.H324	24	70	✓	✓	PK22s		10
AA.H336	36	45	-	✓	PK22s		10
AA.H348	48	45	-	✓	PK22s		10
AA.H348.60	48	60	-	✓	PK22s		10
Packed in blister							
HF.100312	12	55	✓	✓	PK22s		1
HF.103120	12	100	-	✓	PK22s		1
HF.100324	24	70	✓	✓	PK22s		1

H4 BULBS P43t

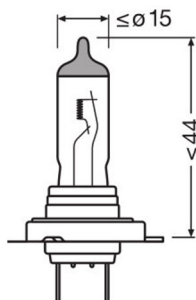
For projectors, headlamps & beacons 12V / 24V



Part number	V	W	(E)	UV	☛	Remarks	📦
Packed in box							
AA.H412	12	60-55	✓	✓	P43t		10
AA.H412BV	12	60-55	✓	✓	P43t	Xenon Blue	10
AA.H4120	12	100-80	-	✓	P43t		10
AA.H424	24	75-70	✓	✓	P43t		10
AA.H424HDLL	24	75-70	✓	✓	P43t	Heavy Duty	10
Packed in blister							
HF.100412	12	60-55	✓	✓	P43t		1
HF.100412BV	12	60-55	✓	✓	P43t	Xenon Blue	1
HF.1004120	12	100-80	-	✓	P43t		1
HF.100424	24	75-70	✓	✓	P43t		1
Packed in box, with hanging notch							
AA.0009	12	60-55	✓	✓	P43t	Set of 2 "Xenon Blue" bulbs	1

H7 BULBS PX26d

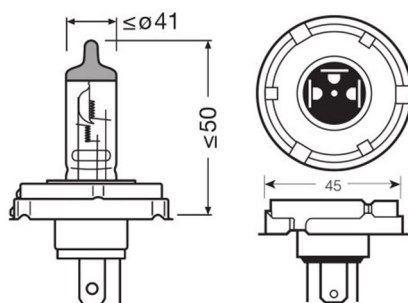
For projectors & headlamps 12V / 24V



Part number	V	W	(E)	UV	☛	Remarks	📦
Packed in box							
AA.H712	12	55	✓	✓	PX26d		10
AA.H712BV	12	55	✓	✓	PX26d	Xenon Blue	10
AA.H712HDLL	12	55	✓	✓	PX26d	Heavy Duty	10
AA.H724	24	70	✓	✓	PX26d		10
AA.H724HDLL	24	70	✓	✓	PX26d		10
Packed in blister							
HF.100712	12	55	✓	✓	PX26d		1
HF.100712BV	12	55	✓	✓	PX26d	Xenon Blue	1
HF.100724	24	70	✓	✓	PX26d		1
Packed in box, with hanging notch							
AA.0011	12	55	✓	✓	PX26d	Set of 2 "Xenon Blue" bulbs	1

R2 BULBS P45t

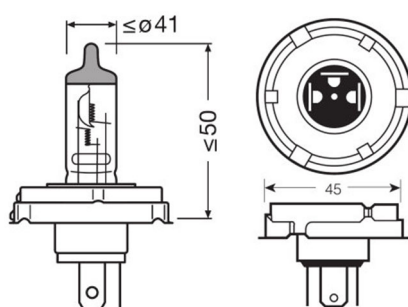
For projectors & headlamps 12V / 24V



Part number	V	W	(E)	UV	☛	Remarks	📦
Packed in box							
AA.C712	12	45-40	✓	✓	P45t		10
AA.C724	24	55-50	✓	✓	P45t		10
Packed in blister							
HF.107712	12	45-40	✓	✓	P45t		1
HF.107724	24	55-50	✓	✓	P45t		1

H5 BULBS P45t

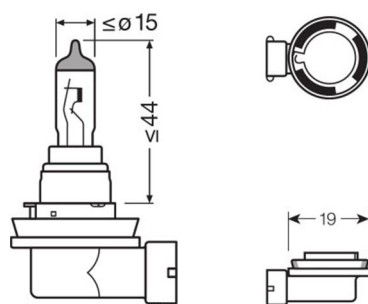
For projectors & headlamps 12V



Part number	V	W	(E)	UV	☛	Remarks	📦
Packed in box							
AA.H512	12	60-55	-	✓	P45t		10
AA.H5120	12	100-80	-	✓	P45t		10
Packed in blister							
HF.100512	12	60-55	-	✓	P45t		1
HF.105120	12	100-80	-	✓	P45t		1

H8 BULBS PGJ19-1

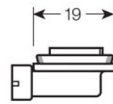
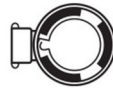
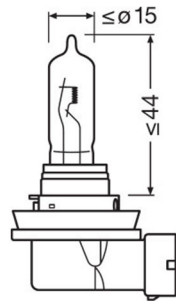
For projectors & headlamps 12V



Part number	V	W	(E)	UV	☛	Remarks	📦
Packed in box							
AA.H812	12	35	✓	✓	PGJ19-1		10

H9 BULBS PGJ19-5

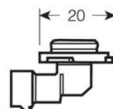
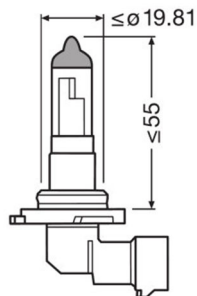
For projectors & headlamps 12V



Part number	V	W	(E)	UV	☛	Remarks	📦
Packed in box							
AA.H912	12	65	✓	✓	PGJ19-5		10
Packed in blister							
HF.100912	12	65	✓	✓	PGJ19-5		1

H10 BULBS PY20d

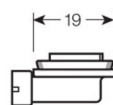
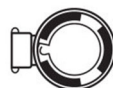
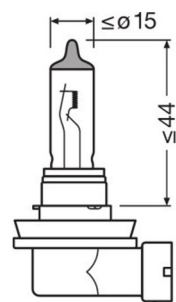
For projectors & headlamps 12V



Part number	V	W	(E)	UV	☛	Remarks	📦
Packed in box							
AA.H1012	12	42	✓	✓	PY20d		10

H11 BULBS PGJ19-2

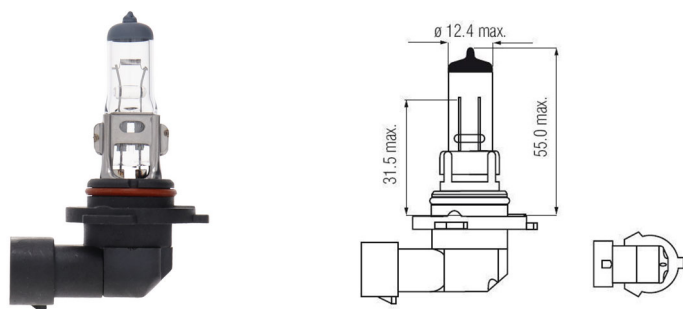
For projectors & headlamps 12V / 24V



Part number	V	W	(E)	UV	☛	Remarks	📦
Packed in box							
AA.H1112	12	55	✓	✓	PGJ19-2		10
AA.H1124	24	70	✓	✓	PGJ19-2		10

H12 BULBS PZ20d

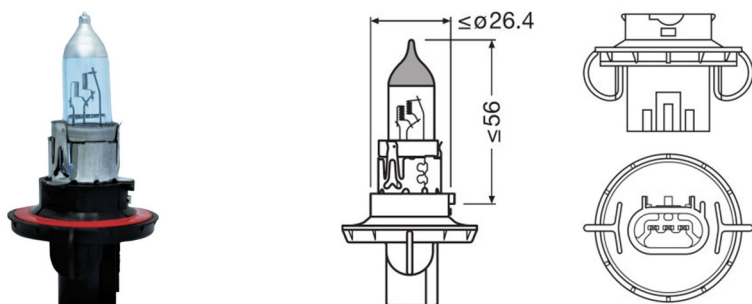
For projectors & headlamps 12V



Part number	V	W	(E)	UV	☛	Remarks	📦
Packed in box							
AA.H1212	12	53	✓	✓	PZ20d		10

H13 BULBS P26.4t

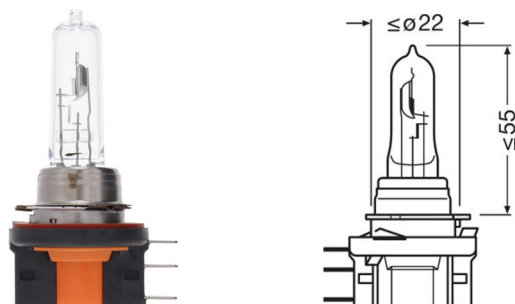
For projectors & headlamps 12V



Part number	V	W	(E)	UV	☛	Remarks	📦
Packed in box							
AA.H1312	12	60/55	✓	✓	P26.4t		10

H15 BULBS PGJ23t-1

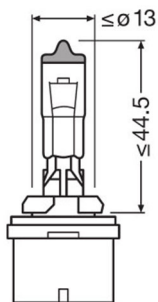
For projectors & headlamps 12V / 24V



Part number	V	W	(E)	UV	☛	Remarks	📦
Packed in box							
AA.H1512	12	55	✓	✓	PGJ23t-1		10
AA.H1524	24	70	✓	✓	PGJ23t-1		10

H885 BULBS PG13

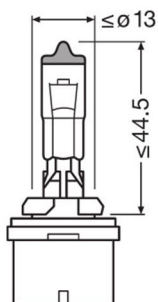
For projectors & headlamps 12V



Part number	V	W	(E)	UV	☛	Remarks	📦
Packed in box							
AA.H885	12	50	-	✓	PG13		10
Packed in blister							
HF.100885	12	50	-	✓	PG13		1

H886 BULBS PGJ13

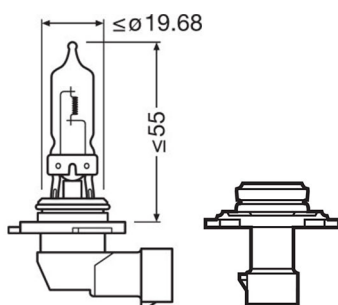
For projectors & headlamps 12V



Part number	V	W	(E)	UV	☛	Remarks	📦
Packed in box							
AA.H886	12	50	-	✓	PGJ13		10
Packed in blister							
HF.100886	12	50	-	✓	PGJ13		1

HB3 BULBS P20d

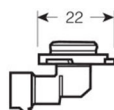
For projectors & headlamps 12V



Part number	V	W	(E)	UV	☛	Remarks	📦
Packed in box							
AA.9005	12	65	✓	✓	P20d		10
Packed in blister							
HF.109005	12	65	✓	✓	P20d		1

HB4 BULBS P22d

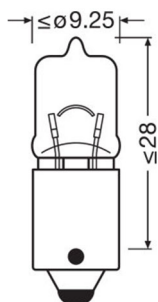
For projectors & headlamps 12V



Part number	V	W	(E)	UV	☛	Remarks	📦
Packed in box							
AA.9006	12	55	✓	✓	P22d		10
Packed in blister							
HF.109006	12	55	✓	✓	P22d		1

H6 BULBS BAX9s

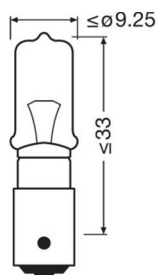
For projectors & headlamps 12V



Part number	V	W	(E)	UV	☛	Remarks	📦
Packed in box							
AA.H612	12	6	✓	✓	BAX9s		10

H21 BULBS BAY9s

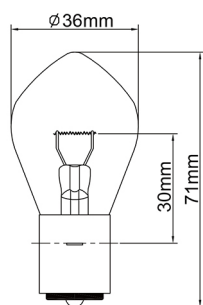
For projectors & headlamps 12V / 24V



Part number	V	W	(E)	UV	☛	Remarks	📦
Packed in box							
AA.H2112	12	21	✓	✓	BAY9s		10
AA.H2124	24	21	✓	✓	BAY9s		10
AA.HY2112	12	21	✓	✓	BAY9s	HY21W amber	10
Packed in blister							
HF.102112	12	21	✓	✓	BAY9s	Blister 2x H21W	1
HF.102124	24	21	✓	✓	BAY9s	Blister 2x H21W	1

F2 BULBS BA20s

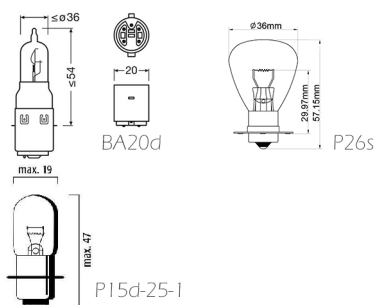
For projectors & headlamps 12V / 24V / 36V / 48V



Part number	V	W	(E)	UV	☛	Remarks	📦
Packed in box							
AA.B012	12	35	-	-	BA20s		10
AA.B024	24	35	-	-	BA20s		10
AA.B036	36	35	-	-	BA20s		10
AA.B048	48	35	-	-	BA20s		10

S1, S2 & S3 BULBS BA20d / P26s / P15d-25-1

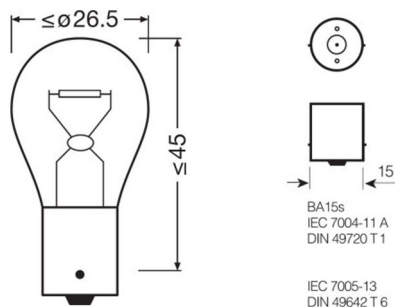
Miscellaneous applications & motorbike bulbs 12V



Part number	V	W	(E)	UV	☛	Remarks	📦
Packed in box							
AA.S112	12	25-25	✓	-	BA20d	Type S1	10
AA.S212	12	35-35	✓	-	BA20d	Type S2	10
AA.S312	12	15	✓	-	P26s	Type S3	10
AA.M2748	12	35-35	-	✓	P15d-25-1	Motorbike halogen	10
AA.M3748	12	35-35	-	✓	BA20d	Motorbike halogen	10

BULBS FOR PROJECTORS BA15s

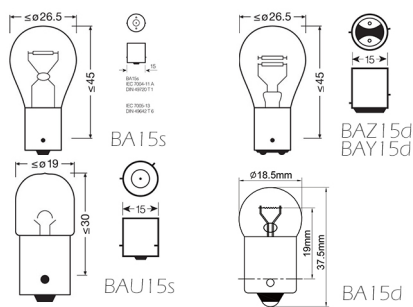
For projectors & headlamps 12V



Part number	V	W	(E)	UV	☛	Remarks	📦
Packed in box							
AA.P222	12	45	-	-	BA15s		10

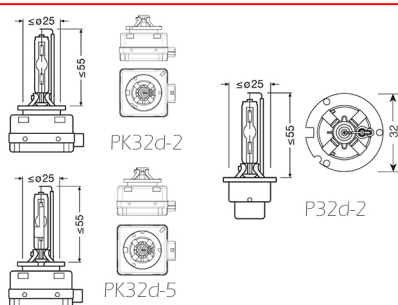
P21 BULBS BA15s / BAU15s / BAY15d / BAZ15d

For lamps & lights 12V



Part number	V	W	(E)	UV	☛	Remarks	📦
Packed in box							
AA.S329	12	21	✓	-	BA15s P21W		10
AA.S329L	12	21	-	-	BA15s P21W LED		10
AA.S350	12	21	✓	-	BAU15s PY21W amber		10
AA.S340	12	21-4	✓	-	BAZ15d P21/4W		10
AA.S330	12	21-5	✓	-	BAY15d P21/5W		10
AA.S325	24	21	✓	-	BA15s P21W		10
AA.S325L	24	21	-	-	BA15s P21W LED		10
AA.S325HD	24	21	✓	-	BA15s Reinforced bulb		10
AA.S354	24	21	✓	-	BAU15s PY21W amber		10
AA.S354HD	24	21	✓	-	BAU15s PY21W amber Heavy Duty		10
AA.S326	24	21-5	✓	-	BAY15d P21/5W		10
AA.F486	48	25	-	-	BA15s Forklift specific		10
AA.F487	48	35	-	-	BA15s Forklift specific		10
AA.F487E	48	35	-	-	BA15d Forklift specific		10
AA.F686	48	25	-	-	BAY15d Forklift specific		10
AA.F682	48	25/10	-	-	BAY15d Forklift specific		10
Packed in blister							
HF.100329	12	21	✓	-	BA15s Blister 2x PY21W		1
HF.100350	12	21	✓	-	BAU15s Blister 2x PY21W amber		1
HF.100340	12	21-4	✓	-	BAZ15d Blister 2x P21/4W		1
HF.100330	12	21-5	✓	-	BAY15d Blister 2x P21/5W		1
HF.100325	24	21	✓	-	BA15s Blister 2x P21W		1
HF.100354	24	21	✓	-	BAU15s Blister 2x PY21W amber		1
HF.100326	24	21-5	✓	-	BAY15d Blister 2x P21/5W		1

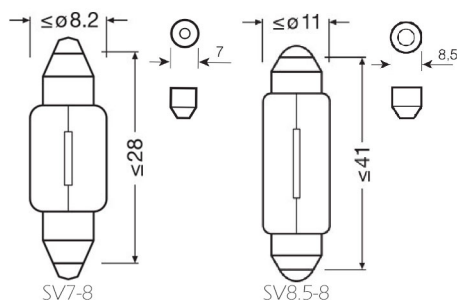
HID BULBS | XENON PK32d-2 / P32d-2 / PK32d-5



Part number	V	W	(E)	UV	☛	Remarks	📦
Bulk							
AA.XD15	85	35	✓	✓	PK32d-2		1
AA.XD25	85	35	✓	✓	P32d-2		1
AA.XD35	42	35	✓	✓	PK32d-5		1

FESTOON BULBS SV7-8 / SV8.5-8

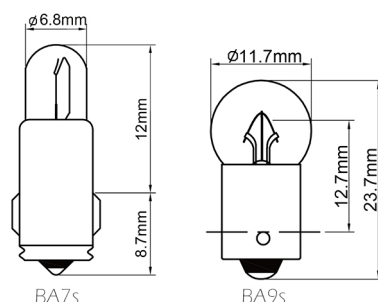
For lights 12V / 24V



Part number	V	W	(E)	UV	☛	Remarks	📦
Packed in box							
AA.N627	12	5	✓	-	SV8.5-8	11x35 (C5W)	10
AA.N842	12	3	-	-	SV7-8	8x28	10
AA.N864	12	5	-	-	SV8.5-8	11x41	10
AA.N635	12	10	-	-	SV8.5-8	11x41	10
AA.N629	12	18	-	-	SV8.5-8	15x41	10
AA.N621	12	21	✓	-	SV8.5-8	15x41 (C21W)	10
AA.N628	24	5	✓	-	SV8.5-8	11x35 (C5W)	10
AA.N865	24	5	-	-	SV8.5-8	11x41	10
AA.N866	24	10	-	-	SV8.5-8	11x41	10
AA.N807	24	18	-	-	SV8.5-8	15x41	10
Packed in blister							
HF.100627	12	5	✓	-	SV8.5-8	Blister 2x 11x35 (C5W)	1
HF.100635	12	10	-	-	SV8.5-8	Blister 2x 11x41	1
HF.100628	24	5	✓	-	SV8.5-8	Blister 2x 11x35 (C5W)	1

INDICATORS BA7s / BA9s

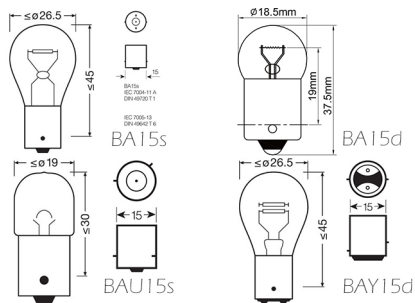
For lights 12V / 24V



Part number	V	W	(E)	UV	☛	Remarks	📦
Packed in box							
AA.T518	12	2	-	-	BA7s		10
AA.T527	12	2	-	-	BA9s		10
AA.T533	12	4	✓	-	BA9s	T4W	10
AA.T531	24	2	-	-	BA9s		10
AA.T530	24	3	-	-	BA7s		10
AA.T534	24	4	✓	-	BA9s	T4W	10
AA.T534HD	24	4	✓	-	BA9s	T4W Heavy Duty	10
AA.F685	48	5	-	-	BA9s1	Forklift specific	10
Packed in blister							
HF.100533	12	4	✓	-	BA9s	Blister 2x T4W	1
HF.100534	24	4	✓	-	BA9s	Blister 2x T4W	1

SIGNAL BULBS BA15d / BA15s / BAU15s

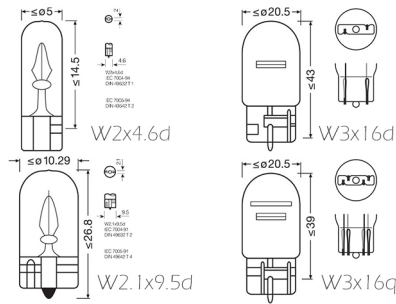
For lights 12V / 24V



Part number	V	W	(E)	UV	☛	Remarks	📦
Packed in box							
AA.G413T	12	5	✓	-	BA15s R5W		10
AA.G413L	12/24	5	-	-	BA15s R5W LED		10
AA.G418T	12	5	✓	-	BA15d R5W		10
AA.G410T	12	10	✓	-	BA15s R10W		10
AA.G410L	12/24	10	-	-	BA15s R10W LED		10
AA.G420T	12	10	✓	-	BA15d R10W		10
AA.G450T	12	10	✓	-	BAU15s RY10W amber		10
AA.G419T	24	5	✓	-	BA15d R5W		10
AA.G414T	24	5	✓	-	BA15s R5W		10
AA.G414THD	24	5	✓	-	BA15s R5W Heavy Duty		10
AA.G421T	24	10	✓	-	BA15d R10W		10
AA.G411T	24	10	✓	-	BA15s R10W Heavy Duty		10
AA.G411THD	24	10	✓	-	BA15s R10W Heavy Duty		10
AA.F984	48	8	-	-	BA15s Forklift specific		10
AA.F985	48	10	-	-	BA15s Forklift specific		10
AA.F084	48	10	-	-	BA15d Forklift specific		10
Packed in blister							
HF.100413	12	5	✓	-	BA15s Blister 2x R5W		1
HF.100410	12	10	✓	-	BA15s Blister 2x R10W		1
HF.100414	24	5	✓	-	BA15s Blister 2x R5W		1
HF.100411	24	10	✓	-	BA15s Blister 2x R10W		1

WEDGE BULBS W2x4.6d / W2.1x9.5d / W3x16d / W3x16q

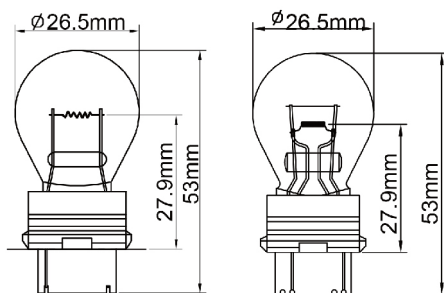
For lights 12V / 24V



Part number	V	W	(E)	UV	☛	Remarks	📦
Packed in box							
AA.W555	12	1,2	-	-	W2x4.6d W1.2W (T5)		10
AA.W200	12	2	-	-	W2x4.6d W2W (T5)		10
AA.W948	12	2	-	-	W2.1x9.5d W2W (T10)		10
AA.W230	12	2,3	✓	-	W2x4.6d W2.3W (T5)		10
AA.WY230	12	2,3	✓	-	W2x4.6d WY2.3W (T5) amber		10
AA.W552	12	3	✓	-	W2.1x9.5d W3W (T10)		10
AA.W562	12	5	✓	-	W2.1x9.5d W5W (T10)		10
AA.W562B	12	5	✓	-	W2.1x9.5d W5W (T10) blue		10
AA.W562L	12/24	5	-	-	W2.1x9.5d W5W (T10) LED		10
AA.W396	12	5	✓	-	W2.1x9.5d WY5W (T10) amber		10
AA.W946LL	12	5	-	-	W2.1x9.5d W5W (T10) Heavy Duty		10
AA.W1612	12	16	✓	-	W2.1x9.5d W16W (T15)		10
AA.W941	12	21	✓	-	W3x16d W21W (T20)		10
AA.W921	12	21	✓	-	W3x16d WY21W (T20) amber		10
AA.W942	12	21-5	✓	-	W3x16q W21/5W (T20)		10
AA.W556	24	1,2	-	-	W2x4.6d W1.2W (T5)		10
AA.W968	24	2	-	-	W2.1x9.5d W2W (T10)		10
AA.W554	24	3	✓	-	W2.1x9.5d W3W (T10)		10
AA.W564	24	5	✓	-	W2.1x9.5d W5W (T10)		10
Packed in blister							
HF.100555	12	1,2	-	-	W2x4.6d Blister 2x W1.2W (T5)		1
HF.100200	12	2	-	-	W2x4.6d Blister 2x W2W (T5)		1
HF.100552	12	3	✓	-	W2.1x9.5d Blister 2x W3W (T10)		1
HF.100562	12	5	✓	-	W2.1x9.5d Blister 2x W5W (T10)		1
HF.100562B	12	5	✓	-	W2.1x9.5d Blister 2x W5W (T10) blue		1
HF.100396	12	5	✓	-	W2.1x9.5d Blister 2x WY5W (T10) amber		1
HF.100554	24	3	✓	-	W2.1x9.5d Blister 2x W3W (T10)		1
HF.100564	24	5	✓	-	W2.1x9.5d Blister 2x W5W (T10)		1

WEDGE G25.5 BULBS W2.5x16d / W2.5x16q / WX2.5x16q / WZ2.5x16d

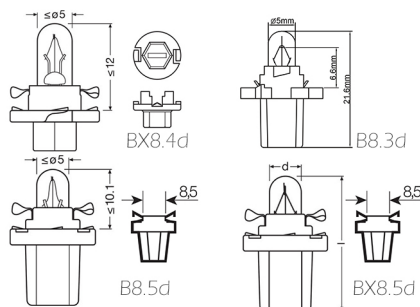
For lights 12V / 24V



Part number	V	W	(E)	UV	←	Remarks	
Packed in box							
AA.W270	12	27	✓	-	W2.5x16d	P27W (G25.5)	10
AA.W277	12	27-7	✓	-	W2.5x16q	P27/7W (G25.5)	10
AA.WY277	12	27-7	✓	-	WX2.5x16q	WPY27/7W (G25.5) amber	10
AA.WY210	12	21	✓	-	WZ2.5x16d	WPY21W (G25.5) amber	10

DASHBOARD INDICATORS B8.3d / B8.5d / BX8.4d / BX8.5d

12V / 24V




Part number	V	W	(E)	UV	←	Remarks	
Packed in box							
AA.WT140	12	1,1	-	-	BX8.4d		10
AA.WT597	12	1,2	-	-	B8.3d		10
AA.WT143	12	1,2	-	-	BX8.4d		10
AA.WT565	12	1,2	-	-	B8.5d		10
AA.WT603	12	1,2	-	-	BX8.5d		10
AA.WT245	12	1,5	-	-	BX8.5d		10
AA.WT146	12	1,3	-	-	BX8.4d		10
AA.WT145	12	1,5	-	-	BX8.4d		10
AA.WT147	12	1,5	-	-	B8.5d		10
AA.WT602	12	2	-	-	B8.3d		10
AA.WT144	12	2	-	-	BX8.4d		10
AA.WT600	12	2	-	-	B8.5d		10
AA.WT604	12	2	-	-	BX8.5d		10
AA.WT599	24	1,2	-	-	B8.3d		10
AA.WT567	24	1,2	-	-	B8.5d		10
AA.WT605	24	1,2	-	-	BX8.5d		10
Packed in blister							
HF.100565	12	1,2	-	-	B8.5d		1

REPLACEMENT KITS H1

Kit based on H1 & additional bulbs + "Standard" plug-in fuses




Part number	V	Content	
AA.0006	12V	Bulbs: 1x H1, 1x P21W, 1x P21/5W, 1x R5W, 1x W5W "Standard" fuses: 1x 10A, 1x 15A	1
AA.0021	12V	Bulbs: 1x H1, 1x P21W, 1x P21/5W, 1x PY21W, 1x R5W, 1x W5W "Standard" fuses: 1x 10A, 1x 15A, 1x 20A	1

REPLACEMENT KITS H4

Kit based on H4 & additional bulbs + "Standard" plug-in fuses




Part number	V	Content	
AA.0005	24V	Bulbs: 1x H4, 1x P21W, 1x P21/5W, 1x R5W, 1x W5W "Standard" fuses: 1x 10A, 1x 15A	1
AA.0004	12V	Bulbs: 1x H4, 1x P21W, 1x P21/5W, 1x R5W, 1x W5W "Standard" fuses: 1x 10A, 1x 15A	1
AA.0024	12V	Lampes: 1x H4, 1x P21W, 1x P21/5W, 1x PY21W, 1x R5W, 1x W5W "Standard" fuses: 1x 10A, 1x 15A, 1x 20A	1

REPLACEMENT KITS H7

Kit based on H7 & additional bulbs + "Standard" plug-in fuses




Part number	V	Content	
AA.0007	12V	Bulbs: 1x H7, 1x P21W, 1x P21/5W, 1x R5W, 1x W5W "Standard" fuses: 1x 10A, 1x 15A	1
AA.0027	12V	Bulbs: 1x H7, 1x P21W, 1x P21/5W, 1x PY21W, 1x R5W, 1x W5W "Standard" fuses: 1x 10A, 1x 15A, 1x 20A	1

REPLACEMENT KITS R2

Kit based on R2 & additional bulbs + "Standard" plug-in fuses



Part number	V	Content	
AA.0003	12V	Bulbs: 1x R2, 1x P21W, 1x P21/5W, 1x R5W, 1x W5W "Standard" fuses: 1x 10A, 1x 15A	1

REPLACEMENT KITS H1/H7

Kit based on H1/H7 & additional bulbs + "Standard" plug-in fuses



Part number	V	Content	
AA.0008	12V	Bulbs: 1x H1, 1 x H7, 1x PY21W, 1x P21/5W, 1x R5W, 1x W5W "Standard" fuses: 1x 10A, 1x 15A	1
AA.0028	12V	Bulbs: 1x H1, 1 x H7, 1x P21W, 1x P21/5W, 1x PY21W, 1x R5W, 1x W5W "Standard" fuses: 1x 10A, 1x 15A, 20A "Mini" fuses: 1x 10A, 1x 15A, 1x 20A	1
AA.0012	24V	Bulbs: 1x H1, 1 x H7, 1x PY21W, 1x P21/5W, 1x R5W, 1x W5W "Standard" fuses: 1x 10A, 1x 15A	1

REPLACEMENT KITS H1/H4/H7

Kit based on H1/H4/H7 & additional bulbs + "Standard" plug-in fuses



Part number	V	Content	
AA.0062	12V	Bulbs: 1x H1, 1x H4, 1x H7, 2x P21W, 1x P21/5W, 1x PY21W, 2x R5W, 2x R10W, 1x W5W, 1x C5W, 1x T4W "Standard" fuses: 1x 10A, 1x 15A, 1x 20A	1
AA.0064	24V	Bulbs: 1x H1, 1x H4, 1x H7, 2x P21W, 1x P21/5W, 1x PY21W, 2x R5W, 2x R10W, 1x W5W, 1x C5W, 1x T4W "Standard" fuses: 1x 10A, 1x 15A, 1x 20A	1

CASES WITH DASHBOARD INDICATORS

Selection of common dashboard indicators



Part number	V	Content	
Packed in case			
AA.0180	12V	Base B8.5d: 10x 1,2W (black), 10x 1,5W (beige), 10x x 2W (green) Base BX8.5d: 10x 1,2W (blue), 10x 1,5W (beige), 10x 2W (light green) Base BX8.4d: 10x 1,1W (orange), 10x 1,2W (black), 10x 1,3W (olive green), 10x 1,5W (beige), 10x 2W (light green) Base W2.1x9.5d: 10x 2W, 10x 3W, 10x 5W, 10x 6W Base W2x4.6d: 10x 1,2W, 10x 2W, 10x 2,3W	1
AA.0100	24V	Base B8.3d: 10x 1,2W (grey) Base B8.5d: 10x 1,2W (grey) Base BX8.5d: 10x 1,2W Base W2x4.6d: 10x 1,2W Base W2.1x9.5d: 20x 2W, 20x 3W, 20x 5W	1

"MICRO LOW PROFILE" PLUG-IN FUSES



Part number		A	L	
Packed in a small bag				
OS.06210		2	10,9 x 3,6	10
OS.06220		3	10,9 x 3,6	10
OS.06230		4	10,9 x 3,6	10
OS.06240		5	10,9 x 3,6	10
OS.06250		7,5	10,9 x 3,6	10
OS.06260		10	10,9 x 3,6	10
OS.06270		15	10,9 x 3,6	10
OS.06280		20	10,9 x 3,6	10
OS.06290		25	10,9 x 3,6	10
OS.06302		30	10,9 x 3,6	10

"MINI" PLUG-IN FUSES

Terminals: 2,8mm / Distance between holes: 7,8mm



Part number		A	L	
Packed in a bag				
VF.7090		2	11,1 x 4,0	1000
VF.7100		3	11,1 x 4,0	1000
VF.7101		4	11,1 x 4,0	1000
VF.7110		5	11,1 x 4,0	1000
VF.7120		7,5	11,1 x 4,0	1000
VF.7130		10	11,1 x 4,0	1000
VF.7140		15	11,1 x 4,0	1000
VF.7150		20	11,1 x 4,0	1000
VF.7160		25	11,1 x 4,0	1000
VF.7170		30	11,1 x 4,0	1000
Packed in a small bag				
OS.00090		2	11,1 x 4,0	50
OS.00100		3	11,1 x 4,0	50
OS.00101		4	11,1 x 4,0	50
OS.00110		5	11,1 x 4,0	50
OS.00120		7,5	11,1 x 4,0	50
OS.00130		10	11,1 x 4,0	50
OS.00140		15	11,1 x 4,0	50
OS.00150		20	11,1 x 4,0	50
OS.00160		25	11,1 x 4,0	50
OS.00170		30	11,1 x 4,0	50
Packed in blister				
HF.600100		3	11,1 x 4,0	5
HF.600110		5	11,1 x 4,0	5
HF.600120		7,5	11,1 x 4,0	5
HF.600130		10	11,1 x 4,0	5
HF.600140		15	11,1 x 4,0	5
HF.600150		20	11,1 x 4,0	5
HF.600160		25	11,1 x 4,0	5
HF.600170		30	11,1 x 4,0	5

"MINI" DIODE PLUG-IN FUSES

Terminals: 2,8mm / Distance between holes: 7,8mm



Part number	A	L	
Packed in a small bag			
OS.00100D	3A	11,1 x 4,0	10
OS.00101D	4A	11,1 x 4,0	10
OS.00110D	5A	11,1 x 4,0	10
OS.00120D	7,5A	11,1 x 4,0	10
OS.00130D	10A	11,1 x 4,0	10
OS.00140D	15A	11,1 x 4,0	10
OS.00150D	20A	11,1 x 4,0	10
OS.00160D	25A	11,1 x 4,0	10
OS.00170D	30A	11,1 x 4,0	10

"STANDARD" PLUG-IN FUSES

Terminals: 5,25mm / Distance between holes: 14,5mm



Part number	A	L	
Packed in a bag			
VF.5390TR	2A	19,0 x 4,5	2000
VF.5400TR	3A	19,0 x 4,5	2000
VF.5401TR	4A	19,0 x 4,5	2000
VF.5410TR	5A	19,0 x 4,5	2000
VF.5420TR	7,5A	19,0 x 4,5	2000
VF.5430TR	10A	19,0 x 4,5	2000
VF.5440TR	15A	19,0 x 4,5	2000
VF.5450TR	20A	19,0 x 4,5	2000
VF.5460TR	25A	19,0 x 4,5	2000
VF.5470TR	30A	19,0 x 4,5	2000
VF.5375TR	40A	19,0 x 4,5	2000
Packed in box			
OS.00380TR	1A	19,0 x 4,5	100
OS.00390TR	2A	19,0 x 4,5	100
OS.00400TR	3A	19,0 x 4,5	100
OS.00401TR	4A	19,0 x 4,5	100
OS.00410TR	5A	19,0 x 4,5	100
OS.00420TR	7,5A	19,0 x 4,5	100
OS.00430TR	10A	19,0 x 4,5	100
OS.00440TR	15A	19,0 x 4,5	100
OS.00450TR	20A	19,0 x 4,5	100
OS.00460TR	25A	19,0 x 4,5	100
OS.00470TR	30A	19,0 x 4,5	100
OS.00375TR	40A	19,0 x 4,5	100
Packed in blister			
HF.600400	3A	19,0 x 4,5	10
HF.600410	5A	19,0 x 4,5	10
HF.600420	7,5A	19,0 x 4,5	10
HF.600430	10A	19,0 x 4,5	10
HF.600440	15A	19,0 x 4,5	10
HF.600450	20A	19,0 x 4,5	10
HF.600460	25A	19,0 x 4,5	10
HF.600470	30A	19,0 x 4,5	10

"STANDARD" LED PLUG-IN FUSES

Terminals: 5,25mm / Distance between holes: 14,5mm



Part number		A		
Packed in a small bag				
OS.00400D		3A	19,0 x 4,5	10
OS.00410D		5A	19,0 x 4,5	10
OS.00420D		7,5A	19,0 x 4,5	10
OS.00430D		10A	19,0 x 4,5	10
OS.00440D		15A	19,0 x 4,5	10
OS.00450D		20A	19,0 x 4,5	10
OS.00460D		25A	19,0 x 4,5	10
OS.00470D		30A	19,0 x 4,5	10

"MAXI" PLUG-IN FUSES

Terminals: 8,00mm / Distance between holes: 29,1mm



Part number		A		
Packed in a bag				
VF.9900		20A	29,2 x 8,9	100
VF.9910		30A	29,2 x 8,9	100
VF.9920		40A	29,2 x 8,9	100
VF.9930		50A	29,2 x 8,9	100
VF.9940		60A	29,2 x 8,9	100
VF.9950		70A	29,2 x 8,9	100
VF.9960		80A	29,2 x 8,9	100
VF.9970		100A	29,2 x 8,9	100
Packed in a small bag				
OS.00900		20A	29,2 x 8,9	10
OS.00910		30A	29,2 x 8,9	10
OS.00920		40A	29,2 x 8,9	10
OS.00930		50A	29,2 x 8,9	10
OS.00940		60A	29,2 x 8,9	10
OS.00950		70A	29,2 x 8,9	10
OS.00960		80A	29,2 x 8,9	10
OS.00970		100A	29,2 x 8,9	10
Packed in blister				
HF.600900		20A	29,2 x 8,9	2
HF.600910		30A	29,2 x 8,9	2
HF.600920		40A	29,2 x 8,9	2
HF.600930		50A	29,2 x 8,9	2
HF.600940		60A	29,2 x 8,9	2
HF.600950		70A	29,2 x 8,9	2
HF.600960		80A	29,2 x 8,9	2
HF.600970		100A	29,2 x 8,9	2

"MAXI" COMPACT PLUG-IN FUSES

Terminals: 6,3mm / Distance between holes: 15,45mm



Part number		A	L	
Packed in a small bag				
OS.00925C		25A	16,2 x 6,5	10
OS.00930C		30A	16,2 x 6,5	10
OS.00935C		35A	16,2 x 6,5	10
OS.00940C		40A	16,2 x 6,5	10
OS.00950C		50A	16,2 x 6,5	10
OS.00960C		60A	16,2 x 6,5	10

"MIDI" FUSES



Part number		A	L	
Packed in a small bag				
OS.20300		30A	28 x 12	10
OS.20400		40A	28 x 12	10
OS.20500		50A	28 x 12	10
OS.20600		60A	28 x 12	10
OS.20700		70A	28 x 12	10
OS.20800		80A	28 x 12	10
OS.21000		100A	28 x 12	10
OS.21250		125A	28 x 12	10

"MEGA" FUSES



Part number		A	L	
Packed in a small bag				
OS.11100		100A	57 x 18	10
OS.11125		125A	57 x 18	10
OS.11150		150A	57 x 18	10
OS.11175		175A	57 x 18	10
OS.11200		200A	57 x 18	10
OS.11225		225A	57 x 18	10
OS.11250		250A	57 x 18	10
OS.11300		300A	57 x 18	10
OS.11400		400A	57 x 18	10
OS.11500		500A	57 x 18	10

UNPROTECTED RIBBON FUSES



Part number	A	L	
Packed in box			
OS.00296	30A	41mm	100
OS.00300	40A	41mm	100
OS.00297	50A	41mm	100
OS.00301	60A	41mm	100
OS.00298	80A	41mm	100
OS.00299	100A	41mm	100

ANL PROTECTED RIBBON FUSES (BAKELITE)

For forklifts, handling equipment, HiFi, etc. / -40°C - +140°C



Part number	A	L	
Packed in a small bag			
OS.32060	60A	82mm	5
OS.32080	80A	82mm	5
OS.32100	100A	82mm	5
OS.32125	125A	82mm	5
OS.32130	130A	82mm	5
OS.32150	150A	82mm	5
OS.32175	175A	82mm	5
OS.32200	200A	82mm	5
OS.32225	225A	82mm	5
OS.32250	250A	82mm	5
OS.32275	275A	82mm	5
OS.32300	300A	82mm	5

GLASS FUSES

12/24V



Part number	A	L	
Packed in a small bag			
OS.30200	250mA	5,0 x 20,00	50
OS.30400	1A	5,0 x 20,00	50
OS.30500	2A	5,0 x 20,00	50
OS.30600	3A	5,0 x 20,00	50
OS.30800	5A	5,0 x 20,00	50
OS.31000	8A	5,0 x 20,00	50
OS.31100	10A	5,0 x 20,00	50
OS.31300	15A	5,0 x 20,00	50
OS.31400	20A	5,0 x 20,00	50
OS.33100	1A	6,3 x 32,00	50
OS.33200	2A	6,3 x 32,00	50
OS.33300	3A	6,3 x 32,00	50
OS.33400	5A	6,3 x 32,00	50
OS.33500	10A	6,3 x 32,00	50
OS.33600	15A	6,3 x 32,00	50
OS.33700	20A	6,3 x 32,00	50
OS.33800	25A	6,3 x 32,00	50
OS.33850	30A	6,3 x 32,00	50
OS.33900	35A	6,3 x 32,00	50

FUSES FOR M8 BATTERY TERMINAL

Max. 58V / M8: 20x23x11mm



Part number	A	L	
Packed in a small bag			
OS.00805	50A	M8	5
OS.00807	75A	M8	5
OS.00810	100A	M8	5
OS.00812	125A	M8	5
OS.00815	150A	M8	5
OS.00817	175A	M8	5
OS.00820	200A	M8	5
OS.00825	250A	M8	5
OS.00830	300A	M8	5

BNA STEATITE FUSES



Part number	A	L	
Packed in a bag			
VF.3142	5A	25 x 6	5000
VF.3149	8A	25 x 6	5000
VF.3152	10A	25 x 6	5000
VF.3172	16A	25 x 6	5000
VF.3182	25A	25 x 6	5000
VF.3210	40A	25 x 6	5000
Packed in box			
OS.00142	5A	25 x 6	100
OS.00149	8A	25 x 6	100
OS.00152	10A	25 x 6	100
OS.00172	16A	25 x 6	100
OS.00182	25A	25 x 6	100
OS.00210	40A	25 x 6	100
Packed in blister			
HF.610142	5A	25 x 6	10
HF.610149	8A	25 x 6	10
HF.610152	10A	25 x 6	10
HF.610172	16A	25 x 6	10
HF.610182	25A	25 x 6	10
HF.610210	40A	25 x 6	10

FEMALE FUSES - FLSF (AS)

Fuses for Japanese cars



Part number	A	L	
Packed in a small bag			
OS.70020	20A	15,2 x 22,2	10
OS.70030	30A	15,2 x 22,2	10
OS.70040	40A	15,2 x 22,2	10
OS.70050	50A	15,2 x 22,2	10
OS.70060	60A	15,2 x 22,2	10
OS.70080	80A	15,2 x 22,2	10
OS.70100	100A	15,2 x 22,2	10

MALE FUSES - FLM (B)

Fuses for Japanese cars



Part number	A	L	
Packed in a small bag			
OS.71030	30A	15,2 x 22,2	10
OS.71040	40A	15,2 x 22,2	10
OS.71050	50A	15,2 x 22,2	10
OS.71060	60A	15,2 x 22,2	10
OS.71080	80A	15,2 x 22,2	10
OS.71100	100A	15,2 x 22,2	10

FEMALE "MINI" FUSES - FLNMF (JCASE)

Fuses for Japanese cars



Part number	A	L	
Packed in a small bag			
OS.74020	20A	12,1 x 14	10
OS.74030	30A	12,1 x 14	10
OS.74040	40A	12,1 x 14	10
OS.74050	50A	12,1 x 14	10
OS.74060	60A	12,1 x 14	10
OS.74080	80A	12,1 x 14	10

"MINI" FEMALE FUSES - JLP LOW PROFILE

Fuses for Japanese cars



Part number	A	L	
Packed in a small bag			
OS.78020	20A	14,1 x 12	10
OS.78025	25A	14,1 x 12	10
OS.78030	30A	14,1 x 12	10
OS.78040	40A	14,1 x 12	10
OS.78050	50A	14,1 x 12	10
OS.78060	60A	14,1 x 12	10

MALE FUSES - FLL

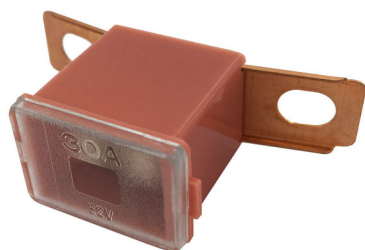
Fuses for Japanese cars / Distance between holes: 62mm



Part number	A	L	
Packed in a small bag			
OS.72030	30A	15,2 x 22,2	10
OS.72040	40A	15,2 x 22,2	10
OS.72050	50A	15,2 x 22,2	10
OS.72060	60A	15,2 x 22,2	10
OS.72080	80A	15,2 x 22,2	10
OS.72100	100A	15,2 x 22,2	10

MALE FUSES - FLSL

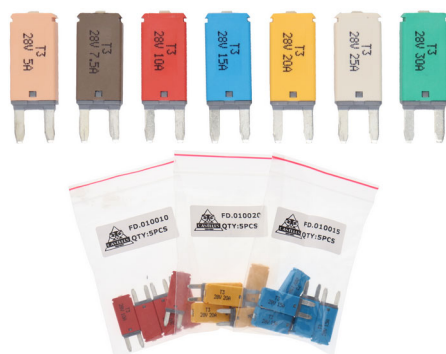
Fuses for Japanese cars | Distance between holes: 48mm



Part number	A	L	
Packed in a small bag			
OS.75020	20A	15,2 x 22,2	10
OS.75030	30A	15,2 x 22,2	10
OS.75040	40A	15,2 x 22,2	10
OS.75050	50A	15,2 x 22,2	10
OS.75060	60A	15,2 x 22,2	10
OS.75070	70A	15,2 x 22,2	10
OS.75080	80A	15,2 x 22,2	10
OS.75100	100A	15,2 x 22,2	10

"MINI" PLUG-IN CIRCUIT BREAKER FUSES

Type 3: manual reset / Max. 28V



Part number	A	L	
Packed in a small bag			
FD.010005	5A	35 x 12	5
FD.010007	7,5A	35 x 12	5
FD.010010	10A	35 x 12	5
FD.010015	15A	35 x 12	5
FD.010020	20A	35 x 12	5
FD.010025	25A	35 x 12	5
FD.010030	30A	35 x 12	5

"STANDARD" PLUG-IN CIRCUIT BREAKER FUSES

Type 3: manual reset / Max. 28V



Part number	A	L	
Packed in a small bag			
FD.000005	5A	30 x 21	5
FD.000006	6A	30 x 21	5
FD.000007	7,5A	30 x 21	5
FD.000010	10A	30 x 21	5
FD.000015	15A	30 x 21	5
FD.000020	20A	30 x 21	5
FD.000025	25A	30 x 21	5
FD.000030	30A	30 x 21	5

"MAXI" PLUG-IN CIRCUIT BREAKER FUSES

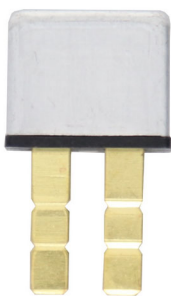
Type 3: manual reset / Max. 28V





Part number	A	L	
Packed in a small bag			
FD.020020	20A	36 x 29	5
FD.020030	30A	36 x 29	5
FD.020040	40A	36 x 29	5
FD.020050	50A	36 x 29	5

CIRCUIT BREAKER FUSES

Type 1: automatic reset / 6/12V



Part number	A		
Packed in a small bag			
FD.050005	5A	37 x 20	5
FD.050007	7,5A	37 x 20	5
FD.050010	10A	37 x 20	5
FD.050015	15A	37 x 20	5
FD.050020	20A	37 x 20	5
FD.050025	25A	37 x 20	5
FD.050030	30A	37 x 20	5

FUSE CLAMPS



Part number	Description
Packed in a bag	
05.00358	Yellow clamp for "Micro", "Mini" & "Standard" fuses
05.00368	Red clamp for "Standard" & glass fuses

BLISTER OF "MICRO LOW PROFILE" FUSES



Part number	Content	
Packed in blister		
HF.600303	"Micro Low Profile" fuses (10): 1x 2A, 1x 3A, 1x 4A, 1x 5A, 1x 7,5A, 1x 10A, 1x 15A, 1x 20A, 1x 25A, 1x 30A	1

BLISTERS OF "MINI" FUSES



Part number	Content	
Packed in blister		
HF.600612	"Mini" fuses (12): 1x 3A, 1x 5A, 2x 7,5A, 2x 10A, 2x 15A, 2x 20A, 1x 25A, 1x 30A	1
HF.600608	"Mini" fuses (8): 1x 3A, 1x 5A, 1x 7,5A, 1x 10A, 1x 15A, 1x 20A, 1x 25A, 1x 30A	1

BLISTER OF "MINI" FUSES WITH LED



Part number	Content	
Packed in blister		
HF.600301	"Mini" fuses with LED (8): 1x 3A, 1x 5A, 1x 7,5A, 1x 10A, 1x 15A, 1x 20A, 1x 25A, 1x 30A	1

BLISTERS OF "STANDARD" FUSES



Part number	Content	
Packed in blister		
HF.600406	"Standard" fuses (6): 1x 7,5A, 1x 10A, 1x 15A, 1x 20A, 1x 25A, 1x 30A	1
HF.600407	"Standard" fuses (8): 1x 3A, 1x 5A, 1x 7,5A, 1x 10A, 1x 15A, 1x 20A, 1x 25A, 1x 30A	1
HF.600408	"Standard" fuses (10): 1x 3A, 1x 5A, 1x 7,5A, 2x 10A, 1x 15A, 2x 20A, 1x 25A, 1x 30A	1
HF.600425	"Standard" fuses (25): 2x 3A, 3x 5A, 4x 7,5A, 5x 10A, 4x 15A, 3x 20A, 2x 25A, 2x 30A	1

BLISTER OF "STANDARD" FUSES WITH LED



Part number	Content	
Packed in blister		
HF.600302	"Standard" fuses with LED (8): 1x 3A, 1x 5A, 1x 7,5A, 1x 10A, 1x 15A, 1x 20A, 1x 25A, 1x 30A	1

BLISTER OF "MAXI" FUSES



Part number	Content	
Packed in blister		
HF.600991	"Maxi" fuses (5): 1x 30A, 1x 40A, 1x 50A, 1x 60A, 1x 70A	1

BLISTER OF "MIDI" FUSES



Part number	Content	
Packed in blister		
HF.600010	"Midi" fuses (8): 1x 30A, 1x 40A, 1x 50A, 1x 60A, 1x 70A, 1x 80A, 1x 100A, 1x 125A	1

BLISTER OF "MEGA" FUSES



Part number	Content	
Packed in blister		
HF.600007	"Mega" fuses (7): 1x 100A, 1x 125A, 1x 150A, 1x 175A, 1x 200A, 1x 225A, 1x 250A	1

BLISTER OF GLASS FUSES



Part number	Content	
Packed in blister		
HF.635800	Glass fuses (6): 1x 2A (5x20mm), 2x 10A (6,3x32mm), 2x 15A (6,3x32mm), 1x 25A (6,3x32mm)	1

BLISTERS OF STEATITE BNA FUSES



Part number	Content	
Packed in blister		
HF.600126	Steatite fuses (8): 1x 5A, 2x 8A, 2x 10A, 2x 16A, 2x 25A Glass fuses (1): 1x 2A (5x20mm)	1
HF.600128	Steatite fuses (25): 5x 5A, 5x 8A, 5x 10A, 5x 16A, 5x 25A	1

BLISTER OF FLMY FUSES



Part number	Content	
Packed in blister		
HF.650091	FLMY fuses (10): 1x 30A, 1x 40A, 1x 50A, 3x 60A, 3x 80A, 1x 100A	1

BLISTER OF FLNMF FUSES



Part number	Content	
Packed in blister		
HF.650093	FLNMF fuses (10): 1x 20A, 2x 30A, 3x 40A, 2x 50A, 1x 60A, 1x 80A	1

BLISTER OF FLSF FUSES



Part number	Content	
Packed in blister		
HF.650090	FLSF fuses (10): 1x 20A, 3x 30A, 2x 40A, 1x 50A, 3x 60A	1

BLISTER OF FLL FUSES



Part number	Content	
Packed in blister		
HF.650092	FLL fuses (10): 2x 30A, 2x 40A, 1x 50A, 2x 60A, 2x 80A, 1x 100A	1


BLISTER OF "MINI" CIRCUIT BREAKER FUSES



Part number	Content	
Packed in blister		
HF.600702	"Mini" circuit breaker fuses (7): 1x 5A, 1x 7,5A, 1x 10A, 1x 15A, 1x 20A, 1x 25A, 1x 30A	1


BLISTER OF "STANDARD" CIRCUIT BREAKER FUSES



Part number	Content	
Packed in blister		
HF.600701	"Standard" circuit breaker fuses (8): 1x 5A, 1x 6A, 1x 7,5A, 1x 10A, 1x 15A, 1x 20A, 1x 25A, 1x 30A	1

BLISTER OF "MAXI" CIRCUIT BREAKER FUSES




Part number	Content	
Packed in blister		
HF.600703	"Maxi" circuit breaker fuses (4): 1x 20A, 1x 30A, 1x 40A, 1x 50A	1

CASE WITH "MINI" FUSES

3A to 30A




Part number	Content	
Packed in case		
05.50080	"Mini" fuses (80): 5x 3A, 5x 5A, 15x 7,5A, 15x 10A, 15x 15A, 10x 20A, 10x 25A, 5x 30A	1

CASES WITH "STANDARD" FUSES

2A to 30A




Part number	Content	
Packed in case		
05.50014	"Standard" fuses (80): 5x 2A, 5x 3A, 5x 4A, 10x 5A, 10x 7,5A, 10x 10A, 10x 15A, 10x 20A, 10x 25A, 5x 30A	1
05.50100	"Standard" fuses (100): 10x 2A, 10x 3A, 10x 4A, 10x 5A, 10x 7,5A, 10x 10A, 10x 15A, 10x 20A, 10x 25A, 10x 30A	1
05.50018	"Standard" fuses (120): 15x 3A, 15x 5A, 15x 7,5A, 15x 10A, 15x 15A, 15x 20A, 15x 25A, 15x 30A	1
05.50016	"Standard" fuses (160): 20x 3A, 20x 5A, 20x 7,5A, 20x 10A, 20x 15A, 20x 20A, 20x 25A, 20x 30A	1

CASES WITH STEATITE FUSES

5A to 25A




Part number	Content	
Packed in case		
05.50050	Steatite fuses (200): 25x 5A, 50x 8A, 25x 10A, 50x 16A, 50x 25A	1
05.50004	Steatite fuses (400): 50x 5A, 150x 8A, 50x 10A, 100x 16A, 50x 25A	1

CASE WITH "MAXI" FUSES


20A to 100A



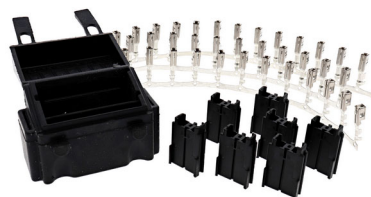
Part number	Content	
Packed in case		
05.90015	"Maxi" fuses (15): 1x 20A, 2x 30A, 3x 40A, 2x 50A, 3x 60A, 2x 70A, 1x 80A, 1x 100A	1


CASES WITH DIVERSE FUSES



Part number	Content	
Packed in case		
OS.50223	"Standard" fuses (80): 10x 3A, 10x 5A, 10x 7,5, 10x 15A, 10x 20A, 10x 25A, 10x 30A Steatite fuses (100): 25x 5A, 25x 8A, 25x 16A, 25x 25A Glass fuses (45): 25x 2A, 10x 10A, 10x 16A	1
OS.50224	"Standard" fuses (80): 20x 3A, 20x 5A, 20x 7,5A, 20x 10A, 20x 15A, 20x 20A, 20x 25A, 20x 30A Steatite fuses (200): 50x 5A, 50x 8A, 50x 16A, 50x 25A Glass fuses (90): 50x 2A, 20x 10A, 20x 16A	1
OS.50310	"Standard" fuses (185): 10x 3A, 15x 5A, 30x 7,5A, 30x 10A, 30x 15A, 30x 20A, 20x 25A, 20x 30A "Mini" fuses (125): 10x 5A, 15x 7,5A, 20x 10A, 20x 15A, 20x 20A, 20x 25A, 20x 30A	1
OS.50475	"Mini" fuses (200): 20x 5A, 20x 7,5A, 40x 10A, 40x 15A, 40x 20A, 20x 25A, 20x 30A "Standard" fuses (250): 25x 5A, 25x 7,5A, 50x 10A, 50x 15A, 50x 20A, 25x 25A, 25x 30A "Maxi" fuses (25): 2x 20A, 6x 30A, 6x 40A, 4x 50A, 4x 60A, 2x 70A, 1x 80A	1

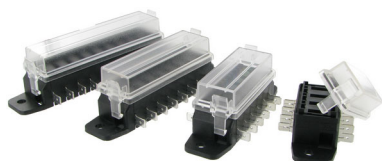
"MINI" FUSE BOX




Part number	Description	
Packed in box		
OS.00435	Box for 7 "Mini" plug-in fuses Comes with terminals and fuse holder Space for 3 spare fuses	1

"MINI" FUSE BOXES - SIDE TERMINALS

Supplied with terminals and cover




Part number	Description	
Packed in box		
OS.08504	Box for 4 "Mini" fuses	1
OS.08506	Box for 6 "Mini" fuses	1
OS.08508	Box for 8 "Mini" fuses	1
OS.08510	Box for 10 "Mini" fuses	1

"STANDARD" FUSE BOXES - TERMINALS BELOW

Supplied with terminals and cover




Part number	Description	
Packed in box		
OS.00540	Box for 4 "Standard" fuses	1
OS.00560	Box for 6 "Standard" fuses	1
OS.00580	Box for 8 "Standard" fuses	1
OS.00655	Box for 16 "Standard" fuses	1
Packed in blister		
HF.600540	Box for 4 "Standard" fuses	1
HF.600560	Box for 6 "Standard" fuses	1

"STANDARD" FUSE BOXES - SIDE TERMINALS

Supplied with terminals and cover




Part number	Description	
Packed in box		
OS.00610	Box for 4 "Standard" fuses	1
OS.00600	Box for 6 "Standard" fuses	1
OS.00590	Box for 8 "Standard" fuses	1

"STANDARD" FUSE BOXES - SIDE TERMINALS TYPE 260

Supplied with terminals and cover



Part number	Description	
Packed in box		
MR.260200	Box for 2 "Standard" fuses	1
MR.260201	Box for 4 "Standard" fuses	1
MR.260202	Box for 5 "Standard" fuses	1
MR.260203	Box for 6 "Standard" fuses	1

"STANDARD" FUSE MODULAR BOX - TYPE MERIT



Part number	Description	
Packed in box		
0S.00750	Box for 6 "Standard" fuses + cover	1
0S.00751	Connector 1 (1-2 / A-B)	1
0S.00752	Connector 2 (3-4 / C-D)	1
0S.00753	Connector 3 (5-6 / E-F)	1
0S.00754	Jumper	1

"STANDARD" FUSE BOXES + PICTORGAMS

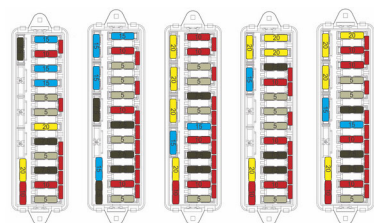
Terminals: 6,3mm - Max. 30A per circuit / 150A per box



Part number	Description	
Packed in box		
FD.100006	6 Tracks - With cover	1
FD.100008	8 Tracks - With cover	1
FD.100010	10 Tracks - With cover	1
FD.200006	6 Tracks + grounding - With cover	1
FD.200008	8 Tracks + grounding - With cover	1
FD.200010	10 Tracks + grounding - With cover	1

"STANDARD" FUSE BOXES FOR MF TRACTORS

Delivered with fuses



Part number	Description	
Packed in box		
MR.260150	Box with 15 fuses for MF tractors 260, 266, 276 & 286 "Standard" fuses: 4x 5A, 3x 7,5A, 3x 10A, 3x 15A, 2x 20A	1
MR.260151	Box with 17 fuses for MF tractors 3075, 3085 "Standard" fuses: 5x 5A, 5x 7,5A, 3x 10A, 4x 15A	1
MR.260152	Box with 18 fuses for MF tractors 3050, 3060 "Standard" fuses: 4x 5A, 3x 7,5A, 5x 10A, 2x 15A, 4x 20A	1
MR.260153	Box with 16 fuses for MF tractors 3095, 3105 "Standard" fuses: 4x 5A, 3x 7,5A, 4x 10A, 1x 15A, 4x 20A	1
MR.260154	Box with 17 fuses for MF tractors 3060 "Standard" fuses: 3x 5A, 3x 7,5A, 5x 10A, 2x 15A, 4x 20A	1

STEATITE FUSE BOXES

Supplied without 8A steatite fuses




Part number	Description	
Packed in box		
MR.260100	Box for 2 steatite fuses	1
MR.260101	Box for 4 steatite fuses	1
MR.260103	Box for 6 steatite fuses	1
MR.260104	Box for 8 steatite fuses	1
MR.260106	Box for 12 steatite fuses	1

"MIDI" & "MEGA" FUSES DISTRIBUTION BOX




Part number	Description	
Packed in box		
0S.08305	Distribution box for 1 "Mega" fuse (main) and 4 "Midi" fuses (secondary)	1

"STANDARD" FUSES DISTRIBUTION BOX

Part number	Description	
Packed in box		
0S.00504	4 Terminals Max. 100A (input) Max. 30A (per fuse)	1
0S.00506	6 Terminals Max. 100A (input) Max. 30A (per fuse)	1
0S.00510	10 Terminals Max. 100A (input) Max. 30A (per fuse)	1


"STANDARD" FUSES DISTRIBUTION BOX - WITH INDICATOR

Part number	Description	
Bulk		
0S.00504L	4 Terminals + LED indicator Max. 100A (entry) Max. 30A (per fuse)	1
0S.00506L	6 Terminals + LED indicator Max. 100A (entry) Max. 30A (per fuse)	1
0S.00510L	10 Terminals + LED indicator Max. 100A (entry) Max. 30A (per fuse)	1

"MICRO" WATERTIGHT FUSE-HOLDER

30A / 4mm²




Part number	Description	
Packed in box		
05.02012B	Watertight fuse-holder Comes with a 30cm cable (4mm ² - Max. 30A)	25

"MINI" FUSE-HOLDER

With cover / grill




Part number	Description	Terminals	
Packed in box			
05.01140	Can be secured together Comes without terminals	05.07209: 0,5 - 1,0 mm ² 05.07212: 1,5 - 2,5 mm ²	5
Packed in blister			
HF.611400	Blister 1x 05.01140 + 1x 05.00416 + 1x 05.00395 + 2x 05.07212		1
Part number	Description		
Packed in box			
05.00395	Fixing plate		
05.00416	Protection cover (grill)		

WATERPROOF "MINI" FUSE-HOLDER

30A / 4mm²



Part number	Description	
Packed in box		
05.34300	Watertight fuse-holder Delivered with a 30cm cable (4mm ² - Max. 30A)	25
Packed in blister		
HF.634300	Blister 1x 05.34300	1

WATERPROOF "MINI"& "STANDARD" FUSE-HOLDER

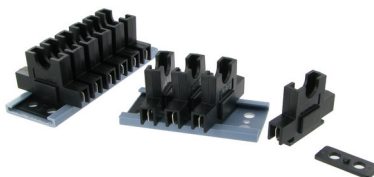
IP67 - 30A / 4mm²




Part number	Description	
Packed in box		
05.01012F	Transparent - For "Mini" and "Standard" fuses with or without diodes Max. 30A - 4.0 mm ² cables	5

"STANDARD" FUSE-HOLDER

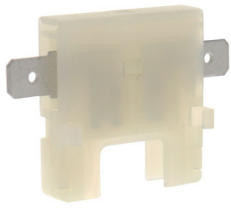
With fixing plates - Adaptable to MERIT




Part number	Description	
Packed in box		
05.00340	Two opposed terminals of 6,3mm	50
05.00340.4	Plate for 4x 05.00340 + 2 stops	50
05.00340.6	Plate for 6x 05.00340 + 2 stops	50
05.00340.8	Plate for 8x 05.00340 + 2 stops	50

"STANDARD" FUSE-HOLDER

Max. 30A - With fixing plate




Part number	Description	
Packed in box		
05.00341	Can be secured together - Delivered without terminals	25
Packed in blister		
HF.600341	Blister 1x 05.00341 + 1x terminal 10A VF.5430TR	1

"STANDARD" FUSE-HOLDER

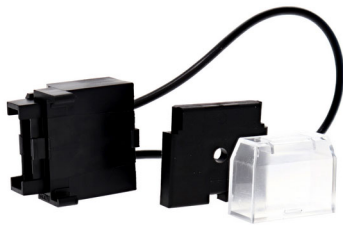
With fuse retainer




Part number	Description	
Packed in box		
05.00345	With fuse retainer tab	25

"STANDARD" WIRED FUSE-HOLDER

With fixing plate & protective cover




Part number	Description	
Packed in box		
05.00350	Can be secured together - Delivered with cable & terminals	25
Packed in box		
05.00352	Fixing plate	
05.00359	Protective cover	

"STANDARD" FUSE-HOLDER

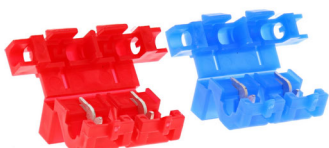
With fixing plate & protective cover




Part number	Description	
Packed in box		
05.00351	Can be secured together - Delivered with terminals	25
Packed in blister		
HF.600351	Blister 1x 05.00351 + 1x 05.00352 +1x 05.00359	1
Packed in box		
05.00352	Fixing plate	
05.00359	Protective cover	

"STANDARD" SELF-STRIPPING FUSE-HOLDER

1A to 20A




Part number	Description	
Packed in box		
05.02564	Red - Fuse of 1A to 20A - 0,5 to 1,0 mm ²	25
05.02565	Blue - Fuse of 1A to 20A - 1,5 to 2,5 mm ²	25

"STANDARD" FUSE-HOLDERS

With fixing plates & protective cover




Part number	Description	Terminals	
Packed in box			
05.04000	Black fuse-holder Can be secured together Delivered without terminals	05.07900: 1.0 - 2.5mm ² 05.07901: 2.5 - 6.0mm ²	25
05.04030	Red fuse-holder Can be secured together Delivered without terminals	05.07900: 1.0 - 2.5mm ² 05.07901: 2.5 - 6.0mm ²	25
05.04060	White fuse-holder Can be secured together Delivered without terminals	05.07900: 1.0 - 2.5mm ² 05.07901: 2.5 - 6.0mm ²	25
05.04070	Green fuse-holder Can be secured together Delivered without terminals	05.07900: 1.0 - 2.5mm ² 05.07901: 2.5 - 6.0mm ²	25
Part number			
Description			
Packed in box			
05.00415	Protective cover		
05.04300	Fixing plate (to screw)		
05.00949	Fixing plate		
05.00392	Fixing plate (snap fastening)		

"STANDARD" WATERPROOF FUSE-HOLDER

With fixing plates




Part number	Description	Terminals	
Packed in box			
05.01320	Watertight fuse-holder Can be secured together Delivered without terminals	05.07900: 1.0 - 2.5mm ² 05.07901: 2.5 - 6.0mm ²	5
Packed in blister			
HF.601320	Blister 1x 05.01320 + 1x 05.00392 +2x fuse 05.07900		1
HF.601321	Blister 1x 05.01320 + 1x 05.00392 +2x fuse 05.00701		1
Part number			
Description			
Packed in box			
05.04300	Fixing plate (to screw)		
05.00949	Fixing plate		
05.00392	Fixing plate (snap fastening)		

"STANDARD" WATERPROOF WIRED FUSE-HOLDER

30A / 4mm²




Part number	Description	
Packed in box		
05.01014	Watertight fuse-holder (Max. 30A) Delivered with cable of 4mm ² & 30cm	25
Packed in blister		
HF.601014	Blister 1x 05.01014	1

"STANDARD" WATERPROOF WIRED FUSE-HOLDER

30A / 4mm²



Part number	Description	
Packed in box		
05.34700	Watertight fuse-holder (Max. 30A) Delivered with cable of 4mm ² & 30cm	25
Packed in blister		
05.634700	Blister 1x 05.34700	1

"STANDARD" WATERPROOF FUSE-HOLDER

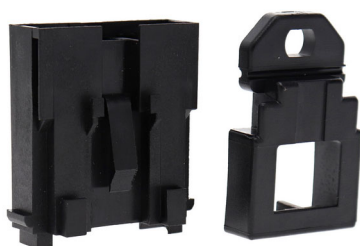
30A / 4mm²



Part number	Description	
Packed in box		
0S.1012B	Max. section: 4mm ² Max. 30A	25

"MAXI" FUSE-HOLDER

With fixing plate & protective cover



Part number	Description	Terminals	
Packed in box			
0S.03900	Can be fixed together Delivered without terminals	0S.07650 : 1,5 - 2,5 mm ² 0S.07660 : 4,0 - 6,0 mm ² 0S.07670 : 8,0 - 10,0 mm ² 0S.07671 : 16,0 mm ²	10

Packed in blister			
HF.603900	Blister 1x 0S.03900 + 1x 0S.03910 + 1x 0S.4300 + 2x terminals 0S.07660		1

Part number	Description	
Packed in box		
0S.03910	Cover	
0S.04300	Fixing plate (to screw)	
0S.00949	Fixing plate	
0S.00392	Fixing plate (snap fastening)	

"MAXI" WIRED FUSE-HOLDER

80A / 16mm²



Part number	Description	
Packed in box		
0S.01016	Watertight fuse-holder (Max. 80A) Delivered with cable of 16mm ² & 30cm 2 fastening holes	1

"MAXI" WATERTIGHT FUSE-HOLDER

With fixing plates & protective cover




Part number	Description	Terminals	
Packed in box			
0S.01005	Watertight fuse-holder Can be secured together Delivered with terminals 4-6mm ² (0S.07660)	0S.07650: 1,5 - 2,5 mm ² 0S.07660: 4,0 - 6,0 mm ² 0S.07670: 8,0 - 10,0 mm ² 0S.07671: 16,0 mm ²	1

Part number	Description	
Packed in box		
0S.03910	Cover	
0S.04300	Fixing plate (to screw)	
0S.00949	Fixing plate	
0S.00392	Fixing plate (snap fastening)	

"MAXI" WATERTIGHT WIRED FUSE-HOLDER

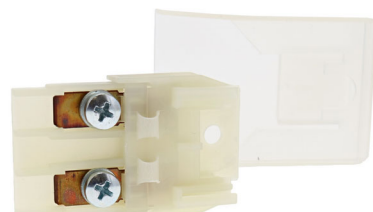
40A / 10mm²




Part number	Description	
Packed in box		
05.01108	Watertight fuse-holder (Max. 40A) Delivered with cable of 10mm ² & 30cm	5

"MAXI" FUSE-HOLDER

70A / 2,5 - 10mm²




Part number	Description	
Packed in box		
05.03960	Fuse-holder with cover (Max. 70A) For cable of 2,5 to 10mm ² Screw connection	1

"MIDI" / RIBBON FUSE-HOLDER

70A / 2,5 - 10mm²




Part number	Description	
Packed in box		
05.00360	Delivered with nut Cable Max. 6mm ² - Max. 100A	5
05.00362	Delivered with screws - For 2 fuses Cable Max. 6mm ²	5

"MIDI" FUSE-HOLDERS

M5 terminals - ANS-H




Part number	Description	
Packed in box		
05.00369	Delivered with nuts and ring	1
05.00379	With visualization window Delivered with nuts and rings 30A to 175A	1

"MIDI" WATERTIGHT FUSE-HOLDER


IP67



Part number	Description	
Packed in box		
05.00366	Max. 80A: 10mm ² Max. 100A: 16mm ² Max. 125A: 25mm ² Secured by 2 screws	1
Packed in blister		
HF.600366	1x 05.00366	1

"MEGA" FUSE-HOLDER



Part number	Description	Terminals	
Packed in box			
05.03800	Delivered with terminals Center-to-center distance: 52mm	05.08110: 10 - 20mm ² 05.08120: 25 - 35mm ²	1

"MEGA" FUSE-HOLDER

With transparent cover - 40A to 200A - PANL-B



Part number	Description	
Packed in box		
05.03870	Transparent-blue cover Delivered with nuts and rings M8 terminals Center-to-center distance: 52mm	1

RIBBON FUSE-HOLDER ANL

With transparent cover - 35A to 200A - ANM-B



Part number	Description	
Packed in box		
05.03880	Transparent-blue cover Center-to-center distance: 62mm	1

RIBBON FUSE-HOLDER ANL

35A to 200A - BANL-D



Part number	Description	
Packed in box		
05.03890	Center-to-center distance: 62mm	1

GLASS BAYONET FUSE-HOLDER



Part number	Description	
Packed in box		
MX.420002	Bayonet closure Delivered with mounted radio fuse 5x20mm (2A) Max. 5A	50

GLASS WIRED FUSE-HOLDER



Part number	Description	
Packed in box		
05.08240	Nylon Delivered with cable of 2mm ² & 20cm Mounted radio fuse (2A) Max. 5A	50
Packed in blister		
HF.608240	Blister 1x 05.08240	1

GLASS FUSE-HOLDERS

Max. 10A




Part number	Description	
Packed in box		
05.05020	For glass fuses 5x 20mm Flush mountable (dashboaurd, etc.)	25
05.06032	For glass fuses 6x 35mm Flush mountable (dashboard, etc.)	25

STEATITE FUSE-HOLDERS

With fuse



Part number	Description	
Packed in box		
MX.420008	With fuse 8A	50
MX.420015	With fuse 15A	50
MX.420025	With fuse 25A	50
Packed in blister		
HF.642008	Blister 2x MX.420008	1

WATERTIGHT FUSE-HOLDERS

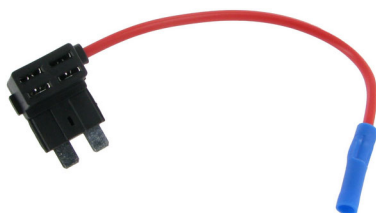
IP67 - "Mini" & "Standard"




Part number	Description	
Packed in box		
OS.34400	For "Mini" fuses Max. 30A - Cable 4.0mm ²	25
OS.34800	For "Standard" fuses Max. 30A - Cable 4.0mm ²	25

BYPASS WIRED FUSE-HOLDERS

"Mini" & "Standard"



Part number	Description	
Packed in box		
OS.09010	For "Mini" fuses - Max. 10A Cable of 1,5mm ² & 120mm + cylindrical terminal A circuit can be added	25
OS.09015	For "Standard" fuses - Max. 10A Cable of 1,5mm ² & 120mm + cylindrical terminal A circuit can be added	25

A		A		A		H		M	
AA.0003	17	AA.H712HDLL	5	AA.WY210	16	HF.100886	9	MR.260100	35
AA.0004	17	AA.H724	5	AA.WY230	15	HF.100912	7	MR.260101	35
AA.0005	17	AA.H724HDLL	5	AA.WY277	16	HF.101120	4	MR.260103	35
AA.0006	17	AA.H812	6	AA.XD15	12	HF.102112	10	MR.260104	35
AA.0007	17	AA.H885	9	AA.XD25	12	HF.102124	10	MR.260106	35
AA.0008	18	AA.H886	9	AA.XD35	12	HF.103120	4	MR.260150	35
AA.0009	5	AA.H912	7			HF.104120	5	MR.260151	35
AA.0010	4	AA.HY2112	10	F		HF.105120	6	MR.260152	35
AA.0011	5	AA.M2748	11	FD.000005	26	HF.107712	6	MR.260153	35
AA.0012	18	AA.M3748	11	FD.000006	26	HF.107724	6	MR.260154	35
AA.0021	17	AA.N621	13	FD.000007	26	HF.109005	9	MR.260200	34
AA.0024	17	AA.N627	13	FD.000010	26	HF.109006	10	MR.260201	34
AA.0027	17	AA.N628	13	FD.000015	26	HF.600007	29	MR.260202	34
AA.0028	18	AA.N629	13	FD.000020	26	HF.600010	29	MR.260203	34
AA.0062	18	AA.N635	13	FD.000025	26	HF.600100	19	MX.420002	42
AA.0064	18	AA.N807	13	FD.000030	26	HF.600110	19	MX.420008	43
AA.0100	18	AA.N842	13	FD.010005	26	HF.600120	19	MX.420015	43
AA.0180	18	AA.N864	13	FD.010007	26	HF.600126	29		
AA.9005	9	AA.N865	13	FD.010010	26	HF.600128	29		
AA.9006	10	AA.N866	13	FD.010015	26	HF.600130	19	O	
AA.B012	11	AA.P222	11	FD.010020	26	HF.600130	19	OS.00090	19
AA.B024	11	AA.S112	11	FD.010025	26	HF.600140	19	OS.00100	19
AA.B036	11	AA.S212	11	FD.010030	26	HF.600150	19	OS.00100D	20
AA.B048	11	AA.S212	11	FD.020020	26	HF.600160	19	OS.00101	19
AA.C712	6	AA.S312	11	FD.020030	26	HF.600170	19	OS.00101D	20
AA.C724	6	AA.S325	12	FD.020040	26	HF.600301	28	OS.00110	19
AA.F084	14	AA.S325HD	12	FD.020050	26	HF.600302	28	OS.00110D	20
AA.F486	12	AA.S325L	12	FD.050005	27	HF.600303	28	OS.00120	19
AA.F487	12	AA.S326	12	FD.050007	27	HF.600341	38	OS.00120D	20
AA.F487E	12	AA.S329	12	FD.050010	27	HF.600351	38	OS.00130	19
AA.F682	12	AA.S329L	12	FD.050015	27	HF.600366	41	OS.00130D	20
AA.F685	13	AA.S330	12	FD.050020	27	HF.600400	20	OS.00140	19
AA.F686	12	AA.S340	12	FD.050025	27	HF.600406	28	OS.00140D	20
AA.F984	14	AA.S350	12	FD.050030	27	HF.600407	28	OS.00142	24
AA.F985	14	AA.S354	12	FD.100006	35	HF.600408	28	OS.00149	24
AA.G410L	14	AA.S354HD	12	FD.100008	35	HF.600410	20	OS.00150	19
AA.G410T	14	AA.T518	13	FD.100010	35	HF.600420	20	OS.00150D	20
AA.G411T	14	AA.T527	13	FD.200006	35	HF.600425	28	OS.00152	24
AA.G411THD	14	AA.T530	13	FD.200008	35	HF.600430	20	OS.00160	19
AA.G413L	14	AA.T531	13	FD.200010	35	HF.600440	20	OS.00160D	20
AA.G413T	14	AA.T533	13			HF.600450	20	OS.00170	19
AA.G414T	14	AA.T534	13	H		HF.600460	20	OS.00170D	20
AA.G414THD	14	AA.T534HD	13	HF.100112	4	HF.600470	20	OS.00172	24
AA.G418T	14	AA.W1612	15	HF.100112BV	4	HF.600540	34	OS.00182	24
AA.G419T	14	AA.W200	15	HF.100124	4	HF.600560	34	OS.00210	24
AA.G420T	14	AA.W230	15	HF.100200	15	HF.600608	28	OS.00210	24
AA.G421T	14	AA.W270	16	HF.100312	4	HF.600612	28	OS.00296	22
AA.G450T	14	AA.W277	16	HF.100324	4	HF.600612	28	OS.00297	22
AA.H1012	7	AA.W396	15	HF.100325	12	HF.600701	31	OS.00298	22
AA.H1112	7	AA.W539	15	HF.100326	12	HF.600702	30	OS.00299	22
AA.H112	4	AA.W552	15	HF.100329	12	HF.600703	31	OS.00300	22
AA.H1120	4	AA.W554	15	HF.100330	12	HF.600900	21	OS.00301	22
AA.H1124	7	AA.W555	15	HF.100334	12	HF.600910	21	OS.00340	37
AA.H112BV	4	AA.W556	15	HF.100340	12	HF.600920	21	OS.00340.4	37
AA.H1212	8	AA.W562	15	HF.100350	12	HF.600930	21	OS.00340.6	37
AA.H124	4	AA.W562B	15	HF.100354	12	HF.600940	21	OS.00340.8	37
AA.H1312	8	AA.W562L	15	HF.100396	15	HF.600950	21	OS.00341	38
AA.H1512	8	AA.W564	15	HF.100410	14	HF.600960	21	OS.00345	38
AA.H1524	8	AA.W921	15	HF.100411	14	HF.600970	21	OS.00350	38
AA.H2112	10	AA.W942	15	HF.100412	5	HF.600991	29	OS.00351	38
AA.H2124	10	AA.W946LL	15	HF.100412BV	5	HF.601014	39	OS.00352	38
AA.H312	4	AA.W948	15	HF.100413	14	HF.601320	39	OS.00358	27
AA.H3120	4	AA.W968	15	HF.100414	14	HF.601321	39	OS.00359	38
AA.H3121	4	AA.WT140	16	HF.100424	5	HF.603900	40	OS.00360	41
AA.H324	4	AA.WT143	16	HF.100512	6	HF.608240	42	OS.00362	41
AA.H336	4	AA.WT144	16	HF.100533	13	HF.610142	24	OS.00366	41
AA.H348	4	AA.WT145	16	HF.100534	13	HF.610149	24	OS.00368	27
AA.H348.60	4	AA.WT146	16	HF.100552	15	HF.610152	24	OS.00369	41
AA.H412	5	AA.WT147	16	HF.100554	15	HF.610172	24	OS.00375TR	20
AA.H412BV	5	AA.WT146	16	HF.100555	15	HF.610182	24	OS.00379	41
AA.H424	5	AA.WT147	16	HF.100562	15	HF.610210	24	OS.00380TR	20
AA.H424HDLL	5	AA.WT245	16	HF.100562B	15	HF.611400	37	OS.00390TR	20
AA.H512	6	AA.WT565	16	HF.100564	15	HF.634300	37	OS.00392	39,
AA.H5120	6	AA.WT567	16	HF.100565	16	HF.635800	29		40
AA.H612	10	AA.WT597	16	HF.100627	13	HF.642008	43	OS.00395	37
AA.H712	5	AA.WT599	16	HF.100628	13	HF.650090	30	OS.00400D	21
AA.H712BV	5	AA.WT600	16	HF.100635	13	HF.650091	30	OS.00400TR	20
		AA.WT602	16	HF.100712	5	HF.650092	30	OS.00401TR	20
		AA.WT603	16	HF.100712BV	5	HF.650093	30	OS.00410D	21
		AA.WT604	16	HF.100724	5			OS.00410TR	20
		AA.WT605	16	HF.100885	9				

O

OS.00415	39
OS.00416	37
OS.00420D	21
OS.00420TR	20
OS.00430D	21
OS.00430TR	20
OS.00435	34
OS.00440D	21
OS.00440TR	20
OS.00450D	21
OS.00450TR	20
OS.00460D	21
OS.00460TR	20
OS.00470D	21
OS.00470TR	20
OS.00504	36
OS.00504L	36
OS.00506	36
OS.00506L	36
OS.00510	36
OS.00510L	36
OS.00540	34
OS.00560	34
OS.00580	34
OS.00590	34
OS.00600	34
OS.00610	34
OS.00655	34
OS.00750	35
OS.00751	35
OS.00752	35
OS.00753	35
OS.00754	35
OS.00805	24
OS.00807	24
OS.00810	24
OS.00812	24
OS.00815	24
OS.00817	24
OS.00820	24
OS.00825	24
OS.00830	24
OS.00900	21
OS.00910	21
OS.00920	21
OS.00925C	22
OS.00930	21
OS.00930C	22
OS.00935C	22
OS.00940	21
OS.00940C	22
OS.00949	39,
	40
OS.00950	21
OS.00950C	22
OS.00960	21
OS.00960C	22
OS.00970	21
OS.01005	40
OS.01012F	37
OS.01014	39
OS.01016	40
OS.01108	41
OS.01140	37
OS.01320	39
OS.02012B	37
OS.02564	38
OS.02565	38
OS.03800	41
OS.03870	42
OS.03880	42
OS.03890	42
OS.03900	40
OS.03910	40
OS.03960	41
OS.04000	39
OS.04030	39
OS.04060	39

O

OS.04070	39
OS.04300	39,
	40
OS.05020	42
OS.06032	42
OS.06210	19
OS.06220	19
OS.06230	19
OS.06240	19
OS.06250	19
OS.06260	19
OS.06270	19
OS.06280	19
OS.06290	19
OS.06302	19
OS.08240	42
OS.08305	35
OS.08504	34
OS.08506	34
OS.08508	34
OS.08510	34
OS.09010	43
OS.09015	43
OS.1012B	40
OS.11100	22
OS.11125	22
OS.11150	22
OS.11175	22
OS.11200	22
OS.11225	22
OS.11250	22
OS.11300	22
OS.11400	22
OS.11500	22
OS.20300	22
OS.20400	22
OS.20500	22
OS.20600	22
OS.20700	22
OS.20800	22
OS.21000	22
OS.21250	22
OS.30200	23
OS.30400	23
OS.30500	23
OS.30600	23
OS.30800	23
OS.31000	23
OS.31100	23
OS.31300	23
OS.31400	23
OS.32060	23
OS.32080	23
OS.32100	23
OS.32125	23
OS.32130	23
OS.32150	23
OS.32175	23
OS.32200	23
OS.32225	23
OS.32250	23
OS.32275	23
OS.32300	23
OS.33100	23
OS.33200	23
OS.33300	23
OS.33400	23
OS.33500	23
OS.33600	23
OS.33700	23
OS.33800	23
OS.33850	23
OS.33900	23
OS.34300	37
OS.34400	43
OS.34700	39
OS.34800	43
OS.50004	32

O

OS.50014	32
OS.50016	32
OS.50018	32
OS.50050	32
OS.50080	32
OS.50100	32
OS.50223	33
OS.50224	33
OS.50310	33
OS.50475	33
OS.634700	39
OS.70020	24
OS.70030	24
OS.70040	24
OS.70050	24
OS.70060	24
OS.70080	24
OS.70100	24
OS.71030	25
OS.71040	25
OS.71050	25
OS.71060	25
OS.71080	25
OS.71100	25
OS.72030	25
OS.72040	25
OS.72050	25
OS.72060	25
OS.72080	25
OS.72100	25
OS.74020	25
OS.74030	25
OS.74040	25
OS.74050	25
OS.74060	25
OS.74080	25
OS.75020	26
OS.75030	26
OS.75040	26
OS.75050	26
OS.75060	26
OS.75070	26
OS.75080	26
OS.75100	26
OS.78020	25
OS.78025	25
OS.78030	25
OS.78040	25
OS.78050	25
OS.78060	25
OS.90015	32

V

VF.7170	19
VF.9900	21
VF.9910	21
VF.9920	21
VF.9930	21
VF.9940	21
VF.9950	21
VF.9960	21
VF.9970	21

V

VF.3142	24
VF.3149	24
VF.3152	24
VF.3172	24
VF.3182	24
VF.3210	24
VF.5375TR	20
VF.5390TR	20
VF.5400TR	20
VF.5401TR	20
VF.5410TR	20
VF.5420TR	20
VF.5430TR	20
VF.5440TR	20
VF.5450TR	20
VF.5460TR	20
VF.5470TR	20
VF.7090	19
VF.7100	19
VF.7101	19
VF.7110	19
VF.7120	19
VF.7130	19
VF.7140	19
VF.7150	19
VF.7160	19


WWW.CASTEELS.FR


WWW.CASTEELS.FR

CASTEELS France sàrl

ZA du Champ de Courses
76560 Doudeville - FRANCE


EXPORT EUROPE & USA


 +32 (0)2 648 35 17

 +32 (0)2 648 65 95

 info@casteels.fr

FRANCE & DOM/TOM

 +33 (0)2 32 70 64 02

 +33 (0)2 32 70 64 20

 contact@casteels.fr