

Superior Arm and Pad Profile Designed to Eliminate Damage



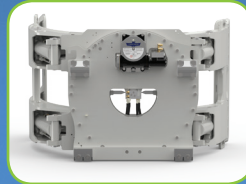
Shown with optional split long arms



Profiled arms and pads for narrow aisles and kniving between rolls



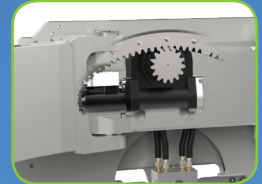
High-flow revolving connection provides equal arm movement and low energy drain



Excellent visibility facilitates precise second tier roll handling



Streamlined pad with field serviceable wear tiles extends pad life




High-torque, heavy-duty rotator drivetrain for fast and continuous rotation

APPLICATIONS

Suitable for mills, converters, stevedores and shippers of large rolls of packaging paper of all types. It is also the base clamp for the jumbo tissue roll industry.

FEATURES

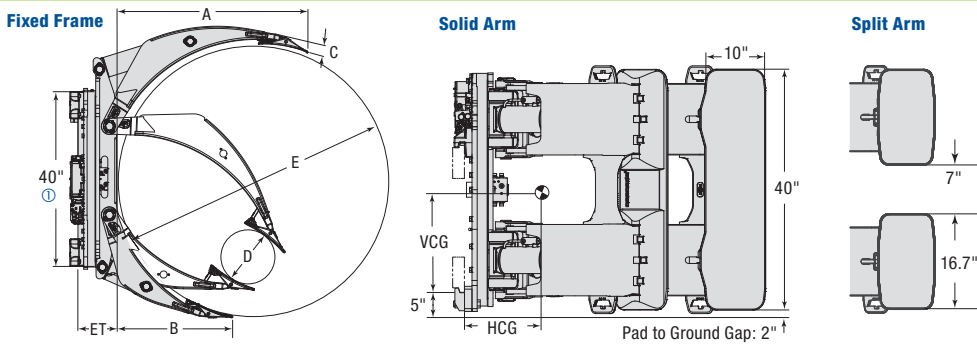
- Highly durable arm structure and pad profile that eliminates damage from kniving between rolls in containers, trailers, and railcars.
- Pad protectors reduce wear to the contact pads.
- Pad alignment system using dual spring technology holds the contact pads in proper alignment.
- A variety of arm styles for flexibility in any application.
- Short arm positioning to optimize small roll handling.
- Excellent visibility through arms.

 High-flow revolving connection provides fast arm speed and less energy consumption.

- Quick 360° rotation speed with 15-tooth pinion.
- High-torque, heavy-duty rotator drivetrain proven to provide superior durability.
- Can be configured with 2, 3 or 4 pads.
- High-strength castings provide structural life needed for robust applications.

OPTIONS

- Wide range of contact pads for every type of paper.
- Split or solid arm.
- Fixed short arm for applications with roll sizes on the high side of the clamp's capacity range.
- 180° Stop Group.
- AFC - Adaptive Force Control.
- HFC - Hydraulic Force Control.
- ERC - Electronic Rotational Control.



360° Rotation

Catalog Order No.	Capacity@ Load Center		Roll Range D-E	Mtg. Class	Mtg. Angle	Weight		Effective Thickness ET	Horizontal Ctr. of Gravity HCG	Vertical Ctr. of Gravity VCG	Long Arm Length A	Short Arm Length B	Long Arm Thickness C
	lbs@in	kg@mm				lbs	kg						
Fixed Frame/Positioned Short Arm/Solid Long Arm													
42H-RCP-4A-0015	9,920@25.5"	4,500@650	8"-51"	IV	0°	2,463	1,117	8.5"	11.2"	17.1"	35.4"	23.0"	1.8"
42H-RCP-4A-0020	9,600@27.5"	4,350@700	8"-55"	IV	0°	2,571	1,166	8.5"	11.7"	17.1"	37.5"	24.7"	1.8"
42H-RCP-4A-0025	9,260@30"	4,200@762	8"-60"	IV	0°	2,595	1,177	8.5"	12.4"	17.1"	40.0"	27.0"	1.8"
42H-RCP-4A-0030	8,820@31.5"	4,000@800	8"-63"	IV	0°	2,631	1,193	8.5"	12.8"	17.1"	41.6"	28.4"	1.9"
42H-RCP-4A-0035	7,720@36"	3,500@915	8"-72"	IV	0°	2,755	1,250	8.5"	14.0"	17.1"	46.4"	32.6"	1.8"
42H-RCP-4A-0040	6,610@42.5"	3,000@1,075	8"-85"	IV	0°	2,984	1,354	8.5"	15.6"	17.1"	53.1"	38.3"	1.8"
42H-RCP-4A-0065	9,920@25.5"	4,500@650	8"-51"	IV	2°	2,431	1,103	7.7"	10.5"	17.3"	35.4"	23.0"	1.8"
42H-RCP-4A-0070	9,600@27.5"	4,350@700	8"-55"	IV	2°	2,539	1,152	7.7"	11.1"	17.3"	37.5"	24.7"	1.8"
42H-RCP-4A-0075	9,260@30"	4,200@762	8"-60"	IV	2°	2,563	1,163	7.7"	11.8"	17.3"	40.0"	27.0"	1.8"
42H-RCP-4A-0080	8,820@31.5"	4,000@800	8"-63"	IV	2°	2,599	1,179	7.7"	12.2"	17.3"	41.6"	28.4"	1.9"
42H-RCP-4A-0085	7,720@36"	3,500@915	8"-72"	IV	2°	2,723	1,235	7.7"	13.4"	17.3"	46.4"	32.6"	1.8"
42H-RCP-4A-0090	6,610@42.5"	3,000@1,075	8"-85"	IV	2°	2,952	1,339	7.7"	15.0"	17.2"	53.1"	38.3"	1.8"
Fixed Frame/Positioned Short Arm/Split Long Arm													
42H-RDP-4A-0015	9,920@25.5"	4,500@650	8"-51"	IV	0°	2,429	1,102	8.5"	10.9"	17.1"	35.4"	23.0"	1.8"
42H-RDP-4A-0020	9,600@27.5"	4,350@700	8"-55"	IV	0°	2,537	1,151	8.5"	11.4"	17.1"	37.5"	24.7"	1.8"
42H-RDP-4A-0025	9,260@30"	4,200@762	8"-60"	IV	0°	2,560	1,161	8.5"	12.0"	17.1"	40.0"	27.0"	1.8"
42H-RDP-4A-0030	8,820@31.5"	4,000@800	8"-63"	IV	0°	2,596	1,178	8.5"	12.4"	17.1"	41.6"	28.4"	1.9"
42H-RDP-4A-0035	7,720@36"	3,500@915	8"-72"	IV	0°	2,809	1,274	8.5"	14.4"	17.1"	46.4"	32.6"	1.8"
42H-RDP-4A-0040	6,610@42.5"	3,000@1,075	8"-85"	IV	0°	2,950	1,338	8.5"	15.1"	17.1"	53.1"	38.3"	1.8"
42H-RDP-4A-0065	9,920@25.5"	4,500@650	8"-51"	IV	2°	2,397	1,087	7.7"	10.2"	17.3"	35.4"	23.0"	1.8"
42H-RDP-4A-0070	9,600@27.5"	4,350@700	8"-55"	IV	2°	2,505	1,136	7.7"	10.8"	17.3"	37.5"	24.7"	1.8"
42H-RDP-4A-0075	9,260@30"	4,200@762	8"-60"	IV	2°	2,529	1,147	7.7"	11.4"	17.3"	40.0"	27.0"	1.8"
42H-RDP-4A-0080	8,820@31.5"	4,000@800	8"-63"	IV	2°	2,564	1,163	7.7"	11.8"	17.3"	41.6"	28.4"	1.9"
42H-RDP-4A-0085	7,720@36"	3,500@915	8"-72"	IV	2°	2,777	1,260	7.7"	13.8"	17.2"	46.4"	32.6"	1.8"
42H-RDP-4A-0090	6,610@42.5"	3,000@1,075	8"-85"	IV	2°	2,918	1,323	7.7"	14.5"	17.2"	53.1"	38.3"	1.8"

- ① Dimension is the widest spread of either upper or lower hook.
- ▶ All models can be configured with a fixed short arm. Consult Cascade for model number and specifications.
- ▶ 0° mounting is suitable for general applications with primarily vertical roll handling. 0° mounting must be used when stacking above 220".

- ▶ Rubber or Urethane coatings increase the pad thickness. For frequent bilge operations, a 2° mounting is recommended.
- ▶ Model shown is with Herringbone contact pads. Other pad options are available, consult Cascade.
- ▶ Auxiliary pressure protection is required for the rotator section unless the option is specified at the time of the order. Contact your Cascade representative for details.

HYDRAULIC FLOW & PRESSURE

Model	Maximum Clamp & Rotate Operating Pressure (psi)	Maximum Deliverable Truck Pressure (psi)	Clamp Circuit Pressure Protected Yes/No?	Rotator Circuit Pressure Protected Yes/No?	Number of Functions	Flow Clamp Min-Rec-Max Function 1 / gpm	ROTATOR SPECIFICATIONS			
							Model	RPM	Recommended Flow GPM	Torque in-lbs@2300 psi
42H	2300	2300	No	No	2	10 - 15 - 20	42H	3.9	15	118,000

Cascade Corporation • PO Box 20187 • Portland, OR 97294-0187 • USA • 800 CASCADE (227.2233) • Tel 503.669.6257 • Fax 800.693.3768 • Fax 503.669.6367
 Cascade Canada Ltd. • 5570 Timberlea Blvd. • Mississauga, Ontario L4W 4M6 • Canada • 800.380.2272 • Tel 905.629.7777 • Fax 905.629.7785