

DIAGNOSTIC

Fixed Curve Diagnostic Catheters

Curve Reference..... 1
 4 F Catheters..... 2
 5 F Catheters..... 5
 6 F Catheters..... 12
 7 F Catheters..... 23

Steerable Diagnostic Catheters

Curve Reference..... 24
 4 F Catheters..... 30
 5 F Catheters..... 32
 6 F Catheters..... 39
 7 F Catheters..... 46
 Advisor™ HD Grid Mapping Catheter, Sensor Enabled™..... 57

Circular Mapping Catheters

Fixed Radius Circular Mapping Catheters..... 59
 High Density Circular Mapping Catheters..... 61
 Variable Radius Circular Mapping Catheters..... 63

Internal Cardioversion Products

Inquiry™ Cardioversion EP Catheters..... 69
 Cardioversion Cables..... 72

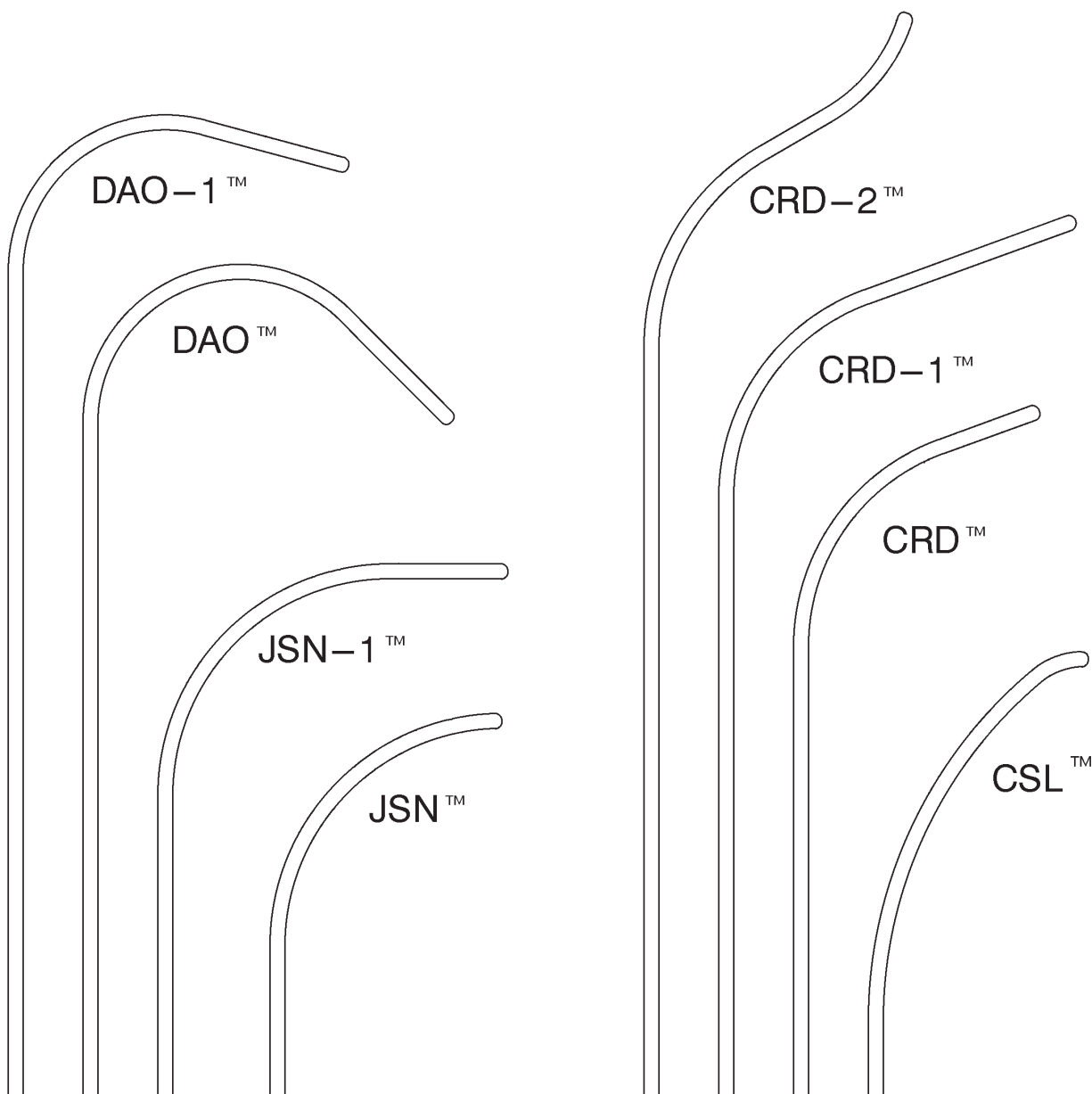
Connecting Cables and Adapters

Sensor Enabled™ Diagnostic Connecting Cable..... 73
 Inquiry™ Diagnostic Connecting Cables..... 74
 Fixed and Steerable Diagnostic Connecting Cables..... 75
 Supreme™ Diagnostic Connecting Cables..... 76
 Cardioversion Connecting Cables..... 77

Response™ and Supreme™ Electrophysiology Catheters Curve Reference

FIXED CURVE DIAGNOSTIC

- Electrode spacing is measured edge to edge and reported in millimeters (mm)



Product Highlights

- Torque control and pushability
- Multiple curve options for ease of placement
- Convenient cable alleviates tedious connections
- 1 mm band electrodes

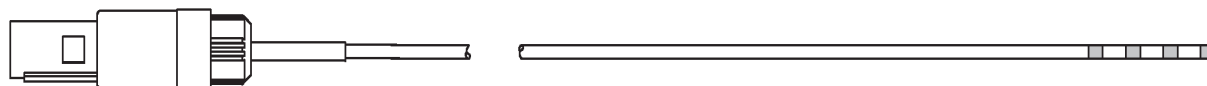
Ordering Information

4 F Quadripolar Catheter (1 unit per box)

REORDER NUMBER	FRENCH SIZE	ELECTRODE SPACING (MM)	CURVE TYPE	USEABLE LENGTH (CM)
401891	4	5-5-5	CRD™	120
401890	4	5-5-5	JSN™	120
401892	4	5-5-5	DAO™	120
401994	4	2-5-2	JSN™	120
401996	4	2-5-2	CRD™	120
402012	4	5-5-5	CRD-2™	120

Required Catheter Connecting Cables — Page 78

REORDER NUMBER	COLOR	CONNECTS THESE CATHETERS	USEABLE LENGTH (CM)
401980	Black	Bipolar and Quadripolar	150
401981	Blue	Bipolar and Quadripolar	150
401982	Grey	Bipolar and Quadripolar	150
401983	Red	Bipolar and Quadripolar	150



Supreme™ Electrophysiology Catheters

Hexapolar

4 F

FIXED CURVE DIAGNOSTIC

Product Highlights

- Torque control and pushability
- Convenient cable alleviates tedious connections
- 1 mm band electrodes

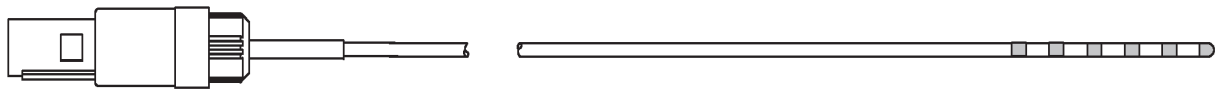
Ordering Information

4 F Hexapolar Catheter (1 unit per box)

REORDER NUMBER	FRENCH SIZE	ELECTRODE SPACING (MM)	CURVE TYPE	USEABLE LENGTH (CM)
401966	4	5-5-5	CRD-2™	120
401967	4	2-2-2	CRD-2™	120

Required Catheter Connecting Cable — Page 78

REORDER NUMBER	COLOR	DESCRIPTION	LENGTH (CM)
401984	Black	Hexapolar	150



Product Highlights

- Torque control and pushability
- Convenient cable alleviates tedious connections
- Distal electrode 2 mm from catheter tip
- 1 mm band electrodes

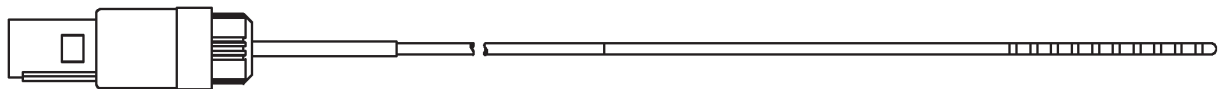
Ordering Information

4 F Decapolar Catheter (1 unit per box)

REORDER NUMBER	FRENCH SIZE	ELECTRODE SPACING (MM)	DISTAL ELECTRODE FROM CATHETER TIP (MM)	CURVE TYPE	USEABLE LENGTH (CM)
401893	4	2-8-2	2	CSL™	65
401979	4	2-5-2	2	CSL™	65

Required Catheter Connecting Cables – Page 78

REORDER NUMBER	COLOR	CONNECTS THESE CATHETERS	USEABLE LENGTH (CM)
401985	Black	Octapolar and Decapolar	150
401986	Black	Octapolar and Decapolar	210



Product Highlights

- Torque control and pushability
- Multiple curve options for ease of placement
- Convenient cable alleviates tedious connections
- 1 mm band electrodes

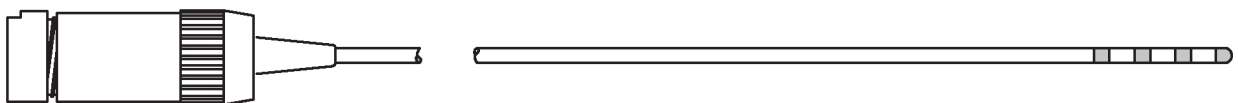
Ordering Information

5 F Quadripolar Catheter (1 unit per box)

REORDER NUMBER	FRENCH SIZE	ELECTRODE SPACING (MM)	CURVE TYPE	USEABLE LENGTH (CM)
401206	5	10	CRD™	120
401207	5	10	JSN™	120
401222	5	5	CRD™	120
401223	5	5	JSN™	120

Required Catheter Connecting Cables – Page 77

REORDER NUMBER	COLOR	CONNECTS THESE CATHETERS	USEABLE LENGTH (CM)
401970	Black	Bipolar and Quadripolar	150
401973	Blue	Bipolar and Quadripolar	150
401974	Grey	Bipolar and Quadripolar	150
401975	Red	Bipolar and Quadripolar	150



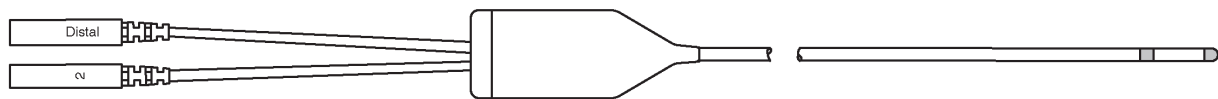
Product Highlights

- Torque control and pushability
- Fixed shrouded 2 mm pin connector leads with clearly labeled terminal pins

Ordering Information

Bipolar Catheter with Connector Leads (1 unit per box)

REORDER NUMBER	FRENCH SIZE	ELECTRODE SPACING (MM)	CURVE TYPE	USEABLE LENGTH (CM)
401957	5	10	CRD™	120



Supreme™ Electrophysiology Catheter

Quadripolar

5 F

FIXED CURVE DIAGNOSTIC

Product Highlights

- Torque control and pushability
- Multiple curve options for ease of placement
- Convenient cable alleviates tedious connections
- 1 mm band electrodes

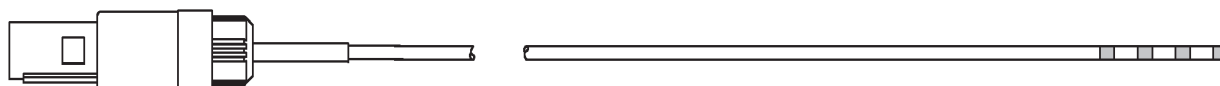
Ordering Information

5 F Quadripolar Catheter (1 unit per box)

REORDER NUMBER	FRENCH SIZE	ELECTRODE SPACING (MM)	CURVE TYPE	USEABLE LENGTH (CM)
401433	5	10	CRD™	120
401859	5	10	CRD-2™	120
401435	5	10	JSN™	120
401441	5	5	CRD™	120
401860	5	5	CRD-2™	120
401443	5	5	JSN™	120
401444	5	5	DAO™	120
401448	5	2-5-2	CRD™	120
401450	5	2-5-2	JSN™	120
401468	5	2-5-2	DAO-1™	120

Required Catheter Connecting Cables — Page 78

REORDER NUMBER	COLOR	CONNECTS THESE CATHETERS	USEABLE LENGTH (CM)
401980	Black	Bipolar and Quadripolar	150
401981	Blue	Bipolar and Quadripolar	150
401982	Grey	Bipolar and Quadripolar	150
401983	Red	Bipolar and Quadripolar	150



Product Highlights

- Torque control and pushability
- Convenient cable alleviates tedious connections
- 1 mm band electrodes

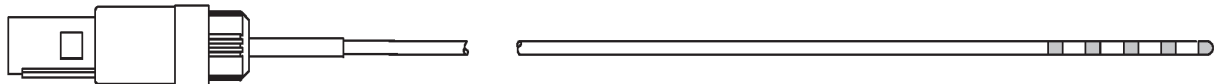
Ordering Information

Pentapolar Catheter (1 unit per box)

REORDER NUMBER	FRENCH SIZE	ELECTRODE SPACING (MM)	CURVE TYPE	USEABLE LENGTH (CM)
401960	5	5-5-5-175	JSN™	120

Required Catheter Connecting Cable – Page 78

REORDER NUMBER	COLOR	DESCRIPTION	LENGTH (CM)
401984	Black	Hexapolar	150



Supreme™ Electrophysiology Catheters

Hexapolar

5 F

FIXED CURVE DIAGNOSTIC

Product Highlights

- Torque control and pushability
- Convenient cable alleviates tedious connections
- 1 mm band electrodes

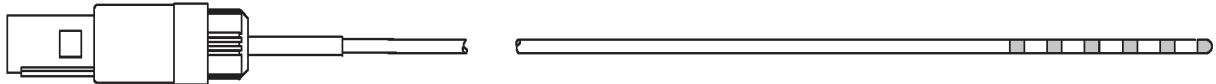
Ordering Information

Hexapolar Catheter (1 unit per box)

REORDER NUMBER	FRENCH SIZE	ELECTRODE SPACING (MM)	CURVE TYPE	USEABLE LENGTH (CM)
402008	5	2-5-2	CRD-2™	120
402009	5	5-5-5	CRD-2™	120

Required Catheter Connecting Cable – Page 78

REORDER NUMBER	COLOR	DESCRIPTION	LENGTH (CM)
401984	Black	Hexapolar	150



Product Highlights

- Electrode spacing for recording unipolar signals
- Torque control and pushability
- Convenient cable alleviates tedious connections
- 1 mm band electrodes

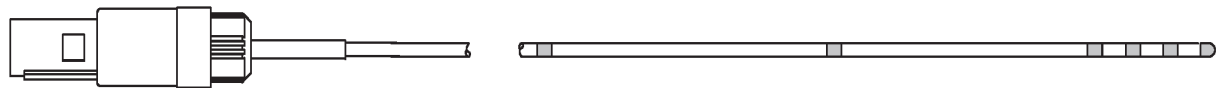
Ordering Information

Hexapolar Catheter (1 unit per box)

REORDER NUMBER	FRENCH SIZE	ELECTRODE SPACING (MM)	CURVE TYPE	USEABLE LENGTH (CM)
401878	5	5-5-5-175-175	JSN™	120

Required Catheter Connecting Cable – Page 78

REORDER NUMBER	COLOR	DESCRIPTION	LENGTH (CM)
401984	Black	Hexapolar	150



Supreme™ Electrophysiology Catheters

Decapolar CSL™

5 F

FIXED CURVE DIAGNOSTIC

Product Highlights

- Torque control and pushability
- Variable electrode spacing for optimal pacing and recording
- CSL™ curve for ease of placement in the coronary sinus
- Convenient cable alleviates tedious connections
- 1 mm band electrodes

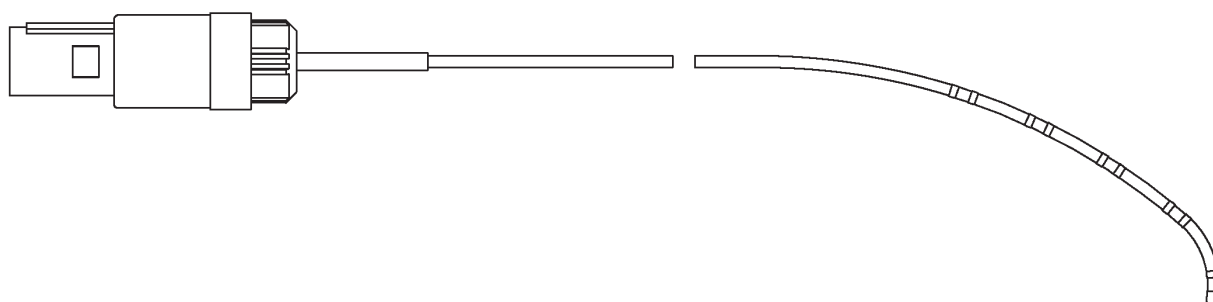
Ordering Information

5 F Decapolar CSL™ Catheter (1 unit per box)

REORDER NUMBER	FRENCH SIZE	ELECTRODE SPACING (MM)	TIP ELECTRODE (MM)	CURVE TYPE	USEABLE LENGTH (CM)
401863	5	2-8-2	2	CSL™	120
401864	5	2-8-2	2	CSL™	65
401865	5	5-5-5	2	CSL™	120

Required Catheter Connecting Cables — Page 78

REORDER NUMBER	COLOR	CONNECTS THESE CATHETERS	USEABLE LENGTH (CM)
401985	Black	Octapolar and Decapolar	150
401986	Black	Octapolar and Decapolar	210



Product Highlights

- Torque control and pushability
- Multiple curve options for ease of placement
- Convenient cable alleviates tedious connections
- 1 mm band electrodes

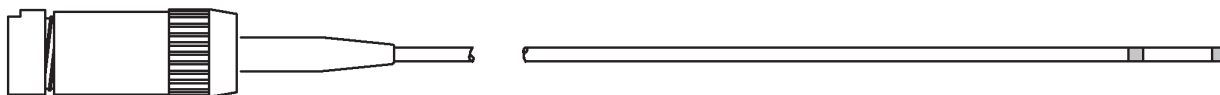
Ordering Information

6 F Bipolar Catheter (1 unit per box)

REORDER NUMBER	FRENCH SIZE	ELECTRODE SPACING (MM)	CURVE TYPE	USEABLE LENGTH (CM)
401317	6	10	CRD™	120

Required Catheter Connecting Cables – Page 77

REORDER NUMBER	COLOR	CONNECTS THESE CATHETERS	USEABLE LENGTH (CM)
401970	Black	Bipolar and Quadripolar	150
401973	Blue	Bipolar and Quadripolar	150
401974	Grey	Bipolar and Quadripolar	150
401975	Red	Bipolar and Quadripolar	150



Product Highlights

- Torque control and pushability
- Multiple curve options for ease of placement
- Convenient cable alleviates tedious connections
- 1 mm band electrodes

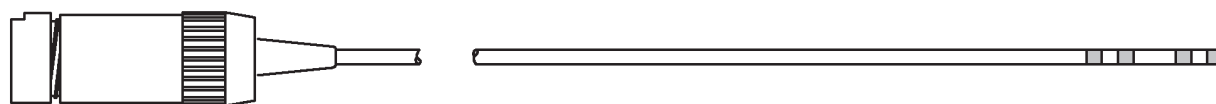
Ordering Information

6 F Quadripolar Catheter (1 unit per box)

REORDER NUMBER	FRENCH SIZE	ELECTRODE SPACING (MM)	CURVE TYPE	USEABLE LENGTH (CM)
401210	6	10	CRD™	120
401211	6	10	JSN™	120
401212	6	10	DAO™	120
401226	6	5	CRD™	120
401227	6	5	JSN™	120
401357	6	5	JSN-1™	120
401228	6	5	DAO™	120
401260	6	2-5-2	CRD™	120
401261	6	2-5-2	JSN™	120

Required Catheter Connecting Cables – Page 77

REORDER NUMBER	COLOR	CONNECTS THESE CATHETERS	USEABLE LENGTH (CM)
401970	Black	Bipolar and Quadripolar	150
401973	Blue	Bipolar and Quadripolar	150
401974	Grey	Bipolar and Quadripolar	150
401975	Red	Bipolar and Quadripolar	150



Product Highlights

- Torque control and pushability
- Multiple curve options for ease of placement
- Convenient cable alleviates tedious connections
- 1 mm band electrodes

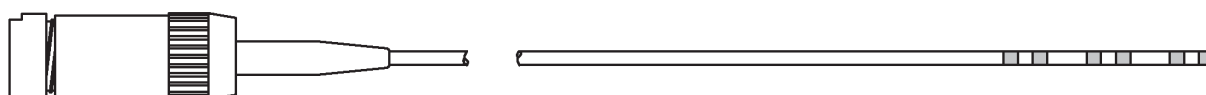
Ordering Information

Hexapolar Catheter (1 unit per box)

REORDER NUMBER	FRENCH SIZE	ELECTRODE SPACING (MM)	CURVE TYPE	USEABLE LENGTH (CM)
401271	6	2-5-2	JSN™	120
401420	6	10	JSN™	120

Required Catheter Connecting Cables – Page 77

REORDER NUMBER	COLOR	CONNECTS THESE CATHETERS	USEABLE LENGTH (CM)
401971	Black	Hexapolar	150
401972	Black	Hexapolar, Octapolar and Decapolar	150
401977	Red	Hexapolar, Octapolar and Decapolar	150
401976	Black	Hexapolar, Octapolar and Decapolar	210



Product Highlights

- Torque control and pushability
- Multiple curve options for ease of placement
- Convenient cable alleviates tedious connections
- 1 mm band electrodes

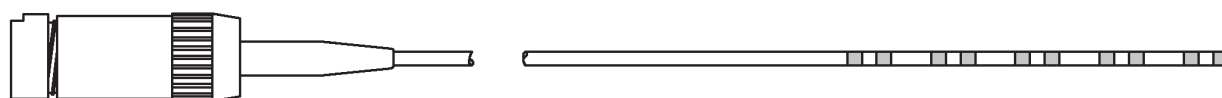
Ordering Information

6 F Decapolar Catheter (1 unit per box)

REORDER NUMBER	FRENCH SIZE	ELECTRODE SPACING (MM)	CURVE TYPE	USEABLE LENGTH (CM)
401305	6	2-5-2	CRD™	120
401306	6	2-5-2	JSN™	120
401309	6	2-5-2	JSN™	65
401310	6	2-5-2	DAO™	65
401311	6	2-2-2	CRD™	120
401312	6	2-2-2	JSN™	120
401415	6	2-10-2	DAO-1™	120
401426	6	10(20) 10-10-10	JSN™	120

Required Catheter Connecting Cables – Page 77

REORDER NUMBER	COLOR	CONNECTS THESE CATHETERS	USEABLE LENGTH (CM)
401972	Black	Hexapolar, Octapolar and Decapolar	150
401977	Red	Hexapolar, Octapolar and Decapolar	150
401976	Black	Hexapolar, Octapolar and Decapolar	210



Product Highlights

- Torque control and pushability
- Curve for ease of placement in the coronary sinus
- 1 mm band electrodes

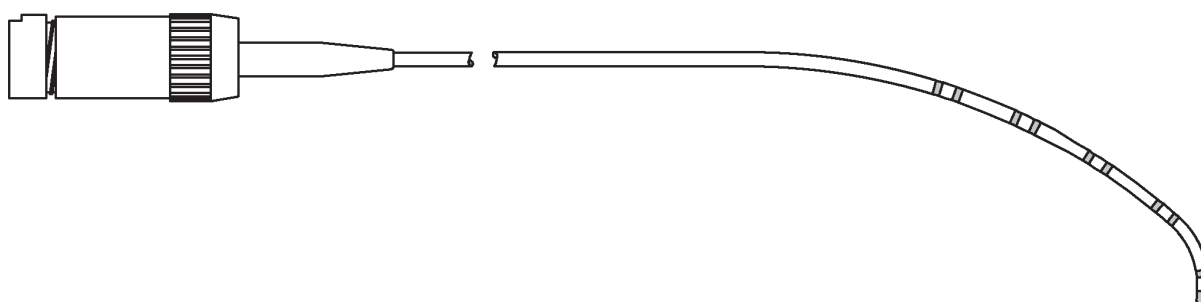
Ordering Information

6 F Decapolar CSL™ Catheter (1 unit per box)

REORDER NUMBER	FRENCH SIZE	ELECTRODE SPACING (MM)	TIP ELECTRODE (MM)	CURVE TYPE	USEABLE LENGTH (CM)
401381	6	2-8-2	2	CSL™	120
401353	6	2-8-2	2	CSL™	65
401392	6	2-2-2	2	CSL™	120
401399	6	5-5-5	2	CSL™	120
401400	6	5-5-5	2	CSL™	65

Required Catheter Connecting Cables – Page 77

REORDER NUMBER	COLOR	CONNECTS THESE CATHETERS	USEABLE LENGTH (CM)
401972	Black	Hexapolar, Octapolar and Decapolar	150
401977	Red	Hexapolar, Octapolar and Decapolar	150
401976	Black	Hexapolar, Octapolar and Decapolar	210



Supreme™ Electrophysiology Catheters

Bipolar with Connector Leads

6 F

FIXED CURVE DIAGNOSTIC

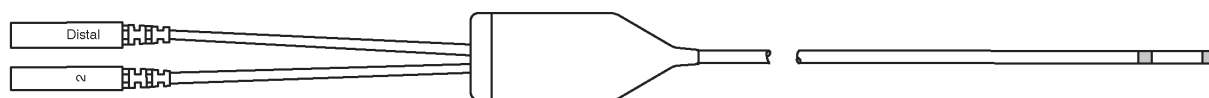
Product Highlights

- Torque control and pushability
- Fixed shrouded 2 mm pin connector leads with clearly labeled terminal pins

Ordering Information

Bipolar Catheter with Connector Leads (1 unit per box)

REORDER NUMBER	FRENCH SIZE	ELECTRODE SPACING (MM)	CURVE TYPE	USEABLE LENGTH (CM)
401956	6	10	CRD™	120



Product Highlights

- Torque control and pushability
- Multiple curve options for ease of placement
- Convenient cable alleviates tedious connections
- 1 mm band electrodes

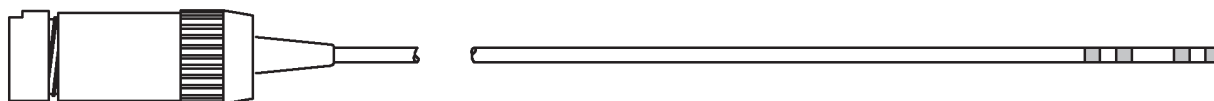
Ordering Information

6 F Quadripolar Catheter (1 unit per box)

REORDER NUMBER	FRENCH SIZE	ELECTRODE SPACING (MM)	CURVE TYPE	USEABLE LENGTH (CM)
401434	6	10	CRD™	120
401436	6	10	JSN™	120
401438	6	10	DAO™	120
401442	6	5	CRD™	120
401474	6	5	CRD-1™	120
402004	6	5	CRD-2™	120
401430	6	5	JSN™	120
401475	6	5	JSN-1™	120
401445	6	5	DAO™	120
401470	6	2	CRD™	120
401449	6	2-5-2	CRD™	120
401451	6	2-5-2	JSN™	120
401453	6	2-5-2	DAO™	120

Required Catheter Connecting Cables — Page 78

REORDER NUMBER	COLOR	CONNECTS THESE CATHETERS	USEABLE LENGTH (CM)
401980	Black	Bipolar and Quadripolar	150
401981	Blue	Bipolar and Quadripolar	150
401982	Grey	Bipolar and Quadripolar	150
401983	Red	Bipolar and Quadripolar	150



Supreme™ Electrophysiology Catheters Quadripolar with Connector Leads 6 F

FIXED CURVE DIAGNOSTIC

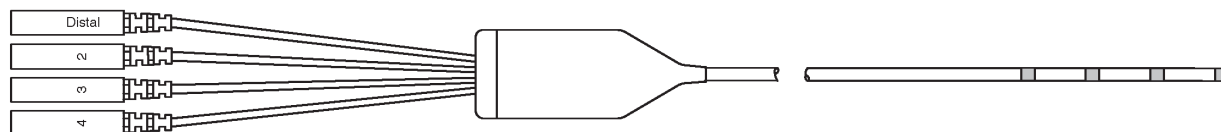
Product Highlights

- Torque control and pushability
- Multiple curve options for ease of placement
- Fixed shrouded 2 mm pin connector leads with clearly labeled terminal pins
- 1 mm band electrodes

Ordering Information

Quadripolar Catheter (1 unit per box)

REORDER NUMBER	FRENCH SIZE	ELECTRODE SPACING (MM)	CURVE TYPE	USEABLE LENGTH (CM)
401952	6	10	CRD™	120



Product Highlights

- Torque control and pushability
- Convenient cable alleviates tedious connections
- 1 mm band electrodes

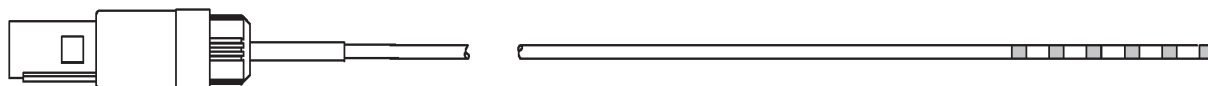
Ordering Information

Hexapolar Catheter (1 unit per box)

REORDER NUMBER	FRENCH SIZE	ELECTRODE SPACING (MM)	CURVE TYPE	USEABLE LENGTH (CM)
402010	6	2-5-2	CRD-2™	120
402011	6	5-5-5	CRD-2™	120

Required Catheter Connecting Cable — Page 77

REORDER NUMBER	COLOR	CONNECTS THESE CATHETERS	USEABLE LENGTH (CM)
401984	Black	Hexapolar	150



Supreme™ Electrophysiology Catheters Hexapolar (Unipolar Recording) 6 F

FIXED CURVE DIAGNOSTIC

Product Highlights

- Electrode spacing for recording unipolar signals
- Torque control and pushability
- Convenient cable alleviates tedious connections
- 1 mm band electrodes

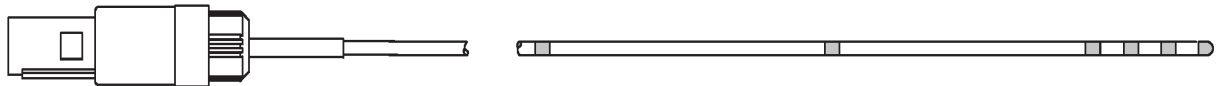
Ordering Information

Hexapolar Catheter (1 unit per box)

REORDER NUMBER	FRENCH SIZE	ELECTRODE SPACING (MM)	CURVE TYPE	USEABLE LENGTH (CM)
401876	6	5-5-5-175-175	CRD-1™	120
401877	6	5-5-5-175-175	JSN™	120

Required Catheter Connecting Cable — Page 77

REORDER NUMBER	COLOR	CONNECTS THESE CATHETERS	USEABLE LENGTH (CM)
401984	Black	Hexapolar	150



Product Highlights

- Torque control and pushability
- Convenient cable alleviates tedious connections
- 1 mm band electrodes

Ordering Information

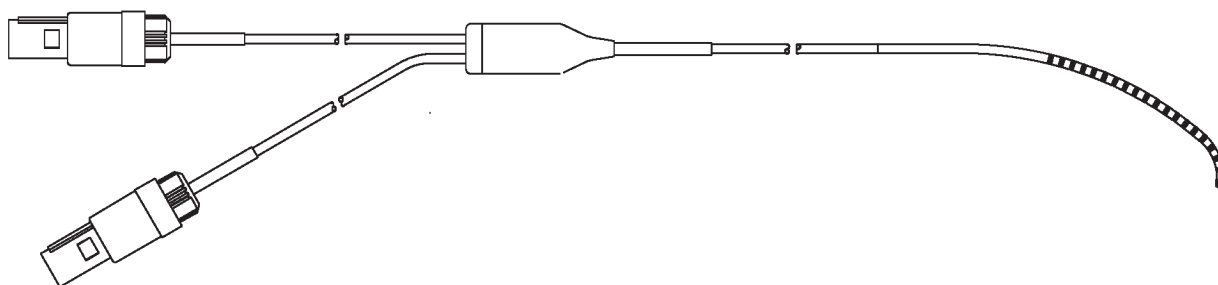
6 F Duo-decapolar CSL™ Catheter (1 unit per box)

Note: Requires two catheter extension cables

REORDER NUMBER	FRENCH SIZE	ELECTRODE SPACING (MM)	CURVE TYPE	USEABLE LENGTH (CM)
401978	6	2-2-2	CSL™	65

Required Catheter Connecting Cables – Page 77

REORDER NUMBER	COLOR	CONNECTS THESE CATHETERS	USEABLE LENGTH (CM)
401985	Black	Octapolar and Decapolar	150
401986	Black	Octapolar and Decapolar	210



Response™ Electrophysiology Catheters

Decapolar with Lumen

7 F

FIXED CURVE DIAGNOSTIC

Product Highlights

- Lumen with distal end hole for infusion or up to an .032" guidewire
- Torque control and pushability
- 1 mm band electrodes

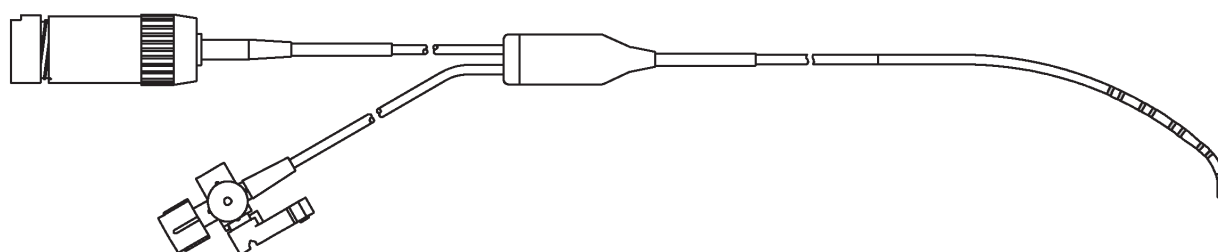
Ordering Information

7 F Decapolar Catheter with Lumen (1 unit per box)

REORDER NUMBER	FRENCH SIZE	ELECTRODE SPACING (MM)	CURVE TYPE	USEABLE LENGTH (CM)
401132	7	2-8-2	CSL™	120
401130	7	2-8-2	CSL™	65
401133	7	5-5-5	CSL™	120
401137	7	5-5-5	CSL™	65
401134	7	2-2-2	CSL™	120
401142	7	5-5	CSL™	65
401144	7	5-60-5	CSL™	65
D40114	7	2-8-50-2-5	CSL™	65

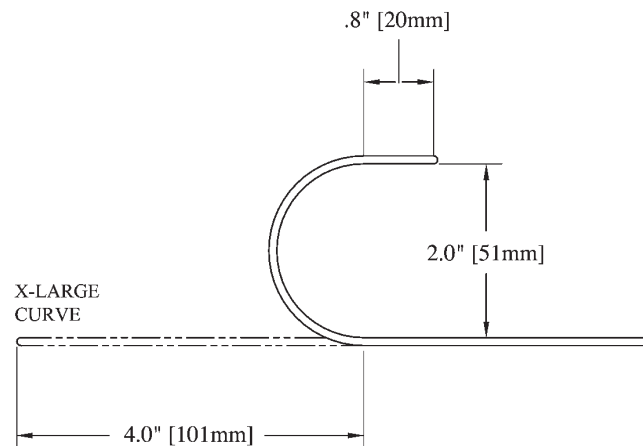
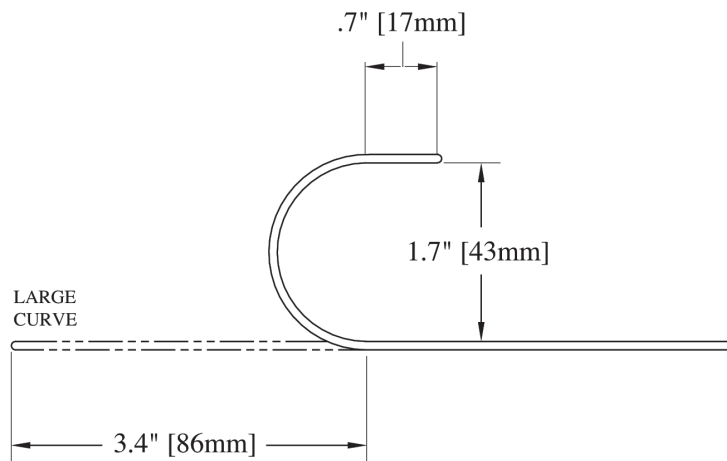
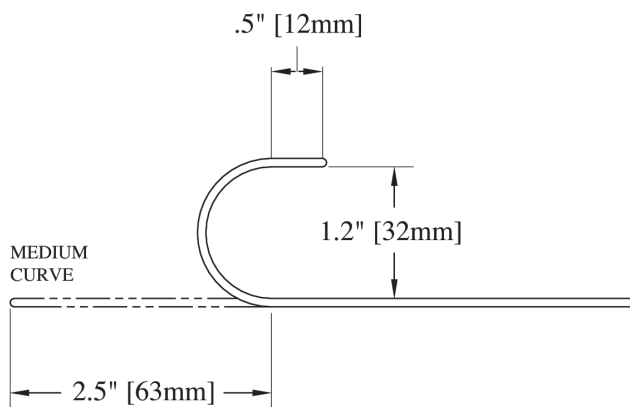
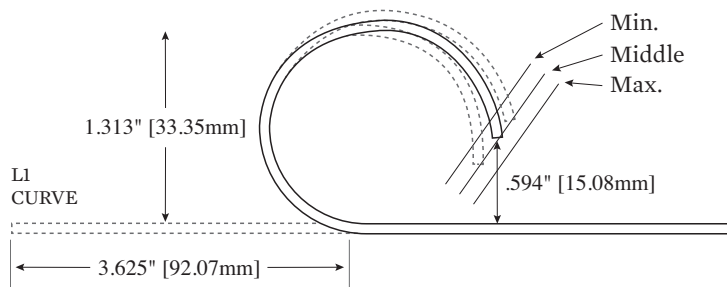
Required Catheter Connecting Cables – Page 77

REORDER NUMBER	COLOR	CONNECTS THESE CATHETERS	USEABLE LENGTH (CM)
401972	Black	Hexapolar, Octapolar and Decapolar	150
401977	Red	Hexapolar, Octapolar and Decapolar	150
401976	Black	Hexapolar, Octapolar and Decapolar	210



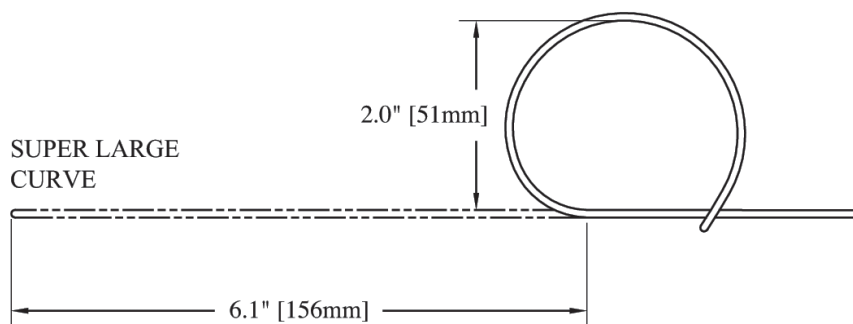
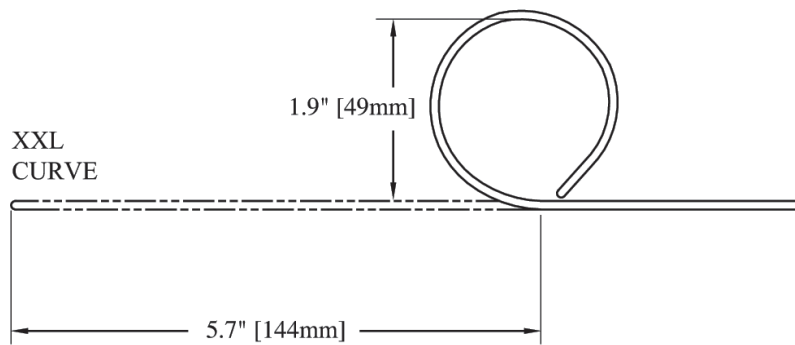
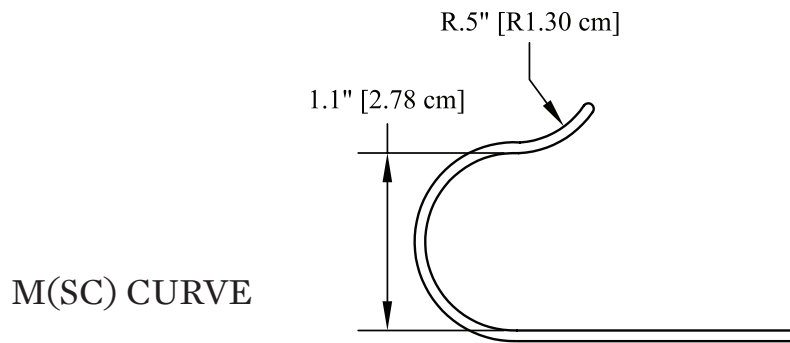
Inquiry™ Electrophysiology Catheter Curve Reference

- Electrode spacing is measured edge to edge and reported in millimeters (mm)
- Standard catheter length is 110 cm



Inquiry™ Electrophysiology Catheter Curve Reference

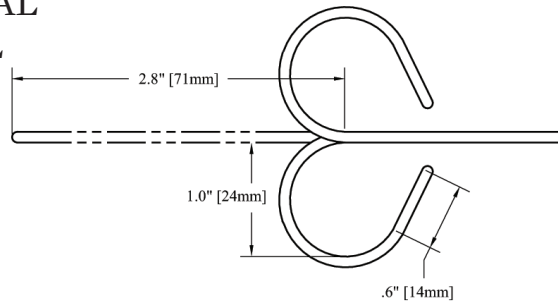
- Electrode spacing is measured edge to edge and reported in millimeters (mm)
- Some products may be limited to specific regions of distribution
- Standard catheter length is 110 cm



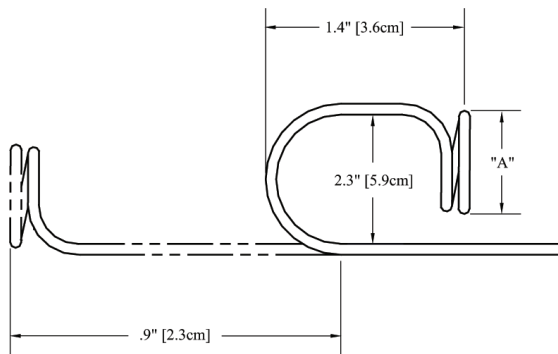
Inquiry™ Electrophysiology Catheter Curve Reference

- Electrode spacing is measured edge to edge and reported in millimeters (mm)
- Standard catheter length is 110 cm

MEDIUM CURVE BI-DIRECTIONAL SYMMETRICAL

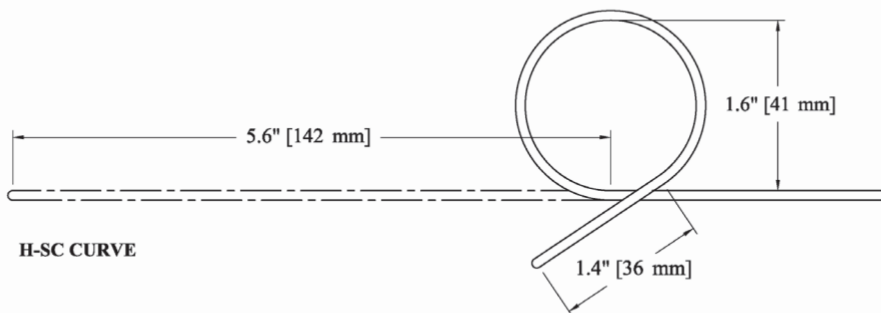
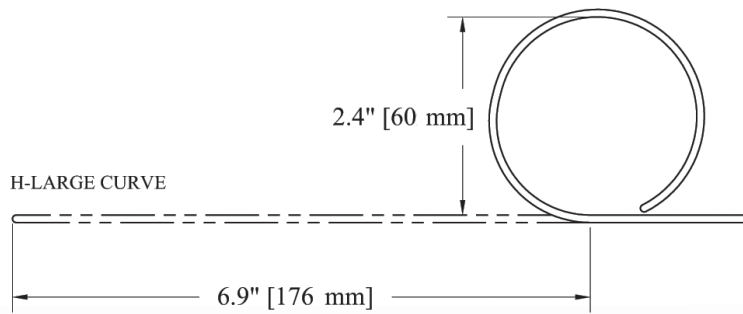
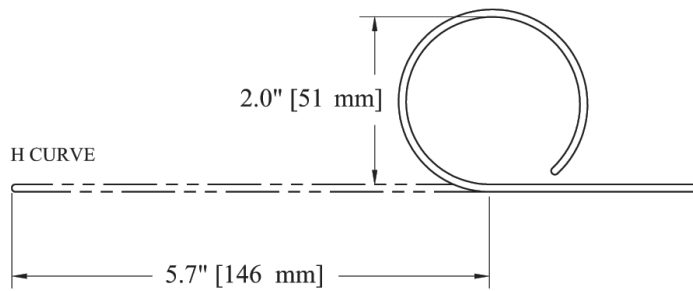
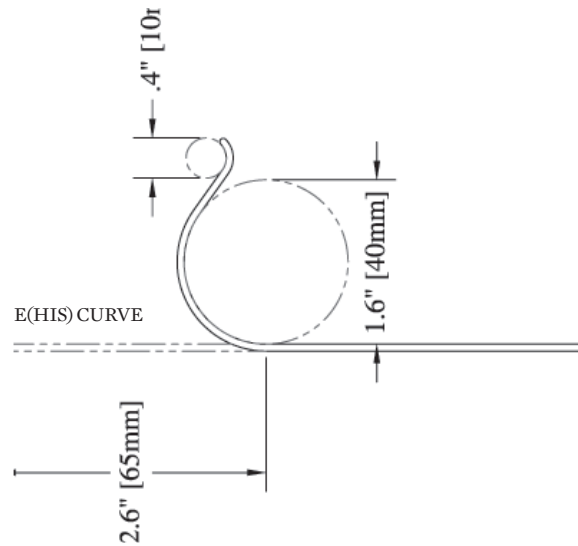


S/M



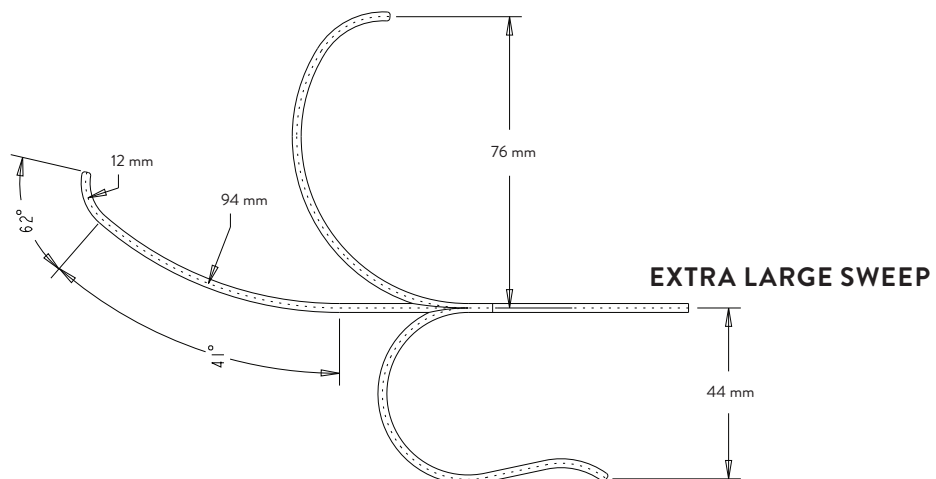
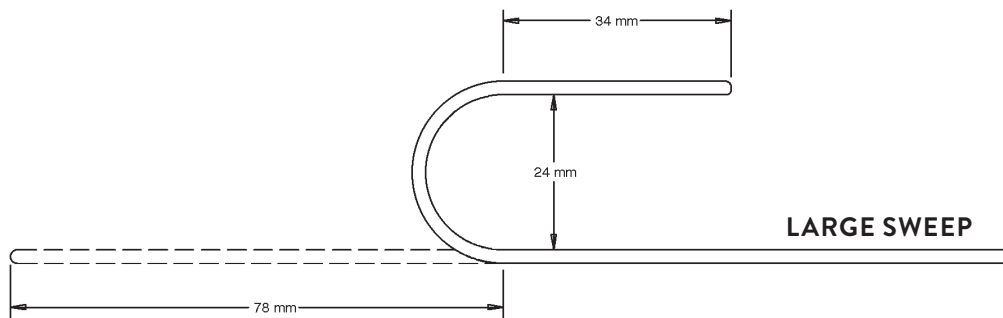
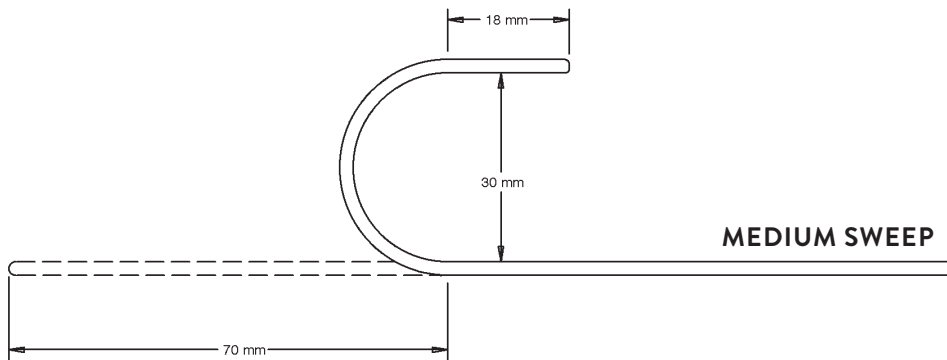
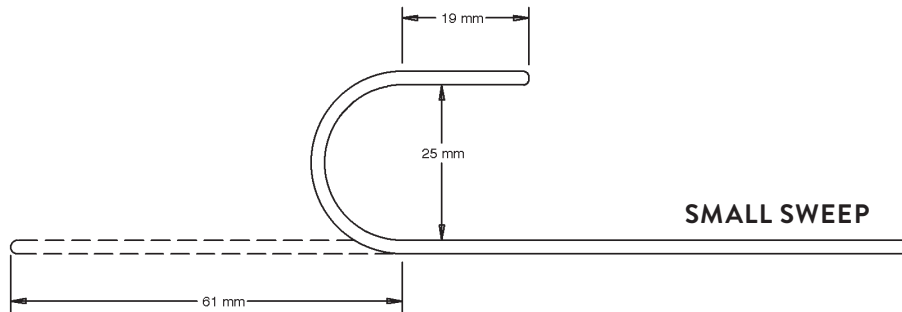
Inquiry™ Electrophysiology Catheter Curve Reference

- Electrode spacing is measured edge to edge and reported in millimeters (mm)
- Standard catheter length is 110 cm



Livewire™, Reflexion™ Catheter Curve Reference

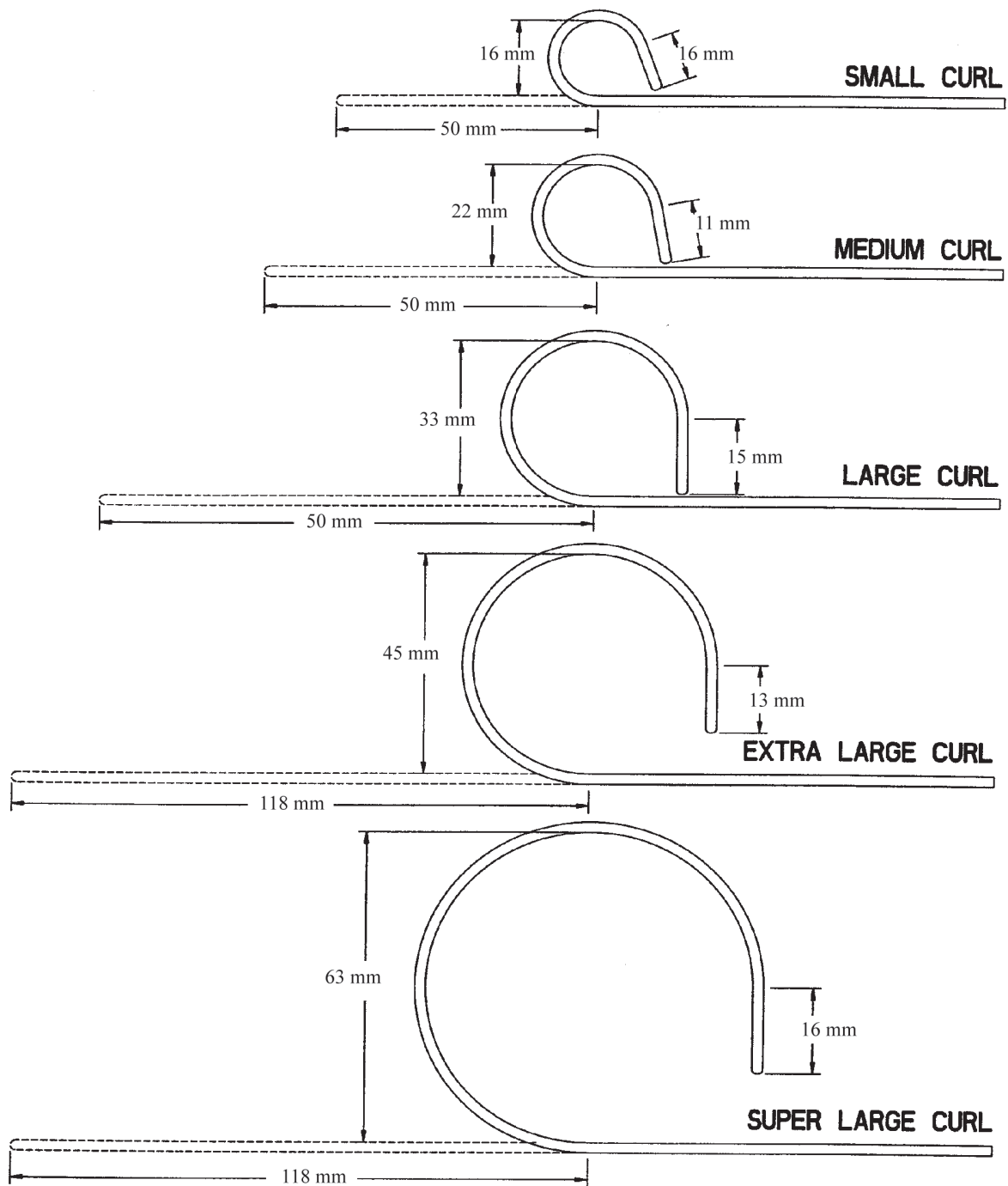
- Electrode spacing is measured edge to edge and reported in millimeters (mm)
- All electrodes are 1 mm wide unless otherwise indicated
- All dimensions are approximate



Livewire™, Reflexion™ Catheter Curve Reference

STEERABLE DIAGNOSTIC

- Electrode spacing is measured edge to edge and reported in millimeters (mm)
- All electrodes are 1 mm wide unless otherwise indicated
- All dimensions are approximate



Product Highlights

- Options for anatomic variabilities
- Multiple curve configurations for ease of placement
- Push/pull handle for steering control
- 1 mm band electrodes

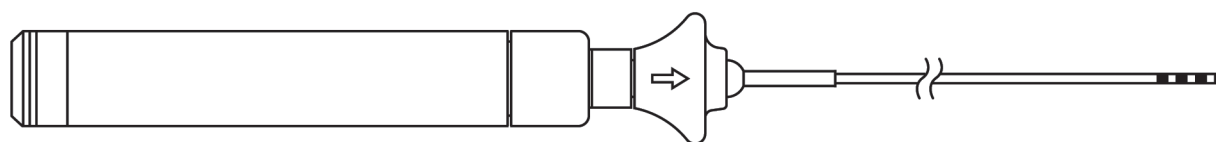
Ordering Information

4 F Quadripolar Steerable Diagnostic Catheter (1 unit per box)

REORDER NUMBER	DESCRIPTION	TIP ELECTRODE (MM)	ELECTRODE SPACING (MM)	CURVE TYPE	USEABLE LENGTH (CM)
IBI-81540	1104-4-25-M	1	2-5-2	Medium	110
IBI-81542	1104-4-5-M	1	5	Medium	110

Required Catheter Connecting Cable – Page 76

REORDER NUMBER	MODEL NUMBER	DESCRIPTION	LENGTH (M)
IBI-85953	1904-SA	4-pin Diagnostic Connecting Cable	1.5



Product Highlights

- Variable electrode spacing for pacing and recording
- Multiple curve configurations for ease of placement
- Push/pull handle for steering control
- 1 mm band electrodes

Ordering Information

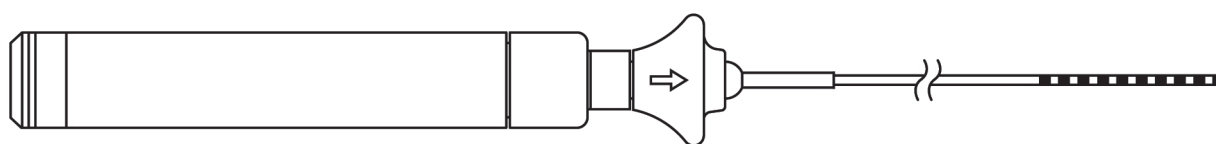
4 F Decapolar Steerable Diagnostic Catheter (1 unit per box)

REORDER NUMBER	FRENCH SIZE	ELECTRODE SPACING (MM)	CURVE TYPE	USEABLE LENGTH (CM)
IBI-81530	1110-4-2-M	2	Medium	110
IBI-81531	1110-4-25-M	2-5-2	Medium	110
IBI-81532	1110-4-25-L	2-5-2	Large	110
IBI-81534	1110-4-5-L	5	Large	110
IBI-81537	1110-4-25-M(SC)(60)	2-5-2	M(SC)	60

Note: (60) indicates catheter length in cm.

Required Catheter Connecting Cables — Page 76

REORDER NUMBER	MODEL NUMBER	DESCRIPTION	LENGTH (M)
IBI-85954	1910-SA	10-pin Diagnostic Connecting Cable	1.5
IBI-85930	1910-S	10-pin Diagnostic Connecting Cable	1.5
IBI-85942	1910-S	10-pin Diagnostic Connecting Cable	2.5



Product Highlights

- 5 F models employ the CRD-2™ curve for placement at HIS bundle
- Ergonomic handling
- Rotary dial designed for fine tip movements
- Color-coded cables for convenience
- 1 mm band electrodes

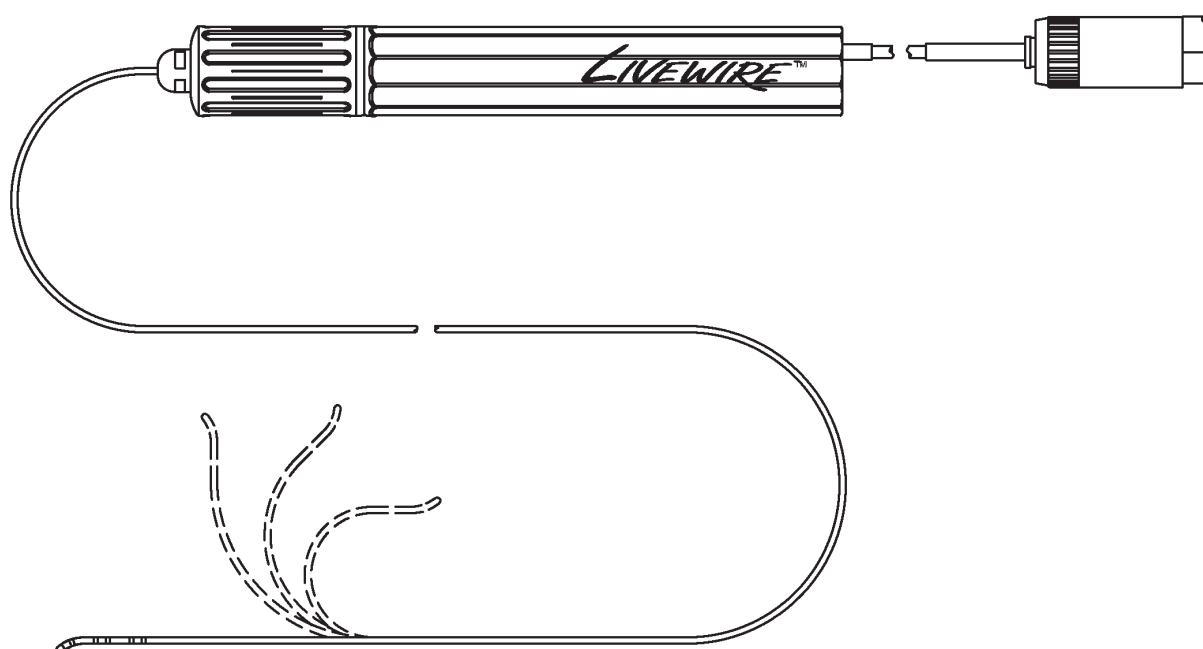
Ordering Information

Hexapolar Catheter (1 unit per box)

REORDER NUMBER	FRENCH SIZE	ELECTRODE SPACING (MM)	TIP ELECTRODE (MM)	DISTAL REACH	USEABLE LENGTH (CM)
401653	5	2-5-2	2	Med Sweep CRD-2™	115
401654	5	5	2	Med Sweep CRD-2™	115

Required Catheter Connecting Cables – Page 77

REORDER NUMBER	COLOR	CONNECTS THESE CATHETERS	USEABLE LENGTH (CM)
401971	Black	Hexapolar	150
401972	Black	Hexapolar; Octapolar and Decapolar	150
401977	Red	Hexapolar; Octapolar and Decapolar	150
401976	Black	Hexapolar; Octapolar and Decapolar	210



Livewire™ Electrophysiology Catheter

Octapolar

5 F

STEERABLE DIAGNOSTIC

Product Highlights

- 5 F model employs the CRD-2™ curve for placement at HIS bundle
- Ergonomic handling
- Rotary dial designed for fine tip movements
- Color-coded cables for convenience
- 1 mm band electrodes

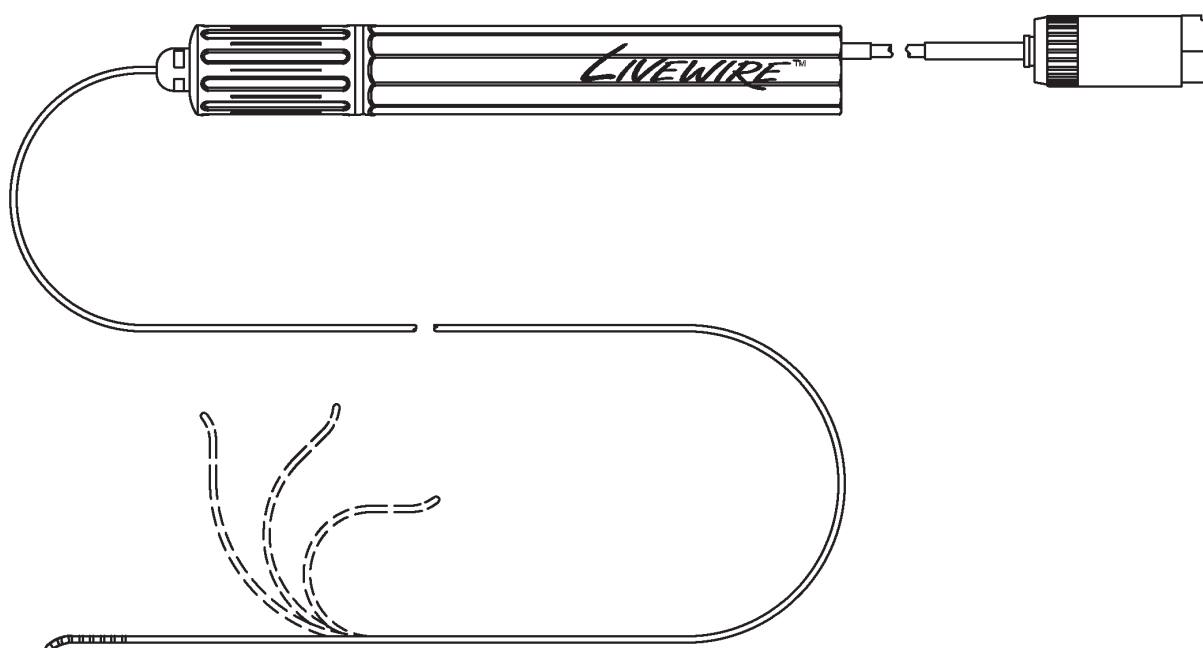
Ordering Information

Octapolar Catheter (1 unit per box)

REORDER NUMBER	FRENCH SIZE	ELECTRODE SPACING (MM)	TIP ELECTRODE (MM)	DISTAL REACH	USEABLE LENGTH (CM)
401652	5	2-2-2	2	Med Sweep CRD-2™	115

Required Catheter Connecting Cables – Page 77

REORDER NUMBER	COLOR	CONNECTS THESE CATHETERS	USEABLE LENGTH (CM)
401972	Black	Hexapolar, Octapolar and Decapolar	150
401977	Red	Hexapolar, Octapolar and Decapolar	150
401976	Black	Hexapolar, Octapolar and Decapolar	210



Product Highlights

- Ergonomic handling
- Rotary dial designed for fine tip movements
- Color-coded cables for convenience
- 1 mm band electrodes

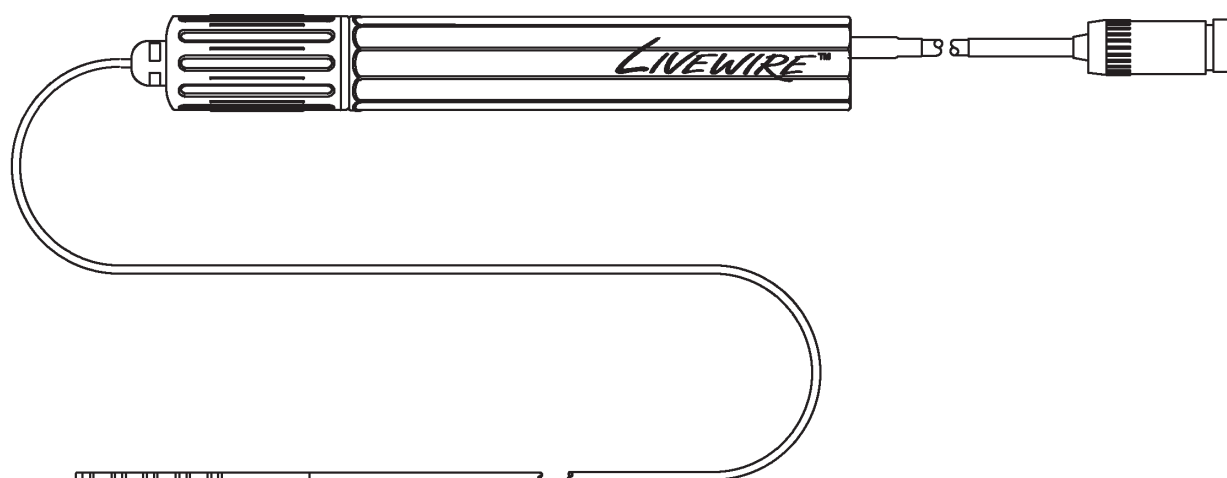
Ordering Information

5 F Decapolar Catheter (1 unit per box)

REORDER NUMBER	FRENCH SIZE	ELECTRODE SPACING (MM)	TIP ELECTRODE (MM)	DISTAL REACH	USEABLE LENGTH (CM)
401938	5	5-5-5	2	Med Sweep	115
401939	5	2-2-2	2	Med Sweep	115
401940	5	2-5-2	2	Med Sweep	115
401941	5	2-8-2	2	Extra Lrg Curl	115
401990	5	2-2-2	2	Extra Lrg Curl	115
401991	5	2-5-2	2	Extra Lrg Curl	115

Required Catheter Connecting Cables – Page 77

REORDER NUMBER	COLOR	CONNECTS THESE CATHETERS	USEABLE LENGTH (CM)
401972	Black	Hexapolar, Octapolar and Decapolar	150
401977	Red	Hexapolar, Octapolar and Decapolar	150
401976	Black	Hexapolar, Octapolar and Decapolar	210



Product Highlights

- Options for anatomic variabilities
- Multiple curve configurations for ease of placement
- Push/pull handle for steering control
- Soft tip option available
- 1 mm band electrodes

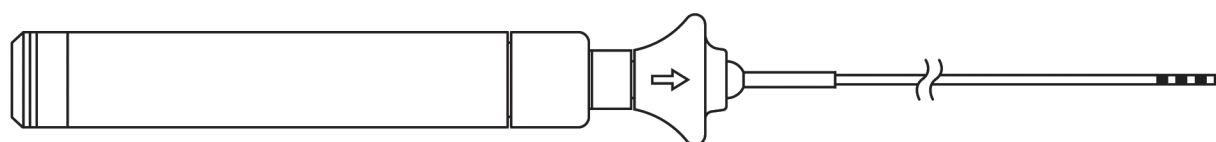
Ordering Information

5 F Steerable Diagnostic Catheter (1 unit per box)

REORDER NUMBER	DESCRIPTION	ELECTRODE SPACING (MM)	CURVE TYPE	USEABLE LENGTH (CM)
IBI-81472	1104-5-25-M	2-5-2	Medium	110
IBI-81473	1104-5-5-M	5	Medium	110
IBI-81474	1104-5-25-L	2-5-2	Large	110
IBI-81483	1104-5-5-E(HIS)(SOFT)	5	E(HIS)	110

Required Catheter Connecting Cable — Page 76

REORDER NUMBER	MODEL NUMBER	DESCRIPTION	LENGTH (M)
IBI-85953	1904-SA	4-pin Diagnostic Connecting Cable	1.5



Product Highlights

- 2 mm band electrode
- 1 mm tip electrode
- Push/pull handle for steering control

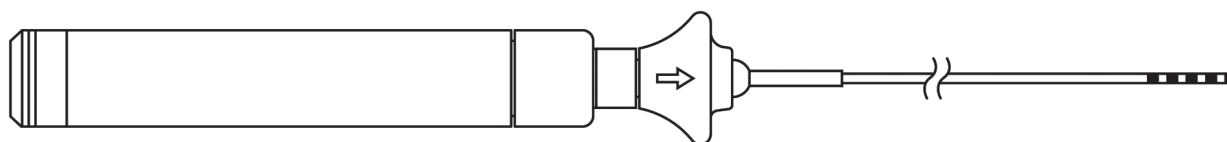
Ordering Information

5 F Pentapolar Soft Tip Catheter (1 unit per box)

REORDER NUMBER	DESCRIPTION	ELECTRODE SPACING (MM)	CURVE TYPE	USEABLE LENGTH (CM)
IBI-81521	1105-5-5(170)-M/L-TE1BE2 (soft)	5 (170)	Medium/Large	110

Required Catheter Connecting Cables – Page 76

REORDER NUMBER	MODEL NUMBER	DESCRIPTION	LENGTH (M)
IBI-85954	1910-SA	10-pin Diagnostic Connecting Cable	1.5
IBI-85930	1910-S	10-pin Diagnostic Connecting Cable	1.5
IBI-85942	1910-S	10-pin Diagnostic Connecting Cable	2.5



Inquiry™ Electrophysiology Catheters

Octapolar

5 F

STEERABLE DIAGNOSTIC

Product Highlights

- Variable electrode spacing for pacing and recording
- Multiple curve configurations for ease of placement
- Push/pull handle for steering control
- 1 mm band electrode

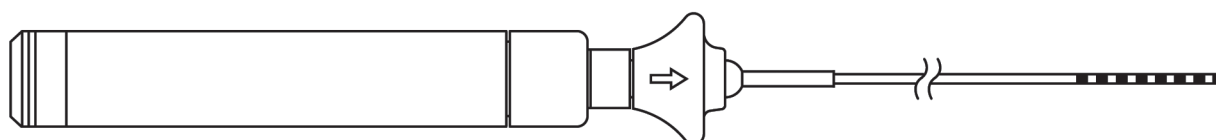
Ordering Information

Contents: 5 F Steerable Diagnostic Catheter (1 unit per box)

REORDER NUMBER	DESCRIPTION	ELECTRODE SPACING (MM)	CURVE TYPE	USEABLE LENGTH (CM)
IBI-81871	1108-5-2-M	2	Medium	110
IBI-81872	1108-5-25-M	2-5-2	Medium	110

Required Catheter Connecting Cables – Page 76

REORDER NUMBER	MODEL NUMBER	DESCRIPTION	LENGTH (M)
IBI-85954	1910-SA	10-pin Diagnostic Connecting Cable	1.5
IBI-85930	1910-S	10-pin Diagnostic Connecting Cable	1.5
IBI-85942	1910-S	10-pin Diagnostic Connecting Cable	2.5



Product Highlights

- Variable electrode spacing for pacing and recording
- Multiple curve configurations for ease of placement
- Push/pull handle for steering control
- 1 mm band electrodes

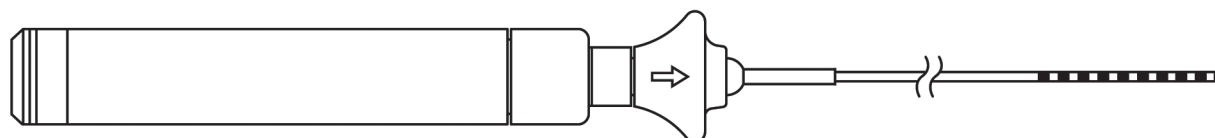
Ordering Information

5 F Decapolar Steerable Diagnostic Catheter (1 unit per box)

REORDER NUMBER	DESCRIPTION	ELECTRODE SPACING (MM)	TIP ELECTRODE (MM)	CURVE TYPE	USEABLE LENGTH (CM)
IBI-81171	1110-5-2-M	2	1	Medium	110
IBI-81172	1110-5-25-M	2-5-2	1	Medium	110
IBI-81174	1110-5-25-L	2-5-2	1	Large	110
IBI-81223	1110-5-2(50)3-XL	2(50)3	1	X-Large	110
IBI-81734	1110-5-25-L (soft)	2-5-2	1	Large	110
IBI-81735	1110-5-5-L (soft)	5	1	Large	110
IBI-81736	1110-5-5(22)5-M/L (soft)	5(22)5	1	Medium/Large	110
IBI-81721	1110-5-25-M(SC) (soft)	2-5-2	1	Medium(SC)	110
IBI-81730	1110-5-28-M/L (soft)	2-8-2	1	Medium/Large	110

Required Catheter Connecting Cables – Page 76

REORDER NUMBER	MODEL NUMBER	DESCRIPTION	LENGTH (M)
IBI-85954	1910-SA	10-pin Diagnostic Connecting Cable	1.5
IBI-85930	1910-S	10-pin Diagnostic Connecting Cable	1.5
IBI-85942	1910-S	10-pin Diagnostic Connecting Cable	2.5



Livewire™ Electrophysiology Catheters

Quadripolar

6 F

STEERABLE DIAGNOSTIC

Product Highlights

- Ergonomic handling
- Rotary dial designed for fine tip movements
- Choice of curve radius and reach of distal tip
- Color-coded cables for convenience
- 1 mm band electrodes

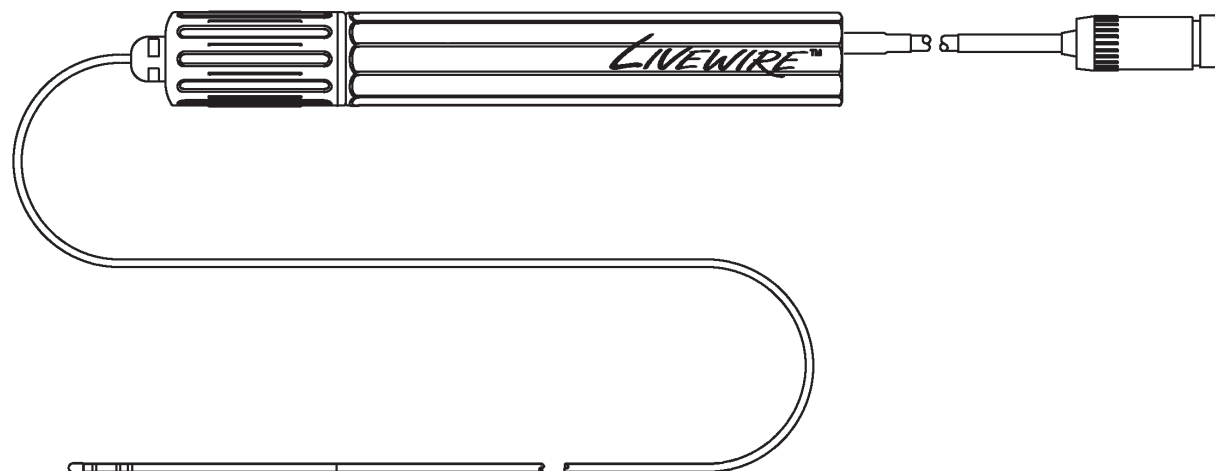
Ordering Information

6 F Quadripolar Catheter (1 unit per box)

REORDER NUMBER	FRENCH SIZE	ELECTRODE SPACING (MM)	TIP ELECTRODE (MM)	DISTAL REACH	USEABLE LENGTH (CM)
401600	6	2-5-2	4	Med Sweep	115
401603	6	2-5-2	4	Med Curl	115
401572	6	2-5-2	2	Med Sweep	115
401606	6	2-5-2	2	Lrg Sweep	115
401933	6	5-5-5	2	Med Sweep	115
401934	6	5-5-5	2	Lrg Sweep	115

Required Catheter Connecting Cables – Page 77

REORDER NUMBER	COLOR	CONNECTS THESE CATHETERS	USEABLE LENGTH (CM)
401970	Black	Bipolar, Tripolar and Quadripolar	150
401973	Blue	Bipolar, Tripolar and Quadripolar	150
401974	Grey	Bipolar, Tripolar and Quadripolar	150
401975	Red	Bipolar, Tripolar and Quadripolar	150



Product Highlights

- Ergonomic handling
- Rotary dial designed for fine tip movements
- Color-coded cables for convenience
- 1 mm band electrodes

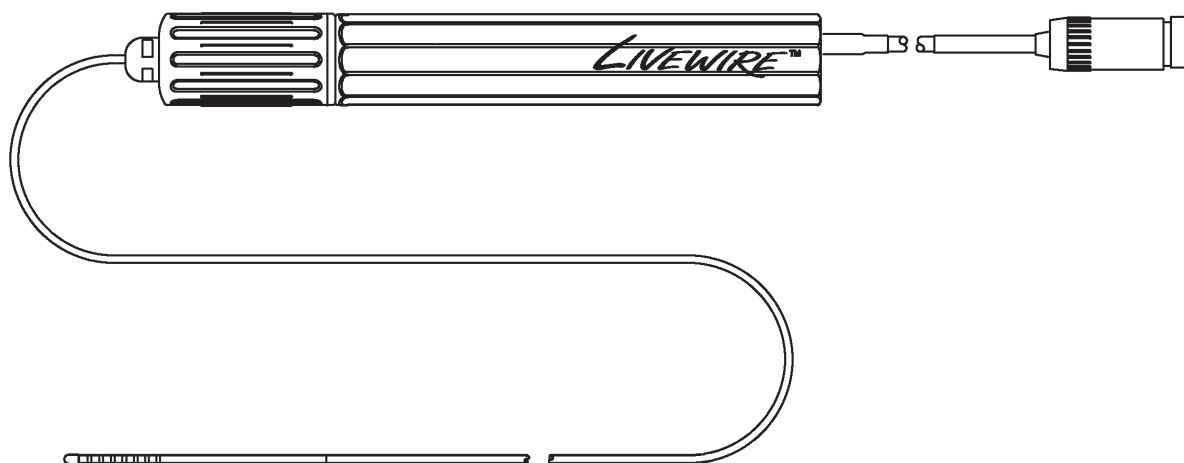
Ordering Information

Octapolar Catheter (1 unit per box)

REORDER NUMBER	FRENCH SIZE	ELECTRODE SPACING (MM)	TIP ELECTRODE (MM)	DISTAL REACH	USEABLE LENGTH (CM)
401917	6	2-2-2	2	Med Sweep	115

Required Catheter Connecting Cables – Page 77

REORDER NUMBER	COLOR	CONNECTS THESE CATHETERS	USEABLE LENGTH (CM)
401972	Black	Hexapolar, Octapolar and Decapolar	150
401977	Red	Hexapolar, Octapolar and Decapolar	150
401976	Black	Hexapolar, Octapolar and Decapolar	210



Product Highlights

- Ergonomic handling
- Rotary dial designed for fine tip movements
- Color-coded cables for convenience
- 1 mm band electrodes

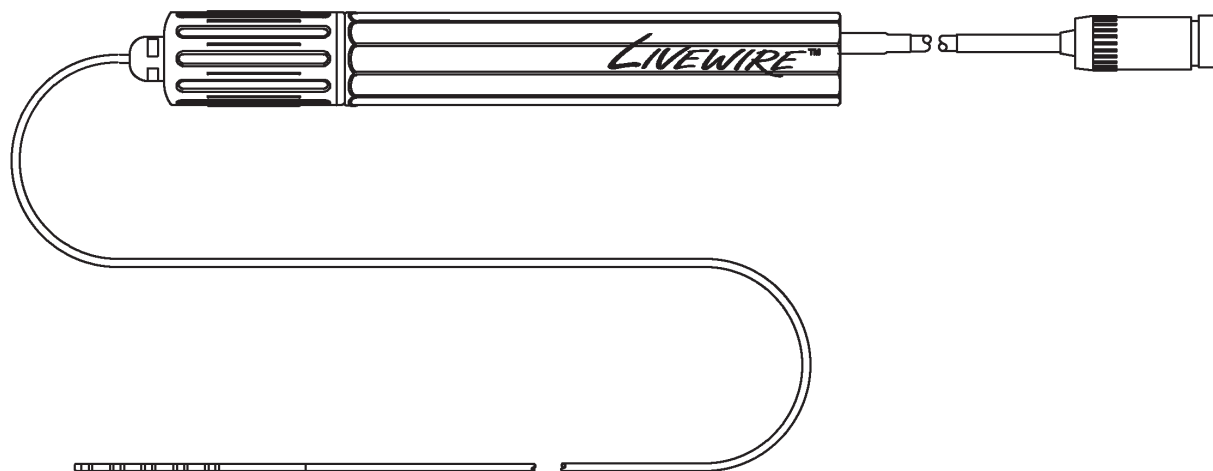
Ordering Information

Decapolar Catheter (1 unit per box)

REORDER NUMBER	FRENCH SIZE	ELECTRODE SPACING (MM)	TIP ELECTRODE (MM)	DISTAL REACH	USEABLE LENGTH (CM)
401575	6	2-5-2	2	Med Sweep	115
401915	6	2-5-2	2	Extra Lrg Curl	115
401923	6	2-2-2	2	Extra Lrg Curl	115
401942	6	2-8-2	2	Extra Lrg Curl	115

Required Catheter Connecting Cables – Page 77

REORDER NUMBER	COLOR	CONNECTS THESE CATHETERS	USEABLE LENGTH (CM)
401972	Black	Hexapolar, Octapolar and Decapolar	150
401977	Red	Hexapolar, Octapolar and Decapolar	150
401976	Black	Hexapolar, Octapolar and Decapolar	210



Product Highlights

- CSL™ curve for ease of placement in the coronary sinus
- Bi-directional tip deflection allows for superior or inferior approach
- Ergonomic handling
- Rotary dial designed for fine tip movements
- Color-coded cables for convenience
- 1 mm band electrodes

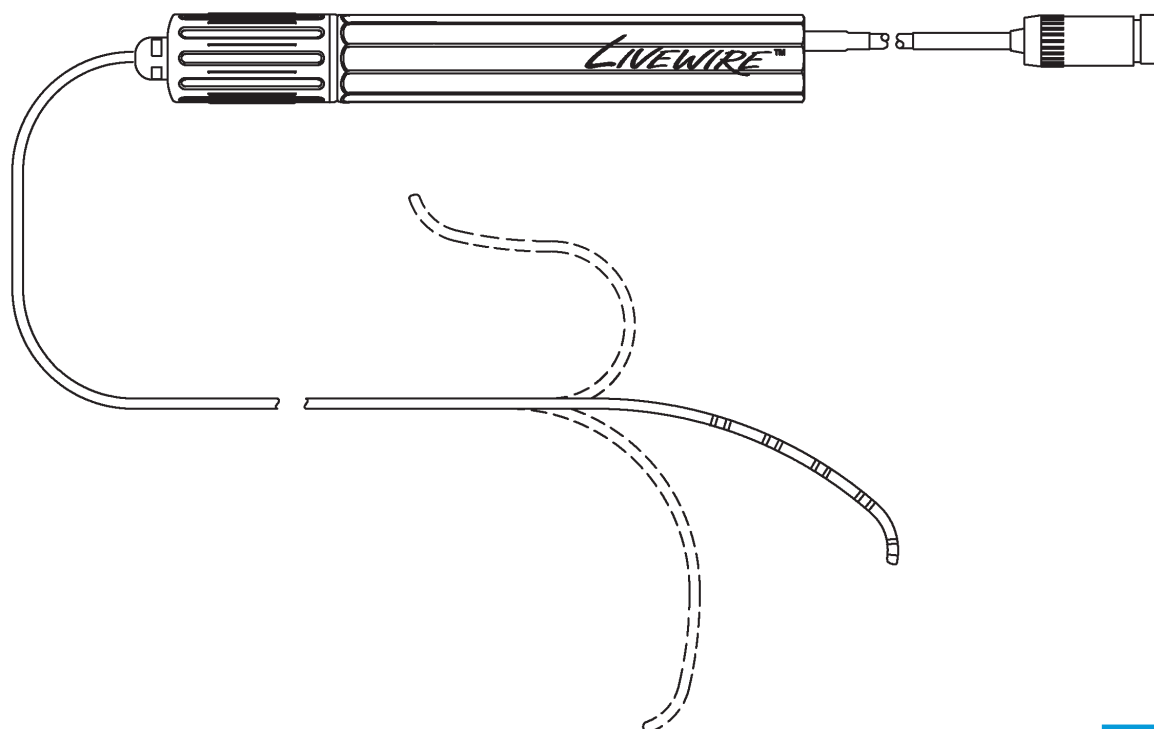
Ordering Information

6 F Decapolar CSL™ Catheter (1 unit per box)

REORDER NUMBER	FRENCH SIZE	ELECTRODE SPACING (MM)	TIP ELECTRODE (MM)	DISTAL REACH	USEABLE LENGTH (CM)
401926	6	2-8-2	2	Extra Lrg Sweep CSL™	115

Required Catheter Connecting Cables – Page 77

REORDER NUMBER	COLOR	CONNECTS THESE CATHETERS	USEABLE LENGTH (CM)
401972	Black	Hexapolar, Octapolar and Decapolar	150
401977	Red	Hexapolar, Octapolar and Decapolar	150
401976	Black	Hexapolar, Octapolar and Decapolar	210



Product Highlights

- Variable electrode spacing for pacing and recording
- Multiple curve configurations for ease of placement
- Push/pull handle for steering control
- 2 mm band electrodes

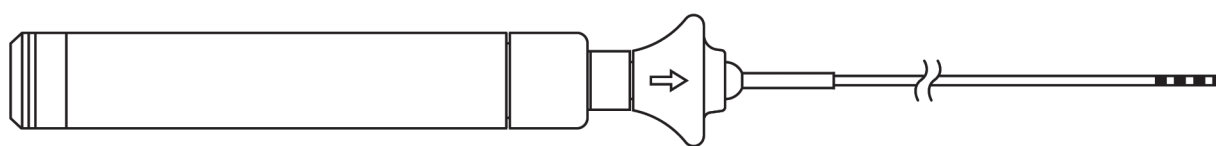
Ordering Information

6 F Steerable Diagnostic Catheter (1 unit per box)

REORDER NUMBER	DESCRIPTION	ELECTRODE SPACING (MM)	CURVE TYPE	USEABLE LENGTH (CM)
IBI-81402	1104-6-25-M	2-5-2	Medium	110
IBI-81403	1104-6-5-M	5	Medium	110
IBI-81404	1104-6-25-L	2-5-2	Large	110
IBI-81405	1104-6-5-L	5	Large	110
IBI-81417	1104-6-5-XL	5	X-Large	110
IBI-81418	1104-6-25-XL	2-5-2	X-Large	110

Required Catheter Connecting Cable — Page 76

REORDER NUMBER	MODEL NUMBER	DESCRIPTION	LENGTH (M)
IBI-85953	1904-SA	4-pin Diagnostic Connecting Cable	1.5



Product Highlights

- Variable electrode spacing for pacing and recording
- Multiple curve configurations for ease of placement
- Push/pull handle for steering control
- Bi-directional steering model available

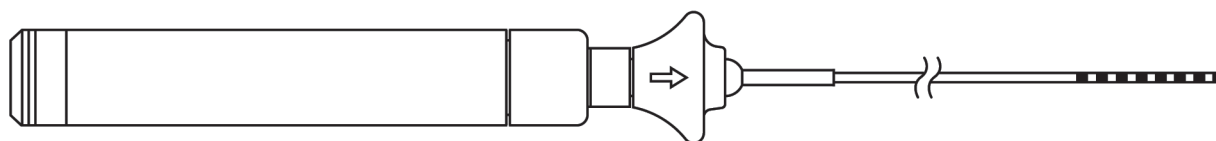
Ordering Information

6 F Octapolar Steerable Diagnostic Catheter (1 unit per box)

REORDER NUMBER	DESCRIPTION	ELECTRODE SPACING (MM)	CURVE TYPE	USEABLE LENGTH (CM)
IBI-81801	1108-6-2-M	2	Medium	110
IBI-81802	1108-6-25-M	2-5-2	Medium	110
IBI-81807	1108-6-2-L	2	Large	110
IBI-81809	1108-6-25-L	2-5-2	Large	110
IBI-81516	1108-6-25-L1-BD-TE2BE1(SOFT)	2-5-2	L1	110

Required Catheter Connecting Cables – Page 76

REORDER NUMBER	MODEL NUMBER	DESCRIPTION	LENGTH (M)
IBI-85954	1910-SA	10-pin Diagnostic Connecting Cable	1.5
IBI-85930	1910-S	10-pin Diagnostic Connecting Cable	1.5
IBI-85942	1910-S	10-pin Diagnostic Connecting Cable	2.5



Product Highlights

- Variable electrode spacing for pacing and recording
- Multiple curve configurations for ease of placement
- Push/pull handle for steering control
- Bi-directional steering model available

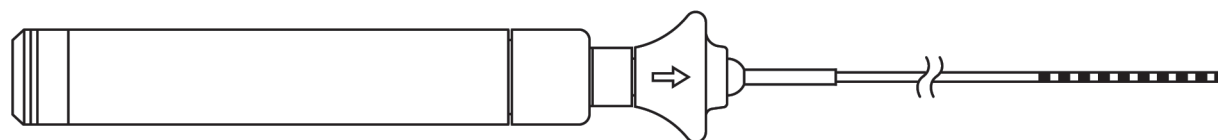
Ordering Information

6 F Decapolar Steerable Diagnostic Catheter (1 unit per box)

REORDER NUMBER	DESCRIPTION	ELECTRODE SPACING (MM)	CURVE TYPE	USEABLE LENGTH (CM)
IBI-81102	1110-6-25-M	2-5-2	Medium	110
IBI-81104	1110-6-25-L	2-5-2	Large	110
IBI-81105	1110-6-25-XL	2-5-2	X-Large	110
IBI-81107	1110-6-5-L	5	Large	110
IBI-81520	1110-6-2-XL-TE4BE4	2	X-Large	110
IBI-81524	1110-6-2-L-TE4BE4	2	Large	110
IBI-87006	1110-6-25-M/L(SOFT)	2-5-2	Medium/Large	110
IBI-81945	1110-6-25-L(SOFT)	2-5-2	Large	110
IBI-81947	1110-6-5-M/L(SOFT)	5	Medium/Large	110
IBI-81504	1110-6-5-M-TE2BE2-BD	5	Medium	110

Required Catheter Connecting Cables – Page 76

REORDER NUMBER	MODEL NUMBER	DESCRIPTION	LENGTH (M)
IBI-85954	1910-SA	10-pin Diagnostic Connecting Cable	1.5
IBI-85930	1910-S	10-pin Diagnostic Connecting Cable	1.5
IBI-85942	1910-S	10-pin Diagnostic Connecting Cable	2.5



Livewire™ Electrophysiology Catheter

Octapolar

7 F

STEERABLE DIAGNOSTIC

Product Highlights

- Ergonomic handling
- Rotary dial designed for fine tip movements
- Color-coded cables for convenience
- 1 mm band electrodes

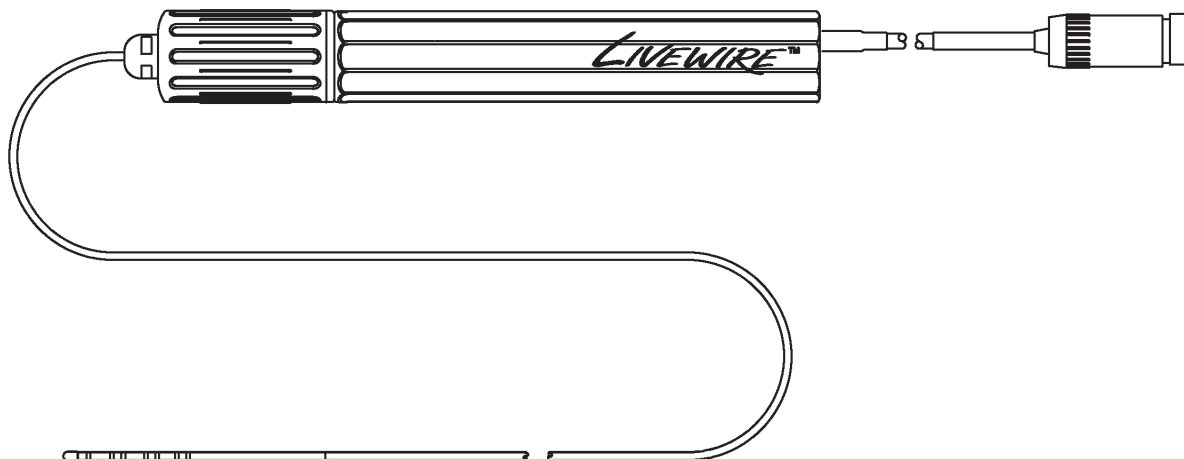
Ordering Information

Octapolar Catheter (1 unit per box)

REORDER NUMBER	FRENCH SIZE	ELECTRODE SPACING (MM)	TIP ELECTRODE (MM)	DISTAL REACH	USEABLE LENGTH (CM)
401581	7	2-5-2	2	Med Sweep	115

Required Catheter Connecting Cables – Page 77

REORDER NUMBER	COLOR	CONNECTS THESE CATHETERS	USEABLE LENGTH (CM)
401972	Black	Hexapolar, Octapolar and Decapolar	150
401977	Red	Hexapolar, Octapolar and Decapolar	150
401976	Black	Hexapolar, Octapolar and Decapolar	210



Product Highlights

- Ergonomic handling
- Rotary dial designed for fine tip movements
- Color-coded cables for convenience
- 1 mm band electrodes

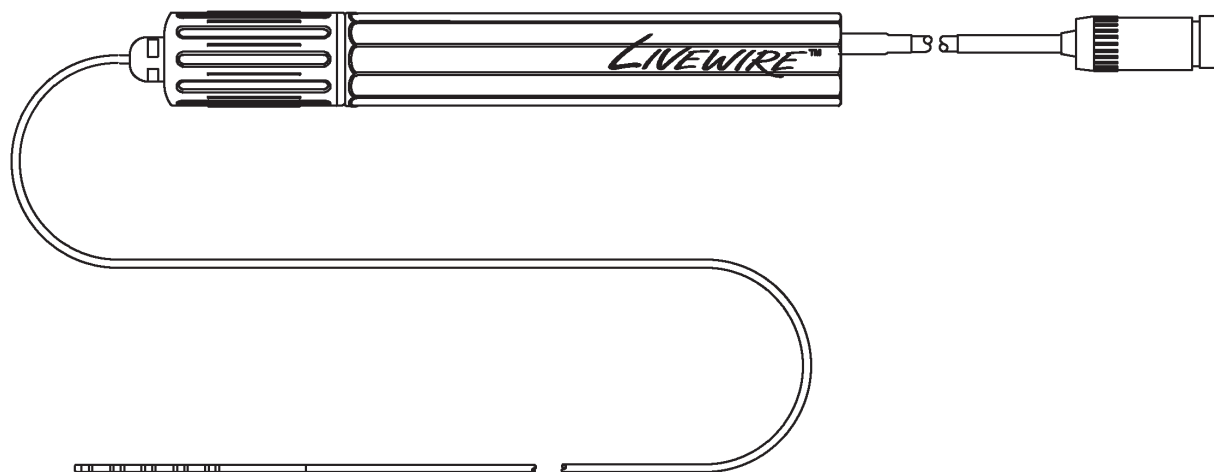
Ordering Information

Decapolar Catheter (1 unit per box)

REORDER NUMBER	FRENCH SIZE	ELECTRODE SPACING (MM)	TIP ELECTRODE (MM)	DISTAL REACH	USEABLE LENGTH (CM)
401582	7	2-5-2	2	Med Sweep	115
401935	7	2	2	Xtra Lrg Sweep	115

Required Catheter Connecting Cables – Page 77

REORDER NUMBER	COLOR	CONNECTS THESE CATHETERS	USEABLE LENGTH (CM)
401972	Black	Hexapolar, Octapolar and Decapolar	150
401977	Red	Hexapolar, Octapolar and Decapolar	150
401976	Black	Hexapolar, Octapolar and Decapolar	210



Livewire™ Electrophysiology Catheters
 Duo-decapolar (20 electrodes)
 7 F

STEERABLE DIAGNOSTIC

Product Highlights

- Ergonomic handling
- Rotary dial designed for fine tip movements
- Color-coded cables for convenience
- 1 mm band electrodes

Ordering Information

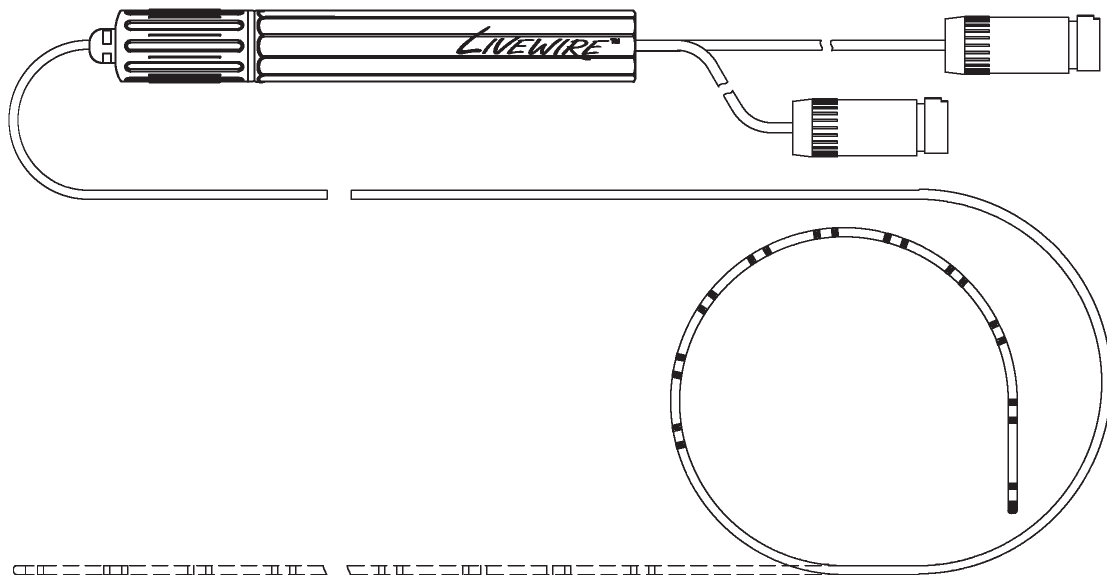
7 F Duo-decapolar Catheter (1 unit per box)

Note: Requires two catheter extension cables

REORDER NUMBER	FRENCH SIZE	ELECTRODE SPACING (MM)	TIP ELECTRODE (MM)	DISTAL REACH	USEABLE LENGTH (CM)
401904	7	2-10-2	2	Super Large Curl	95
401905	7	5-5-5	2	Super Large Curl	95
401914	7	2-5-2	2	Super Large Curl	95
401908	7	2-2-2	2	Medium Curl	115

Required Catheter Connecting Cables – Page 77

REORDER NUMBER	COLOR	CONNECTS THESE CATHETERS	USEABLE LENGTH (CM)
401972	Black	Hexapolar, Octapolar and Decapolar	150
401977	Red	Hexapolar, Octapolar and Decapolar	150
401976	Black	Hexapolar, Octapolar and Decapolar	210



Livewire™ Electrophysiology Catheter Dual-purpose Duo-decapolar (20 electrodes) 7 F

Product Highlights

- Electrode spacing allows for use within CS and right atrium
- Ergonomic handling
- Rotary dial designed for fine tip movements
- Color-coded cables for convenience
- 1 mm band electrodes

Ordering Information

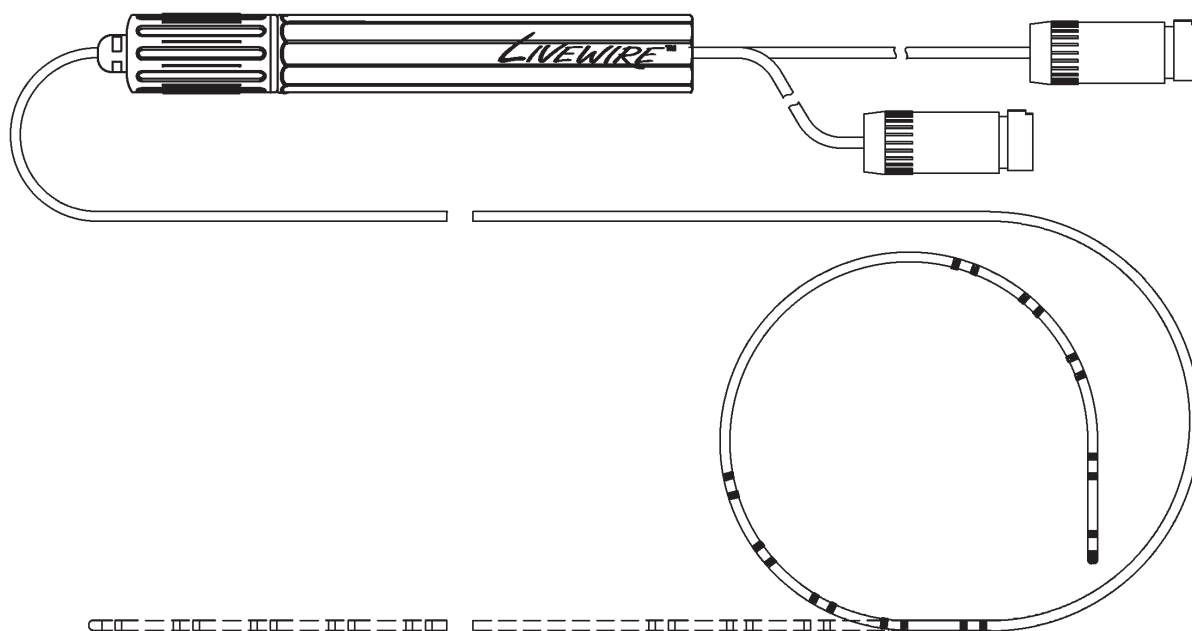
7 F Duo-decapolar Catheter (1 unit per box)

Note: Requires two catheter extension cables

REORDER NUMBER	FRENCH SIZE	ELECTRODE SPACING (MM)	TIP ELECTRODE (MM)	DISTAL REACH	USEABLE LENGTH (CM)
401932	7	2-8-2-(60)-2-8-2	2	Super Large Curl	95

Required Catheter Connecting Cables – Page 77

REORDER NUMBER	COLOR	CONNECTS THESE CATHETERS	USEABLE LENGTH (CM)
401972	Black	Hexapolar, Octapolar and Decapolar	150
401977	Red	Hexapolar, Octapolar and Decapolar	150
401976	Black	Hexapolar, Octapolar and Decapolar	210



Livewire™ Electrophysiology Catheter
 Duo-decapolar (20 electrodes)
 BDB™ Catheter
 7 F

STEERABLE DIAGNOSTIC

Product Highlights

- BDB™ catheter electrode spacing assists in confirming bi-directional block
- Ergonomic handling
- Rotary dial designed for fine tip movements
- Color-coded cables for convenience
- 1 mm band electrodes

Ordering Information

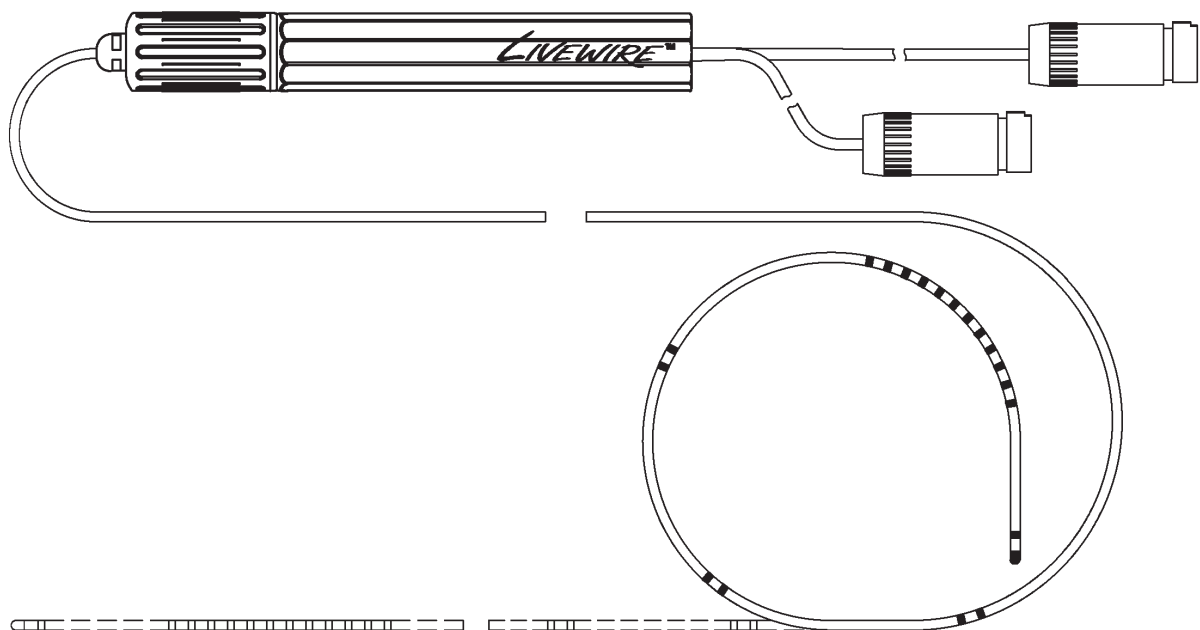
7 F Duo-decapolar BDB™ Catheter (1 unit per box)

Note: Requires two catheter extension cables

REORDER NUMBER	FRENCH SIZE	ELECTRODE SPACING (MM)	TIP ELECTRODE (MM)	DISTAL REACH	USEABLE LENGTH (CM)
401918	7	2-20-2-2-2-2-2-2-2-2-2-2-2-2-2-25-2-25-2-25-2	2	Super Large Curl	95

Required Catheter Connecting Cables – Page 77

REORDER NUMBER	COLOR	CONNECTS THESE CATHETERS	USEABLE LENGTH (CM)
401972	Black	Hexapolar, Octapolar and Decapolar	150
401977	Red	Hexapolar, Octapolar and Decapolar	150
401976	Black	Hexapolar, Octapolar and Decapolar	210



Product Highlights

- Variable electrode spacing for pacing and recording
- Multiple curve configurations for ease of placement
- Push/pull handle for steering control
- Duo-decapolar design for mapping in the high right atrium
- Multiple curve options for ease of placement
- 1 mm band electrodes
- 20 poles

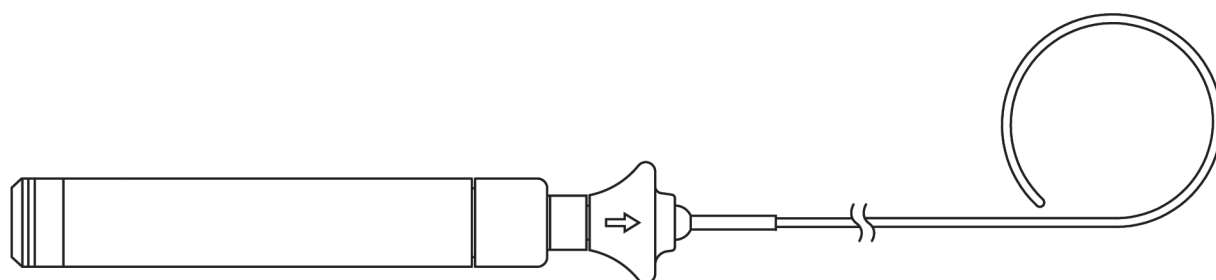
Ordering Information

Ten Ten™ Catheter (1 unit per box)

REORDER NUMBER	DESCRIPTION	ELECTRODE SPACING (MM)	TIP ELECTRODE (MM)	DISTAL REACH	USEABLE LENGTH (CM)
IBI-81202	1120-7-2-10-XXL	2-10-2	1	XX-Large	110
IBI-81207	1120-7-5-SL	5	1	Super Large	110
IBI-81209	1120-7-25-SL	2-5-2	1	Super Large	110

Required Catheter Connecting Cable – Page 76

REORDER NUMBER	MODEL NUMBER	DESCRIPTION	LENGTH (M)
IBI-85931	1924-S	24-pin Diagnostic Connecting Cable	1.5



Product Highlights

- Multiple curve configurations for ease of placement
- Push/pull handle for steering control
- 45° offset angle facilitates placement along the TVA
- 1 mm band electrodes

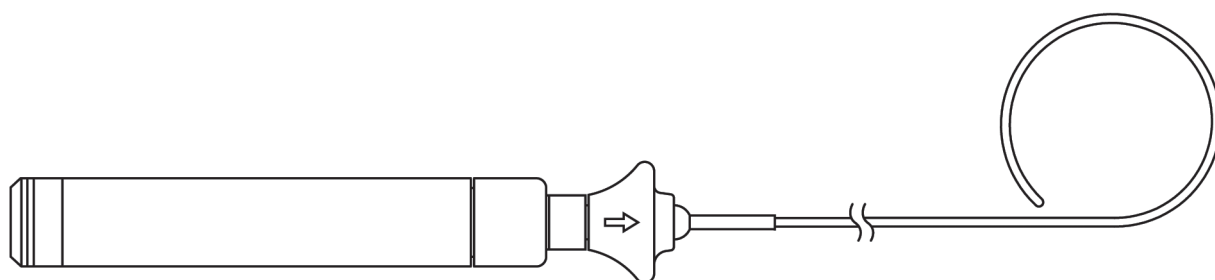
Ordering Information

7 F Decapolar H-Curve Catheter (1 unit per box)

REORDER NUMBER	DESCRIPTION	ELECTRODE SPACING (MM)	TIP ELECTRODE (MM)	CURVE TYPE	USEABLE LENGTH (CM)
IBI-81125	1110-7-291-H	1 Active	2-9-1	H-Curve	110
IBI-81126	1110-7-291-HL	1 Active	2-9-1	H-Large	110

Required Catheter Connecting Cables – Page 76

REORDER NUMBER	MODEL NUMBER	DESCRIPTION	LENGTH (M)
IBI-85954	1910-SA	10-pin Diagnostic Connecting Cable	1.5
IBI-85930	1910-S	10-pin Diagnostic Connecting Cable	1.5
IBI-85942	1910-S	10-pin Diagnostic Connecting Cable	2.5



Product Highlights

- Variable electrode spacing for pacing and recording, and increased mapping options in the right atrium
- Multiple curve configurations for ease of placement
- Push/pull handle for steering control
- 45° offset angle facilitates placement along the TVA
- 1 mm band electrodes

Ordering Information

7 F Duo-decapolar H-Curve Catheter (1 unit per box)

REORDER NUMBER	DESCRIPTION	ELECTRODE SPACING (MM)	TIP (MM)	CURVE TYPE	USEABLE LENGTH (CM)
IBI-81120	1120-7-17-H	1-7-1	1 Inactive	H-Curve	110
IBI-81130	1120-7-19-HL	1-9-1	1 Inactive	H-Large	110

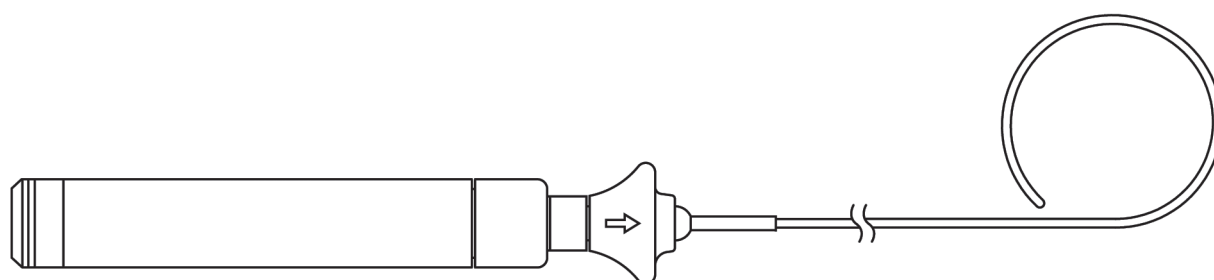
Note: IBI-81136 has a reference electrode 35 cm from distal tip.

Note: IBI-81128 has 21 electrodes including a reference electrode 35 cm from distal tip.

Note: IBI-81131 has 21 electrodes including a reference electrode 30 cm from distal tip.

Required Catheter Connecting Cable – Page 76

REORDER NUMBER	MODEL NUMBER	DESCRIPTION	LENGTH (M)
IBI-85931	1924-S	24-pin Diagnostic Connecting Cable	1.5



Product Highlights

- Variable electrode spacing for pacing and recording, and increased mapping options in the right atrium
- Multiple curve configurations for ease of placement
- Push/pull handle for steering control
- Choice of curve configuration to accommodate placement
- 45° offset angle facilitates placement along the TVA
- 1 mm band electrodes

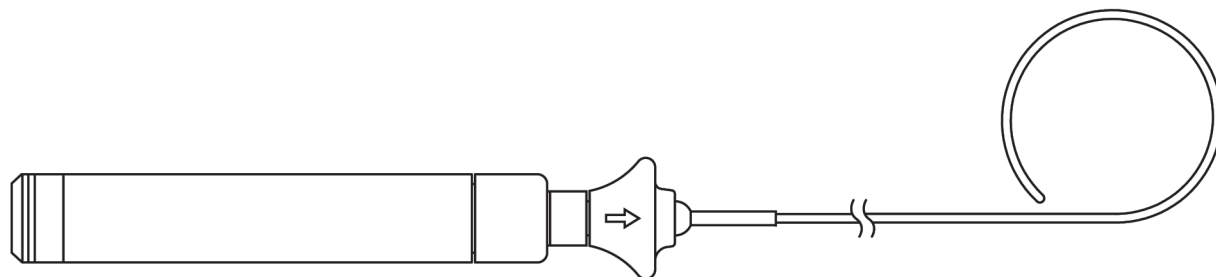
Ordering Information

7 F 24-pole H-Curve Catheter (1 unit per box)

REORDER NUMBER	DESCRIPTION	ELECTRODE SPACING (MM)	CURVE TYPE	USEABLE LENGTH (CM)
IBI-81124	1124-7-271-H	2-7-1	H-Curve	110
IBI-81134	1124-7-291-HL	2-9-1	H-Large	110

Required Catheter Connecting Cable — Page 76

REORDER NUMBER	MODEL NUMBER	DESCRIPTION	LENGTH (M)
IBI-85931	1924-S	24-pin Diagnostic Connecting Cable	1.5



Product Highlights

- Bipolar curve configuration
- Guidewire access via central lumen
- 1 mm band electrodes
- Compatible with 0.032" guidewire

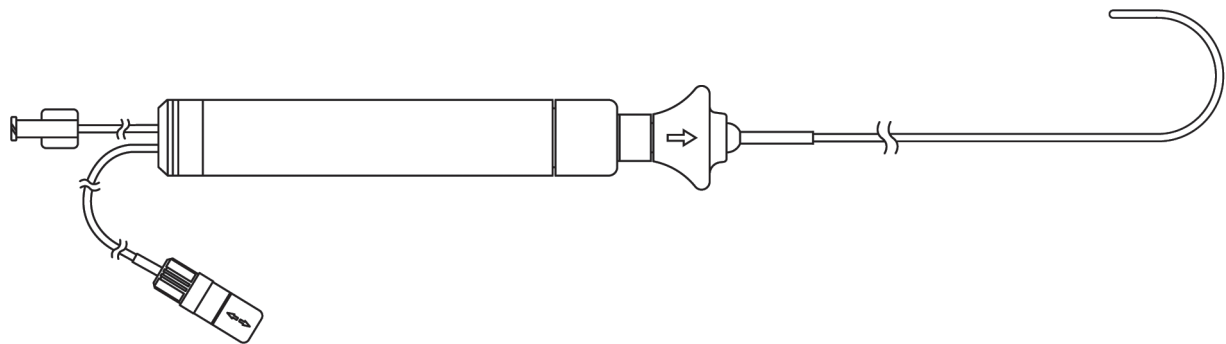
Ordering Information

7 F Bipolar Steerable Luma-Cath™ Catheter (1 unit per box)

REORDER NUMBER	DESCRIPTION	ELECTRODE SPACING (MM)	CURVE TYPE	USEABLE LENGTH (CM)
IBI-81938	1102-L-7-5-L	5	Large	110

Required Catheter Connecting Cable – Page 76

REORDER NUMBER	MODEL NUMBER	DESCRIPTION	LENGTH (M)
IBI-85953	1904-SA	4-pin Diagnostic Connecting Cable	1.5



Inquiry™ Electrophysiology Catheter
 Inquiry™ Luma-Cath™ Catheter
 7 F

STEERABLE DIAGNOSTIC

Product Highlights

- Decapolar curve configuration
- Guidewire access via central lumen
- 1 mm band electrodes
- Compatible with 0.032" guidewire

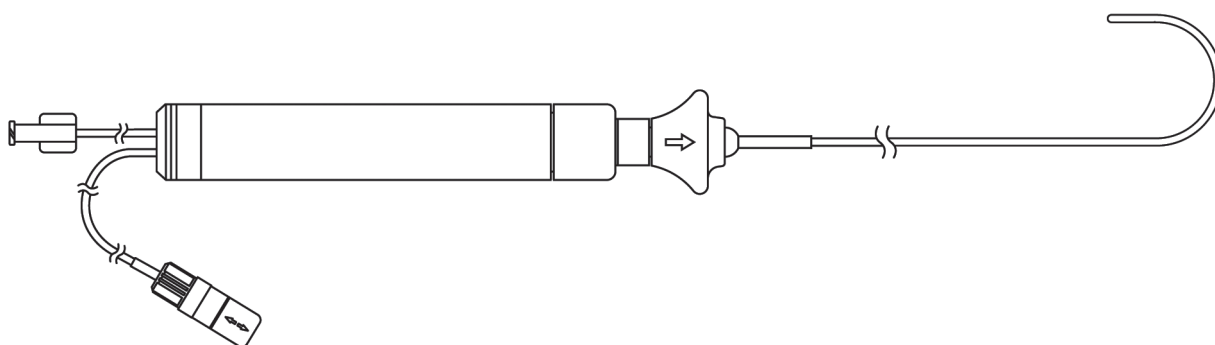
Ordering Information

7 F Decapolar Steerable Inquiry™ Luma-Cath™ Catheter (1 unit per box)

REORDER NUMBER	DESCRIPTION	ELECTRODE SPACING (MM)	TIP (MM)	CURVE TYPE	USEABLE LENGTH (CM)
IBI-81918	1110-L-7-25-L	2-5-2	1	Large	110
IBI-81920	1110-L-7-25-M	2-5-2	1	Medium	110

Required Catheter Connecting Cables – Page 76

REORDER NUMBER	MODEL NUMBER	DESCRIPTION	LENGTH (M)
IBI-85954	1910-SA	10-pin Diagnostic Connecting Cable	1.5
IBI-85930	1910-S	10-pin Diagnostic Connecting Cable	1.5
IBI-85942	1910-S	10-pin Diagnostic Connecting Cable	2.5



Product Highlights

- High density mapping catheter for atrium and ventricle mapping
- Integrates with EnSite Precision™ Cardiac Mapping System
- Mapping with magnetic and impedance data collection¹
- Equidistant spacing along and across the spline
- 1 mm electrodes

Ordering Information

Contents: 8 F Grid Mapping Catheter

REORDER NUMBER	DESCRIPTION	CURVE	NUMBER OF ELECTRODES	GRID ELECTRODE SPACING	GRID DIMENSIONS	USEABLE LENGTH (CM)
D-AVHD-DF16	Sensor Enabled™ Bi-D High Density Mapping Catheter	DF	Grid: 16 Shaft: 2	3 mm equidistant spacing	13 × 13 mm	105

Required Catheter Connecting Cable

REORDER NUMBER	DESCRIPTION	LENGTH (M)
D-AVSE-CBL22	22-pin Sensor Enabled™ Diagnostic Catheter Cable	1.5



1. Abbott. Data on File. Report 90262900.

Product Highlights

- Torque response and planarity for catheter control
- Consistent 180° deflection for ease of loop placement
- Two additional shaft electrodes to aid catheter visualisation
- Bi-directional handle with asymmetric D/F curve
- Push/pull handle with uni-directional D curve
- 2 mm tip and 1 mm band electrodes
- 4 F loop on 7.5 F shaft compatible with 8 F introducer
- Integrates with EnSite Precision™ cardiac mapping system and MediGuide™ Technology

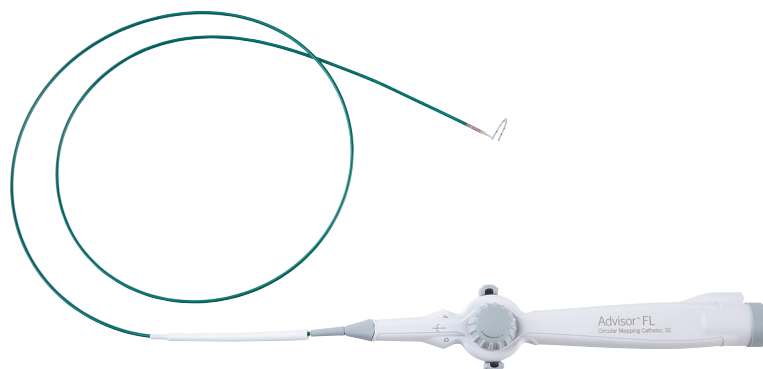
Ordering Information

Contents: 8 F Circular Mapping Catheter

REORDER NUMBER	DESCRIPTION	CURVE	NUMBER OF LOOP ELECTRODES	ELECTRODE SPACING (MM)	LOOP DIAMETER (MM)	USEABLE LENGTH (CM)
D-AVSE-D10-F15	Sensor Enabled™ Uni-D Circular Mapping Catheter	D	10	3-3-3	15	105
D-AVSE-D10-F20	Sensor Enabled™ Uni-D Circular Mapping Catheter	D	10	5-5-5	20	105
D-AVSE-DF10-F15	Sensor Enabled™ Bi-D Circular Mapping Catheter	DF	10	3-3-3	15	105
D-AVSE-DF10-F20	Sensor Enabled™ Bi-D Circular Mapping Catheter	DF	10	5-5-5	20	105

Required Catheter Connecting Cable

REORDER NUMBER	DESCRIPTION	LENGTH (M)
D-AVSE-CBL12	12-pin Sensor Enabled™ Diagnostic Catheter Cable	1.5



Product Highlights

- Fixed shaft with perpendicular 5 F variable loop
- Multi-directional mapping for electrode positioning in various anatomical structures
- Push/pull handle for steering control
- 1 mm band electrodes

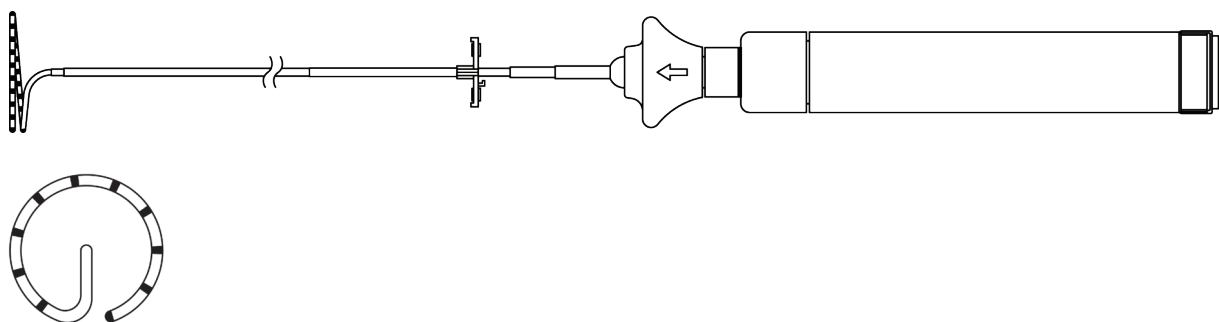
Ordering Information

5 F Inquiry™ AFocus™ Catheter (1 unit per box)

REORDER NUMBER	DESCRIPTION	NUMBER OF ELECTRODES	ELECTRODE SPACING (MM)	LOOP DIAMETER (MM)	USEABLE LENGTH (CM)
IBI-81674	1110-5-5-AF20	10	5	20	110

Required Catheter Connecting Cables – Page 76

REORDER NUMBER	MODEL NUMBER	DESCRIPTION	LENGTH (M)
IBI-85954	1910-SA	10-pin Diagnostic Connecting Cable	1.5
IBI-85955	1914-SA	14-pin Diagnostic Connecting Cable	1.5
IBI-85930	1910-S	10-pin Diagnostic Connecting Cable	1.5
IBI-85942	1910-S	10-pin Diagnostic Connecting Cable	2.5



Inquiry™ Electrophysiology Catheters

Inquiry™ AFocus II™ Catheter

5 F

CIRCULAR MAPPING – FIXED RADIUS

Product Highlights

- Steerable shaft with 5 F fixed loop
- Multi-directional mapping for electrode positioning in various anatomical structures
- Push/pull handle for steering control
- 1 mm band electrodes

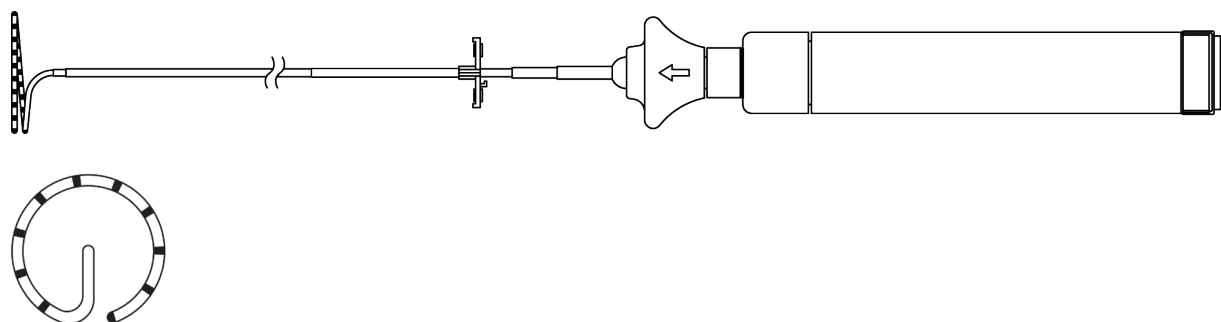
Ordering Information

5 F Steerable Inquiry™ AFocus II™ Catheter (1 unit per box)

REORDER NUMBER	DESCRIPTION	NUMBER OF ELECTRODES	ELECTRODE SPACING (MM)	LOOP DIAMETER (MM)	USEABLE LENGTH (CM)
IBI-81673	1110-5-5-SM-AF20	10	5	20	110
IBI-81680	1110-5-3.5-SM-AF15	10	3.5	15	110

Required Catheter Connecting Cables – Page 76

REORDER NUMBER	MODEL NUMBER	DESCRIPTION	LENGTH (M)
IBI-85954	1910-SA	10-pin Diagnostic Connecting Cable	1.5
IBI-85955	1914-SA	14-pin Diagnostic Connecting Cable	1.5
IBI-85930	1910-S	10-pin Diagnostic Connecting Cable	1.5
IBI-85942	1910-S	10-pin Diagnostic Connecting Cable	2.5



Product Highlights

- Steerable shaft with 4 or 5 F fixed loop
- Multi-directional mapping for electrode positioning in various anatomical structures
- Push/pull handle for steering control
- 1 mm band electrodes

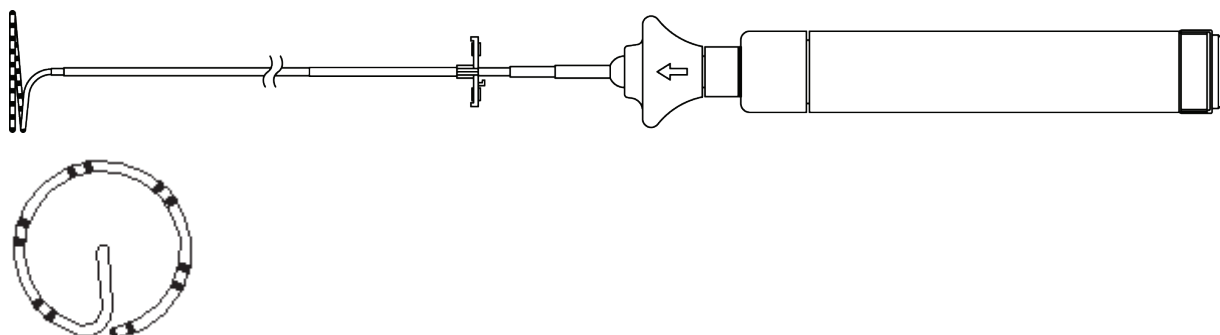
Ordering Information

7 F Steerable Inquiry™ AFocus II™ Catheter (1 unit per box)

REORDER NUMBER	DESCRIPTION	NUMBER OF ELECTRODES	ELECTRODE SPACING (MM)	LOOP DIAMETER (MM)	USEABLE LENGTH (CM)
IBI-81587	1120-7-1(2.5)-SM-AF20	20	1-2.5-1	20	110
IBI-81594	1110-7-3.5-SM-AF15	10	3.5	15	110
IBI-81595	1110-7-5-SM-AF20	10	5	20	110
IBI-81596	1110-7-27-SM-AF20	10	2-7-2	20	110
IBI-81599	1110-7-8-SM-AF25	10	8	25	110

Required Catheter Connecting Cables – Page 76

REORDER NUMBER	MODEL NUMBER	DESCRIPTION	LENGTH (M)
IBI-85954	1910-SA	10-pin Diagnostic Connecting Cable	1.5
IBI-85955	1914-SA	14-pin Diagnostic Connecting Cable	1.5
IBI-85931	1924-S	24-pin Diagnostic Connecting Cable	1.5
IBI-85930	1910-S	10-pin Diagnostic Connecting Cable	1.5
IBI-85942	1910-S	10-pin Diagnostic Connecting Cable	2.5



Product Highlights

- Steerable extended braid shaft with 4 F fixed loop
- Offset shaft-to-loop axis
- 50 mm turning radius
- Uni-directional 180° deflection
- Push/pull handle
- 1 mm band electrodes
- 2 mm tip electrode

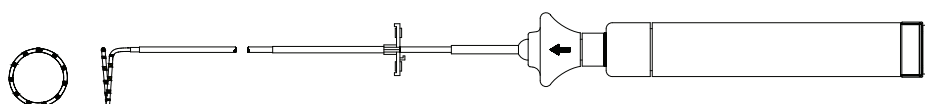
Ordering Information

7 F Steerable Inquiry™ AFocus II™ EB Catheter (1 unit per box)

REORDER NUMBER	DESCRIPTION	NUMBER OF ELECTRODES	ELECTRODE SPACING (MM)	LOOP DIAMETER (MM)	USEABLE LENGTH (CM)
D087022	1110-7-5-SM-AF20EB	10	5	20	110
D087023	1110-7-3-SM-AF15EB	10	3	15	110
D087024	1120-7-1(2.5)-SM-AF20EB	20	1-2.5-1	20	110

Required Catheter Connecting Cables – Page 76

REORDER NUMBER	MODEL NUMBER	DESCRIPTION	LENGTH (M)
IBI-85954	1910-SA	10-pin Diagnostic Connecting Cable	1.5
IBI-85931	1924-S	24-pin Diagnostic Connecting Cable	1.5
IBI-85930	1910-S	10-pin Diagnostic Connecting Cable	1.5
IBI-85942	1910-S	10-pin Diagnostic Connecting Cable	2.5



Advisor™ VL Circular Mapping Catheters

Sensor Enabled™

8 F

Product Highlights

- Bi-directional handle with asymmetric D/F curve
- Torque response and planarity for catheter control¹
- Consistent 180 degree deflection for ease of loop placement
- Two additional shaft electrodes to aid catheter visualization
- Push/pull handle with uni-directional D curve
- Inactive tip and 1 mm band electrodes
- 4 F loop on 7.5 F shaft compatible with 8 F introducer
- Integrates with EnSite Precision™ cardiac mapping system and MediGuide™ technology

Ordering Information

Contents: 8 F circular mapping catheter

REORDER NUMBER	DESCRIPTION	CURVE	NUMBER OF LOOP ELECTRODES	ELECTRODE SPACING (MM)	PV RANGE (MM)	USEABLE LENGTH (CM)
D-AVSE-D10-V1525	Sensor Enabled™ Uni-D Circular Mapping Catheter	D	10	6.5	15-25	117
D-AVSE-D20-V1525	Sensor Enabled Uni-D Circular Mapping Catheter	D	20	1-4-1	15-25	117
D-AVSE-DF10-V1525	Sensor Enabled Bi-D Circular Mapping Catheter	DF	10	6.5	15-25	117
D-AVSE-DF20-V1525	Sensor Enabled Bi-D Circular Mapping Catheter	DF	20	1-4-1	15-25	117

Required Catheter Connecting Cable

REORDER NUMBER	DESCRIPTION	LENGTH (M)
D-AVSE-CBL-22	22-Pin Sensor Enabled™ Diagnostic Catheter Cable	1.5



1. Abbott. Report on file. 90471601.

Reflexion™ HD High Density Catheters
 5 F Loop Bi-directional
 7 F

Product Highlights

- High density collection of points in a localised region
- Suitable for geometry creation, mapping and confirmation of electrical block
- Bi-directional deflection – 180° in both directions
- 25 mm outer loop size

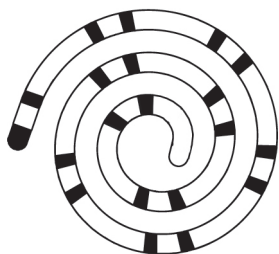
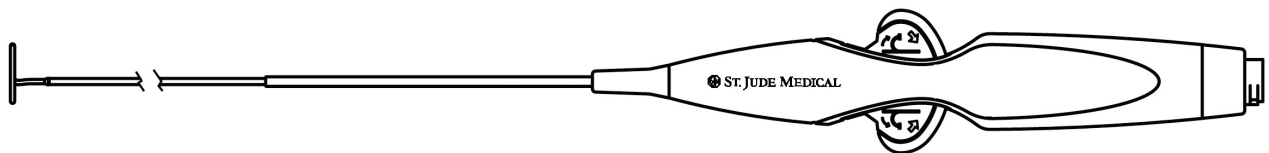
Ordering Information

7 F Bi-directional High Density Catheter (1 unit per box)

REORDER NUMBER	FRENCH SIZE (LOOP)	NUMBER OF ELECTRODES	ELECTRODE SPACING (MM)	OUTER DIAMETER (MM)	DISTAL REACH	USEABLE LENGTH (CM)
D402864	5	20	2-7-2	25	Symmetric	99

Required Catheter Connecting Cable – Page 77

REORDER NUMBER	MODEL NUMBER	DESCRIPTION	LENGTH (M)
401661	Black	Duo-decapolar	150



Inquiry™ Electrophysiology Catheters Inquiry Optima™ (4 F and 5 F Loop) Diagnostic Catheter 7 F

Product Highlights

- Deflectable distal tip to a true 180°
- Multi-directional mapping for electrode positioning in various anatomical structures
- 10-pole (with 4 F loop) and 20-pole (with 5 F loop) models
- Braided shaft option for enhanced torqueability
- 1 mm band electrodes
- 2 mm tip electrode
- Uni-directional 180° deflection

Ordering Information

7 F Inquiry Optima™ Diagnostic Catheter (1 unit per box)

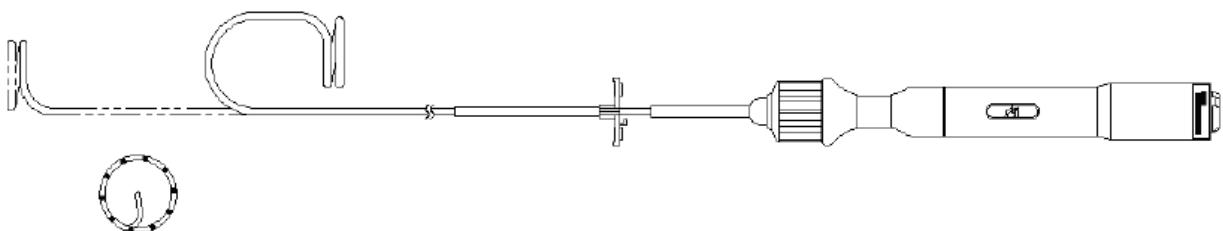
REORDER NUMBER	DESCRIPTION	NUMBER OF ELECTRODES	ELECTRODE SPACING (MM)	LOOP DIAMETER (MM)	USEABLE LENGTH (CM)
IBI-81659	1120-7-1(4.5)-SM-OPT25-EB*	20	1-4.5-1	15–25	110
IBI-81683	1120-7-1(4.5)-SM-OPT25	20	1-4.5-1	15–25	110
IBI-81687	1110-7-7-SM-OPT25	10	7	15–25	110
IBI-81767	1110-7-7-SM-OPT25EB*	10	7	15–25	110
IBI-81664**	1120-7-1(7)-SM-OPT30EB*	20	1-7-1	20–30	110

Note: *"EB" designates catheter configuration with extended braiding to the distal shaft.

Note: **Catheter configuration includes short handle with external connector.

Required Catheter Connecting Cables – Page 76

REORDER NUMBER	MODEL NUMBER	DESCRIPTION	LENGTH (M)
IBI-85954	1910-SA	10-pin Diagnostic Connecting Cable	1.5
IBI-85931	1924-S	24-pin Diagnostic Connecting Cable	1.5
IBI-85930	1910-S	10-pin Diagnostic Connecting Cable	1.5
IBI-85942	1910-S	10-pin Diagnostic Connecting Cable	2.5



Inquiry™ Electrophysiology Catheter
 Inquiry Optima™ PLUS
 (5 F Loop) Diagnostic Catheter
 7 F

CIRCULAR MAPPING – VARIABLE RADIUS

Product Highlights

- Supplemental shaft electrodes increase visibility
- 5 F loop
- Deflectable distal tip to a true 180°
- 1 mm band electrode
- Uni-directional 180° deflection

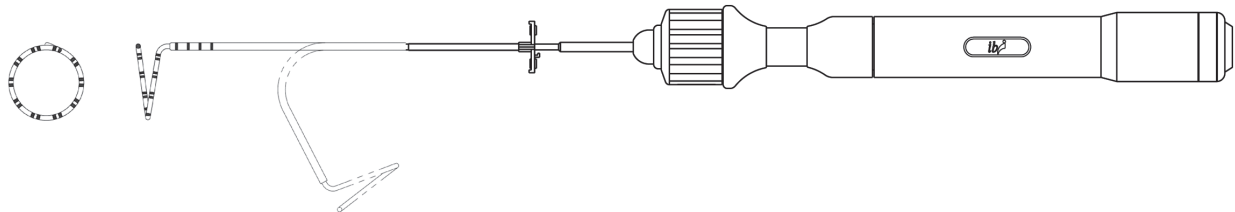
Ordering Information

7 F Inquiry Optima™ PLUS Diagnostic Catheter (1 unit per box)

REORDER NUMBER	DESCRIPTION	NUMBER OF ELECTRODES	ELECTRODE SPACING (MM)	LOOP DIAMETER (MM)	USEABLE LENGTH (CM)
IBI-81717	1124-7-1(4.5)20(3)-SM-OPT25	24	1-4.5-1	15-25	110

Required Catheter Connecting Cable – Page 76

REORDER NUMBER	MODEL NUMBER	DESCRIPTION	LENGTH (M)
IBI-85931	1924-S	24-pin Diagnostic Connecting Cable	1.5



Reflexion Spiral™
 Variable Radius Catheters
 5 F and 6 F Loop Bi-directional
 7 F

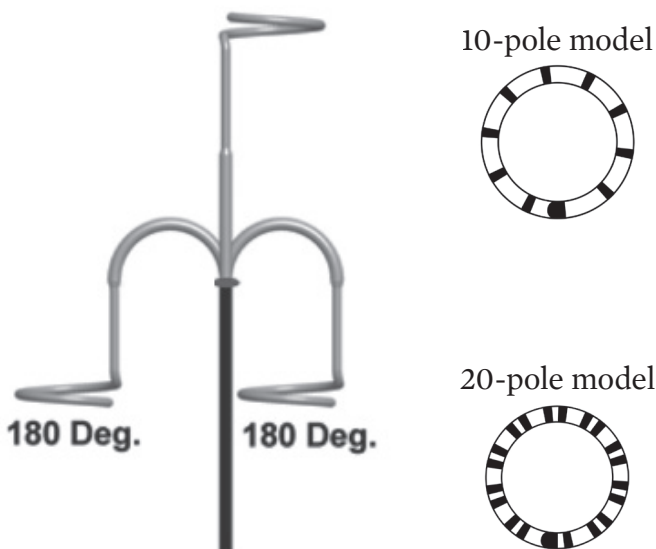
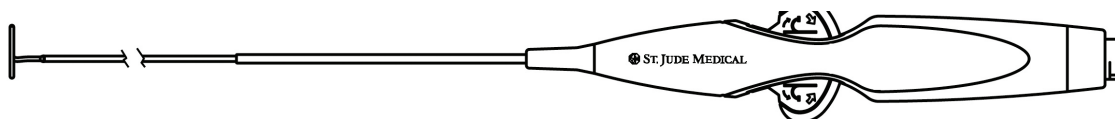
Product Highlights

- Perpendicular plane between hoop and shaft
- Variable radius spiral curve to best fit patient anatomy
- Bi-directional shaft deflection
- 10-pole (with 5 F loop) and 20-pole (with 6 F loop) models
- Diameter adjusts from 15 mm to 25 mm
- Single-handed operation with auto-lock steering to maintain position
- 1 mm band electrodes
- 2 mm tip electrode

Ordering Information

7 F Reflexion Spiral™ Variable Radius Catheters (1 unit per box)

REORDER NUMBER	POLES	ELECTRODE SPACING (MM)	DISTAL REACH	USEABLE LENGTH (CM)	REQUIRED CATHETER EXTENSION CABLE
D402893	20	1-4-1	Symmetric	99	401661
D402865	10	6.3	Symmetric	99	401972, 401976, 401977



Reflexion Spiral™
 Variable Radius Catheter
 6 F Loop Bi-directional
 7 F

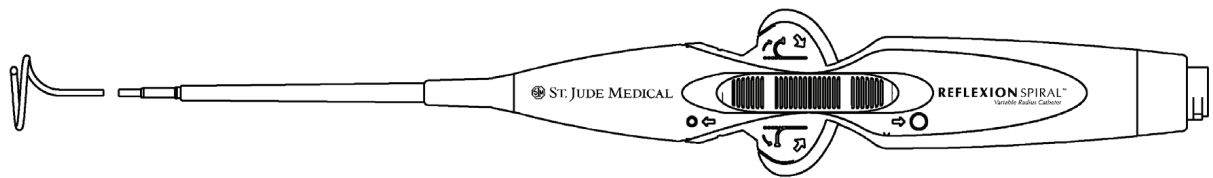
Product Highlights

- Variable radius spiral curve to accommodate varying patient anatomy
- Diameter adjusts from 15 mm to 25 mm
- Single-handed operation with auto-lock steering to maintain position
- Braided shaft for maneuverability
- Intuitive to use and ergonomically designed ComfortGrip™ Handle
- 1 mm band electrodes
- 2 mm tip electrode

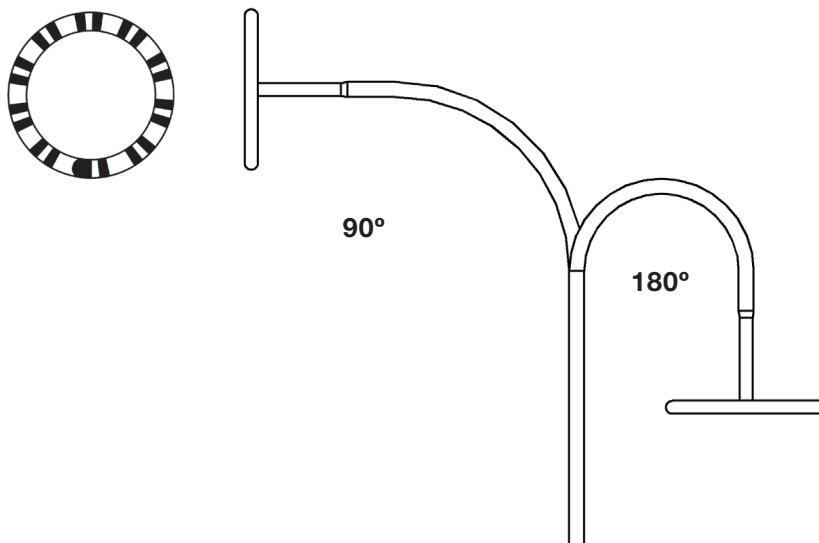
Ordering Information

7 F Duo-decapolar Reflexion Spiral™ Variable Radius Catheter (1 unit per box)

REORDER NUMBER	POLES	ELECTRODE SPACING (MM)	DISTAL REACH	USEABLE LENGTH (CM)	REQUIRED CATHETER EXTENSION CABLE
402804	20	1-4-1	Asymmetric	99	401661



20-pole model



Inquiry™ Cardioversion Electrophysiology Catheter
 Single Catheter System
 7 F Steerable Curve

Product Highlights

- Reduced defibrillating energy compared to external cardioversion
- Potentially minimises discomfort and pain
- Two defibrillating groups of 7 electrode bands
- Group spacing 80 mm apart covers right atrium and coronary sinus
- Push/pull handle for steering control

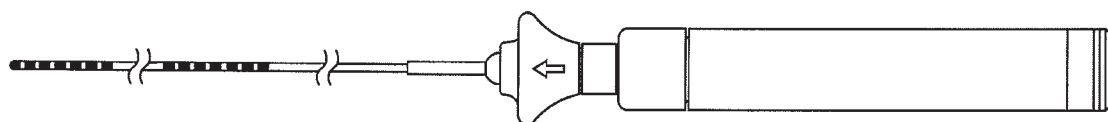
Ordering Information

7 F 14-pole Cardioversion Catheter (1 unit per box)

REORDER NUMBER	DESCRIPTION	TIP (MM)	BAND (MM)	SPACING (MM)	CURVE TYPE
IBI-81998	1114-CV-7-3(80)3-L-TE4BE4	4	4	3-80-3	Large

Required Catheter Connecting Cable

REORDER NUMBER	MODEL NUMBER	DESCRIPTION	LENGTH (M)
IBI-85201	2101-C	Connecting cable for cardioversion catheter, single catheter system	2.5



Inquiry™ Cardioversion Electrophysiology Catheter Dual Catheter System 6 F Fixed Curve

INTERNAL CARDIOVERSION

Product Highlights

- Reduced defibrillating energy compared to external cardioversion
- Potentially minimises discomfort and pain
- Evenly spaced electrode bands for large coverage area
- Catheter electrode spacing optimises linear energy transfer

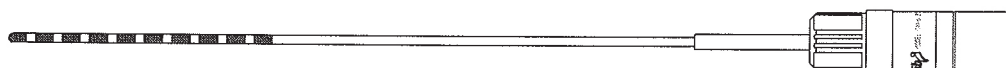
Ordering Information

(1 unit per box)

REORDER NUMBER	DESCRIPTION	TIP (MM)	BAND (MM)	SPACING (MM)	CURVE TYPE
IBI-80993	1010-CV-6-5-J-TE4BE4	4	4	5	J

Required Catheter Connecting Cable

REORDER NUMBER	MODEL NUMBER	DESCRIPTION	LENGTH (M)
IBI-85205	2102-C	Connecting cable for cardioversion catheter, single catheter system	2.4



Inquiry™ Cardioversion Electrophysiology Catheter Dual Catheter System 6 F Steerable Curve

Product Highlights

- Reduced defibrillating energy compared to external cardioversion
- Potentially minimises discomfort and pain
- Ideal for placement in coronary sinus
- Catheter electrode spacing optimises linear energy transfer
- Push/pull handle for steering control

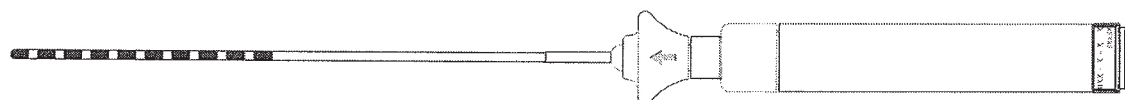
Ordering Information

6 F 10-pole Cardioversion Catheter (1 unit per box)

REORDER NUMBER	DESCRIPTION	TIP (MM)	BAND (MM)	SPACING (MM)	CURVE TYPE
IBI-81997	1110-CV-6-2-L-TE4BE4	4	4	2	Large

Required Catheter Connecting Cable

REORDER NUMBER	MODEL NUMBER	DESCRIPTION	LENGTH (M)
IBI-85205	2102-C	Connecting cable for cardioversion catheter, dual catheter system	2.5



Single Catheter System Connecting Cables

REORDER NUMBER	MODEL NUMBER	DESCRIPTION
IBI-85201	2101-C	Connecting cable for cardioversion catheter to switchbox, single catheter system, 14-pin panel mount dual key cable, 2.4 m
IBI-85955	1914-SA	14-pin connecting cable, switchbox to EP monitor, single key cable, 1.5 m

2101-C



Dual Catheter System Connecting Cables

REORDER NUMBER	MODEL NUMBER	DESCRIPTION
IBI-85205*	2102-C*	Connecting cable for cardioversion catheter to switchbox, dual catheter system, 14-pin panel mount dual key cable, 2.4 m*
IBI-85930	1910-S	10-pin connecting cable, switchbox to EP monitor, 1.5 m
IBI-85954*	1910-SA	10-pin connecting cable, switchbox to EP monitor, 1.5 m
IBI-85955*	1914-SA	14-pin connecting cable, switchbox to EP monitor, single key cable, 1.5 m

*Note: Two Required

2102-C



Note: All cardioversion components are ordered individually

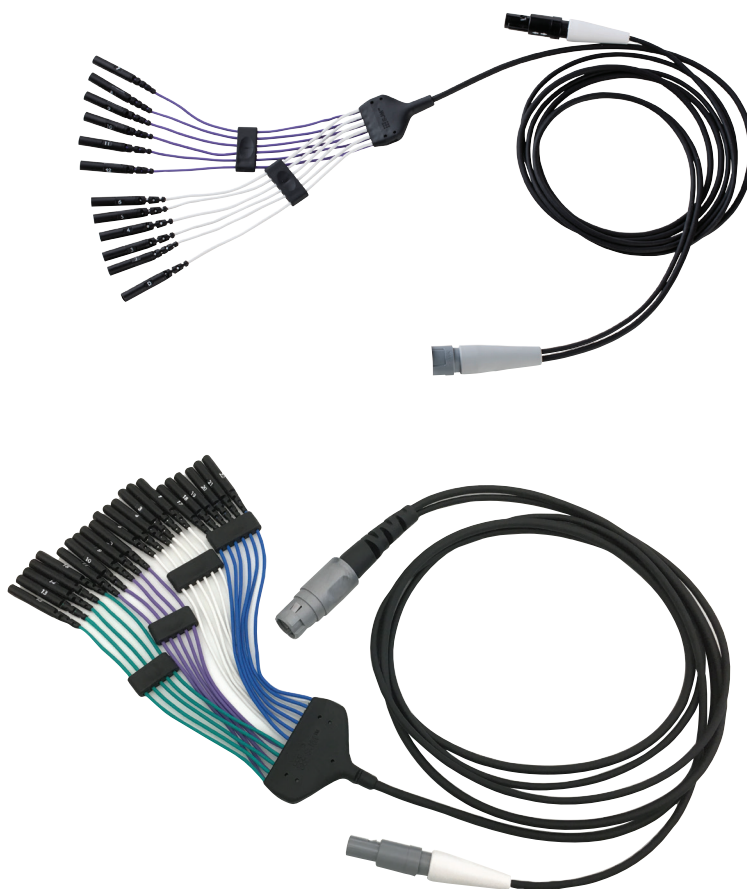
Product Highlights

- Color-coded cables available for easy identification
- Guided channel for fast, convenient connection
- Clearly labeled terminal pins
- Connects to EnSite Precision™ cardiac mapping system and MediGuide™ technology

Ordering Information

Contents: Sensor Enabled™ Diagnostic Connecting Cable (1 unit per box)

REORDER NUMBER	DESCRIPTION	USEABLE LENGTH (M)
D-AVSE-CBL12	12-pin Sensor Enabled™ Diagnostic Catheter Cable	1.5
D-AVSE-CBL22	22-pin Sensor Enabled™ Diagnostic Catheter Cable	1.5



Product Highlights

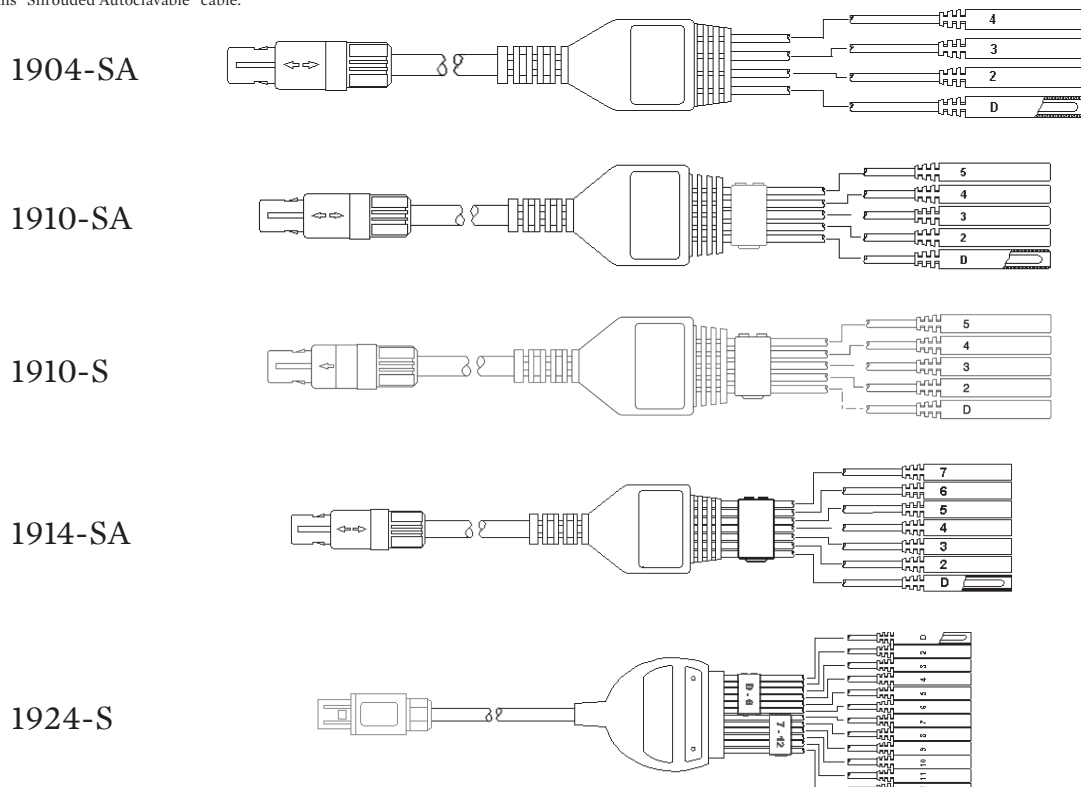
- Color-coded cables available for easy identification
- Guided channel for fast, convenient connection
- Clearly labeled terminal pins

Ordering Information

Diagnostic Connecting Cable (1 unit per box)

REORDER NUMBER	MODEL NUMBER	DESCRIPTION	USEABLE LENGTH (CM)
IBI-85953	1904-SA	4-pin Diagnostic Connecting Cable	1.5
IBI-85954	1910-SA	10-pin Diagnostic Connecting Cable	1.5
IBI-85930	1910-S	10-pin Diagnostic Connecting Cable	1.5
IBI-85942	1910-S	10-pin Diagnostic Connecting Cable	2.5
IBI-85955	1914-SA	14-pin Diagnostic Connecting Cable	1.5
IBI-85931	1924-S	24-pin Diagnostic Connecting Cable	1.5

Note: "SA" means "Shrouded Autoclavable" cable.



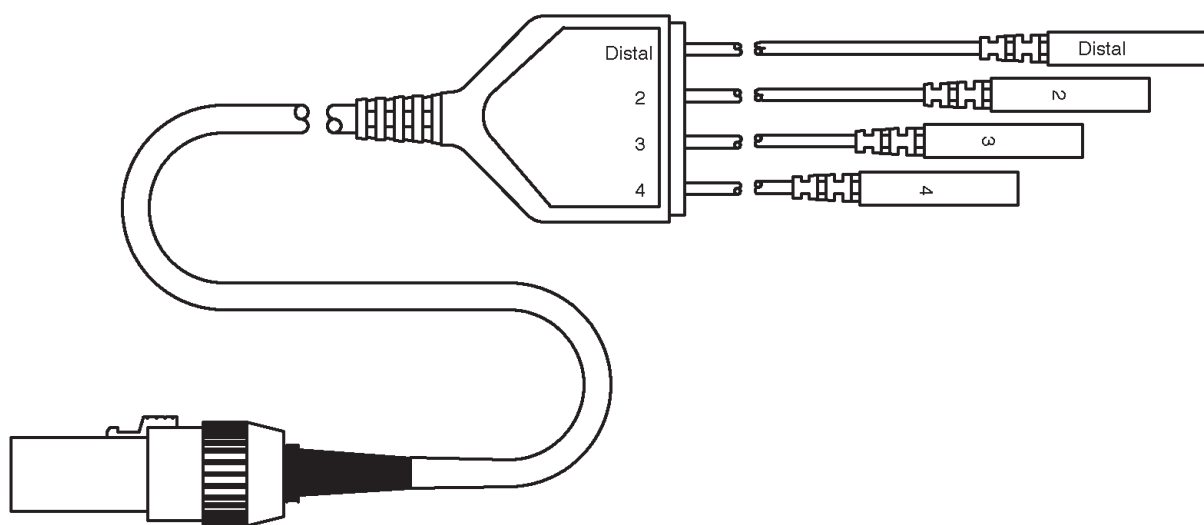
Product Highlights

- Colored cables available for easy identification during multiple-catheter procedures
- Guided channel for fast, convenient connection
- Push button release
- Clearly labeled terminal pin
- 24K gold-plated pins
- Shrouded 2 mm pin connector leads

Ordering Information

Extension Cable (1 unit per box)

REORDER NUMBER	COLOR	CONNECTS THESE CATHETERS	USEABLE LENGTH (CM)
401970	Black	Bipolar and Quadripolar	150
401973	Blue	Bipolar, Tripolar and Quadripolar	150
401974	Grey	Bipolar, Tripolar and Quadripolar	150
401975	Red	Bipolar, Tripolar and Quadripolar	150
401971	Black	Hexapolar	150
401972	Black	Hexapolar, Octapolar and Decapolar	150
401977	Red	Hexapolar, Octapolar and Decapolar	150
401976	Black	Hexapolar, Octapolar and Decapolar	210
401661	Black	Duo-decapolar	150



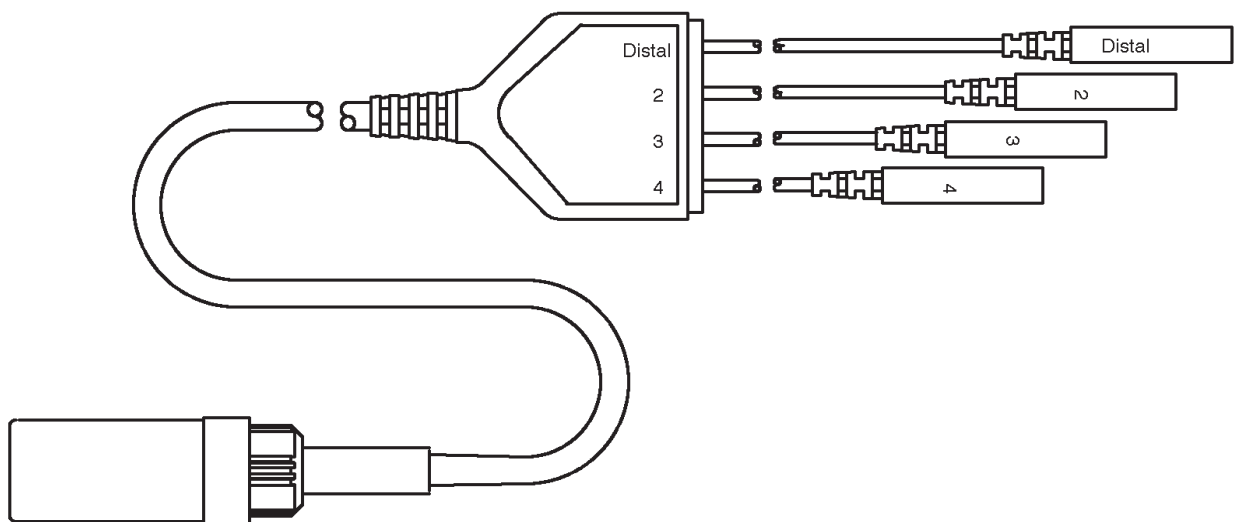
Product Highlights

- Colored cables available for easy identification during multiple-catheter procedures
- Guided channel for fast, convenient connection
- Clearly labeled terminal pins
- 24K gold-plated pins
- Shrouded 2 mm pin connector leads

Ordering Information

Extension Cable (1 unit per box)

REORDER NUMBER	COLOR	CONNECTS THESE SUPREME™ CATHETERS	USEABLE LENGTH (CM)
401980	Black	Bipolar and Quadripolar	150
401981	Blue	Bipolar and Quadripolar	150
401982	Grey	Bipolar and Quadripolar	150
401983	Red	Bipolar and Quadripolar	150
401984	Black	Hexapolar	150
401985	Black	Octapolar and Decapolar	150
401986	Black	Octapolar and Decapolar	210



REORDER NUMBER	MODEL NUMBER	DESCRIPTION
IBI-85202	2201-Z	Connecting cable for use with Zoll® M Series Defibrillator (biphasic)
IBI-85203	2202-M	Connecting cable for use with Medtronic® LIFEPAK® 12 and LIFEPAK 20 Defibrillator (biphasic)

