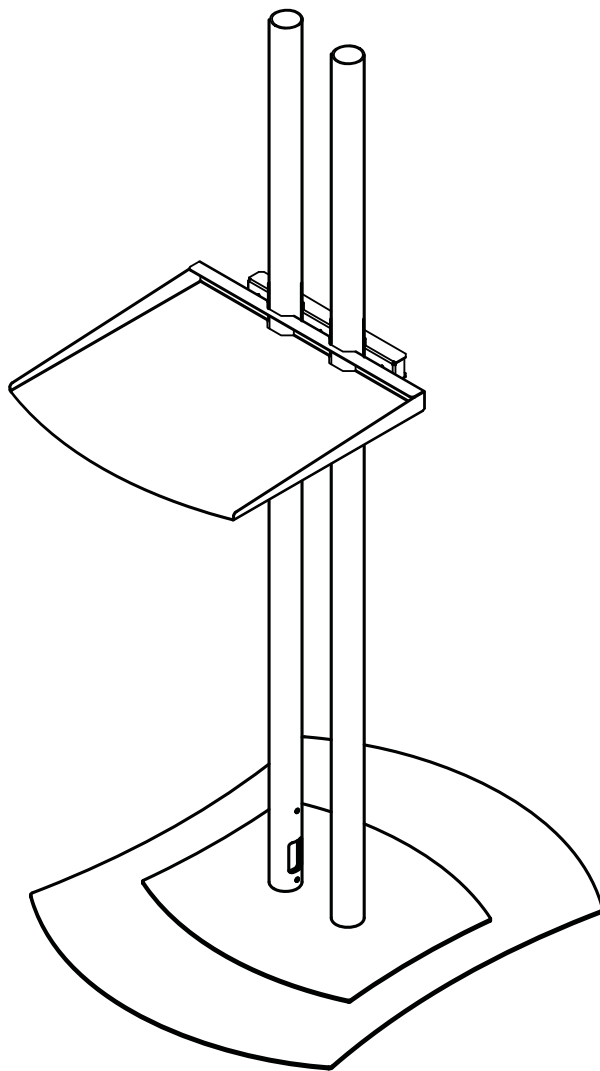




Installation and Assembly: AV COMPONENT SHELF

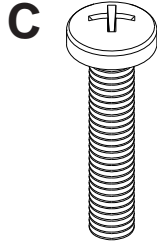
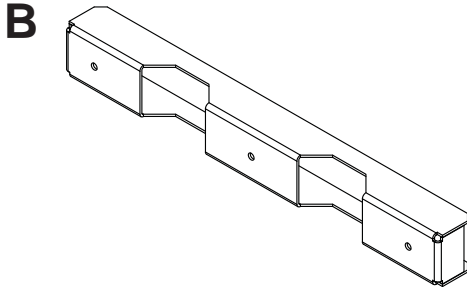
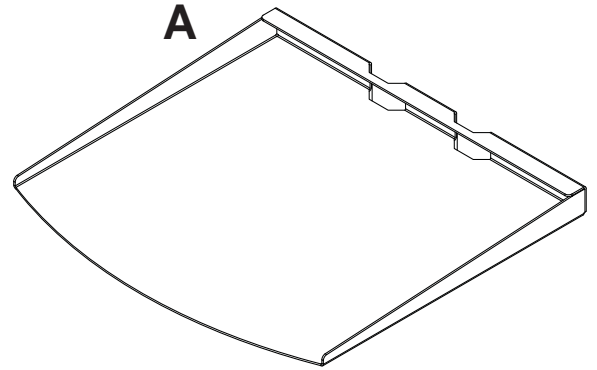
Model: ACC325



Max Load Capacity: 25 lb (11.3 kg)

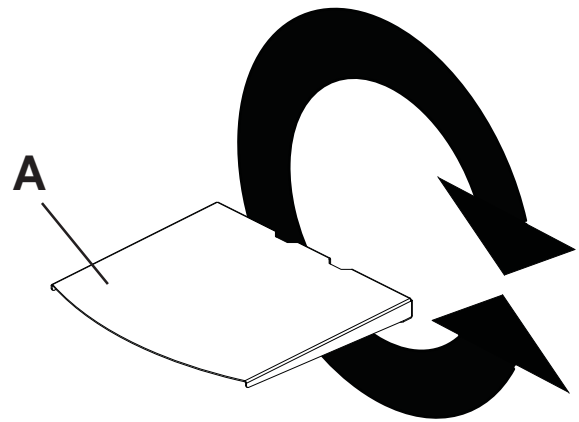
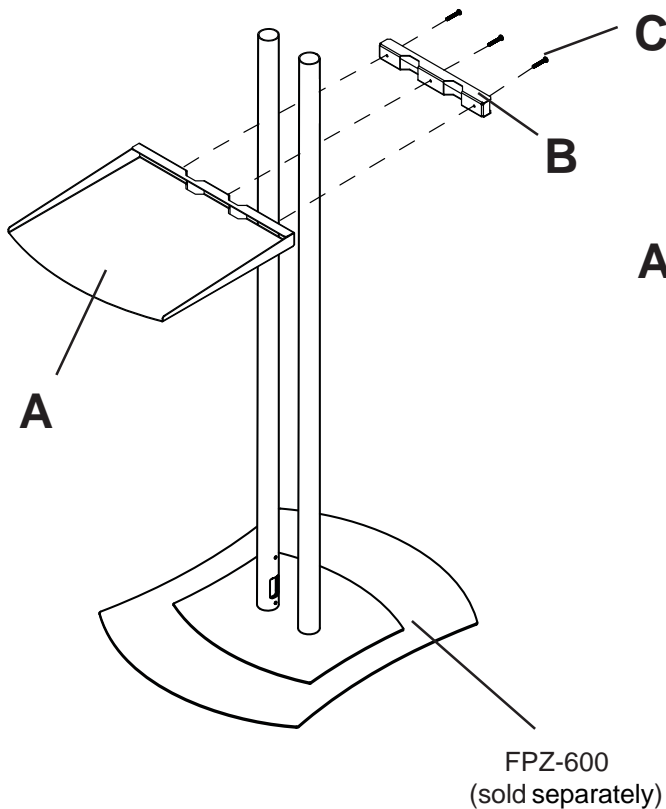
Parts List

| Description | Qty. | Part # |
|-----------------------------|------|----------|
| A shelf | 1 | 104-1069 |
| B shelf bracket | 1 | 104-1070 |
| C M5 x 30 mm phillips screw | 3 | 520-1042 |



- 1** **Note:** Installation requires an assistant.
Secure shelf (A) to FPZ-600 stand (sold separately) using shelf bracket (B) and three M5 x 30 mm phillips screws (C) at desired position.

Note: Shelf (A) can be flipped over and attached to stand in reverse orientation if desired as shown in detail 1.



DETAIL 1