

# PCB TERMINAL BLOCKS

PCB  
TERMINAL  
BLOCKS

INTER-  
CONNECTION

FUSES &  
FUSE-  
HOLDERS

LEDs &  
INDICATORS

MINIATURE  
SWITCHES

LIMIT &  
SAFETY  
SWITCHES

CONTROL  
PRODUCTS

INTERFACE  
MODULES &  
SUPPORTS

RELAY  
BASES


DIN RAIL  
ENCLOSURES

BATTERIES

SOLAR  
PANELS

TRANS-  
FORMERS

## 5.08mm Pitch Pluggable Rising Clamp Terminal Blocks

- 2-24 pole solid block
- Pluggable male-female connectors
- Open & closed headers
- Horizontal & vertical female plug styles
- Polarised mouldings
- Moulded in green UL94-V0 flame retardant PA
- Professional rising clamp terminals
- 0.2-2.5mm<sup>2</sup> (30-12AWG) solid & stranded cable
- Anti solder wicking
- Captive screws
- Guided pin alignment
-  approved

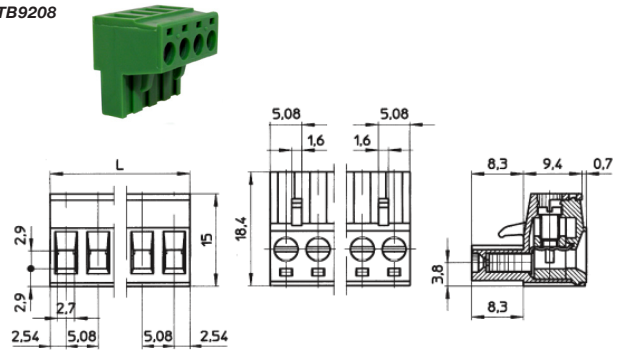
### SPECIFICATION

Rating	12A/320V UL=12A/300V, VDE&IMQ=20A/320V
Dielectric strength	≥2.5kV
Impulse withstand voltage	4kV
Working temperature	110°C
Moulding	UL94-V0 flame retardant PA
Pin/terminal	Copper alloy, NI & SN
Rising clamp	Copper alloy, NI & SN
Screw/torque	M3 steel zinc plated, 0.5Nm
Recommended PCB hole size	ø1.4mm

### Female connector

TYPE NO.	POLES	LENGTH	TYPE NO.	POLES	LENGTH
CTB9208/2	2	10.2mm	CTB9208/14	14	71.1mm
CTB9208/3	3	15.2mm	CTB9208/15	15	76.2mm
CTB9208/4	4	20.3mm	CTB9208/16	16	81.3mm
CTB9208/5	5	25.4mm	CTB9208/17	17	86.4mm
CTB9208/6	6	30.5mm	CTB9208/18	18	91.4mm
CTB9208/7	7	35.6mm	CTB9208/19	19	96.5mm
CTB9208/8	8	40.6mm	CTB9208/20	20	101.6mm
CTB9208/9	9	45.7mm	CTB9208/21	21	106.7mm
CTB9208/10	10	50.8mm	CTB9208/22	22	111.8mm
CTB9208/11	11	55.9mm	CTB9208/23	23	116.8mm
CTB9208/12	12	61mm	CTB9208/24	24	121.9mm
CTB9208/13	13	66mm			

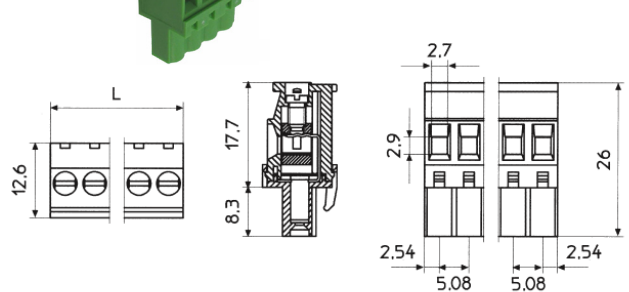
CTB9208



### Female connector vertical (standard)

TYPE NO.	POLES	LENGTH	TYPE NO.	POLES	LENGTH
CTB92VJ/2S	2	10.2mm	CTB92VJ/14S	14	71.1mm
CTB92VJ/3S	3	15.2mm	CTB92VJ/15S	15	76.2mm
CTB92VJ/4S	4	20.3mm	CTB92VJ/16S	16	81.3mm
CTB92VJ/5S	5	25.4mm	CTB92VJ/17S	17	86.4mm
CTB92VJ/6S	6	30.5mm	CTB92VJ/18S	18	91.4mm
CTB92VJ/7S	7	35.6mm	CTB92VJ/19S	19	96.5mm
CTB92VJ/8S	8	40.6mm	CTB92VJ/20S	20	101.6mm
CTB92VJ/9S	9	45.7mm	CTB92VJ/21S	21	106.7mm
CTB92VJ/10S	10	50.8mm	CTB92VJ/22S	22	111.8mm
CTB92VJ/11S	11	55.9mm	CTB92VJ/23S	23	116.8mm
CTB92VJ/12S	12	61mm	CTB92VJ/24S	24	121.9mm
CTB92VJ/13S	13	66mm			

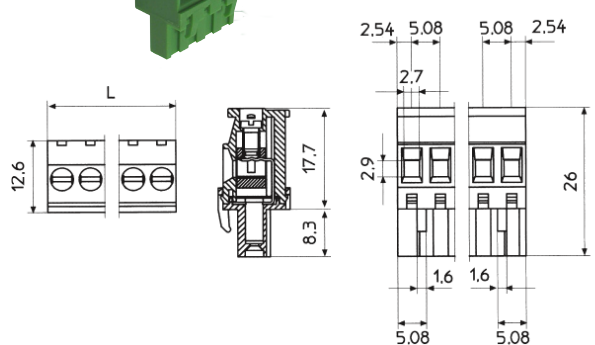
CTB92VJ/S



### Female connector vertical (reversed)

TYPE NO.	POLES	LENGTH	TYPE NO.	POLES	LENGTH
CTB92VJ/2R	2	10.2mm	CTB92VJ/14R	14	71.1mm
CTB92VJ/3R	3	15.2mm	CTB92VJ/15R	15	76.2mm
CTB92VJ/4R	4	20.3mm	CTB92VJ/16R	16	81.3mm
CTB92VJ/5R	5	25.4mm	CTB92VJ/17R	17	86.4mm
CTB92VJ/6R	6	30.5mm	CTB92VJ/18R	18	91.4mm
CTB92VJ/7R	7	35.6mm	CTB92VJ/19R	19	96.5mm
CTB92VJ/8R	8	40.6mm	CTB92VJ/20R	20	101.6mm
CTB92VJ/9R	9	45.7mm	CTB92VJ/21R	21	106.7mm
CTB92VJ/10R	10	50.8mm	CTB92VJ/22R	22	111.8mm
CTB92VJ/11R	11	55.9mm	CTB92VJ/23R	23	116.8mm
CTB92VJ/12R	12	61mm	CTB92VJ/24R	24	121.9mm
CTB92VJ/13R	13	66mm			

CTB92VJ/R

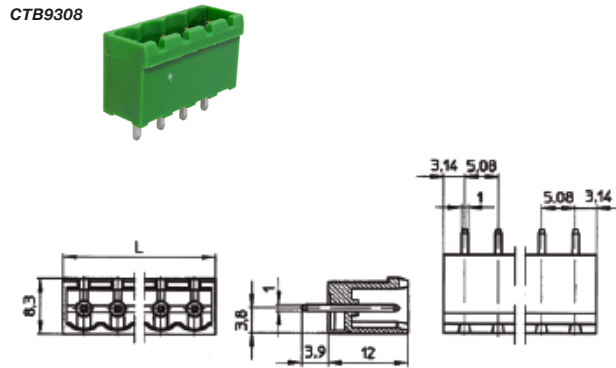


# PCB TERMINAL BLOCKS

## PCB mounting male vertical (closed ended)

TYPE NO.	POLES	LENGTH	TYPE NO.	POLES	LENGTH
CTB9308/2	2	11.4mm	CTB9308/14	14	72.3mm
CTB9308/3	3	16.4mm	CTB9308/15	15	77.4mm
CTB9308/4	4	21.5mm	CTB9308/16	16	82.5mm
CTB9308/5	5	26.6mm	CTB9308/17	17	87.6mm
CTB9308/6	6	31.7mm	CTB9308/18	18	92.6mm
CTB9308/7	7	36.78mm	CTB9308/19	19	97.7mm
CTB9308/8	8	41.8mm	CTB9308/20	20	102.8mm
CTB9308/9	9	46.9mm	CTB9308/21	21	107.9mm
CTB9308/10	10	52mm	CTB9308/22	22	113mm
CTB9308/11	11	57.1mm	CTB9308/23	23	118mm
CTB9308/12	12	62.19mm	CTB9308/24	24	123.1mm
CTB9308/13	13	67.2mm			

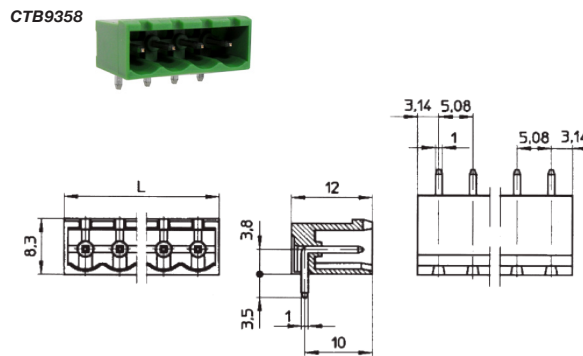
CTB9308



## PCB mounting male horizontal (closed ended)

TYPE NO.	POLES	LENGTH	TYPE NO.	POLES	LENGTH
CTB9358/2	2	11.4mm	CTB9358/14	14	72.3mm
CTB9358/3	3	16.4mm	CTB9358/15	15	77.4mm
CTB9358/4	4	21.5mm	CTB9358/16	16	82.5mm
CTB9358/5	5	26.6mm	CTB9358/17	17	87.6mm
CTB9358/6	6	31.7mm	CTB9358/18	18	92.6mm
CTB9358/7	7	36.78mm	CTB9358/19	19	97.7mm
CTB9358/8	8	41.8mm	CTB9358/20	20	102.8mm
CTB9358/9	9	46.9mm	CTB9358/21	21	107.9mm
CTB9358/10	10	52mm	CTB9358/22	22	113mm
CTB9358/11	11	57.1mm	CTB9358/23	23	118mm
CTB9358/12	12	62.19mm	CTB9358/24	24	123.1mm
CTB9358/13	13	67.2mm			

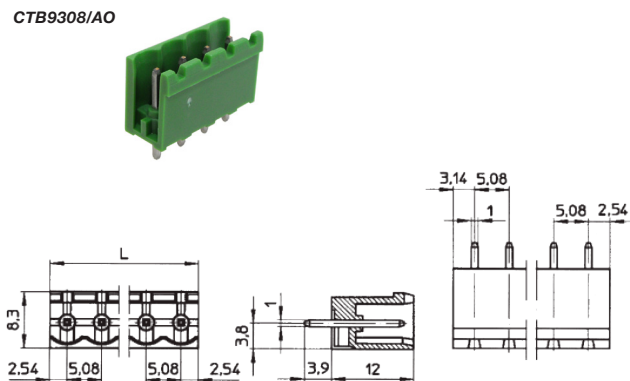
CTB9358



## PCB mounting male vertical (open ended)

TYPE NO.	POLES	LENGTH	TYPE NO.	POLES	LENGTH
CTB9308/2AO	2	10.2mm	CTB9308/14AO	14	71.1mm
CTB9308/3AO	3	15.2mm	CTB9308/15AO	15	76.2mm
CTB9308/4AO	4	20.3mm	CTB9308/16AO	16	81.3mm
CTB9308/5AO	5	25.4mm	CTB9308/17AO	17	86.4mm
CTB9308/6AO	6	30.5mm	CTB9308/18AO	18	91.4mm
CTB9308/7AO	7	35.6mm	CTB9308/19AO	19	96.5mm
CTB9308/8AO	8	40.6mm	CTB9308/20AO	20	101.6mm
CTB9308/9AO	9	45.7mm	CTB9308/21AO	21	106.7mm
CTB9308/10AO	10	50.8mm	CTB9308/22AO	22	111.7mm
CTB9308/11AO	11	55.9mm	CTB9308/23AO	23	116.8mm
CTB9308/12AO	12	61mm	CTB9308/24AO	24	121.9mm
CTB9308/13AO	13	66mm			

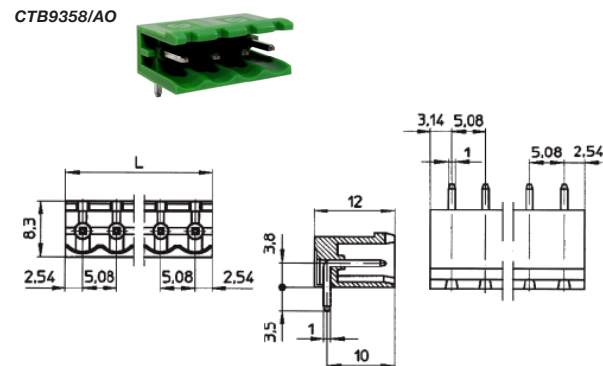
CTB9308/AO



## PCB mounting male horizontal (open ended)

TYPE NO.	POLES	LENGTH	TYPE NO.	POLES	LENGTH
CTB9358/2AO	2	10.2mm	CTB9358/14AO	14	71.1mm
CTB9358/3AO	3	15.2mm	CTB9358/15AO	15	76.2mm
CTB9358/4AO	4	20.3mm	CTB9358/16AO	16	81.3mm
CTB9358/5AO	5	25.4mm	CTB9358/17AO	17	86.4mm
CTB9358/6AO	6	30.5mm	CTB9358/18AO	18	91.4mm
CTB9358/7AO	7	35.6mm	CTB9358/19AO	19	96.5mm
CTB9358/8AO	8	40.6mm	CTB9358/20AO	20	101.6mm
CTB9358/9AO	9	45.7mm	CTB9358/21AO	21	106.7mm
CTB9358/10AO	10	50.8mm	CTB9358/22AO	22	111.7mm
CTB9358/11AO	11	55.9mm	CTB9358/23AO	23	116.8mm
CTB9358/12AO	12	61mm	CTB9358/24AO	24	121.9mm
CTB9358/13AO	13	66mm			

CTB9358/AO



PCB  
TERMINAL  
BLOCKS

INTER-  
CONNECTION

FUSES &  
FUSE-  
HOLDERS

LEDs &  
INDICATORS

MINIATURE  
SWITCHES

LIMIT &  
SAFETY  
SWITCHES

CONTROL  
PRODUCTS

INTERFACE  
MODULES &  
SUPPORTS

RELAY  
BASES

DIN RAIL  
ENCLOSURES

BATTERIES

SOLAR  
PANELS

TRANS-  
FORMERS