

R5 RA 0400-0630 C

Oil-lubricated rotary vane vacuum pumps



VACUUM SOLUTIONS



Reliable

Robust construction, highly resilient carbon fiber vanes, proven rotary vane technology, long service life

High performance

High pumping speed at low pressures, designed for continuous operation

Flexible

Various design options available, easy adaption to individual customer requirements and processes, variable speed drive available

Accessories, spare parts and options

- IEC (IE3) and NEMA motors
- Multi-voltage, multi-frequency motors (IE3) for variable speed drive
- Single or double gas-ballast valve, manual or solenoid operation
- Various inlet filters
- Various temperature and pressure gauges
- Starter units
- Oil mist separator
- Energy recuperation kit with heat exchanger
- Vacuum pump oils for all applications

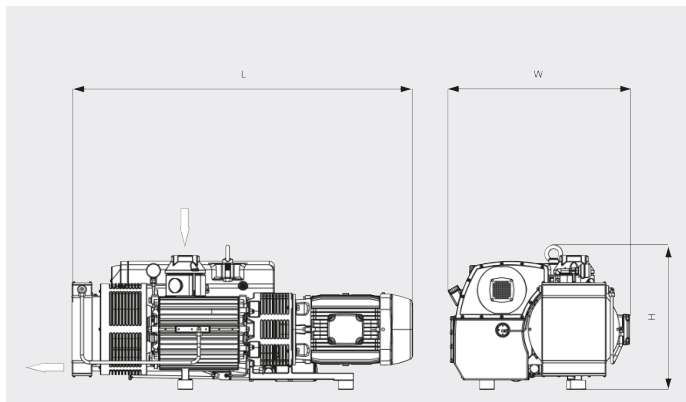
R5 RA 0400-0630 C

Oil-lubricated rotary vane vacuum pumps



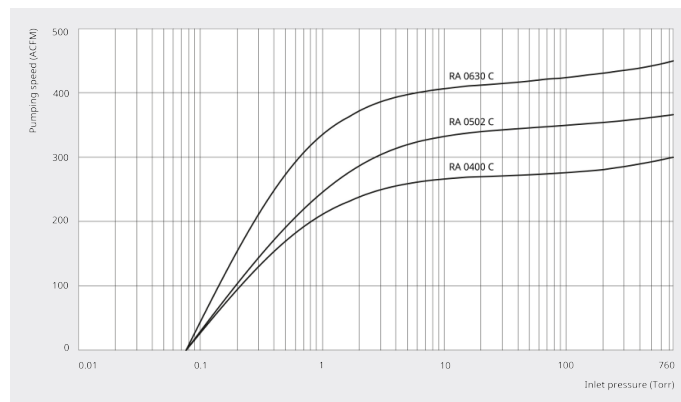
VACUUM SOLUTIONS

Dimensional drawing



Pumping speed

Air at 70°F. Tolerance: ± 10%



	R5 RA 0400 C	R5 RA 0502 C	R5 RA 0630 C
Nominal pumping speed	305 ACFM	375 ACFM	455 ACFM
Ultimate pressure	0.075 TORR	0.075 TORR	0.075 TORR
Nominal motor rating	15 HP	20 HP	25 HP
Nominal motor speed	1150 RPM	1150 RPM	1150 RPM
Power consumption at 75 TORR	13.4 HP	16 HP	20 HP
Power consumption at ultimate pressure	7.5 HP	8.5 HP	10.7 HP
Noise level (ISO 2151)	79 dB(A)	79 dB(A)	79 dB(A)
Oil capacity	14.0 qts.	16.0 qts.	16.0 qts.
Weight approx.	1084 Lbs.	1285 Lbs.	1527 Lbs.
Dimensions (L x W x H)	54.5 x 40 x 28.5 inches	65 x 40 x 28.5 inches	69.3 x 41.5 x 28.5 inches
Gas inlet / outlet	3" NPT / 3" NPT	3" NPT / 3" NPT	3" NPT / 3" NPT

DO YOU WANT TO KNOW MORE?

Get in touch with us directly!
info@buschusa.com or +1 757 463 7800



CONTACT FORM



CALL NOW