

BULLDOG®



Hydraulics & Gaskets

HYDRAULIC CATALOG

Vol. 14

About Bulldog®	ii
Summary & Warranty	iii
How To Use This Catalog	iv
Product Availability & Coverage	v
Refillable Bulldog® O-Ring Kits	vi
Hydraulic Pump Seal Kits For Caterpillar®	vii
Hydraulic Track Adjuster Seal Kits	viii
Lock Nuts For Caterpillar® Applications	xviii
Hinge Pin Seals	xix
Hydraulic Cylinder Applications	xx
Cylinder Assembly Nomenclature (Hydraulic Ram)	xxii
Cylinder Sealing Components	xxiii
Bulldog® Cylinder Designs	xxiv

TABLE OF CONTENTS

Section 1: Caterpillar® (Referenced by Bulldog® Part Number)	1
Section 2: Caterpillar® (Referenced by OEM Part Number)	233
Section 3: Komatsu® (Referenced by Bulldog® Part Number)	475
Section 4: Komatsu® (Referenced by OEM Part Number)	539
Section 5: Dresser® / International Harvester® / Hough® / Wabco Haulpak®	621
Section 6: J.I. Case® / Drott®	643
Section 7: John Deere®	703
Section 8: Volvo® / Michigan® / Clark® / Ranger® / Euclid® / Champion®	847
Section 9: Fiat Allis® / Kelley Ripper® / Terex® / Unit Rig® / Lectre Haul®	863

BULLDOG® HYDRAULICS & GASKETS was originally founded in 1957 and acquired by its current owners in 2001. During its 50+ years of operation, Bulldog® Hydraulics & Gaskets has experienced rapid growth and has earned a reputation for excellent product quality, friendly customer service, and distinguished technical support. Bulldog® Hydraulics & Gaskets provides hydraulic and gasket products to a broad customer base. Both of these product areas have expanded to include extensive kit building capabilities that service and support several types of industries worldwide. Bulldog® Hydraulics & Gaskets stocking representatives are located in most major cities in North and South America, Europe, Africa, Asia, and the Pacific Rim.

Bulldog® Hydraulics & Gaskets currently operates a manufacturing, distribution, and administrative office facility located at the South Meadows Business Park in Reno, Nevada.

PRODUCT RANGE

Bulldog® Hydraulics & Gaskets stocks and maintains a large inventory of both hydraulic and gasket sealing products. Hydraulic sealing items such as rod seals, rod wipers, rod bearings, piston seals, wear rings, o-rings, back-up rings, and vee-packings are some of the many items that are stocked. Each of these items is designed and/or specified for the critical sealing applications of hydraulic cylinders and other demanding hydraulic sealing applications. Gasket sealing products such as soft gaskets, reinforced gaskets, and sealing products normally replaced along with gaskets (for example, oil seals, o-rings, and other elastomeric products) are also inventoried. Special attention is paid to the proper selection of gasket materials based upon application considerations. Bulldog® Hydraulics & Gaskets specializes in materials ranging from basic elastomers to highly advanced elastomeric compounds. This allows us to provide our customers with the most successful solutions to the broadest range of sealing applications.

KIT ASSEMBLY AND CUSTOM PACKAGING

Bulldog® Hydraulics & Gaskets maintains facilities specifically designed for the assembly of components into kits and other forms of custom packaging. Extensive capabilities have been developed to support the process of kit manufacturing and assembly. Customer requested kits can be easily documented and integrated into our kit assembly process. Custom packaging capabilities include the ability to apply part numbers to items, bags, and boxes. In addition, items can be boxed or placed on flat sheets (for example, corrugated sheets) for the application of labels and shrink-wrapping. These Bulldog® Hydraulics & Gaskets kit and packaging capabilities can offer substantial advantages to customers by providing them with pre assembled kits for service and repair needs. Pre assembled kits, when compared to individual components, can provide overall reductions in total product costs by reducing purchasing, receiving, quality control, and warehousing activities. In addition, pre assembled kits can increase customer serviceability and satisfaction.

TECHNICAL SUPPORT

The technical staff at Bulldog® Hydraulics & Gaskets has an in-depth knowledge of the sealing applications for many types of mobile equipment. Some of these applications include hydraulic cylinders and other hydraulic components, diesel engines, and transmissions. Our experience with sealing and gasket products allows us to provide technical support to customers and end users. The ability to provide recommendations based upon Bulldog® Hydraulics & Gaskets design standards, in addition to analyzing existing designs for potential improvements, are just some of the many advantages our technical staff may offer our customers.

HOURS OF OPERATION

Monday - Friday
7:30am - 4:30pm PST

www.BulldogKits.com
Sales@BulldogKits.com

ISO 9001 Registered Company



NORTH AMERICA
PHONE 800.854.0275
FAX 813.559.8698



WORLDWIDE
PHONE 813.559.8650
FAX 813.559.8698

SUMMARY

Bulldog® Hydraulics & Gaskets is committed to the development and production of the highest quality hydraulic kits and sealing components used in the repair of heavy duty, off-road construction, mining and logging equipment.

Our goal is to provide our customers with the finest products, highest availability, and the best customer service in the industry. Bulldog® Hydraulics & Gaskets has achieved a worldwide reputation by providing products and services that meet or exceed the expectations of our customers.

Information contained in this catalog is correct to the best of our knowledge at the time of publication. No responsibility, however, can be accepted for any inaccuracies or omissions that may have occurred.

Reproduction of any section of this catalog, in whole or in part, without the express written permission of Bulldog® Hydraulics & Gaskets is strictly prohibited.

WARRANTY

WARRANTIES: Seller warrants that it is conveying good title to the products supplied hereunder, free of any security interest or other encumbrance of which Buyer has no knowledge, and that the products supplied hereunder are of merchantable quality, as defined in subparagraphs (a) through (f) of Section 2314 of the Uniform Commercial Code. Seller warrants its products to be free from defects in workmanship and materials.

DISCLAIMER OF WARRANTIES: The warranties specified in the above paragraph are Seller's sole warranties with respect to the products supplied hereunder, and Buyer acknowledges it is relying on no other warranty, either written or oral, concerning such products. SELLER HEREBY SPECIFICALLY DISCLAIMS AND EXCLUDES ALL OTHER WARRANTIES OF ANY KIND WHATSOEVER, EXPRESSED OR IMPLIED, INCLUDING ANY IMPLIED WARRANTY OF MERCHANTABILITY OR FITNESS FOR A PARTICULAR PURPOSE WHICH EXCEEDS THE AFORE STATED WARRANTIES.

REMEDY FOR BREACH OF WARRANTY: If any product supplied hereunder is not as warranted above, Buyer shall return the product to Seller's plant as soon as possible after discovery of the defect, and in any event within 30 days after the date of purchase. If Seller determines that one of its above warranties has been breached, Seller shall replace the product, if a replacement is reasonably available, or refund the purchase price after charging, in either event, for the service rendered by the defective product.

LIMITATION OF LIABILITY: The remedy set forth in the preceding paragraph is the sole and exclusive remedy of Buyer for breach of the above warranties. SELLER'S LIABILITY SHALL IN NO EVENT EXCEED THE REPLACEMENT COST OF THE DEFECTIVE PRODUCT AND BUYER WAIVES ANY RIGHT TO CONSEQUENTIAL DAMAGES BEYOND THE REPLACEMENT COST OF THE DEFECTIVE PRODUCT.

INDEMNITY: Buyer shall indemnify and hold Seller harmless from and against all liability and expenses, including attorneys' fees, arising out of or attributable to the use of any equipment containing any product supplied hereunder.

REPAIRS: The warranties stated herein are void if repairs to the products supplied hereunder are done or attempted by anyone other than Seller, unless Buyer shall first have obtained Seller's written consent of such repairs.

CLAIMS: It is the policy of Bulldog® Hydraulics & Gaskets that inquiries for pricing discrepancies, order discrepancies, freight claims and customer returns must be reported to Bulldog® Hydraulics & Gaskets Customer Service within 30 days of invoice for domestic (U.S.) shipments and within 90 days for international shipments. Claims/discrepancies reported after these periods will not be honored.

BULLDOG® HYDRAULIC CYLINDER SEAL KITS contain all of the necessary sealing components required to perform a normal hydraulic cylinder overhaul. A typical seal kit contains piston seals, wear rings, vee packing, rod seals, rod wipers, o-rings and anti-extrusion rings. Any lock nuts, shims or hydraulic hose coupling connection seals normally required are not included in our Bulldog® Seal Kits unless indicated or normally supplied in an O.E.M. kit. Many of these individual components are available from Bulldog®.

All Bulldog® components have been specifically designed and manufactured to meet the demanding requirements of mining, logging and construction equipment applications and are directly interchangeable with the O.E.M.'s components. The Kit Application Charts provide the necessary information to select the proper hydraulic cylinder repair kit for the equipment listed. These charts are arranged according to the machine model, serial number, cylinder application, kit number, bore diameter, rod diameter, rod wiper type, cylinder design type and comment section. The kits listed on the charts are for the hydraulic cylinders originally provided on these machines. Any upgraded or replacement cylinders should be inspected before ordering any kits. The charts do not cover some hydraulic cylinders, used as attachments on these machines. Please contact your local Bulldog® Hydraulics Dealer for information on hydraulic cylinder kits for attachments.

If you are unable to find the correct kit for an application, please contact your local Bulldog® Hydraulics Dealer or Bulldog® Hydraulics & Gaskets (CUSTOMER SERVICE: (800) 854-0275, (813) 559-8650) for assistance. Once you have found the correct kit for an application, check your current price list for availability. If it is not listed, contact Bulldog® Hydraulics & Gaskets for assistance.

We recommend the following procedure be used to determine the proper kit for any given application:

1. Refer to the Machine Application Index to locate the appropriate machine model.
2. Locate the Cylinder Application.
3. If more than one kit option is used on the application, refer to the information and eliminate the incorrect kits for your particular machine by examining the machine Serial Number Range (SN). Note: If no serial numbers are listed, the application applies to all serial numbers.
4. If a kit option still exists, refer to the other line information such as Rod Diameter, Cylinder Bore Diameter, Rod Wiper Type, Cylinder Design Type and Comments sections to determine the proper kit.
5. Some applications require more than a single kit to overhaul a cylinder. If more than one item is required, they will be listed together and a bold line will separate any other options. Note: Item quantities greater than one will be noted.
6. The Comments Section is used as a key to help point out the differences between kits, a kit's primary use or specific applications where a kit can be used.

Note: Some customers may find their machine parts books will be helpful in addition to this documentation.

992,992B WHEEL LOADER							
Loader S/N: 25K1-UP							
Lift		BD-543189	Kit	10.500S	6.500S	P	5
	S/N:	25K1-383					
		BD-543189	Kit	10.500S	6.500S	P	5
	S/N:	25K384-401					
		BD-543190	Kit	10.500S	6.500S	P	22
	S/N:	25K384-401					
		BD-543190	Kit	10.500S	6.500S	P	22
	S/N:	25K402-896 USE WITH 7J9064, 8J0176 OR 8J6123 PISTON					
		BD-543194	Kit	10.500S	6.500S	P	22
	S/N:	25K402-896 USE WITH 8J5979 PISTON					
		BD-543194	Kit	10.500S	6.500S	P	22
	S/N:	25K897-UP					

Engine and transmission gaskets, gasket groups, oil seals, crankshaft seals, ferrules and head gaskets for use on Caterpillar® engine and transmission applications; back-up rings, O-rings, rod seals, rod wipers, rod and piston packings, rod bushings, wear rings, piston seals, and complete cylinder repair kits for hydraulic cylinder designs used on the following equipment:

CATERPILLAR®

- Agricultural Tractors
- Articulated Trucks
- Backhoe Loaders
- Compactors
- Crawler Dozers/Rippers
- Crawler Loaders/Rippers
- Excavators/Loggers
- Feller Bunchers
- Forwarders
- Graders
- Integrated Toolcarriers
- Knuckle Boom Loaders
- Mine Trucks/Coal Haulers
- Pipelayers
- Scrapers
- Skidders
- Stationary & Marine Engines
- Tree Harvesters
- Wheel Dozers
- Wheel Loaders

Additional Coverage for Caterpillar® Equipment

- Hydraulic Cylinder Lock Nuts
- Hydraulic Hose Coupling Seals & Kits
- Hinge Pin Seals
- O-Rings & O-Ring Kits
- Spring Pilot Seals
- Steering Clutch Seals
- Transmission Thrust Washers
- Vane & Piston Pump Replacement Seal Kits
- Water Pump Seals & Kits
- Hydraulic Track Adjuster Seal Kits

KOMATSU®

- Crawler Dozers/Rippers
- Crawler Loaders/Rippers
- Excavators
- Graders
- Scrapers
- Trucks
- Wheel Loaders
- Hydraulic Track Adjuster Seal Kits

J.I. CASE® / DROTT®

- Cable Layers
- Crawler Dozers
- Crawler Loaders
- Excavators/Loggers
- Feller Bunchers
- Loader/Landscapers
- Loader/Backhoes
- Skidders
- Uni-Loaders
- Unimog
- Wheel Loaders
- Miscellaneous Components & Gaskets
- Hydraulic Track Adjuster Seal Kits

JOHN DEERE®

- Compactors
- Crawler Dozers
- Crawler Loaders
- Excavators
- Feller Bunchers / Tree Harvesters
- Graders
- Loader Backhoes
- Scrapers
- Skidders
- Wheel Loaders
- Hydraulic Track Adjuster Seal Kits

VOLVO®

- CLARK® / MICHIGAN® / RANGER®**
- EULCID® / CHAMPION®**
- Feller Bunchers
- Graders
- Ranger Skidders
- Rear Dumps/Bottom Dumps/
- Coal Haulers
- Wheel Dozers
- Wheel Loaders

DRESSER®

- INTERNATIONAL HARVESTER®**
- HOUGH® / WABCO HAULPAK®**
- Crawler Dozers
- Crawler Loaders
- End Dumps / Coal Haulers
- Excavators
- Scrapers
- Wheel Loaders
- Hydraulic Track Adjuster Seal Kits

KELLY RIPPER®

- HYDRAULIC CYLINDER SEAL KITS**
- Caterpillar®, Fiat Allis®, International Harvester®, Komatsu®, Terex®

MISCELLANEOUS

- Dynahoe®, Fiat Allis®, Harricana®, Terex®, Unit Rig/Lectra Haul®

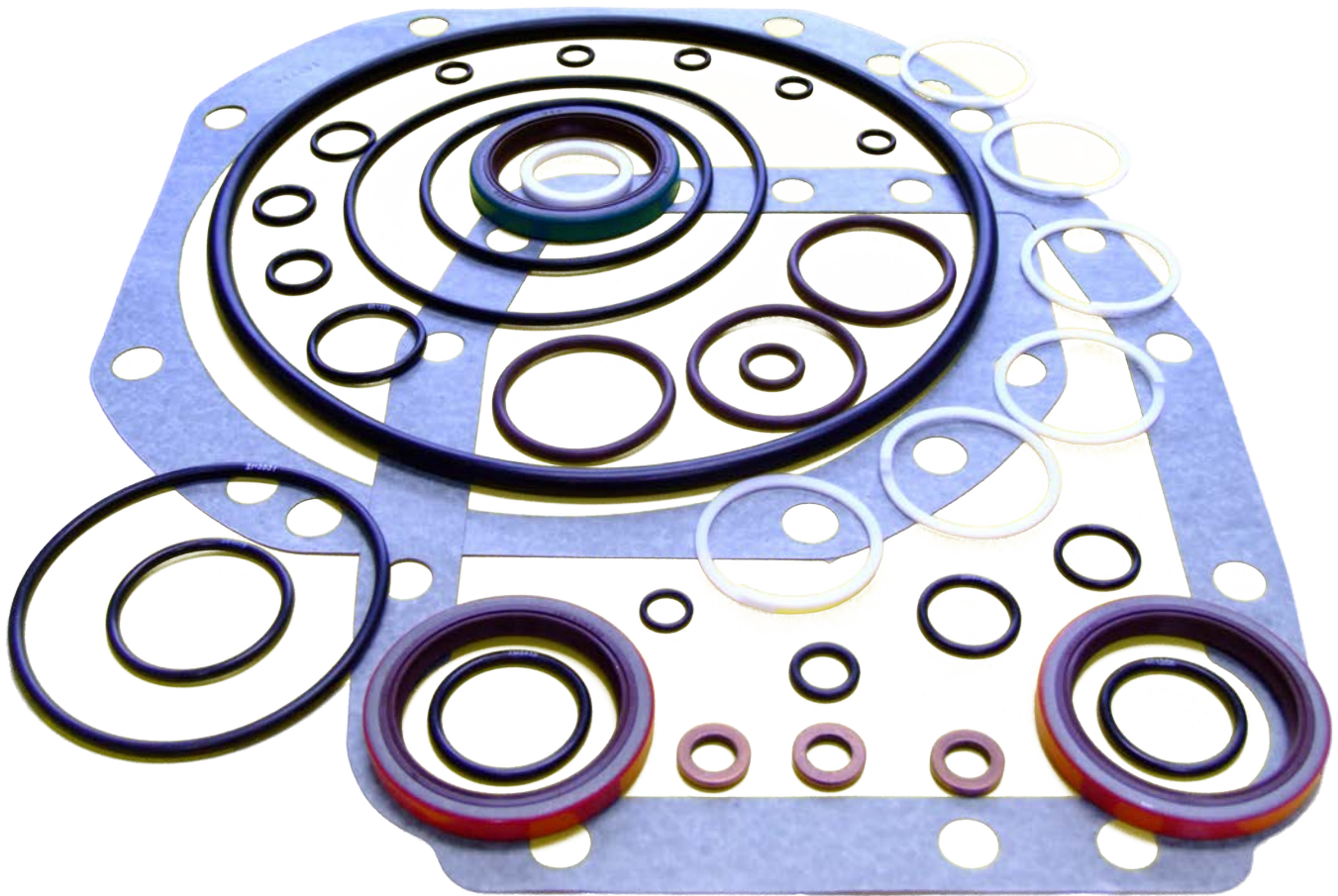
CUSTOM KITS

- Contact:
- Bulldog® Hydraulics & Gaskets

BULLDOG® HYDRAULICS & GASKETS offers a wide range of O-ring and hose coupling seal kits for use on Caterpillar®, John Deere® and Komatsu® off-road equipment. Manufactured from high-quality silicone and nitrile materials, all Bulldog® O-rings and seals are designed to provide reliable and consistent sealing performance in heavy-duty off-road applications. Competitively priced, the O-rings are packaged in refillable, durable plastic carrying cases. Applications include drive-trains, hydraulic systems, lubrication systems, engine cooling systems and fuel systems.

BD-959007	227 general purpose silicone O-rings in 53 sizes for high temperature, engine, transmission and hydraulic oil applications.
BD-959008	227 general purpose nitrile O-rings in 53 sizes for use with fuel oil, gasoline and lubricant applications.
BD-959010	142 general purpose silicone O-rings in 23 sizes for high temperature, engine, transmission and hydraulic oil applications.
BD-959011	142 general purpose nitrile O-rings in 23 sizes for use with fuel oil, gasoline and lubricant applications.
BD-959012	227 silicone and nitrile O-rings in 53 sizes for general purpose applications.
BD-959013	225 nitrile O-rings and D-rings in 21 sizes for use with XT series and Code 61 flange fittings.
BD-959100	243 nitrile O-rings and D-rings in 21 sizes for use with XT series and Code 61 flange fittings.
CT-2701528	570 nitrile O-rings in 32 sizes for use with SAE O-ring face seal, SAE straight thread O-ring, and SAE code 61/62 connections.
CT-2701533	149 general purpose silicone O-rings in 32 sizes for use with hose couplings, engines and transmissions.
CT-2701535	80 nitrile D-rings in 9 sizes for use with XT-5 and XT-6 flange connections.
CT-2701537	125 nitrile O-rings in 10 sizes for use with metric adapters.
CT-2701539	120 nitrile O-rings in 8 sizes for use with face seal hose coupling and adapter fittings.
CT-2701540	150 HNBR O-rings in 12 sizes for use on air conditioning fittings.
CT-2701545	60 nitrile O-rings in 6 sizes for use with Code 61 and XT-3 hose couplings and flange fittings.
CT-4C4782	580 nitrile O-rings in 32 sizes for use with XT-3, O-ring face seal and O-ring boss connections.
CT-4C4784	80 nitrile D-rings in 9 sizes for use with XT-5 and XT-6 flange connections.
CT-4C4786	85 nitrile O-rings in 7 sizes for use with air conditioning fittings.
CT-4C4788	125 nitrile O-rings in 10 sizes for use with metric adapters.
CT-4C5859	120 nitrile O-rings in 8 sizes for use with face seal hose coupling and adapter fittings.
CT-4C8253	149 general purpose silicone O-rings in 32 sizes for use with hose couplings, engines and transmissions.
CT-9S3135	60 nitrile O-rings in 6 sizes for use with Code 61 and XT-3 hose couplings and flange fittings.
JH-AT85197	80 nitrile O-rings in 8 sizes for use with face seal hose coupling and adapter fittings.
KM-1400686H91	92 FKM O-rings in 20 sizes for brake controls, pumps, lines and final drives.
KM-1400688H91	288 nitrile O-rings in 19 sizes for general purpose applications.
KM-1400689H91	90 urethane O-rings in 10 sizes for high pressure applications.
KM-1400690H91	81 FKM O-rings in 20 sizes for cooler piping, fan motors, fuel injectors and filters.
KM-1400692H91	137 silicone O-rings in 22 sizes for transmissions and torque converters.

CT-3G1688	CT-4J9285	CT-9J5108X	CT-9J5114
CT-3G1689	CT-4J9286	CT-9J5109	CT-9J5114X
CT-3G1707	CT-4J9287	CT-9J5109X	CT-9J5115
CT-3G1708	CT-4J9288	CT-9J5110	CT-9J5115X
CT-3G3690	CT-4J9289	CT-9J5110X	CT-9J5116
CT-4J9278	CT-4J9291	CT-9J5111	CT-9J5116X
CT-4J9279	CT-5J0102	CT-9J5111X	CT-9J5118
CT-4J9280	CT-8J8652	CT-9J5112	CT-9J5118X
CT-4J9281	CT-9J5106	CT-9J5112X	CT-9J5119
CT-4J9282	CT-9J5106X	CT-9J5113	CT-9J5119X
CT-4J9283	CT-9J5108	CT-9J5113X	



Note: Suffix 'X' kits contain both the felt wiper (early style kits) and the oil seal (late style kits). These kits can be used for both early and late style vane pump overhauls.

Contact Bulldog® Hydraulics & Gaskets for additional hydraulic sealing component requirements.

Machine Application - Caterpillar®	Bulldog Kit#
D3, D3B, D3C, D3G	BD-904405
D3K	BD-904411
D4B, D4C(J)	BD-904405
D4C, D4D, D4E	BD-904400
D4G	BD-904405
D4K	BD-904411
D5, D5B	BD-904400
D5C	BD-904406
D5E	BD-904400
D5G	BD-904406
D5K	BD-904411
D6 (08U10785-UP, 09U28328-UP), D6B	BD-904400
D6C, D6D, D6E, D6F, D6G, D6G2	BD-903400
D6K	BD-901413
D7, D7C, D7D	BD-903400
D7E, D7F, D7G, D7G2	BD-903401
D8, D8D, D8E, D8F, D8G	BD-902400
D8H (22A, 35A, 36A1-5327, 46A1-19391, 46A19392-24486 with 6 Roller Arr., 52A, 68A1-3904)	BD-901401
D8H (36A5328-UP, 46A19392-24486 with 7 Roller Arr., 46A24487-UP, 68A3905-UP), D8K	BD-901402
D9D, D9E, D9G (66A1-9252, 90J1-92, 91J1-92)	BD-900401
D9G (66A9253-UP), 90J93-UP, 91J93-UP), D9H	BD-900402
215, 215B, 215C, 215D	BD-903404
215 (57Y, 14Z, 95Z) & 215B (4FC) (Heavy Duty Arrangements)	BD-903400
219, 219D	BD-903400
FB221	BD-903400
225, 225B, 225D	BD-903400
225 (51U2832-UP, 76U3765-UP) & 225B (Heavy Duty Arrangements)	BD-901405
227 (Light Duty Arrangements with 2 Rings)	BD-903400
227 (Heavy Duty Arrangements with 3 Rings)	BD-901405
229, 229D, LL229	BD-901405
231D	BD-901405
235, 235B, 235C, 235D	BD-901405
235D (Special Application with 9U0938 Front Idler group)	BD-900405
245, 245B, 245D	BD-900405
307, 307B, 307C, 307D	BD-900407
308C, 308D	BD-900407
311, 311B, 311CU (Except LGP Arrangements)	BD-900408
311 (9LJ262-UP) & 311B (8GR) (LGP Arrangements)	BD-901406
311D LRR	BD-900412
312, 312B (Except LGP Arrangements)	BD-900408
312 (6BL Custom Arrangements), 312B (9GR LGP Arrangements)	BD-901406
312C (BNN, BWH, CBT, DBN)	BD-901414

Machine Application - Caterpillar®	Bulldog Kit#
312C (CBA, FDS)	BD-900408
312D (DLP, HCW, JBC, KES, LRK, RHL, TGY, XGK)	BD-900412
312D (HJX, KCD)	BD-901406
313B	BD-900408
314C	BD-900408
314D	BD-900412
315, 315B, (1SW, 3AW, 5SW)	BD-901406
315BL (7RZ)	BD-901407
315C	BD-901406
315C (CJC with blade equipped models)	BD-901407
315D (CJN, KBD)	BD-901406
315D (BZN, JGS, JHA, NCM, TLE)	BD-901413
317	BD-901406
317B	BD-901407
318B, 318C	BD-901407
319C	BD-901407
319D	BD-901412
320 (1KL, 1TL, 1XM1-169, 2DL1-1709, 3XK, 4ZJ, 6KM, 7WK, 8LK, 9KK1-4320, 9WG)	BD-901406
320 (6KM, 9KK, 9WG813-UP), (9KK Feller Buncher & Log Loader Arrangements)	BD-901408
320 (1XM170-UP, 2DL1710-UP, 3XK1684-UP, 4ZJ576-UP, 9KK4321-UP, 9WG1148-UP)	BD-901407
320B (1ES, 1XS, 2AS, 3YZ, 4NR, 4XW, 5BR, 5GW, 6CR, 7JR, BAN, BBG)	BD-901407
320B (5MS, 6LS, 6LW, 9JS, 9WS)	BD-901408
320C (All S/N except BBL, BDE, BGB, BKK, BMZ, EGA, EGL, GLA, JPL, SAH, TBR)	BD-901407
320C (BBL, BDE, BGB, BKK, BMZ, EGA, EGL, GLA, JPL, SAH, TBR)	BD-902403
320D (All S/N except BWW, BZF, EAX, GKS, SRT)	BD-901412
320D (BWW, BZF, EAX, GKS, SRT)	BD-902403
321B, 321C	BD-901407
321D	BD-901412
322, 322B	BD-901407
322 (9RL) & 322B (1YS) (Forestry & Log Loader Arrangements)	BD-901408
322B (1YS Log Loader Arrangements)	BD-902404
322C (BYL)	BD-901408
322C (BPH, M2H)	BD-902403
323D (All S/N except DKW, NES, SED)	BD-901412
323D (DKW, NES, SED)	BD-902403
324D (JGK)	BD-901408
324D (BBF, BZW, JKR, JLS)	BD-902403
324E	BD-901411
325, 325B	BD-901408
325B (2JR with 1933276 Cylinder)	BD-902404
325B (2JR with 717712 Cylinder)	BD-901407
325C (AMH,BFE,BKW,BMM,BTD,CRB,CSJ,JLC)	BD-902403

HYDRAULIC TRACK ADJUSTER SEAL KITS

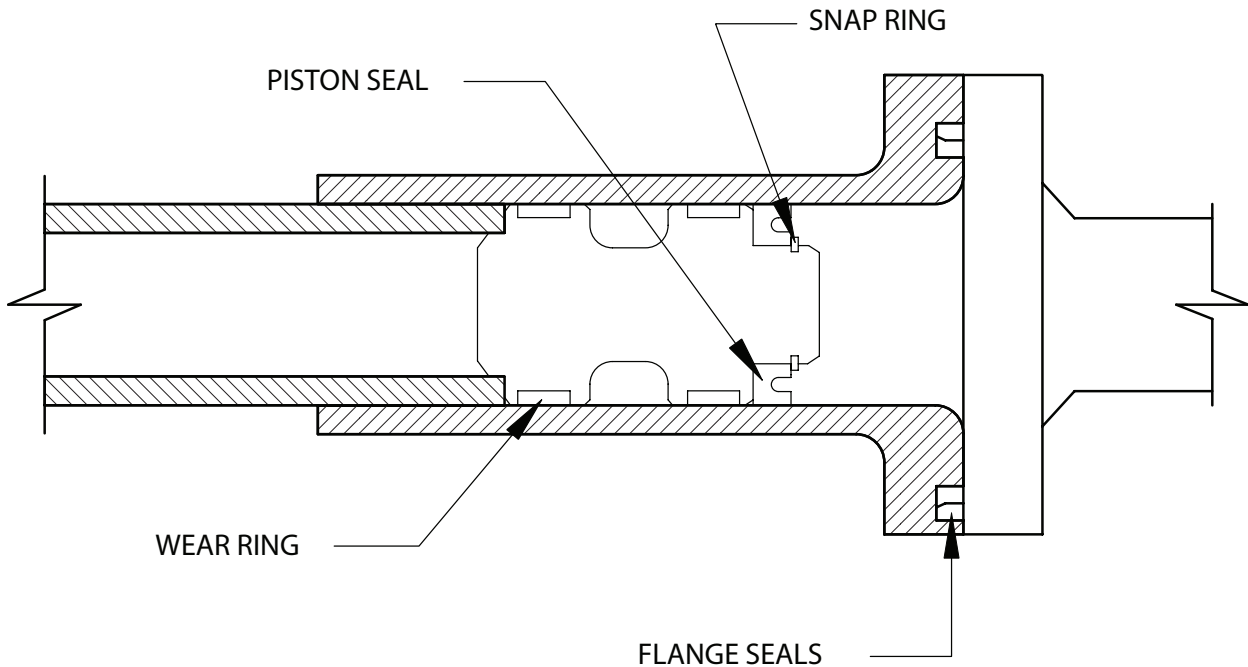
Machine Application - Caterpillar®	Bulldog Kit#
325C (BKW,BMM,CRB,DTF,G1L,JLD,M2K,S2C,S3M,Y4P)	BD-902408
325D (All S/N except C4H,C7K,C8L,C9M,MCL,RJK)	BD-902403
325D (C4H,C7K,C8L,C9M,MCL,RJK)	BD-902408
326D	BD-901411
328D	BD-902408
329D, 329E	BD-902403
330	BD-902403
330 (9WJ, 8FK, 5YM Forestry Arrangements)	BD-902404
330B, W330B (1JS, 3YR, 4RS, 5LR, 6DR, 8SR, 8TR)	BD-902403
330B (6DR Forestry Arrangement, 5LS)	BD-902404
330C (CAP,CGZ,CYA,DKY,GKX,JAB,JCD,JNK,KDD,MCA,MKM300-UP)	BD-902408
330C (B1K,B2L,B3M,B4N,D3C,JCD,JNK,KDD,MKM)	BD-902404
330D (B6H,EAH,EDX,FFK,GGE,HAS,JJM,JLP,LRM,MAG,MEY,MWP,NBD,RAS,R2D,THJ,T2Y)	BD-902408
330D (C5K,ERN,E4K,H3K,LEM,L2K,PEL,THJ)	BD-902404
336D (All S/N except DTS,JBF,JWR,LMG)	BD-902408
336D (DTS,JBF,JWR,LMG)	BD-902404
336E (CMR,GTJ,KED,RBS,RZA,SSL,TEG)	BD-902408
340D	BD-902404
345B, W345B, 345C, W345C, 345D	BD-902404
345B (CCC), 345C (GCL,GPH,SPC)	BD-902405
349D, 349E	BD-902404
350	BD-902404
365B, 365C	BD-902405
365B (9PZ Heavy Duty Arrangement)	BD-903405
374D	BD-902405
375	BD-903405
385B, 385C	BD-902405
390D	BD-902405
E70, E70B	BD-900407
E110B	BD-900408
E120B	BD-900408
E200B, EL200B	BD-901406
E240, EL240, E240B, EL240B, E240C, EL240C	BD-901415
E300, EL300, E300B, EL300B	BD-902411
E450	BD-902410
TK1051	BD-902404
5080	BD-903405
5090B	BD-902405
5130 (5ZL1-70)	BD-903409
561B, 561C, 561D	BD-904400
571A, 571F, 571G	BD-903401
572C, 572D	BD-902400

NORTH AMERICA
PHONE 800.854.0275
FAX 813.559.8698



WORLDWIDE
PHONE 813.559.8650
FAX 813.559.8698

Machine Application - Caterpillar®	Bulldog Kit#
572E, 572F, 572G	BD-903401
583H (61A49-687)	BD-901401
583H (61A688-UP), 583K	BD-901402
594 (62H1-103)	BD-900401
594 (62H104-UP), 594H	BD-900402
931, 931B, 931C	BD-904405
933, 933C(J)	BD-904405
933C, 933E, 933F, 933G	BD-904400
935B, 935C	BD-904405
939, 939C	BD-904406
941, 941B	BD-904400
951, 951B, 951C	BD-904400
955C, 955E, 955F, 955H, 955K (48H, 53H, 61H, 57J), 955K-955L (64J1-9257, 71J1-5831, 85J1-10059, 10061-10066, 10068-10128)	BD-904400
955L (64J9258-UP, 71J5832-UP, 85J10060, 10067, 10129-UP, 57M, 13X, 08Y)	BD-903400
963 (29S1-1210, 06Z, 11Z, 18Z1-1751, 21Z1-654, 48Z1-231)	BD-903400
963 (29S1211-UP, 18Z1752-UP, 21Z655-3441, 48Z232-UP)	BD-903401
973 (66G1-942, 944-994, 996-999, 1001-1012, 1014-1018, 1020-1033, 1035-1037, 1039-1042, 86G1-263, 265-284, 286-292, 294, 90L, 91L1-182, 26Z, 32Z)	BD-903400
973 (66G943, 995, 1000, 1013, 1019, 1034, 1038, 1043-UP, 86G264, 285, 293, 295-1086, 91L183-UP)	BD-903401
977E, 977H, 977K, 977L	BD-903400
983, 983B	BD-902400



Machine Application - Komatsu®	Bulldog Kit#
D20 (Series 6 except Trimming Dozers)	KM-BD-909035
D20P-6 (Trimming Dozers)	KM-BD-909036
D21P-5 (50001-60000)	KM-BD-909036
D21 (Series 6 except Trimming Dozers)	KM-BD-909035
D21P-6 (Trimming Dozers)	KM-BD-909036
D30A-15 (15008-18534), D30P-15 (15012-19177), D30Q-15 (15173-18766), D30S-15 (15010-20663)	KM-BD-909031
D30A-15 (18535-UP), D30P-15 (19178-UP), D30Q-15 (18767-UP), D30S-15 (20664-UP)	KM-BD-909032
D31Q-15 (15016-18116), D31S-15 (15014-18774)	KM-BD-909031
D31A-15 (20001-UP), D31P-15 (20001-UP), D31Q-15 (18117-UP), D31S-15 (18775-UP)	KM-BD-909032
D31A-16 (25001-29125), D31P-16 (25001-29603), D31P-16A (25001-28000), D31PL-16 (25001-29504), D31Q-16 (25001-29375), D31S-16 (25001-29385)	KM-BD-909000
D31A-16 (29126-UP), D31P-16 (29604-UP), D31P-16A (28001-UP), D31PL-16 (29505-UP), D31Q-16 (29376-UP), D31S-16 (29386-UP)	KM-BD-909001
D31 (Series 17)	KM-BD-909001
D31 (Series 18 except Trimming Dozers)	KM-BD-909001
D31 (Series 18 Trimming Dozers)	KM-BD-909033
D31 (Series 20 except Trimming Dozers)	KM-BD-909001
D31 (Series 20 Trimming Dozers)	KM-BD-909033
D32E-1, D32P-1	HH-BD-906001
D37 (Series 1, 2, 5)	KM-BD-909001
D38E-1, D38P-1	HH-BD-906001
D39E-1, D39P-1	HH-BD-906001
D40 (Series 3)	KM-BD-909002
D41 (Series 3)	KM-BD-909002
D41E-6, D41P-6	KM-BD-909034
D45A-1, D45E-1, D45P-1, D45S-1	KM-BD-909002
D50 (Series 15 59001-64999, Series 16, 17)	KM-BD-909016
D53 (Series 15, 16, 17)	KM-BD-909016
D55S-3	KM-BD-909016
D57S-1, D57S-1B	KM-BD-909016
D57S-1 & D57S-1B (9001-UP Heavy Duty Arrangements)	KM-BD-909037
D58E-1, D58E-1A, D58E-1B, D58P-1	KM-BD-909016
D58P-1B, D58P-1C (Heavy Duty Arrangements)	KM-BD-909017
D60A-6 (20006-28246), D60E-6 (20295-28246), D60P-6 (20006-28522), D60PL-6 (20006-28012), D60S-6 (20006-28804)	KM-BD-909004
D60A-6 (28247-39999), D60E-6 (28247-39999), D60P-6 (28523-39999), D60PL-6 (28013-39999), D60S-6 (28805-39999), D60 (Series 7, 8)	KM-BD-909005
D60P-12 (60001-60883)	KM-BD-909026
D60P-12 (60884-UP)	KM-BD-909027
D63E-1	KM-BD-909016
D65A-6 (20006-28228), D65E-6 (20295-28336), D65S-6 (20006-28168)	KM-BD-909004
D65A-6 (28229-39999), D65E-6 (28337-39999), D65P-6 (30001-39999), D65S-6 (28169-39999), D65 (Series 7, 8)	KM-BD-909005

Machine Application - Komatsu®	Bulldog Kit#
D65E, EX-12 (60001-60941), D65P, PX-12 (60001-60890)	KM-BD-909026
D65E, EX-12 (60942-UP), D65P, PX-12 (60891-UP)	KM-BD-909027
D66S-1	KM-BD-909005
D68E-1, D68P-1, D68E-1A, D68P-1A	KM-BD-909005
D75A-1	KM-BD-909005
D75S-3, D75S-5	KM-BD-909007
D80 (Series 12)	KM-BD-909006
D80 (Series 18)	KM-BD-909007
D83E-1, D83P-1	KM-BD-909007
D85 (Series 12)	KM-BD-909006
D85 (Series 18, 21)	KM-BD-909007
D95S-1	KM-BD-909028
D135A-1, D135A-2	KM-BD-909008
D150A-1	KM-BD-909008
D155 (Series 1, 2, 3)	KM-BD-909008
D275A-2	KM-BD-909029
D355A-1, D355A-3, D355A-5	KM-BD-909009
D375 (Series 1 15357-15999, Series 2, 3)	KM-BD-909010
D455A-1	KM-BD-909011
D475A-1	KM-BD-909012
D475A-2	KM-BD-909030
PC05-5 (2501-3100)	KM-BD-909038
PC05-5 (3101-UP)	KM-BD-909039
PC10-5	KM-BD-909040
PC20-5, PC20-6, PC20-7	KM-BD-909041
PC30-5, PC30-6, PC30-7	KM-BD-909041
PC40-3, PC40-5, PC40-6, PC40-7	KM-BD-909041
PC60 (Series 2)	KM-BD-909042
PC60 (Series 5, 6)	KM-BD-909043
PC80-3, PC80LC-3, PC80LCS-3, PC80S-3	KM-BD-909044
PC90-1	KM-BD-909044
PC100 (Series 2, 3)	KM-BD-909015
PC120 (Series 2, 3, 5)	KM-BD-909015
PC120-6	KM-BD-909018
PC128UU-1	KM-BD-909018
PC150 (Series 1, 3, 5)	KM-BD-909015
PC180LC-3	KM-BD-909015
PC180LLC-3	KM-BD-909019
PC200 (Series 1, 2)	KM-BD-909015
PC200 (Series 3 20001-27700)	KM-BD-909020
PC200 (Series 3 27701-45000)	KM-BD-909019
PC200 (Series 5, 6)	KM-BD-909021

Machine Application - Komatsu®	Bulldog Kit#
PC210LC-6	KM-BD-909021
PC220 (Series 1, 2)	KM-BD-909015
PC220 (Series 3 20001-21960)	KM-BD-909020
PC220 (Series 3 21961-35000)	KM-BD-909019
PC220 (Series 5, 6)	KM-BD-909021
PC250LC-6	KM-BD-909022
PC280LC-3	KM-BD-909023
PC300-2, PC300LC-2	KM-BD-909024
PC300-3, PC300LC-3	KM-BD-909023
PC300-5, PC300LC-5, PC300LC-6, PC300LC-8	KM-BD-909022
PC300HD-5K, PC300HD-6, PC300HD-8	KM-BD-909025
PC360LC-3	KM-BD-909023
PC360LC-5	KM-BD-909025
PC400-1, PC400LC-1	KM-BD-909024
PC400-3, PC400LC-3	KM-BD-909023
PC400 (Series 5, 6)	KM-BD-909025
PC650-1, PC650-1A, PC650E-1	KM-BD-909045
PC650-3, PC650LC-3, PC650SE-3	KM-BD-909046
PC650-5, PC650LC-5, PC650SE-5	KM-BD-909047
PC1000-1, PC1000LC-1, PC1000SE-1, PC1000SP-1	KM-BD-909048
PC1500-1	KM-BD-909049
PF55L-1	KM-BD-909019

Machine Application - John Deere®	Bulldog Kit#
350, 350B (Prior-140454)	JH-BD-905002
350B (140455-UP), 350C, 350D	JH-BD-905000
355D	JH-BD-905000
400G (Prior-788558)	JH-BD-905000
400G (788559-UP)	JH-BD-905004
450 (Prior-64134), 450B (Prior-140454)	JH-BD-905002
450 (64135-UP), 450B (140455-UP), 450C, 450D, 450E, 450G (Prior-745426)	JH-BD-905000
450 & 450B (Use with T144202 Yoke, Field Replacement), 450C, 450D & 450E (Use with T147438 Yoke, Field Replacement), 450G (745427-UP), 450H, 450J	JH-BD-905003
455D, 455E, 455G (Prior-745426)	JH-BD-905000
455D & 455E (Use with T147438 Yoke, Field Replacement), 455G (745427-UP)	JH-BD-905003
550, 550A, 550B, 550G (Prior-745426)	JH-BD-905000
550, 550A & 550B (Use with T147438 Yoke, Field Replacement), 550G (745427-UP), 550H, 550J, 550K (217273-UP, Use with T169180 Yoke, LGP Arrangement)	JH-BD-905003
555, 555A, 555B, 555G (Prior-745426)	JH-BD-905000
555, 555A & 555B (Use with T147438 Yoke, Field Replacement), 555G (745427-UP)	JH-BD-905003
605C	JH-BD-905003
650G (Prior-745426)	JH-BD-905000
650G (745427-UP), 650H, 650J	JH-BD-905003
655, 655B	JH-BD-905001
750, 750B, 750C, 750C II (883332-UP)	JH-BD-905001
755, 755A, 755B	JH-BD-905001
850, 850B, 850C, 850C II (883332-UP)	JH-BD-905001
855	JH-BD-905001

Machine Application - Dresser® / International Harvester®	Bulldog Kit#
TD7C, TD7E (Prior-9500)	HH-BD-906000
TD7E (9501-UP), TD7G, TD7H	HH-BD-906001
TD8C, TD8E, TD8G, TD8H	HH-BD-906001
TD9B	HH-BD-906002
TD9H	HH-BD-906001
TD12, TD12B, TD12C	HH-BD-906003
TD15B, TD15C, TD15E	HH-BD-906003
TD20B, TD20C, TD20E, TD20G	HH-BD-906004
TD25B, TD25C, TD25E, TD25G	HH-BD-906005
100C, 100E (Prior-9500)	HH-BD-906000
100E (9501-UP), 100G	HH-BD-906001
125C, 125E, 125G	HH-BD-906001
150 (16428-UP)	HH-BD-906002
175B (9601-10064 Field Replacement, 10065-UP), 175C	HH-BD-906003
200	HH-BD-906003
250B, 250C (Not for use on tractors with reinforced track frame)	HH-BD-906004
6120	KM-BD-909015
6150LC	KM-BD-909015
6200LC	KM-BD-909021
6220LC	KM-BD-909021
6300LC	KM-BD-909022
6400LC	KM-BD-909025
6650, 6650LC, 6650SE	KM-BD-909047

Machine Application - Fiat Allis®	Bulldog Kit#
16B (12910-UP)	FH-BD-908001
21C	FH-BD-908001
FD30, FD30B	FH-BD-908001
HD41 (Original Equipment with 3-1/2" Push Bar)	FH-BD-908003

Machine Application - Case® / Drott®	Bulldog Kit#
350, 350B	CS-BD-907001
450, 450B, 450C	CS-BD-907002
455B, 455C	CS-BD-907002
475	CS-BD-907002
550, 550E, 550G, 550H	CS-BD-907002
650, 650G, 650H	CS-BD-907006
750H	CS-BD-907006
850	CS-BD-907003
850B, 850C, 850D, 850E, 850G, 850H	CS-BD-907006
855C, 855D, 855E	CS-BD-907006
1150	CS-BD-907003
1150B	CS-BD-907004
1150C, 1150D, 1150E, 1150G, 1150H	CS-BD-907006
1155D, 1155E	CS-BD-907006
1450, 1450B	CS-BD-907005
1455B	CS-BD-907005
1550	CS-BD-907005

Machine Application - Case® / Drott®		Bulldog Kit#
<i>The Following Machines Use Part Number CS-S78837</i>		
880, 880B, 880C, 880D	35YC-EY Series B (300-UP)	40D (6270716-UP)
980, 980B	35D (6266131-UP)	40E (6271140-UP)
1080, 1080B	40YC-EC (700-UP)	50EC Series B (550-UP)
1187, 1187B, 1187C	40YC-EC Series B (1500-UP)	50C, 50D (6279926-UP)
1280, 1280B	40B (450-UP)	50E (6280543-UP)



NORTH AMERICA
PHONE 800.854.0275
FAX 813.559.8698



WORLDWIDE
PHONE 813.559.8650
FAX 813.559.8698

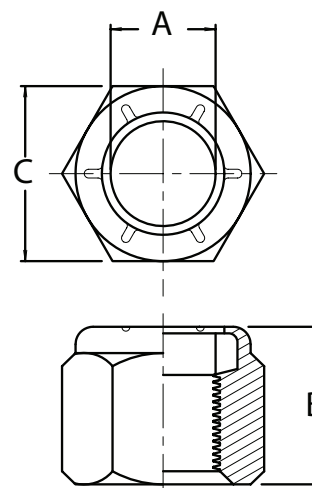
INCH STANDARD LOCK NUTS

Reference Number	A Thread Dia	B Height	C Hex Flats
CT-2J3950	1.500	1.313	2.375
CT-5J5731	1.750	1.469	2.500
CT-2J3247	1.750	1.469	2.750
CT-2J0564	2.000	1.672	3.125
CT-3J9545	2.000	2.406	3.125
CT-5J3488	2.250	1.938	3.500
CT-3J6899	2.250	2.813	3.500
CT-2J7686	2.500	2.187	4.000
CT-3J9449	2.500	2.614	4.000
CT-4J6888	2.750	2.187	4.000
CT-4J8734	2.750	3.093	4.000
CT-7J9250	3.250	3.125	4.500
CT-9X6017	3.750	3.500	5.250
CT-3G5022	4.500	4.125	6.500

HEAT TREATED: Each Bulldog® Hydraulics lock nut is manufactured from the finest quality steel and heat treated to offer the proper strength for hydraulic cylinder applications.

PROTECTIVE SURFACE FINISH: Each Bulldog® Hydraulics lock nut has a special protective finish that will not peel, flake, or delaminate in service.

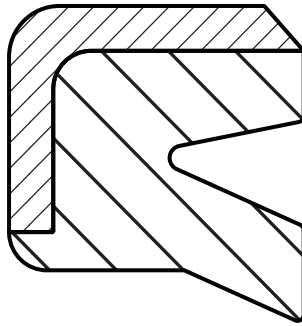
PROPER DIMENSIONS: Each Bulldog® Hydraulics lock nut is specifically designed with the correct dimensions for the intended applications.



METRIC LOCK NUTS

Reference Number	A Thread Dia	B Height	C Hex Flats
CT-8T5065	30	29	46
CT-8T3018	36	36	55
CT-0875504	64	64	95
CT-7Y4622	72	70	105
CT-1232060	80	65	114
CT-7Y4695	80	76	115
CT-1232112	90	76	129
CT-7Y4956	90	84	129
CT-0875385	95	88	134
CT-1261971	100	89	145
CT-9X6018	102	94	142
CT-1163513	105	98	149
CT-1163516	120	109	169

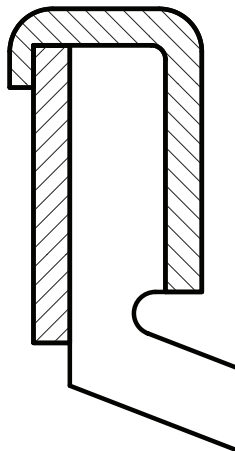
CATERPILLAR® APPLICATIONS



Reference No.	Nominal Pin Dia Inch	Comments	Reference No.	Nominal Pin Dia Inch	Comments
CT-7K9201	1.500		CT-7K9211	3.500	4.000 OD
CT-7K9202	1.750		CT-7K9212	3.500	4.125 OD
CT-7K9203	2.000		CT-7K9213	3.500	4.250 OD
CT-7K9204	2.250		CT-7K9214	3.750	
CT-7K9205	2.500	.312 HT	CT-7K9215	4.000	.188 HT
CT-7K9206	2.500	.188 HT	CT-7K9216	4.000	4.625 OD, .312 HT
CT-7K9207	2.625		CT-7K9217	4.000	4.750 OD, .312 HT
CT-7K9208	2.750		CT-7K9218	4.500	
CT-7K9209	3.000		CT-7K9219	4.750	
CT-7K9210	3.250		CT-7K9220	5.000	

KOMATSU® APPLICATIONS

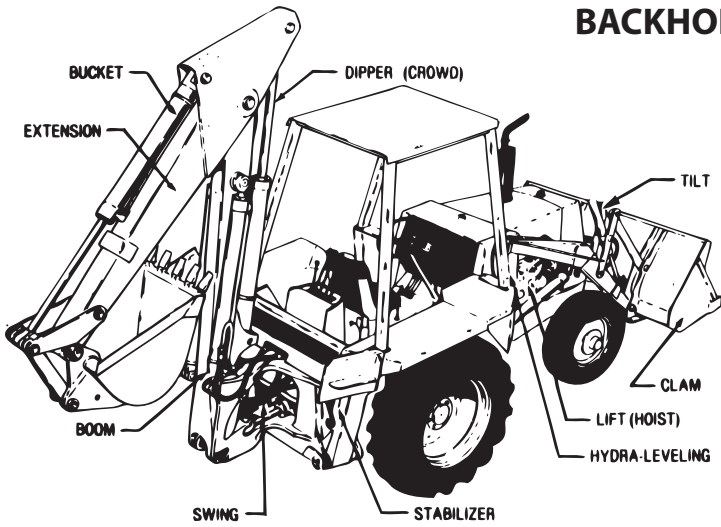
Reference No.	Nominal Pin Dia MM
KM-07145-00030	30
KM-07145-00035	35
KM-07145-00040	40
KM-07145-00045	45
KM-07145-00050	50
KM-07145-00055	55
KM-07145-00060	60
KM-07145-00065	65
KM-07145-00070	70



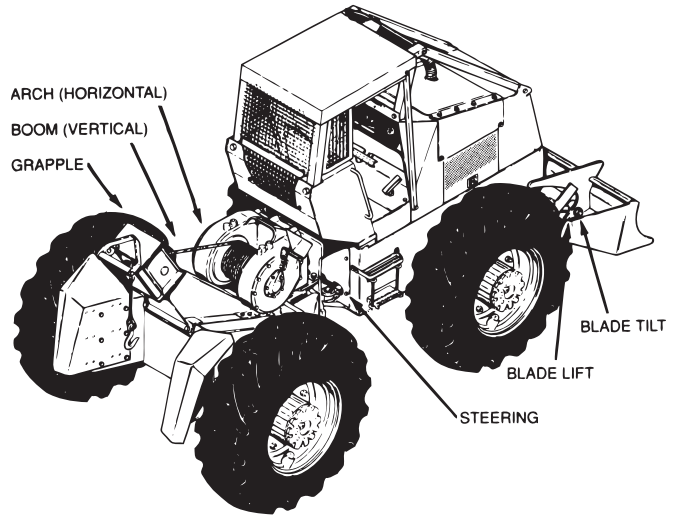
Reference No.	Nominal Pin Dia MM
KM-07145-00075	70
KM-07145-00080	80
KM-07145-00085	85
KM-07145-00090	90
KM-07145-00095	95
KM-07145-00100	100
KM-07145-00110	110
KM-07145-00120	120

KM-BD-959014 Hinge Pin Assortment Kit Available

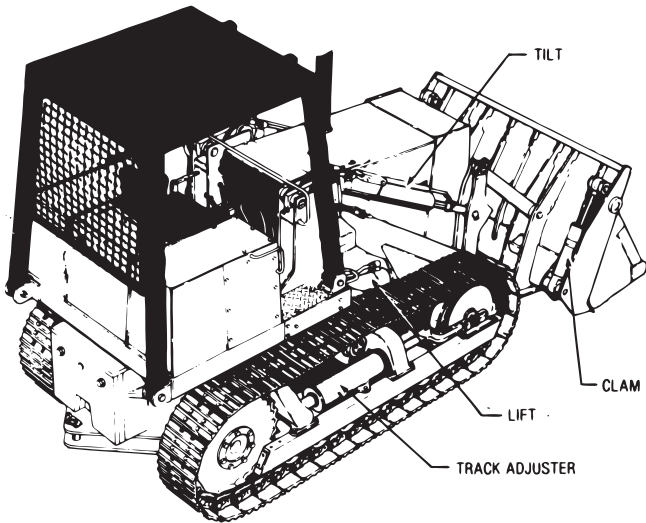
BACKHOE LOADERS



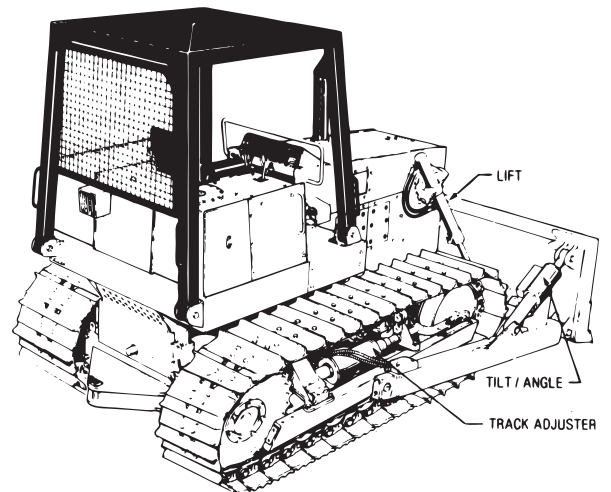
LOG SKIDDERS



CRAWLER DOZERS



CRAWLER LOADERS

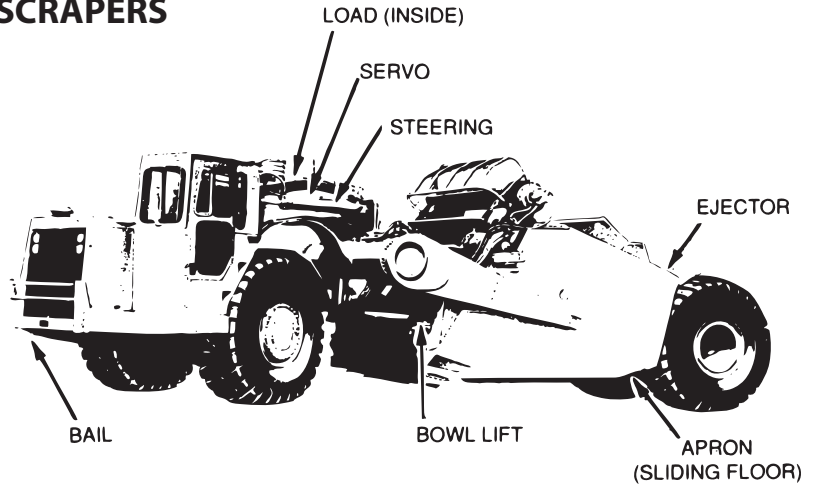


NORTH AMERICA
 PHONE 800.854.0275
 FAX 813.559.8698

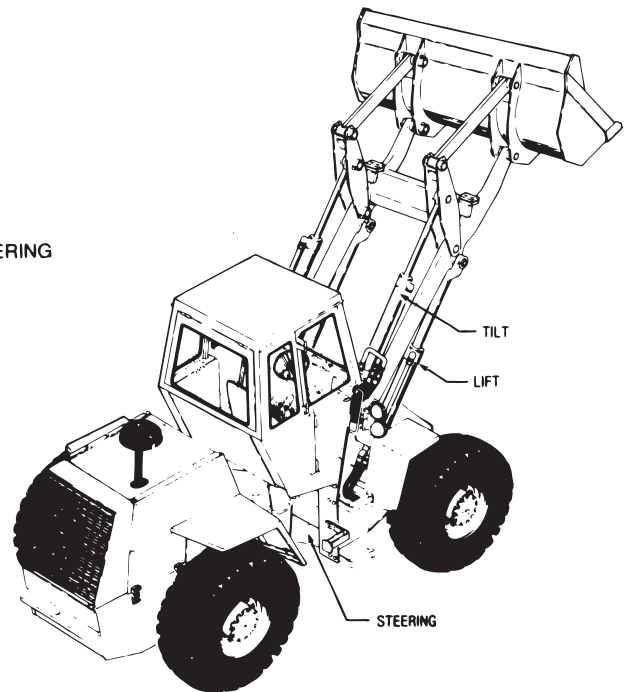
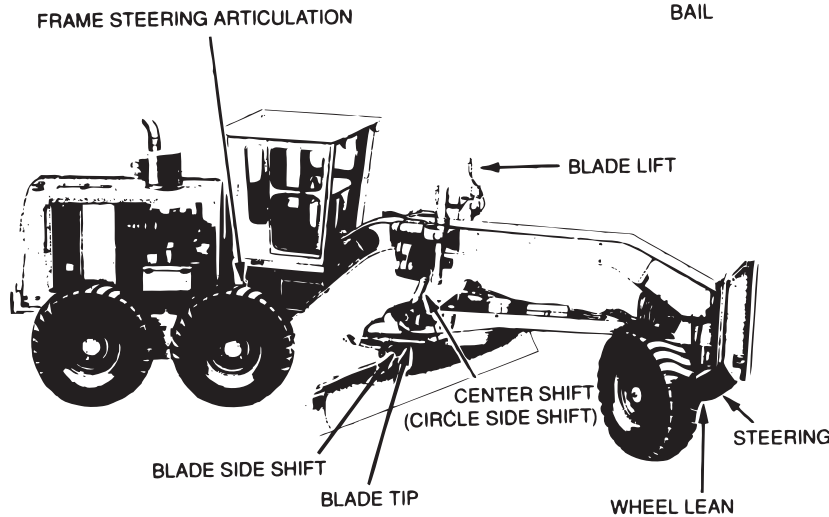


WORLDWIDE
 PHONE 813.559.8650
 FAX 813.559.8698

SCRAPERS

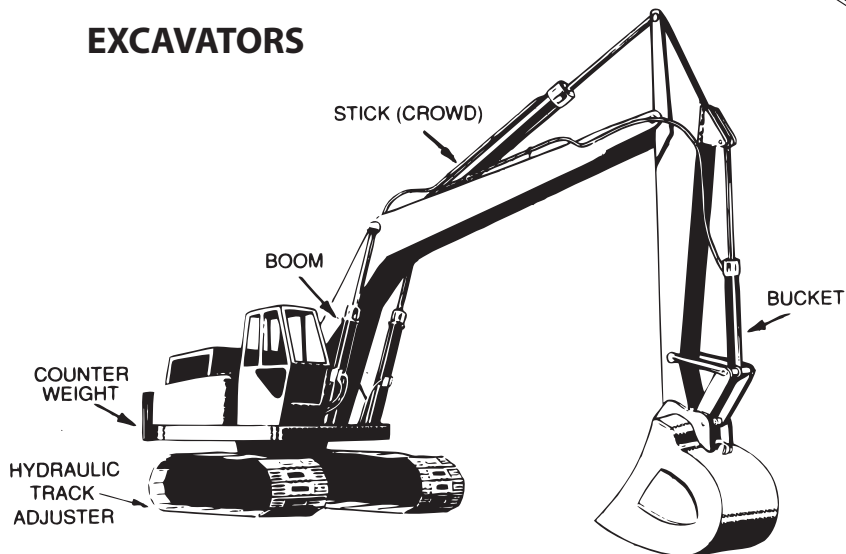


MOTOR GRADERS



WHEEL LOADERS

EXCAVATORS

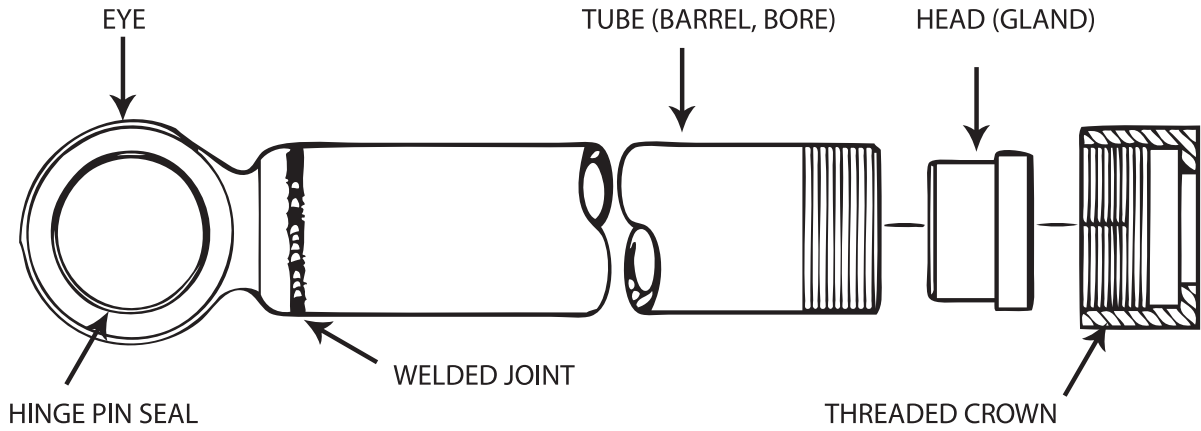


NORTH AMERICA
PHONE 800.854.0275
FAX 813.559.8698

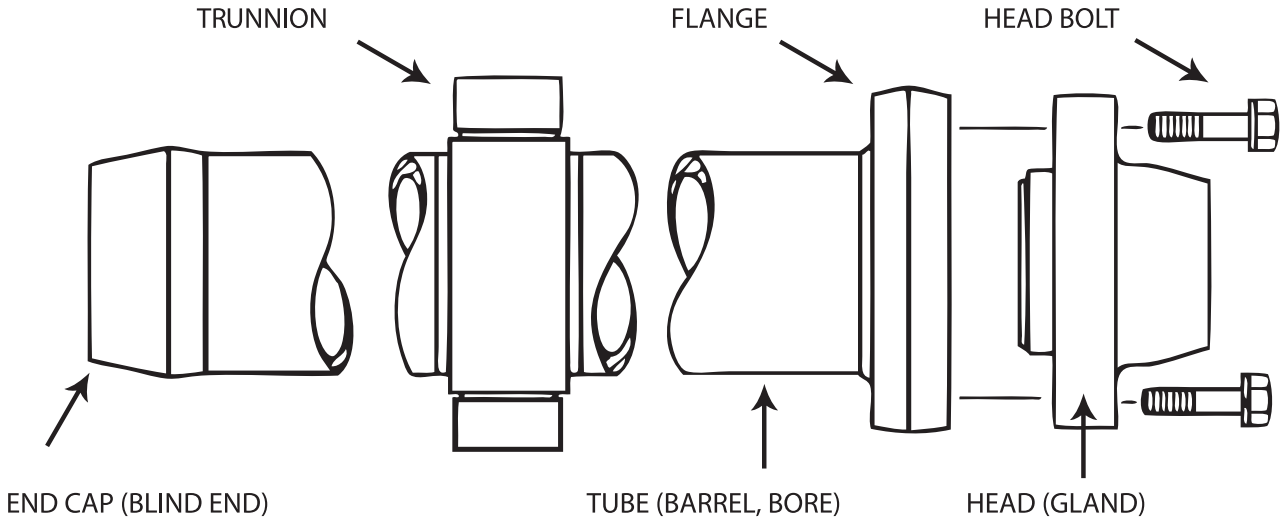


WORLDWIDE
PHONE 813.559.8650
FAX 813.559.8698

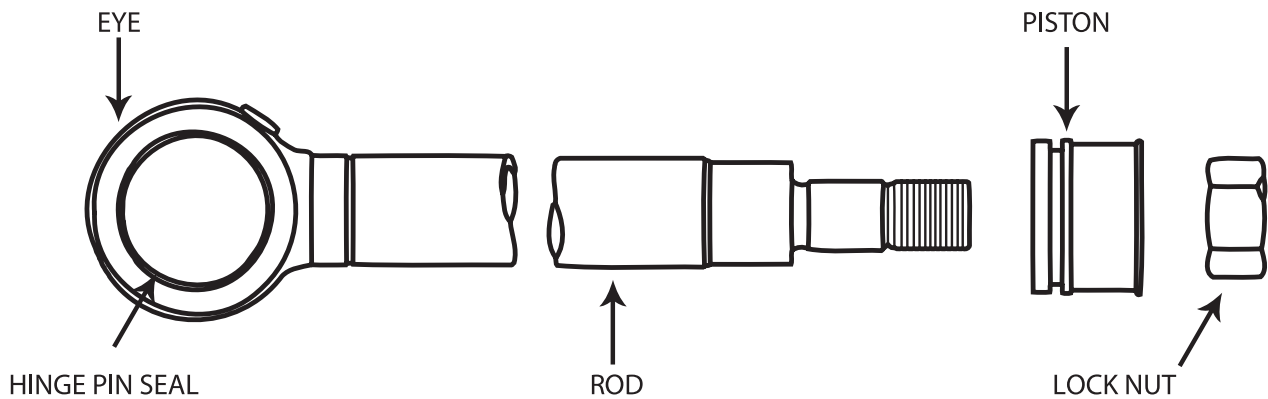
EYE MOUNTED CYLINDER

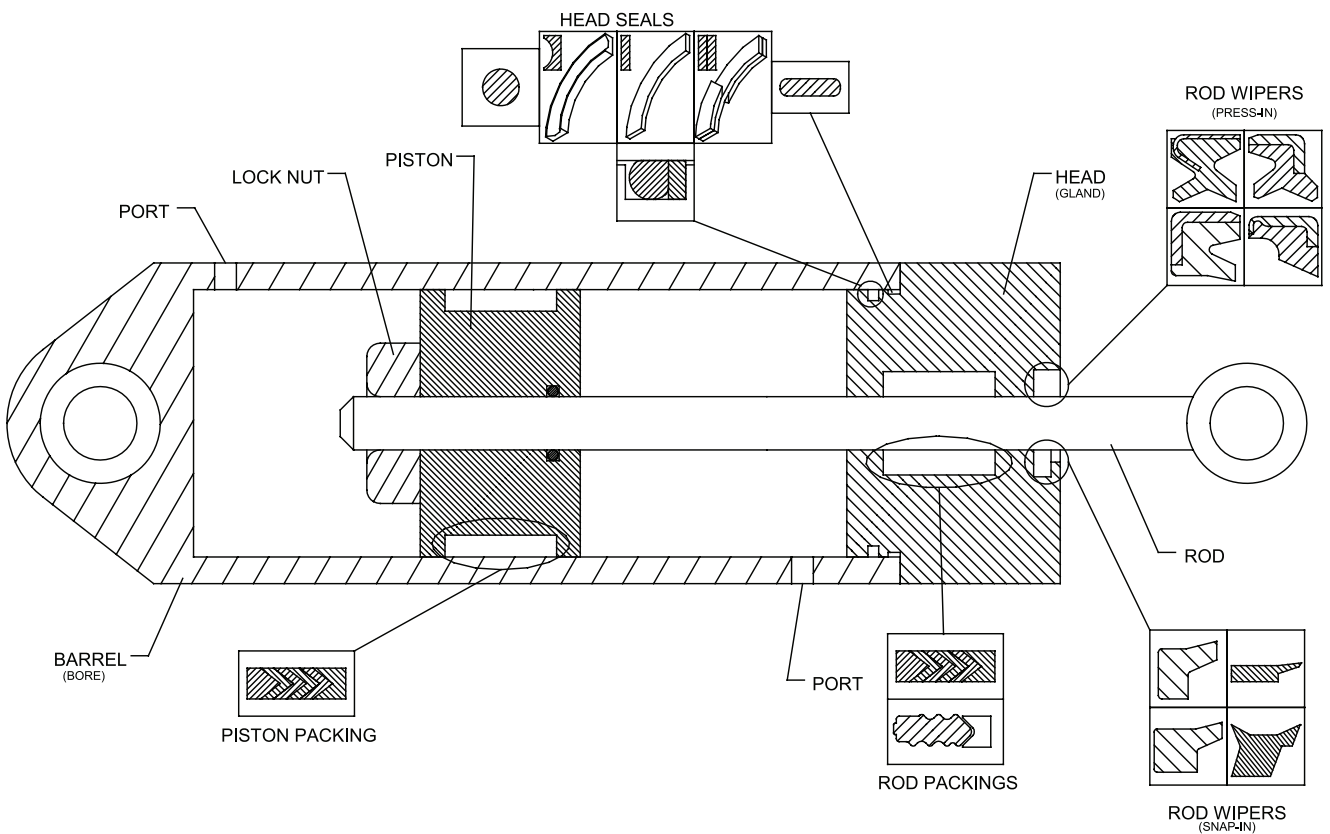
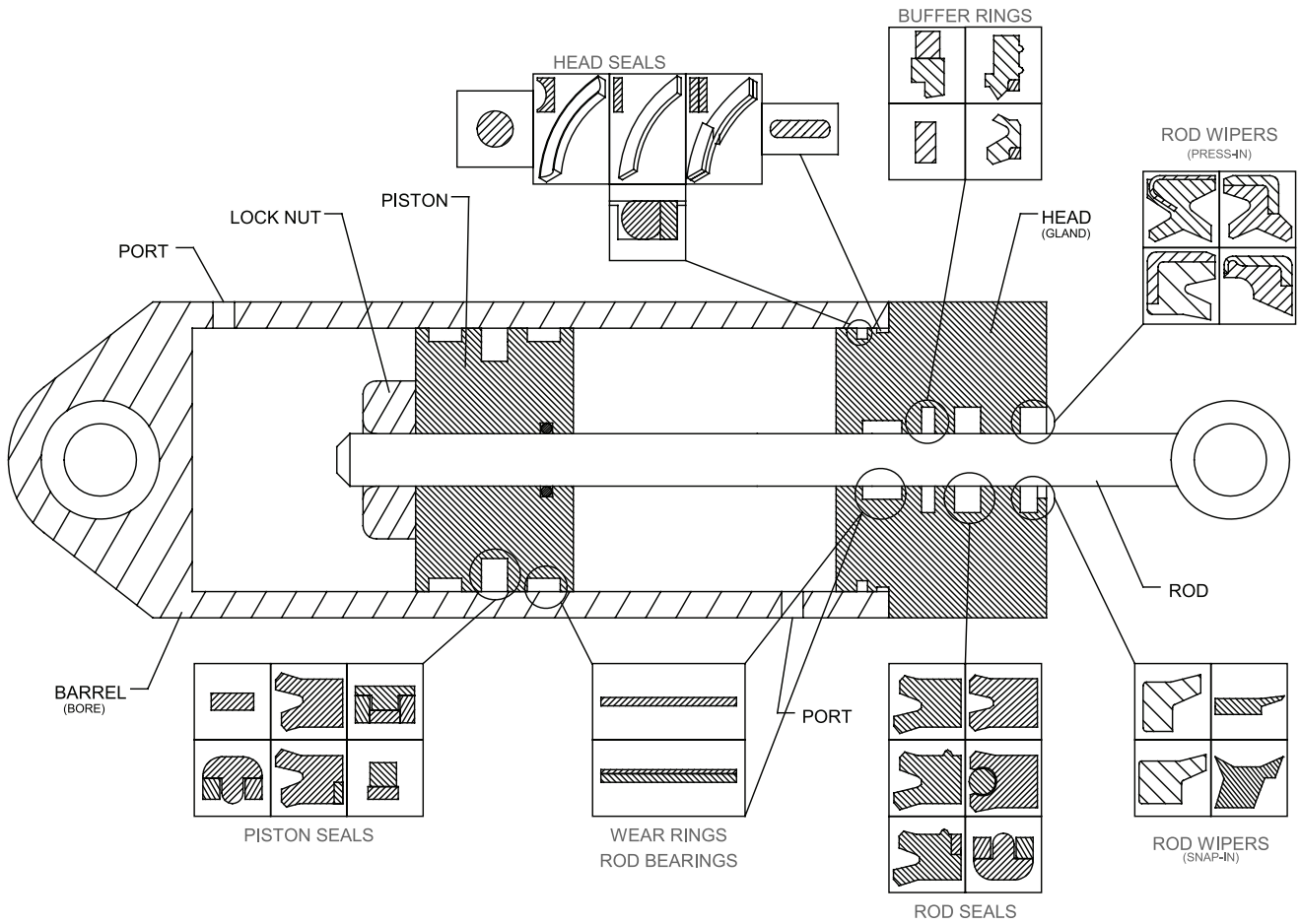


TRUNNION MOUNTED CYLINDER

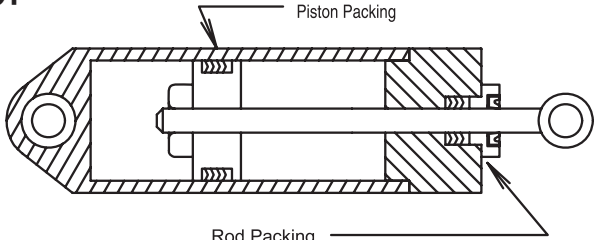
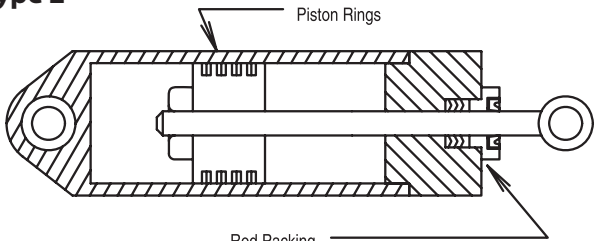
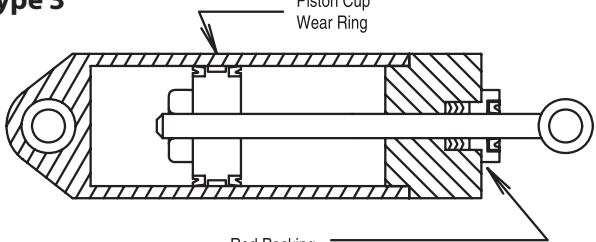
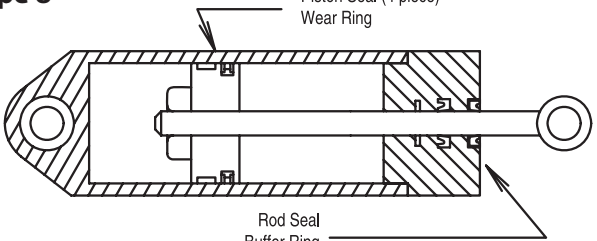
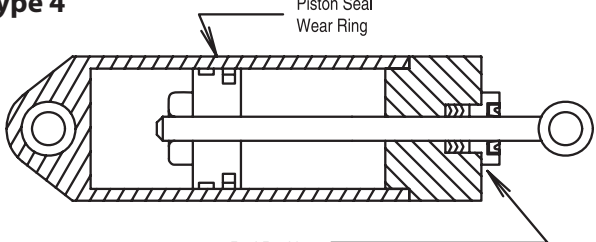
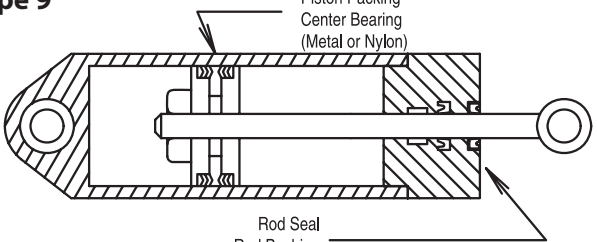
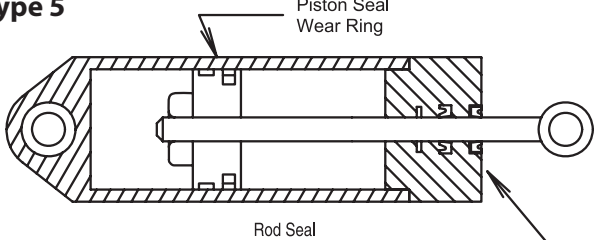
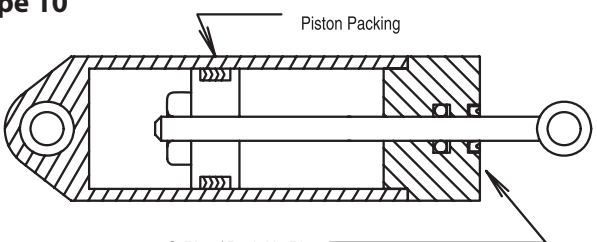
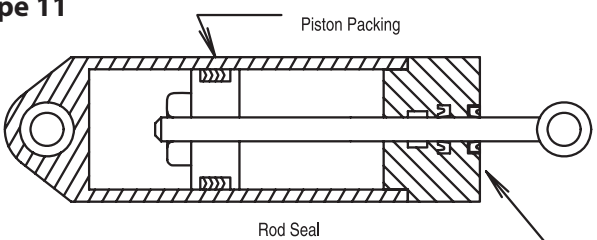


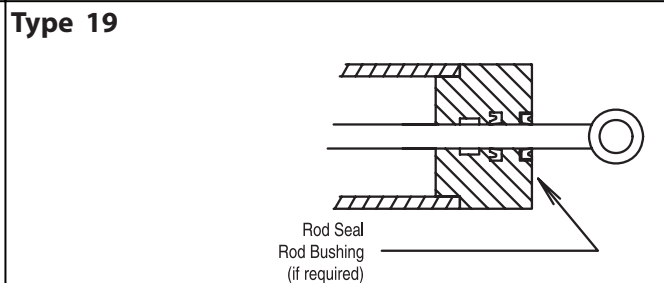
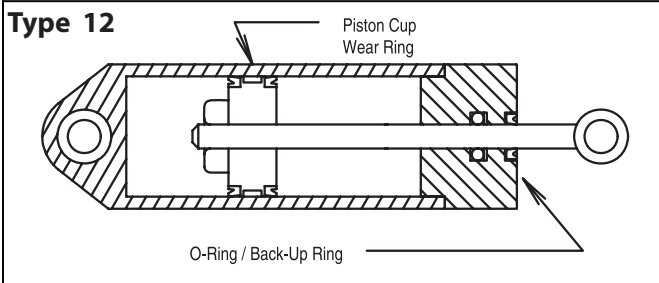
ROD ASSEMBLY



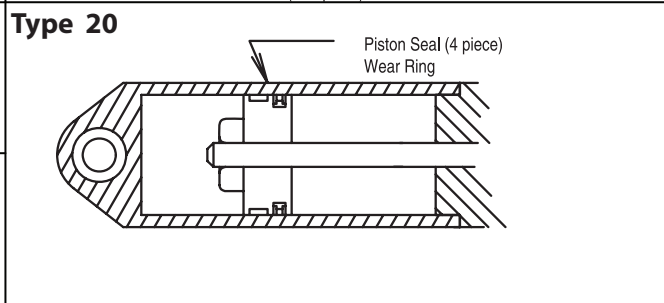


To help in the selection of the proper seal kit for an application that may have more than one design option, we recommend that a visual inspection of the cylinder, and/or its components, be made. The design should then be compared to the drawings shown below. These drawings reflect the Bulldog® cylinder design types that are commonly used.

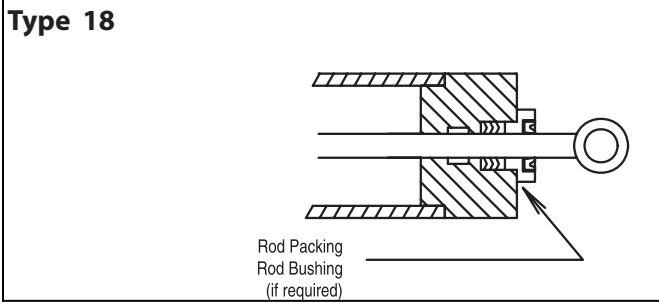
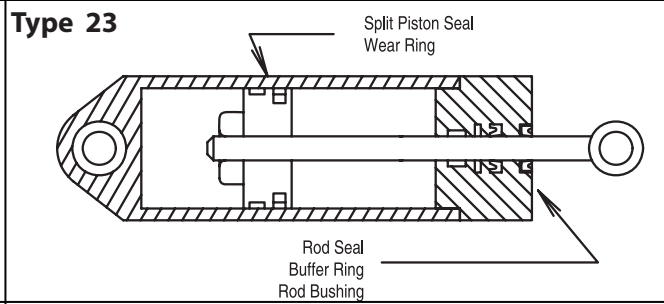
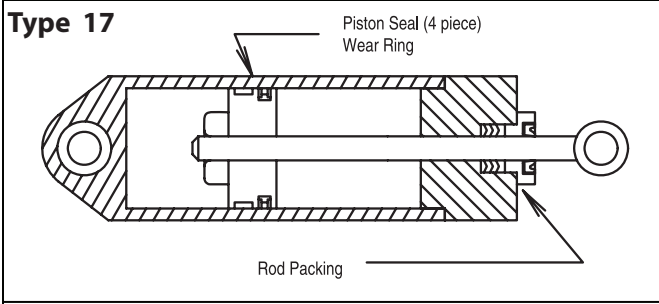
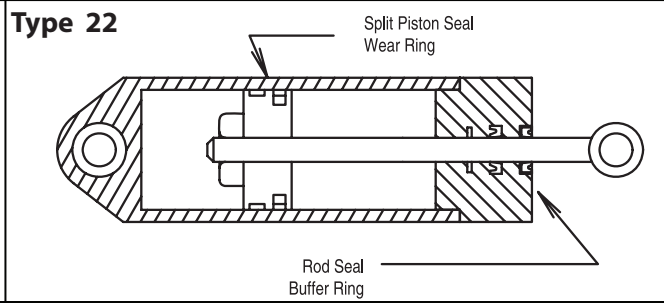
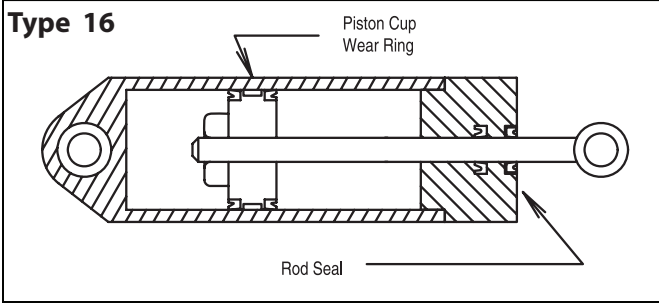
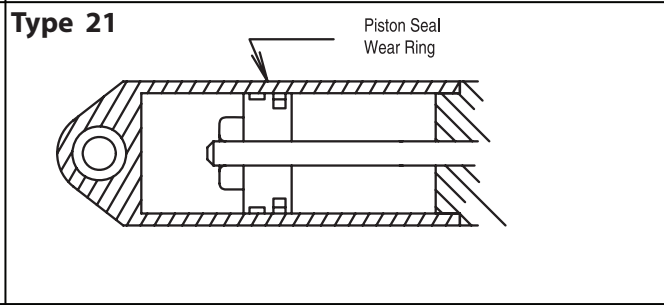
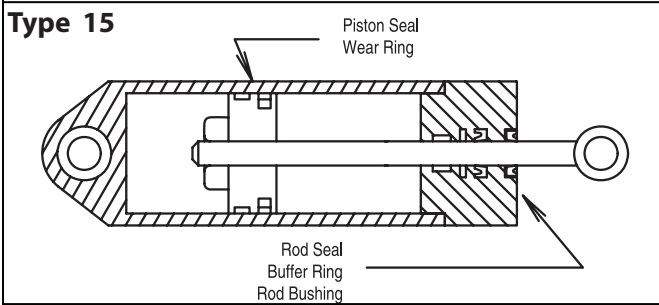
<p>Type 1</p> 	<p>Type 6 Telescoping designs used on scrapers as ejector cylinders. Various configurations used.</p>
<p>Type 2</p> 	<p>Type 7 Fire retardant cylinders. May be found with similar configurations to types 4, 5 and 8 depending on the specific applications.</p>
<p>Type 3</p> 	<p>Type 8</p> 
<p>Type 4</p> 	<p>Type 9</p> 
<p>Type 5</p> 	<p>Type 10</p> 
	<p>Type 11</p> 



Type 13
Telescoping designs used on trucks as hoist cylinders.
Various configurations used.



Type 14
Front and rear suspension cylinders used on trucks.
These cylinders may be nitrogen charged.
Various configurations used.



Machine Model	Page
Crawler Tractors (Dozers)	
D3, D3B, D3C	7
D3G	8
D3K	8
D4B, D4C (J)	8
D4C	9
D4D	9
D4E	10
D4G	10
D4H	10
D4K	11
D5	11
D5B	12
D5C	12
D5E	12
D5G	13
D5H	13
D5K	14
D5M	14
D5N	14
D6	15
D6B	15
D6C	16
D6D	17
D6E,D6F,D6G,D6G2	17
D6H	18
D6K	18
D6M,D6N	19
D6R	20
D6T	21
D7,D7C,D7D	21
D7E	22
D7F,D7G,D7G2	22
D7H	23
D7R	24
D8,D8D,D8E,D8F,D8G	24
D8H	25
D8K	27
D8L	28
D8N	28
D8R	29
D8T	30

Machine Model	Page
Crawler Tractors (Dozers)	
D9D,D9E	30
D9G	31
Dual D9G	32
D9H	33
D9L	33
D9N	33
D9R	34
D9T	35
D10	35
D10N,D10R	36
D10T	36
D11N,D11R	37
D11T	38
Agricultural Tractors	
Challenger 65,65B,65C,65D,65E,70C,75,75C, 75D,75E,85C,85D,85E,95E	38
Motor Graders	
12	38
12E	38
12F	39
12G	40
12H	41
12K	41
12M	42
14B,14C,14D	42
14E	42
14G	43
14H	44
14M	44
16	45
16G	45
16H	47
16M	47
24H	48
24M	48
112,112E,112F	48
120,120B	49
120G	49
120H	50

Machine Model	Page	Machine Model	Page
Motor Graders		Excavators	
120K	50	307C,307C SB	69
120M	50	307D	69
130G	51	308C CR	69
135H	52	308D	69
140,140B	52	311	70
140G	52	311B	70
140H	53	311CU	70
140K	54	311D LRR	71
140M	54	312	71
143H	54	312B	71
160G	55	312C	72
160H	56	312D	72
160K	56	313B CR	73
160M	56	314C CR, 314C LCR	73
163H	57	314D CR, 314D LCR	73
		315	74
		315B	74
Excavators		315C	75
215,215B	57	315D	75
215C,215D,219,219D	58	317	76
FB221 Feller Buncher	58	317B	76
225	58	318B	76
225B,225B LC	60	318C	77
225D,225D LC	61	319C	77
227 Logger	61	319D	77
229	62	320	78
229D	62	320B	79
LL229 Log Loader	62	320C	80
231D,231D LC	62	320D	82
235	63	321B,321C LCR	83
235B,235C	64	321D LCR	83
235D	65	322	83
245	65	322B	84
245B	67	322C	85
245D	67	323D	87
303	68	324D	88
303.5C CR	68	324E	89
303C CR	68	325	89
304C CR	68	325B	90
305C CR	68	325C	91
307	68	325D	93
307B	68		

Machine Model	Page
Excavators	
326D	95
328D LCR	95
329D	95
329E	96
330	97
330B,W330B	97
330C	99
330D	100
336D	102
336E	103
340D	103
345B,W345B	104
345C,W345C	106
345D	107
349D	107
349E	108
350	109
365B	109
365C	111
374D	111
375	111
385B	112
385C	113
390D	113
E70,E70B	114
E110,E110B	114
E120,E120B	114
E180,EL180	115
E200B,EL200B	115
E240,EL240,E240B,EL240B,E240C,EL240C	115
E300,EL300,E300B,EL300B	116
E450	116
M312	116
M313C, M313D	116
M315	117
M315C, M315D	117
M316C, M316D	117
M318	117
M318C, M318D	118
M320	118
M322C, M322D	118

Machine Model	Page
Excavators	
M325B	119
M325C	119
M325D	120
M330D	120
TK1051 Feller Buncher	120
5080	120
5090B	121
5110,5110B	121
5130	122
5130B	122
5230	123
Backhoe Loaders	
414E	123
416,416II,416B	124
416C	125
416D	126
416E	127
416F	127
420D	128
424D	128
426,426B	128
426C	130
428,428B	131
428C	132
428D	133
430D	133
432D	133
436,436B	134
436C	135
438,438B	136
438C	137
438D	138
442D	138
446,446B	138
Skidders	
508	139
FB508 Feller Buncher	139
515	139
517	139

Machine Model	Page	Machine Model	Page
Skidders		Scrapers	
518,518C	140	623,623B	153
FB518 Feller Buncher	140	623E,623F	153
525,525B	141	623G	154
527	141	627	154
528,528B	141	627B	155
530B	142	627E,627F	156
535B	142	627G	156
539 Knuckle Boom Loader	142	630A,630B	157
545	142	631A,631B,631C	158
550 Tree Harvester	142	631D	159
554 Forwarder	142	631E	160
570 Tree Harvester	143	631G	161
574 Forwarder	143	632	161
580 Tree Harvester	143	633,633B,633C	161
D4H Track Skidder	143	633D	162
D5H Track Skidder	144	633E	162
		637,637B	162
		637D	163
Pipelayers		637E	163
561B,561C,561D	144	637G	164
571A,571F,571G	144	639D	164
572C,572D,572E,572F,572G	144	641,641B	165
578	145	650,650B	166
583H,583K	145	651,651B	167
583R	145	651E	168
589	145	657,657B	169
594,594H	145	657E	170
		660,660B	171
		666,666B	171
Scrapers			
DW21,DW21C,DW21D,DW21G	146	Trucks	
611	146	660	172
613,613B	146	725	172
613C	147	730	172
615,615C	147	735	173
J619	148	740	173
619C	148	768B,768C	173
J621	149	769,769B	174
621	149	769C,769D,771C,771D	174
621B	150	772,772B	175
621E,621F	151	773,773B,773D,775B,775D	175
621G	152		
621R,621S	152		

Machine Model	Page
Trucks	
776,776B,776C,777,777B,777C	176
776D,777D	177
783B,784B,784C,785,785B,785C	177
789,789B,789C	178
793,793B,793C, 793F	178
797	178
AD40,AE40	178
D20D	179
D25C	179
D25D	179
D30C	179
D30D	180
D35C,D35CHP	180
D40D	181
D44B	181
D250B	181
D250D	182
D250E	182
D300B	182
D300D	183
D300E	183
D350C	183
D350D	184
D350E	184
D400	185
D400D	185
D400E	185
D550B	186

Compactors and Wheel Dozers	
814	186
814B	187
814F	187
815	187
815B	188
815F	188
816	188
816B	188
816F	189
824,824B	189
824C	190

Machine Model	Page
Compactors and Wheel Dozers	
824G	190
825B	190
825C	191
825G	191
826B	191
826C	191
826G	191
834	192
834B	192
835	193
836	193
836G	193
844	193
854G	193
CP-643,CS-643,CP-653,CS-653	194

Integrated Toolcarriers	
IT12,IT12B,IT12F	194
IT14B	194
IT14F	195
IT14G	195
IT18,IT18B	195
IT18F	195
IT24F	196
IT28,IT28B	196
IT28F,IT28G	196
IT38F,IT38G	197
IT62G	197

Wheel Loaders	
902	197
906	197
908	197
910,G910	197
910E,910F	198
910G	198
914G	198
916,G916	198
918F	199
920	199
922A,922B	199

Machine Model	Page	Machine Model	Page
Wheel Loaders		Crawler Loaders	
924F	200	931	217
924G,924Gz	200	931B,931C	217
926,G926,926E	200	933,933C (J)	218
928F	201	933C,933E,933F,933G	218
928G	201	935B,935C	218
930	201	939	219
930R,930T	201	939C	219
936,G936,936E,936F	202	941,941B	219
938F,938G	202	943	220
944,944A	202	951	220
950	203	951B,951C	220
950 Tree Harvester	204	953,953B	221
950B,950E,950F	204	953C	221
950G	204	955C,955E	221
960F	205	955F,955H	222
962G	205	955K	222
966A	205	955K,955L	223
966B	206	955L	223
966C	206	963	224
966D,966E,966F	207	963B,963C	224
966G	208	973	225
966R	208	973C	226
970F	209	977D,977E	226
972G	209	977H	226
980	209	977K	227
980B	210	977K,977L	227
980C,980F	211	977L	229
980G	211	983	230
980H	212	983B	231
988	212		
988B,988F	213	Telehandlers	
988G	214	TH62,TH63,TH82, TH83	231
990	215		
992,992B	215		
992C,992D	215		
992G	216		
994,994D	216		

CATERPILLAR® (REFERENCED BY BULLDOG® PART NUMBERS)

Application	Part Number	Description	Bore	Rod	Wiper	Type
D3,D3B,D3C TRACTOR						
Tractor S/N: 06N1-UP,79U1-UP,82U1-UP,83U1-UP,23Y1-UP,24Y1-UP 27Y1-UP,28Y1-UP,2PC1-UP,3YC1-UP,5MC1-UP,3RF1-UP 6PF1-UP,7JF1-UP,8BF1-UP,5KG1-UP,5ZG1-UP,7JG1-UP 8DG1-UP,1PJ1-UP,4HJ1-UP,5CJ1-UP,6SL1-UP,7XL1-UP 4KS1-UP,4TS1-UP,5GS1-UP,9TS1-UP Bulldozer S/N: 31M1-UP,85U1-UP,86U1-UP,40V1-UP,15W1-UP,96X1-UP 5LH1-UP,5WH1-UP,6EH1-UP,9RH1-UP,2JP1-UP,8HP1-UP 8JP1-UP,8KP1-UP,8XP1-UP Ripper S/N: 21G1-UP,84U1-UP Backhoe S/N: 87U1-UP,88U1-UP						
Dozer Lift	BD-500103	Kit	3.500S	1.500S	P	5
	Dozer S/N: 31M,85U,86U,40V,15W,96X					
	BD-625103	Kit	3.500S	1.500S	P	15
	Dozer S/N: 85U8903-Up,96X,5WH,6EH,9RH,8HP,8JP,8KP,8XP Use with 9T7346 Head					
	BD-625370	Kit	3.500S	1.500S	P	15
Dozer S/N: 31M,85U,86U,40V,15W,96X Use with 9T2522 Head, Field replacement						
Dozer Tilt	BD-505106	Kit	4.000S	2.000S	P	5
	Dozer S/N: 31M,15W					
	BD-647106	Kit	4.000S	2.000S	P	15
	Dozer S/N: 31M					
	BD-500103	Kit	3.500S	1.500S	P	5
	Dozer S/N: 85U,86U,40V,96X					
Dozer Angling	BD-500103	Kit	3.500S	1.500S	P	5
	Dozer S/N: 85U,86U,96X					
	BD-625103	Kit	3.500S	1.500S	P	15
	Dozer S/N: 85U3210-Up,96X,5WH,6EH,9RH,8KP					
	BD-675101	Kit	3.000S	1.500S	P	15
	Dozer S/N: 8HP,8JP,8KP,8XP					
Ripper Lift	BD-505106	Kit	4.000S	2.000S	P	5
	Ripper S/N: 84U					
Tool Bar	BD-647106	Kit	4.000S	2.000S	P	15
	BD-500184	Kit	4.000S	1.500S	P	5
S/N: 2PC						
Track Adjuster	BD-904405	Kit			N	0
Backhoe Stabilizer	BD-505106	Kit	4.000S	2.000S	P	5
	Fixed Pivot Backhoe					
	BD-647106	Kit	4.000S	2.000S	P	15
	Fixed Pivot Backhoe					
	BD-500103	Kit	3.500S	1.500S	P	5
Sideshift Backhoe						
Backhoe Boom	BD-508118	Kit	4.500S	2.250S	P	5
Backhoe Bucket	BD-508103	Kit	3.500S	2.250S	P	5
	BD-684103	Kit	3.500S	2.250S	P	15
Backhoe Stick	BD-505106	Kit	4.000S	2.000S	P	5

CATERPILLAR® (REFERENCED BY BULLDOG® PART NUMBERS)

Application	Part Number	Description	Bore	Rod	Wiper	Type
D3,D3B,D3C TRACTOR (continued)						
Backhoe Stick (cont)	BD-647106	Kit	4.000S	2.000S	P	15
D3G TRACTOR						
Tractor S/N: BYR1-UP,CFC1-UP,CFF1-UP,JMH1-UP Ripper S/N: BHX1-UP						
Dozer Lift	BD-625103	Kit	3.500S	1.500S	P	15
Dozer Tilt	BD-625103	Kit	3.500S	1.500S	P	15
Dozer Angling	BD-6251056	Kit	2.750S	1.500S	P	15
Ripper Lift	BD-675101	Kit	3.000S	1.500S	P	15
Track Adjuster	BD-904405	Kit			N	0
D3K TRACTOR						
Tractor S/N: FFF1-UP,JTD1-UP,LLL1-UP						
Dozer Lift	BD-625103	Kit	3.500S	1.500S	P	15
Dozer Tilt	BD-625103	Kit	3.500S	1.500S	P	15
Dozer Angling	BD-6251057	Kit	3.000S	1.500S	P	15
Ripper Lift	BD-6251057	Kit	3.000S	1.500S	P	15
Track Adjuster	BD-904411	Kit			N	0
D4B,D4C (J) TRACTOR						
Tractor S/N: 2XF1-UP,1SG1-UP,7KG1-UP,9BG1-UP,1RJ1-UP,2CJ1-UP 6YL1-UP,7SL1-UP,4LS1-UP,6BS1-UP,8CS1-UP,1FW1-UP Bulldozer S/N: 2YH1-UP,4GH1-UP,6CH1-UP,6DH1-UP,9SH1-UP,9TH1-UP 8LP1-UP,8MP1-UP,8YP1-UP Ripper S/N: 21G1-UP,84U1-UP Backhoe S/N: 68H1-UP,32W1-UP						
Dozer Lift	BD-500103	Kit	3.500S	1.500S	P	5
	Dozer S/N: 2YH,4GH					
	BD-625103	Kit	3.500S	1.500S	P	15
	Dozer S/N: 2YH,4GH,9SH,9TH,8LP,8MP,8YP Use with 9T7346 Head					
	BD-625370	Kit	3.500S	1.500S	P	15
Dozer S/N: 2YH,4GH Use with 9T2522 Head, Field replacement						
Dozer Tilt	BD-500103	Kit	3.500S	1.500S	P	5
	Dozer S/N: 2YH,4GH					
	BD-625103	Kit	3.500S	1.500S	P	15
Dozer S/N: 2YH,4GH,9SH,9TH,8LP,8MP,8YP						
Dozer Angling	BD-500103	Kit	3.500S	1.500S	P	5
	Dozer S/N: 2YH,4GH					
	BD-625103	Kit	3.500S	1.500S	P	15
	Dozer S/N: 2YH,4GH,9SH,9TH					
	BD-675101	Kit	3.000S	1.500S	P	15
Dozer S/N: 8LP,8MP,8YP						
Ripper Lift	BD-505106	Kit	4.000S	2.000S	P	5
	Ripper S/N: 84U					
	BD-647106	Kit	4.000S	2.000S	P	15
Track Adjuster	BD-904405	Kit			N	0
Backhoe Stabilizer	BD-505106	Kit	4.000S	2.000S	P	5
	Fixed Pivot Backhoe					

CATERPILLAR® (REFERENCED BY BULLDOG® PART NUMBERS)

Application	Part Number	Description	Bore	Rod	Wiper	Type
D4B,D4C (J) TRACTOR (continued)						
Backhoe Stabilizer (cont)	BD-647106	Kit	4.000S	2.000S	P	15
	Fixed Pivot Backhoe					
	BD-500103	Kit	3.500S	1.500S	P	5
Sideshift Backhoe						
Backhoe Boom	BD-508118	Kit	4.500S	2.250S	P	5
Backhoe Bucket	BD-508103	Kit	3.500S	2.250S	P	5
	BD-684103	Kit	3.500S	2.250S	P	15
Backhoe Stick	BD-505106	Kit	4.000S	2.000S	P	5
	BD-647106	Kit	4.000S	2.000S	P	15
D4C TRACTOR						
Tractor S/N: 24A1-UP,39A1-UP,40A1-UP,54A1-UP,55A1-UP,69A1-UP Bulldozer S/N: 52E1-UP,67E1-UP,96E1-UP,97E1-UP,24F1-UP,25F1-UP 26F1-UP,27F1-UP,65F1-UP,67F1-UP Ripper S/N: 58D1-UP,44F1-UP						
Dozer Lift	BD-506163	Kit	4.750S	2.000S	P	4
	BD-507105	Kit	4.000S	2.000S	P	4
	Single Lift Cylinder					
Ripper Lift	BD-507168	Kit	5.500S	2.000S	P	1
Track Adjuster	BD-904400	Kit			N	0
D4D TRACTOR						
Tractor S/N: 67A1-UP,78A1-UP,85A1-UP,86A1-UP,88A1-UP,91A1-UP 22C1-UP,97F1-UP,44H1-UP,47H1-UP,18J1-UP,20J1-UP 49J1-UP,58J1-UP,59J1-UP,60J1-UP,61J1-UP,65J1-UP 66J1-UP,82J1-UP,83J1-UP,84J1-UP,69K1-UP,07R1-UP 74U1-UP Bulldozer S/N: 93C1-UP,52E1-UP,67E1-UP,84E1-UP,96E1-UP,26F1-UP 27F1-UP,94G1-UP,95G1-UP,19J1-UP,45J1-UP,33R1-UP Ripper S/N: 58D1-UP,44F1-UP,85G1-UP						
Dozer Lift	BD-506102	Kit	3.500S	2.000S	P	4
	BD-505102	Kit	3.500S	2.000S	P	5
	Field replacement					
Dozer Tilt	BD-506163	Kit	4.750S	2.000S	P	4
Ripper Lift	BD-507168	Kit	5.500S	2.000S	P	1
	BD-513125	Kit	5.500S	2.500S	P	5
Track Adjuster	BD-904400	Kit			N	0

CATERPILLAR® (REFERENCED BY BULLDOG® PART NUMBERS)

Application	Part Number	Description	Bore	Rod	Wiper	Type
D4E TRACTOR						
Tractor S/N: 31C1-UP,34C1-UP,76W1-UP,77W1-UP,27X1-UP,28X1-UP 29X1-UP,50X1-UP,51X1-UP,52X1-UP,68X1-UP,69X1-UP 70X1-UP,71X1-UP,72X1-UP,2CB1-UP,7PB1-UP,2DJ1-UP Bulldozer S/N: 93C1-UP,52E1-UP,67E1-UP,84E1-UP,96E1-UP,94G1-UP 95G2469-UP,45J1-UP,33R1-UP,9KH1-UP Ripper S/N: 58D1-UP,85G1-UP,98G512-UP,91X1-UP						
Dozer Lift	BD-506102	Kit	3.500S	2.000S	P	4
	BD-505102	Kit	3.500S	2.000S	P	5
Dozer Tilt	BD-506163	Kit	4.750S	2.000S	P	4
Ripper Lift	BD-513125	Kit	5.500S	2.500S	P	5
	BD-513120	Kit	5.000S	2.500S	P	5
	Ripper S/N: 91X					
	BD-642120	Kit	5.000S	2.500S	P	15
Ripper S/N: 91X						
Tool Bar	BD-566241	Kit	4.000S	1.250S	P	4
	S/N: 27X918-UP,29X708-UP,68X767-UP,69X1425-UP,70X825-UP					
Track Adjuster	BD-904400	Kit			N	0
D4G TRACTOR						
Tractor S/N: CFN1-UP,FDC1-UP,HYD1-UP,TLX1-UP Ripper S/N: BHX1-UP						
Dozer Lift	BD-625103	Kit	3.500S	1.500S	P	15
Dozer Tilt	BD-625103	Kit	3.500S	1.500S	P	15
Dozer Angling	BD-6251056	Kit	2.750S	1.500S	P	15
Ripper Lift	BD-675101	Kit	3.000S	1.500S	P	15
Track Adjuster	BD-904405	Kit			N	0
D4H TRACTOR						
Tractor S/N: 8PB1-UP,9DB1-UP,2AC1-UP,3AC1-UP,8PJ1-UP,9GJ1-UP 4NK1-UP Bulldozer S/N: 9ZB1-UP,2TC1-UP,4HC1-UP,5EC1-UP,6AC1-UP,5NH1-UP 5RH1-UP,5SH1-UP,5TH1-UP,6XH1-UP,7CH1-UP,7EH1-UP 7KH1-UP Ripper S/N: 3KC1-UP,6ZH1-UP						
Dozer Lift	BD-508180	Kit	3.750S	2.250S	P	5
	Dozer S/N: 2TC,4HC,6AC,5SH,7KH					
	BD-505108	Kit	4.250S	2.000S	P	5
	Dozer S/N: 9ZB,5EC					
Dozer Tilt	BD-647108	Kit	4.250S	2.000S	P	15
	Dozer S/N: 9ZB,5EC,5NH,5RH,5TH,6XH,7CH,7EH					
	BD-505110	Kit	4.250S	2.000S	P	5
	Dozer S/N: 9ZB,5EC					
	BD-647110	Kit	4.250S	2.000S	P	15
	Dozer S/N: 9ZB,5EC,5NH,5RH,5TH,6XH,7CH,7EH					
	BD-505108	Kit	4.250S	2.000S	P	5
	Dozer S/N: 2TC,4HC,6AC					
	BD-647108	Kit	4.250S	2.000S	P	15
	Dozer S/N: 2TC,4HC,6AC,5SH,7KH					

Application	Part Number	Description	Bore	Rod	Wiper	Type
D4H TRACTOR (continued)						
Dozer Angling	BD-504103	Kit	3.500S	1.750S	P	5
	Dozer S/N: 9ZB,5EC					
	BD-637103	Kit	3.500S	1.750S	P	15
Dozer S/N: 9ZB,5EC,5NH,5RH,5TH,6XH,7CH,7EH						
Ripper Lift	BD-505106	Kit	4.000S	2.000S	P	5
	Ripper S/N: 3KC					
	BD-647106	Kit	4.000S	2.000S	P	15
D4K TRACTOR						
Tractor S/N: MMM1-UP,RRR1-UP						
Dozer Lift	BD-625103	Kit	3.500S	1.500S	P	15
Dozer Tilt	BD-625103	Kit	3.500S	1.500S	P	15
Dozer Angling	BD-6251057	Kit	3.000S	1.500S	P	15
Ripper Lift	BD-6251057	Kit	3.000S	1.500S	P	15
Track Adjuster	BD-904411	Kit			N	0
D5 TRACTOR						
Tractor S/N: 98A1-UP,51H1-UP,52H1-UP,81H1-UP,82H1-UP,83H1-UP 84H1-UP,21J1-UP,37J1-UP,50J1-UP,54J1-UP,62J1-UP 63J1-UP,67J1-UP,68J1-UP,93J1-UP,94J1-UP,95J1-UP 96J1-UP,97J1-UP,98J1-UP,06R1-UP,12R1-UP Bulldozer S/N: 90H1-UP,91H1-UP,92H1-UP,93H1-UP,97H1-UP,98H1-UP 10J1-UP,11J1-UP,12J1-UP,13J1-UP,16K1-UP,42K1-UP 19R1-UP Ripper S/N: 57D1-UP,66E1-UP,84G1-UP,12H1-UP						
Dozer Lift	BD-513112	Kit	4.250S	2.500S	P	5
	S/N: 98A,51H,52H,81H,82H,83H,84H,37J,62J1-571,63J1-805 S/N: 67J,68J,93J1-653,94J1-1617,95J1-298,96J1-2654 S/N: 97J,06R,12R Dozer S/N: 97H,98H,10J,11J,12J,13J,16K1-2596,42K,19R1-710					
	BD-513104	Kit	4.000S	2.500S	P	5
S/N: 50J,54J,62J572-UP,63J806-UP,67J,68J,93J654-UP S/N: 94J1618-UP,95J299-UP,96J2655-UP,97J,06R,12R Dozer S/N: 97H,98H,10J,11J,12J,13J,16K2597-Up,19R711-Up						
Dozer Tilt	BD-524135	Kit	6.500S	3.000S	I	4
	BD-523135	Kit	6.500S	3.000S	P	4
	BD-521135	Kit	6.500S	3.000S	P	5
Ripper Lift	BD-515144	Kit	7.250S	2.500S	P	4
	S/N: 51H,52H,81H,82H,83H,84H,37J,50J,54J,62J1-571,63J1-805 S/N: 67J,93J1-660,94J1-1644,95J1-300,96J1-2684,97J					
	BD-513144	Kit	7.250S	2.500S	P	5
	S/N: 51H,52H,81H,82H,83H,84H,50J,54J,62J1-571,63J1-805 S/N: 93J1-660,94J1-1644,95J1-300,96J1-2684 2 Piston seals					
	BD-513143	Kit	7.250S	2.500S	P	5
S/N: 51H,52H,81H,82H,83H,84H,37J,50J,54J,62J572-UP S/N: 63J806-UP,67J,93J661-UP,94J1645-UP,95J301-UP,96J2685-UP S/N: 97J 1 Piston seal						
Tool Bar	BD-500184	Kit	4.000S	1.500S	P	5
	S/N: 98J1134-UP					
Track Adjuster	BD-904400	Kit			N	0

CATERPILLAR® (REFERENCED BY BULLDOG® PART NUMBERS)

Application	Part Number	Description	Bore	Rod	Wiper	Type
D5B TRACTOR						
Tractor S/N: 22X1-UP,23X1-UP,24X1-UP,25X1-UP,26X1-UP,43X1-UP 44X1-UP,45X1-UP,46X1-UP,47X1-UP,48X1-UP,49X1-UP 21Y1-UP,8MB1-UP,5LD1-UP,8HD1-UP Bulldozer S/N: 90H1-UP,91H1-UP,92H1-UP,93H1-UP,97H1-UP,98H1-UP 12J366-UP,13J1212-UP,16K4587-UP,19R711-UP 89U1-UP,3ZH1-UP Ripper S/N: 57D1-UP,84G1-UP,12H1-UP,62S1-UP						
Dozer Lift	BD-513104	Kit	4.000S	2.500S	P	5
	BD-642104	Kit	4.000S	2.500S	P	15
Dozer Tilt	BD-523135	Kit	6.500S	3.000S	P	4
	BD-521135	Kit	6.500S	3.000S	P	5
Ripper Lift	BD-513143	Kit	7.250S	2.500S	P	5
S/N: 22X,23X,24X,25X,43X,44X,47X,48X,5LD,8HD						
Tool Bar	BD-500184	Kit	4.000S	1.500S	P	5
	S/N: 26X,21Y					
Track Adjuster	BD-904400	Kit			N	0
D5C TRACTOR						
Tractor S/N: 6PJ1-UP,3MK1-UP,6ZL1-UP,9DL1-UP,5HS1-UP,6CS1-UP 7PS1-UP,8ZS1-UP Bulldozer S/N: 6MH1-UP,6PH1-UP,9WH1-UP,9XH1-UP,8GP1-UP,8NP1-UP 8ZP1-UP Ripper S/N: 21G1-UP,84U1-UP						
Dozer Lift	BD-625103	Kit	3.500S	1.500S	P	15
Dozer Tilt	BD-625103	Kit	3.500S	1.500S	P	15
Dozer Angling	BD-625103	Kit	3.500S	1.500S	P	15
	Dozer S/N: 6MH,6PH,9WH,9XH					
	BD-675101	Kit	3.000S	1.500S	P	15
Dozer S/N: 8GP,8NP,8ZP						
Ripper Lift	BD-647106	Kit	4.000S	2.000S	P	15
Track Adjuster	BD-904406	Kit			N	0
D5E TRACTOR						
Tractor S/N: 9RG1-UP Bulldozer S/N: 6RH1-UP Ripper S/N: 62S1-UP						
Dozer Lift	BD-642104	Kit	4.000S	2.500S	P	15
Ripper Lift	BD-513143	Kit	7.250S	2.500S	P	5
	BD-642143	Kit	7.250S	2.500S	P	15
Track Adjuster	BD-904400	Kit			N	0

Application	Part Number	Description	Bore	Rod	Wiper	Type
D5G TRACTOR						
Tractor S/N: FDH1-UP,FDW1-UP,RKG1-UP,WGB1-UP Ripper S/N: BHX1-UP						
Dozer Lift	BD-625103	Kit	3.500S	1.500S	P	15
Dozer Tilt	BD-625103	Kit	3.500S	1.500S	P	15
Dozer Angling	BD-6251056	Kit	2.750S	1.500S	P	15
Ripper Lift	BD-675101	Kit	3.000S	1.500S	P	15
Track Adjuster	BD-904406	Kit			N	0
D5H TRACTOR						
Tractor S/N: 7NC1-UP,8RC1-UP,8SC1-UP,9HC1-UP,1DD1-UP,1YD1-UP 2SD1-UP,3MD1-UP,4KD1-UP,8RJ1-UP Bulldozer S/N: 1YH1-UP,1ZH1-UP,2AH1-UP,2BH1-UP,2MH1-UP,2SH1-UP 2TH1-UP,3AH1-UP,3KH1-UP,4AH1-UP,4FH1-UP,4ZH1-UP 5XH1-UP,5YH1-UP,6FH1-UP,6SH1-UP,6TH1-UP,6WH1-UP 7AH1-UP,7BH1-UP,7DH1-UP,7ZH1-UP,2SP1-UP Ripper S/N: 2DH1-UP,3HH1-UP,6YH1-UP						
Dozer Lift	BD-508180	Kit	3.750S	2.250S	P	5
	Dozer S/N: 1ZH,2BH,2TH,3AH,3KH,4FH,5YH,6FH					
	BD-662180	Kit	3.750S	2.250S	P	15
	Dozer S/N: 2BH,4FH,5YH,6FH,6WH,7BH,2SP					
	BD-508118	Kit	4.500S	2.250S	P	5
	Dozer S/N: 1YH,2AH,2MH,2SH,4AH,6SH,6TH					
	BD-662118	Kit	4.500S	2.250S	P	15
	Dozer S/N: 1YH,2AH,4ZH,5XH,6SH,6TH,7AH,7DH,7ZH Use with 9T9257 Head					
	BD-662391	Kit	4.500S	2.250S	P	15
Dozer S/N: 1YH,6SH,6TH,7AH,7ZH Use with 6E3570 Head						
Dozer Tilt	BD-508163	Kit	4.750S	2.250S	P	5
	Dozer S/N: 1YH,2AH,2MH,2SH,4AH,4ZH,5XH,7DH					
	BD-662163	Kit	4.750S	2.250S	P	15
	Dozer S/N: 1YH,2AH,4ZH,5XH,6SH,6TH,7AH,7DH,7ZH					
	BD-513120	Kit	5.000S	2.500S	P	5
	Dozer S/N: 1ZH,2BH,3KH,4FH,5YH					
	BD-663120	Kit	5.000S	2.500S	P	15
	Dozer S/N: 1ZH,2BH,3KH,4FH,5YH,6FH,6WH					
	BD-629135	Kit	6.500S	3.000S	P	15
	S/N: 8RJ Dozer S/N: 7BH, Use with 9T0095 Head					
	BD-629406	Kit	6.500S	3.000S	P	15
S/N: 8RJ Dozer S/N: 7BH, Use with 6C8559 or 6E5527 Head						
BD-629421	Kit	6.500S	3.000S	P	23	
S/N: 8RJ Dozer S/N: 2SP						
Dozer Angling	BD-505106	Kit	4.000S	2.000S	P	5
	Dozer S/N: 1YH,2AH,2MH,2SH,4ZH,5XH,7DH					
	BD-647106	Kit	4.000S	2.000S	P	15
Dozer S/N: 1YH,2AH,4ZH,5XH,6SH,6TH,7AH,7DH,7ZH						

CATERPILLAR® (REFERENCED BY BULLDOG® PART NUMBERS)

Application	Part Number	Description	Bore	Rod	Wiper	Type	
D5H TRACTOR (continued)							
Ripper Lift	BD-505106	Kit	4.000S	2.000S	P	5	
	Ripper S/N: 2DH,3HH						
	BD-647106	Kit	4.000S	2.000S	P	15	
	Ripper S/N: 2DH,3HH						
	BD-642120	Kit	5.000S	2.500S	P	15	
Ripper S/N: 6YH							
D5K TRACTOR							
Tractor S/N: JLF1-UP,WWW1-UP,YYY1-UP							
Dozer Lift	BD-625103	Kit	3.500S	1.500S	P	15	
Dozer Tilt	BD-625103	Kit	3.500S	1.500S	P	15	
Dozer Angling	BD-6251057	Kit	3.000S	1.500S	P	15	
Ripper Lift	BD-6251057	Kit	3.000S	1.500S	P	15	
Track Adjuster	BD-904411	Kit			N	0	
D5M TRACTOR							
Tractor S/N: 6GN1-UP,3CR1-UP,3DR1-UP,4BR1-UP,4JS1-UP,5ES1-UP 5FS1-UP,6AS1-UP Bulldozer S/N: 4FP1-UP,4GP1-UP,6JP1-UP,6KP1-UP Ripper S/N: 4HP1-UP,5YP1-UP							
Dozer Lift	BD-647110	Kit	4.250S	2.000S	P	15	
	Use with 9T9276 Head						
	BD-647366	Kit	4.250S	2.000S	P	15	
S/N: 6GN,3CR,3DR,4BR		Use with 1677558 Head					
Dozer Tilt	BD-662397	Kit	4.750S	2.250S	P	15	
	S/N: 6GN,3CR,3DR,4BR,4JS1-352,5ES1-743,5FS1-256,6AS1-382 Use with 1063262 Head						
	BD-628397	Kit	4.750S	2.500S	P	15	
	S/N: 3CR,6GN Use with 1206679 Head						
S/N: 6GN,3CR,3DR,4BR,4JS353-UP,5ES744-UP,5FS257-UP		BD-628481	Kit	4.750S	2.500S	P	15
S/N: 6AS383-UP Use with 1600045 Cylinder							
Dozer Angling	BD-637381	Kit	3.500S	1.750S	P	15	
Ripper Lift	BD-647106	Kit	4.000S	2.000S	P	15	
D5N TRACTOR							
Tractor S/N: AGG1-UP,AKD1-UP,CFH1-UP,CKT1-UP Bulldozer S/N: BHY1-UP,B5C1-UP,HGP1-UP Ripper S/N: 7JP1-UP							
Dozer Lift	BD-647366	Kit	4.250S	2.000S	P	15	
Dozer Tilt	BD-628481	Kit	4.750S	2.500S	P	15	
Dozer Angling	BD-637381	Kit	3.500S	1.750S	P	15	
Ripper Lift	BD-647106	Kit	4.000S	2.000S	P	15	

Application	Part Number	Description	Bore	Rod	Wiper	Type
D6 TRACTOR						
Tractor S/N: 04R1-UP,05R1-UP,08U1-UP,09U1-UP Bulldozer S/N: 15C1-UP,16C1-UP,85C1-UP,36D1-UP,37D1-UP,38D1-UP 39D1-UP,80D1-UP,81D1-UP,82D1-UP,15E1-UP,16E1-UP Ripper S/N: 57D1-UP						
Dozer Lift	BD-544170	Kit	5.250S	2.500S	P	2
	Use with 6F6276 or 4F8422 Gland					
	BD-514170	Kit	5.250S	2.500S	P	2
	Use with 1J0334 Gland					
	BD-514196	Kit	5.250S	2.500S	P	4
Use with 5J4335 Piston						
Ripper Lift	BD-515144	Kit	7.250S	2.500S	P	4
	S/N:	08U,09U				
	BD-513144	Kit	7.250S	2.500S	P	5
S/N:	08U,09U					
Track Adjuster	BD-904400	Kit			N	0
	S/N:	08U10785-UP,09U28328-UP				
D6B TRACTOR						
Tractor S/N: 37A1-UP,44A1-UP,56A1-UP,57A1-UP,37H1-UP,38H1-UP Bulldozer S/N: 15C1-UP,16C1-UP,85C1-UP,36D1-UP,37D1-UP,38D1-UP 39D1-UP,80D1-UP,81D1-UP,82D1-UP,21H1-UP,39H1-UP 40H1-UP,41H1-UP Ripper S/N: 57D1-UP,66E1-UP,84G1-UP,12H1-UP						
Dozer Lift	BD-506116	Kit	4.500S	2.000S	P	4
	BD-513112	Kit	4.250S	2.500S	P	5
	S/N:	37H,38H Dozer S/N: 39H1-173,40H1-341,41H1-747				
Dozer Tilt	BD-524135	Kit	6.500S	3.000S	I	4
	BD-523135	Kit	6.500S	3.000S	P	4
	BD-521135	Kit	6.500S	3.000S	P	5
	Field replacement					
Ripper Lift	BD-515144	Kit	7.250S	2.500S	P	4
	S/N:	37A,44A,56A,57A,37H				
	BD-513144	Kit	7.250S	2.500S	P	5
	S/N:	37A,44A,56A,57A 2 Piston seals				
	BD-513143	Kit	7.250S	2.500S	P	5
S/N:	37A,44A,56A,57A,37H 1 Piston seal, Field replacement					
Track Adjuster	BD-904400	Kit			N	0

CATERPILLAR® (REFERENCED BY BULLDOG® PART NUMBERS)

Application	Part Number	Description	Bore	Rod	Wiper	Type	
D6C TRACTOR							
Tractor S/N: 41A1-UP,71A1-UP,73A1-UP,74A1-UP,76A1-UP,82A1-UP 83A1-UP,96A1-UP,90B1-UP,46J1-UP,47J1-UP,55J1-UP 56J1-UP,69J1-UP,99J1-UP,10K1-UP,26K1-UP,17R1-UP 23U1-UP,24U1-UP,69U1-UP,49W1-UP Bulldozer S/N: 36D1-UP,38D1-UP,44E1-UP,95E1-UP,46G1-UP,47G1-UP 55G1-UP,58G1-UP,17H1-UP,18H1-UP,21H1-UP,39H1-UP 40H1-UP,41H1-UP,63S1-UP,54U1-UP Ripper S/N: 57D1-UP,66E1-UP,84G1-UP,12H1-UP							
Dozer Lift	BD-506104	Kit	4.000S	2.000S	P	4	
	S/N:	41A,71A,73A,74A,76A,82A,83A,96A,46J1-663,47J1-1687 Dozer S/N: 44E,95E,46G1-1318,47G1-3123,55G,58G					
	BD-513112	Kit	4.250S	2.500S	P	5	
	S/N:	41A,71A,73A,74A,76A,82A,83A,96A,90B,46J1-663,47J1-1687 S/N: 55J,56J,69J,99J1-1645,10K1-6789,26K Dozer S/N: 44E,95E,46G1-1318,47G1-3123,55G,58G,17H1-1916, 18H1-1809,21H1-600,602-780,39H,40H,41H,54U1-253					
	BD-513104	Kit	4.000S	2.500S	P	5	
S/N:	90B,46J664-UP,47J1688-UP,55J,56J,69J,99J1646-UP S/N: 10K6790-UP,26K,23U,24U,69U,49W Dozer S/N: 44E,95E,46G1319-Up,47G3124-Up,55G,58G,17H1917-Up, 18H1810-Up,21H601-765,781-Up,63S,54U254-Up						
Dozer Tilt	BD-524135	Kit	6.500S	3.000S	I	4	
	BD-523135	Kit	6.500S	3.000S	P	4	
	BD-521135	Kit	6.500S	3.000S	P	5	
	Field replacement						
	BD-514164	Kit	6.000S	2.500S	P	4	
Angle Dozer S/N: 44E,47G,58G							
Ripper Lift	BD-515144	Kit	7.250S	2.500S	P	4	
	S/N:	41A,71A,73A,74A,76A,82A,83A,96A,46J1-663,47J1-1687 S/N: 55J,56J,69J,99J1-1588,10K1-6134,26K					
	BD-513144	Kit	7.250S	2.500S	P	5	
	S/N:	71A,73A,74A,76A,82A,83A,46J1-663,47J1-1687,55J S/N: 56J,99J1-1588,10K1-6134 2 Piston seals					
	BD-513143	Kit	7.250S	2.500S	P	5	
S/N:	41A,71A,73A,74A,76A,96A,46J664-UP,47J1688-UP,55J S/N: 56J,69J,99J1589-UP,10K6135-UP,26K 1 Piston seal						
Tool Bar	BD-500184	Kit	4.000S	1.500S	P	5	
	S/N:	17R465-UP					
Track Adjuster	BD-903400	Kit			N	0	

Application	Part Number	Description	Bore	Rod	Wiper	Type
D6D TRACTOR						
Tractor S/N: 19B400-UP,36C1-UP,37C200-UP,38C1-UP,74W1-UP 75W1-UP,03X1-UP,04X1-UP,05X1-UP,06X1-UP,19X1-UP 20X1-UP,30X1-UP,31X1-UP,32X1-UP,33X1-UP,01Y1-UP 5YB800-UP,6HC1-UP,7XF1-UP,7YK1-UP,9FK1-UP Bulldozer S/N: 44E1-UP,95E1-UP,46G1-UP,47G1-UP,17H3749-4488 18H3492-5587,21H351-UP,63S1-UP,54U1-UP,2RH1-UP 4EH1-UP,7XH1-UP,7YH1-UP Ripper S/N: 57D1-UP,84G1-UP,12H1-UP,62S1-UP						
Dozer Lift	BD-513104	Kit	4.000S	2.500S	P	5
	BD-642104	Kit	4.000S	2.500S	P	15
Dozer Tilt	BD-523135	Kit	6.500S	3.000S	P	4
	Dozer S/N: 95E,46G,21H,63S					
	BD-521135	Kit	6.500S	3.000S	P	5
	Dozer S/N: 95E,46G,17H,21H,63S					
	BD-629135	Kit	6.500S	3.000S	P	15
	BD-514164	Kit	6.000S	2.500S	P	4
	Angle Dozer S/N: 44E,47G					
S/N:	BD-514407	Kit	6.000S	2.500S	P	4
	74W1-2560,75W1-4535,7YK,9FK Angle Dozer S/N: 7YH					
Ripper Lift	BD-513143	Kit	7.250S	2.500S	P	5
Tool Bar	BD-500184	Kit	4.000S	1.500S	P	5
	S/N: 19B,38C,05X,01Y					
Track Adjuster	BD-903400	Kit			N	0
D6E,D6F,D6G,D6G2 TRACTOR						
Tractor S/N: 2MJ1-UP,8FJ1-UP,3SR1-UP,5FR1-UP,BWJ1-UP,C6G1000-UP C6X1-UP,P6G1000-UP,P6X1-UP Bulldozer S/N: 63S1-UP,54U1-UP,4EP1-UP,6SP1-UP,6TP1-UP,6WP1-UP 7XH1-UP,3LP1-UP,A6H1-UP,A6Z1-UP,S6G1-UP,S6Z1-UP 1231-UP,6071-UP Ripper S/N: 62S1-UP,5NP1-UP,5PP1-UP,3211-UP						
Dozer Lift	BD-513104	Kit	4.000S	2.500S	P	5
	S/N: 2MJ1-2653,8FJ					
Dozer Tilt	BD-642104	Kit	4.000S	2.500S	P	15
	BD-629135	Kit	6.500S	3.000S	P	15
	BD-514407	Kit	6.000S	2.500S	P	4
S/N: 2MJ,8FJ,3SR,5FR,C6G,P6G						
Ripper Lift	BD-513143	Kit	7.250S	2.500S	P	5
	S/N: 2MJ1-2653 Ripper S/N: 62S					
	BD-642143	Kit	7.250S	2.500S	P	15
	S/N: 2MJ2654-UP,3SR,5FR,BWJ,C6G Ripper S/N: 5NP,5PP,321					
Track Adjuster	BD-903400	Kit			N	0

CATERPILLAR® (REFERENCED BY BULLDOG® PART NUMBERS)

Application	Part Number	Description	Bore	Rod	Wiper	Type
D6H TRACTOR						
Tractor S/N: 8KB1-UP,4RC1-UP,6FC1-UP,7PC1-UP,8FC1-UP,8YC1-UP 1KD1-UP,2KD1-UP,3ED1-UP,3ZF1-UP,4YF1-UP,5HF1-UP 6CF1-UP,2TG1-UP,3YG1-UP,4GG1-UP,4LG1-UP,1FJ1-UP 8ZJ1-UP,9KJ1-UP,2DK1-UP,5KK1-UP,6CK1-UP,7ZK1-UP 8KK1-UP,8SK1-UP,9LK1-UP,9RK1-UP,1YL1-UP,2BL1-UP 2TL1-UP Bulldozer S/N: 1AH1-UP,1BH1-UP,1CH1-UP,1DH1-UP,2HH1-UP,2LH1-UP 2NH1-UP,3FH1-UP,3JH1-UP,3TH1-UP,4DH1-UP,4LH1-UP 4NH1-UP,4PH1-UP,5CH1-UP,5JH1-UP,6GH1-UP,6HH1-UP 6NH1-UP,8AH1-UP,8BH1-UP,8CH1-UP,8DH1-UP,9GH1-UP 9HH1-UP Ripper S/N: 1EH1-UP,2PH1-UP,3SH1-UP,4CH1-UP						
Dozer Lift	BD-513214	Kit	3.750S	2.500S	P	5
	BD-642214	Kit	3.750S	2.500S	P	15
	BD-642473	Kit	4.000S	2.500S	P	15
	Use with 6E4978 Head					
	BD-628473	Kit	4.000S	2.500S	P	15
Use with 1213397 or 1729981 Head						
Dozer Tilt	BD-521135	Kit	6.500S	3.000S	P	5
	Dozer S/N: 1AH,1CH,1DH,2HH,3FH,3TH,4PH,5CH,5JH					
	BD-629135	Kit	6.500S	3.000S	P	15
	Dozer S/N: 1AH,1CH,1DH,2HH,2LH,2NH,3FH,3JH,3TH,4PH,5CH, 5JH,9GH, Use with 9T0095 Head					
	BD-629406	Kit	6.500S	3.000S	P	15
	Dozer S/N: 1AH,1CH,1DH,3TH,5CH,5JH,6GH,6HH,8AH,8BH Use with 6C8559 or 6E5527 Head					
	BD-513129	Kit	6.000S	2.500S	P	5
Angle Dozer S/N: 1BH,4LH,4NH,6HH						
Ripper Lift	BD-642129	Kit	6.000S	2.500S	P	15
	Angle Dozer S/N: 1BH,4DH,4LH,4NH,6GH,6HH,8CH,9HH					
	BD-513120	Kit	5.000S	2.500S	P	5
	BD-642120	Kit	5.000S	2.500S	P	15
D6K TRACTOR						
Tractor S/N: DHA1-UP,FBH1-UP,NCF1-UP Ripper S/N: 4041-UP						
Ripper Lift	BD-642120	Kit	5.000S	2.500S	P	15
Track Adjuster	BD-901413	Kit	60.00M	45.00M	P	0

Application	Part Number	Description	Bore	Rod	Wiper	Type
D6M,D6N TRACTOR						
Tractor S/N: 9ZM1-UP,2RN1-UP,3WN1-UP,4JN1-UP,5NR1-UP,5WR1-UP 6LR1-UP,2YS1-UP,4GS1-UP,4HS1-UP,AKM1-UP,ALH1-UP ALR1-UP,ALY1-UP,CBF1-UP,CBJ1-UP,CBL1-UP,CCG1-UP CCK1-UP,CCS1-UP,DJA1-UP,DJY1-UP,GHS1-UP,JAH1-UP LJR1-UP,LPC1-UP,MLW1-UP Bulldozer S/N: 2SP1-UP,3WP1-UP,3XP1-UP,4MP1-UP,6LP1-UP,6MP1-UP 6NP1-UP,BHB1-UP,BHK1-UP,DPM1-UP,B6A1-UP,B6C1-UP B6D1-UP,B6F1-UP,B6L1-UP,B6X1-UP,B6Y1-UP,D1Y1-UP F6A1-UP,F6C1-UP,F6W1-UP,F6Y1-UP,G6G1-UP,G6M1-UP G6N1-UP,S6A1-UP,S6D1-UP,S6S1-UP Ripper S/N: 3SP1-UP,3TP1-UP,4NP1-UP,5XP1-UP,7JP1-UP,7SP1-UP RPP1-UP,TPP1-UP,B3Z1-UP						
Dozer Lift	BD-662391	Kit	4.500S	2.250S	P	15
	Dozer S/N: 3WP,3XP,4MP,6LP,6NP,BHB,BHK,B6C,B6F,B6L,B6X,B6Y, DPM,F6A,F6C,F6W,F6Y,G6G,G6M,G6N					
	BD-662180	Kit	3.750S	2.250S	P	15
	Dozer S/N: 2SP,6MP,B6A,B6D,D1Y,S6A,S6D,S6S					
Dozer Tilt	BD-642237	Kit	5.500S	2.500S	P	15
	Dozer S/N: 3WP,3XP,4MP,6LP,6NP Use with 3G0215 Piston					
	BD-642125	Kit	5.500S	2.500S	P	15
	Dozer S/N: 3WP,3XP,4MP,6LP,6NP,BHB,BHK,B6C,B6F,B6L,B6X,B6Y, DPM,F6A,F6C,F6W,F6Y,G6G,G6M,G6N Use with 1600060 Piston					
	BD-629406	Kit	6.500S	3.000S	P	15
	S/N: GHS,JAH,LJR,LPC,MLW Dozer S/N: D1Y,S6A					
	BD-629421	Kit	6.500S	3.000S	P	23
Dozer S/N: 2SP,6MP,B6A,B6D,S6A,S6D,S6S						
Dozer Angling	BD-647409	Kit	4.000S	2.000S	P	15
	Dozer S/N: 3WP,3XP,4MP,6LP,6NP,BHB,BHK,B6C,B6F,B6L,B6X,B6Y, DPM,F6A,F6C,F6W,F6Y,G6G,G6M,G6N					
Ripper Lift	BD-642120	Kit	5.000S	2.500S	P	15

CATERPILLAR® (REFERENCED BY BULLDOG® PART NUMBERS)

Application	Part Number	Description	Bore	Rod	Wiper	Type	
D6R TRACTOR							
Tractor S/N: 2HM1-UP,4FM1-UP,8TM1-UP,9BM1-UP,2YN1-UP,3ZN1-UP 4HN1-UP,4MN1-UP,5LN1-UP,6JN1-UP,7KN1-UP,8LN1-UP 8XN1-UP,9MN1-UP,9PN1-UP,4JR1-UP,4TR1-UP,4WR1-UP 5PR1-UP,5RR1-UP,6FR1-UP,6HR1-UP,6MR1-UP,7AR1-UP 7DR1-UP,7GR1-UP,9ZS1-UP,1RW1-UP,AAX1-UP,ACJ1-UP ADE1-UP,AEM1-UP,AEP1-UP,AFM1-UP,AGM1-UP,BLE1-UP BLT1-UP,BMJ1-UP,BMK1-UP,BMY1-UP,BNC1-UP,BNL1-UP BPM1-UP,BPP1-UP,BPS1-UP,BPZ1-UP,BRE1-UP,BRJ1-UP BRZ1-UP,CAD1-UP,DAE1-UP,DLM1-UP,DMK1-UP,DMP1-UP DPS1-UP,EXL1-UP,EXW1-UP,FDT1-UP,GJB1-UP,GMT1-UP HCD1-UP,HDC1-UP,HKE1-UP,JDL1-UP,JEK1-UP,LFM1-UP LGP1-UP,MRT1-UP,MTJ1-UP,RFC1-UP,TBC1-UP,WCB1-UP WRG1-UP,S6T1-UP,S6X1-UP,S6Y1-UP Bulldozer S/N: 1RP1-UP,1SP1-UP,1TP1-UP,1WP1-UP,1XP1-UP,1YP1-UP 1ZP1-UP,3EP1-UP,3FP1-UP,3GP1-UP,3HP1-UP,3PP1-UP 3RP1-UP,4AP1-UP,4BP1-UP,6HP1-UP,6XP1-UP,6YP1-UP 6ZP1-UP,8AP1-UP,8BP1-UP,8DP1-UP,8SP1-UP,8TP1-UP 9BP1-UP,1AR1-UP,A6B1-UP,A6C1-UP,BHG1-UP,BHM1-UP BHN1-UP,B1Z1-UP,B2W1-UP,B8B1-UP,B8X1-UP,B9B1-UP B9S1-UP,B9Z1-UP,C4C1-UP,C4K1-UP,C4L1-UP,C4N1-UP C4R1-UP,C4T1-UP,C4W1-UP,D2S1-UP,D3G1-UP,D4S1-UP D5S1-UP,D6C1-UP,D6S1-UP,D7S1-UP,D8S1-UP,MGH1-UP MMX1-UP,P6A1-UP,P6S1-UP,R1W1-UP,R2W1-UP,R3W1-UP Ripper S/N: 1EH1-UP,2PH1-UP,3SH1-UP,3NP1-UP,BHL1-UP,RXE1-UP D6D1-UP,R1G1-UP							
Dozer Lift	BD-628473	Kit	4.000S	2.500S	P	15	
	BD-653112	Kit	4.250S	2.750S	P	15	
S/N:	8XN,9MN,BLE,BLT,BMJ,BMY Logging arrangement						
Dozer Tilt	BD-629406	Kit	6.500S	3.000S	P	15	
	Dozer S/N: 1RP,1SP,1TP,1WP,3EP,3FP,3HP,3RP,4AP,6XP,6YP,6ZP, 8AP,8SP,9BP,B1Z,B2W,B8B,B9B,C4L,C4N,C4W,D2S,D3G,D4S,D5S,D6C, D6S,D7S,D8S,MGH,P6A,P6S Use with 6C8559, 6E5527 or 2339138 Head						
	BD-629135	Kit	6.500S	3.000S	P	15	
	Dozer S/N: 6XP,6YP,6ZP,8AP Use with 9T0095 Head						
	BD-642129	Kit	6.000S	2.500S	P	15	
	Dual Tilt arrangement						
	BD-628453	Kit	5.250S	2.500S	P	15	
	S/N:	DLM,HDC,HKE,MTJ,RFC,WCB Dozer S/N: B8X,B9S,B9Z,R1W,R2W,R3W					
BD-513125	Kit	5.500S	2.500S	P	5		
S/N:	5LN,9PN,AAX,ADE,AEP,DMP Custom arrangement						
Dozer Angling	BD-662409	Kit	4.000S	2.250S	P	15	
	S/N:	DLM,HDC,HKE,MTJ,RFC,WCB Dozer S/N: B8X,B9S,B9Z,R1W,R2W,R3W					
	BD-513125	Kit	5.500S	2.500S	P	5	
S/N:	5LN,9PN,AAX,ADE,AEP,DMP Custom arrangement						
Ripper Lift	BD-642120	Kit	5.000S	2.500S	P	15	

Application	Part Number	Description	Bore	Rod	Wiper	Type
D6T TRACTOR						
Tractor S/N: DJG1-UP,GCT1-UP,JHB1-UP,JWD1-UP,KJL1-UP,LAE1-UP LAY1-UP,LBD1-UP,LKJ1-UP,PEZ1-UP,RLW1-UP,SKL1-UP SMC1-UP,WCG1-UP,WFH1-UP,ZEB1-UP Bulldozer S/N: 1AR1-UP,A6B1-UP,A6C1-UP,B2X1-UP,B2W1-UP,B3S1-UP B8A1-UP,B8B1-UP,B8C1-UP,B8E1-UP,B9B1-UP,C4C1-UP C4K1-UP,C4L1-UP,C4R1-UP,C4T1-UP,C4W1-UP,D2S1-UP D3G1-UP,D4S1-UP,D5S1-UP,D6C1-UP,D7S1-UP,D8S1-UP MGH1-UP,MMX1-UP,M1H1-UP,M3H1-UP,M4H1-UP,P6A1-UP P6S1-UP Ripper S/N: 1EH1-UP,D6D1-UP,R1G1-UP,R2G1-UP						
Dozer Lift	BD-628473	Kit	4.000S	2.500S	P	15
Dozer Tilt	BD-629406	Kit	6.500S	3.000S	P	15
	Dozer S/N: B2W,B8B,B9B,C4L,C4W,D2S,D3G,D4S,D5S,D6C,D7S,D8S, MGH,P6A,P6S					
	BD-642129	Kit	6.000S	2.500S	P	15
	Dual Tilt arrangement					
S/N:	BD-628453	Kit	5.250S	2.500S	P	15
	DJG,JWD,RLW,WCG,WFL,ZEB Dozer S/N: B8A,B8C,B8E,M1H,M3H,M4H					
Dozer Angling	BD-662409	Kit	4.000S	2.250S	P	15
	S/N: DJG,JWD,RLW,WCG,WFL,ZEB Dozer S/N: B8A,B8C,B8E,M1H,M3H,M4H					
Ripper Lift	BD-642120	Kit	5.000S	2.500S	P	15
D7,D7C,D7D TRACTOR						
Tractor S/N: 17A1-UP,07M6396-UP,03T1-UP Bulldozer S/N: 17C1-UP,84C1-UP,34D1-UP,35D1-UP,83D1-UP,84D1-UP 85D1-UP,02E1501-UP,06E2001-UP,17E1-UP,18E1-UP 46E1-UP						
Dozer Lift	BD-544173	Kit	6.000S	2.500S	P	2
	Dozer S/N: 17C,02E,06E Use with 4F8422 or 6F6276 Gland					
	BD-514173	Kit	6.000S	2.500S	P	2
	Dozer S/N: 17C,84C,34D,35D,83D,84D,85D,17E,18E Use with 1J0334 Gland					
Dozer Tilt	BD-514195	Kit	6.000S	2.500S	P	4
	Dozer S/N: 83D,84D,85D, Use with 5J4333 Piston					
Dozer Tilt	BD-531162	Kit	8.250S	3.500S	P	3
Track Adjuster	BD-903400	Kit			N	0

CATERPILLAR® (REFERENCED BY BULLDOG® PART NUMBERS)

Application	Part Number	Description	Bore	Rod	Wiper	Type
D7E TRACTOR						
Tractor S/N: 47A1-UP,48A1-UP,79A1-UP,95A1-UP Bulldozer S/N: 13F1-519,22F1-UP,23F1-UP,30F1-1093,31F1-UP 59F1-UP,72F1-UP,42G1-UP,13H1-UP,53J1-UP,64K1-UP Ripper S/N: 12G1-UP,17G1-UP,83G1-UP,10H1-2000						
Dozer Lift	BD-514129	Kit	6.000S	2.500S	P	4
	S/N: 47A,48A	Dozer S/N: 13F,22F,23F,30F,31F,59F1-3108,72F1-4005,42G1-319,64K				
	BD-514163	Kit	4.750S	2.500S	P	4
	S/N: 47A,48A	Dozer S/N: 22F,23F,30F,31F,59F3109-Up,72F4006-Up,42G320-Up,64K, Use with 4J5659 Head				
Dozer Lift	BD-537163	Kit	4.750S	2.500S	P	4
	S/N: 79A,95A	Dozer S/N: 13H,53J, Use with 7J3332 Head				
Dozer Tilt	BD-531162	Kit	8.250S	3.500S	P	3
	Dozer S/N: 31F,59F					
	BD-531153	Kit	8.250S	3.500S	P	4
	Dozer S/N: 31F,59F,42G					
	BD-514164	Kit	6.000S	2.500S	P	4
Angle Dozer S/N: 30F,72F						
Ripper Lift	BD-514129	Kit	6.000S	2.500S	P	4
	BD-513129	Kit	6.000S	2.500S	P	5
	S/N: 47A3396-UP,48A6393-UP	Ripper S/N: 17G				
Track Adjuster	BD-903401	Kit			N	0
D7F,D7G,D7G2 TRACTOR						
Tractor S/N: 91E1-UP,92E1-UP,61G1-UP,35N1-UP,93N1-UP,94N1-UP 64V1-UP,65V1-UP,91V1-UP,92V1-UP,44W1-UP,45W1-UP 72W1-UP,3ZD1-UP,3GF1-UP,7MB5000-UP,C7G1-UP Bulldozer S/N: 13F520-UP,22F1-UP,23F1-UP,30F1094-UP,72F7741-UP 13H1-UP,53J1-UP,49K1-UP,60K1-UP,61K1-UP,64K1-UP 94R1-UP,46W1-UP,A7H1-UP,A7X1-UP,A7Z1-UP,S7G1-UP 7071-UP Ripper S/N: 12G1-UP,17G1-UP,83G1000-UP,10H1-UP						
Dozer Lift	BD-537163	Kit	4.750S	2.500S	P	4
	BD-513163	Kit	4.750S	2.500S	P	5
	Dozer S/N: 72F,13H,53J,60K,61K,94R,46W					
	BD-628481	Kit	4.750S	2.500S	P	15
S/N: 65V7701-UP,7MB,C7G						
Dozer Tilt	BD-523135	Kit	6.500S	3.000S	P	4
	Dozer S/N: 53J1-3216,49K1-1611,60K,61K,64K,94R1-322,46W1-698					
	BD-521135	Kit	6.500S	3.000S	P	5
	Dozer S/N: 53J3217-Up,49K1612-Up,60K,61K,64K,94R323-Up,46W699-Up					
	BD-629135	Kit	6.500S	3.000S	P	15
S/N: 65V7701-UP						

Application	Part Number	Description	Bore	Rod	Wiper	Type
D7F,D7G,D7G2 TRACTOR (continued)						
Dozer Tilt (cont)	BD-629406	Kit	6.500S	3.000S	P	15
	S/N: C7G Dozer S/N: S7G,707, Use with 9J8748 Cylinder					
	BD-531162	Kit	8.250S	3.500S	P	3
	S/N: 93N,94N Dozer S/N: 23F					
	BD-531153	Kit	8.250S	3.500S	P	4
	S/N: 91E,92E,61G,93N,94N Dozer S/N: 23F,53J					
	BD-514164	Kit	6.000S	2.500S	P	4
	Angle Dozer S/N: 22F,30F,72F					
Ripper Lift	BD-514129	Kit	6.000S	2.500S	P	4
	S/N: 91E,92E,61G,93N,94N,64V,65V1-5545,91V,92V Ripper S/N: 12G,83G,10H					
	BD-513129	Kit	6.000S	2.500S	P	5
	S/N: 93N,94N Ripper S/N: 17G					
	BD-628129	Kit	6.000S	2.500S	P	15
S/N: 65V5546-UP,91V1917-UP,92V11898-UP,3ZD,3GF,C7G Ripper S/N: 12G7500-Up,83G1000-Up,10H						
Track Adjuster	BD-903401	Kit			N	0
D7H TRACTOR						
Tractor S/N: 77Z1-UP,79Z1-UP,80Z1-UP,82Z1-UP,2SB1-UP,4AB1-UP 5WB1-UP,5BF1-UP,2RG1-UP,3XG1-UP,4FG1-UP Bulldozer S/N: 4DB1-UP,4EB1-UP,5SB1-UP,6JB1-UP,6KB1-UP,4XC1-UP 4ZC1-UP,7AC1-UP,2JH1-UP,3GH1-UP,8EH250-UP 8GH260-UP,8HH320-UP,8JH280-UP,8LH1-UP,8MH1-UP 8NH1-UP,8PH1-UP,8RH1-UP Ripper S/N: 5HC1-UP,2KH1-UP,8SH1-UP						
Dozer Lift	BD-513104	Kit	4.000S	2.500S	P	5
	BD-642473	Kit	4.000S	2.500S	P	15
	Use with 6E4978 or 9T4761 Head					
	BD-628473	Kit	4.000S	2.500S	P	15
Use with 1213397 Head						
Dozer Tilt	BD-521135	Kit	6.500S	3.000S	P	5
	BD-629135	Kit	6.500S	3.000S	P	15
	Use with 9T0095 Head					
	BD-629406	Kit	6.500S	3.000S	P	15
Use with 6E5527 Head						
Ripper Lift	BD-517124	Kit	5.250S	2.750S	P	5
	Ripper S/N: 5HC,2KH					
	BD-657124	Kit	5.250S	2.750S	P	15
	Ripper S/N: 5HC,2KH					
	BD-693480	Kit	6.000S	2.750S	P	15
Ripper S/N: 8SH						

CATERPILLAR® (REFERENCED BY BULLDOG® PART NUMBERS)

Application	Part Number	Description	Bore	Rod	Wiper	Type
D7R TRACTOR						
Tractor S/N: 9HM1-UP,2EN1-UP,3DN1-UP,2HR1-UP,3ZR1-UP,4SR1-UP 5MR1-UP,6ER1-UP,5KZ1-UP,AEC1-UP,AFG1-UP,ABJ1-UP AGN1-UP,ACS1-UP,ADW1-UP,BNM1-UP,BNX1-UP,BPK1-UP BPT1-UP,BRM1-UP,BRP1-UP Bulldozer S/N: 4EB1-UP,4ZC1-UP,8EH1-UP,8FH1-UP,8GH1-UP,8JH1-UP 8LH1-UP,8MH1-UP,8NH1-UP,8RH1-UP,5SP1-UP,9KP1-UP J1L1-UP,J4L1-UP,J6L1-UP,J8L1-UP Ripper S/N: 8KH1-UP,8SH1-UP,7GP1-UP,7TP1-UP						
Dozer Lift	BD-642473	Kit	4.000S	2.500S	P	15
	S/N:	9HM,2EN,3DN,2HR Use with 9T4761 Head				
	BD-628473	Kit	4.000S	2.500S	P	15
	S/N:	9HM,2EN,3DN,2HR,3ZR,4SR,5MR,6ER,5KZ,AEC,AFG,ABJ S/N: AGN,ACS,ADW,BNM,BNX,BPK,BPT,BRM,BRP Use with 1213397 or 1729981 Head				
Dozer Lift	BD-653112	Kit	4.250S	2.750S	P	15
	S/N:	2EN,2HR,ACS,ADW,AEC,AGN Custom arrangement				
	S/N:					
Dozer Tilt	BD-629406	Kit	6.500S	3.000S	P	15
	S/N:	9HM,2EN,3DN,2HR,5KZ,AEC,AFG,ABJ,AGN,ACS,ADW				
	BD-629135	Kit	6.500S	3.000S	P	15
	S/N:	3ZR,4SR,5MR,6ER,BNM,BNX,BPK,BPT,BRM,BRP				
Dozer Tilt	BD-642129	Kit	6.000S	2.500S	P	15
	S/N:	9HM,3DN Custom arrangement				
	S/N:					
Ripper Lift	BD-693480	Kit	6.000S	2.750S	P	15
	S/N:	2EN,2HR,3ZR,5MR,5KZ,AEC,AGN,ACS,ADW,BPK,BPT,BRM S/N: BRP				
Ripper Tilt	BD-657124	Kit	5.250S	2.750S	P	15
S/N:	AEC,AGN,ACS,ADW,BPK,BPT,BRM,BRP					
D8,D8D,D8E,D8F,D8G TRACTOR						
Tractor S/N: 13A1-UP,14A1-UP,15A1-UP,01H2409-UP,08R1-UP 02U1-UP Bulldozer S/N: 11C5982-UP,18C1-UP,44C1-UP,32D1-27,33D1-88 72D1-UP,73D1-UP,74D1-UP,86D1-UP,87D1-UP,88D1-UP 99D1-UP,100D1-UP,03E706-UP,07E785-UP,22E1-UP 23E1-UP,24E1-UP Ripper S/N: 63C1-964						
Dozer Lift	BD-544173	Kit	6.000S	2.500S	P	2
	S/N:	13A,01H,08R,02U1-23537 Dozer S/N: 18C,44C,03E,07E Use with 4F8422 or 6F6276 Gland				
	BD-514173	Kit	6.000S	2.500S	P	2
	S/N:	13A1-3703,14A,15A,01H,08R,02U1-23537 Dozer S/N: 11C,18C,44C1193-Up,32D,33D,72D,73D,74D,86D,87D, 88D,99D,100D,03E,07E,22E,23E,24E Use with 1J0334 Gland				
S/N:						

Application	Part Number	Description	Bore	Rod	Wiper	Type
D8,D8D,D8E,D8F,D8G TRACTOR (continued)						
Dozer Lift (cont)	BD-514195	Kit	6.000S	2.500S	P	4
	S/N:	13A1-3703,14A,15A,01H,08R,02U1-23537 Dozer S/N: 18C,44C1193-Up,32D,33D,72D,73D,86D,87D,88D,99D, 100D,03E,07E,22E,23E,24E Use with 5J4333 Piston				
	BD-514129	Kit	6.000S	2.500S	P	4
	Field replacement					
Dozer Tilt	BD-531162	Kit	8.250S	3.500S	P	3
	S/N:	13A1-3703,14A,15A Dozer S/N: 11C5982-6495,18C10992-14693,44C1193-4187,32D,73D, 100D,23E				
	BD-532153	Kit	8.250S	3.500S	I	4
	Dozer S/N: 73D,23E					
	BD-531153	Kit	8.250S	3.500S	P	4
Dozer S/N: 100D,23E						
Ripper Lift	BD-515143	Kit	7.250S	2.500S	P	4
Track Adjuster	BD-902400	Kit			N	0
D8H TRACTOR (EARLY)						
Tractor S/N: 22A1-1145,35A1-UP,36A1-4468,46A1-10724,52A1-UP 68A1-1002 Bulldozer S/N: 77C1-2443,78C1-UP,28E1-4838,29E1-6763,30E1-1708 73E1-UP,93E1-UP,94E1-UP,14F1-610,71F1-UP,14J1-UP Ripper S/N: 51E1-UP,53E1-UP,98E1-UP,11F1-UP,59G1-UP,74G1-UP						
Dozer Lift	BD-514129	Kit	6.000S	2.500S	P	4
	Dozer S/N: 77C,78C,28E,29E,30E,73E,93E,94E,14F					
	BD-514143	Kit	7.250S	2.500S	P	4
	S/N:	35A,36A,46A Dozer model 8C - S/N: 71F, Single Lift Cylinder				
Dozer Tilt	BD-531162	Kit	8.250S	3.500S	P	3
	Dozer S/N: 78C,28E,29E,30E,73E,93E,94E,71F,14J					
	BD-532153	Kit	8.250S	3.500S	I	4
	Dozer S/N: 78C,28E,29E,30E,73E,93E,94E,71F,14J					
	BD-531153	Kit	8.250S	3.500S	P	4
Dozer S/N: 78C,28E,29E,30E,73E,71F						
Ripper Lift	BD-519147	Kit	8.250S	2.750S	P	3
	Ripper S/N: 51E,53E,11F					
	BD-519149	Kit	8.250S	2.750S	P	4
	Ripper S/N: 51E,53E,11F					
	BD-520149	Kit	8.250S	2.750S	I	4
	Ripper S/N: 51E,53E,11F					
	BD-532149	Kit	8.250S	3.500S	I	4
	S/N:	35A,36A,46A Ripper S/N: 98E,59G				
	BD-531149	Kit	8.250S	3.500S	P	4
S/N:	35A,36A,46A Ripper S/N: 98E,59G, Field replacement					
BD-532144	Kit	7.250S	3.500S	I	4	
S/N:	35A,36A,46A Ripper S/N: 98E,59G,74G					

CATERPILLAR® (REFERENCED BY BULLDOG® PART NUMBERS)

Application	Part Number	Description	Bore	Rod	Wiper	Type	
D8H TRACTOR (EARLY) (continued)							
Ripper Lift (cont)	BD-531144	Kit	7.250S	3.500S	P	4	
S/N:	35A,36A,46A Ripper S/N: 98E,59G,74G, Field replacement						
Ripper Pin Puller	BD-566241	Kit	4.000S	1.250S	P	4	
	Ripper S/N: 98E, Use with 5J7132 Piston						
Track Adjuster	BD-901401	Kit			N	0	
D8H TRACTOR (LATE)							
Tractor S/N: 22A1146-UP,36A4469-UP,46A10725-UP,68A1003-UP Bulldozer S/N: 77C1-2443,78C1-UP,28E4839-11125,29E6764-UP 30E1709-UP,69E1-UP,73E1-UP,93E1-UP,94E1-UP 14F611-1005,20F1-UP,77G1-UP,14J1-UP,43K1-UP 44K1-UP,45K1-UP,47K1-UP,48K1-UP Ripper S/N: 47D1-UP,98E1-UP,53F1-1015,54F1-1069,74G1-UP 81G1-UP,92M1-UP,93M1-UP,97S1-UP							
Dozer Lift	BD-514120	Kit	5.000S	2.500S	P	4	
	Dozer S/N: All Except 77G						
	BD-514130	Kit	6.000S	2.500S	P	4	
S/N:	36A,46A Dozer model 8C - S/N: 77G, Single Lift Cylinder						
Dozer Tilt	BD-532153	Kit	8.250S	3.500S	I	4	
	S/N:	36A,46A Dozer S/N: 29E6764-9883,30E1709-2553					
	BD-531153	Kit	8.250S	3.500S	P	4	
	S/N:	36A,46A Dozer S/N: 29E6764-9883,30E1709-2553,93E,94E,14J					
	BD-529152	Kit	8.250S	3.500S	P	5	
	Dozer S/N: 78C,29E9884-Up,30E2554-Up,69E,73E,93E,94E,20F, 14J,43K,44K,45K,47K,48K						
Blade Ripper	BD-513129	Kit	6.000S	2.500S	P	5	
	Dozer model 8R - S/N: 43K For Rippers mounted on Dozer Blade						
Ripper Lift	BD-532144	Kit	7.250S	3.500S	I	4	
	Ripper S/N: 81G,74G,98E						
	BD-531144	Kit	7.250S	3.500S	P	4	
	S/N:	22A,68A Ripper S/N: 81G,74G, Field replacement					
	BD-532149	Kit	8.250S	3.500S	I	4	
	S/N:	36A,46A Ripper S/N: 98E					
	BD-531149	Kit	8.250S	3.500S	P	4	
	S/N:	36A,46A Ripper S/N: 98E, Field replacement					
	BD-525150	Kit	8.250S	3.250S	P	5	
	Ripper S/N: 53F,54F,92M,93M,97S, Use with 7J4095 Piston						
BD-525152	Kit	8.250S	3.250S	P	5		
Ripper S/N: 53F,54F,92M,93M, Use with 1U1808 Piston							
Ripper Tilt	BD-521145	Kit	7.250S	3.000S	P	5	
	S/N:	22A1487-UP,36A,46A,68A2323-UP Ripper S/N: 47D,53F,54F,92M,93M,97S, Use with 6J4337 Piston					

Application	Part Number	Description	Bore	Rod	Wiper	Type
D8H TRACTOR (LATE) (continued)						
Ripper Tilt (cont)	BD-521143	Kit	7.250S	3.000S	P	5
S/N:	22A1487-UP,36A,46A,68A2323-UP Ripper S/N: 53F,54F,92M,93M, Use with 1U2716 Piston					
Ripper Pin Puller	BD-566241	Kit	4.000S	1.250S	P	4
S/N:	36A,46A,68A Ripper S/N: 98E,53F,92M					
	BD-500184	Kit	4.000S	1.500S	P	5
S/N:	36A,46A,68A Ripper S/N: 53F,92M					
Track Adjuster	BD-901401	Kit			N	0
	Tractor S/N: 22A1146-Up,36A4469-5327,46A10725-19391, 46A19392-24486 (6 Roller arr.),68A1003-3904					
	BD-901402	Kit			N	0
	Tractor S/N: 36A5328-Up,46A19392-24486 (7 Roller arr.), 46A24487-Up,68A3905-Up					
D8K TRACTOR						
Tractor S/N: 66V1-UP,76V1-UP,77V1-UP Bulldozer S/N: 77C2444-UP,28E11126-UP,14F1006-UP,29V1-UP 30V1-UP,60V1-UP,68V1-UP,69V1-UP,34W1-UP Ripper S/N: 47D1-UP,53F1016-UP,54F1070-UP,92M1-UP,93M1-UP						
Dozer Lift	BD-519120	Kit	5.000S	2.750S	P	4
	BD-517120	Kit	5.000S	2.750S	P	5
Dozer Tilt	BD-529152	Kit	8.250S	3.500S	P	5
	Dozer S/N: 29V1-10883,30V1-2622,60V1-1351,68V1-4507, 69V1-739,34W1-590					
	BD-529313	Kit	8.250S	3.500S	P	5
	Dozer S/N: 29V10884-Up,30V2623-Up,60V1352-Up,68V4508-Up, 69V740-Up,34W591-Up					
Ripper Lift	BD-525150	Kit	8.250S	3.250S	P	5
	Use with 7J4095 Piston					
	BD-525152	Kit	8.250S	3.250S	P	5
	Use with 1U1808 Piston					
Ripper Tilt	BD-521145	Kit	7.250S	3.000S	P	5
	Use with 6J4337 Piston					
	BD-521143	Kit	7.250S	3.000S	P	5
	Use with 1U2716 Piston					
Ripper Pin Puller	BD-566241	Kit	4.000S	1.250S	P	4
	Ripper S/N: 92M					
	BD-500184	Kit	4.000S	1.500S	P	5
	Ripper S/N: 53F,92M					
Track Adjuster	BD-901402	Kit			N	0

CATERPILLAR® (REFERENCED BY BULLDOG® PART NUMBERS)

Application	Part Number	Description	Bore	Rod	Wiper	Type
D8L TRACTOR						
Tractor S/N: 53Y1-UP,4FB1-UP,7YB1-UP,7JC1-UP Bulldozer S/N: 26B100-UP,27B100-UP,51M1-UP,74M1-UP,82M1-UP 04Y1-UP,05Y1-UP,06Y1-UP Ripper S/N: 88M1-UP,09N1-UP,31N1-UP,9LB1-UP,2HC1-UP						
Dozer Lift	BD-521124	Kit	5.250S	3.000S	P	5
	BD-632124	Kit	5.250S	3.000S	P	15
Dozer Tilt	BD-529311	Kit	7.500S	3.500S	P	5
	Dozer S/N: 27B,05Y					
	BD-631311	Kit	7.500S	3.500S	P	15
	Dozer S/N: 27B,05Y					
	BD-529313	Kit	8.250S	3.500S	P	5
	Dozer S/N: 26B,51M,74M,82M,04Y,06Y					
	BD-626313	Kit	8.250S	3.500S	P	15
Dozer S/N: 26B,51M,74M,82M,04Y,06Y						
Ripper Lift	BD-525152	Kit	8.250S	3.250S	P	5
	BD-630152	Kit	8.250S	3.250S	P	15
Ripper Tilt	BD-525152	Kit	8.250S	3.250S	P	5
	BD-630152	Kit	8.250S	3.250S	P	15
Ripper Pin Puller	BD-500184	Kit	4.000S	1.500S	P	5
D8N TRACTOR						
Tractor S/N: 9TC1-UP,1XJ1-UP,5TJ1-UP,7TK1-UP Bulldozer S/N: 1HH1-UP,1JH1-UP,1KH1-UP,6AH1-UP,6LH1-UP,6NH1-UP 9AH1-UP,9BH1-UP,9CH1-UP,9PH1-UP Ripper S/N: 1FH1-UP,1GH1-UP,9EH1-UP,9FH1-UP						
Dozer Lift	BD-653112	Kit	4.250S	2.750S	P	15
	S/N: 9TC,1XJ Dozer S/N: 1HH,1JH,1KH					
	BD-629391	Kit	4.500S	3.000S	P	15
	S/N: 5TJ Dozer S/N: 6AH,6LH,6NH,9AH,9BH,9CH					
	BD-629431	Kit	4.500S	3.000S	P	15
	S/N: 7TK1-458					
	BD-707391	Kit	4.500S	3.000S	P	15
S/N: 5TJ,7TK459-UP						
Dozer Tilt	BD-631311	Kit	7.500S	3.500S	P	15
	S/N: 9TC,1XJ Dozer S/N: 1JH,1KH					
	BD-629135	Kit	6.500S	3.000S	P	15
	S/N: 9TC,1XJ Dozer S/N: 1HH, Use with 9T0095 Head					
	BD-629406	Kit	6.500S	3.000S	P	15
	S/N: 9TC,1XJ,5TJ Dozer S/N: 1HH,6NH,9AH, Use with 6E5527 Head					
	BD-690408	Kit	7.250S	3.500S	P	23
	S/N: 5TJ Dozer S/N: 6AH,6LH,9BH,9CH, Use with 6E1184 Head					
	BD-690443	Kit	7.250S	3.500S	P	23
	S/N: 5TJ,7TK Dozer S/N: 9BH,9CH,9PH, Use with 6E6201 or 1913583 Head					

Application	Part Number	Description	Bore	Rod	Wiper	Type
D8N TRACTOR (continued)						
Dozer Tilt (cont) S/N:	BD-629143	Kit	7.250S	3.000S	P	15
	5TJ Dozer S/N: 6NH,9AH					
Ripper Lift	BD-632143	Kit	7.250S	3.000S	P	15
	Use with 9T0586 Head					
	BD-632476	Kit	7.250S	3.000S	P	15
Use with 1010051 Head						
Ripper Tilt	BD-632135	Kit	6.500S	3.000S	P	15
	Use with 9T0611 Head					
	BD-632406	Kit	6.500S	3.000S	P	15
Use with 6E6200 Head						
Ripper Pin Puller	BD-500184	Kit	4.000S	1.500S	P	5
	BD-637409	Kit	4.000S	1.750S	P	15
D8R TRACTOR						
Tractor S/N: 7XM1-UP,9EM1-UP,6YZ1-UP,AKA1-UP Bulldozer S/N: 2TP1-UP,2WP1-UP,2XP1-UP,3MP1-UP,4ZP1-UP,9TP1-UP 9WP1-UP,9ZP1-UP,A5G1-UP,BHE1-UP,BHR1-UP,BHW1-UP B8S1-UP,CFZ1-UP,CXB1-UP,CXL1-UP,DZA1-UP,DZB1-UP DZD1-UP,DZS1-UP,DZX1-UP,D1E1-UP,D1F1-UP,KMB1-UP Ripper S/N: 1FH1-UP,1GH1-UP,9EH1-UP,9FH1-UP,7NP1-UP,7WP1-UP BHC1-UP,BHD1-UP,BHS1-UP,CXA1-UP,CXW1-UP						
Dozer Lift	BD-707391	Kit	4.500S	3.000S	P	15
	BD-723391	Kit	4.500S	3.000S	P	15
	Arctic arrangement					
Dozer Tilt	BD-690443	Kit	7.250S	3.500S	P	23
	Use with 6E1175 or 2407347 Cylinder					
	BD-690476	Kit	7.250S	3.500S	P	15
	Use with 1620662, 1620663 or 2410550 Cylinder					
	BD-629143	Kit	7.250S	3.000S	P	15
	Use with 6E0397 Cylinder					
Ripper Lift	BD-748443	Kit	7.250S	3.500S	P	23
	Arctic arrangement, Use with 4Z6311 Cylinder					
	S/N:	BD-632476	Kit	7.250S	3.000S	P
BD-747476		Kit	7.250S	3.000S	P	15
7XM Arctic arrangement						
Ripper Tilt	BD-632406	Kit	6.500S	3.000S	P	15
	BD-747406	Kit	6.500S	3.000S	P	15
	S/N: 7XM Arctic arrangement					
Ripper Pin Puller	BD-637409	Kit	4.000S	1.750S	P	15

CATERPILLAR® (REFERENCED BY BULLDOG® PART NUMBERS)

Application	Part Number	Description	Bore	Rod	Wiper	Type
D8T TRACTOR						
Tractor S/N: KPZ1-UP, J8B1-UP Bulldozer S/N: A5G1-UP, B8S1-UP, DZA1-UP, DZB1-UP, DZC1-UP, DZD1-UP DZS1-UP, DZX1-UP, D1E1-UP, D1F1-UP Ripper S/N: L1J1-UP, R8S1-UP, TDC1-UP, TDD1-UP						
Dozer Lift	BD-723391	Kit	4.500S	3.000S	P	15
Dozer Tilt	BD-690443	Kit	7.250S	3.500S	P	23
	Use with 2407347 Cylinder					
	BD-690476	Kit	7.250S	3.500S	P	15
	Use with 2410550 Cylinder					
	BD-629143	Kit	7.250S	3.000S	P	15
Use with 6E0397 Cylinder						
Ripper Lift	BD-632476	Kit	7.250S	3.000S	P	15
Ripper Tilt	BD-632406	Kit	6.500S	3.000S	P	15
Ripper Pin Puller	BD-637409	Kit	4.000S	1.750S	P	15
D9D, D9E TRACTOR						
Tractor S/N: 18A1-UP, 19A1-UP, 34A1-UP, 49A1-UP, 50A1-UP Bulldozer S/N: 53C1-UP, 55C1-UP, 89D1-UP, 11E1-UP, 21E1-UP, 25E1-UP 26E1-UP, 70F1-UP, 45G1-UP Ripper S/N: 65C1-UP, 48D1-UP, 43G1-UP						
Dozer Lift	BD-519147	Kit	8.250S	2.750S	P	3
	S/N: 34A1-793, 49A1-328, 50A1-212 Dozer model 9C - S/N: 70F, Single Lift Cylinder					
	BD-519149	Kit	8.250S	2.750S	P	4
S/N: 34A1-793, 49A1-328, 50A1-212 Dozer model 9C - S/N: 70F, 45G, Single Lift Cylinder						
Dozer Tilt	BD-531162	Kit	8.250S	3.500S	P	3
	Dozer S/N: 53C, 55C, 89D, 21E, 25E					
	BD-532153	Kit	8.250S	3.500S	I	4
	Dozer S/N: 25E					
	BD-531153	Kit	8.250S	3.500S	P	4
Dozer S/N: 55C, 89D, 21E, 25E						
Ripper Lift	BD-519159	Kit	9.250S	2.750S	P	4
	Ripper S/N: 65C					
	BD-532153	Kit	8.250S	3.500S	I	4
	S/N: 34A, 49A, 50A Ripper S/N: 48D, 43G					
	BD-531153	Kit	8.250S	3.500S	P	4
	S/N: 34A, 49A, 50A Ripper S/N: 48D, 43G					
S/N: 34A, 49A, 50A Ripper S/N: 48D, 43G						
BD-531159	Kit	9.250S	3.500S	P	4	
S/N: 34A, 49A, 50A Ripper S/N: 48D, 43G						
Track Adjuster	BD-900401	Kit			N	0
	Field replacement					

Application	Part Number	Description	Bore	Rod	Wiper	Type
D9G TRACTOR (EARLY)						
Tractor S/N: 66A1-3265 Bulldozer S/N: 14C5001-UP,53C1-UP,55C1-956,11E1-954,21E1-1909 25E1-UP,26E1-UP,70F1-UP,45G1-752 Ripper S/N: 65C1-UP,48D1-UP,43G1-UP						
Dozer Lift	BD-523133	Kit	6.250S	3.000S	P	4
	Dozer S/N: 14C					
	BD-524133	Kit	6.250S	3.000S	I	4
	BD-523146	Kit	7.250S	3.000S	P	4
	Dozer S/N: 55C,11E,21E,25E,26E					
	BD-519147	Kit	8.250S	2.750S	P	3
	Dozer model 9C - S/N: 70F, Single Lift Cylinder					
	BD-519149	Kit	8.250S	2.750S	P	4
Dozer model 9C - S/N: 70F,45G, Single Lift Cylinder						
Dozer Tilt	BD-531162	Kit	8.250S	3.500S	P	3
	Dozer S/N: 53C,55C,21E,25E					
	BD-532153	Kit	8.250S	3.500S	I	4
	Dozer S/N: 55C,21E,25E					
	BD-531153	Kit	8.250S	3.500S	P	4
	Dozer S/N: 55C,21E,25E					
	BD-529152	Kit	8.250S	3.500S	P	5
Dozer S/N: 14C5016-Up						
Ripper Lift	BD-519159	Kit	9.250S	2.750S	P	4
	Ripper S/N: 65C					
	BD-532153	Kit	8.250S	3.500S	I	4
	Ripper S/N: 48D,43G					
	BD-531153	Kit	8.250S	3.500S	P	4
	Ripper S/N: 48D,43G					
BD-531159	Kit	9.250S	3.500S	P	4	
Ripper S/N: 48D,43G						
Track Adjuster	BD-900401	Kit			N	0
D9G TRACTOR (LATE)						
Tractor S/N: 66A3266-UP Bulldozer S/N: 06A3814-3838,06A7000-UP,14C5001-UP,55C957-UP 11E955-1598,21E1910-UP,25E1-UP,45G753-2428 18K1-3901,19K1-2627,39K1-UP,46K1-683 Ripper S/N: 27D1-UP,48D1-UP,50G1-UP,97L1-1932,22M1-UP 39M1-UP,40M1-UP,97R1-UP,17U1-UP,18U1-UP						
Dozer Lift	BD-523133	Kit	6.250S	3.000S	P	4
	BD-524133	Kit	6.250S	3.000S	I	4
	Dozer S/N: 06A,55C,11E,21E,25E,45G,18K,19K,39K					
	BD-521133	Kit	6.250S	3.000S	P	5
	Field replacement					
	BD-520142	Kit	7.000S	2.750S	I	4
	Dozer model 9C - S/N: 45G, Single Lift Cylinder					
	BD-519142	Kit	7.000S	2.750S	P	4
Dozer model 9C - S/N: 45G, Single Lift Cylinder						
Field replacement						
Dozer Tilt	BD-531153	Kit	8.250S	3.500S	P	4
	Dozer S/N: 06A,55C,21E,25E					

CATERPILLAR® (REFERENCED BY BULLDOG® PART NUMBERS)

Application	Part Number	Description	Bore	Rod	Wiper	Type
D9G TRACTOR (LATE) (continued)						
Dozer Tilt (cont)	BD-532153	Kit	8.250S	3.500S	I	4
	Dozer S/N: 06A,55C,21E,25E					
	BD-529152	Kit	8.250S	3.500S	P	5
	Dozer S/N: 14C5016-Up,18K,19K,39K,46K					
Blade Ripper	BD-513129	Kit	6.000S	2.500S	P	5
	S/N: 66A6678-UP Dozer model 9R - S/N: 39K For Rippers mounted on Dozer Blade					
Ripper Lift	BD-532153	Kit	8.250S	3.500S	I	4
	Ripper S/N: 48D,50G, for Rippers with 1 or 2 Cylinders					
	BD-531153	Kit	8.250S	3.500S	P	4
	Ripper S/N: 48D,50G, for Rippers with 1 or 2 Cylinders					
	BD-531159	Kit	9.250S	3.500S	P	4
	Ripper S/N: 48D,50G, for Rippers with 1 or 2 Cylinders					
Ripper Tilt	BD-525160	Kit	9.250S	3.250S	P	5
	Ripper S/N: 27D,97L,22M,39M,40M,97R,17U,18U For Parallelogram Rippers with 4 Cylinders					
	BD-529152	Kit	8.250S	3.500S	P	5
Ripper S/N: 27D,97L,22M,39M,40M,97R,17U,18U For Parallelogram Rippers with 4 Cylinders						
Ripper Pin Puller	BD-566240	Kit	4.000S	1.250S	P	0
	Ripper S/N: 48D,50G, for Rippers with 1 or 2 Cylinders Use with 1J8667 Piston					
	BD-566241	Kit	4.000S	1.250S	P	4
	Ripper S/N: 48D,50G, for Rippers with 1 or 2 Cylinders Use with 5J7132 Piston					
	BD-566241	Kit	4.000S	1.250S	P	4
	S/N: 66A3266-8054 Ripper S/N: 27D,97L,39M,17U For Parallelogram Rippers with 4 Cylinders					
	BD-500184	Kit	4.000S	1.500S	P	5
S/N: 66A8055-UP Ripper S/N: 97L,17U For Parallelogram Rippers with 4 Cylinders						
Track Adjuster	BD-900401	Kit			N	0
	S/N: 66A3266-9252					
	BD-900402	Kit			N	0
S/N: 66A9253-UP						
DUAL D9G TRACTOR						
Tractor S/N: 90J1-UP,91J1-UP						
Dozer Lift	BD-523133	Kit	6.250S	3.000S	P	4
Weight Transfer	BD-514143	Kit	7.250S	2.500S	P	4
	S/N: 91J80-82,91J85-UP					
Track Adjuster	BD-900401	Kit			N	0
	S/N: 90J1-92,91J1-92					
	BD-900402	Kit			N	0
S/N: 90J93-UP,91J93-UP						

Application	Part Number	Description	Bore	Rod	Wiper	Type
D9H TRACTOR						
Tractor S/N: 12U1-UP,90V1-UP,97V1-UP,98V1-UP,99V1-UP Bulldozer S/N: 11E1599-UP,45G2429-UP,18K3902-UP,19K2628-UP 46K684-UP Ripper S/N: 97L1543-UP,22M1-UP,17U1-UP,18U1-UP						
Dozer Lift	BD-523133	Kit	6.250S	3.000S	P	4
	BD-521133	Kit	6.250S	3.000S	P	5
Dozer Tilt	BD-529152	Kit	8.250S	3.500S	P	5
	S/N: 90V Use with 6J7890 Head					
	BD-529313	Kit	8.250S	3.500S	P	5
S/N: 90V Use with 1U3248 Head						
Ripper Lift	BD-525160	Kit	9.250S	3.250S	P	5
S/N: 90V						
Ripper Tilt	BD-529152	Kit	8.250S	3.500S	P	5
S/N: 90V						
Ripper Pin Puller	BD-500184	Kit	4.000S	1.500S	P	5
S/N: 90V Ripper S/N: 97L,17U						
Track Adjuster	BD-900402	Kit			N	0
D9L TRACTOR						
Tractor S/N: 14Y1-UP Bulldozer S/N: 18Y1-UP,19Y1-UP,20Y1-UP,52Y1-UP Ripper S/N: 64Y1-UP,65Y1-UP						
Dozer Lift	BD-525297	Kit	6.000S	3.250S	P	5
	BD-676297	Kit	6.000S	3.250S	P	15
Dozer Tilt	BD-545302	Kit	9.250S	4.000S	P	5
	BD-635302	Kit	9.250S	4.000S	P	15
Ripper Lift	BD-525160	Kit	9.250S	3.250S	P	5
	BD-658160	Kit	9.250S	3.250S	P	15
Ripper Tilt	BD-525152	Kit	8.250S	3.250S	P	5
	BD-630152	Kit	8.250S	3.250S	P	15
Ripper Pin Puller	BD-500184	Kit	4.000S	1.500S	P	5
D9N TRACTOR						
Tractor S/N: 1JD1-UP,6XJ1-UP Bulldozer S/N: 1LH1-UP,1MH1-UP,7NH1-UP,7PH1-UP Ripper S/N: 1NH1-UP,1PH1-UP						
Dozer Lift	BD-632124	Kit	5.250S	3.000S	P	15
	Use with 9T2828 Head					
	BD-629124	Kit	5.250S	3.000S	P	15
Use with 1066267 Head						
Dozer Tilt	BD-626313	Kit	8.250S	3.500S	P	15
	Use with 6J1553 or 1094671 Piston					
	BD-626445	Kit	8.250S	3.500S	P	15
Use with 1229350 Piston						
Ripper Lift	BD-630152	Kit	8.250S	3.250S	P	15
	Use with 9T3505 Head					

CATERPILLAR® (REFERENCED BY BULLDOG® PART NUMBERS)

Application	Part Number	Description	Bore	Rod	Wiper	Type
D9N TRACTOR (continued)						
Ripper Lift (cont)	BD-630313	Kit	8.250S	3.250S	P	15
	Use with 1009965 Head					
Ripper Tilt	BD-629135	Kit	6.500S	3.000S	P	15
	Use with 9T0095 Head					
	BD-629406	Kit	6.500S	3.000S	P	15
Use with 6E5527 Head						
Ripper Pin Puller	BD-500184	Kit	4.000S	1.500S	P	5
	BD-637409	Kit	4.000S	1.750S	P	15
D9R TRACTOR						
Tractor S/N: 7TL1-UP,8BL1-UP,ABK1-UP,ACL1-UP,JJB1-UP,WDM1-UP Bulldozer S/N: 1LP1-UP,1MP1-UP,9MP1-UP,9RP1-UP,9SP1-UP,M2L1-UP T9H1-UP,T9J1-UP Ripper S/N: 1NP1-UP,1PP1-UP,5RP1-UP,5ZP1-UP,7HP1-UP,7MP1-UP M1L1-UP						
Dozer Lift	BD-707481	Kit	4.750S	3.000S	P	15
	S/N:	7TL1-851,8BL1-1052 Use with 6E4495 Piston				
	BD-707482	Kit	4.750S	3.000S	P	15
	S/N:	7TL557-UP,8BL830-UP Use with 1317823 Piston				
	BD-723481	Kit	4.750S	3.000S	P	15
	S/N:	7TL852-UP,8BL Arctic arrangement, Use with 6E4495 Piston				
	BD-723482	Kit	4.750S	3.000S	P	15
	S/N:	7TL852-UP,8BL,ABK,ACL,JJB,WDM Arctic arrangement, Use with 1317823 Piston				
	BD-707482F	Kit	4.750S	3.000S	P	7
	S/N:	8BL,ACL Steel mill arrangement				
Dozer Tilt	BD-626445	Kit	8.250S	3.500S	P	15
	BD-726445	Kit	8.250S	3.500S	P	15
	Arctic arrangement					
	BD-626445F	Kit	8.250S	3.500S	P	7
S/N:	7TL,8BL,ABK,ACL Steel mill arrangement					
Ripper Lift	BD-630443	Kit	7.250S	3.250S	P	23
	BD-724443	Kit	7.250S	3.250S	P	23
	Arctic arrangement					
	BD-630443F	Kit	7.250S	3.250S	P	7
S/N:	8BL,ACL Steel mill arrangement					
Ripper Tilt	BD-629444	Kit	6.000S	3.000S	P	23
	BD-725444	Kit	6.000S	3.000S	P	23
	Arctic arrangement					
	BD-629444F	Kit	6.000S	3.000S	P	7
S/N:	8BL,ACL Steel mill arrangement					
Ripper Pin Puller	BD-637409	Kit	4.000S	1.750S	P	15

Application	Part Number	Description	Bore	Rod	Wiper	Type
D9T TRACTOR						
Tractor S/N: RJS1-UP Bulldozer S/N: T9H1-UP, T9J1-UP Ripper S/N: CRM1-UP, MAM1-UP						
Dozer Lift	BD-723482	Kit	4.750S	3.000S	P	15
Dozer Tilt	BD-626445	Kit	8.250S	3.500S	P	15
Ripper Lift	BD-630443	Kit	7.250S	3.250S	P	23
	BD-724443	Kit	7.250S	3.250S	P	23
	Arctic arrangement					
Ripper Tilt	BD-629444	Kit	6.000S	3.000S	P	23
	BD-725444	Kit	6.000S	3.000S	P	23
	Arctic arrangement					
Ripper Pin Puller	BD-637409	Kit	4.000S	1.750S	P	15
D10 TRACTOR						
Tractor S/N: 84W1-UP, 76X1-UP Bulldozer S/N: 79W1-UP, 80W1-UP, 83W1-UP Ripper S/N: 81W1-UP, 82W1-UP						
Dozer Lift	BD-545273	Kit	7.000S	4.000S	P	5
	BD-661273	Kit	7.000S	4.000S	P	15
Dozer Tilt	BD-545274	Kit	10.500S	4.000S	P	22
	Dozer S/N: 79W1-484, 80W1-493, Use with 9J0557 Head					
	BD-545290	Kit	10.500S	4.000S	P	22
	Dozer S/N: 79W485-Up, 80W494-Up Use with 4T2575 or 1U1769 Head					
	BD-661290	Kit	10.500S	4.000S	P	23
Ripper Lift	Dozer S/N: 79W485-Up, 80W494-Up					
	BD-529274	Kit	10.500S	3.500S	P	22
	Ripper S/N: 81W1-232, 82W1-395, Use with 9J1747 Head					
	BD-529290	Kit	10.500S	3.500S	P	22
	Ripper S/N: 81W, 82W, Use with 1U1807 Head					
Ripper Tilt	BD-631290	Kit	10.500S	3.500S	P	23
	Ripper S/N: 81W233-Up, 82W396-Up					
	BD-525150	Kit	8.250S	3.250S	P	5
	Ripper S/N: 81W1-232, 82W1-395, Use with 7J4095 Piston					
	BD-525152	Kit	8.250S	3.250S	P	5
Ripper Pin Puller	Ripper S/N: 81W, 82W, Use with 1U1808 Piston					
	BD-630152	Kit	8.250S	3.250S	P	15
	Ripper S/N: 81W233-Up, 82W396-Up					
Ripper Pin Puller	BD-500184	Kit	4.000S	1.500S	P	5
Ripper S/N: 82W						

CATERPILLAR® (REFERENCED BY BULLDOG® PART NUMBERS)

Application	Part Number	Description	Bore	Rod	Wiper	Type
D10N,D10R TRACTOR						
Tractor S/N: 2YD1-UP,3SK1-UP,3KR1-UP,AKT1-UP Bulldozer S/N: 1RH1-UP,1SH1-UP,7RH1-UP,7WH1-UP,4KP1-UP,4LP1-UP 9GP1-UP,BHA1-UP,BHF1-UP,BHJ1-UP,BHP1-UP Ripper S/N: 1WH1-UP,1XH1-UP,7LH1-UP,7MH1-UP,2YP1-UP,4PP1-UP 5LP1-UP,7KP1-UP,BRT1-UP,BEY1-UP						
Dozer Lift	BD-631133	Kit	6.250S	3.500S	P	15
	Use with 9T2862 or 1047838 Head					
	BD-730133	Kit	6.250S	3.500S	P	15
	S/N: 3SK,3KR	Use with 1206099 Head				
	BD-730486	Kit	6.250S	3.500S	P	23
	S/N: 3SK,3KR	Use with 1422723 Head				
Dozer Tilt	BD-635302	Kit	9.250S	4.000S	P	15
	BD-749302	Kit	9.250S	4.000S	P	15
Ripper Lift	BD-658160	Kit	9.250S	3.250S	P	15
	S/N: 2YD,3SK	Use with 9T3504 Head				
Ripper Tilt	BD-658302	Kit	9.250S	3.250S	P	15
	Use with 6E6199 Head					
	BD-730302	Kit	9.250S	3.500S	P	15
	S/N: 3KR,AKT	Arctic arrangement				
Ripper Pin Puller	BD-500184	Kit	4.000S	1.500S	P	5
	S/N: 2YD					
	BD-637409	Kit	4.000S	1.750S	P	15
D10T TRACTOR						
Tractor S/N: RJG1-UP Bulldozer S/N: BHA1-UP,BHF1-UP,BHJ1-UP,BHP1-UP Ripper S/N: 4PP1-UP,BEY1-UP,BRT1-UP						
Dozer Lift	BD-773486	Kit	6.250S	3.500S	P	23
Dozer Tilt	BD-635302	Kit	9.250S	4.000S	P	15
Ripper Lift	BD-730302	Kit	9.250S	3.500S	P	15
Ripper Tilt	BD-630313	Kit	8.250S	3.250S	P	15
Ripper Pin Puller	BD-637409	Kit	4.000S	1.750S	P	15

Application	Part Number	Description	Bore	Rod	Wiper	Type	
D11N,D11R TRACTOR							
Tractor S/N: 74Z1-UP,4HK1-UP,8ZR1-UP,9TR1-UP,9XR1-UP,7PZ1-UP AAF1-UP Bulldozer S/N: 4BB1-UP,4CB1-UP,9MH1-UP,9NH1-UP,4XP1-UP,4YP1-UP 5JP1-UP,8PP1-UP,8RP1-UP,9NP1-UP,BHZ1-UP Ripper S/N: 4PB1-UP,6SB1-UP,8WH1-UP,8XH1-UP,5EP1-UP,5FP1-UP 5MP1-UP,7CP1-UP,7DP1-UP,7PP1-UP,7YP1-UP,7ZP1-UP GAZ1-UP							
Dozer Lift	BD-545273	Kit	7.000S	4.000S	P	5	
	S/N: 74Z						
	BD-661273	Kit	7.000S	4.000S	P	15	
	S/N: 74Z,4HK,8ZR	Use with 9T4929 Head					
	BD-661455	Kit	7.000S	4.000S	P	15	
	S/N: 74Z,4HK	Use with 1013999 Head and 6E3916 Piston					
	BD-661456	Kit	7.000S	4.000S	P	15	
	S/N: 4HK,8ZR,9TR,9XR	Use with 1013999 Head and 1105010 Piston					
Dozer Tilt	BD-545290	Kit	10.500S	4.000S	P	22	
	S/N: 74Z						
	BD-661290	Kit	10.500S	4.000S	P	23	
	BD-639465	Kit	10.000S	5.000S	P	15	
	S/N: 9XR,AAF	RH Side Only					
	Ripper Lift	BD-529290	Kit	10.500S	3.500S	P	22
		S/N: 74Z					
		BD-631290	Kit	10.500S	3.500S	P	23
S/N: 74Z							
Ripper Tilt	BD-631394	Kit	10.000S	3.500S	P	15	
	BD-525152	Kit	8.250S	3.250S	P	5	
	S/N: 74Z						
	BD-630152	Kit	8.250S	3.250S	P	15	
	S/N: 74Z						
	BD-658395	Kit	7.750S	3.250S	P	15	
	S/N: 74Z	Ripper S/N: 4PB1-429,6SB1-270					
	BD-658197	Kit	7.750S	3.250S	P	15	
	S/N: 74Z	Ripper S/N: 4PB430-Up,6SB271-Up					
	BD-638425	Kit	7.750S	3.750S	P	15	
	S/N: 4HK,8ZR,9TR,9XR,7PZ,AAF						
	BD-671425	Kit	7.750S	4.250S	P	15	
S/N: 9TR,8ZR,9XR							
BD-740840	Kit	220.00M	4.500S	P	23		
S/N: 9TR,7PZ							
Ripper Pin Puller	BD-500184	Kit	4.000S	1.500S	P	5	
	S/N: 74Z						

CATERPILLAR® (REFERENCED BY BULLDOG® PART NUMBERS)

Application	Part Number	Description	Bore	Rod	Wiper	Type
D11N,D11R TRACTOR (continued)						
Ripper Pin Puller (cont)	BD-637409	Kit	4.000S	1.750S	P	15
	S/N: 4HK,8ZR,9TR,9XR,7PZ,AAF					
D11T TRACTOR						
Tractor S/N: GEB1-UP,TPB1-UP Bulldozer S/N: 8PP1-UP,8RP1-UP,BHZ1-UP Ripper S/N: 5MP1-UP,7CP1-UP,7DP1-UP,7PP1-UP,7YP1-UP,7ZP1-UP GAZ1-UP						
Dozer Lift	BD-661456	Kit	7.000S	4.000S	P	15
Dozer Tilt	BD-661290	Kit	10.500S	4.000S	P	23
	S/N: GEB					
	BD-639465	Kit	10.000S	5.000S	P	15
	S/N: TPB RH Side Only					
Ripper Lift	BD-631394	Kit	10.000S	3.500S	P	15
Ripper Tilt	BD-638425	Kit	7.750S	3.750S	P	15
	Ripper S/N: 5MP,7CP,7DP,7PP,GAZ					
	BD-740840	Kit	220.00M	4.500S	P	23
	Ripper S/N: 7ZP					
Ripper Pin Puller	BD-637409	Kit	4.000S	1.750S	P	15
CHALLENGER 65,65B,65C,65D,65E,70C,75,75C,75D,75E,85C,85D,85E,95E						
Tractor S/N: 7YC1-UP,2ZJ1-UP,4CJ1-UP,4KK1-UP,9TK1-UP,2YL1-UP 1GM1-UP,1HM1-UP,1NM1-UP,1SM1-UP,4GR1-UP,5AR1-UP 6GS1-UP,6HS1-UP,6JS1-UP,6KS1-UP						
Hitch Lift	BD-505106	Kit	4.000S	2.000S	P	5
	S/N: 7YC1-1899					
	BD-647409	Kit	4.000S	2.000S	P	15
12 GRADER						
Grader S/N: 80C1-UP,94C1-UP,70D1-UP,71D1-UP,38E1-UP,08T14782-UP						
Power Blade	BD-542186	Kit	5.250S	2.250S	P	3
Snow Plow	BD-542186	Kit	5.250S	2.250S	P	3
Snow Wing	BD-567260	Kit	4.500S	1.750S	P	3
12E GRADER						
Grader S/N: 99E1-UP,12F1198-UP,21F531-UP,17K1-UP Ripper S/N: 15G1-UP,30G1-UP						
Damper	BD-566102	Kit	3.500S	1.250S	P	4
	S/N: 99E4491-UP					
Power Blade	BD-542186	Kit	5.250S	2.250S	P	3
	S/N: 99E,17K1-1076 Use with 4D7890 Cylinder					
Ripper	BD-515126	Kit	5.500S	2.500S	P	4
	BD-513126	Kit	5.500S	2.500S	P	5
Snow Plow	BD-542186	Kit	5.250S	2.250S	P	3
	S/N: 99E					
Snow Wing	BD-567260	Kit	4.500S	1.750S	P	3
	S/N: 99E					

Application	Part Number	Description	Bore	Rod	Wiper	Type
12E GRADER (continued)						
Steering	BD-502261	Kit	4.000S	1.500S	P	3
	S/N: 99E4491-14152,21F531-1174					
	BD-503261	Kit	4.000S	1.500S	I	3
	S/N: 99E14153-UP,21F1175-UP					
	BD-502261	Kit	4.000S	1.500S	P	3
	S/N: 99E14153-UP,21F1175-UP	Field replacement				
	BD-503184	Kit	4.000S	1.500S	I	4
	S/N: 21F531-UP,17K1-819	Field replacement				
	BD-502184	Kit	4.000S	1.500S	P	4
	S/N: 21F531-UP,17K1-819	Field replacement				
	BD-502184	Kit	4.000S	1.500S	P	4
	S/N: 12F1198-2399					
	BD-502184	Kit	4.000S	1.500S	P	4
	S/N: 12F2400-UP					
BD-500184	Kit	4.000S	1.500S	P	5	
S/N: 12F2400-UP,17K820-UP						
12F GRADER						
Grader S/N: 73G1-UP,59H1-UP,89H1-UP,13K1-UP,33K1-UP Ripper S/N: 30G265-UP						
Blade Lift	BD-506105	Kit	4.000S	2.000S	P	4
	2 Piston seals					
	BD-506104	Kit	4.000S	2.000S	P	4
1 Piston seal						
Blade Tip	BD-566102	Kit	3.500S	1.250S	P	4
Damper	BD-566102	Kit	3.500S	1.250S	P	4
Lean Wheel	BD-506163	Kit	4.750S	2.000S	P	4
Power Blade	BD-542186	Kit	5.250S	2.250S	P	3
Ripper	BD-515126	Kit	5.500S	2.500S	P	4
	BD-513126	Kit	5.500S	2.500S	P	5
Scarifier	BD-510120	Kit	5.000S	2.250S	P	4
Steering	BD-503184	Kit	4.000S	1.500S	I	4
	S/N: 73G,59H,89H1-867,13K1-3324,33K					
	BD-502184	Kit	4.000S	1.500S	P	4
	S/N: 73G,59H,89H1-867,13K1-3324,33K					
BD-500184	Kit	4.000S	1.500S	P	5	
S/N: 89H868-UP,13K3325-UP						

CATERPILLAR® (REFERENCED BY BULLDOG® PART NUMBERS)

Application	Part Number	Description	Bore	Rod	Wiper	Type
12G GRADER						
Grader S/N: 61M1-UP,3WC1-UP,3PL1-UP Ripper S/N: 26V1-UP						
Articulation	BD-504101	Kit	3.000S	1.750S	P	5
	S/N: 61M1-12026,3WC1-1066					
	BD-637379	Kit	3.000S	1.750S	P	15
	S/N: 61M12027-UP,3WC1067-UP,3PL					
Blade Lift	BD-505181	Kit	3.250S	2.000S	P	5
	S/N: 61M1-12026,3WC1-1066					
	BD-647379	Kit	3.000S	2.000S	P	15
	S/N: 61M12027-UP,3WC1067-UP,3PL					
Blade Shift	BD-504101	Kit	3.000S	1.750S	P	5
	S/N: 61M1-12026,3WC1-1066					
	BD-637379	Kit	3.000S	1.750S	P	15
	S/N: 61M12027-UP,3WC1067-UP,3PL					
Blade Tip	BD-500100	Kit	2.750S	1.500S	P	5
	S/N: 61M1-12026,3WC1-1066					
	BD-675380	Kit	2.750S	1.500S	P	15
	S/N: 61M12027-14870,3WC1067-1371 Use with 9T2542 Head					
	BD-625380	Kit	2.750S	1.500S	P	15
	S/N: 61M12027-14870 Use with 6E4940 Head					
	BD-625380	Kit	2.750S	1.500S	P	15
	S/N: 61M14871-UP,3WC1372-UP,3PL					
Center Shift	BD-505181	Kit	3.250S	2.000S	P	5
	S/N: 61M1-12026,3WC1-1066					
	BD-647379	Kit	3.000S	2.000S	P	15
	S/N: 61M12027-UP,3WC1067-UP,3PL					
Lean Wheel	BD-500103	Kit	3.500S	1.500S	P	5
	S/N: 61M1-12026,3WC1-1066					
	BD-625381	Kit	3.500S	1.500S	P	15
	S/N: 61M12027-UP,3WC1067-UP,3PL					
Ripper	BD-505106	Kit	4.000S	2.000S	P	5
	BD-647409	Kit	4.000S	2.000S	P	15
Scarifier	BD-500101	Kit	3.000S	1.500S	P	5
	S/N: 61M1-4995					
	BD-504101	Kit	3.000S	1.750S	P	5
	S/N: 61M4996-12026,3WC1-1066 Use with 3G1853 Cylinder					
	BD-637379	Kit	3.000S	1.750S	P	15
	S/N: 61M12027-UP,3WC,3PL Use with 9T2554, 9T6951 or 1652510 Cylinder					
Steering	BD-500182	Kit	2.500S	1.500S	P	5
	S/N: 61M1-12026,3WC1-1066					
	BD-500378	Kit	2.250S	1.500S	P	5
	S/N: 61M12027-UP,3WC1067-UP,3PL					

Application	Part Number	Description	Bore	Rod	Wiper	Type
12H GRADER						
Grader S/N: 4XM1-UP,5ZM1-UP,8MN1-UP,2LR1-UP,2WR1-UP,4ER1-UP 2GS1-UP,AMZ1-UP,CBK1-UP,XZJ1-UP,1251-UP						
Articulation	BD-637379	Kit	3.000S	1.750S	P	15
	BD-645355	Kit	3.250S	1.875S	P	15
S/N:	8MN,AMZ,CBK					
Blade Lift	BD-647379	Kit	3.000S	2.000S	P	15
Blade Shift	BD-637379	Kit	3.000S	1.750S	P	15
Blade Tip	BD-625380	Kit	2.750S	1.500S	P	15
Center Shift	BD-647379	Kit	3.000S	2.000S	P	15
Dozer Lift	BD-637101	Kit	3.000S	1.750S	P	15
	S/N:	2WR				
	BD-647409	Kit	4.000S	2.000S	P	15
S/N:	125,2WR					
Dozer Tilt	BD-625380	Kit	2.750S	1.500S	P	15
	S/N:	125,2WR				
Lean Wheel	BD-625381	Kit	3.500S	1.500S	P	15
	S/N:	4ER1-840				
	BD-647381	Kit	3.500S	2.000S	P	15
Ripper	BD-647409	Kit	4.000S	2.000S	P	15
Scarifier	BD-637379	Kit	3.000S	1.750S	P	15
Steering	BD-500378	Kit	2.250S	1.500S	P	5
12K GRADER						
Grader S/N: JJA1-UP,SZP1-UP						
Articulation	BD-637379	Kit	3.000S	1.750S	P	15
Blade Lift	BD-647379	Kit	3.000S	2.000S	P	15
Blade Shift	BD-637379	Kit	3.000S	1.750S	P	15
Blade Tip	BD-625380	Kit	2.750S	1.500S	P	15
Center Shift	BD-647379	Kit	3.000S	2.000S	P	15
Lean Wheel	BD-647381	Kit	3.500S	2.000S	P	15
Ripper	BD-647409	Kit	4.000S	2.000S	P	15
Scarifier	BD-637379	Kit	3.000S	1.750S	P	15
	S/N:	JJA				
Steering	BD-500378	Kit	2.250S	1.500S	P	5
Work Tool Lift	BD-789381	Kit	3.500S	1.750S	P	15
	S/N:	JJA				

CATERPILLAR® (REFERENCED BY BULLDOG® PART NUMBERS)

Application	Part Number	Description	Bore	Rod	Wiper	Type
12M GRADER						
Grader S/N: B9F1-UP,B9R1-UP,R9B1-UP						
Articulation	BD-637379	Kit	3.000S	1.750S	P	15
Blade Lift	BD-647379	Kit	3.000S	2.000S	P	15
Blade Shift	BD-637379	Kit	3.000S	1.750S	P	15
Blade Tip	BD-625380	Kit	2.750S	1.500S	P	15
Center Shift	BD-647379	Kit	3.000S	2.000S	P	15
Lean Wheel	BD-647381	Kit	3.500S	2.000S	P	15
Ripper	BD-647409	Kit	4.000S	2.000S	P	15
Scarifier	BD-637379	Kit	3.000S	1.750S	P	15
Steering	BD-6471058	Kit	3.000S	2.000S	P	15
Work Tool Lift	BD-6371031	Kit	3.500S	1.750S	P	15
14B,14C,14D GRADER						
Grader S/N: 64C1-UP,78E1-UP,35F1-UP,96F1-UP Ripper S/N: 30G1-UP						
Damper	BD-566102	Kit	3.500S	1.250S	P	4
S/N:	96F					
Power Blade	BD-542186	Kit	5.250S	2.250S	P	3
Ripper	BD-515126	Kit	5.500S	2.500S	P	4
	BD-513126	Kit	5.500S	2.500S	P	5
Snow Plow	BD-542186	Kit	5.250S	2.250S	P	3
Snow Wing	BD-567260	Kit	4.500S	1.750S	P	3
Steering	BD-502261	Kit	4.000S	1.500S	P	3
	S/N:	96F1-2063				
	BD-503261	Kit	4.000S	1.500S	I	3
S/N:	96F2064-UP					
14E GRADER						
Grader S/N: 72G1-UP,99G1-UP,12K1-UP Ripper S/N: 30G1-UP						
Blade Lift	BD-506105	Kit	4.000S	2.000S	P	4
	S/N:	72G,12K 2 Piston seals				
	BD-506104	Kit	4.000S	2.000S	P	4
S/N:	72G,12K 1 Piston seal					
Blade Tip	BD-566102	Kit	3.500S	1.250S	P	4
	S/N:	72G,12K				
Damper	BD-566102	Kit	3.500S	1.250S	P	4
Lean Wheel	BD-506163	Kit	4.750S	2.000S	P	4
Power Blade	BD-542186	Kit	5.250S	2.250S	P	3
Ripper	BD-515126	Kit	5.500S	2.500S	P	4
	BD-513126	Kit	5.500S	2.500S	P	5
Scarifier	BD-510120	Kit	5.000S	2.250S	P	4
Steering	BD-503184	Kit	4.000S	1.500S	I	4
	S/N:	72G1-557,99G,12K1-1426				
	BD-502184	Kit	4.000S	1.500S	P	4
S/N:	72G1-557,99G,12K1-1426					

Application	Part Number	Description	Bore	Rod	Wiper	Type
14E GRADER (continued)						
Steering (cont)	BD-500184	Kit	4.000S	1.500S	P	5
	S/N: 72G558-UP,12K1427-UP					
14G GRADER						
Grader S/N: 96U1-UP Ripper S/N: 39V1-UP						
Articulation	BD-505103	Kit	3.500S	2.000S	P	5
	S/N: 96U1-7045					
	BD-647381	Kit	3.500S	2.000S	P	15
	S/N: 96U7046-UP					
Blade Lift	BD-508180	Kit	3.750S	2.250S	P	5
	S/N: 96U1-7045					
	BD-662381	Kit	3.500S	2.250S	P	15
	S/N: 96U7046-UP					
Blade Shift	BD-508180	Kit	3.750S	2.250S	P	5
	S/N: 96U1-6342					
	BD-513106	Kit	4.000S	2.500S	P	5
	S/N: 96U6343-7045					
	BD-642383	Kit	4.000S	2.500S	P	15
	S/N: 96U7046-UP					
	Use with 6E4978 or 9T3052 Head					
	BD-628409	Kit	4.000S	2.500S	P	15
	S/N: 96U7046-UP					
	Use with 1213397 or 1729981 Head					
Blade Tip	BD-500101	Kit	3.000S	1.500S	P	5
	S/N: 96U1-1097					
	BD-504101	Kit	3.000S	1.750S	P	5
	S/N: 96U1-1097					
	BD-504101	Kit	3.000S	1.750S	P	5
	S/N: 96U1098-6342					
	BD-505106	Kit	4.000S	2.000S	P	5
	S/N: 96U6343-7045					
	BD-647409	Kit	4.000S	2.000S	P	15
	S/N: 96U7046-UP					
Center Shift	BD-508180	Kit	3.750S	2.250S	P	5
	S/N: 96U1-7045					
	BD-662381	Kit	3.500S	2.250S	P	15
	S/N: 96U7046-UP					
Lean Wheel	BD-500103	Kit	3.500S	1.500S	P	5
	S/N: 96U1-7045					
	BD-625381	Kit	3.500S	1.500S	P	15
	S/N: 96U7046-UP					
Ripper	BD-515126	Kit	5.500S	2.500S	P	4
	S/N: 96U1-1096					
	BD-513126	Kit	5.500S	2.500S	P	5
	S/N: 96U1-1096					
	BD-513120	Kit	5.000S	2.500S	P	5
	S/N: 96U1-1096					
	BD-513126	Kit	5.500S	2.500S	P	5
	S/N: 96U1097-4297					

CATERPILLAR® (REFERENCED BY BULLDOG® PART NUMBERS)

Application	Part Number	Description	Bore	Rod	Wiper	Type
14G GRADER (continued)						
Ripper (cont)	BD-513120	Kit	5.000S	2.500S	P	5
	S/N: 96U1097-4297					
	BD-513120	Kit	5.000S	2.500S	P	5
	S/N: 96U4298-7045					
	BD-513120	Kit	5.000S	2.500S	P	5
	S/N: 96U7046-UP					
Steering	BD-642120	Kit	5.000S	2.500S	P	15
	S/N: 96U7046-UP					
	BD-500100	Kit	2.750S	1.500S	P	5
	S/N: 96U1-6772					
	BD-504100	Kit	2.750S	1.750S	P	5
	S/N: 96U6773-7045					
Steering	BD-637382	Kit	2.500S	1.750S	P	15
	S/N: 96U7046-UP					
	Use with 6E4941 or 9T2846 Head					
	BD-750382	Kit	2.500S	1.750S	P	15
	S/N: 96U7046-UP					
	Use with 1515349 Head					
14H GRADER						
Grader S/N: 7WJ1-UP,ASE1-UP						
Articulation	BD-647381	Kit	3.500S	2.000S	P	15
Blade Lift	BD-662381	Kit	3.500S	2.250S	P	15
Blade Shift	BD-642383	Kit	4.000S	2.500S	P	15
	Use with 6E4978 Head					
	BD-628409	Kit	4.000S	2.500S	P	15
Use with 1213397 or 1729981 Head						
Blade Tip	BD-647409	Kit	4.000S	2.000S	P	15
Center Shift	BD-662381	Kit	3.500S	2.250S	P	15
Lean Wheel	BD-647381	Kit	3.500S	2.000S	P	15
Ripper	BD-6281053	Kit	5.000S	2.500S	P	23
Steering	BD-637382	Kit	2.500S	1.750S	P	15
	Use with 6E4941 Head					
	BD-750382	Kit	2.500S	1.750S	P	15
Use with 1515349 Head						
14M GRADER						
Grader S/N: B9J1-UP,R9J1-UP						
Blade Lift	BD-662381	Kit	3.500S	2.250S	P	15
Blade Shift	BD-628409	Kit	4.000S	2.500S	P	15
Blade Tip	BD-647409	Kit	4.000S	2.000S	P	15
Center Shift	BD-662381	Kit	3.500S	2.250S	P	15
Lean Wheel	BD-647381	Kit	3.500S	2.000S	P	15
Ripper	BD-6281053	Kit	5.000S	2.500S	P	23
Steering	BD-6471058	Kit	3.000S	2.000S	P	15

Application	Part Number	Description	Bore	Rod	Wiper	Type
16 GRADER						
Grader S/N: 49G1-UP Ripper S/N: 79G1-UP						
Blade Lift	BD-514120	Kit	5.000S	2.500S	P	4
	S/N: 49G676-UP					
Blade Shift	BD-514187	Kit	5.500S	2.500S	P	4
Blade Tip	BD-502261	Kit	4.000S	1.500S	P	3
	S/N: 49G1-303					
	BD-503261	Kit	4.000S	1.500S	I	3
	S/N: 49G1-303					
	BD-503184	Kit	4.000S	1.500S	I	4
	S/N: 49G304-587					
	BD-502184	Kit	4.000S	1.500S	P	4
	S/N: 49G588-675					
	BD-500184	Kit	4.000S	1.500S	P	5
	S/N: 49G676-UP					
Lean Wheel	BD-506163	Kit	4.750S	2.000S	P	4
Ripper	BD-515126	Kit	5.500S	2.500S	P	4
	BD-513126	Kit	5.500S	2.500S	P	5
Steering	BD-506122	Kit	5.000S	2.000S	P	4
16G GRADER						
Grader S/N: 93U1-UP Ripper S/N: 59M1-UP						
Articulation	BD-505106	Kit	4.000S	2.000S	P	5
	S/N: 93U1-1715					
	BD-513106	Kit	4.000S	2.500S	P	5
	S/N: 93U1716-2678					
	BD-642383	Kit	4.000S	2.500S	P	15
	S/N: 93U2679-UP					
	Use with 6E4978 or 9T3052 Head					
	BD-628409	Kit	4.000S	2.500S	P	15
	S/N: 93U2679-UP					
	Use with 1213397 Head					
Blade Lift	BD-513108	Kit	4.250S	2.500S	P	5
	S/N: 93U1-2678					
	BD-642383	Kit	4.000S	2.500S	P	15
	S/N: 93U2679-UP					
	Use with 6E4978 or 9T3052 Head					
	BD-628409	Kit	4.000S	2.500S	P	15
	S/N: 93U2679-UP					
	Use with 1213397 Head					
Blade Shift	BD-513108	Kit	4.250S	2.500S	P	5
	S/N: 93U1-2339					
	BD-513106	Kit	4.000S	2.500S	P	5
	S/N: 93U2340-2678					
	BD-642383	Kit	4.000S	2.500S	P	15
	S/N: 93U2679-UP					
	Use with 6E4978 or 9T3052 Head					

CATERPILLAR® (REFERENCED BY BULLDOG® PART NUMBERS)

Application	Part Number	Description	Bore	Rod	Wiper	Type
16G GRADER (continued)						
Blade Shift (cont)	BD-628409	Kit	4.000S	2.500S	P	15
	S/N: 93U2679-UP	Use with 1213397 or 1729981 Head				
Blade Tip	BD-500101	Kit	3.000S	1.500S	P	5
	S/N: 93U1-570					
	BD-504101	Kit	3.000S	1.750S	P	5
	S/N: 93U571-2339					
	BD-505106	Kit	4.000S	2.000S	P	5
	S/N: 93U2340-2678					
Center Shift	BD-647409	Kit	4.000S	2.000S	P	15
	S/N: 93U2679-UP					
	BD-513108	Kit	4.250S	2.500S	P	5
	S/N: 93U1-2678					
	BD-642383	Kit	4.000S	2.500S	P	15
	S/N: 93U2679-UP	Use with 6E4978 or 9T3052 Head				
Lean Wheel	BD-628409	Kit	4.000S	2.500S	P	15
	S/N: 93U2679-UP	Use with 1213397 Head				
	BD-504106	Kit	4.000S	1.750S	P	5
	S/N: 93U1-2678					
	BD-637409	Kit	4.000S	1.750S	P	15
	S/N: 93U2679-UP					
Ripper	BD-662409	Kit	4.000S	2.250S	P	15
	S/N: 93U2679-UP					
	BD-515126	Kit	5.500S	2.500S	P	4
	S/N: 93U1-1178					
	BD-513126	Kit	5.500S	2.500S	P	5
	S/N: 93U1-1178					
	BD-513120	Kit	5.000S	2.500S	P	5
	S/N: 93U1-1178					
	BD-513120	Kit	5.000S	2.500S	P	5
	S/N: 93U1179-2678					
Steering	BD-513120	Kit	5.000S	2.500S	P	5
	S/N: 93U2679-UP					
	BD-642120	Kit	5.000S	2.500S	P	15
	S/N: 93U2679-UP					
	BD-504101	Kit	3.000S	1.750S	P	5
	S/N: 93U1-2678					
	BD-637380	Kit	2.750S	1.750S	P	15
	S/N: 93U2679-UP	Use with 6E4941 or 9T2846 Head				
	BD-750380	Kit	2.750S	1.750S	P	15
	S/N: 93U2679-UP	Use with 1515349 Head				

Application	Part Number	Description	Bore	Rod	Wiper	Type
16H GRADER						
Grader S/N: 6ZJ1-UP,ATS1-UP						
Articulation	BD-642383	Kit	4.000S	2.500S	P	15
	Use with 6E4978 Head					
	BD-628409	Kit	4.000S	2.500S	P	15
Use with 1213397 or 1729981 Head						
Blade Lift	BD-642383	Kit	4.000S	2.500S	P	15
	Use with 6E4978 Head					
	BD-628409	Kit	4.000S	2.500S	P	15
Use with 1213397 Head						
Blade Shift	BD-642383	Kit	4.000S	2.500S	P	15
	Use with 6E4978 Head					
	BD-628409	Kit	4.000S	2.500S	P	15
Use with 1213397 or 1729981 Head						
Blade Tip	BD-647409	Kit	4.000S	2.000S	P	15
Center Shift	BD-642383	Kit	4.000S	2.500S	P	15
	Use with 6E4978 Head					
	BD-628409	Kit	4.000S	2.500S	P	15
Use with 1213397 Head						
Lean Wheel	BD-637409	Kit	4.000S	1.750S	P	15
	BD-662409	Kit	4.000S	2.250S	P	15
Ripper	BD-6281053	Kit	5.000S	2.500S	P	23
Steering	BD-637380	Kit	2.750S	1.750S	P	15
	Use with 6E4941 Head					
	BD-750380	Kit	2.750S	1.750S	P	15
Use with 1515349 Head						
16M GRADER						
Grader S/N: B9H1-UP,R9H1-UP						
Articulation	BD-628409	Kit	4.000S	2.500S	P	15
Blade Lift	BD-628409	Kit	4.000S	2.500S	P	15
Blade Shift	BD-628409	Kit	4.000S	2.500S	P	15
Blade Tip	BD-647409	Kit	4.000S	2.000S	P	15
Center Shift	BD-628409	Kit	4.000S	2.500S	P	15
Lean Wheel	BD-662409	Kit	4.000S	2.250S	P	15
Ripper	BD-6281053	Kit	5.000S	2.500S	P	23
Steering	BD-6471058	Kit	3.000S	2.000S	P	15

CATERPILLAR® (REFERENCED BY BULLDOG® PART NUMBERS)

Application	Part Number	Description	Bore	Rod	Wiper	Type
24H GRADER						
Grader S/N: 7KK1-UP						
Articulation	BD-707122	Kit	5.000S	3.000S	P	15
Blade Lift	BD-707453	Kit	5.250S	3.000S	P	15
Blade Shift	BD-666122	Kit	5.000S	3.250S	P	15
Blade Tip	BD-628397	Kit	4.750S	2.500S	P	15
Center Shift	BD-707453	Kit	5.250S	3.000S	P	15
Lean Wheel	BD-628397	Kit	4.750S	2.500S	P	15
Ripper	BD-647409	Kit	4.000S	2.000S	P	15
Steering	BD-660381	Kit	3.500S	2.500S	I	15
24M GRADER						
Grader S/N: B9K1-UP						
Blade Lift	BD-707453	Kit	5.250S	3.000S	P	15
Blade Shift	BD-666122	Kit	5.000S	3.250S	P	15
Blade Tip	BD-628397	Kit	4.750S	2.500S	P	15
Center Shift	BD-707453	Kit	5.250S	3.000S	P	15
Lean Wheel	BD-628397	Kit	4.750S	2.500S	P	15
Ripper	BD-647409	Kit	4.000S	2.000S	P	15
Steering	BD-7841059	Kit	3.500S	2.500S	I	15
112,112E,112F GRADER						
Grader S/N: 81C1-UP,46D1-UP,68E1-UP,82F1-UP,91G1-UP,72H1-UP 74H1-UP,80J1-UP,89J1-UP,03U4798-UP						
Power Blade	BD-542186	Kit	5.250S	2.250S	P	3
S/N:	81C,68E,82F,80J,03U					
Snow Plow	BD-542186	Kit	5.250S	2.250S	P	3
S/N:	81C,68E,82F,03U					
Snow Wing	BD-567260	Kit	4.500S	1.750S	P	3
S/N:	81C,68E,82F,03U					
Steering	BD-502261	Kit	4.000S	1.500S	P	3
S/N:	46D,68E833-UP,82F495-UP,91G					
	BD-503261	Kit	4.000S	1.500S	I	3
S/N:	46D,68E833-UP,82F495-UP,91G					
	BD-503184	Kit	4.000S	1.500S	I	4
S/N:	46D,68E833-UP,82F495-UP,91G,89J1-1895					
	BD-502184	Kit	4.000S	1.500S	P	4
S/N:	46D,68E833-UP,82F495-UP,91G,72H,74H,80J1-395,89J1-1895					
	BD-500184	Kit	4.000S	1.500S	P	5
S/N:	80J,89J1896-UP					

Application	Part Number	Description	Bore	Rod	Wiper	Type
120,120B GRADER						
Grader S/N: 32C1-UP,89G1-UP,60H1-UP,14K1-UP,35K1-UP,10R1-UP 22R1-UP,13U1-UP,64U1-UP						
Power Blade	BD-500184	Kit	4.000S	1.500S	P	5
S/N:	32C100-UP,64U1050-UP					
Steering	BD-503184	Kit	4.000S	1.500S	I	4
S/N:	89G,60H,14K,35K					
	BD-502184	Kit	4.000S	1.500S	P	4
S/N:	89G,60H,14K,35K,10R1-1022,22R1-847					
	BD-500184	Kit	4.000S	1.500S	P	5
S/N:	32C,10R1023-UP,22R848-UP,13U,64U					
120G GRADER						
Grader S/N: 82V1-UP,87V1-UP,11W1-UP,4HD1-UP						
Articulation	BD-504101	Kit	3.000S	1.750S	P	5
S/N:	82V,87V1-8359,11W1-1250					
	BD-637379	Kit	3.000S	1.750S	P	15
S/N:	87V8360-UP,11W1251-UP,4HD					
Blade Lift	BD-504101	Kit	3.000S	1.750S	P	5
S/N:	82V,87V1-8359,11W1-1250					
	BD-637379	Kit	3.000S	1.750S	P	15
S/N:	87V8360-UP,11W1251-UP,4HD					
Blade Shift	BD-504101	Kit	3.000S	1.750S	P	5
S/N:	82V,87V1-8359,11W1-1250					
	BD-637379	Kit	3.000S	1.750S	P	15
S/N:	87V8360-UP,11W1251-UP,4HD					
Blade Tip	BD-500100	Kit	2.750S	1.500S	P	5
S/N:	82V,87V1-8359,11W1-1250					
	BD-675380	Kit	2.750S	1.500S	P	15
S/N:	87V8360-UP,11W1251-1311,4HD Use with 9T2542 Head					
	BD-625380	Kit	2.750S	1.500S	P	15
S/N:	87V8360-UP,11W1312-UP,4HD Use with 6E4940 Head					
Center Shift	BD-504101	Kit	3.000S	1.750S	P	5
S/N:	82V,87V1-8359,11W1-1250					
	BD-637379	Kit	3.000S	1.750S	P	15
S/N:	87V8360-UP,11W1251-UP,4HD					
Lean Wheel	BD-500103	Kit	3.500S	1.500S	P	5
S/N:	82V,87V1-8359,11W1-1250					
	BD-625381	Kit	3.500S	1.500S	P	15
S/N:	87V8360-UP,11W1251-UP,4HD					
	BD-647381	Kit	3.500S	2.000S	P	15
S/N:	87V8360-UP					
Scarifier	BD-500101	Kit	3.000S	1.500S	P	5
S/N:	82V1-803,87V1-3202,11W1-866					
	BD-504101	Kit	3.000S	1.750S	P	5
S/N:	82V804-UP,87V3203-8359,11W867-1250					
	BD-637379	Kit	3.000S	1.750S	P	15
S/N:	87V8360-UP,11W1251-UP,4HD					

CATERPILLAR® (REFERENCED BY BULLDOG® PART NUMBERS)

Application	Part Number	Description	Bore	Rod	Wiper	Type
120G GRADER (continued)						
Steering	BD-500182	Kit	2.500S	1.500S	P	5
	S/N: 82V,87V1-8359,11W1-1250					
	BD-500378	Kit	2.250S	1.500S	P	5
S/N: 87V8360-UP,11W1251-UP,4HD						
120H GRADER						
Grader S/N: 4MK1-UP,5FM1-UP,6NM1-UP,6TM1-UP,2AN1-UP,6YN1-UP 9YR1-UP,ALZ1-UP,CAF1-UP,1241-UP						
Articulation	BD-637379	Kit	3.000S	1.750S	P	15
Blade Lift	BD-647379	Kit	3.000S	2.000S	P	15
Blade Shift	BD-637379	Kit	3.000S	1.750S	P	15
Blade Tip	BD-625380	Kit	2.750S	1.500S	P	15
Center Shift	BD-647379	Kit	3.000S	2.000S	P	15
Dozer Lift	BD-637101	Kit	3.000S	1.750S	P	15
	S/N: 2AN					
Dozer Tilt	BD-625380	Kit	2.750S	1.500S	P	15
	S/N: 2AN					
Lean Wheel	BD-647381	Kit	3.500S	2.000S	P	15
Ripper	BD-647381	Kit	3.500S	2.000S	P	15
Scarifier	BD-637379	Kit	3.000S	1.750S	P	15
Steering	BD-500378	Kit	2.250S	1.500S	P	5
120K GRADER						
Grader S/N: JAP1-UP,SZN1-UP						
Articulation	BD-637379	Kit	3.000S	1.750S	P	15
Blade Lift	BD-647379	Kit	3.000S	2.000S	P	15
Blade Shift	BD-637379	Kit	3.000S	1.750S	P	15
Blade Tip	BD-625380	Kit	2.750S	1.500S	P	15
Center Shift	BD-647379	Kit	3.000S	2.000S	P	15
Lean Wheel	BD-647381	Kit	3.500S	2.000S	P	15
Ripper	BD-647381	Kit	3.500S	2.000S	P	15
Scarifier	BD-637379	Kit	3.000S	1.750S	P	15
Steering	BD-500378	Kit	2.250S	1.500S	P	5
Work Tool Lift	BD-789381	Kit	3.500S	1.750S	P	15
120M GRADER						
Grader S/N: B9C1-UP,B9N1-UP,B9W1-UP,CBS1-UP,D9W1-UP,NJD1-UP PJB1-UP,R9A1-UP,R9C1-UP						
Articulation	BD-637379	Kit	3.000S	1.750S	P	15
Blade Lift	BD-647379	Kit	3.000S	2.000S	P	15
Blade Shift	BD-637379	Kit	3.000S	1.750S	P	15
Blade Tip	BD-625380	Kit	2.750S	1.500S	P	15
Center Shift	BD-647379	Kit	3.000S	2.000S	P	15
Lean Wheel	BD-647381	Kit	3.500S	2.000S	P	15
Ripper	BD-647381	Kit	3.500S	2.000S	P	15
	S/N: B9C,B9N,B9W,D9W					
	BD-647409	Kit	4.000S	2.000S	P	15
S/N: B9C,B9N,B9W,D9W						
Scarifier	BD-637379	Kit	3.000S	1.750S	P	15
	S/N: CBS,NJD,PJB					

Application	Part Number	Description	Bore	Rod	Wiper	Type
120M GRADER (continued)						
Steering	BD-6471058	Kit	3.000S	2.000S	P	15
Work Tool Lift	BD-6371031	Kit	3.500S	1.750S	P	15
	S/N: B9C,B9N,B9W,D9W					
130G GRADER						
Grader S/N: 74V1-UP,12W1-UP,7GB1-UP Ripper S/N: 26V1-UP,47W1-UP						
Articulation	BD-504101	Kit	3.000S	1.750S	P	5
	S/N: 74V1-2320,12W1-1081,7GB					
	BD-637379	Kit	3.000S	1.750S	P	15
	S/N: 74V2321-UP,12W1082-UP					
Blade Lift	BD-505181	Kit	3.250S	2.000S	P	5
	S/N: 74V1-2320,12W1-1081,7GB					
	BD-647379	Kit	3.000S	2.000S	P	15
	S/N: 74V2321-UP,12W1082-UP					
Blade Shift	BD-504101	Kit	3.000S	1.750S	P	5
	S/N: 74V1-2320,12W1-1081,7GB					
	BD-637379	Kit	3.000S	1.750S	P	15
	S/N: 74V2321-UP,12W1082-UP					
Blade Tip	BD-500100	Kit	2.750S	1.500S	P	5
	S/N: 74V1-2320,12W1-1081,7GB					
	BD-675380	Kit	2.750S	1.500S	P	15
	S/N: 74V2321-UP,12W1082-UP Use with 9T2542 Head					
	BD-625380	Kit	2.750S	1.500S	P	15
	S/N: 74V2321-UP Use with 6E4940 Head					
Center Shift	BD-505181	Kit	3.250S	2.000S	P	5
	S/N: 74V1-2320,12W1-1081,7GB					
	BD-647379	Kit	3.000S	2.000S	P	15
	S/N: 74V2321-UP,12W1082-UP					
Lean Wheel	BD-500103	Kit	3.500S	1.500S	P	5
	S/N: 74V1-2320,12W1-1081,7GB					
	BD-625381	Kit	3.500S	1.500S	P	15
	S/N: 74V2321-UP,12W1082-UP					
	BD-647381	Kit	3.500S	2.000S	P	15
	S/N: 74V2321-UP					
Ripper	BD-505106	Kit	4.000S	2.000S	P	5
	BD-647409	Kit	4.000S	2.000S	P	15
Scarifier	BD-500101	Kit	3.000S	1.500S	P	5
	S/N: 74V1-1328,12W1-473					
	BD-504101	Kit	3.000S	1.750S	P	5
	S/N: 74V1329-2320,12W474-1081,7GB					
	BD-637379	Kit	3.000S	1.750S	P	15
	S/N: 74V2321-UP,12W696-UP					
Steering	BD-500182	Kit	2.500S	1.500S	P	5
	S/N: 74V1-2320,12W1-1081,7GB					
	BD-500378	Kit	2.250S	1.500S	P	5
	S/N: 74V2321-UP,12W1082-UP					

CATERPILLAR® (REFERENCED BY BULLDOG® PART NUMBERS)

Application	Part Number	Description	Bore	Rod	Wiper	Type
135H GRADER						
Grader S/N: 3YK1-UP,7MM1-UP,8WN1-UP,AMX1-UP,BDJ1-UP,CBC1-UP						
Articulation	BD-637379	Kit	3.000S	1.750S	P	15
Blade Lift	BD-647379	Kit	3.000S	2.000S	P	15
Blade Shift	BD-637379	Kit	3.000S	1.750S	P	15
Blade Tip	BD-625380	Kit	2.750S	1.500S	P	15
Center Shift	BD-647379	Kit	3.000S	2.000S	P	15
Lean Wheel	BD-625381	Kit	3.500S	1.500S	P	15
	S/N: 8WN1-795					
	BD-647381	Kit	3.500S	2.000S	P	15
Ripper	BD-647381	Kit	3.500S	2.000S	P	15
Scarifier	BD-637379	Kit	3.000S	1.750S	P	15
Steering	BD-500378	Kit	2.250S	1.500S	P	5
140,140B GRADER						
Grader S/N: 33C1-UP,55F1-UP,11R1-UP,24R1-UP,61S1-UP,14U1-UP Ripper S/N: 15G1-UP,90X1-UP						
Blade Shift	BD-500184	Kit	4.000S	1.500S	P	5
	S/N: 33C100-UP,61S					
Power Blade	BD-542186	Kit	5.250S	2.250S	P	3
	S/N: 55F					
Ripper	BD-515126	Kit	5.500S	2.500S	P	4
	S/N: 55F					
	BD-513126	Kit	5.500S	2.500S	P	5
	S/N: 55F					
	BD-513120	Kit	5.000S	2.500S	P	5
	S/N: 33C,61S					
Steering	BD-502184	Kit	4.000S	1.500S	P	4
	S/N: 11R1-490,24R1-423					
	BD-500184	Kit	4.000S	1.500S	P	5
	S/N: 33C,55F,11R491-UP,24R424-UP,61S,14U					
140G GRADER						
Grader S/N: 72V1-UP,81V1-UP,13W1-UP,5MD1-UP Ripper S/N: 26V1-UP,47W1-UP						
Articulation	BD-504101	Kit	3.000S	1.750S	P	5
	S/N: 72V1-10333,81V,13W1-740					
	BD-637379	Kit	3.000S	1.750S	P	15
	S/N: 72V10334-UP,13W741-UP,5MD					
Blade Lift	BD-505181	Kit	3.250S	2.000S	P	5
	S/N: 72V1-10333,81V,13W1-740					
	BD-647379	Kit	3.000S	2.000S	P	15
	S/N: 72V10334-UP,13W741-UP,5MD					
Blade Shift	BD-504101	Kit	3.000S	1.750S	P	5
	S/N: 72V1-10333,81V,13W1-740					
	BD-637379	Kit	3.000S	1.750S	P	15
	S/N: 72V10334-UP,13W741-UP,5MD					

Application	Part Number	Description	Bore	Rod	Wiper	Type
140G GRADER (continued)						
Blade Tip	BD-500100	Kit	2.750S	1.500S	P	5
	S/N:	72V1-10333,81V,13W1-740				
	BD-675380	Kit	2.750S	1.500S	P	15
	S/N:	72V10334-UP,13W741-UP,5MD Use with 9T2542 Head				
Blade Tip	BD-625380	Kit	2.750S	1.500S	P	15
	S/N:	72V10334-UP,5MD Use with 6E4940 or 9T8692 Head				
	BD-505181	Kit	3.250S	2.000S	P	5
	S/N:	72V1-10333,81V,13W1-740				
Center Shift	BD-647379	Kit	3.000S	2.000S	P	15
	S/N:	72V10334-UP,13W741-UP,5MD				
	BD-500103	Kit	3.500S	1.500S	P	5
	S/N:	72V1-10333,81V,13W1-740				
Lean Wheel	BD-625381	Kit	3.500S	1.500S	P	15
	S/N:	72V10334-UP,13W741-UP,5MD				
	BD-647381	Kit	3.500S	2.000S	P	15
	S/N:	72V10334-UP,5MD2350-UP				
Ripper	BD-505106	Kit	4.000S	2.000S	P	5
	BD-647409	Kit	4.000S	2.000S	P	15
Scarifier	BD-500101	Kit	3.000S	1.500S	P	5
	S/N:	72V1-2368,81V1-634,13W1-325				
	BD-504101	Kit	3.000S	1.750S	P	5
	S/N:	72V2369-10333,81V635-UP,13W326-740				
Scarifier	BD-637379	Kit	3.000S	1.750S	P	15
	S/N:	72V10334-UP,13W425-UP,5MD				
	BD-500182	Kit	2.500S	1.500S	P	5
	S/N:	72V1-10333,81V,13W1-740				
Steering	BD-500378	Kit	2.250S	1.500S	P	5
	S/N:	72V10334-UP,13W741-UP,5MD				
	S/N:	72V10334-UP,13W741-UP,5MD				
140H GRADER						
Grader S/N: 2ZK1-UP,5HM1-UP,8JM1-UP,8KM1-UP,9TN1-UP,9ZN1-UP 3AS1-UP,APM1-UP,CCA1-UP,XZH1-UP,1261-UP						
Articulation	BD-637379	Kit	3.000S	1.750S	P	15
	S/N:	2ZK,5HM,8JM,8KM,9TN,9ZN,3AS,XZH				
	BD-645355	Kit	3.250S	1.875S	P	15
	S/N:	2ZK,5HM1150-UP,8KM,9TN400-UP,3AS450-UP,APM,CCA S/N: 126				
Blade Lift	BD-647379	Kit	3.000S	2.000S	P	15
Blade Shift	BD-637379	Kit	3.000S	1.750S	P	15
Blade Tip	BD-625380	Kit	2.750S	1.500S	P	15
Center Shift	BD-647379	Kit	3.000S	2.000S	P	15
Dozer Lift	BD-637101	Kit	3.000S	1.750S	P	15
	S/N:	9ZN				
	BD-647409	Kit	4.000S	2.000S	P	15
S/N:	9ZN,126					
Dozer Tilt	BD-625380	Kit	2.750S	1.500S	P	15
	S/N:	9ZN,126				
Lean Wheel	BD-625381	Kit	3.500S	1.500S	P	15
	S/N:	5HM1-2102				

CATERPILLAR® (REFERENCED BY BULLDOG® PART NUMBERS)

Application	Part Number	Description	Bore	Rod	Wiper	Type
140H GRADER (continued)						
Lean Wheel (cont)	BD-647381	Kit	3.500S	2.000S	P	15
Ripper	BD-647409	Kit	4.000S	2.000S	P	15
Scarifier	BD-637379	Kit	3.000S	1.750S	P	15
Steering	BD-500378	Kit	2.250S	1.500S	P	5
140K GRADER						
Grader S/N: JPA1-UP,SZL1-UP						
Articulation	BD-637379	Kit	3.000S	1.750S	P	15
Blade Lift	BD-647379	Kit	3.000S	2.000S	P	15
Blade Shift	BD-637379	Kit	3.000S	1.750S	P	15
S/N: JPA						
Blade Tip	BD-625380	Kit	2.750S	1.500S	P	15
Center Shift	BD-647379	Kit	3.000S	2.000S	P	15
Lean Wheel	BD-647381	Kit	3.500S	2.000S	P	15
Ripper	BD-647409	Kit	4.000S	2.000S	P	15
Scarifier	BD-637379	Kit	3.000S	1.750S	P	15
Steering	BD-500378	Kit	2.250S	1.500S	P	5
Work Tool Lift	BD-789381	Kit	3.500S	1.750S	P	15
S/N: SZL						
140M GRADER						
Grader S/N: B9D1-UP,B9G1-UP,B9M1-UP,D9G1-UP,M9D1-UP,M9J1-UP						
Articulation	BD-645355	Kit	3.250S	1.875S	P	15
Blade Lift	BD-647379	Kit	3.000S	2.000S	P	15
Blade Shift	BD-637379	Kit	3.000S	1.750S	P	15
Blade Tip	BD-625380	Kit	2.750S	1.500S	P	15
Center Shift	BD-647379	Kit	3.000S	2.000S	P	15
Lean Wheel	BD-647381	Kit	3.500S	2.000S	P	15
Ripper	BD-647409	Kit	4.000S	2.000S	P	15
S/N: B9D,B9G,B9M,D9G						
Scarifier	BD-637379	Kit	3.000S	1.750S	P	15
Steering	BD-6471058	Kit	3.000S	2.000S	P	15
Work Tool Lift	BD-6371031	Kit	3.500S	1.750S	P	15
143H GRADER						
Grader S/N: 1AL1-UP,APN1-UP						
Articulation	BD-637379	Kit	3.000S	1.750S	P	15
S/N: 1AL1-416						
	BD-645355	Kit	3.250S	1.875S	P	15
S/N: 1AL417-UP,APN						
Blade Lift	BD-647379	Kit	3.000S	2.000S	P	15
Blade Shift	BD-637379	Kit	3.000S	1.750S	P	15
Blade Tip	BD-625380	Kit	2.750S	1.500S	P	15
Center Shift	BD-647379	Kit	3.000S	2.000S	P	15
Lean Wheel	BD-647381	Kit	3.500S	2.000S	P	15
Ripper	BD-647409	Kit	4.000S	2.000S	P	15
Scarifier	BD-637379	Kit	3.000S	1.750S	P	15
Steering	BD-500378	Kit	2.250S	1.500S	P	5

Application	Part Number	Description	Bore	Rod	Wiper	Type
143H GRADER (continued)						
Work Tool Lift	BD-6371031	Kit	3.500S	1.750S	P	15
	S/N: 1AL					
160G GRADER						
Grader S/N: 4JD1-UP						
Articulation	BD-504101	Kit	3.000S	1.750S	P	5
	S/N: 4JD1-140					
	BD-637379	Kit	3.000S	1.750S	P	15
	S/N: 4JD141-UP					
Blade Lift	BD-505181	Kit	3.250S	2.000S	P	5
	S/N: 4JD1-140					
	BD-647379	Kit	3.000S	2.000S	P	15
	S/N: 4JD141-UP					
Blade Shift	BD-504101	Kit	3.000S	1.750S	P	5
	S/N: 4JD1-140					
	BD-637379	Kit	3.000S	1.750S	P	15
	S/N: 4JD141-UP					
Blade Tip	BD-675380	Kit	2.750S	1.500S	P	15
	S/N: 4JD141-UP					
	Use with 9T2542 Head					
	BD-625380	Kit	2.750S	1.500S	P	15
	S/N: 4JD141-UP					
	Use with 6E4940 Head					
Center Shift	BD-505181	Kit	3.250S	2.000S	P	5
	S/N: 4JD1-140					
	BD-647379	Kit	3.000S	2.000S	P	15
	S/N: 4JD141-UP					
Lean Wheel	BD-500103	Kit	3.500S	1.500S	P	5
	S/N: 4JD1-140					
	BD-625381	Kit	3.500S	1.500S	P	15
	S/N: 4JD141-UP					
Scarifier	BD-504101	Kit	3.000S	1.750S	P	5
	S/N: 4JD1-140					
	BD-637379	Kit	3.000S	1.750S	P	15
	S/N: 4JD141-UP					
Steering	BD-500182	Kit	2.500S	1.500S	P	5
	S/N: 4JD1-140					
	BD-500378	Kit	2.250S	1.500S	P	5
	S/N: 4JD141-UP					

CATERPILLAR® (REFERENCED BY BULLDOG® PART NUMBERS)

Application	Part Number	Description	Bore	Rod	Wiper	Type
160H GRADER						
Grader S/N: 9EJ1-UP,2FM1-UP,3GM1-UP,6WM1-UP,9JM1-UP,2HS1-UP ASD1-UP,CCP1-UP,XZK1-UP						
Articulation	BD-637379	Kit	3.000S	1.750S	P	15
	S/N: 9EJ1-419,2FM1-349,3GM1-49,6WM1-339,9JM1-339,2HS1-349					
	BD-645355	Kit	3.250S	1.875S	P	15
	S/N: 9EJ420-UP,2FM350-UP,3GM50-UP,6WM340-UP,9JM340-UP S/N: 2HS350-UP,ASD,CCP,XZK					
Blade Lift	BD-647379	Kit	3.000S	2.000S	P	15
Blade Shift	BD-637379	Kit	3.000S	1.750S	P	15
Blade Tip	BD-625380	Kit	2.750S	1.500S	P	15
Center Shift	BD-647379	Kit	3.000S	2.000S	P	15
Lean Wheel	BD-625381	Kit	3.500S	1.500S	P	15
	S/N: 2FM1-685					
	BD-647381	Kit	3.500S	2.000S	P	15
Ripper	BD-647409	Kit	4.000S	2.000S	P	15
Scarifier	BD-637379	Kit	3.000S	1.750S	P	15
Steering	BD-500378	Kit	2.250S	1.500S	P	5
160K GRADER						
Grader S/N: JBP1-UP,SZM1-UP						
Articulation	BD-645355	Kit	3.250S	1.875S	P	15
Blade Lift	BD-647379	Kit	3.000S	2.000S	P	15
Blade Shift	BD-637379	Kit	3.000S	1.750S	P	15
Blade Tip	BD-625380	Kit	2.750S	1.500S	P	15
Center Shift	BD-647379	Kit	3.000S	2.000S	P	15
Lean Wheel	BD-647381	Kit	3.500S	2.000S	P	15
Ripper	BD-647409	Kit	4.000S	2.000S	P	15
Scarifier	BD-637379	Kit	3.000S	1.750S	P	15
	S/N: JBP					
Steering	BD-500378	Kit	2.250S	1.500S	P	5
Work Tool Lift	BD-789381	Kit	3.500S	1.750S	P	15
	S/N: SZM					
160M GRADER						
Grader S/N: B9E1-UP,B9L1-UP,B9T1-UP,D9T1-UP,M9E1-UP,M9K1-UP						
Articulation	BD-645355	Kit	3.250S	1.875S	P	15
Blade Lift	BD-647379	Kit	3.000S	2.000S	P	15
Blade Shift	BD-637379	Kit	3.000S	1.750S	P	15
Blade Tip	BD-625380	Kit	2.750S	1.500S	P	15
Center Shift	BD-647379	Kit	3.000S	2.000S	P	15
Lean Wheel	BD-647381	Kit	3.500S	2.000S	P	15
Ripper	BD-647409	Kit	4.000S	2.000S	P	15
	S/N: B9E,B9L,B9T,D9T					
Scarifier	BD-637379	Kit	3.000S	1.750S	P	15
Steering	BD-6471058	Kit	3.000S	2.000S	P	15
Work Tool Lift	BD-6371031	Kit	3.500S	1.750S	P	15

Application	Part Number	Description	Bore	Rod	Wiper	Type
163H GRADER						
Grader S/N: 5AK1-UP,ARL1-UP						
Articulation	BD-637379	Kit	3.000S	1.750S	P	15
	S/N: 5AK1-119					
	BD-645355	Kit	3.250S	1.875S	P	15
	S/N: 5AK120-UP,ARL					
Blade Lift	BD-647379	Kit	3.000S	2.000S	P	15
Blade Shift	BD-637379	Kit	3.000S	1.750S	P	15
Blade Tip	BD-625380	Kit	2.750S	1.500S	P	15
Center Shift	BD-647379	Kit	3.000S	2.000S	P	15
Lean Wheel	BD-647381	Kit	3.500S	2.000S	P	15
Ripper	BD-647409	Kit	4.000S	2.000S	P	15
Scarifier	BD-637379	Kit	3.000S	1.750S	P	15
Steering	BD-500378	Kit	2.250S	1.500S	P	5
Work Tool Lift	BD-6371031	Kit	3.500S	1.750S	P	15
	S/N: 5AK					
215,215B EXCAVATOR						
Excavator S/N: 96L1-UP,57Y1-UP,14Z1-UP,61Z1-UP,95Z1-UP,9YB1-UP 2XC1-UP,3LC1-UP,4FC1-UP						
Boom	BD-517255	Kit	4.500S	2.750S	P	8
	S/N: 96L					
		Cylinder design with 1 stop seal				
	BD-517375	Kit	4.500S	2.750S	P	8
	S/N: 9YB,4FC					
		Cylinder design w/o stop seal				
	BD-657375	Kit	4.500S	2.750S	P	15
Bucket	BD-517254	Kit	4.500S	2.750S	P	8
	BD-657254	Kit	4.500S	2.750S	P	15
	S/N: 9YB,4FC					
Stick	BD-529253	Kit	5.500S	3.500S	P	8
	BD-626253	Kit	5.500S	3.500S	P	15
	S/N: 14Z649-UP,61Z139-UP,9YB,4FC					
Clamshell	BD-525256	Kit	6.500S	3.250S	P	22
	S/N: 96L,57Y,95Z,9YB,4FC					
Track Adjuster	BD-903404	Kit			N	0
	BD-903400	Kit			N	0
	S/N: 57Y,14Z,95Z,4FC					
	Use with 3V5278 Front Idler group (Heavy Duty arrangement)					

CATERPILLAR® (REFERENCED BY BULLDOG® PART NUMBERS)

Application	Part Number	Description	Bore	Rod	Wiper	Type
215C,215D,219,219D EXCAVATOR						
Excavator S/N: 5CF1-UP,9TF1-UP,4HG1-UP,5XG1-UP						
Boom	BD-657375	Kit	4.500S	2.750S	P	15
	S/N: 5CF1-730,4HG1-2085	2 Piece Boom				
	BD-632376	Kit	4.750S	3.000S	P	23
	S/N: 5CF1-730,4HG1-2085	1 Piece Boom				
	BD-632376	Kit	4.750S	3.000S	P	23
	S/N: 5CF731-UP,9TF1-1185,4HG2086-UP,5XG	Use with 9T6417 Head				
Bucket	BD-632376	Kit	4.750S	3.000S	P	23
	S/N: 5CF,9TF1-1172,4HG,5XG1-573					
	BD-632418	Kit	4.750S	3.000S	P	23
S/N: 9TF1173-UP,5XG574-UP						
Stick	BD-626253	Kit	5.500S	3.500S	P	15
Track Adjuster	BD-903404	Kit			N	0
	S/N: 9TF,4HG					
	BD-903400	Kit			N	0
S/N: 5CF,5XG						
FB221 FELLER BUNCHER						
Feller Buncher S/N: 8XD1-UP						
Track Adjuster	BD-903400	Kit			N	0
225 EXCAVATOR						
Excavator S/N: 20S1-UP,51U1-UP,76U1-UP,61X1-UP						
Boom	BD-525221	Kit	5.500S	3.250S	P	5
	S/N: 20S1-189,51U1-589,76U1-693					
	BD-525245	Kit	5.500S	3.250S	P	8
	S/N: 20S190-UP,51U1-589					
	BD-525221	Kit	5.500S	3.250S	P	5
	S/N: 51U590-2033,76U694-1199					
	BD-525245	Kit	5.500S	3.250S	P	8
	S/N: 51U590-2033,76U694-1199	Cylinder design with 1 stop seal				
	BD-525347	Kit	5.500S	3.250S	P	8
	S/N: 51U590-2033,76U694-1199	Cylinder design w/o stop seal				
	BD-525245	Kit	5.500S	3.250S	P	8
	S/N: 51U2034-2831,76U1200-2728	Cylinder design with 1 stop seal				
	BD-525347	Kit	5.500S	3.250S	P	8
	S/N: 51U2034-2831,76U1200-2728	Cylinder design w/o stop seal				
	BD-525347	Kit	5.500S	3.250S	P	8
S/N: 51U2832-UP,76U2729-UP,61X						

Application	Part Number	Description	Bore	Rod	Wiper	Type
225 EXCAVATOR (continued)						
Boom (cont)	BD-669347	Kit	5.500S	3.250S	P	15
S/N:	51U2832-UP,61X381-UP					
Bucket	BD-525222	Kit	5.500S	3.250S	P	5
S/N:	51U1-589,76U1-693 Use with 8J1691 Piston					
	BD-525223	Kit	5.500S	3.250S	P	5
S/N:	20S,51U1-589,76U1-693 Use with 9J7008 Piston					
	BD-525247	Kit	5.500S	3.250S	P	8
S/N:	51U1-589					
	BD-525222	Kit	5.500S	3.250S	P	5
S/N:	51U590-2033 Use with 8J1691 Piston					
	BD-525223	Kit	5.500S	3.250S	P	5
S/N:	51U590-2033,76U694-1199 Use with 9J7008 Piston					
	BD-525247	Kit	5.500S	3.250S	P	8
S/N:	51U590-2033 Use with 3G2994 Piston					
	BD-525248	Kit	5.500S	3.250S	P	8
S/N:	51U590-2033,76U1200-2728 Use with 3G3261 Piston Cylinder design with 2 stop seals					
	BD-525343	Kit	5.500S	3.250S	P	8
S/N:	51U590-2033,76U1200-2728 Cylinder design with 1 stop seal					
	BD-525248	Kit	5.500S	3.250S	P	8
S/N:	51U2034-2831 Cylinder design with 2 stop seals					
	BD-525343	Kit	5.500S	3.250S	P	8
S/N:	51U2034-2831,76U2729-3764,61X1-380 Cylinder design with 1 stop seal					
	BD-525343	Kit	5.500S	3.250S	P	8
S/N:	51U2832-UP,76U3765-UP,61X381-UP Cylinder design with 1 stop seal					
	BD-525347	Kit	5.500S	3.250S	P	8
S/N:	51U2832-UP,76U3765-UP,61X381-UP Cylinder design w/o stop seal					
	BD-669347	Kit	5.500S	3.250S	P	15
S/N:	51U2832-UP,61X381-UP					
Stick	BD-561220	Kit	6.000S	3.750S	P	5
S/N:	51U1-589,76U1-693					
	BD-561225	Kit	6.000S	3.750S	P	22
S/N:	20S,51U1-589,76U1-693 Change 0					
	BD-561246	Kit	6.000S	3.750S	P	22
S/N:	51U1-589 Change 1					
	BD-561220	Kit	6.000S	3.750S	P	5
S/N:	51U590-2033					

CATERPILLAR® (REFERENCED BY BULLDOG® PART NUMBERS)

Application	Part Number	Description	Bore	Rod	Wiper	Type
225 EXCAVATOR (continued)						
Stick (cont)	BD-561225	Kit	6.000S	3.750S	P	22
	S/N:	51U590-2033,76U694-1199 Change 0				
	BD-561246	Kit	6.000S	3.750S	P	22
	S/N:	51U590-2033,76U694-1199 Change 1				
	BD-561346	Kit	6.000S	3.750S	P	22
	S/N:	51U590-2033,76U694-1199 Change 2 and 3				
	BD-561246	Kit	6.000S	3.750S	P	22
	S/N:	51U2034-2831,76U1200-2728 Cylinder design with 2 stop seals				
	BD-561346	Kit	6.000S	3.750S	P	22
	S/N:	51U2034-2831,76U1200-2728 Cylinder design with 1 stop seal				
	BD-561346	Kit	6.000S	3.750S	P	22
	S/N:	51U2832-UP,76U2729-UP				
	BD-638346	Kit	6.000S	3.750S	P	23
	S/N:	51U2832-UP,76U3765-UP				
	BD-561346	Kit	6.000S	3.750S	P	22
	S/N:	61X1-380				
BD-561346	Kit	6.000S	3.750S	P	22	
S/N:	61X381-UP					
BD-638346	Kit	6.000S	3.750S	P	23	
S/N:	61X381-UP					
Clamshell	BD-529224	Kit	8.250S	3.500S	P	8
Track Adjuster	BD-903400	Kit			N	0
	S/N:	20S,51U,76U				
	BD-901405	Kit			N	0
S/N:	51U2832-UP,76U3765-UP Use with 8K2623 Front Idler group (Heavy Duty arrangement)					
225B,225B LC EXCAVATOR						
Excavator S/N: 2ZD1-UP,3YD1-UP						
Boom	BD-525347	Kit	5.500S	3.250S	P	8
	S/N:	2ZD1-549,3YD				
	BD-669347	Kit	5.500S	3.250S	P	15
	S/N:	2ZD1-549,3YD				
Bucket	BD-670398	Kit	6.000S	3.500S	P	15
	S/N:	2ZD550-UP,3YD				
Bucket	BD-525347	Kit	5.500S	3.250S	P	8
	BD-669347	Kit	5.500S	3.250S	P	15
Stick	BD-638346	Kit	6.000S	3.750S	P	23
Track Adjuster	BD-903400	Kit			N	0
	S/N:	2ZD,3YD				
	BD-901405	Kit			N	0
S/N:	2ZD Use with 8K2623 Front Idler group (Heavy Duty arrangement)					

Application	Part Number	Description	Bore	Rod	Wiper	Type
225D,225D LC EXCAVATOR						
Excavator S/N: 6RG1-UP,2SJ1-UP						
Boom	BD-670297	Kit	6.000S	3.500S	P	15
	S/N: 6RG1-651,2SJ	Use with 9T5224 Head				
	BD-670419	Kit	6.000S	3.500S	P	15
	S/N: 6RG652-UP,2SJ	Use with 6E2461 Head				
Bucket	BD-525347	Kit	5.500S	3.250S	P	8
	S/N: 2SJ					
	BD-669347	Kit	5.500S	3.250S	P	15
Stick	BD-638346	Kit	6.000S	3.750S	P	23
	Use with 9T1067 Head					
	BD-687346	Kit	6.000S	3.750S	P	23
	Use with 6E4184 Head					
Track Adjuster	BD-903400	Kit			N	0
227 LOGGER						
Logger S/N: 10W1-UP						
Boom	BD-525347	Kit	5.500S	3.250S	P	8
	BD-669347	Kit	5.500S	3.250S	P	15
Bucket	BD-525343	Kit	5.500S	3.250S	P	8
	Cylinder design with 1 stop seal					
	BD-525347	Kit	5.500S	3.250S	P	8
	Cylinder design w/o stop seal					
Stick	BD-669347	Kit	5.500S	3.250S	P	15
	BD-561252	Kit	6.000S	3.750S	P	22
	S/N: 10W1-288	Use with 1U4732 Cylinder				
	BD-638252	Kit	6.000S	3.750S	P	23
	S/N: 10W289-UP	Use with 1U4732 Cylinder and 9T1067 Head				
	BD-687252	Kit	6.000S	3.750S	P	23
	S/N: 10W289-UP	Use with 1U4732 Cylinder and 6E4184 Head				
	BD-561346	Kit	6.000S	3.750S	P	22
	Use with 9J1755 Cylinder					
BD-638346	Kit	6.000S	3.750S	P	23	
Use with 9J1755 Cylinder						
Side Tilt	BD-513317	Kit	4.500S	2.500S	P	8
	BD-642317	Kit	4.500S	2.500S	P	15
Grapple	BD-504101	Kit	3.000S	1.750S	P	5
Shear	BD-525256	Kit	6.500S	3.250S	P	22
Track Adjuster	BD-903400	Kit			N	0
	2 Rings, Use with 3V5278 Front Idler group (Light duty arrangement)					
	BD-901405	Kit			N	0
	3 Rings					

CATERPILLAR® (REFERENCED BY BULLDOG® PART NUMBERS)

Application	Part Number	Description	Bore	Rod	Wiper	Type
229 EXCAVATOR						
Excavator S/N: 1GF1-UP,1AG1-UP						
Boom	BD-525347	Kit	5.500S	3.250S	P	8
	S/N: 1GF					
	BD-669347	Kit	5.500S	3.250S	P	15
	S/N: 1GF					
Bucket	BD-670398	Kit	6.000S	3.500S	P	15
	BD-525347	Kit	5.500S	3.250S	P	8
Bucket	BD-669347	Kit	5.500S	3.250S	P	15
	BD-638346	Kit	6.000S	3.750S	P	23
Stick	BD-638346	Kit	6.000S	3.750S	P	23
Track Adjuster	BD-901405	Kit			N	0
229D EXCAVATOR						
Excavator S/N: 2LJ1-UP						
Boom	BD-661398	Kit	6.000S	4.000S	P	15
	S/N: 2LJ1-334					
	BD-661419	Kit	6.000S	4.000S	P	15
	S/N: 2LJ335-UP					
Bucket	BD-669347	Kit	5.500S	3.250S	P	15
Stick	BD-638346	Kit	6.000S	3.750S	P	23
	Use with 9T1067 Head					
	BD-687346	Kit	6.000S	3.750S	P	23
	Use with 6E4184 Head					
Track Adjuster	BD-901405	Kit			N	0
LL229 LOG LOADER						
Log Loader S/N: 8PD1-UP						
Track Adjuster	BD-901405	Kit			N	0
231D,231D LC EXCAVATOR						
Excavator S/N: 5WJ1-UP,1NK1-UP						
Boom	BD-661419	Kit	6.000S	4.000S	P	15
	Use with 6E2860 Head					
	BD-661398	Kit	6.000S	4.000S	P	15
	S/N: 1NK					
Bucket	Use with 9T9367 Head					
	BD-661297	Kit	6.000S	4.000S	P	15
	S/N: 1NK					
	Use with 9T9367 Head					
Stick	BD-661419	Kit	6.000S	4.000S	P	15
	Use with 6E2860 or 6E5023 Head					
	BD-661422	Kit	6.500S	4.000S	P	23
	S/N: 1NK					
	Use with 9T9476 Head					
	BD-661420	Kit	6.500S	4.000S	P	23
Use with 6E2863 Head, Cylinder design with 1 stop seal						
Track Adjuster	BD-661421	Kit	6.500S	4.000S	P	23
	Use with 6E2863 or 1195068 Head, Cylinder design w/o stop seal					
Track Adjuster	BD-901405	Kit			N	0

Application	Part Number	Description	Bore	Rod	Wiper	Type
235 EXCAVATOR						
Excavator S/N: 32K1-UP,64R1-UP,62X1-UP,81X1-UP,83X1-UP						
Boom	BD-563227	Kit	6.500S	4.250S	P	22
	S/N: 32K1-1300,64R1-454 Use with 8J4583 Piston					
	BD-563228	Kit	6.500S	4.250S	P	22
	S/N: 32K1-1300,64R1-454,81X1-403 Use with 3G2610 Piston, Cylinder design with 1 stop seal					
	BD-563348	Kit	6.500S	4.250S	P	22
	S/N: 32K1301-2678,64R1-454,62X1-288,81X1-403,83X1-443 Use with 3G2610 Piston, Cylinder design w/o stop seal					
	BD-563228	Kit	6.500S	4.250S	P	22
	S/N: 64R455-595 Use with 3G2610 Piston, Cylinder design with 1 stop seal					
	BD-563348	Kit	6.500S	4.250S	P	22
	S/N: 64R455-595 Use with 3G2610 Piston, Cylinder design w/o stop seal					
	BD-563280	Kit	6.500S	4.250S	P	22
	S/N: 32K1301-2678,64R455-595,62X1-288,81X1-403,83X1-443 Use with 3G9857 Piston					
	BD-563348	Kit	6.500S	4.250S	P	22
	S/N: 64R596-1257 Use with 3G2610 Piston					
	BD-563280	Kit	6.500S	4.250S	P	22
	S/N: 64R596-1257 Use with 3G9857 Piston					
	BD-563280	Kit	6.500S	4.250S	P	22
	S/N: 32K2679-UP,64R1258-UP,62X289-UP,81X404-UP,83X444-UP					
BD-671280	Kit	6.500S	4.250S	P	23	
S/N: 32K2679-UP,64R1258-UP,62X289-UP,81X404-UP,83X444-UP						
Hoe Bucket	BD-564229	Kit	6.500S	4.750S	P	22
	S/N: 32K1-1300,64R1-454 Use with 8J4583 Piston					
	BD-564230	Kit	6.500S	4.750S	P	22
	S/N: 32K1-1300,64R1-454 Use with 3G2610 Piston, Cylinder design with 1 stop seal					
	BD-564348	Kit	6.500S	4.750S	P	22
	S/N: 32K1-1300 Use with 3G2610 Piston, Cylinder design w/o stop seal					
	BD-564230	Kit	6.500S	4.750S	P	22
	S/N: 32K1301-2678,64R455-1257,62X1-288 Use with 3G2610 Piston, Cylinder design with 1 stop seal					
	BD-564348	Kit	6.500S	4.750S	P	22
	S/N: 32K1301-2678,64R455-1257,62X1-288,81X1-403,83X1-443 Use with 3G2610 Piston, Cylinder design w/o stop seal					
	BD-564280	Kit	6.500S	4.750S	P	22
	S/N: 32K1301-2678,64R455-1257,62X1-288,81X1-403,83X1-443 Use with 3G9857 Piston					
BD-564280	Kit	6.500S	4.750S	P	22	
S/N: 32K2679-UP,64R1258-UP,62X289-UP,81X404-UP,83X444-UP						

CATERPILLAR® (REFERENCED BY BULLDOG® PART NUMBERS)

Application	Part Number	Description	Bore	Rod	Wiper	Type
235 EXCAVATOR (continued)						
Front Shovel Bucket	BD-564252	Kit	6.000S	4.750S	P	22
S/N:	81X,83X					
Bucket Bottom Dump	BD-521235	Kit	7.250S	3.000S	P	22
S/N:	81X,83X					
Stick	BD-562226	Kit	7.750S	5.000S	P	8
S/N:	32K1-2678,64R1-1257,62X1-288,81X1-403,83X					
	BD-562226	Kit	7.750S	5.000S	P	8
S/N:	32K2679-UP,64R1258-UP,62X289-UP,81X404-UP					
	BD-639349	Kit	7.750S	5.000S	P	15
S/N:	32K2679-UP,64R1258-UP,62X289-UP,81X404-UP Use with 3G4745 Stop					
	BD-639423	Kit	7.750S	5.000S	P	15
S/N:	32K2679-UP,64R1258-UP,62X289-UP,81X404-UP Use with 6E1448 stop					
Slave	BD-545281	Kit	5.000S	4.000S	P	22
S/N:	81X,83X					
	BD-661281	Kit	5.000S	4.000S	P	23
S/N:	81X,83X					
Track Adjuster	BD-901405	Kit			N	0
S/N:	32K,64R,81X,83X					
235B,235C EXCAVATOR						
Excavator S/N: 7WC1-UP,9PC1-UP,1FD1-UP,4ED1-UP,5AF1-UP,2PG1-UP 3WG1-UP,4DG1-UP						
Boom	BD-563280	Kit	6.500S	4.250S	P	22
S/N:	7WC,9PC,1FD,4ED					
	BD-671280	Kit	6.500S	4.250S	P	23
S/N:	7WC,9PC,1FD,4ED,3WG,4DG					
	BD-672377	Kit	7.000S	4.750S	P	15
S/N:	5AF1-1249,2PG1-722,3WG1-246,4DG1-649					
	BD-672424	Kit	7.000S	4.750S	P	15
S/N:	5AF1250-UP,2PG723-UP,3WG247-UP,4DG650-UP					
Hoe Bucket	BD-564280	Kit	6.500S	4.750S	P	22
	BD-672280	Kit	6.500S	4.750S	P	23
	BD-640350	Kit	7.750S	5.250S	I	15
S/N:	1FD,4ED,3WG,4DG1-679 Mass Excavator arrangement					
	BD-702350	Kit	7.750S	5.250S	P	15
S/N:	4DG1-679 Mass Excavator arrangement					
	BD-702197	Kit	7.750S	5.250S	P	15
S/N:	4DG680-UP Mass Excavator arrangement					
Front Shovel Bucket	BD-564252	Kit	6.000S	4.750S	P	22
S/N:	1FD,4ED					
	BD-672252	Kit	6.000S	4.750S	P	23
S/N:	1FD,4ED,3WG,4DG					
Bucket Bottom Dump	BD-521235	Kit	7.250S	3.000S	P	22
S/N:	1FD,4ED,3WG,4DG					
	BD-629426	Kit	7.250S	3.000S	P	23
S/N:	1FD,4ED,3WG,4DG					

Application	Part Number	Description	Bore	Rod	Wiper	Type
235B,235C EXCAVATOR (continued)						
Stick	BD-639349	Kit	7.750S	5.000S	P	15
	Use with 3G3745 Stop					
	BD-639423	Kit	7.750S	5.000S	P	15
	Use with 6E1448 Stop					
S/N:	BD-639425	Kit	7.750S	5.000S	P	15
	5AF1250-UP,2PG723-UP,3WG247-UP,4DG650-UP Use with 6E5096 Cylinder					
Slave	BD-545281	Kit	5.000S	4.000S	P	22
	S/N: 1FD,4ED,3WG,4DG					
	BD-661281	Kit	5.000S	4.000S	P	23
S/N: 1FD,4ED,3WG,4DG						
Track Adjuster	BD-901405	Kit			N	0
235D EXCAVATOR						
Excavator S/N: 8KJ1-UP,8TJ1-UP						
Boom	BD-671280	Kit	6.500S	4.250S	P	23
	BD-672424	Kit	7.000S	4.750S	P	15
Hoe Bucket	BD-672280	Kit	6.500S	4.750S	P	23
	BD-702197	Kit	7.750S	5.250S	P	15
	Mass Excavator arrangement					
Front Shovel Bucket	BD-672252	Kit	6.000S	4.750S	P	23
Bucket Bottom Dump	BD-521235	Kit	7.250S	3.000S	P	22
	S/N: 8TJ					
Stick	BD-639425	Kit	7.750S	5.000S	P	15
	Use with 6E5069 Piston					
	BD-639423	Kit	7.750S	5.000S	P	15
S/N: 8KJ Use with 3G7374 Piston						
Slave	BD-661281	Kit	5.000S	4.000S	P	23
Track Adjuster	BD-901405	Kit			N	0
	BD-900405	Kit			N	0
	S/N: 8KJ Use with 9U0938 Front Idler group (Special application)					
245 EXCAVATOR						
Excavator S/N: 94L1-UP,95V1-UP,82X1-UP,84X1-UP						
Boom	BD-564232	Kit	7.000S	4.750S	P	8
	S/N: 95V1-186					
	BD-564232	Kit	7.000S	4.750S	P	8
	S/N: 95V187-470 Cylinder design with 1 stop seal					
	BD-564251	Kit	7.000S	4.750S	P	8
	S/N: 95V187-470 Cylinder design w/o stop seal					
	BD-564251	Kit	7.000S	4.750S	P	8
	S/N: 94L1-366,95V471-542					
	BD-564251	Kit	7.000S	4.750S	P	8
	S/N: 94L367-UP,95V543-UP,82X,84X					
	BD-672424	Kit	7.000S	4.750S	P	15
S/N: 82X,84X						

CATERPILLAR® (REFERENCED BY BULLDOG® PART NUMBERS)

Application	Part Number	Description	Bore	Rod	Wiper	Type
245 EXCAVATOR (continued)						
Boom (cont)	BD-564314	Kit	7.250S	4.750S	P	22
	S/N:	94L367-UP,95V543-UP,82X,84X				
	BD-672314	Kit	7.250S	4.750S	P	23
	S/N:	94L367-UP,95V543-UP,82X,84X				
Hoe Bucket	BD-564233	Kit	7.000S	4.750S	P	8
	S/N:	95V1-186				
	BD-564233	Kit	7.000S	4.750S	P	8
	S/N:	94L1-254,95V187-UP,82X,84X Cylinder design with 2 stop seals				
	BD-564351	Kit	7.000S	4.750S	P	8
	S/N:	94L1-254,95V187-UP,82X,84X Cylinder design with 1 stop seal				
	BD-564351	Kit	7.000S	4.750S	P	8
	S/N:	94L255-UP				
	BD-672351	Kit	7.000S	4.750S	P	15
	S/N:	95V471-UP,82X,84X Use with 9J5488 Stop				
	BD-672427	Kit	7.000S	4.750S	P	15
	S/N:	95V471-UP,82X,84X Use with 6E1448 stop				
BD-640350	Kit	7.750S	5.250S	I	15	
S/N:	94L397-UP,95V601-UP,82X,84X Mass Excavator arrangement					
Front Shovel Bucket	BD-569251	Kit	7.000S	5.750S	P	8
	S/N:	94L1-366,95V187-600,82X,84X				
	BD-674251	Kit	7.000S	5.750S	P	15
S/N:	82X,84X					
Bucket Bottom Dump	BD-529250	Kit	7.750S	3.500S	P	5
	S/N:	94L1-366,95V187-600,82X,84X				
Stick	BD-565231	Kit	8.250S	6.500S	P	8
	S/N:	95V1-470 Use with 8J8786 Piston				
	BD-565249	Kit	8.250S	6.500S	P	8
	S/N:	95V1-470 Use with 9J8103 Piston				
	BD-565249	Kit	8.250S	6.500S	P	8
	S/N:	94L1-366,95V471-UP,82X				
	BD-577282	Kit	8.250S	5.750S	P	8
	S/N:	94L367-UP,95V471-UP,82X,84X Use with 3G9883 Piston				
BD-673282	Kit	8.250S	5.750S	P	15	
S/N:	94L367-UP,95V471-UP,82X,84X					
Master	BD-562252	Kit	6.000S	5.000S	P	22
	S/N:	94L1-366,95V187-600,82X,84X				
	BD-639252	Kit	6.000S	5.000S	P	23
S/N:	82X,84X					
Counterweight	BD-513120	Kit	5.000S	2.500S	P	5
	BD-663120	Kit	5.000S	2.500S	P	15
	S/N:	95V471-UP,82X				
Track Adjuster	BD-900405	Kit			N	0

Application	Part Number	Description	Bore	Rod	Wiper	Type	
245B EXCAVATOR							
Excavator S/N: 6MF1-UP,1SJ1-UP							
Boom	BD-672424	Kit	7.000S	4.750S	P	15	
	BD-672314	Kit	7.250S	4.750S	P	23	
Hoe Bucket	BD-672351	Kit	7.000S	4.750S	P	15	
	S/N:	6MF1-512,1SJ1-712 Use with 9J5488 stop					
	BD-672427	Kit	7.000S	4.750S	P	15	
	S/N:	Use with 6E1448 stop					
	BD-640350	Kit	7.750S	5.250S	I	15	
	S/N:	6MF1-246,1SJ Mass Excavator arrangement					
	BD-702350	Kit	7.750S	5.250S	P	15	
	S/N:	1SJ1-712 Mass Excavator arrangement					
	BD-702423	Kit	7.750S	5.250S	P	15	
	S/N:	6MF247-UP Mass Excavator arrangement, Use with 3G7374 Piston					
Front Shovel Bucket	BD-674251	Kit	7.000S	5.750S	P	15	
	Bucket Bottom Dump	BD-529250	Kit	7.750S	3.500S	P	5
		S/N:	6MF1-512,1SJ1-712				
	Stick	BD-690250	Kit	7.750S	3.500S	P	15
BD-673282		Kit	8.250S	5.750S	P	15	
S/N:		6MF1-512,1SJ1-239 Use with 3G3745 Stop					
BD-673428		Kit	8.250S	5.750S	P	15	
S/N:		Use with 6E1448 Stop					
BD-673429		Kit	8.250S	5.750S	P	15	
S/N:	Cylinder design w/o stop seal						
Master	BD-639252	Kit	6.000S	5.000S	P	23	
Counterweight	BD-663120	Kit	5.000S	2.500S	P	15	
Track Adjuster	BD-900405	Kit			N	0	
245D EXCAVATOR							
Excavator S/N: 7ZJ1-UP,4LK1-UP							
Boom	BD-672424	Kit	7.000S	4.750S	P	15	
	BD-672314	Kit	7.250S	4.750S	P	23	
Hoe Bucket	BD-672427	Kit	7.000S	4.750S	P	15	
	BD-702197	Kit	7.750S	5.250S	P	15	
	Mass Excavator arrangement						
Front Shovel Bucket	BD-674251	Kit	7.000S	5.750S	P	15	
Bucket Bottom Dump	BD-690250	Kit	7.750S	3.500S	P	15	
Stick	BD-673428	Kit	8.250S	5.750S	P	15	
	Cylinder design with 1 stop seal						
	BD-673429	Kit	8.250S	5.750S	P	15	
Cylinder design w/o stop seal							
Master	BD-639252	Kit	6.000S	5.000S	P	23	

CATERPILLAR® (REFERENCED BY BULLDOG® PART NUMBERS)

Application	Part Number	Description	Bore	Rod	Wiper	Type
245D EXCAVATOR (continued)						
Counterweight	BD-663120	Kit	5.000S	2.500S	P	15
Track Adjuster	BD-900405	Kit			N	0
303 MINI EXCAVATOR						
Excavator S/N: DMA1-UP						
Bucket Tilt	BD-625368	Kit	3.000S	1.500S	P	15
303.5C CR MINI EXCAVATOR						
Excavator S/N: DMY1-UP						
Bucket Tilt	BD-625368	Kit	3.000S	1.500S	P	15
303C CR MINI EXCAVATOR						
Excavator S/N: BXT1-UP						
Bucket Tilt	BD-625368	Kit	3.000S	1.500S	P	15
304C CR MINI EXCAVATOR						
Excavator S/N: FPK1-UP						
Bucket Tilt	BD-625368	Kit	3.000S	1.500S	P	15
305C CR MINI EXCAVATOR						
Excavator S/N: HWJ1-UP						
Bucket Tilt	BD-625368	Kit	3.000S	1.500S	P	15
307 EXCAVATOR						
Excavator S/N: 2PM1-UP,2WM1-UP						
Boom	BD-198661	Kit	110.00M	75.00M	P	15
Offset Boom	BD-200663	Kit	100.00M	55.00M	P	15
Bucket	BD-200664	Kit	80.00M	55.00M	P	15
Stick	BD-199662	Kit	90.00M	60.00M	P	15
Blade	BD-201665	Kit	90.00M	50.00M	P	11
Track Adjuster	BD-900407	Kit	50.00M	50.00M	P	0
307B EXCAVATOR						
Excavator S/N: 4RW1-UP,5CW1-UP,6KZ1-UP,7DZ1-UP,AFB1-UP						
Boom	BD-198661	Kit	110.00M	75.00M	P	15
Swing Boom	BD-203670	Kit	100.00M	65.00M	P	23
	S/N: 6KZ,7DZ,AFB					
Offset VA Boom	BD-200663	Kit	100.00M	55.00M	P	15
	S/N: 4RW,5CW					
Bucket	BD-200664	Kit	80.00M	55.00M	P	15
Stick	BD-199662	Kit	90.00M	60.00M	P	15
Blade	BD-259666	Kit	120.00M	80.00M	P	23
	BD-201815	Kit	90.00M	50.00M	P	8
	S/N: AFB					
Track Adjuster	BD-900407	Kit	50.00M	50.00M	P	0

Application	Part Number	Description	Bore	Rod	Wiper	Type
307C,307C SB EXCAVATOR						
Excavator S/N: BNE1-UP,BCM1-UP						
Boom	BD-198661	Kit	110.00M	75.00M	P	15
Swing Boom	BD-199662	Kit	90.00M	60.00M	P	15
	S/N: BNE					
Offset VA Boom	BD-200663	Kit	100.00M	55.00M	P	15
	S/N: BCM					
Bucket	BD-200664	Kit	80.00M	55.00M	P	15
	S/N: BCM					
Stick	BD-199662	Kit	90.00M	60.00M	P	15
Blade	BD-259666	Kit	120.00M	80.00M	P	23
Adj. Cab Riser	BD-199662	Kit	90.00M	60.00M	P	15
Track Adjuster	BD-900407	Kit	50.00M	50.00M	P	0
307D MINI EXCAVATOR						
Excavator S/N: DSG1-UP						
Boom	BD-198661	Kit	110.00M	75.00M	P	15
Bucket	BD-200664	Kit	80.00M	55.00M	P	15
Stick	BD-199662	Kit	90.00M	60.00M	P	15
Blade	BD-259871	Kit	120.00M	80.00M	P	23
Track Adjuster	BD-900407	Kit	50.00M	50.00M	P	0
308C CR EXCAVATOR						
Excavator S/N: KCX1-UP						
Boom	BD-204872	Kit	100.00M	70.00M	P	23
	BD-198661	Kit	110.00M	75.00M	P	15
	BD-198666	Kit	120.00M	75.00M	P	23
Offset Boom	BD-200670	Kit	100.00M	55.00M	P	23
Bucket	BD-200664	Kit	80.00M	55.00M	P	15
Stick	BD-199662	Kit	90.00M	60.00M	P	15
Blade	BD-259871	Kit	120.00M	80.00M	P	23
Cab Riser	BD-199662	Kit	90.00M	60.00M	P	15
Track Adjuster	BD-900407	Kit	50.00M	50.00M	P	0
308D MINI EXCAVATOR						
Excavator S/N: FYC1-UP,GBT1-UP						
Boom	BD-204857	Kit	110.00M	70.00M	P	15
Boom Swing	BD-203859	Kit	110.00M	65.00M	P	15
	S/N: FYC					
Blade	BD-259666	Kit	120.00M	80.00M	P	23
Track Adjuster	BD-900407	Kit	50.00M	50.00M	P	0

CATERPILLAR® (REFERENCED BY BULLDOG® PART NUMBERS)

Application	Part Number	Description	Bore	Rod	Wiper	Type
311 EXCAVATOR						
Excavator S/N: 9LJ1-UP						
Boom	BD-204668	Kit	100.00M	70.00M	P	23
Offset Boom	BD-202671	Kit	120.00M	80.00M	P	23
	S/N: 9LJ700-UP					
Bucket	BD-203670	Kit	100.00M	65.00M	P	23
Stick	BD-198669	Kit	110.00M	75.00M	P	23
Track Adjuster	BD-900408	Kit	50.00M	50.00M	P	0
	BD-901406	Kit	60.00M	60.00M	P	0
	S/N: 9LJ262-UP					
	LGP arrangement with 7Y1780 Cylinder					
311B EXCAVATOR						
Excavator S/N: 8GR1-UP,2LS1-UP						
Boom	BD-204668	Kit	100.00M	70.00M	P	23
	S/N: 2LS1-147,8GR1-345					
	BD-204860	Kit	100.00M	70.00M	P	23
	S/N: 2LS148-UP,8GR346-UP					
Bucket	BD-203670	Kit	100.00M	65.00M	P	23
	S/N: 2LS1-147,8GR1-345					
	BD-203675	Kit	100.00M	65.00M	P	23
	S/N: 2LS148-UP,8GR346-UP					
Stick	BD-198669	Kit	110.00M	75.00M	P	23
	S/N: 2LS1-147,8GR1-345					
	BD-198816	Kit	110.00M	75.00M	P	23
	S/N: 2LS148-UP,8GR346-UP					
Blade	BD-259666	Kit	120.00M	80.00M	P	23
	S/N: 2LS					
Track Adjuster	BD-900408	Kit	50.00M	50.00M	P	0
	BD-901406	Kit	60.00M	60.00M	P	0
	S/N: 8GR					
	LGP arrangement					
311CU EXCAVATOR						
Excavator S/N: CKE1-UP,PAD1-UP						
Boom	BD-204860	Kit	100.00M	70.00M	P	23
Bucket	BD-203675	Kit	100.00M	65.00M	P	23
Stick	BD-198873	Kit	110.00M	75.00M	P	23
Blade	BD-259666	Kit	120.00M	80.00M	P	23
Track Adjuster	BD-900408	Kit	50.00M	50.00M	P	0

Application	Part Number	Description	Bore	Rod	Wiper	Type
311D LRR EXCAVATOR						
Excavator S/N: CLA1-UP,DDW1-UP,DWR1-UP,LKA1-UP,PNJ1-UP						
Boom	BD-204874	Kit	100.00M	70.00M	P	23
Boom VA	BD-205842	Kit	140.00M	85.00M	P	23
	S/N: DDW,LKA					
Bucket	BD-204875	Kit	100.00M	70.00M	P	23
	Use with 2897699 Cylinder					
	BD-204877	Kit	100.00M	70.00M	P	23
	Use with 2952006 Cylinder					
Stick	BD-198876	Kit	110.00M	75.00M	P	23
Blade	BD-259871	Kit	120.00M	80.00M	P	23
Track Adjuster	BD-900412	Kit	50.00M	50.00M	P	0
312 EXCAVATOR						
Excavator S/N: 6GK1-UP,6BL1-UP						
Boom	BD-198669	Kit	110.00M	75.00M	P	23
Bucket	BD-203670	Kit	100.00M	65.00M	P	23
Stick	BD-202671	Kit	120.00M	80.00M	P	23
Blade	BD-202841	Kit	120.00M	80.00M	P	23
	S/N: 6BL					
Track Adjuster	BD-900408	Kit	50.00M	50.00M	P	0
	BD-901406	Kit	60.00M	60.00M	P	0
	S/N: 6BL					
	Custom arrangement with 7Y1780 Cylinder					
312B EXCAVATOR						
Excavator S/N: 8JR1-UP,9GR1-UP,2NS1-UP,3FS1-UP,9FS1-UP,2KW1-UP 6SW1-UP,9NW1-UP						
Boom	BD-198669	Kit	110.00M	75.00M	P	23
	S/N: 8JR1-687,9GR1-357,2NS1-145,3FS1-213,9FS,2KW,6SW					
	S/N: 9NW					
	Use with 1195425 Cylinder					
	BD-198816	Kit	110.00M	75.00M	P	23
	S/N: 8JR688-UP,9GR358-UP,2NS146-UP,3FS214-UP,9FS,2KW					
	S/N: 6SW,9NW					
	Use with 1438156 or 1859086 Cylinder					
Boom VA	BD-205842	Kit	140.00M	85.00M	P	23
	S/N: 6SW					
	Use with 1847660 Cylinder					
Bucket	BD-203670	Kit	100.00M	65.00M	P	23
	S/N: 8JR1-689,9GR1-354,2NS1-148,3FS1-211,9FS,2KW,6SW					
	S/N: 9NW					
	Use with 1195447 Cylinder					
	BD-203675	Kit	100.00M	65.00M	P	23
	S/N: 8JR690-UP,9GR355-UP,2NS149-UP,3FS212-UP,9FS,2KW					
	S/N: 6SW,9NW					
	Use with 1438158 Cylinder					
Stick	BD-202674	Kit	120.00M	80.00M	P	23
	S/N: 8JR1-687,9GR1-357,2NS1-145,3FS1-213,9FS,2KW,6SW					
	S/N: 9NW					
	Use with 1195436 Cylinder					

CATERPILLAR® (REFERENCED BY BULLDOG® PART NUMBERS)

Application	Part Number	Description	Bore	Rod	Wiper	Type	
312B EXCAVATOR (continued)							
Stick (cont)	BD-259817	Kit	120.00M	80.00M	P	23	
	S/N:	8JR688-UP,9GR358-UP,2NS146-UP,3FS214-UP,9FS,2KW					
	S/N:	6SW,9NW Use with 1438157 or 1859056 Cylinder					
Blade	BD-259666	Kit	120.00M	80.00M	P	23	
	S/N:	2NS,3FS,2KW,9NW					
Track Adjuster	BD-900408	Kit	50.00M	50.00M	P	0	
	BD-901406	Kit	60.00M	60.00M	P	0	
	S/N:	9GR LGP arrangement					
312C EXCAVATOR							
Excavator S/N: BNN1-UP,BWH1-UP,CBA1-UP,CBT1-UP,DBN1-UP,FDS1-UP							
Boom	BD-198873	Kit	110.00M	75.00M	P	23	
	BD-205842	Kit	140.00M	85.00M	P	23	
	S/N:	BNN,BWH,CBT,DBN					
	S/N:	BD-198669	Kit	110.00M	75.00M	P	23
Offset Boom	S/N:	CBA					
Bucket	BD-259817	Kit	120.00M	80.00M	P	23	
	S/N:	BNN					
Bucket	BD-203675	Kit	100.00M	65.00M	P	23	
	BD-203670	Kit	100.00M	65.00M	P	23	
	S/N:	BNN,CBT					
	S/N:	BD-200664	Kit	80.00M	55.00M	P	15
	S/N:	CBA					
Stick	BD-198873	Kit	110.00M	75.00M	P	23	
	S/N:	FDS					
Stick	BD-259817	Kit	120.00M	80.00M	P	23	
	S/N:	BD-202674	Kit	120.00M	80.00M	P	23
Blade	S/N:	CBA					
Blade	BD-259871	Kit	120.00M	80.00M	P	23	
	S/N:	BWH,CBA,CBT,FDS					
Track Adjuster	BD-901414	Kit	60.00M	50.00M	P	0	
	S/N:	BNN,BWH,CBT,DBN					
	S/N:	BD-900408	Kit	50.00M	50.00M	P	0
S/N:	CBA,FDS						
312D EXCAVATOR							
Excavator S/N: DLP1-UP,HCW1-UP,HJX1-UP,JBC1-UP,KCD1-UP,KES1-UP LRK1-UP,PHH1-UP,RHL1-UP,RKF1-UP,TGY1-UP,XGK1-UP							
Boom	BD-198876	Kit	110.00M	75.00M	P	23	
Boom VA	BD-205842	Kit	140.00M	85.00M	P	23	
	S/N:	HJX,KCD,PHH,RKF					
Bucket	BD-204878	Kit	100.00M	70.00M	P	23	
	Use with 2897699 or 2898086 Cylinder						
	S/N:	BD-204877	Kit	100.00M	70.00M	P	23
S/N:	DLP,KES,RHL,XGK Use with 2952006 Cylinder						
Stick	BD-259879	Kit	120.00M	80.00M	P	23	

Application	Part Number	Description	Bore	Rod	Wiper	Type
312D EXCAVATOR (continued)						
Blade	BD-259871	Kit	120.00M	80.00M	P	23
S/N:	HCW,JBC,KCD,KES,RHL,RKF,TGY,XGK					
Track Adjuster	BD-900412	Kit	50.00M	50.00M	P	0
S/N:	DLP,HCW,JBC,KES,LRK,RHL,TGY,XGK					
	BD-901406	Kit	60.00M	60.00M	P	0
S/N:	HJX,KCD					
313B CR EXCAVATOR						
Excavator S/N: BAS1-UP						
Boom	BD-198816	Kit	110.00M	75.00M	P	23
Bucket	BD-203675	Kit	100.00M	65.00M	P	23
Stick	BD-259817	Kit	120.00M	80.00M	P	23
	Use with 1438157 or 1859056 Cylinder					
	BD-202674	Kit	120.00M	80.00M	P	23
S/N:	BAS245-UP Use with 1195436 Cylinder					
Blade	BD-259666	Kit	120.00M	80.00M	P	23
Track Adjuster	BD-900408	Kit	50.00M	50.00M	P	0
314C CR,314C LCR EXCAVATOR						
Excavator S/N: KJA1-UP,PCA1-UP,SNY1-UP						
Boom	BD-198873	Kit	110.00M	75.00M	P	23
	BD-198880	Kit	110.00M	75.00M	P	23
S/N:	KJA Offset Boom arrangement					
Offset Boom	BD-198882	Kit	130.00M	75.00M	P	23
S/N:	KJA					
Bucket	BD-203675	Kit	100.00M	65.00M	P	23
Stick	BD-259817	Kit	120.00M	80.00M	P	23
	BD-259881	Kit	120.00M	80.00M	P	23
S/N:	KJA Offset Boom arrangement					
Blade	BD-259871	Kit	120.00M	80.00M	P	23
Track Adjuster	BD-900408	Kit	50.00M	50.00M	P	0
314D CR,314D LCR EXCAVATOR						
Excavator S/N: BYJ1-UP,PDP1-UP,SBP1-UP,SSZ1-UP,TXN1-UP,WLN1-UP XHR1-UP						
Boom	BD-198876	Kit	110.00M	75.00M	P	23
	Use with 2897720 or 2959458 Cylinder					
	BD-198883	Kit	110.00M	75.00M	P	23
	Use with 3349964 Cylinder					
Offset Boom	BD-198882	Kit	130.00M	75.00M	P	23
S/N:	BYJ,PDP,SSZ,TXN,WLN,XHR					
Boom VA	BD-205842	Kit	140.00M	85.00M	P	23
S/N:	SBP,TXN					
Bucket	BD-204878	Kit	100.00M	70.00M	P	23
Stick	BD-259879	Kit	120.00M	80.00M	P	23
	Use with 2897713 Cylinder					
	BD-259884	Kit	120.00M	80.00M	P	23
	Use with 2742737 Cylinder					

CATERPILLAR® (REFERENCED BY BULLDOG® PART NUMBERS)

Application	Part Number	Description	Bore	Rod	Wiper	Type
314D CR,314D LCR EXCAVATOR (continued)						
Stick (cont) S/N:	BD-198876 SBP, TXN	Kit	110.00M	75.00M	P	23
Blade	BD-259871	Kit	120.00M	80.00M	P	23
Track Adjuster	BD-900412	Kit	50.00M	50.00M	P	0
315 EXCAVATOR						
Excavator S/N: 3ZM1-UP,4YM1-UP,6YM1-UP						
Boom S/N:	BD-202676 3ZM,4YM1-326,6YM1-1279	Kit	110.00M	80.00M	P	23
S/N:	BD-202818 4YM327-UP,6YM1280-UP	Kit	110.00M	80.00M	P	23
Bucket S/N:	BD-204677 3ZM,4YM1-326,6YM1-1267	Kit	100.00M	70.00M	P	23
S/N:	BD-204820 4YM327-UP,6YM1268-UP	Kit	100.00M	70.00M	P	23
S/N:	BD-202676 3ZM	Kit	110.00M	80.00M	P	23
Stick S/N:	BD-205678 3ZM,4YM1-326,6YM1-1279	Kit	120.00M	85.00M	P	23
S/N:	BD-205819 4YM327-UP,6YM1280-UP	Kit	120.00M	85.00M	P	23
Track Adjuster	BD-901406	Kit	60.00M	60.00M	P	0
315B EXCAVATOR						
Excavator S/N: 1SW1-UP,3AW1-UP,5SW1-UP,7RZ1-UP						
Boom S/N:	BD-202679 Use with 1336630 Cylinder	Kit	110.00M	80.00M	P	23
S/N:	BD-259821 Use with 1559251 Cylinder	Kit	110.00M	80.00M	P	22
Boom VA S/N:	BD-205842 5SW	Kit	140.00M	85.00M	P	23
Bucket S/N:	BD-204681 Use with 1336636 Cylinder	Kit	100.00M	70.00M	P	23
S/N:	BD-204823 Use with 1559255 or 1733490 Cylinder	Kit	100.00M	70.00M	P	23
S/N:	BD-259826 5SW Use with 1588923 Cylinder	Kit	110.00M	80.00M	P	23
S/N:	BD-202679 5SW Use with 1336639 Cylinder	Kit	110.00M	80.00M	P	23
Stick S/N:	BD-205680 Use with 1336633 Cylinder	Kit	120.00M	85.00M	P	23
S/N:	BD-258822 Use with 1559253 Cylinder	Kit	120.00M	85.00M	P	23
Track Adjuster S/N:	BD-901406 1SW,3AW,5SW	Kit	60.00M	60.00M	P	0
S/N:	BD-901407 7RZ	Kit	70.00M	45.00M	P	0

Application	Part Number	Description	Bore	Rod	Wiper	Type
315C EXCAVATOR						
Excavator S/N: AKE1-UP,ANF1-UP,CFB1-UP,CFT1-UP,CJC1-UP						
Boom	BD-259821	Kit	110.00M	80.00M	P	22
Boom VA	BD-205842	Kit	140.00M	85.00M	P	23
	S/N: ANF					
Bucket	BD-204823	Kit	100.00M	70.00M	P	23
	BD-259826	Kit	110.00M	80.00M	P	23
Stick	BD-258822	Kit	120.00M	85.00M	P	23
	Use with 1559253, 1733486 or 2248528 Cylinder					
	BD-258885	Kit	120.00M	85.00M	P	23
	Use with 3350034 Cylinder					
Blade Lift	BD-6251056	Kit	2.750S	1.500S	P	15
	S/N: CJC					
	BD-259871	Kit	120.00M	80.00M	P	23
	S/N: CFT,CJC					
Blade Angle	BD-625103	Kit	3.500S	1.500S	P	15
	S/N: CJC					
Track Adjuster	BD-901406	Kit	60.00M	60.00M	P	0
	BD-901407	Kit	70.00M	45.00M	P	0
	S/N: CJC	Use with blade equipped models				
315D EXCAVATOR						
Excavator S/N: BZN1-UP,CJN1-UP,JGS1-UP,JHA1-UP,KBD1-UP,NCM1-UP TLE1-UP						
Boom	BD-259886	Kit	110.00M	80.00M	P	23
Boom VA	BD-205842	Kit	140.00M	85.00M	P	23
	S/N: NCM,TLE					
Bucket	BD-204823	Kit	100.00M	70.00M	P	23
	S/N: CJN,KBD,NCM,TLE	Use with 2590846 or 2898113 Cylinder				
	BD-204888	Kit	100.00M	70.00M	P	23
	S/N: CJN	Use with 2818979 Cylinder				
	BD-259826	Kit	110.00M	80.00M	P	23
	S/N: BZN,CJN,JGS,JHA,NCM	Use with 2590916, 2898121 or 3228747 Cylinder				
	BD-259887	Kit	110.00M	80.00M	P	23
	S/N: BZN,JGS	Use with 3021734 Cylinder				
Stick	BD-258885	Kit	120.00M	85.00M	P	23
Track Adjuster	BD-901406	Kit	60.00M	60.00M	P	0
	S/N: CJN,KBD					
	BD-901413	Kit	60.00M	45.00M	P	0
	S/N: BZN,JGS,JHA,NCM,TLE					

CATERPILLAR® (REFERENCED BY BULLDOG® PART NUMBERS)

Application	Part Number	Description	Bore	Rod	Wiper	Type
317 EXCAVATOR						
Excavator S/N: 4MM1-UP,9SR1-UP						
Boom	BD-202676	Kit	110.00M	80.00M	P	23
Bucket	BD-204677	Kit	100.00M	70.00M	P	23
	BD-202676	Kit	110.00M	80.00M	P	23
Stick	BD-205678	Kit	120.00M	85.00M	P	23
Track Adjuster	BD-901406	Kit	60.00M	60.00M	P	0
317B EXCAVATOR						
Excavator S/N: 9WW1-UP,6DZ1-UP						
Boom	BD-202679	Kit	110.00M	80.00M	P	23
	Use with 1336630 Cylinder					
	BD-259821	Kit	110.00M	80.00M	P	22
	Use with 1559251 Cylinder					
Bucket	BD-205842	Kit	140.00M	85.00M	P	23
	BD-204681	Kit	100.00M	70.00M	P	23
	Use with 1336636 Cylinder					
	BD-204823	Kit	100.00M	70.00M	P	23
	Use with 1559255 Cylinder					
	BD-202679	Kit	110.00M	80.00M	P	23
	Use with 1336639 Cylinder					
	BD-259826	Kit	110.00M	80.00M	P	23
Use with 1588923 Cylinder						
Stick	BD-205680	Kit	120.00M	85.00M	P	23
	Use with 1336633 Cylinder					
	BD-258822	Kit	120.00M	85.00M	P	23
Use with 1559253 Cylinder						
Track Adjuster	BD-901407	Kit	70.00M	45.00M	P	0
318B EXCAVATOR						
Excavator S/N: 3LR1-UP,7KZ1-UP,ADC1-UP,AEJ1-UP						
Boom	BD-208691	Kit	120.00M	85.00M	P	15
	S/N: 3LR,7KZ Use with 1475755 Cylinder					
	BD-258822	Kit	120.00M	85.00M	P	23
Use with 1475756 Cylinder						
Boom VA	BD-207684	Kit	160.00M	95.00M	P	23
S/N: ADC						
Bucket	BD-208688	Kit	120.00M	85.00M	P	15
	S/N: 3LR,7KZ Use with 1183967 or 1713379 Cylinder					
	BD-258700	Kit	120.00M	85.00M	P	23
	Use with 1184134 Cylinder					
	BD-259826	Kit	110.00M	80.00M	P	23
	Use with 1475763, 1873479 or 2182099 Cylinder					
Stick	BD-204823	Kit	100.00M	70.00M	P	23
	S/N: ADC,AEJ					
Track Adjuster	BD-256824	Kit	130.00M	95.00M	P	15
	S/N: 3LR,7KZ Use with 1475759 Cylinder					

Application	Part Number	Description	Bore	Rod	Wiper	Type
318B EXCAVATOR (continued)						
Stick (cont)	BD-260827	Kit	130.00M	95.00M	P	23
Use with 1475760 Cylinder						
Track Adjuster	BD-901407	Kit	70.00M	45.00M	P	0
318C EXCAVATOR						
Excavator S/N: BTG1-UP,DAH1-UP,FAA1-UP,GPA1-UP,MDY1-UP						
Boom	BD-208691	Kit	120.00M	85.00M	P	15
S/N:	GPA,MDY Use with 1948416 Cylinder					
	BD-258822	Kit	120.00M	85.00M	P	23
S/N:	BTG,DAH,FAA,MDY Use with 1948407 Cylinder					
Boom VA	BD-267844	Kit	160.00M	95.00M	P	23
S/N:	MDY					
Bucket	BD-259826	Kit	110.00M	80.00M	P	23
S/N:	BTG,DAH,FAA					
	BD-258845	Kit	120.00M	85.00M	P	23
S/N:	BTG,DAH,FAA					
	BD-208889	Kit	120.00M	85.00M	P	15
S/N:	GPA,MDY					
Stick	BD-256890	Kit	130.00M	95.00M	P	15
S/N:	GPA,MDY Use with 1948418 Cylinder					
	BD-260827	Kit	130.00M	95.00M	P	23
S/N:	BTG,DAH,FAA,MDY Use with 1948410 Cylinder					
Track Adjuster	BD-901407	Kit	70.00M	45.00M	P	0
319C EXCAVATOR						
Excavator S/N: KGL1-UP						
Boom	BD-267844	Kit	160.00M	95.00M	P	23
	BD-258822	Kit	120.00M	85.00M	P	23
Bucket	BD-258845	Kit	120.00M	85.00M	P	23
	BD-259826	Kit	110.00M	80.00M	P	23
Stick	BD-260827	Kit	130.00M	95.00M	P	23
Track Adjuster	BD-901407	Kit	70.00M	45.00M	P	0
319D EXCAVATOR						
Excavator S/N: AYF1-UP,BZH1-UP,DAY1-UP,EAW1-UP,FMH1-UP,KFM1-UP KRM1-UP,RJP1-UP,WBJ1-UP,ZCA1-UP,ZGZ1-UP						
Boom	BD-258885	Kit	120.00M	85.00M	P	23
Use with 2590850 or 2898130 Cylinder						
	BD-208864	Kit	120.00M	85.00M	P	15
S/N:	AYF,EAW,FMH,RJP Use with 2590862 Cylinder					
	BD-267844	Kit	160.00M	95.00M	P	23
S/N:	AYF,BZH,DAY,RJP,WBJ,ZGZ					
Bucket	BD-259826	Kit	110.00M	80.00M	P	23
Use with 2590856 or 2898146 Cylinder						

CATERPILLAR® (REFERENCED BY BULLDOG® PART NUMBERS)

Application	Part Number	Description	Bore	Rod	Wiper	Type
319D EXCAVATOR (continued)						
Bucket (cont)	BD-259887	Kit	110.00M	80.00M	P	23
	S/N:	AYF,KFM,RJP,ZCA Use with 2807318 Cylinder				
	BD-258845	Kit	120.00M	85.00M	P	23
	S/N:	AYF,EAW,FMH,RJP Use with 2590859 or 2898154 Cylinder				
Stick	BD-208865	Kit	120.00M	85.00M	P	15
	S/N:	AYF,EAW,FMH,RJP Use with 2590864 Cylinder				
	BD-260891	Kit	130.00M	95.00M	P	23
	S/N:	AYF,EAW,FMH,RJP Use with 2590853 or 2898138 Cylinder				
Track Adjuster	BD-901412	Kit	70.00M	50.00M	P	0
320 EXCAVATOR						
Excavator S/N: 9WG1-UP,4ZJ1-UP,3XK1-UP,7WK1-UP,8LK1-UP,9KK1-UP 1KL1-UP,1TL1-UP,2DL1-UP,1XM1-UP,6KM1-UP						
Boom	BD-205680	Kit	120.00M	85.00M	P	23
	S/N:	9WG,4ZJ,3XK,6KM				
	BD-208686	Kit	120.00M	85.00M	P	15
	S/N:	7WK,8LK,9KK,1KL,1TL,2DL,1XM				
Boom VA	BD-267684	Kit	160.00M	95.00M	P	23
S/N:	9WG					
Bucket	BD-205700	Kit	120.00M	85.00M	P	23
	S/N:	9WG,4ZJ,3XK,6KM B-Family Buckets				
	BD-208688	Kit	120.00M	85.00M	P	15
	S/N:	7WK,8LK,2DL B-Family Buckets				
	BD-258685	Kit	130.00M	85.00M	P	23
	S/N:	9WG,4ZJ,3XK,7WK,8LK,2DL,1XM,6KM C-Family Buckets				
	BD-203690	Kit	100.00M	65.00M	P	23
	S/N:	9KK,1KL,1TL Use with 417652 Cylinder				
	BD-203670	Kit	100.00M	65.00M	P	23
	S/N:	9KK1359-UP Use with 1251547 Cylinder				
Stick	BD-206682	Kit	140.00M	100.00M	P	23
	S/N:	9WG,4ZJ,3XK,6KM				
	BD-209687	Kit	140.00M	100.00M	P	15
	S/N:	7WK,8LK,2DL,1XM				
	BD-210689	Kit	150.00M	105.00M	P	23
S/N:	9KK,1KL,1TL					
Track Adjuster	BD-901406	Kit	60.00M	60.00M	P	0
	S/N:	9WG,4ZJ,3XK,7WK,8LK,9KK1-4320,1KL,1TL,2DL1-1709				
	S/N:	1XM1-169,6KM				
	BD-901408	Kit	70.00M	70.00M	P	0
	S/N:	9WG813-UP,9KK,6KM S/N 9KK Feller Buncher and Log Loader arrangements				

Application	Part Number	Description	Bore	Rod	Wiper	Type
320 EXCAVATOR (continued)						
Track Adjuster (cont)	BD-901407	Kit	70.00M	45.00M	P	0
S/N:	9WG1148-UP,4ZJ576-UP,3XK1684-UP,9KK4321-UP,2DL1710-UP					
S/N:	1XM170-UP					
320B EXCAVATOR						
Excavator S/N: 4NR1-UP,5BR1-UP,6CR1-UP,7JR1-UP,1ES1-UP,1XS1-UP 2AS1-UP,5MS1-UP,6LS1-UP,9JS1-UP,9WS1-UP,4XW1-UP 5GW1-UP,6LW1-UP,3YZ1-UP,BBG1-UP,BAN1-UP						
Boom	BD-208691	Kit	120.00M	85.00M	P	15
S/N:	4NR,5BR,6CR,1ES,6LS,9JS,4XW,5GW,BBG,BAN					
	BD-258680	Kit	120.00M	85.00M	P	23
S/N:	7JR,1XS,2AS,5MS,9WS,6LW,3YZ Use with 1184128 or 1760584 Cylinder					
	BD-258843	Kit	120.00M	85.00M	P	23
S/N:	7JR,1XS,5MS,9WS,6LW,3YZ Use with 1589058 Cylinder					
	BD-211699	Kit	140.00M	100.00M	P	15
S/N:	6CR,6LS,9JS,9WS,6LW Log Loader arrangement					
Boom VA	BD-267844	Kit	160.00M	95.00M	P	23
S/N:	7JR,1XS,5MS,9WS,3YZ					
Bucket	BD-208688	Kit	120.00M	85.00M	P	15
S/N:	4NR,5BR,6CR,1ES,6LS,9JS,4XW,5GW,BBG,BAN B-Family Buckets					
	BD-212694	Kit	130.00M	90.00M	P	15
S/N:	4NR,5BR,6CR,6LS,9JS,4XW,5GW C-Family Buckets					
	BD-213695	Kit	130.00M	90.00M	P	23
S/N:	4NR,5BR,6CR,7JR,1XS,2AS,5MS,9WS,6LW,3YZ Use with 1232044 Cylinder					
	BD-213846	Kit	130.00M	90.00M	P	23
S/N:	7JR,1XS,2AS,5MS,9WS,6LW,3YZ Use with 1799764 Cylinder					
	BD-203670	Kit	100.00M	65.00M	P	23
S/N:	6CR Long Reach arrangement Use with 1251547 or 1346987 Cylinder					
	BD-258700	Kit	120.00M	85.00M	P	23
S/N:	7JR,1XS,2AS,5MS,9WS,6LW,3YZ Use with 1184134 Cylinder					
	BD-203675	Kit	100.00M	65.00M	P	23
S/N:	6CR Long Reach arrangement Use with 1425430 Cylinder					
	BD-258845	Kit	120.00M	85.00M	P	23
S/N:	7JR,1XS,5MS,9WS,6LW,3YZ Use with 1589061 or 2836132 Cylinder					
	BD-215698	Kit	125.00M	85.00M	P	23
S/N:	1ES B-Family Buckets, Demolition arrangement					

CATERPILLAR® (REFERENCED BY BULLDOG® PART NUMBERS)

Application	Part Number	Description	Bore	Rod	Wiper	Type
320B EXCAVATOR (continued)						
Bucket (cont)	BD-203690	Kit	100.00M	65.00M	P	23
S/N:	7JR Long Reach arrangement					
Stick	BD-211692	Kit	140.00M	100.00M	P	15
S/N:	4NR,5BR,6CR,1ES,6LS,9JS,4XW,5GW,BBG,BAN					
	BD-214697	Kit	150.00M	105.00M	P	15
S/N:	6CR,6LS,9JS Long Reach or Log Loader arrangement					
	BD-206682	Kit	140.00M	100.00M	P	23
S/N:	7JR,1XS,2AS,5MS,9WS,3YZ Use with 1184150 or 1184156 Cylinder					
	BD-206847	Kit	140.00M	100.00M	P	23
S/N:	7JR,1XS,5MS,9WS,6LW,3YZ Use with 1589059 or 1589060 Cylinder					
	BD-267844	Kit	160.00M	95.00M	P	23
S/N:	7JR,1XS,5MS,9WS,6LW,3YZ Use with 2044907 Cylinder					
	BD-267684	Kit	160.00M	95.00M	P	23
S/N:	7JR,1XS,2AS,5MS,9WS,3YZ Boom VA arrangement Use with 1412609 Cylinder					
	BD-210689	Kit	150.00M	105.00M	P	23
S/N:	7JR,9WS,6LW					
Heel	BD-212694	Kit	130.00M	90.00M	P	15
S/N:	6LS,9JS					
Tilt Cab	BD-662122	Kit	5.000S	2.250S	P	15
S/N:	6LS,9JS					
Track Adjuster	BD-901407	Kit	70.00M	45.00M	P	0
S/N:	4NR,5BR,6CR,7JR,1ES,1XS,2AS,4XW,5GW,3YZ,BBG,BAN					
	BD-901408	Kit	70.00M	70.00M	P	0
S/N:	5MS,6LS,9JS,9WS,6LW					
320C EXCAVATOR						
Excavator S/N: AKH1-UP,ALF1-UP,AMC1-UP,ANB1-UP,AXK1-UP,BBC1-UP BBL1-UP,BCB1-UP,BCN1-UP,BDB1-UP,BDC1-UP,BDE1-UP BEA1-UP,BEF1-UP,BER1-UP,BGB1-UP,BKK1-UP,BMZ1-UP BPR1-UP,BRX1-UP,CLM1-UP,CLZ1-UP,DBG1-UP,EAG1-UP EGA1-UP,EGL1-UP,GAD1-UP,GHA1-UP,GLA1-UP,GNG1-UP HBC1-UP,HKT1-UP,JPL1-UP,JTG1-UP,MAB1-UP,MAC1-UP PAB1-UP,PAC1-UP,RAW1-UP,SAH1-UP,SBN1-UP,TBR1-UP						
Boom	BD-208691	Kit	120.00M	85.00M	P	15
S/N:	ALF,AKH,AMC,ANB,BBC,BCB,BDB,BDC,BEF,BER,BGB,BKK					
S/N:	BPR,BRX,CLM,CLZ,EAG,GHA,GNG,HBC,HKT,MAB,MAC,PAB					
S/N:	PAC,RAW,SAH,SBN,TBR Use with 1588991, 1850340, 2043614 or 2590694 Cylinder					
	BD-258843	Kit	120.00M	85.00M	P	23
S/N:	AXK,BBL,BCN,BDC,BDE,BEA,BER,BMZ,DBG,EGA,EGL,GAD					
S/N:	GLA,JPL,JTG,RAW,SBN Use with 1589058 Cylinder					
	BD-211699	Kit	140.00M	100.00M	P	15
S/N:	BGB,SAH					

Application	Part Number	Description	Bore	Rod	Wiper	Type
320C EXCAVATOR (continued)						
Boom VA	BD-267844	Kit	160.00M	95.00M	P	23
S/N:	AXK,BBL,BCN,BDE,BEA,BMZ,DBG,EGL,GLA,JTG					
Bucket	BD-208688	Kit	120.00M	85.00M	P	15
S/N:	ALF,AKH,AMC,ANB,BBC,BCB,BDB,BEF,BPR,BRX,CLM,CLZ					
S/N:	GHA,HBC,RAW,SBN Use with 1588997, 1850346 or 2043617 Cylinder					
	BD-208889	Kit	120.00M	85.00M	P	15
S/N:	AKH,ALF,AMC,ANB,BCB,BDB,BPR,BRX,CLM,CLZ,EAG,GHA					
S/N:	GNG,HBC,HKT,MAB,MAC,PAB,PAC,SAH,TBR Use with 2043689, 2043696 or 2590705 Cylinder					
	BD-208848	Kit	125.00M	85.00M	P	23
S/N:	ALF,AKH,AMC,ANB,BBC,BCB,BDB,BEF					
	BD-212694	Kit	130.00M	90.00M	P	15
S/N:	ALF,AKH,AMC,ANB,BCB,BDB,GHA,GNG,HBC,HKT,MAB,PAB					
S/N:	RAW,SBN Use with 1588999, 1799793, 2096011 or 2590732 Cylinder					
	BD-203670	Kit	100.00M	65.00M	P	23
S/N:	ALF,ANB,BER,BRX,PAB Use with 1346987 Cylinder					
	BD-203675	Kit	100.00M	65.00M	P	23
S/N:	ANB,BDE,BRX,GLA,HKT,PAB,SBN Use with 1709808, 2487855, 2836118 or 2959396 Cylinder					
	BD-213846	Kit	130.00M	90.00M	P	23
S/N:	AXK,BBL,BCN,BDC,BDE,BEA,BER,BMZ,DBG,EGL,GLA,JTG					
S/N:	RAW,SBN					
	BD-258845	Kit	120.00M	85.00M	P	23
S/N:	AMC,ANB,AXK,BBL,BCN,BDC,BDE,BEA,BER,BMZ,DBG,EGA					
S/N:	EGL,GLA,JTG,RAW,SBN Use with 1589061 or 2836132 Cylinder					
Stick	BD-211692	Kit	140.00M	100.00M	P	15
S/N:	ALF,AKH,AMC,ANB,BBC,BCB,BDB,BDC,BEF,BER,BPR,BRX					
S/N:	CLM,CLZ,EAG,GHA,GNG,HBC,HKT,MAB,MAC,PAB,PAC,RAW					
S/N:	SBN Use with 1588993, 1588995, 1850342, 1850344, 2043615, 2043616, 2590698, 2590699 or 2590702 Cylinder					
	BD-206847	Kit	140.00M	100.00M	P	23
S/N:	AXK,BBL,BCN,BDC,BDE,BEA,BER,BMZ,DBG,EGA,EGL,GAD					
S/N:	GLA,JTG,RAW,SBN Use with 1589059 or 1589060 Cylinder					
	BD-271894	Kit	140.00M	100.00M	P	15
S/N:	AKH,ALF,AMC,ANB,BBC,BCB,BDB,BEF,BPR,BRX,EAG,GNG					
S/N:	HKT,MAB,PAB,SAH,TBR Use with 2144500 Cylinder					
	BD-214697	Kit	150.00M	105.00M	P	15
S/N:	ALF,ANB,BER,BGB,BRX,PAB,SAH Use with 1232081 or 1336771 Cylinder					
	BD-272856	Kit	150.00M	105.00M	P	15
S/N:	ANB,BRX,HKT,PAB Use with 2096008 Cylinder					
	BD-210851	Kit	150.00M	105.00M	P	23
S/N:	BDE,GLA,SBN Use with 1799785 Cylinder and 1948321 Rod					

CATERPILLAR® (REFERENCED BY BULLDOG® PART NUMBERS)

Application	Part Number	Description	Bore	Rod	Wiper	Type
320C EXCAVATOR (continued)						
Stick (cont)	BD-210895	Kit	150.00M	105.00M	P	23
	S/N:	GLA Use with 1799785 Cylinder and 2667839 Rod				
	BD-213696	Kit	130.00M	90.00M	P	23
S/N:	EGA,JPL Material Handler arrangement (2 - 2141591 Stick Cylinders)					
Heel	BD-212694	Kit	130.00M	90.00M	P	15
	S/N:	BGB,SAH				
Cab Tilt	BD-662122	Kit	5.000S	2.250S	P	15
	S/N:	SAH1001-UP,TBR1001-UP				
Track Adjuster	BD-901407	Kit	70.00M	45.00M	P	0
	S/N:	ALF,AKH,AMC,ANB,AXK,BBC,BCB,BCN,BDB,BDC,BDE,BEA				
	S/N:	BEF,BER,BPR,BRX,CLM,CLZ,DBG,EAG,GAD,GHA,GLA,GNG				
	S/N:	HBC,HKT,JTG,MAB,MAC,PAB,PAC,RAW,SBN				
S/N:	BD-902403	Kit	80.00M	80.00M	P	0
	BBL,BDE,BGB,BKK,BMZ,EGA,EGL,GLA,JPL,SAH,TBR					
320D EXCAVATOR						
Excavator S/N: A6F1-UP,A8F1-UP,A9F1-UP,BWW1-UP,BZF1-UP,BZP1-UP CXY1-UP,DHE1-UP,DHK1-UP,EAX1-UP,EBY1-UP,EJT1-UP FAL1-UP,FXK1-UP,GDP1-UP,GKL1-UP,GKS1-UP,GMX1-UP HJC1-UP,JFZ1-UP,JGZ1-UP,KGF1-UP,KHN1-UP,KLM1-UP KTF1-UP,MCH1-UP,MDE1-UP,MGG1-UP,PCM1-UP,PCX1-UP PHX1-UP,SPN1-UP,SRT1-UP,TAE1-UP,TDH1-UP,WBN1-UP WFD1-UP,XCK1-UP,YDS1-UP,ZGB1-UP						
Boom	BD-208864	Kit	120.00M	85.00M	P	15
	S/N:	A6F,A8F,A9F,BWW,BZF,BZP,CXY,DHE,DHK,EAX,EBY,EJT				
	S/N:	FAL,FXK,GDP,GKL,GMX,HJC,JFZ,JGZ,KGF,KHN,KLM,KTF				
	S/N:	MCH,MDE,MGG,PCM,PCX,PHX,SPN,TAE,TDH,WBN,WFD,XCK				
S/N:	YDS,ZGB					
S/N:	BD-211898	Kit	140.00M	100.00M	P	15
	GKS					
Bucket	BD-208865	Kit	120.00M	85.00M	P	15
	S/N:	A6F,A8F,A9F,BZP,CXY,DHE,DHK,EBY,EJT,FAL,FXK,GDP				
	S/N:	GKL,GMX,HJC,JFZ,JGZ,KGF,KHN,KLM,KTF,MCH,MDE,MGG				
	S/N:	PCM,PCX,PHX,SPN,TAE,TDH,WBN,WFD,XCK,YDS,ZGB				
	BD-203675	Kit	100.00M	65.00M	P	23
S/N:	DHK,KGF,MDE,MGG,PHX					
S/N:	BD-204878	Kit	100.00M	70.00M	P	23
	GDP,SPN,TDH					
Stick	BD-211870	Kit	140.00M	100.00M	P	15
	S/N:	A6F,A8F,A9F,BWW,BZF,CXY,DHE,DHK,EAX,EBY,FAL,FXK				
	S/N:	GKL,GMX,HJC,JFZ,JGZ,KGF,KLM,MCH,MDE,MGG,PHX,SPN				
	S/N:	TAE,TDH,WFD,XCK,YDS Use with 2426744 Cylinder				
	BD-211866	Kit	140.00M	100.00M	P	15
	S/N:	A6F,A8F,A9F,BWW,BZP,CXY,DHE,DHK,EBY,EJT,FAL,FXK				
S/N:	GKL,GMX,HJC,JGZ,KGF,KHN,KLM,KTF,MCH,MDE,MGG,PCM					
S/N:	PCX,PHX,SPN,TAE,TDH,WBN,WFD,XCK,YDS,ZGB Use with 2426734, 2426748, 2426751, 2426763, 2667974 or 2667976 Cylinder					
S/N:	BD-272897	Kit	150.00M	105.00M	P	15
	DHK,GDP,GKS,KGF,MDE,MGG,PHX,SPN,TDH					

Application	Part Number	Description	Bore	Rod	Wiper	Type
320D EXCAVATOR (continued)						
Cab Tilt	BD-662122	Kit	5.000S	2.250S	P	15
	S/N:	BWW,BZF,EAX,GKS				
Heel	BD-212899	Kit	130.00M	90.00M	P	15
	S/N:	GKS				
Track Adjuster	BD-901412	Kit	70.00M	50.00M	P	0
	S/N:	A6F,A8F,A9F,BZP,CXY,DHE,DHK,EBY,EJT,FAL,FXK,GDP				
	S/N:	GKL,GMX,HJC,JFZ,JGZ,KGF,KHN,KLM,KTF,MCH,MDE,MGG				
	S/N:	PCM,PCX,PHX,SPN,TAE,TDH,WBN,WFD,XCK,YDS,ZGB				
	BD-902403	Kit	80.00M	80.00M	P	0
S/N:	BWW,BZF,EAX,GKS,SRT					
321B,321C LCR EXCAVATOR						
Excavator S/N: 9CZ1-UP,KCR1-UP,KGA1-UP,MCF1-UP						
Boom	BD-212900	Kit	125.00M	90.00M	P	15
	BD-208691	Kit	120.00M	85.00M	P	15
	S/N:	MCF				
Bucket	BD-208889	Kit	120.00M	85.00M	P	15
Stick	BD-211692	Kit	140.00M	100.00M	P	15
Track Adjuster	BD-901407	Kit	70.00M	45.00M	P	0
321D LCR EXCAVATOR						
Excavator S/N: KBZ1-UP,MDT1-UP,MPG1-UP,NAS1-UP,PBD1-UP,TXA1-UP						
Boom	BD-212901	Kit	125.00M	90.00M	P	15
	BD-208864	Kit	120.00M	85.00M	P	15
	S/N:	PBD,TXA				
	BD-267844	Kit	160.00M	95.00M	P	23
S/N:	PBD,TXA					
Bucket	BD-208865	Kit	120.00M	85.00M	P	15
Stick	BD-211866	Kit	140.00M	100.00M	P	15
Track Adjuster	BD-901412	Kit	70.00M	50.00M	P	0
322 EXCAVATOR						
Excavator S/N: 7WL1-UP,8CL1-UP,8ML1-UP,9JL1-UP,9RL1-UP,4RM1-UP						
Boom	BD-212701	Kit	130.00M	90.00M	P	15
	S/N:	7WL,8CL				
	BD-213696	Kit	130.00M	90.00M	P	23
	S/N:	8ML,9JL,9RL,4RM				
Boom VA	BD-206705	Kit	170.00M	100.00M	P	23
S/N:	8ML,9JL,4RM					
Bucket	BD-208688	Kit	120.00M	85.00M	P	15
	S/N:	7WL,8CL B-Family Buckets				
	BD-208694	Kit	130.00M	85.00M	P	15
	S/N:	7WL,8CL S-Family Buckets				
	BD-210702	Kit	150.00M	105.00M	P	23
	S/N:	7WL,8CL,8ML,9JL,4RM D-Family Buckets				

CATERPILLAR® (REFERENCED BY BULLDOG® PART NUMBERS)

Application	Part Number	Description	Bore	Rod	Wiper	Type
322 EXCAVATOR (continued)						
Bucket (cont)	BD-203670	Kit	100.00M	65.00M	P	23
	S/N: 8CL					
	BD-205700	Kit	120.00M	85.00M	P	23
	S/N: 8ML,9JL,9RL,4RM R-Family Buckets					
Stick	BD-209687	Kit	140.00M	100.00M	P	15
	S/N: 7WL,8CL					
	BD-210689	Kit	150.00M	105.00M	P	23
	S/N: 8CL					
Track Adjuster	BD-206682	Kit	140.00M	100.00M	P	23
	S/N: 8ML,9JL,9RL,4RM					
	BD-901407	Kit	70.00M	45.00M	P	0
	S/N: 9RL Forestry arrangement					
322B EXCAVATOR						
Excavator S/N: 8MR1-UP,8NR1-UP,1AS1-UP,1YS1-UP,1ZS1-UP,2ES1-UP						
Boom	BD-212706	Kit	130.00M	90.00M	P	15
	S/N: 8MR,8NR,1AS					
	BD-213696	Kit	130.00M	90.00M	P	23
	S/N: 1YS,1ZS,2ES Use with 1184166 Cylinder					
	BD-213849	Kit	130.00M	90.00M	P	23
	S/N: 1ZS,2ES Use with 1772440 Cylinder					
Boom VA	BD-206682	Kit	140.00M	100.00M	P	23
	S/N: 1YS Logging arrangement					
	BD-206705	Kit	170.00M	100.00M	P	23
Bucket	S/N: 1ZS,2ES					
	BD-212694	Kit	130.00M	90.00M	P	15
	S/N: 8MR,8NR,1AS S-Family Buckets					
	BD-203670	Kit	100.00M	65.00M	P	23
	S/N: 8NR,1YS					
	BD-213695	Kit	130.00M	90.00M	P	23
	S/N: 1YS,1ZS,2ES S-Family Buckets, Logging arrangement					
	BD-258700	Kit	120.00M	85.00M	P	23
Stick	S/N: 1YS B-Family Buckets					
	BD-210702	Kit	150.00M	105.00M	P	23
	S/N: 8MR,1YS,1ZS,2ES D-Family Buckets					
	BD-211692	Kit	140.00M	100.00M	P	15
S/N: 8MR,8NR,1AS						

Application	Part Number	Description	Bore	Rod	Wiper	Type
322B EXCAVATOR (continued)						
Stick (cont)	BD-210689	Kit	150.00M	105.00M	P	23
	S/N:	8NR,1YS Long Reach arrangement				
	BD-214697	Kit	150.00M	105.00M	P	15
	S/N:	1YS Logging arrangement				
	BD-218708	Kit	170.00M	110.00M	P	23
	S/N:	1YS Logging arrangement Use with 1163638 Cylinder				
	BD-218855	Kit	170.00M	110.00M	P	23
	S/N:	1YS Logging arrangement Use with 1913118 Cylinder				
	BD-206682	Kit	140.00M	100.00M	P	23
	S/N:	1YS,1ZS,2ES Use with 1184176, 1362252 or 1756855 Cylinder				
Grapple	BD-513459	Kit	4.000S	2.500S	P	5
	S/N:	1YS				
Cab Tilt	BD-628484	Kit	4.000S	2.500S	P	15
	BD-662122	Kit	5.000S	2.250S	P	15
Track Adjuster	BD-5001070	Kit	3.500S	1.500S	P	5
	S/N:	1YS				
	BD-901407	Kit	70.00M	45.00M	P	0
	BD-901408	Kit	70.00M	70.00M	P	0
	S/N:	1YS Log Loader arrangement				
BD-902404	Kit	100.00M	100.00M	P	0	
S/N:	1YS Log Loader arrangement					
322C EXCAVATOR						
Excavator S/N: BFK1-UP,BGR1-UP,BKJ1-UP,BKM1-UP,BLP1-UP,BPH1-UP BYL1-UP,CAM1-UP,CBY1-UP,C3R1-UP,DAA1-UP,EMR1-UP FED1-UP,HEK1-UP,LAR1-UP,MAR1-UP,M2H1-UP						
Boom	BD-213849	Kit	130.00M	90.00M	P	23
	S/N:	BFK,BGR,BKJ,BKM,BLP,BPH,BYL,CAM,DAA,EMR,FED,HEK				
	S/N:	LAR,MAR,M2H Use with 1772440 or 2044910 Cylinder				
	BD-212706	Kit	130.00M	90.00M	P	15
	S/N:	BKM,BLP,DAA,FED Use with 1915580, 2043619 or 2590711 Cylinder				
Boom VA	BD-206682	Kit	140.00M	100.00M	P	23
	S/N:	BYL,CBY,C3R				
Boom VA	BD-206705	Kit	170.00M	100.00M	P	23
	S/N:	BFK,BGR				
	BD-206902	Kit	170.00M	100.00M	P	23
S/N:	EMR,MAR					

CATERPILLAR® (REFERENCED BY BULLDOG® PART NUMBERS)

Application	Part Number	Description	Bore	Rod	Wiper	Type
322C EXCAVATOR (continued)						
Bucket	BD-213846	Kit	130.00M	90.00M	P	23
	S/N:	BFK,BGR,BKJ,BKM,BLP,BPH,BYL,CAM,C3R297-UP,DAA				
	S/N:	EMR,FED,HEK,LAR,MAR,M2H Use with 1772446, 1799764 or 2044914 Cylinder				
	BD-213695	Kit	130.00M	90.00M	P	23
	S/N:	CBY,C3R1-296 Use with 1184008 or 1232044 Cylinder				
	BD-212694	Kit	130.00M	90.00M	P	15
	S/N:	BKM,BLP,DAA,FED Use with 1772453, 1915584, 2043621 or 2590718 Cylinder				
	BD-203670	Kit	100.00M	65.00M	P	23
	S/N:	BKJ,CAM				
	BD-203675	Kit	100.00M	65.00M	P	23
	S/N:	FED,HEK				
	BD-210850	Kit	150.00M	105.00M	P	23
	S/N:	BFK,BGR,BKJ,BKM,BLP,DAA,EMR,FED,HEK,MAR Use with 1772465 or 2478853 Cylinder				
	BD-208688	Kit	120.00M	85.00M	P	15
	S/N:	BKM,BLP Use with 1850346 or 2043617 Cylinder				
	BD-258845	Kit	120.00M	85.00M	P	23
S/N:	BKJ,HEK					
BD-208889	Kit	120.00M	85.00M	P	15	
S/N:	BKM,BLP,DAA,FED Use with 2043689, 2043696 or 2590705 Cylinder					
Stick	BD-206847	Kit	140.00M	100.00M	P	23
	S/N:	BFK,BGR,BKJ,BKM,BLP,BPH,BYL,CAM,DAA,EMR,FED,HEK				
	S/N:	LAR,MAR,M2H Use with 1772443 or 2044912 Cylinder				
	BD-211692	Kit	140.00M	100.00M	P	15
	S/N:	BKM,BLP,DAA,FED Use with 1772451, 1915582, 2043620 or 2590715 Cylinder				
	BD-271894	Kit	140.00M	100.00M	P	15
	S/N:	FED Use with 2220227 Cylinder				
	BD-206869	Kit	140.00M	100.00M	P	23
	S/N:	DAA,EMR,FED,MAR Use with 2897884 Cylinder				
	BD-210689	Kit	150.00M	105.00M	P	23
	S/N:	BKJ,CAM Use with 1169123 Cylinder				
	BD-214697	Kit	150.00M	105.00M	P	15
	S/N:	BYL,CBY,C3R Use with 1336771 Cylinder				
	BD-210851	Kit	150.00M	105.00M	P	23
	S/N:	FED,HEK Use with 2166607 Cylinder				
	BD-218708	Kit	170.00M	110.00M	P	23
S/N:	CBY Use with 1163638 Cylinder					

Application	Part Number	Description	Bore	Rod	Wiper	Type
322C EXCAVATOR (continued)						
Stick (cont)	BD-218855	Kit	170.00M	110.00M	P	23
S/N:	BYL,CBY,C3R Use with 1913118 Cylinder					
Cab Tilt	BD-662122	Kit	5.000S	2.250S	P	15
S/N:	BYL,C3R1001-UP,LAR1001-UP,M2H1001-UP					
Grapple	BD-628484	Kit	4.000S	2.500S	P	15
S/N:	CBY					
Track Adjuster	BD-901408	Kit	70.00M	70.00M	P	0
S/N:	BYL					
	BD-902403	Kit	80.00M	80.00M	P	0
S/N:	BPH,M2H					
323D EXCAVATOR						
Excavator S/N: BYM1-UP,CWG1-UP,CYD1-UP,DKW1-UP,JLG1-UP,LFL1-UP NDE1-UP,NES1-UP,PBE1-UP,PBM1-UP,RAC1-UP,SBZ1-UP SDC1-UP,SED1-UP,WGC1-UP,WNE1-UP,YSD1-UP,ZMF1-UP						
Boom	BD-208864	Kit	120.00M	85.00M	P	15
S/N:	CWG,LFL,NES,PBE,SBZ,WGC,WNE,YSD,ZMF Use with 2426731, 2426746 or 2667972 Cylinder					
	BD-258867	Kit	120.00M	85.00M	P	23
S/N:	BYM,CWG,CYD,DKW,JLG,NDE,NES,PBM,RAC,SBZ,SDC,SED					
S/N:	WGC,YSD Use with 2426764 or 2897925 Cylinder					
	BD-267844	Kit	160.00M	95.00M	P	23
S/N:	BYM,CYD,DKW,NES,PBM,RAC,SDC,SED					
Bucket	BD-208865	Kit	120.00M	85.00M	P	15
S/N:	CWG,LFL,NES,PBE,SBZ,WGC,WNE,YSD,ZMF Use with 2426756, 2426759 or 2667978 Cylinder					
	BD-258845	Kit	120.00M	85.00M	P	23
S/N:	BYM,CYD,DKW,JLG,NDE,PBM,RAC,SBZ,SDC,SED,WGC,YSD Use with 2426767 or 2897948 Cylinder					
	BD-256896	Kit	135.00M	95.00M	P	15
S/N:	CWG,LFL,NES,PBE,SBZ,WGC,YSD Use with 2254591 or 2667992 Cylinder					
	BD-260868	Kit	135.00M	95.00M	P	23
S/N:	BYM,CYD,DKW,JLG,NDE,PBM,RAC,SBZ,SDC,SED,WGC,YSD Use with 2254578 or 2898004 Cylinder					
	BD-273896	Kit	135.00M	95.00M	P	5
S/N:	WNE,ZMF Use with 2254599 Cylinder					
Stick	BD-211866	Kit	140.00M	100.00M	P	15
S/N:	CWG,LFL,NES,PBE,SBZ,WGC,WNE,YSD,ZMF Use with 2426734, 2426748, 2426751, 2426763, 2667974 or 2667976 Cylinder					
	BD-206869	Kit	140.00M	100.00M	P	23
S/N:	BYM,CWG,CYD,DKW,JLG,NDE,NES,PBM,RAC,SBZ,SDC,SED					
S/N:	WGC,YSD Use with 2426765, 2426766, 2897933 or 2897942 Cylinder					
	BD-211870	Kit	140.00M	100.00M	P	15
S/N:	LFL,PBE					

CATERPILLAR® (REFERENCED BY BULLDOG® PART NUMBERS)

Application	Part Number	Description	Bore	Rod	Wiper	Type
323D EXCAVATOR (continued)						
Track Adjuster	BD-901412	Kit	70.00M	50.00M	P	0
	S/N:	BYM,CWG,CYD,JLG,LFL,NDE,NES,PBE,PBM,RAC,SBZ,SDC				
	S/N:	WGC,WNE,YSD,ZMF				
	BD-902403	Kit	80.00M	80.00M	P	0
S/N:	DKW,NES,SED					
324D EXCAVATOR						
Excavator S/N: BBF1-UP,BTK1-UP,BZW1-UP,CJX1-UP,DFP1-UP,EJC1-UP JAT1-UP,JGK1-UP,JJG1-UP,JKR1-UP,JLS1-UP,JZR1-UP LAB1-UP,MND1-UP,PYT1-UP,SYM1-UP,TRH1-UP,TSN1-UP T2D1-UP						
Boom	BD-260868	Kit	135.00M	95.00M	P	23
	S/N:	BBF,BTK,EJC,JJG,JKR,LAB,SYM,TRH,T2D Use with 2426849 or 2897957 Cylinder				
	BD-256903	Kit	135.00M	95.00M	P	15
	S/N:	CJX,DFP,JAT,MND,PYT Use with 2426858 or 2667981 Cylinder				
	BD-273903	Kit	135.00M	95.00M	P	23
	S/N:	CJX,DFP,JAT,JZR,MND,PYT,TSN Use with 2426867 Cylinder				
	BD-206682	Kit	140.00M	100.00M	P	23
	S/N:	BZW,JGK,JLS				
Bucket	BD-213846	Kit	130.00M	90.00M	P	23
	S/N:	BBF,BTK,BZW,EJC,JGK,JJG,JKR,JLS,LAB,SYM,TRH,T2D Use with 1799764, 2426855 or 2897975 Cylinder				
	BD-212899	Kit	130.00M	90.00M	P	15
	S/N:	CJX,DFP,JAT,JZR,MND,PYT,TSN Use with 2426864, 2426871 or 2667985 Cylinder				
	BD-208865	Kit	120.00M	85.00M	P	15
	S/N:	CJX,DFP,JAT,MND,PYT Use with 2426756 or 2426759 Cylinder				
	BD-258845	Kit	120.00M	85.00M	P	23
	S/N:	JJG,PYT Use with 2426767 or 2897948 Cylinder				
	BD-210850	Kit	150.00M	105.00M	P	23
	S/N:	BTK,EJC,JAT,JJG,JZR,LAB,MND,PYT,SYM,TRH,TSN,T2D Use with 2254581, 2898012, 3154442, 3154449 or 3154451 Cylinder				
	BD-203675	Kit	100.00M	65.00M	P	23
	S/N:	DFP,JJG				
BD-204878	Kit	100.00M	70.00M	P	23	
S/N:	JAT					
Stick	BD-206869	Kit	140.00M	100.00M	P	23
	S/N:	BBF,BTK,EJC,JJG,JKR,LAB,SYM,TRH,T2D Use with 2426852 or 2897967 Cylinder				
	BD-211866	Kit	140.00M	100.00M	P	15
	S/N:	CJX,DFP,JAT,JZR,MND,PYT,TSN Use with 2426860, 2426869 or 2667983 Cylinder				
	BD-211870	Kit	140.00M	100.00M	P	15
S/N:	CJX,DFP Use with 2426862 Cylinder					

Application	Part Number	Description	Bore	Rod	Wiper	Type
324D EXCAVATOR (continued)						
Stick (cont)	BD-214697	Kit	150.00M	105.00M	P	15
	S/N:	BZW,JLS Use with 1336771 Cylinder				
	BD-210851	Kit	150.00M	105.00M	P	23
	S/N:	DFP,JAT,JJG Use with 2166607 Cylinder				
Stick	BD-218855	Kit	170.00M	110.00M	P	23
	S/N:	BZW,JGK,JLS				
Cab Tilt	BD-662122	Kit	5.000S	2.250S	P	15
	S/N:	BBF,BZW,JGK,JKR,JLS				
Grapple	BD-5211073	Kit	4.500S	3.000S	P	5
	S/N:	BZW,JLS				
Track Adjuster	BD-901408	Kit	70.00M	70.00M	P	0
	S/N:	JGK				
	BD-902403	Kit	80.00M	80.00M	P	0
S/N:	BBF,BZW,JKR,JLS					
324E EXCAVATOR						
Excavator S/N: JCZ1-UP,KTE1-UP						
Boom	BD-256903	Kit	135.00M	95.00M	P	15
Bucket	BD-212899	Kit	130.00M	90.00M	P	15
	BD-204878	Kit	100.00M	70.00M	P	23
	S/N:	KTE				
Bucket	BD-210895	Kit	150.00M	105.00M	P	23
	S/N:	KTE				
Stick	BD-211866	Kit	140.00M	100.00M	P	15
	BD-210851	Kit	150.00M	105.00M	P	23
S/N:	KTE Long Reach arrangement					
Track Adjuster	BD-901411	Kit		45.00M	P	0
325 EXCAVATOR						
Excavator S/N: 7TG1-UP,8JG1-UP,9SG1-UP,7CJ1-UP,7LJ1-UP,2JK1-UP 2SK1-UP,5WK1-UP,6KK1-UP,8NK1-UP,8YK1-UP,9ZK1-UP 2SL1-UP,3LL1-UP,8NL1-UP,9KL1-UP,6RM1-UP,7LM1-UP						
Boom	BD-219709	Kit	130.00M	95.00M	P	23
Boom VA	BD-206705	Kit	170.00M	100.00M	P	23
	S/N:	9SG,7LJ,2SK,9ZK,3LL				
Bucket	BD-205700	Kit	120.00M	85.00M	P	23
	S/N:	7TG,8JG,9SG,7LJ,2JK,2SK,5WK,8YK,9ZK,3LL,6RM B-Family Buckets				
	BD-205685	Kit	130.00M	85.00M	P	23
	S/N:	7TG,8JG,9SG,7LJ,2JK,2SK,5WK,8YK,9ZK,3LL,6RM C-Family Buckets				
	BD-210702	Kit	150.00M	105.00M	P	23
	S/N:	7TG,8JG,9SG,7LJ,2JK,2SK,5WK,8YK,9ZK,3LL,6RM D-Family Buckets				
Bucket	BD-220710	Kit	160.00M	110.00M	P	23
	S/N:	8YK				

CATERPILLAR® (REFERENCED BY BULLDOG® PART NUMBERS)

Application	Part Number	Description	Bore	Rod	Wiper	Type
325 EXCAVATOR (continued)						
Bucket (cont)	BD-203690	Kit	100.00M	65.00M	P	23
	S/N:	7CJ,6KK,8NK,2SL,9KL,7LM Use with 418845 Head				
	BD-203670	Kit	100.00M	65.00M	P	23
	S/N:	9KL,7LM Use with 0990596 Head				
Stick	BD-210689	Kit	150.00M	105.00M	P	23
Track Adjuster	BD-901408	Kit	70.00M	70.00M	P	0
325B EXCAVATOR						
Excavator S/N: 6DN1-UP,8FN1-UP,2JR1-UP,8PR1-UP,8RR1-UP,1GS1-UP 4DS1-UP,5BS1-UP						
Boom	BD-206682	Kit	140.00M	100.00M	P	23
	S/N:	6DN,8FN,2JR,4DS,5BS				
	BD-210689	Kit	150.00M	105.00M	P	23
	S/N:	2JR Logging arrangement				
	BD-209687	Kit	140.00M	100.00M	P	15
	S/N:	8PR,8RR,1GS				
	BD-213696	Kit	130.00M	90.00M	P	23
S/N:	2JR					
Boom VA	BD-206705	Kit	170.00M	100.00M	P	23
S/N:	6DN,8FN,4DS,5BS					
Bucket	BD-203690	Kit	100.00M	65.00M	P	23
	S/N:	6DN				
	BD-213695	Kit	130.00M	90.00M	P	23
	S/N:	6DN,8FN,2JR,4DS,5BS C-Family Buckets				
	BD-210702	Kit	150.00M	105.00M	P	23
	S/N:	6DN,8FN,2JR,8PR,8RR,4DS,5BS D-Family Buckets				
	BD-220710	Kit	160.00M	110.00M	P	23
	S/N:	2JR				
	BD-212694	Kit	130.00M	90.00M	P	15
	S/N:	8PR,8RR,1GS C-Family Buckets				
	BD-203670	Kit	100.00M	65.00M	P	23
	S/N:	2JR,8RR				
	BD-205700	Kit	120.00M	85.00M	P	23
	S/N:	4DS,5BS,6DN Use with 1184134 Cylinder				
BD-258845	Kit	120.00M	85.00M	P	23	
S/N:	4DS,5BS,6DN Use with 1589061 or 2836132 Cylinders					
BD-258685	Kit	130.00M	85.00M	P	23	
S/N:	4DS,5BS					
Stick	BD-210689	Kit	150.00M	105.00M	P	23
	S/N:	6DN,8FN,2JR,8RR,4DS,5BS				
	BD-221711	Kit	180.00M	130.00M	P	23
	S/N:	2JR Logging arrangement				

Application	Part Number	Description	Bore	Rod	Wiper	Type
325B EXCAVATOR (continued)						
Stick (cont)	BD-214697	Kit	150.00M	105.00M	P	15
	S/N:	8PR,8RR,1GS				
	BD-267684	Kit	160.00M	95.00M	P	23
	S/N:	4DS Use with 1412609 Cylinder				
	BD-267844	Kit	160.00M	95.00M	P	23
	S/N:	4DS Use with 2044907 Cylinder				
	BD-218708	Kit	170.00M	110.00M	P	23
	S/N:	2JR,5BS Special Material Handler arrangement Use with 1163638 Cylinder				
S/N:	BD-218855	Kit	170.00M	110.00M	P	23
	2JR,5BS Special Material Handler arrangement Use with 1913118 Cylinder					
Grapple	BD-513459	Kit	4.000S	2.500S	P	5
	S/N:	2JR				
	BD-628484	Kit	4.000S	2.500S	P	15
S/N:	2JR					
Cab Tilt	BD-662122	Kit	5.000S	2.250S	P	15
	S/N:	2JR				
	BD-5001070	Kit	3.500S	1.500S	P	5
S/N:	2JR					
Track Adjuster	BD-901408	Kit	70.00M	70.00M	P	0
	BD-902404	Kit	100.00M	100.00M	P	0
	S/N:	2JR Use with 1933276 Cylinder				
	BD-901407	Kit	70.00M	45.00M	P	0
	S/N:	2JR Use with 717712 Cylinder				
325C EXCAVATOR						
Excavator S/N: AMH1-UP,BFE1-UP,BKW1-UP,BMM1-UP,BTD1-UP,CRB1-UP CSJ1-UP,DTF1-UP,G1L1-UP,JLC1-UP,JLD1-UP,M2K1-UP S2C1-UP,S3M1-UP,Y4P1-UP						
Boom	BD-206847	Kit	140.00M	100.00M	P	23
	S/N:	BFE,BKW,CRB,CSJ,DTF,G1L,JLC,JLD,M2K Use with 1799782 Cylinder				
	BD-211699	Kit	140.00M	100.00M	P	15
	S/N:	AMH,BKW,BMM,BTD Use with 1799789, 1915587, 2096006 or 2590724 Cylinders				
	BD-206902	Kit	170.00M	100.00M	P	23
	S/N:	BKW,CRB,CSJ,JLC,JLD				
	BD-210689	Kit	150.00M	105.00M	P	23
	S/N:	BMM,S2C,S3M,Y4P				
S/N:	BD-210851	Kit	150.00M	105.00M	P	23
DTF,JLC						
Bucket	BD-220710	Kit	160.00M	110.00M	P	23
	S/N:	S3M				
	BD-210850	Kit	150.00M	105.00M	P	23
S/N:	AMH,BFE,BKW,BMM,BTD,CRB,CSJ,JLC,JLD					

CATERPILLAR® (REFERENCED BY BULLDOG® PART NUMBERS)

Application	Part Number	Description	Bore	Rod	Wiper	Type	
325C EXCAVATOR (continued)							
Bucket (cont)	BD-210702	Kit	150.00M	105.00M	P	23	
	S/N:	S3M Use with 1183921 Cylinder					
	BD-210911	Kit	150.00M	105.00M	P	23	
	S/N:	S3M Use with 1433199 Cylinder					
	BD-212694	Kit	130.00M	90.00M	P	15	
	S/N:	AMH,BKW,BMM,BTD					
	BD-213846	Kit	130.00M	90.00M	P	23	
	S/N:	BFE,CRB,CSJ,G1L,JLC,JLD,M2K					
	BD-208889	Kit	120.00M	85.00M	P	15	
	S/N:	BKW,BMM					
	BD-258845	Kit	120.00M	85.00M	P	23	
	S/N:	BFE,JLD					
	BD-203675	Kit	100.00M	65.00M	P	23	
	S/N:	BMM,CRB					
Stick	BD-221711	Kit	180.00M	130.00M	P	23	
	S/N:	S3M,Y4P					
	BD-278912	Kit	170.00M	115.00M	P	23	
	S/N:	JLC					
	BD-267844	Kit	160.00M	95.00M	P	23	
	S/N:	JLC					
	BD-210851	Kit	150.00M	105.00M	P	23	
	S/N:	BFE,BMM,CRB,CSJ,DTF,G1L,JLC,JLD,M2K Use with 1799785 (Type 1), 2166607 or 2188124 Cylinders					
	BD-210895	Kit	150.00M	105.00M	P	23	
	S/N:	CRB,CSJ,JLC,JLD Use with 1799785 (Type 2) Cylinder					
	BD-272856	Kit	150.00M	105.00M	P	15	
	S/N:	AMH,BKW,BMM,BTD Use with 1799791, 2096008 or 2590728 Cylinders					
	BD-269856	Kit	150.00M	105.00M	P	15	
	S/N:	BKW,BMM Use with 1799791, 1915589 or 2140241 Cylinders					
	BD-272909	Kit	150.00M	105.00M	P	15	
	S/N:	BMM Use with 2316804 Cylinder					
	BD-213696	Kit	130.00M	90.00M	P	23	
	S/N:	BMM,DTF,S2C Use with 2141591 or 2223580 Cylinders					
BD-212706	Kit	130.00M	90.00M	P	15		
S/N:	BMM525-542 Use with 2536503 Cylinder						
Cab Tilt	BD-662122	Kit	5.000S	2.250S	P	15	
	S/N:	G1L1001-UP,M2K1001-UP,S3M1001-UP,Y4P					
Saw	BD-206847	Kit	140.00M	100.00M	P	23	
	S/N:	JLC					
Track Adjuster	BD-902403	Kit	80.00M	80.00M	P	0	
	S/N:	AMH,BFE,BKW,BMM,BTD,CRB,CSJ,JLC					
	BD-902408	Kit	90.00M	90.00M	P	0	
S/N:	BKW,BMM,CRB,DTF,G1L,JLD,M2K,S2C,S3M,Y4P						

Application	Part Number	Description	Bore	Rod	Wiper	Type
325D EXCAVATOR						
Excavator S/N: AZP1-UP,A3R1-UP,CYW1-UP,C4H1-UP,C7K1-UP,C8L1-UP C9M1-UP,DAT1-UP,DBH1-UP,DFC1-UP,DNR1-UP,ERK1-UP GBR1-UP,GPB1-UP,JCL1-UP,KBE1-UP,KDG1-UP,LAL1-UP MCL1-UP,NAC1-UP,PAL1-UP,PKE1-UP,RJK1-UP,SCR1-UP T2S1-UP						
Boom	BD-206847	Kit	140.00M	100.00M	P	23
	S/N:	AZP,A3R,CYW,C7K,GBR,GPB,JCL,KBE,MCL,PAL,PKE,T2S Use with 2254572 or 2897984 Cylinders				
	BD-206869	Kit	140.00M	100.00M	P	23
	S/N:	AZP,CYW,C7K,DAT,ERK,GBR,GPB,LAL,MCL,NAC,PAL,PKE T2S Use with 2959398 or 2959400 Cylinders				
	BD-211898	Kit	140.00M	100.00M	P	15
	S/N:	CYW,DBH,KBE,KDG,SCR Use with 2254584, 2667988 or 3494146 Cylinders				
	BD-211913	Kit	140.00M	100.00M	P	15
	S/N:	KBE,KDG,SCR Use with 2254595 Cylinder				
	BD-210689	Kit	150.00M	105.00M	P	23
	S/N:	C4H,C8L,C9M,DFC,DNR,RJK				
Boom VA	BD-210851	Kit	150.00M	105.00M	P	23
	S/N:	GBR				
	BD-267844	Kit	160.00M	95.00M	P	23
	S/N:	GBR				
Bucket	BD-206902	Kit	170.00M	100.00M	P	23
	S/N:	GBR,GPB,LAL,MCL,PKE,T2S				
	BD-220710	Kit	160.00M	110.00M	P	23
	S/N:	C8L,C9M,DFC,DNR				
	BD-210850	Kit	150.00M	105.00M	P	23
	S/N:	AZP,A3R,CYW,DBH,ERK,GBR,GPB,KBE,KDG,LAL,MCL,PAL PKE,SCR,T2S Use with 2254581, 2254602, 3154442, 3154449, 3154451 or 3579766 Cylinders				
	BD-210911	Kit	150.00M	105.00M	P	23
	S/N:	C8L,C9M,DFC,DNR				
	BD-279850	Kit	150.00M	105.00M	P	23
	S/N:	KDG,SCR Use with 2668080 or 3154450 Cylinders				
	BD-260868	Kit	135.00M	95.00M	P	23
	S/N:	AZP,A3R,CYW,C7K,DAT,ERK,GBR,GPB,JCL,KBE,LAL,MCL NAC,PAL,PKE,T2S Use with 2254578 or 2898004 Cylinders				
	BD-256896	Kit	135.00M	95.00M	P	15
	S/N:	CYW,DBH,KBE,KDG,SCR Use with 2254591, 2667992 or 3494152 Cylinders				
	BD-273896	Kit	135.00M	95.00M	P	5
S/N:	KBE,KDG,SCR Use with 2254599 Cylinder					
BD-258845	Kit	120.00M	85.00M	P	23	
S/N:	GBR,GPB,MCL,PKE					

CATERPILLAR® (REFERENCED BY BULLDOG® PART NUMBERS)

Application	Part Number	Description	Bore	Rod	Wiper	Type
325D EXCAVATOR (continued)						
Bucket (cont)	BD-203675	Kit	100.00M	65.00M	P	23
	S/N: AZP,A3R,SCR					
Stick	BD-221711	Kit	180.00M	130.00M	P	23
	S/N: C8L,C9M,DFC,DNR					
	BD-278912	Kit	170.00M	115.00M	P	23
	S/N: GBR					
	BD-210895	Kit	150.00M	105.00M	P	23
	S/N: AZP,A3R,CYW,C7K,DAT,ERK,GBR,GPB,JCL,KBE,LAL,MCL					
	S/N: NAC,PAL,PKE,T2S					
	Use with 2254575 or 2897994 Cylinders					
	BD-269897	Kit	150.00M	105.00M	P	15
	S/N: KBE,KDG,SCR					
	Use with 2254597 Cylinder					
	BD-210851	Kit	150.00M	105.00M	P	23
	S/N: AZP,A3R,SCR					
	Use with 2166607 Cylinder					
	BD-272897	Kit	150.00M	105.00M	P	15
	S/N: CYW,DBH,KBE,KDG,SCR					
Use with 2254588 or 2667990 Cylinders						
BD-280897	Kit	150.00M	105.00M	P	15	
S/N: CYW,KDG,SCR						
Use with 3494148 Cylinder						
BD-272910	Kit	150.00M	105.00M	P	15	
S/N: DBH,KBE,KDG,SCR						
Use with 2590778 Cylinder						
BD-280910	Kit	150.00M	105.00M	P	15	
S/N: KDG,SCR						
Use with 3494150 Cylinder						
BD-213696	Kit	130.00M	90.00M	P	23	
S/N: C4H,RJK						
Cab Riser	BD-199662	Kit	90.00M	60.00M	P	15
	S/N: C4H					
Cab Tilt	BD-662122	Kit	5.000S	2.250S	P	15
	S/N: C7K,C8L,C9M,DAT,DFC,DNR					
Grapple	BD-6281074	Kit	4.000S	2.500S	P	23
	S/N: C8L,C9M,DFC,DNR					
	BD-5211073	Kit	4.500S	3.000S	P	5
S/N: C8L,C9M,DFC,DNR						
Saw	BD-206847	Kit	140.00M	100.00M	P	23
	S/N: GBR					
Track Adjuster	BD-902403	Kit	80.00M	80.00M	P	0
	S/N: AZP,A3R,CYW,DBH,ERK,GBR,GPB,JCL,KBE,KDG,LAL,NAC					
	S/N: PAL,PKE,SCR,T2S					
	BD-902408	Kit	90.00M	90.00M	P	0
S/N: C4H,C7K,C8L,C9M,MCL,RJK						

Application	Part Number	Description	Bore	Rod	Wiper	Type
326D EXCAVATOR						
Excavator S/N: PJM1-UP						
Boom	BD-256903	Kit	135.00M	95.00M	P	15
Bucket	BD-212899	Kit	130.00M	90.00M	P	15
Stick	BD-211866	Kit	140.00M	100.00M	P	15
Track Adjuster	BD-901411	Kit		45.00M	P	0
328D LCR EXCAVATOR						
Excavator S/N: GTN1-UP,MKR1-UP,RMX1-UP,SWF1-UP						
Boom	BD-211898	Kit	140.00M	100.00M	P	15
	Use with 2667935 Cylinder					
	BD-211699	Kit	140.00M	100.00M	P	15
	S/N: GTN	Use with 2771433 Cylinder				
	BD-211913	Kit	140.00M	100.00M	P	15
S/N: RMX	Use with 2959673 Cylinder					
Bucket	BD-256896	Kit	135.00M	95.00M	P	15
	Use with 2254591 Cylinder					
	BD-273896	Kit	135.00M	95.00M	P	5
	S/N: RMX	Use with 2254599 Cylinder				
	BD-212694	Kit	130.00M	90.00M	P	15
S/N: GTN						
Stick	BD-272897	Kit	150.00M	105.00M	P	15
	Use with 2254588 or 3000199 Cylinders					
	BD-269897	Kit	150.00M	105.00M	P	15
S/N: RMX	Use with 2254597 Cylinder					
Track Adjuster	BD-902408	Kit	90.00M	90.00M	P	0
329D EXCAVATOR						
Excavator S/N: BFC1-UP,BYS1-UP,CZF1-UP,DJF1-UP,DTZ1-UP,EBM1-UP JHJ1-UP,LGN1-UP,MNB1-UP,RSK1-UP,SCY1-UP,TPM1-UP TZL1-UP,WDK1-UP,WLT1-UP,XDB1-UP,YFW1-UP						
Boom	BD-206869	Kit	140.00M	100.00M	P	23
	S/N: BFC,CZF,EBM,JHJ,LGN,RSK,SCY,TPM,WLT,XDB	Use with 2959398 Cylinder				
	BD-211898	Kit	140.00M	100.00M	P	15
	S/N: BYS,DJF,DTZ,MNB,TZL,WDK,YFW	Use with 2254584, 2667988 or 3494146 Cylinders				
	BD-211913	Kit	140.00M	100.00M	P	15
S/N: BYS,DJF,DTZ,MNB,WDK,YFW	Use with 2254595 Cylinder					
Bucket	BD-210850	Kit	150.00M	105.00M	P	23
	S/N: BFC,BYS,CZF,DJF,DTZ,EBM,JHJ,LGN,MNB,RSK,SCY,TPM					
	S/N: TZL,WDK,WLT,XDB,YFW	Use with 3154442, 3154449 or 3154451 Cylinders				
	BD-279850	Kit	150.00M	105.00M	P	23
	S/N: DTZ,MNB,WDK,YFW	Use with 3154450 Cylinder				

CATERPILLAR® (REFERENCED BY BULLDOG® PART NUMBERS)

Application	Part Number	Description	Bore	Rod	Wiper	Type
329D EXCAVATOR						
(continued)						
Bucket (cont)	BD-256896	Kit	135.00M	95.00M	P	15
	S/N:	BYS,DJF,DTZ,MNB,TZL,WDK,YFW Use with 2254591, 2667992 or 3494152 Cylinders				
	BD-260868	Kit	135.00M	95.00M	P	23
	S/N:	BFC,CZF,EBM,JHJ,LGN,RSK,SCY,TPM,WLT,XDB Use with 2898004 Cylinder				
	BD-273896	Kit	135.00M	95.00M	P	5
	S/N:	BYS,DJF,DTZ,MNB,WDK,YFW Use with 2254599 Cylinder				
	BD-204878	Kit	100.00M	70.00M	P	23
	S/N:	WLT				
	BD-203675	Kit	100.00M	65.00M	P	23
	S/N:	MNB,YFW				
Stick	BD-269897	Kit	150.00M	105.00M	P	15
	S/N:	BYS,DJF,DTZ,MNB,WDK,YFW Use with 2254597 Cylinder				
	BD-272897	Kit	150.00M	105.00M	P	15
	S/N:	BYS,DJF,DTZ,MNB,WDK,YFW Use with 2254588 or 2667990 Cylinders				
	BD-280897	Kit	150.00M	105.00M	P	15
	S/N:	TZL Use with 3494148 Cylinder				
	BD-272910	Kit	150.00M	105.00M	P	15
	S/N:	BYS,DJF,DTZ,MNB,WDK,YFW Use with 2590778 Cylinder				
	BD-280910	Kit	150.00M	105.00M	P	15
	S/N:	TZL Use with 3494150 Cylinder				
	BD-210851	Kit	150.00M	105.00M	P	23
	S/N:	MNB,WLT,YFW Use with 2166607 Cylinder				
	BD-210895	Kit	150.00M	105.00M	P	23
	S/N:	BFC,CZF,EBM,JHJ,LGN,RSK,SCY,TPM,WLT,XDB Use with 2897994 Cylinder				
Track Adjuster	BD-902403	Kit	80.00M	80.00M	P	0
329E EXCAVATOR						
Excavator S/N: K2L1-UP,PTY1-UP,RDX1-UP,WJK1-UP,ZCD1-UP						
Boom	BD-211898	Kit	140.00M	100.00M	P	15
	Use with 3412172 Cylinder					
	BD-206869	Kit	140.00M	100.00M	P	23
S/N:	K2L Use with 2959398 Cylinder					
Bucket	BD-210850	Kit	150.00M	105.00M	P	23
	S/N:	PTY,RDX,WJK,ZCD				
	BD-256896	Kit	135.00M	95.00M	P	15
	Use with 3412182 Cylinder					
	BD-260868	Kit	135.00M	95.00M	P	23
S/N:	ZCD Use with 3550712 Cylinder					

Application	Part Number	Description	Bore	Rod	Wiper	Type
329E EXCAVATOR (continued)						
Bucket (cont)	BD-204878	Kit	100.00M	70.00M	P	23
S/N:	PTY,RDX,WJK Use with 2897699 or 3582108 Cylinders					
Stick	BD-210851	Kit	150.00M	105.00M	P	23
S/N:	PTY,RDX,WJK Use with 2166607 Cylinder using 7Y4660 Head					
	BD-280897	Kit	150.00M	105.00M	P	15
S/N:	PTY,RDX,WJK					
	BD-210895	Kit	150.00M	105.00M	P	23
S/N:	ZCD Use with 2166607 Cylinder using 3588524 Head					
	BD-280910	Kit	150.00M	105.00M	P	15
S/N:	K2L,ZCD					
Track Adjuster	BD-902403	Kit	80.00M	80.00M	P	0
330 EXCAVATOR						
Excavator S/N: 9NG1-UP,6WJ1-UP,9PJ1-UP,9WJ1-UP,6SK1-UP,8FK1-UP 6ZK1-UP,8CK1-UP,2EL1-UP,8RL1-UP,9ML1-UP,2ZM1-UP 5YM1-UP						
Boom	BD-210689	Kit	150.00M	105.00M	P	23
Bucket	BD-205685	Kit	130.00M	85.00M	P	23
	C-Family Buckets					
	BD-210702	Kit	150.00M	105.00M	P	23
	D-Family Buckets					
	BD-220710	Kit	160.00M	110.00M	P	23
	E-Family Buckets					
Stick	BD-218708	Kit	170.00M	110.00M	P	23
Track Adjuster	BD-902403	Kit	80.00M	80.00M	P	0
	BD-902404	Kit	100.00M	100.00M	P	0
S/N:	9WJ,8FK,5YM Forestry arrangement					
330B,W330B EXCAVATOR						
Excavator S/N: 3YR1-UP,5LR1-UP,6DR1-UP,8SR1-UP,8TR1-UP,1JS1-UP 4RS1-UP,5LS1-UP,AME1-UP						
Boom	BD-210689	Kit	150.00M	105.00M	P	23
	BD-218708	Kit	170.00M	110.00M	P	23
S/N:	6DR					
Boom VA	BD-210828	Kit	180.00M	105.00M	P	23
S/N:	3YR,5LR,4RS					
Bucket	BD-210702	Kit	150.00M	105.00M	P	23
	D-Family Buckets					
	BD-210911	Kit	150.00M	105.00M	P	23
S/N:	6DR Use with 1433199 Cylinder					
	BD-220710	Kit	160.00M	110.00M	P	23
	E-Family Buckets or Logging arrangement					
	BD-258700	Kit	120.00M	85.00M	P	23
S/N:	4RS,5LS B-Family Buckets					

CATERPILLAR® (REFERENCED BY BULLDOG® PART NUMBERS)

Application	Part Number	Description	Bore	Rod	Wiper	Type
330B,W330B EXCAVATOR (continued)						
Bucket (cont)	BD-258845	Kit	120.00M	85.00M	P	23
	S/N:	4RS,5LS Use with 1589061 or 2836132 Cylinders				
	BD-258685	Kit	130.00M	85.00M	P	23
	S/N:	3YR,4RS,5LS				
	BD-203675	Kit	100.00M	65.00M	P	23
	S/N:	8TR Long Reach arrangement				
Stick	BD-218708	Kit	170.00M	110.00M	P	23
	S/N:	Use with 1163638 Cylinder				
	BD-218855	Kit	170.00M	110.00M	P	23
	S/N:	1JS,3YR,4RS,5LR,5LS,6DR,8SR,8TR,AME Use with 1913118 or 1913127 Cylinders				
	BD-221711	Kit	180.00M	130.00M	P	23
	S/N:	6DR				
	BD-267684	Kit	160.00M	95.00M	P	23
	S/N:	4RS,5LS 3 Piece Boom or Super Long Reach arrangement				
	BD-267844	Kit	160.00M	95.00M	P	23
	S/N:	4RS,5LS Use with 2044907 Cylinder				
Grapple	BD-513459	Kit	4.000S	2.500S	P	5
	S/N:	6DR				
	BD-628484	Kit	4.000S	2.500S	P	15
	S/N:	6DR				
Cab Tilt	BD-662122	Kit	5.000S	2.250S	P	15
	S/N:	6DR				
	BD-5001070	Kit	3.500S	1.500S	P	5
S/N:	6DR					
Undercarriage	BD-647106	Kit	4.000S	2.000S	P	15
S/N:	4RS					
Track Adjuster	BD-902403	Kit	80.00M	80.00M	P	0
	S/N:	3YR,5LR,6DR,8SR,8TR,1JS,4RS				
	BD-902404	Kit	100.00M	100.00M	P	0
S/N:	6DR,5LS S/N 6DR Forestry arrangement					

Application	Part Number	Description	Bore	Rod	Wiper	Type
330C EXCAVATOR						
Excavator S/N: B1K1-UP,B2L1-UP,B3M1-UP,B4N1-UP,CAP1-UP,CGZ1-UP CYA1-UP,DKY1-UP,D3C1-UP,GKX1-UP,JAB1-UP,JCD1-UP JNK1-UP,KDD1-UP,MCA1-UP,MKM1-UP,MSD1-UP						
Boom	BD-210851	Kit	150.00M	105.00M	P	23
	S/N: B3M,B4N,CAP,CGZ,CYA,DKY,GKX,JAB,JCD,JNK,KDD,MCA S/N: MKM Use with 1915548 or 1948270 Cylinders					
	BD-210895	Kit	150.00M	105.00M	P	23
	S/N: CAP,CGZ,CYA,GKX,JAB,JCD,JNK,KDD,MCA Use with 2502419 or 2502473 Cylinders					
	BD-279895	Kit	150.00M	105.00M	P	23
	S/N: JAB,KDD Use with 2590742 Cylinder					
	BD-218708	Kit	170.00M	110.00M	P	23
	S/N: B1K,B2L					
	BD-220714	Kit	160.00M	110.00M	P	23
	S/N: JNK,MKM					
	BD-220914	Kit	160.00M	110.00M	P	23
	S/N: D3C					
BD-213696	Kit	130.00M	90.00M	P	23	
S/N: MKM						
Boom VA	BD-220830	Kit	180.00M	110.00M	P	23
S/N: CAP,CGZ,JNK						
Bucket	BD-220852	Kit	160.00M	110.00M	P	23
	S/N: CAP,CGZ,CYA,DKY,GKX,JAB,JCD,JNK,KDD,MCA,MKM Use with 1915554 or 1948279 Cylinders					
	BD-220710	Kit	160.00M	110.00M	P	23
	S/N: B1K,B2L					
	BD-283915	Kit	160.00M	110.00M	P	23
	S/N: JAB,KDD Use with 2590750 Cylinder					
	BD-210850	Kit	150.00M	105.00M	P	23
	S/N: B3M,B4N,CAP,CGZ,CYA,DKY,GKX,JAB,JCD,JNK,KDD,MCA S/N: MKM Use with 1772465, 1948276, 2478853 or 2478854 Cylinders					
	BD-279850	Kit	150.00M	105.00M	P	23
	S/N: JAB,KDD Use with 2590746 Cylinder					
	BD-210911	Kit	150.00M	105.00M	P	23
	S/N: B1K,B2L					
	BD-212694	Kit	130.00M	90.00M	P	15
	S/N: KDD Use with 1799793 or 2096011 Cylinders					
	BD-258845	Kit	120.00M	85.00M	P	23
S/N: JCD,JNK						
BD-203675	Kit	100.00M	65.00M	P	23	
S/N: JCD,KDD						

CATERPILLAR® (REFERENCED BY BULLDOG® PART NUMBERS)

Application	Part Number	Description	Bore	Rod	Wiper	Type
330C EXCAVATOR (continued)						
Stick	BD-278912	Kit	170.00M	115.00M	P	23
	S/N:	B3M,B4N,CAP,CGZ,CYA,DKY,GKX,JAB,JCD,JNK,KDD,MCA				
	S/N:	MKM				
		Use with 1915551, 2346395 or 2897763 Cylinders				
	BD-282912	Kit	170.00M	115.00M	P	23
	S/N:	GKX,JAB,KDD,MCA				
		Use with 1948273 or 2897780 Cylinders				
	BD-284912	Kit	170.00M	115.00M	P	23
	S/N:	JAB,KDD				
		Use with 2590767 or 2897784 Cylinders				
	BD-221711	Kit	180.00M	130.00M	P	23
	S/N:	B1K,B2L				
BD-267844	Kit	160.00M	95.00M	P	23	
S/N:	JNK					
BD-272856	Kit	150.00M	105.00M	P	15	
S/N:	KDD					
BD-206847	Kit	140.00M	100.00M	P	23	
S/N:	D3C,KDD,MKM					
Cab Tilt	BD-662122	Kit	5.000S	2.250S	P	15
	S/N:	B1K1001-UP,B2L,B3M1001-UP,B4N1001-UP				
Saw	BD-206682	Kit	140.00M	100.00M	P	23
	S/N:	JNK				
		Use with 1232061 Piston				
	BD-206847	Kit	140.00M	100.00M	P	23
S/N:	JNK					
	Use with 1589064 Piston					
Undercarriage	BD-647106	Kit	4.000S	2.000S	P	15
	S/N:	CAP,JCD,JNK				
	BD-281881	Kit	120.00M	60.00M	P	23
S/N:	MSD					
Track Adjuster	BD-902408	Kit	90.00M	90.00M	P	0
	S/N:	CAP,CGZ,CYA,DKY,GKX,JAB,JCD,JNK,KDD,MCA,MKM300-UP				
	BD-902404	Kit	100.00M	100.00M	P	0
S/N:	B1K,B2L,B3M,B4N,D3C,JCD,JNK,KDD,MKM					
330D EXCAVATOR						
Excavator S/N: B6H1-UP,C5K1-UP,EAH1-UP,EDX1-UP,ERN1-UP,E4K1-UP FFK1-UP,GGE1-UP,HAS1-UP,H3K1-UP,JJM1-UP,JLP1-UP LEM1-UP,LRM1-UP,L2K1-UP,MAG1-UP,MEY1-UP,MWP1-UP NBD1-UP,PEL1-UP,RAS1-UP,R2D1-UP,THJ1-UP,T2Y1-UP						
Boom	BD-218708	Kit	170.00M	110.00M	P	23
	S/N:	E4K350-UP,H3K				
	BD-220914	Kit	160.00M	110.00M	P	23
	S/N:	C5K,LEM,PEL,THJ				
	BD-267844	Kit	160.00M	95.00M	P	23
	S/N:	THJ				
	BD-210895	Kit	150.00M	105.00M	P	23
	S/N:	B6H,EAH,EDX,ERN,FFK,GGE,HAS,JJM,JLP,LRM,L2K,MAG				
S/N:	MEY,MWP,NBD,RAS,R2D,THJ,T2Y					
	Use with 2344598, 2344608, 2898021, 2898050 or 3119526 Cylinders					

Application	Part Number	Description	Bore	Rod	Wiper	Type
330D EXCAVATOR (continued)						
Boom (cont)	BD-279895	Kit	150.00M	105.00M	P	23
S/N:	EDX,MEY,NBD Use with 2668074 Cylinder					
Bucket	BD-220852	Kit	160.00M	110.00M	P	23
	S/N:	B6H,EAH,EDX,ERN,FFK,GGE,HAS,JLP,LRM,MEY,MWP,NBD				
	S/N:	PEL,RAS,R2D,THJ,T2Y Use with 2254529, 2344604, 2344614 or 2898041 Cylinders				
	BD-283915	Kit	160.00M	110.00M	P	23
	S/N:	EDX,MEY,NBD Use with 2268083 Cylinder				
	BD-220710	Kit	160.00M	110.00M	P	23
	S/N:	E4K,H3K				
	BD-210850	Kit	150.00M	105.00M	P	23
	S/N:	B6H,EAH,EDX,ERN,FFK,GGE,HAS,JJM,JLP,LRM,L2K,MAG				
	S/N:	MEY,MWP,NBD,PEL,RAS,R2D,THJ,T2Y Use with 2254581, 2254602 or 2898012 Cylinders				
BD-210911	Kit	150.00M	105.00M	P	23	
S/N:	E4K,H3K					
BD-208889	Kit	120.00M	85.00M	P	15	
S/N:	NBD					
BD-258845	Kit	120.00M	85.00M	P	23	
S/N:	ERN,THJ					
Stick	BD-221711	Kit	180.00M	130.00M	P	23
	S/N:	E4K,H3K				
	BD-278912	Kit	170.00M	115.00M	P	23
	S/N:	B6H,EAH,EDX,ERN,FFK,GGE,HAS,JJM,JLP,LRM,L2K,MAG				
	S/N:	MEY,MWP,NBD,RAS,R2D,THJ,T2Y Use with 1915551, 2344601, 2836188 or 2898031 Cylinders				
	BD-282912	Kit	170.00M	115.00M	P	23
	S/N:	EAH,FFK,MEY,NBD Use with 2344611, 2836194 or 2898053 Cylinders				
	BD-284912	Kit	170.00M	115.00M	P	23
S/N:	EDX,MEY,NBD Use with 2668077 or 2836195 Cylinders					
BD-206869	Kit	140.00M	100.00M	P	23	
S/N:	C5K,LEM,PEL					
Cab Riser	BD-199662	Kit	90.00M	60.00M	P	15
S/N:	C5K,JJM,NBD,PEL					
Cab Tilt	BD-662122	Kit	5.000S	2.250S	P	15
S/N:	E4K,H3K,L2K					
Grapple	BD-6281074	Kit	4.000S	2.500S	P	23
S/N:	E4K,H3K					
Saw	BD-206847	Kit	140.00M	100.00M	P	23
S/N:	THJ					
Undercarriage	BD-647106	Kit	4.000S	2.000S	P	15
S/N:	THJ					
Track Adjuster	BD-902408	Kit	90.00M	90.00M	P	0
	S/N:	B6H,EAH,EDX,FFK,GGE,HAS,JJM,JLP,LRM,MAG,MEY,MWP				
	S/N:	NBD,RAS,R2D,THJ,T2Y				
	BD-902404	Kit	100.00M	100.00M	P	0
S/N:	C5K,ERN,E4K,H3K,LEM,L2K,PEL,THJ					

CATERPILLAR® (REFERENCED BY BULLDOG® PART NUMBERS)

Application	Part Number	Description	Bore	Rod	Wiper	Type
336D EXCAVATOR						
Excavator S/N: DTS1-UP,D3P1-UP,JBF1-UP,JBT1-UP,JWR1-UP,J2F1-UP KDJ1-UP,KKT1-UP,LMG1-UP,MDS1-UP,MPL1-UP,MYG1-UP MYP1-UP,M3M1-UP,M3N1-UP,M4T1-UP,PGW1-UP,PPN1-UP PRF1-UP,PTB1-UP,WET1-UP,WRK1-UP,W3K1-UP,ZML1-UP						
Boom	BD-210895	Kit	150.00M	105.00M	P	23
	S/N:	DTS,D3P,JBF,JBT,JWR,J2F,KDJ,KKT,LMG,MDS,MPL,MYG				
	S/N:	MYP,M4T,PGW,PPN,PRF,PTB,WET,WRK,W3K,ZML Use with 2898021, 3119517, 3119524, 3119526 or 3119531 Cylinders				
	BD-279895	Kit	150.00M	105.00M	P	23
S/N:	KKT,PGW,PRF,WRK Use with 3119525 Cylinder					
Boom VA	BD-220830	Kit	180.00M	110.00M	P	23
	S/N:	KDJ,MYP				
	BD-220914	Kit	160.00M	110.00M	P	23
S/N:	M3M,M3N					
Bucket	BD-220852	Kit	160.00M	110.00M	P	23
	S/N:	DTS,D3P,JBF,JBT,J2F,KDJ,KKT,LMG,MDS,MPL,MYG,MYP				
	S/N:	M4T,PGW,PPN,PRF,PTB,WET,WRK,W3K,ZML Use with 2898041, 3154463, 3154471, 3154473 or 3154474 Cylinders				
	BD-289852	Kit	160.00M	110.00M	P	23
	S/N:	DTS,D3P,JBF,JBT,J2F,KDJ,KKT,LMG,MDS,MPL,MYG,MYP				
	S/N:	M4T,PGW,PPN,PRF,PTB,WET,WRK,W3K,ZML Use with 2898041, 3154463, 3154471, 3154473 or 3154474 Cylinders High Ambient applications				
	BD-283915	Kit	160.00M	110.00M	P	23
	S/N:	KKT,PGW,PRF,WRK Use with 2668083 or 3154472 Cylinders				
	BD-210850	Kit	150.00M	105.00M	P	23
	S/N:	DTS,D3P,JBF,JBT,J2F,KDJ,KKT,LMG,MPL,MYG,MYP,M4T				
	S/N:	PGW,PPN,PRF,PTB,WET,WRK,W3K,ZML Use with 2898012, 3154442, 3154449, 3154451 or 3154455 Cylinders				
	BD-279850	Kit	150.00M	105.00M	P	23
S/N:	KKT,PGW,PRF,WRK Use with 3154450 Cylinder					
BD-258845	Kit	120.00M	85.00M	P	23	
S/N:	DTS,JBF,JWR,LMG					
Stick	BD-278912	Kit	170.00M	115.00M	P	23
	S/N:	DTS,D3P,JBF,JBT,JWR,J2F,KDJ,KKT,LMG,MDS,MPL,MYG				
	S/N:	MYP,M4T,PGW,PPN,PRF,PTB,WET,WRK,W3K,ZML Use with 2836188 or 2898031 Cylinders				
	BD-282912	Kit	170.00M	115.00M	P	23
	S/N:	JBT,KKT,MPL,PGW,PRF,WKR Use with 2836194 or 2898053 Cylinders				
BD-284912	Kit	170.00M	115.00M	P	23	
S/N:	KKT,PGW,PRF,WRK Use with 2836195 Cylinders					

Application	Part Number	Description	Bore	Rod	Wiper	Type
336D EXCAVATOR (continued)						
Coupler	CT-3265051	Kit	100.00M	75.00M	I	5
	S/N: J2F,W3K					
Undercarriage	BD-647106	Kit	4.000S	2.000S	P	15
	S/N: M3M					
Track Adjuster	BD-902408	Kit	90.00M	90.00M	P	0
	S/N: D3P,JBT,J2F,KDJ,KKT,MDS,MPL,MYG,MYP,M3M,M3N,M4T					
	S/N: PGW,PPN,PRF,PTB,WET,WRK,W3K,ZML					
	BD-902404	Kit	100.00M	100.00M	P	0
S/N: DTS,JBF,JWR,LMG						
336E EXCAVATOR						
Excavator S/N: CMR1-UP,GTJ1-UP,KED1-UP,RBS1-UP,RZA1-UP,SSL1-UP TEG1-UP,T3Z1-UP						
Boom	BD-210895	Kit	150.00M	105.00M	P	23
	S/N: CMR,GTJ,KED,RZA,SSL,TEG,T3Z					
	BD-220916	Kit	160.00M	110.00M	P	23
S/N: RBS						
Bucket	BD-210850	Kit	150.00M	105.00M	P	23
	S/N: CMR,GTJ,KED,RZA,SSL,TEG					
	BD-289852	Kit	160.00M	110.00M	P	23
S/N: CMR,GTJ,KED,TEG						
Stick	BD-288912	Kit	170.00M	115.00M	P	23
	S/N: CMR,GTJ,KED,RZA,SSL,TEG					
Coupler	CT-3460643	Kit	3.500S	2.000S	P	15
	S/N: CMR,GTJ,KED,TEG					
	CT-3460644	Kit	5.500S	3.250S	P	15
S/N: CMR,GTJ,KED,TEG						
Undercarriage	BD-647106	Kit	4.000S	2.000S	P	15
	S/N: RBS					
Track Adjuster	BD-902408	Kit	90.00M	90.00M	P	0
	S/N: CMR,GTJ,KED,RBS,RZA,SSL,TEG					
340D EXCAVATOR						
Excavator S/N: JTN1-UP						
Boom	BD-210895	Kit	150.00M	105.00M	P	23
	Use with 3119517 Cylinder					
	BD-279895	Kit	150.00M	105.00M	P	23
Use with 3119525 Cylinder						
Bucket	BD-220852	Kit	160.00M	110.00M	P	23
	Use with 3154463 Cylinder					
	BD-283915	Kit	160.00M	110.00M	P	23
	Use with 3154472 Cylinder					
	BD-210850	Kit	150.00M	105.00M	P	23
	Use with 3154442 Cylinder					
BD-279850	Kit	150.00M	105.00M	P	23	
Use with 3154450 Cylinder						
Stick	BD-278912	Kit	170.00M	115.00M	P	23
	Use with 2836188 Cylinder					
	BD-284912	Kit	170.00M	115.00M	P	23
Use with 2836195 Cylinder						
Track Adjuster	BD-902404	Kit	100.00M	100.00M	P	0

CATERPILLAR® (REFERENCED BY BULLDOG® PART NUMBERS)

Application	Part Number	Description	Bore	Rod	Wiper	Type
345B, W345B EXCAVATOR						
Excavator S/N: 2NW1-UP,2SW1-UP,2ZW1-UP,3MW1-UP,4SS1-UP,5WS1-UP 6XS1-UP,7KS1-UP,9GS1-UP,AGS1-UP,AKJ1-UP,AKX1-UP ALB1-UP,ALD1-UP,ALL1-UP,ANJ1-UP,APB1-UP,BFG1-UP CCC1-UP,CDY1-UP,DCW1-UP,DET1-UP,FEE1-UP						
Boom	BD-220714	Kit	160.00M	110.00M	P	23
	S/N:	2SW,2ZW,3MW,4SS,5WS,6XS,7KS,9GS,AGS,AKJ,AKX,ALB				
	S/N:	ALD,ALL,CCC,DCW				
	Use with 1297829, 1553737 or 2407505 Cylinders					
	BD-220917	Kit	160.00M	110.00M	P	23
	S/N:	2SW,4SS,7KS,9GS,AGS,AKJ,AKX,ALB,ALD,ALL,CCC,DCW				
	S/N:	DET,FEE				
Use with 2003535 or 2064996 Cylinders						
Boom	BD-283917	Kit	160.00M	110.00M	P	23
	S/N:	AKJ,AKX,ALD				
	Use with 2590755 Cylinder					
	BD-218708	Kit	170.00M	110.00M	P	23
	S/N:	2NW,2SW,AKX,ANJ,APB,BFG,CCC,CDY,DET				
Long Reach and Material Handler arrangements						
Bucket	BD-220710	Kit	160.00M	110.00M	P	23
	S/N:	2SW,2ZW,3MW,4SS,5WS,6XS,7KS,9GS,AGS,AKJ,AKX,ALB				
	S/N:	ALD,ALL,APB,CCC,DCW,FEE				
	Use with 1183935 or 1733541 Cylinders					
	BD-220852	Kit	160.00M	110.00M	P	23
	S/N:	AKJ,AKX,ALD,ALL				
	Use with 2254529 Cylinder					
	BD-218715	Kit	170.00M	110.00M	P	23
	S/N:	2SW,2ZW,3MW,4SS,5WS,6XS,7KS,9GS,AGS,AKJ,AKX,ALB				
	S/N:	ALD,ALL,CCC,DCW,FEE				
	Use with 1297835 or 1733545 Cylinders					
	BD-285715	Kit	170.00M	110.00M	P	23
	S/N:	AKJ,AKX,ALD				
	Use with 2590763 Cylinder					
	BD-256824	Kit	130.00M	95.00M	P	15
	BD-213846	Kit	130.00M	90.00M	P	23
S/N:	CCC					
Use with 1799764 or 2114828 Cylinders						
BD-213695	Kit	130.00M	90.00M	P	23	
S/N:	2SW					
Use with 1232044 Cylinder						
BD-213696	Kit	130.00M	90.00M	P	23	
S/N:	2SW					
Use with 2033057 Cylinder						
BD-258700	Kit	120.00M	85.00M	P	23	
S/N:	2SW,BFG					
Use with 1184134 Cylinder						
BD-258845	Kit	120.00M	85.00M	P	23	
S/N:	2SW,BFG,CCC					
Use with 1589061 or 2836132 Cylinders						
BD-259817	Kit	120.00M	80.00M	P	23	

Application	Part Number	Description	Bore	Rod	Wiper	Type
345B, W345B EXCAVATOR (continued)						
Stick	BD-221716	Kit	190.00M	130.00M	P	23
	S/N:	2SW,2ZW,3MW,4SS,5WS,6XS,7KS,9GS,AGS,AKJ,AKX,ALB				
	S/N:	ALD,ALL,BFG,CCC,DCW				
		Use with 1297832 or 2407425 Cylinders				
	BD-265918	Kit	190.00M	130.00M	P	23
	S/N:	2SW,4SS,7KS,9GS,AGS,AKJ,AKX,ALB,ALD,ALL,BFG,CCC				
	S/N:	DCW,FEE				
		Use with 2003525 Cylinder				
	BD-265919	Kit	190.00M	130.00M	P	23
	S/N:	CCC				
		Use with 2254526 Cylinder				
	BD-287918	Kit	190.00M	130.00M	P	23
	S/N:	AKJ,AKX,ALD				
		Use with 2590771 Cylinder				
	BD-218708	Kit	170.00M	110.00M	P	23
S/N:	2SW					
	Super Long Reach and Demolition arrangements					
	Use with 1163638 Cylinder					
BD-218855	Kit	170.00M	110.00M	P	23	
S/N:	2SW					
	Super Long Reach and Demolition arrangements					
	Use with 1913118 Cylinder					
BD-267684	Kit	160.00M	95.00M	P	23	
S/N:	2SW					
	Super Long Reach and Demolition arrangements					
	Use with 1412609 Cylinder					
BD-267844	Kit	160.00M	95.00M	P	23	
S/N:	2SW					
	Use with 2044907 Cylinder					
BD-210689	Kit	150.00M	105.00M	P	23	
S/N:	2NW,2SW,AKX,ANJ,APB,BFG,CDY,DET					
	Material Handler arrangement					
Counterweight	BD-707397	Kit	4.750S	3.000S	P	15
S/N:	4SS,5WS,9GS,AGS,AKJ,AKX,ALB,DCW					
Saw	BD-206847	Kit	140.00M	100.00M	P	23
S/N:	CCC					
Undercarriage	BD-662409	Kit	4.000S	2.250S	P	15
S/N:	2SW,CCC					
Track Adjuster	BD-902404	Kit	100.00M	100.00M	P	0
	BD-902405	Kit	130.00M	130.00M	P	0
	S/N:	CCC				

CATERPILLAR® (REFERENCED BY BULLDOG® PART NUMBERS)

Application	Part Number	Description	Bore	Rod	Wiper	Type
345C, W345C EXCAVATOR						
Excavator S/N: A3L1-UP,BWY1-UP,DHP1-UP,D3S1-UP,ELS1-UP,ESD1-UP FPC1-UP,GCL1-UP,GJR1-UP,GPH1-UP,LYS1-UP,MTE1-UP M2R1-UP,M3E1-UP,M3F1-UP,M3M1-UP,PJW1-UP,R5K1-UP SCN1-UP,SPC1-UP,S5M1-UP,TAJ1-UP,TBA1-UP,TDG1-UP WDE1-UP						
Boom	BD-220916	Kit	160.00M	110.00M	P	23
	S/N:	BWY,DHP,ELS,ESD,FPC,GCL,GJR,LYS,GPH,PJW,S5M,TAJ				
	S/N:	TBA,TDG,WDE Use with 2254523 Cylinder				
	BD-283916	Kit	160.00M	110.00M	P	23
S/N:	BWY,DHP,GJR,TBA,WDE Use with 2668087 Cylinder					
	BD-282923	Kit	170.00M	115.00M	P	23
	S/N:	A3L,D3S,MTE,M2R,M3E,M3F,M3M,R5K,SCN,SPC				
Bucket	BD-220852	Kit	160.00M	110.00M	P	23
	S/N:	BWY,DHP,ELS,ESD,FPC,GCL,GJR,GPH,LYS,PJW,SCN,SPC				
	S/N:	S5M,TAJ,TBA,TDG,WDE Use with 2254529 Cylinder				
	BD-283915	Kit	160.00M	110.00M	P	23
	S/N:	BWY,DHP,GJR,TBA,WDE Use with 2742456 Cylinder				
	BD-218922	Kit	170.00M	110.00M	P	23
	S/N:	BWY,DHP,ELS,ESD,GCL,GJR,GPH,LYS,PJW,S5M,TAJ,TBA				
	S/N:	TDG,WDE Use with 2254532 Cylinder				
	BD-285922	Kit	170.00M	110.00M	P	23
	S/N:	BWY,DHP,GJR,TBA,WDE Use with 2742459 Cylinder				
	BD-210850	Kit	150.00M	105.00M	P	23
	S/N:	SPC				
BD-206847	Kit	140.00M	100.00M	P	23	
S/N:	SCN,SPC					
BD-258845	Kit	120.00M	85.00M	P	23	
S/N:	SPC					
Stick	BD-265919	Kit	190.00M	130.00M	P	23
	S/N:	A3L,BWY,DHP,ELS,ESD,FPC,GCL,GJR,GPH,LYS,PJW,SCN				
	S/N:	SPC,S5M,TAJ,TBA,TDG,WDE Use with 2254526 or 2426839 Cylinders				
	BD-287919	Kit	190.00M	130.00M	P	23
S/N:	BWY,DHP,GJR,TBA,WDE Use with 2742453 Cylinder					
	BD-220924	Kit	150.00M	110.00M	P	23
S/N:	D3S,MTE,M2R,M3M,R5K,SPC					
Cab Riser	BD-199662	Kit	90.00M	60.00M	P	15
	S/N:	D3S,MTE,M3M				
Cab Tilt	BD-662122	Kit	5.000S	2.250S	P	15
	S/N:	A3L				
Counterweight	BD-707397	Kit	4.750S	3.000S	P	15
	S/N:	BWY,DHP,ESD,FPC,GJR,PJW,TAJ,TBA,TDG,WDE				

Application	Part Number	Description	Bore	Rod	Wiper	Type
345C, W345C EXCAVATOR (continued)						
Undercarriage	BD-662409	Kit	4.000S	2.250S	P	15
	S/N: SCN,SPC					
	BD-792409	Kit	4.000S	2.250S	P	15
S/N: M3F						
Track Adjuster	BD-902404	Kit	100.00M	100.00M	P	0
	BD-902405	Kit	130.00M	130.00M	P	0
	S/N: GCL,GPH,SPC					
345D EXCAVATOR						
Excavator S/N: EEH1-UP,GYR1-UP,JKN1-UP,KFH1-UP,LKY1-UP,MLK1-UP NEG1-UP,NLM1-UP,PBT1-UP,RAE1-UP,RAJ1-UP,RGD1-UP RGG1-UP,YEE1-UP						
Boom	BD-220916	Kit	160.00M	110.00M	P	23
	Use with 2254523 Cylinder					
	BD-283916	Kit	160.00M	110.00M	P	23
S/N: JNK,NEG,PBT,RAE						
Use with 2668087 Cylinder						
Bucket	BD-220852	Kit	160.00M	110.00M	P	23
	Use with 2254529 or 2937678 Cylinders					
	BD-283915	Kit	160.00M	110.00M	P	23
	S/N: JKN,NEG,PBT,RAE					
	Use with 2742456 Cylinder					
	BD-218922	Kit	170.00M	110.00M	P	23
Use with 2254532 Cylinder						
S/N: JKN,NEG,PBT,RAE						
Use with 2742459 Cylinder						
Stick	BD-265919	Kit	190.00M	130.00M	P	23
	Use with 2254526 Cylinder					
	BD-287919	Kit	190.00M	130.00M	P	23
S/N: JKN,NEG,PBT,RAE						
Use with 2742453 Cylinder						
Counterweight	BD-707397	Kit	4.750S	3.000S	P	15
	S/N: EEH,JKN,NEG,PBT,RAE,RAJ,YEE					
Coupler	CT-3460644	Kit	5.500S	3.250S	P	15
	S/N: JKN					
Track Adjuster	BD-902404	Kit	100.00M	100.00M	P	0
349D EXCAVATOR						
Excavator S/N: GKF1-UP,JGB1-UP,KHS1-UP,KLH1-UP,MEN1-UP,NNF1-UP PZG1-UP,RBJ1-UP,WTD1-UP						
Boom	BD-220916	Kit	160.00M	110.00M	P	23
	S/N: JGB,KHS,MEN,NNF,PZG,RBJ,WTD					
	Use with 2254523 Cylinder					
	BD-283916	Kit	160.00M	110.00M	P	23
S/N: MEN,NNF,PZG,WTD						
Use with 2668087 Cylinder						
BD-289916	Kit	160.00M	110.00M	P	23	
S/N: GKF,KLH						
Bucket	BD-220852	Kit	160.00M	110.00M	P	23
	S/N: JGB,KHS,MEN,NNF,PZG,RBJ,WTD					
Use with 2254529 or 2937678 Cylinders						

CATERPILLAR® (REFERENCED BY BULLDOG® PART NUMBERS)

Application	Part Number	Description	Bore	Rod	Wiper	Type
349D EXCAVATOR						
(continued)						
Bucket (cont)	BD-283915	Kit	160.00M	110.00M	P	23
	S/N:	MEN,NNF,PZG,WTD Use with 2742456 Cylinder				
	BD-289852	Kit	160.00M	110.00M	P	23
	S/N:	GKF				
	BD-218922	Kit	170.00M	110.00M	P	23
	S/N:	JGB,KHS,MEN,NNF,PZG,RBJ,WTD Use with 2254532 Cylinder				
	BD-285922	Kit	170.00M	110.00M	P	23
	S/N:	MEN,NNF,PZG,WTD Use with 2742459 Cylinder				
Stick	BD-290922	Kit	170.00M	110.00M	P	23
	S/N:	KLH				
	BD-265919	Kit	190.00M	130.00M	P	23
	S/N:	JGB,KHS,MEN,NNF,PZG,RBJ,WTD Use with 2254526 Cylinder				
Counterweight	BD-287919	Kit	190.00M	130.00M	P	23
	S/N:	MEN,NNF,PZG,WTD Use with 2742453 Cylinder				
	BD-291919	Kit	190.00M	130.00M	P	23
Coupler	S/N:	GKF,KLH				
	BD-707397	Kit	4.750S	3.000S	P	15
Track Adjuster	S/N:	JGB,MEN,NNF,PZG,WTD				
	CT-3460644	Kit	5.500S	3.250S	P	15
S/N:	MEN,NNF,PZG,WTD					
BD-902404	Kit	100.00M	100.00M	P	0	
349E EXCAVATOR						
Excavator S/N: FJB1-UP, JAE1-UP, KFX1-UP, MZW1-UP, RGH1-UP, SPG1-UP WHZ1-UP						
Boom	BD-288912	Kit	170.00M	115.00M	P	23
	S/N:	FJB,KFX,MZW,RGH,SPG,WHZ				
	BD-288925	Kit	170.00M	115.00M	P	23
S/N:	JAE					
Bucket	BD-220852	Kit	160.00M	110.00M	P	23
	S/N:	KFX,MZW Use with 2937678 Cylinder				
	BD-289852	Kit	160.00M	110.00M	P	23
	S/N:	FJB,KFX,MZW,RGH,SPG,WHZ Use with 3588482 or 3675217 Cylinders				
Stick	BD-290922	Kit	170.00M	110.00M	P	23
	S/N:	FJB,KFX,MZW,RGH,SPG,WHZ				
Coupler	BD-291919	Kit	190.00M	130.00M	P	23
	S/N:	FJB,KFX1-174,RGH,SPG,WHZ				
	BD-291926	Kit	190.00M	130.00M	P	23
S/N:	KFX175-UP,MZW					
CT-3460644	Kit	5.500S	3.250S	P	15	
S/N:	FJB,RGH,SPG,WHZ					
BD-792409	Kit	4.000S	2.250S	P	15	
S/N:	JAE					
BD-902404	Kit	100.00M	100.00M	P	0	

Application	Part Number	Description	Bore	Rod	Wiper	Type
350 EXCAVATOR						
Excavator S/N: 7RK1-UP,8HK1-UP,9DK1-UP,2ZL1-UP,3ML1-UP,9FL1-UP 8KZ279-UP						
Boom	BD-218708	Kit	170.00M	110.00M	P	23
	BD-216718	Kit	200.00M	140.00M	P	23
	S/N:	3ML,9FL,8KZ Material Handler, Super Long Reach and Demolition arrangements				
Bucket	BD-220710	Kit	160.00M	110.00M	P	23
	F-Family Buckets					
	BD-221717	Kit	180.00M	130.00M	P	23
	G-Family Buckets					
	BD-258685	Kit	130.00M	85.00M	P	23
S/N:	9FL C-Family Buckets					
Stick	BD-221711	Kit	180.00M	130.00M	P	23
	BD-218708	Kit	170.00M	110.00M	P	23
	S/N:	9FL Material Handler arrangement				
Stick (Mid)	BD-222721	Kit	220.00M	150.00M	P	23
	S/N:	3ML,9FL,8KZ Material Handler arrangement				
Stick (Jib)	BD-218708	Kit	170.00M	110.00M	P	23
	S/N:	3ML,9FL,8KZ Material Handler arrangement				
Counterweight	BD-628409	Kit	4.000S	2.500S	P	15
	S/N:	8HK,2ZL,3ML,9FL Use with 1213397 Head				
	BD-642383	Kit	4.000S	2.500S	P	15
	S/N:	8HK,2ZL,3ML,9FL Use with 6E4978 Head				
Track Adjuster	BD-902404	Kit	100.00M	100.00M	P	0
365B EXCAVATOR						
Excavator S/N: 9PZ1-UP,9TZ1-UP,AGD1-UP,CFJ1-UP,CTY1-UP,DER1-UP JMB1-UP,PEG1-UP,SDL1-UP						
Boom	BD-221927	Kit	190.00M	130.00M	P	23
	S/N:	CFJ				
	BD-265928	Kit	190.00M	130.00M	P	23
	S/N:	DER1-108				
	BD-265919	Kit	190.00M	130.00M	P	23
	S/N:	DER109-UP,JMB,SDL				
	BD-220917	Kit	160.00M	110.00M	P	23
	S/N:	JMB,PEG Use with 1232111 Piston				
	BD-220916	Kit	160.00M	110.00M	P	23
	S/N:	PEG Use with 1850232 Piston				
	BD-262831	Kit	200.00M	140.00M	P	23
	S/N:	JMB Ultra High Demolition arrangement				

CATERPILLAR® (REFERENCED BY BULLDOG® PART NUMBERS)

Application	Part Number	Description	Bore	Rod	Wiper	Type
365B EXCAVATOR (continued)						
Boom (cont)	BD-216718	Kit	200.00M	140.00M	P	23
S/N:	9PZ					
Bucket	BD-265830	Kit	180.00M	130.00M	P	23
S/N:	9PZ,9TZ,AGD,CFJ,DER,JMB V-Family Buckets					
	BD-262831	Kit	200.00M	140.00M	P	23
S/N:	9PZ,9TZ,AGD,CFJ,DER,JMB W-Family Buckets					
	BD-220710	Kit	160.00M	110.00M	P	23
S/N:	JMB					
	BD-293710	Kit	160.00M	90.00M	P	23
S/N:	PEG					
Stick	BD-262831	Kit	200.00M	140.00M	P	23
S/N:	9PZ,9TZ,AGD,CFJ,DER,JMB,PEG					
	BD-221716	Kit	190.00M	130.00M	P	23
S/N:	9PZ,CTY Use with 1297832 or 2049063 Cylinders					
	BD-265918	Kit	190.00M	130.00M	P	23
S/N:	9PZ,CTY,SDL Use with 2003525 or 2220682 Cylinders					
	BD-292929	Kit	220.00M	150.00M	P	23
S/N:	JMB					
	BD-222721	Kit	220.00M	150.00M	P	23
S/N:	9PZ Demolition arrangement					
Counterweight	BD-213695	Kit	130.00M	90.00M	P	23
S/N:	9PZ,9TZ,AGD,DER Use with 717183 Piston					
	BD-213846	Kit	130.00M	90.00M	P	23
S/N:	9PZ,9TZ,AGD,CFJ,DER,JMB Use with 1799770 Piston					
Saw	BD-206847	Kit	140.00M	100.00M	P	23
S/N:	9PZ,JMB					
Tilt	BD-206682	Kit	140.00M	100.00M	P	23
S/N:	9PZ Demolition arrangement					
Undercarriage	BD-647106	Kit	4.000S	2.000S	P	15
S/N:	9PZ					
Track Adjuster	BD-902405	Kit	130.00M	130.00M	P	0
	BD-903405	Kit	150.00M	150.00M	P	0
S/N:	9PZ					

Application	Part Number	Description	Bore	Rod	Wiper	Type
365C EXCAVATOR						
Excavator S/N: ELC1-UP,FEN1-UP,GWC1-UP,MCS1-UP,MCY1-UP,MEM1-UP PAR1-UP						
Boom	BD-265919	Kit	190.00M	130.00M	P	23
	S/N:	ELC,FEN,GWC,MCS,MCY,MEM				
	BD-220916	Kit	160.00M	110.00M	P	23
	S/N:	PAR				
	BD-262831	Kit	200.00M	140.00M	P	23
S/N:	GWC Ultra High Demolition arrangement					
Bucket	BD-265830	Kit	180.00M	130.00M	P	23
	S/N:	ELC,FEN,MCS,MCY,MEM				
	BD-262831	Kit	200.00M	140.00M	P	23
	S/N:	ELC,FEN,MCS,MCY,MEM				
Stick	BD-293710	Kit	160.00M	90.00M	P	23
	S/N:	PAR				
	BD-262831	Kit	200.00M	140.00M	P	23
	S/N:	ELC,FEN,MCS,MCY,MEM,PAR				
Counterweight	BD-292929	Kit	220.00M	150.00M	P	23
	S/N:	MCY,MEM				
	BD-265919	Kit	190.00M	130.00M	P	23
S/N:	GWC					
Saw	BD-213846	Kit	130.00M	90.00M	P	23
	S/N:	ELC,FEN,MCS,MEM				
Track Adjuster	BD-206847	Kit	140.00M	100.00M	P	23
	S/N:	MCY,MEM				
Track Adjuster	BD-902405	Kit	130.00M	130.00M	P	0
	374D EXCAVATOR					
Excavator S/N: PAP1-UP,PAS1-UP,PAX1-UP,PJA1-UP						
Boom	BD-265919	Kit	190.00M	130.00M	P	23
Bucket	BD-265930	Kit	190.00M	130.00M	P	23
	BD-262931	Kit	200.00M	140.00M	P	23
Counterweight	BD-213846	Kit	130.00M	90.00M	P	23
	S/N:	PAP				
Track Adjuster	BD-902405	Kit	130.00M	130.00M	P	0
375 EXCAVATOR						
Excavator S/N: 8XG1-UP,8WJ1-UP,6NK1-UP,6RL1-UP,9WL1-UP,1JM1-UP						
Boom	BD-216718	Kit	200.00M	140.00M	P	23
	BD-222721	Kit	220.00M	150.00M	P	23
	S/N:	6RL Long Reach arrangement				
Bucket	BD-216719	Kit	200.00M	140.00M	P	23
	H-Family Buckets					
	BD-222722	Kit	220.00M	150.00M	P	23
J-Family Buckets						

CATERPILLAR® (REFERENCED BY BULLDOG® PART NUMBERS)

Application	Part Number	Description	Bore	Rod	Wiper	Type
375 EXCAVATOR (continued)						
Bucket (cont)	BD-212694	Kit	130.00M	90.00M	P	15
	S/N: 6RL	Long Reach arrangement				
Stick	BD-222720	Kit	220.00M	150.00M	P	23
	Use with 717189 Piston					
	BD-222721	Kit	220.00M	150.00M	P	23
Use with 1163517 Piston						
Counterweight	BD-628409	Kit	4.000S	2.500S	P	15
	S/N: 8WJ,6NK,9WL,1JM	Use with 1213397 Head				
	BD-642383	Kit	4.000S	2.500S	P	15
S/N: 8WJ,6NK,9WL,1JM Use with 6E4978 Head						
Track Adjuster	BD-903405	Kit	150.00M	150.00M	P	0
385B EXCAVATOR						
Excavator S/N: ANS1-UP,BKF1-UP,BLY1-UP,CLS1-UP,FDL1-UP,MYA1-UP RCD1-UP						
Boom	BD-292929	Kit	220.00M	150.00M	P	23
	S/N: FDL	Ultra High Demolition arrangement				
Bucket	BD-262931	Kit	200.00M	140.00M	P	23
	BD-292932	Kit	220.00M	150.00M	P	23
	Use with 1559077 or 2159965 Cylinders					
	BD-220710	Kit	160.00M	110.00M	P	23
	S/N: FDL					
	BD-210850	Kit	150.00M	105.00M	P	23
	S/N: FDL					
	BD-293710	Kit	160.00M	90.00M	P	23
	S/N: MYA	Use with 1211518 Cylinder				
	BD-293933	Kit	160.00M	90.00M	P	23
S/N: MYA Use with 2101342 Cylinder						
Stick	BD-292929	Kit	220.00M	150.00M	P	23
	Use with 1559071 or 2590871 Cylinders					
	BD-262831	Kit	200.00M	140.00M	P	23
S/N: FDL						
Counterweight	BD-210850	Kit	150.00M	105.00M	P	23
Saw	BD-206847	Kit	140.00M	100.00M	P	23
	S/N: FDL					
Undercarriage	BD-647106	Kit	4.000S	2.000S	P	15
	S/N: FDL					
Track Adjuster	BD-902405	Kit	130.00M	130.00M	P	0

Application	Part Number	Description	Bore	Rod	Wiper	Type
385C EXCAVATOR						
Excavator S/N: EAM1-UP,EDA1-UP,GLT1-UP,JCM1-UP,KBC1-UP,KGB1-UP KKK1-UP,MMA1-UP,MNZ1-UP,M3W1-UP,SBE1-UP,T2E1-UP T2F1-UP,WAW1-UP						
Boom	BD-265830	Kit	180.00M	130.00M	P	23
	S/N:	EAM,GLT,MMA,T2F				
	BD-292929	Kit	220.00M	150.00M	P	23
	S/N:	KGB,M3W,WAW Ultra High Demolition arrangement				
Bucket	BD-262931	Kit	200.00M	140.00M	P	23
	S/N:	EDA,JCM,KBC,KGB,KKK,MNZ,SBE,T2E				
	BD-292932	Kit	220.00M	150.00M	P	23
	S/N:	EDA,JCM,KBC,KGB,KKK,MNZ,SBE,T2E				
	BD-293710	Kit	160.00M	90.00M	P	23
	S/N:	EAM,GLT,MMA,T2F				
Stick	BD-210850	Kit	150.00M	105.00M	P	23
	S/N:	KGB,T2E				
	BD-292929	Kit	220.00M	150.00M	P	23
	S/N:	EAM,EDA,GLT,JCM,KBC,KGB,KKK,MMA,MNZ,SBE,T2E,T2F				
	BD-262831	Kit	200.00M	140.00M	P	23
	S/N:	KGB,T2E				
Counterweight	BD-265919	Kit	190.00M	130.00M	P	23
	S/N:	WAW				
	BD-278912	Kit	170.00M	115.00M	P	23
	S/N:	KGB,KKK				
Saw	BD-210850	Kit	150.00M	105.00M	P	23
	S/N:	EDA,GLT,JCM,KBC,KGB,KKK,MNZ,SBE,T2E				
Undercarriage	BD-206847	Kit	140.00M	100.00M	P	23
	S/N:	KGB,T2E				
Track Adjuster	BD-647106	Kit	4.000S	2.000S	P	15
	S/N:	KGB				
BD-902405	Kit	130.00M	130.00M	P	0	
390D EXCAVATOR						
Excavator S/N: BYP1-UP,KCZ1-UP,WAG1-UP,WAP1-UP,WBT1-UP						
Bucket	BD-262931	Kit	200.00M	140.00M	P	23
	S/N:	KCZ,WAG,WAP,WBT				
	BD-292932	Kit	220.00M	150.00M	P	23
	S/N:	KCZ,WAG,WAP,WBT				
Stick	BD-292929	Kit	220.00M	150.00M	P	23
Counterweight	BD-210850	Kit	150.00M	105.00M	P	23
Track Adjuster	S/N:	KCZ,WAP,WBT				
BD-902405	Kit	130.00M	130.00M	P	0	

CATERPILLAR® (REFERENCED BY BULLDOG® PART NUMBERS)

Application	Part Number	Description	Bore	Rod	Wiper	Type
E70,E70B EXCAVATOR						
Excavator S/N: 3BG1-UP,5TG1-UP,6AK1-UP						
Boom	CT-0995310	Kit	110.00M	75.00M	P	8
S/N:	5TG,6AK					
Offset Boom	CT-0996978	Kit	90.00M	60.00M	P	8
S/N:	5TG,6AK					
Bucket	CT-0997004	Kit	80.00M	55.00M	P	8
S/N:	5TG,6AK					
Stick	CT-0996978	Kit	90.00M	60.00M	P	8
S/N:	5TG,6AK					
Blade	CT-0933045	Kit	90.00M	50.00M	P	11
Track Adjuster	BD-900407	Kit	50.00M	50.00M	P	0
E110,E110B EXCAVATOR						
Excavator S/N: 3FG1-UP,5GK1-UP,8MF1-UP,9HF1-UP						
Boom	CT-0938385	Kit	110.00M	70.00M	P	11
S/N:	3FG					
	CT-0995401	Kit	100.00M	70.00M	P	8
S/N:	5GK,8MF,9HF					
Bucket	CT-0938390	Kit	110.00M	65.00M	P	11
S/N:	3FG					
	CT-0995312	Kit	100.00M	65.00M	P	8
S/N:	5GK,8MF,9HF					
Stick	CT-0938388	Kit	120.00M	80.00M	P	11
S/N:	3FG					
	CT-0995310	Kit	110.00M	75.00M	P	8
S/N:	5GK,8MF,9HF					
	CT-0860174	Kit	100.00M	75.00M	P	15
S/N:	5GK,8MF,9HF Telescopic Arm arrangement					
Track Adjuster	BD-900408	Kit	50.00M	50.00M	P	0
S/N:	5GK,8MF,9HF					
E120,E120B EXCAVATOR						
Excavator S/N: 1LF1-UP,4XK1-UP,6JF1-UP,7NF1-UP						
Boom	CT-0967786	Kit	110.00M	75.00M	P	5
S/N:	1LF					
	CT-0995310	Kit	110.00M	75.00M	P	8
S/N:	4XK,6JF,7NF					
Bucket	CT-0967625	Kit	100.00M	65.00M	P	5
S/N:	1LF					
	CT-0995312	Kit	100.00M	65.00M	P	8
S/N:	4XK,6JF,7NF					
Stick	CT-0967799	Kit	120.00M	80.00M	P	5
S/N:	1LF					
	CT-0995311	Kit	120.00M	80.00M	P	8
S/N:	4XK,6JF,7NF					
	CT-0860174	Kit	100.00M	75.00M	P	15
S/N:	4XK,6JF,7NF Telescopic Arm arrangement					

Application	Part Number	Description	Bore	Rod	Wiper	Type
E120,E120B EXCAVATOR (continued)						
Track Adjuster	BD-900408	Kit	50.00M	50.00M	P	0
	S/N: 4XK,6JF,7NF					
E180,EL180 EXCAVATOR						
Excavator S/N: 1RF1-UP,4EF1-UP						
Boom	CT-0940691	Kit	125.00M	85.00M	P	5
Bucket	CT-0940691	Kit	125.00M	85.00M	P	5
	Use with 0941946 cylinder					
	CT-0938390	Kit	110.00M	65.00M	P	11
Use with E75390200 cylinder						
Stick	CT-0941910	Kit	140.00M	100.00M	P	5
E200B,EL200B EXCAVATOR						
Excavator S/N: 6KF1-UP,7DF1-UP,4SG1-UP,5EG1-UP						
Boom	CT-0964395	Kit	120.00M	85.00M	P	5
Bucket	CT-0966457	Kit	115.00M	75.00M	P	5
	Use with 0964462 or 0967909 cylinders					
	CT-0995312	Kit	100.00M	65.00M	P	8
Use with 0993713 cylinder						
Stick	CT-2481162	Kit	140.00M	100.00M	P	5
	S/N: 6KF,7DF	Use with 0967910 or 419333 cylinders				
	CT-0964396	Kit	130.00M	95.00M	P	5
S/N: 6KF1-1053,7DF1-1887,4SG,5EG						
Use with 515907, 0964427 or 0993688 cylinders						
Track Adjuster	BD-901406	Kit	60.00M	60.00M	P	0
E240,EL240,E240B,EL240B,E240C,EL240C EXCAVATOR						
Excavator S/N: 4JF1-UP,8SF1-UP,1FG1-UP,5WG1-UP,9PK1-UP,2RL1-UP						
Boom	CT-0939941	Kit	140.00M	90.00M	P	8
Bucket	CT-0939941	Kit	140.00M	90.00M	P	8
	CT-0938390	Kit	110.00M	65.00M	P	11
	S/N: 4JF,1FG					
	CT-0995312	Kit	100.00M	65.00M	P	8
S/N: 8SF,5WG,9PK,2RL						
Stick	CT-0942697	Kit	150.00M	100.00M	P	8
Track Adjuster	BD-901415	Kit	70.00M	70.00M	P	0

CATERPILLAR® (REFERENCED BY BULLDOG® PART NUMBERS)

Application	Part Number	Description	Bore	Rod	Wiper	Type
E300,EL300,E300B,EL300B EXCAVATOR						
Excavator S/N: 2CF1-UP,4NF1-UP,1WJ1-UP,3FJ1-UP						
Boom	CT-0942697	Kit	150.00M	100.00M	P	8
	S/N: 2CF,4NF					
Boom	CT-2481162	Kit	140.00M	100.00M	P	5
	S/N: 1WJ,3FJ					
Bucket	CT-0942697	Kit	150.00M	100.00M	P	8
	S/N: 2CF,4NF					
Stick	CT-0942698	Kit	160.00M	110.00M	P	8
	S/N: 2CF,4NF					
Track Adjuster	BD-902411	Kit	80.00M	80.00M	P	0
E450 EXCAVATOR						
Excavator S/N: 3HG1-UP						
Bucket	CT-0942697	Kit	150.00M	100.00M	P	8
	Use with 0946506 or 0962932 cylinders					
	CT-2481162	Kit	140.00M	100.00M	P	5
Front Shovel arrangement						
Track Adjuster	BD-902410	Kit	100.00M	100.00M	P	0
M312 WHEEL EXCAVATOR						
Excavator S/N: 6TL1-UP						
Boom	BD-204832	Kit	100.00M	70.00M	P	23
Boom VA	BD-204834	Kit	130.00M	70.00M	P	23
	Use with 1206302 Piston					
	BD-204846	Kit	130.00M	70.00M	P	23
Use with 1838994 Piston						
Bucket	BD-203833	Kit	90.00M	65.00M	P	15
Stick	BD-204832	Kit	100.00M	70.00M	P	23
M313C, M313D EXCAVATOR						
Excavator S/N: BDR1-UP,H2A1-UP,J3A1-UP,K3D1-UP,W3H1-UP						
Boom	BD-294934	Kit	105.00M	75.00M	P	23
Boom VA	BD-204846	Kit	130.00M	70.00M	P	23
Bucket	BD-203833	Kit	90.00M	65.00M	P	15
	S/N: BDR,H2A,W3H					
	BD-295936	Kit	90.00M	65.00M	P	15
S/N: J3A,K3D						
Stick	BD-294935	Kit	110.00M	75.00M	P	23
Coupler	CT-2027897	Kit	60.00M	40.00M	I	16

Application	Part Number	Description	Bore	Rod	Wiper	Type
M315 WHEEL EXCAVATOR						
Excavator S/N: 7ML1-UP						
Boom	BD-202835	Kit	110.00M	80.00M	P	23
Boom VA	BD-202835	Kit	110.00M	80.00M	P	23
	BD-296836	Kit	140.00M	75.00M	P	23
	Use with 1228406 Piston					
	BD-296937	Kit	140.00M	75.00M	P	23
S/N:	7ML860-UP Use with 1838908 Piston					
Bucket	BD-204832	Kit	100.00M	70.00M	P	23
Stick	BD-202835	Kit	110.00M	80.00M	P	23
	BD-198853	Kit	110.00M	75.00M	P	23
	S/N:	7ML860-UP				
M315C, M315D EXCAVATOR						
Excavator S/N: BDM1-UP,H2B1-UP,J5B1-UP,K5E1-UP,W5M1-UP						
Boom	BD-297938	Kit	115.00M	80.00M	P	23
	BD-296937	Kit	140.00M	75.00M	P	23
Bucket	BD-298939	Kit	100.00M	70.00M	P	23
Stick	BD-297940	Kit	120.00M	80.00M	P	23
Coupler	CT-2027897	Kit	60.00M	40.00M	I	16
M316C, M316D EXCAVATOR						
Excavator S/N: BDX1-UP,D6W1-UP,H2C1-UP,W6A1-UP						
Boom	BD-258941	Kit	120.00M	85.00M	P	23
	BD-296937	Kit	140.00M	75.00M	P	23
Bucket	BD-298939	Kit	100.00M	70.00M	P	23
Stick	BD-297940	Kit	120.00M	80.00M	P	23
Coupler	CT-2027897	Kit	60.00M	40.00M	I	16
	S/N:	BDX2001-UP,D6W,H2C,W6A				
M318 WHEEL EXCAVATOR						
Excavator S/N: 8AL1-UP,6ES1-UP,8SS1-UP						
Boom	BD-258837	Kit	120.00M	85.00M	P	23
Boom VA	BD-258838	Kit	160.00M	85.00M	P	23
Bucket	BD-202835	Kit	110.00M	80.00M	P	23
Stick	BD-258837	Kit	120.00M	85.00M	P	23
	BD-202835	Kit	110.00M	80.00M	P	23
	S/N:	6ES,8SS				

CATERPILLAR® (REFERENCED BY BULLDOG® PART NUMBERS)

Application	Part Number	Description	Bore	Rod	Wiper	Type
M318C, M318D EXCAVATOR						
Excavator S/N: BCZ1-UP,BEB1-UP,D8W1-UP,D9X1-UP,H2D1-UP,H2F1-UP W8P1-UP,W8R1-UP						
Boom	BD-213849	Kit	130.00M	90.00M	P	23
Boom VA	BD-258942	Kit	160.00M	85.00M	P	23
Bucket	BD-259821	Kit	110.00M	80.00M	P	22
	BD-203833	Kit	90.00M	65.00M	P	15
S/N:	D8W					
Stick	BD-213849	Kit	130.00M	90.00M	P	23
	BD-259821	Kit	110.00M	80.00M	P	22
S/N:	BEB,D9X,H2F,W8R					
Coupler	CT-2027897	Kit	60.00M	40.00M	I	16
S/N:	D8W,D9X,W8P,W8R					
M320 WHEEL EXCAVATOR						
Excavator S/N: 6WL1-UP,9PS1-UP						
Boom	BD-260709	Kit	130.00M	95.00M	P	23
Boom VA	BD-206814	Kit	170.00M	100.00M	P	23
Bucket	BD-205700	Kit	120.00M	85.00M	P	23
Stick	BD-258680	Kit	120.00M	85.00M	P	23
	BD-206682	Kit	140.00M	100.00M	P	23
M322C, M322D EXCAVATOR						
Excavator S/N: BDK1-UP,BDY1-UP,D2W1-UP,D3X1-UP,H2E1-UP,H2G1-UP W2S1-UP,W2T1-UP						
Boom	BD-206847	Kit	140.00M	100.00M	P	23
	BD-206943	Kit	170.00M	100.00M	P	23
Bucket	BD-258845	Kit	120.00M	85.00M	P	23
	BD-259821	Kit	110.00M	80.00M	P	22
S/N:	D2W,D3X,W2T					
S/N:	BD-203833	Kit	90.00M	65.00M	P	15
S/N:	D2W					
Stick	BD-206847	Kit	140.00M	100.00M	P	23
	BD-258941	Kit	120.00M	85.00M	P	23
S/N:	BDK,BDY,D2W,D3X,H2G,W2S,W2T					
Coupler	CT-2027897	Kit	60.00M	40.00M	I	16
S/N:	D2W,D3X,W2S,W2T					

Application	Part Number	Description	Bore	Rod	Wiper	Type
M325B WHEEL EXCAVATOR						
Excavator S/N: BGN1-UP						
Boom	BD-206682	Kit	140.00M	100.00M	P	23
	BD-210689	Kit	150.00M	105.00M	P	23
	S/N: BGN					
Bucket	BD-210702	Kit	150.00M	105.00M	P	23
	S/N: BGN	Use with 1183921 Cylinder				
	BD-210911	Kit	150.00M	105.00M	P	23
	S/N: BGN	Use with 1433199 Cylinder				
Stick	BD-218708	Kit	170.00M	110.00M	P	23
	Use with 1163638 Cylinder					
	BD-218855	Kit	170.00M	110.00M	P	23
	Use with 1913118 Cylinder					
	BD-213696	Kit	130.00M	90.00M	P	23
	S/N: BGN					
	BD-221711	Kit	180.00M	130.00M	P	23
	S/N: BGN					
M325C EXCAVATOR						
Excavator S/N: PAN1-UP,XJA1-UP						
Boom	BD-210851	Kit	150.00M	105.00M	P	23
	S/N: PAN	Use with 2033906 Cylinder				
	BD-210689	Kit	150.00M	105.00M	P	23
	S/N: PAN	Use with 2550934 Cylinder				
	BD-206847	Kit	140.00M	100.00M	P	23
	S/N: XJA					
Bucket	BD-220710	Kit	160.00M	110.00M	P	23
	S/N: PAN					
Stick	BD-221711	Kit	180.00M	130.00M	P	23
	S/N: PAN					
	BD-213849	Kit	130.00M	90.00M	P	23
	S/N: PAN					
	BD-258941	Kit	120.00M	85.00M	P	23
	S/N: XJA					

CATERPILLAR® (REFERENCED BY BULLDOG® PART NUMBERS)

Application	Part Number	Description	Bore	Rod	Wiper	Type
M325D EXCAVATOR						
Excavator S/N: EDF1-UP,KAY1-UP,KGG1-UP						
Boom	BD-210851	Kit	150.00M	105.00M	P	23
	S/N: KAY,KGG					
	BD-206847	Kit	140.00M	100.00M	P	23
S/N: EDF						
Stick	BD-213849	Kit	130.00M	90.00M	P	23
	S/N: KAY,KGG					
	BD-258941	Kit	120.00M	85.00M	P	23
S/N: EDF						
Cab Riser	BD-199662	Kit	90.00M	60.00M	P	15
	S/N: EDF					
M330D EXCAVATOR						
Excavator S/N: KRE1-UP,MBR1-UP						
Boom	BD-218708	Kit	170.00M	110.00M	P	23
Stick	BD-210895	Kit	150.00M	105.00M	P	23
Cab Riser	BD-199662	Kit	90.00M	60.00M	P	15
TK1051 FELLER BUNCHER						
Feller Buncher S/N: 9HZ1-UP						
Boom	BD-218715	Kit	170.00M	110.00M	P	23
Stick	BD-210689	Kit	150.00M	105.00M	P	23
Cab Tilt	BD-5001070	Kit	3.500S	1.500S	P	5
Saw	BD-206682	Kit	140.00M	100.00M	P	23
Track Adjuster	BD-902404	Kit	100.00M	100.00M	P	0
5080 EXCAVATOR						
Excavator S/N: 6XK1-UP,8SL1-UP						
Boom	BD-221717	Kit	180.00M	130.00M	P	23
	Use with 1052660 Piston					
	BD-265830	Kit	180.00M	130.00M	P	23
	S/N: 6XK	Use with 1438137 Piston				
	BD-222721	Kit	220.00M	150.00M	P	23
S/N: 6XK						
Bucket	BD-674461	Kit	7.000S	5.750S	P	15
	Use with 514379 Head					
	BD-222722	Kit	220.00M	150.00M	P	23
	S/N: 6XK	Use with 6E0020 Cylinder				
	BD-262719	Kit	200.00M	140.00M	P	23
	S/N: 6XK	Use with 6E0021 Cylinder				
	BD-258685	Kit	130.00M	85.00M	P	23
	S/N: 6XK	Use with 7Y5100 Cylinder				
	BD-213695	Kit	130.00M	90.00M	P	23
	S/N: 6XK	Use with 1232044 or 1788449 Cylinders				

Application	Part Number	Description	Bore	Rod	Wiper	Type
5080 EXCAVATOR (continued)						
Bucket Bottom Dump	CT-413861	Kit	150.00M	70.00M	P	22
	S/N: 6XK1-101					
	BD-293710	Kit	160.00M	90.00M	P	23
	S/N: 6XK102-UP,8SL					
Stick	BD-222720	Kit	220.00M	150.00M	P	23
	S/N: 6XK					
	Use with 717189 Piston					
	BD-222721	Kit	220.00M	150.00M	P	23
	Use with 1163517 Piston					
Master	BD-639460	Kit	6.000S	5.000S	P	23
	Use with 514380 Head					
Undercarriage	BD-647106	Kit	4.000S	2.000S	P	15
	S/N: 6XK					
Track Adjuster	BD-903405	Kit	150.00M	150.00M	P	0
5090B EXCAVATOR						
Excavator S/N: CLD1-UP,SJY1-UP						
Boom	BD-265830	Kit	180.00M	130.00M	P	23
Bucket Bottom Dump	BD-293710	Kit	160.00M	90.00M	P	23
	Use with 1211518 Cylinder					
	BD-293933	Kit	160.00M	90.00M	P	23
	Use with 2101342 Cylinder					
Stick	BD-222721	Kit	220.00M	150.00M	P	23
	S/N: CLD1-345					
	BD-292929	Kit	220.00M	150.00M	P	23
	S/N: CLD346-UP,SJY					
Track Adjuster	BD-902405	Kit	130.00M	130.00M	P	0
5110,5110B EXCAVATOR						
Excavator S/N: 7GN1-UP,8HN1-UP,AAA1-UP						
Bucket	BD-222722	Kit	220.00M	150.00M	P	23
	S/N: 7GN					
	BD-7801027	Kit	7.250S	5.500S	P	23
	S/N: 7GN					
	BD-7331027	Kit	7.250S	6.000S	P	23
	S/N: 8HN					
Bucket Bottom Dump	BD-629462	Kit	6.000S	3.000S	P	23
	S/N: 8HN					
Stick	BD-7801028	Kit	7.500S	5.500S	P	15
	S/N: 7GN					
	BD-735466	Kit	10.000S	7.250S	P	15
	S/N: 8HN					

CATERPILLAR® (REFERENCED BY BULLDOG® PART NUMBERS)

Application	Part Number	Description	Bore	Rod	Wiper	Type
5130 EXCAVATOR						
Excavator S/N: 7TJ1-UP,5ZL1-UP						
Boom	BD-636467	Kit	11.000S	7.000S	P	23
	Front Shovel arrangement, Use with 1207674 Piston					
	BD-636468	Kit	11.000S	7.000S	P	23
	Front Shovel arrangement, Use with 1207607 Piston					
Bucket	BD-732452	Kit	8.500S	6.500S	P	15
	Mass Excavation arrangement, Use with 1079632 Head					
	BD-738452	Kit	8.500S	6.500S	P	15
	Mass Excavation arrangement, Use with 1368500 Head and 1080047 Piston					
	BD-738487	Kit	8.500S	6.500S	P	15
	Mass Excavation arrangement, Use with 1368500 Head and 1476923 Piston					
	BD-733463	Kit	7.500S	6.000S	P	15
	Front Shovel arrangement, Use with 1067627 Piston					
	BD-733464	Kit	7.500S	6.000S	P	15
	Front Shovel arrangement, Use with 1253340 Piston					
	BD-629462	Kit	6.000S	3.000S	P	23
Bucket Bottom Dump	BD-629462	Kit	6.000S	3.000S	P	23
Stick	BD-733463	Kit	7.500S	6.000S	P	15
	Front Shovel arrangement, Use with 1067627 Piston					
	BD-733464	Kit	7.500S	6.000S	P	15
	Front Shovel arrangement, Use with 1253340 Piston					
	BD-734465	Kit	10.000S	7.250S	P	15
	Mass Excavation arrangement, Use with 1079420 Piston					
	BD-734466	Kit	10.000S	7.250S	P	15
	Mass Excavation arrangement Use with 1079423 Head and 1205815 Piston					
	BD-735466	Kit	10.000S	7.250S	P	15
	Mass Excavation arrangement, Use with 1368499 Head					
Track Adjuster	BD-903409	Kit	7.000S	6.000S	P	0
S/N: 5ZL1-70						
5130B EXCAVATOR						
Excavator S/N: 4CS1-UP						
Boom	BD-636468	Kit	11.000S	7.000S	P	23
	Front Shovel arrangement					
Bucket	BD-733464	Kit	7.500S	6.000S	P	15
	Front Shovel arrangement					
Bucket Bottom Dump	BD-629462	Kit	6.000S	3.000S	P	23
Stick	BD-733464	Kit	7.500S	6.000S	P	15
	Front Shovel arrangement					
	BD-735466	Kit	10.000S	7.250S	P	15
Mass Excavation arrangement						

Application	Part Number	Description	Bore	Rod	Wiper	Type
5230 EXCAVATOR						
Excavator S/N: 7LL1-UP						
Bucket	BD-734465	Kit	10.000S	7.250S	P	15
	S/N: 7LL1-34	Front Shovel arrangement, Use with 1088271 Piston				
	BD-734466	Kit	10.000S	7.250S	P	15
	S/N: 7LL1-34	Front Shovel arrangement, Use with 1205816 Piston				
	BD-734466	Kit	10.000S	7.250S	P	15
	S/N: 7LL35-82	Front Shovel arrangement				
	BD-735466	Kit	10.000S	7.250S	P	15
	S/N: 7LL83-UP	Front Shovel arrangement				
Bucket Bottom Dump	BD-661443	Kit	7.250S	4.000S	P	23
	BD-690443	Kit	7.250S	3.500S	P	23
	BD-740425	Kit	7.750S	4.500S	P	15
Stick	BD-734465	Kit	10.000S	7.250S	P	15
	S/N: 7LL1-34	Front Shovel arrangement, Use with 1079420 Piston				
	BD-734466	Kit	10.000S	7.250S	P	15
	S/N: 7LL1-34	Front Shovel arrangement, Use with 1205815 Piston				
	BD-734466	Kit	10.000S	7.250S	P	15
	S/N: 7LL35-83	Front Shovel arrangement				
	BD-735466	Kit	10.000S	7.250S	P	15
	S/N: 7LL84-UP	Front Shovel arrangement				
414E BACKHOE LOADER						
Backhoe Loader S/N: ELB1-UP						
Lift	BD-647379	Kit	3.000S	2.000S	P	15
Pitch	BD-6251077	Kit	3.000S	1.500S	P	15
Tilt	BD-6451033	Kit	3.250S	1.875S	P	15
	BD-6251077	Kit	3.000S	1.500S	P	15
Multi-Purpose Bucket	BD-625368	Kit	3.000S	1.500S	P	15
	CT-2309357	Kit	3.000S	1.500S	I	15

CATERPILLAR® (REFERENCED BY BULLDOG® PART NUMBERS)

Application	Part Number	Description	Bore	Rod	Wiper	Type
416,416II,416B BACKHOE LOADER						
Backhoe Loader S/N: 5PC1-UP,8SG1-14798,8ZK1-11031						
Lift	BD-645355	Kit	3.250S	1.875S	P	15
Tilt	BD-645355	Kit	3.250S	1.875S	P	15
Multi-Purpose Bucket	BD-625368	Kit	3.000S	1.500S	P	15
Steering	BD-648358	Kit	3.000S	1.875S	P	15
	S/N: 5PC1-15427					
	BD-648430	Kit	3.000S	1.875S	P	15
Backhoe Stabilizer	S/N: 5PC15428-UP,8SG,8ZK					
	BD-646409	Kit	4.000S	2.125S	P	15
	S/N: 8SG or 8ZK used with 9T6388 Head only					
Backhoe Swing	BD-783409	Kit	4.000S	2.125S	P	15
	S/N: 8SG,8ZK					
	S/N: Use with 1521863 Head					
Backhoe Boom	BD-646356	Kit	4.000S	2.125S	P	15
	S/N: 5PC					
	BD-647409	Kit	4.000S	2.000S	P	15
Backhoe Bucket	S/N: 8SG,8ZK					
	BD-645355	Kit	3.250S	1.875S	P	15
	S/N: 5PC					
Backhoe Bucket	BD-703391	Kit	4.500S	2.375S	P	15
	S/N: 8SG,8ZK					
	BD-647357	Kit	3.250S	2.000S	P	15
	S/N: 5PC1-4959					
	S/N: 2 Piston seals					
	BD-647355	Kit	3.250S	2.000S	P	15
Backhoe Ext. Bucket	S/N: 5PC1-4959					
	S/N: 1 Piston seal					
	BD-647355	Kit	3.250S	2.000S	P	15
	S/N: 5PC4960-6191					
Backhoe Ext. Bucket	BD-660381	Kit	3.500S	2.500S	I	15
	S/N: 5PC6192-UP,8SG,8ZK					
	BD-647357	Kit	3.250S	2.000S	P	15
	S/N: 5PC1-6191					
Backhoe Ext. Bucket	S/N: 2 Piston seals					
	BD-647355	Kit	3.250S	2.000S	P	15
	S/N: 5PC1-6191					
	S/N: 1 Piston seal					
Backhoe Stick	BD-660381	Kit	3.500S	2.500S	I	15
	S/N: 8SG,8ZK					
	BD-646356	Kit	4.000S	2.125S	P	15
	S/N: 5PC1-6191					
	BD-642366	Kit	4.250S	2.500S	P	15
	S/N: 5PC6192-UP					
Backhoe Stick	BD-642391	Kit	4.500S	2.500S	P	15
	S/N: 8SG,8ZK					
	S/N: Use with 6E1405 Head					
	BD-628391	Kit	4.500S	2.500S	P	15
Backhoe Stick	S/N: 8SG,8ZK					
	S/N: Use with 1213398 or 1747432 Head					

Application	Part Number	Description	Bore	Rod	Wiper	Type
416,416II,416B BACKHOE LOADER						
(continued)						
Backhoe Ext. Stick	BD-625342	Kit	3.000S	1.500S	P	15
	S/N: 5PC1-6191	2 Piston seals				
	BD-625368	Kit	3.000S	1.500S	P	15
	S/N: 5PC1-6191	1 Piston seal				
	BD-625379	Kit	3.000S	1.500S	P	15
S/N: 5PC6192-UP,8SG,8ZK						
416C BACKHOE LOADER						
Backhoe Loader S/N: 1WR1-10736,1XR1-2261,4ZN1-50156,5YN1-17074						
Lift	BD-645355	Kit	3.250S	1.875S	P	15
	S/N: 4ZN,5YN					
	BD-647381	Kit	3.500S	2.000S	P	15
S/N: 1WR,1XR						
Tilt	BD-645355	Kit	3.250S	1.875S	P	15
	S/N: 4ZN,5YN					
	BD-647379	Kit	3.000S	2.000S	P	15
S/N: 1WR,1XR						
Multi-Purpose Bucket	BD-625368	Kit	3.000S	1.500S	P	15
Steering	BD-731457	Kit	2.750S	1.750S	P	15
	S/N: 1WR1-8115,1XR1-2183,4ZN1-16043,5YN1-15147	Use with 6E4941 Head				
	BD-751457	Kit	2.750S	1.750S	P	15
	S/N: 1WR1-8115,1XR1-2183,4ZN1-16043,5YN1-15147	Use with 1515349 Head				
	BD-751457	Kit	2.750S	1.750S	P	15
	S/N: 1WR8116-UP,1XR2184-UP,4ZN16044-UP,5YN15148-UP					
	CT-1787189	Kit	65.00M	36.00M	I	15
S/N: 1WR1-8115,1XR,4ZN,5YN						
Backhoe Stabilizer	BD-646409	Kit	4.000S	2.125S	P	15
	S/N: 1WR1-8291,1XR1-2183,4ZN1-16043,5YN1-15147	Use with 9T6388 Head				
	BD-783409	Kit	4.000S	2.125S	P	15
S/N: 1WR8116-UP,1XR2184-UP,4ZN16044-UP,5YN15148-UP	Use with 1521863 Head					
Backhoe Swing	BD-647409	Kit	4.000S	2.000S	P	15
Backhoe Boom	BD-703391	Kit	4.500S	2.375S	P	15
	S/N: 1WR1-8115,1XR1-2183,4ZN1-16043,5YN1-15147					
	BD-703397	Kit	4.750S	2.375S	P	15
S/N: 1WR8116-UP,1XR2184-UP,4ZN16044-UP,5YN15148-UP						
Backhoe Bucket	BD-660381	Kit	3.500S	2.500S	I	15
	S/N: 1WR,1XR1-2249,4ZN,5YN1-16589					
	BD-704369	Kit	3.750S	2.750S	I	15
S/N: 1XR2250-UP,5YN16590-UP						
Backhoe Ext. Bucket	BD-660381	Kit	3.500S	2.500S	I	15
	S/N: 1WR,1XR1-2249,4ZN,5YN1-16589					
	BD-704369	Kit	3.750S	2.750S	I	15
S/N: 1XR2250-UP,5YN16590-UP						

CATERPILLAR® (REFERENCED BY BULLDOG® PART NUMBERS)

Application	Part Number	Description	Bore	Rod	Wiper	Type
416C BACKHOE LOADER (continued)						
Backhoe Stick	BD-628391	Kit	4.500S	2.500S	P	15
	Use with 1097020 or 1692967 Cylinders					
	BD-6281032	Kit	4.500S	2.500S	P	15
S/N:	1WR10495-UP,1XR2258-UP,4ZN16044-UP,5YN15148-UP Use with 1843709 Cylinder					
Backhoe Ext. Stick	BD-625379	Kit	3.000S	1.500S	P	15
416D BACKHOE LOADER						
Backhoe Loader S/N: BFP1-UP,BGJ1-UP,BKG1-2651,B2D1-UP,CXP1-UP						
Lift	BD-645355	Kit	3.250S	1.875S	P	15
	S/N: BFP1-2491,BGJ1-522 Use with 1070624 Cylinder					
	BD-6451033	Kit	3.250S	1.875S	P	15
S/N:	BFP2492-UP,BGJ1-1049,BGJ1141-UP,BKG,B2D,CXP Use with 1917843 or 2063549 Cylinders					
Tilt	BD-645355	Kit	3.250S	1.875S	P	15
	S/N: BFP1-2491,BGJ1-522 Use with 1851851 Cylinder					
	BD-6451033	Kit	3.250S	1.875S	P	15
S/N:	BFP2492-UP,BGJ,BKG,B2D,CXP Use with 1924128 or 2063553 Cylinders					
Multi-Purpose Bucket	BD-625368	Kit	3.000S	1.500S	P	15
	Use with 1851839 Cylinder					
	CT-2309357	Kit	3.000S	1.500S	I	15
S/N:	BFP12900-UP Use with 2265540 Cylinder					
Steering	BD-751457	Kit	2.750S	1.750S	P	15
	S/N: BFP1-12899,BGJ,BKG					
	CT-1787189	Kit	65.00M	36.00M	I	15
S/N:	BFP1-12899,BGJ,CXP1-399					
Backhoe Stabilizer	BD-7831034	Kit	4.000S	2.125S	P	15
S/N:	BFP1-13792,BGJ1-1140,BKG,B2D1-266					
Backhoe Swing	BD-647409	Kit	4.000S	2.000S	P	15
	S/N: BFP1-2491,BGJ1-522 Use with 1699529 Cylinder					
	BD-6471034	Kit	4.000S	2.000S	P	15
S/N:	BFP2462-13792,BGJ1-1140,BKG,B2D Use with 1918161 Cylinder					
Backhoe Boom	BD-703391	Kit	4.500S	2.375S	P	15
	S/N: BFP1-2532,BGJ1-522,BKG1-537 Use with 6E0274 Cylinder					
	BD-7031032	Kit	4.500S	2.375S	P	15
	S/N: BFP2533-UP,BGJ,BKG,B2D Use with 1917753 or 2063628 Cylinders					
S/N:	BD-7031038 Kit 4.750S 2.375S P 15 BFP1-5177					
Backhoe Bucket	BD-7841031	Kit	3.500S	2.500S	I	15
Backhoe Ext. Bucket	BD-7841031	Kit	3.500S	2.500S	I	15
	BD-7041078	Kit	3.750S	2.750S	I	15
S/N:	BGJ1050-UP					
Backhoe Stick	BD-6281032	Kit	4.500S	2.500S	P	15

Application	Part Number	Description	Bore	Rod	Wiper	Type
416D BACKHOE LOADER (continued)						
Backhoe Ext. Stick	BD-625379	Kit	3.000S	1.500S	P	15
	S/N: BFP1-5177,BGJ1-408,BKG,B2D					
	BD-6251076	Kit	3.000S	1.500S	P	15
	S/N: BFP5178-UP,BGJ409-UP					
Thumb	CT-2764172	Kit	70.00M	50.00M	I	15
	S/N: BFP12900-UP					
416E BACKHOE LOADER						
Backhoe Loader S/N: BWC1-UP,CBD1-UP,LMS1-UP,MFG1-UP,SHA1-UP						
Lift	BD-6451033	Kit	3.250S	1.875S	P	15
	S/N: BWC,CBD5760-UP,LMS,MFG,SHA Use with 2157298 Cylinder					
Tilt	BD-6451033	Kit	3.250S	1.875S	P	15
Multi-Purpose Bucket	CT-2309357	Kit	3.000S	1.500S	I	15
	Use with 2265540 Cylinder					
	BD-625368	Kit	3.000S	1.500S	P	15
	S/N: CBD Use with 1851839 Cylinder					
Backhoe Boom	BD-6621080	Kit	4.500S	2.250S	P	15
	Use with 2107074 Cylinder					
	BD-6621032	Kit	4.500S	2.250S	P	15
	S/N: BWC,SHA Use with 2469885 Cylinder					
Backhoe Bucket	BD-7841079	Kit	3.500S	2.500S	I	15
	Use with 2107088 Cylinder					
	BD-7881068	Kit	85.00M	2.375S	I	15
	S/N: BWC,CBD,SHA Use with 2107085 or 2107086 Cylinders					
Backhoe Stick	BD-6621066	Kit	4.250S	2.250S	P	15
	BD-6251067	Kit	3.000S	1.500S	P	15
Thumb	CT-2764172	Kit	70.00M	50.00M	I	15
416F BACKHOE LOADER						
Backhoe Loader S/N: KSF1-UP,LWT1-UP						
Multi-Purpose Bucket	CT-2309357	Kit	3.000S	1.500S	I	15
Backhoe Boom	BD-6621080	Kit	4.500S	2.250S	P	15
Backhoe Bucket	BD-7841079	Kit	3.500S	2.500S	I	15
Backhoe Stick	BD-6621066	Kit	4.250S	2.250S	P	15
	BD-6251067	Kit	3.000S	1.500S	P	15

CATERPILLAR® (REFERENCED BY BULLDOG® PART NUMBERS)

Application	Part Number	Description	Bore	Rod	Wiper	Type
420D BACKHOE LOADER						
Backhoe Loader S/N: BKC1-UP,BLN1-UP,FDP1-UP						
Lift	BD-6471035	Kit	85.00M	2.000S	P	23
Tilt	BD-6471035	Kit	85.00M	2.000S	P	23
	S/N: BKC,FDP					
	BD-6471036	Kit	75.00M	2.000S	P	23
	S/N: BMC,BLN					
Multi-Purpose Bucket	BD-625368	Kit	3.000S	1.500S	P	15
Steering	BD-751457	Kit	2.750S	1.750S	P	15
Backhoe Stabilizer	BD-7831034	Kit	4.000S	2.125S	P	15
Backhoe Swing	BD-647409	Kit	4.000S	2.000S	P	15
Backhoe Boom	BD-703397	Kit	4.750S	2.375S	P	15
Backhoe Bucket	BD-704369	Kit	3.750S	2.750S	I	15
	S/N: BKC,BLN,FDP					
Backhoe Ext. Bucket	BD-704369	Kit	3.750S	2.750S	I	15
Backhoe Stick	BD-6281032	Kit	4.500S	2.500S	P	15
Backhoe Ext. Stick	BD-625379	Kit	3.000S	1.500S	P	15
424D BACKHOE LOADER						
Backhoe Loader S/N: BGP1-UP,BKR1-UP						
Lift	BD-645355	Kit	3.250S	1.875S	P	15
Tilt	BD-645355	Kit	3.250S	1.875S	P	15
Multi-Purpose Bucket	BD-625368	Kit	3.000S	1.500S	P	15
Steering	BD-751457	Kit	2.750S	1.750S	P	15
Backhoe Stabilizer	BD-750380	Kit	2.750S	1.750S	P	15
Backhoe Swing	BD-647409	Kit	4.000S	2.000S	P	15
Backhoe Boom	BD-703391	Kit	4.500S	2.375S	P	15
Backhoe Bucket	BD-7841031	Kit	3.500S	2.500S	I	15
Backhoe Ext. Bucket	BD-7841031	Kit	3.500S	2.500S	I	15
Backhoe Stick	BD-6281032	Kit	4.500S	2.500S	P	15
Backhoe Ext. Stick	BD-625379	Kit	3.000S	1.500S	P	15
426,426B BACKHOE LOADER						
Backhoe Loader S/N: 7BC1-UP,5YJ1-UP,6KL1-UP						
Lift	BD-645355	Kit	3.250S	1.875S	P	15
Tilt	BD-647381	Kit	3.500S	2.000S	P	15
Multi-Purpose Bucket	BD-625368	Kit	3.000S	1.500S	P	15
Steering	BD-648358	Kit	3.000S	1.875S	P	15
	S/N: 7BC1-5258					
	BD-648430	Kit	3.000S	1.875S	P	15
	S/N: 7BC5259-UP,5YJ,6KL					
Backhoe Stabilizer	BD-646409	Kit	4.000S	2.125S	P	15
Backhoe Swing	BD-646409	Kit	4.000S	2.125S	P	15
	S/N: 7BC					
	BD-647409	Kit	4.000S	2.000S	P	15
	S/N: 5YJ,6KL					
Backhoe Boom	BD-646359	Kit	3.500S	2.125S	P	15
	S/N: 7BC1-629					

Application	Part Number	Description	Bore	Rod	Wiper	Type
426,426B BACKHOE LOADER (continued)						
Backhoe Boom (cont)	BD-647381	Kit	3.500S	2.000S	P	15
	S/N: 7BC630-UP					
	BD-642432	Kit	5.000S	2.500S	P	15
	S/N: 5YJ,6KL Use with 6E1953 Head					
Backhoe Boom (cont)	BD-628432	Kit	5.000S	2.500S	P	15
	S/N: 5YJ,6KL Use with 1213395 Head					
	BD-647357	Kit	3.250S	2.000S	P	15
	S/N: 7BC1-1325 2 Piston seals					
Backhoe Bucket	BD-647355	Kit	3.250S	2.000S	P	15
	S/N: 7BC1-1325 1 Piston seal					
	BD-647355	Kit	3.250S	2.000S	P	15
	S/N: 7BC1326-1877					
	BD-660381	Kit	3.500S	2.500S	I	15
	S/N: 7BC1878-UP					
	BD-704458	Kit	3.750S	2.750S	I	15
	S/N: 5YJ,6KL					
Backhoe Ext. Bucket	BD-647357	Kit	3.250S	2.000S	P	15
	S/N: 7BC1-1877 2 Piston seals					
	BD-647355	Kit	3.250S	2.000S	P	15
	S/N: 7BC1-1877 1 Piston seal					
Backhoe Ext. Bucket	BD-704458	Kit	3.750S	2.750S	I	15
	S/N: 5YJ,6KL					
	BD-646356	Kit	4.000S	2.125S	P	15
	S/N: 7BC1-1877					
Backhoe Stick	BD-642366	Kit	4.250S	2.500S	P	15
	S/N: 7BC1878-UP					
	BD-693432	Kit	5.000S	2.750S	P	15
	S/N: 5YJ,6KL					
Backhoe Ext. Stick	BD-625342	Kit	3.000S	1.500S	P	15
	S/N: 7BC1-1877 2 Piston seals					
	BD-625368	Kit	3.000S	1.500S	P	15
	S/N: 7BC1-1877 1 Piston seal					
Backhoe Ext. Stick	BD-625379	Kit	3.000S	1.500S	P	15
	S/N: 7BC1878-UP,5YJ,6KL					

CATERPILLAR® (REFERENCED BY BULLDOG® PART NUMBERS)

Application	Part Number	Description	Bore	Rod	Wiper	Type
426C BACKHOE LOADER						
Backhoe Loader S/N: 6XN1-UP,7WN1-UP,1CR1-UP,1ER1-UP,1MR1-UP,1NR1-UP 1YR1-UP,1ZR1-UP						
Lift	BD-647381	Kit	3.500S	2.000S	P	15
Tilt	BD-647381	Kit	3.500S	2.000S	P	15
	S/N: 6XN,7WN,1CR,1ER					
	BD-647379	Kit	3.000S	2.000S	P	15
	S/N: 1MR,1NR,1YR,1ZR					
Multi-Purpose Bucket	BD-625368	Kit	3.000S	1.500S	P	15
Steering	BD-731457	Kit	2.750S	1.750S	P	15
	S/N: 6XN1-3615,7WN1-938,1YR1-1516,1ZR1-925 Use with 6E4941 Head					
	BD-751457	Kit	2.750S	1.750S	P	15
	S/N: 6XN,7WN,1YR,1ZR Use with 1515349 Head					
Backhoe Stabilizer	BD-646409	Kit	4.000S	2.125S	P	15
	S/N: 6XN1-3668,7WN1-938,1CR1-863,1ER1-863,1MR1-959 S/N: 1NR1-953,1YR1-1556,1ZR1-925 Use with 9T6388 Head					
	BD-783409	Kit	4.000S	2.125S	P	15
	S/N: 6XN3616-UP,7WN939-UP,1CR864-UP,1ER864-UP,1MR956-UP S/N: 1NR954-UP,1YR1517-UP,1ZR926-UP Use with 1521863 Head					
Backhoe Swing	BD-647409	Kit	4.000S	2.000S	P	15
Backhoe Boom	BD-642432	Kit	5.000S	2.500S	P	15
	S/N: 6XN1-3615,7WN1-938,1CR1-863,1ER1-863,1MR1-955 S/N: 1NR1-953,1YR1-1516,1ZR1-925 Use with 6E1953 Head					
	BD-628432	Kit	5.000S	2.500S	P	15
	S/N: 6XN1-3615,7WN1-938,1CR1-863,1ER1-863,1MR1-955 S/N: 1NR1-953,1YR1-1516,1ZR1-925 Use with 1213395 Head					
	BD-628488	Kit	5.375S	2.500S	P	23
	S/N: 6XN3616-UP,7WN939-UP,1CR864-UP,1ER864-UP,1MR956-UP S/N: 1NR954-UP,1YR1517-UP,1ZR926-UP					
Backhoe Bucket	BD-704458	Kit	3.750S	2.750S	I	15
	BD-785409	Kit	4.000S	3.000S	I	15
	S/N: 7WN1100-UP,1ER900-UP,1NR1050-UP,1ZR1000-UP					
Backhoe Ext. Bucket	BD-704458	Kit	3.750S	2.750S	I	15
	BD-785409	Kit	4.000S	3.000S	I	15
	S/N: 7WN1100-UP,1ER900-UP,1NR1050-UP,1ZR1000-UP					
Backhoe Stick	BD-693432	Kit	5.000S	2.750S	P	15
Backhoe Ext. Stick	BD-625379	Kit	3.000S	1.500S	P	15

Application	Part Number	Description	Bore	Rod	Wiper	Type
428,428B BACKHOE LOADER						
Backhoe Loader S/N: 6TC1-UP,7EJ1-UP						
Lift	BD-645355	Kit	3.250S	1.875S	P	15
Tilt	BD-647381	Kit	3.500S	2.000S	P	15
Multi-Purpose Bucket	BD-625368	Kit	3.000S	1.500S	P	15
Steering	BD-648358	Kit	3.000S	1.875S	P	15
	S/N: 6TC					
	BD-648430	Kit	3.000S	1.875S	P	15
	S/N: 7EJ					
Backhoe Stabilizer	BD-637380	Kit	2.750S	1.750S	P	15
	Use with 6E4941 Head					
	BD-750380	Kit	2.750S	1.750S	P	15
	Use with 1515349 Head					
Backhoe Swing	BD-646409	Kit	4.000S	2.125S	P	15
	S/N: 6TC					
	BD-647409	Kit	4.000S	2.000S	P	15
	S/N: 7EJ					
Backhoe Boom	BD-645355	Kit	3.250S	1.875S	P	15
	S/N: 6TC					
	BD-703391	Kit	4.500S	2.375S	P	15
	S/N: 7EJ					
Backhoe Bucket	BD-647357	Kit	3.250S	2.000S	P	15
	S/N: 6TC1-1633	2 Piston seals				
	BD-647355	Kit	3.250S	2.000S	P	15
	S/N: 6TC1-1633	1 Piston seal				
	BD-647355	Kit	3.250S	2.000S	P	15
	S/N: 6TC1634-2693					
	BD-660381	Kit	3.500S	2.500S	I	15
	S/N: 6TC2694-UP,7EJ					
Backhoe Ext. Bucket	BD-647357	Kit	3.250S	2.000S	P	15
	S/N: 6TC1-2693	2 Piston seals				
	BD-647355	Kit	3.250S	2.000S	P	15
	S/N: 6TC1-2693	1 Piston seal				
	BD-660381	Kit	3.500S	2.500S	I	15
	S/N: 7EJ					
Backhoe Stick	BD-646356	Kit	4.000S	2.125S	P	15
	S/N: 6TC1-2693					
	BD-642366	Kit	4.250S	2.500S	P	15
	S/N: 6TC2694-UP					
	BD-642391	Kit	4.500S	2.500S	P	15
	S/N: 7EJ1-5999	Use with 6E1405 Head				
	BD-628391	Kit	4.500S	2.500S	P	15
	S/N: 7EJ1-5999	Use with 1213398 Head				

CATERPILLAR® (REFERENCED BY BULLDOG® PART NUMBERS)

Application	Part Number	Description	Bore	Rod	Wiper	Type
428,428B BACKHOE LOADER						
(continued)						
Backhoe Stick (cont)	BD-628391	Kit	4.500S	2.500S	P	15
S/N:	7EJ6000-UP					
Backhoe Ext. Stick	BD-625379	Kit	3.000S	1.500S	P	15
428C BACKHOE LOADER						
Backhoe Loader S/N: 8RN1-UP,1HR1-UP,1SR1-UP,2CR1-UP						
Lift	BD-645355	Kit	3.250S	1.875S	P	15
S/N:	8RN,1HR					
	BD-647381	Kit	3.500S	2.000S	P	15
S/N:	1SR,2CR					
Tilt	BD-647381	Kit	3.500S	2.000S	P	15
S/N:	8RN,1HR					
	BD-647379	Kit	3.000S	2.000S	P	15
S/N:	1SR,2CR					
Multi-Purpose Bucket	BD-625368	Kit	3.000S	1.500S	P	15
Steering	BD-731457	Kit	2.750S	1.750S	P	15
S/N:	8RN1-4088,2CR1-16211 Use with 6E4941 Head					
	BD-751457	Kit	2.750S	1.750S	P	15
S/N:	8RN,2CR Use with 1515349 Head					
Backhoe Stabilizer	BD-637380	Kit	2.750S	1.750S	P	15
S/N:	8RN1-4989,1HR,1SR,2CR1-19309 Use with 6E4941 Head					
	BD-750380	Kit	2.750S	1.750S	P	15
S/N:	8RN4089-UP,1SR,2CR Use with 1515349 Head					
Backhoe Swing	BD-647409	Kit	4.000S	2.000S	P	15
Backhoe Boom	BD-703391	Kit	4.500S	2.375S	P	15
S/N:	8RN1-4088,1HR,1SR,2CR1-16211					
	BD-703397	Kit	4.750S	2.375S	P	15
S/N:	8RN4089-UP,2CR16212-UP					
Backhoe Bucket	BD-660381	Kit	3.500S	2.500S	I	15
S/N:	8RN1-4989,1HR,1SR,2CR1-19309					
	BD-704458	Kit	3.750S	2.750S	I	15
S/N:	8RN4990-UP,2CR1-16211,2CR19310-UP					
Backhoe Ext. Bucket	BD-660381	Kit	3.500S	2.500S	I	15
S/N:	8RN1-4989,1HR,1SR,2CR1-19309					
	BD-704458	Kit	3.750S	2.750S	I	15
S/N:	8RN4990-UP,2CR19310-UP					
Backhoe Stick	BD-628391	Kit	4.500S	2.500S	P	15
	Use with 1213398 or 1747432 Head					
	BD-6281032	Kit	4.500S	2.500S	P	15
S/N:	8RN4670-UP,2CR18810-UP Use with 1843711 Head					
Backhoe Ext. Stick	BD-625379	Kit	3.000S	1.500S	P	15

Application	Part Number	Description	Bore	Rod	Wiper	Type
428D BACKHOE LOADER						
Backhoe Loader S/N: BNB1-UP,BLL1-UP,BNS1-UP,BMT1-UP						
Lift	BD-6471035	Kit	85.00M	2.000S	P	23
Tilt	BD-6471035	Kit	85.00M	2.000S	P	23
	S/N: BNB,BLL					
	BD-6471036	Kit	75.00M	2.000S	P	23
S/N: BNS,BMT						
Backhoe Stabilizer	BD-750380	Kit	2.750S	1.750S	P	15
Backhoe Swing	BD-647409	Kit	4.000S	2.000S	P	15
Backhoe Boom	BD-703397	Kit	4.750S	2.375S	P	15
Backhoe Bucket	BD-7841031	Kit	3.500S	2.500S	I	15
Backhoe Ext. Bucket	BD-7841031	Kit	3.500S	2.500S	I	15
Backhoe Stick	BD-6281032	Kit	4.500S	2.500S	P	15
Backhoe Ext. Stick	BD-625379	Kit	3.000S	1.500S	P	15
430D BACKHOE LOADER						
Backhoe Loader S/N: BNK1-UP,BML1-UP						
Lift	BD-6471035	Kit	85.00M	2.000S	P	23
Tilt	BD-6471035	Kit	85.00M	2.000S	P	23
	S/N: BNK					
	BD-6471036	Kit	75.00M	2.000S	P	23
S/N: BML						
Multi-Purpose Bucket	BD-625368	Kit	3.000S	1.500S	P	15
Steering	BD-751457	Kit	2.750S	1.750S	P	15
Backhoe Stabilizer	BD-7831034	Kit	4.000S	2.125S	P	15
Backhoe Swing	BD-647409	Kit	4.000S	2.000S	P	15
Backhoe Boom	BD-6931037	Kit	5.375S	2.750S	P	23
Backhoe Bucket	BD-704458	Kit	3.750S	2.750S	I	15
Backhoe Ext. Bucket	BD-704458	Kit	3.750S	2.750S	I	15
Backhoe Stick	BD-7661038	Kit	4.750S	65.00M	P	15
Backhoe Ext. Stick	BD-625379	Kit	3.000S	1.500S	P	15
432D BACKHOE LOADER						
Backhoe Loader S/N: BLD1-UP						
Lift	BD-6471035	Kit	85.00M	2.000S	P	23
Tilt	BD-6471036	Kit	75.00M	2.000S	P	23
Multi-Purpose Bucket	BD-625368	Kit	3.000S	1.500S	P	15
Backhoe Stabilizer	BD-750380	Kit	2.750S	1.750S	P	15
Backhoe Swing	BD-647409	Kit	4.000S	2.000S	P	15
Backhoe Boom	BD-703397	Kit	4.750S	2.375S	P	15
Backhoe Bucket	BD-704458	Kit	3.750S	2.750S	I	15
Backhoe Ext. Bucket	BD-7841031	Kit	3.500S	2.500S	I	15
	BD-704458	Kit	3.750S	2.750S	I	15
Backhoe Stick	BD-6281032	Kit	4.500S	2.500S	P	15
Backhoe Ext. Stick	BD-625379	Kit	3.000S	1.500S	P	15

CATERPILLAR® (REFERENCED BY BULLDOG® PART NUMBERS)

Application	Part Number	Description	Bore	Rod	Wiper	Type
436,436B BACKHOE LOADER						
Backhoe Loader S/N: 5KF1-UP,6MJ1-UP,7FL1-UP						
Lift	BD-645355	Kit	3.250S	1.875S	P	15
Tilt	BD-647381	Kit	3.500S	2.000S	P	15
Multi-Purpose Bucket	BD-625368	Kit	3.000S	1.500S	P	15
Steering	BD-648358	Kit	3.000S	1.875S	P	15
	S/N: 5KF1-1552					
	BD-648430	Kit	3.000S	1.875S	P	15
	S/N: 5KF1553-UP,6MJ,7FL					
Backhoe Stabilizer	BD-646409	Kit	4.000S	2.125S	P	15
Backhoe Swing	BD-646409	Kit	4.000S	2.125S	P	15
	S/N: 5KF					
	BD-647409	Kit	4.000S	2.000S	P	15
	S/N: 6MJ,7FL					
Backhoe Boom	BD-647359	Kit	3.500S	2.000S	P	15
	S/N: 5KF					
	BD-642432	Kit	5.000S	2.500S	P	15
	S/N: 6MJ,7FL					
	Use with 6E1953 Head					
	BD-628432	Kit	5.000S	2.500S	P	15
	S/N: 6MJ,7FL					
	Use with 1213395 Head					
Backhoe Bucket	BD-659369	Kit	3.750S	2.750S	I	15
	S/N: 5KF1-805					
	BD-659369	Kit	3.750S	2.750S	I	15
	S/N: 5KF806-UP					
	Use with 9T6375 Head					
	BD-704369	Kit	3.750S	2.750S	I	15
	S/N: 5KF806-UP					
	Use with 6E1816 Head					
	BD-704458	Kit	3.750S	2.750S	I	15
	S/N: 6MJ,7FL					
Backhoe Ext. Bucket	BD-704458	Kit	3.750S	2.750S	I	15
	S/N: 6MJ,7FL					
Backhoe Stick	BD-705431	Kit	4.500S	2.625S	P	15
	S/N: 5KF					
	BD-693432	Kit	5.000S	2.750S	P	15
	S/N: 6MJ,7FL					
Backhoe Ext. Stick	BD-625379	Kit	3.000S	1.500S	P	15

Application	Part Number	Description	Bore	Rod	Wiper	Type
436C BACKHOE LOADER						
Backhoe Loader S/N: 8TN1-UP,9JN1-UP,1FR1-UP,1GR1-UP,1PR1-UP,1RR1-UP 2AR1-UP,2BR1-UP						
Lift	BD-647381	Kit	3.500S	2.000S	P	15
Tilt	BD-647381	Kit	3.500S	2.000S	P	15
	S/N: 8TN,9JN,1FR,1GR					
	BD-647379	Kit	3.000S	2.000S	P	15
	S/N: 1PR,1RR,2AR,2BR					
Multi-Purpose Bucket	BD-625368	Kit	3.000S	1.500S	P	15
Steering	BD-731457	Kit	2.750S	1.750S	P	15
	S/N: 8TN1-924,9JN1-883,2AR1-1603,2BR1-910 Use with 6E4941 Head					
	BD-751457	Kit	2.750S	1.750S	P	15
	S/N: 8TN,9JN,2AR,2BR Use with 1515349 Head					
Backhoe Stabilizer	BD-646409	Kit	4.000S	2.125S	P	15
	S/N: 8TN1-933,9JN1-883,1FR1-1415,1GR1-915,1PR,1RR1-997 S/N: 2AR1-1616,2BR1-910 Use with 9T6388 Head					
	BD-783409	Kit	4.000S	2.125S	P	15
	S/N: 8TN925-UP,9JN884-UP,1FR1416-UP,1GR916-UP,1PR1599-UP S/N: 1RR998-UP,2AR1604-UP,2BR911-UP Use with 1521863 Head					
Backhoe Swing	BD-647409	Kit	4.000S	2.000S	P	15
Backhoe Boom	BD-642432	Kit	5.000S	2.500S	P	15
	S/N: 8TN1-924,9JN1-883,1FR1-415,1GR1-915,1PR1-1598 S/N: 1RR1-997,2AR1-1603,2BR1-910 Use with 6E1953 Head					
	BD-628432	Kit	5.000S	2.500S	P	15
	S/N: 8TN1-924,9JN1-883,1FR1-415,1GR1-915,1PR1-1598 S/N: 1RR1-997,2AR1-1603,2BR1-910 Use with 1213395 Head					
	BD-628488	Kit	5.375S	2.500S	P	23
	S/N: 8TN925-UP,9JN884-UP,1FR416-UP,1GR916-UP,1PR1599-UP S/N: 1RR998-UP,2AR1604-UP,2BR911-UP					
Backhoe Bucket	BD-704458	Kit	3.750S	2.750S	I	15
	S/N: 8TN,9JN1-1049,1FR,1GR1-949,1PR,1RR1-1099,2AR,2BR1-999					
	BD-785409	Kit	4.000S	3.000S	I	15
	S/N: 9JN1050-UP,1GR950-UP,1RR1100-UP,2BR1000-UP					
Backhoe Ext. Bucket	BD-704458	Kit	3.750S	2.750S	I	15
	S/N: 8TN,9JN1-1049,1FR,1GR1-949,1PR,1RR1-1099,2AR,2BR1-999					
	BD-785409	Kit	4.000S	3.000S	I	15
	S/N: 9JN1050-UP,1GR950-UP,1RR1100-UP,2BR1000-UP					
Backhoe Stick	BD-693432	Kit	5.000S	2.750S	P	15
Backhoe Ext. Stick	BD-625379	Kit	3.000S	1.500S	P	15

CATERPILLAR® (REFERENCED BY BULLDOG® PART NUMBERS)

Application	Part Number	Description	Bore	Rod	Wiper	Type
438,438B BACKHOE LOADER						
Backhoe Loader S/N: 3DJ1-UP,3KK1-UP						
Lift	BD-645355	Kit	3.250S	1.875S	P	15
Tilt	BD-647381	Kit	3.500S	2.000S	P	15
Multi-Purpose Bucket	BD-625368	Kit	3.000S	1.500S	P	15
Steering	BD-648358	Kit	3.000S	1.875S	P	15
S/N:	3DJ					
Backhoe Stabilizer	BD-637380	Kit	2.750S	1.750S	P	15
Backhoe Swing	BD-646409	Kit	4.000S	2.125S	P	15
S/N:	3DJ					
	BD-647409	Kit	4.000S	2.000S	P	15
S/N:	3KK					
Backhoe Boom	BD-645355	Kit	3.250S	1.875S	P	15
S/N:	3DJ					
	BD-703391	Kit	4.500S	2.375S	P	15
S/N:	3KK					
Backhoe Bucket	BD-659369	Kit	3.750S	2.750S	I	15
S/N:	3DJ					
	BD-704458	Kit	3.750S	2.750S	I	15
S/N:	3KK					
Backhoe Ext. Bucket	BD-660381	Kit	3.500S	2.500S	I	15
S/N:	3KK1-2999					
	BD-704369	Kit	3.750S	2.750S	I	15
S/N:	3KK1-2999					
	BD-660381	Kit	3.500S	2.500S	I	15
S/N:	3KK3000-UP					
Backhoe Stick	BD-642366	Kit	4.250S	2.500S	P	15
S/N:	3DJ					
	BD-642391	Kit	4.500S	2.500S	P	15
S/N:	3KK1-2999 Use with 6E1405 Head					
	BD-628391	Kit	4.500S	2.500S	P	15
S/N:	3KK Use with 1213398 Head					
Backhoe Ext. Stick	BD-625379	Kit	3.000S	1.500S	P	15
	BD-704369	Kit	3.750S	2.750S	I	15
S/N:	3KK3000-UP					

Application	Part Number	Description	Bore	Rod	Wiper	Type
438C BACKHOE LOADER						
Backhoe Loader S/N: 9KN1-UP,1JR1-UP,1TR1-UP,2DR1-UP						
Lift	BD-645355	Kit	3.250S	1.875S	P	15
	S/N: 9KN,1JR					
	BD-647381	Kit	3.500S	2.000S	P	15
	S/N: 1TR,2DR					
Tilt	BD-647381	Kit	3.500S	2.000S	P	15
	S/N: 9KN,1JR					
	BD-647379	Kit	3.000S	2.000S	P	15
	S/N: 1TR,2DR					
Multi-Purpose Bucket	BD-625368	Kit	3.000S	1.500S	P	15
Backhoe Stabilizer	BD-637380	Kit	2.750S	1.750S	P	15
	S/N: 9KN1-1199,1JR1-1149,1TR1-1549,2DR1-3249 Use with 6E4941 Head					
	BD-750380	Kit	2.750S	1.750S	P	15
	S/N: 9KN1061-UP,1JR1107-UP,1TR,2DR Use with 1515349 Head					
Backhoe Swing	BD-647409	Kit	4.000S	2.000S	P	15
Backhoe Boom	BD-703391	Kit	4.500S	2.375S	P	15
	S/N: 9KN1-1060,1JR1-1106,1TR1-1283,2DR1-2716					
	BD-703397	Kit	4.750S	2.375S	P	15
	S/N: 9KN1061-UP,1JR1107-UP,1TR1284-UP,2DR2717-UP					
Backhoe Bucket	BD-704458	Kit	3.750S	2.750S	I	15
	S/N: 9KN,1JR,1TR1-1549,2DR1-3249					
	BD-785409	Kit	4.000S	3.000S	I	15
	S/N: 9KN1200-UP,1JR1150-UP,1TR1550-UP,2DR3250-UP					
Backhoe Ext. Bucket	BD-660381	Kit	3.500S	2.500S	I	15
	S/N: 9KN,1JR,1TR1-1549,2DR1-3249					
	BD-704458	Kit	3.750S	2.750S	I	15
	S/N: 9KN1200-UP,1JR1150-UP,1TR1550-UP,2DR3250-UP					
Backhoe Stick	BD-628391	Kit	4.500S	2.500S	P	15
	Use with 1213398 or 1747432 Head					
	BD-6281032	Kit	4.500S	2.500S	P	15
	S/N: 9KN1061-1199,1JR1107-1149,1TR1374-1549,2DR3157-3249 Use with 1843711 Head					
Backhoe Ext. Stick	BD-625379	Kit	3.000S	1.500S	P	15

CATERPILLAR® (REFERENCED BY BULLDOG® PART NUMBERS)

Application	Part Number	Description	Bore	Rod	Wiper	Type
438D BACKHOE LOADER						
Backhoe Loader S/N: BPE1-UP,BPN1-UP						
Lift	BD-6471035	Kit	85.00M	2.000S	P	23
Tilt	BD-6471036	Kit	75.00M	2.000S	P	23
Multi-Purpose Bucket	BD-625368	Kit	3.000S	1.500S	P	15
Backhoe Stabilizer	BD-750380	Kit	2.750S	1.750S	P	15
Backhoe Swing	BD-647409	Kit	4.000S	2.000S	P	15
Backhoe Boom	BD-703397	Kit	4.750S	2.375S	P	15
Backhoe Bucket	BD-704458	Kit	3.750S	2.750S	I	15
Backhoe Ext. Bucket	BD-7841031	Kit	3.500S	2.500S	I	15
	BD-704458	Kit	3.750S	2.750S	I	15
Backhoe Stick	BD-6281032	Kit	4.500S	2.500S	P	15
Backhoe Ext. Stick	BD-625379	Kit	3.000S	1.500S	P	15
442D BACKHOE LOADER						
Backhoe Loader S/N: BRG1-UP,BRY1-UP						
Lift	BD-6471035	Kit	85.00M	2.000S	P	23
Tilt	BD-6471036	Kit	75.00M	2.000S	P	23
Multi-Purpose Bucket	BD-625368	Kit	3.000S	1.500S	P	15
Backhoe Stabilizer	BD-750380	Kit	2.750S	1.750S	P	15
Backhoe Swing	BD-647409	Kit	4.000S	2.000S	P	15
Backhoe Boom	BD-703397	Kit	4.750S	2.375S	P	15
Backhoe Bucket	BD-704458	Kit	3.750S	2.750S	I	15
Backhoe Ext. Bucket	BD-7841031	Kit	3.500S	2.500S	I	15
	BD-704458	Kit	3.750S	2.750S	I	15
Backhoe Stick	BD-6281032	Kit	4.500S	2.500S	P	15
Backhoe Ext. Stick	BD-625379	Kit	3.000S	1.500S	P	15
446,446B BACKHOE LOADER						
Backhoe Loader S/N: 6XF1-UP,5BL1-UP						
Lift	BD-647458	Kit	3.750S	2.000S	P	15
	S/N: 6XF,5BL1-499					
	BD-662458	Kit	3.750S	2.250S	P	15
	S/N: 5BL500-UP					
Tilt	BD-647409	Kit	4.000S	2.000S	P	15
Backhoe Stabilizer	BD-646409	Kit	4.000S	2.125S	P	15
Backhoe Swing	BD-646409	Kit	4.000S	2.125S	P	15
	S/N: 6XF					
	BD-647409	Kit	4.000S	2.000S	P	15
	S/N: 5BL					
Backhoe Boom	BD-705453	Kit	5.250S	2.625S	P	15
Backhoe Bucket	BD-704458	Kit	3.750S	2.750S	I	15
Backhoe Ext. Bucket	BD-704458	Kit	3.750S	2.750S	I	15
	S/N: 5BL500-UP					
Backhoe Stick	BD-707435	Kit	5.250S	3.000S	P	15
	S/N: 6XF1-547					
	BD-707453	Kit	5.250S	3.000S	P	15
	S/N: 6XF548-UP,5BL					

Application	Part Number	Description	Bore	Rod	Wiper	Type
446,446B BACKHOE LOADER						
(continued)						
Backhoe Ext. Stick	BD-637379	Kit	3.000S	1.750S	P	15
	BD-704458	Kit	3.750S	2.750S	I	15
508 SKIDDER/GRAPPLE SKIDDER						
Skidder S/N: 9NC1-UP Grapple Skidder S/N: 2HD1-UP						
Lift	BD-500101	Kit	3.000S	1.500S	P	5
	BD-675101	Kit	3.000S	1.500S	P	15
Steering	BD-500181	Kit	3.250S	1.500S	P	5
	BD-625181	Kit	3.250S	1.500S	P	15
Boom	BD-504103	Kit	3.500S	1.750S	P	5
	S/N: 2HD					
	BD-637103	Kit	3.500S	1.750S	P	15
Grapple	S/N: 2HD					
	BD-508118	Kit	4.500S	2.250S	P	5
	S/N: 2HD					
Grapple	BD-662118	Kit	4.500S	2.250S	P	15
	S/N: 2HD					
	S/N: 2HD					
FB508 FELLER BUNCHER						
Feller Buncher S/N: 4JG1-UP						
Lift	BD-647356	Kit	4.000S	2.000S	P	15
Tilt	BD-662356	Kit	4.000S	2.250S	P	15
Steering	BD-625181	Kit	3.250S	1.500S	P	15
515 WHEEL SKIDDER						
Skidder S/N: 4LR1-UP						
Lift	BD-647409	Kit	4.000S	2.000S	P	15
Steering	BD-637379	Kit	3.000S	1.750S	P	15
	Use with 6E4948 Head					
	BD-750379	Kit	3.000S	1.750S	P	15
Use with 1771838 Head						
517 TRACK SKIDDER/GRAPPLE SKIDDER						
Tractor S/N: 5WW1-UP,6PW1-UP Bulldozer S/N: 7EH1-UP						
Dozer Lift	BD-647108	Kit	4.250S	2.000S	P	15
Dozer Tilt	BD-647110	Kit	4.250S	2.000S	P	15
Dozer Angling	BD-637103	Kit	3.500S	1.750S	P	15
Arch Lift	BD-642163	Kit	4.750S	2.500S	P	15
	S/N: 5WW					

CATERPILLAR® (REFERENCED BY BULLDOG® PART NUMBERS)

Application	Part Number	Description	Bore	Rod	Wiper	Type
518,518C SKIDDER/GRAPPLE SKIDDER						
Skidder S/N: 50S1-UP,94U1-UP,1CL1-UP Boom S/N: 2FF1-UP Grapple Skidder S/N: 55U1-UP,95U1-UP,9HJ1-UP Grapple S/N: 1WG1-UP,3NG1-UP						
Lift	BD-505106	Kit	4.000S	2.000S	P	5
	S/N: 50S,55U,94U1-740,95U1-153					
	BD-647106	Kit	4.000S	2.000S	P	15
	S/N: 94U741-UP,95U154-UP,9HJ1-577,1CL1-308					
Steering	BD-647409	Kit	4.000S	2.000S	P	15
	S/N: 9HJ578-UP,1CL309-UP					
	BD-504101	Kit	3.000S	1.750S	P	5
	S/N: 50S,55U,94U,95U					
Boom	BD-637101	Kit	3.000S	1.750S	P	15
	S/N: 94U,95U,9HJ1-577,1CL1-308					
	BD-637379	Kit	3.000S	1.750S	P	15
	S/N: 9HJ578-UP,1CL309-UP					
Grapple	BD-668372	Kit	4.000S	2.000S	P	5
	S/N: 95U154-UP,9HJ					
	Grapple S/N: 1WG, 82" arrangement					
	BD-668373	Kit	4.500S	2.000S	P	5
Feller Buncher	S/N: 95U154-UP,9HJ					
	Grapple S/N: 3NG, 100" arrangement					
	BD-742483	Kit	5.000S	3.000S	P	15
	S/N: 9HJ					
90" arrangement						
FB518 FELLER BUNCHER						
Feller Buncher S/N: 8ZC1-UP						
Lift	BD-513120	Kit	5.000S	2.500S	P	5
	BD-663120	Kit	5.000S	2.500S	P	15
Tilt	BD-508108	Kit	4.250S	2.250S	P	5
	BD-662108	Kit	4.250S	2.250S	P	15
Steering	BD-504101	Kit	3.000S	1.750S	P	5
	BD-637101	Kit	3.000S	1.750S	P	15

Application	Part Number	Description	Bore	Rod	Wiper	Type
525,525B WHEEL SKIDDER						
Skidder S/N: 1DN1-UP,3KZ1-UP						
Lift	BD-647409	Kit	4.000S	2.000S	P	15
	S/N: 1DN					
	BD-662409	Kit	4.000S	2.250S	P	15
S/N: 3KZ						
Steering	BD-637379	Kit	3.000S	1.750S	P	15
	Use with 6E4948 or 1849843 Head					
	BD-750379	Kit	3.000S	1.750S	P	15
S/N: 1DN						
S/N: Use with 1771838 Head						
Grapple	BD-668372	Kit	4.000S	2.000S	P	5
	S/N: 1DN					
S/N: Use with 1030258 Cylinder						
527 TRACK SKIDDER/GRAPPLE SKIDDER						
Tractor S/N: 2RS1-UP,3DS1-UP,4NS1-UP,BDW1-UP Bulldozer S/N: 7DH1-UP,5GP1-UP,5HP1-UP,8EP1-UP						
Dozer Lift	BD-662392	Kit	4.500S	2.250S	P	15
	Dozer S/N: 7DH,5GP,5HP					
	BD-662180	Kit	3.750S	2.250S	P	15
Dozer S/N: 8EP						
Dozer Tilt	BD-662163	Kit	4.750S	2.250S	P	15
	Dozer S/N: 7DH,5GP					
Dozer Angling	BD-662108	Kit	4.250S	2.250S	P	15
Arch Lift	BD-642163	Kit	4.750S	2.500S	P	15
	S/N: 4NS					
528,528B SKIDDER/GRAPPLE SKIDDER						
Skidder S/N: 96C1-UP,51S1-UP,8SJ1-UP Grapple Skidder S/N: 97C1-UP,78W1-UP						
Lift	BD-505108	Kit	4.250S	2.000S	P	5
	S/N: 96C,97C,51S,78W					
	BD-647108	Kit	4.250S	2.000S	P	15
S/N: 96C,97C,8SJ						
Steering	BD-504180	Kit	3.750S	1.750S	P	5
	S/N: 96C1-516,97C1-319,51S,78W,8SJ					
	BD-637180	Kit	3.750S	1.750S	P	15
S/N: 96C517-UP,97C320-UP,8SJ						

CATERPILLAR® (REFERENCED BY BULLDOG® PART NUMBERS)

Application	Part Number	Description	Bore	Rod	Wiper	Type
530B WHEEL SKIDDER						
Skidder S/N: 5BK1-UP						
Lift	BD-647108	Kit	4.250S	2.000S	P	15
Steering	BD-637180	Kit	3.750S	1.750S	P	15
Boom	BD-700414	Kit	5.000S	2.500S	P	15
Grapple	BD-700414	Kit	5.000S	2.500S	P	15
	Dual Boom arrangement					
	BD-701414	Kit	5.000S	2.500S	P	5
Single Boom arrangement						
535B WHEEL SKIDDER						
Skidder S/N: AAE1-UP						
Lift	BD-662409	Kit	4.000S	2.250S	P	15
Steering	BD-637379	Kit	3.000S	1.750S	P	15
539 KNUCKLE BOOM LOADER						
Loader S/N: 1PZ1-UP						
Boom	BD-661419	Kit	6.000S	4.000S	P	15
Stabilizer	BD-6901039	Kit	6.000S	3.500S	P	15
	S/N: 1PZ125-125,1PZ132-UP					
Stick	BD-661419	Kit	6.000S	4.000S	P	15
545 WHEEL SKIDDER						
Skidder S/N: 2FZ1-UP						
Lift	BD-662409	Kit	4.000S	2.250S	P	15
Steering	BD-647381	Kit	3.500S	2.000S	P	15
550 TREE HARVESTER						
Tree Harvester S/N: 7ZN1-UP						
Boom Lift	BD-628366	Kit	4.250S	2.500S	P	15
Pendulum Arm	BD-628397	Kit	4.750S	2.500S	P	15
Steering	BD-647381	Kit	3.500S	2.000S	P	15
	S/N: 7ZN149-UP					
Stick	BD-628490	Kit	5.500S	2.500S	P	15
	S/N: 7ZN153-UP					
554 FORWARDER						
Forwarder S/N: 1AM1-UP						
Steering	BD-647381	Kit	3.500S	2.000S	P	15

Application	Part Number	Description	Bore	Rod	Wiper	Type
570 TREE HARVESTER						
Tree Harvester S/N: 4XR1-UP						
Boom Lift	BD-628366	Kit	4.250S	2.500S	P	15
Pendulum Arm	BD-628397	Kit	4.750S	2.500S	P	15
Steering	BD-647381	Kit	3.500S	2.000S	P	15
	S/N: 4XR150-UP					
Stick	BD-628490	Kit	5.500S	2.500S	P	15
	S/N: 4XR198-UP					
574 FORWARDER						
Forwarder S/N: 1FM1-UP						
Steering	BD-647381	Kit	3.500S	2.000S	P	15
	S/N: 1FM220-UP					
580 TREE HARVESTER						
Tree Harvester S/N: 7CN1-UP						
Boom Lift	BD-628366	Kit	4.250S	2.500S	P	15
Pendulum Arm	BD-628397	Kit	4.750S	2.500S	P	15
Steering	BD-647381	Kit	3.500S	2.000S	P	15
	S/N: 7CN173-UP					
Stick	BD-628490	Kit	5.500S	2.500S	P	15
	S/N: 7CN179-UP					
D4H TRACK SKIDDER						
Tractor S/N: 8ZF1-UP,7PK1-UP Bulldozer S/N: 5NH1-UP,7EH1-UP Grapple S/N: 1WG1-UP,3NG1-UP						
Dozer Lift	BD-647108	Kit	4.250S	2.000S	P	15
Dozer Tilt	BD-647110	Kit	4.250S	2.000S	P	15
Dozer Angling	BD-637103	Kit	3.500S	1.750S	P	15
Arch Lift	BD-642163	Kit	4.750S	2.500S	P	15
	BD-642415	Kit	4.500S	2.500S	P	15
	S/N: 7PK					
Grapple	BD-668372	Kit	4.000S	2.000S	P	5
	82" arrangement					
	BD-668373	Kit	4.500S	2.000S	P	5
	100" arrangement					
	BD-742483	Kit	5.000S	3.000S	P	15
	90" arrangement					

CATERPILLAR® (REFERENCED BY BULLDOG® PART NUMBERS)

Application	Part Number	Description	Bore	Rod	Wiper	Type
D5H TRACK SKIDDER						
Tractor S/N: 7EG1-UP Bulldozer S/N: 4ZH1-UP,7DH1-UP Grapple S/N: 1WG1-UP,3NG1-UP						
Dozer Lift	BD-662392	Kit	4.500S	2.250S	P	15
Dozer Tilt	BD-662163	Kit	4.750S	2.250S	P	15
Dozer Angling	BD-647106	Kit	4.000S	2.000S	P	15
Arch Lift	BD-642163	Kit	4.750S	2.500S	P	15
Grapple	BD-668372	Kit	4.000S	2.000S	P	5
	82" arrangement					
	BD-668373	Kit	4.500S	2.000S	P	5
	100" arrangement					
	BD-742483	Kit	5.000S	3.000S	P	15
90" arrangement						
561B,561C,561D PIPELAYER						
Pipelayer S/N: 62A1-UP,85H1-UP,92J1-UP,54X1-UP						
Counterweight	BD-505118	Kit	4.500S	2.000S	P	5
	S/N: 92J391-UP,54X					
Track Adjuster	BD-904400	Kit			N	0
571A,571F,571G PIPELAYER						
Pipelayer S/N: 64A1-UP,95N1-UP,16W1-UP,5ZD1-UP						
Counterweight	BD-507266	Kit	4.500S	2.000S	P	1
	S/N: 64A					
	BD-507115	Kit	4.500S	2.000S	P	4
	S/N: 64A,95N,16W1-255					
	BD-507115	Kit	4.500S	2.000S	P	4
	S/N: 16W256-UP Use with 4J4600 Piston					
Counterweight	BD-507118	Kit	4.500S	2.000S	P	4
	S/N: 16W256-UP,5ZD Use with 3G9939 Piston					
Track Adjuster	BD-903401	Kit			N	0
572C,572D,572E,572F,572G PIPELAYER						
Pipelayer S/N: 21A1-UP,65A1-UP,96N1-UP,40U1-UP,8PC1-UP						
Counterweight	BD-507345	Kit	4.000S	2.000S	P	3
	S/N: 65A,96N,40U1-970,8PC1-360					
	BD-507345	Kit	4.000S	2.000S	P	3
	S/N: 40U971-UP					
	BD-507104	Kit	4.000S	2.000S	P	4
S/N: 40U971-UP,8PC361-UP						
Track Adjuster	BD-902400	Kit			N	0
	S/N: 21A					
	BD-903401	Kit			N	0
S/N: 65A,96N,40U,8PC						

Application	Part Number	Description	Bore	Rod	Wiper	Type
578 PIPELAYER						
Pipelayer S/N: 8HB1-UP						
Boom	BD-635416	Kit	10.000S	4.000S	P	15
Counterweight	BD-629374	Kit	6.000S	3.000S	P	23
583H,583K PIPELAYER						
Pipelayer S/N: 38A1-UP,61A1-UP,78V1-UP						
Counterweight	BD-507345	Kit	4.000S	2.000S	P	3
	S/N: 38A,61A,78V1-534					
	BD-507345	Kit	4.000S	2.000S	P	3
	S/N: 78V535-UP					
Counterweight	BD-507104	Kit	4.000S	2.000S	P	4
	S/N: 78V535-UP					
Track Adjuster	BD-901401	Kit			N	0
	S/N: 61A49-687					
	BD-901402	Kit			N	0
S/N: 61A688-UP,78V						
583R PIPELAYER						
Pipelayer S/N: 2XS1-UP						
Counterweight	BD-646409	Kit	4.000S	2.125S	P	15
	Use with 9T6388 Head					
	BD-783409	Kit	4.000S	2.125S	P	15
	Use with 1521863 Head					
589 PIPELAYER						
Pipelayer S/N: 31Z1-UP						
Counterweight	BD-521374	Kit	6.000S	3.000S	P	22
	BD-629374	Kit	6.000S	3.000S	P	23
594,594H PIPELAYER						
Pipelayer S/N: 62H1-UP,96V1-UP						
Lift	BD-507123	Kit	5.000S	2.000S	P	4
	S/N: 62H,96V1-254					
	BD-507123	Kit	5.000S	2.000S	P	4
	S/N: 96V255-UP 2 Piston seals					
	BD-507122	Kit	5.000S	2.000S	P	4
S/N: 96V255-UP 1 Piston seal						
Track Adjuster	BD-900401	Kit			N	0
	S/N: 62H1-103					
	BD-900402	Kit			N	0
S/N: 62H104-UP,96V						

CATERPILLAR® (REFERENCED BY BULLDOG® PART NUMBERS)

Application	Part Number	Description	Bore	Rod	Wiper	Type
DW21,DW21C,DW21D,DW21G TRACTOR/SCRAPER						
Tractor S/N: 58C1-UP,85E1-UP,86E1-UP,08W1061-UP Scraper S/N: 08J279-UP						
Steering	BD-519210	Kit	5.250S	2.750S	P	3
611 TRACTOR/SCRAPER						
Tractor S/N: 6SZ1-UP Scraper S/N: 7WZ1-UP						
Steering	BD-662391	Kit	4.500S	2.250S	P	15
Load	BD-662163	Kit	4.750S	2.250S	P	15
Apron	BD-628391	Kit	4.500S	2.500S	P	15
Bowl	BD-662122	Kit	5.000S	2.250S	P	15
Ejector	BD-753125	Kit	5.500S	2.750S	P	6
613,613B TRACTOR/ELEVATING SCRAPER						
Tractor S/N: 71M1-UP,38W1-UP Scraper S/N: 72M1-UP						
Steering	BD-578283	Kit	4.000S	1.750S	P	4
	S/N: 71M1-354					
	BD-505105	Kit	4.000S	2.000S	P	5
	S/N: 71M355-UP,38W 2 Piston seals					
	BD-505104	Kit	4.000S	2.000S	P	5
S/N: 71M355-UP,38W 1 Piston seal						
Bowl	BD-578283	Kit	4.000S	1.750S	P	4
	S/N: 72M1-354					
	BD-505105	Kit	4.000S	2.000S	P	5
	S/N: 72M355-4267 2 Piston seals					
	BD-505104	Kit	4.000S	2.000S	P	5
	S/N: 72M355-4267 1 Piston seal					
S/N: 72M4268-UP						
Floor	BD-514120	Kit	5.000S	2.500S	P	4
Ejector	BD-578284	Kit	3.500S	1.750S	P	6
	S/N: 72M1-1171					
	BD-579284	Kit	3.500S	2.000S	P	6
S/N: 72M1172-UP						

Application	Part Number	Description	Bore	Rod	Wiper	Type
613C TRACTOR/ELEVATING SCRAPER						
Tractor S/N: 92X1-UP,8LJ1-UP Scraper S/N: 93X1-UP						
Steering	BD-505106	Kit	4.000S	2.000S	P	5
	S/N: 92X1-989,92X998-1000					
	BD-647106	Kit	4.000S	2.000S	P	15
	S/N: 92X990-997,92X1001-1797					
	BD-647409	Kit	4.000S	2.000S	P	15
	S/N: 92X1798-UP					
Bowl	BD-505106	Kit	4.000S	2.000S	P	5
	S/N: 93X1-989,93X1001-1001,93X1003-1003,93X1028-1031					
	S/N: 93X1033-1033,93X1034-1034					
	BD-647106	Kit	4.000S	2.000S	P	15
	S/N: 93X990-1000,93X1002-1002,93X1004-1027,93X1032-1032					
	S/N: 93X1035-1611					
Floor	BD-513120	Kit	5.000S	2.500S	P	5
	S/N: 93X1-2779					
	BD-663120	Kit	5.000S	2.500S	P	15
	S/N: 93X1-2779					
	BD-663120	Kit	5.000S	2.500S	P	15
	S/N: 93X2780-UP					
Ejector	BD-508103	Kit	3.500S	2.250S	P	5
	S/N: 93X1-1611					
	BD-684103	Kit	3.500S	2.250S	P	15
	S/N: 93X1-1611					
	BD-662381	Kit	3.500S	2.250S	P	15
	S/N: 93X1612-UP					
615,615C TRACTOR/ELEVATING SCRAPER						
Tractor S/N: 46Z1-UP,5TF1-UP,9XG1-UP Scraper S/N: 47Z1-UP,2XG1-UP						
Steering	BD-508120	Kit	5.000S	2.250S	P	5
	S/N: 46Z1-1356					
	BD-662120	Kit	5.000S	2.250S	P	15
	S/N: 46Z1357-UP,5TF					
	BD-662391	Kit	4.500S	2.250S	P	15
	S/N: 9XG					
Accumulator	BD-990000	Kit	5.000S		N	0
	S/N: 46Z	Use with 9J9318 Piston (w/o wear ring)				
	BD-990006	Kit	5.000S		N	0
	S/N: 46Z,5TF,9XG	Use with 9T1440 Piston (with wear ring)				
Load	BD-508163	Kit	4.750S	2.250S	P	5
	BD-662163	Kit	4.750S	2.250S	P	15

CATERPILLAR® (REFERENCED BY BULLDOG® PART NUMBERS)

Application	Part Number	Description	Bore	Rod	Wiper	Type
615,615C TRACTOR/ELEVATING SCRAPER						
(continued)						
Floor/Door	BD-517321	Kit	5.500S	2.750S	P	5
	S/N: 47Z	3 Buffer rings				
	BD-517237	Kit	5.500S	2.750S	P	5
	S/N: 47Z,2XG1-897	1 Buffer ring				
	BD-665237	Kit	5.500S	2.750S	P	15
	S/N: 47Z,2XG1-897					
Bowl Lift	BD-508120	Kit	5.000S	2.250S	P	5
	S/N: 47Z,2XG1-897					
	BD-662120	Kit	5.000S	2.250S	P	15
	S/N: 47Z,2XG1-897	Use with 7J5525 Piston				
	BD-662122	Kit	5.000S	2.250S	P	15
	S/N: 47Z,2XG1-897	Use with 9T8563 Piston				
Ejector	BD-513108	Kit	4.250S	2.500S	P	5
	S/N: 47Z					
	BD-663108	Kit	4.250S	2.500S	P	15
J619 TRACTOR/ELEVATING SCRAPER						
Tractor S/N: 61F1-UP,62F1-UP Scraper S/N: 43F1-UP						
Steering	BD-510237	Kit	5.500S	2.250S	P	4
	Use with 4J4596 Piston					
Bowl	BD-514130	Kit	6.000S	2.500S	P	4
	Use with 5J5551 Piston					
	BD-514131	Kit	6.000S	2.500S	P	4
Use with 9J8649 Piston						
Bottom Door/Dump	BD-507123	Kit	5.000S	2.000S	P	4
	S/N: 43F1-541					
	BD-514115	Kit	4.500S	2.500S	P	4
S/N: 43F542-UP						
619C TRACTOR/SCRAPER						
Tractor S/N: 61F1-UP,62F1-UP Scraper S/N: 68F734-UP						
Steering	BD-510237	Kit	5.500S	2.250S	P	4
	Use with 4J4596 Piston					

Application	Part Number	Description	Bore	Rod	Wiper	Type
J621 TRACTOR/ELEVATING SCRAPER						
Tractor S/N: 23H1-UP Scraper S/N: 43H1-UP						
Steering	BD-510120	Kit	5.000S	2.250S	P	4
	S/N: 23H1-2222					
	BD-508120	Kit	5.000S	2.250S	P	5
	S/N: 23H1-2222					
Steering	BD-508120	Kit	5.000S	2.250S	P	5
	S/N: 23H2223-UP					
Servo-Receiver	BD-575275	Kit	2.000S	1.000S	I	5
S/N: 23H4299-UP						
Servo-Master	BD-576276	Kit	1.500S	0.750S	I	5
S/N: 23H4299-UP						
Load	BD-513125	Kit	5.500S	2.500S	P	5
	S/N: 23H4299-UP					
Bowl	BD-514130	Kit	6.000S	2.500S	P	4
	Use with 5J5551 Piston					
	BD-514131	Kit	6.000S	2.500S	P	4
Use with 9J8649 Piston						
Bottom Door/Dump	BD-514115	Kit	4.500S	2.500S	P	4
	S/N: 43H1-1014					
	BD-514120	Kit	5.000S	2.500S	P	4
S/N: 43H1015-UP						
621 TRACTOR/SCRAPER						
Tractor S/N: 23H1-UP,15U1-UP,2DB1-UP Scraper S/N: 37G1-UP,40G1-UP,41G1-UP						
Steering	BD-510120	Kit	5.000S	2.250S	P	4
	S/N: 37G1-1212,41G,23H1-2222					
	BD-508120	Kit	5.000S	2.250S	P	5
	S/N: 37G1213-UP,23H1-2222					
	BD-508120	Kit	5.000S	2.250S	P	5
	S/N: 23H2223-UP,15U					
Steering	BD-513120	Kit	5.000S	2.500S	P	5
	S/N: 2DB					
Servo-Receiver	BD-575275	Kit	2.000S	1.000S	I	5
S/N: 23H4299-UP,2DB						
Servo-Master	BD-576276	Kit	1.500S	0.750S	I	5
S/N: 23H4299-UP,2DB						
Accumulator	BD-990000	Kit	5.000S		N	0
S/N: 23H4299-UP						
Load	BD-513125	Kit	5.500S	2.500S	P	5
	S/N: 23H4299-UP					
Apron	BD-520146	Kit	7.250S	2.750S	I	4
	S/N: 37G,40G1-235,41G1-339					
	BD-519146	Kit	7.250S	2.750S	P	4
S/N: 37G,40G236-UP,41G340-UP						
Bowl	BD-514130	Kit	6.000S	2.500S	P	4
Ejector	BD-546198	Kit	6.500S	4.000S	I	6
	S/N: 37G1-1974,40G1-356,41G					

CATERPILLAR® (REFERENCED BY BULLDOG® PART NUMBERS)

Application	Part Number	Description	Bore	Rod	Wiper	Type
621 TRACTOR/SCRAPER (continued)						
Ejector (cont)	BD-546199	Kit	6.500S	4.000S	I	6
	S/N: 37G1975-UP,40G357-UP	4 Piston rings				
	BD-546238	Kit	6.500S	4.000S	I	6
	S/N: 37G1975-UP,40G357-UP	Field replacement, Piston seal				
Ejector	BD-545238	Kit	6.500S	4.000S	P	6
	S/N: 37G1975-UP,40G357-UP	Field replacement				
621B TRACTOR/SCRAPER						
Tractor S/N: 45P1-UP,35V1-UP,7KC1-UP,8HC1-UP Scraper S/N: 31V1-UP,36V1-UP,73V1-UP,6XB1-UP,9AC1-UP						
Steering	BD-513120	Kit	5.000S	2.500S	P	5
Servo-Receiver	BD-575275	Kit	2.000S	1.000S	I	5
Servo-Master	BD-576276	Kit	1.500S	0.750S	I	5
Accumulator	BD-990000	Kit	5.000S		N	0
	S/N: 45P1-3793,35V					
	BD-990006	Kit	5.000S		N	0
	S/N: 45P3794-UP					
Load	BD-540125	Kit	5.500S	2.500S	P	5
	S/N: 45P1-1088,35V1-814	Double Buffer ring				
	BD-513125	Kit	5.500S	2.500S	P	5
	S/N: 45P1089-3944,35V815-UP					
	BD-642125	Kit	5.500S	2.500S	P	15
	S/N: 45P3945-UP					
Apron	BD-519146	Kit	7.250S	2.750S	P	4
	S/N: 31V1-1039,36V1-1395,73V1-777					
	BD-520146	Kit	7.250S	2.750S	I	4
	S/N: 31V1-1039,36V1-1395					
	BD-517146	Kit	7.250S	2.750S	P	5
	S/N: 31V1040-UP,36V1396-UP,73V778-UP,6XB,9AC					
Bowl	BD-514130	Kit	6.000S	2.500S	P	4
	S/N: 31V,36V1-1131,73V1-703	Use with 5J0968 Piston				
	BD-514131	Kit	6.000S	2.500S	P	4
	S/N: 31V,36V1132-1362,73V704-796,73V800-800	Use with 9J8047 Piston				
	BD-513131	Kit	6.000S	2.500S	P	5
	S/N: 31V,36V1363-UP,73V797-799,73V801-UP,6XB,9AC					
Ejector	BD-546199	Kit	6.500S	4.000S	I	6
	S/N: 31V1-1337,36V1-1152,73V1-719,73V721-722,73V726-731	4 Piston rings				
	BD-546238	Kit	6.500S	4.000S	I	6
	S/N: 31V1-1337,36V1153-1502,73V720-720,73V723-725,73V732-819	Piston seal				
	BD-545238	Kit	6.500S	4.000S	P	6
	S/N: 31V1338-UP,36V1503-UP,73V820-UP,6XB,9AC					

Application	Part Number	Description	Bore	Rod	Wiper	Type
621E,621F TRACTOR/SCRAPER						
Tractor S/N: 6AB1-UP,2PD1-UP,4SK1-UP,8PL1-UP Scraper S/N: 6BB1-UP,2TF1-UP,5JK1-UP,9NL1-UP						
Steering	BD-513120	Kit	5.000S	2.500S	P	5
	S/N: 6BB1-1234,2TF1-638					
	BD-642120	Kit	5.000S	2.500S	P	15
	S/N: 6BB1-1234,2TF639-UP Use with 7J525 Piston					
	BD-642122	Kit	5.000S	2.500S	P	15
	S/N: 6BB1-1234 Use with 9T8563 Piston					
	BD-642122	Kit	5.000S	2.500S	P	15
S/N: 6BB1235-UP,5JK,9NL						
Servo	BD-615332	Kit	1.500S	0.750S	I	5
Accumulator	BD-990006	Kit	5.000S		N	0
	S/N: 6AB1-1522,2PD1-1030,8PL					
Load	BD-642125	Kit	5.500S	2.500S	P	15
	S/N: 6AB1-1165,2PD1-739					
	BD-710125	Kit	5.500S	2.500S	P	15
	S/N: 6AB1166-1578,2PD740-1021,8PL					
	BD-642125	Kit	5.500S	2.500S	P	15
	S/N: 6AB1579-UP,2PD1022-UP,4SK					
Apron	BD-517146	Kit	7.250S	2.750S	P	5
	S/N: 6BB1-1234,2TF					
	BD-657146	Kit	7.250S	2.750S	P	15
	S/N: 6BB1-1234					
	BD-657146	Kit	7.250S	2.750S	P	15
S/N: 6BB1235-UP,5JK,9NL						
Bowl	BD-513131	Kit	6.000S	2.500S	P	5
	S/N: 6BB1-1234,2TF					
	BD-664131	Kit	6.000S	2.500S	P	15
	S/N: 6BB1-1234					
	BD-664131	Kit	6.000S	2.500S	P	15
S/N: 6BB1235-UP,5JK,9NL						
Ejector	BD-545238	Kit	6.500S	4.000S	P	6
	S/N: 6BB1-1234,2TF1-699 Use with 3G1729 Head					
	BD-635238	Kit	6.500S	4.000S	P	6
	S/N: 6BB1-1234 Use with 9T6530 Head					
	BD-635238	Kit	6.500S	4.000S	P	6
	S/N: 6BB1235-UP,2TF700-UP,5JK,9NL					
	BD-635491	Kit	6.500S	4.000S	P	6
S/N: 5JK Auger arrangement						

CATERPILLAR® (REFERENCED BY BULLDOG® PART NUMBERS)

Application	Part Number	Description	Bore	Rod	Wiper	Type
621G TRACTOR/SCRAPER						
Tractor S/N: ALP1-UP Scraper S/N: ANG1-UP						
Steering	BD-642122	Kit	5.000S	2.500S	P	15
Servo	BD-615332	Kit	1.500S	0.750S	I	5
Load	BD-642125	Kit	5.500S	2.500S	P	15
Apron	BD-657146	Kit	7.250S	2.750S	P	15
Bowl	BD-664131	Kit	6.000S	2.500S	P	15
Ejector	BD-635238	Kit	6.500S	4.000S	P	6
	BD-635491	Kit	6.500S	4.000S	P	6
Auger arrangement						
621R,621S TRACTOR/SCRAPER						
Tractor S/N: 12Y1-UP,8KD1-UP Scraper S/N: 2TF1-UP						
Steering	BD-513120	Kit	5.000S	2.500S	P	5
	S/N: 12Y,2TF1-638					
	BD-642120	Kit	5.000S	2.500S	P	15
	S/N: 2TF639-UP Use with 7J5525 Piston					
Steering	BD-642122	Kit	5.000S	2.500S	P	15
	S/N: 2TF639-UP Use with 9T8563 Piston					
Servo-Receiver	BD-575275	Kit	2.000S	1.000S	I	5
S/N: 12Y						
Servo-Master	BD-576276	Kit	1.500S	0.750S	I	5
S/N: 12Y						
Servo	BD-615332	Kit	1.500S	0.750S	I	5
S/N: 8KD						
Apron	BD-517146	Kit	7.250S	2.750S	P	5
	S/N: 2TF1-859					
Apron	BD-657146	Kit	7.250S	2.750S	P	15
	S/N: 2TF860-UP					
Bowl	BD-513131	Kit	6.000S	2.500S	P	5
	S/N: 2TF1-599					
Bowl	BD-664131	Kit	6.000S	2.500S	P	15
	S/N: 2TF600-UP					
Ejector	BD-545238	Kit	6.500S	4.000S	P	6
	S/N: 2TF1-699					
Ejector	BD-635238	Kit	6.500S	4.000S	P	6
	S/N: 2TF700-UP					

Application	Part Number	Description	Bore	Rod	Wiper	Type
623,623B TRACTOR/ELEVATING SCRAPER						
Tractor S/N: 46P1-UP,52U1-UP Scraper S/N: 61E1-UP,26U1-UP						
Steering	BD-513120	Kit	5.000S	2.500S	P	5
	S/N: 46P					
S/N: 52U	BD-508120	Kit	5.000S	2.250S	P	5
Servo-Receiver	BD-575275	Kit	2.000S	1.000S	I	5
Servo-Master	BD-576276	Kit	1.500S	0.750S	I	5
Accumulator	BD-990000	Kit	5.000S		N	0
	S/N: 46P1-2152,52U					
S/N: 46P2153-UP	BD-990006	Kit	5.000S		N	0
Load	BD-540125	Kit	5.500S	2.500S	P	5
	S/N: 46P1-657					
	Double Buffer ring					
	BD-513125	Kit	5.500S	2.500S	P	5
S/N: 46P658-2316,52U	BD-642125	Kit	5.500S	2.500S	P	15
	S/N: 46P2317-UP					
Bowl	BD-514130	Kit	6.000S	2.500S	P	4
	Use with 5J0968 Piston					
	BD-514131	Kit	6.000S	2.500S	P	4
	Use with 9J8047 Piston					
S/N: 46P2317-UP	BD-513131	Kit	6.000S	2.500S	P	5
	BD-664131	Kit	6.000S	2.500S	P	15
Floor	BD-521129	Kit	6.000S	3.000S	P	5
Ejector	BD-513120	Kit	5.000S	2.500S	P	5
623E,623F TRACTOR/ELEVATING SCRAPER						
Tractor S/N: 6CB1-UP,6YF1-UP,6BK1-UP,5EW1-UP Scraper S/N: 6DB1-UP,5SG1-UP,3XW1-UP						
Steering	BD-513120	Kit	5.000S	2.500S	P	5
	S/N: 6DB					
	BD-642120	Kit	5.000S	2.500S	P	15
	S/N: 6DB					
Use with 7J5525 Piston	BD-642122	Kit	5.000S	2.500S	P	15
	S/N: 6DB,5SG,3XW					
Use with 9T8563 Piston						
Servo	BD-615332	Kit	1.500S	0.750S	I	5
Accumulator	BD-990006	Kit	5.000S		N	0
	S/N: 6CB,6YF1-387					
Load	BD-642125	Kit	5.500S	2.500S	P	15
	S/N: 6CB1-841,6YF431-UP,6BK,5EW					
	BD-710125	Kit	5.500S	2.500S	P	15
S/N: 6CB842-UP,6YF1-430						
Bowl	BD-513131	Kit	6.000S	2.500S	P	5
	S/N: 6DB					

CATERPILLAR® (REFERENCED BY BULLDOG® PART NUMBERS)

Application	Part Number	Description	Bore	Rod	Wiper	Type
623E,623F TRACTOR/ELEVATING SCRAPER						
(continued)						
Bowl (cont)	BD-664131	Kit	6.000S	2.500S	P	15
S/N:	6DB,5SG,3XW					
Floor	BD-521129	Kit	6.000S	3.000S	P	5
S/N:	6DB					
	BD-692129	Kit	6.000S	3.000S	P	15
S/N:	6DB,5SG					
	BD-661419	Kit	6.000S	4.000S	P	15
S/N:	3XW					
Ejector	BD-513120	Kit	5.000S	2.500S	P	5
S/N:	6DB					
	BD-642120	Kit	5.000S	2.500S	P	15
S/N:	6DB Use with 7J5525 Piston					
	BD-642122	Kit	5.000S	2.500S	P	15
S/N:	6DB,5SG,3XW Use with 9T8563 Piston					
623G TRACTOR/ELEVATING SCRAPER						
Scrapper S/N: AWB1-UP						
Steering	BD-642122	Kit	5.000S	2.500S	P	15
Bowl	BD-664131	Kit	6.000S	2.500S	P	15
Floor	BD-666474	Kit	5.500S	3.250S	P	15
Ejector	BD-642122	Kit	5.000S	2.500S	P	15
627 TRACTOR/SCRAPER						
Tractor S/N: 54K1-UP,68M1-UP Scrapper S/N: 50K1-UP,69M1-UP						
Steering	BD-508120	Kit	5.000S	2.250S	P	5
Servo-Receiver	BD-575275	Kit	2.000S	1.000S	I	5
S/N:	54K771-UP,68M686-UP					
Servo-Sender	BD-576276	Kit	1.500S	0.750S	I	5
S/N:	54K771-UP,68M686-UP					
Accumulator	BD-990000	Kit	5.000S		N	0
S/N:	54K771-UP,68M686-UP					
Load	BD-513125	Kit	5.500S	2.500S	P	5
S/N:	54K771-UP,68M686-UP					
Bail	BD-506102	Kit	3.500S	2.000S	P	4
S/N:	68M					
Apron	BD-519146	Kit	7.250S	2.750S	P	4
	BD-520146	Kit	7.250S	2.750S	I	4
Bowl	BD-514130	Kit	6.000S	2.500S	P	4
Ejector	BD-546198	Kit	6.500S	4.000S	I	6
S/N:	50K1-836,69M1-785					
	BD-546199	Kit	6.500S	4.000S	I	6
S/N:	50K837-UP,69M786-UP					

Application	Part Number	Description	Bore	Rod	Wiper	Type
627B TRACTOR/SCRAPER						
Tractor S/N: 14S1-UP,15S1-UP,34V1-UP,56V1-UP Scraper S/N: 32V1-UP,33V1-UP,37V1-UP,38V1-UP						
Steering	BD-513120	Kit	5.000S	2.500S	P	5
Servo-Receiver	BD-575275	Kit	2.000S	1.000S	I	5
Servo-Master	BD-576276	Kit	1.500S	0.750S	I	5
Accumulator	BD-990000	Kit	5.000S		N	0
	S/N: 14S1-1269,15S1-1721,34V,56V					
	BD-990006	Kit	5.000S		N	0
	S/N: 14S1270-UP,15S1722-UP					
Load	BD-540125	Kit	5.500S	2.500S	P	5
	S/N: 14S1-561,15S1-654,34V,56V Double Buffer ring					
	BD-513125	Kit	5.500S	2.500S	P	5
	S/N: 14S562-1311,15S655-1767,34V,56V					
	BD-642125	Kit	5.500S	2.500S	P	15
	S/N: 14S1312-UP,15S1768-UP					
Bail	BD-500103	Kit	3.500S	1.500S	P	5
	S/N: 15S,34V					
Apron	BD-519146	Kit	7.250S	2.750S	P	4
	S/N: 33V1-533,37V1-636,38V1-871					
	BD-520146	Kit	7.250S	2.750S	I	4
	S/N: 33V1-533,37V1-636,38V1-871					
	BD-519146	Kit	7.250S	2.750S	P	4
	S/N: 37V637-1059,38V872-1530					
	BD-520146	Kit	7.250S	2.750S	I	4
	S/N: 37V637-1059,38V872-1530					
	BD-517146	Kit	7.250S	2.750S	P	5
	S/N: 33V534-UP,37V637-1059,38V872-1530					
	BD-517146	Kit	7.250S	2.750S	P	5
	S/N: 37V1060-UP,38V1531-UP					
Bowl	BD-514130	Kit	6.000S	2.500S	P	4
	S/N: 32V,33V,37V1-595,38V1-751 Use with 5J0968 Piston					
	BD-514131	Kit	6.000S	2.500S	P	4
	S/N: 32V,33V,37V596-676,38V752-946 Use with 9J8047 Piston					
	BD-513131	Kit	6.000S	2.500S	P	5
	S/N: 32V,33V,37V677-1285,38V947-1747					
	BD-664131	Kit	6.000S	2.500S	P	15
	S/N: 37V1286-UP,38V1748-UP					
Ejector	BD-546199	Kit	6.500S	4.000S	I	6
	S/N: 32V1-443,33V1-494,37V1-606,38V1-787					
	BD-546238	Kit	6.500S	4.000S	I	6
	S/N: 32V444-UP,33V495-UP,37V607-723,38V788-985					
	BD-545238	Kit	6.500S	4.000S	P	6
	S/N: 37V724-1059,38V986-1530					
	BD-635238	Kit	6.500S	4.000S	P	6
	S/N: 37V1060-UP,38V1531-UP					

CATERPILLAR® (REFERENCED BY BULLDOG® PART NUMBERS)

Application	Part Number	Description	Bore	Rod	Wiper	Type
627E,627F TRACTOR/SCRAPER						
Tractor S/N: 6EB1-UP,6GB1-UP,7CG1-UP,1DL1-UP Scraper S/N: 6FB1-UP,6HB1-UP,3WJ1-UP,4YK1-UP						
Steering	BD-513120	Kit	5.000S	2.500S	P	5
	S/N: 6FB,6HB					
	BD-642120	Kit	5.000S	2.500S	P	15
	S/N: 6FB,6HB Use with 7J5525 Piston					
	BD-642122	Kit	5.000S	2.500S	P	15
	S/N: Use with 9T8563 Piston					
Servo	BD-615332	Kit	1.500S	0.750S	I	5
Accumulator	BD-990006	Kit	5.000S		N	0
	S/N: 6EB,6GB,7CG1-875					
Load	BD-642125	Kit	5.500S	2.500S	P	15
	S/N: 6EB1-586,6GB1-713,1DL					
	BD-710125	Kit	5.500S	2.500S	P	15
	S/N: 6EB587-UP,6GB714-UP,7CG1-925					
	BD-642125	Kit	5.500S	2.500S	P	15
	S/N: 7CG926-UP					
Bail	BD-504101	Kit	3.000S	1.750S	P	5
	S/N: 6EB644-UP,6GB,7CG					
	BD-637379	Kit	3.000S	1.750S	P	15
	S/N: 1DL					
Apron	BD-517146	Kit	7.250S	2.750S	P	5
	S/N: 6FB,6HB					
	BD-657146	Kit	7.250S	2.750S	P	15
Bowl	BD-513131	Kit	6.000S	2.500S	P	5
	S/N: 6FB,6HB					
	BD-664131	Kit	6.000S	2.500S	P	15
Ejector	BD-545238	Kit	6.500S	4.000S	P	6
	S/N: 6FB,6HB Use with 3G1729 Head					
	BD-635238	Kit	6.500S	4.000S	P	6
		S/N: Use with 9T6530 Head				
	BD-635491	Kit	6.500S	4.000S	P	6
	S/N: Auger arrangement					
627G TRACTOR/SCRAPER						
Tractor S/N: AXF1-UP Scraper S/N: AYK1-UP						
Steering	BD-642122	Kit	5.000S	2.500S	P	15
Servo	BD-615332	Kit	1.500S	0.750S	I	5
Load	BD-642125	Kit	5.500S	2.500S	P	15
Bail	BD-637379	Kit	3.000S	1.750S	P	15
Apron	BD-657146	Kit	7.250S	2.750S	P	15
Bowl	BD-664131	Kit	6.000S	2.500S	P	15
Ejector	BD-635238	Kit	6.500S	4.000S	P	6
	BD-635491	Kit	6.500S	4.000S	P	6
		S/N: Auger arrangement				

Application	Part Number	Description	Bore	Rod	Wiper	Type
630A,630B TRACTOR/SCRAPER						
Tractor S/N: 52F1-UP,14G1-UP Scraper S/N: 10G1-UP						
Steering	BD-502261	Kit	4.000S	1.500S	P	3
	S/N: 52F,14G1-383					
	BD-502184	Kit	4.000S	1.500S	P	4
	S/N: 14G384-413					
	BD-503184	Kit	4.000S	1.500S	I	4
	S/N: 14G414-475					
Load	BD-507166	Kit	5.000S	2.000S	P	1
	BD-507123	Kit	5.000S	2.000S	P	4
Apron	BD-519151	Kit	8.250S	2.750S	P	4
	S/N: 10G1-200					
	BD-519151	Kit	8.250S	2.750S	P	4
	S/N: 10G201-236					
	BD-523151	Kit	8.250S	3.000S	P	4
	S/N: 10G201-236					
	BD-523151	Kit	8.250S	3.000S	P	4
	S/N: 10G237-280					
	BD-524151	Kit	8.250S	3.000S	I	4
S/N: 10G281-332						
Bowl	BD-514144	Kit	7.250S	2.500S	P	4
	S/N: 10G1-185					
	BD-519144	Kit	7.250S	2.750S	P	4
	S/N: 10G186-280					
	BD-520144	Kit	7.250S	2.750S	I	4
	S/N: 10G281-UP					
Ejector	BD-517144	Kit	7.250S	2.750S	P	5
	S/N: 10G281-UP					
	BD-547154	Kit	8.250S	6.000S	P	6
Ejector	S/N: 10G1-152					
	BD-547200	Kit	8.250S	6.000S	P	6
	S/N: 10G153-UP					

CATERPILLAR® (REFERENCED BY BULLDOG® PART NUMBERS)

Application	Part Number	Description	Bore	Rod	Wiper	Type
631A,631B,631C TRACTOR/SCRAPER						
Tractor S/N: 51F1-UP,13G1-UP,67M1-UP Scraper S/N: 05A8509-8520,28F1-UP,56F1-UP,98F1-UP,11G1-UP						
Steering	BD-515135	Kit	6.500S	2.500S	P	4
	S/N:	28F1-58,11G642-648,13G1-2175 Use with 2J9328 Head				
	BD-514135	Kit	6.500S	2.500S	P	4
	S/N:	28F59-UP,51F,13G1-2175 Use with 4J7994 Head				
	BD-514135	Kit	6.500S	2.500S	P	4
	S/N:	56F121-UP Field replacement				
	BD-513135	Kit	6.500S	2.500S	P	5
	S/N:	51F,13G1-2175				
	BD-514135	Kit	6.500S	2.500S	P	4
	S/N:	11G649-UP,13G2176-UP,67M1-3874				
	BD-513135	Kit	6.500S	2.500S	P	5
	S/N:	28F59-UP,56F121-UP,11G649-UP Field replacement				
BD-513135	Kit	6.500S	2.500S	P	5	
S/N:	13G2176-UP,67M3875-UP					
Servo-Receiver	BD-575275	Kit	2.000S	1.000S	I	5
	S/N:	13G3489-UP,67M				
Servo-Master	BD-576276	Kit	1.500S	0.750S	I	5
	S/N:	13G3489-UP,67M				
Accumulator	BD-990000	Kit	5.000S		N	0
	S/N:	67M				
Load	BD-514138	Kit	6.500S	2.500S	P	4
	S/N:	13G3489-UP				
	BD-513130	Kit	6.000S	2.500S	P	5
	S/N:	67M1-5062				
	BD-513135	Kit	6.500S	2.500S	P	5
	S/N:	67M1-5062				
	BD-513135	Kit	6.500S	2.500S	P	5
	S/N:	67M5063-UP				
Apron	BD-519151	Kit	8.250S	2.750S	P	4
	S/N:	28F1-73,98F1-207,11G1-752				
	BD-519151	Kit	8.250S	2.750S	P	4
	S/N:	28F74-315,98F208-318,11G753-1385				
	BD-523151	Kit	8.250S	3.000S	P	4
	S/N:	28F74-315,11G753-1385 Field replacement				
	BD-523151	Kit	8.250S	3.000S	P	4
	S/N:	28F316-383,98F208-318,11G1386-1800				
	BD-524151	Kit	8.250S	3.000S	I	4
	S/N:	28F384-661,98F208-318,11G1801-2593				
	BD-523151	Kit	8.250S	3.000S	P	4
	S/N:	28F662-1356,98F319-376,11G2594-3837				
	BD-524151	Kit	8.250S	3.000S	I	4
S/N:	98F319-376					

Application	Part Number	Description	Bore	Rod	Wiper	Type	
631A,631B,631C TRACTOR/SCRAPER							
(continued)							
Apron (cont)	BD-524151	Kit	8.250S	3.000S	I	4	
	S/N: 98F377-461						
	BD-523151	Kit	8.250S	3.000S	P	4	
	S/N: 98F462-718						
Apron (cont)	BD-521151	Kit	8.250S	3.000S	P	5	
	S/N: 05A,28F1357-UP,98F719-UP,11G3838-UP						
	Bowl	BD-514144	Kit	7.250S	2.500S	P	4
		S/N: 28F1-73,98F1-207,11G1-684,11G686-688,11G690-690					
Bowl	BD-519144	Kit	7.250S	2.750S	P	4	
	S/N: 28F74-383,98F208-515,98F517-522,11G685-685,11G689-689						
Bowl	S/N: 11G691-1788						
	BD-519144	Kit	7.250S	2.750S	P	4	
S/N: 28F384-964,11G1789-3286							
Bowl	BD-520144	Kit	7.250S	2.750S	I	4	
	S/N: 28F384-964,11G1789-3286						
Bowl	BD-517144	Kit	7.250S	2.750S	P	5	
	S/N: 28F965-1066,98F516-516,98F523-570,98F576-578,11G3287-3525						
Bowl	BD-517145	Kit	7.250S	2.750S	P	5	
	S/N: 05A,28F1067-UP,98F571-575,98F579-UP,11G3526-UP						
Ejector	BD-547154	Kit	8.250S	6.000S	P	6	
	S/N: 11G1-404,11G460-479						
	BD-547200	Kit	8.250S	6.000S	P	6	
	S/N: 28F1-1066,98F1-582,11G405-459,11G480-3498						
	BD-547201	Kit	8.250S	6.000S	P	6	
	S/N: 28F1067-1679,98F583-850,11G3499-4500						
Ejector	BD-547202	Kit	8.250S	6.000S	P	6	
	S/N: 05A,28F1680-UP,98F851-UP,11G4501-UP						
631D TRACTOR/SCRAPER							
Tractor S/N: 24W1-UP,66W1-UP							
Scraper S/N: 28W1-UP,29W1-UP,39W1-UP,68W1-UP							
Steering	BD-517135	Kit	6.500S	2.750S	P	5	
Servo-Receiver	BD-575275	Kit	2.000S	1.000S	I	5	
Servo-Sender	BD-576276	Kit	1.500S	0.750S	I	5	
Load	BD-513135	Kit	6.500S	2.500S	P	5	
Apron	BD-521151	Kit	8.250S	3.000S	P	5	
Bowl	BD-517145	Kit	7.250S	2.750S	P	5	
Ejector	BD-547202	Kit	8.250S	6.000S	P	6	
	S/N: 28W1-2192,29W1-1499,39W1,68W1						
	BD-643353	Kit	8.250S	6.000S	I	6	
	S/N: 28W2193-UP,29W1500-UP						

CATERPILLAR® (REFERENCED BY BULLDOG® PART NUMBERS)

Application	Part Number	Description	Bore	Rod	Wiper	Type
631E TRACTOR/SCRAPER						
Tractor S/N: 1AB1-UP,1NB1-UP,3ND1-UP Scraper S/N: 1BB1-UP,6PC1-UP,4LD1-UP						
Steering	BD-517135	Kit	6.500S	2.750S	P	5
	S/N: 1BB1-747,1BB749-752,6PC1-518,4LD1-250					
	BD-665135	Kit	6.500S	2.750S	P	15
	S/N: 1BB748-748,1BB753-UP,6PC,4LD251-UP					
Servo	BD-615332	Kit	1.500S	0.750S	I	5
Accumulator	BD-990000	Kit	5.000S		N	0
	S/N: 1AB1-581					
	BD-990006	Kit	5.000S		N	0
	S/N: 1AB582-1468,1AB1640-UP,1NB,3ND1-544					
Load	BD-513135	Kit	6.500S	2.500S	P	5
	S/N: 1AB1-679,1NB1-595,3ND1-275					
	BD-642135	Kit	6.500S	2.500S	P	15
	S/N: 1AB680-1075,1NB596-685,3ND276-317					
	BD-708135	Kit	6.500S	2.500S	P	15
	S/N: 1AB1076-1445,1NB686-871,3ND318-536					
	BD-708135	Kit	6.500S	2.500S	P	15
	S/N: 1AB1446-1639,1NB872-1389 Use with 9T6538 Head					
	BD-642135	Kit	6.500S	2.500S	P	15
	S/N: 1AB1446-1639,1NB872-1389 Use with 1100311 Head					
BD-642135	Kit	6.500S	2.500S	P	15	
S/N: 1AB1640-UP,1NB1390-UP,3ND537-UP						
Apron	BD-521151	Kit	8.250S	3.000S	P	5
	S/N: 1BB1-949,6PC1-558,4LD1-269					
	BD-692151	Kit	8.250S	3.000S	P	15
	S/N: 1BB950-UP,6PC,4LD270-UP					
Bowl	BD-517145	Kit	7.250S	2.750S	P	5
	S/N: 1BB1-850,6PC1-518,4LD1-250					
	BD-693145	Kit	7.250S	2.750S	P	15
	S/N: 1BB851-UP,6PC,4LD251-UP					
Ejector	BD-643353	Kit	8.250S	6.000S	I	6
	BD-733353	Kit	8.250S	6.000S	P	6
	S/N: 1BB1174-UP,6PC,4LD270-UP					

Application	Part Number	Description	Bore	Rod	Wiper	Type
631G TRACTOR/SCRAPER						
Tractor S/N: AWK1-UP Scraper S/N: AXZ1-UP						
Steering	BD-665135	Kit	6.500S	2.750S	P	15
Servo	BD-615332	Kit	1.500S	0.750S	I	5
Load	BD-642135	Kit	6.500S	2.500S	P	15
Apron	BD-692151	Kit	8.250S	3.000S	P	15
Bowl	BD-693145	Kit	7.250S	2.750S	P	15
Ejector	BD-733353	Kit	8.250S	6.000S	P	6
632 TRACTOR/SCRAPER						
Tractor S/N: 14G1-UP Scraper S/N: 79F1-UP						
Steering	BD-502261	Kit	4.000S	1.500S	P	3
	S/N: 14G1-383					
	BD-502184	Kit	4.000S	1.500S	P	4
	S/N: 14G384-413					
Steering	BD-503184	Kit	4.000S	1.500S	I	4
	S/N: 14G414-475					
Load	BD-507166	Kit	5.000S	2.000S	P	1
	BD-507123	Kit	5.000S	2.000S	P	4
Apron	BD-519159	Kit	9.250S	2.750S	P	4
Bowl	BD-519151	Kit	8.250S	2.750S	P	4
	S/N: 79F1-148					
	BD-523151	Kit	8.250S	3.000S	P	4
S/N: 79F149-UP						
633,633B,633C TRACTOR/ELEVATING SCRAPER						
Tractor S/N: 44J1-UP,66M1-UP Scraper S/N: 86H1-UP						
Steering	BD-514135	Kit	6.500S	2.500S	P	4
	S/N: 44J,66M1-659					
	BD-513135	Kit	6.500S	2.500S	P	5
S/N: 66M660-UP						
Servo-Receiver	BD-575275	Kit	2.000S	1.000S	I	5
S/N: 66M693-UP						
Servo-Master	BD-576276	Kit	1.500S	0.750S	I	5
S/N: 66M693-UP						
Accumulator	BD-990000	Kit	5.000S		N	0
S/N: 86H711-UP,66M693-UP						
Load	BD-513130	Kit	6.000S	2.500S	P	5
	S/N: 66M693-850,66M852-861,66M866-866					
	BD-513135	Kit	6.500S	2.500S	P	5
S/N: 66M851-851,66M862-865						
Bowl	BD-519144	Kit	7.250S	2.750S	P	4
	S/N: 86H1-340					
	BD-520144	Kit	7.250S	2.750S	I	4
	S/N: 86H1-340					
	BD-519144	Kit	7.250S	2.750S	P	4
S/N: 86H341-537						

CATERPILLAR® (REFERENCED BY BULLDOG® PART NUMBERS)

Application	Part Number	Description	Bore	Rod	Wiper	Type
633,633B,633C TRACTOR/ELEVATING SCRAPER						
(continued)						
Bowl (cont)	BD-517144	Kit	7.250S	2.750S	P	5
	S/N: 86H538-980					
	BD-517145	Kit	7.250S	2.750S	P	5
S/N: 86H981-UP						
Floor	BD-514135	Kit	6.500S	2.500S	P	4
	S/N: 86H1-687					
	BD-513135	Kit	6.500S	2.500S	P	5
S/N: 86H688-UP						
633D TRACTOR/ELEVATING SCRAPER						
Tractor S/N: 25W1-UP Scraper S/N: 19W1-UP						
Steering	BD-517135	Kit	6.500S	2.750S	P	5
Servo-Receiver	BD-575275	Kit	2.000S	1.000S	I	5
Servo-Master	BD-576276	Kit	1.500S	0.750S	I	5
Load	BD-513135	Kit	6.500S	2.500S	P	5
Bowl	BD-517145	Kit	7.250S	2.750S	P	5
Floor	BD-513135	Kit	6.500S	2.500S	P	5
633E TRACTOR/ELEVATING SCRAPER						
Tractor S/N: 2PS1-UP Scraper S/N: 1EB1-UP						
Steering	BD-665135	Kit	6.500S	2.750S	P	15
Servo	BD-615332	Kit	1.500S	0.750S	I	5
Load	BD-642135	Kit	6.500S	2.500S	P	15
Bowl	BD-693145	Kit	7.250S	2.750S	P	15
Floor	BD-629454	Kit	6.250S	3.000S	P	23
Ejector	BD-635238	Kit	6.500S	4.000S	P	6
637,637B TRACTOR/SCRAPER						
Tractor S/N: 65M1-UP,79P1-UP Scraper S/N: 64M1-UP,91N1-UP,92N1-UP,26R1-UP						
Steering	BD-514135	Kit	6.500S	2.500S	P	4
	S/N: 65M1-275,79P1-264					
	BD-513135	Kit	6.500S	2.500S	P	5
S/N: 65M276-UP,79P265-UP						
Servo-Receiver	BD-575275	Kit	2.000S	1.000S	I	5
Servo-Master	BD-576276	Kit	1.500S	0.750S	I	5
Accumulator	BD-990000	Kit	5.000S		N	0
Load	BD-513130	Kit	6.000S	2.500S	P	5
	S/N: 65M1-502,79P1-653,79P661-661,79P664-664,79P682-682					
	BD-513135	Kit	6.500S	2.500S	P	5
S/N: 65M503-UP,79P654-660,79P662-663,79P665-681,79P683-UP						
Bail	BD-506102	Kit	3.500S	2.000S	P	4
	S/N: 79P					
Apron	BD-523151	Kit	8.250S	3.000S	P	4
	S/N: 64M1-357,91N1-450,92N1-231					
	BD-521151	Kit	8.250S	3.000S	P	5
S/N: 64M358-UP,91N451-UP,92N232-UP,26R						

Application	Part Number	Description	Bore	Rod	Wiper	Type
637,637B TRACTOR/SCRAPER (continued)						
Bowl	BD-517144	Kit	7.250S	2.750S	P	5
	S/N:	64M1-235,91N1-229,92N1-200				
	BD-517145	Kit	7.250S	2.750S	P	5
	S/N:	64M236-UP,91N230-UP,92N201-UP,26R				
Ejector	BD-547200	Kit	8.250S	6.000S	P	6
	S/N:	64M1-231,91N1-216,92N1-200				
	BD-547201	Kit	8.250S	6.000S	P	6
	S/N:	64M232-540,91N217-934,92N201-276,26R1-645				
	BD-547202	Kit	8.250S	6.000S	P	6
S/N:	64M541-UP,91N935-UP,92N277-UP,26R646-UP					
637D TRACTOR/SCRAPER						
Tractor S/N: 26W1-UP,27W1-UP,71W1-UP Scraper S/N: 20W1-UP,21W1-UP,22W1-UP,23W1-UP,70W1-UP,4JB1-UP						
Steering	BD-517135	Kit	6.500S	2.750S	P	5
Servo-Receiver	BD-575275	Kit	2.000S	1.000S	I	5
Servo-Sender	BD-576276	Kit	1.500S	0.750S	I	5
Accumulator	BD-990000	Kit	5.000S		N	0
	S/N:	26W1-620,27W1-1828,71W				
	BD-990006	Kit	5.000S		N	0
S/N:	26W621-UP,27W1829-UP					
Load	BD-513135	Kit	6.500S	2.500S	P	5
Bail	BD-500103	Kit	3.500S	1.500S	P	5
	S/N:	27W,71W				
Apron	BD-521151	Kit	8.250S	3.000S	P	5
Bowl	BD-517145	Kit	7.250S	2.750S	P	5
Ejector	BD-547202	Kit	8.250S	6.000S	P	6
	S/N:	20W1-532,21W1-501,22W1-1137,23W1-1101,70W,4JB1-37				
	BD-643353	Kit	8.250S	6.000S	I	6
	S/N:	20W533-UP,21W502-UP,22W1138-UP,23W1102-UP,4JB38-UP				
637E TRACTOR/SCRAPER						
Tractor S/N: 1FB1-UP,1JB1-UP Scraper S/N: 1HB1-UP,1LB1-UP,7CB1-UP						
Steering	BD-517135	Kit	6.500S	2.750S	P	5
	S/N:	1HB1-409,1LB1-606,7CB1-81				
	BD-665135	Kit	6.500S	2.750S	P	15
S/N:	1HB410-UP,1LB607-UP,7CB82-UP					
Servo	BD-615332	Kit	1.500S	0.750S	I	5
Accumulator	BD-990000	Kit	5.000S		N	0
	S/N:	1FB1-331,1JB1-431				
	BD-990006	Kit	5.000S		N	0
S/N:	1FB332-547,1FB660-UP,1JB432-UP					
Load	BD-513135	Kit	6.500S	2.500S	P	5
	S/N:	1FB1-342,1JB1-510				
	BD-642135	Kit	6.500S	2.500S	P	15
	S/N:	1FB343-367,1JB511-665				
	BD-708135	Kit	6.500S	2.500S	P	15
	S/N:	1FB368-563,1JB666-UP				

CATERPILLAR® (REFERENCED BY BULLDOG® PART NUMBERS)

Application	Part Number	Description	Bore	Rod	Wiper	Type
637E TRACTOR/SCRAPER (continued)						
Load (cont)	BD-642135	Kit	6.500S	2.500S	P	15
S/N:	1FB564-UP					
Bail	BD-504101	Kit	3.000S	1.750S	P	5
S/N:	1FB374-UP,1JB					
Apron	BD-521151	Kit	8.250S	3.000S	P	5
S/N:	1HB1-422,1LB1-747,7CB1-87					
	BD-692151	Kit	8.250S	3.000S	P	15
S/N:	1HB423-UP,1LB748-UP,7CB88-UP					
Bowl	BD-517145	Kit	7.250S	2.750S	P	5
S/N:	1HB1-414,1LB1-667,7CB1-83					
	BD-693145	Kit	7.250S	2.750S	P	15
S/N:	1HB415-UP,1LB668-UP,7CB84-UP					
Ejector	BD-643353	Kit	8.250S	6.000S	I	6
	BD-733353	Kit	8.250S	6.000S	P	6
S/N:	1HB466-UP,1LB607-UP,7CB91-UP					
637G TRACTOR/SCRAPER						
Tractor S/N: AXT1-UP Scraper S/N: AWE1-UP,AYN1-UP						
Steering	BD-665135	Kit	6.500S	2.750S	P	15
Servo	BD-615332	Kit	1.500S	0.750S	I	5
Load	BD-642135	Kit	6.500S	2.500S	P	15
Bail	BD-637379	Kit	3.000S	1.750S	P	15
Apron	BD-692151	Kit	8.250S	3.000S	P	15
Bowl	BD-693145	Kit	7.250S	2.750S	P	15
Ejector	BD-733353	Kit	8.250S	6.000S	P	6
639D TRACTOR/ELEVATING SCRAPER						
Tractor S/N: 99X1-UP Scraper S/N: 88X1-UP						
Steering	BD-517135	Kit	6.500S	2.750S	P	5
Servo-Receiver	BD-575275	Kit	2.000S	1.000S	I	5
Servo-Master	BD-576276	Kit	1.500S	0.750S	I	5
Accumulator	BD-990000	Kit	5.000S		N	0
	Use with 9J9318 Piston (w/o wear ring)					
	BD-990006	Kit	5.000S		N	0
S/N:	88X700-UP Use with 9T1440 Piston (with wear ring)					
Load	BD-513135	Kit	6.500S	2.500S	P	5
Bowl	BD-517145	Kit	7.250S	2.750S	P	5
Ejector	BD-513118	Kit	4.500S	2.500S	P	6

Application	Part Number	Description	Bore	Rod	Wiper	Type
641,641B TRACTOR/SCRAPER						
Tractor S/N: 64F1-UP,65K1-UP,41M1-UP Scraper S/N: 80F1-UP,70G1-UP,42M1-UP,43M1-UP						
Steering	BD-514146	Kit	7.250S	2.500S	P	4
	S/N: 64F,80F1-878,70G1-346					
	BD-576276	Kit	1.500S	0.750S	I	5
	S/N: 80F879-UP,70G347-UP					
	BD-517144	Kit	7.250S	2.750S	P	5
	S/N: 65K,41M Use with 5J5191 Piston					
	BD-517145	Kit	7.250S	2.750S	P	5
	S/N: 65K1160-UP Use with 7J9198 Piston					
Servo-Receiver	BD-514146	Kit	7.250S	2.500S	P	4
	S/N: 41M Used with Non-CAT trailed equipment					
Servo-Master	BD-575275	Kit	2.000S	1.000S	I	5
	S/N: 65K,41M					
Load	BD-576276	Kit	1.500S	0.750S	I	5
	S/N: 65K,41M					
Apron	BD-529153	Kit	8.250S	3.500S	P	5
	S/N: 65K,41M					
Apron	BD-519159	Kit	9.250S	2.750S	P	4
	S/N: 80F1-466,70G1-213					
	BD-527159	Kit	9.250S	3.250S	P	4
	S/N: 80F467-527,70G214-299					
	BD-528159	Kit	9.250S	3.250S	I	4
	S/N: 80F528-655,70G300-523					
	BD-527159	Kit	9.250S	3.250S	P	4
	S/N: 80F528-655 Field replacement					
	BD-527159	Kit	9.250S	3.250S	P	4
	S/N: 80F656-UP,70G300-523,42M1-165,43M1-169					
	BD-525159	Kit	9.250S	3.250S	P	5
	S/N: 80F656-UP,70G300-523,42M166-UP,43M170-UP					
	BD-527159	Kit	9.250S	3.250S	P	4
	S/N: 70G524-UP					
	BD-525159	Kit	9.250S	3.250S	P	5
S/N: 70G524-UP						
Bowl	BD-519151	Kit	8.250S	2.750S	P	4
	S/N: 80F1-344,70G1-60					
	BD-523151	Kit	8.250S	3.000S	P	4
	S/N: 80F345-539,70G61-305					
	BD-524151	Kit	8.250S	3.000S	I	4
	S/N: 80F540-640,70G306-487					
	BD-523151	Kit	8.250S	3.000S	P	4
	S/N: 80F540-640,70G306-487 Field replacement					
	BD-541151	Kit	8.250S	3.000S	I	5
	S/N: 80F641-UP,70G488-UP					

CATERPILLAR® (REFERENCED BY BULLDOG® PART NUMBERS)

Application	Part Number	Description	Bore	Rod	Wiper	Type
641,641B TRACTOR/SCRAPER (continued)						
Bowl (cont)	BD-521151	Kit	8.250S	3.000S	P	5
	S/N:	80F641-UP,70G488-UP,42M1-281,43M1-360				
	BD-521150	Kit	8.250S	3.000S	P	5
S/N:	42M282-UP,43M361-UP					
650,650B TRACTOR/SCRAPER						
Tractor S/N: 63F1-UP,77F1-UP,58K1-UP Scraper S/N: 22G1-UP						
Steering	BD-502261	Kit	4.000S	1.500S	P	3
	S/N:	63F,77F1-265				
	BD-503184	Kit	4.000S	1.500S	I	4
	S/N:	77F266-492				
S/N:	BD-502184	Kit	4.000S	1.500S	P	4
	77F493-UP,58K					
Traction	BD-514129	Kit	6.000S	2.500S	P	4
Apron	BD-519159	Kit	9.250S	2.750S	P	4
	S/N:	22G1-164				
	BD-527159	Kit	9.250S	3.250S	P	4
	S/N:	22G165-199				
	BD-528159	Kit	9.250S	3.250S	I	4
	S/N:	22G200-276				
	BD-527159	Kit	9.250S	3.250S	P	4
	S/N:	22G200-276 Field replacement				
	BD-527159	Kit	9.250S	3.250S	P	4
	S/N:	22G277-292				
	BD-525159	Kit	9.250S	3.250S	P	5
	S/N:	22G277-292				
	BD-525159	Kit	9.250S	3.250S	P	5
	S/N:	22G293-UP				
Bowl	BD-523159	Kit	9.250S	3.000S	P	4
	S/N:	22G1-115				
	BD-527159	Kit	9.250S	3.250S	P	4
	S/N:	22G1-115 Field replacement				
	BD-525159	Kit	9.250S	3.250S	P	5
	S/N:	22G1-115 Field replacement				
	BD-527159	Kit	9.250S	3.250S	P	4
	S/N:	22G116-199				
	BD-528159	Kit	9.250S	3.250S	I	4
	S/N:	22G200-276				
	BD-527159	Kit	9.250S	3.250S	P	4
	S/N:	22G200-276 Field replacement				
	BD-526159	Kit	9.250S	3.250S	I	5
	S/N:	22G277-283				
BD-525159	Kit	9.250S	3.250S	P	5	
S/N:	22G284-UP					

Application	Part Number	Description	Bore	Rod	Wiper	Type
650,650B TRACTOR/SCRAPER (continued)						
Ejector	BD-549244	Kit	10.250S	7.250S	P	6
	S/N: 22G1-77	4 Piston rings, Field replacement				
	BD-549207	Kit	10.250S	7.250S	P	6
	S/N: 22G78-UP	10 Piston rings				
Ejector	BD-549244	Kit	10.250S	7.250S	P	6
	S/N: 22G78-UP	4 Piston rings, Field replacement				
651,651B TRACTOR/SCRAPER						
Tractor S/N: 33G156-UP,67K1-UP,44M1-UP Scraper S/N: 23G1-UP,45M1-UP						
Steering	BD-514146	Kit	7.250S	2.500S	P	4
	S/N: 23G1-200,33G					
	BD-576276	Kit	1.500S	0.750S	I	5
	S/N: 23G201-UP					
	BD-517144	Kit	7.250S	2.750S	P	5
	S/N: 67K,44M	Use with 5J5191 Piston				
	BD-517145	Kit	7.250S	2.750S	P	5
	S/N: 67K902-UP	Use with 7J9198 Piston				
Steering	BD-514146	Kit	7.250S	2.500S	P	4
	S/N: 44M	Used with Non-CAT trailed equipment				
Servo-Receiver	BD-575275	Kit	2.000S	1.000S	I	5
S/N: 67K,44M						
Servo-Master	BD-576276	Kit	1.500S	0.750S	I	5
S/N: 67K,44M						
Load	BD-529153	Kit	8.250S	3.500S	P	5
S/N: 67K,44M						
Apron	BD-519159	Kit	9.250S	2.750S	P	4
	S/N: 23G1-131					
	BD-527159	Kit	9.250S	3.250S	P	4
	S/N: 23G132-161					
	BD-528159	Kit	9.250S	3.250S	I	4
	S/N: 23G162-228					
	BD-527159	Kit	9.250S	3.250S	P	4
	S/N: 23G162-228	Field replacement				
	BD-527159	Kit	9.250S	3.250S	P	4
	S/N: 23G229-UP,45M1-244					
Apron	BD-525159	Kit	9.250S	3.250S	P	5
	S/N: 23G229-UP,45M245-UP					
Bowl	BD-523159	Kit	9.250S	3.000S	P	4
	S/N: 23G1-81					
	BD-527159	Kit	9.250S	3.250S	P	4
Bowl	S/N: 23G1-81	Field replacement				

CATERPILLAR® (REFERENCED BY BULLDOG® PART NUMBERS)

Application	Part Number	Description	Bore	Rod	Wiper	Type
651,651B TRACTOR/SCRAPER						
(continued)						
Bowl (cont)	BD-525159	Kit	9.250S	3.250S	P	5
	S/N: 23G1-81	Field replacement				
	BD-527159	Kit	9.250S	3.250S	P	4
	S/N: 23G82-161					
	BD-528159	Kit	9.250S	3.250S	I	4
	S/N: 23G162-228					
	BD-527159	Kit	9.250S	3.250S	P	4
	S/N: 23G162-228	Field replacement				
	BD-526159	Kit	9.250S	3.250S	I	5
	S/N: 23G229-237					
Ejector	BD-525159	Kit	9.250S	3.250S	P	5
	S/N: 23G238-UP,45M					
	BD-549244	Kit	10.250S	7.250S	P	6
	S/N: 23G1-62	4 Piston rings, Field replacement				
	BD-549207	Kit	10.250S	7.250S	P	6
	S/N: 23G63-UP,45M1-622	10 Piston rings				
	BD-549244	Kit	10.250S	7.250S	P	6
	S/N: 23G63-UP,45M1-622	4 Piston rings, Field replacement				
	BD-549277	Kit	10.250S	7.250S	P	6
	S/N: 45M623-UP					
651E TRACTOR/SCRAPER						
Tractor S/N: 89Z1-UP,4YR1-UP Scraper S/N: 88Z1-UP,5XR1-UP						
Steering	BD-525145	Kit	7.250S	3.250S	P	5
	S/N: 88Z115-172,89Z1-129					
	BD-630145	Kit	7.250S	3.250S	P	15
S/N: 88Z173-UP,89Z130-UP,5XR						
Servo	BD-615332	Kit	1.500S	0.750S	I	5
Load	BD-529333	Kit	8.250S	3.500S	P	8
	S/N: 89Z					
	BD-626333	Kit	8.250S	3.500S	P	15
	Use with 9T5702 Head					
BD-6261040	Kit	8.250S	3.500S	P	15	
Use with 1627522 Head						
Apron	BD-525159	Kit	9.250S	3.250S	P	5
	S/N: 88Z1-204					
	BD-658159	Kit	9.250S	3.250S	P	15
S/N: 88Z205-UP,5XR						
Bowl	BD-525331	Kit	9.250S	3.250S	P	5
	S/N: 88Z1-159(LH),88Z1-155(RH)					
	BD-666331	Kit	9.250S	3.250S	P	15
S/N: 88Z160-UP(LH),88Z156-UP(RH),5XR						
Ejector	BD-549277	Kit	10.250S	7.250S	P	6
	S/N: 88Z					
	BD-709277	Kit	10.250S	7.250S	I	6

Application	Part Number	Description	Bore	Rod	Wiper	Type	
651E TRACTOR/SCRAPER (continued)							
Ejector (cont)	BD-729334	Kit	7.750S	4.500S	P	6	
	S/N: 5XR207-UP						
657,657B TRACTOR/SCRAPER							
Tractor S/N: 68K1-UP,46M1-UP Scraper S/N: 19G1-UP,53K1-UP,47M1-UP							
Steering	BD-514146	Kit	7.250S	2.500S	P	4	
	S/N: 19G						
	BD-517144	Kit	7.250S	2.750S	P	5	
	S/N: 68K,46M	Use with 5J5191 Piston					
	S/N: 68K1207-UP	BD-517145	Kit	7.250S	2.750S	P	5
	S/N: 68K1207-UP	Use with 7J9198 Piston					
Servo-Receiver	BD-575275	Kit	2.000S	1.000S	I	5	
	S/N: 68K,46M						
Servo-Master	BD-576276	Kit	1.500S	0.750S	I	5	
	S/N: 19G342-UP,68K,46M						
Load	BD-529153	Kit	8.250S	3.500S	P	5	
Bail	BD-506102	Kit	3.500S	2.000S	P	4	
	S/N: 68K,46M						
	S/N: 68K	BD-500103	Kit	3.500S	1.500S	P	5
Apron	BD-519159	Kit	9.250S	2.750S	P	4	
	S/N: 19G1-224						
	BD-527159	Kit	9.250S	3.250S	P	4	
	S/N: 19G1-224	Field replacement					
	S/N: 19G1-224	BD-528159	Kit	9.250S	3.250S	I	4
	S/N: 19G1-224	Field replacement					
	S/N: 19G225-276,53K1-725,47M1-166	BD-527159	Kit	9.250S	3.250S	P	4
	S/N: 19G277-UP	BD-528159	Kit	9.250S	3.250S	I	4
	S/N: 19G277-UP	BD-527159	Kit	9.250S	3.250S	P	4
	S/N: 19G277-UP	Field replacement					
	S/N: 53K726-UP,47M167-UP	BD-525159	Kit	9.250S	3.250S	P	5
	Bowl	BD-523159	Kit	9.250S	3.000S	P	4
		S/N: 19G1-131					
		BD-527159	Kit	9.250S	3.250S	P	4
S/N: 19G1-131		Field replacement					
S/N: 19G1-131		BD-525159	Kit	9.250S	3.250S	P	5
S/N: 19G1-131		Field replacement					
S/N: 19G132-276		BD-527159	Kit	9.250S	3.250S	P	4
S/N: 19G277-432		BD-528159	Kit	9.250S	3.250S	I	4

CATERPILLAR® (REFERENCED BY BULLDOG® PART NUMBERS)

Application	Part Number	Description	Bore	Rod	Wiper	Type
657,657B TRACTOR/SCRAPER						
(continued)						
Bowl (cont)	BD-527159	Kit	9.250S	3.250S	P	4
	S/N: 19G277-432	Field replacement				
	BD-526159	Kit	9.250S	3.250S	I	5
	S/N: 19G433-UP					
Ejector	BD-525159	Kit	9.250S	3.250S	P	5
	S/N: 53K,47M					
Ejector	BD-591299	Kit	7.750S	4.500S	P	6
	S/N: 53K1-1029,47M1-270	Use with 3G4624 Piston and 9J9791 Head, Field replacement				
	BD-591299	Kit	7.750S	4.500S	P	6
S/N: 53K1030-UP,47M271-UP						
657E TRACTOR/SCRAPER						
Tractor S/N: 90Z1-UP,91Z1-UP,5YR1-UP,6TR1-UP Scraper S/N: 86Z1-UP,87Z1-UP,6MB1-UP,6PR1-UP,7KR1-UP						
Steering	BD-525145	Kit	7.250S	3.250S	P	5
	S/N: 86Z145-274,87Z,90Z1-134,91Z1-244,6MB73-101					
	BD-630145	Kit	7.250S	3.250S	P	15
S/N: 86Z275-UP,6MB102-UP,6PR,7KR						
Servo	BD-615332	Kit	1.500S	0.750S	I	5
Load	BD-529333	Kit	8.250S	3.500S	P	8
	S/N: 90Z,91Z					
	BD-626333	Kit	8.250S	3.500S	P	15
	Use with 9T5702 Head					
BD-6261040	Kit	8.250S	3.500S	P	15	
Use with 1627522 Head						
Bail	BD-500103	Kit	3.500S	1.500S	P	5
	S/N: 91Z1-195					
	BD-504101	Kit	3.000S	1.750S	P	5
S/N: 91Z196-UP,5YR						
Apron	BD-525159	Kit	9.250S	3.250S	P	5
	S/N: 86Z1-311,87Z,6MB1-108					
	BD-658159	Kit	9.250S	3.250S	P	15
S/N: 86Z312-UP,6MB109-UP,6PR,7KR						
Bowl	BD-525331	Kit	9.250S	3.250S	P	5
	S/N: 86Z1-242,87Z,6MB1-92					
	BD-666331	Kit	9.250S	3.250S	P	15
S/N: 86Z243-UP,6MB93-UP,6PR,7KR						
Ejector	BD-614334	Kit	7.750S	4.500S	PI	6
	S/N: 86Z1-240,87Z,6MB1-84					
	BD-729334	Kit	7.750S	4.500S	P	6
	S/N: 86Z241-UP,6MB85-UP,6PR,7KR					
	BD-667371	Kit	6.000S	4.500S	P	6
S/N: 86Z,87Z,6MB	Auger arrangement					

Application	Part Number	Description	Bore	Rod	Wiper	Type	
660,660B TRACTOR/SCRAPER							
Tractor S/N: 77F1-UP,90F1-UP,58K1-UP Scraper S/N: 18G1-UP							
Steering	BD-502261	Kit	4.000S	1.500S	P	3	
	S/N: 77F1-265,90F						
	BD-503184	Kit	4.000S	1.500S	I	4	
	S/N: 77F266-492						
Steering	BD-502184	Kit	4.000S	1.500S	P	4	
	S/N: 77F493-UP,58K						
Traction	BD-514129	Kit	6.000S	2.500S	P	4	
Apron	BD-528159	Kit	9.250S	3.250S	I	4	
	S/N: 18G1-97						
	BD-527159	Kit	9.250S	3.250S	P	4	
	S/N: 18G1-97						
	Field replacement						
	BD-527159	Kit	9.250S	3.250S	P	4	
Apron	S/N: 18G98-99						
	BD-525159	Kit	9.250S	3.250S	P	5	
S/N: 18G100-UP							
Bowl	BD-528159	Kit	9.250S	3.250S	I	4	
	S/N: 18G1-89						
	BD-527159	Kit	9.250S	3.250S	P	4	
	S/N: 18G1-89						
	Field replacement						
	BD-530159	Kit	9.250S	3.500S	I	5	
Bowl	S/N: 18G90-97						
	BD-525159	Kit	9.250S	3.250S	P	5	
S/N: 18G98-UP							
666,666B TRACTOR/SCRAPER							
Tractor S/N: 77F1-UP,64H1-UP,66K1-UP Scraper S/N: 20G1-UP							
Steering	BD-502261	Kit	4.000S	1.500S	P	3	
	S/N: 77F1-265						
	BD-503184	Kit	4.000S	1.500S	I	4	
	S/N: 77F266-492,64H1-175						
Steering	BD-502184	Kit	4.000S	1.500S	P	4	
	S/N: 77F493-UP,64H176-UP,66K						
Traction	BD-514129	Kit	6.000S	2.500S	P	4	
Apron	BD-519159	Kit	9.250S	2.750S	P	4	
	S/N: 20G1-81						
	BD-528159	Kit	9.250S	3.250S	I	4	
	S/N: 20G82-163						
	BD-527159	Kit	9.250S	3.250S	P	4	
	S/N: 20G82-163						
Field replacement							
BD-527159	Kit	9.250S	3.250S	P	4		
S/N: 20G164-251							
BD-525159	Kit	9.250S	3.250S	P	5		
S/N: 20G252-UP							

CATERPILLAR® (REFERENCED BY BULLDOG® PART NUMBERS)

Application	Part Number	Description	Bore	Rod	Wiper	Type
666,666B TRACTOR/SCRAPER (continued)						
Bowl	BD-527159	Kit	9.250S	3.250S	P	4
	S/N: 20G1-81					
	BD-528159	Kit	9.250S	3.250S	I	4
	S/N: 20G82-134					
	BD-527159	Kit	9.250S	3.250S	P	4
	S/N: 20G82-134					
		Field replacement				
	BD-530159	Kit	9.250S	3.500S	I	5
	S/N: 20G135-169					
BD-529159	Kit	9.250S	3.500S	P	5	
S/N: 20G170-175						
BD-525159	Kit	9.250S	3.250S	P	5	
S/N: 20G176-UP						
660 TRUCK						
Tractor S/N: 77F1-UP Wagon S/N: 63H1-UP						
Steering	BD-502261	Kit	4.000S	1.500S	P	3
	S/N: 77F1-265					
	BD-503184	Kit	4.000S	1.500S	I	4
	S/N: 77F266-492					
	BD-502184	Kit	4.000S	1.500S	P	4
S/N: 77F493-UP						
Traction	BD-514129	Kit	6.000S	2.500S	P	4
Bottom Dump	BD-515144	Kit	7.250S	2.500S	P	4
	S/N: 63H1-326					
	BD-513144	Kit	7.250S	2.500S	P	5
S/N: 63H327-UP						
725 ARTICULATED TRUCK						
Truck S/N: AFX1-UP						
Hoist	BD-6921022	Kit	4.500S	3.000S	P	13
Front Suspension	BD-740854	Kit	150.00M	4.500S	P	14
Steering	BD-647381	Kit	3.500S	2.000S	P	15
Tailgate	BD-647379	Kit	3.000S	2.000S	P	15
730 ARTICULATED TRUCK						
Truck S/N: AGF1-UP						
Hoist	BD-6921009	Kit	5.000S	3.000S	P	13
Front Suspension	BD-740854	Kit	150.00M	4.500S	P	14
Steering	BD-647381	Kit	3.500S	2.000S	P	15
Tailgate	BD-647379	Kit	3.000S	2.000S	P	15

Application	Part Number	Description	Bore	Rod	Wiper	Type
735 ARTICULATED TRUCK						
Truck S/N: AWR1-UP						
Hoist	BD-7301009	Kit	5.000S	3.500S	P	13
Front Suspension	BD-740839	Kit	150.00M	4.500S	P	14
Steering	BD-264391	Kit	4.500S	55.00M	P	15
Tailgate	BD-647379	Kit	3.000S	2.000S	P	15
740 ARTICULATED TRUCK						
Truck S/N: AXM1-UP,AZZ1-UP						
Hoist	BD-7301012	Kit	5.500S	3.500S	P	13
S/N:	AXM					
Front Suspension	BD-740854	Kit	150.00M	4.500S	P	14
Steering	BD-264391	Kit	4.500S	55.00M	P	15
Tailgate	BD-647379	Kit	3.000S	2.000S	P	15
768B,768C TRUCK						
Tractor S/N: 79S1-UP,02X1-UP						
Front Suspension	BD-744213	Kit	8.000S	7.000S	I	14
S/N:	79S,02X1-399					
	BD-722213	Kit	8.000S	7.000S	P	14
S/N:	79S,02X1-399 Field replacement					
	BD-722213	Kit	8.000S	7.000S	P	14
S/N:	02X400-UP					
Rear Suspension	BD-743215	Kit	8.500S	7.000S	I	14
S/N:	79S,02X1-399					
	BD-741215	Kit	8.500S	7.000S	P	14
S/N:	79S,02X1-399 Field replacement					
	BD-741215	Kit	8.500S	7.000S	P	14
S/N:	02X400-UP					
Steering	BD-512214	Kit	3.750S	2.375S	P	5
S/N:	79S,02X1-349					
	BD-512214	Kit	3.750S	2.375S	P	5
S/N:	02X350-UP					
	BD-647379	Kit	3.000S	2.000S	P	15
S/N:	02X350-UP					

CATERPILLAR® (REFERENCED BY BULLDOG® PART NUMBERS)

Application	Part Number	Description	Bore	Rod	Wiper	Type
769,769B TRUCK						
Truck S/N: 99F1-UP,35W1-UP						
Hoist	BD-55211	Kit	7.000S	3.500S	I	13
S/N:	99F1031-UP,35W					
Front Suspension	BD-743213	Kit	8.000S	7.000S	I	14
S/N:	99F1-295 5J3323 Head required, Field replacement					
	BD-743213	Kit	8.000S	7.000S	I	14
S/N:	99F296-395 5J3321 Head required, Field replacement					
	BD-743213	Kit	8.000S	7.000S	I	14
S/N:	99F396-1030					
	BD-744213	Kit	8.000S	7.000S	I	14
S/N:	99F1031-UP,35W					
Rear Suspension	BD-743212	Kit	8.500S	7.000S	I	14
S/N:	99F1-1030					
	BD-743215	Kit	8.500S	7.000S	I	14
S/N:	99F1031-UP,35W					
Steering	BD-503102	Kit	3.500S	1.500S	I	4
S/N:	99F1-1030					
	BD-502102	Kit	3.500S	1.500S	P	4
S/N:	99F1-1030					
	BD-500102	Kit	3.500S	1.500S	P	5
S/N:	99F1-1030 Field replacement					
	BD-554214	Kit	3.750S	2.375S	I	5
S/N:	99F1031-1198					
	BD-512214	Kit	3.750S	2.375S	P	5
S/N:	99F1199-UP,35W					
769C,769D,771C,771D TRUCK						
Truck S/N: 01X1-UP,3BJ1-UP,5TR1-UP,6JR1-UP,5SS1-UP,6YS1-UP 9XS1-UP,BCA1-UP,BBB1-UP						
Hoist	BD-572262	Kit	7.000S	4.000S	I	13
Front Suspension	BD-744213	Kit	8.000S	7.000S	I	14
S/N:	01X1-2919					
	BD-744213	Kit	8.000S	7.000S	I	14
S/N:	01X2920-6599,3BJ1-199					
	BD-722213	Kit	8.000S	7.000S	P	14
S/N:	01X2920-6599,3BJ1-199					
	BD-722213	Kit	8.000S	7.000S	P	14
S/N:	01X6600-UP,3BJ200-UP,5TR,6JR,5SS,6YS,9XS,BCA,BBB					
Rear Suspension	BD-743215	Kit	8.500S	7.000S	I	14
S/N:	01X1-3271					
	BD-743215	Kit	8.500S	7.000S	I	14
S/N:	01X3272-6599,3BJ1-199					
	BD-741215	Kit	8.500S	7.000S	P	14
S/N:	01X3272-6599,3BJ1-199					

Application	Part Number	Description	Bore	Rod	Wiper	Type
769C,769D,771C,771D TRUCK (continued)						
Rear Suspension (cont)	BD-741215	Kit	8.500S	7.000S	P	14
S/N:	01X,6600-UP,3BJ200-UP,5TR,6JR,5SS,6YS,9XS,BCA,BBB					
Steering	BD-512214	Kit	3.750S	2.375S	P	5
S/N:	01X,3BJ,5TR,6JR					
	BD-647379	Kit	3.000S	2.000S	P	15
S/N:	5SS,6YS,9XS,BCA,BBB					
772,772B TRUCK						
Tractor S/N: 11S1-UP,80S1-UP,64W1-UP Wagon S/N: 10S1-UP						
Front Suspension	BD-744213	Kit	8.000S	7.000S	I	14
S/N:	11S,80S,64W1-154					
	BD-744318	Kit	8.000S	7.000S	I	14
S/N:	64W155-171					
	BD-744318	Kit	8.000S	7.000S	I	14
S/N:	64W172-299					
	BD-722318	Kit	8.000S	7.000S	P	14
S/N:	64W168-299					
	BD-722318	Kit	8.000S	7.000S	P	14
S/N:	64W300-UP					
Rear Suspension	BD-743215	Kit	8.500S	7.000S	I	14
S/N:	10S,11S,80S,64W1-172					
	BD-743215	Kit	8.500S	7.000S	I	14
S/N:	64W173-299					
	BD-741215	Kit	8.500S	7.000S	P	14
S/N:	64W173-299					
	BD-741215	Kit	8.500S	7.000S	P	14
S/N:	64W300-UP					
Steering	BD-512104	Kit	4.000S	2.375S	P	5
Door	BD-513129	Kit	6.000S	2.500S	P	5
	Wagon S/N: 10S1-172,174-178,180,183-185					
	BD-513278	Kit	6.000S	2.500S	P	22
	Wagon S/N: 10S173,179,181,182,186-Up					
773,773B,773D,775B,775D TRUCK						
Truck S/N: 63G1-UP,63W1-UP,5SC86-UP,7XJ1-UP,6KR1-UP,7ER1-UP 7CS1-UP,8AS1-UP						
Hoist	BD-557216	Kit	8.250S	4.000S	I	13
S/N:	63G					
	BD-574264	Kit	8.250S	5.000S	I	13
S/N:	63W,5SC,7XJ,6KR,7ER,7CS,8AS					
Front Suspension	BD-744213	Kit	8.000S	7.000S	I	14
S/N:	63G,63W1-769					
	BD-744318	Kit	8.000S	7.000S	I	14
S/N:	63W770-1270					
	BD-744318	Kit	8.000S	7.000S	I	14
S/N:	63W1271-4199,5SC,7XJ1-199					
	BD-722318	Kit	8.000S	7.000S	P	14
S/N:	63W1271-4199,7XJ1-199					
	BD-722318	Kit	8.000S	7.000S	P	14
S/N:	63W4200-UP,7XJ200-UP,6KR,7ER,7CS,8AS					

CATERPILLAR® (REFERENCED BY BULLDOG® PART NUMBERS)

Application	Part Number	Description	Bore	Rod	Wiper	Type
773,773B,773D,775B,775D TRUCK						
(continued)						
Rear Suspension	BD-743215	Kit	8.500S	7.000S	I	14
	S/N: 63G,63W1-1724					
	BD-743215	Kit	8.500S	7.000S	I	14
	S/N: 63W1725-4199,5SC,7XJ1-199					
	BD-741215	Kit	8.500S	7.000S	P	14
	S/N: 63W1725-4199,7XJ1-199					
Steering	BD-512104	Kit	4.000S	2.375S	P	5
	S/N: 63G,63W,5SC,7XJ,6KR,7ER					
	BD-660381	Kit	3.500S	2.500S	I	15
	S/N: 7CS,8AS					
776,776B,776C,777,777B,777C TRUCK						
Tractor S/N: 14H1-UP,6JC1-UP,2TK1-UP Truck S/N: 84A1-UP,4YC1-UP,3NF13-UP,4XJ1-UP Wagon S/N: 14W1-UP						
Hoist	BD-558217	Kit	9.500S	5.500S	I	13
	S/N: 84A,4YC,3NF,4XJ					
Front Suspension	BD-746219	Kit	10.750S	9.000S	I	14
	BD-746446	Kit	10.750S	9.000S	I	14
	3/16 C/S O-Rings used, Field replacement					
	BD-728446	Kit	10.750S	9.000S	P	14
S/N: 4XJ,2TK						
Rear Suspension	BD-745218	Kit	10.500S	9.000S	I	14
	S/N: 84A,14H,14W					
	BD-745352	Kit	10.500S	9.000S	I	14
	S/N: 84A,14H,14W					
	Field replacement					
	BD-745352	Kit	10.500S	9.000S	I	14
S/N: 4YC,6JC,3NF,4XJ,2TK						
Steering	BD-721352	Kit	10.500S	9.000S	P	14
	S/N: 84A1284-UP,4YC,6JC,4XJ,2TK					
Door	BD-512104	Kit	4.000S	2.375S	P	5
	BD-513129	Kit	6.000S	2.500S	P	5
	S/N: 14W1-48					
Door	BD-513278	Kit	6.000S	2.500S	P	22
	S/N: 14W49-UP					

Application	Part Number	Description	Bore	Rod	Wiper	Type
776D,777D TRUCK						
Tractor S/N: 5ER1-UP,AFS1-UP Truck S/N: 3PR1-UP,2YW1-UP,AGC1-UP,AGY1-UP						
Hoist	BD-558217	Kit	9.500S	5.500S	I	13
	S/N: 3PR,2YW,AGC,AGY					
Front Suspension	BD-728446	Kit	10.750S	9.000S	P	14
Rear Suspension	BD-721352	Kit	10.500S	9.000S	P	14
Steering	BD-512104	Kit	4.000S	2.375S	P	5
	S/N: 3PR,5ER,2YW					
	BD-660381	Kit	3.500S	2.500S	I	15
	S/N: AFS,AGC,AGY					
783B,784B,784C,785,785B,785C TRUCK						
Tractor S/N: 5RK1-UP,2PZ1-UP Truck S/N: 8GB1-UP,6HK1-UP,8YM1-UP,1HW1-UP,5AZ1-UP,APX1-UP						
Hoist	BD-715438	Kit	11.500S	7.250S	I	13
	S/N: 8GB,6HK,8YM,1HW,5AZ,APX					
Front Suspension	BD-711436	Kit	13.125S	11.000S	I	14
	S/N: 8GB,6HK					
	BD-712436	Kit	13.125S	11.000S	P	14
	S/N: 8GB,6HK Field replacement					
	BD-712436	Kit	13.125S	11.000S	P	14
	S/N: 8YM,1HW,5AZ,APX					
Rear Suspension	BD-713437	Kit	12.500S	11.000S	I	14
	S/N: 8GB1-222,5RK1-13,6HK1-279					
	BD-714437	Kit	12.500S	11.000S	P	14
	S/N: 8GB1-222,5RK1-13,6HK1-279 Field replacement					
	BD-714437	Kit	12.500S	11.000S	P	14
	S/N: 8GB223-UP,5RK14-UP,6HK280-UP,8YM,1HW,2PZ,5AZ,APX					
Steering	BD-513120	Kit	5.000S	2.500S	P	5
	S/N: 8GB1-316					
	BD-642120	Kit	5.000S	2.500S	P	15
	S/N: 8GB1-316					
	BD-642122	Kit	5.000S	2.500S	P	15
	S/N: 8GB317-UP,5RK,6HK,8YM,1HW,2PZ,5AZ,APX					

CATERPILLAR® (REFERENCED BY BULLDOG® PART NUMBERS)

Application	Part Number	Description	Bore	Rod	Wiper	Type
789,789B,789C TRUCK						
Truck S/N: 9ZC1-UP,7EK1-UP,2BW1-UP						
Hoist	BD-716439	Kit	12.250S	7.250S	I	13
Front Suspension	BD-717440	Kit	15.125S	12.500S	I	14
	BD-718440	Kit	15.125S	12.500S	P	14
	Field replacement					
Rear Suspension	BD-719441	Kit	14.250S	12.500S	I	14
	BD-720441	Kit	14.250S	12.500S	P	14
	Field replacement					
Steering	BD-665129	Kit	6.000S	2.750S	P	15
793,793B,793C,793F TRUCK						
Truck S/N: 3SJ1-UP,1HL1-UP,4AR1-UP,4GZ1-UP,ATY1-UP,SND1-UP						
Hoist	BD-7771024	Kit	13.750S	8.750S	I	13
	S/N: 3SJ,1HL					
	BD-7791025	Kit	12.750S	7.750S	I	13
S/N: 4AR,4GZ,ATY						
Front Suspension	BD-7751023	Kit	16.125S	13.500S	I	14
	S/N: 3SJ					
	BD-7761023	Kit	16.125S	13.500S	P	14
Rear Suspension	BD-719441	Kit	14.250S	12.500S	I	14
	S/N: 3SJ,1HL					
	BD-720441	Kit	14.250S	12.500S	P	14
	Use with 1060904, 1061807 or 1591977 Head					
	BD-778441	Kit	14.250S	12.500S	P	14
S/N: 1HL58-UP Use with 1946859 Head						
Steering	BD-693125	Kit	5.500S	2.750S	P	15
797 TRUCK						
Truck S/N: 5YW1-UP						
Steering	BD-630270	Kit	6.250S	3.250S	P	23
AD40,AE40 UNDERGROUND ARTICULATED TRUCK						
Truck S/N: 1YZ1-UP,1ZZ1-UP						
Hoist	BD-574264	Kit	8.250S	5.000S	I	13
	S/N: 1YZ					
Front Suspension	BD-741215	Kit	8.500S	7.000S	P	14
	S/N: 1YZ1101-1138,1ZZ1101-1138					
Steering	BD-663120	Kit	5.000S	2.500S	P	15

Application	Part Number	Description	Bore	Rod	Wiper	Type
D20D ARTICULATED TRUCK						
Truck S/N: 9MG1-UP						
Hoist	BD-755495	Kit	4.500S	2.750S	I	13
Front Suspension	BD-752493	Kit	4.500S	4.000S	P	14
	BD-754494	Kit	4.000S	3.500S	I	14
Rear Suspension	BD-754494	Kit	4.000S	3.500S	I	14
	S/N: 9MG1-220					
Steering	BD-7681018	Kit	3.500S	1.750S	I	15
D25C ARTICULATED TRUCK						
Truck S/N: 9YC1-UP						
Hoist	BD-757497	Kit	5.500S	3.500S	I	13
Front Suspension	BD-758498	Kit	4.500S	3.500S	I	14
	S/N: 9YC1-259					
	BD-759499	Kit	4.500S	4.000S	I	14
	S/N: 9YC260-UP					
Steering	BD-756496	Kit	4.500S	2.000S	I	16
D25D ARTICULATED TRUCK						
Truck S/N: 1HK1-UP						
Hoist	BD-757497	Kit	5.500S	3.500S	I	13
	BD-6261041	Kit	5.500S	3.500S	P	13
	S/N: 1HK674-UP					
Front Suspension	BD-7581001	Kit	4.500S	3.500S	I	14
	S/N: 1HK1-252					
	BD-7541001	Kit	4.500S	3.500S	I	14
	S/N: 1HK253-486					
	BD-7621002	Kit	4.500S	3.500S	P	14
	S/N: 1HK487-726					
	BD-7621003	Kit	4.500S	3.500S	P	14
	S/N: 1HK727-UP					
Steering	BD-756496	Kit	4.500S	2.000S	I	16
	S/N: 1HK1-285					
	BD-7611000	Kit	4.500S	2.000S	I	16
	S/N: 1HK286-UP					
D30C ARTICULATED TRUCK						
Truck S/N: 7ZC1-UP						
Hoist	BD-757497	Kit	5.500S	3.500S	I	13
Front Suspension	BD-759499	Kit	4.500S	4.000S	I	14
Rear Suspension	BD-759499	Kit	4.500S	4.000S	I	14
Steering	BD-756496	Kit	4.500S	2.000S	I	16

CATERPILLAR® (REFERENCED BY BULLDOG® PART NUMBERS)

Application	Part Number	Description	Bore	Rod	Wiper	Type
D30D ARTICULATED TRUCK						
Truck S/N: 3AJ1-UP						
Hoist	BD-757497	Kit	5.500S	3.500S	I	13
	BD-6261041	Kit	5.500S	3.500S	P	13
	S/N: 3AJ415-UP					
Front Suspension	BD-7581001	Kit	4.500S	3.500S	I	14
	S/N: 3AJ1-242					
	BD-7541001	Kit	4.500S	3.500S	I	14
	S/N: 3AJ243-342					
	BD-7621002	Kit	4.500S	3.500S	P	14
	S/N: 3AJ343-433					
	BD-7621003	Kit	4.500S	3.500S	P	14
S/N: 3AJ434-UP						
Rear Suspension	BD-759499	Kit	4.500S	4.000S	I	14
	S/N: 3AJ1-304 Use with 6U4480 Cylinder					
	BD-760499	Kit	4.500S	4.000S	I	14
	S/N: 3AJ1-304 Use with 7U9508 Cylinder					
	BD-7601003	Kit	4.500S	4.000S	I	14
	S/N: 3AJ1-304 Use with 1376178 Cylinder					
	BD-760499	Kit	4.500S	4.000S	I	14
	S/N: 3AJ305-UP Use with 2U9448 Cylinder					
	BD-763499	Kit	4.500S	4.000S	P	14
	S/N: 3AJ305-UP Use with 2U9448 Cylinder					
	BD-7631003	Kit	4.500S	4.000S	P	14
	S/N: 3AJ305-UP Use with 1368994 Cylinder					
Steering	BD-756496	Kit	4.500S	2.000S	I	16
	S/N: 3AJ1-304					
	BD-7611000	Kit	4.500S	2.000S	I	16
S/N: 3AJ305-UP						
D35C,D35CHP ARTICULATED TRUCK						
Truck S/N: 2GD1-UP,3FD1-UP						
Hoist	BD-757497	Kit	5.500S	3.500S	I	13
Front Suspension	BD-758498	Kit	4.500S	3.500S	I	14
	S/N: 2GD1-71,3FD1-41,3FD45-45,3FD46-46,3FD48-55					
	BD-759499	Kit	4.500S	4.000S	I	14
S/N: 2GD72-UP,3FD42-44,3FD47-47,3FD56-UP						
Rear Suspension	BD-7581004	Kit	5.500S	3.500S	I	16
Steering	BD-756496	Kit	4.500S	2.000S	I	16

Application	Part Number	Description	Bore	Rod	Wiper	Type
D40D ARTICULATED TRUCK						
Truck S/N: 2JJ1-UP						
Hoist	BD-7671017	Kit	5.250S	2.750S	I	13
Front Suspension	BD-7581001	Kit	4.500S	3.500S	I	14
	S/N: 2JJ1-86					
	BD-7541001	Kit	4.500S	3.500S	I	14
	S/N: 2JJ87-100					
Rear Suspension	BD-7621002	Kit	4.500S	3.500S	P	14
	S/N: 2JJ101-UP					
Steering	BD-756496	Kit	4.500S	2.000S	I	16
Steering	S/N: 2JJ1-86					
	BD-7611000	Kit	4.500S	2.000S	I	16
	S/N: 2JJ87-UP					
D44B ARTICULATED TRUCK						
Truck S/N: 8SD1-UP						
Front Suspension	BD-7581005	Kit	5.500S	3.500S	I	16
	S/N: 8SD326-UP					
Rear Suspension	BD-7581004	Kit	5.500S	3.500S	I	16
Steering	BD-7581005	Kit	5.500S	3.500S	I	16
D250B ARTICULATED TRUCK						
Truck S/N: 5WD1-550						
Hoist	BD-757497	Kit	5.500S	3.500S	I	13
Front Suspension	BD-758494	Kit	4.000S	3.500S	I	14
	S/N: 5WD1-496					
	BD-754494	Kit	4.000S	3.500S	I	14
	S/N: 5WD497-UP					
Rear Suspension	BD-758494	Kit	4.000S	3.500S	I	14
	S/N: 5WD1-496					
	BD-754494	Kit	4.000S	3.500S	I	14
	S/N: 5WD497-UP					
Steering	BD-756496	Kit	4.500S	2.000S	I	16
	S/N: 5WD1-501					
	BD-7611000	Kit	4.500S	2.000S	I	16
	S/N: 5WD502-UP					

CATERPILLAR® (REFERENCED BY BULLDOG® PART NUMBERS)

Application	Part Number	Description	Bore	Rod	Wiper	Type
D250D ARTICULATED TRUCK						
Truck S/N: 6NG1-UP						
Hoist	BD-755492	Kit	4.000S	2.750S	I	13
	BD-693492	Kit	4.000S	2.750S	P	13
Front Suspension	BD-752493	Kit	4.500S	4.000S	P	14
	BD-754494	Kit	4.000S	3.500S	I	14
Steering	BD-7681018	Kit	3.500S	1.750S	I	15
D250E ARTICULATED TRUCK						
Truck S/N: 5TN1-UP,4PS1-UP						
Hoist	BD-755492	Kit	4.000S	2.750S	I	13
	S/N: 5TN1-548					
	BD-693492	Kit	4.000S	2.750S	P	13
	S/N: 5TN1-548					
	BD-6921042	Kit	4.000S	3.000S	P	13
	S/N: 5TN549-UP					
Front Suspension	BD-6921022	Kit	4.500S	3.000S	P	13
	S/N: 4PS					
	BD-752493	Kit	4.500S	4.000S	P	14
	S/N: 5TN					
Steering	BD-740839	Kit	150.00M	4.500S	P	14
	S/N: 4PS					
Hoist	BD-761492	Kit	4.000S	2.000S	I	15
	S/N: 5TN					
	BD-647492	Kit	4.000S	2.000S	P	15
	S/N: 5TN1143-UP					
Front Suspension	BD-647381	Kit	3.500S	2.000S	P	15
	S/N: 4PS					
Tailgate	BD-647379	Kit	3.000S	2.000S	P	15
S/N: 5TN1500-UP,4PS						
D300B ARTICULATED TRUCK						
Truck S/N: 4SD1-UP						
Hoist	BD-757497	Kit	5.500S	3.500S	I	13
Front Suspension	BD-758494	Kit	4.000S	3.500S	I	14
	S/N: 4SD1-509,4SD511-511,4SD513-513,4SD517-517					
	BD-754494	Kit	4.000S	3.500S	I	14
Rear Suspension	S/N: 4SD510-510,4SD512-512,4SD514-516,4SD518-UP					
	BD-758494	Kit	4.000S	3.500S	I	14
	S/N: 4SD1-509,4SD511-511,4SD513-513,4SD517-517					
Steering	BD-754494	Kit	4.000S	3.500S	I	14
	S/N: 4SD510-510,4SD512-512,4SD514-516,4SD518-UP					
Hoist	BD-756496	Kit	4.500S	2.000S	I	16
	S/N: 4SD1-559					
	BD-7611000	Kit	4.500S	2.000S	I	16
S/N: 4SD560-UP						

Application	Part Number	Description	Bore	Rod	Wiper	Type
D300D ARTICULATED TRUCK						
Truck S/N: 5MG1-UP						
Hoist	BD-7541006	Kit	5.000S	3.500S	I	13
	S/N: 5MG1-179					
	BD-7541007	Kit	5.000S	3.500S	I	13
	S/N: 5MG180-UP					
Front Suspension	BD-754494	Kit	4.000S	3.500S	I	14
Rear Suspension	BD-754494	Kit	4.000S	3.500S	I	14
Steering	BD-761492	Kit	4.000S	2.000S	I	15
D300E ARTICULATED TRUCK						
Truck S/N: 7FN1-UP,5KS1-UP						
Hoist	BD-6261008	Kit	4.500S	3.500S	P	13
	S/N: 7FN					
	BD-7541007	Kit	5.000S	3.500S	I	13
	S/N: 7FN					
	BD-6921009	Kit	5.000S	3.000S	P	13
	S/N: 5KS					
Front Suspension	BD-752493	Kit	4.500S	4.000S	P	14
	S/N: 7FN					
	BD-740839	Kit	150.00M	4.500S	P	14
	S/N: 5KS					
Steering	BD-761492	Kit	4.000S	2.000S	I	15
	S/N: 7FN					
	BD-647492	Kit	4.000S	2.000S	P	15
	S/N: 7FN547-UP					
	BD-647381	Kit	3.500S	2.000S	P	15
	S/N: 5KS					
Tailgate	BD-647379	Kit	3.000S	2.000S	P	15
	S/N: 5KS					
D350C ARTICULATED TRUCK						
Truck S/N: 8XC1-UP						
Hoist	BD-757497	Kit	5.500S	3.500S	I	13
Front Suspension	BD-758498	Kit	4.500S	3.500S	I	14
	S/N: 8XC1-119,8XC121-121,8XC123-123,8XC127-132,8XC134-134					
	BD-759499	Kit	4.500S	4.000S	I	14
	S/N: 8XC120-120,8XC122-122,8XC124-126,8XC133-133,8XC135-UP					
Rear Suspension	BD-758498	Kit	4.500S	3.500S	I	14
	S/N: 8XC1-121					
	BD-759499	Kit	4.500S	4.000S	I	14
	S/N: 8XC122-UP					
Steering	BD-756496	Kit	4.500S	2.000S	I	16

CATERPILLAR® (REFERENCED BY BULLDOG® PART NUMBERS)

Application	Part Number	Description	Bore	Rod	Wiper	Type
D350D ARTICULATED TRUCK						
Truck S/N: 9RF1-UP						
Hoist	BD-757497	Kit	5.500S	3.500S	I	13
Front Suspension	BD-7581001	Kit	4.500S	3.500S	I	14
	S/N: 9RF1-281					
	BD-7541001	Kit	4.500S	3.500S	I	14
	S/N: 9RF282-544					
Rear Suspension	BD-7621002	Kit	4.500S	3.500S	P	14
	S/N: 9RF545-UP					
	BD-759499	Kit	4.500S	4.000S	I	14
Steering	BD-760499	Kit	4.500S	4.000S	I	14
	S/N: 9RF1-207					
Steering	BD-760499	Kit	4.500S	4.000S	I	14
	S/N: 9RF208-UP					
	BD-756496	Kit	4.500S	2.000S	I	16
Steering	BD-7611000	Kit	4.500S	2.000S	I	16
	S/N: 9RF1-339					
	S/N: 9RF340-UP					
D350E ARTICULATED TRUCK						
Truck S/N: 9LR1-UP,2XW1-UP						
Hoist	BD-757497	Kit	5.500S	3.500S	I	13
	S/N: 9LR					
	BD-730490	Kit	5.500S	3.500S	P	13
	S/N: 9LR					
Front Suspension	BD-7301009	Kit	5.000S	3.500S	P	13
	S/N: 2XW					
	BD-7621002	Kit	4.500S	3.500S	P	14
	S/N: 9LR1-976					
Rear Suspension	BD-7621003	Kit	4.500S	3.500S	P	14
	S/N: 9LR997-UP					
	BD-740839	Kit	150.00M	4.500S	P	14
	S/N: 2XW					
Steering	BD-760499	Kit	4.500S	4.000S	I	14
	S/N: 9LR1-352					
	BD-763499	Kit	4.500S	4.000S	P	14
	S/N: 9LR1-352					
Steering	BD-7521011	Kit	4.500S	4.000S	P	14
	S/N: 9LR353-UP					
	BD-7611000	Kit	4.500S	2.000S	I	16
	S/N: 9LR1-444,9LR448-456					
	BD-6471000	Kit	4.500S	2.000S	P	16
	S/N: 9LR1-349					
Tailgate	BD-6471010	Kit	4.500S	2.000S	P	15
	S/N: 9LR445-447,9LR457-UP					
	BD-264391	Kit	4.500S	55.00M	P	15
	S/N: 2XW					
Tailgate	BD-647379	Kit	3.000S	2.000S	P	15

Application	Part Number	Description	Bore	Rod	Wiper	Type
D400 ARTICULATED TRUCK						
Truck S/N: 1MD1-UP						
Hoist	BD-757497	Kit	5.500S	3.500S	I	13
Front Suspension	BD-758498	Kit	4.500S	3.500S	I	14
	S/N: 1MD1-69					
	BD-759499	Kit	4.500S	4.000S	I	14
Rear Suspension	S/N: 1MD70-UP					
	BD-758498	Kit	4.500S	3.500S	I	14
	S/N: 1MD1-71					
Steering	BD-759499	Kit	4.500S	4.000S	I	14
	S/N: 1MD72-UP					
BD-756496	Kit	4.500S	2.000S	I	16	
D400D ARTICULATED TRUCK						
Truck S/N: 8TF1-UP						
Hoist	BD-757497	Kit	5.500S	3.500S	I	13
Front Suspension	BD-7581001	Kit	4.500S	3.500S	I	14
	S/N: 8TF1-261					
	BD-7541001	Kit	4.500S	3.500S	I	14
	S/N: 8TF262-923					
	BD-7621002	Kit	4.500S	3.500S	P	14
Rear Suspension	S/N: 8TF924-UP					
	BD-759499	Kit	4.500S	4.000S	I	14
	S/N: 8TF1-174					
	BD-760499	Kit	4.500S	4.000S	I	14
Steering	S/N: 8TF175-UP					
	BD-756496	Kit	4.500S	2.000S	I	16
	S/N: 8TF1-367					
	BD-7611000	Kit	4.500S	2.000S	I	16
S/N: 8TF368-UP						
D400E ARTICULATED TRUCK						
Truck S/N: 2YR1-UP,8PS1-UP,APF1-UP						
Hoist	BD-757497	Kit	5.500S	3.500S	I	13
	S/N: 2YR1-534					
	BD-730490	Kit	5.500S	3.500S	P	13
	S/N: 2YR535-UP					
	BD-7301012	Kit	5.500S	3.500S	P	13
Front Suspension	S/N: 8PS					
	BD-7621002	Kit	4.500S	3.500S	P	14
	S/N: 2YR1-1098					
	BD-7621003	Kit	4.500S	3.500S	P	14
	S/N: 2YR1099-UP					
Rear Suspension	BD-740839	Kit	150.00M	4.500S	P	14
	S/N: 8PS,APF					
	BD-760499	Kit	4.500S	4.000S	I	14
Steering	S/N: 2YR1-588					
	BD-763499	Kit	4.500S	4.000S	P	14
	S/N: 2YR1-588					

CATERPILLAR® (REFERENCED BY BULLDOG® PART NUMBERS)

Application	Part Number	Description	Bore	Rod	Wiper	Type
D400E ARTICULATED TRUCK						
(continued)						
Rear Suspension (cont)	BD-7521011	Kit	4.500S	4.000S	P	14
S/N:	2YR589-UP					
Steering	BD-7611000	Kit	4.500S	2.000S	I	16
S/N:	2YR1-733					
	BD-6471000	Kit	4.500S	2.000S	P	16
S/N:	2YR1-558					
	BD-6471010	Kit	4.500S	2.000S	P	15
S/N:	2YR734-UP					
	BD-264391	Kit	4.500S	55.00M	P	15
S/N:	8PS,APF					
Tailgate	BD-647379	Kit	3.000S	2.000S	P	15
D550B ARTICULATED TRUCK						
Truck S/N: 5ND1-UP						
Front Suspension	BD-7581005	Kit	5.500S	3.500S	I	16
S/N:	5ND219-UP					
Rear Suspension	BD-7581005	Kit	5.500S	3.500S	I	16
S/N:	5ND219-UP					
Steering	BD-7581004	Kit	5.500S	3.500S	I	16
814 WHEEL DOZER						
Tractor S/N: 90P1-UP,14R1-UP Bulldozer S/N: 56D1-UP,23K1-UP						
Steering	BD-506105	Kit	4.000S	2.000S	P	4
S/N:	90P1-123 LH Side Only					
	BD-505105	Kit	4.000S	2.000S	P	5
S/N:	90P1-123 RH Side Only					
	BD-505105	Kit	4.000S	2.000S	P	5
S/N:	90P124-UP,14R 2 Piston seals					
	BD-505104	Kit	4.000S	2.000S	P	5
S/N:	90P124-UP,14R 1 Piston seal					
Lift	BD-513163	Kit	4.750S	2.500S	P	5
Tilt	BD-505118	Kit	4.500S	2.000S	P	5
Tip	BD-505115	Kit	4.500S	2.000S	P	5
	Use with 7J7284 Piston					
	BD-505119	Kit	4.500S	2.000S	P	5
	Use with 1U0565 Piston					
	BD-508123	Kit	5.000S	2.250S	P	5

Application	Part Number	Description	Bore	Rod	Wiper	Type
814B WHEEL DOZER						
Tractor S/N: 16Z1-UP Bulldozer S/N: 36S1-UP						
Steering	BD-505106	Kit	4.000S	2.000S	P	5
	S/N: 16Z1-274					
	BD-647106	Kit	4.000S	2.000S	P	15
	S/N: 16Z275-323					
S/N: 16Z324-UP	BD-647409	Kit	4.000S	2.000S	P	15
	S/N: 16Z324-UP					
Lift	BD-513163	Kit	4.750S	2.500S	P	5
	BD-642163	Kit	4.750S	2.500S	P	15
Tilt & Pitch	BD-505116	Kit	4.500S	2.000S	P	5
Tip	BD-505104	Kit	4.000S	2.000S	P	5
	BD-647104	Kit	4.000S	2.000S	P	15
814F WHEEL DOZER						
Tractor S/N: 9DM1-UP Bulldozer S/N: 3YP114-UP						
Steering	BD-647409	Kit	4.000S	2.000S	P	15
Lift	BD-642163	Kit	4.750S	2.500S	P	15
Tilt & Pitch	BD-505116	Kit	4.500S	2.000S	P	5
Tip	BD-647104	Kit	4.000S	2.000S	P	15
815 COMPACTOR						
Tractor S/N: 91P1-UP,15R1-UP Bulldozer S/N: 59E1-UP,24K1-UP						
Steering	BD-506105	Kit	4.000S	2.000S	P	4
	S/N: 91P1-152 LH Side Only					
	BD-505105	Kit	4.000S	2.000S	P	5
	S/N: 91P1-152 RH Side Only					
	BD-505105	Kit	4.000S	2.000S	P	5
	S/N: 91P153-UP,15R 2 Piston seals					
S/N: 91P153-UP,15R 1 Piston seal	BD-505104	Kit	4.000S	2.000S	P	5
	S/N: 91P153-UP,15R 1 Piston seal					
Lift	BD-506105	Kit	4.000S	2.000S	P	4
	S/N: 24K1-597					
	BD-505105	Kit	4.000S	2.000S	P	5
	S/N: 24K1-597					
	BD-505105	Kit	4.000S	2.000S	P	5
	S/N: 59E,24K598-UP 2 Piston seals					
S/N: 59E,24K598-UP 1 Piston seal	BD-505104	Kit	4.000S	2.000S	P	5
	S/N: 59E,24K598-UP 1 Piston seal					

CATERPILLAR® (REFERENCED BY BULLDOG® PART NUMBERS)

Application	Part Number	Description	Bore	Rod	Wiper	Type
815B COMPACTOR						
Tractor S/N: 17Z1-UP Bulldozer S/N: 39S1-UP						
Steering	BD-505106	Kit	4.000S	2.000S	P	5
	S/N: 17Z1-706					
	BD-647106	Kit	4.000S	2.000S	P	15
	S/N: 17Z707-1415					
S/N: 17Z1416-UP	BD-647409	Kit	4.000S	2.000S	P	15
Lift	BD-505106	Kit	4.000S	2.000S	P	5
	BD-647106	Kit	4.000S	2.000S	P	15
Tilt	BD-505104	Kit	4.000S	2.000S	P	5
	BD-647104	Kit	4.000S	2.000S	P	15
815F COMPACTOR						
Tractor S/N: 1GN1-UP Bulldozer S/N: 39S586-UP						
Steering	BD-647409	Kit	4.000S	2.000S	P	15
Lift	BD-647106	Kit	4.000S	2.000S	P	15
Tilt	BD-647104	Kit	4.000S	2.000S	P	15
816 COMPACTOR						
Tractor S/N: 57U1-UP						
Steering	BD-505105	Kit	4.000S	2.000S	P	5
	2 Piston seals					
	BD-505104	Kit	4.000S	2.000S	P	5
1 Piston seal						
Lift	BD-506115	Kit	4.500S	2.000S	P	4
	Use with 4J4600 Piston					
	BD-506118	Kit	4.500S	2.000S	P	4
S/N: 57U198-UP	Use with 3G9939 Piston					
816B COMPACTOR						
Tractor S/N: 15Z1-UP Bulldozer S/N: 41S1-UP						
Steering	BD-505106	Kit	4.000S	2.000S	P	5
	S/N: 15Z1-622					
	BD-647106	Kit	4.000S	2.000S	P	15
	S/N: 15Z623-1269					
S/N: 15Z1270-UP	BD-647409	Kit	4.000S	2.000S	P	15
Lift	BD-513163	Kit	4.750S	2.500S	P	5
	BD-642163	Kit	4.750S	2.500S	P	15

Application	Part Number	Description	Bore	Rod	Wiper	Type	
816F COMPACTOR							
Tractor S/N: 5FN1-UP Bulldozer S/N: 3ZP1-UP							
Steering	BD-647409	Kit	4.000S	2.000S	P	15	
Lift	BD-642163	Kit	4.750S	2.500S	P	15	
824,824B WHEEL DOZER							
Tractor S/N: 29G1-UP,36H1-UP Bulldozer S/N: 35G1-UP,64G1-UP,93G1-UP,88H1-UP Ripper S/N: 79G1-UP							
Steering	BD-510120	Kit	5.000S	2.250S	P	4	
	S/N: 29G,36H1-343						
	BD-511120	Kit	5.000S	2.250S	I	4	
	S/N: 36H344-439						
	BD-510120	Kit	5.000S	2.250S	P	4	
	S/N: 36H344-439						
	Field replacement						
	BD-510120	Kit	5.000S	2.250S	P	4	
S/N: 36H440-959							
Ripper	BD-508120	Kit	5.000S	2.250S	P	5	
	S/N: 36H960-UP						
	BD-515126	Kit	5.500S	2.500S	P	4	
Ripper	S/N: 36H						
	BD-513126	Kit	5.500S	2.500S	P	5	
	S/N: 36H						
Lift	BD-514135	Kit	6.500S	2.500S	P	4	
	Dozer S/N: 35G,64G,88H						
	BD-506115	Kit	4.500S	2.000S	P	4	
	Dozer S/N: 93G, Use with 4J4600 Piston						
	BD-506118	Kit	4.500S	2.000S	P	4	
	Dozer S/N: 93G, Use with 3G9939 Piston						
Tilt	BD-514185	Kit	6.500S	2.500S	P	4	
	Dozer S/N: 35G						
Tip	BD-514164	Kit	6.000S	2.500S	P	4	
	Dozer S/N: 35G						
	BD-514185	Kit	6.500S	2.500S	P	4	
	Dozer S/N: 64G						
Tilt & Pitch	BD-514164	Kit	6.000S	2.500S	P	4	
	Dozer S/N: 64G, 2 kits required						

CATERPILLAR® (REFERENCED BY BULLDOG® PART NUMBERS)

Application	Part Number	Description	Bore	Rod	Wiper	Type
824C WHEEL DOZER						
Tractor S/N: 85X1-UP Bulldozer S/N: 35G1598-UP						
Steering	BD-508120	Kit	5.000S	2.250S	P	5
	BD-662122	Kit	5.000S	2.250S	P	15
S/N: 85X1194-UP						
Lift	BD-514135	Kit	6.500S	2.500S	P	4
	S/N: 85X1-1193 Dozer S/N: 35G1598-2103					
	BD-513125	Kit	5.500S	2.500S	P	5
	BD-642125	Kit	5.500S	2.500S	P	15
S/N: 85X1194-UP Dozer S/N: 35G2104-Up						
Tilt	BD-514185	Kit	6.500S	2.500S	P	4
	RH Side Only					
	BD-642185	Kit	6.500S	2.500S	P	15
RH Side Only						
Tip	BD-514164	Kit	6.000S	2.500S	P	4
	LH Side Only					
	BD-642164	Kit	6.000S	2.500S	P	15
	LH Side Only					
824G WHEEL DOZER						
Tractor S/N: 4SN1-UP Bulldozer S/N: 2HP1-UP						
Steering	BD-628477	Kit	4.500S	2.500S	P	15
Lift	BD-707397	Kit	4.750S	3.000S	P	15
Tilt	BD-642478	Kit	5.250S	2.500S	P	15
	Tilt and Tip arrangement					
	BD-730133	Kit	6.250S	3.500S	P	15
Scoop arrangement						
825B COMPACTOR						
Tractor S/N: 43N1-UP Bulldozer S/N: 93G1-UP						
Steering	BD-510120	Kit	5.000S	2.250S	P	4
	S/N: 43N1-514					
Lift	BD-508120	Kit	5.000S	2.250S	P	5
	S/N: 43N515-UP					
Lift	BD-506115	Kit	4.500S	2.000S	P	4
	Use with 4J4600 Piston					
	BD-506118	Kit	4.500S	2.000S	P	4
Use with 3G9939 Piston						

Application	Part Number	Description	Bore	Rod	Wiper	Type
825C COMPACTOR						
Tractor S/N: 86X1-UP Bulldozer S/N: 89X1-UP						
Steering	BD-508120	Kit	5.000S	2.250S	P	5
	BD-662122	Kit	5.000S	2.250S	P	15
S/N: 86X731-UP						
Lift	BD-505118	Kit	4.500S	2.000S	P	5
Tilt	BD-505118	Kit	4.500S	2.000S	P	5
825G COMPACTOR						
Tractor S/N: 6RN1-UP Bulldozer S/N: 4JP1-UP						
Steering	BD-628477	Kit	4.500S	2.500S	P	15
Lift	BD-662458	Kit	3.750S	2.250S	P	15
	Use with 1125737 Head					
	BD-662180	Kit	3.750S	2.250S	P	15
Use with 6E1410 Head						
Tilt	BD-647458	Kit	3.750S	2.000S	P	15
826B COMPACTOR						
Tractor S/N: 58U1-UP						
Steering	BD-508120	Kit	5.000S	2.250S	P	5
Lift	BD-505118	Kit	4.500S	2.000S	P	5
826C COMPACTOR						
Tractor S/N: 87X1-UP Bulldozer S/N: 97X1-UP						
Steering	BD-508120	Kit	5.000S	2.250S	P	5
	BD-662122	Kit	5.000S	2.250S	P	15
S/N: 87X587-UP						
Lift	BD-513125	Kit	5.500S	2.500S	P	5
	BD-642125	Kit	5.500S	2.500S	P	15
S/N: 87X587-UP						
826G COMPACTOR						
Tractor S/N: 7LN1-UP Bulldozer S/N: 2GP1-UP						
Steering	BD-628477	Kit	4.500S	2.500S	P	15
Lift	BD-707397	Kit	4.750S	3.000S	P	15

CATERPILLAR® (REFERENCED BY BULLDOG® PART NUMBERS)

Application	Part Number	Description	Bore	Rod	Wiper	Type	
834 COMPACTOR/WHEEL DOZER							
Tractor S/N: 43E1-UP Bulldozer S/N: 36G1-UP,64G1-UP,93G1-UP							
Steering	BD-510120	Kit	5.000S	2.250S	P	4	
	S/N: 43E1-338						
	BD-511120	Kit	5.000S	2.250S	I	4	
	S/N: 43E339-361						
	BD-510120	Kit	5.000S	2.250S	P	4	
	S/N: 43E339-361						
	Field replacement						
	S/N: 43E362-464						
Lift	BD-514135	Kit	6.500S	2.500S	P	4	
	Dozer S/N: 36G,64G						
	BD-506115	Kit	4.500S	2.000S	P	4	
	Dozer S/N: 93G, Use with 4J4600 Piston						
	BD-506118	Kit	4.500S	2.000S	P	4	
	Dozer S/N: 93G, Use with 3G9939 Piston						
	Tilt	BD-514185	Kit	6.500S	2.500S	P	4
	Dozer S/N: 36G, RH Side Only						
Tip	BD-514164	Kit	6.000S	2.500S	P	4	
	Dozer S/N: 36G, LH Side Only						
	BD-514185	Kit	6.500S	2.500S	P	4	
	Dozer S/N: 64G						
Tilt & Pitch	BD-514164	Kit	6.000S	2.500S	P	4	
	Dozer S/N: 64G, 2 kits required						
834B WHEEL DOZER							
Tractor S/N: 92Z1-UP,7BR1-UP Bulldozer S/N: 14B1-UP,96G1-UP							
Steering	BD-508120	Kit	5.000S	2.250S	P	5	
	S/N: 92Z1-323						
	BD-662120	Kit	5.000S	2.250S	P	15	
	S/N: 92Z324-UP						
	Use with 7J5525 Piston						
	S/N: 92Z324-UP,7BR						
Use with 9T8563 Piston							
Lift	BD-514135	Kit	6.500S	2.500S	P	4	
	S/N: 92Z						
	BD-642135	Kit	6.500S	2.500S	P	15	
Tilt	BD-514185	Kit	6.500S	2.500S	P	4	
	S/N: 92Z						
	RH Side Only						
	BD-642185	Kit	6.500S	2.500S	P	15	
RH Side Only							
Tip	BD-514164	Kit	6.000S	2.500S	P	4	
	S/N: 92Z						
LH Side Only							

Application	Part Number	Description	Bore	Rod	Wiper	Type
834B WHEEL DOZER (continued)						
Tip (cont)	BD-642164	Kit	6.000S	2.500S	P	15
	LH Side Only					
835 COMPACTOR						
Tractor S/N: 44N1-UP Bulldozer S/N: 27K1-UP						
Steering	BD-508120	Kit	5.000S	2.250S	P	5
Lift	BD-506115	Kit	4.500S	2.000S	P	4
836 COMPACTOR						
Tractor S/N: 3RL1-UP,7FR1-UP						
Steering	BD-662122	Kit	5.000S	2.250S	P	15
Lift	BD-642135	Kit	6.500S	2.500S	P	15
	S/N: 3RL					
	BD-676479	Kit	6.500S	3.250S	P	23
Accumulator	BD-990006	Kit	5.000S		N	0
836G COMPACTOR						
Tractor S/N: 7MZ1-UP						
Steering	BD-693432	Kit	5.000S	2.750S	P	15
Lift	BD-6901043	Kit	5.500S	3.500S	P	15
844 WHEEL DOZER						
Tractor S/N: 2KZ1-UP						
Steering	BD-666450	Kit	5.500S	3.250S	P	15
LIFT	BD-629124	Kit	5.250S	3.000S	P	15
	S/N: 2KZ					
	BD-725124	Kit	5.250S	3.000S	P	15
	Arctic arrangement					
Tilt	BD-626445	Kit	8.250S	3.500S	P	15
854G WHEEL DOZER						
Tractor S/N: 1JW1-UP,AMP1-UP						
Steering	BD-666450	Kit	5.500S	3.250S	P	15
Lift	BD-661456	Kit	7.000S	4.000S	P	15
	BD-774456	Kit	7.000S	4.000S	P	15
	Arctic arrangement					
Tilt	BD-661290	Kit	10.500S	4.000S	P	23

CATERPILLAR® (REFERENCED BY BULLDOG® PART NUMBERS)

Application	Part Number	Description	Bore	Rod	Wiper	Type
CP-643,CS-643,CP-653,CS-653 VIBRATORY COMPACTOR						
Compactor S/N: 7FD1-UP,7GD1-UP,7HD1-UP,7JD1-UP						
Steering	BD-637103	Kit	3.500S	1.750S	P	15
IT12,IT12B,IT12F INTEGRATED TOOLCARRIER						
Toolcarrier S/N: 2YC1-UP,4NC1-UP,1KF1-UP						
Lift	BD-505180	Kit	3.750S	2.000S	P	5
	S/N: 2YC,4NC					
	BD-662383	Kit	4.000S	2.250S	P	15
	S/N: 1KF1-819					
	BD-662381	Kit	3.500S	2.250S	P	15
	S/N: 1KF820-UP					
Tilt	BD-504181	Kit	3.250S	1.750S	P	5
	S/N: 2YC,4NC					
	BD-647381	Kit	3.500S	2.000S	P	15
	S/N: 1KF1-819					
	BD-637379	Kit	3.000S	1.750S	P	15
	S/N: 1KF820-UP					
Steering	BD-500100	Kit	2.750S	1.500S	P	5
	S/N: 2YC,4NC					
	BD-675100	Kit	2.750S	1.500S	P	15
	S/N: 2YC,4NC					
	BD-675380	Kit	2.750S	1.500S	P	15
	S/N: 1KF1-70					
	BD-625380	Kit	2.750S	1.500S	P	15
	S/N: 1KF71-819					
	BD-750380	Kit	2.750S	1.750S	P	15
	S/N: 1KF820-UP					
IT14B INTEGRATED TOOLCARRIER						
Toolcarrier S/N: 3NJ1-UP						
Lift	BD-662383	Kit	4.000S	2.250S	P	15
Tilt	BD-647381	Kit	3.500S	2.000S	P	15
Steering	BD-675380	Kit	2.750S	1.500S	P	15
	S/N: 3NJ1-44					
	BD-625380	Kit	2.750S	1.500S	P	15
	S/N: 3NJ45-UP					

Application	Part Number	Description	Bore	Rod	Wiper	Type
IT14F INTEGRATED TOOLCARRIER						
Toolcarrier S/N: 4EL1-UP						
Lift	BD-662381	Kit	3.500S	2.250S	P	15
Tilt	BD-637379	Kit	3.000S	1.750S	P	15
Steering	BD-637380	Kit	2.750S	1.750S	P	15
IT14G INTEGRATED TOOLCARRIER						
Toolcarrier S/N: 8ZM1-UP,1WN1-UP						
Lift	BD-662381	Kit	3.500S	2.250S	P	15
Tilt	BD-637368	Kit	3.000S	1.750S	P	15
Steering	BD-625447	Kit	2.500S	1.500S	P	15
IT18,IT18B INTEGRATED TOOLCARRIER						
Toolcarrier S/N: 7ZB1-UP,9NB1-UP,4ZD1-UP,1DF1-UP,2NJ340-UP						
Lift	BD-508108	Kit	4.250S	2.250S	P	5
	S/N: 7ZB1-1112,9NB1-1076					
	BD-662108	Kit	4.250S	2.250S	P	15
	S/N: 7ZB1113-UP,9NB1077-UP					
	BD-642163	Kit	4.750S	2.500S	P	15
	S/N: 4ZD,1DF,2NJ					
Tilt	BD-513106	Kit	4.000S	2.500S	P	5
	S/N: 7ZB,9NB					
	BD-647106	Kit	4.000S	2.000S	P	15
S/N: 4ZD,1DF,2NJ						
Steering	BD-500101	Kit	3.000S	1.500S	P	5
	S/N: 7ZB,9NB,4ZD,1DF1-914					
	BD-675101	Kit	3.000S	1.500S	P	15
S/N: 9NB,1DF915-UP,2NJ						
IT18F INTEGRATED TOOLCARRIER						
Toolcarrier S/N: 6ZF1-UP,5EJ1-UP						
Lift	BD-642397	Kit	4.750S	2.500S	P	15
	Use with 9T3609 Head					
	BD-628397	Kit	4.750S	2.500S	P	15
S/N: 5EJ						
Use with 1206679 Head						
Tilt	BD-647409	Kit	4.000S	2.000S	P	15
Steering	BD-625380	Kit	2.750S	1.500S	P	15

CATERPILLAR® (REFERENCED BY BULLDOG® PART NUMBERS)

Application	Part Number	Description	Bore	Rod	Wiper	Type
IT24F INTEGRATED TOOLCARRIER						
Toolcarrier S/N: 4NN1-UP,6KN1-UP						
Lift	BD-642397	Kit	4.750S	2.500S	P	15
	S/N: 4NN1-704,6KN1-704	Use with 9T3609 Head				
	BD-628397	Kit	4.750S	2.500S	P	15
	S/N: 6KN1-704	Use with 1206679 Head				
	BD-628397	Kit	4.750S	2.500S	P	15
S/N: 4NN705-UP,6KN705-UP						
Tilt	BD-647409	Kit	4.000S	2.000S	P	15
Steering	BD-625380	Kit	2.750S	1.500S	P	15
IT28,IT28B INTEGRATED TOOLCARRIER						
Toolcarrier S/N: 8JB1-UP,2KC1-UP,5SD1-UP,1HF1-UP,1JK430-UP						
Lift	BD-513163	Kit	4.750S	2.500S	P	5
	S/N: 8JB,2KC,5SD1-488,1HF					
	BD-642163	Kit	4.750S	2.500S	P	15
S/N: 5SD489-UP,1HF,1JK						
Tilt	BD-513108	Kit	4.250S	2.500S	P	5
	S/N: 8JB,2KC,5SD,1HF					
	BD-663108	Kit	4.250S	2.500S	P	15
S/N: 1HF,1JK						
Steering	BD-500101	Kit	3.000S	1.500S	P	5
	S/N: 8JB,2KC,5SD1-843,1HF					
	BD-675101	Kit	3.000S	1.500S	P	15
S/N: 5SD844-UP,1JK						
IT28F,IT28G INTEGRATED TOOLCARRIER						
Toolcarrier S/N: 1JL1-UP,3CL1-UP,8CR1-UP,9AR1-UP						
Lift	BD-642397	Kit	4.750S	2.500S	P	15
	S/N: 1JL,3CL	Use with 9T3609 Head				
	BD-628397	Kit	4.750S	2.500S	P	15
S/N: 1JL400-UP,3CL,8CR,9AR	Use with 1206679 Head					
Tilt	BD-647409	Kit	4.000S	2.000S	P	15
Steering	BD-625380	Kit	2.750S	1.500S	P	15

Application	Part Number	Description	Bore	Rod	Wiper	Type
IT38F,IT38G INTEGRATED TOOLCARRIER						
Toolcarrier S/N: 6FN1-UP,5DR1-UP,7BS1-UP,1CW1-UP						
Lift	BD-707397	Kit	4.750S	3.000S	P	15
Tilt	BD-693391	Kit	4.500S	2.750S	P	15
Steering	BD-637379	Kit	3.000S	1.750S	P	15
IT62G INTEGRATED TOOLCARRIER						
Toolcarrier S/N: 6PS1-UP,AKP1-UP						
Lift	BD-692480	Kit	6.000S	3.000S	P	15
Tilt	BD-707453	Kit	5.250S	3.000S	P	15
Steering	BD-637381	Kit	3.500S	1.750S	P	15
	S/N: 6PS1-367 Use with 9T8790 Head					
	BD-750381	Kit	3.500S	1.750S	P	15
	Use with 1537182 or 1630329 Head					
902 COMPACT WHEEL LOADER						
Loader S/N: 7ES1-UP						
Multi-Purpose Bucket	BD-625368	Kit	3.000S	1.500S	P	15
906 COMPACT WHEEL LOADER						
Loader S/N: 6ZS1-UP						
Lift	BD-2641016	Kit	100.00M	55.00M	P	15
Multi-Purpose Bucket	BD-625368	Kit	3.000S	1.500S	P	15
Side Dump	BD-625380	Kit	2.750S	1.500S	P	15
908 COMPACT WHEEL LOADER						
Loader S/N: 8BS1-UP						
Lift	BD-7661015	Kit	115.00M	65.00M	P	15
Tilt	BD-2661016	Kit	100.00M	60.00M	P	15
Steering	BD-7651014	Kit	90.00M	40.00M	P	15
Side Dump	BD-625380	Kit	2.750S	1.500S	P	15
910,G910 WHEEL LOADER						
Loader S/N: 80U1-UP,40Y1-UP,41Y1-UP,3SD1-UP,8GD1-UP						
Lift	BD-505106	Kit	4.000S	2.000S	P	5
	BD-647106	Kit	4.000S	2.000S	P	15
	S/N: 40Y,41Y,3SD,8GD					
Tilt	BD-504101	Kit	3.000S	1.750S	P	5
	S/N: 80U,40Y,41Y					
	BD-504181	Kit	3.250S	1.750S	P	5
	S/N: 40Y,41Y,3SD,8GD					
Steering	BD-637181	Kit	3.250S	1.750S	P	15
	S/N: 40Y,41Y,3SD,8GD					
	BD-500100	Kit	2.750S	1.500S	P	5
	S/N: 80U,40Y1-2965,41Y1-1120,3SD,8GD					
	BD-675100	Kit	2.750S	1.500S	P	15
	S/N: 40Y2966-UP,41Y1121-UP,3SD,8GD					
Multi-Purpose Bucket	BD-500103	Kit	3.500S	1.500S	P	5
	S/N: 80U,40Y,41Y					

CATERPILLAR® (REFERENCED BY BULLDOG® PART NUMBERS)

Application	Part Number	Description	Bore	Rod	Wiper	Type
910E,910F WHEEL LOADER						
Loader S/N: 1SF1-UP						
Lift	BD-662383	Kit	4.000S	2.250S	P	15
	S/N: 1SF1-1103					
	BD-662381	Kit	3.500S	2.250S	P	15
	S/N: 1SF1104-UP					
Tilt	BD-642397	Kit	4.750S	2.500S	P	15
	S/N: 1SF1-1103					
	BD-662383	Kit	4.000S	2.250S	P	15
	S/N: 1SF1104-UP					
Steering	BD-675380	Kit	2.750S	1.500S	P	15
	S/N: 1SF1-122					
	BD-625380	Kit	2.750S	1.500S	P	15
	S/N: 1SF123-1103					
	BD-637380	Kit	2.750S	1.750S	P	15
	S/N: 1SF1104-UP					
910G WHEEL LOADER						
Loader S/N: AKR1-UP						
Lift	BD-662381	Kit	3.500S	2.250S	P	15
Tilt	BD-662409	Kit	4.000S	2.250S	P	15
Steering	BD-625447	Kit	2.500S	1.500S	P	15
914G WHEEL LOADER						
Loader S/N: 7ZM1-UP,9WM1-UP						
Lift	BD-662359	Kit	3.500S	2.250S	P	15
Tilt	BD-662409	Kit	4.000S	2.250S	P	15
Steering	BD-625447	Kit	2.500S	1.500S	P	15
916,G916 WHEEL LOADER						
Loader S/N: 2XB1-UP,9WB1-UP,5KC1-UP,5GD1-UP						
Lift	BD-508108	Kit	4.250S	2.250S	P	5
	S/N: 2XB1-1226,9WB1-1248,5KC1-1251,5GD1-45					
	BD-662108	Kit	4.250S	2.250S	P	15
	S/N: 2XB1227-UP,9WB1249-UP,5KC1252-UP,5GD46-UP					
Tilt	BD-513163	Kit	4.750S	2.500S	P	5
	S/N: 2XB1-1314,9WB1-1384,5KC1-1195,5GD1-46					
	BD-642163	Kit	4.750S	2.500S	P	15
	S/N: 2XB1315-UP,9WB1385-UP,5KC1196-UP,5GD47-UP					
Steering	BD-500101	Kit	3.000S	1.500S	P	5
	S/N: 2XB,9WB1-1664,5KC1-1248,5GD					
	BD-675101	Kit	3.000S	1.500S	P	15
	S/N: 2XB,9WB1665-UP,5KC1249-UP					

Application	Part Number	Description	Bore	Rod	Wiper	Type
918F WHEEL LOADER						
Loader S/N: 3TJ1-UP,2CK1-UP,5DL1-UP						
Lift	BD-662409	Kit	4.000S	2.250S	P	15
Tilt	BD-642391	Kit	4.500S	2.500S	P	15
	Use with 6E1405 Head					
	BD-628391	Kit	4.500S	2.500S	P	15
S/N:	3TJ,2CK266-UP					
	Use with 1229842 Head					
Steering	BD-625380	Kit	2.750S	1.500S	P	15
920 WHEEL LOADER						
Loader S/N: 41J1-UP,75J2157-UP,62K1-UP						
Lift	BD-508108	Kit	4.250S	2.250S	P	5
Tilt	BD-505106	Kit	4.000S	2.000S	P	5
Steering	BD-500101	Kit	3.000S	1.500S	P	5
Multi-Purpose Bucket	BD-505106	Kit	4.000S	2.000S	P	5
Side Dump	BD-505105	Kit	4.000S	2.000S	P	5
	2 Piston seals					
	BD-505104	Kit	4.000S	2.000S	P	5
1 Piston seal						
Top Clamp	BD-507104	Kit	4.000S	2.000S	P	4
	S/N: 41J,62K					
922A,922B WHEEL LOADER						
Loader S/N: 59A1-UP,63A1-UP,94A1-UP,88J1-UP Ripper S/N: 44F1-UP						
Lift	BD-507115	Kit	4.500S	2.000S	P	4
	S/N: 59A2219-UP,63A502-UP,94A,88J					
Tilt	BD-507115	Kit	4.500S	2.000S	P	4
	S/N: 59A2355-UP,63A526-UP,94A,88J					
Multi-Purpose Bucket	BD-507118	Kit	4.500S	2.000S	P	4
Side Dump	BD-507104	Kit	4.000S	2.000S	P	4
Top Clamp	BD-507104	Kit	4.000S	2.000S	P	4
	S/N: 94A,88J					
Ripper	BD-507168	Kit	5.500S	2.000S	P	1
	S/N: 94A,88J					
	BD-513125	Kit	5.500S	2.500S	P	5
S/N: 94A,88J						

CATERPILLAR® (REFERENCED BY BULLDOG® PART NUMBERS)

Application	Part Number	Description	Bore	Rod	Wiper	Type
924F WHEEL LOADER						
Loader S/N: 4YN1-UP,5NN1-UP,6MN1-UP,7PN1-UP						
Lift	BD-662409	Kit	4.000S	2.250S	P	15
Tilt	BD-642391	Kit	4.500S	2.500S	P	15
	S/N: 4YN1-637,5NN1-827,6MN1-637,7PN	Use with 6E1405 Head				
	BD-628391	Kit	4.500S	2.500S	P	15
	S/N: 4YN638-UP,5NN,6MN,7PN	Use with 1229842 Head				
Steering	BD-625380	Kit	2.750S	1.500S	P	15
924G,924Gz WHEEL LOADER						
Loader S/N: 6YW1-UP,9SW1-UP,3DZ1-UP,3PZ1-UP,AAB1-UP,AAN1-UP						
Lift	BD-628366	Kit	4.250S	2.500S	P	15
	S/N: 6YW,3DZ,AAB					
	BD-628409	Kit	4.000S	2.500S	P	15
	S/N: 9SW,3PZ,AAN					
Tilt	BD-628397	Kit	4.750S	2.500S	P	15
	S/N: 6YW,3DZ,AAB					
	BD-628453	Kit	5.250S	2.500S	P	15
	S/N: 9SW,3PZ,AAN					
Steering	BD-625380	Kit	2.750S	1.500S	P	15
926,G926,926E WHEEL LOADER						
Loader S/N: 94Z1-UP,4NB1-UP,8NB1-UP,1SD1-UP						
Lift	BD-513163	Kit	4.750S	2.500S	P	5
	S/N: 94Z1-2208,4NB1-1961,8NB1-2451,1SD1-67					
	BD-642163	Kit	4.750S	2.500S	P	15
	S/N: 94Z2209-UP,4NB1962-UP,8NB2452-UP,1SD68-UP					
Tilt	BD-513127	Kit	5.500S	2.500S	P	5
	S/N: 94Z,4NB,8NB1-2451,8SD					
	BD-642127	Kit	5.500S	2.500S	P	15
	S/N: 94Z,8NB2452-UP,8SD					
Steering	BD-500101	Kit	3.000S	1.500S	P	5
	S/N: 94Z1-2208,4NB1-2809,8NB1-2451,1SD					
	BD-675101	Kit	3.000S	1.500S	P	15
	S/N: 94Z2209-UP,4NB2810-UP,8NB2452-UP					

Application	Part Number	Description	Bore	Rod	Wiper	Type
928F WHEEL LOADER						
Loader S/N: 8AK1-UP,2XL1-UP						
Lift	BD-642431	Kit	4.500S	2.500S	P	15
	Use with 6E1405 Head					
	BD-628391	Kit	4.500S	2.500S	P	15
Use with 1229842 Head						
Tilt	BD-642397	Kit	4.750S	2.500S	P	15
	Use with 9T3609 Head					
	BD-628397	Kit	4.750S	2.500S	P	15
Use with 1206679 Head						
Steering	BD-625380	Kit	2.750S	1.500S	P	15
928G WHEEL LOADER						
Loader S/N: 6XR1-UP,7SR1-UP						
Lift	BD-628397	Kit	4.750S	2.500S	P	15
Tilt	BD-628432	Kit	5.000S	2.500S	P	15
Steering	BD-625380	Kit	2.750S	1.500S	P	15
930 WHEEL LOADER						
Loader S/N: 71H1-UP,79J1-UP,41K1-UP,73U1-UP						
Lift	BD-508116	Kit	4.500S	2.250S	P	5
	S/N: 71H,79J1-7956,41K1-10159,73U1-2611					
	BD-508118	Kit	4.500S	2.250S	P	5
S/N: 79J7957-UP,41K10160-UP,73U2612-UP						
Tilt	BD-505110	Kit	4.250S	2.000S	P	5
Steering	BD-500101	Kit	3.000S	1.500S	P	5
Multi-Purpose Bucket	BD-505106	Kit	4.000S	2.000S	P	5
Side Dump	BD-505105	Kit	4.000S	2.000S	P	5
	2 Piston seals					
	BD-505104	Kit	4.000S	2.000S	P	5
1 Piston seal						
Top Clamp	BD-507104	Kit	4.000S	2.000S	P	4
	BD-507123	Kit	5.000S	2.000S	P	4
930R,930T WHEEL LOADER						
Loader S/N: 17B220-UP,57Z1-UP						
Lift	BD-508116	Kit	4.500S	2.250S	P	5
	S/N: 17B220-537,57Z1-1640 (RH Side) S/N: 17B220-544,57Z1-1651 (LH Side)					
	BD-684116	Kit	4.500S	2.250S	P	15
	S/N: 17B538-Up,57Z1641-Up (RH Side) S/N: 17B545-Up,57Z1652-Up (LH Side)					
Tilt	BD-505110	Kit	4.250S	2.000S	P	5
	S/N: 17B220-571 (RH Side), 17B220-559 (LH Side), S/N: 57Z1-1680					
	BD-697110	Kit	4.250S	2.000S	P	15
	S/N: 17B572-Up (RH Side), 17B560-Up (LH Side), S/N: 57Z1681-Up					
Steering	BD-500101	Kit	3.000S	1.500S	P	5
	S/N: 17B220-650,57Z633-1990					

CATERPILLAR® (REFERENCED BY BULLDOG® PART NUMBERS)

Application	Part Number	Description	Bore	Rod	Wiper	Type
930R,930T WHEEL LOADER						
(continued)						
Steering (cont)	BD-696101	Kit	3.000S	1.500S	P	15
	S/N: 17B651-UP,57Z1991-UP					
936,G936,936E,936F WHEEL LOADER						
Loader S/N: 33Z1-UP,45Z1-UP,4SB1-UP,3HD1-UP,4ND1-UP,8ED1-UP 8AJ1-UP,4TK1-UP,9MK1-UP						
Lift	BD-513237	Kit	5.500S	2.500S	P	5
	S/N: 33Z1-2546,45Z1-2791,4SB1-1449,3HD1-119,4ND,8ED					
	BD-663237	Kit	5.500S	2.500S	P	15
	S/N: 33Z2547-UP,45Z2792-UP,4SB1450-UP,3HD120-UP,4ND S/N: 8AJ,4TK,9MK					
Tilt	BD-517330	Kit	6.500S	2.750S	P	22
	S/N: 33Z1-2546,45Z1-2731,4SB1-1451,3HD1-119,8ED					
	BD-665330	Kit	6.500S	2.750S	P	23
	S/N: 33Z2547-UP,45Z2732-UP,4SB1452-UP,3HD120-UP,4ND S/N: 8AJ,4TK,9MK					
Steering	BD-504103	Kit	3.500S	1.750S	P	5
	S/N: 33Z1-3090,45Z1-2565,4SB1-1386,3HD,8ED					
	BD-637103	Kit	3.500S	1.750S	P	15
	S/N: 33Z,45Z2566-UP,4SB1387-UP,3HD,4ND,9MK					
	BD-637381	Kit	3.500S	1.750S	P	15
	S/N: 8AJ,4TK					
938F,938G WHEEL LOADER						
Loader S/N: 1KM1-UP,2RM1-UP,8SM1-UP,7SN1-UP,4YS1-UP,6WS1-UP 8RS1-UP,9HS1-UP						
Lift	BD-642404	Kit	4.750S	2.500S	P	15
	S/N: 1KM1-1123,2RM1-1123,8SM,7SN1-384 Use with 9T3609 Head					
	BD-628397	Kit	4.750S	2.500S	P	15
	S/N: 1KM1-1123,2RM1-1123,7SN1-384 Use with 1206679 Head					
	BD-628432	Kit	5.000S	2.500S	P	15
	S/N: 1KM1124-UP,2RM1124-UP,7SN385-UP,4YS,6WS,8RS,9HS					
Tilt	BD-665448	Kit	5.500S	2.750S	P	15
Steering	BD-637379	Kit	3.000S	1.750S	P	15
944,944A WHEEL LOADER						
Loader S/N: 43A1-UP,58A1-UP,70A1-UP,77J1-UP,87J1-UP						
Lift	BD-515268	Kit	5.500S	2.500S	P	1
	S/N: 43A1-2725,58A1-360,70A1-430					
	BD-515126	Kit	5.500S	2.500S	P	4
	S/N: 43A2726-UP,58A361-UP,70A431-UP,77J,87J					
	BD-513126	Kit	5.500S	2.500S	P	5
	S/N: 43A1-2725,58A1-360,77J,87J Field replacement					
	BD-513126	Kit	5.500S	2.500S	P	5
	S/N: 43A2726-UP,58A361-UP					
Tilt	BD-515268	Kit	5.500S	2.500S	P	1
	S/N: 43A1-2725,58A1-360,70A1-476					
	BD-515126	Kit	5.500S	2.500S	P	4
	S/N: 43A2726-UP,58A361-UP,70A477-UP,77J,87J					

Application	Part Number	Description	Bore	Rod	Wiper	Type
944,944A WHEEL LOADER (continued)						
Tilt (cont)	BD-513126	Kit	5.500S	2.500S	P	5
	S/N: 43A1-2725,58A1-360,77J,87J	Field replacement				
	BD-513126	Kit	5.500S	2.500S	P	5
	S/N: 43A2726-UP,58A361-UP					
Multi-Purpose Bucket	BD-507118	Kit	4.500S	2.000S	P	4
Side Dump	BD-507266	Kit	4.500S	2.000S	P	1
	BD-507115	Kit	4.500S	2.000S	P	4
Top Clamp	BD-507104	Kit	4.000S	2.000S	P	4
	BD-507166	Kit	5.000S	2.000S	P	1
	BD-507123	Kit	5.000S	2.000S	P	4
950 WHEEL LOADER						
Loader S/N: 90A1-UP,58H1-UP,15J1-UP,43J1-UP,73J1-UP,81J1-UP 31K1-UP Ripper S/N: 15G1-UP,30G1-UP						
Lift	BD-513126	Kit	5.500S	2.500S	P	5
	S/N: 90A,58H,15J,43J,73J,81J1-11809,31K1-1896					
	BD-513126	Kit	5.500S	2.500S	P	5
	S/N: 81J11810-UP,31K1897-UP	2 Piston seals				
	S/N: 81J11810-UP,31K1897-UP	Kit	5.500S	2.500S	P	5
S/N: 81J11810-UP,31K1897-UP	1 Piston seal					
Tilt	BD-513125	Kit	5.500S	2.500S	P	5
Steering	BD-502102	Kit	3.500S	1.500S	P	4
	S/N: 90A1-881,58H,43J1-899,73J1-772					
	BD-503102	Kit	3.500S	1.500S	I	4
	S/N: 90A882-UP,58H,15J,81J1-1085,31K1-686					
	BD-502102	Kit	3.500S	1.500S	P	4
	S/N: 90A882-UP,15J,81J1-1085,31K1-686	Field replacement				
S/N: 43J900-UP,73J773-UP,81J1086-UP,31K687-UP	BD-500102	Kit	3.500S	1.500S	P	5
Multi-Purpose Bucket	BD-507118	Kit	4.500S	2.000S	P	4
	BD-507123	Kit	5.000S	2.000S	P	4
Side Dump	BD-507122	Kit	5.000S	2.000S	P	4
	1 Piston seal					
	BD-507123	Kit	5.000S	2.000S	P	4
2 Piston seals						
Top Clamp	BD-507104	Kit	4.000S	2.000S	P	4
	BD-507123	Kit	5.000S	2.000S	P	4
	BD-506116	Kit	4.500S	2.000S	P	4
Ripper	BD-515126	Kit	5.500S	2.500S	P	4
	BD-513126	Kit	5.500S	2.500S	P	5

CATERPILLAR® (REFERENCED BY BULLDOG® PART NUMBERS)

Application	Part Number	Description	Bore	Rod	Wiper	Type
950 TREE HARVESTER						
Tree Harvester S/N: 49U1-UP						
Lift	BD-513126	Kit	5.500S	2.500S	P	5
Tilt	BD-513125	Kit	5.500S	2.500S	P	5
Steering	BD-500102	Kit	3.500S	1.500S	P	5
Delimb	BD-505106	Kit	4.000S	2.000S	P	5
	S/N: 49U1-315					
	BD-504101	Kit	3.000S	1.750S	P	5
S/N: 49U316-UP						
Grapple	BD-504101	Kit	3.000S	1.750S	P	5
Shear	BD-521131	Kit	6.000S	3.000S	P	5
950B,950E,950F WHEEL LOADER						
Loader S/N: 31R1-UP,63R1-UP,65R1-UP,22Z1-UP,7ZF1-UP,6YG1-UP 4DJ1-UP,5SK1-UP,8TK1-UP,2LM1-UP						
Lift	BD-521129	Kit	6.000S	3.000S	P	5
	S/N: 31R,63R1-8049,65R,22Z					
	BD-692129	Kit	6.000S	3.000S	P	15
S/N: 63R8050-UP,22Z3189-UP,7ZF,6YG,4DJ,5SK,8TK,2LM						
Tilt	BD-525320	Kit	7.000S	3.250S	P	5
	S/N: 31R,63R1-5067,65R1-2823,22Z1-2206					
	BD-630320	Kit	7.000S	3.250S	P	15
S/N: 63R5068-UP,65R2824-UP,22Z2207-UP,7ZF,6YG,4DJ,5SK						
S/N: 8TK,2LM						
Steering	BD-504103	Kit	3.500S	1.750S	P	5
	S/N: 31R,63R1-5419,65R,22Z1-2369					
	BD-637103	Kit	3.500S	1.750S	P	15
	S/N: 63R5420-UP,22Z2370-UP,7ZF,6YG1-1883,4DJ Use with 9T3965 Head					
	BD-637381	Kit	3.500S	1.750S	P	15
S/N: 6YG1884-UP,5SK,8TK,2LM Use with 9T8790 Head						
950G WHEEL LOADER						
Loader S/N: 2JS1-UP,4BS1-UP,6NS1-UP,3JW1-UP,5FW1-UP,5MW1-UP 8JW1-UP						
Lift	BD-692480	Kit	6.000S	3.000S	P	15
Tilt	BD-630393	Kit	7.000S	3.250S	P	15
	BD-666193	Kit	8.500S	3.250S	P	15
	Logging arrangement					
Steering	BD-637381	Kit	3.500S	1.750S	P	15
	S/N: 4BS1-413,3JW1-684,5FW1-784,8JW Use with 9T8790 Head					
	BD-750381	Kit	3.500S	1.750S	P	15
Use with 1537182 or 1630329 Head						

Application	Part Number	Description	Bore	Rod	Wiper	Type
960F WHEEL LOADER						
Loader S/N: 9ZJ1-UP,4CL1-UP,6XL1-UP,1YM1-UP						
Lift	BD-692129	Kit	6.000S	3.000S	P	15
Tilt	BD-630320	Kit	7.000S	3.250S	P	15
Steering	BD-637381	Kit	3.500S	1.750S	P	15
	S/N: 9ZJ,4CL,1YM					
	BD-637103	Kit	3.500S	1.750S	P	15
S/N: 6XL						
962G WHEEL LOADER						
Loader S/N: 3BS1-UP,5AS1-UP,5RS1-UP,4PW1-UP,6EW1-UP,6HW1-UP 7BW1-UP,BDP1-UP						
Lift	BD-692480	Kit	6.000S	3.000S	P	15
Tilt	BD-630393	Kit	7.000S	3.250S	P	15
	S/N: 3BS,5AS,5RS,4PW,6EW,6HW,7BW					
	BD-666193	Kit	8.500S	3.250S	P	15
	S/N: 6EW					
	Logging arrangement					
Steering	BD-707490	Kit	5.500S	3.000S	P	15
	S/N: BDP					
	BD-637381	Kit	3.500S	1.750S	P	15
Steering	S/N: 3BS1-397,5AS1-275,4PW1-259,6EW,7BW1-385					
	Use with 9T8790 Head					
	BD-750381	Kit	3.500S	1.750S	P	15
Use with 1537182 or 1630329 Head						
966A WHEEL LOADER						
Loader S/N: 33A1-UP						
Lift	BD-515236	Kit	6.500S	2.500S	P	1
	S/N: 33A1-1558					
	BD-515138	Kit	6.500S	2.500S	P	4
Tilt	S/N: 33A1559-UP					
	BD-515130	Kit	6.000S	2.500S	P	4
	S/N: 33A1550-UP					
Multi-Purpose Bucket	BD-513129	Kit	6.000S	2.500S	P	5
	Field replacement					
Side Dump	BD-510168	Kit	5.500S	2.250S	P	1
	BD-510126	Kit	5.500S	2.250S	P	4
Top Clamp	BD-507166	Kit	5.000S	2.000S	P	1
	BD-507123	Kit	5.000S	2.000S	P	4
Top Clamp	BD-507104	Kit	4.000S	2.000S	P	4
	BD-507166	Kit	5.000S	2.000S	P	1
	BD-507123	Kit	5.000S	2.000S	P	4

CATERPILLAR® (REFERENCED BY BULLDOG® PART NUMBERS)

Application	Part Number	Description	Bore	Rod	Wiper	Type
966B WHEEL LOADER						
Loader S/N: 75A1-UP,57H1-UP Ripper S/N: 15G1-UP,30G1-UP						
Lift	BD-514138	Kit	6.500S	2.500S	P	4
Tilt	BD-515130	Kit	6.000S	2.500S	P	4
	S/N: 75A1-3162,57H1-249					
	BD-513129	Kit	6.000S	2.500S	P	5
	S/N: 75A1-3162,57H1-249					
	Field replacement					
	BD-513129	Kit	6.000S	2.500S	P	5
	S/N: 75A3163-UP,57H250-UP					
Steering	BD-506105	Kit	4.000S	2.000S	P	4
Multi-Purpose Bucket	BD-510168	Kit	5.500S	2.250S	P	1
	BD-510126	Kit	5.500S	2.250S	P	4
Side Dump	BD-507166	Kit	5.000S	2.000S	P	1
	BD-507123	Kit	5.000S	2.000S	P	4
Top Clamp	BD-507104	Kit	4.000S	2.000S	P	4
	BD-507166	Kit	5.000S	2.000S	P	1
	BD-507123	Kit	5.000S	2.000S	P	4
	BD-508120	Kit	5.000S	2.250S	P	5
Ripper	BD-515126	Kit	5.500S	2.500S	P	4
	BD-513126	Kit	5.500S	2.500S	P	5
966C WHEEL LOADER						
Loader S/N: 18B200-UP,78G1-UP,42J1-UP,76J1-UP,30K1-UP 25U1-UP,9KC1-UP Ripper S/N: 15G1-UP,30G1-UP						
Lift	BD-514138	Kit	6.500S	2.500S	P	4
	S/N: 78G1-1000,42J1-1063,76J1-1677,76J1690-1698,30K1-865					
	2 Piston seals					
	BD-514137	Kit	6.500S	2.500S	P	4
	S/N: 78G1-1000,76J1678-1689,76J1699-4143,30K866-1252					
	1 Piston seal					
S/N: 18B200-822,78G1001-UP,42J1064-UP,76J1678-1689 S/N: 76J1699-UP,30K866-UP,25U,9KC	BD-513137	Kit	6.500S	2.500S	P	5
	BD-663137	Kit	6.500S	2.500S	P	15
	S/N: 18B823-UP,9KC					
Tilt	BD-513129	Kit	6.000S	2.500S	P	5
	S/N: 78G1-3350,42J1-9229,76J1-9655,30K1-2368,25U1-2466					
	BD-513129	Kit	6.000S	2.500S	P	5
	S/N: 76J9656-UP,30K2369-UP					
	BD-513278	Kit	6.000S	2.500S	P	22
	S/N: 18B200-766,78G3351-UP,42J9230-UP,76J9656-UP,30K2369-UP S/N: 25U2467-UP,9KC					
BD-628278	Kit	6.000S	2.500S	P	23	
S/N: 18B767-UP,9KC						
Steering	BD-506105	Kit	4.000S	2.000S	P	4
	S/N: 76J1-3334,30K1-1116 RH Side Only					

Application	Part Number	Description	Bore	Rod	Wiper	Type
966C WHEEL LOADER (continued)						
Steering (cont)	BD-505105	Kit	4.000S	2.000S	P	5
	S/N:	76J3335-4143,30K1117-1252 RH Side Only				
	BD-506105	Kit	4.000S	2.000S	P	4
	S/N:	76J1-4143,30K1-1252 LH Side Only				
	BD-505105	Kit	4.000S	2.000S	P	5
	S/N:	42J1-1932,76J4144-5797,30K1253-1624				
	BD-505104	Kit	4.000S	2.000S	P	5
	S/N:	42J1933-3599				
	BD-506105	Kit	4.000S	2.000S	P	4
	S/N:	78G1-1000				
	BD-505105	Kit	4.000S	2.000S	P	5
	S/N:	18B200-885,78G1001-UP,42J3600-UP,76J5798-UP,30K1625-UP 25U,9KC 2 Piston seals				
	BD-505104	Kit	4.000S	2.000S	P	5
	S/N:	18B200-885,78G1001-UP,42J3600-UP,76J5798-UP,30K1625-UP 25U,9KC 1 Piston seal				
BD-689104	Kit	4.000S	2.000S	P	15	
S/N:	18B886-UP,9KC					
Multi-Purpose Bucket	BD-510126	Kit	5.500S	2.250S	P	4
	2 Piston seals					
	BD-510125	Kit	5.500S	2.250S	P	4
1 Piston seal						
Side Dump	BD-507123	Kit	5.000S	2.000S	P	4
	2 Piston seals					
	BD-507122	Kit	5.000S	2.000S	P	4
1 Piston seal						
Top Clamp	BD-507123	Kit	5.000S	2.000S	P	4
	BD-508120	Kit	5.000S	2.250S	P	5
Ripper	BD-515126	Kit	5.500S	2.500S	P	4
	BD-513126	Kit	5.500S	2.500S	P	5
966D,966E,966F WHEEL LOADER						
Loader S/N: 35S1-UP,94X1-UP,99Y1-UP,4YG1-UP,8BG1-UP,3XJ1-UP 9YJ1-UP,1SL1-UP						
Lift	BD-525257	Kit	7.000S	3.250S	P	8
	S/N:	35S1-2147,94X1-5461,99Y1-5314 Use with 9J5424 Piston				
	BD-630257	Kit	7.000S	3.250S	P	15
	S/N:	35S2148-UP,94X5462-9308,99Y1-6680 Use with 9J5424 Piston				
	BD-630393	Kit	7.000S	3.250S	P	15
	S/N:	35S,94X1-9308,99Y1-6680 Field replacement, Use with 6E1440 Piston				
BD-630393	Kit	7.000S	3.250S	P	15	
S/N:	94X9309-UP,99Y6681-UP,4YG,8BG,3XJ,9YJ,1SL					
Tilt	BD-525304	Kit	8.250S	3.250S	P	8
	S/N:	35S1-2147,94X1-5495,99Y1-5314				

CATERPILLAR® (REFERENCED BY BULLDOG® PART NUMBERS)

Application	Part Number	Description	Bore	Rod	Wiper	Type
966D,966E,966F WHEEL LOADER						
(continued)						
Tilt (cont)	BD-658304	Kit	8.250S	3.250S	P	15
	S/N:	35S2148-UP,94X5496-UP,99Y1-5314				
	BD-658304	Kit	8.250S	3.250S	P	15
	S/N:	99Y5315-UP,4YG,8BG,3XJ,9YJ,1SL				
	BD-658160	Kit	9.250S	3.250S	P	15
S/N:	99Y5315-UP,4YG,8BG,1SL Logging arrangement					
Steering	BD-505106	Kit	4.000S	2.000S	P	5
	S/N:	35S1-2523,94X1-5749,99Y1-4286				
	BD-647106	Kit	4.000S	2.000S	P	15
	S/N:	35S2524-UP,94X5750-UP,99Y4287-UP,4YG,8BG,3XJ1-1979 Use with 9T3964 Head				
	BD-647409	Kit	4.000S	2.000S	P	15
S/N:	4YG,3XJ1980-UP,9YJ,1SL Use with 6E0775 Head					
966G WHEEL LOADER						
Loader S/N: 3ZS1-UP,9RS1-UP,3PW1-UP,3SW1-UP,8XW1-UP,AAH1-UP AXJ1-UP,AWY1-UP,HDH1-UP						
Lift	BD-630485	Kit	7.000S	3.250S	P	15
Tilt	BD-630304	Kit	8.250S	3.250S	P	15
	BD-630160	Kit	9.250S	3.250S	P	15
	S/N:	3ZS,9RS,3PW,3SW,8XW,AAH1-354 Logging arrangement				
	BD-730160	Kit	9.250S	3.500S	P	15
	S/N:	3ZS,9RS,3PW,3SW,AAH355-UP,AXJ Logging arrangement				
Steering	BD-647381	Kit	3.500S	2.000S	P	15
966R WHEEL LOADER						
Loader S/N: 58Z1-UP						
Lift	BD-513137	Kit	6.500S	2.500S	P	5
	S/N:	58Z1-1428				
	BD-663137	Kit	6.500S	2.500S	P	15
S/N:	58Z1429-UP					
Tilt	BD-513278	Kit	6.000S	2.500S	P	22
	S/N:	58Z1-1327				
	BD-628278	Kit	6.000S	2.500S	P	23
S/N:	58Z1328-UP					
Steering	BD-505104	Kit	4.000S	2.000S	P	5
	S/N:	58Z1-1086				
	BD-689104	Kit	4.000S	2.000S	P	15
S/N:	58Z1087-UP					

Application	Part Number	Description	Bore	Rod	Wiper	Type	
970F WHEEL LOADER							
Loader S/N: 7SK1-UP,9JK1-UP,7PL1-UP							
Lift	BD-630393	Kit	7.000S	3.250S	P	15	
Tilt	BD-658410	Kit	8.250S	3.250S	P	15	
	Use with 6E5875 Piston						
	BD-658304	Kit	8.250S	3.250S	P	15	
S/N: 9JK359-UP		Use with 9T9940 Piston					
Steering	BD-647409	Kit	4.000S	2.000S	P	15	
	S/N: 7SK,9JK						
	BD-647106	Kit	4.000S	2.000S	P	15	
S/N: 7PL							
972G WHEEL LOADER							
Loader S/N: 7LS1-UP,1EW1-UP,4WW1-UP,6AW1-UP,9GW1-UP,AXC1-UP AXN1-UP,AAW1-UP							
Lift	BD-630485	Kit	7.000S	3.250S	P	15	
Tilt	BD-630160	Kit	9.250S	3.250S	P	15	
	S/N: 7LS1-306,1EW,4WW1-341,6AW,9GW1-292,AAW1-196						
	BD-730160	Kit	9.250S	3.500S	P	15	
	S/N: 7LS307-UP,1EW,4WW342-UP,6AW,9GW293-UP,AXC,AXN						
	S/N: AAW197-UP						
S/N: 9GW1-292,AXC,AXN,AAW1-196		BD-630304	Kit	8.250S	3.250S	P	15
Steering	BD-647381	Kit	3.500S	2.000S	P	15	
980 WHEEL LOADER							
Loader S/N: 42H1-UP Ripper S/N: 79G1-UP							
Lift	BD-539138	Kit	6.500S	3.000S	P	5	
	S/N: 42H1-642 5J9471 Adapter required						
	BD-536138	Kit	6.500S	3.000S	I	5	
	S/N: 42H1-642 5J9471 Adapter required						
	BD-521138	Kit	6.500S	3.000S	P	5	
	S/N: 42H643-1164						
	BD-521139	Kit	6.500S	3.000S	P	5	
	S/N: 42H1165-1424						
	BD-521139	Kit	6.500S	3.000S	P	5	
	S/N: 42H1-1424 Field replacement						
	BD-521234	Kit	6.500S	3.000S	P	22	
	S/N: 42H1-1424 Field replacement						
	BD-521144	Kit	7.250S	3.000S	P	5	
	S/N: 42H1-1424 Logging arrangement						
	BD-521145	Kit	7.250S	3.000S	P	5	
S/N: 42H1425-UP							

CATERPILLAR® (REFERENCED BY BULLDOG® PART NUMBERS)

Application	Part Number	Description	Bore	Rod	Wiper	Type
980 WHEEL LOADER						
(continued)						
Tilt	BD-533126	Kit	5.500S	2.500S	P	5
	S/N: 42H1-588	RH Side Only, 5J9409 Adapter required				
	BD-513126	Kit	5.500S	2.500S	P	5
	S/N: 42H589-UP	RH Side Only				
	BD-533126	Kit	5.500S	2.500S	P	5
	S/N: 42H1-593	LH Side Only, 5J9409 Adapter required				
Steering	BD-535115	Kit	4.500S	2.250S	P	5
	S/N: 42H1-637	RH Side Only, 5J8222 Adapter required				
	BD-508115	Kit	4.500S	2.250S	P	5
	S/N: 42H638-UP	RH Side Only				
	BD-535115	Kit	4.500S	2.250S	P	5
	S/N: 42H1-666	LH Side Only, 5J8222 Adapter required				
Fork	BD-510126	Kit	5.500S	2.250S	P	4
	S/N: 42H1-862					
	BD-508120	Kit	5.000S	2.250S	P	5
	S/N: 42H1-862					
	BD-508120	Kit	5.000S	2.250S	P	5
	S/N: 42H863-UP					
Ripper	BD-515126	Kit	5.500S	2.500S	P	4
	BD-513126	Kit	5.500S	2.500S	P	5
980B WHEEL LOADER						
Loader S/N: 89P1-UP						
Ripper S/N: 79G242-UP						
Lift	BD-521145	Kit	7.250S	3.000S	P	5
	S/N: 89P1-4783					
	BD-521145	Kit	7.250S	3.000S	P	5
	S/N: 89P4784-UP					
	BD-521235	Kit	7.250S	3.000S	P	22
	S/N: 89P4784-UP					
Tilt	BD-513126	Kit	5.500S	2.500S	P	5
Steering	BD-508115	Kit	4.500S	2.250S	P	5
Fork	BD-508120	Kit	5.000S	2.250S	P	5
Ripper	BD-515126	Kit	5.500S	2.500S	P	4
	BD-513126	Kit	5.500S	2.500S	P	5

Application	Part Number	Description	Bore	Rod	Wiper	Type
980C,980F WHEEL LOADER						
Loader S/N: 13B300-UP,63X1-UP,2XD1-UP,5XJ1-UP,8CJ1-UP 3HK1-UP,4RN1-UP,8JN1-UP						
Lift	BD-529272	Kit	7.500S	3.500S	P	8
	S/N: 13B300-732,63X					
	BD-631272	Kit	7.500S	3.500S	P	15
S/N: 13B733-UP,63X6575-UP,2XD,5XJ,8CJ,3HK,4RN,8JN						
Tilt	BD-517270	Kit	6.250S	2.750S	P	22
	S/N: 13B300-732,63X					
	BD-633270	Kit	6.250S	2.750S	P	23
	S/N: 13B733-UP,63X6575-UP,2XD,5XJ,8CJ,3HK,4RN,8JN					
	BD-521270	Kit	6.250S	3.000S	P	22
	S/N: 13B733-UP,63X,2XD High Lift arrangement					
	BD-692270	Kit	6.250S	3.000S	P	23
	S/N: 13B733-UP,63X6575-UP,2XD,5XJ,8CJ,3HK,4RN,8JN High Lift arrangement					
	BD-517271	Kit	7.000S	2.750S	P	8
	S/N: 13B300-UP,63X1-8241 Logging arrangement					
BD-657271	Kit	7.000S	2.750S	P	15	
S/N: 13B733-UP,63X6575-UP,2XD,5XJ,8CJ,3HK,4RN,8JN Logging arrangement						
Steering	BD-508116	Kit	4.500S	2.250S	P	5
	S/N: 13B300-732,63X1-7035					
	BD-662116	Kit	4.500S	2.250S	P	15
	S/N: 13B733-UP,63X7036-UP,2XD,5XJ,8CJ1-872,3HK1-916					
BD-662391	Kit	4.500S	2.250S	P	15	
S/N: 8CJ873-UP,3HK917-UP,4RN,8JN						
980G WHEEL LOADER						
Loader S/N: 9CM1-UP,2KR1-UP,2SR1-UP,AWH1-UP						
Lift	BD-631197	Kit	7.750S	3.500S	P	15
	BD-631197F	Kit	7.750S	3.500S	P	7
S/N: 9CM,2KR,AWH Use with Fire Retardant Fluids						
Tilt	BD-633270	Kit	6.250S	2.750S	P	23
	BD-633270F	Kit	6.250S	2.750S	P	7
	S/N: 9CM,2KR,AWH Use with Fire Retardant Fluids					
	BD-692270	Kit	6.250S	3.000S	P	23
	S/N: High Lift arrangement					
BD-629442	Kit	7.000S	3.000S	P	15	
S/N: Logging or Block Handling arrangements						
Fork	BD-662122	Kit	5.000S	2.250S	P	15
S/N: 2KR,AWH Logging arrangement						
Steering	BD-662409	Kit	4.000S	2.250S	P	15
	BD-662409F	Kit	4.000S	2.250S	P	7
	S/N: 9CM,2KR,AWH Use with Fire Retardant Fluids					

CATERPILLAR® (REFERENCED BY BULLDOG® PART NUMBERS)

Application	Part Number	Description	Bore	Rod	Wiper	Type	
980G WHEEL LOADER							
(continued)							
Steering (cont)	BD-628477	Kit	4.500S	2.500S	P	15	
S/N:	9CM Compactor arrangement						
980H WHEEL LOADER							
Loader S/N: A8J1-UP,JMS1-UP,MHG1-UP							
Lift	BD-631197	Kit	7.750S	3.500S	P	15	
Tilt	BD-633270	Kit	6.250S	2.750S	P	23	
	BD-692270	Kit	6.250S	3.000S	P	23	
	High Lift arrangement						
	BD-629442	Kit	7.000S	3.000S	P	15	
Logging or Block Handling arrangement							
Steering	BD-662409	Kit	4.000S	2.250S	P	15	
988 WHEEL LOADER							
Loader S/N: 87A1-UP Ripper S/N: 79G1-UP							
Lift	BD-527144	Kit	7.250S	3.250S	P	4	
	BD-527153	Kit	8.250S	3.250S	P	4	
	S/N:	87A1-971					
	BD-528153	Kit	8.250S	3.250S	I	4	
	S/N:	87A972-1965					
	BD-527153	Kit	8.250S	3.250S	P	4	
	S/N:	87A972-1965 Field replacement					
	BD-527153	Kit	8.250S	3.250S	P	4	
	S/N:	87A1966-3454					
	BD-525153	Kit	8.250S	3.250S	P	5	
	S/N:	87A3455-3463					
	BD-527153	Kit	8.250S	3.250S	P	4	
	S/N:	87A3464-3473					
	BD-525153	Kit	8.250S	3.250S	P	5	
	S/N:	87A3474-4470					
	BD-525154	Kit	8.250S	3.250S	P	5	
	S/N:	87A4471-4586					
	BD-525153	Kit	8.250S	3.250S	P	5	
	S/N:	87A4487-4590					
	BD-525154	Kit	8.250S	3.250S	P	5	
	S/N:	87A4591-8040					
	BD-525188	Kit	8.250S	3.250S	P	8	
	S/N:	87A8041-8042					
	BD-525154	Kit	8.250S	3.250S	P	5	
	S/N:	87A8043-8063					
	BD-525188	Kit	8.250S	3.250S	P	8	
	S/N:	87A8064-UP					
Tilt	BD-516138	Kit	6.500S	2.500S	P	4	
	S/N:	87A1-2057,87A2059-2059					
	BD-516135	Kit	6.500S	2.500S	P	4	
	S/N:	87A2058-2058,87A2060-2823					
	BD-513135	Kit	6.500S	2.500S	P	5	
S/N:	87A2824-4470						

Application	Part Number	Description	Bore	Rod	Wiper	Type
988 WHEEL LOADER (continued)						
Tilt (cont)	BD-517135	Kit	6.500S	2.750S	P	5
	S/N: 87A4471-4586					
	BD-513135	Kit	6.500S	2.500S	P	5
	S/N: 87A4587-4590					
S/N: 87A4591-UP	BD-517135	Kit	6.500S	2.750S	P	5
	S/N: 87A4591-UP					
Steering	BD-510120	Kit	5.000S	2.250S	P	4
	S/N: 87A1-1501					
	BD-511120	Kit	5.000S	2.250S	I	4
	S/N: 87A1502-1920					
	BD-510120	Kit	5.000S	2.250S	P	4
	S/N: 87A1502-1920					
	Field replacement					
	BD-510120	Kit	5.000S	2.250S	P	4
S/N: 87A1921-3951						
S/N: 87A3952-UP	BD-508120	Kit	5.000S	2.250S	P	5
	S/N: 87A3952-UP					
Fork	BD-510126	Kit	5.500S	2.250S	P	4
Ripper	BD-515126	Kit	5.500S	2.500S	P	4
	BD-513126	Kit	5.500S	2.500S	P	5
988B,988F WHEEL LOADER						
Loader S/N: 50W1-UP,8YG1-UP,2ZR1-UP						
Lift	BD-545193	Kit	8.500S	4.000S	P	8
	S/N: 50W1-6964					
	BD-545193H	Kit	8.500S	4.000S	P	8
	S/N: 50W1-6964					
	High temperature application					
	BD-634193	Kit	8.500S	4.000S	P	15
	S/N: 50W6965-UP,8YG,2ZR					
	1/8 C/S O-Ring used					
	BD-634452	Kit	8.500S	4.000S	P	15
	S/N: 50W6965-UP,8YG,2ZR					
	3/16 C/S O-Ring used					
	BD-634193H	Kit	8.500S	4.000S	P	15
S/N: 50W6965-UP,8YG,2ZR						
High temperature application						
BD-634452H	Kit	8.500S	4.000S	P	15	
S/N: 50W6965-UP,8YG,2ZR						
High temperature application						
Tilt	BD-525197	Kit	7.750S	3.250S	P	8
	S/N: 50W					
	BD-525197H	Kit	7.750S	3.250S	P	8
	S/N: 50W					
	High temperature application					
	BD-658197	Kit	7.750S	3.250S	P	15
	S/N: 50W6041-UP,8YG,2ZR					
	BD-658197H	Kit	7.750S	3.250S	P	15
S/N: 50W6041-UP,8YG,2ZR						
High temperature application						

CATERPILLAR® (REFERENCED BY BULLDOG® PART NUMBERS)

Application	Part Number	Description	Bore	Rod	Wiper	Type
988B,988F WHEEL LOADER						
(continued)						
Tilt (cont)	BD-529197	Kit	7.750S	3.500S	P	8
	S/N: 50W6041-UP	High Lift arrangement				
	BD-631197	Kit	7.750S	3.500S	P	15
	S/N: 50W6041-UP,8YG,2ZR	High Lift arrangement				
	BD-529193	Kit	8.500S	3.500S	P	8
	S/N: 50W	Logging arrangement				
	BD-631193	Kit	8.500S	3.500S	P	15
S/N: 50W6041-UP,8YG,2ZR	Logging or Block Handling arrangements					
Steering	BD-508120	Kit	5.000S	2.250S	P	5
	S/N: 50W1-8038					
	BD-508120H	Kit	5.000S	2.250S	P	5
	S/N: 50W1-8038	High temperature application				
	BD-662120	Kit	5.000S	2.250S	P	15
	S/N: 50W8039-UP	Use with 7J5525 Piston				
	BD-662120H	Kit	5.000S	2.250S	P	15
	S/N: 50W8039-UP	High temperature application Use with 7J5525 Piston				
	BD-662122	Kit	5.000S	2.250S	P	15
	S/N: 50W8039-UP,8YG,2ZR	Use with 9T8563 Piston				
BD-662122H	Kit	5.000S	2.250S	P	15	
S/N: 50W8039-UP,8YG,2ZR	High temperature application Use with 9T8563 Piston					
Accumulator	BD-990000	Kit	5.000S		N	0
	S/N: 50W	Use with 9J9318 Piston				
	BD-990006	Kit	5.000S		N	0
S/N: 50W6041-UP	Use with 9T1440 Piston					
988G WHEEL LOADER						
Loader S/N: 2TW1-UP						
Lift	BD-639840	Kit	220.00M	5.000S	P	23
Tilt	BD-740840	Kit	220.00M	4.500S	P	23
Steering	BD-628409	Kit	4.000S	2.500S	P	15

Application	Part Number	Description	Bore	Rod	Wiper	Type	
990 WHEEL LOADER							
Loader S/N: 7HK1-UP,4FR1-UP							
Lift	BD-727449	Kit	9.250S	6.000S	P	15	
Tilt	BD-674258	Kit	11.500S	5.750S	P	23	
Steering	BD-666450	Kit	5.500S	3.250S	P	15	
992,992B WHEEL LOADER							
Loader S/N: 25K1-UP							
Lift	BD-543189	Kit	10.500S	6.500S	P	5	
	S/N: 25K1-383						
	BD-543189	Kit	10.500S	6.500S	P	5	
	S/N: 25K384-401						
	BD-543190	Kit	10.500S	6.500S	P	22	
	S/N: 25K384-401						
	BD-543190	Kit	10.500S	6.500S	P	22	
	S/N: 25K402-896						
	Use with 7J9064, 8J0176 or 8J6123 Piston						
	BD-543194	Kit	10.500S	6.500S	P	22	
S/N: 25K402-896							
Use with 8J5979 Piston							
BD-543194	Kit	10.500S	6.500S	P	22		
S/N: 25K897-UP							
Tilt	BD-529191	Kit	8.500S	3.500S	P	5	
	S/N: 25K1-430						
	BD-529192	Kit	8.500S	3.500S	P	5	
	S/N: 25K431-763						
	BD-529192	Kit	8.500S	3.500S	P	5	
	S/N: 25K764-896						
	Use with 7J8063 Piston						
	BD-529193	Kit	8.500S	3.500S	P	8	
	S/N: 25K764-896						
	Use with 8J6343 Piston						
BD-529193	Kit	8.500S	3.500S	P	8		
S/N: 25K897-UP							
Steering	BD-513125	Kit	5.500S	2.500S	P	5	
992C,992D WHEEL LOADER							
Loader S/N: 42X1-UP,49Z1-UP,7MJ1-UP							
Lift	BD-570258	Kit	11.500S	7.000S	P	22	
	S/N: 42X,49Z						
	BD-570258H	Kit	11.500S	7.000S	P	22	
	S/N: 42X,49Z						
	High temperature application						
	BD-570385	Kit	11.500S	7.000S	P	22	
	S/N: 42X,49Z						
	BD-636258	Kit	11.500S	7.000S	P	23	
	BD-636258H	Kit	11.500S	7.000S	P	23	
	High temperature application						
BD-636385	Kit	11.500S	7.000S	P	23		

CATERPILLAR® (REFERENCED BY BULLDOG® PART NUMBERS)

Application	Part Number	Description	Bore	Rod	Wiper	Type	
992C,992D WHEEL LOADER							
(continued)							
Tilt	BD-545259	Kit	10.000S	4.000S	P	8	
	S/N: 42X,49Z						
	BD-545259H	Kit	10.000S	4.000S	P	8	
	S/N: 42X,49Z						
			High temperature application				
	BD-545386	Kit	10.000S	4.000S	P	22	
	S/N: 42X,49Z						
	BD-635259	Kit	10.000S	4.000S	P	15	
	BD-635259H	Kit	10.000S	4.000S	P	15	
			High temperature application				
	BD-635386	Kit	10.000S	4.000S	P	23	
Steering	BD-525257	Kit	7.000S	3.250S	P	8	
	S/N: 42X,49Z						
	BD-525257H	Kit	7.000S	3.250S	P	8	
	S/N: 42X,49Z						
			High temperature application				
	BD-630257	Kit	7.000S	3.250S	P	15	
	S/N: 42X,49Z						
			Use with 9J5424 Piston				
	BD-630257H	Kit	7.000S	3.250S	P	15	
	S/N: 42X,49Z						
			High temperature application, Use with 9J5424 Piston				
	BD-630393	Kit	7.000S	3.250S	P	15	
	S/N: 49Z,7MJ						
		Use with 6E1440 Piston					
BD-630393H	Kit	7.000S	3.250S	P	15		
S/N: 49Z,7MJ							
		High temperature application, Use with 6E1440 Piston					
992G WHEEL LOADER							
Loader S/N: 7HR1-UP,ADZ1-UP							
Steering	BD-666450	Kit	5.500S	3.250S	P	15	
994,994D WHEEL LOADER							
Loader S/N: 9YF1-UP,3TZ1-UP							
Tilt	BD-698411	Kit	10.500S	5.500S	P	23	
Steering	BD-671413	Kit	7.750S	4.250S	P	15	
	S/N: 9YF						
			Use with 6E0525 Head				
	BD-671425	Kit	7.750S	4.250S	P	15	
		Use with 1269414 Head					

Application	Part Number	Description	Bore	Rod	Wiper	Type
931 CRAWLER LOADER						
Loader S/N: 10N1-UP,78U1-UP Ripper S/N: 84U1-UP Backhoe S/N: 87U1-UP,88U1-UP						
Lift	BD-505106	Kit	4.000S	2.000S	P	5
Tilt	BD-504101	Kit	3.000S	1.750S	P	5
Multi-Purpose Bucket	BD-500103	Kit	3.500S	1.500S	P	5
	S/N: 78U					
Ripper	BD-505106	Kit	4.000S	2.000S	P	5
Track Adjuster	BD-904405	Kit			N	0
Backhoe Stabilizer	BD-505106	Kit	4.000S	2.000S	P	5
	Fixed Pivot Backhoe only					
	BD-500103	Kit	3.500S	1.500S	P	5
	Sideshift Backhoe only					
Backhoe Boom	BD-508118	Kit	4.500S	2.250S	P	5
Backhoe Bucket	BD-508103	Kit	3.500S	2.250S	P	5
Backhoe Stick	BD-505106	Kit	4.000S	2.000S	P	5
931B,931C CRAWLER LOADER						
Loader S/N: 25Y1-UP,26Y1-UP,29Y1-UP,30Y1-UP,4SC1-UP,6EC1-UP 6RF1-UP,7HF1-UP,8AF1-UP,5LG1-UP,9AG1-UP,2BJ1-UP 6AJ1-UP,2AK1-UP Ripper S/N: 84U1-UP Backhoe S/N: 68H1-UP,87U1-UP,88U1-UP,32W1-UP						
Lift	BD-505106	Kit	4.000S	2.000S	P	5
	S/N: 25Y1-1862,26Y1-501,29Y1-1649,30Y1-448,4SC,6EC					
	S/N: 6RF,7HF,8AF,5LG,2BJ					
	BD-647106	Kit	4.000S	2.000S	P	15
	S/N: 25Y1-1862,26Y1-501,29Y1-1649,30Y1-448,4SC,6EC					
	S/N: 6RF,7HF,8AF,5LG,9AG,2BJ,6AJ,2AK					
	Use with 9T3964 or 9T9258 Head					
	BD-647409	Kit	4.000S	2.000S	P	15
	S/N: 25Y1863-UP,26Y502-UP,29Y1650-UP,30Y449-UP,4SC					
	S/N: 6EC,6RF,7HF,8AF,5LG,2BJ,6AJ,2AK					
	Use with 6E0775 or 9T3134 Head					
Tilt	BD-504101	Kit	3.000S	1.750S	P	5
	S/N: 25Y1-1427,26Y1-419,29Y1-1095,30Y1-389					
	BD-504181	Kit	3.250S	1.750S	P	5
	S/N: 25Y1428-UP,26Y420-UP,29Y1096-UP,30Y390-UP,4SC					
	S/N: 6EC,6RF,7HF,8AF,5LG,2BJ,9AG,6AJ,2AK					
Multi-Purpose Bucket	BD-500103	Kit	3.500S	1.500S	P	5
Ripper	BD-505106	Kit	4.000S	2.000S	P	5
	BD-647106	Kit	4.000S	2.000S	P	15
Track Adjuster	BD-904405	Kit			N	0
Backhoe Stabilizer	BD-505106	Kit	4.000S	2.000S	P	5
	Fixed Pivot Backhoe only					
	BD-647106	Kit	4.000S	2.000S	P	15
	Fixed Pivot Backhoe only					
	BD-500103	Kit	3.500S	1.500S	P	5
	Sideshift Backhoe only					

CATERPILLAR® (REFERENCED BY BULLDOG® PART NUMBERS)

Application	Part Number	Description	Bore	Rod	Wiper	Type	
931B,931C CRAWLER LOADER (continued)							
Backhoe Boom	BD-508118	Kit	4.500S	2.250S	P	5	
Backhoe Bucket	BD-508103	Kit	3.500S	2.250S	P	5	
	BD-684103	Kit	3.500S	2.250S	P	15	
Backhoe Stick	BD-505106	Kit	4.000S	2.000S	P	5	
	BD-647106	Kit	4.000S	2.000S	P	15	
933,933C (J) CRAWLER LOADER							
Loader S/N: 8FL1-UP,9EL1-UP,4MS1-UP,5JS1-UP Ripper S/N: 84U3560-UP,21G1-UP							
Lift	BD-647409	Kit	4.000S	2.000S	P	15	
Tilt	BD-637381	Kit	3.500S	1.750S	P	15	
Multi-Purpose Bucket	BD-500103	Kit	3.500S	1.500S	P	5	
	S/N: 8FL						
	BD-647409	Kit	4.000S	2.000S	P	15	
	S/N: 4MS						
Ripper	BD-647106	Kit	4.000S	2.000S	P	15	
Track Adjuster	BD-904405	Kit			N	0	
933C,933E,933F,933G CRAWLER LOADER							
Loader S/N: 11A1-UP,25A558-UP,42A1-UP Ripper S/N: 59D1-UP Bulldozer S/N: 41D1-UP							
Lift	BD-507166	Kit	5.000S	2.000S	P	1	
	S/N: 11A,42A1-3121						
	BD-507123	Kit	5.000S	2.000S	P	4	
	S/N: 25A,42A3122-UP						
Tilt	BD-507266	Kit	4.500S	2.000S	P	1	
	S/N: 11A,42A1-3032						
	BD-507115	Kit	4.500S	2.000S	P	4	
	S/N: 25A,42A3033-UP						
Multi-Purpose Bucket	BD-507118	Kit	4.500S	2.000S	P	4	
	S/N: 25A,42A						
Side Dump	BD-507104	Kit	4.000S	2.000S	P	4	
Top Clamp	BD-507104	Kit	4.000S	2.000S	P	4	
Ripper	BD-507266	Kit	4.500S	2.000S	P	1	
	BD-507115	Kit	4.500S	2.000S	P	4	
Track Adjuster	BD-904400	Kit			N	0	
935B,935C CRAWLER LOADER							
Loader S/N: 3DF1-UP,8CF1-UP,5DJ1-UP Ripper S/N: 84U1-UP Backhoe S/N: 68H1-UP,32W1-UP							
Lift	BD-505106	Kit	4.000S	2.000S	P	5	
	S/N: 3DF						
	BD-647106	Kit	4.000S	2.000S	P	15	
	Use with 9T3964 or 9T9258 Head						
	BD-647409	Kit	4.000S	2.000S	P	15	
	Use with 6E0775 or 9T3134 Head						
Tilt	BD-504181	Kit	3.250S	1.750S	P	5	
Multi-Purpose Bucket	BD-500103	Kit	3.500S	1.500S	P	5	

Application	Part Number	Description	Bore	Rod	Wiper	Type
935B,935C CRAWLER LOADER						
(continued)						
Ripper	BD-505106	Kit	4.000S	2.000S	P	5
	BD-647106	Kit	4.000S	2.000S	P	15
Track Adjuster	BD-904405	Kit			N	0
Backhoe Stabilizer	BD-505106	Kit	4.000S	2.000S	P	5
	Fixed Pivot Backhoe only					
	BD-647106	Kit	4.000S	2.000S	P	15
	Fixed Pivot Backhoe only					
	BD-500103	Kit	3.500S	1.500S	P	5
	Sideshift Backhoe only					
Backhoe Boom	BD-508118	Kit	4.500S	2.250S	P	5
Backhoe Bucket	BD-508103	Kit	3.500S	2.250S	P	5
	BD-684103	Kit	3.500S	2.250S	P	15
Backhoe Stick	BD-505106	Kit	4.000S	2.000S	P	5
	BD-647106	Kit	4.000S	2.000S	P	15
939 CRAWLER LOADER						
Loader S/N: 9GL1-UP Ripper S/N: 84U3560-UP						
Lift	BD-647409	Kit	4.000S	2.000S	P	15
Tilt	BD-647409	Kit	4.000S	2.000S	P	15
Multi-Purpose Bucket	BD-500103	Kit	3.500S	1.500S	P	5
Ripper	BD-647106	Kit	4.000S	2.000S	P	15
Track Adjuster	BD-904406	Kit			N	0
939C CRAWLER LOADER						
Loader S/N: 6DS1-UP Ripper S/N: 21G1-UP						
Lift	BD-628391	Kit	4.500S	2.500S	P	15
Tilt	BD-647409	Kit	4.000S	2.000S	P	15
Multi-Purpose Bucket	BD-647409	Kit	4.000S	2.000S	P	15
Ripper	BD-647106	Kit	4.000S	2.000S	P	15
Track Adjuster	BD-904406	Kit			N	0
941,941B CRAWLER LOADER						
Loader S/N: 70H1-UP,80H1-UP,16U1-UP Ripper S/N: 44F1-UP,85G1-UP						
Lift	BD-508104	Kit	4.000S	2.250S	P	5
Tilt	BD-512104	Kit	4.000S	2.375S	P	5
Multi-Purpose Bucket	BD-505106	Kit	4.000S	2.000S	P	5
Side Dump	BD-505105	Kit	4.000S	2.000S	P	5
	2 Piston seals					
	BD-505104	Kit	4.000S	2.000S	P	5
1 Piston seal						
Ripper	BD-513125	Kit	5.500S	2.500S	P	5
Track Adjuster	BD-904400	Kit			N	0

CATERPILLAR® (REFERENCED BY BULLDOG® PART NUMBERS)

Application	Part Number	Description	Bore	Rod	Wiper	Type	
943 CRAWLER LOADER							
Loader S/N: 03Y1-UP,31Y1-UP,04Z1-UP,19Z1-UP Ripper S/N: 63Y1-UP,73Y1-UP							
Lift	BD-508106	Kit	4.000S	2.250S	P	5	
	BD-662106	Kit	4.000S	2.250S	P	15	
Tilt	BD-513163	Kit	4.750S	2.500S	P	5	
	BD-663163	Kit	4.750S	2.500S	P	15	
Multi-Purpose Bucket	BD-505106	Kit	4.000S	2.000S	P	5	
	BD-647106	Kit	4.000S	2.000S	P	15	
Ripper	BD-505106	Kit	4.000S	2.000S	P	5	
	BD-647106	Kit	4.000S	2.000S	P	15	
951 CRAWLER LOADER							
Loader S/N: 89A1-UP,63K1-UP Ripper S/N: 85G1-UP							
Lift	BD-515126	Kit	5.500S	2.500S	P	4	
Tilt	BD-507123	Kit	5.000S	2.000S	P	4	
Multi-Purpose Bucket	BD-507118	Kit	4.500S	2.000S	P	4	
Side Dump	BD-507115	Kit	4.500S	2.000S	P	4	
Top Clamp	BD-507166	Kit	5.000S	2.000S	P	1	
	S/N: 89A	BD-507123	Kit	5.000S	2.000S	P	4
	S/N: 89A						
Ripper	BD-507168	Kit	5.500S	2.000S	P	1	
Track Adjuster	BD-904400	Kit			N	0	
951B,951C CRAWLER LOADER							
Loader S/N: 32F1197-UP,69H1-UP,79H1-UP,86J1-UP Ripper S/N: 58D1-UP,44F1-UP,85G1-UP							
Lift	BD-508108	Kit	4.250S	2.250S	P	5	
Tilt	BD-512112	Kit	4.250S	2.375S	P	5	
Multi-Purpose Bucket	BD-505106	Kit	4.000S	2.000S	P	5	
Side Dump	BD-507115	Kit	4.500S	2.000S	P	4	
	S/N: 69H1-1868						
		BD-505105	Kit	4.000S	2.000S	P	5
	S/N: 69H1-1868						
		2 Piston seals					
		BD-505104	Kit	4.000S	2.000S	P	5
	S/N: 69H1-1868						
		1 Piston seal					
Ripper	S/N: 69H1869-UP,86J1-2597						
		2 Piston seals					
		BD-505104	Kit	4.000S	2.000S	P	5
	S/N: 69H1869-UP,86J1-2597						
	1 Piston seal						
Ripper	BD-513125	Kit	5.500S	2.500S	P	5	
Track Adjuster	BD-904400	Kit			N	0	

Application	Part Number	Description	Bore	Rod	Wiper	Type
953,953B CRAWLER LOADER						
Loader S/N: 76Y1-UP,77Y1-UP,78Y1-UP,05Z1-UP,20Z1-UP,44Z1-UP 5MK1-UP Ripper S/N: 96H1-UP,63Y1-UP,73Y1-UP,8TH1-UP						
Lift	BD-513163	Kit	4.750S	2.500S	P	5
	S/N:	76Y,77Y,78Y1-1111,05Z,20Z1-1529,44Z1-622				
	BD-642163	Kit	4.750S	2.500S	P	15
	S/N:	78Y1112-UP,20Z1530-UP,44Z623-UP				
	BD-642397	Kit	4.750S	2.500S	P	15
	S/N:	5MK				
Tilt	BD-521303	Kit	5.500S	3.000S	P	8
	S/N:	76Y,77Y,78Y1-1190,05Z,20Z1-926,44Z1-734				
	BD-685396	Kit	5.500S	3.000S	P	15
S/N:	78Y1191-UP,20Z927-UP,44Z735-UP,5MK					
Multi-Purpose Bucket	BD-505106	Kit	4.000S	2.000S	P	5
	S/N:	76Y,77Y,78Y1-1190,05Z,20Z				
	BD-647106	Kit	4.000S	2.000S	P	15
S/N:	78Y1191-UP,20Z267-UP,5MK					
Side Dump	BD-505106	Kit	4.000S	2.000S	P	5
	S/N:	76Y,78Y849-1190				
	BD-647106	Kit	4.000S	2.000S	P	15
S/N:	78Y1191-UP					
Ripper	BD-505106	Kit	4.000S	2.000S	P	5
	S/N:	76Y,77Y,78Y1-1190,05Z,20Z,44Z1-734				
	BD-647106	Kit	4.000S	2.000S	P	15
S/N:	78Y1191-UP,20Z267-UP,44Z735-UP,5MK					
953C CRAWLER LOADER						
Loader S/N: 2ZN1-UP Ripper S/N: 8TH1-UP,7LP1-UP						
Lift	BD-628397	Kit	4.750S	2.500S	P	15
Tilt	BD-685474	Kit	5.500S	3.000S	P	15
Multi-Purpose Bucket	BD-647106	Kit	4.000S	2.000S	P	15
Ripper	BD-647106	Kit	4.000S	2.000S	P	15
955C,955E CRAWLER LOADER						
Loader S/N: 12A1-UP Ripper S/N: 58D1-UP,87H1-UP						
Lift	BD-515165	Kit	5.500S	2.500S	P	1
	BD-515126	Kit	5.500S	2.500S	P	4
	Field replacement					
Tilt	BD-507166	Kit	5.000S	2.000S	P	1
Side Dump	BD-507266	Kit	4.500S	2.000S	P	1
	BD-507115	Kit	4.500S	2.000S	P	4
Top Clamp	BD-507166	Kit	5.000S	2.000S	P	1
	BD-507123	Kit	5.000S	2.000S	P	4
	BD-507104	Kit	4.000S	2.000S	P	4
Fork	BD-507266	Kit	4.500S	2.000S	P	1
Ripper	BD-507168	Kit	5.500S	2.000S	P	1
Track Adjuster	BD-904400	Kit			N	0

CATERPILLAR® (REFERENCED BY BULLDOG® PART NUMBERS)

Application	Part Number	Description	Bore	Rod	Wiper	Type
955F,955H CRAWLER LOADER						
Loader S/N: 45A1-UP,60A1-UP,72A1-UP,77A1-UP Ripper S/N: 58D1-UP,85G1-UP,87H1-UP						
Lift	BD-515165	Kit	5.500S	2.500S	P	1
	S/N: 45A,60A1-5592,72A1-364,77A1-132					
	BD-515126	Kit	5.500S	2.500S	P	4
	S/N: 45A,60A1-5592,72A1-364,77A1-132	Field replacement				
	S/N: 45A,60A5593-UP,72A365-UP,77A133-UP	BD-515126	Kit	5.500S	2.500S	P
Tilt	BD-507166	Kit	5.000S	2.000S	P	1
	S/N: 45A1-752,60A1-5834,72A1-366,77A1-144					
	S/N: 45A753-UP,60A5835-UP,72A367-UP,77A145-UP	BD-507123	Kit	5.000S	2.000S	P
Multi-Purpose Bucket	BD-507118	Kit	4.500S	2.000S	P	4
Side Dump	BD-507266	Kit	4.500S	2.000S	P	1
	BD-507115	Kit	4.500S	2.000S	P	4
Top Clamp	BD-507166	Kit	5.000S	2.000S	P	1
	BD-507123	Kit	5.000S	2.000S	P	4
	BD-507104	Kit	4.000S	2.000S	P	4
Fork	BD-507266	Kit	4.500S	2.000S	P	1
	BD-507115	Kit	4.500S	2.000S	P	4
Ripper	BD-507168	Kit	5.500S	2.000S	P	1
	BD-513125	Kit	5.500S	2.500S	P	5
Track Adjuster	BD-904400	Kit			N	0
955K CRAWLER LOADER						
Loader S/N: 48H1-UP,53H1-UP,61H1-UP,57J1-UP Ripper S/N: 58D1-UP,44F1-UP,65H1-UP,87H1-UP						
Lift	BD-533126	Kit	5.500S	2.500S	P	5
	S/N: 48H1-1275,48H1277-1647,48H1649-1665,61H1-1249	5J9409 Adapter required				
	BD-513126	Kit	5.500S	2.500S	P	5
	S/N: 48H1276-1276,48H1648-1648,48H1666-UP,53H,61H1250-UP					
	S/N: 57J1-350	BD-513127	Kit	5.500S	2.500S	P
S/N: 57J351-UP						
Tilt	BD-533123	Kit	5.000S	2.500S	P	5
	S/N: 48H1-1734,53H,61H1-1391	5J9409 Adapter required				
	S/N: 48H1735-UP,61H1392-UP,57J	BD-513123	Kit	5.000S	2.500S	P
Multi-Purpose Bucket	BD-506118	Kit	4.500S	2.000S	P	4
Side Dump	BD-506116	Kit	4.500S	2.000S	P	4
Top Clamp	BD-506116	Kit	4.500S	2.000S	P	4
Ripper	BD-533126	Kit	5.500S	2.500S	P	5
	5J9409 Adapter required					
	BD-513126	Kit	5.500S	2.500S	P	5
Track Adjuster	BD-904400	Kit			N	0

Application	Part Number	Description	Bore	Rod	Wiper	Type
955K,955L CRAWLER LOADER						
Loader S/N: 64J1-UP,71J1-UP,85J1-UP Ripper S/N: 58D1-UP,44F1-UP,65H1-UP,87H1-UP						
Lift	BD-513126	Kit	5.500S	2.500S	P	5
	S/N: 64J1-807,71J1-836,85J1-1565,85J1571-1634					
	BD-513127	Kit	5.500S	2.500S	P	5
S/N: 64J808-UP,71J837-UP,85J1566-1570,85J1635-UP						
Tilt	BD-513123	Kit	5.000S	2.500S	P	5
	S/N: 64J1-10839,71J1-6145,85J1-11392					
	BD-513123	Kit	5.000S	2.500S	P	5
	S/N: 64J10840-10958 Use with 5J6202 Piston					
	BD-513120	Kit	5.000S	2.500S	P	5
	S/N: 64J10840-10958 Use with 3G3263 Piston					
S/N: 64J10959-UP,71J6146-UP,85J11393-UP						
Multi-Purpose Bucket	BD-506118	Kit	4.500S	2.000S	P	4
Side Dump	BD-506116	Kit	4.500S	2.000S	P	4
Top Clamp	BD-506116	Kit	4.500S	2.000S	P	4
Ripper	BD-533126	Kit	5.500S	2.500S	P	5
	5J9409 Adapter required					
	BD-513126	Kit	5.500S	2.500S	P	5
Track Adjuster	BD-904400	Kit			N	0
	S/N: 64J1-9257,71J1-5831,85J1-10059,85J10061-10066					
	S/N: 85J10068-10128					
	BD-903400	Kit			N	0
S/N: 64J9258-UP,71J5832-UP,85J10060-10060,85J10067-10067						
S/N: 85J10129-UP						
955L CRAWLER LOADER						
Loader S/N: 57M1-UP,13X1-UP,08Y1-UP Ripper S/N: 58D1-UP,65H1-UP,87H1-UP						
Lift	BD-513127	Kit	5.500S	2.500S	P	5
	S/N: 57M,13X1-2979,08Y					
	BD-513125	Kit	5.500S	2.500S	P	5
S/N: 13X2980-UP						
Tilt	BD-513120	Kit	5.000S	2.500S	P	5
Multi-Purpose Bucket	BD-506118	Kit	4.500S	2.000S	P	4
Side Dump	BD-506116	Kit	4.500S	2.000S	P	4
Ripper	BD-513126	Kit	5.500S	2.500S	P	5
Track Adjuster	BD-903400	Kit			N	0

CATERPILLAR® (REFERENCED BY BULLDOG® PART NUMBERS)

Application	Part Number	Description	Bore	Rod	Wiper	Type
963 CRAWLER LOADER						
Loader S/N: 29S1-UP,06Z1-UP,11Z1-UP,18Z1-UP,21Z1-UP,48Z1-UP Ripper S/N: 27V1-UP,36Y1-UP,43Y1-UP						
Lift	BD-517125	Kit	5.500S	2.750S	P	5
	S/N: 29S1-1210,06Z,11Z,18Z,21Z1-4500,48Z1-231					
	BD-693125	Kit	5.500S	2.750S	P	15
	S/N: 29S1211-UP,48Z232-277					
	BD-686125	Kit	5.500S	2.750S	P	15
	S/N: 18Z,21Z1-4500,48Z278-UP					
Tilt	BD-561319	Kit	6.500S	3.750S	P	22
	S/N: 29S1-1212,06Z,11Z,18Z,21Z,48Z1-244					
	BD-687319	Kit	6.500S	3.750S	P	23
	S/N: 29S1213-UP,21Z,48Z245-UP Use with 9T6866 Head					
	BD-687256	Kit	6.500S	3.750S	P	23
	S/N: 21Z Use with 6E5528 Head					
Multi-Purpose Bucket	BD-506118	Kit	4.500S	2.000S	P	4
	S/N: 29S,06Z,11Z,18Z,21Z,48Z1-277					
	BD-647118	Kit	4.500S	2.000S	P	15
S/N: 21Z,48Z278-UP						
Ripper	BD-508118	Kit	4.500S	2.250S	P	5
	S/N: 29S,06Z,11Z,18Z,21Z,48Z1-277					
	BD-662118	Kit	4.500S	2.250S	P	15
S/N: 21Z,48Z278-UP						
Track Adjuster	BD-903400	Kit			N	0
	S/N: 29S1-1210,06Z,11Z,18Z1-1751,21Z1-654,48Z1-231					
	BD-903401	Kit			N	0
S/N: 29S1211-UP,18Z1752-UP,21Z655-3441,48Z232-UP						
963B,963C CRAWLER LOADER						
Loader S/N: 9BL1-UP,2DS1-UP Ripper S/N: 9JH1-UP,7RP1-UP						
Lift	BD-693475	Kit	5.500S	2.750S	P	15
Tilt	BD-687256	Kit	6.500S	3.750S	P	23
Multi-Purpose Bucket	BD-647118	Kit	4.500S	2.000S	P	15
Ripper	BD-662118	Kit	4.500S	2.250S	P	15

Application	Part Number	Description	Bore	Rod	Wiper	Type
973 CRAWLER LOADER						
Loader S/N: 66G1-UP,86G1-UP,90L1-UP,91L1-UP,26Z1-UP,32Z1-UP Ripper S/N: 11B1-UP,27S1-UP,7TA1-UP						
Lift	BD-525319	Kit	6.500S	3.250S	P	22
	S/N:	66G,86G1-2999,90L,91L1-182,26Z,32Z				
	BD-676319	Kit	6.500S	3.250S	P	23
	S/N:	86G1-2999,91L183-UP Use with 9T6540 Head				
	BD-676256	Kit	6.500S	3.250S	P	23
	S/N:	86G Use with 6E5526 Head				
	BD-525319F	Kit	6.500S	3.250S	P	7
	S/N:	86G319-2999,32Z Use with Fire Retardant Fluids and 9J5531 Head				
	BD-676256F	Kit	6.500S	3.250S	P	7
S/N:	86G3000-UP Use with Fire Retardant Fluids and 6E5526 Head					
Tilt	BD-525305	Kit	5.500S	3.250S	P	5
	S/N:	66G,86G1-2999,90L,91L1-182,26Z,32Z				
	BD-669305	Kit	5.500S	3.250S	P	15
	S/N:	86G,91L183-UP				
	CT-8T1426	Kit	5.500S	3.250S	P	7
	S/N:	66G,86G319-2999,32Z Use with Fire Retardant Fluids and 1U3485 Head				
	BD-525305F	Kit	5.500S	3.250S	P	7
	S/N:	32Z Use with Fire Retardant Fluids and 3G5997 Head				
	BD-669305F	Kit	5.500S	3.250S	P	7
S/N:	86G319-UP Use with Fire Retardant Fluids and 9T6539 Head					
Multi-Purpose Bucket	BD-506122	Kit	5.000S	2.000S	P	4
	S/N:	66G,86G319-2999,90L,32Z				
	BD-689122	Kit	5.000S	2.000S	P	15
S/N:	86G319-UP					
Ripper	BD-513120	Kit	5.000S	2.500S	P	5
	S/N:	66G,86G1-2999,90L,91L1-182,26Z,32Z				
	BD-642120	Kit	5.000S	2.500S	P	15
S/N:	86G,91L183-UP					
Track Adjuster	BD-903400	Kit			N	0
	S/N:	66G1-942,66G944-994,66G996-999,66G1001-1012,66G1014-1018				
	S/N:	66G1020-1033,66G1035-1037,66G1039-1042,86G1-263				
	S/N:	86G265-284,86G286-292,86G294-294,90L,91L1-182				
	S/N:	26Z,32Z				
	BD-903401	Kit			N	0
S/N:	66G943-943,66G995-995,66G1000-1000,66G1013-1013					
S/N:	66G1019-1019,66G1034-1034,66G1038-1038,66G1043-UP					
S/N:	86G264-264,86G285-285,86G293-293,86G295-1086,91L183-UP					

CATERPILLAR® (REFERENCED BY BULLDOG® PART NUMBERS)

Application	Part Number	Description	Bore	Rod	Wiper	Type
973C CRAWLER LOADER						
Loader S/N: 3RZ1-UP Ripper S/N: 7XP1-UP						
Lift	BD-676256	Kit	6.500S	3.250S	P	23
Tilt	BD-669305	Kit	5.500S	3.250S	P	15
Multi-Purpose Bucket	BD-689122	Kit	5.000S	2.000S	P	15
Ripper	BD-642120	Kit	5.000S	2.500S	P	15
977D,977E CRAWLER LOADER						
Loader S/N: 20A1-UP Ripper S/N: 57D1-UP,77H1-UP						
Lift	BD-515138	Kit	6.500S	2.500S	P	4
Tilt	BD-510168	Kit	5.500S	2.250S	P	1
Side Dump	BD-510168	Kit	5.500S	2.250S	P	1
	BD-510126	Kit	5.500S	2.250S	P	4
Field replacement						
Top Clamp	BD-507266	Kit	4.500S	2.000S	P	1
	BD-507115	Kit	4.500S	2.000S	P	4
	BD-510168	Kit	5.500S	2.250S	P	1
Fork	BD-507166	Kit	5.000S	2.000S	P	1
	BD-507266	Kit	4.500S	2.000S	P	1
	BD-507115	Kit	4.500S	2.000S	P	4
Ripper	BD-515144	Kit	7.250S	2.500S	P	4
	BD-513144	Kit	7.250S	2.500S	P	5
Track Adjuster	BD-903400	Kit			N	0
S/N: 20A2509-UP						
977H CRAWLER LOADER						
Loader S/N: 53A1-UP Ripper S/N: 57D1-UP,66E1-UP,84G1-UP,77H1-UP,29K1-UP						
Lift	BD-515138	Kit	6.500S	2.500S	P	4
	S/N: 53A3269-UP					
	BD-515144	Kit	7.250S	2.500S	P	4
	S/N: 53A3000-UP Optional design for increased lifting capacity Steel Mill application					
	BD-513144	Kit	7.250S	2.500S	P	5
S/N: 53A3000-UP Optional design for increased lifting capacity Steel Mill application						
Tilt	BD-510168	Kit	5.500S	2.250S	P	1
	S/N: 53A1-3066,53A3068-3078,53A3080-3080					
	BD-510126	Kit	5.500S	2.250S	P	4
S/N: 53A3067-3067,53A3079-3079,53A3081-UP						
Multi-Purpose Bucket	BD-510168	Kit	5.500S	2.250S	P	1
	BD-510126	Kit	5.500S	2.250S	P	4
Side Dump	BD-507166	Kit	5.000S	2.000S	P	1
	BD-507123	Kit	5.000S	2.000S	P	4
Top Clamp	BD-507266	Kit	4.500S	2.000S	P	1

Application	Part Number	Description	Bore	Rod	Wiper	Type
977H CRAWLER LOADER (continued)						
Top Clamp (cont)	BD-507104	Kit	4.000S	2.000S	P	4
	BD-510168	Kit	5.500S	2.250S	P	1
	BD-510126	Kit	5.500S	2.250S	P	4
Fork	BD-507166	Kit	5.000S	2.000S	P	1
	BD-507123	Kit	5.000S	2.000S	P	4
	BD-507266	Kit	4.500S	2.000S	P	1
Ripper	BD-507115	Kit	4.500S	2.000S	P	4
	BD-515144	Kit	7.250S	2.500S	P	4
Track Adjuster	BD-513144	Kit	7.250S	2.500S	P	5
	BD-903400	Kit			N	0
977K CRAWLER LOADER						
Loader S/N: 46H1-UP Ripper S/N: 57D1-UP,84G1-UP,77H1-UP,29K1-UP						
Lift	BD-517138	Kit	6.500S	2.750S	P	5
	BD-518138	Kit	6.500S	2.750S	I	5
	BD-519138F	Kit	6.500S	2.750S	P	7
	Use with Fire Retardant Fluids and 5J5369 Piston					
	BD-519139F	Kit	6.500S	2.750S	P	7
Use with Fire Retardant Fluids and 7J1932 Piston						
Tilt	BD-538130	Kit	6.000S	2.750S	P	5
	5J8222 Adapter required					
	BD-534130	Kit	6.000S	2.750S	I	5
	5J8222 Adapter required					
	BD-519130F	Kit	6.000S	2.750S	P	7
Use with Fire Retardant Fluids						
Demolition	BD-513126	Kit	5.500S	2.500S	P	5
Multi-Purpose Bucket	BD-506122	Kit	5.000S	2.000S	P	4
Side Dump	BD-510120	Kit	5.000S	2.250S	P	4
Top Clamp	BD-508120	Kit	5.000S	2.250S	P	5
Ripper	BD-514138	Kit	6.500S	2.500S	P	4
	BD-513138	Kit	6.500S	2.500S	P	5
	2 Piston seals					
	BD-513137	Kit	6.500S	2.500S	P	5
	1 Piston seal					
Track Adjuster	BD-903400	Kit			N	0
977K,977L CRAWLER LOADER						
Loader S/N: 48J1-UP,11K1-UP Ripper S/N: 57D1-UP,84G1-UP,77H1-UP,29K1-UP						
Lift	BD-517139	Kit	6.500S	2.750S	P	5
	S/N: 48J1-1992					
	BD-517234	Kit	6.500S	2.750S	P	22
	S/N: 48J1993-UP					
	BD-517138	Kit	6.500S	2.750S	P	5
	S/N: 11K1-1792 RH Side Only					
	BD-518138	Kit	6.500S	2.750S	I	5
	S/N: 11K1-1792 RH Side Only					

CATERPILLAR® (REFERENCED BY BULLDOG® PART NUMBERS)

Application	Part Number	Description	Bore	Rod	Wiper	Type
977K,977L CRAWLER LOADER (continued)						
Lift (cont)	BD-517139	Kit	6.500S	2.750S	P	5
	S/N: 11K1793-3686 RH Side Only					
	BD-517138	Kit	6.500S	2.750S	P	5
	S/N: 11K1-1776 LH Side Only					
	BD-518138	Kit	6.500S	2.750S	I	5
	S/N: 11K1-1776 LH Side Only					
	BD-517139	Kit	6.500S	2.750S	P	5
	S/N: 11K1777-3686 LH Side Only					
	BD-517139	Kit	6.500S	2.750S	P	5
	S/N: 11K3687-5050					
	BD-517139	Kit	6.500S	2.750S	P	5
	S/N: 11K5051-7752 RH Side Only					
	BD-517234	Kit	6.500S	2.750S	P	22
	S/N: 11K7753-UP RH Side Only					
	BD-517139	Kit	6.500S	2.750S	P	5
	S/N: 11K5051-7760 LH Side Only					
	BD-517234	Kit	6.500S	2.750S	P	22
	S/N: 11K7761-UP LH Side Only					
	BD-519138F	Kit	6.500S	2.750S	P	7
	S/N: 11K1-3918 Use with Fire Retardant Fluids and 5J5369 Piston					
	BD-519139F	Kit	6.500S	2.750S	P	7
	S/N: 48J1-2010,11K1-3918 Use with Fire Retardant Fluids and 7J1932 Piston					
	BD-519139F	Kit	6.500S	2.750S	P	7
S/N: 48J2011-UP,11K3919-UP Use with Fire Retardant Fluids and 7J1932 Piston						
BD-519234F	Kit	6.500S	2.750S	P	7	
S/N: 48J2011-UP,11K3919-UP Use with Fire Retardant Fluids and 9J9805 Piston						
Tilt	BD-517130	Kit	6.000S	2.750S	P	5
	S/N: 48J1-1786					
	BD-517131	Kit	6.000S	2.750S	P	5
	S/N: 48J1787-UP					
	BD-517130	Kit	6.000S	2.750S	P	5
	S/N: 11K1-5353					
	BD-517130	Kit	6.000S	2.750S	P	5
	S/N: 11K5354-7762 Use with 5J5056 Piston					
	BD-517131	Kit	6.000S	2.750S	P	5
	S/N: 11K5354-7762 Use with 9J8054 Piston					
BD-517131	Kit	6.000S	2.750S	P	5	
S/N: 11K7763-UP						

Application	Part Number	Description	Bore	Rod	Wiper	Type
977K,977L CRAWLER LOADER (continued)						
Tilt (cont)	BD-519130F	Kit	6.000S	2.750S	P	7
	S/N: 48J1-1280,11K1-5050	Use with Fire Retardant Fluids				
	BD-519130F	Kit	6.000S	2.750S	P	7
	S/N: 11K5051-7762	Use with Fire Retardant Fluids and 5J5056 Piston				
	BD-519131F	Kit	6.000S	2.750S	P	7
	S/N: 11K5051-7762	Use with Fire Retardant Fluids and 9J8054 Piston				
S/N: 48J1281-UP,11K7763-UP	Use with Fire Retardant Fluids					
Demolition	BD-513126	Kit	5.500S	2.500S	P	5
Multi-Purpose Bucket	BD-506122	Kit	5.000S	2.000S	P	4
Side Dump	BD-510120	Kit	5.000S	2.250S	P	4
Top Clamp	BD-508120	Kit	5.000S	2.250S	P	5
Ripper	BD-514138	Kit	6.500S	2.500S	P	4
	BD-513138	Kit	6.500S	2.500S	P	5
	2 Piston seals					
	BD-513137	Kit	6.500S	2.500S	P	5
1 Piston seal						
Track Adjuster	BD-903400	Kit			N	0
977L CRAWLER LOADER						
Loader S/N: 14X1-UP,64X1-UP,95X1-UP Ripper S/N: 57D1-UP,84G1-UP,77H1-UP,29K1-UP						
Lift	BD-517234	Kit	6.500S	2.750S	P	22
	BD-519139F	Kit	6.500S	2.750S	P	7
	S/N: 64X	Use with Fire Retardant Fluids and 7J1932 Piston				
	BD-519234F	Kit	6.500S	2.750S	P	7
S/N: 14X,64X	Use with Fire Retardant Fluids and 9J9805 Piston					
Tilt	BD-517131	Kit	6.000S	2.750S	P	5
	BD-519131F	Kit	6.000S	2.750S	P	7
S/N: 14X,64X	Use with Fire Retardant Fluids					
Multi-Purpose Bucket	BD-506122	Kit	5.000S	2.000S	P	4
Side Dump	BD-510120	Kit	5.000S	2.250S	P	4
Ripper	BD-513138	Kit	6.500S	2.500S	P	5
	S/N: 14X	Ripper S/N: 57D,77H, 2 Piston seals				
	BD-513137	Kit	6.500S	2.500S	P	5
	S/N: 14X	Ripper S/N: 57D,77H, 1 Piston seal				
	BD-514138	Kit	6.500S	2.500S	P	4
	S/N: 64X	Ripper S/N: 84G,29K				
	BD-513138	Kit	6.500S	2.500S	P	5
S/N: 64X	Ripper S/N: 84G,29K					

CATERPILLAR® (REFERENCED BY BULLDOG® PART NUMBERS)

Application	Part Number	Description	Bore	Rod	Wiper	Type
977L CRAWLER LOADER (continued)						
Track Adjuster	BD-903400	Kit			N	0
983 CRAWLER LOADER						
Loader S/N: 38K1-UP Ripper S/N: 70M1-UP						
Lift	BD-525153	Kit	8.250S	3.250S	P	5
S/N:	38K1-577 RH Side Only					
	BD-525154	Kit	8.250S	3.250S	P	5
S/N:	38K578-764 RH Side Only					
	BD-529154	Kit	8.250S	3.500S	P	5
S/N:	38K578-764 RH Side Only					
	BD-525153	Kit	8.250S	3.250S	P	5
S/N:	38K1-567 LH Side Only					
	BD-525154	Kit	8.250S	3.250S	P	5
S/N:	38K568-764 LH Side Only					
	BD-529154	Kit	8.250S	3.500S	P	5
S/N:	38K568-764 LH Side Only					
	BD-529154	Kit	8.250S	3.500S	P	5
S/N:	38K765-UP					
	BD-525153F	Kit	8.250S	3.250S	P	7
S/N:	38K1-764 Use with Fire Retardant Fluids and 4J7306 Piston					
	BD-525154F	Kit	8.250S	3.250S	P	7
S/N:	38K1-764 Use with Fire Retardant Fluids and 8J0178 Piston					
	BD-529154F	Kit	8.250S	3.500S	P	7
S/N:	38K1-764 Use with Fire Retardant Fluids					
	BD-529154F	Kit	8.250S	3.500S	P	7
S/N:	38K765-UP Use with Fire Retardant Fluids					
Tilt	BD-529145	Kit	7.250S	3.500S	P	5
S/N:	38K1-1385					
	BD-529235	Kit	7.250S	3.500S	P	22
S/N:	38K1-1385					
	BD-529235	Kit	7.250S	3.500S	P	22
S/N:	38K1386-UP					
	BD-529145F	Kit	7.250S	3.500S	P	7
	Use with Fire Retardant Fluids and 7J3551 Piston					
	BD-529235F	Kit	7.250S	3.500S	P	7
	Use with Fire Retardant Fluids and 9J9807 Piston					
Demolition	BD-513129	Kit	6.000S	2.500S	P	5
	BD-513278	Kit	6.000S	2.500S	P	22
S/N:	38K765-UP					
Ripper	BD-525145	Kit	7.250S	3.250S	P	5
Track Adjuster	BD-902400	Kit			N	0

Application	Part Number	Description	Bore	Rod	Wiper	Type
983B CRAWLER LOADER						
Loader S/N: 58X1-UP Ripper S/N: 70M1-UP						
Lift	BD-529154	Kit	8.250S	3.500S	P	5
	BD-529154F	Kit	8.250S	3.500S	P	7
	Use with Fire Retardant Fluids					
Tilt	BD-529235	Kit	7.250S	3.500S	P	22
	BD-529235F	Kit	7.250S	3.500S	P	7
	Use with Fire Retardant Fluids					
Ripper	BD-525145	Kit	7.250S	3.250S	P	5
Track Adjuster	BD-902400	Kit			N	0
TH62,TH63,TH82,TH83 TELEHANDLER						
Telehandler S/N: 4TM4014-UP,5WM1-UP,3JN1-UP,3KN1-UP,3NN1-UP 3RN1-UP						
Multi-Purpose Bucket	BD-625368	Kit	3.000S	1.500S	P	15

NORTH AMERICA
PHONE 800.854.0275
FAX 813.559.8698



WORLDWIDE
PHONE 813.559.8650
FAX 813.559.8698

Machine Model	Page
Crawler Tractors (Dozers)	
D3, D3B, D3C	239
D3G	240
D3K	240
D4B,D4C (J)	240
D4C	241
D4D	241
D4E	241
D4G	242
D4H	242
D4K	242
D5	243
D5B	243
D5C	244
D5E	244
D5G	244
D5H	244
D5K	245
D5M	246
D5N	246
D6	246
D6B	247
D6C	247
D6D	248
D6E,D6F,D6G,D6G2	249
D6H	249
D6K	250
D6M,D6N	250
D6R	251
D6T	252
D7,D7C,D7D	252
D7E	253
D7F,D7G,D7G2	253
D7H	254
D7R	254
D8,D8D,D8E,D8F,D8G	255
D8H	256
D8K	258
D8L	258
D8N	259
D8R	260
D8T	260

Machine Model	Page
Crawler Tractors (Dozers)	
D9D,D9E	261
D9G	261
Dual D9G	263
D9H	263
D9L	264
D9N	264
D9R	264
D9T	265
D10	265
D10N,D10R	266
D10T	266
D11N,D11R	267
D11T	268
Agricultural Tractors	
Challenger 65,65B, 65C,65D,65E,70C,75,75C, 75D,75E,85C,85D,85E,95E	268
Motor Graders	
12	268
12E	268
12F	269
12G	270
12H	271
12K	271
12M	272
14B,14C,14D	272
14E	272
14G	273
14H	274
14M	274
16	275
16G	275
16H	277
16M	277
24H	278
24M	278
112,112E,112F	278
120,120B	279
120G	279
120H	280

Machine Model	Page	Machine Model	Page
Motor Graders		Excavators	
120K	280	307C,307C SB	297
120M	280	307D	298
130G	281	308C CR	298
135H	282	308D	298
140,140B	282	311	299
140G	282	311B	299
140H	283	311CU	300
140K	284	311D LRR	300
140M	284	312	300
143H	284	312B	301
160G	285	312C	302
160H	286	312D	303
160K	286	313B CR	303
160M	286	314C CR,314C LCR	304
163H	287	314D CR, 314D LCR	304
		315	304
		315B	305
Excavators		315C	306
215,215B	287	315D	306
215C,215D,219,219D	288	317	307
FB221 Feller Buncher	288	317B	307
225	288	318B	308
225B,225B LC	289	318C	308
225D,225D LC	290	319C	309
227 Logger	290	319D	309
229	291	320	310
229D	291	320B	311
LL229 Log Loader	291	320C	313
231D,231D LC	291	320D	316
235	291	321B,321C LCR	318
235B,235C	292	321D LCR	318
235D	293	322	319
245	293	322B	320
245B	295	322C	321
245D	295	323D	324
303	296	324D	326
303.5C CR	296	324E	328
303C CR	296	325	328
304C CR	296	325B	329
305C CR	296	325C	331
307	296	325D	333
307B	297		

Machine Model	Page	Machine Model	Page
Excavators		Excavators	
326D	337	M325B	369
328D LCR	337	M325C	369
329D	338	M325D	370
329E	340	M330D	370
330	341	TK1051 Feller Buncher	370
330B,W330B	341	5080	371
330C	343	5090B	372
330D	345	5110,5110B	372
336D	347	5130	372
336E	349	5130B	373
340D	349	5230	373
345B, W345B	350		
345C, W345C	352	Backhoe Loaders	
345D	354	414E	374
349D	355	416,416II,416B	374
349E	356	416C	375
350	356	416D	376
365B	357	416E	377
365C	359	416F	378
374D	360	420D	378
375	360	424D	378
385B	361	426,426B	379
385C	362	426C	380
390D	363	428,428B	381
E70,E70B	363	428C	382
E110,E110B	363	428D	383
E120,E120B	364	430D	383
E180,EL180	364	432D	383
E200B,EL200B	364	436,436B	384
E240,EL240,E240B,EL240B,E240C,EL240C	365	436C	385
E300,EL300,E300B,EL300B	365	438,438B	386
E450	365	438C	387
M312	365	438D	388
M313C, M313D	366	442D	388
M315	366	446,446B	388
M315C, M315D	367		
M316C, M316D	367	Skidders	
M318	367	508	389
M318C, M318D	368	FB508 Feller Buncher	389
M320	368	515	389
M322C, M322D	368	517	389

Machine Model	Page	Machine Model	Page
Skidders		Scrapers	
518,518C	390	623,623B	402
FB518 Feller Buncher	390	623E,623F	402
525,525B	391	623G	403
527	391	627	403
528,528B	391	627B	404
530B	391	627E,627F	405
535B	392	627G	405
539 Knuckle Boom Loader	392	630A,630B	406
545	392	631A,631B,631C	407
550 Tree Harvester	392	631D	408
554 Forwarder	392	631E	408
570 Tree Harvester	392	631G	409
574 Forwarder	393	632	409
580 Tree Harvester	393	633,633B,633C	410
D4H Track Skidder	393	633D	410
D5H Track Skidder	393	633E	411
		637,637B	411
		637D	412
Pipelayers		637E	412
561B,561C,561D	394	637G	413
571A,571F,571G	394	639D	413
572C,572D,572E,572F,572G	394	641,641B	413
578	394	650,650B	414
583H,583K	395	651,651B	415
583R	395	651E	417
589	395	657,657B	417
594,594H	395	657E	418
		660,660B	419
		666,666B	419
Scrapers			
DW21,DW21C,DW21D,DW21G	395	Trucks	
611	396	660	420
613,613B	396	725	420
613C	396	730	421
615,615C	397	735	421
J619	398	740	421
619C	398	768B,768C	421
J621	398	769,769B	422
621	399	769C,769D,771C,771D	422
621B	399	772,772B	423
621E,621F	400	773,773B,773D,775B,775D	423
621G	401		
621R,621S	401		

Machine Model	Page	Machine Model	Page
Trucks		Compactors and Wheel Dozers	
776,776B,776C,777,777B,777C	424	824G	437
776D,777D	424	825B	437
783B,784B,784C,785,785B,785C	425	825C	438
789,789B,789C	425	825G	438
793,793B,793C,793F	425	826B	438
797	426	826C	438
AD40,AE40	426	826G	438
D20D	426	834	439
D25C	426	834B	439
D25D	426	835	440
D30C	427	836	440
D30D	427	836G	440
D35C,D35CHP	428	844	440
D40D	428	854G	440
D44B	428	CP-643,CS-643,CP-653,CS-653	440
D250B	428		
D250D	429	Integrated Toolcarriers	
D250E	429	IT12,IT12B,IT12F	440
D300B	429	IT14B	441
D300D	430	IT14F	441
D300E	430	IT14G	441
D350C	430	IT18,IT18B	441
D350D	431	IT18F	442
D350E	431	IT24F	442
D400	432	IT28,IT28B	442
D400D	432	IT28F,IT28G	443
D400E	432	IT38F,IT38G	443
D550B	433	IT62G	443
Compactors and Wheel Dozers		Wheel Loaders	
814	433	902	443
814B	434	906	443
814F	434	908	443
815	434	910,G910	444
815B	435	910E,910F	444
815F	435	910G	444
816	435	914G	445
816B	435	916,G916	445
816F	436	918F	445
824,824B	436	920	445
824C	437	922A,922B	446

Machine Model	Page	Machine Model	Page
Wheel Loaders		Crawler Loaders	
924F	446	931	461
924G,924Gz	446	931B,931C	461
926,G926,926E	447	933,933C (J)	462
928F	447	933C,933E,933F,933G	462
928G	447	935B,935C	463
930	447	939	463
930R,930T	448	939C	463
936,G936,936E,936F	448	941,941B	464
938F,938G	448	943	464
944,944A	449	951	464
950	449	951B,951C	464
950 Tree Harvester	450	953,953B	465
950B,950E,950F	450	953C	465
950G	450	955C,955E	465
960F	451	955F,955H	466
962G	451	955K	466
966A	451	955K,955L	467
966B	452	955L	467
966C	452	963	468
966D,966E,966F	453	963B,963C	468
966G	454	973	468
966R	454	973C	469
970F	454	977D,977E	469
972G	454	977H	470
980	455	977K	470
980B	456	977K,977L	471
980C,980F	456	977L	472
980G	457	983	473
980H	457	983B	474
988	457		
988B,988F	459	Telehandlers	
988G	459	TH62,TH63,TH82,TH83	474
990	459		
992,992B	459		
992C,992D	460		
992G	460		
994,994D	460		

Application	Part Number	Description	Bore	Rod	Wiper	Type
D3,D3B,D3C TRACTOR						
Tractor S/N: 06N1-UP,79U1-UP,82U1-UP,83U1-UP,23Y1-UP,24Y1-UP 27Y1-UP,28Y1-UP,2PC1-UP,3YC1-UP,5MC1-UP,3RF1-UP 6PF1-UP,7JF1-UP,8BF1-UP,5KG1-UP,5ZG1-UP,7JG1-UP 8DG1-UP,1PJ1-UP,4HJ1-UP,5CJ1-UP,6SL1-UP,7XL1-UP 4KS1-UP,4TS1-UP,5GS1-UP,9TS1-UP Bulldozer S/N: 31M1-UP,85U1-UP,86U1-UP,40V1-UP,15W1-UP,96X1-UP 5LH1-UP,5WH1-UP,6EH1-UP,9RH1-UP,2JP1-UP,8HP1-UP 8JP1-UP,8KP1-UP,8XP1-UP Ripper S/N: 21G1-UP,84U1-UP Backhoe S/N: 87U1-UP,88U1-UP						
Dozer Lift	CT-2465914	Kit	3.500S	1.500S	P	22
	Dozer S/N: 31M,85U,86U,40V,15W,96X					
	CT-2465917	Kit	3.500S	1.500S	P	23
Dozer S/N: 85U8903-Up,96X,5WH,6EH,9RH,8HP,8JP,8KP,8XP						
Dozer Tilt	CT-2406899	Kit	4.000S	2.000S	P	5
	Dozer S/N: 31M,15W					
	CT-2339205	Kit	4.000S	2.000S	P	15
	Dozer S/N: 31M					
	CT-2465914	Kit	3.500S	1.500S	P	22
	Dozer S/N: 85U,86U,40V,96X					
	CT-2465917	Kit	3.500S	1.500S	P	23
Dozer S/N: 85U3210-Up,40V747-Up,96X,5WH,6EH,9RH,8HP,8JP,8KP,8XP						
Dozer Angling	CT-2465914	Kit	3.500S	1.500S	P	22
	Dozer S/N: 85U,86U,96X					
	CT-2465917	Kit	3.500S	1.500S	P	23
	Dozer S/N: 85U3210-Up,96X,5WH,6EH,9RH,8KP					
	CT-2465913	Kit	3.000S	1.500S	P	15
Dozer S/N: 8HP,8JP,8KP,8XP						
Ripper Lift	CT-2406899	Kit	4.000S	2.000S	P	5
	Ripper S/N: 84U					
	CT-2339205	Kit	4.000S	2.000S	P	15
Tool Bar	CT-2465910	Kit	4.000S	1.500S	P	5
	S/N: 2PC					
Track Adjuster	BD-904405	Kit			N	0
Backhoe Stabilizer	CT-2406899	Kit	4.000S	2.000S	P	5
	Fixed Pivot Backhoe					
	CT-2339205	Kit	4.000S	2.000S	P	15
	Fixed Pivot Backhoe					
	CT-2465914	Kit	3.500S	1.500S	P	22
Sideshift Backhoe						
Backhoe Boom	CT-2410897	Kit	4.500S	2.250S	P	5
Backhoe Bucket	CT-2410903	Kit	3.500S	2.250S	P	22
	CT-2418916	Kit	3.500S	2.250S	P	23
Backhoe Stick	CT-2406899	Kit	4.000S	2.000S	P	5
	CT-2339205	Kit	4.000S	2.000S	P	15

CATERPILLAR® (REFERENCED BY OEM PART NUMBERS)

Application	Part Number	Description	Bore	Rod	Wiper	Type
D3G TRACTOR						
Tractor S/N: BYR1-UP,CFC1-UP,CFF1-UP,JMH1-UP Ripper S/N: BHX1-UP						
Dozer Lift	CT-2465917	Kit	3.500S	1.500S	P	23
Dozer Tilt	CT-2465917	Kit	3.500S	1.500S	P	23
Dozer Angling	CT-2833454	Kit	2.750S	1.500S	P	15
Ripper Lift	CT-2465913	Kit	3.000S	1.500S	P	15
Track Adjuster	BD-904405	Kit			N	0
D3K TRACTOR						
Tractor S/N: FFF1-UP,JTD1-UP,LLL1-UP						
Dozer Lift	CT-2465917	Kit	3.500S	1.500S	P	23
Dozer Tilt	CT-2465917	Kit	3.500S	1.500S	P	23
Dozer Angling	BD-6251057	Kit	3.000S	1.500S	P	15
Ripper Lift	BD-6251057	Kit	3.000S	1.500S	P	15
Track Adjuster	BD-904411	Kit			N	0
D4B,D4C (J) TRACTOR						
Tractor S/N: 2XF1-UP,1SG1-UP,7KG1-UP,9BG1-UP,1RJ1-UP,2CJ1-UP 6YL1-UP,7SL1-UP,4LS1-UP,6BS1-UP,8CS1-UP,1FW1-UP Bulldozer S/N: 2YH1-UP,4GH1-UP,6CH1-UP,6DH1-UP,9SH1-UP,9TH1-UP 8LP1-UP,8MP1-UP,8YP1-UP Ripper S/N: 21G1-UP,84U1-UP Backhoe S/N: 68H1-UP,32W1-UP						
Dozer Lift	CT-2465914	Kit	3.500S	1.500S	P	22
	Dozer S/N: 2YH,4GH					
Dozer Lift	CT-2465917	Kit	3.500S	1.500S	P	23
	Dozer S/N: 2YH,4GH,9SH,9TH,8LP,8MP,8YP					
Dozer Tilt	CT-2465914	Kit	3.500S	1.500S	P	22
	Dozer S/N: 2YH,4GH					
Dozer Tilt	CT-2465917	Kit	3.500S	1.500S	P	23
	Dozer S/N: 2YH,4GH,9SH,9TH,8LP,8MP,8YP					
Dozer Angling	CT-2465914	Kit	3.500S	1.500S	P	22
	Dozer S/N: 2YH,4GH					
Dozer Angling	CT-2465917	Kit	3.500S	1.500S	P	23
	Dozer S/N: 2YH,4GH,9SH,9TH					
Dozer Angling	CT-2465913	Kit	3.000S	1.500S	P	15
	Dozer S/N: 8LP,8MP,8YP					
Ripper Lift	CT-2406899	Kit	4.000S	2.000S	P	5
	Ripper S/N: 84U					
Ripper Lift	CT-2339205	Kit	4.000S	2.000S	P	15
Track Adjuster	BD-904405	Kit			N	0
Backhoe Stabilizer	CT-2406899	Kit	4.000S	2.000S	P	5
	Fixed Pivot Backhoe					
Backhoe Stabilizer	CT-2339205	Kit	4.000S	2.000S	P	15
	Fixed Pivot Backhoe					
Backhoe Stabilizer	CT-2465914	Kit	3.500S	1.500S	P	22
	Sideshift Backhoe					
Backhoe Boom	CT-2410897	Kit	4.500S	2.250S	P	5

Application	Part Number	Description	Bore	Rod	Wiper	Type
D4B,D4C (J) TRACTOR (continued)						
Backhoe Bucket	CT-2410903	Kit	3.500S	2.250S	P	22
	CT-2418916	Kit	3.500S	2.250S	P	23
Backhoe Stick	CT-2406899	Kit	4.000S	2.000S	P	5
	CT-2339205	Kit	4.000S	2.000S	P	15
D4C TRACTOR						
Tractor S/N: 24A1-UP,39A1-UP,40A1-UP,54A1-UP,55A1-UP,69A1-UP Bulldozer S/N: 52E1-UP,67E1-UP,96E1-UP,97E1-UP,24F1-UP,25F1-UP 26F1-UP,27F1-UP,65F1-UP,67F1-UP Ripper S/N: 58D1-UP,44F1-UP						
Dozer Lift	CT-2410108	Kit	4.750S	2.000S	P	4
	BD-507105	Kit	4.000S	2.000S	P	4
	Single Lift Cylinder					
Ripper Lift	BD-507168	Kit	5.500S	2.000S	P	1
Track Adjuster	BD-904400	Kit			N	0
D4D TRACTOR						
Tractor S/N: 67A1-UP,78A1-UP,85A1-UP,86A1-UP,88A1-UP,91A1-UP 22C1-UP,97F1-UP,44H1-UP,47H1-UP,18J1-UP,20J1-UP 49J1-UP,58J1-UP,59J1-UP,60J1-UP,61J1-UP,65J1-UP 66J1-UP,82J1-UP,83J1-UP,84J1-UP,69K1-UP,07R1-UP 74U1-UP Bulldozer S/N: 93C1-UP,52E1-UP,67E1-UP,84E1-UP,96E1-UP,26F1-UP 27F1-UP,94G1-UP,95G1-UP,19J1-UP,45J1-UP,33R1-UP Ripper S/N: 58D1-UP,44F1-UP,85G1-UP						
Dozer Lift	CT-2408515	Kit	3.500S	2.000S	P	4
	CT-2386859	Kit	3.500S	2.000S	P	22
	Field replacement					
Dozer Tilt	CT-2410108	Kit	4.750S	2.000S	P	4
Ripper Lift	BD-507168	Kit	5.500S	2.000S	P	1
	CT-2430381	Kit	5.500S	2.500S	P	5
Track Adjuster	BD-904400	Kit			N	0
D4E TRACTOR						
Tractor S/N: 31C1-UP,34C1-UP,76W1-UP,77W1-UP,27X1-UP,28X1-UP 29X1-UP,50X1-UP,51X1-UP,52X1-UP,68X1-UP,69X1-UP 70X1-UP,71X1-UP,72X1-UP,2CB1-UP,7PB1-UP,2DJ1-UP Bulldozer S/N: 93C1-UP,52E1-UP,67E1-UP,84E1-UP,96E1-UP,94G1-UP 95G2469-UP,45J1-UP,33R1-UP,9KH1-UP Ripper S/N: 58D1-UP,85G1-UP,98G512-UP,91X1-UP						
Dozer Lift	CT-2408515	Kit	3.500S	2.000S	P	4
	CT-2386859	Kit	3.500S	2.000S	P	22
Dozer Tilt	CT-2410108	Kit	4.750S	2.000S	P	4
Ripper Lift	CT-2430381	Kit	5.500S	2.500S	P	5
	CT-2430386	Kit	5.000S	2.500S	P	22
	Ripper S/N: 91X					
	CT-2422542	Kit	5.000S	2.500S	P	23
Ripper S/N: 91X						

CATERPILLAR® (REFERENCED BY OEM PART NUMBERS)

Application	Part Number	Description	Bore	Rod	Wiper	Type
D4E TRACTOR (continued)						
Tool Bar	CT-2456815	Kit	4.000S	1.250S	P	4
	S/N: 27X918-UP,29X708-UP,68X767-UP,69X1425-UP,70X825-UP					
Track Adjuster	BD-904400	Kit			N	0
D4G TRACTOR						
Tractor S/N: CFN1-UP,FDC1-UP,HYD1-UP,TLX1-UP Ripper S/N: BHX1-UP						
Dozer Lift	CT-2465917	Kit	3.500S	1.500S	P	23
Dozer Tilt	CT-2465917	Kit	3.500S	1.500S	P	23
Dozer Angling	CT-2833454	Kit	2.750S	1.500S	P	15
Ripper Lift	CT-2465913	Kit	3.000S	1.500S	P	15
Track Adjuster	BD-904405	Kit			N	0
D4H TRACTOR						
Tractor S/N: 8PB1-UP,9DB1-UP,2AC1-UP,3AC1-UP,8PJ1-UP,9GJ1-UP 4NK1-UP Bulldozer S/N: 9ZB1-UP,2TC1-UP,4HC1-UP,5EC1-UP,6AC1-UP,5NH1-UP 5RH1-UP,5SH1-UP,5TH1-UP,6XH1-UP,7CH1-UP,7EH1-UP 7KH1-UP Ripper S/N: 3KC1-UP,6ZH1-UP						
Dozer Lift	CT-2410900	Kit	3.750S	2.250S	P	5
	Dozer S/N: 2TC,4HC,6AC,5SH,7KH					
	CT-2408523	Kit	4.250S	2.000S	P	15
Dozer S/N: 9ZB,5EC,5NH,5RH,5TH,6XH,7CH,7EH						
Dozer Tilt	CT-2384501	Kit	4.250S	2.000S	P	5
	Dozer S/N: 9ZB,5EC					
	CT-2409939	Kit	4.250S	2.000S	P	15
	Dozer S/N: 9ZB,5EC,5NH,5RH,5TH,6XH,7CH,7EH					
Dozer Angling	CT-2401661	Kit	3.500S	1.750S	P	22
	Dozer S/N: 9ZB,5EC					
	CT-2401881	Kit	3.500S	1.750S	P	23
Dozer S/N: 9ZB,5EC,5NH,5RH,5TH,6XH,7CH,7EH						
Ripper Lift	CT-2406899	Kit	4.000S	2.000S	P	5
	Ripper S/N: 3KC					
	CT-2339205	Kit	4.000S	2.000S	P	15
D4K TRACTOR						
Tractor S/N: MMM1-UP,RRR1-UP						
Dozer Lift	CT-2465917	Kit	3.500S	1.500S	P	23
Dozer Tilt	CT-2465917	Kit	3.500S	1.500S	P	23
Dozer Angling	BD-6251057	Kit	3.000S	1.500S	P	15
Ripper Lift	BD-6251057	Kit	3.000S	1.500S	P	15
Track Adjuster	BD-904411	Kit			N	0

Application	Part Number	Description	Bore	Rod	Wiper	Type
D5 TRACTOR						
Tractor S/N: 98A1-UP,51H1-UP,52H1-UP,81H1-UP,82H1-UP,83H1-UP 84H1-UP,21J1-UP,37J1-UP,50J1-UP,54J1-UP,62J1-UP 63J1-UP,67J1-UP,68J1-UP,93J1-UP,94J1-UP,95J1-UP 96J1-UP,97J1-UP,98J1-UP,06R1-UP,12R1-UP Bulldozer S/N: 90H1-UP,91H1-UP,92H1-UP,93H1-UP,97H1-UP,98H1-UP 10J1-UP,11J1-UP,12J1-UP,13J1-UP,16K1-UP,42K1-UP 19R1-UP Ripper S/N: 57D1-UP,66E1-UP,84G1-UP,12H1-UP						
Dozer Lift	CT-2422547	Kit	4.250S	2.500S	P	5
	S/N: 98A,51H,52H,81H,82H,83H,84H,37J,62J1-571,63J1-805					
	S/N: 67J,68J,93J1-653,94J1-1617,95J1-298,96J1-2654					
	S/N: 97J,06R,12R					
	Dozer S/N: 97H,98H,10J,11J,12J,13J,16K1-2596,42K,19R1-710					
	CT-2422543	Kit	4.000S	2.500S	P	5
	S/N: 50J,54J,62J572-UP,63J806-UP,67J,68J,93J654-UP					
	S/N: 94J1618-UP,95J299-UP,96J2655-UP,97J,06R,12R					
	Dozer S/N: 97H,98H,10J,11J,12J,13J,16K2597-Up,19R711-Up					
Dozer Tilt	BD-524135	Kit	6.500S	3.000S	I	4
	BD-523135	Kit	6.500S	3.000S	P	4
	CT-2442044	Kit	6.500S	3.000S	P	5
Ripper Lift	BD-515144	Kit	7.250S	2.500S	P	4
	S/N: 51H,52H,81H,82H,83H,84H,37J,50J,54J,62J1-571,63J1-805					
	S/N: 67J,93J1-660,94J1-1644,95J1-300,96J1-2684,97J					
	BD-513144	Kit	7.250S	2.500S	P	5
	S/N: 51H,52H,81H,82H,83H,84H,50J,54J,62J1-571,63J1-805					
	S/N: 93J1-660,94J1-1644,95J1-300,96J1-2684					
	2 Piston seals					
	CT-2422544	Kit	7.250S	2.500S	P	5
	S/N: 51H,52H,81H,82H,83H,84H,37J,50J,54J,62J572-UP					
	S/N: 63J806-UP,67J,93J661-UP,94J1645-UP,95J301-UP,96J2685-UP					
	S/N: 97J					
	1 Piston seal					
Tool Bar	CT-2465910	Kit	4.000S	1.500S	P	5
	S/N: 98J1134-UP					
Track Adjuster	BD-904400	Kit			N	0
D5B TRACTOR						
Tractor S/N: 22X1-UP,23X1-UP,24X1-UP,25X1-UP,26X1-UP,43X1-UP 44X1-UP,45X1-UP,46X1-UP,47X1-UP,48X1-UP,49X1-UP 21Y1-UP,8MB1-UP,5LD1-UP,8HD1-UP Bulldozer S/N: 90H1-UP,91H1-UP,92H1-UP,93H1-UP,97H1-UP,98H1-UP 12J366-UP,13J1212-UP,16K4587-UP,19R711-UP 89U1-UP,3ZH1-UP Ripper S/N: 57D1-UP,84G1-UP,12H1-UP,62S1-UP						
Dozer Lift	CT-2422543	Kit	4.000S	2.500S	P	5
	CT-2430391	Kit	4.000S	2.500S	P	15
Dozer Tilt	BD-523135	Kit	6.500S	3.000S	P	4
	CT-2442044	Kit	6.500S	3.000S	P	5
Ripper Lift	CT-2422544	Kit	7.250S	2.500S	P	5
	S/N: 22X,23X,24X,25X,43X,44X,47X,48X,5LD,8HD					

CATERPILLAR® (REFERENCED BY OEM PART NUMBERS)

Application	Part Number	Description	Bore	Rod	Wiper	Type
D5B TRACTOR (continued)						
Tool Bar	CT-2465910	Kit	4.000S	1.500S	P	5
	S/N: 26X,21Y					
Track Adjuster	BD-904400	Kit			N	0
D5C TRACTOR						
Tractor S/N: 6PJ1-UP,3MK1-UP,6ZL1-UP,9DL1-UP,5HS1-UP,6CS1-UP 7PS1-UP,8ZS1-UP Bulldozer S/N: 6MH1-UP,6PH1-UP,9WH1-UP,9XH1-UP,8GP1-UP,8NP1-UP 8ZP1-UP Ripper S/N: 21G1-UP,84U1-UP						
Dozer Lift	CT-2465917	Kit	3.500S	1.500S	P	23
Dozer Tilt	CT-2465917	Kit	3.500S	1.500S	P	23
Dozer Angling	CT-2465917	Kit	3.500S	1.500S	P	23
	Dozer S/N: 6MH,6PH,9WH,9XH					
	CT-2465913	Kit	3.000S	1.500S	P	15
	Dozer S/N: 8GP,8NP,8ZP					
Ripper Lift	CT-2339205	Kit	4.000S	2.000S	P	15
Track Adjuster	BD-904406	Kit			N	0
D5E TRACTOR						
Tractor S/N: 9RG1-UP Bulldozer S/N: 6RH1-UP Ripper S/N: 62S1-UP						
Dozer Lift	CT-2430391	Kit	4.000S	2.500S	P	15
Ripper Lift	CT-2422544	Kit	7.250S	2.500S	P	5
	CT-2435799	Kit	7.250S	2.500S	P	15
Track Adjuster	BD-904400	Kit			N	0
D5G TRACTOR						
Tractor S/N: FDH1-UP,FDW1-UP,RKG1-UP,WGB1-UP Ripper S/N: BHX1-UP						
Dozer Lift	CT-2465917	Kit	3.500S	1.500S	P	23
Dozer Tilt	CT-2465917	Kit	3.500S	1.500S	P	23
Dozer Angling	CT-2833454	Kit	2.750S	1.500S	P	15
Ripper Lift	CT-2465913	Kit	3.000S	1.500S	P	15
Track Adjuster	BD-904406	Kit			N	0
D5H TRACTOR						
Tractor S/N: 7NC1-UP,8RC1-UP,8SC1-UP,9HC1-UP,1DD1-UP,1YD1-UP 2SD1-UP,3MD1-UP,4KD1-UP,8RJ1-UP Bulldozer S/N: 1YH1-UP,1ZH1-UP,2AH1-UP,2BH1-UP,2MH1-UP,2SH1-UP 2TH1-UP,3AH1-UP,3KH1-UP,4AH1-UP,4FH1-UP,4ZH1-UP 5XH1-UP,5YH1-UP,6FH1-UP,6SH1-UP,6TH1-UP,6WH1-UP 7AH1-UP,7BH1-UP,7DH1-UP,7ZH1-UP,2SP1-UP Ripper S/N: 2DH1-UP,3HH1-UP,6YH1-UP						
Dozer Lift	CT-2410900	Kit	3.750S	2.250S	P	5
	Dozer S/N: 1ZH,2BH,2TH,3AH,3KH,4FH,5YH,6FH					
	CT-2350969	Kit	3.750S	2.250S	P	15
	Dozer S/N: 2BH,4FH,5YH,6FH,6WH,7BH,2SP					
	CT-2410897	Kit	4.500S	2.250S	P	5
	Dozer S/N: 1YH,2AH,2MH,2SH,4AH,6SH,6TH					

Application	Part Number	Description	Bore	Rod	Wiper	Type
D5H TRACTOR (continued)						
Dozer Lift (cont)	CT-2417584	Kit	4.500S	2.250S	P	15
	Dozer S/N: 1YH,2AH,4ZH,5XH,6SH,6TH,7AH,7DH,7ZH Use with 9T9257 Head					
	BD-662391	Kit	4.500S	2.250S	P	15
	CT-2417585	Kit	4.500S	2.250S	P	23
	Dozer S/N: 1YH,6SH,6TH,7AH,7ZH Use with 6E3570 Head					
Dozer Tilt	CT-2410902	Kit	4.750S	2.250S	P	22
	Dozer S/N: 1YH,2AH,2MH,2SH,4AH,4ZH,5XH,7DH					
	CT-2417580	Kit	4.750S	2.250S	P	23
	Dozer S/N: 1YH,2AH,4ZH,5XH,6SH,6TH,7AH,7DH,7ZH					
	CT-2430386	Kit	5.000S	2.500S	P	22
	Dozer S/N: 1ZH,2BH,3KH,4FH,5YH					
	CT-2430387	Kit	5.000S	2.500S	P	23
	Dozer S/N: 1ZH,2BH,3KH,4FH,5YH,6FH,6WH					
	CT-2440980	Kit	6.500S	3.000S	P	15
	S/N: 8RJ Dozer S/N: 7BH					
Dozer Angling	CT-2406899	Kit	4.000S	2.000S	P	5
	Dozer S/N: 1YH,2AH,2MH,2SH,4ZH,5XH,7DH					
	CT-2339205	Kit	4.000S	2.000S	P	15
Ripper Lift	CT-2406899	Kit	4.000S	2.000S	P	5
	Ripper S/N: 2DH,3HH					
	CT-2339205	Kit	4.000S	2.000S	P	15
	Ripper S/N: 2DH,3HH					
	CT-2422542	Kit	5.000S	2.500S	P	23
Ripper S/N: 6YH						
D5K TRACTOR						
Tractor S/N: JLF1-UP,WWW1-UP,YYY1-UP						
Dozer Lift	CT-2465917	Kit	3.500S	1.500S	P	23
Dozer Tilt	CT-2465917	Kit	3.500S	1.500S	P	23
Dozer Angling	BD-6251057	Kit	3.000S	1.500S	P	15
Ripper Lift	BD-6251057	Kit	3.000S	1.500S	P	15
Track Adjuster	BD-904411	Kit			N	0

CATERPILLAR® (REFERENCED BY OEM PART NUMBERS)

Application	Part Number	Description	Bore	Rod	Wiper	Type
D5M TRACTOR						
Tractor S/N: 6GN1-UP,3CR1-UP,3DR1-UP,4BR1-UP,4JS1-UP,5ES1-UP 5FS1-UP,6AS1-UP Bulldozer S/N: 4FP1-UP,4GP1-UP,6JP1-UP,6KP1-UP Ripper S/N: 4HP1-UP,5YP1-UP						
Dozer Lift	CT-2409939	Kit	4.250S	2.000S	P	15
	Use with 9T9276 Head					
	BD-647366	Kit	4.250S	2.000S	P	15
S/N:	6GN,3CR,3DR,4BR Use with 1677558 Head					
Dozer Tilt	CT-2418920	Kit	4.750S	2.250S	P	23
	S/N:	6GN,3CR,3DR,4BR,4JS1-352,5ES1-743,5FS1-256,6AS1-382 Use with 1063262 Head				
	CT-2341948	Kit	4.750S	2.500S	P	23
	S/N:	3CR,6GN Use with 1206679 Head				
S/N:	6GN,3CR,3DR,4BR,4JS353-UP,5ES744-UP,5FS257-UP 6AS383-UP Use with 1600045 Cylinder					
Dozer Angling	CT-2401881	Kit	3.500S	1.750S	P	23
Ripper Lift	CT-2339205	Kit	4.000S	2.000S	P	15
D5N TRACTOR						
Tractor S/N: AGG1-UP,AKD1-UP,CFH1-UP,CKT1-UP Bulldozer S/N: BHY1-UP,B5C1-UP,HGP1-UP Ripper S/N: 7JP1-UP						
Dozer Lift	BD-647366	Kit	4.250S	2.000S	P	15
Dozer Tilt	CT-2435804	Kit	4.750S	2.500S	P	23
Dozer Angling	CT-2401881	Kit	3.500S	1.750S	P	23
Ripper Lift	CT-2339205	Kit	4.000S	2.000S	P	15
D6 TRACTOR						
Tractor S/N: 04R1-UP,05R1-UP,08U1-UP,09U1-UP Bulldozer S/N: 15C1-UP,16C1-UP,85C1-UP,36D1-UP,37D1-UP,38D1-UP 39D1-UP,80D1-UP,81D1-UP,82D1-UP,15E1-UP,16E1-UP Ripper S/N: 57D1-UP						
Dozer Lift	BD-544170	Kit	5.250S	2.500S	P	2
	Use with 6F6276 or 4F8422 Gland					
	BD-514170	Kit	5.250S	2.500S	P	2
	Use with 1J0334 Gland					
	BD-514196	Kit	5.250S	2.500S	P	4
Use with 5J4335 Piston						
Ripper Lift	BD-515144	Kit	7.250S	2.500S	P	4
	S/N:	08U,09U				
	BD-513144	Kit	7.250S	2.500S	P	5
S/N:	08U,09U					
Track Adjuster	BD-904400	Kit			N	0
S/N:	08U10785-UP,09U28328-UP					

Application	Part Number	Description	Bore	Rod	Wiper	Type
D6B TRACTOR						
Tractor S/N: 37A1-UP,44A1-UP,56A1-UP,57A1-UP,37H1-UP,38H1-UP Bulldozer S/N: 15C1-UP,16C1-UP,85C1-UP,36D1-UP,37D1-UP,38D1-UP 39D1-UP,80D1-UP,81D1-UP,82D1-UP,21H1-UP,39H1-UP 40H1-UP,41H1-UP Ripper S/N: 57D1-UP,66E1-UP,84G1-UP,12H1-UP						
Dozer Lift	BD-506116	Kit	4.500S	2.000S	P	4
	CT-2422547	Kit	4.250S	2.500S	P	5
S/N:	37H,38H Dozer S/N: 39H1-173,40H1-341,41H1-747					
Dozer Tilt	BD-524135	Kit	6.500S	3.000S	I	4
	BD-523135	Kit	6.500S	3.000S	P	4
	CT-2442044	Kit	6.500S	3.000S	P	5
	Field replacement					
Ripper Lift	BD-515144	Kit	7.250S	2.500S	P	4
	S/N:	37A,44A,56A,57A,37H				
	BD-513144	Kit	7.250S	2.500S	P	5
	S/N:	37A,44A,56A,57A 2 Piston seals				
	CT-2422544	Kit	7.250S	2.500S	P	5
S/N:	37A,44A,56A,57A,37H 1 Piston seal, Field replacement					
Track Adjuster	BD-904400	Kit			N	0
D6C TRACTOR						
Tractor S/N: 41A1-UP,71A1-UP,73A1-UP,74A1-UP,76A1-UP,82A1-UP 83A1-UP,96A1-UP,90B1-UP,46J1-UP,47J1-UP,55J1-UP 56J1-UP,69J1-UP,99J1-UP,10K1-UP,26K1-UP,17R1-UP 23U1-UP,24U1-UP,69U1-UP,49W1-UP Bulldozer S/N: 36D1-UP,38D1-UP,44E1-UP,95E1-UP,46G1-UP,47G1-UP 55G1-UP,58G1-UP,17H1-UP,18H1-UP,21H1-UP,39H1-UP 40H1-UP,41H1-UP,63S1-UP,54U1-UP Ripper S/N: 57D1-UP,66E1-UP,84G1-UP,12H1-UP						
Dozer Lift	BD-506104	Kit	4.000S	2.000S	P	4
	S/N:	41A,71A,73A,74A,76A,82A,83A,96A,46J1-663,47J1-1687 Dozer S/N: 44E,95E,46G1-1318,47G1-3123,55G,58G				
	CT-2422547	Kit	4.250S	2.500S	P	5
	S/N:	41A,71A,73A,74A,76A,82A,83A,96A,90B,46J1-663,47J1-1687				
	S/N:	55J,56J,69J,99J1-1645,10K1-6789,26K Dozer S/N: 44E,95E,46G1-1318,47G1-3123,55G,58G,17H1-1916, 18H1-1809,21H1-600,602-780,39H,40H,41H,54U1-253				
	CT-2422543	Kit	4.000S	2.500S	P	5
S/N:	90B,46J664-UP,47J1688-UP,55J,56J,69J,99J1646-UP					
S/N:	10K6790-UP,26K,23U,24U,69U,49W Dozer S/N: 44E,95E,46G1319-Up,47G3124-Up,55G,58G,17H1917-Up, 18H1810-Up,21H601-765,781-Up,63S,54U254-Up					
Dozer Tilt	BD-524135	Kit	6.500S	3.000S	I	4
	BD-523135	Kit	6.500S	3.000S	P	4
	CT-2442044	Kit	6.500S	3.000S	P	5
	Field replacement					

CATERPILLAR® (REFERENCED BY OEM PART NUMBERS)

Application	Part Number	Description	Bore	Rod	Wiper	Type
D6C TRACTOR (continued)						
Dozer Tilt (cont)	CT-7X2692	Kit	6.000S	2.500S	P	4
	Angle Dozer S/N: 44E,47G,58G					
Ripper Lift	BD-515144	Kit	7.250S	2.500S	P	4
	S/N: 41A,71A,73A,74A,76A,82A,83A,96A,46J1-663,47J1-1687 S/N: 55J,56J,69J,99J1-1588,10K1-6134,26K					
	BD-513144	Kit	7.250S	2.500S	P	5
	S/N: 71A,73A,74A,76A,82A,83A,46J1-663,47J1-1687,55J S/N: 56J,99J1-1588,10K1-6134 2 Piston seals					
	CT-2422544	Kit	7.250S	2.500S	P	5
S/N: 41A,71A,73A,74A,76A,96A,46J664-UP,47J1688-UP,55J S/N: 56J,69J,99J1589-UP,10K6135-UP,26K 1 Piston seal						
Tool Bar	CT-2465910	Kit	4.000S	1.500S	P	5
	S/N: 17R465-UP					
Track Adjuster	BD-903400	Kit			N	0
D6D TRACTOR						
Tractor S/N: 19B400-UP,36C1-UP,37C200-UP,38C1-UP,74W1-UP 75W1-UP,03X1-UP,04X1-UP,05X1-UP,06X1-UP,19X1-UP 20X1-UP,30X1-UP,31X1-UP,32X1-UP,33X1-UP,01Y1-UP 5YB800-UP,6HC1-UP,7XF1-UP,7YK1-UP,9FK1-UP Bulldozer S/N: 44E1-UP,95E1-UP,46G1-UP,47G1-UP,17H3749-4488 18H3492-5587,21H351-UP,63S1-UP,54U1-UP,2RH1-UP 4EH1-UP,7XH1-UP,7YH1-UP Ripper S/N: 57D1-UP,84G1-UP,12H1-UP,62S1-UP						
Dozer Lift	CT-2422543	Kit	4.000S	2.500S	P	5
	CT-2430391	Kit	4.000S	2.500S	P	15
Dozer Tilt	BD-523135	Kit	6.500S	3.000S	P	4
	Dozer S/N: 95E,46G,21H,63S					
	CT-2442044	Kit	6.500S	3.000S	P	5
	Dozer S/N: 95E,46G,17H,21H,63S					
	CT-2440975	Kit	6.500S	3.000S	P	15
	CT-7X2692	Kit	6.000S	2.500S	P	4
	Angle Dozer S/N: 44E,47G					
	CT-2422552	Kit	6.000S	2.500S	P	4
S/N: 74W1-2560,75W1-4535,7YK,9FK Angle Dozer S/N: 7YH						
Ripper Lift	CT-2422544	Kit	7.250S	2.500S	P	5
Tool Bar	CT-2465910	Kit	4.000S	1.500S	P	5
	S/N: 19B,38C,05X,01Y					
Track Adjuster	BD-903400	Kit			N	0

Application	Part Number	Description	Bore	Rod	Wiper	Type	
D6E,D6F,D6G,D6G2 TRACTOR							
Tractor S/N: 2MJ1-UP,8FJ1-UP,3SR1-UP,5FR1-UP,BWJ1-UP,C6G1000-UP C6X1-UP,P6G1000-UP,P6X1-UP Bulldozer S/N: 63S1-UP,54U1-UP,4EP1-UP,6SP1-UP,6TP1-UP,6WP1-UP 7XH1-UP,3LP1-UP,A6H1-UP,A6Z1-UP,S6G1-UP,S6Z1-UP 1231-UP,6071-UP Ripper S/N: 62S1-UP,5NP1-UP,5PP1-UP,3211-UP							
Dozer Lift	CT-2422543	Kit	4.000S	2.500S	P	5	
	S/N: 2MJ1-2653,8FJ						
Dozer Tilt	CT-2430391	Kit	4.000S	2.500S	P	15	
	CT-2440975	Kit	6.500S	3.000S	P	15	
Ripper Lift	CT-2422552	Kit	6.000S	2.500S	P	4	
	S/N: 2MJ,8FJ,3SR,5FR,C6G,P6G						
Track Adjuster	CT-2422544	Kit	7.250S	2.500S	P	5	
	S/N: 2MJ1-2653 Ripper S/N: 62S						
	CT-2435799	Kit	7.250S	2.500S	P	15	
S/N: 2MJ2654-UP,3SR,5FR,BWJ,C6G Ripper S/N: 5NP,5PP,321							
D6H TRACTOR							
Tractor S/N: 8KB1-UP,4RC1-UP,6FC1-UP,7PC1-UP,8FC1-UP,8YC1-UP 1KD1-UP,2KD1-UP,3ED1-UP,3ZF1-UP,4YF1-UP,5HF1-UP 6CF1-UP,2TG1-UP,3YG1-UP,4GG1-UP,4LG1-UP,1FJ1-UP 8ZJ1-UP,9KJ1-UP,2DK1-UP,5KK1-UP,6CK1-UP,7ZK1-UP 8KK1-UP,8SK1-UP,9LK1-UP,9RK1-UP,1YL1-UP,2BL1-UP 2TL1-UP Bulldozer S/N: 1AH1-UP,1BH1-UP,1CH1-UP,1DH1-UP,2HH1-UP,2LH1-UP 2NH1-UP,3FH1-UP,3JH1-UP,3TH1-UP,4DH1-UP,4LH1-UP 4NH1-UP,4PH1-UP,5CH1-UP,5JH1-UP,6GH1-UP,6HH1-UP 6NH1-UP,8AH1-UP,8BH1-UP,8CH1-UP,8DH1-UP,9GH1-UP 9HH1-UP Ripper S/N: 1EH1-UP,2PH1-UP,3SH1-UP,4CH1-UP							
Dozer Lift	CT-2422551	Kit	3.750S	2.500S	P	5	
	CT-2430389	Kit	3.750S	2.500S	P	15	
	CT-2430397	Kit	4.000S	2.500S	P	23	
	Use with 6E4978 Head						
	CT-2292626	Kit	4.000S	2.500S	P	23	
Use with 1213397 or 1729981 Head							
Dozer Tilt	CT-2442044	Kit	6.500S	3.000S	P	5	
	Dozer S/N: 1AH,1CH,1DH,2HH,3FH,3TH,4PH,5CH,5JH						
	CT-2440980	Kit	6.500S	3.000S	P	15	
	Dozer S/N: 1AH,1CH,1DH,2HH,2LH,2NH,3FH,3JH,3TH,4PH,5CH,5JH, 6GH,6HH,8AH,8BH,9GH						
	CT-2422558	Kit	6.000S	2.500S	P	5	
	Angle Dozer S/N: 1BH,4LH,4NH,6HH						
Ripper Lift	CT-2430388	Kit	6.000S	2.500S	P	15	
	Angle Dozer S/N: 1BH,4DH,4LH,4NH,6GH,6HH,8CH,9HH						
Ripper Lift	CT-2430386	Kit	5.000S	2.500S	P	22	
	CT-2422542	Kit	5.000S	2.500S	P	23	

CATERPILLAR® (REFERENCED BY OEM PART NUMBERS)

Application	Part Number	Description	Bore	Rod	Wiper	Type
D6K TRACTOR						
Tractor S/N: DHA1-UP,FBH1-UP,NCF1-UP Ripper S/N: 4041-UP						
Ripper Lift	CT-2422542	Kit	5.000S	2.500S	P	23
Track Adjuster	BD-901413	Kit	60.00M	45.00M	P	0
D6M,D6N TRACTOR						
Tractor S/N: 9ZM1-UP,2RN1-UP,3WN1-UP,4JN1-UP,5NR1-UP,5WR1-UP 6LR1-UP,2YS1-UP,4GS1-UP,4HS1-UP,AKM1-UP,ALH1-UP ALR1-UP,ALY1-UP,CBF1-UP,CBJ1-UP,CBL1-UP,CCG1-UP CCK1-UP,CCS1-UP,DJA1-UP,DJY1-UP,GHS1-UP,JAH1-UP LJR1-UP,LPC1-UP,MLW1-UP Bulldozer S/N: 2SP1-UP,3WP1-UP,3XP1-UP,4MP1-UP,6LP1-UP,6MP1-UP 6NP1-UP,BHB1-UP,BHK1-UP,DPM1-UP,B6A1-UP,B6C1-UP B6D1-UP,B6F1-UP,B6L1-UP,B6X1-UP,B6Y1-UP,D1Y1-UP F6A1-UP,F6C1-UP,F6W1-UP,F6Y1-UP,G6G1-UP,G6M1-UP G6N1-UP,S6A1-UP,S6D1-UP,S6S1-UP Ripper S/N: 3SP1-UP,3TP1-UP,4NP1-UP,5XP1-UP,7JP1-UP,7SP1-UP RPP1-UP,TPP1-UP,B3Z1-UP						
Dozer Lift	CT-2417585	Kit	4.500S	2.250S	P	23
	Dozer S/N: 3WP,3XP,4MP,6LP,6NP,BHB,BHK,B6C,B6F,B6L,B6X,B6Y, DPM,F6A,F6C,F6W,F6Y,G6G,G6M,G6N					
	CT-2350969	Kit	3.750S	2.250S	P	15
Dozer S/N: 2SP,6MP,B6A,B6D,D1Y,S6A,S6D,S6S						
Dozer Tilt	CT-2435801	Kit	5.500S	2.500S	P	23
	Dozer S/N: 3WP,3XP,4MP,6LP,6NP Use with 3G0215 Piston					
	CT-2422539	Kit	5.500S	2.500S	P	15
	Dozer S/N: 3WP,3XP,4MP,6LP,6NP,BHB,BHK,B6C,B6F,B6L,B6X,B6Y, DPM,F6A,F6C,F6W,F6Y,G6G,G6M,G6N Use with 1600060 Piston					
	CT-2440980	Kit	6.500S	3.000S	P	15
	S/N: GHS,JAH,LJR,LPC,MLW Dozer S/N: D1Y,S6A					
Dozer Angling	BD-629421	Kit	6.500S	3.000S	P	23
	Dozer S/N: 2SP,6MP,B6A,B6D,S6A,S6D,S6S					
Ripper Lift	CT-2409538	Kit	4.000S	2.000S	P	23
	Dozer S/N: 3WP,3XP,4MP,6LP,6NP,BHB,BHK,B6C,B6F,B6L,B6X,B6Y, DPM,F6A,F6C,F6W,F6Y,G6G,G6M,G6N					
Ripper Lift	CT-2422542	Kit	5.000S	2.500S	P	23

Application	Part Number	Description	Bore	Rod	Wiper	Type
D6R TRACTOR						
Tractor S/N: 2HM1-UP,4FM1-UP,8TM1-UP,9BM1-UP,2YN1-UP,3ZN1-UP 4HN1-UP,4MN1-UP,5LN1-UP,6JN1-UP,7KN1-UP,8LN1-UP 8XN1-UP,9MN1-UP,9PN1-UP,4JR1-UP,4TR1-UP,4WR1-UP 5PR1-UP,5RR1-UP,6FR1-UP,6HR1-UP,6MR1-UP,7AR1-UP 7DR1-UP,7GR1-UP,9ZS1-UP,1RW1-UP,AAX1-UP,ACJ1-UP ADE1-UP,AEM1-UP,AEP1-UP,AFM1-UP,AGM1-UP,BLE1-UP BLT1-UP,BMJ1-UP,BMK1-UP,BMY1-UP,BNC1-UP,BNL1-UP BPM1-UP,BPP1-UP,BPS1-UP,BPZ1-UP,BRE1-UP,BRJ1-UP BRZ1-UP,CAD1-UP,DAE1-UP,DLM1-UP,DMK1-UP,DMP1-UP DPS1-UP,EXL1-UP,EXW1-UP,FDT1-UP,GJB1-UP,GMT1-UP HCD1-UP,HDC1-UP,HKE1-UP,JDL1-UP,JEK1-UP,LFM1-UP LGP1-UP,MRT1-UP,MTJ1-UP,RFC1-UP,TBC1-UP,WCB1-UP WRG1-UP,S6T1-UP,S6X1-UP,S6Y1-UP Bulldozer S/N: 1RP1-UP,1SP1-UP,1TP1-UP,1WP1-UP,1XP1-UP,1YP1-UP 1ZP1-UP,3EP1-UP,3FP1-UP,3GP1-UP,3HP1-UP,3PP1-UP 3RP1-UP,4AP1-UP,4BP1-UP,6HP1-UP,6XP1-UP,6YP1-UP 6ZP1-UP,8AP1-UP,8BP1-UP,8DP1-UP,8SP1-UP,8TP1-UP 9BP1-UP,1AR1-UP,A6B1-UP,A6C1-UP,BHG1-UP,BHM1-UP BHN1-UP,B1Z1-UP,B2W1-UP,B8B1-UP,B8X1-UP,B9B1-UP B9S1-UP,B9Z1-UP,C4C1-UP,C4K1-UP,C4L1-UP,C4N1-UP C4R1-UP,C4T1-UP,C4W1-UP,D2S1-UP,D3G1-UP,D4S1-UP D5S1-UP,D6C1-UP,D6S1-UP,D7S1-UP,D8S1-UP,MGH1-UP MMX1-UP,P6A1-UP,P6S1-UP,R1W1-UP,R2W1-UP,R3W1-UP Ripper S/N: 1EH1-UP,2PH1-UP,3SH1-UP,3NP1-UP,BHL1-UP,RXE1-UP D6D1-UP,R1G1-UP						
Dozer Lift	CT-2292626	Kit	4.000S	2.500S	P	23
	CT-2440959	Kit	4.250S	2.750S	P	23
	S/N:	8XN,9MN,BLE,BLT,BMJ,BMY Logging arrangement				
Dozer Tilt	CT-2440980	Kit	6.500S	3.000S	P	15
	S/N:	Dozer S/N: 1RP,1SP,1TP,1WP,3EP,3FP,3HP,3RP,4AP,6XP,6YP,6ZP, 8AP,8SP,9BP,B1Z,B2W,B8B,B9B,C4L,C4N,C4W,D2S,D3G,D4S,D5S,D6C, D6S,D7S,D8S,MGH,P6A,P6S				
	CT-2430388	Kit	6.000S	2.500S	P	15
	S/N:	Dual Tilt arrangement				
	CT-2341950	Kit	5.250S	2.500S	P	23
	S/N:	DLM,HDC,HKE,MTJ,RFC,WCB Dozer S/N: B8X,B9S,B9Z,R1W,R2W,R3W				
Dozer Angling	CT-2418921	Kit	4.000S	2.250S	P	23
	S/N:	DLM,HDC,HKE,MTJ,RFC,WCB Dozer S/N: B8X,B9S,B9Z,R1W,R2W,R3W				
	CT-9X2050	Kit	5.500S	2.500S	P	5
S/N:	5LN,9PN,AAX,ADE,AEP,DMP Custom arrangement					
Ripper Lift	CT-2422542	Kit	5.000S	2.500S	P	23

CATERPILLAR® (REFERENCED BY OEM PART NUMBERS)

Application	Part Number	Description	Bore	Rod	Wiper	Type
D6T TRACTOR						
Tractor S/N: DJG1-UP,GCT1-UP,JHB1-UP,JWD1-UP,KJL1-UP,LAE1-UP LAY1-UP,LBD1-UP,LKJ1-UP,PEZ1-UP,RLW1-UP,SKL1-UP SMC1-UP,WCG1-UP,WFH1-UP,ZEB1-UP Bulldozer S/N: 1AR1-UP,A6B1-UP,A6C1-UP,B2X1-UP,B2W1-UP,B3S1-UP B8A1-UP,B8B1-UP,B8C1-UP,B8E1-UP,B9B1-UP,C4C1-UP C4K1-UP,C4L1-UP,C4R1-UP,C4T1-UP,C4W1-UP,D2S1-UP D3G1-UP,D4S1-UP,D5S1-UP,D6C1-UP,D7S1-UP,D8S1-UP MGH1-UP,MMX1-UP,M1H1-UP,M3H1-UP,M4H1-UP,P6A1-UP P6S1-UP Ripper S/N: 1EH1-UP,D6D1-UP,R1G1-UP,R2G1-UP						
Dozer Lift	CT-2292626	Kit	4.000S	2.500S	P	23
Dozer Tilt	CT-2440980	Kit	6.500S	3.000S	P	15
	Dozer S/N: B2W,B8B,B9B,C4L,C4W,D2S,D3G,D4S,D5S,D6C,D7S,D8S, MGH,P6A,P6S					
	CT-2430388	Kit	6.000S	2.500S	P	15
	Dual Tilt arrangement					
S/N:	CT-2341950	Kit	5.250S	2.500S	P	23
	DJG,JWD,RLW,WCG,WFL,ZEB Dozer S/N: B8A,B8C,B8E,M1H,M3H,M4H					
Dozer Angling	CT-2418921	Kit	4.000S	2.250S	P	23
S/N:	DJG,JWD,RLW,WCG,WFL,ZEB Dozer S/N: B8A,B8C,B8E,M1H,M3H,M4H					
Ripper Lift	CT-2422542	Kit	5.000S	2.500S	P	23
D7,D7C,D7D TRACTOR						
Tractor S/N: 17A1-UP,07M6396-UP,03T1-UP Bulldozer S/N: 17C1-UP,84C1-UP,34D1-UP,35D1-UP,83D1-UP,84D1-UP 85D1-UP,02E1501-UP,06E2001-UP,17E1-UP,18E1-UP 46E1-UP						
Dozer Lift	BD-544173	Kit	6.000S	2.500S	P	2
	Dozer S/N: 17C,02E,06E Use with 4F8422 or 6F6276 Gland					
	BD-514173	Kit	6.000S	2.500S	P	2
	Dozer S/N: 17C,84C,34D,35D,83D,84D,85D,17E,18E Use with 1J0334 Gland					
Dozer Tilt	BD-514195	Kit	6.000S	2.500S	P	4
	Dozer S/N: 83D,84D,85D, Use with 5J4333 Piston					
Dozer Tilt	BD-531162	Kit	8.250S	3.500S	P	3
Track Adjuster	BD-903400	Kit			N	0

Application	Part Number	Description	Bore	Rod	Wiper	Type
D7E TRACTOR						
Tractor S/N: 47A1-UP,48A1-UP,79A1-UP,95A1-UP Bulldozer S/N: 13F1-519,22F1-UP,23F1-UP,30F1-1093,31F1-UP 59F1-UP,72F1-UP,42G1-UP,13H1-UP,53J1-UP,64K1-UP Ripper S/N: 12G1-UP,17G1-UP,83G1-UP,10H1-2000						
Dozer Lift	CT-2422556	Kit	6.000S	2.500S	P	4
	S/N: 47A,48A					
	Dozer S/N: 13F,22F,23F,30F,31F,59F1-3108,72F1-4005,42G1-319,64K					
	CT-1014201	Kit	4.750S	2.500S	P	4
Dozer S/N: 22F,23F,30F,31F,59F3109-Up,72F4006-Up,42G320-Up,13H,53J,64K						
Dozer Tilt	BD-531162	Kit	8.250S	3.500S	P	3
	Dozer S/N: 31F,59F					
	CT-2456826	Kit	8.250S	3.500S	P	4
	Dozer S/N: 31F,59F,42G					
	CT-2422557	Kit	6.000S	2.500S	P	4
Angle Dozer S/N: 30F,72F						
Ripper Lift	CT-2422556	Kit	6.000S	2.500S	P	4
	CT-2422558	Kit	6.000S	2.500S	P	5
	S/N: 47A3396-UP,48A6393-UP	Ripper S/N: 17G				
Track Adjuster	BD-903401	Kit			N	0
D7F,D7G,D7G2 TRACTOR						
Tractor S/N: 91E1-UP,92E1-UP,61G1-UP,35N1-UP,93N1-UP,94N1-UP 64V1-UP,65V1-UP,91V1-UP,92V1-UP,44W1-UP,45W1-UP 72W1-UP,3ZD1-UP,3GF1-UP,7MB5000-UP,C7G1-UP Bulldozer S/N: 13F520-UP,22F1-UP,23F1-UP,30F1094-UP,72F7741-UP 13H1-UP,53J1-UP,49K1-UP,60K1-UP,61K1-UP,64K1-UP 94R1-UP,46W1-UP,A7H1-UP,A7X1-UP,A7Z1-UP,S7G1-UP 7071-UP Ripper S/N: 12G1-UP,17G1-UP,83G1000-UP,10H1-UP						
Dozer Lift	CT-1014201	Kit	4.750S	2.500S	P	4
	CT-2285271	Kit	4.750S	2.500S	P	22
	Dozer S/N: 72F,13H,53J,60K,61K,94R,46W					
	CT-2435804	Kit	4.750S	2.500S	P	23
S/N: 65V7701-UP,7MB,C7G						
Dozer Tilt	BD-523135	Kit	6.500S	3.000S	P	4
	Dozer S/N: 53J1-3216,49K1-1611,60K,61K,64K,94R1-322,46W1-698					
	CT-2442044	Kit	6.500S	3.000S	P	5
	Dozer S/N: 53J3217-Up,49K1612-Up,60K,61K,64K,94R323-Up,46W699-Up					
	CT-2440975	Kit	6.500S	3.000S	P	15
	S/N: 65V7701-UP					
	CT-2440980	Kit	6.500S	3.000S	P	15
S/N: C7G	Dozer S/N: S7G,707, Use with 9J8748 Cylinder					

CATERPILLAR® (REFERENCED BY OEM PART NUMBERS)

Application	Part Number	Description	Bore	Rod	Wiper	Type
D7F,D7G,D7G2 TRACTOR (continued)						
Dozer Tilt (cont)	BD-531162	Kit	8.250S	3.500S	P	3
	S/N: 93N,94N Dozer S/N: 23F					
	CT-2456826	Kit	8.250S	3.500S	P	4
	S/N: 91E,92E,61G,93N,94N Dozer S/N: 23F,53J					
	CT-2422557	Kit	6.000S	2.500S	P	4
	Angle Dozer S/N: 22F,30F,72F					
Ripper Lift	CT-2422556	Kit	6.000S	2.500S	P	4
	S/N: 91E,92E,61G,93N,94N,64V,65V1-5545,91V,92V Ripper S/N: 12G,83G,10H					
	CT-2422558	Kit	6.000S	2.500S	P	5
	S/N: 93N,94N Ripper S/N: 17G					
	BD-628129	Kit	6.000S	2.500S	P	15
	S/N: 65V5546-UP,91V1917-UP,92V11898-UP,3ZD,3GF,C7G Ripper S/N: 12G7500-Up,83G1000-Up,10H					
Track Adjuster	BD-903401	Kit			N	0
D7H TRACTOR						
Tractor S/N: 77Z1-UP,79Z1-UP,80Z1-UP,82Z1-UP,2SB1-UP,4AB1-UP 5WB1-UP,5BF1-UP,2RG1-UP,3XG1-UP,4FG1-UP Bulldozer S/N: 4DB1-UP,4EB1-UP,5SB1-UP,6JB1-UP,6KB1-UP,4XC1-UP 4ZC1-UP,7AC1-UP,2JH1-UP,3GH1-UP,8EH250-UP 8GH260-UP,8HH320-UP,8JH280-UP,8LH1-UP,8MH1-UP 8NH1-UP,8PH1-UP,8RH1-UP Ripper S/N: 5HC1-UP,2KH1-UP,8SH1-UP						
Dozer Lift	CT-2422543	Kit	4.000S	2.500S	P	5
	CT-2430397	Kit	4.000S	2.500S	P	23
	Use with 6E4978 or 9T4761 Head					
	CT-2292626	Kit	4.000S	2.500S	P	23
	Use with 1213397 Head					
Dozer Tilt	CT-2442044	Kit	6.500S	3.000S	P	5
	CT-2440980	Kit	6.500S	3.000S	P	15
Ripper Lift	CT-2435810	Kit	5.250S	2.750S	P	23
	Ripper S/N: 5HC,2KH					
	CT-2440969	Kit	6.000S	2.750S	P	23
	Ripper S/N: 8SH					
D7R TRACTOR						
Tractor S/N: 9HM1-UP,2EN1-UP,3DN1-UP,2HR1-UP,3ZR1-UP,4SR1-UP 5MR1-UP,6ER1-UP,5KZ1-UP,AEC1-UP,AFG1-UP,ABJ1-UP AGN1-UP,ACS1-UP,ADW1-UP,BNM1-UP,BNX1-UP,BPK1-UP BPT1-UP,BRM1-UP,BRP1-UP Bulldozer S/N: 4EB1-UP,4ZC1-UP,8EH1-UP,8FH1-UP,8GH1-UP,8JH1-UP 8LH1-UP,8MH1-UP,8NH1-UP,8RH1-UP,5SP1-UP,9KP1-UP J1L1-UP,J4L1-UP,J6L1-UP,J8L1-UP Ripper S/N: 8KH1-UP,8SH1-UP,7GP1-UP,7TP1-UP						
Dozer Lift	CT-2430397	Kit	4.000S	2.500S	P	23
	S/N: 9HM,2EN,3DN,2HR Use with 9T4761 Head					

Application	Part Number	Description	Bore	Rod	Wiper	Type
D7R TRACTOR (continued)						
Dozer Lift (cont)	CT-2292626	Kit	4.000S	2.500S	P	23
	S/N:	9HM,2EN,3DN,2HR,3ZR,4SR,5MR,6ER,5KZ,AEC,AFG,ABJ				
	S/N:	AGN,ACS,ADW,BNM,BNX,BPK,BPT,BRM,BRP				
		Use with 1213397 or 1729981 Head				
	CT-2440959	Kit	4.250S	2.750S	P	23
	S/N:	2EN,2HR,ACS,ADW,AEC,AGN				
		Custom arrangement				
Dozer Tilt	CT-2440980	Kit	6.500S	3.000S	P	15
	CT-2430388	Kit	6.000S	2.500S	P	15
	S/N:	9HM,3DN Custom arrangement				
Ripper Lift	CT-2440969	Kit	6.000S	2.750S	P	23
	S/N:	2EN,2HR,3ZR,5MR,5KZ				
	CT-2440973	Kit	6.000S	2.750S	P	23
	S/N:	ACS,ADW,AEC,AGN,BPK,BPT,BRM,BRP				
Ripper Tilt	CT-2435810	Kit	5.250S	2.750S	P	23
	S/N:	AEC,AGN,ACS,ADW,BPK,BPT,BRM,BRP				
D8,D8D,D8E,D8F,D8G TRACTOR						
Tractor S/N: 13A1-UP,14A1-UP,15A1-UP,01H2409-UP,08R1-UP 02U1-UP Bulldozer S/N: 11C5982-UP,18C1-UP,44C1-UP,32D1-27,33D1-88 72D1-UP,73D1-UP,74D1-UP,86D1-UP,87D1-UP,88D1-UP 99D1-UP,100D1-UP,03E706-UP,07E785-UP,22E1-UP 23E1-UP,24E1-UP Ripper S/N: 63C1-964						
Dozer Lift	BD-544173	Kit	6.000S	2.500S	P	2
	S/N:	13A,01H,08R,02U1-23537 Dozer S/N: 18C,44C,03E,07E Use with 4F8422 or 6F6276 Gland				
	BD-514173	Kit	6.000S	2.500S	P	2
	S/N:	13A1-3703,14A,15A,01H,08R,02U1-23537 Dozer S/N: 11C,18C,44C1193-Up,32D,33D,72D,73D,74D,86D,87D, 88D,99D,100D,03E,07E,22E,23E,24E Use with 1J0334 Gland				
	BD-514195	Kit	6.000S	2.500S	P	4
	S/N:	13A1-3703,14A,15A,01H,08R,02U1-23537 Dozer S/N: 18C,44C1193-Up,32D,33D,72D,73D,86D,87D,88D,99D, 100D,03E,07E,22E,23E,24E Use with 5J4333 Piston				
	CT-2422556	Kit	6.000S	2.500S	P	4
	Field replacement					
Dozer Tilt	BD-531162	Kit	8.250S	3.500S	P	3
	S/N:	13A1-3703,14A,15A Dozer S/N: 11C5982-6495,18C10992-14693,44C1193-4187,32D,73D, 100D,23E				
	BD-532153	Kit	8.250S	3.500S	I	4
		Dozer S/N: 73D,23E				
	CT-2456826	Kit	8.250S	3.500S	P	4
	Dozer S/N: 100D,23E					
Ripper Lift	BD-515143	Kit	7.250S	2.500S	P	4
Track Adjuster	BD-902400	Kit			N	0

CATERPILLAR® (REFERENCED BY OEM PART NUMBERS)

Application	Part Number	Description	Bore	Rod	Wiper	Type
D8H TRACTOR (EARLY)						
Tractor S/N: 22A1-1145,35A1-UP,36A1-4468,46A1-10724,52A1-UP 68A1-1002						
Bulldozer S/N: 77C1-2443,78C1-UP,28E1-4838,29E1-6763,30E1-1708 73E1-UP,93E1-UP,94E1-UP,14F1-610,71F1-UP,14J1-UP						
Ripper S/N: 51E1-UP,53E1-UP,98E1-UP,11F1-UP,59G1-UP,74G1-UP						
Dozer Lift	CT-2422556	Kit	6.000S	2.500S	P	4
	Dozer S/N: 77C,78C,28E,29E,30E,73E,93E,94E,14F					
	BD-514143	Kit	7.250S	2.500S	P	4
	S/N: 35A,36A,46A Dozer model 8C - S/N: 71F, Single Lift Cylinder					
Dozer Tilt	BD-531162	Kit	8.250S	3.500S	P	3
	Dozer S/N: 78C,28E,29E,30E,73E,93E,94E,71F,14J					
	BD-532153	Kit	8.250S	3.500S	I	4
	Dozer S/N: 78C,28E,29E,30E,73E,93E,94E,71F,14J					
	CT-2456826	Kit	8.250S	3.500S	P	4
Dozer S/N: 78C,28E,29E,30E,73E,71F						
Ripper Lift	BD-519147	Kit	8.250S	2.750S	P	3
	Ripper S/N: 51E,53E,11F					
	BD-519149	Kit	8.250S	2.750S	P	4
	Ripper S/N: 51E,53E,11F					
	BD-520149	Kit	8.250S	2.750S	I	4
	Ripper S/N: 51E,53E,11F					
	BD-532149	Kit	8.250S	3.500S	I	4
	S/N: 35A,36A,46A Ripper S/N: 98E,59G					
	BD-531149	Kit	8.250S	3.500S	P	4
	S/N: 35A,36A,46A Ripper S/N: 98E,59G, Field replacement					
	BD-532144	Kit	7.250S	3.500S	I	4
	S/N: 35A,36A,46A Ripper S/N: 98E,59G,74G					
Ripper Pin Puller	CT-2456815	Kit	4.000S	1.250S	P	4
	Ripper S/N: 98E, Use with 5J7132 Piston					
	BD-901401	Kit			N	0
Track Adjuster	BD-901401	Kit			N	0

Application	Part Number	Description	Bore	Rod	Wiper	Type
D8H TRACTOR (LATE)						
Tractor S/N: 22A1146-UP,36A4469-UP,46A10725-UP,68A1003-UP Bulldozer S/N: 77C1-2443,78C1-UP,28E4839-11125,29E6764-UP 30E1709-UP,69E1-UP,73E1-UP,93E1-UP,94E1-UP 14F611-1005,20F1-UP,77G1-UP,14J1-UP,43K1-UP 44K1-UP,45K1-UP,47K1-UP,48K1-UP Ripper S/N: 47D1-UP,98E1-UP,53F1-1015,54F1-1069,74G1-UP 81G1-UP,92M1-UP,93M1-UP,97S1-UP						
Dozer Lift	CT-2422553	Kit	5.000S	2.500S	P	4
	Dozer S/N: All Except 77G					
	BD-514130	Kit	6.000S	2.500S	P	4
S/N:	36A,46A Dozer model 8C - S/N: 77G, Single Lift Cylinder					
Dozer Tilt	BD-532153	Kit	8.250S	3.500S	I	4
	S/N:	36A,46A Dozer S/N: 29E6764-9883,30E1709-2553				
	CT-2456826	Kit	8.250S	3.500S	P	4
	S/N:	36A,46A Dozer S/N: 29E6764-9883,30E1709-2553,93E,94E,14J				
	CT-2460638	Kit	8.250S	3.500S	P	5
S/N:	Dozer S/N: 78C,29E9884-Up,30E2554-Up,69E,73E,93E,94E,20F, 14J,43K,44K,45K,47K,48K					
Blade Ripper	CT-2422558	Kit	6.000S	2.500S	P	5
	Dozer model 8R - S/N: 43K For Rippers mounted on Dozer Blade					
Ripper Lift	BD-532144	Kit	7.250S	3.500S	I	4
	Ripper S/N: 81G,74G,98E					
	BD-531144	Kit	7.250S	3.500S	P	4
	S/N:	22A,68A Ripper S/N: 81G,74G, Field replacement				
	BD-532149	Kit	8.250S	3.500S	I	4
	S/N:	36A,46A Ripper S/N: 98E				
	BD-531149	Kit	8.250S	3.500S	P	4
	S/N:	36A,46A Ripper S/N: 98E, Field replacement				
	CT-2450599	Kit	8.250S	3.250S	P	5
	Ripper S/N: 53F,54F,92M,93M,97S, Use with 7J4095 Piston					
CT-2450584	Kit	8.250S	3.250S	P	5	
Ripper S/N: 53F,54F,92M,93M, Use with 1U1808 Piston						
Ripper Tilt	BD-521145	Kit	7.250S	3.000S	P	5
	S/N:	22A1487-UP,36A,46A,68A2323-UP Ripper S/N: 47D,53F,54F,92M,93M,97S, Use with 6J4337 Piston				
	CT-8T3740	Kit	7.250S	3.000S	P	5
S/N:	22A1487-UP,36A,46A,68A2323-UP Ripper S/N: 53F,54F,92M,93M, Use with 1U2716 Piston					
Ripper Pin Puller	CT-2456815	Kit	4.000S	1.250S	P	4
	S/N:	36A,46A,68A Ripper S/N: 98E,53F,92M				

CATERPILLAR® (REFERENCED BY OEM PART NUMBERS)

Application	Part Number	Description	Bore	Rod	Wiper	Type
D8H TRACTOR (LATE) (continued)						
Ripper Pin Puller (cont) S/N:	CT-2465910 36A,46A,68A Ripper S/N: 53F,92M	Kit	4.000S	1.500S	P	5
Track Adjuster	BD-901401	Kit			N	0
	Tractor S/N: 22A1146-Up,36A4469-5327,46A10725-19391, 46A19392-24486 (6 Roller arr.),68A1003-3904					
	BD-901402	Kit			N	0
	Tractor S/N: 36A5328-Up,46A19392-24486 (7 Roller arr.), 46A24487-Up,68A3905-Up					
D8K TRACTOR						
Tractor S/N: 66V1-UP,76V1-UP,77V1-UP Bulldozer S/N: 77C2444-UP,28E11126-UP,14F1006-UP,29V1-UP 30V1-UP,60V1-UP,68V1-UP,69V1-UP,34W1-UP Ripper S/N: 47D1-UP,53F1016-UP,54F1070-UP,92M1-UP,93M1-UP						
Dozer Lift	CT-2435809	Kit	5.000S	2.750S	P	4
	CT-2435811	Kit	5.000S	2.750S	P	5
Dozer Tilt	CT-2460638	Kit	8.250S	3.500S	P	5
Ripper Lift	CT-2450599	Kit	8.250S	3.250S	P	5
	Use with 7J4095 Piston					
	CT-2450584	Kit	8.250S	3.250S	P	5
	Use with 1U1808 Piston					
Ripper Tilt	CT-2442076	Kit	7.250S	3.000S	P	5
	Use with 6J4337 Piston					
	CT-8T3740	Kit	7.250S	3.000S	P	5
	Use with 1U2716 Piston					
Ripper Pin Puller	CT-2456815	Kit	4.000S	1.250S	P	4
	Ripper S/N: 92M					
	CT-2465910	Kit	4.000S	1.500S	P	5
	Ripper S/N: 53F,92M					
Track Adjuster	BD-901402	Kit			N	0
D8L TRACTOR						
Tractor S/N: 53Y1-UP,4FB1-UP,7YB1-UP,7JC1-UP Bulldozer S/N: 26B100-UP,27B100-UP,51M1-UP,74M1-UP,82M1-UP 04Y1-UP,05Y1-UP,06Y1-UP Ripper S/N: 88M1-UP,09N1-UP,31N1-UP,9LB1-UP,2HC1-UP						
Dozer Lift	CT-2442073	Kit	5.250S	3.000S	P	22
	CT-2442072	Kit	5.250S	3.000S	P	23
Dozer Tilt	CT-2456836	Kit	7.500S	3.500S	P	5
	CT-2456834	Kit	7.500S	3.500S	P	15
	Dozer S/N: 27B,05Y					
	CT-2460638	Kit	8.250S	3.500S	P	5
	Dozer S/N: 26B,51M,74M,82M,04Y,06Y					
	CT-2456837	Kit	8.250S	3.500S	P	15
	Dozer S/N: 26B,51M,74M,82M,04Y,06Y					
Ripper Lift	CT-2450584	Kit	8.250S	3.250S	P	5
Ripper Tilt	CT-2450584	Kit	8.250S	3.250S	P	5
Ripper Pin Puller	CT-2465910	Kit	4.000S	1.500S	P	5

Application	Part Number	Description	Bore	Rod	Wiper	Type	
D8N TRACTOR							
Tractor S/N: 9TC1-UP,1XJ1-UP,5TJ1-UP,7TK1-UP Bulldozer S/N: 1HH1-UP,1JH1-UP,1KH1-UP,6AH1-UP,6LH1-UP,6NH1-UP 9AH1-UP,9BH1-UP,9CH1-UP,9PH1-UP Ripper S/N: 1FH1-UP,1GH1-UP,9EH1-UP,9FH1-UP							
Dozer Lift	CT-2440959	Kit	4.250S	2.750S	P	23	
	S/N:	9TC,1XJ Dozer S/N: 1HH,1JH,1KH					
	CT-2292758	Kit	4.500S	3.000S	P	23	
	S/N:	5TJ Dozer S/N: 6AH,6LH,6NH,9AH,9BH,9CH					
	BD-629431	Kit	4.500S	3.000S	P	15	
	S/N:	7TK1-458					
Dozer Tilt	CT-2456834	Kit	7.500S	3.500S	P	15	
	S/N:	9TC,1XJ Dozer S/N: 1JH,1KH					
	CT-2440980	Kit	6.500S	3.000S	P	15	
	S/N:	9TC,1XJ,5TJ Dozer S/N: 1HH,6NH,9AH					
	BD-690408	Kit	7.250S	3.500S	P	23	
	S/N:	5TJ Dozer S/N: 6AH,6LH,9BH,9CH, Use with 6E1184 Head					
Dozer Lift	CT-2456839	Kit	7.250S	3.500S	P	23	
	S/N:	5TJ,7TK Dozer S/N: 9BH,9CH,9PH, Use with 6E6201 or 1913583 Head					
	CT-2442059	Kit	7.250S	3.000S	P	15	
	S/N:	5TJ Dozer S/N: 6NH,9AH					
	Ripper Lift	CT-2442046	Kit	7.250S	3.000S	P	15
		Use with 9T0586 Head					
CT-2442047		Kit	7.250S	3.000S	P	15	
Use with 1010051 Head							
Ripper Tilt	CT-2442044	Kit	6.500S	3.000S	P	5	
	Use with 9T0611 Head						
	CT-2442050	Kit	6.500S	3.000S	P	15	
Use with 6E6200 Head							
Ripper Pin Puller	CT-2465910	Kit	4.000S	1.500S	P	5	
	CT-2404819	Kit	4.000S	1.750S	P	15	

CATERPILLAR® (REFERENCED BY OEM PART NUMBERS)

Application	Part Number	Description	Bore	Rod	Wiper	Type
D8R TRACTOR						
Tractor S/N: 7XM1-UP,9EM1-UP,6YZ1-UP,AKA1-UP Bulldozer S/N: 2TP1-UP,2WP1-UP,2XP1-UP,3MP1-UP,4ZP1-UP,9TP1-UP 9WP1-UP,9ZP1-UP,A5G1-UP,BHE1-UP,BHR1-UP,BHW1-UP B8S1-UP,CFZ1-UP,CXB1-UP,CXL1-UP,DZA1-UP,DZB1-UP DZD1-UP,DZS1-UP,DZX1-UP,D1E1-UP,D1F1-UP,KMB1-UP Ripper S/N: 1FH1-UP,1GH1-UP,9EH1-UP,9FH1-UP,7NP1-UP,7WP1-UP BHC1-UP,BHD1-UP,BHS1-UP,CXA1-UP,CXW1-UP						
Dozer Lift	CT-2292759	Kit	4.500S	3.000S	P	23
Dozer Tilt	CT-2456839	Kit	7.250S	3.500S	P	23
	Use with 6E1175 or 2407347 Cylinder					
	CT-2460639	Kit	7.250S	3.500S	P	15
	Use with 1620662, 1620663 or 2410550 Cylinder					
	CT-2442059	Kit	7.250S	3.000S	P	15
	Use with 6E0397 Cylinder					
Ripper Lift	BD-748443	Kit	7.250S	3.500S	P	23
	Arctic arrangement, Use with 4Z6311 Cylinder					
	CT-2442047	Kit	7.250S	3.000S	P	15
Ripper Lift	BD-747476	Kit	7.250S	3.000S	P	15
	S/N: 7XM Arctic arrangement					
Ripper Tilt	CT-2442050	Kit	6.500S	3.000S	P	15
	BD-747406	Kit	6.500S	3.000S	P	15
S/N: 7XM Arctic arrangement						
Ripper Pin Puller	CT-2404819	Kit	4.000S	1.750S	P	15
D8T TRACTOR						
Tractor S/N: KPZ1-UP,J8B1-UP Bulldozer S/N: A5G1-UP,B8S1-UP,DZA1-UP,DZB1-UP,DZC1-UP,DZD1-UP DZS1-UP,DZX1-UP,D1E1-UP,D1F1-UP Ripper S/N: L1J1-UP,R8S1-UP,TDC1-UP,TDD1-UP						
Dozer Lift	CT-2292759	Kit	4.500S	3.000S	P	23
Dozer Tilt	CT-2456839	Kit	7.250S	3.500S	P	23
	Use with 2407347 Cylinder					
	CT-2460639	Kit	7.250S	3.500S	P	15
	Use with 2410550 Cylinder					
	CT-2442059	Kit	7.250S	3.000S	P	15
Use with 6E0397 Cylinder						
Ripper Lift	CT-2442047	Kit	7.250S	3.000S	P	15
Ripper Tilt	CT-2442050	Kit	6.500S	3.000S	P	15
Ripper Pin Puller	CT-2404819	Kit	4.000S	1.750S	P	15

Application	Part Number	Description	Bore	Rod	Wiper	Type
D9D,D9E TRACTOR						
Tractor S/N: 18A1-UP,19A1-UP,34A1-UP,49A1-UP,50A1-UP Bulldozer S/N: 53C1-UP,55C1-UP,89D1-UP,11E1-UP,21E1-UP,25E1-UP 26E1-UP,70F1-UP,45G1-UP Ripper S/N: 65C1-UP,48D1-UP,43G1-UP						
Dozer Lift	BD-519147	Kit	8.250S	2.750S	P	3
	S/N:	34A1-793,49A1-328,50A1-212 Dozer model 9C - S/N: 70F, Single Lift Cylinder				
	BD-519149	Kit	8.250S	2.750S	P	4
	S/N:	34A1-793,49A1-328,50A1-212 Dozer model 9C - S/N: 70F,45G, Single Lift Cylinder				
Dozer Tilt	BD-531162	Kit	8.250S	3.500S	P	3
	Dozer S/N: 53C,55C,89D,21E,25E					
	BD-532153	Kit	8.250S	3.500S	I	4
	Dozer S/N: 25E					
	CT-2456826	Kit	8.250S	3.500S	P	4
Dozer S/N: 55C,89D,21E,25E						
Ripper Lift	CT-7X2796	Kit	9.250S	2.750S	P	4
	Ripper S/N: 65C					
	BD-532153	Kit	8.250S	3.500S	I	4
	S/N:	34A,49A,50A Ripper S/N: 48D,43G				
	CT-2456826	Kit	8.250S	3.500S	P	4
	S/N:	34A,49A,50A Ripper S/N: 48D,43G				
	BD-531159	Kit	9.250S	3.500S	P	4
S/N:	34A,49A,50A Ripper S/N: 48D,43G					
Track Adjuster	BD-900401	Kit			N	0
	Field replacement					
D9G TRACTOR (EARLY)						
Tractor S/N: 66A1-3265 Bulldozer S/N: 14C5001-UP,53C1-UP,55C1-956,11E1-954,21E1-1909 25E1-UP,26E1-UP,70F1-UP,45G1-752 Ripper S/N: 65C1-UP,48D1-UP,43G1-UP						
Dozer Lift	CT-1014867	Kit	6.250S	3.000S	P	4
	Dozer S/N: 14C					
	BD-524133	Kit	6.250S	3.000S	I	4
	BD-523146	Kit	7.250S	3.000S	P	4
	Dozer S/N: 55C,11E,21E,25E,26E					
	BD-519147	Kit	8.250S	2.750S	P	3
	Dozer model 9C - S/N: 70F, Single Lift Cylinder					
BD-519149	Kit	8.250S	2.750S	P	4	
Dozer model 9C - S/N: 70F,45G, Single Lift Cylinder						
Dozer Tilt	BD-531162	Kit	8.250S	3.500S	P	3
	Dozer S/N: 53C,55C,21E,25E					
	BD-532153	Kit	8.250S	3.500S	I	4
	Dozer S/N: 55C,21E,25E					
	CT-2456826	Kit	8.250S	3.500S	P	4
Dozer S/N: 55C,21E,25E						

CATERPILLAR® (REFERENCED BY OEM PART NUMBERS)

Application	Part Number	Description	Bore	Rod	Wiper	Type
D9G TRACTOR (EARLY) (continued)						
Dozer Tilt (cont)	CT-2460638	Kit	8.250S	3.500S	P	5
	Dozer S/N: 14C5016-Up					
Ripper Lift	CT-7X2796	Kit	9.250S	2.750S	P	4
	Ripper S/N: 65C					
	BD-532153	Kit	8.250S	3.500S	I	4
	Ripper S/N: 48D,43G					
	CT-2456826	Kit	8.250S	3.500S	P	4
	Ripper S/N: 48D,43G					
	BD-531159	Kit	9.250S	3.500S	P	4
Ripper S/N: 48D,43G						
Track Adjuster	BD-900401	Kit			N	0
D9G TRACTOR (LATE)						
Tractor S/N: 66A3266-UP Bulldozer S/N: 06A3814-3838,06A7000-UP,14C5001-UP,55C957-UP 11E955-1598,21E1910-UP,25E1-UP,45G753-2428 18K1-3901,19K1-2627,39K1-UP,46K1-683 Ripper S/N: 27D1-UP,48D1-UP,50G1-UP,97L1-1932,22M1-UP 39M1-UP,40M1-UP,97R1-UP,17U1-UP,18U1-UP						
Dozer Lift	CT-1014867	Kit	6.250S	3.000S	P	4
	BD-524133	Kit	6.250S	3.000S	I	4
	Dozer S/N: 06A,55C,11E,21E,25E,45G,18K,19K,39K					
	CT-2442061	Kit	6.250S	3.000S	P	5
	Field replacement					
	BD-520142	Kit	7.000S	2.750S	I	4
	Dozer model 9C - S/N: 45G, Single Lift Cylinder					
	BD-519142	Kit	7.000S	2.750S	P	4
	Dozer model 9C - S/N: 45G, Single Lift Cylinder Field replacement					
Dozer Tilt	CT-2456826	Kit	8.250S	3.500S	P	4
	Dozer S/N: 06A,55C,21E,25E					
	BD-532153	Kit	8.250S	3.500S	I	4
	Dozer S/N: 06A,55C,21E,25E					
	CT-2460638	Kit	8.250S	3.500S	P	5
Dozer S/N: 14C5016-Up,18K,19K,39K,46K						
Blade Ripper	CT-2422558	Kit	6.000S	2.500S	P	5
S/N: 66A6678-UP Dozer model 9R - S/N: 39K For Rippers mounted on Dozer Blade						
Ripper Lift	BD-532153	Kit	8.250S	3.500S	I	4
	Ripper S/N: 48D,50G, for Rippers with 1 or 2 Cylinders					
	CT-2456826	Kit	8.250S	3.500S	P	4
	Ripper S/N: 48D,50G, for Rippers with 1 or 2 Cylinders					
	BD-531159	Kit	9.250S	3.500S	P	4
	Ripper S/N: 48D,50G, for Rippers with 1 or 2 Cylinders					
	CT-2450588	Kit	9.250S	3.250S	P	22
Ripper S/N: 27D,97L,22M,39M,40M,97R,17U,18U For Parallelogram Rippers with 4 Cylinders						
Ripper Tilt	CT-2460638	Kit	8.250S	3.500S	P	5
Ripper S/N: 27D,97L,22M,39M,40M,97R,17U,18U For Parallelogram Rippers with 4 Cylinders						

Application	Part Number	Description	Bore	Rod	Wiper	Type
D9G TRACTOR (LATE)						
(continued)						
Ripper Pin Puller	BD-566240	Kit	4.000S	1.250S	P	0
	Ripper S/N: 48D,50G, for Rippers with 1 or 2 Cylinders Use with 1J8667 Piston					
	CT-2456815	Kit	4.000S	1.250S	P	4
	Ripper S/N: 48D,50G, for Rippers with 1 or 2 Cylinders Use with 5J7132 Piston					
	CT-2456815	Kit	4.000S	1.250S	P	4
	S/N: 66A3266-8054	Ripper S/N: 27D,97L,39M,17U For Parallelogram Rippers with 4 Cylinders				
S/N: 66A8055-UP	CT-2465910	Kit	4.000S	1.500S	P	5
	Ripper S/N: 97L,17U For Parallelogram Rippers with 4 Cylinders					
Track Adjuster	BD-900401	Kit			N	0
	S/N: 66A3266-9252					
	BD-900402	Kit			N	0
S/N: 66A9253-UP						
DUAL D9G TRACTOR						
Tractor S/N: 90J1-UP,91J1-UP						
Dozer Lift	CT-1014867	Kit	6.250S	3.000S	P	4
Weight Transfer	BD-514143	Kit	7.250S	2.500S	P	4
	S/N: 91J80-82,91J85-UP					
Track Adjuster	BD-900401	Kit			N	0
	S/N: 90J1-92,91J1-92					
	BD-900402	Kit			N	0
S/N: 90J93-UP,91J93-UP						
D9H TRACTOR						
Tractor S/N: 12U1-UP,90V1-UP,97V1-UP,98V1-UP,99V1-UP Bulldozer S/N: 11E1599-UP,45G2429-UP,18K3902-UP,19K2628-UP 46K684-UP Ripper S/N: 97L1543-UP,22M1-UP,17U1-UP,18U1-UP						
Dozer Lift	CT-1014867	Kit	6.250S	3.000S	P	4
	CT-2442061	Kit	6.250S	3.000S	P	5
Dozer Tilt	CT-2460638	Kit	8.250S	3.500S	P	5
	S/N: 90V					
Ripper Lift	CT-2450588	Kit	9.250S	3.250S	P	22
S/N: 90V						
Ripper Tilt	CT-2460638	Kit	8.250S	3.500S	P	5
	S/N: 90V					
Ripper Pin Puller	CT-2465910	Kit	4.000S	1.500S	P	5
	S/N: 90V	Ripper S/N: 97L,17U				
Track Adjuster	BD-900402	Kit			N	0

CATERPILLAR® (REFERENCED BY OEM PART NUMBERS)

Application	Part Number	Description	Bore	Rod	Wiper	Type
D9L TRACTOR						
Tractor S/N: 14Y1-UP Bulldozer S/N: 18Y1-UP,19Y1-UP,20Y1-UP,52Y1-UP Ripper S/N: 64Y1-UP,65Y1-UP						
Dozer Lift	CT-2450617	Kit	6.000S	3.250S	P	15
Dozer Tilt	CT-2460648	Kit	9.250S	4.000S	P	23
Ripper Lift	CT-2450588	Kit	9.250S	3.250S	P	22
	CT-2450589	Kit	9.250S	3.250S	P	23
Ripper Tilt	CT-2450584	Kit	8.250S	3.250S	P	5
Ripper Pin Puller	CT-2465910	Kit	4.000S	1.500S	P	5
D9N TRACTOR						
Tractor S/N: 1JD1-UP,6XJ1-UP Bulldozer S/N: 1LH1-UP,1MH1-UP,7NH1-UP,7PH1-UP Ripper S/N: 1NH1-UP,1PH1-UP						
Dozer Lift	CT-2442072	Kit	5.250S	3.000S	P	23
	Use with 9T2828 Head					
	CT-2442065	Kit	5.250S	3.000S	P	23
Use with 1066267 Head						
Dozer Tilt	CT-2456837	Kit	8.250S	3.500S	P	15
	Use with 6J1553 or 1094671 Piston					
	CT-2456835	Kit	8.250S	3.500S	P	23
Use with 1229350 Piston						
Ripper Lift	CT-2450584	Kit	8.250S	3.250S	P	5
Ripper Tilt	CT-2440980	Kit	6.500S	3.000S	P	15
Ripper Pin Puller	CT-2465910	Kit	4.000S	1.500S	P	5
	CT-2404819	Kit	4.000S	1.750S	P	15
D9R TRACTOR						
Tractor S/N: 7TL1-UP,8BL1-UP,ABK1-UP,ACL1-UP,JJB1-UP,WDM1-UP Bulldozer S/N: 1LP1-UP,1MP1-UP,9MP1-UP,9RP1-UP,9SP1-UP,M2L1-UP T9H1-UP,T9J1-UP Ripper S/N: 1NP1-UP,1PP1-UP,5RP1-UP,5ZP1-UP,7HP1-UP,7MP1-UP M1L1-UP						
Dozer Lift	CT-2292968	Kit	4.750S	3.000S	P	23
	S/N: 7TL852-UP,8BL,ABK,ACL,JJB,WDM					
	CT-2442054	Kit	4.750S	3.000S	P	23
	S/N: 7TL,8BL Use with 6E4495 Piston					
	CT-2292968	Kit	4.750S	3.000S	P	23
	Use with 1317823 Piston					
Dozer Tilt	BD-707482F	Kit	4.750S	3.000S	P	7
	S/N: 8BL,ACL Steel mill arrangement					
	CT-2456835	Kit	8.250S	3.500S	P	23
Dozer Tilt	CT-2456833	Kit	8.250S	3.500S	P	23
	Arctic arrangement					

Application	Part Number	Description	Bore	Rod	Wiper	Type
D9R TRACTOR (continued)						
Dozer Tilt (cont)	BD-626445F	Kit	8.250S	3.500S	P	7
	S/N: 7TL,8BL,ABK,ACL Steel mill arrangement					
Ripper Lift	CT-2450596	Kit	7.250S	3.250S	P	23
	CT-2450619	Kit	7.250S	3.250S	P	23
	Arctic arrangement					
	BD-630443F	Kit	7.250S	3.250S	P	7
S/N: 8BL,ACL Steel mill arrangement						
Ripper Tilt	CT-2442055	Kit	6.000S	3.000S	P	23
	CT-1316106	Kit	6.000S	3.000S	P	23
	Arctic arrangement					
	BD-629444F	Kit	6.000S	3.000S	P	7
S/N: 8BL,ACL Steel mill arrangement						
Ripper Pin Puller	CT-2404819	Kit	4.000S	1.750S	P	15
D9T TRACTOR						
Tractor S/N: RJS1-UP Bulldozer S/N: T9H1-UP,T9J1-UP Ripper S/N: CRM1-UP,MAM1-UP						
Dozer Lift	CT-2292968	Kit	4.750S	3.000S	P	23
Dozer Tilt	CT-2456835	Kit	8.250S	3.500S	P	23
Ripper Lift	CT-2450596	Kit	7.250S	3.250S	P	23
	CT-2450619	Kit	7.250S	3.250S	P	23
	Arctic arrangement					
Ripper Tilt	CT-2442055	Kit	6.000S	3.000S	P	23
	CT-1316106	Kit	6.000S	3.000S	P	23
	Arctic arrangement					
Ripper Pin Puller	CT-2404819	Kit	4.000S	1.750S	P	15
D10 TRACTOR						
Tractor S/N: 84W1-UP,76X1-UP Bulldozer S/N: 79W1-UP,80W1-UP,83W1-UP Ripper S/N: 81W1-UP,82W1-UP						
Dozer Lift	CT-2460653	Kit	7.000S	4.000S	P	5
	CT-2460655	Kit	7.000S	4.000S	P	15
Dozer Tilt	BD-545274	Kit	10.500S	4.000S	P	22
	Dozer S/N: 79W1-484,80W1-493, Use with 9J0557 Head					
	CT-2460649	Kit	10.500S	4.000S	P	23
Dozer S/N: 79W485-Up,80W494-Up						
Ripper Lift	BD-529274	Kit	10.500S	3.500S	P	22
	Ripper S/N: 81W1-232,82W1-395, Use with 9J1747 Head					
	CT-2460637	Kit	10.500S	3.500S	P	23
Ripper Tilt	CT-2450599	Kit	8.250S	3.250S	P	5
	Ripper S/N: 81W1-232,82W1-395, Use with 7J4095 Piston					
	CT-2450584	Kit	8.250S	3.250S	P	5
Ripper S/N: 81W233-Up,82W396-Up						
Ripper Pin Puller	CT-2465910	Kit	4.000S	1.500S	P	5
Ripper S/N: 82W						

CATERPILLAR® (REFERENCED BY OEM PART NUMBERS)

Application	Part Number	Description	Bore	Rod	Wiper	Type
D10N,D10R TRACTOR						
Tractor S/N: 2YD1-UP,3SK1-UP,3KR1-UP,AKT1-UP Bulldozer S/N: 1RH1-UP,1SH1-UP,7RH1-UP,7WH1-UP,4KP1-UP,4LP1-UP 9GP1-UP,BHA1-UP,BHF1-UP,BHJ1-UP,BHP1-UP Ripper S/N: 1WH1-UP,1XH1-UP,7LH1-UP,7MH1-UP,2YP1-UP,4PP1-UP 5LP1-UP,7KP1-UP,BRT1-UP,BEY1-UP						
Dozer Lift	CT-3192248	Kit	6.250S	3.500S	P	15
	Use with 9T2862 or 1047838 Head					
	CT-1316117	Kit	6.250S	3.500S	P	15
	S/N: 3SK,3KR	Use with 1206099 Head				
	CT-3189220	Kit	6.250S	3.500S	P	23
	S/N: 3SK,3KR	Use with 1422723 Head				
Dozer Tilt	CT-2460648	Kit	9.250S	4.000S	P	23
	BD-749302	Kit	9.250S	4.000S	P	15
	S/N: 3KR	Arctic arrangement				
Ripper Lift	CT-2450589	Kit	9.250S	3.250S	P	23
	S/N: 2YD,3SK	Use with 9T3504 Head				
	CT-2450590	Kit	9.250S	3.250S	P	23
	Use with 6E6199 Head					
Ripper Tilt	CT-2610582	Kit	9.250S	3.500S	P	23
	S/N: 3KR,AKT					
Ripper Pin Puller	CT-2450584	Kit	8.250S	3.250S	P	5
Ripper Pin Puller	CT-2465910	Kit	4.000S	1.500S	P	5
	S/N: 2YD					
	CT-2404819	Kit	4.000S	1.750S	P	15
D10T TRACTOR						
Tractor S/N: RJG1-UP Bulldozer S/N: BHA1-UP,BHF1-UP,BHJ1-UP,BHP1-UP Ripper S/N: 4PP1-UP,BEY1-UP,BRT1-UP						
Dozer Lift	CT-2293636	Kit	6.250S	3.500S	P	23
Dozer Tilt	CT-2460648	Kit	9.250S	4.000S	P	23
Ripper Lift	CT-2610582	Kit	9.250S	3.500S	P	23
Ripper Tilt	CT-2450584	Kit	8.250S	3.250S	P	5
Ripper Pin Puller	CT-2404819	Kit	4.000S	1.750S	P	15

Application	Part Number	Description	Bore	Rod	Wiper	Type
D11N,D11R TRACTOR						
Tractor S/N: 74Z1-UP,4HK1-UP,8ZR1-UP,9TR1-UP,9XR1-UP,7PZ1-UP AAF1-UP Bulldozer S/N: 4BB1-UP,4CB1-UP,9MH1-UP,9NH1-UP,4XP1-UP,4YP1-UP 5JP1-UP,8PP1-UP,8RP1-UP,9NP1-UP,BHZ1-UP Ripper S/N: 4PB1-UP,6SB1-UP,8WH1-UP,8XH1-UP,5EP1-UP,5FP1-UP 5MP1-UP,7CP1-UP,7DP1-UP,7PP1-UP,7YP1-UP,7ZP1-UP GAZ1-UP						
Dozer Lift	CT-2460653	Kit	7.000S	4.000S	P	5
	S/N: 74Z					
	CT-2460655	Kit	7.000S	4.000S	P	15
	S/N: 74Z,4HK,8ZR	Use with 9T4929 Head				
	CT-2460657	Kit	7.000S	4.000S	P	15
	S/N: 74Z,4HK	Use with 1013999 Head and 6E3916 Piston				
	CT-3189225	Kit	7.000S	4.000S	P	23
	S/N: 4HK,8ZR,9TR,9XR	Use with 1013999 Head and 1105010 Piston				
Dozer Tilt	CT-2460649	Kit	10.500S	4.000S	P	23
	CT-2463436	Kit	10.000S	5.000S	P	23
Ripper Lift	S/N: 9XR,AAF	RH Side Only				
	CT-2460637	Kit	10.500S	3.500S	P	23
Ripper Tilt	S/N: 74Z					
	CT-2460635	Kit	10.000S	3.500S	P	23
Ripper Pin Puller	CT-2450584	Kit	8.250S	3.250S	P	5
	S/N: 74Z					
	BD-658395	Kit	7.750S	3.250S	P	15
	S/N: 74Z	Ripper S/N: 4PB1-429,6SB1-270				
	CT-2450594	Kit	7.750S	3.250S	P	23
	S/N: 74Z	Ripper S/N: 4PB430-Up,6SB271-Up				
	CT-2459840	Kit	7.750S	3.750S	P	23
	S/N: 4HK,8ZR,9TR,9XR,7PZ,AAF					
	CT-2463431	Kit	7.750S	4.250S	P	23
	S/N: 9TR,8ZR,9XR					
CT-2295546	Kit	220.00M	4.500S	P	23	
S/N: 9TR,7PZ						
Ripper Pin Puller	CT-2465910	Kit	4.000S	1.500S	P	5
	S/N: 74Z					
	CT-2404819	Kit	4.000S	1.750S	P	15
S/N: 4HK,8ZR,9TR,9XR,7PZ,AAF						

CATERPILLAR® (REFERENCED BY OEM PART NUMBERS)

Application	Part Number	Description	Bore	Rod	Wiper	Type
D11T TRACTOR						
Tractor S/N: GEB1-UP,TPB1-UP Bulldozer S/N: 8PP1-UP,8RP1-UP,BHZ1-UP Ripper S/N: 5MP1-UP,7CP1-UP,7DP1-UP,7PP1-UP,7YP1-UP,7ZP1-UP GAZ1-UP						
Dozer Lift	CT-3189225	Kit	7.000S	4.000S	P	23
Dozer Tilt	CT-2460649	Kit	10.500S	4.000S	P	23
	S/N: GEB					
	CT-2463436	Kit	10.000S	5.000S	P	23
	S/N: TPB RH Side Only					
Ripper Lift	CT-2460635	Kit	10.000S	3.500S	P	23
Ripper Tilt	CT-2459840	Kit	7.750S	3.750S	P	23
	Ripper S/N: 5MP,7CP,7DP,7PP,GAZ					
	CT-2295546	Kit	220.00M	4.500S	P	23
	Ripper S/N: 7ZP					
Ripper Pin Puller	CT-2404819	Kit	4.000S	1.750S	P	15
CHALLENGER 65,65B,65C,65D,65E,70C,75,75C,75D,75E,85C,85D,85E,95E						
Tractor S/N: 7YC1-UP,2ZJ1-UP,4CJ1-UP,4KK1-UP,9TK1-UP,2YL1-UP 1GM1-UP,1HM1-UP,1NM1-UP,1SM1-UP,4GR1-UP,5AR1-UP 6GS1-UP,6HS1-UP,6JS1-UP,6KS1-UP						
Hitch Lift	CT-2406899	Kit	4.000S	2.000S	P	5
	S/N: 7YC1-1899					
	CT-2339205	Kit	4.000S	2.000S	P	15
12 GRADER						
Grader S/N: 80C1-UP,94C1-UP,70D1-UP,71D1-UP,38E1-UP,08T14782-UP						
Power Blade	BD-542186	Kit	5.250S	2.250S	P	3
Snow Plow	BD-542186	Kit	5.250S	2.250S	P	3
Snow Wing	BD-567260	Kit	4.500S	1.750S	P	3
12E GRADER						
Grader S/N: 99E1-UP,12F1198-UP,21F531-UP,17K1-UP Ripper S/N: 15G1-UP,30G1-UP						
Damper	BD-566102	Kit	3.500S	1.250S	P	4
	S/N: 99E4491-UP					
Power Blade	BD-542186	Kit	5.250S	2.250S	P	3
	S/N: 99E,17K1-1076 Use with 4D7890 Cylinder					
Ripper	BD-515126	Kit	5.500S	2.500S	P	4
	CT-2430381	Kit	5.500S	2.500S	P	5
Snow Plow	BD-542186	Kit	5.250S	2.250S	P	3
	S/N: 99E					
Snow Wing	BD-567260	Kit	4.500S	1.750S	P	3
	S/N: 99E					
Steering	BD-502261	Kit	4.000S	1.500S	P	3
	S/N: 99E4491-14152,21F531-1174					

Application	Part Number	Description	Bore	Rod	Wiper	Type	
12E GRADER (continued)							
Steering (cont)	BD-503261	Kit	4.000S	1.500S	I	3	
	S/N: 99E14153-UP,21F1175-UP						
	BD-502261	Kit	4.000S	1.500S	P	3	
	S/N: 99E14153-UP,21F1175-UP						
	Field replacement						
	BD-503184	Kit	4.000S	1.500S	I	4	
	S/N: 21F531-UP,17K1-819						
	Field replacement						
	BD-502184	Kit	4.000S	1.500S	P	4	
	S/N: 21F531-UP,17K1-819						
	Field replacement						
	BD-502184	Kit	4.000S	1.500S	P	4	
S/N: 12F1198-2399							
BD-502184	Kit	4.000S	1.500S	P	4		
S/N: 12F2400-UP							
CT-2465910	Kit	4.000S	1.500S	P	5		
S/N: 12F2400-UP,17K820-UP							
12F GRADER							
Grader S/N: 73G1-UP,59H1-UP,89H1-UP,13K1-UP,33K1-UP Ripper S/N: 30G265-UP							
Blade Lift	BD-506105	Kit	4.000S	2.000S	P	4	
	2 Piston seals						
	BD-506104	Kit	4.000S	2.000S	P	4	
	1 Piston seal						
Blade Tip	BD-566102	Kit	3.500S	1.250S	P	4	
Damper	BD-566102	Kit	3.500S	1.250S	P	4	
Lean Wheel	CT-2410108	Kit	4.750S	2.000S	P	4	
Power Blade	BD-542186	Kit	5.250S	2.250S	P	3	
Ripper	BD-515126	Kit	5.500S	2.500S	P	4	
	CT-2430381	Kit	5.500S	2.500S	P	5	
Scarifier	CT-7S2727	Kit	5.000S	2.250S	P	4	
Steering	BD-503184	Kit	4.000S	1.500S	I	4	
	S/N: 73G,59H,89H1-867,13K1-3324,33K						
	BD-502184	Kit	4.000S	1.500S	P	4	
	S/N: 73G,59H,89H1-867,13K1-3324,33K						
	CT-2465910	Kit	4.000S	1.500S	P	5	
S/N: 89H868-UP,13K3325-UP							

CATERPILLAR® (REFERENCED BY OEM PART NUMBERS)

Application	Part Number	Description	Bore	Rod	Wiper	Type
12G GRADER						
Grader S/N: 61M1-UP,3WC1-UP,3PL1-UP Ripper S/N: 26V1-UP						
Articulation	CT-2402016	Kit	3.000S	1.750S	P	5
	S/N: 61M1-12026,3WC1-1066					
	CT-2275350	Kit	3.000S	1.750S	P	15
	S/N: 61M12027-UP,3WC1067-UP,3PL					
Blade Lift	CT-2386661	Kit	3.250S	2.000S	P	5
	S/N: 61M1-12026,3WC1-1066					
	CT-2384462	Kit	3.000S	2.000S	P	15
	S/N: 61M12027-UP,3WC1067-UP,3PL					
Blade Shift	CT-2402016	Kit	3.000S	1.750S	P	5
	S/N: 61M1-12026,3WC1-1066					
	CT-2275350	Kit	3.000S	1.750S	P	15
	S/N: 61M12027-UP,3WC1067-UP,3PL					
Blade Tip	CT-2465912	Kit	2.750S	1.500S	P	5
	S/N: 61M1-12026,3WC1-1066					
	CT-2465909	Kit	2.750S	1.500S	P	15
	S/N: 61M12027-14870,3WC1067-1371 Use with 9T2542 Head					
	CT-2339204	Kit	2.750S	1.500S	P	23
	S/N: 61M12027-14870 Use with 6E4940 Head					
	CT-2339204	Kit	2.750S	1.500S	P	23
	S/N: 61M14871-UP,3WC1372-UP,3PL					
Center Shift	CT-2386661	Kit	3.250S	2.000S	P	5
	S/N: 61M1-12026,3WC1-1066					
	CT-2384462	Kit	3.000S	2.000S	P	15
	S/N: 61M12027-UP,3WC1067-UP,3PL					
Lean Wheel	CT-2465914	Kit	3.500S	1.500S	P	22
	S/N: 61M1-12026,3WC1-1066					
	CT-2465917	Kit	3.500S	1.500S	P	23
	S/N: 61M12027-UP,3WC1067-UP,3PL					
Ripper	CT-2406899	Kit	4.000S	2.000S	P	5
	CT-2339205	Kit	4.000S	2.000S	P	15
Scarifier	CT-2465922	Kit	3.000S	1.500S	P	5
	S/N: 61M1-4995					
	CT-2402016	Kit	3.000S	1.750S	P	5
	S/N: 61M4996-12026,3WC1-1066 Use with 3G1853 Cylinder					
	CT-2275350	Kit	3.000S	1.750S	P	15
	S/N: 61M12027-UP,3WC,3PL Use with 9T2554, 9T6951 or 1652510 Cylinder					
Steering	CT-2465911	Kit	2.500S	1.500S	P	5
	S/N: 61M1-12026,3WC1-1066					
	CT-2465916	Kit	2.250S	1.500S	P	5
	S/N: 61M12027-UP,3WC1067-UP,3PL					

CATERPILLAR® (REFERENCED BY OEM PART NUMBERS)

Application	Part Number	Description	Bore	Rod	Wiper	Type
12H GRADER						
Grader S/N: 4XM1-UP,5ZM1-UP,8MN1-UP,2LR1-UP,2WR1-UP,4ER1-UP 2GS1-UP,AMZ1-UP,CBK1-UP,XZJ1-UP,1251-UP						
Articulation	CT-2275350	Kit	3.000S	1.750S	P	15
	CT-2465926	Kit	3.250S	1.875S	P	15
S/N:	8MN,AMZ,CBK					
Blade Lift	CT-2384462	Kit	3.000S	2.000S	P	15
Blade Shift	CT-2275350	Kit	3.000S	1.750S	P	15
Blade Tip	CT-2339204	Kit	2.750S	1.500S	P	23
Center Shift	CT-2384462	Kit	3.000S	2.000S	P	15
Dozer Lift	CT-2275350	Kit	3.000S	1.750S	P	15
	S/N:	2WR				
	CT-2409538	Kit	4.000S	2.000S	P	23
S/N:	125,2WR					
Dozer Tilt	CT-2339204	Kit	2.750S	1.500S	P	23
	S/N:	125,2WR				
Lean Wheel	CT-2465917	Kit	3.500S	1.500S	P	23
	S/N:	4ER1-840				
	CT-2281778	Kit	3.500S	2.000S	P	23
Ripper	CT-2339205	Kit	4.000S	2.000S	P	15
Scarifier	CT-2275350	Kit	3.000S	1.750S	P	15
Steering	CT-2465916	Kit	2.250S	1.500S	P	5
12K GRADER						
Grader S/N: JJA1-UP,SZP1-UP						
Articulation	CT-2275350	Kit	3.000S	1.750S	P	15
Blade Lift	CT-2384462	Kit	3.000S	2.000S	P	15
Blade Shift	CT-2275350	Kit	3.000S	1.750S	P	15
Blade Tip	CT-2339204	Kit	2.750S	1.500S	P	23
Center Shift	CT-2384462	Kit	3.000S	2.000S	P	15
Lean Wheel	CT-2281778	Kit	3.500S	2.000S	P	23
Ripper	CT-2339205	Kit	4.000S	2.000S	P	15
Scarifier	CT-2275350	Kit	3.000S	1.750S	P	15
	S/N:	JJA				
Steering	CT-2465916	Kit	2.250S	1.500S	P	5
Work Tool Lift	CT-3260503	Kit	3.500S	1.750S	P	23
	S/N:	JJA				

CATERPILLAR® (REFERENCED BY OEM PART NUMBERS)

Application	Part Number	Description	Bore	Rod	Wiper	Type
12M GRADER						
Grader S/N: B9F1-UP,B9R1-UP,R9B1-UP						
Articulation	CT-2275350	Kit	3.000S	1.750S	P	15
Blade Lift	CT-2384462	Kit	3.000S	2.000S	P	15
Blade Shift	CT-2275350	Kit	3.000S	1.750S	P	15
Blade Tip	CT-2339204	Kit	2.750S	1.500S	P	23
Center Shift	CT-2384462	Kit	3.000S	2.000S	P	15
Lean Wheel	CT-2281778	Kit	3.500S	2.000S	P	23
Ripper	CT-2339205	Kit	4.000S	2.000S	P	15
Scarifier	CT-2275350	Kit	3.000S	1.750S	P	15
Steering	CT-3076273	Kit	3.000S	2.000S	P	15
Work Tool Lift	CT-2401881	Kit	3.500S	1.750S	P	23
14B,14C,14D GRADER						
Grader S/N: 64C1-UP,78E1-UP,35F1-UP,96F1-UP Ripper S/N: 30G1-UP						
Damper	BD-566102	Kit	3.500S	1.250S	P	4
S/N:	96F					
Power Blade	BD-542186	Kit	5.250S	2.250S	P	3
Ripper	BD-515126	Kit	5.500S	2.500S	P	4
	CT-2430381	Kit	5.500S	2.500S	P	5
Snow Plow	BD-542186	Kit	5.250S	2.250S	P	3
Snow Wing	BD-567260	Kit	4.500S	1.750S	P	3
Steering	BD-502261	Kit	4.000S	1.500S	P	3
	S/N:	96F1-2063				
	BD-503261	Kit	4.000S	1.500S	I	3
S/N:	96F2064-UP					
14E GRADER						
Grader S/N: 72G1-UP,99G1-UP,12K1-UP Ripper S/N: 30G1-UP						
Blade Lift	BD-506105	Kit	4.000S	2.000S	P	4
	S/N:	72G,12K 2 Piston seals				
	BD-506104	Kit	4.000S	2.000S	P	4
S/N:	72G,12K 1 Piston seal					
Blade Tip	BD-566102	Kit	3.500S	1.250S	P	4
	S/N:	72G,12K				
Damper	BD-566102	Kit	3.500S	1.250S	P	4
Lean Wheel	CT-2410108	Kit	4.750S	2.000S	P	4
Power Blade	BD-542186	Kit	5.250S	2.250S	P	3
Ripper	BD-515126	Kit	5.500S	2.500S	P	4
	CT-2430381	Kit	5.500S	2.500S	P	5
Scarifier	CT-7S2727	Kit	5.000S	2.250S	P	4
Steering	BD-503184	Kit	4.000S	1.500S	I	4
	S/N:	72G1-557,99G,12K1-1426				
	BD-502184	Kit	4.000S	1.500S	P	4
S/N:	72G1-557,99G,12K1-1426					

Application	Part Number	Description	Bore	Rod	Wiper	Type
14E GRADER (continued)						
Steering (cont)	CT-2465910	Kit	4.000S	1.500S	P	5
	S/N: 72G558-UP,12K1427-UP					
14G GRADER						
Grader S/N: 96U1-UP Ripper S/N: 39V1-UP						
Articulation	CT-2407308	Kit	3.500S	2.000S	P	22
	S/N: 96U1-7045					
	CT-2281778	Kit	3.500S	2.000S	P	23
S/N: 96U7046-UP						
Blade Lift	CT-2410900	Kit	3.750S	2.250S	P	5
	S/N: 96U1-7045					
	CT-2350355	Kit	3.500S	2.250S	P	23
S/N: 96U7046-UP						
Blade Shift	CT-2410900	Kit	3.750S	2.250S	P	5
	S/N: 96U1-6342					
	CT-2422548	Kit	4.000S	2.500S	P	15
	S/N: 96U6343-7045					
	CT-2422548	Kit	4.000S	2.500S	P	15
	S/N: 96U7046-UP Use with 6E4978 or 9T3052 Head					
	CT-2341949	Kit	4.000S	2.500S	P	15
S/N: 96U7046-UP Use with 1213397 or 1729981 Head						
Blade Tip	CT-2465922	Kit	3.000S	1.500S	P	5
	S/N: 96U1-1097					
	CT-2402016	Kit	3.000S	1.750S	P	5
	S/N: 96U1-1097					
	CT-2402016	Kit	3.000S	1.750S	P	5
	S/N: 96U1098-6342					
	CT-2406899	Kit	4.000S	2.000S	P	5
	S/N: 96U6343-7045					
CT-2339205	Kit	4.000S	2.000S	P	15	
S/N: 96U7046-UP						
Center Shift	CT-2410900	Kit	3.750S	2.250S	P	5
	S/N: 96U1-7045					
	CT-2350355	Kit	3.500S	2.250S	P	23
S/N: 96U7046-UP						
Lean Wheel	CT-2465914	Kit	3.500S	1.500S	P	22
	S/N: 96U1-7045					
	CT-2465917	Kit	3.500S	1.500S	P	23
S/N: 96U7046-UP						
Ripper	BD-515126	Kit	5.500S	2.500S	P	4
	S/N: 96U1-1096					
	CT-2430381	Kit	5.500S	2.500S	P	5
	S/N: 96U1-1096					
	CT-2430386	Kit	5.000S	2.500S	P	22
	S/N: 96U1-1096					
CT-2430381	Kit	5.500S	2.500S	P	5	
S/N: 96U1097-4297						

CATERPILLAR® (REFERENCED BY OEM PART NUMBERS)

Application	Part Number	Description	Bore	Rod	Wiper	Type
14G GRADER (continued)						
Ripper (cont)	CT-2430386	Kit	5.000S	2.500S	P	22
	S/N: 96U1097-4297					
	CT-2430386	Kit	5.000S	2.500S	P	22
	S/N: 96U4298-7045					
	CT-2430386	Kit	5.000S	2.500S	P	22
	S/N: 96U7046-UP					
Steering	CT-2422542	Kit	5.000S	2.500S	P	23
	S/N: 96U7046-UP					
	CT-2465912	Kit	2.750S	1.500S	P	5
	S/N: 96U1-6772					
	CT-2404713	Kit	2.750S	1.750S	P	5
	S/N: 96U6773-7045					
Steering	CT-2402484	Kit	2.500S	1.750S	P	15
	S/N: 96U7046-UP					
		Use with 6E4941 or 9T2846 Head				
	CT-2405500	Kit	2.500S	1.750S	P	15
	S/N: 96U7046-UP					
		Use with 1515349 Head				
14H GRADER						
Grader S/N: 7WJ1-UP,ASE1-UP						
Articulation	CT-2281778	Kit	3.500S	2.000S	P	23
Blade Lift	CT-2350355	Kit	3.500S	2.250S	P	23
Blade Shift	CT-2422548	Kit	4.000S	2.500S	P	15
		Use with 6E4978 Head				
	CT-2341949	Kit	4.000S	2.500S	P	15
		Use with 1213397 or 1729981 Head				
Blade Tip	CT-2339205	Kit	4.000S	2.000S	P	15
Center Shift	CT-2350355	Kit	3.500S	2.250S	P	23
Lean Wheel	CT-2281778	Kit	3.500S	2.000S	P	23
Ripper	CT-2275347	Kit	5.000S	2.500S	P	23
Steering	CT-2402484	Kit	2.500S	1.750S	P	15
		Use with 6E4941 Head				
	CT-2405500	Kit	2.500S	1.750S	P	15
		Use with 1515349 Head				
14M GRADER						
Grader S/N: B9J1-UP,R9J1-UP						
Blade Lift	CT-2350355	Kit	3.500S	2.250S	P	23
Blade Shift	CT-2341949	Kit	4.000S	2.500S	P	15
Blade Tip	CT-2339205	Kit	4.000S	2.000S	P	15
Center Shift	CT-2350355	Kit	3.500S	2.250S	P	23
Lean Wheel	CT-2281778	Kit	3.500S	2.000S	P	23
Ripper	CT-2275347	Kit	5.000S	2.500S	P	23
Steering	CT-3076273	Kit	3.000S	2.000S	P	15

Application	Part Number	Description	Bore	Rod	Wiper	Type
16 GRADER						
Grader S/N: 49G1-UP Ripper S/N: 79G1-UP						
Blade Lift	CT-2422553	Kit	5.000S	2.500S	P	4
S/N:	49G676-UP					
Blade Shift	BD-514187	Kit	5.500S	2.500S	P	4
Blade Tip	BD-502261	Kit	4.000S	1.500S	P	3
S/N:	49G1-303					
S/N:	BD-503261	Kit	4.000S	1.500S	I	3
S/N:	49G1-303					
S/N:	BD-503184	Kit	4.000S	1.500S	I	4
S/N:	49G304-587					
S/N:	BD-502184	Kit	4.000S	1.500S	P	4
S/N:	49G588-675					
S/N:	CT-2465910	Kit	4.000S	1.500S	P	5
S/N:	49G676-UP					
Lean Wheel	CT-2410108	Kit	4.750S	2.000S	P	4
Ripper	BD-515126	Kit	5.500S	2.500S	P	4
	CT-2430381	Kit	5.500S	2.500S	P	5
Steering	CT-2408479	Kit	5.000S	2.000S	P	4
16G GRADER						
Grader S/N: 93U1-UP Ripper S/N: 59M1-UP						
Articulation	CT-2406899	Kit	4.000S	2.000S	P	5
S/N:	93U1-1715					
S/N:	CT-2422548	Kit	4.000S	2.500S	P	15
S/N:	93U1716-2678					
S/N:	CT-2422548	Kit	4.000S	2.500S	P	15
S/N:	93U2679-UP Use with 6E4978 or 9T3052 Head					
S/N:	CT-2341949	Kit	4.000S	2.500S	P	15
S/N:	93U2679-UP Use with 1213397 Head					
Blade Lift	CT-2422546	Kit	4.250S	2.500S	P	5
S/N:	93U1-2678					
S/N:	CT-2422548	Kit	4.000S	2.500S	P	15
S/N:	93U2679-UP Use with 6E4978 or 9T3052 Head					
S/N:	CT-2341949	Kit	4.000S	2.500S	P	15
S/N:	93U2679-UP Use with 1213397 Head					
Blade Shift	CT-2422546	Kit	4.250S	2.500S	P	5
S/N:	93U1-2339					
S/N:	CT-2422548	Kit	4.000S	2.500S	P	15
S/N:	93U2340-2678					
S/N:	CT-2422548	Kit	4.000S	2.500S	P	15
S/N:	93U2679-UP Use with 6E4978 or 9T3052 Head					

CATERPILLAR® (REFERENCED BY OEM PART NUMBERS)

Application	Part Number	Description	Bore	Rod	Wiper	Type
16G GRADER (continued)						
Blade Shift (cont)	CT-2341949	Kit	4.000S	2.500S	P	15
	S/N: 93U2679-UP	Use with 1213397 or 1729981 Head				
Blade Tip	CT-2465922	Kit	3.000S	1.500S	P	5
	S/N: 93U1-570					
	CT-2402016	Kit	3.000S	1.750S	P	5
	S/N: 93U571-2339					
	CT-2406899	Kit	4.000S	2.000S	P	5
	S/N: 93U2340-2678					
Center Shift	CT-2339205	Kit	4.000S	2.000S	P	15
	S/N: 93U2679-UP					
	CT-2422546	Kit	4.250S	2.500S	P	5
	S/N: 93U1-2678					
	CT-2422548	Kit	4.000S	2.500S	P	15
	S/N: 93U2679-UP	Use with 6E4978 or 9T3052 Head				
Lean Wheel	CT-2341949	Kit	4.000S	2.500S	P	15
	S/N: 93U2679-UP	Use with 1213397 Head				
	CT-2401905	Kit	4.000S	1.750S	P	5
	S/N: 93U1-2678					
	CT-2404819	Kit	4.000S	1.750S	P	15
	S/N: 93U2679-UP					
Ripper	CT-2342591	Kit	4.000S	2.250S	P	15
	S/N: 93U2679-UP					
	BD-515126	Kit	5.500S	2.500S	P	4
	S/N: 93U1-1178					
	CT-2430381	Kit	5.500S	2.500S	P	5
	S/N: 93U1-1178					
	CT-2430386	Kit	5.000S	2.500S	P	22
	S/N: 93U1-1178					
	CT-2430386	Kit	5.000S	2.500S	P	22
	S/N: 93U1179-2678					
Steering	CT-2430386	Kit	5.000S	2.500S	P	22
	S/N: 93U2679-UP					
	CT-2422542	Kit	5.000S	2.500S	P	23
	S/N: 93U2679-UP					
	CT-2402016	Kit	3.000S	1.750S	P	5
	S/N: 93U1-2678					
Steering	CT-2402482	Kit	2.750S	1.750S	P	15
	S/N: 93U2679-UP	Use with 6E4941 or 9T2846 Head				
	CT-2342595	Kit	2.750S	1.750S	P	15
	S/N: 93U2679-UP	Use with 1515349 Head				

Application	Part Number	Description	Bore	Rod	Wiper	Type
16H GRADER						
Grader S/N: 6ZJ1-UP,ATS1-UP						
Articulation	CT-2422548	Kit	4.000S	2.500S	P	15
	Use with 6E4978 Head					
	CT-2341949	Kit	4.000S	2.500S	P	15
Use with 1213397 or 1729981 Head						
Blade Lift	CT-2422548	Kit	4.000S	2.500S	P	15
	Use with 6E4978 Head					
	CT-2341949	Kit	4.000S	2.500S	P	15
Use with 1213397 Head						
Blade Shift	CT-2422548	Kit	4.000S	2.500S	P	15
	Use with 6E4978 Head					
	CT-2341949	Kit	4.000S	2.500S	P	15
Use with 1213397 or 1729981 Head						
Blade Tip	CT-2339205	Kit	4.000S	2.000S	P	15
Center Shift	CT-2422548	Kit	4.000S	2.500S	P	15
	Use with 6E4978 Head					
	CT-2341949	Kit	4.000S	2.500S	P	15
Use with 1213397 Head						
Lean Wheel	CT-2404819	Kit	4.000S	1.750S	P	15
	CT-2342591	Kit	4.000S	2.250S	P	15
Ripper	CT-2275347	Kit	5.000S	2.500S	P	23
Steering	CT-2402482	Kit	2.750S	1.750S	P	15
	Use with 6E4941 Head					
	CT-2342595	Kit	2.750S	1.750S	P	15
Use with 1515349 Head						
16M GRADER						
Grader S/N: B9H1-UP,R9H1-UP						
Articulation	CT-2341949	Kit	4.000S	2.500S	P	15
Blade Lift	CT-2341949	Kit	4.000S	2.500S	P	15
Blade Shift	CT-2341949	Kit	4.000S	2.500S	P	15
Blade Tip	CT-2339205	Kit	4.000S	2.000S	P	15
Center Shift	CT-2341949	Kit	4.000S	2.500S	P	15
Lean Wheel	CT-2342591	Kit	4.000S	2.250S	P	15
Ripper	CT-2275347	Kit	5.000S	2.500S	P	23
Steering	CT-3076273	Kit	3.000S	2.000S	P	15

CATERPILLAR® (REFERENCED BY OEM PART NUMBERS)

Application	Part Number	Description	Bore	Rod	Wiper	Type
24H GRADER						
Grader S/N: 7KK1-UP						
Articulation	CT-2442074	Kit	5.000S	3.000S	P	15
Blade Lift	CT-2281776	Kit	5.250S	3.000S	P	23
Blade Shift	CT-2525105	Kit	5.000S	3.250S	P	23
Blade Tip	CT-2341948	Kit	4.750S	2.500S	P	23
Center Shift	CT-2281776	Kit	5.250S	3.000S	P	23
Lean Wheel	CT-2341948	Kit	4.750S	2.500S	P	23
Ripper	CT-2339205	Kit	4.000S	2.000S	P	15
Steering	CT-1864327	Kit	3.500S	2.500S	I	23
24M GRADER						
Grader S/N: B9K1-UP						
Blade Lift	CT-2281776	Kit	5.250S	3.000S	P	23
Blade Shift	CT-2525105	Kit	5.000S	3.250S	P	23
Blade Tip	CT-2341948	Kit	4.750S	2.500S	P	23
Center Shift	CT-2281776	Kit	5.250S	3.000S	P	23
Lean Wheel	CT-2341948	Kit	4.750S	2.500S	P	23
Ripper	CT-2339205	Kit	4.000S	2.000S	P	15
Steering	CT-3322569	Kit	3.500S	2.500S	I	23
112,112E,112F GRADER						
Grader S/N: 81C1-UP,46D1-UP,68E1-UP,82F1-UP,91G1-UP,72H1-UP 74H1-UP,80J1-UP,89J1-UP,03U4798-UP						
Power Blade	BD-542186	Kit	5.250S	2.250S	P	3
S/N:	81C,68E,82F,80J,03U					
Snow Plow	BD-542186	Kit	5.250S	2.250S	P	3
S/N:	81C,68E,82F,03U					
Snow Wing	BD-567260	Kit	4.500S	1.750S	P	3
S/N:	81C,68E,82F,03U					
Steering	BD-502261	Kit	4.000S	1.500S	P	3
S/N:	46D,68E833-UP,82F495-UP,91G					
	BD-503261	Kit	4.000S	1.500S	I	3
S/N:	46D,68E833-UP,82F495-UP,91G					
	BD-503184	Kit	4.000S	1.500S	I	4
S/N:	46D,68E833-UP,82F495-UP,91G,89J1-1895					
	BD-502184	Kit	4.000S	1.500S	P	4
S/N:	46D,68E833-UP,82F495-UP,91G,72H,74H,80J1-395,89J1-1895					
	CT-2465910	Kit	4.000S	1.500S	P	5
S/N:	80J,89J1896-UP					

CATERPILLAR® (REFERENCED BY OEM PART NUMBERS)

Application	Part Number	Description	Bore	Rod	Wiper	Type
120,120B GRADER						
Grader S/N: 32C1-UP,89G1-UP,60H1-UP,14K1-UP,35K1-UP,10R1-UP 22R1-UP,13U1-UP,64U1-UP						
Power Blade	CT-2465910	Kit	4.000S	1.500S	P	5
S/N:	32C100-UP,64U1050-UP					
Steering	BD-503184	Kit	4.000S	1.500S	I	4
S/N:	89G,60H,14K,35K					
	BD-502184	Kit	4.000S	1.500S	P	4
S/N:	89G,60H,14K,35K,10R1-1022,22R1-847					
	CT-2465910	Kit	4.000S	1.500S	P	5
S/N:	32C,10R1023-UP,22R848-UP,13U,64U					
120G GRADER						
Grader S/N: 82V1-UP,87V1-UP,11W1-UP,4HD1-UP						
Articulation	CT-2402016	Kit	3.000S	1.750S	P	5
S/N:	82V,87V1-8359,11W1-1250					
	CT-2275350	Kit	3.000S	1.750S	P	15
S/N:	87V8360-UP,11W1251-UP,4HD					
Blade Lift	CT-2402016	Kit	3.000S	1.750S	P	5
S/N:	82V,87V1-8359,11W1-1250					
	CT-2275350	Kit	3.000S	1.750S	P	15
S/N:	87V8360-UP,11W1251-UP,4HD					
Blade Shift	CT-2402016	Kit	3.000S	1.750S	P	5
S/N:	82V,87V1-8359,11W1-1250					
	CT-2275350	Kit	3.000S	1.750S	P	15
S/N:	87V8360-UP,11W1251-UP,4HD					
Blade Tip	CT-2465912	Kit	2.750S	1.500S	P	5
S/N:	82V,87V1-8359,11W1-1250					
	CT-2465909	Kit	2.750S	1.500S	P	15
S/N:	87V8360-UP,11W1251-1311,4HD Use with 9T2542 Head					
	CT-2339204	Kit	2.750S	1.500S	P	23
S/N:	87V8360-UP,11W1312-UP,4HD Use with 6E4940 Head					
Center Shift	CT-2402016	Kit	3.000S	1.750S	P	5
S/N:	82V,87V1-8359,11W1-1250					
	CT-2275350	Kit	3.000S	1.750S	P	15
S/N:	87V8360-UP,11W1251-UP,4HD					
Lean Wheel	CT-2465914	Kit	3.500S	1.500S	P	22
S/N:	82V,87V1-8359,11W1-1250					
	CT-2465917	Kit	3.500S	1.500S	P	23
S/N:	87V8360-UP,11W1251-UP,4HD					
	CT-2281778	Kit	3.500S	2.000S	P	23
S/N:	87V8360-UP					
Scarifier	CT-2465922	Kit	3.000S	1.500S	P	5
S/N:	82V1-803,87V1-3202,11W1-866					
	CT-2402016	Kit	3.000S	1.750S	P	5
S/N:	82V804-UP,87V3203-8359,11W867-1250					
	CT-2275350	Kit	3.000S	1.750S	P	15
S/N:	87V8360-UP,11W1251-UP,4HD					

CATERPILLAR® (REFERENCED BY OEM PART NUMBERS)

Application	Part Number	Description	Bore	Rod	Wiper	Type
120G GRADER (continued)						
Steering	CT-2465911	Kit	2.500S	1.500S	P	5
	S/N: 82V,87V1-8359,11W1-1250					
	CT-2465916	Kit	2.250S	1.500S	P	5
	S/N: 87V8360-UP,11W1251-UP,4HD					
120H GRADER						
Grader S/N: 4MK1-UP,5FM1-UP,6NM1-UP,6TM1-UP,2AN1-UP,6YN1-UP 9YR1-UP,ALZ1-UP,CAF1-UP,1241-UP						
Articulation	CT-2275350	Kit	3.000S	1.750S	P	15
Blade Lift	CT-2384462	Kit	3.000S	2.000S	P	15
Blade Shift	CT-2275350	Kit	3.000S	1.750S	P	15
Blade Tip	CT-2339204	Kit	2.750S	1.500S	P	23
Center Shift	CT-2384462	Kit	3.000S	2.000S	P	15
Dozer Lift	CT-2275350	Kit	3.000S	1.750S	P	15
	S/N: 2AN					
Dozer Tilt	CT-2339204	Kit	2.750S	1.500S	P	23
	S/N: 2AN					
Lean Wheel	CT-2281778	Kit	3.500S	2.000S	P	23
Ripper	CT-2281778	Kit	3.500S	2.000S	P	23
Scarifier	CT-2275350	Kit	3.000S	1.750S	P	15
Steering	CT-2465916	Kit	2.250S	1.500S	P	5
120K GRADER						
Grader S/N: JAP1-UP,SZN1-UP						
Articulation	CT-2275350	Kit	3.000S	1.750S	P	15
Blade Lift	CT-2384462	Kit	3.000S	2.000S	P	15
Blade Shift	CT-2275350	Kit	3.000S	1.750S	P	15
Blade Tip	CT-2339204	Kit	2.750S	1.500S	P	23
Center Shift	CT-2384462	Kit	3.000S	2.000S	P	15
Lean Wheel	CT-2281778	Kit	3.500S	2.000S	P	23
Ripper	CT-2281778	Kit	3.500S	2.000S	P	23
Scarifier	CT-2275350	Kit	3.000S	1.750S	P	15
Steering	CT-2465916	Kit	2.250S	1.500S	P	5
Work Tool Lift	CT-3260503	Kit	3.500S	1.750S	P	23
120M GRADER						
Grader S/N: B9C1-UP,B9N1-UP,B9W1-UP,CBS1-UP,D9W1-UP,NJD1-UP PJB1-UP,R9A1-UP,R9C1-UP						
Articulation	CT-2275350	Kit	3.000S	1.750S	P	15
Blade Lift	CT-2384462	Kit	3.000S	2.000S	P	15
Blade Shift	CT-2275350	Kit	3.000S	1.750S	P	15
Blade Tip	CT-2339204	Kit	2.750S	1.500S	P	23
Center Shift	CT-2384462	Kit	3.000S	2.000S	P	15
Lean Wheel	CT-2281778	Kit	3.500S	2.000S	P	23
Ripper	CT-2281778	Kit	3.500S	2.000S	P	23
	S/N: B9C,B9N,B9W,D9W					
	CT-2339205	Kit	4.000S	2.000S	P	15
	S/N: B9C,B9N,B9W,D9W					
Scarifier	CT-2275350	Kit	3.000S	1.750S	P	15
	S/N: CBS,NJD,PJB					

Application	Part Number	Description	Bore	Rod	Wiper	Type
120M GRADER (continued)						
Steering	CT-3076273	Kit	3.000S	2.000S	P	15
Work Tool Lift	CT-2401881	Kit	3.500S	1.750S	P	23
	S/N: B9C,B9N,B9W,D9W					
130G GRADER						
Grader S/N: 74V1-UP,12W1-UP,7GB1-UP Ripper S/N: 26V1-UP,47W1-UP						
Articulation	CT-2402016	Kit	3.000S	1.750S	P	5
	S/N: 74V1-2320,12W1-1081,7GB					
	CT-2275350	Kit	3.000S	1.750S	P	15
	S/N: 74V2321-UP,12W1082-UP					
Blade Lift	CT-2386661	Kit	3.250S	2.000S	P	5
	S/N: 74V1-2320,12W1-1081,7GB					
	CT-2384462	Kit	3.000S	2.000S	P	15
	S/N: 74V2321-UP,12W1082-UP					
Blade Shift	CT-2402016	Kit	3.000S	1.750S	P	5
	S/N: 74V1-2320,12W1-1081,7GB					
	CT-2275350	Kit	3.000S	1.750S	P	15
	S/N: 74V2321-UP,12W1082-UP					
Blade Tip	CT-2465912	Kit	2.750S	1.500S	P	5
	S/N: 74V1-2320,12W1-1081,7GB					
	CT-2465909	Kit	2.750S	1.500S	P	15
	S/N: 74V2321-UP,12W1082-UP					
	Use with 9T2542 Head					
	CT-2339204	Kit	2.750S	1.500S	P	23
	S/N: 74V2321-UP					
	Use with 6E4940 Head					
Center Shift	CT-2386661	Kit	3.250S	2.000S	P	5
	S/N: 74V1-2320,12W1-1081,7GB					
	CT-2384462	Kit	3.000S	2.000S	P	15
	S/N: 74V2321-UP,12W1082-UP					
Lean Wheel	CT-2465914	Kit	3.500S	1.500S	P	22
	S/N: 74V1-2320,12W1-1081,7GB					
	CT-2465917	Kit	3.500S	1.500S	P	23
	S/N: 74V2321-UP,12W1082-UP					
	CT-2281778	Kit	3.500S	2.000S	P	23
	S/N: 74V2321-UP					
Ripper	CT-2406899	Kit	4.000S	2.000S	P	5
	CT-2339205	Kit	4.000S	2.000S	P	15
Scarifier	CT-2465922	Kit	3.000S	1.500S	P	5
	S/N: 74V1-1328,12W1-473					
	CT-2402016	Kit	3.000S	1.750S	P	5
	S/N: 74V1329-2320,12W474-1081,7GB					
	CT-2275350	Kit	3.000S	1.750S	P	15
	S/N: 74V2321-UP,12W696-UP					
Steering	CT-2465911	Kit	2.500S	1.500S	P	5
	S/N: 74V1-2320,12W1-1081,7GB					
	CT-2465916	Kit	2.250S	1.500S	P	5
	S/N: 74V2321-UP,12W1082-UP					

CATERPILLAR® (REFERENCED BY OEM PART NUMBERS)

Application	Part Number	Description	Bore	Rod	Wiper	Type
135H GRADER						
Grader S/N: 3YK1-UP,7MM1-UP,8WN1-UP,AMX1-UP,BDJ1-UP,CBC1-UP						
Articulation	CT-2275350	Kit	3.000S	1.750S	P	15
Blade Lift	CT-2384462	Kit	3.000S	2.000S	P	15
Blade Shift	CT-2275350	Kit	3.000S	1.750S	P	15
Blade Tip	CT-2339204	Kit	2.750S	1.500S	P	23
Center Shift	CT-2384462	Kit	3.000S	2.000S	P	15
Lean Wheel	CT-2465917	Kit	3.500S	1.500S	P	23
	S/N: 8WN1-795					
	CT-2281778	Kit	3.500S	2.000S	P	23
Ripper	CT-2281778	Kit	3.500S	2.000S	P	23
Scarifier	CT-2275350	Kit	3.000S	1.750S	P	15
Steering	CT-2465916	Kit	2.250S	1.500S	P	5
140,140B GRADER						
Grader S/N: 33C1-UP,55F1-UP,11R1-UP,24R1-UP,61S1-UP,14U1-UP Ripper S/N: 15G1-UP,90X1-UP						
Blade Shift	CT-2465910	Kit	4.000S	1.500S	P	5
	S/N: 33C100-UP,61S					
Power Blade	BD-542186	Kit	5.250S	2.250S	P	3
	S/N: 55F					
Ripper	BD-515126	Kit	5.500S	2.500S	P	4
	S/N: 55F					
	CT-2430381	Kit	5.500S	2.500S	P	5
	S/N: 55F					
	CT-2430386	Kit	5.000S	2.500S	P	22
	S/N: 33C,61S					
Steering	BD-502184	Kit	4.000S	1.500S	P	4
	S/N: 11R1-490,24R1-423					
	CT-2465910	Kit	4.000S	1.500S	P	5
	S/N: 33C,55F,11R491-UP,24R424-UP,61S,14U					
140G GRADER						
Grader S/N: 72V1-UP,81V1-UP,13W1-UP,5MD1-UP Ripper S/N: 26V1-UP,47W1-UP						
Articulation	CT-2402016	Kit	3.000S	1.750S	P	5
	S/N: 72V1-10333,81V,13W1-740					
	CT-2275350	Kit	3.000S	1.750S	P	15
	S/N: 72V10334-UP,13W741-UP,5MD					
Blade Lift	CT-2386661	Kit	3.250S	2.000S	P	5
	S/N: 72V1-10333,81V,13W1-740					
	CT-2384462	Kit	3.000S	2.000S	P	15
	S/N: 72V10334-UP,13W741-UP,5MD					
Blade Shift	CT-2402016	Kit	3.000S	1.750S	P	5
	S/N: 72V1-10333,81V,13W1-740					
	CT-2275350	Kit	3.000S	1.750S	P	15
	S/N: 72V10334-UP,13W741-UP,5MD					

Application	Part Number	Description	Bore	Rod	Wiper	Type
140G GRADER (continued)						
Blade Tip	S/N:	CT-2465912	Kit	2.750S	1.500S	5
		72V1-10333,81V,13W1-740				
	S/N:	CT-2465909	Kit	2.750S	1.500S	15
		72V10334-UP,13W741-UP,5MD Use with 9T2542 Head				
Center Shift	S/N:	CT-2386661	Kit	3.250S	2.000S	5
		72V1-10333,81V,13W1-740				
	S/N:	CT-2384462	Kit	3.000S	2.000S	15
		72V10334-UP,13W741-UP,5MD				
Lean Wheel	S/N:	CT-2465914	Kit	3.500S	1.500S	22
		72V1-10333,81V,13W1-740				
	S/N:	CT-2465917	Kit	3.500S	1.500S	23
		72V10334-UP,13W741-UP,5MD				
Ripper	S/N:	CT-2281778	Kit	3.500S	2.000S	23
		72V10334-UP,5MD				
	S/N:	CT-2406899	Kit	4.000S	2.000S	5
		72V10334-UP,5MD2350-UP				
Scarifier	S/N:	CT-2339205	Kit	4.000S	2.000S	15
		72V10334-UP,13W425-UP,5MD				
	S/N:	CT-2465922	Kit	3.000S	1.500S	5
		72V1-2368,81V1-634,13W1-325				
Steering	S/N:	CT-2402016	Kit	3.000S	1.750S	5
		72V2369-10333,81V635-UP,13W326-740				
	S/N:	CT-2275350	Kit	3.000S	1.750S	15
		72V10334-UP,13W425-UP,5MD				
Articulation	S/N:	CT-2465911	Kit	2.500S	1.500S	5
		72V1-10333,81V,13W1-740				
	S/N:	CT-2465916	Kit	2.250S	1.500S	5
	72V10334-UP,13W741-UP,5MD					
140H GRADER						
Grader S/N: 2ZK1-UP,5HM1-UP,8JM1-UP,8KM1-UP,9TN1-UP,9ZN1-UP 3AS1-UP,APM1-UP,CCA1-UP,XZH1-UP,1261-UP						
Blade Lift	S/N:	CT-2275350	Kit	3.000S	1.750S	15
		2ZK,5HM,8JM,8KM,9TN,9ZN,3AS,XZH				
	S/N:	CT-2465926	Kit	3.250S	1.875S	15
		2ZK,5HM1150-UP,8KM,9TN400-UP,3AS450-UP,APM,CCA 126				
Blade Shift		CT-2384462	Kit	3.000S	2.000S	15
Blade Tip		CT-2339204	Kit	2.750S	1.500S	23
Center Shift		CT-2384462	Kit	3.000S	2.000S	15
Dozer Lift	S/N:	CT-2275350	Kit	3.000S	1.750S	15
		9ZN				
	S/N:	CT-2409538	Kit	4.000S	2.000S	23
	9ZN,126					
Dozer Tilt	S/N:	CT-2339204	Kit	2.750S	1.500S	23
		9ZN,126				
Lean Wheel	S/N:	CT-2465917	Kit	3.500S	1.500S	23
		5HM1-2102				

CATERPILLAR® (REFERENCED BY OEM PART NUMBERS)

Application	Part Number	Description	Bore	Rod	Wiper	Type
140H GRADER (continued)						
Lean Wheel (cont)	CT-2281778	Kit	3.500S	2.000S	P	23
Ripper	CT-2339205	Kit	4.000S	2.000S	P	15
Scarifier	CT-2275350	Kit	3.000S	1.750S	P	15
Steering	CT-2465916	Kit	2.250S	1.500S	P	5
140K GRADER						
Grader S/N: JPA1-UP,SZL1-UP						
Articulation	CT-2275350	Kit	3.000S	1.750S	P	15
Blade Lift	CT-2384462	Kit	3.000S	2.000S	P	15
Blade Shift	CT-2275350	Kit	3.000S	1.750S	P	15
S/N:	JPA					
Blade Tip	CT-2339204	Kit	2.750S	1.500S	P	23
Center Shift	CT-2384462	Kit	3.000S	2.000S	P	15
Lean Wheel	CT-2281778	Kit	3.500S	2.000S	P	23
Ripper	CT-2339205	Kit	4.000S	2.000S	P	15
Scarifier	CT-2275350	Kit	3.000S	1.750S	P	15
Steering	CT-2465916	Kit	2.250S	1.500S	P	5
Work Tool Lift	CT-3260503	Kit	3.500S	1.750S	P	23
S/N:	SZL					
140M GRADER						
Grader S/N: B9D1-UP,B9G1-UP,B9M1-UP,D9G1-UP,M9D1-UP,M9J1-UP						
Articulation	CT-2465926	Kit	3.250S	1.875S	P	15
Blade Lift	CT-2384462	Kit	3.000S	2.000S	P	15
Blade Shift	CT-2275350	Kit	3.000S	1.750S	P	15
Blade Tip	CT-2339204	Kit	2.750S	1.500S	P	23
Center Shift	CT-2384462	Kit	3.000S	2.000S	P	15
Lean Wheel	CT-2281778	Kit	3.500S	2.000S	P	23
Ripper	CT-2339205	Kit	4.000S	2.000S	P	15
S/N:	B9D,B9G,B9M,D9G					
Scarifier	CT-2275350	Kit	3.000S	1.750S	P	15
Steering	CT-3076273	Kit	3.000S	2.000S	P	15
Work Tool Lift	CT-2401881	Kit	3.500S	1.750S	P	23
143H GRADER						
Grader S/N: 1AL1-UP,APN1-UP						
Articulation	CT-2275350	Kit	3.000S	1.750S	P	15
S/N:	1AL1-416					
	CT-2465926	Kit	3.250S	1.875S	P	15
S/N:	1AL417-UP,APN					
Blade Lift	CT-2384462	Kit	3.000S	2.000S	P	15
Blade Shift	CT-2275350	Kit	3.000S	1.750S	P	15
Blade Tip	CT-2339204	Kit	2.750S	1.500S	P	23
Center Shift	CT-2384462	Kit	3.000S	2.000S	P	15
Lean Wheel	CT-2281778	Kit	3.500S	2.000S	P	23
Ripper	CT-2339205	Kit	4.000S	2.000S	P	15
Scarifier	CT-2275350	Kit	3.000S	1.750S	P	15
Steering	CT-2465916	Kit	2.250S	1.500S	P	5

Application	Part Number	Description	Bore	Rod	Wiper	Type
143H GRADER (continued)						
Work Tool Lift	CT-2401881	Kit	3.500S	1.750S	P	23
	S/N: 1AL					
160G GRADER						
Grader S/N: 4JD1-UP						
Articulation	CT-2402016	Kit	3.000S	1.750S	P	5
	S/N: 4JD1-140					
	CT-2275350	Kit	3.000S	1.750S	P	15
S/N: 4JD141-UP						
Blade Lift	CT-2386661	Kit	3.250S	2.000S	P	5
	S/N: 4JD1-140					
	CT-2384462	Kit	3.000S	2.000S	P	15
S/N: 4JD141-UP						
Blade Shift	CT-2402016	Kit	3.000S	1.750S	P	5
	S/N: 4JD1-140					
	CT-2275350	Kit	3.000S	1.750S	P	15
S/N: 4JD141-UP						
Blade Tip	CT-2465909	Kit	2.750S	1.500S	P	15
	S/N: 4JD141-UP	Use with 9T2542 Head				
	CT-2339204	Kit	2.750S	1.500S	P	23
	S/N: 4JD141-UP	Use with 6E4940 Head				
Center Shift	CT-2386661	Kit	3.250S	2.000S	P	5
	S/N: 4JD1-140					
	CT-2384462	Kit	3.000S	2.000S	P	15
S/N: 4JD141-UP						
Lean Wheel	CT-2465914	Kit	3.500S	1.500S	P	22
	S/N: 4JD1-140					
	CT-2465917	Kit	3.500S	1.500S	P	23
S/N: 4JD141-UP						
Scarifier	CT-2402016	Kit	3.000S	1.750S	P	5
	S/N: 4JD1-140					
	CT-2275350	Kit	3.000S	1.750S	P	15
S/N: 4JD141-UP						
Steering	CT-2465911	Kit	2.500S	1.500S	P	5
	S/N: 4JD1-140					
	CT-2465916	Kit	2.250S	1.500S	P	5
S/N: 4JD141-UP						

CATERPILLAR® (REFERENCED BY OEM PART NUMBERS)

Application	Part Number	Description	Bore	Rod	Wiper	Type
160H GRADER						
Grader S/N: 9EJ1-UP,2FM1-UP,3GM1-UP,6WM1-UP,9JM1-UP,2HS1-UP ASD1-UP,CCP1-UP,XZK1-UP						
Articulation	CT-2275350	Kit	3.000S	1.750S	P	15
	S/N: 9EJ1-419,2FM1-349,3GM1-49,6WM1-339,9JM1-339,2HS1-349					
	CT-2465926	Kit	3.250S	1.875S	P	15
	S/N: 9EJ420-UP,2FM350-UP,3GM50-UP,6WM340-UP,9JM340-UP S/N: 2HS350-UP,ASD,CCP,XZK					
Blade Lift	CT-2384462	Kit	3.000S	2.000S	P	15
Blade Shift	CT-2275350	Kit	3.000S	1.750S	P	15
Blade Tip	CT-2339204	Kit	2.750S	1.500S	P	23
Center Shift	CT-2384462	Kit	3.000S	2.000S	P	15
Lean Wheel	CT-2465917	Kit	3.500S	1.500S	P	23
	S/N: 2FM1-685					
	CT-2281778	Kit	3.500S	2.000S	P	23
Ripper	CT-2339205	Kit	4.000S	2.000S	P	15
Scarifier	CT-2275350	Kit	3.000S	1.750S	P	15
Steering	CT-2465916	Kit	2.250S	1.500S	P	5
160K GRADER						
Grader S/N: JBP1-UP,SZM1-UP						
Articulation	CT-2465926	Kit	3.250S	1.875S	P	15
Blade Lift	CT-2384462	Kit	3.000S	2.000S	P	15
Blade Shift	CT-2275350	Kit	3.000S	1.750S	P	15
Blade Tip	CT-2339204	Kit	2.750S	1.500S	P	23
Center Shift	CT-2384462	Kit	3.000S	2.000S	P	15
Lean Wheel	CT-2281778	Kit	3.500S	2.000S	P	23
Ripper	CT-2339205	Kit	4.000S	2.000S	P	15
Scarifier	CT-2275350	Kit	3.000S	1.750S	P	15
	S/N: JBP					
Steering	CT-2465916	Kit	2.250S	1.500S	P	5
Work Tool Lift	CT-3260503	Kit	3.500S	1.750S	P	23
	S/N: SZM					
160M GRADER						
Grader S/N: B9E1-UP,B9L1-UP,B9T1-UP,D9T1-UP,M9E1-UP,M9K1-UP						
Articulation	CT-2465926	Kit	3.250S	1.875S	P	15
Blade Lift	CT-2384462	Kit	3.000S	2.000S	P	15
Blade Shift	CT-2275350	Kit	3.000S	1.750S	P	15
Blade Tip	CT-2339204	Kit	2.750S	1.500S	P	23
Center Shift	CT-2384462	Kit	3.000S	2.000S	P	15
Lean Wheel	CT-2281778	Kit	3.500S	2.000S	P	23
Ripper	CT-2339205	Kit	4.000S	2.000S	P	15
	S/N: B9E,B9L,B9T,D9T					
Scarifier	CT-2275350	Kit	3.000S	1.750S	P	15
Steering	CT-3076273	Kit	3.000S	2.000S	P	15
Work Tool Lift	CT-2401881	Kit	3.500S	1.750S	P	23

Application	Part Number	Description	Bore	Rod	Wiper	Type
163H GRADER						
Grader S/N: 5AK1-UP,ARL1-UP						
Articulation	CT-2275350	Kit	3.000S	1.750S	P	15
	S/N: 5AK1-119					
	CT-2465926	Kit	3.250S	1.875S	P	15
	S/N: 5AK120-UP,ARL					
Blade Lift	CT-2384462	Kit	3.000S	2.000S	P	15
Blade Shift	CT-2275350	Kit	3.000S	1.750S	P	15
Blade Tip	CT-2339204	Kit	2.750S	1.500S	P	23
Center Shift	CT-2384462	Kit	3.000S	2.000S	P	15
Lean Wheel	CT-2281778	Kit	3.500S	2.000S	P	23
Ripper	CT-2339205	Kit	4.000S	2.000S	P	15
Scarifier	CT-2275350	Kit	3.000S	1.750S	P	15
Steering	CT-2465916	Kit	2.250S	1.500S	P	5
Work Tool Lift	CT-2401881	Kit	3.500S	1.750S	P	23
	S/N: 5AK					
215,215B EXCAVATOR						
Excavator S/N: 96L1-UP,57Y1-UP,14Z1-UP,61Z1-UP,95Z1-UP,9YB1-UP 2XC1-UP,3LC1-UP,4FC1-UP						
Boom	BD-517255	Kit	4.500S	2.750S	P	8
	S/N: 96L					
		Cylinder design with 1 stop seal				
	BD-517375	Kit	4.500S	2.750S	P	8
		Cylinder design w/o stop seal				
	CT-2435808	Kit	4.500S	2.750S	P	23
	S/N: 9YB,4FC					
Bucket	BD-517254	Kit	4.500S	2.750S	P	8
	CT-2435808	Kit	4.500S	2.750S	P	23
	S/N: 9YB,4FC					
Stick	BD-529253	Kit	5.500S	3.500S	P	8
	CT-2456824	Kit	5.500S	3.500S	P	23
	S/N: 14Z649-UP,61Z139-UP,9YB,4FC					
Clamshell	CT-7X2713	Kit	6.500S	3.250S	P	22
	S/N: 96L,57Y,95Z,9YB,4FC					
Track Adjuster	BD-903404	Kit			N	0
	BD-903400	Kit			N	0
	S/N: 57Y,14Z,95Z,4FC					
	Use with 3V5278 Front Idler group (Heavy Duty arrangement)					

CATERPILLAR® (REFERENCED BY OEM PART NUMBERS)

Application	Part Number	Description	Bore	Rod	Wiper	Type
215C,215D,219,219D EXCAVATOR						
Excavator S/N: 5CF1-UP,9TF1-UP,4HG1-UP,5XG1-UP						
Boom	CT-2435808	Kit	4.500S	2.750S	P	23
	S/N: 5CF1-730,4HG1-2085	2 Piece Boom				
	BD-632376	Kit	4.750S	3.000S	P	23
	S/N: 5CF1-730,4HG1-2085	1 Piece Boom				
	BD-632376	Kit	4.750S	3.000S	P	23
	S/N: 5CF731-UP,9TF1-1185,4HG2086-UP,5XG	Use with 9T6417 Head				
Bucket	BD-632376	Kit	4.750S	3.000S	P	23
	S/N: 5CF,9TF1-1172,4HG,5XG1-573					
	CT-2442071	Kit	4.750S	3.000S	P	23
S/N: 9TF1173-UP,5XG574-UP						
Stick	CT-2456824	Kit	5.500S	3.500S	P	23
Track Adjuster	BD-903404	Kit			N	0
	S/N: 9TF,4HG					
	BD-903400	Kit			N	0
S/N: 5CF,5XG						
FB221 FELLER BUNCHER						
Feller Buncher S/N: 8XD1-UP						
Track Adjuster	BD-903400	Kit			N	0
225 EXCAVATOR						
Excavator S/N: 20S1-UP,51U1-UP,76U1-UP,61X1-UP						
Boom	BD-525221	Kit	5.500S	3.250S	P	5
	S/N: 20S1-189,51U1-589,76U1-693					
	BD-525245	Kit	5.500S	3.250S	P	8
	S/N: 20S190-UP,51U1-589					
	BD-525221	Kit	5.500S	3.250S	P	5
	S/N: 51U590-2033,76U694-1199					
	BD-525245	Kit	5.500S	3.250S	P	8
	S/N: 51U590-2033,76U694-1199	Cylinder design with 1 stop seal				
	BD-525347	Kit	5.500S	3.250S	P	8
	S/N: 51U590-2033,76U694-1199	Cylinder design w/o stop seal				
Bucket	CT-2450592	Kit	5.500S	3.250S	P	23
	S/N: 51U2034-UP,76U1200-UP,61X					
	BD-525222	Kit	5.500S	3.250S	P	5
	S/N: 51U1-589,76U1-693					
Bucket	BD-525223	Kit	5.500S	3.250S	P	5
	S/N: 20S,51U1-589,76U1-693					
	BD-525222	Kit	5.500S	3.250S	P	5
	S/N: 51U590-2033	Use with 8J1691 Piston				

Application	Part Number	Description	Bore	Rod	Wiper	Type
225 EXCAVATOR (continued)						
Bucket (cont)	BD-525223	Kit	5.500S	3.250S	P	5
	S/N: 51U590-2033,76U694-1199	Use with 9J7008 Piston				
	CT-2450592	Kit	5.500S	3.250S	P	23
	CT-3G3259	Seal				
	CT-5J8300	Seal				
S/N: 51U,76U1200-UP,61X						
Stick	BD-561220	Kit	6.000S	3.750S	P	5
	S/N: 51U1-589,76U1-693					
	BD-561225	Kit	6.000S	3.750S	P	22
	S/N: 20S,51U1-589,76U1-693	Change 0				
	BD-561246	Kit	6.000S	3.750S	P	22
	S/N: 51U1-589	Change 1				
	BD-561220	Kit	6.000S	3.750S	P	5
	S/N: 51U590-2033					
	CT-2445647	Kit	6.000S	3.750S	P	23
	CT-5J8350	Seal				
S/N: 51U590-UP,76U694-UP,61X						
Clamshell	CT-7X2727	Kit	8.250S	3.500S	P	22
Track Adjuster	BD-903400	Kit			N	0
	S/N: 20S,51U,76U					
	BD-901405	Kit			N	0
S/N: 51U2832-UP,76U3765-UP	Use with 8K2623 Front Idler group (Heavy Duty arrangement)					
225B,225B LC EXCAVATOR						
Excavator S/N: 2ZD1-UP,3YD1-UP						
Boom	CT-2450592	Kit	5.500S	3.250S	P	23
	S/N: 2ZD1-549,3YD					
Bucket	CT-2456829	Kit	6.000S	3.500S	P	15
	S/N: 2ZD550-UP,3YD					
Stick	CT-2445647	Kit	6.000S	3.750S	P	23
Track Adjuster	BD-903400	Kit			N	0
	S/N: 2ZD,3YD					
	BD-901405	Kit			N	0
S/N: 2ZD	Use with 8K2623 Front Idler group (Heavy Duty arrangement)					

CATERPILLAR® (REFERENCED BY OEM PART NUMBERS)

Application	Part Number	Description	Bore	Rod	Wiper	Type
225D,225D LC EXCAVATOR						
Excavator S/N: 6RG1-UP,2SJ1-UP						
Boom	BD-670297	Kit	6.000S	3.500S	P	15
	S/N: 6RG1-651,2SJ	Use with 9T5224 Head				
	CT-2456828	Kit	6.000S	3.500S	P	15
	S/N: 6RG652-UP,2SJ	Use with 6E2461 Head				
Bucket	CT-2450592	Kit	5.500S	3.250S	P	23
Stick	CT-2445647	Kit	6.000S	3.750S	P	23
	Use with 9T1067 Head					
	CT-2459835	Kit	6.000S	3.750S	P	23
	Use with 6E4184 Head					
Track Adjuster	BD-903400	Kit			N	0
227 LOGGER						
Logger S/N: 10W1-UP						
Boom	CT-2450592	Kit	5.500S	3.250S	P	23
Bucket	CT-2450592	Kit	5.500S	3.250S	P	23
	CT-3G3259	Seal				
Stick	BD-561252	Kit	6.000S	3.750S	P	22
	S/N: 10W1-288	Use with 1U4732 Cylinder				
	BD-638252	Kit	6.000S	3.750S	P	23
	S/N: 10W289-UP	Use with 1U4732 Cylinder and 9T1067 Head				
	CT-2459835	Kit	6.000S	3.750S	P	23
	S/N: 10W289-UP	Use with 1U4732 Cylinder and 6E4184 Head				
	CT-2445647	Kit	6.000S	3.750S	P	23
	Use with 9J1755 Cylinder					
Side Tilt	CT-7X2668	Kit	4.500S	2.500S	P	22
	CT-8T5668	Ring				
Grapple	CT-2402016	Kit	3.000S	1.750S	P	5
Shear	CT-7X2713	Kit	6.500S	3.250S	P	22
Track Adjuster	BD-903400	Kit			N	0
	2 Rings, Use with 3V5278 Front Idler group (Light duty arrangement)					
	BD-901405	Kit			N	0
3 Rings						

Application	Part Number	Description	Bore	Rod	Wiper	Type
229 EXCAVATOR						
Excavator S/N: 1GF1-UP,1AG1-UP						
Boom S/N:	CT-2450592	Kit	5.500S	3.250S	P	23
	1GF					
	CT-2456829	Kit	6.000S	3.500S	P	15
Bucket	CT-2450592	Kit	5.500S	3.250S	P	23
Stick	CT-2445647	Kit	6.000S	3.750S	P	23
Track Adjuster	BD-901405	Kit			N	0
229D EXCAVATOR						
Excavator S/N: 2LJ1-UP						
Boom	CT-2460658	Kit	6.000S	4.000S	P	23
Bucket	CT-2450592	Kit	5.500S	3.250S	P	23
Stick	CT-2445647	Kit	6.000S	3.750S	P	23
	Use with 9T1067 Head					
	CT-2459835	Kit	6.000S	3.750S	P	23
Use with 6E4184 Head						
Track Adjuster	BD-901405	Kit			N	0
LL229 LOG LOADER						
Log Loader S/N: 8PD1-UP						
Track Adjuster	BD-901405	Kit			N	0
231D,231D LC EXCAVATOR						
Excavator S/N: 5WJ1-UP,1NK1-UP						
Boom	CT-2460658	Kit	6.000S	4.000S	P	23
Bucket	CT-2460658	Kit	6.000S	4.000S	P	23
Stick	CT-3E3303	Kit	6.500S	4.000S	P	23
Track Adjuster	BD-901405	Kit			N	0
235 EXCAVATOR						
Excavator S/N: 32K1-UP,64R1-UP,62X1-UP,81X1-UP,83X1-UP						
Boom S/N:	CT-9X6255	Kit	6.500S	4.250S	P	22
	CT-5J8400	Seal				
	32K1-1300,64R1-454 Use with 8J4583 Piston					
	CT-2463430	Kit	6.500S	4.250S	P	22
	CT-5J8400	Seal				
	32K1-2678,64R1-1257,62X1-288,81X1-403,83X1-443 Use with 3G2610 Piston					
	CT-2463429	Kit	6.500S	4.250S	P	23
	32K1301-2678,64R455-1257,62X1-288,81X1-403,83X1-443 Use with 3G9857 Piston					
	CT-2463429	Kit	6.500S	4.250S	P	23
	32K2679-UP,64R1258-UP,62X289-UP,81X404-UP,83X444-UP					
Hoe Bucket S/N:	BD-564229	Kit	6.500S	4.750S	P	22
	32K1-1300,64R1-454 Use with 8J4583 Piston					

CATERPILLAR® (REFERENCED BY OEM PART NUMBERS)

Application	Part Number	Description	Bore	Rod	Wiper	Type
235 EXCAVATOR (continued)						
Hoe Bucket (cont)	CT-7X7718	Kit	6.500S	4.750S	P	22
	CT-6J1450	Seal				
	S/N:	32K1-2678,64R1-1257,62X1-288,81X1-403,83X1-443 Use with 3G2610 Piston				
	CT-2481183	Kit	6.500S	4.750S	P	22
	S/N:	32K1301-2678,64R455-1257,62X1-288,81X1-403,83X1-443 Use with 3G9857 Piston				
	CT-2481183	Kit	6.500S	4.750S	P	22
S/N:	32K2679-UP,64R1258-UP,62X289-UP,81X404-UP,83X444-UP					
Front Shovel Bucket	CT-2481176	Kit	6.000S	4.750S	P	22
S/N:	81X,83X					
Bucket Bottom Dump	CT-2442056	Kit	7.250S	3.000S	P	22
S/N:	81X,83X					
Stick	CT-2463434	Kit	7.750S	5.000S	P	23
Slave	CT-7X2816	Kit	5.000S	4.000S	P	22
	CT-8T7538	Ring				
	S/N:	81X,83X				
Track Adjuster	BD-901405	Kit			N	0
S/N:	32K,64R,81X,83X					
235B,235C EXCAVATOR						
Excavator S/N: 7WC1-UP,9PC1-UP,1FD1-UP,4ED1-UP,5AF1-UP,2PG1-UP 3WG1-UP,4DG1-UP						
Boom	CT-2463429	Kit	6.500S	4.250S	P	23
	S/N:	7WC,9PC,1FD,4ED,3WG,4DG				
	CT-7X7734	Kit	7.000S	4.750S	P	23
	S/N:	5AF1-1249,2PG1-722,3WG1-246,4DG1-649				
	CT-2481179	Kit	7.000S	4.750S	P	23
S/N:	5AF1250-UP,2PG723-UP,3WG247-UP,4DG650-UP					
Hoe Bucket	CT-2481183	Kit	6.500S	4.750S	P	22
	CT-2481175	Kit	6.500S	4.750S	P	23
	BD-640350	Kit	7.750S	5.250S	I	15
	S/N:	1FD,4ED,3WG,4DG1-679 Mass Excavator arrangement				
	CT-2481197	Kit	7.750S	5.250S	P	23
	S/N:	4DG1-679 Mass Excavator arrangement				
	BD-702197	Kit	7.750S	5.250S	P	15
S/N:	4DG680-UP Mass Excavator arrangement					
Front Shovel Bucket	CT-2481176	Kit	6.000S	4.750S	P	22
	CT-8T7850	Ring				
S/N:	1FD,4ED,3WG,4DG					
Bucket Bottom Dump	CT-2442056	Kit	7.250S	3.000S	P	22
	S/N:	1FD,4ED,3WG,4DG				
	CT-2442058	Kit	7.250S	3.000S	P	23
S/N:	1FD,4ED,3WG,4DG					
Stick	CT-2463434	Kit	7.750S	5.000S	P	23
	CT-2463433	Kit	7.750S	5.000S	P	23
	S/N:	5AF1250-UP,2PG723-UP,3WG247-UP,4DG650-UP Use with 6E5096 Cylinder				

Application	Part Number	Description	Bore	Rod	Wiper	Type
235B,235C EXCAVATOR						
(continued)						
Slave	CT-7X2816	Kit	5.000S	4.000S	P	22
	CT-8T7538	Ring				
S/N:	1FD,4ED,3WG,4DG					
Track Adjuster	BD-901405	Kit			N	0
235D EXCAVATOR						
Excavator S/N: 8KJ1-UP,8TJ1-UP						
Boom	CT-2463429	Kit	6.500S	4.250S	P	23
	CT-2481179	Kit	7.000S	4.750S	P	23
Hoe Bucket	CT-2481175	Kit	6.500S	4.750S	P	23
	BD-702197	Kit	7.750S	5.250S	P	15
Mass Excavator arrangement						
Front Shovel Bucket	CT-2481176	Kit	6.000S	4.750S	P	22
	CT-8T7850	Ring				
Bucket Bottom Dump	CT-2442056	Kit	7.250S	3.000S	P	22
	S/N:	8TJ				
Stick	CT-2463433	Kit	7.750S	5.000S	P	23
	Use with 6E5069 Piston					
	CT-2463434	Kit	7.750S	5.000S	P	23
S/N:	8KJ Use with 3G7374 Piston					
Slave	CT-7X2816	Kit	5.000S	4.000S	P	22
	CT-8T7538	Ring				
Track Adjuster	BD-901405	Kit			N	0
	BD-900405	Kit			N	0
	S/N:	8KJ Use with 9U0938 Front Idler group (Special application)				
245 EXCAVATOR						
Excavator S/N: 94L1-UP,95V1-UP,82X1-UP,84X1-UP						
Boom	BD-564232	Kit	7.000S	4.750S	P	8
	S/N:	95V1-186				
	BD-564232	Kit	7.000S	4.750S	P	8
	S/N:	95V187-470 Cylinder design with 1 stop seal				
	CT-2481182	Kit	7.000S	4.750S	P	22
	S/N:	95V187-470 Cylinder design w/o stop seal				
	CT-2481182	Kit	7.000S	4.750S	P	22
	S/N:	94L1-366,95V471-542				
	CT-2481182	Kit	7.000S	4.750S	P	22
	S/N:	94L367-UP,95V543-UP,82X,84X				
	CT-2481179	Kit	7.000S	4.750S	P	23
	S/N:	82X,84X				
	CT-2481181	Kit	7.250S	4.750S	P	22
	S/N:	94L367-UP,95V543-UP,82X,84X				
CT-2481178	Kit	7.250S	4.750S	P	23	
S/N:	94L367-UP,95V543-UP,82X,84X					
Hoe Bucket	BD-564233	Kit	7.000S	4.750S	P	8
	S/N:	95V1-186				

CATERPILLAR® (REFERENCED BY OEM PART NUMBERS)

Application	Part Number	Description	Bore	Rod	Wiper	Type
245 EXCAVATOR (continued)						
Hoe Bucket (cont)	BD-564233	Kit	7.000S	4.750S	P	8
	S/N:	94L1-254,95V187-UP,82X,84X Cylinder design with 2 stop seals				
	BD-564351	Kit	7.000S	4.750S	P	8
	S/N:	94L1-254,95V187-UP,82X,84X Cylinder design with 1 stop seal				
	BD-564351	Kit	7.000S	4.750S	P	8
	S/N:	94L255-UP				
	CT-2481179	Kit	7.000S	4.750S	P	23
	S/N:	95V471-UP,82X,84X Use with 9J5488 Stop				
	BD-672427	Kit	7.000S	4.750S	P	15
	S/N:	95V471-UP,82X,84X Use with 6E1448 stop				
Front Shovel Bucket	CT-2463439	Kit	7.000S	5.750S	P	22
	CT-8T7851	Ring				
S/N:	94L1-366,95V187-600,82X,84X					
Bucket Bottom Dump	CT-9X2644	Kit	7.750S	3.500S	P	5
	S/N:	94L1-366,95V187-600,82X,84X				
Stick	BD-565231	Kit	8.250S	6.500S	P	8
	S/N:	95V1-470 Use with 8J8786 Piston				
	BD-565249	Kit	8.250S	6.500S	P	8
	S/N:	95V1-470 Use with 9J8103 Piston				
	BD-565249	Kit	8.250S	6.500S	P	8
	S/N:	94L1-366,95V471-UP,82X				
	CT-2463440	Kit	8.250S	5.750S	P	23
S/N:	94L367-UP,95V471-UP,82X,84X Use with 3G9883 Piston					
Master	CT-8T1909	Kit	6.000S	5.000S	P	22
	CT-8T3331	Ring				
S/N:	94L1-366,95V187-600,82X,84X					
Counterweight	CT-2430386	Kit	5.000S	2.500S	P	22
	CT-2430387	Kit	5.000S	2.500S	P	23
S/N:	95V471-UP,82X					
Track Adjuster	BD-900405	Kit			N	0

Application	Part Number	Description	Bore	Rod	Wiper	Type
245B EXCAVATOR						
Excavator S/N: 6MF1-UP,1SJ1-UP						
Boom	CT-2481179	Kit	7.000S	4.750S	P	23
	CT-2481178	Kit	7.250S	4.750S	P	23
Hoe Bucket	CT-2481179	Kit	7.000S	4.750S	P	23
	S/N:	6MF1-512,1SJ1-712 Use with 9J5488 stop				
	BD-672427	Kit	7.000S	4.750S	P	15
	S/N:	6MF1-246,1SJ Mass Excavator arrangement				
	CT-2481197	Kit	7.750S	5.250S	P	23
	CT-9X7257	Seal				
	S/N:	6MF247-UP,1SJ1-712 Mass Excavator arrangement				
	BD-702197	Kit	7.750S	5.250S	P	15
	S/N:	6MF513-UP,1SJ713-UP Mass Excavator arrangement, Use with 6E5468 Piston				
	Front Shovel Bucket	CT-2463439	Kit	7.000S	5.750S	P
CT-8T7851		Ring				
Bucket Bottom Dump	CT-9X2644	Kit	7.750S	3.500S	P	5
	CT-8C5245	Ring				
Stick	CT-2463440	Kit	8.250S	5.750S	P	23
	S/N:	6MF1-512,1SJ1-239 Use with 3G3745 Stop				
	BD-673428	Kit	8.250S	5.750S	P	15
	S/N:	6MF1-512,1SJ1-239 Use with 3G3745 Stop				
	BD-673429	Kit	8.250S	5.750S	P	15
Master	CT-8T1909	Kit	6.000S	5.000S	P	22
	CT-8T3331	Ring				
Counterweight	CT-2430387	Kit	5.000S	2.500S	P	23
Track Adjuster	BD-900405	Kit			N	0
245D EXCAVATOR						
Excavator S/N: 7ZJ1-UP,4LK1-UP						
Boom	CT-2481179	Kit	7.000S	4.750S	P	23
	CT-2481178	Kit	7.250S	4.750S	P	23
Hoe Bucket	BD-672427	Kit	7.000S	4.750S	P	15
	BD-702197	Kit	7.750S	5.250S	P	15
	Mass Excavator arrangement					
Front Shovel Bucket	CT-2463439	Kit	7.000S	5.750S	P	22
	CT-8T7851	Ring				
Bucket Bottom Dump	CT-9X2644	Kit	7.750S	3.500S	P	5
	CT-8C5245	Ring				
Stick	BD-673428	Kit	8.250S	5.750S	P	15
	Cylinder design with 1 stop seal					

CATERPILLAR® (REFERENCED BY OEM PART NUMBERS)

Application	Part Number	Description	Bore	Rod	Wiper	Type
245D EXCAVATOR (continued)						
Stick (cont)	BD-673429	Kit	8.250S	5.750S	P	15
Cylinder design w/o stop seal						
Master	CT-8T1909	Kit	6.000S	5.000S	P	22
	CT-8T3331	Ring				
Counterweight	CT-2430387	Kit	5.000S	2.500S	P	23
Track Adjuster	BD-900405	Kit			N	0
303 MINI EXCAVATOR						
Excavator S/N: DMA1-UP						
Bucket Tilt	CT-2350354	Kit	3.000S	1.500S	P	15
303.5C CR MINI EXCAVATOR						
Excavator S/N: DMY1-UP						
Bucket Tilt	CT-2350354	Kit	3.000S	1.500S	P	15
303C CR MINI EXCAVATOR						
Excavator S/N: BXT1-UP						
Bucket Tilt	CT-2350354	Kit	3.000S	1.500S	P	15
304C CR MINI EXCAVATOR						
Excavator S/N: FPK1-UP						
Bucket Tilt	CT-2350354	Kit	3.000S	1.500S	P	15
305C CR MINI EXCAVATOR						
Excavator S/N: HWJ1-UP						
Bucket Tilt	CT-2350354	Kit	3.000S	1.500S	P	15
307 EXCAVATOR						
Excavator S/N: 2PM1-UP,2WM1-UP						
Boom	CT-1697826	Kit	110.00M	75.00M	P	8
	CT-1140750	Bushing				
Offset Boom	CT-1057480	Kit	100.00M	55.00M	P	8
	CT-1140752	Bushing				
Bucket	CT-1697845	Kit	80.00M	55.00M	P	8
	CT-1140752	Bushing				
Stick	CT-1697895	Kit	90.00M	60.00M	P	8
	CT-1140751	Bushing				
Blade	CT-0933045	Kit	90.00M	50.00M	P	11
Track Adjuster	BD-900407	Kit	50.00M	50.00M	P	0

CATERPILLAR® (REFERENCED BY OEM PART NUMBERS)

Application	Part Number	Description	Bore	Rod	Wiper	Type
307B EXCAVATOR						
Excavator S/N: 4RW1-UP,5CW1-UP,6KZ1-UP,7DZ1-UP,AFB1-UP						
Boom	CT-1697826	Kit	110.00M	75.00M	P	8
	CT-1140750	Bushing				
Swing Boom	CT-1697830	Kit	100.00M	65.00M	P	22
	CT-1140754	Bushing				
	S/N: 6KZ,7DZ,AFB					
Offset VA Boom	CT-1697829	Kit	100.00M	55.00M	P	8
	CT-1140752	Bushing				
	S/N: 4RW,5CW					
Bucket	CT-1697828	Kit	80.00M	55.00M	P	8
	CT-1140752	Bushing				
Stick	CT-1697827	Kit	90.00M	60.00M	P	8
	CT-1140751	Bushing				
Blade	CT-1697835	Kit	120.00M	80.00M	P	22
	CT-1140755	Bushing				
	CT-1654342	Kit	90.00M	50.00M	P	8
	S/N: AFB					
Track Adjuster	BD-900407	Kit	50.00M	50.00M	P	0
307C,307C SB EXCAVATOR						
Excavator S/N: BNE1-UP,BCM1-UP						
Boom	CT-1697826	Kit	110.00M	75.00M	P	8
	CT-1140750	Bushing				
Swing Boom	CT-1697827	Kit	90.00M	60.00M	P	8
	CT-1140751	Bushing				
	S/N: BNE					
Offset VA Boom	CT-1697829	Kit	100.00M	55.00M	P	8
	CT-1140752	Bushing				
	S/N: BCM					
Bucket	CT-1697828	Kit	80.00M	55.00M	P	8
	CT-1140752	Bushing				
	S/N: BCM					
Stick	CT-1697827	Kit	90.00M	60.00M	P	8
	CT-1140751	Bushing				
Blade	CT-1697835	Kit	120.00M	80.00M	P	22
	CT-1140755	Bushing				
Adj. Cab Riser	CT-1697827	Kit	90.00M	60.00M	P	8
	CT-1140751	Bushing				
Track Adjuster	BD-900407	Kit	50.00M	50.00M	P	0

CATERPILLAR® (REFERENCED BY OEM PART NUMBERS)

Application	Part Number	Description	Bore	Rod	Wiper	Type
307D MINI EXCAVATOR						
Excavator S/N: DSG1-UP						
Boom	CT-1697826	Kit	110.00M	75.00M	P	8
	CT-1140750	Bushing				
Bucket	CT-1697828	Kit	80.00M	55.00M	P	8
	CT-1140752	Bushing				
Stick	CT-1697827	Kit	90.00M	60.00M	P	8
	CT-1140751	Bushing				
Blade	CT-1697835	Kit	120.00M	80.00M	P	22
	CT-1140755	Bushing				
Track Adjuster	BD-900407	Kit	50.00M	50.00M	P	0
308C CR EXCAVATOR						
Excavator S/N: KCX1-UP						
Boom	CT-2003240	Kit	100.00M	70.00M	P	22
	CT-1140753	Bushing				
	CT-1697826	Kit	110.00M	75.00M	P	8
	CT-1140750	Bushing				
	CT-2003239	Kit	120.00M	75.00M	P	22
Offset Boom	CT-1140750	Bushing				
	CT-2003242	Kit	100.00M	55.00M	P	22
Bucket	CT-1140752	Bushing				
	CT-1697828	Kit	80.00M	55.00M	P	8
Stick	CT-1140752	Bushing				
	CT-1697827	Kit	90.00M	60.00M	P	8
Blade	CT-1140751	Bushing				
	CT-1697835	Kit	120.00M	80.00M	P	22
Cab Riser	CT-1140755	Bushing				
	CT-1697827	Kit	90.00M	60.00M	P	8
Track Adjuster	CT-1140751	Bushing				
Track Adjuster	BD-900407	Kit	50.00M	50.00M	P	0
308D MINI EXCAVATOR						
Excavator S/N: FYC1-UP,GBT1-UP						
Boom	BD-204857	Kit	110.00M	70.00M	P	15
Boom Swing	BD-203859	Kit	110.00M	65.00M	P	15
	S/N: FYC					
Blade	CT-1697835	Kit	120.00M	80.00M	P	22
	CT-1140755	Bushing				
Track Adjuster	BD-900407	Kit	50.00M	50.00M	P	0

CATERPILLAR® (REFERENCED BY OEM PART NUMBERS)

Application	Part Number	Description	Bore	Rod	Wiper	Type
311 EXCAVATOR						
Excavator S/N: 9LJ1-UP						
Boom	CT-616858	Kit	100.00M	70.00M	P	22
	CT-1140753	Bushing				
Offset Boom	CT-513047	Kit	120.00M	80.00M	P	22
	CT-1140755	Bushing				
	S/N:	9LJ700-UP				
Bucket	CT-1764935	Kit	100.00M	65.00M	P	22
	CT-1140754	Bushing				
Stick	CT-418913	Kit	110.00M	75.00M	P	22
	CT-1140750	Bushing				
Track Adjuster	BD-900408	Kit	50.00M	50.00M	P	0
	BD-901406	Kit	60.00M	60.00M	P	0
	S/N:	9LJ262-UP LGP arrangement with 7Y1780 Cylinder				
311B EXCAVATOR						
Excavator S/N: 8GR1-UP,2LS1-UP						
Boom	CT-1211405	Kit	100.00M	70.00M	P	22
	CT-1140753	Bushing				
	S/N:	2LS1-147,8GR1-345				
	CT-1697836	Kit	100.00M	70.00M	P	22
	CT-1140753	Bushing				
	S/N:	2LS148-UP,8GR346-UP				
Bucket	CT-1697830	Kit	100.00M	65.00M	P	22
	CT-1140754	Bushing				
	S/N:	2LS1-147,8GR1-345				
	CT-1697839	Kit	100.00M	65.00M	P	22
	CT-1140754	Bushing				
	S/N:	2LS148-UP,8GR346-UP				
Stick	CT-1195435	Kit	110.00M	75.00M	P	22
	CT-1140750	Bushing				
	S/N:	2LS1-147,8GR1-345				
	CT-1697837	Kit	110.00M	75.00M	P	22
	CT-1140750	Bushing				
	S/N:	2LS148-UP,8GR346-UP				
Blade	CT-1697835	Kit	120.00M	80.00M	P	22
	CT-1140755	Bushing				
	S/N:	2LS				
Track Adjuster	BD-900408	Kit	50.00M	50.00M	P	0
	BD-901406	Kit	60.00M	60.00M	P	0
	S/N:	8GR LGP arrangement				

CATERPILLAR® (REFERENCED BY OEM PART NUMBERS)

Application	Part Number	Description	Bore	Rod	Wiper	Type
311CU EXCAVATOR						
Excavator S/N: CKE1-UP,PAD1-UP						
Boom	CT-1709929	Kit	100.00M	70.00M	P	22
	CT-1140753	Bushing				
Bucket	CT-1709941	Kit	100.00M	65.00M	P	22
	CT-1140754	Bushing				
Stick	CT-1709937	Kit	110.00M	75.00M	P	22
	CT-1140750	Bushing				
Blade	CT-1697835	Kit	120.00M	80.00M	P	22
	CT-1140755	Bushing				
Track Adjuster	BD-900408	Kit	50.00M	50.00M	P	0
311D LRR EXCAVATOR						
Excavator S/N: CLA1-UP,DDW1-UP,DWR1-UP,LKA1-UP,PNJ1-UP						
Boom	CT-2836179	Kit	100.00M	70.00M	P	22
	CT-1140753	Bushing				
Boom VA	BD-205842	Kit	140.00M	85.00M	P	23
	S/N: DDW,LKA					
Bucket	CT-2836179	Kit	100.00M	70.00M	P	22
	CT-1140753	Bushing				
	Use with 2897699 Cylinder					
	BD-204877	Kit	100.00M	70.00M	P	23
	Use with 2952006 Cylinder					
Stick	CT-2897733	Kit	110.00M	75.00M	P	22
	CT-1140750	Bushing				
Blade	CT-1709946	Kit	120.00M	80.00M	P	22
	CT-1140755	Bushing				
Track Adjuster	BD-900412	Kit	50.00M	50.00M	P	0
312 EXCAVATOR						
Excavator S/N: 6GK1-UP,6BL1-UP						
Boom	CT-418913	Kit	110.00M	75.00M	P	22
	CT-1140750	Bushing				
Bucket	CT-1764935	Kit	100.00M	65.00M	P	22
	CT-1140754	Bushing				
Stick	CT-513047	Kit	120.00M	80.00M	P	22
	CT-1140755	Bushing				
Blade	CT-513047	Kit	120.00M	80.00M	P	22
	CT-1140755	Bushing				
	S/N: 6BL					
Track Adjuster	BD-900408	Kit	50.00M	50.00M	P	0
	BD-901406	Kit	60.00M	60.00M	P	0
	S/N: 6BL					
	Custom arrangement with 7Y1780 Cylinder					

Application	Part Number	Description	Bore	Rod	Wiper	Type
312B EXCAVATOR						
Excavator S/N: 8JR1-UP,9GR1-UP,2NS1-UP,3FS1-UP,9FS1-UP,2KW1-UP 6SW1-UP,9NW1-UP						
Boom	CT-1195435	Kit	110.00M	75.00M	P	22
	CT-1140750	Bushing				
	S/N: 8JR1-687,9GR1-357,2NS1-145,3FS1-213,9FS,2KW,6SW S/N: 9NW Use with 1195425 Cylinder					
	CT-1697837	Kit	110.00M	75.00M	P	22
	CT-1140750	Bushing				
	S/N: 8JR688-UP,9GR358-UP,2NS146-UP,3FS214-UP,9FS,2KW S/N: 6SW,9NW Use with 1438156 or 1859086 Cylinder					
	BD-205842	Kit	140.00M	85.00M	P	23
	S/N: 6SW Use with 1847660 Cylinder					
Bucket	CT-1697830	Kit	100.00M	65.00M	P	22
	CT-1140754	Bushing				
	S/N: 8JR1-689,9GR1-354,2NS1-148,3FS1-211,9FS,2KW,6SW S/N: 9NW Use with 1195447 Cylinder					
	CT-1697839	Kit	100.00M	65.00M	P	22
	CT-1140754	Bushing				
	S/N: 8JR690-UP,9GR355-UP,2NS149-UP,3FS212-UP,9FS,2KW S/N: 6SW,9NW Use with 1438158 Cylinder					
	CT-1195446	Kit	120.00M	80.00M	P	22
	CT-1140755	Bushing				
Stick	S/N: 8JR1-687,9GR1-357,2NS1-145,3FS1-213,9FS,2KW,6SW S/N: 9NW Use with 1195436 Cylinder					
	CT-1697838	Kit	120.00M	80.00M	P	22
	CT-1140755	Bushing				
	S/N: 8JR688-UP,9GR358-UP,2NS146-UP,3FS214-UP,9FS,2KW S/N: 6SW,9NW Use with 1438157 or 1859056 Cylinder					
	CT-1697835	Kit	120.00M	80.00M	P	22
	CT-1140755	Bushing				
	S/N: 2NS,3FS,2KW,9NW					
	BD-900408	Kit	50.00M	50.00M	P	0
Track Adjuster	BD-901406	Kit	60.00M	60.00M	P	0
	S/N: 9GR LGP arrangement					

CATERPILLAR® (REFERENCED BY OEM PART NUMBERS)

Application	Part Number	Description	Bore	Rod	Wiper	Type
312C EXCAVATOR						
Excavator S/N: BNN1-UP,BWH1-UP,CBA1-UP,CBT1-UP,DBN1-UP,FDS1-UP						
Boom	CT-1709937	Kit	110.00M	75.00M	P	22
	CT-1140750	Bushing				
	BD-205842	Kit	140.00M	85.00M	P	23
	S/N:	BNN,BWH,CBT,DBN				
	CT-1195435	Kit	110.00M	75.00M	P	22
	CT-1140750	Bushing				
S/N:	CBA					
Offset Boom	CT-1697838	Kit	120.00M	80.00M	P	22
	CT-1140755	Bushing				
	S/N:	BNN				
Bucket	CT-1709941	Kit	100.00M	65.00M	P	22
	CT-1140754	Bushing				
	CT-1697830	Kit	100.00M	65.00M	P	22
	CT-1140754	Bushing				
	S/N:	BNN,CBT				
	CT-1697828	Kit	80.00M	55.00M	P	8
	CT-1140752	Bushing				
	S/N:	CBA				
	CT-1709937	Kit	110.00M	75.00M	P	22
	CT-1140750	Bushing				
S/N:	FDS					
Stick	CT-1709999	Kit	120.00M	80.00M	P	22
	CT-1140755	Bushing				
	CT-1195446	Kit	120.00M	80.00M	P	22
	CT-1140755	Bushing				
	S/N:	CBA				
Blade	CT-1709946	Kit	120.00M	80.00M	P	22
	CT-1140755	Bushing				
	S/N:	BWH,CBA,CBT,FDS				
Track Adjuster	BD-901414	Kit	60.00M	50.00M	P	0
	S/N:	BNN,BWH,CBT,DBN				
	BD-900408	Kit	50.00M	50.00M	P	0
S/N:	CBA,FDS					

Application	Part Number	Description	Bore	Rod	Wiper	Type
312D EXCAVATOR						
Excavator S/N: DLP1-UP,HCW1-UP,HJX1-UP,JBC1-UP,KCD1-UP,KES1-UP LRK1-UP,PHH1-UP,RHL1-UP,RKF1-UP,TGY1-UP,XGK1-UP						
Boom	CT-2897733	Kit	110.00M	75.00M	P	22
	CT-1140750	Bushing				
Boom VA	BD-205842	Kit	140.00M	85.00M	P	23
	S/N: HJX,KCD,PHH,RKF					
Bucket	CT-2836179	Kit	100.00M	70.00M	P	22
	CT-1140753	Bushing				
	Use with 2897699 or 2898086 Cylinder					
	BD-204877	Kit	100.00M	70.00M	P	23
S/N: DLP,KES,RHL,XGK						
S/N: Use with 2952006 Cylinder						
Stick	CT-2897716	Kit	120.00M	80.00M	P	22
	CT-1140755	Bushing				
Blade	CT-1709946	Kit	120.00M	80.00M	P	22
	CT-1140755	Bushing				
	S/N: HCW,JBC,KCD,KES,RHL,RKF,TGY,XGK					
Track Adjuster	BD-900412	Kit	50.00M	50.00M	P	0
	S/N: DLP,HCW,JBC,KES,LRK,RHL,TGY,XGK					
	BD-901406	Kit	60.00M	60.00M	P	0
S/N: HJX,KCD						
313B CR EXCAVATOR						
Excavator S/N: BAS1-UP						
Boom	CT-1697837	Kit	110.00M	75.00M	P	22
	CT-1140750	Bushing				
Bucket	CT-1697839	Kit	100.00M	65.00M	P	22
	CT-1140754	Bushing				
Stick	CT-1697838	Kit	120.00M	80.00M	P	22
	CT-1140755	Bushing				
	Use with 1438157 or 1859056 Cylinder					
	CT-1195446	Kit	120.00M	80.00M	P	22
	CT-1140755	Bushing				
S/N: BAS245-UP						
S/N: Use with 1195436 Cylinder						
Blade	CT-1697835	Kit	120.00M	80.00M	P	22
	CT-1140755	Bushing				
Track Adjuster	BD-900408	Kit	50.00M	50.00M	P	0

CATERPILLAR® (REFERENCED BY OEM PART NUMBERS)

Application	Part Number	Description	Bore	Rod	Wiper	Type
314C CR,314C LCR EXCAVATOR						
Excavator S/N: KJA1-UP,PCA1-UP,SNY1-UP						
Boom	CT-1709937	Kit	110.00M	75.00M	P	22
	CT-1140750	Bushing				
Offset Boom	CT-2003361	Kit	130.00M	75.00M	P	22
	CT-1140750	Bushing				
	S/N: KJA					
Bucket	CT-1709941	Kit	100.00M	65.00M	P	22
	CT-1140754	Bushing				
Stick	CT-1709999	Kit	120.00M	80.00M	P	22
	CT-1140755	Bushing				
Blade	CT-1709946	Kit	120.00M	80.00M	P	22
	CT-1140755	Bushing				
Track Adjuster	BD-900408	Kit	50.00M	50.00M	P	0
314D CR,314D LCR EXCAVATOR						
Excavator S/N: BYJ1-UP,PDP1-UP,SBP1-UP,SSZ1-UP,TXN1-UP,WLN1-UP XHR1-UP						
Boom	CT-2897733	Kit	110.00M	75.00M	P	22
	CT-1140750	Bushing				
Offset Boom	CT-2003361	Kit	130.00M	75.00M	P	22
	CT-1140750	Bushing				
	S/N: BYJ,PDP,SSZ,TXN,WLN,XHR					
Boom VA	BD-205842	Kit	140.00M	85.00M	P	23
	S/N: SBP,TXN					
Bucket	CT-2836179	Kit	100.00M	70.00M	P	22
	CT-1140753	Bushing				
Stick	CT-2897716	Kit	120.00M	80.00M	P	22
	CT-1140755	Bushing				
	CT-2897733	Kit	110.00M	75.00M	P	22
	CT-1140750	Bushing				
	S/N: SBP,TXN					
Blade	CT-1709946	Kit	120.00M	80.00M	P	22
	CT-1140755	Bushing				
Track Adjuster	BD-900412	Kit	50.00M	50.00M	P	0
315 EXCAVATOR						
Excavator S/N: 3ZM1-UP,4YM1-UP,6YM1-UP						
Boom	CT-1057359	Kit	110.00M	80.00M	P	22
	CT-1140755	Bushing				
		S/N: 3ZM,4YM1-326,6YM1-1279				
	CT-1624675	Kit	110.00M	80.00M	P	22
	S/N: 4YM327-UP,6YM1280-UP					
Bucket	CT-1057397	Kit	100.00M	70.00M	P	22
	CT-1140753	Bushing				
		S/N: 3ZM,4YM1-326,6YM1-1267				
	CT-1624677	Kit	100.00M	70.00M	P	22
	S/N: 4YM327-UP,6YM1268-UP					

Application	Part Number	Description	Bore	Rod	Wiper	Type	
315 EXCAVATOR							
(continued)							
Bucket (cont)	CT-1057359	Kit	110.00M	80.00M	P	22	
	CT-1140755	Bushing					
S/N:	3ZM						
Stick	CT-1057379	Kit	120.00M	85.00M	P	22	
	CT-1140756	Bushing					
	S/N:	3ZM,4YM1-326,6YM1-1279					
	CT-1624676	Kit	120.00M	85.00M	P	22	
S/N:	CT-1140756	Bushing					
	4YM327-UP,6YM1280-UP						
Track Adjuster	BD-901406	Kit	60.00M	60.00M	P	0	
315B EXCAVATOR							
Excavator S/N: 1SW1-UP,3AW1-UP,5SW1-UP,7RZ1-UP							
Boom	CT-1336646	Kit	110.00M	80.00M	P	22	
	CT-1140755	Bushing					
	Use with 1336630 Cylinder						
	CT-1659420	Kit	110.00M	80.00M	P	22	
	CT-1140755	Bushing					
	Use with 1559251 Cylinder						
Boom VA	BD-205842	Kit	140.00M	85.00M	P	23	
S/N:	5SW						
Bucket	CT-1336691	Kit	100.00M	70.00M	P	22	
	CT-1140753	Bushing					
	Use with 1336636 Cylinder						
	CT-1799638	Kit	100.00M	70.00M	P	22	
	CT-1140753	Bushing					
	Use with 1559255 or 1733490 Cylinder						
	CT-1659420	Kit	110.00M	80.00M	P	22	
	CT-1140755	Bushing					
	S/N:	5SW					
	Use with 1588923 Cylinder						
S/N:	CT-1336646	Kit	110.00M	80.00M	P	22	
	CT-1140755	Bushing					
	5SW						
	Use with 1336639 Cylinder						
Stick	CT-2502487	Kit	120.00M	85.00M	P	22	
	CT-1140756	Bushing					
	Use with 1336633 Cylinder						
	CT-1659418	Kit	120.00M	85.00M	P	22	
	CT-1140756	Bushing					
Use with 1559253 Cylinder							
Track Adjuster	BD-901406	Kit	60.00M	60.00M	P	0	
	S/N:	1SW,3AW,5SW					
	BD-901407	Kit	70.00M	45.00M	P	0	
S/N:	7RZ						

CATERPILLAR® (REFERENCED BY OEM PART NUMBERS)

Application	Part Number	Description	Bore	Rod	Wiper	Type
315C EXCAVATOR						
Excavator S/N: AKE1-UP,ANF1-UP,CFB1-UP,CFT1-UP,CJC1-UP						
Boom	CT-1799625	Kit	110.00M	80.00M	P	22
	CT-1140755	Bushing				
Boom VA	BD-205842	Kit	140.00M	85.00M	P	23
	S/N: ANF					
Bucket	CT-1799638	Kit	100.00M	70.00M	P	22
	CT-1140753	Bushing				
	CT-1799625	Kit	110.00M	80.00M	P	22
	CT-1140755	Bushing				
Stick	CT-1799634	Kit	120.00M	85.00M	P	22
	CT-1140756	Bushing				
	Use with 1559253, 1733486 or 2248528 Cylinder					
	CT-2667874	Kit	120.00M	85.00M	P	22
	CT-1140756	Bushing				
Use with 3350034 Cylinder						
Blade Lift	CT-2833454	Kit	2.750S	1.500S	P	15
	S/N: CJC					
	CT-1709946	Kit	120.00M	80.00M	P	22
	CT-1140755	Bushing				
S/N: CFT,CJC						
Blade Angle	CT-2465917	Kit	3.500S	1.500S	P	23
S/N: CJC						
Track Adjuster	BD-901406	Kit	60.00M	60.00M	P	0
	BD-901407	Kit	70.00M	45.00M	P	0
	S/N: CJC	Use with blade equipped models				
315D EXCAVATOR						
Excavator S/N: BZN1-UP,CJN1-UP,JGS1-UP,JHA1-UP,KBD1-UP,NCM1-UP TLE1-UP						
Boom	CT-2667861	Kit	110.00M	80.00M	P	22
	CT-1140755	Bushing				
Boom VA	BD-205842	Kit	140.00M	85.00M	P	23
	S/N: NCM,TLE					
Bucket	CT-1799638	Kit	100.00M	70.00M	P	22
	CT-1140753	Bushing				
	S/N: CJN,KBD,NCM,TLE					
	CT-1799625	Kit	110.00M	80.00M	P	22
	CT-1140755	Bushing				
S/N: BZN,CJN,JGS,JHA,NCM						
Stick	CT-2667874	Kit	120.00M	85.00M	P	22
	CT-1140756	Bushing				
Track Adjuster	BD-901406	Kit	60.00M	60.00M	P	0
	S/N: CJN,KBD					
	BD-901413	Kit	60.00M	45.00M	P	0
S/N: BZN,JGS,JHA,NCM,TLE						

Application	Part Number	Description	Bore	Rod	Wiper	Type	
317 EXCAVATOR							
Excavator S/N: 4MM1-UP,9SR1-UP							
Boom	CT-1057359	Kit	110.00M	80.00M	P	22	
	CT-1140755	Bushing					
Bucket	CT-1057397	Kit	100.00M	70.00M	P	22	
	CT-1140753	Bushing					
	CT-1057359	Kit	110.00M	80.00M	P	22	
	CT-1140755	Bushing					
Stick	CT-1057379	Kit	120.00M	85.00M	P	22	
	CT-1140756	Bushing					
Track Adjuster	BD-901406	Kit	60.00M	60.00M	P	0	
317B EXCAVATOR							
Excavator S/N: 9WW1-UP,6DZ1-UP							
Boom	CT-1336646	Kit	110.00M	80.00M	P	22	
	CT-1140755	Bushing					
	Use with 1336630 Cylinder						
	CT-1659420	Kit	110.00M	80.00M	P	22	
	CT-1140755	Bushing					
	Use with 1559251 Cylinder						
	BD-205842	Kit	140.00M	85.00M	P	23	
	Bucket	CT-1336691	Kit	100.00M	70.00M	P	22
		CT-1140753	Bushing				
		Use with 1336636 Cylinder					
CT-1709827		Kit	100.00M	70.00M	P	22	
CT-1140753		Bushing					
Use with 1559255 Cylinder							
CT-1336646		Kit	110.00M	80.00M	P	22	
CT-1140755		Bushing					
Use with 1336639 Cylinder							
CT-1659420		Kit	110.00M	80.00M	P	22	
CT-1140755	Bushing						
Use with 1588923 Cylinder							
Stick	CT-2502487	Kit	120.00M	85.00M	P	22	
	CT-1140756	Bushing					
	Use with 1336633 Cylinder						
	CT-1659418	Kit	120.00M	85.00M	P	22	
CT-1140756	Bushing						
Use with 1559253 Cylinder							
Track Adjuster	BD-901407	Kit	70.00M	45.00M	P	0	

CATERPILLAR® (REFERENCED BY OEM PART NUMBERS)

Application	Part Number	Description	Bore	Rod	Wiper	Type	
318B EXCAVATOR							
Excavator S/N: 3LR1-UP,7KZ1-UP,ADC1-UP,AEJ1-UP							
Boom	CT-2478998	Kit	120.00M	85.00M	P	5	
	CT-0964402	Bushing					
	S/N:	3LR,7KZ Use with 1475755 Cylinder					
	CT-1659418	Kit	120.00M	85.00M	P	22	
	CT-1140756	Bushing					
	Use with 1475756 Cylinder						
Boom VA	CT-2330764	Kit	160.00M	95.00M	P	22	
	CT-6C6093	Bushing					
S/N:	ADC						
Bucket	CT-2043627	Kit	120.00M	85.00M	P	5	
	CT-0964402	Bushing					
	S/N:	3LR,7KZ Use with 1183967 or 1713379 Cylinder					
	CT-2502487	Kit	120.00M	85.00M	P	22	
	CT-1140756	Bushing					
		Use with 1184134 Cylinder					
	CT-1659420	Kit	110.00M	80.00M	P	22	
	CT-1140755	Bushing					
		Use with 1475763, 1873479 or 2182099 Cylinder					
	CT-1709827	Kit	100.00M	70.00M	P	22	
CT-1140753	Bushing						
S/N:	ADC,AEJ						
Stick	CT-2095959	Kit	130.00M	95.00M	P	5	
	CT-0964430	Bushing					
	S/N:	3LR,7KZ Use with 1475759 Cylinder					
	CT-1659419	Kit	130.00M	95.00M	P	22	
	CT-1289260	Bushing					
	Use with 1475760 Cylinder						
Track Adjuster	BD-901407	Kit	70.00M	45.00M	P	0	
318C EXCAVATOR							
Excavator S/N: BTG1-UP,DAH1-UP,FAA1-UP,GPA1-UP,MDY1-UP							
Boom	CT-2478998	Kit	120.00M	85.00M	P	5	
	CT-0964402	Bushing					
	S/N:	GPA,MDY Use with 1948416 Cylinder					
	CT-1799634	Kit	120.00M	85.00M	P	22	
	CT-1140756	Bushing					
S/N:	BTG,DAH,FAA,MDY Use with 1948407 Cylinder						
Boom VA	CT-2521191	Kit	160.00M	95.00M	P	22	
	CT-6C6093	Bushing					
S/N:	MDY						
Bucket	CT-1799625	Kit	110.00M	80.00M	P	22	
	CT-1140755	Bushing					
	S/N:	BTG,DAH,FAA					

Application	Part Number	Description	Bore	Rod	Wiper	Type
318C EXCAVATOR						
(continued)						
Bucket (cont)	CT-2366368	Kit	120.00M	85.00M	P	22
	CT-1140756	Bushing				
	S/N:	BTG,DAH,FAA				
	CT-2479001	Kit	120.00M	85.00M	P	8
	CT-0964402	Bushing				
S/N:	GPA,MDY					
Stick	CT-2590630	Kit	130.00M	95.00M	P	5
	CT-0964430	Bushing				
	S/N:	GPA,MDY Use with 1948418 Cylinder				
	CT-2159984	Kit	130.00M	95.00M	P	22
	CT-1289260	Bushing				
S/N:	BTG,DAH,FAA,MDY Use with 1948410 Cylinder					
Track Adjuster	BD-901407	Kit	70.00M	45.00M	P	0
319C EXCAVATOR						
Excavator S/N: KGL1-UP						
Boom	CT-2521191	Kit	160.00M	95.00M	P	22
	CT-6C6093	Bushing				
	CT-1799634	Kit	120.00M	85.00M	P	22
	CT-1140756	Bushing				
Bucket	CT-2366368	Kit	120.00M	85.00M	P	22
	CT-1140756	Bushing				
	CT-1799625	Kit	110.00M	80.00M	P	22
	CT-1140755	Bushing				
Stick	CT-2159984	Kit	130.00M	95.00M	P	22
	CT-1289260	Bushing				
Track Adjuster	BD-901407	Kit	70.00M	45.00M	P	0
319D EXCAVATOR						
Excavator S/N: AYF1-UP,BZH1-UP,DAY1-UP,EAW1-UP,FMH1-UP,KFM1-UP KRM1-UP,RJP1-UP,WBJ1-UP,ZCA1-UP,ZGZ1-UP						
Boom	CT-2667806	Kit	120.00M	85.00M	P	22
	CT-1140756	Bushing				
	Use with 2590850 or 2898130 Cylinder					
	CT-2478868	Kit	120.00M	85.00M	P	5
	CT-0964402	Bushing				
	S/N:	AYF,EAW,FMH,RJP Use with 2590862 Cylinder				
	CT-2521191	Kit	160.00M	95.00M	P	22
CT-6C6093	Bushing					
S/N:	AYF,BZH,DAY,RJP,WBJ,ZGZ					
Bucket	CT-1799625	Kit	110.00M	80.00M	P	22
	CT-1140755	Bushing				
	Use with 2590856, 2807318 or 2898146 Cylinder					
	CT-2366368	Kit	120.00M	85.00M	P	22
	CT-1140756	Bushing				
	Use with 2590859 or 2898154 Cylinder					
	CT-2478888	Kit	120.00M	85.00M	P	5
CT-0964402	Bushing					
S/N:	AYF,EAW,FMH,RJP					

CATERPILLAR® (REFERENCED BY OEM PART NUMBERS)

Application	Part Number	Description	Bore	Rod	Wiper	Type	
319D EXCAVATOR (continued)							
Stick	CT-2667812	Kit	130.00M	95.00M	P	22	
	CT-1289260	Bushing					
	Use with 2590853 or 2898138 Cylinder						
	CT-2742649	Kit	130.00M	95.00M	P	5	
	CT-0964430	Bushing					
S/N:	AYF,EAW,FMH,RJP Use with 2590864 Cylinder						
Track Adjuster	BD-901412	Kit	70.00M	50.00M	P	0	
320 EXCAVATOR							
Excavator S/N: 9WG1-UP,4ZJ1-UP,3XK1-UP,7WK1-UP,8LK1-UP,9KK1-UP 1KL1-UP,1TL1-UP,2DL1-UP,1XM1-UP,6KM1-UP							
Boom	CT-2502487	Kit	120.00M	85.00M	P	22	
	CT-1140756	Bushing					
	S/N:	9WG,4ZJ,3XK,6KM					
	CT-413665	Kit	120.00M	85.00M	P	5	
	CT-0964402	Bushing					
S/N:	7WK,8LK,9KK,1KL,1TL,2DL,1XM						
Boom VA	CT-2330764	Kit	160.00M	95.00M	P	22	
	CT-6C6093	Bushing					
S/N:	9WG						
Bucket	CT-2502487	Kit	120.00M	85.00M	P	22	
	CT-1140756	Bushing					
	S/N:	9WG,4ZJ,3XK,6KM B-Family Buckets					
	CT-1597775	Kit	120.00M	85.00M	P	5	
	CT-0964402	Bushing					
	S/N:	7WK,8LK,2DL B-Family Buckets					
	CT-2580313	Kit	130.00M	85.00M	P	22	
	CT-1140756	Bushing					
	S/N:	9WG,4ZJ,3XK,7WK,8LK,2DL,1XM,6KM C-Family Buckets					
	CT-3206346	Kit	100.00M	65.00M	P	22	
	CT-1140754	Bushing					
	S/N:	9KK,1KL,1TL Use with 417652 Cylinder					
	CT-1764935	Kit	100.00M	65.00M	P	22	
CT-1140754	Bushing						
S/N:	9KK1359-UP Use with 1251547 Cylinder						
Stick	CT-2481165	Kit	140.00M	100.00M	P	22	
	CT-1140757	Bushing					
	S/N:	9WG,4ZJ,3XK,6KM					
	CT-2459842	Kit	140.00M	100.00M	P	8	
	CT-0965625	Bushing					
	S/N:	7WK,8LK,2DL,1XM					
	CT-1997416	Kit	150.00M	105.00M	P	22	
CT-1140760	Bushing						
S/N:	9KK,1KL,1TL						

Application	Part Number	Description	Bore	Rod	Wiper	Type
320 EXCAVATOR						
(continued)						
Track Adjuster	BD-901406	Kit	60.00M	60.00M	P	0
	S/N:	9WG,4ZJ,3XK,7WK,8LK,9KK1-4320,1KL,1TL,2DL1-1709				
	S/N:	1XM1-169,6KM				
	BD-901408	Kit	70.00M	70.00M	P	0
	S/N:	9WG813-UP,9KK,6KM S/N 9KK Feller Buncher and Log Loader arrangements				
	BD-901407	Kit	70.00M	45.00M	P	0
S/N:	9WG1148-UP,4ZJ576-UP,3XK1684-UP,9KK4321-UP,2DL1710-UP					
S/N:	1XM170-UP					
320B EXCAVATOR						
Excavator S/N: 4NR1-UP,5BR1-UP,6CR1-UP,7JR1-UP,1ES1-UP,1XS1-UP 2AS1-UP,5MS1-UP,6LS1-UP,9JS1-UP,9WS1-UP,4XW1-UP 5GW1-UP,6LW1-UP,3YZ1-UP,BBG1-UP,BAN1-UP						
Boom	CT-2478998	Kit	120.00M	85.00M	P	5
	CT-0964402	Bushing				
	S/N:	4NR,5BR,6CR,1ES,6LS,9JS,4XW,5GW,BBG,BAN Use with 1184023 or 1336865 Cylinder				
	CT-2478996	Kit	120.00M	85.00M	P	5
	CT-0964402	Bushing				
	S/N:	4NR,5BR,6CR,1ES,6LS,9JS,4XW,5GW,BAN,BBC Use with 1540727 Cylinder				
	CT-2502487	Kit	120.00M	85.00M	P	22
	CT-1140756	Bushing				
	S/N:	7JR,1XS,2AS,5MS,9WS,6LW,3YZ Use with 1184128 or 1760584 Cylinder				
	CT-2366368	Kit	120.00M	85.00M	P	22
	CT-1140756	Bushing				
	S/N:	7JR,1XS,5MS,9WS,6LW,3YZ Use with 1589058 Cylinder				
	CT-2590634	Kit	140.00M	100.00M	P	5
	CT-0965625	Bushing				
	S/N:	6CR,6LS,9JS,9WS,6LW Log Loader arrangement				
Boom VA	CT-2521191	Kit	160.00M	95.00M	P	22
	CT-6C6093	Bushing				
	S/N:	7JR,1XS,5MS,9WS,3YZ				
Bucket	CT-2043627	Kit	120.00M	85.00M	P	5
	CT-0964402	Bushing				
	S/N:	4NR,5BR,6CR,1ES,6LS,9JS,4XW,5GW,BBG,BAN B-Family Buckets				
	CT-1373768	Kit	130.00M	90.00M	P	5
	CT-1052575	Bushing				
	S/N:	4NR,5BR,6CR,6LS,9JS,4XW,5GW C-Family Buckets Use with 1232084 or 1336874 Cylinder				
	CT-2590626	Kit	130.00M	90.00M	P	5
	CT-1052575	Bushing				
	S/N:	4NR,5BR,6CR,6LS,9JS,4XW,5GW C-Family Buckets Use with 1540772 Cylinder				

CATERPILLAR® (REFERENCED BY OEM PART NUMBERS)

Application	Part Number	Description	Bore	Rod	Wiper	Type	
320B EXCAVATOR (continued)							
Bucket (cont)	CT-1764914	Kit	130.00M	90.00M	P	22	
	CT-1140758	Bushing					
	S/N:	4NR,5BR,6CR,7JR,1XS,2AS,5MS,9WS,6LW,3YZ Use with 1232044 Cylinder					
	CT-2159986	Kit	130.00M	90.00M	P	22	
	CT-1140758	Bushing					
	S/N:	7JR,1XS,2AS,5MS,9WS,6LW,3YZ Use with 1799764 Cylinder					
	CT-1764935	Kit	100.00M	65.00M	P	22	
	CT-1140754	Bushing					
	S/N:	6CR Long Reach arrangement Use with 1251547 or 1346987 Cylinder					
	CT-2502487	Kit	120.00M	85.00M	P	22	
	CT-1140756	Bushing					
	S/N:	7JR,1XS,2AS,5MS,9WS,6LW,3YZ Use with 1184134 Cylinder					
	CT-1697842	Kit	100.00M	65.00M	P	22	
	CT-1140754	Bushing					
	S/N:	6CR Long Reach arrangement Use with 1425430 Cylinder					
	CT-2366368	Kit	120.00M	85.00M	P	22	
	CT-1140756	Bushing					
	S/N:	7JR,1XS,5MS,9WS,6LW,3YZ Use with 1589061 or 2836132 Cylinder					
	CT-1347123	Kit	125.00M	85.00M	P	22	
	CT-0964402	Bushing					
S/N:	1ES B-Family Buckets, Demolition arrangement						
CT-3206346	Kit	100.00M	65.00M	P	22		
CT-1140754	Bushing						
S/N:	7JR Long Reach arrangement						
Stick	CT-2590633	Kit	140.00M	100.00M	P	5	
	CT-0965625	Bushing					
	S/N:	4NR,5BR,6CR,1ES,6LS,9JS,4XW,5GW,BBG,BAN Use with 1183953, 1183955, 1336866 or 1336867 Cylinder					
	CT-2590631	Kit	140.00M	100.00M	P	5	
	CT-0965625	Bushing					
	S/N:	4NR,5BR,6CR,1ES,6LS,9JS,4XW,5GW,BAN,BBC Use with 1540734 or 1540741 Cylinder					
	CT-1373767	Kit	150.00M	105.00M	P	8	
	CT-0995572	Bushing					
	S/N:	6CR,6LS,9JS Long Reach or Log Loader arrangement Use with 1232081 or 1336771 Cylinder					
	CT-1540766	Kit	150.00M	105.00M	P	8	
	CT-0995572	Bushing					
	S/N:	6CR Use with 1540765 Cylinder					

Application	Part Number	Description	Bore	Rod	Wiper	Type	
320B EXCAVATOR (continued)							
Stick (cont)	CT-2502485	Kit	140.00M	100.00M	P	22	
	CT-1140757	Bushing					
	S/N:	7JR,1XS,2AS,5MS,9WS,3YZ Use with 1184150 or 1184156 Cylinder					
	CT-2159985	Kit	140.00M	100.00M	P	22	
	CT-1140757	Bushing					
	S/N:	7JR,1XS,5MS,9WS,6LW,3YZ Use with 1589059 or 1589060 Cylinder					
	CT-2521191	Kit	160.00M	95.00M	P	22	
	CT-6C6093	Bushing					
	S/N:	7JR,1XS,5MS,9WS,6LW,3YZ Use with 2044907 Cylinder					
	CT-2330764	Kit	160.00M	95.00M	P	22	
	CT-6C6093	Bushing					
	S/N:	7JR,1XS,2AS,5MS,9WS,3YZ Boom VA arrangement Use with 1412609 Cylinder					
	CT-1997416	Kit	150.00M	105.00M	P	22	
	CT-1140760	Bushing					
	S/N:	7JR,9WS,6LW					
Heel	CT-1373768	Kit	130.00M	90.00M	P	5	
	CT-1052575	Bushing					
S/N:	6LS,9JS						
Tilt Cab	CT-2417578	Kit	5.000S	2.250S	P	23	
	S/N:	6LS,9JS					
Track Adjuster	BD-901407	Kit	70.00M	45.00M	P	0	
	S/N:	4NR,5BR,6CR,7JR,1ES,1XS,2AS,4XW,5GW,3YZ,BBG,BAN					
	BD-901408	Kit	70.00M	70.00M	P	0	
S/N:	5MS,6LS,9JS,9WS,6LW						
320C EXCAVATOR							
Excavator S/N: AKH1-UP,ALF1-UP,AMC1-UP,ANB1-UP,AXK1-UP,BBC1-UP BBL1-UP,BCB1-UP,BCN1-UP,BDB1-UP,BDC1-UP,BDE1-UP BEA1-UP,BEF1-UP,BER1-UP,BGB1-UP,BKK1-UP,BMZ1-UP BPR1-UP,BRX1-UP,CLM1-UP,CLZ1-UP,DBG1-UP,EAG1-UP EGA1-UP,EGL1-UP,GAD1-UP,GHA1-UP,GLA1-UP,GNG1-UP HBC1-UP,HKT1-UP,JPL1-UP,JTG1-UP,MAB1-UP,MAC1-UP PAB1-UP,PAC1-UP,RAW1-UP,SAH1-UP,SBN1-UP,TBR1-UP							
Boom	CT-2478998	Kit	120.00M	85.00M	P	5	
	CT-0964402	Bushing					
	S/N:	ALF,AKH,AMC,ANB,BBC,BCB,BDB,BDC,BEF,BER,BGB,BKK					
	S/N:	BPR,BRX,CLM,CLZ,EAG,GHA,GNG,HBC,HKT,MAB,MAC,PAB					
	S/N:	PAC,RAW,SAH,SBN,TBR Use with 1588991 or 2043614 Cylinder					
	CT-2478996	Kit	120.00M	85.00M	P	5	
	CT-0964402	Bushing					
	S/N:	AMC,ANB,CLM,CLZ,GHA,GNG,HBC,HKT,MAB,MAC,PAB,PAC Use with 1850340 Cylinder					
	CT-2590695	Kit	120.00M	85.00M	P	22	
	CT-0964402	Bushing					
S/N:	AMC,ANB,MAB,PAB Use with 2590694 Cylinder						

CATERPILLAR® (REFERENCED BY OEM PART NUMBERS)

Application	Part Number	Description	Bore	Rod	Wiper	Type
320C EXCAVATOR (continued)						
Boom (cont)	CT-2366368	Kit	120.00M	85.00M	P	22
	CT-1140756	Bushing				
	S/N:	AXK,BBL,BCN,BDC,BDE,BEA,BER,BMZ,DBG,EGA,EGL,GAD				
	S/N:	GLA,JPL,JTG,RAW,SBN				
		Use with 1589058 Cylinder				
	CT-2590634	Kit	140.00M	100.00M	P	5
	CT-0965625	Bushing				
	S/N:	BGB,SAH				
	CT-2742511	Kit	120.00M	85.00M	P	22
	CT-1140756	Bushing				
S/N:	MAB,PAB					
Boom VA	CT-2521191	Kit	160.00M	95.00M	P	22
	CT-6C6093	Bushing				
	S/N:	AXK,BBL,BCN,BDE,BEA,BMZ,DBG,EGL,GLA,JTG				
Bucket	CT-2043627	Kit	120.00M	85.00M	P	5
	CT-0964402	Bushing				
	S/N:	ALF,AKH,AMC,ANB,BBC,BCB,BDB,BEF,BPR,BRX,CLM,CLZ				
	S/N:	GHA,HBC,RAW,SBN				
		Use with 1588997 or 2043617 Cylinder				
	CT-1540744	Kit	120.00M	85.00M	P	5
	CT-0964402	Bushing				
	S/N:	CLM,CLZ,GHA,HBC				
		Use with 1850346 Cylinder				
	CT-2479001	Kit	120.00M	85.00M	P	8
	CT-0964402	Bushing				
	S/N:	AKH,ALF,AMC,ANB,BCB,BDB,BPR,BRX,CLM,CLZ,EAG,GHA				
	S/N:	GNG,HBC,HKT,MAB,MAC,PAB,PAC,SAH,TBR				
		Use with 2043689 Cylinder				
	CT-2479000	Kit	120.00M	85.00M	P	5
	CT-0964402	Bushing				
	S/N:	AMC,ANB,CLM,CLZ,GHA,GNG,HBC,HKT,MAB,PAB				
		Use with 2043696 Cylinder				
	CT-2590706	Kit	120.00M	85.00M	P	5
	CT-0964402	Bushing				
	S/N:	AMC,ANB,MAB,PAB				
		Use with 2590705 Cylinder				
	CT-2479005	Kit	125.00M	85.00M	P	5
	CT-0964402	Bushing				
	S/N:	ALF,AKH,AMC,ANB,BBC,BCB,BDB,BEF				
	CT-2590627	Kit	130.00M	90.00M	P	5
CT-1052575	Bushing					
S/N:	ALF,AKH,AMC,ANB,BCB,BDB,GHA,GNG,HBC,HKT,MAB,PAB					
S/N:	RAW,SBN					
	Use with 1588999 or 2096011 Cylinder					
CT-2590626	Kit	130.00M	90.00M	P	5	
CT-1052575	Bushing					
S/N:	AMC,ANB,GHA,GNG,HBC,HKT,MAB,PAB					
	Use with 1799793 Cylinder					
CT-2590719	Kit	130.00M	90.00M	P	5	
CT-1052575	Bushing					
S/N:	AMC,ANB,MAB,PAB					
	Use with 2590732 Cylinder					

Application	Part Number	Description	Bore	Rod	Wiper	Type	
320C EXCAVATOR (continued)							
Bucket (cont)	CT-1764935	Kit	100.00M	65.00M	P	22	
	CT-1140754	Bushing					
	S/N:	ALF, ANB, BER, BRX, PAB Use with 1346987 Cylinder					
	CT-1709941	Kit	100.00M	65.00M	P	22	
	CT-1140754	Bushing					
	S/N:	ANB, BDE, BRX, GLA, HKT, PAB, SBN Use with 1709808, 2487855, 2836118 or 2959396 Cylinder					
	CT-2159986	Kit	130.00M	90.00M	P	22	
	CT-1140758	Bushing					
	S/N:	AXK, BBL, BCN, BDC, BDE, BEA, BER, BMZ, DBG, EGL, GLA, JTG					
	S/N:	RAW, SBN					
	CT-2366368	Kit	120.00M	85.00M	P	22	
	CT-1140756	Bushing					
	S/N:	AMC, ANB, AXK, BBL, BCN, BDC, BDE, BEA, BER, BMZ, DBG, EGA					
	S/N:	EGL, GLA, JTG, RAW, SBN Use with 1589061 or 2836132 Cylinder					
	Stick	CT-2590633	Kit	140.00M	100.00M	P	5
CT-0965625		Bushing					
S/N:		ALF, AKH, AMC, ANB, BBC, BCB, BDB, BDC, BEF, BER, BPR, BRX					
S/N:		CLM, CLZ, EAG, GHA, GNG, HBC, HKT, MAB, MAC, PAB, PAC, RAW					
S/N:		SBN Use with 1588993, 1588995, 2043615 or 2043616 Cylinder					
CT-2590631		Kit	140.00M	100.00M	P	5	
CT-0965625		Bushing					
S/N:		AMC, ANB, CLM, CLZ, GHA, GNG, HBC, HKT, MAB, MAC, PAB, PAC Use with 1850342 or 1850344 Cylinder					
CT-2590699		Kit	140.00M	100.00M	P	5	
CT-0965625		Bushing					
S/N:		AMC, ANB, MAB, PAB Use with 2590698 or 2590702 Cylinder					
CT-2159985		Kit	140.00M	100.00M	P	22	
CT-1140757		Bushing					
S/N:		AXK, BBL, BCN, BDC, BDE, BEA, BER, BMZ, DBG, EGA, EGL, GAD					
S/N:		GLA, JTG, RAW, SBN Use with 1589059 or 1589060 Cylinder					
CT-2590635		Kit	140.00M	100.00M	P	5	
CT-0965625		Bushing					
S/N:		AKH, ALF, AMC, ANB, BBC, BCB, BDB, BEF, BPR, BRX, EAG, GNG					
S/N:		HKT, MAB, PAB, SAH, TBR Use with 2144500 Cylinder					
CT-1373767		Kit	150.00M	105.00M	P	8	
CT-0995572		Bushing					
S/N:		ALF, ANB, BER, BGB, BRX, PAB, SAH Use with 1232081 or 1336771 Cylinder					
CT-2590637		Kit	150.00M	105.00M	P	5	
CT-0995572	Bushing						
S/N:	ANB, BRX, HKT, PAB Use with 2096008 Cylinder						
CT-1915619	Kit	150.00M	105.00M	P	22		
CT-1140760	Bushing						
S/N:	BDE, GLA, SBN Use with 1799785 Cylinder and 1948321 Rod						

CATERPILLAR® (REFERENCED BY OEM PART NUMBERS)

Application	Part Number	Description	Bore	Rod	Wiper	Type	
320C EXCAVATOR (continued)							
Stick (cont)	CT-2426840	Kit	150.00M	105.00M	P	22	
	CT-1140760	Bushing					
	S/N:	GLA Use with 1799785 Cylinder and 2667839 Rod					
	CT-2470257	Kit	130.00M	90.00M	P	22	
	CT-1140758	Bushing					
	S/N:	EGA,JPL Material Handler arrangement (2 - 2141591 Stick Cylinders)					
	CT-2742515	Kit	140.00M	100.00M	P	22	
	CT-1140757	Bushing					
S/N:	MAB,PAB						
Heel	CT-1373768	Kit	130.00M	90.00M	P	5	
	CT-1052575	Bushing					
	S/N:	BGB,SAH					
Cab Tilt	CT-2417578	Kit	5.000S	2.250S	P	23	
	S/N:	SAH1001-UP,TBR1001-UP					
Track Adjuster	BD-901407	Kit	70.00M	45.00M	P	0	
	S/N:	ALF,AKH,AMC,ANB,AXK,BBC,BCB,BCN,BDB,BDC,BDE,BEA					
	S/N:	BEF,BER,BPR,BRX,CLM,CLZ,DBG,EAG,GAD,GHA,GLA,GNG					
	S/N:	HBC,HKT,JTG,MAB,MAC,PAB,PAC,RAW,SBN					
	BD-902403	Kit	80.00M	80.00M	P	0	
S/N:	BBL,BDE,BGB,BKK,BMZ,EGA,EGL,GLA,JPL,SAH,TBR						
320D EXCAVATOR							
Excavator S/N: A6F1-UP,A8F1-UP,A9F1-UP,BWW1-UP,BZF1-UP,BZP1-UP CXY1-UP,DHE1-UP,DHK1-UP,EAX1-UP,EBY1-UP,EJT1-UP FAL1-UP,FXK1-UP,GDP1-UP,GKL1-UP,GKS1-UP,GMX1-UP HJC1-UP,JFZ1-UP,JGZ1-UP,KGF1-UP,KHN1-UP,KLM1-UP KTF1-UP,MCH1-UP,MDE1-UP,MGG1-UP,PCM1-UP,PCX1-UP PHX1-UP,SPN1-UP,SRT1-UP,TAE1-UP,TDH1-UP,WBN1-UP WFD1-UP,XCK1-UP,YDS1-UP,ZGB1-UP							
Boom	CT-2478868	Kit	120.00M	85.00M	P	5	
	CT-0964402	Bushing					
	S/N:	A6F,A8F,A9F,BWW,BZF,BZP,CXY,DHE,DHK,EAX,EBY,EJT					
	S/N:	FAL,FXK,GDP,GKL,GMX,HJC,JFZ,JGZ,KGF,KHN,KLM,KTF					
	S/N:	MCH,MDE,MGG,PCM,PCX,PHX,SPN,TAE,TDH,WBN,WFD,XCK					
	S/N:	YDS,ZGB Use with 2426731 Cylinder					
	CT-2667891	Kit	120.00M	85.00M	P	5	
	CT-0964402	Bushing					
	S/N:	BZP,CXY,DHK,EBY,EJT,FAL,GKL,GMX,HJC,JGZ,KGF,KHN					
	S/N:	KLM,MDE,MGG,PCM,TAE,TDH,WBN,YDS Use with 2426746 Cylinder					
	CT-2668011	Kit	120.00M	85.00M	P	5	
	CT-0964402	Bushing					
	S/N:	CXY,DHK,EBY,KGF,WBN Use with 2667972 Cylinder					
	CT-2344566	Kit	140.00M	100.00M	P	5	
	CT-0965625	Bushing					
S/N:	GKS						

Application	Part Number	Description	Bore	Rod	Wiper	Type
320D EXCAVATOR (continued)						
Bucket	CT-2478888	Kit	120.00M	85.00M	P	5
	CT-0964402	Bushing				
	S/N:	A6F,A8F,A9F,BZP,CXY,DHE,DHK,EBY,EJT,FAL,FXK,GDP				
	S/N:	GKL,GMX,HJC,JFZ,JGZ,KGF,KHN,KLM,KTF,MCH,MDE,MGG				
	S/N:	PCM,PCX,PHX,SPN,TAE,TDH,WBN,WFD,XCK,YDS,ZGB				
		Use with 2426756 Cylinder				
	CT-2667892	Kit	120.00M	85.00M	P	5
	CT-0964402	Bushing				
	S/N:	BZP,CXY,DHK,EBY,EJT,FAL,FXK,GDP,GKL,GMX,HJC,JGZ				
	S/N:	KGF,KHN,KLM,MDE,MGG,TAE,TDH,WBN,YDS				
		Use with 2426759 Cylinder				
	CT-2668057	Kit	120.00M	85.00M	P	5
	CT-0964402	Bushing				
	S/N:	CXY,DHK,EBY,KGF,WBN				
		Use with 2667978 Cylinder				
CT-1709941	Kit	100.00M	65.00M	P	22	
CT-1140754	Bushing					
S/N:	DHK,KGF,MDE,MGG,PHX					
CT-2836179	Kit	100.00M	70.00M	P	22	
CT-1140753	Bushing					
S/N:	GDP,SPN,TDH					
Stick	CT-2478974	Kit	140.00M	100.00M	P	5
	CT-0965625	Bushing				
	S/N:	A6F,A8F,A9F,BWW,BZF,CXY,DHE,DHK,EAX,EBY,FAL,FXK				
	S/N:	GKL,GMX,HJC,JFZ,JGZ,KGF,KLM,MCH,MDE,MGG,PHX,SPN				
	S/N:	TAE,TDH,WFD,XCK,YDS				
		Use with 2426744 Cylinder				
	CT-2478878	Kit	140.00M	100.00M	P	5
	CT-0965625	Bushing				
	S/N:	A6F,A8F,A9F,BWW,BZP,CXY,DHE,DHK,EBY,EJT,FAL,FXK				
	S/N:	GKL,GMX,HJC,JGZ,KGF,KHN,KLM,KTF,MCH,MDE,MGG,PCM				
	S/N:	PCX,PHX,SPN,TAE,TDH,WBN,WFD,XCK,YDS,ZGB				
		Use with 2426734 or 2426751 Cylinder				
	CT-2590775	Kit	140.00M	100.00M	P	5
	CT-0965625	Bushing				
	S/N:	BZP,CXY,DHK,EBY,EJT,FAL,GKL,GMX,HJC,JGZ,KGF,KHN				
S/N:	KLM,MDE,MGG,PCM,TAE,TDH,WBN,YDS					
	Use with 2426748 or 2426763 Cylinder					
CT-2668012	Kit	140.00M	100.00M	P	5	
CT-0965625	Bushing					
S/N:	CXY,DHK,EBY,KGF,WBN					
	Use with 2667974 or 2667976 Cylinder					
CT-2344576	Kit	150.00M	105.00M	P	15	
CT-0995572	Bushing					
S/N:	DHK,GDP,GKS,KGF,MDE,MGG,PHX,SPN,TDH					
Cab Tilt	CT-2417578	Kit	5.000S	2.250S	P	23
	S/N:	BWW,BZF,EAX,GKS				
Heel	CT-2590678	Kit	130.00M	90.00M	P	5
	CT-1052575	Bushing				
	S/N:	GKS				

CATERPILLAR® (REFERENCED BY OEM PART NUMBERS)

Application	Part Number	Description	Bore	Rod	Wiper	Type
320D EXCAVATOR (continued)						
Track Adjuster	BD-901412	Kit	70.00M	50.00M	P	0
	S/N:	A6F,A8F,A9F,BZP,CXY,DHE,DHK,EBY,EJT,FAL,FXK,GDP				
	S/N:	GKL,GMX,HJC,JFZ,JGZ,KGF,KHN,KLM,KTF,MCH,MDE,MGG				
	S/N:	PCM,PCX,PHX,SPN,TAE,TDH,WBN,WFD,XCK,YDS,ZGB				
	BD-902403	Kit	80.00M	80.00M	P	0
S/N:	BWW,BZF,EAX,GKS,SRT					
321B,321C LCR EXCAVATOR						
Excavator S/N: 9CZ1-UP,KCR1-UP,KGA1-UP,MCF1-UP						
Boom	CT-2479004	Kit	125.00M	90.00M	P	22
	CT-1052575	Bushing				
	CT-2478998	Kit	120.00M	85.00M	P	5
	CT-0964402	Bushing				
S/N:	MCF					
Bucket	CT-2479001	Kit	120.00M	85.00M	P	8
	CT-0964402	Bushing				
Stick	CT-2590633	Kit	140.00M	100.00M	P	5
	CT-0965625	Bushing				
Track Adjuster	BD-901407	Kit	70.00M	45.00M	P	0
321D LCR EXCAVATOR						
Excavator S/N: KBZ1-UP,MDT1-UP,MPG1-UP,NAS1-UP,PBD1-UP,TXA1-UP						
Boom	CT-2835988	Kit	125.00M	90.00M	P	5
	CT-1052575	Bushing				
	CT-2478868	Kit	120.00M	85.00M	P	5
	CT-0964402	Bushing				
	S/N:	PBD,TXA				
		CT-2521191	Kit	160.00M	95.00M	P
S/N:	CT-6C6093	Bushing				
S/N:	PBD,TXA					
Bucket	CT-2478888	Kit	120.00M	85.00M	P	5
	CT-0964402	Bushing				
	Use with 2426756 Cylinder					
		CT-3500967	Kit	120.00M	85.00M	P
	CT-0964402	Bushing				
S/N:	KBZ,MPG,TXA Use with 3494134 Cylinder					
Stick	CT-2478878	Kit	140.00M	100.00M	P	5
	CT-0965625	Bushing				
Track Adjuster	BD-901412	Kit	70.00M	50.00M	P	0

Application	Part Number	Description	Bore	Rod	Wiper	Type	
322 EXCAVATOR							
Excavator S/N: 7WL1-UP,8CL1-UP,8ML1-UP,9JL1-UP,9RL1-UP,4RM1-UP							
Boom	CT-1052585	Kit	130.00M	90.00M	P	5	
	CT-1052575	Bushing					
	S/N: 7WL,8CL						
	CT-2502486	Kit	130.00M	90.00M	P	22	
S/N: 8ML,9JL,9RL,4RM	CT-1140758	Bushing					
Boom VA	CT-2330763	Kit	170.00M	100.00M	P	22	
	CT-1140757	Bushing					
S/N: 8ML,9JL,4RM							
Bucket	CT-1597775	Kit	120.00M	85.00M	P	5	
	CT-0964402	Bushing					
	S/N: 7WL,8CL						
	B-Family Buckets						
	CT-1052601	Kit	130.00M	85.00M	P	5	
	CT-0964402	Bushing					
	S/N: 7WL,8CL						
	S-Family Buckets						
	CT-1997416	Kit	150.00M	105.00M	P	22	
	CT-1140760	Bushing					
	S/N: 7WL,8CL,8ML,9JL,4RM						
	D-Family Buckets						
	CT-1764935	Kit	100.00M	65.00M	P	22	
	CT-1140754	Bushing					
	S/N: 8CL						
	CT-2502487	Kit	120.00M	85.00M	P	22	
CT-1140756	Bushing						
S/N: 8ML,9JL,9RL,4RM							
R-Family Buckets							
CT-2580313	Kit	130.00M	85.00M	P	22		
CT-1140756	Bushing						
S/N: 8ML,9JL,9RL,4RM							
Stick	CT-2459842	Kit	140.00M	100.00M	P	8	
	CT-0965625	Bushing					
	S/N: 7WL,8CL						
	CT-1997416	Kit	150.00M	105.00M	P	22	
	CT-1140760	Bushing					
	S/N: 8CL						
CT-2481165	Kit	140.00M	100.00M	P	22		
CT-1140757	Bushing						
S/N: 8ML,9JL,9RL,4RM							
Track Adjuster	BD-901407	Kit	70.00M	45.00M	P	0	
	BD-901408	Kit	70.00M	70.00M	P	0	
S/N: 9RL							
Forestry arrangement							

CATERPILLAR® (REFERENCED BY OEM PART NUMBERS)

Application	Part Number	Description	Bore	Rod	Wiper	Type
322B EXCAVATOR						
Excavator S/N: 8MR1-UP,8NR1-UP,1AS1-UP,1YS1-UP,1ZS1-UP,2ES1-UP						
Boom	CT-2590625	Kit	130.00M	90.00M	P	5
	CT-1052575	Bushing				
	S/N: 8MR,8NR,1AS					
	CT-2502486	Kit	130.00M	90.00M	P	22
	CT-1140758	Bushing				
	S/N: 1YS,1ZS,2ES Use with 1184166 Cylinder					
	CT-2159986	Kit	130.00M	90.00M	P	22
	CT-1140758	Bushing				
	S/N: 1ZS,2ES Use with 1772440 Cylinder					
	CT-2481163	Kit	140.00M	100.00M	P	22
	CT-1140757	Bushing				
	S/N: 1YS Logging arrangement					
Boom VA	CT-2330763	Kit	170.00M	100.00M	P	22
	CT-1140757	Bushing				
	S/N: 1ZS,2ES					
Bucket	CT-2590626	Kit	130.00M	90.00M	P	5
	CT-1052575	Bushing				
	S/N: 8MR,8NR,1AS S-Family Buckets					
	CT-1764935	Kit	100.00M	65.00M	P	22
	CT-1140754	Bushing				
	S/N: 8NR,1YS					
	CT-2470257	Kit	130.00M	90.00M	P	22
	CT-1140758	Bushing				
	S/N: 1YS,1ZS,2ES S-Family Buckets, Logging arrangement					
	CT-2502487	Kit	120.00M	85.00M	P	22
	CT-1140756	Bushing				
	S/N: 1YS B-Family Buckets					
	CT-1997416	Kit	150.00M	105.00M	P	22
	CT-1140760	Bushing				
	S/N: 8MR,1YS,1ZS,2ES D-Family Buckets					
Stick	CT-2590633	Kit	140.00M	100.00M	P	5
	CT-0965625	Bushing				
	S/N: 8MR,8NR,1AS					
	CT-1997416	Kit	150.00M	105.00M	P	22
	CT-1140760	Bushing				
	S/N: 8NR,1YS Long Reach arrangement					
	CT-1373767	Kit	150.00M	105.00M	P	8
	CT-0995572	Bushing				
	S/N: 1YS Logging arrangement					

CATERPILLAR® (REFERENCED BY OEM PART NUMBERS)

321

Application	Part Number	Description	Bore	Rod	Wiper	Type	
322B EXCAVATOR (continued)							
Stick (cont)	CT-2159990	Kit	170.00M	110.00M	P	22	
	CT-1140761	Bushing					
	S/N:	1YS Logging arrangement Use with 1163638 Cylinder					
	CT-1997417	Kit	170.00M	110.00M	P	22	
	CT-1140761	Bushing					
	S/N:	1YS Logging arrangement Use with 1913118 Cylinder					
	CT-2481165	Kit	140.00M	100.00M	P	22	
	CT-1140757	Bushing					
	S/N:	1YS,1ZS,2ES Use with 1184176, 1362252 or 1756855 Cylinder					
	CT-2159985	Kit	140.00M	100.00M	P	22	
	CT-1140757	Bushing					
	S/N:	1ZS,2ES Use with 1772443 Cylinder					
Grapple	BD-513459	Kit	4.000S	2.500S	P	5	
	S/N:	1YS					
Cab Tilt	CT-1533724	Kit	4.000S	2.500S	P	15	
	CT-2417578	Kit	5.000S	2.250S	P	23	
Track Adjuster	BD-901407	Kit	70.00M	45.00M	P	0	
	BD-901408	Kit	70.00M	70.00M	P	0	
S/N:	1YS Log Loader arrangement						
	BD-902404	Kit	100.00M	100.00M	P	0	
S/N:	1YS Log Loader arrangement						
322C EXCAVATOR							
Excavator S/N: BFK1-UP,BGR1-UP,BKJ1-UP,BKM1-UP,BLP1-UP,BPH1-UP BYL1-UP,CAM1-UP,CBY1-UP,C3R1-UP,DAA1-UP,EMR1-UP FED1-UP,HEK1-UP,LAR1-UP,MAR1-UP,M2H1-UP							
Boom	CT-2159986	Kit	130.00M	90.00M	P	22	
	CT-1140758	Bushing					
	S/N:	BFK,BGR,BKJ,BKM,BLP,BPH,BYL,CAM,DAA,EMR,FED,HEK					
	S/N:	LAR,MAR,M2H Use with 1772440 or 2044910 Cylinder					
	CT-2590625	Kit	130.00M	90.00M	P	5	
	CT-1052575	Bushing					
	S/N:	BKM,BLP,DAA,FED Use with 1915580 Cylinder					
	CT-2590628	Kit	130.00M	90.00M	P	5	
	CT-1052575	Bushing					
	S/N:	BKM,BLP,DAA,FED Use with 1772449 or 2043619 Cylinder					
	CT-2590712	Kit	130.00M	90.00M	P	5	
	CT-1052575	Bushing					
S/N:	BKM,BLP,DAA,FED Use with 2590711 Cylinder						

NORTH AMERICA
PHONE 800.854.0275
FAX 813.559.8698



WORLDWIDE
PHONE 813.559.8650
FAX 813.559.8698

CATERPILLAR® (REFERENCED BY OEM PART NUMBERS)

Application	Part Number	Description	Bore	Rod	Wiper	Type
322C EXCAVATOR (continued)						
Boom (cont)	CT-2481163	Kit	140.00M	100.00M	P	22
	CT-1140757	Bushing				
S/N:	BYL,CBY,C3R					
Boom VA	CT-2330763	Kit	170.00M	100.00M	P	22
	CT-1140757	Bushing				
	S/N:	BFK,BGR				
	CT-2519341	Kit	170.00M	100.00M	P	22
S/N:	CT-1140757	Bushing				
	EMR,MAR					
Bucket	CT-2159986	Kit	130.00M	90.00M	P	22
	CT-1140758	Bushing				
S/N:	BFK,BGR,BKJ,BKM,BLP,BPH,BYL,CAM,C3R297-UP,DAA					
S/N:	EMR,FED,HEK,LAR,MAR,M2H					
	Use with 1772446, 1799764 or 2044914 Cylinder					
S/N:	CT-2470257	Kit	130.00M	90.00M	P	22
	CT-1140758	Bushing				
S/N:	CBY,C3R1-296					
	Use with 1184008 or 1232044 Cylinder					
S/N:	CT-2590626	Kit	130.00M	90.00M	P	5
	CT-1052575	Bushing				
S/N:	BKM,BLP,DAA,FED					
	Use with 1915584 Cylinder					
S/N:	CT-2590627	Kit	130.00M	90.00M	P	5
	CT-1052575	Bushing				
S/N:	BKM,BLP,DAA,FED					
	Use with 1772453 or 2043621 Cylinder					
S/N:	CT-2590719	Kit	130.00M	90.00M	P	5
	CT-1052575	Bushing				
S/N:	BKM,BLP,DAA,FED					
	Use with 2590718 Cylinder					
S/N:	CT-1764935	Kit	100.00M	65.00M	P	22
	CT-1140754	Bushing				
S/N:	BKJ,CAM					
S/N:	CT-1709941	Kit	100.00M	65.00M	P	22
	CT-1140754	Bushing				
S/N:	FED,HEK					
S/N:	CT-1915619	Kit	150.00M	105.00M	P	22
	CT-1140760	Bushing				
S/N:	BFK,BGR,BKJ,BKM,BLP,DAA,EMR,FED,HEK,MAR					
	Use with 1772465 or 2478853 Cylinder					
S/N:	CT-1540744	Kit	120.00M	85.00M	P	5
	CT-0964402	Bushing				
S/N:	BKM,BLP					
	Use with 1850346 Cylinder					
S/N:	CT-2043627	Kit	120.00M	85.00M	P	5
	CT-0964402	Bushing				
S/N:	BKM,BLP					
	Use with 1588997 or 2043617 Cylinder					
S/N:	CT-2366368	Kit	120.00M	85.00M	P	22
	CT-1140756	Bushing				
S/N:	BKJ,HEK					

Application	Part Number	Description	Bore	Rod	Wiper	Type
322C EXCAVATOR (continued)						
Bucket (cont)	CT-2479001	Kit	120.00M	85.00M	P	8
	CT-0964402	Bushing				
	S/N:	BKM, BLP, DAA, FED Use with 2043689 Cylinder				
	CT-2479000	Kit	120.00M	85.00M	P	5
	CT-0964402	Bushing				
	S/N:	BKM, BLM Use with 2043696 Cylinder				
	CT-2590706	Kit	120.00M	85.00M	P	5
	CT-0964402	Bushing				
	S/N:	BKM, BLP, DAA, FED Use with 2590705 Cylinder				
	CT-2742511	Kit	120.00M	85.00M	P	22
	CT-1140756	Bushing				
	S/N:	DAA, FED				
Stick	CT-2159985	Kit	140.00M	100.00M	P	22
	CT-1140757	Bushing				
	S/N:	BFK, BGR, BKJ, BKM, BLP, BPH, BYL, CAM, DAA, EMR, FED, HEK				
	S/N:	LAR, MAR, M2H Use with 1772443 or 2044912 Cylinder				
	CT-2590631	Kit	140.00M	100.00M	P	5
	CT-0965625	Bushing				
	S/N:	BKM, BLP, DAA, FED Use with 1915582 Cylinder				
	CT-2590633	Kit	140.00M	100.00M	P	5
	CT-0965625	Bushing				
	S/N:	BKM, BLP, DAA, FED Use with 1772451 or 2043620 Cylinder				
	CT-2590699	Kit	140.00M	100.00M	P	5
	CT-0965625	Bushing				
	S/N:	BKM, BLP, DAA, FED Use with 2590715 Cylinder				
	CT-2590635	Kit	140.00M	100.00M	P	5
	CT-0965625	Bushing				
	S/N:	FED Use with 2220227 Cylinder				
	CT-2742515	Kit	140.00M	100.00M	P	22
	CT-1140757	Bushing				
	S/N:	DAA, FED Use with 2742529 Cylinder				
	CT-2478792	Kit	140.00M	100.00M	P	22
	CT-1140757	Bushing				
	S/N:	DAA, EMR, FED, MAR Use with 2897884 Cylinder				
	CT-1997416	Kit	150.00M	105.00M	P	22
	CT-1140760	Bushing				
	S/N:	BKJ, CAM Use with 1169123 Cylinder				
	CT-1373767	Kit	150.00M	105.00M	P	8
	CT-0995572	Bushing				
	S/N:	BYL, CBY, C3R Use with 1336771 Cylinder				

CATERPILLAR® (REFERENCED BY OEM PART NUMBERS)

Application	Part Number	Description	Bore	Rod	Wiper	Type	
322C EXCAVATOR (continued)							
Stick (cont)	CT-1915619	Kit	150.00M	105.00M	P	22	
	CT-1140760	Bushing					
	S/N:	FED,HEK Use with 2166607 Cylinder					
	CT-2159990	Kit	170.00M	110.00M	P	22	
	CT-1140761	Bushing					
	S/N:	CBY Use with 1163638 Cylinder					
	CT-1997417	Kit	170.00M	110.00M	P	22	
	CT-1140761	Bushing					
	S/N:	BYL,CBY,C3R Use with 1913118 Cylinder					
	Cab Tilt	CT-2417578	Kit	5.000S	2.250S	P	23
		S/N:	BYL,C3R1001-UP,LAR1001-UP,M2H1001-UP				
	Grapple	CT-1533724	Kit	4.000S	2.500S	P	15
S/N:		CBY					
Track Adjuster	BD-901408	Kit	70.00M	70.00M	P	0	
	S/N:	BYL					
	BD-902403	Kit	80.00M	80.00M	P	0	
	S/N:	BPH,M2H					
323D EXCAVATOR							
Excavator S/N: BYM1-UP,CWG1-UP,CYD1-UP,DKW1-UP,JLG1-UP,LFL1-UP NDE1-UP,NES1-UP,PBE1-UP,PBM1-UP,RAC1-UP,SBZ1-UP SDC1-UP,SED1-UP,WGC1-UP,WNE1-UP,YSD1-UP,ZMF1-UP							
Boom	CT-2478868	Kit	120.00M	85.00M	P	5	
	CT-0964402	Bushing					
	S/N:	CWG,LFL,NES,PBE,SBZ,WGC,WNE,YSD,ZMF Use with 2426731 Cylinder					
	CT-2667891	Kit	120.00M	85.00M	P	5	
	CT-0964402	Bushing					
	S/N:	CWG,NES,WNE,YSD,ZMF Use with 2426746 Cylinder					
	CT-2668011	Kit	120.00M	85.00M	P	5	
	CT-0964402	Bushing					
	S/N:	YSD Use with 2667972 Cylinder					
	CT-2478790	Kit	120.00M	85.00M	P	22	
	CT-1140756	Bushing					
	S/N:	BYM,CWG,CYD,DKW,JLG,NDE,NES,PBM,RAC,SBZ,SDC,SED					
	S/N:	WGC,YSD Use with 2426764 or 2897925 Cylinder					
	CT-2521191	Kit	160.00M	95.00M	P	22	
	CT-6C6093	Bushing					
	S/N:	BYM,CYD,DKW,NES,PBM,RAC,SDC,SED					
	Bucket	CT-2478888	Kit	120.00M	85.00M	P	5
		CT-0964402	Bushing				
S/N:		CWG,LFL,NES,PBE,SBZ,WGC,WNE,YSD,ZMF Use with 2426756 Cylinder					

Application	Part Number	Description	Bore	Rod	Wiper	Type	
323D EXCAVATOR (continued)							
Bucket (cont)	CT-2667892	Kit	120.00M	85.00M	P	5	
	CT-0964402	Bushing					
	S/N:	WNE,ZMF Use with 2426759 Cylinder					
	CT-2668057	Kit	120.00M	85.00M	P	5	
	CT-0964402	Bushing					
	S/N:	YSD Use with 2667978 Cylinder					
	CT-2478790	Kit	120.00M	85.00M	P	22	
	CT-1140756	Bushing					
	S/N:	BYM,CYD,DKW,JLG,NDE,PBM,RAC,SBZ,SDC,SED,WGC,YSD Use with 2426767 or 2897948 Cylinder					
	CT-2344587	Kit	135.00M	95.00M	P	5	
	CT-0964430	Bushing					
	S/N:	CWG,LFL,NES,PBE,SBZ,WGC,YSD Use with 2254591 Cylinder					
	CT-2344488	Kit	135.00M	95.00M	P	22	
	CT-1289260	Bushing					
	S/N:	BYM,CYD,DKW,JLG,NDE,PBM,RAC,SBZ,SDC,SED,WGC,YSD Use with 2254578 or 2898004 Cylinder					
	CT-2590656	Kit	135.00M	95.00M	P	5	
	CT-0964430	Bushing					
	S/N:	WNE,ZMF Use with 2254599 Cylinder					
	CT-2668045	Kit	135.00M	95.00M	P	5	
	CT-0964430	Bushing					
S/N:	YSD Use with 2667992 Cylinder						
Stick	CT-2478878	Kit	140.00M	100.00M	P	5	
	CT-0965625	Bushing					
	S/N:	CWG,LFL,NES,PBE,SBZ,WGC,WNE,YSD,ZMF Use with 2426734 or 2426751 Cylinder					
	CT-2590775	Kit	140.00M	100.00M	P	5	
	CT-0965625	Bushing					
	S/N:	CWG,NES,WNE,YSD,ZMF Use with 2426748 or 2426763 Cylinder					
	CT-2668012	Kit	140.00M	100.00M	P	5	
	CT-0965625	Bushing					
	S/N:	YSD Use with 2667974 or 2667976 Cylinder					
	CT-2478792	Kit	140.00M	100.00M	P	22	
	CT-1140757	Bushing					
	S/N:	BYM,CWG,CYD,DKW,JLG,NDE,NES,PBM,RAC,SBZ,SDC,SED					
	S/N:	WGC,YSD Use with 2426765, 2426766, 2897933 or 2897942 Cylinder					
	CT-2478974	Kit	140.00M	100.00M	P	5	
CT-0965625	Bushing						
S/N:	LFL,PBE						
Track Adjuster	BD-901412	Kit	70.00M	50.00M	P	0	
	S/N:	BYM,CWG,CYD,JLG,LFL,NDE,NES,PBE,PBM,RAC,SBZ,SDC					
	S/N:	WGC,WNE,YSD,ZMF					

CATERPILLAR® (REFERENCED BY OEM PART NUMBERS)

Application	Part Number	Description	Bore	Rod	Wiper	Type	
323D EXCAVATOR (continued)							
Track Adjuster (cont)	BD-902403	Kit	80.00M	80.00M	P	0	
S/N:	DKW,NES,SED						
324D EXCAVATOR							
Excavator S/N: BBF1-UP,BTK1-UP,BZW1-UP,CJX1-UP,DFP1-UP,EJC1-UP JAT1-UP,JGK1-UP,JJG1-UP,JKR1-UP,JLS1-UP,JZR1-UP LAB1-UP,MND1-UP,PYT1-UP,SYM1-UP,TRH1-UP,TSN1-UP T2D1-UP							
Boom	CT-2344488	Kit	135.00M	95.00M	P	22	
	CT-1289260	Bushing					
	S/N:	BBF,BTK,EJC,JJG,JKR,LAB,SYM,TRH,T2D Use with 2426849 or 2897957 Cylinder					
	CT-2590665	Kit	135.00M	95.00M	P	5	
	CT-0964430	Bushing					
	S/N:	CJX,DFP,JAT,MND,PYT Use with 2426858 Cylinder					
	CT-2668013	Undefined					
	CT-0964430	Bushing					
	S/N:	CJX,DFP,JAT,MND Use with 2667981 Cylinder					
	CT-2590774	Kit	135.00M	95.00M	P	22	
	CT-0964430	Bushing					
	S/N:	CJX,DFP,JAT,JZR,MND,PYT,TSN Use with 2426867 Cylinder					
	CT-2481163	Kit	140.00M	100.00M	P	22	
	CT-1140757	Bushing					
	S/N:	BZW,JGK,JLS					
	Bucket	CT-2159986	Kit	130.00M	90.00M	P	22
		CT-1140758	Bushing				
		S/N:	BBF,BTK,BZW,EJC,JGK,JJG,JKR,JLS,LAB,SYM,TRH,T2D Use with 1799764, 2426855 or 2897975 Cylinder				
		CT-2590678	Kit	130.00M	90.00M	P	5
		CT-1052575	Bushing				
S/N:		CJX,DFP,JAT,JZR,MND,PYT,TSN Use with 2426864 Cylinder					
CT-2590776		Kit	130.00M	90.00M	P	5	
CT-1052575		Bushing					
S/N:		CJX,DFP,JAT,JZR,MND,PYT,TSN Use with 2426871 Cylinder					
CT-2668014		Kit	130.00M	90.00M	P	5	
CT-1052575		Bushing					
S/N:		CJX,DFP,JAT,MND Use with 2667985 Cylinder					
CT-2478888		Kit	120.00M	85.00M	P	5	
CT-0964402		Bushing					
S/N:		CJX,DFP,JAT,MND,PYT Use with 2426756 Cylinder					
CT-2667892		Kit	120.00M	85.00M	P	5	
CT-0964402		Bushing					
S/N:		CJX,DFP,JAT,MND,PYT Use with 2426759 Cylinder					

Application	Part Number	Description	Bore	Rod	Wiper	Type	
324D EXCAVATOR (continued)							
Bucket (cont)	CT-2478790	Kit	120.00M	85.00M	P	22	
	CT-1140756	Bushing					
	S/N:	JJG,PYT Use with 2426767 or 2897948 Cylinder					
	CT-1915619	Kit	150.00M	105.00M	P	22	
	CT-1140760	Bushing					
	S/N:	BTK,EJC,JAT,JJG,JZR,LAB,MND,PYT,SYM,TRH,TSN,T2D Use with 2254581, 2898012, 3154442 or 3154451 Cylinder					
	CT-2502475	Kit	150.00M	105.00M	P	22	
	CT-1140760	Bushing					
	S/N:	JAT,JZR,MND,PYT,TSN Use with 3154449 Cylinder					
	CT-1709941	Kit	100.00M	65.00M	P	22	
	CT-1140754	Bushing					
	S/N:	DFP,JJG					
	CT-2836179	Kit	100.00M	70.00M	P	22	
	CT-1140753	Bushing					
	S/N:	JAT					
Stick	CT-2478792	Kit	140.00M	100.00M	P	22	
	CT-1140757	Bushing					
	S/N:	BBF,BTK,EJC,JJG,JKR,LAB,SYM,TRH,T2D Use with 2426852 or 2897967 Cylinder					
	CT-2478878	Kit	140.00M	100.00M	P	5	
	CT-0965625	Bushing					
	S/N:	CJX,DFP,JAT,JZR,MND,PYT,TSN Use with 2426860 Cylinder					
	CT-2590775	Kit	140.00M	100.00M	P	5	
	CT-0965625	Bushing					
	S/N:	CJX,DFP,JAT,JZR,MND,PYT,TSN Use with 2426869 Cylinder					
	CT-2668012	Kit	140.00M	100.00M	P	5	
	CT-0965625	Bushing					
	S/N:	CJX,DFP,JAT,MND Use with 2667983 Cylinder					
	CT-2478974	Kit	140.00M	100.00M	P	5	
	CT-0965625	Bushing					
	S/N:	CJX,DFP Use with 2426862 Cylinder					
	CT-1373767	Kit	150.00M	105.00M	P	8	
	CT-0995572	Bushing					
	S/N:	BZW,JLS Use with 1336771 Cylinder					
	CT-1915619	Kit	150.00M	105.00M	P	22	
	CT-1140760	Bushing					
	S/N:	DFP,JAT,JJG Use with 2166607 Cylinder					
	CT-1997417	Kit	170.00M	110.00M	P	22	
	CT-1140761	Bushing					
	S/N:	BZW,JGK,JLS					
Cab Tilt	CT-2417578	Kit	5.000S	2.250S	P	23	
S/N:	BBF,BZW,JGK,JKR,JLS						

CATERPILLAR® (REFERENCED BY OEM PART NUMBERS)

Application	Part Number	Description	Bore	Rod	Wiper	Type
324D EXCAVATOR						
(continued)						
Grapple	CT-2495105	Kit	4.500S	3.000S	P	5
S/N:	BZW,JLS					
Track Adjuster	BD-901408	Kit	70.00M	70.00M	P	0
S/N:	JGK					
	BD-902403	Kit	80.00M	80.00M	P	0
S/N:	BBF,BZW,JKR,JLS					
324E EXCAVATOR						
Excavator S/N: JCZ1-UP,KTE1-UP						
Boom	CT-3500969	Kit	135.00M	95.00M	P	5
	CT-0964430	Bushing				
Bucket	CT-3500972	Kit	135.00M	90.00M	P	5
	CT-1052575	Bushing				
	CT-2836179	Kit	100.00M	70.00M	P	22
	CT-1140753	Bushing				
S/N:	KTE					
	CT-3249485	Kit	150.00M	105.00M	P	22
	CT-1140760	Bushing				
Stick	CT-3500970	Kit	140.00M	100.00M	P	5
	CT-0965625	Bushing				
	CT-1915619	Kit	150.00M	105.00M	P	22
	CT-1140760	Bushing				
S/N:	KTE Long Reach arrangement					
Track Adjuster	BD-901411	Kit		45.00M	P	0
325 EXCAVATOR						
Excavator S/N: 7TG1-UP,8JG1-UP,9SG1-UP,7CJ1-UP,7LJ1-UP,2JK1-UP 2SK1-UP,5WK1-UP,6KK1-UP,8NK1-UP,8YK1-UP,9ZK1-UP 2SL1-UP,3LL1-UP,8NL1-UP,9KL1-UP,6RM1-UP,7LM1-UP						
Boom	CT-1764999	Kit	130.00M	95.00M	P	22
	CT-1289260	Bushing				
Boom VA	CT-2330763	Kit	170.00M	100.00M	P	22
	CT-1140757	Bushing				
S/N:	9SG,7LJ,2SK,9ZK,3LL					
Bucket	CT-2502487	Kit	120.00M	85.00M	P	22
	CT-1140756	Bushing				
S/N:	7TG,8JG,9SG,7LJ,2JK,2SK,5WK,8YK,9ZK,3LL,6RM B-Family Buckets					
	CT-2580313	Kit	130.00M	85.00M	P	22
	CT-1140756	Bushing				
S/N:	7TG,8JG,9SG,7LJ,2JK,2SK,5WK,8YK,9ZK,3LL,6RM C-Family Buckets					
	CT-1997416	Kit	150.00M	105.00M	P	22
	CT-1140760	Bushing				
S/N:	7TG,8JG,9SG,7LJ,2JK,2SK,5WK,8YK,9ZK,3LL,6RM D-Family Buckets					
	CT-2481172	Kit	160.00M	110.00M	P	22
	CT-1140762	Bushing				
S/N:	8YK					

CATERPILLAR® (REFERENCED BY OEM PART NUMBERS)

Application	Part Number	Description	Bore	Rod	Wiper	Type
325 EXCAVATOR (continued)						
Bucket (cont)	CT-3206346	Kit	100.00M	65.00M	P	22
	CT-1140754	Bushing				
	S/N:	7CJ,6KK,8NK,2SL,9KL,7LM Use with 418845 Head				
	CT-1764935	Kit	100.00M	65.00M	P	22
	CT-1140754	Bushing				
	S/N:	9KL,7LM Use with 0990596 Head				
Stick	CT-1997416	Kit	150.00M	105.00M	P	22
	CT-1140760	Bushing				
Track Adjuster	BD-901408	Kit	70.00M	70.00M	P	0
325B EXCAVATOR						
Excavator S/N: 6DN1-UP,8FN1-UP,2JR1-UP,8PR1-UP,8RR1-UP,1GS1-UP 4DS1-UP,5BS1-UP						
Boom	CT-2481165	Kit	140.00M	100.00M	P	22
	CT-1140757	Bushing				
	S/N:	6DN,8FN,2JR,4DS,5BS Use with 1140636 or 2016788 Cylinders				
	CT-2502485	Kit	140.00M	100.00M	P	22
	CT-1140757	Bushing				
	S/N:	4DS,5BS Use with 1930528 Cylinder				
	CT-1997416	Kit	150.00M	105.00M	P	22
	CT-1140760	Bushing				
	S/N:	2JR Logging arrangement				
	CT-1373766	Kit	140.00M	100.00M	P	5
	CT-0965625	Bushing				
	S/N:	8PR,8RR,1GS				
	CT-2470257	Kit	130.00M	90.00M	P	22
	CT-1140758	Bushing				
S/N:	2JR					
Boom VA	CT-2330763	Kit	170.00M	100.00M	P	22
	CT-1140757	Bushing				
S/N:	6DN,8FN,4DS,5BS					
Bucket	CT-3206346	Kit	100.00M	65.00M	P	22
	CT-1140754	Bushing				
	S/N:	6DN				
	CT-1764914	Kit	130.00M	90.00M	P	22
	CT-1140758	Bushing				
	S/N:	6DN,8FN,2JR,4DS,5BS C-Family Buckets Use with 1232044 Cylinder				
	CT-2502486	Kit	130.00M	90.00M	P	22
	CT-1140758	Bushing				
	S/N:	6DN Use with 1497610 Cylinder				
	CT-1997416	Kit	150.00M	105.00M	P	22
	CT-1140760	Bushing				
	S/N:	6DN,8FN,2JR,8PR,8RR,4DS,5BS D-Family Buckets				

CATERPILLAR® (REFERENCED BY OEM PART NUMBERS)

Application	Part Number	Description	Bore	Rod	Wiper	Type	
325B EXCAVATOR (continued)							
Bucket (cont)	CT-3087824	Kit	150.00M	105.00M	P	22	
	CT-1140760	Bushing					
	S/N:	2JR Use with 1433199 Cylinder					
	CT-2481172	Kit	160.00M	110.00M	P	22	
	CT-1140762	Bushing					
	S/N:	2JR					
	CT-2590626	Kit	130.00M	90.00M	P	5	
	CT-1052575	Bushing					
	S/N:	8PR,8RR,1GS C-Family Buckets					
	CT-1764935	Kit	100.00M	65.00M	P	22	
	CT-1140754	Bushing					
	S/N:	2JR,8RR					
	CT-2502487	Kit	120.00M	85.00M	P	22	
	CT-1140756	Bushing					
	S/N:	4DS,5BS,6DN Use with 1184134 Cylinder					
	CT-2366368	Kit	120.00M	85.00M	P	22	
	CT-1140756	Bushing					
	S/N:	4DS,5BS,6DN Use with 1589061 or 2836132 Cylinders					
	CT-1892969	Kit	130.00M	85.00M	P	22	
	CT-1140756	Bushing					
S/N:	4DS,5BS						
Stick	CT-1997416	Kit	150.00M	105.00M	P	22	
	CT-1140760	Bushing					
	S/N:	6DN,8FN,2JR,8RR,4DS,5BS					
	CT-2959895	Kit	180.00M	130.00M	P	22	
	CT-1140763	Bushing					
	S/N:	2JR Logging arrangement					
	CT-1373767	Kit	150.00M	105.00M	P	8	
	CT-0995572	Bushing					
	S/N:	8PR,8RR,1GS					
	CT-2330764	Kit	160.00M	95.00M	P	22	
	CT-6C6093	Bushing					
	S/N:	4DS Use with 1412609 Cylinder					
	CT-2521191	Kit	160.00M	95.00M	P	22	
	CT-6C6093	Bushing					
	S/N:	4DS Use with 2044907 Cylinder					
	CT-2159990	Kit	170.00M	110.00M	P	22	
	CT-1140761	Bushing					
	S/N:	2JR,5BS Special Material Handler arrangement Use with 1163638 Cylinder					
	CT-1997417	Kit	170.00M	110.00M	P	22	
	CT-1140761	Bushing					
S/N:	2JR,5BS Special Material Handler arrangement Use with 1913118 Cylinder						

Application	Part Number	Description	Bore	Rod	Wiper	Type	
325B EXCAVATOR (continued)							
Grapple	BD-513459	Kit	4.000S	2.500S	P	5	
	S/N: 2JR						
	CT-1533724	Kit	4.000S	2.500S	P	15	
S/N: 2JR							
Cab Tilt	CT-2417578	Kit	5.000S	2.250S	P	23	
	S/N: 2JR						
	BD-5001070	Kit	3.500S	1.500S	P	5	
S/N: 2JR							
Track Adjuster	BD-901408	Kit	70.00M	70.00M	P	0	
	BD-902404	Kit	100.00M	100.00M	P	0	
	S/N: 2JR						
	Use with 1933276 Cylinder						
	BD-901407	Kit	70.00M	45.00M	P	0	
S/N: 2JR							
Use with 717712 Cylinder							
325C EXCAVATOR							
Excavator S/N: AMH1-UP,BFE1-UP,BKW1-UP,BMM1-UP,BTD1-UP,CRB1-UP CSJ1-UP,DTF1-UP,G1L1-UP,JLC1-UP,JLD1-UP,M2K1-UP S2C1-UP,S3M1-UP,Y4P1-UP							
Boom	CT-2159985	Kit	140.00M	100.00M	P	22	
	CT-1140757	Bushing					
	S/N: BFE,BKW,CRB,CSJ,DTF,G1L,JLC,JLD,M2K						
	Use with 1799782 Cylinder						
	CT-2590632	Kit	140.00M	100.00M	P	5	
	CT-0965625	Bushing					
	S/N: AMH,BKW,BMM,BTD						
	Use with 1799789, 1915587 or 2096006 Cylinders						
	CT-2590725	Kit	140.00M	100.00M	P	5	
	CT-0965625	Bushing					
	S/N: BKW,BMM						
	Use with 2590724 Cylinder						
	CT-2519341	Kit	170.00M	100.00M	P	22	
	CT-1140757	Bushing					
	S/N: BKW,CRB,CSJ,JLC,JLD						
CT-2481168	Kit	150.00M	105.00M	P	22		
CT-1140760	Bushing						
S/N: BMM,S2C,S3M,Y4P							
CT-1915619	Kit	150.00M	105.00M	P	22		
CT-1140760	Bushing						
S/N: DTF,JLC							
Bucket	CT-2344674	Kit	160.00M	110.00M	P	22	
	CT-1140762	Bushing					
	S/N: S3M						
	CT-1915619	Kit	150.00M	105.00M	P	22	
	CT-1140760	Bushing					
	S/N: AMH,BFE,BKW,BMM,BTD,CRB,CSJ,JLC,JLD						
	Use with 1772465 or 2478853 Cylinders						
	CT-2003315	Kit	150.00M	105.00M	P	22	
CT-1140760	Bushing						
S/N: BKW,BMM							
Use with 1948276 Cylinder							

CATERPILLAR® (REFERENCED BY OEM PART NUMBERS)

Application	Part Number	Description	Bore	Rod	Wiper	Type	
325C EXCAVATOR (continued)							
Bucket (cont)	CT-2502475	Kit	150.00M	105.00M	P	22	
	CT-1140760	Bushing					
	S/N:	BKW,BMM Use with 2478854 Cylinder					
		CT-1997416	Kit	150.00M	105.00M	P	22
		CT-1140760	Bushing				
	S/N:	S3M Use with 1183921 Cylinder					
		CT-3087824	Kit	150.00M	105.00M	P	22
		CT-1140760	Bushing				
	S/N:	S3M Use with 1433199 Cylinder					
		CT-2590627	Kit	130.00M	90.00M	P	5
		CT-1052575	Bushing				
	S/N:	AMH,BKW,BMM,BTD Use with 2096011 Cylinder					
		CT-2590626	Kit	130.00M	90.00M	P	5
		CT-1052575	Bushing				
	S/N:	BKW,BMM Use with 1799793 Cylinder					
		CT-2590719	Kit	130.00M	90.00M	P	5
		CT-1052575	Bushing				
	S/N:	BKW,BMM Use with 2590732 Cylinder					
		CT-2159986	Kit	130.00M	90.00M	P	22
		CT-1140758	Bushing				
	S/N:	BFE,CRB,CSJ,G1L,JLC,JLD,M2K					
		CT-2479000	Kit	120.00M	85.00M	P	5
		CT-0964402	Bushing				
	S/N:	BKW,BMM					
		CT-2366368	Kit	120.00M	85.00M	P	22
		CT-1140756	Bushing				
	S/N:	BFE,JLD					
	CT-1709941	Kit	100.00M	65.00M	P	22	
	CT-1140754	Bushing					
S/N:	BMM,CRB						
Stick	CT-2959895	Kit	180.00M	130.00M	P	22	
	CT-1140763	Bushing					
	S/N:	S3M,Y4P					
		CT-2316844	Kit	170.00M	115.00M	P	22
		CT-1915644	Bearing				
	S/N:	JLC					
		CT-2521191	Kit	160.00M	95.00M	P	22
		CT-6C6093	Bushing				
	S/N:	JLC					
		CT-1915619	Kit	150.00M	105.00M	P	22
		CT-1140760	Bushing				
	S/N:	BFE,BMM,CRB,CSJ,DTF,G1L,JLC,JLD,M2K Use with 1799785 (Type 1), 2166607 or 2188124 Cylinders					

Application	Part Number	Description	Bore	Rod	Wiper	Type	
325C EXCAVATOR (continued)							
Stick (cont)	CT-2426840	Kit	150.00M	105.00M	P	22	
	CT-1140760	Bushing					
	S/N:	CRB,CSJ,JLC,JLD Use with 1799785 (Type 2) Cylinder					
	CT-2590637	Kit	150.00M	105.00M	P	5	
	CT-0995572	Bushing					
	S/N:	AMH,BKW,BMM,BTD Use with 1799791 or 2096008 Cylinders					
	CT-2590729	Kit	150.00M	105.00M	P	5	
	CT-0995572	Bushing					
	S/N:	BKW,BMM Use with 2590728 Cylinder					
	CT-2590636	Kit	150.00M	105.00M	P	5	
	CT-0995572	Bushing					
	S/N:	BKW,BMM Use with 1799791, 1915589 or 2140241 Cylinders					
	CT-2590638	Kit	150.00M	105.00M	P	5	
	CT-0995572	Bushing					
	S/N:	BMM Use with 2316804 Cylinder					
	CT-2470257	Kit	130.00M	90.00M	P	22	
	CT-1140758	Bushing					
	S/N:	BMM,DTF,S2C Use with 2141591 or 2223580 Cylinders					
	CT-2590628	Kit	130.00M	90.00M	P	5	
	CT-1052575	Bushing					
S/N:	BMM525-542 Use with 2536503 Cylinder						
Cab Tilt	CT-2417578	Kit	5.000S	2.250S	P	23	
	S/N:	G1L1001-UP,M2K1001-UP,S3M1001-UP,Y4P					
Saw	CT-2159985	Kit	140.00M	100.00M	P	22	
	CT-1140757	Bushing					
	S/N:	JLC					
Track Adjuster	BD-902403	Kit	80.00M	80.00M	P	0	
	S/N:	AMH,BFE,BKW,BMM,BTD,CRB,CSJ,JLC					
	BD-902408	Kit	90.00M	90.00M	P	0	
	S/N:	BKW,BMM,CRB,DTF,G1L,JLD,M2K,S2C,S3M,Y4P					
325D EXCAVATOR							
Excavator S/N: AZP1-UP,A3R1-UP,CYW1-UP,C4H1-UP,C7K1-UP,C8L1-UP C9M1-UP,DAT1-UP,DBH1-UP,DFC1-UP,DNR1-UP,ERK1-UP GBR1-UP,GPB1-UP,JCL1-UP,KBE1-UP,KDG1-UP,LAL1-UP MCL1-UP,NAC1-UP,PAL1-UP,PKE1-UP,RJK1-UP,SCR1-UP T2S1-UP							
Boom	CT-2159985	Kit	140.00M	100.00M	P	22	
	CT-1140757	Bushing					
	S/N:	AZP,A3R,CYW,C7K,GBR,GPB,JCL,KBE,MCL,PAL,PKE,T2S Use with 2254572 or 2897984 Cylinders					
	CT-2478792	Kit	140.00M	100.00M	P	22	
	CT-1140757	Bushing					
	S/N:	AZP,CYW,C7K,DAT,ERK,GBR,GPB,LAL,MCL,NAC,PAL,PKE T2S Use with 2959398 or 2959400 Cylinders					

CATERPILLAR® (REFERENCED BY OEM PART NUMBERS)

Application	Part Number	Description	Bore	Rod	Wiper	Type	
325D EXCAVATOR (continued)							
Boom (cont)	CT-2344566	Kit	140.00M	100.00M	P	5	
	CT-0965625	Bushing					
	S/N:	CYW,DBH,KBE,KDG,SCR Use with 2254584 Cylinder					
	CT-2668015	Kit	140.00M	100.00M	P	5	
	CT-0965625	Bushing					
	S/N:	KDG,SCR Use with 2667988 Cylinder					
	CT-3500973	Kit	140.00M	100.00M	P	5	
	CT-0965625	Bushing					
	S/N:	CYW,KDG,SCR Use with 3494146 Cylinder					
	CT-2590648	Kit	140.00M	100.00M	P	5	
	CT-0965625	Bushing					
	S/N:	KBE,KDG,SCR Use with 2254595 Cylinder					
	CT-2481168	Kit	150.00M	105.00M	P	22	
	CT-1140760	Bushing					
	S/N:	C4H,C8L,C9M,DFC,DNR,RJK					
	CT-1915619	Kit	150.00M	105.00M	P	22	
	CT-1140760	Bushing					
	S/N:	GBR					
	CT-2521191	Kit	160.00M	95.00M	P	22	
	CT-6C6093	Bushing					
S/N:	GBR						
Boom VA	CT-2519341	Kit	170.00M	100.00M	P	22	
	CT-1140757	Bushing					
	S/N:	GBR,GPB,LAL,MCL,PKE,T2S					
Bucket	CT-2344674	Kit	160.00M	110.00M	P	22	
	CT-1140762	Bushing					
	S/N:	C8L,C9M,DFC,DNR					
	CT-1915619	Kit	150.00M	105.00M	P	22	
	CT-1140760	Bushing					
	S/N:	AZP,A3R,CYW,DBH,ERK,GBR,GPB,KBE,KDG,LAL,MCL,PAL PKE,SCR,T2S Use with 2254581, 2898012, 3154442 using 7Y4660 Head or 3154451 using 7Y4660 Head Cylinders					
	CT-2502475	Kit	150.00M	105.00M	P	22	
	CT-1140760	Bushing					
	S/N:	KDG,SCR Use with 2254602 Cylinder					
	CT-3764331	Kit	150.00M	105.00M	P	22	
	CT-1140760	Bushing					
	S/N:	AZP,CYW,KDG,SCR Use with 3154442 or 3154451 Cylinders using 3588524 Head					
	CT-3764332	Kit	150.00M	105.00M	P	22	
	CT-1140760	Bushing					
	S/N:	KDG,SCR Use with 3154449 Cylinder					
	CT-3249485	Kit	150.00M	105.00M	P	22	
	CT-1140760	Bushing					
	S/N:	AZP,CYW Use with 3579766 Cylinder					

Application	Part Number	Description	Bore	Rod	Wiper	Type	
325D EXCAVATOR (continued)							
Bucket (cont)	CT-3087824	Kit	150.00M	105.00M	P	22	
	CT-1140760	Bushing					
	S/N:	C8L,C9M,DFC,DNR					
	CT-2590743	Kit	150.00M	105.00M	P	22	
	CT-1140760	Bushing					
	S/N:	KDG,SCR Use with 2668080 or 3154450 Cylinders					
	CT-2344488	Kit	135.00M	95.00M	P	22	
	CT-1289260	Bushing					
	S/N:	AZP,A3R,CYW,C7K,DAT,ERK,GBR,GPB,JCL,KBE,LAL,MCL					
	S/N:	NAC,PAL,PKE,T2S Use with 2254578 or 2898004 Cylinders					
	CT-2344587	Kit	135.00M	95.00M	P	5	
	CT-0964430	Bushing					
	S/N:	CYW,DBH,KBE,KDG,SCR Use with 2254591 Cylinder					
	CT-2668045	Kit	135.00M	95.00M	P	5	
	CT-0964430	Bushing					
	S/N:	KDG,SCR Use with 2667992 Cylinder					
	CT-3500976	Kit	135.00M	95.00M	P	5	
	CT-0964430	Bushing					
	S/N:	CYW,KDG,SCR Use with 3494152 Cylinder					
	CT-2590656	Kit	135.00M	95.00M	P	5	
	CT-0964430	Bushing					
	S/N:	KBE,KDG,SCR Use with 2254599 Cylinder					
	CT-2478790	Kit	120.00M	85.00M	P	22	
	CT-1140756	Bushing					
	S/N:	GBR,GPB,MCL,PKE					
	CT-1709941	Kit	100.00M	65.00M	P	22	
	CT-1140754	Bushing					
	S/N:	AZP,A3R,SCR					
Stick	CT-2959895	Kit	180.00M	130.00M	P	22	
	CT-1140763	Bushing					
	S/N:	C8L,C9M,DFC,DNR					
	CT-2316844	Kit	170.00M	115.00M	P	22	
	CT-1915644	Bearing					
	S/N:	GBR					
	CT-2426840	Kit	150.00M	105.00M	P	22	
	CT-1140760	Bushing					
	S/N:	AZP,A3R,CYW,C7K,DAT,ERK,GBR,GPB,JCL,KBE,LAL,MCL					
	S/N:	NAC,PAL,PKE,T2S Use with 2254575 or 2897994 Cylinders					
	CT-2590650	Kit	150.00M	105.00M	P	5	
	CT-0995572	Bushing					
	S/N:	KBE,KDG,SCR Use with 2254597 Cylinder					
	CT-1915619	Kit	150.00M	105.00M	P	22	
	CT-1140760	Bushing					
	S/N:	AZP,A3R,SCR Use with 2166607 Cylinder					

CATERPILLAR® (REFERENCED BY OEM PART NUMBERS)

Application	Part Number	Description	Bore	Rod	Wiper	Type	
325D EXCAVATOR (continued)							
Stick (cont)	CT-2344576	Kit	150.00M	105.00M	P	15	
	CT-0995572	Bushing					
	S/N:	CYW,DBH,KBE,KDG,SCR Use with 2254588 Cylinder					
	CT-2668016	Kit	150.00M	105.00M	P	5	
	CT-0995572	Bushing					
	S/N:	KDG,SCR Use with 2667990 Cylinder					
	CT-3500974	Kit	150.00M	105.00M	P	5	
	CT-0995572	Bushing					
	S/N:	CYW,KDG,SCR Use with 3494148 Cylinder					
	CT-2590779	Kit	150.00M	105.00M	P	5	
	CT-0995572	Bushing					
	S/N:	DBH,KBE,KDG,SCR Use with 2590778 Cylinder					
	CT-3500975	Kit	150.00M	105.00M	P	5	
	CT-0995572	Bushing					
	S/N:	KDG,SCR Use with 3494150 Cylinder					
CT-2470257	Kit	130.00M	90.00M	P	22		
CT-1140758	Bushing						
S/N:	C4H,RJK						
Cab Riser	CT-1697827	Kit	90.00M	60.00M	P	8	
	CT-1140751	Bushing					
S/N:	C4H						
Cab Tilt	CT-2417578	Kit	5.000S	2.250S	P	23	
	S/N:	C7K,C8L,C9M,DAT,DFC,DNR					
Grapple	CT-2167858	Kit	4.000S	2.500S	P	23	
	S/N:	C8L,C9M,DFC,DNR					
	CT-2495105	Kit	4.500S	3.000S	P	5	
S/N:	C8L,C9M,DFC,DNR						
Saw	CT-2159985	Kit	140.00M	100.00M	P	22	
	CT-1140757	Bushing					
S/N:	GBR						
Track Adjuster	BD-902403	Kit	80.00M	80.00M	P	0	
	S/N:	AZP,A3R,CYW,DBH,ERK,GBR,GPB,JCL,KBE,KDG,LAL,NAC					
	S/N:	PAL,PKE,SCR,T2S					
BD-902408	Kit	90.00M	90.00M	P	0		
S/N:	C4H,C7K,C8L,C9M,MCL,RJK						

CATERPILLAR® (REFERENCED BY OEM PART NUMBERS)

Application	Part Number	Description	Bore	Rod	Wiper	Type
326D EXCAVATOR						
Excavator S/N: PJM1-UP						
Boom	CT-3500969	Kit	135.00M	95.00M	P	5
	CT-0964430	Bushing				
Bucket	CT-3500972	Kit	135.00M	90.00M	P	5
	CT-1052575	Bushing				
Stick	CT-3500970	Kit	140.00M	100.00M	P	5
	CT-0965625	Bushing				
Track Adjuster	BD-901411	Kit		45.00M	P	0
328D LCR EXCAVATOR						
Excavator S/N: GTN1-UP,MKR1-UP,RMX1-UP,SWF1-UP						
Boom	CT-2344566	Kit	140.00M	100.00M	P	5
	CT-0965625	Bushing				
	Use with 2667935 Cylinder					
	CT-2590634	Kit	140.00M	100.00M	P	5
	CT-0965625	Bushing				
	S/N: GTN					
	Use with 2771433 Cylinder					
	CT-2590648	Kit	140.00M	100.00M	P	5
	CT-0965625	Bushing				
	S/N: RMX					
Use with 2959673 Cylinder						
Bucket	CT-2344587	Kit	135.00M	95.00M	P	5
	CT-0964430	Bushing				
	Use with 2254591 Cylinder					
	CT-2590656	Kit	135.00M	95.00M	P	5
	CT-0964430	Bushing				
	S/N: RMX					
	Use with 2254599 Cylinder					
	CT-2590627	Kit	130.00M	90.00M	P	5
	CT-1052575	Bushing				
	S/N: GTN					
Stick	CT-2344576	Kit	150.00M	105.00M	P	15
	CT-0995572	Bushing				
	Use with 2254588 or 3000199 Cylinders					
	CT-2590650	Kit	150.00M	105.00M	P	5
	CT-0995572	Bushing				
	S/N: RMX					
Use with 2254597 Cylinder						
Track Adjuster	BD-902408	Kit	90.00M	90.00M	P	0

CATERPILLAR® (REFERENCED BY OEM PART NUMBERS)

Application	Part Number	Description	Bore	Rod	Wiper	Type
329D EXCAVATOR						
Excavator S/N: BFC1-UP,BYS1-UP,CZF1-UP,DJF1-UP,DTZ1-UP,EBM1-UP JHJ1-UP,LGN1-UP,MNB1-UP,RSK1-UP,SCY1-UP,TPM1-UP TZL1-UP,WDK1-UP,WLT1-UP,XDB1-UP,YFW1-UP						
Boom	CT-2478792	Kit	140.00M	100.00M	P	22
	CT-1140757	Bushing				
	S/N:	BFC,CZF,EBM,JHJ,LGN,RSK,SCY,TPM,WLT,XDB Use with 2959398 Cylinder				
	CT-2344566	Kit	140.00M	100.00M	P	5
	CT-0965625	Bushing				
	S/N:	BYS,DJF,DTZ,MNB,TZL,WDK,YFW Use with 2254584 Cylinder				
	CT-2668015	Kit	140.00M	100.00M	P	5
	CT-0965625	Bushing				
	S/N:	DTZ,MNB,WDK,YFW Use with 2667988 Cylinder				
	CT-3500973	Kit	140.00M	100.00M	P	5
	CT-0965625	Bushing				
	S/N:	TZL Use with 3494146 Cylinder				
	CT-2590648	Kit	140.00M	100.00M	P	5
	CT-0965625	Bushing				
	S/N:	BYS,DJF,DTZ,MNB,WDK,YFW Use with 2254595 Cylinder				
	Bucket	CT-1915619	Kit	150.00M	105.00M	P
CT-1140760		Bushing				
S/N:		BFC,BYS,CZF,DJF,DTZ,EBM,JHJ,LGN,MNB,RSK,SCY,TPM				
S/N:		TZL,WDK,WLT,XDB,YFW Use with 3154442 or 3154451 Cylinders				
CT-2502475		Kit	150.00M	105.00M	P	22
CT-1140760		Bushing				
S/N:		DTZ,MNB,WDK,YFW Use with 3154449 Cylinder using 7Y4660 Head				
CT-3764332		Kit	150.00M	105.00M	P	22
CT-1140760		Bushing				
S/N:		TZL Use with 3154449 Cylinder using 3588524 Head				
CT-2590743		Kit	150.00M	105.00M	P	22
CT-1140760		Bushing				
S/N:		DTZ,MNB,WDK,YFW Use with 3154450 Cylinder				
CT-2344587		Kit	135.00M	95.00M	P	5
CT-0964430		Bushing				
S/N:		BYS,DJF,DTZ,MNB,TZL,WDK,YFW Use with 2254591 Cylinder				
CT-2668045	Kit	135.00M	95.00M	P	5	
CT-0964430	Bushing					
S/N:	DTZ,MNB,WDK,YFW Use with 2667992 Cylinder					

Application	Part Number	Description	Bore	Rod	Wiper	Type	
329D EXCAVATOR (continued)							
Bucket (cont)	CT-3500976	Kit	135.00M	95.00M	P	5	
	CT-0964430	Bushing					
	S/N:	TZL Use with 3494152 Cylinder					
	CT-2344488	Kit	135.00M	95.00M	P	22	
	CT-1289260	Bushing					
	S/N:	BFC,CZF,EBM,JHJ,LGN,RSK,SCY,TPM,WLT,XDB Use with 2898004 Cylinder					
	CT-2590656	Kit	135.00M	95.00M	P	5	
	CT-0964430	Bushing					
	S/N:	BYS,DJF,DTZ,MNB,WDK,YFW Use with 2254599 Cylinder					
	CT-2836179	Kit	100.00M	70.00M	P	22	
	CT-1140753	Bushing					
	S/N:	WLT					
	CT-1709941	Kit	100.00M	65.00M	P	22	
	CT-1140754	Bushing					
	S/N:	MNB,YFW					
Stick	CT-2590650	Kit	150.00M	105.00M	P	5	
	CT-0995572	Bushing					
	S/N:	BYS,DJF,DTZ,MNB,WDK,YFW Use with 2254597 Cylinder					
	CT-2344576	Kit	150.00M	105.00M	P	15	
	CT-0995572	Bushing					
	S/N:	BYS,DJF,DTZ,MNB,WDK,YFW Use with 2254588 Cylinder					
	CT-2668016	Kit	150.00M	105.00M	P	5	
	CT-0995572	Bushing					
	S/N:	DTZ,MNB,WDK,YFW Use with 2667990 Cylinder					
	CT-3500974	Kit	150.00M	105.00M	P	5	
	CT-0995572	Bushing					
	S/N:	TZL Use with 3494148 Cylinder					
	CT-2590779	Kit	150.00M	105.00M	P	5	
	CT-0995572	Bushing					
	S/N:	BYS,DJF,DTZ,MNB,WDK,YFW Use with 2590778 Cylinder					
	CT-3500975	Kit	150.00M	105.00M	P	5	
	CT-0995572	Bushing					
	S/N:	TZL Use with 3494150 Cylinder					
	CT-1915619	Kit	150.00M	105.00M	P	22	
	CT-1140760	Bushing					
	S/N:	MNB,WLT,YFW Use with 2166607 Cylinder					
	CT-2426840	Kit	150.00M	105.00M	P	22	
	CT-1140760	Bushing					
	S/N:	BFC,CZF,EBM,JHJ,LGN,RSK,SCY,TPM,WLT,XDB Use with 2897994 Cylinder					
Track Adjuster	BD-902403	Kit	80.00M	80.00M	P	0	

CATERPILLAR® (REFERENCED BY OEM PART NUMBERS)

Application	Part Number	Description	Bore	Rod	Wiper	Type	
329E EXCAVATOR							
Excavator S/N: K2L1-UP,PTY1-UP,RDX1-UP,WJK1-UP,ZCD1-UP							
Boom	CT-3500973	Kit	140.00M	100.00M	P	5	
	CT-0965625	Bushing					
	Use with 3412172 Cylinder						
	CT-2478792	Kit	140.00M	100.00M	P	22	
	CT-1140757	Bushing					
	S/N: K2L	Use with 2959398 Cylinder					
Bucket	CT-3249485	Kit	150.00M	105.00M	P	22	
	CT-1140760	Bushing					
	S/N: PTY,RDX,WJK,ZCD						
	CT-3500976	Kit	135.00M	95.00M	P	5	
	CT-0964430	Bushing					
	Use with 3412182 Cylinder						
	CT-2344488	Kit	135.00M	95.00M	P	22	
	CT-1289260	Bushing					
	S/N: ZCD	Use with 3550712 Cylinder					
	CT-2836179	Kit	100.00M	70.00M	P	22	
	CT-1140753	Bushing					
	S/N: PTY,RDX,WJK	Use with 2897699 Cylinder					
	CT-3494121	Kit	100.00M	70.00M	P	22	
	CT-1140753	Bushing					
S/N: ZCD	Use with 3582108 Cylinder						
Stick	CT-1915619	Kit	150.00M	105.00M	P	22	
	CT-1140760	Bushing					
	S/N: PTY,RDX,WJK	Use with 2166607 Cylinder using 7Y4660 Head					
	CT-3500974	Kit	150.00M	105.00M	P	5	
	CT-0995572	Bushing					
	S/N: PTY,RDX,WJK						
	CT-3249485	Kit	150.00M	105.00M	P	22	
	CT-1140760	Bushing					
	S/N: ZCD	Use with 2166607 Cylinder using 3588524 Head					
	CT-3500975	Kit	150.00M	105.00M	P	5	
	CT-0995572	Bushing					
	S/N: K2L,ZCD						
	Track Adjuster	BD-902403	Kit	80.00M	80.00M	P	0

CATERPILLAR® (REFERENCED BY OEM PART NUMBERS)

Application	Part Number	Description	Bore	Rod	Wiper	Type
330 EXCAVATOR						
Excavator S/N: 9NG1-UP,6WJ1-UP,9PJ1-UP,9WJ1-UP,6SK1-UP,8FK1-UP 6ZK1-UP,8CK1-UP,2EL1-UP,8RL1-UP,9ML1-UP,2ZM1-UP 5YM1-UP						
Boom	CT-1997416	Kit	150.00M	105.00M	P	22
	CT-1140760	Bushing				
Bucket	CT-2580313	Kit	130.00M	85.00M	P	22
	CT-1140756	Bushing				
	C-Family Buckets					
	CT-1997416	Kit	150.00M	105.00M	P	22
	CT-1140760	Bushing				
	D-Family Buckets					
	CT-2344674	Kit	160.00M	110.00M	P	22
	CT-1140762	Bushing				
E-Family Buckets						
Stick	CT-2159990	Kit	170.00M	110.00M	P	22
	CT-1140761	Bushing				
Track Adjuster	BD-902403	Kit	80.00M	80.00M	P	0
	BD-902404	Kit	100.00M	100.00M	P	0
	S/N: 9WJ,8FK,5YM Forestry arrangement					
330B,W330B EXCAVATOR						
Excavator S/N: 3YR1-UP,5LR1-UP,6DR1-UP,8SR1-UP,8TR1-UP,1JS1-UP 4RS1-UP,5LS1-UP,AME1-UP						
Boom	CT-1997416	Kit	150.00M	105.00M	P	22
	CT-1140760	Bushing				
	CT-2959894	Kit	170.00M	110.00M	P	22
	CT-1140761	Bushing				
S/N: 6DR						
Boom VA	CT-2171007	Kit	180.00M	105.00M	P	22
	CT-1140760	Bushing				
S/N: 3YR,5LR,4RS						
Bucket	CT-1997416	Kit	150.00M	105.00M	P	22
	CT-1140760	Bushing				
	D-Family Buckets					
	CT-3087824	Kit	150.00M	105.00M	P	22
	CT-1140760	Bushing				
	S/N: 6DR Use with 1433199 Cylinder					
	CT-2344674	Kit	160.00M	110.00M	P	22
	CT-1140762	Bushing				
	E-Family Buckets or Logging arrangement					
	CT-2502487	Kit	120.00M	85.00M	P	22
	CT-1140756	Bushing				
	S/N: 4RS,5LS B-Family Buckets					
	CT-2366368	Kit	120.00M	85.00M	P	22
	CT-1140756	Bushing				
S/N: 4RS,5LS Use with 1589061 or 2836132 Cylinders						

CATERPILLAR® (REFERENCED BY OEM PART NUMBERS)

Application	Part Number	Description	Bore	Rod	Wiper	Type
330B,W330B EXCAVATOR (continued)						
Bucket (cont)	CT-1892969	Kit	130.00M	85.00M	P	22
	CT-1140756	Bushing				
	S/N: 3YR,4RS,5LS					
	CT-1697839	Kit	100.00M	65.00M	P	22
	CT-1140754	Bushing				
	S/N: 8TR Long Reach arrangement					
Stick	CT-2159990	Kit	170.00M	110.00M	P	22
	CT-1140761	Bushing				
	Use with 1163638 Cylinder					
	CT-1997417	Kit	170.00M	110.00M	P	22
	CT-1140761	Bushing				
	S/N: 1JS,3YR,4RS,5LR,5LS,6DR,8SR,8TR,AME Use with 1913118 or 1913127 Cylinders					
	CT-2959895	Kit	180.00M	130.00M	P	22
	CT-1140763	Bushing				
	S/N: 6DR					
	CT-2330764	Kit	160.00M	95.00M	P	22
	CT-6C6093	Bushing				
	S/N: 4RS,5LS 3 Piece Boom or Super Long Reach arrangement					
	CT-2521191	Kit	160.00M	95.00M	P	22
	CT-6C6093	Bushing				
	S/N: 4RS,5LS Use with 2044907 Cylinder					
	CT-1997416	Kit	150.00M	105.00M	P	22
	CT-1140760	Bushing				
	S/N: 3YR,4RS,5LS Material Handler arrangement					
Grapple	BD-513459	Kit	4.000S	2.500S	P	5
	S/N: 6DR					
	CT-1533724	Kit	4.000S	2.500S	P	15
S/N: 6DR						
Cab Tilt	CT-2417578	Kit	5.000S	2.250S	P	23
	S/N: 6DR					
	BD-5001070	Kit	3.500S	1.500S	P	5
S/N: 6DR						
Undercarriage	CT-2409538	Kit	4.000S	2.000S	P	23
S/N: 4RS						
Track Adjuster	BD-902403	Kit	80.00M	80.00M	P	0
	S/N: 3YR,5LR,6DR,8SR,8TR,1JS,4RS					
	BD-902404	Kit	100.00M	100.00M	P	0
	S/N: 6DR,5LS S/N 6DR Forestry arrangement					

Application	Part Number	Description	Bore	Rod	Wiper	Type
330C EXCAVATOR						
Excavator S/N: B1K1-UP,B2L1-UP,B3M1-UP,B4N1-UP,CAP1-UP,CGZ1-UP CYA1-UP,DKY1-UP,D3C1-UP,GKX1-UP,JAB1-UP,JCD1-UP JNK1-UP,KDD1-UP,MCA1-UP,MKM1-UP,MSD1-UP						
Boom	CT-1915619	Kit	150.00M	105.00M	P	22
	CT-1140760	Bushing				
	S/N:	B3M,B4N,CAP,CGZ,CYA,DKY,GKX,JAB,JCD,JNK,KDD,MCA				
	S/N:	MKM				
		Use with 1915548 or 1948270 Cylinders				
	CT-2426840	Kit	150.00M	105.00M	P	22
	CT-1140760	Bushing				
	S/N:	CAP,CGZ,CYA,GKX,JAB,JCD,JNK,KDD,MCA				
		Use with 2502419 Cylinder				
	CT-2502475	Kit	150.00M	105.00M	P	22
	CT-1140760	Bushing				
	S/N:	GKX,JAB,KDD,MCA				
		Use with 2502473 Cylinder				
	CT-2590743	Kit	150.00M	105.00M	P	22
	CT-1140760	Bushing				
	S/N:	JAB,KDD				
		Use with 2590742 Cylinder				
	CT-2959894	Kit	170.00M	110.00M	P	22
	CT-1140761	Bushing				
	S/N:	B1K,B2L				
CT-2344674	Kit	160.00M	110.00M	P	22	
CT-1140762	Bushing					
S/N:	JNK,MKM					
CT-2159988	Kit	160.00M	110.00M	P	22	
CT-1140762	Bushing					
S/N:	D3C					
CT-2470257	Kit	130.00M	90.00M	P	22	
CT-1140758	Bushing					
S/N:	MKM					
Boom VA	CT-2304001	Kit	180.00M	110.00M	P	22
	CT-1140762	Bushing				
S/N:	CAP,CGZ,JNK					
Bucket	CT-2159988	Kit	160.00M	110.00M	P	22
	CT-1140762	Bushing				
	S/N:	CAP,CGZ,CYA,DKY,GKX,JAB,JCD,JNK,KDD,MCA,MKM				
		Use with 1915554 or 1948279 Cylinders				
	CT-2344674	Kit	160.00M	110.00M	P	22
	CT-1140762	Bushing				
	S/N:	B1K,B2L				
	CT-2590751	Kit	160.00M	110.00M	P	22
	CT-1140762	Bushing				
	S/N:	JAB,KDD				
		Use with 2590750 Cylinder				
	CT-1915619	Kit	150.00M	105.00M	P	22
	CT-1140760	Bushing				
	S/N:	B3M,B4N,CAP,CGZ,CYA,DKY,GKX,JAB,JCD,JNK,KDD,MCA				
S/N:	MKM					
	Use with 1772465, 1948276 or 2478853 Cylinders					

CATERPILLAR® (REFERENCED BY OEM PART NUMBERS)

Application	Part Number	Description	Bore	Rod	Wiper	Type		
330C EXCAVATOR (continued)								
Bucket (cont)	CT-2502475	Kit	150.00M	105.00M	P	22		
	CT-1140760	Bushing						
	S/N:	GKX,JAB,KDD,MCA Use with 2478854 Cylinder						
	CT-2590743	Kit	150.00M	105.00M	P	22		
	CT-1140760	Bushing						
	S/N:	JAB,KDD Use with 2590746 Cylinder						
	CT-3087824	Kit	150.00M	105.00M	P	22		
	CT-1140760	Bushing						
	S/N:	B1K,B2L						
	CT-2590626	Kit	130.00M	90.00M	P	5		
	CT-1052575	Bushing						
	S/N:	KDD Use with 1799793 Cylinder						
	CT-2590627	Kit	130.00M	90.00M	P	5		
	CT-1052575	Bushing						
	S/N:	KDD Use with 2096011 Cylinder						
	CT-2366368	Kit	120.00M	85.00M	P	22		
	CT-1140756	Bushing						
	S/N:	JCD,JNK						
	CT-1709941	Kit	100.00M	65.00M	P	22		
	CT-1140754	Bushing						
	S/N:	JCD,KDD						
	Stick	CT-2316844	Kit	170.00M	115.00M	P	22	
		CT-1915644	Bearing					
		S/N:	B3M,B4N,CAP,CGZ,CYA,DKY,GKX,JAB,JCD,JNK,KDD,MCA					
		S/N:	MKM Use with 1915551, 2346395 or 2897763 Cylinders					
		CT-2316845	Kit	170.00M	115.00M	P	22	
		CT-1915644	Bearing					
S/N:		GKX,JAB,KDD,MCA Use with 1948273 or 2897780 Cylinders						
CT-2590768		Kit	170.00M	115.00M	P	22		
CT-1915644		Bearing						
S/N:		JAB,KDD Use with 2590767 or 2897784 Cylinders						
CT-2959895		Kit	180.00M	130.00M	P	22		
CT-1140763		Bushing						
S/N:		B1K,B2L						
CT-2521191		Kit	160.00M	95.00M	P	22		
CT-6C6093		Bushing						
S/N:		JNK						
CT-2590637		Kit	150.00M	105.00M	P	5		
CT-0995572		Bushing						
S/N:		KDD						
CT-2159985		Kit	140.00M	100.00M	P	22		
CT-1140757		Bushing						
S/N:		D3C,KDD,MKM						

Application	Part Number	Description	Bore	Rod	Wiper	Type
330C EXCAVATOR (continued)						
Cab Tilt	CT-2417578	Kit	5.000S	2.250S	P	23
	S/N:	B1K1001-UP,B2L,B3M1001-UP,B4N1001-UP				
Saw	CT-2481165	Kit	140.00M	100.00M	P	22
	CT-1140757	Bushing				
	S/N:	JNK Use with 1232061 Piston				
	CT-2159985	Kit	140.00M	100.00M	P	22
	CT-1140757	Bushing				
	S/N:	JNK Use with 1589064 Piston				
Undercarriage	CT-2409538	Kit	4.000S	2.000S	P	23
	S/N:	CAP,JCD,JNK				
	CT-2304442	Kit	120.00M	60.00M	P	22
	CT-1140751	Bushing				
S/N:	MSD					
Track Adjuster	BD-902408	Kit	90.00M	90.00M	P	0
	S/N:	CAP,CGZ,CYA,DKY,GKX,JAB,JCD,JNK,KDD,MCA,MKM300-UP				
	BD-902404	Kit	100.00M	100.00M	P	0
	S/N:	B1K,B2L,B3M,B4N,D3C,JCD,JNK,KDD,MKM				
330D EXCAVATOR						
Excavator S/N: B6H1-UP,C5K1-UP,EAH1-UP,EDX1-UP,ERN1-UP,E4K1-UP FFK1-UP,GGE1-UP,HAS1-UP,H3K1-UP,JJM1-UP,JLP1-UP LEM1-UP,LRM1-UP,L2K1-UP,MAG1-UP,MEY1-UP,MWP1-UP NBD1-UP,PEL1-UP,RAS1-UP,R2D1-UP,THJ1-UP,T2Y1-UP						
Boom	CT-2959894	Kit	170.00M	110.00M	P	22
	CT-1140761	Bushing				
	S/N:	E4K350-UP,H3K				
	CT-3087830	Kit	160.00M	110.00M	P	22
	CT-1140762	Bushing				
	S/N:	C5K,LEM,PEL,THJ				
	CT-2521191	Kit	160.00M	95.00M	P	22
	CT-6C6093	Bushing				
	S/N:	THJ				
	CT-2426840	Kit	150.00M	105.00M	P	22
	CT-1140760	Bushing				
	S/N:	B6H,EAH,EDX,ERN,FFK,GGE,HAS,JJM,JLP,LRM,L2K,MAG				
	S/N:	MEY,MWP,NBD,RAS,R2D,THJ,T2Y Use with 2344598, 2898021 or 3119526 Cylinders				
	CT-2502475	Kit	150.00M	105.00M	P	22
	CT-1140760	Bushing				
	S/N:	EAH,FFK,MEY,NBD Use with 2344608 or 2898050 Cylinders				
	CT-2590743	Kit	150.00M	105.00M	P	22
	CT-1140760	Bushing				
S/N:	EDX,MEY,NBD Use with 2668074 Cylinder					
Bucket	CT-2254625	Kit	160.00M	110.00M	P	22
	CT-1140762	Bushing				
	S/N:	B6H,EAH,EDX,ERN,FFK,GGE,HAS,JLP,LRM,MEY,MWP,NBD				
	S/N:	PEL,RAS,R2D,THJ,T2Y Use with 2254529, 2344604 or 2898041 Cylinders				

CATERPILLAR® (REFERENCED BY OEM PART NUMBERS)

Application	Part Number	Description	Bore	Rod	Wiper	Type	
330D EXCAVATOR (continued)							
Bucket (cont)	CT-1948235	Kit	160.00M	110.00M	P	22	
	CT-1140762	Bushing					
	S/N:	EAH,FFK,MEY,NBD Use with 2344614 Cylinder					
	CT-2590751	Kit	160.00M	110.00M	P	22	
	CT-1140762	Bushing					
	S/N:	EDX,MEY,NBD Use with 2268083 Cylinder					
	CT-2344674	Kit	160.00M	110.00M	P	22	
	CT-1140762	Bushing					
	S/N:	E4K,H3K					
	CT-1915619	Kit	150.00M	105.00M	P	22	
	CT-1140760	Bushing					
	S/N:	B6H,EAH,EDX,ERN,FFK,GGE,HAS,JJM,JLP,LRM,L2K,MAG					
	S/N:	MEY,MWP,NBD,PEL,RAS,R2D,THJ,T2Y Use with 2254581 or 2898012 Cylinders					
	CT-2502475	Kit	150.00M	105.00M	P	22	
	CT-1140760	Bushing					
	S/N:	EAH,FFK,MEY,NBD Use with 2254602 Cylinder					
	CT-3087824	Kit	150.00M	105.00M	P	22	
	CT-1140760	Bushing					
	S/N:	E4K,H3K					
	CT-2479001	Kit	120.00M	85.00M	P	8	
	CT-0964402	Bushing					
	S/N:	NBD					
	CT-2478790	Kit	120.00M	85.00M	P	22	
CT-1140756	Bushing						
S/N:	ERN,THJ						
Stick	CT-2959895	Kit	180.00M	130.00M	P	22	
	CT-1140763	Bushing					
	S/N:	E4K,H3K					
	CT-2316844	Kit	170.00M	115.00M	P	22	
	CT-1915644	Bearing					
	S/N:	B6H,EAH,EDX,ERN,FFK,GGE,HAS,JJM,JLP,LRM,L2K,MAG					
	S/N:	MEY,MWP,NBD,RAS,R2D,THJ,T2Y Use with 1915551, 2344601, 2836188 or 2898031 Cylinders					
	CT-2316845	Kit	170.00M	115.00M	P	22	
	CT-1915644	Bearing					
	S/N:	EAH,FFK,MEY,NBD Use with 2344611, 2836194 or 2898053 Cylinders					
	CT-2590768	Kit	170.00M	115.00M	P	22	
	CT-1915644	Bearing					
	S/N:	EDX,MEY,NBD Use with 2668077 or 2836195 Cylinders					
	CT-2478792	Kit	140.00M	100.00M	P	22	
	CT-1140757	Bushing					
S/N:	C5K,LEM,PEL						
Cab Riser	CT-1697827	Kit	90.00M	60.00M	P	8	
	CT-1140751	Bushing					
	S/N:	C5K,JJM,NBD,PEL					

Application	Part Number	Description	Bore	Rod	Wiper	Type
330D EXCAVATOR (continued)						
Cab Tilt	CT-2417578	Kit	5.000S	2.250S	P	23
	S/N: E4K,H3K,L2K					
Grapple	CT-2167858	Kit	4.000S	2.500S	P	23
	S/N: E4K,H3K					
Saw	CT-2159985	Kit	140.00M	100.00M	P	22
	CT-1140757	Bushing				
	S/N: THJ					
Undercarriage	CT-2409538	Kit	4.000S	2.000S	P	23
	S/N: THJ					
Track Adjuster	BD-902408	Kit	90.00M	90.00M	P	0
	S/N: B6H,EAH,EDX,FFK,GGE,HAS,JJM,JLP,LRM,MAG,MEY,MWP					
	S/N: NBD,RAS,R2D,THJ,T2Y					
	BD-902404	Kit	100.00M	100.00M	P	0
S/N: C5K,ERN,E4K,H3K,LEM,L2K,PEL,THJ						
336D EXCAVATOR						
Excavator S/N: DTS1-UP,D3P1-UP,JBF1-UP,JBT1-UP,JWR1-UP,J2F1-UP KDJ1-UP,KKT1-UP,LMG1-UP,MDS1-UP,MPL1-UP,MYG1-UP MYP1-UP,M3M1-UP,M3N1-UP,M4T1-UP,PGW1-UP,PPN1-UP PRF1-UP,PTB1-UP,WET1-UP,WRK1-UP,W3K1-UP,ZML1-UP						
Boom	CT-2426840	Kit	150.00M	105.00M	P	22
	CT-1140760	Bushing				
	S/N: DTS,D3P,JBF,JBT,JWR,J2F,KDJ,KKT,LMG,MDS,MPL,MYG					
	S/N: MYP,M4T,PGW,PPN,PRF,PTB,WET,WRK,W3K,ZML					
	Use with 2898021, 3119517 or 3119526 Cylinders					
	CT-2502475	Kit	150.00M	105.00M	P	22
	CT-1140760	Bushing				
	S/N: JBT,KKT,MPL,PGW,PRF,WRK					
	Use with 3119524 or 3119531 Cylinders					
	CT-2590743	Kit	150.00M	105.00M	P	22
CT-1140760	Bushing					
S/N: KKT,PGW,PRF,WRK						
Use with 3119525 Cylinder						
CT-3087830	Kit	160.00M	110.00M	P	22	
CT-1140762	Bushing					
S/N: M3M,M3N						
Boom VA	CT-2304001	Kit	180.00M	110.00M	P	22
	CT-1140762	Bushing				
	S/N: KDJ,MYP					
Bucket	CT-2254625	Kit	160.00M	110.00M	P	22
	CT-1140762	Bushing				
	S/N: DTS,D3P,JBF,JBT,J2F,KDJ,KKT,LMG,MDS,MPL,MYG,MYP					
	S/N: M4T,PGW,PPN,PRF,PTB,WET,WRK,W3K,ZML					
	Use with 2898041, 3154463 or 3154473 Cylinders					
	CT-3338750	Kit	160.00M	110.00M	P	22
	CT-1140762	Bushing				
S/N: DTS,D3P,JBF,JBT,J2F,KDJ,KKT,LMG,MDS,MPL,MYG,MYP						
S/N: M4T,PGW,PPN,PRF,PTB,WET,WRK,W3K,ZML						
Use with 2898041, 3154463, 3154471, 3154473 or 3154474 Cylinders						
High Ambient applications						

CATERPILLAR® (REFERENCED BY OEM PART NUMBERS)

Application	Part Number	Description	Bore	Rod	Wiper	Type	
336D EXCAVATOR (continued)							
Bucket (cont)	CT-1948235	Kit	160.00M	110.00M	P	22	
	CT-1140762	Bushing					
	S/N:	JBT,KKT,MPL,PGW,PRF,WRK Use with 3154471 or 3154474 Cylinders					
	CT-2590751	Kit	160.00M	110.00M	P	22	
	CT-1140762	Bushing					
	S/N:	KKT,PGW,PRF,WRK Use with 2668083 or 3154472 Cylinders					
	CT-1915619	Kit	150.00M	105.00M	P	22	
	CT-1140760	Bushing					
	S/N:	DTS,D3P,JBF,JBT,J2F,KDJ,KKT,LMG,MPL,MYG,MYP,M4T					
	S/N:	PGW,PPN,PRF,PTB,WET,WRK,W3K,ZML Use with 2898012, 3154442 or 3154451 Cylinders					
	CT-2502475	Kit	150.00M	105.00M	P	22	
	CT-1140760	Bushing					
	S/N:	JBT,KKT,MPL,PGW,PRF,WRK Use with 3154449 or 3154455 Cylinders					
	CT-2590743	Kit	150.00M	105.00M	P	22	
	CT-1140760	Bushing					
	S/N:	KKT,PGW,PRF,WRK Use with 3154450 Cylinder					
CT-2478790	Kit	120.00M	85.00M	P	22		
CT-1140756	Bushing						
S/N:	DTS,JBF,JWR,LMG						
Stick	CT-2316844	Kit	170.00M	115.00M	P	22	
	CT-1915644	Bearing					
	S/N:	DTS,D3P,JBF,JBT,JWR,J2F,KDJ,KKT,LMG,MDS,MPL,MYG					
	S/N:	MYP,M4T,PGW,PPN,PRF,PTB,WET,WRK,W3K,ZML Use with 2836188 or 2898031 Cylinders					
	CT-2316845	Kit	170.00M	115.00M	P	22	
	CT-1915644	Bearing					
	S/N:	JBT,KKT,MPL,PGW,PRF,WKR Use with 2836194 or 2898053 Cylinders					
	CT-2590768	Kit	170.00M	115.00M	P	22	
	CT-1915644	Bearing					
	S/N:	KKT,PGW,PRF,WRK Use with 2836195 Cylinders					
Coupler	CT-3265051	Kit	100.00M	75.00M	I	5	
	S/N:	J2F,W3K					
Undercarriage	CT-2409538	Kit	4.000S	2.000S	P	23	
	S/N:	M3M					
Track Adjuster	BD-902408	Kit	90.00M	90.00M	P	0	
	S/N:	D3P,JBT,J2F,KDJ,KKT,MDS,MPL,MYG,MYP,M3M,M3N,M4T					
	S/N:	PGW,PPN,PRF,PTB,WET,WRK,W3K,ZML					
	BD-902404	Kit	100.00M	100.00M	P	0	
S/N:	DTS,JBF,JWR,LMG						

CATERPILLAR® (REFERENCED BY OEM PART NUMBERS)

Application	Part Number	Description	Bore	Rod	Wiper	Type
336E EXCAVATOR						
Excavator S/N: CMR1-UP,GTJ1-UP,KED1-UP,RBS1-UP,RZA1-UP,SSL1-UP TEG1-UP,T3Z1-UP						
Boom	CT-3249485	Kit	150.00M	105.00M	P	22
	CT-1140760	Bushing				
	S/N:	CMR,GTJ,KED,RZA,SSL,TEG,T3Z				
	CT-3087830	Kit	160.00M	110.00M	P	22
	CT-1140762	Bushing				
S/N:	RBS					
Bucket	CT-3249485	Kit	150.00M	105.00M	P	22
	CT-1140760	Bushing				
	S/N:	CMR,GTJ,KED,RZA,SSL,TEG				
	CT-3338750	Kit	160.00M	110.00M	P	22
	CT-1140762	Bushing				
S/N:	CMR,GTJ,KED,TEG					
Stick	CT-3198295	Kit	170.00M	115.00M	P	22
	CT-1915644	Bearing				
	S/N:	CMR,GTJ,KED,RZA,SSL,TEG				
Coupler	CT-3460643	Kit	3.500S	2.000S	P	15
	S/N:	CMR,GTJ,KED,TEG				
	CT-3460644	Kit	5.500S	3.250S	P	15
S/N:	CMR,GTJ,KED,TEG					
Undercarriage	CT-2409538	Kit	4.000S	2.000S	P	23
S/N:	RBS					
Track Adjuster	BD-902408	Kit	90.00M	90.00M	P	0
	S/N:	CMR,GTJ,KED,RBS,RZA,SSL,TEG				
340D EXCAVATOR						
Excavator S/N: JTN1-UP						
Boom	CT-2426840	Kit	150.00M	105.00M	P	22
	CT-1140760	Bushing				
	Use with 3119517 Cylinder					
	CT-2590743	Kit	150.00M	105.00M	P	22
	CT-1140760	Bushing				
Use with 3119525 Cylinder						
Bucket	CT-2254625	Kit	160.00M	110.00M	P	22
	CT-1140762	Bushing				
	Use with 3154463 Cylinder					
	CT-2590751	Kit	160.00M	110.00M	P	22
	CT-1140762	Bushing				
	Use with 3154472 Cylinder					
	CT-1915619	Kit	150.00M	105.00M	P	22
	CT-1140760	Bushing				
	Use with 3154442 Cylinder					
	CT-2590743	Kit	150.00M	105.00M	P	22
	CT-1140760	Bushing				
Use with 3154450 Cylinder						
Stick	CT-2316844	Kit	170.00M	115.00M	P	22
	CT-1915644	Bearing				
	Use with 2836188 Cylinder					

CATERPILLAR® (REFERENCED BY OEM PART NUMBERS)

Application	Part Number	Description	Bore	Rod	Wiper	Type	
340D EXCAVATOR (continued)							
Stick (cont)	CT-2590768	Kit	170.00M	115.00M	P	22	
	CT-1915644	Bearing					
	Use with 2836195 Cylinder						
Track Adjuster	BD-902404	Kit	100.00M	100.00M	P	0	
345B, W345B EXCAVATOR							
Excavator S/N: 2NW1-UP,2SW1-UP,2ZW1-UP,3MW1-UP,4SS1-UP,5WS1-UP 6XS1-UP,7KS1-UP,9GS1-UP,AGS1-UP,AKJ1-UP,AKX1-UP ALB1-UP,ALD1-UP,ALL1-UP,ANJ1-UP,APB1-UP,BFG1-UP CCC1-UP,CDY1-UP,DCW1-UP,DET1-UP,FEE1-UP							
Boom	CT-2344674	Kit	160.00M	110.00M	P	22	
	CT-1140762	Bushing					
	S/N: 2SW,2ZW,3MW,4SS,5WS,6XS,7KS,9GS,AGS,AKJ,AKX,ALB S/N: ALD,ALL,CCC,DCW Use with 1297829, 1553737 or 2407505 Cylinders						
	CT-2003572	Kit	160.00M	110.00M	P	22	
	CT-1140762	Bushing					
	S/N: 2SW,4SS,7KS,9GS,AGS,AKJ,AKX,ALB,ALD,ALL,CCC,DCW S/N: DET,FEE Use with 2003535 or 2064996 Cylinders						
	CT-2590756	Kit	160.00M	110.00M	P	22	
	CT-1140762	Bushing					
	S/N: AKJ,AKX,ALD Use with 2590755 Cylinder						
	CT-2159990	Kit	170.00M	110.00M	P	22	
	CT-1140761	Bushing					
	S/N: 2NW,2SW,AKX,ANJ,APB,BFG,CCC,CDY,DET Long Reach and Material Handler arrangements						
	Bucket	CT-2159989	Kit	160.00M	110.00M	P	22
		CT-1140762	Bushing				
		S/N: 2SW,2ZW,3MW,4SS,5WS,6XS,7KS,9GS,AGS,AKJ,AKX,ALB S/N: ALD,ALL,APB,CCC,DCW,FEE Use with 1183935 or 1733541 Cylinders					
		CT-2254625	Kit	160.00M	110.00M	P	22
CT-1140762		Bushing					
S/N: AKJ,AKX,ALD,ALL Use with 2254529 Cylinder							
CT-2159990		Kit	170.00M	110.00M	P	22	
CT-1140761		Bushing					
S/N: 2SW,2ZW,3MW,4SS,5WS,6XS,7KS,9GS,AGS,AKJ,AKX,ALB S/N: ALD,ALL,CCC,DCW,FEE Use with 1297835 or 1733545 Cylinders							
CT-2590764		Kit	170.00M	110.00M	P	22	
CT-1140761		Bushing					
S/N: AKJ,AKX,ALD Use with 2590763 Cylinder							
CT-2095959		Kit	130.00M	95.00M	P	5	
CT-0964430		Bushing					
CT-2159986		Kit	130.00M	90.00M	P	22	
CT-1140758		Bushing					
S/N: CCC Use with 1799764 or 2114828 Cylinders							

Application	Part Number	Description	Bore	Rod	Wiper	Type	
345B, W345B EXCAVATOR (continued)							
Bucket (cont)	CT-1764914	Kit	130.00M	90.00M	P	22	
	CT-1140758	Bushing					
	S/N:	2SW Use with 1232044 Cylinder					
	CT-2502486	Kit	130.00M	90.00M	P	22	
	CT-1140758	Bushing					
	S/N:	2SW Use with 2033057 Cylinder					
	CT-2502487	Kit	120.00M	85.00M	P	22	
	CT-1140756	Bushing					
	S/N:	2SW,BFG Use with 1184134 Cylinder					
	CT-2366368	Kit	120.00M	85.00M	P	22	
	CT-1140756	Bushing					
	S/N:	2SW,BFG,CCC Use with 1589061 or 2836132 Cylinders					
	CT-1709999	Kit	120.00M	80.00M	P	22	
	CT-1140755	Bushing					
	Stick	CT-2003498	Kit	190.00M	130.00M	P	22
CT-1140763		Bushing					
S/N:		2SW,2ZW,3MW,4SS,5WS,6XS,7KS,9GS,AGS,AKJ,AKX,ALB					
S/N:		ALD,ALL,BFG,CCC,DCW Use with 1297832 or 2407425 Cylinders					
CT-2003621		Kit	190.00M	130.00M	P	22	
CT-1140763		Bushing					
S/N:		2SW,4SS,7KS,9GS,AGS,AKJ,AKX,ALB,ALD,ALL,BFG,CCC					
S/N:		DCW,FEE Use with 2003525 Cylinder					
CT-2254646		Kit	190.00M	130.00M	P	22	
CT-1140763		Bushing					
S/N:		CCC Use with 2254526 Cylinder					
CT-2590772		Kit	190.00M	130.00M	P	22	
CT-1140763		Bushing					
S/N:		AKJ,AKX,ALD Use with 2590771 Cylinder					
CT-2159990		Kit	170.00M	110.00M	P	22	
CT-1140761		Bushing					
S/N:		2SW Super Long Reach and Demolition arrangements Use with 1163638 Cylinder					
CT-1997417		Kit	170.00M	110.00M	P	22	
CT-1140761		Bushing					
S/N:		2SW Super Long Reach and Demolition arrangements Use with 1913118 Cylinder					
CT-2330764		Kit	160.00M	95.00M	P	22	
CT-6C6093	Bushing						
S/N:	2SW Super Long Reach and Demolition arrangements Use with 1412609 Cylinder						

CATERPILLAR® (REFERENCED BY OEM PART NUMBERS)

Application	Part Number	Description	Bore	Rod	Wiper	Type	
345B, W345B EXCAVATOR (continued)							
Stick (cont)	CT-2521191	Kit	160.00M	95.00M	P	22	
	CT-6C6093	Bushing					
	S/N:	2SW Use with 2044907 Cylinder					
	CT-1997416	Kit	150.00M	105.00M	P	22	
	CT-1140760	Bushing					
	S/N:	2NW,2SW,AKX,ANJ,APB,BFG,CDY,DET Material Handler arrangement					
Counterweight	CT-2275349	Kit	4.750S	3.000S	P	23	
	S/N:	4SS,5WS,9GS,AGS,AKJ,AKX,ALB,DCW					
Saw	CT-2159985	Kit	140.00M	100.00M	P	22	
	CT-1140757	Bushing					
	S/N:	CCC					
Undercarriage	CT-2418921	Kit	4.000S	2.250S	P	23	
	S/N:	2SW,CCC					
Track Adjuster	BD-902404	Kit	100.00M	100.00M	P	0	
	BD-902405	Kit	130.00M	130.00M	P	0	
	S/N:	CCC					
345C, W345C EXCAVATOR							
Excavator S/N: A3L1-UP,BWY1-UP,DHP1-UP,D3S1-UP,ELS1-UP,ESD1-UP FPC1-UP,GCL1-UP,GJR1-UP,GPH1-UP,LYS1-UP,MTE1-UP M2R1-UP,M3E1-UP,M3F1-UP,M3M1-UP,PJW1-UP,R5K1-UP SCN1-UP,SPC1-UP,S5M1-UP,TAJ1-UP,TBA1-UP,TDG1-UP WDE1-UP							
Boom	CT-3087830	Kit	160.00M	110.00M	P	22	
	CT-1140762	Bushing					
	S/N:	BWY,DHP,ELS,ESD,FPC,GCL,GJR,LYS,GPH,PJW,S5M,TAJ					
	S/N:	TBA,TDG,WDE Use with 2254523 Cylinder					
	CT-2742460	Kit	160.00M	110.00M	P	22	
	CT-1140762	Bushing					
	S/N:	BWY,DHP,GJR,TBA,WDE Use with 2668087 Cylinder					
	S/N:	A3L,D3S,MTE,M2R,M3E,M3F,M3M,R5K,SCN,SPC					
Bucket	CT-2254625	Kit	160.00M	110.00M	P	22	
	CT-1140762	Bushing					
	S/N:	BWY,DHP,ELS,ESD,FPC,GCL,GJR,GPH,LYS,PJW,SCN,SPC					
	S/N:	S5M,TAJ,TBA,TDG,WDE Use with 2254529 Cylinder					
	CT-2742460	Kit	160.00M	110.00M	P	22	
	CT-1140762	Bushing					
	S/N:	BWY,DHP,GJR,TBA,WDE Use with 2742456 Cylinder					
	CT-2344442	Kit	170.00M	110.00M	P	22	
	CT-1140761	Bushing					
	S/N:	BWY,DHP,ELS,ESD,GCL,GJR,GPH,LYS,PJW,S5M,TAJ,TBA					
S/N:	TDG,WDE Use with 2254532 Cylinder						

Application	Part Number	Description	Bore	Rod	Wiper	Type	
345C, W345C EXCAVATOR (continued)							
Bucket (cont)	CT-2742462	Kit	170.00M	110.00M	P	22	
	CT-1140761	Bushing					
	S/N:	BWY,DHP,GJR,TBA,WDE Use with 2742459 Cylinder					
	CT-1915619	Kit	150.00M	105.00M	P	22	
	CT-1140760	Bushing					
	S/N:	SPC					
	CT-2159985	Kit	140.00M	100.00M	P	22	
	CT-1140757	Bushing					
	S/N:	SCN,SPC					
	CT-2478790	Kit	120.00M	85.00M	P	22	
CT-1140756	Bushing						
S/N:	SPC						
Stick	CT-2254646	Kit	190.00M	130.00M	P	22	
	CT-1140763	Bushing					
	S/N:	A3L,BWY,DHP,ELS,ESD,FPC,GCL,GJR,GPH,LYS,PJW,SCN					
	S/N:	SPC,S5M,TAJ,TBA,TDG,WDE Use with 2254526 or 2426839 Cylinders					
	CT-2742461	Kit	190.00M	130.00M	P	22	
	CT-1140763	Bushing					
	S/N:	BWY,DHP,GJR,TBA,WDE Use with 2742453 Cylinder					
	BD-220924	Kit	150.00M	110.00M	P	23	
S/N:	D3S,MTE,M2R,M3M,R5K,SPC						
Cab Riser	CT-1697827	Kit	90.00M	60.00M	P	8	
	CT-1140751	Bushing					
	S/N:	D3S,MTE,M3M					
Cab Tilt	CT-2417578	Kit	5.000S	2.250S	P	23	
	S/N:	A3L					
Counterweight	CT-2275349	Kit	4.750S	3.000S	P	23	
	S/N:	BWY,DHP,ESD,FPC,GJR,PJW,TAJ,TBA,TDG,WDE					
Undercarriage	CT-2418921	Kit	4.000S	2.250S	P	23	
	S/N:	SCN,SPC					
	BD-792409	Kit	4.000S	2.250S	P	15	
S/N:	M3F						
Track Adjuster	BD-902404	Kit	100.00M	100.00M	P	0	
	BD-902405	Kit	130.00M	130.00M	P	0	
	S/N:	GCL,GPH,SPC					

CATERPILLAR® (REFERENCED BY OEM PART NUMBERS)

Application	Part Number	Description	Bore	Rod	Wiper	Type	
345D EXCAVATOR							
Excavator S/N: EEH1-UP,GYR1-UP,JKN1-UP,KFH1-UP,LKY1-UP,MLK1-UP NEG1-UP,NLM1-UP,PBT1-UP,RAE1-UP,RAJ1-UP,RGD1-UP RGG1-UP,YEE1-UP							
Boom	CT-3087830	Kit	160.00M	110.00M	P	22	
	CT-1140762	Bushing					
	Use with 2254523 Cylinder						
	CT-2742460	Kit	160.00M	110.00M	P	22	
	CT-1140762	Bushing					
	S/N:	JKN,NEG,PBT,RAE Use with 2668087 Cylinder					
Bucket	CT-2254625	Kit	160.00M	110.00M	P	22	
	CT-1140762	Bushing					
	Use with 2254529 or 2937678 Cylinders						
	CT-2742460	Kit	160.00M	110.00M	P	22	
	CT-1140762	Bushing					
	S/N:	JKN,NEG,PBT,RAE Use with 2742456 Cylinder					
	CT-2344442	Kit	170.00M	110.00M	P	22	
	CT-1140761	Bushing					
	Use with 2254532 Cylinder						
	CT-2742462	Kit	170.00M	110.00M	P	22	
	CT-1140761	Bushing					
	S/N:	JKN,NEG,PBT,RAE Use with 2742459 Cylinder					
Stick	CT-2254646	Kit	190.00M	130.00M	P	22	
	CT-1140763	Bushing					
	Use with 2254526 Cylinder						
	CT-2742461	Kit	190.00M	130.00M	P	22	
	CT-1140763	Bushing					
S/N:	JKN,NEG,PBT,RAE Use with 2742453 Cylinder						
Counterweight	CT-2275349	Kit	4.750S	3.000S	P	23	
S/N:	EEH,JKN,NEG,PBT,RAE,RAJ,YEE						
Coupler	CT-3460644	Kit	5.500S	3.250S	P	15	
S/N:	JKN						
Track Adjuster	BD-902404	Kit	100.00M	100.00M	P	0	

Application	Part Number	Description	Bore	Rod	Wiper	Type
349D EXCAVATOR						
Excavator S/N: GKF1-UP,JGB1-UP,KHS1-UP,KLH1-UP,MEN1-UP,NNF1-UP PZG1-UP,RBJ1-UP,WTD1-UP						
Boom	CT-3087830	Kit	160.00M	110.00M	P	22
	CT-1140762	Bushing				
	S/N:	JGB,KHS,MEN,NNF,PZG,RBJ,WTD Use with 2254523 Cylinder				
	CT-2742460	Kit	160.00M	110.00M	P	22
	CT-1140762	Bushing				
	S/N:	MEN,NNF,PZG,WTD Use with 2668087 Cylinder				
	CT-3764336	Kit	160.00M	110.00M	P	22
	CT-1140762	Bushing				
	S/N:	GKF,KLH				
	Bucket	CT-2254625	Kit	160.00M	110.00M	P
CT-1140762		Bushing				
S/N:		JGB,KHS,MEN,NNF,PZG,RBJ,WTD Use with 2254529 or 2937678 Cylinders				
CT-2742460		Kit	160.00M	110.00M	P	22
CT-1140762		Bushing				
S/N:		MEN,NNF,PZG,WTD Use with 2742456 Cylinder				
CT-3338750		Kit	160.00M	110.00M	P	22
CT-1140762		Bushing				
S/N:		GKF				
CT-2344442		Kit	170.00M	110.00M	P	22
CT-1140761		Bushing				
S/N:		JGB,KHS,MEN,NNF,PZG,RBJ,WTD Use with 2254532 Cylinder				
CT-2742462		Kit	170.00M	110.00M	P	22
CT-1140761		Bushing				
S/N:		MEN,NNF,PZG,WTD Use with 2742459 Cylinder				
CT-3338675		Kit	170.00M	110.00M	P	22
CT-1140761	Bushing					
S/N:	KLH					
Stick	CT-2254646	Kit	190.00M	130.00M	P	22
	CT-1140763	Bushing				
	S/N:	JGB,KHS,MEN,NNF,PZG,RBJ,WTD Use with 2254526 Cylinder				
	CT-2742461	Kit	190.00M	130.00M	P	22
	CT-1140763	Bushing				
	S/N:	MEN,NNF,PZG,WTD Use with 2742453 Cylinder				
	CT-3319328	Kit	190.00M	130.00M	P	22
	CT-1140763	Bushing				
S/N:	GKF,KLH					
Counterweight	CT-2275349	Kit	4.750S	3.000S	P	23
S/N:	JGB,MEN,NNF,PZG,WTD					

CATERPILLAR® (REFERENCED BY OEM PART NUMBERS)

Application	Part Number	Description	Bore	Rod	Wiper	Type	
349D EXCAVATOR (continued)							
Coupler	CT-3460644	Kit	5.500S	3.250S	P	15	
	S/N: MEN,NNF,PZG,WTD						
Track Adjuster	BD-902404	Kit	100.00M	100.00M	P	0	
349E EXCAVATOR							
Excavator S/N: FJB1-UP,JAE1-UP,KFX1-UP,MZW1-UP,RGH1-UP,SPG1-UP WHZ1-UP							
Boom	CT-3198295	Kit	170.00M	115.00M	P	22	
	CT-1915644	Bearing					
	S/N: FJB,KFX,MZW,RGH,SPG,WHZ						
	CT-3751733	Kit	170.00M	115.00M	P	22	
	CT-1915644	Bearing					
S/N: JAE							
Bucket	CT-2254625	Kit	160.00M	110.00M	P	22	
	CT-1140762	Bushing					
	S/N: KFX,MZW						
	Use with 2937678 Cylinder						
	CT-3338750	Kit	160.00M	110.00M	P	22	
	CT-1140762	Bushing					
	S/N: FJB,KFX,MZW,RGH,SPG,WHZ						
	Use with 3588482 or 3675217 Cylinders						
CT-3338675	Kit	170.00M	110.00M	P	22		
CT-1140761	Bushing						
S/N: FJB,KFX,MZW,RGH,SPG,WHZ							
Stick	CT-3319328	Kit	190.00M	130.00M	P	22	
	CT-1140763	Bushing					
	S/N: FJB,KFX1-174,RGH,SPG,WHZ						
	CT-3799497	Kit	190.00M	130.00M	P	22	
	CT-1140763	Bushing					
S/N: KFX175-UP,MZW							
Coupler	CT-3460644	Kit	5.500S	3.250S	P	15	
	S/N: FJB,RGH,SPG,WHZ						
Undercarriage	BD-792409	Kit	4.000S	2.250S	P	15	
S/N: JAE							
Track Adjuster	BD-902404	Kit	100.00M	100.00M	P	0	
350 EXCAVATOR							
Excavator S/N: 7RK1-UP,8HK1-UP,9DK1-UP,2ZL1-UP,3ML1-UP,9FL1-UP 8KZ279-UP							
Boom	CT-2159990	Kit	170.00M	110.00M	P	22	
	CT-1140761	Bushing					
	CT-2344666	Kit	200.00M	140.00M	P	22	
	CT-1289261	Bushing					
	S/N: 3ML,9FL,8KZ						
Material Handler, Super Long Reach and Demolition arrangements							
Bucket	CT-2159989	Kit	160.00M	110.00M	P	22	
	CT-1140762	Bushing					
	F-Family Buckets						
	CT-2959895	Kit	180.00M	130.00M	P	22	
	CT-1140763	Bushing					
	G-Family Buckets						

Application	Part Number	Description	Bore	Rod	Wiper	Type
350 EXCAVATOR (continued)						
Bucket (cont)	CT-2580313	Kit	130.00M	85.00M	P	22
	CT-1140756	Bushing				
	S/N:	9FL C-Family Buckets				
Stick	CT-2959895	Kit	180.00M	130.00M	P	22
	CT-1140763	Bushing				
	CT-2159990	Kit	170.00M	110.00M	P	22
	CT-1140761	Bushing				
S/N:	9FL Material Handler arrangement					
Stick (Mid)	CT-2344667	Kit	220.00M	150.00M	P	22
	CT-1289262	Bushing				
S/N:	3ML,9FL,8KZ Material Handler arrangement					
Stick (Jib)	CT-2159990	Kit	170.00M	110.00M	P	22
	CT-1140761	Bushing				
S/N:	3ML,9FL,8KZ Material Handler arrangement					
Counterweight	CT-2341949	Kit	4.000S	2.500S	P	15
	S/N:	8HK,2ZL,3ML,9FL Use with 1213397 Head				
S/N:	CT-710968	Kit	4.000S	2.500S	P	15
S/N:	8HK,2ZL,3ML,9FL Use with 6E4978 Head					
Track Adjuster	BD-902404	Kit	100.00M	100.00M	P	0
365B EXCAVATOR						
Excavator S/N: 9PZ1-UP,9TZ1-UP,AGD1-UP,CFJ1-UP,CTY1-UP,DER1-UP JMB1-UP,PEG1-UP,SDL1-UP						
Boom	CT-2159998	Kit	190.00M	130.00M	P	22
	CT-1140763	Bushing				
	S/N:	CFJ				
	CT-2042847	Kit	190.00M	130.00M	P	22
	CT-1140763	Bushing				
	S/N:	DER1-108				
	CT-2254646	Kit	190.00M	130.00M	P	22
	CT-1140763	Bushing				
	S/N:	DER109-UP,JMB,SDL				
	CT-2003572	Kit	160.00M	110.00M	P	22
	CT-1140762	Bushing				
	S/N:	JMB,PEG Use with 1232111 Piston				
	CT-3087830	Kit	160.00M	110.00M	P	22
	CT-1140762	Bushing				
	S/N:	PEG Use with 1850232 Piston				
	CT-2159995	Kit	200.00M	140.00M	P	22
	CT-1289261	Bushing				
	S/N:	JMB Ultra High Demolition arrangement				
	CT-2344666	Kit	200.00M	140.00M	P	22
	CT-1289261	Bushing				
S/N:	9PZ					

CATERPILLAR® (REFERENCED BY OEM PART NUMBERS)

Application	Part Number	Description	Bore	Rod	Wiper	Type	
365B EXCAVATOR (continued)							
Bucket	CT-2159996	Kit	180.00M	130.00M	P	22	
	CT-1140763	Bushing					
	S/N:	9PZ,9TZ,AGD,CFJ,DER,JMB V-Family Buckets					
	CT-2159995	Kit	200.00M	140.00M	P	22	
	CT-1289261	Bushing					
	S/N:	9PZ,9TZ,AGD,CFJ,DER,JMB W-Family Buckets					
	CT-2003572	Kit	160.00M	110.00M	P	22	
	CT-1140762	Bushing					
	S/N:	JMB					
	CT-2526101	Kit	160.00M	90.00M	P	22	
	CT-1211574	Bushing					
	S/N:	PEG					
Stick	CT-2159995	Kit	200.00M	140.00M	P	22	
	CT-1289261	Bushing					
	S/N:	9PZ,9TZ,AGD,CFJ,DER,JMB,PEG					
	CT-2003498	Kit	190.00M	130.00M	P	22	
	CT-1140763	Bushing					
	S/N:	9PZ,CTY Use with 1297832 or 2049063 Cylinders					
	CT-2003621	Kit	190.00M	130.00M	P	22	
	CT-1140763	Bushing					
	S/N:	9PZ,CTY,SDL Use with 2003525 or 2220682 Cylinders					
	CT-2160000	Kit	220.00M	150.00M	P	22	
	CT-1289262	Bushing					
	S/N:	JMB					
	CT-2344667	Kit	220.00M	150.00M	P	22	
	CT-1289262	Bushing					
S/N:	9PZ Demolition arrangement						
Counterweight	CT-2502486	Kit	130.00M	90.00M	P	22	
	CT-1140758	Bushing					
	S/N:	9PZ,9TZ,AGD,DER Use with 717183 Piston					
	CT-2159986	Kit	130.00M	90.00M	P	22	
	CT-1140758	Bushing					
	S/N:	9PZ,9TZ,AGD,CFJ,DER,JMB Use with 1799770 Piston					
Saw	CT-2159985	Kit	140.00M	100.00M	P	22	
	CT-1140757	Bushing					
	S/N:	9PZ,JMB					
Tilt	CT-2481165	Kit	140.00M	100.00M	P	22	
	CT-1140757	Bushing					
	S/N:	9PZ Demolition arrangement					
Undercarriage	CT-2409538	Kit	4.000S	2.000S	P	23	
	S/N:	9PZ					
Track Adjuster	BD-902405	Kit	130.00M	130.00M	P	0	

Application	Part Number	Description	Bore	Rod	Wiper	Type
365B EXCAVATOR						
(continued)						
Track Adjuster (cont)	BD-903405	Kit	150.00M	150.00M	P	0
S/N:	9PZ					
365C EXCAVATOR						
Excavator S/N: ELC1-UP, FEN1-UP, GWC1-UP, MCS1-UP, MCY1-UP, MEM1-UP PAR1-UP						
Boom	CT-2254646	Kit	190.00M	130.00M	P	22
	CT-1140763	Bushing				
	S/N:	ELC, FEN, GWC, MCS, MCY, MEM				
	CT-3087830	Kit	160.00M	110.00M	P	22
	CT-1140762	Bushing				
	S/N:	PAR				
	CT-2159995	Kit	200.00M	140.00M	P	22
	CT-1289261	Bushing				
	S/N:	GWC Ultra High Demolition arrangement				
	Bucket	CT-2159996	Kit	180.00M	130.00M	P
CT-1140763		Bushing				
S/N:		ELC, FEN, MCS, MCY, MEM				
CT-2159995		Kit	200.00M	140.00M	P	22
CT-1289261		Bushing				
S/N:		ELC, FEN, MCS, MCY, MEM				
CT-2526101		Kit	160.00M	90.00M	P	22
CT-1211574		Bushing				
S/N:	PAR					
Stick	CT-2159995	Kit	200.00M	140.00M	P	22
	CT-1289261	Bushing				
	S/N:	ELC, FEN, MCS, MCY, MEM, PAR				
	CT-2160000	Kit	220.00M	150.00M	P	22
	CT-1289262	Bushing				
	S/N:	MCY, MEM				
	CT-2254646	Kit	190.00M	130.00M	P	22
	CT-1140763	Bushing				
S/N:	GWC					
Counterweight	CT-2159986	Kit	130.00M	90.00M	P	22
	CT-1140758	Bushing				
	S/N:	ELC, FEN, MCS, MEM				
Saw	CT-2159985	Kit	140.00M	100.00M	P	22
	CT-1140757	Bushing				
	S/N:	MCY, MEM				
Track Adjuster	BD-902405	Kit	130.00M	130.00M	P	0

CATERPILLAR® (REFERENCED BY OEM PART NUMBERS)

Application	Part Number	Description	Bore	Rod	Wiper	Type
374D EXCAVATOR						
Excavator S/N: PAP1-UP,PAS1-UP,PAX1-UP,PJA1-UP						
Boom	CT-2254646	Kit	190.00M	130.00M	P	22
	CT-1140763	Bushing				
Bucket	CT-2254646	Kit	190.00M	130.00M	P	22
	CT-1140763	Bushing				
	CT-2159995	Kit	200.00M	140.00M	P	22
	CT-1289261	Bushing				
Counterweight	CT-2159986	Kit	130.00M	90.00M	P	22
	CT-1140758	Bushing				
S/N:	PAP					
Track Adjuster	BD-902405	Kit	130.00M	130.00M	P	0
375 EXCAVATOR						
Excavator S/N: 8XG1-UP,8WJ1-UP,6NK1-UP,6RL1-UP,9WL1-UP,1JM1-UP						
Boom	CT-2344666	Kit	200.00M	140.00M	P	22
	CT-1289261	Bushing				
	CT-2344667	Kit	220.00M	150.00M	P	22
	CT-1289262	Bushing				
S/N:	6RL Long Reach arrangement					
Bucket	CT-2344666	Kit	200.00M	140.00M	P	22
	CT-1289261	Bushing				
	H-Family Buckets					
	CT-2344667	Kit	220.00M	150.00M	P	22
	CT-1289262	Bushing				
	J-Family Buckets					
S/N:	CT-1373768	Kit	130.00M	90.00M	P	5
	CT-1052575	Bushing				
6RL Long Reach arrangement						
Stick	CT-2003497	Kit	220.00M	150.00M	P	22
	CT-1289262	Bushing				
	Use with 717189 Piston					
	CT-2344667	Kit	220.00M	150.00M	P	22
S/N:	CT-1289262	Bushing				
	Use with 1163517 Piston					
Counterweight	CT-2341949	Kit	4.000S	2.500S	P	15
	S/N:	8WJ,6NK,9WL,1JM Use with 1213397 Head				
S/N:	CT-710968	Kit	4.000S	2.500S	P	15
	8WJ,6NK,9WL,1JM Use with 6E4978 Head					
Track Adjuster	BD-903405	Kit	150.00M	150.00M	P	0

CATERPILLAR® (REFERENCED BY OEM PART NUMBERS)

Application	Part Number	Description	Bore	Rod	Wiper	Type
385B EXCAVATOR						
Excavator S/N: ANS1-UP,BKF1-UP,BLY1-UP,CLS1-UP,FDL1-UP,MYA1-UP RCD1-UP						
Boom	CT-2160000	Kit	220.00M	150.00M	P	22
	CT-1289262	Bushing				
	S/N:	FDL Ultra High Demolition arrangement				
Bucket	CT-2159995	Kit	200.00M	140.00M	P	22
	CT-1289261	Bushing				
	Use with 1559074 Cylinder					
	CT-2481186	Kit	200.00M	140.00M	P	22
	CT-1289261	Bushing				
	S/N:	ANS Use with 2044920 Cylinder				
	CT-2160000	Kit	220.00M	150.00M	P	22
	CT-1289262	Bushing				
	Use with 1559077 or 2159965 Cylinders					
	CT-2003572	Kit	160.00M	110.00M	P	22
	CT-1140762	Bushing				
	S/N:	FDL				
	CT-1915619	Kit	150.00M	105.00M	P	22
	CT-1140760	Bushing				
	S/N:	FDL				
CT-2526101	Kit	160.00M	90.00M	P	22	
CT-1211574	Bushing					
S/N:	MYA Use with 1211518 Cylinder					
CT-2101427	Kit	160.00M	90.00M	P	22	
CT-1211574	Bushing					
S/N:	MYA Use with 2101342 Cylinder					
Stick	CT-2160000	Kit	220.00M	150.00M	P	22
	CT-1289262	Bushing				
	Use with 1559071 or 2590871 Cylinders					
	CT-2159995	Kit	200.00M	140.00M	P	22
	CT-1289261	Bushing				
S/N:	FDL					
Counterweight	CT-1915619	Kit	150.00M	105.00M	P	22
	CT-1140760	Bushing				
Saw	CT-2159985	Kit	140.00M	100.00M	P	22
	CT-1140757	Bushing				
S/N:	FDL					
Undercarriage	CT-2409538	Kit	4.000S	2.000S	P	23
	S/N:	FDL				
Track Adjuster	BD-902405	Kit	130.00M	130.00M	P	0

CATERPILLAR® (REFERENCED BY OEM PART NUMBERS)

Application	Part Number	Description	Bore	Rod	Wiper	Type	
385C EXCAVATOR							
Excavator S/N: EAM1-UP,EDA1-UP,GLT1-UP,JCM1-UP,KBC1-UP,KGB1-UP KKK1-UP,MMA1-UP,MNZ1-UP,M3W1-UP,SBE1-UP,T2E1-UP T2F1-UP,WAW1-UP							
Boom	CT-2159996	Kit	180.00M	130.00M	P	22	
	CT-1140763	Bushing					
	S/N:	EAM,GLT,MMA,T2F					
	CT-2160000	Kit	220.00M	150.00M	P	22	
	CT-1289262	Bushing					
	S/N:	KGB,M3W,WAW Ultra High Demolition arrangement					
	Bucket	CT-2159995	Kit	200.00M	140.00M	P	22
		CT-1289261	Bushing				
S/N:		EDA,JCM,KBC,KGB,KKK,MNZ,SBE,T2E					
CT-2160000		Kit	220.00M	150.00M	P	22	
CT-1289262		Bushing					
S/N:		EDA,JCM,KBC,KGB,KKK,MNZ,SBE,T2E					
CT-2526101		Kit	160.00M	90.00M	P	22	
CT-1211574		Bushing					
S/N:		EAM,GLT,MMA,T2F					
CT-1915619		Kit	150.00M	105.00M	P	22	
CT-1140760		Bushing					
S/N:		KGB,T2E					
Stick		CT-2160000	Kit	220.00M	150.00M	P	22
		CT-1289262	Bushing				
	S/N:	EAM,EDA,GLT,JCM,KBC,KGB,KKK,MMA,MNZ,SBE,T2E,T2F					
	CT-2159995	Kit	200.00M	140.00M	P	22	
	CT-1289261	Bushing					
	S/N:	KGB,T2E					
	CT-2254646	Kit	190.00M	130.00M	P	22	
	CT-1140763	Bushing					
	S/N:	WAW					
	CT-2316844	Kit	170.00M	115.00M	P	22	
	CT-1915644	Bearing					
	S/N:	KGB,KKK					
Counterweight	CT-1915619	Kit	150.00M	105.00M	P	22	
	CT-1140760	Bushing					
	S/N:	EDA,GLT,JCM,KBC,KGB,KKK,MNZ,SBE,T2E					
Saw	CT-2159985	Kit	140.00M	100.00M	P	22	
	CT-1140757	Bushing					
	S/N:	KGB,T2E					
Undercarriage	CT-2409538	Kit	4.000S	2.000S	P	23	
	S/N:	KGB					
Track Adjuster	BD-902405	Kit	130.00M	130.00M	P	0	

Application	Part Number	Description	Bore	Rod	Wiper	Type
390D EXCAVATOR						
Excavator S/N: BYP1-UP,KCZ1-UP,WAG1-UP,WAP1-UP,WBT1-UP						
Bucket	CT-2159995	Kit	200.00M	140.00M	P	22
	CT-1289261	Bushing				
	S/N: KCZ,WAG,WAP,WBT					
	CT-2160000	Kit	220.00M	150.00M	P	22
S/N: KCZ,WAG,WAP,WBT	CT-1289262	Bushing				
	S/N: KCZ,WAG,WAP,WBT					
Stick	CT-2160000	Kit	220.00M	150.00M	P	22
	CT-1289262	Bushing				
Counterweight	CT-1915619	Kit	150.00M	105.00M	P	22
	CT-1140760	Bushing				
	S/N: KCZ,WAP,WBT					
Track Adjuster	BD-902405	Kit	130.00M	130.00M	P	0
E70,E70B EXCAVATOR						
Excavator S/N: 3BG1-UP,5TG1-UP,6AK1-UP						
Boom	CT-0995310	Kit	110.00M	75.00M	P	8
	S/N: 5TG,6AK					
Offset Boom	CT-0996978	Kit	90.00M	60.00M	P	8
	S/N: 5TG,6AK					
Bucket	CT-0997004	Kit	80.00M	55.00M	P	8
	S/N: 5TG,6AK					
Stick	CT-0996978	Kit	90.00M	60.00M	P	8
	S/N: 5TG,6AK					
Blade	CT-0933045	Kit	90.00M	50.00M	P	11
Track Adjuster	CT-0934314	Kit	50.00M	50.00M	P	0
E110,E110B EXCAVATOR						
Excavator S/N: 3FG1-UP,5GK1-UP,8MF1-UP,9HF1-UP						
Boom	CT-0938385	Kit	110.00M	70.00M	P	11
	S/N: 3FG					
	CT-0995401	Kit	100.00M	70.00M	P	8
	S/N: 5GK,8MF,9HF					
Bucket	CT-0938390	Kit	110.00M	65.00M	P	11
	S/N: 3FG					
	CT-0995312	Kit	100.00M	65.00M	P	8
	S/N: 5GK,8MF,9HF					
Stick	CT-0938388	Kit	120.00M	80.00M	P	11
	S/N: 3FG					
	CT-0995310	Kit	110.00M	75.00M	P	8
	S/N: 5GK,8MF,9HF					
	CT-0860174	Kit	100.00M	75.00M	P	15
	S/N: 5GK,8MF,9HF Telescopic Arm arrangement					
Track Adjuster	CT-0998532	Kit	50.00M	50.00M	P	0
S/N: 5GK,8MF,9HF						

CATERPILLAR® (REFERENCED BY OEM PART NUMBERS)

Application	Part Number	Description	Bore	Rod	Wiper	Type
E120,E120B EXCAVATOR						
Excavator S/N: 1LF1-UP,4XK1-UP,6JF1-UP,7NF1-UP						
Boom	CT-0967786	Kit	110.00M	75.00M	P	5
	S/N: 1LF					
S/N: 4XK,6JF,7NF	CT-0995310	Kit	110.00M	75.00M	P	8
Bucket	CT-0967625	Kit	100.00M	65.00M	P	5
	S/N: 1LF					
S/N: 4XK,6JF,7NF	CT-0995312	Kit	100.00M	65.00M	P	8
Stick	CT-0967799	Kit	120.00M	80.00M	P	5
	S/N: 1LF					
	CT-0995311	Kit	120.00M	80.00M	P	8
	S/N: 4XK,6JF,7NF					
S/N: 4XK,6JF,7NF	CT-0860174	Kit	100.00M	75.00M	P	15
	Telescopic Arm arrangement					
Track Adjuster	CT-0998532	Kit	50.00M	50.00M	P	0
	S/N: 4XK,6JF,7NF					
E180,EL180 EXCAVATOR						
Excavator S/N: 1RF1-UP,4EF1-UP						
Boom	CT-0940691	Kit	125.00M	85.00M	P	5
Bucket	CT-0940691	Kit	125.00M	85.00M	P	5
	Use with 0941946 cylinder					
	CT-0938390	Kit	110.00M	65.00M	P	11
Use with E75390200 cylinder						
Stick	CT-0941910	Kit	140.00M	100.00M	P	5
E200B,EL200B EXCAVATOR						
Excavator S/N: 6KF1-UP,7DF1-UP,4SG1-UP,5EG1-UP						
Boom	CT-0964395	Kit	120.00M	85.00M	P	5
Bucket	CT-0966457	Kit	115.00M	75.00M	P	5
	Use with 0964462 or 0967909 cylinders					
	CT-0995312	Kit	100.00M	65.00M	P	8
Use with 0993713 cylinder						
Stick	CT-2481162	Kit	140.00M	100.00M	P	5
	S/N: 6KF,7DF					
	Use with 0967910 or 419333 cylinders					
S/N: 6KF1-1053,7DF1-1887,4SG,5EG	CT-0964396	Kit	130.00M	95.00M	P	5
	Use with 515907, 0964427 or 0993688 cylinders					
Track Adjuster	CT-0993489	Kit	60.00M	60.00M	P	0

CATERPILLAR® (REFERENCED BY OEM PART NUMBERS)

Application	Part Number	Description	Bore	Rod	Wiper	Type
E240,EL240,E240B,EL240B,E240C,EL240C EXCAVATOR						
Excavator S/N: 4JF1-UP,8SF1-UP,1FG1-UP,5WG1-UP,9PK1-UP,2RL1-UP						
Boom	CT-0939941	Kit	140.00M	90.00M	P	8
Bucket	CT-0939941	Kit	140.00M	90.00M	P	8
	CT-0938390	Kit	110.00M	65.00M	P	11
	S/N: 4JF,1FG					
	CT-0995312	Kit	100.00M	65.00M	P	8
S/N: 8SF,5WG,9PK,2RL						
Stick	CT-0942697	Kit	150.00M	100.00M	P	8
Track Adjuster	CT-0939869	Kit	70.00M	70.00M	P	0
E300,EL300,E300B,EL300B EXCAVATOR						
Excavator S/N: 2CF1-UP,4NF1-UP,1WJ1-UP,3FJ1-UP						
Boom	CT-0942697	Kit	150.00M	100.00M	P	8
	S/N: 2CF,4NF					
	CT-2481162	Kit	140.00M	100.00M	P	5
S/N: 1WJ,3FJ						
Bucket	CT-0942697	Kit	150.00M	100.00M	P	8
S/N: 2CF,4NF						
Stick	CT-0942698	Kit	160.00M	110.00M	P	8
S/N: 2CF,4NF						
Track Adjuster	CT-0942489	Kit	80.00M	80.00M	P	0
E450 EXCAVATOR						
Excavator S/N: 3HG1-UP						
Bucket	CT-0942697	Kit	150.00M	100.00M	P	8
	Use with 0946506 or 0962932 cylinders					
	CT-2481162	Kit	140.00M	100.00M	P	5
Front Shovel arrangement						
Track Adjuster	CT-0943707	Kit	100.00M	100.00M	P	0
M312 WHEEL EXCAVATOR						
Excavator S/N: 6TL1-UP						
Boom	CT-2860113	Kit	100.00M	70.00M	P	22
	CT-1140753	Bushing				
Boom VA	CT-1247006	Kit	130.00M	70.00M	P	22
	CT-1140753	Bushing				
	Use with 1206302 Piston					
	CT-2748318	Kit	130.00M	70.00M	P	22
	CT-1140753	Bushing				
Use with 1838994 Piston						
Bucket	CT-2860114	Kit	90.00M	65.00M	P	5
	CT-1140754	Bushing				
Stick	CT-2860113	Kit	100.00M	70.00M	P	22
	CT-1140753	Bushing				

CATERPILLAR® (REFERENCED BY OEM PART NUMBERS)

Application	Part Number	Description	Bore	Rod	Wiper	Type	
M313C, M313D EXCAVATOR							
Excavator S/N: BDR1-UP,H2A1-UP,J3A1-UP,K3D1-UP,W3H1-UP							
Boom	CT-2605321	Kit	105.00M	75.00M	P	22	
	CT-1140750	Bushing					
Boom VA	CT-2748318	Kit	130.00M	70.00M	P	22	
	CT-1140753	Bushing					
Bucket	CT-2860114	Kit	90.00M	65.00M	P	5	
	CT-1140754	Bushing					
	S/N:	BDR,H2A,W3H					
	CT-3935955	Kit	90.00M	65.00M	P	8	
	CT-1140754	Bushing					
	S/N:	J3A,K3D					
Stick	CT-2605322	Kit	110.00M	75.00M	P	22	
	CT-1140750	Bushing					
Coupler	CT-2027897	Kit	60.00M	40.00M	I	16	
M315 WHEEL EXCAVATOR							
Excavator S/N: 7ML1-UP							
Boom	CT-2605317	Kit	110.00M	80.00M	P	22	
	CT-1140755	Bushing					
Boom VA	CT-2605317	Kit	110.00M	80.00M	P	22	
	CT-1140755	Bushing					
	CT-2605320	Kit	140.00M	75.00M	P	22	
	CT-1148836	Bushing					
	Use with 1228406 Piston						
	CT-2605319	Kit	140.00M	75.00M	P	22	
CT-1148836	Bushing						
S/N:	7ML860-UP Use with 1838908 Piston						
Bucket	CT-2860113	Kit	100.00M	70.00M	P	22	
	CT-1140753	Bushing					
Stick	CT-2605317	Kit	110.00M	80.00M	P	22	
	CT-1140755	Bushing					
	CT-2605318	Kit	110.00M	75.00M	P	22	
	CT-1140750	Bushing					
S/N:	7ML860-UP						

Application	Part Number	Description	Bore	Rod	Wiper	Type
M315C, M315D EXCAVATOR						
Excavator S/N: BDM1-UP,H2B1-UP,J5B1-UP,K5E1-UP,W5M1-UP						
Boom	CT-2605315	Kit	120.00M	80.00M	P	22
	CT-1140755	Bushing				
	CT-2605319	Kit	140.00M	75.00M	P	22
	CT-1148836	Bushing				
Bucket	CT-2748317	Kit	100.00M	70.00M	P	22
	CT-1140753	Bushing				
Stick	CT-2605316	Kit	120.00M	80.00M	P	22
	CT-1140755	Bushing				
Coupler	CT-2027897	Kit	60.00M	40.00M	I	16
M316C, M316D EXCAVATOR						
Excavator S/N: BDX1-UP,D6W1-UP,H2C1-UP,W6A1-UP						
Boom	CT-2580500	Kit	120.00M	85.00M	P	22
	CT-1140756	Bushing				
	CT-2605319	Kit	140.00M	75.00M	P	22
	CT-1148836	Bushing				
Bucket	CT-2748317	Kit	100.00M	70.00M	P	22
	CT-1140753	Bushing				
Stick	CT-2605316	Kit	120.00M	80.00M	P	22
	CT-1140755	Bushing				
Coupler	CT-2027897	Kit	60.00M	40.00M	I	16
M318 WHEEL EXCAVATOR						
Excavator S/N: 8AL1-UP,6ES1-UP,8SS1-UP						
Boom	CT-2580501	Kit	120.00M	85.00M	P	22
	CT-1140756	Bushing				
Boom VA	CT-2580503	Kit	160.00M	85.00M	P	22
	CT-1140756	Bushing				
Bucket	CT-2605317	Kit	110.00M	80.00M	P	22
	CT-1140755	Bushing				
Stick	CT-2580501	Kit	120.00M	85.00M	P	22
	CT-1140756	Bushing				
	CT-2605317	Kit	110.00M	80.00M	P	22
	CT-1140755	Bushing				
S/N: 6ES,8SS						

CATERPILLAR® (REFERENCED BY OEM PART NUMBERS)

Application	Part Number	Description	Bore	Rod	Wiper	Type
M318C, M318D EXCAVATOR						
Excavator S/N: BCZ1-UP,BEB1-UP,D8W1-UP,D9X1-UP,H2D1-UP,H2F1-UP W8P1-UP,W8R1-UP						
Boom	CT-2159986	Kit	130.00M	90.00M	P	22
	CT-1140758	Bushing				
Boom VA	CT-2580504	Kit	160.00M	85.00M	P	5
	CT-1140756	Bushing				
Bucket	CT-1799625	Kit	110.00M	80.00M	P	22
	CT-1140755	Bushing				
	CT-2860114	Kit	90.00M	65.00M	P	5
	CT-1140754	Bushing				
S/N:	D8W					
Stick	CT-2159986	Kit	130.00M	90.00M	P	22
	CT-1140758	Bushing				
	CT-1799625	Kit	110.00M	80.00M	P	22
	CT-1140755	Bushing				
S/N:	BEB,D9X,H2F,W8R					
Coupler	CT-2027897	Kit	60.00M	40.00M	I	16
	S/N:	D8W,D9X,W8P,W8R				
M320 WHEEL EXCAVATOR						
Excavator S/N: 6WL1-UP,9PS1-UP						
Boom	CT-2330761	Kit	130.00M	95.00M	P	22
	CT-1289260	Bushing				
Boom VA	CT-2567093	Kit	170.00M	140.00M	P	22
	CT-1140757	Bushing				
Bucket	CT-2502487	Kit	120.00M	85.00M	P	22
	CT-1140756	Bushing				
Stick	CT-2502487	Kit	120.00M	85.00M	P	22
	CT-1140756	Bushing				
	CT-2481165	Kit	140.00M	100.00M	P	22
	CT-1140757	Bushing				
M322C, M322D EXCAVATOR						
Excavator S/N: BDK1-UP,BDY1-UP,D2W1-UP,D3X1-UP,H2E1-UP,H2G1-UP W2S1-UP,W2T1-UP						
Boom	CT-2159985	Kit	140.00M	100.00M	P	22
	CT-1140757	Bushing				
	CT-2567092	Kit	170.00M	100.00M	P	22
	CT-1140757	Bushing				
Bucket	CT-2366368	Kit	120.00M	85.00M	P	22
	CT-1140756	Bushing				
	CT-1799625	Kit	110.00M	80.00M	P	22
	CT-1140755	Bushing				
	S/N:	D2W,D3X,W2T				
	CT-2860114	Kit	90.00M	65.00M	P	5
S/N:	D2W					
Stick	CT-2159985	Kit	140.00M	100.00M	P	22
	CT-1140757	Bushing				

Application	Part Number	Description	Bore	Rod	Wiper	Type
M322C, M322D EXCAVATOR						
(continued)						
Stick (cont)	CT-2580500	Kit	120.00M	85.00M	P	22
	CT-1140756	Bushing				
	S/N:	BDK,BDY,D2W,D3X,H2G,W2S,W2T				
Coupler	CT-2027897	Kit	60.00M	40.00M	I	16
	S/N:	D2W,D3X,W2S,W2T				
M325B WHEEL EXCAVATOR						
Excavator S/N: BGN1-UP						
Boom	CT-2481165	Kit	140.00M	100.00M	P	22
	CT-1140757	Bushing				
	CT-2481168	Kit	150.00M	105.00M	P	22
	CT-1140760	Bushing				
S/N:	BGN					
Bucket	CT-1997416	Kit	150.00M	105.00M	P	22
	CT-1140760	Bushing				
	S/N:	BGN Use with 1183921 Cylinder				
	CT-3087824	Kit	150.00M	105.00M	P	22
	CT-1140760	Bushing				
S/N:	BGN Use with 1433199 Cylinder					
Stick	CT-2159990	Kit	170.00M	110.00M	P	22
	CT-1140761	Bushing				
	Use with 1163638 Cylinder					
	CT-1997417	Kit	170.00M	110.00M	P	22
	CT-1140761	Bushing				
	Use with 1913118 Cylinder					
	CT-2470257	Kit	130.00M	90.00M	P	22
	CT-1140758	Bushing				
	S/N:	BGN				
	S/N:	CT-2959895	Kit	180.00M	130.00M	P
S/N:	CT-1140763	Bushing				
S/N:	BGN					
M325C EXCAVATOR						
Excavator S/N: PAN1-UP,XJA1-UP						
Boom	CT-1915619	Kit	150.00M	105.00M	P	22
	CT-1140760	Bushing				
	S/N:	PAN Use with 2033906 Cylinder				
	BD-210689	Kit	150.00M	105.00M	P	23
	S/N:	PAN Use with 2550934 Cylinder				
	CT-2159985	Kit	140.00M	100.00M	P	22
CT-1140757	Bushing					
S/N:	XJA					
Bucket	CT-2344674	Kit	160.00M	110.00M	P	22
	CT-1140762	Bushing				
S/N:	PAN					
Stick	CT-2959895	Kit	180.00M	130.00M	P	22
	CT-1140763	Bushing				
	S/N:	PAN				

CATERPILLAR® (REFERENCED BY OEM PART NUMBERS)

Application	Part Number	Description	Bore	Rod	Wiper	Type
M325C EXCAVATOR (continued)						
Stick (cont)	CT-2159986	Kit	130.00M	90.00M	P	22
	CT-1140758	Bushing				
	S/N: PAN					
	CT-2580500	Kit	120.00M	85.00M	P	22
	CT-1140756	Bushing				
	S/N: XJA					
M325D EXCAVATOR						
Excavator S/N: EDF1-UP,KAY1-UP,KGG1-UP						
Boom	CT-1915619	Kit	150.00M	105.00M	P	22
	CT-1140760	Bushing				
	S/N: KAY,KGG					
	CT-2159985	Kit	140.00M	100.00M	P	22
	CT-1140757	Bushing				
	S/N: EDF					
Stick	CT-2159986	Kit	130.00M	90.00M	P	22
	CT-1140758	Bushing				
	S/N: KAY,KGG					
	CT-2580500	Kit	120.00M	85.00M	P	22
	CT-1140756	Bushing				
	S/N: EDF					
Cab Riser	CT-1697827	Kit	90.00M	60.00M	P	8
	CT-1140751	Bushing				
	S/N: EDF					
M330D EXCAVATOR						
Excavator S/N: KRE1-UP,MBR1-UP						
Boom	CT-2959894	Kit	170.00M	110.00M	P	22
	CT-1140761	Bushing				
Stick	CT-2426840	Kit	150.00M	105.00M	P	22
	CT-1140760	Bushing				
Cab Riser	CT-1697827	Kit	90.00M	60.00M	P	8
	CT-1140751	Bushing				
TK1051 FELLER BUNCHER						
Feller Buncher S/N: 9HZ1-UP						
Boom	CT-2481174	Kit	170.00M	110.00M	P	22
	CT-1140761	Bushing				
Stick	CT-1997416	Kit	150.00M	105.00M	P	22
	CT-1140760	Bushing				
Cab Tilt	BD-5001070	Kit	3.500S	1.500S	P	5
Saw	CT-2481165	Kit	140.00M	100.00M	P	22
	CT-1140757	Bushing				
Track Adjuster	BD-902404	Kit	100.00M	100.00M	P	0

CATERPILLAR® (REFERENCED BY OEM PART NUMBERS)

371

Application	Part Number	Description	Bore	Rod	Wiper	Type	
5080 EXCAVATOR							
Excavator S/N: 6XK1-UP,8SL1-UP							
Boom	CT-2959895	Kit	180.00M	130.00M	P	22	
	CT-1140763	Bushing					
	Use with 1052660 Piston						
	CT-2159996	Kit	180.00M	130.00M	P	22	
	CT-1140763	Bushing					
	S/N: 6XK	Use with 1438137 Piston					
	CT-2344667	Kit	220.00M	150.00M	P	22	
	CT-1289262	Bushing					
	S/N: 6XK						
	Bucket	CT-416170	Kit	7.000S	5.750S	P	23
Use with 514379 Head							
CT-2344667		Kit	220.00M	150.00M	P	22	
CT-1289262		Bushing					
S/N: 6XK		Use with 6E0020 Cylinder					
CT-2344666		Kit	200.00M	140.00M	P	22	
CT-1289261		Bushing					
S/N: 6XK		Use with 6E0021 Cylinder					
CT-2465937		Kit	130.00M	85.00M	P	22	
CT-1140756		Bushing					
S/N: 6XK		Use with 7Y5100 Cylinder					
CT-2502486		Kit	130.00M	90.00M	P	22	
CT-1140758		Bushing					
S/N: 6XK		Use with 1232044 or 1788449 Cylinders					
Bucket Bottom Dump		CT-413861	Kit	150.00M	70.00M	P	22
		S/N: 6XK1-101					
	CT-2526101	Kit	160.00M	90.00M	P	22	
	CT-1211574	Bushing					
	S/N: 6XK102-UP,8SL						
Stick	CT-2003497	Kit	220.00M	150.00M	P	22	
	CT-1289262	Bushing					
	S/N: 6XK	Use with 717189 Piston					
	CT-2344667	Kit	220.00M	150.00M	P	22	
	CT-1289262	Bushing					
Use with 1163517 Piston							
Master	CT-413542	Kit	6.000S	5.000S	P	23	
	Use with 514380 Head						
Undercarriage	CT-2409538	Kit	4.000S	2.000S	P	23	
	S/N: 6XK						
Track Adjuster	BD-903405	Kit	150.00M	150.00M	P	0	

CATERPILLAR® (REFERENCED BY OEM PART NUMBERS)

Application	Part Number	Description	Bore	Rod	Wiper	Type
5090B EXCAVATOR						
Excavator S/N: CLD1-UP,SJY1-UP						
Boom	CT-2159996	Kit	180.00M	130.00M	P	22
	CT-1140763	Bushing				
Bucket Bottom Dump	CT-2526101	Kit	160.00M	90.00M	P	22
	CT-1211574	Bushing				
	Use with 1211518 Cylinder					
	CT-2101427	Kit	160.00M	90.00M	P	22
	CT-1211574	Bushing				
	Use with 2101342 Cylinder					
Stick	CT-2344667	Kit	220.00M	150.00M	P	22
	CT-1289262	Bushing				
	S/N: CLD1-345					
	CT-2160000	Kit	220.00M	150.00M	P	22
	CT-1289262	Bushing				
	S/N: CLD346-UP,SJY					
Track Adjuster	BD-902405	Kit	130.00M	130.00M	P	0
5110,5110B EXCAVATOR						
Excavator S/N: 7GN1-UP,8HN1-UP,AAA1-UP						
Bucket	CT-2344667	Kit	220.00M	150.00M	P	22
	CT-1289262	Bushing				
	S/N: 7GN					
	BD-7801027	Kit	7.250S	5.500S	P	23
	S/N: 7GN					
	BD-7331027	Kit	7.250S	6.000S	P	23
Bucket Bottom Dump	CT-2442053	Kit	6.000S	3.000S	P	23
	S/N: 8HN					
Stick	BD-7801028	Kit	7.500S	5.500S	P	15
	S/N: 7GN					
	CT-1309723	Kit	10.000S	7.250S	P	23
S/N: 8HN						
5130 EXCAVATOR						
Excavator S/N: 7TJ1-UP,5ZL1-UP						
Boom	BD-636467	Kit	11.000S	7.000S	P	23
	Front Shovel arrangement, Use with 1207674 Piston					
	CT-1310012	Kit	11.000S	7.000S	P	23
	Front Shovel arrangement, Use with 1207607 Piston					
Bucket	BD-732452	Kit	8.500S	6.500S	P	15
	Mass Excavation arrangement, Use with 1079632 Head					
	CT-1309792	Kit	8.500S	6.500S	P	23
	Mass Excavation arrangement, Use with 1368500 Head and 1080047 Piston					
	BD-738487	Kit	8.500S	6.500S	P	15
	Mass Excavation arrangement, Use with 1368500 Head and 1476923 Piston					
	CT-2463443	Kit	7.500S	6.000S	P	23
	Front Shovel arrangement, Use with 1067627 Piston					

Application	Part Number	Description	Bore	Rod	Wiper	Type
5130 EXCAVATOR						
(continued)						
Bucket (cont)	CT-2463445	Kit	7.500S	6.000S	P	23
	Front Shovel arrangement, Use with 1253340 Piston					
Bucket Bottom Dump	CT-2442053	Kit	6.000S	3.000S	P	23
Stick	CT-2463443	Kit	7.500S	6.000S	P	23
	Front Shovel arrangement, Use with 1067627 Piston					
	CT-2463445	Kit	7.500S	6.000S	P	23
	Front Shovel arrangement, Use with 1253340 Piston					
	BD-734465	Kit	10.000S	7.250S	P	15
	Mass Excavation arrangement, Use with 1079420 Piston					
	BD-734466	Kit	10.000S	7.250S	P	15
	Mass Excavation arrangement Use with 1079423 Head and 1205815 Piston					
Track Adjuster	CT-1309723	Kit	10.000S	7.250S	P	23
	Mass Excavation arrangement, Use with 1368499 Head					
S/N:	BD-903409	Kit	7.000S	6.000S	P	0
S/N: 5ZL1-70						
5130B EXCAVATOR						
Excavator S/N: 4CS1-UP						
Boom	CT-1310012	Kit	11.000S	7.000S	P	23
	Front Shovel arrangement					
Bucket	CT-2463445	Kit	7.500S	6.000S	P	23
	Front Shovel arrangement					
Bucket Bottom Dump	CT-2442053	Kit	6.000S	3.000S	P	23
Stick	CT-2463445	Kit	7.500S	6.000S	P	23
	Front Shovel arrangement					
	CT-1309723	Kit	10.000S	7.250S	P	23
Mass Excavation arrangement						
5230 EXCAVATOR						
Excavator S/N: 7LL1-UP						
Bucket	BD-734465	Kit	10.000S	7.250S	P	15
	S/N:	7LL1-34 Front Shovel arrangement, Use with 1088271 Piston				
	BD-734466	Kit	10.000S	7.250S	P	15
	S/N:	7LL1-34 Front Shovel arrangement, Use with 1205816 Piston				
	BD-734466	Kit	10.000S	7.250S	P	15
	S/N:	7LL35-82 Front Shovel arrangement				
	CT-1309723	Kit	10.000S	7.250S	P	23
	S/N:	7LL83-UP Front Shovel arrangement				
	CT-2463448	Kit	10.000S	7.000S	P	23
	Mass Excavation arrangement					
Bucket Bottom Dump	BD-661443	Kit	7.250S	4.000S	P	23
	CT-2456839	Kit	7.250S	3.500S	P	23
	BD-740425	Kit	7.750S	4.500S	P	15
Stick	BD-734465	Kit	10.000S	7.250S	P	15
	S/N:	7LL1-34 Front Shovel arrangement, Use with 1079420 Piston				

CATERPILLAR® (REFERENCED BY OEM PART NUMBERS)

Application	Part Number	Description	Bore	Rod	Wiper	Type
5230 EXCAVATOR (continued)						
Stick (cont)	BD-734466	Kit	10.000S	7.250S	P	15
S/N:	7LL1-34 Front Shovel arrangement, Use with 1205815 Piston					
	BD-734466	Kit	10.000S	7.250S	P	15
S/N:	7LL35-83 Front Shovel arrangement					
	CT-1309723	Kit	10.000S	7.250S	P	23
S/N:	7LL84-UP Front Shovel arrangement					
414E BACKHOE LOADER						
Backhoe Loader S/N: ELB1-UP						
Lift	BD-647379	Kit	3.000S	2.000S	P	15
Pitch	BD-6251077	Kit	3.000S	1.500S	P	15
Tilt	CT-2342593	Kit	3.250S	1.875S	P	15
	BD-6251077	Kit	3.000S	1.500S	P	15
Multi-Purpose Bucket	CT-2350354	Kit	3.000S	1.500S	P	15
	CT-2309357	Kit	3.000S	1.500S	I	15
416,416II,416B BACKHOE LOADER						
Backhoe Loader S/N: 5PC1-UP,8SG1-14798,8ZK1-11031						
Lift	CT-2465926	Kit	3.250S	1.875S	P	15
Tilt	CT-2465926	Kit	3.250S	1.875S	P	15
Multi-Purpose Bucket	CT-2350354	Kit	3.000S	1.500S	P	15
Steering	CT-2465925	Kit	3.000S	1.875S	P	15
	S/N:	5PC1-15427				
		CT-2465927	Kit	3.000S	1.875S	P
S/N:	5PC15428-UP,8SG,8ZK					
Backhoe Stabilizer	CT-2465929	Kit	4.000S	2.125S	P	15
	S/N:	8SG or 8ZK used with 9T6388 Head only				
		CT-2465933	Kit	4.000S	2.125S	P
S/N:	8SG,8ZK Use with 1521863 Head					
Backhoe Swing	CT-2465929	Kit	4.000S	2.125S	P	15
	S/N:	5PC				
		CT-2409538	Kit	4.000S	2.000S	P
S/N:	8SG,8ZK					
Backhoe Boom	CT-2465926	Kit	3.250S	1.875S	P	15
	S/N:	5PC				
		CT-2418924	Kit	4.500S	2.375S	P
S/N:	8SG,8ZK					
Backhoe Bucket	CT-2408525	Kit	3.250S	2.000S	P	15
	S/N:	5PC1-6191				
		CT-1864327	Kit	3.500S	2.500S	I
S/N:	5PC6192-UP,8SG,8ZK					
Backhoe Ext. Bucket	CT-2408525	Kit	3.250S	2.000S	P	15
	S/N:	5PC1-6191				
		CT-1864327	Kit	3.500S	2.500S	I
S/N:	8SG,8ZK					
Backhoe Stick	CT-2465929	Kit	4.000S	2.125S	P	15
	S/N:	5PC1-6191				

Application	Part Number	Description	Bore	Rod	Wiper	Type
416,416II,416B BACKHOE LOADER						
(continued)						
Backhoe Stick (cont)	CT-2422538	Kit	4.250S	2.500S	P	15
	S/N: 5PC6192-UP					
	CT-2435798	Kit	4.500S	2.500S	P	23
	S/N: 8SG,8ZK Use with 6E1405 Head					
Backhoe Ext. Stick	CT-2310898	Kit	4.500S	2.500S	P	23
	S/N: 8SG,8ZK Use with 1213398 or 1747432 Head					
Backhoe Ext. Stick	CT-7X2745	Kit	3.000S	1.500S	P	15
	S/N: 5PC1-6191 2 Piston seals					
	CT-2350354	Kit	3.000S	1.500S	P	15
	S/N: 5PC1-6191 1 Piston seal					
Backhoe Ext. Stick	CT-2350354	Kit	3.000S	1.500S	P	15
	S/N: 5PC6192-UP,8SG,8ZK					
416C BACKHOE LOADER						
Backhoe Loader S/N: 1WR1-10736,1XR1-2261,4ZN1-50156,5YN1-17074						
Lift	CT-2465926	Kit	3.250S	1.875S	P	15
	S/N: 4ZN,5YN					
	CT-2281778	Kit	3.500S	2.000S	P	23
Tilt	S/N: 1WR,1XR					
	CT-2465926	Kit	3.250S	1.875S	P	15
	S/N: 4ZN,5YN					
Tilt	CT-2384462	Kit	3.000S	2.000S	P	15
	S/N: 1WR,1XR					
Multi-Purpose Bucket	CT-2350354	Kit	3.000S	1.500S	P	15
Steering	CT-2350352	Kit	2.750S	1.750S	P	15
	S/N: 1WR1-8115,1XR1-2183,4ZN1-16043,5YN1-15147 Use with 6E4941 Head					
	CT-2350351	Kit	2.750S	1.750S	P	15
	S/N: 1WR1-8115,1XR1-2183,4ZN1-16043,5YN1-15147 Use with 1515349 Head					
	CT-2350351	Kit	2.750S	1.750S	P	15
	S/N: 1WR8116-UP,1XR2184-UP,4ZN16044-UP,5YN15148-UP					
Backhoe Stabilizer	CT-1787189	Kit	65.00M	36.00M	I	15
	S/N: 1WR1-8115,1XR,4ZN,5YN					
	CT-2465929	Kit	4.000S	2.125S	P	15
Backhoe Stabilizer	S/N: 1WR1-8291,1XR1-2183,4ZN1-16043,5YN1-15147 Use with 9T6388 Head					
	CT-2465928	Kit	4.000S	2.125S	P	15
	S/N: 1WR8116-UP,1XR2184-UP,4ZN16044-UP,5YN15148-UP Use with 1521863 Head					
Backhoe Swing	CT-2409538	Kit	4.000S	2.000S	P	23
Backhoe Boom	CT-2418924	Kit	4.500S	2.375S	P	23
	S/N: 1WR1-8115,1XR1-2183,4ZN1-16043,5YN1-15147					
	CT-2350973	Kit	4.750S	2.375S	P	23
Backhoe Boom	S/N: 1WR8116-UP,1XR2184-UP,4ZN16044-UP,5YN15148-UP					
	CT-1864327	Kit	3.500S	2.500S	I	23
Backhoe Bucket	S/N: 1WR,1XR1-2249,4ZN,5YN1-16589					

CATERPILLAR® (REFERENCED BY OEM PART NUMBERS)

Application	Part Number	Description	Bore	Rod	Wiper	Type
416C BACKHOE LOADER (continued)						
Backhoe Bucket (cont)	CT-2235944	Kit	3.750S	2.750S	I	15
	S/N:	1XR2250-UP,5YN16590-UP				
Backhoe Ext. Bucket	CT-1864327	Kit	3.500S	2.500S	I	23
	S/N:	1WR,1XR1-2249,4ZN,5YN1-16589				
	CT-2235944	Kit	3.750S	2.750S	I	15
S/N:	1XR2250-UP,5YN16590-UP					
Backhoe Stick	CT-2310898	Kit	4.500S	2.500S	P	23
	Use with 1097020 or 1692967 Cylinders					
	CT-2435805	Kit	4.500S	2.500S	P	23
	S/N:	1WR10495-UP,1XR2258-UP,4ZN16044-UP,5YN15148-UP				
Use with 1843709 Cylinder						
Backhoe Ext. Stick	CT-2350354	Kit	3.000S	1.500S	P	15
416D BACKHOE LOADER						
Backhoe Loader S/N: BFP1-UP,BGJ1-UP,BKG1-2651,B2D1-UP,CXP1-UP						
Lift	CT-2465926	Kit	3.250S	1.875S	P	15
	S/N:	BFP1-2491,BGJ1-522				
	Use with 1070624 Cylinder					
	CT-2342593	Kit	3.250S	1.875S	P	15
S/N:	BFP2492-UP,BGJ1-1049,BGJ1141-UP,BKG,B2D,CXP					
Use with 1917843 or 2063549 Cylinders						
Tilt	CT-2465926	Kit	3.250S	1.875S	P	15
	S/N:	BFP1-2491,BGJ1-522				
	Use with 1851851 Cylinder					
	CT-2342593	Kit	3.250S	1.875S	P	15
S/N:	BFP2492-UP,BGJ,BKG,B2D,CXP					
Use with 1924128 or 2063553 Cylinders						
Multi-Purpose Bucket	CT-2350354	Kit	3.000S	1.500S	P	15
	Use with 1851839 Cylinder					
	CT-2309357	Kit	3.000S	1.500S	I	15
	S/N:	BFP12900-UP				
Use with 2265540 Cylinder						
Steering	CT-2350351	Kit	2.750S	1.750S	P	15
	S/N:	BFP1-12899,BGJ,BKG				
	CT-1787189	Kit	65.00M	36.00M	I	15
S/N:	BFP1-12899,BGJ,CXP1-399					
Backhoe Stabilizer	CT-2857486	Kit	4.000S	2.125S	P	15
S/N:	BFP1-13792,BGJ1-1140,BKG,B2D1-266					
Backhoe Swing	CT-2409538	Kit	4.000S	2.000S	P	23
	S/N:	BFP1-2491,BGJ1-522				
	Use with 1699529 Cylinder					
	BD-6471034	Kit	4.000S	2.000S	P	15
S/N:	BFP2462-13792,BGJ1-1140,BKG,B2D					
Use with 1918161 Cylinder						
Backhoe Boom	CT-2418924	Kit	4.500S	2.375S	P	23
	S/N:	BFP1-2532,BGJ1-522,BKG1-537				
	Use with 6E0274 Cylinder					
	CT-2616885	Kit	4.500S	2.375S	P	23
S/N:	BFP2533-UP,BGJ,BKG,B2D					
Use with 1917753 Cylinder						

Application	Part Number	Description	Bore	Rod	Wiper	Type
416D BACKHOE LOADER (continued)						
Backhoe Boom (cont)	CT-2350972	Kit	4.500S	2.375S	P	15
	S/N:	BFP2533-UP,BGJ,BKG,B2D Use with 2063628 Cylinder				
	CT-2350973	Kit	4.750S	2.375S	P	23
	S/N:	BFP1-5177				
Backhoe Bucket	CT-2235945	Kit	3.500S	2.500S	I	23
Backhoe Ext. Bucket	CT-2235945	Kit	3.500S	2.500S	I	23
	CT-2315021	Kit	3.250S	2.750S	I	15
S/N:	BGJ1050-UP					
Backhoe Stick	CT-2435805	Kit	4.500S	2.500S	P	23
	Use with 1843709 Cylinder					
	CT-2297194	Kit	4.500S	2.500S	P	15
	S/N:	BFP2533-UP,BGJ,BKG777-UP,B2D Use with 2060503 or 2359829 Cylinders				
Backhoe Ext. Stick	CT-2350354	Kit	3.000S	1.500S	P	15
	S/N:	BFP1-5177,BGJ1-408,BKG,B2D				
	BD-6251076	Kit	3.000S	1.500S	P	15
	S/N:	BFP5178-UP,BGJ409-UP				
Thumb	CT-2764172	Kit	70.00M	50.00M	I	15
	S/N:	BFP12900-UP				
416E BACKHOE LOADER						
Backhoe Loader S/N: BWC1-UP,CBD1-UP,LMS1-UP,MFG1-UP,SHA1-UP						
Lift	CT-2342593	Kit	3.250S	1.875S	P	15
	S/N:	BWC,CBD5760-UP,LMS,MFG,SHA Use with 2157298 Cylinder				
Tilt	CT-2342593	Kit	3.250S	1.875S	P	15
Multi-Purpose Bucket	CT-2309357	Kit	3.000S	1.500S	I	15
	Use with 2265540 Cylinder					
	CT-2350354	Kit	3.000S	1.500S	P	15
	S/N:	CBD Use with 1851839 Cylinder				
Backhoe Boom	CT-2959891	Kit	4.500S	2.250S	P	15
	Use with 2107074 Cylinder					
	BD-6621032	Kit	4.500S	2.250S	P	15
	S/N:	BWC,SHA Use with 2469885 Cylinder				
Backhoe Bucket	CT-3387038	Kit	3.500S	2.500S	I	15
	Use with 2107088 Cylinder					
	CT-3651283	Kit	85.00M	2.375S	I	0
	S/N:	BWC,CBD,SHA Use with 2107085 or 2107086 Cylinders				
Backhoe Stick	BD-6621066	Kit	4.250S	2.250S	P	15
	CT-3387156	Kit	3.000S	1.500S	P	15
Thumb	CT-2764172	Kit	70.00M	50.00M	I	15

CATERPILLAR® (REFERENCED BY OEM PART NUMBERS)

Application	Part Number	Description	Bore	Rod	Wiper	Type
416F BACKHOE LOADER						
Backhoe Loader S/N: KSF1-UP,LWT1-UP						
Multi-Purpose Bucket	CT-2309357	Kit	3.000S	1.500S	I	15
Backhoe Boom	CT-2959891	Kit	4.500S	2.250S	P	15
Backhoe Bucket	CT-3387038	Kit	3.500S	2.500S	I	15
Backhoe Stick	BD-6621066	Kit	4.250S	2.250S	P	15
	CT-3387156	Kit	3.000S	1.500S	P	15
420D BACKHOE LOADER						
Backhoe Loader S/N: BKC1-UP,BLN1-UP,FDP1-UP						
Lift	BD-6471035	Kit	85.00M	2.000S	P	23
Tilt	BD-6471035	Kit	85.00M	2.000S	P	23
	S/N: BKC,FDP					
	BD-6471036	Kit	75.00M	2.000S	P	23
	S/N: BMC,BLN					
Multi-Purpose Bucket	CT-2350354	Kit	3.000S	1.500S	P	15
Steering	BD-751457	Kit	2.750S	1.750S	P	15
Backhoe Stabilizer	BD-7831034	Kit	4.000S	2.125S	P	15
Backhoe Swing	CT-2409538	Kit	4.000S	2.000S	P	23
Backhoe Boom	BD-703397	Kit	4.750S	2.375S	P	15
Backhoe Bucket	BD-704369	Kit	3.750S	2.750S	I	15
	S/N: BKC,BLN,FDP					
Backhoe Ext. Bucket	BD-704369	Kit	3.750S	2.750S	I	15
Backhoe Stick	BD-6281032	Kit	4.500S	2.500S	P	15
Backhoe Ext. Stick	CT-2350354	Kit	3.000S	1.500S	P	15
424D BACKHOE LOADER						
Backhoe Loader S/N: BGP1-UP,BKR1-UP						
Lift	CT-2465926	Kit	3.250S	1.875S	P	15
Tilt	CT-2465926	Kit	3.250S	1.875S	P	15
Multi-Purpose Bucket	CT-2350354	Kit	3.000S	1.500S	P	15
Steering	BD-751457	Kit	2.750S	1.750S	P	15
Backhoe Stabilizer	CT-2342595	Kit	2.750S	1.750S	P	15
Backhoe Swing	CT-2409538	Kit	4.000S	2.000S	P	23
Backhoe Boom	BD-703391	Kit	4.500S	2.375S	P	15
Backhoe Bucket	BD-7841031	Kit	3.500S	2.500S	I	15
Backhoe Ext. Bucket	BD-7841031	Kit	3.500S	2.500S	I	15
Backhoe Stick	BD-6281032	Kit	4.500S	2.500S	P	15
Backhoe Ext. Stick	CT-2350354	Kit	3.000S	1.500S	P	15

CATERPILLAR® (REFERENCED BY OEM PART NUMBERS)

379

Application	Part Number	Description	Bore	Rod	Wiper	Type
426,426B BACKHOE LOADER						
Backhoe Loader S/N: 7BC1-UP,5YJ1-UP,6KL1-UP						
Lift	CT-2465926	Kit	3.250S	1.875S	P	15
Tilt	CT-2281778	Kit	3.500S	2.000S	P	23
Multi-Purpose Bucket	CT-2350354	Kit	3.000S	1.500S	P	15
Steering	CT-2465925	Kit	3.000S	1.875S	P	15
	S/N: 7BC1-5258					
	CT-2465927	Kit	3.000S	1.875S	P	15
	S/N: 7BC5259-UP,5YJ,6KL					
Backhoe Stabilizer	CT-2465929	Kit	4.000S	2.125S	P	15
Backhoe Swing	CT-2465929	Kit	4.000S	2.125S	P	15
	S/N: 7BC					
	CT-2409538	Kit	4.000S	2.000S	P	23
	S/N: 5YJ,6KL					
Backhoe Boom	CT-1864406	Kit	3.500S	2.125S	P	23
	S/N: 7BC1-629					
	CT-2281778	Kit	3.500S	2.000S	P	23
	S/N: 7BC630-UP					
	BD-642432	Kit	5.000S	2.500S	P	15
	S/N: 5YJ,6KL Use with 6E1953 Head					
	CT-2275347	Kit	5.000S	2.500S	P	23
	S/N: 5YJ,6KL Use with 1213395 Head					
Backhoe Bucket	CT-2408525	Kit	3.250S	2.000S	P	15
	S/N: 7BC1-1877					
	CT-1864327	Kit	3.500S	2.500S	I	23
	S/N: 7BC1878-UP					
	CT-1939270	Kit	3.750S	2.750S	I	23
	S/N: 5YJ,6KL					
Backhoe Ext. Bucket	CT-2408525	Kit	3.250S	2.000S	P	15
	S/N: 7BC1-1877					
	CT-1939270	Kit	3.750S	2.750S	I	23
	S/N: 5YJ,6KL					
Backhoe Stick	CT-2465929	Kit	4.000S	2.125S	P	15
	S/N: 7BC1-1877					
	BD-642366	Kit	4.250S	2.500S	P	15
	S/N: 7BC1878-UP					
	CT-2440958	Kit	5.000S	2.750S	P	23
	S/N: 5YJ,6KL					
Backhoe Ext. Stick	CT-7X2745	Kit	3.000S	1.500S	P	15
	S/N: 7BC1-1877 2 Piston seals					
	CT-2350354	Kit	3.000S	1.500S	P	15
	S/N: 7BC1-1877 1 Piston seal					
	CT-2350354	Kit	3.000S	1.500S	P	15
	S/N: 7BC1878-UP,5YJ,6KL					

NORTH AMERICA
PHONE 800.854.0275
FAX 813.559.8698



WORLDWIDE
PHONE 813.559.8650
FAX 813.559.8698

CATERPILLAR® (REFERENCED BY OEM PART NUMBERS)

Application	Part Number	Description	Bore	Rod	Wiper	Type
426C BACKHOE LOADER						
Backhoe Loader S/N: 6XN1-UP,7WN1-UP,1CR1-UP,1ER1-UP,1MR1-UP,1NR1-UP 1YR1-UP,1ZR1-UP						
Lift	CT-2281778	Kit	3.500S	2.000S	P	23
Tilt	CT-2281778	Kit	3.500S	2.000S	P	23
	S/N: 6XN,7WN,1CR,1ER					
	CT-2384462	Kit	3.000S	2.000S	P	15
	S/N: 1MR,1NR,1YR,1ZR					
Multi-Purpose Bucket	CT-2350354	Kit	3.000S	1.500S	P	15
Steering	BD-731457	Kit	2.750S	1.750S	P	15
	S/N: 6XN1-3615,7WN1-938,1YR1-1516,1ZR1-925 Use with 6E4941 Head					
	BD-751457	Kit	2.750S	1.750S	P	15
	S/N: 6XN,7WN,1YR,1ZR Use with 1515349 Head					
Backhoe Stabilizer	CT-2465929	Kit	4.000S	2.125S	P	15
	S/N: 6XN1-3668,7WN1-938,1CR1-863,1ER1-863,1MR1-959 S/N: 1NR1-953,1YR1-1556,1ZR1-925 Use with 9T6388 Head					
	CT-2465928	Kit	4.000S	2.125S	P	15
	S/N: 6XN3616-UP,7WN939-UP,1CR864-UP,1ER864-UP,1MR956-UP S/N: 1NR954-UP,1YR1517-UP,1ZR926-UP Use with 1521863 Head					
Backhoe Swing	CT-2409538	Kit	4.000S	2.000S	P	23
Backhoe Boom	BD-642432	Kit	5.000S	2.500S	P	15
	S/N: 6XN1-3615,7WN1-938,1CR1-863,1ER1-863,1MR1-955 S/N: 1NR1-953,1YR1-1516,1ZR1-925 Use with 6E1953 Head					
	CT-2275347	Kit	5.000S	2.500S	P	23
	S/N: 6XN1-3615,7WN1-938,1CR1-863,1ER1-863,1MR1-955 S/N: 1NR1-953,1YR1-1516,1ZR1-925 Use with 1213395 Head					
	BD-628488	Kit	5.375S	2.500S	P	23
	S/N: 6XN3616-UP,7WN939-UP,1CR864-UP,1ER864-UP,1MR956-UP S/N: 1NR954-UP,1YR1517-UP,1ZR926-UP					
Backhoe Bucket	CT-1939270	Kit	3.750S	2.750S	I	23
	BD-785409	Kit	4.000S	3.000S	I	15
	S/N: 7WN1100-UP,1ER900-UP,1NR1050-UP,1ZR1000-UP					
Backhoe Ext. Bucket	CT-1939270	Kit	3.750S	2.750S	I	23
	BD-785409	Kit	4.000S	3.000S	I	15
	S/N: 7WN1100-UP,1ER900-UP,1NR1050-UP,1ZR1000-UP					
Backhoe Stick	CT-2440958	Kit	5.000S	2.750S	P	23
Backhoe Ext. Stick	CT-2350354	Kit	3.000S	1.500S	P	15

CATERPILLAR® (REFERENCED BY OEM PART NUMBERS)

Application	Part Number	Description	Bore	Rod	Wiper	Type	
428,428B BACKHOE LOADER							
Backhoe Loader S/N: 6TC1-UP,7EJ1-UP							
Lift	CT-2465926	Kit	3.250S	1.875S	P	15	
Tilt	CT-2281778	Kit	3.500S	2.000S	P	23	
Multi-Purpose Bucket	CT-2350354	Kit	3.000S	1.500S	P	15	
Steering	CT-2465925	Kit	3.000S	1.875S	P	15	
							S/N: 6TC
	S/N: 7EJ	CT-2465927	Kit	3.000S	1.875S	P	15
Backhoe Stabilizer	CT-2402482	Kit	2.750S	1.750S	P	15	
	Use with 6E4941 Head						
	CT-2342595	Kit	2.750S	1.750S	P	15	
Use with 1515349 Head							
Backhoe Swing	CT-2465929	Kit	4.000S	2.125S	P	15	
	S/N: 6TC	CT-2409538	Kit	4.000S	2.000S	P	23
	S/N: 7EJ						
Backhoe Boom	CT-2465926	Kit	3.250S	1.875S	P	15	
	S/N: 6TC	CT-2418924	Kit	4.500S	2.375S	P	23
	S/N: 7EJ						
Backhoe Bucket	CT-2408525	Kit	3.250S	2.000S	P	15	
	S/N: 6TC1-2693	CT-1864327	Kit	3.500S	2.500S	I	23
	S/N: 6TC2694-UP,7EJ						
Backhoe Ext. Bucket	CT-2408525	Kit	3.250S	2.000S	P	15	
	S/N: 6TC1-2693	CT-1864327	Kit	3.500S	2.500S	I	23
	S/N: 7EJ						
Backhoe Stick	CT-2465929	Kit	4.000S	2.125S	P	15	
	S/N: 6TC1-2693	BD-642366	Kit	4.250S	2.500S	P	15
	S/N: 6TC2694-UP	CT-2435798	Kit	4.500S	2.500S	P	23
	S/N: 7EJ1-5999	Use with 6E1405 Head					
	CT-2310898	Kit	4.500S	2.500S	P	23	
	S/N: 7EJ1-5999	Use with 1213398 Head					
	CT-2310898	Kit	4.500S	2.500S	P	23	
	S/N: 7EJ6000-UP						
Backhoe Ext. Stick	CT-2350354	Kit	3.000S	1.500S	P	15	

CATERPILLAR® (REFERENCED BY OEM PART NUMBERS)

Application	Part Number	Description	Bore	Rod	Wiper	Type
428C BACKHOE LOADER						
Backhoe Loader S/N: 8RN1-UP,1HR1-UP,1SR1-UP,2CR1-UP						
Lift	CT-2465926	Kit	3.250S	1.875S	P	15
	S/N: 8RN,1HR					
	CT-2281778	Kit	3.500S	2.000S	P	23
	S/N: 1SR,2CR					
Tilt	CT-2281778	Kit	3.500S	2.000S	P	23
	S/N: 8RN,1HR					
	CT-2384462	Kit	3.000S	2.000S	P	15
	S/N: 1SR,2CR					
Multi-Purpose Bucket	CT-2350354	Kit	3.000S	1.500S	P	15
Steering	BD-731457	Kit	2.750S	1.750S	P	15
	S/N: 8RN1-4088,2CR1-16211 Use with 6E4941 Head					
	BD-751457	Kit	2.750S	1.750S	P	15
	S/N: 8RN,2CR Use with 1515349 Head					
Backhoe Stabilizer	CT-2402482	Kit	2.750S	1.750S	P	15
	S/N: 8RN1-4989,1HR,1SR,2CR1-19309 Use with 6E4941 Head					
	CT-2342595	Kit	2.750S	1.750S	P	15
	S/N: 8RN4089-UP,1SR,2CR Use with 1515349 Head					
Backhoe Swing	CT-2409538	Kit	4.000S	2.000S	P	23
Backhoe Boom	BD-703391	Kit	4.500S	2.375S	P	15
	S/N: 8RN1-4088,1HR,1SR,2CR1-16211					
	BD-703397	Kit	4.750S	2.375S	P	15
	S/N: 8RN4089-UP,2CR16212-UP					
Backhoe Bucket	CT-1864327	Kit	3.500S	2.500S	I	23
	S/N: 8RN1-4989,1HR,1SR,2CR1-19309					
	CT-1939270	Kit	3.750S	2.750S	I	23
	S/N: 8RN4990-UP,2CR1-16211,2CR19310-UP					
Backhoe Ext. Bucket	CT-1864327	Kit	3.500S	2.500S	I	23
	S/N: 8RN1-4989,1HR,1SR,2CR1-19309					
	CT-1939270	Kit	3.750S	2.750S	I	23
	S/N: 8RN4990-UP,2CR19310-UP					
Backhoe Stick	CT-1113300	Kit	4.500S	2.500S	P	23
	S/N: 8RN4670-UP,2CR18810-UP Use with 1213398 or 1747432 Head					
	BD-6281032	Kit	4.500S	2.500S	P	15
	S/N: 8RN4670-UP,2CR18810-UP Use with 1843711 Head					
Backhoe Ext. Stick	CT-2350354	Kit	3.000S	1.500S	P	15

Application	Part Number	Description	Bore	Rod	Wiper	Type
428D BACKHOE LOADER						
Backhoe Loader S/N: BNB1-UP,BLL1-UP,BNS1-UP,BMT1-UP						
Lift	BD-6471035	Kit	85.00M	2.000S	P	23
Tilt	BD-6471035	Kit	85.00M	2.000S	P	23
	S/N: BNB,BLL					
	BD-6471036	Kit	75.00M	2.000S	P	23
S/N: BNS,BMT						
Backhoe Stabilizer	CT-2342595	Kit	2.750S	1.750S	P	15
Backhoe Swing	CT-2409538	Kit	4.000S	2.000S	P	23
Backhoe Boom	BD-703397	Kit	4.750S	2.375S	P	15
Backhoe Bucket	BD-7841031	Kit	3.500S	2.500S	I	15
Backhoe Ext. Bucket	BD-7841031	Kit	3.500S	2.500S	I	15
Backhoe Stick	BD-6281032	Kit	4.500S	2.500S	P	15
Backhoe Ext. Stick	CT-2350354	Kit	3.000S	1.500S	P	15
430D BACKHOE LOADER						
Backhoe Loader S/N: BNK1-UP,BML1-UP						
Lift	BD-6471035	Kit	85.00M	2.000S	P	23
Tilt	BD-6471035	Kit	85.00M	2.000S	P	23
	S/N: BNK					
	BD-6471036	Kit	75.00M	2.000S	P	23
S/N: BML						
Multi-Purpose Bucket	CT-2350354	Kit	3.000S	1.500S	P	15
Steering	BD-751457	Kit	2.750S	1.750S	P	15
Backhoe Stabilizer	BD-7831034	Kit	4.000S	2.125S	P	15
Backhoe Swing	CT-2409538	Kit	4.000S	2.000S	P	23
Backhoe Boom	BD-6931037	Kit	5.375S	2.750S	P	23
Backhoe Bucket	CT-1939270	Kit	3.750S	2.750S	I	23
Backhoe Ext. Bucket	CT-1939270	Kit	3.750S	2.750S	I	23
Backhoe Stick	BD-7661038	Kit	4.750S	65.00M	P	15
Backhoe Ext. Stick	CT-2350354	Kit	3.000S	1.500S	P	15
432D BACKHOE LOADER						
Backhoe Loader S/N: BLD1-UP						
Lift	BD-6471035	Kit	85.00M	2.000S	P	23
Tilt	BD-6471036	Kit	75.00M	2.000S	P	23
Multi-Purpose Bucket	CT-2350354	Kit	3.000S	1.500S	P	15
Backhoe Stabilizer	CT-2342595	Kit	2.750S	1.750S	P	15
Backhoe Swing	CT-2409538	Kit	4.000S	2.000S	P	23
Backhoe Boom	BD-703397	Kit	4.750S	2.375S	P	15
Backhoe Bucket	CT-1939270	Kit	3.750S	2.750S	I	23
Backhoe Ext. Bucket	BD-7841031	Kit	3.500S	2.500S	I	15
	CT-1939270	Kit	3.750S	2.750S	I	23
Backhoe Stick	BD-6281032	Kit	4.500S	2.500S	P	15
Backhoe Ext. Stick	CT-2350354	Kit	3.000S	1.500S	P	15

CATERPILLAR® (REFERENCED BY OEM PART NUMBERS)

Application	Part Number	Description	Bore	Rod	Wiper	Type
436,436B BACKHOE LOADER						
Backhoe Loader S/N: 5KF1-UP,6MJ1-UP,7FL1-UP						
Lift	CT-2465926	Kit	3.250S	1.875S	P	15
Tilt	CT-2281778	Kit	3.500S	2.000S	P	23
Multi-Purpose Bucket	CT-2350354	Kit	3.000S	1.500S	P	15
Steering	CT-2465925	Kit	3.000S	1.875S	P	15
	S/N: 5KF1-1552					
	CT-2465927	Kit	3.000S	1.875S	P	15
	S/N: 5KF1553-UP,6MJ,7FL					
Backhoe Stabilizer	CT-2465929	Kit	4.000S	2.125S	P	15
Backhoe Swing	CT-2465929	Kit	4.000S	2.125S	P	15
	S/N: 5KF					
	CT-2409538	Kit	4.000S	2.000S	P	23
	S/N: 6MJ,7FL					
Backhoe Boom	CT-2281778	Kit	3.500S	2.000S	P	23
	S/N: 5KF					
	BD-642432	Kit	5.000S	2.500S	P	15
	S/N: 6MJ,7FL					
	Use with 6E1953 Head					
	CT-2275347	Kit	5.000S	2.500S	P	23
	S/N: 6MJ,7FL					
	Use with 1213395 Head					
Backhoe Bucket	CT-3E3314	Kit	3.750S	2.750S	I	23
	S/N: 5KF1-805					
	CT-3E3314	Kit	3.750S	2.750S	I	23
	S/N: 5KF806-UP					
	Use with 9T6375 Head					
	BD-704369	Kit	3.750S	2.750S	I	15
	S/N: 5KF806-UP					
	Use with 6E1816 Head					
	CT-1939270	Kit	3.750S	2.750S	I	23
	S/N: 6MJ,7FL					
Backhoe Ext. Bucket	CT-1939270	Kit	3.750S	2.750S	I	23
	S/N: 6MJ,7FL					
Backhoe Stick	BD-705431	Kit	4.500S	2.625S	P	15
	S/N: 5KF					
	CT-2440958	Kit	5.000S	2.750S	P	23
	S/N: 6MJ,7FL					
Backhoe Ext. Stick	CT-2350354	Kit	3.000S	1.500S	P	15

Application	Part Number	Description	Bore	Rod	Wiper	Type
436C BACKHOE LOADER						
Backhoe Loader S/N: 8TN1-UP,9JN1-UP,1FR1-UP,1GR1-UP,1PR1-UP,1RR1-UP 2AR1-UP,2BR1-UP						
Lift	CT-2281778	Kit	3.500S	2.000S	P	23
Tilt	CT-2281778	Kit	3.500S	2.000S	P	23
	S/N: 8TN,9JN,1FR,1GR					
	CT-2384462	Kit	3.000S	2.000S	P	15
	S/N: 1PR,1RR,2AR,2BR					
Multi-Purpose Bucket	CT-2350354	Kit	3.000S	1.500S	P	15
Steering	BD-731457	Kit	2.750S	1.750S	P	15
	S/N: 8TN1-924,9JN1-883,2AR1-1603,2BR1-910 Use with 6E4941 Head					
	BD-751457	Kit	2.750S	1.750S	P	15
	S/N: 8TN,9JN,2AR,2BR Use with 1515349 Head					
Backhoe Stabilizer	CT-2465929	Kit	4.000S	2.125S	P	15
	S/N: 8TN1-933,9JN1-883,1FR1-1415,1GR1-915,1PR,1RR1-997 S/N: 2AR1-1616,2BR1-910 Use with 9T6388 Head					
	CT-2465928	Kit	4.000S	2.125S	P	15
	S/N: 8TN925-UP,9JN884-UP,1FR1416-UP,1GR916-UP,1PR1599-UP S/N: 1RR998-UP,2AR1604-UP,2BR911-UP Use with 1521863 Head					
Backhoe Swing	CT-2409538	Kit	4.000S	2.000S	P	23
Backhoe Boom	BD-642432	Kit	5.000S	2.500S	P	15
	S/N: 8TN1-924,9JN1-883,1FR1-415,1GR1-915,1PR1-1598 S/N: 1RR1-997,2AR1-1603,2BR1-910 Use with 6E1953 Head					
	CT-2275347	Kit	5.000S	2.500S	P	23
	S/N: 8TN1-924,9JN1-883,1FR1-415,1GR1-915,1PR1-1598 S/N: 1RR1-997,2AR1-1603,2BR1-910 Use with 1213395 Head					
	BD-628488	Kit	5.375S	2.500S	P	23
	S/N: 8TN925-UP,9JN884-UP,1FR416-UP,1GR916-UP,1PR1599-UP S/N: 1RR998-UP,2AR1604-UP,2BR911-UP					
Backhoe Bucket	CT-1939270	Kit	3.750S	2.750S	I	23
	S/N: 8TN,9JN1-1049,1FR,1GR1-949,1PR,1RR1-1099,2AR,2BR1-999					
	BD-785409	Kit	4.000S	3.000S	I	15
	S/N: 9JN1050-UP,1GR950-UP,1RR1100-UP,2BR1000-UP					
Backhoe Ext. Bucket	CT-1939270	Kit	3.750S	2.750S	I	23
	S/N: 8TN,9JN1-1049,1FR,1GR1-949,1PR,1RR1-1099,2AR,2BR1-999					
	BD-785409	Kit	4.000S	3.000S	I	15
	S/N: 9JN1050-UP,1GR950-UP,1RR1100-UP,2BR1000-UP					
Backhoe Stick	CT-2440958	Kit	5.000S	2.750S	P	23
Backhoe Ext. Stick	CT-2350354	Kit	3.000S	1.500S	P	15

CATERPILLAR® (REFERENCED BY OEM PART NUMBERS)

Application	Part Number	Description	Bore	Rod	Wiper	Type
438,438B BACKHOE LOADER						
Backhoe Loader S/N: 3DJ1-UP,3KK1-UP						
Lift	CT-2465926	Kit	3.250S	1.875S	P	15
Tilt	CT-2281778	Kit	3.500S	2.000S	P	23
Multi-Purpose Bucket	CT-2350354	Kit	3.000S	1.500S	P	15
Steering	CT-2465925	Kit	3.000S	1.875S	P	15
S/N:	3DJ					
Backhoe Stabilizer	CT-2402482	Kit	2.750S	1.750S	P	15
Backhoe Swing	CT-2465929	Kit	4.000S	2.125S	P	15
S/N:	3DJ					
S/N:	CT-2409538	Kit	4.000S	2.000S	P	23
S/N:	3KK					
Backhoe Boom	CT-2465926	Kit	3.250S	1.875S	P	15
S/N:	3DJ					
S/N:	CT-2418924	Kit	4.500S	2.375S	P	23
S/N:	3KK					
Backhoe Bucket	CT-3E3314	Kit	3.750S	2.750S	I	23
S/N:	3DJ					
S/N:	CT-1939270	Kit	3.750S	2.750S	I	23
S/N:	3KK					
Backhoe Ext. Bucket	CT-1864327	Kit	3.500S	2.500S	I	23
S/N:	3KK1-2999					
S/N:	BD-704369	Kit	3.750S	2.750S	I	15
S/N:	3KK1-2999					
S/N:	CT-1864327	Kit	3.500S	2.500S	I	23
S/N:	3KK3000-UP					
Backhoe Stick	BD-642366	Kit	4.250S	2.500S	P	15
S/N:	3DJ					
S/N:	CT-2435798	Kit	4.500S	2.500S	P	23
S/N:	3KK1-2999 Use with 6E1405 Head					
S/N:	CT-2310898	Kit	4.500S	2.500S	P	23
S/N:	3KK Use with 1213398 Head					
Backhoe Ext. Stick	CT-2350354	Kit	3.000S	1.500S	P	15
S/N:	BD-704369	Kit	3.750S	2.750S	I	15
S/N:	3KK3000-UP					

CATERPILLAR® (REFERENCED BY OEM PART NUMBERS)

387

Application	Part Number	Description	Bore	Rod	Wiper	Type
438C BACKHOE LOADER						
Backhoe Loader S/N: 9KN1-UP,1JR1-UP,1TR1-UP,2DR1-UP						
Lift	CT-2465926	Kit	3.250S	1.875S	P	15
	S/N: 9KN,1JR					
	CT-2281778	Kit	3.500S	2.000S	P	23
	S/N: 1TR,2DR					
Tilt	CT-2281778	Kit	3.500S	2.000S	P	23
	S/N: 9KN,1JR					
	CT-2384462	Kit	3.000S	2.000S	P	15
	S/N: 1TR,2DR					
Multi-Purpose Bucket	CT-2350354	Kit	3.000S	1.500S	P	15
Backhoe Stabilizer	CT-2402482	Kit	2.750S	1.750S	P	15
	S/N: 9KN1-1199,1JR1-1149,1TR1-1549,2DR1-3249					
	Use with 6E4941 Head					
	CT-2342595	Kit	2.750S	1.750S	P	15
	S/N: 9KN1061-UP,1JR1107-UP,1TR,2DR					
Use with 1515349 Head						
Backhoe Swing	CT-2409538	Kit	4.000S	2.000S	P	23
Backhoe Boom	BD-703391	Kit	4.500S	2.375S	P	15
	S/N: 9KN1-1060,1JR1-1106,1TR1-1283,2DR1-2716					
	BD-703397	Kit	4.750S	2.375S	P	15
S/N: 9KN1061-UP,1JR1107-UP,1TR1284-UP,2DR2717-UP						
Backhoe Bucket	CT-1939270	Kit	3.750S	2.750S	I	23
	S/N: 9KN,1JR,1TR1-1549,2DR1-3249					
	BD-785409	Kit	4.000S	3.000S	I	15
S/N: 9KN1200-UP,1JR1150-UP,1TR1550-UP,2DR3250-UP						
Backhoe Ext. Bucket	CT-1864327	Kit	3.500S	2.500S	I	23
	S/N: 9KN,1JR,1TR1-1549,2DR1-3249					
	CT-1939270	Kit	3.750S	2.750S	I	23
	BD-785409	Kit	4.000S	3.000S	I	15
S/N: 9KN1200-UP,1JR1150-UP,1TR1550-UP,2DR3250-UP						
Backhoe Stick	CT-2310898	Kit	4.500S	2.500S	P	23
	Use with 1213398 or 1747432 Head					
	BD-6281032	Kit	4.500S	2.500S	P	15
S/N: 9KN1061-1199,1JR1107-1149,1TR1374-1549,2DR3157-3249						
Use with 1843711 Head						
Backhoe Ext. Stick	CT-2350354	Kit	3.000S	1.500S	P	15

CATERPILLAR® (REFERENCED BY OEM PART NUMBERS)

Application	Part Number	Description	Bore	Rod	Wiper	Type
438D BACKHOE LOADER						
Backhoe Loader S/N: BPE1-UP,BPN1-UP						
Lift	BD-6471035	Kit	85.00M	2.000S	P	23
Tilt	BD-6471036	Kit	75.00M	2.000S	P	23
Multi-Purpose Bucket	CT-2350354	Kit	3.000S	1.500S	P	15
Backhoe Stabilizer	CT-2342595	Kit	2.750S	1.750S	P	15
Backhoe Swing	CT-2409538	Kit	4.000S	2.000S	P	23
Backhoe Boom	BD-703397	Kit	4.750S	2.375S	P	15
Backhoe Bucket	CT-1939270	Kit	3.750S	2.750S	I	23
Backhoe Ext. Bucket	BD-7841031	Kit	3.500S	2.500S	I	15
	CT-1939270	Kit	3.750S	2.750S	I	23
Backhoe Stick	BD-6281032	Kit	4.500S	2.500S	P	15
Backhoe Ext. Stick	CT-2350354	Kit	3.000S	1.500S	P	15
442D BACKHOE LOADER						
Backhoe Loader S/N: BRG1-UP,BRY1-UP						
Lift	BD-6471035	Kit	85.00M	2.000S	P	23
Tilt	BD-6471036	Kit	75.00M	2.000S	P	23
Multi-Purpose Bucket	CT-2350354	Kit	3.000S	1.500S	P	15
Backhoe Stabilizer	CT-2342595	Kit	2.750S	1.750S	P	15
Backhoe Swing	CT-2409538	Kit	4.000S	2.000S	P	23
Backhoe Boom	BD-703397	Kit	4.750S	2.375S	P	15
Backhoe Bucket	CT-1939270	Kit	3.750S	2.750S	I	23
Backhoe Ext. Bucket	BD-7841031	Kit	3.500S	2.500S	I	15
	CT-1939270	Kit	3.750S	2.750S	I	23
Backhoe Stick	BD-6281032	Kit	4.500S	2.500S	P	15
Backhoe Ext. Stick	CT-2350354	Kit	3.000S	1.500S	P	15
446,446B BACKHOE LOADER						
Backhoe Loader S/N: 6XF1-UP,5BL1-UP						
Lift	CT-2409518	Kit	3.750S	2.000S	P	15
	S/N: 6XF,5BL1-499					
S/N: 5BL500-UP	CT-2350969	Kit	3.750S	2.250S	P	15
Tilt	CT-2339205	Kit	4.000S	2.000S	P	15
Backhoe Stabilizer	CT-2465929	Kit	4.000S	2.125S	P	15
Backhoe Swing	CT-2465929	Kit	4.000S	2.125S	P	15
	S/N: 6XF					
S/N: 5BL	CT-2409538	Kit	4.000S	2.000S	P	23
Backhoe Boom	BD-705453	Kit	5.250S	2.625S	P	15
Backhoe Bucket	CT-1939270	Kit	3.750S	2.750S	I	23
Backhoe Ext. Bucket	CT-1939270	Kit	3.750S	2.750S	I	23
	S/N: 5BL500-UP					
Backhoe Stick	CT-2281776	Kit	5.250S	3.000S	P	23
	S/N: 6XF1-547					
S/N: 6XF548-UP,5BL	BD-707453	Kit	5.250S	3.000S	P	15

CATERPILLAR® (REFERENCED BY OEM PART NUMBERS)

389

Application	Part Number	Description	Bore	Rod	Wiper	Type
446,446B BACKHOE LOADER						
(continued)						
Backhoe Ext. Stick	CT-2275350	Kit	3.000S	1.750S	P	15
	CT-1939270	Kit	3.750S	2.750S	I	23
508 SKIDDER/GRAPPLE SKIDDER						
Skidder S/N: 9NC1-UP Grapple Skidder S/N: 2HD1-UP						
Lift	CT-2465922	Kit	3.000S	1.500S	P	5
	CT-2465913	Kit	3.000S	1.500S	P	15
Steering	CT-2465919	Kit	3.250S	1.500S	P	15
Boom	CT-2401661	Kit	3.500S	1.750S	P	22
	S/N: 2HD					
	CT-2401881	Kit	3.500S	1.750S	P	23
Grapple	S/N: 2HD					
	CT-2410897	Kit	4.500S	2.250S	P	5
	CT-2417584	Kit	4.500S	2.250S	P	15
S/N: 2HD						
FB508 FELLER BUNCHER						
Feller Buncher S/N: 4JG1-UP						
Lift	CT-2339205	Kit	4.000S	2.000S	P	15
Tilt	CT-2342591	Kit	4.000S	2.250S	P	15
Steering	CT-2465919	Kit	3.250S	1.500S	P	15
515 WHEEL SKIDDER						
Skidder S/N: 4LR1-UP						
Lift	CT-2409538	Kit	4.000S	2.000S	P	23
Steering	CT-2275350	Kit	3.000S	1.750S	P	15
	Use with 6E4948 Head					
	CT-2405524	Kit	3.000S	1.750S	P	15
Use with 1771838 Head						
517 TRACK SKIDDER/GRAPPLE SKIDDER						
Tractor S/N: 5WW1-UP,6PW1-UP Bulldozer S/N: 7EH1-UP						
Dozer Lift	CT-2408523	Kit	4.250S	2.000S	P	15
Dozer Tilt	CT-2409939	Kit	4.250S	2.000S	P	15
Dozer Angling	CT-2401881	Kit	3.500S	1.750S	P	23
Arch Lift	CT-2285272	Kit	4.750S	2.500S	P	23
	S/N: 5WW					

NORTH AMERICA
PHONE 800.854.0275
FAX 813.559.8698



WORLDWIDE
PHONE 813.559.8650
FAX 813.559.8698

CATERPILLAR® (REFERENCED BY OEM PART NUMBERS)

Application	Part Number	Description	Bore	Rod	Wiper	Type
518,518C SKIDDER/GRAPPLE SKIDDER						
Skidder S/N: 50S1-UP,94U1-UP,1CL1-UP Boom S/N: 2FF1-UP Grapple Skidder S/N: 55U1-UP,95U1-UP,9HJ1-UP Grapple S/N: 1WG1-UP,3NG1-UP						
Lift	CT-2406899	Kit	4.000S	2.000S	P	5
	S/N: 50S,55U,94U1-740,95U1-153					
	CT-2339205	Kit	4.000S	2.000S	P	15
	S/N: 94U741-UP,95U154-UP,9HJ1-577,1CL1-308					
Steering	CT-2402016	Kit	3.000S	1.750S	P	5
	S/N: 50S,55U,94U,95U					
	CT-2275350	Kit	3.000S	1.750S	P	15
	S/N: 94U,95U,9HJ1-577,1CL1-308					
Boom	CT-2409538	Kit	4.000S	2.000S	P	23
	S/N: 9HJ578-UP,1CL309-UP					
	CT-2402016	Kit	3.000S	1.750S	P	5
	S/N: 50S,55U,94U,95U					
Grapple	CT-2275350	Kit	3.000S	1.750S	P	15
	S/N: 9HJ578-UP,1CL309-UP					
	CT-8C9353	Kit	4.000S	2.000S	P	5
	S/N: 95U154-UP,9HJ					
Grapple	CT-8C9353	Kit	4.000S	2.000S	P	5
	S/N: 95U154-UP,9HJ Grapple S/N: 1WG, 82" arrangement					
	CT-8C9438	Kit	4.500S	2.000S	P	5
	S/N: 95U154-UP,9HJ Grapple S/N: 3NG, 100" arrangement					
Grapple	BD-742483	Kit	5.000S	3.000S	P	15
	S/N: 9HJ 90" arrangement					
FB518 FELLER BUNCHER						
Feller Buncher S/N: 8ZC1-UP						
Lift	CT-2430386	Kit	5.000S	2.500S	P	22
	CT-2430387	Kit	5.000S	2.500S	P	23
Tilt	CT-2410898	Kit	4.250S	2.250S	P	5
	CT-2417579	Kit	4.250S	2.250S	P	15
Steering	CT-2402016	Kit	3.000S	1.750S	P	5
	CT-2275350	Kit	3.000S	1.750S	P	15

CATERPILLAR® (REFERENCED BY OEM PART NUMBERS)

Application	Part Number	Description	Bore	Rod	Wiper	Type
525,525B WHEEL SKIDDER						
Skidder S/N: 1DN1-UP,3KZ1-UP						
Lift	CT-2409538	Kit	4.000S	2.000S	P	23
	S/N: 1DN					
	CT-2418921	Kit	4.000S	2.250S	P	23
S/N: 3KZ						
Steering	CT-2275350	Kit	3.000S	1.750S	P	15
	Use with 6E4948 or 1849843 Head					
	CT-2405524	Kit	3.000S	1.750S	P	15
S/N: 1DN						
S/N: Use with 1771838 Head						
Grapple	CT-8C9353	Kit	4.000S	2.000S	P	5
	S/N: 1DN					
Use with 1030258 Cylinder						
527 TRACK SKIDDER/GRAPPLE SKIDDER						
Tractor S/N: 2RS1-UP,3DS1-UP,4NS1-UP,BDW1-UP Bulldozer S/N: 7DH1-UP,5GP1-UP,5HP1-UP,8EP1-UP						
Dozer Lift	BD-662392	Kit	4.500S	2.250S	P	15
	Dozer S/N: 7DH,5GP,5HP					
	CT-2350969	Kit	3.750S	2.250S	P	15
Dozer S/N: 8EP						
Dozer Tilt	CT-2417580	Kit	4.750S	2.250S	P	23
	Dozer S/N: 7DH,5GP					
Dozer Angling	CT-2417579	Kit	4.250S	2.250S	P	15
Arch Lift	CT-2285272	Kit	4.750S	2.500S	P	23
	S/N: 4NS					
528,528B SKIDDER/GRAPPLE SKIDDER						
Skidder S/N: 96C1-UP,51S1-UP,8SJ1-UP Grapple Skidder S/N: 97C1-UP,78W1-UP						
Lift	CT-2408523	Kit	4.250S	2.000S	P	15
Steering	CT-2402481	Kit	3.750S	1.750S	P	5
	S/N: 96C1-516,97C1-319,51S,78W,8SJ					
	CT-1857033	Kit	3.750S	1.750S	P	15
S/N: 96C517-UP,97C320-UP,8SJ						
530B WHEEL SKIDDER						
Skidder S/N: 5BK1-UP						
Lift	CT-2408523	Kit	4.250S	2.000S	P	15
Steering	CT-1857033	Kit	3.750S	1.750S	P	15
Boom	BD-700414	Kit	5.000S	2.500S	P	15
Grapple	BD-700414	Kit	5.000S	2.500S	P	15
	Dual Boom arrangement					
	BD-701414	Kit	5.000S	2.500S	P	5
Single Boom arrangement						

CATERPILLAR® (REFERENCED BY OEM PART NUMBERS)

Application	Part Number	Description	Bore	Rod	Wiper	Type
535B WHEEL SKIDDER						
Skidder S/N: AAE1-UP						
Lift	CT-2418921	Kit	4.000S	2.250S	P	23
Steering	CT-2275350	Kit	3.000S	1.750S	P	15
539 KNUCKLE BOOM LOADER						
Loader S/N: 1PZ1-UP						
Boom	CT-2460658	Kit	6.000S	4.000S	P	23
Stabilizer	BD-6901039	Kit	6.000S	3.500S	P	15
	S/N: 1PZ125-125,1PZ132-UP					
Stick	CT-2460658	Kit	6.000S	4.000S	P	23
545 WHEEL SKIDDER						
Skidder S/N: 2FZ1-UP						
Lift	CT-2418921	Kit	4.000S	2.250S	P	23
Steering	CT-2281778	Kit	3.500S	2.000S	P	23
550 TREE HARVESTER						
Tree Harvester S/N: 7ZN1-UP						
Boom Lift	CT-2341951	Kit	4.250S	2.500S	P	23
Pendulum Arm	CT-2341948	Kit	4.750S	2.500S	P	23
Steering	CT-2281778	Kit	3.500S	2.000S	P	23
	S/N: 7ZN149-UP					
Stick	BD-628490	Kit	5.500S	2.500S	P	15
	S/N: 7ZN153-UP					
554 FORWARDER						
Forwarder S/N: 1AM1-UP						
Steering	CT-2281778	Kit	3.500S	2.000S	P	23
570 TREE HARVESTER						
Tree Harvester S/N: 4XR1-UP						
Boom Lift	CT-2341951	Kit	4.250S	2.500S	P	23
Pendulum Arm	CT-2341948	Kit	4.750S	2.500S	P	23
Steering	CT-2281778	Kit	3.500S	2.000S	P	23
	S/N: 4XR150-UP					
Stick	BD-628490	Kit	5.500S	2.500S	P	15
	S/N: 4XR198-UP					

Application	Part Number	Description	Bore	Rod	Wiper	Type
574 FORWARDER						
Forwarder S/N: 1FM1-UP						
Steering	CT-2281778	Kit	3.500S	2.000S	P	23
	S/N: 1FM220-UP					
580 TREE HARVESTER						
Tree Harvester S/N: 7CN1-UP						
Boom Lift	CT-2341951	Kit	4.250S	2.500S	P	23
Pendulum Arm	CT-2341948	Kit	4.750S	2.500S	P	23
Steering	CT-2281778	Kit	3.500S	2.000S	P	23
	S/N: 7CN173-UP					
Stick	BD-628490	Kit	5.500S	2.500S	P	15
	S/N: 7CN179-UP					
D4H TRACK SKIDDER						
Tractor S/N: 8ZF1-UP,7PK1-UP Bulldozer S/N: 5NH1-UP,7EH1-UP Grapple S/N: 1WG1-UP,3NG1-UP						
Dozer Lift	CT-2408523	Kit	4.250S	2.000S	P	15
Dozer Tilt	CT-2409939	Kit	4.250S	2.000S	P	15
Dozer Angling	CT-2401881	Kit	3.500S	1.750S	P	23
Arch Lift	CT-2285272	Kit	4.750S	2.500S	P	23
	BD-642415	Kit	4.500S	2.500S	P	15
	S/N: 7PK					
Grapple	CT-8C9353	Kit	4.000S	2.000S	P	5
	82" arrangement					
	CT-8C9438	Kit	4.500S	2.000S	P	5
	100" arrangement					
	BD-742483	Kit	5.000S	3.000S	P	15
	90" arrangement					
D5H TRACK SKIDDER						
Tractor S/N: 7EG1-UP Bulldozer S/N: 4ZH1-UP,7DH1-UP Grapple S/N: 1WG1-UP,3NG1-UP						
Dozer Lift	BD-662392	Kit	4.500S	2.250S	P	15
Dozer Tilt	CT-2417580	Kit	4.750S	2.250S	P	23
Dozer Angling	CT-2339205	Kit	4.000S	2.000S	P	15
Arch Lift	CT-2285272	Kit	4.750S	2.500S	P	23
Grapple	CT-8C9353	Kit	4.000S	2.000S	P	5
	82" arrangement					
	CT-8C9438	Kit	4.500S	2.000S	P	5
	100" arrangement					
	BD-742483	Kit	5.000S	3.000S	P	15
	90" arrangement					

CATERPILLAR® (REFERENCED BY OEM PART NUMBERS)

Application	Part Number	Description	Bore	Rod	Wiper	Type
561B,561C,561D PIPELAYER						
Pipelayer S/N: 62A1-UP,85H1-UP,92J1-UP,54X1-UP						
Counterweight	CT-2386718	Kit	4.500S	4.000S	P	5
	S/N: 92J391-UP,54X					
Track Adjuster	BD-904400	Kit			N	0
571A,571F,571G PIPELAYER						
Pipelayer S/N: 64A1-UP,95N1-UP,16W1-UP,5ZD1-UP						
Counterweight	BD-507266	Kit	4.500S	2.000S	P	1
	S/N: 64A					
	BD-507115	Kit	4.500S	2.000S	P	4
	S/N: 64A,95N,16W1-255					
	BD-507115	Kit	4.500S	2.000S	P	4
	S/N: 16W256-UP					
	Use with 4J4600 Piston					
	BD-507118	Kit	4.500S	2.000S	P	4
	S/N: 16W256-UP,5ZD					
	Use with 3G9939 Piston					
Track Adjuster	BD-903401	Kit			N	0
572C,572D,572E,572F,572G PIPELAYER						
Pipelayer S/N: 21A1-UP,65A1-UP,96N1-UP,40U1-UP,8PC1-UP						
Counterweight	BD-507345	Kit	4.000S	2.000S	P	3
	S/N: 65A,96N,40U1-970,8PC1-360					
	BD-507345	Kit	4.000S	2.000S	P	3
	S/N: 40U971-UP					
	CT-2408513	Kit	4.000S	2.000S	P	4
	S/N: 40U971-UP,8PC361-UP					
Track Adjuster	BD-902400	Kit			N	0
	S/N: 21A					
	BD-903401	Kit			N	0
	S/N: 65A,96N,40U,8PC					
578 PIPELAYER						
Pipelayer S/N: 8HB1-UP						
Boom	CT-7X2817	Kit	10.000S	4.000S	P	23
Counterweight	CT-7X2700	Kit	6.000S	3.000S	P	22
	CT-9T0094	Ring				

CATERPILLAR® (REFERENCED BY OEM PART NUMBERS)

Application	Part Number	Description	Bore	Rod	Wiper	Type
583H,583K PIPELAYER						
Pipelayer S/N: 38A1-UP,61A1-UP,78V1-UP						
Counterweight	BD-507345	Kit	4.000S	2.000S	P	3
	S/N: 38A,61A,78V1-534					
	BD-507345	Kit	4.000S	2.000S	P	3
	S/N: 78V535-UP					
Track Adjuster	CT-2408513	Kit	4.000S	2.000S	P	4
	S/N: 78V535-UP					
Track Adjuster	BD-901401	Kit			N	0
	S/N: 61A49-687					
	BD-901402	Kit			N	0
S/N: 61A688-UP,78V						
583R PIPELAYER						
Pipelayer S/N: 2XS1-UP						
Counterweight	CT-2465929	Kit	4.000S	2.125S	P	15
	Use with 9T6388 Head					
	CT-2465928	Kit	4.000S	2.125S	P	15
	Use with 1521863 Head					
589 PIPELAYER						
Pipelayer S/N: 31Z1-UP						
Counterweight	CT-7X2700	Kit	6.000S	3.000S	P	22
	CT-9T0094	Ring				
594,594H PIPELAYER						
Pipelayer S/N: 62H1-UP,96V1-UP						
Lift	CT-2384487	Kit	5.000S	2.000S	P	4
Track Adjuster	BD-900401	Kit			N	0
	S/N: 62H1-103					
	BD-900402	Kit			N	0
	S/N: 62H104-UP,96V					
DW21,DW21C,DW21D,DW21G TRACTOR/SCRAPER						
Tractor S/N: 58C1-UP,85E1-UP,86E1-UP,08W1061-UP Scraper S/N: 08J279-UP						
Steering	BD-519210	Kit	5.250S	2.750S	P	3

CATERPILLAR® (REFERENCED BY OEM PART NUMBERS)

Application	Part Number	Description	Bore	Rod	Wiper	Type
611 TRACTOR/SCRAPER						
Tractor S/N: 6SZ1-UP Scraper S/N: 7WZ1-UP						
Steering	CT-2417585	Kit	4.500S	2.250S	P	23
Load	CT-2417580	Kit	4.750S	2.250S	P	23
Apron	CT-2310898	Kit	4.500S	2.500S	P	23
Bowl	CT-2417578	Kit	5.000S	2.250S	P	23
Ejector	BD-753125	Kit	5.500S	2.750S	P	6
613,613B TRACTOR/ELEVATING SCRAPER						
Tractor S/N: 71M1-UP,38W1-UP Scraper S/N: 72M1-UP						
Steering	BD-578283	Kit	4.000S	1.750S	P	4
	S/N: 71M1-354					
	CT-2378277	Kit	4.000S	2.000S	P	5
	S/N: 71M355-UP,38W					
Bowl	BD-578283	Kit	4.000S	1.750S	P	4
	S/N: 72M1-354					
	CT-2378277	Kit	4.000S	2.000S	P	5
	S/N: 72M355-UP					
Floor	CT-2422553	Kit	5.000S	2.500S	P	4
Ejector	BD-578284	Kit	3.500S	1.750S	P	6
	S/N: 72M1-1171					
	BD-579284	Kit	3.500S	2.000S	P	6
	S/N: 72M1172-UP					
613C TRACTOR/ELEVATING SCRAPER						
Tractor S/N: 92X1-UP,8LJ1-UP Scraper S/N: 93X1-UP						
Steering	CT-2406899	Kit	4.000S	2.000S	P	5
	S/N: 92X1-989,92X998-1000					
	CT-2339205	Kit	4.000S	2.000S	P	15
	S/N: 92X990-997,92X1001-1797					
	CT-2409538	Kit	4.000S	2.000S	P	23
	S/N: 92X1798-UP					
	CT-2281778	Kit	3.500S	2.000S	P	23
S/N: 8LJ						
Bowl	CT-2406899	Kit	4.000S	2.000S	P	5
	S/N: 93X1-989,93X1001-1001,93X1003-1003,93X1028-1031					
	S/N: 93X1033-1033,93X1034-1034					
	CT-2339205	Kit	4.000S	2.000S	P	15
	S/N: 93X990-1000,93X1002-1002,93X1004-1027,93X1032-1032					
S/N: 93X1035-1611						
	CT-2409538	Kit	4.000S	2.000S	P	23
	S/N: 93X1612-UP					
Floor	CT-2430386	Kit	5.000S	2.500S	P	22
	S/N: 93X1-2779					
	CT-2430387	Kit	5.000S	2.500S	P	23
S/N: 93X1-2779						

Application	Part Number	Description	Bore	Rod	Wiper	Type
613C TRACTOR/ELEVATING SCRAPER						
(continued)						
Floor (cont)	CT-2430387	Kit	5.000S	2.500S	P	23
S/N:	93X2780-UP					
Ejector	CT-2410903	Kit	3.500S	2.250S	P	22
S/N:	93X1-1611					
	CT-2418916	Kit	3.500S	2.250S	P	23
S/N:	93X1-1611					
	CT-2350355	Kit	3.500S	2.250S	P	23
S/N:	93X1612-UP					
615,615C TRACTOR/ELEVATING SCRAPER						
Tractor S/N: 46Z1-UP,5TF1-UP,9XG1-UP Scraper S/N: 47Z1-UP,2XG1-UP						
Steering	CT-2410895	Kit	5.000S	2.250S	P	15
S/N:	46Z,5TF					
	BD-662391	Kit	4.500S	2.250S	P	15
S/N:	9XG					
Accumulator	BD-990000	Kit	5.000S		N	0
S/N:	46Z Use with 9J9318 Piston (w/o wear ring)					
	BD-990006	Kit	5.000S		N	0
S/N:	46Z,5TF,9XG Use with 9T1440 Piston (with wear ring)					
Load	CT-2410902	Kit	4.750S	2.250S	P	22
	CT-2417580	Kit	4.750S	2.250S	P	23
Floor/Door	BD-517321	Kit	5.500S	2.750S	P	5
S/N:	47Z 3 Buffer rings					
	CT-2285275	Kit	5.500S	2.750S	P	5
S/N:	47Z,2XG1-897 1 Buffer ring					
	CT-2285274	Kit	5.500S	2.750S	P	15
S/N:	47Z,2XG1-897					
	CT-2285274	Kit	5.500S	2.750S	P	15
S/N:	2XG898-UP					
Bowl Lift	CT-2410895	Kit	5.000S	2.250S	P	15
S/N:	47Z,2XG1-897 Use with 7J5525 Piston					
	CT-2417578	Kit	5.000S	2.250S	P	23
S/N:	47Z,2XG1-897 Use with 9T8563 Piston					
	CT-2417578	Kit	5.000S	2.250S	P	23
S/N:	2XG898-UP					
Ejector	CT-2422546	Kit	4.250S	2.500S	P	5
S/N:	47Z					
	CT-2430393	Kit	4.250S	2.500S	P	15

CATERPILLAR® (REFERENCED BY OEM PART NUMBERS)

Application	Part Number	Description	Bore	Rod	Wiper	Type
J619 TRACTOR/ELEVATING SCRAPER						
Tractor S/N: 61F1-UP,62F1-UP Scraper S/N: 43F1-UP						
Steering	BD-510237	Kit	5.500S	2.250S	P	4
	Use with 4J4596 Piston					
Bowl	BD-514130	Kit	6.000S	2.500S	P	4
	Use with 5J5551 Piston					
	BD-514131	Kit	6.000S	2.500S	P	4
	Use with 9J8649 Piston					
Bottom Door/Dump	CT-2384487	Kit	5.000S	2.000S	P	4
	S/N: 43F1-541					
	BD-514115	Kit	4.500S	2.500S	P	4
S/N: 43F542-UP						
619C TRACTOR/SCRAPER						
Tractor S/N: 61F1-UP,62F1-UP Scraper S/N: 68F734-UP						
Steering	BD-510237	Kit	5.500S	2.250S	P	4
	Use with 4J4596 Piston					
J621 TRACTOR/ELEVATING SCRAPER						
Tractor S/N: 23H1-UP Scraper S/N: 43H1-UP						
Steering	CT-7S2727	Kit	5.000S	2.250S	P	4
	S/N: 23H1-2222					
	CT-2410895	Kit	5.000S	2.250S	P	15
Servo-Receiver	BD-575275	Kit	2.000S	1.000S	I	5
	S/N: 23H4299-UP					
Servo-Master	CT-8T1387	Kit	1.500S	0.750S	I	5
	S/N: 23H4299-UP					
Load	CT-2430381	Kit	5.500S	2.500S	P	5
	S/N: 23H4299-UP					
Bowl	BD-514130	Kit	6.000S	2.500S	P	4
	Use with 5J5551 Piston					
	BD-514131	Kit	6.000S	2.500S	P	4
	Use with 9J8649 Piston					
Bottom Door/Dump	BD-514115	Kit	4.500S	2.500S	P	4
	S/N: 43H1-1014					
	CT-2422553	Kit	5.000S	2.500S	P	4
S/N: 43H1015-UP						

CATERPILLAR® (REFERENCED BY OEM PART NUMBERS)

399

Application	Part Number	Description	Bore	Rod	Wiper	Type
621 TRACTOR/SCRAPER						
Tractor S/N: 23H1-UP,15U1-UP,2DB1-UP Scraper S/N: 37G1-UP,40G1-UP,41G1-UP						
Steering	CT-7S2727	Kit	5.000S	2.250S	P	4
	S/N: 37G1-1212,41G,23H1-2222					
	CT-2410895	Kit	5.000S	2.250S	P	15
	S/N: 37G1213-UP,23H,15U					
Steering	CT-2430386	Kit	5.000S	2.500S	P	22
	S/N: 2DB					
Servo-Receiver	BD-575275	Kit	2.000S	1.000S	I	5
	S/N: 23H4299-UP,2DB					
Servo-Master	CT-8T1387	Kit	1.500S	0.750S	I	5
	S/N: 23H4299-UP,2DB					
Accumulator	BD-990000	Kit	5.000S		N	0
	S/N: 23H4299-UP					
Load	CT-2430381	Kit	5.500S	2.500S	P	5
	S/N: 23H4299-UP					
Apron	BD-520146	Kit	7.250S	2.750S	I	4
	S/N: 37G,40G1-235,41G1-339					
	BD-519146	Kit	7.250S	2.750S	P	4
	S/N: 37G,40G236-UP,41G340-UP					
Bowl	BD-514130	Kit	6.000S	2.500S	P	4
Ejector	BD-546198	Kit	6.500S	4.000S	I	6
	S/N: 37G1-1974,40G1-356,41G					
	BD-546199	Kit	6.500S	4.000S	I	6
	S/N: 37G1975-UP,40G357-UP 4 Piston rings					
	BD-546238	Kit	6.500S	4.000S	I	6
	S/N: 37G1975-UP,40G357-UP Field replacement, Piston seal					
	CT-2460643	Kit	6.500S	4.000S	P	6
	S/N: 37G1975-UP,40G357-UP Field replacement					
621B TRACTOR/SCRAPER						
Tractor S/N: 45P1-UP,35V1-UP,7KC1-UP,8HC1-UP Scraper S/N: 31V1-UP,36V1-UP,73V1-UP,6XB1-UP,9AC1-UP						
Steering	CT-2430386	Kit	5.000S	2.500S	P	22
Servo-Receiver	BD-575275	Kit	2.000S	1.000S	I	5
Servo-Master	CT-8T1387	Kit	1.500S	0.750S	I	5
Accumulator	BD-990000	Kit	5.000S		N	0
	S/N: 45P1-3793,35V					
	BD-990006	Kit	5.000S		N	0
S/N: 45P3794-UP						
Load	BD-540125	Kit	5.500S	2.500S	P	5
	S/N: 45P1-1088,35V1-814 Double Buffer ring					
	CT-2430381	Kit	5.500S	2.500S	P	5
	S/N: 45P1089-3944,35V815-UP					

NORTH AMERICA
PHONE 800.854.0275
FAX 813.559.8698



WORLDWIDE
PHONE 813.559.8650
FAX 813.559.8698

CATERPILLAR® (REFERENCED BY OEM PART NUMBERS)

Application	Part Number	Description	Bore	Rod	Wiper	Type
621B TRACTOR/SCRAPER (continued)						
Load (cont)	CT-2422539	Kit	5.500S	2.500S	P	15
S/N:	45P3945-UP					
Apron	BD-519146	Kit	7.250S	2.750S	P	4
S/N:	31V1-1039,36V1-1395,73V1-777					
	BD-520146	Kit	7.250S	2.750S	I	4
S/N:	31V1-1039,36V1-1395					
	CT-2440957	Kit	7.250S	2.750S	P	5
S/N:	31V1040-UP,36V1396-UP,73V778-UP,6XB,9AC					
Bowl	BD-514130	Kit	6.000S	2.500S	P	4
S/N:	31V,36V1-1131,73V1-703 Use with 5J0968 Piston					
	BD-514131	Kit	6.000S	2.500S	P	4
S/N:	31V,36V1132-1362,73V704-796,73V800-800 Use with 9J8047 Piston					
	CT-2422545	Kit	6.000S	2.500S	P	15
S/N:	31V,36V1363-UP,73V797-799,73V801-UP,6XB,9AC					
Ejector	BD-546199	Kit	6.500S	4.000S	I	6
S/N:	31V1-1337,36V1-1152,73V1-719,73V721-722,73V726-731 4 Piston rings					
	BD-546238	Kit	6.500S	4.000S	I	6
S/N:	31V1-1337,36V1153-1502,73V720-720,73V723-725,73V732-819 Piston seal					
	CT-2460643	Kit	6.500S	4.000S	P	6
S/N:	31V1338-UP,36V1503-UP,73V820-UP,6XB,9AC					
621E,621F TRACTOR/SCRAPER						
Tractor S/N: 6AB1-UP,2PD1-UP,4SK1-UP,8PL1-UP Scraper S/N: 6BB1-UP,2TF1-UP,5JK1-UP,9NL1-UP						
Steering	CT-2430386	Kit	5.000S	2.500S	P	22
S/N:	6BB1-1234,2TF1-638					
	CT-2422542	Kit	5.000S	2.500S	P	23
S/N:	6BB1-1234,2TF639-UP Use with 7J5525 Piston					
	CT-2430384	Kit	5.000S	2.500S	P	23
S/N:	6BB1-1234 Use with 9T8563 Piston					
	CT-2430384	Kit	5.000S	2.500S	P	23
S/N:	6BB1235-UP,5JK,9NL					
Servo	CT-8T4771	Kit	1.500S	0.750S	I	5
Accumulator	BD-990006	Kit	5.000S		N	0
S/N:	6AB1-1522,2PD1-1030,8PL					
Load	CT-2422539	Kit	5.500S	2.500S	P	15
S/N:	6AB1-1165,2PD1-739					
	CT-9X6027	Kit	5.500S	2.500S	P	15
S/N:	6AB1166-1578,2PD740-1021,8PL					
	CT-2422539	Kit	5.500S	2.500S	P	15
S/N:	6AB1579-UP,2PD1022-UP,4SK					
Apron	CT-2440957	Kit	7.250S	2.750S	P	5
S/N:	6BB1-1234,2TF					
	CT-2440954	Kit	7.250S	2.750S	P	15
S/N:	6BB1-1234					

Application	Part Number	Description	Bore	Rod	Wiper	Type
621E,621F TRACTOR/SCRAPER (continued)						
Apron (cont)	CT-2440954	Kit	7.250S	2.750S	P	15
	S/N: 6BB1235-UP,5JK,9NL					
Bowl	CT-2422545	Kit	6.000S	2.500S	P	15
Ejector	CT-2460643	Kit	6.500S	4.000S	P	6
	S/N: 6BB1-1234,2TF1-699 Use with 3G1729 Head					
	CT-2460641	Kit	6.500S	4.000S	P	6
	S/N: 6BB1-1234 Use with 9T6530 Head					
	CT-2460641	Kit	6.500S	4.000S	P	6
	S/N: 6BB1235-UP,2TF700-UP,5JK,9NL					
Ejector	BD-635491	Kit	6.500S	4.000S	P	6
	S/N: 5JK Auger arrangement					
621G TRACTOR/SCRAPER						
Tractor S/N: ALP1-UP Scraper S/N: ANG1-UP						
Steering	CT-2430384	Kit	5.000S	2.500S	P	23
Servo	CT-8T4771	Kit	1.500S	0.750S	I	5
Load	CT-2422539	Kit	5.500S	2.500S	P	15
Apron	CT-2440954	Kit	7.250S	2.750S	P	15
Bowl	CT-2422545	Kit	6.000S	2.500S	P	15
Ejector	CT-2460641	Kit	6.500S	4.000S	P	6
	BD-635491	Kit	6.500S	4.000S	P	6
	Auger arrangement					
621R,621S TRACTOR/SCRAPER						
Tractor S/N: 12Y1-UP,8KD1-UP Scraper S/N: 2TF1-UP						
Steering	CT-2430386	Kit	5.000S	2.500S	P	22
	S/N: 12Y,2TF1-638					
	CT-2422542	Kit	5.000S	2.500S	P	23
	S/N: 2TF639-UP Use with 7J5525 Piston					
Steering	CT-2430384	Kit	5.000S	2.500S	P	23
	S/N: 2TF639-UP Use with 9T8563 Piston					
Servo-Receiver	BD-575275	Kit	2.000S	1.000S	I	5
	S/N: 12Y					
Servo-Master	CT-8T1387	Kit	1.500S	0.750S	I	5
	S/N: 12Y					
Servo	CT-8T4771	Kit	1.500S	0.750S	I	5
	S/N: 8KD					
Apron	CT-2440957	Kit	7.250S	2.750S	P	5
	S/N: 2TF1-859					
	CT-2440954	Kit	7.250S	2.750S	P	15
S/N: 2TF860-UP						
Bowl	CT-2422545	Kit	6.000S	2.500S	P	15
	S/N: 2TF					

CATERPILLAR® (REFERENCED BY OEM PART NUMBERS)

Application	Part Number	Description	Bore	Rod	Wiper	Type
621R,621S TRACTOR/SCRAPER						
(continued)						
Ejector	CT-2460643	Kit	6.500S	4.000S	P	6
	S/N: 2TF1-699					
	CT-2460641	Kit	6.500S	4.000S	P	6
	S/N: 2TF700-UP					
623,623B TRACTOR/ELEVATING SCRAPER						
Tractor S/N: 46P1-UP,52U1-UP Scraper S/N: 61E1-UP,26U1-UP						
Steering	CT-2430386	Kit	5.000S	2.500S	P	22
	S/N: 46P					
	CT-2410895	Kit	5.000S	2.250S	P	15
	S/N: 52U					
Servo-Receiver	BD-575275	Kit	2.000S	1.000S	I	5
Servo-Master	CT-8T1387	Kit	1.500S	0.750S	I	5
Accumulator	BD-990000	Kit	5.000S		N	0
	S/N: 46P1-2152,52U					
	BD-990006	Kit	5.000S		N	0
	S/N: 46P2153-UP					
Load	BD-540125	Kit	5.500S	2.500S	P	5
	S/N: 46P1-657					
		Double Buffer ring				
	CT-2430381	Kit	5.500S	2.500S	P	5
	S/N: 46P658-2316,52U					
	CT-2422539	Kit	5.500S	2.500S	P	15
S/N: 46P2317-UP						
Bowl	BD-514130	Kit	6.000S	2.500S	P	4
		Use with 5J0968 Piston				
	BD-514131	Kit	6.000S	2.500S	P	4
		Use with 9J8047 Piston				
	CT-2422545	Kit	6.000S	2.500S	P	15
Floor	CT-2442064	Kit	6.000S	3.000S	P	22
Ejector	CT-2430386	Kit	5.000S	2.500S	P	22
623E,623F TRACTOR/ELEVATING SCRAPER						
Tractor S/N: 6CB1-UP,6YF1-UP,6BK1-UP,5EW1-UP Scraper S/N: 6DB1-UP,5SG1-UP,3XW1-UP						
Steering	CT-2430386	Kit	5.000S	2.500S	P	22
	S/N: 6DB					
	CT-2422542	Kit	5.000S	2.500S	P	23
	S/N: 6DB					
		Use with 7J5525 Piston				
	CT-2430384	Kit	5.000S	2.500S	P	23
S/N: 6DB,5SG,3XW						
	Use with 9T8563 Piston					
Servo	CT-8T4771	Kit	1.500S	0.750S	I	5
Accumulator	BD-990006	Kit	5.000S		N	0
	S/N: 6CB,6YF1-387					
Load	CT-2422539	Kit	5.500S	2.500S	P	15
	S/N: 6CB1-841,6YF431-UP,6BK,5EW					
	CT-9X6027	Kit	5.500S	2.500S	P	15
	S/N: 6CB842-UP,6YF1-430					

Application	Part Number	Description	Bore	Rod	Wiper	Type
623E,623F TRACTOR/ELEVATING SCRAPER						
(continued)						
Bowl	CT-2422545	Kit	6.000S	2.500S	P	15
	S/N: 6DB,5SG,3XW					
Floor	CT-2442064	Kit	6.000S	3.000S	P	22
	S/N: 6DB					
	CT-2442062	Kit	6.000S	3.000S	P	23
	S/N: 6DB,5SG					
Ejector	CT-2460658	Kit	6.000S	4.000S	P	23
	S/N: 3XW					
	CT-2430386	Kit	5.000S	2.500S	P	22
	S/N: 6DB					
Ejector	CT-2422542	Kit	5.000S	2.500S	P	23
	S/N: 6DB					
	Use with 7J5525 Piston					
	CT-2430384	Kit	5.000S	2.500S	P	23
S/N: 6DB,5SG,3XW						
Use with 9T8563 Piston						
623G TRACTOR/ELEVATING SCRAPER						
Scraper S/N: AWB1-UP						
Steering	CT-2430384	Kit	5.000S	2.500S	P	23
Bowl	CT-2422545	Kit	6.000S	2.500S	P	15
Floor	CT-2611073	Kit	5.500S	3.250S	P	23
Ejector	CT-2430384	Kit	5.000S	2.500S	P	23
627 TRACTOR/SCRAPER						
Tractor S/N: 54K1-UP,68M1-UP						
Scraper S/N: 50K1-UP,69M1-UP						
Steering	CT-2410895	Kit	5.000S	2.250S	P	15
Servo-Receiver	BD-575275	Kit	2.000S	1.000S	I	5
	S/N: 54K771-UP,68M686-UP					
Servo-Sender	CT-8T1387	Kit	1.500S	0.750S	I	5
	S/N: 54K771-UP,68M686-UP					
Accumulator	BD-990000	Kit	5.000S		N	0
	S/N: 54K771-UP,68M686-UP					
Load	CT-2430381	Kit	5.500S	2.500S	P	5
	S/N: 54K771-UP,68M686-UP					
Bail	CT-2408515	Kit	3.500S	2.000S	P	4
	S/N: 68M					
Apron	BD-519146	Kit	7.250S	2.750S	P	4
	BD-520146	Kit	7.250S	2.750S	I	4
Bowl	BD-514130	Kit	6.000S	2.500S	P	4
Ejector	BD-546198	Kit	6.500S	4.000S	I	6
	S/N: 50K1-836,69M1-785					
	BD-546199	Kit	6.500S	4.000S	I	6
S/N: 50K837-UP,69M786-UP						

CATERPILLAR® (REFERENCED BY OEM PART NUMBERS)

Application	Part Number	Description	Bore	Rod	Wiper	Type
627B TRACTOR/SCRAPER						
Tractor S/N: 14S1-UP,15S1-UP,34V1-UP,56V1-UP Scraper S/N: 32V1-UP,33V1-UP,37V1-UP,38V1-UP						
Steering	CT-2430386	Kit	5.000S	2.500S	P	22
Servo-Receiver	BD-575275	Kit	2.000S	1.000S	I	5
Servo-Master	CT-8T1387	Kit	1.500S	0.750S	I	5
Accumulator	BD-990000	Kit	5.000S		N	0
	S/N: 14S1-1269,15S1-1721,34V,56V					
	BD-990006	Kit	5.000S		N	0
	S/N: 14S1270-UP,15S1722-UP					
Load	BD-540125	Kit	5.500S	2.500S	P	5
	S/N: 14S1-561,15S1-654,34V,56V Double Buffer ring					
	CT-2430381	Kit	5.500S	2.500S	P	5
	S/N: 14S562-1311,15S655-1767,34V,56V					
	CT-2422539	Kit	5.500S	2.500S	P	15
	S/N: 14S1312-UP,15S1768-UP					
Bail	CT-2465914	Kit	3.500S	1.500S	P	22
	S/N: 15S,34V					
Apron	BD-519146	Kit	7.250S	2.750S	P	4
	S/N: 33V1-533,37V1-636,38V1-871					
	BD-520146	Kit	7.250S	2.750S	I	4
	S/N: 33V1-533,37V1-636,38V1-871					
	BD-519146	Kit	7.250S	2.750S	P	4
	S/N: 37V637-1059,38V872-1530					
	BD-520146	Kit	7.250S	2.750S	I	4
	S/N: 37V637-1059,38V872-1530					
	CT-2440957	Kit	7.250S	2.750S	P	5
	S/N: 33V534-UP,37V637-1059,38V872-1530					
	CT-2440957	Kit	7.250S	2.750S	P	5
	S/N: 37V1060-UP,38V1531-UP					
Bowl	BD-514130	Kit	6.000S	2.500S	P	4
	S/N: 32V,33V,37V1-595,38V1-751 Use with 5J0968 Piston					
	BD-514131	Kit	6.000S	2.500S	P	4
	S/N: 32V,33V,37V596-676,38V752-946 Use with 9J8047 Piston					
	CT-2422545	Kit	6.000S	2.500S	P	15
	S/N: 32V,33V,37V677-UP,38V947-UP					
Ejector	BD-546199	Kit	6.500S	4.000S	I	6
	S/N: 32V1-443,33V1-494,37V1-606,38V1-787					
	BD-546238	Kit	6.500S	4.000S	I	6
	S/N: 32V444-UP,33V495-UP,37V607-723,38V788-985					
	CT-2460643	Kit	6.500S	4.000S	P	6
	S/N: 37V724-1059,38V986-1530					
	CT-2460641	Kit	6.500S	4.000S	P	6
	S/N: 37V1060-UP,38V1531-UP					

CATERPILLAR® (REFERENCED BY OEM PART NUMBERS)

Application	Part Number	Description	Bore	Rod	Wiper	Type
627E,627F TRACTOR/SCRAPER						
Tractor S/N: 6EB1-UP,6GB1-UP,7CG1-UP,1DL1-UP Scraper S/N: 6FB1-UP,6HB1-UP,3WJ1-UP,4YK1-UP						
Steering		CT-2430386	Kit	5.000S	2.500S	P 22
	S/N:	6FB,6HB				
		CT-2422542	Kit	5.000S	2.500S	P 23
	S/N:	6FB,6HB Use with 7J5525 Piston				
		CT-2430384	Kit	5.000S	2.500S	P 23
	Use with 9T8563 Piston					
Servo		CT-8T4771	Kit	1.500S	0.750S	I 5
Accumulator		BD-990006	Kit	5.000S		N 0
	S/N:	6EB,6GB,7CG1-875				
Load		CT-2422539	Kit	5.500S	2.500S	P 15
	S/N:	6EB1-586,6GB1-713,1DL				
		CT-9X6027	Kit	5.500S	2.500S	P 15
	S/N:	6EB587-UP,6GB714-UP,7CG1-925				
		CT-2422539	Kit	5.500S	2.500S	P 15
	S/N: 7CG926-UP					
Bail		CT-2402016	Kit	3.000S	1.750S	P 5
	S/N:	6EB644-UP,6GB,7CG				
		CT-2275350	Kit	3.000S	1.750S	P 15
	S/N: 1DL					
Apron		CT-2440957	Kit	7.250S	2.750S	P 5
	S/N:	6FB,6HB				
		CT-2440954	Kit	7.250S	2.750S	P 15
Bowl		CT-2422545	Kit	6.000S	2.500S	P 15
Ejector		CT-2460643	Kit	6.500S	4.000S	P 6
	S/N:	6FB,6HB				
		CT-2460641	Kit	6.500S	4.000S	P 6
		BD-635491	Kit	6.500S	4.000S	P 6
		Auger arrangement				
627G TRACTOR/SCRAPER						
Tractor S/N: AXF1-UP Scraper S/N: AYK1-UP						
Steering		CT-2430384	Kit	5.000S	2.500S	P 23
Servo		CT-8T4771	Kit	1.500S	0.750S	I 5
Load		CT-2422539	Kit	5.500S	2.500S	P 15
Bail		CT-2275350	Kit	3.000S	1.750S	P 15
Apron		CT-2440954	Kit	7.250S	2.750S	P 15
Bowl		CT-2422545	Kit	6.000S	2.500S	P 15
Ejector		CT-2460641	Kit	6.500S	4.000S	P 6
		BD-635491	Kit	6.500S	4.000S	P 6
		Auger arrangement				

CATERPILLAR® (REFERENCED BY OEM PART NUMBERS)

Application	Part Number	Description	Bore	Rod	Wiper	Type
630A,630B TRACTOR/SCRAPER						
Tractor S/N: 52F1-UP,14G1-UP Scraper S/N: 10G1-UP						
Steering	BD-502261	Kit	4.000S	1.500S	P	3
	S/N: 52F,14G1-383					
	BD-502184	Kit	4.000S	1.500S	P	4
	S/N: 14G384-413					
	BD-503184	Kit	4.000S	1.500S	I	4
	S/N: 14G414-475					
Load	BD-507166	Kit	5.000S	2.000S	P	1
	CT-2384487	Kit	5.000S	2.000S	P	4
Apron	BD-519151	Kit	8.250S	2.750S	P	4
	S/N: 10G1-200					
	BD-519151	Kit	8.250S	2.750S	P	4
	S/N: 10G201-236					
	BD-523151	Kit	8.250S	3.000S	P	4
	S/N: 10G201-236					
	BD-523151	Kit	8.250S	3.000S	P	4
	S/N: 10G237-280					
	BD-524151	Kit	8.250S	3.000S	I	4
S/N: 10G281-332						
Bowl	BD-514144	Kit	7.250S	2.500S	P	4
	S/N: 10G1-185					
	BD-519144	Kit	7.250S	2.750S	P	4
	S/N: 10G186-280					
	BD-520144	Kit	7.250S	2.750S	I	4
	S/N: 10G281-UP					
Ejector	BD-547154	Kit	8.250S	6.000S	P	6
	S/N: 10G1-152					
	BD-547200	Kit	8.250S	6.000S	P	6
S/N: 10G153-UP						

CATERPILLAR® (REFERENCED BY OEM PART NUMBERS)

407

Application	Part Number	Description	Bore	Rod	Wiper	Type
631A,631B,631C TRACTOR/SCRAPER						
Tractor S/N: 51F1-UP,13G1-UP,67M1-UP Scraper S/N: 05A8509-8520,28F1-UP,56F1-UP,98F1-UP,11G1-UP						
Steering	BD-515135	Kit	6.500S	2.500S	P	4
	S/N:	28F1-58,11G642-648,13G1-2175 Use with 2J9328 Head				
	CT-2422554	Kit	6.500S	2.500S	P	4
	S/N:	28F59-UP,51F,56F121-UP,11G649-UP,13G,67M1-3874				
Servo-Receiver	BD-575275	Kit	2.000S	1.000S	I	5
	S/N:	13G3489-UP,67M				
Servo-Master	CT-8T1387	Kit	1.500S	0.750S	I	5
	S/N:	13G3489-UP,67M				
Accumulator	BD-990000	Kit	5.000S		N	0
	S/N:	67M				
Load	BD-514138	Kit	6.500S	2.500S	P	4
	S/N:	13G3489-UP				
	BD-513130	Kit	6.000S	2.500S	P	5
	S/N:	67M1-5062				
	CT-2435797	Kit	6.500S	2.500S	P	5
	S/N:	67M1-5062				
Apron	BD-519151	Kit	8.250S	2.750S	P	4
	S/N:	28F1-73,98F1-207,11G1-752				
	BD-519151	Kit	8.250S	2.750S	P	4
	S/N:	28F74-315,98F208-318,11G753-1385				
	BD-523151	Kit	8.250S	3.000S	P	4
	S/N:	28F74-315,11G753-1385 Field replacement				
	BD-523151	Kit	8.250S	3.000S	P	4
	S/N:	28F316-383,98F208-318,11G1386-1800				
	BD-524151	Kit	8.250S	3.000S	I	4
	S/N:	28F384-661,98F208-318,11G1801-2593				
	BD-523151	Kit	8.250S	3.000S	P	4
	S/N:	28F662-1356,98F319-376,11G2594-3837				
	BD-524151	Kit	8.250S	3.000S	I	4
	S/N:	98F319-376				
	BD-524151	Kit	8.250S	3.000S	I	4
	S/N:	98F377-461				
	BD-523151	Kit	8.250S	3.000S	P	4
	S/N:	98F462-718				
	CT-2442069	Kit	8.250S	3.000S	P	15
	S/N:	05A,28F1357-UP,98F719-UP,11G3838-UP				
Bowl	BD-514144	Kit	7.250S	2.500S	P	4
	S/N:	28F1-73,98F1-207,11G1-684,11G686-688,11G690-690				

NORTH AMERICA
PHONE 800.854.0275
FAX 813.559.8698



WORLDWIDE
PHONE 813.559.8650
FAX 813.559.8698

CATERPILLAR® (REFERENCED BY OEM PART NUMBERS)

Application	Part Number	Description	Bore	Rod	Wiper	Type
631A,631B,631C TRACTOR/SCRAPER						
(continued)						
Bowl (cont)	BD-519144	Kit	7.250S	2.750S	P	4
	S/N:	28F74-383,98F208-515,98F517-522,11G685-685,11G689-689				
	S/N:	11G691-1788				
	BD-519144	Kit	7.250S	2.750S	P	4
	S/N:	28F384-964,11G1789-3286				
	BD-520144	Kit	7.250S	2.750S	I	4
	S/N:	28F384-964,11G1789-3286				
	BD-517144	Kit	7.250S	2.750S	P	5
S/N:	28F965-1066,98F516-516,98F523-570,98F576-578,11G3287-3525					
Ejector	CT-2435820	Kit	7.250S	2.750S	P	5
	S/N:	05A,28F1067-UP,98F571-575,98F579-UP,11G3526-UP				
Ejector	BD-547154	Kit	8.250S	6.000S	P	6
	S/N:	11G1-404,11G460-479				
	BD-547200	Kit	8.250S	6.000S	P	6
	S/N:	28F1-1066,98F1-582,11G405-459,11G480-3498				
	BD-547201	Kit	8.250S	6.000S	P	6
	S/N:	28F1067-1679,98F583-850,11G3499-4500				
Ejector	CT-8T1415	Kit	8.250S	6.000S	P	6
	S/N:	05A,28F1680-UP,98F851-UP,11G4501-UP				
631D TRACTOR/SCRAPER						
Tractor S/N: 24W1-UP,66W1-UP Scraper S/N: 28W1-UP,29W1-UP,39W1-UP,68W1-UP						
Steering	CT-2355802	Kit	6.500S	2.750S	P	5
Servo-Receiver	BD-575275	Kit	2.000S	1.000S	I	5
Servo-Sender	CT-8T1387	Kit	1.500S	0.750S	I	5
Load	CT-2435797	Kit	6.500S	2.500S	P	5
Apron	CT-2442069	Kit	8.250S	3.000S	P	15
Bowl	CT-2435820	Kit	7.250S	2.750S	P	5
Ejector	CT-8T1415	Kit	8.250S	6.000S	P	6
	S/N:	28W1-2192,29W1-1499,39W,68W				
	CT-1891778	Kit	8.250S	6.000S	I	6
S/N:	28W2193-UP,29W1500-UP					
631E TRACTOR/SCRAPER						
Tractor S/N: 1AB1-UP,1NB1-UP,3ND1-UP Scraper S/N: 1BB1-UP,6PC1-UP,4LD1-UP						
Steering	CT-2355802	Kit	6.500S	2.750S	P	5
	S/N:	1BB1-747,1BB749-752,6PC1-518,4LD1-250				
	CT-2355804	Kit	6.500S	2.750S	P	15
S/N:	1BB748-748,1BB753-UP,6PC,4LD251-UP					
Servo	CT-8T4771	Kit	1.500S	0.750S	I	5
Accumulator	BD-990000	Kit	5.000S		N	0
	S/N:	1AB1-581				
	BD-990006	Kit	5.000S		N	0
S/N:	1AB582-1468,1AB1640-UP,1NB,3ND1-544					
Load	CT-2435797	Kit	6.500S	2.500S	P	5
	S/N:	1AB1-679,1NB1-595,3ND1-275				
	CT-2435803	Kit	6.500S	2.500S	P	15
	S/N:	1AB680-1075,1NB596-685,3ND276-317				

Application	Part Number	Description	Bore	Rod	Wiper	Type
631E TRACTOR/SCRAPER (continued)						
Load (cont)	CT-9X6024	Kit	6.500S	2.500S	P	15
	S/N:	1AB1076-1445,1NB686-871,3ND318-536				
	CT-9X6024	Kit	6.500S	2.500S	P	15
	S/N:	1AB1446-1639,1NB872-1389 Use with 9T6538 Head				
	CT-2435803	Kit	6.500S	2.500S	P	15
	S/N:	1AB1446-1639,1NB872-1389 Use with 1100311 Head				
S/N:	1AB1640-UP,1NB1390-UP,3ND537-UP					
Apron	CT-2442069	Kit	8.250S	3.000S	P	15
Bowl	CT-2435820	Kit	7.250S	2.750S	P	5
	S/N:	1BB1-850,6PC1-518,4LD1-250				
	CT-2435814	Kit	7.250S	2.750S	P	15
S/N:	1BB851-UP,6PC,4LD251-UP					
Ejector	CT-1891778	Kit	8.250S	6.000S	I	6
	CT-2463442	Kit	8.250S	6.000S	P	6
	S/N:	1BB1174-UP,6PC,4LD270-UP				
631G TRACTOR/SCRAPER						
Tractor S/N: AWK1-UP Scraper S/N: AXZ1-UP						
Steering	CT-2355804	Kit	6.500S	2.750S	P	15
Servo	CT-8T4771	Kit	1.500S	0.750S	I	5
Load	CT-2435803	Kit	6.500S	2.500S	P	15
Apron	CT-2442069	Kit	8.250S	3.000S	P	15
Bowl	CT-2435814	Kit	7.250S	2.750S	P	15
Ejector	CT-2463442	Kit	8.250S	6.000S	P	6
632 TRACTOR/SCRAPER						
Tractor S/N: 14G1-UP Scraper S/N: 79F1-UP						
Steering	BD-502261	Kit	4.000S	1.500S	P	3
	S/N:	14G1-383				
	BD-502184	Kit	4.000S	1.500S	P	4
	S/N:	14G384-413				
S/N:	BD-503184	Kit	4.000S	1.500S	I	4
	14G414-475					
Load	BD-507166	Kit	5.000S	2.000S	P	1
	CT-2384487	Kit	5.000S	2.000S	P	4
Apron	CT-7X2796	Kit	9.250S	2.750S	P	4
Bowl	BD-519151	Kit	8.250S	2.750S	P	4
	S/N:	79F1-148				
	BD-523151	Kit	8.250S	3.000S	P	4
S/N:	79F149-UP					

CATERPILLAR® (REFERENCED BY OEM PART NUMBERS)

Application	Part Number	Description	Bore	Rod	Wiper	Type
633,633B,633C TRACTOR/ELEVATING SCRAPER						
Tractor S/N: 44J1-UP,66M1-UP Scraper S/N: 86H1-UP						
Steering	CT-2422554	Kit	6.500S	2.500S	P	4
	S/N: 44J,66M1-659					
	CT-2435797	Kit	6.500S	2.500S	P	5
	S/N: 66M660-UP					
Servo-Receiver	BD-575275	Kit	2.000S	1.000S	I	5
	S/N: 66M693-UP					
Servo-Master	CT-8T1387	Kit	1.500S	0.750S	I	5
	S/N: 66M693-UP					
Accumulator	BD-990000	Kit	5.000S		N	0
	S/N: 86H711-UP,66M693-UP					
Load	CT-2422558	Kit	6.000S	2.500S	P	5
	S/N: 66M693-850,66M852-861,66M866-866					
	CT-2435797	Kit	6.500S	2.500S	P	5
	S/N: 66M851-851,66M862-865					
Bowl	BD-519144	Kit	7.250S	2.750S	P	4
	S/N: 86H1-340					
	BD-520144	Kit	7.250S	2.750S	I	4
	S/N: 86H1-340					
	BD-519144	Kit	7.250S	2.750S	P	4
	S/N: 86H341-537					
	BD-517144	Kit	7.250S	2.750S	P	5
	S/N: 86H538-980					
	CT-2435820	Kit	7.250S	2.750S	P	5
	S/N: 86H981-UP					
Floor	CT-2422554	Kit	6.500S	2.500S	P	4
	S/N: 86H1-687					
	CT-2435797	Kit	6.500S	2.500S	P	5
	S/N: 86H688-UP					
633D TRACTOR/ELEVATING SCRAPER						
Tractor S/N: 25W1-UP Scraper S/N: 19W1-UP						
Steering	CT-2355802	Kit	6.500S	2.750S	P	5
Servo-Receiver	BD-575275	Kit	2.000S	1.000S	I	5
Servo-Master	CT-8T1387	Kit	1.500S	0.750S	I	5
Load	CT-2435797	Kit	6.500S	2.500S	P	5
Bowl	CT-2435820	Kit	7.250S	2.750S	P	5
Floor	CT-2435797	Kit	6.500S	2.500S	P	5

Application	Part Number	Description	Bore	Rod	Wiper	Type
633E TRACTOR/ELEVATING SCRAPER						
Tractor S/N: 2PS1-UP Scraper S/N: 1EB1-UP						
Steering	CT-2355804	Kit	6.500S	2.750S	P	15
Servo	CT-8T4771	Kit	1.500S	0.750S	I	5
Load	CT-2435803	Kit	6.500S	2.500S	P	15
Bowl	CT-2435814	Kit	7.250S	2.750S	P	15
Floor	BD-629454	Kit	6.250S	3.000S	P	23
Ejector	CT-2460641	Kit	6.500S	4.000S	P	6
637,637B TRACTOR/SCRAPER						
Tractor S/N: 65M1-UP,79P1-UP Scraper S/N: 64M1-UP,91N1-UP,92N1-UP,26R1-UP						
Steering	CT-2422554	Kit	6.500S	2.500S	P	4
	S/N: 65M1-275,79P1-264					
	CT-2435797	Kit	6.500S	2.500S	P	5
S/N: 65M276-UP,79P265-UP						
Servo-Receiver	BD-575275	Kit	2.000S	1.000S	I	5
Servo-Master	CT-8T1387	Kit	1.500S	0.750S	I	5
Accumulator	BD-990000	Kit	5.000S		N	0
Load	CT-2422558	Kit	6.000S	2.500S	P	5
	S/N: 65M1-502,79P1-653,79P661-661,79P664-664,79P682-682					
	CT-2435797	Kit	6.500S	2.500S	P	5
S/N: 65M503-UP,79P654-660,79P662-663,79P665-681,79P683-UP						
Bail	CT-2408515	Kit	3.500S	2.000S	P	4
	S/N: 79P					
Apron	BD-523151	Kit	8.250S	3.000S	P	4
	S/N: 64M1-357,91N1-450,92N1-231					
	CT-2442069	Kit	8.250S	3.000S	P	15
S/N: 64M358-UP,91N451-UP,92N232-UP,26R						
Bowl	BD-517144	Kit	7.250S	2.750S	P	5
	S/N: 64M1-235,91N1-229,92N1-200					
	CT-2435820	Kit	7.250S	2.750S	P	5
S/N: 64M236-UP,91N230-UP,92N201-UP,26R						
Ejector	BD-547200	Kit	8.250S	6.000S	P	6
	S/N: 64M1-231,91N1-216,92N1-200					
	BD-547201	Kit	8.250S	6.000S	P	6
	S/N: 64M232-540,91N217-934,92N201-276,26R1-645					
	CT-8T1415	Kit	8.250S	6.000S	P	6
S/N: 64M541-UP,91N935-UP,92N277-UP,26R646-UP						

CATERPILLAR® (REFERENCED BY OEM PART NUMBERS)

Application	Part Number	Description	Bore	Rod	Wiper	Type
637D TRACTOR/SCRAPER						
Tractor S/N: 26W1-UP,27W1-UP,71W1-UP Scraper S/N: 20W1-UP,21W1-UP,22W1-UP,23W1-UP,70W1-UP,4JB1-UP						
Steering	CT-2355802	Kit	6.500S	2.750S	P	5
Servo-Receiver	BD-575275	Kit	2.000S	1.000S	I	5
Servo-Sender	CT-8T1387	Kit	1.500S	0.750S	I	5
Accumulator	BD-990000	Kit	5.000S		N	0
S/N:	26W1-620,27W1-1828,71W					
	BD-990006	Kit	5.000S		N	0
S/N:	26W621-UP,27W1829-UP					
Load	CT-2435797	Kit	6.500S	2.500S	P	5
Bail	CT-2465914	Kit	3.500S	1.500S	P	22
S/N:	27W,71W					
Apron	CT-2442069	Kit	8.250S	3.000S	P	15
Bowl	CT-2435820	Kit	7.250S	2.750S	P	5
Ejector	CT-8T1415	Kit	8.250S	6.000S	P	6
S/N:	20W1-532,21W1-501,22W1-1137,23W1-1101,70W,4JB1-37					
	CT-1891778	Kit	8.250S	6.000S	I	6
S/N:	20W533-UP,21W502-UP,22W1138-UP,23W1102-UP,4JB38-UP					
637E TRACTOR/SCRAPER						
Tractor S/N: 1FB1-UP,1JB1-UP Scraper S/N: 1HB1-UP,1LB1-UP,7CB1-UP						
Steering	CT-2355802	Kit	6.500S	2.750S	P	5
S/N:	1HB1-409,1LB1-606,7CB1-81					
	CT-2355804	Kit	6.500S	2.750S	P	15
S/N:	1HB410-UP,1LB607-UP,7CB82-UP					
Servo	CT-8T4771	Kit	1.500S	0.750S	I	5
Accumulator	BD-990000	Kit	5.000S		N	0
S/N:	1FB1-331,1JB1-431					
	BD-990006	Kit	5.000S		N	0
S/N:	1FB332-547,1FB660-UP,1JB432-UP					
Load	CT-2435797	Kit	6.500S	2.500S	P	5
S/N:	1FB1-342,1JB1-510					
	CT-2435803	Kit	6.500S	2.500S	P	15
S/N:	1FB343-367,1JB511-665					
	CT-9X6024	Kit	6.500S	2.500S	P	15
S/N:	1FB368-563,1JB666-UP					
	CT-2435803	Kit	6.500S	2.500S	P	15
S/N:	1FB564-UP					
Bail	CT-2402016	Kit	3.000S	1.750S	P	5
S/N:	1FB374-UP,1JB					
Apron	CT-2442069	Kit	8.250S	3.000S	P	15
Bowl	CT-2435820	Kit	7.250S	2.750S	P	5
S/N:	1HB1-414,1LB1-667,7CB1-83					
	CT-2435814	Kit	7.250S	2.750S	P	15
S/N:	1HB415-UP,1LB668-UP,7CB84-UP					
Ejector	CT-1891778	Kit	8.250S	6.000S	I	6

Application	Part Number	Description	Bore	Rod	Wiper	Type
637E TRACTOR/SCRAPER (continued)						
Ejector (cont)	CT-2463442	Kit	8.250S	6.000S	P	6
	S/N: 1HB466-UP,1LB607-UP,7CB91-UP					
637G TRACTOR/SCRAPER						
Tractor S/N: AXT1-UP Scraper S/N: AWE1-UP,AYN1-UP						
Steering	CT-2355804	Kit	6.500S	2.750S	P	15
Servo	CT-8T4771	Kit	1.500S	0.750S	I	5
Load	CT-2435803	Kit	6.500S	2.500S	P	15
Bail	CT-2275350	Kit	3.000S	1.750S	P	15
Apron	CT-2442069	Kit	8.250S	3.000S	P	15
Bowl	CT-2435814	Kit	7.250S	2.750S	P	15
Ejector	CT-2463442	Kit	8.250S	6.000S	P	6
639D TRACTOR/ELEVATING SCRAPER						
Tractor S/N: 99X1-UP Scraper S/N: 88X1-UP						
Steering	CT-2355802	Kit	6.500S	2.750S	P	5
Servo-Receiver	BD-575275	Kit	2.000S	1.000S	I	5
Servo-Master	CT-8T1387	Kit	1.500S	0.750S	I	5
Accumulator	BD-990000	Kit	5.000S		N	0
	Use with 9J9318 Piston (w/o wear ring)					
	BD-990006	Kit	5.000S		N	0
	S/N: 88X700-UP Use with 9T1440 Piston (with wear ring)					
Load	CT-2435797	Kit	6.500S	2.500S	P	5
Bowl	CT-2435820	Kit	7.250S	2.750S	P	5
Ejector	CT-7X2667	Kit	4.500S	2.500S	P	6
641,641B TRACTOR/SCRAPER						
Tractor S/N: 64F1-UP,65K1-UP,41M1-UP Scraper S/N: 80F1-UP,70G1-UP,42M1-UP,43M1-UP						
Steering	CT-9M5604	Kit	7.250S	2.500S	P	4
	S/N: 64F,80F1-878,70G1-346					
	CT-8T1387	Kit	1.500S	0.750S	I	5
	S/N: 80F879-UP,70G347-UP					
	BD-517144	Kit	7.250S	2.750S	P	5
	S/N: 65K,41M Use with 5J5191 Piston					
	CT-2435820	Kit	7.250S	2.750S	P	5
	S/N: 65K1160-UP					
	CT-9M5604	Kit	7.250S	2.500S	P	4
	S/N: 41M Used with Non-CAT trailed equipment					
Servo-Receiver	BD-575275	Kit	2.000S	1.000S	I	5
	S/N: 65K,41M					
Servo-Master	CT-8T1387	Kit	1.500S	0.750S	I	5
	S/N: 65K,41M					
Load	BD-529153	Kit	8.250S	3.500S	P	5
	S/N: 65K,41M					

CATERPILLAR® (REFERENCED BY OEM PART NUMBERS)

Application	Part Number	Description	Bore	Rod	Wiper	Type
641,641B TRACTOR/SCRAPER						
(continued)						
Apron	CT-7X2796	Kit	9.250S	2.750S	P	4
	S/N:	80F1-466,70G1-213				
	BD-527159	Kit	9.250S	3.250S	P	4
	S/N:	80F467-527,70G214-299				
	BD-528159	Kit	9.250S	3.250S	I	4
	S/N:	80F528-655,70G300-523				
	BD-527159	Kit	9.250S	3.250S	P	4
	S/N:	80F528-655 Field replacement				
	BD-527159	Kit	9.250S	3.250S	P	4
	S/N:	80F656-UP,70G300-523,42M1-165,43M1-169				
	BD-527159	Kit	9.250S	3.250S	P	4
	S/N:	70G524-UP				
CT-2450602	Kit	9.250S	3.250S	P	22	
S/N:	80F656-UP,70G300-UP,42M166-UP,43M170-UP					
Bowl	CT-9M5605	Kit	8.250S	2.750S	P	4
	S/N:	80F1-344,70G1-60				
	BD-523151	Kit	8.250S	3.000S	P	4
	S/N:	80F345-539,70G61-305				
	BD-524151	Kit	8.250S	3.000S	I	4
	S/N:	80F540-640,70G306-487				
	BD-523151	Kit	8.250S	3.000S	P	4
	S/N:	80F540-640,70G306-487 Field replacement				
	BD-541151	Kit	8.250S	3.000S	I	5
	S/N:	80F641-UP,70G488-UP				
	CT-2442069	Kit	8.250S	3.000S	P	15
	S/N:	80F641-UP,70G488-UP,42M1-281,43M1-360				
BD-521150	Kit	8.250S	3.000S	P	5	
S/N:	42M282-UP,43M361-UP					
650,650B TRACTOR/SCRAPER						
Tractor S/N: 63F1-UP,77F1-UP,58K1-UP Scraper S/N: 22G1-UP						
Steering	BD-502261	Kit	4.000S	1.500S	P	3
	S/N:	63F,77F1-265				
	BD-503184	Kit	4.000S	1.500S	I	4
	S/N:	77F266-492				
BD-502184	Kit	4.000S	1.500S	P	4	
S/N:	77F493-UP,58K					
Traction	CT-2422556	Kit	6.000S	2.500S	P	4
Apron	CT-7X2796	Kit	9.250S	2.750S	P	4
	S/N:	22G1-164				
	BD-527159	Kit	9.250S	3.250S	P	4
	S/N:	22G165-199				
	BD-528159	Kit	9.250S	3.250S	I	4
	S/N:	22G200-276				
BD-527159	Kit	9.250S	3.250S	P	4	
S/N:	22G200-276 Field replacement					

Application	Part Number	Description	Bore	Rod	Wiper	Type
650,650B TRACTOR/SCRAPER						
(continued)						
Apron (cont)	BD-527159	Kit	9.250S	3.250S	P	4
	S/N: 22G277-292					
	CT-2450602	Kit	9.250S	3.250S	P	22
	S/N: 22G277-UP					
Bowl	BD-523159	Kit	9.250S	3.000S	P	4
	S/N: 22G1-115					
	BD-527159	Kit	9.250S	3.250S	P	4
	S/N: 22G1-115 Field replacement					
	BD-527159	Kit	9.250S	3.250S	P	4
	S/N: 22G116-199					
	BD-528159	Kit	9.250S	3.250S	I	4
	S/N: 22G200-276					
	BD-527159	Kit	9.250S	3.250S	P	4
	S/N: 22G200-276 Field replacement					
	BD-526159	Kit	9.250S	3.250S	I	5
	S/N: 22G277-283					
	CT-2450602	Kit	9.250S	3.250S	P	22
S/N: 22G1-115,22G284-UP						
Ejector	BD-549244	Kit	10.250S	7.250S	P	6
	S/N: 22G1-77 4 Piston rings, Field replacement					
	BD-549207	Kit	10.250S	7.250S	P	6
	S/N: 22G78-UP 10 Piston rings					
	BD-549244	Kit	10.250S	7.250S	P	6
S/N: 22G78-UP 4 Piston rings, Field replacement						
651,651B TRACTOR/SCRAPER						
Tractor S/N: 33G156-UP,67K1-UP,44M1-UP Scraper S/N: 23G1-UP,45M1-UP						
Steering	BD-514146	Kit	7.250S	2.500S	P	4
	S/N: 23G1-200,33G					
	CT-8T1387	Kit	1.500S	0.750S	I	5
	S/N: 23G201-UP					
	BD-517144	Kit	7.250S	2.750S	P	5
	S/N: 67K,44M Use with 5J5191 Piston					
	CT-2435820	Kit	7.250S	2.750S	P	5
	S/N: 67K902-UP					
BD-514146	Kit	7.250S	2.500S	P	4	
S/N: 44M Used with Non-CAT trailed equipment						
Servo-Receiver	BD-575275	Kit	2.000S	1.000S	I	5
S/N: 67K,44M						
Servo-Master	CT-8T1387	Kit	1.500S	0.750S	I	5
S/N: 67K,44M						
Load	BD-529153	Kit	8.250S	3.500S	P	5
S/N: 67K,44M						

CATERPILLAR® (REFERENCED BY OEM PART NUMBERS)

Application	Part Number	Description	Bore	Rod	Wiper	Type
651,651B TRACTOR/SCRAPER (continued)						
Apron	CT-7X2796	Kit	9.250S	2.750S	P	4
	S/N: 23G1-131					
	BD-527159	Kit	9.250S	3.250S	P	4
	S/N: 23G132-161					
	BD-528159	Kit	9.250S	3.250S	I	4
	S/N: 23G162-228					
	BD-527159	Kit	9.250S	3.250S	P	4
	S/N: 23G162-228 Field replacement					
	BD-527159	Kit	9.250S	3.250S	P	4
	S/N: 23G229-UP,45M1-244					
CT-2450602	Kit	9.250S	3.250S	P	22	
S/N: 23G229-UP,45M245-UP						
Bowl	BD-523159	Kit	9.250S	3.000S	P	4
	S/N: 23G1-81					
	BD-527159	Kit	9.250S	3.250S	P	4
	S/N: 23G1-81 Field replacement					
	BD-527159	Kit	9.250S	3.250S	P	4
	S/N: 23G82-161					
	BD-528159	Kit	9.250S	3.250S	I	4
	S/N: 23G162-228					
	BD-527159	Kit	9.250S	3.250S	P	4
	S/N: 23G162-228 Field replacement					
	BD-526159	Kit	9.250S	3.250S	I	5
	S/N: 23G229-237					
	CT-2450602	Kit	9.250S	3.250S	P	22
S/N: 23G1-81,23G238-UP,45M						
Ejector	BD-549244	Kit	10.250S	7.250S	P	6
	S/N: 23G1-62 4 Piston rings, Field replacement					
	BD-549207	Kit	10.250S	7.250S	P	6
	S/N: 23G63-UP,45M1-622 10 Piston rings					
	BD-549244	Kit	10.250S	7.250S	P	6
	S/N: 23G63-UP,45M1-622 4 Piston rings, Field replacement					
	CT-2481193	Kit	10.250S	7.250S	P	6
S/N: 45M623-UP						

CATERPILLAR® (REFERENCED BY OEM PART NUMBERS)

Application	Part Number	Description	Bore	Rod	Wiper	Type	
651E TRACTOR/SCRAPER							
Tractor S/N: 89Z1-UP,4YR1-UP Scraper S/N: 88Z1-UP,5XR1-UP							
Steering	S/N:	CT-2450613	Kit	7.250S	3.250S	P	5
		88Z115-172,89Z1-129					
S/N:	S/N:	CT-2450614	Kit	7.250S	3.250S	P	15
		88Z173-UP,89Z130-UP,5XR					
Servo		CT-8T4771	Kit	1.500S	0.750S	I	5
Load		CT-2456830	Kit	8.250S	3.500S	P	23
		BD-6261040	Kit	8.250S	3.500S	P	15
Apron	S/N:	CT-2450602	Kit	9.250S	3.250S	P	22
		88Z1-204					
		CT-2450603	Kit	9.250S	3.250S	P	23
S/N:	88Z205-UP,5XR						
Bowl	S/N:	CT-2450607	Kit	9.250S	3.250S	P	22
		88Z1-159(LH),88Z1-155(RH)					
		CT-2450609	Kit	9.250S	3.250S	P	23
S/N:	88Z160-UP(LH),88Z156-UP(RH),5XR						
Ejector	S/N:	CT-2481193	Kit	10.250S	7.250S	P	6
		88Z					
		CT-1891796	Kit	10.250S	7.250S	I	6
		CT-2456819	Kit	7.750S	4.500S	P	6
S/N:	5XR207-UP						
657,657B TRACTOR/SCRAPER							
Tractor S/N: 68K1-UP,46M1-UP Scraper S/N: 19G1-UP,53K1-UP,47M1-UP							
Steering	S/N:	BD-514146	Kit	7.250S	2.500S	P	4
		19G					
		BD-517144	Kit	7.250S	2.750S	P	5
		68K,46M Use with 5J5191 Piston					
S/N:	68K1207-UP						
Servo-Receiver	S/N:	BD-575275	Kit	2.000S	1.000S	I	5
		68K,46M					
Servo-Master	S/N:	CT-8T1387	Kit	1.500S	0.750S	I	5
		19G342-UP,68K,46M					
Load		BD-529153	Kit	8.250S	3.500S	P	5
Bail	S/N:	CT-2408515	Kit	3.500S	2.000S	P	4
		68K,46M					
		CT-2465914	Kit	3.500S	1.500S	P	22
S/N:	68K						
Apron	S/N:	CT-7X2796	Kit	9.250S	2.750S	P	4
		19G1-224					
		BD-527159	Kit	9.250S	3.250S	P	4
S/N:	19G1-224 Field replacement						

CATERPILLAR® (REFERENCED BY OEM PART NUMBERS)

Application	Part Number	Description	Bore	Rod	Wiper	Type
657,657B TRACTOR/SCRAPER (continued)						
Apron (cont)	BD-528159	Kit	9.250S	3.250S	I	4
	S/N: 19G1-224	Field replacement				
	BD-527159	Kit	9.250S	3.250S	P	4
	S/N: 19G225-276,53K1-725,47M1-166					
	BD-528159	Kit	9.250S	3.250S	I	4
	S/N: 19G277-UP					
	BD-527159	Kit	9.250S	3.250S	P	4
	S/N: 19G277-UP	Field replacement				
Bowl	BD-523159	Kit	9.250S	3.000S	P	4
	S/N: 19G1-131					
	BD-527159	Kit	9.250S	3.250S	P	4
	S/N: 19G1-131	Field replacement				
	BD-527159	Kit	9.250S	3.250S	P	4
	S/N: 19G132-276					
	CT-7S2720	Kit	9.250S	3.250S	I	4
	S/N: 19G277-432					
Ejector	BD-527159	Kit	9.250S	3.250S	P	4
	S/N: 19G277-432	Field replacement				
	BD-526159	Kit	9.250S	3.250S	I	5
	S/N: 19G433-UP					
	CT-2450602	Kit	9.250S	3.250S	P	22
	S/N: 19G1-131,53K,47M					
	CT-2456818	Kit	7.750S	4.500S	P	6
	S/N: 53K1-1029,47M1-270	Use with 3G4624 Piston and 9J9791 Head, Field replacement				
Ejector	CT-2456818	Kit	7.750S	4.500S	P	6
	S/N: 53K1030-UP,47M271-UP					
657E TRACTOR/SCRAPER						
Tractor S/N: 90Z1-UP,91Z1-UP,5YR1-UP,6TR1-UP Scraper S/N: 86Z1-UP,87Z1-UP,6MB1-UP,6PR1-UP,7KR1-UP						
Steering	CT-2450613	Kit	7.250S	3.250S	P	5
	S/N: 86Z145-274,87Z,90Z1-134,91Z1-244,6MB73-101					
	CT-2450614	Kit	7.250S	3.250S	P	15
S/N: 86Z275-UP,6MB102-UP,6PR,7KR						
Servo	CT-8T4771	Kit	1.500S	0.750S	I	5
Load	CT-2456830	Kit	8.250S	3.500S	P	23
Bail	CT-2465914	Kit	3.500S	1.500S	P	22
	S/N: 91Z1-195					
	CT-2402016	Kit	3.000S	1.750S	P	5
S/N: 91Z196-UP,5YR						
Apron	CT-2450602	Kit	9.250S	3.250S	P	22
	S/N: 86Z1-311,87Z,6MB1-108					
	CT-2450603	Kit	9.250S	3.250S	P	23
S/N: 86Z312-UP,6MB109-UP,6PR,7KR						

CATERPILLAR® (REFERENCED BY OEM PART NUMBERS)

419

Application	Part Number	Description	Bore	Rod	Wiper	Type
657E TRACTOR/SCRAPER (continued)						
Bowl	CT-2450607	Kit	9.250S	3.250S	P	22
	S/N: 86Z1-242,87Z,6MB1-92					
Ejector	CT-2450609	Kit	9.250S	3.250S	P	23
	S/N: 86Z243-UP,6MB93-UP,6PR,7KR					
Ejector	CT-2456819	Kit	7.750S	4.500S	P	6
	S/N: 86Z,87Z,6MB Auger arrangement	CT-8C6958 Kit	6.000S	4.500S	P	23
660,660B TRACTOR/SCRAPER						
Tractor S/N: 77F1-UP,90F1-UP,58K1-UP Scraper S/N: 18G1-UP						
Steering	BD-502261	Kit	4.000S	1.500S	P	3
	S/N: 77F1-265,90F					
	BD-503184	Kit	4.000S	1.500S	I	4
	S/N: 77F266-492					
Steering	BD-502184	Kit	4.000S	1.500S	P	4
	S/N: 77F493-UP,58K					
Traction	CT-2422556	Kit	6.000S	2.500S	P	4
Apron	BD-528159	Kit	9.250S	3.250S	I	4
	S/N: 18G1-97					
	BD-527159	Kit	9.250S	3.250S	P	4
	S/N: 18G1-97 Field replacement					
	BD-527159	Kit	9.250S	3.250S	P	4
	S/N: 18G98-99					
Bowl	CT-2450602	Kit	9.250S	3.250S	P	22
	S/N: 18G100-UP					
	BD-528159	Kit	9.250S	3.250S	I	4
	S/N: 18G1-89					
	BD-527159	Kit	9.250S	3.250S	P	4
	S/N: 18G1-89 Field replacement					
Bowl	BD-530159	Kit	9.250S	3.500S	I	5
	S/N: 18G90-97					
	CT-2450602	Kit	9.250S	3.250S	P	22
S/N: 18G98-UP						
666,666B TRACTOR/SCRAPER						
Tractor S/N: 77F1-UP,64H1-UP,66K1-UP Scraper S/N: 20G1-UP						
Steering	BD-502261	Kit	4.000S	1.500S	P	3
	S/N: 77F1-265					
	BD-503184	Kit	4.000S	1.500S	I	4
	S/N: 77F266-492,64H1-175					
Steering	BD-502184	Kit	4.000S	1.500S	P	4
	S/N: 77F493-UP,64H176-UP,66K					
Traction	CT-2422556	Kit	6.000S	2.500S	P	4
Apron	CT-7X2796	Kit	9.250S	2.750S	P	4
	S/N: 20G1-81					

NORTH AMERICA
PHONE 800.854.0275
FAX 813.559.8698



WORLDWIDE
PHONE 813.559.8650
FAX 813.559.8698

CATERPILLAR® (REFERENCED BY OEM PART NUMBERS)

Application	Part Number	Description	Bore	Rod	Wiper	Type
666,666B TRACTOR/SCRAPER (continued)						
Apron (cont)	BD-528159	Kit	9.250S	3.250S	I	4
	S/N: 20G82-163					
	BD-527159	Kit	9.250S	3.250S	P	4
	S/N: 20G82-163					
		Field replacement				
	BD-527159	Kit	9.250S	3.250S	P	4
S/N: 20G164-251						
CT-2450602	Kit	9.250S	3.250S	P	22	
S/N: 20G252-UP						
Bowl	BD-527159	Kit	9.250S	3.250S	P	4
	S/N: 20G1-81					
	BD-528159	Kit	9.250S	3.250S	I	4
	S/N: 20G82-134					
	BD-527159	Kit	9.250S	3.250S	P	4
	S/N: 20G82-134					
		Field replacement				
	BD-530159	Kit	9.250S	3.500S	I	5
	S/N: 20G135-169					
	BD-529159	Kit	9.250S	3.500S	P	5
S/N: 20G170-175						
CT-2450602	Kit	9.250S	3.250S	P	22	
S/N: 20G176-UP						
660 TRUCK						
Tractor S/N: 77F1-UP Wagon S/N: 63H1-UP						
Steering	BD-502261	Kit	4.000S	1.500S	P	3
	S/N: 77F1-265					
	BD-503184	Kit	4.000S	1.500S	I	4
	S/N: 77F266-492					
BD-502184	Kit	4.000S	1.500S	P	4	
S/N: 77F493-UP						
Traction	CT-2422556	Kit	6.000S	2.500S	P	4
Bottom Dump	BD-515144	Kit	7.250S	2.500S	P	4
	S/N: 63H1-326					
	BD-513144	Kit	7.250S	2.500S	P	5
S/N: 63H327-UP						
725 ARTICULATED TRUCK						
Truck S/N: AFX1-UP						
Hoist	BD-6921022	Kit	4.500S	3.000S	P	13
Front Suspension	BD-740854	Kit	150.00M	4.500S	P	14
Steering	CT-2281778	Kit	3.500S	2.000S	P	23
Tailgate	CT-2384462	Kit	3.000S	2.000S	P	15

CATERPILLAR® (REFERENCED BY OEM PART NUMBERS)

Application	Part Number	Description	Bore	Rod	Wiper	Type
730 ARTICULATED TRUCK						
Truck S/N: AGF1-UP						
Hoist	BD-6921009	Kit	5.000S	3.000S	P	13
Front Suspension	BD-740854	Kit	150.00M	4.500S	P	14
Steering	CT-2281778	Kit	3.500S	2.000S	P	23
Tailgate	CT-2384462	Kit	3.000S	2.000S	P	15
735 ARTICULATED TRUCK						
Truck S/N: AWR1-UP						
Hoist	BD-7301009	Kit	5.000S	3.500S	P	13
Front Suspension	BD-740839	Kit	150.00M	4.500S	P	14
Steering	BD-264391	Kit	4.500S	55.00M	P	15
Tailgate	CT-2384462	Kit	3.000S	2.000S	P	15
740 ARTICULATED TRUCK						
Truck S/N: AXM1-UP,AZZ1-UP						
Hoist	BD-7301012	Kit	5.500S	3.500S	P	13
	S/N: AXM					
Front Suspension	BD-740854	Kit	150.00M	4.500S	P	14
Steering	BD-264391	Kit	4.500S	55.00M	P	15
Tailgate	CT-2384462	Kit	3.000S	2.000S	P	15
768B,768C TRUCK						
Tractor S/N: 79S1-UP,02X1-UP						
Front Suspension	BD-744213	Kit	8.000S	7.000S	I	14
	S/N: 79S,02X1-399					
	CT-1137475	Kit	8.000S	7.000S	P	14
	S/N: 79S,02X1-399	Field replacement				
Rear Suspension	CT-1137475	Kit	8.000S	7.000S	P	14
	S/N: 02X400-UP					
	BD-743215	Kit	8.500S	7.000S	I	14
	S/N: 79S,02X1-399					
Steering	CT-2959886	Kit	8.500S	7.000S	P	14
	S/N: 79S,02X1-399	Field replacement				
	CT-2959886	Kit	8.500S	7.000S	P	14
	S/N: 02X400-UP					
Steering	CT-2578422	Kit	3.750S	2.375S	P	5
	CT-2384462	Kit	3.000S	2.000S	P	15
	S/N: 02X350-UP					

CATERPILLAR® (REFERENCED BY OEM PART NUMBERS)

Application	Part Number	Description	Bore	Rod	Wiper	Type
769,769B TRUCK						
Truck S/N: 99F1-UP,35W1-UP						
Hoist	BD-555211	Kit	7.000S	3.500S	I	13
S/N:	99F1031-UP,35W					
Front Suspension	BD-743213	Kit	8.000S	7.000S	I	14
S/N:	99F1-295 5J3323 Head required, Field replacement					
	BD-743213	Kit	8.000S	7.000S	I	14
S/N:	99F296-395 5J3321 Head required, Field replacement					
	BD-743213	Kit	8.000S	7.000S	I	14
S/N:	99F396-1030					
	BD-744213	Kit	8.000S	7.000S	I	14
S/N:	99F1031-UP,35W					
Rear Suspension	BD-743212	Kit	8.500S	7.000S	I	14
S/N:	99F1-1030					
	BD-743215	Kit	8.500S	7.000S	I	14
S/N:	99F1031-UP,35W					
Steering	BD-503102	Kit	3.500S	1.500S	I	4
S/N:	99F1-1030					
	BD-502102	Kit	3.500S	1.500S	P	4
S/N:	99F1-1030					
	CT-2465915	Kit	3.500S	1.500S	P	22
S/N:	99F1-1030 Field replacement					
	BD-554214	Kit	3.750S	2.375S	I	5
S/N:	99F1031-1198					
	CT-2578422	Kit	3.750S	2.375S	P	5
S/N:	99F1199-UP,35W					
769C,769D,771C,771D TRUCK						
Truck S/N: 01X1-UP,3BJ1-UP,5TR1-UP,6JR1-UP,5SS1-UP,6YS1-UP 9XS1-UP,BCA1-UP,BBB1-UP						
Hoist	CT-8T4772	Kit	7.000S	4.000S	I	13
Front Suspension	BD-744213	Kit	8.000S	7.000S	I	14
S/N:	01X1-2919					
	BD-744213	Kit	8.000S	7.000S	I	14
S/N:	01X2920-6599,3BJ1-199					
	CT-1137475	Kit	8.000S	7.000S	P	14
S/N:	01X2920-6599,3BJ1-199					
	CT-1137475	Kit	8.000S	7.000S	P	14
S/N:	01X6600-UP,3BJ200-UP,5TR,6JR,5SS,6YS,9XS,BCA,BBB					
Rear Suspension	BD-743215	Kit	8.500S	7.000S	I	14
S/N:	01X1-3271					
	BD-743215	Kit	8.500S	7.000S	I	14
S/N:	01X3272-6599,3BJ1-199					
	CT-2959886	Kit	8.500S	7.000S	P	14
S/N:	01X3272-6599,3BJ1-199					

CATERPILLAR® (REFERENCED BY OEM PART NUMBERS)

423

Application	Part Number	Description	Bore	Rod	Wiper	Type
769C,769D,771C,771D TRUCK						
(continued)						
Rear Suspension (cont)	CT-2959886	Kit	8.500S	7.000S	P	14
S/N:	01X,6600-UP,3BJ,200-UP,5TR,6JR,5SS,6YS,9XS,BCA,BBB					
Steering	CT-2578422	Kit	3.750S	2.375S	P	5
S/N:	01X,3BJ,5TR,6JR					
	CT-2384462	Kit	3.000S	2.000S	P	15
S/N:	5SS,6YS,9XS,BCA,BBB					
772,772B TRUCK						
Tractor S/N: 11S1-UP,80S1-UP,64W1-UP Wagon S/N: 10S1-UP						
Front Suspension	BD-744213	Kit	8.000S	7.000S	I	14
S/N:	11S,80S,64W1-154					
	BD-744318	Kit	8.000S	7.000S	I	14
S/N:	64W155-171					
	BD-744318	Kit	8.000S	7.000S	I	14
S/N:	64W172-299					
	CT-1137478	Kit	8.000S	7.000S	P	14
S/N:	64W168-299					
	CT-1137478	Kit	8.000S	7.000S	P	14
S/N:	64W300-UP					
Rear Suspension	BD-743215	Kit	8.500S	7.000S	I	14
S/N:	10S,11S,80S,64W1-172					
	BD-743215	Kit	8.500S	7.000S	I	14
S/N:	64W173-299					
	CT-2959886	Kit	8.500S	7.000S	P	14
S/N:	64W173-299					
	CT-2959886	Kit	8.500S	7.000S	P	14
S/N:	64W300-UP					
Steering	CT-2418925	Kit	4.000S	2.375S	P	5
Door	CT-2422558	Kit	6.000S	2.500S	P	5
	Wagon S/N: 10S1-172,174-178,180,183-185					
	CT-1363121	Kit	6.000S	2.500S	P	8
	Wagon S/N: 10S173,179,181,182,186-Up					
773,773B,773D,775B,775D TRUCK						
Truck S/N: 63G1-UP,63W1-UP,5SC86-UP,7XJ1-UP,6KR1-UP,7ER1-UP 7CS1-UP,8AS1-UP						
Hoist	BD-557216	Kit	8.250S	4.000S	I	13
S/N:	63G					
	CT-8T9042	Kit	8.250S	5.000S	I	13
S/N:	63W,5SC,7XJ,6KR,7ER,7CS,8AS					
Front Suspension	BD-744213	Kit	8.000S	7.000S	I	14
S/N:	63G,63W1-769					
	BD-744318	Kit	8.000S	7.000S	I	14
S/N:	63W770-1270					
	BD-744318	Kit	8.000S	7.000S	I	14
S/N:	63W1271-4199,5SC,7XJ1-199					
	CT-1137478	Kit	8.000S	7.000S	P	14
S/N:	63W1271-4199,7XJ1-199					
	CT-1137478	Kit	8.000S	7.000S	P	14
S/N:	63W4200-UP,7XJ200-UP,6KR,7ER,7CS,8AS					

NORTH AMERICA
PHONE 800.854.0275
FAX 813.559.8698



WORLDWIDE
PHONE 813.559.8650
FAX 813.559.8698

CATERPILLAR® (REFERENCED BY OEM PART NUMBERS)

Application	Part Number	Description	Bore	Rod	Wiper	Type
773,773B,773D,775B,775D TRUCK						
(continued)						
Rear Suspension	BD-743215	Kit	8.500S	7.000S	I	14
	S/N: 63G,63W1-1724					
	BD-743215	Kit	8.500S	7.000S	I	14
	S/N: 63W1725-4199,5SC,7XJ1-199					
	CT-2959886	Kit	8.500S	7.000S	P	14
	S/N: 63W1725-4199,7XJ1-199					
Steering	CT-2418925	Kit	4.000S	2.375S	P	5
	S/N: 63G,63W,5SC,7XJ,6KR,7ER					
	CT-1864327	Kit	3.500S	2.500S	I	23
	S/N: 7CS,8AS					
776,776B,776C,777,777B,777C TRUCK						
Tractor S/N: 14H1-UP,6JC1-UP,2TK1-UP Truck S/N: 84A1-UP,4YC1-UP,3NF13-UP,4XJ1-UP Wagon S/N: 14W1-UP						
Hoist	CT-8T1543	Kit	9.500S	5.500S	I	13
	S/N: 84A,4YC,3NF,4XJ					
Front Suspension	CT-1137463	Kit	10.750S	9.000S	PI	14
Rear Suspension	CT-1137482	Kit	10.500S	9.000S	PI	14
Steering	CT-2418925	Kit	4.000S	2.375S	P	5
Door	CT-2422558	Kit	6.000S	2.500S	P	5
	S/N: 14W1-48					
	CT-1363121	Kit	6.000S	2.500S	P	8
S/N: 14W49-UP						
776D,777D TRUCK						
Tractor S/N: 5ER1-UP,AFS1-UP Truck S/N: 3PR1-UP,2YW1-UP,AGC1-UP,AGY1-UP						
Hoist	CT-8T1543	Kit	9.500S	5.500S	I	13
	S/N: 3PR,2YW,AGC,AGY					
Front Suspension	CT-1137463	Kit	10.750S	9.000S	PI	14
Rear Suspension	CT-1137482	Kit	10.500S	9.000S	PI	14
Steering	CT-2418925	Kit	4.000S	2.375S	P	5
	S/N: 3PR,5ER,2YW					
	CT-1864327	Kit	3.500S	2.500S	I	23
S/N: AFS,AGC,AGY						

CATERPILLAR® (REFERENCED BY OEM PART NUMBERS)

Application	Part Number	Description	Bore	Rod	Wiper	Type
783B,784B,784C,785,785B,785C TRUCK						
Tractor S/N: 5RK1-UP,2PZ1-UP Truck S/N: 8GB1-UP,6HK1-UP,8YM1-UP,1HW1-UP,5AZ1-UP,APX1-UP						
Hoist	CT-8T4939	Kit	11.500S	7.250S	I	13
S/N:	8GB,6HK,8YM,1HW,5AZ,APX					
Front Suspension	CT-1137476	Kit	13.125S	11.000S	PI	14
S/N:	8GB,6HK,8YM,1HW,5AZ,APX					
Rear Suspension	CT-1565209	Kit	12.500S	11.000S	PI	14
Steering	CT-2430386	Kit	5.000S	2.500S	P	22
S/N:	8GB1-316					
S/N:	CT-2422542	Kit	5.000S	2.500S	P	23
S/N:	8GB1-316					
S/N:	CT-2430384	Kit	5.000S	2.500S	P	23
S/N:	8GB317-UP,5RK,6HK,8YM,1HW,2PZ,5AZ,APX					
789,789B,789C TRUCK						
Truck S/N: 9ZC1-UP,7EK1-UP,2BW1-UP						
Hoist	CT-8C5788	Kit	12.250S	7.250S	I	13
Front Suspension	CT-1131073	Kit	15.125S	12.500S	PI	14
Rear Suspension	CT-1137480	Kit	14.250S	12.500S	PI	14
Steering	CT-2440953	Kit	6.000S	2.750S	P	15
793,793B,793C,793F TRUCK						
Truck S/N: 3SJ1-UP,1HL1-UP,4AR1-UP,4GZ1-UP,ATY1-UP,SND1-UP						
Hoist	CT-1125343	Kit	13.750S	8.750S	I	13
S/N:	3SJ,1HL					
S/N:	CT-1531282	Kit	12.750S	7.750S	I	13
S/N:	4AR,4GZ,ATY					
Front Suspension	CT-1137472	Kit	16.125S	13.500S	PI	14
Rear Suspension	CT-1137480	Kit	14.250S	12.500S	PI	14
S/N:	Use with 1060904, 1061807 or 1591977 Head					
S/N:	BD-778441	Kit	14.250S	12.500S	P	14
S/N:	1HL58-UP Use with 1946859 Head					
Steering	CT-2601518	Kit	5.500S	2.750S	P	23

CATERPILLAR® (REFERENCED BY OEM PART NUMBERS)

Application	Part Number	Description	Bore	Rod	Wiper	Type
797 TRUCK						
Truck S/N: 5YW1-UP						
Steering	CT-2450620	Kit	6.250S	3.250S	P	23
AD40,AE40 UNDERGROUND ARTICULATED TRUCK						
Truck S/N: 1YZ1-UP,1ZZ1-UP						
Hoist	CT-8T9042	Kit	8.250S	5.000S	I	13
	S/N: 1YZ					
Front Suspension	CT-2959886	Kit	8.500S	7.000S	P	14
	S/N: 1YZ1101-1138,1ZZ1101-1138					
Steering	CT-2430387	Kit	5.000S	2.500S	P	23
D20D ARTICULATED TRUCK						
Truck S/N: 9MG1-UP						
Hoist	CT-7U8058	Kit	4.500S	2.750S	I	13
Front Suspension	CT-2463425	Kit	4.500S	4.000S	P	14
	CT-7U8133	Kit	4.000S	3.500S	I	14
Rear Suspension	CT-7U8133	Kit	4.000S	3.500S	I	14
	S/N: 9MG1-220					
Steering	CT-7U7625	Kit	3.500S	1.750S	I	15
D25C ARTICULATED TRUCK						
Truck S/N: 9YC1-UP						
Hoist	CT-5U7775	Kit	5.500S	3.500S	I	13
Front Suspension	CT-5U5413	Kit	4.500S	3.500S	I	14
	S/N: 9YC1-259					
	CT-1045008	Kit	4.500S	4.000S	I	14
	S/N: 9YC260-UP					
Steering	CT-6U9552	Kit	4.500S	2.000S	I	16
D25D ARTICULATED TRUCK						
Truck S/N: 1HK1-UP						
Hoist	CT-5U7775	Kit	5.500S	3.500S	I	13
	BD-6261041	Kit	5.500S	3.500S	P	13
	S/N: 1HK674-UP					
Front Suspension	CT-7U2662	Kit	4.500S	3.500S	I	14
	S/N: 1HK1-252					
	CT-2U7391	Kit	4.500S	3.500S	I	14
	S/N: 1HK253-486					
	CT-1942756	Kit	4.500S	3.500S	P	14
	S/N: 1HK487-726					
	CT-2460636	Kit	4.500S	3.500S	P	14
	S/N: 1HK727-UP					
Steering	CT-6U9552	Kit	4.500S	2.000S	I	16
	S/N: 1HK1-285					
	CT-1857699	Kit	4.500S	2.000S	I	16
	S/N: 1HK286-UP					

CATERPILLAR® (REFERENCED BY OEM PART NUMBERS)

Application	Part Number	Description	Bore	Rod	Wiper	Type
D30C ARTICULATED TRUCK						
Truck S/N: 7ZC1-UP						
Hoist	CT-5U7775	Kit	5.500S	3.500S	I	13
Front Suspension	CT-1045008	Kit	4.500S	4.000S	I	14
Rear Suspension	CT-1045008	Kit	4.500S	4.000S	I	14
Steering	CT-6U9552	Kit	4.500S	2.000S	I	16
D30D ARTICULATED TRUCK						
Truck S/N: 3AJ1-UP						
Hoist	CT-5U7775	Kit	5.500S	3.500S	I	13
	BD-6261041	Kit	5.500S	3.500S	P	13
S/N: 3AJ415-UP						
Front Suspension	CT-7U2662	Kit	4.500S	3.500S	I	14
	S/N: 3AJ1-242					
	CT-2U7391	Kit	4.500S	3.500S	I	14
	S/N: 3AJ243-342					
	CT-1942756	Kit	4.500S	3.500S	P	14
	S/N: 3AJ343-433					
Rear Suspension	CT-2460636	Kit	4.500S	3.500S	P	14
	S/N: 3AJ434-UP					
	CT-1045008	Kit	4.500S	4.000S	I	14
	S/N: 3AJ1-304					
	BD-7601003	Kit	4.500S	4.000S	I	14
	S/N: 3AJ1-304 Use with 1376178 Cylinder					
	CT-1045008	Kit	4.500S	4.000S	I	14
	S/N: 3AJ305-UP Use with 2U9448 Cylinder					
	BD-763499	Kit	4.500S	4.000S	P	14
	S/N: 3AJ305-UP Use with 2U9448 Cylinder					
Steering	BD-7631003	Kit	4.500S	4.000S	P	14
	S/N: 3AJ305-UP Use with 1368994 Cylinder					
	CT-6U9552	Kit	4.500S	2.000S	I	16
	S/N: 3AJ1-304					
	CT-1857699	Kit	4.500S	2.000S	I	16
	S/N: 3AJ305-UP					

CATERPILLAR® (REFERENCED BY OEM PART NUMBERS)

Application	Part Number	Description	Bore	Rod	Wiper	Type
D35C,D35CHP ARTICULATED TRUCK						
Truck S/N: 2GD1-UP,3FD1-UP						
Hoist	CT-5U7775	Kit	5.500S	3.500S	I	13
Front Suspension	CT-5U5413	Kit	4.500S	3.500S	I	14
	S/N: 2GD1-71,3FD1-41,3FD45-45,3FD46-46,3FD48-55					
	CT-1045008	Kit	4.500S	4.000S	I	14
S/N: 2GD72-UP,3FD42-44,3FD47-47,3FD56-UP						
Rear Suspension	CT-6U4788	Kit	5.500S	3.500S	I	16
Steering	CT-6U9552	Kit	4.500S	2.000S	I	16
D40D ARTICULATED TRUCK						
Truck S/N: 2JJ1-UP						
Hoist	CT-7U5074	Kit	5.250S	2.750S	I	13
Front Suspension	CT-7U2662	Kit	4.500S	3.500S	I	14
	S/N: 2JJ1-86					
	CT-2U7391	Kit	4.500S	3.500S	I	14
	S/N: 2JJ87-100					
	CT-1417975	Kit	4.500S	3.500S	P	14
S/N: 2JJ101-UP						
Rear Suspension	CT-6U4788	Kit	5.500S	3.500S	I	16
Steering	CT-6U9552	Kit	4.500S	2.000S	I	16
	S/N: 2JJ1-86					
	CT-1857699	Kit	4.500S	2.000S	I	16
S/N: 2JJ87-UP						
D44B ARTICULATED TRUCK						
Truck S/N: 8SD1-UP						
Front Suspension	CT-6U4788	Kit	5.500S	3.500S	I	16
	S/N: 8SD326-UP					
Rear Suspension	CT-6U4788	Kit	5.500S	3.500S	I	16
Steering	CT-6U4788	Kit	5.500S	3.500S	I	16
D250B ARTICULATED TRUCK						
Truck S/N: 5WD1-550						
Hoist	CT-5U7775	Kit	5.500S	3.500S	I	13
Front Suspension	CT-7U6672	Kit	4.000S	3.500S	I	14
	S/N: 5WD1-496					
	CT-7U8133	Kit	4.000S	3.500S	I	14
S/N: 5WD497-UP						
Rear Suspension	CT-7U6672	Kit	4.000S	3.500S	I	14
	S/N: 5WD1-496					
	CT-7U8133	Kit	4.000S	3.500S	I	14
S/N: 5WD497-UP						
Steering	CT-6U9552	Kit	4.500S	2.000S	I	16
	S/N: 5WD1-501					
	CT-1857699	Kit	4.500S	2.000S	I	16
S/N: 5WD502-UP						

CATERPILLAR® (REFERENCED BY OEM PART NUMBERS)

429

Application	Part Number	Description	Bore	Rod	Wiper	Type
D250D ARTICULATED TRUCK						
Truck S/N: 6NG1-UP						
Hoist	CT-1915027	Kit	4.000S	2.750S	I	13
	CT-2440971	Kit	4.000S	2.750S	P	13
Front Suspension	CT-2463425	Kit	4.500S	4.000S	P	14
	CT-7U8133	Kit	4.000S	3.500S	I	14
Steering	CT-7U7625	Kit	3.500S	1.750S	I	15
D250E ARTICULATED TRUCK						
Truck S/N: 5TN1-UP,4PS1-UP						
Hoist	CT-7U8075	Kit	4.000S	2.750S	I	13
	S/N: 5TN1-548					
	CT-2440971	Kit	4.000S	2.750S	P	13
	S/N: 5TN1-548					
	CT-2440976	Kit	4.000S	3.000S	P	13
	S/N: 5TN549-UP					
Front Suspension	BD-6921022	Kit	4.500S	3.000S	P	13
	S/N: 4PS					
	CT-2463425	Kit	4.500S	4.000S	P	14
Steering	S/N: 5TN					
	BD-740839	Kit	150.00M	4.500S	P	14
	S/N: 4PS					
Hoist	CT-1857687	Kit	4.000S	2.000S	I	23
	S/N: 5TN					
	BD-647492	Kit	4.000S	2.000S	P	15
	S/N: 5TN1143-UP					
Front Suspension	CT-2281778	Kit	3.500S	2.000S	P	23
	S/N: 4PS					
Tailgate	CT-2384462	Kit	3.000S	2.000S	P	15
S/N: 5TN1500-UP,4PS						
D300B ARTICULATED TRUCK						
Truck S/N: 4SD1-UP						
Hoist	CT-5U7775	Kit	5.500S	3.500S	I	13
Front Suspension	CT-7U6672	Kit	4.000S	3.500S	I	14
	S/N: 4SD1-509,4SD511-511,4SD513-513,4SD517-517					
	CT-7U8133	Kit	4.000S	3.500S	I	14
Rear Suspension	S/N: 4SD510-510,4SD512-512,4SD514-516,4SD518-UP					
	CT-7U6672	Kit	4.000S	3.500S	I	14
	S/N: 4SD1-509,4SD511-511,4SD513-513,4SD517-517					
Steering	CT-7U8133	Kit	4.000S	3.500S	I	14
	S/N: 4SD510-510,4SD512-512,4SD514-516,4SD518-UP					
Hoist	CT-6U9552	Kit	4.500S	2.000S	I	16
	S/N: 4SD1-559					
	CT-1857699	Kit	4.500S	2.000S	I	16
S/N: 4SD560-UP						

NORTH AMERICA
PHONE 800.854.0275
FAX 813.559.8698



WORLDWIDE
PHONE 813.559.8650
FAX 813.559.8698

CATERPILLAR® (REFERENCED BY OEM PART NUMBERS)

Application	Part Number	Description	Bore	Rod	Wiper	Type
D300D ARTICULATED TRUCK						
Truck S/N: 5MG1-UP						
Hoist	CT-7U8697	Kit	5.000S	3.500S	I	13
	S/N: 5MG1-179					
	CT-1034518	Kit	5.000S	3.500S	I	13
	S/N: 5MG180-UP					
Front Suspension	CT-7U8133	Kit	4.000S	3.500S	I	14
Rear Suspension	CT-7U8133	Kit	4.000S	3.500S	I	14
Steering	CT-1857687	Kit	4.000S	2.000S	I	23
D300E ARTICULATED TRUCK						
Truck S/N: 7FN1-UP,5KS1-UP						
Hoist	CT-2456840	Kit	4.500S	3.500S	P	13
	S/N: 7FN					
	CT-1034518	Kit	5.000S	3.500S	I	13
	S/N: 7FN					
	BD-6921009	Kit	5.000S	3.000S	P	13
	S/N: 5KS					
Front Suspension	CT-2463425	Kit	4.500S	4.000S	P	14
	S/N: 7FN					
	BD-740839	Kit	150.00M	4.500S	P	14
S/N: 5KS						
Steering	CT-1857687	Kit	4.000S	2.000S	I	23
	S/N: 7FN					
	BD-647492	Kit	4.000S	2.000S	P	15
	S/N: 7FN547-UP					
	CT-2281778	Kit	3.500S	2.000S	P	23
	S/N: 5KS					
Tailgate	CT-2384462	Kit	3.000S	2.000S	P	15
S/N: 5KS						
D350C ARTICULATED TRUCK						
Truck S/N: 8XC1-UP						
Hoist	CT-5U7775	Kit	5.500S	3.500S	I	13
Front Suspension	CT-5U5413	Kit	4.500S	3.500S	I	14
	S/N: 8XC1-119,8XC121-121,8XC123-123,8XC127-132,8XC134-134					
	CT-1045008	Kit	4.500S	4.000S	I	14
S/N: 8XC120-120,8XC122-122,8XC124-126,8XC133-133,8XC135-UP						
Rear Suspension	CT-5U5413	Kit	4.500S	3.500S	I	14
	S/N: 8XC1-121					
	CT-1045008	Kit	4.500S	4.000S	I	14
S/N: 8XC122-UP						
Steering	CT-6U9552	Kit	4.500S	2.000S	I	16

CATERPILLAR® (REFERENCED BY OEM PART NUMBERS)

Application	Part Number	Description	Bore	Rod	Wiper	Type
D350D ARTICULATED TRUCK						
Truck S/N: 9RF1-UP						
Hoist	CT-5U7775	Kit	5.500S	3.500S	I	13
Front Suspension	CT-7U2662	Kit	4.500S	3.500S	I	14
	S/N: 9RF1-281					
	CT-2U7391	Kit	4.500S	3.500S	I	14
	S/N: 9RF282-544					
Rear Suspension	CT-1942756	Kit	4.500S	3.500S	P	14
	S/N: 9RF545-UP					
	CT-7U2486	Kit	4.500S	4.000S	I	14
Steering	S/N: 9RF1-207					
	CT-1045008	Kit	4.500S	4.000S	I	14
	S/N: 9RF208-UP					
Hoist	CT-6U9552	Kit	4.500S	2.000S	I	16
	S/N: 9RF1-339					
	CT-7U9545	Kit	4.500S	2.000S	I	16
	S/N: 9RF340-UP					
D350E ARTICULATED TRUCK						
Truck S/N: 9LR1-UP,2XW1-UP						
Hoist	CT-5U7775	Kit	5.500S	3.500S	I	13
	S/N: 9LR					
	CT-2456825	Kit	5.500S	3.500S	P	13
	S/N: 9LR					
Front Suspension	BD-7301009	Kit	5.000S	3.500S	P	13
	S/N: 2XW					
	CT-1942756	Kit	4.500S	3.500S	P	14
	S/N: 9LR1-976					
	CT-2460636	Kit	4.500S	3.500S	P	14
Rear Suspension	S/N: 9LR997-UP					
	BD-740839	Kit	150.00M	4.500S	P	14
	S/N: 2XW					
	CT-1045008	Kit	4.500S	4.000S	I	14
Steering	S/N: 9LR1-352					
	BD-763499	Kit	4.500S	4.000S	P	14
	S/N: 9LR1-352					
	CT-2463426	Kit	4.500S	4.000S	P	14
	S/N: 9LR353-UP					
Tailgate	CT-1857699	Kit	4.500S	2.000S	I	16
	S/N: 9LR1-444,9LR448-456					
	BD-6471000	Kit	4.500S	2.000S	P	16
	S/N: 9LR1-349					
	CT-2409942	Kit	4.500S	2.000S	P	15
	S/N: 9LR445-447,9LR457-UP					
Tailgate	BD-264391	Kit	4.500S	55.00M	P	15
	S/N: 2XW					

CATERPILLAR® (REFERENCED BY OEM PART NUMBERS)

Application	Part Number	Description	Bore	Rod	Wiper	Type
D400 ARTICULATED TRUCK						
Truck S/N: 1MD1-UP						
Hoist	CT-5U7775	Kit	5.500S	3.500S	I	13
Front Suspension	CT-5U5413	Kit	4.500S	3.500S	I	14
	S/N: 1MD1-69					
	CT-1045008	Kit	4.500S	4.000S	I	14
Rear Suspension	CT-5U5413	Kit	4.500S	3.500S	I	14
	S/N: 1MD1-71					
	CT-1045008	Kit	4.500S	4.000S	I	14
Steering	S/N: 1MD70-UP					
	CT-6U9552	Kit	4.500S	2.000S	I	16
D400D ARTICULATED TRUCK						
Truck S/N: 8TF1-UP						
Hoist	CT-5U7775	Kit	5.500S	3.500S	I	13
Front Suspension	CT-7U2662	Kit	4.500S	3.500S	I	14
	S/N: 8TF1-261					
	CT-2U7391	Kit	4.500S	3.500S	I	14
	S/N: 8TF262-923					
	CT-1417975	Kit	4.500S	3.500S	P	14
Rear Suspension	S/N: 8TF924-UP					
	CT-7U2486	Kit	4.500S	4.000S	I	14
	S/N: 8TF1-174					
Steering	CT-1045008	Kit	4.500S	4.000S	I	14
	S/N: 8TF175-UP					
	CT-6U9552	Kit	4.500S	2.000S	I	16
Steering	S/N: 8TF1-367					
	CT-1857699	Kit	4.500S	2.000S	I	16
	S/N: 8TF368-UP					
D400E ARTICULATED TRUCK						
Truck S/N: 2YR1-UP,8PS1-UP,APF1-UP						
Hoist	CT-5U7775	Kit	5.500S	3.500S	I	13
	S/N: 2YR1-534					
	CT-2456825	Kit	5.500S	3.500S	P	13
	S/N: 2YR535-UP					
Front Suspension	BD-7301012	Kit	5.500S	3.500S	P	13
	S/N: 8PS					
	CT-1942756	Kit	4.500S	3.500S	P	14
	S/N: 2YR1-1098					
Rear Suspension	CT-2460636	Kit	4.500S	3.500S	P	14
	S/N: 2YR1099-UP					
	BD-740839	Kit	150.00M	4.500S	P	14
Rear Suspension	S/N: 8PS,APF					
	CT-1045008	Kit	4.500S	4.000S	I	14
	S/N: 2YR1-588					
	BD-763499	Kit	4.500S	4.000S	P	14
Rear Suspension	S/N: 2YR1-588					

CATERPILLAR® (REFERENCED BY OEM PART NUMBERS)

Application	Part Number	Description	Bore	Rod	Wiper	Type
D400E ARTICULATED TRUCK (continued)						
Rear Suspension (cont)	CT-2463426	Kit	4.500S	4.000S	P	14
S/N:	2YR589-UP					
Steering	CT-1857699	Kit	4.500S	2.000S	I	16
S/N:	2YR1-733					
	BD-6471000	Kit	4.500S	2.000S	P	16
S/N:	2YR1-558					
	CT-2409942	Kit	4.500S	2.000S	P	15
S/N:	2YR734-UP					
	BD-264391	Kit	4.500S	55.00M	P	15
S/N:	8PS,APF					
Tailgate	CT-7X2760	Kit	3.000S	2.000S	P	15
D550B ARTICULATED TRUCK						
Truck S/N: 5ND1-UP						
Front Suspension	CT-6U4788	Kit	5.500S	3.500S	I	16
S/N:	5ND219-UP					
Rear Suspension	CT-6U4788	Kit	5.500S	3.500S	I	16
S/N:	5ND219-UP					
Steering	CT-6U4788	Kit	5.500S	3.500S	I	16
814 WHEEL DOZER						
Tractor S/N: 90P1-UP,14R1-UP Bulldozer S/N: 56D1-UP,23K1-UP						
Steering	BD-506105	Kit	4.000S	2.000S	P	4
S/N:	90P1-123 LH Side Only					
	BD-505105	Kit	4.000S	2.000S	P	5
S/N:	90P1-123 RH Side Only					
	CT-2378277	Kit	4.000S	2.000S	P	5
S/N:	90P124-UP,14R					
Lift	CT-2285271	Kit	4.750S	2.500S	P	22
Tilt	CT-2386718	Kit	4.500S	4.000S	P	5
Tip	BD-505115	Kit	4.500S	2.000S	P	5
	Use with 7J7284 Piston					
	BD-505119	Kit	4.500S	2.000S	P	5
	Use with 1U0565 Piston					
	BD-508123	Kit	5.000S	2.250S	P	5

CATERPILLAR® (REFERENCED BY OEM PART NUMBERS)

Application	Part Number	Description	Bore	Rod	Wiper	Type
814B WHEEL DOZER						
Tractor S/N: 16Z1-UP Bulldozer S/N: 36S1-UP						
Steering	CT-2406899	Kit	4.000S	2.000S	P	5
	S/N: 16Z1-274					
	CT-2339205	Kit	4.000S	2.000S	P	15
	S/N: 16Z275-323					
S/N: 16Z324-UP	CT-2409538	Kit	4.000S	2.000S	P	23
	S/N: 16Z324-UP					
Lift	CT-2285271	Kit	4.750S	2.500S	P	22
	CT-2285272	Kit	4.750S	2.500S	P	23
Tilt & Pitch	CT-7X2805	Kit	4.500S	2.000S	P	5
Tip	CT-2378277	Kit	4.000S	2.000S	P	5
	CT-2409941	Kit	4.000S	2.000S	P	15
814F WHEEL DOZER						
Tractor S/N: 9DM1-UP Bulldozer S/N: 3YP114-UP						
Steering	CT-2409538	Kit	4.000S	2.000S	P	23
Lift	CT-2285272	Kit	4.750S	2.500S	P	23
Tilt & Pitch	CT-7X2805	Kit	4.500S	2.000S	P	5
Tip	CT-2409941	Kit	4.000S	2.000S	P	15
815 COMPACTOR						
Tractor S/N: 91P1-UP,15R1-UP Bulldozer S/N: 59E1-UP,24K1-UP						
Steering	BD-506105	Kit	4.000S	2.000S	P	4
	S/N: 91P1-152 LH Side Only					
	BD-505105	Kit	4.000S	2.000S	P	5
	S/N: 91P1-152 RH Side Only					
S/N: 91P153-UP,15R	CT-2378277	Kit	4.000S	2.000S	P	5
	S/N: 91P153-UP,15R					
Lift	BD-506105	Kit	4.000S	2.000S	P	4
	S/N: 24K1-597					
	BD-505105	Kit	4.000S	2.000S	P	5
	S/N: 24K1-597					
S/N: 59E,24K598-UP	CT-2378277	Kit	4.000S	2.000S	P	5
	S/N: 59E,24K598-UP					

Application	Part Number	Description	Bore	Rod	Wiper	Type
815B COMPACTOR						
Tractor S/N: 17Z1-UP Bulldozer S/N: 39S1-UP						
Steering	CT-2406899	Kit	4.000S	2.000S	P	5
	S/N: 17Z1-706					
	CT-2339205	Kit	4.000S	2.000S	P	15
	S/N: 17Z707-1415					
S/N: 17Z1416-UP	CT-2409538	Kit	4.000S	2.000S	P	23
	S/N: 17Z1416-UP					
Lift	CT-2406899	Kit	4.000S	2.000S	P	5
	CT-2339205	Kit	4.000S	2.000S	P	15
Tilt	CT-2378277	Kit	4.000S	2.000S	P	5
	CT-2409941	Kit	4.000S	2.000S	P	15
815F COMPACTOR						
Tractor S/N: 1GN1-UP Bulldozer S/N: 39S586-UP						
Steering	CT-2409538	Kit	4.000S	2.000S	P	23
Lift	CT-2339205	Kit	4.000S	2.000S	P	15
Tilt	CT-2409941	Kit	4.000S	2.000S	P	15
816 COMPACTOR						
Tractor S/N: 57U1-UP						
Steering	CT-2378277	Kit	4.000S	2.000S	P	5
Lift	BD-506115	Kit	4.500S	2.000S	P	4
	Use with 4J4600 Piston					
	CT-2386882	Kit	4.500S	2.000S	P	4
S/N: 57U198-UP	Use with 3G9939 Piston					
816B COMPACTOR						
Tractor S/N: 15Z1-UP Bulldozer S/N: 41S1-UP						
Steering	CT-2406899	Kit	4.000S	2.000S	P	5
	S/N: 15Z1-622					
	CT-2339205	Kit	4.000S	2.000S	P	15
	S/N: 15Z623-1269					
S/N: 15Z1270-UP	CT-2409538	Kit	4.000S	2.000S	P	23
	S/N: 15Z1270-UP					
Lift	CT-2285271	Kit	4.750S	2.500S	P	22
	CT-2285272	Kit	4.750S	2.500S	P	23

CATERPILLAR® (REFERENCED BY OEM PART NUMBERS)

Application	Part Number	Description	Bore	Rod	Wiper	Type	
816F COMPACTOR							
Tractor S/N: 5FN1-UP Bulldozer S/N: 3ZP1-UP							
Steering	CT-2409538	Kit	4.000S	2.000S	P	23	
Lift	CT-2285272	Kit	4.750S	2.500S	P	23	
824,824B WHEEL DOZER							
Tractor S/N: 29G1-UP,36H1-UP Bulldozer S/N: 35G1-UP,64G1-UP,93G1-UP,88H1-UP Ripper S/N: 79G1-UP							
Steering	CT-7S2727	Kit	5.000S	2.250S	P	4	
	S/N: 29G,36H1-343						
	BD-511120	Kit	5.000S	2.250S	I	4	
	S/N: 36H344-439						
	CT-7S2727	Kit	5.000S	2.250S	P	4	
	S/N: 36H344-439						
	Field replacement						
	CT-7S2727	Kit	5.000S	2.250S	P	4	
S/N: 36H440-959							
Ripper	CT-2410895	Kit	5.000S	2.250S	P	15	
	S/N: 36H960-UP						
	BD-515126	Kit	5.500S	2.500S	P	4	
S/N: 36H							
Lift	CT-2430381	Kit	5.500S	2.500S	P	5	
	S/N: 36H						
	CT-2422554	Kit	6.500S	2.500S	P	4	
Dozer S/N: 35G,64G,88H							
Tilt	BD-506115	Kit	4.500S	2.000S	P	4	
	Dozer S/N: 93G, Use with 4J4600 Piston						
	CT-2386882	Kit	4.500S	2.000S	P	4	
	Dozer S/N: 93G, Use with 3G9939 Piston						
Tip	CT-2422555	Kit	6.000S	2.500S	P	4	
	Dozer S/N: 35G						
Tilt & Pitch	CT-2422555	Kit	6.500S	2.500S	P	4	
	Dozer S/N: 64G						
Tilt & Pitch	CT-2422557	Kit	6.000S	2.500S	P	4	
	Dozer S/N: 64G, 2 kits required						

CATERPILLAR® (REFERENCED BY OEM PART NUMBERS)

Application	Part Number	Description	Bore	Rod	Wiper	Type
824C WHEEL DOZER						
Tractor S/N: 85X1-UP Bulldozer S/N: 35G1598-UP						
Steering	CT-2410895	Kit	5.000S	2.250S	P	15
	Use with 7J5525 Piston					
	CT-2417578	Kit	5.000S	2.250S	P	23
	S/N: 85X1194-UP	Use with 9T8563 Piston				
Lift	CT-2422554	Kit	6.500S	2.500S	P	4
	S/N: 85X1-1193	Dozer S/N: 35G1598-2103				
	CT-2430381	Kit	5.500S	2.500S	P	5
	CT-2422539	Kit	5.500S	2.500S	P	15
	S/N: 85X1194-UP	Dozer S/N: 35G2104-Up				
Tilt	CT-2422555	Kit	6.500S	2.500S	P	4
	RH Side Only					
	CT-2422541	Kit	6.500S	2.500S	P	15
RH Side Only						
Tip	CT-2422557	Kit	6.000S	2.500S	P	4
	LH Side Only					
	CT-2422540	Kit	6.000S	2.500S	P	15
	LH Side Only					
824G WHEEL DOZER						
Tractor S/N: 4SN1-UP Bulldozer S/N: 2HP1-UP						
Steering	CT-2435806	Kit	4.500S	2.500S	P	23
Lift	CT-2275349	Kit	4.750S	3.000S	P	23
Tilt	CT-2435802	Kit	5.250S	2.500S	P	23
	Tilt and Tip arrangement					
	CT-1316117	Kit	6.250S	3.500S	P	15
Scoop arrangement						
825B COMPACTOR						
Tractor S/N: 43N1-UP Bulldozer S/N: 93G1-UP						
Steering	CT-7S2727	Kit	5.000S	2.250S	P	4
	S/N: 43N1-514					
	CT-2410895	Kit	5.000S	2.250S	P	15
S/N: 43N515-UP						
Lift	BD-506115	Kit	4.500S	2.000S	P	4
	Use with 4J4600 Piston					
	CT-2386882	Kit	4.500S	2.000S	P	4
Use with 3G9939 Piston						

CATERPILLAR® (REFERENCED BY OEM PART NUMBERS)

Application	Part Number	Description	Bore	Rod	Wiper	Type
825C COMPACTOR						
Tractor S/N: 86X1-UP Bulldozer S/N: 89X1-UP						
Steering	CT-2410895	Kit	5.000S	2.250S	P	15
	Use with 7J5525 Piston					
	CT-2417578	Kit	5.000S	2.250S	P	23
S/N: 86X731-UP Use with 9T8563 Piston						
Lift	CT-2386718	Kit	4.500S	4.000S	P	5
Tilt	CT-2386718	Kit	4.500S	4.000S	P	5
825G COMPACTOR						
Tractor S/N: 6RN1-UP Bulldozer S/N: 4JP1-UP						
Steering	CT-2435806	Kit	4.500S	2.500S	P	23
Lift	CT-2350969	Kit	3.750S	2.250S	P	15
Tilt	CT-2409518	Kit	3.750S	2.000S	P	15
826B COMPACTOR						
Tractor S/N: 58U1-UP						
Steering	CT-2410895	Kit	5.000S	2.250S	P	15
Lift	CT-2386718	Kit	4.500S	4.000S	P	5
826C COMPACTOR						
Tractor S/N: 87X1-UP Bulldozer S/N: 97X1-UP						
Steering	CT-2410895	Kit	5.000S	2.250S	P	15
	Use with 7J5525 Piston					
	CT-2417578	Kit	5.000S	2.250S	P	23
S/N: 87X587-UP Use with 9T8563 Piston						
Lift	CT-2430381	Kit	5.500S	2.500S	P	5
	CT-2422539	Kit	5.500S	2.500S	P	15
S/N: 87X587-UP						
826G COMPACTOR						
Tractor S/N: 7LN1-UP Bulldozer S/N: 2GP1-UP						
Steering	CT-2435806	Kit	4.500S	2.500S	P	23
Lift	CT-2275349	Kit	4.750S	3.000S	P	23

CATERPILLAR® (REFERENCED BY OEM PART NUMBERS)

Application	Part Number	Description	Bore	Rod	Wiper	Type	
834 COMPACTOR/WHEEL DOZER							
Tractor S/N: 43E1-UP Bulldozer S/N: 36G1-UP,64G1-UP,93G1-UP							
Steering	CT-7S2727	Kit	5.000S	2.250S	P	4	
	S/N: 43E1-338						
	BD-511120	Kit	5.000S	2.250S	I	4	
	S/N: 43E339-361						
	CT-7S2727	Kit	5.000S	2.250S	P	4	
	S/N: 43E339-361	Field replacement					
	CT-7S2727	Kit	5.000S	2.250S	P	4	
	S/N: 43E362-464						
Lift	CT-2422554	Kit	6.500S	2.500S	P	4	
	S/N: 43E465-UP						
	Dozer S/N: 36G,64G						
	BD-506115	Kit	4.500S	2.000S	P	4	
	Dozer S/N: 93G, Use with 4J4600 Piston						
	CT-2386882	Kit	4.500S	2.000S	P	4	
	Dozer S/N: 93G, Use with 3G9939 Piston						
	Tilt	CT-2422555	Kit	6.500S	2.500S	P	4
Dozer S/N: 36G, RH Side Only							
Tip	CT-2422557	Kit	6.000S	2.500S	P	4	
	Dozer S/N: 36G, LH Side Only						
	CT-2422555	Kit	6.500S	2.500S	P	4	
	Dozer S/N: 64G						
Tilt & Pitch	CT-2422557	Kit	6.000S	2.500S	P	4	
	Dozer S/N: 64G, 2 kits required						
834B WHEEL DOZER							
Tractor S/N: 92Z1-UP,7BR1-UP Bulldozer S/N: 14B1-UP,96G1-UP							
Steering	CT-2410895	Kit	5.000S	2.250S	P	15	
	S/N: 92Z1-323						
	CT-2410895	Kit	5.000S	2.250S	P	15	
	S/N: 92Z324-UP	Use with 7J5525 Piston					
	CT-2417578	Kit	5.000S	2.250S	P	23	
	S/N: 92Z324-UP,7BR	Use with 9T8563 Piston					
Lift	CT-2422554	Kit	6.500S	2.500S	P	4	
	S/N: 92Z						
	CT-2435803	Kit	6.500S	2.500S	P	15	
Tilt	CT-2422555	Kit	6.500S	2.500S	P	4	
	S/N: 92Z	RH Side Only					
	CT-2422541	Kit	6.500S	2.500S	P	15	
	RH Side Only						
Tip	CT-2422557	Kit	6.000S	2.500S	P	4	
	S/N: 92Z	LH Side Only					

CATERPILLAR® (REFERENCED BY OEM PART NUMBERS)

Application	Part Number	Description	Bore	Rod	Wiper	Type
834B WHEEL DOZER						
(continued)						
Tip (cont)	CT-2422540	Kit	6.000S	2.500S	P	15
	LH Side Only					
835 COMPACTOR						
Tractor S/N: 44N1-UP Bulldozer S/N: 27K1-UP						
Steering	CT-2410895	Kit	5.000S	2.250S	P	15
Lift	BD-506115	Kit	4.500S	2.000S	P	4
836 COMPACTOR						
Tractor S/N: 3RL1-UP,7FR1-UP						
Steering	CT-2417578	Kit	5.000S	2.250S	P	23
Lift	CT-2435803	Kit	6.500S	2.500S	P	15
	S/N: 3RL					
	CT-2450597	Kit	6.500S	3.250S	P	23
Accumulator	BD-990006	Kit	5.000S		N	0
836G COMPACTOR						
Tractor S/N: 7MZ1-UP						
Steering	CT-2440972	Kit	5.000S	2.750S	P	23
Lift	CT-2959892	Kit	5.500S	3.500S	P	23
844 WHEEL DOZER						
Tractor S/N: 2KZ1-UP						
Steering	CT-2297191	Kit	5.500S	3.250S	P	23
Lift	CT-2442065	Kit	5.250S	3.000S	P	23
Tilt	CT-2456835	Kit	8.250S	3.500S	P	23
854G WHEEL DOZER						
Tractor S/N: 1JW1-UP,AMP1-UP						
Steering	CT-2297191	Kit	5.500S	3.250S	P	23
Lift	CT-2295507	Kit	7.000S	4.000S	P	23
Tilt	CT-2460649	Kit	10.500S	4.000S	P	23
CP-643,CS-643,CP-653,CS-653 VIBRATORY COMPACTOR						
Compactor S/N: 7FD1-UP,7GD1-UP,7HD1-UP,7JD1-UP						
Steering	CT-2401881	Kit	3.500S	1.750S	P	23
IT12,IT12B,IT12F INTEGRATED TOOLCARRIER						
Toolcarrier S/N: 2YC1-UP,4NC1-UP,1KF1-UP						
Lift	CT-2406869	Kit	3.750S	2.000S	P	5
	S/N: 2YC,4NC					
	CT-2342591	Kit	4.000S	2.250S	P	15
	S/N: 1KF1-819					
	CT-2350355	Kit	3.500S	2.250S	P	23
	S/N: 1KF820-UP					
Tilt	CT-2401671	Kit	3.250S	1.750S	P	5
	S/N: 2YC,4NC					
	CT-2281778	Kit	3.500S	2.000S	P	23
	S/N: 1KF1-819					

Application	Part Number	Description	Bore	Rod	Wiper	Type
IT12,IT12B,IT12F INTEGRATED TOOLCARRIER						
(continued)						
Tilt (cont)	CT-2275350	Kit	3.000S	1.750S	P	15
S/N:	1KF820-UP					
Steering	CT-2465912	Kit	2.750S	1.500S	P	5
S/N:	2YC,4NC					
	CT-2465909	Kit	2.750S	1.500S	P	15
S/N:	2YC,4NC,1KF1-70					
	CT-2339204	Kit	2.750S	1.500S	P	23
S/N:	1KF71-819					
	CT-2342595	Kit	2.750S	1.750S	P	15
S/N:	1KF820-UP					
IT14B INTEGRATED TOOLCARRIER						
Toolcarrier S/N: 3NJ1-UP						
Lift	CT-2342591	Kit	4.000S	2.250S	P	15
Tilt	CT-2281778	Kit	3.500S	2.000S	P	23
Steering	CT-2465909	Kit	2.750S	1.500S	P	15
S/N:	3NJ1-44					
	CT-2339204	Kit	2.750S	1.500S	P	23
S/N:	3NJ45-UP					
IT14F INTEGRATED TOOLCARRIER						
Toolcarrier S/N: 4EL1-UP						
Lift	CT-2350355	Kit	3.500S	2.250S	P	23
Tilt	CT-2275350	Kit	3.000S	1.750S	P	15
Steering	CT-2402482	Kit	2.750S	1.750S	P	15
IT14G INTEGRATED TOOLCARRIER						
Toolcarrier S/N: 8ZM1-UP,1WN1-UP						
Lift	CT-2350355	Kit	3.500S	2.250S	P	23
Tilt	CT-2350353	Kit	3.000S	1.750S	P	23
Steering	CT-2342592	Kit	2.500S	1.500S	P	15
IT18,IT18B INTEGRATED TOOLCARRIER						
Toolcarrier S/N: 7ZB1-UP,9NB1-UP,4ZD1-UP,1DF1-UP,2NJ340-UP						
Lift	CT-2410898	Kit	4.250S	2.250S	P	5
S/N:	7ZB1-1112,9NB1-1076					
	CT-2417579	Kit	4.250S	2.250S	P	15
S/N:	7ZB1113-UP,9NB1077-UP					
	CT-2285272	Kit	4.750S	2.500S	P	23
S/N:	4ZD,1DF,2NJ					
Tilt	CT-2422548	Kit	4.000S	2.500S	P	15
S/N:	7ZB,9NB					
	CT-2339205	Kit	4.000S	2.000S	P	15
S/N:	4ZD,1DF,2NJ					
Steering	CT-2465922	Kit	3.000S	1.500S	P	5
S/N:	7ZB,9NB,4ZD,1DF1-914					
	CT-2465913	Kit	3.000S	1.500S	P	15
S/N:	9NB,1DF915-UP,2NJ					

CATERPILLAR® (REFERENCED BY OEM PART NUMBERS)

Application	Part Number	Description	Bore	Rod	Wiper	Type
IT18F INTEGRATED TOOLCARRIER						
Toolcarrier S/N: 6ZF1-UP,5EJ1-UP						
Lift	CT-2430398	Kit	4.750S	2.500S	P	23
	Use with 9T3609 Head					
	CT-2341948	Kit	4.750S	2.500S	P	23
	S/N: 5EJ	Use with 1206679 Head				
Tilt	CT-2339205	Kit	4.000S	2.000S	P	15
Steering	CT-2339204	Kit	2.750S	1.500S	P	23
IT24F INTEGRATED TOOLCARRIER						
Toolcarrier S/N: 4NN1-UP,6KN1-UP						
Lift	CT-2430398	Kit	4.750S	2.500S	P	23
	S/N: 4NN1-704,6KN1-704	Use with 9T3609 Head				
	CT-2341948	Kit	4.750S	2.500S	P	23
	S/N: 6KN1-704	Use with 1206679 Head				
	CT-2341948	Kit	4.750S	2.500S	P	23
	S/N: 4NN705-UP,6KN705-UP					
Tilt	CT-2339205	Kit	4.000S	2.000S	P	15
Steering	CT-2339204	Kit	2.750S	1.500S	P	23
IT28,IT28B INTEGRATED TOOLCARRIER						
Toolcarrier S/N: 8JB1-UP,2KC1-UP,5SD1-UP,1HF1-UP,1JK430-UP						
Lift	CT-2285271	Kit	4.750S	2.500S	P	22
	S/N: 8JB,2KC,5SD1-488,1HF					
	CT-2285272	Kit	4.750S	2.500S	P	23
	S/N: 5SD489-UP,1HF,1JK					
Tilt	CT-2422546	Kit	4.250S	2.500S	P	5
	S/N: 8JB,2KC,5SD,1HF					
	CT-2430393	Kit	4.250S	2.500S	P	15
S/N: 1HF,1JK						
Steering	CT-2465922	Kit	3.000S	1.500S	P	5
	S/N: 8JB,2KC,5SD1-843,1HF					
	CT-2465913	Kit	3.000S	1.500S	P	15
S/N: 5SD844-UP,1JK						

Application	Part Number	Description	Bore	Rod	Wiper	Type
IT28F,IT28G INTEGRATED TOOLCARRIER						
Toolcarrier S/N: 1JL1-UP,3CL1-UP,8CR1-UP,9AR1-UP						
Lift	CT-2430398	Kit	4.750S	2.500S	P	23
	S/N: 1JL,3CL	Use with 9T3609 Head				
	CT-2341948	Kit	4.750S	2.500S	P	23
	S/N: 1JL400-UP,3CL,8CR,9AR	Use with 1206679 Head				
Tilt	CT-2339205	Kit	4.000S	2.000S	P	15
Steering	CT-2339204	Kit	2.750S	1.500S	P	23
IT38F,IT38G INTEGRATED TOOLCARRIER						
Toolcarrier S/N: 6FN1-UP,5DR1-UP,7BS1-UP,1CW1-UP						
Lift	CT-2275349	Kit	4.750S	3.000S	P	23
Tilt	CT-2275348	Kit	4.500S	2.750S	P	23
Steering	CT-2275350	Kit	3.000S	1.750S	P	15
IT62G INTEGRATED TOOLCARRIER						
Toolcarrier S/N: 6PS1-UP,AKP1-UP						
Lift	CT-2959890	Kit	6.000S	3.000S	P	23
Tilt	CT-2281776	Kit	5.250S	3.000S	P	23
Steering	CT-2401881	Kit	3.500S	1.750S	P	23
	S/N: 6PS1-367	Use with 9T8790 Head				
	CT-3105478	Kit	3.500S	1.750S	P	23
	Use with 1537182 or 1630329 Head					
902 COMPACT WHEEL LOADER						
Loader S/N: 7ES1-UP						
Multi-Purpose Bucket	CT-2350354	Kit	3.000S	1.500S	P	15
906 COMPACT WHEEL LOADER						
Loader S/N: 6ZS1-UP						
Lift	BD-2641016	Kit	100.00M	55.00M	P	15
Multi-Purpose Bucket	CT-2350354	Kit	3.000S	1.500S	P	15
Side Dump	CT-2339204	Kit	2.750S	1.500S	P	23
908 COMPACT WHEEL LOADER						
Loader S/N: 8BS1-UP						
Lift	BD-7661015	Kit	115.00M	65.00M	P	15
Tilt	BD-2661016	Kit	100.00M	60.00M	P	15
Steering	BD-7651014	Kit	90.00M	40.00M	P	15
Side Dump	CT-2339204	Kit	2.750S	1.500S	P	23

CATERPILLAR® (REFERENCED BY OEM PART NUMBERS)

Application	Part Number	Description	Bore	Rod	Wiper	Type
910,G910 WHEEL LOADER						
Loader S/N: 80U1-UP,40Y1-UP,41Y1-UP,3SD1-UP,8GD1-UP						
Lift	CT-2406899	Kit	4.000S	2.000S	P	5
	CT-2339205	Kit	4.000S	2.000S	P	15
	S/N: 40Y,41Y,3SD,8GD					
Tilt	CT-2402016	Kit	3.000S	1.750S	P	5
	S/N: 80U,40Y,41Y					
	CT-2401671	Kit	3.250S	1.750S	P	5
	S/N: 40Y,41Y,3SD,8GD					
	CT-1857030	Kit	3.250S	1.750S	P	15
	S/N: 40Y,41Y,3SD,8GD					
Steering	CT-2465912	Kit	2.750S	1.500S	P	5
	S/N: 80U,40Y1-2965,41Y1-1120,3SD,8GD					
	CT-2465909	Kit	2.750S	1.500S	P	15
	S/N: 40Y2966-UP,41Y1121-UP,3SD,8GD					
Multi-Purpose Bucket	CT-2465914	Kit	3.500S	1.500S	P	22
	S/N: 80U,40Y,41Y					
910E,910F WHEEL LOADER						
Loader S/N: 1SF1-UP						
Lift	CT-2342591	Kit	4.000S	2.250S	P	15
	S/N: 1SF1-1103					
	CT-2350355	Kit	3.500S	2.250S	P	23
	S/N: 1SF1104-UP					
Tilt	CT-2430398	Kit	4.750S	2.500S	P	23
	S/N: 1SF1-1103					
	CT-2342591	Kit	4.000S	2.250S	P	15
	S/N: 1SF1104-UP					
Steering	CT-2465909	Kit	2.750S	1.500S	P	15
	S/N: 1SF1-122					
	CT-2339204	Kit	2.750S	1.500S	P	23
	S/N: 1SF123-1103					
	CT-2402482	Kit	2.750S	1.750S	P	15
	S/N: 1SF1104-UP					
910G WHEEL LOADER						
Loader S/N: AKR1-UP						
Lift	CT-2350355	Kit	3.500S	2.250S	P	23
Tilt	CT-2342591	Kit	4.000S	2.250S	P	15
Steering	CT-2342592	Kit	2.500S	1.500S	P	15

Application	Part Number	Description	Bore	Rod	Wiper	Type
914G WHEEL LOADER						
Loader S/N: 7ZM1-UP,9WM1-UP						
Lift	BD-662359	Kit	3.500S	2.250S	P	15
Tilt	CT-2342591	Kit	4.000S	2.250S	P	15
Steering	CT-2342592	Kit	2.500S	1.500S	P	15
916,G916 WHEEL LOADER						
Loader S/N: 2XB1-UP,9WB1-UP,5KC1-UP,5GD1-UP						
Lift	CT-2410898	Kit	4.250S	2.250S	P	5
	S/N: 2XB1-1226,9WB1-1248,5KC1-1251,5GD1-45					
	CT-2417579	Kit	4.250S	2.250S	P	15
	S/N: 2XB1227-UP,9WB1249-UP,5KC1252-UP,5GD46-UP					
Tilt	CT-2285271	Kit	4.750S	2.500S	P	22
	S/N: 2XB1-1314,9WB1-1384,5KC1-1195,5GD1-46					
	CT-2285272	Kit	4.750S	2.500S	P	23
	S/N: 2XB1315-UP,9WB1385-UP,5KC1196-UP,5GD47-UP					
Steering	CT-2465922	Kit	3.000S	1.500S	P	5
	S/N: 2XB,9WB1-1664,5KC1-1248,5GD					
	CT-2465913	Kit	3.000S	1.500S	P	15
	S/N: 2XB,9WB1665-UP,5KC1249-UP					
918F WHEEL LOADER						
Loader S/N: 3TJ1-UP,2CK1-UP,5DL1-UP						
Lift	CT-2418921	Kit	4.000S	2.250S	P	23
Tilt	CT-2435798	Kit	4.500S	2.500S	P	23
		Use with 6E1405 Head				
	CT-2310898	Kit	4.500S	2.500S	P	23
	S/N: 3TJ,2CK266-UP					
		Use with 1229842 Head				
Steering	CT-2339204	Kit	2.750S	1.500S	P	23
920 WHEEL LOADER						
Loader S/N: 41J1-UP,75J2157-UP,62K1-UP						
Lift	CT-2410898	Kit	4.250S	2.250S	P	5
Tilt	CT-2406899	Kit	4.000S	2.000S	P	5
Steering	CT-2465922	Kit	3.000S	1.500S	P	5
Multi-Purpose Bucket	CT-2406899	Kit	4.000S	2.000S	P	5
Side Dump	CT-2378277	Kit	4.000S	2.000S	P	5
Top Clamp	CT-2408513	Kit	4.000S	2.000S	P	4
	S/N: 41J,62K					

CATERPILLAR® (REFERENCED BY OEM PART NUMBERS)

Application	Part Number	Description	Bore	Rod	Wiper	Type
922A,922B WHEEL LOADER						
Loader S/N: 59A1-UP,63A1-UP,94A1-UP,88J1-UP Ripper S/N: 44F1-UP						
Lift	BD-507115	Kit	4.500S	2.000S	P	4
S/N:	59A2219-UP,63A502-UP,94A,88J					
Tilt	BD-507115	Kit	4.500S	2.000S	P	4
S/N:	59A2355-UP,63A526-UP,94A,88J					
Multi-Purpose Bucket	BD-507118	Kit	4.500S	2.000S	P	4
Side Dump	CT-2408513	Kit	4.000S	2.000S	P	4
Top Clamp	CT-2408513	Kit	4.000S	2.000S	P	4
S/N:	94A,88J					
Ripper	BD-507168	Kit	5.500S	2.000S	P	1
S/N:	94A,88J					
	CT-2430381	Kit	5.500S	2.500S	P	5
S/N:	94A,88J					
924F WHEEL LOADER						
Loader S/N: 4YN1-UP,5NN1-UP,6MN1-UP,7PN1-UP						
Lift	CT-2418921	Kit	4.000S	2.250S	P	23
Tilt	CT-2435798	Kit	4.500S	2.500S	P	23
S/N:	4YN1-637,5NN1-827,6MN1-637,7PN Use with 6E1405 Head					
	CT-2310898	Kit	4.500S	2.500S	P	23
S/N:	4YN638-UP,5NN,6MN,7PN Use with 1229842 Head					
Steering	CT-2339204	Kit	2.750S	1.500S	P	23
924G,924Gz WHEEL LOADER						
Loader S/N: 6YW1-UP,9SW1-UP,3DZ1-UP,3PZ1-UP,AAB1-UP,AAN1-UP						
Lift	CT-2341951	Kit	4.250S	2.500S	P	23
S/N:	6YW,3DZ,AAB					
	CT-2341949	Kit	4.000S	2.500S	P	15
S/N:	9SW,3PZ,AAN					
Tilt	CT-2341948	Kit	4.750S	2.500S	P	23
S/N:	6YW,3DZ,AAB					
	CT-2341950	Kit	5.250S	2.500S	P	23
S/N:	9SW,3PZ,AAN					
Steering	CT-2339204	Kit	2.750S	1.500S	P	23

Application	Part Number	Description	Bore	Rod	Wiper	Type
926,G926,926E WHEEL LOADER						
Loader S/N: 94Z1-UP,4NB1-UP,8NB1-UP,1SD1-UP						
Lift	CT-2285271	Kit	4.750S	2.500S	P	22
	S/N:	94Z1-2208,4NB1-1961,8NB1-2451,1SD1-67				
	CT-2285272	Kit	4.750S	2.500S	P	23
S/N:	94Z2209-UP,4NB1962-UP,8NB2452-UP,1SD68-UP					
Tilt	CT-2430383	Kit	5.500S	2.500S	P	5
	S/N:	94Z,4NB,8NB1-2451,8SD				
	CT-2430395	Kit	5.500S	2.500S	P	15
S/N:	94Z,8NB2452-UP,8SD					
Steering	CT-2465922	Kit	3.000S	1.500S	P	5
	S/N:	94Z1-2208,4NB1-2809,8NB1-2451,1SD				
	CT-2465913	Kit	3.000S	1.500S	P	15
S/N:	94Z2209-UP,4NB2810-UP,8NB2452-UP					
928F WHEEL LOADER						
Loader S/N: 8AK1-UP,2XL1-UP						
Lift	BD-642431	Kit	4.500S	2.500S	P	15
		Use with 6E1405 Head				
	CT-2310898	Kit	4.500S	2.500S	P	23
	Use with 1229842 Head					
Tilt	CT-2430398	Kit	4.750S	2.500S	P	23
		Use with 9T3609 Head				
	CT-2341948	Kit	4.750S	2.500S	P	23
	Use with 1206679 Head					
Steering	CT-2339204	Kit	2.750S	1.500S	P	23
928G WHEEL LOADER						
Loader S/N: 6XR1-UP,7SR1-UP						
Lift	CT-2341948	Kit	4.750S	2.500S	P	23
Tilt	CT-2275347	Kit	5.000S	2.500S	P	23
Steering	CT-2339204	Kit	2.750S	1.500S	P	23
930 WHEEL LOADER						
Loader S/N: 71H1-UP,79J1-UP,41K1-UP,73U1-UP						
Lift	CT-2410896	Kit	4.500S	2.250S	P	5
	S/N:	71H,79J1-7956,41K1-10159,73U1-2611				
	CT-2410897	Kit	4.500S	2.250S	P	5
S/N:	79J7957-UP,41K10160-UP,73U2612-UP					
Tilt	CT-2384501	Kit	4.250S	2.000S	P	5
Steering	CT-2465922	Kit	3.000S	1.500S	P	5
Multi-Purpose Bucket	CT-2406899	Kit	4.000S	2.000S	P	5
Side Dump	CT-2378277	Kit	4.000S	2.000S	P	5
Top Clamp	CT-2408513	Kit	4.000S	2.000S	P	4
	CT-2384487	Kit	5.000S	2.000S	P	4

CATERPILLAR® (REFERENCED BY OEM PART NUMBERS)

Application	Part Number	Description	Bore	Rod	Wiper	Type
930R,930T WHEEL LOADER						
Loader S/N: 17B220-UP,57Z1-UP						
Lift	CT-2410896	Kit	4.500S	2.250S	P	5
	S/N: 17B220-537,57Z1-1640 (RH Side) S/N: 17B220-544,57Z1-1651 (LH Side)					
	CT-2418919	Kit	4.500S	2.250S	P	15
	S/N: 17B538-Up,57Z1641-Up (RH Side) S/N: 17B545-Up,57Z1652-Up (LH Side)					
Tilt	CT-2384501	Kit	4.250S	2.000S	P	5
	S/N: 17B220-571 (RH Side), 17B220-559 (LH Side), S/N: 57Z1-1680					
	CT-2409938	Kit	4.250S	2.000S	P	15
	S/N: 17B572-Up (RH Side), 17B560-Up (LH Side), S/N: 57Z1681-Up					
Steering	CT-2465922	Kit	3.000S	1.500S	P	5
	S/N: 17B220-650,57Z633-1990					
	CT-2465923	Kit	3.000S	1.500S	P	15
	S/N: 17B651-UP,57Z1991-UP					
936,G936,936E,936F WHEEL LOADER						
Loader S/N: 33Z1-UP,45Z1-UP,4SB1-UP,3HD1-UP,4ND1-UP,8ED1-UP 8AJ1-UP,4TK1-UP,9MK1-UP						
Lift	CT-2285273	Kit	5.500S	2.500S	P	15
Tilt	CT-2435812	Kit	6.500S	2.750S	P	23
Steering	CT-2401661	Kit	3.500S	1.750S	P	22
	S/N: 33Z1-3090,45Z1-2565,4SB1-1386,3HD,8ED					
	CT-2401881	Kit	3.500S	1.750S	P	23
	S/N: 33Z,45Z2566-UP,4SB1387-UP,3HD,4ND,8AJ,4TK,9MK					
938F,938G WHEEL LOADER						
Loader S/N: 1KM1-UP,2RM1-UP,8SM1-UP,7SN1-UP,4YS1-UP,6WS1-UP 8RS1-UP,9HS1-UP						
Lift	CT-9X2151	Kit	4.750S	2.500S	P	23
	S/N: 1KM1-1123,2RM1-1123,8SM,7SN1-384 Use with 9T3609 Head					
	CT-2341948	Kit	4.750S	2.500S	P	23
	S/N: 1KM1-1123,2RM1-1123,7SN1-384 Use with 1206679 Head					
	CT-2275347	Kit	5.000S	2.500S	P	23
S/N: 1KM1124-UP,2RM1124-UP,7SN385-UP,4YS,6WS,8RS,9HS						
Tilt	CT-2280809	Kit	5.500S	2.750S	P	23
Steering	CT-2275350	Kit	3.000S	1.750S	P	15

CATERPILLAR® (REFERENCED BY OEM PART NUMBERS)

Application	Part Number	Description	Bore	Rod	Wiper	Type
944,944A WHEEL LOADER						
Loader S/N: 43A1-UP,58A1-UP,70A1-UP,77J1-UP,87J1-UP						
Lift	BD-515268	Kit	5.500S	2.500S	P	1
	S/N: 43A1-2725,58A1-360,70A1-430					
	BD-515126	Kit	5.500S	2.500S	P	4
	S/N: 43A2726-UP,58A361-UP,70A431-UP,77J,87J					
	CT-2430381	Kit	5.500S	2.500S	P	5
S/N: 43A,58A,77J,87J						
Tilt	BD-515268	Kit	5.500S	2.500S	P	1
	S/N: 43A1-2725,58A1-360,70A1-476					
	BD-515126	Kit	5.500S	2.500S	P	4
	S/N: 43A2726-UP,58A361-UP,70A477-UP,77J,87J					
	CT-2430381	Kit	5.500S	2.500S	P	5
S/N: 43A,58A,77J,87J						
Multi-Purpose Bucket	BD-507118	Kit	4.500S	2.000S	P	4
Side Dump	BD-507266	Kit	4.500S	2.000S	P	1
	BD-507115	Kit	4.500S	2.000S	P	4
Top Clamp	CT-2408513	Kit	4.000S	2.000S	P	4
	BD-507166	Kit	5.000S	2.000S	P	1
	CT-2384487	Kit	5.000S	2.000S	P	4
950 WHEEL LOADER						
Loader S/N: 90A1-UP,58H1-UP,15J1-UP,43J1-UP,73J1-UP,81J1-UP 31K1-UP Ripper S/N: 15G1-UP,30G1-UP						
Lift	CT-2430381	Kit	5.500S	2.500S	P	5
Tilt	CT-2430381	Kit	5.500S	2.500S	P	5
Steering	BD-502102	Kit	3.500S	1.500S	P	4
	S/N: 90A1-881,58H,43J1-899,73J1-772					
	BD-503102	Kit	3.500S	1.500S	I	4
	S/N: 90A882-UP,58H,15J,81J1-1085,31K1-686					
	BD-502102	Kit	3.500S	1.500S	P	4
	S/N: 90A882-UP,15J,81J1-1085,31K1-686 Field replacement					
	CT-2465915	Kit	3.500S	1.500S	P	22
S/N: 43J900-UP,73J773-UP,81J1086-UP,31K687-UP						
Multi-Purpose Bucket	BD-507118	Kit	4.500S	2.000S	P	4
	CT-2384487	Kit	5.000S	2.000S	P	4
Side Dump	CT-2384487	Kit	5.000S	2.000S	P	4
Top Clamp	CT-2408513	Kit	4.000S	2.000S	P	4
	CT-2384487	Kit	5.000S	2.000S	P	4
	BD-506116	Kit	4.500S	2.000S	P	4
Ripper	BD-515126	Kit	5.500S	2.500S	P	4
	CT-2430381	Kit	5.500S	2.500S	P	5

CATERPILLAR® (REFERENCED BY OEM PART NUMBERS)

Application	Part Number	Description	Bore	Rod	Wiper	Type
950 TREE HARVESTER						
Tree Harvester S/N: 49U1-UP						
Lift	CT-2430381	Kit	5.500S	2.500S	P	5
Steering	CT-2465915	Kit	3.500S	1.500S	P	22
Delimb	CT-2406899	Kit	4.000S	2.000S	P	5
	S/N: 49U1-315					
	CT-2402016	Kit	3.000S	1.750S	P	5
S/N: 49U316-UP						
Grapple	CT-2402016	Kit	3.000S	1.750S	P	5
Shear	BD-521131	Kit	6.000S	3.000S	P	5
950B,950E,950F WHEEL LOADER						
Loader S/N: 31R1-UP,63R1-UP,65R1-UP,22Z1-UP,7ZF1-UP,6YG1-UP 4DJ1-UP,5SK1-UP,8TK1-UP,2LM1-UP						
Lift	CT-2442064	Kit	6.000S	3.000S	P	22
	S/N: 31R,63R1-8049,65R,22Z					
	CT-2442062	Kit	6.000S	3.000S	P	23
S/N: 63R8050-UP,22Z3189-UP,7ZF,6YG,4DJ,5SK,8TK,2LM						
Tilt	CT-2450585	Kit	7.000S	3.250S	P	5
	S/N: 31R,63R1-5067,65R1-2823,22Z1-2206					
	CT-2450586	Kit	7.000S	3.250S	P	15
S/N: 63R5068-UP,65R2824-UP,22Z2207-UP,7ZF,6YG,4DJ,5SK						
S/N: 8TK,2LM						
Steering	CT-2401661	Kit	3.500S	1.750S	P	22
	S/N: 31R,63R1-5419,65R,22Z1-2369					
	CT-2401881	Kit	3.500S	1.750S	P	23
S/N: 63R5420-UP,22Z2370-UP,7ZF,6YG,4DJ,5SK,8TK,2LM						
950G WHEEL LOADER						
Loader S/N: 2JS1-UP,4BS1-UP,6NS1-UP,3JW1-UP,5FW1-UP,5MW1-UP 8JW1-UP						
Lift	CT-2959890	Kit	6.000S	3.000S	P	23
Tilt	CT-2281779	Kit	7.000S	3.250S	P	23
	CT-2297173	Kit	8.500S	3.250S	P	23
Logging arrangement						
Steering	CT-2401881	Kit	3.500S	1.750S	P	23
	S/N: 4BS1-413,3JW1-684,5FW1-784,8JW					
	Use with 9T8790 Head					
CT-3105478	Kit	3.500S	1.750S	P	23	
Use with 1537182 or 1630329 Head						

CATERPILLAR® (REFERENCED BY OEM PART NUMBERS)

Application	Part Number	Description	Bore	Rod	Wiper	Type
960F WHEEL LOADER						
Loader S/N: 9ZJ1-UP,4CL1-UP,6XL1-UP,1YM1-UP						
Lift	CT-2442062	Kit	6.000S	3.000S	P	23
Tilt	CT-2450586	Kit	7.000S	3.250S	P	15
Steering	CT-2401881	Kit	3.500S	1.750S	P	23
962G WHEEL LOADER						
Loader S/N: 3BS1-UP,5AS1-UP,5RS1-UP,4PW1-UP,6EW1-UP,6HW1-UP 7BW1-UP,BDP1-UP						
Lift	CT-2959890	Kit	6.000S	3.000S	P	23
Tilt	CT-2281779	Kit	7.000S	3.250S	P	23
	S/N: 3BS,5AS,5RS,4PW,6EW,6HW,7BW					
	CT-2297173	Kit	8.500S	3.250S	P	23
	S/N: 6EW					
	Logging arrangement					
	CT-2442077	Kit	5.500S	3.000S	P	23
	S/N: BDP					
Steering	CT-2401881	Kit	3.500S	1.750S	P	23
	S/N: 3BS1-397,5AS1-275,4PW1-259,6EW,7BW1-385					
	Use with 9T8790 Head					
	CT-3105478	Kit	3.500S	1.750S	P	23
	Use with 1537182 or 1630329 Head					
966A WHEEL LOADER						
Loader S/N: 33A1-UP						
Lift	BD-515236	Kit	6.500S	2.500S	P	1
	S/N: 33A1-1558					
	BD-515138	Kit	6.500S	2.500S	P	4
	S/N: 33A1559-UP					
Tilt	BD-515130	Kit	6.000S	2.500S	P	4
	S/N: 33A1550-UP					
	CT-2422558	Kit	6.000S	2.500S	P	5
Multi-Purpose Bucket	BD-510168	Kit	5.500S	2.250S	P	1
	BD-510126	Kit	5.500S	2.250S	P	4
Side Dump	BD-507166	Kit	5.000S	2.000S	P	1
	CT-2384487	Kit	5.000S	2.000S	P	4
Top Clamp	CT-2408513	Kit	4.000S	2.000S	P	4
	BD-507166	Kit	5.000S	2.000S	P	1
	CT-2384487	Kit	5.000S	2.000S	P	4

CATERPILLAR® (REFERENCED BY OEM PART NUMBERS)

Application	Part Number	Description	Bore	Rod	Wiper	Type
966B WHEEL LOADER						
Loader S/N: 75A1-UP,57H1-UP Ripper S/N: 15G1-UP,30G1-UP						
Lift	BD-514138	Kit	6.500S	2.500S	P	4
Tilt	BD-515130	Kit	6.000S	2.500S	P	4
	S/N: 75A1-3162,57H1-249					
	CT-2422558	Kit	6.000S	2.500S	P	5
	S/N: 75A1-3162,57H1-249					
	CT-2422558	Kit	6.000S	2.500S	P	5
	S/N: 75A3163-UP,57H250-UP					
Steering	BD-506105	Kit	4.000S	2.000S	P	4
Multi-Purpose Bucket	BD-510168	Kit	5.500S	2.250S	P	1
	BD-510126	Kit	5.500S	2.250S	P	4
Side Dump	BD-507166	Kit	5.000S	2.000S	P	1
	CT-2384487	Kit	5.000S	2.000S	P	4
Top Clamp	CT-2408513	Kit	4.000S	2.000S	P	4
	BD-507166	Kit	5.000S	2.000S	P	1
	CT-2384487	Kit	5.000S	2.000S	P	4
	CT-2410895	Kit	5.000S	2.250S	P	15
Ripper	BD-515126	Kit	5.500S	2.500S	P	4
	CT-2430381	Kit	5.500S	2.500S	P	5
966C WHEEL LOADER						
Loader S/N: 18B200-UP,78G1-UP,42J1-UP,76J1-UP,30K1-UP 25U1-UP,9KC1-UP Ripper S/N: 15G1-UP,30G1-UP						
Lift	BD-514138	Kit	6.500S	2.500S	P	4
	S/N: 78G1-1000,42J1-1063,76J1-1677,76J1690-1698,30K1-865					
		2 Piston seals				
	BD-514137	Kit	6.500S	2.500S	P	4
	S/N: 78G1-1000,76J1678-1689,76J1699-4143,30K866-1252					
		1 Piston seal				
Tilt	CT-2435796	Kit	6.500S	2.500S	P	5
	S/N: 18B200-822,78G1001-UP,42J1064-UP,76J1678-1689					
	S/N: 76J1699-UP,30K866-UP,25U,9KC					
	CT-2422549	Kit	6.500S	2.500S	P	15
S/N: 18B823-UP,9KC						
Steering	CT-2422558	Kit	6.000S	2.500S	P	5
	S/N: 78G1-3350,42J1-9229,76J,30K,25U1-2466					
	CT-2422550	Kit	6.000S	2.500S	P	23
S/N: 18B,78G,42J9230-UP,76J9656-UP,30K2369-UP,25U2467-UP						
S/N: 9KC						
Steering	BD-506105	Kit	4.000S	2.000S	P	4
	S/N: 76J1-3334,30K1-1116					
		RH Side Only				
	BD-505105	Kit	4.000S	2.000S	P	5
S/N: 76J3335-4143,30K1117-1252						
	RH Side Only					

Application	Part Number	Description	Bore	Rod	Wiper	Type
966C WHEEL LOADER (continued)						
Steering (cont)	BD-506105	Kit	4.000S	2.000S	P	4
	S/N: 76J1-4143,30K1-1252 LH Side Only					
	BD-505105	Kit	4.000S	2.000S	P	5
	S/N: 42J1-1932,76J4144-5797,30K1253-1624					
	BD-506105	Kit	4.000S	2.000S	P	4
	S/N: 78G1-1000					
Multi-Purpose Bucket	BD-510126	Kit	5.500S	2.250S	P	4
	2 Piston seals					
	BD-510125	Kit	5.500S	2.250S	P	4
1 Piston seal						
Side Dump	CT-2384487	Kit	5.000S	2.000S	P	4
	CT-7X2763	Kit	5.000S	2.000S	P	4
Top Clamp	CT-2384487	Kit	5.000S	2.000S	P	4
	CT-2410895	Kit	5.000S	2.250S	P	15
Ripper	BD-515126	Kit	5.500S	2.500S	P	4
	CT-2430381	Kit	5.500S	2.500S	P	5
966D,966E,966F WHEEL LOADER						
Loader S/N: 35S1-UP,94X1-UP,99Y1-UP,4YG1-UP,8BG1-UP,3XJ1-UP 9YJ1-UP,1SL1-UP						
Lift	CT-2450581	Kit	7.000S	3.250S	P	22
	S/N: 35S1-2147,94X1-5461,99Y1-5314 Use with 9J5424 Piston					
	CT-2450582	Kit	7.000S	3.250S	P	23
	S/N: 35S2148-UP,94X5462-9308,99Y1-6680 Use with 9J5424 Piston					
	CT-2281779	Kit	7.000S	3.250S	P	23
	S/N: 35S,94X1-9308,99Y1-6680 Field replacement, Use with 6E1440 Piston					
Tilt	CT-2450605	Kit	8.250S	3.250S	P	23
	CT-2450589	Kit	9.250S	3.250S	P	23
S/N: 99Y5315-UP,4YG,8BG,1SL Logging arrangement						
Steering	CT-2406899	Kit	4.000S	2.000S	P	5
	S/N: 35S1-2523,94X1-5749,99Y1-4286					
	CT-2339205	Kit	4.000S	2.000S	P	15
	S/N: 35S2524-UP,94X5750-UP,99Y4287-UP,4YG,8BG,3XJ1-1979 Use with 9T3964 Head					
Steering	CT-2409538	Kit	4.000S	2.000S	P	23
	S/N: 4YG,3XJ1980-UP,9YJ,1SL Use with 6E0775 Head					

CATERPILLAR® (REFERENCED BY OEM PART NUMBERS)

Application	Part Number	Description	Bore	Rod	Wiper	Type
966G WHEEL LOADER						
Loader S/N: 3ZS1-UP,9RS1-UP,3PW1-UP,3SW1-UP,8XW1-UP,AAH1-UP AXJ1-UP,AWY1-UP,HDH1-UP						
Lift	CT-2281779	Kit	7.000S	3.250S	P	23
Tilt	CT-2281780	Kit	8.250S	3.250S	P	23
	CT-2450588	Kit	9.250S	3.250S	P	22
	CT-8T6745	Ring				
	S/N: 3ZS,9RS,3PW,3SW,8XW,AAH1-354 Logging arrangement					
	CT-2282533	Kit	9.250S	3.500S	P	23
S/N: 3ZS,9RS,3PW,3SW,AAH355-UP,AXJ Logging arrangement						
Steering	CT-2281778	Kit	3.500S	2.000S	P	23
966R WHEEL LOADER						
Loader S/N: 58Z1-UP						
Lift	CT-2435796	Kit	6.500S	2.500S	P	5
	S/N: 58Z1-1428					
	CT-2422549	Kit	6.500S	2.500S	P	15
S/N: 58Z1429-UP						
Tilt	CT-2422550	Kit	6.000S	2.500S	P	23
Steering	CT-7X7937	Kit	4.000S	2.000S	P	15
970F WHEEL LOADER						
Loader S/N: 7SK1-UP,9JK1-UP,7PL1-UP						
Lift	CT-2281779	Kit	7.000S	3.250S	P	23
Tilt	CT-2450593	Kit	8.250S	3.250S	P	23
	Use with 6E5875 Piston					
	CT-2450605	Kit	8.250S	3.250S	P	23
S/N: 9JK359-UP Use with 9T9940 Piston						
Steering	CT-2409538	Kit	4.000S	2.000S	P	23
	S/N: 7SK,9JK					
	CT-2339205	Kit	4.000S	2.000S	P	15
S/N: 7PL						
972G WHEEL LOADER						
Loader S/N: 7LS1-UP,1EW1-UP,4WW1-UP,6AW1-UP,9GW1-UP,AXC1-UP AXN1-UP,AAW1-UP						
Lift	CT-2281779	Kit	7.000S	3.250S	P	23
Tilt	CT-2450588	Kit	9.250S	3.250S	P	22
	CT-8T6745	Ring				
	S/N: 7LS1-306,1EW,4WW1-341,6AW,9GW1-292,AAW1-196					
	CT-2282533	Kit	9.250S	3.500S	P	23
	S/N: 7LS307-UP,1EW,4WW342-UP,6AW,9GW293-UP,AXC,AXN S/N: AAW197-UP					
	CT-2281780	Kit	8.250S	3.250S	P	23
S/N: 9GW1-292,AXC,AXN,AAW1-196						
Steering	CT-2281778	Kit	3.500S	2.000S	P	23

CATERPILLAR® (REFERENCED BY OEM PART NUMBERS)

455

Application	Part Number	Description	Bore	Rod	Wiper	Type
980 WHEEL LOADER						
Loader S/N: 42H1-UP Ripper S/N: 79G1-UP						
Lift	BD-539138	Kit	6.500S	3.000S	P	5
	S/N: 42H1-642	5J9471 Adapter required				
	BD-536138	Kit	6.500S	3.000S	I	5
	S/N: 42H1-642	5J9471 Adapter required				
	BD-521138	Kit	6.500S	3.000S	P	5
	S/N: 42H643-1164					
	BD-521139	Kit	6.500S	3.000S	P	5
	S/N: 42H1165-1424					
	BD-521139	Kit	6.500S	3.000S	P	5
	S/N: 42H1-1424	Field replacement				
	BD-521234	Kit	6.500S	3.000S	P	22
	S/N: 42H1-1424	Field replacement				
	BD-521144	Kit	7.250S	3.000S	P	5
	S/N: 42H1-1424	Logging arrangement				
CT-2442076	Kit	7.250S	3.000S	P	5	
S/N: 42H1425-UP						
Tilt	BD-533126	Kit	5.500S	2.500S	P	5
	S/N: 42H1-588	RH Side Only, 5J9409 Adapter required				
	CT-2430381	Kit	5.500S	2.500S	P	5
	S/N: 42H589-UP	RH Side Only				
	BD-533126	Kit	5.500S	2.500S	P	5
	S/N: 42H1-593	LH Side Only, 5J9409 Adapter required				
CT-2430381	Kit	5.500S	2.500S	P	5	
S/N: 42H594-UP	LH Side Only					
Steering	BD-535115	Kit	4.500S	2.250S	P	5
	S/N: 42H1-637	RH Side Only, 5J8222 Adapter required				
	BD-508115	Kit	4.500S	2.250S	P	5
	S/N: 42H638-UP	RH Side Only				
	BD-535115	Kit	4.500S	2.250S	P	5
	S/N: 42H1-666	LH Side Only, 5J8222 Adapter required				
	BD-508115	Kit	4.500S	2.250S	P	5
S/N: 42H667-UP	LH Side Only					
Fork	BD-510126	Kit	5.500S	2.250S	P	4
	S/N: 42H1-862					
	CT-2410895	Kit	5.000S	2.250S	P	15

CATERPILLAR® (REFERENCED BY OEM PART NUMBERS)

Application	Part Number	Description	Bore	Rod	Wiper	Type
980 WHEEL LOADER (continued)						
Ripper	BD-515126	Kit	5.500S	2.500S	P	4
	CT-2430381	Kit	5.500S	2.500S	P	5
980B WHEEL LOADER						
Loader S/N: 89P1-UP Ripper S/N: 79G242-UP						
Lift	CT-2442076	Kit	7.250S	3.000S	P	5
	S/N: 89P1-4783					
	CT-2442076	Kit	7.250S	3.000S	P	5
	S/N: 89P4784-UP					
Lift	CT-2442056	Kit	7.250S	3.000S	P	22
	S/N: 89P4784-UP					
Tilt	CT-2430381	Kit	5.500S	2.500S	P	5
Steering	BD-508115	Kit	4.500S	2.250S	P	5
Fork	CT-2410895	Kit	5.000S	2.250S	P	15
Ripper	BD-515126	Kit	5.500S	2.500S	P	4
	CT-2430381	Kit	5.500S	2.500S	P	5
980C,980F WHEEL LOADER						
Loader S/N: 13B300-UP,63X1-UP,2XD1-UP,5XJ1-UP,8CJ1-UP 3HK1-UP,4RN1-UP,8JN1-UP						
Lift	CT-7X2730	Kit	7.500S	3.500S	P	23
Tilt	CT-2280808	Kit	6.250S	2.750S	P	23
	CT-2442060	Kit	6.250S	3.000S	P	22
	S/N: 13B733-UP,63X,2XD High Lift arrangement					
	CT-2280807	Kit	6.250S	3.000S	P	23
	S/N: 13B733-UP,63X6575-UP,2XD,5XJ,8CJ,3HK,4RN,8JN High Lift arrangement					
	CT-2435815	Kit	7.000S	2.750S	P	22
	S/N: 13B300-UP,63X1-8241 Logging arrangement					
	CT-2435818	Kit	7.000S	2.750S	P	23
S/N: 13B733-UP,63X6575-UP,2XD,5XJ,8CJ,3HK,4RN,8JN Logging arrangement						
Steering	CT-2410896	Kit	4.500S	2.250S	P	5
	S/N: 13B300-732,63X1-7035					
	CT-2418917	Kit	4.500S	2.250S	P	15
	S/N: 13B733-UP,63X7036-UP,2XD,5XJ,8CJ1-872,3HK1-916					
	CT-2417585	Kit	4.500S	2.250S	P	23
S/N: 8CJ873-UP,3HK917-UP,4RN,8JN						

Application	Part Number	Description	Bore	Rod	Wiper	Type	
980G WHEEL LOADER							
Loader S/N: 9CM1-UP,2KR1-UP,2SR1-UP,AWH1-UP							
Lift	CT-2281775	Kit	7.750S	3.500S	P	23	
	BD-631197F	Kit	7.750S	3.500S	P	7	
S/N: 9CM,2KR,AWH Use with Fire Retardant Fluids							
Tilt	CT-2280808	Kit	6.250S	2.750S	P	23	
	BD-633270F	Kit	6.250S	2.750S	P	7	
	S/N: 9CM,2KR,AWH Use with Fire Retardant Fluids						
	CT-2280807	Kit	6.250S	3.000S	P	23	
	High Lift arrangement						
	CT-2280806	Kit	7.000S	3.000S	P	23	
Logging or Block Handling arrangements							
Fork	CT-2417578	Kit	5.000S	2.250S	P	23	
	S/N: 2KR,AWH Logging arrangement						
Steering	CT-2418921	Kit	4.000S	2.250S	P	23	
	BD-662409F	Kit	4.000S	2.250S	P	7	
	S/N: 9CM,2KR,AWH Use with Fire Retardant Fluids						
	CT-2435806	Kit	4.500S	2.500S	P	23	
S/N: 9CM Compactor arrangement							
980H WHEEL LOADER							
Loader S/N: A8J1-UP,JMS1-UP,MHG1-UP							
Lift	CT-2281775	Kit	7.750S	3.500S	P	23	
Tilt	CT-2280808	Kit	6.250S	2.750S	P	23	
	CT-2280807	Kit	6.250S	3.000S	P	23	
	High Lift arrangement						
	CT-2280806	Kit	7.000S	3.000S	P	23	
Logging or Block Handling arrangement							
Steering	CT-2418921	Kit	4.000S	2.250S	P	23	
988 WHEEL LOADER							
Loader S/N: 87A1-UP Ripper S/N: 79G1-UP							
Lift	CT-1354446	Kit	7.250S	3.250S	P	4	
	BD-527153	Kit	8.250S	3.250S	P	4	
	S/N: 87A1-971						
	BD-528153	Kit	8.250S	3.250S	I	4	
	S/N: 87A972-1965						
	BD-527153	Kit	8.250S	3.250S	P	4	
	S/N: 87A972-1965 Field replacement						
	BD-527153	Kit	8.250S	3.250S	P	4	
	S/N: 87A1966-3454						
	BD-525153	Kit	8.250S	3.250S	P	5	
S/N: 87A3455-3463							

CATERPILLAR® (REFERENCED BY OEM PART NUMBERS)

Application	Part Number	Description	Bore	Rod	Wiper	Type
988 WHEEL LOADER (continued)						
Lift (cont)	BD-527153	Kit	8.250S	3.250S	P	4
	S/N: 87A3464-3473					
	BD-525153	Kit	8.250S	3.250S	P	5
	S/N: 87A3474-4470					
	BD-525154	Kit	8.250S	3.250S	P	5
	S/N: 87A4471-4586					
	BD-525153	Kit	8.250S	3.250S	P	5
	S/N: 87A4487-4590					
	BD-525154	Kit	8.250S	3.250S	P	5
	S/N: 87A4591-8040					
	CT-2450580	Kit	8.250S	3.250S	P	22
	S/N: 87A8041-8042					
	BD-525154	Kit	8.250S	3.250S	P	5
	S/N: 87A8043-8063					
CT-2450580	Kit	8.250S	3.250S	P	22	
S/N: 87A8064-UP						
Tilt	BD-516138	Kit	6.500S	2.500S	P	4
	S/N: 87A1-2057,87A2059-2059					
	BD-516135	Kit	6.500S	2.500S	P	4
	S/N: 87A2058-2058,87A2060-2823					
	CT-2435797	Kit	6.500S	2.500S	P	5
	S/N: 87A2824-4470					
	CT-2355802	Kit	6.500S	2.750S	P	5
	S/N: 87A4471-4586					
	CT-2435797	Kit	6.500S	2.500S	P	5
	S/N: 87A4587-4590					
CT-2355802	Kit	6.500S	2.750S	P	5	
S/N: 87A4591-UP						
Steering	CT-7S2727	Kit	5.000S	2.250S	P	4
	S/N: 87A1-1501					
	BD-511120	Kit	5.000S	2.250S	I	4
	S/N: 87A1502-1920					
	CT-7S2727	Kit	5.000S	2.250S	P	4
	S/N: 87A1502-1920 Field replacement					
	CT-7S2727	Kit	5.000S	2.250S	P	4
	S/N: 87A1921-3951					
CT-2410895	Kit	5.000S	2.250S	P	15	
S/N: 87A3952-UP						
Fork	BD-510126	Kit	5.500S	2.250S	P	4
Ripper	BD-515126	Kit	5.500S	2.500S	P	4
	CT-2430381	Kit	5.500S	2.500S	P	5

CATERPILLAR® (REFERENCED BY OEM PART NUMBERS)

Application	Part Number	Description	Bore	Rod	Wiper	Type
988B,988F WHEEL LOADER						
Loader S/N: 50W1-UP,8YG1-UP,2ZR1-UP						
Lift	CT-2463427	Kit	8.500S	4.000S	P	22
	S/N: 50W1-6964					
	CT-2460659	Kit	8.500S	4.000S	P	23
S/N: 50W6965-UP,8YG,2ZR						
Tilt	CT-2450594	Kit	7.750S	3.250S	P	23
	CT-2281775	Kit	7.750S	3.500S	P	23
	S/N: 50W6041-UP,8YG,2ZR High Lift arrangement					
	CT-2456832	Kit	8.500S	3.500S	P	23
Logging or Block Handling arrangements						
Steering	CT-2410895	Kit	5.000S	2.250S	P	15
	S/N: 50W Use with 7J5525 Piston					
	CT-2417578	Kit	5.000S	2.250S	P	23
S/N: 50W8039-UP,8YG,2ZR Use with 9T8563 Piston						
Accumulator	BD-990000	Kit	5.000S		N	0
	S/N: 50W Use with 9J9318 Piston					
	BD-990006	Kit	5.000S		N	0
S/N: 50W6041-UP Use with 9T1440 Piston						
988G WHEEL LOADER						
Loader S/N: 2TW1-UP						
Lift	CT-2295549	Kit	220.00M	5.000S	P	22
Tilt	CT-2295546	Kit	220.00M	4.500S	P	23
Steering	CT-2295538	Kit	4.000S	2.500S	P	23
990 WHEEL LOADER						
Loader S/N: 7HK1-UP,4FR1-UP						
Lift	CT-1353857	Kit	9.250S	6.000S	P	23
Tilt	CT-2297176	Kit	11.500S	5.750S	P	23
Steering	CT-2297191	Kit	5.500S	3.250S	P	23
992,992B WHEEL LOADER						
Loader S/N: 25K1-UP						
Lift	BD-543189	Kit	10.500S	6.500S	P	5
	S/N: 25K1-383					
	BD-543189	Kit	10.500S	6.500S	P	5
	S/N: 25K384-401					
	BD-543190	Kit	10.500S	6.500S	P	22
	S/N: 25K384-401					
	BD-543190	Kit	10.500S	6.500S	P	22
S/N: 25K402-896 Use with 7J9064, 8J0176 or 8J6123 Piston						

CATERPILLAR® (REFERENCED BY OEM PART NUMBERS)

Application	Part Number	Description	Bore	Rod	Wiper	Type
992,992B WHEEL LOADER						
(continued)						
Lift (cont)	CT-2481188	Kit	10.500S	6.500S	P	22
S/N:	25K402-896 Use with 8J5979 Piston					
	CT-2481188	Kit	10.500S	6.500S	P	22
S/N:	25K897-UP					
Tilt	BD-529191	Kit	8.500S	3.500S	P	5
S/N:	25K1-430					
	BD-529192	Kit	8.500S	3.500S	P	5
S/N:	25K431-763					
	BD-529192	Kit	8.500S	3.500S	P	5
S/N:	25K764-896 Use with 7J8063 Piston					
	CT-2456832	Kit	8.500S	3.500S	P	23
S/N:	25K764-896 Use with 8J6343 Piston					
	CT-2456832	Kit	8.500S	3.500S	P	23
S/N:	25K897-UP					
Steering	CT-2430381	Kit	5.500S	2.500S	P	5
992C,992D WHEEL LOADER						
Loader S/N: 42X1-UP,49Z1-UP,7MJ1-UP						
Lift	CT-2465907	Kit	11.500S	7.000S	P	23
Tilt	CT-2460645	Kit	10.000S	4.000S	P	22
S/N:	42X,49Z					
	CT-2460644	Kit	10.000S	4.000S	P	23
Steering	CT-2450581	Kit	7.000S	3.250S	P	22
S/N:	42X,49Z					
	CT-2450582	Kit	7.000S	3.250S	P	23
S/N:	42X,49Z Use with 9J5424 Piston					
	CT-2281779	Kit	7.000S	3.250S	P	23
S/N:	49Z,7MJ Use with 6E1440 Piston					
992G WHEEL LOADER						
Loader S/N: 7HR1-UP,ADZ1-UP						
Steering	CT-2297191	Kit	5.500S	3.250S	P	23
994,994D WHEEL LOADER						
Loader S/N: 9YF1-UP,3TZ1-UP						
Tilt	CT-1017554	Kit	10.500S	5.500S	P	23
Steering	CT-2463431	Kit	7.750S	4.250S	P	23
	Use with 1269414 Head					

Application	Part Number	Description	Bore	Rod	Wiper	Type
931 CRAWLER LOADER						
Loader S/N: 10N1-UP,78U1-UP Ripper S/N: 84U1-UP Backhoe S/N: 87U1-UP,88U1-UP						
Lift	CT-2406899	Kit	4.000S	2.000S	P	5
Tilt	CT-2402016	Kit	3.000S	1.750S	P	5
Multi-Purpose Bucket	CT-2465914	Kit	3.500S	1.500S	P	22
	S/N: 78U					
Ripper	CT-2406899	Kit	4.000S	2.000S	P	5
Track Adjuster	BD-904405	Kit			N	0
Backhoe Stabilizer	CT-2406899	Kit	4.000S	2.000S	P	5
	Fixed Pivot Backhoe only					
	CT-2465914	Kit	3.500S	1.500S	P	22
	Sideshift Backhoe only					
Backhoe Boom	CT-2410897	Kit	4.500S	2.250S	P	5
Backhoe Bucket	CT-2410903	Kit	3.500S	2.250S	P	22
Backhoe Stick	CT-2406899	Kit	4.000S	2.000S	P	5
931B,931C CRAWLER LOADER						
Loader S/N: 25Y1-UP,26Y1-UP,29Y1-UP,30Y1-UP,4SC1-UP,6EC1-UP 6RF1-UP,7HF1-UP,8AF1-UP,5LG1-UP,9AG1-UP,2BJ1-UP 6AJ1-UP,2AK1-UP Ripper S/N: 84U1-UP Backhoe S/N: 68H1-UP,87U1-UP,88U1-UP,32W1-UP						
Lift	CT-2406899	Kit	4.000S	2.000S	P	5
	S/N: 25Y1-1862,26Y1-501,29Y1-1649,30Y1-448,4SC,6EC					
	S/N: 6RF,7HF,8AF,5LG,2BJ					
	Use with 7J6462 Head					
	CT-2339205	Kit	4.000S	2.000S	P	15
	S/N: 25Y1-1862,26Y1-501,29Y1-1649,30Y1-448,4SC,6EC					
	S/N: 6RF,7HF,8AF,5LG,9AG,2BJ,6AJ,2AK					
	Use with 9T3964 or 9T9258 Head					
	CT-2339205	Kit	4.000S	2.000S	P	15
	S/N: 25Y1863-UP,26Y502-UP,29Y1650-UP,30Y449-UP,4SC					
	S/N: 6EC,6RF,7HF,8AF,5LG,2BJ,6AJ,2AK					
	Use with 6E0775 or 9T3134 Head					
Tilt	CT-2402016	Kit	3.000S	1.750S	P	5
	S/N: 25Y1-1427,26Y1-419,29Y1-1095,30Y1-389					
	CT-2401671	Kit	3.250S	1.750S	P	5
	S/N: 25Y1428-UP,26Y420-UP,29Y1096-UP,30Y390-UP,4SC					
	S/N: 6EC,6RF,7HF,8AF,5LG,2BJ,9AG,6AJ,2AK					
Multi-Purpose Bucket	CT-2465914	Kit	3.500S	1.500S	P	22
Ripper	CT-2406899	Kit	4.000S	2.000S	P	5
	CT-2339205	Kit	4.000S	2.000S	P	15
Track Adjuster	BD-904405	Kit			N	0
Backhoe Stabilizer	CT-2406899	Kit	4.000S	2.000S	P	5
	Fixed Pivot Backhoe only					
	CT-2339205	Kit	4.000S	2.000S	P	15
	Fixed Pivot Backhoe only					

CATERPILLAR® (REFERENCED BY OEM PART NUMBERS)

Application	Part Number	Description	Bore	Rod	Wiper	Type
931B,931C CRAWLER LOADER (continued)						
Backhoe Stabilizer (cont)	CT-2465914	Kit	3.500S	1.500S	P	22
	Sideshift Backhoe only					
Backhoe Boom	CT-2410897	Kit	4.500S	2.250S	P	5
Backhoe Bucket	CT-2410903	Kit	3.500S	2.250S	P	22
	CT-2418916	Kit	3.500S	2.250S	P	23
Backhoe Stick	CT-2406899	Kit	4.000S	2.000S	P	5
	CT-2339205	Kit	4.000S	2.000S	P	15
933,933C (J) CRAWLER LOADER						
Loader S/N: 8FL1-UP,9EL1-UP,4MS1-UP,5JS1-UP Ripper S/N: 84U3560-UP,21G1-UP						
Lift	CT-2339205	Kit	4.000S	2.000S	P	15
Tilt	CT-2401881	Kit	3.500S	1.750S	P	23
Multi-Purpose Bucket	CT-2465914	Kit	3.500S	1.500S	P	22
	S/N: 8FL					
	CT-2339205	Kit	4.000S	2.000S	P	15
S/N: 4MS						
Ripper	CT-2339205	Kit	4.000S	2.000S	P	15
Track Adjuster	BD-904405	Kit			N	0
933C,933E,933F,933G CRAWLER LOADER						
Loader S/N: 11A1-UP,25A558-UP,42A1-UP Ripper S/N: 59D1-UP Bulldozer S/N: 41D1-UP						
Lift	BD-507166	Kit	5.000S	2.000S	P	1
	S/N: 11A,42A1-3121					
	CT-2384487	Kit	5.000S	2.000S	P	4
S/N: 25A,42A3122-UP						
Tilt	BD-507266	Kit	4.500S	2.000S	P	1
	S/N: 11A,42A1-3032					
	BD-507115	Kit	4.500S	2.000S	P	4
S/N: 25A,42A3033-UP						
Multi-Purpose Bucket	BD-507118	Kit	4.500S	2.000S	P	4
	S/N: 25A,42A					
Side Dump	CT-2408513	Kit	4.000S	2.000S	P	4
Top Clamp	CT-2408513	Kit	4.000S	2.000S	P	4
Ripper	BD-507266	Kit	4.500S	2.000S	P	1
	BD-507115	Kit	4.500S	2.000S	P	4
Track Adjuster	BD-904400	Kit			N	0

CATERPILLAR® (REFERENCED BY OEM PART NUMBERS)

Application	Part Number	Description	Bore	Rod	Wiper	Type
935B,935C CRAWLER LOADER						
Loader S/N: 3DF1-UP,8CF1-UP,5DJ1-UP Ripper S/N: 84U1-UP Backhoe S/N: 68H1-UP,32W1-UP						
Lift	CT-2406899	Kit	4.000S	2.000S	P	5
S/N:	3DF					
	CT-2339205	Kit	4.000S	2.000S	P	15
Tilt	CT-2401671	Kit	3.250S	1.750S	P	5
Multi-Purpose Bucket	CT-2465914	Kit	3.500S	1.500S	P	22
Ripper	CT-2406899	Kit	4.000S	2.000S	P	5
	CT-2339205	Kit	4.000S	2.000S	P	15
Track Adjuster	BD-904405	Kit			N	0
Backhoe Stabilizer	CT-2406899	Kit	4.000S	2.000S	P	5
	Fixed Pivot Backhoe only					
	CT-2339205	Kit	4.000S	2.000S	P	15
	Fixed Pivot Backhoe only					
	CT-2465914	Kit	3.500S	1.500S	P	22
Sideshift Backhoe only						
Backhoe Boom	CT-2410897	Kit	4.500S	2.250S	P	5
Backhoe Bucket	CT-2410903	Kit	3.500S	2.250S	P	22
	CT-2418916	Kit	3.500S	2.250S	P	23
Backhoe Stick	CT-2406899	Kit	4.000S	2.000S	P	5
	CT-2339205	Kit	4.000S	2.000S	P	15
939 CRAWLER LOADER						
Loader S/N: 9GL1-UP Ripper S/N: 84U3560-UP						
Lift	CT-2339205	Kit	4.000S	2.000S	P	15
Tilt	CT-2339205	Kit	4.000S	2.000S	P	15
Multi-Purpose Bucket	CT-2465914	Kit	3.500S	1.500S	P	22
Ripper	CT-2339205	Kit	4.000S	2.000S	P	15
Track Adjuster	BD-904406	Kit			N	0
939C CRAWLER LOADER						
Loader S/N: 6DS1-UP Ripper S/N: 21G1-UP						
Lift	CT-2310898	Kit	4.500S	2.500S	P	23
Tilt	CT-2339205	Kit	4.000S	2.000S	P	15
Multi-Purpose Bucket	CT-2339205	Kit	4.000S	2.000S	P	15
Ripper	CT-2339205	Kit	4.000S	2.000S	P	15
Track Adjuster	BD-904406	Kit			N	0

CATERPILLAR® (REFERENCED BY OEM PART NUMBERS)

Application	Part Number	Description	Bore	Rod	Wiper	Type
941,941B CRAWLER LOADER						
Loader S/N: 70H1-UP,80H1-UP,16U1-UP Ripper S/N: 44F1-UP,85G1-UP						
Lift	CT-2410901	Kit	4.000S	2.250S	P	5
Tilt	CT-2418925	Kit	4.000S	2.375S	P	5
Multi-Purpose Bucket	CT-2406899	Kit	4.000S	2.000S	P	5
Side Dump	CT-2378277	Kit	4.000S	2.000S	P	5
Ripper	CT-2430381	Kit	5.500S	2.500S	P	5
Track Adjuster	BD-904400	Kit			N	0
943 CRAWLER LOADER						
Loader S/N: 03Y1-UP,31Y1-UP,04Z1-UP,19Z1-UP Ripper S/N: 63Y1-UP,73Y1-UP						
Lift	CT-2410899	Kit	4.000S	2.250S	P	5
	CT-2419297	Kit	4.000S	2.250S	P	15
Tilt	CT-2285271	Kit	4.750S	2.500S	P	22
	CT-2435800	Kit	4.750S	2.500S	P	23
Multi-Purpose Bucket	CT-2406899	Kit	4.000S	2.000S	P	5
	CT-2339205	Kit	4.000S	2.000S	P	15
Ripper	CT-2406899	Kit	4.000S	2.000S	P	5
	CT-2339205	Kit	4.000S	2.000S	P	15
951 CRAWLER LOADER						
Loader S/N: 89A1-UP,63K1-UP Ripper S/N: 85G1-UP						
Lift	BD-515126	Kit	5.500S	2.500S	P	4
Tilt	CT-2384487	Kit	5.000S	2.000S	P	4
Multi-Purpose Bucket	BD-507118	Kit	4.500S	2.000S	P	4
Side Dump	BD-507115	Kit	4.500S	2.000S	P	4
Top Clamp	BD-507166	Kit	5.000S	2.000S	P	1
	S/N: 89A					
	CT-2384487	Kit	5.000S	2.000S	P	4
Ripper	S/N: 89A					
	BD-507168	Kit	5.500S	2.000S	P	1
Track Adjuster	BD-904400	Kit			N	0
951B,951C CRAWLER LOADER						
Loader S/N: 32F1197-UP,69H1-UP,79H1-UP,86J1-UP Ripper S/N: 58D1-UP,44F1-UP,85G1-UP						
Lift	CT-2410898	Kit	4.250S	2.250S	P	5
Tilt	CT-2535204	Kit	4.250S	2.375S	P	5
Multi-Purpose Bucket	CT-2406899	Kit	4.000S	2.000S	P	5
Side Dump	BD-507115	Kit	4.500S	2.000S	P	4
	S/N: 69H1-1868					
	CT-2378277	Kit	4.000S	2.000S	P	5
Ripper	S/N: 69H,86J1-2597					
	CT-2430381	Kit	5.500S	2.500S	P	5
Track Adjuster	BD-904400	Kit			N	0

Application	Part Number	Description	Bore	Rod	Wiper	Type
953,953B CRAWLER LOADER						
Loader S/N: 76Y1-UP,77Y1-UP,78Y1-UP,05Z1-UP,20Z1-UP,44Z1-UP 5MK1-UP Ripper S/N: 96H1-UP,63Y1-UP,73Y1-UP,8TH1-UP						
Lift	CT-2285271	Kit	4.750S	2.500S	P	22
	S/N:	76Y,77Y,78Y1-1111,05Z,20Z1-1529,44Z1-622				
	CT-2285272	Kit	4.750S	2.500S	P	23
	S/N:	78Y1112-UP,20Z1530-UP,44Z623-UP				
	CT-2430398	Kit	4.750S	2.500S	P	23
	S/N:	5MK				
Tilt	CT-2440979	Kit	5.500S	3.000S	P	22
	S/N:	76Y,77Y,78Y1-1190,05Z,20Z1-926,44Z1-734				
	CT-2440978	Kit	5.500S	3.000S	P	23
S/N:	78Y1191-UP,20Z927-UP,44Z735-UP,5MK					
Multi-Purpose Bucket	CT-2406899	Kit	4.000S	2.000S	P	5
	S/N:	76Y,77Y,78Y1-1190,05Z,20Z				
	CT-2339205	Kit	4.000S	2.000S	P	15
S/N:	78Y1191-UP,20Z267-UP,5MK					
Side Dump	CT-2406899	Kit	4.000S	2.000S	P	5
	S/N:	76Y,78Y849-1190				
	CT-2339205	Kit	4.000S	2.000S	P	15
S/N:	78Y1191-UP					
Ripper	CT-2406899	Kit	4.000S	2.000S	P	5
	S/N:	76Y,77Y,78Y1-1190,05Z,20Z,44Z1-734				
	CT-2339205	Kit	4.000S	2.000S	P	15
S/N:	78Y1191-UP,20Z267-UP,44Z735-UP,5MK					
953C CRAWLER LOADER						
Loader S/N: 2ZN1-UP Ripper S/N: 8TH1-UP,7LP1-UP						
Lift	CT-2341948	Kit	4.750S	2.500S	P	23
Tilt	CT-2440978	Kit	5.500S	3.000S	P	23
Multi-Purpose Bucket	CT-2339205	Kit	4.000S	2.000S	P	15
Ripper	CT-2339205	Kit	4.000S	2.000S	P	15
955C,955E CRAWLER LOADER						
Loader S/N: 12A1-UP Ripper S/N: 58D1-UP,87H1-UP						
Lift	BD-515165	Kit	5.500S	2.500S	P	1
	BD-515126	Kit	5.500S	2.500S	P	4
	Field replacement					
Tilt	BD-507166	Kit	5.000S	2.000S	P	1
Side Dump	BD-507266	Kit	4.500S	2.000S	P	1
	BD-507115	Kit	4.500S	2.000S	P	4
Top Clamp	BD-507166	Kit	5.000S	2.000S	P	1
	CT-2384487	Kit	5.000S	2.000S	P	4
	CT-2408513	Kit	4.000S	2.000S	P	4
Fork	BD-507266	Kit	4.500S	2.000S	P	1
Ripper	BD-507168	Kit	5.500S	2.000S	P	1
Track Adjuster	BD-904400	Kit			N	0

CATERPILLAR® (REFERENCED BY OEM PART NUMBERS)

Application	Part Number	Description	Bore	Rod	Wiper	Type
955F,955H CRAWLER LOADER						
Loader S/N: 45A1-UP,60A1-UP,72A1-UP,77A1-UP Ripper S/N: 58D1-UP,85G1-UP,87H1-UP						
Lift	BD-515165	Kit	5.500S	2.500S	P	1
	S/N: 45A,60A1-5592,72A1-364,77A1-132					
	BD-515126	Kit	5.500S	2.500S	P	4
	S/N: 45A,60A1-5592,72A1-364,77A1-132 Field replacement					
S/N: 45A,60A5593-UP,72A365-UP,77A133-UP	BD-515126	Kit	5.500S	2.500S	P	4
Tilt	BD-507166	Kit	5.000S	2.000S	P	1
	S/N: 45A1-752,60A1-5834,72A1-366,77A1-144					
	CT-2384487	Kit	5.000S	2.000S	P	4
S/N: 45A753-UP,60A5835-UP,72A367-UP,77A145-UP						
Multi-Purpose Bucket	BD-507118	Kit	4.500S	2.000S	P	4
Side Dump	BD-507266	Kit	4.500S	2.000S	P	1
	BD-507115	Kit	4.500S	2.000S	P	4
Top Clamp	BD-507166	Kit	5.000S	2.000S	P	1
	CT-2384487	Kit	5.000S	2.000S	P	4
	CT-2408513	Kit	4.000S	2.000S	P	4
Fork	BD-507266	Kit	4.500S	2.000S	P	1
	BD-507115	Kit	4.500S	2.000S	P	4
Ripper	BD-507168	Kit	5.500S	2.000S	P	1
	CT-2430381	Kit	5.500S	2.500S	P	5
Track Adjuster	BD-904400	Kit			N	0
955K CRAWLER LOADER						
Loader S/N: 48H1-UP,53H1-UP,61H1-UP,57J1-UP Ripper S/N: 58D1-UP,44F1-UP,65H1-UP,87H1-UP						
Lift	BD-533126	Kit	5.500S	2.500S	P	5
	S/N: 48H1-1275,48H1277-1647,48H1649-1665,61H1-1249 5J9409 Adapter required					
	CT-2430381	Kit	5.500S	2.500S	P	5
	S/N: 48H1276-1276,48H1648-1648,48H1666-UP,53H,61H1250-UP S/N: 57J1-350					
	CT-2430383	Kit	5.500S	2.500S	P	5
S/N: 57J351-UP						
Tilt	BD-533123	Kit	5.000S	2.500S	P	5
	S/N: 48H1-1734,53H,61H1-1391 5J9409 Adapter required					
	BD-513123	Kit	5.000S	2.500S	P	5
S/N: 48H1735-UP,61H1392-UP,57J						
Multi-Purpose Bucket	CT-2386882	Kit	4.500S	2.000S	P	4
Side Dump	BD-506116	Kit	4.500S	2.000S	P	4
Top Clamp	BD-506116	Kit	4.500S	2.000S	P	4
Ripper	BD-533126	Kit	5.500S	2.500S	P	5
	5J9409 Adapter required					
	CT-2430381	Kit	5.500S	2.500S	P	5
Track Adjuster	BD-904400	Kit			N	0

CATERPILLAR® (REFERENCED BY OEM PART NUMBERS)

Application	Part Number	Description	Bore	Rod	Wiper	Type
955K,955L CRAWLER LOADER						
Loader S/N: 64J1-UP,71J1-UP,85J1-UP Ripper S/N: 58D1-UP,44F1-UP,65H1-UP,87H1-UP						
Lift		CT-2430381	Kit	5.500S	2.500S	P 5
	S/N:	64J1-807,71J1-836,85J1-1565,85J1571-1634				
		CT-2430383	Kit	5.500S	2.500S	P 5
	S/N:	64J808-UP,71J837-UP,85J1566-1570,85J1635-UP				
Tilt		BD-513123	Kit	5.000S	2.500S	P 5
	S/N:	64J1-10839,71J1-6145,85J1-11392				
		BD-513123	Kit	5.000S	2.500S	P 5
	S/N:	64J10840-10958 Use with 5J6202 Piston				
		CT-2430386	Kit	5.000S	2.500S	P 22
	S/N:	64J10840-UP,71J6146-UP,85J11393-UP Use with 3G3263 Piston				
Multi-Purpose Bucket		CT-2386882	Kit	4.500S	2.000S	P 4
Side Dump		BD-506116	Kit	4.500S	2.000S	P 4
Top Clamp		BD-506116	Kit	4.500S	2.000S	P 4
Ripper		BD-533126	Kit	5.500S	2.500S	P 5
		5J9409 Adapter required				
		CT-2430381	Kit	5.500S	2.500S	P 5
Track Adjuster		BD-904400	Kit			N 0
	S/N:	64J1-9257,71J1-5831,85J1-10059,85J10061-10066				
	S/N:	85J10068-10128				
		BD-903400	Kit			N 0
	S/N:	64J9258-UP,71J5832-UP,85J10060-10060,85J10067-10067				
	S/N:	85J10129-UP				
955L CRAWLER LOADER						
Loader S/N: 57M1-UP,13X1-UP,08Y1-UP Ripper S/N: 58D1-UP,65H1-UP,87H1-UP						
Lift		CT-2430383	Kit	5.500S	2.500S	P 5
	S/N:	57M,13X1-2979,08Y				
		CT-2430381	Kit	5.500S	2.500S	P 5
	S/N:	13X2980-UP				
Tilt		CT-2430386	Kit	5.000S	2.500S	P 22
Multi-Purpose Bucket		CT-2386882	Kit	4.500S	2.000S	P 4
Side Dump		BD-506116	Kit	4.500S	2.000S	P 4
Ripper		CT-2430381	Kit	5.500S	2.500S	P 5
Track Adjuster		BD-903400	Kit			N 0

CATERPILLAR® (REFERENCED BY OEM PART NUMBERS)

Application	Part Number	Description	Bore	Rod	Wiper	Type
963 CRAWLER LOADER						
Loader S/N: 29S1-UP,06Z1-UP,11Z1-UP,18Z1-UP,21Z1-UP,48Z1-UP Ripper S/N: 27V1-UP,36Y1-UP,43Y1-UP						
Lift	CT-2440960	Kit	5.500S	2.750S	P	22
	S/N: 29S1-1210,06Z,11Z,18Z,21Z1-4500,48Z1-231					
	CT-1570287	Kit	5.500S	2.750S	P	23
	S/N: 29S1211-UP,48Z232-277					
	CT-2440965	Kit	5.500S	2.750S	P	23
	S/N: 18Z,21Z1-4500,48Z278-UP					
Tilt	CT-2440966	Kit	5.500S	2.750S	P	23
	S/N: 21Z4501-UP					
	CT-2459839	Kit	6.500S	3.750S	P	22
	S/N: 29S1-1212,06Z,11Z,18Z,21Z,48Z1-244					
	CT-2459838	Kit	6.500S	3.750S	P	23
	S/N: 29S1213-UP,06Z,11Z,18Z,21Z,48Z245-UP					
Multi-Purpose Bucket	CT-2386882	Kit	4.500S	2.000S	P	4
	S/N: 29S,06Z,11Z,18Z,21Z,48Z1-277					
	CT-2409936	Kit	4.500S	2.000S	P	15
S/N: 21Z,48Z278-UP						
Ripper	CT-2410897	Kit	4.500S	2.250S	P	5
	S/N: 29S,06Z,11Z,18Z,21Z,48Z1-277					
	CT-2417584	Kit	4.500S	2.250S	P	15
S/N: 21Z,48Z278-UP						
Track Adjuster	BD-903400	Kit			N	0
	S/N: 29S1-1210,06Z,11Z,18Z1-1751,21Z1-654,48Z1-231					
	BD-903401	Kit			N	0
S/N: 29S1211-UP,18Z1752-UP,21Z655-3441,48Z232-UP						
963B,963C CRAWLER LOADER						
Loader S/N: 9BL1-UP,2DS1-UP Ripper S/N: 9JH1-UP,7RP1-UP						
Lift	CT-2601518	Kit	5.500S	2.750S	P	23
Tilt	CT-2459838	Kit	6.500S	3.750S	P	23
Multi-Purpose Bucket	CT-2409936	Kit	4.500S	2.000S	P	15
Ripper	CT-2417584	Kit	4.500S	2.250S	P	15
973 CRAWLER LOADER						
Loader S/N: 66G1-UP,86G1-UP,90L1-UP,91L1-UP,26Z1-UP,32Z1-UP Ripper S/N: 11B1-UP,27S1-UP,7TA1-UP						
Lift	CT-2450611	Kit	6.500S	3.250S	P	22
	S/N: 66G,86G1-2999,90L,91L1-182,26Z,32Z					
	CT-2450606	Kit	6.500S	3.250S	P	23
	S/N: 86G319-2999,32Z					
	BD-525319F	Kit	6.500S	3.250S	P	7
	S/N: 86G319-2999,32Z Use with Fire Retardant Fluids and 9J5531 Head					
S/N: 86G3000-UP	BD-676256F	Kit	6.500S	3.250S	P	7
	S/N: 86G3000-UP Use with Fire Retardant Fluids and 6E5526 Head					

Application	Part Number	Description	Bore	Rod	Wiper	Type
973 CRAWLER LOADER (continued)						
Tilt	CT-2450612	Kit	5.500S	3.250S	P	15
	CT-8T1426	Kit	5.500S	3.250S	P	7
	S/N: 66G,86G319-2999,32Z	Use with Fire Retardant Fluids and 1U3485 Head				
	CT-2062857	Kit	5.500S	3.250S	P	7
S/N: 86G319-UP,32Z	Use with Fire Retardant Fluids and 3G5997 or 9T6539 Head					
Multi-Purpose Bucket	CT-2408479	Kit	5.000S	2.000S	P	4
	S/N: 66G,86G319-2999,90L,32Z					
	CT-2406883	Kit	5.000S	2.000S	P	15
S/N: 86G319-UP						
Ripper	CT-2430386	Kit	5.000S	2.500S	P	22
	S/N: 66G,86G1-2999,90L,91L1-182,26Z,32Z					
	CT-2422542	Kit	5.000S	2.500S	P	23
S/N: 86G,91L183-UP						
Track Adjuster	BD-903400	Kit			N	0
	S/N: 66G1-942,66G944-994,66G996-999,66G1001-1012,66G1014-1018					
	S/N: 66G1020-1033,66G1035-1037,66G1039-1042,86G1-263					
	S/N: 86G265-284,86G286-292,86G294-294,90L,91L1-182					
	S/N: 26Z,32Z					
	BD-903401	Kit			N	0
S/N: 66G943-943,66G995-995,66G1000-1000,66G1013-1013						
S/N: 66G1019-1019,66G1034-1034,66G1038-1038,66G1043-UP						
S/N: 86G264-264,86G285-285,86G293-293,86G295-1086,91L183-UP						
973C CRAWLER LOADER						
Loader S/N: 3RZ1-UP Ripper S/N: 7XP1-UP						
Lift	CT-2450606	Kit	6.500S	3.250S	P	23
Tilt	CT-2450612	Kit	5.500S	3.250S	P	15
Multi-Purpose Bucket	CT-2406883	Kit	5.000S	2.000S	P	15
Ripper	CT-2422542	Kit	5.000S	2.500S	P	23
977D,977E CRAWLER LOADER						
Loader S/N: 20A1-UP Ripper S/N: 57D1-UP,77H1-UP						
Lift	BD-515138	Kit	6.500S	2.500S	P	4
Tilt	BD-510168	Kit	5.500S	2.250S	P	1
Side Dump	BD-510168	Kit	5.500S	2.250S	P	1
	BD-510126	Kit	5.500S	2.250S	P	4
Field replacement						
Top Clamp	BD-507266	Kit	4.500S	2.000S	P	1
	BD-507115	Kit	4.500S	2.000S	P	4
	BD-510168	Kit	5.500S	2.250S	P	1
Fork	BD-507166	Kit	5.000S	2.000S	P	1
	BD-507266	Kit	4.500S	2.000S	P	1
	BD-507115	Kit	4.500S	2.000S	P	4
Ripper	BD-515144	Kit	7.250S	2.500S	P	4
	BD-513144	Kit	7.250S	2.500S	P	5
Track Adjuster	BD-903400	Kit			N	0
	S/N: 20A2509-UP					

CATERPILLAR® (REFERENCED BY OEM PART NUMBERS)

Application	Part Number	Description	Bore	Rod	Wiper	Type	
977H CRAWLER LOADER							
Loader S/N: 53A1-UP Ripper S/N: 57D1-UP,66E1-UP,84G1-UP,77H1-UP,29K1-UP							
Lift	BD-515138	Kit	6.500S	2.500S	P	4	
	S/N: 53A3269-UP						
	BD-515144	Kit	7.250S	2.500S	P	4	
	S/N: 53A3000-UP	Optional design for increased lifting capacity Steel Mill application					
	BD-513144	Kit	7.250S	2.500S	P	5	
S/N: 53A3000-UP	Optional design for increased lifting capacity Steel Mill application						
Tilt	BD-510168	Kit	5.500S	2.250S	P	1	
	S/N: 53A1-3066,53A3068-3078,53A3080-3080						
	BD-510126	Kit	5.500S	2.250S	P	4	
S/N: 53A3067-3067,53A3079-3079,53A3081-UP							
Multi-Purpose Bucket	BD-510168	Kit	5.500S	2.250S	P	1	
	BD-510126	Kit	5.500S	2.250S	P	4	
Side Dump	BD-507166	Kit	5.000S	2.000S	P	1	
	CT-2384487	Kit	5.000S	2.000S	P	4	
Top Clamp	BD-507266	Kit	4.500S	2.000S	P	1	
	CT-2408513	Kit	4.000S	2.000S	P	4	
	BD-510168	Kit	5.500S	2.250S	P	1	
	BD-510126	Kit	5.500S	2.250S	P	4	
Fork	BD-507166	Kit	5.000S	2.000S	P	1	
	CT-2384487	Kit	5.000S	2.000S	P	4	
	BD-507266	Kit	4.500S	2.000S	P	1	
	BD-507115	Kit	4.500S	2.000S	P	4	
Ripper	BD-515144	Kit	7.250S	2.500S	P	4	
	BD-513144	Kit	7.250S	2.500S	P	5	
Track Adjuster	BD-903400	Kit			N	0	
977K CRAWLER LOADER							
Loader S/N: 46H1-UP Ripper S/N: 57D1-UP,84G1-UP,77H1-UP,29K1-UP							
Lift	BD-517138	Kit	6.500S	2.750S	P	5	
	BD-518138	Kit	6.500S	2.750S	I	5	
	BD-519138F	Kit	6.500S	2.750S	P	7	
	Use with Fire Retardant Fluids and 5J5369 Piston						
	BD-519139F	Kit	6.500S	2.750S	P	7	
Use with Fire Retardant Fluids and 7J1932 Piston							
Tilt	BD-538130	Kit	6.000S	2.750S	P	5	
	5J8222 Adapter required						
	BD-534130	Kit	6.000S	2.750S	I	5	
	5J8222 Adapter required						
	BD-519130F	Kit	6.000S	2.750S	P	7	
Use with Fire Retardant Fluids							
Demolition	CT-2430381	Kit	5.500S	2.500S	P	5	

CATERPILLAR® (REFERENCED BY OEM PART NUMBERS)

471

Application	Part Number	Description	Bore	Rod	Wiper	Type
977K CRAWLER LOADER (continued)						
Multi-Purpose Bucket	CT-2408479	Kit	5.000S	2.000S	P	4
Side Dump	CT-7S2727	Kit	5.000S	2.250S	P	4
Top Clamp	CT-2410895	Kit	5.000S	2.250S	P	15
Ripper	BD-514138	Kit	6.500S	2.500S	P	4
	CT-2435796	Kit	6.500S	2.500S	P	5
Track Adjuster	BD-903400	Kit			N	0
977K,977L CRAWLER LOADER						
Loader S/N: 48J1-UP,11K1-UP Ripper S/N: 57D1-UP,84G1-UP,77H1-UP,29K1-UP						
Lift	CT-2440962	Kit	6.500S	2.750S	P	5
	S/N: 48J1-1992					
	CT-2435816	Kit	6.500S	2.750S	P	22
	S/N: 48J1993-Up,11K7753-Up (RH Side),11K7761-Up (LH Side)					
	BD-517138	Kit	6.500S	2.750S	P	5
	S/N: 11K1-1792 RH Side Only					
	BD-518138	Kit	6.500S	2.750S	I	5
	S/N: 11K1-1792 RH Side Only					
	CT-9X2473	Kit	6.500S	2.750S	P	5
	S/N: 11K1793-3686 RH Side Only					
	BD-517138	Kit	6.500S	2.750S	P	5
	S/N: 11K1-1776 LH Side Only					
	BD-518138	Kit	6.500S	2.750S	I	5
	S/N: 11K1-1776 LH Side Only					
	CT-2440962	Kit	6.500S	2.750S	P	5
	S/N: 11K1777-3686 LH Side Only					
	CT-2440962	Kit	6.500S	2.750S	P	5
	S/N: 11K3687-5050					
	CT-2440962	Kit	6.500S	2.750S	P	5
	S/N: 11K5051-7752 RH Side Only					
	CT-2440962	Kit	6.500S	2.750S	P	5
	S/N: 11K5051-7760 LH Side Only					
	BD-519138F	Kit	6.500S	2.750S	P	7
	S/N: 11K1-3918 Use with Fire Retardant Fluids and 5J5369 Piston					
	BD-519139F	Kit	6.500S	2.750S	P	7
	S/N: 48J1-2010,11K1-3918 Use with Fire Retardant Fluids and 7J1932 Piston					
	BD-519139F	Kit	6.500S	2.750S	P	7
	S/N: 48J2011-UP,11K3919-UP Use with Fire Retardant Fluids and 7J1932 Piston					
	CT-8T1554	Kit	6.500S	2.750S	P	7
	S/N: 48J2011-UP,11K3919-UP Use with Fire Retardant Fluids and 9J9805 Piston					

NORTH AMERICA
PHONE 800.854.0275
FAX 813.559.8698



WORLDWIDE
PHONE 813.559.8650
FAX 813.559.8698

CATERPILLAR® (REFERENCED BY OEM PART NUMBERS)

Application	Part Number	Description	Bore	Rod	Wiper	Type
977K,977L CRAWLER LOADER (continued)						
Tilt	CT-2440955	Kit	6.000S	2.750S	P	5
	S/N: 48J1-1786					
	CT-2440961	Kit	6.000S	2.750S	P	5
	S/N: 48J1787-UP,11K5354-UP Use with 9J8054 Piston					
	CT-2440955	Kit	6.000S	2.750S	P	5
	S/N: 11K1-5353					
	CT-2440955	Kit	6.000S	2.750S	P	5
	S/N: 11K5354-7762 Use with 5J5056 Piston					
	BD-519130F	Kit	6.000S	2.750S	P	7
	S/N: 48J1-1280,11K1-5050 Use with Fire Retardant Fluids					
	BD-519130F	Kit	6.000S	2.750S	P	7
	S/N: 11K5051-7762 Use with Fire Retardant Fluids and 5J5056 Piston					
	CT-8T1553	Kit	6.000S	2.750S	P	7
S/N: 48J1281-UP,11K5051-UP Use with Fire Retardant Fluids and 9J8054 Piston						
Demolition	CT-2430381	Kit	5.500S	2.500S	P	5
Multi-Purpose Bucket	CT-2408479	Kit	5.000S	2.000S	P	4
Side Dump	CT-7S2727	Kit	5.000S	2.250S	P	4
Top Clamp	CT-2410895	Kit	5.000S	2.250S	P	15
Ripper	BD-514138	Kit	6.500S	2.500S	P	4
	CT-2435796	Kit	6.500S	2.500S	P	5
Track Adjuster	BD-903400	Kit			N	0
977L CRAWLER LOADER						
Loader S/N: 14X1-UP,64X1-UP,95X1-UP Ripper S/N: 57D1-UP,84G1-UP,77H1-UP,29K1-UP						
Lift	CT-2435816	Kit	6.500S	2.750S	P	22
	BD-519139F	Kit	6.500S	2.750S	P	7
	S/N: 64X Use with Fire Retardant Fluids and 7J1932 Piston					
	CT-8T1554	Kit	6.500S	2.750S	P	7
S/N: 14X,64X Use with Fire Retardant Fluids and 9J9805 Piston						
Tilt	CT-2440961	Kit	6.000S	2.750S	P	5
	CT-8T1553	Kit	6.000S	2.750S	P	7
S/N: 14X,64X Use with Fire Retardant Fluids						
Multi-Purpose Bucket	CT-2408479	Kit	5.000S	2.000S	P	4
Side Dump	CT-7S2727	Kit	5.000S	2.250S	P	4
Ripper	BD-513138	Kit	6.500S	2.500S	P	5
	S/N: 14X Ripper S/N: 57D,77H, 2 Piston seals					
	CT-2435796	Kit	6.500S	2.500S	P	5
	S/N: 14X Ripper S/N: 57D,77H, 1 Piston seal					

CATERPILLAR® (REFERENCED BY OEM PART NUMBERS)

473

Application	Part Number	Description	Bore	Rod	Wiper	Type
977L CRAWLER LOADER (continued)						
Ripper (cont)	BD-514138	Kit	6.500S	2.500S	P	4
S/N:	64X Ripper S/N: 84G,29K					
	BD-513138	Kit	6.500S	2.500S	P	5
S/N:	64X Ripper S/N: 84G,29K					
Track Adjuster	BD-903400	Kit			N	0
983 CRAWLER LOADER						
Loader S/N: 38K1-UP Ripper S/N: 70M1-UP						
Lift	BD-525153	Kit	8.250S	3.250S	P	5
S/N:	38K1-577 RH Side Only					
	BD-525154	Kit	8.250S	3.250S	P	5
S/N:	38K578-764 RH Side Only					
	BD-529154	Kit	8.250S	3.500S	P	5
S/N:	38K578-764 RH Side Only					
	BD-525153	Kit	8.250S	3.250S	P	5
S/N:	38K1-567 LH Side Only					
	BD-525154	Kit	8.250S	3.250S	P	5
S/N:	38K568-764 LH Side Only					
	BD-529154	Kit	8.250S	3.500S	P	5
S/N:	38K568-764 LH Side Only					
	BD-529154	Kit	8.250S	3.500S	P	5
S/N:	38K765-UP					
	BD-525153F	Kit	8.250S	3.250S	P	7
S/N:	38K1-764 Use with Fire Retardant Fluids and 4J7306 Piston					
	BD-525154F	Kit	8.250S	3.250S	P	7
S/N:	38K1-764 Use with Fire Retardant Fluids and 8J0178 Piston					
	BD-529154F	Kit	8.250S	3.500S	P	7
S/N:	38K1-764 Use with Fire Retardant Fluids					
	BD-529154F	Kit	8.250S	3.500S	P	7
S/N:	38K765-UP Use with Fire Retardant Fluids					
Tilt	BD-529145	Kit	7.250S	3.500S	P	5
S/N:	38K1-1385					
	BD-529235	Kit	7.250S	3.500S	P	22
S/N:	38K1-1385					
	BD-529235	Kit	7.250S	3.500S	P	22
S/N:	38K1386-UP					
	BD-529145F	Kit	7.250S	3.500S	P	7
	Use with Fire Retardant Fluids and 7J3551 Piston					

NORTH AMERICA
PHONE 800.854.0275
FAX 813.559.8698



WORLDWIDE
PHONE 813.559.8650
FAX 813.559.8698

CATERPILLAR® (REFERENCED BY OEM PART NUMBERS)

Application	Part Number	Description	Bore	Rod	Wiper	Type
983 CRAWLER LOADER (continued)						
Tilt (cont)	BD-529235F	Kit	7.250S	3.500S	P	7
Use with Fire Retardant Fluids and 9J9807 Piston						
Demolition	CT-2422558	Kit	6.000S	2.500S	P	5
	CT-1363121	Kit	6.000S	2.500S	P	8
	S/N: 38K765-UP					
Ripper	CT-2450613	Kit	7.250S	3.250S	P	5
Track Adjuster	BD-902400	Kit			N	0
983B CRAWLER LOADER						
Loader S/N: 58X1-UP Ripper S/N: 70M1-UP						
Lift	BD-529154	Kit	8.250S	3.500S	P	5
	BD-529154F	Kit	8.250S	3.500S	P	7
	Use with Fire Retardant Fluids					
Tilt	BD-529235	Kit	7.250S	3.500S	P	22
	BD-529235F	Kit	7.250S	3.500S	P	7
	Use with Fire Retardant Fluids					
Ripper	CT-2450613	Kit	7.250S	3.250S	P	5
Track Adjuster	BD-902400	Kit			N	0
TH62,TH63,TH82,TH83 TELEHANDLER						
Telehandler S/N: 4TM4014-UP,5WM1-UP,3JN1-UP,3KN1-UP,3NN1-UP 3RN1-UP						
Multi-Purpose Bucket	CT-2350354	Kit	3.000S	1.500S	P	15

Machine Model	Page	Machine Model	Page
Crawler Tractors (Dozers) / Loaders		Excavators	
D20, D21	477	PC120	505
D30, D31	478	PC128	506
D32	481	PC150	506
D37	481	PC180	506
D38	482	PC200	507
D39	482	PC210	509
D40, D41	482	PC220	509
D45	484	PC250	511
D50	484	PC280	511
D53	486	PC300	511
D55	487	PC360	512
D57	488	PC400	512
D58	488	PC650	514
D60, D65	489	PC1000	515
D63	491	PC1500	516
D66	491	PF55	516
D68	492	PW05	516
D75	492	PW30	517
D80, D85	493	PW60	517
D83	494	PW100	517
D95	494	PW150	518
D135	495	PW210	518
D150, D155	495		
D275	497	Wheel Loaders	
D355	497	WA20	518
D375	498	WA30	519
D455	499	WA40	519
D475	499	WA60	520
D575	500	WA70	520
		WA90	521
		WA100	521
Excavators		WA120	522
PC03	500	WA150	522
PC05	500	WA180	523
PC10	501	WA200	523
PC20	501	WA250	523
PC30	502	WA260	524
PC40	502	WA300	524
PC60	503	WA320	524
PC80	504	WA350	524
PC90	504	WA380	525
PC100	504		

Machine Model	Page
Wheel Loaders	
WA400	525
WA420	525
WA450	526
WA470	526
WA500	527
WA600	527
WD600 Wheel Dozer	528
WA700	528
WA800	528
Graders	
GD505	528
GD511	529
GD515	529
GD525	529
GD530	530
GD605	530
GD611	531
GD615	531
GD621	531
GD623	532
GD625	532
GD650	533
GD655	533
GD670	533
GD705	534
GD725	535
GD825	535
Scrapers	
WS23	535
Trucks	
HD320	536
HD325	536
HD460	536
HD465	536
HD785	536
HD1200	537

KOMATSU® (REFERENCED BY BULLDOG® PART NUMBERS)

Application	Part Number	Description	Bore	Rod	Wiper	Type
D20,D21 (SERIES 3 & 5) CRAWLER TRACTOR/LOADER						
Model - S/N: D20P-3 20013-45000,D20PL-3 20013-45000,D20A-5 45001-60000 D20P-5 45001-60000,D21P-3 20013-45000,D21PL-3 20013-45000 D21A-5 45001-60000,D21P-5 45001-60000						
Dozer Lift	S/N:	KM-BD-230731	Kit	70.00M	35.00M	P 16
		45001-60000				
	S/N:	KM-BD-102502	Kit	70.00M	45.00M	P 15
		D21P-5 50001-60000 Cuba application				
Dozer Tilt	S/N:	KM-BD-100551	Kit	80.00M	40.00M	P 16
		20013-45000				
Dozer Trimming	S/N:	KM-BD-230731	Kit	70.00M	35.00M	P 16
		45001-60000				
3-Point Hitch	S/N:	KM-BD-136551	Kit	80.00M	45.00M	P 16
		45001-60000				
Track Adjuster	S/N:	KM-BD-909036	Kit	40.00M	40.00M	P 0
		D21P-5 50001-60000				
Backhoe Swing	S/N:	KM-BD-231732	Kit	90.00M		N 0
		45001-60000				
Backhoe Boom	S/N:	KM-BD-136550	Kit	100.00M	45.00M	P 16
		45001-60000				
Backhoe Bucket	S/N:	KM-BD-100551	Kit	80.00M	40.00M	P 16
		45001-60000				
Backhoe Stick	S/N:	KM-BD-135550	Kit	100.00M	50.00M	P 16
		45001-60000				
D20,D21 (SERIES 6) CRAWLER TRACTOR/LOADER						
Model - S/N: D20P-6 60001-UP,D20P-6A 60001-UP,D20S-6 60001-UP D21E-6 60001-UP,D21P-6 60001-UP,D21P-6A 60001-UP D21P-6B 60001-UP,D21S-6 60001-UP,D21S-6A 60001-UP						
Dozer Lift	S/N:	KM-BD-217667	Kit	50.00M	35.00M	P 15
		D20P-6 60001-UP,D21P-6 60001-UP				
	S/N:	KM-BD-102672	Kit	70.00M	45.00M	P 15
		D20P-6 60001-UP,D21P-6 60001-UP Trimming Dozer				
	S/N:	KM-BD-217672	Kit	70.00M	35.00M	P 15
		D20P-6A 60001-UP,D21E-6 60001-UP,D21P-6A 60001-UP PAT Dozer				
Dozer Tilt	S/N:	KM-BD-101673	Kit	80.00M	40.00M	P 15
Dozer Trimming	S/N:	KM-BD-217672	Kit	70.00M	35.00M	P 15
		D20P-6 60001-UP,D21P-6 60001-UP				
Dozer Angle	S/N:	KM-BD-217672	Kit	70.00M	35.00M	P 15
		D20P-6A 60001-UP,D21E-6 60001-UP,D21P-6A 60001-UP				
	S/N:	D21P-6B 60001-UP				
Loader Lift	S/N:	KM-BD-102673	Kit	80.00M	45.00M	P 15
Loader Tilt (Dump)	S/N:	KM-BD-217683	Kit	60.00M	35.00M	P 15
3-Point Hitch	S/N:	KM-BD-217672	Kit	70.00M	35.00M	P 15
Track Adjuster	S/N:	KM-BD-909035	Kit	40.00M	40.00M	P 0

KOMATSU® (REFERENCED BY BULLDOG® PART NUMBERS)

Application	Part Number	Description	Bore	Rod	Wiper	Type
D20,D21 (SERIES 6) CRAWLER TRACTOR/LOADER						
(continued)						
Track Adjuster (cont)	KM-BD-909036	Kit	40.00M	40.00M	P	0
S/N:	D20P-6 60001-UP,D21P-6 60001-UP Trimming Dozer					
D30,D31 (SERIES 15) CRAWLER TRACTOR/LOADER						
Model - S/N: D30A-15 15008-24999,D30P-15 15008-24999,D30Q-15 15008-24999 D30S-15 15008-24999,D31A-15 15008-24999,D31P-15 15008-24999 D31Q-15 15008-24999,D31S-15 15008-24999						
Dozer Lift	KM-BD-225535	Kit	70.00M	45.00M	P	16
	KM-BD-121505	Kit	90.00M	40.00M	P	16
	Trimming Dozer					
Dozer Tilt	KM-BD-130548	Kit	100.00M	50.00M	P	16
Dozer Trimming	KM-BD-121505	Kit	90.00M	40.00M	P	16
Loader Lift	KM-BD-129509	Kit	110.00M	60.00M	P	16
Loader Tilt (Dump)	KM-BD-225532	Kit	80.00M	45.00M	P	16
Multi-Purpose Bucket	KM-BD-225532	Kit	80.00M	45.00M	P	16
Skid Loader	KM-BD-121532	Kit	80.00M	40.00M	P	16
Track Adjuster	KM-BD-909031	Kit	56.00M	70.00M	P	0
	S/N:	D30A-15 15008-18534,D30P-15 15012-19177,D30Q-15 15173-18766				
	S/N:	D30S-15 15010-20663,D31Q-15 15016-18116,D31S-15 15014-18774				
	KM-BD-909032	Kit	56.00M	70.00M	P	0
	S/N:	D30A-15 18535-UP,D30P-15 19178-UP,D30Q-15 18767-UP S/N: D30S-15 20664-UP,D31A-15 20001-UP,D31P-15 20001-UP S/N: D31Q-15 18117-UP,D31S-15 18775-UP				
Backhoe Outrigger	KM-BD-136736	Kit	70.00M	45.00M	P	16
	Backhoe model DHS030-1 S/N: 6414-Up					
Backhoe Swing	KM-BD-231735	Kit	100.00M		N	0
	Backhoe model DHS030-1 S/N: 6414-Up					
Backhoe Boom	KM-BD-232733	Kit	120.00M	60.00M	P	16
	Backhoe model DHS030-1 S/N: 6414-Up					
Backhoe Bucket	KM-BD-135550	Kit	100.00M	50.00M	P	16
	Backhoe model DHS030-1 S/N: 6414-Up					
Backhoe Stick (Arm)	KM-BD-173734	Kit	110.00M	55.00M	P	16
	Backhoe model DHS030-1 S/N: 6414-Up					
D31 (SERIES 16) CRAWLER TRACTOR/LOADER						
Model - S/N: D31A-16 25001-32000,D31P-16 25001-32000,D31P-16A 25001-32000 D31PL-16 25001-32000,D31PLL-16 25001-32000 D31Q-16 25001-32000,D31S-16 25001-32000						
Dozer Lift	KM-BD-100500	Kit	90.00M	40.00M	P	16
Dozer Tilt	KM-BD-100500	Kit	90.00M	40.00M	P	16
Dozer Trimming	KM-BD-100500	Kit	90.00M	40.00M	P	16
Dozer Angle	KM-BD-100500	Kit	90.00M	40.00M	P	16
	S/N:	D31A-16 25001-28059,D31P-16A 25001-32000				
	KM-BD-100693	Kit	90.00M	40.00M	P	16
S/N:	D31A-16 28060-UP					
Loader Lift	KM-BD-135550	Kit	100.00M	50.00M	P	16
Loader Tilt (Dump)	KM-BD-136551	Kit	80.00M	45.00M	P	16
Multi-Purpose Bucket	KM-BD-136551	Kit	80.00M	45.00M	P	16
Skid Loader	KM-BD-136551	Kit	80.00M	45.00M	P	16
Ripper	KM-BD-100500	Kit	90.00M	40.00M	P	16

Application	Part Number	Description	Bore	Rod	Wiper	Type
D31 (SERIES 16) CRAWLER TRACTOR/LOADER (continued)						
Track Adjuster	KM-BD-909000	Kit	50.00M	50.00M	P	0
	S/N:	D31A-16 25001-29125,D31P-16 25001-29603,D31P-16A 25001-28000				
	S/N:	D31PL-16 25001-29504,D31Q-16 25001-29375,D31S-16 25001-29385				
	KM-BD-909001	Kit	50.00M	50.00M	P	0
S/N:	D31A-16 29126-UP,D31P-16 29604-UP,D31P-16A 28001-UP					
S/N:	D31PL-16 29505-UP,D31Q-16 29376-UP,D31S-16 29386-UP					
Backhoe Outrigger	KM-BD-136736	Kit	70.00M	45.00M	P	16
	Backhoe model DHS030-1 S/N: 6414-Up					
Backhoe Swing	KM-BD-231732	Kit	90.00M		N	0
	S/N:	28001-32000 Backhoe model DHS020-3				
	KM-BD-231735	Kit	100.00M		N	0
	Backhoe model DHS030-1 S/N: 6414-Up					
Backhoe Boom	KM-BD-136550	Kit	100.00M	45.00M	P	16
	S/N:	28001-32000 Backhoe model DHS020-3				
	KM-BD-232733	Kit	120.00M	60.00M	P	16
	Backhoe model DHS030-1 S/N: 6414-Up					
Backhoe Bucket	KM-BD-100551	Kit	80.00M	40.00M	P	16
	S/N:	28001-32000 Backhoe model DHS020-3				
	KM-BD-135550	Kit	100.00M	50.00M	P	16
	Backhoe model DHS030-1 S/N: 6414-Up					
Backhoe Stick (Arm)	KM-BD-135550	Kit	100.00M	50.00M	P	16
	S/N:	28001-32000 Backhoe model DHS020-3				
	KM-BD-173734	Kit	110.00M	55.00M	P	16
	Backhoe model DHS030-1 S/N: 6414-Up					
D31 (SERIES 17) CRAWLER TRACTOR/LOADER						
Model - S/N: D31A-17 32001-40000,D31E-17 32001-40000,D31P-17 32001-40000 D31P-17A 32001-40000,D31P-17B 32001-40000 D31PL-17 32001-40000,D31PLL-17 32001-40000 D31Q-17 32001-40000,D31S-17 32001-40000						
Dozer Lift	KM-BD-101501	Kit	90.00M	40.00M	P	15
Dozer Tilt	KM-BD-101501	Kit	90.00M	40.00M	P	15
Dozer Trimming	KM-BD-101501	Kit	90.00M	40.00M	P	15
Dozer Angle	KM-BD-101501	Kit	90.00M	40.00M	P	15
Loader Lift	KM-BD-103504	Kit	100.00M	50.00M	P	15
Loader Tilt (Dump)	KM-BD-102503	Kit	80.00M	45.00M	P	15
Multi-Purpose Bucket	KM-BD-102503	Kit	80.00M	45.00M	P	15
Ripper	KM-BD-101501	Kit	90.00M	40.00M	P	15
3-Point Hitch	KM-BD-102503	Kit	80.00M	45.00M	P	15
Track Adjuster	KM-BD-909001	Kit	50.00M	50.00M	P	0
Backhoe Outrigger	KM-BD-136736	Kit	70.00M	45.00M	P	16
	Backhoe model DHS030-1 S/N: 6414-Up					
Backhoe Swing	KM-BD-231732	Kit	90.00M		N	0
	Backhoe model DHS020-3					
	KM-BD-231735	Kit	100.00M		N	0
	Backhoe model DHS030-1 S/N: 6414-Up					

KOMATSU® (REFERENCED BY BULLDOG® PART NUMBERS)

Application	Part Number	Description	Bore	Rod	Wiper	Type
D31 (SERIES 17) CRAWLER TRACTOR/LOADER						
(continued)						
Backhoe Boom	KM-BD-136550	Kit	100.00M	45.00M	P	16
	Backhoe model DHS020-3					
	KM-BD-232733	Kit	120.00M	60.00M	P	16
Backhoe model DHS030-1 S/N: 6414-Up						
Backhoe Bucket	KM-BD-100551	Kit	80.00M	40.00M	P	16
	Backhoe model DHS020-3					
	KM-BD-135550	Kit	100.00M	50.00M	P	16
Backhoe model DHS030-1 S/N: 6414-Up						
Backhoe Stick (Arm)	KM-BD-135550	Kit	100.00M	50.00M	P	16
	Backhoe model DHS020-3					
	KM-BD-173734	Kit	110.00M	55.00M	P	16
Backhoe model DHS030-1 S/N: 6414-Up						
D31 (SERIES 18) CRAWLER TRACTOR/LOADER						
Model - S/N: D31E-18 40001-42000, D31P-18 40001-45000, D31P-18A 40001-45000 D31PG-18A 43459-45000, D31Q-18 40001-UP, D31S-18 40001-UP						
Dozer Lift	KM-BD-101703	Kit	90.00M	40.00M	P	15
	PAT and Trimming Dozer					
	KM-BD-102672	Kit	70.00M	45.00M	P	15
Dozer Tilt	KM-BD-101703	Kit	90.00M	40.00M	P	15
Dozer Trimming	KM-BD-101703	Kit	90.00M	40.00M	P	15
Dozer Angle	KM-BD-101703	Kit	90.00M	40.00M	P	15
Loader Lift	KM-BD-223704	Kit	100.00M	50.00M	P	15
Loader Tilt (Dump)	KM-BD-102707	Kit	80.00M	45.00M	P	15
Multi-Purpose Bucket	KM-BD-102503	Kit	80.00M	45.00M	P	15
Ripper	KM-BD-101501	Kit	90.00M	40.00M	P	15
3-Point Hitch	KM-BD-102503	Kit	80.00M	45.00M	P	15
Track Adjuster	KM-BD-909001	Kit	50.00M	50.00M	P	0
	KM-BD-909033	Kit	50.00M	50.00M	P	0
	Trimming Dozer					
Backhoe Outrigger	KM-BD-136736	Kit	70.00M	45.00M	P	16
	Backhoe model DHS030-1 S/N: 6414-Up					
Backhoe Swing	KM-BD-231735	Kit	100.00M		N	0
	Backhoe model DHS030-1 S/N: 6414-Up					
Backhoe Boom	KM-BD-232733	Kit	120.00M	60.00M	P	16
	Backhoe model DHS030-1 S/N: 6414-Up					
Backhoe Bucket	KM-BD-135550	Kit	100.00M	50.00M	P	16
	Backhoe model DHS030-1 S/N: 6414-Up					
Backhoe Stick (Arm)	KM-BD-173734	Kit	110.00M	55.00M	P	16
	Backhoe model DHS030-1 S/N: 6414-Up					

Application	Part Number	Description	Bore	Rod	Wiper	Type
D31 (SERIES 20) CRAWLER TRACTOR						
Model - S/N: D31E-20 42001-UP,D31P-20 45001-UP,D31P-20A 45001-UP D31PG-20A 45001-UP,D31PL-20 45001-UP,D31PLL-20 45001-UP						
Dozer Lift	KM-BD-101703	Kit	90.00M	40.00M	P	15
	PAT and Trimming Dozer					
	KM-BD-101501	Kit	90.00M	40.00M	P	15
	Trimming Dozer (China)					
	KM-BD-102672	Kit	70.00M	45.00M	P	15
Dozer Tilt	KM-BD-101703	Kit	90.00M	40.00M	P	15
Dozer Trimming	KM-BD-101703	Kit	90.00M	40.00M	P	15
Dozer Angle	KM-BD-101703	Kit	90.00M	40.00M	P	15
Ripper	KM-BD-101501	Kit	90.00M	40.00M	P	15
3-Point Hitch	KM-BD-102503	Kit	80.00M	45.00M	P	15
Track Adjuster	KM-BD-909001	Kit	50.00M	50.00M	P	0
	KM-BD-909033	Kit	50.00M	50.00M	P	0
	Trimming Dozer					
D32 CRAWLER TRACTOR						
Model - S/N: D32E-1 75501-UP,D32P-1 75501-UP						
Dozer Lift	HH-626230C6	Kit	3.500S	1.750S	P	15
Dozer Tilt	HH-626230C6	Kit	3.500S	1.750S	P	15
Dozer Angle	HH-1124732C94	Kit	3.000S	1.500S	P	15
Ripper	HH-626231C5	Kit	3.000S	2.000S	P	15
Track Adjuster	HH-BD-906001	Kit	1.875S	1.875S	I	0
D37 (SERIES 1) CRAWLER TRACTOR						
Model - S/N: D37E-1 1001-1500,D37P-1 1001-1500						
Dozer Lift	KM-BD-101501	Kit	90.00M	40.00M	P	15
Dozer Tilt	KM-BD-101501	Kit	90.00M	40.00M	P	15
Dozer Angle	KM-BD-101501	Kit	90.00M	40.00M	P	15
Ripper	KM-BD-101501	Kit	90.00M	40.00M	P	15
3-Point Hitch	KM-BD-102503	Kit	80.00M	45.00M	P	15
Track Adjuster	KM-BD-909001	Kit	50.00M	50.00M	P	0
D37 (SERIES 2 & 5) CRAWLER TRACTOR						
Model - S/N: D37E-2 1501-3000,D37P-2 1501-3000,D37E-5 3001-UP D37P-5A 3001-UP,D37PG-5A 3001-UP						
Dozer Lift	KM-BD-101703	Kit	90.00M	40.00M	P	15
	KM-BD-102672	Kit	70.00M	45.00M	P	15
	S/N: D37E-2 2501-3000 Sandy, Dusty Terrain special application					
Dozer Tilt	KM-BD-101703	Kit	90.00M	40.00M	P	15
Dozer Angle	KM-BD-101703	Kit	90.00M	40.00M	P	15
Ripper	KM-BD-101501	Kit	90.00M	40.00M	P	15
3-Point Hitch	KM-BD-102503	Kit	80.00M	45.00M	P	15
Track Adjuster	KM-BD-909001	Kit	50.00M	50.00M	P	0

KOMATSU® (REFERENCED BY BULLDOG® PART NUMBERS)

Application	Part Number	Description	Bore	Rod	Wiper	Type
D38 CRAWLER TRACTOR						
Model - S/N: D38E-1 85501-UP,D38P-1 85501-UP						
Dozer Lift	HH-626230C6	Kit	3.500S	1.750S	P	15
Dozer Tilt	HH-626230C6	Kit	3.500S	1.750S	P	15
Dozer Angle	HH-1124732C94	Kit	3.000S	1.500S	P	15
Ripper	HH-626231C5	Kit	3.000S	2.000S	P	15
Track Adjuster	HH-BD-906001	Kit	1.875S	1.875S	I	0
D39 CRAWLER TRACTOR						
Model - S/N: D39E-1 95501-UP,D39P-1 95501-UP						
Dozer Lift	HH-626230C6	Kit	3.500S	1.750S	P	15
Dozer Tilt	HH-626230C6	Kit	3.500S	1.750S	P	15
Dozer Angle	HH-626230C6	Kit	3.500S	1.750S	P	15
Ripper	HH-626231C5	Kit	3.000S	2.000S	P	15
Track Adjuster	HH-BD-906001	Kit	1.875S	1.875S	I	0
D40 (SERIES 1) CRAWLER TRACTOR						
Model - S/N: D40A-1 1501-UP,D40P-1 1501-UP						
Dozer Tilt	KM-BD-130512	Kit	120.00M	50.00M	P	16
Ripper	KM-BD-129516	Kit	140.00M	60.00M	P	16
	S/N: D40A-1 1501-UP					
3-Point Hitch	KM-BD-130512	Kit	120.00M	50.00M	P	16
	S/N: 2201-UP					
Backhoe Outrigger	KM-BD-136736	Kit	70.00M	45.00M	P	16
	Backhoe model DHS030-1 S/N: 6414-Up					
Backhoe Swing	KM-BD-231735	Kit	100.00M		N	0
	Backhoe model DHS030-1 S/N: 6414-Up					
Backhoe Boom	KM-BD-232733	Kit	120.00M	60.00M	P	16
	Backhoe model DHS030-1 S/N: 6414-Up					
Backhoe Bucket	KM-BD-135550	Kit	100.00M	50.00M	P	16
	Backhoe model DHS030-1 S/N: 6414-Up					
Backhoe Stick (Arm)	KM-BD-173734	Kit	110.00M	55.00M	P	16
	Backhoe model DHS030-1 S/N: 6414-Up					
D40,D41 (SERIES 3) CRAWLER TRACTOR/LOADER						
Model - S/N: D40A-3 6001-UP,D40AM-3 6001-UP,D40F-3 6221-UP D40P-3 6001-UP,D40PF-3A 6001-UP,D40PL-3 6001-UP D40PLL-3 6001-UP,D41A-3 6001-20000,D41A-3A 6001-20000 D41A-3C 7676-20000,D41E-3 6001-20000,D41E-3A 7574-20000 D41E-3B 7835-20000,D41P-3 6001-20000,D41P-3C 7424-20000 D41Q-3 6001-20000,D41S-3 6001-20000						
Dozer Lift	KM-BD-102502	Kit	70.00M	45.00M	P	15
	S/N: D40A-3 6001-UP,D40AM-3 6001-UP,D40P-3 6001-UP D40PF-3A 6001-UP,D40PL-3 6001-UP,D40PLL-3 6001-UP S/N: D41A-3 6001-20000,D41A-3C 7676-20000,D41E-3 6001-20000 S/N: D41E-3A 7574-20000,D41E-3B 7835-20000,D41P-3 6001-20000 S/N: D41P-3C 7424-20000					
	KM-BD-103503	Kit	80.00M	50.00M	P	15
	S/N: D41A-3A 6001-20000					

Application	Part Number	Description	Bore	Rod	Wiper	Type
D40,D41 (SERIES 3) CRAWLER TRACTOR/LOADER						
(continued)						
Dozer Tilt	KM-BD-103504	Kit	100.00M	50.00M	P	15
	S/N:	D40A-3 6001-UP,D40P-3 6001-UP,D40PF-3A 6001-UP				
	S/N:	D40PL-3 6001-UP,D40PLL-3 6001-UP,D41A-3 6001-20000				
	S/N:	D41A-3C 7676-20000,D41E-3 6001-20000,D41E-3A 7574-20000				
	S/N:	D41E-3B 7835-20000,D41P-3 6001-20000,D41P-3C 7424-20000				
	KM-BD-104504	Kit	100.00M	60.00M	P	15
S/N:	D41A-3 6001-20000,D41A-3A 6001-20000 PAT Dozer					
KM-BD-104546	Kit	120.00M	60.00M	P	15	
S/N:	D41E-3 6001-20000,D41E-3A 7574-20000,D41E-3B 7835-20000 PAT Dozer					
Dozer Trimming	KM-BD-102501	Kit	90.00M	45.00M	P	15
S/N:	D40A-3 6001-UP,D41A-3 6001-20000					
Dozer Angle	KM-BD-104504	Kit	100.00M	60.00M	P	15
	S/N:	D41A-3 6001-20000,D41A-3A 6001-20000				
	KM-BD-131504	Kit	110.00M	65.00M	P	15
S/N:	D41E-3 6001-20000,D41E-3A 7574-20000					
Loader Lift	KM-BD-104547	Kit	110.00M	60.00M	P	15
S/N:	D41Q-3 6001-20000,D41S-3 6001-20000					
Loader Tilt (Dump)	KM-BD-133504	Kit	100.00M	55.00M	P	15
S/N:	D41Q-3 6001-20000,D41S-3 6001-20000					
Multi-Purpose Bucket	KM-BD-103501	Kit	90.00M	50.00M	P	15
S/N:	D41S-3 6001-20000					
Side Dump	KM-BD-103503	Kit	80.00M	50.00M	P	15
S/N:	D41S-3 6001-20000					
Ripper	KM-BD-104546	Kit	120.00M	60.00M	P	15
S/N:	D40A-3 6001-UP,D41A-3 6001-20000,D41S-3 6001-20000					
3-Point Hitch	KM-BD-133547	Kit	110.00M	55.00M	P	15
S/N:	D40PF-3A 6001-UP					
Tool Bar	KM-BD-132517	Kit	140.00M	70.00M	P	15
S/N:	D40F-3 6221-UP					
Track Adjuster	KM-BD-909002	Kit	60.00M	80.00M	P	0
D41 (SERIES 6) CRAWLER TRACTOR						
Model - S/N: D41E-6 20001-UP,D41P-6 20001-UP						
Dozer Lift	KM-BD-103712	Kit	105.00M	50.00M	P	15
Dozer Tilt	KM-BD-133630	Kit	110.00M	55.00M	P	15
Dozer Angle	KM-BD-193723	Kit	130.00M	65.00M	P	15
Ripper	KM-BD-104546	Kit	120.00M	60.00M	P	15
Track Adjuster	KM-BD-909034	Kit	60.00M	60.00M	P	0

KOMATSU® (REFERENCED BY BULLDOG® PART NUMBERS)

Application	Part Number	Description	Bore	Rod	Wiper	Type
D45 CRAWLER TRACTOR/LOADER						
Model - S/N: D45A-1 1501-UP,D45E-1 1501-UP,D45P-1 1501-UP D45S-1 1501-UP						
Dozer Lift	KM-BD-170532	Kit	80.00M	50.00M	P	16
Dozer Tilt	KM-BD-130512	Kit	120.00M	50.00M	P	16
	KM-BD-129516	Kit	140.00M	60.00M	P	16
	S/N: D45A-1 1801-UP PAT Dozer					
Dozer Trimming	KM-BD-170548	Kit	100.00M	50.00M	P	16
Dozer Angle	KM-BD-134549	Kit	110.00M	65.00M	P	16
Loader Lift	KM-BD-129544	Kit	130.00M	60.00M	P	16
Loader Tilt (Dump)	KM-BD-226512	Kit	120.00M	65.00M	P	16
Side Dump	KM-BD-170505	Kit	90.00M	50.00M	P	16
Ripper	KM-BD-129516	Kit	140.00M	60.00M	P	16
Track Adjuster	KM-BD-909002	Kit	60.00M	80.00M	P	0
Backhoe Outrigger	KM-BD-136736	Kit	70.00M	45.00M	P	16
	Backhoe model DHS030-1 S/N: 6414-Up					
Backhoe Swing	KM-BD-231735	Kit	100.00M		N	0
	Backhoe model DHS030-1 S/N: 6414-Up					
Backhoe Boom	KM-BD-232733	Kit	120.00M	60.00M	P	16
	Backhoe model DHS030-1 S/N: 6414-Up					
Backhoe Bucket	KM-BD-135550	Kit	100.00M	50.00M	P	16
	Backhoe model DHS030-1 S/N: 6414-Up					
Backhoe Stick (Arm)	KM-BD-173734	Kit	110.00M	55.00M	P	16
	Backhoe model DHS030-1 S/N: 6414-Up					
D50 (SERIES 15) CRAWLER TRACTOR/LOADER						
Model - S/N: D50A-15 35002-64999,D50P-15 35002-64999,D50PL-15 35002-64999 D50S-15 35002-64999						
Dozer Lift	KM-BD-106505	Kit	90.00M	55.00M	P	16
	S/N: D50A-15 59804-64999,D50P-15 59939-64999,D50PL-15 59939-64999					
Dozer Tilt	KM-BD-128506	Kit	160.00M	70.00M	P	16
	S/N: D50A-15 50002-64999,D50P-15 50002-64999					
Loader Lift	KM-BD-226516	Kit	140.00M	65.00M	P	16
	S/N: D50S-15 59001-64999					
Loader Tilt (Dump)	KM-BD-130512	Kit	120.00M	50.00M	P	16
	S/N: D50S-15 59001-64999					
Multi-Purpose Bucket	KM-BD-170512	Kit	120.00M	50.00M	P	16
	S/N: D50S-15 59001-64999					
Side Dump	KM-BD-106548	Kit	100.00M	55.00M	P	16
	S/N: D50S-15 59001-64999					
Track Adjuster	KM-BD-909016	Kit	90.00M	70.00M	P	0
	S/N: 59001-64999					
Backhoe Outrigger	KM-BD-136736	Kit	70.00M	45.00M	P	16
	Backhoe model DHS030-1 S/N: 6414-Up					
Backhoe Swing	KM-BD-231735	Kit	100.00M		N	0
	Backhoe model DHS030-1 S/N: 6414-Up					
Backhoe Boom	KM-BD-232733	Kit	120.00M	60.00M	P	16
	Backhoe model DHS030-1 S/N: 6414-Up					

Application	Part Number	Description	Bore	Rod	Wiper	Type
D50 (SERIES 15) CRAWLER TRACTOR/LOADER						
(continued)						
Backhoe Bucket	KM-BD-135550	Kit	100.00M	50.00M	P	16
	Backhoe model DHS030-1 S/N: 6414-Up					
Backhoe Stick (Arm)	KM-BD-173734	Kit	110.00M	55.00M	P	16
	Backhoe model DHS030-1 S/N: 6414-Up					
D50 (SERIES 16) CRAWLER TRACTOR/LOADER						
Model - S/N: D50A-16 65001-79999,D50F-16 66946-79999,D50S-16 65001-79999						
Dozer Lift	KM-BD-106505	Kit	90.00M	55.00M	P	16
Dozer Tilt	KM-BD-108506	Kit	160.00M	70.00M	P	16
Dozer Trimming	KM-BD-130512	Kit	120.00M	50.00M	P	16
Loader Lift	KM-BD-226516	Kit	140.00M	65.00M	P	16
Loader Tilt (Dump)	KM-BD-226544	Kit	130.00M	65.00M	P	16
Multi-Purpose Bucket	KM-BD-130512	Kit	120.00M	50.00M	P	16
Side Dump	KM-BD-170505	Kit	90.00M	50.00M	P	16
	KM-BD-106548	Kit	100.00M	55.00M	P	16
3-Point Hitch	KM-BD-130512	Kit	120.00M	50.00M	P	16
Track Adjuster	KM-BD-909016	Kit	90.00M	70.00M	P	0
Backhoe Outrigger	KM-BD-136736	Kit	70.00M	45.00M	P	16
	Backhoe model DHS030-1 S/N: 6414-Up					
Backhoe Swing	KM-BD-231735	Kit	100.00M		N	0
	Backhoe model DHS030-1 S/N: 6414-Up					
Backhoe Boom	KM-BD-232733	Kit	120.00M	60.00M	P	16
	Backhoe model DHS030-1 S/N: 6414-Up					
Backhoe Bucket	KM-BD-135550	Kit	100.00M	50.00M	P	16
	Backhoe model DHS030-1 S/N: 6414-Up					
Backhoe Stick (Arm)	KM-BD-173734	Kit	110.00M	55.00M	P	16
	Backhoe model DHS030-1 S/N: 6414-Up					
D50 (SERIES 17) CRAWLER TRACTOR						
Model - S/N: D50A-17 80001-UP,D50F-17 80001-UP,D50P-17 80001-UP D50PL-17 80001-UP						
Dozer Lift	KM-BD-106505	Kit	90.00M	55.00M	P	16
Dozer Tilt	KM-BD-194571	Kit	160.00M	70.00M	P	15
	KM-BD-128571	Kit	160.00M	70.00M	P	15
	S/N: D50A-17 80001-UP MAP Tilt Dozer					
Track Adjuster	KM-BD-909016	Kit	90.00M	70.00M	P	0

KOMATSU® (REFERENCED BY BULLDOG® PART NUMBERS)

Application	Part Number	Description	Bore	Rod	Wiper	Type
D53 (SERIES 15) CRAWLER TRACTOR/LOADER						
Model - S/N: D53A-15 60001-65000,D53S-15 60001-65000						
Dozer Lift	KM-BD-106505	Kit	90.00M	55.00M	P	16
Dozer Tilt	KM-BD-128506	Kit	160.00M	70.00M	P	16
Loader Lift	KM-BD-226516	Kit	140.00M	65.00M	P	16
Loader Tilt (Dump)	KM-BD-130512	Kit	120.00M	50.00M	P	16
Track Adjuster	KM-BD-909016	Kit	90.00M	70.00M	P	0
Backhoe Outrigger	KM-BD-136736	Kit	70.00M	45.00M	P	16
Backhoe model DHS030-1 S/N: 6414-Up						
Backhoe Swing	KM-BD-231735	Kit	100.00M		N	0
Backhoe model DHS030-1 S/N: 6414-Up						
Backhoe Boom	KM-BD-232733	Kit	120.00M	60.00M	P	16
Backhoe model DHS030-1 S/N: 6414-Up						
Backhoe Bucket	KM-BD-135550	Kit	100.00M	50.00M	P	16
Backhoe model DHS030-1 S/N: 6414-Up						
Backhoe Stick (Arm)	KM-BD-173734	Kit	110.00M	55.00M	P	16
Backhoe model DHS030-1 S/N: 6414-Up						
D53 (SERIES 16) CRAWLER TRACTOR/LOADER						
Model - S/N: D53A-16 65001-79999,D53A-16A 65001-79999,D53A-16B 65001-79999 D53P-16 65001-79999,D53S-16 65001-79999						
Dozer Lift	KM-BD-106505	Kit	90.00M	55.00M	P	16
Dozer Tilt	KM-BD-108506	Kit	160.00M	70.00M	P	16
Dozer Trimming	KM-BD-130512	Kit	120.00M	50.00M	P	16
Loader Lift	KM-BD-226516	Kit	140.00M	65.00M	P	16
Loader Tilt (Dump)	KM-BD-226544	Kit	130.00M	65.00M	P	16
Side Dump	KM-BD-170505	Kit	90.00M	50.00M	P	16
	KM-BD-106548	Kit	100.00M	55.00M	P	16
Track Adjuster	KM-BD-909016	Kit	90.00M	70.00M	P	0
Backhoe Outrigger	KM-BD-136736	Kit	70.00M	45.00M	P	16
Backhoe model DHS030-1 S/N: 6414-Up						
Backhoe Swing	KM-BD-231735	Kit	100.00M		N	0
Backhoe model DHS030-1 S/N: 6414-Up						
Backhoe Boom	KM-BD-232733	Kit	120.00M	60.00M	P	16
Backhoe model DHS030-1 S/N: 6414-Up						
Backhoe Bucket	KM-BD-135550	Kit	100.00M	50.00M	P	16
Backhoe model DHS030-1 S/N: 6414-Up						
Backhoe Stick (Arm)	KM-BD-173734	Kit	110.00M	55.00M	P	16
Backhoe model DHS030-1 S/N: 6414-Up						

KOMATSU® (REFERENCED BY BULLDOG® PART NUMBERS)

Application	Part Number	Description	Bore	Rod	Wiper	Type
D53 (SERIES 17) CRAWLER TRACTOR/LOADER						
Model - S/N: D53A-17 80001-UP,D53P-17 80001-UP,D53S-17 80001-UP						
Dozer Lift	KM-BD-106505	Kit	90.00M	55.00M	P	16
Dozer Tilt	KM-BD-128571	Kit	160.00M	70.00M	P	15
	S/N: D53A-17 80001-UP MAP Tilt Dozer					
	KM-BD-194571	Kit	160.00M	70.00M	P	15
Dozer Trimming	KM-BD-103546	Kit	120.00M	50.00M	P	15
Loader Lift	KM-BD-131517	Kit	140.00M	65.00M	P	15
Loader Tilt (Dump)	KM-BD-131543	Kit	130.00M	65.00M	P	8
Multi-Purpose Bucket	KM-BD-130512	Kit	120.00M	50.00M	P	16
Side Dump	KM-BD-170505	Kit	90.00M	50.00M	P	16
	KM-BD-133504	Kit	100.00M	55.00M	P	15
Track Adjuster	KM-BD-909016	Kit	90.00M	70.00M	P	0
Backhoe Outrigger	KM-BD-136736	Kit	70.00M	45.00M	P	16
	Backhoe model DHS030-1 S/N: 6414-Up					
Backhoe Swing	KM-BD-231735	Kit	100.00M		N	0
	Backhoe model DHS030-1 S/N: 6414-Up					
Backhoe Boom	KM-BD-232733	Kit	120.00M	60.00M	P	16
	Backhoe model DHS030-1 S/N: 6414-Up					
Backhoe Bucket	KM-BD-135550	Kit	100.00M	50.00M	P	16
	Backhoe model DHS030-1 S/N: 6414-Up					
Backhoe Stick (Arm)	KM-BD-173734	Kit	110.00M	55.00M	P	16
	Backhoe model DHS030-1 S/N: 6414-Up					
D55 CRAWLER LOADER						
Model - S/N: D55S-3 3689-UP						
Loader Lift	KM-BD-226538	Kit	150.00M	65.00M	P	16
	S/N: 3689-4207					
	KM-BD-128538	Kit	150.00M	70.00M	P	16
	S/N: 4208-UP					
Loader Tilt (Dump)	KM-BD-129544	Kit	130.00M	60.00M	P	16
Side Dump	KM-BD-106548	Kit	100.00M	55.00M	P	16
Track Adjuster	KM-BD-909016	Kit	90.00M	70.00M	P	0
Backhoe Outrigger	KM-BD-136736	Kit	70.00M	45.00M	P	16
	Backhoe model DHS030-1 S/N: 6414-Up					
Backhoe Swing	KM-BD-231735	Kit	100.00M		N	0
	Backhoe model DHS030-1 S/N: 6414-Up					
Backhoe Boom	KM-BD-232733	Kit	120.00M	60.00M	P	16
	Backhoe model DHS030-1 S/N: 6414-Up					
Backhoe Bucket	KM-BD-135550	Kit	100.00M	50.00M	P	16
	Backhoe model DHS030-1 S/N: 6414-Up					
Backhoe Stick (Arm)	KM-BD-173734	Kit	110.00M	55.00M	P	16
	Backhoe model DHS030-1 S/N: 6414-Up					

KOMATSU® (REFERENCED BY BULLDOG® PART NUMBERS)

Application	Part Number	Description	Bore	Rod	Wiper	Type
D57 CRAWLER LOADER						
Model - S/N: D57S-1 6501-20000,D57S-1B 20001-UP						
Loader Lift	KM-BD-128538	Kit	150.00M	70.00M	P	16
	S/N: 6501-9000					
	KM-BD-132539	Kit	150.00M	70.00M	P	15
	S/N: 9001-UP					
Loader Tilt (Dump)	KM-BD-226516	Kit	140.00M	65.00M	P	16
	S/N: 6501-9000					
	KM-BD-131517	Kit	140.00M	65.00M	P	15
	S/N: 9001-UP					
Multi-Purpose Bucket	KM-BD-130512	Kit	120.00M	50.00M	P	16
Side Dump	KM-BD-170505	Kit	90.00M	50.00M	P	16
	KM-BD-106548	Kit	100.00M	55.00M	P	16
	S/N: 6501-9000					
	KM-BD-133504	Kit	100.00M	55.00M	P	15
S/N: 9001-UP						
Track Adjuster	KM-BD-909016	Kit	90.00M	70.00M	P	0
	KM-BD-909037	Kit	95.00M	70.00M	P	0
S/N: 9001-UP						
D58 CRAWLER TRACTOR						
Model - S/N: D58E-1 80888-UP,D58E-1A 80888-UP,D58E-1B 81285-UP D58P-1 80588-UP,D58P-1B 81261-UP,D58P-1C 81381-UP						
Dozer Lift	KM-BD-106505	Kit	90.00M	55.00M	P	16
	S/N: D58E-1 80888-81729,D58E-1A 80888-81729,D58P-1 80588-81043					
	KM-BD-106724	Kit	90.00M	55.00M	P	15
	S/N: D58E-1 81730-UP,D58E-1A 81730-UP,D58P-1 81044-UP					
	KM-BD-227725	Kit	120.00M	60.00M	P	15
	S/N: D58E-1B 81285-UP,D58P-1B 81261-UP,D58P-1C 81381-UP					
Dozer Tilt	KM-BD-194571	Kit	160.00M	70.00M	P	15
	S/N: D58E-1 80888-UP,D58E-1A 80888-UP,D58P-1 80588-UP					
	KM-BD-128571	Kit	160.00M	70.00M	P	15
	S/N: D58E-1 80888-UP MAP Tilt Dozer					
	KM-BD-177726	Kit	150.00M	75.00M	P	15
	S/N: D58E-1B 81285-UP,D58P-1B 81261-UP,D58P-1C 81381-UP PAT Tilt Dozer					
Dozer Angle	KM-BD-227725	Kit	120.00M	60.00M	P	15
S/N: D58E-1B 81285-UP,D58P-1B 81261-UP,D58P-1C 81381-UP						
Track Adjuster	KM-BD-909016	Kit	90.00M	70.00M	P	0
	Except D58P-1B,1C					
	KM-BD-909017	Kit	70.00M	90.00M	P	0
	S/N: D58P-1B 81261-UP,D58P-1C 81381-UP Heavy Duty arrangement					

KOMATSU® (REFERENCED BY BULLDOG® PART NUMBERS)

489

Application	Part Number	Description	Bore	Rod	Wiper	Type
D60,D65 (SERIES 6 & 7) CRAWLER TRACTOR/LOADER						
Model - S/N: D60A-6 20006-39999,D60E-6 20295-39999,D60P-6 20006-39999 D60PL-6 20006-39999,D60S-6 20006-39999,D60A-7 40001-44999 D60E-7 40001-44999,D60F-7 40001-44999,D60P-7 40001-44999 D60PL-7 40001-44999,D60S-7 40001-UP,D65A-6 20006-39999 D65E-6 20295-39999,D65P-6 30001-39999,D65S-6 20006-39999 D65A-7 40001-44999,D65E-7 40001-44999,D65P-7 40001-44999 D65S-7 40001-UP						
Dozer Lift	KM-BD-109508	Kit	110.00M	65.00M	P	15
	S/N:	D60A-6 20006-28857,D60E-6 20295-28786,D60P-6 20006-29173				
	S/N:	D60PL-6 21081-28060,D65A-6 20006-28883,D65E-6 20295-29045				
	KM-BD-109509	Kit	110.00M	65.00M	P	16
	S/N:	D60A-6 28858-39999,D60E-6 28787-39999,D60P-6 29174-39999				
S/N:	D60PL-6 28061-39999,D65A-6 28884-39999,D65E-6 29046-39999					
S/N:	D65P-6 30001-39999					
S/N:	KM-BD-109510	Kit	110.00M	65.00M	P	15
S/N:	40001-UP					
Dozer Tilt	KM-BD-108506	Kit	160.00M	70.00M	P	16
	S/N:	20006-39999				
	KM-BD-108507	Kit	160.00M	70.00M	P	15
S/N:	40001-44999					
Dozer Trimming	KM-BD-170512	Kit	120.00M	50.00M	P	16
	S/N:	D60A-6 20006-31000,D65A-6 20006-32000				
	KM-BD-106512	Kit	120.00M	55.00M	P	16
	S/N:	D60A-6 31001-39999,D65A-6 32001-39999				
	KM-BD-106542	Kit	120.00M	55.00M	P	15
S/N:	D60A-7 40001-44999,D60E-7 40001-44999,D65A-7 40001-44999					
S/N:	D65E-7 40001-44999					
Loader Lift	KM-BD-115506	Kit	160.00M	75.00M	P	16
	S/N:	D60S-6 20006-23391,D60S-6 29567-39999,D65S-6 20006-23391				
	S/N:	D65S-6 28458-39999				
S/N:	KM-BD-115507	Kit	160.00M	75.00M	P	15
S/N:	40001-UP					
Loader Tilt (Dump)	KM-BD-129516	Kit	140.00M	60.00M	P	16
	S/N:	24109-39999				
	KM-BD-129517	Kit	140.00M	60.00M	P	15
	S/N:	40001-UP				
	KM-BD-129517	Kit	140.00M	60.00M	P	15
S/N:	40001-UP Long Lift Arm arrangement					
Skid Loader	KM-BD-130552	Kit	90.00M	50.00M	P	16
Side Dump	KM-BD-170548	Kit	100.00M	50.00M	P	16
	Side Dump models DBD060-2B,3C					
Ripper	KM-BD-115506	Kit	160.00M	75.00M	P	16
	S/N:	20006-39999 Ripper models DRP060-2J,2K,3L,3M				
	KM-BD-115507	Kit	160.00M	75.00M	P	15
	S/N:	40001-UP Ripper models DRP060-3L,4Q				

NORTH AMERICA
 PHONE 800.854.0275
 FAX 813.559.8698



WORLDWIDE
 PHONE 813.559.8650
 FAX 813.559.8698

KOMATSU® (REFERENCED BY BULLDOG® PART NUMBERS)

Application	Part Number	Description	Bore	Rod	Wiper	Type
D60,D65 (SERIES 6 & 7) CRAWLER TRACTOR/LOADER						
(continued)						
Track Adjuster	KM-BD-909004	Kit	95.00M	70.00M	P	0
	S/N:	D60A-6 20006-28246,D60E-6 20295-28246,D60P-6 20006-28522				
	S/N:	D60PL-6 20006-28012,D60S-6 20006-28804,D65A-6 20006-28228				
	S/N:	D65E-6 20295-28336,D65S-6 20006-28168				
	KM-BD-909005	Kit	95.00M	70.00M	P	0
	S/N:	D60A-6 28247-39999,D60E-6 28247-39999,D60P-6 28523-39999				
S/N:	D60PL-6 28013-39999,D60S-6 28805-39999,D65A-6 28229-39999					
S/N:	D65E-6 28337-39999,D65P-6 30001-39999,D65S-6 28169-39999					
S/N:	40001-UP					
	With Spring pilot wiper					
KM-BD-909013	Kit	95.00M	70.00M	P	0	
S/N:	D60A-6 28247-39999,D60E-6 28247-39999,D60P-6 28523-39999					
S/N:	D60PL-6 28013-39999,D60S-6 28805-39999,D65A-6 28229-39999					
S/N:	D65E-6 28337-39999,D65P-6 30001-39999,D65S-6 28169-39999					
S/N:	40001-UP					
	Without Spring pilot wiper					
D60,D65 (SERIES 8) CRAWLER TRACTOR/LOADER						
Model - S/N: D60A-8 45001-59999,D60E-8 45001-59999,D60F-8 45001-59999						
D60S-8 45001-59999,D65A-8 45001-59999,D65E-8 45001-59999						
D65P-8 45001-59999,D65S-8 45001-59999						
Dozer Lift	KM-BD-109510	Kit	110.00M	65.00M	P	15
	S/N:	D60A-8 45001-45405,D60E-8 45001-46886,D65A-8 45001-45942				
	S/N:	D65E-8 45001-47384,D65P-8 45001-46181				
	KM-BD-192639	Kit	110.00M	65.00M	P	15
	S/N:	D60A-8 45406-59999,D60E-8 46887-59999,D65A-8 45943-59999				
	S/N:	D65E-8 47385-59999,D65P-8 46182-59999				
KM-BD-192640	Kit	110.00M	65.00M	P	15	
S/N:	D60A-8 45330-59999,D60E-8 45672-59999,D65A-8 45760-59999					
S/N:	D65E-8 46890-59999,D65P-8 45898-59999					
	EC arrangement					
Dozer Tilt	KM-BD-108507	Kit	160.00M	70.00M	P	15
	S/N:	D60A-8 45001-59999,D60E-8 45001-46886,D65A-8 45001-59999				
	S/N:	D65E-8 45001-47389,D65P-8 45001-46181				
KM-BD-144641	Kit	160.00M	70.00M	P	15	
S/N:	D60E-8 46887-59999,D65E-8 47385-59999,D65P-8 46182-59999					
Dozer Trimming	KM-BD-106542	Kit	120.00M	55.00M	P	15
	S/N:	D60A-8 45001-59999,D65A-8 45001-59999				
Side Dump	KM-BD-170548	Kit	100.00M	50.00M	P	16
	Side Dump models DBD060-2B,3C					
Ripper	KM-BD-115507	Kit	160.00M	75.00M	P	15
Skid Loader	KM-BD-130552	Kit	90.00M	50.00M	P	16
Track Adjuster	KM-BD-909005	Kit	95.00M	70.00M	P	0
	With Spring pilot wiper					
	KM-BD-909013	Kit	95.00M	70.00M	P	0
Without Spring pilot wiper						

Application	Part Number	Description	Bore	Rod	Wiper	Type
D60,D65 (SERIES 12) CRAWLER TRACTOR						
Model - S/N: D60P-12 60001-UP,D65E-12 60001-UP,D65EX-12 60001-UP D65P-12 60001-UP,D65PX-12 60001-UP						
Dozer Lift	KM-BD-193642	Kit	95.00M	65.00M	P	15
Dozer Tilt	KM-BD-144643	Kit	140.00M	70.00M	P	15
Dozer Pitch	KM-BD-144643	Kit	140.00M	70.00M	P	15
Dozer Trimming	KM-BD-133644	Kit	120.00M	55.00M	P	15
Ripper	KM-BD-144643	Kit	140.00M	70.00M	P	15
Track Adjuster	KM-BD-909026	Kit	90.00M	80.00M	P	0
	S/N: D60P-12 60001-60883,D65E,EX-12 60001-60941,D65P,PX-12 60001-60890					
	KM-BD-909027	Kit	90.00M	80.00M	P	0
S/N: D60P-12 60884-UP,D65E,EX-12 60942-UP,D65P,PX-12 60891-UP						
D63 CRAWLER TRACTOR						
Model - S/N: D63E-1 1001-UP						
Dozer Lift	KM-BD-106505	Kit	90.00M	55.00M	P	16
Dozer Tilt	KM-BD-194571	Kit	160.00M	70.00M	P	15
	Straight Tilt Dozer Use with 130-63-52500 Cylinder					
	KM-BD-128571	Kit	160.00M	70.00M	P	15
MAP Tilt Dozer Use with 144-63-53300 or 144-63-53400 Cylinder						
Track Adjuster	KM-BD-909016	Kit	90.00M	70.00M	P	0
D66 CRAWLER LOADER						
Model- S/N: D66S-1 1001-UP						
Loader Lift	KM-BD-146539	Kit	150.00M	80.00M	P	15
Loader Tilt (Dump)	KM-BD-159526	Kit	180.00M	100.00M	P	15
	S/N: 1001-1781					
	KM-BD-181629	Kit	180.00M	100.00M	P	15
S/N: 1782-UP						
Multi-Purpose Bucket	KM-BD-104546	Kit	120.00M	60.00M	P	15
Side Dump	KM-BD-104546	Kit	120.00M	60.00M	P	15
Ripper	KM-BD-104546	Kit	120.00M	60.00M	P	15
Track Adjuster	KM-BD-909005	Kit	95.00M	70.00M	P	0
	With Spring pilot wiper					
	KM-BD-909013	Kit	95.00M	70.00M	P	0
Without Spring pilot wiper						

KOMATSU® (REFERENCED BY BULLDOG® PART NUMBERS)

Application	Part Number	Description	Bore	Rod	Wiper	Type
D68 CRAWLER TRACTOR						
Model - S/N: D68E-1 1001-UP,D68P-1 45590-UP,D68E-1A B1001-UP D68P-1A B1001-UP						
Dozer Lift	KM-BD-109510	Kit	110.00M	65.00M	P	15
	S/N: D68E-1 1001-1400,D68P-1 45590-45833,D68E-1A B1001-UP S/N: D68P-1A B1001-UP					
	KM-BD-192639	Kit	110.00M	65.00M	P	15
	S/N: D68E-1 1401-UP,D68P-1 45834-UP					
Dozer Tilt	KM-BD-108507	Kit	160.00M	70.00M	P	15
	S/N: D68E-1 1001-1400,D68P-1 45590-45833,D68E-1A B1001-UP S/N: D68P-1A B1001-UP					
	Straight Tilt Dozer Use with 144-63-52200 or 144-63-B5300 Cylinder					
	KM-BD-144641	Kit	160.00M	70.00M	P	15
	S/N: D68E-1 1401-UP,D68P-1 45834-UP					
	Straight Tilt Dozer Use with 14F-63-X3030 Cylinder					
Ripper	KM-BD-128571	Kit	160.00M	70.00M	P	15
	S/N: D68E-1 1001-UP					
	MAP Tilt Dozer Use with 144-63-53300 or 144-63-53400 Cylinder					
Ripper	KM-BD-115507	Kit	160.00M	75.00M	P	15
Track Adjuster	KM-BD-909005	Kit	95.00M	70.00M	P	0
	With Spring pilot wiper					
	KM-BD-909013	Kit	95.00M	70.00M	P	0
Without Spring pilot wiper						
D75 CRAWLER TRACTOR/LOADER						
Model - S/N: D75A-1 50001-UP,D75S-2 1004-7000,D75S-3 7001-15000 D75S-5 15001-UP						
Dozer Lift	KM-BD-109510	Kit	110.00M	65.00M	P	15
	S/N: D75A-1 50001-50280					
	KM-BD-192639	Kit	110.00M	65.00M	P	15
	S/N: D75A-1 50281-UP					
Dozer Tilt	KM-BD-108507	Kit	160.00M	70.00M	P	15
	S/N: D75A-1 50001-50280					
	KM-BD-144641	Kit	160.00M	70.00M	P	15
	S/N: D75A-1 50281-UP					
Loader Lift	KM-BD-115506	Kit	160.00M	75.00M	P	16
	S/N: D75S-2 5022-7000					
	KM-BD-111525	Kit	180.00M	90.00M	P	16
	S/N: D75S-3 7001-10000					
	KM-BD-111526	Kit	180.00M	90.00M	P	15
	S/N: D75S-3 7001-10000					
	KM-BD-117526	Kit	180.00M	90.00M	P	15
	S/N: D75S-3,5 10001-UP					
KM-BD-111526	Kit	180.00M	90.00M	P	15	
S/N: D75S-5 15001-UP						
Slag Handling arrangement						
Loader Tilt (Dump)	KM-BD-129516	Kit	140.00M	60.00M	P	16
	S/N: D75S-2 5022-7000					

Application	Part Number	Description	Bore	Rod	Wiper	Type
D75 CRAWLER TRACTOR/LOADER (continued)						
Loader Tilt (Dump) (cont)	KM-BD-128538	Kit	150.00M	70.00M	P	16
	S/N: D75S-3 7001-10000					
	KM-BD-128539	Kit	150.00M	70.00M	P	15
	S/N: D75S-3,5 10001-UP					
	KM-BD-128538	Kit	150.00M	70.00M	P	16
	S/N: D75S-5 15001-UP Slag Handling arrangement					
Multi-Purpose Bucket	KM-BD-129516	Kit	140.00M	60.00M	P	16
	S/N: D75S-3,5 7001-UP					
Side Dump	KM-BD-129509	Kit	110.00M	60.00M	P	16
	S/N: D75S-3,5 7001-UP Side Dump models DBD075-1A-F					
Skid Loader	KM-BD-130505	Kit	90.00M	50.00M	P	16
Ripper	KM-BD-115507	Kit	160.00M	75.00M	P	15
	S/N: D75A-1 50001-UP					
	KM-BD-115506	Kit	160.00M	75.00M	P	16
	S/N: D75S-3,5 10001-UP Ripper model DRP075-1A					
Track Adjuster	KM-BD-909005	Kit	95.00M	70.00M	P	0
	S/N: D75A-1 50001-UP With Spring pilot wiper					
	KM-BD-909013	Kit	95.00M	70.00M	P	0
	S/N: D75A-1 50001-UP Without Spring pilot wiper					
	KM-BD-909007	Kit	100.00M	80.00M	P	0
S/N: D75S-3,5 7001-UP						
D80,D85 (SERIES 12 & 18) CRAWLER TRACTOR						
Model - S/N: D80A-12 10001-24999,D80E-12 10001-24999,D80P-12 1001-1999 D80P-12 10001-24999,D80A-18 25001-UP,D80E-18 25001-UP D80F-18 25817-UP,D80P-18 2001-2999,D85A-12 10001-24999 D85E-12 10001-24999,D85A-18 25001-34999,D85E-18 25001-34999 D85P-18 2001-2999						
Dozer Lift	KM-BD-110511	Kit	120.00M	65.00M	P	16
	S/N: 1001-1999,10001-24999					
	KM-BD-108512	Kit	120.00M	70.00M	P	16
S/N: 2001-2999,25001-UP						
Dozer Tilt	KM-BD-111513	Kit	200.00M	90.00M	P	16
	S/N: D80A-12 15478-24999,D80E-12 15478-24999,D80P-12 15478-24999					
	S/N: D80A-18 25001-26042,D80E-18 25001-26042,D80P-18 2001-2101					
	S/N: D85A-12 15478-24999,D85E-12 15478-24999,D85A-18 25001-28323					
	S/N: D85E-18 25001-28323,D85P-18 2001-2240					
	KM-BD-111514	Kit	200.00M	90.00M	P	15
	S/N: D80A-18 26043-UP,D80E-18 26043-UP,D80P-18 2102-2999 S/N: D85A-18 28324-34999,D85E-18 28324-34999,D85P-18 2241-2999					
KM-BD-108506	Kit	160.00M	70.00M	P	16	
S/N: 10011-UP Double Angle Tilt Dozer and MAP Tilt Dozer only						
Dozer Trimming	KM-BD-128538	Kit	150.00M	70.00M	P	16
	S/N: 10011-34999					

KOMATSU® (REFERENCED BY BULLDOG® PART NUMBERS)

Application	Part Number	Description	Bore	Rod	Wiper	Type
D80,D85 (SERIES 12 & 18) CRAWLER TRACTOR						
(continued)						
Ripper	KM-BD-128538	Kit	150.00M	70.00M	P	16
S/N:	25001-UP Ripper model DRP080-4J					
Track Adjuster	KM-BD-909006	Kit	100.00M	80.00M	N	0
S/N:	1001-1999,10001-24999					
	KM-BD-909007	Kit	100.00M	80.00M	P	0
S/N:	2001-2999,25001-UP					
D85 (SERIES 21) CRAWLER TRACTOR						
Model - S/N: D85A-21 35001-UP,D85E-21 35001-UP,D85P-21 3001-UP						
Dozer Lift	KM-BD-132645	Kit	110.00M	70.00M	P	15
Dozer Tilt	KM-BD-146571	Kit	160.00M	80.00M	P	15
	KM-BD-144643	Kit	140.00M	70.00M	P	15
	MAP Tilt Dozer					
Ripper	KM-BD-132517	Kit	140.00M	70.00M	P	15
Track Adjuster	KM-BD-909007	Kit	100.00M	80.00M	P	0
D83 CRAWLER TRACTOR						
Model - S/N: D83E-1 1001-UP,D83P-1 1001-UP						
Dozer Lift	KM-BD-192646	Kit	110.00M	65.00M	P	15
S/N:	1001-1056					
	KM-BD-192640	Kit	110.00M	65.00M	P	15
S/N:	1057-UP					
Dozer Tilt	KM-BD-108507	Kit	160.00M	70.00M	P	15
	KM-BD-128506	Kit	160.00M	70.00M	P	16
	MAP Tilt Dozer					
	KM-BD-128571	Kit	160.00M	70.00M	P	15
	MAP Tilt Dozer					
Ripper	KM-BD-115507	Kit	160.00M	75.00M	P	15
Track Adjuster	KM-BD-909007	Kit	100.00M	80.00M	P	0
D95 CRAWLER LOADER						
Model - S/N: D95S-1 1003-1999						
Loader Lift	KM-BD-111525	Kit	180.00M	90.00M	P	16
Loader Tilt (Dump)	KM-BD-115506	Kit	160.00M	75.00M	P	16
Clamshell	KM-BD-115506	Kit	160.00M	75.00M	P	16
Ripper	KM-BD-128538	Kit	150.00M	70.00M	P	16
	Ripper model DRP095-1A					
Track Adjuster	KM-BD-909028	Kit	100.00M	80.00M	P	0

KOMATSU® (REFERENCED BY BULLDOG® PART NUMBERS)

Application	Part Number	Description	Bore	Rod	Wiper	Type
D135 CRAWLER TRACTOR						
Model - S/N: D135A-1 10001-10300,D135A-2 10301-UP						
Dozer Lift	KM-BD-178647	Kit	130.00M	80.00M	P	15
Dozer Tilt	KM-BD-179622	Kit	180.00M	90.00M	P	15
Ripper Lift	KM-BD-178618	Kit	160.00M	80.00M	P	15
Ripper Tilt	KM-BD-178648	Kit	150.00M	80.00M	P	15
Track Adjuster	KM-BD-909008	Kit	130.00M	100.00M	P	0
D150,D155 CRAWLER TRACTOR/LOADER						
Model - S/N: D150A-1 5508-UP,D155A-1 5508-49999,D155A-2 50001-59999 D155A-3 60001-UP,D155AX-3 60001-UP,D155S-1 1001-UP						
Dozer Lift	KM-BD-108515	Kit	140.00M	70.00M	P	15
	S/N: D150A-1 5508-8328,D155A-1 5508-10262					
	KM-BD-108516	Kit	140.00M	70.00M	P	16
	S/N: D150A-1 8329-8407,D155A-1 10263-15000					
	KM-BD-115516	Kit	140.00M	75.00M	P	16
	S/N: D150A-1 8408-8512,D155A-1 15001-25000					
	KM-BD-115517	Kit	140.00M	75.00M	P	15
	S/N: D150A-1 8513-UP,D155A-1 25001-49999					
	KM-BD-115649	Kit	140.00M	75.00M	P	15
S/N: D155A-2 50001-59999						
Dozer Tilt	KM-BD-177650	Kit	120.00M	75.00M	P	15
	S/N: D155A-3 60001-UP					
	KM-BD-111513	Kit	200.00M	90.00M	P	16
	S/N: 5508-6842					
	KM-BD-111518	Kit	225.00M	90.00M	P	16
	S/N: D150A-1 6843-8480,D155A-1 6843-20003					
	KM-BD-111519	Kit	225.00M	90.00M	P	15
	S/N: D150A-1 8481-UP,D155A-1,2 20004-59999					
	KM-BD-179622	Kit	180.00M	90.00M	P	15
S/N: D155A-3 60001-UP Tilt Dozer only						
Loader Lift	KM-BD-179651	Kit	200.00M	90.00M	P	15
	S/N: D155A-3 60001-UP Pitch Dozer only					
	KM-BD-111513	Kit	200.00M	90.00M	P	16
	S/N: 6843-UP MAP Tilt Dozer only					
	KM-BD-123536	Kit	280.00M	120.00M	P	16
S/N: 1001-1138						
Loader Tilt (Dump)	KM-BD-123537	Kit	280.00M	120.00M	P	15
	S/N: 1139-UP					
Ripper Lift	KM-BD-120513	Kit	200.00M	100.00M	P	16
	S/N: 1001-1138					
	KM-BD-120514	Kit	200.00M	100.00M	P	15
S/N: 1139-UP						
Ripper Tilt	KM-BD-116525	Kit	180.00M	80.00M	P	16
	S/N: D150A-1 5508-8328,D155A-1 5508-10262 Ripper models DRD150-1A,DRP150-1A					

KOMATSU® (REFERENCED BY BULLDOG® PART NUMBERS)

Application	Part Number	Description	Bore	Rod	Wiper	Type
D150,D155 CRAWLER TRACTOR/LOADER (continued)						
Ripper Lift (cont)	KM-BD-111518	Kit	225.00M	90.00M	P	16
	S/N:	D150A-1 8329-8476,D155A-1 10263-19775 Ripper models DRD150-1A,DRP150-1A				
	KM-BD-111519	Kit	225.00M	90.00M	P	15
	S/N:	D150A-1 8477-UP,D155A-1 19776-49999 Ripper models DRD150-1A,DRP150-1A				
	KM-BD-111518	Kit	225.00M	90.00M	P	16
	S/N:	D150A-1 6843-8453,D155A-1 6843-19000 Ripper model DRD150-2A				
	KM-BD-111519	Kit	225.00M	90.00M	P	15
	S/N:	D150A-1 8454-UP,D155A-1 19001-49999 Ripper model DRD150-2A				
	KM-BD-111518	Kit	225.00M	90.00M	P	16
	S/N:	D150A-1 8160-8476,D155A-1 8651-19775 Ripper model DRP150-2A				
	KM-BD-111519	Kit	225.00M	90.00M	P	15
	S/N:	D150A-1 8477-UP,D155A-1 19776-49999 Ripper model DRP150-2A				
	KM-BD-111519	Kit	225.00M	90.00M	P	15
	S/N:	D155A-2 50001-59999				
KM-BD-178618	Kit	160.00M	80.00M	P	15	
S/N:	D155A-3 60001-UP					
Ripper Tilt	KM-BD-111518	Kit	225.00M	90.00M	P	16
	S/N:	D150A-1 6843-8453,D155A-1 6843-19000 Ripper model DRD150-2A				
	KM-BD-111519	Kit	225.00M	90.00M	P	15
	S/N:	D150A-1 8454-UP,D155A-1 19001-49999 Ripper model DRD150-2A				
	KM-BD-111518	Kit	225.00M	90.00M	P	16
	S/N:	D150A-1 8160-8476,D155A-1 8651-19775 Ripper model DRP150-2A				
	KM-BD-111519	Kit	225.00M	90.00M	P	15
	S/N:	D150A-1 8477-UP,D155A-1 19776-49999 Ripper model DRP150-2A				
	KM-BD-111519	Kit	225.00M	90.00M	P	15
	S/N:	D155A-2 50001-59999				
KM-BD-178618	Kit	160.00M	80.00M	P	15	
S/N:	D155A-3 60001-UP					
Ripper Pin Puller	KM-BD-127535	Kit	70.00M	35.00M	P	16
S/N:	5508-59999					
Track Adjuster	KM-BD-909008	Kit	130.00M	100.00M	P	0
	With Spring pilot wiper					
	KM-BD-909014	Kit	130.00M	100.00M	P	0
Without Spring pilot wiper						

KOMATSU® (REFERENCED BY BULLDOG® PART NUMBERS)

Application	Part Number	Description	Bore	Rod	Wiper	Type
D275 CRAWLER TRACTOR						
Model - S/N: D275A-2 10001-UP						
Dozer Lift	KM-BD-178652	Kit	130.00M	80.00M	P	15
Dozer Tilt	KM-BD-181624	Kit	200.00M	100.00M	P	15
	Tilt Dozer only					
	KM-BD-181624	Kit	200.00M	100.00M	P	15
	LH Side Pitch Dozer only					
	KM-BD-181653	Kit	225.00M	100.00M	P	15
RH Side Pitch Dozer only						
Ripper Lift	KM-BD-181624	Kit	200.00M	100.00M	P	15
Ripper Tilt	KM-BD-179620	Kit	180.00M	90.00M	P	15
Track Adjuster	KM-BD-909029	Kit	110.00M		N	0
D355 CRAWLER TRACTOR						
Model - S/N: D355A-1 1010-1631,D355A-3 1632-12621,D355A-5 12622-UP						
Dozer Lift	KM-BD-116520	Kit	160.00M	80.00M	P	15
	S/N: 1010-1631					
	KM-BD-116506	Kit	160.00M	80.00M	P	16
	S/N: 1632-3299					
	KM-BD-111506	Kit	160.00M	90.00M	P	16
	S/N: 3301-4238					
	KM-BD-111507	Kit	160.00M	90.00M	P	15
	S/N: 4239-12958					
Dozer Tilt	KM-BD-111654	Kit	160.00M	90.00M	P	15
	S/N: 12959-UP					
	KM-BD-111518	Kit	225.00M	90.00M	P	16
	S/N: 1010-1116					
	KM-BD-111521	Kit	250.00M	90.00M	P	16
	S/N: 1117-4900					
	KM-BD-111522	Kit	250.00M	90.00M	P	15
	S/N: 4901-12958					
Ripper Lift	KM-BD-120655	Kit	250.00M	100.00M	P	15
	S/N: 12959-UP					
	KM-BD-111518	Kit	225.00M	90.00M	P	16
	S/N: 1010-12621 Ripper model DRD355-1A					
	KM-BD-111518	Kit	225.00M	90.00M	P	16
	S/N: 1010-4450 Ripper models DRP355-1A,2B					
	KM-BD-111519	Kit	225.00M	90.00M	P	15
	S/N: 4451-12621 Ripper models DRP355-1A,2B					
	KM-BD-111521	Kit	250.00M	90.00M	P	16
	S/N: 1010-1210 Ripper models DRD355-2A,DRP355-2A					
	KM-BD-111518	Kit	225.00M	90.00M	P	16
	S/N: 1211-4450 Ripper models DRD355-2A,DRP355-2A					

KOMATSU® (REFERENCED BY BULLDOG® PART NUMBERS)

Application	Part Number	Description	Bore	Rod	Wiper	Type
D355 CRAWLER TRACTOR (continued)						
Ripper Lift (cont)	KM-BD-111519	Kit	225.00M	90.00M	P	15
S/N:	4451-12621 Ripper models DRD355-2A,DRP355-2A					
	KM-BD-111519	Kit	225.00M	90.00M	P	15
S/N:	12622-12958					
	KM-BD-111656	Kit	225.00M	90.00M	P	15
S/N:	12959-UP					
Ripper Tilt	KM-BD-111521	Kit	250.00M	90.00M	P	16
S/N:	1010-1210 Ripper models DRD355-2A,DRP355-2A					
	KM-BD-123518	Kit	225.00M	120.00M	P	16
S/N:	1211-3299 Ripper models DRD355-2A,DRP355-2A					
	KM-BD-123518	Kit	225.00M	120.00M	P	16
S/N:	3301-12621 Ripper models DRD355-2A,DRP355-2A					
	KM-BD-123519	Kit	225.00M	120.00M	P	15
S/N:	3301-12621 Ripper models DRD355-2A,DRP355-2A					
	KM-BD-123519	Kit	225.00M	120.00M	P	15
S/N:	12622-12958					
	KM-BD-123656	Kit	225.00M	120.00M	P	15
S/N:	12959-UP					
Ripper Pin Puller	KM-BD-127535	Kit	70.00M	35.00M	P	16
Track Adjuster	KM-BD-909009	Kit	140.00M	110.00M	P	0
D375 CRAWLER TRACTOR						
Model - S/N: D375A-1 15001-15999,D375A-2 16001-16999,D375A-3 17001-UP						
Dozer Lift	KM-BD-117523	Kit	150.00M	90.00M	P	15
S/N:	15001-15999					
	KM-BD-117658	Kit	150.00M	90.00M	P	15
S/N:	16001-UP					
Dozer Tilt	KM-BD-118524	Kit	225.00M	110.00M	P	15
S/N:	15001-15413,15417-15422					
	KM-BD-118657	Kit	225.00M	110.00M	P	15
S/N:	15414-15416,15423-UP					
	KM-BD-195657	Kit	225.00M	110.00M	P	15
S/N:	16001-UP LH Side Pitch Dozer only					
	KM-BD-195659	Kit	250.00M	110.00M	P	15
S/N:	16001-UP RH Side Pitch Dozer only					
Ripper Lift	KM-BD-118524	Kit	225.00M	110.00M	P	15
Ripper Tilt	KM-BD-118533	Kit	200.00M	110.00M	P	15
Track Adjuster	KM-BD-909010	Kit		100.00M	N	0
S/N:	15357-UP					

KOMATSU® (REFERENCED BY BULLDOG® PART NUMBERS)

Application	Part Number	Description	Bore	Rod	Wiper	Type	
D455 CRAWLER TRACTOR							
Model - S/N: D455A-1 1002-UP							
Dozer Lift	KM-BD-120525	Kit	180.00M	100.00M	P	16	
	S/N: 1002-1500						
	KM-BD-120526	Kit	180.00M	100.00M	P	15	
S/N: 1501-UP							
Dozer Tilt	KM-BD-122521	Kit	250.00M	110.00M	P	16	
	S/N: 1002-1379						
	KM-BD-123522	Kit	250.00M	120.00M	P	15	
S/N: 1380-UP							
Ripper Lift	KM-BD-122521	Kit	250.00M	110.00M	P	16	
	S/N: 1002-1300						
	KM-BD-123522	Kit	250.00M	120.00M	P	15	
S/N: 1301-UP							
Track Adjuster	KM-BD-909011	Kit	185.00M	100.00M	P	0	
D475 CRAWLER TRACTOR							
Model - S/N: D475A-1 10001-10199,D475A-2 10201-UP							
Dozer Lift	KM-BD-118527	Kit	180.00M	110.00M	P	15	
	S/N: 10001-10199						
	KM-BD-118660	Kit	180.00M	110.00M	P	15	
S/N: 10201-UP							
Dozer Tilt	KM-BD-125528	Kit	280.00M	140.00M	P	15	
	S/N: 10001-10199						
	KM-BD-196530	Kit	250.00M	140.00M	P	15	
	S/N: 10001-10199						
	K-Type link arrangement						
	KM-BD-196530	Kit	250.00M	140.00M	P	15	
	S/N: 10201-UP						
	KM-BD-196530	Kit	250.00M	140.00M	P	15	
S/N: 10201-UP							
LH Side Pitch Dozer only							
KM-BD-196528	Kit	280.00M	140.00M	P	15		
S/N: 10201-UP							
RH Side Pitch Dozer only							
Ripper Lift	KM-BD-105529	Kit	250.00M	120.00M	P	15	
	S/N: 10001-10199						
	KM-BD-197529	Kit	250.00M	120.00M	P	15	
S/N: 10201-UP							
Ripper Tilt	KM-BD-125530	Kit	250.00M	140.00M	P	15	
	S/N: 10001-10199						
	KM-BD-196530	Kit	250.00M	140.00M	P	15	
S/N: 10201-UP							
Ripper Pin Puller	KM-BD-112531	Kit	60.00M	30.00M	P	15	
Track Adjuster	KM-BD-909012	Kit		165.00M	N	0	
	S/N: 10001-10199						
	KM-BD-909030	Kit		165.00M	N	0	
S/N: 10201-UP							

KOMATSU® (REFERENCED BY BULLDOG® PART NUMBERS)

Application	Part Number	Description	Bore	Rod	Wiper	Type
D575 CRAWLER TRACTOR						
Model - S/N: D575A-2 10001-UP						
Dozer Lift	KM-BD-197727	Kit	225.00M	120.00M	P	15
	S/N: 10001-10002					
	KM-BD-164727	Kit	225.00M	120.00M	P	15
	S/N: 10003-UP					
Dozer Tilt	KM-BD-255739	Kit	320.00M	160.00M	P	15
	S/N: 10001-10002					
	KM-BD-228728	Kit	300.00M	180.00M	P	15
	S/N: 10011-UP					
Ripper Lift	KM-BD-196729	Kit	280.00M	140.00M	P	15
	S/N: 10001-10002					
	KM-BD-229729	Kit	280.00M	140.00M	P	15
	S/N: 10003-UP					
Ripper Tilt	KM-BD-196729	Kit	280.00M	140.00M	P	15
	S/N: 10001-10002					
	KM-BD-229729	Kit	280.00M	140.00M	P	15
	S/N: 10003-UP					
Ripper Pin Puller	KM-BD-101730	Kit	80.00M	40.00M	P	15
PC03 EXCAVATOR						
Model - S/N: PC03-1 1001-UP						
Boom	KM-BD-233748	Kit	50.00M	25.00M	P	15
Bucket	KM-BD-233747	Kit	50.00M	25.00M	P	15
Arm	KM-BD-233747	Kit	50.00M	25.00M	P	15
Swing	KM-BD-233747	Kit	50.00M	25.00M	P	15
Blade	KM-BD-233747	Kit	50.00M	25.00M	P	15
PC05 EXCAVATOR						
Model - S/N: PC05-5 2501-UP						
Boom	KM-BD-112608	Kit	50.00M	30.00M	P	15
Bucket	KM-BD-112608	Kit	50.00M	30.00M	P	15
Arm	KM-BD-112608	Kit	50.00M	30.00M	P	15
Swing	KM-BD-112608	Kit	50.00M	30.00M	P	15
Blade	KM-BD-112683	Kit	60.00M	30.00M	P	15
Track Adjuster	KM-BD-909038	Kit		30.00M	P	0
	S/N: 2501-3100					
	KM-BD-909039	Kit		30.00M	P	0
	S/N: 3101-UP					

Application	Part Number	Description	Bore	Rod	Wiper	Type
PC10 EXCAVATOR						
Model - S/N: PC10-5 7001-UP						
Boom	KM-BD-217672	Kit	70.00M	35.00M	P	15
	S/N: 10201-UP					
Bucket	KM-BD-217683	Kit	60.00M	35.00M	P	15
Arm	KM-BD-217672	Kit	70.00M	35.00M	P	15
Swing	KM-BD-112683	Kit	60.00M	30.00M	P	15
	S/N: 10201-UP					
Blade	KM-BD-217672	Kit	70.00M	35.00M	P	15
Track Adjuster	KM-BD-909040	Kit		35.00M	P	0
PC20 (SERIES 5) EXCAVATOR						
Model - S/N: PC20-5 18001-24000						
Boom	KM-BD-101749	Kit	80.00M	40.00M	P	15
Bucket	KM-BD-217502	Kit	70.00M	35.00M	P	15
Arm	KM-BD-101503	Kit	80.00M	40.00M	P	15
Swing	KM-BD-217502	Kit	70.00M	35.00M	P	15
Blade	KM-BD-102501	Kit	90.00M	45.00M	P	15
Track Adjuster	KM-BD-909041	Kit		40.00M	P	0
PC20 (SERIES 6) EXCAVATOR						
Model - S/N: PC20-6 24001-35000						
Boom	KM-BD-102751	Kit	80.00M	45.00M	P	15
Bucket	KM-BD-217753	Kit	65.00M	35.00M	P	15
Arm	KM-BD-240752	Kit	75.00M	40.00M	P	15
Swing	KM-BD-102750	Kit	85.00M	45.00M	P	15
Blade	KM-BD-102610	Kit	90.00M	45.00M	P	15
Blade Tilt	KM-BD-102610	Kit	90.00M	45.00M	P	15
	S/N: 29361-35000					
	Power Tilt Mechanical Angle Blade arrangement					
Track Adjuster	KM-BD-909041	Kit		40.00M	P	0
PC20 (SERIES 7) EXCAVATOR						
Model - S/N: PC20-7 35001-UP						
Boom	KM-BD-102754	Kit	75.00M	45.00M	P	15
Bucket	KM-BD-217755	Kit	60.00M	35.00M	P	15
Arm	KM-BD-101613	Kit	70.00M	40.00M	P	15
Swing	KM-BD-101609	Kit	80.00M	40.00M	P	15
Blade	KM-BD-217613	Kit	70.00M	35.00M	P	15
Track Adjuster	KM-BD-909041	Kit		40.00M	P	0

KOMATSU® (REFERENCED BY BULLDOG® PART NUMBERS)

Application	Part Number	Description	Bore	Rod	Wiper	Type
PC30 (SERIES 5) EXCAVATOR						
Model - S/N: PC30-5 6001-10000						
Boom	KM-BD-101749	Kit	80.00M	40.00M	P	15
Bucket	KM-BD-101502	Kit	70.00M	40.00M	P	15
Arm	KM-BD-101503	Kit	80.00M	40.00M	P	15
Swing	KM-BD-217502	Kit	70.00M	35.00M	P	15
Blade	KM-BD-102501	Kit	90.00M	45.00M	P	15
Track Adjuster	KM-BD-909041	Kit		40.00M	P	0
PC30 (SERIES 6) EXCAVATOR						
Model - S/N: PC30-6 10001-18000						
Boom	KM-BD-102751	Kit	80.00M	45.00M	P	15
Bucket	KM-BD-101613	Kit	70.00M	40.00M	P	15
Arm	KM-BD-240752	Kit	75.00M	40.00M	P	15
Swing	KM-BD-102750	Kit	85.00M	45.00M	P	15
Blade	KM-BD-102610	Kit	90.00M	45.00M	P	15
Blade Tilt	KM-BD-102610	Kit	90.00M	45.00M	P	15
	S/N: 13025-18000 Power Tilt Mechanical Angle Blade arrangement					
Track Adjuster	KM-BD-909041	Kit		40.00M	P	0
PC30 (SERIES 7) EXCAVATOR						
Model - S/N: PC30-7 18001-UP						
Boom	KM-BD-102756	Kit	85.00M	45.00M	P	15
Bucket	KM-BD-101613	Kit	70.00M	40.00M	P	15
Arm	KM-BD-102752	Kit	75.00M	45.00M	P	15
Swing	KM-BD-102750	Kit	85.00M	45.00M	P	15
Blade	KM-BD-102610	Kit	90.00M	45.00M	P	15
Blade Lift	KM-BD-102757	Kit	95.00M	45.00M	P	15
	Power Tilt Mechanical Angle Blade arrangement					
Blade Tilt	KM-BD-102610	Kit	90.00M	45.00M	P	15
	Power Tilt Mechanical Angle Blade arrangement					
Track Adjuster	KM-BD-909041	Kit		40.00M	P	0
PC40 (SERIES 3) EXCAVATOR						
Model - S/N: PC40-3 6001-8500						
Boom	KM-BD-133504	Kit	100.00M	55.00M	P	15
Bucket	KM-BD-133503	Kit	80.00M	55.00M	P	15
Arm	KM-BD-133501	Kit	90.00M	55.00M	P	15
Swing	KM-BD-100551	Kit	80.00M	40.00M	P	16
Blade	KM-BD-230731	Kit	70.00M	35.00M	P	16
Track Adjuster	KM-BD-909041	Kit		40.00M	P	0

Application	Part Number	Description	Bore	Rod	Wiper	Type
PC40 (SERIES 5) EXCAVATOR						
Model - S/N: PC40-5 8501-10000						
Boom	KM-BD-133758	Kit	90.00M	55.00M	P	15
Bucket	KM-BD-133503	Kit	80.00M	55.00M	P	15
Arm	KM-BD-133503	Kit	80.00M	55.00M	P	15
Swing	KM-BD-103501	Kit	90.00M	50.00M	P	15
Blade	KM-BD-102501	Kit	90.00M	45.00M	P	15
Track Adjuster	KM-BD-909041	Kit		40.00M	P	0
PC40 (SERIES 6) EXCAVATOR						
Model - S/N: PC40-6 10001-18000						
Boom	KM-BD-133759	Kit	90.00M	55.00M	P	15
Bucket	KM-BD-103609	Kit	80.00M	50.00M	P	15
Arm	KM-BD-103609	Kit	80.00M	50.00M	P	15
Swing	KM-BD-103501	Kit	90.00M	50.00M	P	15
Blade	KM-BD-104627	Kit	100.00M	60.00M	P	15
Blade Tilt	KM-BD-102610	Kit	90.00M	45.00M	P	15
	S/N: 11899-UP	Power Tilt Mechanical Angle Blade arrangement				
Track Adjuster	KM-BD-909041	Kit		40.00M	P	0
PC40 (SERIES 7) EXCAVATOR						
Model - S/N: PC40-7 18001-UP						
Boom	KM-BD-133760	Kit	90.00M	55.00M	P	15
Bucket	KM-BD-102752	Kit	75.00M	45.00M	P	15
Arm	KM-BD-103609	Kit	80.00M	50.00M	P	15
Swing	KM-BD-103610	Kit	90.00M	50.00M	P	15
Blade	KM-BD-103627	Kit	100.00M	50.00M	P	15
Blade Lift	KM-BD-103712	Kit	105.00M	50.00M	P	15
	Power Tilt Mechanical Angle Blade arrangement					
Blade Tilt	KM-BD-102610	Kit	90.00M	45.00M	P	15
	Power Tilt Mechanical Angle Blade arrangement					
Track Adjuster	KM-BD-909041	Kit		40.00M	P	0
PC60 (SERIES 2) EXCAVATOR						
Model - S/N: PC60-2 15001-20500,PC60D-2 15001-UP,PC60L-2 7001-7500 PC60LSS-2 7001-UP,PC60SS-2 15001-UP						
Boom	KM-BD-131547	Kit	110.00M	65.00M	P	15
Bucket	KM-BD-133501	Kit	90.00M	55.00M	P	15
Arm	KM-BD-131547	Kit	110.00M	65.00M	P	15
Clamshell	KM-BD-132547	Kit	110.00M	70.00M	P	15
	Loading Clamshell arrangement Use with 201-63-96101 Cylinder					
Track Adjuster	KM-BD-909042	Kit	40.00M	40.00M	P	0

KOMATSU® (REFERENCED BY BULLDOG® PART NUMBERS)

Application	Part Number	Description	Bore	Rod	Wiper	Type
PC60 (SERIES 5) EXCAVATOR						
Model - S/N: PC60-5 20501-28000,PC60L-5 7501-8000,PC60LS-5 7501-8000 PC60S-5 20501-UP,PC60U-5 4501-UP,PC60US-5 4501-UP						
Boom	KM-BD-131761	Kit	100.00M	65.00M	P	15
Bucket	KM-BD-133763	Kit	90.00M	55.00M	P	15
Arm	KM-BD-104762	Kit	90.00M	60.00M	P	15
Swing	KM-BD-133504	Kit	100.00M	55.00M	P	15
	S/N: PC60U-5 4501-UP,PC60US-5 4501-UP					
Blade	KM-BD-104504	Kit	100.00M	60.00M	P	15
Track Adjuster	KM-BD-909043	Kit	40.00M	40.00M	N	0
PC60 (SERIES 6) EXCAVATOR						
Model - S/N: PC60-6 28001-UP,PC60L-6 8001-UP						
Boom	KM-BD-143764	Kit	100.00M	65.00M	P	15
Bucket	KM-BD-241563	Kit	90.00M	55.00M	P	15
Arm	KM-BD-145765	Kit	90.00M	60.00M	P	15
Blade	KM-BD-144562	Kit	130.00M	70.00M	P	15
Track Adjuster	KM-BD-909043	Kit	40.00M	40.00M	N	0
PC80 EXCAVATOR						
Model - S/N: PC80-3 2001-UP,PC80LC-3 2001-UP,PC80LCS-3 2001-UP PC80S-3 2001-UP						
Boom	KM-BD-132555	Kit	110.00M	70.00M	P	15
Bucket	KM-BD-133763	Kit	90.00M	55.00M	P	15
Arm	KM-BD-131761	Kit	100.00M	65.00M	P	15
Track Adjuster	KM-BD-909044	Kit	50.00M	50.00M	N	0
PC90 EXCAVATOR						
Model - S/N: PC90-1 1001-UP						
Boom	KM-BD-141766	Kit	110.00M	70.00M	P	15
Bucket	KM-BD-241563	Kit	90.00M	55.00M	P	15
Arm	KM-BD-143767	Kit	105.00M	65.00M	P	15
Track Adjuster	KM-BD-909044	Kit	50.00M	50.00M	N	0
PC100 EXCAVATOR						
Excavator S/N: PC100-2 13001-18000,PC100D-2 13001-18000,PC100L-2 11001-12000 PC100SS-2 13001-18000,PC100-3 18001-UP						
Boom	KM-BD-131547	Kit	110.00M	65.00M	P	15
	S/N: 11001-12000,13001-18000					
	KM-BD-131553	Kit	100.00M	65.00M	P	15
	S/N: 18001-22872					
Bucket	KM-BD-137554	Kit	100.00M	65.00M	P	15
	S/N: 22873-UP					
	KM-BD-131547	Kit	110.00M	65.00M	P	15
	S/N: 11001-12000,13001-18000					
Bucket	KM-BD-131553	Kit	100.00M	65.00M	P	15
	S/N: 18001-22872					
	KM-BD-137554	Kit	100.00M	65.00M	P	15
	S/N: 22873-UP					

Application	Part Number	Description	Bore	Rod	Wiper	Type
PC100 EXCAVATOR						
(continued)						
Arm		KM-BD-132546	Kit	120.00M	70.00M	P 15
	S/N:	11001-12000,13001-18000				
		KM-BD-138555	Kit	110.00M	75.00M	P 15
	S/N:	18001-22872				
		KM-BD-139556	Kit	110.00M	75.00M	P 15
S/N:	22873-UP					
Clamshell		KM-BD-166607	Kit	140.00M	70.00M	P 16
	S/N:	11001-12000,13001-18000				
Track Adjuster		KM-BD-909015	Kit		70.00M	N 0
PC120 EXCAVATOR						
Excavator S/N: PC120-2 14001-18000,PC120SS-2 14001-18000 PC120-3 18001-30000,PC120-5 30001-45000,PC120-6 45001-UP						
Boom		KM-BD-132546	Kit	120.00M	70.00M	P 15
	S/N:	14001-18000				
		KM-BD-132510	Kit	110.00M	70.00M	P 15
	S/N:	18001-24709				
		KM-BD-140557	Kit	110.00M	70.00M	P 15
	S/N:	24710-30000				
		KM-BD-141558	Kit	105.00M	70.00M	P 15
S/N:	30001-UP					
Bucket		KM-BD-132546	Kit	120.00M	70.00M	P 15
	S/N:	14001-18000				
		KM-BD-131553	Kit	100.00M	65.00M	P 15
	S/N:	18001-24709				
		KM-BD-137554	Kit	100.00M	65.00M	P 15
	S/N:	24710-30000				
		KM-BD-143560	Kit	95.00M	65.00M	P 15
S/N:	30001-UP					
Arm		KM-BD-146543	Kit	130.00M	80.00M	P 15
	S/N:	14001-18000				
		KM-BD-138555	Kit	110.00M	75.00M	P 15
	S/N:	18001-24709				
		KM-BD-139556	Kit	110.00M	75.00M	P 15
	S/N:	24710-30000				
		KM-BD-142559	Kit	115.00M	75.00M	P 15
S/N:	30001-UP					
Clamshell		KM-BD-166607	Kit	140.00M	70.00M	P 16
	S/N:	14001-18000				
Track Adjuster		KM-BD-909015	Kit		70.00M	N 0
	S/N:	14001-45000				
		KM-BD-909018	Kit		60.00M	P 0
S/N:	45001-UP					

KOMATSU® (REFERENCED BY BULLDOG® PART NUMBERS)

Application	Part Number	Description	Bore	Rod	Wiper	Type	
PC128 EXCAVATOR							
Excavator S/N: PC128UU-1 1001-UP							
Boom	KM-BD-141558	Kit	105.00M	70.00M	P	15	
Bucket	KM-BD-145563	Kit	90.00M	60.00M	P	15	
Arm	KM-BD-142561	Kit	115.00M	75.00M	P	15	
	KM-BD-142559	Kit	115.00M	75.00M	P	15	
	Mono-Boom arrangement						
Offset	KM-BD-144562	Kit	130.00M	70.00M	P	15	
Blade	KM-BD-142561	Kit	115.00M	75.00M	P	15	
Track Adjuster	KM-BD-909018	Kit		60.00M	P	0	
PC150 EXCAVATOR							
Excavator S/N: PC150-1 1001-3000,PC150LC-1 1001-3000,PC150-3 3001-6000 PC150LC-3 3001-6000,PC150-5 6001-UP,PC150LC-5 6001-UP PC150LC-5 A70001-UP							
Boom	S/N: 1001-3000	KM-BD-138510	Kit	110.00M	75.00M	P	15
		KM-BD-138555	Kit	110.00M	75.00M	P	15
	S/N: 3001-6000	KM-BD-142567	Kit	110.00M	75.00M	P	15
		S/N: 6001-UP,A70001-UP					
Bucket	S/N: 1001-3000	KM-BD-132510	Kit	110.00M	70.00M	P	15
		KM-BD-132565	Kit	100.00M	70.00M	P	15
	S/N: 3001-6000	KM-BD-141569	Kit	100.00M	70.00M	P	15
		S/N: 6001-UP,A70001-UP					
Arm	S/N: 1001-3000	KM-BD-146542	Kit	120.00M	80.00M	P	15
		KM-BD-146564	Kit	120.00M	80.00M	P	15
	S/N: 3001-6000	KM-BD-147568	Kit	120.00M	85.00M	P	15
		S/N: 6001-UP,A70001-UP					
Clamshell	S/N: 3001-6000	KM-BD-146566	Kit	120.00M	80.00M	P	15
Track Adjuster		KM-BD-909015	Kit		70.00M	N	0
PC180 EXCAVATOR							
Excavator S/N: PC180LC-3 1001-UP,PC180LLC-3 1001-UP							
Boom		KM-BD-138555	Kit	110.00M	75.00M	P	15
Bucket		KM-BD-132565	Kit	100.00M	70.00M	P	15
		KM-BD-138557	Kit	110.00M	75.00M	P	15
Arm		KM-BD-146564	Kit	120.00M	80.00M	P	15
Track Adjuster		KM-BD-909015	Kit		70.00M	N	0
	PC180LC-3 only						
			KM-BD-909019	Kit		70.00M	N
PC180LLC-3 only							

Application	Part Number	Description	Bore	Rod	Wiper	Type
PC200 EXCAVATOR						
Excavator S/N: PC200-1 10001-15000,PC200-2 15001-20000,PC200LC-2 15001-20000 PC200LC-2H 15001-20000,PC200SS-2 15001-20000 PC200-3 20001-45000,PC200LC-3 20001-45000 PC200LCS-3 20001-45000,PC200LCSS-3 20001-45000 PC200S-3 20001-45000,PC200SS-3 20001-45000 PC200-5 45001-80000,PC200LC-5 45001-80000 PC200-6 80001-UP,PC200LC-6 80001-UP,PC200-6 HGX 80001-UP PC200LC-6HGX 80001-UP						
Boom		KM-BD-117543	Kit	130.00M	90.00M	P 15
	S/N:	10001-20000				
		KM-BD-149564	Kit	120.00M	85.00M	P 15
	S/N:	20001-35302				
		KM-BD-150573	Kit	120.00M	85.00M	P 15
	S/N:	35303-45000				
		KM-BD-147568	Kit	120.00M	85.00M	P 15
	S/N:	45001-UP				
		KM-BD-155578	Kit	130.00M	90.00M	P 15
	S/N:	58019-70000				
		KM-BD-117570	Kit	140.00M	90.00M	P 15
	S/N:	15001-20000 Long Front arrangement				
		KM-BD-153574	Kit	130.00M	90.00M	P 15
	S/N:	20001-35302 Long Front arrangement				
		KM-BD-154575	Kit	130.00M	90.00M	P 15
	S/N:	35303-45000 Long Front arrangement				
	KM-BD-155578	Kit	130.00M	90.00M	P 15	
S/N:	45001-UP Long Front arrangement					
Bucket		KM-BD-146543	Kit	130.00M	80.00M	P 15
	S/N:	10001-15000				
		KM-BD-138542	Kit	120.00M	75.00M	P 15
	S/N:	15001-20000				
		KM-BD-138510	Kit	110.00M	75.00M	P 15
	S/N:	20001-35302				
		KM-BD-139576	Kit	110.00M	75.00M	P 15
	S/N:	35303-45000				
		KM-BD-157561	Kit	115.00M	80.00M	P 15
	S/N:	45001-UP				
		KM-BD-155580	Kit	130.00M	90.00M	P 15
	S/N:	45001-58018				
		KM-BD-132546	Kit	120.00M	70.00M	P 15
	S/N:	15001-20000 Long Front arrangement				
		KM-BD-131553	Kit	100.00M	65.00M	P 15
	S/N:	20001-45000 Long Front arrangement				

KOMATSU® (REFERENCED BY BULLDOG® PART NUMBERS)

Application	Part Number	Description	Bore	Rod	Wiper	Type
PC200 EXCAVATOR (continued)						
Bucket (cont)	KM-BD-143560	Kit	95.00M	65.00M	P	15
	S/N: 45001-80000	Long Front arrangement				
	KM-BD-158582	Kit	115.00M	80.00M	P	15
	S/N: 80001-UP	Hyper GX arrangement				
	KM-BD-149542	Kit	120.00M	85.00M	P	15
	S/N: 20001-45000	Use with 205-63-72301 Cylinder Short Arm arrangement				
	KM-BD-150577	Kit	120.00M	85.00M	P	15
	S/N: 20001-45000	Use with 205-63-79700 Cylinder Short Arm arrangement				
Arm	KM-BD-148539	Kit	150.00M	100.00M	P	15
	S/N: 10001-15000					
	KM-BD-117517	Kit	140.00M	90.00M	P	15
	S/N: 15001-20000					
	KM-BD-151574	Kit	130.00M	95.00M	P	15
	S/N: 20001-35302					
	KM-BD-152575	Kit	130.00M	95.00M	P	15
	S/N: 35303-45000					
Clamshell	KM-BD-117572	Kit	130.00M	90.00M	P	15
	S/N: 10001-20000					
	KM-BD-146543	Kit	130.00M	80.00M	P	15
S/N: 45001-70000						
Track Adjuster	KM-BD-909015	Kit		70.00M	N	0
	S/N: 10001-20000					
	KM-BD-909020	Kit		70.00M	N	0
	S/N: 20001-27700					
	KM-BD-909019	Kit		70.00M	N	0
S/N: 27701-45000						
	KM-BD-909021	Kit		70.00M	P	0
S/N: 45001-UP						

KOMATSU® (REFERENCED BY BULLDOG® PART NUMBERS)

Application	Part Number	Description	Bore	Rod	Wiper	Type	
PC210 EXCAVATOR							
Excavator S/N: PC210LC-6 A80001-UP							
Boom	KM-BD-155578	Kit	130.00M	90.00M	P	15	
Bucket	KM-BD-157561	Kit	115.00M	80.00M	P	15	
	KM-BD-155580	Kit	130.00M	90.00M	P	15	
Demolition arrangement							
Arm	KM-BD-156579	Kit	135.00M	95.00M	P	15	
Track Adjuster	KM-BD-909021	Kit		70.00M	P	0	
PC220 EXCAVATOR							
Excavator S/N: PC220-1 10001-11000,PC220-2 11001-20000,PC220LC-2 11001-20000 PC220-3 20001-35000,PC220LC-3 20001-35000 PC220NLC-3 20001-35000,PC220-5 35001-50000 PC220LC-5 35001-50000,PC220-6 50001-UP,PC220LC-6 50001-UP							
Boom	KM-BD-117570	Kit	140.00M	90.00M	P	15	
	S/N: 10001-20000						
	KM-BD-153574	Kit	130.00M	90.00M	P	15	
	S/N: 20001-23737						
	KM-BD-154575	Kit	130.00M	90.00M	P	15	
	S/N: 23738-35000						
	KM-BD-155578	Kit	130.00M	90.00M	P	15	
	S/N: 35001-80000						
	KM-BD-160587	Kit	140.00M	100.00M	P	15	
	S/N: 80001-UP						
	KM-BD-117517	Kit	140.00M	90.00M	P	15	
	S/N: 11001-20000						
	Long Front arrangement						
	KM-BD-153574	Kit	130.00M	90.00M	P	15	
S/N: 20001-35000							
Long Front arrangement							
KM-BD-160587	Kit	140.00M	100.00M	P	15		
S/N: 50001-70000							
Lifting Special arrangement							
Bucket	KM-BD-117517	Kit	140.00M	90.00M	P	15	
	S/N: 10001-11000						
	KM-BD-146543	Kit	130.00M	80.00M	P	15	
	S/N: 11001-20000						
	KM-BD-153585	Kit	130.00M	90.00M	P	15	
	S/N: 20001-23737						
	KM-BD-154586	Kit	130.00M	90.00M	P	15	
	S/N: 23738-35000						
	KM-BD-155580	Kit	130.00M	90.00M	P	15	
	S/N: 35001-UP						
	Use with 206-63-02130 Cylinder						
	KM-BD-155588	Kit	130.00M	90.00M	P	15	
S/N: 35001-50000							
Use with 206-63-07030 Cylinder							
KM-BD-160589	Kit	140.00M	100.00M	P	15		
S/N: 50001-70000,80001-UP							

KOMATSU® (REFERENCED BY BULLDOG® PART NUMBERS)

Application	Part Number	Description	Bore	Rod	Wiper	Type
PC220 EXCAVATOR (continued)						
Bucket (cont)	KM-BD-132546	Kit	120.00M	70.00M	P	15
	S/N: 11001-20000	Long Front arrangement				
	KM-BD-131553	Kit	100.00M	65.00M	P	15
	S/N: 20001-35000	Long Front arrangement				
	KM-BD-143560	Kit	95.00M	65.00M	P	15
	S/N: 35001-50000,70001-80000	Long Front arrangement				
	KM-BD-159517	Kit	140.00M	100.00M	P	15
	S/N: 20001-35000	Short Arm arrangement				
Arm	KM-BD-147581	Kit	125.00M	85.00M	P	15
	S/N: 35001-50000	Short Arm arrangement				
	KM-BD-118571	Kit	160.00M	110.00M	P	15
	S/N: 10001-11000					
	KM-BD-148539	Kit	150.00M	100.00M	P	15
	S/N: 11001-20000					
	KM-BD-151583	Kit	140.00M	95.00M	P	15
	S/N: 20001-23737					
Clamshell	KM-BD-152584	Kit	140.00M	95.00M	P	15
	S/N: 23738-35000					
	KM-BD-160587	Kit	140.00M	100.00M	P	15
	S/N: 35001-UP					
	KM-BD-151574	Kit	130.00M	95.00M	P	15
	S/N: 20001-23614	Long Front arrangement				
	KM-BD-152575	Kit	130.00M	95.00M	P	15
	S/N: 23615-35000	Long Front arrangement				
	KM-BD-156579	Kit	135.00M	95.00M	P	15
	S/N: 35001-50000,70001-80000	Long Front arrangement				
Track Adjuster	KM-BD-117572	Kit	130.00M	90.00M	P	15
	S/N: 10001-20000					
	KM-BD-146543	Kit	130.00M	80.00M	P	15
Track Adjuster	S/N: 35001-50000					
	KM-BD-909015	Kit		70.00M	N	0
	S/N: 10001-20000					
	KM-BD-909020	Kit		70.00M	N	0
	S/N: 20001-21960					
	KM-BD-909019	Kit		70.00M	N	0
S/N: 21961-35000						
Track Adjuster	KM-BD-909021	Kit		70.00M	P	0
	S/N: 35001-UP					

KOMATSU® (REFERENCED BY BULLDOG® PART NUMBERS)

Application	Part Number	Description	Bore	Rod	Wiper	Type
PC250 EXCAVATOR						
Excavator S/N: PC250LC-6 80001-UP						
Boom	KM-BD-160587	Kit	140.00M	100.00M	P	15
Bucket	KM-BD-155580	Kit	130.00M	90.00M	P	15
	Use with 206-63-02130 Cylinder					
	KM-BD-155588	Kit	130.00M	90.00M	P	15
	Use with 206-63-07030 Cylinder					
Arm	KM-BD-160587	Kit	140.00M	100.00M	P	15
Track Adjuster	KM-BD-909022	Kit		90.00M	P	0
PC280 EXCAVATOR						
Excavator S/N: PC280LC-3 10001-UP						
Boom	KM-BD-153574	Kit	130.00M	90.00M	P	15
Bucket	KM-BD-153585	Kit	130.00M	90.00M	P	15
	KM-BD-131553	Kit	100.00M	65.00M	P	15
	Long Front arrangement					
	KM-BD-159517	Kit	140.00M	100.00M	P	15
	Short Arm arrangement					
Arm	KM-BD-151583	Kit	140.00M	95.00M	P	15
	KM-BD-151574	Kit	130.00M	95.00M	P	15
	Long Front arrangement					
Track Adjuster	KM-BD-909023	Kit		100.00M	N	0
PC300 EXCAVATOR						
Excavator S/N: PC300-2 11001-12000,PC300LC-2 11001-12000 PC300-3 12001-20000,PC300LC-3 12001-20000 PC300-5 20001-80000,PC300LC-5 20001-80000 PC300HD-5K 20001-80000,PC300LC-6 80001-UP PC300HD-6 80001-UP						
Boom	KM-BD-148590	Kit	150.00M	100.00M	P	15
	S/N: 11001-12000					
	KM-BD-148591	Kit	140.00M	100.00M	P	15
	S/N: 12001-20000					
Bucket	KM-BD-160593	Kit	140.00M	100.00M	P	15
	S/N: 20001-UP					
Bucket	KM-BD-117570	Kit	140.00M	90.00M	P	15
	S/N: 11001-12000					
	KM-BD-148591	Kit	140.00M	100.00M	P	15
	S/N: 12001-20000					
Arm	KM-BD-160589	Kit	140.00M	100.00M	P	15
	S/N: 20001-UP					
	KM-BD-118571	Kit	160.00M	110.00M	P	15
	S/N: 11001-12000					
Arm	KM-BD-161592	Kit	160.00M	110.00M	P	15
	S/N: 12001-20000					
	KM-BD-162594	Kit	160.00M	110.00M	P	15
	S/N: 20001-UP					
Clamshell	KM-BD-117572	Kit	130.00M	90.00M	P	15
S/N: 11001-80000						

KOMATSU® (REFERENCED BY BULLDOG® PART NUMBERS)

Application	Part Number	Description	Bore	Rod	Wiper	Type
PC300 EXCAVATOR (continued)						
Counterweight	KM-BD-149543	Kit	130.00M	85.00M	P	15
	S/N: 12001-80000					
Track Adjuster	KM-BD-909024	Kit		100.00M	N	0
	S/N: 11001-12000					
	KM-BD-909023	Kit		100.00M	N	0
	S/N: 12001-20000					
	KM-BD-909022	Kit		90.00M	P	0
	S/N: 20001-UP					
S/N: 20001-UP PC300HD-5K, PC300HD-6 only	KM-BD-909025	Kit		100.00M	P	0
PC360 EXCAVATOR						
Excavator S/N: PC360LC-3 10001-20000, PC360LC-5 20001-UP						
Boom	KM-BD-148591	Kit	140.00M	100.00M	P	15
	S/N: 10001-20000					
	KM-BD-160593	Kit	140.00M	100.00M	P	15
S/N: 20001-UP						
Bucket	KM-BD-148591	Kit	140.00M	100.00M	P	15
	S/N: 10001-20000					
	KM-BD-160589	Kit	140.00M	100.00M	P	15
S/N: 20001-UP						
Arm	KM-BD-161592	Kit	160.00M	110.00M	P	15
	S/N: 10001-20000					
	KM-BD-162594	Kit	160.00M	110.00M	P	15
S/N: 20001-UP						
Clamshell	KM-BD-117572	Kit	130.00M	90.00M	P	15
	S/N: 10001-20000					
Counterweight	KM-BD-149543	Kit	130.00M	85.00M	P	15
Track Adjuster	KM-BD-909023	Kit		100.00M	N	0
	S/N: 10001-20000					
	KM-BD-909025	Kit		100.00M	P	0
S/N: 20001-UP						
PC400 EXCAVATOR						
Excavator S/N: PC400-1 10001-11000, PC400LC-1 10124-11000 PC400-3 11001-20000, PC400LC-3 11001-20000 PC400-5 20001-80000, PC400LC-5 20001-80000 PC400HD-5K 20001-80000, PC400LC-6 80001-UP PC400HD-6 80001-UP						
Boom	KM-BD-118595	Kit	180.00M	110.00M	P	15
	S/N: 10001-11000					
	KM-BD-161598	Kit	160.00M	110.00M	P	15
	S/N: 11001-20000					
S/N: 20001-UP	KM-BD-162594	Kit	160.00M	110.00M	P	15
Bucket	KM-BD-118595	Kit	180.00M	110.00M	P	15
	S/N: 10001-11000					
		Backhoe arrangement				
	KM-BD-161598	Kit	160.00M	110.00M	P	15
S/N: 11001-20000						
	Backhoe arrangement					

Application	Part Number	Description	Bore	Rod	Wiper	Type
PC400 EXCAVATOR (continued)						
Bucket (cont)	KM-BD-162603	Kit	160.00M	110.00M	P	15
	S/N:	20001-UP Backhoe arrangement				
	KM-BD-161539	Kit	150.00M	110.00M	P	15
	S/N:	10099-11000 Loading Shovel arrangement				
	KM-BD-151543	Kit	130.00M	95.00M	P	15
	S/N:	11001-20000 Loading Shovel arrangement				
Bottom Dump	KM-BD-148539	Kit	150.00M	100.00M	P	15
	S/N:	10099-11000				
	KM-BD-151543	Kit	130.00M	95.00M	P	15
	S/N:	11001-20000				
	KM-BD-155588	Kit	130.00M	90.00M	P	15
	S/N:	20001-40000				
Arm	KM-BD-105596	Kit	200.00M	120.00M	P	15
	S/N:	10001-11000 Backhoe arrangement				
	KM-BD-105599	Kit	180.00M	120.00M	P	15
	S/N:	11001-20000 Backhoe arrangement Use with 208-63-62100 Cylinder				
	KM-BD-105600	Kit	180.00M	120.00M	P	15
	S/N:	11001-20000 Backhoe arrangement Use with 208-63-62101, 208-63-62102 or 208-63-62201 Cylinder				
	KM-BD-164602	Kit	185.00M	120.00M	P	15
	S/N:	20001-UP Backhoe arrangement				
	KM-BD-165606	Kit	185.00M	130.00M	P	15
	S/N:	80001-UP Backhoe arrangement				
	KM-BD-163597	Kit	200.00M	140.00M	P	15
	S/N:	10099-11000 Loading Shovel arrangement				
	KM-BD-105601	Kit	180.00M	120.00M	P	15
	S/N:	11001-20000 Loading Shovel arrangement				
	KM-BD-164604	Kit	185.00M	120.00M	P	15
S/N:	20001-40000 Loading Shovel arrangement					
Clamshell	KM-BD-131547	Kit	110.00M	65.00M	P	15
	S/N:	10099-11000 Mechanical Hand				
	KM-BD-148517	Kit	140.00M	100.00M	P	15
S/N:	11001-40000					
Counterweight	KM-BD-149543	Kit	130.00M	85.00M	P	15
	S/N:	11001-UP				

KOMATSU® (REFERENCED BY BULLDOG® PART NUMBERS)

Application	Part Number	Description	Bore	Rod	Wiper	Type
PC400 EXCAVATOR (continued)						
Track Adjuster	KM-BD-909024	Kit		100.00M	N	0
	S/N: 10001-11000					
	KM-BD-909023	Kit		100.00M	N	0
	S/N: 11001-20000					
	KM-BD-909025	Kit		100.00M	P	0
	S/N: 20001-UP					
PC650 (SERIES 1) EXCAVATOR						
Model - S/N: PC650-1 10007-105000, PC650-1A 10014-105000 PC650E-1 10240-UP						
Boom	KM-BD-163772	Kit	225.00M	140.00M	P	15
		Backhoe arrangement				
	KM-BD-105597	Kit	200.00M	120.00M	P	15
	S/N: 10007-10122					
		Loading Shovel arrangement Use with 209-63-56101 Cylinder				
		KM-BD-105768	Kit	200.00M	120.00M	P
		Loading Shovel arrangement Use with 209-63-56102 Cylinder				
Bucket	KM-BD-163773	Kit	200.00M	140.00M	P	15
	S/N: 10007-10122					
		Backhoe arrangement Use with 209-63-72301 or 209-63-72302 Cylinder				
	KM-BD-163774	Kit	200.00M	140.00M	P	15
		Backhoe arrangement Use with 209-63-72303 Cylinder				
	KM-BD-163597	Kit	200.00M	140.00M	P	15
	S/N: 10007-10122					
		Loading Shovel arrangement Use with 209-63-76500 Cylinder				
	KM-BD-163768	Kit	200.00M	140.00M	P	15
		Loading Shovel arrangement Use with 209-63-76501 Cylinder				
Bottom Dump	KM-BD-117770	Kit	160.00M	90.00M	P	15
	S/N: 10007-10040					
		Use with 209-63-96101 Cylinder				
	KM-BD-117771	Kit	160.00M	90.00M	P	15
		Use with 209-63-96103 Cylinder				
Arm	KM-BD-242772	Kit	225.00M	160.00M	P	15
		Backhoe arrangement				
	KM-BD-163597	Kit	200.00M	140.00M	P	15
	S/N: 10007-10122					
		Loading Shovel arrangement Use with 209-63-66300 Cylinder				
	KM-BD-163768	Kit	200.00M	140.00M	P	15
		Loading Shovel arrangement Use with 209-63-66301 or 209-63-66303 Cylinder				
Compensation	KM-BD-105769	Kit	200.00M	120.00M	P	15
	S/N: 10007-10122					
		Loading Shovel arrangement Use with 209-63-86301 or 209-63-86401 Cylinder				

Application	Part Number	Description	Bore	Rod	Wiper	Type
PC650 (SERIES 1) EXCAVATOR (continued)						
Compensation (cont)	KM-BD-105596	Kit	200.00M	120.00M	P	15
	Loading Shovel arrangement Use with 209-63-86302 or 209-63-86402 Cylinder					
Track Adjuster	KM-BD-909045	Kit	150.00M	100.00M	P	0
PC650 (SERIES 3 & 5) EXCAVATOR						
Model - S/N: PC650-3 10501-20000,PC650-3 A15001-A25000 PC650LC-3 10501-20000,PC650LC-3 A20001-A25000 PC650SE-3 10501-20000,PC650-5 20001-UP,PC650-5 A25001-UP PC650LC-5 20001-UP,PC650LC-5 A25001-UP,PC650SE-5 20001-UP PC650SE-5 A25001-UP						
Boom	KM-BD-236775	Kit	200.00M	140.00M	P	15
	Backhoe arrangement					
	KM-BD-243777	Kit	180.00M	120.00M	P	15
Loading Shovel arrangement						
Bucket	KM-BD-165776	Kit	180.00M	130.00M	P	15
	Backhoe arrangement					
	KM-BD-236775	Kit	200.00M	140.00M	P	15
	S/N:	PC650SE-3 10501-20000,PC650SE-5 20001-UP,PC650SE-5 A25001-UP				
	KM-BD-165779	Kit	180.00M	130.00M	P	15
Loading Shovel arrangement						
Bottom Dump	KM-BD-155780	Kit	140.00M	90.00M	P	15
Arm	KM-BD-236775	Kit	200.00M	140.00M	P	15
	Backhoe arrangement					
	KM-BD-244778	Kit	225.00M	160.00M	P	15
Loading Shovel arrangement						
Counterweight	KM-BD-149543	Kit	130.00M	85.00M	P	15
Track Adjuster	KM-BD-909046	Kit	150.00M	100.00M	P	0
	S/N:	10501-20000,A15001-A25000				
	KM-BD-909047	Kit	140.00M	140.00M	P	0
S/N:	20001-UP,A25001-UP					
PC1000 EXCAVATOR						
Model - S/N: PC1000-1 10001-UP,PC1000LC-1 10001-UP,PC1000SE-1 10001-UP PC1000SP-1 10001-UP						
Boom	KM-BD-244781	Kit	225.00M	160.00M	P	15
Bucket	KM-BD-244781	Kit	225.00M	160.00M	P	15
	Backhoe arrangement					
	KM-BD-236783	Kit	200.00M	140.00M	P	15
Loading Shovel arrangement						
Bottom Dump	KM-BD-154784	Kit	140.00M	90.00M	P	15
Arm	KM-BD-245782	Kit	250.00M	170.00M	P	15
	Backhoe arrangement					
	KM-BD-165779	Kit	180.00M	130.00M	P	15
Loading Shovel arrangement						
Track Adjuster	KM-BD-909048	Kit	180.00M	120.00M	P	0

KOMATSU® (REFERENCED BY BULLDOG® PART NUMBERS)

Application	Part Number	Description	Bore	Rod	Wiper	Type
PC1500 EXCAVATOR						
Model - S/N: PC1500-1 10001-UP						
Boom	KM-BD-242785	Kit	250.00M	160.00M	P	15
	S/N: 10001-10006					
	KM-BD-242785	Kit	250.00M	160.00M	P	15
	S/N: 10007-UP					
	Loading Shovel arrangement					
Bucket	KM-BD-163786	Kit	225.00M	140.00M	P	15
	S/N: 10001-10006					
	KM-BD-242785	Kit	250.00M	160.00M	P	15
	S/N: 10007-UP					
	Loading Shovel arrangement					
Bottom Dump	KM-BD-118768	Kit	200.00M	110.00M	P	15
	S/N: 10001-10006					
	KM-BD-159595	Kit	180.00M	100.00M	P	15
	S/N: 10007-UP					
Arm	KM-BD-163786	Kit	225.00M	140.00M	P	15
	S/N: 10001-10006					
	KM-BD-163787	Kit	200.00M	140.00M	P	15
	S/N: 10007-UP					
	Loading Shovel arrangement					
Cancel	KM-BD-118571	Kit	160.00M	110.00M	P	15
Compensation	KM-BD-242785	Kit	250.00M	160.00M	P	15
Track Adjuster	KM-BD-909049	Kit	200.00M	140.00M	P	0
PF55 EXCAVATOR						
Model - S/N: PF55L-1 10001-UP						
Boom	KM-BD-149564	Kit	120.00M	85.00M	P	15
	Main Boom					
	KM-BD-153543	Kit	130.00M	90.00M	P	15
	Secondary Boom					
Bucket	KM-BD-138510	Kit	110.00M	75.00M	P	15
Arm	KM-BD-151574	Kit	130.00M	95.00M	P	15
Track Adjuster	KM-BD-909019	Kit		70.00M	N	0
PW05 WHEEL EXCAVATOR						
Model - S/N: PW05-1 1001-UP						
Boom	KM-BD-112791	Kit	50.00M	30.00M	P	15
Bucket	KM-BD-112608	Kit	50.00M	30.00M	P	15
Arm	KM-BD-112608	Kit	50.00M	30.00M	P	15
Steering	KM-BD-112683	Kit	60.00M	30.00M	P	15
Swing	KM-BD-112608	Kit	50.00M	30.00M	P	15
Blade	KM-BD-112683	Kit	60.00M	30.00M	P	15
Suspension Lock	KM-BD-246790	Kit		40.00M	P	19

Application	Part Number	Description	Bore	Rod	Wiper	Type
PW30 WHEEL EXCAVATOR						
Model - S/N: PW30-1 1001-UP,PW30T-1 1001-UP						
Boom	KM-BD-101749	Kit	80.00M	40.00M	P	15
Bucket	KM-BD-101502	Kit	70.00M	40.00M	P	15
Arm	KM-BD-101503	Kit	80.00M	40.00M	P	15
Steering	KM-BD-217672	Kit	70.00M	35.00M	P	15
Swing	KM-BD-217502	Kit	70.00M	35.00M	P	15
Blade	KM-BD-102792	Kit	90.00M	45.00M	P	15
Suspension Lock	KM-BD-101673	Kit	80.00M	40.00M	P	15
PW60 WHEEL EXCAVATOR						
Model - S/N: PW60-3 2001-UP						
Boom	KM-BD-131761	Kit	100.00M	65.00M	P	15
Bucket	KM-BD-133763	Kit	90.00M	55.00M	P	15
Arm	KM-BD-104763	Kit	90.00M	60.00M	P	15
Steering	KM-BD-233608	Kit	50.00M	25.00M	P	15
Outrigger	KM-BD-102793	Kit	70.00M	45.00M	P	15
Blade	KM-BD-102793	Kit	70.00M	45.00M	P	15
Suspension Lock	KM-BD-247790	Kit		65.00M	P	19
PW100 WHEEL EXCAVATOR						
Model - S/N: PW100-3 1601-UP						
Boom	KM-BD-131553	Kit	100.00M	65.00M	P	15
Bucket	KM-BD-131553	Kit	100.00M	65.00M	P	15
	S/N: 1601-2300					
	KM-BD-131554	Kit	100.00M	65.00M	P	15
	S/N: 2301-UP					
Arm	KM-BD-138555	Kit	110.00M	75.00M	P	15
Clamshell	KM-BD-166607	Kit	140.00M	70.00M	P	16
Steering	KM-BD-217794	Kit	70.00M	35.00M	P	15
	S/N: 1601-2300					
	KM-BD-217672	Kit	70.00M	35.00M	P	15
	S/N: 2301-UP					
Outrigger	KM-BD-132510	Kit	110.00M	70.00M	P	15
Blade	KM-BD-104504	Kit	100.00M	60.00M	P	15
Suspension Lock	KM-BD-248790	Kit		90.00M	P	19

KOMATSU® (REFERENCED BY BULLDOG® PART NUMBERS)

Application	Part Number	Description	Bore	Rod	Wiper	Type
PW150 WHEEL EXCAVATOR						
Model - S/N: PW150-1 1001-UP						
Boom	KM-BD-132555	Kit	110.00M	70.00M	P	15
Bucket	KM-BD-132555	Kit	110.00M	70.00M	P	15
Arm	KM-BD-153543	Kit	130.00M	90.00M	P	15
Clamshell	KM-BD-146566	Kit	120.00M	80.00M	P	15
Steering	KM-BD-101673	Kit	80.00M	40.00M	P	15
Outrigger	KM-BD-132510	Kit	110.00M	70.00M	P	15
Blade	KM-BD-132510	Kit	110.00M	70.00M	P	15
Suspension Lock	KM-BD-249790	Kit		110.00M	P	19
PW210 WHEEL EXCAVATOR						
Model - S/N: PW210-1 10001-UP						
Boom	KM-BD-149564	Kit	120.00M	85.00M	P	15
	S/N: 10001-10034					
	KM-BD-150573	Kit	120.00M	85.00M	P	15
	S/N: 10035-UP					
Bucket	KM-BD-138510	Kit	110.00M	75.00M	P	15
	S/N: 10001-10034					
	KM-BD-139576	Kit	110.00M	75.00M	P	15
	S/N: 10035-UP					
	KM-BD-149542	Kit	120.00M	85.00M	P	15
	Short Arm arrangement					
Arm	KM-BD-151574	Kit	130.00M	95.00M	P	15
	S/N: 10001-10034					
	KM-BD-152575	Kit	130.00M	95.00M	P	15
	S/N: 10035-UP					
Steering	KM-BD-101792	Kit	90.00M	40.00M	P	15
Outrigger	KM-BD-146543	Kit	130.00M	80.00M	P	15
Blade	KM-BD-149795	Kit	120.00M	85.00M	P	15
Suspension Lock	KM-BD-249790	Kit		110.00M	P	19
WA20 WHEEL LOADER						
Model - S/N: WA20-1 1001-UP						
Lift	KM-BD-112608	Kit	50.00M	30.00M	P	15
Tilt (Dump)	KM-BD-217683	Kit	60.00M	35.00M	P	15
Clam	KM-BD-112737	Kit	50.00M	30.00M	P	15
Steering	KM-BD-233608	Kit	50.00M	25.00M	P	15

KOMATSU® (REFERENCED BY BULLDOG® PART NUMBERS)

519

Application	Part Number	Description	Bore	Rod	Wiper	Type
WA30 WHEEL LOADER						
Model - S/N: WA30-2 3001-UP						
Lift	KM-BD-217611	Kit	60.00M	35.00M	P	15
	S/N: 3001-4101					
	KM-BD-217683	Kit	60.00M	35.00M	P	15
	S/N: 4102-UP					
Tilt (Dump)	KM-BD-217611	Kit	60.00M	35.00M	P	15
	S/N: 3001-4101					
	KM-BD-217683	Kit	60.00M	35.00M	P	15
	S/N: 4102-UP					
Clam	KM-BD-112738	Kit	50.00M	30.00M	P	15
Steering	KM-BD-112611	Kit	60.00M	30.00M	P	15
	S/N: 3001-4101					
	KM-BD-112683	Kit	60.00M	30.00M	P	15
	S/N: 4102-UP					
Grapple	KM-BD-112738	Kit	50.00M	30.00M	P	15
WA40 WHEEL LOADER						
Model - S/N: WA40-1 1001-50000,WA40-2 50001-UP						
Lift	KM-BD-101672	Kit	70.00M	40.00M	P	15
	S/N: 1001-50000					
	KM-BD-173547	Kit	110.00M	55.00M	P	15
	S/N: 50001-UP					
Tilt (Dump)	KM-BD-101672	Kit	70.00M	40.00M	P	15
	S/N: 1001-50000					
	KM-BD-174550	Kit	100.00M	50.00M	P	16
	S/N: 50001-UP					
	KM-BD-176733	Kit	120.00M	60.00M	P	16
	S/N: 50001-UP Fork Loader arrangement					
Clam	KM-BD-112683	Kit	60.00M	30.00M	P	15
S/N: 1001-50000						
Steering	KM-BD-217672	Kit	70.00M	35.00M	P	15
	S/N: 1001-50000					
	KM-BD-100551	Kit	80.00M	40.00M	P	16
	S/N: 50001-UP					
Grapple	KM-BD-112738	Kit	50.00M	30.00M	P	15
S/N: 1001-50000						
Backhoe Outrigger	KM-BD-136736	Kit	70.00M	45.00M	P	16
	Backhoe model DHS030-1 S/N: 6497-Up					
Backhoe Swing	KM-BD-231735	Kit	100.00M		N	0
	Backhoe model DHS030-1 S/N: 6497-Up					
Backhoe Boom	KM-BD-232733	Kit	120.00M	60.00M	P	16
	Backhoe model DHS030-1 S/N: 6497-Up					
Backhoe Bucket	KM-BD-135550	Kit	100.00M	50.00M	P	16
	Backhoe model DHS030-1 S/N: 6497-Up					
Backhoe Stick (Arm)	KM-BD-173734	Kit	110.00M	55.00M	P	16
	Backhoe model DHS030-1 S/N: 6497-Up					

NORTH AMERICA
PHONE 800.854.0275
FAX 813.559.8698



WORLDWIDE
PHONE 813.559.8650
FAX 813.559.8698

KOMATSU® (REFERENCED BY BULLDOG® PART NUMBERS)

Application	Part Number	Description	Bore	Rod	Wiper	Type
WA60 WHEEL LOADER						
Model - S/N: WA60-2 50001-UP						
Tilt (Dump)	KM-BD-176733	Kit	120.00M	60.00M	P	16
	KM-BD-176546	Kit	120.00M	60.00M	P	15
Steering	KM-BD-100551	Kit	80.00M	40.00M	P	16
WA70 WHEEL LOADER						
Loader S/N: WA70-1 10001-50000,WA70-3 50001-UP						
Lift	KM-BD-136503	Kit	80.00M	45.00M	P	15
	S/N: 10001-11999					
	KM-BD-169609	Kit	80.00M	45.00M	P	15
	S/N: 12001-50000					
Tilt (Dump)	KM-BD-100503	Kit	80.00M	40.00M	P	15
	S/N: 10001-11999					
	KM-BD-172609	Kit	80.00M	40.00M	P	15
	S/N: 12001-50000					
	KM-BD-128543	Kit	130.00M	70.00M	P	15
	S/N: 50001-UP					
	KM-BD-103503	Kit	80.00M	50.00M	P	15
	S/N: 10001-11999 High Lift arrangement					
	KM-BD-103609	Kit	80.00M	50.00M	P	15
	S/N: 12001-50000 High Lift arrangement					
Clam	KM-BD-171502	Kit	70.00M	35.00M	P	15
	S/N: 10001-50000					
Steering	KM-BD-167608	Kit	50.00M	25.00M	P	15
	S/N: 10001-11999					
	KM-BD-168608	Kit	50.00M	25.00M	P	15
	S/N: 12001-50000					
	KM-BD-100551	Kit	80.00M	40.00M	P	16
	S/N: 50001-UP					
Grapple	KM-BD-171502	Kit	70.00M	35.00M	P	15
	S/N: 10001-50000					
	KM-BD-100503	Kit	80.00M	40.00M	P	15
	S/N: 50001-UP Lumber Fork arrangement					
	KM-BD-174550	Kit	100.00M	50.00M	P	16
	S/N: 50001-UP Log Grapple arrangement					

KOMATSU® (REFERENCED BY BULLDOG® PART NUMBERS)

Application	Part Number	Description	Bore	Rod	Wiper	Type
WA90 WHEEL LOADER						
Model - S/N: WA90-2 61004-70000,WA90-3 70001-UP						
Lift	KM-BD-128516	Kit	140.00M	70.00M	P	16
	S/N: 70001-UP					
Tilt (Dump)	KM-BD-116740	Kit	160.00M	80.00M	P	16
	S/N: 70001-UP					
	KM-BD-111526	Kit	180.00M	90.00M	P	15
	S/N: 70001-UP					
Clam	KM-BD-232546	Kit	120.00M	60.00M	P	15
	S/N: 70001-UP					
Steering	KM-BD-100551	Kit	80.00M	40.00M	P	16
	S/N: 70001-UP					
Grapple	KM-BD-174550	Kit	100.00M	50.00M	P	16
	S/N: 70001-UP					
Backhoe Outrigger	KM-BD-136736	Kit	70.00M	45.00M	P	16
	S/N: 61004-70000 Backhoe model DHS030-1 S/N: 6569-Up					
Backhoe Swing	KM-BD-231735	Kit	100.00M		N	0
	S/N: 61004-70000 Backhoe model DHS030-1 S/N: 6569-Up					
Backhoe Boom	KM-BD-232733	Kit	120.00M	60.00M	P	16
	S/N: 61004-70000 Backhoe model DHS030-1 S/N: 6569-Up					
Backhoe Bucket	KM-BD-135550	Kit	100.00M	50.00M	P	16
	S/N: 61004-70000 Backhoe model DHS030-1 S/N: 6569-Up					
Backhoe Stick (Arm)	KM-BD-173734	Kit	110.00M	55.00M	P	16
	S/N: 61004-70000 Backhoe model DHS030-1 S/N: 6569-Up					
WA100 WHEEL LOADER						
Loader S/N: WA100-1 10001-UP						
Lift	KM-BD-173504	Kit	100.00M	55.00M	P	15
Tilt (Dump)	KM-BD-174504	Kit	100.00M	50.00M	P	15
	KM-BD-173547	Kit	110.00M	55.00M	P	15
Side Dump	KM-BD-169609	Kit	80.00M	45.00M	P	15
Clam	KM-BD-174501	Kit	90.00M	50.00M	P	15
Steering	KM-BD-172611	Kit	60.00M	40.00M	P	15
Grapple	KM-BD-100503	Kit	80.00M	40.00M	P	15
Multi-Coupler Lock	KM-BD-167608	Kit	50.00M	25.00M	P	15
	Use with 707-04-50110 Cylinder					
	KM-BD-168608	Kit	50.00M	25.00M	P	15
	Use with 707-04-50190 Cylinder					
Backhoe Outrigger	KM-BD-136736	Kit	70.00M	45.00M	P	16
	Backhoe model PHS150-1					
Backhoe Swing	KM-BD-231735	Kit	100.00M		N	0
	Backhoe model PHS150-1					
Backhoe Boom	KM-BD-232733	Kit	120.00M	60.00M	P	16
	Backhoe model PHS150-1					

KOMATSU® (REFERENCED BY BULLDOG® PART NUMBERS)

Application	Part Number	Description	Bore	Rod	Wiper	Type
WA100 WHEEL LOADER						
(continued)						
Backhoe Bucket	KM-BD-135550	Kit	100.00M	50.00M	P	16
	Backhoe model PHS150-1					
Backhoe Stick (Arm)	KM-BD-173734	Kit	110.00M	55.00M	P	16
	Backhoe model PHS150-1					
WA120 WHEEL LOADER						
Loader S/N: WA120-1 10001-20000, WA120-1LC 20001-50000 WA120-3 50001-UP						
Lift	KM-BD-132547	Kit	110.00M	70.00M	P	15
	S/N:	10001-50000 Use with 707-00-11320 or 707-00-11330 Cylinder				
	KM-BD-132612	Kit	110.00M	70.00M	P	15
	S/N:	10001-50000 Use with 707-00-11321 or 707-00-11331 Cylinder				
Lift	KM-BD-116538	Kit	150.00M	80.00M	P	16
	S/N:	50001-UP				
Tilt (Dump)	KM-BD-176546	Kit	120.00M	60.00M	P	15
	S/N:	10001-50000				
	KM-BD-111526	Kit	180.00M	90.00M	P	15
	S/N:	50001-UP				
Tilt (Dump)	KM-BD-120514	Kit	200.00M	100.00M	P	15
	S/N:	50001-UP				
Steering	KM-BD-172611	Kit	60.00M	40.00M	P	15
	S/N:	10001-50000				
Steering	KM-BD-174550	Kit	100.00M	50.00M	P	16
	S/N:	50001-UP				
Grapple	KM-BD-100503	Kit	80.00M	40.00M	P	15
	S/N:	10001-50000				
Grapple	KM-BD-128543	Kit	130.00M	70.00M	P	15
	S/N:	50001-UP				
WA150 WHEEL LOADER						
Loader S/N: WA150-1 10001-UP						
Lift	KM-BD-132547	Kit	110.00M	70.00M	P	15
Tilt (Dump)	KM-BD-176546	Kit	120.00M	60.00M	P	15
Clam	KM-BD-174501	Kit	90.00M	50.00M	P	15
Steering	KM-BD-172611	Kit	60.00M	40.00M	P	15
Grapple	KM-BD-100503	Kit	80.00M	40.00M	P	15
Multi-Coupler Lock	KM-BD-167608	Kit	50.00M	25.00M	P	15
Backhoe Outrigger	KM-BD-136736	Kit	70.00M	45.00M	P	16
	Backhoe model PHS150-1					
Backhoe Swing	KM-BD-231735	Kit	100.00M		N	0
	Backhoe model PHS150-1					
Backhoe Boom	KM-BD-232733	Kit	120.00M	60.00M	P	16
	Backhoe model PHS150-1					
Backhoe Bucket	KM-BD-135550	Kit	100.00M	50.00M	P	16
	Backhoe model PHS150-1					
Backhoe Stick (Arm)	KM-BD-173734	Kit	110.00M	55.00M	P	16
	Backhoe model PHS150-1					

KOMATSU® (REFERENCED BY BULLDOG® PART NUMBERS)

Application	Part Number	Description	Bore	Rod	Wiper	Type
WA180 WHEEL LOADER						
Loader S/N: WA180-1 10001-UP,WA180-1LC 75001-UP						
Lift	KM-BD-132546	Kit	120.00M	70.00M	P	15
	KM-BD-120526	Kit	180.00M	100.00M	P	15
Tilt (Dump)	KM-BD-132543	Kit	130.00M	70.00M	P	15
	KM-BD-116571	Kit	160.00M	80.00M	P	15
	KM-BD-111526	Kit	180.00M	90.00M	P	15
Clam	KM-BD-174501	Kit	90.00M	50.00M	P	15
Steering	KM-BD-169502	Kit	70.00M	45.00M	P	15
	KM-BD-173547	Kit	110.00M	55.00M	P	15
Grapple	KM-BD-128543	Kit	130.00M	70.00M	P	15
Multi-Coupler Lock	KM-BD-167608	Kit	50.00M	25.00M	P	15
WA200 WHEEL LOADER						
Loader S/N: WA200-1 10001-UP						
Lift	KM-BD-132546	Kit	120.00M	70.00M	P	15
Tilt (Dump)	KM-BD-132543	Kit	130.00M	70.00M	P	15
Side Dump	KM-BD-104504	Kit	100.00M	60.00M	P	15
	KM-BD-136501	Kit	90.00M	45.00M	P	15
Clam	KM-BD-174504	Kit	100.00M	50.00M	P	15
Steering	KM-BD-172502	Kit	70.00M	40.00M	P	15
	S/N: 10001-29999					
	KM-BD-172613	Kit	70.00M	40.00M	P	15
	S/N: 30001-UP					
Grapple	KM-BD-100503	Kit	80.00M	40.00M	P	15
Multi-Coupler Lock	KM-BD-167608	Kit	50.00M	25.00M	P	15
	Use with 707-04-50110 Cylinder					
	KM-BD-168608	Kit	50.00M	25.00M	P	15
Use with 707-04-50190 Cylinder						
WA250 WHEEL LOADER						
Loader S/N: WA250-1 10001-UP,WA250-1LC 65001-UP						
Lift	KM-BD-132543	Kit	130.00M	70.00M	P	15
Tilt (Dump)	KM-BD-138614	Kit	150.00M	75.00M	P	15
Steering	KM-BD-172502	Kit	70.00M	40.00M	P	15
	S/N: 10001-10628					
	KM-BD-172502	Kit	70.00M	40.00M	P	15
	S/N: 10629-65000					
	Use with 707-00-70132 Cylinder					
	KM-BD-172613	Kit	70.00M	40.00M	P	15
	S/N: 10629-65000					
Use with 707-00-01350 Cylinder						
KM-BD-172613	Kit	70.00M	40.00M	P	15	
S/N: 65001-UP						

KOMATSU® (REFERENCED BY BULLDOG® PART NUMBERS)

Application	Part Number	Description	Bore	Rod	Wiper	Type
WA260 WHEEL LOADER						
Model - S/N: WA260-1 10001-UP						
Lift	KM-BD-123519	Kit	225.00M	120.00M	P	15
Tilt (Dump)	KM-BD-111526	Kit	180.00M	90.00M	P	15
Steering	KM-BD-234543	Kit	130.00M	70.00M	P	15
WA300 WHEEL LOADER						
Loader S/N: WA300-1 10001-UP						
Lift	KM-BD-146615	Kit	140.00M	80.00M	P	15
Tilt (Dump)	KM-BD-146616	Kit	160.00M	80.00M	P	15
Side Dump	KM-BD-176546	Kit	120.00M	60.00M	P	15
Clam	KM-BD-176546	Kit	120.00M	60.00M	P	15
Steering	KM-BD-172502	Kit	70.00M	40.00M	P	15
Grapple	KM-BD-174504	Kit	100.00M	50.00M	P	15
Multi-Coupler Lock	KM-BD-167608	Kit	50.00M	25.00M	P	15
	Use with 707-04-50110 Cylinder					
	KM-BD-168608	Kit	50.00M	25.00M	P	15
Use with 707-04-50190 Cylinder						
WA320 WHEEL LOADER						
Loader S/N: WA320-1 10001-30000,WA320-3 30001-UP						
Lift	KM-BD-146615	Kit	140.00M	80.00M	P	15
	S/N: 10001-19999					
S/N: 20001-UP	KM-BD-177617	Kit	140.00M	75.00M	P	15
Tilt (Dump)	KM-BD-146616	Kit	160.00M	80.00M	P	15
	S/N: 10001-19999					
S/N: 20001-UP	KM-BD-178618	Kit	160.00M	80.00M	P	15
Steering	KM-BD-172502	Kit	70.00M	40.00M	P	15
	S/N: 10001-19999					
S/N: 20001-UP	KM-BD-172613	Kit	70.00M	40.00M	P	15
Grapple	KM-BD-174504	Kit	100.00M	50.00M	P	15
S/N: 20001-UP						
WA350 WHEEL LOADER						
Loader S/N: WA350-1 10001-UP,WA350-1M 10001-UP						
Lift	KM-BD-117619	Kit	150.00M	90.00M	P	15
Tilt (Dump)	KM-BD-117620	Kit	180.00M	90.00M	P	15
Side Dump	KM-BD-176546	Kit	120.00M	60.00M	P	15
Clam	KM-BD-176546	Kit	120.00M	60.00M	P	15
Steering	KM-BD-136503	Kit	80.00M	45.00M	P	15
Grapple	KM-BD-174504	Kit	100.00M	50.00M	P	15

KOMATSU® (REFERENCED BY BULLDOG® PART NUMBERS)

Application	Part Number	Description	Bore	Rod	Wiper	Type
WA380 WHEEL LOADER						
Loader S/N: WA380-1 10001-45000,WA380-1LC 45001-50000 WA380-3 50001-UP						
Lift	KM-BD-117621	Kit	160.00M	90.00M	P	15
Tilt (Dump)	KM-BD-117620	Kit	180.00M	90.00M	P	15
	S/N: 10001-19999					
	KM-BD-179622	Kit	180.00M	90.00M	P	15
	S/N: 20001-UP					
Steering	KM-BD-136503	Kit	80.00M	45.00M	P	15
	S/N: 10001-19999					
	KM-BD-169609	Kit	80.00M	45.00M	P	15
	S/N: 20001-UP					
WA400 WHEEL LOADER						
Loader S/N: WA400-1 10001-UP						
Lift	KM-BD-159623	Kit	160.00M	100.00M	P	15
Tilt (Dump)	KM-BD-159624	Kit	200.00M	100.00M	P	15
Steering	KM-BD-136501	Kit	90.00M	45.00M	P	15
Grapple	KM-BD-174504	Kit	100.00M	50.00M	P	15
	KM-BD-180543	Kit	130.00M	70.00M	P	15
WA420 WHEEL LOADER						
Loader S/N: WA420-1 10001-25000,WA420-1LC 25001-30000 WA420-3 30001-UP						
Lift	KM-BD-159623	Kit	160.00M	100.00M	P	15
	S/N: 10001-19999					
	KM-BD-117621	Kit	160.00M	90.00M	P	15
	S/N: 20001-30000					
	KM-BD-179626	Kit	160.00M	90.00M	P	15
	S/N: 30001-UP					
Tilt (Dump)	KM-BD-148624	Kit	200.00M	100.00M	P	15
	S/N: 10001-19999					
	KM-BD-181625	Kit	200.00M	100.00M	P	15
	S/N: 20001-UP					
Steering	KM-BD-136501	Kit	90.00M	45.00M	P	15
	S/N: 10001-19999					
	KM-BD-169610	Kit	90.00M	45.00M	P	15
	S/N: 20001-UP					
Grapple	KM-BD-180543	Kit	130.00M	70.00M	P	15
	S/N: 20001-25000					

KOMATSU® (REFERENCED BY BULLDOG® PART NUMBERS)

Application	Part Number	Description	Bore	Rod	Wiper	Type
WA450 WHEEL LOADER						
Loader S/N: WA450-1 10001-25000,WA450-2 25001-30000,WA450-3 30001-UP						
Lift	KM-BD-159628	Kit	180.00M	100.00M	P	15
	S/N: 10001-19999					
	KM-BD-182629	Kit	180.00M	95.00M	P	15
	S/N: 20001-UP					
Tilt (Dump)	KM-BD-159624	Kit	200.00M	100.00M	P	15
	S/N: 10001-10556					
	KM-BD-148624	Kit	200.00M	100.00M	P	15
	S/N: 10557-19999					
	KM-BD-181625	Kit	200.00M	100.00M	P	15
	S/N: 20001-UP					
Side Dump	KM-BD-132543	Kit	130.00M	70.00M	P	15
	S/N: 10001-19999					
Steering	KM-BD-174504	Kit	100.00M	50.00M	P	15
	S/N: 10001-19999					
	KM-BD-103627	Kit	100.00M	50.00M	P	15
S/N: 20001-UP						
Grapple	KM-BD-180543	Kit	130.00M	70.00M	P	15
	S/N: 10001-19999					
WA470 WHEEL LOADER						
Loader S/N: WA470-1 10001-UP						
Lift	KM-BD-159628	Kit	180.00M	100.00M	P	15
	S/N: 10001-19999					
	KM-BD-182629	Kit	180.00M	95.00M	P	15
	S/N: 20001-UP					
Tilt (Dump)	KM-BD-148624	Kit	200.00M	100.00M	P	15
	S/N: 10001-19999					
	KM-BD-181625	Kit	200.00M	100.00M	P	15
S/N: 20001-UP						
Steering	KM-BD-174504	Kit	100.00M	50.00M	P	15
	S/N: 10001-19999					
	KM-BD-103627	Kit	100.00M	50.00M	P	15
S/N: 20001-UP						
Grapple	KM-BD-128543	Kit	130.00M	70.00M	P	15
	S/N: 20001-UP					

KOMATSU® (REFERENCED BY BULLDOG® PART NUMBERS)

Application	Part Number	Description	Bore	Rod	Wiper	Type
WA500 WHEEL LOADER						
Loader S/N: WA500-1 10001-20014,WA500-1L 20015-60000,WA500-1LC 60001-61000 WA500-1LE 61001-UP						
Lift	KM-BD-175631	Kit	200.00M	110.00M	P	15
Tilt (Dump)	KM-BD-184633	Kit	225.00M	120.00M	P	15
	S/N:	10001-19999,20015-20853				
	KM-BD-184634	Kit	225.00M	120.00M	P	15
	S/N:	20001-20014,20854-UP				
	KM-BD-185530	Kit	250.00M	140.00M	P	15
	KM-BD-186635	Kit	225.00M	120.00M	P	15
S/N:	20001-20014 High Lift arrangement					
Steering	KM-BD-173547	Kit	110.00M	55.00M	P	15
	S/N:	10001-19999,20015-20853				
	KM-BD-133630	Kit	110.00M	55.00M	P	15
S/N:	20001-20014,20854-UP					
Grapple	KM-BD-132517	Kit	140.00M	70.00M	P	15
WA600 WHEEL LOADER						
Loader S/N: WA600-1 10001-UP,WA600-1L 10009-UP,WA600-1L A10391-A5000 WA600-1LC A50001-A51000,WA600-1LE A51001-UP						
Lift	KM-BD-184636	Kit	225.00M	120.00M	P	15
	S/N:	10001-11463,A10391-UP				
	KM-BD-188637	Kit	225.00M	120.00M	P	15
S/N:	11464-UP					
Tilt (Dump)	KM-BD-189528	Kit	280.00M	140.00M	P	15
	S/N:	10001-11463,A10391-UP				
	KM-BD-236528	Kit	280.00M	140.00M	P	15
	S/N:	11464-UP				
	KM-BD-190528	Kit	280.00M	140.00M	P	15
	S/N:	11464-UP Arctic application				
	KM-BD-189528	Kit	280.00M	140.00M	P	15
	S/N:	10001-UP,A10391-A50000 High Lift arrangement				
Steering	KM-BD-191638	Kit	300.00M	180.00M	P	15
	KM-BD-132543	Kit	130.00M	70.00M	P	15
	S/N:	10001-11463,A10391-UP				
S/N:	KM-BD-187543	Kit	130.00M	70.00M	P	15
	11464-UP					
Grapple	KM-BD-132517	Kit	140.00M	70.00M	P	15

KOMATSU® (REFERENCED BY BULLDOG® PART NUMBERS)

Application	Part Number	Description	Bore	Rod	Wiper	Type
WD600 WHEEL DOZER						
Dozer S/N: WD600-1 10001-UP						
Lift	KM-BD-179618	Kit	160.00M	90.00M	P	15
Tilt & Pitch	KM-BD-179622	Kit	180.00M	90.00M	P	15
Steering	KM-BD-132543	Kit	130.00M	70.00M	P	15
WA700 WHEEL LOADER						
Model - S/N: WA700-1 10001-UP						
Lift	KM-BD-236742	Kit	225.00M	140.00M	P	15
Tilt (Dump)	KM-BD-237743	Kit	280.00M	170.00M	P	15
Steering	KM-BD-235741	Kit	130.00M	85.00M	P	15
WA800 WHEEL LOADER						
Model - S/N: WA800-1 10001-10499,WA800-2 10501-UP						
Lift	KM-BD-239745	Kit	260.00M	160.00M	P	15
	S/N: 10506-UP					
Tilt (Dump)	KM-BD-191746	Kit	300.00M	180.00M	P	15
	S/N: 10001-10505					
	KM-BD-191728	Kit	300.00M	180.00M	P	15
	S/N: 10506-UP					
	Use with 707-27-30012 Head					
	KM-BD-228728	Kit	300.00M	180.00M	P	15
	S/N: 10506-UP					
	Use with 707-27-30030 Head					
Steering	KM-BD-238744	Kit	160.00M	100.00M	P	15
GD505 GRADER						
Model - S/N: GD505A-2 50003-UP						
Articulation	KM-BD-103501	Kit	90.00M	50.00M	P	15
Blade Lift	KM-BD-103503	Kit	80.00M	50.00M	P	15
Blade Shift	KM-BD-103503	Kit	80.00M	50.00M	P	15
Drawbar Shift	KM-BD-103503	Kit	80.00M	50.00M	P	15
Front Blade	KM-BD-135545	Kit	80.00M	50.00M	P	16
Leaning	KM-BD-217502	Kit	70.00M	35.00M	P	15
Power Tilt	KM-BD-101503	Kit	80.00M	40.00M	P	15
Scarifier	KM-BD-103503	Kit	80.00M	50.00M	P	15
Snow Plow Lift	KM-BD-135545	Kit	80.00M	50.00M	P	16
Snow Plow Angle	KM-BD-135500	Kit	90.00M	50.00M	P	16
Steering	KM-BD-217796	Kit	60.00M	35.00M	P	15
	S/N: 60001-UP					
Variable Blade Lift	KM-BD-112796	Kit	60.00M	30.00M	P	15
	S/N: 50343-UP					
Variable Blade Shift	KM-BD-101796	Kit	60.00M	40.00M	P	15
	S/N: 50343-UP					

Application	Part Number	Description	Bore	Rod	Wiper	Type
GD511 GRADER						
Model - S/N: GD511A-1 10001-UP						
Articulation	KM-BD-102673	Kit	80.00M	45.00M	P	15
	S/N: 10001-10083	Use with 23A-63-62101 Cylinder				
	KM-BD-102730	Kit	80.00M	45.00M	P	15
	S/N: 10084-UP	Use with 23A-63-62102 Cylinder				
Blade Lift	KM-BD-102672	Kit	70.00M	45.00M	P	15
Blade Shift	KM-BD-102672	Kit	70.00M	45.00M	P	15
Drawbar Shift	KM-BD-101672	Kit	70.00M	40.00M	P	15
Front Blade	KM-BD-102792	Kit	90.00M	45.00M	P	15
Leaning	KM-BD-217672	Kit	70.00M	35.00M	P	15
Power Tilt	KM-BD-101673	Kit	80.00M	40.00M	P	15
	Use with 23B-63-18101 Cylinder					
	KM-BD-101730	Kit	80.00M	40.00M	P	15
Use with 23B-63-18103 Cylinder						
Scarifier	KM-BD-223673	Kit	80.00M	50.00M	P	15
Steering	KM-BD-112683	Kit	60.00M	30.00M	P	15
GD515 GRADER						
Model - S/N: GD515A-1 50001-UP						
Articulation	KM-BD-102673	Kit	80.00M	45.00M	P	15
Blade Lift	KM-BD-102672	Kit	70.00M	45.00M	P	15
Blade Shift	KM-BD-102672	Kit	70.00M	45.00M	P	15
Drawbar Shift	KM-BD-101672	Kit	70.00M	40.00M	P	15
Leaning	KM-BD-217672	Kit	70.00M	35.00M	P	15
Power Tilt	KM-BD-101673	Kit	80.00M	40.00M	P	15
Steering	KM-BD-217608	Kit	50.00M	35.00M	P	15
GD525 GRADER						
Model - S/N: GD525A-1 50001-55000, GD525A-1B 55001-60000 GD525A-1C 60001-UP						
Articulation	KM-BD-102673	Kit	80.00M	45.00M	P	15
	S/N: 50001-55006,60001-60049	Use with 23A-63-62101 Cylinder				
	KM-BD-102730	Kit	80.00M	45.00M	P	15
	S/N: 55007-60000,60050-UP	Use with 23A-63-62102 or 23A-63-62202 Cylinder				
Blade Lift	KM-BD-223673	Kit	80.00M	50.00M	P	15
	S/N: 50001-55006,60001-60049	Use with 238-63-12301 Cylinder				
	KM-BD-103730	Kit	80.00M	50.00M	P	15
	S/N: 55007-60000,60050-UP	Use with 238-63-12302 Cylinder				
Blade Shift	KM-BD-223673	Kit	80.00M	50.00M	P	15
	S/N: 50001-55006,60001-60049	Use with 23B-63-42301 or 23B-63-42302 Cylinder				

KOMATSU® (REFERENCED BY BULLDOG® PART NUMBERS)

Application	Part Number	Description	Bore	Rod	Wiper	Type
GD525 GRADER (continued)						
Blade Shift (cont)	KM-BD-103798	Kit	80.00M	50.00M	P	15
S/N:	55007-60000,60050-UP Use with 23B-63-42303 Cylinder					
Drawbar Shift	KM-BD-102673	Kit	80.00M	45.00M	P	15
Front Blade	KM-BD-102792	Kit	90.00M	45.00M	P	15
S/N:	50001-55000					
Leaning	KM-BD-217672	Kit	70.00M	35.00M	P	15
Power Tilt	KM-BD-101673	Kit	80.00M	40.00M	P	15
S/N:	50001-55006,60001-60049 Use with 23B-63-18101 Cylinder					
S/N:	KM-BD-101730	Kit	80.00M	40.00M	P	15
S/N:	55007-60000,60050-UP Use with 23B-63-18103 Cylinder					
Ripper	KM-BD-223797	Kit	100.00M	50.00M	P	15
Scarifier	KM-BD-223792	Kit	90.00M	50.00M	P	15
S/N:	50001-55000					
S/N:	KM-BD-223673	Kit	80.00M	50.00M	P	15
S/N:	55001-UP					
Steering	KM-BD-217608	Kit	50.00M	35.00M	P	15
GD530 GRADER						
Model - S/N: GD530A-1 200840-202000,GD530AW-1 200840-202000 GD530A-1E 201404-201404,GD530A-2A 202002-UP GD530AW-2A 202002-UP,GD530A-2B 202002-UP,GD530AW-2B 202002-UP GD530A-2E 202002-UP,GD530AW-2E 202002-UP						
Articulation	HH-1279399H91	Kit	3.500S	2.000S	P	5
Drawbar Lift	HH-1279399H91	Kit	3.500S	2.000S	P	5
Drawbar Shift	HH-1279399H91	Kit	3.500S	2.000S	P	5
Leaning	HH-1279399H91	Kit	3.500S	2.000S	P	5
S/N:	200840-202000					
S/N:	HH-1434418H91	Kit	3.500S	2.000S	P	5
S/N:	202002-UP					
Moldboard Shift	HH-1279399H91	Kit	3.500S	2.000S	P	5
Lock Pin	HH-1279399H91	Kit	3.500S	2.000S	P	5
Scarifier	HH-1279393H91	Kit	3.500S	1.500S	P	11
GD605 GRADER						
Model - S/N: GD605A-2 53001-UP,GD605A-3 54001-UP						
Articulation	KM-BD-103501	Kit	90.00M	50.00M	P	15
Blade Lift	KM-BD-103503	Kit	80.00M	50.00M	P	15
Blade Shift	KM-BD-103503	Kit	80.00M	50.00M	P	15
Drawbar Shift	KM-BD-103503	Kit	80.00M	50.00M	P	15
Front Blade	KM-BD-135545	Kit	80.00M	50.00M	P	16
Leaning	KM-BD-103503	Kit	80.00M	50.00M	P	15
Power Tilt	KM-BD-101503	Kit	80.00M	40.00M	P	15
Ripper	KM-BD-135733	Kit	120.00M	50.00M	P	16
Scarifier	KM-BD-103503	Kit	80.00M	50.00M	P	15
Steering	KM-BD-217611	Kit	60.00M	35.00M	P	15

KOMATSU® (REFERENCED BY BULLDOG® PART NUMBERS)

Application	Part Number	Description	Bore	Rod	Wiper	Type
GD611 GRADER						
Model - S/N: GD611A-1 10001-UP						
Articulation	KM-BD-223792	Kit	90.00M	50.00M	P	15
	S/N: 10001-10064					
	KM-BD-103799	Kit	90.00M	50.00M	P	15
	S/N: 10065-UP					
Blade Lift	KM-BD-223673	Kit	80.00M	50.00M	P	15
	S/N: 10001-10064					
	KM-BD-103730	Kit	80.00M	50.00M	P	15
	S/N: 10065-UP					
Blade Shift	KM-BD-102672	Kit	70.00M	45.00M	P	15
Drawbar Shift	KM-BD-102673	Kit	80.00M	45.00M	P	15
Front Blade	KM-BD-102792	Kit	90.00M	45.00M	P	15
Leaning	KM-BD-101673	Kit	80.00M	40.00M	P	15
Power Tilt	KM-BD-101673	Kit	80.00M	40.00M	P	15
	Use with 23B-63-18101 Cylinder					
	KM-BD-101730	Kit	80.00M	40.00M	P	15
	Use with 23B-63-18103 Cylinder					
Scarifier	KM-BD-223792	Kit	90.00M	50.00M	P	15
Steering	KM-BD-112683	Kit	60.00M	30.00M	P	15
GD615 GRADER						
Model - S/N: GD615A-1 50001-UP						
Articulation	KM-BD-223792	Kit	90.00M	50.00M	P	15
Blade Lift	KM-BD-223673	Kit	80.00M	50.00M	P	15
Blade Shift	KM-BD-223673	Kit	80.00M	50.00M	P	15
Drawbar Shift	KM-BD-102673	Kit	80.00M	45.00M	P	15
Leaning	KM-BD-101673	Kit	80.00M	40.00M	P	15
Power Tilt	KM-BD-101673	Kit	80.00M	40.00M	P	15
Steering	KM-BD-217608	Kit	50.00M	35.00M	P	15
GD621 GRADER						
Model - S/N: GD621A-1 10001-UP						
Articulation	KM-BD-223792	Kit	90.00M	50.00M	P	15
	S/N: 10001-10025					
	KM-BD-103799	Kit	90.00M	50.00M	P	15
	S/N: 10026-UP					
Blade Lift	KM-BD-223673	Kit	80.00M	50.00M	P	15
	S/N: 10001-10025					
	KM-BD-103730	Kit	80.00M	50.00M	P	15
	S/N: 10026-UP					
Blade Shift	KM-BD-223673	Kit	80.00M	50.00M	P	15
	S/N: 10001-10025					
	KM-BD-103798	Kit	80.00M	50.00M	P	15
	S/N: 10026-UP					
Drawbar Shift	KM-BD-102673	Kit	80.00M	45.00M	P	15
Front Blade	KM-BD-102792	Kit	90.00M	45.00M	P	15
Leaning	KM-BD-101673	Kit	80.00M	40.00M	P	15

KOMATSU® (REFERENCED BY BULLDOG® PART NUMBERS)

Application	Part Number	Description	Bore	Rod	Wiper	Type
GD621 GRADER (continued)						
Power Tilt	KM-BD-101673	Kit	80.00M	40.00M	P	15
	Use with 23B-63-18101 Cylinder					
	KM-BD-101730	Kit	80.00M	40.00M	P	15
	Use with 23B-63-18103 Cylinder					
Ripper	KM-BD-223797	Kit	100.00M	50.00M	P	15
Steering	KM-BD-112683	Kit	60.00M	30.00M	P	15
GD623 GRADER						
Model - S/N: GD623A-1 30001-UP						
Articulation	KM-BD-223792	Kit	90.00M	50.00M	P	15
	S/N: 30001-30141					
	KM-BD-103799	Kit	90.00M	50.00M	P	15
	S/N: 30142-UP					
Blade Lift	KM-BD-223673	Kit	80.00M	50.00M	P	15
	S/N: 30001-30141					
	KM-BD-103730	Kit	80.00M	50.00M	P	15
	S/N: 30142-UP					
Blade Shift	KM-BD-223673	Kit	80.00M	50.00M	P	15
	S/N: 30001-30141					
	KM-BD-103798	Kit	80.00M	50.00M	P	15
	S/N: 30142-UP					
Drawbar Shift	KM-BD-102673	Kit	80.00M	45.00M	P	15
Front Blade	KM-BD-102792	Kit	90.00M	45.00M	P	15
Leaning	KM-BD-101673	Kit	80.00M	40.00M	P	15
Power Tilt	KM-BD-101673	Kit	80.00M	40.00M	P	15
Ripper	KM-BD-223797	Kit	100.00M	50.00M	P	15
Scarifier	KM-BD-223792	Kit	90.00M	50.00M	P	15
Steering	KM-BD-217608	Kit	50.00M	35.00M	P	15
GD625 GRADER						
Model - S/N: GD625A-1 50001-UP, GD625A-1A 60001-UP, GD625A-1C 60001-UP						
Articulation	KM-BD-223792	Kit	90.00M	50.00M	P	15
Blade Lift	KM-BD-223673	Kit	80.00M	50.00M	P	15
Blade Shift	KM-BD-102672	Kit	70.00M	45.00M	P	15
	KM-BD-223673	Kit	80.00M	50.00M	P	15
Drawbar Shift	KM-BD-102673	Kit	80.00M	45.00M	P	15
Leaning	KM-BD-101673	Kit	80.00M	40.00M	P	15
Power Tilt	KM-BD-101673	Kit	80.00M	40.00M	P	15
Ripper	KM-BD-223797	Kit	100.00M	50.00M	P	15
Scarifier	KM-BD-223792	Kit	90.00M	50.00M	P	15
	S/N: GD625A-1 50001-UP					
Steering	KM-BD-217608	Kit	50.00M	35.00M	P	15

Application	Part Number	Description	Bore	Rod	Wiper	Type
GD650 GRADER						
Model - S/N: GD650A-1 200840-202000,GD650AW-1 200840-202000 GD650A-2 202001-202001,GD650A-2A 202002-UP GD650AW-2A 202002-UP,GD650A-2B 202002-UP,GD650AW-2B 202002-UP GD650A-2E 202002-UP,GD650AW-2E 202002-UP						
Articulation	HH-1279399H91	Kit	3.500S	2.000S	P	5
Drawbar Lift	HH-1279399H91	Kit	3.500S	2.000S	P	5
Drawbar Shift	HH-1279399H91	Kit	3.500S	2.000S	P	5
Leaning	HH-1279399H91	Kit	3.500S	2.000S	P	5
	S/N: 200840-202001					
	HH-1434418H91	Kit	3.500S	2.000S	P	5
	S/N: 202002-UP					
Moldboard Shift	HH-1279399H91	Kit	3.500S	2.000S	P	5
Lock Pin	HH-1279399H91	Kit	3.500S	2.000S	P	5
Scarifier	HH-1279393H91	Kit	3.500S	1.500S	P	11
GD655 GRADER						
Model - S/N: GD655A-2 63001-UP,GD655A-3 64001-UP						
Articulation	KM-BD-103501	Kit	90.00M	50.00M	P	15
Blade Lift	KM-BD-103503	Kit	80.00M	50.00M	P	15
Blade Shift	KM-BD-103503	Kit	80.00M	50.00M	P	15
Drawbar Shift	KM-BD-103503	Kit	80.00M	50.00M	P	15
Front Blade	KM-BD-135545	Kit	80.00M	50.00M	P	16
Leaning	KM-BD-103503	Kit	80.00M	50.00M	P	15
Power Tilt	KM-BD-101503	Kit	80.00M	40.00M	P	15
Ripper	KM-BD-135733	Kit	120.00M	50.00M	P	16
Scarifier	KM-BD-103503	Kit	80.00M	50.00M	P	15
Steering	KM-BD-217611	Kit	60.00M	35.00M	P	15
GD670 GRADER						
Model - S/N: GD670A-1 200840-202000,GD670A-2A 202002-UP GD670AW-2A 202002-UP,GD670A-2B 202002-UP,GD670AW-2B 202002-UP GD670A-2E 202002-UP,GD670AW-2E 202002-UP						
Articulation	HH-1279399H91	Kit	3.500S	2.000S	P	5
Drawbar Lift	HH-1279399H91	Kit	3.500S	2.000S	P	5
Drawbar Shift	HH-1279399H91	Kit	3.500S	2.000S	P	5
Leaning	HH-1279399H91	Kit	3.500S	2.000S	P	5
	S/N: 200840-202000					
	HH-1434418H91	Kit	3.500S	2.000S	P	5
	S/N: 202002-UP					
Moldboard Shift	HH-1279399H91	Kit	3.500S	2.000S	P	5
Lock Pin	HH-1279399H91	Kit	3.500S	2.000S	P	5
Scarifier	HH-1279393H91	Kit	3.500S	1.500S	P	11

KOMATSU® (REFERENCED BY BULLDOG® PART NUMBERS)

Application	Part Number	Description	Bore	Rod	Wiper	Type	
GD705 GRADER							
Model - S/N: GD705A-3 30001-UP,GD705A-4 21001-UP							
Articulation	KM-BD-133547	Kit	110.00M	55.00M	P	15	
	S/N:	GD705A-3 30001-UP,GD705A-4 21001-21085					
	KM-BD-250801	Kit	110.00M	55.00M	P	15	
	S/N:	GD705A-4 21086-31000					
	KM-BD-133547	Kit	110.00M	55.00M	P	15	
	S/N:	GD705A-4 31001-UP					
	Blade Lift	KM-BD-133501	Kit	90.00M	55.00M	P	15
		S/N:	GD705A-3 30001-UP,GD705A-4 21001-21085				
KM-BD-250792		Kit	90.00M	55.00M	P	15	
S/N:		GD705A-4 21086-31000					
	KM-BD-133501	Kit	90.00M	55.00M	P	15	
	S/N:	GD705A-4 31001-UP					
	Blade Shift	KM-BD-133501	Kit	90.00M	55.00M	P	15
		S/N:	GD705A-3 30001-UP,GD705A-4 21001-21085				
KM-BD-250792		Kit	90.00M	55.00M	P	15	
S/N:		GD705A-4 21086-31000					
	KM-BD-133501	Kit	90.00M	55.00M	P	15	
	S/N:	GD705A-4 31001-UP					
	Drawbar Shift	KM-BD-133501	Kit	90.00M	55.00M	P	15
		S/N:	GD705A-3 30001-UP,GD705A-4 21001-21085				
KM-BD-250792		Kit	90.00M	55.00M	P	15	
S/N:		GD705A-4 21086-31000					
	KM-BD-133501	Kit	90.00M	55.00M	P	15	
	S/N:	GD705A-4 31001-UP					
	Front Blade	KM-BD-250797	Kit	100.00M	55.00M	P	15
		S/N:	GD705A-4 21001-31000				
Leaning	KM-BD-102501	Kit	90.00M	45.00M	P	15	
	S/N:	GD705A-3 30001-UP,GD705A-4 21001-21085					
	KM-BD-102792	Kit	90.00M	45.00M	P	15	
	S/N:	GD705A-4 21086-31000					
	KM-BD-102501	Kit	90.00M	45.00M	P	15	
	S/N:	GD705A-4 31001-UP					
	Power Tilt	KM-BD-103504	Kit	100.00M	50.00M	P	15
		S/N:	GD705A-3 30001-UP				
KM-BD-103802		Kit	100.00M	50.00M	P	15	
S/N:		GD705A-4 21001-21085					
	KM-BD-223797	Kit	100.00M	50.00M	P	15	
	S/N:	GD705A-4 21086-31000					
	KM-BD-103802	Kit	100.00M	50.00M	P	15	
	S/N:	GD705A-4 31001-UP					
Ripper	KM-BD-132517	Kit	140.00M	70.00M	P	15	
Scarifier	KM-BD-133800	Kit	90.00M	55.00M	P	15	
	S/N:	GD705A-3 30001-UP,GD705A-4 21001-31000 Use with 234-63-32200 Cylinder					
	KM-BD-250792	Kit	90.00M	55.00M	P	15	
	S/N:	GD705A-4 21001-31000 Use with 234-63-32300 Cylinder					

Application	Part Number	Description	Bore	Rod	Wiper	Type
GD705 GRADER (continued)						
Scarifier (cont)	KM-BD-133800	Kit	90.00M	55.00M	P	15
S/N:	GD705A-4 31001-UP					
Steering	KM-BD-217737	Kit	50.00M	35.00M	P	15
S/N:	GD705A-3 30001-UP,GD705A-4 21001-21085					
	KM-BD-217608	Kit	50.00M	35.00M	P	15
S/N:	GD705A-4 21086-31000					
	KM-BD-217737	Kit	50.00M	35.00M	P	15
S/N:	GD705A-4 31001-UP					
GD725 GRADER						
Model - S/N: GD725A-1 50001-UP						
Articulation	KM-BD-250803	Kit	110.00M	55.00M	P	15
Blade Lift	KM-BD-250703	Kit	90.00M	55.00M	P	15
Blade Shift	KM-BD-250792	Kit	90.00M	55.00M	P	15
Drawbar Shift	KM-BD-250703	Kit	90.00M	55.00M	P	15
Leaning	KM-BD-102703	Kit	90.00M	45.00M	P	15
Power Tilt	KM-BD-223804	Kit	100.00M	50.00M	P	15
Ripper	KM-BD-132517	Kit	140.00M	70.00M	P	15
Scarifier	KM-BD-250703	Kit	90.00M	55.00M	P	15
Steering	KM-BD-217608	Kit	50.00M	35.00M	P	15
GD825 GRADER						
Model - S/N: GD825A-1 10002-11000,GD825A-2 11001-UP						
Articulation	KM-BD-131542	Kit	120.00M	65.00M	P	15
Blade Lift	KM-BD-131553	Kit	100.00M	65.00M	P	15
Blade Shift	KM-BD-131504	Kit	110.00M	65.00M	P	15
Drawbar Shift	KM-BD-104553	Kit	100.00M	60.00M	P	15
Leaning	KM-BD-102501	Kit	90.00M	45.00M	P	15
Power Tilt	KM-BD-131542	Kit	120.00M	65.00M	P	15
Ripper	KM-BD-132517	Kit	140.00M	70.00M	P	15
Steering	KM-BD-101611	Kit	60.00M	40.00M	P	15
WS23 SCRAPER						
Model - S/N: WS23-1 1005-UP,WS23S-1 2005-UP,WS23-2 2002-UP						
Accumulator	KM-BD-252516	Kit	140.00M		N	0
Apron	KM-BD-138571	Kit	160.00M	75.00M	P	15
Bowl	KM-BD-138571	Kit	160.00M	75.00M	P	15
Ejector	KM-BD-117543	Kit	130.00M	90.00M	P	15
S/N:	WS23-1 1005-UP					
	KM-BD-251805	Kit	160.00M	100.00M	P	6
S/N:	WS23S-1 2005-UP,WS23-2 2002-UP					
Push-Pull	KM-BD-104546	Kit	120.00M	60.00M	P	15
S/N:	WS23-1 1005-UP					
Steering	KM-BD-132517	Kit	140.00M	70.00M	P	15
Suspension	KM-BD-226811	Kit	140.00M	65.00M	P	15

KOMATSU® (REFERENCED BY BULLDOG® PART NUMBERS)

Application	Part Number	Description	Bore	Rod	Wiper	Type
HD320 TRUCK						
Model - S/N: HD320-3 2501-UP						
Hoist	KM-BD-253806	Kit	160.00M	90.00M	P	13
Steering	KM-BD-103504	Kit	100.00M	50.00M	P	15
HD325 TRUCK						
Model - S/N: HD325-3 1501-2000,HD325-5 2001-UP,HD325-5PB 3001-UP						
Hoist	KM-BD-253806	Kit	160.00M	90.00M	P	13
Steering	KM-BD-103504	Kit	100.00M	50.00M	P	15
	S/N: 1501-2000					
	KM-BD-104807	Kit	80.00M	60.00M	P	15
	S/N: 2001-UP					
HD460 TRUCK						
Model - S/N: HD460-1 1002-UP						
Steering	KM-BD-129808	Kit	100.00M	60.00M	P	15
	S/N: 1002-1068					
	KM-BD-129809	Kit	100.00M	60.00M	P	15
	S/N: 1069-UP					
HD465 TRUCK						
Model - S/N: HD465-2 1102-1500,HD465-3 1501-UP,HD465-3PB 3001-UP						
Steering	KM-BD-104546	Kit	120.00M	60.00M	P	15
	S/N: 1102-2000					
	KM-BD-104810	Kit	90.00M	60.00M	P	15
	S/N: 2001-UP					
HD785 TRUCK						
Model - S/N: HD785-1 1101-1500,HD785-2 1501-2000,HD785-3 2001-UP						
Steering	KM-BD-254811	Kit	140.00M	75.00M	P	15
	S/N: 1101-1500					
	KM-BD-132510	Kit	110.00M	70.00M	P	15
	S/N: 1501-2000					
	KM-BD-132547	Kit	110.00M	70.00M	P	15
	S/N: 2001-UP					

KOMATSU® (REFERENCED BY BULLDOG® PART NUMBERS)

Application	Part Number	Description	Bore	Rod	Wiper	Type
HD1200 TRUCK						
Model - S/N: HD1200M-1 1005-UP						
Steering	KM-BD-115812	Kit	160.00M	75.00M	P	15
	KM-BD-138517	Kit	140.00M	75.00M	P	15
	S/N: 1139-UP					
Tailgate	KM-BD-254811	Kit	140.00M	75.00M	P	15
	S/N: 1005-1044					
	KM-BD-103504	Kit	100.00M	50.00M	P	15
	S/N: 1005-1044					
	KM-BD-117813	Kit	160.00M	90.00M	P	15

NORTH AMERICA
 PHONE 800.854.0275
 FAX 813.559.8698



WORLDWIDE
 PHONE 813.559.8650
 FAX 813.559.8698

NORTH AMERICA
PHONE 800.854.0275
FAX 813.559.8698



WORLDWIDE
PHONE 813.559.8650
FAX 813.559.8698

Machine Model	Page	Machine Model	Page
Crawler Tractors (Dozers) / Loaders		Excavators	
D20, D21	541	PC100	577
D30, D31	542	PC120	578
D32	546	PC128	579
D37	546	PC150	579
D38	547	PC180	580
D39	547	PC200	580
D40	547	PC210	582
D40,D41	548	PC220	583
D45	549	PC250	585
D50	550	PC280	585
D53	552	PC300	585
D55	554	PC360	586
D57	555	PC400	587
D58	555	PC650	589
D60,D65	556	PC1000	591
D63	559	PC1500	591
D66	559	PF55	592
D68	560	PW05	592
D75	561	PW30	593
D80,D85	562	PW60	593
D83	563	PW100	593
D95	564	PW150	594
D135	564	PW210	594
D150,D155	564		
D275	567	Wheel Loaders	
D355	567	WA20	595
D375	569	WA30	595
D455	570	WA40	596
D475	570	WA60	597
D575	571	WA70	597
		WA90	598
		WA100	598
Excavators		WA120	599
PC03	572	WA150	600
PC05	572	WA180	600
PC10	572	WA200	601
PC20	573	WA250	601
PC30	574	WA260	602
PC40	575	WA300	602
PC60	576	WA320	602
PC80	577	WA350	603
PC90	577		

Machine Model	Page
Wheel Loaders	
WA380	603
WA400	604
WA420	604
WA450	605
WA470	605
WA500	606
WA600	606
WD600 Wheel Dozer	607
WA700	607
WA800	607
Graders	
GD505	608
GD511	608
GD515	609
GD525	609
GD530	610
GD605	611
GD611	611
GD615	612
GD621	612
GD623	613
GD625	613
GD650	614
GD655	614
GD670	615
GD705	615
GD725	617
GD825	617
Scrapers	
WS23	618
Trucks	
HD320	618
HD325	618
HD460	618
HD465	619
HD785	619
HD1200	619

KOMATSU® (REFERENCED BY OEM PART NUMBERS)

541

Application	Part Number	Description	Bore	Rod	Wiper	Type
D20,D21 (SERIES 3 & 5) CRAWLER TRACTOR/LOADER						
Model - S/N: D20P-3 20013-45000,D20PL-3 20013-45000,D20A-5 45001-60000 D20P-5 45001-60000,D21P-3 20013-45000,D21PL-3 20013-45000 D21A-5 45001-60000,D21P-5 45001-60000						
Dozer Lift	KM-707-99-13410	Kit	70.00M	35.00M	P	16
	KM-07177-03525	Bushing				
	S/N: 45001-60000					
	KM-707-98-15650	Kit	70.00M	45.00M	P	8
S/N: D21P-5 50001-60000 Cuba application	KM-07177-04530	Bushing				
Dozer Tilt	KM-707-99-22010	Kit	80.00M	40.00M	P	16
	KM-07177-04025	Bushing				
S/N: 20013-45000						
Dozer Trimming	KM-707-99-13410	Kit	70.00M	35.00M	P	16
	KM-07177-03525	Bushing				
S/N: 45001-60000						
3-Point Hitch	KM-113-63-05030	Kit	80.00M	45.00M	P	16
	KM-07177-04530	Bushing				
S/N: 45001-60000						
Track Adjuster	KM-BD-909036	Kit	40.00M	40.00M	P	0
S/N: D21P-5 50001-60000						
Backhoe Swing	KM-BD-231732	Kit	90.00M		N	0
S/N: 45001-60000						
Backhoe Boom	KM-BD-136550	Kit	100.00M	45.00M	P	16
S/N: 45001-60000						
Backhoe Bucket	KM-BD-100551	Kit	80.00M	40.00M	P	16
S/N: 45001-60000						
Backhoe Stick	KM-BD-135550	Kit	100.00M	50.00M	P	16
S/N: 45001-60000						
D20,D21 (SERIES 6) CRAWLER TRACTOR/LOADER						
Model - S/N: D20P-6 60001-UP,D20P-6A 60001-UP,D20S-6 60001-UP D21E-6 60001-UP,D21P-6 60001-UP,D21P-6A 60001-UP D21P-6B 60001-UP,D21S-6 60001-UP,D21S-6A 60001-UP						
Dozer Lift	KM-707-98-05420	Kit	50.00M	35.00M	P	5
	KM-07177-03525	Bushing				
	S/N: D20P-6 60001-UP,D21P-6 60001-UP					
	KM-707-98-15410	Kit	70.00M	45.00M	P	5
S/N: D20P-6 60001-UP,D21P-6 60001-UP Trimming Dozer	KM-07177-04530	Bushing				
	KM-707-98-12510	Kit	70.00M	35.00M	P	5
S/N: D20P-6A 60001-UP,D21E-6 60001-UP,D21P-6A 60001-UP PAT Dozer	KM-07177-03525	Bushing				
Dozer Tilt	KM-707-98-23030	Kit	80.00M	40.00M	P	5
	KM-07177-04025	Bushing				
Dozer Trimming	KM-707-98-12450	Kit	70.00M	35.00M	P	5
	KM-07177-03525	Bushing				
S/N: D20P-6 60001-UP,D21P-6 60001-UP						

NORTH AMERICA
PHONE 800.854.0275
FAX 813.559.8698



WORLDWIDE
PHONE 813.559.8650
FAX 813.559.8698

KOMATSU® (REFERENCED BY OEM PART NUMBERS)

Application	Part Number	Description	Bore	Rod	Wiper	Type
D20,D21 (SERIES 6) CRAWLER TRACTOR/LOADER (continued)						
Dozer Angle	KM-707-98-12490	Kit	70.00M	35.00M	P	5
	KM-07177-03525	Bushing				
	S/N: D20P-6A 60001-UP,D21E-6 60001-UP,D21P-6A 60001-UP S/N: D21P-6B 60001-UP					
Loader Lift	KM-707-98-24070	Kit	80.00M	45.00M	P	5
	KM-07177-04530	Bushing				
Loader Tilt (Dump)	KM-707-98-12130	Kit	60.00M	35.00M	P	5
	KM-07177-03525	Bushing				
3-Point Hitch	KM-707-98-12450	Kit	70.00M	35.00M	P	5
	KM-07177-03525	Bushing				
Track Adjuster	KM-BD-909035	Kit	40.00M	40.00M	P	0
	KM-BD-909036	Kit	40.00M	40.00M	P	0
	S/N: D20P-6 60001-UP,D21P-6 60001-UP Trimming Dozer					
D30,D31 (SERIES 15) CRAWLER TRACTOR/LOADER						
Model - S/N: D30A-15 15008-24999,D30P-15 15008-24999,D30Q-15 15008-24999 D30S-15 15008-24999,D31A-15 15008-24999,D31P-15 15008-24999 D31Q-15 15008-24999,D31S-15 15008-24999						
Dozer Lift	KM-BD-225535	Kit	70.00M	45.00M	P	16
	KM-BD-121505	Kit	90.00M	40.00M	P	16
	Trimming Dozer					
Dozer Tilt	KM-BD-130548	Kit	100.00M	50.00M	P	16
Dozer Trimming	KM-BD-121505	Kit	90.00M	40.00M	P	16
Loader Lift	KM-BD-129509	Kit	110.00M	60.00M	P	16
Loader Tilt (Dump)	KM-BD-225532	Kit	80.00M	45.00M	P	16
Multi-Purpose Bucket	KM-BD-225532	Kit	80.00M	45.00M	P	16
Skid Loader	KM-BD-121532	Kit	80.00M	40.00M	P	16
Track Adjuster	KM-BD-909031	Kit	56.00M	70.00M	P	0
	S/N: D30A-15 15008-18534,D30P-15 15012-19177,D30Q-15 15173-18766 S/N: D30S-15 15010-20663,D31Q-15 15016-18116,D31S-15 15014-18774					
	KM-BD-909032	Kit	56.00M	70.00M	P	0
	S/N: D30A-15 18535-UP,D30P-15 19178-UP,D30Q-15 18767-UP S/N: D30S-15 20664-UP,D31A-15 20001-UP,D31P-15 20001-UP S/N: D31Q-15 18117-UP,D31S-15 18775-UP					
Backhoe Outrigger	KM-BD-136736	Kit	70.00M	45.00M	P	16
	Backhoe model DHS030-1 S/N: 6414-Up					
Backhoe Swing	KM-BD-231735	Kit	100.00M		N	0
	Backhoe model DHS030-1 S/N: 6414-Up					
Backhoe Boom	KM-BD-232733	Kit	120.00M	60.00M	P	16
	Backhoe model DHS030-1 S/N: 6414-Up					
Backhoe Bucket	KM-BD-135550	Kit	100.00M	50.00M	P	16
	Backhoe model DHS030-1 S/N: 6414-Up					
Backhoe Stick (Arm)	KM-BD-173734	Kit	110.00M	55.00M	P	16
	Backhoe model DHS030-1 S/N: 6414-Up					

Application	Part Number	Description	Bore	Rod	Wiper	Type
D31 (SERIES 16) CRAWLER TRACTOR/LOADER						
Model - S/N: D31A-16 25001-32000,D31P-16 25001-32000,D31P-16A 25001-32000 D31PL-16 25001-32000,D31PLL-16 25001-32000 D31Q-16 25001-32000,D31S-16 25001-32000						
Dozer Lift	KM-114-63-05010	Kit	90.00M	40.00M	P	16
	KM-07177-04025	Bushing				
Dozer Tilt	KM-114-63-05010	Kit	90.00M	40.00M	P	16
	KM-07177-04025	Bushing				
Dozer Trimming	KM-114-63-05010	Kit	90.00M	40.00M	P	16
	KM-07177-04025	Bushing				
Dozer Angle	KM-114-63-05010	Kit	90.00M	40.00M	P	16
	KM-07177-04025	Bushing				
	S/N:	D31A-16 25001-28059,D31P-16A 25001-32000				
	KM-114-63-05080	Kit	90.00M	40.00M	P	16
	KM-07177-04025	Bushing				
	S/N:	D31A-16 28060-UP				
Loader Lift	KM-113-63-05020	Kit	100.00M	50.00M	P	16
	KM-07177-05030	Bushing				
Loader Tilt (Dump)	KM-113-63-05030	Kit	80.00M	45.00M	P	16
	KM-07177-04530	Bushing				
Multi-Purpose Bucket	KM-113-63-05030	Kit	80.00M	45.00M	P	16
	KM-07177-04530	Bushing				
Skid Loader	KM-113-63-05030	Kit	80.00M	45.00M	P	16
	KM-07177-04530	Bushing				
Ripper	KM-114-63-05010	Kit	90.00M	40.00M	P	16
	KM-07177-04025	Bushing				
Track Adjuster	KM-BD-909000	Kit	50.00M	50.00M	P	0
	S/N:	D31A-16 25001-29125,D31P-16 25001-29603,D31P-16A 25001-28000				
	S/N:	D31PL-16 25001-29504,D31Q-16 25001-29375,D31S-16 25001-29385				
	KM-BD-909001	Kit	50.00M	50.00M	P	0
	S/N:	D31A-16 29126-UP,D31P-16 29604-UP,D31P-16A 28001-UP				
	S/N:	D31PL-16 29505-UP,D31Q-16 29376-UP,D31S-16 29386-UP				
Backhoe Outrigger	KM-BD-136736	Kit	70.00M	45.00M	P	16
	Backhoe model DHS030-1 S/N: 6414-Up					
Backhoe Swing	KM-BD-231732	Kit	90.00M		N	0
	S/N:	28001-32000 Backhoe model DHS020-3				
	KM-BD-231735	Kit	100.00M		N	0
	Backhoe model DHS030-1 S/N: 6414-Up					
Backhoe Boom	KM-BD-136550	Kit	100.00M	45.00M	P	16
	S/N:	28001-32000 Backhoe model DHS020-3				
	KM-BD-232733	Kit	120.00M	60.00M	P	16
	Backhoe model DHS030-1 S/N: 6414-Up					
Backhoe Bucket	KM-BD-100551	Kit	80.00M	40.00M	P	16
	S/N:	28001-32000 Backhoe model DHS020-3				
	KM-BD-135550	Kit	100.00M	50.00M	P	16
	Backhoe model DHS030-1 S/N: 6414-Up					

KOMATSU® (REFERENCED BY OEM PART NUMBERS)

Application	Part Number	Description	Bore	Rod	Wiper	Type
D31 (SERIES 16) CRAWLER TRACTOR/LOADER (continued)						
Backhoe Stick (Arm)	KM-BD-135550	Kit	100.00M	50.00M	P	16
	S/N: 28001-32000 Backhoe model DHS020-3					
	KM-BD-173734	Kit	110.00M	55.00M	P	16
Backhoe model DHS030-1 S/N: 6414-Up						
D31 (SERIES 17) CRAWLER TRACTOR/LOADER						
Model - S/N: D31A-17 32001-40000,D31E-17 32001-40000,D31P-17 32001-40000 D31P-17A 32001-40000,D31P-17B 32001-40000 D31PL-17 32001-40000,D31PLL-17 32001-40000 D31Q-17 32001-40000,D31S-17 32001-40000						
Dozer Lift	KM-114-63-05030	Kit	90.00M	40.00M	P	8
	KM-07177-04025	Bushing				
Dozer Tilt	KM-114-63-05030	Kit	90.00M	40.00M	P	8
	KM-07177-04025	Bushing				
Dozer Trimming	KM-114-63-05030	Kit	90.00M	40.00M	P	8
	KM-07177-04025	Bushing				
Dozer Angle	KM-114-63-05030	Kit	90.00M	40.00M	P	8
	KM-07177-04025	Bushing				
Loader Lift	KM-707-99-32010	Kit	100.00M	50.00M	P	8
	KM-07177-05030	Bushing				
Loader Tilt (Dump)	KM-707-98-24150	Kit	80.00M	45.00M	P	8
	KM-07177-04530	Bushing				
Multi-Purpose Bucket	KM-707-98-24150	Kit	80.00M	45.00M	P	8
	KM-07177-04530	Bushing				
Ripper	KM-707-98-22500	Kit	90.00M	40.00M	P	8
	KM-07177-04025	Bushing				
3-Point Hitch	KM-707-98-24150	Kit	80.00M	45.00M	P	8
	KM-07177-04530	Bushing				
Track Adjuster	KM-BD-909001	Kit	50.00M	50.00M	P	0
Backhoe Outrigger	KM-BD-136736	Kit	70.00M	45.00M	P	16
	Backhoe model DHS030-1 S/N: 6414-Up					
Backhoe Swing	KM-BD-231732	Kit	90.00M		N	0
	Backhoe model DHS020-3					
	KM-BD-231735	Kit	100.00M		N	0
Backhoe model DHS030-1 S/N: 6414-Up						
Backhoe Boom	KM-BD-136550	Kit	100.00M	45.00M	P	16
	Backhoe model DHS020-3					
	KM-BD-232733	Kit	120.00M	60.00M	P	16
Backhoe model DHS030-1 S/N: 6414-Up						
Backhoe Bucket	KM-BD-100551	Kit	80.00M	40.00M	P	16
	Backhoe model DHS020-3					
	KM-BD-135550	Kit	100.00M	50.00M	P	16
Backhoe model DHS030-1 S/N: 6414-Up						
Backhoe Stick (Arm)	KM-BD-135550	Kit	100.00M	50.00M	P	16
	Backhoe model DHS020-3					
	KM-BD-173734	Kit	110.00M	55.00M	P	16
Backhoe model DHS030-1 S/N: 6414-Up						

Application	Part Number	Description	Bore	Rod	Wiper	Type
D31 (SERIES 18) CRAWLER TRACTOR/LOADER						
Model - S/N: D31E-18 40001-42000,D31P-18 40001-45000,D31P-18A 40001-45000 D31PG-18A 43459-45000,D31Q-18 40001-UP,D31S-18 40001-UP						
Dozer Lift	KM-707-98-22410	Kit	90.00M	40.00M	P	5
	KM-07177-04025	Bushing				
	PAT and Trimming Dozer					
	KM-707-98-15610	Kit	70.00M	45.00M	P	5
Dozer Tilt	KM-707-98-22410	Kit	90.00M	40.00M	P	5
	KM-07177-04025	Bushing				
Dozer Trimming	KM-707-98-22410	Kit	90.00M	40.00M	P	5
	KM-07177-04025	Bushing				
Dozer Angle	KM-707-98-22410	Kit	90.00M	40.00M	P	5
	KM-07177-04025	Bushing				
Loader Lift	KM-707-98-32050	Kit	100.00M	50.00M	P	8
	KM-07177-05030	Bushing				
Loader Tilt (Dump)	KM-707-98-24010	Kit	80.00M	45.00M	P	5
	KM-07177-04530	Bushing				
Multi-Purpose Bucket	KM-707-98-24150	Kit	80.00M	45.00M	P	8
	KM-07177-04530	Bushing				
Ripper	KM-707-98-22500	Kit	90.00M	40.00M	P	8
	KM-07177-04025	Bushing				
3-Point Hitch	KM-707-98-24150	Kit	80.00M	45.00M	P	8
	KM-07177-04530	Bushing				
Track Adjuster	KM-BD-909001	Kit	50.00M	50.00M	P	0
	KM-BD-909033	Kit	50.00M	50.00M	P	0
	Trimming Dozer					
Backhoe Outrigger	KM-BD-136736	Kit	70.00M	45.00M	P	16
	Backhoe model DHS030-1 S/N: 6414-Up					
Backhoe Swing	KM-BD-231735	Kit	100.00M		N	0
	Backhoe model DHS030-1 S/N: 6414-Up					
Backhoe Boom	KM-BD-232733	Kit	120.00M	60.00M	P	16
	Backhoe model DHS030-1 S/N: 6414-Up					
Backhoe Bucket	KM-BD-135550	Kit	100.00M	50.00M	P	16
	Backhoe model DHS030-1 S/N: 6414-Up					
Backhoe Stick (Arm)	KM-BD-173734	Kit	110.00M	55.00M	P	16
	Backhoe model DHS030-1 S/N: 6414-Up					

KOMATSU® (REFERENCED BY OEM PART NUMBERS)

Application	Part Number	Description	Bore	Rod	Wiper	Type
D31 (SERIES 20) CRAWLER TRACTOR						
Model - S/N: D31E-20 42001-UP,D31P-20 45001-UP,D31P-20A 45001-UP D31PG-20A 45001-UP,D31PL-20 45001-UP,D31PLL-20 45001-UP						
Dozer Lift	KM-707-98-22410	Kit	90.00M	40.00M	P	5
	KM-07177-04025	Bushing				
	PAT and Trimming Dozer					
	KM-707-98-22500	Kit	90.00M	40.00M	P	8
	KM-07177-04025	Bushing				
	Trimming Dozer (China)					
	KM-707-98-15610	Kit	70.00M	45.00M	P	5
Dozer Tilt	KM-07177-04530	Bushing				
	KM-707-98-22410	Kit	90.00M	40.00M	P	5
Dozer Trimming	KM-07177-04025	Bushing				
	KM-707-98-22410	Kit	90.00M	40.00M	P	5
Dozer Angle	KM-07177-04025	Bushing				
	KM-707-98-22410	Kit	90.00M	40.00M	P	5
Ripper	KM-07177-04025	Bushing				
	KM-707-98-22500	Kit	90.00M	40.00M	P	8
3-Point Hitch	KM-07177-04025	Bushing				
	KM-707-98-24150	Kit	80.00M	45.00M	P	8
Track Adjuster	KM-07177-04530	Bushing				
	KM-BD-909001	Kit	50.00M	50.00M	P	0
	KM-BD-909033	Kit	50.00M	50.00M	P	0
Trimming Dozer						
D32 CRAWLER TRACTOR						
Model - S/N: D32E-1 75501-UP,D32P-1 75501-UP						
Dozer Lift	HH-626230C6	Kit	3.500S	1.750S	P	15
Dozer Tilt	HH-626230C6	Kit	3.500S	1.750S	P	15
Dozer Angle	HH-1124732C94	Kit	3.000S	1.500S	P	15
Ripper	HH-626231C5	Kit	3.000S	2.000S	P	15
Track Adjuster	HH-622825C91	Kit	1.875S	1.875S	I	0
D37 (SERIES 1) CRAWLER TRACTOR						
Model - S/N: D37E-1 1001-1500,D37P-1 1001-1500						
Dozer Lift	KM-114-63-05030	Kit	90.00M	40.00M	P	8
	KM-07177-04025	Bushing				
Dozer Tilt	KM-114-63-05030	Kit	90.00M	40.00M	P	8
	KM-07177-04025	Bushing				
Dozer Angle	KM-114-63-05030	Kit	90.00M	40.00M	P	8
	KM-07177-04025	Bushing				
Ripper	KM-707-98-22500	Kit	90.00M	40.00M	P	8
	KM-07177-04025	Bushing				
3-Point Hitch	KM-707-98-24150	Kit	80.00M	45.00M	P	8
	KM-07177-04530	Bushing				
Track Adjuster	KM-BD-909001	Kit	50.00M	50.00M	P	0

Application	Part Number	Description	Bore	Rod	Wiper	Type
D37 (SERIES 2 & 5) CRAWLER TRACTOR						
Model - S/N: D37E-2 1501-3000,D37P-2 1501-3000,D37E-5 3001-UP D37P-5A 3001-UP,D37PG-5A 3001-UP						
Dozer Lift	KM-707-98-22410	Kit	90.00M	40.00M	P	5
	KM-07177-04025	Bushing				
	KM-707-98-15610	Kit	70.00M	45.00M	P	5
	KM-07177-04530	Bushing				
S/N: D37E-2 2501-3000 Sandy, Dusty Terrain special application						
Dozer Tilt	KM-707-98-22410	Kit	90.00M	40.00M	P	5
	KM-07177-04025	Bushing				
Dozer Angle	KM-707-98-22410	Kit	90.00M	40.00M	P	5
	KM-07177-04025	Bushing				
Ripper	KM-707-98-22500	Kit	90.00M	40.00M	P	8
	KM-07177-04025	Bushing				
3-Point Hitch	KM-707-98-24150	Kit	80.00M	45.00M	P	8
	KM-07177-04530	Bushing				
Track Adjuster	KM-BD-909001	Kit	50.00M	50.00M	P	0
D38 CRAWLER TRACTOR						
Model - S/N: D38E-1 85501-UP,D38P-1 85501-UP						
Dozer Lift	HH-626230C6	Kit	3.500S	1.750S	P	15
Dozer Tilt	HH-626230C6	Kit	3.500S	1.750S	P	15
Dozer Angle	HH-1124732C94	Kit	3.000S	1.500S	P	15
Ripper	HH-626231C5	Kit	3.000S	2.000S	P	15
Track Adjuster	HH-622825C91	Kit	1.875S	1.875S	I	0
D39 CRAWLER TRACTOR						
Model - S/N: D39E-1 95501-UP,D39P-1 95501-UP						
Dozer Lift	HH-626230C6	Kit	3.500S	1.750S	P	15
Dozer Tilt	HH-626230C6	Kit	3.500S	1.750S	P	15
Dozer Angle	HH-626230C6	Kit	3.500S	1.750S	P	15
Ripper	HH-626231C5	Kit	3.000S	2.000S	P	15
Track Adjuster	HH-622825C91	Kit	1.875S	1.875S	I	0
D40 (SERIES 1) CRAWLER TRACTOR						
Model - S/N: D40A-1 1501-UP,D40P-1 1501-UP						
Dozer Tilt	KM-707-99-40020	Kit	120.00M	50.00M	P	16
	KM-07177-05012	Bushing				
	KM-07177-05030	Bushing				
Ripper	KM-BD-129516	Kit	140.00M	60.00M	P	16
	S/N: D40A-1 1501-UP					
3-Point Hitch	KM-707-99-40020	Kit	120.00M	50.00M	P	16
	KM-07177-05012	Bushing				
	KM-07177-05030	Bushing				
S/N: 2201-UP						
Backhoe Outrigger	KM-BD-136736	Kit	70.00M	45.00M	P	16
	Backhoe model DHS030-1 S/N: 6414-Up					

KOMATSU® (REFERENCED BY OEM PART NUMBERS)

Application	Part Number	Description	Bore	Rod	Wiper	Type
D40 (SERIES 1) CRAWLER TRACTOR (continued)						
Backhoe Swing	KM-BD-231735	Kit	100.00M		N	0
	Backhoe model DHS030-1 S/N: 6414-Up					
Backhoe Boom	KM-BD-232733	Kit	120.00M	60.00M	P	16
	Backhoe model DHS030-1 S/N: 6414-Up					
Backhoe Bucket	KM-BD-135550	Kit	100.00M	50.00M	P	16
	Backhoe model DHS030-1 S/N: 6414-Up					
Backhoe Stick (Arm)	KM-BD-173734	Kit	110.00M	55.00M	P	16
	Backhoe model DHS030-1 S/N: 6414-Up					
D40,D41 (SERIES 3) CRAWLER TRACTOR/LOADER						
Model - S/N: D40A-3 6001-UP,D40AM-3 6001-UP,D40F-3 6221-UP D40P-3 6001-UP,D40PF-3A 6001-UP,D40PL-3 6001-UP D40PLL-3 6001-UP,D41A-3 6001-20000,D41A-3A 6001-20000 D41A-3C 7676-20000,D41E-3 6001-20000,D41E-3A 7574-20000 D41E-3B 7835-20000,D41P-3 6001-20000,D41P-3C 7424-20000 D41Q-3 6001-20000,D41S-3 6001-20000						
Dozer Lift	KM-707-98-15650	Kit	70.00M	45.00M	P	8
	KM-07177-04530	Bushing				
	S/N:	D40A-3 6001-UP,D40AM-3 6001-UP,D40P-3 6001-UP				
	S/N:	D40PF-3A 6001-UP,D40PL-3 6001-UP,D40PLL-3 6001-UP				
	S/N:	D41A-3 6001-20000,D41A-3C 7676-20000,D41E-3 6001-20000				
	S/N:	D41E-3A 7574-20000,D41E-3B 7835-20000,D41P-3 6001-20000				
Dozer Tilt	KM-BD-103503	Kit	80.00M	50.00M	P	15
	S/N:	D41A-3A 6001-20000				
	KM-12F-63-05060	Kit	100.00M	50.00M	P	8
	KM-07177-05030	Bushing				
	S/N:	D40A-3 6001-UP,D40P-3 6001-UP,D40PF-3A 6001-UP				
	S/N:	D40PL-3 6001-UP,D40PLL-3 6001-UP,D41A-3 6001-20000				
Dozer Trimming	KM-707-98-24530	Kit	90.00M	45.00M	P	8
	KM-07177-04530	Bushing				
	S/N:	D40A-3 6001-UP,D41A-3 6001-20000				
	KM-BD-104504	Kit	100.00M	60.00M	P	15
	S/N:	D41A-3 6001-20000,D41A-3A 6001-20000				
	S/N:	PAT Dozer				
Dozer Angle	KM-707-98-41120	Kit	120.00M	60.00M	P	8
	KM-07177-06030	Bushing				
	S/N:	D41E-3 6001-20000,D41E-3A 7574-20000,D41E-3B 7835-20000				
	S/N:	PAT Dozer				
	KM-707-98-36180	Kit	100.00M	65.00M	P	8
	KM-07177-06530	Bushing				
S/N:	D41E-3 6001-20000,D41E-3A 7574-20000					
Loader Lift	KM-707-98-35510	Kit	110.00M	60.00M	P	8
	KM-07177-06030	Bushing				
	S/N:	D41Q-3 6001-20000,D41S-3 6001-20000				
Loader Tilt (Dump)	KM-707-98-34100	Kit	100.00M	55.00M	P	8
	KM-07177-05530	Bushing				
	S/N:	D41Q-3 6001-20000,D41S-3 6001-20000				

Application	Part Number	Description	Bore	Rod	Wiper	Type
D40,D41 (SERIES 3) CRAWLER TRACTOR/LOADER						
(continued)						
Multi-Purpose Bucket	KM-707-98-25510	Kit	90.00M	50.00M	P	8
	KM-07177-05030	Bushing				
	S/N:	D41S-3 6001-20000				
Side Dump	KM-707-98-25170	Kit	80.00M	50.00M	P	8
	KM-07177-05030	Bushing				
	S/N:	D41S-3 6001-20000				
Ripper	KM-707-98-41130	Kit	120.00M	60.00M	P	8
	KM-07177-06030	Bushing				
	S/N:	D40A-3 6001-UP,D41A-3 6001-20000,D41S-3 6001-20000				
3-Point Hitch	KM-707-98-34500	Kit	110.00M	55.00M	P	8
	KM-07177-05530	Bushing				
	S/N:	D40PF-3A 6001-UP				
Tool Bar	KM-707-98-52100	Kit	140.00M	70.00M	P	8
	KM-07177-07030	Bushing				
	S/N:	D40F-3 6221-UP				
Track Adjuster	KM-BD-909002	Kit	60.00M	80.00M	P	0
D41 (SERIES 6) CRAWLER TRACTOR						
Model - S/N: D41E-6 20001-UP,D41P-6 20001-UP						
Dozer Lift	KM-707-98-32820	Kit	105.00M	50.00M	P	8
	KM-07177-05030	Bushing				
Dozer Tilt	KM-707-98-34540	Kit	110.00M	55.00M	P	8
	KM-07177-05530	Bushing				
Dozer Angle	KM-707-98-42420	Kit	130.00M	65.00M	P	5
	KM-707-52-10660	Bushing				
Ripper	KM-707-98-41130	Kit	120.00M	60.00M	P	8
	KM-07177-06030	Bushing				
Track Adjuster	KM-BD-909034	Kit	60.00M	60.00M	P	0
D45 CRAWLER TRACTOR/LOADER						
Model - S/N: D45A-1 1501-UP,D45E-1 1501-UP,D45P-1 1501-UP D45S-1 1501-UP						
Dozer Lift	KM-707-98-25050	Kit	80.00M	50.00M	P	16
	KM-07177-05012	Bushing				
	KM-07177-05030	Bushing				
Dozer Tilt	KM-707-99-40020	Kit	120.00M	50.00M	P	16
	KM-07177-05012	Bushing				
	KM-07177-05030	Bushing				
	KM-BD-129516	Kit	140.00M	60.00M	P	16
S/N:	D45A-1 1801-UP PAT Dozer					
Dozer Trimming	KM-707-99-32020	Kit	100.00M	50.00M	P	16
	KM-07177-05012	Bushing				
	KM-07177-05030	Bushing				
Dozer Angle	KM-BD-134549	Kit	110.00M	65.00M	P	16
Loader Lift	KM-707-99-41420	Kit	130.00M	60.00M	P	16
	KM-07177-06015	Bushing				
	KM-07177-06030	Bushing				
Loader Tilt (Dump)	KM-707-99-42020	Kit	120.00M	65.00M	P	16
	KM-07177-06515	Bushing				
	KM-07177-06530	Bushing				

KOMATSU® (REFERENCED BY OEM PART NUMBERS)

Application	Part Number	Description	Bore	Rod	Wiper	Type
D45 CRAWLER TRACTOR/LOADER (continued)						
Side Dump	KM-707-98-25450	Kit	90.00M	50.00M	P	16
	KM-07177-05012	Bushing				
	KM-07177-05030	Bushing				
Ripper	KM-BD-129516	Kit	140.00M	60.00M	P	16
Track Adjuster	KM-BD-909002	Kit	60.00M	80.00M	P	0
Backhoe Outrigger	KM-BD-136736	Kit	70.00M	45.00M	P	16
	Backhoe model DHS030-1 S/N: 6414-Up					
Backhoe Swing	KM-BD-231735	Kit	100.00M		N	0
	Backhoe model DHS030-1 S/N: 6414-Up					
Backhoe Boom	KM-BD-232733	Kit	120.00M	60.00M	P	16
	Backhoe model DHS030-1 S/N: 6414-Up					
Backhoe Bucket	KM-BD-135550	Kit	100.00M	50.00M	P	16
	Backhoe model DHS030-1 S/N: 6414-Up					
Backhoe Stick (Arm)	KM-BD-173734	Kit	110.00M	55.00M	P	16
	Backhoe model DHS030-1 S/N: 6414-Up					
D50 (SERIES 15) CRAWLER TRACTOR/LOADER						
Model - S/N: D50A-15 35002-64999, D50P-15 35002-64999, D50PL-15 35002-64999 D50S-15 35002-64999						
Dozer Lift	KM-130-63-05070	Kit	90.00M	55.00M	P	16
	KM-07177-05512	Bushing				
	KM-07177-05530	Bushing				
S/N: D50A-15 59804-64999, D50P-15 59939-64999, D50PL-15 59939-64999						
Dozer Tilt	KM-130-63-05050	Kit	160.00M	70.00M	P	16
	KM-07177-07015	Bushing				
	KM-07177-07030	Bushing				
S/N: D50A-15 50002-64999, D50P-15 50002-64999						
Loader Lift	KM-131-60-05010	Kit	140.00M	65.00M	P	16
	KM-07177-06515	Bushing				
	KM-07177-06530	Bushing				
S/N: D50S-15 59001-64999						
Loader Tilt (Dump)	KM-BD-130512	Kit	120.00M	50.00M	P	16
	S/N: D50S-15 59001-64999					
Multi-Purpose Bucket	KM-707-99-40030	Kit	120.00M	50.00M	P	16
	KM-07177-05012	Bushing				
	KM-07177-05030	Bushing				
S/N: D50S-15 59001-64999						
Side Dump	KM-BD-106548	Kit	100.00M	55.00M	P	16
	S/N: D50S-15 59001-64999					
Track Adjuster	KM-BD-909016	Kit	90.00M	70.00M	P	0
	S/N: 59001-64999					
Backhoe Outrigger	KM-BD-136736	Kit	70.00M	45.00M	P	16
	Backhoe model DHS030-1 S/N: 6414-Up					
Backhoe Swing	KM-BD-231735	Kit	100.00M		N	0
	Backhoe model DHS030-1 S/N: 6414-Up					
Backhoe Boom	KM-BD-232733	Kit	120.00M	60.00M	P	16
	Backhoe model DHS030-1 S/N: 6414-Up					
Backhoe Bucket	KM-BD-135550	Kit	100.00M	50.00M	P	16
	Backhoe model DHS030-1 S/N: 6414-Up					

Application	Part Number	Description	Bore	Rod	Wiper	Type
D50 (SERIES 15) CRAWLER TRACTOR/LOADER						
(continued)						
Backhoe Stick (Arm)	KM-BD-173734	Kit	110.00M	55.00M	P	16
	Backhoe model DHS030-1 S/N: 6414-Up					
D50 (SERIES 16) CRAWLER TRACTOR/LOADER						
Model - S/N: D50A-16 65001-79999,D50F-16 66946-79999,D50S-16 65001-79999						
Dozer Lift	KM-130-63-05020	Kit	90.00M	55.00M	P	16
	KM-07177-05512	Bushing				
	KM-07177-05530	Bushing				
Dozer Tilt	KM-130-63-05050	Kit	160.00M	70.00M	P	16
	KM-07177-07015	Bushing				
	KM-07177-07030	Bushing				
Dozer Trimming	KM-707-99-40030	Kit	120.00M	50.00M	P	16
	KM-07177-05012	Bushing				
	KM-07177-05030	Bushing				
Loader Lift	KM-131-63-05040	Kit	140.00M	65.00M	P	16
	KM-07177-06515	Bushing				
	KM-07177-06530	Bushing				
Loader Tilt (Dump)	KM-131-63-05020	Kit	130.00M	65.00M	P	16
	KM-07177-06515	Bushing				
	KM-07177-06530	Bushing				
Multi-Purpose Bucket	KM-707-99-40030	Kit	120.00M	50.00M	P	16
	KM-07177-05012	Bushing				
	KM-07177-05030	Bushing				
Side Dump	KM-707-98-25440	Kit	90.00M	50.00M	P	16
	KM-07177-05012	Bushing				
	KM-07177-05030	Bushing				
	KM-707-99-34030	Kit	100.00M	55.00M	P	16
	KM-07177-05512	Bushing				
	KM-07177-05530	Bushing				
3-Point Hitch	KM-707-99-40030	Kit	120.00M	50.00M	P	16
	KM-07177-05012	Bushing				
	KM-07177-05030	Bushing				
Track Adjuster	KM-BD-909016	Kit	90.00M	70.00M	P	0
Backhoe Outrigger	KM-BD-136736	Kit	70.00M	45.00M	P	16
	Backhoe model DHS030-1 S/N: 6414-Up					
Backhoe Swing	KM-BD-231735	Kit	100.00M		N	0
	Backhoe model DHS030-1 S/N: 6414-Up					
Backhoe Boom	KM-BD-232733	Kit	120.00M	60.00M	P	16
	Backhoe model DHS030-1 S/N: 6414-Up					
Backhoe Bucket	KM-BD-135550	Kit	100.00M	50.00M	P	16
	Backhoe model DHS030-1 S/N: 6414-Up					
Backhoe Stick (Arm)	KM-BD-173734	Kit	110.00M	55.00M	P	16
	Backhoe model DHS030-1 S/N: 6414-Up					

KOMATSU® (REFERENCED BY OEM PART NUMBERS)

Application	Part Number	Description	Bore	Rod	Wiper	Type
D50 (SERIES 17) CRAWLER TRACTOR						
Model - S/N: D50A-17 80001-UP,D50F-17 80001-UP,D50P-17 80001-UP D50PL-17 80001-UP						
Dozer Lift	KM-707-98-26540	Kit	90.00M	55.00M	P	16
	KM-07177-05512	Bushing				
	KM-07177-05530	Bushing				
Dozer Tilt	KM-707-98-60120	Kit	160.00M	70.00M	P	8
	KM-07177-07015	Bushing				
	KM-07177-07030	Bushing				
	KM-707-98-60110	Kit	160.00M	70.00M	P	8
	KM-07177-07015	Bushing				
	KM-07177-07030	Bushing				
	S/N: D50A-17 80001-UP MAP Tilt Dozer					
Track Adjuster	KM-BD-909016	Kit	90.00M	70.00M	P	0
D53 (SERIES 15) CRAWLER TRACTOR/LOADER						
Model - S/N: D53A-15 60001-65000,D53S-15 60001-65000						
Dozer Lift	KM-707-98-26540	Kit	90.00M	55.00M	P	16
	KM-07177-05512	Bushing				
	KM-07177-05530	Bushing				
Dozer Tilt	KM-130-63-05050	Kit	160.00M	70.00M	P	16
	KM-07177-07015	Bushing				
	KM-07177-07030	Bushing				
Loader Lift	KM-131-60-05010	Kit	140.00M	65.00M	P	16
	KM-07177-06515	Bushing				
	KM-07177-06530	Bushing				
Loader Tilt (Dump)	KM-BD-130512	Kit	120.00M	50.00M	P	16
Track Adjuster	KM-BD-909016	Kit	90.00M	70.00M	P	0
Backhoe Outrigger	KM-BD-136736	Kit	70.00M	45.00M	P	16
	Backhoe model DHS030-1 S/N: 6414-Up					
Backhoe Swing	KM-BD-231735	Kit	100.00M		N	0
	Backhoe model DHS030-1 S/N: 6414-Up					
Backhoe Boom	KM-BD-232733	Kit	120.00M	60.00M	P	16
	Backhoe model DHS030-1 S/N: 6414-Up					
Backhoe Bucket	KM-BD-135550	Kit	100.00M	50.00M	P	16
	Backhoe model DHS030-1 S/N: 6414-Up					
Backhoe Stick (Arm)	KM-BD-173734	Kit	110.00M	55.00M	P	16
	Backhoe model DHS030-1 S/N: 6414-Up					

Application	Part Number	Description	Bore	Rod	Wiper	Type
D53 (SERIES 16) CRAWLER TRACTOR/LOADER						
Model - S/N: D53A-16 65001-79999,D53A-16A 65001-79999,D53A-16B 65001-79999 D53P-16 65001-79999,D53S-16 65001-79999						
Dozer Lift	KM-130-63-05020	Kit	90.00M	55.00M	P	16
	KM-07177-05512	Bushing				
	KM-07177-05530	Bushing				
Dozer Tilt	KM-130-63-05050	Kit	160.00M	70.00M	P	16
	KM-07177-07015	Bushing				
	KM-07177-07030	Bushing				
Dozer Trimming	KM-707-99-40030	Kit	120.00M	50.00M	P	16
	KM-07177-05012	Bushing				
	KM-07177-05030	Bushing				
Loader Lift	KM-131-63-05040	Kit	140.00M	65.00M	P	16
	KM-07177-06515	Bushing				
	KM-07177-06530	Bushing				
Loader Tilt (Dump)	KM-131-63-05020	Kit	130.00M	65.00M	P	16
	KM-07177-06515	Bushing				
	KM-07177-06530	Bushing				
Side Dump	KM-707-98-25440	Kit	90.00M	50.00M	P	16
	KM-07177-05012	Bushing				
	KM-07177-05030	Bushing				
	KM-707-99-34030	Kit	100.00M	55.00M	P	16
	KM-07177-05512	Bushing				
	KM-07177-05530	Bushing				
Track Adjuster	KM-BD-909016	Kit	90.00M	70.00M	P	0
Backhoe Outrigger	KM-BD-136736	Kit	70.00M	45.00M	P	16
	Backhoe model DHS030-1 S/N: 6414-Up					
Backhoe Swing	KM-BD-231735	Kit	100.00M		N	0
	Backhoe model DHS030-1 S/N: 6414-Up					
Backhoe Boom	KM-BD-232733	Kit	120.00M	60.00M	P	16
	Backhoe model DHS030-1 S/N: 6414-Up					
Backhoe Bucket	KM-BD-135550	Kit	100.00M	50.00M	P	16
	Backhoe model DHS030-1 S/N: 6414-Up					
Backhoe Stick (Arm)	KM-BD-173734	Kit	110.00M	55.00M	P	16
	Backhoe model DHS030-1 S/N: 6414-Up					
D53 (SERIES 17) CRAWLER TRACTOR/LOADER						
Model - S/N: D53A-17 80001-UP,D53P-17 80001-UP,D53S-17 80001-UP						
Dozer Lift	KM-707-98-26540	Kit	90.00M	55.00M	P	16
	KM-07177-05512	Bushing				
	KM-07177-05530	Bushing				
Dozer Tilt	KM-707-98-60110	Kit	160.00M	70.00M	P	8
	KM-07177-07015	Bushing				
	KM-07177-07030	Bushing				
	S/N:	D53A-17 80001-UP MAP Tilt Dozer				
	KM-707-98-60120	Kit	160.00M	70.00M	P	8
	KM-07177-07015	Bushing				
	KM-07177-07030	Bushing				

KOMATSU® (REFERENCED BY OEM PART NUMBERS)

Application	Part Number	Description	Bore	Rod	Wiper	Type
D53 (SERIES 17) CRAWLER TRACTOR/LOADER						
(continued)						
Dozer Trimming	KM-707-98-40010	Kit	120.00M	50.00M	P	8
	KM-07177-05030	Bushing				
Loader Lift	KM-707-98-51100	Kit	140.00M	65.00M	P	8
	KM-07177-06530	Bushing				
Loader Tilt (Dump)	KM-707-98-42410	Kit	130.00M	65.00M	P	8
	KM-07177-06530	Bushing				
Multi-Purpose Bucket	KM-707-99-40030	Kit	120.00M	50.00M	P	16
	KM-07177-05012	Bushing				
	KM-07177-05030	Bushing				
Side Dump	KM-707-98-25440	Kit	90.00M	50.00M	P	16
	KM-07177-05012	Bushing				
	KM-07177-05030	Bushing				
	KM-707-98-34040	Kit	100.00M	55.00M	P	8
	KM-07177-05530	Bushing				
Track Adjuster	KM-BD-909016	Kit	90.00M	70.00M	P	0
Backhoe Outrigger	KM-BD-136736	Kit	70.00M	45.00M	P	16
	Backhoe model DHS030-1 S/N: 6414-Up					
Backhoe Swing	KM-BD-231735	Kit	100.00M		N	0
	Backhoe model DHS030-1 S/N: 6414-Up					
Backhoe Boom	KM-BD-232733	Kit	120.00M	60.00M	P	16
	Backhoe model DHS030-1 S/N: 6414-Up					
Backhoe Bucket	KM-BD-135550	Kit	100.00M	50.00M	P	16
	Backhoe model DHS030-1 S/N: 6414-Up					
Backhoe Stick (Arm)	KM-BD-173734	Kit	110.00M	55.00M	P	16
	Backhoe model DHS030-1 S/N: 6414-Up					
D55 CRAWLER LOADER						
Model - S/N: D55S-3 3689-UP						
Loader Lift	KM-BD-226538	Kit	150.00M	65.00M	P	16
	S/N: 3689-4207					
	KM-BD-128538	Kit	150.00M	70.00M	P	16
S/N: 4208-UP						
Loader Tilt (Dump)	KM-707-99-41420	Kit	130.00M	60.00M	P	16
	KM-07177-06015	Bushing				
	KM-07177-06030	Bushing				
Side Dump	KM-BD-106548	Kit	100.00M	55.00M	P	16
Track Adjuster	KM-BD-909016	Kit	90.00M	70.00M	P	0
Backhoe Outrigger	KM-BD-136736	Kit	70.00M	45.00M	P	16
	Backhoe model DHS030-1 S/N: 6414-Up					
Backhoe Swing	KM-BD-231735	Kit	100.00M		N	0
	Backhoe model DHS030-1 S/N: 6414-Up					
Backhoe Boom	KM-BD-232733	Kit	120.00M	60.00M	P	16
	Backhoe model DHS030-1 S/N: 6414-Up					
Backhoe Bucket	KM-BD-135550	Kit	100.00M	50.00M	P	16
	Backhoe model DHS030-1 S/N: 6414-Up					
Backhoe Stick (Arm)	KM-BD-173734	Kit	110.00M	55.00M	P	16
	Backhoe model DHS030-1 S/N: 6414-Up					

Application	Part Number	Description	Bore	Rod	Wiper	Type
D57 CRAWLER LOADER						
Model - S/N: D57S-1 6501-20000,D57S-1B 20001-UP						
Loader Lift	KM-707-98-52420	Kit	150.00M	70.00M	P	16
	KM-07177-07015	Bushing				
	KM-07177-07030	Bushing				
	S/N: 6501-9000					
	KM-707-98-52430	Kit	150.00M	70.00M	P	8
	KM-07177-07030	Bushing				
S/N: 9001-UP						
Loader Tilt (Dump)	KM-707-98-51110	Kit	140.00M	65.00M	P	16
	KM-07177-06515	Bushing				
	KM-07177-06530	Bushing				
	S/N: 6501-9000					
	KM-135-63-05020	Kit	140.00M	65.00M	P	8
	KM-07177-06530	Bushing				
S/N: 9001-UP						
Multi-Purpose Bucket	KM-707-99-40030	Kit	120.00M	50.00M	P	16
	KM-07177-05012	Bushing				
	KM-07177-05030	Bushing				
Side Dump	KM-707-98-25440	Kit	90.00M	50.00M	P	16
	KM-07177-05012	Bushing				
	KM-07177-05030	Bushing				
	KM-707-99-34030	Kit	100.00M	55.00M	P	16
	KM-07177-05512	Bushing				
	KM-07177-05530	Bushing				
	S/N: 6501-9000					
	KM-707-98-34040	Kit	100.00M	55.00M	P	8
	KM-07177-05530	Bushing				
S/N: 9001-UP						
Track Adjuster	KM-BD-909016	Kit	90.00M	70.00M	P	0
	KM-BD-909037	Kit	95.00M	70.00M	P	0
	S/N: 9001-UP Heavy Duty arrangement					
D58 CRAWLER TRACTOR						
Model - S/N: D58E-1 80888-UP,D58E-1A 80888-UP,D58E-1B 81285-UP D58P-1 80588-UP,D58P-1B 81261-UP,D58P-1C 81381-UP						
Dozer Lift	KM-707-98-26540	Kit	90.00M	55.00M	P	16
	KM-07177-05512	Bushing				
	KM-07177-05530	Bushing				
	S/N: D58E-1 80888-81729,D58E-1A 80888-81729,D58P-1 80588-81043					
	KM-BD-106724	Kit	90.00M	55.00M	P	15
	S/N: D58E-1 81730-UP,D58E-1A 81730-UP,D58P-1 81044-UP					
	KM-707-98-41010	Kit	120.00M	60.00M	P	5
	KM-07177-06030	Bushing				
	S/N: D58E-1B 81285-UP,D58P-1B 81261-UP,D58P-1C 81381-UP					
Dozer Tilt	KM-707-98-60120	Kit	160.00M	70.00M	P	8
	KM-07177-07015	Bushing				
	KM-07177-07030	Bushing				
	S/N: D58E-1 80888-UP,D58E-1A 80888-UP,D58P-1 80588-UP					

KOMATSU® (REFERENCED BY OEM PART NUMBERS)

Application	Part Number	Description	Bore	Rod	Wiper	Type
D58 CRAWLER TRACTOR (continued)						
Dozer Tilt (cont)	KM-707-98-60110	Kit	160.00M	70.00M	P	8
	KM-07177-07015	Bushing				
	KM-07177-07030	Bushing				
	S/N:	D58E-1 80888-UP MAP Tilt Dozer				
	KM-707-98-53410	Kit	150.00M	75.00M	P	8
	S/N:	D58E-1B 81285-UP,D58P-1B 81261-UP,D58P-1C 81381-UP PAT Tilt Dozer				
Dozer Angle	KM-707-98-41020	Kit	120.00M	60.00M	P	5
	KM-07177-06030	Bushing				
	S/N:	D58E-1B 81285-UP,D58P-1B 81261-UP,D58P-1C 81381-UP				
Track Adjuster	KM-BD-909016	Kit	90.00M	70.00M	P	0
		Except D58P-1B,1C				
	KM-BD-909017	Kit	70.00M	90.00M	P	0
	S/N:	D58P-1B 81261-UP,D58P-1C 81381-UP Heavy Duty arrangement				
D60,D65 (SERIES 6 & 7) CRAWLER TRACTOR/LOADER						
Model - S/N: D60A-6 20006-39999,D60E-6 20295-39999,D60P-6 20006-39999 D60PL-6 20006-39999,D60S-6 20006-39999,D60A-7 40001-44999 D60E-7 40001-44999,D60F-7 40001-44999,D60P-7 40001-44999 D60PL-7 40001-44999,D60S-7 40001-UP,D65A-6 20006-39999 D65E-6 20295-39999,D65P-6 30001-39999,D65S-6 20006-39999 D65A-7 40001-44999,D65E-7 40001-44999,D65P-7 40001-44999 D65S-7 40001-UP						
Dozer Lift	KM-BD-109508	Kit	110.00M	65.00M	P	15
	S/N:	D60A-6 20006-28857,D60E-6 20295-28786,D60P-6 20006-29173				
	S/N:	D60PL-6 21081-28060,D65A-6 20006-28883,D65E-6 20295-29045				
	KM-BD-109509	Kit	110.00M	65.00M	P	16
	S/N:	D60A-6 28858-39999,D60E-6 28787-39999,D60P-6 29174-39999				
	S/N:	D60PL-6 28061-39999,D65A-6 28884-39999,D65E-6 29046-39999				
	S/N:	D65P-6 30001-39999				
	KM-144-63-05050	Kit	110.00M	65.00M	P	8
	KM-07177-06515	Bushing				
	KM-07177-06530	Bushing				
S/N:	40001-UP					
Dozer Tilt	KM-BD-108506	Kit	160.00M	70.00M	P	16
	S/N:	20006-39999				
	KM-144-63-05080	Kit	160.00M	70.00M	P	8
	KM-07177-07015	Bushing				
	KM-07177-07030	Bushing				
S/N:	40001-44999					
Dozer Trimming	KM-707-99-40030	Kit	120.00M	50.00M	P	16
	KM-07177-05012	Bushing				
	KM-07177-05030	Bushing				
	S/N:	D60A-6 20006-31000,D65A-6 20006-32000				
	KM-BD-106512	Kit	120.00M	55.00M	P	16
	S/N:	D60A-6 31001-39999,D65A-6 32001-39999				
	KM-707-99-40040	Kit	120.00M	55.00M	P	8
	KM-07177-05512	Bushing				
	KM-07177-05530	Bushing				
	S/N:	D60A-7 40001-44999,D60E-7 40001-44999,D65A-7 40001-44999				
S/N:	D65E-7 40001-44999					

Application	Part Number	Description	Bore	Rod	Wiper	Type
D60,D65 (SERIES 6 & 7) CRAWLER TRACTOR/LOADER						
Loader Lift	KM-707-98-61110	Kit	160.00M	75.00M	P	16
	KM-07177-07515	Bushing				
	KM-07177-07530	Bushing				
	S/N: D60S-6 20006-23391,D60S-6 29567-39999,D65S-6 20006-23391					
	S/N: D65S-6 28458-39999					
	KM-141-63-05050	Kit	160.00M	75.00M	P	8
	KM-07177-07515	Bushing				
	KM-07177-07530	Bushing				
	S/N: 40001-UP					
	Loader Tilt (Dump)	KM-BD-129516	Kit	140.00M	60.00M	P
S/N: 24109-39999						
KM-141-63-05010		Kit	140.00M	60.00M	P	8
KM-07177-06015		Bushing				
KM-07177-06030		Bushing				
S/N: 40001-UP						
KM-707-98-50100		Kit	140.00M	60.00M	P	8
KM-07177-06015		Bushing				
KM-07177-06030		Bushing				
S/N: 40001-UP Long Lift Arm arrangement						
Skid Loader	KM-BD-130552	Kit	90.00M	50.00M	P	16
Side Dump	KM-707-99-32020	Kit	100.00M	50.00M	P	16
	KM-07177-05012	Bushing				
	KM-07177-05030	Bushing				
	Side Dump models DBD060-2B,3C					
Ripper	KM-BD-115506	Kit	160.00M	75.00M	P	16
	S/N: 20006-39999	Ripper models DRP060-2J,2K,3L,3M				
	KM-707-98-61100	Kit	160.00M	75.00M	P	8
	KM-07177-07515	Bushing				
	KM-07177-07530	Bushing				
	S/N: 40001-UP	Ripper models DRP060-3L,4Q				
Track Adjuster	KM-BD-909004	Kit	95.00M	70.00M	P	0
	S/N: D60A-6 20006-28246,D60E-6 20295-28246,D60P-6 20006-28522					
	S/N: D60PL-6 20006-28012,D60S-6 20006-28804,D65A-6 20006-28228					
	S/N: D65E-6 20295-28336,D65S-6 20006-28168					
	KM-BD-909005	Kit	95.00M	70.00M	P	0
	S/N: D60A-6 28247-39999,D60E-6 28247-39999,D60P-6 28523-39999					
	S/N: D60PL-6 28013-39999,D60S-6 28805-39999,D65A-6 28229-39999					
	S/N: D65E-6 28337-39999,D65P-6 30001-39999,D65S-6 28169-39999					
	S/N: 40001-UP	With Spring pilot wiper				
	KM-BD-909013	Kit	95.00M	70.00M	P	0
S/N: D60A-6 28247-39999,D60E-6 28247-39999,D60P-6 28523-39999						
S/N: D60PL-6 28013-39999,D60S-6 28805-39999,D65A-6 28229-39999						
S/N: D65E-6 28337-39999,D65P-6 30001-39999,D65S-6 28169-39999						
S/N: 40001-UP	Without Spring pilot wiper					

KOMATSU® (REFERENCED BY OEM PART NUMBERS)

Application	Part Number	Description	Bore	Rod	Wiper	Type
D60,D65 (SERIES 8) CRAWLER TRACTOR/LOADER						
Model - S/N: D60A-8 45001-59999,D60E-8 45001-59999,D60F-8 45001-59999 D60S-8 45001-59999,D65A-8 45001-59999,D65E-8 45001-59999 D65P-8 45001-59999,D65S-8 45001-59999						
Dozer Lift	KM-144-63-05050	Kit	110.00M	65.00M	P	8
	KM-07177-06515	Bushing				
	KM-07177-06530	Bushing				
	S/N:	D60A-8 45001-45405,D60E-8 45001-46886,D65A-8 45001-45942				
	S/N:	D65E-8 45001-47384,D65P-8 45001-46181				
	KM-707-98-36450	Kit	110.00M	65.00M	P	8
	KM-07177-06530	Bushing				
	S/N:	D60A-8 45406-59999,D60E-8 46887-59999,D65A-8 45943-59999				
	S/N:	D65E-8 47385-59999,D65P-8 46182-59999				
	KM-707-98-36411	Kit	110.00M	65.00M	P	5
KM-07177-06530	Bushing					
S/N:	D60A-8 45330-59999,D60E-8 45672-59999,D65A-8 45760-59999					
S/N:	D65E-8 46890-59999,D65P-8 45898-59999					
EC arrangement						
Dozer Tilt	KM-144-63-05080	Kit	160.00M	70.00M	P	8
	KM-07177-07015	Bushing				
	KM-07177-07030	Bushing				
	S/N:	D60A-8 45001-59999,D60E-8 45001-46886,D65A-8 45001-59999				
	S/N:	D65E-8 45001-47389,D65P-8 45001-46181				
	KM-707-98-60100	Kit	160.00M	70.00M	P	8
KM-707-52-10700	Bushing					
S/N:	D60E-8 46887-59999,D65E-8 47385-59999,D65P-8 46182-59999					
Dozer Trimming	KM-707-99-40040	Kit	120.00M	55.00M	P	8
	KM-07177-05512	Bushing				
	KM-07177-05530	Bushing				
	S/N:	D60A-8 45001-59999,D65A-8 45001-59999				
Side Dump	KM-707-99-32020	Kit	100.00M	50.00M	P	16
	KM-07177-05012	Bushing				
	KM-07177-05030	Bushing				
	Side Dump models DBD060-2B,3C					
Ripper	KM-707-98-61100	Kit	160.00M	75.00M	P	8
	KM-07177-07515	Bushing				
	KM-07177-07530	Bushing				
Skid Loader	KM-BD-130552	Kit	90.00M	50.00M	P	16
Track Adjuster	KM-BD-909005	Kit	95.00M	70.00M	P	0
	With Spring pilot wiper					
	KM-BD-909013	Kit	95.00M	70.00M	P	0
Without Spring pilot wiper						

Application	Part Number	Description	Bore	Rod	Wiper	Type
D60,D65 (SERIES 12) CRAWLER TRACTOR						
Model - S/N: D60P-12 60001-UP,D65E-12 60001-UP,D65EX-12 60001-UP D65P-12 60001-UP,D65PX-12 60001-UP						
Dozer Lift	KM-707-98-28600	Kit	95.00M	65.00M	P	8
	KM-707-52-10660	Bushing				
Dozer Tilt	KM-707-98-52140	Kit	140.00M	70.00M	P	8
	KM-707-52-10700	Bushing				
Dozer Pitch	KM-707-98-52140	Kit	140.00M	70.00M	P	8
	KM-707-52-10700	Bushing				
Dozer Trimming	KM-707-98-40020	Kit	120.00M	55.00M	P	8
	KM-07177-05530	Bushing				
Ripper	KM-707-98-52130	Kit	140.00M	70.00M	P	8
	KM-707-52-10700	Bushing				
Track Adjuster	KM-BD-909026	Kit	90.00M	80.00M	P	0
	S/N: D60P-12 60001-60883,D65E,EX-12 60001-60941,D65P,PX-12 60001-60890					
	KM-BD-909027	Kit	90.00M	80.00M	P	0
S/N: D60P-12 60884-UP,D65E,EX-12 60942-UP,D65P,PX-12 60891-UP						
D63 CRAWLER TRACTOR						
Model - S/N: D63E-1 1001-UP						
Dozer Lift	KM-707-98-26540	Kit	90.00M	55.00M	P	16
	KM-07177-05512	Bushing				
	KM-07177-05530	Bushing				
Dozer Tilt	KM-707-98-60120	Kit	160.00M	70.00M	P	8
	KM-07177-07015	Bushing				
	KM-07177-07030	Bushing				
	Straight Tilt Dozer Use with 130-63-52500 Cylinder					
	KM-707-98-60110	Kit	160.00M	70.00M	P	8
	KM-07177-07015	Bushing				
	KM-07177-07030	Bushing				
MAP Tilt Dozer Use with 144-63-53300 or 144-63-53400 Cylinder						
Track Adjuster	KM-BD-909016	Kit	90.00M	70.00M	P	0
D66 CRAWLER LOADER						
Model- S/N: D66S-1 1001-UP						
Loader Lift	KM-707-98-54510	Kit	150.00M	80.00M	P	8
	KM-07177-08030	Bushing				
Loader Tilt (Dump)	KM-707-98-66410	Kit	180.00M	100.00M	P	8
	KM-07177-01035	Bushing				
	S/N: 1001-1781					
	KM-707-98-66420	Kit	180.00M	100.00M	P	8
S/N: 1782-UP						
Multi-Purpose Bucket	KM-707-98-41130	Kit	120.00M	60.00M	P	8
	KM-07177-06030	Bushing				
Side Dump	KM-BD-104546	Kit	120.00M	60.00M	P	15
Ripper	KM-707-98-41130	Kit	120.00M	60.00M	P	8
	KM-07177-06030	Bushing				

KOMATSU® (REFERENCED BY OEM PART NUMBERS)

Application	Part Number	Description	Bore	Rod	Wiper	Type
D66 CRAWLER LOADER (continued)						
Track Adjuster	KM-BD-909005	Kit	95.00M	70.00M	P	0
	With Spring pilot wiper					
	KM-BD-909013	Kit	95.00M	70.00M	P	0
	Without Spring pilot wiper					
D68 CRAWLER TRACTOR						
Model - S/N: D68E-1 1001-UP,D68P-1 45590-UP,D68E-1A B1001-UP D68P-1A B1001-UP						
Dozer Lift	KM-144-63-05050	Kit	110.00M	65.00M	P	8
	KM-07177-06515	Bushing				
	KM-07177-06530	Bushing				
	S/N:	D68E-1 1001-1400,D68P-1 45590-45833,D68E-1A B1001-UP				
	S/N:	D68P-1A B1001-UP				
	KM-707-98-36450	Kit	110.00M	65.00M	P	8
	KM-07177-06530	Bushing				
	S/N:	D68E-1 1401-UP				
	KM-707-98-36440	Kit	110.00M	65.00M	P	8
	KM-07177-06530	Bushing				
	S/N:	D68P-1 45834-UP				
	Dozer Tilt	KM-144-63-05080	Kit	160.00M	70.00M	P
KM-07177-07015		Bushing				
KM-07177-07030		Bushing				
S/N:		D68E-1 1001-1400,D68P-1 45590-45833,D68E-1A B1001-UP				
S/N:		D68P-1A B1001-UP Straight Tilt Dozer Use with 144-63-52200 or 144-63-B5300 Cylinder				
KM-707-98-60100		Kit	160.00M	70.00M	P	8
KM-707-52-10700		Bushing				
S/N:		D68E-1 1401-UP,D68P-1 45834-UP Straight Tilt Dozer Use with 14F-63-X3030 Cylinder				
KM-707-98-60110		Kit	160.00M	70.00M	P	8
KM-07177-07015		Bushing				
KM-07177-07030		Bushing				
S/N:		D68E-1 1001-UP MAP Tilt Dozer Use with 144-63-53300 or 144-63-53400 Cylinder				
Ripper	KM-707-98-61100	Kit	160.00M	75.00M	P	8
	KM-07177-07515	Bushing				
	KM-07177-07530	Bushing				
Track Adjuster	KM-BD-909005	Kit	95.00M	70.00M	P	0
	With Spring pilot wiper					
	KM-BD-909013	Kit	95.00M	70.00M	P	0
	Without Spring pilot wiper					

Application	Part Number	Description	Bore	Rod	Wiper	Type
D75 CRAWLER TRACTOR/LOADER						
Model - S/N: D75A-1 50001-UP,D75S-2 1004-7000,D75S-3 7001-15000 D75S-5 15001-UP						
Dozer Lift	KM-144-63-05050	Kit	110.00M	65.00M	P	8
	KM-07177-06515	Bushing				
	KM-07177-06530	Bushing				
	S/N: D75A-1 50001-50280					
	KM-707-98-36450	Kit	110.00M	65.00M	P	8
	KM-07177-06530	Bushing				
S/N: D75A-1 50281-UP						
Dozer Tilt	KM-144-63-05080	Kit	160.00M	70.00M	P	8
	KM-07177-07015	Bushing				
	KM-07177-07030	Bushing				
	S/N: D75A-1 50001-50280					
	KM-707-98-60100	Kit	160.00M	70.00M	P	8
	KM-707-52-10700	Bushing				
S/N: D75A-1 50281-UP						
Loader Lift	KM-707-98-61110	Kit	160.00M	75.00M	P	16
	KM-07177-07515	Bushing				
	KM-07177-07530	Bushing				
	S/N: D75S-2 5022-7000					
	KM-707-98-64430	Kit	180.00M	90.00M	P	16
	KM-07177-09020	Bushing				
	KM-07177-09035	Bushing				
	S/N: D75S-3 7001-10000					
	KM-707-98-64450	Kit	180.00M	90.00M	P	8
	KM-07177-09020	Bushing				
	KM-07177-09035	Bushing				
	S/N: D75S-3 7001-10000					
	KM-707-98-64420	Kit	180.00M	90.00M	P	8
	KM-07177-09035	Bushing				
	S/N: D75S-3,5 10001-UP					
	KM-707-98-64450	Kit	180.00M	90.00M	P	8
	KM-07177-09020	Bushing				
	KM-07177-09035	Bushing				
S/N: D75S-5 15001-UP Slag Handling arrangement						
Loader Tilt (Dump)	KM-BD-129516	Kit	140.00M	60.00M	P	16
	S/N: D75S-2 5022-7000					
	KM-707-98-52420	Kit	150.00M	70.00M	P	16
	KM-07177-07015	Bushing				
	KM-07177-07030	Bushing				
	S/N: D75S-3 7001-10000					
	KM-707-98-52410	Kit	150.00M	70.00M	P	8
	KM-07177-07015	Bushing				
	KM-07177-07030	Bushing				
	S/N: D75S-3,5 10001-UP					
	KM-707-98-52420	Kit	150.00M	70.00M	P	16
	KM-07177-07015	Bushing				
KM-07177-07030	Bushing					
S/N: D75S-5 15001-UP Slag Handling arrangement						

KOMATSU® (REFERENCED BY OEM PART NUMBERS)

Application	Part Number	Description	Bore	Rod	Wiper	Type
D75 CRAWLER TRACTOR/LOADER (continued)						
Multi-Purpose Bucket	KM-BD-129516	Kit	140.00M	60.00M	P	16
	S/N: D75S-3,5 7001-UP					
Side Dump	KM-707-99-36410	Kit	110.00M	60.00M	P	16
	KM-07177-06015	Bushing				
	KM-07177-06030	Bushing				
	S/N: D75S-3,5 7001-UP Side Dump models DBD075-1A-F					
Skid Loader	KM-707-98-25450	Kit	90.00M	50.00M	P	16
	KM-07177-05012	Bushing				
	KM-07177-05030	Bushing				
Ripper	KM-707-98-61100	Kit	160.00M	75.00M	P	8
	KM-07177-07515	Bushing				
	KM-07177-07530	Bushing				
	S/N: D75A-1 50001-UP					
	KM-BD-115506	Kit	160.00M	75.00M	P	16
	S/N: D75S-3,5 10001-UP Ripper model DRP075-1A					
Track Adjuster	KM-BD-909005	Kit	95.00M	70.00M	P	0
	S/N: D75A-1 50001-UP With Spring pilot wiper					
	KM-BD-909013	Kit	95.00M	70.00M	P	0
	S/N: D75A-1 50001-UP Without Spring pilot wiper					
	KM-BD-909007	Kit	100.00M	80.00M	P	0
S/N: D75S-3,5 7001-UP						
D80,D85 (SERIES 12 & 18) CRAWLER TRACTOR						
Model - S/N: D80A-12 10001-24999,D80E-12 10001-24999,D80P-12 1001-1999 D80P-12 10001-24999,D80A-18 25001-UP,D80E-18 25001-UP D80F-18 25817-UP,D80P-18 2001-2999,D85A-12 10001-24999 D85E-12 10001-24999,D85A-18 25001-34999,D85E-18 25001-34999 D85P-18 2001-2999						
Dozer Lift	KM-BD-110511	Kit	120.00M	65.00M	P	16
	S/N: 1001-1999,10001-24999					
	KM-707-99-43020	Kit	120.00M	70.00M	P	16
	KM-07177-07015	Bushing				
	KM-07177-07030	Bushing				
S/N: D80E-18 25001-UP,D85E-18 25001-34999						
Dozer Tilt	KM-707-99-71100	Kit	200.00M	90.00M	P	16
	KM-07177-09020	Bushing				
	KM-07177-09035	Bushing				
	S/N: D80A-12 15478-24999,D80E-12 15478-24999,D80P-12 15478-24999					
	S/N: D80A-18 25001-26042,D80E-18 25001-26042,D80P-18 2001-2101					
	S/N: D85A-12 15478-24999,D85E-12 15478-24999,D85A-18 25001-28323					
	S/N: D85E-18 25001-28323,D85P-18 2001-2240					
	KM-707-99-71110	Kit	200.00M	90.00M	P	8
	KM-07177-09020	Bushing				
	KM-07177-09035	Bushing				
S/N: D80A-18 26043-UP,D80E-18 26043-UP,D80P-18 2102-2999						
S/N: D85A-18 28324-34999,D85E-18 28324-34999,D85P-18 2241-2999						

Application	Part Number	Description	Bore	Rod	Wiper	Type
D80,D85 (SERIES 12 & 18) CRAWLER TRACTOR						
(continued)						
Dozer Tilt (cont)	KM-130-63-05050	Kit	160.00M	70.00M	P	16
	KM-07177-07015	Bushing				
	KM-07177-07030	Bushing				
	S/N:	10011-UP Double Angle Tilt Dozer and MAP Tilt Dozer only				
Dozer Trimming	KM-707-98-52420	Kit	150.00M	70.00M	P	16
	KM-07177-07015	Bushing				
	KM-07177-07030	Bushing				
	S/N:	10011-34999				
Ripper	KM-707-99-52600	Kit	150.00M	70.00M	P	16
	KM-07177-07015	Bushing				
	KM-07177-07030	Bushing				
	S/N:	25001-UP Ripper model DRP080-4J				
Track Adjuster	KM-BD-909006	Kit	100.00M	80.00M	N	0
	S/N:	1001-1999,10001-24999				
	KM-BD-909007	Kit	100.00M	80.00M	P	0
	S/N:	2001-2999,25001-UP				
D85 (SERIES 21) CRAWLER TRACTOR						
Model - S/N: D85A-21 35001-UP,D85E-21 35001-UP,D85P-21 3001-UP						
Dozer Lift	KM-707-98-37580	Kit	110.00M	70.00M	P	8
	KM-07177-07030	Bushing				
Dozer Tilt	KM-707-98-62120	Kit	160.00M	80.00M	P	8
	KM-07177-08030	Bushing				
	KM-707-98-52110	Kit	140.00M	70.00M	P	8
	KM-707-52-10700	Bushing				
	S/N:	MAP Tilt Dozer				
Ripper	KM-707-98-52110	Kit	140.00M	70.00M	P	8
	KM-07177-07030	Bushing				
Track Adjuster	KM-BD-909007	Kit	100.00M	80.00M	P	0
D83 CRAWLER TRACTOR						
Model - S/N: D83E-1 1001-UP,D83P-1 1001-UP						
Dozer Lift	KM-BD-192646	Kit	110.00M	65.00M	P	15
	S/N:	1001-1056				
	KM-707-98-36411	Kit	110.00M	65.00M	P	5
	KM-07177-06530	Bushing				
S/N:	1057-UP					
Dozer Tilt	KM-144-63-05080	Kit	160.00M	70.00M	P	8
	KM-07177-07015	Bushing				
	KM-07177-07030	Bushing				
	KM-BD-128506	Kit	160.00M	70.00M	P	16
	S/N:	MAP Tilt Dozer				
	KM-707-98-60121	Kit	160.00M	70.00M	P	8
	KM-07177-07015	Bushing				
	KM-07177-07030	Bushing				
S/N:	MAP Tilt Dozer					
Ripper	KM-707-98-61100	Kit	160.00M	75.00M	P	8
	KM-07177-07515	Bushing				
	KM-07177-07530	Bushing				

KOMATSU® (REFERENCED BY OEM PART NUMBERS)

Application	Part Number	Description	Bore	Rod	Wiper	Type
D83 CRAWLER TRACTOR						
(continued)						
Track Adjuster	KM-BD-909007	Kit	100.00M	80.00M	P	0
D95 CRAWLER LOADER						
Model - S/N: D95S-1 1003-1999						
Loader Lift	KM-707-98-64430	Kit	180.00M	90.00M	P	16
	KM-07177-09020	Bushing				
	KM-07177-09035	Bushing				
Loader Tilt (Dump)	KM-707-98-61110	Kit	160.00M	75.00M	P	16
	KM-07177-07515	Bushing				
	KM-07177-07530	Bushing				
Clamshell	KM-707-98-61110	Kit	160.00M	75.00M	P	16
	KM-07177-07515	Bushing				
	KM-07177-07530	Bushing				
Ripper	KM-707-99-52600	Kit	150.00M	70.00M	P	16
	KM-07177-07015	Bushing				
	KM-07177-07030	Bushing				
	Ripper model DRP095-1A					
Track Adjuster	KM-BD-909028	Kit	100.00M	80.00M	P	0
D135 CRAWLER TRACTOR						
Model - S/N: D135A-1 10001-10300,D135A-2 10301-UP						
Dozer Lift	KM-707-98-45610	Kit	130.00M	80.00M	P	8
	KM-07177-08040	Bushing				
Dozer Tilt	KM-707-98-64410	Kit	180.00M	90.00M	P	8
	KM-707-52-10910	Bushing				
Ripper Lift	KM-707-98-62100	Kit	160.00M	80.00M	P	8
	KM-07177-08040	Bushing				
Ripper Tilt	KM-707-98-54500	Kit	150.00M	80.00M	P	8
	KM-07177-08040	Bushing				
Track Adjuster	KM-BD-909008	Kit	130.00M	100.00M	P	0
D150,D155 CRAWLER TRACTOR/LOADER						
Model - S/N: D150A-1 5508-UP,D155A-1 5508-49999,D155A-2 50001-59999 D155A-3 60001-UP,D155AX-3 60001-UP,D155S-1 1001-UP						
Dozer Lift	KM-BD-108515	Kit	140.00M	70.00M	P	15
	S/N: D150A-1 5508-8328,D155A-1 5508-10262					
S/N: D150A-1 8329-8407,D155A-1 10263-15000	KM-175-63-05012	Kit	140.00M	70.00M	P	16
	KM-07177-07015	Bushing				
	KM-07177-07030	Bushing				
S/N: D150A-1 8408-8512,D155A-1 15001-25000	KM-175-63-05150	Kit	140.00M	75.00M	P	0
	KM-07177-07515	Bushing				
	KM-07177-07530	Bushing				
S/N: D150A-1 8513-UP,D155A-1 25001-49999	KM-175-63-05150	Kit	140.00M	75.00M	P	0
	KM-07177-07515	Bushing				
	KM-07177-07530	Bushing				
S/N: D155A-2 50001-59999	KM-707-98-53100	Kit	140.00M	75.00M	P	8
	KM-07177-07515	Bushing				
	KM-07177-07530	Bushing				

Application	Part Number	Description	Bore	Rod	Wiper	Type
D150,D155 CRAWLER TRACTOR/LOADER						
(continued)						
Dozer Lift (cont)	KM-707-98-44200	Kit	120.00M	75.00M	P	8
	KM-707-52-10750	Bushing				
	S/N:	D155A-3 60001-UP				
Dozer Tilt	KM-BD-111513	Kit	200.00M	90.00M	P	16
	S/N:	5508-6842				
	KM-175-63-05080	Kit	225.00M	90.00M	P	16
	KM-07177-09020	Bushing				
	KM-07177-09035	Bushing				
	S/N:	D150A-1 6843-8480,D155A-1 6843-20003				
	KM-175-63-05140	Kit	225.00M	90.00M	P	8
	KM-07177-09020	Bushing				
	KM-07177-09035	Bushing				
	S/N:	D150A-1 8481-UP,D155A-1,2 20004-59999				
	KM-707-98-64410	Kit	180.00M	90.00M	P	8
	KM-707-52-10910	Bushing				
	S/N:	D155A-3 60001-UP Tilt Dozer only				
	KM-707-98-71020	Kit	200.00M	90.00M	P	8
	KM-707-52-10910	Bushing				
S/N:	D155A-3 60001-UP Pitch Dozer only					
KM-BD-111513	Kit	200.00M	90.00M	P	16	
S/N:	6843-UP MAP Tilt Dozer only					
Loader Lift	KM-178-63-05010	Kit	280.00M	120.00M	P	0
	KM-07177-01220	Bushing				
	KM-07177-01235	Bushing				
	S/N:	1001-1138				
	KM-178-63-05010	Kit	280.00M	120.00M	P	0
	KM-07177-01220	Bushing				
KM-07177-01235	Bushing					
S/N:	1139-UP					
Loader Tilt (Dump)	KM-178-63-05030	Kit	200.00M	100.00M	P	0
	KM-07177-01020	Bushing				
	KM-07177-01035	Bushing				
	S/N:	1001-1138				
	KM-178-63-05030	Kit	200.00M	100.00M	P	0
	KM-07177-01020	Bushing				
KM-07177-01035	Bushing					
S/N:	1139-UP					
Ripper Lift	KM-BD-116525	Kit	180.00M	80.00M	P	16
	S/N:	D150A-1 5508-8328,D155A-1 5508-10262 Ripper models DRD150-1A,DRP150-1A				
	KM-707-99-71410	Kit	225.00M	90.00M	P	16
	KM-07177-09020	Bushing				
	KM-07177-09035	Bushing				
	S/N:	D150A-1 8329-8476,D155A-1 10263-19775 Ripper models DRD150-1A,DRP150-1A				
	KM-707-99-71420	Kit	225.00M	90.00M	P	8
	KM-07177-09020	Bushing				
	KM-07177-09035	Bushing				
S/N:	D150A-1 8477-UP,D155A-1 19776-49999 Ripper models DRD150-1A,DRP150-1A					

KOMATSU® (REFERENCED BY OEM PART NUMBERS)

Application	Part Number	Description	Bore	Rod	Wiper	Type	
D150,D155 CRAWLER TRACTOR/LOADER							
(continued)							
Ripper Lift (cont)	KM-707-99-71410	Kit	225.00M	90.00M	P	16	
	KM-07177-09020	Bushing					
	KM-07177-09035	Bushing					
	S/N:	D150A-1 6843-8453,D155A-1 6843-19000 Ripper model DRD150-2A					
	KM-707-99-71420	Kit	225.00M	90.00M	P	8	
	KM-07177-09020	Bushing					
	KM-07177-09035	Bushing					
	S/N:	D150A-1 8454-UP,D155A-1 19001-49999 Ripper model DRD150-2A					
	KM-707-99-71410	Kit	225.00M	90.00M	P	16	
	KM-07177-09020	Bushing					
	KM-07177-09035	Bushing					
	S/N:	D150A-1 8160-8476,D155A-1 8651-19775 Ripper model DRP150-2A					
	KM-707-99-71420	Kit	225.00M	90.00M	P	8	
	KM-07177-09020	Bushing					
	KM-07177-09035	Bushing					
	S/N:	D150A-1 8477-UP,D155A-1 19776-49999 Ripper model DRP150-2A					
	KM-707-99-71420	Kit	225.00M	90.00M	P	8	
	KM-07177-09020	Bushing					
	KM-07177-09035	Bushing					
	S/N:	D155A-2 50001-59999					
KM-707-98-62131	Kit	160.00M	80.00M	P	8		
KM-07177-08040	Bushing						
S/N:	D155A-3 60001-UP						
Ripper Tilt	KM-707-99-71410	Kit	225.00M	90.00M	P	16	
	KM-07177-09020	Bushing					
	KM-07177-09035	Bushing					
	S/N:	D150A-1 6843-8453,D155A-1 6843-19000 Ripper model DRD150-2A					
	KM-707-99-71420	Kit	225.00M	90.00M	P	8	
	KM-07177-09020	Bushing					
	KM-07177-09035	Bushing					
	S/N:	D150A-1 8454-UP,D155A-1 19001-49999 Ripper model DRD150-2A					
	KM-707-99-71410	Kit	225.00M	90.00M	P	16	
	KM-07177-09020	Bushing					
	KM-07177-09035	Bushing					
	S/N:	D150A-1 8160-8476,D155A-1 8651-19775 Ripper model DRP150-2A					
	KM-707-99-71420	Kit	225.00M	90.00M	P	8	
	KM-07177-09020	Bushing					
	KM-07177-09035	Bushing					
	S/N:	D150A-1 8477-UP,D155A-1 19776-49999 Ripper model DRP150-2A					
	KM-707-99-71420	Kit	225.00M	90.00M	P	8	
	KM-07177-09020	Bushing					
	KM-07177-09035	Bushing					
	S/N:	D155A-2 50001-59999					

Application	Part Number	Description	Bore	Rod	Wiper	Type	
D150,D155 CRAWLER TRACTOR/LOADER							
(continued)							
Ripper Tilt (cont)	KM-707-98-62131	Kit	160.00M	80.00M	P	8	
	KM-07177-08040	Bushing					
S/N: D155A-3 60001-UP							
Ripper Pin Puller	KM-707-99-12420	Kit	70.00M	35.00M	P	16	
	KM-07177-03512	Bushing					
	KM-07177-03525	Bushing					
S/N: 5508-59999							
Track Adjuster	KM-BD-909008	Kit	130.00M	100.00M	P	0	
	With Spring pilot wiper						
	KM-BD-909014	Kit	130.00M	100.00M	P	0	
Without Spring pilot wiper							
D275 CRAWLER TRACTOR							
Model - S/N: D275A-2 10001-UP							
Dozer Lift	KM-707-98-45620	Kit	130.00M	80.00M	P	8	
	KM-07177-08040	Bushing					
Dozer Tilt	KM-707-98-73020	Kit	200.00M	100.00M	P	8	
	KM-707-52-11010	Bushing					
	Tilt Dozer only						
	KM-707-98-73020	Kit	200.00M	100.00M	P	8	
	KM-707-52-11010	Bushing					
	LH Side Pitch Dozer only						
	KM-707-98-73400	Kit	225.00M	100.00M	P	8	
	KM-707-52-11010	Bushing					
RH Side Pitch Dozer only							
Ripper Lift	KM-707-98-73010	Kit	200.00M	100.00M	P	8	
	KM-707-52-11010	Bushing					
Ripper Tilt	KM-707-98-64400	Kit	180.00M	90.00M	P	8	
	KM-707-52-10910	Bushing					
Track Adjuster	KM-BD-909029	Kit	110.00M		N	0	
D355 CRAWLER TRACTOR							
Model - S/N: D355A-1 1010-1631,D355A-3 1632-12621,D355A-5 12622-UP							
Dozer Lift	S/N: 1010-1631	KM-BD-116520	Kit	160.00M	80.00M	P	15
		KM-707-99-62030	Kit	160.00M	80.00M	P	16
		KM-07177-08015	Bushing				
	S/N: 1632-3299	KM-07177-08030	Bushing				
		KM-195-63-05130	Kit	160.00M	90.00M	P	16
		KM-07177-09020	Bushing				
	S/N: 3301-4238	KM-07177-09035	Bushing				
		KM-195-63-05120	Kit	160.00M	90.00M	P	0
		KM-07177-09020	Bushing				
	S/N: 4239-12958	KM-07177-09035	Bushing				
		KM-BD-111654	Kit	160.00M	90.00M	P	15
	S/N: 12959-UP						

KOMATSU® (REFERENCED BY OEM PART NUMBERS)

Application	Part Number	Description	Bore	Rod	Wiper	Type	
D355 CRAWLER TRACTOR (continued)							
Dozer Tilt	KM-195-63-05040	Kit	225.00M	90.00M	P	16	
	KM-07177-09020	Bushing					
	KM-07177-09035	Bushing					
	S/N: 1010-1116						
	KM-195-63-05041	Kit	250.00M	90.00M	P	16	
	KM-07177-09020	Bushing					
	KM-07177-09035	Bushing					
	S/N: 1117-4900						
	KM-195-63-05110	Kit	250.00M	90.00M	P	8	
	KM-07177-09020	Bushing					
	KM-07177-09035	Bushing					
	S/N: 4901-12958						
	KM-BD-120655	Kit	250.00M	100.00M	P	15	
	S/N: 12959-UP						
	Ripper Lift	KM-707-99-71430	Kit	225.00M	90.00M	P	16
KM-07177-09020		Bushing					
KM-07177-09035		Bushing					
S/N: 1010-12621 Ripper model DRD355-1A							
KM-707-99-71430		Kit	225.00M	90.00M	P	16	
KM-07177-09020		Bushing					
KM-07177-09035		Bushing					
S/N: 1010-3299 Ripper models DRP355-1A,2B							
KM-707-99-71440		Kit	225.00M	90.00M	P	8	
KM-07177-09020		Bushing					
KM-07177-09035		Bushing					
S/N: 4451-12621 Ripper models DRP355-1A,2B							
KM-BD-111521		Kit	250.00M	90.00M	P	16	
S/N: 1010-1210 Ripper models DRD355-2A,DRP355-2A							
KM-BD-111518		Kit	225.00M	90.00M	P	16	
S/N: 1211-4450 Ripper models DRD355-2A,DRP355-2A							
KM-707-99-71440		Kit	225.00M	90.00M	P	8	
KM-07177-09020		Bushing					
KM-07177-09035		Bushing					
S/N: 4451-12621 Ripper models DRD355-2A,DRP355-2A							
KM-707-99-71440		Kit	225.00M	90.00M	P	8	
KM-07177-09020		Bushing					
KM-07177-09035		Bushing					
S/N: 12622-12958							
KM-707-98-71400		Kit	225.00M	90.00M	P	8	
KM-07177-09020		Bushing					
KM-07177-09035		Bushing					
S/N: 12959-UP							
Ripper Tilt		KM-BD-111521	Kit	250.00M	90.00M	P	16
		S/N: 1010-1210 Ripper models DRD355-2A,DRP355-2A					

Application	Part Number	Description	Bore	Rod	Wiper	Type
D355 CRAWLER TRACTOR						
(continued)						
Ripper Tilt (cont)	KM-BD-123518	Kit	225.00M	120.00M	P	16
	S/N: 1211-3299	Ripper models DRD355-2A,DRP355-2A				
	KM-BD-123518	Kit	225.00M	120.00M	P	16
	S/N: 3301-12621	Ripper models DRD355-2A,DRP355-2A				
	KM-707-99-75430	Kit	225.00M	120.00M	P	8
	KM-07177-01220	Bushing				
	KM-07177-01235	Bushing				
	S/N: 3301-12621	Ripper models DRD355-2A,DRP355-2A				
	KM-707-99-75430	Kit	225.00M	120.00M	P	8
	KM-07177-01220	Bushing				
	KM-07177-01235	Bushing				
	S/N: 12622-12958					
	KM-707-98-75400	Kit	225.00M	120.00M	P	8
	KM-07177-01220	Bushing				
KM-07177-01235	Bushing					
S/N: 12959-UP						
Ripper Pin Puller	KM-707-99-12420	Kit	70.00M	35.00M	P	16
	KM-07177-03512	Bushing				
	KM-07177-03525	Bushing				
Track Adjuster	KM-BD-909009	Kit	140.00M	110.00M	P	0
D375 CRAWLER TRACTOR						
Model - S/N: D375A-1 15001-15999,D375A-2 16001-16999,D375A-3 17001-UP						
Dozer Lift	KM-707-98-56600	Kit	150.00M	90.00M	P	8
	KM-07177-09035	Bushing				
	S/N: 15001-15999					
	KM-707-98-56610	Kit	150.00M	90.00M	P	8
S/N: 16001-UP	KM-07177-09035	Bushing				
Dozer Tilt	KM-707-98-74410	Kit	225.00M	110.00M	P	8
	KM-07177-01135	Bushing				
	S/N: 15001-15413,15417-15422					
	KM-707-98-74420	Kit	225.00M	110.00M	P	8
	KM-07177-01135	Bushing				
	S/N: 15414-15416,15423-UP					
	KM-707-98-74410	Kit	225.00M	110.00M	P	8
	KM-707-52-11110	Bushing				
	S/N: 16001-UP	LH Side Pitch Dozer only				
	KM-707-98-81010	Kit	250.00M	110.00M	P	8
	KM-707-52-11110	Bushing				
	S/N: 16001-UP	RH Side Pitch Dozer only				
Ripper Lift	KM-707-98-74400	Kit	225.00M	110.00M	P	8
	KM-07177-01135	Bushing				
Ripper Tilt	KM-707-98-74100	Kit	200.00M	110.00M	P	8
	KM-07177-01135	Bushing				

KOMATSU® (REFERENCED BY OEM PART NUMBERS)

Application	Part Number	Description	Bore	Rod	Wiper	Type
D375 CRAWLER TRACTOR						
(continued)						
Track Adjuster	KM-BD-909010	Kit		100.00M	N	0
S/N:	15357-UP					
D455 CRAWLER TRACTOR						
Model - S/N: D455A-1 1002-UP						
Dozer Lift	KM-BD-120525	Kit	180.00M	100.00M	P	16
S/N:	1002-1500					
	KM-BD-120526	Kit	180.00M	100.00M	P	15
S/N:	1501-UP					
Dozer Tilt	KM-BD-122521	Kit	250.00M	110.00M	P	16
S/N:	1002-1379					
	KM-BD-123522	Kit	250.00M	120.00M	P	15
S/N:	1380-UP					
Ripper Lift	KM-BD-122521	Kit	250.00M	110.00M	P	16
S/N:	1002-1300					
	KM-BD-123522	Kit	250.00M	120.00M	P	15
S/N:	1301-UP					
Track Adjuster	KM-BD-909011	Kit	185.00M	100.00M	P	0
D475 CRAWLER TRACTOR						
Model - S/N: D475A-1 10001-10199,D475A-2 10201-UP						
Dozer Lift	KM-BD-118527	Kit	180.00M	110.00M	P	15
S/N:	10001-10199					
	KM-707-98-67510	Kit	180.00M	110.00M	P	8
	KM-07177-01135	Bushing				
S/N:	10201-UP					
Dozer Tilt	KM-707-98-84400	Kit	280.00M	140.00M	P	8
	KM-07177-01440	Bushing				
S/N:	10001-10199					
	KM-707-98-84011	Kit	250.00M	140.00M	P	8
	KM-707-52-11410	Bushing				
S/N:	10001-10199					
	K-Type link arrangement					
	KM-707-98-84011	Kit	250.00M	140.00M	P	8
	KM-707-52-11410	Bushing				
S/N:	10201-UP					
	KM-707-98-84011	Kit	250.00M	140.00M	P	8
	KM-707-52-11410	Bushing				
S/N:	10201-UP					
	LH Side Pitch Dozer only					
	KM-707-98-84400	Kit	280.00M	140.00M	P	8
	KM-707-52-11410	Bushing				
S/N:	10201-UP					
	RH Side Pitch Dozer only					
Ripper Lift	KM-707-98-82010	Kit	250.00M	120.00M	P	8
	KM-07177-01240	Bushing				
S/N:	10001-10199					
	KM-707-98-82010	Kit	250.00M	120.00M	P	8
	KM-707-52-11210	Bushing				
S/N:	10201-UP					
Ripper Tilt	KM-707-98-84010	Kit	250.00M	140.00M	P	8
	KM-07177-01440	Bushing				
S/N:	10001-10199					

Application	Part Number	Description	Bore	Rod	Wiper	Type	
D475 CRAWLER TRACTOR							
(continued)							
Ripper Tilt (cont)	KM-707-98-84010	Kit	250.00M	140.00M	P	8	
	KM-707-52-11410	Bushing					
S/N: 10201-UP							
Ripper Pin Puller	KM-707-99-11010	Kit	60.00M	30.00M	P	5	
	KM-07177-03025	Bushing					
S/N: 10001-10199							
Track Adjuster	KM-BD-909012	Kit		165.00M	N	0	
	KM-BD-909030	Kit		165.00M	N	0	
S/N: 10201-UP							
D575 CRAWLER TRACTOR							
Model - S/N: D575A-2 10001-UP							
Dozer Lift	KM-707-98-75410	Kit	225.00M	120.00M	P	8	
	KM-707-52-11210	Bushing					
	S/N: 10001-10002						
	KM-707-98-75420	Kit	225.00M	120.00M	P	8	
S/N: 10003-UP	KM-707-52-90950	Bushing					
Dozer Tilt	KM-707-98-95400	Kit	320.00M	160.00M	P	8	
	KM-707-52-11600	Bushing					
	S/N: 10001-10002						
	KM-707-99-96200	Kit	300.00M	180.00M	P	8	
S/N: 10011-UP	KM-707-52-91550	Bushing					
Ripper Lift	KM-707-98-84410	Kit	280.00M	140.00M	P	8	
	KM-707-52-11410	Bushing					
	S/N: 10001-10002						
	KM-707-98-84420	Kit	280.00M	140.00M	P	8	
S/N: 10003-UP	KM-707-52-91150	Bushing					
Ripper Tilt	KM-707-98-84410	Kit	280.00M	140.00M	P	8	
	KM-707-52-11410	Bushing					
	S/N: 10001-10002						
	KM-707-98-84420	Kit	280.00M	140.00M	P	8	
S/N: 10003-UP	KM-707-52-91150	Bushing					
Ripper Pin Puller	KM-707-98-22070	Kit	80.00M	40.00M	P	5	
	KM-07177-04025	Bushing					

KOMATSU® (REFERENCED BY OEM PART NUMBERS)

Application	Part Number	Description	Bore	Rod	Wiper	Type
PC03 EXCAVATOR						
Model - S/N: PC03-1 1001-UP						
Boom	KM-BD-233748	Kit	50.00M	25.00M	P	15
Bucket	KM-BD-233747	Kit	50.00M	25.00M	P	15
Arm	KM-BD-233747	Kit	50.00M	25.00M	P	15
Swing	KM-BD-233747	Kit	50.00M	25.00M	P	15
Blade	KM-BD-233747	Kit	50.00M	25.00M	P	15
PC05 EXCAVATOR						
Model - S/N: PC05-5 2501-UP						
Boom	KM-707-98-04540	Kit	50.00M	30.00M	P	5
	KM-07177-03025	Bushing				
Bucket	KM-707-98-04540	Kit	50.00M	30.00M	P	5
	KM-07177-03025	Bushing				
Arm	KM-707-98-04540	Kit	50.00M	30.00M	P	5
	KM-07177-03025	Bushing				
Swing	KM-707-98-04540	Kit	50.00M	30.00M	P	5
	KM-07177-03025	Bushing				
Blade	KM-707-98-11090	Kit	60.00M	30.00M	P	5
	KM-07177-03025	Bushing				
Track Adjuster	KM-BD-909038	Kit		30.00M	P	0
	S/N: 2501-3100					
	KM-BD-909039	Kit		30.00M	P	0
S/N: 3101-UP						
PC10 EXCAVATOR						
Model - S/N: PC10-5 7001-UP						
Boom	KM-707-98-12530	Kit	70.00M	35.00M	P	5
	KM-07177-03525	Bushing				
S/N: 10201-UP						
Bucket	KM-707-98-12150	Kit	60.00M	35.00M	P	5
	KM-07177-03525	Bushing				
Arm	KM-707-98-12450	Kit	70.00M	35.00M	P	5
	KM-07177-03525	Bushing				
Swing	KM-BD-112683	Kit	60.00M	30.00M	P	15
	S/N: 10201-UP					
Blade	KM-707-98-12450	Kit	70.00M	35.00M	P	5
	KM-07177-03525	Bushing				
Track Adjuster	KM-BD-909040	Kit		35.00M	P	0

Application	Part Number	Description	Bore	Rod	Wiper	Type
PC20 (SERIES 5) EXCAVATOR						
Model - S/N: PC20-5 18001-24000						
Boom	KM-707-98-22030	Kit	80.00M	40.00M	P	8
	KM-07177-04025	Bushing				
Bucket	KM-707-98-12440	Kit	70.00M	35.00M	P	8
	KM-07177-03525	Bushing				
Arm	KM-707-98-22120	Kit	80.00M	40.00M	P	8
	KM-07177-04025	Bushing				
Swing	KM-707-98-12440	Kit	70.00M	35.00M	P	8
	KM-07177-03525	Bushing				
Blade	KM-707-98-24600	Kit	90.00M	45.00M	P	8
	KM-07177-04530	Bushing				
Track Adjuster	KM-BD-909041	Kit		40.00M	P	0
PC20 (SERIES 6) EXCAVATOR						
Model - S/N: PC20-6 24001-35000						
Boom	KM-707-99-24200	Kit	80.00M	45.00M	P	8
	KM-07177-04530	Bushing				
Bucket	KM-707-98-12211	Kit	65.00M	35.00M	P	8
	KM-07177-03525	Bushing				
Arm	KM-707-98-22200	Kit	75.00M	40.00M	P	8
	KM-707-52-10410	Bushing				
Swing	KM-707-98-24510	Kit	85.00M	45.00M	P	8
	KM-07177-04530	Bushing				
Blade	KM-707-98-24520	Kit	90.00M	45.00M	P	8
	KM-07177-04530	Bushing				
Blade Tilt	KM-707-98-24550	Kit	90.00M	45.00M	P	8
	KM-07177-04530	Bushing				
	S/N: 29361-35000	Power Tilt Mechanical Angle Blade arrangement				
Track Adjuster	KM-BD-909041	Kit		40.00M	P	0
PC20 (SERIES 7) EXCAVATOR						
Model - S/N: PC20-7 35001-UP						
Boom	KM-707-99-15710	Kit	75.00M	45.00M	P	8
	KM-07177-04530	Bushing				
Bucket	KM-707-98-12260	Kit	60.00M	35.00M	P	8
	KM-07177-03525	Bushing				
Arm	KM-707-98-14610	Kit	70.00M	40.00M	P	8
	KM-07177-04025	Bushing				
Swing	KM-707-98-22020	Kit	80.00M	40.00M	P	8
	KM-07177-04025	Bushing				
Blade	KM-707-98-12410	Kit	70.00M	35.00M	P	8
	KM-07177-03525	Bushing				
Track Adjuster	KM-BD-909041	Kit		40.00M	P	0

KOMATSU® (REFERENCED BY OEM PART NUMBERS)

Application	Part Number	Description	Bore	Rod	Wiper	Type
PC30 (SERIES 5) EXCAVATOR						
Model - S/N: PC30-5 6001-10000						
Boom	KM-707-98-22030	Kit	80.00M	40.00M	P	8
	KM-07177-04025	Bushing				
Bucket	KM-707-98-14430	Kit	70.00M	40.00M	P	8
	KM-07177-04025	Bushing				
Arm	KM-707-98-22120	Kit	80.00M	40.00M	P	8
	KM-07177-04025	Bushing				
Swing	KM-707-98-12440	Kit	70.00M	35.00M	P	8
	KM-07177-03525	Bushing				
Blade	KM-707-98-24600	Kit	90.00M	45.00M	P	8
	KM-07177-04530	Bushing				
Track Adjuster	KM-BD-909041	Kit		40.00M	P	0
PC30 (SERIES 6) EXCAVATOR						
Model - S/N: PC30-6 10001-18000						
Boom	KM-707-99-24200	Kit	80.00M	45.00M	P	8
	KM-07177-04530	Bushing				
Bucket	KM-707-98-14610	Kit	70.00M	40.00M	P	8
	KM-07177-04025	Bushing				
Arm	KM-707-98-22200	Kit	75.00M	40.00M	P	8
	KM-707-52-10410	Bushing				
Swing	KM-707-98-24510	Kit	85.00M	45.00M	P	8
	KM-07177-04530	Bushing				
Blade	KM-707-98-24520	Kit	90.00M	45.00M	P	8
	KM-07177-04530	Bushing				
Blade Tilt	KM-707-98-24550	Kit	90.00M	45.00M	P	8
	KM-07177-04530	Bushing				
	S/N: 13025-18000	Power Tilt Mechanical Angle Blade arrangement				
Track Adjuster	KM-BD-909041	Kit		40.00M	P	0
PC30 (SERIES 7) EXCAVATOR						
Model - S/N: PC30-7 18001-UP						
Boom	KM-707-98-24920	Kit	85.00M	45.00M	P	8
	KM-07177-04530	Bushing				
Bucket	KM-707-98-14610	Kit	70.00M	40.00M	P	8
	KM-07177-04025	Bushing				
Arm	KM-707-98-24820	Kit	75.00M	45.00M	P	8
	KM-07177-04530	Bushing				
Swing	KM-707-98-24510	Kit	85.00M	45.00M	P	8
	KM-07177-04530	Bushing				
Blade	KM-707-98-24570	Kit	90.00M	45.00M	P	8
	KM-07177-04530	Bushing				
Blade Lift	KM-707-98-24610	Kit	95.00M	45.00M	P	8
	KM-07177-04530	Bushing				
	Power Tilt Mechanical Angle Blade arrangement					
Blade Tilt	KM-707-98-24550	Kit	90.00M	45.00M	P	8
	KM-07177-04530	Bushing				
	Power Tilt Mechanical Angle Blade arrangement					

Application	Part Number	Description	Bore	Rod	Wiper	Type
PC30 (SERIES 7) EXCAVATOR						
(continued)						
Track Adjuster	KM-BD-909041	Kit		40.00M	P	0
PC40 (SERIES 3) EXCAVATOR						
Model - S/N: PC40-3 6001-8500						
Boom	KM-707-98-34030	Kit	100.00M	55.00M	P	8
	KM-07177-05530	Bushing				
Bucket	KM-707-98-26100	Kit	80.00M	55.00M	P	8
	KM-07177-05530	Bushing				
Arm	KM-BD-133501	Kit	90.00M	55.00M	P	15
Swing	KM-BD-100551	Kit	80.00M	40.00M	P	16
Blade	KM-BD-230731	Kit	70.00M	35.00M	P	16
Track Adjuster	KM-BD-909041	Kit		40.00M	P	0
PC40 (SERIES 5) EXCAVATOR						
Model - S/N: PC40-5 8501-10000						
Boom	KM-BD-133758	Kit	90.00M	55.00M	P	15
Bucket	KM-707-98-26100	Kit	80.00M	55.00M	P	8
	KM-07177-05530	Bushing				
Arm	KM-707-98-26100	Kit	80.00M	55.00M	P	8
	KM-07177-05530	Bushing				
Swing	KM-707-98-25500	Kit	90.00M	50.00M	P	8
	KM-07177-05030	Bushing				
Blade	KM-707-98-24600	Kit	90.00M	45.00M	P	8
	KM-07177-04530	Bushing				
Track Adjuster	KM-BD-909041	Kit		40.00M	P	0
PC40 (SERIES 6) EXCAVATOR						
Model - S/N: PC40-6 10001-18000						
Boom	KM-707-98-26550	Kit	90.00M	55.00M	P	8
	KM-07177-05530	Bushing				
Bucket	KM-707-98-25110	Kit	80.00M	50.00M	P	8
	KM-07177-05030	Bushing				
Arm	KM-707-98-25110	Kit	80.00M	50.00M	P	8
	KM-07177-05030	Bushing				
Swing	KM-707-98-25510	Kit	90.00M	50.00M	P	8
	KM-07177-05030	Bushing				
Blade	KM-707-98-35100	Kit	100.00M	60.00M	P	8
	KM-07177-06030	Bushing				
Blade Tilt	KM-707-98-24550	Kit	90.00M	45.00M	P	8
	KM-07177-04530	Bushing				
	S/N: 11899-UP					
Track Adjuster	KM-BD-909041	Kit		40.00M	P	0

KOMATSU® (REFERENCED BY OEM PART NUMBERS)

Application	Part Number	Description	Bore	Rod	Wiper	Type
PC40 (SERIES 7) EXCAVATOR						
Model - S/N: PC40-7 18001-UP						
Boom	KM-707-98-26560	Kit	90.00M	55.00M	P	8
	KM-07177-05530	Bushing				
Bucket	KM-707-98-24210	Kit	75.00M	45.00M	P	8
	KM-07177-04530	Bushing				
Arm	KM-707-98-25110	Kit	80.00M	50.00M	P	8
	KM-07177-05030	Bushing				
Swing	KM-707-98-25520	Kit	90.00M	50.00M	P	8
	KM-07177-05030	Bushing				
Blade	KM-707-98-32120	Kit	100.00M	50.00M	P	8
	KM-07177-05030	Bushing				
Blade Lift	KM-707-98-32810	Kit	105.00M	50.00M	P	8
	KM-07177-05030	Bushing				
	Power Tilt Mechanical Angle Blade arrangement					
Blade Tilt	KM-707-98-24550	Kit	90.00M	45.00M	P	8
	KM-07177-04530	Bushing				
	Power Tilt Mechanical Angle Blade arrangement					
Track Adjuster	KM-BD-909041	Kit		40.00M	P	0
PC60 (SERIES 2) EXCAVATOR						
Model - S/N: PC60-2 15001-20500,PC60D-2 15001-UP,PC60L-2 7001-7500 PC60LSS-2 7001-UP,PC60SS-2 15001-UP						
Boom	KM-707-98-36500	Kit	110.00M	65.00M	P	8
	KM-07177-06530	Bushing				
Bucket	KM-BD-133501	Kit	90.00M	55.00M	P	15
Arm	KM-707-98-36500	Kit	110.00M	65.00M	P	8
	KM-07177-06530	Bushing				
Clamshell	KM-BD-132547	Kit	110.00M	70.00M	P	15
	Loading Clamshell arrangement Use with 201-63-96101 Cylinder					
Track Adjuster	KM-BD-909042	Kit	40.00M	40.00M	P	0
PC60 (SERIES 5) EXCAVATOR						
Model - S/N: PC60-5 20501-28000,PC60L-5 7501-8000,PC60LS-5 7501-8000 PC60S-5 20501-UP,PC60U-5 4501-UP,PC60US-5 4501-UP						
Boom	KM-707-99-36260	Kit	100.00M	65.00M	P	8
	KM-07177-06530	Bushing				
Bucket	KM-707-98-26520	Kit	90.00M	55.00M	P	8
	KM-07177-05530	Bushing				
Arm	KM-707-98-27500	Kit	90.00M	60.00M	P	8
	KM-07177-06030	Bushing				
Swing	KM-707-98-34150	Kit	100.00M	55.00M	P	8
	KM-07177-05530	Bushing				
	S/N: PC60U-5 4501-UP,PC60US-5 4501-UP					
Blade	KM-707-98-35130	Kit	100.00M	60.00M	P	8
	KM-07177-06030	Bushing				

Application	Part Number	Description	Bore	Rod	Wiper	Type
PC60 (SERIES 5) EXCAVATOR						
(continued)						
Track Adjuster	KM-BD-909043	Kit	40.00M	40.00M	N	0
PC60 (SERIES 6) EXCAVATOR						
Model - S/N: PC60-6 28001-UP,PC60L-6 8001-UP						
Boom	KM-707-99-36220	Kit	100.00M	65.00M	P	8
	KM-707-52-90400	Bushing				
Bucket	KM-707-99-26620	Kit	90.00M	55.00M	P	8
	KM-707-52-90300	Bushing				
Arm	KM-707-99-27600	Kit	90.00M	60.00M	P	8
	KM-707-52-90350	Bushing				
Blade	KM-707-98-43530	Kit	130.00M	70.00M	P	8
	KM-707-52-10700	Bushing				
Track Adjuster	KM-BD-909043	Kit	40.00M	40.00M	N	0
PC80 EXCAVATOR						
Model - S/N: PC80-3 2001-UP,PC80LC-3 2001-UP,PC80LCS-3 2001-UP PC80S-3 2001-UP						
Boom	KM-707-98-37600	Kit	110.00M	70.00M	P	8
	KM-07177-07030	Bushing				
Bucket	KM-707-98-26520	Kit	90.00M	55.00M	P	8
	KM-07177-05530	Bushing				
Arm	KM-707-99-36270	Kit	100.00M	65.00M	P	8
	KM-07177-06530	Bushing				
Track Adjuster	KM-BD-909044	Kit	50.00M	50.00M	N	0
PC90 EXCAVATOR						
Model - S/N: PC90-1 1001-UP						
Boom	KM-707-99-37610	Kit	110.00M	70.00M	P	8
	KM-707-52-90450	Bushing				
Bucket	KM-707-99-26620	Kit	90.00M	55.00M	P	8
	KM-707-52-90300	Bushing				
Arm	KM-707-99-36620	Kit	105.00M	65.00M	P	8
	KM-707-52-90400	Bushing				
Track Adjuster	KM-BD-909044	Kit	50.00M	50.00M	N	0
PC100 EXCAVATOR						
Excavator S/N: PC100-2 13001-18000,PC100D-2 13001-18000,PC100L-2 11001-12000 PC100SS-2 13001-18000,PC100-3 18001-UP						
Boom	KM-707-98-36510	Kit	110.00M	65.00M	P	8
	KM-07177-06530	Bushing				
	S/N: 11001-12000,13001-18000					
	KM-707-98-36100	Kit	100.00M	65.00M	P	8
	KM-07177-06530	Bushing				
	S/N: 18001-22872					
S/N: 22873-UP	KM-707-99-36200	Kit	100.00M	65.00M	P	8
	KM-07177-06530	Bushing				
Bucket	KM-BD-131547	Kit	110.00M	65.00M	P	15
	S/N: 11001-12000,13001-18000					
	KM-707-98-36110	Kit	100.00M	65.00M	P	8
	KM-07177-06530	Bushing				
S/N: 18001-22872						

KOMATSU® (REFERENCED BY OEM PART NUMBERS)

Application	Part Number	Description	Bore	Rod	Wiper	Type		
PC100 EXCAVATOR (continued)								
Bucket (cont)	KM-707-99-36210	Kit	100.00M	65.00M	P	8		
	KM-07177-06530	Bushing						
S/N:	22873-UP							
Arm	KM-707-98-43100	Kit	120.00M	70.00M	P	8		
	KM-07177-07030	Bushing						
	S/N:	11001-12000,13001-18000						
	KM-707-98-38600	Kit	110.00M	75.00M	P	8		
	KM-07177-07530	Bushing						
	S/N:	18001-22872						
Arm	KM-707-99-38600	Kit	110.00M	75.00M	P	8		
	KM-07177-07530	Bushing						
	S/N:	22873-UP						
	S/N:	22873-UP						
Clamshell	KM-BD-166607	Kit	140.00M	70.00M	P	16		
S/N:	11001-12000,13001-18000							
Track Adjuster	KM-BD-909015	Kit		70.00M	N	0		
PC120 EXCAVATOR								
Excavator S/N: PC120-2 14001-18000,PC120SS-2 14001-18000 PC120-3 18001-30000,PC120-5 30001-45000,PC120-6 45001-UP								
Boom	KM-BD-132546	Kit	120.00M	70.00M	P	15		
	S/N:	14001-18000						
	KM-707-98-37500	Kit	110.00M	70.00M	P	8		
	KM-07177-07030	Bushing						
	S/N:	18001-24709						
	KM-707-99-37600	Kit	110.00M	70.00M	P	8		
	KM-07177-07030	Bushing						
	S/N:	24710-30000						
Boom	KM-707-98-37620	Kit	105.00M	70.00M	P	8		
	KM-707-52-90450	Bushing						
	S/N:	30001-UP						
	Bucket	KM-BD-132546	Kit	120.00M	70.00M	P	15	
		S/N:	14001-18000					
		KM-707-98-36110	Kit	100.00M	65.00M	P	8	
KM-07177-06530		Bushing						
S/N:		18001-24709						
KM-707-99-36210		Kit	100.00M	65.00M	P	8		
KM-07177-06530		Bushing						
S/N:		24710-30000						
Bucket	KM-707-98-36210	Kit	95.00M	65.00M	P	8		
	KM-707-52-90400	Bushing						
	S/N:	30001-UP						
	S/N:	30001-UP						
Arm	KM-BD-146543	Kit	130.00M	80.00M	P	15		
	S/N:	14001-18000						
	KM-707-98-38600	Kit	110.00M	75.00M	P	8		
	KM-07177-07530	Bushing						
	S/N:	18001-24709						
	KM-707-99-38600	Kit	110.00M	75.00M	P	8		
KM-07177-07530	Bushing							
S/N:	24710-30000							

Application	Part Number	Description	Bore	Rod	Wiper	Type
PC120 EXCAVATOR						
(continued)						
Arm (cont)	KM-707-99-44200	Kit	115.00M	75.00M	P	8
	KM-707-52-90500	Bushing				
S/N: 30001-UP						
Clamshell	KM-BD-166607	Kit	140.00M	70.00M	P	16
	S/N: 14001-18000					
Track Adjuster	KM-BD-909015	Kit		70.00M	N	0
	S/N: 14001-45000					
	KM-BD-909018	Kit		60.00M	P	0
S/N: 45001-UP						
PC128 EXCAVATOR						
Excavator S/N: PC128UU-1 1001-UP						
Boom	KM-707-98-37620	Kit	105.00M	70.00M	P	8
	KM-707-52-90450	Bushing				
Bucket	KM-707-98-27600	Kit	90.00M	60.00M	P	8
	KM-707-52-90350	Bushing				
Arm	KM-707-99-44310	Kit	115.00M	75.00M	P	8
	KM-707-52-90500	Bushing				
	KM-707-99-44200	Kit	115.00M	75.00M	P	8
	KM-707-52-90500	Bushing				
Mono-Boom arrangement						
Offset	KM-707-98-43530	Kit	130.00M	70.00M	P	8
	KM-707-52-10700	Bushing				
Blade	KM-707-99-44300	Kit	115.00M	75.00M	P	8
	KM-707-52-90500	Bushing				
Track Adjuster	KM-BD-909018	Kit		60.00M	P	0
PC150 EXCAVATOR						
Excavator S/N: PC150-1 1001-3000,PC150LC-1 1001-3000,PC150-3 3001-6000 PC150LC-3 3001-6000,PC150-5 6001-UP,PC150LC-5 6001-UP PC150LC-5 A70001-UP						
Boom	KM-BD-138510	Kit	110.00M	75.00M	P	15
	S/N: 1001-3000					
	KM-707-98-38510	Kit	110.00M	75.00M	P	8
	KM-07177-07530	Bushing				
	S/N: 3001-6000					
	KM-707-98-38520	Kit	110.00M	75.00M	P	8
KM-707-52-90500	Bushing					
S/N: 6001-UP,A70001-UP						
Bucket	KM-BD-132510	Kit	110.00M	70.00M	P	15
	S/N: 1001-3000					
	KM-707-98-37130	Kit	100.00M	70.00M	P	8
	KM-07177-07030	Bushing				
	S/N: 3001-6000					
	KM-707-98-37110	Kit	100.00M	70.00M	P	8
KM-707-52-90450	Bushing					
S/N: 6001-UP,A70001-UP						
Arm	KM-BD-146542	Kit	120.00M	80.00M	P	15
	S/N: 1001-3000					
	KM-707-98-45200	Kit	120.00M	80.00M	P	8
	KM-07177-08030	Bushing				
S/N: 3001-6000						

KOMATSU® (REFERENCED BY OEM PART NUMBERS)

Application	Part Number	Description	Bore	Rod	Wiper	Type
PC150 EXCAVATOR						
(continued)						
Arm (cont)	KM-707-99-46200	Kit	120.00M	85.00M	P	8
	KM-707-52-90600	Bushing				
S/N:	6001-UP,A70001-UP					
Clamshell	KM-BD-146566	Kit	120.00M	80.00M	P	15
	S/N:	3001-6000				
Track Adjuster	KM-BD-909015	Kit		70.00M	N	0
PC180 EXCAVATOR						
Excavator S/N: PC180LC-3 1001-UP,PC180LLC-3 1001-UP						
Boom	KM-707-98-38510	Kit	110.00M	75.00M	P	8
	KM-07177-07530	Bushing				
Bucket	KM-707-98-37130	Kit	100.00M	70.00M	P	8
	KM-07177-07030	Bushing				
	KM-707-98-38510	Kit	110.00M	75.00M	P	8
	KM-07177-07530	Bushing				
Arm	KM-707-98-45200	Kit	120.00M	80.00M	P	8
	KM-07177-08030	Bushing				
Track Adjuster	KM-BD-909015	Kit		70.00M	N	0
	PC180LC-3 only					
	KM-BD-909019	Kit		70.00M	N	0
	PC180LLC-3 only					
PC200 EXCAVATOR						
Excavator S/N: PC200-1 10001-15000,PC200-2 15001-20000,PC200LC-2 15001-20000 PC200LC-2H 15001-20000,PC200SS-2 15001-20000 PC200-3 20001-45000,PC200LC-3 20001-45000 PC200LCS-3 20001-45000,PC200LCSS-3 20001-45000 PC200S-3 20001-45000,PC200SS-3 20001-45000 PC200-5 45001-80000,PC200LC-5 45001-80000 PC200-6 80001-UP,PC200LC-6 80001-UP,PC200-6 HGX 80001-UP PC200LC-6HGX 80001-UP						
Boom	KM-BD-117543	Kit	130.00M	90.00M	P	15
	S/N:	10001-20000				
	KM-707-98-46200	Kit	120.00M	85.00M	P	8
	KM-707-52-10850	Bushing				
	S/N:	20001-35302				
	KM-707-98-46270	Kit	120.00M	85.00M	P	8
	KM-707-52-10850	Bushing				
	S/N:	35303-45000				
	KM-707-99-46600	Kit	120.00M	85.00M	P	8
	KM-707-52-90600	Bushing				
	S/N:	45001-UP				
	KM-707-99-47620	Kit	130.00M	90.00M	P	8
	KM-707-52-90650	Bushing				
	S/N:	58019-70000				
	KM-BD-117570	Kit	140.00M	90.00M	P	15
	S/N:	15001-20000 Long Front arrangement				
	KM-707-98-47600	Kit	130.00M	90.00M	P	8
	KM-07177-09040	Bushing				
	S/N:	20001-35302 Long Front arrangement				

Application	Part Number	Description	Bore	Rod	Wiper	Type
PC200 EXCAVATOR (continued)						
Boom (cont)	KM-BD-154575	Kit	130.00M	90.00M	P	15
	S/N: 35303-45000	Long Front arrangement				
	KM-707-99-47600	Kit	130.00M	90.00M	P	8
	KM-707-52-90650	Bushing				
S/N: 45001-UP	Long Front arrangement					
Bucket	KM-BD-146543	Kit	130.00M	80.00M	P	15
	S/N: 10001-15000					
	KM-BD-138542	Kit	120.00M	75.00M	P	15
	S/N: 15001-20000					
	KM-707-98-38500	Kit	110.00M	75.00M	P	8
	KM-07177-07530	Bushing				
	S/N: 20001-35302					
	KM-BD-139576	Kit	110.00M	75.00M	P	15
	S/N: 35303-45000					
	KM-707-98-45220	Kit	115.00M	80.00M	P	8
	KM-707-52-90550	Bushing				
	S/N: 45001-UP					
	KM-707-98-47620	Kit	130.00M	90.00M	P	8
	KM-707-52-90650	Bushing				
	S/N: 45001-58018					
	KM-707-99-43100	Kit	120.00M	70.00M	P	8
	KM-07177-07030	Bushing				
	S/N: 15001-20000	Long Front arrangement				
	KM-707-98-36110	Kit	100.00M	65.00M	P	8
	KM-07177-06530	Bushing				
	S/N: 20001-45000	Long Front arrangement				
	KM-707-98-36210	Kit	95.00M	65.00M	P	8
	KM-707-52-90400	Bushing				
	S/N: 45001-80000	Long Front arrangement				
	KM-707-98-45240	Kit	115.00M	80.00M	P	8
	KM-07177-08015	Bushing				
	KM-707-52-90550	Bushing				
	S/N: 80001-UP	Hyper GX arrangement				
	KM-707-98-46100	Kit	120.00M	85.00M	P	8
	KM-707-52-10850	Bushing				
	S/N: 20001-45000	Use with 205-63-72301 Cylinder Short Arm arrangement				
	KM-707-99-46210	Kit	120.00M	85.00M	P	8
KM-707-52-10850	Bushing					
S/N: 20001-45000	Use with 205-63-79700 Cylinder Short Arm arrangement					

KOMATSU® (REFERENCED BY OEM PART NUMBERS)

Application	Part Number	Description	Bore	Rod	Wiper	Type	
PC200 EXCAVATOR							
(continued)							
Bucket (cont)	KM-BD-147581	Kit	125.00M	85.00M	P	15	
	S/N: 45001-UP	Short Arm arrangement					
Arm	KM-BD-148539	Kit	150.00M	100.00M	P	15	
	S/N: 10001-15000						
	KM-BD-117517	Kit	140.00M	90.00M	P	15	
	S/N: 15001-20000						
	KM-707-98-48600	Kit	130.00M	95.00M	P	8	
	KM-707-52-10950	Bushing					
	S/N: 20001-35302						
	KM-707-99-48610	Kit	130.00M	95.00M	P	8	
	KM-707-52-10950	Bushing					
	S/N: 35303-45000						
Clamshell	KM-707-99-57200	Kit	135.00M	95.00M	P	8	
	KM-707-52-90710	Bushing					
	S/N: 45001-UP						
	KM-707-98-47680	Kit	130.00M	90.00M	P	8	
	KM-07177-09035	Bushing					
	S/N: 10001-20000						
	KM-BD-146543	Kit	130.00M	80.00M	P	15	
	S/N: 45001-70000						
	Track Adjuster	KM-BD-909015	Kit		70.00M	N	0
		S/N: 10001-20000					
KM-BD-909020		Kit		70.00M	N	0	
S/N: 20001-27700							
KM-BD-909019		Kit		70.00M	N	0	
S/N: 27701-45000							
KM-BD-909021	Kit		70.00M	P	0		
S/N: 45001-UP							
PC210 EXCAVATOR							
Excavator S/N: PC210LC-6 A80001-UP							
Boom	KM-707-99-47600	Kit	130.00M	90.00M	P	8	
	KM-707-52-90650	Bushing					
Bucket	KM-707-98-45220	Kit	115.00M	80.00M	P	8	
	KM-707-52-90550	Bushing					
	KM-707-98-47620	Kit	130.00M	90.00M	P	8	
	KM-707-52-90650	Bushing					
	Demolition arrangement						
Arm	KM-707-99-57200	Kit	135.00M	95.00M	P	8	
	KM-707-52-90710	Bushing					
Track Adjuster	KM-BD-909021	Kit		70.00M	P	0	

Application	Part Number	Description	Bore	Rod	Wiper	Type	
PC220 EXCAVATOR							
Excavator S/N: PC220-1 10001-11000,PC220-2 11001-20000,PC220LC-2 11001-20000 PC220-3 20001-35000,PC220LC-3 20001-35000 PC220NLC-3 20001-35000,PC220-5 35001-50000 PC220LC-5 35001-50000,PC220-6 50001-UP,PC220LC-6 50001-UP							
Boom	KM-BD-117570	Kit	140.00M	90.00M	P	15	
	S/N: 10001-20000						
	KM-707-98-47600	Kit	130.00M	90.00M	P	8	
	KM-07177-09040	Bushing					
	S/N: 20001-23737						
	KM-BD-154575	Kit	130.00M	90.00M	P	15	
	S/N: 23738-35000						
	KM-707-99-47600	Kit	130.00M	90.00M	P	8	
	KM-707-52-90650	Bushing					
	S/N: 35001-80000						
	KM-707-99-58260	Kit	140.00M	100.00M	P	8	
	KM-707-52-90750	Bushing					
	S/N: 80001-UP						
	KM-BD-117517	Kit	140.00M	90.00M	P	15	
	S/N: 11001-20000 Long Front arrangement						
	KM-707-98-47600	Kit	130.00M	90.00M	P	8	
	KM-07177-09040	Bushing					
	S/N: 20001-35000 Long Front arrangement						
	KM-707-99-58260	Kit	140.00M	100.00M	P	8	
	KM-707-52-90750	Bushing					
	S/N: 50001-70000 Lifting Special arrangement						
	Bucket	KM-BD-117517	Kit	140.00M	90.00M	P	15
		S/N: 10001-11000					
		KM-BD-146543	Kit	130.00M	80.00M	P	15
S/N: 11001-20000							
KM-707-98-47500		Kit	130.00M	90.00M	P	8	
KM-07177-09040		Bushing					
S/N: 20001-23737							
KM-707-99-47610		Kit	130.00M	90.00M	P	8	
KM-07177-09040		Bushing					
S/N: 23738-35000							
KM-707-98-47620		Kit	130.00M	90.00M	P	8	
KM-707-52-90650		Bushing					
S/N: 35001-UP							
KM-BD-160589		Kit	140.00M	100.00M	P	15	
S/N: 50001-70000,80001-UP							
KM-707-99-43100		Kit	120.00M	70.00M	P	8	
KM-07177-07030		Bushing					
S/N: 11001-20000 Long Front arrangement							

KOMATSU® (REFERENCED BY OEM PART NUMBERS)

Application	Part Number	Description	Bore	Rod	Wiper	Type	
PC220 EXCAVATOR (continued)							
Bucket (cont)	KM-707-98-36110	Kit	100.00M	65.00M	P	8	
	KM-07177-06530	Bushing					
	S/N:	20001-35000 Long Front arrangement					
	KM-707-98-36210	Kit	95.00M	65.00M	P	8	
	KM-707-52-90400	Bushing					
	S/N:	35001-50000,70001-80000 Long Front arrangement					
	KM-707-98-58230	Kit	140.00M	100.00M	P	8	
	KM-07177-01035	Bushing					
	S/N:	20001-35000 Short Arm arrangement					
	KM-BD-147581	Kit	125.00M	85.00M	P	15	
	S/N:	35001-50000 Short Arm arrangement					
	Arm	KM-707-98-67010	Kit	160.00M	110.00M	P	8
		KM-07177-01135	Bushing				
		S/N:	10001-11000				
KM-707-98-57201		Kit	140.00M	95.00M	P	8	
KM-707-52-10950		Bushing					
S/N:		20001-23737					
KM-BD-152584		Kit	140.00M	95.00M	P	15	
S/N:		23738-35000					
KM-707-99-58200		Kit	140.00M	100.00M	P	8	
KM-707-52-90750		Bushing					
S/N:		35001-UP					
KM-707-98-48600		Kit	130.00M	95.00M	P	8	
KM-707-52-10950		Bushing					
S/N:		20001-23614 Long Front arrangement					
KM-707-99-48610		Kit	130.00M	95.00M	P	8	
KM-707-52-10950		Bushing					
S/N:		23615-35000 Long Front arrangement					
KM-707-99-57200		Kit	135.00M	95.00M	P	8	
KM-707-52-90710		Bushing					
S/N:		35001-50000,70001-80000 Long Front arrangement					
Clamshell	KM-707-98-47680	Kit	130.00M	90.00M	P	8	
	KM-07177-09035	Bushing					
	S/N:	10001-20000					
	KM-BD-146543	Kit	130.00M	80.00M	P	15	
S/N:	35001-50000						
Track Adjuster	KM-BD-909015	Kit		70.00M	N	0	
	S/N:	10001-20000					
	KM-BD-909020	Kit		70.00M	N	0	
	S/N:	20001-21960					
	KM-BD-909019	Kit		70.00M	N	0	
	S/N:	21961-35000					
KM-BD-909021	Kit		70.00M	P	0		
S/N:	35001-UP						

Application	Part Number	Description	Bore	Rod	Wiper	Type	
PC250 EXCAVATOR							
Excavator S/N: PC250LC-6 80001-UP							
Boom	KM-707-99-58260	Kit	140.00M	100.00M	P	8	
	KM-707-52-90750	Bushing					
Bucket	KM-707-98-47620	Kit	130.00M	90.00M	P	8	
	KM-707-52-90650	Bushing					
	KM-BD-160589	Kit	140.00M	100.00M	P	15	
Arm	KM-707-99-58200	Kit	140.00M	100.00M	P	8	
	KM-707-52-90750	Bushing					
Track Adjuster	KM-BD-909022	Kit		90.00M	P	0	
PC280 EXCAVATOR							
Excavator S/N: PC280LC-3 10001-UP							
Boom	KM-707-98-47600	Kit	130.00M	90.00M	P	8	
	KM-07177-09040	Bushing					
Bucket	KM-707-98-47500	Kit	130.00M	90.00M	P	8	
	KM-07177-09040	Bushing					
	KM-707-98-36110	Kit	100.00M	65.00M	P	8	
	KM-07177-06530	Bushing					
	Long Front arrangement						
	KM-707-98-58230	Kit	140.00M	100.00M	P	8	
	KM-07177-01035	Bushing					
Short Arm arrangement							
Arm	KM-707-98-57201	Kit	140.00M	95.00M	P	8	
	KM-707-52-10950	Bushing					
	KM-707-98-48600	Kit	130.00M	95.00M	P	8	
	KM-707-52-10950	Bushing					
Long Front arrangement							
Track Adjuster	KM-BD-909023	Kit		100.00M	N	0	
PC300 EXCAVATOR							
Excavator S/N: PC300-2 11001-12000,PC300LC-2 11001-12000 PC300-3 12001-20000,PC300LC-3 12001-20000 PC300-5 20001-80000,PC300LC-5 20001-80000 PC300HD-5K 20001-80000,PC300LC-6 80001-UP PC300HD-6 80001-UP							
Boom	KM-BD-148590	Kit	150.00M	100.00M	P	15	
	S/N: 11001-12000						
	KM-707-98-58200	Kit	140.00M	100.00M	P	8	
	KM-07177-01040	Bushing					
	S/N: 12001-20000						
	KM-707-99-58210	Kit	140.00M	100.00M	P	8	
KM-707-52-90750	Bushing						
S/N: 20001-UP							
Bucket	KM-BD-117570	Kit	140.00M	90.00M	P	15	
	S/N: 11001-12000						
	KM-707-98-58210	Kit	140.00M	100.00M	P	8	
	KM-07177-01040	Bushing					
S/N: 12001-20000							

KOMATSU® (REFERENCED BY OEM PART NUMBERS)

Application	Part Number	Description	Bore	Rod	Wiper	Type	
PC300 EXCAVATOR							
(continued)							
Bucket (cont)	KM-707-99-58110	Kit	140.00M	100.00M	P	8	
	KM-707-52-90750	Bushing					
S/N:	20001-UP						
Arm	KM-707-98-67010	Kit	160.00M	110.00M	P	8	
	KM-07177-01135	Bushing					
	S/N:	11001-12000					
	S/N:	KM-707-98-67100	Kit	160.00M	110.00M	P	8
		KM-07177-01140	Bushing				
	S/N:	12001-20000					
S/N:	KM-707-99-67110	Kit	160.00M	110.00M	P	8	
	KM-707-52-90860	Bushing					
	20001-UP						
Clamshell	KM-707-98-47680	Kit	130.00M	90.00M	P	8	
	KM-07177-09035	Bushing					
S/N:	11001-80000						
Counterweight	KM-707-98-46600	Kit	130.00M	85.00M	P	8	
	KM-707-52-10850	Bushing					
S/N:	12001-80000						
Track Adjuster	KM-BD-909024	Kit		100.00M	N	0	
	S/N:	11001-12000					
	KM-BD-909023	Kit		100.00M	N	0	
	S/N:	12001-20000					
	KM-BD-909022	Kit		90.00M	P	0	
	S/N:	20001-UP					
S/N:	KM-BD-909025	Kit		100.00M	P	0	
	20001-UP PC300HD-5K, PC300HD-6 only						
PC360 EXCAVATOR							
Excavator S/N: PC360LC-3 10001-20000, PC360LC-5 20001-UP							
Boom	KM-707-98-58200	Kit	140.00M	100.00M	P	8	
	KM-07177-01040	Bushing					
	S/N:	10001-20000					
	S/N:	KM-707-99-58210	Kit	140.00M	100.00M	P	8
KM-707-52-90750		Bushing					
S/N:	20001-UP						
Bucket	KM-707-98-58210	Kit	140.00M	100.00M	P	8	
	KM-07177-01040	Bushing					
	S/N:	10001-20000					
	S/N:	KM-707-99-58110	Kit	140.00M	100.00M	P	8
KM-707-52-90750		Bushing					
S/N:	20001-UP						
Arm	KM-707-98-67100	Kit	160.00M	110.00M	P	8	
	KM-07177-01140	Bushing					
	S/N:	10001-20000					
	S/N:	KM-707-99-67110	Kit	160.00M	110.00M	P	8
KM-707-52-90860		Bushing					
S/N:	20001-UP						
Clamshell	KM-707-98-47680	Kit	130.00M	90.00M	P	8	
	KM-07177-09035	Bushing					
S/N:	10001-20000						

Application	Part Number	Description	Bore	Rod	Wiper	Type
PC360 EXCAVATOR (continued)						
Counterweight	KM-707-98-46600	Kit	130.00M	85.00M	P	8
	KM-707-52-10850	Bushing				
Track Adjuster	KM-BD-909023	Kit		100.00M	N	0
	S/N: 10001-20000					
	KM-BD-909025	Kit		100.00M	P	0
	S/N: 20001-UP					
PC400 EXCAVATOR						
Excavator S/N: PC400-1 10001-11000,PC400LC-1 10124-11000 PC400-3 11001-20000,PC400LC-3 11001-20000 PC400-5 20001-80000,PC400LC-5 20001-80000 PC400HD-5K 20001-80000,PC400LC-6 80001-UP PC400HD-6 80001-UP						
Boom	KM-BD-118595	Kit	180.00M	110.00M	P	15
	S/N: 10001-11000					
	KM-707-98-67110	Kit	160.00M	110.00M	P	8
	KM-07177-01140	Bushing				
	S/N: 11001-20000					
	KM-707-99-67120	Kit	160.00M	110.00M	P	8
	KM-707-52-90860	Bushing				
	S/N: 20001-UP					
	Backhoe arrangement					
	KM-707-99-67110	Kit	160.00M	110.00M	P	8
KM-707-52-90860	Bushing					
S/N: 20001-40000						
Loading Shovel arrangement						
Bucket	KM-BD-118595	Kit	180.00M	110.00M	P	15
	S/N: 10001-11000					
	Backhoe arrangement					
	KM-BD-161598	Kit	160.00M	110.00M	P	15
	S/N: 11001-20000					
	Backhoe arrangement					
	KM-707-99-67010	Kit	160.00M	110.00M	P	8
	KM-707-52-90860	Bushing				
	S/N: 20001-UP					
	Backhoe arrangement					
	KM-BD-161539	Kit	150.00M	110.00M	P	15
	S/N: 10099-11000					
	Loading Shovel arrangement					
	KM-707-98-48510	Kit	130.00M	95.00M	P	8
KM-707-52-10950	Bushing					
S/N: 11001-20000						
Loading Shovel arrangement						
KM-BD-156605	Kit	135.00M	95.00M	P	15	
S/N: 20001-40000						
Loading Shovel arrangement						
Bottom Dump	KM-BD-148539	Kit	150.00M	100.00M	P	15
	S/N: 10099-11000					
	KM-707-98-48500	Kit	130.00M	95.00M	P	8
	KM-707-52-10950	Bushing				
	S/N: 11001-20000					

KOMATSU® (REFERENCED BY OEM PART NUMBERS)

Application	Part Number	Description	Bore	Rod	Wiper	Type	
PC400 EXCAVATOR (continued)							
Bottom Dump (cont)	KM-BD-155588	Kit	130.00M	90.00M	P	15	
	S/N: 20001-40000						
Arm	KM-BD-105596	Kit	200.00M	120.00M	P	15	
	S/N: 10001-11000						
			Backhoe arrangement				
	KM-707-98-68500	Kit	180.00M	120.00M	P	8	
	KM-07177-01240	Bushing					
	S/N: 11001-20000						
			Backhoe arrangement Use with 208-63-62100 Cylinder				
	KM-BD-105600	Kit	180.00M	120.00M	P	15	
	S/N: 11001-20000						
			Backhoe arrangement Use with 208-63-62101, 208-63-62102 or 208-63-62201 Cylinder				
	KM-707-99-68510	Kit	185.00M	120.00M	P	8	
	KM-707-52-90950	Bushing					
	S/N: 20001-UP						
			Backhoe arrangement				
	KM-BD-165606	Kit	185.00M	130.00M	P	15	
	S/N: 80001-UP						
		Backhoe arrangement					
KM-BD-163597	Kit	200.00M	140.00M	P	15		
S/N: 10099-11000							
		Loading Shovel arrangement					
KM-707-98-68400	Kit	180.00M	120.00M	P	8		
KM-07177-01240	Bushing						
S/N: 11001-20000							
		Loading Shovel arrangement					
KM-707-99-68510	Kit	185.00M	120.00M	P	8		
KM-707-52-90950	Bushing						
S/N: 20001-40000							
		Loading Shovel arrangement					
Clamshell	KM-BD-131547	Kit	110.00M	65.00M	P	15	
	S/N: 10099-11000						
			Mechanical Hand				
	KM-707-98-58230	Kit	140.00M	100.00M	P	8	
KM-07177-01040	Bushing						
S/N: 11001-40000							
Counterweight	KM-707-98-46600	Kit	130.00M	85.00M	P	8	
	KM-707-52-10850	Bushing					
	S/N: 11001-UP						
Track Adjuster	KM-BD-909024	Kit		100.00M	N	0	
	S/N: 10001-11000						
	KM-BD-909023	Kit		100.00M	N	0	
	S/N: 11001-20000						
KM-BD-909025	Kit		100.00M	P	0		
S/N: 20001-UP							

Application	Part Number	Description	Bore	Rod	Wiper	Type
PC650 (SERIES 1) EXCAVATOR						
Model - S/N: PC650-1 10007-105000,PC650-1A 10014-105000 PC650E-1 10240-UP						
Boom	KM-707-98-77400	Kit	225.00M	140.00M	P	8
	KM-707-52-11401	Bushing				
	Backhoe arrangement					
	KM-BD-105597	Kit	200.00M	120.00M	P	15
	S/N: 10007-10122 Loading Shovel arrangement Use with 209-63-56101 Cylinder					
	KM-707-98-75030	Kit	200.00M	120.00M	P	8
	KM-07177-01240	Bushing				
	Loading Shovel arrangement Use with 209-63-56102 Cylinder					
Bucket	KM-BD-163773	Kit	200.00M	140.00M	P	15
	S/N: 10007-10122 Backhoe arrangement Use with 209-63-72301 or 209-63-72302 Cylinder					
	KM-707-98-77030	Kit	200.00M	140.00M	P	8
	KM-707-52-11401	Bushing				
	Backhoe arrangement Use with 209-63-72303 Cylinder					
	KM-BD-163597	Kit	200.00M	140.00M	P	15
	S/N: 10007-10122 Loading Shovel arrangement Use with 209-63-76500 Cylinder					
	KM-707-98-77020	Kit	200.00M	140.00M	P	8
KM-707-52-11401	Bushing					
Loading Shovel arrangement Use with 209-63-76501 Cylinder						
Bottom Dump	KM-BD-117770	Kit	160.00M	90.00M	P	15
	S/N: 10007-10040 Use with 209-63-96101 Cylinder					
	KM-BD-117771	Kit	160.00M	90.00M	P	15
Use with 209-63-96103 Cylinder						
Arm	KM-707-98-78400	Kit	225.00M	160.00M	P	8
	KM-707-52-11601	Bushing				
	Backhoe arrangement					
	KM-BD-163597	Kit	200.00M	140.00M	P	15
	S/N: 10007-10122 Loading Shovel arrangement Use with 209-63-66300 Cylinder					
	KM-707-98-77020	Kit	200.00M	140.00M	P	8
KM-707-52-11401	Bushing					
Loading Shovel arrangement Use with 209-63-66301 or 209-63-66303 Cylinder						
Compensation	KM-BD-105769	Kit	200.00M	120.00M	P	15
S/N: 10007-10122 Loading Shovel arrangement Use with 209-63-86301 or 209-63-86401 Cylinder						

KOMATSU® (REFERENCED BY OEM PART NUMBERS)

Application	Part Number	Description	Bore	Rod	Wiper	Type
PC650 (SERIES 1) EXCAVATOR (continued)						
Compensation (cont)	KM-707-98-75020	Kit	200.00M	120.00M	P	8
	KM-07177-01240	Bushing				
	Loading Shovel arrangement Use with 209-63-86302 or 209-63-86402 Cylinder					
Track Adjuster	KM-BD-909045	Kit	150.00M	100.00M	P	0
PC650 (SERIES 3 & 5) EXCAVATOR						
Model - S/N: PC650-3 10501-20000,PC650-3 A15001-A25000 PC650LC-3 10501-20000,PC650LC-3 A20001-A25000 PC650SE-3 10501-20000,PC650-5 20001-UP,PC650-5 A25001-UP PC650LC-5 20001-UP,PC650LC-5 A25001-UP,PC650SE-5 20001-UP PC650SE-5 A25001-UP						
Boom	KM-707-99-77240	Kit	200.00M	140.00M	P	8
	KM-707-52-91150	Bushing				
	Backhoe arrangement					
	KM-707-99-68600	Kit	180.00M	120.00M	P	8
	KM-707-52-90950	Bushing				
	Loading Shovel arrangement					
Bucket	KM-707-99-69600	Kit	180.00M	130.00M	P	8
	KM-707-52-91050	Bushing				
	Backhoe arrangement					
	KM-707-99-77240	Kit	200.00M	140.00M	P	8
	KM-707-52-91150	Bushing				
	S/N:	PC650SE-3 10501-20000,PC650SE-5 20001-UP,PC650SE-5 A25001-UP				
	Backhoe arrangement					
	KM-707-99-69600	Kit	180.00M	130.00M	P	8
	KM-707-52-91050	Bushing				
	Loading Shovel arrangement					
Bottom Dump	KM-707-99-56300	Kit	140.00M	90.00M	P	8
	KM-707-52-90650	Bushing				
Arm	KM-707-99-77240	Kit	200.00M	140.00M	P	8
	KM-707-52-91150	Bushing				
	Backhoe arrangement					
	KM-707-99-78640	Kit	225.00M	160.00M	P	8
	KM-707-52-91350	Bushing				
	Loading Shovel arrangement					
Counterweight	KM-707-98-46600	Kit	130.00M	85.00M	P	8
	KM-707-52-10850	Bushing				
Track Adjuster	KM-BD-909046	Kit	150.00M	100.00M	P	0
	S/N:	10501-20000,A15001-A25000				
	KM-BD-909047	Kit	140.00M	140.00M	P	0
S/N:	20001-UP,A25001-UP					

Application	Part Number	Description	Bore	Rod	Wiper	Type
PC1000 EXCAVATOR						
Model - S/N: PC1000-1 10001-UP,PC1000LC-1 10001-UP,PC1000SE-1 10001-UP PC1000SP-1 10001-UP						
Boom	KM-707-99-78620	Kit	225.00M	160.00M	P	8
	KM-707-52-91350	Bushing				
Bucket	KM-707-99-78630	Kit	225.00M	160.00M	P	8
	KM-707-52-91350	Bushing				
	Backhoe arrangement					
	KM-707-99-77250	Kit	200.00M	140.00M	P	8
	KM-707-52-91150	Bushing				
Loading Shovel arrangement						
Bottom Dump	KM-707-99-56310	Kit	140.00M	90.00M	P	8
	KM-07177-09040	Bushing				
Arm	KM-707-99-89200	Kit	250.00M	170.00M	P	8
	KM-707-52-11710	Bushing				
	Backhoe arrangement					
	KM-707-99-69620	Kit	180.00M	130.00M	P	8
	KM-707-52-91050	Bushing				
Loading Shovel arrangement						
Track Adjuster	KM-BD-909048	Kit	180.00M	120.00M	P	0
PC1500 EXCAVATOR						
Model - S/N: PC1500-1 10001-UP						
Boom	KM-707-99-85260	Kit	250.00M	160.00M	P	8
	KM-707-52-11601	Bushing				
	S/N: 10001-10006					
	KM-707-99-85260	Kit	250.00M	160.00M	P	8
	KM-707-52-11601	Bushing				
S/N: 10007-UP	Loading Shovel arrangement					
Bucket	KM-BD-163786	Kit	225.00M	140.00M	P	15
	S/N: 10001-10006					
	KM-707-99-85240	Kit	250.00M	160.00M	P	8
	KM-707-52-11601	Bushing				
S/N: 10007-UP	Loading Shovel arrangement					
Bottom Dump	KM-BD-118768	Kit	200.00M	110.00M	P	15
	S/N: 10001-10006					
	KM-707-98-66440	Kit	180.00M	100.00M	P	8
S/N: 10007-UP	KM-07177-01035	Bushing				
Arm	KM-BD-163786	Kit	225.00M	140.00M	P	15
	S/N: 10001-10006					
	KM-707-99-77310	Kit	200.00M	140.00M	P	8
	KM-707-52-11401	Bushing				
S/N: 10007-UP	Loading Shovel arrangement					
Cancel	KM-707-98-67010	Kit	160.00M	110.00M	P	8
	KM-07177-01135	Bushing				

KOMATSU® (REFERENCED BY OEM PART NUMBERS)

Application	Part Number	Description	Bore	Rod	Wiper	Type
PC1500 EXCAVATOR						
(continued)						
Compensation	KM-707-99-85260	Kit	250.00M	160.00M	P	8
	KM-707-52-11601	Bushing				
	S/N: 10001-10017					
	KM-707-99-85270	Kit	250.00M	160.00M	P	8
	KM-707-52-11601	Bushing				
	S/N: 10018-UP					
Track Adjuster	KM-BD-909049	Kit	200.00M	140.00M	P	0
PF55 EXCAVATOR						
Model - S/N: PF55L-1 10001-UP						
Boom	KM-707-98-46200	Kit	120.00M	85.00M	P	8
	KM-707-52-10850	Bushing				
	Main Boom					
	KM-707-98-47510	Kit	130.00M	90.00M	P	8
	KM-07177-09040	Bushing				
	Secondary Boom					
Bucket	KM-707-98-38500	Kit	110.00M	75.00M	P	8
	KM-07177-07530	Bushing				
Arm	KM-707-98-48600	Kit	130.00M	95.00M	P	8
	KM-707-52-10950	Bushing				
Track Adjuster	KM-BD-909019	Kit		70.00M	N	0
PW05 WHEEL EXCAVATOR						
Model - S/N: PW05-1 1001-UP						
Boom	KM-707-98-04500	Kit	50.00M	30.00M	P	5
	KM-07177-03025	Bushing				
Bucket	KM-707-98-04400	Kit	50.00M	30.00M	P	5
	KM-07177-03025	Bushing				
Arm	KM-707-98-04400	Kit	50.00M	30.00M	P	5
	KM-07177-03025	Bushing				
Steering	KM-707-98-11090	Kit	60.00M	30.00M	P	5
	KM-07177-03025	Bushing				
Swing	KM-707-98-04400	Kit	50.00M	30.00M	P	5
	KM-07177-03025	Bushing				
Blade	KM-707-98-11090	Kit	60.00M	30.00M	P	5
	KM-07177-03025	Bushing				
Suspension Lock	KM-707-98-06010	Kit		40.00M	P	19
	KM-07177-04012	Bushing				
	KM-07177-04025	Bushing				

Application	Part Number	Description	Bore	Rod	Wiper	Type
PW30 WHEEL EXCAVATOR						
Model - S/N: PW30-1 1001-UP, PW30T-1 1001-UP						
Boom	KM-707-98-22110	Kit	80.00M	40.00M	P	8
	KM-07177-04025	Bushing				
Bucket	KM-707-98-14430	Kit	70.00M	40.00M	P	8
	KM-07177-04025	Bushing				
Arm	KM-707-98-22040	Kit	80.00M	40.00M	P	8
	KM-07177-04025	Bushing				
Steering	KM-707-98-12450	Kit	70.00M	35.00M	P	5
	KM-07177-03525	Bushing				
Swing	KM-707-98-12440	Kit	70.00M	35.00M	P	8
	KM-07177-03525	Bushing				
Blade	KM-707-98-24430	Kit	90.00M	45.00M	P	5
	KM-07177-04530	Bushing				
Suspension Lock	KM-707-98-22050	Kit	80.00M	40.00M	P	5
	KM-07177-04025	Bushing				
PW60 WHEEL EXCAVATOR						
Model - S/N: PW60-3 2001-UP						
Boom	KM-707-99-36260	Kit	100.00M	65.00M	P	8
	KM-07177-06530	Bushing				
Bucket	KM-707-98-26520	Kit	90.00M	55.00M	P	8
	KM-07177-05530	Bushing				
Arm	KM-707-98-27610	Kit	90.00M	60.00M	P	8
	KM-07177-06030	Bushing				
Steering	KM-707-98-03510	Kit	50.00M	25.00M	P	5
	KM-07177-02525	Bushing				
Outtrigger	KM-707-98-15720	Kit	70.00M	45.00M	P	8
	KM-07177-04530	Bushing				
Blade	KM-707-98-15720	Kit	70.00M	45.00M	P	8
	KM-07177-04530	Bushing				
Suspension Lock	KM-BD-247790	Kit		65.00M	P	19
PW100 WHEEL EXCAVATOR						
Model - S/N: PW100-3 1601-UP						
Boom	KM-707-98-36100	Kit	100.00M	65.00M	P	8
	KM-07177-06530	Bushing				
Bucket	KM-707-98-36100	Kit	100.00M	65.00M	P	8
	KM-07177-06530	Bushing				
	S/N: 1601-2300					
	KM-BD-131554	Kit	100.00M	65.00M	P	15
S/N: 2301-UP						
Arm	KM-707-98-38600	Kit	110.00M	75.00M	P	8
	KM-07177-07530	Bushing				
Clamshell	KM-BD-166607	Kit	140.00M	70.00M	P	16
Steering	KM-BD-217794	Kit	70.00M	35.00M	P	15
	S/N: 1601-2300					

KOMATSU® (REFERENCED BY OEM PART NUMBERS)

Application	Part Number	Description	Bore	Rod	Wiper	Type	
PW100 WHEEL EXCAVATOR							
(continued)							
Steering (cont)	KM-BD-217672	Kit	70.00M	35.00M	P	15	
S/N:	2301-UP						
Outrigger	KM-707-98-37500	Kit	110.00M	70.00M	P	8	
	KM-07177-07030	Bushing					
Blade	KM-BD-104504	Kit	100.00M	60.00M	P	15	
Suspension Lock	KM-BD-248790	Kit		90.00M	P	19	
PW150 WHEEL EXCAVATOR							
Model - S/N: PW150-1 1001-UP							
Boom	KM-707-98-37600	Kit	110.00M	70.00M	P	8	
	KM-07177-07030	Bushing					
Bucket	KM-707-98-37610	Kit	110.00M	70.00M	P	8	
	KM-07177-07030	Bushing					
Arm	KM-707-98-47510	Kit	130.00M	90.00M	P	8	
	KM-07177-09040	Bushing					
Clamshell	KM-BD-146566	Kit	120.00M	80.00M	P	15	
Steering	KM-707-98-22010	Kit	80.00M	40.00M	P	5	
	KM-07177-04025	Bushing					
Outrigger	KM-707-98-37500	Kit	110.00M	70.00M	P	8	
	KM-07177-07030	Bushing					
Blade	KM-707-98-37500	Kit	110.00M	70.00M	P	8	
	KM-07177-07030	Bushing					
Suspension Lock	KM-BD-249790	Kit		110.00M	P	19	
PW210 WHEEL EXCAVATOR							
Model - S/N: PW210-1 10001-UP							
Boom	KM-707-98-46200	Kit	120.00M	85.00M	P	8	
	KM-707-52-10850	Bushing					
	S/N:	10001-10034					
	S/N:	KM-707-98-46270	Kit	120.00M	85.00M	P	8
KM-707-52-10850		Bushing					
S/N:	10035-UP						
Bucket	KM-707-98-38500	Kit	110.00M	75.00M	P	8	
	KM-07177-07530	Bushing					
	S/N:	10001-10034					
	S/N:	KM-707-98-38551	Kit	110.00M	75.00M	P	8
		KM-07177-07530	Bushing				
	S/N:	10035-UP					
S/N:	KM-707-98-46100	Kit	120.00M	85.00M	P	8	
	KM-707-52-10850	Bushing					
Short Arm arrangement							
Arm	KM-707-98-48600	Kit	130.00M	95.00M	P	8	
	KM-707-52-10950	Bushing					
	S/N:	10001-10034					
	S/N:	KM-707-99-48610	Kit	130.00M	95.00M	P	8
KM-707-52-10950		Bushing					
S/N:	10035-UP						
Steering	KM-707-98-22430	Kit	90.00M	40.00M	P	5	
	KM-07177-04025	Bushing					
Outrigger	KM-707-98-45700	Kit	130.00M	80.00M	P	8	
	KM-07177-08030	Bushing					

Application	Part Number	Description	Bore	Rod	Wiper	Type
PW210 WHEEL EXCAVATOR						
(continued)						
Blade	KM-707-98-46120	Kit	120.00M	85.00M	P	8
	KM-707-52-10850	Bushing				
Suspension Lock	KM-BD-249790	Kit		110.00M	P	19
WA20 WHEEL LOADER						
Model - S/N: WA20-1 1001-UP						
Lift	KM-707-98-04470	Kit	50.00M	30.00M	P	5
	KM-07177-03025	Bushing				
Tilt (Dump)	KM-707-98-12080	Kit	60.00M	35.00M	P	5
	KM-07177-03525	Bushing				
Clam	KM-BD-112737	Kit	50.00M	30.00M	P	15
Steering	KM-707-98-03530	Kit	50.00M	25.00M	P	5
	KM-07177-02525	Bushing				
WA30 WHEEL LOADER						
Model - S/N: WA30-2 3001-UP						
Lift	KM-707-98-12100	Kit	60.00M	35.00M	P	8
	KM-07177-03525	Bushing				
	S/N: 3001-4101					
	KM-707-98-12080	Kit	60.00M	35.00M	P	5
S/N: 4102-UP	KM-07177-03525	Bushing				
Tilt (Dump)	KM-707-98-12200	Kit	60.00M	35.00M	P	8
	KM-07177-03525	Bushing				
	S/N: 3001-4101					
	KM-707-98-12080	Kit	60.00M	35.00M	P	5
S/N: 4102-UP	KM-07177-03525	Bushing				
Clam	KM-707-99-04410	Kit	50.00M	30.00M	P	5
	KM-07177-03025	Bushing				
Steering	KM-707-99-11040	Kit	60.00M	30.00M	P	8
	KM-07177-03025	Bushing				
	S/N: 3001-4101					
	KM-707-98-11090	Kit	60.00M	30.00M	P	5
S/N: 4102-UP	KM-07177-03025	Bushing				
Grapple	KM-707-99-04410	Kit	50.00M	30.00M	P	5
	KM-07177-03025	Bushing				

KOMATSU® (REFERENCED BY OEM PART NUMBERS)

Application	Part Number	Description	Bore	Rod	Wiper	Type
WA40 WHEEL LOADER						
Model - S/N: WA40-1 1001-50000,WA40-2 50001-UP						
Lift	KM-707-98-14670	Kit	70.00M	40.00M	P	5
	KM-07177-04025	Bushing				
	S/N: 1001-50000					
	KM-707-99-34500	Kit	110.00M	55.00M	P	8
S/N: 50001-UP	KM-07177-05530	Bushing				
	S/N: 50001-UP					
Tilt (Dump)	KM-707-98-14670	Kit	70.00M	40.00M	P	5
	KM-07177-04025	Bushing				
	S/N: 1001-50000					
	KM-BD-174550	Kit	100.00M	50.00M	P	16
	S/N: 50001-UP					
	KM-BD-176733	Kit	120.00M	60.00M	P	16
S/N: 50001-UP	Fork Loader arrangement					
	S/N: 50001-UP					
Clam	KM-707-98-11090	Kit	60.00M	30.00M	P	5
	KM-07177-03025	Bushing				
	S/N: 1001-50000					
Steering	KM-707-98-12450	Kit	70.00M	35.00M	P	5
	KM-07177-03525	Bushing				
	S/N: 1001-50000					
	KM-BD-100551	Kit	80.00M	40.00M	P	16
S/N: 50001-UP						
Grapple	KM-707-99-04410	Kit	50.00M	30.00M	P	5
	KM-07177-03025	Bushing				
	S/N: 1001-50000					
Backhoe Outrigger	KM-BD-136736	Kit	70.00M	45.00M	P	16
	Backhoe model DHS030-1 S/N: 6497-Up					
Backhoe Swing	KM-BD-231735	Kit	100.00M		N	0
	Backhoe model DHS030-1 S/N: 6497-Up					
Backhoe Boom	KM-BD-232733	Kit	120.00M	60.00M	P	16
	Backhoe model DHS030-1 S/N: 6497-Up					
Backhoe Bucket	KM-BD-135550	Kit	100.00M	50.00M	P	16
	Backhoe model DHS030-1 S/N: 6497-Up					
Backhoe Stick (Arm)	KM-BD-173734	Kit	110.00M	55.00M	P	16
	Backhoe model DHS030-1 S/N: 6497-Up					

KOMATSU® (REFERENCED BY OEM PART NUMBERS)

597

Application	Part Number	Description	Bore	Rod	Wiper	Type
WA60 WHEEL LOADER						
Model - S/N: WA60-2 50001-UP						
Tilt (Dump)	KM-BD-176733	Kit	120.00M	60.00M	P	16
	KM-707-99-41100	Kit	120.00M	60.00M	P	8
	KM-07177-06030	Bushing				
Steering	KM-BD-100551	Kit	80.00M	40.00M	P	16
WA70 WHEEL LOADER						
Loader S/N: WA70-1 10001-50000,WA70-3 50001-UP						
Lift	KM-707-99-24100	Kit	80.00M	45.00M	P	8
	KM-07177-04530	Bushing				
	S/N: 10001-11999					
	KM-707-98-24120	Kit	80.00M	45.00M	P	8
	KM-07177-04530	Bushing				
	S/N: 12001-50000					
Tilt (Dump)	KM-707-99-22100	Kit	80.00M	40.00M	P	8
	KM-07177-04025	Bushing				
	S/N: 10001-11999					
	KM-BD-172609	Kit	80.00M	40.00M	P	15
	S/N: 12001-50000					
	KM-BD-128543	Kit	130.00M	70.00M	P	15
	S/N: 50001-UP					
	KM-707-98-25100	Kit	80.00M	50.00M	P	8
	KM-07177-05030	Bushing				
	S/N: 10001-11999					
	High Lift arrangement					
	KM-707-99-25100	Kit	80.00M	50.00M	P	8
	KM-07177-05030	Bushing				
	S/N: 12001-50000					
	High Lift arrangement					
	KM-707-99-25500	Kit	90.00M	50.00M	P	8
	KM-07177-05030	Bushing				
	S/N: 10001-50000					
High Lift arrangement						
Clam	KM-707-98-12480	Kit	70.00M	35.00M	P	8
	KM-07177-03525	Bushing				
	S/N: 10001-50000					
Steering	KM-707-99-03400	Kit	50.00M	25.00M	P	5
	KM-07177-02525	Bushing				
	S/N: 10001-11999					
	KM-707-99-03410	Kit	50.00M	25.00M	P	5
	KM-07177-02525	Bushing				
	S/N: 12001-50000					
	KM-BD-100551	Kit	80.00M	40.00M	P	16
	S/N: 50001-UP					
Grapple	KM-707-98-12480	Kit	70.00M	35.00M	P	8
	KM-07177-03525	Bushing				
	S/N: 10001-50000					

NORTH AMERICA
PHONE 800.854.0275
FAX 813.559.8698



WORLDWIDE
PHONE 813.559.8650
FAX 813.559.8698

KOMATSU® (REFERENCED BY OEM PART NUMBERS)

Application	Part Number	Description	Bore	Rod	Wiper	Type
WA70 WHEEL LOADER						
(continued)						
Grapple (cont)	KM-BD-100503	Kit	80.00M	40.00M	P	15
	S/N: 50001-UP	Lumber Fork arrangement				
	KM-BD-174550	Kit	100.00M	50.00M	P	16
	S/N: 50001-UP	Log Grapple arrangement				
WA90 WHEEL LOADER						
Model - S/N: WA90-2 61004-70000, WA90-3 70001-UP						
Lift	KM-BD-128516	Kit	140.00M	70.00M	P	16
	S/N: 70001-UP					
Tilt (Dump)	KM-BD-116740	Kit	160.00M	80.00M	P	16
	S/N: 70001-UP					
	KM-BD-111526	Kit	180.00M	90.00M	P	15
	S/N: 70001-UP					
Clam	KM-BD-232546	Kit	120.00M	60.00M	P	15
	S/N: 70001-UP					
Steering	KM-BD-100551	Kit	80.00M	40.00M	P	16
	S/N: 70001-UP					
Grapple	KM-BD-174550	Kit	100.00M	50.00M	P	16
	S/N: 70001-UP					
Backhoe Outrigger	KM-BD-136736	Kit	70.00M	45.00M	P	16
	S/N: 61004-70000	Backhoe model DHS030-1 S/N: 6569-Up				
Backhoe Swing	KM-BD-231735	Kit	100.00M		N	0
	S/N: 61004-70000	Backhoe model DHS030-1 S/N: 6569-Up				
Backhoe Boom	KM-BD-232733	Kit	120.00M	60.00M	P	16
	S/N: 61004-70000	Backhoe model DHS030-1 S/N: 6569-Up				
Backhoe Bucket	KM-BD-135550	Kit	100.00M	50.00M	P	16
	S/N: 61004-70000	Backhoe model DHS030-1 S/N: 6569-Up				
Backhoe Stick (Arm)	KM-BD-173734	Kit	110.00M	55.00M	P	16
	S/N: 61004-70000	Backhoe model DHS030-1 S/N: 6569-Up				
WA100 WHEEL LOADER						
Loader S/N: WA100-1 10001-UP						
Lift	KM-707-99-34100	Kit	100.00M	55.00M	P	8
	KM-07177-05530	Bushing				
Tilt (Dump)	KM-707-99-32100	Kit	100.00M	50.00M	P	8
	KM-07177-05030	Bushing				
	KM-707-99-34500	Kit	110.00M	55.00M	P	8
	KM-07177-05530	Bushing				
Side Dump	KM-707-98-24120	Kit	80.00M	45.00M	P	8
	KM-07177-04530	Bushing				
Clam	KM-707-99-25520	Kit	90.00M	50.00M	P	8
	KM-07177-05030	Bushing				
Steering	KM-707-99-14200	Kit	60.00M	40.00M	P	8
	KM-07177-04025	Bushing				
Grapple	KM-707-99-22100	Kit	80.00M	40.00M	P	8
	KM-07177-04025	Bushing				

Application	Part Number	Description	Bore	Rod	Wiper	Type
WA100 WHEEL LOADER						
(continued)						
Multi-Coupler Lock	KM-BD-167608	Kit	50.00M	25.00M	P	15
	Use with 707-04-50110 Cylinder					
	KM-BD-168608	Kit	50.00M	25.00M	P	15
	Use with 707-04-50190 Cylinder					
Backhoe Outrigger	KM-BD-136736	Kit	70.00M	45.00M	P	16
	Backhoe model PHS150-1					
Backhoe Swing	KM-BD-231735	Kit	100.00M		N	0
	Backhoe model PHS150-1					
Backhoe Boom	KM-BD-232733	Kit	120.00M	60.00M	P	16
	Backhoe model PHS150-1					
Backhoe Bucket	KM-BD-135550	Kit	100.00M	50.00M	P	16
	Backhoe model PHS150-1					
Backhoe Stick (Arm)	KM-BD-173734	Kit	110.00M	55.00M	P	16
	Backhoe model PHS150-1					
WA120 WHEEL LOADER						
Loader S/N: WA120-1 10001-20000,WA120-1LC 20001-50000 WA120-3 50001-UP						
Lift	KM-707-99-37500	Kit	110.00M	70.00M	P	8
	KM-07177-07030	Bushing				
	S/N: 10001-50000 Use with 707-00-11320 or 707-00-11330 Cylinder					
	KM-BD-132612	Kit	110.00M	70.00M	P	15
	S/N: 10001-50000 Use with 707-00-11321 or 707-00-11331 Cylinder					
	KM-BD-116538	Kit	150.00M	80.00M	P	16
S/N: 50001-UP						
Tilt (Dump)	KM-707-99-41100	Kit	120.00M	60.00M	P	8
	KM-07177-06030	Bushing				
	S/N: 10001-50000					
	KM-BD-111526	Kit	180.00M	90.00M	P	15
	S/N: 50001-UP					
	KM-BD-120514	Kit	200.00M	100.00M	P	15
S/N: 50001-UP						
Steering	KM-707-99-14200	Kit	60.00M	40.00M	P	8
	KM-07177-04025	Bushing				
	S/N: 10001-50000					
	KM-BD-174550	Kit	100.00M	50.00M	P	16
S/N: 50001-UP						
Grapple	KM-707-99-22100	Kit	80.00M	40.00M	P	8
	KM-07177-04025	Bushing				
	S/N: 10001-50000					
	KM-707-99-43530	Kit	130.00M	70.00M	P	8
	KM-07177-07015	Bushing				
	KM-07177-07030	Bushing				
S/N: 50001-UP						

KOMATSU® (REFERENCED BY OEM PART NUMBERS)

Application	Part Number	Description	Bore	Rod	Wiper	Type
WA150 WHEEL LOADER						
Loader S/N: WA150-1 10001-UP						
Lift	KM-707-99-37500	Kit	110.00M	70.00M	P	8
	KM-07177-07030	Bushing				
Tilt (Dump)	KM-707-99-41100	Kit	120.00M	60.00M	P	8
	KM-07177-06030	Bushing				
Clam	KM-707-99-25520	Kit	90.00M	50.00M	P	8
	KM-07177-05030	Bushing				
Steering	KM-707-99-14200	Kit	60.00M	40.00M	P	8
	KM-07177-04025	Bushing				
Grapple	KM-707-99-22100	Kit	80.00M	40.00M	P	8
	KM-07177-04025	Bushing				
Multi-Coupler Lock	KM-BD-167608	Kit	50.00M	25.00M	P	15
Backhoe Outtrigger	KM-BD-136736	Kit	70.00M	45.00M	P	16
	Backhoe model PHS150-1					
Backhoe Swing	KM-BD-231735	Kit	100.00M		N	0
	Backhoe model PHS150-1					
Backhoe Boom	KM-BD-232733	Kit	120.00M	60.00M	P	16
	Backhoe model PHS150-1					
Backhoe Bucket	KM-BD-135550	Kit	100.00M	50.00M	P	16
	Backhoe model PHS150-1					
Backhoe Stick (Arm)	KM-BD-173734	Kit	110.00M	55.00M	P	16
	Backhoe model PHS150-1					
WA180 WHEEL LOADER						
Loader S/N: WA180-1 10001-UP, WA180-1LC 75001-UP						
Lift	KM-707-99-43100	Kit	120.00M	70.00M	P	8
	KM-07177-07030	Bushing				
	KM-BD-120526	Kit	180.00M	100.00M	P	15
Tilt (Dump)	KM-707-99-43500	Kit	130.00M	70.00M	P	8
	KM-07177-07030	Bushing				
	KM-BD-116571	Kit	160.00M	80.00M	P	15
Clam	KM-BD-111526	Kit	180.00M	90.00M	P	15
	KM-707-99-25520	Kit	90.00M	50.00M	P	8
	KM-07177-05030	Bushing				
Steering	KM-707-99-15600	Kit	70.00M	45.00M	P	8
	KM-07177-04530	Bushing				
	KM-707-99-34500	Kit	110.00M	55.00M	P	8
	KM-07177-05530	Bushing				
Grapple	KM-707-99-43530	Kit	130.00M	70.00M	P	8
	KM-07177-07015	Bushing				
	KM-07177-07030	Bushing				
Multi-Coupler Lock	KM-BD-167608	Kit	50.00M	25.00M	P	15

Application	Part Number	Description	Bore	Rod	Wiper	Type
WA200 WHEEL LOADER						
Loader S/N: WA200-1 10001-UP						
Lift	KM-707-99-43100	Kit	120.00M	70.00M	P	8
	KM-07177-07030	Bushing				
Tilt (Dump)	KM-707-99-43500	Kit	130.00M	70.00M	P	8
	KM-07177-07030	Bushing				
Side Dump	KM-BD-104504	Kit	100.00M	60.00M	P	15
	KM-707-99-24500	Kit	90.00M	45.00M	P	8
	KM-07177-04530	Bushing				
Clam	KM-707-99-32100	Kit	100.00M	50.00M	P	8
	KM-07177-05030	Bushing				
Steering	KM-707-99-14600	Kit	70.00M	40.00M	P	8
	KM-07177-04025	Bushing				
	S/N: 10001-29999					
	KM-707-99-14610	Kit	70.00M	40.00M	P	8
	KM-07177-04025	Bushing				
S/N: 30001-UP						
Grapple	KM-707-99-22100	Kit	80.00M	40.00M	P	8
	KM-07177-04025	Bushing				
Multi-Coupler Lock	KM-BD-167608	Kit	50.00M	25.00M	P	15
	Use with 707-04-50110 Cylinder					
	KM-BD-168608	Kit	50.00M	25.00M	P	15
	Use with 707-04-50190 Cylinder					
WA250 WHEEL LOADER						
Loader S/N: WA250-1 10001-UP, WA250-1LC 65001-UP						
Lift	KM-707-99-43500	Kit	130.00M	70.00M	P	8
	KM-07177-07030	Bushing				
Tilt (Dump)	KM-707-99-53500	Kit	150.00M	75.00M	P	8
	KM-07177-07530	Bushing				
Steering	KM-707-99-14600	Kit	70.00M	40.00M	P	8
	KM-07177-04025	Bushing				
	S/N: 10001-10628					
	KM-707-99-14600	Kit	70.00M	40.00M	P	8
	KM-07177-04025	Bushing				
	S/N: 10629-65000					
	Use with 707-00-70132 Cylinder					
	KM-707-99-14610	Kit	70.00M	40.00M	P	8
	KM-07177-04025	Bushing				
	S/N: 10629-65000					
	Use with 707-00-01350 Cylinder					
KM-707-99-14610	Kit	70.00M	40.00M	P	8	
KM-07177-04025	Bushing					
S/N: 65001-UP						

KOMATSU® (REFERENCED BY OEM PART NUMBERS)

Application	Part Number	Description	Bore	Rod	Wiper	Type	
WA260 WHEEL LOADER							
Model - S/N: WA260-1 10001-UP							
Lift	KM-BD-123519	Kit	225.00M	120.00M	P	15	
Tilt (Dump)	KM-BD-111526	Kit	180.00M	90.00M	P	15	
Steering	KM-BD-234543	Kit	130.00M	70.00M	P	15	
WA300 WHEEL LOADER							
Loader S/N: WA300-1 10001-UP							
Lift	KM-707-99-54100	Kit	140.00M	80.00M	P	8	
	KM-07177-08030	Bushing					
Tilt (Dump)	KM-707-99-62010	Kit	160.00M	80.00M	P	8	
	KM-07177-08030	Bushing					
Side Dump	KM-707-99-41100	Kit	120.00M	60.00M	P	8	
	KM-07177-06030	Bushing					
Clam	KM-707-99-41140	Kit	120.00M	60.00M	P	8	
	KM-07177-06030	Bushing					
Steering	KM-707-99-14600	Kit	70.00M	40.00M	P	8	
	KM-07177-04025	Bushing					
Grapple	KM-707-99-32100	Kit	100.00M	50.00M	P	8	
	KM-07177-05030	Bushing					
Multi-Coupler Lock	KM-BD-167608	Kit	50.00M	25.00M	P	15	
	Use with 707-04-50110 Cylinder						
	KM-BD-168608	Kit	50.00M	25.00M	P	15	
	Use with 707-04-50190 Cylinder						
WA320 WHEEL LOADER							
Loader S/N: WA320-1 10001-30000,WA320-3 30001-UP							
Lift	KM-707-99-54100	Kit	140.00M	80.00M	P	8	
	KM-07177-08030	Bushing					
	S/N: 10001-19999	KM-707-99-53100	Kit	140.00M	75.00M	P	8
	S/N: 20001-UP	KM-707-52-10750	Bushing				
Tilt (Dump)	KM-707-99-62010	Kit	160.00M	80.00M	P	8	
	KM-07177-08030	Bushing					
	S/N: 10001-19999	KM-707-99-62020	Kit	160.00M	80.00M	P	8
	S/N: 20001-UP	KM-07177-08040	Bushing				
Steering	KM-707-99-14600	Kit	70.00M	40.00M	P	8	
	KM-07177-04025	Bushing					
	S/N: 10001-19999	KM-707-99-14610	Kit	70.00M	40.00M	P	8
	S/N: 20001-UP	KM-07177-04025	Bushing				
Grapple	KM-707-99-32100	Kit	100.00M	50.00M	P	8	
	KM-07177-05030	Bushing					
	S/N: 20001-UP						

Application	Part Number	Description	Bore	Rod	Wiper	Type
WA350 WHEEL LOADER						
Loader S/N: WA350-1 10001-UP,WA350-1M 10001-UP						
Lift	KM-707-99-56500	Kit	150.00M	90.00M	P	8
	KM-07177-09035	Bushing				
Tilt (Dump)	KM-707-99-64400	Kit	180.00M	90.00M	P	8
	KM-07177-09035	Bushing				
Side Dump	KM-707-99-41100	Kit	120.00M	60.00M	P	8
	KM-07177-06030	Bushing				
Clam	KM-707-99-41140	Kit	120.00M	60.00M	P	8
	KM-07177-06030	Bushing				
Steering	KM-707-99-24110	Kit	80.00M	45.00M	P	8
	KM-07177-04530	Bushing				
Grapple	KM-707-99-32100	Kit	100.00M	50.00M	P	8
	KM-07177-05030	Bushing				
WA380 WHEEL LOADER						
Loader S/N: WA380-1 10001-45000,WA380-1LC 45001-50000 WA380-3 50001-UP						
Lift	KM-707-99-64010	Kit	160.00M	90.00M	P	8
	KM-07177-09035	Bushing				
	S/N: 10001-50000					
	KM-707-99-64040	Kit	160.00M	90.00M	P	8
S/N: 50001-UP	KM-07177-09035	Bushing				
Tilt (Dump)	KM-707-99-64400	Kit	180.00M	90.00M	P	8
	KM-07177-09035	Bushing				
	S/N: 10001-19999					
	KM-707-98-64410	Kit	180.00M	90.00M	P	8
S/N: 20001-UP	KM-707-52-10910	Bushing				
Steering	KM-707-99-24110	Kit	80.00M	45.00M	P	8
	KM-07177-04530	Bushing				
	S/N: 10001-19999					
	KM-707-99-24120	Kit	80.00M	45.00M	P	8
S/N: 20001-UP	KM-07177-04530	Bushing				

KOMATSU® (REFERENCED BY OEM PART NUMBERS)

Application	Part Number	Description	Bore	Rod	Wiper	Type
WA400 WHEEL LOADER						
Loader S/N: WA400-1 10001-UP						
Lift	KM-707-99-66010	Kit	160.00M	100.00M	P	8
	KM-07177-01035	Bushing				
Tilt (Dump)	KM-707-99-73010	Kit	200.00M	100.00M	P	8
	KM-07177-01035	Bushing				
Steering	KM-707-99-24500	Kit	90.00M	45.00M	P	8
	KM-07177-04530	Bushing				
Grapple	KM-707-99-32100	Kit	100.00M	50.00M	P	8
	KM-07177-05030	Bushing				
	KM-707-99-43540	Kit	130.00M	70.00M	P	8
	KM-07177-07015	Bushing				
	KM-07177-07030	Bushing				
WA420 WHEEL LOADER						
Loader S/N: WA420-1 10001-25000,WA420-1LC 25001-30000 WA420-3 30001-UP						
Lift	KM-707-99-66010	Kit	160.00M	100.00M	P	8
	KM-07177-01035	Bushing				
	S/N: 10001-19999					
	KM-707-99-64010	Kit	160.00M	90.00M	P	8
	KM-07177-09035	Bushing				
	S/N: 20001-30000					
	KM-707-99-64030	Kit	160.00M	90.00M	P	8
	KM-707-52-10910	Bushing				
S/N: 30001-UP						
Tilt (Dump)	KM-707-99-73010	Kit	200.00M	100.00M	P	8
	KM-07177-01040	Bushing				
	S/N: 10001-19999					
	KM-707-99-73020	Kit	200.00M	100.00M	P	8
	KM-707-52-11010	Bushing				
S/N: 20001-UP						
Steering	KM-707-99-24500	Kit	90.00M	45.00M	P	8
	KM-07177-04530	Bushing				
	S/N: 10001-19999					
	KM-707-99-24510	Kit	90.00M	45.00M	P	8
	KM-07177-04530	Bushing				
S/N: 20001-UP						
Grapple	KM-707-99-43540	Kit	130.00M	70.00M	P	8
	KM-07177-07015	Bushing				
	KM-07177-07030	Bushing				
	S/N: 20001-25000					

Application	Part Number	Description	Bore	Rod	Wiper	Type
WA450 WHEEL LOADER						
Loader S/N: WA450-1 10001-25000,WA450-2 25001-30000,WA450-3 30001-UP						
Lift	KM-707-99-66400	Kit	180.00M	100.00M	P	8
	KM-07177-01035	Bushing				
	S/N: 10001-19999					
	KM-707-99-65400	Kit	180.00M	95.00M	P	8
	KM-707-52-10960	Bushing				
	S/N: 20001-UP					
Tilt (Dump)	KM-707-99-73010	Kit	200.00M	100.00M	P	8
	KM-07177-01035	Bushing				
	S/N: 10001-10556					
	KM-707-99-73010	Kit	200.00M	100.00M	P	8
	KM-07177-01040	Bushing				
	S/N: 10557-19999					
Side Dump	KM-707-99-73020	Kit	200.00M	100.00M	P	8
	KM-707-52-11010	Bushing				
	S/N: 20001-UP					
	KM-707-99-43500	Kit	130.00M	70.00M	P	8
	KM-07177-07030	Bushing				
	S/N: 10001-19999					
Steering	KM-707-99-32100	Kit	100.00M	50.00M	P	8
	KM-07177-05030	Bushing				
	S/N: 10001-19999					
	KM-707-99-32110	Kit	100.00M	50.00M	P	8
	KM-07177-05030	Bushing				
	S/N: 20001-UP					
Grapple	KM-707-99-43540	Kit	130.00M	70.00M	P	8
	KM-07177-07015	Bushing				
	KM-07177-07030	Bushing				
	S/N: 10001-19999					
WA470 WHEEL LOADER						
Loader S/N: WA470-1 10001-UP						
Lift	KM-707-99-66400	Kit	180.00M	100.00M	P	8
	KM-07177-01035	Bushing				
	S/N: 10001-19999					
	KM-707-99-65400	Kit	180.00M	95.00M	P	8
	KM-707-52-10960	Bushing				
	S/N: 20001-UP					
Tilt (Dump)	KM-707-99-73010	Kit	200.00M	100.00M	P	8
	KM-07177-01040	Bushing				
	S/N: 10001-19999					
	KM-707-99-73020	Kit	200.00M	100.00M	P	8
	KM-707-52-11010	Bushing				
	S/N: 20001-UP					
Steering	KM-707-99-32100	Kit	100.00M	50.00M	P	8
	KM-07177-05030	Bushing				
	S/N: 10001-19999					

KOMATSU® (REFERENCED BY OEM PART NUMBERS)

Application	Part Number	Description	Bore	Rod	Wiper	Type
WA470 WHEEL LOADER						
(continued)						
Steering (cont)	KM-707-99-32110	Kit	100.00M	50.00M	P	8
	KM-07177-05030	Bushing				
	S/N: 20001-UP					
Grapple	KM-707-99-43530	Kit	130.00M	70.00M	P	8
	KM-07177-07015	Bushing				
	KM-07177-07030	Bushing				
	S/N: 20001-UP					
WA500 WHEEL LOADER						
Loader S/N: WA500-1 10001-20014,WA500-1L 20015-60000,WA500-1LC 60001-61000 WA500-1LE 61001-UP						
Lift	KM-707-99-74010	Kit	200.00M	110.00M	P	8
	KM-707-52-11110	Bushing				
Tilt (Dump)	KM-707-99-75400	Kit	225.00M	120.00M	P	8
	KM-707-52-11210	Bushing				
	S/N: 10001-19999,20015-20853					
	KM-707-99-75420	Kit	225.00M	120.00M	P	8
	KM-707-52-11210	Bushing				
	S/N: 20001-20014,20854-UP					
	KM-707-99-84010	Kit	250.00M	140.00M	P	8
	KM-07177-01440	Bushing				
	KM-707-99-75405	Kit	225.00M	120.00M	P	8
	KM-707-52-90950	Bushing				
	S/N: 20001-20014					
	High Lift arrangement					
Steering	KM-707-99-34500	Kit	110.00M	55.00M	P	8
	KM-07177-05530	Bushing				
	S/N: 10001-19999,20015-20853					
	KM-707-99-34510	Kit	110.00M	55.00M	P	8
	KM-07177-05530	Bushing				
	S/N: 20001-20014,20854-UP					
Grapple	KM-707-99-52100	Kit	140.00M	70.00M	P	8
	KM-07177-07030	Bushing				
WA600 WHEEL LOADER						
Loader S/N: WA600-1 10001-UP,WA600-1L 10009-UP,WA600-1L A10391-A5000 WA600-1LC A50001-A51000,WA600-1LE A51001-UP						
Lift	KM-707-99-75410	Kit	225.00M	120.00M	P	8
	KM-707-52-11210	Bushing				
	S/N: 10001-11463,A10391-UP					
	KM-707-99-75440	Kit	225.00M	120.00M	P	8
	KM-707-52-90950	Bushing				
	S/N: 11464-UP					
Tilt (Dump)	KM-707-99-84400	Kit	280.00M	140.00M	P	8
	KM-707-52-11410	Bushing				
	S/N: 10001-11463,A10391-UP					
	KM-BD-236528	Kit	280.00M	140.00M	P	15
	S/N: 11464-UP					

Application	Part Number	Description	Bore	Rod	Wiper	Type
WA600 WHEEL LOADER						
(continued)						
Tilt (Dump) (cont)	KM-707-99-84440	Kit	280.00M	140.00M	P	8
	KM-707-52-91150	Bushing				
	S/N: 11464-UP	Arctic application				
	KM-707-99-84400	Kit	280.00M	140.00M	P	8
	KM-707-52-11410	Bushing				
	S/N: 10001-UP,A10391-A50000	High Lift arrangement				
Steering	KM-707-99-43500	Kit	130.00M	70.00M	P	8
	KM-07177-07030	Bushing				
	S/N: 10001-11463,A10391-UP					
	KM-707-99-43570	Kit	130.00M	70.00M	P	8
	KM-707-52-90450	Bushing				
	S/N: 11464-UP					
Grapple	KM-707-99-52100	Kit	140.00M	70.00M	P	8
	KM-07177-07030	Bushing				
WD600 WHEEL DOZER						
Dozer S/N: WD600-1 10001-UP						
Lift	KM-BD-179618	Kit	160.00M	90.00M	P	15
Tilt & Pitch	KM-707-98-64410	Kit	180.00M	90.00M	P	8
	KM-707-52-10910	Bushing				
Steering	KM-707-99-43500	Kit	130.00M	70.00M	P	8
	KM-07177-07030	Bushing				
WA700 WHEEL LOADER						
Model - S/N: WA700-1 10001-UP						
Lift	KM-707-99-77600	Kit	225.00M	140.00M	P	8
	KM-707-52-91150	Bushing				
Tilt (Dump)	KM-707-99-86600	Kit	280.00M	170.00M	P	8
	KM-707-52-91450	Bushing				
Steering	KM-707-99-46620	Kit	130.00M	85.00M	P	8
	KM-707-52-90600	Bushing				
WA800 WHEEL LOADER						
Model - S/N: WA800-1 10001-10499,WA800-2 10501-UP						
Lift	KM-707-99-85900	Kit	260.00M	160.00M	P	8
	KM-707-52-11610	Bushing				
S/N: 10506-UP						
Tilt (Dump)	KM-BD-191746	Kit	300.00M	180.00M	P	15
	S/N: 10001-10505					
	KM-707-99-96200	Kit	300.00M	180.00M	P	8
	KM-707-52-11810	Bushing				
	S/N: 10506-UP	Use with 707-27-30012 Head				
	KM-707-99-96200	Kit	300.00M	180.00M	P	8
S/N: 10506-UP	KM-707-52-91550	Bushing				
	S/N: 10506-UP	Use with 707-27-30030 Head				

KOMATSU® (REFERENCED BY OEM PART NUMBERS)

Application	Part Number	Description	Bore	Rod	Wiper	Type
WA800 WHEEL LOADER						
(continued)						
Steering	KM-707-99-66210	Kit	160.00M	100.00M	P	8
	KM-707-52-11010	Bushing				
GD505 GRADER						
Model - S/N: GD505A-2 50003-UP						
Articulation	KM-707-98-25500	Kit	90.00M	50.00M	P	8
	KM-07177-05030	Bushing				
Blade Lift	KM-707-98-25070	Kit	80.00M	50.00M	P	8
	KM-07177-05030	Bushing				
Blade Shift	KM-707-98-25170	Kit	80.00M	50.00M	P	8
	KM-07177-05030	Bushing				
Drawbar Shift	KM-707-98-25070	Kit	80.00M	50.00M	P	8
	KM-07177-05030	Bushing				
Front Blade	KM-707-98-25060	Kit	80.00M	50.00M	P	16
	KM-07177-05030	Bushing				
Leaning	KM-707-98-12600	Kit	70.00M	35.00M	P	8
	KM-07177-03525	Bushing				
Power Tilt	KM-707-98-22100	Kit	80.00M	40.00M	P	8
	KM-07177-04025	Bushing				
Scarifier	KM-707-98-25170	Kit	80.00M	50.00M	P	8
	KM-07177-05030	Bushing				
Snow Plow Lift	KM-707-98-25060	Kit	80.00M	50.00M	P	16
	KM-07177-05030	Bushing				
Snow Plow Angle	KM-BD-135500	Kit	90.00M	50.00M	P	16
Steering	KM-BD-217796	Kit	60.00M	35.00M	P	15
	S/N: 60001-UP					
Variable Blade Lift	KM-BD-112796	Kit	60.00M	30.00M	P	15
	S/N: 50343-UP					
Variable Blade Shift	KM-BD-101796	Kit	60.00M	40.00M	P	15
	S/N: 50343-UP					
GD511 GRADER						
Model - S/N: GD511A-1 10001-UP						
Articulation	KM-707-98-24030	Kit	80.00M	45.00M	P	5
	KM-07177-04530	Bushing				
	S/N: 10001-10083	Use with 23A-63-62101 Cylinder				
	KM-BD-102730	Kit	80.00M	45.00M	P	15
Blade Lift	KM-707-98-15620	Kit	70.00M	45.00M	P	5
	KM-07177-04530	Bushing				
Blade Shift	KM-707-98-15400	Kit	70.00M	45.00M	P	5
	KM-07177-04530	Bushing				
Drawbar Shift	KM-707-98-14650	Kit	70.00M	40.00M	P	5
	KM-07177-04025	Bushing				
Front Blade	KM-707-98-24430	Kit	90.00M	45.00M	P	5
	KM-07177-04530	Bushing				
Leaning	KM-707-98-12470	Kit	70.00M	35.00M	P	5
	KM-07177-03525	Bushing				

Application	Part Number	Description	Bore	Rod	Wiper	Type
GD511 GRADER						
(continued)						
Power Tilt	KM-707-98-23030	Kit	80.00M	40.00M	P	5
	KM-07177-04025	Bushing				
	Use with 23B-63-18101 Cylinder					
	KM-BD-101730	Kit	80.00M	40.00M	P	15
Use with 23B-63-18103 Cylinder						
Scarifier	KM-707-98-25080	Kit	80.00M	50.00M	P	5
	KM-07177-05030	Bushing				
Steering	KM-707-98-11180	Kit	60.00M	30.00M	P	5
	KM-07177-03025	Bushing				
GD515 GRADER						
Model - S/N: GD515A-1 50001-UP						
Articulation	KM-707-98-24030	Kit	80.00M	45.00M	P	5
	KM-07177-04530	Bushing				
Blade Lift	KM-707-98-15620	Kit	70.00M	45.00M	P	5
	KM-07177-04530	Bushing				
Blade Shift	KM-707-98-15400	Kit	70.00M	45.00M	P	5
	KM-07177-04530	Bushing				
Drawbar Shift	KM-707-98-14650	Kit	70.00M	40.00M	P	5
	KM-07177-04025	Bushing				
Leaning	KM-707-98-12470	Kit	70.00M	35.00M	P	5
	KM-07177-03525	Bushing				
Power Tilt	KM-707-98-23030	Kit	80.00M	40.00M	P	5
	KM-07177-04025	Bushing				
Steering	KM-707-98-05410	Kit	50.00M	35.00M	P	5
	KM-07177-03525	Bushing				
GD525 GRADER						
Model - S/N: GD525A-1 50001-55000, GD525A-1B 55001-60000 GD525A-1C 60001-UP						
Articulation	KM-707-98-24030	Kit	80.00M	45.00M	P	5
	KM-07177-04530	Bushing				
	S/N: 50001-55006,60001-60049	Use with 23A-63-62101 Cylinder				
	KM-BD-102730	Kit	80.00M	45.00M	P	15
S/N: 55007-60000,60050-UP Use with 23A-63-62102 or 23A-63-62202 Cylinder						
Blade Lift	KM-707-98-25030	Kit	80.00M	50.00M	P	5
	KM-07177-05030	Bushing				
	S/N: 50001-55006,60001-60049	Use with 238-63-12301 Cylinder				
	KM-BD-103730	Kit	80.00M	50.00M	P	15
S/N: 55007-60000,60050-UP Use with 238-63-12302 Cylinder						
Blade Shift	KM-707-98-25040	Kit	80.00M	50.00M	P	5
	KM-07177-05030	Bushing				
	S/N: 50001-55006,60001-60049	Use with 23B-63-42301 or 23B-63-42302 Cylinder				

KOMATSU® (REFERENCED BY OEM PART NUMBERS)

Application	Part Number	Description	Bore	Rod	Wiper	Type
GD525 GRADER (continued)						
Blade Shift (cont)	KM-BD-103798	Kit	80.00M	50.00M	P	15
	S/N: 55007-60000,60050-UP Use with 23B-63-42303 Cylinder					
Drawbar Shift	KM-707-98-24040	Kit	80.00M	45.00M	P	5
	KM-07177-04530	Bushing				
Front Blade	KM-707-98-24430	Kit	90.00M	45.00M	P	5
	KM-07177-04530	Bushing				
	S/N: 50001-55000					
Leaning	KM-707-98-12470	Kit	70.00M	35.00M	P	5
	KM-07177-03525	Bushing				
Power Tilt	KM-707-98-23030	Kit	80.00M	40.00M	P	5
	KM-07177-04025	Bushing				
	S/N: 50001-55006,60001-60049 Use with 23B-63-18101 Cylinder					
	KM-BD-101730	Kit	80.00M	40.00M	P	15
	S/N: 55007-60000,60050-UP Use with 23B-63-18103 Cylinder					
Ripper	KM-707-98-32070	Kit	100.00M	50.00M	P	5
	KM-07177-05030	Bushing				
	50mm Rod eye seals					
	KM-707-98-32080	Kit	100.00M	50.00M	P	5
	KM-07177-05030	Bushing				
55mm Rod eye seals						
Scarifier	KM-707-98-25430	Kit	90.00M	50.00M	P	5
	KM-07177-05030	Bushing				
	S/N: 50001-55000					
	KM-707-98-25080	Kit	80.00M	50.00M	P	5
	KM-07177-05030	Bushing				
S/N: 55001-UP						
Steering	KM-707-98-05410	Kit	50.00M	35.00M	P	5
	KM-07177-03525	Bushing				
GD530 GRADER						
Model - S/N: GD530A-1 200840-202000,GD530AW-1 200840-202000 GD530A-1E 201404-201404,GD530A-2A 202002-UP GD530AW-2A 202002-UP,GD530A-2B 202002-UP,GD530AW-2B 202002-UP GD530A-2E 202002-UP,GD530AW-2E 202002-UP						
Articulation	HH-1279399H91	Kit	3.500S	2.000S	P	5
Drawbar Lift	HH-1279399H91	Kit	3.500S	2.000S	P	5
Drawbar Shift	HH-1279399H91	Kit	3.500S	2.000S	P	5
Leaning	HH-1279399H91	Kit	3.500S	2.000S	P	5
	S/N: 200840-202000					
	HH-1434418H91	Kit	3.500S	2.000S	P	5
S/N: 202002-UP						
Moldboard Shift	HH-1279399H91	Kit	3.500S	2.000S	P	5
Lock Pin	HH-1279399H91	Kit	3.500S	2.000S	P	5
Scarifier	HH-1279393H91	Kit	3.500S	1.500S	P	11

Application	Part Number	Description	Bore	Rod	Wiper	Type
GD605 GRADER						
Model - S/N: GD605A-2 53001-UP, GD605A-3 54001-UP						
Articulation	KM-707-98-25500	Kit	90.00M	50.00M	P	8
	KM-07177-05030	Bushing				
Blade Lift	KM-707-98-25070	Kit	80.00M	50.00M	P	8
	KM-07177-05030	Bushing				
Blade Shift	KM-707-98-25100	Kit	80.00M	50.00M	P	8
	KM-07177-05030	Bushing				
Drawbar Shift	KM-707-98-25070	Kit	80.00M	50.00M	P	8
	KM-07177-05030	Bushing				
Front Blade	KM-707-98-25060	Kit	80.00M	50.00M	P	16
	KM-07177-05030	Bushing				
Leaning	KM-707-98-25100	Kit	80.00M	50.00M	P	8
	KM-07177-05030	Bushing				
Power Tilt	KM-707-98-22100	Kit	80.00M	40.00M	P	8
	KM-07177-04025	Bushing				
Ripper	KM-707-99-40100	Kit	120.00M	50.00M	P	16
	KM-07177-05030	Bushing				
Scarifier	KM-707-98-25100	Kit	80.00M	50.00M	P	8
	KM-07177-05030	Bushing				
Steering	KM-707-98-12200	Kit	60.00M	35.00M	P	8
	KM-07177-03525	Bushing				
GD611 GRADER						
Model - S/N: GD611A-1 10001-UP						
Articulation	KM-707-98-25430	Kit	90.00M	50.00M	P	5
	KM-07177-05030	Bushing				
	S/N: 10001-10064					
	KM-BD-103799	Kit	90.00M	50.00M	P	15
S/N: 10065-UP						
Blade Lift	KM-707-98-25030	Kit	80.00M	50.00M	P	5
	KM-07177-05030	Bushing				
	S/N: 10001-10064					
	KM-BD-103730	Kit	80.00M	50.00M	P	15
S/N: 10065-UP						
Blade Shift	KM-707-98-15400	Kit	70.00M	45.00M	P	5
	KM-07177-04530	Bushing				
Drawbar Shift	KM-707-98-24040	Kit	80.00M	45.00M	P	5
	KM-07177-04530	Bushing				
Front Blade	KM-707-98-24430	Kit	90.00M	45.00M	P	5
	KM-07177-04530	Bushing				
Leaning	KM-707-98-22140	Kit	80.00M	40.00M	P	5
	KM-07177-04025	Bushing				
Power Tilt	KM-707-98-23030	Kit	80.00M	40.00M	P	5
	KM-07177-04025	Bushing				
	Use with 23B-63-18101 Cylinder					
	KM-BD-101730	Kit	80.00M	40.00M	P	15
Use with 23B-63-18103 Cylinder						
Scarifier	KM-707-98-25430	Kit	90.00M	50.00M	P	5
	KM-07177-05030	Bushing				

KOMATSU® (REFERENCED BY OEM PART NUMBERS)

Application	Part Number	Description	Bore	Rod	Wiper	Type
GD611 GRADER (continued)						
Steering	KM-707-98-11180	Kit	60.00M	30.00M	P	5
	KM-07177-03025	Bushing				
GD615 GRADER						
Model - S/N: GD615A-1 50001-UP						
Articulation	KM-707-98-25430	Kit	90.00M	50.00M	P	5
	KM-07177-05030	Bushing				
Blade Lift	KM-707-98-25030	Kit	80.00M	50.00M	P	5
	KM-07177-05030	Bushing				
Blade Shift	KM-707-98-25040	Kit	80.00M	50.00M	P	5
	KM-07177-05030	Bushing				
Drawbar Shift	KM-707-98-24040	Kit	80.00M	45.00M	P	5
	KM-07177-04530	Bushing				
Leaning	KM-707-98-22140	Kit	80.00M	40.00M	P	5
	KM-07177-04025	Bushing				
Power Tilt	KM-707-98-23030	Kit	80.00M	40.00M	P	5
	KM-07177-04025	Bushing				
Steering	KM-707-98-05410	Kit	50.00M	35.00M	P	5
	KM-07177-03525	Bushing				
GD621 GRADER						
Model - S/N: GD621A-1 10001-UP						
Articulation	KM-707-98-25430	Kit	90.00M	50.00M	P	5
	KM-07177-05030	Bushing				
	S/N: 10001-10025					
	S/N: 10026-UP					
Blade Lift	KM-707-98-25030	Kit	80.00M	50.00M	P	5
	KM-07177-05030	Bushing				
	S/N: 10001-10025					
	S/N: 10026-UP					
Blade Shift	KM-707-98-25040	Kit	80.00M	50.00M	P	5
	KM-07177-05030	Bushing				
	S/N: 10001-10025					
	S/N: 10026-UP					
Drawbar Shift	KM-707-98-24040	Kit	80.00M	45.00M	P	5
	KM-07177-04530	Bushing				
Front Blade	KM-707-98-24430	Kit	90.00M	45.00M	P	5
	KM-07177-04530	Bushing				
Leaning	KM-707-98-22140	Kit	80.00M	40.00M	P	5
	KM-07177-04025	Bushing				
Power Tilt	KM-707-98-23030	Kit	80.00M	40.00M	P	5
	KM-07177-04025	Bushing				
	Use with 23B-63-18101 Cylinder					
	KM-BD-101730	Kit	80.00M	40.00M	P	15
Use with 23B-63-18103 Cylinder						
Ripper	KM-707-98-32080	Kit	100.00M	50.00M	P	5
	KM-07177-05030	Bushing				

Application	Part Number	Description	Bore	Rod	Wiper	Type
GD621 GRADER (continued)						
Steering	KM-707-98-11180	Kit	60.00M	30.00M	P	5
	KM-07177-03025	Bushing				
GD623 GRADER						
Model - S/N: GD623A-1 30001-UP						
Articulation	KM-707-98-25430	Kit	90.00M	50.00M	P	5
	KM-07177-05030	Bushing				
	S/N: 30001-30141					
	KM-BD-103799	Kit	90.00M	50.00M	P	15
S/N: 30142-UP						
Blade Lift	KM-707-98-25030	Kit	80.00M	50.00M	P	5
	KM-07177-05030	Bushing				
	S/N: 30001-30141					
	KM-BD-103730	Kit	80.00M	50.00M	P	15
S/N: 30142-UP						
Blade Shift	KM-707-98-25040	Kit	80.00M	50.00M	P	5
	KM-07177-05030	Bushing				
	S/N: 30001-30141					
	KM-BD-103798	Kit	80.00M	50.00M	P	15
S/N: 30142-UP						
Drawbar Shift	KM-707-98-24040	Kit	80.00M	45.00M	P	5
	KM-07177-04530	Bushing				
Front Blade	KM-707-98-24430	Kit	90.00M	45.00M	P	5
	KM-07177-04530	Bushing				
Leaning	KM-707-98-22140	Kit	80.00M	40.00M	P	5
	KM-07177-04025	Bushing				
Power Tilt	KM-707-98-23030	Kit	80.00M	40.00M	P	5
	KM-07177-04025	Bushing				
Ripper	KM-707-98-32080	Kit	100.00M	50.00M	P	5
	KM-07177-05030	Bushing				
Scarifier	KM-707-98-25430	Kit	90.00M	50.00M	P	5
	KM-07177-05030	Bushing				
Steering	KM-707-98-05410	Kit	50.00M	35.00M	P	5
	KM-07177-03525	Bushing				
GD625 GRADER						
Model - S/N: GD625A-1 50001-UP, GD625A-1A 60001-UP, GD625A-1C 60001-UP						
Articulation	KM-707-98-25430	Kit	90.00M	50.00M	P	5
	KM-07177-05030	Bushing				
Blade Lift	KM-707-98-25030	Kit	80.00M	50.00M	P	5
	KM-07177-05030	Bushing				
Blade Shift	KM-707-98-15400	Kit	70.00M	45.00M	P	5
	KM-07177-04530	Bushing				
	KM-707-98-25040	Kit	80.00M	50.00M	P	5
	KM-07177-05030	Bushing				
Drawbar Shift	KM-707-98-24040	Kit	80.00M	45.00M	P	5
	KM-07177-04530	Bushing				
Leaning	KM-707-98-22140	Kit	80.00M	40.00M	P	5
	KM-07177-04025	Bushing				

KOMATSU® (REFERENCED BY OEM PART NUMBERS)

Application	Part Number	Description	Bore	Rod	Wiper	Type
GD625 GRADER (continued)						
Power Tilt	KM-707-98-23030	Kit	80.00M	40.00M	P	5
	KM-07177-04025	Bushing				
Ripper	KM-707-98-32080	Kit	100.00M	50.00M	P	5
	KM-07177-05030	Bushing				
Scarifier	KM-707-98-25430	Kit	90.00M	50.00M	P	5
	KM-07177-05030	Bushing				
	S/N: GD625A-1 50001-UP					
Steering	KM-707-98-05410	Kit	50.00M	35.00M	P	5
	KM-07177-03525	Bushing				
GD650 GRADER						
Model - S/N: GD650A-1 200840-202000, GD650AW-1 200840-202000 GD650A-2 202001-202001, GD650A-2A 202002-UP GD650AW-2A 202002-UP, GD650A-2B 202002-UP, GD650AW-2B 202002-UP GD650A-2E 202002-UP, GD650AW-2E 202002-UP						
Articulation	HH-1279399H91	Kit	3.500S	2.000S	P	5
Drawbar Lift	HH-1279399H91	Kit	3.500S	2.000S	P	5
Drawbar Shift	HH-1279399H91	Kit	3.500S	2.000S	P	5
Leaning	HH-1279399H91	Kit	3.500S	2.000S	P	5
	S/N: 200840-202001					
	HH-1434418H91	Kit	3.500S	2.000S	P	5
S/N: 202002-UP						
Moldboard Shift	HH-1279399H91	Kit	3.500S	2.000S	P	5
Lock Pin	HH-1279399H91	Kit	3.500S	2.000S	P	5
Scarifier	HH-1279393H91	Kit	3.500S	1.500S	P	11
GD655 GRADER						
Model - S/N: GD655A-2 63001-UP, GD655A-3 64001-UP						
Articulation	KM-707-98-25500	Kit	90.00M	50.00M	P	8
	KM-07177-05030	Bushing				
Blade Lift	KM-707-98-25070	Kit	80.00M	50.00M	P	8
	KM-07177-05030	Bushing				
Blade Shift	KM-707-98-25100	Kit	80.00M	50.00M	P	8
	KM-07177-05030	Bushing				
Drawbar Shift	KM-707-98-25070	Kit	80.00M	50.00M	P	8
	KM-07177-05030	Bushing				
Front Blade	KM-707-98-25060	Kit	80.00M	50.00M	P	16
	KM-07177-05030	Bushing				
Leaning	KM-707-98-25100	Kit	80.00M	50.00M	P	8
	KM-07177-05030	Bushing				
Power Tilt	KM-707-98-22100	Kit	80.00M	40.00M	P	8
	KM-07177-04025	Bushing				
Ripper	KM-707-99-40100	Kit	120.00M	50.00M	P	16
	KM-07177-05030	Bushing				
Scarifier	KM-707-98-25100	Kit	80.00M	50.00M	P	8
	KM-07177-05030	Bushing				
Steering	KM-707-98-12200	Kit	60.00M	35.00M	P	8
	KM-07177-03525	Bushing				

Application	Part Number	Description	Bore	Rod	Wiper	Type	
GD670 GRADER							
Model - S/N: GD670A-1 200840-202000,GD670A-2A 202002-UP GD670AW-2A 202002-UP,GD670A-2B 202002-UP,GD670AW-2B 202002-UP GD670A-2E 202002-UP,GD670AW-2E 202002-UP							
Articulation	HH-1279399H91	Kit	3.500S	2.000S	P	5	
Drawbar Lift	HH-1279399H91	Kit	3.500S	2.000S	P	5	
Drawbar Shift	HH-1279399H91	Kit	3.500S	2.000S	P	5	
Leaning	S/N: 200840-202000	HH-1279399H91	Kit	3.500S	2.000S	P	5
		HH-1434418H91	Kit	3.500S	2.000S	P	5
	S/N: 202002-UP						
Moldboard Shift	HH-1279399H91	Kit	3.500S	2.000S	P	5	
Lock Pin	HH-1279399H91	Kit	3.500S	2.000S	P	5	
Scarifier	HH-1279393H91	Kit	3.500S	1.500S	P	11	
GD705 GRADER							
Model - S/N: GD705A-3 30001-UP,GD705A-4 21001-UP							
Articulation	S/N: GD705A-3 30001-UP,GD705A-4 21001-21085	KM-707-98-34500	Kit	110.00M	55.00M	P	8
		KM-07177-05530	Bushing				
	S/N: GD705A-4 21086-31000	KM-BD-250801	Kit	110.00M	55.00M	P	15
		KM-707-98-34500	Kit	110.00M	55.00M	P	8
	S/N: GD705A-4 31001-UP	KM-07177-05530	Bushing				
Blade Lift	S/N: GD705A-3 30001-UP,GD705A-4 21001-21085	KM-707-98-26600	Kit	90.00M	55.00M	P	8
		KM-07177-05530	Bushing				
	S/N: GD705A-4 21086-31000	KM-BD-250792	Kit	90.00M	55.00M	P	15
		KM-707-98-26600	Kit	90.00M	55.00M	P	8
	S/N: GD705A-4 31001-UP	KM-07177-05530	Bushing				
Blade Shift	S/N: GD705A-3 30001-UP,GD705A-4 21001-21085	KM-707-98-26510	Kit	90.00M	55.00M	P	8
		KM-07177-05530	Bushing				
	S/N: GD705A-4 21086-31000	KM-707-98-26441	Kit	90.00M	55.00M	P	5
		KM-07177-05530	Bushing				
	S/N: GD705A-4 31001-UP	KM-707-98-26510	Kit	90.00M	55.00M	P	8
		KM-07177-05530	Bushing				
Drawbar Shift	S/N: GD705A-3 30001-UP,GD705A-4 21001-21085	KM-707-98-26600	Kit	90.00M	55.00M	P	8
		KM-07177-05530	Bushing				
	S/N: GD705A-4 21086-31000	KM-BD-250792	Kit	90.00M	55.00M	P	15
		KM-707-98-26600	Kit	90.00M	55.00M	P	8
	S/N: GD705A-4 31001-UP	KM-07177-05530	Bushing				

KOMATSU® (REFERENCED BY OEM PART NUMBERS)

Application	Part Number	Description	Bore	Rod	Wiper	Type
GD705 GRADER (continued)						
Front Blade	KM-BD-250797	Kit	100.00M	55.00M	P	15
	S/N:	GD705A-4 21001-31000				
Leaning	KM-707-98-24530	Kit	90.00M	45.00M	P	8
	KM-07177-04530	Bushing				
	S/N:	GD705A-3 30001-UP,GD705A-4 21001-21085				
	KM-707-98-24430	Kit	90.00M	45.00M	P	5
	KM-07177-04530	Bushing				
	S/N:	GD705A-4 21086-31000				
	KM-707-98-24530	Kit	90.00M	45.00M	P	8
	KM-07177-04530	Bushing				
S/N:	GD705A-4 31001-UP					
Power Tilt	KM-707-99-33010	Kit	100.00M	50.00M	P	8
	KM-07177-05030	Bushing				
	S/N:	GD705A-3 30001-UP				
	KM-707-98-32010	Kit	100.00M	50.00M	P	5
	KM-07177-05030	Bushing				
	S/N:	GD705A-4 21001-21085				
	KM-707-98-33040	Kit	100.00M	50.00M	P	5
	KM-07177-05030	Bushing				
	S/N:	GD705A-4 21086-31000				
	KM-707-98-32010	Kit	100.00M	50.00M	P	5
KM-07177-05030	Bushing					
S/N:	GD705A-4 31001-UP					
Ripper	KM-707-98-52100	Kit	140.00M	70.00M	P	8
	KM-07177-07030	Bushing				
Scarifier	KM-707-98-26400	Kit	90.00M	55.00M	P	5
	KM-07177-05530	Bushing				
	S/N:	GD705A-3 30001-UP,GD705A-4 21001-31000 Use with 234-63-32200 Cylinder				
	KM-707-98-26441	Kit	90.00M	55.00M	P	5
	KM-07177-05530	Bushing				
	S/N:	GD705A-4 21001-31000 Use with 234-63-32300 Cylinder				
	KM-707-98-26400	Kit	90.00M	55.00M	P	5
	KM-07177-05530	Bushing				
S/N:	GD705A-4 31001-UP					
Steering	KM-707-98-05600	Kit	50.00M	35.00M	P	8
	KM-07177-03525	Bushing				
	S/N:	GD705A-3 30001-UP,GD705A-4 21001-21085				
	KM-707-98-05410	Kit	50.00M	35.00M	P	5
	KM-07177-03525	Bushing				
	S/N:	GD705A-4 21086-31000				
	KM-707-98-05600	Kit	50.00M	35.00M	P	8
	KM-07177-03525	Bushing				
S/N:	GD705A-4 31001-UP					

Application	Part Number	Description	Bore	Rod	Wiper	Type
GD725 GRADER						
Model - S/N: GD725A-1 50001-UP						
Articulation	KM-707-98-34410	Kit	110.00M	55.00M	P	5
	KM-07177-05530	Bushing				
Blade Lift	KM-707-98-26450	Kit	90.00M	55.00M	P	5
	KM-07177-05530	Bushing				
Blade Shift	KM-707-98-26441	Kit	90.00M	55.00M	P	5
	KM-07177-05530	Bushing				
Drawbar Shift	KM-707-98-26450	Kit	90.00M	55.00M	P	5
	KM-07177-05530	Bushing				
Leaning	KM-707-98-24410	Kit	90.00M	45.00M	P	5
	KM-07177-04530	Bushing				
Power Tilt	KM-707-98-33010	Kit	100.00M	50.00M	P	5
	KM-07177-05030	Bushing				
Ripper	KM-707-98-52100	Kit	140.00M	70.00M	P	8
	KM-07177-07030	Bushing				
Scarifier	KM-BD-250703	Kit	90.00M	55.00M	P	15
Steering	KM-707-98-05410	Kit	50.00M	35.00M	P	5
	KM-07177-03525	Bushing				
GD825 GRADER						
Model - S/N: GD825A-1 10002-11000, GD825A-2 11001-UP						
Articulation	KM-707-98-41110	Kit	120.00M	65.00M	P	8
	KM-07177-06530	Bushing				
Blade Lift	KM-707-98-36230	Kit	100.00M	65.00M	P	8
	KM-07177-06530	Bushing				
Blade Shift	KM-707-98-36140	Kit	100.00M	65.00M	P	8
	KM-07177-06530	Bushing				
Drawbar Shift	KM-707-98-35110	Kit	100.00M	60.00M	P	8
	KM-07177-06030	Bushing				
Leaning	KM-707-98-24500	Kit	90.00M	45.00M	P	8
	KM-07177-04530	Bushing				
Power Tilt	KM-707-98-42100	Kit	120.00M	65.00M	P	8
	KM-07177-06530	Bushing				
Ripper	KM-707-98-52100	Kit	140.00M	70.00M	P	8
	KM-07177-07030	Bushing				
Steering	KM-707-98-14030	Kit	60.00M	40.00M	P	8
	KM-07177-04025	Bushing				

KOMATSU® (REFERENCED BY OEM PART NUMBERS)

Application	Part Number	Description	Bore	Rod	Wiper	Type
WS23 SCRAPER						
Model - S/N: WS23-1 1005-UP, WS23S-1 2005-UP, WS23-2 2002-UP						
Accumulator	KM-BD-252516	Kit	140.00M		N	0
Apron	KM-BD-138571	Kit	160.00M	75.00M	P	15
Bowl	KM-BD-138571	Kit	160.00M	75.00M	P	15
Ejector	KM-BD-117543	Kit	130.00M	90.00M	P	15
	S/N: WS23-1 1005-UP					
Ejector	KM-BD-251805	Kit	160.00M	100.00M	P	6
	S/N: WS23S-1 2005-UP, WS23-2 2002-UP					
Push-Pull	KM-707-98-41030	Kit	120.00M	60.00M	P	8
	KM-07177-06030	Bushing				
S/N: WS23-1 1005-UP						
Steering	KM-BD-132517	Kit	140.00M	70.00M	P	15
Suspension	KM-BD-226811	Kit	140.00M	65.00M	P	15
HD320 TRUCK						
Model - S/N: HD320-3 2501-UP						
Hoist	KM-566-63-05010	Kit	160.00M	90.00M	P	13
	KM-07177-01435	Bushing				
	KM-07177-09035	Bushing				
Steering	KM-BD-103504	Kit	100.00M	50.00M	P	15
HD325 TRUCK						
Model - S/N: HD325-3 1501-2000, HD325-5 2001-UP, HD325-5PB 3001-UP						
Hoist	KM-566-63-05010	Kit	160.00M	90.00M	P	13
	KM-07177-01435	Bushing				
	KM-07177-09035	Bushing				
Steering	KM-BD-103504	Kit	100.00M	50.00M	P	15
	S/N: 1501-2000					
	KM-707-98-27100	Kit	80.00M	60.00M	P	8
Steering	KM-07177-06030	Bushing				
	S/N: 2001-UP					
HD460 TRUCK						
Model - S/N: HD460-1 1002-UP						
Steering	KM-BD-129808	Kit	100.00M	60.00M	P	15
	S/N: 1002-1068					
Steering	KM-BD-129809	Kit	100.00M	60.00M	P	15
	S/N: 1069-UP					

Application	Part Number	Description	Bore	Rod	Wiper	Type
HD465 TRUCK						
Model - S/N: HD465-2 1102-1500,HD465-3 1501-UP,HD465-3PB 3001-UP						
Steering	KM-707-98-41120	Kit	120.00M	60.00M	P	8
	KM-07177-06030	Bushing				
	S/N: 1102-2000					
	KM-BD-104810	Kit	90.00M	60.00M	P	15
S/N: 2001-UP						
HD785 TRUCK						
Model - S/N: HD785-1 1101-1500,HD785-2 1501-2000,HD785-3 2001-UP						
Steering	KM-BD-254811	Kit	140.00M	75.00M	P	15
	S/N: 1101-1500					
	KM-BD-132510	Kit	110.00M	70.00M	P	15
	S/N: 1501-2000					
KM-707-98-37570	Kit	110.00M	70.00M	P	15	
S/N: 2001-UP						
HD1200 TRUCK						
Model - S/N: HD1200M-1 1005-UP						
Steering	KM-581-63-05510	Kit	160.00M	75.00M	P	5
	KM-07177-07515	Bushing				
	KM-07177-07530	Bushing				
	KM-BD-138517	Kit	140.00M	75.00M	P	15
S/N: 1139-UP						
Tailgate	KM-BD-254811	Kit	140.00M	75.00M	P	15
	S/N: 1005-1044					
	KM-BD-103504	Kit	100.00M	50.00M	P	15
	S/N: 1005-1044					
KM-BD-117813	Kit	160.00M	90.00M	P	15	

NORTH AMERICA
PHONE 800.854.0275
FAX 813.559.8698



WORLDWIDE
PHONE 813.559.8650
FAX 813.559.8698

Machine Model	Page
Int'l Harvester® Crawler Tractors (Dozers)	
TD7C,TD7E	623
TD7G	623
TD7H	623
TD8C,TD8E	623
TD8G	623
TD8H	623
TD9B	624
TD9H	624
TD12	624
TD12B	624
TD12C	624
TD15B,TD15C	624
TD15E	625
TD20B,TD20C	625
TD20E	625
TD20G	625
TD25B	626
TD25C	626
TD25E,TD25G	626
Int'l Harvester® Crawler Loaders	
100C,100E	626
100G	626
125C,125E	627
125G	627
150	627
175B,175C	627
200	628
250B,250C	628
Int'l Harvester® Scrapers	
E200,E211	628
412,412B	628
Int'l Harvester® / Hough® Wheel Loaders	
H25B	628
H30B	629
H50C	629
H60B	629
H60E	629
H65C	629

Machine Model	Page
Int'l Harvester® / Hough® Wheel Loaders	
H80A	630
H80B	630
H90E	630
H100C	630
H120C	631
H400B	631
H400C	631
H400C Wheel Dozer	631
510, 510B	632
510C	632
512	632
515,515B	632
515C,515CH	632
518	632
520B	632
520C,520CH	633
525	633
530	633
530C	633
532	633
538	633
540	633
542	634
545	634
550	634
555	634
558	634
560,560B	634
568	635
570,570C	635
580	635
970 Wheel Dozer	635
970C Wheel Dozer	635
Int'l Harvester® Excavators	
6120	635
6150LC	635
6200LC	636
6220LC	636
6300LC	636

Machine Model	Page
International Harvester® Excavators	
6400LC	636
6650,6650LC,6650SE	636
Wabco Haulpak® Trucks	
25	637
35	637
35C,35D	637
50,50B	637
60,65B,75B,75C Truck, 120 Coal Trailer	638
85C, 85D Truck, 150 Coal Trailer	638
120B	639
120C,120CM,120D	639
130CW,150B	640
170C,170CP,170D	640
190	641
3200,3200A,3200B	641

Note: Most of the hoist & suspension cylinder seal kits are available with two different types of seals. These are designated with an A or B suffix.

A – Kit contains multi-piece loaded u-cup type seals

B – Kit contains Bulldog preferred seal designs

Application	Part Number	Description	Bore	Rod	Wiper	Type
TD7C,TD7E CRAWLER TRACTOR						
Dozer Lift	HH-1124732C94	Kit	3.000S	1.500S	P	15
Dozer Tilt	HH-1124732C94	Kit	3.000S	1.500S	P	15
Dozer Angle	HH-1124732C94	Kit	3.000S	1.500S	P	15
Track Adjuster	HH-BD-906000	Kit	1.750S	1.750S	I	0
	S/N: Prior-9500					
	HH-BD-906001	Kit	1.875S	1.875S	I	0
S/N: 9501-UP						
TD7G CRAWLER TRACTOR						
Dozer Lift	HH-1124732C94	Kit	3.000S	1.500S	P	15
Dozer Tilt	HH-1124732C94	Kit	3.000S	1.500S	P	15
Dozer Angle	HH-1124732C94	Kit	3.000S	1.500S	P	15
Track Adjuster	HH-BD-906001	Kit	1.875S	1.875S	I	0
TD7H CRAWLER TRACTOR						
Dozer Lift	HH-626230C6	Kit	3.500S	1.750S	P	15
Dozer Tilt	HH-626230C6	Kit	3.500S	1.750S	P	15
Dozer Angle	HH-1124732C94	Kit	3.000S	1.500S	P	15
Ripper	HH-626231C5	Kit	3.000S	2.000S	P	15
Track Adjuster	HH-BD-906001	Kit	1.875S	1.875S	I	0
TD8C,TD8E CRAWLER TRACTOR						
Dozer Lift	HH-626230C6	Kit	3.500S	1.750S	P	15
Dozer Tilt	HH-626230C6	Kit	3.500S	1.750S	P	15
Dozer Angle	HH-626230C6	Kit	3.500S	1.750S	P	15
Track Adjuster	HH-BD-906001	Kit	1.875S	1.875S	I	0
TD8G CRAWLER TRACTOR						
Dozer Lift	HH-626230C6	Kit	3.500S	1.750S	P	15
Dozer Tilt	HH-626230C6	Kit	3.500S	1.750S	P	15
Dozer Angle	HH-626230C6	Kit	3.500S	1.750S	P	15
Track Adjuster	HH-BD-906001	Kit	1.875S	1.875S	I	0
TD8H CRAWLER TRACTOR						
Dozer Lift	HH-626230C6	Kit	3.500S	1.750S	P	15
Dozer Tilt	HH-626230C6	Kit	3.500S	1.750S	P	15
Dozer Angle	HH-1124732C94	Kit	3.000S	1.500S	P	15
Ripper	HH-626231C5	Kit	3.000S	2.000S	P	15
Track Adjuster	HH-BD-906001	Kit	1.875S	1.875S	I	0

Application	Part Number	Description	Bore	Rod	Wiper	Type
TD9B CRAWLER TRACTOR						
Track Adjuster	HH-BD-906002	Kit	2.000S	2.000S	P	0
TD9H CRAWLER TRACTOR						
Dozer Lift	HH-626230C6	Kit	3.500S	1.750S	P	15
Dozer Tilt	HH-626230C6	Kit	3.500S	1.750S	P	15
Dozer Angle	HH-626230C6	Kit	3.500S	1.750S	P	15
Ripper	HH-626231C5	Kit	3.000S	2.000S	P	15
Track Adjuster	HH-BD-906001	Kit	1.875S	1.875S	I	0
TD12 CRAWLER TRACTOR						
Dozer Lift	HH-626232C5	Kit	3.500S	2.250S	P	15
Ripper	HH-1124768C92	Kit	6.500S	2.500S	P	15
Track Adjuster	HH-BD-906003	Kit	2.500S	2.500S	I	0
TD12B CRAWLER TRACTOR						
Dozer Lift	HH-626232C5	Kit	3.500S	2.250S	P	15
Dozer Tilt	HH-636143C92	Kit	5.500S	2.250S	P	15
Track Adjuster	HH-BD-906003	Kit	2.500S	2.500S	I	0
TD12C CRAWLER TRACTOR						
Dozer Lift	HH-626232C5	Kit	3.500S	2.250S	P	15
Dozer Tilt	HH-636143C92	Kit	5.500S	2.250S	P	15
	HH-1124745C94	Kit	4.000S	2.000S	P	15
Internal Arm Bullgrader with 6 Way Blade arrangement						
Ripper	HH-1124768C92	Kit	6.500S	2.500S	P	15
Track Adjuster	HH-BD-906003	Kit	2.500S	2.500S	I	0
TD15B,TD15C CRAWLER TRACTOR						
Dozer Lift	HH-679325C91	Kit	4.500S	2.250S	P	5
	TD15B,TD15C S/N: Prior-2362 only					
	HH-636131C93	Kit	4.500S	2.250S	P	15
TD15C S/N: 2363-Up only						
Dozer Tilt	HH-636143C92	Kit	5.500S	2.250S	P	15
Ripper	HH-1124768C92	Kit	6.500S	2.500S	P	15
Track Adjuster	HH-BD-906003	Kit	2.500S	2.500S	I	0

Application	Part Number	Description	Bore	Rod	Wiper	Type
TD15E CRAWLER TRACTOR						
Dozer Lift	HH-1214869H92	Kit	4.000S	2.500S	P	15
Dozer Tilt	HH-636143C92	Kit	5.500S	2.250S	P	15
Ripper	HH-1124768C92	Kit	6.500S	2.500S	P	15
Track Adjuster	HH-BD-906003	Kit	2.500S	2.500S	I	0
TD20B,TD20C CRAWLER TRACTOR						
Dozer Lift	HH-679325C91	Kit	4.500S	2.250S	P	5
	TD20B,TD20C S/N: Prior-27554 only					
	HH-636131C93	Kit	4.500S	2.250S	P	15
TD20C S/N: 27555-Up only						
Dozer Tilt	HH-636148C91	Kit	6.000S	2.750S	P	5
	TD20C Only					
Track Adjuster	HH-BD-906004	Kit	3.000S	3.000S	I	0
TD20E CRAWLER TRACTOR						
Dozer Lift	HH-679328C91	Kit	5.000S	2.750S	P	5
Dozer Tilt	HH-636230C91	Kit	7.000S	3.000S	P	5
	Cylinder No. 656310C91/92					
	HH-679332C92	Kit	7.000S	3.000S	P	15
	Cylinder No. 666192C91					
	HH-679331C91	Kit	6.500S	2.750S	P	5
	Cylinder No. 657826C91/92					
	HH-636229C92	Kit	6.500S	2.750S	P	5
Cylinder No. 707014C91						
Ripper Lift	HH-1124768C92	Kit	6.500S	2.500S	P	15
Ripper Pitch	HH-636123C92	Kit	6.000S	2.500S	P	15
Track Adjuster	HH-BD-906004	Kit	3.000S	3.000S	I	0
TD20G CRAWLER TRACTOR						
Dozer Lift	HH-1258711H91	Kit	5.000S	2.750S	P	15
Dozer Tilt	HH-679332C92	Kit	7.000S	3.000S	P	15
	Bulldozer Blade arrangement					
	HH-636229C92	Kit	6.500S	2.750S	P	5
Bullgrader Blade arrangement						
Ripper Lift	HH-1124768C92	Kit	6.500S	2.500S	P	15
Ripper Pitch	HH-636123C92	Kit	6.000S	2.500S	P	15
Track Adjuster	HH-BD-906004	Kit	3.000S	3.000S	I	0

Application	Part Number	Description	Bore	Rod	Wiper	Type
TD25B CRAWLER TRACTOR						
Dozer Lift	HH-636147C92	Kit	5.500S	3.000S	P	5
	HH-636146C92	Kit	5.500S	3.000S	P	15
Ripper Lift	HH-636232C93	Kit	8.000S	3.000S	P	15
Ripper Pitch	HH-679332C92	Kit	7.000S	3.000S	P	15
Track Adjuster	HH-BD-906005	Kit	3.812S	3.812S	I	0
TD25C CRAWLER TRACTOR						
Dozer Lift	HH-636147C92	Kit	5.500S	3.000S	P	5
	S/N: 1239-5511,5513-5515,5522-5522					
	HH-636146C92	Kit	5.500S	3.000S	P	15
	S/N: 5512-5512,5516-5521,5523-UP					
Dozer Tilt	HH-636234C92	Kit	9.000S	3.000S	P	15
Ripper Lift	HH-636232C93	Kit	8.000S	3.000S	P	15
Ripper Pitch	HH-679332C92	Kit	7.000S	3.000S	P	15
Track Adjuster	HH-BD-906005	Kit	3.812S	3.812S	I	0
TD25E,TD25G CRAWLER TRACTOR						
Dozer Lift	HH-636146C92	Kit	5.500S	3.000S	P	15
Dozer Tilt	HH-636234C92	Kit	9.000S	3.000S	P	15
Ripper Lift	HH-636232C93	Kit	8.000S	3.000S	P	15
Ripper Pitch	HH-679332C92	Kit	7.000S	3.000S	P	15
Ripper Pin Puller	HH-626234C7	Kit	4.000S	1.750S	P	15
Track Adjuster	HH-BD-906005	Kit	3.812S	3.812S	I	0
100C,100E CRAWLER LOADER						
Boom (Lift)	HH-626232C5	Kit	3.500S	2.250S	P	15
Bucket (Tilt)	HH-626231C5	Kit	3.000S	2.000S	P	15
Multi-Purpose	HH-626230C6	Kit	3.500S	1.750S	P	15
Track Adjuster	HH-BD-906000	Kit	1.750S	1.750S	I	0
	S/N: Prior-9500					
	HH-BD-906001	Kit	1.875S	1.875S	I	0
	S/N: 9501-UP					
100G CRAWLER LOADER						
Boom (Lift)	HH-626232C5	Kit	3.500S	2.250S	P	15
Bucket (Tilt)	HH-626231C5	Kit	3.000S	2.000S	P	15
Multi-Purpose	HH-626230C6	Kit	3.500S	1.750S	P	15
Track Adjuster	HH-BD-906001	Kit	1.875S	1.875S	I	0
100G CRAWLER LOADER						

Application	Part Number	Description	Bore	Rod	Wiper	Type
125C,125E CRAWLER LOADER						
Boom (Lift)	HH-1214869H92	Kit	4.000S	2.500S	P	15
Bucket (Tilt)	HH-626232C5	Kit	3.500S	2.250S	P	15
Multi-Purpose	HH-626234C7	Kit	4.000S	1.750S	P	15
Track Adjuster	HH-BD-906001	Kit	1.875S	1.875S	I	0
125G CRAWLER LOADER						
Bucket (Tilt)	HH-626232C5	Kit	3.500S	2.250S	P	15
Multi-Purpose	HH-626234C7	Kit	4.000S	1.750S	P	15
Track Adjuster	HH-BD-906001	Kit	1.875S	1.875S	I	0
150 CRAWLER LOADER						
Track Adjuster	HH-BD-906002	Kit	2.000S	2.000S	P	0
S/N:	16428-UP					
175B,175C CRAWLER LOADER						
Boom (Lift)	HH-636145C91	Kit	5.500S	2.500S	P	5
	175B,175C S/N: Prior-1061 (Field replacement only) 175C S/N: 1062-1477, Cylinder No. 626115C92					
	HH-679329C92	Kit	5.500S	2.500S	P	15
	175B,175C S/N: 1478-Up only, Cylinder No. 657883C91/92/93					
Bucket (Tilt)	HH-636134C91	Kit	4.500S	3.000S	P	5
	175B S/N: 15466-Up, 175C only, Cylinder No. 626120C92					
	HH-679327C92	Kit	4.500S	3.000S	P	15
	175C Only, Cylinder No. 662454C91/92					
Multi-Purpose	HH-636139C91	Kit	5.000S	2.750S	I	5
S/N:	Prior-40739 Cylinder No. 888055C92					
	HH-636136C91	Kit	5.000S	2.750S	P	5
S/N:	Prior-40739 Cylinder No. 657640C91/92/93					
	HH-1258711H91	Kit	5.000S	2.750S	P	15
S/N:	40740-UP Cylinder No. 657640C94					
Ripper	HH-1124768C92	Kit	6.500S	2.500S	P	15
Track Adjuster	HH-BD-906003	Kit	2.500S	2.500S	I	0
	175B S/N: 9601-10064 (Field replacement only) 175B S/N: 10065-Up, 175C					

Application	Part Number	Description	Bore	Rod	Wiper	Type
200 CRAWLER LOADER						
Track Adjuster	HH-BD-906003	Kit	2.500S	2.500S	I	0
250B,250C CRAWLER LOADER						
Boom (Lift)	HH-679330C91	Kit	6.500S	2.750S	P	5
	250B,250C S/N: Prior-10425 only					
	HH-679331C91	Kit	6.500S	2.750S	P	5
	250C S/N: 10426-Up only, Use with 657677C1 Piston					
	HH-636229C92	Kit	6.500S	2.750S	P	5
250C S/N: 10426-Up only, Use with 706719C1 or 707041C1 Piston						
Bucket (Tilt)	HH-636141C92	Kit	5.250S	3.500S	P	15
Multi-Purpose	HH-636144C91	Kit	5.500S	2.500S	P	5
	250C Only					
Side Dump	HH-636136C91	Kit	5.000S	2.750S	P	5
	250C Only, Cylinder No. 657535C91					
	HH-636138C91	Kit	5.000S	2.750S	P	5
250C Only, Cylinder No. 933346C91						
Ripper	HH-1124768C92	Kit	6.500S	2.500S	P	15
	250C Only					
Track Adjuster	HH-BD-906004	Kit	3.000S	3.000S	I	0
	Not for use on tractors with reinforced track frame					
E200,E211 SCRAPER						
Steering	HH-626234C7	Kit	4.000S	1.750S	P	15
Bowl	HH-626234C7	Kit	4.000S	1.750S	P	15
Scarifier	HH-626234C7	Kit	4.000S	1.750S	P	15
412,412B SCRAPER						
Steering	HH-626234C7	Kit	4.000S	1.750S	P	15
Bowl	HH-626234C7	Kit	4.000S	1.750S	P	15
H25B WHEEL LOADER						
Boom (Lift)	HH-1124732C94	Kit	3.000S	1.500S	P	15
	S/N: 8213-UP					
Bucket (Tilt)	HH-1124738C91	Kit	4.000S	1.500S	P	5
	S/N: 8218-UP Cylinder No. 935799C91 and with 933496C2 Gland					
	HH-1124738C91	Kit	4.000S	1.500S	P	5
S/N: 8218-UP Cylinder No. 935799C92, 1122510C91						

Application	Part Number	Description	Bore	Rod	Wiper	Type
H30B WHEEL LOADER						
Boom (Lift)	HH-1124745C94	Kit	4.000S	2.000S	P	15
S/N:	C005611-UP,U004360-UP					
Bucket (Tilt)	HH-1124745C94	Kit	4.000S	2.000S	P	15
S/N:	C004302-UP,U004360-UP Not used with High Lift or Logger arrangements					
Logger	HH-636139C91	Kit	5.000S	2.750S	I	5
H50C WHEEL LOADER						
Boom (Lift)	HH-1124749C94	Kit	4.500S	2.750S	P	5
S/N:	U005143-UP,C003695-UP					
Bucket (Tilt)	HH-636139C91	Kit	5.000S	2.750S	I	5
S/N:	Prior-U005156					
	HH-636138C91	Kit	5.000S	2.750S	P	5
S/N:	U005157-UP					
H60B WHEEL LOADER						
Boom (Lift)	HH-1124749C94	Kit	4.500S	2.750S	P	5
Bucket (Tilt)	HH-636139C91	Kit	5.000S	2.750S	I	5
	HH-636138C91	Kit	5.000S	2.750S	P	5
Steering	HH-1124732C94	Kit	3.000S	1.500S	P	15
S/N:	1240-UP					
Logger Bellcrank	HH-1124762C93	Kit	6.000S	3.250S	I	5
H60E WHEEL LOADER						
Boom (Lift)	HH-1124749C94	Kit	4.500S	2.750S	P	5
S/N:	U002889-U002889,U003084-UP,C003317-UP					
Bucket (Tilt)	HH-636139C91	Kit	5.000S	2.750S	I	5
S/N:	Prior-U003083,Prior-C003120,C003122-C003122					
	HH-636138C91	Kit	5.000S	2.750S	P	5
S/N:	U003084-UP,C003121-C003121,C003123-UP					
Steering	HH-1124732C94	Kit	3.000S	1.500S	P	15
Logger Bellcrank	HH-1124762C93	Kit	6.000S	3.250S	I	5
	HH-1124760C94	Kit	6.000S	3.250S	P	15
H65C WHEEL LOADER						
Boom (Lift)	HH-1124757C94	Kit	5.500S	2.750S	P	5
S/N:	U004530-U004539,U004542-UP,C004543-UP					
Bucket (Tilt)	HH-1124775C92	Kit	7.000S	3.500S	I	5
S/N:	Prior-U004510,Prior-C004542					
	HH-1124774C93	Kit	7.000S	3.500S	P	5
S/N:	U004511-UP,C004543-UP					
	HH-1124775C92	Kit	7.000S	3.500S	I	5
	High Lift arrangement, Cylinder No. 881836C95					
Steering	HH-1124732C94	Kit	3.000S	1.500S	P	15
S/N:	1240-UP					
Side Dump	HH-1124745C94	Kit	4.000S	2.000S	P	15

Application	Part Number	Description	Bore	Rod	Wiper	Type
H80A WHEEL LOADER						
Boom (Lift)	HH-1124762C93	Kit	6.000S	3.250S	I	5
Bucket (Tilt)	HH-1124775C92	Kit	7.000S	3.500S	I	5
Side Dump	HH-1124762C93	Kit	6.000S	3.250S	I	5
Logger Bellcrank	HH-1124859C92	Kit	9.000S	4.500S	I	5
H80B WHEEL LOADER						
Boom (Lift)	HH-1124762C93	Kit	6.000S	3.250S	I	5
S/N:	Prior-U002560,Prior-C002509					
	HH-1124760C94	Kit	6.000S	3.250S	P	15
S/N:	U002561-UP,C002510-UP					
Bucket (Tilt)	HH-1124775C92	Kit	7.000S	3.500S	I	5
	HH-1124774C93	Kit	7.000S	3.500S	P	5
Steering	HH-1124745C94	Kit	4.000S	2.000S	P	15
S/N:	U002517-UP,C002509-UP					
Side Dump	HH-1124762C93	Kit	6.000S	3.250S	I	5
Logger Bellcrank	HH-1124859C92	Kit	9.000S	4.500S	I	5
	HH-1124860C95	Kit	9.000S	4.500S	P	5
H90E WHEEL LOADER						
Boom (Lift)	HH-1124775C92	Kit	7.000S	3.500S	I	5
S/N:	Prior-U002749,Prior-C002682					
	HH-1124774C93	Kit	7.000S	3.500S	P	5
S/N:	U002750-UP,C002683-UP					
Bucket (Tilt)	HH-1124853C96	Kit	8.000S	4.000S	P	15
S/N:	U002566-U002566,U002627-UP,C002683-UP					
Steering	HH-1124745C94	Kit	4.000S	2.000S	P	15
Logger Bellcrank	HH-1124862C92	Kit	10.000S	5.000S	I	5
	HH-1124861C95	Kit	10.000S	5.000S	P	15
H100C WHEEL LOADER						
Boom (Lift)	HH-1124762C93	Kit	6.000S	3.250S	I	5
	HH-1124760C94	Kit	6.000S	3.250S	P	15
Bucket (Tilt)	HH-1124775C92	Kit	7.000S	3.500S	I	5
S/N:	Prior-U001096,U001098-U001108,Prior-C001126					
	HH-1124774C93	Kit	7.000S	3.500S	P	5
S/N:	Prior-U001096,U001098-U001108,Prior-C001126					
	HH-1124853C96	Kit	8.000S	4.000S	P	15
S/N:	U001722-UP,C001127-UP					
Steering	HH-1124749C94	Kit	4.500S	2.750S	P	5
Logger	HH-1124775C92	Kit	7.000S	3.500S	I	5
S/N:	Prior-U001935,Prior-C001739					
	HH-1124774C93	Kit	7.000S	3.500S	P	5
S/N:	U001936-UP,C001740-UP					

Application	Part Number	Description	Bore	Rod	Wiper	Type
H120C WHEEL LOADER						
Boom (Lift)	HH-1124775C92	Kit	7.000S	3.500S	I	5
S/N:	3513-UP					
Steering	HH-636139C91	Kit	5.000S	2.750S	I	5
S/N:	3513-UP					
Logger	HH-1124862C92	Kit	10.000S	5.000S	I	5
H400B WHEEL LOADER						
Boom (Lift)	HH-1124859C92	Kit	9.000S	4.500S	I	5
	HH-1124860C95	Kit	9.000S	4.500S	P	5
Bucket (Tilt)	HH-1124775C92	Kit	7.000S	3.500S	I	5
	HH-1124774C93	Kit	7.000S	3.500S	P	5
	HH-1124853C96	Kit	8.000S	4.000S	P	15
Steering	HH-1124762C93	Kit	6.000S	3.250S	I	5
	HH-1124760C94	Kit	6.000S	3.250S	P	15
H400C WHEEL LOADER						
Boom (Lift)	HH-1124859C92	Kit	9.000S	4.500S	I	5
	S/N:	Prior-2108,2110-2110				
	HH-1124860C95	Kit	9.000S	4.500S	P	5
S/N:	2109-2109,2111-UP					
Bucket (Tilt)	HH-1124853C96	Kit	8.000S	4.000S	P	15
	S/N:	2109-2109,2111-UP				
Steering	HH-1124762C93	Kit	6.000S	3.250S	I	5
	S/N:	Prior-2401				
	HH-1124760C94	Kit	6.000S	3.250S	P	15
	S/N:	Prior-2401				
S/N:	HH-1124760C94 Kit 6.000S 3.250S P 15					
S/N:	2402-UP					
H400C WHEEL DOZER						
Lift	HH-1124860C95	Kit	9.000S	4.500S	P	5
Tilt	HH-636234C92	Kit	9.000S	3.000S	P	15
Pitch	HH-636234C92	Kit	9.000S	3.000S	P	15
	Hydraulic Pitch arrangement					
Pitch & Tilt	HH-636234C92	Kit	9.000S	3.000S	P	15
	Hydraulic Pitch arrangement					
Steering	HH-1124760C94	Kit	6.000S	3.250S	P	15

Application	Part Number	Description	Bore	Rod	Wiper	Type
510,510B WHEEL LOADER						
Boom (Lift)	HH-1124745C94	Kit	4.000S	2.000S	P	15
Bucket (Tilt)	HH-1124745C94	Kit	4.000S	2.000S	P	15
	HH-1124749C94	Kit	4.500S	2.750S	P	5
	Fork arrangement					
Steering	HH-1124732C94	Kit	3.000S	1.500S	P	15
Multi-Purpose	HH-1124732C94	Kit	3.000S	1.500S	P	15
510C WHEEL LOADER						
Boom (Lift)	HH-1124745C94	Kit	4.000S	2.000S	P	15
Bucket (Tilt)	HH-1124749C94	Kit	4.500S	2.750S	P	5
Steering	HH-1124732C94	Kit	3.000S	1.500S	P	15
Multi-Purpose	HH-1124732C94	Kit	3.000S	1.500S	P	15
512 WHEEL LOADER						
Boom (Lift)	KM-BD-132547	Kit	110.00M	70.00M	P	15
Bucket (Tilt)	KM-BD-176546	Kit	120.00M	60.00M	P	15
Steering	KM-BD-172611	Kit	60.00M	40.00M	P	15
515,515B WHEEL LOADER						
Boom (Lift)	HH-1124749C94	Kit	4.500S	2.750S	P	5
Bucket (Tilt)	HH-1124749C94	Kit	4.500S	2.750S	P	5
Steering	HH-1124732C94	Kit	3.000S	1.500S	P	15
Multi-Purpose	HH-1124732C94	Kit	3.000S	1.500S	P	15
515C,515CH WHEEL LOADER						
Boom (Lift)	HH-1124749C94	Kit	4.500S	2.750S	P	5
Bucket (Tilt)	HH-1124757C94	Kit	5.500S	2.750S	P	5
Steering	HH-1124732C94	Kit	3.000S	1.500S	P	15
Multi-Purpose	HH-1124732C94	Kit	3.000S	1.500S	P	15
518 WHEEL LOADER						
Boom (Lift)	KM-BD-132546	Kit	120.00M	70.00M	P	15
Bucket (Tilt)	KM-BD-132543	Kit	130.00M	70.00M	P	15
Steering	KM-BD-169502	Kit	70.00M	45.00M	P	15
520B WHEEL LOADER						
Boom (Lift)	HH-1124749C94	Kit	4.500S	2.750S	P	5
Bucket (Tilt)	HH-1124757C94	Kit	5.500S	2.750S	P	5
Steering	HH-1124732C94	Kit	3.000S	1.500S	P	15
520C WHEEL LOADER						
Boom (Lift)	HH-1124749C94	Kit	4.500S	2.750S	P	5
Bucket (Tilt)	HH-1124757C94	Kit	5.500S	2.750S	P	5
Steering	HH-1124732C94	Kit	3.000S	1.500S	P	15

Application	Part Number	Description	Bore	Rod	Wiper	Type
520C,520CH WHEEL LOADER						
Boom (Lift)	HH-1124749C94	Kit	4.500S	2.750S	P	5
Bucket (Tilt)	HH-1124760C94	Kit	6.000S	3.250S	P	15
Steering	HH-1124732C94	Kit	3.000S	1.500S	P	15
525 WHEEL LOADER						
Boom (Lift)	KM-BD-132543	Kit	130.00M	70.00M	P	15
Bucket (Tilt)	KM-BD-138614	Kit	150.00M	75.00M	P	15
Steering	KM-BD-172613	Kit	70.00M	40.00M	P	15
530 WHEEL LOADER						
Boom (Lift)	HH-1124757C94	Kit	5.500S	2.750S	P	5
Bucket (Tilt)	HH-1124770C93	Kit	6.500S	3.500S	P	5
Steering	HH-1124732C94	Kit	3.000S	1.500S	P	15
Multi-Purpose	HH-1124749C94	Kit	4.500S	2.750S	P	5
530C WHEEL LOADER						
Boom (Lift)	HH-1124757C94	Kit	5.500S	2.750S	P	5
Bucket (Tilt)	HH-1124774C93	Kit	7.000S	3.500S	P	5
Steering	HH-1124732C94	Kit	3.000S	1.500S	P	15
Multi-Purpose	HH-1124749C94	Kit	4.500S	2.750S	P	5
532 WHEEL LOADER						
Boom (Lift)	KM-BD-177617	Kit	140.00M	75.00M	P	15
Bucket (Tilt)	KM-BD-178618	Kit	160.00M	80.00M	P	15
Steering	KM-BD-172613	Kit	70.00M	40.00M	P	15
538 WHEEL LOADER						
Boom (Lift)	KM-BD-117621	Kit	160.00M	90.00M	P	15
Bucket (Tilt)	KM-BD-179622	Kit	180.00M	90.00M	P	15
Steering	KM-BD-169609	Kit	80.00M	45.00M	P	15
540 WHEEL LOADER						
Boom (Lift)	HH-1124760C94	Kit	6.000S	3.250S	P	15
Bucket (Tilt)	HH-1124774C93	Kit	7.000S	3.500S	P	5
Steering	HH-1124745C94	Kit	4.000S	2.000S	P	15
Logger	HH-1124853C96	Kit	8.000S	4.000S	P	15

Application	Part Number	Description	Bore	Rod	Wiper	Type
542 WHEEL LOADER						
Boom (Lift)	KM-BD-117621	Kit	160.00M	90.00M	P	15
Bucket (Tilt)	KM-BD-181625	Kit	200.00M	100.00M	P	15
Steering	KM-BD-169610	Kit	90.00M	45.00M	P	15
545 WHEEL LOADER						
Boom (Lift)	KM-BD-182629	Kit	180.00M	95.00M	P	15
Bucket (Tilt)	KM-BD-181625	Kit	200.00M	100.00M	P	15
Steering	KM-BD-103627	Kit	100.00M	50.00M	P	15
550 WHEEL LOADER						
Boom (Lift)	HH-1124774C93	Kit	7.000S	3.500S	P	5
Bucket (Tilt)	HH-1124853C96	Kit	8.000S	4.000S	P	15
Steering	HH-1124745C94	Kit	4.000S	2.000S	P	15
S/N:	Prior-563,2001-UP					
	HH-1124749C94	Kit	4.500S	2.750S	P	5
S/N:	564-2000					
Logger	HH-1124853C96	Kit	8.000S	4.000S	P	15
Grapple	HH-1124853C96	Kit	8.000S	4.000S	P	15
555 WHEEL LOADER						
Boom (Lift)	HH-1124853C96	Kit	8.000S	4.000S	P	15
Bucket (Tilt)	HH-1124857C94	Kit	8.500S	4.500S	P	15
Steering	HH-1124749C94	Kit	4.500S	2.750S	P	5
558 WHEEL LOADER						
Boom (Lift)	KM-BD-175631	Kit	200.00M	110.00M	P	15
Bucket (Tilt)	KM-BD-184634	Kit	225.00M	120.00M	P	15
	KM-BD-185530	Kit	250.00M	140.00M	P	15
Steering	KM-BD-133630	Kit	110.00M	55.00M	P	15
Grapple	KM-BD-132517	Kit	140.00M	70.00M	P	15
560,560B WHEEL LOADER						
Boom (Lift)	HH-1124859C92	Kit	9.000S	4.500S	I	5
S/N:	Prior-U002025,U002040-2042,Prior-C002022 560 Only					
	HH-1124860C95	Kit	9.000S	4.500S	P	5
	560 Only					
	HH-1124857C94	Kit	8.500S	4.500S	P	15
	560B Only					
Bucket (Tilt)	HH-1124862C92	Kit	10.000S	5.000S	I	5
S/N:	Prior-U002037,Prior-C002048 560 Only					
	HH-1124861C95	Kit	10.000S	5.000S	P	15
Steering	HH-1258711H91	Kit	5.000S	2.750S	P	15
	HH-1124760C94	Kit	6.000S	3.250S	P	15
	Logging arrangement					
Logger	HH-1124864C94	Kit	12.000S	6.000S	P	15
	560 Only					

Application	Part Number	Description	Bore	Rod	Wiper	Type
560,560B WHEEL LOADER (continued)						
Grapple Tilt	HH-1124864C94	Kit	12.000S	6.000S	P	15
	560B Only					
568 WHEEL LOADER						
Boom (Lift)	KM-BD-184636	Kit	225.00M	120.00M	P	15
Bucket (Tilt)	KM-BD-189528	Kit	280.00M	140.00M	P	15
	KM-BD-191638	Kit	300.00M	180.00M	P	15
Steering	KM-BD-132543	Kit	130.00M	70.00M	P	15
Grapple	KM-BD-132517	Kit	140.00M	70.00M	P	15
570,570C WHEEL LOADER						
Boom (Lift)	HH-1124860C95	Kit	9.000S	4.500S	P	5
Bucket (Tilt)	HH-1124864C94	Kit	12.000S	6.000S	P	15
Steering	HH-1124760C94	Kit	6.000S	3.250S	P	15
580 WHEEL LOADER						
Steering	HH-1124853C96	Kit	8.000S	4.000S	P	15
970 WHEEL DOZER						
Lift	HH-1124853C96	Kit	8.000S	4.000S	P	15
Pitch	HH-1124760C94	Kit	6.000S	3.250S	P	15
Pitch & Tilt	HH-1124760C94	Kit	6.000S	3.250S	P	15
Steering	HH-1124760C94	Kit	6.000S	3.250S	P	15
970C WHEEL DOZER						
Lift	HH-1124853C96	Kit	8.000S	4.000S	P	15
Pitch	HH-1299060H91	Kit	10.000S	4.500S	P	15
Pitch & Tilt	HH-1260799H91	Kit	9.000S	4.500S	P	15
Steering	HH-1124760C94	Kit	6.000S	3.250S	P	15
6120 EXCAVATOR						
Boom	KM-BD-141558	Kit	105.00M	70.00M	P	15
Bucket	KM-BD-143560	Kit	95.00M	65.00M	P	15
Arm	KM-BD-142559	Kit	115.00M	75.00M	P	15
Track Adjuster	KM-BD-909015	Kit		70.00M	N	0
6150LC EXCAVATOR						
Boom	KM-BD-142567	Kit	110.00M	75.00M	P	15
Bucket	KM-BD-141569	Kit	100.00M	70.00M	P	15
Arm	KM-BD-147568	Kit	120.00M	85.00M	P	15
Track Adjuster	KM-BD-909015	Kit		70.00M	N	0

Application	Part Number	Description	Bore	Rod	Wiper	Type
6200LC EXCAVATOR						
Boom	KM-BD-147568	Kit	120.00M	85.00M	P	15
Bucket	KM-BD-157561	Kit	115.00M	80.00M	P	15
Arm	KM-BD-156579	Kit	135.00M	95.00M	P	15
Track Adjuster	KM-BD-909021	Kit		70.00M	P	0
6220LC EXCAVATOR						
Boom	KM-BD-155578	Kit	130.00M	90.00M	P	15
Bucket	KM-BD-155580	Kit	130.00M	90.00M	P	15
Arm	KM-BD-160587	Kit	140.00M	100.00M	P	15
Track Adjuster	KM-BD-909021	Kit		70.00M	P	0
6300LC EXCAVATOR						
Boom	KM-BD-160593	Kit	140.00M	100.00M	P	15
Bucket	KM-BD-160589	Kit	140.00M	100.00M	P	15
Arm	KM-BD-162594	Kit	160.00M	110.00M	P	15
Track Adjuster	KM-BD-909022	Kit		90.00M	P	0
6400LC EXCAVATOR						
Boom	KM-BD-162594	Kit	160.00M	110.00M	P	15
Bucket	KM-BD-162603	Kit	160.00M	110.00M	P	15
Arm	KM-BD-164602	Kit	185.00M	120.00M	P	15
Track Adjuster	KM-BD-909025	Kit		100.00M	P	0
6650,6650LC,6650SE EXCAVATOR						
Boom	KM-BD-236775	Kit	200.00M	140.00M	P	15
Bucket	KM-BD-165776	Kit	180.00M	130.00M	P	15
	KM-BD-236775	Kit	200.00M	140.00M	P	15
6650SE Only						
Arm	KM-BD-236775	Kit	200.00M	140.00M	P	15
Counterweight	KM-BD-149543	Kit	130.00M	85.00M	P	15
Track Adjuster	KM-BD-909047	Kit	140.00M	140.00M	P	0

Application	Part Number	Description	Bore	Rod	Wiper	Type
25 TRUCK						
Truck S/N: CFA13A-F						
Hoist	WS-RK1655B	Kit	7.375S	3.750S	I	13
S/N:	CFA13D-F Cylinder No. FA4028					
Front Suspension	WS-BD-597308A	Kit	8.500S	7.000S	I	14
Rear Suspension	WS-BD-598308B	Kit	8.500S	6.500S	I	14
S/N:	Cylinder No. FA2449					
35 TRUCK						
Truck S/N: CFA15J-AU						
Hoist	WS-RK1655B	Kit	7.375S	3.750S	I	13
S/N:	CFA15AR-AU Cylinder No. FA4028					
Front Suspension	WS-BD-597308A	Kit	8.500S	7.000S	I	14
S/N:	CFA15Z-AU					
Rear Suspension	WS-BD-598308B	Kit	8.500S	6.500S	I	14
S/N:	CFA15Z-AB,CFA15AD-AU Cylinder No. FA2449					
35C,35D TRUCK						
Truck S/N: CFA19A-AL,CFA20A-AP,CFA21A-BM						
Hoist	WS-RK1655B	Kit	7.375S	3.750S	I	13
S/N:	CFA19D-G,CFA19K-AL,CFA20A-V Cylinder No. FA3275					
Front Suspension	WS-BD-597308A	Kit	8.500S	7.000S	I	14
S/N:	CFA19,CFA20A-G,CFA20K-L,CFA20U-AP,CFA21					
	WS-BD-596308A	Kit	8.500S	7.000S	I	14
S/N:	CFA20H-J,CFA20M-T					
Rear Suspension	WS-BD-598308B	Kit	8.500S	6.500S	I	14
S/N:	Cylinder No. FA3439, FA5356					
50,50B TRUCK						
Truck S/N: BFA9E-DJ,BFA22A-BA						
Hoist	WS-RK1656B	Kit	8.750S	3.750S	I	13
S/N:	BFA9E-AB,BFA9BB-BB,BFA9BN-BN,BFA9BQ-BQ,BFA9BT-BT					
S/N:	BFA9BV-BV,BFA9CL-CM Cylinder No. FA3276, FA3277, FA3640, FA4074					
	WS-RK1655B	Kit	7.375S	3.750S	I	13
S/N:	BFA9BC-BM,BFA9BO-BP,BFA9BR-BS,BFA9BU-BU,BFA9BW-CK					
S/N:	BFA9CN-CR Cylinder No. FA4593					
	WS-BD-606306B	Kit	8.750S	3.750S	I	13
S/N:	BFA9CZ-CZ,BFA9DD-DD,BFA9DF-DF,BFA22U-U,BFA22AP-AP Cylinder No. FA8265					
	WS-BD-649315B	Kit	7.375S	3.750S	I	13
S/N:	BFA22AV-AW,BFA22AY-BA Cylinder No. FB0817					
Front Suspension	WS-BD-597308A	Kit	8.500S	7.000S	I	14
S/N:	BFA9AD-AP,BFA9AR-CH,BFA9CS-DJ,BFA22					

Application	Part Number	Description	Bore	Rod	Wiper	Type
50,50B TRUCK (continued)						
Front Suspension (cont)	WS-BD-596308A	Kit	8.500S	7.000S	I	14
S/N:	BFA9CJ-CR					
Rear Suspension	WS-BD-598308B	Kit	8.500S	6.500S	I	14
S/N:	BFA9AD-AP,BFA9AR-DJ,BFA22 Cylinder No. FA3439					
Steering	WS-BD-609316	Kit	4.250S	1.500S	I	3
S/N:	BFA9E-AB Cylinder No. FA1513					
	WS-AK0073	Kit	4.000S	2.000S	P	5
	Cylinder No. FA1506, FA1514, FA2833, FA7952					
60,65B,75B,75C TRUCK, 120 COAL TRAILER						
Tractor S/N: BFA10M-UP,BFA19A-C,BFA29A-B Truck S/N: BFA6U-EE Trailer S/N: BB19A-B,BB22A-B						
Hoist	WS-RK1656B	Kit	8.750S	3.750S	I	13
S/N:	BFA6BA-DG,BFA6DI-DJ Cylinder No. FA3277					
	WS-BD-589306B	Kit	8.750S	3.750S	P	13
S/N:	BFA6DH-DI,BFA6DK-EE Cylinder No. FA7847, FA9440					
Front Suspension	WS-BD-597308A	Kit	8.500S	7.000S	I	14
S/N:	BFA6AF-AJ,BFA6AL-CU,BFA6DH-DI,BFA6DK-EE,BFA19					
S/N:	BFA29					
	WS-BD-596308A	Kit	8.500S	7.000S	I	14
S/N:	BFA6AZ-DG,BFA6DI-DJ,BFA10					
Rear Suspension	WS-BD-598308B	Kit	8.500S	6.500S	I	14
S/N:	BFA6AD-AD,BFA6AF-AJ,BFA6AL-EE,BFA10,BFA19,BFA29 Cylinder No. FA3439, FA5356, FA8113, FA9442					
Trailer Rear Susp.	WS-RK1639B	Kit		12.000S	I	14
	Cylinder No. FA4560, FB0130					
	WS-RK1639A	Kit		12.000S	I	14
Steering	WS-BD-609316	Kit	4.250S	1.500S	I	3
S/N:	BFA6U-AY Cylinder No. FA1513					
	WS-AK0073	Kit	4.000S	2.000S	P	5
S/N:	BFA6V-EE,BFA10,BFA19,BFA29 Cylinder No. FA1514, FA7952, FA9441					
85C,85D TRUCK, 150 COAL TRAILER						
Tractor S/N: BFA15A-UP,BFA25A-C Truck S/N: BFA12A-AZ,BFA17A-UP,BFA21A-J,BFA24A-BA,BFA30A-B Trailer S/N: BB15A-D						
Hoist	WS-RK1656B	Kit	8.750S	3.750S	I	13
S/N:	BFA12,BFA17 Cylinder No. FA3277					
	WS-BD-589306B	Kit	8.750S	3.750S	P	13
S/N:	BFA21,BFA24A-Y,BFA24AA-AD,BFA24AF-AK,BFA24AN-AN					
S/N:	BFA30 Cylinder No. FA7847					

Application	Part Number	Description	Bore	Rod	Wiper	Type
85C,85D TRUCK, 150 COAL TRAILER (continued)						
Hoist (cont)	WS-AK0708B	Kit	8.750S	3.750S	I	13
	S/N:	BFA24AL-AM,BFA24AO-BA Cylinder No. FB0816				
Front Suspension	WS-BD-597308A	Kit	8.500S	7.000S	I	14
	S/N:	BFA12A-AA				
	WS-BD-596308A	Kit	8.500S	7.000S	I	14
	S/N:	BFA12AB-AB,BFA12AD-AX,BFA15				
	WS-BD-595307B	Kit	10.500S	9.000S	I	14
	S/N:	BFA12AC-AC,BFA17A-E,BFA21,BFA24,BFA25,BFA30 Cylinder No. FA4366, FA8839, FA8840, FB3581				
Rear Suspension	WS-BD-599307B	Kit	10.500S	9.000S	I	14
	S/N:	BFA12AY-AZ,BFA17F-UP Cylinder No. FA8108				
Rear Suspension	WS-BD-598308B	Kit	8.500S	6.500S	I	14
		Cylinder No. FA3439, FA3565, FA5356, FA8113, FA8114, FB4216				
Steering	WS-AK0075	Kit	4.500S	2.500S	P	5
	Cylinder No. FA3359, FA4500, FA4837, FA5814, FA7931, FA7932, FA7933, FB0379					
120B TRUCK						
Truck S/N: AFE5D-UP						
Hoist	WS-RK1652B	Kit	10.500S	6.750S	I	13
	S/N:	AFE5BN-UP Cylinder No. FA3278				
Front Suspension	WS-RK1639B	Kit		12.000S	I	14
	S/N:	AFE5AB-AD,AFE5AF-UP Cylinder No. FA2992, FA3282, FA3500, FA4340, FA4958				
	WS-RK1639A	Kit		12.000S	I	14
	S/N:	AFE5AB-AD,AFE5AF-UP				
Rear Suspension	WS-RK1639B	Kit		12.000S	I	14
	S/N:	AFE5AB-AD,AFE5AF-UP Cylinder No. FA2797, FA3501, FA4560				
	WS-RK1639A	Kit		12.000S	I	14
	S/N:	AFE5AB-AD,AFE5AF-UP				
Steering	WS-AK0075	Kit	4.500S	2.500S	P	5
	S/N:	AFE5BD-UP Cylinder No. FA3332				
120C,120CM,120D TRUCK						
Truck S/N: AFE11B-UP,AFE15A-UP,AFE16A-UP,AFE17A-UP,AFE19A-UP AFE20A-M,AFE22A-F,AFE24A-V,AFE27A-U,AFE29A-Q AFE34A-A,AFE35A-A,AFH26A-T						
Hoist	WS-RK1652B	Kit	10.500S	6.750S	I	13
	S/N:	AFE11,AFE15A-A,AFE15C-C,AFE16A-A Cylinder No. FA3278				
	WS-RK1827B	Kit	10.500S	6.250S	I	13
	S/N:	AFE15B-B,AFE15D-UP,AFE16B-UP,AFE17,AFE19 Cylinder No. FA5400				
	WS-RK1827A	Kit	10.500S	6.250S	I	13
	S/N:	AFE15B-B,AFE15D-UP,AFE16B-UP,AFE17,AFE19				

Application	Part Number	Description	Bore	Rod	Wiper	Type
120C,120CM,120D TRUCK (continued)						
Hoist (cont)	WS-AK0715B	Kit	10.500S	6.250S	I	13
	S/N:	AFE27T-U,AFE29L-Q,AFE34,AFE35,AFH26Q-Q,AFH26S-T Cylinder No. FB1124				
	WS-AK0715A	Kit	10.500S	6.250S	I	13
	S/N:	AFE27T-U,AFE29L-Q,AFE34,AFE35,AFH26Q-Q,AFH26S-T				
Front Suspension	WS-RK1639B	Kit		12.000S	I	14
	Cylinder No. FA4958, FA5405, FA6548, FA7777, FA8821, FA8822, FB0368, FB0692, FB0693					
	WS-RK1639A	Kit		12.000S	I	14
Rear Suspension	WS-RK1639B	Kit		12.000S	I	14
	Cylinder No. FA4560, FA5406, FA5537, FA6197, FA7775, FA7776, FA8487, FA8493, FB0698, FB0699					
	WS-RK1639A	Kit		12.000S	I	14
Steering	WS-AK0075	Kit	4.500S	2.500S	P	5
	Cylinder No. FA3332					
130CW,150B TRUCK						
Truck S/N: AFE6A-UP,AFE12A-H,AFE13B-UP						
Hoist	WS-RK1652B	Kit	10.500S	6.750S	I	13
	S/N:	AFE6K-UP,AFE12A-C Cylinder No. FA3278				
	WS-RK1827B	Kit	10.500S	6.250S	I	13
	S/N:	AFE12D-H,AFE13B-UP Cylinder No. FA5400				
	WS-RK1827A	Kit	10.500S	6.250S	I	13
S/N:	AFE12D-H,AFE13B-UP					
Front Suspension	WS-RK1639B	Kit		12.000S	I	14
	Cylinder No. FA3282, FA4340, FA4958, FA5405, FA6548					
	WS-RK1639A	Kit		12.000S	I	14
Rear Suspension	WS-RK1639B	Kit		12.000S	I	14
	Cylinder No. FA2797, FA4560, FA5406, FA8493					
	WS-RK1639A	Kit		12.000S	I	14
Steering	WS-AK0076	Kit	5.000S	2.500S	P	5
	Cylinder No. FA3090, FA3850, FA3851, FA5546					
170C,170CP,170D TRUCK						
Truck S/N: AFE14A-BA,AFE25A-B,AFE28A-AL						
Hoist	WS-RK1827B	Kit	10.500S	6.250S	I	13
	S/N:	AFE14A-AA Cylinder No. FA5400				
	WS-RK1827A	Kit	10.500S	6.250S	I	13
	S/N:	AFE14A-AA				
	WS-BD-655294B	Kit	10.500S	6.250S	I	13
	S/N:	AFE28AC-AC,AFE28AE-AF Cylinder No. FB2461				
	WS-BD-655294A	Kit	10.500S	6.250S	I	13
	S/N:	AFE28AC-AC,AFE28AE-AF				
	WS-AK0715B	Kit	10.500S	6.250S	I	13
	S/N:	AFE28AG-AL Cylinder No. FB1124				

Application	Part Number	Description	Bore	Rod	Wiper	Type
170C,170CP,170D TRUCK (continued)						
Hoist (cont)	WS-AK0715A	Kit	10.500S	6.250S	I	13
	S/N: AFE28AG-AL					
Front Suspension	WS-RK1639B	Kit		12.000S	I	14
	Cylinder No. FA4958, FA5405, FA6548, FA8821, FA8822, FB0140, FB0692, FB0693, FB0944					
	WS-RK1639A	Kit		12.000S	I	14
Rear Suspension	WS-RK1639B	Kit		12.000S	I	14
	Cylinder No. FA5537, FA6197, FA7775, FA8487, FA8493, FB0022, FB0070, FB0700, FB0726					
	WS-RK1639A	Kit		12.000S	I	14
Steering	WS-AK0076	Kit	5.000S	2.500S	P	5
	Cylinder No. FA5546, FA8948					
Door	WS-AK0076	Kit	5.000S	2.500S	P	5
	S/N: AFE25A-B	Cylinder No. FA5546				
190 TRUCK						
Front Suspension	WS-BD-679389A	Kit		12.000S	I	14
	Cylinder No. FB5736					
	WS-BD-683389A	Kit		12.000S	I	14
Cylinder No. TY2224, TY8509						
Rear Suspension	WS-RK1639B	Kit		12.000S	I	14
	Cylinder No. FB0700					
	WS-RK1639A	Kit		12.000S	I	14
Steering	WS-AK0076	Kit	5.000S	2.500S	P	5
	Cylinder No. FB5481					
3200,3200A,3200B TRUCK						
Truck S/N: AFE8A-F, AFE10B-G						
Hoist	WS-RK1654B	Kit	10.500S	6.750S	I	13
	S/N: AFE8A-C	Cylinder No. FA3655				
	WS-RK1848B	Kit	12.875S	6.250S	I	13
	WS-BD-590298	Kit	12.875S		N	0
	S/N: AFE8D-F	Cylinder No. FA5599				
	WS-RK1848A	Kit	12.875S	6.250S	I	13
	WS-BD-590298	Kit	12.875S		N	0
	S/N: AFE8D-F					
Front Suspension	WS-RK1639B	Kit		12.000S	I	14
	Cylinder No. FA4340, FA4958, FA5405, FA6548, FA8821					
	WS-RK1639A	Kit		12.000S	I	14
Rear Suspension	WS-RK1639B	Kit		12.000S	I	14
	Cylinder No. FA3804, FA6135, FA7719, FA7720, FA8769					
	WS-RK1639A	Kit		12.000S	I	14
Steering	WS-AK0076	Kit	5.000S	2.500S	P	5
	Cylinder No. FA3627, FA4986, FA5546					

NORTH AMERICA
PHONE 800.854.0275
FAX 813.559.8698



WORLDWIDE
PHONE 813.559.8650
FAX 813.559.8698

Machine Model	Page
Wheel Tractors, Loader / Backhoes, Loader / Landscapers	
380LL	645
430	645
480, 480B	645
480C	647
480D, 480LL	648
480E,480E LL	648
480F,480F LL	649
530	649
570LXT	650
580	650
580B	652
580C	653
580D, 580 Super D	653
580 Super E	654
580F	654
580G	656
580K	657
580 Super K	657
580L	658
580 Super L	658
590	658
680	659
680CK	659
680B	660
680C	660
680E	661
680G,680H	662
680K	662
680L	662
780	663
780B	663
780C	663
780D	664
Crawler Tractors (Dozers) / Loaders	
310E,310F	664
310G	665
350	667
350B	669
420C	670
450	671

Machine Model	Page	Machine Model	Page
Crawler Tractors (Dozers) / Loaders		Unimog	
450B,450C,455B,455C	674	MB4/94	694
475 Cable Layer	675		
550	675	Uni-Loaders	
550E	676	1530B	695
650	676	1700 Series	695
750	676	1816B,1816C	695
850	677	1830	695
850B	679	1835,1835B,1835C	695
850C,855C	680	1840	696
850D,850E,855D,855E	680	1845,1845S,1845B,1845C	696
1150	681	D100 Backhoe	696
1150B	683	D130 Backhoe	697
1150C,1150D,1155D	683		
1150E,1155E	683	Excavators	
1450	684	880	697
1450B,1455B	684	880B,880C,880D	697
1550	685	880R	697
		980	698
Wheel Loaders		980B	698
W3	685	1080	698
W7,W7C,W7E	686	1080B	698
W8E	687	1085,1086	698
W9,W9A,W9B,W9C,W9E,W10,W10B,W10C, W10E	687	1085B,1086B	699
W11,W11B	689	1085C	699
W14,W14H,W14FL Feedlot Special	689	1187,1187B,1187C Feller Buncher	699
W14B,W14C	691	1280,1280B	699
W18,W20,W20B	691	1285,1286	699
W18B,W20C	691	35YC-EC Series B,40 YC-EC Series B, 40 Series B	700
W24	691	40B	700
W24B	692	Drott® 35D,40D,40E	700
W24C	692	Drott® 40D,40E	700
W26B,W26LF	692	40 Series F	701
W30	693	45,45B	701
W36	693	Drott® 50D,50E	702
621,621B,721	693		
821,821B	693		
921,921B	693		
Skidders			
300C,400C	694		
600,800,825	694		

Application	Part Number	Description	Bore	Rod	Wiper	Type
380LL LOADER/LANDSCAPER						
Lift	CS-G109484	Kit	2.500S	1.500S	P	9
Tilt	CS-G109484	Kit	2.500S	1.500S	P	9
430 WHEEL TRACTOR WITH LOADER/BACKHOE MODELS 21,22,23						
Loader Model S/N: 21 4047240-4062587,22 4062588-UP Backhoe Model S/N: 21 4041266-4058654,22 4058655-UP						
Loader Lift	CS-D 42869	Kit	2.500S	1.500S	S	9
	CS-G 33193	Packing Ay				
	Double action Cylinder					
Loader Tilt	CS-D 42870	Kit	3.000S	1.500S	S	9
	CS-G 33151	Packing Ay				
	LDR models 22,23					
Steering	CS-A 36396	Kit	2.000S	0.630S	P	0
Backhoe Stabilizer	CS-D 42867	Kit	2.500S	1.250S	S	9
	CS-G 33193	Packing Ay				
Backhoe Swing	CS-D 42868	Kit	2.500S	1.250S	S	9
	CS-G 33193	Packing Ay				
Backhoe Boom	CS-D 42872	Kit	3.000S	1.750S	S	9
	CS-G 33151	Packing Ay				
	BH models 21,22					
	CS-D 42873	Kit	3.500S	1.750S	S	9
	CS-G 33237	Packing Ay				
	BH model 22					
	CS-D 42873	Kit	3.500S	1.750S	S	9
	(2)CS-D 47203	Packing				
BH model 23						
Backhoe Bucket	CS-D 42870	Kit	3.000S	1.500S	S	9
	CS-G 33151	Packing Ay				
Backhoe Dipper	CS-D 42874	Kit	3.500S	2.000S	S	9
	CS-G 33237	Packing Ay				
480,480B LOADER/BACKHOE						
Loader Models: 23,26,26B Backhoe Models: 23,26,26B,26S						
Loader Lift	CS-D 42869	Kit	2.500S	1.500S	S	9
	CS-G 33193	Packing Ay				
	LDR models 23,26,26B					
	CS-G109484	Kit	2.500S	1.500S	P	9
LDR models 26,26B						
Loader Tilt	CS-D 42870	Kit	3.000S	1.500S	S	9
	CS-G 33151	Packing Ay				
	LDR models 23,26,26B, Single Cylinder					
	CS-1543378C1	Kit	3.000S	1.500S	P	9
	LDR models 26,26B, Single Cylinder					
	CS-G109484	Kit	2.500S	1.500S	P	9
LDR model 26B, Dual Cylinders						
3-Point Hitch Lift	CS-1543378C1	Kit	3.000S	1.500S	P	9
	LDR models 26,26B					

Application	Part Number	Description	Bore	Rod	Wiper	Type
480,480B LOADER/BACKHOE (continued)						
3-Point Hitch Tilt	CS-G 32295	Kit	2.500S	1.250S	P	9
	LDR models 26,26B					
3-Point Hitch Pitch	CS-G 32295	Kit	2.500S	1.250S	P	9
	LDR models 26,26B					
	CS-128728A1	Kit	2.500S	1.250S	P	5
	LDR models 26,26B					
Steering	CS-A 36396	Kit	2.000S	0.630S	P	0
	S/N: Prior-8735170					
	CS-A 44644	Kit	1.500S	0.750S	I	0
	S/N: 87357171-UP					
Backhoe Stabilizer	CS-D 42867	Kit	2.500S	1.250S	S	9
	CS-G 33193	Packing Ay				
	BH model 23					
	CS-D 42870	Kit	3.000S	1.500S	S	9
	CS-G 33151	Packing Ay				
	BH model 26					
	CS-D 42872	Kit	3.000S	1.750S	S	9
	CS-G 33151	Packing Ay				
	BH model 26					
	CS-1543263C1	Kit	3.000S	1.750S	P	9
	BH model 26					
	CS-G109470	Kit	3.500S	1.750S	P	9
	BH model 26B					
	CS-G105529	Kit	3.500S	1.750S	P	9
	BH model 26S					
Backhoe Swing	CS-D 42868	Kit	2.500S	1.250S	S	9
	CS-G 33193	Packing Ay				
	BH model 23					
	CS-D 47896	Kit	3.500S	1.500S	S	9
	(2)CS-D 47203	Packing				
	BH models 26,26B					
	CS-G 34652	Kit	3.500S	1.500S	P	9
	BH models 26,26B					
	CS-G105519	Kit	4.000S	1.750S	P	9
	BH model 26S					
Backhoe Boom	CS-D 42873	Kit	3.500S	1.750S	S	9
	(2)CS-D 47203	Packing				
	BH models 23,26,26B,26S					
	CS-G105529	Kit	3.500S	1.750S	P	9
	BH models 26,26B,26S					
	CS-G 34636	Kit	4.000S	2.250S	P	9
BH models 26,26B,26S						
Backhoe Bucket	CS-D 42870	Kit	3.000S	1.500S	S	9
	CS-G 33151	Packing Ay				
	BH model 23					
	CS-D 42872	Kit	3.000S	1.750S	S	9
	CS-G 33151	Packing Ay				
	BH models 26,26B,26S					
	CS-1543263C1	Kit	3.000S	1.750S	P	9
BH models 26,26B,26S						

Application	Part Number	Description	Bore	Rod	Wiper	Type
480,480B LOADER/BACKHOE (continued)						
Backhoe Dipper	CS-D 42874	Kit	3.500S	2.000S	S	9
	CS-G 33237	Packing Ay				
	BH model 23					
	CS-D 42874	Kit	3.500S	2.000S	S	9
	(2)CS-D 47203	Packing				
	BH models 26,26B,26S					
	CS-G 32293	Kit	3.500S	2.000S	P	9
	BH models 26,26B,26S, With split inner wiper					
	CS-1543383C1	Kit	3.500S	2.000S	P	9
BH models 26,26B,26S, With rod bushing						
Backhoe Dipper Ext	CS-1543378C1	Kit	3.000S	1.500S	P	9
	BH models 26,26B,26S					
480C LOADER/BACKHOE						
Loader Lift	CS-G109484	Kit	2.500S	1.500S	P	9
	CS-1543253C1	Kit	2.500S	1.500S	P	15
Loader Tilt	CS-G109484	Kit	2.500S	1.500S	P	9
	CS-1543253C1	Kit	2.500S	1.500S	P	15
3-Point Hitch Lift	CS-1543378C1	Kit	3.000S	1.500S	P	9
	CS-1543252C1	Kit	3.000S	1.500S	P	15
3-Point Hitch Tilt	CS-G 32295	Kit	2.500S	1.250S	P	9
	CS-1543250C1	Kit	2.500S	1.250S	P	5
3-Point Hitch Pitch	CS-128728A1	Kit	2.500S	1.250S	P	5
Steering	CS-A 44644	Kit	1.500S	0.750S	I	0
	S/N: Prior-8980833					
	CS-D148100	Kit	1.500S	0.750S	I	5
S/N: 8980834-UP						
Backhoe Stabilizer	CS-1543263C1	Kit	3.000S	1.750S	P	9
	Models without Extendable Dipper					
	CS-1543262C1	Kit	3.000S	1.750S	P	15
	Models without Extendable Dipper					
	CS-G109470	Kit	3.500S	1.750S	P	9
	Models with Extendable Dipper					
CS-1543261C1	Kit	3.500S	1.750S	P	15	
Models with Extendable Dipper						
Backhoe Swing	CS-G 34652	Kit	3.500S	1.500S	P	9
	CS-1543254C1	Kit	3.500S	1.500S	P	15
Backhoe Boom	CS-G 34636	Kit	4.000S	2.250S	P	9
	CS-1543277C1	Kit	4.000S	2.250S	P	15
Backhoe Bucket	CS-1543263C1	Kit	3.000S	1.750S	P	9
	CS-1543262C1	Kit	3.000S	1.750S	P	15
Backhoe Dipper	CS-1543383C1	Kit	3.500S	2.000S	P	9
	CS-1543274C1	Kit	3.500S	2.000S	P	15
Backhoe Dipper Ext	CS-1543378C1	Kit	3.000S	1.500S	P	9
	CS-1543252C1	Kit	3.000S	1.500S	P	15

Application	Part Number	Description	Bore	Rod	Wiper	Type
480D LOADER/BACKHOE, 480LL LOADER/LANDSCAPER						
Loader Lift	CS-1543253C1	Kit	2.500S	1.500S	P	15
Loader Tilt	CS-1543253C1	Kit	2.500S	1.500S	P	15
3-Point Hitch Lift	CS-1543252C1	Kit	3.000S	1.500S	P	15
3-Point Hitch Tilt	CS-1543250C1	Kit	2.500S	1.250S	P	5
3-Point Hitch Pitch	CS-128728A1	Kit	2.500S	1.250S	P	5
Steering	CS-D148100	Kit	1.500S	0.750S	I	5
Backhoe Stabilizer	CS-1543262C1	Kit	3.000S	1.750S	P	15
	Models without Extendable Dipper					
	CS-1543261C1	Kit	3.500S	1.750S	P	15
Models with Extendable Dipper						
Backhoe Swing	CS-1543254C1	Kit	3.500S	1.500S	P	15
Backhoe Boom	CS-1543264C1	Kit	4.000S	1.750S	P	15
Backhoe Bucket	CS-1543268C1	Kit	3.250S	2.000S	P	15
	CS-1543294C1	Kit	3.500S	2.500S	P	15
Backhoe Dipper	CS-1543274C1	Kit	3.500S	2.000S	P	15
Backhoe Dipper Ext	CS-1543252C1	Kit	3.000S	1.500S	P	15
480E LOADER/BACKHOE, 480E LL LOADER/LANDSCAPER						
Loader Lift	CS-1543253C1	Kit	2.500S	1.500S	P	15
Loader Tilt	CS-1543253C1	Kit	2.500S	1.500S	P	15
3-Point Hitch Lift	CS-1543252C1	Kit	3.000S	1.500S	P	15
3-Point Hitch Tilt	CS-1543250C1	Kit	2.500S	1.250S	P	5
3-Point Hitch Pitch	CS-128728A1	Kit	2.500S	1.250S	P	5
	Use with G 33128 Cylinder					
	CS-1543249C1	Kit	2.500S	1.250S	P	15
Use with 1976884C1 Cylinder						
Steering	CS-D148100	Kit	1.500S	0.750S	I	5
Backhoe Stabilizer	CS-1543261C1	Kit	3.500S	1.750S	P	15
	Use with G102294 Cylinder					
	CS-1543266C1	Kit	3.500S	1.750S	P	15
Use with 1340827C1 Cylinder						
Backhoe Swing	CS-1543254C1	Kit	3.500S	1.500S	P	15
Backhoe Boom	CS-1543264C1	Kit	4.000S	1.750S	P	15
Backhoe Bucket	CS-1543268C1	Kit	3.250S	2.000S	P	15
	CS-1543294C1	Kit	3.500S	2.500S	P	15
Backhoe Dipper	CS-1543274C1	Kit	3.500S	2.000S	P	15
	Models with 12' Backhoe, Use with G104844 Cylinder					
	CS-1980181C2	Kit	3.750S	2.000S	P	15
Models with 14' Backhoe, Use with 1980159C1 Cylinder						
Backhoe Dipper Ext	CS-1543252C1	Kit	3.000S	1.500S	P	15

Application	Part Number	Description	Bore	Rod	Wiper	Type
480F LOADER/BACKHOE, 480F LL LOADER/LANDSCAPER						
Loader Lift	CS-1543267C1	Kit	3.000S	1.750S	P	15
Loader Tilt	CS-1543253C1	Kit	2.500S	1.500S	P	15
Loader Clam	CS-1543262C1	Kit	3.000S	1.750S	P	15
3-Point Hitch Lift	CS-1543252C1	Kit	3.000S	1.500S	P	15
3-Point Hitch Tilt	CS-1543250C1	Kit	2.500S	1.250S	P	5
3-Point Hitch Pitch	CS-1543249C1	Kit	2.500S	1.250S	P	15
Steering	CS-D148100	Kit	1.500S	0.750S	I	5
Backhoe Stabilizer	CS-1543266C1	Kit	3.500S	1.750S	P	15
Backhoe Swing	CS-1543254C1	Kit	3.500S	1.500S	P	15
Backhoe Boom	CS-1543264C1	Kit	4.000S	1.750S	P	15
Backhoe Bucket	CS-1543268C1	Kit	3.250S	2.000S	P	15
	CS-1543294C1	Kit	3.500S	2.500S	P	15
Backhoe Dipper	CS-1543274C1	Kit	3.500S	2.000S	P	15
	Models with 12' Backhoe					
	CS-1980181C2	Kit	3.750S	2.000S	P	15
Models with 14' Backhoe						
Backhoe Dipper Ext	CS-1543252C1	Kit	3.000S	1.500S	P	15
530 LOADER/BACKHOE						
Loader Models: 31,32,42 Backhoe Models: 31,32,32S						
Loader Lift	CS-D 42869	Kit	2.500S	1.500S	S	9
	CS-G 33193	Packing Ay				
	LDR model 31					
	CS-D 42870	Kit	3.000S	1.500S	S	9
	CS-G 33151	Packing Ay				
LDR models 32,42						
Loader Tilt	CS-D 42867	Kit	2.500S	1.250S	S	9
	CS-G 33193	Packing Ay				
	LDR model 31					
	CS-D 42869	Kit	2.500S	1.500S	S	9
	CS-G 33193	Packing Ay				
LDR models 32,42						
Ldr Hydra-Leveling	CS-D 42872	Kit	3.000S	1.750S	S	9
	CS-G 33151	Packing Ay				
	LDR model 32					
Steering	CS-A 36396	Kit	2.000S	0.630S	P	0
Backhoe Stabilizer	CS-D 42873	Kit	3.500S	1.750S	S	9
	CS-G 33237	Packing Ay				
	BH models 31,32,32S					
	CS-G109470	Kit	3.500S	1.750S	P	9
	BH models 31,32					
	CS-G105529	Kit	3.500S	1.750S	P	9
BH model 32S						
Backhoe Swing	CS-D 42871	Kit	3.000S	1.500S	S	9
	CS-G 33151	Packing Ay				
	BH model 31					
	CS-D 42875	Kit	4.000S	1.750S	S	9
	CS-G 33239	Packing Ay				
BH models 32,32S						

Application	Part Number	Description	Bore	Rod	Wiper	Type
530 LOADER/BACKHOE (continued)						
Backhoe Swing (cont)	CS-G 32617	Kit	4.000S	1.750S	P	9
	BH models 32,32S					
Backhoe Boom	CS-D 42876	Kit	4.000S	2.000S	S	9
	CS-G 33239	Packing Ay				
	BH models 31,32,32S					
	CS-G 32616	Kit	4.000S	2.000S	P	9
BH models 31,32,32S						
Backhoe Bucket	CS-D 42873	Kit	3.500S	1.750S	S	9
	CS-G 33237	Packing Ay				
	BH models 31,32,32S					
	CS-G109470	Kit	3.500S	1.750S	P	9
BH models 31,32,32S						
Backhoe Dipper	CS-D 42876	Kit	4.000S	2.000S	S	9
	CS-G 33239	Packing Ay				
	BH models 31,32,32S					
	CS-G105526	Kit	4.000S	2.000S	P	9
BH models 31,32,32S						
570LXT LOADER/BACKHOE						
Loader Lift	CS-1543267C1	Kit	3.000S	1.750S	P	15
Loader Tilt	CS-175251A1	Kit	2.750S	1.500S	P	15
Loader Clam	CS-1543267C1	Kit	3.000S	1.750S	P	15
3-Point Hitch Lift	CS-1543256C1	Kit	3.000S	1.500S	P	15
3-Point Hitch Tilt	CS-183286A1	Kit	2.500S	1.250S	P	5
3-Point Hitch Pitch	CS-183286A1	Kit	2.500S	1.250S	P	5
Steering	CS-G110045	Kit	2.750S	1.500S	P	5
	2 Wheel drive models					
Backhoe Stabilizer	CS-1543269C1	Kit	4.000S	2.000S	P	15
Backhoe Swing	CS-191747A1	Kit	3.750S	2.000S	P	15
	CS-122535A1	Kit	4.000S	2.000S	P	15
Backhoe Boom	CS-182218A1	Kit	4.500S	2.250S	P	15
Backhoe Bucket	CS-131750A2	Kit	3.250S	2.250S	P	15
Backhoe Dipper	CS-234844A1	Kit	4.250S	2.250S	P	15
Backhoe Dipper Ext	CS-1543267C1	Kit	3.000S	1.750S	P	15
580 LOADER/BACKHOE						
Loader Models: 33 Backhoe Models: 33,33S						
Loader Lift	CS-D 42870	Kit	3.000S	1.500S	S	9
	CS-G 33151	Packing Ay				
	CS-1543378C1	Kit	3.000S	1.500S	P	9
Loader Tilt	CS-D 42869	Kit	2.500S	1.500S	S	9
	CS-G 33193	Packing Ay				
	CS-G109484	Kit	2.500S	1.500S	P	9
Ldr Hydra-Leveling	CS-D 42872	Kit	3.000S	1.750S	S	9
	CS-G 33151	Packing Ay				
	CS-1543263C1	Kit	3.000S	1.750S	P	9
Loader Clam	CS-1543263C1	Kit	3.000S	1.750S	P	9
	Case built only					
Loader Grapple	CS-D 42869	Kit	2.500S	1.500S	S	9
	CS-G 33193	Packing Ay				

Application	Part Number	Description	Bore	Rod	Wiper	Type
580 LOADER/BACKHOE (continued)						
Loader Grapple (cont)	CS-G109484	Kit	2.500S	1.500S	P	9
3-Point Hitch Lift	CS-1543378C1	Kit	3.000S	1.500S	P	9
3-Point Hitch Tilt	CS-G 32295	Kit	2.500S	1.250S	P	9
3-Point Hitch Pitch	CS-G 32295	Kit	2.500S	1.250S	P	9
	CS-128728A1	Kit	2.500S	1.250S	P	5
Steering	CS-A 36396	Kit	2.000S	0.630S	P	0
Backhoe Stabilizer	CS-D 42873	Kit	3.500S	1.750S	S	9
	CS-G 33237	Packing Ay				
	Used with Nylon Piston bearing					
	CS-D 42873	Kit	3.500S	1.750S	S	9
	(2)CS-D 47203	Packing				
	Used with Metal Piston bearing					
	CS-G109470	Kit	3.500S	1.750S	P	9
	Used with Nylon Piston bearing					
	CS-G105529	Kit	3.500S	1.750S	P	9
	Used with Metal Piston bearing					
Backhoe Swing	CS-D 42875	Kit	4.000S	1.750S	S	9
	(2)CS-D 47204	Packing				
	CS-G105519	Kit	4.000S	1.750S	P	9
Backhoe Boom	CS-D 42876	Kit	4.000S	2.000S	S	9
	(2)CS-D 47204	Packing				
	CS-G 32299	Kit	4.000S	2.000S	P	9
	With split inner wiper					
	CS-1543271C1	Kit	4.000S	2.000S	P	9
	With rod bushing					
	CS-D 42878	Kit	4.500S	2.250S	PI	9
	(2)CS-D 47205	Packing				
	Without rod bushing					
	CS-1543276C1	Kit	4.500S	2.250S	P	9
Backhoe Bucket	CS-D 42873	Kit	3.500S	1.750S	S	9
	(2)CS-D 47203	Packing				
	CS-D 42874	Kit	3.500S	2.000S	S	9
	(2)CS-D 47203	Packing				
	CS-G 32293	Kit	3.500S	2.000S	P	9
	With split inner wiper					
	CS-1543383C1	Kit	3.500S	2.000S	P	9
	With rod bushing					
Backhoe Dipper	CS-D 42876	Kit	4.000S	2.000S	S	9
	(2)CS-D 47204	Packing				
	CS-G 32299	Kit	4.000S	2.000S	P	9
	With split inner wiper					
	CS-1543271C1	Kit	4.000S	2.000S	P	9
With rod bushing						
Backhoe Dipper Ext	CS-D 42873	Kit	3.500S	1.750S	S	9
	(2)CS-D 47203	Packing				
	BH model 33					
	CS-G105529	Kit	3.500S	1.750S	P	9
	BH model 33					

Application	Part Number	Description	Bore	Rod	Wiper	Type	
580 LOADER/BACKHOE (continued)							
Backhoe Dipper Ext (cont)	CS-1543378C1	Kit	3.000S	1.500S	P	9	
	BH model 33						
580B WITH LOADER/BACKHOE MODEL 35							
Loader Lift	CS-1543378C1	Kit	3.000S	1.500S	P	9	
	CS-1543252C1	Kit	3.000S	1.500S	P	15	
Loader Tilt	CS-G109484	Kit	2.500S	1.500S	P	9	
	CS-1543253C1	Kit	2.500S	1.500S	P	15	
Ldr Hydra-Leveling	CS-1543263C1	Kit	3.000S	1.750S	P	9	
	CS-1543262C1	Kit	3.000S	1.750S	P	15	
Loader Clam	CS-1543263C1	Kit	3.000S	1.750S	P	9	
	CS-1543262C1	Kit	3.000S	1.750S	P	15	
3-Point Hitch Lift	CS-1543378C1	Kit	3.000S	1.500S	P	9	
	CS-1543252C1	Kit	3.000S	1.500S	P	15	
3-Point Hitch Tilt	CS-G 32295	Kit	2.500S	1.250S	P	9	
	CS-1543250C1	Kit	2.500S	1.250S	P	5	
3-Point Hitch Pitch	CS-G 32295	Kit	2.500S	1.250S	P	9	
	CS-128728A1	Kit	2.500S	1.250S	P	5	
Logging Fork Grapple	CS-G109484	Kit	2.500S	1.500S	P	9	
	CS-1543253C1	Kit	2.500S	1.500S	P	15	
Steering	CS-A 36396	Kit	2.000S	0.630S	P	0	
	S/N: Prior-8735170						
	CS-A 36396	Kit	2.000S	0.630S	P	0	
	S/N: 8735171-8741257	Models with Hydrostatic Transmissions					
	CS-A 44644	Kit	1.500S	0.750S	I	0	
	S/N: 8735171-8741257	Models with Shuttle Transmissions					
Backhoe Stabilizer	CS-1543383C1	Kit	3.500S	2.000S	P	9	
	CS-1543271C1	Kit	4.000S	2.000S	P	9	
	CS-1543273C1	Kit	4.000S	2.000S	P	15	
	CS-G105529	Kit	3.500S	1.750S	P	9	
	Side shift model						
	CS-1543261C1	Kit	3.500S	1.750S	P	15	
Side shift model							
Backhoe Swing	CS-1543271C1	Kit	4.000S	2.000S	P	9	
	CS-1543273C1	Kit	4.000S	2.000S	P	15	
Backhoe Boom	CS-G105528	Kit	3.250S	1.750S	P	11	
	CS-G 33181	Ring					
	CS-1543265C1	Kit	3.250S	1.750S	P	15	
Backhoe Bucket	CS-1543383C1	Kit	3.500S	2.000S	P	9	
	CS-1543274C1	Kit	3.500S	2.000S	P	15	
Backhoe Dipper	CS-1543271C1	Kit	4.000S	2.000S	P	9	
	CS-1543273C1	Kit	4.000S	2.000S	P	15	
Backhoe Dipper Ext	CS-1543378C1	Kit	3.000S	1.500S	P	9	
	CS-1543252C1	Kit	3.000S	1.500S	P	15	

Application	Part Number	Description	Bore	Rod	Wiper	Type
580C LOADER/BACKHOE						
Loader Lift	CS-1543263C1	Kit	3.000S	1.750S	P	9
	CS-1543262C1	Kit	3.000S	1.750S	P	15
Loader Tilt	CS-G109484	Kit	2.500S	1.500S	P	9
	CS-1543253C1	Kit	2.500S	1.500S	P	15
Loader Clam	CS-1543263C1	Kit	3.000S	1.750S	P	9
	CS-1543262C1	Kit	3.000S	1.750S	P	15
Loader Grapple	CS-G109484	Kit	2.500S	1.500S	P	9
	CS-1543253C1	Kit	2.500S	1.500S	P	15
3-Point Hitch Lift	CS-1543378C1	Kit	3.000S	1.500S	P	9
	CS-1543252C1	Kit	3.000S	1.500S	P	15
3-Point Hitch Tilt	CS-G 32295	Kit	2.500S	1.250S	P	9
	CS-1543250C1	Kit	2.500S	1.250S	P	5
3-Point Hitch Pitch	CS-128728A1	Kit	2.500S	1.250S	P	5
Steering	CS-A 44644	Kit	1.500S	0.750S	I	0
	S/N: Prior-8983287					
	CS-D148100	Kit	1.500S	0.750S	I	5
	S/N: 8983288-UP					
Backhoe Stabilizer	CS-1543271C1	Kit	4.000S	2.000S	P	9
	CS-1543273C1	Kit	4.000S	2.000S	P	15
Backhoe Swing	CS-1543271C1	Kit	4.000S	2.000S	P	9
	S/N: Prior-5411087					
Backhoe Boom	CS-1543273C1	Kit	4.000S	2.000S	P	15
	CS-G105528	Kit	3.250S	1.750S	P	11
	CS-G 33181	Ring				
Backhoe Bucket	CS-1543265C1	Kit	3.250S	1.750S	P	15
	CS-1543383C1	Kit	3.500S	2.000S	P	9
Backhoe Dipper	CS-1543274C1	Kit	3.500S	2.000S	P	15
	CS-1543271C1	Kit	4.000S	2.000S	P	9
Backhoe Dipper Ext	CS-1543273C1	Kit	4.000S	2.000S	P	15
	CS-1543378C1	Kit	3.000S	1.500S	P	9
	CS-1543252C1	Kit	3.000S	1.500S	P	15
580D,580 SUPER D LOADER/BACKHOE						
Loader Lift	CS-1543262C1	Kit	3.000S	1.750S	P	15
Loader Tilt	CS-1543253C1	Kit	2.500S	1.500S	P	15
Loader Clam	CS-1543262C1	Kit	3.000S	1.750S	P	15
3-Point Hitch Lift	CS-1543252C1	Kit	3.000S	1.500S	P	15
3-Point Hitch Tilt	CS-1543250C1	Kit	2.500S	1.250S	P	5
3-Point Hitch Pitch	CS-128728A1	Kit	2.500S	1.250S	P	5
Steering	CS-D148100	Kit	1.500S	0.750S	I	5
Backhoe Stabilizer	CS-1543273C1	Kit	4.000S	2.000S	P	15
Backhoe Swing	CS-1543273C1	Kit	4.000S	2.000S	P	15
Backhoe Boom	CS-1543265C1	Kit	3.250S	1.750S	P	15
Backhoe Bucket	CS-1543274C1	Kit	3.500S	2.000S	P	15
	Model 580D					
	CS-1543294C1	Kit	3.500S	2.500S	P	15
	Model 580 Super D					

Application	Part Number	Description	Bore	Rod	Wiper	Type
580D,580 SUPER D LOADER/BACKHOE (continued)						
Backhoe Dipper	CS-1543273C1	Kit	4.000S	2.000S	P	15
	Model 580D					
	CS-1543295C1	Kit	4.000S	2.500S	P	15
Model 580 Super D						
Backhoe Dipper Ext	CS-1543252C1	Kit	3.000S	1.500S	P	15
580 SUPER E LOADER/BACKHOE						
Loader Lift	CS-1543262C1	Kit	3.000S	1.750S	P	15
Loader Tilt	CS-1543253C1	Kit	2.500S	1.500S	P	15
Loader Clam	CS-1543262C1	Kit	3.000S	1.750S	P	15
3-Point Hitch Lift	CS-1543252C1	Kit	3.000S	1.500S	P	15
3-Point Hitch Tilt	CS-1543250C1	Kit	2.500S	1.250S	P	5
3-Point Hitch Pitch	CS-128728A1	Kit	2.500S	1.250S	P	5
Steering	CS-D148100	Kit	1.500S	0.750S	I	5
Backhoe Stabilizer	CS-1543273C1	Kit	4.000S	2.000S	P	15
Backhoe Swing	CS-1543273C1	Kit	4.000S	2.000S	P	15
Backhoe Boom	CS-1543265C1	Kit	3.250S	1.750S	P	15
Backhoe Bucket	CS-1543294C1	Kit	3.500S	2.500S	P	15
	CS-1543295C1	Kit	4.000S	2.500S	P	15
	CS-1543302C1	Kit	4.000S	3.000S	P	15
Backhoe Dipper	CS-1543273C1	Kit	4.000S	2.000S	P	15
Backhoe Dipper Ext	CS-1543252C1	Kit	3.000S	1.500S	P	15
580F LOADER/BACKHOE						
Loader Lift	CS-1543268C1	Kit	3.250S	2.000S	P	15
	S/N: 3.702.040-UP Dry Clutch model					
	CS-1543268C1	Kit	3.250S	2.000S	P	15
S/N: 3.733.220-UP Torque converter model						
Loader Tilt	CS-G109484	Kit	2.500S	1.500S	P	9
	S/N: Prior-3.702.035 Dry Clutch model					
	CS-1543253C1	Kit	2.500S	1.500S	P	15
	S/N: 3.702.036-UP Dry Clutch model					
	CS-G109484	Kit	2.500S	1.500S	P	9
	S/N: Prior-3.733.215 Torque converter model					
	CS-1543253C1	Kit	2.500S	1.500S	P	15
S/N: 3.733.216-UP Torque converter model						
Loader Clam	CS-1543263C1	Kit	3.000S	1.750S	P	9
	4-in-1 Bucket					
	CS-1543262C1	Kit	3.000S	1.750S	P	15
4-in-1 Bucket						
Steering	CS-D148100	Kit	1.500S	0.750S	I	5
	S/N: 3.736.937-UP					

Application	Part Number	Description	Bore	Rod	Wiper	Type	
580F LOADER/BACKHOE (continued)							
Backhoe Stabilizer	CS-1543271C1	Kit	4.000S	2.000S	P	9	
	S/N:	Prior-3.775.176 Axial Backhoe					
	CS-1543273C1	Kit	4.000S	2.000S	P	15	
	S/N:	3.775.177-UP Axial Backhoe					
	CS-1543263C1	Kit	3.000S	1.750S	P	9	
	S/N:	Prior-3.785.895 Sideshift Backhoe					
Backhoe Swing	CS-1543271C1	Kit	4.000S	2.000S	P	9	
	S/N:	Prior-3.775.161 Axial Backhoe					
	CS-1543273C1	Kit	4.000S	2.000S	P	15	
	S/N:	3.775.162-UP Axial Backhoe					
	CS-G105519	Kit	4.000S	1.750S	P	9	
	S/N:	Prior-3.785.922 Sideshift Backhoe					
Backhoe Boom	CS-G105528	Kit	3.250S	1.750S	P	11	
	CS-G 33181	Ring					
	S/N:	Prior-3.775.108 Axial Backhoe					
	CS-1543265C1	Kit	3.250S	1.750S	P	15	
	S/N:	3.775.109-UP Axial Backhoe					
	CS-G105528	Kit	3.250S	1.750S	P	11	
Backhoe Bucket	CS-G 33181	Ring					
	S/N:	Prior-3.785.967 Sideshift Backhoe					
	CS-1543265C1	Kit	3.250S	1.750S	P	15	
	S/N:	3.785.968-UP Sideshift Backhoe					
	CS-1543383C1	Kit	3.500S	2.000S	P	9	
	S/N:	Prior-3.775.116 Axial Backhoe					
Backhoe Bucket	CS-1543274C1	Kit	3.500S	2.000S	P	15	
	S/N:	3.775.117-UP Axial Backhoe					
	CS-1543383C1	Kit	3.500S	2.000S	P	9	
	S/N:	Prior-3.785.981 Sideshift Backhoe					

Application	Part Number	Description	Bore	Rod	Wiper	Type
580F LOADER/BACKHOE (continued)						
Backhoe Bucket (cont)	CS-1543274C1	Kit	3.500S	2.000S	P	15
S/N:	3.785.982-UP Sideshift Backhoe					
Backhoe Dipper	CS-1543271C1	Kit	4.000S	2.000S	P	9
S/N:	Prior-3.775.120 Axial Backhoe					
	CS-1543273C1	Kit	4.000S	2.000S	P	15
S/N:	3.775.121-UP Axial Backhoe					
	CS-1543271C1	Kit	4.000S	2.000S	P	9
S/N:	Prior-3.785.997 Sideshift Backhoe					
	CS-1543273C1	Kit	4.000S	2.000S	P	15
S/N:	3.785.998-UP Sideshift Backhoe					
Backhoe Extendahoe	CS-1543378C1	Kit	3.000S	1.500S	P	9
S/N:	Prior-3.755.161 Axial Backhoe					
	CS-1543252C1	Kit	3.000S	1.500S	P	15
S/N:	3.775.162-UP Axial Backhoe					
	CS-1543378C1	Kit	3.000S	1.500S	P	9
S/N:	Prior-3.786.078 Sideshift Backhoe					
	CS-1543252C1	Kit	3.000S	1.500S	P	15
S/N:	3.786.079-UP Sideshift Backhoe					
580G LOADER/BACKHOE						
Loader Lift	CS-1543268C1	Kit	3.250S	2.000S	P	15
Loader Tilt	CS-G109480	Kit	2.750S	1.500S	P	15
Loader Clam	CS-1543262C1	Kit	3.000S	1.750S	P	15
Steering	CS-D148100	Kit	1.500S	0.750S	I	5
	Use with D 84800, D 92099, D128454 Cylinders					
Backhoe Stabilizer	CS-1543273C1	Kit	4.000S	2.000S	P	15
	Axial Backhoe					
	CS-1543262C1	Kit	3.000S	1.750S	P	15
	Sideshift Backhoe					
Backhoe Swing	CS-1543273C1	Kit	4.000S	2.000S	P	15
	CS-G107687	Kit	4.000S	1.750S	P	15
Backhoe Boom	CS-1543265C1	Kit	3.250S	1.750S	P	15
Backhoe Bucket	CS-1543274C1	Kit	3.500S	2.000S	P	15
Backhoe Dipper	CS-1543273C1	Kit	4.000S	2.000S	P	15
Backhoe Dipper Ext	CS-1543252C1	Kit	3.000S	1.500S	P	15

Application	Part Number	Description	Bore	Rod	Wiper	Type
580K LOADER/BACKHOE						
Loader Lift	CS-1543260C1	Kit	3.250S	1.750S	P	15
Loader Tilt	CS-1543256C1	Kit	3.000S	1.500S	P	15
Loader Clam	CS-1543262C1	Kit	3.000S	1.750S	P	15
	Use with G101190, G101191 Cylinders					
	CS-1543267C1	Kit	3.000S	1.750S	P	15
3-Pt Hitch Lift&Tilt	Use with 1346189C1, 1346190C1 Cylinders					
	CS-1543316C1	Kit	3.000S	1.250S	P	15
	RH Side Only					
3-Point Hitch Lift	CS-1543252C1	Kit	3.000S	1.500S	P	15
	LH Side Only					
3-Point Hitch Tilt	CS-1543250C1	Kit	2.500S	1.250S	P	5
3-Point Hitch Pitch	CS-1543249C1	Kit	2.500S	1.250S	P	15
Steering	CS-G110045	Kit	2.750S	1.500S	P	5
	2 Wheel drive models					
Backhoe Stabilizer	CS-1543275C1	Kit	4.250S	2.000S	P	15
Backhoe Swing	CS-1543260C1	Kit	3.250S	1.750S	P	15
	CS-1543266C1	Kit	3.500S	1.750S	P	15
Backhoe Boom	CS-1542919C2	Kit	5.000S	2.250S	P	23
Backhoe Bucket	CS-1542923C2	Kit	3.500S	2.500S	P	15
Backhoe Dipper	CS-1543360C1	Kit	5.000S	2.500S	P	9
	CS-1542915C2	Kit	5.000S	2.500S	P	15
Backhoe Dipper Ext	CS-1543267C1	Kit	3.000S	1.750S	P	15
580 SUPER K LOADER/BACKHOE						
Loader Lift	CS-1543260C1	Kit	3.250S	1.750S	P	15
Loader Tilt	CS-1543256C1	Kit	3.000S	1.500S	P	15
Loader Clam	CS-1543267C1	Kit	3.000S	1.750S	P	15
3-Point Hitch Lift	CS-1543252C1	Kit	3.000S	1.500S	P	15
3-Point Hitch Tilt	CS-1543250C1	Kit	2.500S	1.250S	P	5
3-Point Hitch Pitch	CS-1543249C1	Kit	2.500S	1.250S	P	15
Steering	CS-G110045	Kit	2.750S	1.500S	P	5
	2 Wheel drive models					
Backhoe Stabilizer	CS-1543275C1	Kit	4.250S	2.000S	P	15
Backhoe Swing	CS-1543266C1	Kit	3.500S	1.750S	P	15
Backhoe Boom	CS-1542919C2	Kit	5.000S	2.250S	P	23
Backhoe Bucket	CS-1542923C2	Kit	3.500S	2.500S	P	15
Backhoe Dipper	CS-1542915C2	Kit	5.000S	2.500S	P	15
Backhoe Dipper Ext	CS-1543267C1	Kit	3.000S	1.750S	P	15

Application	Part Number	Description	Bore	Rod	Wiper	Type
580L LOADER/BACKHOE						
Loader Lift	CS-1543267C1	Kit	3.000S	1.750S	P	15
Loader Tilt	CS-175251A1	Kit	2.750S	1.500S	P	15
Loader Clam	CS-1543267C1	Kit	3.000S	1.750S	P	15
Steering	CS-G110045	Kit	2.750S	1.500S	P	5
2 Wheel drive models						
Backhoe Stabilizer	CS-1543269C1	Kit	4.000S	2.000S	P	15
Backhoe Swing	CS-191747A1	Kit	3.750S	2.000S	P	15
	CS-122535A1	Kit	4.000S	2.000S	P	15
Backhoe Boom	CS-182218A1	Kit	4.500S	2.250S	P	15
Backhoe Bucket	CS-131750A2	Kit	3.250S	2.250S	P	15
Backhoe Dipper	CS-234844A1	Kit	4.250S	2.250S	P	15
Backhoe Dipper Ext	CS-1543267C1	Kit	3.000S	1.750S	P	15
580 SUPER L LOADER/BACKHOE						
Loader Lift	CS-1543260C1	Kit	3.250S	1.750S	P	15
Loader Tilt	CS-1543256C1	Kit	3.000S	1.500S	P	15
Loader Clam	CS-1543267C1	Kit	3.000S	1.750S	P	15
Steering	CS-G110045	Kit	2.750S	1.500S	P	5
2 Wheel drive models						
Backhoe Stabilizer	CS-1543275C1	Kit	4.250S	2.000S	P	15
Backhoe Swing	CS-122535A1	Kit	4.000S	2.000S	P	15
Backhoe Boom	CS-1542919C2	Kit	5.000S	2.250S	P	23
Backhoe Bucket	CS-1542923C2	Kit	3.500S	2.500S	P	15
Backhoe Dipper	CS-1542915C2	Kit	5.000S	2.500S	P	15
Backhoe Dipper Ext	CS-1543267C1	Kit	3.000S	1.750S	P	15
590 LOADER/BACKHOE						
Loader Lift	CS-1543266C1	Kit	3.500S	1.750S	P	15
Loader Tilt	CS-1543256C1	Kit	3.000S	1.500S	P	15
Loader Clam	CS-1543267C1	Kit	3.000S	1.750S	P	15
Steering	CS-G110045	Kit	2.750S	1.500S	P	5
Backhoe Stabilizer	CS-1543289C2	Kit	5.000S	2.250S	P	15
Backhoe Swing	CS-1980181C2	Kit	3.750S	2.000S	P	15
Backhoe Boom	CS-1980412C2	Kit	5.500S	2.500S	P	23
Backhoe Bucket	CS-1542923C2	Kit	3.500S	2.500S	P	15
Backhoe Dipper	CS-1994527C2	Kit	5.500S	2.750S	P	23
Backhoe Dipper Ext	CS-1543267C1	Kit	3.000S	1.750S	P	15

Application	Part Number	Description	Bore	Rod	Wiper	Type
680 LOADER WITH BACKHOE MODEL 34						
Loader/Backhoe S/N: PRIOR-5000701, PRIOR-9101500						
Loader Tilt	CS-D 42873	Kit	3.500S	1.750S	S	9
	CS-G 33237	Packing Ay				
	Tilt Hydraulics, Field modification					
Steering	CS-A 36396	Kit	2.000S	0.630S	P	0
Backhoe Stabilizer	CS-D 42873	Kit	3.500S	1.750S	S	9
	(2)CS-D 47203	Packing				
	1 D 41279 Bronze packing ring required					
Backhoe Swing	CS-D 42875	Kit	4.000S	1.750S	S	9
	(2)CS-D 47204	Packing				
Backhoe Boom	CS-D 42878	Kit	4.500S	2.250S	PI	9
	(2)CS-D 47205	Packing				
Backhoe Bucket	CS-D 42877	Kit	4.000S	2.250S	PI	9
	(2)CS-D 47204	Packing				
Backhoe Dipper	CS-D 42878	Kit	4.500S	2.250S	PI	9
	(2)CS-D 47205	Packing				
680CK LOADER/BACKHOE						
Loader/Backhoe S/N: 9101501-9101904						
Loader Lift	CS-D 42874	Kit	3.500S	2.000S	S	9
	CS-G 33237	Packing Ay				
Loader Tilt	CS-D 42872	Kit	3.000S	1.750S	S	9
	CS-G 33151	Packing Ay				
Ldr Hydra-Leveling	CS-D 42872	Kit	3.000S	1.750S	S	9
	CS-G 33151	Packing Ay				
Steering	CS-A 36396	Kit	2.000S	0.630S	P	0
Backhoe Stabilizer	CS-D 42876	Kit	4.000S	2.000S	S	9
	(2)CS-D 47204	Packing				
Backhoe Swing	CS-D 42875	Kit	4.000S	1.750S	S	9
	(2)CS-D 47204	Packing				
Backhoe Boom	CS-D 42878	Kit	4.500S	2.250S	PI	9
	(2)CS-D 47205	Packing				
Backhoe Bucket	CS-D 42877	Kit	4.000S	2.250S	PI	9
	(2)CS-D 47204	Packing				
Backhoe Dipper	CS-D 42878	Kit	4.500S	2.250S	PI	9
	(2)CS-D 47205	Packing				

Application	Part Number	Description	Bore	Rod	Wiper	Type
680B LOADER/BACKHOE						
Loader Lift	CS-D 42874	Kit	3.500S	2.000S	S	9
	CS-G 33237	Packing Ay				
	CS-G109455	Kit	3.500S	2.000S	P	9
Loader Tilt	CS-D 42872	Kit	3.000S	1.750S	S	9
	CS-G 33151	Packing Ay				
	CS-1543263C1	Kit	3.000S	1.750S	P	9
Ldr Hydra-Leveling	CS-D 42872	Kit	3.000S	1.750S	S	9
	CS-G 33151	Packing Ay				
	CS-1543263C1	Kit	3.000S	1.750S	P	9
Steering	CS-A 36396	Kit	2.000S	0.630S	P	0
Backhoe Stabilizer	CS-D 42876	Kit	4.000S	2.000S	S	9
	(2)CS-D 47204	Packing				
	CS-G 32299	Kit	4.000S	2.000S	P	9
Backhoe Swing	CS-G 32695	Kit	4.500S	2.000S	P	9
	With split inner wiper					
	CS-1543270C1	Kit	4.500S	2.000S	P	9
Backhoe Boom	With rod bushing					
	CS-G109494	Kit	5.000S	2.250S	P	9
	O-Ring, BU-Ring gland seal					
Backhoe Bucket	CS-D 42877	Kit	4.000S	2.250S	PI	9
	(2)CS-D 47204	Packing				
	Without rod bushing					
	CS-G 34636	Kit	4.000S	2.250S	P	9
Backhoe Dipper	With rod bushing					
	CS-D 42878	Kit	4.500S	2.250S	PI	9
	(2)CS-D 47205	Packing				
	Without rod bushing					
CS-1543276C1	Kit	4.500S	2.250S	P	9	
680C LOADER/BACKHOE						
Loader Lift	CS-G109455	Kit	3.500S	2.000S	P	9
	S/N: Prior-9106777					
	CS-G109455	Kit	3.500S	2.000S	P	9
	S/N: 9106778-UP					
Loader Tilt	CS-1543274C1	Kit	3.500S	2.000S	P	15
	CS-1543263C1	Kit	3.000S	1.750S	P	9
Ldr Hydra-Leveling	CS-1543262C1	Kit	3.000S	1.750S	P	15
	CS-1543263C1	Kit	3.000S	1.750S	P	9
Loader Clam	CS-1543252C1	Kit	3.000S	1.500S	P	15
	CS-1543378C1	Kit	3.000S	1.500S	P	9
3-Point Hitch Tilt	CS-1543253C1	Kit	2.500S	1.500S	P	15
	S/N: Prior-9111008					
	S/N: Prior-9111008					

Application	Part Number	Description	Bore	Rod	Wiper	Type
680C LOADER/BACKHOE (continued)						
3-Point Hitch Pitch	CS-G109484	Kit	2.500S	1.500S	P	9
	S/N: Prior-9111008					
	CS-1543253C1	Kit	2.500S	1.500S	P	15
	S/N: Prior-9111008					
Steering	CS-A 36396	Kit	2.000S	0.630S	P	0
Backhoe Stabilizer	CS-D 42876	Kit	4.000S	2.000S	S	9
	(2)CS-D 47204	Packing				
	S/N: Prior-9105695					
	CS-G 32299	Kit	4.000S	2.000S	P	9
	S/N: 9405696-9111008					
	CS-1543271C1	Kit	4.000S	2.000S	P	9
	S/N: 9111009-UP					
Backhoe Swing	CS-G 32695	Kit	4.500S	2.000S	P	9
	S/N: Prior-9111008	With split inner wiper				
	CS-1543270C1	Kit	4.500S	2.000S	P	9
	With rod bushing					
Backhoe Boom	CS-G109494	Kit	5.000S	2.250S	P	9
	O-Ring, BU-Ring gland seal					
Backhoe Bucket	CS-G 34636	Kit	4.000S	2.250S	P	9
	CS-1543250C1	Kit	2.500S	1.250S	P	5
Backhoe Dipper	CS-D 42878	Kit	4.500S	2.250S	PI	9
	(2)CS-D 47205	Packing				
	S/N: Prior-9111008	Without rod bushing				
	CS-1543276C1	Kit	4.500S	2.250S	P	9
	With rod bushing					
Backhoe Dipper Ext	CS-1543378C1	Kit	3.000S	1.500S	P	9
	S/N: 9111009-UP					
680E LOADER/BACKHOE						
Loader Lift	CS-G109455	Kit	3.500S	2.000S	P	9
	CS-1543274C1	Kit	3.500S	2.000S	P	15
Loader Tilt	CS-G 34643	Kit	3.000S	1.750S	P	9
	CS-1543262C1	Kit	3.000S	1.750S	P	15
Loader Clam	CS-1543378C1	Kit	3.000S	1.500S	P	9
	CS-1543252C1	Kit	3.000S	1.500S	P	15
Steering	CS-A 43296	Kit	2.125S	1.250S	I	0
	CS-G101021	Kit	2.125S	1.250S	P	5
	Without wear ring					
	CS-G 34819	Kit	2.125S	1.250S	P	5
With wear ring						
Backhoe Stabilizer	CS-1543270C1	Kit	4.500S	2.000S	P	9
Backhoe Swing	CS-1543271C1	Kit	4.000S	2.000S	P	9
	CS-1543273C1	Kit	4.000S	2.000S	P	15
Backhoe Boom	CS-G 34827	Kit	4.000S	2.250S	P	9
	CS-1543277C1	Kit	4.000S	2.250S	P	15
Backhoe Bucket	CS-G 34636	Kit	4.000S	2.250S	P	9

Application	Part Number	Description	Bore	Rod	Wiper	Type
680E LOADER/BACKHOE (continued)						
Backhoe Bucket (cont)	CS-1543277C1	Kit	4.000S	2.250S	P	15
Backhoe Dipper	CS-1543291C1	Kit	4.500S	2.500S	P	9
Backhoe Dipper Ext	CS-1543378C1	Kit	3.000S	1.500S	P	9
	CS-1543252C1	Kit	3.000S	1.500S	P	15
680G,680H LOADER/BACKHOE						
Loader Lift	CS-1543274C1	Kit	3.500S	2.000S	P	15
Loader Tilt	CS-1543262C1	Kit	3.000S	1.750S	P	15
Loader Clam	CS-1543252C1	Kit	3.000S	1.500S	P	15
Steering	CS-G 34819	Kit	2.125S	1.250S	P	5
Backhoe Stabilizer	CS-1543270C1	Kit	4.500S	2.000S	P	9
Backhoe Swing	CS-1543273C1	Kit	4.000S	2.000S	P	15
Backhoe Boom	CS-1543277C1	Kit	4.000S	2.250S	P	15
Backhoe Bucket	CS-1543277C1	Kit	4.000S	2.250S	P	15
Backhoe Dipper	CS-1543291C1	Kit	4.500S	2.500S	P	9
Backhoe Dipper Ext	CS-1543252C1	Kit	3.000S	1.500S	P	15
680K LOADER/BACKHOE						
Loader Lift	CS-1543274C1	Kit	3.500S	2.000S	P	15
Loader Tilt	CS-1543262C1	Kit	3.000S	1.750S	P	15
Loader Clam	CS-1543252C1	Kit	3.000S	1.500S	P	15
Steering	CS-G 34819	Kit	2.125S	1.250S	P	5
Backhoe Stabilizer	CS-1543270C1	Kit	4.500S	2.000S	P	9
Backhoe Swing	CS-1543273C1	Kit	4.000S	2.000S	P	15
Backhoe Boom	CS-1543277C1	Kit	4.000S	2.250S	P	15
Backhoe Bucket	CS-1543277C1	Kit	4.000S	2.250S	P	15
Backhoe Dipper	CS-1543291C1	Kit	4.500S	2.500S	P	9
Backhoe Dipper Ext	CS-1543252C1	Kit	3.000S	1.500S	P	15
680L LOADER/BACKHOE						
Loader Lift	CS-1543274C1	Kit	3.500S	2.000S	P	15
	S/N: Prior-70546 Except S/N 70523,70526,70540					
	CS-1543277C1	Kit	4.000S	2.250S	P	15
	S/N: 70523-70523,70526-70526,70540-70540,70547-UP					
Loader Tilt	CS-1543262C1	Kit	3.000S	1.750S	P	15
Backhoe Stabilizer	CS-1543270C1	Kit	4.500S	2.000S	P	9
	CS-1986856C2	Kit	4.500S	2.000S	P	15
Backhoe Swing	CS-1543269C1	Kit	4.000S	2.000S	P	15
Backhoe Boom	CS-1543277C1	Kit	4.000S	2.250S	P	15
	Use with G101256 Cylinder					
	CS-1346478C2	Kit	4.000S	2.250S	P	15
	Use with 1343567C1 Cylinder					
Backhoe Bucket	CS-1543277C1	Kit	4.000S	2.250S	P	15
	Use with G103856 Cylinder					
	CS-1346478C2	Kit	4.000S	2.250S	P	15
	Use with 1343602C1 Cylinder					
Backhoe Dipper	CS-1543291C1	Kit	4.500S	2.500S	P	9
	CS-1343707C2	Kit	4.500S	2.500S	P	15

Application	Part Number	Description	Bore	Rod	Wiper	Type
680L LOADER/BACKHOE (continued)						
Backhoe Dipper Ext	CS-1543256C1	Kit	3.000S	1.500S	P	15
780 LOADER/BACKHOE						
Loader Lift	CS-1543276C1	Kit	4.500S	2.250S	P	9
Loader Tilt	CS-G 32228	Kit	3.500S	1.750S	P	9
	With split inner wiper					
	CS-1543379C1	Kit	3.500S	1.750S	P	9
Ldr Hydra-Leveling	With rod bushing					
	CS-1543261C1	Kit	3.500S	1.750S	P	15
Loader Clam	CS-1543271C1	Kit	4.000S	2.000S	P	9
Loader Clam	CS-G 32299	Kit	4.000S	2.000S	P	9
	CS-1543273C1	Kit	4.000S	2.000S	P	15
Backhoe Stabilizer	CS-1543291C1	Kit	4.500S	2.500S	P	9
Backhoe Swing	CS-1543276C1	Kit	4.500S	2.250S	P	9
Backhoe Boom	CS-1543291C1	Kit	4.500S	2.500S	P	9
Backhoe Bucket	CS-G109493	Kit	5.000S	3.000S	P	9
	S/N: Prior-5500549					
	CS-1543304C1	Kit	5.000S	3.000S	P	9
Backhoe Dipper	S/N: 5500550-UP					
	CS-1543299C1	Kit	6.000S	3.000S	P	9
Backhoe Dipper Ext	CS-G 34636	Kit	4.000S	2.250S	P	9
	CS-1543277C1	Kit	4.000S	2.250S	P	15
780B LOADER/BACKHOE						
Loader Lift	CS-1543277C1	Kit	4.000S	2.250S	P	15
Loader Tilt	CS-1543274C1	Kit	3.500S	2.000S	P	15
Loader Clam	CS-1543273C1	Kit	4.000S	2.000S	P	15
Steering	CS-G 34819	Kit	2.125S	1.250S	P	5
Backhoe Stabilizer	CS-1543385C1	Kit	4.500S	2.250S	P	15
Backhoe Swing	CS-1543273C1	Kit	4.000S	2.000S	P	15
Backhoe Boom	CS-1543290C1	Kit	4.500S	2.500S	P	15
Backhoe Bucket	CS-1543290C1	Kit	4.500S	2.500S	P	15
Backhoe Dipper	CS-G105562	Kit	5.000S	2.750S	P	5
Backhoe Dipper Ext	CS-1543252C1	Kit	3.000S	1.500S	P	15
780C LOADER/BACKHOE						
Loader Lift	CS-1543277C1	Kit	4.000S	2.250S	P	15
Loader Tilt	CS-1543274C1	Kit	3.500S	2.000S	P	15
Loader Clam	CS-1543273C1	Kit	4.000S	2.000S	P	15
	Use with G101564, G101565 Cylinders					
Steering	CS-G 34819	Kit	2.125S	1.250S	P	5
Backhoe Stabilizer	CS-1543385C1	Kit	4.500S	2.250S	P	15
Backhoe Swing	CS-1543273C1	Kit	4.000S	2.000S	P	15
Backhoe Boom	CS-1543290C1	Kit	4.500S	2.500S	P	15
Backhoe Bucket	CS-1543290C1	Kit	4.500S	2.500S	P	15
Backhoe Dipper	CS-1543298C1	Kit	5.000S	2.750S	P	15
Backhoe Dipper Ext	CS-1543252C1	Kit	3.000S	1.500S	P	15

Application	Part Number	Description	Bore	Rod	Wiper	Type
780D LOADER/BACKHOE						
Loader Lift	CS-1543277C1	Kit	4.000S	2.250S	P	15
Loader Tilt	CS-1543274C1	Kit	3.500S	2.000S	P	15
Backhoe Stabilizer	CS-1543385C1	Kit	4.500S	2.250S	P	15
Backhoe Swing	CS-1543279C1	Kit	4.500S	2.250S	P	15
Backhoe Boom	CS-1543290C1	Kit	4.500S	2.500S	P	15
Backhoe Bucket	CS-1543290C1	Kit	4.500S	2.500S	P	15
Backhoe Dipper	CS-1543298C1	Kit	5.000S	2.750S	P	15
Backhoe Dipper Ext	CS-1543252C1	Kit	3.000S	1.500S	P	15
	Use with G103108 Cylinder					
	CS-1543256C1	Kit	3.000S	1.500S	P	15
Use with 1340924C1 Cylinder						
310E,310F CRAWLER TRACTOR/LOADER WITH BACKHOE MODEL 31						
Tractor/Loader S/N: 310E 3014511-3019000,310F 3019001-3023000 Backhoe S/N: 4041720-4075165						
Loader Lift	CS-D 42873	Kit	3.500S	1.750S	S	9
	CS-G 33237	Packing Ay				
Loader Tilt	CS-D 42867	Kit	2.500S	1.250S	S	9
	CS-G 33193	Packing Ay				
Dozer Lift	CS-D 42867	Kit	2.500S	1.250S	S	9
	CS-G 33193	Packing Ay				
Dozer Tilt	CS-D 42867	Kit	2.500S	1.250S	S	9
	CS-G 33193	Packing Ay				
Dozer Angling	CS-D 42873	Kit	3.500S	1.750S	S	9
	CS-G 33237	Packing Ay				
Scarifier	CS-D 42870	Kit	3.000S	1.500S	S	9
	CS-G 33151	Packing Ay				
Backhoe Stabilizer	CS-D 42873	Kit	3.500S	1.750S	S	9
	CS-G 33237	Packing Ay				
	CS-G109470	Kit	3.500S	1.750S	P	9
Backhoe Swing	CS-D 42875	Kit	4.000S	1.750S	S	9
	CS-G 33239	Packing Ay				
	S/N: 3019001-3023000					
	CS-D 42871	Kit	3.000S	1.500S	S	9
	CS-G 33151	Packing Ay				
Backhoe Boom	CS-D 42876	Kit	4.000S	2.000S	S	9
	CS-G 33239	Packing Ay				
	CS-G 32616	Kit	4.000S	2.000S	P	9
Backhoe Bucket	CS-D 42873	Kit	3.500S	1.750S	S	9
	CS-G 33237	Packing Ay				
	CS-G109470	Kit	3.500S	1.750S	P	9
Backhoe Dipper	CS-D 42876	Kit	4.000S	2.000S	S	9
	CS-G 33239	Packing Ay				
	CS-G105526	Kit	4.000S	2.000S	P	9

Application	Part Number	Description	Bore	Rod	Wiper	Type	
310G CRAWLER TRACTOR/LOADER WITH BACKHOE MODELS 26,26B,26S,32,33							
Tractor/Loader S/N: 3023001-UP							
Loader Lift	CS-D 42872	Kit	3.000S	1.750S	S	9	
	CS-G 33151	Packing Ay					
	CS-1543263C1	Kit	3.000S	1.750S	P	9	
Loader Tilt	CS-D 42869	Kit	2.500S	1.500S	S	9	
	CS-G 33193	Packing Ay					
	CS-G109484	Kit	2.500S	1.500S	P	9	
Ldr Hydra-Leveling	CS-D 42869	Kit	2.500S	1.500S	S	9	
	CS-G 33193	Packing Ay					
	CS-G109484	Kit	2.500S	1.500S	P	9	
Loader Clam	CS-1543263C1	Kit	3.000S	1.750S	P	9	
S/N: 3039619-UP							
Loader Grapple	CS-D 42869	Kit	2.500S	1.500S	S	9	
	CS-G 33193	Packing Ay					
	S/N: 3039619-UP						
Dozer Lift	CS-G109484	Kit	2.500S	1.500S	P	9	
	S/N: 3039619-UP						
	CS-D 42867	Kit	2.500S	1.250S	S	9	
Dozer Tilt	CS-G 33193	Packing Ay					
	CS-G 32295	Kit	2.500S	1.250S	P	9	
	CS-D 42867	Kit	2.500S	1.250S	S	9	
Dozer Angling	CS-G 32295	Kit	2.500S	1.250S	P	9	
	CS-D 42873	Kit	3.500S	1.750S	S	9	
	CS-G 33237	Packing Ay					
	CS-G109470	Kit	3.500S	1.750S	P	9	
	CS-D 42870	Kit	3.000S	1.500S	S	9	
	CS-G 33151	Packing Ay					
S/N: 3039619-UP							
Ripper	CS-1543378C1	Kit	3.000S	1.500S	P	9	
	S/N: 3039619-UP						
	CS-D 42870	Kit	3.000S	1.500S	S	9	
Backhoe Stabilizer	CS-G 33151	Packing Ay					
	BH model 26						
	CS-D 42870	Kit	3.000S	1.500S	S	9	
	CS-G 33151	Packing Ay					
	BH model 26						
	CS-1543263C1	Kit	3.000S	1.750S	P	9	
	BH model 26						
	CS-D 42873	Kit	3.500S	1.750S	S	9	
	(2)CS-D 47203	Packing					
	BH models 32,33						
	CS-G105529	Kit	3.500S	1.750S	P	9	
	BH models 26S,33, Used with Metal Piston bearing						

Application	Part Number	Description	Bore	Rod	Wiper	Type
310G CRAWLER TRACTOR/LOADER WITH BACKHOE MODELS 26,26B,26S,32,33 (continued)						
Backhoe Stabilizer (cont)	CS-G109470	Kit	3.500S	1.750S	P	9
	BH models 26B,33, Used with Nylon Piston bearing					
Backhoe Swing	CS-D 47896	Kit	3.500S	1.500S	S	9
	(2)CS-D 47203	Packing				
	BH models 26,26B					
	CS-G 34652	Kit	3.500S	1.500S	P	9
	BH models 26,26B					
	CS-G105519	Kit	4.000S	1.750S	P	9
	BH models 26S,33					
	CS-D 42875	Kit	4.000S	1.750S	S	9
Backhoe Boom	(2)CS-D 47204	Packing				
	BH models 32,33					
	CS-D 42873	Kit	3.500S	1.750S	S	9
	CS-D 47203	Packing				
	BH models 26,26B,26S					
	CS-G105529	Kit	3.500S	1.750S	P	9
	BH models 26,26B,26S					
	CS-G 34636	Kit	4.000S	2.250S	P	9
	BH models 26,26B,26S					
	CS-D 42876	Kit	4.000S	2.000S	S	9
	(2)CS-D 47204	Packing				
	BH models 32,33					
	CS-G 32299	Kit	4.000S	2.000S	P	9
	BH model 33, With split inner wiper					
	CS-1543271C1	Kit	4.000S	2.000S	P	9
	BH model 33, With rod bushing					
	CS-D 42878	Kit	4.500S	2.250S	PI	9
	(2)CS-D 47205	Packing				
BH model 33, Without rod bushing						
CS-1543276C1	Kit	4.500S	2.250S	P	9	
BH model 33, With rod bushing						
Backhoe Bucket	CS-D 42872	Kit	3.000S	1.750S	S	9
	CS-G 33151	Packing Ay				
	BH models 26,26B,26S					
	CS-1543263C1	Kit	3.000S	1.750S	P	9
	BH models 26,26B,26S					
	CS-D 42873	Kit	3.500S	1.750S	S	9
	(2)CS-D 47203	Packing				
	BH models 32,33					
	CS-D 42874	Kit	3.500S	2.000S	S	9
	(2)CS-D 47203	Packing				
	BH model 33					
	CS-G 32293	Kit	3.500S	2.000S	P	9
	BH model 33, With split inner wiper					
CS-1543383C1	Kit	3.500S	2.000S	P	9	
BH model 33, With rod bushing						
Backhoe Dipper	CS-D 42874	Kit	3.500S	2.000S	S	9
	(2)CS-D 47203	Packing				
	BH models 26,26B,26S					

Application	Part Number	Description	Bore	Rod	Wiper	Type
310G CRAWLER TRACTOR/LOADER WITH BACKHOE MODELS 26,26B,26S,32,33 (continued)						
Backhoe Dipper (cont)	CS-G 32293	Kit	3.500S	2.000S	P	9
	BH models 26,26B,26S Gland has no I.D. Ring or Cylinder part number					
	CS-1543383C1	Kit	3.500S	2.000S	P	9
	BH models 26,26B,26S Gland has I.D. Ring or Cylinder part number stamped					
	CS-D 42876	Kit	4.000S	2.000S	S	9
	(2)CS-D 47204	Packing				
	BH models 32,33					
	CS-G 32299	Kit	4.000S	2.000S	P	9
	BH model 33, With split inner wiper					
	CS-1543271C1	Kit	4.000S	2.000S	P	9
BH model 33, With rod bushing						
Backhoe Dipper Ext	CS-1543378C1	Kit	3.000S	1.500S	P	9
	BH models 26,26B,26S					
	CS-D 42873	Kit	3.500S	1.750S	S	9
	(2)CS-D 47203	Packing				
	BH model 33					
	CS-G105529	Kit	3.500S	1.750S	P	9
BH model 33						
350 CRAWLER TRACTOR/LOADER WITH BACKHOE MODELS 26,26B,26S,26C						
Loader Lift	CS-D 42872	Kit	3.000S	1.750S	S	9
	CS-G 33151	Packing Ay				
	CS-1543263C1	Kit	3.000S	1.750S	P	9
	CS-1543262C1	Kit	3.000S	1.750S	P	15
Loader Tilt	CS-D 42869	Kit	2.500S	1.500S	S	9
	CS-G 33193	Packing Ay				
	CS-G109484	Kit	2.500S	1.500S	P	9
Ldr Hydra-Leveling	CS-1543253C1	Kit	2.500S	1.500S	P	15
	CS-D 42869	Kit	2.500S	1.500S	S	9
	CS-G 33193	Packing Ay				
Loader Clam	CS-G109484	Kit	2.500S	1.500S	P	9
	CS-1543253C1	Kit	2.500S	1.500S	P	15
	CS-D 42869	Kit	2.500S	1.500S	S	9
Loader Grapple	CS-G 33193	Packing Ay				
	CS-G109484	Kit	2.500S	1.500S	P	9
Dozer Lift	CS-1543253C1	Kit	2.500S	1.500S	P	15
	CS-D 42867	Kit	2.500S	1.250S	S	9
	CS-G 33193	Packing Ay				
	CS-G 32295	Kit	2.500S	1.250S	P	9
Dozer Tilt	CS-1543250C1	Kit	2.500S	1.250S	P	5
	CS-D 42867	Kit	2.500S	1.250S	S	9
	CS-G 33193	Packing Ay				
Dozer Angle	CS-G 32295	Kit	2.500S	1.250S	P	9
	CS-1543250C1	Kit	2.500S	1.250S	P	5
	CS-D 42870	Kit	3.000S	1.500S	S	9
	CS-G 33151	Packing Ay				
	Angle Tilt Dozer					

Application	Part Number	Description	Bore	Rod	Wiper	Type
350 CRAWLER TRACTOR/LOADER WITH BACKHOE MODELS 26,26B,26S,26C (continued)						
Dozer Angle (cont)	CS-1543378C1	Kit	3.000S	1.500S	P	9
	Angle Tilt Dozer					
	CS-1543252C1	Kit	3.000S	1.500S	P	15
	Angle Tilt Dozer					
	CS-D 42873	Kit	3.500S	1.750S	S	9
	CS-G 33237	Packing Ay				
	Angle Dozer					
	CS-G109470	Kit	3.500S	1.750S	P	9
	Angle Dozer					
Ripper	CS-D 42870	Kit	3.000S	1.500S	S	9
	CS-G 33151	Packing Ay				
	CS-1543378C1	Kit	3.000S	1.500S	P	9
	CS-1543252C1	Kit	3.000S	1.500S	P	15
	Angle Dozer					
Track Adjuster	CS-BD-907001	Kit			N	0
Backhoe Stabilizer	CS-D 42870	Kit	3.000S	1.500S	S	9
	CS-G 33151	Packing Ay				
	BH model 26					
	CS-D 42872	Kit	3.000S	1.750S	S	9
	CS-G 33151	Packing Ay				
	BH model 26					
	CS-1543263C1	Kit	3.000S	1.750S	P	9
	BH model 26					
	CS-G105529	Kit	3.500S	1.750S	P	9
	BH model 26S					
	CS-G109470	Kit	3.500S	1.750S	P	9
	BH models 26B,26C					
	CS-1543261C1	Kit	3.500S	1.750S	P	15
BH model 26C						
Backhoe Swing	CS-D 47896	Kit	3.500S	1.500S	S	9
	(2)CS-D 47203	Packing				
	BH models 26,26B					
	CS-G105519	Kit	4.000S	1.750S	P	9
	BH model 26S					
	CS-G 34652	Kit	3.500S	1.500S	P	9
	BH models 26,26B,26C					
	CS-1543254C1	Kit	3.500S	1.500S	P	15
BH model 26C						
Backhoe Boom	CS-D 42873	Kit	3.500S	1.750S	S	9
	(2)CS-D 47203	Packing				
	BH models 26,26B,26S					
	CS-G105529	Kit	3.500S	1.750S	P	9
	BH models 26,26B,26S					
	CS-G 34636	Kit	4.000S	2.250S	P	9
	BH models 26,26B,26S,26C					
CS-1543277C1	Kit	4.000S	2.250S	P	15	
BH model 26C						
Backhoe Bucket	CS-D 42872	Kit	3.000S	1.750S	S	9
	CS-G 33151	Packing Ay				
	BH models 26,26B,26S					

Application	Part Number	Description	Bore	Rod	Wiper	Type
350 CRAWLER TRACTOR/LOADER WITH BACKHOE MODELS 26,26B,26S,26C (continued)						
Backhoe Bucket (cont)	CS-1543263C1	Kit	3.000S	1.750S	P	9
	BH models 26,26B,26C,26S					
	CS-1543262C1	Kit	3.000S	1.750S	P	15
	BH model 26C					
Backhoe Dipper	CS-D 42874	Kit	3.500S	2.000S	S	9
	(2)CS-D 47203	Packing				
	BH models 26,26B,26S					
	CS-G 32293	Kit	3.500S	2.000S	P	9
	BH models 26,26B,26S, With split inner wiper					
	CS-1543383C1	Kit	3.500S	2.000S	P	9
	BH models 26,26B,26C,26S, With rod bushing					
Backhoe Dipper Ext	CS-1543378C1	Kit	3.000S	1.500S	P	9
	BH models 26,26B,26C,26S					
	CS-1543252C1	Kit	3.000S	1.500S	P	15
	BH model 26C					
350B CRAWLER TRACTOR/LOADER WITH BACKHOE MODELS 26C,26D						
Loader Lift	CS-1543262C1	Kit	3.000S	1.750S	P	15
Loader Tilt	CS-1543253C1	Kit	2.500S	1.500S	P	15
Loader Clam	CS-1543262C1	Kit	3.000S	1.750S	P	15
Dozer Lift	CS-1543250C1	Kit	2.500S	1.250S	P	5
Dozer Tilt	CS-1543250C1	Kit	2.500S	1.250S	P	5
Dozer Angle	CS-1543252C1	Kit	3.000S	1.500S	P	15
Ripper	CS-1543252C1	Kit	3.000S	1.500S	P	15
Track Adjuster	CS-BD-907001	Kit			N	0
Backhoe Stabilizer	CS-G109470	Kit	3.500S	1.750S	P	9
	BH model 26C					
	CS-1543261C1	Kit	3.500S	1.750S	P	15
	BH model 26C					
	CS-1543262C1	Kit	3.000S	1.750S	P	15
	BH model 26D					
	CS-1543261C1	Kit	3.500S	1.750S	P	15
	BH model 26D, Use with G102294 Cylinder					
Backhoe Swing	CS-G 34652	Kit	3.500S	1.500S	P	9
	BH model 26C					
	CS-1543254C1	Kit	3.500S	1.500S	P	15
	BH models 26C,26D					
Backhoe Boom	CS-G 34636	Kit	4.000S	2.250S	P	9
	BH model 26C					
	CS-1543277C1	Kit	4.000S	2.250S	P	15
	BH model 26C					
Backhoe Bucket	CS-1543264C1	Kit	4.000S	1.750S	P	15
	BH model 26D					
	Backhoe Bucket	CS-1543263C1	Kit	3.000S	1.750S	P
BH model 26C						

Application	Part Number	Description	Bore	Rod	Wiper	Type
350B CRAWLER TRACTOR/LOADER WITH BACKHOE MODELS 26C,26D (continued)						
Backhoe Bucket (cont)	CS-1543262C1	Kit	3.000S	1.750S	P	15
	BH model 26C					
	CS-1543268C1	Kit	3.250S	2.000S	P	15
	BH model 26D					
Backhoe Dipper	CS-1543383C1	Kit	3.500S	2.000S	P	9
	BH model 26C					
	CS-1543274C1	Kit	3.500S	2.000S	P	15
	BH models 26C,26D					
Backhoe Dipper Ext	CS-1980181C2	Kit	3.750S	2.000S	P	15
	BH model 26D, Use with 1980159C1 Cylinder					
	CS-1543378C1	Kit	3.000S	1.500S	P	9
	BH model 26C					
	CS-1543252C1	Kit	3.000S	1.500S	P	15
	BH models 26C,26D					
420C CRAWLER TRACTOR/LOADER						
Loader Lift	CS-D 42873	Kit	3.500S	1.750S	S	9
	CS-G 33237	Packing Ay				
Loader Tilt	CS-D 42867	Kit	2.500S	1.250S	S	9
	CS-G 33193	Packing Ay				
Dozer Lift	CS-D 42867	Kit	2.500S	1.250S	S	9
	CS-G 33193	Packing Ay				
Dozer Tilt	CS-D 42867	Kit	2.500S	1.250S	S	9
	CS-G 33193	Packing Ay				
Dozer Angling	CS-D 42873	Kit	3.500S	1.750S	S	9
	CS-G 33237	Packing Ay				
Scarifier	CS-D 42870	Kit	3.000S	1.500S	S	9
	CS-G 33151	Packing Ay				
Backhoe Stabilizer	CS-D 42873	Kit	3.500S	1.750S	S	9
	CS-G 33237	Packing Ay				
Backhoe Swing	CS-D 42871	Kit	3.000S	1.500S	S	9
	CS-G 33151	Packing Ay				
Backhoe Boom	CS-D 42876	Kit	4.000S	2.000S	S	9
	CS-G 33239	Packing Ay				
Backhoe Bucket	CS-D 42873	Kit	3.500S	1.750S	S	9
	CS-G 33237	Packing Ay				
Backhoe Dipper	CS-D 42876	Kit	4.000S	2.000S	S	9
	CS-G 33239	Packing Ay				

Application	Part Number	Description	Bore	Rod	Wiper	Type
450 CRAWLER TRACTOR/LOADER						
Loader Lift	CS-D 42874	Kit	3.500S	2.000S	S	9
	CS-G 33237	Packing Ay				
	S/N:	Prior-3060305				
	CS-G109455	Kit	3.500S	2.000S	P	9
	CS-1543274C1	Kit	3.500S	2.000S	P	15
S/N:	3060306-UP					
Loader Tilt	CS-D 42872	Kit	3.000S	1.750S	S	9
	CS-G 33151	Packing Ay				
	S/N:	Prior-3060305				
	CS-1543263C1	Kit	3.000S	1.750S	P	9
	CS-1543262C1	Kit	3.000S	1.750S	P	15
S/N:	3060306-UP					
Ldr Hydra-Leveling	CS-D 42872	Kit	3.000S	1.750S	S	9
	CS-G 33151	Packing Ay				
	S/N:	Prior-3060305				
	CS-1543263C1	Kit	3.000S	1.750S	P	9
	CS-1543262C1	Kit	3.000S	1.750S	P	15
S/N:	3060306-UP					
Loader Clam	CS-D 42870	Kit	3.000S	1.500S	S	9
	CS-G 33151	Packing Ay				
	S/N:	3038436-3060305 Case built only				
	CS-1543378C1	Kit	3.000S	1.500S	P	9
	S/N:	3038436-UP Case built only				
	CS-1543252C1	Kit	3.000S	1.500S	P	15
S/N:	3060306-UP Case built only					
Dozer Lift	CS-D 42867	Kit	2.500S	1.250S	S	9
	CS-G 33193	Packing Ay				
	S/N:	Prior-3060305				
	CS-G 32295	Kit	2.500S	1.250S	P	9
	CS-1543250C1	Kit	2.500S	1.250S	P	5
S/N:	3060306-UP					
Dozer Tilt	CS-D 42874	Kit	3.500S	2.000S	S	9
	CS-G 33237	Packing Ay				
	S/N:	Prior-3060305				
	CS-G109455	Kit	3.500S	2.000S	P	9
	CS-1543274C1	Kit	3.500S	2.000S	P	15
S/N:	3060306-UP					
Dozer Angling	CS-G105503	Kit	2.000S	1.500S	P	9
	Angle Dozer					
	CS-D 42876	Kit	4.000S	2.000S	S	9
	CS-G 33239	Packing Ay				
	S/N:	Prior-3060305 Angle Tilt Dozer				
	CS-G105526	Kit	4.000S	2.000S	P	9
Angle Tilt Dozer						

Application	Part Number	Description	Bore	Rod	Wiper	Type
450 CRAWLER TRACTOR/LOADER (continued)						
Dozer Angling (cont)	CS-1543273C1	Kit	4.000S	2.000S	P	15
	S/N: 3060306-UP	Angle Tilt Dozer				
Ripper	CS-D 42870	Kit	3.000S	1.500S	S	9
	CS-G 33151	Packing Ay				
	S/N: Prior-3060305					
	CS-1543378C1	Kit	3.000S	1.500S	P	9
	CS-1543252C1	Kit	3.000S	1.500S	P	15
S/N: 3060306-UP						
Track Adjuster	CS-BD-907002	Kit			N	0
Backhoe Stabilizer	CS-D 42870	Kit	3.000S	1.500S	S	9
	CS-G 33151	Packing Ay				
	BH model 26					
	CS-D 42872	Kit	3.000S	1.750S	S	9
	CS-G 33151	Packing Ay				
	BH model 26					
	CS-1543263C1	Kit	3.000S	1.750S	P	9
	BH model 26					
	CS-D 42873	Kit	3.500S	1.750S	S	9
	(2)CS-D 47203	Packing				
	BH models 32,33					
	CS-G105529	Kit	3.500S	1.750S	P	9
	BH models 26S,33, Used with Metal Piston bearing					
	CS-G109470	Kit	3.500S	1.750S	P	9
	BH models 26B,26C,33, Used with Nylon Piston bearing					
	CS-1543261C1	Kit	3.500S	1.750S	P	15
	BH model 26C					
	CS-1543271C1	Kit	4.000S	2.000S	P	9
	BH model 35					
	CS-1543273C1	Kit	4.000S	2.000S	P	15
BH model 35						
Backhoe Swing	CS-D 47896	Kit	3.500S	1.500S	S	9
	(2)CS-D 47203	Packing				
	BH models 26,26B					
	CS-G 34652	Kit	3.500S	1.500S	P	9
	BH models 26,26B,26C					
	CS-1543254C1	Kit	3.500S	1.500S	P	15
	BH model 26C					
	CS-D 42875	Kit	4.000S	1.750S	S	9
	(2)CS-D 47204	Packing				
	BH models 32,33					
	CS-G105519	Kit	4.000S	1.750S	P	9
	BH models 26S,33					
	CS-1543271C1	Kit	4.000S	2.000S	P	9
	BH model 35 S/N: Prior-5411088					
CS-1543273C1	Kit	4.000S	2.000S	P	15	
BH model 35						
Backhoe Boom	CS-D 42873	Kit	3.500S	1.750S	S	9
	(2)CS-D 47203	Packing				
	BH models 26,26B,26S					

Application	Part Number	Description	Bore	Rod	Wiper	Type
450 CRAWLER TRACTOR/LOADER (continued)						
Backhoe Boom (cont)	CS-G105529	Kit	3.500S	1.750S	P	9
	BH models 26,26B,26S					
	CS-D 42876	Kit	4.000S	2.000S	S	9
	(2)CS-D 47204	Packing				
	BH models 32,33					
	CS-G 32299	Kit	4.000S	2.000S	P	9
	BH model 33, With split inner wiper					
	CS-1543271C1	Kit	4.000S	2.000S	P	9
	BH model 33, With rod bushing					
	CS-G 34636	Kit	4.000S	2.250S	P	9
	BH models 26,26B,26C,26S					
	CS-1543277C1	Kit	4.000S	2.250S	P	15
	BH model 26C					
	CS-D 42878	Kit	4.500S	2.250S	PI	9
	(2)CS-D 47205	Packing				
	BH model 33, Without rod bushing					
	CS-1543276C1	Kit	4.500S	2.250S	P	9
	BH model 33, With rod bushing					
	CS-G105528	Kit	3.250S	1.750S	P	11
	BH model 35					
CS-1543265C1	Kit	3.250S	1.750S	P	15	
BH model 35						
Backhoe Bucket	CS-D 42872	Kit	3.000S	1.750S	S	9
	CS-G 33151	Packing Ay				
	BH models 26,26B,26S					
	CS-1543263C1	Kit	3.000S	1.750S	P	9
	BH models 26,26B,26C,26S					
	CS-1543262C1	Kit	3.000S	1.750S	P	15
	BH model 26C					
	CS-D 42873	Kit	3.500S	1.750S	S	9
	(2)CS-D 47203	Packing				
	BH models 32,33					
	CS-D 42874	Kit	3.500S	2.000S	S	9
	(2)CS-D 47203	Packing				
	BH model 33					
	CS-G 32293	Kit	3.500S	2.000S	P	9
	BH model 33, With split inner wiper					
	CS-1543383C1	Kit	3.500S	2.000S	P	9
	BH models 33,35, With rod bushing					
CS-1543274C1	Kit	3.500S	2.000S	P	15	
BH model 35						
Backhoe Dipper	CS-D 42874	Kit	3.500S	2.000S	S	9
	(2)CS-D 47203	Packing				
	BH models 26,26B,26S					
	CS-G 32293	Kit	3.500S	2.000S	P	9
	BH models 26,26B,26S, With split inner wiper					
	CS-1543383C1	Kit	3.500S	2.000S	P	9
	BH models 26,26B,26C,26S, With rod bushing					
	CS-1543274C1	Kit	3.500S	2.000S	P	15
	BH model 26C					
	CS-D 42876	Kit	4.000S	2.000S	S	9
(2)CS-D 47204	Packing					
BH models 32,33						

Application	Part Number	Description	Bore	Rod	Wiper	Type
450 CRAWLER TRACTOR/LOADER (continued)						
Backhoe Dipper (cont)	CS-G 32299	Kit	4.000S	2.000S	P	9
	BH model 33, With split inner wiper					
	CS-1543271C1	Kit	4.000S	2.000S	P	9
	BH models 33,35, With rod bushing					
Backhoe Dipper Ext	CS-1543273C1	Kit	4.000S	2.000S	P	15
	BH model 35					
	CS-1543378C1	Kit	3.000S	1.500S	P	9
	BH models 26,26B,26C,26S,35					
Backhoe Dipper Ext	CS-1543252C1	Kit	3.000S	1.500S	P	15
	BH models 26C,35					
	CS-D 42873	Kit	3.500S	1.750S	S	9
	(2)CS-D 47203	Packing				
	BH model 33					
	CS-G105529	Kit	3.500S	1.750S	P	9
	BH model 33					
450B,450C,455B,455C CRAWLER TRACTOR/LOADER						
Loader Lift	CS-1543274C1	Kit	3.500S	2.000S	P	15
Loader Tilt	CS-1543252C1	Kit	3.000S	1.500S	P	15
Ldr Hydra-Leveling	CS-1543273C1	Kit	4.000S	2.000S	P	15
Model 455B						
Loader Clam	CS-1543252C1	Kit	3.000S	1.500S	P	15
Dozer Lift	CS-1543250C1	Kit	2.500S	1.250S	P	5
Dozer Tilt	CS-1543274C1	Kit	3.500S	2.000S	P	15
Dozer Angle	CS-1543273C1	Kit	4.000S	2.000S	P	15
Ripper	CS-1543252C1	Kit	3.000S	1.500S	P	15
Track Adjuster	CS-BD-907002	Kit			N	0
Backhoe Stabilizer	CS-1543262C1	Kit	3.000S	1.750S	P	15
	BH model 26D					
	CS-1543261C1	Kit	3.500S	1.750S	P	15
	BH model 26D, Use with G102294 Cylinder					
	CS-1543266C1	Kit	3.500S	1.750S	P	15
	BH model 26D, Use with 1340827C1 Cylinder					
	CS-1543271C1	Kit	4.000S	2.000S	P	9
	BH model 35					
Backhoe Swing	CS-1543273C1	Kit	4.000S	2.000S	P	15
	BH model 35					
	CS-1543254C1	Kit	3.500S	1.500S	P	15
	BH model 26D					
Backhoe Boom	CS-1543271C1	Kit	4.000S	2.000S	P	9
	BH model 35 S/N: Prior-5411088					
	CS-1543273C1	Kit	4.000S	2.000S	P	15
	BH model 35					
Backhoe Boom	CS-1543264C1	Kit	4.000S	1.750S	P	15
	BH model 26D					
	CS-G105528	Kit	3.250S	1.750S	P	11
	BH model 35					
Backhoe Boom	CS-1543265C1	Kit	3.250S	1.750S	P	15
	BH model 35					

Application	Part Number	Description	Bore	Rod	Wiper	Type
450B,450C,455B,455C CRAWLER TRACTOR/LOADER (continued)						
Backhoe Bucket	CS-1543268C1	Kit	3.250S	2.000S	P	15
	BH model 26D					
	CS-1543383C1	Kit	3.500S	2.000S	P	9
	BH model 35					
	CS-1543274C1	Kit	3.500S	2.000S	P	15
BH model 35						
Backhoe Dipper	CS-1543274C1	Kit	3.500S	2.000S	P	15
	BH model 26D					
	CS-1980181C2	Kit	3.750S	2.000S	P	15
	BH model 26D, Use with 1980159C1 Cylinder					
	CS-1543271C1	Kit	4.000S	2.000S	P	9
	BH model 35					
Backhoe Dipper Ext	CS-1543378C1	Kit	3.000S	1.500S	P	9
	BH model 35					
	CS-1543252C1	Kit	3.000S	1.500S	P	15
BH models 26D,35						
475 CABLE LAYER						
Reel & Dozer Lift	CS-G 32295	Kit	2.500S	1.250S	P	9
	CS-1543250C1	Kit	2.500S	1.250S	P	5
Dozer Tilt	CS-G109455	Kit	3.500S	2.000S	P	9
	CS-1543274C1	Kit	3.500S	2.000S	P	15
Plow Lift	CS-1543270C1	Kit	4.500S	2.000S	P	9
Plow Swing	CS-G 34646	Kit	4.000S	2.250S	P	9
	CS-1543254C1	Kit	3.500S	1.500S	P	15
Track Adjuster	CS-BD-907002	Kit			N	0
550 CRAWLER TRACTOR WITH BACKHOE MODEL 26D						
Dozer Lift	CS-1543250C1	Kit	2.500S	1.250S	P	5
Dozer Tilt	CS-1543274C1	Kit	3.500S	2.000S	P	15
Dozer Angle	CS-1543273C1	Kit	4.000S	2.000S	P	15
Ripper	CS-1543252C1	Kit	3.000S	1.500S	P	15
Track Adjuster	CS-BD-907002	Kit			N	0
Backhoe Stabilizer	CS-1543262C1	Kit	3.000S	1.750S	P	15
	CS-1543261C1	Kit	3.500S	1.750S	P	15
	Use with G102294 Cylinder					
	CS-1543266C1	Kit	3.500S	1.750S	P	15
Use with 1340827C1 Cylinder						
Backhoe Swing	CS-1543254C1	Kit	3.500S	1.500S	P	15
Backhoe Boom	CS-1543264C1	Kit	4.000S	1.750S	P	15
Backhoe Bucket	CS-1543268C1	Kit	3.250S	2.000S	P	15
Backhoe Dipper	CS-1543274C1	Kit	3.500S	2.000S	P	15
	CS-1980181C2	Kit	3.750S	2.000S	P	15
Use with 1980159C1 Cylinder						
Backhoe Dipper Ext	CS-1543252C1	Kit	3.000S	1.500S	P	15

Application	Part Number	Description	Bore	Rod	Wiper	Type
550E CRAWLER TRACTOR						
Dozer Lift	CS-1542764C2	Kit	2.500S	1.500S	P	15
Dozer Tilt	CS-1543256C1	Kit	3.000S	1.500S	P	15
Dozer Angle	CS-1543273C1	Kit	4.000S	2.000S	P	15
Ripper	CS-1543252C1	Kit	3.000S	1.500S	P	15
Track Adjuster	CS-BD-907002	Kit			N	0
650 CRAWLER TRACTOR						
Dozer Lift	CS-1543252C1	Kit	3.000S	1.500S	P	15
Dozer Tilt	CS-1543273C1	Kit	4.000S	2.000S	P	15
Dozer Angle	CS-1543270C1	Kit	4.500S	2.000S	P	9
Ripper	CS-1543265C1	Kit	3.250S	1.750S	P	15
750 CRAWLER TRACTOR/LOADER WITH BACKHOE MODELS 32,33S,34						
Tractor/Loader S/N: 7070351-UP						
Loader Tilt	CS-D 42876	Kit	4.000S	2.000S	S	9
	CS-G 33239	Packing Ay				
Dozer Lift	CS-D 42870	Kit	3.000S	1.500S	S	9
	CS-G 33151	Packing Ay				
Dozer Tilt	CS-D 42873	Kit	3.500S	1.750S	S	9
	CS-G 33237	Packing Ay				
Dozer Angle	CS-D 37360	Kit	2.500S	1.500S	S	9
Ripper	CS-D 42873	Kit	3.500S	1.750S	S	9
	CS-G 33237	Packing Ay				
Backhoe Stabilizer	CS-D 42873	Kit	3.500S	1.750S	S	9
	(2)CS-D 47203	Packing				
	BH models 32,33S,34					
	CS-G105529	Kit	3.500S	1.750S	P	9
BH model 33S						
Backhoe Swing	CS-D 42875	Kit	4.000S	1.750S	S	9
	(2)CS-D 47204	Packing				
	BH models 32,33S,34					
	CS-G105519	Kit	4.000S	1.750S	P	9
BH model 33S						
Backhoe Boom	CS-D 42876	Kit	4.000S	2.000S	S	9
	(2)CS-D 47204	Packing				
	BH models 32,33S					
	CS-G 32299	Kit	4.000S	2.000S	P	9
	BH model 33S					
	CS-1543276C1	Kit	4.500S	2.250S	P	9
	BH model 33S					
	CS-D 42878	Kit	4.500S	2.250S	PI	9
	(2)CS-D 47205	Packing				
	BH model 34					
Backhoe Bucket	CS-D 42873	Kit	3.500S	1.750S	S	9
	(2)CS-D 47203	Packing				
	BH models 32,33S					
	CS-D 42874	Kit	3.500S	2.000S	S	9
	(2)CS-D 47203	Packing				
BH model 33S						

Application	Part Number	Description	Bore	Rod	Wiper	Type
750 CRAWLER TRACTOR/LOADER WITH BACKHOE MODELS 32,33S,34 (continued)						
Backhoe Bucket (cont)	CS-G 32293	Kit	3.500S	2.000S	P	9
	BH model 33S					
	CS-D 42877	Kit	4.000S	2.250S	PI	9
	(2)CS-D 47204	Packing				
BH model 34						
Backhoe Dipper	CS-D 42876	Kit	4.000S	2.000S	S	9
	(2)CS-D 47204	Packing				
	BH models 32,33S					
	CS-G 32299	Kit	4.000S	2.000S	P	9
	BH model 33S					
	CS-D 42878	Kit	4.500S	2.250S	PI	9
	(2)CS-D 47205	Packing				
BH model 34						
850 CRAWLER TRACTOR/LOADER WITH BACKHOE MODELS 34,35,36						
Loader Lift	CS-D 42878	Kit	4.500S	2.250S	PI	9
	(2)CS-D 47205	Packing				
	Without rod bushing					
	CS-1543276C1	Kit	4.500S	2.250S	P	9
With rod bushing						
Loader Tilt	CS-D 42873	Kit	3.500S	1.750S	S	9
	(2)CS-D 47203	Packing				
	CS-G 32228	Kit	3.500S	1.750S	P	9
	With split inner wiper					
	CS-1543379C1	Kit	3.500S	1.750S	P	9
S/N:	7073469-UP With rod bushing					
Ldr Hydra-Leveling	CS-D 42876	Kit	4.000S	2.000S	S	9
	(2)CS-D 47204	Packing				
	CS-G 32299	Kit	4.000S	2.000S	P	9
	With split inner wiper					
CS-1543271C1	Kit	4.000S	2.000S	P	9	
S/N:	7073469-UP With rod bushing					
Loader Clam	CS-G 32299	Kit	4.000S	2.000S	P	9
S/N:	7073469-UP					
Dozer Lift	CS-D 42870	Kit	3.000S	1.500S	S	9
	CS-G 33151	Packing Ay				
	CS-1543378C1	Kit	3.000S	1.500S	P	9
Dozer Tilt	CS-D 42873	Kit	3.500S	1.750S	S	9
	CS-G 33237	Packing Ay				
	CS-G109470	Kit	3.500S	1.750S	P	9
	Tilt Dozer					
	CS-G 32627	Kit	3.500S	1.750S	P	9
Angle Tilt Dozer						
Dozer Tilt & Pitch	CS-G109455	Kit	3.500S	2.000S	P	9
S/N:	7073469-UP Angle Tilt Pitch Dozer					
Dozer Angling	CS-D 37360	Kit	2.500S	1.500S	S	9
	CS-G 33193	Packing Ay				

Application	Part Number	Description	Bore	Rod	Wiper	Type
850 CRAWLER TRACTOR/LOADER WITH BACKHOE MODELS 34,35,36 (continued)						
Dozer Angling (cont)	CS-G105505	Kit	2.500S	1.500S	P	9
Ripper	CS-D 42875	Kit	4.000S	1.750S	S	9
	(2)CS-D 47204	Packing				
	CS-G105519	Kit	4.000S	1.750S	P	9
Track Adjuster	CS-BD-907003	Kit			N	0
Backhoe Stabilizer	CS-D 42876	Kit	4.000S	2.000S	S	9
	(2)CS-D 47204	Packing				
	BH models 34,36					
	CS-G 32299	Kit	4.000S	2.000S	P	9
	BH model 36, With split inner wiper					
	CS-1543271C1	Kit	4.000S	2.000S	P	9
	BH models 35,36, With rod bushing					
	CS-1543273C1	Kit	4.000S	2.000S	P	15
	BH model 35					
	Backhoe Swing	CS-D 42875	Kit	4.000S	1.750S	S
(2)CS-D 47204		Packing				
BH model 34						
CS-G 32695		Kit	4.500S	2.000S	P	9
BH model 36, With split inner wiper						
CS-1543270C1		Kit	4.500S	2.000S	P	9
BH model 36, With rod bushing						
CS-1543271C1		Kit	4.000S	2.000S	P	9
BH model 35 S/N: Prior-5411088						
CS-1543273C1		Kit	4.000S	2.000S	P	15
BH model 35						
Backhoe Boom	CS-D 42878	Kit	4.500S	2.250S	PI	9
	(2)CS-D 47205	Packing				
	BH model 34					
	CS-G109494	Kit	5.000S	2.250S	P	9
	BH model 36, O-Ring, BU-Ring gland seal					
	CS-G105528	Kit	3.250S	1.750S	P	11
	BH model 35					
	CS-1543265C1	Kit	3.250S	1.750S	P	15
BH model 35						
Backhoe Bucket	CS-D 42877	Kit	4.000S	2.250S	PI	9
	(2)CS-D 47204	Packing				
	BH models 34,36, Without rod bushing					
	CS-G 34636	Kit	4.000S	2.250S	P	9
	BH model 36, With rod bushing					
	CS-1543383C1	Kit	3.500S	2.000S	P	9
	BH model 35					
CS-1543274C1	Kit	3.500S	2.000S	P	15	
BH model 35						
Backhoe Dipper	CS-D 42878	Kit	4.500S	2.250S	PI	9
	(2)CS-D 47205	Packing				
	BH models 34,36, Without rod bushing					
	CS-1543276C1	Kit	4.500S	2.250S	P	9
	BH model 36, With rod bushing					
	CS-1543291C1	Kit	4.500S	2.500S	P	9
BH model 36						

Application	Part Number	Description	Bore	Rod	Wiper	Type
850 CRAWLER TRACTOR/LOADER WITH BACKHOE MODELS 34,35,36 (continued)						
Backhoe Dipper (cont)	CS-1543271C1	Kit	4.000S	2.000S	P	9
	BH model 35					
	CS-1543273C1	Kit	4.000S	2.000S	P	15
BH model 35						
Backhoe Dipper Ext	CS-1543378C1	Kit	3.000S	1.500S	P	9
	BH model 35					
	CS-1543252C1	Kit	3.000S	1.500S	P	15
BH model 35						
850B CRAWLER TRACTOR/LOADER WITH BACKHOE MODEL 35						
Tractor/Loader S/N: 7076501-UP						
Loader Lift	CS-1543273C1	Kit	4.000S	2.000S	P	15
Loader Tilt	CS-1543274C1	Kit	3.500S	2.000S	P	15
Loader Clam	CS-1543274C1	Kit	3.500S	2.000S	P	15
	4-in-1 Bucket					
Dozer Lift	CS-1543252C1	Kit	3.000S	1.500S	P	15
	Angle Tilt Dozer					
	CS-1543262C1	Kit	3.000S	1.750S	P	15
Tilt Dozer						
Dozer Tilt	CS-1543264C1	Kit	4.000S	1.750S	P	15
	Tilt Dozer					
	CS-1543273C1	Kit	4.000S	2.000S	P	15
Angle Tilt Dozer						
Dozer Angle	CS-1543270C1	Kit	4.500S	2.000S	P	9
	Angle Tilt Dozer					
Ripper	CS-1543265C1	Kit	3.250S	1.750S	P	15
Track Adjuster	CS-BD-907006	Kit				
Backhoe Stabilizer	CS-1543271C1	Kit	4.000S	2.000S	P	9
	CS-1543273C1	Kit	4.000S	2.000S	P	15
Backhoe Swing	CS-1543271C1	Kit	4.000S	2.000S	P	9
	S/N: Prior-5411088					
	CS-1543273C1	Kit	4.000S	2.000S	P	15
Backhoe Boom	CS-G105528	Kit	3.250S	1.750S	P	11
	CS-1543265C1	Kit	3.250S	1.750S	P	15
Backhoe Bucket	CS-1543383C1	Kit	3.500S	2.000S	P	9
	CS-1543274C1	Kit	3.500S	2.000S	P	15
Backhoe Dipper	CS-1543271C1	Kit	4.000S	2.000S	P	9
	CS-1543273C1	Kit	4.000S	2.000S	P	15
Backhoe Dipper Ext	CS-1543378C1	Kit	3.000S	1.500S	P	9
	CS-1543252C1	Kit	3.000S	1.500S	P	15

Application	Part Number	Description	Bore	Rod	Wiper	Type
850C,855C CRAWLER TRACTOR/LOADER						
Loader Lift	CS-1543273C1	Kit	4.000S	2.000S	P	15
Loader Tilt	CS-1543274C1	Kit	3.500S	2.000S	P	15
Loader Clam	CS-1543274C1	Kit	3.500S	2.000S	P	15
Dozer Lift	CS-1543252C1	Kit	3.000S	1.500S	P	15
	Angle Tilt Dozer					
	CS-1543262C1	Kit	3.000S	1.750S	P	15
	Tilt Dozer					
Dozer Tilt	CS-1543264C1	Kit	4.000S	1.750S	P	15
	Tilt Dozer					
	CS-1543273C1	Kit	4.000S	2.000S	P	15
	Angle Tilt Dozer					
Dozer Angle	CS-1543270C1	Kit	4.500S	2.000S	P	9
	Angle Tilt Dozer					
Ripper	CS-1543265C1	Kit	3.250S	1.750S	P	15
Track Adjuster	CS-BD-907004	Kit			N	0
Backhoe Stabilizer	CS-1543273C1	Kit	4.000S	2.000S	P	15
Backhoe Swing	CS-1543273C1	Kit	4.000S	2.000S	P	15
	Use with G104917, G110165 Cylinders					
	CS-1543269C1	Kit	4.000S	2.000S	P	15
	Use with 1346044C1 Cylinder					
Backhoe Boom	CS-1543265C1	Kit	3.250S	1.750S	P	15
Backhoe Bucket	CS-1543274C1	Kit	3.500S	2.000S	P	15
	BH models 35A,35WL					
	CS-1543294C1	Kit	3.500S	2.500S	P	15
	BH models 35C,35C WL					
	CS-1543295C1	Kit	4.000S	2.500S	P	15
	BH models 35C,35C WL, Special feature					
	CS-1543302C1	Kit	4.000S	3.000S	P	15
	BH models 35C,35C WL, Special feature					
Backhoe Dipper	CS-1543273C1	Kit	4.000S	2.000S	P	15
Backhoe Dipper Ext	CS-1543252C1	Kit	3.000S	1.500S	P	15
850D,850E,855D,855E CRAWLER TRACTOR/LOADER						
Loader Lift	CS-1543273C1	Kit	4.000S	2.000S	P	15
Loader Tilt	CS-1543274C1	Kit	3.500S	2.000S	P	15
Loader Clam	CS-1543274C1	Kit	3.500S	2.000S	P	15
Dozer Lift	CS-1543252C1	Kit	3.000S	1.500S	P	15
Dozer Tilt	CS-1543273C1	Kit	4.000S	2.000S	P	15
Dozer Angle	CS-1543270C1	Kit	4.500S	2.000S	P	9
Ripper	CS-1543265C1	Kit	3.250S	1.750S	P	15
Track Adjuster	CS-BD-907004	Kit			N	0
Backhoe Stabilizer	CS-1543273C1	Kit	4.000S	2.000S	P	15
Backhoe Swing	CS-1543273C1	Kit	4.000S	2.000S	P	15
	Use with G104917, G110165 Cylinders					
	CS-1543269C1	Kit	4.000S	2.000S	P	15
	Use with 1346044C1 Cylinder					
Backhoe Boom	CS-1543265C1	Kit	3.250S	1.750S	P	15
Backhoe Bucket	CS-1543294C1	Kit	3.500S	2.500S	P	15

Application	Part Number	Description	Bore	Rod	Wiper	Type
850D,850E,855D,855E CRAWLER TRACTOR/LOADER (continued)						
Backhoe Bucket (cont)	CS-1543295C1	Kit	4.000S	2.500S	P	15
	CS-1543302C1	Kit	4.000S	3.000S	P	15
Backhoe Dipper	CS-1543273C1	Kit	4.000S	2.000S	P	15
Backhoe Dipper Ext	CS-1543252C1	Kit	3.000S	1.500S	P	15
1150 CRAWLER TRACTOR/LOADER WITH BACKHOE MODELS 32,34,36						
Loader Lift	CS-G109495	Kit	5.500S	2.500S	P	9
	S/N: 7110300-UP					
Loader Tilt	CS-G109494	Kit	5.000S	2.250S	P	9
	S/N: 7300094-UP					
Loader Clam	CS-D 42876	Kit	4.000S	2.000S	S	9
	(2)CS-D 47204	Packing				
	S/N: 7110300-UP					
	CS-G 32299	Kit	4.000S	2.000S	P	9
	S/N: 7110300-UP					
	CS-1543276C1	Kit	4.500S	2.250S	P	9
S/N: 7110300-UP						
Dozer Lift	CS-D 42873	Kit	3.500S	1.750S	S	9
	CS-G 33237	Packing Ay				
	Angle Tilt Dozer					
	CS-G109470	Kit	3.500S	1.750S	P	9
	S/N: 7108998-UP					
	Angle Tilt Dozer, With split inner wiper					
	CS-G109470	Kit	3.500S	1.750S	P	9
	S/N: 7110300-UP					
	Angle Tilt Dozer, With rod bushing					
	CS-D 42873	Kit	3.500S	1.750S	S	9
	(2)CS-D 47203	Packing				
	S/N: 7110300-UP					
Tilt Dozer						
CS-G105529	Kit	3.500S	1.750S	P	9	
S/N: 7110300-UP						
Tilt Dozer, With split inner wiper						
CS-1543379C1	Kit	3.500S	1.750S	P	9	
S/N: 7110300-UP						
Tilt Dozer, With rod bushing						
Dozer Tilt	CS-D 42873	Kit	3.500S	1.750S	S	9
	CS-G 33237	Packing Ay				
	CS-G 32627	Kit	3.500S	1.750S	P	9
	S/N: 7108999-UP					
	Angle Tilt Dozer					
CS-G109470	Kit	3.500S	1.750S	P	9	
S/N: 7108999-UP						
Tilt Dozer						
Ripper	CS-D 42876	Kit	4.000S	2.000S	S	9
	CS-G 33239	Packing Ay				
	CS-G105526	Kit	4.000S	2.000S	P	9
	S/N: 7108999-UP					
With split inner wiper						

Application	Part Number	Description	Bore	Rod	Wiper	Type
1150 CRAWLER TRACTOR/LOADER WITH BACKHOE MODELS 32,34,36 (continued)						
Ripper (cont) S/N:	CS-1543271C1	Kit	4.000S	2.000S	P	9
	7110300-UP With rod bushing					
Track Adjuster	CS-BD-907003	Kit			N	0
Backhoe Stabilizer	CS-D 42873	Kit	3.500S	1.750S	S	9
	(2)CS-D 47203	Packing				
	BH models 32,34					
	CS-D 42876	Kit	4.000S	2.000S	S	9
	(2)CS-D 47204	Packing				
	BH models 34,36					
	CS-G 32299	Kit	4.000S	2.000S	P	9
	BH model 36, With split inner wiper					
Backhoe Swing	CS-1543271C1	Kit	4.000S	2.000S	P	9
	BH model 36, With rod bushing					
	CS-D 42875	Kit	4.000S	1.750S	S	9
	(2)CS-D 47204	Packing				
	BH models 32,34					
	CS-G 32695	Kit	4.500S	2.000S	P	9
	BH model 36, With split inner wiper					
	CS-1543270C1	Kit	4.500S	2.000S	P	9
BH model 36, With rod bushing						
Backhoe Boom	CS-D 42876	Kit	4.000S	2.000S	S	9
	(2)CS-D 47204	Packing				
	BH model 32					
	CS-D 42878	Kit	4.500S	2.250S	PI	9
	(2)CS-D 47205	Packing				
	BH model 34					
	CS-G109494	Kit	5.000S	2.250S	P	9
	BH model 36, O-Ring, BU-Ring gland seal					
Backhoe Bucket	CS-D 42873	Kit	3.500S	1.750S	S	9
	(2)CS-D 47203	Packing				
	BH model 32					
	CS-D 42877	Kit	4.000S	2.250S	PI	9
	(2)CS-D 47204	Packing				
	BH models 34,36, Without rod bushing					
	CS-G 34636	Kit	4.000S	2.250S	P	9
	BH model 36, With rod bushing					
Backhoe Dipper	CS-D 42876	Kit	4.000S	2.000S	S	9
	(2)CS-D 47204	Packing				
	BH model 32					
	CS-D 42878	Kit	4.500S	2.250S	PI	9
	(2)CS-D 47205	Packing				
	BH models 34,36, Without rod bushing					
	CS-1543276C1	Kit	4.500S	2.250S	P	9
	BH model 36, With rod bushing					
	CS-1543291C1	Kit	4.500S	2.500S	P	9
BH model 36						

Application	Part Number	Description	Bore	Rod	Wiper	Type
1150B CRAWLER TRACTOR/LOADER						
Loader Lift	CS-G109494	Kit	5.000S	2.250S	P	9
	Without rod bushing					
	CS-1543311C1	Kit	5.000S	2.250S	P	9
With rod bushing						
Loader Tilt	CS-1543276C1	Kit	4.500S	2.250S	P	9
Loader Clam	CS-1543276C1	Kit	4.500S	2.250S	P	9
Dozer Lift	CS-G109470	Kit	3.500S	1.750S	P	9
	CS-1543261C1	Kit	3.500S	1.750S	P	15
Dozer Tilt	CS-1543276C1	Kit	4.500S	2.250S	P	9
Dozer Tilt & Pitch	CS-G 34636	Kit	4.000S	2.250S	P	9
	CS-1543277C1	Kit	4.000S	2.250S	P	15
Dozer Angle	CS-G105523	Kit	3.000S	1.750S	P	9
	For cylinders with porting through rod					
	CS-G 34643	Kit	3.000S	1.750S	P	9
Ripper	CS-G109470	Kit	3.500S	1.750S	P	9
	CS-G105526	Kit	4.000S	2.000S	P	9
	CS-1543273C1	Kit	4.000S	2.000S	P	15
Feller Buncher	CS-1543276C1	Kit	4.500S	2.250S	P	9
Track Adjuster	CS-BD-907004	Kit			N	0
1150C,1150D,1155D CRAWLER TRACTOR/LOADER						
Loader Lift	CS-G109501	Kit	5.000S	2.250S	P	9
Loader Tilt	CS-1543276C1	Kit	4.500S	2.250S	P	9
Loader Clam	CS-1543276C1	Kit	4.500S	2.250S	P	9
Dozer Lift	CS-1543261C1	Kit	3.500S	1.750S	P	15
Dozer Tilt	CS-1543276C1	Kit	4.500S	2.250S	P	9
	Tilt Dozer					
Dozer Tilt & Pitch	CS-1543277C1	Kit	4.000S	2.250S	P	15
	Angle Tilt Pitch Dozer					
Dozer Angle	CS-1543262C1	Kit	3.000S	1.750S	P	15
Ripper	CS-1543273C1	Kit	4.000S	2.000S	P	15
Track Adjuster	CS-BD-907004	Kit			N	0
1150E,1155E CRAWLER TRACTOR/LOADER						
Loader Lift	CS-1543276C1	Kit	4.500S	2.250S	P	9
	Use with G106967 Cylinder					
Loader Tilt	CS-1543273C1	Kit	4.000S	2.000S	P	15
Loader Clam	CS-1543276C1	Kit	4.500S	2.250S	P	9
	Use with G 34638, G 34639 Cylinders					
Dozer Lift	CS-1543265C1	Kit	3.250S	1.750S	P	15
Dozer Tilt	CS-1543276C1	Kit	4.500S	2.250S	P	9
	Tilt Dozer, Use with G107405 Cylinder					
	CS-1542915C2	Kit	5.000S	2.500S	P	15
Angle Tilt Dozer, Use with G110694 Cylinder						
Dozer Tilt & Pitch	CS-1543277C1	Kit	4.000S	2.250S	P	15
	Angle Tilt Pitch Dozer					

Application	Part Number	Description	Bore	Rod	Wiper	Type
1150E,1155E CRAWLER TRACTOR/LOADER (continued)						
Dozer Angle	CS-1543262C1	Kit	3.000S	1.750S	P	15
	CS-1542915C2	Kit	5.000S	2.500S	P	15
	Angle Tilt Dozer					
Ripper	CS-1543273C1	Kit	4.000S	2.000S	P	15
Track Adjuster	CS-BD-907004	Kit			N	0
1450 CRAWLER TRACTOR/LOADER						
Loader Lift	CS-1543296C1	Kit	5.500S	2.500S	P	9
Loader Tilt	CS-1543312C1	Kit	5.000S	2.500S	P	9
Loader Clam	CS-1543276C1	Kit	4.500S	2.250S	P	9
Dozer Lift	CS-1543271C1	Kit	4.000S	2.000S	P	9
	Mechanical Angle and Tilt Dozer					
	CS-1543273C1	Kit	4.000S	2.000S	P	15
Tilt Dozer or Angle Tilt Pitch Dozer						
Dozer Tilt	CS-1543299C1	Kit	6.000S	3.000S	P	9
	Tilt Dozer					
Dozer Tilt & Pitch	CS-1543312C1	Kit	5.000S	2.500S	P	9
	Tilt and Pitch Dozer					
Dozer Angle	CS-1543273C1	Kit	4.000S	2.000S	P	15
Ripper	CS-G109470	Kit	3.500S	1.750S	P	9
	CS-G105526	Kit	4.000S	2.000S	P	9
	CS-1543273C1	Kit	4.000S	2.000S	P	15
Track Adjuster	CS-BD-907005	Kit			N	0
1450B,1455B CRAWLER TRACTOR/LOADER						
Loader Lift	CS-1543296C1	Kit	5.500S	2.500S	P	9
Loader Tilt	CS-1543312C1	Kit	5.000S	2.500S	P	9
Loader Clam	CS-1543276C1	Kit	4.500S	2.250S	P	9
Dozer Lift	CS-1543273C1	Kit	4.000S	2.000S	P	15
Dozer Tilt	CS-1543299C1	Kit	6.000S	3.000S	P	9
	Tilt Dozer					
	CS-G104044	Kit	5.000S	2.500S	P	5
Mechanical Angle Dozer models with optional tilt hydraulic circuit						
Dozer Tilt & Pitch	CS-1543312C1	Kit	5.000S	2.500S	P	9
	Angle Tilt Pitch Dozer					
Dozer Angle	CS-1543277C1	Kit	4.000S	2.250S	P	15
Ripper	CS-1543273C1	Kit	4.000S	2.000S	P	15
Track Adjuster	CS-BD-907005	Kit			N	0

Application	Part Number	Description	Bore	Rod	Wiper	Type
1550 CRAWLER TRACTOR						
Tractor S/N: 8500001-8500060, JAK0010501-UP						
Dozer Lift	CS-1543272C1	Kit	3.500S	2.000S	P	15
Dozer Tilt	CS-1543299C1	Kit	6.000S	3.000S	P	9
	Tilt Dozer					
	CS-1980372C2	Kit	5.500S	2.750S	P	15
	Angle Tilt Dozer					
	CS-G104044	Kit	5.000S	2.500S	P	5
Mechanical Angle Dozer models With optional Tilt Hydraulic circuit						
Dozer Tilt & Pitch	CS-1543312C1	Kit	5.000S	2.500S	P	9
	Angle Tilt Pitch Dozer					
Dozer Angle	CS-1980372C2	Kit	5.500S	2.750S	P	15
	Angle Tilt Dozer					
	CS-1543278C1	Kit	3.500S	2.250S	P	15
Angle Tilt Pitch Dozer						
Ripper	CS-1543273C1	Kit	4.000S	2.000S	P	15
Track Adjuster	CS-BD-907005	Kit			N	0
W3 WHEEL LOADER WITH LOADER/BACKHOE MODEL 42						
Tractor S/N: PRIOR-6172111 Loader/Backhoe S/N: PRIOR-4065701						
Loader Lift	CS-D 42870	Kit	3.000S	1.500S	S	9
	CS-G 33151	Packing Ay				
Loader Tilt	CS-D 42869	Kit	2.500S	1.500S	S	9
	CS-G 33193	Packing Ay				
Backhoe Stabilizer	CS-D 42873	Kit	3.500S	1.750S	S	9
	CS-G 33237	Packing Ay				
Backhoe Swing	CS-D 42871	Kit	3.000S	1.500S	S	9
	CS-G 33151	Packing Ay				
Backhoe Boom	CS-D 42876	Kit	4.000S	2.000S	S	9
	CS-G 33239	Packing Ay				
Backhoe Bucket	CS-D 42873	Kit	3.500S	1.750S	S	9
	CS-G 33237	Packing Ay				
Backhoe Dipper	CS-D 42876	Kit	4.000S	2.000S	S	9
	CS-G 33239	Packing Ay				

Application	Part Number	Description	Bore	Rod	Wiper	Type
W7,W7C,W7E WHEEL LOADER WITH BACKHOE MODELS 32,33,34						
Loader S/N: W7E 9811301-UP						
Loader Lift	CS-D 42876	Kit	4.000S	2.000S	S	9
	(2)CS-D 47204	Packing				
	Model W7E					
	CS-G 32299	Kit	4.000S	2.000S	P	9
Model W7E						
Loader Tilt	CS-G 32024	Kit	3.000S	1.500S	S	9
	Model W7E					
	CS-1543378C1	Kit	3.000S	1.500S	P	9
	Model W7E					
Backhoe Stabilizer	CS-D 42873	Kit	3.500S	1.750S	S	9
	CS-G 33237	Packing Ay				
	BH models 32,33,34 (Model 34 S/N: Prior-1022950) Used with Nylon Piston bearing					
	CS-D 42873	Kit	3.500S	1.750S	S	9
	(2)CS-D 47203	Packing				
	BH models 32,33,34 (Model 34 S/N: Prior-1022950) Used with Metal Piston bearing					
	CS-G109470	Kit	3.500S	1.750S	P	9
	BH models 33,34 (Model 34 S/N: Prior-1022950) Used with Nylon Piston bearing					
	CS-G105529	Kit	3.500S	1.750S	P	9
	BH models 33,34 (Model 34 S/N: Prior-1022950) Used with Metal Piston bearing					
	CS-D 42876	Kit	4.000S	2.000S	S	9
	(2)CS-D 47204	Packing				
	BH model 34 S/N: 1022951-Up					
	CS-G 32299	Kit	4.000S	2.000S	P	9
BH model 34 S/N: 1022951-Up						
Backhoe Swing	CS-D 42875	Kit	4.000S	1.750S	S	9
	CS-G 33239	Packing Ay				
	BH model 32, Used with Nylon Piston bearing					
	CS-D 42875	Kit	4.000S	1.750S	S	9
	(2)CS-D 47204	Packing				
	BH models 32,33,34, Used with Metal Piston bearing					
	CS-G105519	Kit	4.000S	1.750S	P	9
BH models 33,34						
Backhoe Boom	CS-D 42876	Kit	4.000S	2.000S	S	9
	CS-G 33239	Packing Ay				
	BH model 32, Used with Nylon Piston bearing					
	CS-D 42876	Kit	4.000S	2.000S	S	9
	(2)CS-D 47204	Packing				
	BH models 32,33 (Model 33 S/N: Prior-4176350) Used with Metal Piston bearing					
	CS-G 32299	Kit	4.000S	2.000S	P	9
	BH model 33 S/N: Prior-4176350					
	CS-D 42878	Kit	4.500S	2.250S	PI	9
	(2)CS-D 47205	Packing				
BH models 33,34 (Model 33 S/N: 4176351-Up) w/o rod bushing						

Application	Part Number	Description	Bore	Rod	Wiper	Type
W7,W7C,W7E WHEEL LOADER WITH BACKHOE MODELS 32,33,34 (continued)						
Backhoe Boom (cont)	CS-1543276C1	Kit	4.500S	2.250S	P	9
	BH models 33,34 (Model 33 S/N: 4176351-Up) with rod bushing					
Backhoe Bucket	CS-D 42873	Kit	3.500S	1.750S	S	9
	CS-G 33237	Packing Ay				
	BH model 32, Used with Nylon Piston bearing					
	CS-D 42873	Kit	3.500S	1.750S	S	9
	(2)CS-D 47203	Packing				
	BH models 32,33, Used with Metal Piston bearing					
	CS-D 42874	Kit	3.500S	2.000S	S	9
	(2)CS-D 47203	Packing				
	BH model 33					
	CS-G 32293	Kit	3.500S	2.000S	P	9
	BH model 33					
	CS-D 42877	Kit	4.000S	2.250S	PI	9
	(2)CS-D 47204	Packing				
	BH model 34, Without rod bushing					
Backhoe Dipper	CS-D 42876	Kit	4.000S	2.000S	S	9
	CS-G 33239	Packing Ay				
	BH model 32, Used with Nylon Piston bearing					
	CS-D 42876	Kit	4.000S	2.000S	S	9
	(2)CS-D 47204	Packing				
	BH models 32,33, Used with Metal Piston bearing					
	CS-G 32299	Kit	4.000S	2.000S	P	9
	BH model 33					
	CS-D 42878	Kit	4.500S	2.250S	PI	9
	(2)CS-D 47205	Packing				
	BH model 34, Without rod bushing					
	CS-1543276C1	Kit	4.500S	2.250S	P	9
	BH model 34, With rod bushing					
	W8E WHEEL LOADER					
Loader Lift	CS-G 32184	Kit	5.000S	2.500S	P	9
Loader Tilt	CS-G 32022	Kit	3.500S	1.750S	S	9
	CS-G 32228	Kit	3.500S	1.750S	P	9
W9,W9A,W9B,W9C,W9E,W10,W10B,W10C,W10E WHEEL LOADER						
Loader S/N: W9 PRIOR-8150186,W9A 8160001-UP,W9C 9809000-9811800 W10 PRIOR-8229367,W10C 9809000-9811800 Backhoe Models: 32,33,34						
Loader Lift	CS-G 32184	Kit	5.000S	2.500S	P	9
	Models W9E,W10E					
Loader Tilt	CS-G 32022	Kit	3.500S	1.750S	S	9
	Models W9E,W10E					
	CS-G 32228	Kit	3.500S	1.750S	P	9
Models W9E,W10E						
Backhoe Stabilizer	CS-D 42873	Kit	3.500S	1.750S	S	9
	CS-G 33237	Packing Ay				
	BH models 32,33,34 (Model 34 S/N: Prior-1022950) Used with Nylon Piston bearing					

Application	Part Number	Description	Bore	Rod	Wiper	Type
W9,W9A,W9B,W9C,W9E,W10,W10B,W10C,W10E WHEEL LOADER (continued)						
Backhoe Stabilizer (cont)	CS-D 42873	Kit	3.500S	1.750S	S	9
	(2)CS-D 47203	Packing				
	BH models 32,33,34 (Model 34 S/N: Prior-1022950) Used with Metal Piston bearing					
	CS-G109470	Kit	3.500S	1.750S	P	9
	BH models 33,34 (Model 34 S/N: Prior-1022950) Used with Nylon Piston bearing					
	CS-G105529	Kit	3.500S	1.750S	P	9
	BH models 33,34 (Model 34 S/N: Prior-1022950) Used with Metal Piston bearing					
	CS-D 42876	Kit	4.000S	2.000S	S	9
	(2)CS-D 47204	Packing				
	BH model 34 S/N: 1022951-Up					
	CS-G 32299	Kit	4.000S	2.000S	P	9
	BH model 34 S/N: 1022951-Up					
Backhoe Swing	CS-D 42875	Kit	4.000S	1.750S	S	9
	CS-G 33239	Packing Ay				
	BH model 32, Used with Nylon Piston bearing					
	CS-D 42875	Kit	4.000S	1.750S	S	9
	(2)CS-D 47204	Packing				
	BH models 32,33,34, Used with Metal Piston bearing					
	CS-G105519	Kit	4.000S	1.750S	P	9
BH models 33,34						
Backhoe Boom	CS-D 42876	Kit	4.000S	2.000S	S	9
	CS-G 33239	Packing Ay				
	BH model 32, Used with Nylon Piston bearing					
	CS-D 42876	Kit	4.000S	2.000S	S	9
	(2)CS-D 47204	Packing				
	BH models 32,33 (Model 33 S/N: Prior-4176350) Used with Metal Piston bearing					
	CS-G 32299	Kit	4.000S	2.000S	P	9
	BH model 33 S/N: Prior-4176350					
	CS-D 42878	Kit	4.500S	2.250S	PI	9
	(2)CS-D 47205	Packing				
	BH models 33,34 (Model 33 S/N: 4176351-Up) w/o rod bushing					
	CS-1543276C1	Kit	4.500S	2.250S	P	9
BH models 33,34 (Model 33 S/N: 4176351-Up) with rod bushing						
Backhoe Bucket	CS-D 42873	Kit	3.500S	1.750S	S	9
	CS-G 33237	Packing Ay				
	BH model 32, Used with Nylon Piston bearing					
	CS-D 42873	Kit	3.500S	1.750S	S	9
	(2)CS-D 47203	Packing				
	BH models 32,33, Used with Metal Piston bearing					
	CS-D 42874	Kit	3.500S	2.000S	S	9
	(2)CS-D 47203	Packing				
	BH model 33					
	CS-G 32293	Kit	3.500S	2.000S	P	9
	BH model 33					
	CS-D 42877	Kit	4.000S	2.250S	PI	9
	(2)CS-D 47204	Packing				
	BH model 34, Without rod bushing					

Application	Part Number	Description	Bore	Rod	Wiper	Type
W9,W9A,W9B,W9C,W9E,W10,W10B,W10C,W10E WHEEL LOADER (continued)						
Backhoe Bucket (cont)	CS-G 34636	Kit	4.000S	2.250S	P	9
	BH model 34, With rod bushing					
Backhoe Dipper	CS-D 42876	Kit	4.000S	2.000S	S	9
	CS-G 33239	Packing Ay				
	BH model 32, Used with Nylon Piston bearing					
	CS-D 42876	Kit	4.000S	2.000S	S	9
	(2)CS-D 47204	Packing				
	BH models 32,33, Used with Metal Piston bearing					
	CS-G 32299	Kit	4.000S	2.000S	P	9
	BH model 33					
	CS-D 42878	Kit	4.500S	2.250S	PI	9
	(2)CS-D 47205	Packing				
BH model 34, Without rod bushing						
CS-1543276C1	Kit	4.500S	2.250S	P	9	
BH model 34, With rod bushing						
W11,W11B WHEEL LOADER						
Loader Lift	CS-1543274C1	Kit	3.500S	2.000S	P	15
Loader Tilt	CS-1543253C1	Kit	2.500S	1.500S	P	15
Loader Clam	CS-1543262C1	Kit	3.000S	1.750S	P	15
Steering	CS-1543252C1	Kit	3.000S	1.500S	P	15
W14,W14H ARTICULATED WHEEL LOADER, W14FL FEEDLOT SPECIAL						
Backhoe Models: 26C,35,35A,35WL,35C,35C WL						
Loader Lift	CS-1543276C1	Kit	4.500S	2.250S	P	9
	CS-1986742C2	Kit	4.500S	2.250S	P	15
Loader Tilt	CS-1543263C1	Kit	3.000S	1.750S	P	9
	CS-1543262C1	Kit	3.000S	1.750S	P	15
Loader Clam	CS-1543378C1	Kit	3.000S	1.500S	P	9
	Models W14,W14H					
	CS-1543252C1	Kit	3.000S	1.500S	P	15
Models W14,W14H						
Loader Grapple	CS-1543313C1	Kit	3.000S	1.500S	P	15
Model W14FL						
Steering	CS-G 32295	Kit	2.500S	1.250S	P	9
	CS-1543250C1	Kit	2.500S	1.250S	P	5
Backhoe Stabilizer	CS-G109470	Kit	3.500S	1.750S	P	9
	BH model 26C					
	CS-1543261C1	Kit	3.500S	1.750S	P	15
	BH model 26C					
	CS-1543271C1	Kit	4.000S	2.000S	P	9
	BH model 35					
CS-1543273C1	Kit	4.000S	2.000S	P	15	
BH models 35,35A,35WL,35C,35C WL						
Backhoe Swing	CS-G 34652	Kit	3.500S	1.500S	P	9
	BH model 26C					
	CS-1543254C1	Kit	3.500S	1.500S	P	15
	BH model 26C					
	CS-1543271C1	Kit	4.000S	2.000S	P	9
BH model 35 S/N: Prior-5411088						

Application	Part Number	Description	Bore	Rod	Wiper	Type	
W14,W14H ARTICULATED WHEEL LOADER, W14FL FEEDLOT SPECIAL (continued)							
Backhoe Swing (cont)	CS-1543273C1	Kit	4.000S	2.000S	P	15	
	BH models 35,35A,35WL,35C,35C WL Use with G104917, G110165 Cylinders						
	CS-1543269C1	Kit	4.000S	2.000S	P	15	
	Use with 1346044C1 Cylinder						
Backhoe Boom	CS-G 34636	Kit	4.000S	2.250S	P	9	
	BH model 26C						
	CS-1543277C1	Kit	4.000S	2.250S	P	15	
	BH model 26C						
	CS-G105528	Kit	3.250S	1.750S	P	11	
	BH model 35						
Backhoe Bucket	CS-1543263C1	Kit	3.000S	1.750S	P	9	
	BH model 26C						
	CS-1543262C1	Kit	3.000S	1.750S	P	15	
	BH model 26C						
	CS-1543383C1	Kit	3.500S	2.000S	P	9	
	BH model 35						
	CS-1543274C1	Kit	3.500S	2.000S	P	15	
	BH models 35,35A,35WL						
	CS-1543294C1	Kit	3.500S	2.500S	P	15	
	BH models 35C,35C WL						
	CS-1543295C1	Kit	4.000S	2.500S	P	15	
	BH models 35C,35C WL, Special feature						
Backhoe Dipper	CS-1543383C1	Kit	3.500S	2.000S	P	9	
	BH model 26C						
	CS-1543274C1	Kit	3.500S	2.000S	P	15	
	BH model 26C						
	CS-1543271C1	Kit	4.000S	2.000S	P	9	
	BH model 35						
	CS-1543273C1	Kit	4.000S	2.000S	P	15	
	BH models 35,35A,35WL,35C,35C WL						
	Backhoe Dipper Ext	CS-1543378C1	Kit	3.000S	1.500S	P	9
		BH models 26C,35					
CS-1543252C1		Kit	3.000S	1.500S	P	15	
BH models 26C,35,35A,35WL,35C,35C WL							

Application	Part Number	Description	Bore	Rod	Wiper	Type
W14B,W14C WHEEL LOADER						
Loader Lift	CS-1543276C1	Kit	4.500S	2.250S	P	9
	CS-1986742C2	Kit	4.500S	2.250S	P	15
Loader Tilt	CS-1543274C1	Kit	3.500S	2.000S	P	15
Loader Clam	CS-1543252C1	Kit	3.000S	1.500S	P	15
Loader Grapple	CS-1543313C1	Kit	3.000S	1.500S	P	15
Steering	CS-128725A1	Kit	2.500S	1.500S	P	5
W18,W20,W20B ARTICULATED WHEEL LOADER						
Loader Lift	CS-G109493	Kit	5.000S	3.000S	P	9
	S/N: Prior-9115602					
	CS-1543304C1	Kit	5.000S	3.000S	P	9
	S/N: 9115603-9123139					
Loader Lift	CS-1543312C1	Kit	5.000S	2.500S	P	9
	S/N: 9123140-UP					
Loader Tilt	CS-1543271C1	Kit	4.000S	2.000S	P	9
	CS-1543273C1	Kit	4.000S	2.000S	P	15
Loader Clam	CS-G 32299	Kit	4.000S	2.000S	P	9
	CS-1543273C1	Kit	4.000S	2.000S	P	15
Steering	CS-1543378C1	Kit	3.000S	1.500S	P	9
	CS-1543252C1	Kit	3.000S	1.500S	P	15
W18B,W20C ARTICULATED WHEEL LOADER						
Loader Lift	CS-1543312C1	Kit	5.000S	2.500S	P	9
Loader Tilt	CS-1543273C1	Kit	4.000S	2.000S	P	15
Loader Clam	CS-1543271C1	Kit	4.000S	2.000S	P	9
	Use with G 33624 Cylinder					
	CS-1543273C1	Kit	4.000S	2.000S	P	15
Use with G101564, G101565 Cylinders						
Steering	CS-1543252C1	Kit	3.000S	1.500S	P	15
W24 ARTICULATED WHEEL LOADER						
Loader Lift	CS-G109493	Kit	5.000S	3.000S	P	9
	Use with G 32693, G 32694 Cylinders, O-Ring, BU-Ring gland seal					
Loader Tilt	CS-D 48414	Kit	4.500S	2.500S	I	9
	(2)CS-D 47205	Packing				
	CS-1543291C1	Kit	4.500S	2.500S	P	9
Loader Clam	CS-D 42876	Kit	4.000S	2.000S	S	9
	(2)CS-D 47204	Packing				
	CS-G 32299	Kit	4.000S	2.000S	P	9
Steering	CS-D 42870	Kit	3.000S	1.500S	S	9
	CS-G 33151	Packing Ay				
	S/N: Prior-9105108					
	S/N: CS-1543378C1	Kit	3.000S	1.500S	P	9
S/N: 9105109-UP						

Application	Part Number	Description	Bore	Rod	Wiper	Type
W24B ARTICULATED WHEEL LOADER						
Loader Lift	CS-G109493	Kit	5.000S	3.000S	P	9
	S/N:	Prior-9120797 Gland not marked, Single Swage Barrel				
	CS-G 34334	Kit	5.000S	3.000S	P	9
	S/N:	Prior-9120797 Gland marked, Single Swage Barrel				
Loader Lift	CS-1543304C1	Kit	5.000S	3.000S	P	9
	Double Swage Barrel					
Loader Tilt	CS-1543291C1	Kit	4.500S	2.500S	P	9
Loader Clam	CS-G 32299	Kit	4.000S	2.000S	P	9
	S/N:	Prior-9120797 Gland not marked				
	CS-G 34335	Kit	4.000S	2.000S	P	9
	Gland marked					
Loader Clam	CS-1543273C1	Kit	4.000S	2.000S	P	15
	S/N:	9120798-UP				
Steering	CS-1543378C1	Kit	3.000S	1.500S	P	9
	CS-1543252C1	Kit	3.000S	1.500S	P	15
	S/N:	9120798-UP				
W24C ARTICULATED WHEEL LOADER						
Loader Lift	CS-1543304C1	Kit	5.000S	3.000S	P	9
Loader Tilt	CS-1543291C1	Kit	4.500S	2.500S	P	9
Loader Clam	CS-1543273C1	Kit	4.000S	2.000S	P	15
Steering	CS-1543252C1	Kit	3.000S	1.500S	P	15
W26B,W26LF ARTICULATED WHEEL LOADER						
Loader Lift	CS-G 32456	Kit	6.000S	3.000S	I	9
	S/N:	Prior-9107498				
	CS-1543299C1	Kit	6.000S	3.000S	P	9
Loader Lift	S/N:	9107499-UP				
	CS-G 32184	Kit	5.000S	2.500S	P	9
	Welded thread ring on barrel					
Loader Tilt	CS-1543312C1	Kit	5.000S	2.500S	P	9
	Double Swage Barrel					
Steering	CS-D 42874	Kit	3.500S	2.000S	S	9
	(2)CS-D 47203	Packing				
	CS-G 32293	Kit	3.500S	2.000S	P	9
	With split inner wiper					
	CS-1543383C1	Kit	3.500S	2.000S	P	9
With rod bushing						

Application	Part Number	Description	Bore	Rod	Wiper	Type
W30 ARTICULATED WHEEL LOADER						
Loader Lift	CS-G106958	Kit	5.500S	3.000S	P	9
Loader Tilt	CS-1543276C1	Kit	4.500S	2.250S	P	9
Loader Clam	CS-1543273C1	Kit	4.000S	2.000S	P	15
Steering	CS-1543265C1	Kit	3.250S	1.750S	P	15
W36 ARTICULATED WHEEL LOADER						
Loader Lift	CS-1543299C1	Kit	6.000S	3.000S	P	9
	S/N: Prior-17753999					
	CS-E156011	Kit	6.000S	3.000S	P	9
	S/N: 17754000-UP					
Loader Tilt	CS-1543276C1	Kit	4.500S	2.250S	P	9
	S/N: Prior-17753999					
	CS-E156012	Kit	4.500S	2.250S	P	9
	S/N: 17754000-UP					
Steering	CS-1543271C1	Kit	4.000S	2.000S	P	9
	S/N: Prior-17753999					
	CS-1543273C1	Kit	4.000S	2.000S	P	15
621,621B,721 WHEEL LOADER						
Loader Lift	CS-1543305C1	Kit	5.000S	3.000S	P	15
Loader Tilt	CS-1543306C1	Kit	6.000S	3.000S	P	15
	Model 621,621B					
	CS-1543279C1	Kit	4.500S	2.250S	P	15
	Model 621,621B					
	CS-1543303C1	Kit	6.500S	3.000S	P	15
	Model 721					
Steering	CS-1543267C1	Kit	3.000S	1.750S	P	15
821,821B WHEEL LOADER						
Loader Lift	CS-1543306C1	Kit	6.000S	3.000S	P	15
	CS-1986823C2	Kit	6.000S	3.500S	P	15
Loader Tilt	CS-1543309C1	Kit	7.000S	3.500S	P	15
Steering	CS-1543266C1	Kit	3.500S	1.750S	P	15
921, 921B WHEEL LOADER						
Loader Lift	CS-1986920C2	Kit	7.000S	4.000S	P	15
Loader Tilt	CS-1346357C2	Kit	8.000S	4.000S	P	15
Steering	CS-1543269C1	Kit	4.000S	2.000S	P	15

Application	Part Number	Description	Bore	Rod	Wiper	Type
300C,400C TREE SKIDDER						
Steering	CS-D 42874	Kit	3.500S	2.000S	S	9
	(2)CS-D 47203	Packing				
	CS-G 32293	Kit	3.500S	2.000S	P	9
Blade Lift	CS-D 42873	Kit	3.500S	1.750S	S	9
	(2)CS-D 47203	Packing				
	CS-G105529	Kit	3.500S	1.750S	P	9
600,800,825 TREE SKIDDER						
Steering	CS-1543313C1	Kit	3.000S	1.500S	P	15
Decking Blade	CS-G105529	Kit	3.500S	1.750S	P	9
MB4/94 UNIMOG						
Backhoe Model: 26C Cable Plow Model: P80 Trencher Model: T70						
Lift	CS-1543263C1	Kit	3.000S	1.750S	P	9
	For front mounted equipment					
Tilt	CS-G 34646	Kit	4.000S	2.250S	P	9
	For Backhoe, Cable Plow and Trencher attachments					
	CS-1543313C1	Kit	3.000S	1.500S	P	15
	For Backhoe, Cable Plow and Trencher attachments					
3-Point Hitch Lift	CS-1543378C1	Kit	3.000S	1.500S	P	9
	CS-1543252C1	Kit	3.000S	1.500S	P	15
3-Point Hitch Pitch	CS-128728A1	Kit	2.500S	1.250S	P	5
Backhoe Stabilizer	CS-1543263C1	Kit	3.000S	1.750S	P	9
	Models without Extendable Dipper					
	CS-1543262C1	Kit	3.000S	1.750S	P	15
	Models without Extendable Dipper					
	CS-G109470	Kit	3.500S	1.750S	P	9
	Models with Extendable Dipper					
Backhoe Swing	CS-G 34652	Kit	3.500S	1.500S	P	9
	CS-1543254C1	Kit	3.500S	1.500S	P	15
Backhoe Boom	CS-G 34636	Kit	4.000S	2.250S	P	9
	CS-1543277C1	Kit	4.000S	2.250S	P	15
Backhoe Bucket	CS-1543263C1	Kit	3.000S	1.750S	P	9
	CS-1543262C1	Kit	3.000S	1.750S	P	15
Backhoe Dipper	CS-1543383C1	Kit	3.500S	2.000S	P	9
	CS-1543274C1	Kit	3.500S	2.000S	P	15
Backhoe Dipper Ext	CS-1543378C1	Kit	3.000S	1.500S	P	9
	CS-1543252C1	Kit	3.000S	1.500S	P	15
Cable Plow Shift	CS-1543253C1	Kit	2.500S	1.500S	P	15
Forklift Mast Tilt	CS-1543318C2	Kit	3.000S	1.250S	P	5

Application	Part Number	Description	Bore	Rod	Wiper	Type
1530B UNI-LOADER						
Lift	CS-1543313C1	Kit	3.000S	1.500S	P	15
	S/N: Prior-9818250					
	CS-128725A1	Kit	2.500S	1.500S	P	5
	S/N: 9818251-UP					
Bucket	CS-1543313C1	Kit	3.000S	1.500S	P	15
Bucket Clam	CS-1543313C1	Kit	3.000S	1.500S	P	15
Grapple	CS-D 61006	Kit	2.000S	1.000S	I	5
Wood Tick	CS-1543313C1	Kit	3.000S	1.500S	P	15
Scarifier	CS-1543313C1	Kit	3.000S	1.500S	P	15
1700 SERIES UNI-LOADER						
Lift	CS-1543313C1	Kit	3.000S	1.500S	P	15
Bucket	CS-1543313C1	Kit	3.000S	1.500S	P	15
Bucket Clam	CS-1543313C1	Kit	3.000S	1.500S	P	15
Grapple	CS-D 61006	Kit	2.000S	1.000S	I	5
Wood Tick	CS-1543313C1	Kit	3.000S	1.500S	P	15
Scarifier	CS-1543313C1	Kit	3.000S	1.500S	P	15
1816B,1816C UNI-LOADER						
Lift	CS-D 61006	Kit	2.000S	1.000S	I	5
Bucket	CS-D 61006	Kit	2.000S	1.000S	I	5
Grapple	CS-D 61006	Kit	2.000S	1.000S	I	5
1830 UNI-LOADER						
Lift	CS-G 34819	Kit	2.125S	1.250S	P	5
Bucket	CS-G 34807	Kit	2.500S	1.000S	P	5
	Use with G 34786 Cylinder					
	CS-G 35378	Kit	2.500S	1.000S	P	5
	Use with G100066 Cylinder					
	CS-128728A1	Kit	2.500S	1.250S	P	5
Grapple	CS-D 61006	Kit	2.000S	1.000S	I	5
Scarifier	CS-1543313C1	Kit	3.000S	1.500S	P	15
1835,1835B,1835C UNI-LOADER						
Lift	CS-G 34819	Kit	2.125S	1.250S	P	5
	Model 1835					
	CS-128725A1	Kit	2.500S	1.500S	P	5
	Model 1835B,1835C					
Bucket	CS-128728A1	Kit	2.500S	1.250S	P	5
Grapple	CS-D 61006	Kit	2.000S	1.000S	I	5
Backhoe Stabilizer	CS-1543252C1	Kit	3.000S	1.500S	P	15
	BH model D100XR, Use with G100936 Cylinder					
Backhoe Boom	CS-1543252C1	Kit	3.000S	1.500S	P	15
	BH model D100XR					
Backhoe Bucket	CS-1543252C1	Kit	3.000S	1.500S	P	15
	BH model D100XR					
Backhoe Dipper	CS-1543313C1	Kit	3.000S	1.500S	P	15
	BH model D100XR					

Application	Part Number	Description	Bore	Rod	Wiper	Type
1840 UNI-LOADER						
Loader Lift	CS-128725A1	Kit	2.500S	1.500S	P	5
Loader Bucket	CS-128728A1	Kit	2.500S	1.250S	P	5
Grapple	CS-D 61006	Kit	2.000S	1.000S	I	5
Backhoe Boom	CS-1543252C1	Kit	3.000S	1.500S	P	15
	BH models D100, D100XR					
	CS-1543256C1	Kit	3.000S	1.500S	P	15
Backhoe Bucket	BH model D125					
	CS-1543252C1	Kit	3.000S	1.500S	P	15
	BH models D100, D100XR					
Backhoe Dipper	CS-1346409C2	Kit	2.750S	1.500S	P	15
	BH model D125					
	CS-1543252C1	Kit	3.000S	1.500S	P	15
Backhoe Dipper	BH model D100					
	CS-1543313C1	Kit	3.000S	1.500S	P	15
	BH model D100XR					
	CS-1543256C1	Kit	3.000S	1.500S	P	15
	BH model D125					
1845,1845S,1845B,1845C UNI-LOADER						
Lift	CS-128725A1	Kit	2.500S	1.500S	P	5
Bucket	CS-128728A1	Kit	2.500S	1.250S	P	5
Clam	CS-1543313C1	Kit	3.000S	1.500S	P	15
Scarifier	CS-1543313C1	Kit	3.000S	1.500S	P	15
Backhoe Stabilizer	CS-1543252C1	Kit	3.000S	1.500S	P	15
	BH model D100XR, Use with G100936 Cylinder					
Backhoe Boom	CS-1543252C1	Kit	3.000S	1.500S	P	15
	BH model D100XR					
Backhoe Bucket	CS-1543252C1	Kit	3.000S	1.500S	P	15
	BH model D100XR					
Backhoe Dipper	CS-1543313C1	Kit	3.000S	1.500S	P	15
	BH model D100XR					
D100 BACKHOE FOR USE ON UNI-LOADERS						
Stabilizer	CS-1543252C1	Kit	3.000S	1.500S	P	15
	Use with G100936 Cylinder					
Boom	CS-1543313C1	Kit	3.000S	1.500S	P	15
	Use with G 34186 Cylinder					
	CS-1543252C1	Kit	3.000S	1.500S	P	15
	Use with G100936 Cylinder					
	CS-H621037	Kit	3.000S	1.500S	I	5
Use with H621029, H623637 Cylinders						
Bucket	CS-1543313C1	Kit	3.000S	1.500S	P	15
	Use with G 34186 Cylinder					
	CS-1543252C1	Kit	3.000S	1.500S	P	15
	Use with G100936 Cylinder					
	CS-H621037	Kit	3.000S	1.500S	I	5
Use with H621029, H623637 Cylinders						
Dipper	CS-1543313C1	Kit	3.000S	1.500S	P	15
	Use with G 34186 Cylinder					

Application	Part Number	Description	Bore	Rod	Wiper	Type
D100 BACKHOE FOR USE ON UNI-LOADERS (continued)						
Dipper (cont)	CS-1543252C1	Kit	3.000S	1.500S	P	15
	Use with G100936 Cylinder					
	CS-H621037	Kit	3.000S	1.500S	I	5
	Use with H621029, H623637 Cylinders					
D130 BACKHOE FOR USE ON UNI-LOADERS						
Swing	CS-1543313C1	Kit	3.000S	1.500S	P	15
	Use with G100905 Cylinder					
Boom	CS-1543313C1	Kit	3.000S	1.500S	P	15
	Use with G 34174, G100931 Cylinders					
Dipper	CS-1543313C1	Kit	3.000S	1.500S	P	15
	Use with G 34174, G100931 Cylinders					
880 CRAWLER EXCAVATOR						
Hoist	CS-1543296C1	Kit	5.500S	2.500S	P	9
	S/N:	6200000-6201114				
	CS-1543297C1	Kit	5.500S	2.750S	P	9
	S/N:	6201115-UP				
Crowd	CS-1543296C1	Kit	5.500S	2.500S	P	9
	S/N:	6200000-6201114				
	CS-1543297C1	Kit	5.500S	2.750S	P	9
	S/N:	6201115-UP				
Tool	CS-1543312C1	Kit	5.000S	2.500S	P	9
Extended Dipper	CS-G 34636	Kit	4.000S	2.250S	P	9
	Used with Extendahoe					
	CS-1543277C1	Kit	4.000S	2.250S	P	15
	Used with Extendahoe					
Extended Bucket	CS-1543304C1	Kit	5.000S	3.000S	P	9
	Used with Extendahoe					
Track Adjuster	CS-S 78837	Kit			N	0
880B,880C,880D CRAWLER EXCAVATOR						
Hoist	CS-1543297C1	Kit	5.500S	2.750S	P	9
Crowd	CS-1543297C1	Kit	5.500S	2.750S	P	9
Tool	CS-1543312C1	Kit	5.000S	2.500S	P	9
Track Adjuster	CS-S 78837	Kit			N	0
880R WHEEL EXCAVATOR						
Hoist	CS-1543297C1	Kit	5.500S	2.750S	P	9
Crowd	CS-1543297C1	Kit	5.500S	2.750S	P	9
Tool	CS-1543312C1	Kit	5.000S	2.500S	P	9
Extended Dipper	CS-G 34636	Kit	4.000S	2.250S	P	9
	S/N:	Prior-5352380				
	CS-1543277C1	Kit	4.000S	2.250S	P	15
	S/N:	5352381-UP				
Extended Bucket	CS-1543304C1	Kit	5.000S	3.000S	P	9
Outrigger	CS-BD-580285	Kit	5.500S	2.500S	P	11

Application	Part Number	Description	Bore	Rod	Wiper	Type
980 CRAWLER EXCAVATOR						
Excavator S/N: PRIOR-6203750						
Crowd	CS-S609427	Kit	6.500S	3.500S	P	5
	Bolted Head					
Tool	CS-1543296C1	Kit	5.500S	2.500S	P	9
Track Adjuster	CS-S 78837	Kit			N	0
980B CRAWLER EXCAVATOR						
Excavator S/N: 6203751-UP						
Crowd	CS-S613322	Kit	6.500S	2.500S	P	5
	S/N:	6203751-6203913				
Tool	CS-S613323	Kit	5.500S	2.250S	P	5
Track Adjuster	CS-S 78837	Kit			N	0
1080 CRAWLER EXCAVATOR						
Boom	CS-G105296	Kit	6.500S	4.000S	P	15
Arm	CS-G105296	Kit	6.500S	4.000S	P	15
	Used with 'E' Boom					
	CS-G105298	Kit	6.500S	3.500S	P	15
	Used with 'Y' Boom					
Tool	CS-G105297	Kit	5.500S	3.500S	P	15
Track Adjuster	CS-S 78837	Kit			N	0
1080B CRAWLER EXCAVATOR						
Boom	CS-G109250	Kit	6.500S	4.000S	P	15
Arm	CS-G109250	Kit	6.500S	4.000S	P	15
Tool	CS-G109249	Kit	5.500S	3.500S	P	15
Track Adjuster	CS-S 78837	Kit			N	0
1085,1086 CRUZ-AIR WHEEL EXCAVATOR						
Hoist	CS-S120324	Kit	6.500S	3.500S	P	15
Crowd	CS-S120324	Kit	6.500S	3.500S	P	15
Tool	CS-1543296C1	Kit	5.500S	2.500S	P	9
Outrigger	CS-1543292C1	Kit	5.500S	2.500S	P	15
Grapple	CS-1543273C1	Kit	4.000S	2.000S	P	15
	Use with G101564, G101565 Cylinders					

Application	Part Number	Description	Bore	Rod	Wiper	Type
1085B,1086B CRUZ-AIR WHEEL EXCAVATOR/LOGGER						
Boom	CS-BD-650360	Kit	6.500S	3.500S	P	15
Arm	CS-BD-650360	Kit	6.500S	3.500S	P	15
Tool	CS-1543296C1	Kit	5.500S	2.500S	P	9
Outrigger	CS-1543292C1	Kit	5.500S	2.500S	P	15
1085C CRUZ-AIR WHEEL EXCAVATOR						
Boom	CS-BD-650360	Kit	6.500S	3.500S	P	15
Arm	CS-BD-650360	Kit	6.500S	3.500S	P	15
Tool	CS-1980384C2	Kit	5.500S	2.500S	P	15
Extended Dipper	CS-1543269C1	Kit	4.000S	2.000S	P	15
Used with Extendahoe						
Steering	CS-1542946C1	Kit	2.750S	1.250S	P	15
Outrigger	CS-1543292C1	Kit	5.500S	2.500S	P	15
1187,1187B,1187C FELLER-BUNCHER						
Boom	CS-S120324	Kit	6.500S	3.500S	P	15
	Model 1187,1187B					
	CS-BD-650360	Kit	6.500S	3.500S	P	15
Model 1187C						
Arm	CS-S120324	Kit	6.500S	3.500S	P	15
Tool	CS-1543297C1	Kit	5.500S	2.750S	P	9
	Used with Feller Buncher					
	CS-S120324	Kit	6.500S	3.500S	P	15
Used with Rotary Cutter						
Shear Arm	CS-BD-644354	Kit	6.500S	3.500S	P	15
Track Adjuster	CS-S 78837	Kit			N	0
1280,1280B CRAWLER EXCAVATOR						
Tool	CS-S613321	Kit	6.500S	4.500S	P	5
Wrist-O-Twist	CS-1543296C1	Kit	5.500S	2.500S	P	9
Track Adjuster	CS-S 78837	Kit			N	0
1285,1286 CRUZ-AIR WHEEL EXCAVATOR/LOGGER						
Hoist	CS-G105296	Kit	6.500S	4.000S	P	15
Crowd	CS-G105298	Kit	6.500S	3.500S	P	15
	Used with 'Y' Boom					
	CS-G105296	Kit	6.500S	4.000S	P	15
Used with 'E' Boom						
Tool	CS-G105297	Kit	5.500S	3.500S	P	15
Outrigger	CS-G105588	Kit	5.500S	3.000S	P	15
Grapple	CS-1543273C1	Kit	4.000S	2.000S	P	15
Grapple Boom	CS-G105298	Kit	6.500S	3.500S	P	15
Heel Boom	CS-G105309	Kit	7.000S	3.500S	P	15

Application	Part Number	Description	Bore	Rod	Wiper	Type
35 YC-EC SERIES B,40 YC-EC SERIES B,						
Excavator S/N: 35 YC-EC 300-UP,40 YC-EC 1500-UP Logger S/N: 40 450-UP						
Hoist	CS-S609427	Kit	6.500S	3.500S	P	5
	Square Head					
Crowd	CS-S609427	Kit	6.500S	3.500S	P	5
	Square Head					
Tool	CS-1543296C1	Kit	5.500S	2.500S	P	9
	CS-S609427	Kit	6.500S	3.500S	P	5
	Used with 24" Feller Buncher					
Track Adjuster	CS-S 78837	Kit			N	0
40B CRUZ-AIR WHEEL EXCAVATOR						
Hoist	CS-S609427	Kit	6.500S	3.500S	P	5
	Square Head					
Crowd	CS-S609427	Kit	6.500S	3.500S	P	5
	Square Head					
Tool	CS-1543296C1	Kit	5.500S	2.500S	P	9
Outrigger	CS-BD-580285	Kit	5.500S	2.500S	P	11
DROTT 35D,40D,40E CRAWLER EXCAVATOR						
Excavator S/N: 35D 6266131-UP,40D 6270716-UP,40E 6271140-UP						
Hoist	CS-G104671	Kit	6.500S	4.000S	P	15
Crowd	CS-G104671	Kit	6.500S	4.000S	P	15
	Used with 'E' Boom					
	CS-G104673	Kit	6.500S	3.500S	P	5
	Used with 'Y' Boom					
Tool	CS-G104672	Kit	5.500S	3.500S	P	5
Track Adjuster	CS-S 78837	Kit			N	0
DROTT 40D,40E CRUZ-AIR WHEEL EXCAVATOR						
Excavator S/N: 40D 6292576-UP,40E 6292991-UP						
Hoist	CS-S609427	Kit	6.500S	3.500S	P	5
Crowd	CS-S609427	Kit	6.500S	3.500S	P	5
Tool	CS-1543296C1	Kit	5.500S	2.500S	P	9
Outrigger	CS-BD-580285	Kit	5.500S	2.500S	P	11

Application	Part Number	Description	Bore	Rod	Wiper	Type	
40 CRUZ-AIR SERIES F WHEEL EXCAVATOR							
Excavator S/N: 6293084-UP							
Hoist	CS-S120324	Kit	6.500S	3.500S	P	15	
Crowd	CS-S120324	Kit	6.500S	3.500S	P	15	
Tool	CS-1543296C1	Kit	5.500S	2.500S	P	9	
Outrigger	CS-1543292C1	Kit	5.500S	2.500S	P	15	
Grapple	CS-1543273C1	Kit	4.000S	2.000S	P	15	
Use with G101564, G101565 Cylinders							
45,45B CRUZ-AIR WHEEL EXCAVATOR							
Excavator S/N: 45 PRIOR-6295256,45B 6295257-UP							
Hoist	CS-G104671	Kit	6.500S	4.000S	P	15	
	S/N: Prior-6295244						
S/N: 6295245-UP	CS-G105296	Kit	6.500S	4.000S	P	15	
Crowd	CS-G104671	Kit	6.500S	4.000S	P	15	
	S/N: Prior-6295244	Used with 'E' Boom					
	S/N: 6295245-UP	CS-G105296	Kit	6.500S	4.000S	P	15
		Used with 'E' Boom					
	S/N: Prior-6295244	CS-G104673	Kit	6.500S	3.500S	P	5
		Used with 'Y' Boom					
S/N: 6295245-UP	CS-G105298	Kit	6.500S	3.500S	P	15	
	Used with 'Y' Boom						
Tool	CS-G104672	Kit	5.500S	3.500S	P	5	
	S/N: Prior-6295244						
S/N: 6295245-UP	CS-G105297	Kit	5.500S	3.500S	P	15	
Outrigger	CS-BD-593301	Kit	5.500S	3.000S	P	5	
Grapple	CS-1543273C1	Kit	4.000S	2.000S	P	15	
	CS-238-5136	O-Ring					
Grapple Boom	CS-G104673	Kit	6.500S	3.500S	P	5	
	S/N: Prior-6295244						
	S/N: 6295245-UP	CS-G105298	Kit	6.500S	3.500S	P	15
Heal Boom	CS-G104674	Kit	7.000S	3.500S	P	5	
	S/N: Prior-6295244						
Heel Boom	CS-G105309	Kit	7.000S	3.500S	P	15	
	S/N: 6295245-UP						

Application	Part Number	Description	Bore	Rod	Wiper	Type
DROTT 50D,50E CRAWLER EXCAVATOR						
Excavator S/N: 50D 6279926-UP,50E 6280543-UP						
Tool	CS-S613321	Kit	6.500S	4.500S	P	5
Wrist-O-Twist	CS-1543296C1	Kit	5.500S	2.500S	P	9
Track Adjuster	CS-S 78837	Kit			N	0

Machine Model	Page	Machine Model	Page
Crawler Tractors (Dozers) / Loaders		Crawler Tractors (Dozers) / Loaders	
350,350B	707	764	726
350C	708	850	726
350D,355D	708	850B	727
400G	708	850C	727
450,450B	709	850C II	728
450C	710	850J	728
450D,450E	711	850JR	729
450G	711	850K	729
450H	712	855	730
450J	713	1010,2010	730
455D,455E	713		
455G	713	Wheel Loaders, Loader / Backhoes	
550	714	210C	730
550A,550B	714	210LE	733
550G	715	300	733
550H	716	300B	733
550J	716	300D	734
550K	716	302A	735
555	717	310	736
555A,555B	717	310A,310B	736
555G	717	310C	737
605C	718	310D	739
605K	718	310E,310SE	741
650G	718	310G, 310SG	743
650H	719	310J	745
650J	719	310K	746
650K	720	315C	746
655	720	315CH	748
655B	720	315D	749
655K	721	315SE	751
700H	721	315SG	752
700J, 700K	721	400,401A	753
750	721	401C	753
750B	722	401D	753
750C	723	410	754
750C II	723	410B	754
750J	724	410C	755
750K	724	410D	757
755,755A	725	410E	759
755B	725	410G	760
755K	725	415B	761

Machine Model	Page	Machine Model	Page
Wheel Loaders, Loader / Backhoes		Articulated Wheel Loaders	
500A	762	624J	784
500B	762	644,644A	784
500C	763	644B	784
510	763	644C	785
510B	764	644D	785
510C	765	644E,644ER/644EZ	785
510D	767	644G	786
515B	768	644H	786
610B	769	644J	786
610C	770	744E	786
710B	771	744H	786
710C	772	744J	787
710D	774	824J	787
710G	775	844	787
710J	775		
		Toolcarriers	
Articulated Wheel Loaders		544E TC	787
344E	776	544G TC	788
444	776	TC44H	788
444C,444CH	776	TC54H	788
444D	777	TC62H	789
444E	777		
444H	777	Motor Graders	
444H LL	777	570,570A	789
444J	778	570B	790
544,544A	778	670,670A	791
544B	779	670B	792
544C	779	670C,670CH	794
544D	780	670D	795
544E	780	672A	795
544E LL	780	672B	796
544G	780	672CH	798
544G LL	781	672D	798
544H	781	770,770A	799
544H LL	781	770B	799
544J	782	770C,770CH	801
544K	782	770D	802
624E	783	772A	802
624G	783	772B	803
624H	783	772CH	805
624H LL	783	772D	805

Machine Model	Page	Machine Model	Page
Scrapers		Excavators	
760	806	160C LC	816
760A	806	190E	816
762,762A	806	200LC	817
762B	806	200LC Logger	817
860,860A,860B	807	200C LC	817
862	807	225C LC RTS	817
862B	808	230LC	817
1312C	809	230C LC	817
1510C	809	270C LC	818
1512C	809	290D	818
1512E	809	330LC, 370	818
1810C	810	330C LC, 370C	818
1810E	810	450LC	819
1812C	810	450C LC	819
1814C	810	490D	819
1814E	811	490E	819
2112C	811	495D	819
2112E	811	590D	820
5010	812	595D	820
		690,690A	820
		690B	820
Compactors		690C	821
646,646B	812	690CR	821
646C	812	690DR	821
		690E LC	822
Excavators		790	822
27 ZTS, 27C ZTS	813	790E LC	822
35 ZTS	813	792	822
35C ZTS	813	792D LC	822
35D	813	890	823
50 ZTS, 50C ZTS	814	892D LC	823
50D	814	892E LC	823
70	815	990	824
70D	815	992D LC	824
75C	815	992E LC	824
80	815		
80C	815	Feller-Bunchers / Tree Harvesters	
110	816	493D	824
120	816	643	824
120C	816	643D	825
135C RTS	816	643G	826
160LC	816		

Machine Model	Page	Machine Model	Page
Feller-Bunchers / Tree Harvesters		Backhoe Attachments	
653E,653G	826	9300G	840
693B (US Version)	826	9305	841
693B (Canadian Version)	827	9310G	841
693C	828	9400	842
743,743A	828	9405	842
843G	828	9410	842
		9450	843
		9500	843
		9550	843
		9700	843
		9705	844
		9900	844
Skidders			
340D	829		
440,440A,440B	829		
440C	829		
440D,448D	830		
540,540A	830		
540B	830		
540D,548D	831		
540E,548E	831		
540G,548G	831		
540G-II, 548G-II	832		
640	832		
640D,648D	833		
640E,648E	833		
640G,648G	834		
640G-II,648G-II	835		
740,740A	835		
740E,748E	836		
740G,748G	837		
748G-II	838		
3605 Grapple	838		
Skid-Steer Loaders			
240,250	838		
Backhoe Attachments			
92	838		
93,93A	839		
94	839		
95,95A	839		
97	839		
9250	839		
9250A	840		
9300	840		

Application	Part Number	Description	Bore	Rod	Wiper	Type
350,350B CRAWLER DOZER/LOADER						
Bulldozer Models: 6300,6305,6310 Ripper Models: 3100,3110 Log Loader Model: 7702						
Dozer Lift		JH-AR99795	Kit	3.000S	1.250S	P 10
	S/N:	Prior-YR 1968				
		JH-AR105454	Kit	3.000S	1.250S	P 1
	S/N:	YR 1968-UP				
Dozer Tilt		JH-AR99792	Kit	2.500S	1.250S	P 10
	S/N:	Prior-59099 6305 Only				
		JH-AR105453	Kit	2.500S	1.250S	P 1
	S/N:	59100-UP 6305 Only				
Dozer Angle		JH-AR99795	Kit	3.000S	1.250S	P 10
	S/N:	Prior-YR 1968 6305 Only				
		JH-AR105454	Kit	3.000S	1.250S	P 1
	S/N:	YR 1968-UP 6305 Only				
Loader Boom (Lift)		JH-AR105387	Kit	4.000S	2.000S	P 1
		350 Only				
		JH-AR105381	Kit	3.750S	2.000S	P 1
		350B Only				
Loader Bucket (Tilt)		JH-AR105430	Kit	2.750S	1.500S	P 1
		350 Only				
		JH-RE19222	Kit	2.750S	1.500S	P 1
		350B Only				
Track Adjuster		JH-BD-905002	Kit	2.375S	2.375S	P 0
	S/N:	Prior-140454				
		JH-BD-905000	Kit	2.375S	2.375S	P 0
	S/N:	140455-UP				
Ripper		JH-AR99792	Kit	2.500S	1.250S	P 10
	S/N:	Prior-59099,YR 1965-UP				
		JH-AR105453	Kit	2.500S	1.250S	P 1
	S/N:	59100-UP				
3-Point Hitch		JH-AR105453	Kit	2.500S	1.250S	P 1
Multi-Purpose		JH-RE18751	Kit	3.000S	1.750S	P 1
		Deere built only				
Grapple		JH-AR99785	Kit	2.500S	1.500S	P 10
	S/N:	Prior-59099				
		JH-RE19217	Kit	2.500S	1.500S	P 1
	S/N:	59100-UP				

Application	Part Number	Description	Bore	Rod	Wiper	Type	
350C CRAWLER DOZER/LOADER							
Bulldozer Models: 6300,6305,6310 Ripper Model: 3100 Log Loader Model: 7702							
Dozer Lift	JH-AR105454	Kit	3.000S	1.250S	P	1	
Dozer Tilt	JH-AR105453	Kit	2.500S	1.250S	P	1	
	6305 Only						
Dozer Angle	JH-AR105454	Kit	3.000S	1.250S	P	1	
	6305 Only						
Loader Boom (Lift)	JH-AR105381	Kit	3.750S	2.000S	P	1	
Loader Bucket (Tilt)	JH-RE19222	Kit	2.750S	1.500S	P	1	
Track Adjuster	JH-BD-905000	Kit	2.375S	2.375S	P	0	
Ripper	JH-AR105453	Kit	2.500S	1.250S	P	1	
3-Point Hitch	JH-AR105453	Kit	2.500S	1.250S	P	1	
Multi-Purpose	JH-RE18751	Kit	3.000S	1.750S	P	1	
	Deere built only						
Grapple	JH-RE19217	Kit	2.500S	1.500S	P	1	
350D,355D CRAWLER DOZER/LOADER							
Bulldozer Models: 6305,6310							
Dozer Lift	JH-AR105454	Kit	3.000S	1.250S	P	1	
Dozer Tilt	JH-AR105453	Kit	2.500S	1.250S	P	1	
	6305 Only						
Dozer Angle	JH-AR105454	Kit	3.000S	1.250S	P	1	
	6305 Only						
Loader Boom (Lift)	JH-AR105381	Kit	3.750S	2.000S	P	1	
Loader Bucket (Tilt)	JH-RE19222	Kit	2.750S	1.500S	P	1	
Track Adjuster	JH-BD-905000	Kit	2.375S	2.375S	P	0	
3-Point Hitch	JH-AR105453	Kit	2.500S	1.250S	P	1	
Multi-Purpose	JH-RE18751	Kit	3.000S	1.750S	P	1	
400G CRAWLER DOZER							
Dozer Lift	JH-AH149842	Kit	80.00M		N	20	
	S/N: Prior-780346						
	JH-RE20428	Kit	70.00M		N	20	
	S/N: 780347-UP						
	JH-RE20433	Kit		40.00M	P	19	
	Use with R 81764 or R 87731 Heads						
	JH-AH149194	Kit		40.00M	PI	19	
Use with H157171 or H157174 Heads, Field replacement							
Dozer Tilt	JH-AH149843	Kit	90.00M		N	20	
	S/N: 780347-UP						
	JH-RE20433	Kit		40.00M	P	19	
	S/N: Prior-780346						
	Use with R 90278 Head						
	JH-AH149194	Kit		40.00M	PI	19	
	S/N: Prior-780346						
Use with H157173 Head, Field replacement							

Application	Part Number	Description	Bore	Rod	Wiper	Type
400G CRAWLER DOZER (continued)						
Dozer Tilt (cont)	JH-RE20434	Kit		45.00M	P	19
	S/N: 780347-UP	Use with R 81766 Head				
	JH-AH149813	Kit		45.00M	PI	19
	S/N: 780347-UP	Use with H157642 Head, Field replacement				
Dozer Angle	JH-AH149842	Kit	80.00M		N	20
	S/N: Prior-780346					
	JH-RE20428	Kit	70.00M		N	20
	S/N: 780347-UP					
	JH-RE20433	Kit		40.00M	P	19
	Use with R 81764 or R 87731 Head					
Track Adjuster	JH-BD-905000	Kit	2.375S	2.375S	P	0
	S/N: Prior-788558					
	JH-BD-905004	Kit	2.375S	2.375S	P	0
	S/N: 788559-UP					
450,450B CRAWLER DOZER/LOADER						
Bulldozer Models: 6400,6405,6410,6415 Ripper Models: 3100,3110 Log Loader Model: 7712 Plow Cable Model: 3900						
Dozer Lift	JH-AR105432	Kit	3.500S	1.500S	P	1
Dozer Tilt	JH-AR105432	Kit	3.500S	1.500S	P	1
	6405 Only					
	JH-AR105355	Kit	4.500S	2.250S	P	1
	6415 Only					
	JH-RE14094	Kit	4.500S		N	20
	6415 Only, Field replacement					
Dozer Angle	JH-AR105432	Kit	3.500S	1.500S	P	1
	6405 Only					
	JH-RE14208	Kit		2.250S	P	18
6415 Only, Field replacement						
Loader Boom (Lift)	JH-RE10640	Kit	4.500S	2.250S	P	1
	450 Only					
	JH-RE18739	Kit	4.250S	2.250S	P	1
450B Only						
Loader Bucket (Tilt)	JH-AR105392	Kit	3.500S	2.000S	P	1
	450 Only					
	JH-RE18748	Kit	3.500S	2.000S	P	1
450B Only						
Track Adjuster	JH-BD-905002	Kit	2.375S	2.375S	P	0
	450 S/N: Prior-64134, 450B S/N: Prior-140454 only					
	JH-BD-905000	Kit	2.375S	2.375S	P	0
	450 S/N 64135 Up, 450B S/N 140455 Up only					
	JH-BD-905003	Kit	2.375S	2.375S	P	0
Use with T144202 Yoke, Field replacement						
Ripper	JH-AR99792	Kit	2.500S	1.250S	P	10
	S/N: Prior-59099,YR 1965-UP					

Application	Part Number	Description	Bore	Rod	Wiper	Type
450,450B CRAWLER DOZER/LOADER						
(continued)						
Ripper (cont)	JH-AR105453	Kit	2.500S	1.250S	P	1
S/N:	59100-UP					
Multi-Purpose	JH-AR105387	Kit	4.000S	2.000S	P	1
	Deere built only					
	CS-G 32299	Kit	4.000S	2.000S	P	9
	450 With Drott 4-in-1 Bucket S/N: 1617-Up					
	450B With Drott 4-in-1 Bucket S/N: 451-Up					
Grapple	JH-RE18754	Kit	3.500S	1.750S	P	1
Grapple Clamp	JH-AR105346	Kit	5.250S	2.250S	P	1
Hitch Lift	JH-AR99792	Kit	2.500S	1.250S	P	10
S/N:	YR 1965-UP					
450C CRAWLER DOZER/LOADER						
Bulldozer Models: 6400,6405,6410,6415						
Ripper Model: 3110						
Log Loader Model: 7712						
Dozer Lift	JH AR105432	Kit	3.500S	1.500S	P	1
Dozer Tilt	JH-AR105432	Kit	3.500S	1.500S	P	1
	6405 Only					
	JH-AR105355	Kit	4.500S	2.250S	P	1
	6415 Only					
	JH RE14094	Kit	4.500S		N	20
	6415 Only, Field replacement					
	JH-RE14208	Kit		2.250S	P	18
	6415 Only, Field replacement					
Dozer Angle	JH-AR105432	Kit	3.500S	1.500S	P	1
	6405 Only					
Loader Boom (Lift)	JH-RE18739	Kit	4.250S	2.250S	P	1
Loader Bucket (Tilt)	JH-RE18748	Kit	3.500S	2.000S	P	1
S/N:	Prior-205020					
	JH-RE18754	Kit	3.500S	1.750S	P	1
S/N:	205021-UP					
Track Adjuster	JH-BD-905000	Kit	2.375S	2.375S	P	0
	JH-BD-905003	Kit	2.375S	2.375S	P	0
	Use with T147438 Yoke, Field replacement					
Ripper	JH-AR105453	Kit	2.500S	1.250S	P	1
Multi-Purpose	JH-AR105387	Kit	4.000S	2.000S	P	1
	CS-G 32299	Kit	4.000S	2.000S	P	9
	Drott 4-in-1 Bucket					
Grapple	JH-RE18754	Kit	3.500S	1.750S	P	1
Grapple Clamp	JH-AR105346	Kit	5.250S	2.250S	P	1

Application	Part Number	Description	Bore	Rod	Wiper	Type
450D,450E CRAWLER DOZER						
Bulldozer Model: 6405,6410,6415						
Dozer Lift	JH-AR105432	Kit	3.500S	1.500S	P	1
Dozer Tilt	JH-AR105432	Kit	3.500S	1.500S	P	1
	6405 Only					
	JH-AR105355	Kit	4.500S	2.250S	P	1
	S/N: Prior-712333 6415 Only					
	JH-RE14094	Kit	4.500S		N	20
	S/N: 712334-UP 6415 Only					
Dozer Angle	JH-AR105432	Kit	3.500S	1.500S	P	1
	6405 Only					
Track Adjuster	JH-BD-905000	Kit	2.375S	2.375S	P	0
	JH-BD-905003	Kit	2.375S	2.375S	P	0
	Use with T147438 Yoke, Field replacement					
450G CRAWLER DOZER						
Bulldozer Models: 6520,6525 Ripper Model: 3110						
Dozer Lift	JH-AH149842	Kit	80.00M		N	20
	S/N: Prior-846999					
	JH-RE37003	Kit	80.00M		N	21
	S/N: 847000-UP					
	JH-RE20433	Kit		40.00M	P	19
	S/N: Prior-846999 Use with R 87731 Head					
	JH-AH149194	Kit		40.00M	PI	19
	S/N: Prior-846999 Use with H157174 Head, Field replacement					
	JH-AH149194	Kit		40.00M	PI	19
	S/N: 847000-UP					
Dozer Tilt	JH-RE17458	Kit	4.250S		N	20
	6520,6525 Only					
	JH-AH149843	Kit	90.00M		N	20
	S/N: Prior-846913					
	JH-AH134955	Kit	90.00M		N	21
	S/N: 846914-UP					
	JH-RE20434	Kit		45.00M	P	19
	S/N: Prior-846913 Use with R 81766 Head					
	JH-AH149813	Kit		45.00M	PI	19
	S/N: Prior-846913 Use with H157642 Head, Field replacement					
Dozer Angle	JH-AH149813	Kit		45.00M	PI	19
	S/N: 846914-UP					
	JH-RE20428	Kit	70.00M		N	20
S/N: Prior-846913						

Application	Part Number	Description	Bore	Rod	Wiper	Type
450G CRAWLER DOZER (continued)						
Dozer Angle (cont)	JH-RE37004	Kit	70.00M		N	21
	S/N: 846914-UP					
	JH-RE20433	Kit		40.00M	P	19
	S/N: Prior-822210 Use with R 81764 Head					
	JH-AH149194	Kit		40.00M	PI	19
	S/N: Prior-822210 Use with H157171 Head					
	JH-AH149194	Kit		40.00M	PI	19
	S/N: 822211-UP					
	JH-AH149842	Kit	80.00M		N	20
	S/N: Prior 846912 Wide Track models only					
	JH-RE37003	Kit	80.00M		N	21
	S/N: 846913-UP Wide Track models only					
	JH-RE20434	Kit		45.00M	P	19
	S/N: Prior-822211 Wide Track models only, Use with R 96445 Head					
	JH-AH149813	Kit		45.00M	PI	19
S/N: Prior-822211 Wide Track models only, Use with H157510 Head						
JH-AH149813	Kit		45.00M	PI	19	
S/N: 822212-UP Wide Track models only						
Track Adjuster	JH-BD-905000	Kit	2.375S	2.375S	P	0
	S/N: Prior-745426					
	JH-BD-905003	Kit	2.375S	2.375S	P	0
S/N: 745427-UP						
Ripper	JH-AR105453	Kit	2.500S	1.250S	P	1
450H CRAWLER DOZER						
Dozer Lift	JH-RE37003	Kit	80.00M		N	21
	S/N: Prior-925555					
	JH-AH212092	Kit	80.00M		N	21
S/N: 925556-UP						
Dozer Tilt	JH-AH149194	Kit		40.00M	PI	19
	JH-AH212097	Kit	90.00M		N	21
	JH-AH149813	Kit		45.00M	PI	19
Dozer Angle	JH-AH212088	Kit	2.500S		N	21
	JH-AH153497	Kit		40.00M	P	19
Track Adjuster	JH-BD-905003	Kit	2.375S	2.375S	P	0

Application	Part Number	Description	Bore	Rod	Wiper	Type	
450J CRAWLER DOZER							
Dozer Lift	JH-AH212092	Kit	80.00M		N	21	
	JH-AH149194	Kit		40.00M	PI	19	
Dozer Tilt	JH-AH212097	Kit	90.00M		N	21	
	JH-AH149813	Kit		45.00M	PI	19	
Dozer Angle	JH-AH212088	Kit	2.500S		N	21	
	JH-AH153497	Kit	63.00M	40.00M	P	15	
Track Adjuster	JH-BD-905003	Kit	2.375S	2.375S	P	0	
Ripper	JH-AH167596	Kit	125.00M		N	21	
	JH-AH149815	Kit		63.00M	P	19	
455D,455E CRAWLER LOADER							
Boom (Lift)	JH-RE18739	Kit	4.250S	2.250S	P	1	
Bucket (Tilt)	JH-RE18754	Kit	3.500S	1.750S	P	1	
Track Adjuster	JH-BD-905000	Kit	2.375S	2.375S	P	0	
	JH-BD-905003	Kit	2.375S	2.375S	P	0	
Use with T147438 Yoke, Field replacement							
Multi-Purpose	JH-AR105387	Kit	4.000S	2.000S	P	1	
Grapple Clamp	JH-AR105346	Kit	5.250S	2.250S	P	1	
455G CRAWLER LOADER							
Ripper Model: 3110							
Boom (Lift)	JH-AH149844	Kit	100.00M		N	20	
	JH-RE20595	Kit		50.00M	P	19	
	S/N:	Prior-760572 Use with R 81972 Head					
	JH-AH148164	Kit		50.00M	P	19	
	S/N:	Prior-760572 Use with H157978 Head, Field replacement					
	JH-RE31716	Kit		56.00M	P	19	
	S/N:	760573-UP Use with R 92314 Head					
	JH-AH149814	Kit		56.00M	P	19	
	S/N:	760573-UP Use with H157427 Head, Field replacement					
	Bucket (Tilt)	JH-AH149843	Kit	90.00M		N	20
JH-RE20595		Kit		50.00M	P	19	
Use with R 82088 Head							
JH-AH148164		Kit		50.00M	P	19	
Use with H154352 Head, Field replacement							
Track Adjuster	JH-BD-905000	Kit	2.375S	2.375S	P	0	
	S/N:	Prior-745426					
	JH-BD-905003	Kit	2.375S	2.375S	P	0	
S/N:	745427-UP						
Ripper	JH-AR105453	Kit	2.500S	1.250S	P	1	
Multi-Purpose	JH-AH149843	Kit	90.00M		N	20	
	JH-AH149844	Kit	100.00M		N	20	
	JH-RE20595	Kit		50.00M	P	19	
	Use with R 81972 or R 82088 Heads						

Application	Part Number	Description	Bore	Rod	Wiper	Type
455G CRAWLER LOADER (continued)						
Multi-Purpose (cont)	JH-AH148164	Kit		50.00M	P	19
Use with H154352 or H157978 Heads, Field replacement						
550 CRAWLER DOZER						
Bulldozer Models: 6405,6410,6415 Ripper Model: 3110						
Dozer Lift	JH-AR105432	Kit	3.500S	1.500S	P	1
Dozer Tilt	JH-AR105432	Kit	3.500S	1.500S	P	1
	6405 Only					
	JH-AR105355	Kit	4.500S	2.250S	P	1
	6415 Only					
	JH-RE14094	Kit	4.500S		N	20
	6415 Only, Field replacement					
Dozer Angle	JH-AR105432	Kit	3.500S	1.500S	P	1
	6405 Only					
Track Adjuster	JH-BD-905000	Kit	2.375S	2.375S	P	0
	JH-BD-905003	Kit	2.375S	2.375S	P	0
	Use with T147438 Yoke, Field replacement					
Ripper	JH-AR105453	Kit	2.500S	1.250S	P	1
550A,550B CRAWLER DOZER						
Bulldozer Models: 6405,6410,6415						
Dozer Lift	JH-AR105432	Kit	3.500S	1.500S	P	1
Dozer Tilt	JH-AR105432	Kit	3.500S	1.500S	P	1
	6405 Only					
	JH-AR105355	Kit	4.500S	2.250S	P	1
	S/N: Prior-712333 6415 Only					
	JH-RE14094	Kit	4.500S		N	20
	S/N: 712334-UP 6415 Only					
	JH-RE14208	Kit		2.250S	P	18
	S/N: 712334-UP 6415 Only					
Dozer Angle	JH-AR105432	Kit	3.500S	1.500S	P	1
	6405 Only					
Track Adjuster	JH-BD-905000	Kit	2.375S	2.375S	P	0
	JH-BD-905003	Kit	2.375S	2.375S	P	0
	Use with T147438 Yoke, Field replacement					

Application	Part Number	Description	Bore	Rod	Wiper	Type
550G CRAWLER DOZER						
Bulldozer Models: 6520,6525						
Dozer Lift	JH-AH149842	Kit	80.00M		N	20
	JH-RE20433	Kit		40.00M	P	19
	Use with R 87731 Head					
	JH-AH149194	Kit		40.00M	PI	19
	Use with H157174 Head, Field replacement					
	JH-RE17458	Kit	4.250S		N	20
6520,6525 Only						
Dozer Tilt	JH-AH149843	Kit	90.00M		N	20
	S/N: Prior-846913					
	JH-AH134955	Kit	90.00M		N	21
	S/N: 846914-UP					
	JH-RE20434	Kit		45.00M	P	19
	S/N: Prior-846913					
	Use with R 81766 Head					
	JH-AH149813	Kit		45.00M	PI	19
	S/N: Prior-846913					
	Use with H157642 Head, Field replacement					
JH-AH149813	Kit		45.00M	PI	19	
S/N: 846914-UP						
Dozer Angle	JH-AH149842	Kit	80.00M		N	20
	S/N: Prior-846912					
	JH-RE37003	Kit	80.00M		N	21
	S/N: 846913-UP					
	JH-RE20434	Kit		45.00M	P	19
	S/N: Prior-822211					
	Use with R 96445 Head					
	JH-AH149813	Kit		45.00M	PI	19
	S/N: Prior-822211					
Use with H157510 Head, Field replacement						
JH-AH149813	Kit		45.00M	PI	19	
S/N: 822212-UP						
Track Adjuster	JH-BD-905000	Kit	2.375S	2.375S	P	0
	S/N: Prior-745426					
	JH-BD-905003	Kit	2.375S	2.375S	P	0
S/N: 745427-UP						

Application	Part Number	Description	Bore	Rod	Wiper	Type
550H CRAWLER DOZER						
Dozer Lift	JH-RE37003	Kit	80.00M		N	21
	S/N: Prior-925555					
	JH-AH212092	Kit	80.00M		N	21
	S/N: 925556-UP					
Dozer Tilt	JH-AH149194	Kit		40.00M	PI	19
	JH-AH212097	Kit	90.00M		N	21
Dozer Angle	JH-AH149813	Kit		45.00M	PI	19
	JH-AH212090	Kit	70.00M		N	21
Track Adjuster	JH-AH149813	Kit		45.00M	PI	19
	JH-BD-905003	Kit	2.375S	2.375S	P	0
550J CRAWLER DOZER						
Dozer Lift	JH-AH212092	Kit	80.00M		N	21
	JH-AH149194	Kit		40.00M	PI	19
Dozer Tilt	JH-AH212097	Kit	90.00M		N	21
	S/N: Prior-151203					
	JH-AH149813	Kit		45.00M	PI	19
	S/N: Prior-151203					
	JH-AH212102	Kit	100.00M		N	21
	S/N: 151204-154817					
	JH-AH210484	Kit		50.00M	P	19
	S/N: 151204-154817					
	JH-AH212097	Kit	90.00M		N	21
	S/N: 154818-UP					
Dozer Angle	JH-AH149813	Kit		45.00M	PI	19
	JH-AH212090	Kit	70.00M		N	21
Track Adjuster	JH-BD-905003	Kit	2.375S	2.375S	P	0
Ripper	JH-AH167596	Kit	125.00M		N	21
	JH-AH149815	Kit		63.00M	P	19
550K CRAWLER DOZER						
Dozer Lift	JH-AH212092	Kit	80.00M		N	21
	S/N: 217273-UP					
	JH-AH149194	Kit		40.00M	PI	19
Dozer Tilt	S/N: 217273-UP					
	JH-AH212102	Kit	100.00M		N	21
	S/N: 217273-UP					
Dozer Angle	JH-AH210484	Kit		50.00M	P	19
	S/N: 217273-UP					
	JH-AH212090	Kit	70.00M		N	21
Ripper	S/N: 217273-UP					
	JH-AH149813	Kit		45.00M	PI	19
	S/N: 217273-UP					
Ripper	JH-AH167596	Kit	125.00M		N	21
	S/N: 217273-UP					

Application	Part Number	Description	Bore	Rod	Wiper	Type
550K CRAWLER DOZER (continued)						
Ripper (cont)	JH-AH149815	Kit		63.00M	P	19
	S/N: 217273-UP					
Track Adjuster	JH-BD-905003	Kit	2.375S	2.375S	P	0
	S/N: 217273-UP Use with T169180 Yoke (LGP arrangement)					
555 CRAWLER LOADER						
Ripper Model: 3110 Log Loader Model: 7712						
Boom (Lift)	JH-AH139418	Kit	4.250S	2.250S	I	11
	S/N: Prior-294037					
	JH-RE18739	Kit	4.250S	2.250S	P	1
S/N: 294038-UP						
Bucket (Tilt)	JH-RE18754	Kit	3.500S	1.750S	P	1
Track Adjuster	JH-BD-905000	Kit	2.375S	2.375S	P	0
	JH-BD-905003	Kit	2.375S	2.375S	P	0
	Use with T147438 Yoke, Field replacement					
Ripper	JH-AR105453	Kit	2.500S	1.250S	P	1
Multi-Purpose	JH-AR105387	Kit	4.000S	2.000S	P	1
Grapple	JH-RE18754	Kit	3.500S	1.750S	P	1
Grapple Clamp	JH-AR105346	Kit	5.250S	2.250S	P	1
555A,555B CRAWLER LOADER						
Boom (Lift)	JH-RE18739	Kit	4.250S	2.250S	P	1
Bucket (Tilt)	JH-RE18754	Kit	3.500S	1.750S	P	1
Track Adjuster	JH-BD-905000	Kit	2.375S	2.375S	P	0
	JH-BD-905003	Kit	2.375S	2.375S	P	0
	Use with T147438 Yoke, Field replacement					
Multi-Purpose	JH-AR105387	Kit	4.000S	2.000S	P	1
Grapple Clamp	JH-AR105346	Kit	5.250S	2.250S	P	1
555G CRAWLER LOADER						
Boom (Lift)	JH-AH149846	Kit	115.00M		N	20
	JH-RE28899	Kit		63.00M	P	19
	S/N: Prior-823917 Use with R 88047 Head					
	JH-AH149815	Kit		63.00M	P	19
	S/N: Prior-823917 Use with H157429 Head, Field replacement					
	JH-AH149815	Kit		63.00M	P	19
	S/N: 823918-UP					
Bucket (Tilt)	JH-AH149844	Kit	100.00M		N	20
	JH-RE20595	Kit		50.00M	P	19
	S/N: Prior-818179 Use with R 81972 Head					
	JH-AH148164	Kit		50.00M	P	19
	S/N: Prior-818179 Use with H154353 or H157978 Heads					
	JH-AH148164	Kit		50.00M	P	19
S/N: 818180-UP						

Application	Part Number	Description	Bore	Rod	Wiper	Type
555G CRAWLER LOADER (continued)						
Track Adjuster	JH-BD-905000	Kit	2.375S	2.375S	P	0
	S/N: Prior-745426					
	JH-BD-905003	Kit	2.375S	2.375S	P	0
S/N: 745427-UP						
Multi-Purpose	JH-AH149844	Kit	100.00M		N	20
	JH-RE20595	Kit		50.00M	P	19
	S/N: Prior-822210					
	Use with R 81972 Head					
	JH-AH148164	Kit		50.00M	P	19
	S/N: Prior-822210					
Use with H154353 or H157978 Heads, Field replacement						
JH-AH148164	Kit		50.00M	P	19	
S/N: 822211-UP						
605C CRAWLER LOADER						
Track Adjuster	JH-BD-905003	Kit	2.375S	2.375S	P	0
605K CRAWLER LOADER						
Boom (Lift)	JH-AH212585	Kit	110.00M		N	20
	S/N: 237629-UP					
	JH-AH149815	Kit		63.00M	P	19
S/N: 237629 UP						
Bucket (Tilt)	JH-AH156874	Kit		80.00M	P	19
S/N: 237629-UP						
Multi-Purpose	JH-AH149194	Kit		40.00M	PI	19
S/N: 237629-UP						
Ripper	JH-AH212092	Kit	80.00M		N	21
	S/N: 237629-UP					
	JH-AH149813	Kit		45.00M	PI	19
S/N: 237629 UP						
Cab Tilt	JH-AH212088	Kit	2.500S		N	21
	S/N: 237629-UP					
	JH-AH149817	Kit		32.00M	P	19
S/N: 237629-UP						
650G CRAWLER DOZER						
Bulldozer Models: 6520,6525						
Dozer Lift	JH AH149842	Kit	80.00M		N	20
	JH-RE20433	Kit		40.00M	P	19
	Use with R 87731 Head					
	JH-AH149194	Kit		40.00M	PI	19
	Use with H157174 Head, Field replacement					
	JH-RE17458	Kit	4.250S		N	20
6520,6525 Only						
Dozer Tilt	JH-AH149844	Kit	100.00M		N	20
	S/N: Prior 822042					
	Use with RE35808 Cylinder					
	JH-AH137687	Kit	100.00M		N	20
S/N: 822043-UP						
Use with AH149951 Cylinder						

Application	Part Number	Description	Bore	Rod	Wiper	Type	
650G CRAWLER DOZER (continued)							
Dozer Tilt (cont)	JH-AH161781	Kit	100.00M		N	21	
	Use with AH161766 Cylinder, Field replacement						
	JH-RE20595	Kit		50.00M	P	19	
	S/N: Prior-822042						
S/N: 822043-UP	JH-AH148164	Kit		50.00M	P	19	
Dozer Angle	JH-AH149842	Kit	80.00M		N	20	
	S/N: Prior-846912						
	JH-RE37003	Kit	80.00M		N	21	
	S/N: 846913-UP						
	JH-RE20434	Kit		45.00M	P	19	
	S/N: Prior-822211						
	Use with R 96445 Head						
	JH-AH149813	Kit		45.00M	PI	19	
S/N: Prior-822211	Use with H157510 Head, Field replacement						
	JH-AH149813	Kit		45.00M	PI	19	
	S/N: 822212-UP						
Track Adjuster	JH-BD-905000	Kit	2.375S	2.375S	P	0	
	S/N: Prior-745426						
	JH-BD-905003	Kit	2.375S	2.375S	P	0	
S/N: 745427-UP							
650H CRAWLER DOZER							
Dozer Lift	JH-RE37003	Kit	80.00M		N	21	
	S/N: Prior-925555						
	JH-AH212092	Kit	80.00M		N	21	
S/N: 925556-UP							
	JH-AH149194	Kit		40.00M	PI	19	
Dozer Tilt	JH-AH212102	Kit	100.00M		N	21	
	JH-AH210484	Kit		50.00M	P	19	
Dozer Angle	JH-AH212090	Kit	70.00M		N	21	
	JH-AH149813	Kit		45.00M	PI	19	
Track Adjuster	JH-BD-905003	Kit	2.375S	2.375S	P	0	
650J CRAWLER DOZER							
Dozer Lift	JH-AH212092	Kit	80.00M		N	21	
	JH-AH149194	Kit		40.00M	PI	19	
Dozer Tilt	JH-AH212102	Kit	100.00M		N	21	
	JH-AH210484	Kit		50.00M	P	19	
Dozer Angle	JH-AH212090	Kit	70.00M		N	21	
	JH-AH149813	Kit		45.00M	PI	19	
Track Adjuster	JH-BD-905003	Kit	2.375S	2.375S	P	0	
Ripper	JH-AH167596	Kit	125.00M		N	21	
	JH-AH149815	Kit		63.00M	P	19	

Application	Part Number	Description	Bore	Rod	Wiper	Type
650K CRAWLER DOZER						
Dozer Lift	JH-AH212092	Kit	80.00M		N	21
	S/N: 216396-UP					
	JH-AH149194	Kit		40.00M	PI	19
S/N: 216396-UP						
Dozer Tilt	JH-AH212102	Kit	100.00M		N	21
	S/N: 216396-UP					
	JH-AH210484	Kit		50.00M	P	19
S/N: 216396-UP						
Dozer Angle	JH-AH212090	Kit	70.00M		N	21
	S/N: 216396-UP					
	JH-AH149813	Kit		45.00M	PI	19
S/N: 216396-UP						
Ripper	JH-AH167596	Kit	125.00M		N	21
	S/N: 216396-UP					
	JH-AH149815	Kit		63.00M	P	19
S/N: 216396-UP						
655 CRAWLER LOADER						
Boom (Lift)	JH-RE18763	Kit	5.500S	3.750S	P	11
	JH-RE15907	Kit	5.500S		N	20
	Field replacement					
	JH-RE31528	Kit		3.750S	P	19
Field replacement						
Bucket (Tilt)	JH-AR105355	Kit	4.500S	2.250S	P	1
	JH-RE14094	Kit	4.500S		N	20
	Field replacement					
	JH-RE14208	Kit		2.250S	P	18
Field replacement						
Track Adjuster	JH-BD-905001	Kit	3.000S	3.750S	I	0
Multi-Purpose	JH-AR105387	Kit	4.000S	2.000S	P	1
	JH-RE14102	Kit	5.500S		N	20
	JH-RE17345	Kit		2.500S	P	18
655B CRAWLER LOADER						
Boom (Lift)	JH-RE15907	Kit	5.500S		N	20
	JH-RE31528	Kit		3.750S	P	19
	S/N: Prior-738397					
Bucket (Tilt)	JH-RE14094	Kit	4.500S		N	20
	JH-RE14208	Kit		2.250S	P	18
	S/N: Prior-738397					
Track Adjuster	JH-BD-905001	Kit	3.000S	3.750S	I	0
Multi-Purpose	JH-RE14102	Kit	5.500S		N	20
	JH-RE17345	Kit		2.500S	P	18

Application	Part Number	Description	Bore	Rod	Wiper	Type
655K CRAWLER LOADER						
Boom (Lift)	JH-AH163672	Kit	125.00M		N	20
	S/N: 233169-UP					
	JH-AH156466	Kit		70.00M	P	19
	S/N: 233169-UP					
Bucket (Tilt)	JH-AH159192	Kit		95.00M	P	19
	S/N: 233169-UP					
Multi-Purpose	JH-AH212097	Kit	90.00M		N	21
	S/N: 233169-UP					
	JH-AH149813	Kit		45.00M	PI	19
S/N: 233169-UP						
Ripper	JH-AH149814	Kit		56.00M	P	19
	S/N: 233169-UP					
Cab Tilt	JH-AH212088	Kit	2.500S		N	21
	S/N: 233169-UP					
	JH-AH149817	Kit		32.00M	P	19
S/N: 233169-UP						
700H CRAWLER DOZER						
Dozer Lift	JH-AH212102	Kit	100.00M		N	21
	JH-AH210484	Kit		50.00M	P	19
Dozer Tilt	JH-AH212102	Kit	100.00M		N	21
	JH-AH210484	Kit		50.00M	P	19
Dozer Angle	JH-AH212097	Kit	90.00M		N	21
	JH-AH149814	Kit		56.00M	P	19
700J, 700K CRAWLER DOZER						
Dozer Lift	JH-AH212102	Kit	100.00M		N	21
	JH-AH210484	Kit		50.00M	P	19
Dozer Tilt	JH-AH212102	Kit	100.00M		N	21
	JH-AH210484	Kit		50.00M	P	19
Dozer Angle	JH-AH212097	Kit	90.00M		N	21
	JH-AH149814	Kit		56.00M	P	19
Ripper	JH-AH212102	Kit	100.00M		N	21
	JH-AH210484	Kit		50.00M	P	19
750 CRAWLER DOZER						
Bulldozer Models: 6505,6520,6525						
Dozer Lift	JH-AR99787	Kit	4.250S	2.500S	P	11
	S/N: Prior-279509					
	6520 Only					
	JH-RE18731	Kit	4.250S	2.500S	P	15
	6505,6520,6525 Only					
	JH-RE14563	Kit	4.250S		N	21
	6520 (LGP) only					
	JH-RE14516	Kit		2.500S	P	19
6520 (LGP) only						
JH-RE17458	Kit	4.250S		N	20	
6520 With ORFS Blade conversion only						

Application	Part Number	Description	Bore	Rod	Wiper	Type
750 CRAWLER DOZER (continued)						
Dozer Lift (cont)	JH-RE20351	Kit		2.500S	P	18
	6520 With ORFS Blade conversion only Use with R 80592 Head					
	JH-AH142440	Kit		2.500S	P	18
	6520 with ORFS Blade conversion only Use with R 99246 Head					
Dozer Tilt	JH-RE14022	Kit	6.250S		N	20
	6505 Only, Field replacement					
	JH-RE17342	Kit		2.750S	P	18
	6505 Only, Field replacement					
	JH-AR105275	Kit	5.500S	2.500S	P	15
	6520 Only					
	JH-RE17351	Kit	5.500S		N	20
	6520 Only, Field replacement					
	JH-RE17345	Kit		2.500S	P	18
	6520 Only, Field replacement					
	JH-RE18734	Kit	5.500S	2.500S	P	1
	6525 Only					
	JH-RE14102	Kit	5.500S		N	20
	6525 Only, Field replacement					
JH-RE17345	Kit		2.500S	P	18	
6525 Only, Field replacement						
Dozer Angle	JH-RE14022	Kit	6.250S		N	20
	6505 Only, Field replacement					
	JH-RE17342	Kit		2.750S	P	18
	6505 Only, Field replacement					
Track Adjuster	JH-BD-905001	Kit	3.000S	3.750S	I	0
750B CRAWLER DOZER						
Bulldozer Models: 6505,6520,6525						
Dozer Lift	JH-RE17458	Kit	4.250S		N	20
	S/N:	Prior-779601				
	JH-RE14563	Kit	4.250S		N	21
	S/N:	Prior-779601				
	JH-RE20351	Kit		2.500S	P	18
	S/N:	Prior-779601 Use with R 80592 Head				
	JH-AH142440	Kit		2.500S	P	18
	S/N:	Prior-779601 Use with R 99246 Head				
	JH-AH149844	Kit	100.00M		N	20
	S/N:	779602-UP				
	JH-RE31716	Kit		56.00M	P	19
	S/N:	779602-UP Use with R 92314 Head				
	JH-AH149814	Kit		56.00M	P	19
	S/N:	779602-UP Use with H157427 Head, Field replacement				
Dozer Tilt	JH-RE14022	Kit	6.250S		N	20
	S/N:	Prior-743282 6505 Only				

Application	Part Number	Description	Bore	Rod	Wiper	Type
750B CRAWLER DOZER						
(continued)						
Dozer Tilt (cont)	JH-RE17342	Kit		2.750S	P	18
	S/N:	Prior-743282 6505 Only				
	JH-RE17351	Kit	5.500S		N	20
	S/N:	6520 Only				
	JH-RE17345	Kit		2.500S	P	18
	S/N:	6520 Only				
	JH-RE14102	Kit	5.500S		N	20
	S/N:	6525 Only				
	JH-RE17345	Kit		2.500S	P	18
	S/N:	6525 Only				
	JH-AH137210	Kit	160.00M		N	20
	S/N:	Use with AH145297 Cylinder				
JH-RE25152	Kit		80.00M	P	19	
S/N:	Use with AH145297 Cylinder					
Dozer Angle	JH-RE14022	Kit	6.250S		N	20
	S/N:	Prior-743282 6505 Only				
	JH-RE17342	Kit		2.750S	P	18
	S/N:	Prior-743282 6505 Only				
Track Adjuster	JH-BD-905001	Kit	3.000S	3.750S	I	0
750C CRAWLER DOZER						
Dozer Lift	JH-AH212101	Kit	100.00M		N	20
	JH-RE31716	Kit		56.00M	P	19
	S/N:	Use with R 92314 Head				
	JH-AH149814	Kit		56.00M	P	19
	S/N:	Use with H157427 Head, Field replacement				
Dozer Tilt	JH-AH137210	Kit	160.00M		N	20
	JH-RE25152	Kit		80.00M	P	19
	JH-RE17351	Kit	5.500S		N	20
	S/N:	Hydraulic Tilt Angle Dozer only				
	JH-RE17345	Kit		2.500S	P	18
	S/N:	Hydraulic Tilt Angle Dozer only				
Track Adjuster	JH-BD-905001	Kit	3.000S	3.750S	I	0
750C II CRAWLER DOZER						
Dozer Lift	JH-AH212101	Kit	100.00M		N	20
	S/N:	883332-UP				
	JH-AH149814	Kit		56.00M	P	19
	S/N:	883332-UP				
Dozer Tilt	JH-RE17351	Kit	5.500S		N	20
	S/N:	883332-UP Hydraulic Tilt Angle Dozer only				
	JH-RE17345	Kit		2.500S	P	18
	S/N:	883332-UP Hydraulic Tilt Angle Dozer only				
	JH-AT190877	Kit	5.500S	2.500S	P	17
	S/N:	883332-UP				

Application	Part Number	Description	Bore	Rod	Wiper	Type
750C II CRAWLER DOZER (continued)						
Dozer Tilt (cont)	JH-AH137210	Kit	160.00M		N	20
	S/N: 883332-UP					
	JH-AH156874	Kit		80.00M	P	19
S/N: 883332-UP						
Dozer Angle	JH-AT190877	Kit	5.500S	2.500S	P	17
	S/N: 883332-UP					
Track Adjuster	JH-BD-905001	Kit	3.000S	3.750S	I	0
	S/N: 883332-UP					
750J CRAWLER DOZER						
Dozer Lift	JH-AH212102	Kit	100.00M		N	21
	JH-AH212096	Kit	90.00M		N	20
	Outside Dozer arrangement					
	JH-AH149814	Kit		56.00M	P	19
Dozer Tilt	JH-AH149848	Kit	125.00M		N	20
	JH-AH149815	Kit		63.00M	P	19
Dozer Angle	JH-AH212585	Kit	110.00M		N	20
	JH-AH156466	Kit		70.00M	P	19
Ripper	JH-AH212097	Kit	90.00M		N	21
	JH-AH210484	Kit		50.00M	P	19
Cab Tilt	JH-AH212088	Kit	2.500S		N	21
	JH-AH149817	Kit		32.00M	P	19
750K CRAWLER DOZER						
Dozer Lift	JH-AH212102	Kit	100.00M		N	21
	S/N: 216966-UP					
	JH-AHC12223	Kit		56.00M	P	16
S/N: 216966-UP						
Dozer Tilt	JH-AH149848	Kit	125.00M		N	20
	S/N: 216966-UP					
	Power Angle Tilt (LGP/LT) only					
	JH-AH149815	Kit		63.00M	P	19
	S/N: 216966-UP					
	Power Angle Tilt (LGP/LT) only					
	JH-AH212096	Kit	90.00M		N	20
	S/N: 216966-UP					
Outside Dozer arrangement						
JH-AH149814	Kit		56.00M	P	19	
S/N: 216966-UP						
Outside Dozer arrangement						
Dozer Angle	JH-AH212585	Kit	110.00M		N	20
	S/N: 216966-UP					
	JH-AH156466	Kit		70.00M	P	19
S/N: 216966-UP						
Ripper	JH-AH212097	Kit	90.00M		N	21
	S/N: 216966-UP					
	JH-AH210484	Kit		50.00M	P	19
S/N: 216966-UP						
Cab Tilt	JH-AH212088	Kit	2.500S		N	21
	S/N: 216966-UP					

Application	Part Number	Description	Bore	Rod	Wiper	Type
750K CRAWLER DOZER (continued)						
Cab Tilt	(cont)	JH-AH149817	Kit		32.00M	P 19
	S/N:	216966-UP				
755,755A CRAWLER LOADER						
Boom (Lift)		JH-RE18763	Kit	5.500S	3.750S	P 11
		JH-RE15907	Kit	5.500S		N 20
		Field replacement				
		JH-RE31528	Kit		3.750S	P 19
	Use with R 80958 Head, Field replacement					
Bucket (Tilt)		JH-AR105355	Kit	4.500S	2.250S	P 1
		JH-RE14094	Kit	4.500S		N 20
		Field replacement				
		JH-RE14208	Kit		2.250S	P 18
	Field replacement					
Track Adjuster		JH-BD-905001	Kit	3.000S	3.750S	I 0
Multi-Purpose		JH-AR105387	Kit	4.000S	2.000S	P 1
		JH-RE14102	Kit	5.500S		N 20
		JH-RE17345	Kit		2.500S	P 18
755B CRAWLER LOADER						
Boom (Lift)		JH-RE15907	Kit	5.500S		N 20
		JH-RE31528	Kit		3.750S	P 19
	S/N:	Prior-738397				
Bucket (Tilt)		JH-RE14094	Kit	4.500S		N 20
		JH-RE14208	Kit		2.250S	P 18
	S/N:	Prior-738397				
Track Adjuster		JH-BD-905001	Kit	3.000S	3.750S	I 0
Multi-Purpose		JH-RE14102	Kit	5.500S		N 20
		JH-RE17345	Kit		2.500S	P 18
755K CRAWLER LOADER						
Boom (Lift)		JH-AH216299	Kit	140.00M		N 20
	S/N:	194242-UP				
		JH-AH156874	Kit		80.00M	P 19
	S/N:	194242-UP				
Bucket (Tilt)		JH-AH137211	Kit	180.00M		N 20
	S/N:	194242-UP				
		JH-AH207243	Kit		115.00M	P 19
	S/N:	194242-UP				
Multi-Purpose (Load)		JH-AH212102	Kit	100.00M		N 21
	S/N:	194242-UP				
		JH-AH210484	Kit		50.00M	P 19
	S/N:	194242-UP				
Ripper		JH-AH212585	Kit	110.00M		N 20
	S/N:	194242-UP				
		JH-AH149815	Kit		63.00M	P 19
	S/N:	194242-UP				
Cab Tilt		JH-AH212088	Kit	2.500S		N 21
	S/N:	194242-UP				

Application	Part Number	Description	Bore	Rod	Wiper	Type
755K CRAWLER LOADER (continued)						
Cab Tilt (cont)	JH-AH149817	Kit		32.00M	P	19
	S/N: 194242-UP					
764 CRAWLER DOZER						
Dozer Tilt	JH-AH212102	Kit	100.00M		N	21
	JH-AH210484	Kit		50.00M	P	19
850 CRAWLER DOZER						
Bulldozer Models: 6540,6545						
Dozer Lift	JH-AR99787	Kit	4.250S	2.500S	P	11
	6540 Only					
	JH-RE18731	Kit	4.250S	2.500S	P	15
	6540,6545 Only					
	JH-RE14563	Kit	4.250S		N	21
	6540,6545 (LGP) models only					
	JH-RE14516	Kit		2.500S	P	19
	6540,6545 (LGP) models only					
	JH-RE17458	Kit	4.250S		N	20
	6540 (LGP) or ORFS Blade conversion only					
	JH-RE20351	Kit		2.500S	P	18
	6540 (LGP) or ORFS Blade conversion only Use with R 80592 Head					
	JH-AH142440	Kit		2.500S	P	18
6540 (LGP) or ORFS Blade conversion only Use with R 99246 Head						
Dozer Tilt	JH-AR105275	Kit	5.500S	2.500S	P	15
	6540 Only					
	JH-RE17351	Kit	5.500S		N	20
	6540 Only, Field replacement					
	JH-RE17345	Kit		2.500S	P	18
	6540 Only, Field replacement					
	JH-RE18744	Kit	6.250S	2.750S	P	1
	6545 Only					
	JH-RE14104	Kit	6.250S		N	20
6545 Only, Field replacement						
JH-RE17342	Kit		2.750S	P	18	
6545 Only, Field replacement						
Track Adjuster	JH-BD-905001	Kit	3.000S	3.750S	I	0

Application	Part Number	De cription	Bore	Rod	Wiper	Type	
850B CRAWLER DOZER							
Bulldozer Models: 6540,6545							
Dozer Lift	JH-RE17458	Kit	4.250S		N	20	
	JH-RE20351	Kit		2.500S	P	18	
	Use with R 80592 Head						
	JH-AH142440	Kit		2.500S	P	18	
	Use with R 99246 Head						
	JH-AH149844	Kit	100.00M		N	20	
	S/N:	779602-UP Long Track arrangement					
	JH-RE31716	Kit		56.00M	P	19	
	S/N:	779602-UP Long Track arrangement, Use with R 92314 Head					
	JH AH149814	Kit		56.00M	P	19	
S/N:	779602-UP Long Track arrangement Use with H157427 Head, Field replacement						
Dozer Tilt	JH-RE17351	Kit	5.500S		N	20	
	6540 Only						
	JH-RE17345	Kit		2.500S	P	18	
	6540 Only						
	JH-RE14104	Kit	6.250S		N	20	
	6545 Only						
	JH-RE17342	Kit		2.750S	P	18	
	6545 Only						
	JH-AH137211	Kit	180.00M		N	20	
	S/N:	XXXXXX-UP					
JH-RE25152	Kit		80.00M	P	19		
S/N:	XXXXXX-UP						
Track Adjuster	JH-BD-905001	Kit	3.000S	3.750S	I	0	
850C CRAWLER DOZER							
Dozer Lift	JH-AH212101	Kit	100.00M		N	20	
	JH-RE31716	Kit		56.00M	P	19	
	Use with R 92314 Head						
	JH-AH149814	Kit		56.00M	P	19	
	U e with H157427 Head, Field replacement						
Dozer Tilt	JH-AH137211	Kit	180.00M		N	20	
	S/N:	820570-UP					
	JH-RE25152	Kit		80.00M	P	19	
	S/N:	820570-UP					
	JH-RE17351	Kit	5.500S		N	20	
	Hydraulic Tilt Angle Dozer only						
	JH-RE17345	Kit		2.500S	P	18	
Hydraulic Tilt Angle Dozer only							
Track Adjuster	JH-BD-905001	Kit	3.000S	3.750S	I	0	

Application	Part Number	Description	Bore	Rod	Wiper	Type	
850C II CRAWLER DOZER							
Dozer Lift	JH-AH212101	Kit	100.00M		N	20	
	S/N: 883332-UP						
	JH-AH149814	Kit		56.00M	P	19	
S/N: 883332-UP							
Dozer Tilt	JH-RE17351	Kit	5.500S		N	20	
	S/N: 883332-UP						
		Hydraulic Tilt Angle Dozer only					
	JH-RE17345	Kit		2.500S	P	18	
	S/N: 883332-UP						
		Hydraulic Tilt Angle Dozer only					
	JH-AT190877	Kit	5.500S	2.500S	P	17	
	S/N: 883332-UP						
	JH-AH149848	Kit	125.00M		N	20	
	S/N: 883332-UP						
		Field replacement					
	JH-AH137211	Kit	180.00M		N	20	
	S/N: 883332-UP						
	JH-AH216299	Kit	140.00M		N	20	
	S/N: 904887 UP						
JH-AH149815	Kit		63.00M	P	19		
S/N: 883332-UP							
JH-AH156874	Kit		80.00M	P	19		
S/N: 883332-UP							
Dozer Angle	JH-AT191152	Kit	4.500S	2.500S	P	4	
	S/N: 883332-904886						
	JH-AH212103	Kit	115.00M		N	20	
	S/N: 904887 UP						
	JH-AH149815	Kit		63.00M	P	19	
S/N: 904887-UP							
Track Adjuster	JH-BD-905001	Kit	3.000S	3.750S	I	0	
S/N: 883332-UP							
850J CRAWLER DOZER							
Dozer Lift	JH-AH212103	Kit	115.00M		N	20	
	JH-AH149815	Kit		63.00M	P	19	
	JH-AH212096	Kit	90.00M		N	20	
	Outside Dozer / LGP arrangements						
	JH AH149814	Kit		56.00M	P	19	
	Outside Dozer / LGP arrangements						
Dozer Tilt	JH-AH149848	Kit	125.00M		N	20	
	JH-AH149815	Kit		63.00M	P	19	
	JH-AH167533	Kit	6.000S		N	21	
	Outside Dozer arrangement						
	JH-AH156466	Kit		70.00M	P	19	
	Outside Dozer arrangement						
Dozer Angle	JH-AH212103	Kit	115.00M		N	20	
	JH-AH156466	Kit		70.00M	P	19	
Ripper	JH-AH212097	Kit	90.00M		N	21	
	JH-AH210484	Kit		50.00M	P	19	

Application	Part Number	Description	Bore	Rod	Wiper	Type	
850J CRAWLER DOZER (continued)							
Cab Tilt	JH-AH212088	Kit	2.500S		N	21	
	JH-AH149817	Kit		32.00M	P	19	
850JR CRAWLER DOZER							
Dozer Lift	JH-AH212096	Kit	90.00M		N	20	
	JH-AH149814	Kit		56.00M	P	19	
Dozer Tilt	JH-AH167533	Kit	6.000S		N	21	
	JH-AH156466	Kit		70.00M	P	19	
Ripper	JH-AH212097	Kit	90.00M		N	21	
	JH-AH210484	Kit		50.00M	P	19	
Cab Tilt	JH-AH212088	Kit	2.500S		N	21	
	JH-AH149817	Kit		32.00M	P	19	
850K CRAWLER DOZER							
Dozer Lift	JH-AH212103	Kit	115.00M		N	20	
	S/N:	178122-UP Power Angle Tilt arrangement					
		JH-AH149815	Kit		63.00M	P	19
	S/N:	178122-UP Power Angle Tilt arrangement					
		JH-AH212096	Kit	90.00M		N	20
	S/N:	178122-UP Outside Dozer arrangement					
Dozer Tilt	JH-AH149814	Kit		56.00M	P	19	
	S/N:	178122-UP Outside Dozer arrangement					
		JH-AH149848	Kit	125.00M		N	20
	S/N:	178122-UP Power Angle Tilt arrangement					
		JH-AH149815	Kit		63.00M	P	19
	S/N:	178122-UP Power Angle Tilt arrangement					
Dozer Angle	JH-AH167533	Kit	6.000S		N	21	
	S/N:	178122-UP Outside Dozer arrangement					
		JH-AH156466	Kit		70.00M	P	19
	S/N:	178122-UP Outside Dozer arrangement					
		JH-AH212103	Kit	115.00M		N	20
	S/N:	178122-UP					
Ripper	JH-AH156466	Kit		70.00M	P	19	
	S/N:	178122-UP					
		JH-AH212097	Kit	90.00M		N	21
Cab Tilt	S/N:	178122-UP					
		JH-AH210484	Kit		50.00M	P	19
	S/N:	178122-UP					
Cab Tilt	JH-AH212088	Kit	2.500S		N	21	
	S/N:	178122-UP					
		JH-AH149817	Kit		32.00M	P	19
S/N:	178122-UP						

Application	Part Number	Description	Bore	Rod	Wiper	Type
855 CRAWLER LOADER						
Boom (Lift)	JH-RE14022	Kit	6.250S		N	20
	S/N: 701677-UP					
	JH-RE20323	Kit		4.000S	P	18
S/N: 701677-UP						
Except Steel Mill applications						
Bucket (Tilt)	JH-RE14910	Kit	5.500S		N	20
	S/N: 701677-UP					
	JH-RE20329	Kit		3.750S	P	18
S/N: 701677-UP						
Except Steel Mill applications						
Track Adjuster	JH-BD-905001	Kit	3.000S	3.750S	I	0
	Except Steel Mill applications					
Multi-Purpose	JH-AR105355	Kit	4.500S	2.250S	P	1
1010,2010 CRAWLER LOADER						
Boom (Lift)	JH-AR105387	Kit	4.000S	2.000S	P	1
210C BACKHOE LOADER						
Loader Boom (Lift)	JH-AH212089	Kit	70.00M		N	20
	JH-RE20434	Kit		45.00M	P	19
	Use with R 81763 Head					
	JH-AH149813	Kit		45.00M	PI	19
	Use with H154402 Head					
Loader Bucket (Tilt)	JH-RE20428	Kit	70.00M		N	20
	JH-RE20433	Kit		40.00M	P	19
	Use with R 81764 Head					
	JH-AH149194	Kit		40.00M	PI	19
	Use with H157171 Head, Field replacement					
Multi-Purpose	JH-AT142582	Kit	3.000S	2.000S	P	5
	S/N: 770928-UP					
	Use with AT142578 Cylinder					
	JH-AT190898	Kit	3.000S	2.000S	I	5
	Use with AT190880 Cylinder					
JH-AH209022	Kit	3.000S	50.00M	I	8	
Use with AH210737 Cylinder						
Steering	JH-RE21874	Kit	50.00M		N	20
	S/N: Prior-718964					
	Without mechanical front wheel drive					
	JH-RE21875	Kit		25.00M	P	19
	S/N: Prior-718964					
	Without mechanical front wheel drive					
	JH RE14551	Kit	2.000S		N	21
	S/N: 718965-725997					
	Without mechanical front wheel drive					
	JH-RE14552	Kit		1 000S	P	19
S/N: 718965-725997						
Without mechanical front wheel drive						

Application	Part Number	Description	Bore	Rod	Wiper	Type
210C BACKHOE LOADER (continued)						
Steering (cont)	JH-RE21874	Kit	50.00M		N	20
	S/N: 725998-746966	Without mechanical front wheel drive				
	JH-RE21875	Kit		25.00M	P	19
	S/N: 725998-746966	Without mechanical front wheel drive				
	JH-RE33803	Kit	50.00M		N	20
	S/N: 746967-774704	Without mechanical front wheel drive				
	JH-AH167552	Kit	50.00M		N	21
	S/N: 774705-UP	Without mechanical front wheel drive				
	JH-RE21875	Kit		25.00M	P	19
	S/N: 746967-UP	Without mechanical front wheel drive Use with R 94417 Head				
	JH-AH149810	Kit		25.00M	P	19
	S/N: 746967-UP	Without mechanical front wheel drive Use with H157662 Head, Field replacement				
	JH-AT78498	Kit	50.00M	25.00M	I	5
	S/N: Prior-737499	Mechanical front wheel drive				
	JH-AT108329	Kit	60.00M	32.00M	I	5
S/N: 737500-796033	Mechanical front wheel drive					
JH-T153744	Kit	65.00M	36.00M	I	15	
S/N: 796034-UP	Mechanical front wheel drive					
Hitch Lift	JH-AH212089	Kit	70.00M		N	20
	JH-RE21873	Kit		32.00M	P	19
Hitch Tilt	JH-RE21874	Kit	50.00M		N	20
	S/N: Prior-746966					
	JH-RE21875	Kit		25.00M	P	19
	S/N: Prior-746966					
	JH-RE33803	Kit	50.00M		N	20
	S/N: 746967-UP					
	JH-RE21875	Kit		25.00M	P	19
	S/N: 746967-UP	Use with R 94417 Head				
JH-AH149810	Kit		25.00M	P	19	
S/N: 746967-UP	Use with H157662 Head					
Hitch Ctr Link Pitch	JH-RE21874	Kit	50.00M		N	20
	S/N: Prior-746966					
	JH-RE21875	Kit		25.00M	P	19
	S/N: Prior-746966					
	JH-RE33803	Kit	50.00M		N	20
	S/N: 746967-UP					
JH-RE21875	Kit		25.00M	P	19	
S/N: 746967-UP	Use with R 94417 Head					

Application	Part Number	Description	Bore	Rod	Wiper	Type
210C BACKHOE LOADER (continued)						
Hitch Ctr Link Pitch (cont)	JH-AH149810	Kit		25.00M	P	19
	S/N: 746967-UP	Use with H157662 Head, Field replacement				
Backhoe Stabilizer	JH-AH212096	Kit	90.00M		N	20
	JH-RE20434	Kit		45.00M	P	19
	Use with R 81766 Head					
	JH-AH149813	Kit		45.00M	PI	19
Use with H157642 Head, Field replacement						
Backhoe Swing	JH-AH212091	Kit	80.00M		N	20
	JH-RE20434	Kit		45.00M	P	19
	Use with R 81767 Head					
	JH-AH149813	Kit		45.00M	PI	19
Use with H157510 Head, Field replacement						
Backhoe Boom	JH-AH212101	Kit	100.00M		N	20
	JH-RE20434	Kit		45.00M	P	19
	S/N: Prior-729494					
	JH-RE20595	Kit		50.00M	P	19
	S/N: 729495-UP	Use with R 81972 Head				
	JH-AH210484	Kit		50.00M	P	19
	S/N: 729495-UP	Use with H157978 Head, Field replacement				
Backhoe Bucket	JH-AH212091	Kit	80.00M		N	20
	JH-RE20434	Kit		45.00M	P	19
	Use with R 81767 Head					
	JH-AH149813	Kit		45.00M	PI	19
Use with H157510 or H152347 Heads, Field replacement						
Backhoe Crowd	JH-AH212096	Kit	90.00M		N	20
	JH-RE20434	Kit		45.00M	P	19
	S/N: Prior-734545	Use with R 81766 Head				
	JH-AH149813	Kit		45.00M	PI	19
	S/N: Prior-734545	Use with H157642 Head				
	JH-RE20595	Kit		50.00M	P	19
	S/N: 734546-UP	Use with R 82088 Head				
	JH-AH210484	Kit		50.00M	P	19
	S/N: 734546-UP	Use with H154352 Head, Field replacement				
BH Ext. Dipperstick	JH-AT101377	Kit	2.500S	1.250S	I	16
	JH-AH212088	Kit	2.500S		N	21
	JH-AH148823	Kit		32.00M	PI	19
	Use with H155764 Head					
	JH-AH169647	Kit		32.00M	I	19
Use with H210874 Head						

Application	Part Number	Description	Bore	Rod	Wiper	Type
210LE LANDSCAPE LOADER						
Loader Boom (Lift)	JH-AH149842	Kit	80.00M		N	20
	JH-AH148164	Kit		50.00M	P	19
Loader Bucket (Tilt)	JH-AH149842	Kit	80.00M		N	20
	JH-AH147868	Kit		45.00M	P	19
Steering	JH-AH167552	Kit	50.00M		N	21
	Without mechanical front wheel drive					
	JH-RE21875	Kit		25.00M	P	19
	Without mechanical front wheel drive Use with R 94417 Head					
	JH-AH149810	Kit		25.00M	P	19
	Without mechanical front wheel drive, Field replacement Use with H157662 Head					
	JH-T153744	Kit	65.00M	36.00M	I	15
	Mechanical front wheel drive					
300 WHEEL LOADER						
Loader Models: 7300,7320						
Loader Boom (Lift)	JH-AR96532	Kit	2.250S	1.500S	P	11
	S/N: YR 1969-UP 7300 Only					
	JH-RE19217	Kit	2.500S	1.500S	P	1
	7320 Only					
Loader Bucket (Tilt)	JH-AU40774	Kit	2.375S	1.250S	P	5
	S/N: Prior-YR 1967 7300 Only					
	JH-AR105453	Kit	2.500S	1.250S	P	1
	S/N: YR 1967-UP 7300 Only					
	JH-RE19217	Kit	2.500S	1.500S	P	1
7320 Only						
300B BACKHOE LOADER						
Backhoe Models: 9250,9250A						
Loader Boom (Lift)	JH-RE19220	Kit	2.750S	1.750S	P	1
Loader Bucket (Tilt)	JH-RE19217	Kit	2.500S	1.500S	P	1
Backhoe Stabilizer	JH-RE18754	Kit	3.500S	1.750S	P	1
Backhoe Swing	JH-RE18732	Kit	4.000S	2.000S	P	1
	9250 Only					
	JH-RE18756	Kit	3.500S	1.750S	P	15
	9250A S/N: Prior-39796 only, T 60873 Piston required					
	JH-RE18756	Kit	3.500S	1.750S	P	15
9250A S/N: 39797-Up only						
Backhoe Boom	JH-RE18732	Kit	4.000S	2.000S	P	1
Backhoe Bucket	JH-RE18751	Kit	3.000S	1.750S	P	1
Backhoe Crowd	JH-RE18755	Kit	3.500S	1.750S	P	1

Application	Part Number	Description	Bore	Rod	Wiper	Type	
300D BACKHOE LOADER							
Loader Boom (Lift)	JH-RE20428	Kit	70.00M		N	20	
	JH-RE20434	Kit		45.00M	P	19	
	Use with R 81763 Head						
	JH-AH149813	Kit		45.00M	PI	19	
	Use with H154402 Head, Field replacement						
Loader Bucket (Tilt)	JH-RE20428	Kit	70.00M		N	20	
	JH-RE20433	Kit		40.00M	P	19	
	Use with R 81764 Head						
	JH-AH149194	Kit		40.00M	PI	19	
	Use with H157171 Head, Field replacement						
Multi-Purpose	JH-AT142582	Kit	3.000S	2.000S	P	5	
	Use with AT142578 Cylinder						
	JH-AT190898	Kit	3.000S	2.000S	I	5	
	Use with AT190880 Cylinder						
	JH-AH209022	Kit	3.000S	50.00M	I	8	
Use with AH210737 Cylinder							
Steering	JH-AH167552	Kit	50.00M		N	21	
	Without mechanical front wheel drive						
	JH-RE21875	Kit		25.00M	P	19	
	Without mechanical front wheel drive Use with R 94417 Head						
	JH-AH149810	Kit		25.00M	P	19	
	Without mechanical front wheel drive Use with H157662 Head, Field replacement						
	JH-AT108329	Kit	60.00M	32.00M	I	5	
	S/N:	Prior-796033 Mechanical front wheel drive					
	JH-T153744	Kit	65.00M	36.00M	I	15	
	S/N:	796034-UP Mechanical front wheel drive					
Backhoe Stabilizer	JH-AH149843	Kit	90.00M		N	20	
	S/N:	Prior-802199					
	JH-AH149844	Kit	100.00M		N	20	
	S/N:	802200-UP					
	JH-RE20434	Kit		45.00M	P	19	
	S/N:	Prior-802199 Use with R 81766 Head					
	JH-AH149813	Kit		45.00M	PI	19	
	S/N:	Prior-802199 Use with H157642 Head, Field replacement					
	JH-RE20595	Kit		50.00M	P	19	
	S/N:	802200-817458 Use with R 81972 Head					
	JH-AH148164	Kit		50.00M	P	19	
	S/N:	802200-817458 Use with H154353 or H157978 Heads, Field replacement					
	JH-AH148164	Kit		50.00M	P	19	
S/N:	817459-UP						
Backhoe Swing	JH-AH149842	Kit	80.00M		N	20	

Application	Part Number	De cription	Bore	Rod	Wiper	Type
300D BACKHOE LOADER (continued)						
Backhoe Swing (cont)	JH-RE20434	Kit		45.00M	P	19
	Use with R 81767 Head					
	JH-AH149813	Kit		45.00M	PI	19
	Use with H152347 or H157510 Heads, Field replacement					
Backhoe Boom	JH-AH149844	Kit	100.00M		N	20
	JH-RE20595	Kit		50.00M	P	19
	S/N:	Prior-817458 Use with R 81972 Head				
	JH-AH148164	Kit		50.00M	P	19
	S/N:	Prior-817458 Use with H154353 or H157978 Heads, Field replacement				
	JH-AH148164	Kit		50.00M	P	19
	S/N:	817459-UP				
Backhoe Bucket	JH-AH149842	Kit	80.00M		N	20
	JH-RE20434	Kit		45.00M	P	19
	Use with R 81767 Head					
	JH-AH149813	Kit		45.00M	PI	19
	Use with H152347 or H157510 Heads, Field replacement					
Backhoe Crowd	JH-AH149843	Kit	90.00M		N	20
	JH-RE20595	Kit		50.00M	P	19
	S/N:	Prior-817458 Use with R 82088 Head				
	JH-AH148164	Kit		50.00M	P	19
	S/N:	Prior-817458 Use with H154352 Head, Field replacement				
	JH-AH148164	Kit		50.00M	P	19
	S/N:	817459-UP				
BH Ext. Dipperstick	JH-AT101377	Kit	2.500S	1.250S	I	16
	S/N:	Prior-787833				
	JH-AH148823	Kit		32.00M	PI	19
S/N:	787834-UP U e with H154109 or H155764 Head , Field replacement					
302A BACKHOE LOADER						
Backhoe Models: 9250,9250A						
Loader Boom (Lift)	JH-RE19220	Kit	2.750S	1.750S	P	1
Loader Bucket (Tilt)	JH RE19217	Kit	2.500S	1.500S	P	1
Backhoe Stabilizer	JH-RE18754	Kit	3.500S	1.750S	P	1
Backhoe Swing	JH RE18732	Kit	4.000S	2.000S	P	1
	9250 Only					
	JH-RE18756	Kit	3.500S	1.750S	P	15
	S/N:	Prior-39796 9250A Only, T 60873 Piston required				
	JH-RE18756	Kit	3.500S	1.750S	P	15
S/N:	39797-UP 9250A Only					
Backhoe Boom	JH-RE18732	Kit	4.000S	2.000S	P	1
Backhoe Bucket	JH-RE18751	Kit	3.000S	1.750S	P	1
Backhoe Crowd	JH-RE18755	Kit	3.500S	1.750S	P	1

Application	Part Number	Description	Bore	Rod	Wiper	Type
310 BACKHOE LOADER						
Loader Boom (Lift)	JH-AR105403	Kit	2.750S	1.750S	P	1
	S/N: Prior-192003					
	JH-RE18751	Kit	3.000S	1.750S	P	1
	S/N: 192004-UP					
Loader Bucket (Tilt)	JH-RE18751	Kit	3.000S	1.750S	P	1
Steering	JH-RE18749	Kit	2.000S	0.875S	P	5
	S/N: 237998-UP					
Backhoe Stabilizer	JH-RE18754	Kit	3.500S	1.750S	P	1
Backhoe Swing	JH-RE18730	Kit	4.000S	1.750S	P	1
	JH-AR105387	Kit	4.000S	2.000S	P	1
	Field replacement					
Backhoe Boom	JH-AR105355	Kit	4.500S	2.250S	P	1
Backhoe Bucket	JH-RE18757	Kit	3.500S	2.250S	P	1
Backhoe Crowd	JH-AR105387	Kit	4.000S	2.000S	P	1
BH Ext. Dipperstick	JH-AT50213	Kit	2.500S	1.250S	I	0
	Soft seal kit					
	JH-AT50214	Kit	2.500S	1.250S	I	0
	Major kit					
310A,310B BACKHOE LOADER						
Backhoe Models: 9405,9500						
Loader Boom (Lift)	JH-RE18751	Kit	3.000S	1.750S	P	1
	S/N: Prior-291985					
	JH-AR105402	Kit	3.250S	1.750S	P	1
	S/N: 291986-UP					
Loader Bucket (Tilt)	JH-RE18751	Kit	3.000S	1.750S	P	1
	S/N: Prior-291985					
	JH-AR105429	Kit	3.250S	1.500S	P	1
	S/N: 291986-UP					
Steering	JH-RE18749	Kit	2.000S	0.875S	P	5
Backhoe Stabilizer	JH-RE18754	Kit	3.500S	1.750S	P	1
	S/N: Prior-700422 with 9405 only					
	JH-RE12912	Kit	3.500S	1.750S	P	17
	S/N: 700423-Up with 9405 only					
	JH-RE18751	Kit	3.000S	1.750S	P	1
	310A with 9500 only					
Backhoe Swing	JH-RE18730	Kit	4.000S	1.750S	P	1
	S/N: Prior-346261 with 9405 only					
	JH-AR105387	Kit	4.000S	2.000S	P	1
	S/N: 346262-700422 with 9405 only					
	JH-RE18741	Kit	4.000S	2.000S	P	17
	S/N: 700423-Up with 9405 only					
Backhoe Boom	JH-AR105355	Kit	4.500S	2.250S	P	1
	S/N: Prior-701219 with 9405, 310A with 9500 only					
	JH-RE18764	Kit	4.500S	2.250S	P	17
	S/N: 701220-Up with 9405, 310A with 9500 Field replacement only					
Backhoe Bucket	JH-RE18757	Kit	3.500S	2.250S	P	1
	S/N: Prior-701219 with 9405, 310A with 9500 only					

Application	Part Number	De cription	Bore	Rod	Wiper	Type
310A,310B BACKHOE LOADER (continued)						
Backhoe Bucket (cont)	JH-RE18758	Kit	3.500S	2.250S	P	17
	S/N: 701220-Up with 9405, 310A with 9500 Field replacement only					
Backhoe Crowd	JH-AR105387	Kit	4.000S	2.000S	P	1
	S/N: Prior-700422 with 9405, 310A with 9500 only					
	JH-RE18741	Kit	4.000S	2.000S	P	17
S/N: 700423-Up with 9405 only						
BH Ext. Dipperstick	JH-AT50213	Kit	2.500S	1.250S	I	0
	S/N: Prior-709858 Soft seal kit					
	JH-AT50214	Kit	2.500S	1.250S	I	0
	S/N: Prior-709858 Major kit					
S/N: 709859-UP						
310C BACKHOE LOADER						
Loader Boom (Lift)	JH-AH212091	Kit	80.00M		N	20
	JH-RE20434	Kit		45.00M	P	19
	Use with R 81767 Head					
	JH-AH149813	Kit		45.00M	PI	19
	Use with H152347 or H157510 Heads, Field replacement					
Loader Bucket (Tilt)	JH-AH212096	Kit	90.00M		N	20
	JH-RE20434	Kit		45.00M	P	19
	Use with R 81766 Head					
	JH-AH149813	Kit		45 00M	PI	19
	Use with H157642 Head, Field replacement					
Multi-Purpose	JH-AT142582	Kit	3.000S	2.000S	P	5
	S/N: 768252-UP Use with AT142578 Cylinder					
	JH-AT190898	Kit	3.000S	2.000S	I	5
	Use with AT190880 Cylinder					
	JH-AH209022	Kit	3.000S	50.00M	I	8
Use with AH210737 Cylinder						
Steering	JH-RE14551	Kit	2.000S		N	21
	S/N: Prior-726006 Without mechanical front wheel drive					
	JH-RE14552	Kit		1.000S	P	19
	S/N: Prior-726006 Without mechanical front wheel drive					
	JH-RE21874	Kit	50.00M		N	20
	S/N: 726007-746966 Without mechanical front wheel drive Use with RE21961 Cylinder					
	JH-RE33803	Kit	50 00M		N	20
	S/N: 746967-XXXXXX Without mechanical front wheel drive Use with RE33800 Cylinder					
	JH-AH167552	Kit	50.00M		N	21
	S/N: XXXXXX-UP Without mechanical front wheel drive Use with AH139130, AH154780 or AH216821 Cylinders					

Application	Part Number	Description	Bore	Rod	Wiper	Type	
310C BACKHOE LOADER (continued)							
Steering (cont)	JH-RE21875	Kit		25.00M	P	19	
	S/N: 726007-746966	Without mechanical front wheel drive					
	JH-RE21875	Kit		25.00M	P	19	
	S/N: 746967-UP	Without mechanical front wheel drive Use with R 94417 Head					
	JH-AH149810	Kit		25.00M	P	19	
	S/N: 746967-UP	Without mechanical front wheel drive Use with H157662 Head, Field replacement					
	JH-AT78498	Kit	50.00M	25.00M	I	5	
	S/N: Prior-737487	Mechanical front wheel drive					
Backhoe Stabilizer	JH-AH212096	Kit	90.00M		N	20	
	S/N: Prior-761934						
	JH-AH212101	Kit	100.00M		N	20	
	S/N: 761935-UP						
	JH-RE20434	Kit		45.00M	P	19	
	S/N: Prior-761934	Use with R 81766 Head					
	JH-AH149813	Kit		45.00M	PI	19	
	S/N: Prior-761934	Use with H157642 Head, Field replacement					
Backhoe Swing	JH-RE20595	Kit		50.00M	P	19	
	S/N: 761935-UP	Use with R 81972 Head					
	JH-AH210484	Kit		50.00M	P	19	
	S/N: 761935-UP	Use with H157978 Head, Field replacement					
	JH-AH212101	Kit	100.00M		N	20	
	JH-RE20595	Kit		50.00M	P	19	
	Use with R 81972 Head						
	JH-AH210484	Kit		50.00M	P	19	
Use with H157978 Head, Field replacement							
Backhoe Boom	JH-AH212103	Kit	115.00M		N	20	
	JH-RE20595	Kit		50.00M	P	19	
	S/N: Prior-740892						
	JH-RE31716	Kit		56.00M	P	19	
	S/N: 740893-UP	Use with R 92321 Head					
	JH-AH149814	Kit		56.00M	P	19	
S/N: 740893-UP	Use with H157428 Head, Field replacement						
Backhoe Bucket	JH-AH212096	Kit	90.00M		N	20	
	JH-RE20595	Kit		50.00M	P	19	
	Use with R 82088 Head						
	JH-AH210484	Kit		50.00M	P	19	
Use with H154352 or H208631 Heads, Field replacement							

Application	Part Number	De cription	Bore	Rod	Wiper	Type
310C BACKHOE LOADER (continued)						
Backhoe Crowd	JH-AH212101	Kit	100.00M		N	20
	JH-RE20595	Kit		50.00M	P	19
	S/N: Prior-740538 Use with R 81972 Head					
	JH-AH148164	Kit		50.00M	P	19
	S/N: Prior-740538 Use with H157978 Head, Field replacement					
	JH-RE31716	Kit		56.00M	P	19
	S/N: 740539-UP Use with R92314 Head					
	S/N: 740539-UP Use with H157427 Head, Field replacement					
BH Ext. Dipperstick	JH-AT101377	Kit	2.500S	1.250S	I	16
	JH-AH212096	Kit	90.00M		N	20
	Field replacement					
	JH-RE20434	Kit		45.00M	P	19
	Use with R 81767 Head, Field replacement					
	JH-AH149813	Kit		45.00M	PI	19
Use with H152347 or H157510 Heads, Field replacement						
310D BACKHOE LOADER						
Loader Boom (Lift)	JH-AH212091	Kit	80.00M		N	20
	JH-RE20434	Kit		45.00M	P	19
	Use with R 81767 or R 87731 Heads					
	JH-AH149813	Kit		45.00M	PI	19
Use with H152347 or H157510 Heads, Field replacement						
Loader Bucket (Tilt)	JH-AH212096	Kit	90.00M		N	20
	JH-RE20434	Kit		45.00M	P	19
	Use with R 81766 Head					
	JH-AH149813	Kit		45.00M	PI	19
Use with H157642 Head, Field replacement						
Multi-Purpose	JH-AT142582	Kit	3.000S	2.000S	P	5
	Use with AT142578 Cylinder					
	JH-AT190898	Kit	3.000S	2.000S	I	5
	Use with AT190880 Cylinder					
JH-AH209022	Kit	3.000S	50.00M	I	8	
Use with AH210737 Cylinder						
Steering	JH-AH167552	Kit	50.00M		N	21
	Without mechanical front wheel drive					
	JH-RE21875	Kit		25.00M	P	19
	Without mechanical front wheel drive Use with R 94417 Head					
	JH-AH149810	Kit		25.00M	P	19
	Without mechanical front wheel drive Use with H157662 Head, Field replacement					
	JH-AT108329	Kit	60.00M	32.00M	I	5
S/N: Prior-796033 Mechanical front wheel drive						

Application	Part Number	Description	Bore	Rod	Wiper	Type	
310D BACKHOE LOADER (continued)							
Steering (cont)	JH-T153744	Kit	65.00M	36.00M	I	15	
	S/N: 796034-UP	Mechanical front wheel drive					
Backhoe Stabilizer	JH-AH212101	Kit	100.00M		N	20	
	JH-RE20595	Kit		50.00M	P	19	
	S/N: Prior-817458	Use with R 81972 Head					
	JH-AH210484	Kit		50.00M	P	19	
	S/N: Prior-817458	Use with H157978 Head, Field replacement					
	S/N: 817459-UP	JH-AH210484	Kit		50.00M	P	19
Backhoe Swing	JH-AH212101	Kit	100.00M		N	20	
	JH-RE20595	Kit		50.00M	P	19	
	S/N: Prior-817517	Use with R 81972 Head					
	JH-AH210484	Kit		50.00M	P	19	
	S/N: Prior-817517	Use with H157978 Head, Field replacement					
	S/N: 817518-UP	JH-AH210484	Kit		50.00M	P	19
Backhoe Boom	JH-AH212103	Kit	115.00M		N	20	
	JH-RE31716	Kit		56.00M	P	19	
	Use with R 92321 Head						
	JH-AH149814	Kit		56.00M	P	19	
Use with H157428 Head, Field replacement							
Backhoe Bucket	JH-AH212096	Kit	90.00M		N	20	
	JH-RE20595	Kit		50.00M	P	19	
	S/N: Prior-817497	Use with R 82088 Head					
	JH-AH148164	Kit		50.00M	P	19	
	S/N: Prior-817497	Use with H154352 Head, Field replacement					
	S/N: 817498-UP	JH-AH210484	Kit		50.00M	P	19
Backhoe Crowd	JH-AH212101	Kit	100.00M		N	20	
	JH-RE31716	Kit		56.00M	P	19	
	Use with R 92314 Head						
	JH-AH149814	Kit		56.00M	P	19	
Use with H157427 Head, Field replacement							
BH Ext. Dipperstick	JH-AT101377	Kit	2.500S	1.250S	I	16	
	S/N: Prior-787833						
	JH-AH212092	Kit	80.00M		N	21	
	S/N: 787834-UP						
	JH-RE20434	Kit		45.00M	P	19	
	S/N: 787834-UP	Use with R 81767 Head					
JH-AH149813	Kit		45.00M	PI	19		
S/N: 787834-UP	Use with H152347 or H157510 Heads, Field replacement						

Application	Part Number	Description	Bore	Rod	Wiper	Type
310E,310SE BACKHOE LOADER						
Loader Boom (Lift)	JH-AH212091	Kit	80.00M		N	20
	Use with AH146874 Cylinder					
	JH-AH212092	Kit	80.00M		N	21
	Use with AH207401 or AH211206 Cylinders					
Loader Bucket (Tilt)	JH-AH210484	Kit		50.00M	P	19
	JH-AH212091	Kit	80.00M		N	20
	S/N: Prior-881677					
	JH-AH147868	Kit		45.00M	P	19
	S/N: Prior-881677					
	JH-AH212096	Kit	90.00M		N	20
	S/N: 881678-UP	Use with AH162038, AH171228, AH173567 or AH216338 Cylinders				
	JH-AH212097	Kit	90.00M		N	21
	S/N: 881678-UP	Use with AH220550 Cylinder				
	JH-AH210484	Kit		50.00M	P	19
S/N: 881678-UP						
Multi-Purpose	JH-AT142582	Kit	3.000S	2.000S	P	5
	S/N: Prior-834807	Use with AT179640 Cylinder				
	JH-AH209022	Kit	3.000S	50.00M	I	8
	Use with AH210737 Cylinder, Field replacement					
	JH-AT190898	Kit	3.000S	2.000S	I	5
	S/N: 834808-UP	Use with AT182266 or AT190880 Cylinders				
Steering	JH-AH167552	Kit	50.00M		N	21
	Without mechanical front wheel drive					
	JH-RE21875	Kit		25.00M	P	19
	Without mechanical front wheel drive Use with R 94417 Head					
	JH-AH149810	Kit		25.00M	P	19
	Without mechanical front wheel drive Use with H157662 Head, Field replacement					
	JH-T153744	Kit	65.00M	36.00M	I	15
Mechanical front wheel drive Use with AT167332 Cylinder						
Backhoe Stabilizer	JH-AH212091	Kit	80.00M		N	20
	310E Only					
	JH-AH212096	Kit	90.00M		N	20
	Use with AH147863, AH147864, AH207327 or AH207328 Cylinders 310SE Only					
	JH-AH212097	Kit	90.00M		N	21
Use with AH210901, AH210902, AH219537 or AH219538 Cylinders 310SE Only						
Backhoe Swing	JH-AH210484	Kit		50.00M	P	19
	JH-AH212091	Kit	80.00M		N	20
	310E Only					
	JH-AH149813	Kit		45.00M	PI	19
310E Only						

Application	Part Number	Description	Bore	Rod	Wiper	Type
310E,310SE BACKHOE LOADER (continued)						
Backhoe Swing (cont)	JH-AH212096	Kit	90.00M		N	20
	310SE Only					
	JH-AH210484	Kit		50.00M	P	19
	310SE Only					
Backhoe Boom	JH-AH149845	Kit	110.00M		N	20
	310E Only					
	JH-AH149847	Kit	120.00M		N	20
	310SE Only					
Backhoe Bucket	JH-AH149814	Kit		56.00M	P	19
	JH-AH212091	Kit	80.00M		N	20
	Use with AH148437 or AH206649 Cylinders, 310E only					
	JH-AH212092	Kit	80.00M		N	21
	Use with AH209080 Cylinder, 310E Only					
	JH-AH210484	Kit		50.00M	P	19
	310E Only					
	JH-AH212096	Kit	90.00M		N	20
	310SE Only					
	JH-AH149814	Kit		56.00M	P	19
310SE Only						
Backhoe Crowd	JH-AH149845	Kit	110.00M		N	20
	310E Only					
	JH-AH212103	Kit	115.00M		N	20
	310SE Only					
	JH-AH149814	Kit		56.00M	P	19
	S/N: Prior-837443 310E Only					
	JH-AH149815	Kit		63.00M	P	19
310E S/N: 837444-Up, 310SE S/N: All						
BH Ext. Dipperstick	JH-AH212088	Kit	2.500S		N	21
	310E Only					
	JH-AH148823	Kit		32.00M	PI	19
	Use with AH218606 Cylinder, 310E Only					
	JH-AH212089	Kit	70.00M		N	20
	Use with AH152473 or AH175182 Cylinders, 310SE only					
	JH-AH212090	Kit	70.00M		N	21
	Use with AH207281 or AH211361 Cylinders, 310SE Only					
	JH-AH149813	Kit		45.00M	PI	19
	Use with AH152473, AH175182 or AH207281 Cylinders 310SE Only					
JH-AH149194	Kit		40.00M	PI	19	
Use with AH211361 Cylinder, 310SE Only						

Application	Part Number	Description	Bore	Rod	Wiper	Type
310G, 310SG BACKHOE LOADER						
Loader Boom (Lift)	JH-AH212091	Kit	80.00M		N	20
	310G S/N: 1-926493 310SG S/N: 1-910491					
	JH-AH212092	Kit	80.00M		N	21
	310G S/N: 926494-Up 310SG S/N: 910492-Up					
Loader Bucket (Tilt)	JH-AH212096	Kit	90.00M		N	20
	S/N: 1-955725					
	JH-AH212097	Kit	90.00M		N	21
	S/N: 955726-UP					
Multi-Purpose	JH-AH210484	Kit		50.00M	P	19
	S/N: 1-925076					
	JH-AT190898	Kit	3.000S	2.000S	I	5
	S/N: 925077-UP					
Front Coupler	JH-AH176272	Kit	40.00M	25.00M	I	5
Steering	JH-AH167552	Kit	50.00M		N	21
	S/N: 1-911131 Without mechanical front wheel drive					
	JH-AH149810	Kit		25.00M	P	19
	S/N: 1-911131 Without mechanical front wheel drive					
	JH-T153744	Kit	65.00M	36.00M	I	15
	310G S/N: 1-394241 310SG S/N: 1-416701 Mechanical front wheel drive					
Backhoe Stabilizer	JH-AH212091	Kit	80.00M		N	20
	S/N: 1-902497 310G Only					
	JH-AH212092	Kit	80.00M		N	21
	S/N: 902498-UP 310G Only					
	JH-AH212096	Kit	90.00M		N	20
	S/N: 1-926206 Use with 310SG Standard Cylinders AH147863, AH147864, AH207327 or AH207328					
	JH-AH212097	Kit	90.00M		N	21
	S/N: 926207-UP Use with 310SG Standard Cylinders AH210901, AH210902, AH219537 or AH219538					
	JH-AH212101	Kit	100.00M		N	20
	S/N: 1-925993 Use with 310SG Extended Cylinders AH148674 or AH148675					
	JH-AH212102	Kit	100.00M		N	21
	S/N: 925994-UP Use with 310SG Extended Cylinders AH209133, AH209138, AH219541 or AH219542					
	JH-AH210484	Kit		50.00M	P	19

Application	Part Number	Description	Bore	Rod	Wiper	Type
310G, 310SG BACKHOE LOADER (continued)						
Backhoe Swing	JH-AH149842	Kit	80.00M		N	20
	S/N: 1-957128 310G Only					
	JH-AH212091	Kit	80.00M		N	20
	S/N: 957129-UP 310G Only					
	JH-AH149813	Kit		45.00M	PI	19
	310G Only					
	JH-AH212096	Kit	90.00M		N	20
	310SG Only					
Backhoe Boom	JH-AH149845	Kit	110.00M		N	20
	310G Only					
	JH-AH149847	Kit	120.00M		N	20
	310SG Only					
Backhoe Bucket	JH-AH149814	Kit		56.00M	P	19
	JH-AH212091	Kit	80.00M		N	20
	S/N: 1-925926 310G Only					
	JH-AH212092	Kit	80.00M		N	21
	S/N: 925927-UP 310G Only					
	JH-AH210484	Kit		50.00M	P	19
	310G Only					
	JH-AH212096	Kit	90.00M		N	20
	310SG Only					
	JH-AH149814	Kit		56.00M	P	19
310SG Only						
Backhoe Crowd	JH-AH212101	Kit	100.00M		N	20
	310SG Heavy Duty arrangement only					
	JH-AH149815	Kit		63.00M	P	19
	310SG Heavy Duty arrangement only					
	JH-AH149845	Kit	110.00M		N	20
310G Only						
BH Ext. Dipperstick	JH-AH212103	Kit	115.00M		N	20
	310SG Only					
	JH-AH149815	Kit		63.00M	P	19
	JH-AH212088	Kit	2.500S		N	21
	310G Only					
	JH-AH148823	Kit		32.00M	PI	19
	S/N: 953471-UP 310G Only					
	JH-AH212089	Kit	70.00M		N	20
S/N: 1-910900 310SG Only						
BH Ext. Dipperstick	JH-AH212090	Kit	70.00M		N	21
	S/N: 910901-UP 310SG Only					

Application	Part Number	Description	Bore	Rod	Wiper	Type
310G, 310SG BACKHOE LOADER (continued)						
BH Ext. Dipperstick (cont)	JH-AH149813	Kit		45.00M	PI	19
	S/N: 1-926427 310SG Only					
	JH-AH149194	Kit		40.00M	PI	19
	S/N: 926428-UP 310SG Only					
310J BACKHOE LOADER						
Loader Boom (Lift)	JH-AH212092	Kit	80.00M		N	21
	JH-AH210484	Kit		50.00M	P	19
	S/N: 1-208445					
	JH-AHC11573	Kit		50.00M	P	19
S/N: 208446-UP						
Loader Bucket (Tilt)	JH-AH212097	Kit	90.00M		N	21
	JH-AH210484	Kit		50.00M	P	19
	S/N: 1-202927					
	JH-AHC11573	Kit		50.00M	P	19
S/N: 202928-UP						
Multi-Purpose	JH-AH209022	Kit	3.000S	50.00M	I	8
Front Coupler	JH-AH176272	Kit	40.00M	25.00M	I	5
Steering	JH-T218502	Kit	65.00M	40.00M	I	5
Backhoe Stabilizer	JH-AH212092	Kit	80.00M		N	21
	JH-AH210484	Kit		50.00M	P	19
	S/N: 1-208445					
	JH-AHC11573	Kit		50.00M	P	19
S/N: 208446-UP						
Backhoe Swing	JH-AH212091	Kit	80.00M		N	20
	JH-AHC11572	Kit		45.00M	PI	19
Backhoe Boom	JH-AH149845	Kit	110.00M		N	20
	JH-AH149814	Kit		56.00M	P	19
Backhoe Bucket	JH-AH212092	Kit	80.00M		N	21
	JH-AH210484	Kit		50.00M	P	19
	S/N: 1-208445					
	JH-AHC11573	Kit		50.00M	P	19
S/N: 208446-UP						
Backhoe Crowd	JH-AH212585	Kit	110.00M		N	20
	JH-AH149815	Kit		63.00M	P	19
BH Ext. Dipperstick	JH-AH212088	Kit	2.500S		N	21
	JH-AH148823	Kit		32.00M	PI	19
Backhoe Thumb	JH-AH212097	Kit	90.00M		N	21
	JH-AH210484	Kit		50.00M	P	19
	S/N: 1-207435					
	JH-AHC11573	Kit		50.00M	P	19
S/N: 207436-UP						

Application	Part Number	Description	Bore	Rod	Wiper	Type
310K BACKHOE LOADER						
Loader Boom (Lift)	JH-AH212092	Kit	80.00M		N	21
	JH-AHC11573	Kit		50.00M	P	19
Loader Bucket (Tilt)	JH-AH212097	Kit	90.00M		N	21
	JH-AHC11573	Kit		50.00M	P	19
Multi-Purpose	JH-AH209022	Kit	3.000S	50.00M	I	8
Front Coupler	JH-AH176272	Kit	40.00M	25.00M	I	5
Steering	JH-T218502	Kit	65.00M	40.00M	I	5
Backhoe Stabilizer	JH-AH212092	Kit	80.00M		N	21
	JH-AHC11573	Kit		50.00M	P	19
Backhoe Swing	JH-AH212091	Kit	80.00M		N	20
	JH-AHC11572	Kit		45.00M	PI	19
Backhoe Boom	JH-AH149845	Kit	110.00M		N	20
	JH-AH149814	Kit		56.00M	P	19
Backhoe Bucket	JH-AH212092	Kit	80.00M		N	21
	JH-AHC11573	Kit		50.00M	P	19
Backhoe Crowd	JH-AH212585	Kit	110.00M		N	20
	JH-AH149815	Kit		63.00M	P	19
BH Ext. Dipperstick	JH-AH212090	Kit	70.00M		N	21
	JH-AH149194	Kit		40.00M	PI	19
Backhoe Thumb	JH-AH212097	Kit	90.00M		N	21
	JH-AHC11573	Kit		50.00M	P	19
315C BACKHOE LOADER						
Loader Boom (Lift)	JH-AH149842	Kit	80.00M		N	20
	JH-RE20434	Kit		45.00M	P	19
	Use with R 81767 Head					
	JH-AH149813	Kit		45.00M	PI	19
	Use with H152347 or H157510 Heads, Field replacement					
Loader Bucket (Tilt)	JH-AH149843	Kit	90.00M		N	20
	JH-RE20434	Kit		45.00M	P	19
	Use with R 81766 Head					
	JH-AH149813	Kit		45.00M	PI	19
	Use with H157642 Head, Field replacement					
Steering	JH-RE21874	Kit	50.00M		N	20
	S/N:	Prior-746966 Without mechanical front wheel drive				
	JH-RE33803	Kit	50.00M		N	20
	S/N:	746967-XXXXXX Without mechanical front wheel drive Use with RE33800 Cylinder				
	JH-AH137789	Kit	50.00M		N	21
	S/N:	XXXXXX-UP Without mechanical front wheel drive Use with AH139130 or AH154780 Cylinders				
	JH-RE21875	Kit		25.00M	P	19
	S/N:	Prior-746966 Without mechanical front wheel drive				

Application	Part Number	De cription	Bore	Rod	Wiper	Type
315C BACKHOE LOADER (continued)						
Steering (cont)	JH-RE21875	Kit		25.00M	P	19
	S/N: 746967-UP	Without mechanical front wheel drive Use with R 94417 Head				
	JH-AH149810	Kit		25.00M	P	19
	S/N: 746967-UP	Without mechanical front wheel drive Use with H157662 Head, Field replacement				
	JH-AT78498	Kit	50.00M	25.00M	I	5
	S/N: Prior-737487	Mechanical front wheel drive				
Backhoe Stabilizer	JH-RE20428	Kit	70.00M		N	20
	JH-RE20434	Kit		45.00M	P	19
	Use with R 81763 Head					
	JH-AH149813	Kit		45.00M	PI	19
Use with H154402 Head, Field replacement						
Backhoe Swing	JH-AH149844	Kit	100.00M		N	20
	JH-RE20595	Kit		50.00M	P	19
	Use with RE28419 Cylinder					
	JH-AH148164	Kit		50.00M	P	19
Use with AH148273 Cylinder, Field replacement						
Backhoe Boom	JH-AH149846	Kit	115.00M		N	20
	JH-RE20595	Kit		50.00M	P	19
	S/N: Prior-740892					
	JH RE31716	Kit		56.00M	P	19
	S/N: 740893-UP	Use with R 92321 Head				
	JH-AH149814	Kit		56.00M	P	19
S/N: 740893-UP	Use with H152795 or H157428 Heads, Field replacement					
Backhoe Bucket	JH-AH149843	Kit	90.00M		N	20
	JH-RE20595	Kit		50.00M	P	19
	Use with R 82088 Head					
	JH-AH148164	Kit		50.00M	P	19
Use with H154352 Head, Field replacement						
Backhoe Crowd	JH-AH149844	Kit	100.00M		N	20
	JH-RE20595	Kit		50.00M	P	19
	S/N: Prior-740538	Use with R 81972 Head				
	JH-AH148164	Kit		50.00M	P	19
	S/N: Prior-740538	Use with H157978 Head, Field replacement				
	JH-RE31716	Kit		56.00M	P	19
	S/N: 740539-UP	Use with R 92314 Head				
	JH-AH149814	Kit		56.00M	P	19
S/N: 740539-UP	Use with H157427 Head, Field replacement					

Application	Part Number	Description	Bore	Rod	Wiper	Type
315C BACKHOE LOADER (continued)						
BH Ext. Dipperstick	JH-AT101377	Kit	2.500S	1.250S	I	16
	JH-RE37003	Kit	80.00M		N	21
	Field replacement					
	JH-RE20434	Kit		45.00M	P	19
	Use with R 81767 Head, Field replacement					
	JH-AH149813	Kit		45.00M	PI	19
Use with H157510 Head, Field replacement						
315CH BACKHOE LOADER						
Loader Boom (Lift)	JH-AH149842	Kit	80.00M		N	20
	JH-RE20434	Kit		45.00M	P	19
	Use with R 81767 Head					
	JH-AH149813	Kit		45.00M	PI	19
	Use with H152347 or H157510 Heads, Field replacement					
Loader Bucket (Tilt)	JH-AH149843	Kit	90.00M		N	20
	JH-RE20434	Kit		45.00M	P	19
	Use with R 81766 Head					
	JH-AH149813	Kit		45.00M	PI	19
	Use with H157642 Head, Field replacement					
Steering	JH-RE21874	Kit	50.00M		N	20
	S/N: Prior-746966	Without mechanical front wheel drive				
	JH-RE33803	Kit	50.00M		N	20
	S/N: 746967-XXXXXX	Without mechanical front wheel drive Use with RE33800 Cylinder				
	JH AH137789	Kit	50.00M		N	21
	S/N: XXXXXX-UP	Without mechanical front wheel drive Use with AH139130 or AH154780 Cylinders				
	JH-RE21875	Kit		25.00M	P	19
	S/N: Prior-746966	Without mechanical front wheel drive				
	JH-RE21875	Kit		25.00M	P	19
	S/N: 746967-UP	Without mechanical front wheel drive Use with R 94417 Head				
	JH AH149810	Kit		25.00M	P	19
	S/N: 746967-UP	Without mechanical front wheel drive Use with H157662 Head, Field replacement				
	JH-AT78498	Kit	50.00M	25.00M	I	5
	S/N: Prior-737487	Mechanical front wheel drive				
	JH-AT108329	Kit	60.00M	32.00M	I	5
	S/N: 737487-UP	Mechanical front wheel drive				
	Backhoe Stabilizer	JH-RE20428	Kit	70.00M		N
JH-RE20434		Kit		45.00M	P	19
Use with R 81763 Head						
JH-AH149813		Kit		45.00M	PI	19
Use with H154402 Head, Field replacement						

Application	Part Number	Description	Bore	Rod	Wiper	Type
315CH BACKHOE LOADER (continued)						
Backhoe Swing	JH-AH149844	Kit	100.00M		N	20
	JH-RE20595	Kit		50.00M	P	19
	Use with R 89618 Head					
	JH-AH148164	Kit		50.00M	P	19
	Use with H155086 Head, Field replacement					
Backhoe Boom	JH-AH149846	Kit	115.00M		N	20
	JH-RE20595	Kit		50.00M	P	19
	S/N: Prior-740892					
	JH-RE31716	Kit		56.00M	P	19
	S/N: 740893-UP					
	Use with R 92321 Head					
	JH-AH149814	Kit		56.00M	P	19
Use with H152795 or H157428 Heads, Field replacement						
Backhoe Bucket	JH-AH149843	Kit	90.00M		N	20
	JH-RE20595	Kit		50.00M	P	19
	Use with R 82088 Head					
	JH-AH148164	Kit		50.00M	P	19
	Use with H154352 Head, Field replacement					
Backhoe Crowd	JH-AH149844	Kit	100.00M		N	20
	JH-RE20595	Kit		50.00M	P	19
	S/N: Prior-740538					
	JH-RE31716	Kit		56.00M	P	19
	S/N: 740539-UP					
	Use with R 92314 Head					
	JH-AH149814	Kit		56.00M	P	19
Use with H157427 or H157978 Heads, Field replacement						
BH Ext. Dipperstick	JH-AT101377	Kit	2.500S	1.250S	I	16
	JH-RE37003	Kit	80.00M		N	21
	Field replacement					
	JH-RE20434	Kit		45.00M	P	19
	Use with R 81767 Head, Field replacement					
	JH-AH149813	Kit		45.00M	PI	19
Use with H152347 or H157510 Heads, Field replacement						
315D BACKHOE LOADER						
Loader Boom (Lift)	JH-AH212091	Kit	80.00M		N	20
	JH-RE20434	Kit		45.00M	P	19
	Use with R 81767 or R 87731 Heads					
	JH-AH149813	Kit		45.00M	PI	19
	Use with H152347 or H157510 Heads, Field replacement					
Loader Bucket (Tilt)	JH-AH212096	Kit	90.00M		N	20
	JH-RE20434	Kit		45.00M	P	19
	Use with R 81766 Head					
	JH-AH149813	Kit		45.00M	PI	19
Use with H157642 Head, Field replacement						
Multi-Purpose	JH-AH209022	Kit	3.000S	50.00M	I	8
Steering	JH-AH167552	Kit	50.00M		N	21
	Without mechanical front wheel drive					
	JH-RE21875	Kit		25.00M	P	19
	Without mechanical front wheel drive Use with R 94417 Head					

Application	Part Number	Description	Bore	Rod	Wiper	Type
315D BACKHOE LOADER (continued)						
Steering (cont)	JH-AH149810	Kit		25.00M	P	19
	Without mechanical front wheel drive Use with H157662 Head, Field replacement					
	JH-AT108329	Kit	60.00M	32.00M	I	5
	S/N: Prior-796033	Mechanical front wheel drive				
	JH-T153744	Kit	65.00M	36.00M	I	15
S/N: 796034-UP	Mechanical front wheel drive					
Backhoe Stabilizer	JH-RE20428	Kit	70.00M		N	20
	JH-RE20434	Kit		45.00M	P	19
	Use with R 81763 Head					
	JH-AH149813	Kit		45.00M	PI	19
	Use with H154402 Head, Field replacement					
Backhoe Swing	JH-AH149844	Kit	100.00M		N	20
	JH-RE20595	Kit		50.00M	P	19
	Use with R 89618 Head					
	JH-AH148164	Kit		50.00M	P	19
	Use with H155086 Head, Field replacement					
Backhoe Boom	JH-AH212103	Kit	115.00M		N	20
	JH-RE31716	Kit		56.00M	P	19
	Use with R 92321 Head					
	JH-AH149814	Kit		56.00M	P	19
	Use with H157428 Head, Field replacement					
Backhoe Bucket	JH-AH212096	Kit	90.00M		N	20
	JH-RE20595	Kit		50.00M	P	19
	S/N: Prior-817497	Use with R 82088 Head				
	JH-AH148164	Kit		50.00M	P	19
	S/N: Prior-817497	Use with H154352 Head, Field replacement				
	JH-AH210484	Kit		50.00M	P	19
	S/N: 817498-UP					
Backhoe Crowd	JH-AH212101	Kit	100.00M		N	20
	JH-RE31716	Kit		56.00M	P	19
	Use with R 92314 Head					
	JH-AH149814	Kit		56.00M	P	19
	Use with H157427 Head, Field replacement					
BH Ext. Dipperstick	JH-AT101377	Kit	2.500S	1.250S	I	16
	S/N: Prior-787833					
	JH-AH212092	Kit	80.00M		N	21
	S/N: 787834-UP					
	JH-RE20434	Kit		45.00M	P	19
	S/N: 787834-UP	Use with R 81767 Head				
	JH-AH149813	Kit		45.00M	PI	19
	S/N: 787834-UP	Use with H152347 or H157510 Heads, Field replacement				

Application	Part Number	De cription	Bore	Rod	Wiper	Type
315SE BACKHOE LOADER						
Loader Boom (Lift)	JH-AH212091	Kit	80.00M		N	20
	Use with AH146874 Cylinder					
	JH-AH212092	Kit	80.00M		N	21
	Use with AH207401 or AH211206 Cylinders					
Loader Bucket (Tilt)	JH-AH210484	Kit		50.00M	P	19
	JH-AH212091	Kit	80.00M		N	20
	S/N:	Prior-881677				
	JH-AH147868	Kit		45.00M	P	19
	S/N:	Prior-881677				
	JH-AH212096	Kit	90.00M		N	20
	S/N:	881678-UP Use with AH162038, AH171228, AH173567 or AH216338 Cylinders				
	JH-AH212097	Kit	90.00M		N	21
	S/N:	881678-UP Use with AH220550 Cylinder				
	JH-AH210484	Kit		50.00M	P	19
S/N:	881678-UP					
Multi-Purpose	JH-AT142582	Kit	3.000S	2.000S	P	5
	S/N:	Prior-834807 Use with AT179640 Cylinder				
	JH-AT190898	Kit	3.000S	2.000S	I	5
	S/N:	834808-UP Use with AT182266 or AT190880 Cylinders				
	JH-AH209022	Kit	3.000S	50.00M	I	8
Use with AH210737 Cylinder, Field replacement						
Steering	JH-AH167552	Kit	50.00M		N	21
	Without mechanical front wheel drive					
	JH RE21875	Kit		25.00M	P	19
	Without mechanical front wheel drive Use with R 94417 Head					
	JH-AH149810	Kit		25.00M	P	19
	Without mechanical front wheel drive Use with H157662 Head, Field replacement					
	JH-T153744	Kit	65.00M	36.00M	I	15
Mechanical front wheel drive Use with AT167332 Cylinder						
Backhoe Stabilizer	JH-AH212089	Kit	70.00M		N	20
	JH-RE20434	Kit		45.00M	P	19
	Use with R 81763 Head					
	JH-AH149813	Kit		45.00M	PI	19
Use with H154402 or H210941 Heads						
Backhoe Swing	JH-AH212096	Kit	90.00M		N	20
	JH-AH210401	Kit				
Backhoe Boom	JH-AH149847	Kit	120.00M		N	20
	JH AH149814	Kit		56.00M	P	19
Backhoe Bucket	JH-AH212096	Kit	90.00M		N	20
	JH-AH149814	Kit		56.00M	P	19
Backhoe Crowd	JH-AH212103	Kit	115.00M		N	20
	JH-AH149815	Kit		63.00M	P	19

Application	Part Number	Description	Bore	Rod	Wiper	Type
315SE BACKHOE LOADER (continued)						
BH Ext. Dipperstick	JH-AH212089	Kit	70.00M		N	20
	Use with AH152473 or AH175182 Cylinders					
	JH-AH212090	Kit	70.00M		N	21
	Use with AH207281 or AH211361 Cylinders					
	JH-AH149813	Kit		45.00M	PI	19
	Use with AH152473, AH175182 or AH207281 Cylinders					
	JH-AH149194	Kit		40.00M	PI	19
Use with AH211361 Cylinder						
315SG BACKHOE LOADER						
Loader Boom (Lift)	JH-AH212091	Kit	80.00M		N	20
	S/N: 1-910491					
	JH-AH212092	Kit	80.00M		N	21
	S/N: 910492-UP					
	JH AH210484	Kit		50.00M	P	19
Loader Bucket (Tilt)	JH-AH212096	Kit	90.00M		N	20
	S/N: 1-955725					
	JH-AH212097	Kit	90.00M		N	21
	S/N: 955726-UP					
	JH AH210484	Kit		50.00M	P	19
Multi-Purpose	JH-AT190898	Kit	3.000S	2.000S	I	5
	S/N: 1-925076					
	JH-AH209022	Kit	3.000S	50.00M	I	8
S/N: 925077-UP						
Front Coupler	JH AH176272	Kit	40.00M	25.00M	I	5
Steering	JH-AH167552	Kit	50.00M		N	21
	S/N: 1-911131	Without mechanical front wheel drive				
	JH-AH149810	Kit		25.00M	P	19
	S/N: 1-911131	Without mechanical front wheel drive				
	JH-T153744	Kit	65.00M	36.00M	I	15
	S/N: 1-416701	Mechanical front wheel drive				
Backhoe Stabilizer	JH-AH212089	Kit	70.00M		N	20
	JH-AH149813	Kit		45.00M	PI	19
Backhoe Swing	JH-AH212096	Kit	90.00M		N	20
	JH-AH210484	Kit		50.00M	P	19
Backhoe Boom	JH-AH149847	Kit	120.00M		N	20
	JH-AH149814	Kit		56.00M	P	19
Backhoe Bucket	JH AH212096	Kit	90.00M		N	20
	JH-AH149814	Kit		56.00M	P	19
	JH-AH212101	Kit	100.00M		N	20
	Heavy Duty arrangement only					
	JH-AH149815	Kit		63.00M	P	19
	Heavy Duty arrangement only					
Backhoe Crowd	JH-AH212103	Kit	115.00M		N	20
	JH-AH149815	Kit		63.00M	P	19
BH Ext. Dipperstick	JH-AH212089	Kit	70.00M		N	20
	S/N: 1-910900					

Application	Part Number	De cription	Bore	Rod	Wiper	Type
315SG BACKHOE LOADER						
(continued)						
BH Ext. Dipperstick (cont)	JH-AH212090	Kit	70.00M		N	21
	S/N: 910901-UP					
	JH-AH149813	Kit		45.00M	PI	19
	S/N: 1-926427					
S/N: 926428-UP	JH-AH149194	Kit		40.00M	PI	19
	S/N: 926428-UP					
400,401A WHEEL LOADER						
Loader Model: 7400						
Loader Boom (Lift)	JH-AU41409	Kit	2.375S	1.500S	P	4
	S/N: Prior-4600,YR 1966-1967					
	JH-RE19217	Kit	2.500S	1.500S	P	1
	S/N: Prior-4600,YR 1967-UP					
S/N: 4601-UP	JH-RE19220	Kit	2.750S	1.750S	P	1
	S/N: 4601-UP					
Loader Bucket (Tilt)	JH-AU40774	Kit	2.375S	1.250S	P	5
	JH-AR105453	Kit	2.500S	1.250S	P	1
401C BACKHOE LOADER						
Backhoe Models: 9250,9250A						
Loader Boom (Lift)	JH-RE19220	Kit	2.750S	1.750S	P	1
Loader Bucket (Tilt)	JH-AR105453	Kit	2.500S	1.250S	P	1
Backhoe Stabilizer	JH-RE18754	Kit	3.500S	1.750S	P	1
Backhoe Swing	JH-RE18732	Kit	4.000S	2.000S	P	1
	9250 Only					
	JH-RE18756	Kit	3.500S	1.750S	P	15
	S/N: Prior-39796 9250A Only, T 60873 Pi ton required					
S/N: 39797-UP 9250A Only	JH-RE18756	Kit	3.500S	1.750S	P	15
	S/N: 39797-UP 9250A Only					
Backhoe Boom	JH RE18732	Kit	4.000S	2.000S	P	1
Backhoe Bucket	JH-RE18751	Kit	3.000S	1.750S	P	1
Backhoe Crowd	JH RE18755	Kit	3.500S	1.750S	P	1
401D BACKHOE LOADER						
Loader Boom (Lift)	JH-RE30816	Kit	3.250S		N	20
	With self-leveling Bucket					
	JH-RE16209	Kit		1.750S	P	18
	With self-leveling Bucket					
S/N: 39797-UP 9250A Only	JH-RE19220	Kit	2.750S	1.750S	P	1
	With non self-leveling Bucket					
Loader Bucket (Tilt)	JH-AR105453	Kit	2.500S	1.250S	P	1
	With self-leveling Bucket					
	JH-RE19217	Kit	2.500S	1.500S	P	1
With non self-leveling Bucket						
Steering	JH-RE18749	Kit	2.000S	0.875S	P	5
Backhoe Stabilizer	JH-RE18754	Kit	3.500S	1.750S	P	1
Backhoe Swing	JH-RE18756	Kit	3.500S	1.750S	P	15
Backhoe Boom	JH-RE16118	Kit	4.000S		N	20

Application	Part Number	Description	Bore	Rod	Wiper	Type
401D BACKHOE LOADER (continued)						
Backhoe Boom (cont)	JH-RE16119	Kit		2.000S	P	18
Backhoe Bucket	JH-RE18751	Kit	3.000S	1.750S	P	1
Backhoe Crowd	JH-RE18755	Kit	3.500S	1.750S	P	1
410 BACKHOE LOADER						
Loader Boom (Lift)	JH-AR105402	Kit	3.250S	1.750S	P	1
Loader Bucket (Tilt)	JH-AR105429	Kit	3.250S	1.500S	P	1
Steering	JH-RE19219	Kit	1.688S	1.125S	P	5
	S/N: 235786-343922					
Backhoe Stabilizer	JH-RE18754	Kit	3.500S	1.750S	P	1
	JH-RE12912	Kit	3.500S	1.750S	P	17
	Use with R 78224 Piston, Field replacement					
Backhoe Swing	JH-RE18730	Kit	4.000S	1.750S	P	1
	S/N: Prior-303202					
	JH-AR105387	Kit	4.000S	2.000S	P	1
	S/N: 303203-UP					
	JH-RE18741	Kit	4.000S	2.000S	P	17
	S/N: 303203-UP Use with R 77809 Piston, Field replacement					
Backhoe Boom	JH-AR105355	Kit	4.500S	2.250S	P	1
	JH-RE18764	Kit	4.500S	2.250S	P	17
	Use with R 78221 Piston, Field replacement					
Backhoe Bucket	JH-RE18757	Kit	3.500S	2.250S	P	1
	JH-RE18758	Kit	3.500S	2.250S	P	17
	Use with R 78222 Piston, Field replacement					
Backhoe Crowd	JH-AR105355	Kit	4.500S	2.250S	P	1
	JH-RE18764	Kit	4.500S	2.250S	P	17
	Use with R 78225 Piston, Field replacement					
BH Ext. Dipperstick	JH-AT50213	Kit	2.500S	1.250S	I	0
	Soft seal kit					
	JH-AT50214	Kit	2.500S	1.250S	I	0
Major kit						
410B BACKHOE LOADER						
Loader Boom (Lift)	JH-RE30816	Kit	3.250S		N	20
	JH-RE16209	Kit		1.750S	P	18
Loader Bucket (Tilt)	JH-RE14517	Kit	3.500S		N	20
	JH-RE30874	Kit		1.750S	P	18
Steering	JH-RE14551	Kit	2.000S		N	21
	Without mechanical front wheel drive					
	JH-RE14552	Kit		1.000S	P	19
	Without mechanical front wheel drive					
	JH-AT78498	Kit	50.00M	25.00M	I	5
Mechanical front wheel drive						
Backhoe Stabilizer	JH-RE16118	Kit	4.000S		N	20
	S/N: Prior-719446					
	JH-RE16119	Kit		2.000S	P	18
	S/N: Prior-719446					
	JH-AH149844	Kit	100.00M		N	20
	S/N: 719447-UP					

Application	Part Number	Description	Bore	Rod	Wiper	Type	
410B BACKHOE LOADER (continued)							
Backhoe Stabilizer (cont)	JH-RE20595	Kit		50.00M	P	19	
	S/N: 719447-UP	Use with R 81972 Head					
	JH-AH148164	Kit		50.00M	P	19	
	S/N: 719447-UP	Use with H157978 Head, Field replacement					
Backhoe Swing	JH-RE16118	Kit	4.000S		N	20	
	JH-RE16119	Kit		2.000S	P	18	
	JH-AH149844	Kit	100.00M		N	20	
	Field replacement						
	JH-RE20595	Kit		50.00M	P	19	
	Use with R 81972 Head, Field replacement						
	JH-AH148164	Kit		50.00M	P	19	
Use with H157978 Head, Field replacement							
Backhoe Boom	JH-RE14523	Kit	4.500S		N	20	
	JH-RE14208	Kit		2.250S	P	18	
Backhoe Bucket	JH-RE16076	Kit	3.500S		N	20	
	S/N: Prior-711906						
	JH-RE14516	Kit		2.500S	P	19	
	S/N: Prior-711906						
	JH-RE16076	Kit	3.500S		N	20	
	S/N: 711907-UP						
	JH-RE14538	Kit		2.250S	P	18	
S/N: 711907-UP							
Backhoe Crowd	JH-RE16118	Kit	4.000S		N	20	
	JH-RE16119	Kit		2.000S	P	18	
BH Ext. Dipperstick	JH-AT50213	Kit	2.500S	1.250S	I	0	
	S/N: Prior-707385	Soft seal kit					
	JH-AT50214	Kit	2.500S	1.250S	I	0	
	S/N: Prior-707385	Major kit					
	JH-AT79722	Kit	3.000S	1.500S	I	15	
S/N: 707386-UP							
410C BACKHOE LOADER							
Loader Boom (Lift)	JH-AH212091	Kit	80.00M		N	20	
	JH-RE20434	Kit		45.00M	P	19	
	Use with R 81767 Head						
	JH-AH149813	Kit		45.00M	PI	19	
	Use with H152347 or H157510 Head, Field replacement						
Loader Bucket (Tilt)	JH-AH212096	Kit	90.00M		N	20	
	JH-RE20434	Kit		45.00M	P	19	
	Use with R 81766 Head						
	JH-AH149813	Kit		45.00M	PI	19	
	Use with H157642 Head, Field replacement						
Multi-Purpose	JH-AT142582	Kit	3.000S	2.000S	P	5	
	S/N: 769393-UP	Use with AT142578 Cylinder					

Application	Part Number	Description	Bore	Rod	Wiper	Type
410C BACKHOE LOADER (continued)						
Multi-Purpose (cont)	JH-AT190898	Kit	3.000S	2.000S	I	5
	S/N: 769393-UP Use with AT190880 Cylinder					
	JH-AH209022	Kit	3.000S	50.00M	I	8
	S/N: Use with AH210737 Cylinder					
Steering	JH-RE14551	Kit	2.000S		N	21
		Without mechanical front wheel drive				
	JH-RE14552	Kit		1.000S	P	19
		Without mechanical front wheel drive				
	JH-RE21874	Kit	50.00M		N	20
	S/N: Prior-746966 Without mechanical front wheel drive Use with RE21961 Cylinder					
	JH-RE33803	Kit	50.00M		N	20
	S/N: 746967-UP Without mechanical front wheel drive Use with RE33800 Cylinder					
	JH-AH167552	Kit	50.00M		N	21
		Without mechanical front wheel drive Use with AH139130 or AH154780 Cylinders, Field replacement				
	JH-RE21875	Kit		25.00M	P	19
		Without mechanical front wheel drive Use with R 82565 or R 94417 Heads				
	JH-AH149810	Kit		25.00M	P	19
		Use with H157662 Head, Field replacement				
	JH-AT78498	Kit	50.00M	25.00M	I	5
S/N: Prior-749405 Mechanical front wheel drive						
JH-AT108329	Kit	60.00M	32.00M	I	5	
S/N: 749406-UP Mechanical front wheel drive						
Backhoe Stabilizer	JH-AH212101	Kit	100.00M		N	20
	JH-RE20595	Kit		50.00M	P	19
		Use with R 81972 Head				
	JH-AH210484	Kit		50.00M	P	19
	Use with H157978 Head, Field replacement					
Backhoe Swing	JH-RE16118	Kit	4.000S		N	20
	S/N: Prior-737926					
	JH-RE16119	Kit		2.000S	P	18
	S/N: Prior-737926					
	JH-AH212101	Kit	100.00M		N	20
	S/N: 737927-UP					
	JH-RE20595	Kit		50.00M	P	19
	S/N: 737927-UP Use with R 81972 Head					
JH-AH210484	Kit		50.00M	P	19	
S/N: 737927-UP Use with H157978 Head, Field replacement						
Backhoe Boom	JH-AH212103	Kit	115.00M		N	20
	JH-RE25151	Kit		63.00M	P	19
Backhoe Bucket	JH-AH212096	Kit	90.00M		N	20

Application	Part Number	De cription	Bore	Rod	Wiper	Type
410C BACKHOE LOADER (continued)						
Backhoe Bucket (cont)	JH-RE20595	Kit		50.00M	P	19
	Use with R 82088 Head					
	JH-AH210484	Kit		50.00M	P	19
	Use with H154352 or H208631 Heads					
Backhoe Crowd	JH-AH212101	Kit	100.00M		N	20
	JH-RE20595	Kit		50.00M	P	19
	S/N:	Prior-740538 Use with R 81972 Head				
	JH-AH210484	Kit		50.00M	P	19
	S/N:	Prior-740538 Use with H157978 Head, Field replacement				
	JH-RE31716	Kit		56.00M	P	19
	S/N:	740539-UP Use with R 92314 Head				
	JH-AH149814	Kit		56.00M	P	19
	S/N:	740539-UP Use with H157427 Head, Field replacement				
	BH Ext. Dipperstick	JH-AT79722	Kit	3.000S	1.500S	I
JH-AH212092		Kit	80.00M		N	21
Field replacement						
JH-RE20434		Kit		45.00M	P	19
Use with R 81767 Head, Field replacement						
JH-AH149813		Kit		45.00M	PI	19
Use with H157510 Head, Field replacement						
410D BACKHOE LOADER						
Loader Boom (Lift)	JH-AH212096	Kit	90.00M		N	20
	JH-RE20434	Kit		45.00M	P	19
	Use with R 81766 Head					
	JH-AH149813	Kit		45.00M	PI	19
Use with H157642 Head, Field replacement						
Loader Bucket (Tilt)	JH-AH212096	Kit	90.00M		N	20
	JH-RE20434	Kit		45.00M	P	19
	Use with R 81766 Head					
	JH-AH149813	Kit		45.00M	PI	19
Use with H157642 Head, Field replacement						
Multi-Purpose	JH-AT142582	Kit	3.000S	2.000S	P	5
	Use with AT142578 Cylinder					
	JH-AT190898	Kit	3.000S	2.000S	I	5
	Use with AT190880 Cylinder					
JH-AH209022	Kit	3.000S	50.00M	I	8	
Use with AH210737 Cylinder						
Steering	JH-AH167552	Kit	50.00M		N	21
	S/N:	Prior-780658 Without mechanical front wheel drive				
	JH-RE30100	Kit	2.250S		N	21
	S/N:	780659-UP Without mechanical front wheel drive				
	JH-RE21875	Kit		25.00M	P	19
Without mechanical front wheel drive Use with R 94417 or H140830 Heads						

Application	Part Number	Description	Bore	Rod	Wiper	Type
410D BACKHOE LOADER (continued)						
Steering (cont)	JH-AH149810	Kit		25.00M	P	19
	Without mechanical front wheel drive Use with H157662 or H161330 Heads, Field replacement					
	JH-AT108329	Kit	60.00M	32.00M	I	5
	S/N:	Prior-796854 Mechanical front wheel drive				
	JH-T153744	Kit	65.00M	36.00M	I	15
	S/N:	796855-UP Mechanical front wheel drive				
Backhoe Stabilizer	JH-AH212101	Kit	100.00M		N	20
	JH-RE20595	Kit		50.00M	P	19
	S/N:	Prior-817458 Use with R 81972 Head				
	JH-AH210484	Kit		50.00M	P	19
	S/N:	Prior-817458 Use with H157978 Head, Field replacement				
	S/N:	JH-AH210484 Kit 50.00M P 19 817459-UP				
Backhoe Swing	JH-AH212101	Kit	100.00M		N	20
	JH-RE20595	Kit		50.00M	P	19
	Use with R 81972 Head					
	JH-AH210484	Kit		50.00M	P	19
Use with H157978 Head						
Backhoe Boom	JH-AH212103	Kit	115.00M		N	20
	JH-RE25151	Kit		63.00M	P	19
	S/N:	Prior-801199				
	JH-RE31716	Kit		56.00M	P	19
	S/N:	801200-UP Use with R 92321 Head				
	JH-AH149814	Kit		56.00M	P	19
	S/N:	801200-UP Use with H157428 Head, Field replacement				
	JH-RE14744	Kit	5.000S		N	20
	S/N:	Prior-797021 Heavy Lift arrangement				
	JH-RE14745	Kit		2.500S	P	18
	S/N:	Prior-797021 Heavy Lift arrangement				
	JH-AH137208	Kit	125.00M		N	20
	S/N:	797022-UP Heavy Lift arrangement				
	S/N:	JH-RE25151 Kit 63.00M P 19 797022-UP Heavy Lift arrangement				
Backhoe Bucket	JH-AH212096	Kit	90.00M		N	20
	JH-RE20595	Kit		50.00M	P	19
	Use with R 82088 Head					
	JH-AH210484	Kit		50.00M	P	19
Use with H154352 Head, Field replacement						
Backhoe Crowd	JH-AH212101	Kit	100.00M		N	20

Application	Part Number	Description	Bore	Rod	Wiper	Type
410D BACKHOE LOADER (continued)						
Backhoe Crowd (cont)	JH-RE31716	Kit		56.00M	P	19
	Use with R 92314 Head					
	JH-AH149814	Kit		56.00M	P	19
	Use with H157427 Head, Field replacement					
	JH-AH212103	Kit	115.00M		N	20
	Heavy Lift arrangement					
	JH-RE25151	Kit		63.00M	P	19
	S/N:	Prior-798466 Heavy Lift arrangement				
	JH-AH146415	Kit		63.00M	P	19
	S/N:	798467-UP Heavy Lift arrangement				
BH Ext. Dipperstick	JH-AT79722	Kit	3.000S	1.500S	I	15
	S/N:	Prior-787395				
	JH-AH212092	Kit	80.00M		N	21
	S/N:	787396-UP				
	JH-RE20434	Kit		45.00M	P	19
	S/N:	787396-UP Use with R 81767 or R 96445 Heads				
	JH-AH149813	Kit		45.00M	PI	19
	S/N:	787396-UP Use with H152347 or H157510 Heads, Field replacement				
410E BACKHOE LOADER						
Loader Boom (Lift)	JH-AH212091	Kit	80.00M		N	20
	Use with AH146874 Cylinder					
	JH-AH212092	Kit	80.00M		N	21
	Use with AH207401 or AH211206 Cylinders					
	JH-AH210484	Kit		50.00M	P	19
Loader Bucket (Tilt)	JH-AH212091	Kit	80.00M		N	20
	S/N:	Prior-881677				
	JH-AH147868	Kit		45.00M	P	19
	S/N:	Prior-881677				
	JH-AH212096	Kit	90.00M		N	20
	S/N:	881678-UP Use with AH162038, AH171228, AH173567 or AH216338 Cylinders				
	JH-AH212097	Kit	90.00M		N	21
	S/N:	881678-UP Use with AH220550 Cylinder				
JH-AH210484	Kit		50.00M	P	19	
S/N:	881678-UP					
Multi-Purpose	JH-AT142582	Kit	3.000S	2.000S	P	5
	S/N:	Prior-834807 Use with AT179640 Cylinder				
	JH-AT190898	Kit	3.000S	2.000S	I	5
	S/N:	834808-UP Use with AT182266 or AT190880 Cylinders				
	JH-AH209022	Kit	3.000S	50.00M	I	8
Use with AH210737 Cylinder						
Steering	JH-RE30100	Kit	2.250S		N	21
	S/N:	780659-UP Without mechanical front wheel drive				

Application	Part Number	Description	Bore	Rod	Wiper	Type
410E BACKHOE LOADER (continued)						
Steering (cont)	JH-RE21875	Kit		25.00M	P	19
	S/N: 780659-UP	Without mechanical front wheel drive Use with H140830 Head				
	JH-AH149810	Kit		25.00M	P	19
	S/N: 780659-UP	Without mechanical front wheel drive Use with H161330 Head				
	JH-T153744	Kit	65.00M	36.00M	I	15
	Mechanical front wheel drive Use with AT167332 Cylinder					
Backhoe Stabilizer	JH-AH212101	Kit	100.00M		N	20
	Use with AH148674 or AH148675 Cylinders					
	JH-AH212102	Kit	100.00M		N	21
	Use with AH209133, AH209138, AH219541 or AH219542 Cylinders					
	JH-AH210484	Kit		50.00M	P	19
Backhoe Swing	JH-AH212096	Kit	90.00M		N	20
	JH-AH210484	Kit		50.00M	P	19
Backhoe Boom	JH-AH149848	Kit	125.00M		N	20
	JH-AH149815	Kit		63.00M	P	19
Backhoe Bucket	JH-AH212101	Kit	100.00M		N	20
	JH-AH149815	Kit		63.00M	P	19
Backhoe Crowd	JH-AH212103	Kit	115.00M		N	20
	JH-AH149815	Kit		63.00M	P	19
BH Ext. Dipperstick	JH-AH212089	Kit	70.00M		N	20
	Use with AH152474 or AH175183 Cylinders					
	JH-AH212090	Kit	70.00M		N	21
	Use with AH206600 or AH209719 Cylinders					
	JH-AH149813	Kit		45.00M	PI	19
	JH-AH149194	Kit		40.00M	PI	19
410G BACKHOE LOADER						
Loader Boom (Lift)	JH-AH212091	Kit	80.00M		N	20
	S/N: 1-910494					
	JH-AH212092	Kit	80.00M		N	21
	S/N: 910495-UP					
	JH-AH210484	Kit		50.00M	P	19
Loader Bucket (Tilt)	JH-AH212096	Kit	90.00M		N	20
	S/N: 1-955725					
	JH-AH212097	Kit	90.00M		N	21
	S/N: 955726-UP					
	JH-AH210484	Kit		50.00M	P	19
Multi-Purpose	JH-AT190898	Kit	3.000S	2.000S	I	5
	S/N: 1-925076					
	JH-AH209022	Kit	3.000S	50.00M	I	8
S/N: 925077-UP						
Front Coupler	JH-AH176272	Kit	40.00M	25.00M	I	5
Steering	JH-RE30100	Kit	2.250S		N	21
	Without mechanical front wheel drive					

Application	Part Number	Description	Bore	Rod	Wiper	Type	
410G BACKHOE LOADER (continued)							
Steering (cont)	JH-AH149810	Kit		25.00M	P	19	
	Without mechanical front wheel drive						
	JH-T153744	Kit	65.00M	36.00M	I	15	
	S/N: 1-911131	Mechanical front wheel drive					
Backhoe Stabilizer	JH-AH212101	Kit	100.00M		N	20	
	S/N: 1-925993						
	JH-AH212102	Kit	100.00M		N	21	
	S/N: 925994-UP						
Backhoe Swing	JH-AH210484	Kit		50.00M	P	19	
	JH-AH21096	Kit	90.00M		N	20	
Backhoe Boom	JH-AH210484	Kit		50.00M	P	19	
	JH-AH149848	Kit	125.00M		N	20	
Backhoe Bucket	JH-AH149815	Kit		63.00M	P	19	
	JH-AH212101	Kit	100.00M		N	20	
Backhoe Crowd	JH-AH149815	Kit		63.00M	P	19	
	JH-AH212103	Kit	115.00M		N	20	
BH Ext. Dipperstick	JH-AH212089	Kit	70.00M		N	20	
	S/N: 1-911725						
	JH-AH212090	Kit	70.00M		N	21	
	S/N: 911726-UP						
	JH-AH149813	Kit		45.00M	PI	19	
	S/N: 1-927725						
S/N: 927726-UP	JH-AH149194	Kit		40.00M	PI	19	
415B BACKHOE LOADER							
Loader Boom (Lift)	JH-RE30816	Kit	3.250S		N	20	
	JH-RE16209	Kit		1.750S	P	18	
Loader Bucket (Tilt)	JH-RE14517	Kit	3.500S		N	20	
	JH-RE30874	Kit		1.750S	P	18	
Steering	JH-RE14551	Kit	2.000S		N	21	
	Without mechanical front wheel drive						
	JH-RE14552	Kit		1.000S	P	19	
	Without mechanical front wheel drive						
	JH-AT78498	Kit	50.00M	25.00M	I	5	
Mechanical front wheel drive							
Backhoe Stabilizer	JH-RE14082	Kit	3.000S		N	21	
	JH-RE14550	Kit		1.750S	P	18	
	JH-RE20428	Kit	70.00M		N	20	
	JH-RE20434	Kit		45.00M	P	19	
	Use with R 81763 Head						
	JH-AH149813	Kit		45.00M	PI	19	
Use with H154402 Head, Field replacement							
Backhoe Swing	JH-RE14555	Kit	4.000S		N	21	
	JH-RE14556	Kit		2.000S	P	19	
Backhoe Boom	JH-RE14523	Kit	4.500S		N	20	
	JH-RE14208	Kit		2.250S	P	18	
Backhoe Bucket	JH-RE16076	Kit	3.500S		N	20	

Application	Part Number	Description	Bore	Rod	Wiper	Type
415B BACKHOE LOADER (continued)						
Backhoe Bucket (cont)	JH-RE14516	Kit		2.500S	P	19
Backhoe Crowd	JH-RE16118	Kit	4.000S		N	20
	JH-RE16119	Kit		2.000S	P	18
BH Ext. Dipperstick	JH-AT50213	Kit	2.500S	1.250S	I	0
	Soft seal kit					
	JH-AT50214	Kit	2.500S	1.250S	I	0
	Major kit					
	JH-AT79722	Kit	3.000S	1.500S	I	15
500A BACKHOE LOADER						
Backhoe Models: 95,97,9700						
Loader Boom (Lift)	JH-AR105430	Kit	2.750S	1.500S	P	1
Loader Bucket (Tilt)	JH-AR105430	Kit	2.750S	1.500S	P	1
Backhoe Stabilizer	JH-RE18751	Kit	3.000S	1.750S	P	1
	95 Only					
	JH-RE18754	Kit	3.500S	1.750S	P	1
97,9700 Only						
Backhoe Swing	JH-RE18730	Kit	4.000S	1.750S	P	1
	9700 Only					
Backhoe Boom	JH-RE10640	Kit	4.500S	2.250S	P	1
Backhoe Bucket	JH-RE18757	Kit	3.500S	2.250S	P	1
Backhoe Crowd	JH-AR105387	Kit	4.000S	2.000S	P	1
500B BACKHOE LOADER						
Backhoe Model: 9900						
Loader Boom (Lift)	JH-AR105392	Kit	3.500S	2.000S	P	1
Loader Bucket (Tilt)	JH-RE18751	Kit	3.000S	1.750S	P	1
Backhoe Stabilizer	JH-AR105441	Kit	4.500S	2.500S	P	1
Backhoe Swing	JH-AR105384	Kit	4.500S	2.000S	P	1
Backhoe Boom	JH-AR105443	Kit	5.500S	2.500S	P	1
	Use with AU42882 Cylinder					
	JH-RE13277	Kit	5.500S	2.500S	P	1
	Use with AT37797 Cylinder					
	JH-AR105281	Kit	5.500S	2.500S	P	11
Backhoe Bucket	JH-AR96526	Kit	4.000S	2.500S	P	1
Backhoe Crowd	JH-AR105443	Kit	5.500S	2.500S	P	1
	Use with AU42875 or AT35944 Cylinders					
	JH-RE18734	Kit	5.500S	2.500S	P	1
Use with AT38002 Cylinder						

Application	Part Number	Description	Bore	Rod	Wiper	Type
500C BACKHOE LOADER						
Loader Boom (Lift)	JH-AR105402	Kit	3.250S	1.750S	P	1
Loader Bucket (Tilt)	JH-AR105429	Kit	3.250S	1.500S	P	1
Steering	JH-RE19219	Kit	1.688S	1.125S	P	5
S/N:	238503-UP					
Backhoe Stabilizer	JH-RE18754	Kit	3.500S	1.750S	P	1
S/N:	Prior-700717					
	JH-RE12912	Kit	3.500S	1.750S	P	17
S/N:	700718-UP					
Backhoe Swing	JH-RE18730	Kit	4.000S	1.750S	P	1
S/N:	Prior-303508					
	JH-AR105387	Kit	4.000S	2.000S	P	1
S/N:	303509-700717					
	JH-RE18741	Kit	4.000S	2.000S	P	17
S/N:	700718-UP					
Backhoe Boom	JH-AR105355	Kit	4.500S	2.250S	P	1
S/N:	Prior-700717					
	JH-RE18764	Kit	4.500S	2.250S	P	17
S/N:	700718-UP					
Backhoe Bucket	JH-RE18757	Kit	3.500S	2.250S	P	1
S/N:	Prior-700717					
	JH-RE18758	Kit	3.500S	2.250S	P	17
S/N:	700718-UP					
Backhoe Crowd	JH-AR105355	Kit	4.500S	2.250S	P	1
S/N:	Prior-700717					
	JH-RE18764	Kit	4.500S	2.250S	P	17
S/N:	700718-UP					
BH Ext. Dipperstick	JH-AT50213	Kit	2.500S	1.250S	I	0
	Soft seal kit					
	JH-AT50214	Kit	2.500S	1.250S	I	0
	Major kit					
510 BACKHOE LOADER						
Loader Boom (Lift)	JH-AR105381	Kit	3.750S	2.000S	P	1
Loader Bucket (Tilt)	JH-AR105392	Kit	3.500S	2.000S	P	1
Loader Clam	CS-G 32299	Kit	4.000S	2.000S	P	9
	Drott 4-in-1 Bucket					
Backhoe Stabilizer	JH-AR105441	Kit	4.500S	2.500S	P	1
S/N:	Prior-700717					
	JH-RE14094	Kit	4.500S		N	20
S/N:	700718-UP					
	JH-RE17345	Kit		2.500S	P	18
S/N:	700718-UP					
Backhoe Swing	JH-AR105384	Kit	4.500S	2.000S	P	1
S/N:	Prior-700717					
	JH-RE19225	Kit	4.500S	2.000S	P	17
S/N:	700718-UP					
Backhoe Boom	JH-AR105443	Kit	5.500S	2.500S	P	1
S/N:	Prior-155578					

Application	Part Number	Description	Bore	Rod	Wiper	Type
510 BACKHOE LOADER (continued)						
Backhoe Boom (cont)	JH-RE13277	Kit	5.500S	2.500S	P	1
	S/N: 155579-249770					
	JH-AR105281	Kit	5.500S	2.500S	P	11
	S/N: 249771-700717					
Backhoe Boom	JH-RE18745	Kit	5.500S	2.500S	P	15
	S/N: 700718-UP					
Backhoe Bucket	JH-AR96526	Kit	4.000S	2.500S	P	1
	S/N: Prior-700717					
	JH-RE18735	Kit	4.000S	2.500S	P	17
	S/N: 700718-UP					
Backhoe Crowd	JH-AR105443	Kit	5.500S	2.500S	P	1
	S/N: Prior-155578					
	JH-RE18734	Kit	5.500S	2.500S	P	1
	S/N: 155579-700717					
	JH-RE18740	Kit	5.500S	2.500S	P	17
	S/N: 700718-UP					
510B BACKHOE LOADER						
Loader Boom (Lift)	JH-RE14517	Kit	3.500S		N	20
	JH-RE16209	Kit		1.750S	P	18
Loader Bucket (Tilt)	JH-RE14567	Kit	4.000S		N	20
	JH-RE16119	Kit		2.000S	P	18
Steering	JH-RE14551	Kit	2.000S		N	21
	Without mechanical front wheel drive					
	JH-RE14552	Kit		1.000S	P	19
	Without mechanical front wheel drive					
	JH-AT78498	Kit	50.00M	25.00M	I	5
	Mechanical front wheel drive					
Backhoe Stabilizer	JH-RE16118	Kit	4.000S		N	20
	S/N: Prior-719455					
	JH-RE16119	Kit		2.000S	P	18
	S/N: Prior-719455					
	JH-AH149844	Kit	100.00M		N	20
	S/N: 719456-UP					
	JH-RE20595	Kit		50.00M	P	19
	S/N: 719456-UP Use with R 81972 Head					
	JH-AH148164	Kit		50.00M	P	19
	S/N: 719456-UP Use with H157978 Head, Field replacement					
Backhoe Swing	JH-RE16118	Kit	4.000S		N	20
	JH-RE16119	Kit		2.000S	P	18
	JH-AH149844	Kit	100.00M		N	20
	JH-RE20595	Kit		50.00M	P	19
	Use with R 81972 Head					
	JH-AH148164	Kit		50.00M	P	19
	Use with H157978 Head, Field replacement					
Backhoe Boom	JH-RE14744	Kit	5.000S		N	20
	JH-RE14745	Kit		2.500S	P	18
Backhoe Bucket	JH-RE16076	Kit	3.500S		N	20

Application	Part Number	De cription	Bore	Rod	Wiper	Type	
510B BACKHOE LOADER (continued)							
Backhoe Bucket (cont)	JH-RE14538	Kit		2.250S	P	18	
Backhoe Crowd	JH-RE14094	Kit	4.500S		N	20	
	JH-RE14208	Kit		2.250S	P	18	
BH Ext. Dipperstick	JH-AT50213	Kit	2.500S	1.250S	I	0	
	S/N: Prior-708099 Soft seal kit						
	JH-AT50214	Kit	2.500S	1.250S	I	0	
	S/N: Prior-708099 Major kit						
	JH-AT79722	Kit	3.000S	1.500S	I	15	
S/N: 708100-UP							
510C BACKHOE LOADER							
Loader Boom (Lift)	JH-AH212096	Kit	90.00M		N	20	
	JH-RE20434	Kit		45.00M	P	19	
	Use with R 81766 Head						
	JH AH149813	Kit		45.00M	PI	19	
	Use with H157642 Head, Field replacement						
Loader Bucket (Tilt)	JH-AH212101	Kit	100.00M		N	20	
	JH-RE20595	Kit		50.00M	P	19	
	Use with R 81972 Head						
	JH-AH210484	Kit		50.00M	P	19	
	Use with H157978 Head						
Multi-Purpose	JH-AT142582	Kit	3.000S	2.000S	P	5	
	S/N: 769393 UP Use with AT142578 Cylinder						
	JH-AT190898	Kit	3.000S	2.000S	I	5	
	S/N: 769393-UP Use with AT190880 Cylinder						
	JH-AH209022	Kit	3.000S	50.00M	I	8	
Use with AH210737 Cylinder							
Steering	JH-RE14551	Kit	2 000S		N	21	
	Without mechanical front wheel drive						
	JH-RE14552	Kit		1.000S	P	19	
	Without mechanical front wheel drive						
	JH-RE21874	Kit	50.00M		N	20	
	S/N: Prior-746966 Without mechanical front wheel drive Use with RE21961 Cylinder						
	JH-RE33803	Kit	50.00M		N	20	
	S/N: 746967-UP Without mechanical front wheel drive Use with RE33800 Cylinder						
	JH-AH167552	Kit	50.00M		N	21	
	Without mechanical front wheel drive Use with AH139130 or AH154780 Cylinders, Field replacement						
	JH-RE21875	Kit		25.00M	P	19	
Without mechanical front wheel drive Use with R 82565 or R 94417 Heads							

Application	Part Number	Description	Bore	Rod	Wiper	Type
510C BACKHOE LOADER (continued)						
Steering (cont)	JH-AH149810	Kit		25.00M	P	19
	Without mechanical front wheel drive Use with H157662 Head, Field replacement					
	JH-AT78498	Kit	50.00M	25.00M	I	5
	S/N:	Prior-749405 Mechanical front wheel drive				
	JH-AT108329	Kit	60.00M	32.00M	I	5
	S/N:	749406-UP Mechanical front wheel drive				
Backhoe Stabilizer	JH-AH212101	Kit	100.00M		N	20
	JH-RE20595	Kit		50.00M	P	19
	Use with R 81972 Head					
	JH-AH210484	Kit		50.00M	P	19
	Use with H157978 Head					
Backhoe Swing	JH-RE16118	Kit	4.000S		N	20
	S/N:	Prior 737926				
	JH-RE16119	Kit		2.000S	P	18
	S/N:	Prior-737926				
	JH-AH212101	Kit	100.00M		N	20
	S/N:	737927-UP				
	JH-RE20595	Kit		50.00M	P	19
	S/N:	737927-UP Use with R 81972 Head				
	S/N:	737927-UP Use with H157978 Head, Field replacement				
Backhoe Boom	JH-RE14744	Kit	5.000S		N	20
	JH-RE14745	Kit		2.500S	P	18
Backhoe Bucket	JH AH212096	Kit	90.00M		N	20
	JH-RE20595	Kit		50.00M	P	19
	Use with R 82088 Head					
	JH-AH210484	Kit		50.00M	P	19
Use with H154352 or H208631 Heads						
Backhoe Crowd	JH-AH212103	Kit	115.00M		N	20
	JH-RE25151	Kit		63.00M	P	19
	S/N:	1-762814				
	JH-RE25151	Kit		63.00M	P	19
	S/N:	762815-UP Use with AH135266 Cylinder				
BH Ext. Dipperstick	JH-AT79722	Kit	3.000S	1.500S	I	15
	JH-AH212092	Kit	80.00M		N	21
	Field replacement					
	JH-AH149813	Kit		45.00M	PI	19
Field replacement						

Application	Part Number	Description	Bore	Rod	Wiper	Type
510D BACKHOE LOADER						
Loader Boom (Lift)	JH-AH212096	Kit	90.00M		N	20
	JH-RE20434	Kit		45.00M	P	19
	Use with R 81766 Head					
	JH-AH149813	Kit		45.00M	PI	19
	Use with H157642 Head, Field replacement					
Loader Bucket (Tilt)	JH-AH212101	Kit	100.00M		N	20
	JH-RE20595	Kit		50.00M	P	19
	S/N:	Prior-817458 Use with R 81972 Head				
	JH-AH210484	Kit		50.00M	P	19
	S/N:	Prior-817458 Use with H157898 Head				
	JH-AH210484	Kit		50.00M	P	19
	S/N:	817459-UP				
Multi-Purpose	JH-AT142582	Kit	3.000S	2.000S	P	5
	Use with AT142578 Cylinder					
	JH-AT190898	Kit	3.000S	2.000S	I	5
	Use with AT190880 Cylinder					
	JH-AH209022	Kit	3.000S	50.00M	I	8
Use with AH210737 Cylinder						
Steering	JH-AH167552	Kit	50.00M		N	21
	S/N:	Prior-780658 Without mechanical front wheel drive				
	JH-RE30100	Kit	2.250S		N	21
	S/N:	780659-UP Without mechanical front wheel drive				
	JH-RE21875	Kit		25.00M	P	19
	Without mechanical front wheel drive Use with R 94417 or H140830 Heads					
	JH-AH149810	Kit		25.00M	P	19
	Without mechanical front wheel drive Use with H157662 or H161330 Heads, Field replacement					
	JH-AT108329	Kit	60.00M	32.00M	I	5
	S/N:	Prior-796854 Mechanical front wheel drive				
	JH-T153744	Kit	65.00M	36.00M	I	15
S/N:	796855-UP Mechanical front wheel drive					
Backhoe Stabilizer	JH-AH212101	Kit	100.00M		N	20
	JH-RE20595	Kit		50.00M	P	19
	S/N:	Prior-817458 Use with R 81972 Head				
	JH-AH210484	Kit		50.00M	P	19
	S/N:	Prior-817458 Use with H157978 Head, Field replacement				
	JH-AH210484	Kit		50.00M	P	19
S/N:	817459-UP					
Backhoe Swing	JH-AH212101	Kit	100.00M		N	20

Application	Part Number	Description	Bore	Rod	Wiper	Type
510D BACKHOE LOADER (continued)						
Backhoe Swing (cont)	JH-RE20595	Kit		50.00M	P	19
	Use with R 81972 Head					
	JH-AH210484	Kit		50.00M	P	19
	Use with H157978 Head					
Backhoe Boom	JH-RE14744	Kit	5.000S		N	20
	S/N:	Prior-797021				
	JH-RE14745	Kit		2.500S	P	18
	S/N:	Prior-797021				
	JH-AH137208	Kit	125.00M		N	20
	S/N:	797022-UP				
	JH-RE25151	Kit		63.00M	P	19
	S/N:	797022-UP				
Backhoe Bucket	JH-AH212096	Kit	90.00M		N	20
	JH-RE20595	Kit		50.00M	P	19
	Use with R 82088 Head					
	JH-AH210484	Kit		50.00M	P	19
	Use with H154352 Head, Field replacement					
Backhoe Crowd	JH-AH212103	Kit	115.00M		N	20
	JH-RE25151	Kit		63.00M	P	19
	S/N:	Prior-798466				
	JH-AH146415	Kit		63.00M	P	19
	S/N:	798467-UP				
BH Ext. Dipperstick	JH-AT79722	Kit	3.000S	1.500S	I	15
	S/N:	Prior-787395				
	JH-AH212092	Kit	80.00M		N	21
	S/N:	787396-UP				
	JH-RE20434	Kit		45.00M	P	19
	S/N:	787396-UP				
	JH-AH149813	Kit		45.00M	PI	19
	S/N:	787396-UP				
Use with H152347 or H157510 Heads, Field replacement						
515B BACKHOE LOADER						
Loader Boom (Lift)	JH-RE14517	Kit	3.500S		N	20
	JH-RE16209	Kit		1.750S	P	18
Loader Bucket (Tilt)	JH-RE14567	Kit	4.000S		N	20
	JH-RE16119	Kit		2.000S	P	18
Steering	JH-RE14551	Kit	2.000S		N	21
	Without mechanical front wheel drive					
	JH-RE14552	Kit		1.000S	P	19
	Without mechanical front wheel drive					
	JH-AT78498	Kit	50.00M	25.00M	I	5
Mechanical front wheel drive						
Backhoe Stabilizer	JH-RE14082	Kit	3.000S		N	21
	JH-RE14550	Kit		1.750S	P	18
	JH-RE20428	Kit	70.00M		N	20
	JH-RE20434	Kit		45.00M	P	19
	Use with R 81763 Head					

Application	Part Number	Description	Bore	Rod	Wiper	Type
515B BACKHOE LOADER						
(continued)						
Backhoe Stabilizer (cont)	JH-AH149813	Kit		45.00M	PI	19
	Use with H154402 Head, Field replacement					
Backhoe Swing	JH-RE14555	Kit	4.000S		N	21
	JH-RE14556	Kit		2.000S	P	19
Backhoe Boom	JH-RE14523	Kit	4.500S		N	20
	JH-RE14208	Kit		2.250S	P	18
Backhoe Bucket	JH-RE16076	Kit	3.500S		N	20
	JH-RE14538	Kit		2.250S	P	18
Backhoe Crowd	JH-RE14523	Kit	4.500S		N	20
	JH-RE14522	Kit		2.250S	P	19
BH Ext. Dipperstick	JH-AT50213	Kit	2.500S	1.250S	I	0
	Soft seal kit					
	JH-AT50214	Kit	2.500S	1.250S	I	0
	Major kit					
	JH-AT79722	Kit	3.000S	1.500S	I	15
610B BACKHOE LOADER						
Loader Boom (Lift)	JH-RE14517	Kit	3.500S		N	20
	JH-RE16209	Kit		1.750S	P	18
Loader Bucket (Tilt)	JH-RE14567	Kit	4.000S		N	20
	JH-RE16119	Kit		2.000S	P	18
Steering	JH-RE14551	Kit	2.000S		N	21
	Without mechanical front wheel drive					
	JH-RE14552	Kit		1.000S	P	19
	Without mechanical front wheel drive					
	JH-AT78498	Kit	50.00M	25.00M	I	5
Mechanical front wheel drive						
Backhoe Stabilizer	JH-RE16118	Kit	4.000S		N	20
	S/N: Prior-719557					
	JH-RE16119	Kit		2.000S	P	18
	S/N: Prior-719557					
	JH-AH212101	Kit	100.00M		N	20
	S/N: 719558-UP					
	JH-RE20595	Kit		50.00M	P	19
	S/N: 719558-UP					
	Use with R 81972 Head					
	JH-AH210484	Kit		50.00M	P	19
S/N: 719558-UP						
Use with H157978 Head, Field replacement						
Backhoe Swing	JH-RE16118	Kit	4.000S		N	20
	JH-RE16119	Kit		2.000S	P	18
	JH-AH212101	Kit	100.00M		N	20
	JH-RE20595	Kit		50.00M	P	19
	Use with R 81972 Head					
	JH-AH210484	Kit		50.00M	P	19
Use with H157978 Head, Field replacement						
Backhoe Boom	JH-RE14744	Kit	5.000S		N	20
	JH-RE14745	Kit		2.500S	P	18
Backhoe Bucket	JH-RE16076	Kit	3.500S		N	20
	JH-RE14538	Kit		2.250S	P	18

Application	Part Number	Description	Bore	Rod	Wiper	Type	
610B BACKHOE LOADER (continued)							
Backhoe Crowd	JH-RE14094	Kit	4.500S		N	20	
	JH-RE14208	Kit		2.250S	P	18	
BH Ext. Dipperstick	JH-AT79722	Kit	3.000S	1.500S	I	15	
610C BACKHOE LOADER							
Loader Boom (Lift)	JH-AH212096	Kit	90.00M		N	20	
	JH-RE20434	Kit		45.00M	P	19	
	Use with R 81766 Head						
	JH-AH149813	Kit		45.00M	PI	19	
Use with H157642 Head, Field replacement							
Loader Bucket (Tilt)	JH-AH212101	Kit	100.00M		N	20	
	JH-RE20595	Kit		50.00M	P	19	
	Use with R 81972 Head						
	JH-AH210484	Kit		50.00M	P	19	
Use with H157978 Head							
Multi-Purpose	JH-AT142582	Kit	3.000S	2.000S	P	5	
	S/N: 769393-UP	Use with AT142578 Cylinder					
	JH-AT190898	Kit	3.000S	2.000S	I	5	
	S/N: 769393-UP	Use with AT190880 Cylinder					
	JH-AH209022	Kit	3.000S	50.00M	I	8	
	Use with AH210737 Cylinder						
	Steering	JH-RE14551	Kit	2.000S		N	21
		Without mechanical front wheel drive					
JH-RE14552		Kit		1.000S	P	19	
Without mechanical front wheel drive							
	JH-RE21874	Kit	50.00M		N	20	
	S/N: Prior-746966	Without mechanical front wheel drive					
	Use with RE21961 Cylinder						
	JH-RE33803	Kit	50.00M		N	20	
S/N: 746967-UP	Without mechanical front wheel drive						
Use with RE33800 Cylinder							
	JH-AH167552	Kit	50.00M		N	21	
	Without mechanical front wheel drive						
	Use with AH139130 or AH154780 Cylinders, Field replacement						
	JH-RE21875	Kit		25.00M	P	19	
Without mechanical front wheel drive							
Use with R 82565 or R 94417 Heads							
	JH-AH149810	Kit		25.00M	P	19	
	Use with H157662 Head, Field replacement						
	JH-AT78498	Kit	50.00M	25.00M	I	5	
	S/N: Prior-749405	Mechanical front wheel drive					
	JH-AT108329	Kit	60.00M	32.00M	I	5	
	S/N: 749406-UP	Mechanical front wheel drive					
Backhoe Stabilizer	JH-AH212101	Kit	100.00M		N	20	

Application	Part Number	Description	Bore	Rod	Wiper	Type
610C BACKHOE LOADER (continued)						
Backhoe Stabilizer (cont)	JH-RE20595	Kit		50.00M	P	19
	Use with R 81972 Head					
	JH-AH210484	Kit		50.00M	P	19
	Use with H157978 Head					
Backhoe Swing	JH-RE16118	Kit	4.000S		N	20
	S/N: Prior-737926					
	JH-RE16119	Kit		2.000S	P	18
	S/N: Prior-737926					
	JH-AH212101	Kit	100.00M		N	20
	S/N: 737927-UP					
	JH-RE20595	Kit		50.00M	P	19
	S/N: 737927-UP	Use with R 81972 Head				
	JH-AH210484	Kit		50.00M	P	19
	S/N: 737927-UP	Use with H157978 Head, Field replacement				
Backhoe Boom	JH-RE14744	Kit	5.000S		N	20
	JH-RE14745	Kit		2.500S	P	18
Backhoe Bucket	JH-AH212096	Kit	90.00M		N	20
	JH-RE20595	Kit		50.00M	P	19
	Use with R82088 Head					
	JH-AH210484	Kit		50.00M	P	19
Use with H154352 or H208631 Heads						
Backhoe Crowd	JH-AH212103	Kit	115.00M		N	20
	JH-RE25151	Kit		63.00M	P	19
	S/N: 1-762814					
	JH-RE25151	Kit		63.00M	P	19
	S/N: 726815-UP	Use with AH135266 Cylinder				
BH Ext. Dipperstick	JH-AT79722	Kit	3.000S	1.500S	I	15
	JH-AH212092	Kit	80.00M		N	21
	Field replacement					
	JH-AH149813	Kit		45.00M	PI	19
Field replacement						
710B BACKHOE LOADER						
Loader Boom (Lift)	JH-RE14771	Kit	3.750S		N	20
	JH-RE30817	Kit		2.000S	P	18
Loader Bucket (Tilt)	JH-RE14523	Kit	4.500S		N	20
	JH-RE16119	Kit		2.000S	P	18
Multi-Purpose	JH-AT142582	Kit	3.000S	2.000S	P	5
	S/N: 768252-UP	Use with AT142578 Cylinder				
	JH-AT190898	Kit	3.000S	2.000S	I	5
	S/N: 768252-UP	Use with AT190880 Cylinder				
	JH-AH209022	Kit	3.000S	50.00M	I	8
S/N: 768252-UP	Use with AH210737 Cylinder					
Steering	JH-RE14772	Kit	2.750S		N	21
	Without mechanical front wheel drive					

Application	Part Number	Description	Bore	Rod	Wiper	Type
710B BACKHOE LOADER (continued)						
Steering (cont)	JH-RE14773	Kit		1.250S	P	19
	Without mechanical front wheel drive					
Backhoe Stabilizer	JH-RE14094	Kit	4.500S		N	20
	JH-RE14745	Kit		2.500S	P	18
Backhoe Swing	JH-RE14523	Kit	4.500S		N	20
	JH-AH139417	Kit		2.250S	P	19
	JH-AH212103	Kit	115.00M		N	20
	JH-RE31716	Kit		56.00M	P	19
	Use with R 92321 Head					
	JH-AH149814	Kit		56.00M	P	19
	Use with H157428 Head, Field replacement					
Backhoe Boom	JH-RE14879	Kit	6.000S		N	20
	JH-RE14880	Kit		2.750S	P	19
Backhoe Bucket	JH-RE14567	Kit	4.000S		N	20
	JH-RE14516	Kit		2.500S	P	19
Backhoe Crowd	JH-RE14877	Kit	5.500S		N	20
	JH-RE14878	Kit		2.750S	P	18
BH Ext. Dipperstick	JH AT79722	Kit	3.000S	1.500S	I	15
	S/N: 708314-831989					
	JH-AH212092	Kit	80.00M		N	21
	S/N: Prior-831989 Field replacement					
	JH-AH149813	Kit		45.00M	PI	19
	S/N: Prior-831989 Field replacement					
	JH-AH212092	Kit	80.00M		N	21
	S/N: 831990-UP					
	JH-AH149813	Kit		45.00M	PI	19
	S/N: 831990-UP					
710C BACKHOE LOADER						
Loader Boom (Lift)	JH-AH212101	Kit	100.00M		N	20
	JH-RE31716	Kit		56.00M	P	19
	Use with R 92314 Head					
	JH-AH149814	Kit		56.00M	P	19
	Use with H157427 Head, Field replacement					
Loader Bucket (Tilt)	JH-AH212103	Kit	115.00M		N	20
	JH-RE31716	Kit		56.00M	P	19
	Use with R 92321 Head					
	JH-AH149814	Kit		56.00M	P	19
	Use with H157428 or H157978 Heads, Field replacement					
Multi-Purpose	JH-AT142582	Kit	3.000S	2.000S	P	5
	S/N: 768252-UP Use with AT142578 Cylinder					
	JH-AT190898	Kit	3.000S	2.000S	I	5
	S/N: 768252-UP Use with AT190880 Cylinder					
	JH-AH209022	Kit	3.000S	50.00M	I	8
S/N: 768252-UP Use with AH210737 Cylinder						

Application	Part Number	Description	Bore	Rod	Wiper	Type
710C BACKHOE LOADER (continued)						
Steering	JH-AH212089	Kit	70.00M		N	20
	Without mechanical front wheel drive					
	JH-RE21873	Kit		32.00M	P	19
	Without mechanical front wheel drive Use with R 99614 Head					
	JH-AH169647	Kit		32.00M	I	19
Without mechanical front wheel drive Use with H161331 Head, Field replacement						
Backhoe Stabilizer	JH-AH212103	Kit	115.00M		N	20
	JH-RE28899	Kit		63.00M	P	19
	Use with R 88047 Head					
	JH-AH149815	Kit		63.00M	P	19
Use with H157429 Head, Field replacement						
Backhoe Swing	JH-RE14523	Kit	4.500S		N	20
	JH-AH139417	Kit		2.250S	P	19
	JH-AH212103	Kit	115.00M		N	20
	JH-RE31716	Kit		56.00M	P	19
	Use with R 92321 Head					
	JH-AH149814	Kit		56.00M	P	19
Use with H157428 Head, Field replacement						
Backhoe Boom	JH-AH137210	Kit	160.00M		N	20
	JH-RE25152	Kit		80.00M	P	19
Backhoe Bucket	JH-AH212101	Kit	100.00M		N	20
	JH-AH134477	Kit		63.00M	P	19
	Use with R 98382 or H142175 Heads					
	JH-RE25151	Kit		63.00M	P	19
Use with H149340 Head						
Backhoe Crowd	JH-AH137209	Kit	140.00M		N	20
	JH-RE37462	Kit		70.00M	P	19
BH Ext. Dipperstick	JH-AT79722	Kit	3.000S	1.500S	I	15
	S/N: Prior-831989					
	JH-AH212092	Kit	80.00M		N	21
	S/N: Prior-831989	Field replacement				
	JH-AH149813	Kit		45.00M	PI	19
	S/N: Prior-831989	Field replacement				
	JH-AH212092	Kit	80.00M		N	21
	S/N: 831990-UP					
	JH-AH149813	Kit		45.00M	PI	19
	S/N: 831990-UP					

Application	Part Number	Description	Bore	Rod	Wiper	Type
710D BACKHOE LOADER						
Loader Boom (Lift)	JH-AH212101	Kit	100.00M		N	20
	JH-RE31716	Kit		56.00M	P	19
	Use with R 92314 Head					
	JH-AH149814	Kit		56.00M	P	19
	Use with H157427 Head, Field replacement					
Loader Bucket (Tilt)	JH-AH212103	Kit	115.00M		N	20
	JH-RE31716	Kit		56.00M	P	19
	Use with R 92321 Head					
	JH-AH149814	Kit		56.00M	P	19
	Use with H157428 Head, Field replacement					
Multi-Purpose	JH-AT142582	Kit	3.000S	2.000S	P	5
	S/N: Prior-889259	Use with AT142578 Cylinder				
	JH-AT190898	Kit	3.000S	2.000S	I	5
	S/N: 889260-UP	Use with AT190880 Cylinder				
	JH-AH209022	Kit	3.000S	50.00M	I	8
Use with AH210737 Cylinder						
Steering	JH-AH212089	Kit	70.00M		N	20
	Without mechanical front wheel drive					
	JH-RE21873	Kit		32.00M	P	19
	Without mechanical front wheel drive Use with R 99614 Head					
	JH-AH169647	Kit		32.00M	I	19
Without mechanical front wheel drive Use with H161331 Head, Field replacement						
Backhoe Stabilizer	JH-AH212103	Kit	115.00M		N	20
	JH-RE28899	Kit		63.00M	P	19
	S/N: Prior-831989	Use with R 88047 Head				
	JH-AH149815	Kit		63.00M	P	19
	S/N: Prior-831989	Use with H157429 Head, Field replacement				
JH-AH149815	Kit		63.00M	P	19	
S/N: 831990-UP						
Backhoe Swing	JH-AH212103	Kit	115.00M		N	20
	JH-RE31716	Kit		56.00M	P	19
	Use with R 92321 Head					
	JH-AH149814	Kit		56.00M	P	19
Use with H157428 Head, Field replacement						
Backhoe Boom	JH-AH137210	Kit	160.00M		N	20
	JH-RE25152	Kit		80.00M	P	19
Backhoe Bucket	JH-AH212101	Kit	100.00M		N	20
	JH-RE25151	Kit		63.00M	P	19
Backhoe Crowd	JH-AH137209	Kit	140.00M		N	20
	JH-AH142089	Kit		70.00M	P	19
BH Ext. Dipperstick	JH-AH212092	Kit	80.00M		N	21
	JH-RE20434	Kit		45.00M	P	19
	Use with R 96445 Head					

Application	Part Number	Description	Bore	Rod	Wiper	Type
710D BACKHOE LOADER (continued)						
BH Ext. Dipperstick (cont)	JH-AH149813	Kit		45.00M	PI	19
	Use with H157510 Head, Field replacement					
710G BACKHOE LOADER						
Loader Boom (Lift)	JH-AH212101	Kit	100.00M		N	20
	JH-AH149814	Kit		56.00M	P	19
Loader Bucket (Tilt)	JH-AH212585	Kit	110.00M		N	20
	JH-AH149814	Kit		56.00M	P	19
Multi-Purpose	JH-AT190898	Kit	3.000S	2.000S	I	5
	S/N: 1-925076					
	JH-AH209022	Kit	3.000S	50.00M	I	8
S/N: 925077-UP						
Front Coupler	JH-AH176273	Kit	45.00M	28.00M	I	5
Steering	JH-AT301907	Kit	75.00M	50.00M	I	5
	Mechanical front wheel drive					
Backhoe Stabilizer	JH-AH212103	Kit	115.00M		N	20
	JH-AH149815	Kit		63.00M	P	19
Backhoe Swing	JH-AH210287	Kit	110.00M		N	20
	S/N: 1-957322					
	JH-AH212585	Kit	110.00M		N	20
S/N: 957323-UP						
Backhoe Boom	JH-AH149814	Kit		56.00M	P	19
	JH-AH137210	Kit	160.00M		N	20
Backhoe Bucket	JH-AH159192	Kit		95.00M	P	19
	JH-AH149845	Kit	110.00M		N	20
Backhoe Crowd	JH-AH156466	Kit		70.00M	P	19
	JH-AH216299	Kit	140.00M		N	20
BH Ext. Dipperstick	JH-AH207190	Kit		85.00M	P	19
	JH-AH212092	Kit	80.00M		N	21
	JH-AH149813	Kit		45.00M	PI	19
710J BACKHOE LOADER						
Loader Boom (Lift)	JH-AH212101	Kit	100.00M		N	20
	JH-AH149814	Kit		56.00M	P	19
Loader Bucket (Tilt)	JH-AH212585	Kit	110.00M		N	20
	JH-AH149814	Kit		56.00M	P	19
Multi-Purpose	JH-AH209022	Kit	3.000S	50.00M	I	8
Front Coupler	JH-AH176273	Kit	45.00M	28.00M	I	5
Steering	JH-AT301907	Kit	75.00M	50.00M	I	5
	Mechanical front wheel drive					
Backhoe Stabilizer	JH-AH212103	Kit	115.00M		N	20
	JH-AH149815	Kit		63.00M	P	19
Backhoe Swing	JH-AH212585	Kit	110.00M		N	20
	JH-AH149814	Kit		56.00M	P	19
Backhoe Boom	JH-AH137210	Kit	160.00M		N	20
	JH-AH159192	Kit		95.00M	P	19
Backhoe Bucket	JH-AH149845	Kit	110.00M		N	20
	JH-AH156466	Kit		70.00M	P	19
Backhoe Crowd	JH-AH216299	Kit	140.00M		N	20

Application	Part Number	Description	Bore	Rod	Wiper	Type
710J BACKHOE LOADER (continued)						
Backhoe Crowd (cont)	JH-AH207190	Kit		85.00M	P	19
BH Ext. Dipperstick	JH-AH212092	Kit	80.00M		N	21
	JH-AH149813	Kit		45.00M	PI	19
344E ARTICULATED LOADER						
Loader Boom (Lift)	JH-AT122564	Kit	110.00M	60.00M	P	5
Loader Bucket (Tilt)	JH-AT122564	Kit	110.00M	60.00M	P	5
Steering	JH-AT122580	Kit	60.00M	35.00M	P	5
444 ARTICULATED LOADER						
Backhoe Model: 9450						
Loader Boom (Lift)	JH-AR105346	Kit	5.250S	2.250S	P	1
Loader Bucket (Tilt)	JH-AR105356	Kit	5.250S	2.250S	P	1
Multi-Purpose	JH-AR105387	Kit	4.000S	2.000S	P	1
Lumber Clamp	JH-AR105387	Kit	4.000S	2.000S	P	1
Steering	JH-RE19227	Kit	3.625S	3.375S	I	15
Backhoe Stabilizer	JH-RE18754	Kit	3.500S	1.750S	P	1
Backhoe Swing	JH-RE18756	Kit	3.500S	1.750S	P	15
	S/N: Prior-39796 T 60873 Piston required					
	JH-RE18756	Kit	3.500S	1.750S	P	15
S/N: 39797-UP						
Backhoe Boom	JH-RE18732	Kit	4.000S	2.000S	P	1
Backhoe Bucket	JH-RE18751	Kit	3.000S	1.750S	P	1
Backhoe Crowd	JH-RE18755	Kit	3.500S	1.750S	P	1
444C,444CH ARTICULATED LOADER						
Backhoe Model: 9450						
Loader Boom (Lift)	JH-AR105346	Kit	5.250S	2.250S	P	1
	S/N: Prior-503064					
	JH-RE14100	Kit	5.250S		N	20
	S/N: 503065-UP					
	JH-RE14208	Kit		2.250S	P	18
S/N: 503065-UP						
Loader Bucket (Tilt)	JH-AR105356	Kit	5.250S	2.250S	P	1
	S/N: Prior-503064					
	JH-RE14100	Kit	5.250S		N	20
	S/N: 503065-UP					
	JH-RE14454	Kit		2.250S	P	18
S/N: 503065-UP						
Multi-Purpose	JH-AR105387	Kit	4.000S	2.000S	P	1
Lumber Clamp	JH-AR105387	Kit	4.000S	2.000S	P	1
Steering	JH-AR105272	Kit	3.000S	1.500S	P	15
	S/N: Prior-505310					
	JH-RE18202	Kit	3.000S		N	21
	S/N: 505311-UP					
	JH-RE18203	Kit		1.500S	P	18
S/N: 505311-UP						
Backhoe Stabilizer	JH-RE18754	Kit	3.500S	1.750S	P	1
Backhoe Swing	JH-RE18756	Kit	3.500S	1.750S	P	15

Application	Part Number	Description	Bore	Rod	Wiper	Type
444C,444CH ARTICULATED LOADER (continued)						
Backhoe Boom	JH-RE18732	Kit	4.000S	2.000S	P	1
Backhoe Bucket	JH-RE18751	Kit	3.000S	1.750S	P	1
Backhoe Crowd	JH-RE18755	Kit	3.500S	1.750S	P	1
444D ARTICULATED LOADER						
Loader Boom (Lift)	JH-RE14100	Kit	5.250S		N	20
	JH-RE14208	Kit		2.250S	P	18
Loader Bucket (Tilt)	JH-RE14100	Kit	5.250S		N	20
	JH-RE14454	Kit		2.250S	P	18
Multi-Purpose	JH-AR105387	Kit	4.000S	2.000S	P	1
Lumber Fork	JH-AR105387	Kit	4.000S	2.000S	P	1
Steering	JH-RE18202	Kit	3.000S		N	21
	JH-RE18203	Kit		1.500S	P	18
444E ARTICULATED LOADER						
Loader Boom (Lift)	JH-AT121500	Kit	110.00M	60.00M	P	5
S/N:	Prior-1191					
Loader Bucket (Tilt)	JH-AT121501	Kit	120.00M	65.00M	P	5
S/N:	Prior-1191					
Steering	JH-AT121499	Kit	65.00M	35.00M	P	5
S/N:	Prior-1191					
444H ARTICULATED LOADER						
Loader Boom (Lift)	JH-AH212101	Kit	100.00M		N	20
	JH-AH149814	Kit		56.00M	P	19
Loader Bucket (Tilt)	JH-AH212103	Kit	115.00M		N	20
	JH-AH149815	Kit		63.00M	P	19
Steering	JH-AH153496	Kit	56.00M	32.00M	P	15
	S/N:	Prior-568518				
	JH-AH161591	Kit	56.00M		N	20
S/N:	568519-UP					
	JH-AH161589	Kit		32.00M	PI	19
S/N:	568519-UP					
444H LL LOG LOADER						
Loader Boom (Lift)	JH-AH163670	Kit	110.00M		N	20
	JH-AH149815	Kit		63.00M	P	19
Loader Bucket (Tilt)	JH-AH212101	Kit	100.00M		N	20
	JH-AH149815	Kit		63.00M	P	19
Steering	JH-AH153496	Kit	56.00M	32.00M	P	15
	S/N:	Prior-568518				
	JH-AH161591	Kit	56.00M		N	20
S/N:	568519-UP					
	JH-AH161589	Kit		32.00M	PI	19
S/N:	568519-UP					

Application	Part Number	Description	Bore	Rod	Wiper	Type
444J LOADER / TOOLCARRIER						
Loader Boom (Lift)	JH-AH212101	Kit	100.00M		N	20
	JH-AH149814	Kit		56.00M	P	19
	JH-AH163670	Kit	110.00M		N	20
	S/N: 1-611274	Toolcarrier arrangement only				
	JH-AH149815	Kit		63.00M	P	19
	S/N: 1-611274	Toolcarrier arrangement only				
Loader Bucket (Tilt)	JH-AH212103	Kit	115.00M		N	20
	JH-AH149815	Kit		63.00M	P	19
	JH-AH149848	Kit	125.00M		N	20
	Powerllel arrangement only					
	JH-AH154570	Kit		75.00M	P	19
	Powerllel arrangement only					
T.C. Tilt	JH-AH149844	Kit	100.00M		N	20
	S/N: 1-611274					
	JH-AH149815	Kit		63.00M	P	19
S/N: 1-611274						
Coupler	JH-AH212088	Kit	2.500S		N	21
	S/N: 1-611274	Except Toolcarriers				
	JH-AH148823	Kit		32.00M	PI	19
	S/N: 1-611274	Except Toolcarriers				
Steering	JH-AH161591	Kit	56.00M		N	20
	JH-AH161589	Kit		32.00M	PI	19
544,544A ARTICULATED LOADER						
Loader Boom (Lift)	JH-AR105346	Kit	5.250S	2.250S	P	1
Loader Bucket (Tilt)	JH-RE18748	Kit	3.500S	2.000S	P	1
Loader Clam	CS-G 32299	Kit	4.000S	2.000S	P	9
	Drott 4-in-1 Bucket S/N: 453-Up					
Grapple	JH-RE18754	Kit	3.500S	1.750S	P	1
Lumber Clamp	JH-AR105346	Kit	5.250S	2.250S	P	1
Steering	JH-RE19227	Kit	3.625S	3.375S	I	15
	RH Side Only					
	JH-RE19226	Kit	3.625S	3.375S	I	15
LH Side Only						

Application	Part Number	Description	Bore	Rod	Wiper	Type
544B ARTICULATED LOADER						
Backhoe Model: 9305						
Loader Boom (Lift)	JH-AR105346	Kit	5.250S	2.250S	P	1
	JH-RE14100	Kit	5.250S		N	20
	Field replacement					
	JH-RE14208	Kit		2.250S	P	18
Field replacement						
Loader Bucket (Tilt)	JH-AR105356	Kit	5.250S	2.250S	P	1
Multi-Purpose	JH-AR105387	Kit	4.000S	2.000S	P	1
Grapple	JH-RE18754	Kit	3.500S	1.750S	P	1
Lumber Clamp	JH-AR105346	Kit	5.250S	2.250S	P	1
	S/N: Prior-226223					
	JH-AR105387	Kit	4.000S	2.000S	P	1
S/N: 226224-UP						
Steering	JH-RE19227	Kit	3.625S	3.375S	I	15
	RH Side Only					
	JH-RE19226	Kit	3.625S	3.375S	I	15
	S/N: Prior-247599					
	LH Side Only					
S/N: 247600-UP	JH-RE19227	Kit	3.625S	3.375S	I	15
	LH Side Only					
Backhoe Stabilizer	JH-AR105387	Kit	4.000S	2.000S	P	1
Backhoe Boom	JH-AR105355	Kit	4.500S	2.250S	P	1
Backhoe Bucket	JH-RE18757	Kit	3.500S	2.250S	P	1
Backhoe Crowd	JH-AR105387	Kit	4.000S	2.000S	P	1
544C ARTICULATED LOADER						
Backhoe Model: 9450						
Loader Boom (Lift)	JH-AR105273	Kit	5.500S	2.500S	P	16
	S/N: Prior-504462					
	JH-RE14910	Kit	5.500S		N	20
	S/N: 504463-UP					
S/N: 504463-UP	JH-RE13745	Kit		2.500S	P	18
	S/N: 504463-UP					
Loader Bucket (Tilt)	JH-AR98255	Kit	5.500S	2.625S	P	16
	S/N: Prior-504663					
	JH-RE14910	Kit	5.500S		N	20
S/N: 504664-UP						
Multi-Purpose	JH-AR105387	Kit	4.000S	2.000S	P	1
Lumber Fork	JH-AR105387	Kit	4.000S	2.000S	P	1
Steering	JH-AR105272	Kit	3.000S	1.500S	P	15
	S/N: Prior-505253					
	JH-RE18202	Kit	3.000S		N	21
	S/N: 505254-UP					
S/N: 505254-UP	JH-RE18203	Kit		1.500S	P	18
	S/N: 505254-UP					
Backhoe Stabilizer	JH-RE18754	Kit	3.500S	1.750S	P	1
Backhoe Swing	JH-RE18756	Kit	3.500S	1.750S	P	15

Application	Part Number	Description	Bore	Rod	Wiper	Type
544C ARTICULATED LOADER (continued)						
Backhoe Boom	JH-RE18732	Kit	4.000S	2.000S	P	1
Backhoe Bucket	JH-RE18751	Kit	3.000S	1.750S	P	1
Backhoe Crowd	JH-RE18755	Kit	3.500S	1.750S	P	1
544D ARTICULATED LOADER						
Loader Boom (Lift)	JH-RE14910	Kit	5.500S		N	20
	JH-RE13745	Kit		2.500S	P	18
Loader Bucket (Tilt)	JH-RE14910	Kit	5.500S		N	20
Multi-Purpose	JH-AR105387	Kit	4.000S	2.000S	P	1
Lumber Fork	JH-RE18733	Kit	4.000S	2.000S	P	1
Steering	JH-RE18202	Kit	3.000S		N	21
	JH-RE18203	Kit		1.500S	P	18
544E ARTICULATED LOADER						
Loader Boom (Lift)	JH-AH149848	Kit	125.00M		N	20
	JH-RE25151	Kit		63.00M	P	19
Loader Bucket (Tilt)	JH-AH216299	Kit	140.00M		N	20
	JH-RE25151	Kit		63.00M	P	19
Steering	JH-AH212089	Kit	70.00M		N	20
	JH-RE20433	Kit		40.00M	P	19
	Use with R 81764 Head					
	JH-AH149194	Kit		40.00M	PI	19
Use with H157171 Head, Field replacement						
544E LL LOG LOADER						
Loader Boom (Lift)	JH-AH149848	Kit	125.00M		N	20
	JH-RE25151	Kit		63.00M	P	19
Loader Bucket (Tilt)	JH-AH137210	Kit	160.00M		N	20
	JH-RE25152	Kit		80.00M	P	19
Steering	JH-AH212089	Kit	70.00M		N	20
	JH-RE20433	Kit		40.00M	P	19
	Use with R 81764 Head					
	JH-AH149194	Kit		40.00M	PI	19
Use with H157171 Head, Field replacement						
544G ARTICULATED LOADER						
Loader Boom (Lift)	JH-AH149848	Kit	125.00M		N	20
	JH-RE25151	Kit		63.00M	P	19
Loader Bucket (Tilt)	JH-AH216299	Kit	140.00M		N	20
	JH-RE25151	Kit		63.00M	P	19
Steering	JH-AH212089	Kit	70.00M		N	20
	JH-RE20433	Kit		40.00M	P	19
	S/N: Prior-557590	Use with R 81764 Head				
	JH-AH149194	Kit		40.00M	PI	19
S/N: Prior-557590	Use with H157171 Head, Field replacement					
JH-AH149194	Kit		40.00M	PI	19	
S/N: 557591-UP						

Application	Part Number	Description	Bore	Rod	Wiper	Type
544G LL LOG LOADER						
Loader Boom (Lift)	JH-AH149848	Kit	125.00M		N	20
	JH-RE25151	Kit		63.00M	P	19
Loader Bucket (Tilt)	JH-AH137210	Kit	160.00M		N	20
	JH-RE25152	Kit		80.00M	P	19
Steering	JH-AH212089	Kit	70.00M		N	20
	JH-RE20433	Kit		40.00M	P	19
	S/N: Prior-557590 Use with R 81764 Head					
	JH-AH149194	Kit		40.00M	PI	19
	S/N: Prior-557590 Use with H157171 Head, Field replacement					
	JH-AH149194	Kit		40.00M	PI	19
S/N: 557591-UP						
544H ARTICULATED LOADER						
Loader Boom (Lift)	JH-AH212103	Kit	115.00M		N	20
	JH-AH149815	Kit		63.00M	P	19
Loader Bucket (Tilt)	JH-AH149848	Kit	125.00M		N	20
	JH-AH154570	Kit		75.00M	P	19
Steering	JH-AH153497	Kit	63.00M	40.00M	P	15
	S/N: Prior-568522					
	JH-AH212087	Kit	63.00M		N	20
	S/N: 568523-UP					
	JH-AH149194	Kit		40.00M	PI	19
	S/N: 568523-UP					
544H LL LOG LOADER						
Loader Boom (Lift)	JH-AH212103	Kit	115.00M		N	20
	JH-AH149815	Kit		63.00M	P	19
Loader Bucket (Tilt)	JH-AH149845	Kit	110.00M		N	20
	JH-AH156466	Kit		70.00M	P	19
Steering	JH-AH153497	Kit	63.00M	40.00M	P	15
	S/N: Prior-568522					
	JH-AH212087	Kit	63.00M		N	20
	S/N: 568523-UP					
	JH-AH149194	Kit		40.00M	PI	19
S/N: 568523-UP						

Application	Part Number	Description	Bore	Rod	Wiper	Type
544J LOADER / TOOLCARRIER						
Loader Boom (Lift)	JH-AH149847	Kit	120.00M		N	20
	JH-AH163671	Kit	115.00M		N	20
	Toolcarrier, Powerllel arrangements only					
	JH-AH149815	Kit		63.00M	P	19
Loader Bucket (Tilt)	JH AH149848	Kit	125.00M		N	20
	JH-AH154570	Kit		75.00M	P	19
	JH-AH216299	Kit	140.00M		N	20
	Powerllel arrangement only					
	JH-AH156874	Kit		80.00M	P	19
Powerllel arrangement only						
T.C. Tilt	JH-AH212585	Kit	110.00M		N	20
	S/N: 1-611799					
	JH-AH156466	Kit		70.00M	P	19
S/N: 1-611799						
Coupler	JH-AH212088	Kit	2.500S		N	21
	Except toolcarriers					
	JH-AH148823	Kit		32.00M	PI	19
Except toolcarriers						
Steering	JH-AH212087	Kit	63.00M		N	20
	JH-AH149194	Kit		40.00M	PI	19
544K ARTICULATED LOADER						
Loader Boom (Lift)	JH-AH149847	Kit	120.00M		N	20
	Z-Bar arrangement only					
	JH-AH163671	Kit	115.00M		N	20
	Powerllel arrangement only					
Loader Bucket (Tilt)	JH-AH149815	Kit		63.00M	P	19
	JH-AH149848	Kit	125.00M		N	20
	Z-Bar arrangement only					
	JH-AH154570	Kit		75.00M	P	19
	Z-Bar arrangement only					
	JH-AH216299	Kit	140.00M		N	20
	Powerllel arrangement only					
JH AH156874	Kit		80.00M	P	19	
Powerllel arrangement only						
Coupler	JH-AH212088	Kit	2.500S		N	21
	HI-VIS arrangement only					
	JH-AH148823	Kit		32.00M	PI	19
HI-VIS arrangement only						
Steering	JH-AH212087	Kit	63.00M		N	20
	JH-AH149194	Kit		40.00M	PI	19

Application	Part Number	Description	Bore	Rod	Wiper	Type
624E ARTICULATED LOADER						
Loader Boom (Lift)	JH-AH216299	Kit	140.00M		N	20
	JH-RE25151	Kit		63.00M	P	19
Loader Bucket (Tilt)	JH-AH137210	Kit	160.00M		N	20
	JH-RE25152	Kit		80.00M	P	19
Steering	JH-AH212091	Kit	80.00M		N	20
	JH-RE20434	Kit		45.00M	P	19
	Use with R 81767 Head					
	JH-AH149813	Kit		45.00M	PI	19
Use with H152347 or H157510 Heads, Field replacement						
624G ARTICULATED LOADER						
Loader Boom (Lift)	JH-AH216299	Kit	140.00M		N	20
	JH-RE25151	Kit		63.00M	P	19
Loader Bucket (Tilt)	JH-AH137210	Kit	160.00M		N	20
	JH-RE25152	Kit		80.00M	P	19
Steering	JH-AH212091	Kit	80.00M		N	20
	JH-RE20434	Kit		45.00M	P	19
	Use with R 81767 Head					
	JH-AH149813	Kit		45.00M	PI	19
Use with H152347 or H157510 Heads, Field replacement						
624H ARTICULATED LOADER						
Loader Boom (Lift)	JH-AH163672	Kit	125.00M		N	20
	Use without water glycol					
	JH-AH149815	Kit		63.00M	P	19
Use without water glycol						
Loader Bucket (Tilt)	JH-AH216299	Kit	140.00M		N	20
	Use without water glycol					
	JH-AH156874	Kit		80.00M	P	19
Use without water glycol						
Steering	JH-AH212089	Kit	70.00M		N	20
	Use without water glycol					
	JH-AH149194	Kit		40.00M	PI	19
Use without water glycol						
624H LL LOG LOADER						
Loader Boom (Lift)	JH-AH163672	Kit	125.00M		N	20
	JH-AH149815	Kit		63.00M	P	19
Loader Bucket (Tilt)	JH-AH212103	Kit	115.00M		N	20
	JH-AH156466	Kit		70.00M	P	19
Steering	JH-AH212089	Kit	70.00M		N	20
	JH-AH149194	Kit		40.00M	PI	19

Application	Part Number	Description	Bore	Rod	Wiper	Type
624J LOADER / TOOLCARRIER						
Loader Boom (Lift)	JH-AH163672	Kit	125.00M		N	20
	JH-AH149848	Kit	125.00M		N	20
	Powerllel arrangement only					
	JH-AH149815	Kit		63.00M	P	19
Loader Bucket (Tilt)	JH-AH216299	Kit	140.00M		N	20
	JH-AH156874	Kit		80.00M	P	19
	JH-AH137210	Kit	160.00M		N	20
	Powerllel arrangement only					
	JH-AH159192	Kit		95.00M	P	19
Powerllel arrangement only						
T.C. Tilt	JH-AH212103	Kit	115.00M		N	20
	S/N: 1-611796					
	JH-AH156466	Kit		70.00M	P	19
S/N: 1-611796						
Coupler	JH-AH212088	Kit	2.500S		N	21
	Except toolcarriers					
	JH-AH148823	Kit		32.00M	PI	19
Except toolcarriers						
Steering	JH-AH212089	Kit	70.00M		N	20
	JH-AH149194	Kit		40.00M	PI	19
644,644A ARTICULATED LOADER						
Loader Boom (Lift)	JH-RE18744	Kit	6.250S	2.750S	P	1
Loader Bucket (Tilt)	JH-AR105355	Kit	4.500S	2.250S	P	1
Loader Clam	CS-G 32299	Kit	4.000S	2.000S	P	9
Drott 4-in-1 Bucket S/N: 303-Up						
Lumber Clamp	JH-AR105346	Kit	5.250S	2.250S	P	1
Steering	JH-AT34932	Kit	4.000S	3.750S	I	15
	RH Side Only					
	JH-AT34933	Kit	4.000S	3.750S	I	15
LH Side Only						
644B ARTICULATED LOADER						
Loader Boom (Lift)	JH-RE18744	Kit	6.250S	2.750S	P	1
Loader Bucket (Tilt)	JH-RE18744	Kit	6.250S	2.750S	P	1
Multi-Purpose	JH-AR105387	Kit	4.000S	2.000S	P	1
Lumber Clamp	JH-AR105346	Kit	5.250S	2.250S	P	1
	JH-AR105387	Kit	4.000S	2.000S	P	1
Steering	JH-AT34932	Kit	4.000S	3.750S	I	15
	RH Side Only					
	JH-AT34933	Kit	4.000S	3.750S	I	15
	S/N: Prior-247612 LH Side Only					
	JH-AT34932	Kit	4.000S	3.750S	I	15
S/N: 247613-UP LH Side Only						

Application	Part Number	Description	Bore	Rod	Wiper	Type
644C ARTICULATED LOADER						
Loader Boom (Lift)	JH-RE14022	Kit	6.250S		N	20
	S/N: 505377-UP					
	JH-RE16991	Kit		2.750S	P	18
	S/N: 505377-UP					
Loader Bucket (Tilt)	JH-RE14022	Kit	6.250S		N	20
	S/N: 505377-UP					
	JH-RE16992	Kit		3.000S	P	18
	S/N: 505377-UP					
Multi-Purpose	JH-AR105387	Kit	4.000S	2.000S	P	1
Lumber Fork	JH-AR105387	Kit	4.000S	2.000S	P	1
Steering	JH-RE17097	Kit	3.500S		N	21
	JH-RE30874	Kit		1.750S	P	18
644D ARTICULATED LOADER						
Loader Boom (Lift)	JH-RE14022	Kit	6.250S		N	20
	JH-RE16991	Kit		2.750S	P	18
Loader Bucket (Tilt)	JH-RE14022	Kit	6.250S		N	20
	JH-RE16992	Kit		3.000S	P	18
Multi-Purpose	JH-AR105387	Kit	4.000S	2.000S	P	1
Lumber Fork	JH-RE18733	Kit	4.000S	2.000S	P	1
Steering	JH-AH149843	Kit	90.00M		N	20
	JH-RE20434	Kit		45.00M	P	19
	Use with R 81766 Head					
	JH-AH149813	Kit		45.00M	PI	19
Use with H157642 Head						
644E, 644ER/644EZ (TRAM) ARTICULATED LOADER						
Loader Boom (Lift)	JH-AH137210	Kit	160.00M		N	20
	JH-RE25152	Kit		80.00M	P	19
Loader Bucket (Tilt)	JH-AH137211	Kit	180.00M		N	20
	JH-RE25152	Kit		80.00M	P	19
Steering	JH-AH212096	Kit	90.00M		N	20
	JH-RE20434	Kit		45.00M	P	19
	Use with R 81766 Head					
	JH-AH149813	Kit		45.00M	PI	19
Use with H157642 Head, Field replacement						

Application	Part Number	Description	Bore	Rod	Wiper	Type
644G ARTICULATED LOADER						
Loader Boom (Lift)	JH-AH137210	Kit	160.00M		N	20
	JH-RE25152	Kit		80.00M	P	19
Loader Bucket (Tilt)	JH-AH137211	Kit	180.00M		N	20
	JH-RE25152	Kit		80.00M	P	19
Steering	JH-AH212096	Kit	90.00M		N	20
	JH-RE20434	Kit		45.00M	P	19
	Use with R 81766 Head					
	JH-AH149813	Kit		45.00M	PI	19
Use with H157642 Head, Field replacement						
644H ARTICULATED LOADER						
Loader Boom (Lift)	JH-AH163673	Kit	140.00M		N	20
	JH-AH156466	Kit		70.00M	P	19
Loader Bucket (Tilt)	JH-AH137210	Kit	160.00M		N	20
	JH-AH159192	Kit		95.00M	P	19
Steering	JH-AH212091	Kit	80.00M		N	20
	JH-AH149813	Kit		45.00M	PI	19
644J ARTICULATED LOADER						
Loader Boom (Lift)	JH-AH163673	Kit	140.00M		N	20
	JH-AH156466	Kit		70.00M	P	19
Loader Bucket (Tilt)	JH-AH137210	Kit	160.00M		N	20
	JH-AH159192	Kit		95.00M	P	19
Steering	JH-AH212091	Kit	80.00M		N	20
	JH-AH149813	Kit		45.00M	PI	19
744E ARTICULATED LOADER						
Loader Boom (Lift)	JH-AT138138	Kit	170.00M	95.00M	P	5
Loader Bucket (Tilt)	JH-AT138137	Kit	200.00M	100.00M	P	5
Steering	JH-AT138119	Kit	100.00M	50.00M	P	15
744H ARTICULATED LOADER						
Loader Boom (Lift)	JH-AH137211	Kit	180.00M		N	20
	JH-AH151382	Kit		95.00M	P	19
	S/N: Prior-582317					
	JH-AH159192	Kit		95.00M	P	19
S/N: 582318-UP						
Loader Bucket (Tilt)	JH-AH151320	Kit	200.00M		N	20
	JH-AH151321	Kit		100.00M	P	19
	JH-AH207243	Kit		115.00M	P	19
	Field replacement					
Steering	JH-AH212096	Kit	90.00M		N	20
	JH-AH149813	Kit		45.00M	PI	19

Application	Part Number	Description	Bore	Rod	Wiper	Type	
744J ARTICULATED LOADER							
Loader Boom (Lift)	JH-AH137211	Kit	180.00M		N	20	
	JH-AH159192	Kit		95.00M	P	19	
Loader Bucket (Tilt)	JH-AH151320	Kit	200.00M		N	20	
	JH-AH207243	Kit		115.00M	P	19	
Steering	JH-AH212096	Kit	90.00M		N	20	
	JH-AH149813	Kit		45.00M	PI	19	
824J ARTICULATED LOADER							
Loader Boom (Lift)	JH-AH137211	Kit	180.00M		N	20	
	JH-AH159192	Kit		95.00M	P	19	
Loader Bucket (Tilt)	JH-AH151320	Kit	200.00M		N	20	
	JH-AH207243	Kit		115.00M	P	19	
Steering	JH-AH212096	Kit	90.00M		N	20	
	JH-AH149813	Kit		45.00M	PI	19	
844 ARTICULATED LOADER							
Loader Boom (Lift)	JH-RE14033	Kit	7.500S		N	20	
	S/N: 507993-UP						
	JH-RE15708	Kit		3.750S	P	18	
	S/N: 507993-510358						
Loader Boom (Lift)	JH-RE21202	Kit		3.750S	P	19	
	S/N: 510359-UP						
	Loader Bucket (Tilt)	JH-RE14033	Kit	7.500S		N	20
		S/N: 508226-UP					
JH-RE15708		Kit		3.750S	P	18	
S/N: 508226-510358							
Loader Bucket (Tilt)	JH-RE21202	Kit		3.750S	P	19	
	S/N: 510359-UP						
	Steering	JH-AR105381	Kit	3.750S	2.000S	P	1
	544E TC TOOLCARRIER						
Loader Boom (Lift)	JH-AH149848	Kit	125.00M		N	20	
	JH-RE25151	Kit		63.00M	P	19	
Loader Bucket (Tilt)	JH-AH137210	Kit	160.00M		N	20	
	JH-RE25152	Kit		80.00M	P	19	
Steering	JH-AH212089	Kit	70.00M		N	20	
	JH-RE20433	Kit		40.00M	P	19	
	Use with R 81764 Head						
	JH-AH149194	Kit		40.00M	PI	19	
Use with H157171 Head, Field replacement							

Application	Part Number	Description	Bore	Rod	Wiper	Type	
544G TC TOOLCARRIER							
Loader Boom (Lift)	JH-AH149848	Kit	125.00M		N	20	
	JH-RE25151	Kit		63.00M	P	19	
Loader Bucket (Tilt)	JH-AH137210	Kit	160.00M		N	20	
	JH-RE25152	Kit		80.00M	P	19	
Steering	JH-AH212089	Kit	70.00M		N	20	
	JH-RE20433	Kit		40.00M	P	19	
	S/N:	Prior-557590 Use with R 81764 Head					
	JH-AH149194	Kit		40.00M	PI	19	
	S/N:	Prior-557590 Use with H157171 Head, Field replacement					
	JH-AH149194	Kit		40.00M	PI	19	
S/N:	557591-UP						
TC44H TOOLCARRIER							
Loader Boom (Lift)	JH-AH163670	Kit	110.00M		N	20	
	JH-AH149815	Kit		63.00M	P	19	
Loader Bucket (Tilt)	JH-AH212101	Kit	100.00M		N	20	
	JH-AH149815	Kit		63.00M	P	19	
Steering	JH-AH153496	Kit	56.00M	32.00M	P	15	
	S/N:	Prior-568518					
	JH-AH161591	Kit	56.00M		N	20	
	S/N:	568519-UP					
	JH-AH161589	Kit		32.00M	PI	19	
	S/N:	568519-UP					
TC54H TOOLCARRIER							
Loader Boom (Lift)	JH-AH212103	Kit	115.00M		N	20	
	JH-AH149815	Kit		63.00M	P	19	
Loader Bucket (Tilt)	JH-AH149845	Kit	110.00M		N	20	
	JH-AH156466	Kit		70.00M	P	19	
Steering	JH-AH153497	Kit	63.00M	40.00M	P	15	
	S/N:	Prior-568522					
	JH-AH212087	Kit	63.00M		N	20	
	S/N:	568523-UP					
JH-AH149194	Kit		40.00M	PI	19		
S/N:	568523-UP						

Application	Part Number	Description	Bore	Rod	Wiper	Type
TC62H TOOLCARRIER						
Loader Boom (Lift)	JH-AH163672	Kit	125.00M		N	20
	JH-AH149815	Kit		63.00M	P	19
Loader Bucket (Tilt)	JH-AH212103	Kit	115.00M		N	20
	JH-AH156466	Kit		70.00M	P	19
Steering	JH-AH212089	Kit	70.00M		N	20
	JH-AH149194	Kit		40.00M	PI	19
570,570A GRADER						
Front Steering	JH-AH137789	Kit	50.00M		N	21
	Field replacement					
	JH-RE21875	Kit		25.00M	P	19
	Use with R 94417 Head, Field replacement					
	JH-AH149810	Kit		25.00M	P	19
Use with H157662 Head, Field replacement						
Rear Steering	JH-AR105454	Kit	3.000S	1.250S	P	1
	JH-RE37003	Kit	80.00M		N	21
	Use with AH139078 Piston, Field replacement					
	JH-RE20433	Kit		40.00M	P	19
	Use with R 87731 Head					
	JH-AH149194	Kit		40.00M	PI	19
Use with H H157174 Head, Field replacement						
Wheel Lean	JH-AR105454	Kit	3.000S	1.250S	P	1
	JH-RE37003	Kit	80.00M		N	21
	Use with AH139078 Piston, Field replacement					
	JH-RE20433	Kit		40.00M	P	19
	Use with R 87731 Head					
JH-AH149194	Kit		40.00M	PI	19	
Use with H157174 Head, Field replacement						
Blade Lift	JH-RE18751	Kit	3.000S	1.750S	P	1
	JH-RE14082	Kit	3.000S		N	21
	JH-RE14550	Kit		1.750S	P	18
Blade Pitch	JH-AR105453	Kit	2.500S	1.250S	P	1
Blade Sideshift	JH-RE19217	Kit	2.500S	1.500S	P	1
	JH-AH149194	Kit		40.00M	PI	19
Use with H157173 Head, Field replacement						
Circle Sideshift	JH-RE18751	Kit	3.000S	1.750S	P	1
Scarifier/Snow Plow	JH-RE10223	Kit	4.000S	1.750S	P	1
	JH-RE16118	Kit	4.000S		N	20
	JH-RE30874	Kit		1.750S	P	18
	JH-AH149844	Kit	100.00M		N	20
	JH-RE20595	Kit		50.00M	P	19
	Use with R 81972 Head					
	JH-AH148164	Kit		50.00M	P	19
Use with H157978 Head, Field replacement						

Application	Part Number	Description	Bore	Rod	Wiper	Type	
570B GRADER							
Front Steering	JH-AH137789	Kit	50.00M		N	21	
	S/N: 540777-UP						
	JH-RE21875	Kit		25.00M	P	19	
	S/N: 540777-UP						
	Use with R 94417 Head						
Front Steering	JH-AH149810	Kit		25.00M	P	19	
	S/N: 540777-UP						
	Use with H157662 Head, Field replacement						
	Rear Steering	JH-AR105454	Kit	3.000S	1.250S	P	1
		S/N: Prior-540254					
JH-RE37003		Kit	80.00M		N	21	
S/N: 540255-UP							
Use with AH139078 Piston, Field replacement							
Rear Steering	JH-RE20433	Kit		40.00M	P	19	
	S/N: 540255-UP						
	Use with R 87731 Head						
	JH-AH149194	Kit		40.00M	PI	19	
	S/N: 540255-UP						
Use with H157174 Head, Field replacement							
Wheel Lean	JH-AR105454	Kit	3.000S	1.250S	P	1	
	S/N: Prior-540776						
	JH-RE37003	Kit	80.00M		N	21	
	S/N: 540777-UP						
	Use with AH139078 Piston, Field replacement						
Wheel Lean	JH-RE20433	Kit		40.00M	P	19	
	S/N: 540777-UP						
	Use with R 87731 Head						
	JH-AH149194	Kit		40.00M	PI	19	
	S/N: 540777-UP						
Use with H157174 Head, Field replacement							
Blade Lift	JH-RE18751	Kit	3.000S	1.750S	P	1	
	S/N: Prior-515648						
	JH-RE14082	Kit	3.000S		N	21	
	S/N: 515649-539847						
	JH-RE14550	Kit		1.750S	P	18	
	S/N: 515649-539847						
	JH-AH149842	Kit	80.00M		N	20	
	S/N: 539848-UP						
	JH-RE20434	Kit		45.00M	P	19	
S/N: 539848-UP							
Use with R 81767 Head							
Blade Lift	JH-AH149813	Kit		45.00M	PI	19	
	S/N: 539848-UP						
	Use with H152347 or H157510 Heads, Field replacement						
Blade Pitch	JH-AR105453	Kit	2.500S	1.250S	P	1	
	S/N: Prior-539847						
	JH-AH149194	Kit		40.00M	PI	19	
S/N: 539848-UP							
Use with H157173 Head							

Application	Part Number	Description	Bore	Rod	Wiper	Type
570B GRADER (continued)						
Blade Sideshift		JH-RE19217	Kit	2.500S	1.500S	P 1
	S/N:	Prior-541003				
		JH-AH149194	Kit		40.00M	PI 19
	S/N:	541004-UP Use with H157173 Head				
Circle Sideshift		JH-RE18751	Kit	3.000S	1.750S	P 1
	S/N:	Prior-540925				
		JH-AH149842	Kit	80.00M		N 20
	S/N:	540926-UP				
		JH-RE20433	Kit		40.00M	P 19
	S/N:	540926-UP Use with R 81767 Head				
	JH-AH149813	Kit		45.00M	PI 19	
S/N:	540926-UP Use with H152347 or H157510 Heads, Field replacement					
Scarifier/Snow Plow		JH-RE10223	Kit	4.000S	1.750S	P 1
	S/N:	Prior-515648				
		JH-RE16118	Kit	4.000S		N 20
	S/N:	515649-539519				
		JH-RE30874	Kit		1.750S	P 18
	S/N:	515649-539519				
		JH-AH149844	Kit	100.00M		N 20
	S/N:	539520-UP				
		JH-RE20595	Kit		50.00M	P 19
	S/N:	539520-UP Use with R 81972 Head				
	JH-AH148164	Kit		50.00M	P 19	
S/N:	539520-UP Use with H157978 Head, Field replacement					
670,670A GRADER						
Front Steering		JH-RE18750	Kit	3.000S	1.250S	P 11
	S/N:	Prior-543489				
		JH-RE20433	Kit		40.00M	P 19
	S/N:	Prior-543489 Use with R 87731 Head, Field replacement				
		JH-AH149194	Kit		40.00M	PI 19
	S/N:	Prior-543489 Use with H157174 Head, Field replacement				
		JH-RE20433	Kit		40.00M	P 19
	S/N:	543490-UP Use with R 87731 Head				
	JH-AH149194	Kit		40.00M	PI 19	
S/N:	543490-UP Use with H157174 Head, Field replacement					
Rear Steering		JH-RE18754	Kit	3.500S	1.750S	P 1
Wheel Lean		JH-AR105387	Kit	4.000S	2.000S	P 1
Front Mounted Equip		JH-RE18743	Kit	5.000S	2.000S	P 1
Blade Lift		JH-RE18747	Kit	3.250S	2.000S	P 1
	S/N:	Prior-515755				

Application	Part Number	Description	Bore	Rod	Wiper	Type
670,670A GRADER (continued)						
Blade Lift (cont)	JH-RE30816	Kit	3.250S		N	20
	S/N: Prior-515755	Field replacement				
	JH-RE30817	Kit		2.000S	P	18
	S/N: Prior-515755	Field replacement				
	JH-RE30816	Kit	3.250S		N	20
	S/N: 515756-UP					
S/N: 515756-UP	JH-RE30817	Kit		2.000S	P	18
	515756-UP					
Blade Tilt	JH-RE18736	Kit	4.000S	1.750S	P	1
Blade Sideshift	JH-RE18742	Kit	3.500S	1.500S	P	4
Circle Sideshift	JH-RE18747	Kit	3.250S	2.000S	P	1
Scarifier	JH-RE18743	Kit	5.000S	2.000S	P	1
	JH-RE15905	Kit	5.000S		N	20
	Field replacement					
	JH-RE30817	Kit		2.000S	P	18
Field replacement						
Ripper	JH-AR105346	Kit	5.250S	2.250S	P	1
670B GRADER						
Front Steering	JH-RE18750	Kit	3.000S	1.250S	P	11
	S/N: Prior-533162					
	JH-RE20433	Kit		40.00M	P	19
	S/N: 533163-554837	Use with R 87731 Head				
	JH-AH149194	Kit		40.00M	PI	19
S/N: 533163-554837	Use with H157174 Head, Field replacement					
Rear Steering	JH-AH149843	Kit	90.00M		N	20
	S/N: Prior-540815					
	JH-RE20434	Kit		45.00M	P	19
	S/N: Prior-540815	Use with R 81766 Head				
	JH-AH149813	Kit		45.00M	PI	19
	S/N: Prior-540815	Use with H157642 Head				
	JH-AH149844	Kit	100.00M		N	20
	S/N: 525022-UP					
	JH-RE20595	Kit		50.00M	P	19
	S/N: 525022-UP	Use with R 81972 Head				
JH-AH148164	Kit		50.00M	P	19	
S/N: 525022-UP	Use with H157978 Head, Field replacement					
Wheel Lean	JH-RE18733	Kit	4.000S	2.000S	P	1
	S/N: Prior-538109					
	JH-AH149844	Kit	100.00M		N	20
S/N: 538110-UP						

Application	Part Number	Description	Bore	Rod	Wiper	Type	
670B GRADER (continued)							
Wheel Lean (cont)	JH-RE20595	Kit		50.00M	P	19	
	S/N: 538110-UP	Use with R 81972 Head					
	JH-AH148164	Kit		50.00M	P	19	
	S/N: 538110-UP	Use with H157978 Head, Field replacement					
Blade Lift	JH-RE18747	Kit	3.250S	2.000S	P	1	
	S/N: Prior-515755						
	JH-RE30816	Kit	3.250S		N	20	
	S/N: 515756-530594						
	JH-RE30817	Kit		2.000S	P	18	
	S/N: 515756-530594						
	JH-AH149843	Kit	90.00M		N	20	
	S/N: 530595-UP						
	JH-RE20595	Kit		50.00M	P	19	
	S/N: 530595-UP	Use with R 82088 Head					
Blade Tilt	JH-RE18736	Kit	4.000S	1.750S	P	1	
	S/N: Prior-530593						
	JH-AH149844	Kit	100.00M		N	20	
	S/N: 530594-UP						
	JH-RE20595	Kit		50.00M	P	19	
	S/N: 530594-UP	Use with R 81972 Head					
	JH-AH148164	Kit		50.00M	P	19	
	S/N: 530594-UP	Use with H157978 Head, Field replacement					
	Blade Sideshift	JH-RE18742	Kit	3.500S	1.500S	P	4
		S/N: Prior-530593					
JH-AH134955		Kit	90.00M		N	21	
S/N: 530594-UP							
JH-RE20434		Kit		45.00M	P	19	
S/N: 530594-UP		Use with R 81766 Head					
JH-AH149813		Kit		45.00M	PI	19	
S/N: 530594-UP	Use with H157642 Head, Field replacement						
Circle Sideshift	JH-RE18747	Kit	3.250S	2.000S	P	1	
	S/N: Prior-530593						
	JH-AH149843	Kit	90.00M		N	20	
	S/N: 530594-UP						
	JH-RE20595	Kit		50.00M	P	19	
	S/N: 530594-UP	Use with R 82088 Head					
Scarifier	JH-RE18743	Kit	5.000S	2.000S	P	1	
	S/N: Prior-515755						

Application	Part Number	Description	Bore	Rod	Wiper	Type	
670B GRADER (continued)							
Scarifier (cont)	JH-RE15905	Kit	5.000S		N	20	
	S/N: 515756-542333						
	JH-RE30817	Kit		2.000S	P	18	
	S/N: 515756-542333						
	JH-AH149846	Kit	115.00M		N	20	
	S/N: 542334-UP						
	JH-RE31716	Kit		56.00M	P	19	
	S/N: 542334-UP						
	Use with R 92321 Head						
	S/N: 542334-UP						
Use with H157428 or H157978 Heads, Field replacement							
Ripper	JH-AR105346	Kit	5.250S	2.250S	P	1	
	S/N: Prior-549628						
	JH-AH149844	Kit	100.00M		N	20	
	S/N: 549629-UP						
	JH-RE20595	Kit		50.00M	P	19	
	S/N: 549629-UP						
	Use with R 81972 Head						
S/N: 549629-UP							
Use with H157978 Head, Field replacement							
670C,670CH GRADER							
Rear Steering	JH-AH149844	Kit	100.00M		N	20	
	JH-AH148164	Kit		50.00M	P	19	
Wheel Lean	JH-AH149844	Kit	100.00M		N	20	
	JH-AH148164	Kit		50.00M	P	19	
Blade Lift	JH-AH149843	Kit	90.00M		N	20	
	JH-AH148164	Kit		50.00M	P	19	
Blade Tilt	JH-AH149844	Kit	100.00M		N	20	
	JH-AH148164	Kit		50.00M	P	19	
Blade Sideshift	JH-AH134955	Kit	90.00M		N	21	
	JH-AH149813	Kit		45.00M	PI	19	
Circle Sideshift	JH-AH149843	Kit	90.00M		N	20	
	JH-AH148164	Kit		50.00M	P	19	
Scarifier	JH-AH149846	Kit	115.00M		N	20	
	JH-AH149814	Kit		56.00M	P	19	
Ripper	JH-AH149844	Kit	100.00M		N	20	
	JH-AH148164	Kit		50.00M	P	19	

Application	Part Number	De cription	Bore	Rod	Wiper	Type	
670D GRADER							
Front Steering	JH-AH164325	Kit	2.250S		N	21	
	JH-AH161589	Kit		32.00M	PI	19	
Rear Steering	JH-AH212101	Kit	100.00M		N	20	
	JH-AH210484	Kit		50.00M	P	19	
Wheel Lean	JH-AH212102	Kit	100.00M		N	21	
	JH-AH210484	Kit		50.00M	P	19	
Blade Lift	JH-AH212097	Kit	90.00M		N	21	
	JH-AH210484	Kit		50.00M	P	19	
Blade Tilt	JH-AH212102	Kit	100.00M		N	21	
	JH-AH210484	Kit		50.00M	P	19	
Blade Slide	JH-AH212097	Kit	90.00M		N	21	
	JH-AH149813	Kit		45.00M	PI	19	
Circle Sideshift	JH-AH212097	Kit	90.00M		N	21	
	JH-AH210484	Kit		50.00M	P	19	
Scarifier	JH-AH212102	Kit	100.00M		N	21	
	JH-AH210484	Kit		50.00M	P	19	
Ripper	JH-AH212102	Kit	100.00M		N	21	
	JH-AH210484	Kit		50.00M	P	19	
672A GRADER							
Front Steering	JH-RE18750	Kit	3.000S	1.250S	P	11	
	S/N: Prior-543489						
	JH-RE20433	Kit		40.00M	P	19	
	S/N: Prior-543489						
	Use with R 87731 Head, Field replacement						
	JH-AH149194	Kit		40.00M	PI	19	
	S/N: Prior-543489						
	Use with H157174 Head, Field replacement						
	JH-RE20433	Kit		40.00M	P	19	
	S/N: 543490-UP						
	Use with R 87721 Head						
	JH-AH149194	Kit		40.00M	PI	19	
S/N: 543490-UP							
Use with H157174 Head, Field replacement							
Rear Steering	JH-RE18754	Kit	3.500S	1.750S	P	1	
Wheel Lean	JH-AR105387	Kit	4.000S	2.000S	P	1	
Front Mounted Equip	JH-RE18743	Kit	5.000S	2.000S	P	1	
Blade Lift	JH-RE18747	Kit	3.250S	2.000S	P	1	
	S/N: Prior 515755						
	JH-RE30816	Kit	3.250S		N	20	
	S/N: Prior-515755						
	Field replacement						
	JH RE30817	Kit		2.000S	P	18	
	S/N: Prior-515755						
	Field replacement						
JH-RE30816	Kit	3 250S		N	20		
S/N: 515756-UP							

Application	Part Number	Description	Bore	Rod	Wiper	Type
672A GRADER (continued)						
Blade Lift (cont)	JH-RE30817	Kit		2.000S	P	18
S/N:	515756-UP					
Blade Tilt	JH-RE18736	Kit	4.000S	1.750S	P	1
Blade Sideshift	JH-RE18742	Kit	3.500S	1.500S	P	4
Circle Sideshift	JH-RE18747	Kit	3.250S	2.000S	P	1
Scarifier	JH-RE18743	Kit	5.000S	2.000S	P	1
	JH-RE15905	Kit	5.000S		N	20
	Field replacement					
	JH-RE30817	Kit		2.000S	P	18
Field replacement						
Ripper	JH-AR105346	Kit	5.250S	2.250S	P	1
672B GRADER						
Front Steering	JH-RE18750	Kit	3.000S	1.250S	P	11
	S/N:	Prior-533162				
	JH-RE20433	Kit		40.00M	P	19
	S/N:	533163-UP Use with R 87731 Head				
	JH-AH149194	Kit		40.00M	PI	19
S/N:	533163-UP Use with H157174 Head, Field replacement					
Rear Steering	JH-AH149843	Kit	90.00M		N	20
	S/N:	Prior-540815				
	JH-RE20434	Kit		45.00M	P	19
	S/N:	Prior-540815 Use with R 81766 Head				
	JH-AH149813	Kit		45.00M	PI	19
	S/N:	Prior-540815 Use with H157642 Head				
	JH-AH149844	Kit	100.00M		N	20
	S/N:	525022-UP				
	JH-RE20595	Kit		50.00M	P	19
	S/N:	525022-UP Use with R 81972 Head				
JH-AH148164	Kit		50.00M	P	19	
S/N:	525022-UP Use with H157978 Head, Field replacement					
Wheel Lean	JH-RE18733	Kit	4.000S	2.000S	P	1
	S/N:	Prior-538109				
	JH-AH149844	Kit	100.00M		N	20
	S/N:	538110-UP				
	JH RE20595	Kit		50.00M	P	19
	S/N:	538110-UP Use with R 81972 Head				
JH-AH148164	Kit		50.00M	P	19	
S/N:	538110-UP Use with H157978 Head, Field replacement					
Blade Lift	JH-RE18747	Kit	3.250S	2.000S	P	1
	S/N:	Prior-515755				
	JH-RE30816	Kit	3.250S		N	20
S/N:	515756-530594					

Application	Part Number	Description	Bore	Rod	Wiper	Type
672B GRADER (continued)						
Blade Lift (cont)	JH-RE30817	Kit		2.000S	P	18
	S/N: 515756-530594					
	JH-AH149843	Kit	90.00M		N	20
	S/N: 530595-UP					
	JH-RE20595	Kit		50.00M	P	19
	S/N: 530595-UP Use with R 82088 Head					
Blade Tilt	JH-RE18736	Kit	4.000S	1.750S	P	1
	S/N: Prior-530593					
	JH-AH149844	Kit	100.00M		N	20
	S/N: 530594-UP					
	JH-RE20595	Kit		50.00M	P	19
	S/N: 530594-UP Use with R 81972 Head					
Blade Sideshift	JH-RE18742	Kit	3.500S	1.500S	P	4
	S/N: Prior-530593					
	JH-AH134955	Kit	90.00M		N	21
	S/N: 530594-UP					
	JH-RE20434	Kit		45.00M	P	19
	S/N: 530594-UP Use with R 81766 Head					
Circle Sideshift	JH-RE18747	Kit	3.250S	2.000S	P	1
	S/N: Prior-530593					
	JH-AH149843	Kit	90.00M		N	20
	S/N: 530594-UP					
	JH-RE20595	Kit		50.00M	P	19
	S/N: 530594-UP Use with R 82088 Head					
Scarifier	JH-RE18743	Kit	5.000S	2.000S	P	1
	S/N: Prior-515755					
	JH-RE15905	Kit	5.000S		N	20
	S/N: 515756-542333					
	JH-RE30817	Kit		2.000S	P	18
	S/N: 515756-542333					
	JH-AH149846	Kit	115.00M		N	20
	S/N: 542334-UP					
	JH-RE31716	Kit		56.00M	P	19
	S/N: 542334-UP Use with R 92321 Head					

Application	Part Number	Description	Bore	Rod	Wiper	Type
672B GRADER (continued)						
Scarifier (cont)	JH-AH149814	Kit		56.00M	P	19
S/N:	542334-UP Use with H157428 or H157978 Heads, Field replacement					
Ripper	JH-AR105346	Kit	5.250S	2.250S	P	1
S/N:	Prior-549628					
	JH-AH149844	Kit	100.00M		N	20
S/N:	549629-UP					
	JH-RE20595	Kit		50.00M	P	19
S/N:	549629-UP Use with R 81972 Head					
	JH-AH148164	Kit		50.00M	P	19
S/N:	549629-UP Use with H157978 Head, Field replacement					
672CH GRADER						
Front Steering	JH-AH149194	Kit		40.00M	PI	19
Rear Steering	JH-AH149844	Kit	100.00M		N	20
	JH-AH148164	Kit		50.00M	P	19
Wheel Lean	JH-AH149844	Kit	100.00M		N	20
	JH-AH148164	Kit		50.00M	P	19
Blade Lift	JH-AH149843	Kit	90.00M		N	20
	JH-AH148164	Kit		50.00M	P	19
Blade Tilt	JH-AH149844	Kit	100.00M		N	20
	JH-AH148164	Kit		50.00M	P	19
Blade Sideshift	JH-AH134955	Kit	90.00M		N	21
	JH-AH149813	Kit		45.00M	PI	19
Circle Sideshift	JH-AH149843	Kit	90.00M		N	20
	JH-AH148164	Kit		50.00M	P	19
Scarifier	JH-AH149846	Kit	115.00M		N	20
	JH-AH149814	Kit		56.00M	P	19
Ripper	JH-AH149844	Kit	100.00M		N	20
	JH-AH148164	Kit		50.00M	P	19
672D GRADER						
Front Steering	JH-AH164325	Kit	2.250S		N	21
	JH-AH161589	Kit		32.00M	PI	19
Rear Steering	JH-AH212101	Kit	100.00M		N	20
	JH-AH210484	Kit		50.00M	P	19
Wheel Lean	JH-AH212102	Kit	100.00M		N	21
	JH-AH210484	Kit		50.00M	P	19
Blade Lift	JH-AH212097	Kit	90.00M		N	21
	JH-AH210484	Kit		50.00M	P	19
Blade Tilt	JH-AH212102	Kit	100.00M		N	21
	JH-AH210484	Kit		50.00M	P	19
Blade Slide	JH-AH212097	Kit	90.00M		N	21
	JH-AH149813	Kit		45.00M	PI	19
Circle Sideshift	JH-AH212097	Kit	90.00M		N	21
	JH-AH210484	Kit		50.00M	P	19
Scarifier	JH-AH212102	Kit	100.00M		N	21

Application	Part Number	Description	Bore	Rod	Wiper	Type
672D GRADER (continued)						
Scarifier (cont)	JH-AH210484	Kit		50.00M	P	19
Ripper	JH-AH212102	Kit	100.00M		N	21
	JH-AH210484	Kit		50.00M	P	19
770,770A GRADER						
Front Steering	JH-RE18750	Kit	3.000S	1.250S	P	11
	JH-RE20433	Kit		40.00M	P	19
	Use with R 87731 Head, Field replacement					
	JH-AH149194	Kit		40.00M	PI	19
	Use with H157174 Head, Field replacement					
Rear Steering	JH-AR105387	Kit	4.000S	2.000S	P	1
	JH-AH149844	Kit	100.00M		N	20
	Field replacement					
	JH-RE20595	Kit		50.00M	P	19
	Use with R 81972 Head, Field replacement					
	JH-AH148164	Kit		50.00M	P	19
	Use with H157978 Head, Field replacement					
Wheel Lean	JH-AR105387	Kit	4.000S	2.000S	P	1
Front Mounted Equip	JH-RE18743	Kit	5.000S	2.000S	P	1
Blade Lift	JH-RE18748	Kit	3.500S	2.000S	P	1
	JH-RE16076	Kit	3.500S		N	20
	Field replacement					
	JH-RE30817	Kit		2.000S	P	18
Field replacement						
Blade Tilt	JH-RE18736	Kit	4.000S	1.750S	P	1
Blade Sideshift	JH-RE18742	Kit	3.500S	1.500S	P	4
Circle Sideshift	JH-RE18754	Kit	3.500S	1.750S	P	1
Scarifier	JH-RE18743	Kit	5.000S	2.000S	P	1
	JH-RE15905	Kit	5.000S		N	20
	Field replacement					
	JH-RE30817	Kit		2.000S	P	18
Field replacement						
Ripper	JH-AR105346	Kit	5.250S	2.250S	P	1
770B GRADER						
Front Steering	JH-RE18750	Kit	3.000S	1.250S	P	11
	S/N: Prior-533125					
	JH-RE20433	Kit		40.00M	P	19
	S/N: 533126-554837					
	Use with R 87731 Head					
	JH-AH149194	Kit		40.00M	PI	19
Rear Steering	S/N: 533126-554837					
	Use with H157174 Head, Field replacement					
Rear Steering	JH-RE18733	Kit	4.000S	2.000S	P	1
	S/N: Prior-525021					
	JH-AH149844	Kit	100.00M		N	20
	S/N: 525022-UP					
	JH-RE20595	Kit		50.00M	P	19
	S/N: 525022-UP					
Use with R 81972 Head						

Application	Part Number	Description	Bore	Rod	Wiper	Type
770B GRADER (continued)						
Rear Steering (cont)	JH-AH148164	Kit		50.00M	P	19
S/N:	525022-UP Use with H157978 Head, Field replacement					
Wheel Lean	JH-AR105387	Kit	4.000S	2.000S	P	1
S/N:	Prior-538109					
	JH-AH149844	Kit	100.00M		N	20
S/N:	538110-UP					
	JH-RE20595	Kit		50.00M	P	19
S/N:	538110-UP Use with R 81972 Head					
	JH-AH148164	Kit		50.00M	P	19
S/N:	538110-UP Use with H157978 Head, Field replacement					
Blade Lift	JH-RE18748	Kit	3.500S	2.000S	P	1
S/N:	Prior-515692					
	JH-RE16076	Kit	3.500S		N	20
S/N:	515693-525344					
	JH-RE30817	Kit		2.000S	P	18
S/N:	515693-525344					
	JH-AH149843	Kit	90.00M		N	20
S/N:	525345-UP					
	JH-RE20595	Kit		50.00M	P	19
S/N:	525345-UP Use with R 82088 Head					
	JH-AH148164	Kit		50.00M	P	19
S/N:	525345-UP Use with H154352 Head, Field replacement					
Blade Tilt	JH-RE18736	Kit	4.000S	1.750S	P	1
S/N:	Prior-530593					
	JH-AH149844	Kit	100.00M		N	20
S/N:	530594-UP					
	JH-RE20595	Kit		50.00M	P	19
S/N:	530594-UP Use with R 81972 Head					
	JH-AH148164	Kit		50.00M	P	19
S/N:	530594-UP Use with H157978 Head, Field replacement					
Blade Sideshift	JH-RE18742	Kit	3.500S	1.500S	P	4
S/N:	Prior-530593					
	JH-AH134955	Kit	90.00M		N	21
S/N:	530594-UP					
	JH-RE20434	Kit		45.00M	P	19
S/N:	530594-UP Use with R 81766 Head					
	JH-AH149813	Kit		45.00M	PI	19
S/N:	530594-UP Use with H157642 Head, Field replacement					
Circle Sideshift	JH-RE18754	Kit	3.500S	1.750S	P	1
S/N:	Prior-525344					
	JH-AH149843	Kit	90.00M		N	20
S/N:	525345-UP					

Application	Part Number	De cription	Bore	Rod	Wiper	Type
770B GRADER (continued)						
Circle Sideshift (cont)	JH-RE20595	Kit		50.00M	P	19
	S/N: 525345-UP	Use with R 82088 Head				
	JH-AH148164	Kit		50.00M	P	19
	S/N: 525345-UP	Use with H154352 Head, Field replacement				
Scarifier	JH-RE18743	Kit	5.000S	2.000S	P	1
	S/N: Prior-515692					
	JH-RE15905	Kit	5.000S		N	20
	S/N: 515693-542333					
	JH-RE30817	Kit		2.000S	P	18
	S/N: 515693 542333					
	JH-AH149846	Kit	115.00M		N	20
	S/N: 542334-UP					
	JH-RE31716	Kit		56.00M	P	19
	S/N: 542334-UP	Use with R 92321 Head				
Ripper	JH-AR105346	Kit	5.250S	2.250S	P	1
	S/N: Prior-549628					
	JH-AH149844	Kit	100.00M		N	20
	S/N: 549629-UP					
	JH-RE20595	Kit		50.00M	P	19
	S/N: 549629-UP	Use with R 81972 Head				
	JH-AH148164	Kit		50.00M	P	19
	S/N: 549629-UP	Use with H157978 Head, Field replacement				
770C,770CH GRADER						
Rear Steering	JH-AH149844	Kit	100.00M		N	20
	JH-AH148164	Kit		50.00M	P	19
Wheel Lean	JH AH149844	Kit	100.00M		N	20
	JH-AH148164	Kit		50.00M	P	19
Blade Lift	JH-AH149843	Kit	90.00M		N	20
	JH-AH148164	Kit		50.00M	P	19
Blade Tilt	JH-AH149844	Kit	100.00M		N	20
	JH-AH148164	Kit		50.00M	P	19
Blade Sideshift	JH-AH134955	Kit	90.00M		N	21
	JH-AH149813	Kit		45 00M	PI	19
Circle Sideshift	JH-AH149843	Kit	90.00M		N	20
	JH-AH148164	Kit		50.00M	P	19
Scarifier	JH AH149846	Kit	115.00M		N	20
	JH-AH149814	Kit		56.00M	P	19
Ripper	JH-AR105346	Kit	5.250S	2.250S	P	1
	JH-AH149844	Kit	100.00M		N	20
	JH-AH148164	Kit		50.00M	P	19

Application	Part Number	Description	Bore	Rod	Wiper	Type
770D GRADER						
Front Steering	JH-AH164325	Kit	2.250S		N	21
	JH-AH161589	Kit		32.00M	PI	19
Rear Steering	JH-AH212101	Kit	100.00M		N	20
	JH-AH210484	Kit		50.00M	P	19
Wheel Lean	JH-AH212102	Kit	100.00M		N	21
	JH-AH210484	Kit		50.00M	P	19
Blade Lift	JH-AH212097	Kit	90.00M		N	21
	JH-AH210484	Kit		50.00M	P	19
Blade Tilt	JH-AH212102	Kit	100.00M		N	21
	JH-AH210484	Kit		50.00M	P	19
Blade Slide	JH-AH212097	Kit	90.00M		N	21
	JH-AH149813	Kit		45.00M	PI	19
Circle Sideshift	JH-AH212097	Kit	90.00M		N	21
	JH-AH210484	Kit		50.00M	P	19
Scarifier	JH-AH212102	Kit	100.00M		N	21
	Use with AH212649 or AH223313 Cylinders					
	JH-AH210484	Kit		50.00M	P	19
	Use with AH212649 or AH223313 Cylinders					
	JH-AH149814	Kit		56.00M	P	19
Use with AH212650 Cylinder						
Ripper	JH-AH212102	Kit	100.00M		N	21
	JH-AH210484	Kit		50.00M	P	19
772A GRADER						
Front Steering	JH-RE18750	Kit	3.000S	1.250S	P	11
	JH-RE20433	Kit		40.00M	P	19
	Use with R 87731 Head, Field replacement					
	JH-AH149194	Kit		40.00M	PI	19
Use with H157174 Head, Field replacement						
Rear Steering	JH-AR105387	Kit	4.000S	2.000S	P	1
	JH-AH149844	Kit	100.00M		N	20
	Field replacement					
	JH-RE20595	Kit		50.00M	P	19
	Use with R 81972 Head, Field replacement					
	JH-AH148164	Kit		50.00M	P	19
Use with H157978 Head, Field replacement						
Wheel Lean	JH-AR105387	Kit	4.000S	2.000S	P	1
Blade Lift	JH-RE18748	Kit	3.500S	2.000S	P	1
	JH-RE16076	Kit	3.500S		N	20
	Field replacement					
	JH-RE30817	Kit		2.000S	P	18
Field replacement						
Blade Tilt	JH-RE18736	Kit	4.000S	1.750S	P	1
Blade Sideshift	JH-RE18742	Kit	3.500S	1.500S	P	4
Circle Sideshift	JH-RE18754	Kit	3.500S	1.750S	P	1
Scarifier	JH-RE18743	Kit	5.000S	2.000S	P	1

Application	Part Number	De cription	Bore	Rod	Wiper	Type
772A GRADER (continued)						
Scarifier (cont)	JH-RE15905	Kit	5.000S		N	20
	Field replacement					
	JH-RE30817	Kit		2.000S	P	18
Field replacement						
Ripper	JH-AR105346	Kit	5.250S	2.250S	P	1
772B GRADER						
Front Steering	JH-RE18750	Kit	3.000S	1.250S	P	11
	S/N: Prior-533125					
	JH-RE20433	Kit		40.00M	P	19
	S/N: 533126-UP Use with R 87731 Head					
	JH-AH149194	Kit		40.00M	PI	19
	S/N: 533126-UP Use with H157174 Head, Field replacement					
Rear Steering	JH-RE18733	Kit	4.000S	2.000S	P	1
	S/N: Prior-525021					
	JH-AH149844	Kit	100.00M		N	20
	S/N: 525022-UP					
	JH-RE20595	Kit		50.00M	P	19
	S/N: 525022-UP Use with R 81972 Head					
JH-AH148164	Kit		50.00M	P	19	
S/N: 525022-UP Use with H157978 Head, Field replacement						
Wheel Lean	JH-AR105387	Kit	4.000S	2.000S	P	1
	S/N: Prior 538109					
	JH-AH149844	Kit	100.00M		N	20
	S/N: 538110-UP					
	JH-RE20595	Kit		50.00M	P	19
	S/N: 538110-UP Use with R 81972 Head					
JH-AH148164	Kit		50.00M	P	19	
S/N: 538110-UP Use with H157978 Head, Field replacement						
Blade Lift	JH-RE18748	Kit	3.500S	2.000S	P	1
	S/N: Prior-515692					
	JH-RE16076	Kit	3.500S		N	20
	S/N: 515693-525344					
	JH-RE30817	Kit		2.000S	P	18
	S/N: 515693-525344					
	JH-AH149843	Kit	90 00M		N	20
	S/N: 525345-UP					
JH-RE20595	Kit		50.00M	P	19	
S/N: 525345-UP Use with R 82088 Head						
JH-AH148164	Kit		50.00M	P	19	
S/N: 525345-UP Use with H154352 Head, Field replacement						
Blade Tilt	JH-RE18736	Kit	4.000S	1.750S	P	1
	S/N: Prior-530593					

Application	Part Number	Description	Bore	Rod	Wiper	Type
772B GRADER (continued)						
Blade Tilt (cont)	JH-AH149844	Kit	100.00M		N	20
	S/N: 530594-UP					
	JH-RE20595	Kit		50.00M	P	19
	S/N: 530594-UP					
	Use with R 81972 Head					
Blade Tilt (cont)	JH-AH148164	Kit		50.00M	P	19
	S/N: 530594-UP					
	Use with H157978 Head, Field replacement					
	JH-RE18742	Kit	3.500S	1.500S	P	4
	S/N: Prior-530593					
Blade Sideshift	JH-AH134955	Kit	90.00M		N	21
	S/N: 530594-UP					
	JH-RE20434	Kit		45.00M	P	19
	S/N: 530594-UP					
	Use with R 81766 Head					
	JH-AH149813	Kit		45.00M	PI	19
	S/N: 530594-UP					
Use with H157642 Head, Field replacement						
Circle Sideshift	JH-RE18754	Kit	3.500S	1.750S	P	1
	S/N: Prior-525344					
	JH-AH149843	Kit	90.00M		N	20
	S/N: 525345-UP					
	JH-RE20595	Kit		50.00M	P	19
	S/N: 525345-UP					
	Use with R 82088 Head					
Scarifier	JH-AH148164	Kit		50.00M	P	19
	S/N: 525345-UP					
	Use with H154352 Head, Field replacement					
	JH-RE18743	Kit	5.000S	2.000S	P	1
	S/N: Prior-515692					
	JH-RE15905	Kit	5.000S		N	20
	S/N: 515693-542333					
Ripper	JH-RE30817	Kit		2.000S	P	18
	S/N: 515693-542333					
	JH-AH149846	Kit	115.00M		N	20
	S/N: 542334-UP					
	JH-RE31716	Kit		56.00M	P	19
	S/N: 542334-UP					
	Use with R 92321 Head					
Ripper	JH-AH149814	Kit		56.00M	P	19
	S/N: 542334-UP					
	Use with H157428 Head, Field replacement					
	JH-AR105346	Kit	5.250S	2.250S	P	1
	S/N: Prior-549628					
	JH-AH149844	Kit	100.00M		N	20
	S/N: 549629-UP					
Ripper	JH-RE20595	Kit		50.00M	P	19
	S/N: 549629-UP					
	Use with R 81972 Head					
	JH-AH148164	Kit		50.00M	P	19
	S/N: 549629-UP					
Use with H157978 Head, Field replacement						

Application	Part Number	Description	Bore	Rod	Wiper	Type
772CH GRADER						
Front Steering	JH-AH149194	Kit		40.00M	PI	19
Rear Steering	JH-AH149844	Kit	100.00M		N	20
	JH-AH148164	Kit		50.00M	P	19
Wheel Lean	JH-AH149844	Kit	100.00M		N	20
	JH-AH148164	Kit		50.00M	P	19
Blade Lift	JH-AH149843	Kit	90.00M		N	20
	JH-AH148164	Kit		50.00M	P	19
Blade Tilt	JH-AH149844	Kit	100.00M		N	20
	JH-AH148164	Kit		50.00M	P	19
Blade Sideshift	JH-AH134955	Kit	90.00M		N	21
	JH-AH149813	Kit		45.00M	PI	19
Circle Sideshift	JH-AH149843	Kit	90.00M		N	20
	JH-AH148164	Kit		50.00M	P	19
Scarifier	JH-AH149846	Kit	115.00M		N	20
	JH-AH149814	Kit		56.00M	P	19
Ripper	JH-AR105346	Kit	5.250S	2.250S	P	1
	JH-AH149844	Kit	100.00M		N	20
	JH-AH148164	Kit		50.00M	P	19
772D GRADER						
Front Steering	JH-AH164325	Kit	2.250S		N	21
	JH-AH161589	Kit		32.00M	PI	19
Rear Steering	JH-AH212101	Kit	100.00M		N	20
	JH-AH210484	Kit		50.00M	P	19
Wheel Lean	JH-AH212102	Kit	100.00M		N	21
	JH-AH210484	Kit		50.00M	P	19
Blade Lift	JH-AH212097	Kit	90.00M		N	21
	JH-AH210484	Kit		50.00M	P	19
Blade Tilt	JH-AH212102	Kit	100.00M		N	21
	JH-AH210484	Kit		50.00M	P	19
Blade Slide	JH-AH212097	Kit	90.00M		N	21
	JH-AH149813	Kit		45.00M	PI	19
Circle Sideshift	JH-AH212097	Kit	90.00M		N	21
	JH-AH210484	Kit		50.00M	P	19
Scarifier	JH-AH212102	Kit	100.00M		N	21
	Use with AH212649 or AH223313 Cylinders					
	JH-AH210484	Kit		50.00M	P	19
	Use with AH212649 or AH223313 Cylinders					
	JH-AH149814	Kit		56.00M	P	19
Use with AH212650 Cylinder						
Ripper	JH-AH212102	Kit	100.00M		N	21
	JH-AH210484	Kit		50.00M	P	19

Application	Part Number	Description	Bore	Rod	Wiper	Type
760 SCRAPER						
Sliding Floor	JH-AR105355	Kit	4.500S	2.250S	P	1
	S/N: Prior-1000					
	JH-AR105351	Kit	4.500S	2.250S	P	1
S/N: 1001-UP						
Ejector Gate	JH-AR99785	Kit	2.500S	1.500S	P	10
	S/N: Prior-YR 1967					
	JH-RE19217	Kit	2.500S	1.500S	P	1
S/N: YR 1967-UP						
Bowl Lift	JH-AR105387	Kit	4.000S	2.000S	P	1
Scarifier	JH-AR105722	Kit	3.000S	1.500S	P	1
760A SCRAPER						
Sliding Floor	JH-AR105351	Kit	4.500S	2.250S	P	1
	S/N: Prior-2505					
	JH-RE18759	Kit	5.000S	2.250S	P	1
S/N: 2506-UP						
Ejector Gate	JH-RE19217	Kit	2.500S	1.500S	P	1
Bowl Lift	JH-AR105387	Kit	4.000S	2.000S	P	1
Scarifier	JH-AR105722	Kit	3.000S	1.500S	P	1
762,762A SCRAPER						
Sliding Floor	JH-AR105346	Kit	5.250S	2.250S	P	1
Ejector Gate	JH-RE19217	Kit	2.500S	1.500S	P	1
Bowl Lift	JH-RE18737	Kit	4.500S	2.000S	P	1
Steering	JH-RE18765	Kit	3.500S	2.000S	P	4
	JH-AH149843	Kit	90.00M		N	20
	Field replacement					
	JH-RE20595	Kit		50.00M	P	19
	Use with R 82088 Head, Field replacement					
	JH-AH148164	Kit		50.00M	P	19
Use with H154352 Head, Field replacement						
Follow-up Steering	JH-AH65915	Kit	1.000S	0.500S	N	5
762B SCRAPER						
Sliding Floor	JH-AR105346	Kit	5.250S	2.250S	P	1
	S/N: Prior 790039					
	JH-AH137209	Kit	140.00M		N	20
	S/N: 790040-UP					
	JH-RE25151	Kit		63.00M	P	19
S/N: 790040-UP						
Ejector Gate	JH-RE19217	Kit	2.500S	1.500S	P	1
	S/N: Prior-773510					
	JH-AH149194	Kit		40.00M	PI	19
S/N: 773511 UP						
Use with H157173 Head, Field replacement						
Bowl Lift	JH-RE18737	Kit	4.500S	2.000S	P	1
	S/N: Prior-790039					
	JH-AH149846	Kit	115.00M		N	20
S/N: 790040-UP						

Application	Part Number	Description	Bore	Rod	Wiper	Type	
762B SCRAPER (continued)							
Bowl Lift (cont)	JH-RE31716	Kit		56.00M	P	19	
	S/N: 790040-UP	Use with R 92321 Head					
	JH-AH149814	Kit		56.00M	P	19	
	S/N: 790040-UP	Use with H157428 Head, Field replacement					
Steering	JH-RE18765	Kit	3.500S	2.000S	P	4	
	S/N: Prior-780265						
	JH-AH149843	Kit	90.00M		N	20	
	S/N: 780266-UP						
	JH-RE20595	Kit		50.00M	P	19	
	S/N: 780266 UP	Use with R 82088 Head					
Steering	JH-AH148164	Kit		50.00M	P	19	
	S/N: 780266-UP	Use with H154352 Head, Field replacement					
860,860A,860B SCRAPER							
Sliding Floor	JH-RE18746	Kit	5.250S	2.500S	P	1	
Ejector Gate	JH-RE18752	Kit	3.000S	1.750S	P	1	
Bowl Lift	JH-RE18743	Kit	5.000S	2.000S	P	1	
Steering	JH-RE18738	Kit	4.000S	2.000S	P	4	
	JH-AH149844	Kit	100.00M		N	20	
	Field replacement						
	JH-RE20595	Kit		50.00M	P	19	
	Use with R 81972 Head, Field replacement						
	JH-AH148164	Kit		50.00M	P	19	
Use with H154353 or H157978 Heads, Field replacement							
862 SCRAPER							
Sliding Floor	JH-RE18746	Kit	5.250S	2.500S	P	1	
Ejector Gate	JH-RE18752	Kit	3.000S	1.750S	P	1	
	S/N: Prior-4283						
	JH-RE19218	Kit	3.000S	2.000S	P	11	
	S/N: 4284-UP						
Bowl Lift	JH-RE18743	Kit	5.000S	2.000S	P	1	
Axle Suspension	JH-RE16118	Kit	4.000S		N	20	
	JH-RE16119	Kit		2.000S	P	18	
	JH-AH149844	Kit	100.00M		N	20	
	JH-RE20595	Kit		50.00M	P	19	
	Use with R 81972 Head						
	JH-AH148164	Kit		50.00M	P	19	
Use with H157978 Head, Field replacement							
Steering	JH-RE18738	Kit	4.000S	2.000S	P	4	
	JH-AH149844	Kit	100.00M		N	20	
	JH-RE20595	Kit		50.00M	P	19	
	Use with R 81972 Head						
	JH-AH148164	Kit		50.00M	P	19	
Use with H157978 Head, Field replacement							
Follow up Steering	JH-AH65915	Kit	1.000S	0.500S	N	5	

Application	Part Number	Description	Bore	Rod	Wiper	Type	
862B SCRAPER							
Sliding Floor	JH-RE18746	Kit	5.250S	2.500S	P	1	
	S/N: Prior-781780						
	JH-AH137209	Kit	140.00M		N	20	
	S/N: 781781-UP						
Ejector Gate	JH-RE25151	Kit		63.00M	P	19	
	S/N: 781781-UP						
	JH-RE19218	Kit	3.000S	2.000S	P	11	
	S/N: Prior-781780						
Ejector Gate	JH-AH149842	Kit	80.00M		N	20	
	S/N: 781781-UP						
	JH-RE20595	Kit		50.00M	P	19	
	S/N: 781781-UP						
	Use with H145360 Head						
	JH-AH148164	Kit		50.00M	P	19	
S/N: 781781-UP							
Use with H152345 Head, Field replacement							
Bowl Lift	JH-RE18743	Kit	5.000S	2.000S	P	1	
	S/N: Prior-781780						
	JH-AH137209	Kit	140.00M		N	20	
	S/N: 781781-UP						
Axle Suspension	JH-RE25151	Kit		63.00M	P	19	
	S/N: 781781-UP						
	JH-RE16118	Kit	4.000S		N	20	
	S/N: Prior-786579						
	JH-RE16119	Kit		2.000S	P	18	
	S/N: Prior-786579						
Axle Suspension	JH-AH149844	Kit	100.00M		N	20	
	S/N: 786580-UP						
	JH-RE20595	Kit		50.00M	P	19	
	S/N: 786580-UP						
	Use with R 81972 Head						
	JH-AH148164	Kit		50.00M	P	19	
S/N: 786580-UP							
Use with H157978 Head, Field replacement							
Steering	JH-RE18738	Kit	4.000S	2.000S	P	4	
	S/N: Prior-781780						
	JH-AH149844	Kit	100.00M		N	20	
	S/N: 781781-UP						
	JH-RE20595	Kit		50.00M	P	19	
	S/N: 781781-UP						
Use with R 81972 Head							
JH-AH148164	Kit		50.00M	P	19		
S/N: 781781-UP							
Use with H157978 Head, Field replacement							

Application	Part Number	Description	Bore	Rod	Wiper	Type
1312C SCRAPER						
Bucket	JH-AH202290	Kit	90.00M		N	21
	JH-AH149813	Kit		45.00M	PI	19
Gate & Wheel Frame	JH-AH167533	Kit	6.000S		N	21
	JH-AH149815	Kit		63.00M	P	19
1510C SCRAPER						
Bucket	JH-AH202290	Kit	90.00M		N	21
	S/N: Prior-50001					
	JH-AH212097	Kit	90.00M		N	21
	S/N: 50002-UP					
	JH-AH149813	Kit		45.00M	PI	19
Gate & Wheel Frame	JH-AH167533	Kit	6.000S		N	21
	S/N: 1021-UP					
	JH-AH149815	Kit		63.00M	P	19
	S/N: 1021-UP					
1512C SCRAPER						
Bucket	JH-AH202290	Kit	90.00M		N	21
	S/N: Prior-50001					
	JH-AH212097	Kit	90.00M		N	21
	S/N: 50002-UP					
	JH-AH149813	Kit		45.00M	PI	19
Gate & Wheel Frame	JH-AH167533	Kit	6.000S		N	21
	JH-AH149815	Kit		63.00M	P	19
1512E SCRAPER						
Lift	JH-AH167533	Kit	6.000S		N	21
	S/N: 80000-UP					
	JH-AH156466	Kit		70.00M	P	19
	S/N: 80000-UP					
Gate	JH-AH167596	Kit	125.00M		N	21
	S/N: 80000-UP					
	JH-AH149815	Kit		63.00M	P	19
	S/N: 80000-UP					
Ejector	JH-AH149814	Kit		56.00M	P	19
	S/N: 80000-UP					

Application	Part Number	Description	Bore	Rod	Wiper	Type
1810C SCRAPER						
Bucket	JH-AH212102	Kit	100.00M		N	21
	S/N: 060201-UP					
	JH-AH149814	Kit		56.00M	P	19
S/N: 060201-UP						
Gate & Wheel Frame	JH-AH167533	Kit	6.000S		N	21
	S/N: 060201-UP					
	JH-AH149815	Kit		63.00M	P	19
S/N: 060201-UP						
1810E SCRAPER						
Lift	JH-AH167533	Kit	6.000S		N	21
	S/N: 80000-UP					
	JH-AH156466	Kit		70.00M	P	19
S/N: 80000-UP						
Gate	JH-AH167596	Kit	125.00M		N	21
	S/N: 80000-UP					
	JH-AH149815	Kit		63.00M	P	19
S/N: 80000-UP						
Ejector	JH-AH212103	Kit	115.00M		N	20
	S/N: 80000-UP					
	JH-AH149815	Kit		63.00M	P	19
S/N: 80000-UP						
1812C SCRAPER						
Bucket	JH-AH202290	Kit	90.00M		N	21
	S/N: Prior-50001					
	JH-AH212097	Kit	90.00M		N	21
S/N: 50002-UP						
Gate & Wheel Frame	JH-AH149813	Kit		45.00M	PI	19
	JH-AH167533	Kit	6.000S		N	21
	S/N: 1112-UP					
JH-AH149815	Kit		63.00M	P	19	
S/N: 1112-UP						
1814C SCRAPER						
Bucket	JH AH202290	Kit	90.00M		N	21
	S/N: Prior-50001					
	JH-AH212097	Kit	90.00M		N	21
S/N: 50002-UP						
Gate & Wheel Frame	JH-AH149813	Kit		45.00M	PI	19
	JH AH167533	Kit	6.000S		N	21
	S/N: 1012-UP					
JH-AH149815	Kit		63.00M	P	19	
S/N: 1012-UP						

Application	Part Number	Description	Bore	Rod	Wiper	Type
1814E SCRAPER						
Lift		JH-AH167533	Kit	6.000S		N 21
	S/N:	80000-UP				
		JH-AH156466	Kit		70.00M	P 19
	S/N:	80000-UP				
Gate		JH-AH167596	Kit	125.00M		N 21
	S/N:	80000-UP				
		JH-AH149815	Kit		63.00M	P 19
	S/N:	80000-UP				
Ejector		JH-AH149814	Kit		56.00M	P 19
	S/N:	80000-UP				
2112C SCRAPER						
Bucket		JH-AH212102	Kit	100.00M		N 21
	S/N:	060201-UP				
		JH-AH149814	Kit		56.00M	P 19
	S/N:	060201-UP				
Lift		JH-AH167533	Kit	6.000S		N 21
	S/N:	060201-UP				
		JH-AH149815	Kit		63.00M	P 19
	S/N:	060201-UP				
Gate & Wheel Frame		JH-AH167533	Kit	6.000S		N 21
	S/N:	060201-UP				
		JH-AH149815	Kit		63.00M	P 19
	S/N:	060201-UP				
2112E SCRAPER						
Lift		JH-AH167533	Kit	6.000S		N 21
	S/N:	80000-UP				
		JH-AH156466	Kit		70.00M	P 19
	S/N:	80000-UP				
Gate		JH-AH167596	Kit	125.00M		N 21
	S/N:	80000-UP				
		JH-AH149815	Kit		63.00M	P 19
	S/N:	80000-UP				
Ejector		JH-AH167596	Kit	125.00M		N 21
	S/N:	80000-UP				
		JH-AH149815	Kit		63.00M	P 19
	S/N:	80000-UP				

Application	Part Number	Description	Bore	Rod	Wiper	Type
5010 SCRAPER						
Sliding Floor	JH-AR105384	Kit	4.500S	2.000S	P	1
Ejector Gate	JH-AR99785	Kit	2.500S	1.500S	P	10
	JH-RE19217	Kit	2.500S	1.500S	P	1
Bowl Lift	JH-AR105387	Kit	4.000S	2.000S	P	1
Scarifier	JH-AR105722	Kit	3.000S	1.500S	P	1
646,646B COMPACTOR						
Boom (Lift)	JH-RE18744	Kit	6.250S	2.750S	P	1
Bucket (Tilt)	JH-AR105355	Kit	4.500S	2.250S	P	1
	S/N: Prior-223644					
	JH-RE18744	Kit	6.250S	2.750S	P	1
S/N: 223645-UP						
Steering	JH-AT34932	Kit	4.000S	3.750S	I	15
	S/N: Prior-247906					
	RH Side Only					
	JH-AT34933	Kit	4.000S	3.750S	I	15
	S/N: Prior-247906					
LH Side Only						
JH AT34932	Kit	4.000S	3.750S	I	15	
S/N: 247907-UP						
Multi-Purpose Clam	CS-G 32299	Kit	4.000S	2.000S	P	9
	S/N: Prior-223644					
	Drott Cylinder, S/N: 303-Up					
	JH-AR105387	Kit	4.000S	2.000S	P	1
S/N: 223645-UP						
Deere Cylinder						
646C COMPACTOR						
Boom (Lift)	JH RE14022	Kit	6.250S		N	20
	S/N: 505144-UP					
	JH-RE16991	Kit		2.750S	P	18
S/N: 505144-UP						
Bucket (Tilt)	JH-RE14022	Kit	6.250S		N	20
	S/N: 505144-UP					
	JH-RE16992	Kit		3.000S	P	18
S/N: 505144-UP						
Steering	JH AR105320	Kit	3.750S	1.750S	P	15
	S/N: Prior-505143					
	JH-RE17099	Kit	3.750S		N	21
	S/N: 505144-UP					
	JH-RE16209	Kit		1.750S	P	18
S/N: 505144-UP						
Multi-Purpose Clam	JH-AR105387	Kit	4.000S	2.000S	P	1

Application	Part Number	Description	Bore	Rod	Wiper	Type
27 ZTS, 27C ZTS CRAWLER EXCAVATOR						
Blade	JH-TH0729006	Kit	85.00M	45.00M	P	5
Boom	JH-TH0743805	Kit	75.00M	40.00M	P	5
Bucket	JH-0744105	Kit	60.00M	35.00M	P	5
Bucket Clamp	JH-AH167552	Kit	50.00M		N	21
	JH-AH158827	Kit	50.00M	25.00M	I	15
Crowd (Arm)	JH-TH0744010	Kit	70.00M	40.00M	P	5
Swing	JH-0847204	Kit	75.00M	40.00M	P	5
	Model 27C ZTS only					
35 ZTS CRAWLER EXCAVATOR						
Blade	JH-0745308	Kit	95.00M	55.00M	P	15
Boom	JH-0656714	Kit	80.00M	50.00M	P	15
Bucket	JH-0744707	Kit	65.00M	40.00M	P	15
Bucket Clamp	JH-AH167552	Kit	50.00M		N	21
	JH-AH158827	Kit	50.00M	25.00M	I	15
Crowd (Arm)	JH-0744408	Kit	75.00M	45.00M	P	15
Swing	JH-0744808	Kit	85.00M	45.00M	P	15
35C ZTS CRAWLER EXCAVATOR						
Blade	JH-0745308	Kit	95.00M	55.00M	P	15
Boom	JH-0850309	Kit	80.00M	45.00M	P	5
Bucket	JH-0849503	Kit	65.00M	40.00M	P	5
Bucket Clamp	JH-AH167552	Kit	50.00M		N	21
	JH-AH158827	Kit	50.00M	25.00M	I	15
Crowd (Arm)	JH-0849304	Kit	75.00M	45.00M	P	5
Swing	JH-TH0729006	Kit	85.00M	45.00M	P	5
35D CRAWLER EXCAVATOR						
Blade	JH-4622066	Kit	95.00M	45.00M	P	8
	S/N: 234004-UP					
Boom	JH-4634033	Kit	85.00M	50.00M	P	5
	S/N: 234004-264999					
Bucket	JH-4614058	Kit	65.00M	40.00M	P	5
	S/N: 234004-UP					
Bucket Clamp	JH-AH167552	Kit	50.00M		N	21
	S/N: 234004-UP					
	JH-AH158827	Kit	50.00M	25.00M	I	15
S/N: 234004-UP						
Crowd (Arm)	JH-4634034	Kit	75.00M	45.00M	P	5
	S/N: 234004-264999					
Swing	JH-4614059	Kit	85.00M	45.00M	P	5
	S/N: 234004-UP					

Application	Part Number	Description	Bore	Rod	Wiper	Type
50 ZTS, 50C ZTS CRAWLER EXCAVATOR						
Blade Lift	JH-0843907	Kit	100.00M	55.00M	P	5
	Use with 4468880 Cylinder					
Blade Tilt	JH-AT191391	Kit	3.000S	1.500S	P	4
	Use with AT191390 Cylinder					
Boom	JH-0735309	Kit	95.00M	55.00M	P	15
	Model 50 ZTS only					
	JH-0844807	Kit	95.00M	55.00M	P	5
	Model 50C ZTS only					
Bucket	JH-0844705	Kit	75.00M	45.00M	P	5
Bucket Clamp	JH-AT260416	Kit	2.000S	1.250S	P	22
	Use with AT260404 or AT309148 Cylinders					
	JH-AH167552	Kit	50.00M		N	21
	Use with AH216808 Cylinder					
	JH-AH215765	Kit	50.00M	30.00M	I	5
Use with AH216808 Cylinder						
Crowd (Arm)	JH-0656714	Kit	80.00M	50.00M	P	15
	Use with 9171446 Cylinder					
	JH-0843613	Kit	80.000S	50.000S	P	5
Use with 4468846 Cylinder						
Swing	JH-0656604	Kit	100.00M	50.00M	P	15
	Model 50 ZTS only					
	JH-0843808	Kit	100.00M	50.00M	P	5
Model 50C ZTS only						
50D CRAWLER EXCAVATOR						
Blade Lift	JH-4622067	Kit	105.00M	50.00M	P	8
	S/N: 244004-275344					
	JH-FYD0000075	Kit	105.00M	50.00M	P	5
S/N: 275345-UP						
Blade Tilt	JH-AT191391	Kit	3.000S	1.500S	P	4
S/N: 244004 274999						
Blade Angle	JH-4614058	Kit	65.00M	40.00M	P	5
S/N: 275000-UP						
Boom	JH-4634038	Kit	95.00M	55.00M	P	5
S/N: 244004-UP						
Bucket	JH-4614069	Kit	75.00M	45.00M	P	5
S/N: 244004-UP						
Bucket Clamp	JH-AT260416	Kit	2.000S	1.250S	P	22
	S/N: 244004 274999					
	Use with AT260404 or AT309148 Cylinders					
	JH-AH167552	Kit	50.00M		N	21
	S/N: 244004-UP					
Use with AH216808 Cylinder						
JH-AH215765	Kit	50.00M	30.00M	I	5	
S/N: 244004-UP						
Use with AH216808 Cylinder						
Crowd (Arm)	JH-4634036	Kit	80.00M	50.00M	P	5
S/N: 244004-UP						

Application	Part Number	Description	Bore	Rod	Wiper	Type
50D CRAWLER EXCAVATOR						
(continued)						
Swing	JH-4705345	Kit	90.00M	50.00M	P	8
S/N:	275000-UP					
70 CRAWLER EXCAVATOR						
Blade	JH-TH110663	Kit	90.00M	55.00M	P	5
Boom	JH-TH111701	Kit	115.00M	65.00M	P	5
Offset Boom	JH-TH106874	Kit	110.00M	60.00M	P	5
Bucket	JH-TH106853	Kit	90.00M	55.00M	P	5
Crowd (Arm)	JH-TH106099	Kit	100.00M	60.00M	P	5
70D CRAWLER EXCAVATOR						
Blade	JH-TH110663	Kit	90.00M	55.00M	P	5
Boom	JH-TH110661	Kit	115.00M	65.00M	P	5
Offset Boom	JH-TH106874	Kit	110.00M	60.00M	P	5
Bucket	JH-TH110663	Kit	90.00M	55.00M	P	5
Crowd (Arm)	JH-TH110662	Kit	100.00M	60.00M	P	5
75C CRAWLER EXCAVATOR						
Blade	JH-4632462	Kit	120.00M	70.00M	P	8
Boom	JH-4464984	Kit	115.00M	65.00M	P	5
Bucket	JH-4464986	Kit	85.00M	55.00M	P	5
Crowd (Arm)	JH-4464985	Kit	95.00M	60.00M	P	5
80 CRAWLER EXCAVATOR						
Boom	JH-AT200548	Kit	115.00M	65.00M	P	5
Bucket	JH-AT200550	Kit	85.00M	55.00M	P	5
Crowd (Arm)	JH-AT200549	Kit	95.00M	60.00M	P	5
	Use with Standard Boom					
	JH-4415584	Kit	95.00M	60.00M	P	5
Use with Offset Boom						
80C CRAWLER EXCAVATOR						
Blade	JH-4465736	Kit	120.00M	70.00M	P	5
Boom	JH-4464984	Kit	115.00M	65.00M	P	5
Bucket	JH-4464986	Kit	85.00M	55.00M	P	5
Crowd (Arm)	JH-4464985	Kit	95.00M	60.00M	P	5
	Use with Standard Boom					
	JH-4415584	Kit	95.00M	60.00M	P	5
Use with Offset Boom						

Application	Part Number	Description	Bore	Rod	Wiper	Type
110 CRAWLER EXCAVATOR						
Blade	JH-4388027	Kit	100.00M	70.00M	P	5
Bucket	JH-AH150595	Kit	95.00M	65.00M	P	15
120 CRAWLER EXCAVATOR						
Boom	JH-AH151107	Kit	105.00M	70.00M	P	15
Bucket	JH-AH150595	Kit	95.00M	65.00M	P	15
Crowd (Arm)	JH-AH149796	Kit	110.00M	80.00M	P	15
120C CRAWLER EXCAVATOR						
Blade	JH-4388027	Kit	100.00M	70.00M	P	5
Boom	JH-4662895	Kit	105.00M	70.00M	P	5
Bucket	JH-4448397	Kit	100.00M	70.00M	P	5
Crowd (Arm)	JH-4448396	Kit	115.00M	80.00M	P	5
135C RTS CRAWLER EXCAVATOR						
Blade	JH-4388027	Kit	100.00M	70.00M	P	5
Boom	JH 4662895	Kit	105.00M	70.00M	P	5
Bucket	JH-4448397	Kit	100.00M	70.00M	P	5
Crowd (Arm)	JH 4448396	Kit	115.00M	80.00M	P	5
160LC CRAWLER EXCAVATOR						
Boom	JH-AH155045	Kit	110.00M	80.00M	P	15
Bucket	JH-AH155040	Kit	105.00M	75.00M	P	15
Crowd (Arm)	JH-AH155025	Kit	115.00M	85.00M	P	15
160C LC CRAWLER EXCAVATOR						
Boom	JH-4467379	Kit	110 00M	80 00M	P	5
Bucket	JH-4467381	Kit	105.00M	75.00M	P	5
Crowd (Arm)	JH-4467380	Kit	120 00M	90 00M	P	5
190E CRAWLER EXCAVATOR						
Blade	JH-AT200574	Kit	80.00M	50.00M	P	5
Boom	JH-AT200548	Kit	115.00M	65.00M	P	5
Offset Boom	JH-AT200573	Kit	105.00M	60.00M	P	5
Bucket	JH-AT200550	Kit	85.00M	55.00M	P	5
Crowd (Arm)	JH-AT200549	Kit	95.00M	60.00M	P	5

Application	Part Number	Description	Bore	Rod	Wiper	Type
200LC CRAWLER EXCAVATOR						
Boom	JH-AH173457	Kit	120.00M	85.00M	P	15
Bucket	JH-AH148776	Kit	110.00M	75.00M	P	15
	JH-AT196469	Kit	95.00M	65.00M	P	15
Super Long Front arrangement						
Crowd (Arm)	JH-AH148453	Kit	130.00M	95.00M	P	15
200LC LOGGER						
Heel / Tilt	JH-AH148776	Kit	110.00M	75.00M	P	15
S/N:	Prior-081000					
200C LC CRAWLER EXCAVATOR						
Boom	JH-AH173457	Kit	120.00M	85.00M	P	15
Bucket	JH-AH173451	Kit	115.00M	80.00M	P	15
	JH-AT196469	Kit	95.00M	65.00M	P	15
Super Long Front arrangement						
Crowd (Arm)	JH-AH173444	Kit	135.00M	95.00M	P	15
Standard arrangement						
225C LC RTS CRAWLER EXCAVATOR						
Boom	JH-AH225136	Kit	120.00M	85.00M	P	5
Bucket	JH-AH173451	Kit	115.00M	80.00M	P	15
Crowd (Arm)	JH-AH225135	Kit	135.00M	95.00M	P	15
230LC CRAWLER EXCAVATOR						
Boom	JH-AT154867	Kit	125.00M	90.00M	P	8
Bucket	JH-AT181250	Kit	127.00M	85.00M	P	8
Crowd (Arm)	JH-AT183658	Kit	135.00M	100.00M	P	8
230C LC CRAWLER EXCAVATOR						
Boom	JH-4485612	Kit	125.00M	90.00M	P	8
	S/N:	Prior-603514				
	JH-4662069	Kit	125.00M	90.00M	P	5
	S/N:	603515-603537				
	JH-4485612	Kit	125.00M	90.00M	P	8
	S/N:	603538-603552				
Bucket	JH-4485614	Kit	130.00M	90.00M	P	8
	S/N:	Prior-603533				
Crowd (Arm)	JH-AT196469	Kit	95.00M	65.00M	P	15
	Super Long Front arrangement					
Crowd (Arm)	JH-9207059	Kit	140.00M	105.00M	P	8
	S/N:	Prior-603582				
	JH-4631062	Kit	140.00M	105.00M	P	5
	S/N:	603583-UP				
	JH-4369943	Kit	145.00M	105.00M	P	5
Super Long Front arrangement						

Application	Part Number	Description	Bore	Rod	Wiper	Type
270C LC CRAWLER EXCAVATOR						
Boom	JH-4485615	Kit	135.00M	95.00M	P	8
	Built before 8/04					
	JH-4639936	Kit	135.00M	95.00M	P	5
Built 8/04 and after						
Bucket	JH-4639939	Kit	135.00M	90.00M	P	5
	Built 8/04 and after					
	JH-AT196469	Kit	95.00M	65.00M	P	15
Super Long Front arrangement						
Crowd (Arm)	JH-4369943	Kit	145.00M	105.00M	P	5
	Super Long Front arrangement					
290D CRAWLER EXCAVATOR						
Boom	JH-AT130600	Kit	95.00M	65.00M	P	5
Bucket	JH-AT130602	Kit	95.00M	60.00M	P	5
Crowd (Arm)	JH-AT130601	Kit	105.00M	70.00M	P	5
330LC, 370 CRAWLER EXCAVATOR						
Boom	JH-AT264440	Kit	150.00M	105.00M	P	15
	JH-9180582	Kit	170.00M	115.00M	P	8
	S/N: 81001-UP	Log Loader arrangement				
Bucket	JH-AT181792	Kit	145.00M	95.00M	P	8
Crowd (Arm)	JH-9180582	Kit	170.00M	115.00M	P	8
330C LC, 370C CRAWLER EXCAVATOR						
Boom	JH-AT264440	Kit	150.00M	105.00M	P	15
	330C LC S/N: Prior - 804315 370C S/N: Prior - 83162					
	JH-4640107	Kit	150.00M	105.00M	P	8
	330C CL S/N: 804316 - Up 370C S/N: 83163 - Up					
Bucket	JH-4640108	Kit	145.00M	95.00M	P	8
	Built 8/04 and after					
	JH-AH155040	Kit	105.00M	75.00M	P	15
330C LC, Super Long Front arrangement						
Crowd (Arm)	JH-9180582	Kit	170.00M	115.00M	P	8
	Built before 8/04					
	JH-4640118	Kit	170.00M	115.00M	P	8
	Built 8/04 and after					
	JH-9180582	Kit	170.00M	115.00M	P	8
330C CL, Super Long Front arrangement						

Application	Part Number	De cription	Bore	Rod	Wiper	Type
450LC CRAWLER EXCAVATOR						
Boom	JH-AT196471	Kit	170.00M	115.00M	P	15
	S/N: Prior-090466					
	JH-9180582	Kit	170.00M	115.00M	P	8
	S/N: 090467-UP					
Bucket	JH-AT196471	Kit	170.00M	115.00M	P	15
	Use with short, standard or semi-long arms only					
	JH-AT196473	Kit	145.00M	95.00M	P	15
	S/N: Prior-803512					
	Use with long arm only					
	JH-AT181792	Kit	145.00M	95.00M	P	8
	S/N: 803513-UP					
Use with long arm only						
450C LC CRAWLER EXCAVATOR						
Boom	JH-9180582	Kit	170.00M	115.00M	P	8
	S/N: 1-091286					
	JH-AT196471	Kit	170.00M	115.00M	P	15
	S/N: 091287-UP					
Bucket	JH-AT264430	Kit	145.00M	95.00M	P	15
	Built before 12/05, Long arm arrangement					
	JH-4660570	Kit	145.00M	95.00M	P	5
	Built 12/05 and after, Long arm arrangement					
490D CRAWLER EXCAVATOR						
Boom	JH-TH109339	Kit	105.00M	75.00M	P	5
Bucket	JH-TH109390	Kit	95.00M	65.00M	P	5
Crowd (Arm)	JH-AT194335	Kit	115.00M	80.00M	P	15
490E CRAWLER EXCAVATOR						
Boom	JH-AT176822	Kit	105.00M	70.00M	P	5
Bucket	JH-AT196469	Kit	95.00M	65.00M	P	15
Crowd (Arm)	JH-AT177556	Kit	110.00M	80.00M	P	5
495D WHEEL EXCAVATOR						
Bucket	JH-TH109390	Kit	95.00M	65.00M	P	5
Crowd (Arm)	JH TH109339	Kit	105.00M	75.00M	P	5

Application	Part Number	Description	Bore	Rod	Wiper	Type
590D CRAWLER EXCAVATOR						
Boom	JH-AT194335	Kit	115.00M	80.00M	P	15
Bucket	JH-AT194335	Kit	115.00M	80.00M	P	15
Crowd (Arm)	JH-AT192075	Kit	120.00M	85.00M	P	5
595D WHEEL EXCAVATOR						
Boom	JH-TH109366	Kit	115.00M	80.00M	P	5
Bucket	JH-TH109366	Kit	115.00M	80.00M	P	5
690,690A CRAWLER EXCAVATOR						
Boom	JH-RE18760	Kit	4.500S	2.500S	P	1
	S/N: Prior-749					
	JH-AR105309	Kit	5.000S	2.750S	P	1
	S/N: 750-UP					
	JH-RE15905	Kit	5.000S		N	20
	Field replacement					
	JH-RE21395	Kit		2.750S	P	19
Field replacement						
Bucket	JH-AR105312	Kit	5.500S	3.250S	P	1
Crowd (Arm)	JH-AR105312	Kit	5.500S	3.250S	P	1
	Use with AU43243 or AT32257 Cylinders					
	JH-AR105313	Kit	5.500S	3.250S	P	1
	Use with AT41907 Cylinder					
	JH-RE15907	Kit	5.500S		N	20
	Field replacement					
	JH-RE15906	Kit		3.250S	P	18
Field replacement						
690B CRAWLER EXCAVATOR						
Boom	JH AR105309	Kit	5.000S	2.750S	P	1
	S/N: Prior-501306					
	JH-RE15905	Kit	5.000S		N	20
	S/N: 501307-UP					
	JH-RE17342	Kit		2.750S	P	18
	S/N: 501307-UP					
	JH-RE21395	Kit		2.750S	P	19
Field replacement						
Bucket	JH AR105312	Kit	5.500S	3.250S	P	1
	S/N: Prior-501306					
	JH-RE14102	Kit	5.500S		N	20
	S/N: 501307-UP					
	JH-RE15906	Kit		3.250S	P	18
	S/N: 501307-UP					
	JH-RE21401	Kit		3.250S	P	19
S/N: 501307-UP Field replacement						
Crowd (Arm)	JH-AR105313	Kit	5.500S	3.250S	P	1
	S/N: Prior-501306					
	JH-RE15907	Kit	5.500S		N	20
S/N: 501307-UP						

Application	Part Number	Description	Bore	Rod	Wiper	Type
690B CRAWLER EXCAVATOR						
(continued)						
Crowd (Arm) (cont)	JH-RE15906	Kit		3.250S	P	18
	S/N: 501307-UP					
	JH-RE21401	Kit		3.250S	P	19
	S/N: 501307-UP Field replacement					
690C CRAWLER EXCAVATOR						
Boom	JH-RE15905	Kit	5.000S		N	20
	JH-RE17342	Kit		2.750S	P	18
	S/N: Prior-509184					
	JH-RE21395	Kit		2.750S	P	19
S/N: 509185-UP						
Bucket	JH-RE14102	Kit	5.500S		N	20
	JH-RE15906	Kit		3.250S	P	18
	S/N: Prior-509184					
	JH-RE21401	Kit		3.250S	P	19
S/N: 509185-UP						
Crowd (Arm)	JH-RE15907	Kit	5.500S		N	20
	JH-RE15906	Kit		3.250S	P	18
	S/N: Prior-509184					
	JH-RE21401	Kit		3.250S	P	19
S/N: 509185-UP						
690CR WHEEL EXCAVATOR						
Boom	JH-RE15905	Kit	5.000S		N	20
	JH-RE17342	Kit		2.750S	P	18
	S/N: Prior-509184					
	JH-RE21395	Kit		2.750S	P	19
S/N: 509185-UP						
Bucket	JH-RE14102	Kit	5.500S		N	20
	JH-RE21401	Kit		3.250S	P	19
Crowd (Arm)	JH-RE15907	Kit	5.500S		N	20
	JH-RE21401	Kit		3.250S	P	19
Angling	JH-AR105432	Kit	3.500S	1.500S	P	1
Lift	JH-AR105432	Kit	3.500S	1.500S	P	1
Tilt	JH-AR105432	Kit	3.500S	1.500S	P	1
690DR WHEEL EXCAVATOR						
Boom	JH-RE15905	Kit	5.000S		N	20
	JH-RE21395	Kit		2.750S	P	19
Bucket	JH-RE14102	Kit	5.500S		N	20
	JH-RE21401	Kit		3.250S	P	19
Crowd (Arm)	JH-RE15907	Kit	5.500S		N	20
	JH-RE21401	Kit		3.250S	P	19
Angling	JH-AR105432	Kit	3.500S	1.500S	P	1
Lift	JH-AR105432	Kit	3.500S	1.500S	P	1
Tilt	JH-AR105432	Kit	3.500S	1.500S	P	1

Application	Part Number	Description	Bore	Rod	Wiper	Type
690E LC CRAWLER EXCAVATOR						
Boom	JH-AH144594	Kit	120.00M	85.00M	P	8
Bucket	JH-AH144593	Kit	110.00M	75.00M	P	8
	JH-AT196469	Kit	95.00M	65.00M	P	15
	Super Long Arm arrangement					
Crowd (Arm)	JH-AH144595	Kit	130.00M	95.00M	P	8
790 CRAWLER EXCAVATOR						
Boom	JH-TH102798	Kit	140.00M	95.00M	P	5
Bucket	JH-TH102845	Kit	140.00M	90.00M	P	5
Crowd (Arm)	JH-TH102827	Kit	150.00M	105.00M	P	5
790E LC CRAWLER EXCAVATOR						
Boom	JH-AT154867	Kit	125.00M	90.00M	P	8
Bucket	JH-AT181250	Kit	127.00M	85.00M	P	8
	JH-AT196469	Kit	95.00M	65.00M	P	15
	Super Long Arm arrangement					
Crowd (Arm)	JH-AT154868	Kit	135.00M	100.00M	P	8
	S/N: Prior-900100					
	JH-AT217906	Kit	135.00M	100.00M	P	8
	S/N: 900101-UP					
	JH-4369943	Kit	145.00M	105.00M	P	5
Super Long Arm arrangement						
792 CRAWLER EXCAVATOR						
Boom	JH-AT194457	Kit	150.00M	100.00M	P	5
Bucket	JH-TH103357	Kit	150.00M	95.00M	P	5
Crowd (Arm)	JH-TH103347	Kit	160.00M	110.00M	P	5
792D LC CRAWLER EXCAVATOR						
Boom	JH-TH111625	Kit	145.00M	95.00M	P	8
Bucket	JH-TH111625	Kit	145.00M	95.00M	P	8
	S/N: Prior-803512					
	JH-AT181792	Kit	145.00M	95.00M	P	8
S/N: 803513-UP						
Crowd (Arm)	JH-TH111854	Kit	150.00M	105.00M	P	8
792D LC CRAWLER EXCAVATOR						

Application	Part Number	Description	Bore	Rod	Wiper	Type
890 CRAWLER EXCAVATOR						
Boom	JH-RE14033	Kit	7.500S		N	20
	Field replacement					
	JH-RE21202	Kit		3.750S	P	19
	Use with R 82285 Head, Field replacement					
Bucket	JH-RE14033	Kit	7.500S		N	20
	Field replacement					
Crowd (Arm)	JH-RE14033	Kit	7.500S		N	20
	Field replacement					
892D LC CRAWLER EXCAVATOR						
Boom	JH-AT196475	Kit	145.00M	100.00M	P	15
	Left Boom S/N: Prior-603426, Right Boom S/N: Prior-503424					
	JH-AT181794	Kit	145.00M	100.00M	P	8
	Left Boom S/N: 603427-Up, Right Boom S/N: 503425-Up					
Bucket	JH-TH111625	Kit	145.00M	95.00M	P	8
	S/N: Prior-803512					
	JH-AT264430	Kit	145.00M	95.00M	P	15
S/N: 803513-UP						
Crowd (Arm)	JH-TH111627	Kit	165.00M	110.00M	P	8
	S/N: Prior-703549					
	JH-AT181799	Kit	165.00M	110.00M	P	8
	S/N: 703550-UP					
	JH-TH111854	Kit	150.00M	105.00M	P	8
Super Long Arm arrangement						
892E LC CRAWLER EXCAVATOR						
Boom	JH-AT196475	Kit	145.00M	100.00M	P	15
	Left Boom S/N: Prior-603426, Right Boom S/N: Prior-503424					
	JH-AT181794	Kit	145.00M	100.00M	P	8
	Left Boom S/N: 603427-Up, Right Boom S/N: 503425-Up					
Bucket	JH-AT196473	Kit	145.00M	95.00M	P	15
	S/N: Prior-803512					
	JH-AT181792	Kit	145.00M	95.00M	P	8
	S/N: 803513-UP					
	JH-AT168764	Kit	100.00M	65.00M	P	5
Super Long Front arrangement						
Crowd (Arm)	JH-AT196472	Kit	165.00M	110.00M	P	15
	S/N: Prior-703549					
	JH-AT181799	Kit	165.00M	110.00M	P	8
S/N: 703550-UP						

Application	Part Number	Description	Bore	Rod	Wiper	Type
990 CRAWLER EXCAVATOR						
Boom	JH-RE14033	Kit	7.500S		N	20
	S/N: 510036-UP	S/N: Prior-510035, Field replacement				
	JH-RE21202	Kit		3.750S	P	19
	Use with R 82285 Head, Field replacement					
Bucket	JH-RE14033	Kit	7.500S		N	20
Crowd (Arm)	JH-RE14033	Kit	7.500S		N	20
992D LC CRAWLER EXCAVATOR						
Boom	JH-AT132411	Kit	170.00M	115.00M	P	5
Bucket	JH-AT132411	Kit	170.00M	115.00M	P	5
	Use with 2.9M or 3.9M Arm					
	JH-TH111625	Kit	145.00M	95.00M	P	8
	S/N: Prior-803512	Use with 4.9M Arm				
	JH-AT264430	Kit	145.00M	95.00M	P	15
	S/N: 803513-UP	Use with 4.9M Arm				
Crowd (Arm)	JH-AT132412	Kit	190.00M	130.00M	P	5
992E LC CRAWLER EXCAVATOR						
Boom	JH-AT196471	Kit	170.00M	115.00M	P	15
Bucket	JH-AT196471	Kit	170.00M	115.00M	P	15
	Use with 2.9M or 3.9M Arm					
	JH-AT196473	Kit	145.00M	95.00M	P	15
	S/N: Prior-803512	Use with 4.9M Arm				
	JH-AT181792	Kit	145.00M	95.00M	P	8
	S/N: 803513-UP	Use with 4.9M Arm				
493D FELLER-BUNCHER						
Crowd (Arm)	JH-AT194335	Kit	115.00M	80.00M	P	15
643 FELLER-BUNCHER						
Lift	JH-AT119307	Kit	4.000S		N	21
	JH-AT119302	Kit		2.500S	P	19
	JH-AH149844	Kit	100.00M		N	20
	Field replacement					
	JH-RE31716	Kit		56.00M	P	19
	Use with R 92314 Head, Field replacement					
	JH-AH149814	Kit		56.00M	P	19
	Use with H157427 Head, Field replacement					
Tilt	JH-AT119307	Kit	4.000S		N	21
	JH-AT119302	Kit		2.500S	P	19
	JH-AH149844	Kit	100.00M		N	20
	Field replacement					
	JH-RE31716	Kit		56.00M	P	19
	Use with R 92314 Head, Field replacement					

Application	Part Number	De cription	Bore	Rod	Wiper	Type	
643 FELLER-BUNCHER (continued)							
Tilt (cont)	JH-AH149814	Kit		56.00M	P	19	
	Use with H157427 Head, Field replacement						
Grapple Arm	JH-AT119307	Kit	4.000S		N	21	
	JH-AT119302	Kit		2.500S	P	19	
Accumulator Arm	JH-AT119307	Kit	4.000S		N	21	
	JH-AT119302	Kit		2.500S	P	19	
Shear	JH AT120007	Kit	7.000S		N	21	
	Seven Inch						
	JH-AT120008	Kit		4.000S	P	19	
Seven Inch							
643D FELLER-BUNCHER							
Lift	JH-AT119307	Kit	4.000S		N	21	
	S/N: Prior-778148						
	JH-AT119302	Kit		2.500S	P	19	
	S/N: Prior-778148						
	JH-AH149844	Kit	100.00M		N	20	
	S/N: 778149-UP						
	JH-RE31716	Kit		56.00M	P	19	
	S/N: 778149-UP Use with R 92314 Head						
Tilt	JH AT119307	Kit	4.000S		N	21	
	S/N: Prior-778148						
	JH-AT119302	Kit		2.500S	P	19	
	S/N: Prior-778148						
	JH-AH149844	Kit	100.00M		N	20	
	S/N: 778149-UP						
	JH-RE31716	Kit		56.00M	P	19	
	S/N: 778149-UP Use with R 92314 Head						
Steering	JH-AH149842	Kit	80.00M		N	20	
	JH-RE20433	Kit		40.00M	P	19	
	Use with R 87731 Head						
	JH-AH149194	Kit		40.00M	PI	19	
	Use with H157174 Head, Field replacement						
	Accumulator Arm	JH-AT119307	Kit	4.000S		N	21
		S/N: 756057-784377					
		JH-AT119302	Kit		2.500S	P	19
S/N: 756057-784377							
Shear	JH-AT120007	Kit	7.000S		N	21	
	S/N: Prior-783811 Seven Inch						
	JH-AT120008	Kit		4.000S	P	19	
	S/N: Prior-783811 Seven Inch						

Application	Part Number	Description	Bore	Rod	Wiper	Type
643D FELLER-BUNCHER (continued)						
Shear (cont)	JH-AT161017	Kit	7.000S	4.000S	P	15
S/N:	783812-UP Seven Inch					
643G FELLER-BUNCHER						
Lift	JH-AH149844	Kit	100.00M		N	20
	JH-AH149814	Kit		56.00M	P	19
Tilt	JH AH149844	Kit	100.00M		N	20
	JH-AH149814	Kit		56.00M	P	19
Steering	JH-AH149842	Kit	80.00M		N	20
	JH-RE20433	Kit		40.00M	P	19
S/N:	Prior-826747 Excludes S/N: 826735,826736,826738-826740 Use with R 87731 Head					
	JH-AH149194	Kit		40.00M	PI	19
S/N:	Prior-826747 Excludes S/N: 826735,826736,826738-826740 Use with H157174 Head, Field replacement					
	JH-AH149194	Kit		40.00M	PI	19
S/N:	826735-826736,826738-826740,826748-UP					
Shear	JH-AT161017	Kit	7.000S	4.000S	P	15
	Seven Inch					
653E,653G FELLER-BUNCHER						
Boom	JH-AH144594	Kit	120.00M	85.00M	P	8
	Use with AH142577 Cylinder					
	JH-AH173457	Kit	120.00M	85.00M	P	15
	Use with AH166646 Cylinder, Field replacement					
Crowd (Arm)	JH-AH144594	Kit	120.00M	85.00M	P	8
	Use with AH142919 Cylinder					
	JH AH173457	Kit	120.00M	85.00M	P	15
	Use with AH166645 Cylinder, Field replacement					
Head Tilt	JH-AH144593	Kit	110.00M	75.00M	P	8
693B FELLER-BUNCHER (US VERSION)						
Boom	JH-AR105309	Kit	5.000S	2.750S	P	1
S/N:	Prior-501444					
	JH-RE15905	Kit	5.000S		N	20
S/N:	501445-UP					
	JH-RE17342	Kit		2.750S	P	18
S/N:	501445-UP Use with R 69278 Head					
	JH-RE21395	Kit		2.750S	P	19
S/N:	501445-UP Use with R 82411 Head, Field replacement					
Crowd (Arm)	JH AR105313	Kit	5.500S	3.250S	P	1
S/N:	Prior-501444					
	JH-RE15907	Kit	5.500S		N	20
S/N:	501445-UP					
	JH-RE15906	Kit		3.250S	P	18
S/N:	501445-UP					

Application	Part Number	Description	Bore	Rod	Wiper	Type
693B FELLER-BUNCHER (US VERSION)						
(continued)						
Tilt	JH-AR105312	Kit	5.500S	3.250S	P	1
	S/N: Prior-501444					
	JH-RE14102	Kit	5.500S		N	20
	S/N: 501445-UP					
	JH-RE15906	Kit		3.250S	P	18
	S/N: 501445-UP Use with RE12259 Cylinder					
S/N: 501445-UP Use with RE21400 Cylinder	JH-RE21401	Kit		3.250S	P	19
Shear	JH-AR105280	Kit	6.500S	2.500S	P	15
	Deere Shear					
Shear Tilt	JH-AR105355	Kit	4.500S	2.250S	P	1
	Deere Shear					
Multi-Stem	JH-AT55695	Kit	4.000S	1.750S	P	5
	Deere Shear					
693B FELLER-BUNCHER (CANADIAN VERSION)						
Boom	JH-AR105309	Kit	5.000S	2.750S	P	1
	S/N: Prior-501444					
	JH-RE15905	Kit	5.000S		N	20
	S/N: 501445-UP					
	JH-RE17342	Kit		2.750S	P	18
	S/N: 501445-UP Use with R 69278 Head					
S/N: 501445-UP Use with R 82411 Head, Field replacement	JH-RE21395	Kit		2.750S	P	19
Crowd (Arm)	JH-AR105309	Kit	5.000S	2.750S	P	1
	S/N: Prior-501444					
	JH-RE15905	Kit	5.000S		N	20
	S/N: 501445-UP					
	JH-RE17342	Kit		2.750S	P	18
	S/N: 501445-UP Use with R 69278 Head					
S/N: 501445-UP Use with R 82411 Head, Field replacement	JH-RE21395	Kit		2.750S	P	19
Tilt	JH-AR105312	Kit	5.500S	3.250S	P	1
	S/N: Prior-501444					
	JH-RE14102	Kit	5.500S		N	20
	S/N: 501444-UP					
	JH-RE15906	Kit		3.250S	P	18
	S/N: 501444-UP Use with RE12259 Cylinder					
S/N: 501444-UP Use with RE21400 Cylinder	JH-RE21401	Kit		3.250S	P	19
Shear Side Tilt	HC-H0715-11M	Kit	5.000S	2.500S	P	4
	Harricana Shear S/N: 3000-Up, 4000-Up					
Shear Arm	HC-H0717-11M	Kit	7.000S	3.000S	P	4
	Harricana Shear					

Application	Part Number	Description	Bore	Rod	Wiper	Type
693B FELLER-BUNCHER (CANADIAN VERSION)						
(continued)						
Grab Arm	HC-H0713-33M	Kit	3.000S	1.500S	P	4
	Harricana Shear S/N: 5500-Up					
693C FELLER-BUNCHER						
Boom	JH-RE15905	Kit	5.000S		N	20
	JH-RE17342	Kit		2.750S	P	18
	S/N: Prior-509184					
	JH-RE21395	Kit		2.750S	P	19
	S/N: 509185-UP					
Arm	JH-RE15905	Kit	5.000S		N	20
	JH-RE17342	Kit		2.750S	P	18
	S/N: Prior-509184					
	JH-RE21395	Kit		2.750S	P	19
	S/N: 509185-UP					
Head Tilt	JH-RE14102	Kit	5.500S		N	20
	JH-RE15906	Kit		3.250S	P	18
	S/N: Prior-509184					
	JH-RE21401	Kit		3.250S	P	19
	S/N: 509185-UP					
743,743A FELLER-BUNCHER/TREE HARVESTER						
Main Lift	JH-RE18762	Kit	6.250S	3.250S	P	1
Secondary Lift	JH-RE18760	Kit	4.500S	2.500S	P	1
Dozer Lift	JH-RE18743	Kit	5.000S	2.000S	P	1
	JH-RE15905	Kit	5.000S		N	20
	Field replacement					
	JH-RE30817	Kit		2.000S	P	18
	Field replacement					
Tilt	JH-AR105355	Kit	4.500S	2.250S	P	1
Grapple	JH-AT55695	Kit	4.000S	1.750S	P	5
Log Accumulator	JH-RE18751	Kit	3.000S	1.750S	P	1
Shear	JH-AR105280	Kit	6.500S	2.500S	P	15
Feed Roll	JH-AR105453	Kit	2.500S	1.250S	P	1
Axle Stabilizer	JH-AR105515	Kit	4.500S	2.000S	P	15
Steering	JH-RE19224	Kit	4.400S	4.250S	I	15
843G FELLER-BUNCHER						
Lift	JH-AH149844	Kit	100.00M		N	20
	JH-AH149814	Kit		56.00M	P	19
Tilt	JH-AH149844	Kit	100.00M		N	20
	JH-AH149814	Kit		56.00M	P	19
Steering	JH-AH149842	Kit	80.00M		N	20
	JH-RE20433	Kit		40.00M	P	19
	S/N: Prior-826747					
	Excludes S/N: 826735,826736,826738-826740 Use with R 87731 Head					
	JH-AH149194	Kit		40.00M	PI	19
S/N: Prior-826747						
Excludes S/N: 826735,826736,826738-826740 Use with H157174 Head, Field replacement						

Application	Part Number	Description	Bore	Rod	Wiper	Type
843G FELLER-BUNCHER (continued)						
Steering (cont)	JH-AH149194	Kit		40.00M	PI	19
	S/N: 826735-826736,826738-826740,826748-UP					
Shear	JH-AT161017	Kit	7.000S	4.000S	P	15
	Seven Inch					
340D SKIDDER						
Steering	JH-AR105537	Kit	2.750S	1.750S	P	4
Blade Lift	JH-RE16076	Kit	3.500S		N	20
	JH-RE14088	Kit		1.500S	P	18
440,440A,440B SKIDDER						
Steering	JH-AT38068	Kit	3.000S	2.625S	P	5
	RH Side Only					
	JH-AT39022	Kit	3.000S	2.625S	P	5
	LH Side Only					
Front Blade	JH-AR105722	Kit	3.000S	1.500S	P	1
440C SKIDDER/GRAPPLE SKIDDER						
Steering	JH-RE19216	Kit	3.250S	3.000S	P	15
	S/N: Prior-400823					
	JH-AR105537	Kit	2.750S	1.750S	P	4
	S/N: 400824-UP					
Blade Lift	JH-AR105722	Kit	3.000S	1.500S	P	1
	S/N: Prior-351559					
	JH-RE14082	Kit	3.000S		N	21
	S/N: 351560-UP					
	JH-RE14088	Kit		1.500S	P	18
S/N: 351560-UP						
Boom	JH-AR105387	Kit	4.000S	2.000S	P	1
	JH-RE16118	Kit	4.000S		N	20
	Field replacement					
	JH-RE16119	Kit		2.000S	P	18
	Field replacement					
Grapple	JH-AR105346	Kit	5.250S	2.250S	P	1
	S/N: Prior-405023					
	JH-RE14100	Kit	5.250S		N	20
	S/N: 405024-UP					
	JH-RE14208	Kit		2.250S	P	18
S/N: 405024-UP						

Application	Part Number	Description	Bore	Rod	Wiper	Type
440D SKIDDER, 448D GRAPPLE SKIDDER						
Steering	JH-AR105537	Kit	2.750S	1.750S	P	4
Blade Lift	JH-RE16076	Kit	3.500S		N	20
	JH-RE14088	Kit		1.500S	P	18
Arch & Boom	JH-RE16118	Kit	4.000S		N	20
	JH-RE16119	Kit		2.000S	P	18
Grapple	JH-AR105346	Kit	5.250S	2.250S	P	1
	S/N: Prior-501505					
	JH-RE14100	Kit	5.250S		N	20
	S/N: 501506-UP					
	JH-RE14208	Kit		2.250S	P	18
S/N: 501506-UP						
540,540A SKIDDER						
Steering	JH-AT39023	Kit	3.250S	3.000S	P	15
	LH Side Only					
	JH-AT35142	Kit	3.250S	3.000S	P	15
	RH Side Only					
Front Blade	JH-AR105722	Kit	3.000S	1.500S	P	1
	S/N: Prior-119500,Prior-40399					
	JH-AR105432	Kit	3.500S	1.500S	P	1
S/N: 119501-UP,40400-UP						
540B SKIDDER/GRAPPLE SKIDDER						
Steering	JH-RE19216	Kit	3.250S	3.000S	P	15
	S/N: Prior-400571					
	JH-AR105537	Kit	2.750S	1.750S	P	4
S/N: 400572-UP						
Blade Lift	JH-AR105432	Kit	3.500S	1.500S	P	1
	S/N: Prior-500808					
	JH-RE16076	Kit	3.500S		N	20
	S/N: 500809-UP					
	JH-RE14088	Kit		1.500S	P	18
S/N: 500809-UP						
Boom	JH-AR105387	Kit	4.000S	2.000S	P	1
	S/N: Prior-500808					
	JH-RE16118	Kit	4.000S		N	20
	S/N: 500809-UP					
JH-RE16119	Kit		2.000S	P	18	
S/N: 500809-UP						
Grapple	JH-AR105346	Kit	5.250S	2.250S	P	1
	S/N: Prior-501541					
	JH-RE14100	Kit	5.250S		N	20
	S/N: 501542-UP					
	JH-RE14208	Kit		2.250S	P	18
S/N: 501542-UP						

Application	Part Number	Description	Bore	Rod	Wiper	Type
540D SKIDDER, 548D GRAPPLE SKIDDER						
Steering	JH-AR105537	Kit	2.750S	1.750S	P	4
Blade Lift	JH-RE16076	Kit	3.500S		N	20
	JH-RE14088	Kit		1.500S	P	18
Boom	JH-RE16118	Kit	4.000S		N	20
	JH-RE16119	Kit		2.000S	P	18
Grapple	JH-RE14100	Kit	5.250S		N	20
	JH-RE14208	Kit		2.250S	P	18
540E SKIDDER, 548E GRAPPLE SKIDDER						
Steering	JH-AH149842	Kit	80.00M		N	20
	JH-RE20434	Kit		45.00M	P	19
	Use with R 81767 Head					
	JH-AH149813	Kit		45.00M	PI	19
Use with H152347 Head, Field replacement						
Blade	JH-AH149842	Kit	80.00M		N	20
	JH-RE20434	Kit		45.00M	P	19
	Use with R 81767 Head					
	JH-AH149813	Kit		45.00M	PI	19
Use with H152347 or H157510 Heads, Field replacement						
Arch	JH-AH149843	Kit	90.00M		N	20
	JH-RE20434	Kit		45.00M	P	19
	Use with R 81766 Head					
	JH-AH149813	Kit		45.00M	PI	19
Use with H157642 Head, Field replacement						
Grapple	JH-AH149844	Kit	100.00M		N	20
	JH-RE20595	Kit		50.00M	P	19
	Use with R 81972 Head					
	JH-AH148164	Kit		50.00M	P	19
Use with H154353 or H157978 Heads, Field replacement						
540G SKIDDER, 548G GRAPPLE SKIDDER						
Steering	JH-AH149842	Kit	80.00M		N	20
	JH-RE20434	Kit		45.00M	P	19
	S/N:	Prior-557952 Use with R 81767 Head				
	JH-AH149813	Kit		45.00M	PI	19
	S/N:	Prior-557952 Use with H157510 Head, Field replacement				
	JH-AH149813	Kit		45.00M	PI	19
	S/N:	557953-UP				
Blade	JH-AH149842	Kit	80.00M		N	20
	JH-RE20434	Kit		45.00M	P	19
	S/N:	Prior-557818 Use with R 81767 Head				
	JH-AH149813	Kit		45.00M	PI	19
S/N:	Prior-557818 Use with H152347 Head, Field replacement					

Application	Part Number	Description	Bore	Rod	Wiper	Type
540G SKIDDER, 548G GRAPPLE SKIDDER (continued)						
Blade (cont)	JH-AH149813	Kit		45.00M	PI	19
S/N:	557819-UP					
Arch	JH-AH149843	Kit	90.00M		N	20
	JH-RE20434	Kit		45.00M	P	19
S/N:	Prior-557784 Use with R 81766 Head					
Arch	JH-AH149813	Kit		45.00M	PI	19
	S/N:	Prior-557784 Use with H157642 Head, Field replacement				
Arch	JH-AH149813	Kit		45.00M	PI	19
	S/N:	557785-UP				
Grapple	JH-AH149844	Kit	100.00M		N	20
	JH-RE20595	Kit		50.00M	P	19
	Use with R 81972 Head					
Grapple	JH-AH148164	Kit		50.00M	P	19
	Use with H157978 Head, Field replacement					
540G-II SKIDDER, 548G-II GRAPPLE SKIDDER						
Steering	JH-AH149842	Kit	80.00M		N	20
	JH-AH149813	Kit		45.00M	PI	19
Blade	JH-AH149842	Kit	80.00M		N	20
	JH-AH149813	Kit		45.00M	PI	19
Arch	JH-AH149843	Kit	90.00M		N	20
	JH-AH149813	Kit		45.00M	PI	19
Grapple	JH-AH149844	Kit	100.00M		N	20
	JH-AH148164	Kit		50.00M	P	19
640 SKIDDER/GRAPPLE SKIDDER						
Steering	JH-RE19227	Kit	3.625S	3.375S	I	15
Blade Lift	JH-RE10223	Kit	4.000S	1.750S	P	1
	S/N:	Prior-500986				
Blade Lift	JH-RE16118	Kit	4.000S		N	20
	S/N:	500987-UP				
Blade Lift	JH-RE30874	Kit		1.750S	P	18
	S/N:	500987-UP				
Tilt	JH-AR105355	Kit	4.500S	2.250S	P	1
	S/N:	Prior-503561				
Tilt	JH-RE14094	Kit	4.500S		N	20
	S/N:	503562-UP				
Tilt	JH-RE14208	Kit		2.250S	P	18
	S/N:	503562-UP				
Arch & Boom	JH-AR105387	Kit	4.000S	2.000S	P	1
	S/N:	Prior-500986				
Arch & Boom	JH-RE16118	Kit	4.000S		N	20
	S/N:	500987-UP				
Arch & Boom	JH-RE16119	Kit		2.000S	P	18
	S/N:	500987-UP				
Boom-Single Function	JH-RE14567	Kit	4.000S		N	20
	JH-RE16119	Kit		2.000S	P	18

Application	Part Number	Description	Bore	Rod	Wiper	Type
640 SKIDDER/GRAPPLE SKIDDER						
(continued)						
Grapple	JH-RE10224	Kit	5.500S	2.500S	P	1
	S/N: Prior-502132					
	JH-RE14102	Kit	5.500S		N	20
	S/N: 502133-UP					
Grapple	JH-RE17345	Kit		2.500S	P	18
	S/N: 502133-UP					
640D SKIDDER, 648D GRAPPLE SKIDDER						
Steering	JH-RE16208	Kit	3.000S		N	21
	JH-RE16209	Kit		1.750S	P	18
Blade Lift	JH-RE16118	Kit	4.000S		N	20
	JH-RE30874	Kit		1.750S	P	18
Tilt	JH-RE14094	Kit	4.500S		N	20
	JH-RE14208	Kit		2.250S	P	18
Arch & Boom	JH-RE16118	Kit	4.000S		N	20
	JH-RE16119	Kit		2.000S	P	18
Boom-Single Function	JH-RE14567	Kit	4.000S		N	20
	JH-RE16119	Kit		2.000S	P	18
Grapple	JH-RE14102	Kit	5.500S		N	20
	JH-RE17345	Kit		2.500S	P	18
640E SKIDDER, 648E GRAPPLE SKIDDER						
Steering	JH-AH149842	Kit	80.00M		N	20
	JH-RE20433	Kit		40.00M	P	19
	Use with R 87731 Head					
	JH-AH149194	Kit		40.00M	PI	19
	Use with H157174 Head, Field replacement					
Blade	JH-AH149843	Kit	90.00M		N	20
	JH-RE20434	Kit		45.00M	P	19
	Use with R 81766 Head					
	JH-AH149813	Kit		45.00M	PI	19
	Use with H157642 Head, Field replacement					
Arch	JH-AH149843	Kit	90.00M		N	20
	JH-RE20434	Kit		45.00M	P	19
	Use with R 81766 Head					
	JH-AH149813	Kit		45.00M	PI	19
	Use with H157642 Head, Field replacement					
Boom	JH-AH149843	Kit	90.00M		N	20
	JH-RE20434	Kit		45.00M	P	19
	Use with R 81766 Head					
	JH-AH149813	Kit		45.00M	PI	19
	Use with H157642 Head, Field replacement					
Grapple	JH-AH149844	Kit	100.00M		N	20
	JH-RE20595	Kit		50.00M	P	19
	Use with R 81972 Head					
	JH-AH148164	Kit		50.00M	P	19
	Use with H154353 or H157978 Heads, Field replacement					
	JH-AH149846	Kit	115.00M		N	20
	JH-RE28899	Kit		63.00M	P	19
	Use with R 88047 Head					

Application	Part Number	Description	Bore	Rod	Wiper	Type
640E SKIDDER, 648E GRAPPLE SKIDDER (continued)						
Grapple (cont)	JH-AH149815	Kit		63.00M	P	19
	Use with H157429 Head, Field replacement					
640G SKIDDER, 648G GRAPPLE SKIDDER						
Steering	JH-AH149842	Kit	80.00M		N	20
	JH-RE20433	Kit		40.00M	P	19
	S/N:	Prior-557960 Use with R 87731 Head				
	JH-AH149194	Kit		40.00M	PI	19
	S/N:	Prior-557960 Use with H157174 Head, Field replacement				
	JH-AH149194	Kit		40.00M	PI	19
	S/N:	557961-UP				
Blade	JH-AH149843	Kit	90.00M		N	20
	JH-RE20434	Kit		45.00M	P	19
	S/N:	Prior-557818 Use with R 81766 Head				
	JH-AH149813	Kit		45.00M	PI	19
	S/N:	Prior-557818 Use with H157642 Head, Field replacement				
	JH-AH149813	Kit		45.00M	PI	19
	S/N:	557819-UP				
Arch	JH-AH149843	Kit	90.00M		N	20
	JH-RE20434	Kit		45.00M	P	19
	S/N:	Prior-557784 Use with R 81766 Head				
	JH-AH149813	Kit		45.00M	PI	19
	S/N:	Prior-557784 Use with H157642 Head, Field replacement				
	JH-AH149813	Kit		45.00M	PI	19
	S/N:	557785-UP				
Boom	JH-AH149843	Kit	90.00M		N	20
	JH-RE20434	Kit		45.00M	P	19
	Use with R 81766 Head					
	JH-AH149813	Kit		45.00M	PI	19
	Use with H157642 Head, Field replacement					
Grapple	JH-AH149844	Kit	100.00M		N	20
	JH-RE20595	Kit		50.00M	P	19
	Use with R 81972 Head					
	JH-AH148164	Kit		50.00M	P	19
	Use with H157978 Head					
	JH-AH149846	Kit	115.00M		N	20
	JH-RE28899	Kit		63.00M	P	19
	Use with R 88047 Head					
	JH-AH149815	Kit		63.00M	P	19
	Use with H157429 Head					

Application	Part Number	De cription	Bore	Rod	Wiper	Type
640G-II SKIDDER, 648G-II GRAPPLE SKIDDER						
Steering	JH-AH149842	Kit	80.00M		N	20
	JH-AH149194	Kit		40.00M	PI	19
Blade	JH-AH149843	Kit	90.00M		N	20
	JH-AH149813	Kit		45.00M	PI	19
Arch	JH-AH149843	Kit	90.00M		N	20
	JH-AH149813	Kit		45.00M	PI	19
Boom	JH-AH149843	Kit	90.00M		N	20
	JH-AH149813	Kit		45.00M	PI	19
Grapple	JH-AH149844	Kit	100.00M		N	20
	10 SQ.FT. Grapple					
	JH-AH148164	Kit		50.00M	P	19
	10 SQ.FT. Grapple					
	JH-AH149846	Kit	115.00M		N	20
	11.5 SQ.FT. Grapple					
	JH-AH149815	Kit		63.00M	P	19
	11.5 SQ.FT. Grapple					
740,740A SKIDDER/GRAPPLE SKIDDER						
Steering	JH-RE19224	Kit	4.400S	4.250S	I	15
Lift	JH RE18743	Kit	5.000S	2.000S	P	1
	740,740A S/N: Prior-708051 only					
	JH-RE15905	Kit	5.000S		N	20
	740 Field replacement, 740A S/N: 708052-Up only					
	JH-RE30817	Kit		2.000S	P	18
740 Field replacement, 740A S/N: 708052-Up only						
Tilt	JH-AR105355	Kit	4.500S	2.250S	P	1
	740,740A S/N: Prior-708051 only					
	JH RE14094	Kit	4.500S		N	20
	740 Field replacement, 740A S/N: 708052-Up only					
	JH-RE14208	Kit		2.250S	P	18
740 Field replacement, 740A S/N: 708052-Up only						
Arch & Boom	JH-AR105391	Kit	4.250S	2.000S	P	1
	740,740A S/N: Prior-708051 only					
	JH-RE17458	Kit	4.250S		N	20
	740 Field replacement, 740A S/N: 708052-Up only					
	JH RE30817	Kit		2.000S	P	18
740 Field replacement, 740A S/N: 708052-Up only						
Grapple	JH-RE18744	Kit	6.250S	2.750S	P	1
	740,740A S/N: Prior-708051 only					
	JH-RE14104	Kit	6.250S		N	20
	740 Field replacement, 740A S/N: 708052-Up only					
	JH-RE17342	Kit		2.750S	P	18
740 Field replacement, 740A S/N: 708052-Up only						

Application	Part Number	Description	Bore	Rod	Wiper	Type
740E SKIDDER, 748E GRAPPLE SKIDDER						
Steering	JH-AH149843	Kit	90.00M		N	20
	JH-RE20595	Kit		50.00M	P	19
	Use with R 82088 Head					
	JH-AH148164	Kit		50.00M	P	19
	Use with H154352 Head, Field replacement					
Blade	JH-AH149843	Kit	90.00M		N	20
	S/N: Prior-540030					
	JH-RE20434	Kit		45.00M	P	19
	S/N: Prior-540030					
	Use with R 81766 Head					
	JH-AH149813	Kit		45.00M	PI	19
	S/N: Prior-540030					
	Use with H157642 Head, Field replacement					
	JH-AH149844	Kit	100.00M		N	20
	S/N: 540031-UP					
	JH-RE31716	Kit		56.00M	P	19
	S/N: 540031-UP					
	Use with R 92314 Head					
JH-AH149814	Kit		56.00M	P	19	
S/N: 540031-UP						
Use with H157427 Head, Field replacement						
Arch	JH-AH149844	Kit	100.00M		N	20
	JH-RE31716	Kit		56.00M	P	19
	Use with R 92314 Head					
	JH-AH149814	Kit		56.00M	P	19
	Use with H157427 Head, Field replacement					
Boom	JH-AH149843	Kit	90.00M		N	20
	JH-RE20434	Kit		45.00M	P	19
	Use with R 81766 Head					
	JH-AH149813	Kit		45.00M	PI	19
	Use with H157642 Head, Field replacement					
Grapple	JH-AH149846	Kit	115.00M		N	20
	JH-RE28899	Kit		63.00M	P	19
	Use with R 88047 Head					
	JH-AH149815	Kit		63.00M	P	19
	Use with H157429 Head, Field replacement					
	JH-AH137208	Kit	125.00M		N	20
	JH-RE25151	Kit		63.00M	P	19
Use with H141650 or H145437 Heads						

Application	Part Number	Description	Bore	Rod	Wiper	Type	
740G SKIDDER, 748G GRAPPLE SKIDDER							
Steering	JH-AH149843	Kit	90.00M		N	20	
	JH-RE20595	Kit		50.00M	P	19	
	S/N:	Prior-557512 Use with R 82088 Head					
	JH-AH148164	Kit		50.00M	P	19	
	S/N:	Prior-557512 Use with H154352 Head, Field replacement					
	JH-AH148164	Kit		50.00M	P	19	
S/N:	557513-UP						
Blade	JH-AH149844	Kit	100.00M		N	20	
	JH-RE31716	Kit		56.00M	P	19	
	Use with R 92314 Head						
	JH-AH149814	Kit		56.00M	P	19	
	Use with H157427 Head						
Arch	JH-AH149844	Kit	100.00M		N	20	
	JH-RE31716	Kit		56.00M	P	19	
	S/N:	Prior-557160 Use with R 92314 Head					
	JH-AH149814	Kit		56.00M	P	19	
	S/N:	Prior-557160 Use with H157427 Head, Field replacement					
	JH-AH149814	Kit		56.00M	P	19	
S/N:	557161-UP						
Boom	JH-AH149843	Kit	90.00M		N	20	
	JH-RE20434	Kit		45.00M	P	19	
	Use with R 81766 Head						
	JH-AH149813	Kit		45.00M	PI	19	
	Use with H157642 Head, Field replacement						
Grapple	JH-AH149846	Kit	115.00M		N	20	
	JH-RE28899	Kit		63.00M	P	19	
	Use with R 88047 Head						
	JH-AH149815	Kit		63.00M	P	19	
	Use with H157429 Head, Field replacement						
	JH-AH137208	Kit	125.00M		N	20	
	JH-RE25151	Kit		63.00M	P	19	
Use with H145437 Head							

Application	Part Number	Description	Bore	Rod	Wiper	Type
748G-II GRAPPLE SKIDDER						
Steering	JH-AH149843	Kit	90.00M		N	20
	JH-AH148164	Kit		50.00M	P	19
Blade	JH-AH149844	Kit	100.00M		N	20
	JH-AH149814	Kit		56.00M	P	19
Arch	JH-AH149844	Kit	100.00M		N	20
	JH-AH149814	Kit		56.00M	P	19
Boom	JH-AH149843	Kit	90.00M		N	20
	JH-AH149813	Kit		45.00M	PI	19
Grapple	JH-AH137208	Kit	125.00M		N	20
	11.7 SQ.FT. Grapple					
	JH-RE25151	Kit		63.00M	P	19
	11.7 SQ.FT. Grapple					
	JH-AH149846	Kit	115.00M		N	20
	14.5 SQ.FT. Grapple					
	JH-AH149815	Kit		63.00M	P	19
	14.5 SQ.FT. Grapple					
3605 GRAPPLE						
Boom	JH-RE18754	Kit	3.500S	1.750S	P	1
	S/N: 10201-UP					
Grapple	JH-RE18754	Kit	3.500S	1.750S	P	1
	S/N: 10201-UP					
240,250 SKID-STEER LOADER						
Boom	JH-AH160844	Kit	2.250S	40.00M	I	5
	Model 240 S/N: Prior - 241797, Model 250 S/N: Prior - 251873					
	JH-AH168977	Kit	2.250S	36.00M	I	15
	Model 240 S/N: 241798 - Up, Model 250 S/N: 251874 - Up					
Bucket	JH-AH231936	Kit	2.250S	32.00M	I	15
92 BACKHOE ATTACHMENT						
Stabilizer	JH-RE18754	Kit	3.500S	1.750S	P	1
Swing	JH-AR105412	Kit	3.500S	1.750S	P	1
Boom	JH-RE18754	Kit	3.500S	1.750S	P	1
Bucket	JH-RE18751	Kit	3.000S	1.750S	P	1
Crowd	JH-RE18754	Kit	3.500S	1.750S	P	1

Application	Part Number	De cription	Bore	Rod	Wiper	Type
93,93A BACKHOE ATTACHMENT						
Stabilizer	JH-RE18754	Kit	3.500S	1.750S	P	1
Boom	JH-RE10640	Kit	4.500S	2.250S	P	1
Bucket	JH-RE18757	Kit	3.500S	2.250S	P	1
Crowd	JH-AR105387	Kit	4.000S	2.000S	P	1
94 BACKHOE ATTACHMENT						
Stabilizer	JH-RE18754	Kit	3.500S	1.750S	P	1
Boom	JH-RE10640	Kit	4.500S	2.250S	P	1
Bucket	JH-RE18757	Kit	3.500S	2.250S	P	1
Crowd	JH-AR105387	Kit	4.000S	2.000S	P	1
95,95A BACKHOE ATTACHMENT						
Stabilizer	JH-RE18751	Kit	3.000S	1.750S	P	1
Boom	JH-RE10640	Kit	4.500S	2.250S	P	1
Bucket	JH-RE18757	Kit	3.500S	2.250S	P	1
Crowd	JH-AR105387	Kit	4.000S	2.000S	P	1
97 BACKHOE ATTACHMENT						
Stabilizer	JH RE18754	Kit	3.500S	1.750S	P	1
Boom	JH-RE10640	Kit	4.500S	2.250S	P	1
Bucket	JH RE18757	Kit	3.500S	2.250S	P	1
Crowd	JH-AR105387	Kit	4.000S	2.000S	P	1
9250 BACKHOE ATTACHMENT						
Stabilizer	JH-RE18754	Kit	3.500S	1.750S	P	1
Swing	JH-AR105393	Kit	4.000S	2.000S	P	1
	S/N: Prior-8249					
	JH-RE18732	Kit	4.000S	2.000S	P	1
	S/N: 8250-UP					
Boom	JH-AR105387	Kit	4.000S	2.000S	P	1
	S/N: Prior-8249					
	JH-RE18732	Kit	4.000S	2.000S	P	1
	S/N: 8250-UP					
Bucket	JH-RE18751	Kit	3.000S	1.750S	P	1
Crowd	JH-RE18755	Kit	3.500S	1.750S	P	1

Application	Part Number	Description	Bore	Rod	Wiper	Type
9250A BACKHOE ATTACHMENT						
Stabilizer	JH-RE18754	Kit	3.500S	1.750S	P	1
Swing	JH-RE18756	Kit	3.500S	1.750S	P	15
	S/N:	Prior-39796 T 60873 Piston required				
	JH-RE18756	Kit	3.500S	1.750S	P	15
	S/N:	39797-UP				
Boom	JH-RE18732	Kit	4.000S	2.000S	P	1
Bucket	JH-RE18751	Kit	3.000S	1.750S	P	1
Crowd	JH-RE18755	Kit	3.500S	1.750S	P	1
9300 BACKHOE ATTACHMENT						
Stabilizer	JH-AR105387	Kit	4.000S	2.000S	P	1
Boom	JH-AR105355	Kit	4.500S	2.250S	P	1
	S/N:	Prior-700717				
	JH-RE18764	Kit	4.500S	2.250S	P	17
	S/N:	700718-UP				
Bucket	JH-RE18757	Kit	3.500S	2.250S	P	1
	S/N:	Prior-700717				
	JH-RE18758	Kit	3.500S	2.250S	P	17
	S/N:	700718-UP				
Crowd	JH-AR105387	Kit	4.000S	2.000S	P	1
	S/N:	Prior-700717				
	JH-RE18741	Kit	4.000S	2.000S	P	17
	S/N:	700718-UP				
9300G BACKHOE ATTACHMENT						
Stabilizer	JH-AH149843	Kit	90.00M		N	20
	JH-RE20434	Kit		45.00M	P	19
	Use with R 81766 Head					
	JH-AH149813	Kit		45.00M	PI	19
	Use with H157642 Head, Field replacement					
Swing	JH-AH149844	Kit	100.00M		N	20
	JH-RE20595	Kit		50.00M	P	19
	Use with R 89618 Head					
	JH-AH148164	Kit		50.00M	P	19
	Use with H155086 Head, Field replacement					
Boom	JH-AH149844	Kit	100.00M		N	20
	JH-RE20595	Kit		50.00M	P	19
	Use with R 81972 Head					
	JH-AH148164	Kit		50.00M	P	19
	Use with H157978 Head, Field replacement					
Bucket	JH-AH149842	Kit	80.00M		N	20
	JH-RE20434	Kit		45.00M	P	19
	Use with R 81767 Head					
	JH-AH149813	Kit		45.00M	PI	19
	Use with H152347 or H157510 Heads, Field replacement					
Crowd	JH-AH149843	Kit	90.00M		N	20

Application	Part Number	Description	Bore	Rod	Wiper	Type
9300G BACKHOE ATTACHMENT (continued)						
Crowd (cont)	JH-RE20595	Kit		50.00M	P	19
	Use with R 82088 Head					
	JH-AH148164	Kit		50.00M	P	19
	Use with H154352 Head, Field replacement					
9305 BACKHOE ATTACHMENT						
Stabilizer	JH-AR105387	Kit	4.000S	2.000S	P	1
Boom	JH-AR105355	Kit	4.500S	2.250S	P	1
	S/N: Prior-701219					
	JH-RE18764	Kit	4.500S	2.250S	P	17
	S/N: 701220-UP					
Bucket	JH-RE18757	Kit	3.500S	2.250S	P	1
	S/N: Prior-701219					
	JH-RE18758	Kit	3.500S	2.250S	P	17
	S/N: 701220-UP					
Crowd	JH-AR105387	Kit	4.000S	2.000S	P	1
	S/N: Prior-701219					
	JH-RE18741	Kit	4.000S	2.000S	P	17
	S/N: 701220-UP					
9310G BACKHOE ATTACHMENT						
Stabilizer	JH-AH149843	Kit	90.00M		N	20
	JH-RE20434	Kit		45.00M	P	19
	Use with R 81766 Head					
	JH-AH149813	Kit		45.00M	PI	19
	Use with H157642 Head, Field replacement					
Swing	JH-AH149844	Kit	100.00M		N	20
	JH-RE20595	Kit		50.00M	P	19
	Use with R 89618 Head					
	JH-AH148164	Kit		50.00M	P	19
	Use with H155086 Head, Field replacement					
Boom	JH-AH149846	Kit	115.00M		N	20
	JH-RE31716	Kit		56.00M	P	19
	Use with R 92321 Head					
	JH-AH149814	Kit		56.00M	P	19
	Use with H157428 Head, Field replacement					
Bucket	JH-AH149843	Kit	90.00M		N	20
	JH-RE20595	Kit		50.00M	P	19
	Use with R 82088 Head					
	JH-AH148164	Kit		50.00M	P	19
Use with H154352 Head, Field replacement						
Crowd	JH-AH149844	Kit	100.00M		N	20
	JH-RE31716	Kit		56.00M	P	19
	Use with R 92314 Head					
	JH-AH149814	Kit		56.00M	P	19
Use with H157427 Head, Field replacement						

Application	Part Number	Description	Bore	Rod	Wiper	Type
9400 BACKHOE ATTACHMENT						
Stabilizer	JH-RE18754	Kit	3.500S	1.750S	P	1
Swing	JH-RE18730	Kit	4.000S	1.750S	P	1
Boom	JH-RE10640	Kit	4.500S	2.250S	P	1
Bucket	JH-RE18757	Kit	3.500S	2.250S	P	1
Crowd	JH-AR105387	Kit	4.000S	2.000S	P	1
9405 BACKHOE ATTACHMENT						
Stabilizer	JH-RE18754	Kit	3.500S	1.750S	P	1
	S/N: Prior-700422					
	JH-RE12912	Kit	3.500S	1.750S	P	17
	S/N: 700423-UP					
Swing	JH-RE18730	Kit	4.000S	1.750S	P	1
	JH-AR105387	Kit	4.000S	2.000S	P	1
	Field replacement					
	JH-RE18741	Kit	4.000S	2.000S	P	17
Boom	JH-AR105355	Kit	4.500S	2.250S	P	1
	JH-RE18764	Kit	4.500S	2.250S	P	17
Bucket	JH-RE18757	Kit	3.500S	2.250S	P	1
	JH-RE18758	Kit	3.500S	2.250S	P	17
Crowd	JH-AR105387	Kit	4.000S	2.000S	P	1
	S/N: Prior-700422					
	JH-RE18741	Kit	4.000S	2.000S	P	17
	S/N: 700423-UP					
Ext. Dipperstick	JH-AT50213	Kit	2.500S	1.250S	I	0
	Soft seal kit					
	JH-AT50214	Kit	2.500S	1.250S	I	0
	Major kit					
9410 BACKHOE ATTACHMENT						
Stabilizer	JH-RE18754	Kit	3.500S	1.750S	P	1
	JH-RE12912	Kit	3.500S	1.750S	P	17
	Use with R 78224 Piston, Field replacement					
Swing	JH-RE18730	Kit	4.000S	1.750S	P	1
	S/N: Prior-303202					
	JH-AR105387	Kit	4.000S	2.000S	P	1
	S/N: 303203-UP					
	JH-RE18741	Kit	4.000S	2.000S	P	17
	S/N: 303203-UP					
	Use with R 77809 Piston, Field replacement					
Boom	JH-AR105355	Kit	4.500S	2.250S	P	1
	JH-RE18764	Kit	4.500S	2.250S	P	17
	Use with R 78221 Piston, Field replacement					
Bucket	JH-RE18757	Kit	3.500S	2.250S	P	1
	JH-RE18758	Kit	3.500S	2.250S	P	17
	Use with R 78222 Piston, Field replacement					
Crowd	JH-AR105355	Kit	4.500S	2.250S	P	1
	JH-RE18764	Kit	4.500S	2.250S	P	17
	Use with R 78225 Piston, Field replacement					

Application	Part Number	De cription	Bore	Rod	Wiper	Type
9410 BACKHOE ATTACHMENT (continued)						
Ext. Dipperstick	JH-AT50213	Kit	2.500S	1.250S	I	0
	Soft seal kit					
	JH-AT50214	Kit	2.500S	1.250S	I	0
	Major kit					
9450 BACKHOE ATTACHMENT						
Stabilizer	JH RE18754	Kit	3.500S	1.750S	P	1
Swing	JH-RE18756	Kit	3.500S	1.750S	P	15
Boom	JH RE18732	Kit	4.000S	2.000S	P	1
Bucket	JH-RE18751	Kit	3.000S	1.750S	P	1
Crowd	JH RE18755	Kit	3.500S	1.750S	P	1
9500 BACKHOE ATTACHMENT						
Stabilizer	JH-RE18751	Kit	3.000S	1.750S	P	1
Boom	JH-AR105355	Kit	4.500S	2.250S	P	1
	JH-RE18764	Kit	4.500S	2.250S	P	17
	Field replacement					
Bucket	JH-RE18757	Kit	3.500S	2.250S	P	1
	JH-RE18758	Kit	3.500S	2.250S	P	17
Crowd	JH-AR105387	Kit	4 000S	2 000S	P	1
9550 BACKHOE ATTACHMENT						
Stabilizer	JH-RE18754	Kit	3.500S	1.750S	P	1
Swing	JH-RE18756	Kit	3.500S	1.750S	P	15
	S/N: Prior 39796 T 60873 Piston required					
	JH-RE18756	Kit	3.500S	1.750S	P	15
	S/N: 39797-UP					
Boom	JH RE18732	Kit	4.000S	2.000S	P	1
Bucket	JH-RE18751	Kit	3.000S	1.750S	P	1
Crowd	JH RE18755	Kit	3.500S	1.750S	P	1
9700 BACKHOE ATTACHMENT						
Stabilizer	JH-RE18754	Kit	3.500S	1.750S	P	1
Swing	JH-RE18730	Kit	4.000S	1.750S	P	1
Boom	JH-RE10640	Kit	4.500S	2.250S	P	1
Bucket	JH-RE18757	Kit	3.500S	2.250S	P	1
Crowd	JH-AR105387	Kit	4.000S	2.000S	P	1

Application	Part Number	Description	Bore	Rod	Wiper	Type
9705 BACKHOE ATTACHMENT						
Stabilizer	JH-RE18754	Kit	3.500S	1.750S	P	1
	S/N: Prior-700717					
	JH-RE12912	Kit	3.500S	1.750S	P	17
	S/N: 700718-UP					
Swing	JH-RE18730	Kit	4.000S	1.750S	P	1
	S/N: Prior-303508					
	JH-AR105387	Kit	4.000S	2.000S	P	1
	S/N: 303509-700717					
	JH-RE18741	Kit	4.000S	2.000S	P	17
	S/N: 700718-UP					
Boom	JH-AR105355	Kit	4.500S	2.250S	P	1
	S/N: Prior-700717					
	JH-RE18764	Kit	4.500S	2.250S	P	17
	S/N: 700718-UP					
Bucket	JH-RE18757	Kit	3.500S	2.250S	P	1
	S/N: Prior-700717					
	JH-RE18758	Kit	3.500S	2.250S	P	17
	S/N: 700718-UP					
Crowd	JH-AR105355	Kit	4.500S	2.250S	P	1
	S/N: Prior-700717					
	JH-RE18764	Kit	4.500S	2.250S	P	17
	S/N: 700718-UP					
Ext. Dipperstick	JH-AT50213	Kit	2.500S	1.250S	I	0
	Soft seal kit					
	JH-AT50214	Kit	2.500S	1.250S	I	0
	Major kit					
9900 BACKHOE ATTACHMENT						
Stabilizer	JH-AR105441	Kit	4.500S	2.500S	P	1
	S/N: Prior-700717					
	JH-RE14094	Kit	4.500S		N	20
	S/N: 700718-UP					
	JH-RE17345	Kit		2.500S	P	18
	S/N: 700718-UP					
Swing	JH-AR105384	Kit	4.500S	2.000S	P	1
	S/N: Prior-700717					
	JH-RE19225	Kit	4.500S	2.000S	P	17
	S/N: 700718-UP					
Boom	JH-AR105443	Kit	5.500S	2.500S	P	1
	S/N: Prior-155578					
	JH-RE13277	Kit	5.500S	2.500S	P	1
	S/N: 155579-249770					
	JH-AR105281	Kit	5.500S	2.500S	P	11
	S/N: 249771-700717					
	JH-RE18745	Kit	5.500S	2.500S	P	15
	S/N: 700718-UP					
Bucket	JH-AR96526	Kit	4.000S	2.500S	P	1
	S/N: Prior-700717					

Application	Part Number	Description	Bore	Rod	Wiper	Type
9900 BACKHOE ATTACHMENT (continued)						
Bucket (cont)	JH-RE18735	Kit	4.000S	2.500S	P	17
	S/N: 700718-UP					
Crowd	JH-AR105443	Kit	5.500S	2.500S	P	1
	S/N: Prior-155578					
	JH-RE18734	Kit	5.500S	2.500S	P	1
	S/N: 155579-700717					
	JH-RE18740	Kit	5.500S	2.500S	P	17
	S/N: 700718-UP					

NORTH AMERICA
PHONE 800.854.0275
FAX 813.559.8698



WORLDWIDE
PHONE 813.559.8650
FAX 813.559.8698

Machine Model	Page	Machine Model	Page
Clark®/Michigan®/Volvo® Wheel Loaders		Ranger® Skidders	
12B	848	667,667B,667C,667D,667F	858
35A, 35B, 35AWS, 35R	848	668,668B,668C,668D,668F	858
35C	848	880 GM,880 CUM	858
45A	848		
45B,45FB Feller Buncher	848	Eulcid® Trucks	
45C	849	R-22,R-25	859
55A,55A-II,55-III,55-III A,55-III A GRR,55B	849	R-35	859
55C	850	R-50	859
75A-II, 75-III, 75-III A	850	R-75,R-85	860
75B,LF75B	850	R-100	860
75C	851	R-120E,R-120M	860
85A,85A-II,85-III,85-III A	851	R-170	860
125A,125A-II,125-III A	851	B-63,B-100,B-110	860
125B	851	CH-100,CH-120	860
125C	852	CH-150	861
175A,175A-II,175-III,175-III A	852		
175B	852	Champion® Motor Graders	
175C	853	710,710A,715,715A,720,720A,730,730A,740,	862
275A,275A-II,275-III,275-III A	853	740A,760	
275B	853		
275C	853		
475-III A	854		
475B	854		
475C	854		
675B	854		
L140	855		
L190	855		
L270,L270B	855		
L480	855		
Clark®/Michigan® Wheel Dozers			
180,180-III	855		
280,280-III,280-III A,280B,280C	855		
380,380-II,380-III,380-III A,380B	856		
480	856		
Ranger® Skidders			
662	856		
664,664B,664C,664D	856		
665,665D,665F	857		
666,666B,666C,666D,666F	857		

Application	Part Number	Description	Bore	Rod	Wiper	Type
12B WHEEL LOADER						
Bucket (Tilt)	CH-M2516071	Kit	3.500S	1.750S	P	4
	Use with M1503639 Piston					
	CH-M2516072	Kit	3.500S	1.750S	I	5
35A,35B,35AWS,35R WHEEL LOADER						
Boom (Lift)	CH-M2516065	Kit	6.000S	2.750S	P	4
Bucket (Tilt)	CH-M2516059	Kit	5.000S	2.000S	P	4
Steering	CH-M2516055	Kit	2.500S	1.000S	I	5
Clamp	CH-M2516071	Kit	3.500S	1.750S	P	4
	Use with M1503639 Piston					
35C WHEEL LOADER						
Boom (Lift)	CH-M2530107	Kit	4.000S	2.000S	P	5
	CH-M2551403	Kit	4.000S	2.000S	P	5
	With buffer ring					
	CH-M2538178	Kit	4.500S	2.000S	P	5
	CH-M2551398	Kit	4.500S	2.000S	P	5
	With buffer ring					
Bucket (Tilt)	CH-M2538174	Kit	3.500S	1.750S	P	5
	CH-M2542570	Kit	3.500S	1.750S	P	5
	With buffer ring					
Steering	CH-M2530106	Kit	2.500S	1.250S	P	5
	CH-M2554796	Kit	2.500S	1.250S	P	5
	With buffer ring					
45A WHEEL LOADER						
Boom (Lift)	CH-M2516148	Kit	7.000S	2.750S	P	4
Bucket (Tilt)	CH-M2516059	Kit	5.000S	2.000S	P	4
Steering	CH-M2516055	Kit	2.500S	1.000S	I	5
45B WHEEL LOADER, 45FB FELLER BUNCHER						
Boom (Lift)	CH-M2516271	Kit	4.500S	2.000S	P	5
Bucket (Tilt)	CH-M2516270	Kit	3.500S	1.750S	P	5
Steering	CH-M2516272	Kit	2.500S	1.250S	I	5
Clamp	CH-M2516071	Kit	3.500S	1.750S	P	4
Side Dump	CH-M2516071	Kit	3.500S	1.750S	P	4
	Use with M1503639 Piston					
Tree Shear Grapple	CH-M1991086	Kit	3.500S	1.750S	P	5

Application	Part Number	Description	Bore	Rod	Wiper	Type
45C WHEEL LOADER						
Boom (Lift)	CH-M2538178	Kit	4.500S	2.000S	P	5
	CH-M2551398	Kit	4.500S	2.000S	P	5
	With buffer ring					
	CH-M2542577	Kit	5.000S	2.250S	P	15
Bucket (Tilt)	CH-M2538174	Kit	3.500S	1.750S	P	5
	CH-M2542570	Kit	3.500S	1.750S	P	5
	With buffer ring					
	CH-M2551403	Kit	4.000S	2.000S	P	5
	CH-M2538184	Kit	3.500S	2.000S	P	5
High Lift arrangement						
Steering	CH-M2530106	Kit	2.500S	1.250S	P	5
	CH-M2554796	Kit	2.500S	1.250S	P	5
	With buffer ring					
55A,55A-II,55-III,55-III A,55-III A GRR,55B WHEEL LOADER						
Boom (Lift)	CH-M2516071	Kit	3.500S	1.750S	P	4
	CH-M2516073	Kit	3.500S	2.000S	P	4
	CH-M2516060	Kit	5.000S	2.250S	I	5
	CH-M2516058	Kit	5.000S	2.250S	P	4
	CH-M2530108	Kit	5.000S	2.250S	P	5
	CH-M2542577	Kit	5.000S	2.250S	P	15
	Field replacement					
Bucket (Tilt)	CH-M2516071	Kit	3.500S	1.750S	P	4
	CH-M2516073	Kit	3.500S	2.000S	P	4
	CH-M2516090	Kit	4.000S	2.000S	I	5
	CH-M2530107	Kit	4.000S	2.000S	P	5
	CH-M2551403	Kit	4.000S	2.000S	P	5
Field replacement, With buffer ring						
Steering	CH-M2516055	Kit	2.500S	1.000S	I	5
	CH-M2516072	Kit	3.500S	1.750S	I	5
	CH-M2538177	Kit	3.500S	1.750S	P	5
	CH-M2542570	Kit	3.500S	1.750S	P	5
Field replacement, With buffer ring						
Clamp	CH-M2516071	Kit	3.500S	1.750S	P	4
Side Dump	CH-M2516073	Kit	3.500S	2.000S	P	4

Application	Part Number	Description	Bore	Rod	Wiper	Type
55C WHEEL LOADER						
Boom (Lift)	CH-M2530108	Kit	5.000S	2.250S	P	5
	CH-M2542577	Kit	5.000S	2.250S	P	15
Bucket (Tilt)	CH-M2530107	Kit	4.000S	2.000S	P	5
	CH-M2551403	Kit	4.000S	2.000S	P	5
With buffer ring						
Steering	CH-M2530106	Kit	2.500S	1.250S	P	5
	CH-M2554796	Kit	2.500S	1.250S	P	5
	With buffer ring					
	CH-M2558513	Kit	3.000S	1.750S	P	15
75A-II,75-III,75-IIIA WHEEL LOADER						
Boom (Lift)	CH-M2516059	Kit	5.000S	2.000S	P	4
	CH-M2516070	Kit	4.500S	2.250S	P	4
	CH-M2516061	Kit	5.000S	2.250S	P	4
Bucket (Tilt)	CH-M2516059	Kit	5.000S	2.000S	P	4
	CH-M2516088	Kit	4.000S	2.000S	P	4
	CH-M2516070	Kit	4.500S	2.250S	P	4
Steering	CH-M2516055	Kit	2.500S	1.000S	I	5
	CH-M2516071	Kit	3.500S	1.750S	P	4
Clamp	CH-M2516071	Kit	3.500S	1.750S	P	4
Side Dump	CH-M2516071	Kit	3.500S	1.750S	P	4
75B,LF75B WHEEL LOADER						
Boom (Lift)	CH-M2516060	Kit	5.000S	2.250S	I	5
	CH-M2516058	Kit	5.000S	2.250S	P	4
	CH-M2530108	Kit	5.000S	2.250S	P	5
	CH-M2542577	Kit	5.000S	2.250S	P	15
Field replacement						
Bucket (Tilt)	CH-M2516054	Kit	4.250S	2.000S	P	4
	CH-M2516058	Kit	5.000S	2.250S	P	4
	CH-M2530108	Kit	5.000S	2.250S	P	5
	CH-M2542577	Kit	5.000S	2.250S	P	15
Field replacement						
Steering	CH-M2516072	Kit	3.500S	1.750S	I	5
	CH-M2538177	Kit	3.500S	1.750S	P	5
	CH-M2542570	Kit	3.500S	1.750S	P	5
Field replacement, With buffer ring						
Clamp	CH-M2516071	Kit	3.500S	1.750S	P	4
Side Dump	CH-M2516073	Kit	3.500S	2.000S	P	4

Application	Part Number	Description	Bore	Rod	Wiper	Type	
75C WHEEL LOADER							
Boom (Lift)	CH-M2530108	Kit	5.000S	2.250S	P	5	
	CH-M2542577	Kit	5.000S	2.250S	P	15	
Bucket (Tilt)	CH-M2516058	Kit	5.000S	2.250S	P	4	
	CH-M2530108	Kit	5.000S	2.250S	P	5	
	CH-M2542577	Kit	5.000S	2.250S	P	15	
	CH-M2538187	Kit	5.000S	2.750S	P	5	
	CH-M2542569	Kit	5.000S	2.750S	P	5	
	With buffer ring						
Steering	CH-M2538177	Kit	3.500S	1.750S	P	5	
	CH-M2542570	Kit	3.500S	1.750S	P	5	
	With buffer ring						
85A,85A-II,85-III,85-IIIA WHEEL LOADER							
Boom (Lift)	CH-M2516059	Kit	5.000S	2.000S	P	4	
	CH-M2516070	Kit	4.500S	2.250S	P	4	
	CH-M2516065	Kit	6.000S	2.750S	P	4	
Bucket (Tilt)	CH-M2516065	Kit	6.000S	2.750S	P	4	
	CH-M2516088	Kit	4.000S	2.000S	P	4	
	CH-M2516070	Kit	4.500S	2.250S	P	4	
Steering	CH-M2516055	Kit	2.500S	1.000S	I	5	
	CH-M2516071	Kit	3.500S	1.750S	P	4	
Clamp	CH-M2516070	Kit	4.500S	2.250S	P	4	
Side Dump	CH-M2516059	Kit	5.000S	2.000S	P	4	
125A,125A-II,125-IIIA WHEEL LOADER							
Boom (Lift)	CH-M2516065	Kit	6.000S	2.750S	P	4	
	CH-M2516148	Kit	7.000S	2.750S	P	4	
Bucket (Tilt)	CH-M2516065	Kit	6.000S	2.750S	P	4	
	CH-M2516148	Kit	7.000S	2.750S	P	4	
	CH-M2516070	Kit	4.500S	2.250S	P	4	
Steering	CH-M2516071	Kit	3.500S	1.750S	P	4	
125B WHEEL LOADER							
Boom (Lift)	CH-M2518493	Kit	6.000S	2.750S	P	4	
	CH-M2538182	Kit	6.000S	2.750S	P	5	
	CH-M2542568	Kit	6.000S	2.750S	P	15	
	Field replacement						
Bucket (Tilt)	CH-M2516152	Kit	4.500S	2.250S	P	4	
	CH-M2538179	Kit	4.500S	2.250S	P	5	
	CH-M2542576	Kit	4.500S	2.250S	P	5	
	Field replacement, With buffer ring						
	CH-M2538187	Kit	5.000S	2.750S	P	5	
	CH-M2542569	Kit	5.000S	2.750S	P	5	
	Field replacement, With buffer ring						
Steering	CH-M2516072	Kit	3.500S	1.750S	I	5	
	CH-M2538177	Kit	3.500S	1.750S	P	5	

Application	Part Number	Description	Bore	Rod	Wiper	Type
125B WHEEL LOADER (continued)						
Steering (cont)	CH-M2542570	Kit	3.500S	1.750S	P	5
	Field replacement, With buffer ring					
125C WHEEL LOADER						
Boom (Lift)	CH-M2538182	Kit	6.000S	2.750S	P	5
	CH-M2542568	Kit	6.000S	2.750S	P	15
Bucket (Tilt)	CH-M2538187	Kit	5.000S	2.750S	P	5
	CH-M2542569	Kit	5.000S	2.750S	P	5
	With buffer ring					
Steering	CH-M2538174	Kit	3.500S	1.750S	P	5
	CH-M2542570	Kit	3.500S	1.750S	P	5
	With buffer ring					
175A,175A-II,175-III,175-IIIA WHEEL LOADER						
Boom (Lift)	CH-M2516148	Kit	7.000S	2.750S	P	4
	Model 175A,175-III,175-IIIA, Use with M1503028 Piston					
Bucket (Tilt)	CH-M2516148	Kit	7.000S	2.750S	P	4
	Model 175A, Use with M1503028 Piston					
	CH-M2516065	Kit	6.000S	2.750S	P	4
Model 175-III,175-IIIA, Use with M1502846 Piston						
Steering	CH-M2516071	Kit	3.500S	1.750S	P	4
	Model 175A,175A-II,175-III, Use with M1503639 Piston					
175B WHEEL LOADER						
Boom (Lift)	CH-M2516155	Kit	7.000S	2.750S	P	4
	1/4 C/S O-Ring used					
	CH-M2518494	Kit	7.000S	2.750S	P	4
	3/16 C/S O-Ring used					
	CH-M2538183	Kit	7.000S	2.750S	P	5
Bucket (Tilt)	CH-M2551397	Kit	7.000S	2.750S	P	15
	CH-M2516065	Kit	6.000S	2.750S	P	4
	2 3/4 X 3 1/2 X 3/8 Wiper					
	CH-M2518493	Kit	6.000S	2.750S	P	4
	2 3/4 X 3 1/4 X 5/16 Wiper					
	CH-M2538182	Kit	6.000S	2.750S	P	5
Steering	CH-M2542568	Kit	6.000S	2.750S	P	15
	CH-M2516151	Kit	4.500S	2.000S	P	4
	CH-M2538178	Kit	4.500S	2.000S	P	5
	CH-M2551398	Kit	4.500S	2.000S	P	5
With buffer ring						

Application	Part Number	Description	Bore	Rod	Wiper	Type
175C WHEEL LOADER						
Boom (Lift)	CH-M2541637	Kit	7.000S	3.000S	P	5
	CH-M2542571	Kit	7.000S	3.000S	P	15
Bucket (Tilt)	CH-M2538182	Kit	6.000S	2.750S	P	5
	CH-M2542568	Kit	6.000S	2.750S	P	15
Steering	CH-M2538179	Kit	4.500S	2.250S	P	5
	CH-M2542576	Kit	4.500S	2.250S	P	5
	With buffer ring					
275A,275A-II,275-III,275-IIIA WHEEL LOADER						
Bucket (Tilt)	CH-M2516148	Kit	7.000S	2.750S	P	4
	Model 275A,275-III,275-IIIA, Use with M1503028 Piston					
Steering	CH-M2516071	Kit	3.500S	1.750S	P	4
	Model 275A,275A-II,275-III, Use with M1503639 Piston					
	CH-M2516094	Kit	5.250S	2.250S	P	4
Model 275-IIIA, Use with M1503027 Piston						
275B WHEEL LOADER						
Boom (Lift)	CH-M2516228	Kit	9.000S	3.500S	I	5
	CH-M2516242	Kit	9.000S	3.500S	P	4
	CH-M2538180	Kit	9.000S	3.500S	P	5
	CH-M2551396	Kit	9.000S	3.500S	P	15
	Field replacement					
Bucket (Tilt)	CH-M2516155	Kit	7.000S	2.750S	P	4
	1/4 C/S O-Ring used					
	CH-M2518494	Kit	7.000S	2.750S	P	4
	3/16 C/S O-Ring used					
	CH-M2538183	Kit	7.000S	2.750S	P	5
Steering	CH-M2516156	Kit	5.250S	2.250S	I	5
	CH-M2516274	Kit	5.250S	2.250S	P	4
	CH-M2538181	Kit	5.250S	2.250S	P	5
	CH-M2551399	Kit	5.250S	2.250S	P	15
	Field replacement					
275C WHEEL LOADER						
Boom (Lift)	CH-M2538193	Kit	9.000S	4.000S	P	5
	CH-M2542574	Kit	9.000S	4.000S	P	15
Bucket (Tilt)	CH-M2538183	Kit	7.000S	2.750S	P	5
	CH-M2551397	Kit	7.000S	2.750S	P	15
	CH-M2550135	Kit	7.000S	3.500S	P	15
Steering	CH-M2538179	Kit	4.500S	2.250S	P	5
	CH-M2542576	Kit	4.500S	2.250S	P	5
With buffer ring						

Application	Part Number	Description	Bore	Rod	Wiper	Type
475-IIIA WHEEL LOADER						
Steering	CH-M2516148	Kit	7.000S	2.750S	P	4
	Use with M1503028 Piston and 2 3/4 X 3 1/2 X 3/8 Wiper					
	CH-M2518494	Kit	7.000S	2.750S	P	4
	Use with M1503028 Piston and 2 3/4 X 3 1/4 X 5/16 Wiper					
475B WHEEL LOADER						
Boom (Lift)	CH-M2525954	Kit	10.500S	4.500S	P	5
	CH-M2551400	Kit	10.500S	4.500S	P	15
Bucket (Tilt)	CH-M2525952	Kit	9.000S	4.500S	P	5
	CH-M2542572	Kit	9.000S	4.500S	P	15
Steering	CH-M2516148	Kit	7.000S	2.750S	P	4
	2 3/4 X 3 1/2 X 3/8 Wiper					
	CH-M2518494	Kit	7.000S	2.750S	P	4
	2 3/4 X 3 1/4 X 5/16 Wiper					
	CH-M2526058	Kit	7.000S	2.750S	P	5
	CH-M2551397	Kit	7.000S	2.750S	P	15
475C WHEEL LOADER						
Boom (Lift)	CH-M2551400	Kit	10.500S	4.500S	P	15
	CH-M2532094	Kit	10.500S	5.000S	P	5
	CH-M2542573	Kit	10.500S	5.000S	P	15
Bucket (Tilt)	CH-M2525952	Kit	9.000S	4.500S	P	5
	CH-M2542572	Kit	9.000S	4.500S	P	15
	CH-M2542573	Kit	10.500S	5.000S	P	15
Steering	CH-M2538182	Kit	6.000S	2.750S	P	5
	CH-M2542568	Kit	6.000S	2.750S	P	15
675B WHEEL LOADER						
Boom (Lift)	CH-M2525954	Kit	10.500S	4.500S	P	5
	CH-M2551400	Kit	10.500S	4.500S	P	15
	Field replacement					
Bucket (Tilt)	CH-M2525954	Kit	10.500S	4.500S	P	5
	CH-M2551400	Kit	10.500S	4.500S	P	15
	Field replacement					
Steering	CH-M2516187	Kit	8.000S	3.500S	P	4

Application	Part Number	Description	Bore	Rod	Wiper	Type
L140 WHEEL LOADER						
Boom (Lift)	CH-M2542568	Kit	6.000S	2.750S	P	15
Bucket (Tilt)	CH-M2542569	Kit	5.000S	2.750S	P	5
L190 WHEEL LOADER						
Boom (Lift)	CH-M2550135	Kit	7.000S	3.500S	P	15
Bucket (Tilt)	CH-M2542568	Kit	6.000S	2.750S	P	15
L270,L270B WHEEL LOADER						
Boom (Lift)	CH-M2542574	Kit	9.000S	4.000S	P	15
L480 WHEEL LOADER						
Boom (Lift)	CH-M2542573	Kit	10.500S	5.000S	P	15
Bucket (Tilt)	CH-M2542573	Kit	10.500S	5.000S	P	15
Steering	CH-M2542568	Kit	6.000S	2.750S	P	15
180,180-III WHEEL DOZER						
Lift	CH-M2516065	Kit	6.000S	2.750S	P	4
	Use with M1502846 Piston					
	CH-M2516059	Kit	5.000S	2.000S	P	4
Use with M1503597 Piston						
Tilt	CH-M2516065	Kit	6.000S	2.750S	P	4
	Use with M1502846 Piston					
	CH-M2516071	Kit	3.500S	1.750S	P	4
Use with M1503639 Piston						
Pitch	CH-M2516065	Kit	6.000S	2.750S	P	4
	Use with M1502846 Piston					
Steering	CH-M2516071	Kit	3.500S	1.750S	P	4
	Use with M1503639 Piston					
280,280-III,280-IIIA,280B,280C WHEEL DOZER						
Lift	CH-M2516148	Kit	7.000S	2.750S	P	4
	Use with M1503028 Piston					
	CH-M2516065	Kit	6.000S	2.750S	P	4
	Use with M1502846 Piston					
	CH-M2516094	Kit	5.250S	2.250S	P	4
	Use with M1503027 Piston					
	CH-M2538182	Kit	6.000S	2.750S	P	5
Tilt	CH-M2542568	Kit	6.000S	2.750S	P	15
	CH-M2516094	Kit	5.250S	2.250S	P	4
	Use with M1503027 Piston					
Pitch	CH-M2538181	Kit	5.250S	2.250S	P	5
	CH-M2551399	Kit	5.250S	2.250S	P	15
	CH-M2516065	Kit	6.000S	2.750S	P	4
	Use with M1502846 Piston					
	CH-M2538178	Kit	4.500S	2.000S	P	5
	CH-M2551398	Kit	4.500S	2.000S	P	5
	With buffer ring					

Application	Part Number	Description	Bore	Rod	Wiper	Type
280,280-III,280-IIIA,280B,280C WHEEL DOZER (continued)						
Steering	CH-M2516071	Kit	3.500S	1.750S	P	4
	Use with M1503639 Piston					
	CH-M2516094	Kit	5.250S	2.250S	P	4
	Use with M1503027 Piston					
	CH-M2538181	Kit	5.250S	2.250S	P	5
	CH-M2551399	Kit	5.250S	2.250S	P	15
380,380-II,380-III,380-IIIA,380B WHEEL DOZER						
Lift	CH-M2516148	Kit	7.000S	2.750S	P	4
	Use with M1503028 Piston					
	CH-M2516065	Kit	6.000S	2.750S	P	4
	CH-M2538182	Kit	6.000S	2.750S	P	5
	CH-M2542568	Kit	6.000S	2.750S	P	15
Tilt	CH-M2516065	Kit	6.000S	2.750S	P	4
	Use with M1502846 Piston and M527812 Gland					
	CH-M2538182	Kit	6.000S	2.750S	P	5
	Use with M1502846 Piston and M1531298 Gland					
	CH-M2542568	Kit	6.000S	2.750S	P	15
Pitch	CH-M2516094	Kit	5.250S	2.250S	P	4
	CH-M2538181	Kit	5.250S	2.250S	P	5
	CH-M2551399	Kit	5.250S	2.250S	P	15
Steering	CH-M2516071	Kit	3.500S	1.750S	P	4
	Use with M1503639 Piston					
	CH-M2516069	Kit	4.500S	2.000S	P	4
	Use with M1503026 Piston					
	CH-M2538186	Kit	8.000S	3.500S	P	5
	CH-M2551402	Kit	8.000S	3.500S	P	15
480 WHEEL DOZER						
Lift	CH-M2516148	Kit	7.000S	2.750S	P	4
	Use with M1503028 Piston					
Tilt	CH-M2516065	Kit	6.000S	2.750S	P	4
	Use with M1502846 Piston					
662 RANGER SKIDDER						
Steer & Blade	CH-M1991086	Kit	3.500S	1.750S	P	5
664,664B,664C,664D RANGER SKIDDER						
Skidder S/N: C-9014 101-UP,C-9044 101-UP,508A101-H-UP,514F101-H-UP 528A101-D-UP,529C101-UP,540A101-UP,546H101-UP 551D101-F-UP						
Steer & Blade	CH-M1991086	Kit	3.500S	1.750S	P	5
	S/N:	C-9044 230-UP,508A101-H-UP,514F101-H-UP,546H101-UP				
	CH-M2551403	Kit	4.000S	2.000S	P	5
	S/N:	528A101-D-UP,529C101-UP,540A101-UP,551D101-F-UP				
Arch	CH-M1991086	Kit	3.500S	1.750S	P	5
	S/N:	508A101-H-UP				
	CH-M2551403	Kit	4.000S	2.000S	P	5
	S/N:	540A101-UP				
Grapple	CH-M1991089	Kit	6.000S	2.750S	P	5
	S/N:	508A101-H-UP				

Application	Part Number	Description	Bore	Rod	Wiper	Type
664,664B,664C,664D RANGER SKIDDER (continued)						
Grapple (cont)	CH-M1992019	Kit	4.000S	2.000S	P	5
	S/N: 540A101-UP					
665,665D,665F RANGER SKIDDER						
Skidder S/N: 541A101-F-UP,543A101-E-UP,553G101-UP,554G101-UP 558F101-UP						
Steer & Blade	CH-M2551403	Kit	4.000S	2.000S	P	5
Arch	CH-M2551403	Kit	4.000S	2.000S	P	5
	S/N: 543A101-E-UP,554G101-UP,558F101-UP					
Grapple	CH-M1992019	Kit	4.000S	2.000S	P	5
	S/N: 543A101-UP					
	CH-M2551403	Kit	4.000S	2.000S	P	5
	S/N: 543B101-E-UP,554G101-UP,558F101-UP					
666,666B,666C,666D,666F RANGER SKIDDER						
Skidder S/N: C-9016 101-UP,C-9046 101-UP,500D101-H-UP,513E101-H-UP 515A101-H-UP,526H101-UP,542H101-UP,548A101-UP 549A101-UP,552A101-UP,555A101-UP,555B101-UP 559A101-UP,559B101-UP,564A101-UP,564B101-UP						
Steer & Blade	CH-M1991086	Kit	3.500S	1.750S	P	5
	S/N: C-9046 435-UP,500D202-H-UP,513E101-H-UP,515A101-H-UP S/N: 526H101-UP,542H101-UP					
	CH-M2542570	Kit	3.500S	1.750S	P	5
	S/N: 548A101-UP,549A101-UP,552A101-UP,555A101-UP,555B101-UP S/N: 559A101-UP,559B101-UP,564A101-UP,564B101-UP					
Arch	CH-M1991086	Kit	3.500S	1.750S	P	5
	S/N: 515A101-H-UP,542H101-UP					
	CH-M2551403	Kit	4.000S	2.000S	P	5
	S/N: 549A101-UP,552A101-UP,555A101-UP,555B101-UP,564A101-UP S/N: 564B101-UP					
Grapple	CH-M1991089	Kit	6.000S	2.750S	P	5
	S/N: 515A101-H-UP					
	CH-M1992019	Kit	4.000S	2.000S	P	5
	S/N: 542H101-1301					
	CH-M2551403	Kit	4.000S	2.000S	P	5
	S/N: 542H1302-UP,549A101-UP,552A101-UP,555A101-UP,555B101-UP					
Boom	CH-M2551403	Kit	4.000S	2.000S	P	5
	S/N: 552A101-UP,564A101-UP,564B101-UP					

Application	Part Number	Description	Bore	Rod	Wiper	Type
667,667B,667C,667D,667F RANGER SKIDDER						
Skidder S/N: 503A101-B-UP,504A101-C-UP,509A101-B-UP,510A101-C-UP 521A101-UP,522A101-UP,534B101-E-UP,535A101-G-UP 536B101-E-UP,537A101-G-UP,556G101-UP,557G101-UP 560H101-UP,561H101-UP						
Steer & Blade	CH-M1991086	Kit	3.500S	1.750S	P	5
	S/N: 503A101-B-UP,504A101-C-UP,509A101-B-UP,510A101-C-UP S/N: 521A101-UP,522A101-UP,534B101-C-UP,535A101-UP S/N: 536B101-C-UP,537A101-UP					
	CH-M2542570	Kit	3.500S	1.750S	P	5
	S/N: 534D101-E-UP,535D101-G-UP,536D101-E-UP,537D101-G-UP S/N: 556G101-UP,557G101-UP,560H101-UP,561H101-UP					
Arch	CH-M1991086	Kit	3.500S	1.750S	P	5
	S/N: 509A101-B-UP,510A101-C-UP,536B101-C1210					
	CH-M2551403	Kit	4.000S	2.000S	P	5
S/N: 536C1211-E-UP,537A101-G-UP,557G101-UP,560H101-UP						
Grapple	CH-M1991089	Kit	6.000S	2.750S	P	5
	S/N: 509A101-B-UP,510A101-C-UP,536B101-C-UP,537A101-UP					
Boom	CH-M1991086	Kit	3.500S	1.750S	P	5
	S/N: 509A101-B-UP,510A101-C-UP,536B101-E-UP,537A101-E-UP					
	CH-M2551403	Kit	4.000S	2.000S	P	5
S/N: 537G101-UP,557G101-UP,560H101-UP						
668,668B,668C,668D,668F RANGER SKIDDER						
Skidder S/N: 505A101-C-UP,507A101-D-UP,532A101-D-UP,533A101-UP 538C101-UP,539C101-D-UP,565A101-UP,566A101-UP						
Steer & Blade	CH-M1991085	Kit	4.000S	2.000S	P	5
	S/N: 505A101-C2377,507A101-C2368,532A101-1560,533A101-1423 S/N: 538C101-207,539C101-102,539C1001-C1001,539C1003-C1003					
	CH-M2551403	Kit	4.000S	2.000S	P	5
	S/N: 505C2378-UP,507C2369-D-UP,532A1561-D-UP,533A1424-UP S/N: 538C208-UP,539C1004-D-UP,565A101-UP,566A101-UP					
Tilt	CH-M2516072	Kit	3.500S	1.750S	I	5
	S/N: 505A101-B-UP,507A101-B-UP					
	CH-M2538177	Kit	3.500S	1.750S	P	5
S/N: 505A101-B-UP,507A101-B-UP						
880 GM,880 CUM RANGER SKIDDER						
Skidder S/N: 511A101-UP,512A101-UP						
Steer & Blade	CH-BD-585292	Kit	5.250S	2.250S	P	5
Tilt	CH-BD-585292	Kit	5.250S	2.250S	P	5

Application	Part Number	Description	Bore	Rod	Wiper	Type
R-22,R-25 REAR DUMP						
Rear Dump Models: 200FD,201FD,203FD,205FD,206FD,207FD,208FD 215FD,216FD,217FD						
Hoist	EU-BD-594322	Kit	9.125S	4.000S	I	13
	S/N:	200FD,205FD 062095-070223,206FD 063926-066226 207FD 062230-070225,208FD,215FD,216FD,217FD Cylinder No. E4011930, E4030025, E4052581				
R-35 REAR DUMP						
Rear Dump Models: 201TD,202TD,205TD,301TD,302TD,311TD,312TD 313TD						
Hoist	EU-BD-594322	Kit	9.125S	4.000S	I	13
	S/N:	201TD 062306-072432,202TD 061318-070299,205TD Cylinder No. E4011931, E4030026, E4053182				
	EU-BD-616335	Kit	7.000S	4.000S	I	13
	S/N:	301TD,302TD,311TD,312TD,313TD Cylinder No. E4030189, E4041432, E4049086, E4061306				
Steering	EU-BD-651361	Kit	4.000S	2.000S	I	16
	S/N:	202TD Cylinder No. E4040720				
	EU-BD-678387	Kit	3.000S	1.500S	I	15
S/N:	301TD,302TD,311TD,312TD,313TD Cylinder No. E4019276					
R-50 REAR DUMP						
Rear Dump Models: 201LD,202LD,301LD,302LD,304LD,305LD,306LD 310LD,312LD						
Hoist	EU-BD-616335	Kit	7.000S	4.000S	I	13
	S/N:	301LD,302LD Cylinder No. E4029867				
	EU-BD-603336	Kit	9.000S	4.000S	I	13
	S/N:	301LD Cylinder No. E4047194, E4051107				
Steering	EU-BD-604324	Kit	8.000S	5.000S	I	13
	S/N:	301LD,302LD,304LD,305LD,306LD,310LD,312LD Cylinder No. E4033437, E4049047, E4061323				
Steering	EU-BD-678388	Kit	3.500S	1.500S	I	15
	S/N:	301LD,302LD,304LD,312LD Cylinder No. E4025645				
Steering	EU-BD-678387	Kit	3.000S	1.500S	I	15
	S/N:	305LD,306LD,310LD Cylinder No. E4061142				

Application	Part Number	Description	Bore	Rod	Wiper	Type
R-75,R-85 REAR DUMP						
Rear Dump Models: 301ND,301NDT,302ND,303ND,305ND,305NDT,306ND 306NDT,307ND,310ND						
Hoist	EU-BD-603323	Kit	9.000S	4.000S	I	13
Cylinder No. E4024973, E4047371, E4200160						
Steering	EU-BD-651361	Kit	4.000S	2.000S	I	16
S/N: 301ND 063148-UP,301NDT,302ND 063150-UP,303ND,305ND S/N: 305NDT,306ND,306NDT,307ND,310ND Cylinder No. E4015575, E4040720, E4063844						
R-100 REAR DUMP						
Rear Dump Models: 301HD,302HD,305HD,306HD						
Steering	EU-BD-651362	Kit	4.500S	2.000S	I	16
Cylinder No. E4022453, E4047955, E4068626						
R-120E,R-120M REAR DUMP						
Rear Dump Models: 301KD,310KD,314KD,303JD,304JD						
Steering	EU-BD-651362	Kit	4.500S	2.000S	I	16
Cylinder No. E4044342						
R-170 REAR DUMP						
Rear Dump Models: 301ED,302ED,303ED,304ED,310ED,313ED,314ED 317ED,318ED,321ED,322ED						
Steering	EU-BD-651363	Kit	5.000S	2.000S	I	16
Cylinder No. E4031400, E4039495						
B-63,B-100,B-110 BOTTOM DUMP						
Tractor Models: 201LDT,203LDT Trailer Models: 147W,201W,202W						
Bottom Dump	EU-BD-652364	Kit	6.000S	2.000S	I	0
S/N: 147W065357-UP,201W,202W Cylinder No. E4029829						
CH-100,CH-120 COAL HAULER						
Tractor Models: 206LDT,207LDT,208LDT,210LDT,307LDT,322NDT 323NDT,324NDT Trailer Models: 202CH,301CH,302CH						
Door	EU-BD-651361	Kit	4.000S	2.000S	I	16
Cylinder No. E4015575, E4040720, E4063844, E4005635 With E4010755 Piston						

Application	Part Number	Description	Bore	Rod	Wiper	Type
CH-150 COAL HAULER						
Tractor Models: 301HDT,302HDT Trailer Model: 311CH						
Steering	EU-BD-651362	Kit	4.500S	2.000S	I	16
	Cylinder No. E4022453, E4047955					
Door	EU-BD-651363	Kit	5.000S	2.000S	I	16
	Cylinder No. E4035149					

Application	Part Number	Description	Bore	Rod	Wiper	Type
CHAMPION 710,710A,715,715A,720,720A,730,730A,740,740A,760 GRADER						
Steering	CP-26408	Kit	3.000S	1.375S	I	0
	Cylinder No. 17030, 17031, 30547, 42120					
Leaning Wheel	CP-26409	Kit	4.000S	2.000S	I	0
	Cylinder No. 12912, 24202, 25956					
	CP-26408	Kit	3.000S	1.375S	I	0
Cylinder No. 23354, 23355, 24216, 24217, 30542, 30543						
Articulation	CP-26410	Kit	5.000S	2.000S	I	0
	Cylinder No. 24166, 24167					
	CP-26409	Kit	4.000S	2.000S	I	0
Cylinder No. 33701, 33702						
Circle Turn	CP-26408	Kit	3.000S	1.375S	I	0
	Cylinder No. 17026, 17027, 27006, 27007, 42156, 42444					
Circle Shift	CP-26409	Kit	4.000S	2.000S	I	0
	Cylinder No. 26884, 36043, 42176, 42451					
Side Shift	CP-26409	Kit	4.000S	2.000S	I	0
	Cylinder No. 12267					
	CP-26408	Kit	3.000S	1.375S	I	0
Cylinder No. 23524						
Slide Shift	CP-26409	Kit	4.000S	2.000S	I	0
	Cylinder No. 12207, 42163					
Power Tilt	CP-26408	Kit	3.000S	1.375S	I	0
	Cylinder No. 17028, 17029, 24104, 24105, 27839, 27840, 42160					
	CP-26409	Kit	4.000S	2.000S	I	0
Cylinder No. 27963, 42548						
Blade Lift	CP-26409	Kit	4.000S	2.000S	I	0
	Cylinder No. 12026, 24974, 36009, 36473, 42181, 42242					
Plow/Dozer	CP-26409	Kit	4.000S	2.000S	I	0
	Cylinder No. 18396					
Scarifier	CP-26409	Kit	4.000S	2.000S	I	0
	Cylinder No. 12190					
Ripper Lift	CP-26409	Kit	4.000S	2.000S	I	0
	Cylinder No. 12977					
Ripper Tilt	CP-26409	Kit	4.000S	2.000S	I	0
	Cylinder No. 23480					
Wing Front Lift	CP-26408	Kit	3.000S	1.375S	I	0
	Cylinder No. 18404					
Wing Rear Lift	CP-26409	Kit	4.000S	2.000S	I	0
	Cylinder No. 18452					
Wing Slide	CP-26408	Kit	3.000S	1.375S	I	0
	Cylinder No. 18453					
Windrow Eliminator	CP-26408	Kit	3.000S	1.375S	I	0
	Cylinder No. 19246					

Machine Model	Page	Machine Model	Page
Fiat Allis® Crawler Tractors (Dozers)		Kelley Rippers®	
16-B	864	KR150D,KR200D	870
HD21,HD21A,HD21F,HD21G,HD21GS	864	KR300D,KR400D,KR500D	870
21B	864	KR600D	870
21C	864		
FD30	864	Terex® Trucks	
FD30B	865	33-03B	871
31	865	33-05,33-05B	871
FD40	865	33-09	871
FD40B	865	33-11,33-11B,33-11C,33-11D	871
HD41	865	33-14	871
41B	865		
FD50	866	Terex® Scrapers	
Fiat Allis® Wheel Loaders		TS-14,TS-14B	871
545,545G,545H	866	TS-18,TS-18A	871
545B,605B	866	S-23E	872
645	866	TS-24B,TS-24C,S-24B,S-24C	872
645B	866	Terex® Wheel Loaders	
745,745H	867	72-21AA	872
745B,745H-B,745C	867	72-31AA	872
945	867	72-41AA	873
945B	867	72-51AA	873
FR10	867	72-71AA	873
FR11	867	72-71B	873
FR12	868	72-81AA	873
FR15	868	90B	874
FR15B	868	90C	874
FR20	868		
FR20B	868	Terex® Crawler Tractors (Dozers)	
FR30	868	82-20AA,82-20B	874
FR35	868		
Fiat Allis® Scrapers		Unit Rig®/Lectre Haul® Trucks	
161	868	M85,M100,M120-15	875
		M120-17,M30(130),M33(150),M36(170),M200	875
Fiat Allis® Graders			
FG75, FG85, FG95	869		

Application	Part Number	Description	Bore	Rod	Wiper	Type
FIAT ALLIS 16-B CRAWLER TRACTOR						
Tractor S/N: 17A12910-UP,19S12910-UP						
Track Adjuster	FH-BD-908001	Kit			N	0
FIAT ALLIS HD21,HD21A,HD21F,HD21G,HD21GS CRAWLER TRACTOR/LOADER						
Tractor S/N: PRIOR-16000						
Dozer Lift	FH-73063278	Kit	6.000S	2.500S	P	4
	Early Cylinder designs with Piston Packing must be upgraded 73053500 Piston and 2 70925247 O-Rings are required					
Dozer Tilt	FH-73055467	Kit	8.000S	3.000S	P	4
	Early Cylinder designs with Piston Packing must be upgraded 73057585 Piston and 70925257 O-Ring are required Used prior to October 1972 with a round packing retainer					
	FH-73056933	Kit	8.000S	3.000S	P	4
Effective October 1972 with a square packing retainer						
FIAT ALLIS 21B CRAWLER TRACTOR						
Tractor S/N: 16005-UP,10S16551-UP						
Lift	FH-73056485	Kit	5.500S	2.500S	P	4
Tilt	FH-73055467	Kit	8.000S	3.000S	P	4
	Used prior to October 1972 with a round packing retainer					
	FH-73056933	Kit	8.000S	3.000S	P	4
Effective October 1972 with a square packing retainer						
Ripper	FH-73056486	Kit	7.000S	3.000S	P	4
FIAT ALLIS 21C CRAWLER TRACTOR						
Tractor S/N: 71A21001-UP						
Lift	FH-73056485	Kit	5.500S	2.500S	P	4
Tilt	FH-73056933	Kit	8.000S	3.000S	P	4
Ripper	FH-73056486	Kit	7.000S	3.000S	P	4
Track Adjuster	FH-BD-908001	Kit			N	0
FIAT ALLIS FD30 CRAWLER TRACTOR						
Tractor S/N: 18C101-UP						
Lift	FH-73056485	Kit	5.500S	2.500S	P	4
Tilt	FH-73056933	Kit	8.000S	3.000S	P	4
Ripper	FH-73056486	Kit	7.000S	3.000S	P	4
Track Adjuster	FH-BD-908001	Kit			N	0

Application	Part Number	Description	Bore	Rod	Wiper	Type
FIAT ALLIS FD30B CRAWLER TRACTOR						
Tractor S/N: 1T300101-UP,1TC300260-UP						
Tilt	FH-73056933	Kit	8.000S	3.000S	P	4
Ripper	FH-73056494	Kit	8.000S	3.500S	P	4
Use with 73143106 Cylinder						
Track Adjuster	FH-BD-908001	Kit			N	0
FIAT ALLIS 31 CRAWLER TRACTOR						
Tractor S/N: 84M1001-UP						
Lift	FH-73056488	Kit	6.500S	3.000S	P	4
Tilt	FH-73056490	Kit	9.000S	3.500S	P	4
Ripper Lift	FH-73056494	Kit	8.000S	3.500S	P	4
Ripper Pitch	FH-73058369	Kit	10.000S	3.500S	P	4
FIAT ALLIS FD40 CRAWLER TRACTOR						
Tractor S/N: 89A3001-UP						
Lift	FH-73056488	Kit	6.500S	3.000S	P	4
S/N: Prior-89A03020, Except 3010,3016,3018						
Tilt	FH-BD-627344	Kit	9 000S	4 000S	P	4
Ripper Lift	FH-73056494	Kit	8.000S	3.500S	P	4
Ripper Pitch	FH-73058369	Kit	10 000S	3 500S	P	4
FIAT ALLIS FD40B CRAWLER TRACTOR						
Tractor S/N: 89A35110-UP						
Tilt	FH-BD-627344	Kit	9.000S	4.000S	P	4
FIAT ALLIS HD41 CRAWLER TRACTOR						
Tractor S/N: 99A1001-UP						
Lift	FH-73056488	Kit	6.500S	3.000S	P	4
Tilt	FH-73056490	Kit	9.000S	3.500S	P	4
Ripper	FH-73056486	Kit	7.000S	3.000S	P	4
Track Adjuster	FH-BD-908003	Kit			N	0
Original equipment with 3 1/2" Push Bar						
FIAT ALLIS 41B CRAWLER TRACTOR						
Tractor S/N: 75S3007-UP						
Lift	FH-73056488	Kit	6.500S	3.000S	P	4
Tilt	FH-73056490	Kit	9.000S	3.500S	P	4
Ripper	FH-73056486	Kit	7.000S	3.000S	P	4

Application	Part Number	Description	Bore	Rod	Wiper	Type
FIAT ALLIS FD50 CRAWLER TRACTOR						
Tractor S/N: 42S4001-UP						
Lift	FH-73056488	Kit	6.500S	3.000S	P	4
	S/N: 42S4001-4004,42S4018-4047,42S4060-UP					
Tilt	FH-BD-627344	Kit	9.000S	4.000S	P	4
Ripper Lift	FH-73056494	Kit	8.000S	3.500S	P	4
Ripper Pitch	FH-73058369	Kit	10.000S	3.500S	P	4
FIAT ALLIS 545,545G,545H WHEEL LOADER						
Loader S/N: 78A3501-UP,34M3501-UP,21U3501-UP,48U3501-UP						
Lift	FH-73056485	Kit	5.500S	2.500S	P	4
Dump (Tilt)	FH-73056492	Kit	4.500S	2.000S	P	4
Steering	FH-73064517	Kit	2.500S	1.250S	P	5
	545 S/N: 1947-Up, 545H S/N: 1013-Up only					
FIAT ALLIS 545B,605B WHEEL LOADER						
Loader S/N: 33A4201-UP,21C4201-UP,10L4201-UP,21S4201-UP 38S4201-UP,24U4201-UP,18Y4201-UP						
Lift	FH-73056485	Kit	5.500S	2.500S	P	4
Dump (Tilt)	FH-73056492	Kit	4.500S	2.000S	P	4
Steering	FH-73064517	Kit	2.500S	1.250S	P	5
FIAT ALLIS 645 WHEEL LOADER						
Loader S/N: 1001-3200,56C2701-3500,24S2701-3500						
Lift	FH-73056493	Kit	6.000S	2.500S	P	4
	S/N: 56C3037-UP,24S3036-UP					
Dump (Tilt)	FH-73056485	Kit	5.500S	2.500S	P	4
	S/N: 56C3037-UP,24S3036-UP					
Steering	FH-73055137	Kit	3.000S	1.500S	P	3
	S/N: 2032-3200,56C,24S					
	FH-73064512	Kit	3.000S	1.500S	P	5
	S/N: 2032-3200,56C,24S					
FIAT ALLIS 645B WHEEL LOADER						
Loader S/N: 16L3501-UP,23M3501-UP,11Y3501-UP						
Lift	FH-73056493	Kit	6.000S	2.500S	P	4
Dump (Tilt)	FH-73056485	Kit	5.500S	2.500S	P	4
Steering	FH-73055137	Kit	3.000S	1.500S	P	3
	S/N: 11Y3501-3735					
	FH-73064512	Kit	3.000S	1.500S	P	5
	S/N: 11Y3736-UP					

Application	Part Number	De cription	Bore	Rod	Wiper	Type
FIAT ALLIS 745,745H WHEEL LOADER						
Loader S/N: 1001-2049,23C2248-UP,87L2050-UP,96M2050-UP 84U2248-UP						
Lift	FH-73056488	Kit	6.500S	3.000S	P	4
S/N:	23C2248 UP,96M2176 UP					
Dump (Tilt)	FH-73056493	Kit	6.000S	2.500S	P	4
S/N:	23C2248-UP,96M2176-UP					
Steering	FH-73058324	Kit	3.500S	1.750S	P	5
FIAT ALLIS 745B,745H-B,745C WHEEL LOADER						
Loader S/N: 63C2901-UP,72C2901-UP,64M3651-UP,45S2901-UP 22Y3651-UP,62Y2901-UP						
Lift	FH-73056488	Kit	6.500S	3.000S	P	4
Dump (Tilt)	FH 73056493	Kit	6.000S	2.500S	P	4
Steering	FH-73058324	Kit	3.500S	1.750S	P	5
FIAT ALLIS 945 WHEEL LOADER						
Loader S/N: 79L1001-UP						
Lift	FH-73056494	Kit	8.000S	3.500S	P	4
Dump (Tilt)	FH-73055523	Kit	6 000S	3 000S	P	4
Steering	FH-73056489	Kit	4.500S	2.500S	P	4
FIAT ALLIS 945B WHEEL LOADER						
Loader S/N: 15M1128-UP,77S2101-UP						
Lift	FH-73062349	Kit	8.500S	3.500S	P	4
Dump (Tilt)	FH-73056488	Kit	6.500S	3.000S	P	4
Steering	FH-73056489	Kit	4.500S	2.500S	P	4
FIAT ALLIS FR10 WHEEL LOADER						
Loader S/N: 46C101-UP,58M101-UP,78Y101-UP,R10A-2T						
Lift	FH-73056485	Kit	5.500S	2.500S	P	4
Dump (Tilt)	FH-73056492	Kit	4.500S	2.000S	P	4
Steering	FH-73064517	Kit	2.500S	1.250S	P	5
FIAT ALLIS FR11 WHEEL LOADER						
Loader S/N: R11B-2T, 53101-UP						
Steering	FH-73064517	Kit	2.500S	1.250S	P	5

Application	Part Number	Description	Bore	Rod	Wiper	Type
FIAT ALLIS FR12 WHEEL LOADER						
Loader S/N: 79M101-UP,59U101-UP						
Lift	FH-73056485	Kit	5.500S	2.500S	P	4
Dump (Tilt)	FH-73056492	Kit	4.500S	2.000S	P	4
Steering	FH-73064517	Kit	2.500S	1.250S	P	5
FIAT ALLIS FR15 WHEEL LOADER						
Loader S/N: 80U101-UP						
Lift	FH-73056493	Kit	6.000S	2.500S	P	4
Dump (Tilt)	FH-73056485	Kit	5.500S	2.500S	P	4
Steering	FH-73070744	Kit	2.750S	1.500S	P	5
FIAT ALLIS FR15B WHEEL LOADER						
Loader S/N: R15B-2T, 590101-UP						
Steering	FH-73070744	Kit	2.750S	1.500S	P	5
FIAT ALLIS FR20 WHEEL LOADER						
Loader S/N: 80C101-UP,81C301-UP,31U101-UP,R20A-2T						
Lift	FH-73056488	Kit	6.500S	3.000S	P	4
Dump (Tilt)	FH-73056493	Kit	6.000S	2.500S	P	4
Steering	FH-73058324	Kit	3.500S	1.750S	P	5
FIAT ALLIS FR20B WHEEL LOADER						
Loader S/N: R20B-2T, 510101-UP						
Steering	FH-73058324	Kit	3.500S	1.750S	P	5
FIAT ALLIS FR30 WHEEL LOADER						
Loader S/N: 47C101-UP						
Lift	FH-73062349	Kit	8.500S	3.500S	P	4
Dump (Tilt)	FH-73056488	Kit	6.500S	3.000S	P	4
Steering	FH-73056489	Kit	4.500S	2.500S	P	4
FIAT ALLIS FR35 WHEEL LOADER						
Loader S/N: 62L101-UP,46U301-UP,R35A-2T, 604101-UP						
Lift	FH-73062349	Kit	8.500S	3.500S	P	4
FIAT ALLIS 161 TRACTOR/SCRAPER						
Tractor S/N: 13S101-UP Scraper S/N: 18A101-UP						
Steering	FH-73056492	Kit	4.500S	2.000S	P	4
Bowl	FH-73056492	Kit	4.500S	2.000S	P	4
Ejector	FH-73056492	Kit	4.500S	2.000S	P	4

Application	Part Number	Description	Bore	Rod	Wiper	Type
FIAT ALLIS FG75,FG85,FG95 GRADER						
Grader S/N: 61A101-UP,14S101-UP,17U101-UP						
Blade Lift	FH-73076580	Kit	3.500S	2.250S	P	5
Blade Shift	FH-73068738	Kit	3.000S	2.250S	P	5
Circle Shift	FH-73076580	Kit	3.500S	2.250S	P	5
Saddle Pin	FH-73064517	Kit	2.500S	1.250S	P	5
Steering	FH-73065112	Kit	2.500S	1.500S	P	5
Wheel Lean	FH-73068755	Kit	3.500S	1.750S	P	5

NORTH AMERICA
 PHONE 800.854.0275
 FAX 813.559.8698



WORLDWIDE
 PHONE 813.559.8650
 FAX 813.559.8698

Application	Part Number	Description	Bore	Rod	Wiper	Type
KR150D, KR200D KELLEY RIPPER						
Tractor Models: CATERPILLAR-D6, CATERPILLAR-D7, DRESSER-TD15 DRESSER-TD20, KOMATSU-D85, TEREX-82-20						
Lift	KY-A005013	Kit	5.000S	2.500S	I	3
	KR150D Only, Bolted head design					
	KY-3048-845	Kit	5.000S	2.500S	I	16
	Screw-on head design					
	KY-3048-849	Kit	6.000S	2.500S	I	16
Screw-on head design						
Pin Puller	KY-3048-844	Kit	4.000S	1.500S	I	16
KR300D, KR400D, KR500D KELLEY RIPPER						
Tractor Models: CATERPILLAR-D8, CATERPILLAR-D9, DRESSER-TD25 FIAT ALLIS-21, FIAT ALLIS-31, KOMATSU-D155, KOMATSU-D355 TEREX-82-30, TEREX-82-50						
Lift	KY-3054-071	Kit	7.000S	2.625S	I	1
	Bolted head design					
	KY-A005011	Kit	7.000S	3.000S	I	3
	Bolted head design					
	KY-3048-847	Kit	7.000S	3.000S	I	16
Screw-on head design						
Pin Puller	KY 3048 844	Kit	4.000S	1.500S	I	16
KR600D KELLEY RIPPER						
Tractor Models: FIAT ALLIS-41, KOMATSU-D455						
Lift	KY-3048-848	Kit	8.000S	3.500S	I	16
	Screw-on head design					
Pin Puller	KY-3048-844	Kit	4.000S	1.500S	I	16

Application	Part Number	Description	Bore	Rod	Wiper	Type
TEREX 33-03B TRUCK						
Steering	TH-BD-7711020	Kit	3.000S	1.125S	I	4
TEREX 33-05,33-05B TRUCK						
Rear Ride	TH-15050407	Kit	8.000S	7.000S	I	14
	TH-9014093	Wear Ring				
TEREX 33-09 TRUCK						
Hoist	TH-15050417	Kit	9.000S	6.750S	I	13
TEREX 33-11,33-11B,33-11C,33-11D TRUCK						
Hoist	TH-15050417	Kit	9.000S	6.750S	I	13
TEREX 33-14 TRUCK						
Steering	TH-BD-7721021	Kit	5.500S	2.500S	P	5
TEREX TS-14,TS-14B SCRAPER						
Tractor S/N: 6UOT 34877-36838,7UOT 36460-47669,13UOT 48288-57517 17UOT 57808-65915,B053 66336-UP Scraper S/N: 38SH 15610-16575,61SH 16246-19703,81SH 19818-22797 97SH 22911-25788,97SH B2777-UP,B054 25864-UP						
Steering	TH-BD-619338	Kit	5.500S	2.500S	I	4
	S/N: 6UOT,7UOT					
	TH-BD-618338	Kit	5.500S	2.500S	P	4
	S/N: 13UOT Cylinder No. 9234750, 9234751					
	TH-BD-618339	Kit	5.500S	2.500S	P	4
	S/N: 13UOT Cylinder No. 9003514, 9003515					
	TH-BD-620340	Kit	5.500S	2.500S	P	15
	S/N: 17UOT					
TH-15050390	Kit	5.500S	2.500S	P	4	
S/N: B053						
TEREX TS-18,TS-18A SCRAPER						
Tractor S/N: 33TOT 56086-65133,AO21 69375-UP Scraper S/N: 92SH 22341-25557,AO22 26907-UP						
Steering	TH-BD-620340	Kit	5.500S	2.500S	P	15
	S/N: 56086-65133					
	TH-15050390	Kit	5.500S	2.500S	P	4
S/N: 69375-UP						
Apron	TH-BD-611327	Kit	6.250S	2.500S	I	4

Application	Part Number	Description	Bore	Rod	Wiper	Type
TEREX S-23E SCRAPER						
Tractor S/N: 33TOT-H 57043-UP Scraper S/N: 93SH 22668-UP						
Steering	TH-BD-620340	Kit	5.500S	2.500S	P	15
	S/N: 57043-66115					
	TH-15050390	Kit	5.500S	2.500S	P	4
S/N: 66935-UP						
TEREX TS-24B,TS-24C,S-24B,S-24C SCRAPER						
Steering	TH-BD-607325	Kit	7.000S	3.000S	P	4
Ride	TH-BD-613329	Kit	8.000S	7.000S	I	5
	TH-BD-677329	Kit	8.000S	7.000S	P	5
Apron	TH-BD-611327	Kit	6.250S	2.500S	I	4
	S/N: Prior-27517					
	TH-BD-611384	Kit	6.250S	2.500S	I	4
S/N: 27518-UP						
Ejector	TH-BD-612328	Kit	8.500S	4.500S	I	6
TEREX 72-21AA WHEEL LOADER						
Loader S/N: 48086-63191						
Lift	TH-BD-7701019	Kit	5.500S	2.500S	P	5
	S/N: 58248-63191					
Tilt	TH 15050384	Kit	4.000S	1.750S	P	1
	S/N: 48086-58267					
	TH-15050382	Kit	4.000S	1.750S	P	5
S/N: 58937-63191						
Side Tilt	TH-BD-7701019	Kit	5.500S	2.500S	P	5
	S/N: 58259-58259,58941-58941 Side Dump arrangement					
Steering	TH-BD-7711020	Kit	3.000S	1.125S	I	4
	S/N: 48086-55646					
TEREX 72-31AA WHEEL LOADER						
Loader S/N: 48101-64536						
Tilt	TH-15050384	Kit	4.000S	1.750S	P	1
	S/N: 48101-58761					
	TH-15050382	Kit	4.000S	1.750S	P	5
S/N: 59192-64536						
Steering	TH-15050384	Kit	4.000S	1.750S	P	1
	S/N: 48101-58761					
	TH-15050382	Kit	4.000S	1.750S	P	5
S/N: 59192-64536						

Application	Part Number	Description	Bore	Rod	Wiper	Type
TEREX 72-41AA WHEEL LOADER						
Loader S/N: 46560-64576						
Tilt	TH-15050384	Kit	4.000S	1.750S	P	1
	S/N: 46560-58643					
	TH-15050382	Kit	4.000S	1.750S	P	5
	S/N: 59402 64576					
Steering	TH-15050384	Kit	4.000S	1.750S	P	1
	S/N: 55607-58643					
	TH-15050382	Kit	4.000S	1.750S	P	5
	S/N: 59402-64576					
TEREX 72-51AA WHEEL LOADER						
Loader S/N: 46562-65521						
Steering	TH 15050384	Kit	4.000S	1.750S	P	1
	S/N: 46562-58673					
	TH-15050382	Kit	4.000S	1.750S	P	5
	S/N: 59027-65521					
TEREX 72-71AA WHEEL LOADER						
Loader S/N: 56360-65158						
Lift	TH-15050401	Kit	8 000S	4 000S	P	4
	S/N: 63242-65158					
Steering	TH-BD-7701019	Kit	5.500S	2.500S	P	5
	S/N: 56695-62584					
	TH-BD-7691019	Kit	5.500S	2.500S	P	4
	S/N: 63242-65158					
TEREX 72-71B WHEEL LOADER						
Loader S/N: 65839-UP						
Lift	TH-15050401	Kit	8.000S	4.000S	P	4
Steering	TH-BD-7691019	Kit	5.500S	2.500S	P	4
	S/N: 65839-72533					
TEREX 72-81AA WHEEL LOADER						
Loader S/N: 52772-71276						
Steering	TH-BD-7701019	Kit	5.500S	2.500S	P	5
	S/N: 56710-62917					
	TH-BD-7691019	Kit	5.500S	2.500S	P	4
	S/N: 63480-71276					

Application	Part Number	Description	Bore	Rod	Wiper	Type
TEREX 90B WHEEL LOADER						
Loader S/N: 65839-UP						
Lift	TH-15050401	Kit	8.000S	4.000S	P	4
Steering	TH-BD-7691019	Kit	5.500S	2.500S	P	4
	S/N: 65839-72533					
TEREX 90C WHEEL LOADER						
Loader S/N: 67126-UP						
Steering	TH-BD-7691019	Kit	5.500S	2.500S	P	4
	S/N: 67126-72168					
TEREX 82-20AA,82-20B CRAWLER TRACTOR						
Tractor S/N: 59067-64696, 65159-UP						
Lift	TH-BD-7691019	Kit	5.500S	2.500S	P	4
	Use with 9274106 retainer					
Tilt	TH-BD-7691019	Kit	5.500S	2.500S	P	4
	Use with 9274106 retainer					

Application	Part Number	Description	Bore	Rod	Wiper	Type
UNIT RIG M85,M100,M120-15 TRUCK						
Hoist	UR-024760	Kit		3.950S	I	13
	Cylinder No. 16790, Used with 914261 Piston ring kit					
	UR-914261	Kit	9.000S		N	13
	Cylinder No. 16790, Used with 024760 seal kit					
Steering	UR-901643	Kit	3.750S	2.500S	I	16
	Cylinder No. 65762A					
UNIT RIG M120-17,M30 (130),M33 (150),M36 (170),M200 TRUCK						
Hoist	UR-914260	Kit	11.000S		N	13
	Cylinder No. 23607, Used with 024762 seal kit					
	UR-914260	Kit	11.000S		N	13
	Cylinder No. 24931, Used with 912726 seal kit					
	UR-912786	Kit		5.000S	I	13
	Cylinder No. 24952, Used with 914260 piston ring kit					
	UR-914260	Kit	11.000S		N	13
	Cylinder No. 24952, Used with 912786 seal kit					
Steering	UR-914314	Kit	4.500S	2.500S	P	5
	Cylinder No. 68991A					