



12

SYSTEM PARTS



AF2020



GVF1616



LHF2020



FLH2



FP1230

HOOD FILTERS AND ACCESSORIES

ALUMINUM GREASE FILTERS are lightweight for easy handling (replace mesh filters that are no longer acceptable, per NFPA 96). Filters come standard with bale handles. UL listed.

NOTE: Actual height and width measures $\frac{7}{16}$ " less than nominal sizes. All filters measure $1\frac{3}{4}$ " thick.

P/N	DESCRIPTION	H X W
AF1016	Aluminum Grease Filter	10" x 16"
AF1020	Aluminum Grease Filter	10" x 20"
AF1216	Aluminum Grease Filter	12" x 16"
AF1220	Aluminum Grease Filter	12" x 20"
AF1616	Aluminum Grease Filter	16" x 16"
AF1620	Aluminum Grease Filter	16" x 20"
AF1625	Aluminum Grease Filter	16" x 25"
AF2016	Aluminum Grease Filter	20" x 16"
AF2020	Aluminum Grease Filter	20" x 20"
AF2025	Aluminum Grease Filter	20" x 25"
AF2516	Aluminum Grease Filter	25" x 16"
AF2520	Aluminum Grease Filter	25" x 20"

GALVANIZED GREASE FILTERS

P/N	DESCRIPTION	H X W
GVF1616	Galvanized Grease Filter	16" x 16"
GVF1620	Galvanized Grease Filter	16" x 20"
GVF1625	Galvanized Grease Filter	16" x 25"
GVF2016	Galvanized Grease Filter	20" x 16"
GVF2020	Galvanized Grease Filter	20" x 20"
GVF2025	Galvanized Grease Filter	20" x 25"
GVF2516	Galvanized Grease Filter	25" x 16"
GVF2520	Galvanized Grease Filter	25" x 20"

STAINLESS STEEL GREASE FILTERS

P/N	DESCRIPTION	H X W
SSF1616	Stainless Steel Grease Filter	16" x 16"
SSF1620	Stainless Steel Grease Filter	16" x 20"
SSF1625	Stainless Steel Grease Filter	16" x 25"
SSF2020	Stainless Steel Grease Filter	20" x 20"
SSF2025	Stainless Steel Grease Filter	20" x 25"
SSF2520	Stainless Steel Grease Filter	25" x 20"

Aluminum **LOCKING HANDLE GREASE FILTERS** are required in MD, VA, and Washington, D.C.

P/N	DESCRIPTION	H X W
LHF2020	Locking Grease Filter	20" x 20"
LHF2025	Locking Grease Filter	20" x 25"
LHF2520*	Locking Grease Filter	25" x 20"

*WHILE QUANTITIES LAST!

FILTER LOCKING HANDLES come complete with springs, washers, clips, and instructions. Pkg/2.

P/N	DESCRIPTION
FLH2	Filter Handles

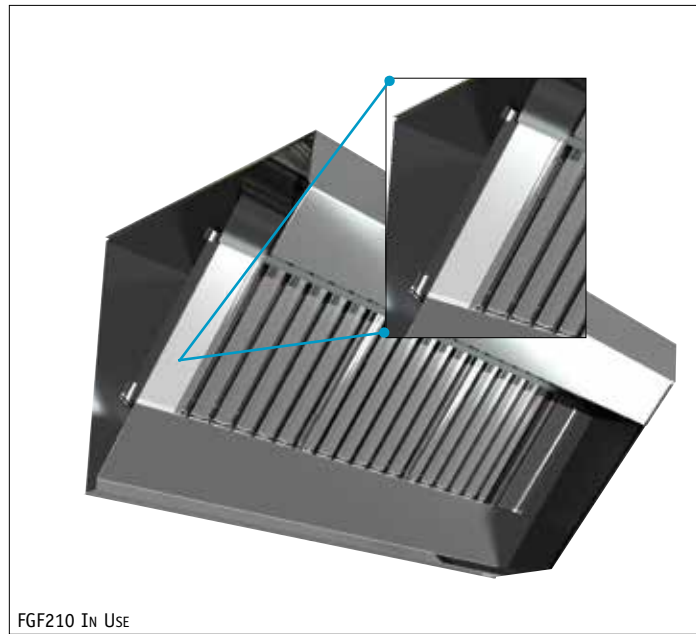
Brooks' FRYER PANELS are made from stainless steel with deburred edges and have a large radius corner for protection. Meets NFPA 96, which requires that a plate be installed when a fryer is closer than 16" to surface flames on an adjacent appliance.

P/N	DESCRIPTION	H X W
FP1230	Fryer Panel	12" x 30"
FP1830	Fryer Panel	18" x 30"

Fill in the uncovered plenum space that results from using standard-size filters with **FireTech™ FILTER SPACERS**. They offer 20 ga 430 stainless steel construction with brushed finishes.

NOTE: Never place fusible links directly above a spacer, due to limited air flow. Actual heights are ⁷/₁₆" shorter than listed.

P/N	DESCRIPTION	H X W
FGF210	Filter Spacer	10" x 2"
FGF212	Filter Spacer	12" x 2"
FGF216	Filter Spacer	16" x 2"
FGF220	Filter Spacer	20" x 2"
FGF225	Filter Spacer	25" x 2"
FGF310	Filter Spacer	10" x 3"
FGF312	Filter Spacer	12" x 3"
FGF316	Filter Spacer	16" x 3"
FGF320	Filter Spacer	20" x 3"
FGF325	Filter Spacer	25" x 3"
FGF410	Filter Spacer	10" x 4"
FGF412	Filter Spacer	12" x 4"
FGF416	Filter Spacer	16" x 4"
FGF420	Filter Spacer	20" x 4"
FGF425	Filter Spacer	25" x 4"



FGF210 In Use

These are complete **HOOD LIGHT FIXTURES** with 6" leads and your choice of heat-tempered globes (with or without plastic coatings). Globes will not discolor with heat.

P/N	DESCRIPTION
HLF1	Hood Light Fixture w/ Standard Globe
HLF2	Hood Light Fixture w/ Coated Globe
PCG	Replacement Globe w/ Plastic Coating
HFSG	Replacement Standard Globe w/o Plastic Coating
HLWG	Wire Guard
→ HLWG2	Wire Guard w/ Cut Opening

[For Hood Light](#)
[For Hood Light](#)



HLF2

Regin SMOKE CARTRIDGES are easy to handle, non-explosive, and great for studying exhaust air and smoke stacks or leak-testing duct work, pipelines, and tanks.

P/N	DESCRIPTION	WEIGHT	SMOKE VOL.	BURN TIME	PKG QTY
S102	Fumax	0.10 oz	150 cu ft	45 sec	10
S103	Fumax KS	0.33 oz	600 cu ft	1½ min	10
S104	Ventax	0.66 oz	1200 cu ft	3-4 min	5
S105	Brandax	2.11 oz	2500 cu ft	3-4 min	5
S107	Brandax KS	1 lb	18,000 cu ft	5-6 min	1



SMOKE CARTRIDGES

SYSTEM TEST BALLOONS are used to show the AHJ that the chemical lines are open. Pkg/25.

WARNING: Do not use for chemical discharge!

P/N	DESCRIPTION
STB25	Test Balloons



STB25 In Use



DC8GA



DU106GA



D106F2GA



D1612F2GA



DRU12814GA



D106ULBI



DR10612ULBI



FS900



HS1

Simple to install, **Ductmate® Sandwich® DUCT ACCESS DOORS** provide easy access and a leak-resistant seal to grease ducts or high-temperature duct systems. Includes stick-on template for hole cutting. All fit rectangular ducts except as noted in the description. **NOTE:** Call the Sales Department for complete specs.

P/N	DESCRIPTION	DOOR SIZE	MAX TEMP RATING
DC8GA	Circular Clean-Out	8 ³ / ₄ " Dia	200°
DU106GA	Sandwich, Non-Insulated	11" x 7"	200°
DU128GA	Sandwich, Non-Insulated	13" x 9"	200°
DI128GA	Sandwich, Insulated	13" x 9"	200°
D106F1GA	Hi-Temp	11" x 7"	1000°
D128F1GA	Hi-Temp	13" x 9"	1000°
D106F2GA	Hi-Temp Grease Duct	11" x 7"	2300°
D128F2GA	Hi-Temp Grease Duct	13" x 9"	2300°
D1814F2GA	Hi-Temp Grease Duct	19" x 15"	2300°
D1612F2GA	Hi-Temp Grease Duct	16" x 12"	2300°
DRU12814GA	Non-Insulated	12 ¹ / ₂ " x 8 ⁹ / ₁₆ "	200°
DRU161224GA	Non-Insulated	16" x 12"	200°
	For 12"-14" Round Duct		
	For 23"-24" Round Duct		

→ **More DOOR SIZES Available - Call for Pricing.**

UL 1978 listed, **Ductmate® Ultimate Door™ DUCT ACCESS DOORS** meet NFPA 96 standards and are simple to install—no welding, drilling, or special tools needed. Doors are tough, consisting of two layers of 11 ga steel and a high-temperature ceramic board (rated to 2300°). Self-adhesive templates for making duct openings are included. Stainless steel doors available too. All fit rectangular ducts except as noted in the description.

NOTE: For steel duct use only!

P/N	DESCRIPTION	DOOR SIZE	MAX TEMP RATING
D106ULBI	Ultimate Door	10" x 6"	2300°
D1010ULBI	Ultimate Door	10" x 10"	2300°
D128ULBI	Ultimate Door	12" x 8"	2300°
D1814ULBI	Ultimate Door	18" x 14"	2300°
DR10612ULBI	Ultimate Door	12" x 8"	2300°
DR12812ULBI	Ultimate Door	14" x 10"	2300°

Flame-Safe's FIRESTOP CAULK seals penetrations in fire walls and is UL classified under "Fill or Cavity Materials." It produces a sandable, paintable surface with up to a three-hour fire rating. Water based (no solvents or silicones). 10.3 oz tube. Red.

WARNING: Not for hood use!

P/N	DESCRIPTION
FS900	Firestop Caulk Data Sheet Online at BrooksEquipment.com

Made of 100% silicone, this **HOOD CAULK** can be applied overhead (up to 400°F) and meets federal and NSF standards for food service use. 10.3 oz tube. Gray (aluminum color).

NOTE: Does not meet NFPA requirements for sealing hood penetrations.

P/N	DESCRIPTION
HS1	Hood Caulk

SAFETY-SET BRACKETS are designed to precisely relocate mobile cooking equipment under the exhaust hood, at the approved designed location, in accordance with NFPA 96 and NFPA 17A requirements. Each pair of **Safety-Set Brackets** include installation hardware.

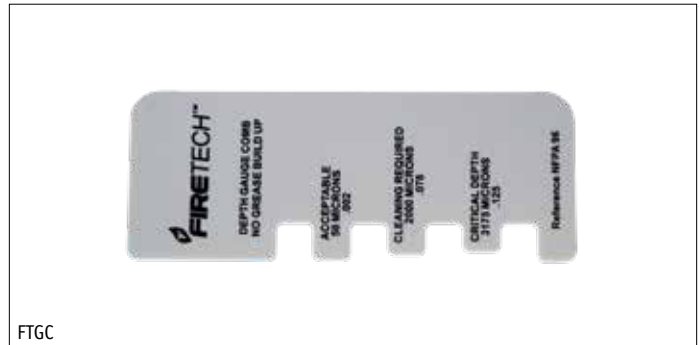
P/N	DESCRIPTION
PS2	Safety-Set Brackets



PS2 In Use

This plastic **FireTech™ GREASE COMB** accurately measures the amount of grease buildup on hoods, fans, ducts, and other surfaces using depth-gauge teeth (clearly printed in microns). White.

P/N	DESCRIPTION	L X H X W
FTGC	Grease Comb	6" x 2 ⁵ / ₁₆ " x 7/ ₈ "



FTGC

Brooks' biodegradable **STAINLESS STEEL CLEANER/POLISH** is a clear thin liquid with a pleasant smell. It does not contain harsh ingredients nor will it harm skin or metal surfaces (when used as directed). Perfect for use in restaurants and other buildings with stainless steel, brass, or bronze surfaces.

P/N	DESCRIPTION
BRSSPQ	Stainless Steel Cleaner/Polish, 1 qt
BRSSPG	Stainless Steel Cleaner/Polish, 1 gal



BRSSPQ

BRSSPG

Sheila Shine STAINLESS STEEL CLEANER/POLISHER removes grease film and finger marks and covers scratches, leaving a protective coating that preserves surfaces.

NOTE: Low VOC formula versions comply with CARB regulations and are suitable for sale and distribution in California.

P/N	DESCRIPTION
SSCPA	Stainless Steel Cleaner/Polish, 10 oz Aerosol
SSCPQ	Stainless Steel Cleaner/Polish, 1 qt
SSCPG	Stainless Steel Cleaner/Polish, 1 gal
SSCA10	Stainless Steel Cleaner/Polish (Low VOC Formula), 10 oz Aerosol
SSCA32	Stainless Steel Cleaner/Polish (Low VOC Formula), 1 qt
SSCA128	Stainless Steel Cleaner/Polish (Low VOC Formula), 1 gal



SSCPG

COMMERCIAL APPLIANCE CLEANERS include **Grease Out**, which safely removes carbonized soils and greases from grills and oven surfaces. **Slash** oven, grill, and fryer cleaner handles moderately soiled stovetops, burners, griddles, and deep fryers. For the really tough jobs, **Blast** thickened oven cleaner cuts through grease, fats, and burnt-on foods in ovens and on ranges, range hoods, vents, grills, and broilers.

NOTE: Not for use on soft metals. For shipping, SLASH1 and BLAST1 must be sold in case quantity of four.

P/N	DESCRIPTION
OCA18	Grease Out Oven Cleaner, 18 oz Aerosol, Pkg/12
SLASH1	Slash Oven, Grill, & Fryer Cleaner, 1 gal, Pkg/4
BLAST1	Blast Oven Cleaner & Degreaser, 1 gal, Pkg/4



OCA18

SLASH1



KCW180



KCHWM w/ KCHDW475 In Use



KCHDD w/ KCHDW475 In Use



KCST55

WIPERS AND DISPENSERS

WypAll® WIPERS provide better absorption than shop rags and come in different thicknesses for different jobs. Using **Hydroknit®** technology, they combine excellent absorbing power in a lightweight wiper that takes up less space than rags. The **JUMBO ROLL DISPENSER** makes dispensing wipers easy.

P/N	DESCRIPTION
KCW180	Brag Box Wipers, 12 ¹ / ₂ " x 16 ³ / ₄ ", White, Box/180 Replaces 25 lb of Scrap Rags
KCHDW475	Jumbo Roll Wipers, 12 ¹ / ₂ " x 13 ³ / ₈ ", Red, Roll/475 Replaces 75 lb of Scrap Rags
KCHDD	Jumbo Roll Dispenser, 16 ³ / ₄ "L x 33"H x 18 ¹ / ₂ "W
KCHWM	Jumbo Roll Wall Mount Dispenser, 16 ³ / ₄ "L x 8 ³ / ₄ "H x 10 ³ / ₄ "W

Scott® SHOP TOWELS are strong, soft, and absorbent and work like cloths. They are great for wiping hands and cleaning tools and easily absorb liquids, oil, and grease. They fit on standard towel holders for convenient dispensing. 10³/₈" x 11" sheets. Blue. Roll/55.

P/N	DESCRIPTION
KCST55	Shop Towels



KCRB200

Scott® RAGS IN A BOX are specifically designed for hands-on work. These soft, absorbent towels perform with the strength, durability, and absorbency of a cloth and come in a convenient **Pop-Up Box** with a built-in handle for easy transport. 10" x 13" sheets. White. Box/200.

P/N	DESCRIPTION
KCRB200	Rags In A Box



PS1003

PROTECTIVE EQUIPMENT

Clear **PLASTIC SHEETING** is ideal for keeping appliances protected from dirt, grime, and chemicals. Dispensed from a 4' roll.

P/N	DESCRIPTION
PS1003	Plastic Sheeting, 12' x 100', 3 mil
PS10015	Plastic Sheeting, 16' x 100', 1.5 mil

These economical **SAFETY GOGGLES** feature a comfortable, soft frame; direct ventilation; and a wide, one-piece polycarbonate lens. Meets ANSI Z87.1+ requirements. 99.9% UV protection. Clear frame, clear lens.

P/N	DESCRIPTION
EW201	Safety Goggles



EW201

Ergonomically designed and multi-dipped, **Black Jack® NEOPRENE GLOVES**, from **MCR**, create a liquid-proof barrier against abrasions and chemicals. Gloves have gauntlet cuffs, brushed-cotton interlock linings, and an etched rough finish. Large. FDA compliant. Black.

P/N	DESCRIPTION
MG6932	Neoprene Gloves, 12" Gauntlet
MG6944	Neoprene Foam-Lined Gloves, 14" Gauntlet



MG6932

PROTECTIVE COVERALLS come with open wrists and ankles, serged seams, and a front zipper and collar.

P/N	DESCRIPTION	SIZE
555L	Coveralls, White	LG
555XL	Coveralls, White	XL
555XXL	Coveralls, White	2XL
TYBC	18" Boot Covers, Non-Skid, Gray	Universal



TYBC In Use



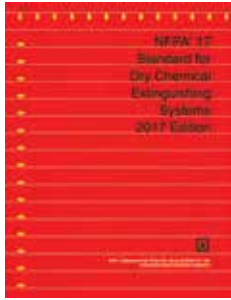
555L

MCR's 15" STEEL TOE PVC BOOTS feature a heavy-duty over-the-sock design and cleated soles with traction grips. Flexible and 100% waterproof, with polyester linings and kick-off lugs for easy on/off, they offer excellent comfort and abrasion resistance. Steel toe meets ASTM 2412 and ASTM 2413 specifications. Black.

P/N	DESCRIPTION	SIZE
STB10	15" PVC Boots	10
STB11	15" PVC Boots	11
STB12	15" PVC Boots	12
STB13	15" PVC Boots	13
STB14	15" PVC Boots	14



STB10



NFPA1717



IT525



G16524PHL



G165ETL



CODES AND REGULATIONS

For nearly a century, people have relied on **NFPA® PUBLICATIONS**—your blueprints to safety.

P/N	DESCRIPTION
NFPA1717	NFPA 17: Standard for Dry Chemical Extinguishing Systems, 2017 ed
NFPA17A17	NFPA 17A: Standard for Wet Chemical Extinguishing Systems, 2017 ed
NFPA9617	NFPA 96: Standard for Ventilation Control & Fire Protection of Commercial Cooking Operations, 2017 ed

For other NFPA Publications, See Page 60

Raytek's MiniTemp® INFRARED LASER THERMOMETER

measures surface temperatures, identifying potential problems before they start. Or, as in the case of fusible links, it demonstrates the temperature at which they may activate. Safe, fast, and contamination-free, its infrared technology provides nearly instantaneous readings without actually touching an object.

MiniTemp is small enough to fit in your pocket and includes a backlit display for easy viewing and a laser point to pinpoint your target.

SPECIFICATIONS

Temperature Range: 0°F to 750°F

Max. Target (Spot) Distance: 4'

Optical Resolution (D:S): 8:1

Accuracy (+/- 2% or +/- 2°C (+/- 3°F) of reading, whichever is greater)

Sighting: Laser Point

Emissivity: Pre-Set to 0.95

P/N	DESCRIPTION
IT525	Laser Thermometer

FUSIBLE LINKS AND HEAT DETECTORS

PHL Links™ McCabe® RESETTABLE BI-METAL FIRE LINKS are UL 33 permanent replacements for fusible links.

Utilizing a corrosion-resistant, bi-metal configuration, **McCabe Links** are resettable and reusable (after testing), making them environmentally friendly and cost effective. Load range 1–25 lb.

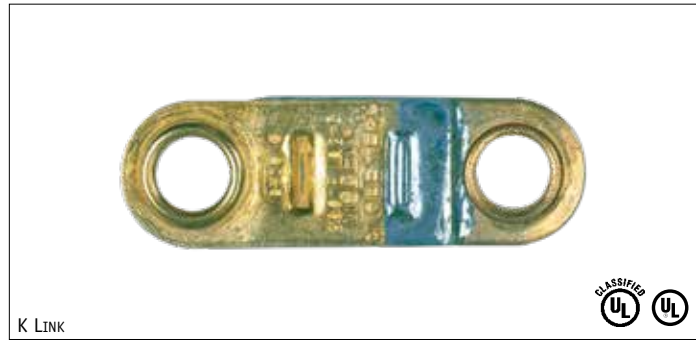
P/N	DESCRIPTION
G16524PHL	McCabe 165°F Thermal Electric Link, 24 VDC Link w/ 55 W Electric Heater
G21224PHL	McCabe 212°F, 24 VDC/2.3 A Link w/ 55 W Electric Heater
G212120PHL	McCabe 212°F, 120 VAC/0.46 A Link w/ 55 W Electric Heater
GUB165PHL	McCabe 165°F Reusable Link w/ Grommet Universal Link Base

SR ELECTRO THERMAL LINK (ETL) is a UL listed, dual-responsive fusible link and release device designed to substantially improve life safety and minimize property damage. It creates an instantaneous fusible link response and separation in the event of fire. The **ETL** has a protruding cylinder to house the heating element and attachment wires, and it provides a means to attach a standard EMT conduit connector adapter. Load range 2–40 lb.

P/N	DESCRIPTION
G165ETL	ETL 165° Fusible Link/Release Device

Globe MODEL K FUSIBLE LINKS are UL listed and UL classified for use with extinguishing systems. Load range 3–50 lb.
NOTE: Order in bags of 20 to receive UL classified links with cross reference chart.

P/N	DESCRIPTION
G165K	165°F Model K Link
G212K	212°F Model K Link
G280K	280°F Model K Link
G360K	360°F Model K Link
G450K	450°F Model K Link



Globe MODEL ML FUSIBLE LINKS are UL listed and UL classified for use with extinguishing systems. Load range 10–40 lb.
NOTE: Order in bags of 20 to receive UL classified links with cross reference chart.

P/N	DESCRIPTION
G135ML	135°F Model ML Link
G165ML	165°F Model ML Link
G212ML	212°F Model ML Link
G280ML	280°F Model ML Link
G360ML	360°F Model ML Link
G450ML	450°F Model ML Link
G500ML	500°F Model ML Link



Globe MODEL A FUSIBLE LINKS are UL listed, and the **G360A** is UL classified for use with extinguishing systems. Load range 3–45 lb.
NOTE: Order the G360A in bags of 20 to receive UL classified links with cross reference chart.

P/N	DESCRIPTION
G165A	165°F Model A Link
G212A	212°F Model A Link
G280A	280°F Model A Link
G360A	360°F Model A Link
G450A	450°F Model A Link



Globe MODEL B FUSIBLE LINKS are UL listed and FM approved for use with extinguishing systems. Load range 3–20 lb.

P/N	DESCRIPTION
G135B	135°F Model B Link
G165B	165°F Model B Link
G212B	212°F Model B Link
G280B	280°F Model B Link
G360B	360°F Model B Link

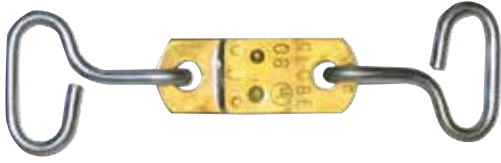


TEST LINKS are used in place of more expensive fusible links for testing detection lines. They are the same size as **Globe Model ML**, **K**, and **B** links. Pkg/10.

P/N	DESCRIPTION
GTL1	Test Links



Fusible links used in cooking operations should be replaced during semi-annual maintenance, unless conditions require more frequent replacement. To verify that proper maintenance has been performed, write the date of installation and the date of the fusible link on the inspection tag.

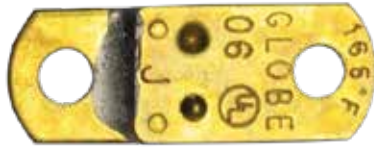


JS LINK



Globe MODEL JS FUSIBLE LINKS are specifically designed for standard-type fire dampers and have a load range of 3–10 lb. UL listed.

P/N	DESCRIPTION
G165JS	165°F Model JS Link
G212JS	212°F Model JS Link



J LINK



Globe MODEL J FUSIBLE LINKS are heat activated and made with brass components to resist corrosion. They have a high-strength symmetrical shape with a load range of 3–10 lb. UL listed.

P/N	DESCRIPTION
G165J	165°F Model J Link
G212J	212°F Model J Link



D LINK



Globe MODEL D FUSIBLE LINK is UL listed with a load range of 1–8 lb.

P/N	DESCRIPTION
G165D	165°F Model D Link



ET194

Therмотech HEAT DETECTORS are normally open devices designed specifically for fire detection and alarm systems. These rate-compensation-type detectors are available with 135°F or 194°F ratings. All are self-restoring, hermetically sealed, shock and corrosion resistant, as well as tamperproof. Approvals/Listings: UL, FM (except for **EPM194**), California State Fire Marshal Listing No. 7270 0021:001, and New York City Department of Buildings, MEA 193-03-E.

NOTE: Not for use in direct sunlight. Explosion-proof model EPM194 for indoor use only. Refer to NFPA 72 for application requirements, testing, and maintenance.

P/N	DESCRIPTION
ET135	135°F All-Weather Heat Detector
ET194	194°F All-Weather Heat Detector
EPM194	194°F Explosion-Proof Heat Detector

FUSIBLE LINK BRACKETS AND CONDUIT FITTINGS

This **10" FUSIBLE LINK BRACKET** is UL classified for use in **Pyro-Chem®** and **Range Guard®** systems, per NFPA 17 and 17A.

P/N	DESCRIPTION
LBK1	10" Link Bracket



Offering better air flow around fusible links, this **10" HIGH STAND OFF FUSIBLE LINK BRACKET** is UL classified for use in **Pyro-Chem®** and **Range Guard®** systems, per NFPA 17 and 17A. It will match up to a **CP5** when coming through the top of a hood with a **GSA12**.

P/N	DESCRIPTION
LBK3	10" High Stand Off Link Bracket



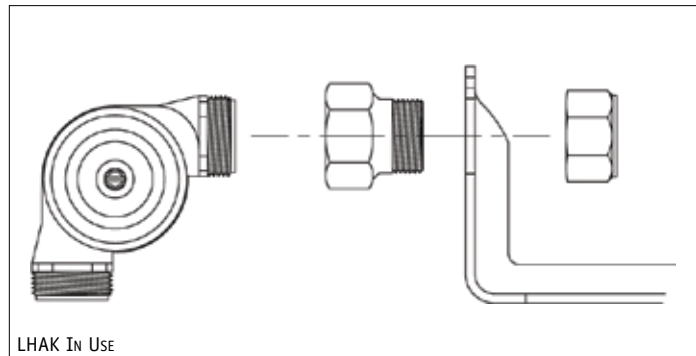
This **8" FUSIBLE LINK BRACKET** is UL classified for use in **Kidde** systems, per NFPA 17 and 17A.

P/N	DESCRIPTION
LBK2	8" Link Bracket



Facilitating the attachment of an **Ansul®** or **Pyro-Chem®** large-threaded corner pulley to an **LBK3** fusible link bracket, this **LINK HOUSING ADAPTER KIT** reduces the larger threads of the corner pulley to fit the smaller-diameter link bracket hole. No conduit or conduit fittings are required either. Kit comes with (1) reducing adapter and (1) steel nut.

P/N	DESCRIPTION
LHAK	Link Housing Adapter Kit



These **500°F TEMPERATURE LABELS** feature dots that turn black when the required temperature is reached, indicating the links are reacting as designed. Labels are 1/2" square with a 1/4" dot center. Card/21.

P/N	DESCRIPTION
BL500	Temperature Labels





500C16

CABLE, CRIMPS, AND S-HOOKS

FireTech™ aircraft-type 7 x 7 **STAINLESS STEEL CABLE** is for automatic suppression systems.

P/N	DESCRIPTION
1000C16	1/16" x 1000', Stainless Steel Cable
500C16	1/16" x 500', Stainless Steel Cable
250C16	1/16" x 250', Stainless Steel Cable
50C16	1/16" x 50', Stainless Steel Cable
250C64	3/64" x 250', Stainless Steel Cable

CRIMPS and **S-HOOKS** are for automatic suppression systems.

P/N	DESCRIPTION
OS1	3/64" Oval Zinc-Plated Copper Crimps, Pkg/100
OS2	1/16" Oval Zinc-Plated Copper Crimps, Pkg/100
OS3	1/16" Copper Stop Crimps, Pkg/100
OS4	1/16" Kidde-Style Plated Copper Crimps, Pkg/100
BHN	Brass Hex Nut
SHK	1" S-Hooks, Pkg/100

These **CABLE CUTTERS** leave clean square cuts on stainless steel cable, while their cadmium-plated, heat-treated alloy construction ensures maximum rust prevention and durability.

NOTE: Do not use on S-Hooks or Links!

P/N	DESCRIPTION
CC093	6" Cable Cutters

Made of aircraft-quality alloy steel, these **CRIMPING TOOLS** feature thick, comfortable vinyl handles for all-day use.

P/N	DESCRIPTION
ST116	8" Crimping Tool For 1/16" Copper Oval & Stop Sleeves
ST364	8" Crimping Tool For 3/64" Copper Oval & Stop Sleeves

EMT CONDUIT FITTINGS

P/N	DESCRIPTION
1210	1/2" EMT Set Screw Connectors, Pkg/50
1220	1/2" EMT Set Screw Couplings, Pkg/50
2105	1/2" EMT Compression Connectors, Pkg/50
2205	1/2" EMT Compression Couplings, Pkg/50
1505	1/2" EMT & 3/8" Pipe Single Hole Straps, Pkg/100
7800	Standoff Clamps w/ Bolts, Pkg/100 For 1/2" EMT, 1/2", & 3/8" Pipe
6515	1/2" Steel Compression Connector
2232	1/2" Steel EMT Fitting For Hood Seals/Link Brackets (Will Screw into QSA2)



OS1, OS2



OS3



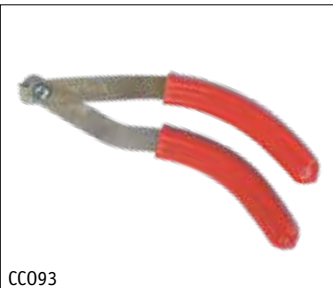
OS4



BHN



SHK



CC093



ST364



1210



1220



2105



2205



1505



7800



6515

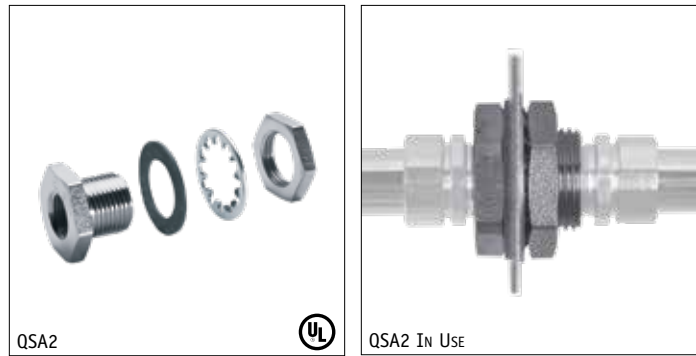


2232

"GREASE-TITE" ADAPTERS

Featuring chrome-plated steel construction, **Jiffy THREADED "GREASE-TITE" ADAPTERS** are UL listed and conform to NFPA 96 requirements.

P/N	DESCRIPTION	H SIZE	P SIZE
QSA1	Pipe Adapter	7/8"	3/8"
QSA38	Pipe Adapter	1 1/8"	3/8"
QSA2	Pipe & Rigid Conduit	1 1/8"	1/2"
QSA3	Pipe Adapter	1 3/8"	3/4"
QSA4	Pipe Adapter	1 5/8"	1"
QSA5	Pipe Adapter	7/8"	1/4"



COMPRESSION "GREASE-TITE" ADAPTERS are UL listed and conform to NFPA 96 requirements and provide a grease-tight seal without welding.

P/N	DESCRIPTION	H SIZE	P SIZE
QSA8	Pipe Adapter	1 1/8"	3/8"
QSA9	EMT/Conduit Adapter	1 1/8"	1/2"
QSA10	Pipe Adapter	1 1/8"	1/2"
QSA11	Pipe Adapter	1 3/8"	3/4"



UL listed **Jiffy PATCH "GREASE-TITE" SEALS** cover unwanted holes without welding and conform to NFPA 96 requirements.

P/N	DESCRIPTION	H SIZE
QP1	Patch Seal	1 1/8"–1 1/4"
QP2	Patch Seal	7/8"–1"
QP3	Patch Seal	1 5/8"–1 3/4"
QP4	Patch Seal	1 3/8"–1 1/2"



Jiffy CORNER PULLEY "GREASE-TITE" ADAPTERS

screw directly onto corner pulleys, for a quick 90° turn, when coming through the top of a hood. UL listed.

P/N	DESCRIPTION	H SIZE
QSA12	Corner Pulley Adapter <i>Fits CP5 Corner Pulley</i>	1 1/8"
QSA13	Corner Pulley Adapter <i>Fits Ansul, Pyro-Chem Corner Pulleys</i>	1 1/8"



BLIND COMPRESSION "GREASE-TITE" ADAPTERS

are UL listed and conform to NFPA 96, 17, & 17A requirements. They can be installed without accessing the back of the hood to tighten their nuts. These are an excellent choice for tight hood installations with little access.

P/N	DESCRIPTION	H SIZE
QSA15	Pipe Adapter, 1/4" Tube Size	1 1/8"
QSA16	EMT/Conduit Adapter, 1/2" EMT	1 1/8"
QSA17	Pipe Adapter, 3/8" Pipe Size	1 1/8"



In Use photos may show items not included or available separately.

Ansul® and Pyro-Chem® are registered marks of Tyco Fire Products LP.

Fits Where Sockets Won't!



TL1218



TL1228 In Use

Jiffy Seal RATCHETING WRENCHES are ingenious tools that tighten/loosen hex nuts and bodies in ventilation hoods. Their unique design fits into tight spaces easily and works with any $\frac{3}{8}$ " drive flexible T-handle. Made of heat-treated steel with carbonitride/zinc plating, they automatically find the right slot angle and index to the next position when in use. **Wrenches** and **driver** sold separately.

P/N	DESCRIPTION
TL388	1 $\frac{1}{2}$ " Ratcheting Wrench For $\frac{3}{8}$ " & $\frac{1}{2}$ " Penetration Seals w/ 1 $\frac{1}{8}$ " Hole
TL1218	1 $\frac{1}{4}$ " Ratcheting Wrench For $\frac{3}{8}$ " & $\frac{1}{2}$ " Penetration Seals w/ $\frac{7}{8}$ " Hole
TL1228	$\frac{3}{8}$ " Drive Flexible T-Handle



QMT00L



QMT00LM



QMS, QMT

Quick Mount FASTENERS and **INSTALLATION TOOLS** are for hood penetration. Per NFPA 96, any penetrations in the hood exterior are to be sealed with a listed device or by a liquid-tight, continuous external weld. The **QMT (Quick Mount Fastener)** is UL listed for mounting hardware in the hood or duct and meet code without welding. To install: drill hole with **QDRILL**, insert **QMT**, and clinch it with **QMT00L** or **QMT00LM**. **QMS** screws are ideal for mounting fusible link brackets, using the installed **QMT**.

P/N	DESCRIPTION
QMT	Quick Mount Fasteners, Pkg/10
QMS	$\frac{1}{4}$ "-20 Screws, Pkg/100 For QMT
QMT00L	Lever-Type Installation Tool
QMTA	Replacement Arbor For QMT00L
QMT00LM	Wrench-Type Installation Tool
QDRILL	Quick Mount Cobalt Drill Bit, Size "Q"



GTF1



TL1395



1399DB

Jiffy "GREASE-TITE" SEAL FASTENERS are UL listed and conform to NFPA 96 requirements. Designed for fastening items to hoods and plenums in a kitchen ventilation system, they combine thread-producing features with a high-temperature thread-jamming coating. The friction from installing them activates the thread jammers, ensuring a grease-tight seal every time. They come with a **Double Ended 1/8" Pilot Drill Bit** (with a 135° split point design) for drilling through stainless steel. The **10 mm Magnetic Driver** is used with most drills to drive screws into $\frac{1}{8}$ " pilot holes.

P/N	DESCRIPTION
GTF1	Grease-Tite Seal Fasteners, Pkg/24
TL1395	10 mm Magnetic Power Driver For Grease-Tite Fasteners
1399DB	Double Ended $\frac{1}{8}$ " Pilot Drill Bit

A Brooks exclusive, this **EMT FITTING** is custom made to fit Jiffy "Grease-Tite" 1/2" pipe-threaded adapters quickly, easily, and without force. Since a zinc diecast fitting can melt (when there is a fire), this zinc-plated steel fitting is a better choice, inside of a hood to guard against failure (due to high heat), helping to ensure proper fire suppression system operation.

P/N	DESCRIPTION
2232	1/2" EMT Fitting For Hood Seals/Link Brackets (Screws into QSA2)



2232

BROOKS CORNER PULLEYS

Brooks' high-temperature ball bearing **COMPRESSION CORNER PULLEY** is UL listed with the Amerex® system and UL classified for Ansul®, Kidde, Pyro-Chem®, and Range Guard® systems, per NFPA 17 and 17A. Its steel compression nuts eliminate thread stripping, and it has more threads than most for a stronger, easier-to-install corner pulley. Its ball bearing roller is pressed into place and stays when you remove the cover.

P/N	DESCRIPTION
CP5	Compression Corner Pulley



CP5

Brooks' high-temperature **SET SCREW CORNER PULLEY** comes with a ball bearing roller.

P/N	DESCRIPTION
CP8	Set Screw Corner Pulley



CP8

Brooks' low-temperature **SWING COVER CORNER PULLEYS.**

P/N	DESCRIPTION
CP2	Swing Cover Corner Pulley
CP6	Swing Cover Conduit Corner Pulley
CP7	Swing Cover 1/2" Threaded Corner Pulley, NPT



CP6



CP7

Brooks' **3-WAY CORNER PULLEY** comes with dual rollers.

P/N	DESCRIPTION
CP3	3-Way Corner Pulley



CP2



CP3



AX12309



AX12506

OEM CORNER PULLEYS**Amerex® CORNER PULLEYS.**

P/N	DESCRIPTION
AX12309	Amerex Corner Pulley
AX12506	Amerex Tee Pulley



A423250



A427929

Ansul® CORNER PULLEYS.

P/N	DESCRIPTION
A423250	Ansul Corner Pulley
A415670	Ansul Set Screw Corner Pulley
A427929	Ansul Tee Pulley



B843792



K844648

Badger™ Range Guard® CORNER PULLEYS.

P/N	DESCRIPTION
B844648	Badger Corner Pulley
B843792	Badger Tee Pulley

Kidde CORNER PULLEYS.

P/N	DESCRIPTION
K844648	Kidde Compression Corner Pulley
K843792	Kidde Tee Pulley

Pyro-Chem® CORNER PULLEYS.

P/N	DESCRIPTION
PC423250	Pyro-Chem Compression Corner Pulley
PC415670	Pyro-Chem Set Screw Corner Pulley
PC427929	Pyro-Chem Tee Pulley

These heavy-duty **TUBING CUTTERS** come with hardened steel reamers and spare cutting wheels.



ITC1000



1000TC

P/N	DESCRIPTION
ITC1000	Tubing Cutter
1000TC	Tubing Cutter (Domestic)
TCB	Tube Cutter Blades, Pkg/2

CHROME SLEEVING

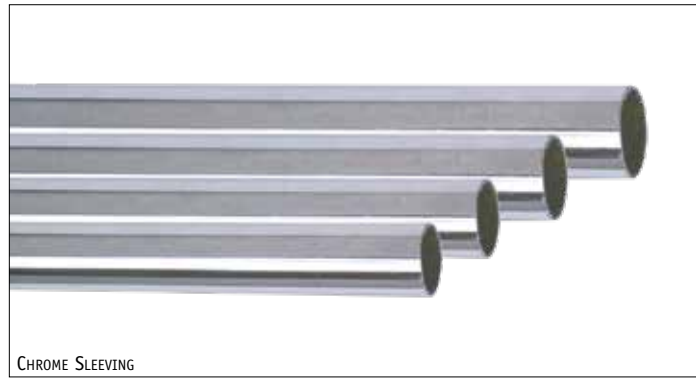
High-luster **CHROME SLEEVING** is made of 22 ga steel (minimum). (**CS25** is the actual chrome conduit size, so there is no need for sleeving.)

P/N	DESCRIPTION
CS25	6' x 1/2" Chrome Conduit
CS38	6' Chrome Sleeving For 3/8" Pipe
CS50	6' Chrome Sleeving For 1/2" Pipe
CS75	6' Chrome Sleeving For 3/4" Pipe
CS100	6' Chrome Sleeving For 1" Pipe

Designed to make installations of conduit and pipe neat and rigid, these **STAND OFF BRACKETS** feature zinc-plated 16 ga steel construction, making pipe installations neat and rigid (pipes will not move). Conduit brackets line up to link bracket holes as indicated. Available in low- and high-profile versions. Box/25.

P/N	DESCRIPTION	A	B
SBC05	Stand Off Brackets For 1/2" Conduit (Compatible w/ Ansul, Amerex, Buckeye, Pyro-Chem, & LBK3)	2 5/8"	1 7/8"
SBC20	Stand Off Brackets For 1/2" Conduit (Compatible w/ Range Guard & Kidde)	3 1/4"	2 1/2"
SBP10	Stand Off Brackets, Low Profile For 3/8" Pipe	2 1/4"	1 1/2"
SBP38	Stand Off Brackets, High Profile For 3/8" Pipe	3 1/4"	2 1/2"
SBP15	Stand Off Brackets, Low Profile For 1/2" Pipe	2 5/8"	1 7/8"
SBP25	Stand Off Brackets, High Profile For 1/2" Pipe	3 1/4"	2 1/2"

A= OVERALL HEIGHT OF BRACKET
B= TO CENTER OF HOLE



PIPE NIPPLES

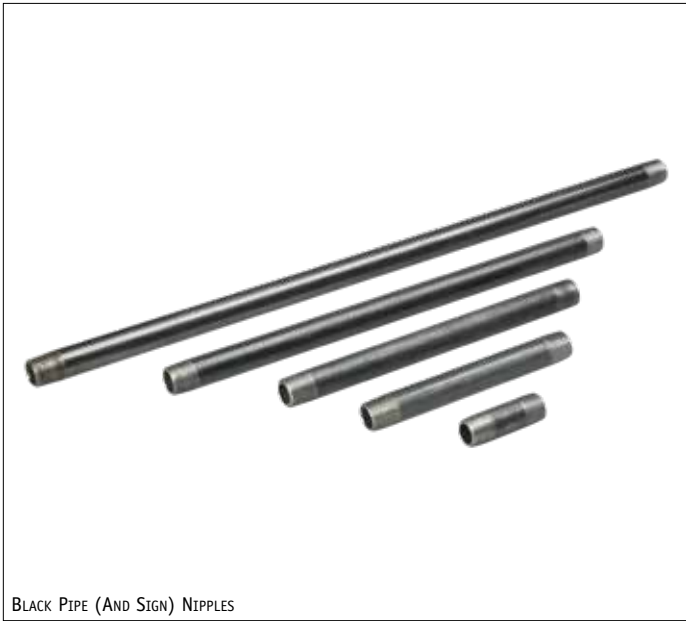
Strong yet lightweight, the **FireTech™ NIPPLE TOTE BOX** holds 3/8" and 1/2" nipples (close—6") and features a fold-away handle for easy storage. Made of 18 ga steel with a red enamel finish and 77 compartments. Measures 10 5/8"L x 6 1/2"H x 7 3/8"W. Red.

P/N	DESCRIPTION
PNT1	Nipple Tote Box

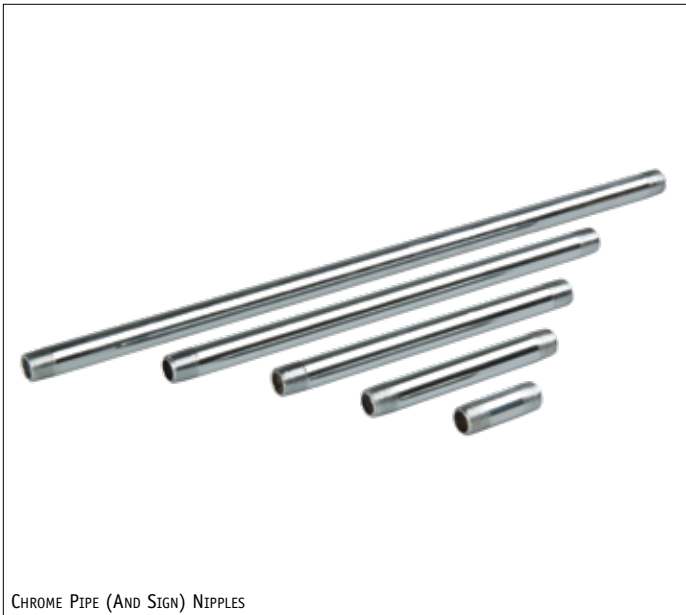


In Use photos may show items not included or available separately.

Ansul® and Pyro-Chem® are registered marks of Tyco Fire Products LP.



BLACK PIPE (AND SIGN) NIPPLES



CHROME PIPE (AND SIGN) NIPPLES



N388410

$\frac{1}{8}$ " and $\frac{1}{4}$ " **BLACK PIPE NIPPLES** are threaded on both ends. Box/25 (priced each).

P/N	DESCRIPTION
N1800	$\frac{1}{8}$ " Close Black Pipe Nipples
N2500	$\frac{1}{4}$ " Close Black Pipe Nipples
N2515	$\frac{1}{4}$ " x $1\frac{1}{2}$ " Black Pipe Nipples
N2520	$\frac{1}{4}$ " x 2" Black Pipe Nipples
N2525	$\frac{1}{4}$ " x $2\frac{1}{2}$ " Black Pipe Nipples
N2530	$\frac{1}{4}$ " x 3" Black Pipe Nipples
N2540	$\frac{1}{4}$ " x 4" Black Pipe Nipples
N2550	$\frac{1}{4}$ " x 5" Black Pipe Nipples
N2560	$\frac{1}{4}$ " x 6" Black Pipe Nipples

$\frac{3}{8}$ " **BLACK** and $\frac{3}{8}$ " **CHROME PIPE** and **NIPPLES** are threaded on both ends. Box/25 (up to 12"); Box/10 (over 12"). Priced each.

BLACK PIPE NIPPLES

P/N	DESCRIPTION
N3800	$\frac{3}{8}$ " Close
N3815	$\frac{3}{8}$ " x $1\frac{1}{2}$ "
N3820	$\frac{3}{8}$ " x 2"
N3825	$\frac{3}{8}$ " x $2\frac{1}{2}$ "
N3830	$\frac{3}{8}$ " x 3"
N3835	$\frac{3}{8}$ " x $3\frac{1}{2}$ "
N3840	$\frac{3}{8}$ " x 4"
N3845	$\frac{3}{8}$ " x $4\frac{1}{2}$ "
N3850	$\frac{3}{8}$ " x 5"
N3855	$\frac{3}{8}$ " x $5\frac{1}{2}$ "
N3860	$\frac{3}{8}$ " x 6"
N3880	$\frac{3}{8}$ " x 8"
N3810	$\frac{3}{8}$ " x 10"
N3812	$\frac{3}{8}$ " x 12"

BLACK PIPES

P/N	DESCRIPTION
N3814	$\frac{3}{8}$ " x 14"
N3816	$\frac{3}{8}$ " x 16"
N3818	$\frac{3}{8}$ " x 18"
N3824	$\frac{3}{8}$ " x 24"
N38300	$\frac{3}{8}$ " x 30"
N3836	$\frac{3}{8}$ " x 36"
N3848	$\frac{3}{8}$ " x 48"

CHROME PIPE NIPPLES

P/N	DESCRIPTION
CRN3800	$\frac{3}{8}$ " Close
CRN3815	$\frac{3}{8}$ " x $1\frac{1}{2}$ "
CRN3820	$\frac{3}{8}$ " x 2"
CRN3825	$\frac{3}{8}$ " x $2\frac{1}{2}$ "
CRN3830	$\frac{3}{8}$ " x 3"
CRN3835	$\frac{3}{8}$ " x $3\frac{1}{2}$ "
CRN3840	$\frac{3}{8}$ " x 4"
CRN3845	$\frac{3}{8}$ " x $4\frac{1}{2}$ "
CRN3850	$\frac{3}{8}$ " x 5"
CRN3855	$\frac{3}{8}$ " x $5\frac{1}{2}$ "
CRN3860	$\frac{3}{8}$ " x 6"
CRN3880	$\frac{3}{8}$ " x 8"
CRN3810	$\frac{3}{8}$ " x 10"
CRN3812	$\frac{3}{8}$ " x 12"

CHROME PIPES

P/N	DESCRIPTION
CRN3816	$\frac{3}{8}$ " x 16"
CRN3818	$\frac{3}{8}$ " x 18"
CRN3824	$\frac{3}{8}$ " x 24"
CRN38300	$\frac{3}{8}$ " x 30"
CRN3836	$\frac{3}{8}$ " x 36"

$\frac{1}{2}$ " **BLACK PIPE** and **NIPPLES** are threaded on both ends. Box/25 (up to 12"); Box/10 (over 12"). Priced each.

P/N	DESCRIPTION
N5000	$\frac{1}{2}$ " Close Black Pipe Nipples
N5015	$\frac{1}{2}$ " x $1\frac{1}{2}$ " Black Pipe Nipples
N5020	$\frac{1}{2}$ " x 2" Black Pipe Nipples
N5025	$\frac{1}{2}$ " x $2\frac{1}{2}$ " Black Pipe Nipples
N5030	$\frac{1}{2}$ " x 3" Black Pipe Nipples
N5035	$\frac{1}{2}$ " x $3\frac{1}{2}$ " Black Pipe Nipples
N5040	$\frac{1}{2}$ " x 4" Black Pipe Nipples
N5045	$\frac{1}{2}$ " x $4\frac{1}{2}$ " Black Pipe Nipples
N5050	$\frac{1}{2}$ " x 5" Black Pipe Nipples
N5055	$\frac{1}{2}$ " x $5\frac{1}{2}$ " Black Pipe Nipples
N5060	$\frac{1}{2}$ " x 6" Black Pipe Nipples
N5012	$\frac{1}{2}$ " x 12" Black Pipe Nipples

P/N	DESCRIPTION
N5018	$\frac{1}{2}$ " x 18" Black Pipe
N5024	$\frac{1}{2}$ " x 24" Black Pipe
N5036	$\frac{1}{2}$ " x 36" Black Pipe

$\frac{3}{8}$ " and $\frac{1}{2}$ " **BLACK PIPE** is threaded on both ends. Boxes of 10 ship UPS. Priced each.

P/N	DESCRIPTION
N3884	$\frac{3}{8}$ " x 84" Black Pipe
N388410	$\frac{3}{8}$ " x 84" Black Pipe, Box/10
N5084	$\frac{1}{2}$ " x 84" Black Pipe
N508410	$\frac{1}{2}$ " x 84" Black Pipe, Box/10

BLACK PIPE FITTINGS

90° ELBOWS

P/N	DESCRIPTION	PKG QTY
BP1	1/4" 90° Black Elbows	35
BP2	3/8" 90° Black Elbows	45
BP3	1/2" 90° Black Elbows	50
BP4	3/4" 90° Black Elbows	35

45° ELBOWS

P/N	DESCRIPTION	PKG QTY
BP7	3/8" 45° Black Elbows	50
BP8	1/2" 45° Black Elbows	50
BP9	3/4" 45° Black Elbows	40

90° REDUCING and STREET ELBOWS.

P/N	DESCRIPTION	PKG QTY
BP36	1/2" x 3/8" 90° Black Reducing Elbows	50
BP37	1/2" x 3/4" 90° Black Reducing Elbows	40
BP49	3/8" 90° Black Street Elbows	40

TEES

P/N	DESCRIPTION	PKG QTY
BP11	1/4" Black Tees	45
BP12	3/8" Black Tees	25
BP13	1/2" Black Tees	35
BP14	3/4" Black Tees	20
BP45	1/2" x 1/2" x 3/8" Black Bulls	20
BP52	1/2" x 1/2" x 3/4" Black Bulls	30

COUPLINGS

P/N	DESCRIPTION	PKG QTY
BP16	1/4" Black Couplings	40
BP17	3/8" Black Couplings	50
BP18	1/2" Black Couplings	40
BP19	3/4" Black Couplings	50

REDUCING COUPLINGS

P/N	DESCRIPTION	PKG QTY
BP26	3/8" x 1/4" Black Reducing Cplg's	30
BP27	1/4" x 1/8" Black Reducing Cplg's	50
BP28	1/2" x 3/8" Black Reducing Cplg's	40
BP29	3/4" x 1/2" Black Reducing Cplg's	60

UNIONS

P/N	DESCRIPTION	PKG QTY
BP21	1/4" Black Unions	20
BP22	3/8" Black Unions	20
BP23	1/2" Black Unions	40
BP24	3/4" Black Unions	40

BUSHINGS

P/N	DESCRIPTION	PKG QTY
BP38	3/8" x 1/4" Black Bushings	75
BP39	3/4" x 1/2" Black Bushings	40
BP44	1/2" x 3/8" Black Bushings	100
BP46	3/4" x 3/8" Black Bushings	40
BP47	1/2" x 1/4" Black Bushings	100

LOCKNUTS

P/N	DESCRIPTION	PKG QTY
BP41	3/8" Black Locknuts	125
BP42	1/2" Black Locknuts	125
BP43	3/4" Black Locknuts	60

PLUG

P/N	DESCRIPTION	PKG QTY
BP48	1/4" Black Plugs	100
BP50	3/8" Black Plugs	100
BP51	1/2" Black Plugs	50



BP3



BP8



BP36



BP49



BP13



BP45

← BULL



BP18



BP28



BP23



BP44



BP42



BP50



PFT2 In Use

The **FireTech™ FITTINGS TOTE TRAY** is ideal for organizing and carrying a wide variety of fittings. Manufactured from 18 ga epoxy-coated steel for superior durability and strength, it comes with seven compartments and features a fold-away handle for easy storage. Measures 15"L x 5"H x 10"W. Red.

P/N	DESCRIPTION
PFT2	Fittings Tote Tray

CHROME PIPE FITTINGS

90° CHROME ELBOWS

P/N	DESCRIPTION	PKG QTY
CR1	1/4" 90° Chrome Elbows	35
CR2	3/8" 90° Chrome Elbows	45
CR3	1/2" 90° Chrome Elbows	50
CR4	3/4" 90° Chrome Elbows	35

45° CHROME ELBOWS

P/N	DESCRIPTION	PKG QTY
CR7	3/8" 45° Chrome Elbows	50
CR8	1/2" 45° Chrome Elbows	50

90° CHROME REDUCING and STREET ELBOWS.

P/N	DESCRIPTION	PKG QTY
CR36	1/2" x 3/8" 90° Chrome Reducing Elbows	50
CR49	3/8" 90° Chrome Street Elbows	40

CHROME TEES

P/N	DESCRIPTION	PKG QTY
CR12	3/8" Chrome Tees	25
CR13	1/2" Chrome Tees	35
CR45	1/2" x 1/2" x 3/8" Chrome Bulls	20

CHROME COUPLINGS and BUSHINGS.

P/N	DESCRIPTION	PKG QTY
CR17	3/8" Chrome Couplings	50
CR18	1/2" Chrome Couplings	40
CR28	1/2" x 3/8" Chrome Reducing Couplings	40
CR44	1/2" x 3/8" Chrome Bushings	100

CHROME UNIONS

P/N	DESCRIPTION	PKG QTY
CR22	3/8" Chrome Unions	20
CR23	1/2" Chrome Unions	40
CR24	3/4" Chrome Unions	40

CHROME PLUGS

P/N	DESCRIPTION	PKG QTY
CR50	3/8" Chrome Plugs	100



CR2



CR7



CR36



CR49



CR12



CR45



CR17



CR28



CR44



CR22

GAS VALVES

Pull-Tite ASCO™ MECHANICAL GAS VALVES are UL classified for use in **Range Guard®**, **Pro-Chem®**, And **Kidde** fire systems (Per NFPA 17 And 17A) and listed with the **Amerex®** system.
NOTE: Valve disassembly voids the manufacturer warranty.

P/N	DESCRIPTION
GVA75	3/4" Mechanical Gas Valve
GVA100	1" Mechanical Gas Valve
GVA125	1 1/4" Mechanical Gas Valve
GVA150	1 1/2" Mechanical Gas Valve
GVA200	2" Mechanical Gas Valve
GVA250	2 1/2" Mechanical Gas Valve
GVA300	3" Mechanical Gas Valve

Trip-to-Close ASCO™ MECHANICAL GAS VALVES are UL classified for use in **Ansul®** systems as well as listed with the **Amerex®** system, per NFPA 17 and 17A.
NOTE: Valve disassembly voids the manufacturer's warranty.

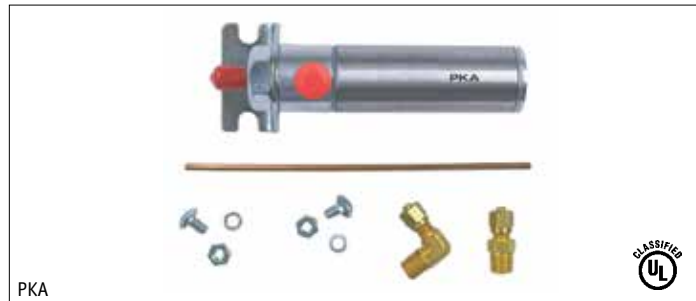
P/N	DESCRIPTION
GVB75	3/4" Mechanical Gas Valve
GVB100	1" Mechanical Gas Valve
GVB125	1 1/4" Mechanical Gas Valve
GVB150	1 1/2" Mechanical Gas Valve
GVB200	2" Mechanical Gas Valve
GVB250	2 1/2" Mechanical Gas Valve
GVB300	3" Mechanical Gas Valve
GVBPC	Cover Plate For GVB-Style Gas Valve

For actuation of a mechanical gas valve (**GVB**), this **PNEUMATIC PISTON** is UL classified for use in **Ansul®** systems, per NFPA 17 and 17A and the manufacturer's installation instructions.

P/N	DESCRIPTION
PKA	Pneumatic Piston Kit Compare to Ansul
PKAKIT	Replacement Hardware (Only)

ASCO™ ELECTRICAL GAS VALVES are for use in all systems and come normally closed without power.
NOTE: All valves must be mounted with the solenoid vertical and upright. Valve disassembly voids the manufacturer's warranty.

P/N	DESCRIPTION
GVC75	3/4" Electric Gas Valve, 110 VAC
GVC100	1" Electric Gas Valve, 110 VAC
GVC125	1 1/4" Electric Gas Valve, 110 VAC
GVC150	1 1/2" Electric Gas Valve, 110 VAC
GVC200	2" Electric Gas Valve, 110 VAC
GVC250	2 1/2" Electric Gas Valve, 110 VAC
GVC300	3" Electric Gas Valve, 110 VAC
GVG24100	1" Electric Gas Valve, 24 VDC
GVG24125	1 1/4" Electric Gas Valve, 24 VDC
GVG24150	1 1/2" Electric Gas Valve, 24 VDC
GVG24200	2" Electric Gas Valve, 24 VDC
COIL7	Replacement Coil For GVC75 Gas Valves
COIL8	Replacement Coil For GVC100-200 Gas Valves
COIL11	Replacement Coil For GVC250-300 Gas Valves
RCAP	Red Plastic Cap



In Use photos may show items not included or available separately.



GVBOX



GVNUT

GAS VALVE ACCESSORIES

This **GAS VALVE BOX** is for use with a **GVA** gas valve. (Use **Channellock® Locknut Pliers** for quick and easy adjustments of **GVNUT**).

P/N	DESCRIPTION
GVBOX	Box & Cover For GVA Valve
GVNUT	Special Nut For Fastening GVBOX to GVA Valve



GVK

The **UNIVERSAL GAS VALVE KIT** fits all **GVA** gas valves and comes with the hardware to install the gas valve for release-to-close or trip-to-close operation. (Use **Channellock® Locknut Pliers** for quick and easy adjustments of **GVNUT**).

P/N	DESCRIPTION
GVK	Universal Gas Valve Kit



TL960



TL960 In Use

Channellock® LOCKNUT PLIERS are designed for quick, easy adjustment of electrical locknuts and **GVNUT**. Their thin profile is ideal for use in tight wire-confined electrical boxes. They have spring-loaded locking handles and fit $\frac{1}{2}$ ", $\frac{3}{4}$ ", 1", $1\frac{1}{4}$ ", and $1\frac{1}{2}$ " locknuts.

P/N	DESCRIPTION
TL960	Locknut Pliers



TL960 In Use



KCB

This **CABLE BLOCK** is for use with a **GVA** valve on a **Kidde** system.

P/N	DESCRIPTION
KCB	Cable Block

RESET RELAYS AND CONTRACTORS

Required when using electrical gas valves, these **RESET RELAYS** are UL listed and come complete with wiring and installation instructions. They have wiring diagrams attached to their inside covers and their contacts are rated at 10 A.

NOTE: Must be installed in accordance with system manufacturer's instructions (not included).

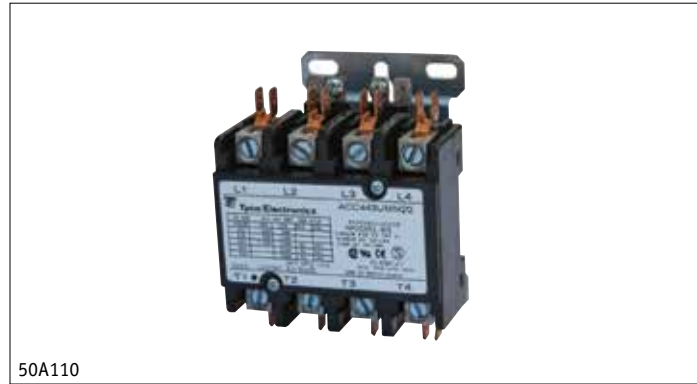
P/N	DESCRIPTION
SRR	Reset Relay, 110/120 VAC
SRR24	Reset Relay, 24 VDC



SRR

ELECTRICAL CONTACTORS are 3-pole-resistive, UL recognized components.

P/N	DESCRIPTION
40A110	Electrical Contactor, 40 A, 110 VAC
40A220	Electrical Contactor, 40 A, 220 VAC
50A110	Electrical Contactor, 50 A, 110 VAC
50A220	Electrical Contactor, 50 A, 220 VAC
75A110	Electrical Contactor, 75 A, 110 VAC



50A110

These **STEEL ENCLOSURES** (with baked-on finishes) are pre-drilled with mounting holes to fit our **Electrical Contactors**.

P/N	DESCRIPTION
4050CE*	Steel Enclosure For 40/50 A, 3-Pole Contactors
4075CE	Steel Enclosure For 40 to 75 A, 3-Pole Contactors

*WHILE QUANTITIES LAST!



4050CE



4075CE

The **P2RHK120 HORN STROBE** is UL listed for outdoor use and can operate in extreme temperatures (-40°F to 151°F) and wet or dry conditions. Includes back box.

P/N	DESCRIPTION
P2RHK120	Horn Strobe w/ Box, 120 VAC



P2RHK120



AB6

These 6" **ALARM BELLS** are available in either 120 VAC or 24 VDC operation.

NOTE: NFPA requires an audible or visual indicator to show that the system has operated, that personnel response is needed, and that the system is in need of recharge.

P/N	DESCRIPTION
AB6	Alarm Bell, 120 VAC
AB624	Alarm Bell, 24 VDC
ABBB	Weatherproof Backbox For Alarm Bells





HCSM



HCSD

Offered with either a 1/2" Milwaukee® Holeshooter variable speed corded drill or a 1/2" DeWalt® 3-speed 18V cordless drill (with two batteries and a charger), these **HOLECUTTING SYSTEM II KITS** are designed to simplify and expedite the job of drilling holes in stainless steel, carbon steel, and other hardened metals. Their patented cutter design and coaxial speed reducer offer a 4:1 gear reduction (for the cutter) without reducing the pilot drill speed, making them ideal for cutting holes in stainless steel. Their pilot drills feature a 135° split-point design to ease starting and centering holes. (An existing hole can be enlarged by simply nesting the current hole size cutter inside the new size cutter.)

SYSTEMS INCLUDES:

(1) Arbor, (1) 4" Arbor Extension, (1) 1/2" Stem Adapter, (1) Cutting Lubricant Stick, (1) Speed Reducer, (2) Pilot Drills, Loosening Washers, (1) Hex-Key Wrench, (2) Open-End Wrenches, (1) Clamp & Handle, (1) Original Drill Motor Chuck, Cases, (5) Cutters—3/4", 7/8", 1 1/8", 1 3/8", & 1 5/8".

P/N	DESCRIPTION
HCSM	Hole Cutting System II w/ Milwaukee Drill, Corded
HCSD	Hole Cutting System II w/ Dewalt Drill, Cordless



HC614



HC600

These patented **HOLE CUTTERS** were designed to withstand the hardness of stainless steel, making drilling holes easier than using a standard hole saw. Their triple-tooth design increases cutting pressure for quicker cut holes and increased cutter life. The **ARBOR** is used when placing the cutters into an ordinary drill chuck (without a speed reducer).

P/N	DESCRIPTION
HC614	7/8" Hole Cutter
HC618	1 1/8" Hole Cutter
HC622	1 3/8" Hole Cutter
HC626	1 5/8" Hole Cutter
HC600	Arbor
HC437	Arbor Extension
HC490	Replacement Collar
HC455	Replacement Set Screw
HC705	Cutting Lubricant Stick



HC437



HC490



HC455

Blu-Mol® Xtreme HOLE CUTTERS feature **Tri-Cut Tungsten Carbide Tips** with three distinct cutting edges that balance their cutting performance for longer blade life and better heat resistance. They come with safety collar stops to prevent over-cutting and side holes that remove chips for increased operating speed. They offer 1" depth of cut with self-ejecting plug removal and cut steel, aluminum, and iron. 3/8" (10 mm) chuck shanks are standard.

P/N	DESCRIPTION
E0102338	3/4" Xtreme Hole Cutter
E0102340	7/8" Xtreme Hole Cutter
E0102342	1" Xtreme Hole Cutter
E0102350	1 1/2" Xtreme Hole Cutter



HC705



E0102338

These **PILOT DRILL BITS** are optimized for cutting stainless steel. Their 135° split-point design improves the ease of starting the hole and finish drilling. You get “two bits in one”, just turn them around and their other end is a brand new bit.

P/N	DESCRIPTION
1399DB	1/8" Pilot Drill Bit
HC435	3/16" Pilot Drill Bit

Quick Mount FASTENERS and **INSTALLATION TOOLS** are for hood penetration. Per NFPA 96, any penetrations in the hood exterior are to be sealed with a listed device or by a liquid-tight, continuous external weld. The **QMT (Quick Mount Fastener)** is UL listed for mounting hardware in the hood or duct and meet code without welding. To install: drill hole with **QDRILL**, insert **QMT**, and clinch it with **QMT00L** or **QMT00LM**. **QMS** screws are ideal for mounting fusible link brackets, using the installed **QMT**.

P/N	DESCRIPTION
QMT	Quick Mount Fasteners, Pkg/10
QMS	1/4"-20 Screws, Pkg/100 For QMT
QMT00L	Lever-Type Installation Tool
QMTA	Replacement Arbor For QMT00L
QMT00LM	Wrench-Type Installation Tool
QDRILL	Quick Mount Cobalt Drill Bit, Size “Q”

CARBIDE TIPPED HOLE SAWS feature heat-resistant teeth for maximum performance and service life. They are excellent at cutting stainless steel when using a lubricant at slow speeds.

P/N	DESCRIPTION
HS214	7/8" Carbide Tipped Hole Saw
HS218	1 1/8" Carbide Tipped Hole Saw
HS222	1 3/8" Carbide Tipped Hole Saw
HSA5	Arbor For 7/8", 1 1/8" Saw
HSA6	Arbor For 1 3/8" Saw
HSD297	1/4" Carbide Tipped Pilot Drill Bit
HSD851	1/4" Pilot Drill Bit

The **Vari-Bit® STEP DRILL BIT** cuts faster and lasts longer than hole saws. It needs no pilot holes and cuts up to a 1 3/8" Dia hole. **NOTE:** Use lubricant and slow speeds to maximize life of cutting edges.

P/N	DESCRIPTION
VB12	Step Drill Bit

COBALT DRILL BITS are made of 8% cobalt HSS and designed for heavy-duty drilling through stainless steel.

P/N	DESCRIPTION
40324DB	3/8" Cobalt Drill Bit
41327DB	#27 Cobalt Drill Bit For #10 Sheet Metal Screw
QDRILL	Quick Mount Cobalt Drill Bit, Size “Q”



HC435



QMT00L



QMS, QMT



QMT00LM



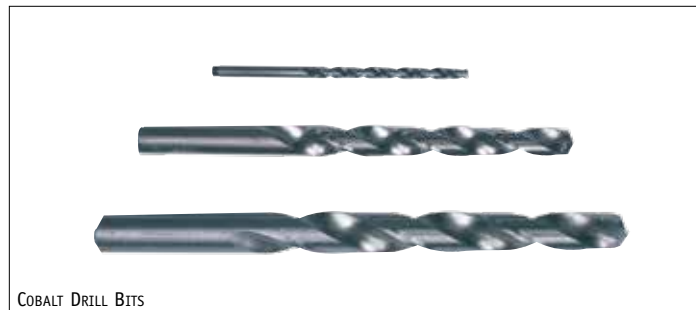
HSA5



HS218 w/ HSA5 IN USE

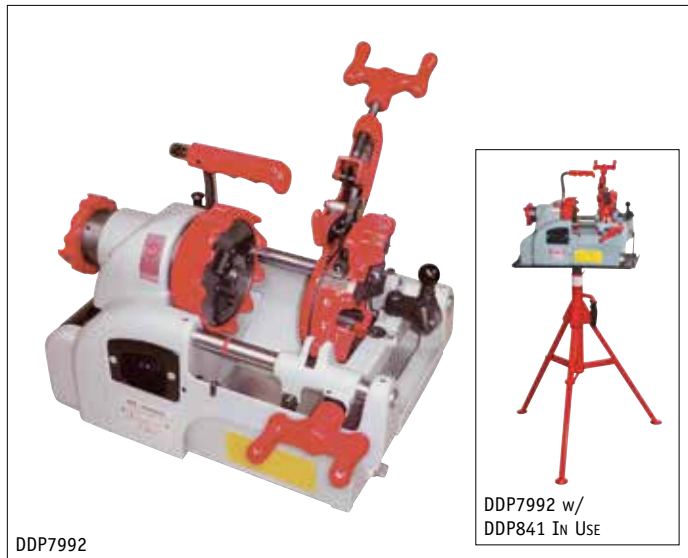


VB12



COBALT DRILL BITS

For Additional Tools, See Section 10.



DDP7992

DDP7992 w/
DDP841 In Use

The **Sidekick II** is a full-featured **PIPE THREADING MACHINE** with a manual opening die head for $\frac{1}{4}$ "–1" NPT dies. Its front and rear chucks are great features as are its safety auto shut-off, larger carriage, and unique single-blade reamer. The **Sidekick II** has a noise level of 88 dB, no-load RPM of 55, and a net weight of 63 lb. Three-year warranty (includes the electric motor and $\frac{1}{2}$ "– $\frac{3}{4}$ " and 1" NPT dies). An optional threader stand is available separately.

P/N	DESCRIPTION
DDP7992	Pipe Threading Machine
DDP841	Folding Threader Stand Use w/ DDP7992
DDP60210	$\frac{1}{4}$ "– $\frac{3}{8}$ " NPT Dies For DDP7992
60210	$\frac{1}{4}$ "– $\frac{3}{8}$ " NPT Dies For DDP7992
60211	$\frac{1}{2}$ "– $\frac{3}{4}$ " NPT Dies For DDP7992



TCOG

For optimal cutting performance, keep your pipe threaders filled with premium **THREAD-CUTTING OIL** from **Circle Cut**.

P/N	DESCRIPTION
TCOG	Thread Cutting Oil, 1 gal
TCOG5	Thread Cutting Oil, 5 gal



14CPW

Craftsman® HEAVY-DUTY IRON PIPE WRENCHES

feature tough cast-iron housings and I-beam handles. They come with full-floating hookjaws that use self-cleaning threads.

P/N	DESCRIPTION
10CPW	10" Pipe Wrench $1\frac{1}{2}$ " Capacity
14CPW	14" Pipe Wrench 2" Capacity

These heavy-duty **TUBING CUTTERS** come with hardened steel reamers and spare cutting wheels.



ITC1000

1000TC

P/N	DESCRIPTION
ITC1000	Tubing Cutter
1000TC	Tubing Cutter (Domestic)
TCB	Tubing Cutter Blades, Pkg/2

Easy-to-use, this **FLARING TOOL** efficiently flares tubing ends of seven common sizes ($\frac{3}{16}$ "– $\frac{5}{8}$ ").



TL2880

P/N	DESCRIPTION
TL2880	Flaring Tool

For Additional Tools, See Section 10.

Make changing links fast and easy with these **LINKAGE PLIERS** from **Brooks**. No more scrunching fingers and busting knuckles trying to release cable pressure on scissor brackets. Simply place the specially curved steel jaws in the bracket holes and squeeze for fast, effortless link replacement.

P/N	DESCRIPTION
TL915	Linkage Pliers, Locking
TL910	Linkage Pliers, Non-Locking



TL915 In Use



TL910 In Use

The **HOOD GREASE SCRAPER** comes with a 4" heavy-duty blade and a 6" handle for maximum hood-cleaning efficiency. The **LABEL SCRAPER** comes with a standard razor blade and a trigger for safe, easy blade adjustment.

P/N	DESCRIPTION
SB109	Razor Blades, Pkg/100
LS105	Label Scraper w/ Razor Blade
HS690	Hood Grease Scraper
SB698	Replacement Blades, Pkg/10 For HS690

Our **FOLDING RAZOR SCRAPER** has a quick release so it can be folded, tucking the blade away safely. 8" open, 5" closed.

P/N	DESCRIPTION
HS723	Folding Scraper

The **25" TELESCOPIC MATCH EXTENDER** is for those hard-to-reach pilot lights. It compresses to pen size and comes with a pocket clip.

P/N	DESCRIPTION
ME25	Match Extender

Using a solid aluminum frame, this **TORPEDO LEVEL** features a powerful magnetic edge for hands-free use. Its durable acrylic vials read plumb, level, and 45°.

P/N	DESCRIPTION
TL9919	9" Torpedo Level



HS690



LS105



HS723



ME25 In Use

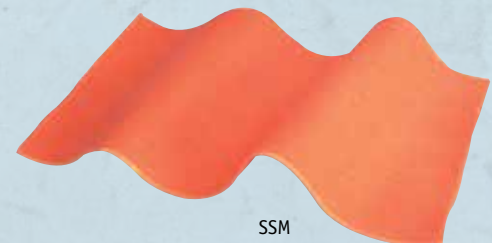


TL9919

Cools Feet. Protects Appliances.

Our **SYSTEM SERVICE MAT** keeps your feet cool, while protecting appliances, during system maintenance. Made of highly texturized silica-based yarns, it is asbestos-free and heat resistant (up to 2000°F). Measures 20" x 36".

P/N	DESCRIPTION
SSM	System Mat



SSM



EZFILL In Use



TL960

FireTech's EZ-FILL SIPHON is not only easy but fast—transferring up to 3.5 gal of liquid per minute. The 6' clear hose is durable, flexible, non-toxic, and has a copper nipple that is anti-static and anti-spark for safety. Use it to transfer liquids, including fuels, oils, water, paint, and more. To operate, make sure the liquid to be transferred is higher than the empty container. Submerge the **EZ-Fill Siphon** and shake it to start the transfer.

P/N	DESCRIPTION
EZFILL	EZ-Fill Siphon



TL960 In Use

Channellock® LOCKNUT PLIERS are designed for quick, easy adjustment of electrical locknuts and **GVNUT**. Their thin profile is ideal for use in tight wire-confined electrical boxes. They have spring-loaded locking handles and fit 1/2", 3/4", 1", 1 1/4", and 1 1/2" locknuts.

P/N	DESCRIPTION
TL960	Locknut Pliers

MANUAL PULL STATION GUARDS

Compatible with **Ansul®** remotes or older **Kidde** remotes, this **SURFACE-MOUNT ROUND REMOTE PULL GUARD** reduces false discharges of fire systems from accidental snagging of manual remote pulls on clothing, food carts, etc. Measures 2 3/4"D x 4 5/8" Dia.

P/N	DESCRIPTION
PG1	Surface-Mount Round Remote Pull Guard

Compatible with **Ansul®** remotes, this **RECESSED ROUND REMOTE PULL GUARD** reduces false discharges of fire systems from accidental snagging of manual remote pulls on clothing, food carts, etc. Measures 1 1/2"D x 4 1/4" Dia.

P/N	DESCRIPTION
PG2	Recessed Round Remote Pull Guard

This **SURFACE-MOUNT REMOTE PULL GUARD** works with **Pyro-Chem®**, **Range Guard®**, **Kidde**, **Amerex®**, or **Buckeye** remotes, reducing false discharges of fire systems from accidental snagging of manual remote pulls on clothing, food carts, etc. Measures 5 3/16"H x 4 3/16"W x 3"D.

P/N	DESCRIPTION
PG3	Surface-Mount Remote Pull Guard

This **SURFACE-MOUNT ROUND REMOTE PULL GUARD** is compatible with **Amerex®** or **Ansul®** remotes and reduces false discharges of fire systems from accidental snagging of manual remote pulls on clothing, food carts, etc. Measures 2 5/8"D x 6" Dia.

P/N	DESCRIPTION
PG4	Surface-Mount Round Remote Pull Guard



PG2 w/ ASRP In Use



PG3 w/ B120110 In Use



PG4 w/ A434618 In Use

IDENTIFICATION SIGNS AND INSPECTION AND INSTALLATION FORMS

SPECIAL USE SIGNS. Per NFPA, a placard identifying the use of the extinguisher as a secondary back-up means to the automatic fire suppression system shall be conspicuously placed near each portable fire extinguisher in the cooking area.

P/N	DESCRIPTION
BL189	Self-Adhesive Vinyl K-Class "Fire Extinguisher" Arrow Sign, 8" x 12"
A273	Aluminum "Fire System to be Activated..." Sign, 3" x 5"

These adhesive-backed aluminum **HOOD IDENTIFICATION SIGNS** come with red lettering and borders for added visibility.

P/N	DESCRIPTION
A272	"Remote Pull Station..." Sign, 3" x 5"
A276	"Fryer" Sign, 2" x 4"
A277	"Griddle" Sign, 2" x 4"
A278	"Broiler" Sign, 2" x 4"
A281	"Hood #1" Sign, 2" x 4"
A282	"Hood #2" Sign, 2" x 4"
A283	"Hood #3" Sign, 2" x 4"
A284	"Hood #4" Sign, 2" x 4"

Custom Signs also Available, See Page 173

Self-adhesive aluminum **HOOD "CAUTION" SIGNS** are designed for suppression system hood use. Red.

P/N	DESCRIPTION
A106	"Caution..." Sign, 2" x 5"
A106S	Spanish "Caution..." Sign, 2" x 5"

Three-part carbonless **PRE-ENGINEERED SYSTEMS INSPECTION FORMS** protect your company by providing a record of service performed. **FLA100** is approved and required by the State of Florida. Pkg/100.

P/N	DESCRIPTION
IF100	Pre-Engineered Systems Inspection Forms
FLA100	Florida Pre-Engineered Systems Inspection Forms

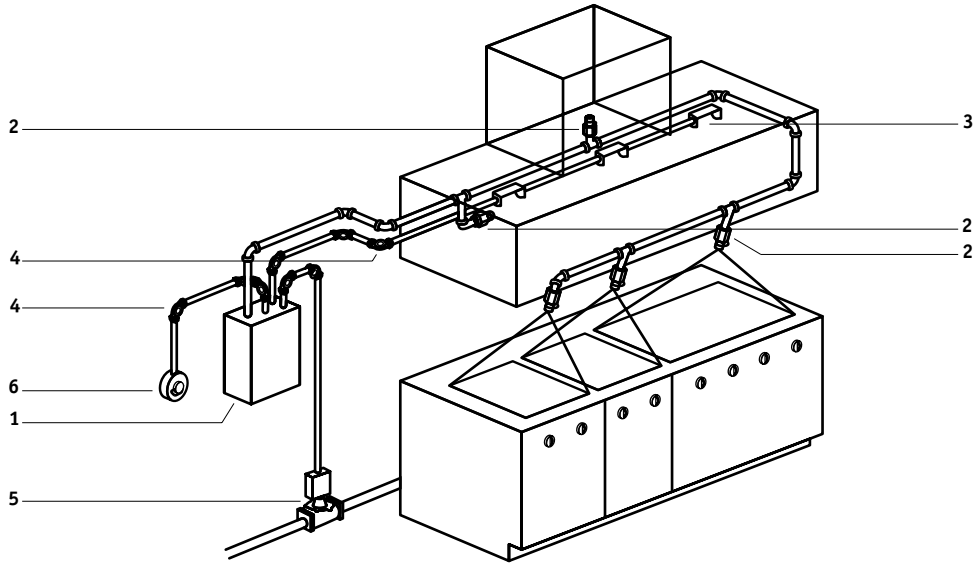
ZIP-LOCK REPORT HOLDER attaches directly to equipment for easy access. Holds 8½" x 11" forms.

P/N	DESCRIPTION
ZLRH	Zip-Lock Holder

CERTIFICATES OF INSPECTION. Measures 8½" x 11". Pkg/100.

P/N	DESCRIPTION
CI100	Certificates of Inspection





AMEREX® KITCHEN SYSTEM PARTS

ENCLOSURES, TANKS, and BRACKETS (FIG 1).

P/N	DESCRIPTION
AX16921	Model 2.75 Agent Cylinder (Filled & Charged)
AX13334	Model 3.75 Agent Cylinder (Filled & Charged)
AX17379	Model 4.75 Agent Cylinder (Filled & Charged)
AX15196	Model 6.14 Agent Cylinder (Filled & Charged)
AX16920	Bracket w/ Swivel Adapter For 2.75, 3.75, & 4.75 gal Cylinder
AX21583	Bracket w/ Swivel Adapter For 6.14 gal Cylinder
✓ AX18001	MRM II w/ SS Enclosure
✓ AX10147	Pneumatic Actuator
AX10199	Discharge Adapter Kit, 6.14 gal Cylinder
AX10173	Vent Check
AX17484	Low-Pressure Module
AX12854	16" Actuation Hose
AX16448	24" Actuation Hose

✓ **Authorized Distributors Only**



AX13334

CARTRIDGE (FIG 1)

P/N	DESCRIPTION
AX12856	Nitrogen Actuation Cartridge



AX10147



AX10173

CHEMICAL (FIG 1)

P/N	DESCRIPTION
AX16924	Amerex Wet Chemical, 2.75 gal
AX12866	Amerex Wet Chemical, 3.75 gal
AX17450	Amerex Wet Chemical, 4.80 gal
AX15416	Amerex Wet Chemical, 6.14 gal



AX12856



AX12866

MICROSWITCHES (FIG 1)

P/N	DESCRIPTION
AX12524	SPDT Snap Action Microswitch w/ 18" Leads
AX18312	Alarm Microswitch



NOZZLES (FIG 2)

P/N	DESCRIPTION
AX16440	Nozzle Swivel Adapter
AX13729	Fryer & Griddle
AX11982	Appliance & Plenum
AX11983	Solid Fuel Charbroiler
AX11984	Upright Broiler
AX16416	Duct
AX14178	Range & Zone Defense
AX17461	Back Shelf Nozzle



NOZZLE CAPS (FIG 2)

P/N	DESCRIPTION
AX12334	Blow Off Cap, Standard
AX12504	Blow Off Cap, High Temperature



DETECTORS (FIG 3)

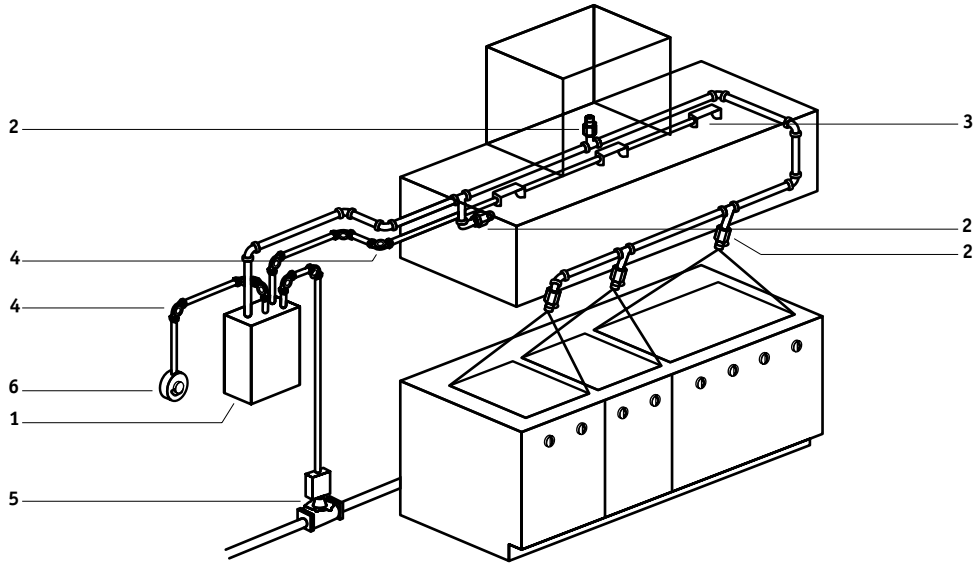
P/N	DESCRIPTION
AX12508	Detector Assembly (Bracket, Linkage, & Conduit Fittings)



CORNER PULLEYS (FIG 4)

P/N	DESCRIPTION
AX12309	Amerex Corner Pulley
AX12506	Tee Pulley
AX16444	Corner Pulley (CP5)





AMEREX® KITCHEN SYSTEM PARTS (CONTINUED)

GAS VALVES and ACCESSORIES (FIG 5).

P/N	DESCRIPTION
AX12790	3/4" Amerex Mechanical Gas Valve
AX12791	1" Amerex Mechanical Gas Valve
AX12792	1 1/4" Amerex Mechanical Gas Valve
AX12793	1 1/2" Amerex Mechanical Gas Valve
AX12794	2" Amerex Mechanical Gas Valve
GVA250	2 1/2" ASCO Mechanical Gas Valve
GVA300	3" ASCO Mechanical Gas Valve
AX13622	Gas Valve Actuator Kit
AX12740	Gas Valve Trip Assembly



MANUAL PULL STATIONS (FIG 6)

P/N	DESCRIPTION
AX21481	Manual Pull Station (Recess or Surface Mount)



SERVICE TOOLS and REPAIR PARTS.

P/N	DESCRIPTION
AX14899	Misc Parts Kit
AX20659	Tank Valve Rebuild Kit For 2.75, 3.75, & 4.75 gal Amerex Cylinder
AX12738	Set Up/Lock-Out Tool
AX13341	Cocking Tool
AD36	Recharge Adapter
HTA10	Hydrostat Adapter KP/ZD (275, 375, & 475)
HTA24	Hydrostat Adapter KP/ZD (600)
AX13430	Nitrogen Cylinder Recharge Adapter/ Bracket Kit
AX12855	T-Handle Adapter
EZFILL	EZ-Fill Siphon
AX5239*	Collar O-Ring For 6.14 gal Amerex Cylinder
AX10097	Spring For 6.14 gal Amerex Cylinder
AX10102*	Washer For 6.14 gal Amerex Cylinder
AX10732*	Screw For 6.14 gal Amerex Cylinder
AX15063	Valve Stem For 6.14 gal Amerex Cylinder
AX10733**	Valve Stem O-Ring For 6.14 gal Amerex Cylinder



* MUST BE PURCHASED IN QUANTITIES OF 12

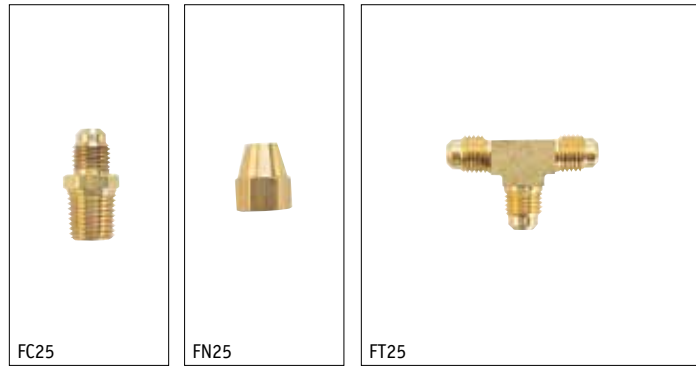
** MUST BE PURCHASED IN QUANTITIES OF 24

SERVICE MANUAL

P/N	DESCRIPTION
AX20150	Service Manual

BRASS FLARE FITTINGS (for system installations) meet SAE J513, as specified in the manufacturer’s manual. Tees and connectors do not include flare nuts.

P/N	DESCRIPTION
FC25	1/4", 45° Flare x 1/4" NPT Male Connector
FN25	1/4", 45° Flare Nut
FT25	1/4", 45° Flare Tee
FC13	1/4", 45° Flare x 1/8" NPT Male Connector



COPPER TUBING for Amerex® system installations.

P/N	DESCRIPTION
ACT049	1/4" x 50' Copper Tubing (0.049" Wall)



Make changing links fast and easy with these **LINKAGE PLIERS** from Brooks. No more scrunching fingers and busting knuckles trying to release cable pressure on scissor brackets. Simply place the specially curved steel jaws in the bracket holes and squeeze for fast, effortless link replacement.

P/N	DESCRIPTION
TL915	Linkage Pliers, Locking
TL910	Linkage Pliers, Non-Locking

Easy-to-use, this **FLARING TOOL** efficiently flares tubing ends of seven common sizes (3/16"–5/8").

P/N	DESCRIPTION
TL2880	Flaring Tool

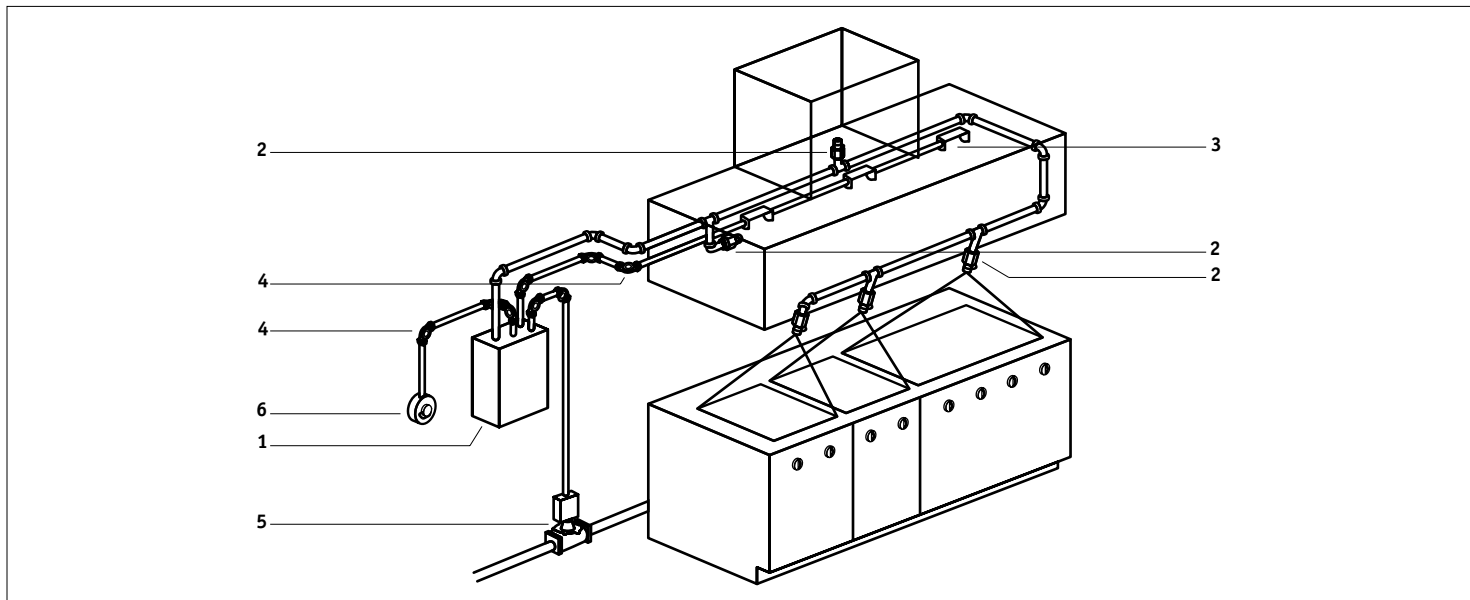


These heavy-duty **TUBING CUTTERS** come with hardened steel reamers and spare cutting wheels.

P/N	DESCRIPTION
ITC1000	Tubing Cutter
1000TC	Tubing Cutter (Domestic)
TCB	Tubing Cutter Blades, Pkg/2



In Use photos may show items not included or available separately.



ANSUL® KITCHEN SYSTEM PARTS

Automan® REGULATED RELEASE and **TANKS** (FIG 1).

P/N	DESCRIPTION
✓ A429853	Mechanical Automan Regulated Release**
✓ A429856	Electrical Automan Regulated Release**
✓ A429859	24 VDC Automan Regulated Release**
✓ A429850	Regulated Actuator & Enclosure
✓ A79493	OEM Mechanical Regulated Release
✓ A418054	OEM Electrical Regulated Release
✓ A418691	OEM Regulated Actuator w/ Bracket
✓ A418522	OEM Regulated Actuator w/o Bracket
A429870	Stainless Steel Enclosure (Only)
A429872	Two Tank Stainless Steel Enclosure (Only)
A429864	1.5 gal Stainless Steel Tank
A429862	3 gal Stainless Steel Tank
A429878	3 gal Stainless Steel Tank Bracket
A423744	Replacement Automan Cover
A417582	8" Actuation Hose, Stainless Steel
A31809	16" Actuation Hose, Stainless Steel
A32336	24" Actuation Hose, Stainless Steel
A430815	42" Actuation Hose, Stainless Steel

**ORDER TANKS AND CARTRIDGES SEPARATELY.

✓ **Authorized Distributors Only**



A429853



A429862



A7032, A5373

CARTRIDGES and CAP (FIG 1).

P/N	DESCRIPTION
A7032	LT-20-R Nitrogen Cartridge
A5373	LT-30-R Nitrogen Cartridge
A73022	R-102 Double Cartridge
A17492	101-20 Cartridge
A15851	101-30 Cartridge
A29187	LT-A-101-30 Multiple Cartridge
A77251	RH Threaded Cartridge Shipping Cap

CHEMICAL (FIG 1)

P/N	DESCRIPTION
A79372	Ansulex Liquid Chemical, 3 gal
A79694	Ansulex Liquid Chemical, 1.5 gal
A426199	Ansulex Liquid Chemical, 55 gal Drum
A423320	PRX Liquid Agent, 5 gal
A430182	PRX Liquid Agent, 6 L
A79656	Flushing Concentrate, 32 oz



A79372



A79656

MICROSWITCHES (FIG 1)

P/N	DESCRIPTION
A423878	SPDT Microswitch
A423879	DPDT Microswitch
A423880	3PDT Microswitch
A423881	4PDT Microswitch
A428311	Alarm Release Microswitch
AES	Extension Studs, Pkg/6

NOZZLES for **Ansul® R-102®** and **Piranha®** fire suppression systems (FIG 2) come with replaceable rubber caps.

NOTE: When no longer available, use the streamlined body nozzles below.

P/N	DESCRIPTION
A418569	Nozzle Swivel Adapter
A419337	2W Nozzle (419348)
A419343	2120 Nozzle (419354)

Streamlined **NOZZLES** with metal blow-off caps are direct replacements for the older rubber blow-off cap nozzles above.

P/N	DESCRIPTION
A418569	Nozzle Swivel Adapter
A439825	1F Nozzle (439836/443319)
A439826	1/2N Nozzle (439837/443321)
A439827	1N Nozzle (439838/443317)
A439828	1W Nozzle (439839/443323)
A439829	2W Nozzle (439840/443325)
A439830	3N Nozzle (439841/443327)
A439831	230 Nozzle (439842/443329)
A439832	245 Nozzle (439843/443331)
A439833	260 Nozzle (439844/443333)
A439834	290 Nozzle (439845/443335)
A439835	2120 Nozzle (439846/443337)
A440005	Piranha AP Nozzle (440006/443339)
A440008	Piranha DL Nozzle (440009/443341)
A434455	Henny Penny Nozzle Kit

OLD STYLE NOZZLE CAPS (FIG 2)

BLOW-OFF CAPS help protect system nozzles from accumulation of dirt and grime. Rubber blow-off caps are to be replaced annually.

NOTE: Not for use on the new streamlined nozzles.

P/N	DESCRIPTION
A77695	Rubber Blow-Off Caps, Pkg/50
A433208	CB Metal Blow-Off Caps, Pkg/10
PC551530	Metal Cap O-Rings, Pkg/10

STREAMLINED NOZZLE CAPS (FIG 2)

BLOW-OFF CAPS help protect system nozzles from accumulation of dirt and grime.

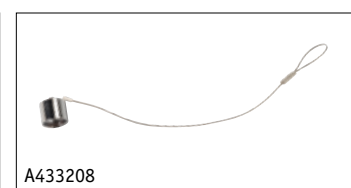
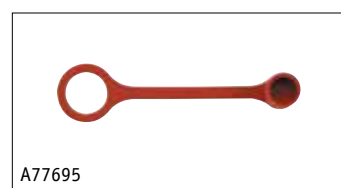
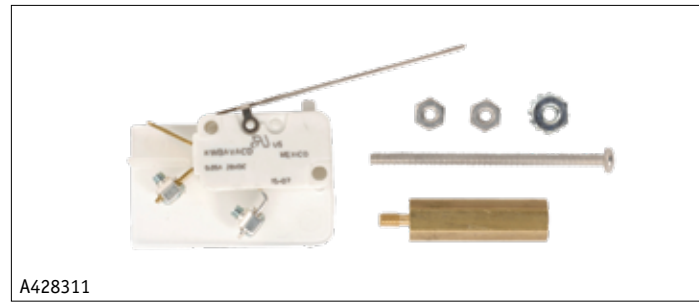
P/N	DESCRIPTION
A439861	Streamlined Metal Blow-Off Caps, Pkg/10
A439848	R-102 Nozzle O-Rings, Pkg/25

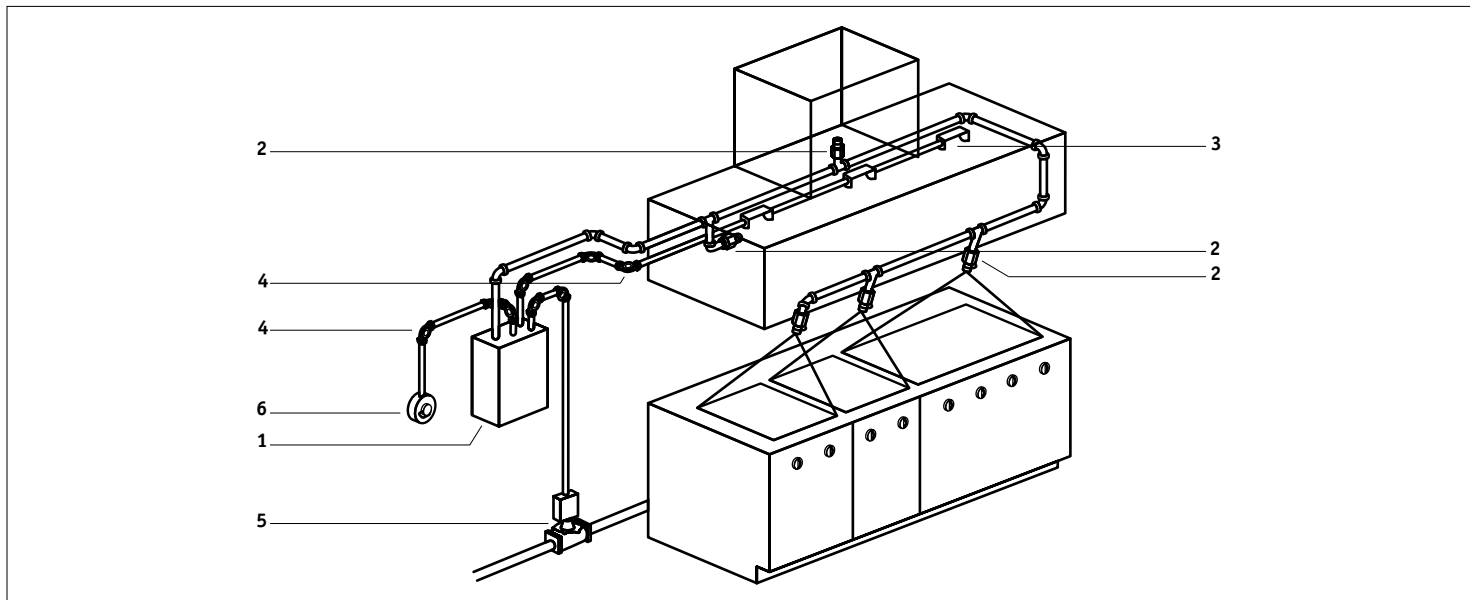
DETECTORS and PARTS (FIG 3).

P/N	DESCRIPTION
A435546	Terminal Scissor-Style Detector Kit
A435547	Series Scissor-Style Detector Kit
A435545	Replacement Linkage Scissors, Stainless Steel

CORNER PULLEYS (FIG 4)

P/N	DESCRIPTION
A423250	Ansul Corner Pulley
A415670	Ansul Set Screw Corner Pulley
A427929	Ansul Tee Pulley





ANSUL® KITCHEN SYSTEM PARTS (CONTINUED)

GAS VALVES and ACCESSORIES (FIG 5).



P/N	DESCRIPTION
A55598	3/4" Ansul Mechanical Gas Valve
A55601	1" Ansul Mechanical Gas Valve
A55604	1 1/4" Ansul Mechanical Gas Valve
A55607	1 1/2" Ansul Mechanical Gas Valve
A55610	2" Ansul Mechanical Gas Valve
GVB250	2 1/2" ASCO Mechanical Gas Valve**
GVB300	3" ASCO Mechanical Gas Valve**
A15733	Pneumatic Piston Kit
A416018	Cocking Lever – Mechanical Gas Valve

**ORDER P/N A15733 SEPARATELY FOR THE ASCO VALVES. ANSUL® VALVES INCLUDE THE PNEUMATIC PISTON KIT.

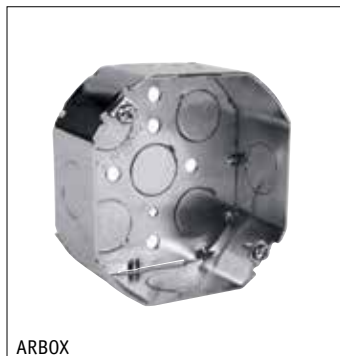


REMOTE PULL STATIONS and ACCESSORIES (FIG 6).



P/N	DESCRIPTION
A434618	Remote Pull Station w/o Cable
A435960	Remote Pull Station w/ 50' Cable
A435725	Bearings & Bolts, Pkg/10
A435726	For Remote Pull Pull Tabs, Pkg/10
RPBOX	Non-Chrome Remote Pull Box
ARBOX	Chrome Remote Pull Box

FLEXIBLE CONDUIT and ACCESSORIES.



P/N	DESCRIPTION
A434525	Flexible Conduit, 500'
A435959	Flexible Conduit w/ Wire Rope, 500'
A435979	Flexible Conduit Strain Relief, Pkg/50
A434347	Flexible Conduit Inserts, Pkg/50
A436150	P-Clip, Pkg/50
A436063	Conduit Offset, Pkg/6

ACCESSORIES

P/N	DESCRIPTION
A79318	R-102 Regulator
A417911	R-102 Bursting Discs, Pkg/10
56909AS	Collar O-Ring – System Tank
A68800	Vent Plug
A79007	R-102 Hose Assembly
A418511	Hose/Grommet Package
A417700	Siphon Tube Assembly
A416970	Bursting Disc Union Assembly
N1800	1/8" Close Nipple For Actuating Line
BP27	1/4" x 1/8" Reducing Cplg For Actuating Line
435982AS	Agent Dist Kit, 5'

SERVICE TOOLS

P/N	DESCRIPTION
A441041	Cocking Lever & Bar
A441042	Short Locking Lever & Bar
A14985	Locking Bar (Only)
A416018	Cocking Lever – Mechanical Gas Valve
TL915	System Linkage Pliers, Locking
TL910	System Linkage Pliers, Non-Locking
EZFILL	EZ-Fill Siphon
HTA42	Hydro Adapter – R-102 w/ Internal Threads
A438031	Locking Pin

SERVICE MANUALS

P/N	DESCRIPTION
A2006144	R-102 UL300 Wet Chemical Fire Suppression System Manual

ANSUL® INDUSTRIAL SYSTEM PARTS

ACCESSORIES

P/N	DESCRIPTION
A13193	LT-10-R Cartridge, 10 lb
A15850	101-10 Cartridge, 10 lb
A416698	Valve Stem & O-Ring Assembly (IND-X)
A415843	Replacement O-Ring (IND-X) For Stem
A417809	Recharge Adapter (IND-X)
A416018	Cocking Lever – Mechanical Gas Valve
A26310	Cocking Lever – Ansul Automan II-C
A9336	Ansul® Plus-Fifty C™ Dry Chemical, 50 lb Pail



A79318



A417700



A416970



A416018 In Use



A441041



TL915



TL910

ANSUL® INDUSTRIAL SYSTEM PARTS

ACCESSORIES

P/N	DESCRIPTION
A13193	LT-10-R Cartridge, 10 lb
A15850	101-10 Cartridge, 10 lb
A416698	Valve Stem & O-Ring Assembly (IND-X)
A415843	Replacement O-Ring (IND-X) For Stem
A417809	Recharge Adapter (IND-X)
A416018	Cocking Lever – Mechanical Gas Valve
A26310	Cocking Lever – Ansul Automan II-C
A9336	Ansul® Plus-Fifty C™ Dry Chemical, 50 lb Pail



EZFILL In Use



A416698



A9336

In Use photos may show items not included or available separately.

Ansul®, Piranha®, Automan®, and Plus-Fifty® are registered marks of Tyco Fire Products LP.

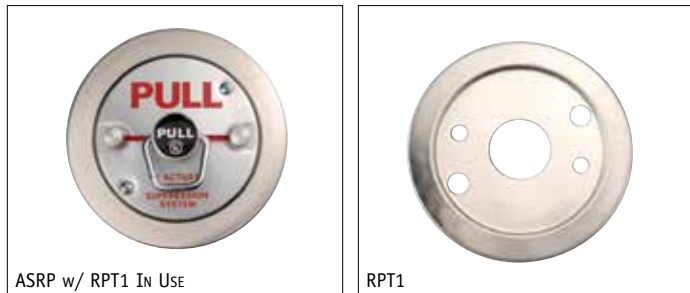


CP5



Brooks' high-temperature ball bearing **COMPRESSION CORNER PULLEY** is UL classified for use in **Ansul®** fire suppression systems, per NFPA 17 and 17A. Its steel compression nuts eliminate thread stripping, and it has more threads than most for a stronger, easier-to-install corner pulley. Its ball bearing roller is pressed into place and stays when you remove the cover.

P/N	DESCRIPTION
CP5	Compression Corner Pulley

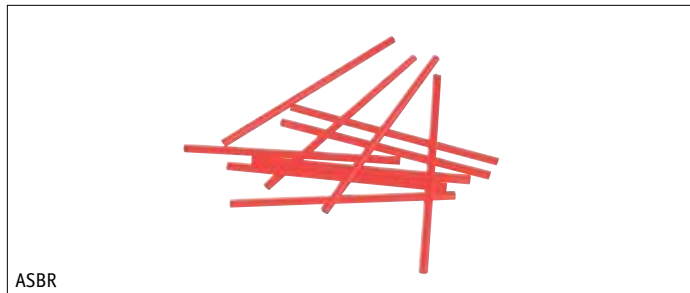


ASRP w/ RPT1 In Use

RPT1

The **REMOTE PULL** is UL classified for use in **Ansul®** fire suppression systems, per NFPA 17 and 17A.

P/N	DESCRIPTION
ASRP	Remote Pull
RPT1	ASRP Stainless Steel Trim
RSS	Set Screws, Pkg/10 For ASRP Break Rod Post



ASBR

These **BREAK RODS** are compatible with the **Ansul®** remote pull and the **ASRP**. Pkg/10.

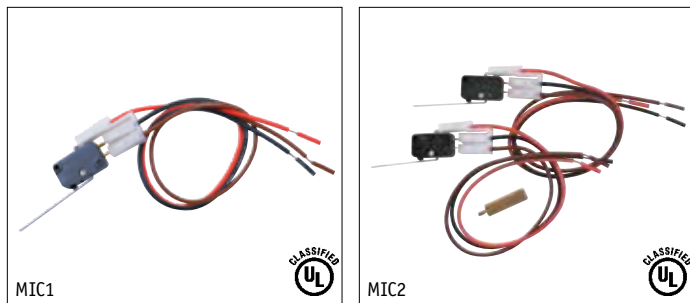
P/N	DESCRIPTION
ASBR	Remote Break Rods



ARBOX

JUNCTION BOXES for mounting remote pulls.

P/N	DESCRIPTION
RPBOX	Non-Chrome Remote Pull Box
ARBOX	Chrome Remote Pull Box



MIC1

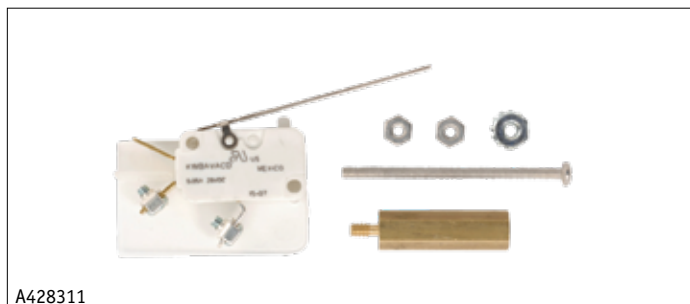


MIC2



UL classified **MICROSWITCHES** for **Ansul®** systems come complete with wiring harnesses and hardware.

P/N	DESCRIPTION
MIC1	SPDT Microswitch
MIC2	DPDT Microswitch
AES	Extension Studs, Pkg/6 To Add More Switches



A428311

Alarm initiating **MICROSWITCH KIT** is for connection between **Ansul® Automan** and a fire alarm control panel.

P/N	DESCRIPTION
A428311	Alarm Microswitch

In Use photos may show items not included or available separately.

Automan® is a registered mark of Tyco Fire Products LP.

Take the guesswork out of nozzle positioning with this **NOZZLE AIMING DEVICE**. It mounts directly onto a nozzle and uses a small laser light to reflect on the surface at which it is aimed. Move the nozzle until it is aimed correctly, then tighten it into place.
NOTE: Adapters for nozzle aiming device sold separately.

P/N	DESCRIPTION
PC551265	Nozzle Aiming Device (Only)
A439876	Adapter, White (Ansul) For Aiming Device
EL1CR2*	Replacement Batteries, Pkg/2

*UNAVAILABLE IN AK, HI, PR, OR CATALINA



Dow Corning® SILICONE GREASE NO. 111 is recommended by **Ansul** for use with rubber and metal blow-off caps on discharge nozzles, protecting both caps and nozzle orifices.
NOTE: Re-application required at each semi-annual maintenance examination.

P/N	DESCRIPTION
SL111	Silicone Grease No. 111



These aluminum **BURSTING DISCS** are installed to prevent the extinguishing agent from entering the pipe during extreme temperature variations. Pkg/25.
NOTE: BDA is for dry chemical systems only.

P/N	DESCRIPTION
BDA	Aluminum Bursting Discs

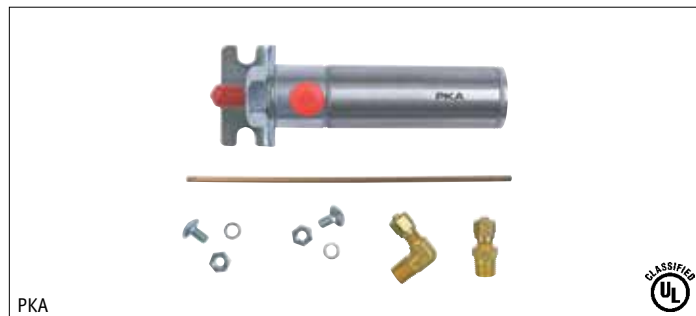


R-102® BURSTING DISCS are installed to prevent extinguishing agents from entering the pipe during extreme temperature variations. Pkg/10.
NOTE: R102BDA is for R-102 wet chemical systems only.

P/N	DESCRIPTION
R102BDA	R-102 Bursting Discs

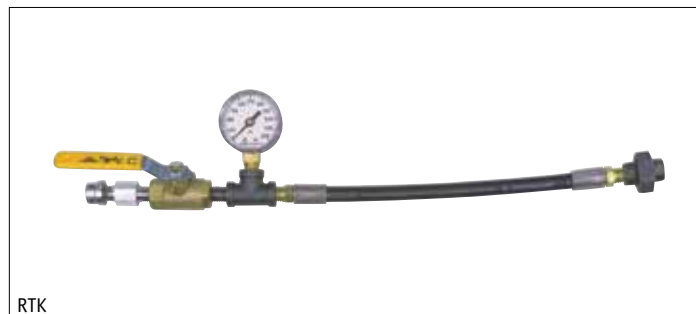
The **PNEUMATIC PISTON KIT** is for actuating a mechanical gas valve and is UL classified for use in **Ansul®** systems, per NFPA 17 and 17A.

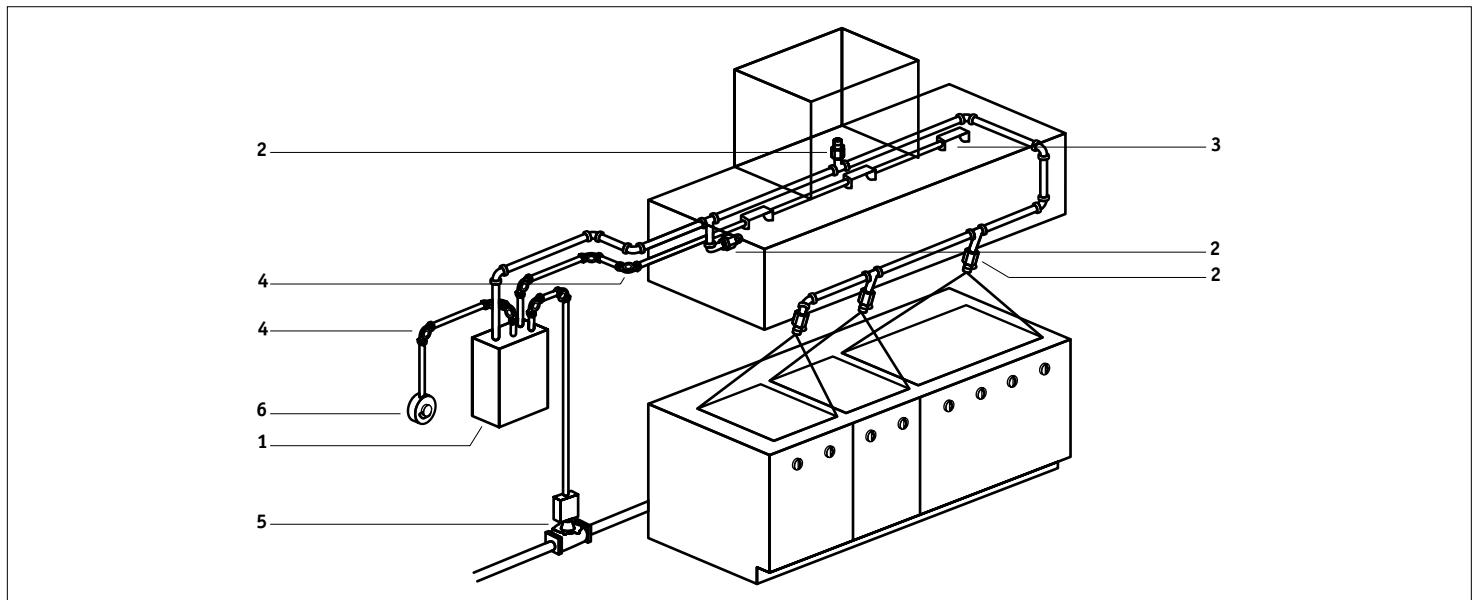
P/N	DESCRIPTION
PKA	Pneumatic Piston Kit
PKAKIT	Replacement Hardware (Only)



As required every 12 years, per the **Ansul®** maintenance manual, this **REGULATOR TEST KIT** is for testing the **Ansul Automan®** regulator.

P/N	DESCRIPTION
RTK	R-102 Regulator Test Kit
RTK6	RTK Gauge, 300 psi





KIDDE AND BADGER™ RANGE GUARD® KITCHEN SYSTEM PARTS

CYLINDERS, CONTROL HEADS, and BRACKETS (FIG 1).



K120001



B120002



K1200992



B1200101



KR844908



KR120043



KR235557



KR120044

- | P/N | DESCRIPTION |
|------------|---|
| K120001 | WHDR-125 Charged Cylinder, 1.25 gal – Kidde |
| B120001 | RG-1.25G Cylinder/Valve, 1.25 gal – Badger |
| K120002 | WHDR-260 Charged Cylinder, 2.6 gal – Kidde |
| B120002 | RG-2.5G Cylinder/Valve, 2.5 gal – Badger |
| K120003 | WHDR-400S Charged Cylinder, 4 gal – Kidde |
| B120003 | RG-4S Short Cylinder/Valve, 4 gal – Badger |
| K120006 | WHDR-400M Charged Cylinder, 4 gal – Kidde |
| B120006 | RG-4M Medium Cylinder/Valve, 4 gal – Badger |
| K120005 | WHDR-600 Charged Cylinder, 6 gal – Kidde |
| B120005 | RG-6G Cylinder/Valve, 6 gal – Badger |
| KR844908 | Discharge Adapter Kit |
| ✓ K1200992 | New XV Control System – Kidde |
| ✓ B1200992 | New UCH Control System – Badger |
| ✓ K1200101 | KRS-50 Control Box Assembly – Kidde |
| ✓ B1200101 | A+ Control Box Assembly – Badger |
| KR120042 | System Valve Actuator |
| B9189412 | Pneumatic Release – Badger |
| KR045001 | High-Pressure Hose, 7 1/2' |
| KR045002 | High-Pressure Hose, 24" |
| KR045003 | High-Pressure Hose, 60" |
| KR9197430 | Wall Bracket, 1.3 gal Cylinder |
| KR9197263 | Wall Bracket, 2.6 gal Cylinder |
| KR9197415 | Wall Bracket, 4 gal Short Cylinder |
| KR9197414 | Wall Bracket, 4 gal Medium Cylinder |
| KR100013 | Shelf Bracket, 4 gal Med & 6 gal Cylinders |
| KR100010 | Floor Mtg. Kit, 4 gal Med & 6 gal Cylinders |
| | Requires KR100013 Bracket |
| | ✓ Authorized Distributors Only |

ACTUATOR CARTRIDGES (FIG 1) KR120043 and

KR235557 must be periodically replaced in accordance with the **Kidde/Range Guard®** manual. Refer to manual for replacement intervals and installation instructions. **KR120044** is a test cartridge used during semi-annual and annual service only.

NOTE: Make sure to check cartridge weight before installation.

- | P/N | DESCRIPTION |
|----------|---|
| KR120043 | Nitrogen Actuator Cartridge
XV, UCH Control |
| KR235557 | 12 g CO ₂ Actuator Cartridge
KRS-50, A+ |
| KR120044 | Nitrogen Test Cartridge
XV, UCH Control |

CHEMICAL (FIG 1)

P/N	DESCRIPTION
KR120030	APC Wet Chemical, 1.25 gal
KR120031	APC Wet Chemical, 2.5 gal
KR120032	APC Wet Chemical, 4 gal
KR120033	APC Wet Chemical, 6 gal



KR120031



KR120032

MICROSWITCHES and PRESSURE SWITCH (FIG 1).

P/N	DESCRIPTION
KR120039	SPDT Microswitch <i>XV, UCH Control</i>
KRST120039	SPDT Striped Microswitch <i>XV, UCH Control</i>
KR120047	Alarm Release Microswitch <i>XV, UCH Control</i>
KR97227	SPDT Microswitch <i>KRS-50, A+</i>
KR97228	DPDT Microswitch <i>KRS-50, A+</i>
KR100034	Electric Actuator Kit, 24 VDC Solenoid <i>XV, UCH Control</i>
KR9197023	SPDT Pressure Switch



KR120039



KR120047

NOZZLES (FIG 2)

P/N	DESCRIPTION
KR120021	Swivel Adapter, 3/8"
KR120011	ADP Nozzle
KR120012	F Nozzle
KR120013	GRW Nozzle
KR120014	R Nozzle
KR120015	DM Nozzle
KR120022	LPF Nozzle
KR120024	LPR Nozzle



KR120021



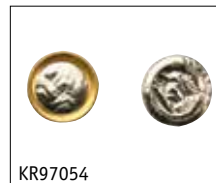
KR120011



KR120014

NOZZLE SEALS and CAPS (FIG 2).

P/N	DESCRIPTION
KR97054	Foil Nozzle Seals/Discs, Pkg/10
KR97290	Chrome Nozzle Caps, Pkg/10
KR120026	Nozzle Cap (LPR Nozzle Only)



KR97054



KR97290



KR120026

DETECTORS (FIG 3)

P/N	DESCRIPTION
KR804548	Link Detector Kit <i>XV, UCH Control</i>
KR120064	Universal Link Detector Kit



K844648



B844648

CORNER PULLEYS (FIG 4)

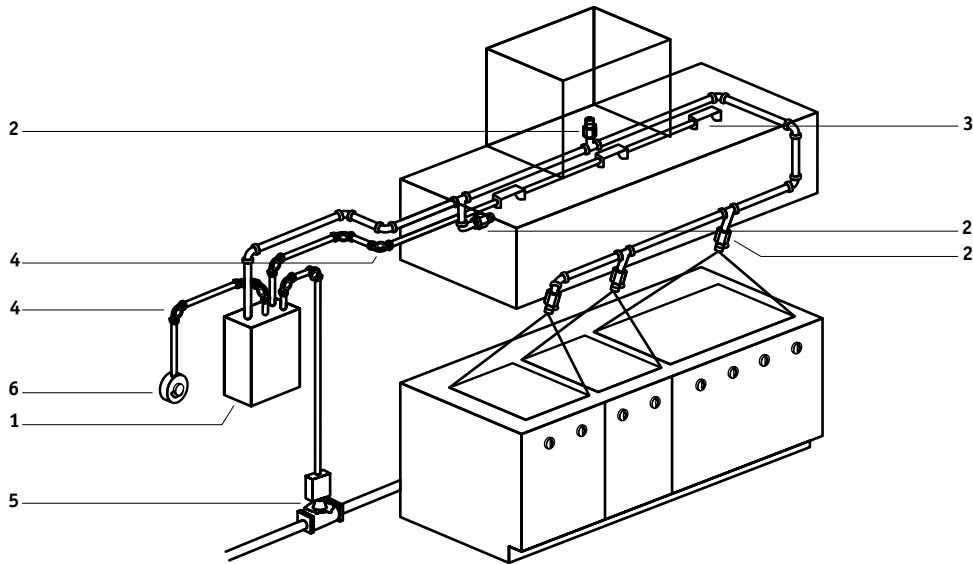
P/N	DESCRIPTION
K844648	Kidde Corner Pulley
B844648	Badger Corner Pulley
KR843792	Kidde/Badger Double Tee Pulley

GAS VALVES (FIG 5)

P/N	DESCRIPTION
KR120071	3/4" Mechanical Gas Valve
KR120072	1" Mechanical Gas Valve
KR120073	1 1/4" Mechanical Gas Valve
KR120074	1 1/2" Mechanical Gas Valve
KR120075	2" Mechanical Gas Valve
KR120076	2 1/2" Mechanical Gas Valve
KR120077	3" Mechanical Gas Valve



KR120071



KIDDE AND BADGER™ RANGE GUARD® KITCHEN SYSTEM PARTS (CONTINUED)

REMOTE PULL STATIONS (FIG 6)

P/N	DESCRIPTION
K120110	Remote Manual Release – Kidde
B120110	Remote Manual Release – Badger

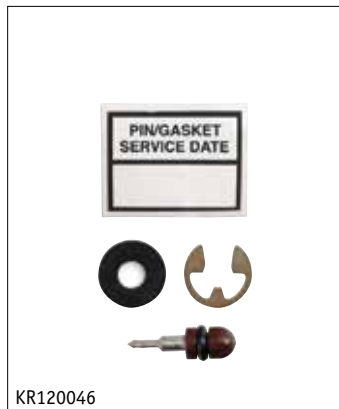
ACCESSORIES

P/N	DESCRIPTION
KR120067	Valve Assembly Rebuild Kit
KR120046	Rebuild Kit, XV, UCH Control System Valve
KR131024	Gauge Shield
KR87120072	UCH Valve Body Update Kit
KR237167	Piercing Pins, Yellow, Pkg/10
KR197215	Piercing Pins (KRS-50), Pkg/10
KR490004	Valve Stem Snap Rings, Pkg/10
OR43	O-Ring, Valve Neck (64350327)
OR4	O-Ring, Valve Stem
KR1419239*	O-Ring, Puncture Stem
KR236204	Flat Gasket, XV, UCH Control
KR97220	Cable Tensioning Block, A+
KR120068	Solid Plug
KR96984	Vent Plug
GPC175	Wet Chemical Gauge, 175 psi
GPC225	Wet Chemical Gauge, 225 psi
B120009	Valve Assembly For Range Guard Cylinders
KR117989	Replacement Straps For Cylinder Mounting Brackets

*WHILE QUANTITIES LAST!

SERVICE TOOLS

P/N	DESCRIPTION
KR844908	Discharge Adapter Kit
KR253538	Crimp Tool
KR255096	Valve Top Protection Plate
KR255681	Anti-Recoil Plate
HTA24	Hydrotest Adapter
KR279262	Recharge Adapter
KR9197108	Keeper Pin



OLDER RANGE GUARD® PARTS

UL classified **Range Guard®**-style **MICROSWITCHES** (for older control heads) come complete with wiring harnesses and hardware.

P/N	DESCRIPTION
MIC4	Range Guard-Style SPDT Microswitch
MIC5	Range Guard-Style DPDT Microswitch
MIC6	Range Guard & Kidde-Style SPDT "A+", KRS-50, Series Microswitch
MIC7	Range Guard & Kidde-Style DPDT "A+", KRS-50, Series Microswitch

MISCELLANEOUS PARTS

P/N	DESCRIPTION
RG118031	System Gauge, 175 psi
RGVS	Valve Stem For Old RG Cylinder
RG97009	Cocking Tool For Mechanical Control Head
OR45	O-Ring – Ring Nut (00061) For Old RG Cylinder

Brooks' high-temperature ball bearing COMPRESSION CORNER PULLEY is UL classified for use in **Kidde** and **Range Guard®** fire suppression systems, per NFPA 17 and 17A. Its steel compression nuts eliminate thread stripping, and it has more threads than most for a stronger, easier-to-install corner pulley. Its ball bearing roller is pressed into place and stays when you remove the cover.

P/N	DESCRIPTION
CP5	Compression Corner Pulley

CO₂ ACTUATOR CARTRIDGES are UL classified for **Kidde** and **Range Guard** and, along with O-rings, must be periodically replaced in accordance with the **Kidde** or **Range Guard** manual. Refer to manual for replacement intervals and installation instructions. Pkg/3.

TIP: Make sure to weigh cartridge before installation.

P/N	DESCRIPTION
KRC	12 g CO ₂ Actuator Cartridges

BRASS FLARE FITTINGS are for system installations and meet SAE J513, as specified in the manufacturer's manual.

NOTE: Tees and connectors do not include flare nuts.

P/N	DESCRIPTION
FC25	1/4", 45° Flare x 1/4" NPT Male Connector
FN25	1/4", 45° Flare Nut
FT25	1/4", 45° Flare Tee
FC13	1/4", 45° Flare x 1/8" NPT Male Connector

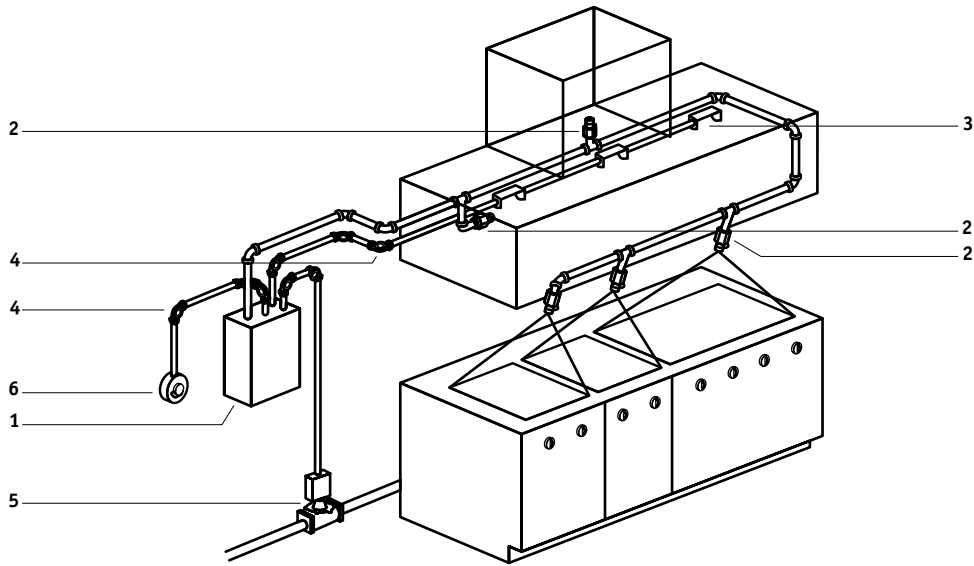
COPPER TUBING for system installations.

P/N	DESCRIPTION
CT50	1/4" x 50' Copper Tubing (1/32" Wall)

KIDDE CO₂ SYSTEM ADAPTER

P/N	DESCRIPTION
KC02	CO ₂ System Adapter





PYRO-CHEM® KITCHEN SYSTEM PARTS

CYLINDERS, ENCLOSURES, and BRACKETS (FIG 1).

P/N	DESCRIPTION
PC553163	PCL 160 Charged Cylinder, 1.6 gal
PC551194	PCL 300 Charged Cylinder, 3 gal
PC551193	PCL 460 Charged Cylinder, 4.6 gal
PC551196	PCL 600 Charged Cylinder, 6 gal
PC550053	MB-1 Cylinder Bracket For PLC 600
PC550054	MB-15 Cylinder Bracket For PLC 160, PCL 300, and PCL 460
PC550103	PAC-10 Cylinder Bracket
PC550966	EN-S Enclosure For Secondary Cylinders
✓ PC551204	NMCH-DPT Control Head w/ Switch
PC550853	MB-P2 Control Head Mounting Bracket
PC550104	PAC-10 Pneumatic Actuating Cylinder
PC550093	PAC-100 Pneumatic Actuating Cylinder
PC417582	8" Actuation Hose, Stainless Steel
PC31809	16" Actuation Hose, Stainless Steel
PC32336	24" Actuation Hose, Stainless Steel
PC430815	42" Actuation Hose, Stainless Steel

✓ **Authorized Distributors Only**

ACTUATOR CARTRIDGES (FIG 1) and O-rings must be

periodically replaced in accordance with the **Pyro-Chem®** manual.

Refer to manual for replacement intervals and installation instructions.

TIP: Make sure to check cartridge weight before installation.

P/N	DESCRIPTION
PC551059	16 g CO ₂ Actuator Cartridge
PC55531	O-Ring For Actuator Cartridge

CHEMICAL (FIG 1)

P/N	DESCRIPTION
PC553176	RL-160, 1.6 gal Recharge Agent
PC551188	RL-300, 3.0 gal Recharge Agent
PC79656	Flushing Concentrate, 32 oz



PC551194



PC550853



PC550104



PC551059



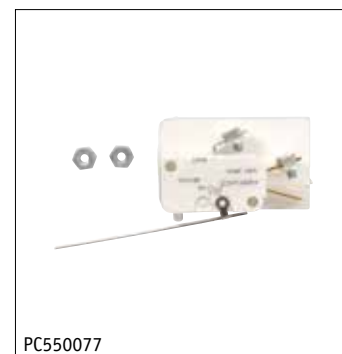
PC79656



PC551188

MICROSWITCHES (FIG 1)

P/N	DESCRIPTION
PC550227	SPDT Microswitch (Old Style)
PC550237	DPDT Microswitch (Old Style)
PC551154	SPDT Microswitch
PC551155	DPDT Microswitch
PC551156	3PDT Microswitch
PC551157	4PDT Microswitch
PC550077	Alarm Microswitch
PC552173	Microswitch Extension Kit



NOZZLES (FIG 2)

P/N	DESCRIPTION
PC418569	Swivel Adapter
PC551026	1L Nozzle
PC551027	2L Nozzle
PC551028	2H Nozzle
PC551029	1H Nozzle
PC551038	2D Nozzle



Replacement **NOZZLE CAPS (FIG 2)**.

NOTE: Pyro-Chem requires that the rubber caps (PC550016) be replaced annually.

P/N	DESCRIPTION
PC623	NL Series Nozzle Cap
PC550016	Rubber Nozzle Caps, Pkg/12
PC551530	Nozzle O-Rings (PC625), Pkg/10



DETECTORS and PARTS (FIG 3).

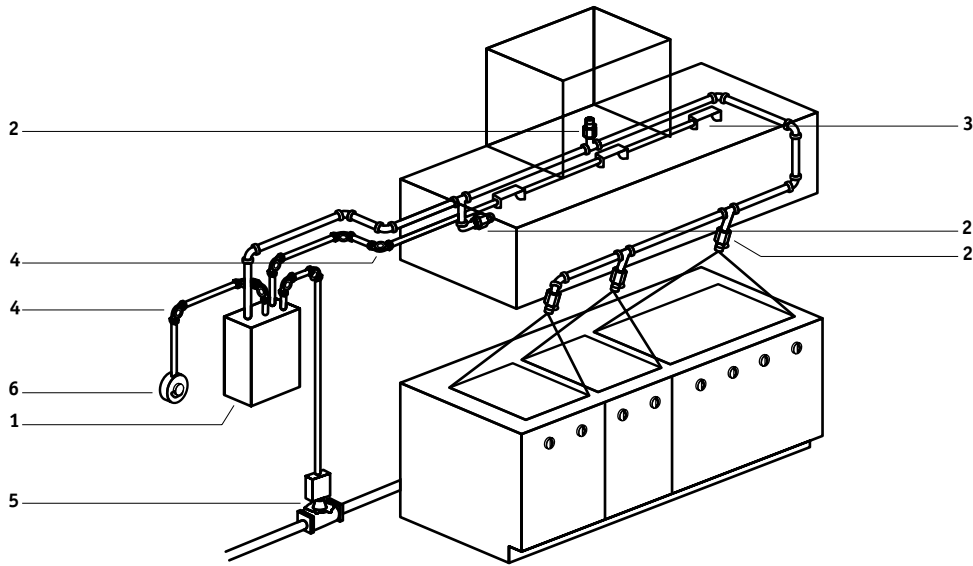
P/N	DESCRIPTION
PC435547	Series Detector ASM
PC435546	Terminal Detector ASM
PC435545	Scissor Linkage
PCFLH	Fusible Link Hanger



CORNER PULLEYS (FIG 4)

P/N	DESCRIPTION
PC423250	Compression Corner Pulley
PC415670	Set Screw Corner Pulley
PC427929	Tee Pulley





PYRO-CHEM® KITCHEN SYSTEM PARTS (CONTINUED)

GAS VALVES (FIG 5)

P/N	DESCRIPTION
PC550593	3/4" Mechanical Gas Valve
PC550594	1" Mechanical Gas Valve
PC550595	1 1/4" Mechanical Gas Valve
PC550596	1 1/2" Mechanical Gas Valve
PC551049	2" Mechanical Gas Valve
PC550185	2 1/2" Mechanical Gas Valve
PC550186	3" Mechanical Gas Valve



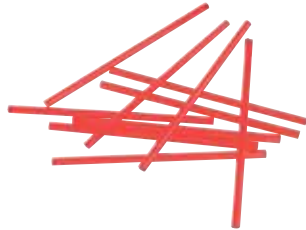
PC550595

REMOTE PULL STATION (FIG 6)

P/N	DESCRIPTION
PC551074	Remote Pull (RPSM)
PC551167	Electrical Remote Pull
ASBR	Remote Break Rods, Pkg/10



PC551074



ASBR

FLEXIBLE CONDUIT and ACCESSORIES.

P/N	DESCRIPTION
A434525	Flexible Conduit, 500'
A435959	Flexible Conduit w/ Wire Rope, 500'
A435979	Flexible Conduit Strain Relief, Pkg/50
A434347	Flexible Conduit Inserts, Pkg/50
A436150	P-Clips, Pkg/50
A436063	Conduit Offsets, Pkg/6



A435979



A434347

ACCESSORIES

P/N	DESCRIPTION
PC550698	Wet Valve Rebuild Kit
PC551061	Regulator Rebuild Kit
GPC225	Wet Chemical Gauge, 225 psi
PC550716	Wet Valve Neck O-Ring (420716)



PC550698



PC551061

SERVICE TOOLS

P/N	DESCRIPTION
PC550788	Wet Valve Tool
PC551240	Recharge Adapter For Kitchen Knight II
HTA41	Hydrotest Adapter
EZFILL	EZ-Fill Siphon
PC550938	Bleed Down Adapter

SERVICE MANUAL

P/N	DESCRIPTION
PC551274	Kitchen Knight II Manual (2009)

Take the guesswork out of nozzle positioning with this **NOZZLE AIMING DEVICE**. It mounts directly onto a nozzle and uses a small laser light to reflect on the surface at which it is aimed. Move the nozzle until it is aimed correctly, then tighten it into place.

NOTE: Adapters for nozzle aiming device sold separately.

P/N	DESCRIPTION
PC551265	Nozzle Aiming Device (Only)
PC550926	Pyro-Chem Adapter, Black For Aiming Device
EL1CR2*	Replacement Batteries, Pkg/2

*UNAVAILABLE IN AK, HI, PR, OR CATALINA

PYRO-CHEM® INDUSTRIAL DRY SYSTEM PARTS

NOZZLES and CAPS.

P/N	DESCRIPTION
PC551650	NV-WA Nozzle
PC551651	NV-UF Nozzle
PC551652	NV-P1 Nozzle
PC551653	NV-DP2 Nozzle
PC551098	N-SCR Nozzle
PC551099	N-OTF Nozzle
PC551100	N-PLU Nozzle
PC551101	N-DCT Nozzle
PC551678	NF-ABC Nozzle
PC550646	N-LA-ABC Nozzle
PC550342	N-LA-BC Nozzle
PC550337	NF-TS Nozzle
PC550333	Nozzle Cap
PC550644	Nozzle Cap

ACCESSORIES

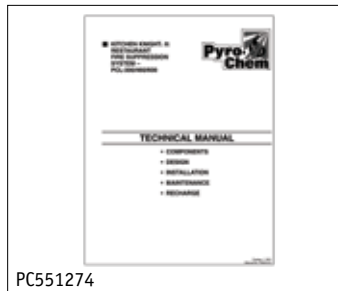
P/N	DESCRIPTION
PC550037	Dry Valve Rebuild Kit
PC550877	VT-2 Dry Valve Tool
PC553565	Pyro-Chem Industrial Manual
PC550026	Safety Release Plug
PC550130	Dry Valve Recharge Adapter
10064	1/2" Hex Wrench



EZFILL In Use



PC550788



PC551274



PC551265



PC551265 w/ PC550926 In Use



PC551265 w/ PC550926 In Use



PC551650



PC551653



PC551099



PC551100



PC550337



PC550644



PC550037



PC550877

In Use photos may show items not included or available separately.

Pyro-Chem® is a registered mark of Tyco Fire Products LP.



CP5



Brooks' high-temperature ball bearing **COMPRESSION CORNER PULLEY** is UL classified for use in **Pyro-Chem**® fire suppression systems, per NFPA 17 and 17A. Its steel compression nuts eliminate thread stripping, and it has more threads than most for a stronger, easier-to-install corner pulley. Its ball bearing roller is pressed into place and stays when you remove the cover.

P/N	DESCRIPTION
CP5	Compression Corner Pulley



LBK1



This **10" FUSIBLE LINK BRACKET** is UL classified for use in **Pyro-Chem**® systems, per NFPA 17 and 17A.

P/N	DESCRIPTION
LBK1	10" Link Bracket

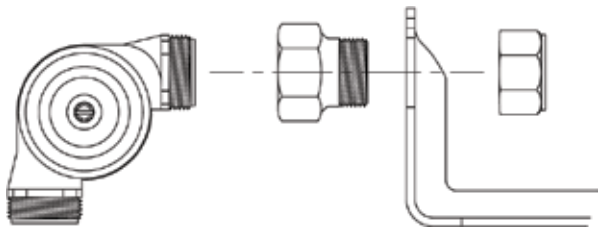


LBK3



Offering better air flow around fusible links, this **10" HIGH STAND OFF FUSIBLE LINK BRACKET** is UL classified for use in **Pyro-Chem**® systems, per NFPA 17 and 17A. (It matches up to a **CP5** when coming through the top of a hood with a **GSA12**.)

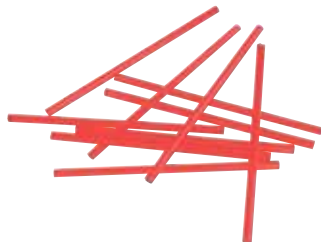
P/N	DESCRIPTION
LBK3	10" High Stand Off Link Bracket



LHAK In Use

Facilitating the attachment of a **Pyro-Chem**® large-threaded corner pulley to an **LBK3** fusible link bracket, this **LINK HOUSING ADAPTER KIT** reduces the larger threads of the corner pulley to fit the smaller-diameter link bracket hole. No conduit or conduit fittings are required either. Kit comes with one reducing adapter and one steel nut.

P/N	DESCRIPTION
LHAK	Link Housing Adapter Kit



ASBR

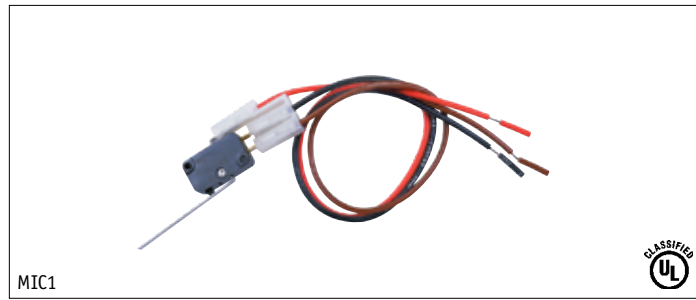
These **BREAK RODS** are compatible with remote pulls. Pkg/10.

P/N	DESCRIPTION
ASBR	Remote Break Rods

MICROSWITCHES

NOTE: You can stack two MIC1s to make a DPDT. For more than two switches, use OEM models.

P/N	DESCRIPTION
MIC1	SPDT Microswitch For MCH3 Head



MIC1



CO₂ ACTUATOR CARTRIDGES are UL classified for **Pyro-Chem** and, along with O-rings, must be periodically replaced in accordance with the **Pyro-Chem**® manual. Refer to manual for replacement intervals and installation instructions.

NOTE: Make sure to check cartridge weight before installation

P/N	DESCRIPTION
PCC	16 g CO ₂ Actuator Cartridges, Pkg/3
PC55531	O-Ring Actuator Cartridge



PCC



BRASS FLARE FITTINGS are for system installations and meet SAE J513, as specified in the manufacturer's manual.

NOTE: Tees and connectors do not include flare nuts.

P/N	DESCRIPTION
FC25	1/4", 45° Flare x 1/4" NPT Male Connector
FN25	1/4", 45° Flare Nut
FT25	1/4", 45° Flare Tee
FC13	1/4", 45° Flare x 1/8" NPT Male Connector



FC25

FN25

FT25

COPPER TUBING for **Pyro-Chem**® system installations.

P/N	DESCRIPTION
CT50	1/4" x 50' Copper Tubing (1/32" Wall)



CT50

Easy-to-use, this **FLARING TOOL** efficiently flares tubing ends of seven common sizes (3/16"–5/8").

P/N	DESCRIPTION
TL2880	Flaring Tool



TL2880 In Use

These heavy-duty **TUBING CUTTERS** come with hardened steel reamers and spare cutting wheels.

P/N	DESCRIPTION
ITC1000	Tubing Cutter
1000TC	Tubing Cutter (Domestic)
TCB	Tubing Cutter Blades, Pkg/2



ITC1000

1000TC

In Use photos may show items not included or available separately.