



# **Cage Unloading System**

---



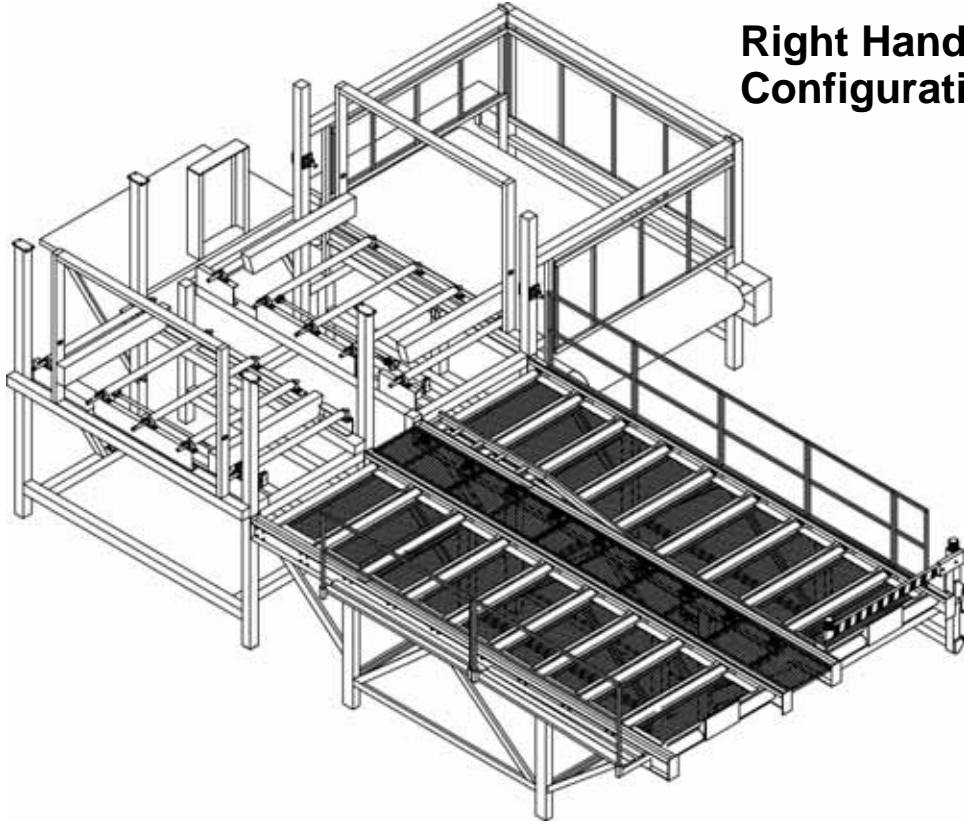
## **Parts Catalog**

**Bright Coop Inc.**  
803 W. Seale St.  
Nacogdoches, TX 75964  
Phone (936) 564-8378 Fax (936) 564-3281  
[Info@brightcoop.com](mailto:Info@brightcoop.com)



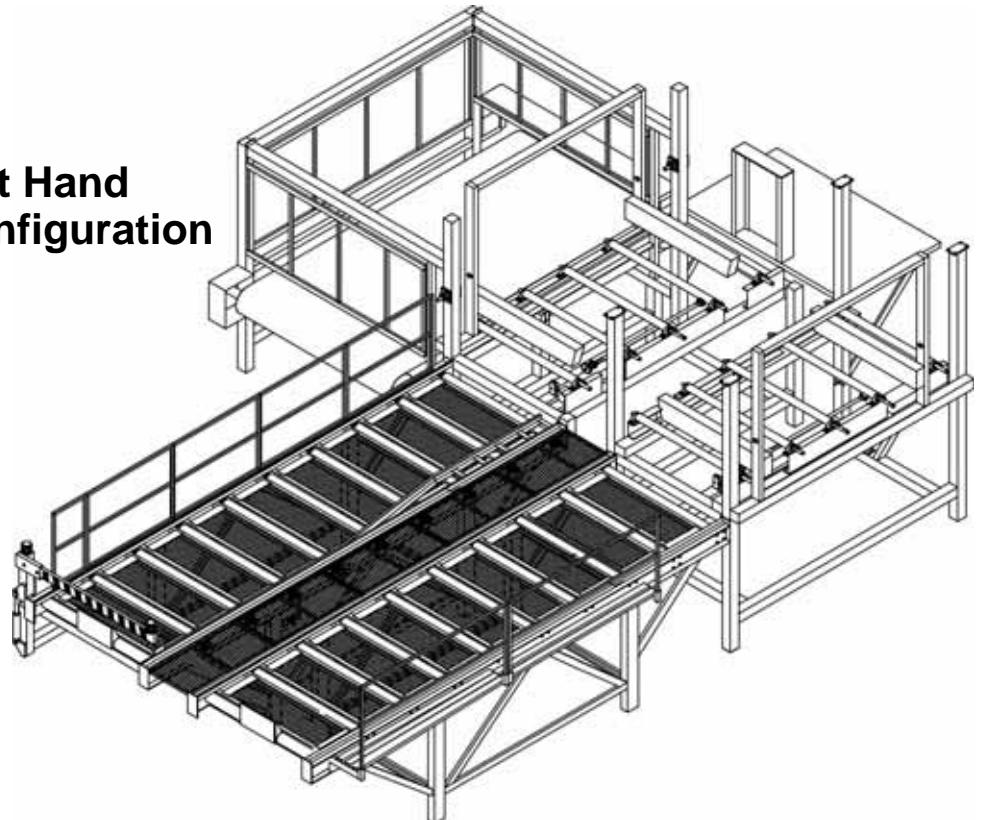
# Cage Unloading System

## CONFIGURATION



**Right Hand  
Configuration**

**Left Hand  
Configuration**

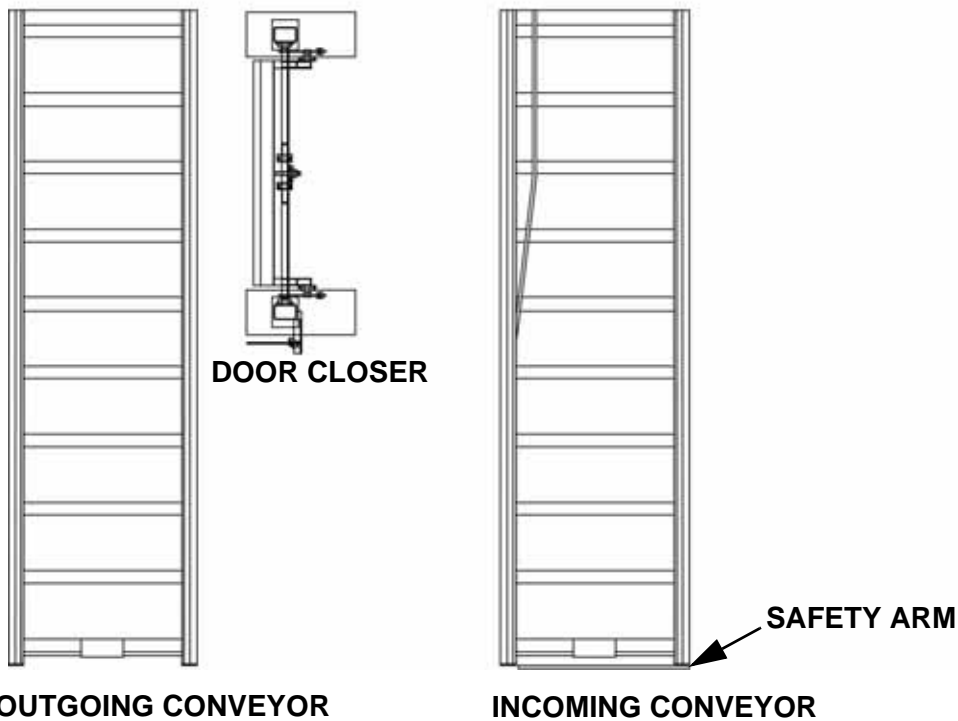
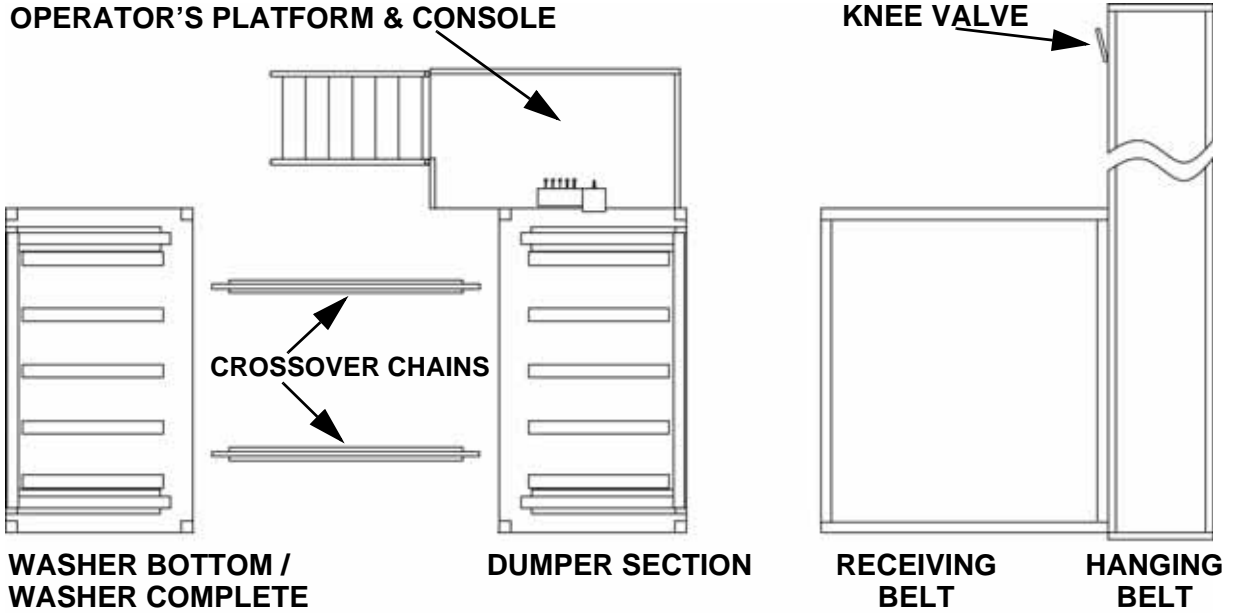




# Cage Unloading System

## Quick Reference

(Right Hand Side Unloading System Shown)





# ***Cage Unloading System***

---

**Blank Page**



# Cage Unloading System

Tab Indexes

## Parts Catalog



1	SECTION 1 INCOMING CONVEYOR
2	SECTION 2 DUMPER
3	SECTION 3 CROSSOVER CHAINS
4	SECTION 4 WASHER SYSTEM
5	SECTION 5 OUTGOING CONVEYOR
6	SECTION 6 RECEIVING & HANGING BELTS
7	SECTION 7 OPERATOR CONSOLE
8	SECTION 8 DOOR CLOSER
9	SECTION 9 SAFETY FENCE & GATES
10	SECTION 10 HYDRAULIC COMPONENTS
11	SECTION 11 SAFETY PLACARDS
12	SECTION 12 HYDRAULIC PUMPING UNIT

**Bright Coop Inc.**  
803 W. Seale St.  
Nacogdoches, TX 75964  
Phone (936) 564-8378  
Fax (936) 564-3281  
[Info@brightcoop.com](mailto:Info@brightcoop.com)



# ***Cage Unloading System***

---



# ***Cage Unloading System***



## **Section 1**

# **Incoming Conveyor**

### **Contents**

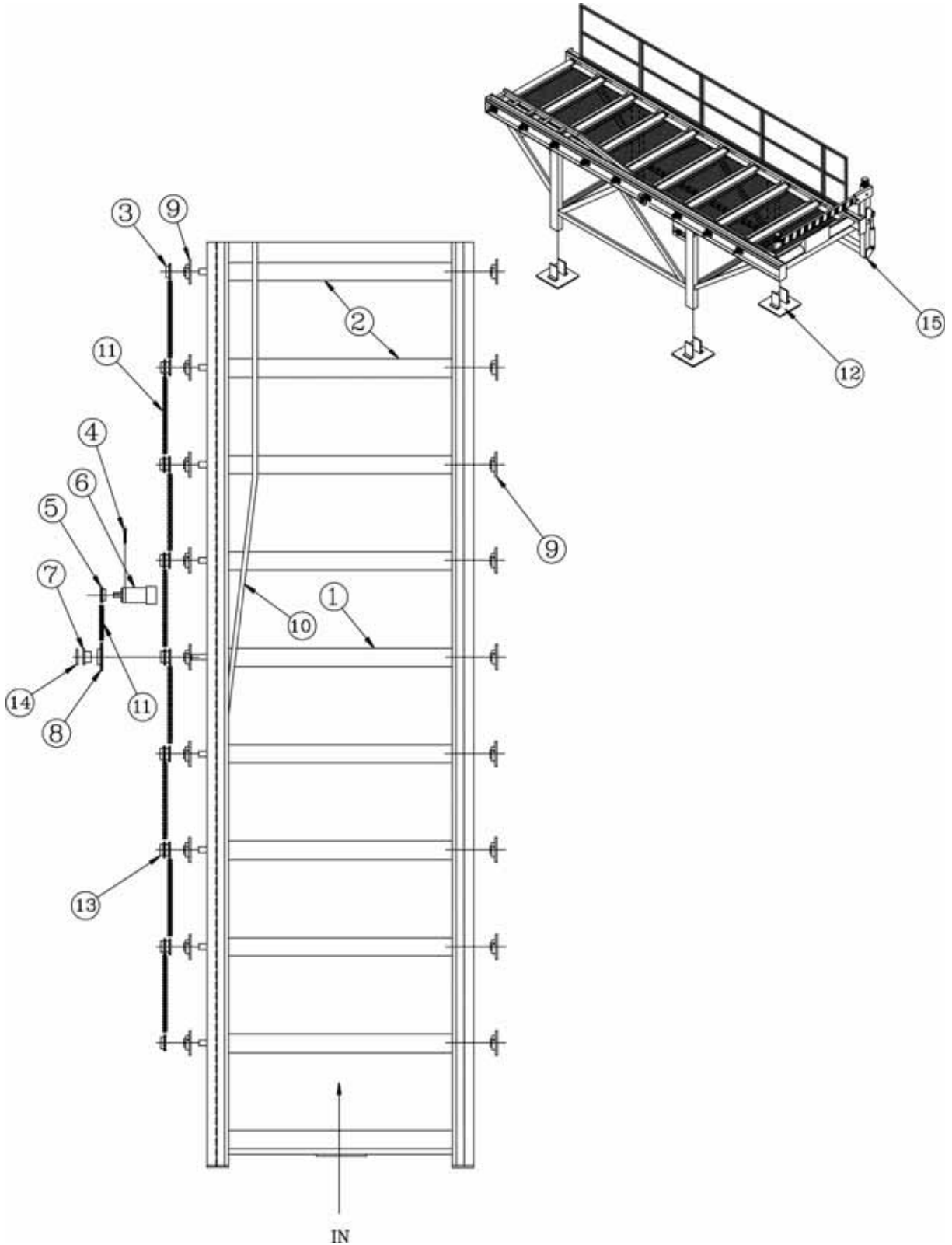
Incoming Conveyor - - - - -	2
Safety Arm - - - - -	4





# Cage Unloading System

## INCOMING CONVEYOR







# Cage Unloading System

## INCOMING CONVEYOR

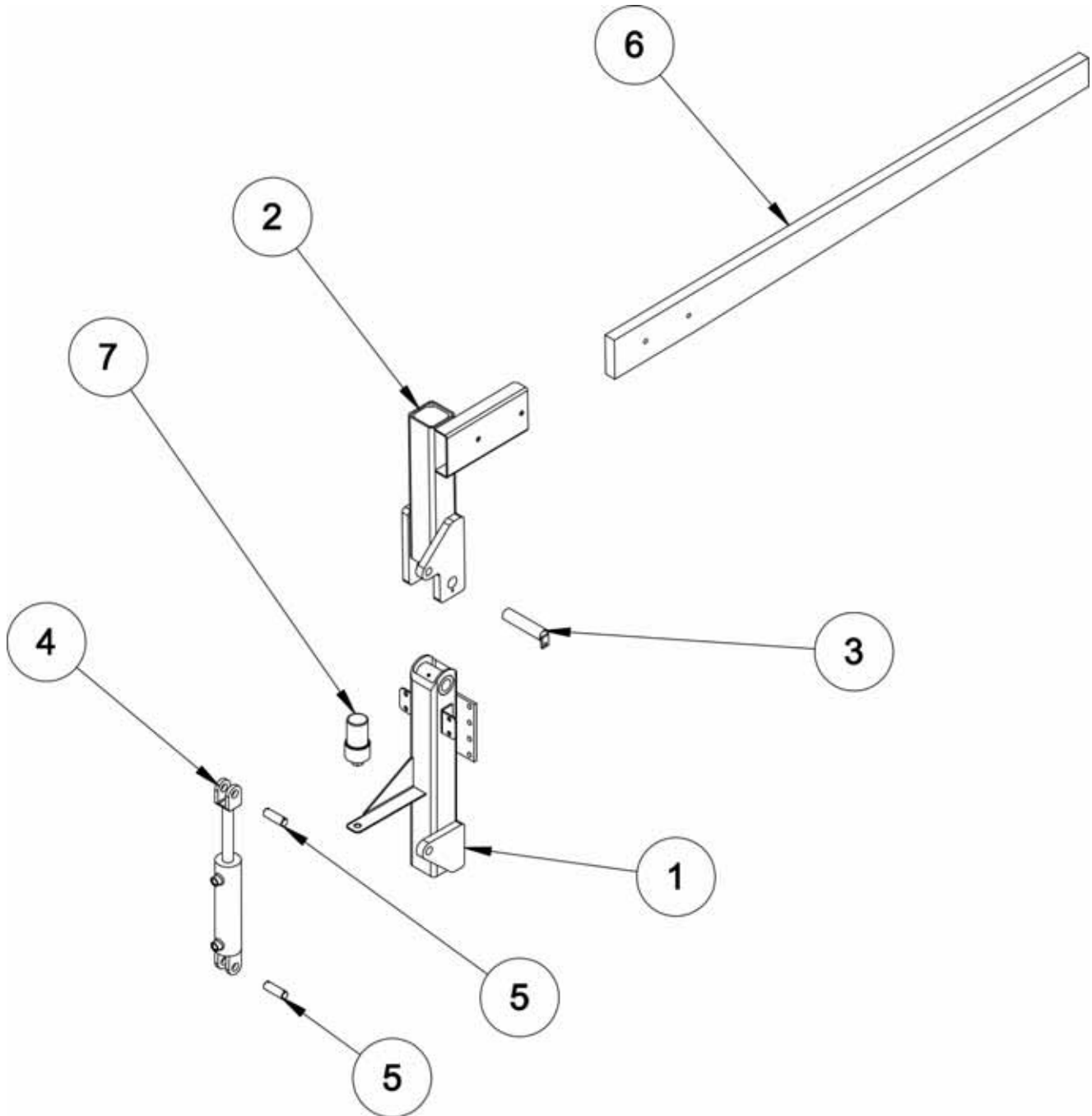
ITEM	PART NUMBER	DESCRIPTION	QTY	MODEL OR SERIAL #
1	091-00305	ROLLER, INCOMING DRIVE	1	
2	091-00306	ROLLER, INCOMING DRIVEN	8	
3	690-00005	SPROCKET, ROLLER	2	
4	210-00251	CHAIN DRIVE ADJUSTMENT, SQ. HD. SET SCREW	1	
5	690-00044	SPROCKET	1	
6	450-00004	MOTOR, HYDRAULIC	1	
7	690-00022	BUSHING, SK	1	
8	690-00014	SPROCKET	1	
9	030-00018	BEARING	18	
10	430-00046	WEAR STRIP, UHMW (OLD STYLE UNITS ONLY)	AS REQ'D	
11	110-00001	CHAIN, ROLLER	AS REQ'D	
	110-00002	MASTER LINK FOR ROLLER CHAIN	AS REQ'D	
12	410-00012	FOOT PADS, GALVANIZED, 6"	4	
13	690-00063	DOUBLE WELDED SPROCKET	7	
14	210-00364	WASHER RETAINING	1	
15	*091-10130	SAFETY ARM ASSEMBLY	1	

\* See Page 4 Of This Section For Detail



# Cage Unloading System

**SAFETY ARM (091-10130)**





# Cage Unloading System

## SAFETY ARM (091-10130)

ITEM	PART NUMBER	DESCRIPTION	QTY	MODEL OR SERIAL #
1	091-21803	LOWER ARM WELDMENT	1	
2	010-00086	UPPER ARM ASSEMBLY	1	
3	010-00091	ARM PIVOT PIN	1	
4	170-00002	HYDRAULIC CYLINDER	1	
5	170-00015	CYLINDER PIN	2	
6	010-00085	CROSS ARM	1	
7	190-00406	STROBE LIGHT	2	
8	190-00407	WARNING HORN (NOT SHOWN)	1	



# ***Cage Unloading System***

---



# ***Cage Unloading System***



## **Section 2**

# **Dumper Section**

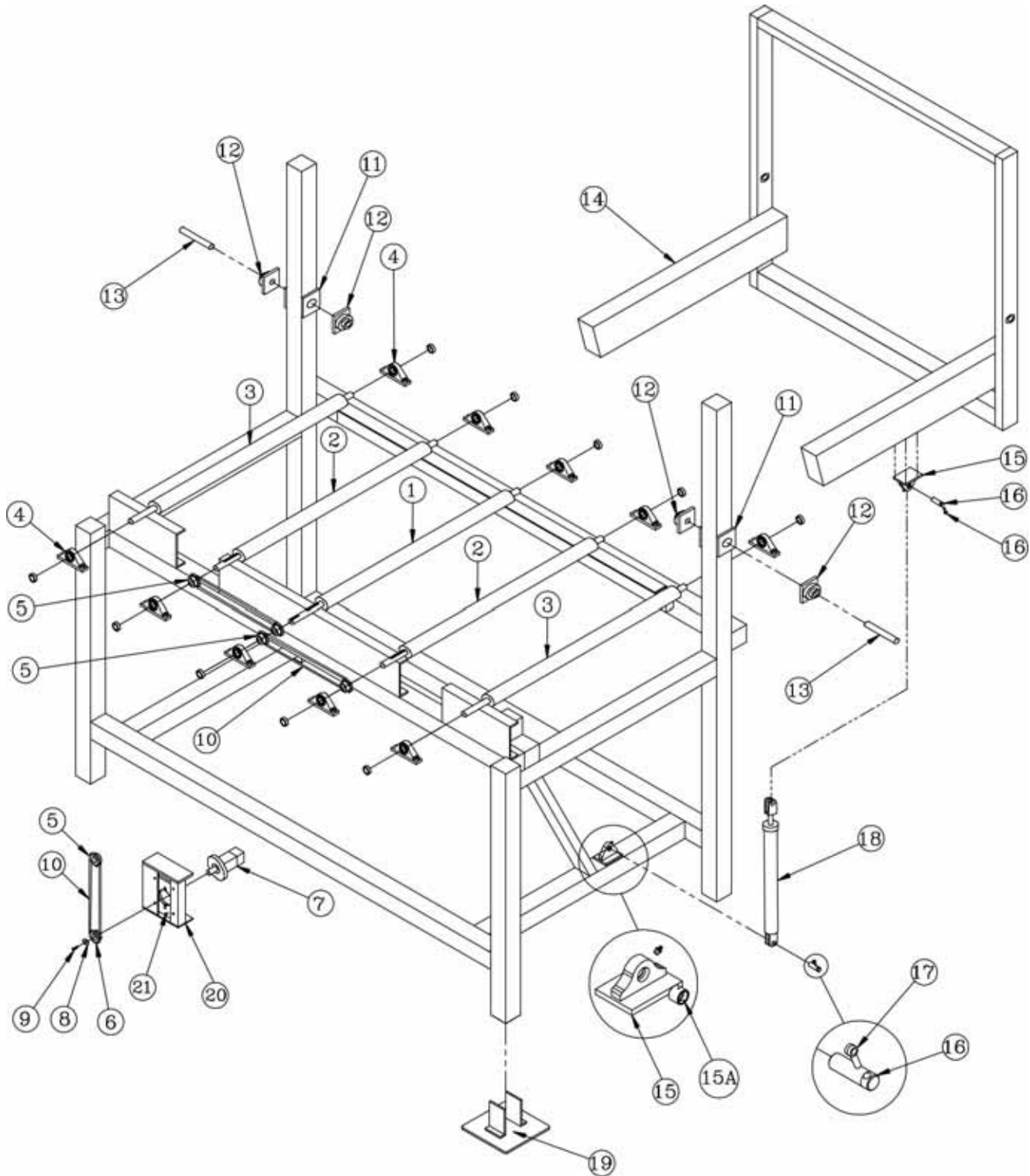
### **Contents**

Dumper Section - - - - -	2
Dumper Slide Assembly (OLD STYLE Up to August 2011) - - - -	4
Dumper slide Assembly (NEW STYLE from October 2011) - - - -	6



# Cage Unloading System

## DUMPER SECTION





# Cage Unloading System

## DUMPER SECTION

ITEM	PART NUMBER	DESCRIPTION	QTY	MODEL OR SERIAL #
1	091-00304	ROLLER, DUMPER DRIVE 4" X 50" X 60-3/4"	1	
2	091-00309	ROLLER, DUMPER DRIVEN 4" X 50" X 58-3/4"	2	
3	091-00309	ROLLER, DUMPER IDLER 4" X 50" X 58-3/4"	2	
4	030-00021	BEARING, PILLOW BLOCK, 1-7/16"	10	
5	690-00004	SPROCKET, 60BS13 1-7/16" BORE, 3/8" KEY	5	
6	690-00003	SPROCKET, 60BS13 1-1/4" BORE, 5/16" KEY	1	
7	450-00004	MOTOR, HYDRAULIC	1	
8	210-00364	WASHER, RETAINING	1	
9	210-00078	BOLT, 3/8" X 1"	1	
10	110-00001	CHAIN, ROLLER, #60 (AS REQUIRED)		
11	410-00019	PLATE, BEARING MOUNT, FY 1-7/16" 4 BOLT FLANGE	4	
12	030-00018	BEARING, FY 1-7/16" 4 BOLT FLANGE	4	
13	670-00018	SHAFT, CRADLE HINGE PIN	2	
14	*010-00003	CRADLE, CAGE DUMP, WITH HINGE PINS (LEFT HAND ASSEMBLY)	1	
	*010-00004	CRADLE, CAGE DUMP, WITH HINGE PINS (RIGHT HAND ASSEMBLY)	1	
15	091-21235	CYLINDER ANCHOR ASSEMBLY (INCLUDES ITEM 15A)	4	
15A	091-20066	BUSHING	4	
16	098-01483	CYLINDER PIN	4	
17	098-01482	PIN HOLDER	4	
18	170-00001	CYLINDER, DUMP CRADLE, WC 2.5 X 24	2	
19	410-00011	FOOT PAD, GALVANIZED, 4"	2	
20	410-00016	MOTOR BOX	1	
21	410-00018	MOTOR PLATE	1	
32	810-00060	SUB-PLATE		

\* See Unloading System Configuration For RHS or LHS

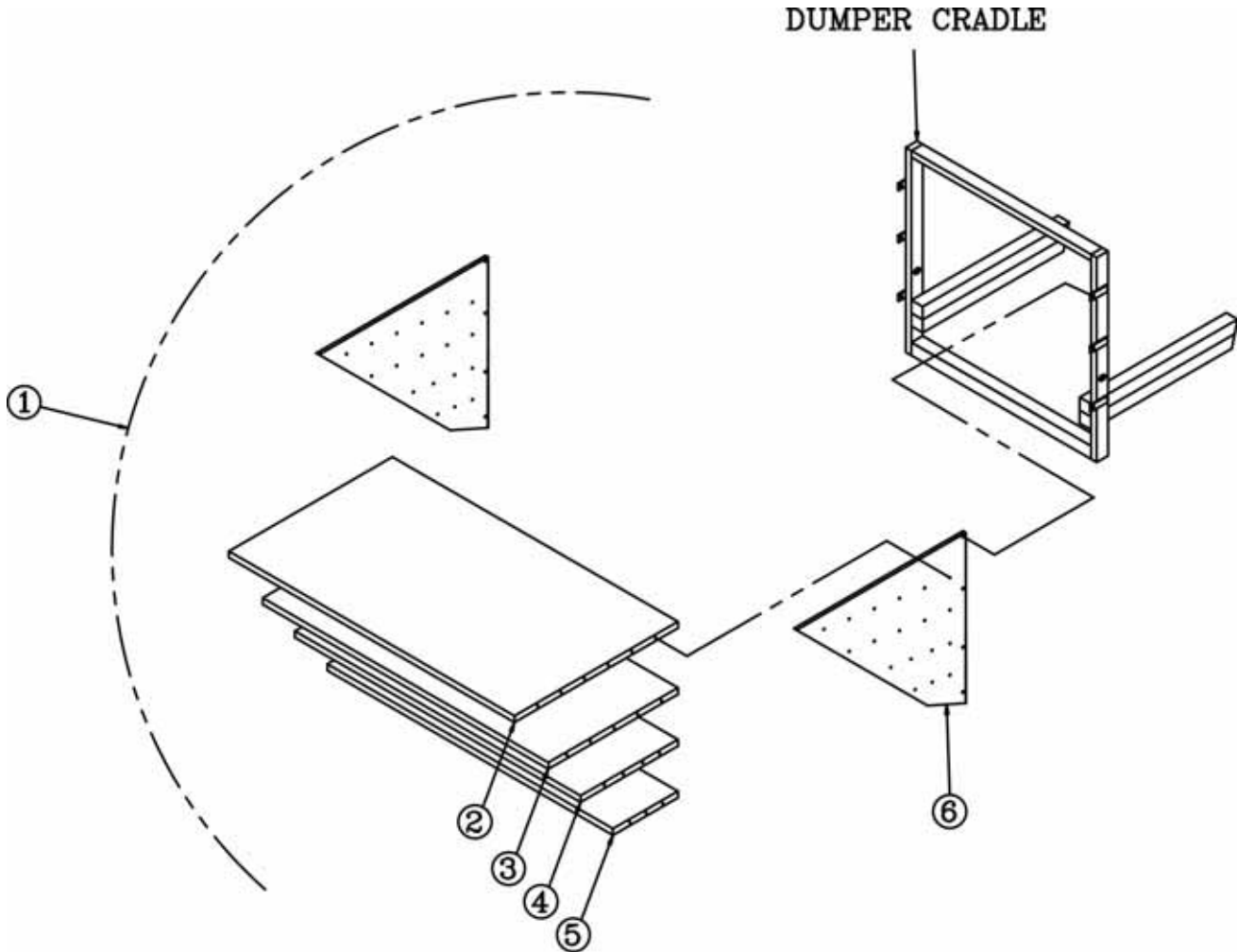
Note: See Section 10 for Anti-Shaking Device and/or Check Valves.





# Cage Unloading System

## DUMPER SLIDE ASSEMBLY (Old Style Up To August 2011)





# Cage Unloading System

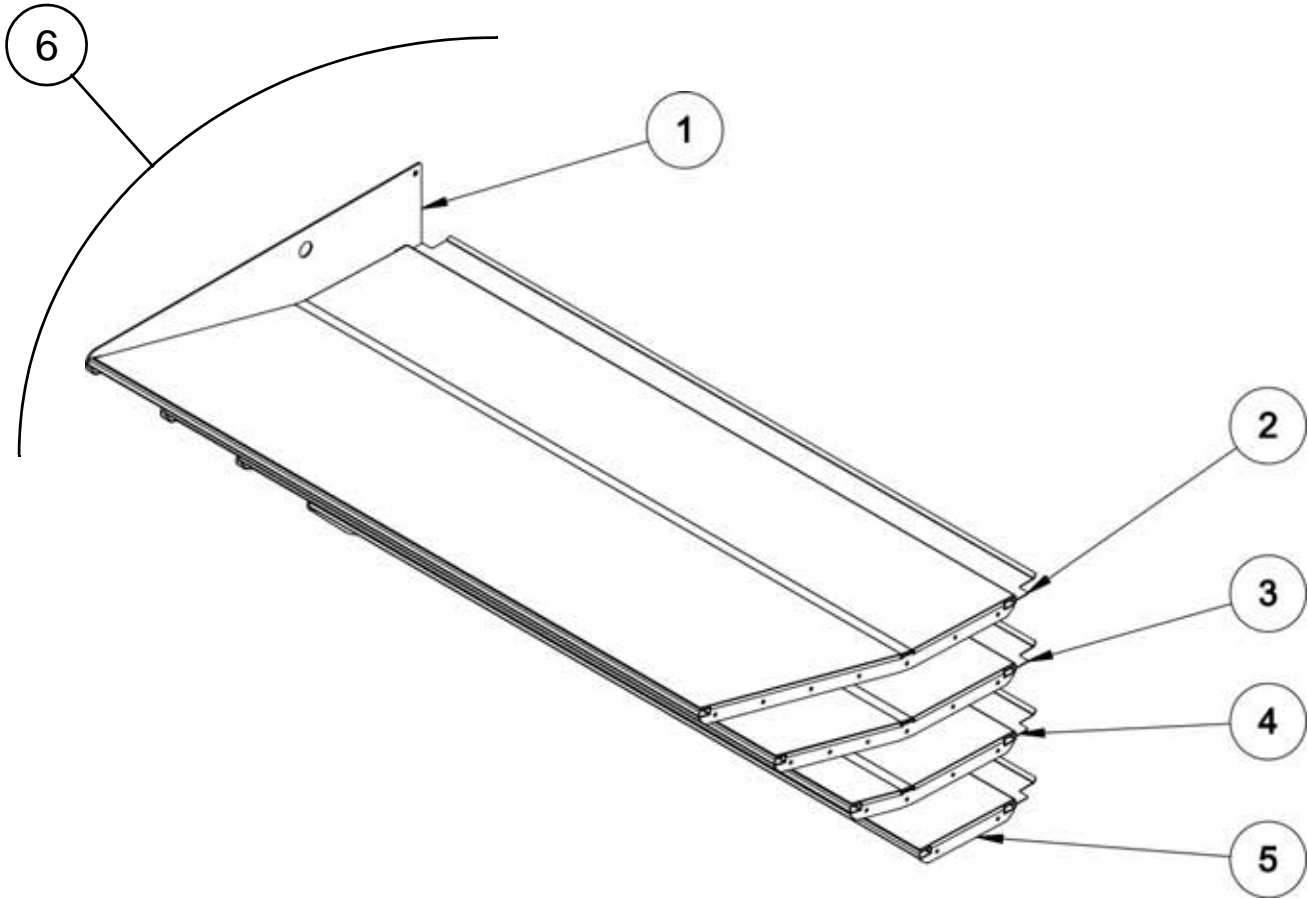
## DUMPER SLIDE ASSEMBLY (Old Style Up To August 2011)

ITEM	PART NUMBER	DESCRIPTION	QTY	MODEL OR SERIAL #
1	091-11010	DUMPER SLIDE ASSEMBLY	1	
2	091-11010A	FIRST SLIDE (TOP)	1	
3	091-11010B	SECOND SLIDE	1	
4	091-11010C	THIRD SLIDE	1	
5	091-11010D	FOURTH SLIDE (BOTTOM)	1	
6	091-11010E	SLIDE WING KIT (SET OF TWO)	1	



# Cage Unloading System

DUMPER SLIDE ASSEMBLY (from October 2011)





# **Cage Unloading System**

## **DUMPER SLIDE ASSEMBLY (from October 2011)**

<b>ITEM</b>	<b>PART NUMBER</b>	<b>DESCRIPTION</b>	<b>QTY</b>	<b>MODEL OR SERIAL #</b>
1	091-20333	WING FOR 45° TILT SLIDES	2	
2	091-21241	FIRST SLIDE (TOP)	1	
3	091-21242	SECOND SLIDE	1	
4	091-21243	THIRD SLIDE	1	
5	091-21244	FOURTH SLIDE (BOTTOM)	1	
6	091-21240	SLIDES AND WING ASSEMBLY (COMPLETE)	1	



# ***Cage Unloading System***

---



# ***Cage Unloading System***



## **Section 3**

# **Crossover Chains**

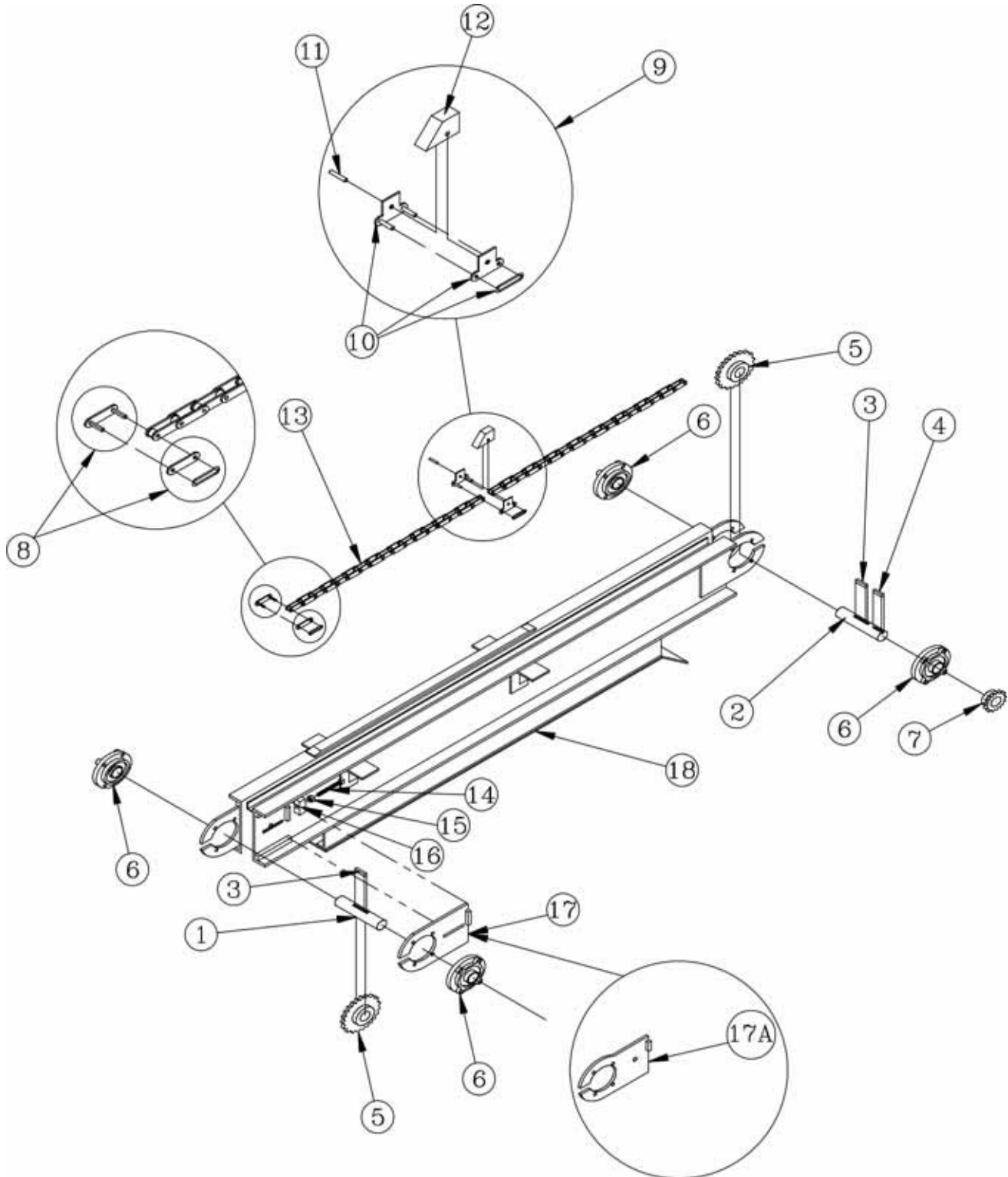
### **Contents**

Crossover Chain Assembly - - - - -	2
Crossover Chain Drive - - - - -	4



# Cage Unloading System

## CROSSOVER CHAIN ASSEMBLY (\*010-00007)







# Cage Unloading System

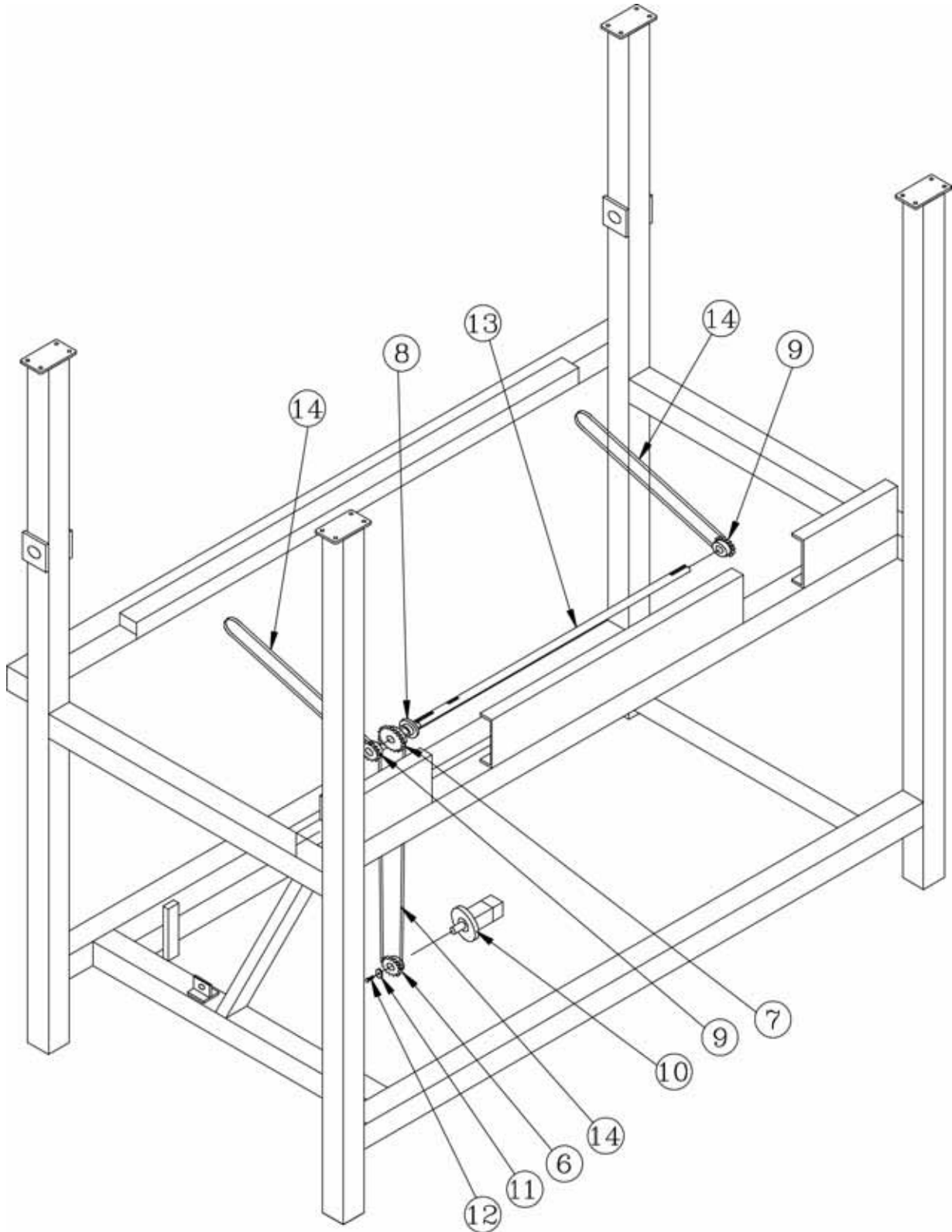
## CROSSOVER CHAIN ASSEMBLY (\*010-00007)

ITEM	PART NUMBER	DESCRIPTION	QTY	MODEL OR SERIAL #
1	670-00025	SHAFT, CROSSOVER IDLER	1	
2	670-00017	SHAFT, CROSSOVER DRIVE	1	
3	370-00007	KEY, 3/8" X 2"	2	
4	370-00013	KEY, 3/8" X 1-1/4"	1	
5	690-00016	SPROCKET, MODIFIED 80C21M	2	
6	030-00019	BEARING, FLANGE	4	
7	690-00005	SPROCKET, 60BS15, 1-7/16" BORE, 3/8" KEY	1	
8	110-00008	MASTER LINK, C2080H	2	
9	110-00030	M1 LINK, 2.5 LUG, AND PIN	2 SETS	
10	110-00022	LINK, M1	2	
11	110-00011	PIN, 3/8" X 2"	2	
12	110-00010	LUG, CROSSOVER CHAIN	2	
13	110-00006	CHAIN, C2080H	100LINKS, STD	
14	210-00253	SCREW, ADJUSTING, SQUARE HEAD 1/2" X 4"	2	
15	210-00160	NUT, JAMB, 1/2"	2	
16	410-00116	CROSSOVER CHAIN ADJUSTING LUG	2	
17	010-00140	ADJUSTABLE BEARING CARRIER PLATE	2	
17A	091-21411	ADJUSTABLE BEARING CARRIER PLATE	SET OF 2	
18	091-10320	CROSSOVER CHAIN FRAME	SET OF 2	
	*010-00007	CROSSOVER CHAIN ASSEMBLY *CROSSOVER CHAIN ASSEMBLY CONSIST OF A SET OF TWO	SET OF 2	



# Cage Unloading System

## CROSSOVER CHAIN DRIVE





# Cage Unloading System

## CROSSOVER CHAIN DRIVE

ITEM	PART NUMBER	DESCRIPTION	QTY	MODEL OR SERIAL #
6	609-00003	SPROCKET, 60 BS 13	1	
7	690-00006	SPROCKET, 60 DS 20	1	
8	690-00021	QD BUSHING SDS 1-7/16"	1	
9	690-00005	SPROCKET 60 BS 15	2	
10	450-00004	MOTOR, HYDRAULIC	1	
11	210-00364	WASHER, RETAINER	1	
12	210-00078	BOLT, 3/8" X 1"	1	
13	670-00010	SHAFT, 1-7/16" X 52"	1	
14	110-00001	CHAIN, ROLLER #60	AS REQ'D	



# ***Cage Unloading System***

---



# ***Cage Unloading System***



## **Section 4**

# **Washer Bottom / Washer System**

### **Contents**

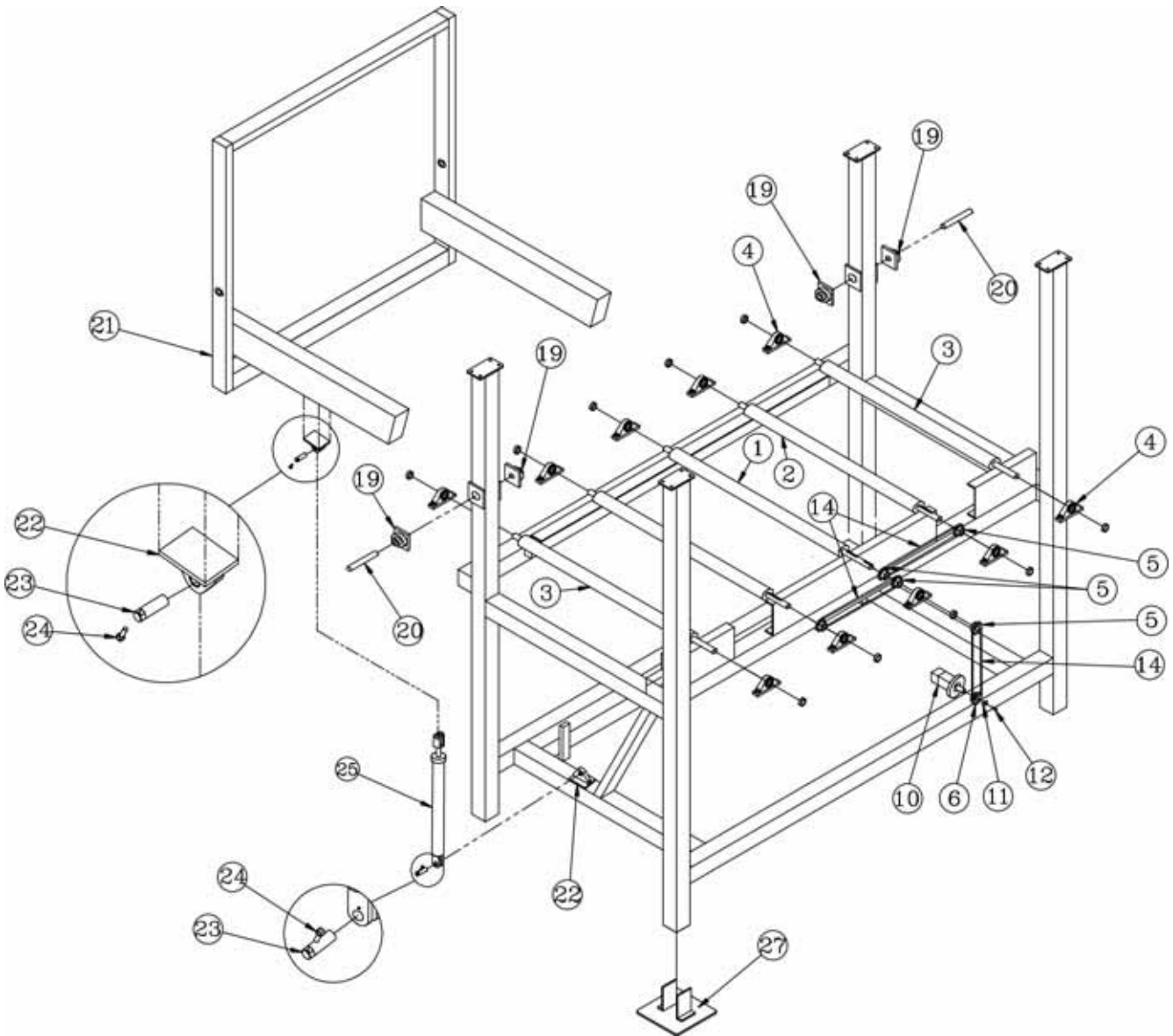
Washer Bottom - - - - -	2
Washer System - - - - -	4
Washer Mechanism Detail - - - - -	6
Washer Carriage Assembly - - - - -	8
Spray Pipe Assembly - - - - -	10
Water Pump And Tank Parts- - - - -	12

Note: See Section 10 For Hydraulic Valves.



# Cage Unloading System

## WASHER BOTTOM





# Cage Unloading System

## WASHER BOTTOM

ITEM	PART NUMBER	DESCRIPTION	QTY	MODEL OR SERIAL #
1	091-00304	ROLLER, DUMPER DRIVE 4" X 50" X 60-3/4"	1	
2	091-00309	ROLLER, DUMPER DRIVEN 4" X 50" X 58-3/4"	2	
3	091-00309	ROLLER, DUMBER IDLER 4" X 50" X 58-3/4"	2	
4	030-00021	BEARING, PILLOW BLOCK, 1-7/16"	10-12	
5	690-00004	SPROCKET, 60BS13, 1-7/16" BORE, 3/8" KEY	5	
6	690-00003	SPROCKET, 60BS13, 1-1/4" BORE, 5/16" KEY	1	
10	450-00004	MOTOR, HYDRAULIC	1	
11	210-00364	WASHER, RETAINING	1	
12	210-00078	BOLT, 3/8" X 1"	1	
	210-00315	LOCK WASHER, 3/8"	2	
14	110-00001	CHAIN, ROLLER, #60	AS REQ'D	
19	030-00018	BEARING, FY 1-7/16" 4 BOLT FLANGE	4	
20	670-00018	SHAFT, CRADLE HINGE PIN	2	
21	010-00142	CRADLE, LH WASHER, WITH HINGE PINS (LEFT HAND ASSEMBLY)	1	
	101-00143	CRADLE, RH WASHER, WITH HINGE PINS (RIGHT HAND ASSEMBLY)	1	
22	091-21235	CYLINDER ANCHOR ASSEMBLY	4	
22A	091-20066	BUSHING	4	
23	098-01483	CYLINDER PIN	4	
24	098-01482	PIN HOLDER	4	
25	170-00001	CYLINDER, DUMP CRADLE	2	
27	410-00011	FOOT PADS, GALVANIZED, 4"	4	

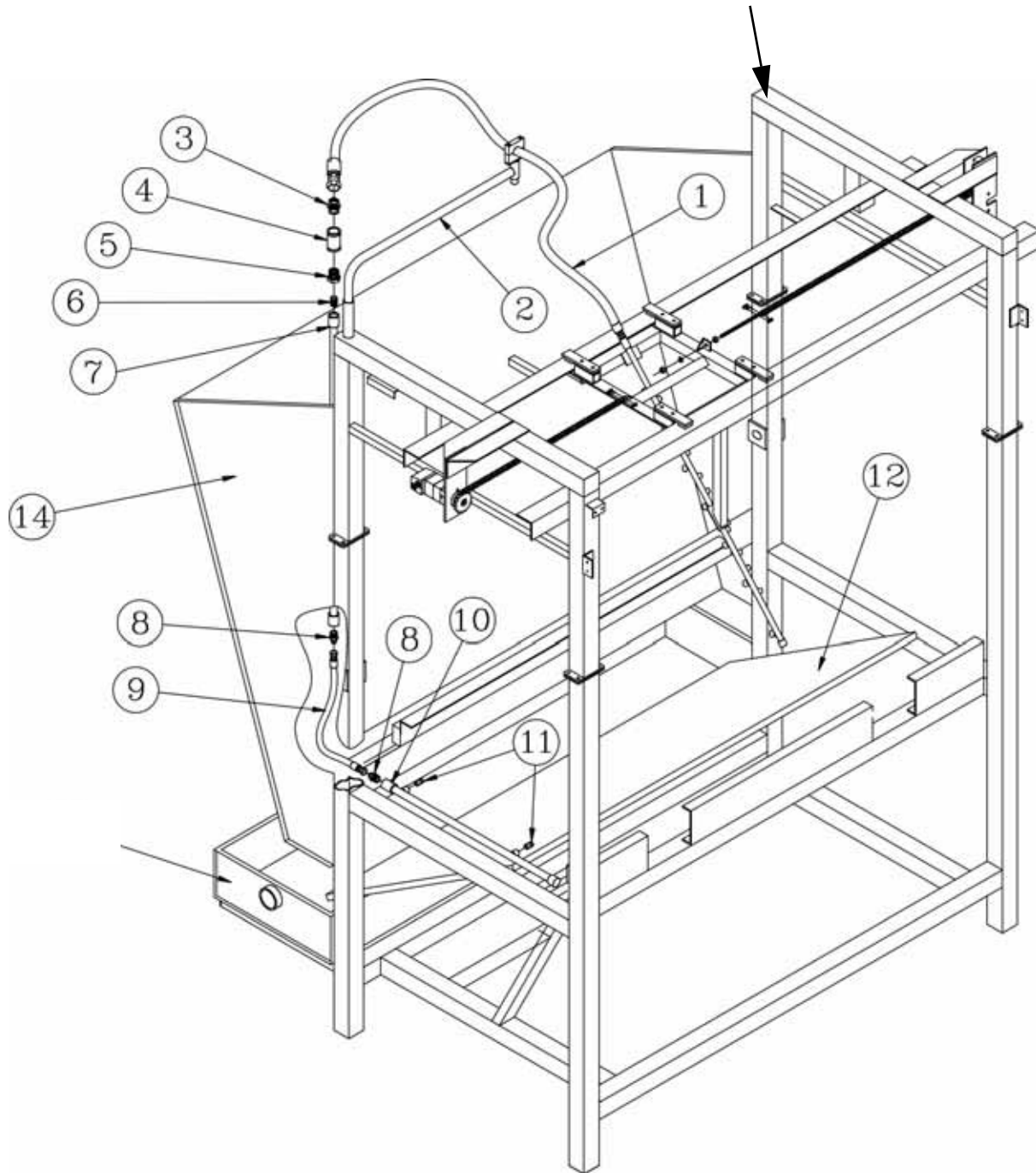




# Cage Unloading System

## WASHER SYSTEM

See Washer  
Mechanism Detail





# Cage Unloading System

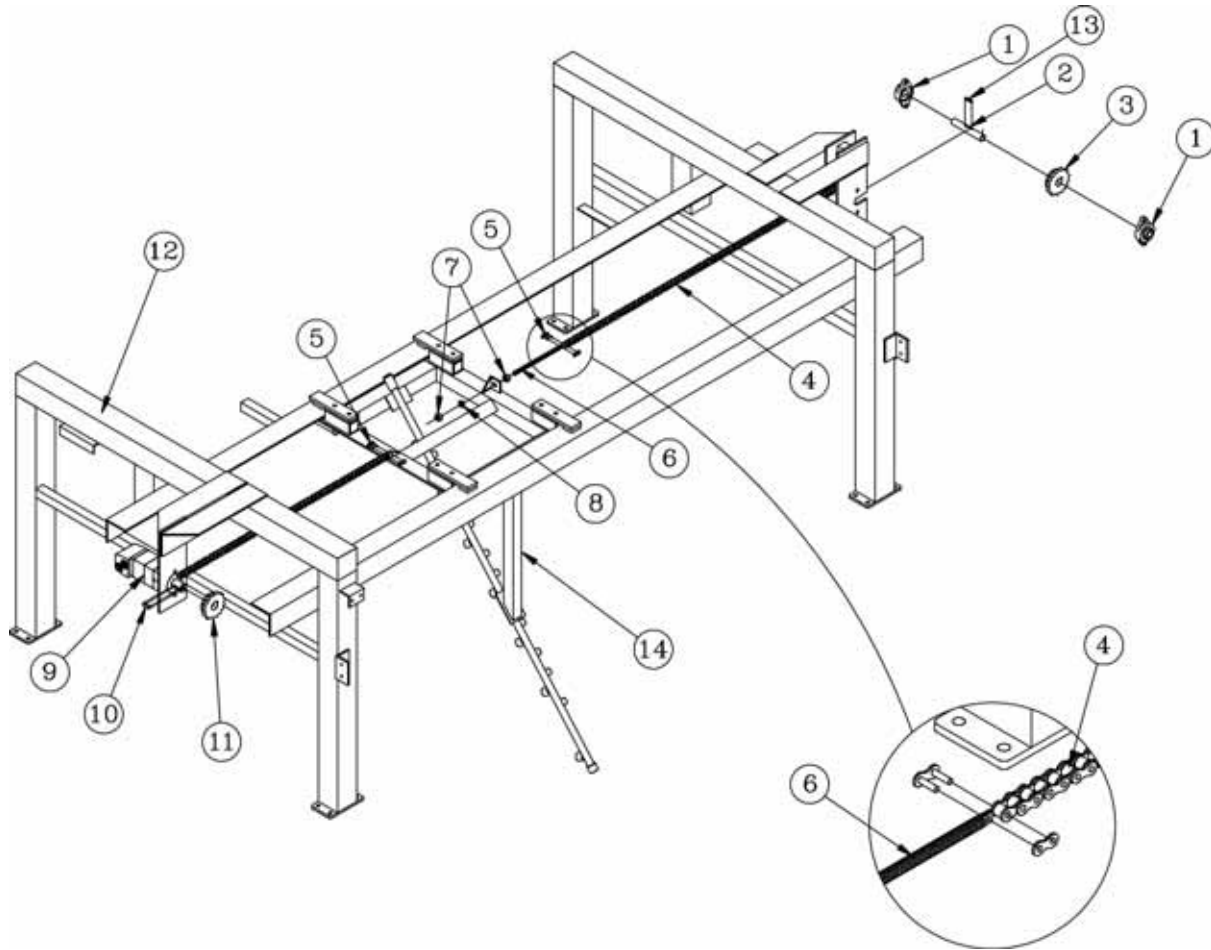
## WASHER SYSTEM

ITEM	PART NUMBER	DESCRIPTION	QTY	MODEL OR SERIAL #
1	340-00020	WASHER CARRIAGE HOSE	1	
2	010-00094	HOSE SUPPORT	1	
3	330-00013	1 1/2" MPT X JIC HOSE ADAPTER	1	
4	510-00096	1 1/2" TEE	1	
5	510-00010	1 1/2" X 1" BUSHING	1	
6	510-00062	1" NIPPLE	1	
7	010-00095	VERTICAL PIPE ASSEMBLY	1	
8	330-00040	1" MPT X 3/4" JIC ADAPTER	2	
9	340-00004	BOTTOM SPRAY PIPE CONNECTOR HOSE ASSEMBLY	1	
10	010-00096	BOTTOM SPRAY PIPE	1	
11	510-00076	FORK TUBE SPRAY NOZZLES	2	
12	010-00097	BOTTOM WATER SHIELD ASSEMBLY	1	
13	010-00099	TROUGH	1	
14	010-00098	SPLASH SHIELD ASSEMBLY	1	



# Cage Unloading System

## WASHER MECHANISM DETAIL





# Cage Unloading System

## WASHER MECHANISM DETAIL

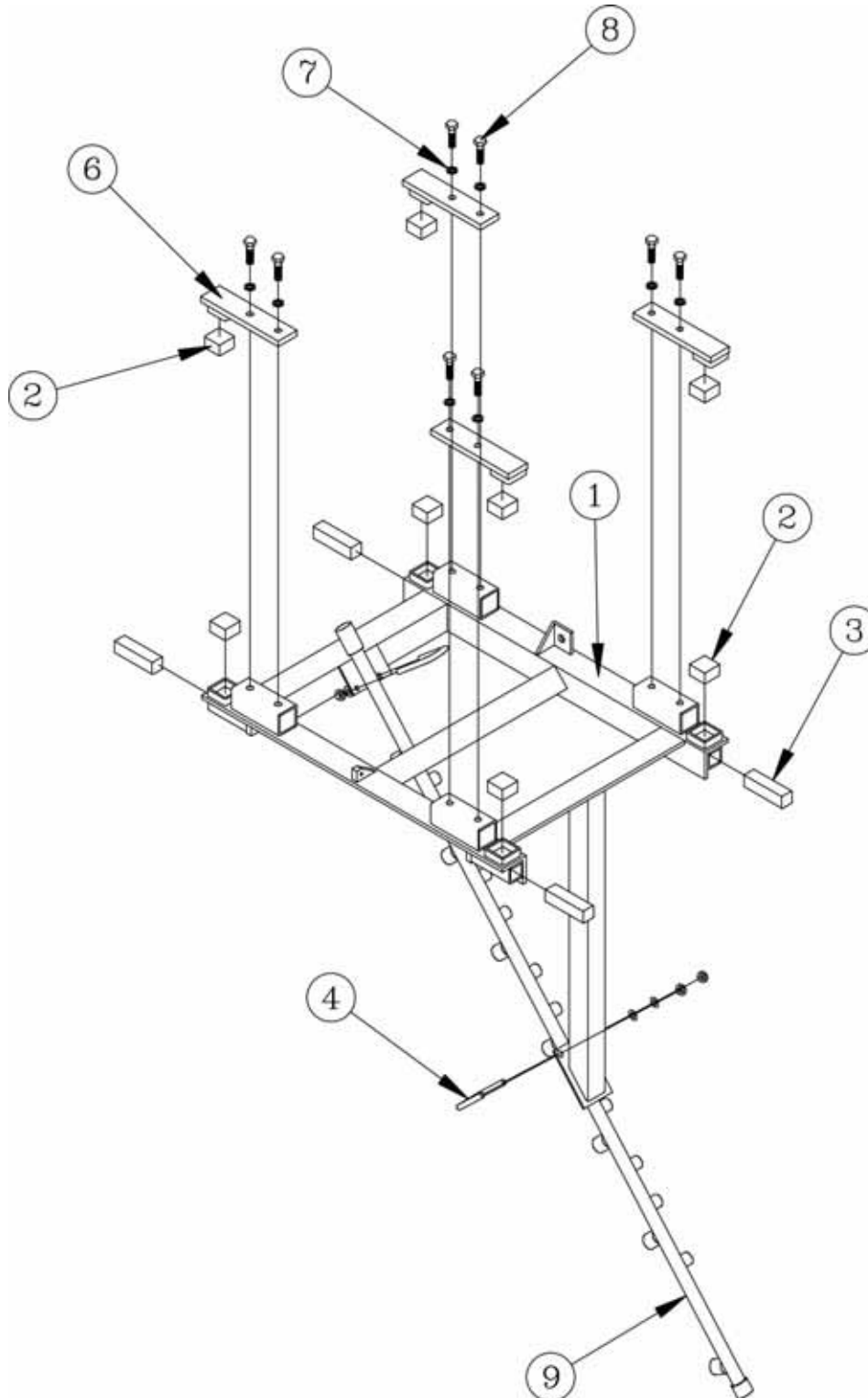
ITEM	PART NUMBER	DESCRIPTION	QTY	MODEL OR SERIAL #
1	030-00025	BEARING, 2 BOLT FLANGE	2	
2	410-00207	IDLER SHAFT, WASHER	1	
3	690-00045	IDLER SPROCKET	1	
4	110-00001	DRIVE CHAIN	AS REQUIRED	
5	110-00002	CONNECT LINK	2	
6	410-00208	ADJUSTMENT ROD	1	
7	210-00179	NUT	2	
8	210-00322	LOCK WASHER	1	
9	450-00004	HYDRAULIC MOTOR	1	
10	370-00017	KEY	1	
11	690-00044	DRIVE SPROCKET	1	
12	010-00030	WASHER TOP, COMPLETE	AS REQUIRED	
13	370-00016	KEY	1	
14	010-00010	CARRIAGE ASSEMBLY WITH OUT SPRAY PIPE	1	

\* See Carriage Assembly For Detail



# Cage Unloading System

## WASHER CARRIAGE ASSEMBLY





# Cage Unloading System

## WASHER CARRIAGE ASSEMBLY

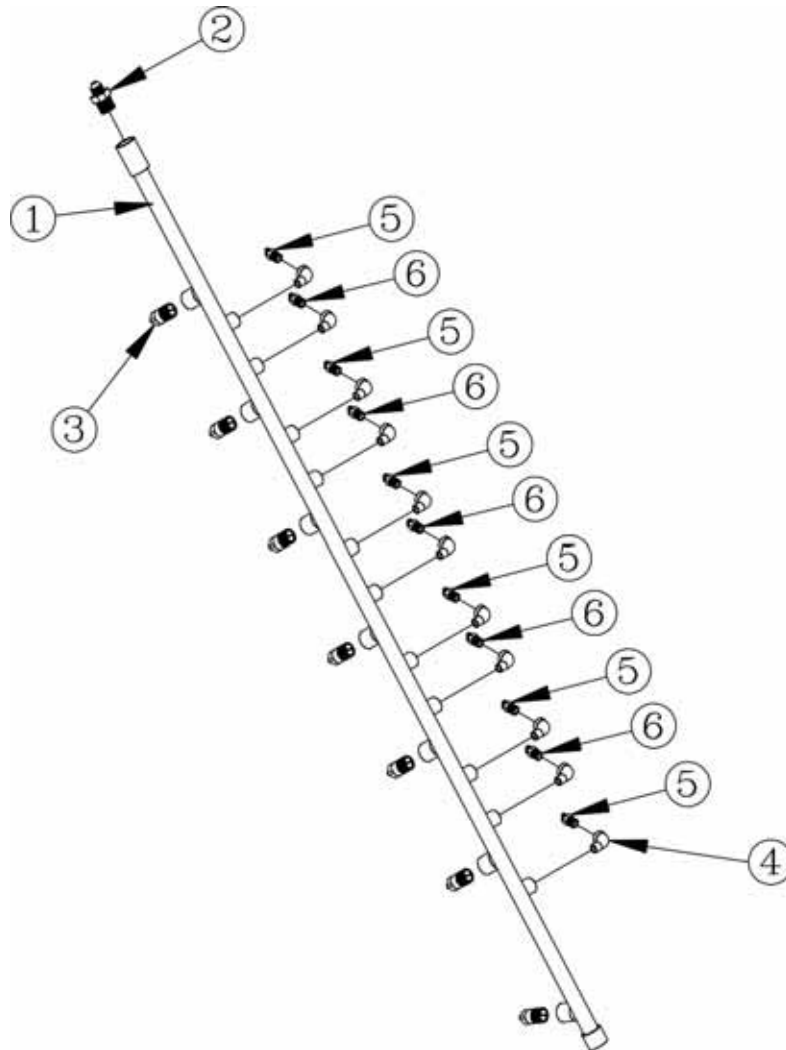
ITEM	PART NUMBER	DESCRIPTION	QTY	MODEL OR SERIAL #
1	010-00100	CARRIAGE ASSEMBLY, COMPLETE NO SPRAY PIPE	1	
2	410-00266	UHMW WEAR PAD	8	
3	410-00267	UHMW THRUST BLOCK	4	
4	210-00386	U-BOLT	2	
6	010-00102	TOP ARM	4	
7	210-00308	LOCK WASHER	8	
8	210-00019	BOLT	8	
9*	010-00101A	SPRAY PIPE ASSEMBLY	1	

\* See Spray Pipe Assembly For Detail



# Cage Unloading System

## SPRAY PIPE ASSEMBLY







# Cage Unloading System

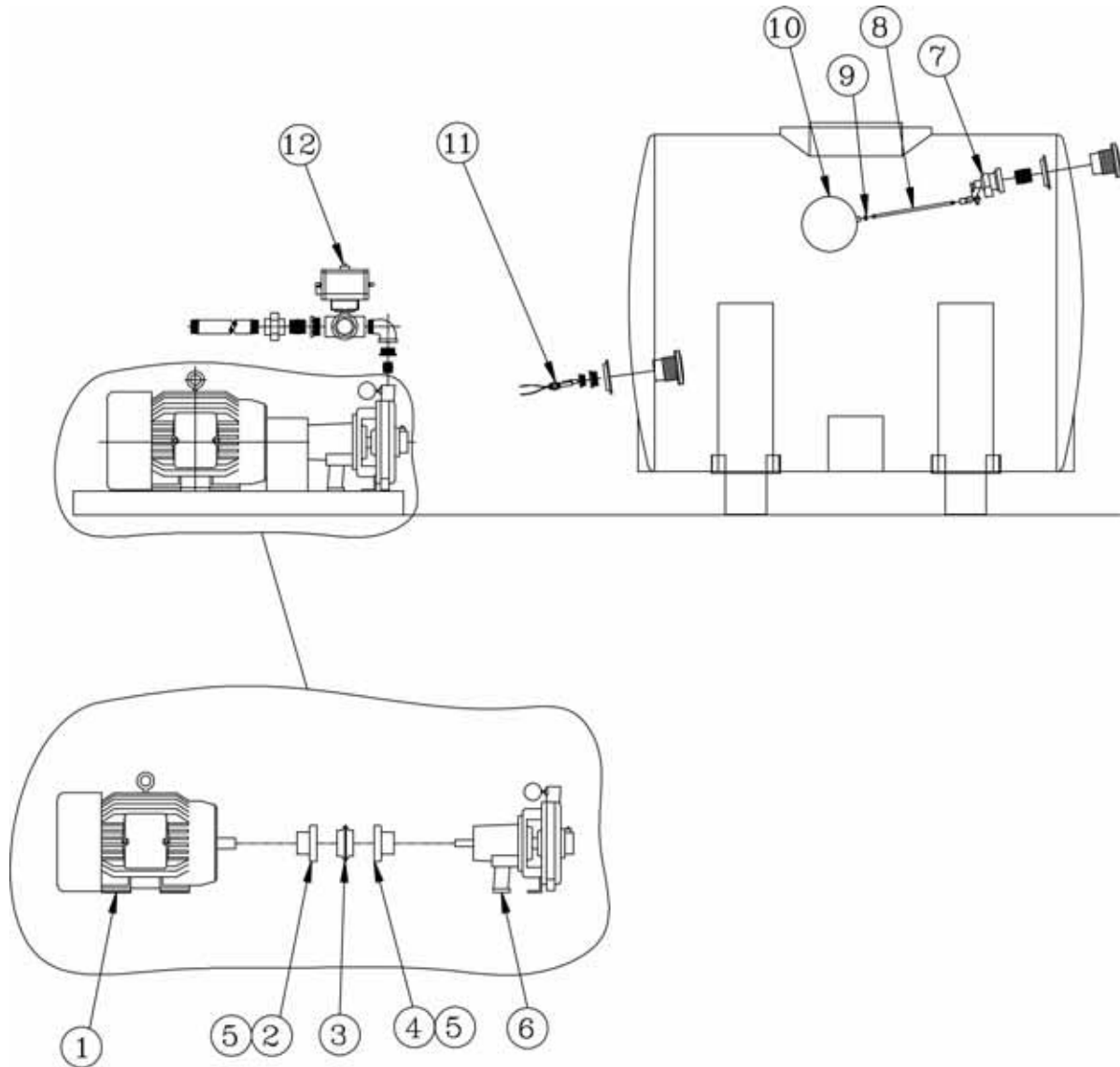
## SPRAY PIPE ASSEMBLY

ITEM	PART NUMBER	DESCRIPTION	QTY	MODEL OR SERIAL #
1	010-00101A	SPRAY PIPE, COMPLETE	AS REQUIRED	
1	010-00101	SPRAY PIPE WITH ANVILETTES - NO NOZZLES OR ELLS	AS REQUIRED	
2	330-00013	MPT X JIC ADAPTER	1	
3	510-00076	FULL JET NOZZLE	7	
4	510-00093	STREET ELL	11	
5	510-00078	NOZZLE, FAN PATTERN	6	
6	510-00077	NOZZLE, CONICAL PATTERN	5	



# Cage Unloading System

## WATER PUMP AND TANK PARTS





# Cage Unloading System

## WATER PUMP AND TANK PARTS

ITEM	PART NUMBER	DESCRIPTION	QTY	MODEL OR SERIAL #
1	450-00056	30HP BALDOR MOTOR	1	
2	530-00022	HUB (MOTOR SIDE)	1	
3	530-00023	RUBBER INSERT FOR COUPLING	1	
4	530-00021	HUB (PUMP SIDE)	1	
5	530-00020	FLANGE FOR COUPLING	2	
6	530-00032	WATER PUMP	1	
7	430-00111	2" FLOAT VALVE	1	
8	430-00113	FLOAT ROD (1/8" NPT X 12" LG)	8	
9	430-00114	BRASS PIPE FITTING 3/8" X 1/8" NPT	1	
10	430-00112	FLOAT (3/8" NPT X 8" SPHERICAL)	1	
11	250-00003	LIQUID LEVEL SWITCH	1	
12	810-00162	3 WAY VALVE	1	



# ***Cage Unloading System***

---



# ***Cage Unloading System***



## **Section 5**

# **Outgoing Conveyor**

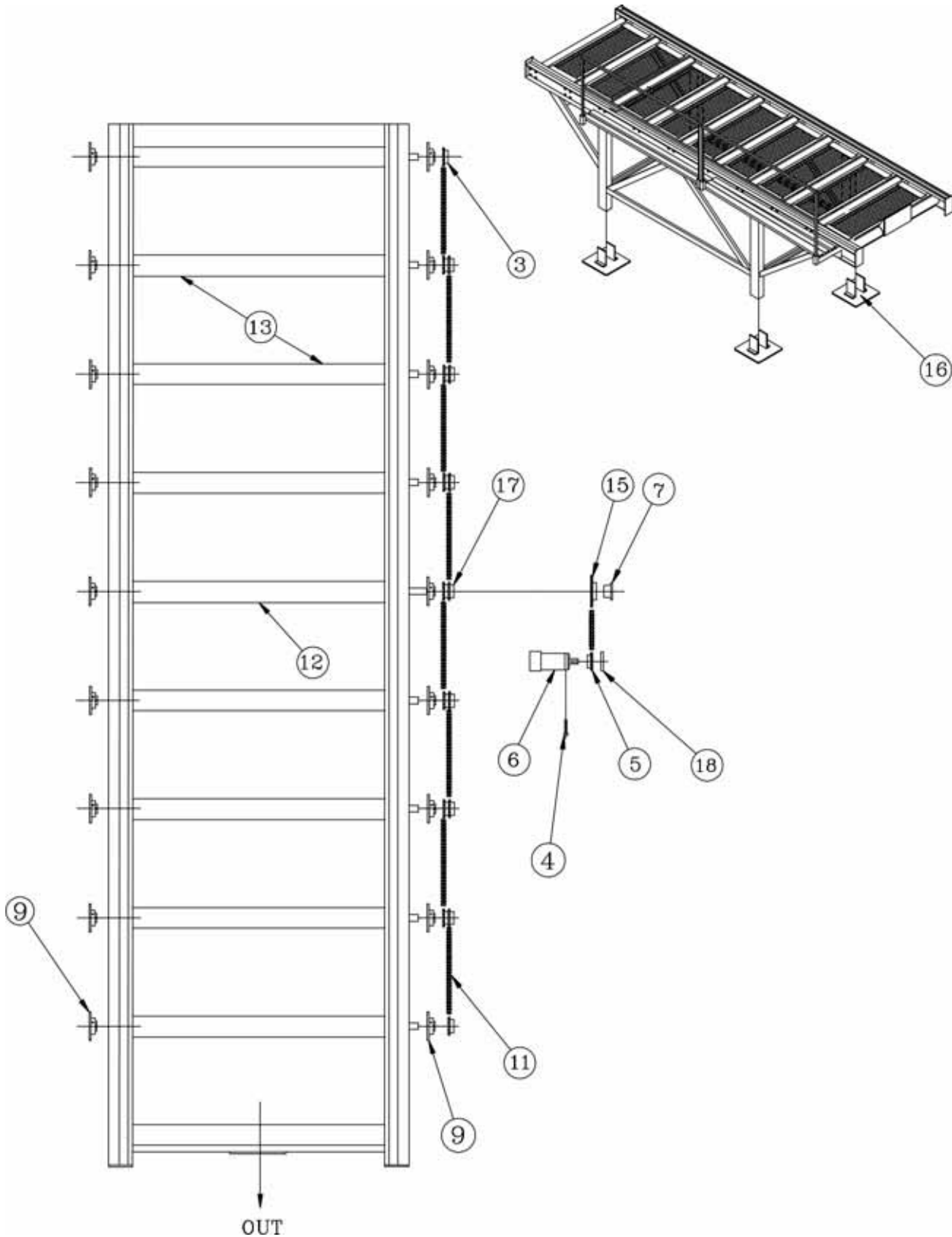
### **Contents**

Outgoing Conveyor - - - - -	2
Outgoing Safety Stop - - - - -	4



# Cage Unloading System

## OUTGOING CONVEYOR





# Cage Unloading System

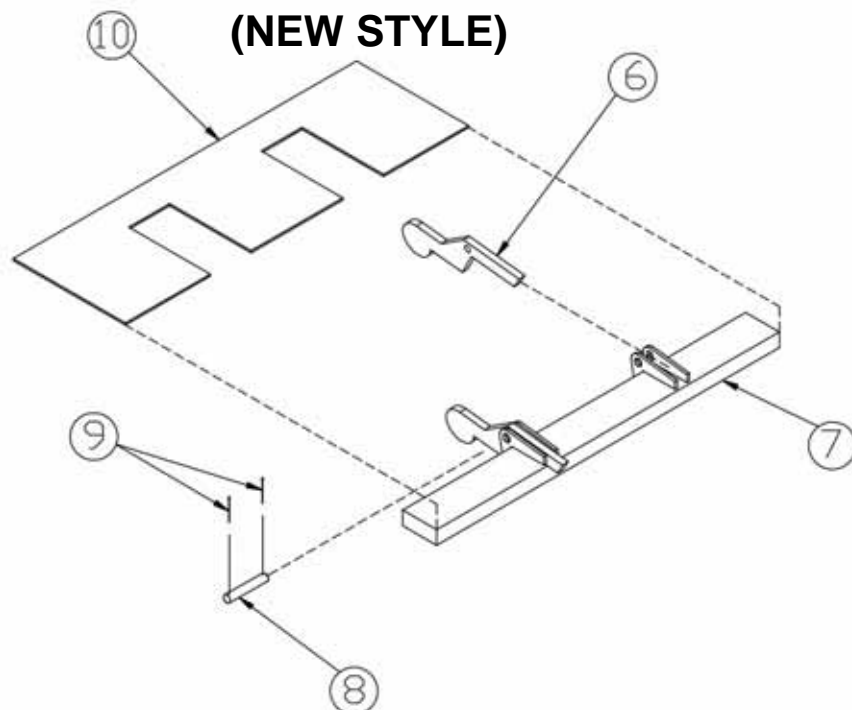
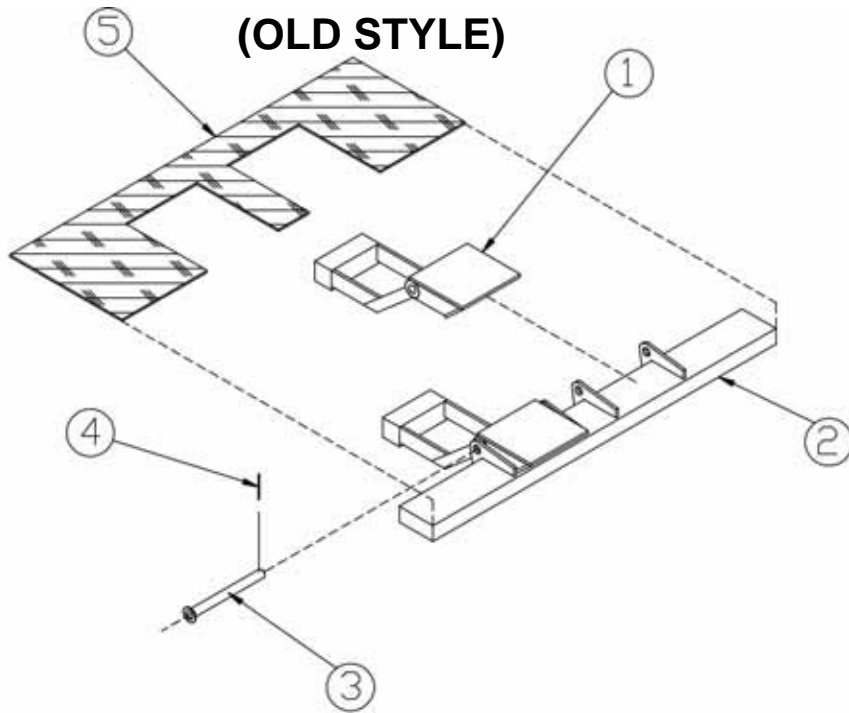
## OUTGOING CONVEYOR

ITEM	PART NUMBER	DESCRIPTION	QTY	MODEL OR SERIAL #
3	690-00005	SPROCKET	2	
4	210-00251	CHAIN DRIVE ADJUSTMENT, SQ. HD. SET SCREW	1	
5	690-00044	SPROCKET	1	
6	450-00004	MOTOR, HYDRAULIC	1	
7	690-00021	BUSHING SDS	1	
9	030-00018	BEARING	18	
11	110-00001	CHAIN, ROLLER	AS REQ'D	
	110-00002	MASTER LINK FOR ROLLER CHAIN	AS REQ'D	
12	091-00307	ROLLER, OUTGOING DRIVE	1	
13	091-00308	ROLLER, OUTGOING DRIVEN	8	
15	690-00006	60 SDS 20	1	
16	410-00012	FOOT PADS, GALVANIZED, 6"	4	
17	690-00063	DOUBLE WELDED SPROCKET	7	
18	210-00364	WASHER RETAINING	1	



# Cage Unloading System

## OUTGOING SAFETY STOP







# Cage Unloading System

## OUTGOING SAFETY STOP

ITEM	PART NUMBER	DESCRIPTION	QTY	MODEL OR SERIAL #
1	010-00105	SAFETY STOP	2	
2	010-00104	SUPPORT	1	
3	670-00054	PIN	2	
4	210-00147	COTTER PIN	2	
5	010-00106	FLOOR PLATE	1	
6	D 70014	SAFETY STOP	2	
7		SUPPORT	1	
8	170-00015	PIN	2	
9	210-00147	COTTER PIN	2	
10	D 20014	FLOOR PLATE	1	



# ***Cage Unloading System***

---



# **Cage Unloading System**

## **Section 6**

# **Receiving and Hanging Belts**

### **Contents**

#### **Receiving Belt**

88" INTRALOX <sup>®</sup> Belt - - - - -	2
108" INTRALOX <sup>®</sup> Belt- - - - -	4
88" PVC Belt - - - - -	6
2 INTRALOX <sup>®</sup> BELTS- - - - -	8
2 PVC BELTS- - - - -	10

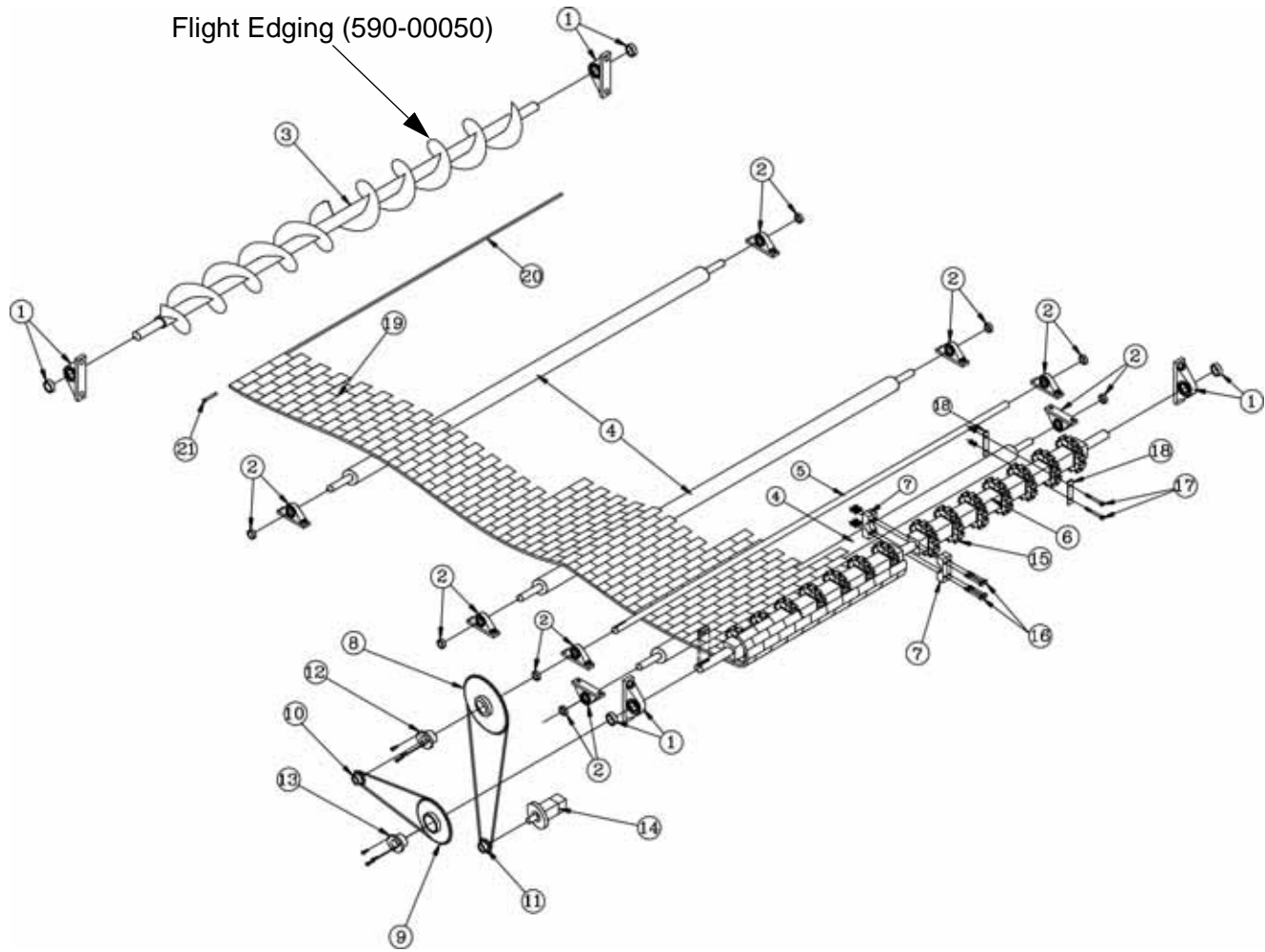
#### **Hanging Belt**

INTRALOX <sup>®</sup> Belt - - - - -	12
INTRALOX <sup>®</sup> Belt - - - - -	14
PVC Belt and Stainless Steel Frame - - - - -	16
PVC Belt and Stainless Steel Frame - - - - -	18
PVC Belt and Galvanized Frame - - - - -	20
PVC Belt and Galvanized Frame - - - - -	22



# Cage Unloading System

## RECEIVING BELT WITH 88" INTRALOX® BELT





# Cage Unloading System

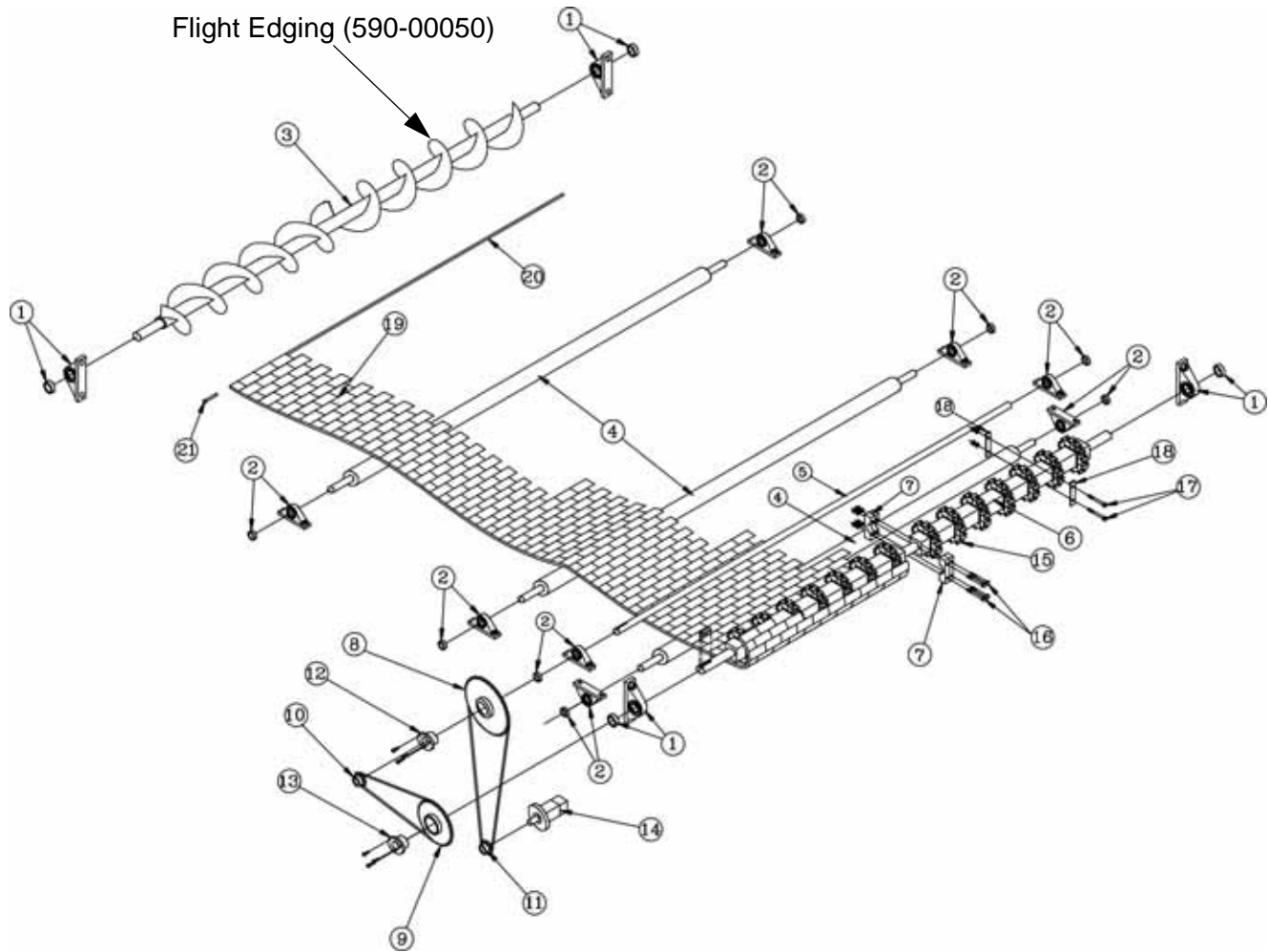
## RECEIVING BELT WITH 88" INTRALOX® BELT

ITEM	PART NUMBER	DESCRIPTION	QTY	MODEL OR SERIAL #
1	030-00020	BEARING, PILLOW BLOCK, VAK 1-15/16"	4	
2	030-00021	BEARING, PILLOW BLOCK, VAK 1-7/16"	4	
3	050-00020	STAINLESS STEEL SCROLL, 9" X 101"	1	
4	590-00024	IDLE ROLLER, INTRALOX BELTING, 3" PIPE	3	
5	670-00009	SHAFT, COUNTER, 1-7/16" X 104"	1	
6	670-00028	SHAFT, SQUARE STAINLESS STEEL DRIVE (2.5" X 104")	1	
7	410-00029	BEARING, UHMW (SET, 4 PIECES) DRIVE CENTER BEARING (1-1/16" BORE)	1	
7A	410-00029.1	BEARING, UHMW (SET, 4 PIECES) DRIVE CENTER BEARING (2-3/8" BORE)	1	
8	690-00011	SPROCKET, 60SF60 - 60SFF45	1	
9	690-00009	SPROCKET, 60SF45	1	
10	690-00004	SPROCKET, 60BS13, 1-7/16", 3/8"K	1	
11	690-00003	SPROCKET, 60BS13, 1-1/4", 5/16"K	1	
12	690-00043	BUSHING, SF, 1-7/16"	1	
13	030-00057	BUSHING, SF, 1-15/16"	1	
14	450-00004	MOTOR, HYDRAULIC, 104-1028	1	
15	050-00071	SPROCKET, INTRALOX, SH72SAO, 7.7 WITH 2.5" SQ. BORE (12 TOOTH)	14	
16	210-00504	BOLT	AS REQ'D	
17	210-00088	BOLT	AS REQ'D	
18	410-00025	PLASTIC SPROCKET RETAINER (PER SET OF 2)	AS REQ'D	
19	050-00028	BELTING, 88" INTRALOX (SERIES 800)	AS REQ'D	
20	050-00078	RODS, ABRASION RESISTANT	AS REQ'D	
21	050-00076	RODLETS, ABRASION RESISTANT	AS REQ'D	



# Cage Unloading System

## RECEIVING BELT WITH 108" INTRALOX® BELT





# Cage Unloading System

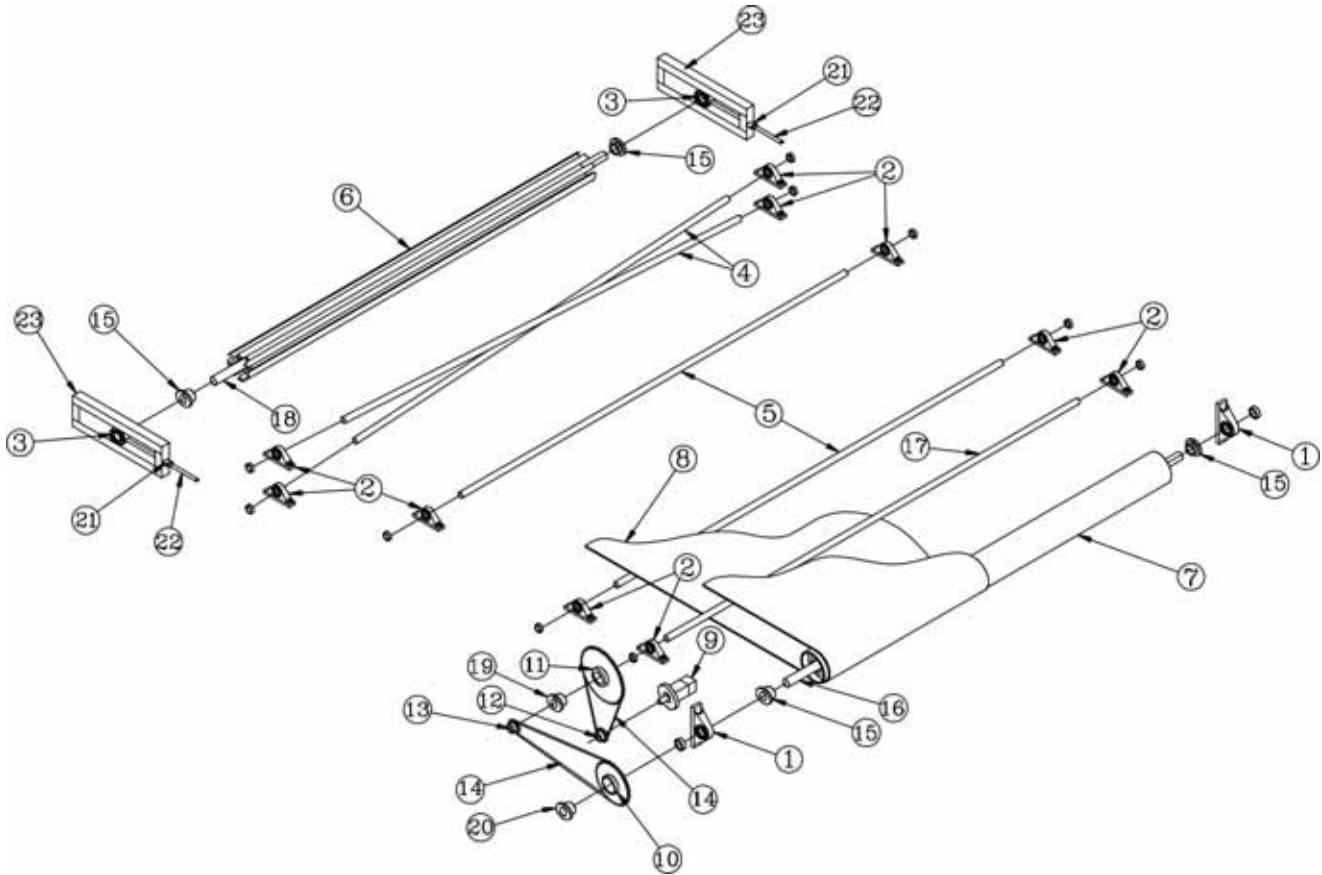
## RECEIVING BELT WITH 108" INTRALOX® BELT

ITEM	PART NUMBER	DESCRIPTION	QTY	MODEL OR SERIAL #
1	030-00020	BEARING, PILLOW BLOCK, VAK 1-15/16"	4	
2	030-00021	BEARING, PILLOW BLOCK, VAK 1-7/16"	4	
3	050-00131	STAINLESS STEEL SCROLL, 9" X 120"	1	
4	590-00062	IDLE ROLLER, INTRALOX BELTING, 3" PIPE	3	
5	670-00060	SHAFT, COUNTER, 1-7/16" X 124"	1	
6	670-00058	SHAFT, SQUARE STAINLESS STEEL DRIVE (2.5" X 124")	1	
7	410-00029	BEARING, UHMW (SET, 4 PIECES) DRIVE CENTER BEARING (1-1/16" BORE)	2	
7A	410-00029.1	BEARING, UHMW (SET, 4 PIECES) DRIVE CENTER BEARING (2-3/8" BORE)	1	
8	690-00011	SPROCKET, 60SF60 - 60SFF45	1	
9	690-00009	SPROCKET, 60SF45	1	
10	690-00004	SPROCKET, 60BS13, 1-7/16", 3/8"K	1	
11	690-00003	SPROCKET, 60BS13, 1-1/4", 5/16"K	1	
12	690-00043	BUSHING, SF, 1-7/16"	1	
13	030-00057	BUSHING, SF, 1-15/16"	1	
14	450-00004	MOTOR, HYDRAULIC, 104-1028	1	
15	050-00071	SPROCKET, INTRALOX, SH72SAO, 7.7 WITH 2.5" SQ. BORE (12 TOOTH)	18	
16	210-00504	BOLT	AS REQ'D	
17	210-00088	BOLT	AS REQ'D	
18	410-00025	PLASTIC SPROCKET RETAINER (PER SET OF 2)	AS REQ'D	
19	050-00130	BELTING, 108" INTRALOX (SERIES 800)	AS REQ'D	
20	050-00140	RODS, ABRASION RESISTANT	AS REQ'D	
21	050-00076	RODLETS, ABRASION RESISTANT	AS REQ'D	



# Cage Unloading System

## RECEIVING BELT WITH 88" PVC BELT







# Cage Unloading System

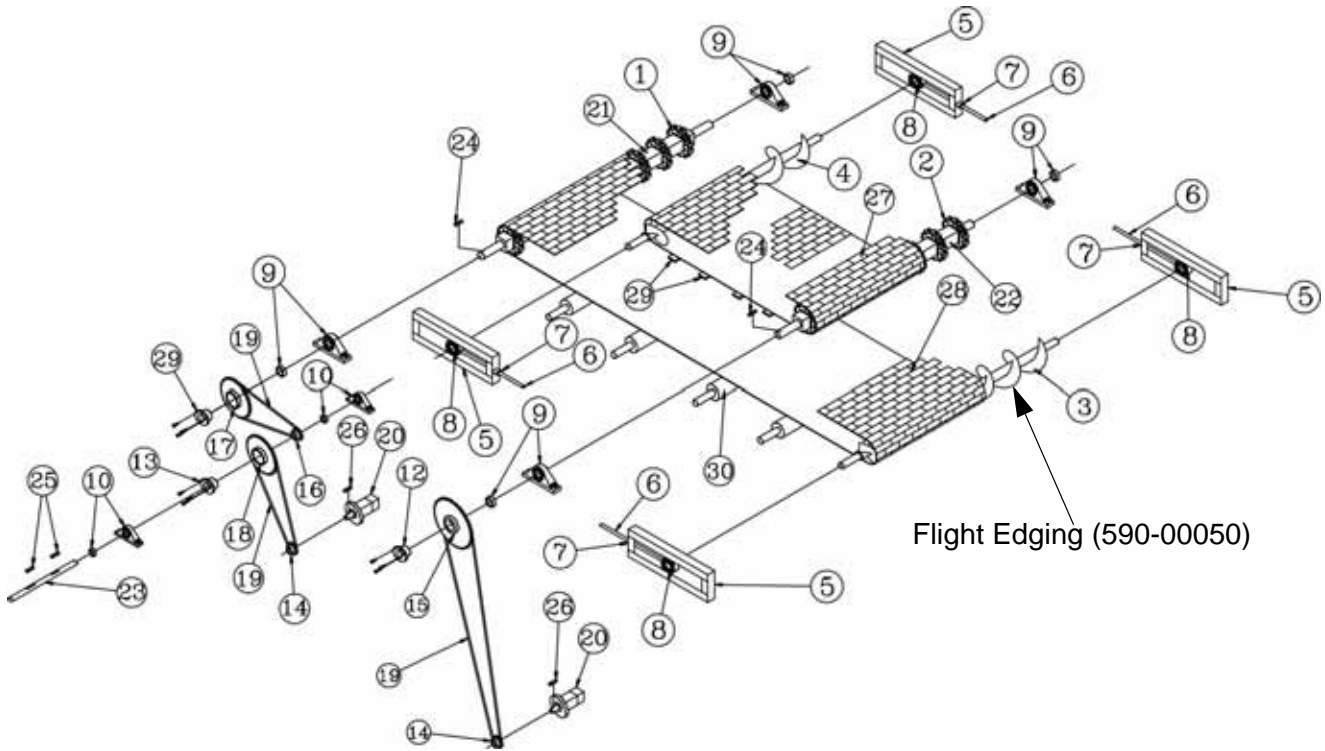
## RECEIVING BELT WITH 88" PVC BELT

ITEM	PART NUMBER	DESCRIPTION	QTY	MODEL OR SERIAL #
1	030-00020	BEARING, PILLOW BLOCK, VAK 1-15/16"	2	
2	030-00021	BEARING, PILLOW BLOCK, VAK 1-7/16"	10	
3	030-00016	TAKE-UP BEARING	2	
4	590-00023	SHAFT	2	
5	670-00037	SHAFT, WITH PIPE SLEEVE	2	
6	590-00027	PADDLE WHEEL WITH BUSHING	1	
7	590-00015	CROWN ROLLER WITH BUSHING	1	
8	050-00008	PVC BELT	1	
9	450-00004	HYD. MOTOR	1	
10	690-00009	(60SF45) SPROCKET	1	
11	690-00011	(60SF60) SPROCKET	1	
12	690-00003	(60BS13) 1-1/4" SPROCKET	1	
13	690-00004	(60BS13) 1-7/16" SPROCKET	1	
14	110-00001	# 60 CHAIN	1	
15	690-00047	BUSHING HE-25, 1-15/16"	4	
16	670-00013	DRIVE SHAFT	AS REQ'D	
17	670-00009	SHAFT, COUNTER SHAFT 1-7/16" X 104"	AS REQ'D	
18	670-00021	PADDLE WHEEL SHAFT	AS REQ'D	
19	690-00043	SF BUSHING	AS REQ'D	
20	030-00057	BUSHING SF 1-15/16"	AS REQ'D	
21	210-00210	TAKE-UP NUT	AS REQ'D	
22	410-00027	TAKE-UP ROD (15" LG)	2	
	410-00026	TAKE-UP ROD (12" LG)	2	
	091-21323	TAKE-UP ROD (22" LG)	2	
	091-21320	TAKE-UP ROD (25" LG)	2	
23	091-21320	TAKE-UP ASSEMBLY (INCLUDES 3, 21, 22)	2	



# Cage Unloading System

## RECEIVING BELT WITH 2 INTRALOX® BELTS





# Cage Unloading System

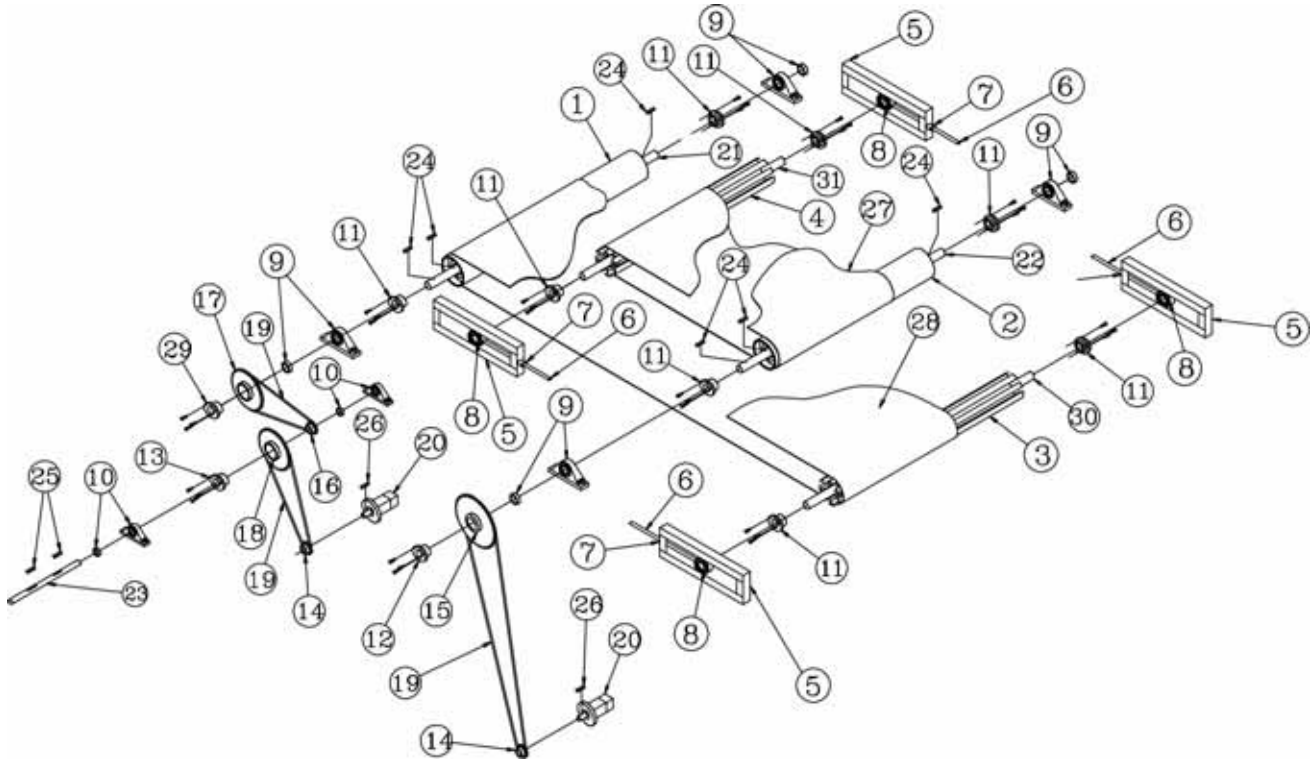
## RECEIVING BELT WITH 2 INTRALOX<sup>®</sup> BELTS

ITEM	PART NUMBER	DESCRIPTION	QTY	MODEL OR SERIAL #
1	050-00120	SPROCKET, 7.7 WITH 2-1/2" SQ. BORE, SPLIT METAL PLATE (3/8")	1	
2	050-00119	SPROCKET, 5.2 WITH 2-1/2" SQ. BORE, SPLIT METAL PLATE (3/8")	1	
3	050-00017	STAINLESS STEEL SCROLL (48" BELT) 9" X 61" INTRALOX 400 (800SERIES)	1	
4	050-00016	STAINLESS STEEL SCROLL, 6" X 57" INTRALOX 400 (800 SERIES)	1	
5	091-21320	TAKE-UP ASSEMBLY (25" LG) (INCLUDES 6, 7, 8)	4	
6	410-00027	TAKE-UP ROD	4	
7	210-00210	TAKE-UP NUT	4	
8	030-00016	TAKE-UP BEARING	4	
9	030-00021	BEARING, PILLOW BLOCK, VAK 1-7/16"	4	
10	030-00021	BEARING, PILLOW BLOCK, VAK 1-7/16"	2	
11	690-00047	BUSHING HE-25, 1-15/16"	4	
12	030-00057	BUSHING SF 1-15/16"	2	
13	690-00022	BUSHING SK 1-7/16"	1	
14	690-00003	60BS13, 1-1/4"	2	
15	690-00011	SPROCKET 60SF60	1	
16	690-00005	SPROCKET 60BS15, 1-7/16"	1	
17	690-00015	SPROCKET 60SK30	1	
18	690-00015	SPROCKET 60SK30	1	
19	110-00001	#60 CHAIN	3	
20	450-00004	HYD. MOTOR 104-1028	2	
21	670-00033	SHAFT (SQ. SS MACHINED CENTER, 2.5" X 63"	2	
22	670-00052	SHAFT (SQ. SS MACHINED CENTER, 2.5" X 57" (42" BELT, PAINTED FRAME)	2	
23	670-00008	SHAFT (BOTTOM BELT COUNTER SHAFT)	1	
24	370-00008	3/8" X 3" KEY	6	
25	370-00007	3/8" X 2" KEY	2	
26	370-00013	3/8" X 1-1/4", (SPROCKET) KEY	2	
27	050-00005	42" INTRALOX BELT (800 SERIES) (24'-6")	1	
28	050-00006	48" INTRALOX BELT (800 SERIES) (33')	1	
29	690-00060	BUSHING SK 1-15/16"	1	



# Cage Unloading System

## RECEIVING BELT WITH 2 PVC BELTS





# Cage Unloading System

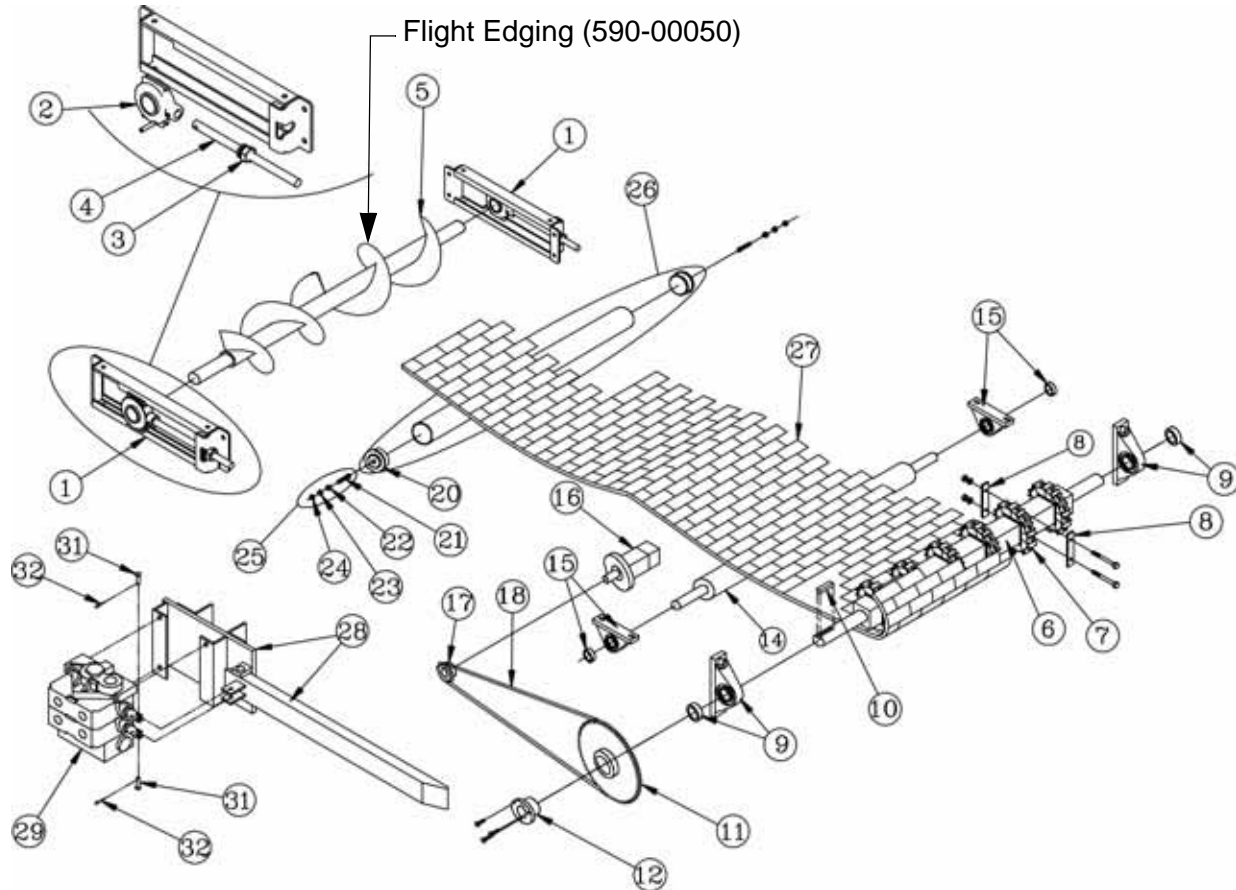
## RECEIVING BELT WITH 2 PVC BELTS

ITEM	PART NUMBER	DESCRIPTION	QTY	MODEL OR SERIAL #
1	590-00016	CROWN ROLLER (BOTTOM BELT) 8" X 51" WITH BUSHING	1	
2	590-00019	CROWN ROLLER (TOP BELT) 6" X 44" WITH BUSHING (DRIVE OR IDLER)	1	
3	590-00016	(BOTTOM BELT) 8" X 51" WITH BUSHING (PADDLE WHEEL)	1	
4	590-00019	(TOP BELT) 6" X 44" WITH BUSHING (DRIVE OR IDLER) (PADDLE WHEEL)	1	
5	091-21320	TAKE-UP ASSEMBLY (25" LG)	4	
6	410-00027	TAKE-UP ROD	4	
7	210-00210	TAKE-UP NUT	4	
8	030-00016	TAKE-UP BEARING	4	
9	030-00021	BEARING, PILLOW BLOCK, VAK 1-15/16"	4	
10	030-00021	BEARING, PILLOW BLOCK, VAK 1-7/16"	2	
11	690-00047	BUSHING HE-25, 1-15/16"	4	
12	030-00057	BUSHING SF 1-15/16"	2	
13	690-00022	BUSHING SK 1-7/16"	1	
14	690-00003	60BS13, 1-1/4"	2	
15	690-00011	SPROCKET 60SF60	1	
16	690-00005	SPROCKET 60BS15, 1-7/16"	1	
17	690-00015	SPROCKET 60SK30	1	
18	690-00015	SPROCKET 60SK30	1	
19	110-00001	#60 CHAIN	3	
20	450-00004	HYD. MOTOR 104-1028	2	
21	670-00012	SHAFT (DRIVE-BOTTOM BELT)	2	
22	670-00014	SHAFT (DRIVE-TOP BELT)	2	
23	670-00008	SHAFT (BOTTOM BELT COUNTER SHAFT)	1	
24	370-00008	3/8" X 3" KEY	6	
25	370-00007	3/8" X 2" KEY	2	
26	370-00013	3/8" X 1-1/4", (SPROCKET) KEY	2	
27	050-00005	PVC BELT	1	
28	050-00006	PVC BELT	1	
29	690-00060	BUSHING SK 1-15/16"	1	
30	670-00020	IDLE BOTTOM BELT SHAFT	1	
31	670-00022	IDLE TOP BELT SHAFT	1	



# Cage Unloading System

## HANGING BELT WITH INTRALOX® BELT





# Cage Unloading System

## HANGING BELT WITH INTRALOX® BELT

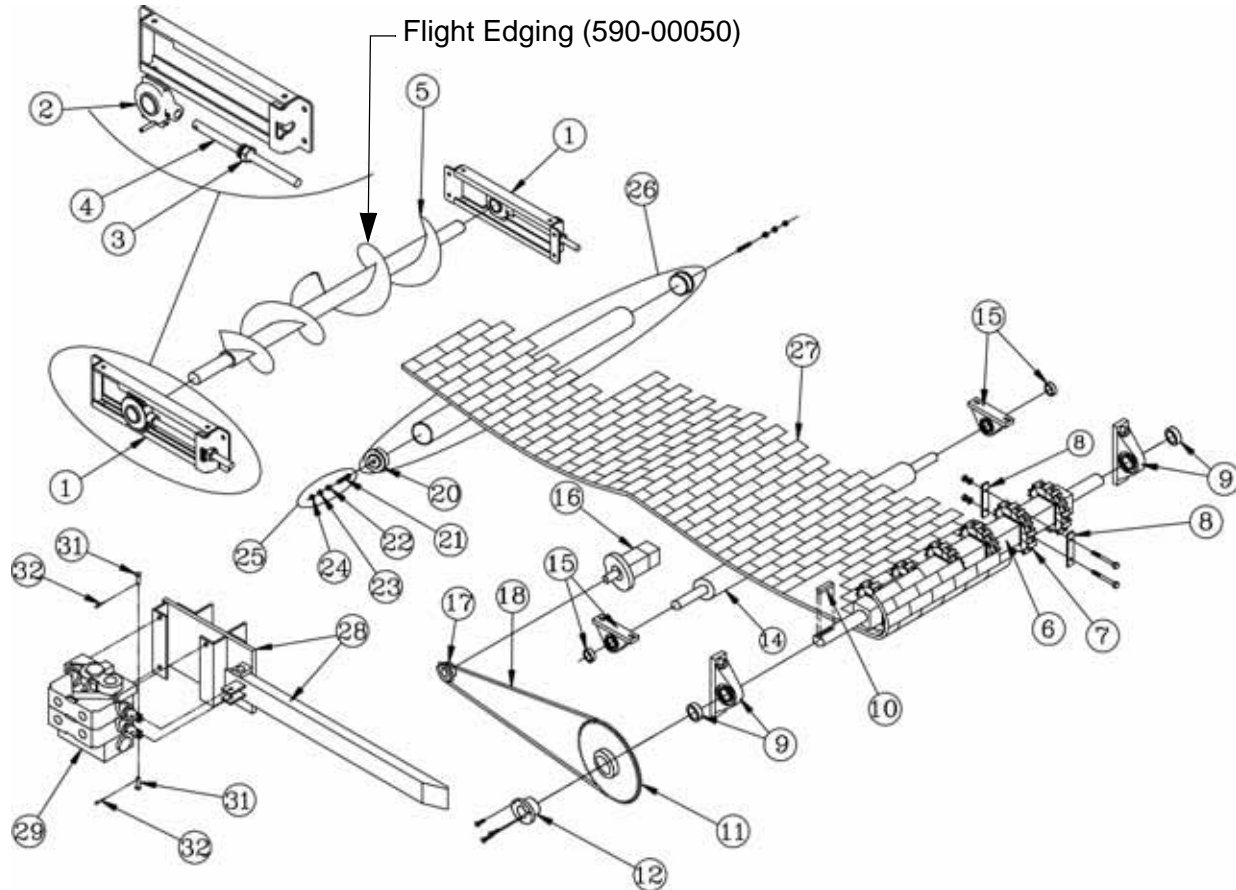
ITEM	PART NUMBER	DESCRIPTION	QTY	MODEL OR SERIAL #
1	091-21320	TAKE-UP, COMPLETE ASSY W/ ROD AND NUT	2	
2	030-00016	TAKE-UP, BEARING UNIT ONLY	2	
3	210-00210	TAKE-UP, ADJUSTING NUT	2	
4	410-00027	TAKE-UP, THREADED ROD, 15"	2	
5	050-00018	SCROLL, 2' HANGING BELT	1	
	050-00019	SCROLL, 3' HANGING BELT	1	
	050-00017	SCROLL, 4' HANGING BELT	1	
6	670-00029	STAINLESS STEEL DRIVE SHAFT, 2' HANGING BELT, S.S. CONSTRUCTION	1	
	670-00030	STAINLESS STEEL DRIVE SHAFT, 3' HANGING BELT, S.S. CONSTRUCTION	1	
	670-00032	STAINLESS STEEL DRIVE SHAFT, 4' HANGING BELT, S.S. CONSTRUCTION	1	
7	050-00073	10.3 INTRALOX SPROCKET, 2 1/2" SQUARE BORE	AS REQUIRED	
8	410-00025	PLASTIC SPROCKET RETAINER (2 STRAPS PER SET)	AS REQUIRED	
9	030-00020	PILLOW BLOCK BEARING, 1 15/16"	2	
10	370-00014	KEY, 1/2" X 4"	1	
11	690-00011	SPROCKET, 60 SF 60	1	
12	030-00057	BUSHING, SF 1 15/16"	1	
14	590-00051	ROLLER, FORCED WRAP, 2' S.S. HANGING BELT	1	
	590-00052	ROLLER, FORCED WRAP, 3' S.S. HANGING BELT	1	
	590-00053	ROLLER, FORCED WRAP, 4' S.S. HANGING BELT	1	
15	030-00023	PILLOW BLOCK BEARING, 1"	2	
16	450-00004	MOTOR, CHAR-LYNN	1	
17	690-00044	SPROCKET, 60 BS 15 - 1 1/4" BORE	1	
18	110-00001	CHAIN, #60	AS REQUIRED	
20	590-00055	PLUG, PLASTIC	AS REQUIRED	
22	210-00172	NUT, 3/8" S.S.	AS REQUIRED	
23	210-00314	LOCK WASHER, 3/8" S.S.	AS REQUIRED	
24	210-00186	NUT, 3/8" S.S. JAMB	AS REQUIRED	





# Cage Unloading System

## HANGING BELT WITH INTRALOX® BELT







# Cage Unloading System

## HANGING BELT WITH INTRALOX® BELT

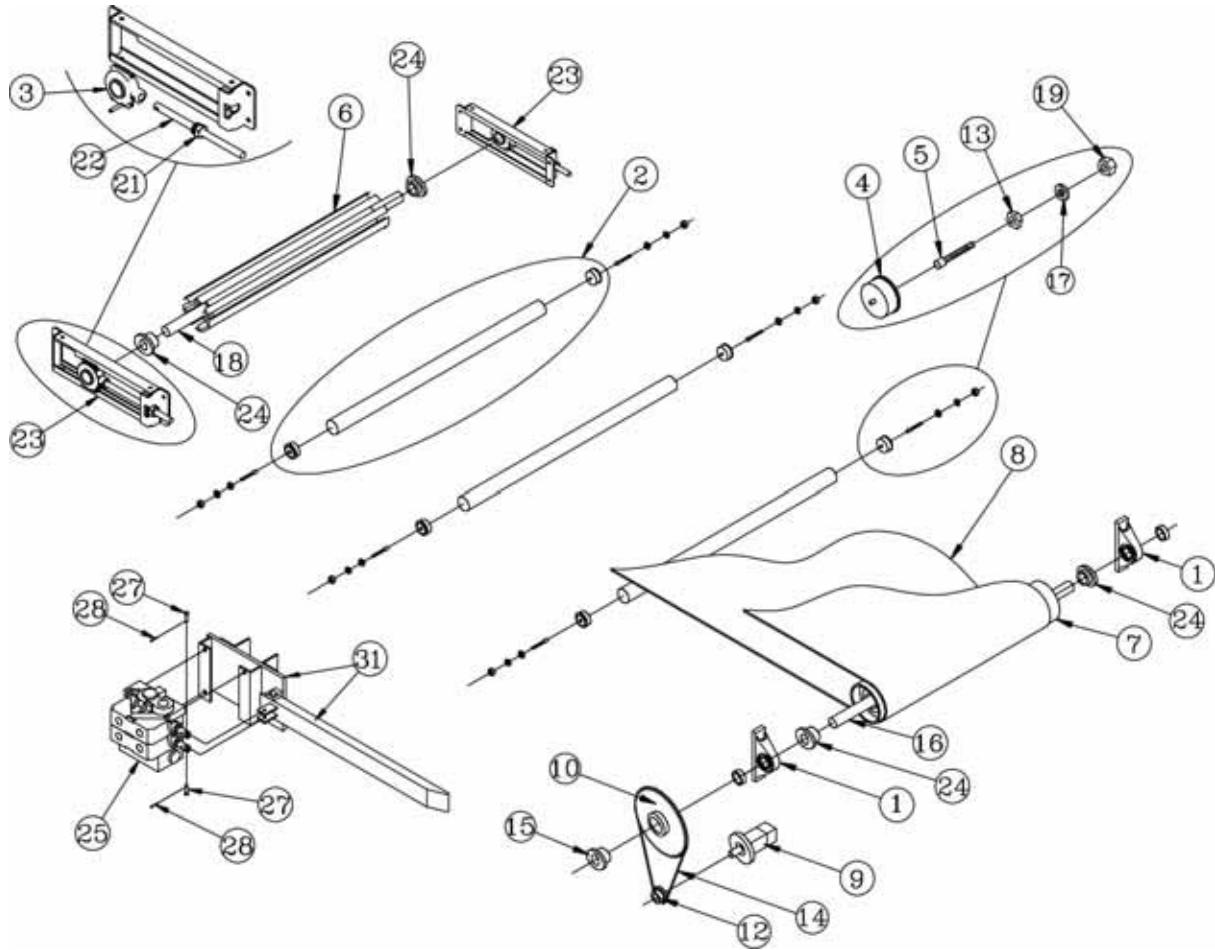
ITEM	PART NUMBER	DESCRIPTION	QTY	MODEL OR SERIAL #
25	590-00022	BALL STUD, KIT (INCLUDES 2 STUDS, 2 NUTS, 2 L.W., & 2 JAMB NUTS)	AS REQUIRED	
26	STAINLESS STEEL CONSTRUCTION			
	590-00008	2 3/8" X 24 1/2" ROLLER, COMPLETE (2' BELT)	AS REQUIRED	
	590-00004	2 3/8" X 35 1/2" ROLLER, COMPLETE (3' BELT)	AS REQUIRED	
	590-00054	2 3/8" X 47 1/2" ROLLER, COMPLETE (4' BELT)	AS REQUIRED	
26	GALVANIZED CONSTRUCTION			
	590-00006	2 3/8" X 17" ROLLER, COMPLETE (2' BELT)	AS REQUIRED	
	590-00007	2 3/8" X 29" ROLLER, COMPLETE (3' BELT)	AS REQUIRED	
	590-00005	2 3/8" X 41" ROLLER, COMPLETE (4' BELT)	AS REQUIRED	
27	050-00032	INTRALOX SERIES 800 BELTING (PER FOOT), 2' BELT	AS REQUIRED	
	050-00031	INTRALOX SERIES 800 BELTING (PER FOOT), 3' BELT	AS REQUIRED	
	050-00029	INTRALOX SERIES 800 BELTING (PER FOOT), 4' BELT	AS REQUIRED	
*28	010-00164	KNEE LEVER ASSEMBLY (WELDMENT ONLY, NO VALVE)	1	
*29	810-00084	HANGING BELT VALVE (SPECIFY NO. OF SECTIONS, 2 SECTION SHOWN)	1	
31	210-00136	CLEVIS PIN	AS REQUIRED	
32	210-00437	COTTER PIN	AS REQUIRED	

\* Note: See Section 10 for more detail



# Cage Unloading System

**HANGING BELT WITH PVC BELT  
for STAINLESS STEEL FRAME**





# Cage Unloading System

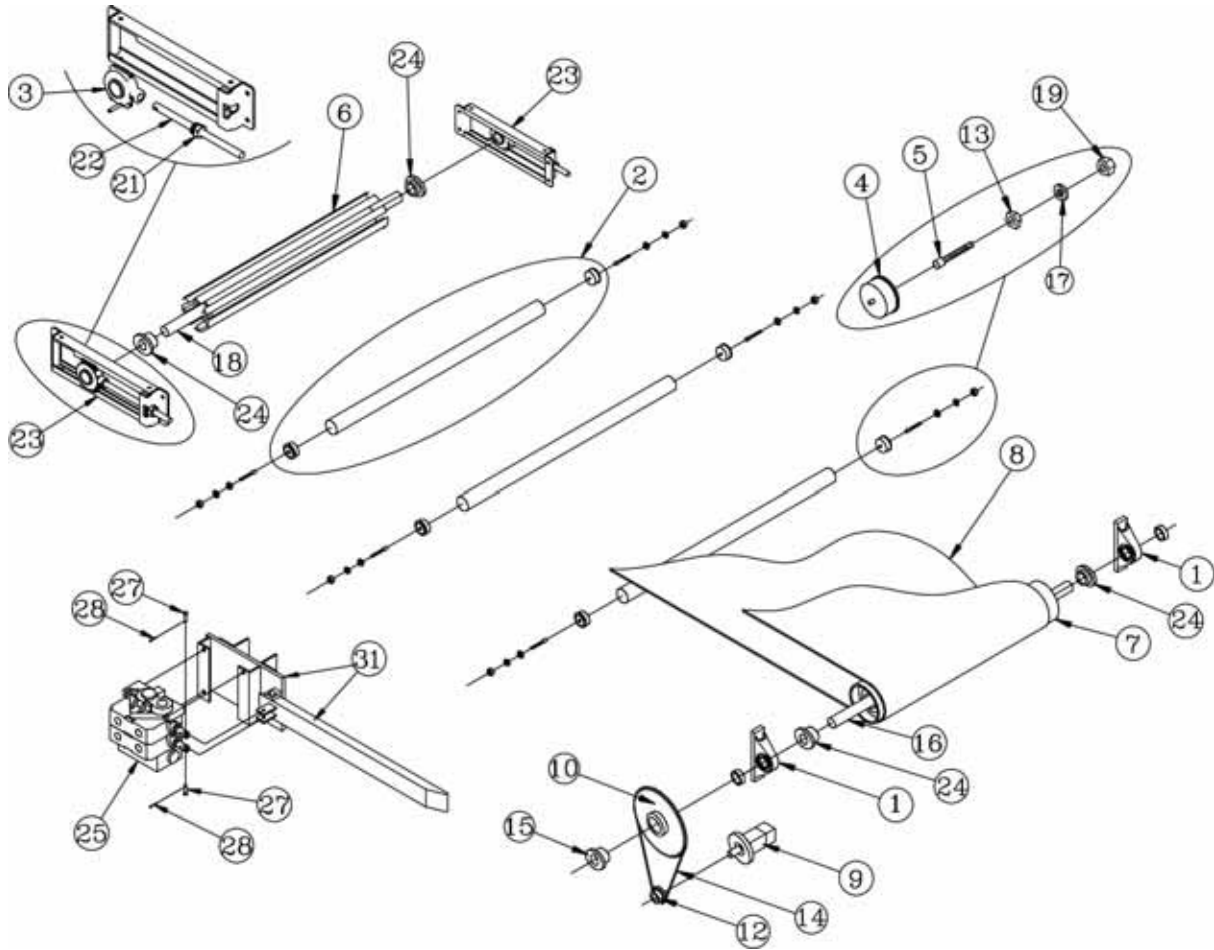
## HANGING BELT WITH PVC BELT for STAINLESS STEEL FRAME

ITEM	PART NUMBER	DESCRIPTION	QTY	MODEL OR SERIAL #
1	030-00020	BEARING, PILLOW BLOCK, VAK 1 15/16"	2	
2	590-00008	2 3/8" X 24 1/2" ROLLER COMPLETE (2' BELT)	AS REQUIRED	
	590-00004	2 3/8" X 35 1/2" ROLLER COMPLETE (3' BELT)	AS REQUIRED	
	590-00054	2 3/8" X 47 1/2" ROLLER COMPLETE (4' BELT)	AS REQUIRED	
3	030-00016	TAKE-UP BEARING UNIT	2	
4	590-00055	BEARING 2" EMT (BLUE)	AS REQUIRED	
5	590-00022	3/8" S.S. STUD	AS REQUIRED	
6	PADDLE WHEEL, WINGED PULLEY			
	590-00058	10" X 26"	1	
	590-00025	10" X 38"	1	
	590-00061	10" X 51"	1	
7	CROWN ROLLER			
	590-00009	10" X 26"	1	
	590-00011	10" X 38"	1	
	590-00012	10" X 51"	1	
8	PVC BELT			
	050-00008	88" BELT	1	
	050-00003	24" BELT	1	
	050-00004	36" BELT	1	
	050-00006	48" BELT	1	
9	450-00004	MOTOR, HYDRAULIC	1	
10	690-00009	SPROCKET, 60SF45, 60SF60	1	



# Cage Unloading System

## HANGING BELT WITH PVC BELT for STAINLESS STEEL FRAME





# Cage Unloading System

## HANGING BELT WITH PVC BELT for STAINLESS STEEL FRAME

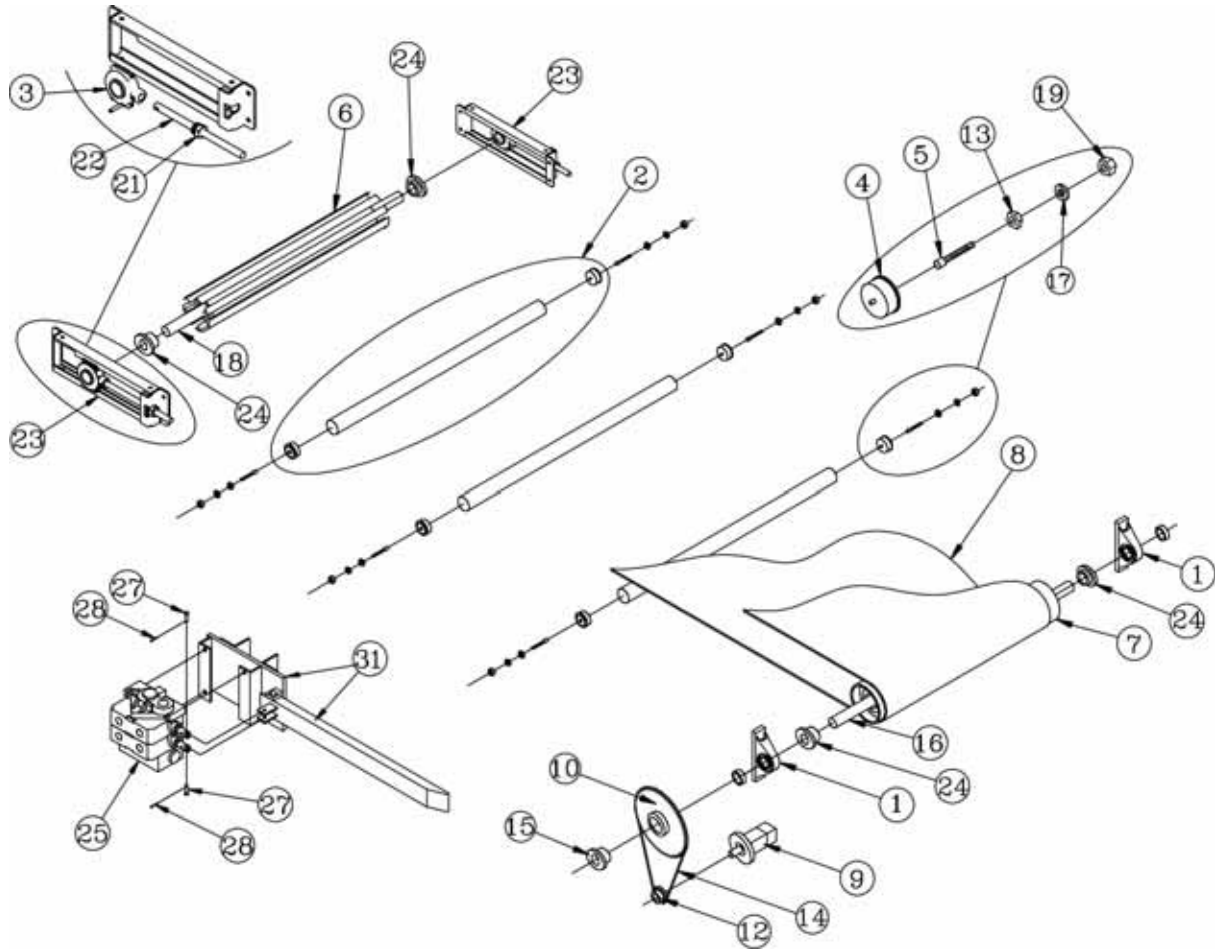
ITEM	PART NUMBER	DESCRIPTION	QTY	MODEL OR SERIAL #
12	690-00003	SPROCKET, 60BS13-1 1/4, 5/16K	1	
13	210-00186	3/8" JAM NUT	AS REQUIRED	
14	110-00001	DRIVE CHAIN, # 60	AS REQUIRED	
15	030-00057	BUSHING, SF 1 15/16	1	
16		SHAFT, DRIVE CROWN ROLL OR PADDLE WHEEL		
	670-00015	1-15/16" X 40"	1	
	670-00016	1-15/16" X 52-1/2"	1	
	670-00012	1-15/16" X 66"	1	
17	210-00314	3/8" LOCK WASHER	AS REQUIRED	
18		SHAFT, PADDLE WHEEL IDLER		
	670-00023	1-15/16" X 40"	1	
	670-00024	1-15/16" X 50"	1	
	670-00020	1-15/16" X 63"	1	
19	210-00172	3/8" NUT	AS REQUIRED	
21	210-00210	NUT, TAKE-UP	2	
22	410-00027	ROD, TAKE-UP (15" LG)	2	
23	091-21320	FRAME, TAKE-UP W/ ROD AND NUT	2	
24	690-00047	BUSHING, HE-25 1 15/16	4	
*25	810-00084	HANGING BELT VALVE (SPECIFY NO. OF SECTIONS, 2 SECTIONS SHOWN)	1	
27	210-00136	CLEVIS PIN	AS REQUIRED	
28	210-00437	COTTER PIN	AS REQUIRED	
*31	010-00164	KNEE LEVER ASSEMBLY (WELDMENT ONLY, NO VALVE)	1	

\* See Section 10 for more Details



# Cage Unloading System

## HANGING BELT WITH PVC BELT for GALVANIZED FRAME





# Cage Unloading System

## HANGING BELT WITH PVC BELT for GALVANIZED FRAME

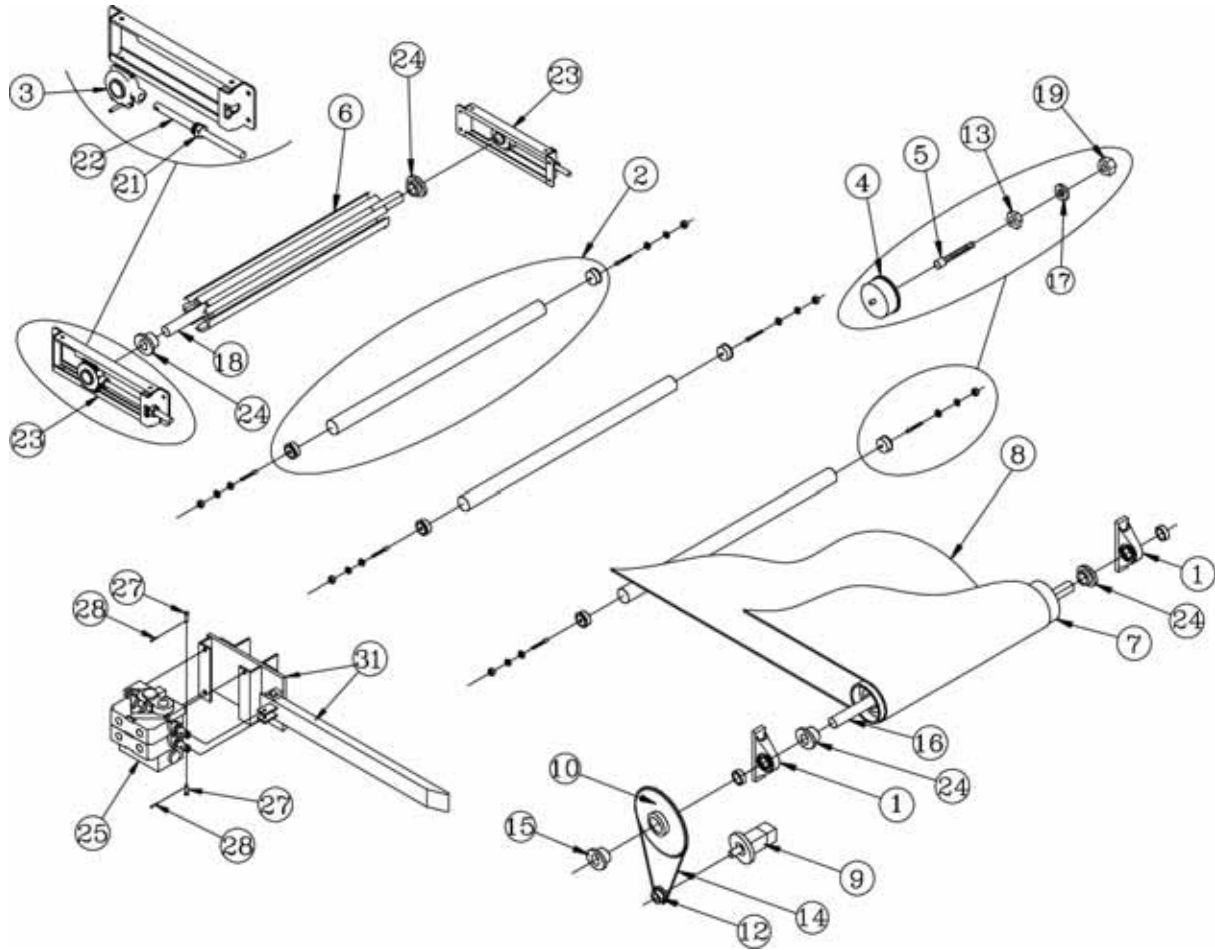
ITEM	PART NUMBER	DESCRIPTION	QTY	MODEL OR SERIAL #
1	030-00020	BEARING, PILLOW BLOCK, VAK 1 15/16"	2	
2	590-00006	2-3/8" X 17" ROLLER COMPLETE (2' BELT)	AS REQUIRED	
	590-00007	2-3/8" X 29" ROLLER COMPLETE (3' BELT)	AS REQUIRED	
	590-00005	2-3/8" X 41" ROLLER COMPLETE (4' BELT)	AS REQUIRED	
3	030-00016	TAKE-UP BEARING UNIT	2	
4	590-00055	BEARING 2" EMT (BLUE)	AS REQUIRED	
5	590-00022	3/8" S.S. STUD HARDWARE SET	AS REQUIRED	
6	PADDLE WHEEL, WINGED PULLEY			
	590-00058	10" X 26"	1	
	590-00025	10" X 38"	1	
	590-00061	10" X 51"	1	
7	CROWN ROLLER			
	590-00009	10" X 26"	1	
	590-00011	10" X 38"	1	
	590-00012	10" X 51"	1	
8	PVC BELT			
	050-00003	24" BELT	1	
	050-00004	38" BELT	1	
	050-00006	48" BELT	1	
9	450-00004	MOTOR, HYDRAULIC	1	
10	690-00009	SPROCKET, 60SF45, 60SF60	1	
12	690-00003	SPROCKET, 60BS13, 1-1/4, 5/16K	1	
13	210-00186	3/8" JAM NUT	AS REQUIRED	
14	110-00001	DRIVE CHAIN, # 60	AS REQUIRED	
15	030-00057	BUSHING, SF 1 15/16	1	
16	SHAFT, DRIVE CROWN ROLL OR PADDLE WHEEL			
	670-00015	1-15/16" X 40"	1	
	670-00016	1-15/16" X 52-1/2"	1	
	670-00012	1-15/16" X 66"	1	

\* See section 10 for more detail



# Cage Unloading System

## HANGING BELT WITH PVC BELT for GALVANIZED FRAME







# Cage Unloading System

## HANGING BELT WITH PVC BELT for GALVANIZED FRAME

ITEM	PART NUMBER	DESCRIPTION	QTY	MODEL OR SERIAL #
17	210-00314	3/8" LOCK WASHER	AS REQUIRED	
18		SHAFT, PADDLE WHEEL IDLER		
	670-00021	1-15/16" X 40"	1	
	670-00024	1-15/16" X 50"	1	
	670-00020	1-15/16" X 63"	1	
19	210-00172	3/8" NUT	AS REQUIRED	
21	210-00210	NUT, TAKE-UP	2	
22	410-00027	ROD, TAKE-UP (15" LG)	2	
23	091-21320	FRAME, TAKE-UP W/ ROD AND NUT	2	
24	690-00047	BUSHING, HE-25 1 15/16	4	
*25	810-00084	HANGING BELT VALVE (SPECIFY NO. OF SECTIONS, 2 SECTIONS SHOWN)	1	
27	210-00136	CLEVIS PIN	AS REQUIRED	
28	210-00437	COTTER PIN	AS REQUIRED	
*31	010-00164	KNEE LEVER ASSEMBLY (WELDMENT ONLY, NO VALVE)	1	

\* See section 10 for more detail



# ***Cage Unloading System***

---



# ***Cage Unloading System***

## **Section 7**

# **Operator Console**

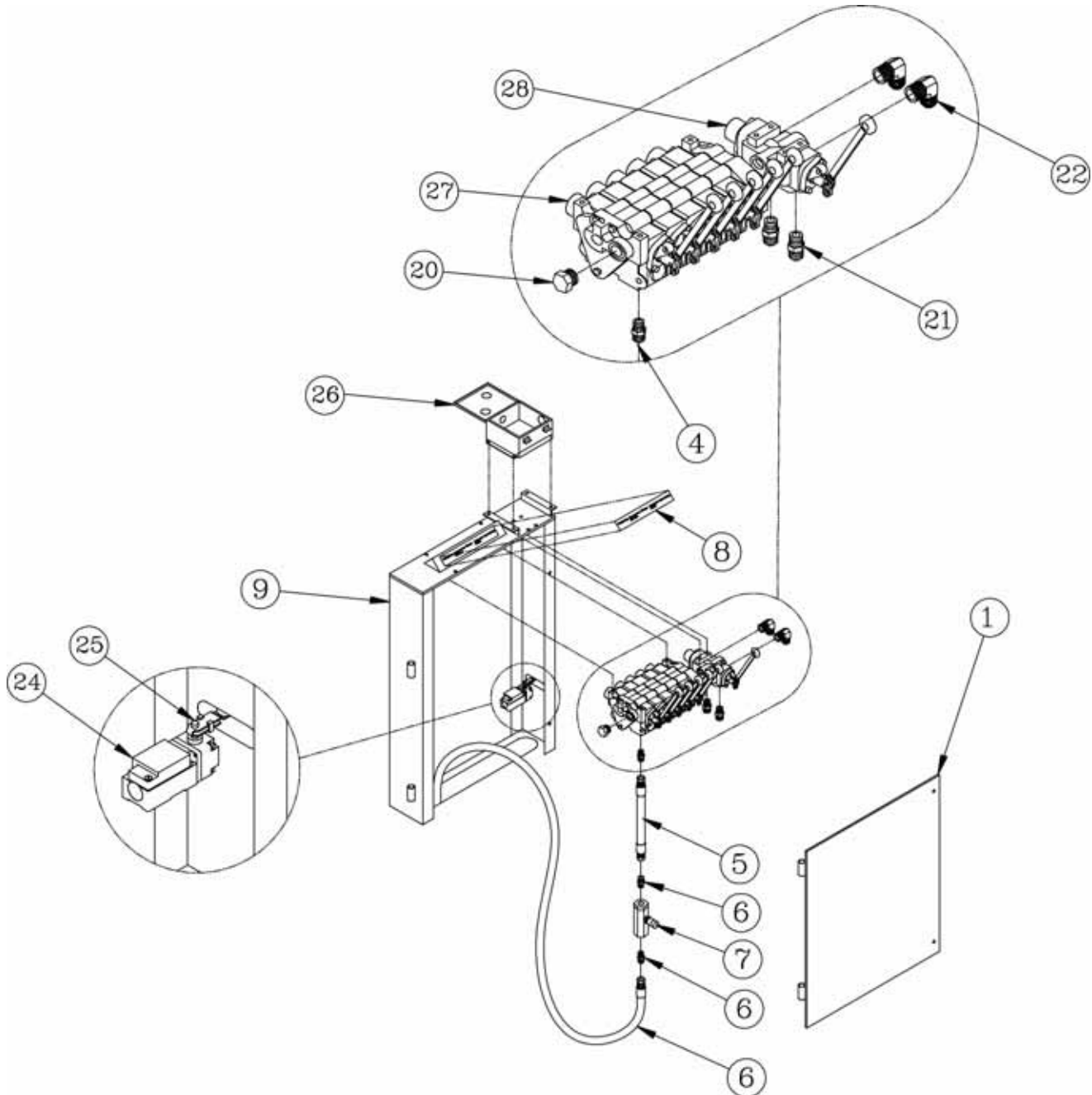
### **Contents**

OPERATOR CONSOLE - - - - -	2
CONTROL BOX DETAIL	
STYLE "A"	
Cage Unloading System Without Door Closer And Washer - - -	4
STYLE "B"	
Cage Unloading System With Door Closer And Without Washer	6
STYLE "C"	
Cage Unloading System With Door Closer And With Washer - -	8



# Cage Unloading System

## OPERATOR CONSOLE





# Cage Unloading System

## OPERATOR CONSOLE

ITEM	PART NUMBER	DESCRIPTION	QTY	MODEL OR SERIAL #
1	410-00069	REMOVABLE COVER PLATE HINGED	1	
4	330-00036	ADAPTER, O-RING BOSS	AS REQ'D	
5	340-00003	HYDRAULIC HOSE, 1/2" X 10"	4	
6	330-00020	ADAPTER, MALE PIPE	8	
7	330-00144	FLOW CONTROL	4	
8	360-00086	CONSOLE DATA PLATE	1	
9	010-00048	CONSOLE FRAME	1	
20	330-00049	PLUG, O-RING BOSS	3	
21	330-00009	MALE PIPE TO MALE JIC	2	
22	330-00085	ELBOW, MALE PIPE TO MALE JIC	1	
24	190-00450	LIMIT SWITCH	1	
25	190-00451	LIMIT SWITCH ARM ASSEMBLY	1	
26		*CONTROL BOX ASSEMBLY	1	
27	**810-00080	5 SECTIONS CONTROL VALVE ASSEMBLY	1	
28	**810-00056	DUMPER STOP BELT VALVE ASSEMBLY	1	

\* See control box detail in this section

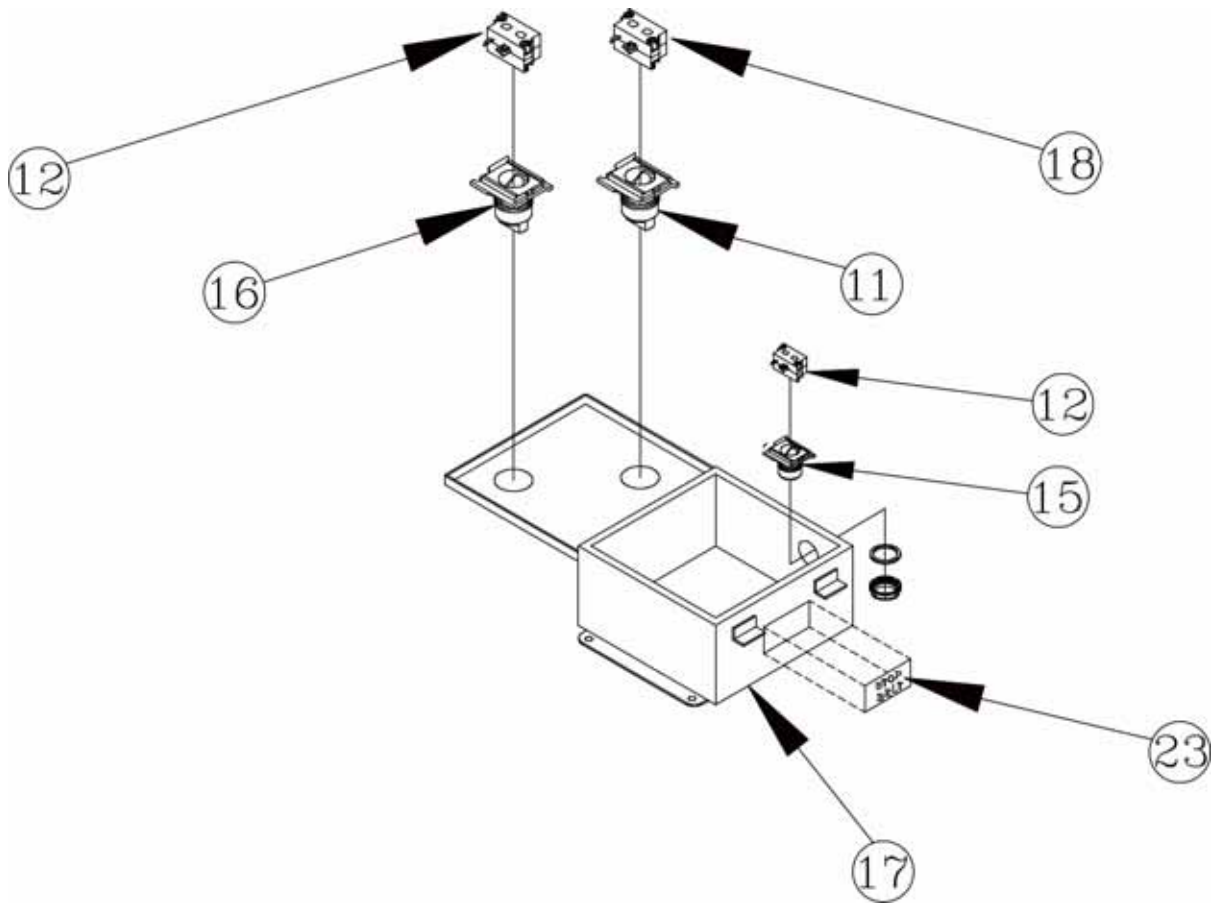
\*\* See Hydraulic detail in section (10)



# Cage Unloading System

## CONTROL BOX DETAIL (STYLE "A")

### Cage Unloading System Without Door Closer And Washer





# Cage Unloading System

## CONTROL BOX DETAIL (STYLE "A")

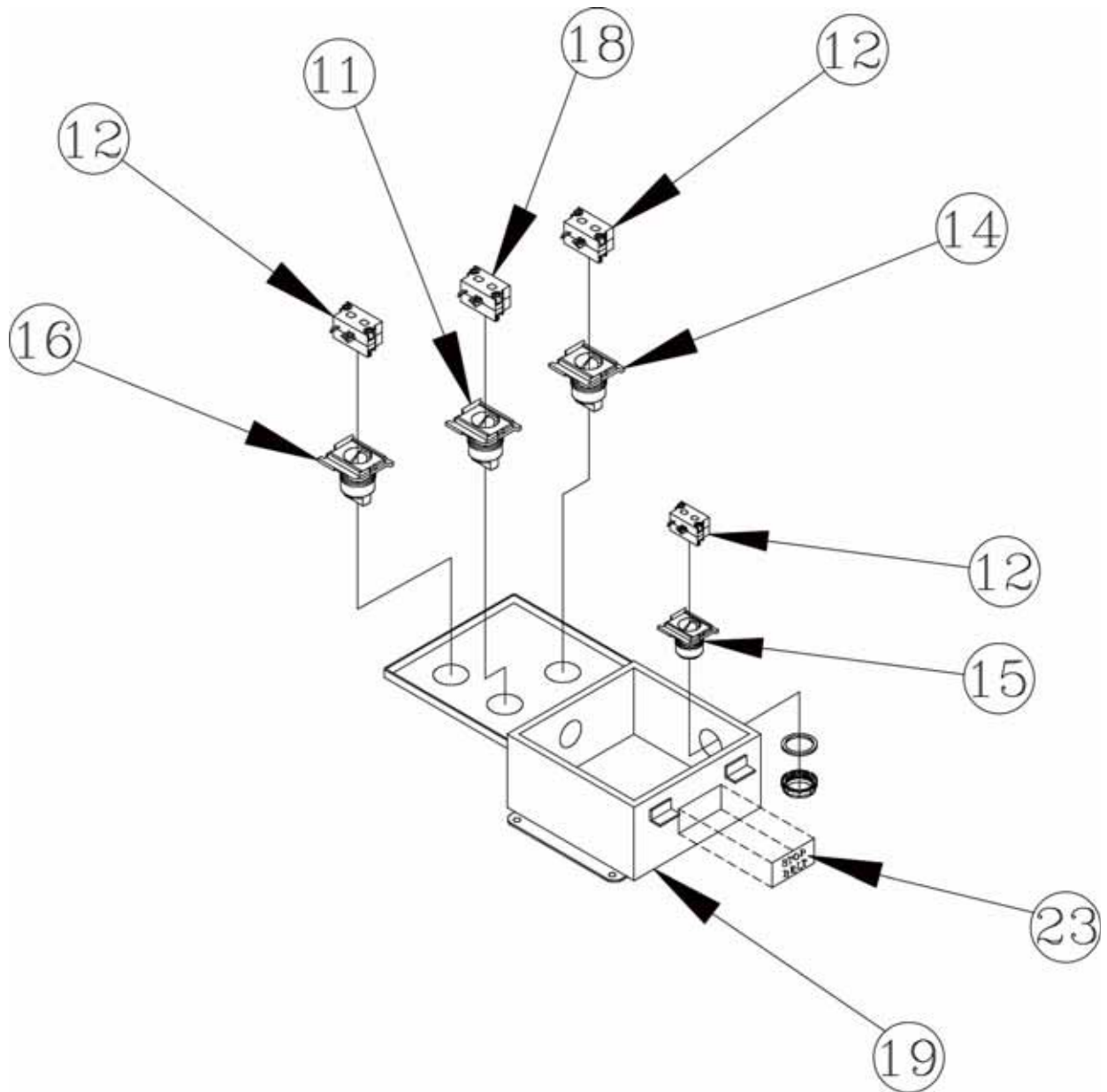
ITEM	PART NUMBER	DESCRIPTION	QTY	MODEL OR SERIAL #
11	190-00015	SELECTOR, 3 POSITION	1	
12	190-00026	CONTACT BLOCK	2	
15	190-00497	YELLOW PUSH BUTTON	1	
16	430-00152	KEY SWITCH	1	
17	190-00119	OPERATOR CONTROL BOX, STYLE "A" (BOX ONLY)	1	
18	190-00018	CONTACT BLOCK	1	
23	360-00085	DATA TAG (STOP BELT)	1	



# Cage Unloading System

## CONTROL BOX DETAIL (STYLE "B")

Cage Unloading System With Door Closer And Without Washer







# Cage Unloading System

## CONTROL BOX DETAIL (STYLE "B")

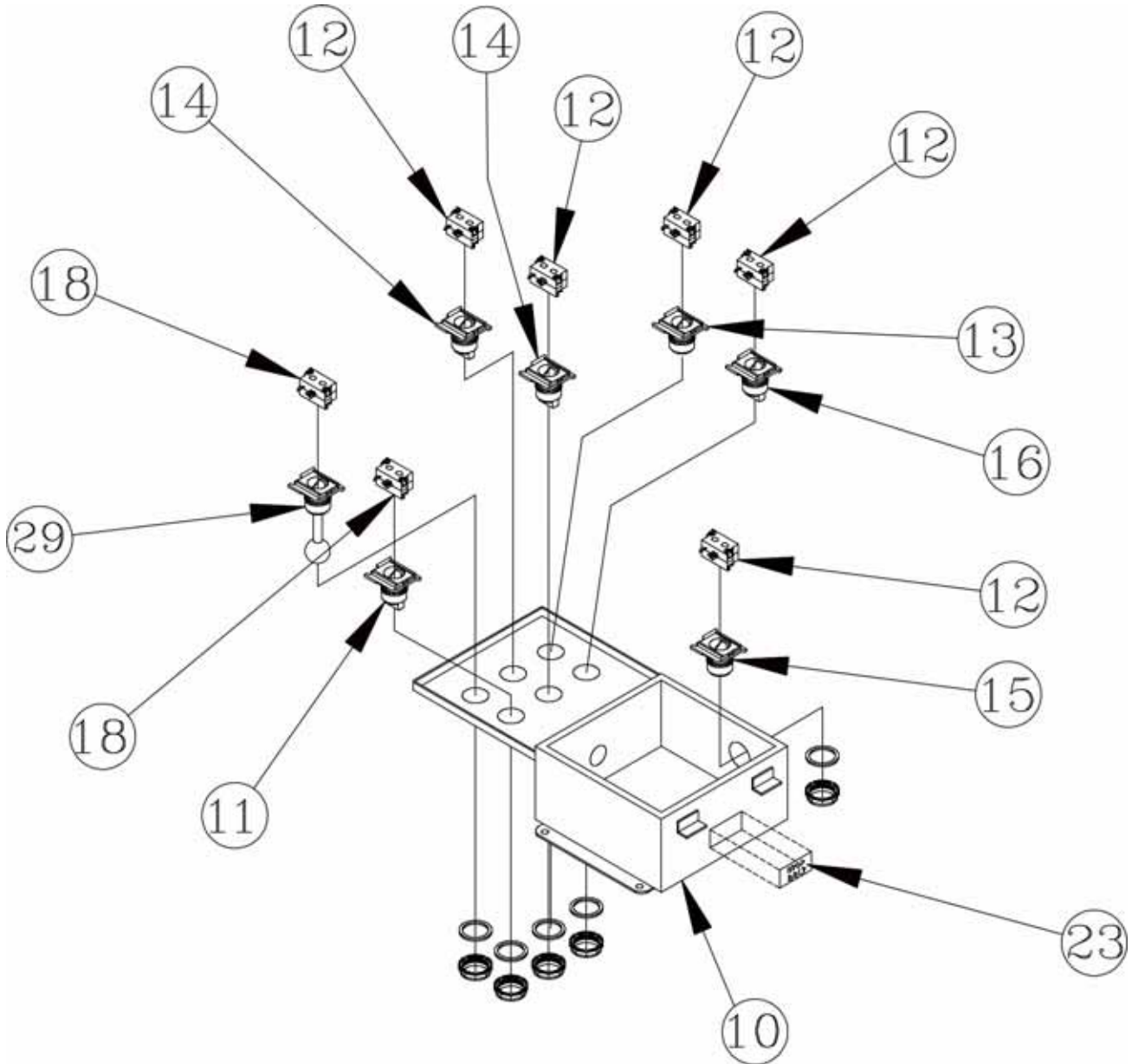
ITEM	PART NUMBER	DESCRIPTION	QTY	MODEL OR SERIAL #
11	190-00015	SELECTOR, 3 POSITION	1	
12	190-00026	CONTACT BLOCK	3	
14	190-00014	SELECTOR, 2 POSITION	1	
15	190-00497	YELLOW PUSH BUTTON	1	
16	430-00152	KEY SWITCH	1	
18	190-00018	CONTACT BLOCK	1	
23	360-00085	DATA TAG (STOP BELT)	1	



# Cage Unloading System

## CONTROL BOX DETAIL (STYLE "C")

### Cage Unloading System With Door Closer And With Washer





# Cage Unloading System

## CONTROL BOX DETAIL (STYLE "C")

ITEM	PART NUMBER	DESCRIPTION	QTY	MODEL OR SERIAL #
10	190-00074	OPERATOR CONTROL BOX, STYLE "C" (BOX ONLY)	1	
11	190-00015	SELECTOR, 3 POSITION	1	
12	190-00026	CONTACT BLOCK	5	
13	190-00013	MUSHROOM HEAD PUSH BUTTON GREEN	1	
14	190-00014	SELECTOR, 2 POSITION	2	
15	190-00497	YELLOW PUSH BUTTON	1	
16	430-00152	KEY SWITCH	1	
18	190-00018	CONTACT BLOCK, WASHER TILT AND PUMP 1 & 2	AS REQ'D	
23	360-00085	DATA TAG (STOP BELT)	1	
29	190-00022	JOYSTICK	1	



# ***Cage Unloading System***

---



# ***Cage Unloading System***



## **Section 8**

# **Door Closer**

### **Contents**

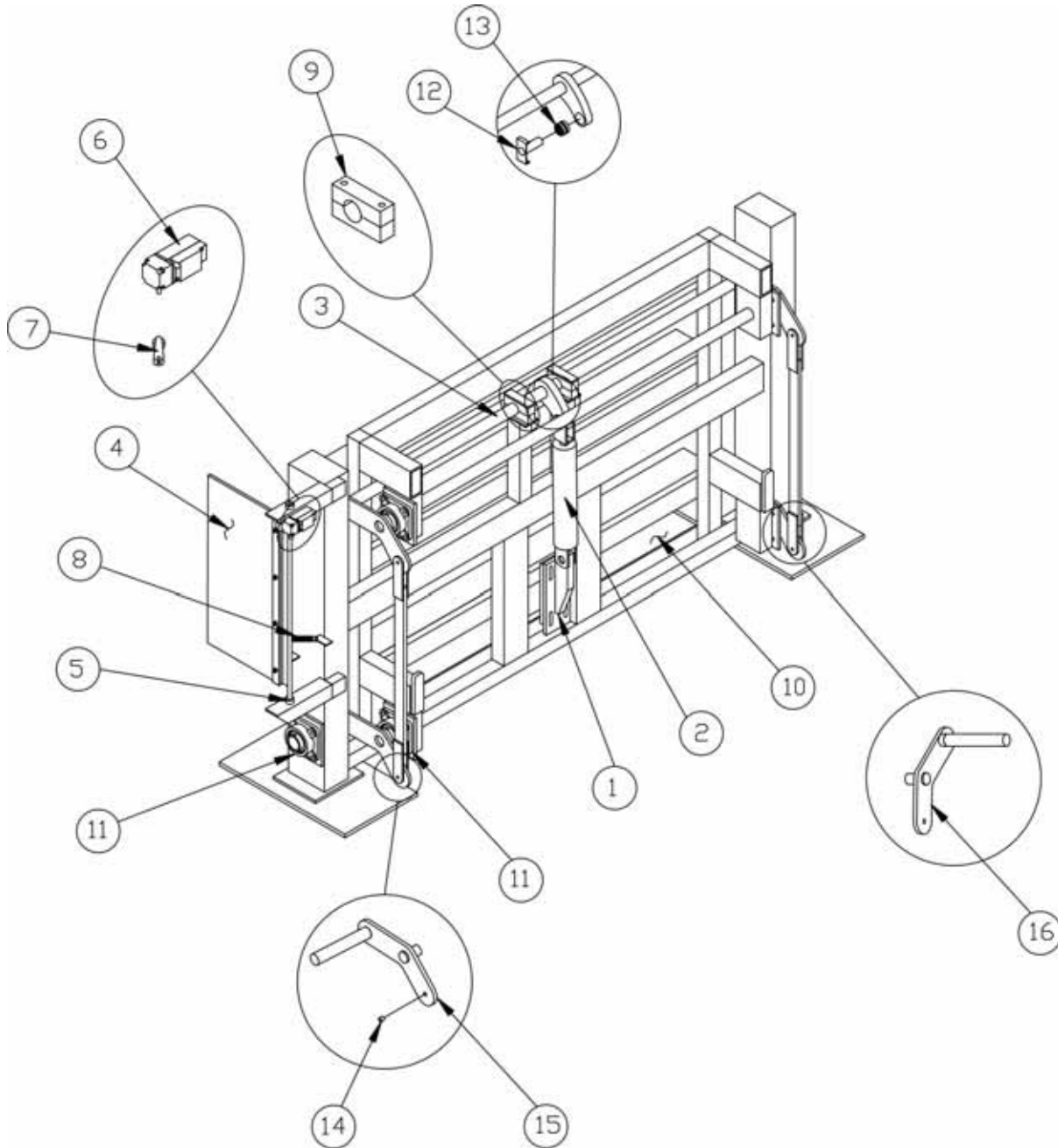
Door Closer (Free Standing Style)- - - - -	2
Door Closer (Gantry Style) - - - - -	4
Door Closer Mechanism Detail (Gantry Style) - - - - -	6

Notes: See Section 10 For Hydraulic Valve



# Cage Unloading System

## DOOR CLOSER (Free Standing Style)





# Cage Unloading System

## DOOR CLOSER (Free Standing Style)

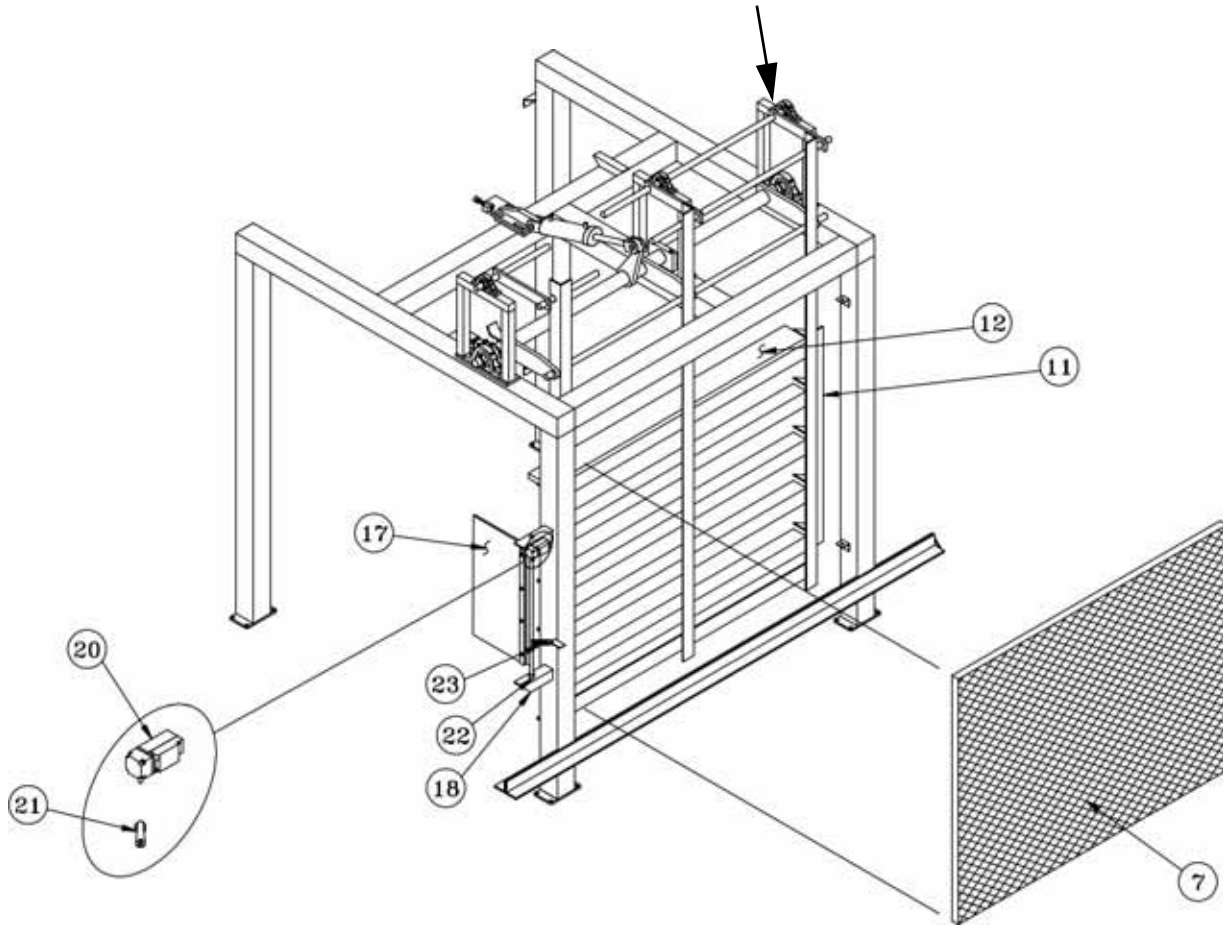
ITEM	PART NUMBER	DESCRIPTION	QTY	MODEL OR SERIAL #
1	010-00040	CYLINDER ADJUSTMENT ASSEMBLY	1	
2	170-00002	LIFT CYLINDER	1	
3	010-00161	MAIN LIFT SHAFT ASSEMBLY	1	
4	010-00043	DOOR PADDLE ASSEMBLY	1	
4A	410-00030	THERMOPLASTIC SWITCH FLAP (3/8" X 9-1/2" X 25-1/2")	1	
5	370-00006	SET COLLAR, DOOR PADDLE	2	
6	190-00450	LIMIT SWITCH	2	
7	190-00451	LIMIT SWITCH ARM	2	
8	410-00324	DOOR PADDLE SPRING	1	
9	010-00163	UHMW BEARING (TOP AND BOTTOM HALF)	2	
10	410-00062	THERMOPLASTIC PADS	AS REQUIRED	
11	030-00018	FLANGE BEARING (1-7/16" WITH 4 BOLTS)	8	
12	010-00183	CYLINDER UPPER PIN	1	
13	030-00092	BEARING	1	
14	690-00059	BUSHING	4	
15	091-00341L	LOWER STUB SHAFT ASSEMBLY	1	
16	091-00341R	LOWER STUB SHAFT ASSEMBLY	1	



# Cage Unloading System

## DOOR CLOSER (Gantry Style)

See Door Closer  
Mechanism Detail







# Cage Unloading System

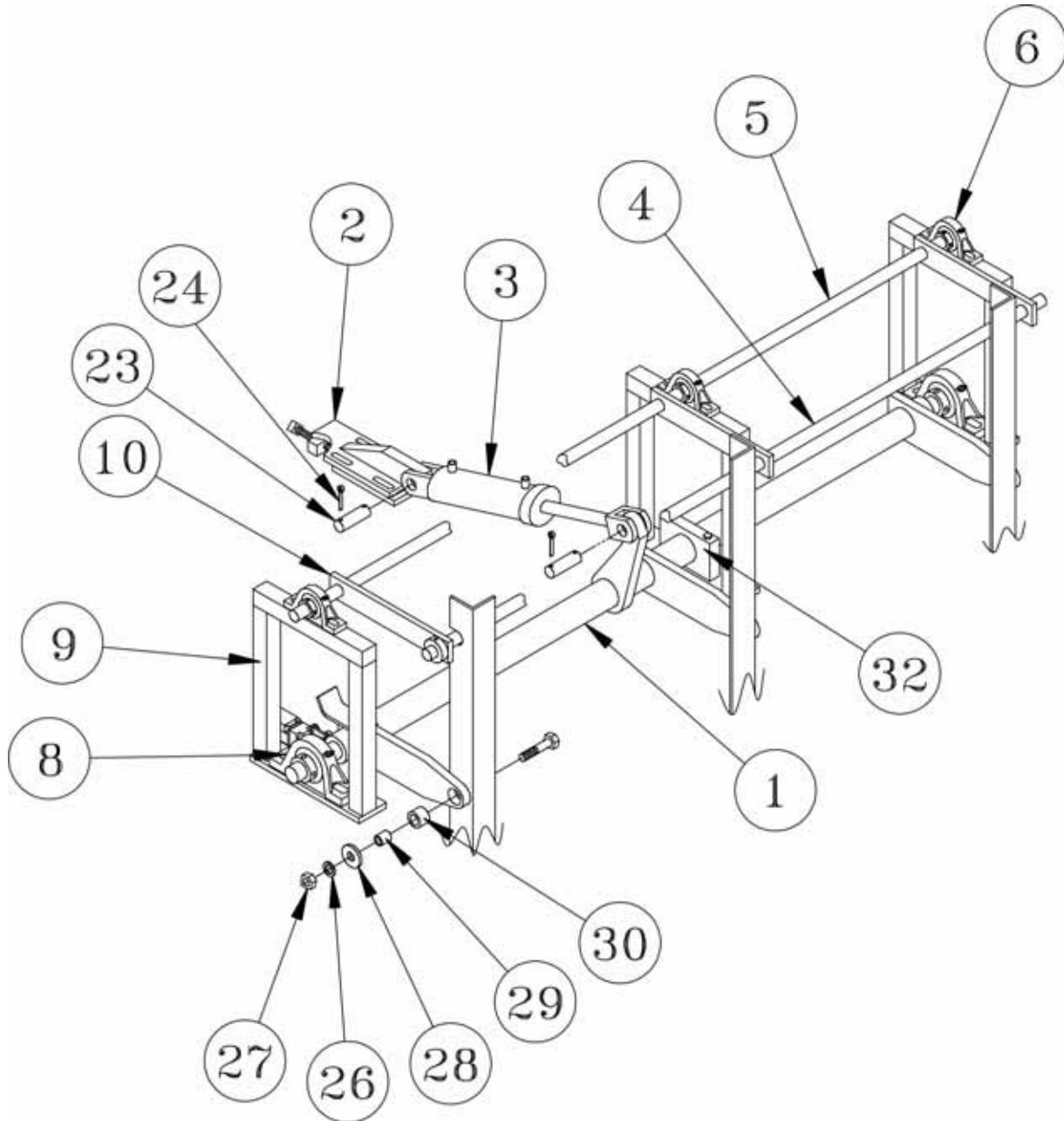
## DOOR CLOSER (Gantry Style)

ITEM	PART NUMBER	DESCRIPTION	QTY	MODEL OR SERIAL #
7	010-00041	SAFETY GUARD	1	
11	010-00044	DOOR LIFT ASSEMBLY (COMPLETE)	1	
12	410-00062	THERMOPLASTIC PAD	AS REQUIRED	
17	010-00043	DOOR PADDLE ASSEMBLY	1	
17A	410-00030	THERMOPLASTIC SWITCH FLAP	1	
18	010-00045	DOOR PADDLE MOUNT BRACKET	2	
20	190-00450	LIMIT SWITCH	2	
21	190-00451	LIMIT SWITCH ARM	2	
22	370-00006	SET COLLAR, DOOR PADDLE	2	
23	410-00324	DOOR PADDLE SPRING	1	



# Cage Unloading System

## DOOR CLOSER MECHANISM DETAIL (Gantry Style)





# Cage Unloading System

## DOOR CLOSER MECHANISM DETAIL (Gantry Style)

ITEM	PART NUMBER	DESCRIPTION	QTY	MODEL OR SERIAL #
3	170-00002	LIFT CYLINDER	1	
4	670-00011	CANTILEVER SHAFT	1	
5	670-00011	PIVOT SHAFT	1	
6	030-00023	PILLOW BLOCK BEARING, UPPER	6	
8	030-00021	PILLOW BLOCK BEARING, LOWER	2	
9	010-00042	BEARING SUPPORT BRACKET	3	
10	410-00061	PIVOT ARM	3	
23	670-00007	CYLINDER PIN	2	
24	210-00147	CYLINDER PIN RETAINERS (COTTER PINS)	4	
25	210-00118	LIFT ARM AXLE BOLT	3	
26	210-00317	LIFT ARM AXLE LOCK	3	
27	210-00178	LIFT ARM AXLE NUT	3	
28	410-00065	LIFT ARM BEARING RETAINER WASHER	3	
29	030-00007	BEARING INNER RACE	3	
30	030-00009	BEARING OUTER RACE	3	
32	410-00134	UHMW DOOR CLOSER BEARING	1	



# ***Cage Unloading System***

---



# ***Cage Unloading System***



## **Section 9**

# **Safety Fence and Gates**

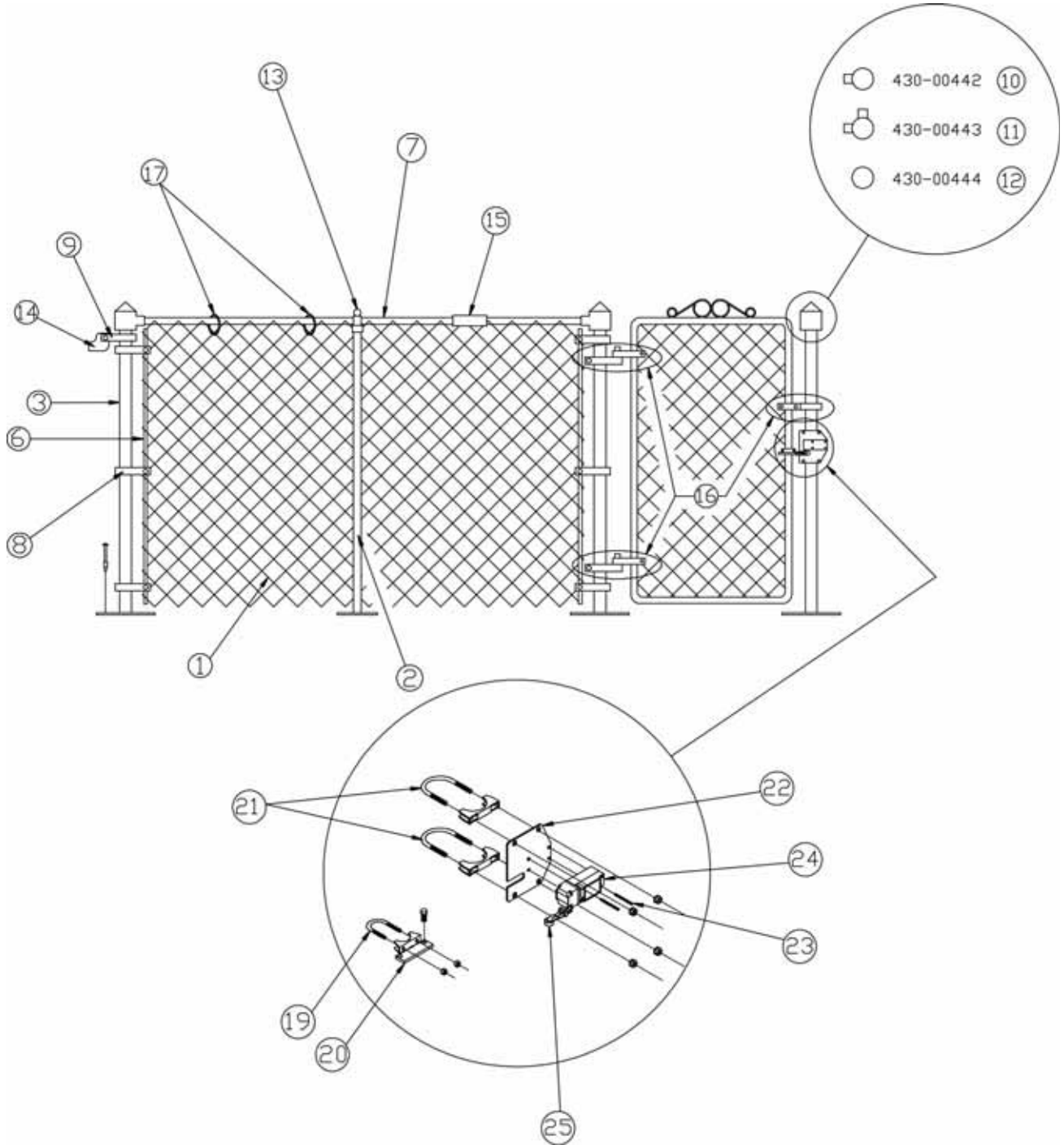
### **Contents**

Safety Fence And Gates - - - - - 2



# Cage Unloading System

## SAFETY FENCE AND GATES





# Cage Unloading System

## SAFETY FENCE AND GATES

ITEM	PART NUMBER	DESCRIPTION	QTY	MODEL OR SERIAL #
1	430-00433	CHAIN LINK FABRIC 2-1/4" X 11.5GA X 60"(FT)	AS REQ'D	
2	430-00434	POST 1-5/8" X .047 X 5'-6"	AS REQ'D	
3	430-00435	POST 2-3/8" X .047 X 5'-6"	AS REQ'D	
4	430-00436	WALK THRU GATE BF 5' X 39"	AS REQ'D	
5	430-00437	WALK THRU GATE BF 5' X 60"	AS REQ'D	
6	430-00438	TENSION BAR 3/16" X 5/8" X 59"	AS REQ'D	
7	430-00439	TOP RAILS (PIPE) 1-3/8" X .047 X 21' (PER FT)	AS REQ'D	
8	430-00440	TENSION BAND 2-3/8" (LST-4)	AS REQ'D	
9	430-00441	BRACE BAND 2-3/8" (MSB-4)	AS REQ'D	
10	430-00442	1-WAY PT 2-3/8" (PTT-411)	AS REQ'D	
11	430-00443	2-WAY PT 2-3/8" (PTT-412)	AS REQ'D	
12	430-00444	PLAIN TOP PT 2-3/8" (PTT-4)	AS REQ'D	
13	430-00445	LINE POST TOPS 1-5/8" X 1-3/8" (ELT-21)	AS REQ'D	
14	430-00446	OFF-SET ALUMINUM RAIL ENDS 1-3/8" (LREO-1)	AS REQ'D	
15	430-00447	RAIL SLEEVE 1-3/8" X 6" (TS-1)	AS REQ'D	
16	430-00448	WALK GATE HINGE SET (WCS-4)	AS REQ'D	
17	430-00449	ALUMINUM #13 WIRE TIE 9 GA. X 6-1/2"	AS REQ'D	
18	430-00450	CARRIAGE BOLT WITH NUTS, GALV. 5/16" X 1-1/4"	AS REQ'D	
19	210-00581	1-1/4" MUFFLER CLAMP	1	
20	410-00314	SAFETY GATE LIMIT SWITCH TRIP PLATE	1	
21	430-00320	2-1/4" MUFFLER CLAMP	2	
22	410-00331	SAFETY GATE LIMIT SWITCH MOUNT PLATE	1	
23	210-00248	SCREW, RH MACHINE 10-32 X 2"	2	
24	190-00450	LIMIT SWITCH	1	
25	190-00451	LIMIT SWITCH ARM	1	



# ***Cage Unloading System***

---





# ***Cage Unloading System***



## **Section 10**

# **Hydraulic Components**

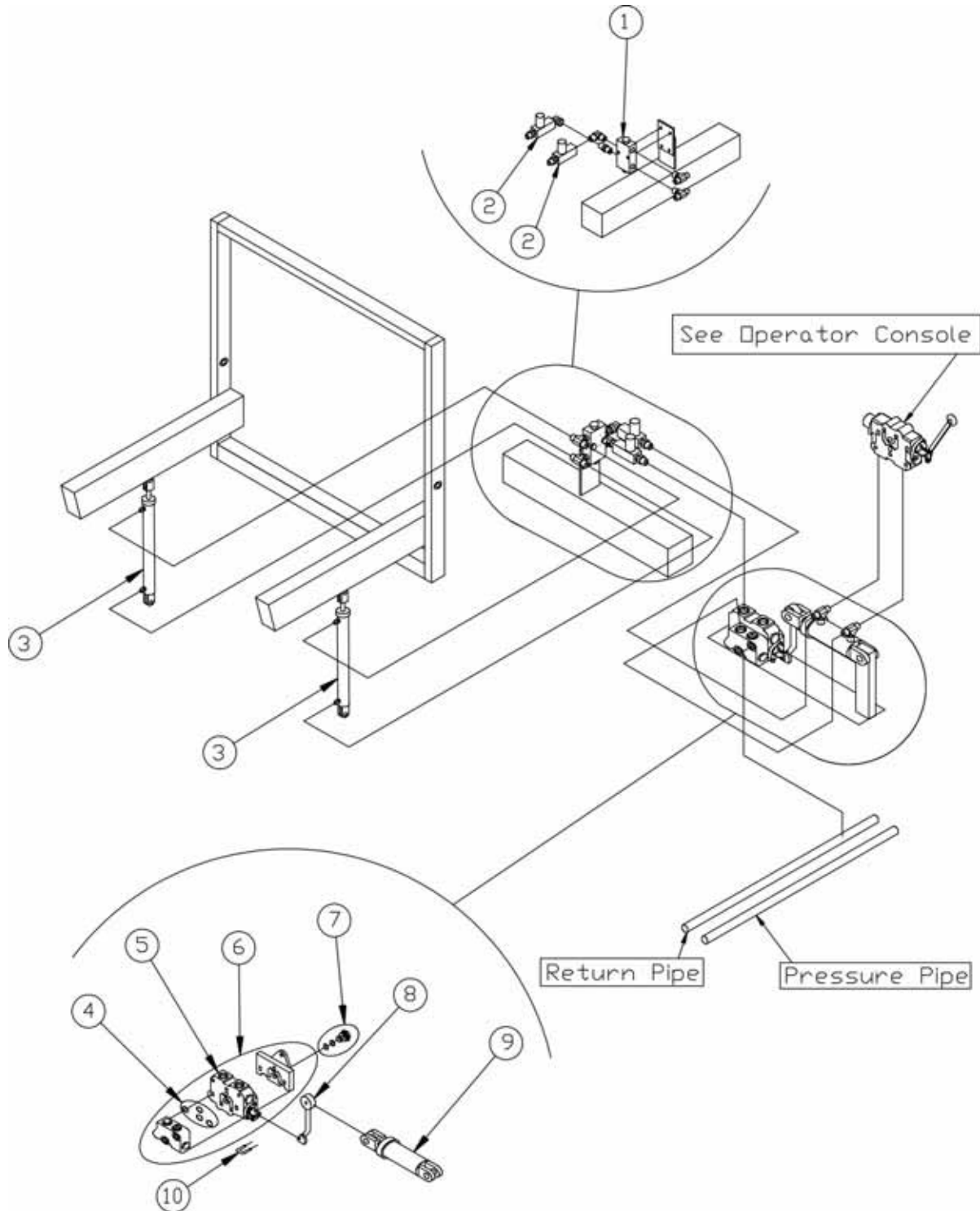
### **Contents**

Anti-Shaking Device and Tilt Check Valves- - - - -	2
Hydraulic Control Valves (Manual) - - - - -	4
Hydraulic Control Valves (Electric) - - - - -	6



# Cage Unloading System

## ANTI-SHAKING DEVICE AND TILT CHECK VALVES





# Cage Unloading System

## ANTI-SHAKING DEVICE AND TILT CHECK VALVES

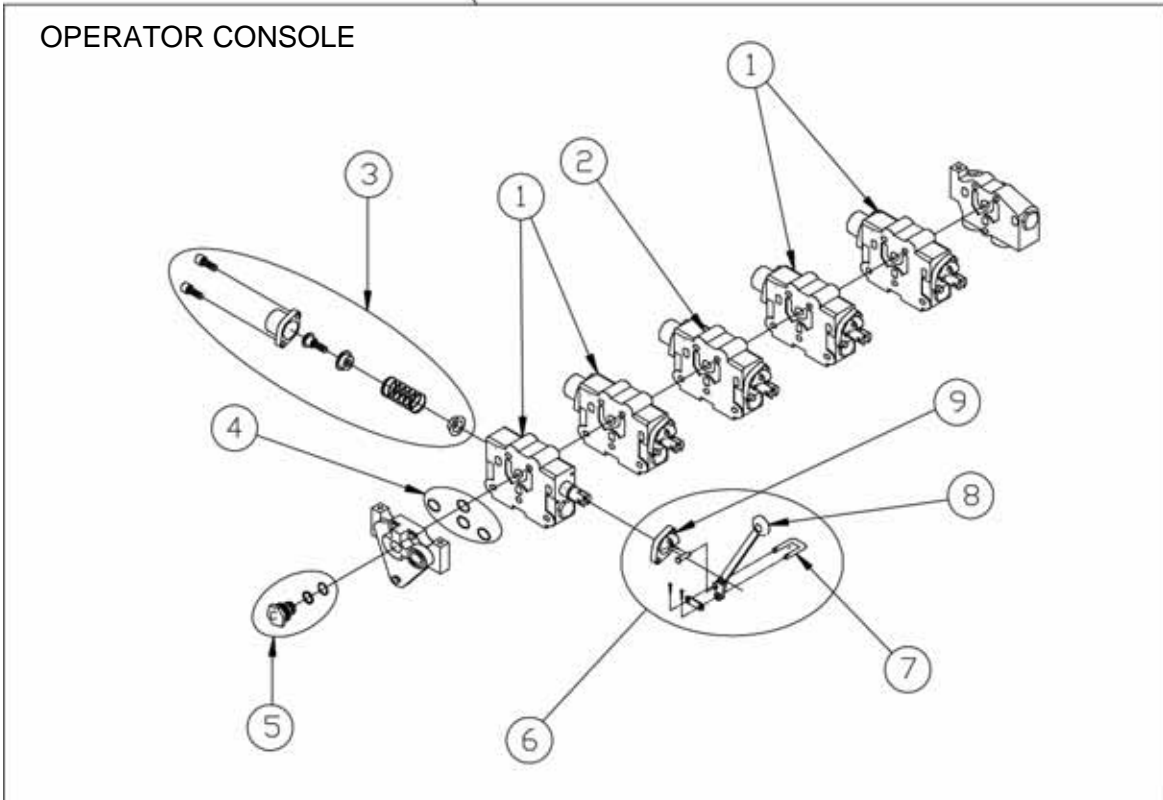
ITEM	PART NUMBER	DESCRIPTION	QTY	MODEL OR SERIAL #
1	810-00020	DOUBLE PILOTED CHECK VALVE	1	
2	330-00144	FLOW CONTROL VALVE	2	
3	170-00001	HYDRAULIC CYLINDER	2	
4	630-00018	SEAL KIT BETWEEN SECTIONS	2	
5	810-00014	WORK SECTION FOR CRADLE TILT	1	
6	810-00085	CONTROL VALVE (ANTI-SHAKE)	1	
7	810-00143	VALVE CENTER PLUG	1	
8	810-00042	ANTI-SHAKE VALVE SPECIAL LEVER	1	
9	170-00003	ANTI-SHAKE CYLINDER	1	
10	810-00004	CONNECTING LINK	1	



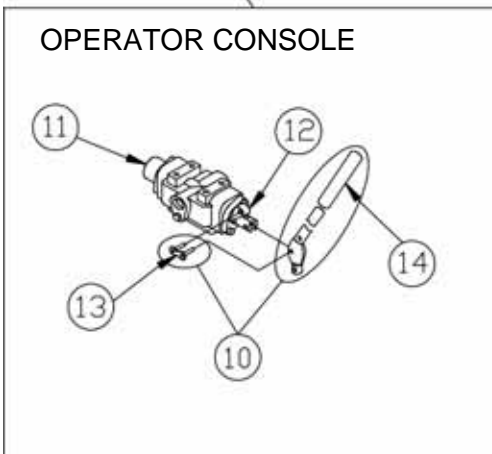
# Cage Unloading System

## HYDRAULIC CONTROL VALVE (Manual)

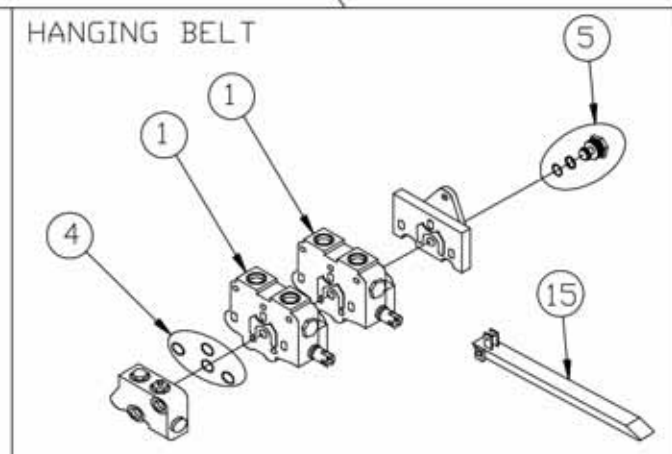
810-00080



810-00056



810-00084





# Cage Unloading System

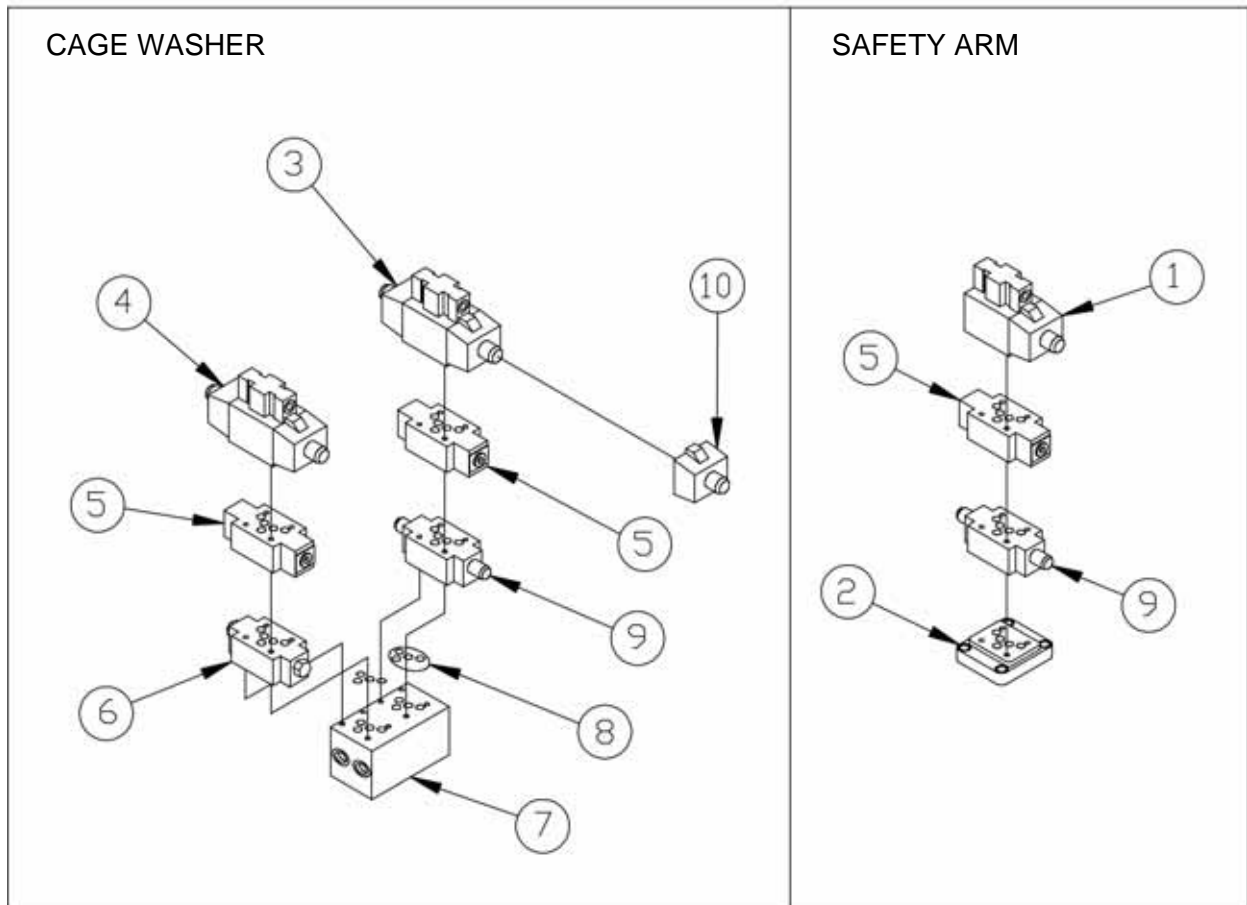
## HYDRAULIC CONTROL VALVE (Manual)

ITEM	PART NUMBER	DESCRIPTION	QTY	MODEL OR SERIAL #
1	810-00013	WORK SECTION FOR MOTOR	6	
2	810-00014	WORK SECTION FOR CRADLE TILT	1	
3	810-00128	END CUP	7	
4	630-00018	SEAL KIT BETWEEN SECTIONS	AS REQ'D	
5	810-00143	VALVE CENTER PLUG	2	
6	810-00021	HANDLE KIT	5	
7	810-00004	CONNECTING LINK	7	
8	N/A	ORDER ITEM 6		
9	810-00062	HANDLE BRACKET	5	
10	810-00041	HANDLE KIT	1	
11	810-00048	END CAP	1	
12	810-00062	HANDLE BRACKET	1	
13	810-00003	CONNECTING LINK	1	
14	810-00044	HANDLE GRID	1	
15	810-00086	KNEE VALVE LEVER	1	



# Cage Unloading System

## HYDRAULIC VALVES (Electric)





# Cage Unloading System

## HYDRAULIC VALVES (Electric)

ITEM	PART NUMBER	DESCRIPTION	QTY	MODEL OR SERIAL #
1	810-00022	SOLENOID VALVE (DOOR CLOSER AND SAFETY ARM)	2	
2	810-00060	SUB-PLATE	2	
3	810-00189	SOLENOID VALVE (WASHER CARRIAGE)	1	
4	810-00188	SOLENOID VALVE (WASHER CRADLE)	1	
5	810-00098	FLOW CONTROL	3	
6	810-00193	DOUBLE PILOTED CHECK VALVE	1	
7	810-00015	MANIFOLD BLOCK	1	
8		SEAL KIT (SANDWICH)		
9	810-00096	RELIEF VALVE	2	
10	810-00152	COIL		
11	091-20315	COIL	2	
12	091-20317	CARTRIDGE VALVE	2	
13	09120316	MANIFOLD BLOCK	2	



# ***Cage Unloading System***

---





# ***Cage Unloading System***

---

## **Section 11**

# **Safety Placards**

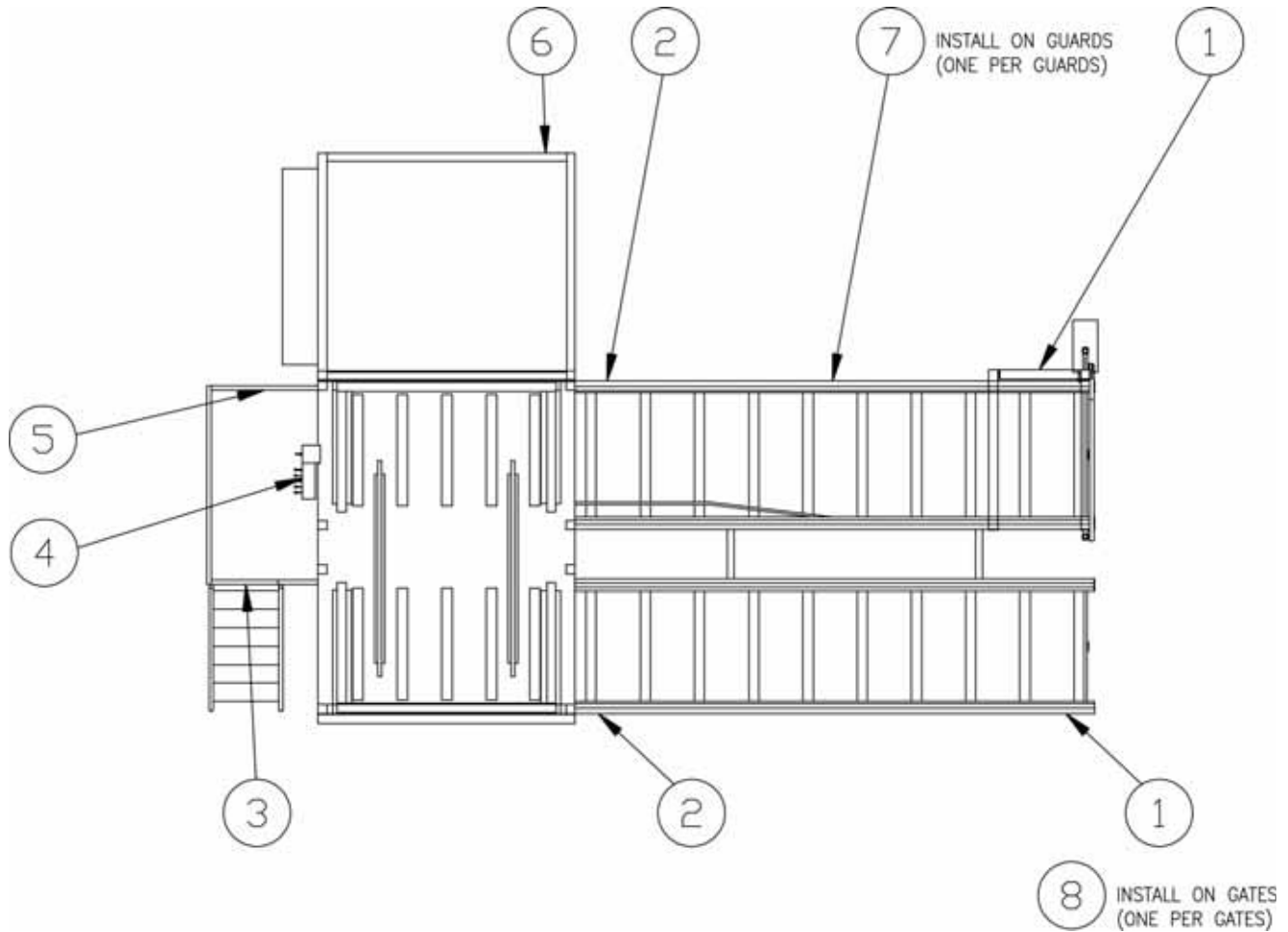
### **Contents**

Safety Placards - - - - -	2
Safety Placards - - - - -	4



# Cage Unloading System

## SAFETY PLACARDS





# Cage Unloading System

## SAFETY PLACARDS

ITEM	PART NUMBER	DESCRIPTION	QTY	MODEL OR SERIAL #
1	360-00019	CAUTION STAND CLEAR WHILE MACHINE IN OPERATION	2	
2	360-00018	CAUTION DO NOT MAKE ADJUSTMENTS	2	
3	360-00015	CAUTION ONLY 1 PERSON ON CONTROL PLATFORM	1	
4	360-00020	SAFETY FIRST FAILURE TO READ AND UNDERSTAND	1	
5	360-00024	DANGER IT IS THE OPERATOR'S RESPONSIBILITY	1	
6	360-00023	WARNING THIS BELT CAN TRAP AND INJURE FINGERS	1	
7	360-00016	CAUTION DO NOT ATTEMPT TO REMOVE GUARDS	AS REQ'D	
8	360-00017	DANGER DO NOT ENTER WHILE MACHINE IS IN OPERATION	3	



# Cage Unloading System

## SAFETY PLACARDS



360-00015



360-00016



360-00017



360-00018



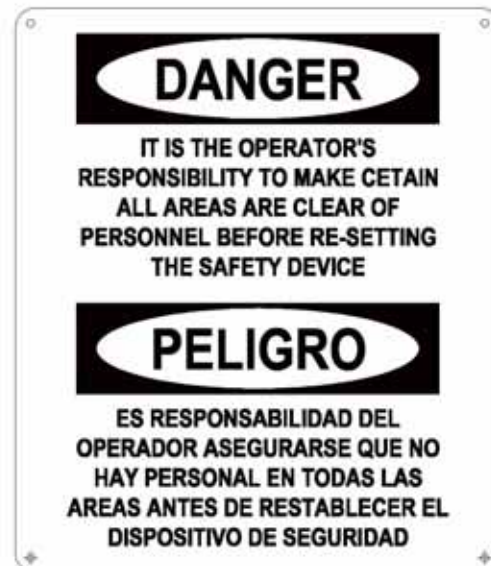
360-00019



360-00020



360-00023



360-00024



# Cage Unloading System

## SAFETY PLACARDS

ITEM	PART NUMBER	DESCRIPTION	QTY	MODEL OR SERIAL #
	360-00015	CAUTION ONLY 1 PERSON ON CONTROL PLATFORM	1	
	360-00016	CAUTION DO NOT ATTEMPT TO REMOVE GUARDS	AS REQ'D	
	360-00017	DANGER DO NOT ENTER WHILE MACHINE IS IN OPERATION	3	
	360-00018	CAUTION DO NOT MAKE ADJUSTMENTS	2	
	360-00019	CAUTION STAND CLEAR WHILE MACHINE IN OPERATION	2	
	360-00020	SAFETY FIRST FAILURE TO READ AND UNDERSTAND	1	
	360-00023	WARNING THIS BELT CAN TRAP AND INJURE FINGERS	1	
	360-00024	DANGER IT IS THE OPERATOR'S RESPONSIBILITY	1	



# ***Cage Unloading System***

---



# ***Cage Unloading System***



## **Section 12**

# **Hydraulic Power Unit**

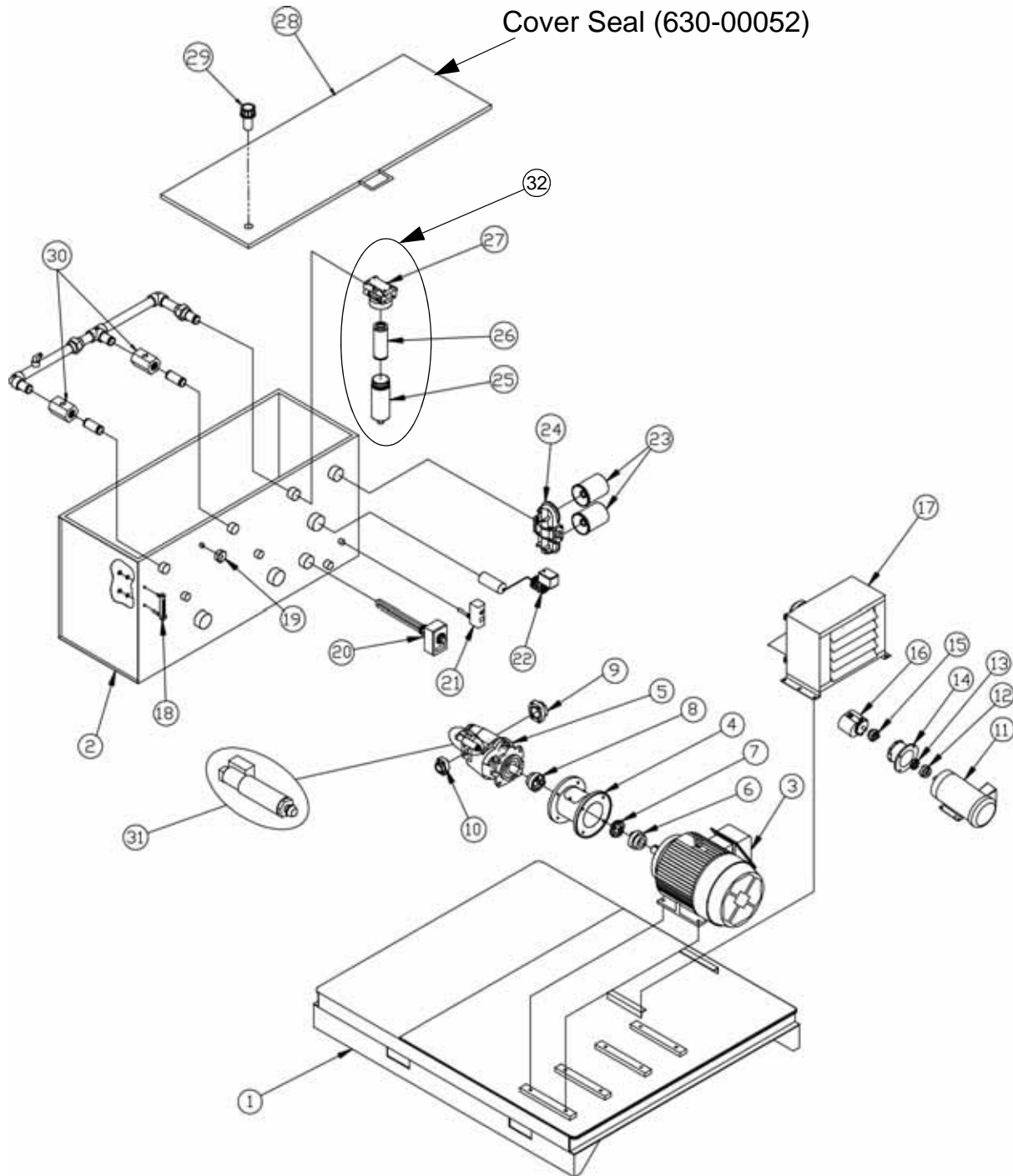
### **Contents**

Hydraulic Power Unit (Up to August 2011) - - - - -	2
Hydraulic Power Unit (Up to August 2011) - - - - -	4
Hydraulic Power Unit (September 2011 and Up) - - - - -	6
Hydraulic Power Unit (September 2011 and Up) - - - - -	8
Hydraulic Tank (September 2011 and Up) - - - - -	10
12 GPM Kidney Loop Detail (September 2011 and Up)- - - - -	12



# Cage Unloading System

HYDRAULIC POWER UNIT (UP to August 2011)







# Cage Unloading System

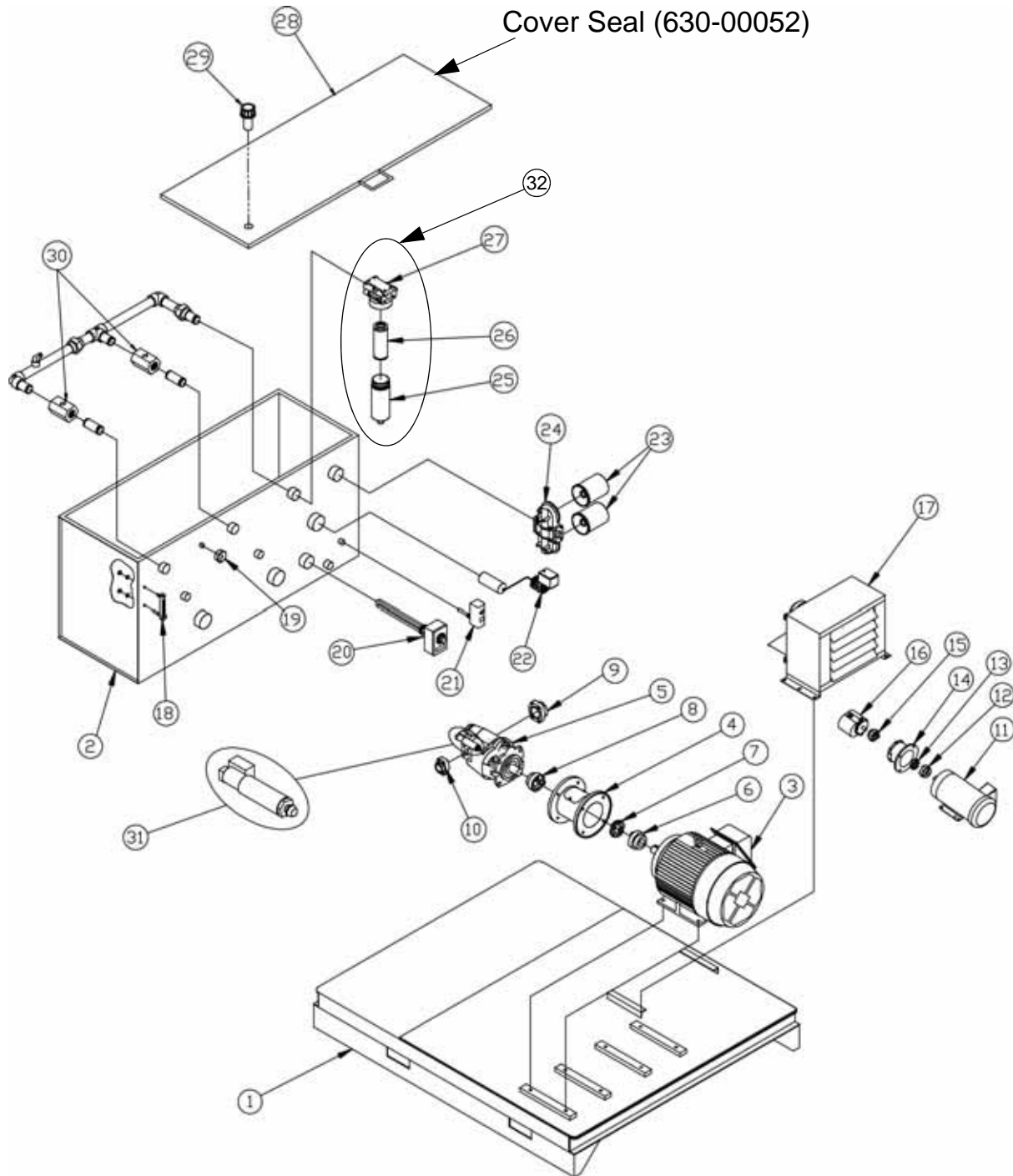
## HYDRAULIC POWER UNIT (UP to August 2011)

ITEM	PART NUMBER	DESCRIPTION	QTY	MODEL OR SERIAL #
1	010-00092	HYDRAULIC BASE	1	
2	010-00093	HYDRAULIC TANK	1	
3	450-00042	HIGH EFFICIENCY 40HP BALDOR MOTOR	2	
3A	450-00028	HIGH EFFICIENCY 30HP BALDOR MOTOR	2	
4	450-00041	COUPLING HOUSING FOR 40HP MOTOR ("C" FLANGE)	2	
4A	450-00040	COUPLING HOUSING FOR 30HP MOTOR ("C" FLANGE)	2	
4B	450-00005	COUPLING HOUSING FOR 30HP MOTOR ("D" FLANGE)	2	
5	530-00026	60 GPM PUMP (PVM 131- "C" FLANGE)	2	
5A	530-00029	65 GPM PUMP (PVM 141 - "C" FLANGE)	2	
5B	530-00001	60 GPM PUMP (PUM 131 -"D" FLANGE)	2	
6	150-00044	COUPLING HALF MOTOR SIDE (2-1/8" - 40HP)	2	
6A	150-00003	COUPLING HALF MOTOR SIDE (1-7/8" - 30HP)	2	
7	150-00007	COUPLING INSERT (40HP)	2	
7A	150-00004	COUPLING INSERT (30HP)	2	
8	150-00056	COUPLING HALF PUMP SIDE (1-1/2" (60 GPM-40HP))	2	
8A	150-00043	COUPLING HALF PUMP SIDE (1-1/2" (60 GPM-30HP))	2	
8B	150-00045	COUPLING HALF PUMP SIDE (1-1/4" (65 GPM-40HP))	2	
8C	150-00002	COUPLING HALF PUMP SIDE (1-3/4" (60 GPM -30HP))	2	
9	150-00018	FLANGE FOR SUCTION PORT (2-1/2")	2	
10	150-00019	FLANGE FOR PRESSURE PORT (1-1/4")	2	
11	010-00190	1 HP BALDOR MOTOR	1	
12	530-00034.1	COUPLING HALF MOTOR SIDE (7/8"	1	
13	530-00034.3	COUPLING INSERT	1	
14	530-00034.5	COUPLING HOUSING	1	
15	530-00034.2	COUPLING HALF PUMP SIDE (5/8")	1	
16	530-00034.4	PUMP (3 GPM)	1	
17	310-00001	OIL COOLER (AIR - OIL)	1	
17A	310-00006	OIL COOLER (WATER - OIL)	1	
18	290-00003	SIGHT GAUGE WITH THERMOMETER	1	
19	290-00020	PRESSURE GAUGE (3000 PSI)	1	
20	190-00066	OIL HEATER	1	
21	190-00211A1	TEMPERATURE CONTROLLER	1	
	190-00211A2	CLIP-ON COPPER WELL	1	
22	190-00070	LIQUID LEVEL SWITCH	1	
23	230-00060	RETURN FILTER WITH GLASS MEDIA	4	
24	230-00022	RETURN FILTER HEAD	2	
25	230-00015	PRESSURE FILTER (CAN ONLY)	1	



# Cage Unloading System

HYDRAULIC POWER UNIT (UP to August 2011)





# Cage Unloading System

## HYDRAULIC POWER UNIT (UP to August 2011)

ITEM	PART NUMBER	DESCRIPTION	QTY	MODEL OR SERIAL #
26	230-00016	PRESSURE FILTER (ELEMENT ONLY)	1	
27	230-00017	PRESSURE FILTER (HEAD ONLY)	1	
28		INCLUDE WITH ITEM 2		
29	230-00030	FILLER CAP	1	
30	810-00073	CHECK VALVE	2	
31	010-00073	COMPENSATOR KIT (VICKERS PUMP)	1	
	010-000162	COMPENSATOR KIT (REXROTH PUMP)	1	
32	230-00018	FILTER KIT (INCL: ITEMS 25, 26 & 27)	1	



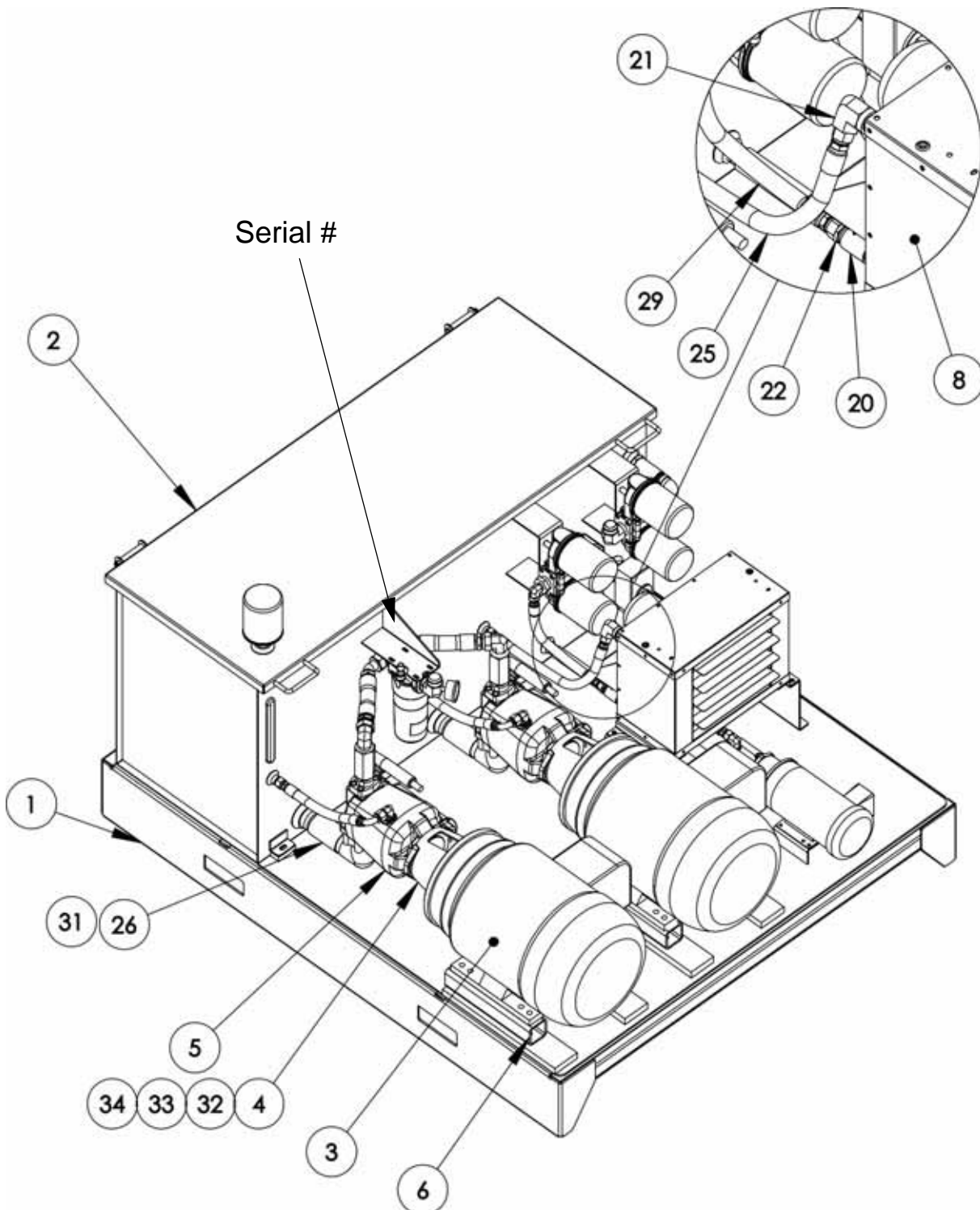
# Cage Unloading System

## HYDRAULIC POWER UNIT (September 2011 and Up)

60 GPM & 40 HP-(091-22200)

60 GPM & 30 HP-(091-22201)

65 GPM & 40 HP-(091-22202)





# Cage Unloading System

## HYDRAULIC POWER UNIT (September 2011 and Up)

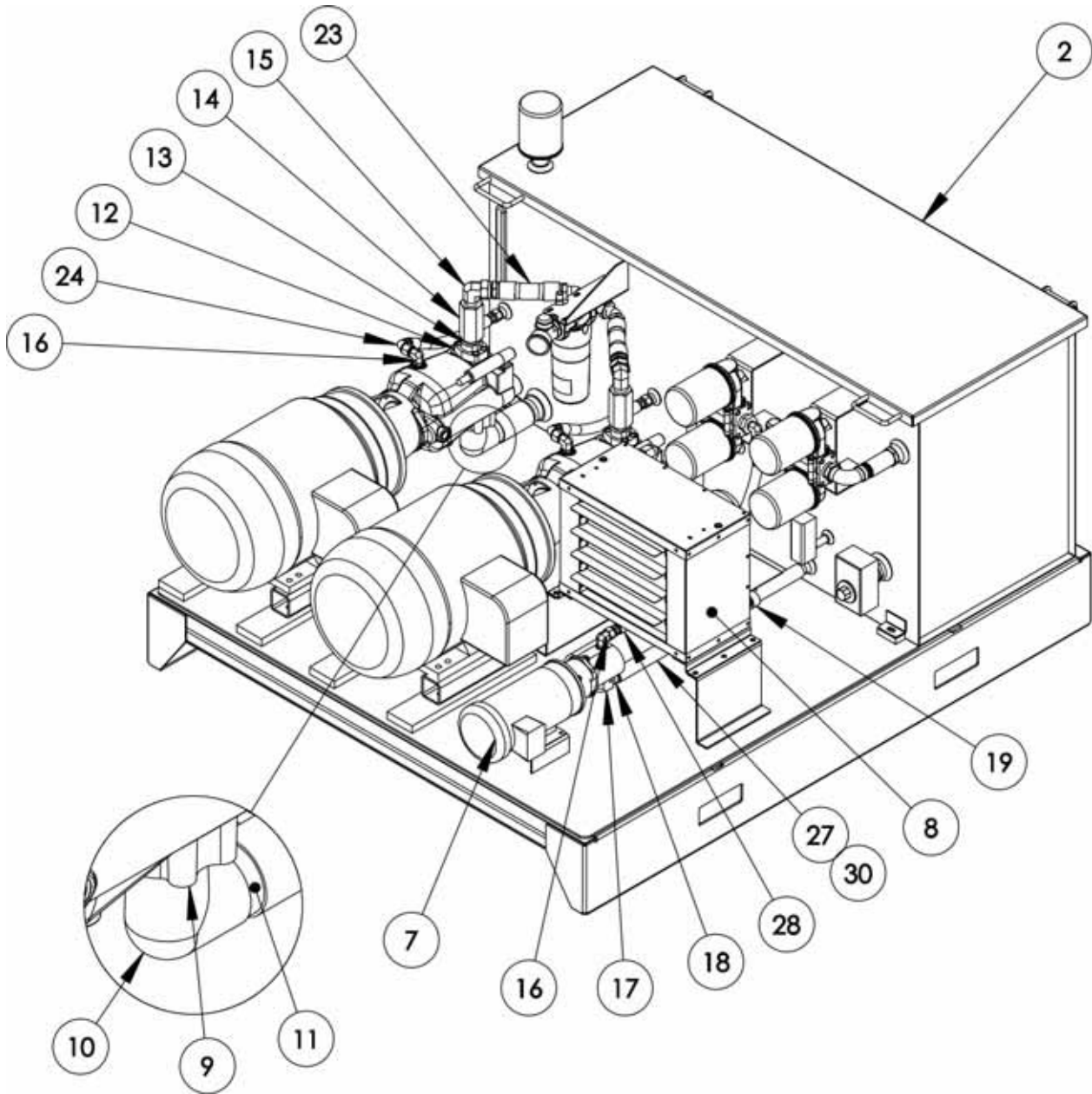
ITEM	PART NUMBER	DESCRIPTION	QTY	MODEL OR SERIAL #
1	091-22100	POWER UNIT BASE WELDMENT	1	
2	091-22200	HYDRAULIC TANK ASSEMBLY	1	
3	450-00042	HIGH EFFICIENCY 40 HP BALDOR MOTOR	2	
3A	450-00028	HIGH EFFICIENCY 30 HP BALDOR MOTOR	2	
4	450-00041	MAGNALOY COUPLING HOUSING FOR 40 HP MOTOR	2	
4A	450-00040	MAGNALOY COUPLING HOUSING FOR 30 HP MOTOR	2	
5	530-00026	PRESSURE COMPENSATED 60 GPM PUMP (PVM-131 "C" FLANGE)	2	
5A	530-00029	PRESSURE COMPENSATED 65 GPM PUMP (PVM-141 "C" FLANGE)	2	
6	091-20184	MOUNTING SPACER (40 HP MOTOR)	4	
6A	091-20183R	MOUNTING SPACER R HS (30 HP MOTOR)	2	
6B	091-20183L	MOUNTING SPACER L HS (30 HP MOTOR)	2	
8	310-00001	OIL COOLER	1	
20	510-00036	COUPLING STEEL STD. PIPE	1	
21	330-00378	FEMALE ELBOW (1" NPT FEMALE 12 JIC MALE)	1	
22	330-00011	MALE CONNECTOR (1" NPT 12 JIC)	1	
25	091-20191	RETURN HOSE 3/4" (OIL COOLER TO HYDRAULIC TANK)	1	
26	330-00576	SUCTION HOSE 2-3/4" ID X 4-3/4" LG	2	
29	091-20192	RETURN HOSE 3/4" (FILTER TO COOLER)	1	
31	370-00023	T-BOLT CLAMP	4	
32	150-00044	COUPLING HALF MOTOR SIDE (2-1/8" HUB) (40 HP)	2	
32A	150-00003	COUPLING HALF MOTOR SIDE (1-7/8" HUB) (30 HP)	2	
33	150-00007	COUPLING INSERT (NEOPRENE) (40 HP)	2	
33A	150-00004	COUPLING INSERT (NEOPRENE) (30 HP)	2	
34	150-00056	COUPLING HALF PUMP SIDE (1-1/2" HUB) (60 GPM / 40 HP)	2	
34A	150-00043	COUPLING HALF PUMP SIDE (1-1/2" HUB) (60 GPM / 30 HP)	2	
34B	150-00045	COUPLING HALF PUMP SIDE (1-1/4" HUB) (60 GPM / 40 HP)	2	





# Cage Unloading System

HYDRAULIC POWER UNIT (September 2011 and Up)





# Cage Unloading System

## HYDRAULIC POWER UNIT (September 2011 and Up)

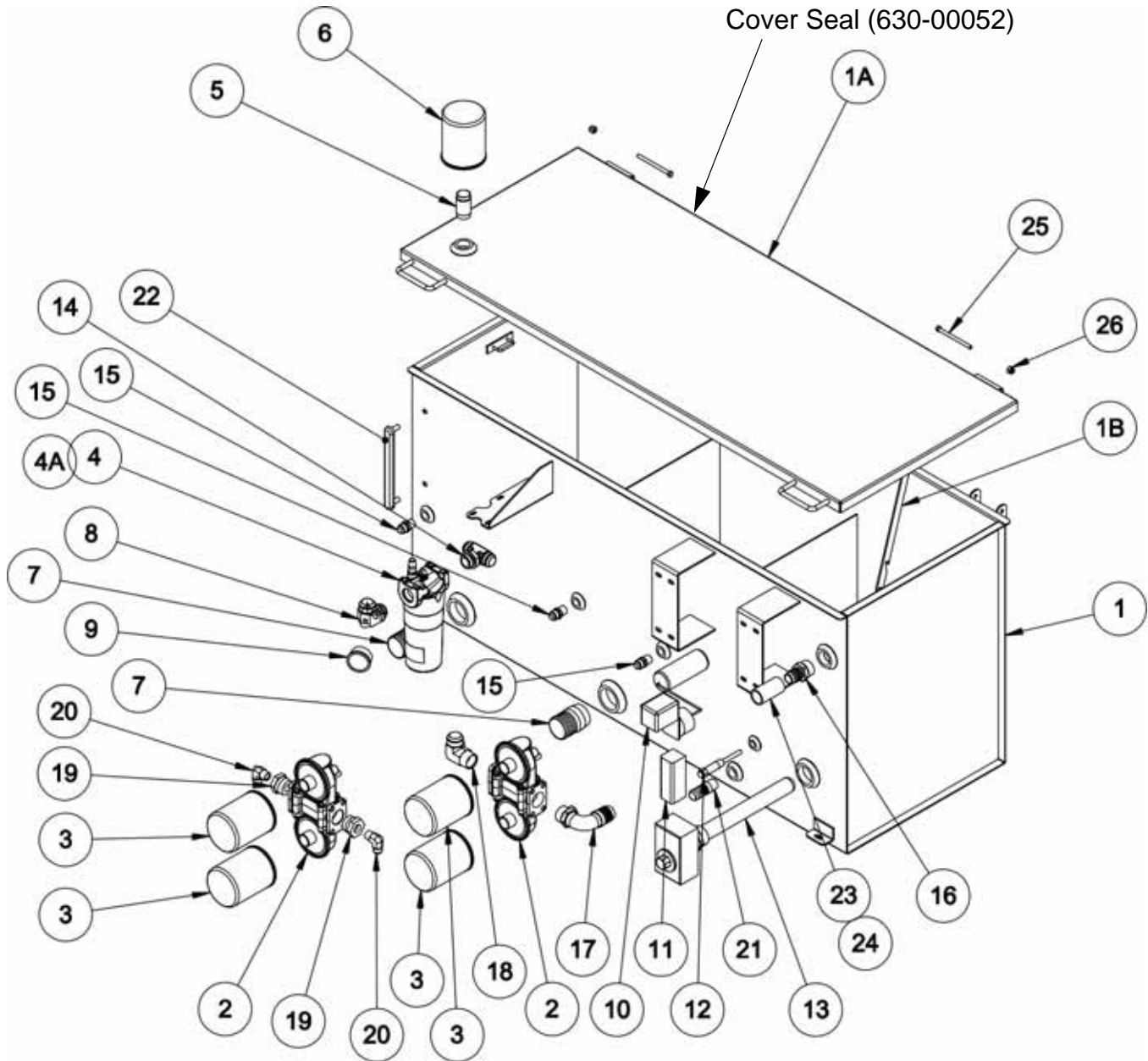
ITEM	PART NUMBER	DESCRIPTION	QTY	MODEL OR SERIAL #
2	091-22200	HYDRAULIC TANK	1	
7	530-00038	12 GPM FOR KIDNEY LOOP (*NOTE BELOW)	1	
8	310-00001	OIL COOLER	1	
9	150-00018	FLANGE, 4 BOLT 2-1/2" (SUCTION PORT) FOR 131 & 141 PUMPS	2	
10	510-00058	ELBOW STREET	2	
11	510-00192	SPECIAL HOSE BARB 4" LG (2-1/2" NPT, 1-3/4" BARB)	2	
14	810-00072	CHECK VALVE 1-1/4" NPT	2	
15	330-00088	MALE ELBOW (1-1/4" NPT JIC)	2	
16	330-00106	STRAIGHT THREAD ELBOW (10 ORB-12 JIC)	3	
17	330-00753	FEMALE PIPE ELBOW (16 ORB 1" NPT)	1	
18	330-00746	HOSE BARB ADAPTER (1" NPT, 1-1/4" BARB)	1	
19	510-00027	THREADED CAP 1" NPT (3000 PSI)	1	
23	091-20181	PRESSURE HOSE 1-1/4" (PUMP TO PRESSURE FILTER)	2	
24	091-20190	DRAIN HOSE 3/4" (PUMP DRAIN TO HYDRAULIC TANK)	2	
27	330-00303	RETURN HOSE 1-1/4" ID X 29-1/2" LG	1	
28	091-20192	RETURN HOSE 3/4" (KIDNEY LOOP PUMP TO FILTER)	1	
30	330-00324	T-BOLT CLAMP	2	

\* See 12 GPM Kidney Loop Detail for Replacement Parts.



# Cage Unloading System

HYDRAULIC TANK (091-22210) (September 2011 and Up)







# Cage Unloading System

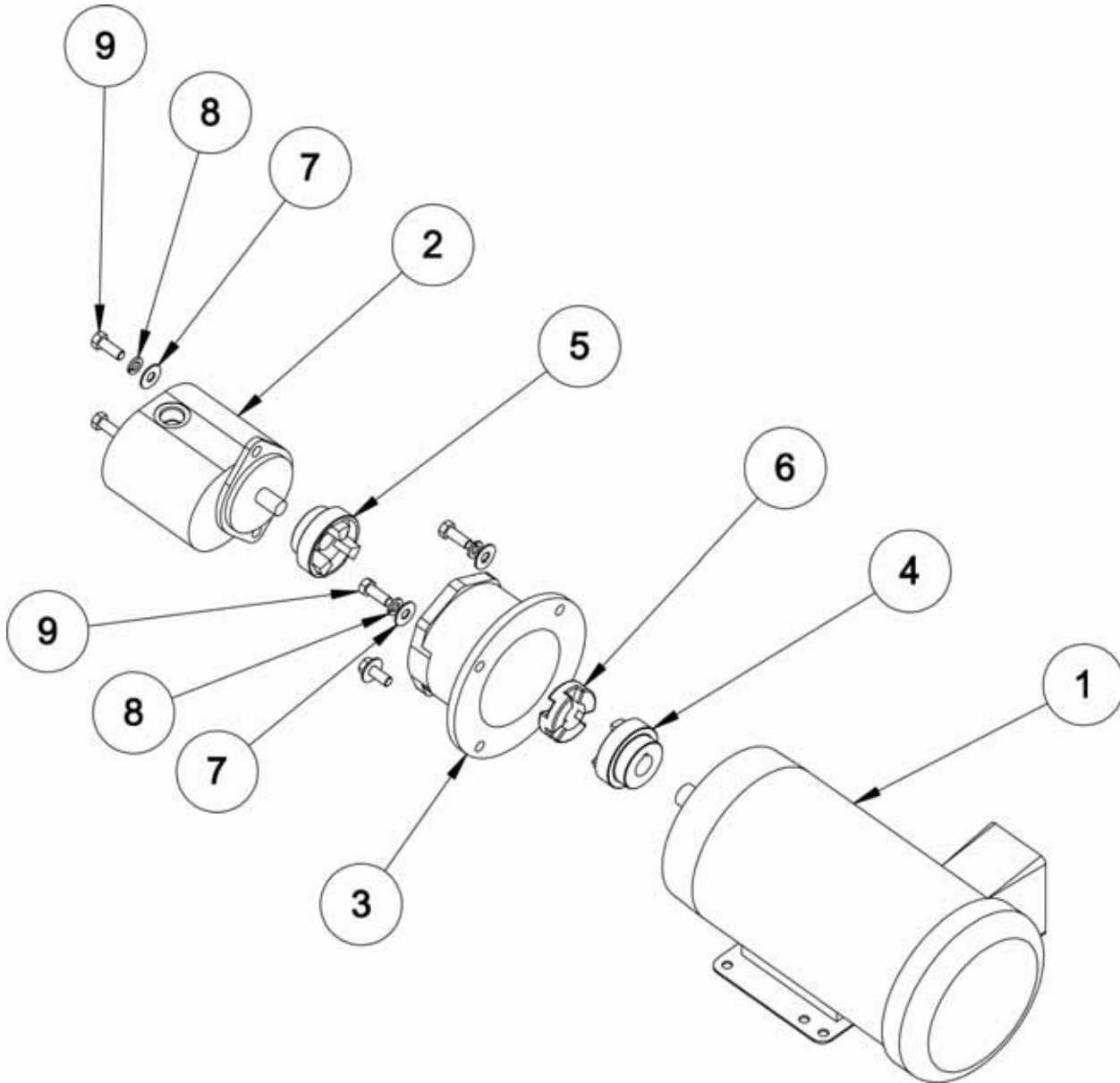
## HYDRAULIC TANK (091-22210) (September 2011 and Up)

ITEM	PART NUMBER	DESCRIPTION	QTY	MODEL OR SERIAL #
1	091-22210	STEEL HYDRAULIC TANK WELDMENT (INCLUDE ITEMS 1A & 1B)	1	
	091-22211	STAINLESS STEEL HYD. TANK (INCLUDES ITEMS 1A-SS & 1B-SS)	1	
1A	091-20168	STEEL HYDRAULIC TANK LID	1	
1A-SS	091-20219SS	STAINLESS STEEL TANK LID	1	
1B	091-20175	STEEL LATCH	1	
1B-SS	091-20175SS	STAINLESS STEEL LATCH	1	
2	230-00022	RETURN FILTER HEAD	2	
3	230-00060	RETURN FILTER WITH GLASS MEDIA	4	
4	230-00064	PRESSURE FILTER (INCLUDE ITEM 4A)	1	
4A	230-00064.1	PRESSURE FILTER ELEMENT	1	
5	330-00750	TANK BREATHER ADAPTER	1	
6	230-00020	TANK BREATHER WITH PAPER MEDIA	1	
7	510-00192	SPECIAL HOSE BARB 4" LG (2-1/2" NPT, 2-3/4" BARB)	2	
8	091-20180	FITTING WITH TEST PORT	1	
9	290-00020	PRESSURE GAUGE 3000 PSI	1	
10	190-00070	LIQUID LEVEL FLOAT SWITCH	1	
11	190-00211A1	TEMPERATURE CONTROLLER FOR OIL COOLER FAN	1	
12	190-00211A2	CLIP-ON COPPER WELL 1/2" NPT	1	
13	190-00066	OIL HEATER	1	
14	330-00749	STRAIGHT THREAD BRANCH TEE (20ORB-20JIC-20JIC)	1	
15	330-00008	MALE CONNECTOR (3/4" NPT, 12 JIC)	3	
16	330-00748	STRAIGHT HOSE BARB ADAPTER (1-1/2" NPT 1-1/2" BARB)	1	
17	330-00747	90° HOSE BARB ADAPTER (1-1/2" NPT 1-1/2" BARB)	1	
18	330-00089	MALE ELBOW (1-1/2" NPT, 24 JIC)	1	
19	510-00012	BUSHING 1-1/4" X 3/4"	2	
20	330-00085	MALE ELBOW (3/4" NPT, 12 JIC)	2	
21	330-00746	HOSE BARB ADAPTER (1" NPT, 1-1/4" BARB)	1	
22	290-00019	SIGHT GAUGE (HYD.)	1	
23	330-00293	RETURN HOSE 1-1/2" ID X 3-1/2" LG	1	
24	370-00021	T-BOLT CLAMP	2	
25	REF	SCREW CAP HEX HD NC GR5	2	
26	REF	NUT ESNA 3/8"	2	



# Cage Unloading System

12 GPM KIDNEY LOOP (530-00038) (September 2011 and Up)





# Cage Unloading System

**12 GPM KIDNEY LOOP (530-00038) (September 2011 and Up)**

ITEM	PART NUMBER	DESCRIPTION	QTY	MODEL OR SERIAL #
1	010-00190	1 HP BALDOR MOTOR	1	
2	530-00038.4	GEAR PUMP 12 GPM	1	
3	530-00034.5	MAGNALOY COUPLING MO56352A	1	
4	530-00034.1	MAGNALOY 7/8" KW 3/16" HUB	1	
5	530-00038.2	MAGNALOY 3/4" KW 3/16" HUB	1	
6	530-00034.3	MAGNALOY NEOPRENE INSERT (M170N6)	1	
7	REF	FLATWASHER 3/8"	6	
8	REF	LOCKWASHER 3/8"	6	
9	REF	SCREW CAP HEX HD NC GR5, 3/8" X 1"	6	



# ***Cage Unloading System***

---