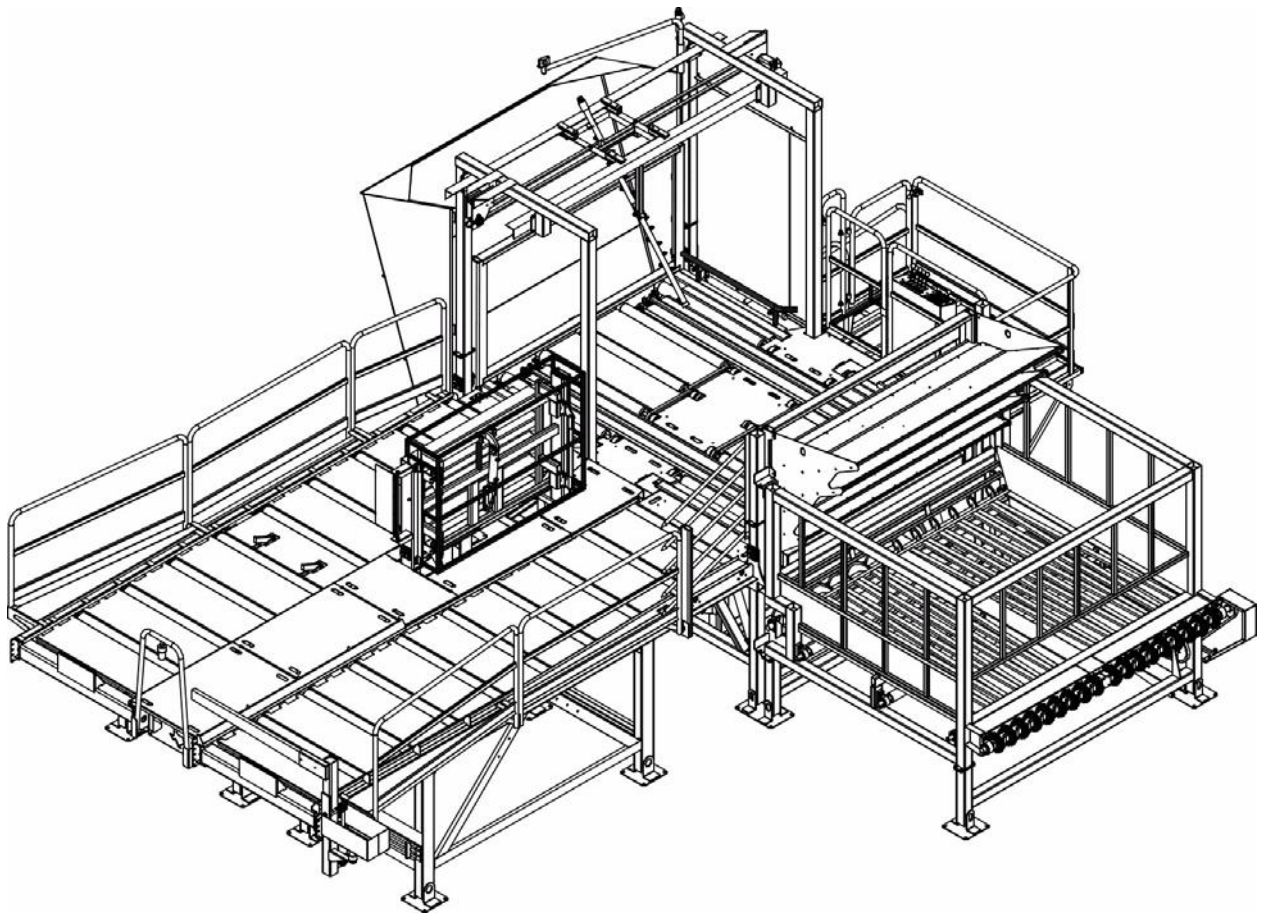




Cage Unloading System



Parts Catalog

Bright Coop Inc.
803 W. Seale St.
Nacogdoches, TX 75964
Phone (936) 564-8378
Fax (936) 564-3281
Info@brightcoop.com

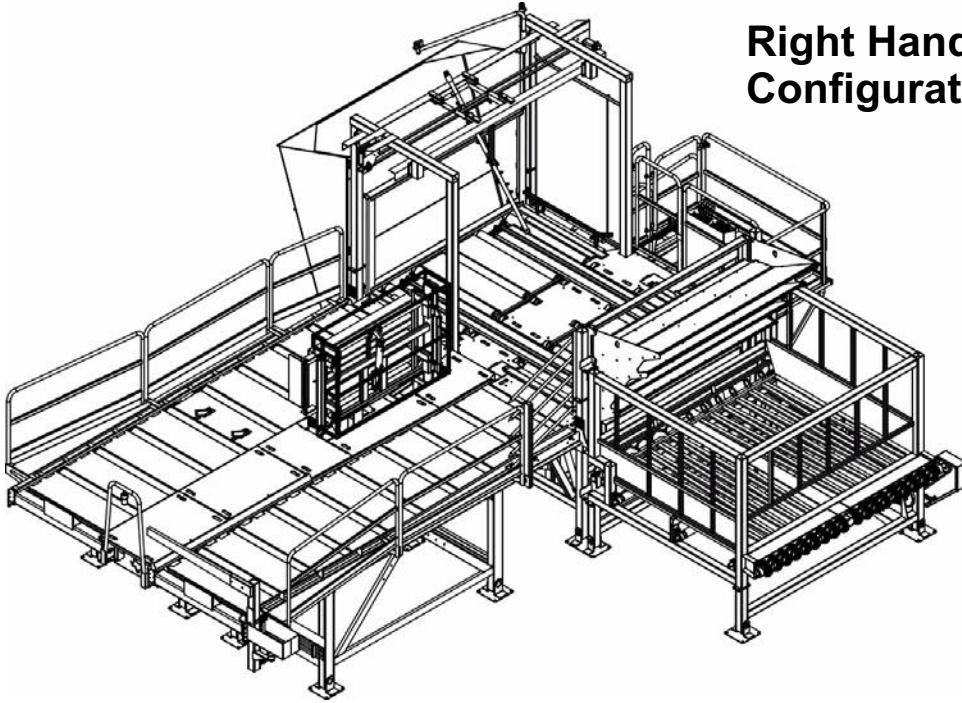
Printed in the **U.S.A.** 3/12/2015
BCI# 091-20979



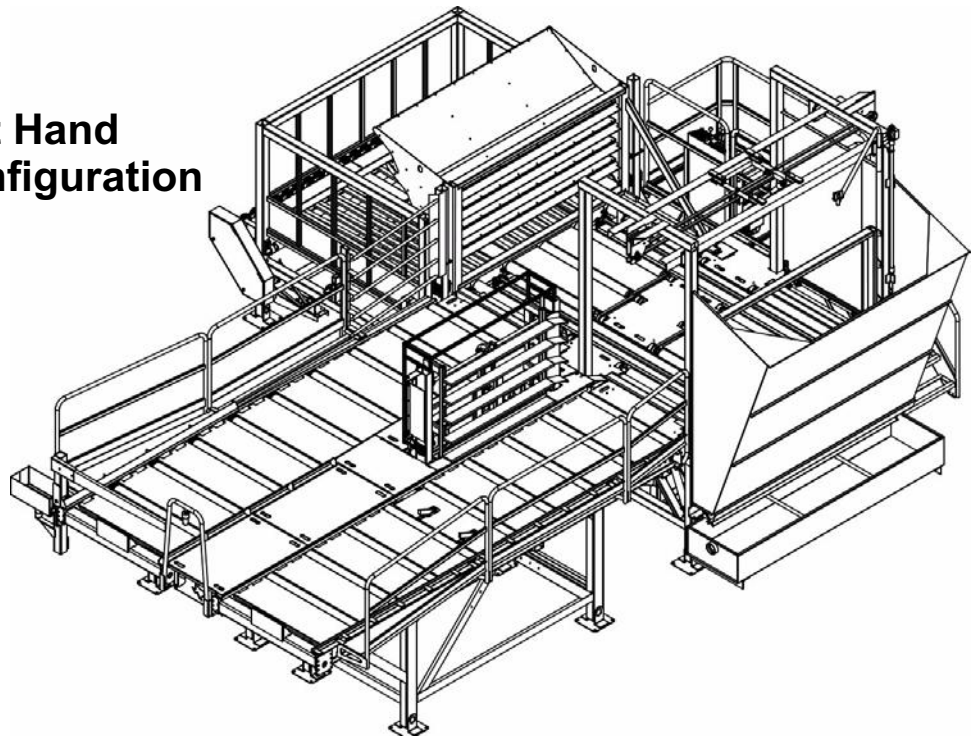
Cage Unloading System

CONFIGURATION

**Right Hand
Configuration**



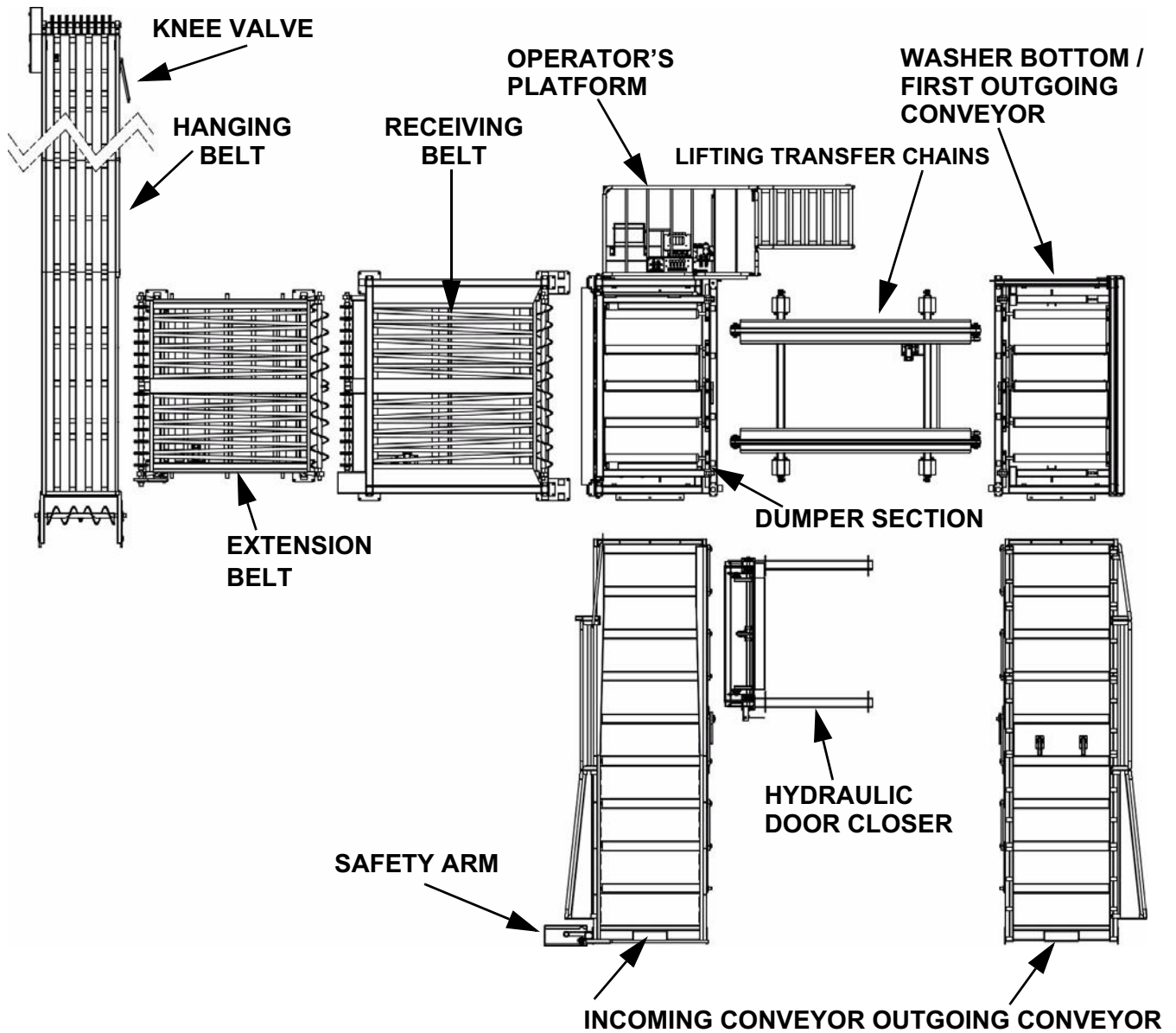
**Left Hand
Configuration**





Cage Unloading System

Quick Reference
(LEFT Hand Side Unloading System Shown)





Cage Unloading System

Company: _____

Location: _____

Date Installed: _____

_____ Hand Configuration

Door Closer: _____

Washer: _____

Belting

800 Series Intralox: yes

Hanging Belt _____

Receiving Belt _____

Extension Belt _____

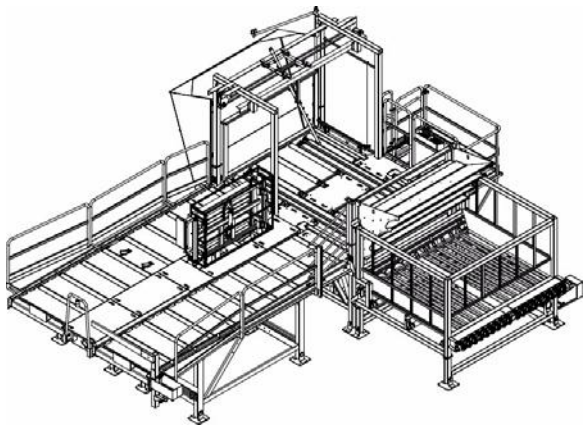
Hydraulic Power Unit: _____ hp with _____ gpm pump



Cage Unloading System

Tab Indexes

Parts Catalog



1	SECTION 1 INCOMING CONVEYOR
2	SECTION 2 DUMPER SECTION
3	SECTION 3 TRANSFER CHAINS
4	SECTION 4 WASHER SECTION
5	SECTION 5 OUTGOING CONVEYOR
6	SECTION 6 RECEIVING & HANGING BELTS
7	SECTION 7 OPERATOR PLATFORM
8	SECTION 8 DOOR CLOSER
9	SECTION 9 LAY INS
10	SECTION 10 HYDRAULIC COMPONENTS
11	SECTION 11 SAFETY FENCING & PLACARDS
12	SECTION 12 HYDRAULIC POWER UNIT

Bright Coop Inc.
803 W. Seale St.
Nacogdoches, TX 75964
Phone (936) 564-8378
Fax (936) 564-3281
Info@brightcoop.com



Cage Unloading System



Cage Unloading System

Section 1

Incoming Conveyor

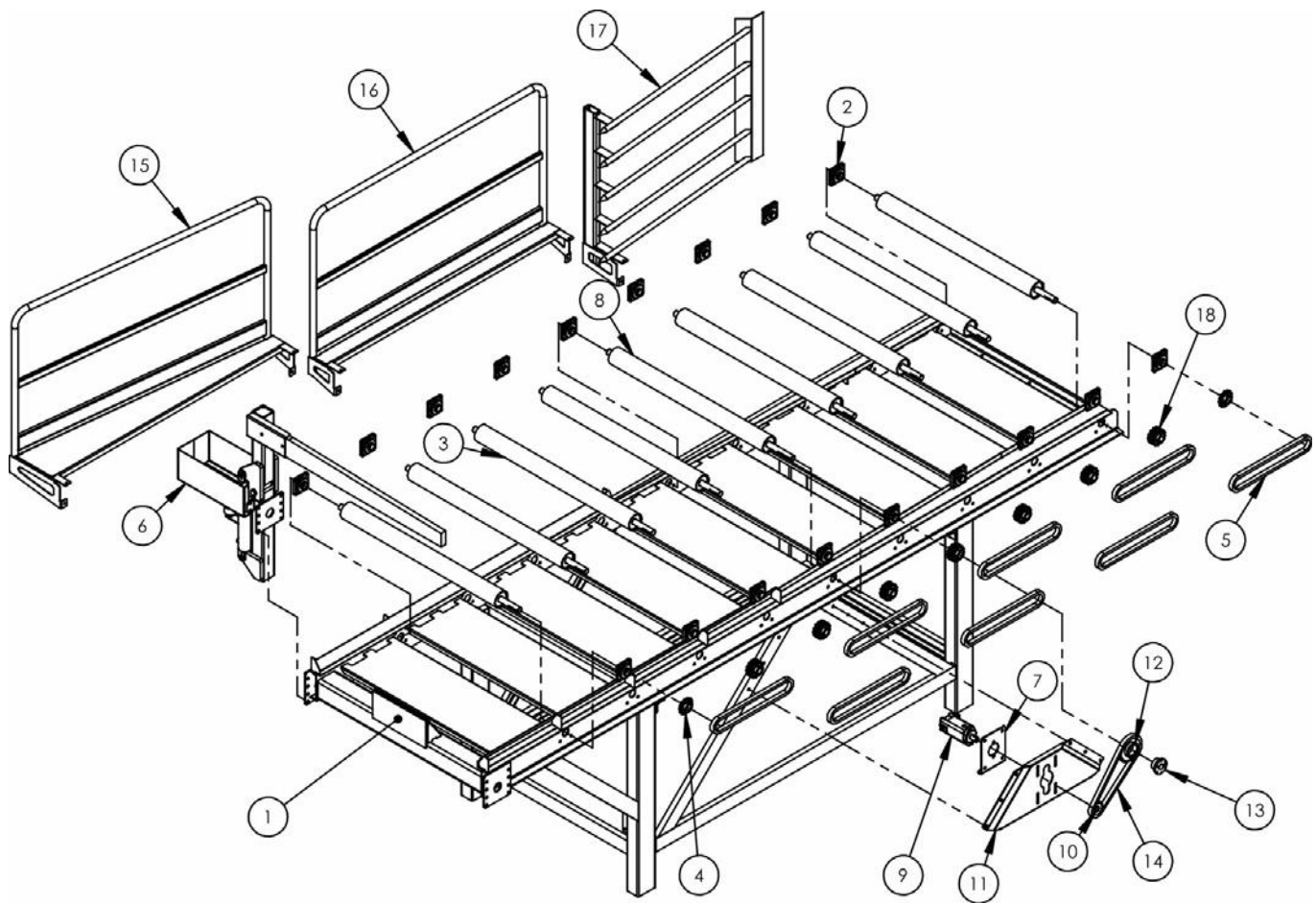
Contents

20' Incoming Conveyor -----	2
30' Incoming Conveyor -----	4
20' Intermediate Incoming Section -----	6
Safety Arm -----	8



Cage Unloading System

INCOMING 20' CONVEYOR ASSEMBLY (091-21100)



LEFT HAND SIDE SYSTEM SHOWN



Cage Unloading System

INCOMING 20' CONVEYOR ASSEMBLY (091-21100)

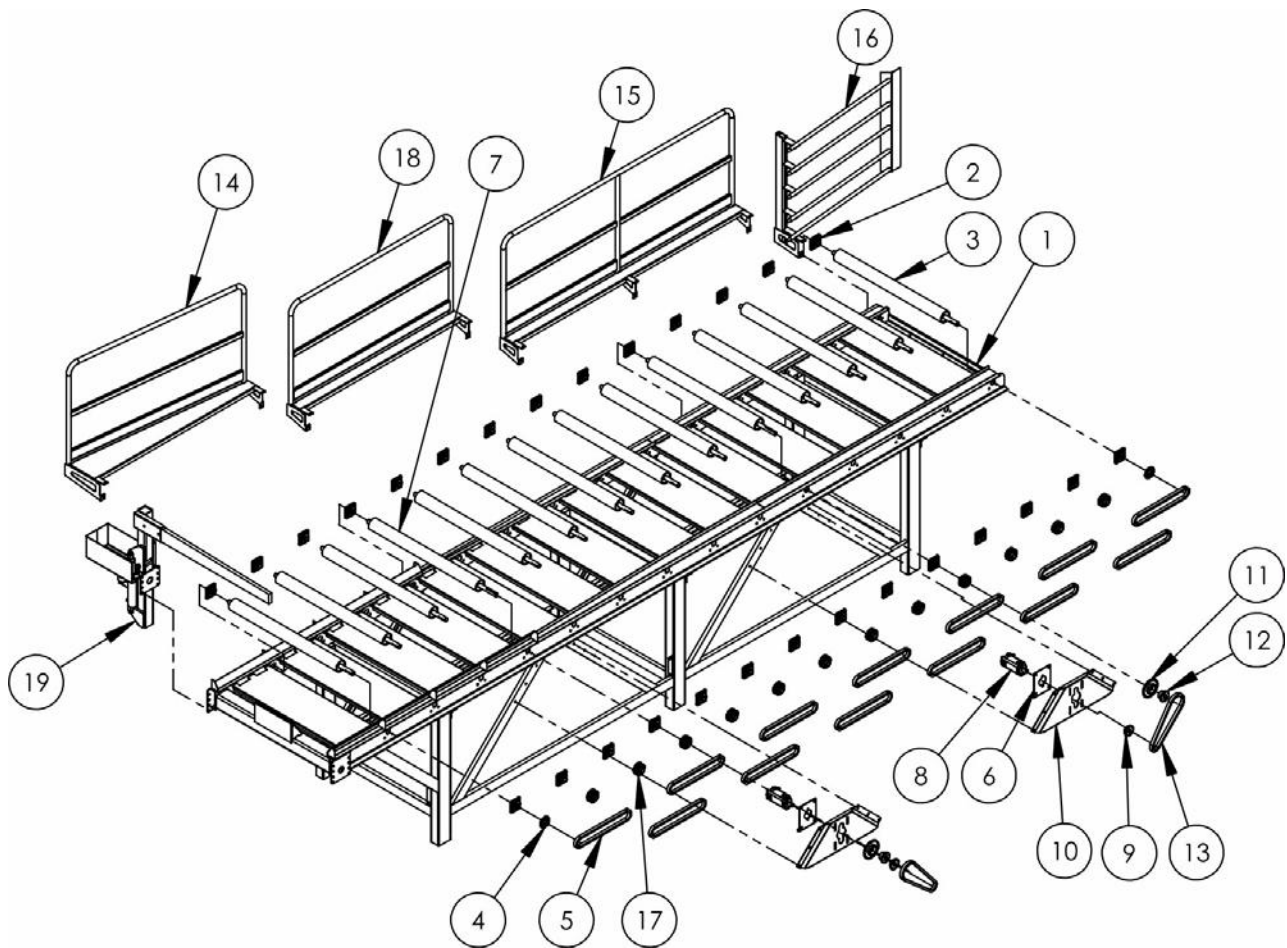
ITEM	PART NUMBER	DESCRIPTION	QTY	MODEL Or SERIAL #
1	091-21115	INCOMING CONVEYOR FRAME WELDMENT (STD.)	1	
2	030-00018	FLANGE BEARING 1-7/16"	18	
3	590-00036	CONVEYOR DRIVEN ROLLER	8	
4	690-00005	SPROCKET 60BS15 1-7/16" BORE	2	
5	110-00001	ROLLER CHAIN #60 (8')	AS REQUIRED	
6	091-10130L	* SAFETY ARM ASSEMBLY (LEFT HAND SIDE SYSTEM)	1	
	091-10130R	* SAFETY ARM ASSEMBLY (RIGHT HAND SIDE SYSTEM)	1	
7	091-20558	HYDRAULIC MOTOR SUPPORT	1	
8	091-00307	DRIVE ROLLER (CONVEYOR)	1	
9	450-00004	HYDRAULIC MOTOR	1	
10	690-00044	SPROCKET 60BS15 1-1/4" BORE	1	
11	091-21124	HYDRAULIC MOTOR PLATE	1	
12	690-00014	SPROCKET 60SK28	1	
13	690-00022	SK 1-71/6" BUSHING	1	
14	110-00001	ROLLER CHAIN #60	AS REQUIRED	
15	091-21828.1	CONVEYOR HANDRAIL (FLARE) (LEFT HAND SIDE SYSTEM) (AS SHOWN)	1	
	091-21828.2	CONVEYOR HANDRAIL (FLARE) (RIGHT HAND SIDE SYSTEM)	1	
16	091-21829	CONVEYOR HANDRAIL (LONG)	1	
17	091-21602L	INCOMING PIPE DOOR CLOSER, FIVE HIGH CAGE (LEFT HAND SIDE SYSTEM)	1	
	091-21602R	INCOMING PIPE DOOR CLOSER, FIVE HIGH CAGE (RIGHT HAND SIDE SYSTEM)	1	
	091-21609L	INCOMING PIPE DOOR CLOSER FOR FOUR HIGH CAGE (LEFT HAND SIDE SYSTEM)	1	
	091-21609R	INCOMING PIPE DOOR CLOSER FOR FOUR HIGH CAGE (RIGHT HAND SIDE SYSTEM)	1	
18	690-00063	DUAL SPROCKET 60BS15 1-7/16" BORE	7	

* Parts Detail In This Section



Cage Unloading System

INCOMING 30' CONVEYOR ASSEMBLY STD (091-21102)





Cage Unloading System

INCOMING 30' CONVEYOR ASSEMBLY STD (091-21102)

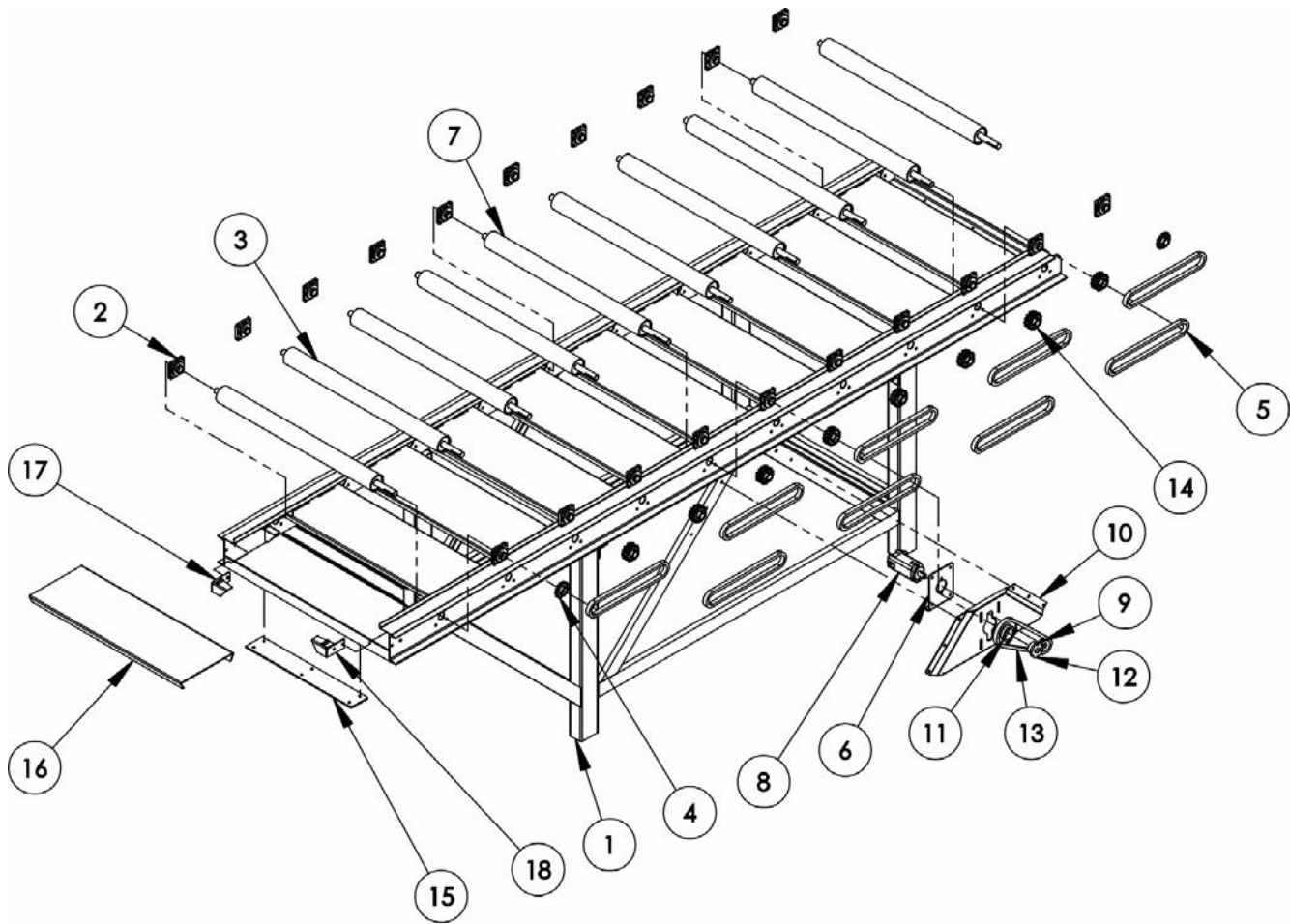
ITEM	PART NUMBER	DESCRIPTION	QTY	MODEL Or SERIAL #
1	091-21116	30' INCOMING CONVEYOR FRAME WELDMENT (STD.)	1	
2	030-00018	FLANGE BEARING 1-7/16"	28	
3	590-00036	OUTGOING CONVEYOR DRIVEN ROLLER	12	
4	690-00005	SPROCKET 60BS15 1-7/16" BORE	2	
5	110-00001	ROLLER CHAIN #60	AS REQUIRED	
6	091-20558	HYDRAULIC MOTOR SUPPORT	2	
7	091-00307	DRIVE ROLLER (CONVEYOR)	2	
8	450-00004	HYDRAULIC MOTOR	2	
9	690-00044	SPROCKET 60BS15 1-1/4" BORE	2	
10	091-21124	HYDRAULIC MOTOR PLATE	2	
11	690-00014	SPROCKET 60SK28	2	
12	690-00022	QD BUSHING (SK 1-7/16")	2	
13	110-00001	ROLLER CHAIN #60	AS REQUIRED	
14	091-21828.1	CONVEYOR HANDRAIL (FLARE) (LEFT HAND SIDE SYSTEM)	1	
	091-21828.2	CONVEYOR HANDRAIL (FLARE) (RIGHT HAND SIDE SYSTEM)	1	
15	091-21844	HANDRAIL FOR EXTENDED CONVEYORS	1	
16	091-21602L	INCOMING PIPE DOOR CLOSER FOR FIVE HIGH CAGE (LEFT HAND SIDE SYSTEM)	1	
	091-21602R	INCOMING PIPE DOOR CLOSER FOR FIVE HIGH CAGE (RIGHT HAND SIDE SYSTEM)	1	
	091-21609L	INCOMING PIPE DOOR CLOSER FOR FOUR HIGH CAGE (LEFT HAND SIDE SYSTEM)	1	
	091-21609R	INCOMING PIPE DOOR CLOSER FOR FOUR HIGH CAGE (RIGHT HAND SIDE SYSTEM)	1	
17	690-00063	DUAL SPROCKET 60BS15 1-7/16" BORE	12	
18	091-21829	CONVEYOR HANDRAIL (LONG)	1	
19	091-10130L	* SAFETY ARM ASSEMBLY (LEFT HAND SIDE)	1	
	091-10130R	* SAFETY ARM ASSEMBLY (RIGHT HAND SIDE)	1	

* Parts Detail In This Section Page 8



Cage Unloading System

20' INTERMEDIATE INCOMING SECTION (091-21103)





Cage Unloading System

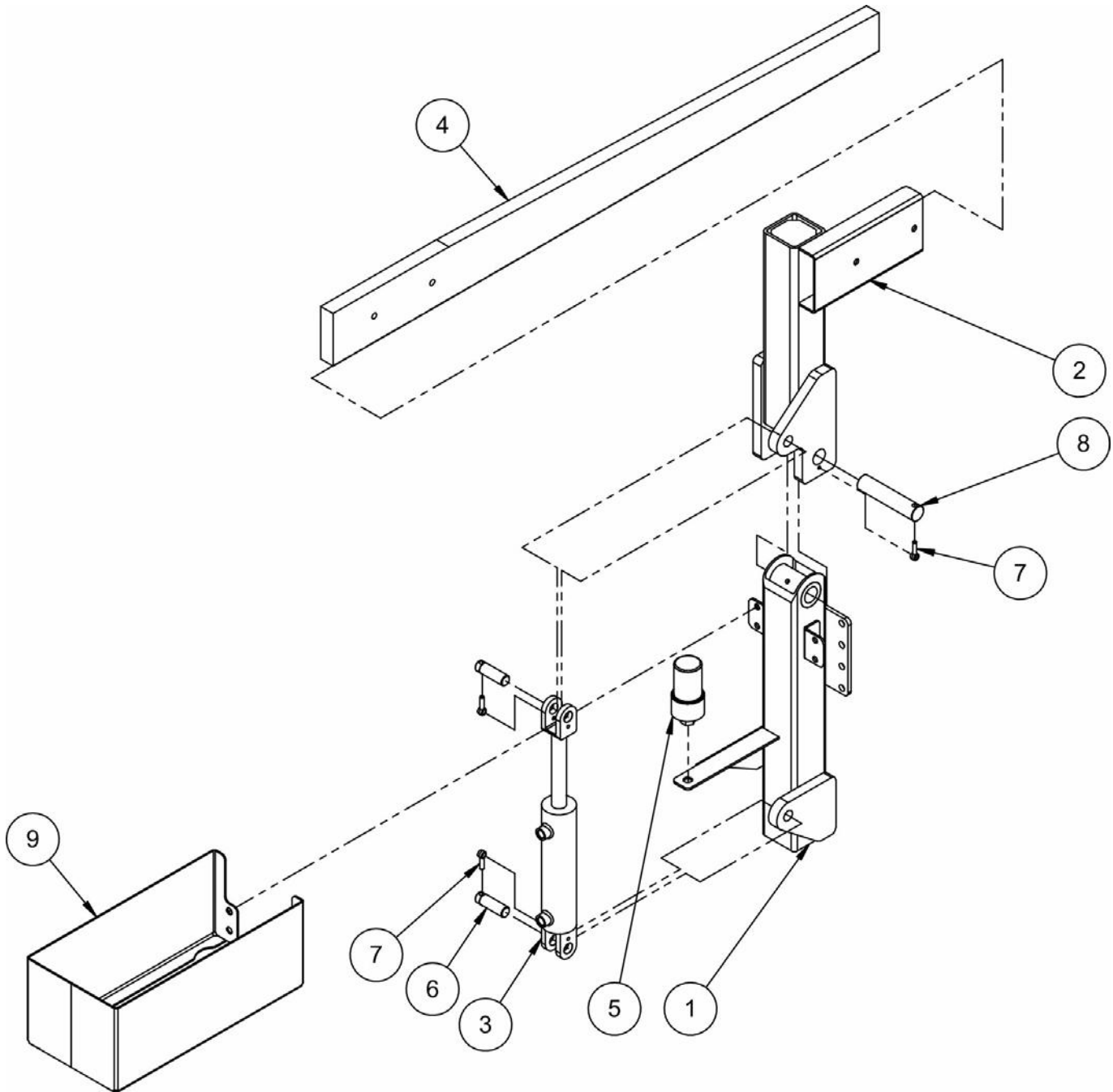
20' INTERMEDIATE INCOMING SECTION (091-21103)

ITEM	PART NUMBER	DESCRIPTION	QTY	MODEL Or SERIAL #
1	091-21117	INCOMING 20' INTERMEDIATE SECTION	1	
2	030-00018	FLANGE BEARING 1-7/16"	20	
3	590-00036	OUTGOING CONVEYOR DRIVEN ROLLER	9	
4	690-00005	SPROCKET 60BS15 1-7/16" BORE	2	
5	110-00001	ROLLER CHAIN #60	AS REQUIRED	
6	091-20558	HYDRAULIC MOTOR SUPPORT	1	
7	091-00307	DRIVE ROLLER (CONVEYOR)	1	
8	450-00004	HYDRAULIC MOTOR	1	
9	690-00044	SPROCKET 60BS15 1-1/4" BORE	1	
10	091-21124	HYDRAULIC MOTOR PLATE WITH CAP	1	
11	690-00014	SPROCKET 60SK28	1	
12	690-00022	QD BUSHING (SK 1-7/16")	1	
13	110-00001	ROLLER CHAIN #60	AS REQUIRED	
14	690-00063	DUAL SPROCKET 60BS15 1-7/16" BORE	8	
15	091-20838	CONNECTION TONGUE FOR CONVEYORS	1	
16	091-20842	CONNECTOR LAY IN FOR DOUBLE CONVEYORS	1	
17	091-21846R	CONNECTOR LAY IN SUPPORT	1	
18	091-21846L	CONNECTOR LAY IN SUPPORT	1	



Cage Unloading System

SAFETY ARM ASSEMBLY (091-10130)





Cage Unloading System

SAFETY ARM ASSEMBLY (091-10130)

ITEM	PART NUMBER	DESCRIPTION	QTY	MODEL Or SERIAL #
1	091-21803L	LOWER ARM WELDMENT (LEFT HAND SIDE SYSTEM) (AS SHOWN)	1	
	091-21803R	LOWER ARM WELDMENT (RIGHT HAND SIDE SYSTEM)	1	
2	010-00086L	UPPER ARM ASSEMBLY (LEFT HAND SIDE SYSTEM) (AS SHOWN)	1	
	010-00086R	UPPER ARM ASSEMBLY (RIGHT HAND SIDE SYSTEM)	1	
3	170-00002	DOOR CLOSER LIFT CYLINDER	1	
	630-00022	SEAL KIT FOR CYLINDER #170-00002	1	
4	010-00085	SAFETY ARM	1	
5	190-00406	STROBE LIGHT	2	
6	098-01483	CYLINDER PIN	2	
7	098-01482	ROD END 3/8"	3	
8	091-20651	SAFETY ARM PIVOT PIN	1	
9	091-21817	SAFETY ARM GUARD	1	
10	190-00407	WARNING HORN (NOT SHOWN)	1	



Cage Unloading System



Cage Unloading System

Section 2

Dumper Section

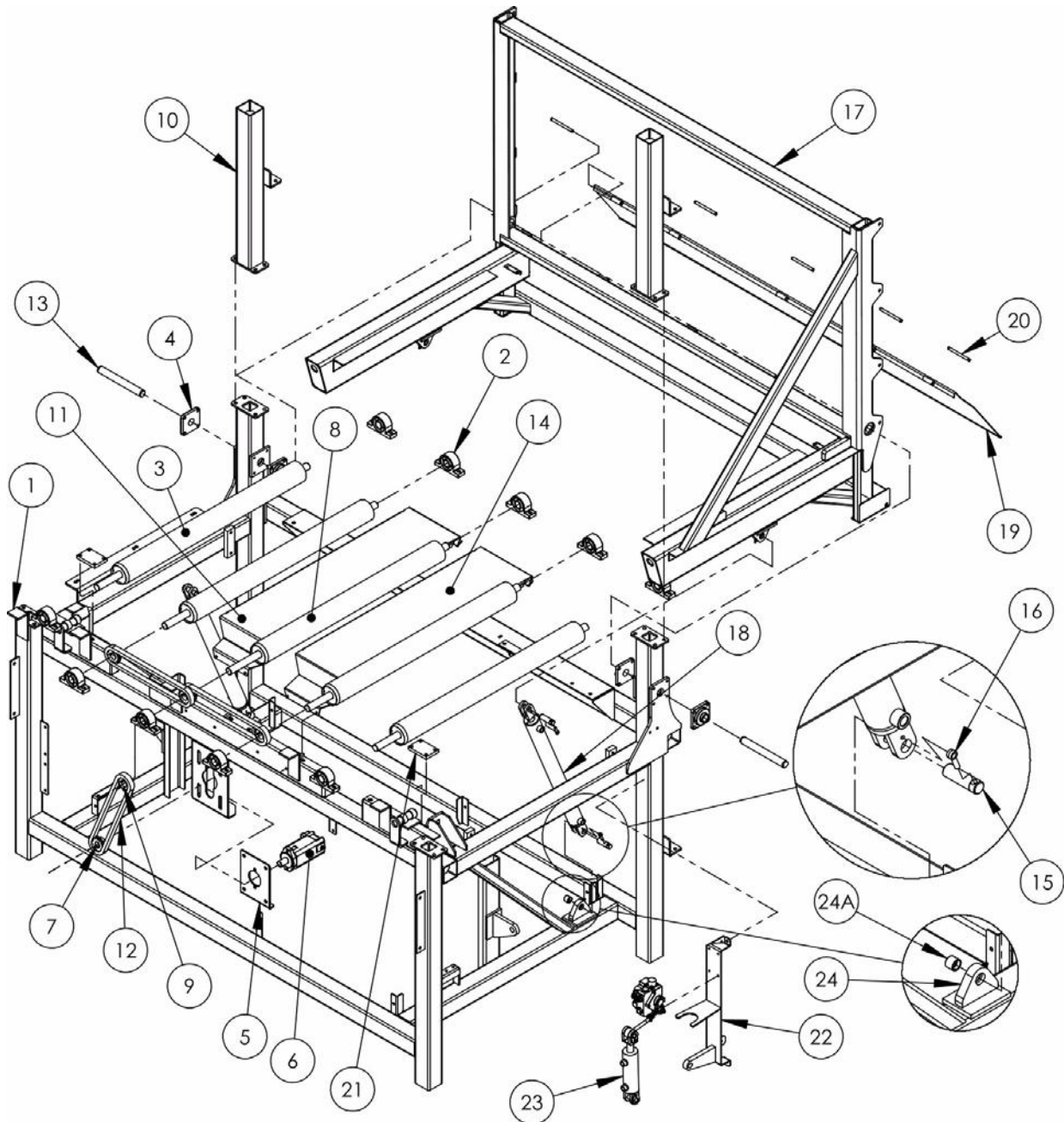
Contents

Dumper Section	2
Dumper Slide Assembly For 5 High Cage	4
Dumper Slide Assembly For 4 High Cage	6



Cage Unloading System

DUMPER ASSEMBLY (STD.) (091-21201)





Cage Unloading System

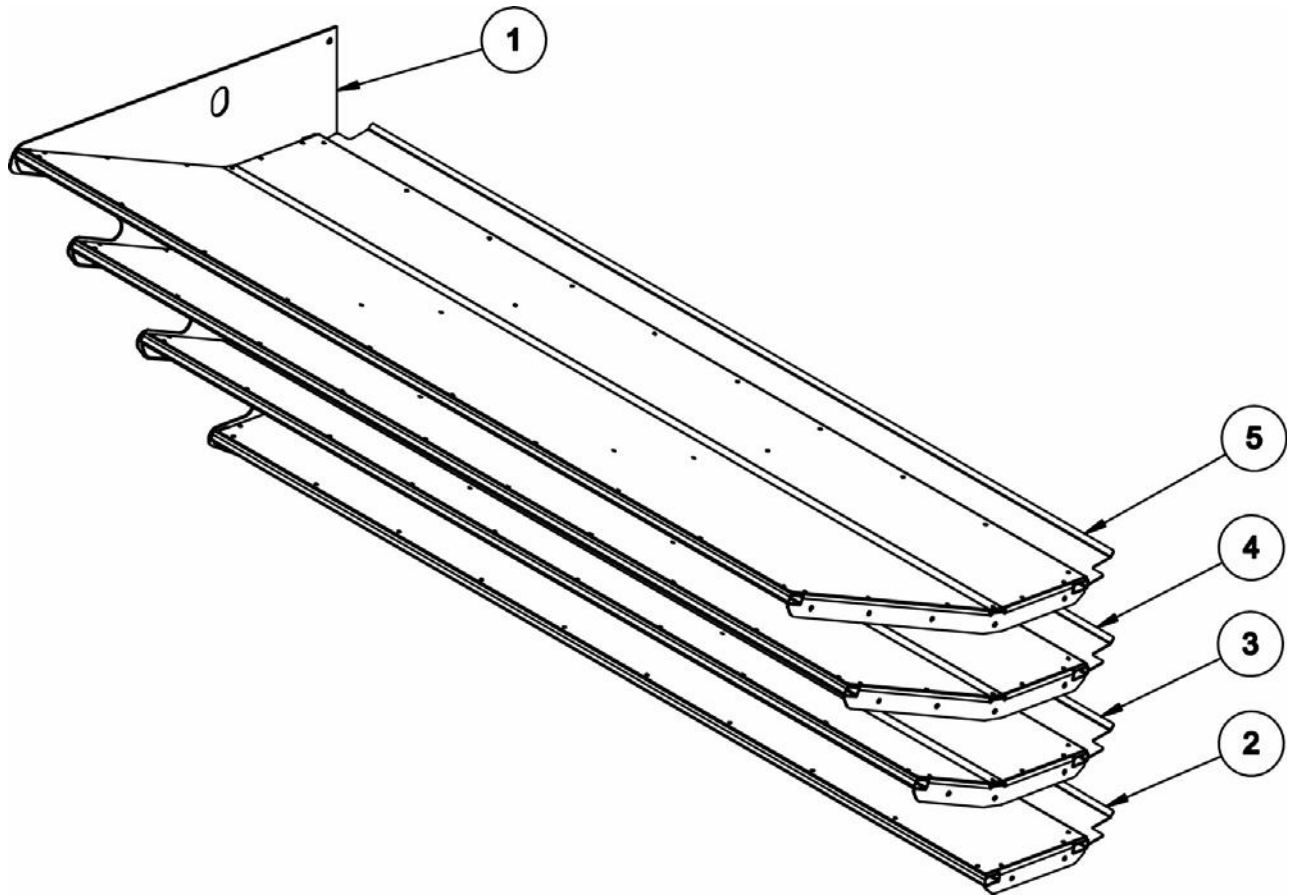
DUMPER ASSEMBLY (STD.) (091-21201)

ITEM	PART NUMBER	DESCRIPTION	QTY	MODEL Or SERIAL #
1	091-21213SL	LEFT HAND SIDE MAIN FRAME WELDMENT (STD.)	1	
	091-21213SR	RIGHT HAND SIDE MAIN FRAME		
2	030-00021	PILLOW BLOCK 1-7/16"	10	
3	091-00309	DRIVEN ROLLER (DUMPER)	4	
4	030-00018	FLANGE BEARING 1-7/16"	4	
5	091-20558	HYDRAULIC MOTOR SUPPORT	1	
6	450-00004	HYDRAULIC MOTOR	1	
7	690-00003	SPROCKET 60BS13 1-1/4" BORE	1	
8	091-00304	DUMPER DRIVE ROLLER	1	
9	690-00004	SPROCKET 60BS13 1-7/16" BORE	5	
10	091-21222	TUBING EXTENSION WELDMENT	2	
11	091-20531	DUMPER LAY-IN LONG	1	
12	110-00001	ROLLER CHAIN #60	AS REQUIRED	
13	670-00018	DUMP HINGE PIN	2	
14	091-20530	DUMPER LAY-IN SHORT	1	
15	098-01483	CYLINDER PIN	4	
16	098-01482	ROD END 3/8"	4	
17	091-21220L	CRADLE WELDMENT (LEFT HAND SIDE SYSTEM)	1	
	091-21220R	CRADLE WELDMENT (RIGHT HAND SIDE SYSTEM)	1	
18	091-20085D	60° CRADLE TILT CYLINDER	2	
	630-00021	SEAL KIT FOR CYLINDER #091-20085 D OR W	1	
19	091-21237	HINGED SLIDE	1	
20	091-20203	HINGE PIN	5	
21	091-20248	CRADLE BUMPER	2	
22	091-00451L	ANTISHAKE VALVE BRACKET (LEFT HAND SIDE SYSTEM)	1	
	091-00451R	ANTISHAKE VALVE BRACKET (RIGHT HAND SIDE SYSTEM)	1	
23	091-23121	ANTISHAKE SYSTEM (SEE SECTION 10-22 FOR DETAILS)	1	
24	091-21221	CYLINDER ANCHOR WELDMENT (60°) (INCLUDES ITEM 24A)	-	
24A	091-20066	BUSHING	-	



Cage Unloading System

**DUMPER SLIDE ASSEMBLY (091-21246)
FOR 5 HIGH CAGE**





Cage Unloading System

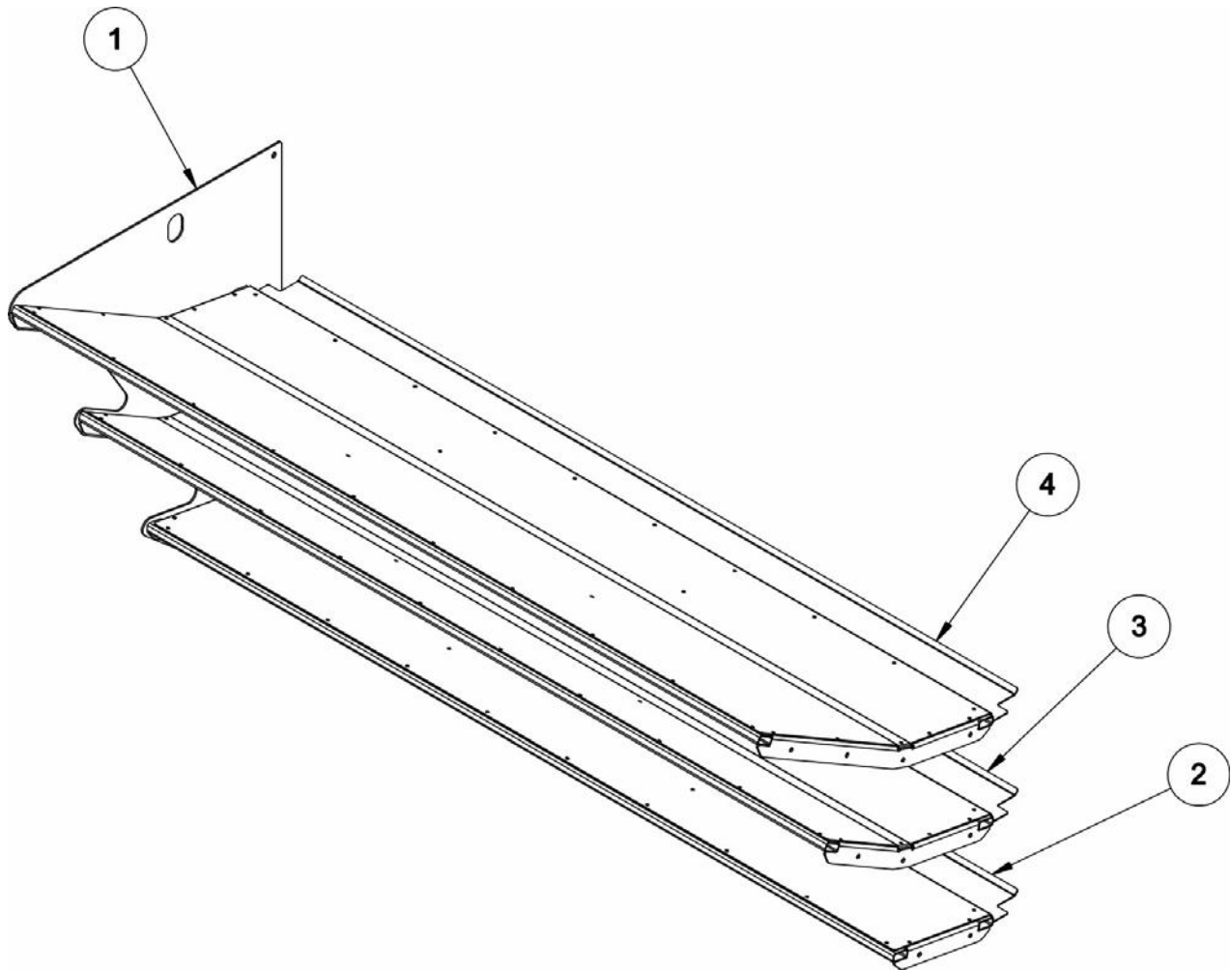
DUMPER SLIDE ASSEMBLY (091-21246) FOR 5 HIGH CAGE

ITEM	PART NUMBER	DESCRIPTION	QTY	MODEL Or SERIAL #
1	091-20096	SLIDE SIDE PLATE	2	
2	091-21231	SLIDE # 1	1	
3	091-21232	SLIDE # 2	1	
4	091-21233	SLIDE # 3	1	
5	091-21234	SLIDE # 4	1	
	091-21246	COMPLETE SLIDE ASSEMBLY FOR 5 HIGH CAGE	1	



Cage Unloading System

DUMPER SLIDE ASSEMBLY (091-21246 RS) OR (091-21246 RR)
FOR 4 HIGH CAGE





Cage Unloading System

DUMPER SLIDE ASSEMBLY (091-21246 RS) OR (091-21246 RR) FOR 4 HIGH CAGE

ITEM	PART NUMBER	DESCRIPTION	QTY	MODEL Or SERIAL #
1	091-00441	SIDE PLATE FOR 4 HIGH STANDARD DOOR	2	
	091-00442	SIDE PLATE FOR 4 HIGH ROASTER DOOR	2	
2	091-21231	SLIDE #1	1	
3	091-21232	SLIDE #2	1	
4	091-21233	SLIDE #3	1	
	091-21246RS	COMPLETE SLIDE ASSEMBLY FOR 4 HIGH STANDARD DOOR	1	
	091-21246RR	COMPLETE SLIDE ASSEMBLY FOR 4 HIGH ROASTER DOOR	1	



Cage Unloading System



Cage Unloading System

Section 3

Lifting Transfer Chains

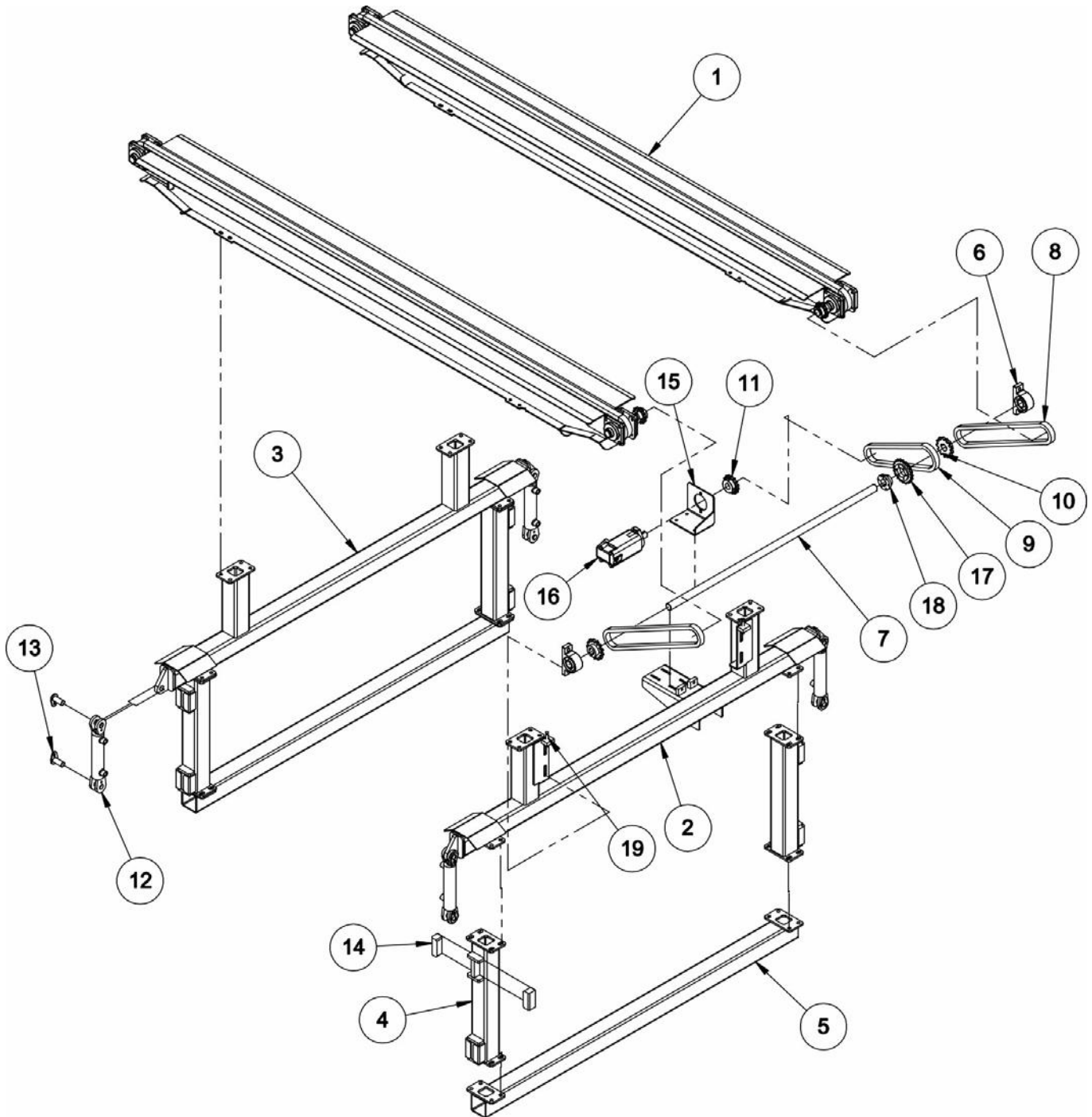
Contents

Lifting Transfer Chain Assembly	2
Transfer Chain Assembly	4-6



Cage Unloading System

LIFTING TRANSFER CHAIN ASSEMBLY (091-21405)





Cage Unloading System

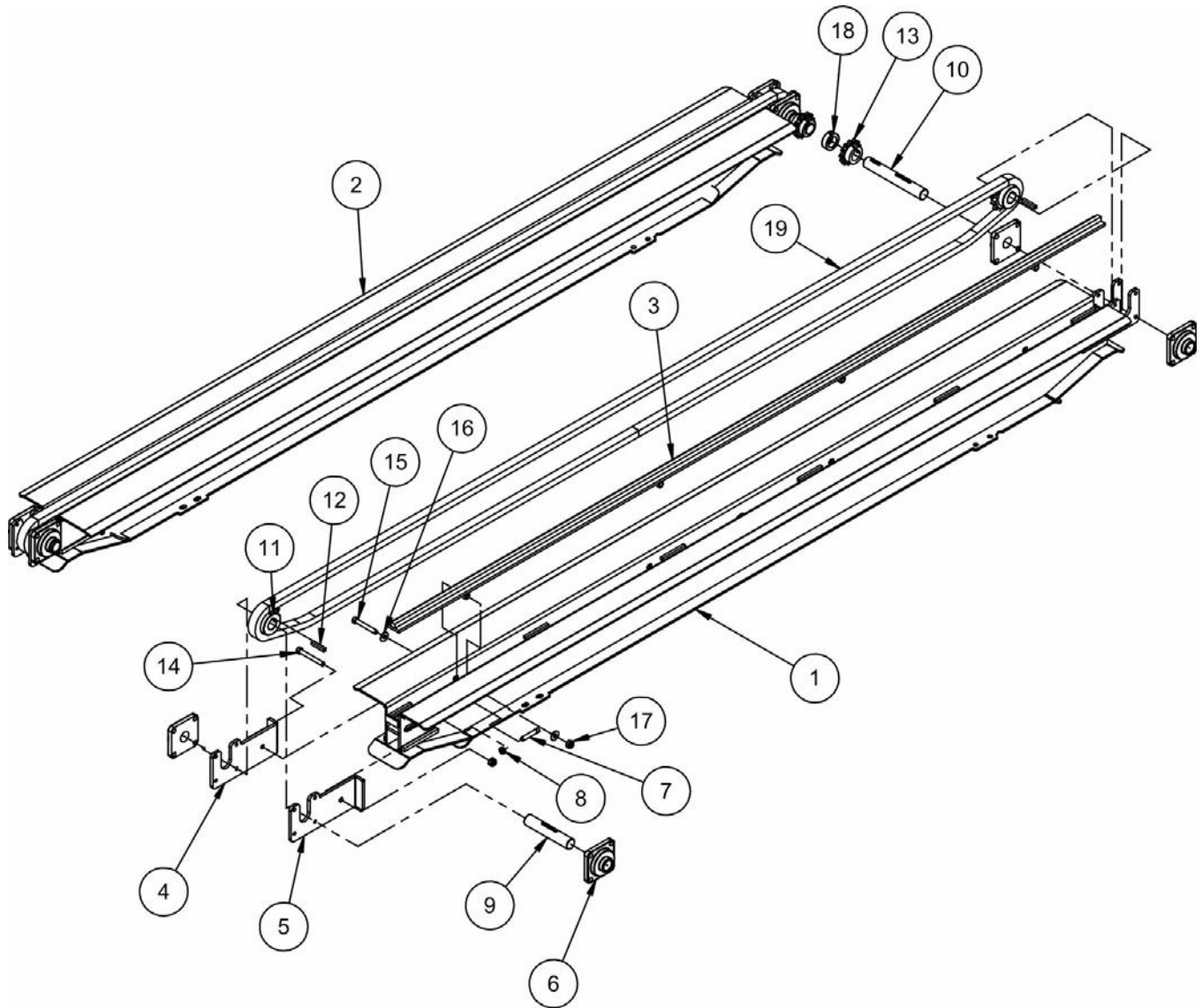
LIFTING TRANSFER CHAIN ASSEMBLY (091-21405)

ITEM	PART NUMBER	DESCRIPTION	QTY	MODEL Or SERIAL #
1	091-21401	TRANSFER CHAIN ASSEMBLY	1	
2	091-21429D	TRANSFER CHAIN LIFT TOP SUB WITH DRIVE	1	
3	091-21429	TRANSFER CHAIN LIFT TOP SUB ASSEMBLY	1	
4	091-21430	TRANSFER CHAIN LIFT SIDE SUB ASSEMBLY	4	
5	091-21431	TRANSFER CHAIN LIFT BOTTOM SUB ASSEMBLY	2	
6	030-00021	PILLOW BLOCK 1-7/16"	2	
7	670-00065	TRANSFER CHAIN COUNTER SHAFT	1	
8	110-00001	ROLLER CHAIN #60 (10' FOR 2 CHAINS)	AS REQUIRED	
9	110-00001	ROLLER CHAIN #60 (4' OF CHAIN)	AS REQUIRED	
10	690-00005	SPROCKET 60BS15 1-7/16" BORE	2	
11	690-00044	SPROCKET 60BS15 1-1/4" BORE	1	
12	091-20418	LIFT CYLINDER	4	
13	097-21514	1"X2-1/4" LG PIN WELDMENT	8	
14	091-20416	T-BLOCK LIFT	16	
15	091-20559	HYDRAULIC MOTOR SUPPORT	1	
16	450-00004	HYDRAULIC MOTOR	1	
17	690-00006	SPROCKET 60SDS20	1	
18	690-00021	SDS BUSHING 1-7/16" BORE	1	
19	-	1/2" X 2" SQUARE HEAD CUP POINT SETSCREW	2	
20	-	1/2" HEX JAM NUT	2	



Cage Unloading System

TRANSFER CHAIN ASSEMBLY (091-21401)





Cage Unloading System

TRANSFER CHAIN ASSEMBLY (091-21401)

ITEM	PART NUMBER	DESCRIPTION	QTY	MODEL Or SERIAL #
1	091-21412R	TRANSFER CHAIN WELDMENT (RIGHT HAND)	1	
2	091-21412L	TRANSFER CHAIN WELDMENT (LEFT HAND)	1	
3	091-21413	TRANSFER CHAIN GUIDE RAIL	2	
4	091-20243L	TAKE-UP PLATE (LEFT HAND)	2	
5	091-20243R	TAKE-UP PLATE (RIGHT HAND)	2	
6	030-00018	FLANGE BEARING 1-7/16"	8	
7		SCREW SET SQ. HD CUP POINT 1/2"X2-1/2"	4	
8		HEX JAM NUT NC 1/2"	4	
9	670-00025	TRANSFER CHAIN IDLER SHAFT	2	
10	670-00064	TRANSFER CHAIN DRIVE SHAFT	2	
11	690-00069	SPROCKET 13 TEETH WITH 1-7/16" BORE	4	
12	091-20244	3/8" KEY X 2-1/4" LG	4	
13	690-00004	SPROCKET 60BS 13 1-7/16" BORE	2	
14		SCREW CAP HEX HD NC GR 8 1/2" X 4"	2	
15		SCREW CAP HEX HD NC GR 8 1/2"X3-1/2"	8	
16		FLATWASHER 1/2"	16	
17		NUT ESNA 1/2"	18	
18	370-00004	SET COLLAR 1-7/16" SHAFT	2	
19	110-00063	HEAVY DUTY CONVEYOR CHAIN (80H RIV) (25 FT. LONG	2	
20	110-00064	CONNECTING LINK	2	



Cage Unloading System



Cage Unloading System

Section 4

Washer Bottom / Washer Assemblies

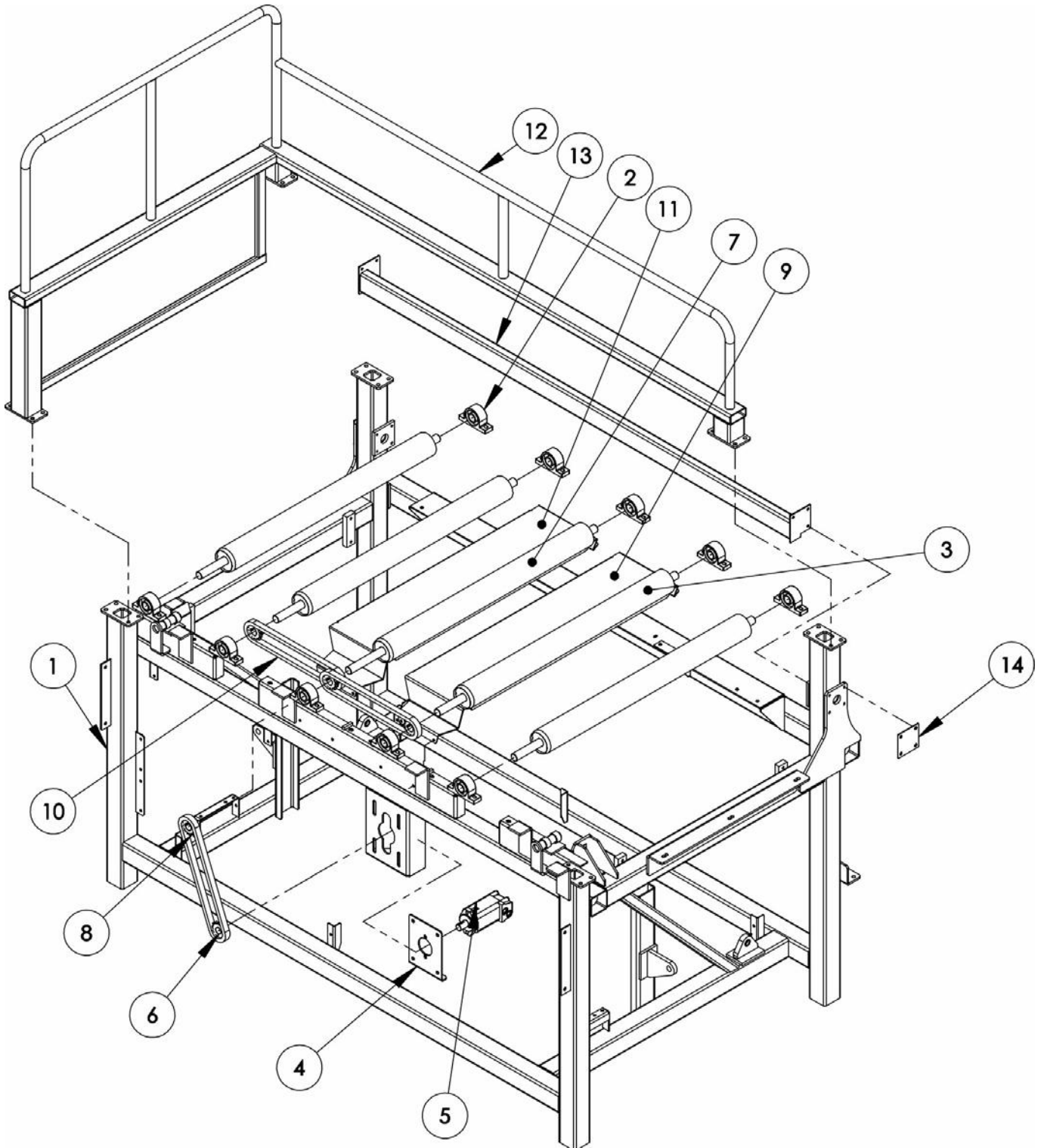
Contents

First Outgoing Conveyor-	2
Washer Assembly	4
Washer Bottom Assembly	6
Washer Top Assembly-	8
Washer Carriage Assembly	10
Spray Pipe with Nozzles	12
Cage Washer Pumping Unit	14



Cage Unloading System

First Outgoing Conveyor (091-21503A)
(Washer Bottom without Washer)



LEFT HAND SIDE SYSTEM SHOWN



Cage Unloading System

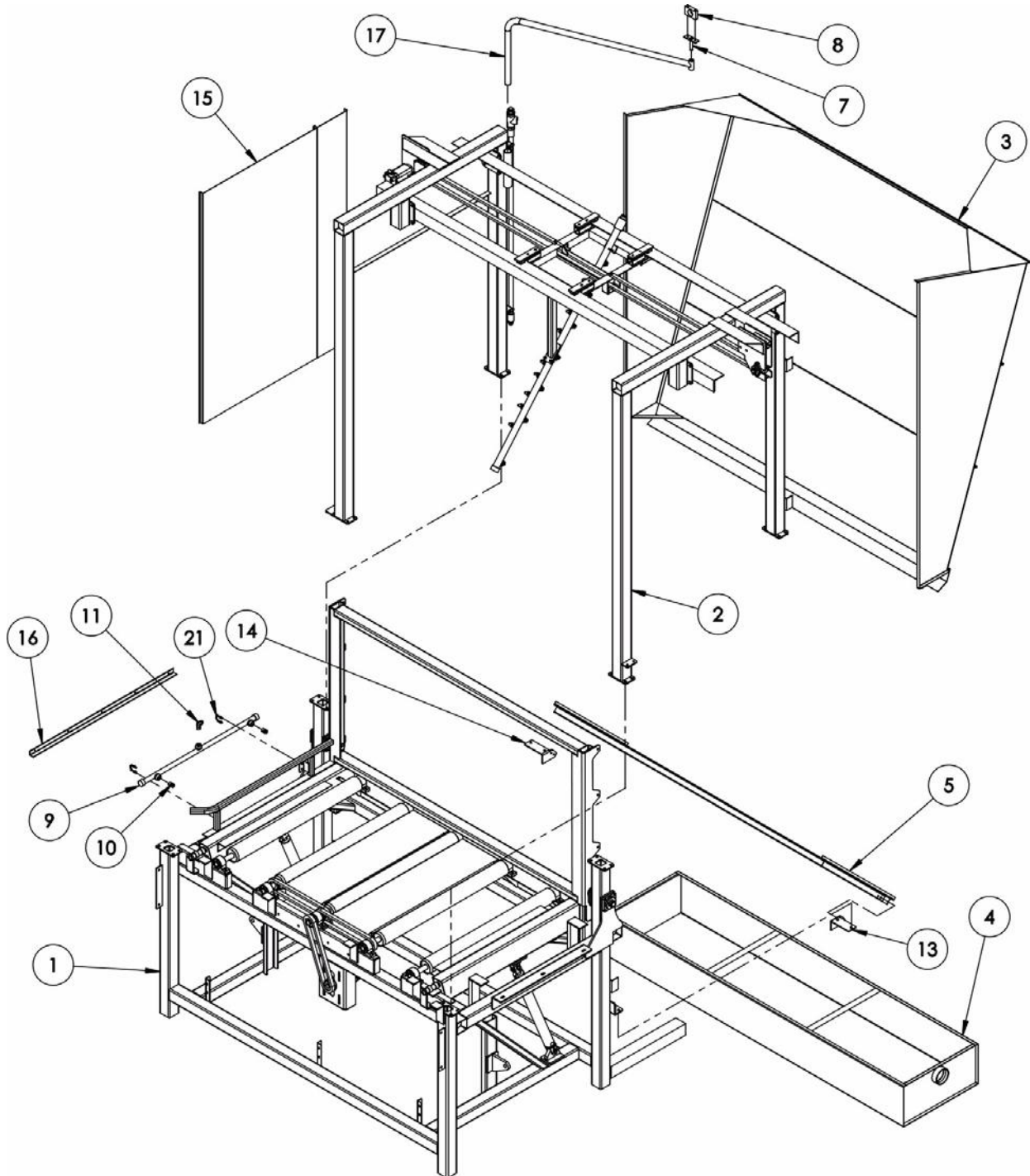
First Outgoing Conveyor (091-21503A) (Washer Bottom without Washer)

ITEM	PART NUMBER	DESCRIPTION	QTY	MODEL Or SERIAL #
1	091-21213SR	RIGHT SIDE MAIN FRAME (STD)	1	
	091-21213SL	LEFT SIDE MAIN FRAME (STD)	1	
2	030-00021	PILLOW BLOCK 1-7/16"	10	
3	091-00309	DRIVEN ROLLER (DUMPER)	4	
4	091-20558	HYDRAULIC MOTOR SUPPORT	1	
5	450-00004	HYDRAULIC MOTOR	1	
6	690-00003	SPROCKET 60BS13 1-1/4" BORE	1	
7	091-00304	DUMPER DRIVE ROLLER	1	
8	690-00004	SPROCKET 60BS13 1-7/16" BORE	5	
9	091-20531	DUMPER LAY-IN LONG	1	
10	110-00001	ROLLER CHAIN #60	AS REQUIRED	
11	091-20530	DUMPER LAY-IN SHORT	1	
12	091-21826L	WASHER SIDE HANDRAIL ASSEMBLY (LEFT HAND SIDE SYSTEM) (AS SHOWN)	1	
	091-21826R	WASHER SIDE HANDRAIL ASSEMBLY (RIGHT HAND SIDE SYSTEM)	1	
13	091-21848	WASHER BOTTOM SIDE TOE BOARD WELDMENT	1	
14	091-20970	CRADLE BEARING BLANK CAP	2	



Cage Unloading System

WASHER ASSEMBLY (STD) (091-21504)





Cage Unloading System

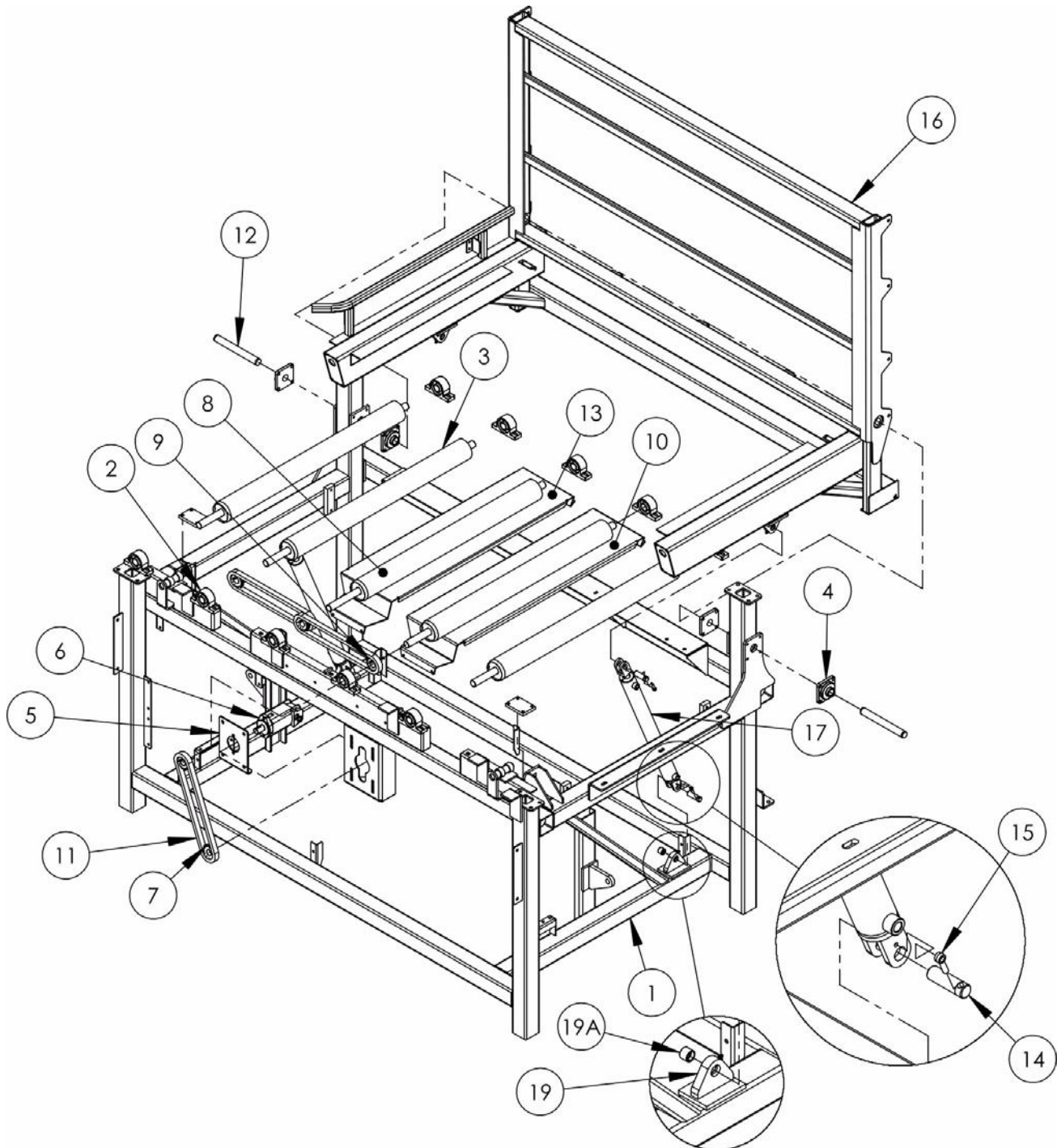
WASHER ASSEMBLY (STD) (091-21504)

ITEM	PART NUMBER	DESCRIPTION	QTY	MODEL Or SERIAL #
1	091-21503BL	LEFT HAND SIDE SYSTEM AS SHOWN WASHER BOTTOM ASSEMBLY FOR WASHER (STD.)	1	
	091-2150BR	RIGHT HAND SIDE SYSTEM WASHER BOTTOM ASSEMBLY FOR WASHER (STD.)	1	
2	091-21502	WASHER TOP ASSEMBLY	1	
3	010-00098	SPLASH SHIELD ASSEMBLY	1	
4	010-00099	TROUGH ASSEMBLY	1	
5	010-00097	BOTTOM WATER SHIELD ASSEMBLY	1	
7	091-21512	HOSE SUPPORT SWIVEL BASE	1	
8	091-20675	UHMW HOSE BRACKET - BOTH HALVES	1	
9	010-00096L	LEFT HAND SIDE AS SHOWN FORK TUBE SPRAY PIPE	1	
	010-00096R	RIGHT HAND SIDE FORK TUBE SPRAY PIPE	1	
10	510-00076	FULL JET NOZZLE	2	
11	330-00085	MALE ELBOW (3/4" NPT - 12JIC)	1	
12				
13	091-20676L	BOTTOM WATER SHIELD ANCHOR BRACKET (LH)	1	
14	091-20676R	BOTTOM WATER SHIELD ANCHOR BRACKET (RH)	1	
15	091-21513	SIDE WALL	1	
16	091-20674	SIDE WALL SUPPORT	1	
17	010-00094	HOSE SUPPORT ASSEMBLY	1	
18				
19	340-00020	WASHER CARRIAGE HOSE (NOT SHOWN)	1	
20	340-00004	FORK TUBE SPRAY PIPE CONNECTION HOSE (NOT SHOWN)	1	
21	210-00271	U-BOLT 5/16" X 1" PIPE	2	



Cage Unloading System

WASHER BOTTOM ASSEMBLY FOR WASHER (STD) (091-21503B)



LEFT HAND SIDE SYSTEM SHOWN



Cage Unloading System

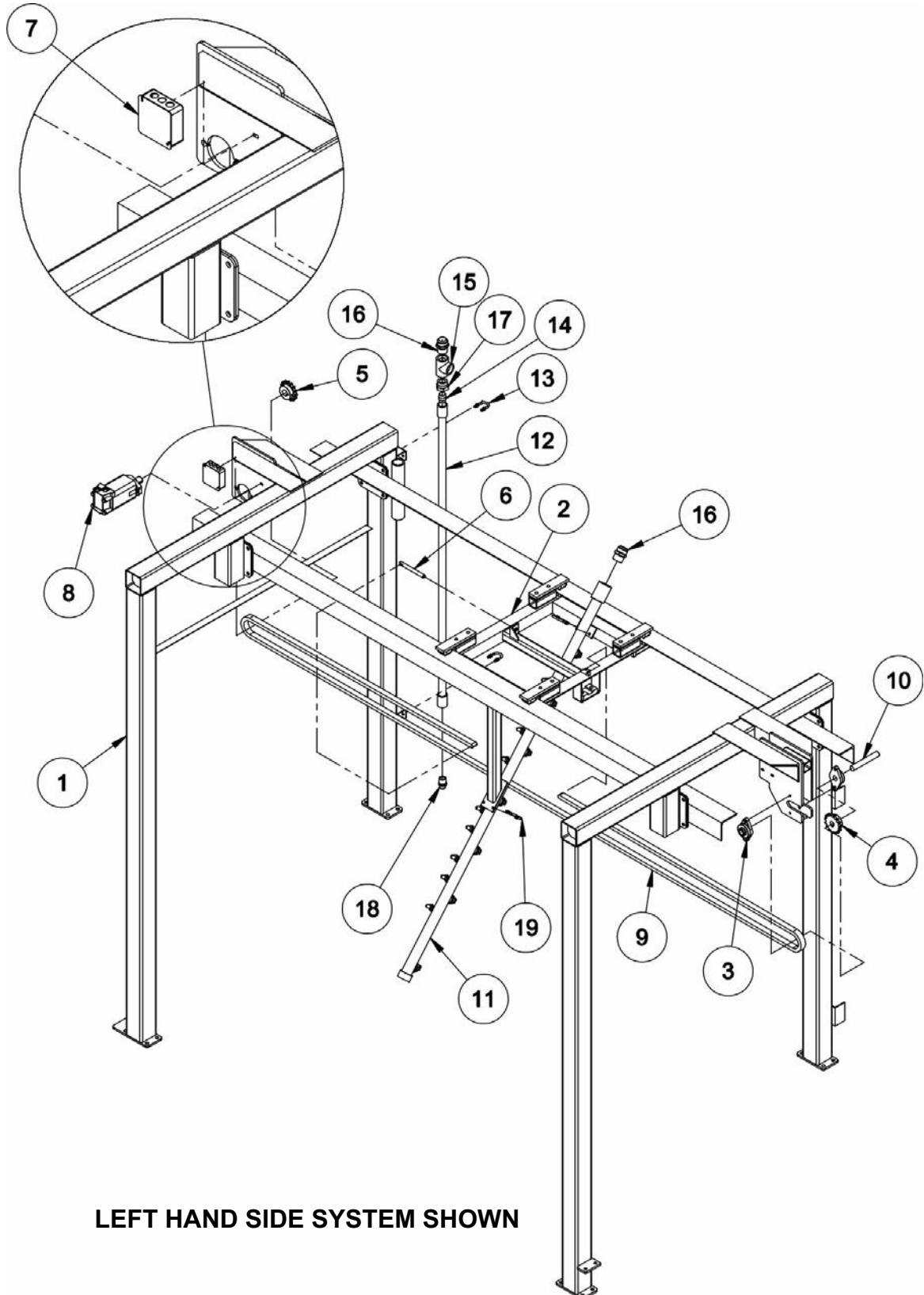
WASHER BOTTOM ASSEMBLY FOR WASHER (STD) (091-21503B)

ITEM	PART NUMBER	DESCRIPTION	QTY	MODEL Or SERIAL #
1	091-21213SL	LEFT HAND SIDE MAIN FRAME (STD.)	1	
	091-21213SR	RIGHT HAND SIDE MAIN FRAME	1	
2	030-00021	PILLOW BLOCK 1-7/16"	10	
3	091-00309	DRIVEN ROLLER (DUMPER)	4	
4	030-00018	FLANGE BEARING 1-7/16"	4	
5	091-20558	HYDRAULIC MOTOR SUPPORT	1	
6	450-00004	HYDRAULIC MOTOR	1	
7	690-00003	SPROCKET 60BS13 1-1/4" BORE	1	
8	091-00304	DUMPER DRIVE ROLLER	1	
9	690-00004	SPROCKET 60BS13 1-7/16" BORE	5	
10	091-20531	DUMPER LAY-IN LONG	1	
11	110-00001	ROLLER CHAIN #60	AS REQUIRED	
12	670-00018	DUMP HINGE PIN	2	
13	091-20530	DUMPER LAY-IN SHORT	1	
14	098-01483	CYLINDER PIN	4	
15	098-01482	ROD END 3/8"	4	
16	091-21514L	WASHER CRADLE WELDMENT (LEFT HAND SIDE SYSTEM)	1	
	091-21514R	WASHER CRADLE WELDMENT (RIGHT HAND SIDE SYSTEM)	1	
17	091-20085W	40° CRADLE TILT CYLINDER	2	
	630-00021	SEAL KIT FOR CYLINDER #091-20085 D OR W	1	
18	091-20248	CRADLE BUMPER	2	
19	091-21221	CYLINDER ANCHOR WELDMENT (INCLUDES ITEM 19A)	1	
19A	091-20066	BUSHING	1	



Cage Unloading System

WASHER TOP ASSEMBLY (091-21502)



LEFT HAND SIDE SYSTEM SHOWN



Cage Unloading System

WASHER TOP ASSEMBLY (091-21502)

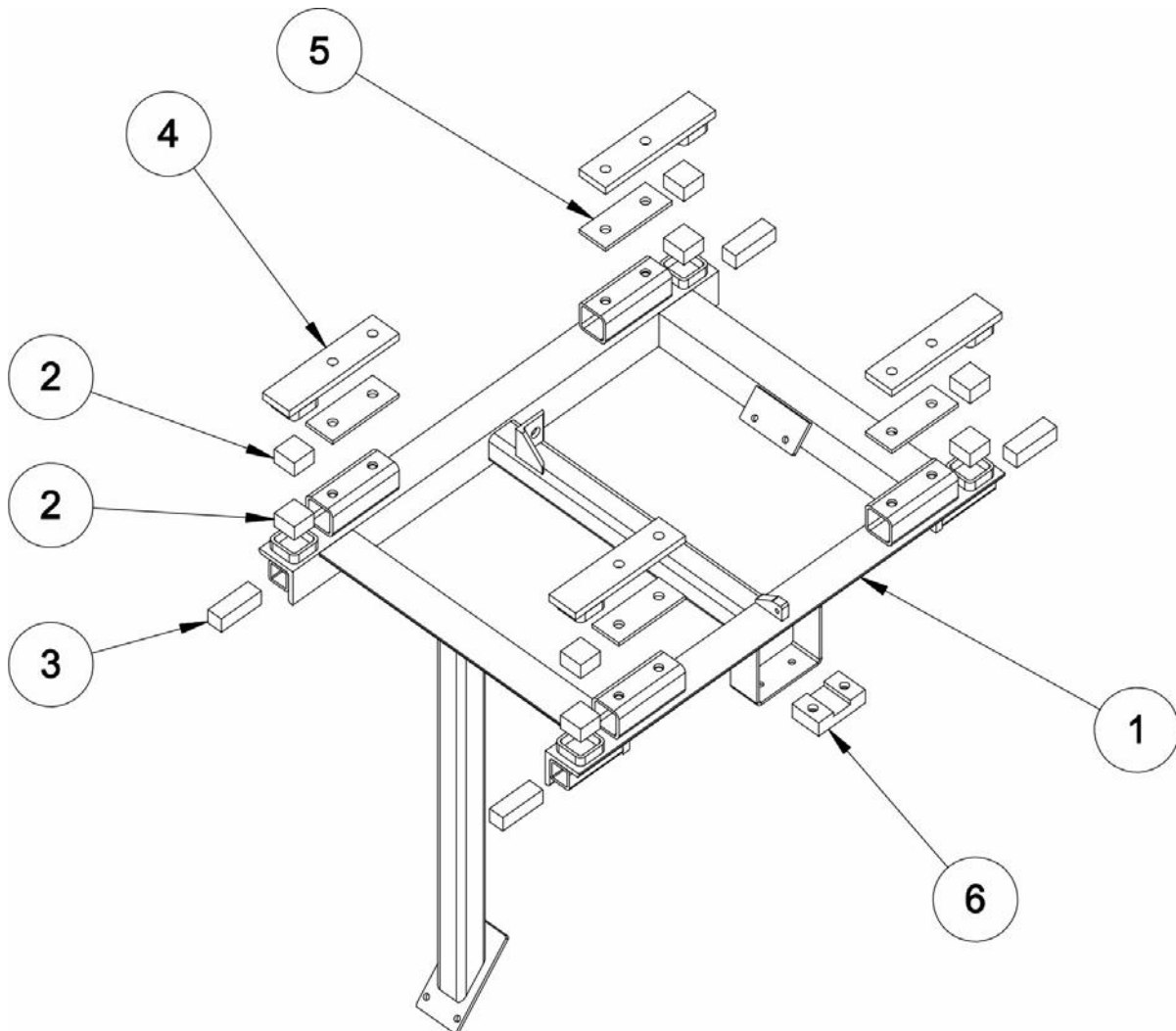
ITEM	PART NUMBER	DESCRIPTION	QTY	MODEL Or SERIAL #
1	091-21510L	WASHER TOP FRAME WELDMENT (AS SHOWN)	1	
	091-21510R	RIGHT HAND SIDE SYSTEM WASHER TOP FRAME	1	
2	010-00100	WASHER CARRIAGE ASSEMBLY	1	
3	030-00044	FLANGE BEARING 1"	2	
4	690-00045	SPROCKET 60BS15 1" BORE	1	
5	690-00044	SPROCKET 60BS15 1-1/4" BORE	1	
6	410-00208	CHAIN ADJUSTMENT ROD	1	
7		4" X 4" ELECTRICAL BOX	2	
8	450-00004	HYDRAULIC MOTOR	1	
9	110-00001	ROLLER CHAIN #60	AS REQUIRED	
10	410-00207	WASHER IDLER SHAFT	1	
11*	010-00101AL	SPRAY PIPE WITH NOZZLES (LEFT HAND SIDE SYSTEM)	1	
	010-00101AR	SPRAY PIPE WITH NOZZLES (RIGHT HAND SIDE SYSTEM)	1	
12	010-00095	VERTICAL PIPE ASSEMBLY	1	
13	210-00271	U-BOLT 5/16" X 1" PIPE	2	
14	510-00062	1" NIPPLE CLOSE	1	
15	510-00096	1-1/2" TEE	1	
16	330-00013	STRAIGHT ADAPTOR (MALE 1-1/2" NPT - 24 JIC)	2	
17	510-00010	1-1/2" - 1" NPT BUSHING	1	
18	330-00011	MALE CONNECTOR (1" NPT -12 JIC)	1	
19	210-00836	U-BOLT 5/16" X 1-1/2" PIPE	2	

* See Spray Pipe With Nozzles For Detail (Section 4 - 12)



Cage Unloading System

WASHER CARRIAGE ASSEMBLY (010-00100)





Cage Unloading System

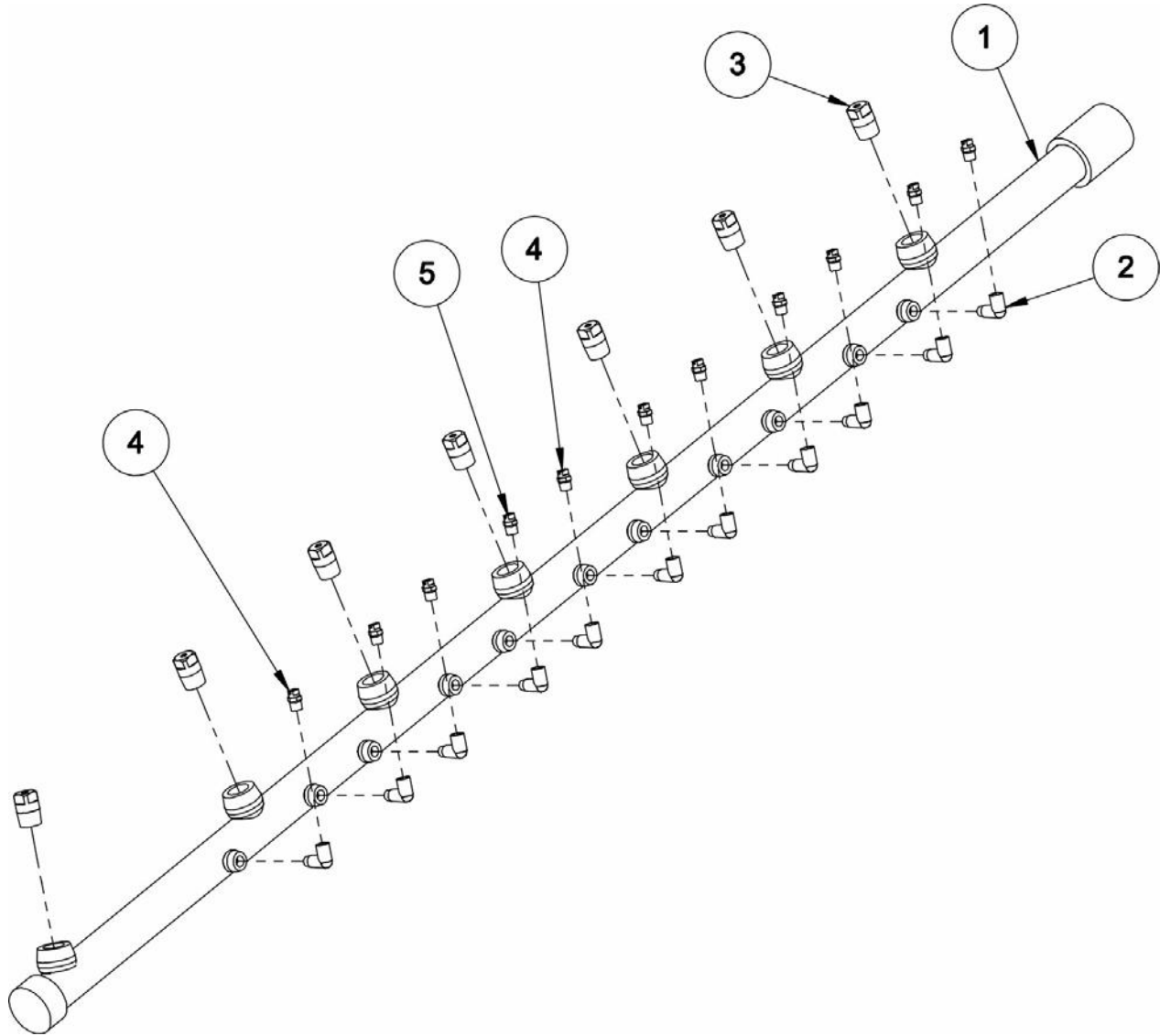
WASHER CARRIAGE ASSEMBLY (010-00100)

ITEM	PART NUMBER	DESCRIPTION	QTY	MODEL Or SERIAL #
1	010-00110	WASHER CARRIAGE	1	
2	410-00266	UHMW WEAR PAD	8	
3	410-00267	UHMW THRUST BLOCK	4	
4	010-00102	TOP ARM WASHER CARRIAGE	4	
5	091-20468	SHIM FOR WASHER TOP ARM	4	
6	091-20473	UHMW CHAIN GUIDE	1	



Cage Unloading System

SPRAY PIPE WITH NOZZLES (010-00101A)



LEFT HAND SIDE SYSTEM SHOWN



Cage Unloading System

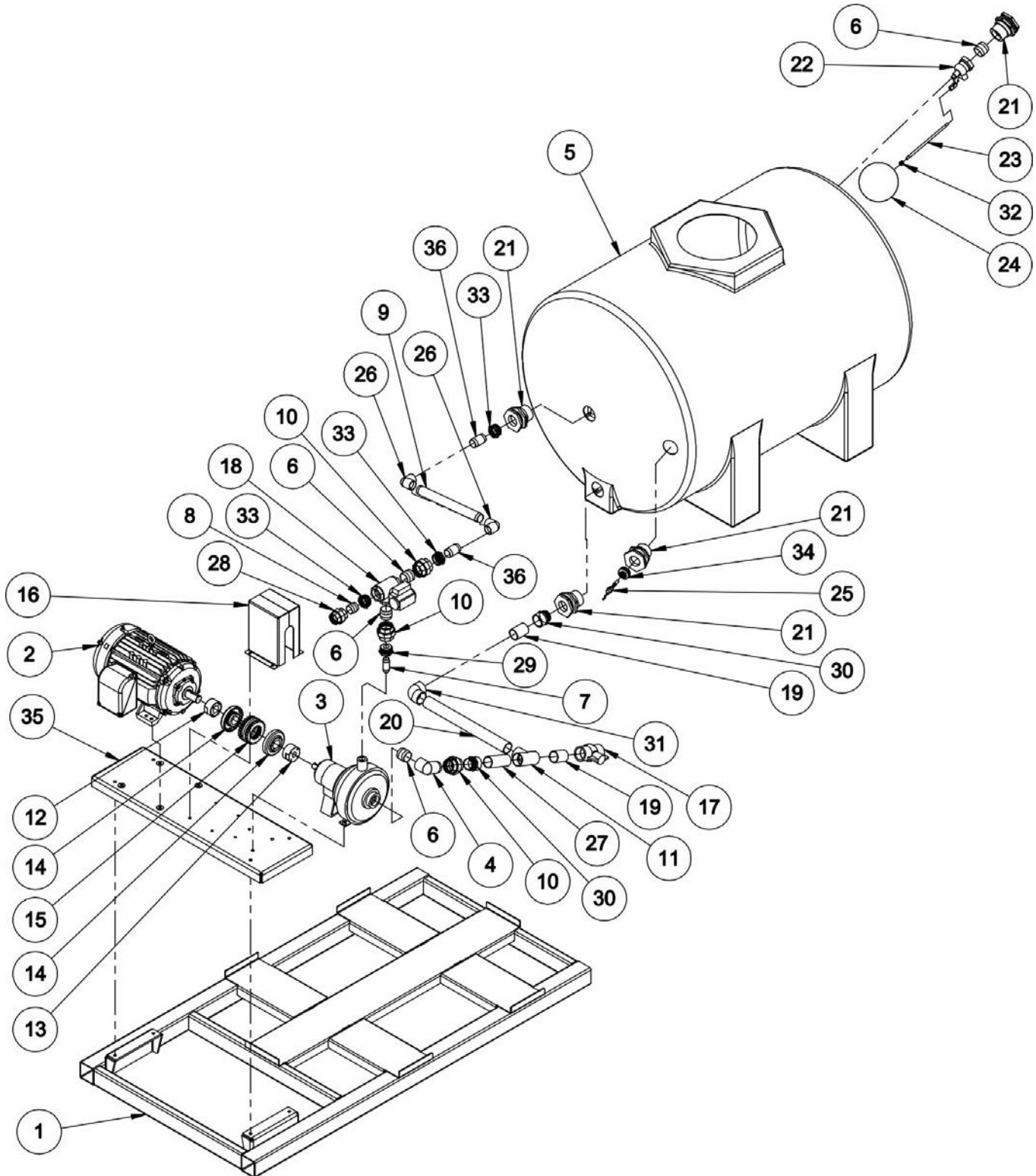
SPRAY PIPE WITH NOZZLES (010-00101A)

ITEM	PART NUMBER	DESCRIPTION	QTY	MODEL Or SERIAL #
1	010-00101L	SPRAY PIPE WITH THREADOLETS (LEFT HAND SIDE SYSTEM)	1	
	010-00101R	SPRAY PIPE WITH THREADOLETS (RIGHT HAND SIDE SYSTEM)	1	
2	510-00093	ELBOW STREET (1/4" X 90°)	11	
	3 510-00076	FULL JET NOZZLE	7	
4	510-00078	FAN PATTERN NOZZLE	6	
5	510-00077	CONICAL PATTERN NOZZLE	5	



Cage Unloading System

CAGE WASHER PUMPING UNIT (091-21505)





Cage Unloading System

CAGE WASHER PUMPING UNIT (091-21505)

ITEM	PART NUMBER	DESCRIPTION	QTY	MODEL Or SERIAL #
1	010-00141	525 GALLON WATER TANK BASE	1	
2	430-00056	30 HP ELECTRIC MOTOR	1	
3	530-00032	CRANE DEMING PUMP	1	
4	510-00056	2" STREET ELBOW ZINC COATED	1	
5	410-00037	525 GALLON WATER TANK	1	
6	510-00177	NIPPLE 2" NPT CLOSE	4	
7	330-00002	NIPPLE 1" NPT X 3" LG	1	
8	510-00216	NIPPLE 1-1/2" NPT CLOSE	1	
9		STL PIPE (SCH. 40) 1-1/2" X 17-1/2" LONG GALVANIZED	1	
10	510-00103	2" NPT UNION	3	
11		2" PVC SOCKET TEE	1	
12	530-00022	MOTOR SIDE HUB	1	
13	530-00021	PUMP SIDE HUB	1	
14	530-00020	COUPLING FLANGE	2	
15	530-00023	COUPLING RUBBER INSERT	1	
16	091-21506	COUPLING GUARD	1	
17	490-00003	2" PVC BALL VALVE	1	
18	810-00162	2" 3 WAY BRASS SOLENOID BALL VALVE	1	
19		2" SCH. 40 PVC PIPE (6" LONG)	2	
20		2" SCH. 40 PVC PIPE (23" LONG)	1	
21	490-00004	2" NPT TANK BULKHEAD	4	
22	430-00111	2" NPT BRASS FLOAT VALVE	1	
23	430-00113	BRASS FLOAT ROD	1	
24	430-00112	BRASS FLOAT	1	
25	250-00003	ELECTRIC FLOAT SWITCH	1	
26	510-00147	1-1/2" NPT ELBOW ZINC COATED	2	
27		2" SCH. 40 PVC PIPE (6" LONG)	1	
28	510-00102	1-1/2" NPT UNION	1	
29	510-00176	1" NPT X 2" NPT BUSHING ZINC COATED	1	
30	490-00026	PVC ADAPTER 2" MALE NPT X 2" SOCKET	2	
31	490-00020	2" PVC SOCKET ELBOW	1	
32	430-00114	BRASS BUSHING 1/8" NPT X 3/8" NPT	1	
33	510-00019	2" NPT X 1-1/2" NPT BUSHING ZINC COATED	3	
34	510-00014	BUSHING 2" NPT X 1/2" NPT ZINC COATED	1	
35	091-21507	MOTOR / PUMP PLATE	1	
36	510-00180	NIPPLE 1-1/2" NPT X 3" LONG	2	



Cage Unloading System



Cage Unloading System

Section 5

Outgoing Conveyor

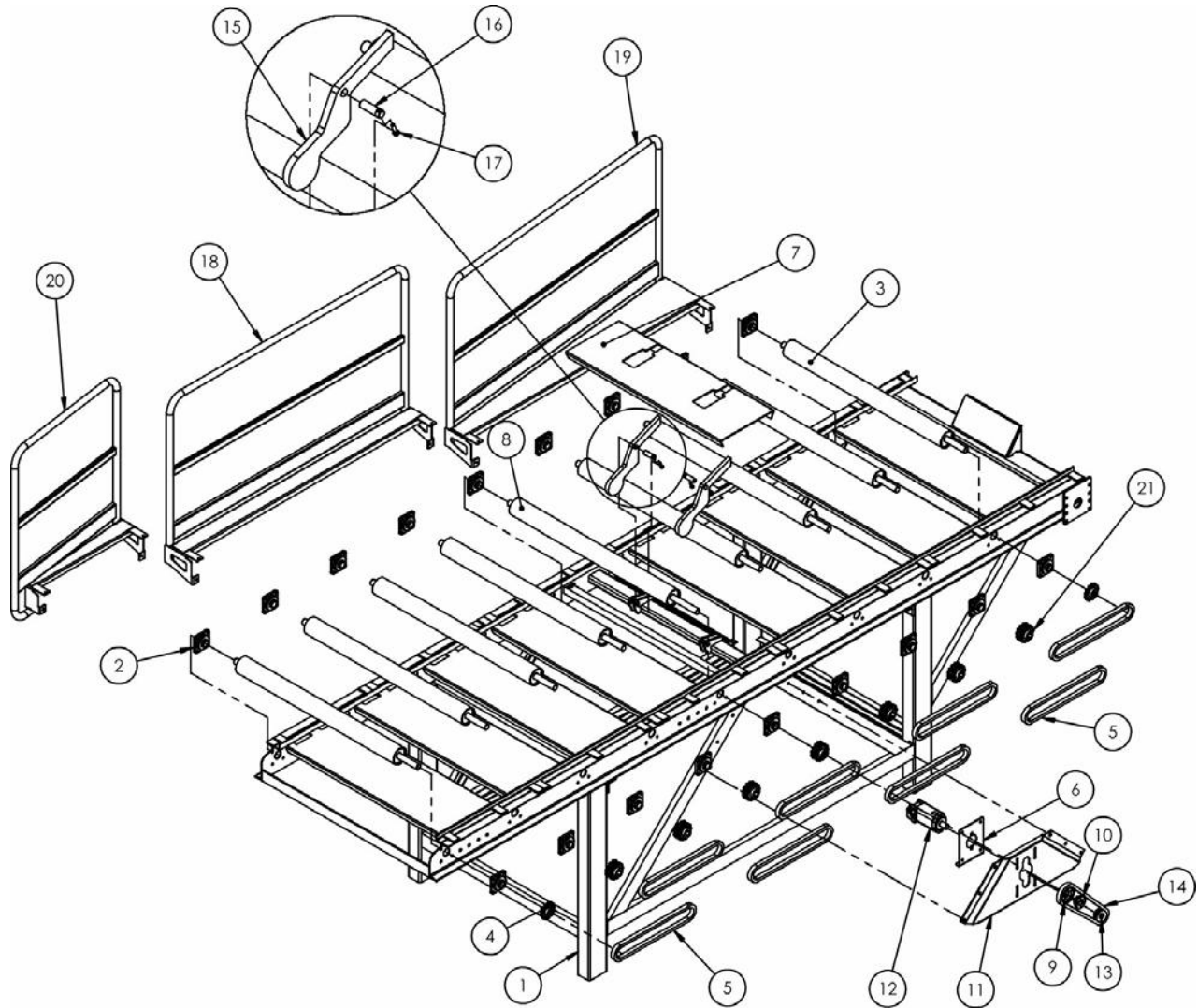
Contents

20' Outgoing Conveyor -----	2
30' Outgoing Conveyor -----	4
20' Intermediate Outgoing Section -----	6



Cage Unloading System

20' OUTGOING CONVEYOR (STD.) (091-21702)



LEFT HAND SIDE SYSTEM SHOWN



Cage Unloading System

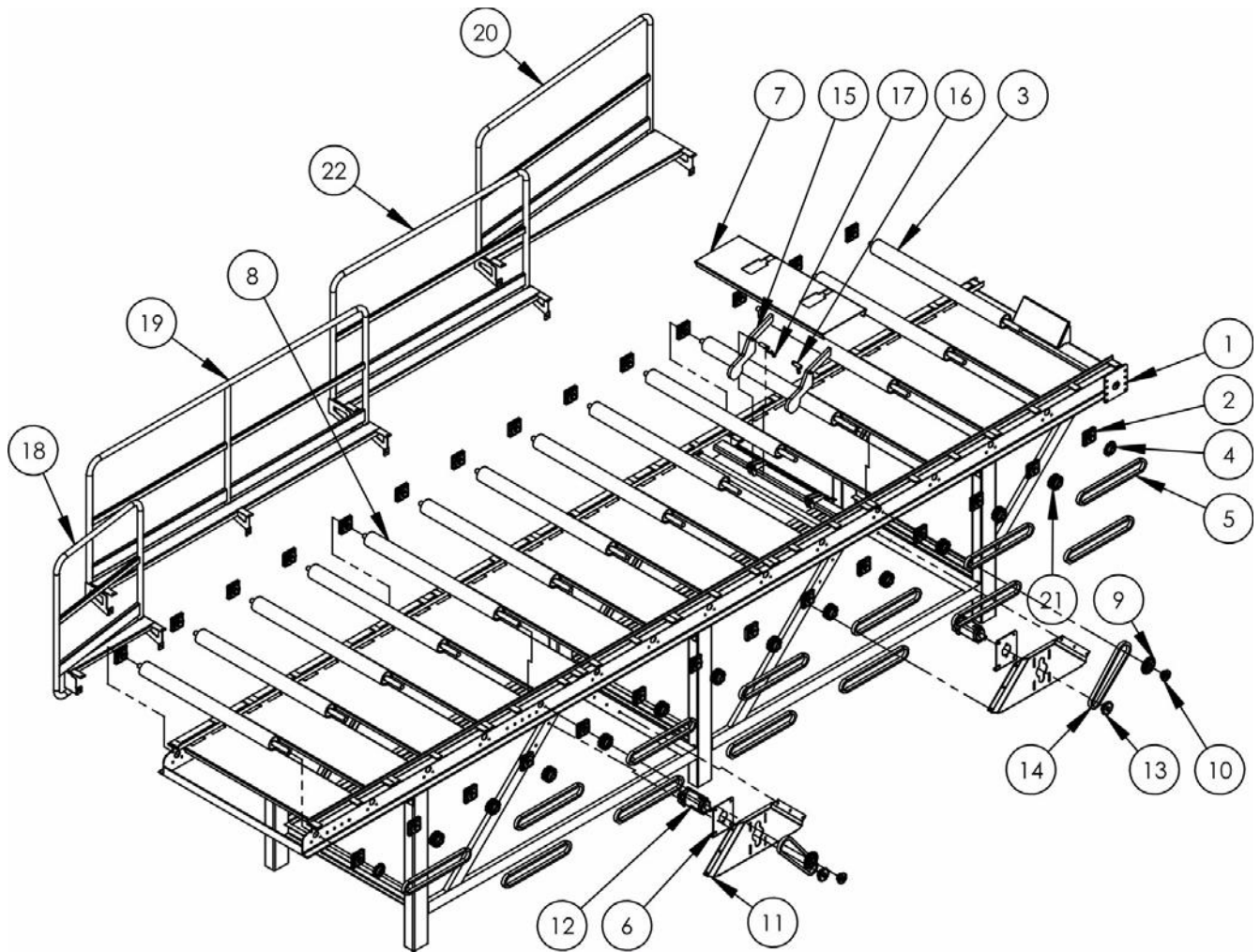
20' OUTGOING CONVEYOR (STD.) (091-21702)

ITEM	PART NUMBER	DESCRIPTION	QTY	MODEL Or SERIAL #
1	091-21713	20' OUTGOING CONVEYOR FRAME (STD.)	1	
2	030-00018	FLANGE BEARING 1-7/16"	18	
3	590-00036	CONVEYOR DRIVEN ROLLER	8	
4	690-00005	SPROCKET 60BS15 1-7/16" BORE	2	
5	110-00001	ROLLER CHAIN #60 (8')	AS REQUIRED	
6	091-20558	HYDRAULIC MOTOR SUPPORT	1	
7	091-20539	LAY-IN AT CAGE STOP	1	
8	091-00307	DRIVE ROLLER (CONVEYOR)	1	
9	690-00006	SPROCKET 60SDS20	1	
10	690-00021	SDS BUSHING 1-7/16" BORE	1	
11	091-21124	HYDRAULIC MOTOR PLATE WITH CAP	1	
12	450-00004	HYDRAULIC MOTOR	1	
13	690-00044	SPROCKET 60BS15 1-1/4" BORE	1	
14	110-00001	ROLLER CHAIN #60	AS REQUIRED	
15	D70014	CAGE STOP	2	
16	098-01483	CYLINDER PIN	2	
17	098-01482	ROD END 3/8"	2	
18	091-21830L	CONVEYOR HANDRAIL (SHORT) (FOR LEFT HAND SIDE SYSTEM)	1	
	091-21830R	CONVEYOR HANDRAIL (SHORT) (FOR RIGHT HAND SIDE SYSTEM)	1	
19	091-21829	CONVEYOR HANDRAIL (LONG)	1	
20	091-21828.2	CONVEYOR HANDRAIL (FLARE) (FOR LEFT HAND SIDE SYSTEM) (AS SHOWN)	1	
	091-21828.1	CONVEYOR HANDRAIL (FLARE) (FOR RIGHT HAND SIDE SYSTEM)	1	
21	690-00063	DUAL SPROCKET 60BS15 1-7/16" BORE	7	



Cage Unloading System

30' OUTGOING CONVEYOR (091-21703)





Cage Unloading System

30' OUTGOING CONVEYOR (091-21703)

ITEM	PART NUMBER	DESCRIPTION	QTY	MODEL Or SERIAL #
1	091-21714	30' OUTGOING CONVEYOR FRAME (STD.)	1	
2	030-00018	FLANGE BEARING 1-7/16"	28	
3	590-00036	OUTGOING CONVEYOR DRIVEN ROLLER	12	
4	690-00005	SPROCKET 60BS15 1-71/6" BORE	2	
5	110-00001	ROLLER CHAIN #60	AS REQUIRED	
6	091-20558	HYDRAULIC MOTOR SUPPORT	2	
7	091-20539	LAY-IN AT CAGE STOP	1	
8	091-00307	DRIVE ROLLER (CONVEYOR)	2	
9	690-00006	SPROCKET 60SD20	2	
10	690-00021	QD BUSHING (SDS 1-7/16")	2	
11	091-21124	HYDRAULIC MOTOR PLATE WITH CAP	2	
12	450-00004	HYDRAULIC MOTOR	2	
13	690-00044	SPROCKET 60BS15 1-1/4" BORE	2	
14	110-00001	ROLLER CHAIN #60	AS REQUIRED	
15	D70014	CAGE STOP	2	
16	098-01483	CYLINDER PIN	2	
17	098-01482	ROD END 3/8"	2	
18	091-21830L	CONVEYOR HANDRAIL (SHORT) (LEFT HAND SYSTEM)	1	
	091-21830R	CONVEYOR HANDRAIL (SHORT) (RIGHT HAND SYSTEM)	1	
19	091-21844	HANDRAIL FOR EXTENDED CONVEYOR	1	
20	091-21828.2	CONVEYOR HANDRAIL (FLARE) (LEFT HAND SYSTEM)	1	
	091-21828.1	CONVEYOR HANDRAIL (FLARE) (RIGHT HAND SYSTEM)	1	
21	690-00063	DUAL SPROCKET 60BS15 1-71/6" BORE	12	
22	091-21829	CONVEYOR HANDRAIL (LONG)	1	

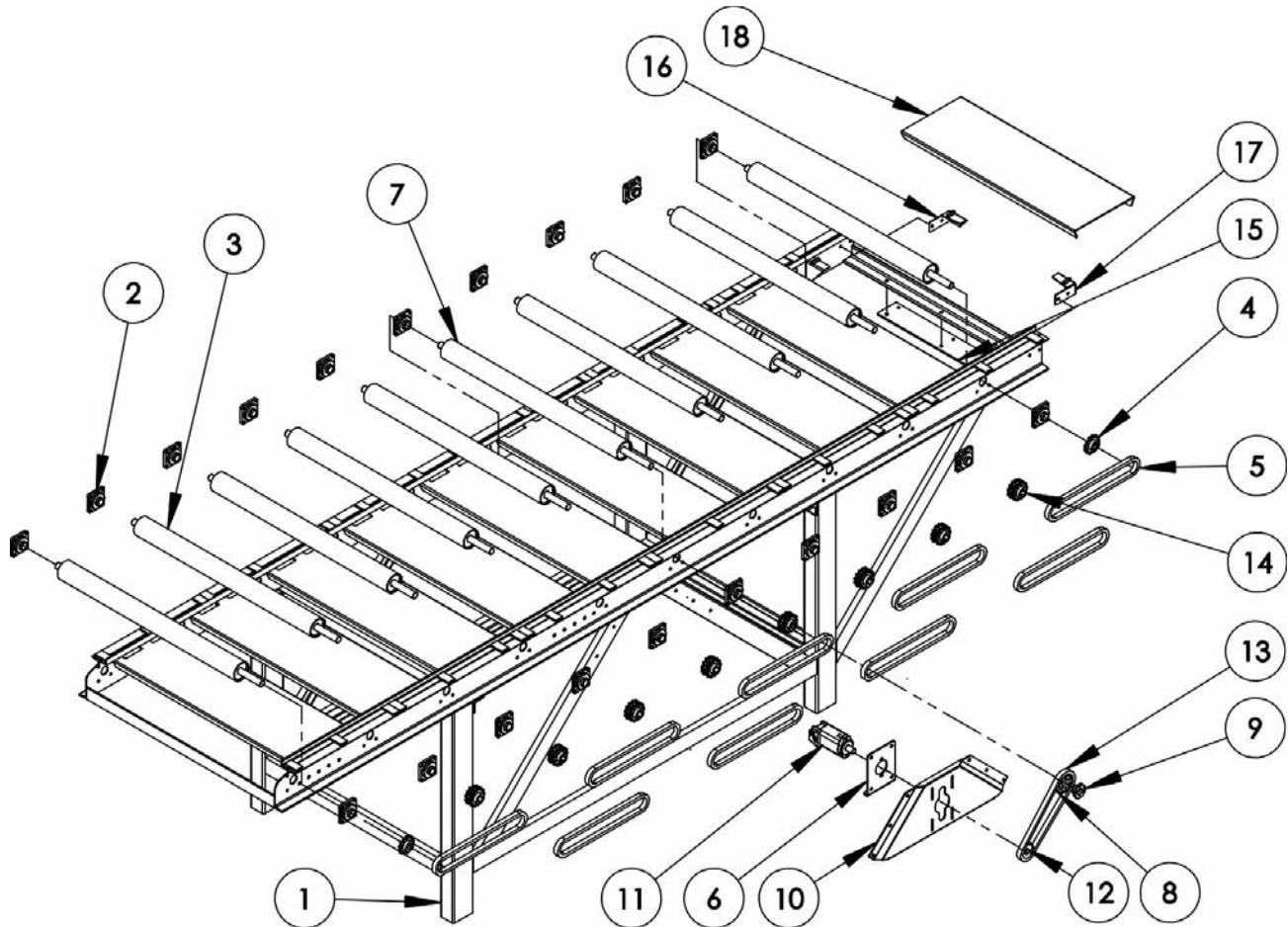
* Note: For 40' conveyors 4 Extra Item 19 (091-21844) Required.

* Note: For 50' conveyors 6 Extra Item 19 (091-21844) Required.



Cage Unloading System

20' INTERMEDIATE OUTGOING SECTION (091-21704)





Cage Unloading System

20' INTERMEDIATE OUTGOING SECTION (091-21704)

ITEM	PART NUMBER	DESCRIPTION	QTY	MODEL Or SERIAL #
1	091-21715	OUTGOING 20' INTERMEDIATE SECTION FRAME	1	
2	030-00018	FLANGE BEARING 1-7/16	20	
3	590-00036	OUTGOING CONVEYOR DRIVEN ROLLER	9	
4	690-00005	SPROCKET 60BS15 1-7/16" BORE	2	
5	110-00001	ROLLER CHAIN #60	AS REQUIRED	
6	091-20558	HYDRAULIC MOTOR SUPPORT	1	
7	091-00307	DRIVE ROLLER (CONVEYOR)	1	
8	690-00006	SPROCKET 60SD20	1	
9	690-00021	QD BUSHING (SDS 1-7/16")	1	
10	091-21124	HYDRAULIC MOTOR PLATE WITH CAP	1	
11	450-00004	HYDRAULIC MOTOR	1	
12	690-00044	SPROCKET 60BS15 1-1/4" BORE	1	
13	110-00001	ROLLER CHAIN #60	AS REQUIRED	
14	690-00063	DUAL SPROCKET 60BS15 1-71/6" BORE	8	
15	091-20838	CONNECTION TONGUE FOR CONVEYOR	1	
16	091-21846L	CONNECTOR LAY IN SUPPORT	1	
17	091-21846R	CONNECTOR LAY IN SUPPORT	1	
18	091-20842	CONNECTOR LAY IN FOR DOUBLE CONVEYORS	1	

* Note: See Section 9 for Lay-ins for extended conveyors.



Cage Unloading System



Cage Unloading System

Section 6

Receiving and Hanging Belts

Contents

Receiving Belt	
88" Back Outlet - - - - -	2
88" Side Outlet - - - - -	4
108" Back Outlet - - - - -	6
108" Side Outlet - - - - -	8
88" Extension Belt - - - - -	10
108" Extension belt - - - - -	12
Hanging Belt	
Standard Drive Section - - - - -	14
Drive End Take Up - - - - -	16
Side Feed Idler End - - - - -	18
End Feed Idler End - - - - -	20
Belt Interface (End Feed Hanging Belt) - - - - -	22
Belt Interface (Side Feed Hanging Belt) - - - - -	24

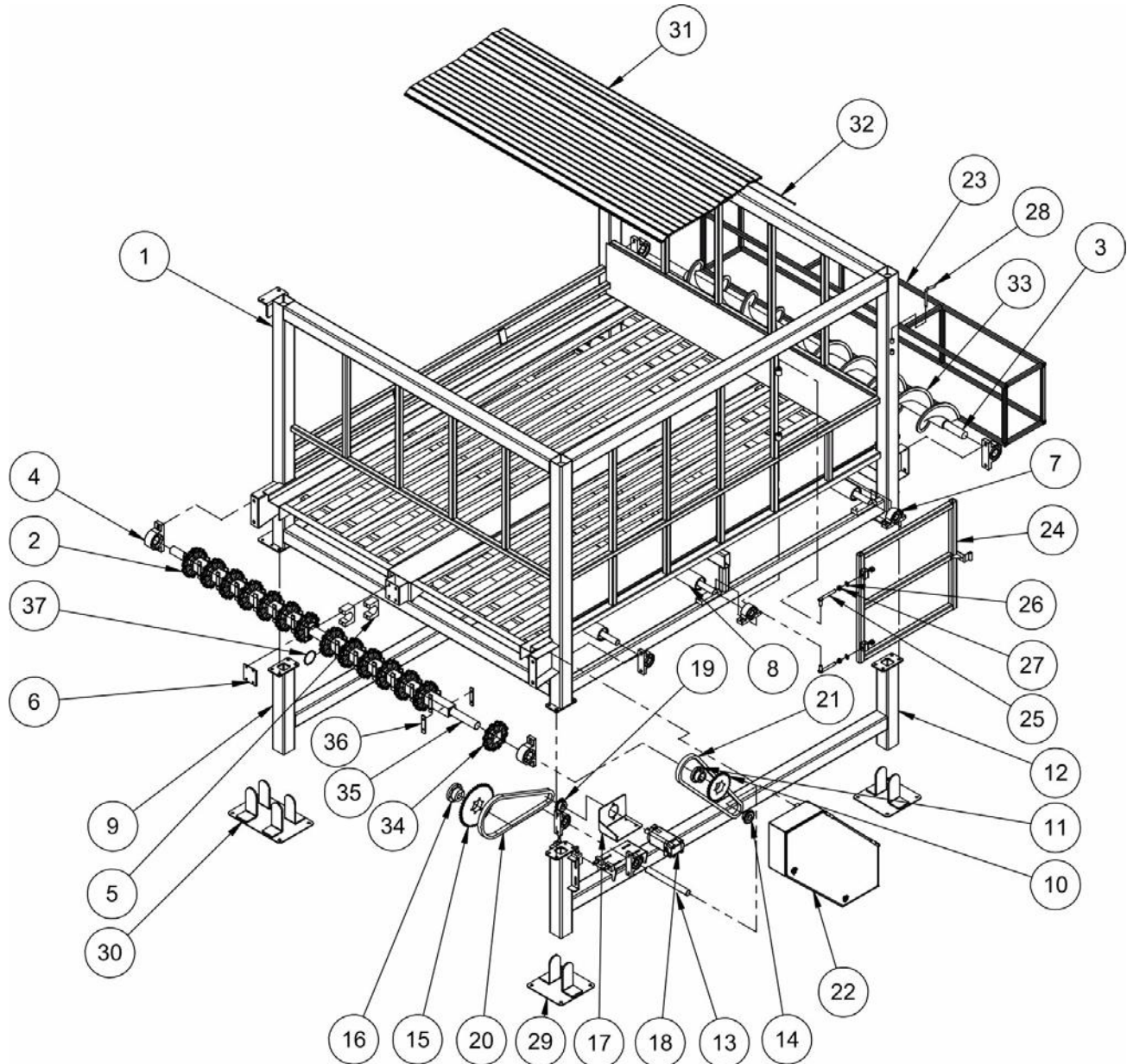
NOTE: Receiving, extension, and hanging belts have left or right configurations that are not related to the configuration of the main system. The configuration is determined by the location of the drive in relation to the direction of belt travel. For example, when facing in the direction of the travel of the belt and the drive is on the left, it is a left side drive configuration. The configuration affects the guards, motor mounts, subframes, and interface plates and must be specified when ordering parts.

ALL DRAWINGS SHOW LEFT SIDE DRIVE EQUIPMENT.



Cage Unloading System

88" BACK OUTLET (091-21300B)



LEFT HAND SIDE SYSTEM SHOWN

ITEM	PART NUMBER	DESCRIPTION	QTY	MODEL Or SERIAL #
1	091-21310L	LEFT RECEIVING CAGE FRAME (88" BACK OUTLET)	1	
	091-21310R	RIGHT RECEIVING CAGE FRAME (88" BACK OUTLET)	1	
2	091-21330	COMPLETE DRIVE SHAFT ASSY FOR 88" BELT	1	
3	050-00020	SS SCROLL FOR 88" BELT	1	
4	030-00020	PILLOW BLOCK 1-15/16	4	



Cage Unloading System

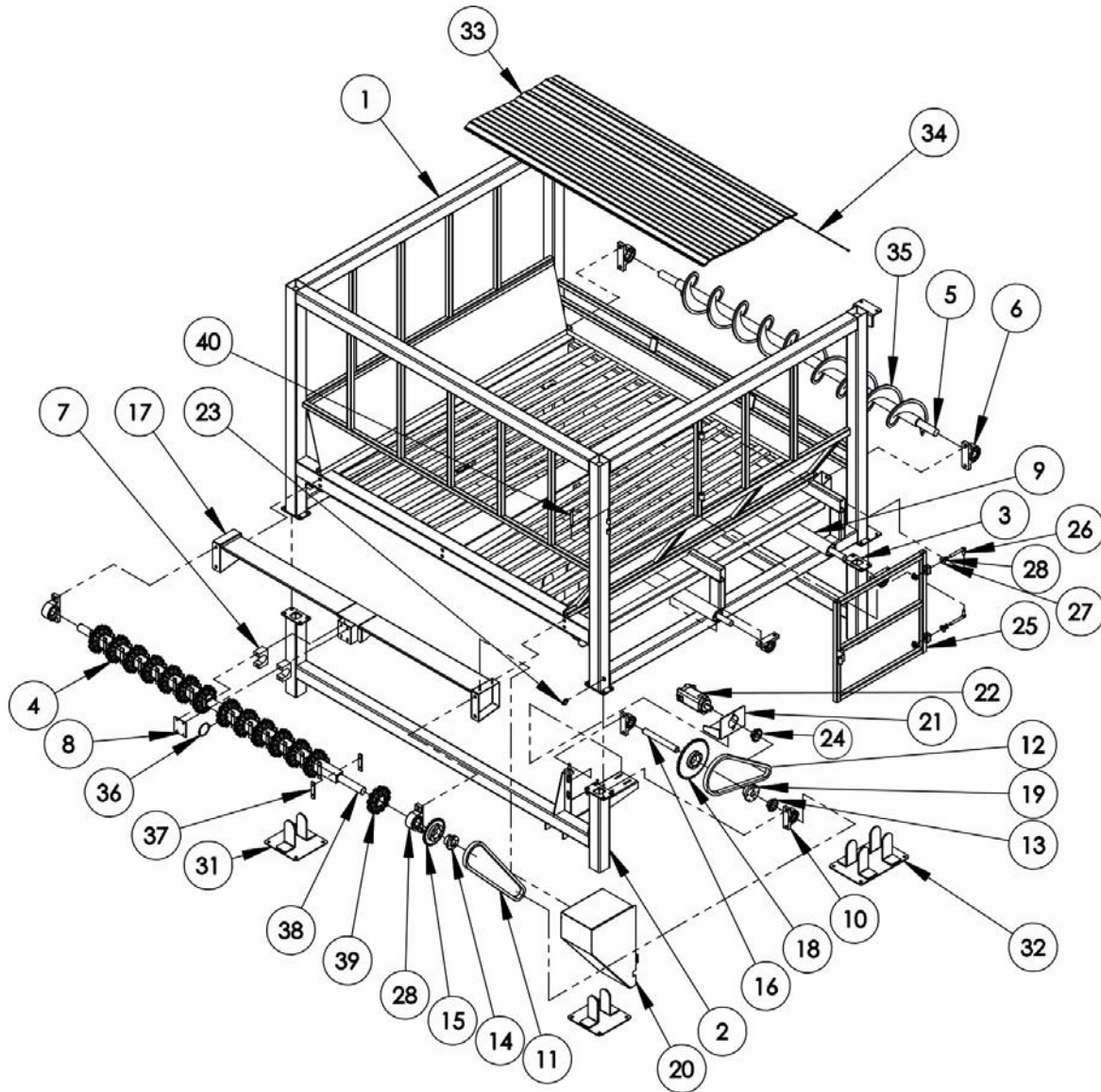
88" BACK OUTLET (091-21300B)

ITEM	PART NUMBER	DESCRIPTION	QTY	MODEL Or SERIAL #
5	091-20263	CENTRAL DRIVE SHAFT BUSHING	2	
6	091-20264	CENTRAL BUSHING CAP	1	
7	030-00021	PILLOW BLOCK 1-7/16"	8	
8	590-00024	IDLER ROLLER FOR 88" INTRALOX® BELT	3	
9	091-21316	RECEIVING CAGE SUB-FRAME	1	
10	690-00015	SPROCKET 60SK30	1	
11	690-00060	QD BUSHING (SK 1-15/16)	1	
12	091-21311L	LEFT RECEIVING CAGE SUB-FRAME W DRIVE (88") BACK OUTLET)	1	
	091-21211R	RIGHT RECEIVING CAGE SUB-FRAME W DRIVE (88") BACK OUTLET)	1	
13	670-00073	COUNTER SHAFT FOR BACK OUTLET CAGE	1	
14	690-00004	SPROCKET 60BS13 1-7/16" BORE	1	
15	690-00009	SPROCKET 60SF45	1	
16	690-00043	QD BUSHING (SF 1-7/16")	1	
17	091-20744.2	HYDRAULIC MOTOR SUPPORT (LEFT SIDE DRIVE)	1	
	091-20744.1	HYDRAULIC MOTOR SUPPORT (RIGHT SIDE DRIVE)	1	
18	450-00004	HYDRAULIC MOTOR	1	
19	690-00003	SPROCKET 60BS13 1-1/4" BORE	1	
20	110-00001	ROLLER CHAIN #60	AS REQUIRED	
21	110-00001	ROLLER CHAIN #60	AS REQUIRED	
22	091-21831L	RECEIVING BELT GUARD ASSEMBLY (LEFT SIDE)	1	
	091-21831R	RECEIVING BELT GUARD ASSEMBLY (RIGHT SIDE)	1	
23	091-21352	SCROLL GUARD FOR 88" BELT	1	
24	091-21852	RECEIVING CAGE DOOR	1	
25	091-20393	GATE HINGE PIN	2	
26		FLATWASHER (5/8")	4	
27		HEX NUT NC (5/8")	4	
28	790-00261	GATE PIN	1	
29	091-21669	3-1/2" FOOT PAD	2	
30	091-21674	DOUBLE FOOT PAD FOR RECEIVING CAGE	2	
31	050-00028	88" SERIES 800 INTRALOX® BELTING (26FT)	1	
32	050-00078	88" INTRALOX BELT ROD	AS REQUIRED	
33	590-00050	FLIGHT EDGING	AS REQUIRED	
34	050-00071	7.7 INTRALOX SPROCKET	14	
35	670-00028	88" DRIVE SHAFT 2-1/2" SQ.	1	
36	410-00025	SPROCKET RETAINER	3	
37	050-00025	SNAP RING	2	



Cage Unloading System

88" SIDE OUTLET (091-21301B)



ITEM	PART NUMBER	DESCRIPTION	QTY	MODEL Or SERIAL #
1	091-21312	RECEIVING CAGE MAIN FRAME (88" SIDE OUTLET)	1	
2	091-21317L	RECEIVING CAGE SUB-FRAME WITH DRIVE (LEFT SIDE)	1	
	091-21317R	RECEIVING CAGE SUB-FRAME WITH DRIVE (RIGHT SIDE)	1	
3	091-21316	RECEIVING CAGE SUB-FRAME	1	
4	091-21330	COMPLETE DRIVE SHAFT ASSEMBLY FOR 88" BELT	1	
5	050-00020	SS SCROLL FOR 88" BELT	1	



Cage Unloading System

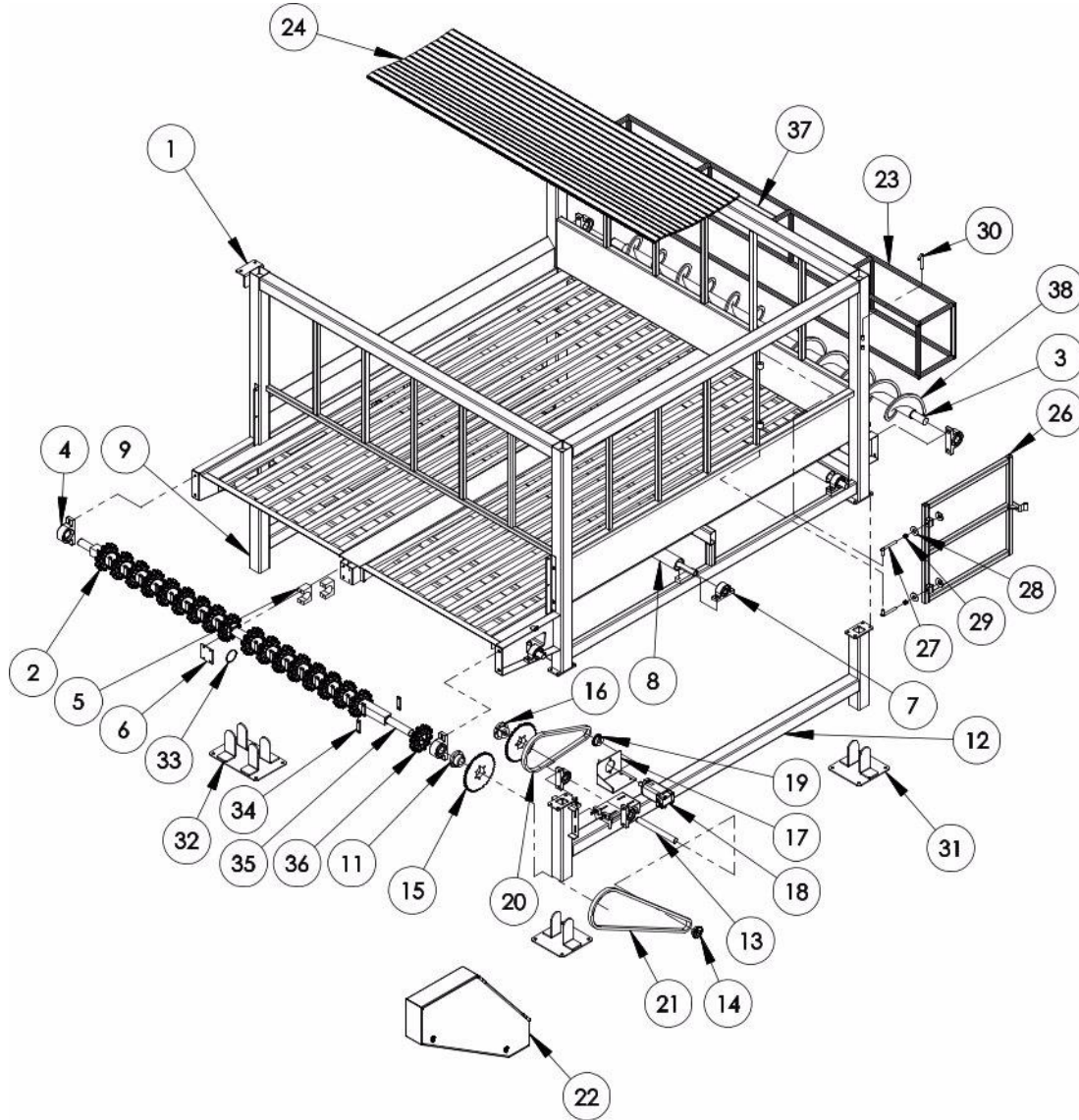
88" SIDE OUTLET (091-21301B)

ITEM	PART NUMBER	DESCRIPTION	QTY	MODEL Or SERIAL #
6	030-00020	PILLOW BLOCK 1-15/16"	4	
7	091-20263	CENTRAL DRIVE SHAFT BUSHING	2	
8	091-20264	CENTRAL DRIVE SHAFT BUSHING CAP	1	
9	590-00024	IDLER ROLLER FOR 88" INTRALOX® BELT	3	
10	030-00021	PILLOW BLOCK 1-7/16"	8	
11	110-00001	ROLLER CHAIN #60	AS REQUIRED	
12	110-00001	ROLLER CHAIN #60	AS REQUIRED	
13	690-00004	SPROCKET 60BS13 1-7/16" BORE	1	
14	690-00060	QD BUSHING (SK 1-15/16")	1	
15	690-00015	SPROCKET 60SK30	1	
16	670-00072	COUNTER SHAFT FOR 88" SIDE OUTLET RECEIVING CAGE	1	
17	091-21340	HEADER WELDMENT FOR 88" SIDE OUTLET BELT	1	
18	690-00009	SPROCKET 60SF45	1	
19	690-00043	QD BUSHING (SF 1-7/16")	1	
20	091-21351L	GUARD FOR 88" SIDE OUTLET CAGE (LEFT SIDE)	1	
	091-21351R	GUARD FOR 88" SIDE OUTLET CAGE (RIGHT SIDE)	1	
21	091-20744.1	HYDRAULIC MOTOR SUPPORT (LEFT SIDE DRIVE)	1	
	091-20744.2	RIGHT HYDRAULIC MOTOR SUPPORT (RIGHT SIDE DRIVE)	1	
22	450-00004	HYDRAULIC MOTOR	1	
23	097-20261	GATE PIN	1	
24	690-00003	SPROCKET 60BS13 1-1/4" BORE	1	
25	091-21852	RECEIVING CAGE DOOR	1	
26	091-20393	GATE HINGE PIN	2	
27		FLATWASHER (5/8")	4	
28		HEX NUT NC (5/8")	4	
31	091-21669	3-1/2" FOOT PAD	2	
32	091-21674	DOUBLE FOOT PAD FOR RECEIVING CAGE	2	
33	050-00028	88" SERIES 800 INTRALOX BELTING (22FT)	AS REQUIRED	
34	050-00078	88" INTRALOX BELT ROD	AS REQUIRED	
35	590-00050	FLIGHT EDGING	AS REQUIRED	
36	050-00025	SNAP RING		
37	410-00025	SPROCKET RETAINER		
38	670-00028	88" DRIVE SHAFT 2-1/2" SQ.		
39	050-00071	7.7" INTRALOX SPROCKET		
40	790-00261	GATE PIN	1	



Cage Unloading System

108" BACK OUTLET (091-21303B)



LEFT HAND SIDE SYSTEM SHOWN

ITEM	PART NUMBER	DESCRIPTION	QTY	MODEL Or SERIAL #
1	091-21318L	LEFT RECEIVING CAGE FRAME (108" BACK OUTLET)	1	
	091-21318R	RIGHT RECEIVING CAGE FRAME (108" BACK OUTLET)	1	
2	091-21331	COMPLETE DRIVE SHAFT ASSEMBLY FOR 108" BELT	1	
3	050-00131	STN STL SCROLL FOR 108" BELT	1	
4	030-00020	PILLOW BLOCK 1-15/16"	4	
5	091-20263	CENTRAL DRIVE SHAFT BUSHING	2	



Cage Unloading System

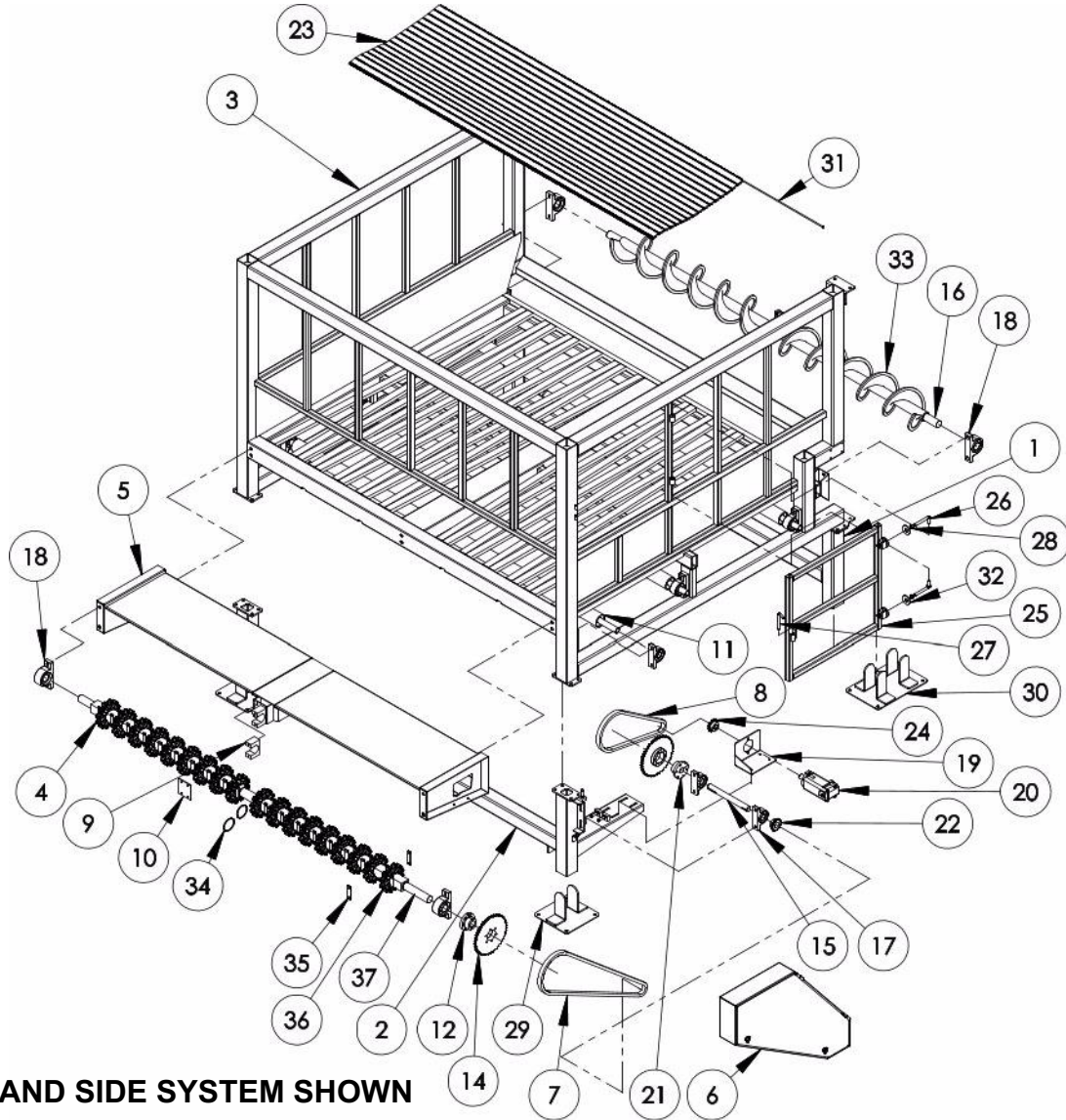
108" BACK OUTLET (091-21303B)

ITEM	PART NUMBER	DESCRIPTION	QTY	MODEL Or SERIAL #
6	091-20264	CENTRAL BUSHING CAP	1	
7	030-00021	PILLOW BLOCK 1-7/16"	8	
8	590-00062	IDLER ROLLER FOR 108" INTRALOX®	3	
9	091-21316	RECEIVING CAGE SUB-FRAME	1	
11	030-00057	QD BUSHING (SF 1-15/16")	1	
12	091-21311L	LEFT RECEIVING CAGE SUB-FRAME WITH DRIVE (88" BACK OUTLET)	1	
	091-21311R	RIGHT RECEIVING CAGE SUB-FRAME WITH DRIVE (88" BACK OUTLET)	1	
13	670-00073	COUNTER SHAF	1	
14	690-00004	SPROCKET 60BS13 1-7/16" BORE	1	
15	690-00009	SPROCKET 60SF45	2	
16	690-00043	QD BUSHING (SF 1-7/16")	1	
17	091-20744A	HYDRAULIC MOTOR SUPPORT	1	
18	450-00004	HYDRAULIC MOTOR	1	
19	690-00003	SPROCKET 60BS13 1-1/4" BORE	1	
20	110-00001	ROLLER CHAIN #60	AS REQUIRED	
21	110-00001	ROLLER CHAIN #60	AS REQUIRED	
22	091-21854L	RECEIVING BELT GUARD ASSEMBLY (LEFT SIDE)	1	
	091-21854R	RECEIVING BELT GUARD ASSEMBLY (RIGHT SIDE)	1	
23	091-21353	SCROLL GUARD FOR 108" BELT	1	
24	050-00130	108" SERIES 800 INTRALOX® BELTING (26FT)	1	
26	091-21852	RECEIVING CAGE DOOR	1	
27	091-20393	GATE HINGE PIN	2	
28		FLATWASHER (5/8")	4	
29		HEX NUT NC (5/8")	4	
30	790-00261	GATE PIN	1	
31	091-21669	3-1/2" FOOT PAD	2	
32	091-21674	DOUBLE FOOT PAD FOR RECEIVING CAGE	2	
33	050-00025	SNAP RING		
34	410-00025	SPROCKET RETAINER		
35	670-00058	108" DRIVE SHAFT 2-1/2" SQ.		
36	050-00071	7.7" INTRALOX SPROCKET		
37	050-00140	108" INTRALOX BELT ROD	AS REQUIRED	
38	570-00050	FLIGHT EDGING	AS REQUIRED	



Cage Unloading System

108" SIDE OUTLET (091-21302B)



LEFT HAND SIDE SYSTEM SHOWN

ITEM	PART NUMBER	DESCRIPTION	QTY	MODEL Or SERIAL #
1	091-21313	RECEIVING CAGE SUB-FRAME	1	
2	091211314L	RECEIVING CAGE SUB-FRAME WITH MOTOR SUPPORT (LEFT SIDE DRIVE)	1	
	091211314R	RECEIVING CAGE SUB-FRAME WITH MOTOR SUPPORT (RIGHT SIDE DRIVE)	1	
3	091-21315L	LEFT RECEIVING CAGE FRAME WELDMENT (108" SIDE OUTLET)	1	
	091-21315R	RIGHT RECEIVING CAGE FRAME WELDMENT (108" SIDE OUTLET)	1	
4	091-21331	COMPLETE DRIVE SHAFT ASSEMBLY FOR 108" BELT	1	



Cage Unloading System

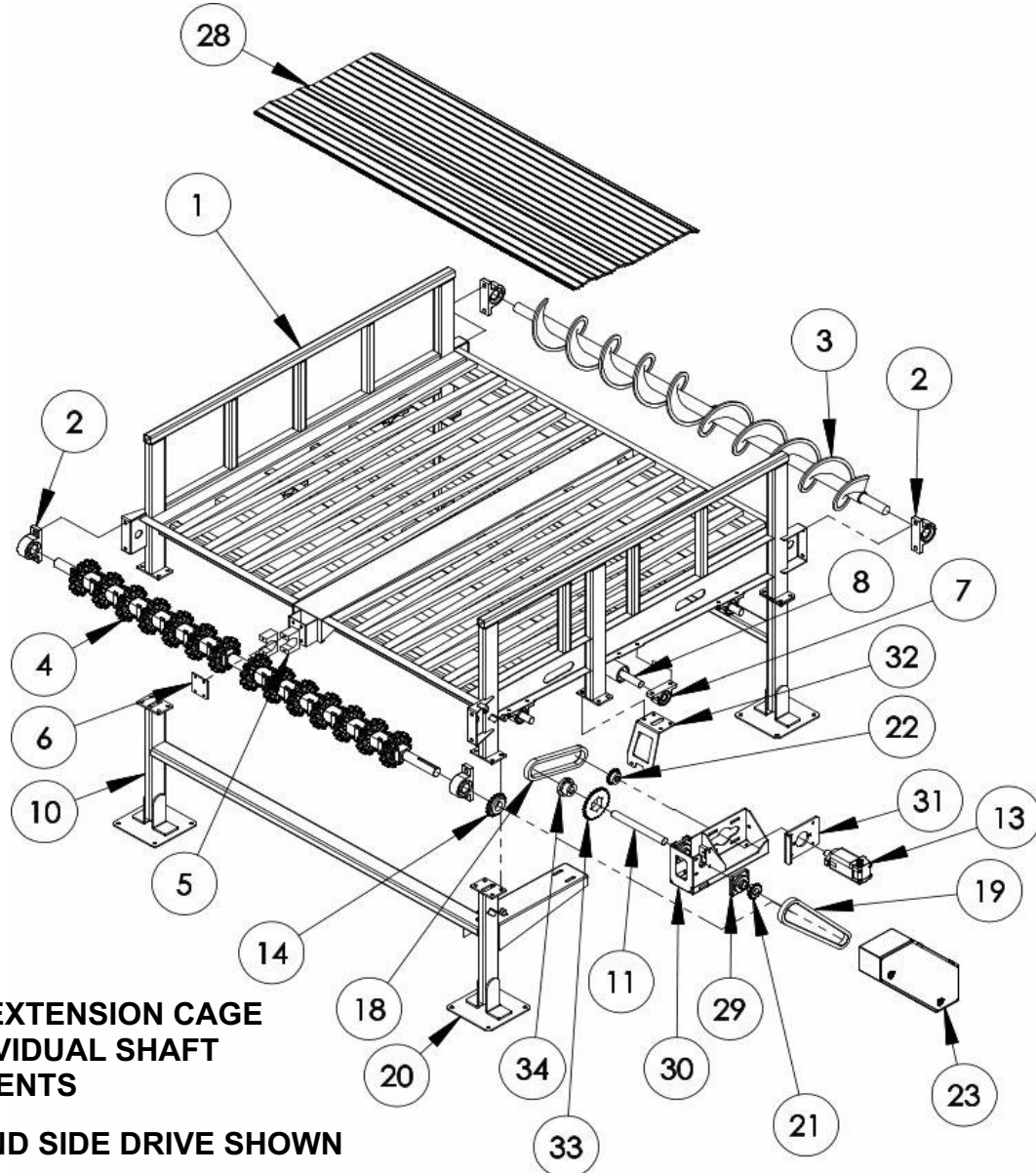
108" SIDE OUTLET (091-21302B)

ITEM	PART NUMBER	DESCRIPTION	QTY	MODEL Or SERIAL #
5	091-21341	12" HEADER WELDMENT 108" WIDE BELT WITH SIDE OUTLET	1	
6	091-21854L	RECEIVING BELT GUARD ASSEMBLY (LEFT SIDE DRIVE)	1	
	091-21854R	RECEIVING BELT GUARD ASSEMBLY (RIGHT SIDE DRIVE)	1	
7	110-00001	ROLLER CHAIN #60	AS REQUIRED	
8	110-00001	ROLLER CHAIN #60	AS REQUIRED	
9	091-20263	CENTRAL DRIVE SHAFT BUSHING	2	
10	091-20264	CENTRAL BUSHING CAP	1	
11	590-00062	IDLER ROLLER FOR 108" INTRALOX®	3	
12	030-00057	QD BUSHING (SF 1-15/16")	1	
14	690-00009	SPROCKET 60SF45	2	
15	670-00073	COUNTER SHAFT	1	
16	050-00131	STN STL SCROLL FOR 108" BELT	1	
17	030-00021	PILLOW BLOCK 1-7/16"	8	
18	030-00020	PILLOW BLOCK 1-15/16"	4	
19	091-20744A	HYDRAULIC MOTOR SUPPORT	1	
20	450-00004	HYDRAULIC MOTOR	1	
21	690-00043	QD BUSHING (SF 1-7/16")	1	
22	690-00004	SPROCKET 60BS13 1-7/16" BORE	1	
23	050-00130	108" SERIES 800 INTRALOX® BELTING (22FT)	1	
24	690-00003	SPROCKET 60BS13 1-1/4" BORE	1	
25	091-21852	RECEIVING CAGE DOOR	1	
26	091-20393	GATE HINGE PIN	2	
27	790-00261	GATE PIN	1	
28		HEX NUT NC (5/8")	4	
29	091-21669	3-1/2" FOOT PAD	2	
30	091-21672.1	INNER FOOT PAD (LEFT SIDE)	1	
	091-21672.2	INNER FOOT PAD (RIGHT SIDE)	1	
31	050-00140	108" INTRALOX BELT ROD		
32		5/8" FLAT WASHER	2	
33	590-00050	FLIGHT EDGING	2	
34	050-00025	SNAP RING	2	
35	410-00025	SPROCKET RETAINER	32	
36	050-00071	7.7" INTRALOX SPROCKET	18	
37	670-00058	108" DRIVE SHAFT 2-1/2" SQ.	1	



Cage Unloading System

88" EXTENSION BELT (091-21304)



SEE 88" EXTENSION CAGE
FOR INDIVIDUAL SHAFT
COMPONENTS

LEFT HAND SIDE DRIVE SHOWN

ITEM	PART NUMBER	DESCRIPTION	QTY	MODEL Or SERIAL #
1	091-21371L	88" BELT X 96" LONG EXTENSION BELT FRAME WELDMENT (LEFT SIDE DRIVE)(SHOWN)	1	
	091-21371R	88" BELT X 96" LONG EXTENSION BELT FRAME WELDMENT (RIGHT SIDE DRIVE)	1	
2	030-00020	PILLOW BLOCK 1-15/16"	4	
3	050-00020	SS SCROLL FOR 88" BELT	1	
4	091-21330	COMPLETE DRIVE SHAFT ASSEMBLY FOR 88" BELT	1	



Cage Unloading System

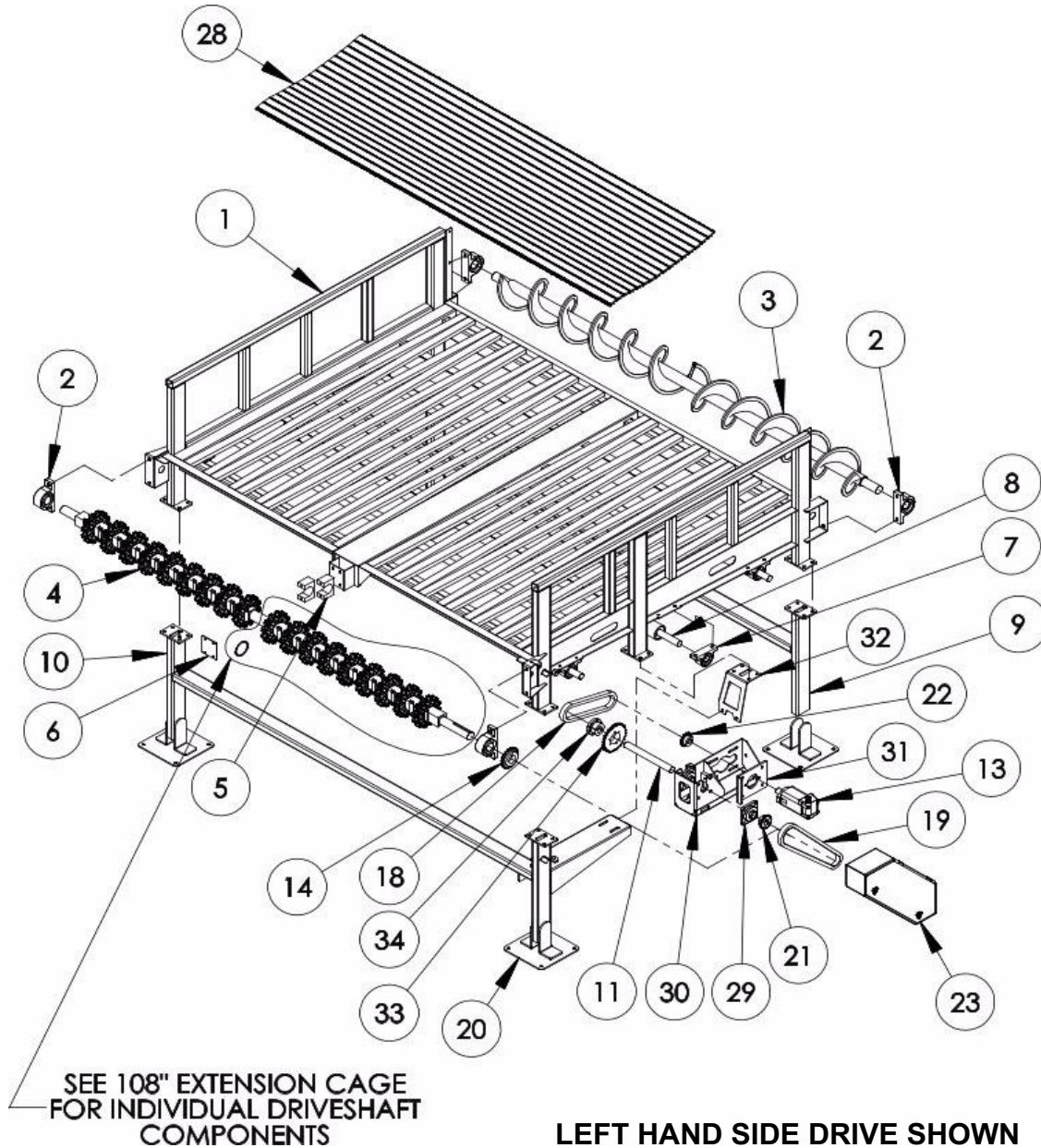
88" EXTENSION BELT (091-21304)

ITEM	PART NUMBER	DESCRIPTION	QTY	MODEL Or SERIAL #
5	091-20263	CENTRAL DRIVE SHAFT BUSHING	2	
6	091-20264	CENTRAL BUSHING CAP	1	
7	030-00021	PILLOW BLOCK 1-7/16"	8	
8	590-00024	IDLE ROLLER FOR 88" INTRALOX BELT	3	
9	091-00560	88" EXTENSION BELT SUB FRAME	1	
10	091-00560DL	88" RECIEVING CAGE SUB FRAME WITH DRIVE (LEFT SIDE DRIVE)	1	
	091-00560DR	88" RECIEVING CAGE SUB FRAME WITH DRIVE (RIGHT SIDE DRIVE)	1	
11	670-00073	COUNTER SHAFT	1	
13	450-00004	HYDRAULIC MOTOR	1	
14	690-00072	SPROCKET 60BS20 1-15/16 BORE (SIDE FEED BELT)	1	
	690-00015	SPROCKET 60SK30 (END FEED BELT)	2	
	690-00060	QD BUSHING (SK 1-15/16")		
18	110-00001	ROLLER CHAIN #60	AS REQUIRED	
19	110-00001	ROLLER CHAIN #60	AS REQUIRED	
20	091-21675	FOOT PAD FOR RECIEVING CAGE	4	
21	690-00004	SPROCKET 60BS13 (1-7/16") (SIDE FEED BELT)	1	
	690-00005	SPROCKET 60BS15 (1-7/16") (END FEED BELT)	1	
22	690-00003	SPROCKET 60BS13 (1-1/4") (SIDE FEED BELT)	1	
	690-00044	SPROCKET 60BS15 (1-1/4") (END FEED BELT)	1	
23	091-21851L	GUARD FOR SIDE FEED (LEFT SIDE DRIVE)	1	
	091-21851R	GUARD FOR SIDE FEED (RIGHT SIDE DRIVE)	1	
	091-21849L	GUARD FOR END FEED (LEFT SIDE DRIVE)	1	
	091-21849R	GUARD FOR END FEED (RIGHT SIDE DRIVE)	1	
28	050-00028	88" SERIES 800 INTRALOX BELTING (20FT)	1	
29	030-00018	FLANGE BEARING 1-7/16"	1	
30	091-00527L	MOTOR BOX (LEFT SIDE DRIVE)	1	
	091-00527R	MOTOR BOX (RIGHT SIDE DRIVE)	1	
31	091-20762	MOTOR PLATE	1	
32	091-24052L	MOTOR BOX SUPPORT (LEFT SIDE DRIVE)	1	
	091-24052R	MOTOR BOX SUPPORT (RIGHT SIDE DRIVE)	1	
33	690-00014	SPROCKET 60BS28 1-7/16" BORE (FOR SIDE FEED BELT)	1	
	690-00005	SPROCKET 60BS15 1-7/16" BORE (FOR END FEED BELT)	1	
34	690-00022	QD BUSHING (SK 1-7/16")	1	



Cage Unloading System

108" EXTENSION BELT (091-21305)



ITEM	PART NUMBER	DESCRIPTION	QTY	MODEL Or SERIAL #
1	091-21373L	108" BELT X 96" LONG EXTENSION BELT FRAME WELDMNT (LEFT SIDE DRIVE)(SHOWN)	1	
	091-21373R	108" BELT X 96" LONG EXTENSION BELT FRAME WELDMNT (RIGHT SIDE DRIVE)	1	
2	030-00020	PILLOW BLOCK 1-15/16"	4	
3	050-00131	STN STL SCROLL FOR 108" BELT	1	
4	091-21331	COMPLETE DRIVE SHAFT ASSEMBLY FOR 108" BELT	1	



Cage Unloading System

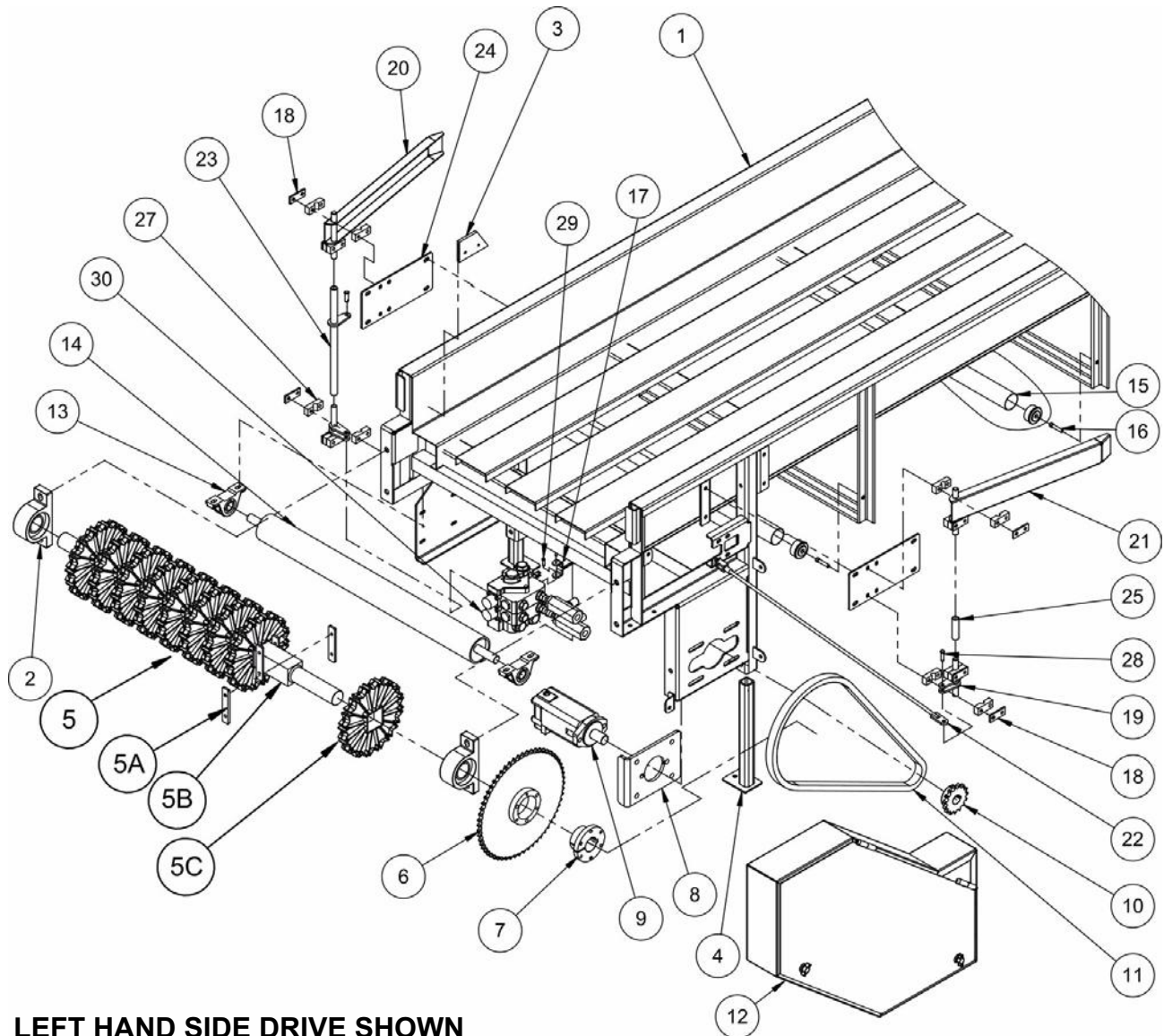
108" EXTENSION BELT (091-21305)

ITEM	PART NUMBER	DESCRIPTION	QTY	MODEL Or SERIAL #
5	091-20263	CENTRAL DRIVE SHAFT BUSHING	2	
6	091-20264	CENTRAL BUSHING CAP	1	
7	030-00021	PILLOW BLOCK 1-7/16"	8	
8	590-00062	IDLER ROLLER FOR 108" INTRALOXQ	3	
9	091-00526	108" EXTENSION BELT SUB FRAME	1	
10	091-00526DL	108" EXTENSION BELT SUB FRAME WITH DRIVE (LEFT SIDE DRIVE)	1	
	091-00526DR	108" EXTENSION BELT SUB FRAME WITH DRIVE (RIGHT SIDE DRIVE)	1	
11	670-00073	COUNTER SHAFT	1	
13	450-00004	HYDRAULIC MOTOR	1	
14	690-00072	SPROCKET 60BS20 1-15/16 BORE (SIDE FEED BELT)	1	
	690-00015	SPROCKET 60SK30 (END FEED BELT)	2	
	690-00060	QD BUSHING (SK 1-15/16")		
18	110-00001	ROLLER CHAIN #60	AS REQUIRED	
19	110-00001	ROLLER CHAIN #60	AS REQUIRED	
20	091-21675	FOOT PAD FOR RECIEVING CAGE	4	
21	690-00004	SPROCKET 60BS13 (1-7/16") (SIDE FEED BELT)	1	
	690-00005	SPROCKET 60BS15 (1-7/16") (END FEED BELT)	1	
22	690-00003	SPROCKET 60BS13 (1-1/4") (SIDE FEED BELT)	1	
	690-00044	SPROCKET 60BS15 (1-1/4") (END FEED BELT)	1	
23	091-21851L	GUARD FOR SIDE FEED BELT (LEFT SIDE DRIVE)	1	
	091-21851R	GUARD FOR SIDE FEED BELT(RIGHT SIDE DRIVE)	1	
	091-21849L	GUARD FOR END FEED BELT (LEFT SIDE DRIVE)	1	
	091-21849R	GUARD FOR END FEED BELT (RIGHT SIDE DRIVE)	1	
28	050-00130	108" SERIES 800 INTRALOX BELTING (20FT)	1	
29	030-00018	FLANGE BEARING 1-7/16"	1	
30	091-00527L	MOTOR BOX (LEFT SIDE DRIVE)	1	
	091-00527R	MOTOR BOX (RIGHT SIDE DRIVE)	1	
31	091-20762	MOTOR PLATE	1	
32	091-24052L	MOTOR BOX SUPPORT (LEFT SIDE DRIVE)	1	
	091-24052R	MOTOR BOX SUPPORT (RIGHT SIDE DRIVE)	1	
33	690-00014	SPROCKET 60BS28 1-7/16" BORE (FOR SIDE FEED BELT)	1	
	690-00005	SPROCKET 60BS15 1-7/16" BORE (FOR END FEED BELT)	1	
34	690-00022	QD BUSHING (SK 1-7/16")	1	



Cage Unloading System

STANDARD DRIVE END ASSEMBLY (091-21360)



LEFT HAND SIDE DRIVE SHOWN

ITEM	PART NUMBER	DESCRIPTION	QTY	MODEL Or SERIAL #
1	091-21324	HANGING BELT DRIVE END WELDMENT (36" SHOWN)	1	
2	030-00020	PILLOW BLOCK 1015/16"	2	
3	091-20761	PLASTIC PLATE	2	
4	091-21328	HANGING BELT FOOT	4	
5	091-21332.2	36" DRIVE SHAFT ASSEMBLY = (ITEMS 5A, 5B, & 5C)	1	
	091-21332.1	24" DRIVE SHAFT ASSEMBLY = (ITEMS 5A, 5B, & 5C)	1	
	091-21332.3	48" DRIVE SHAFT ASSEMBLY = (ITEMS 5A, 5B, & 5C)	1	



Cage Unloading System

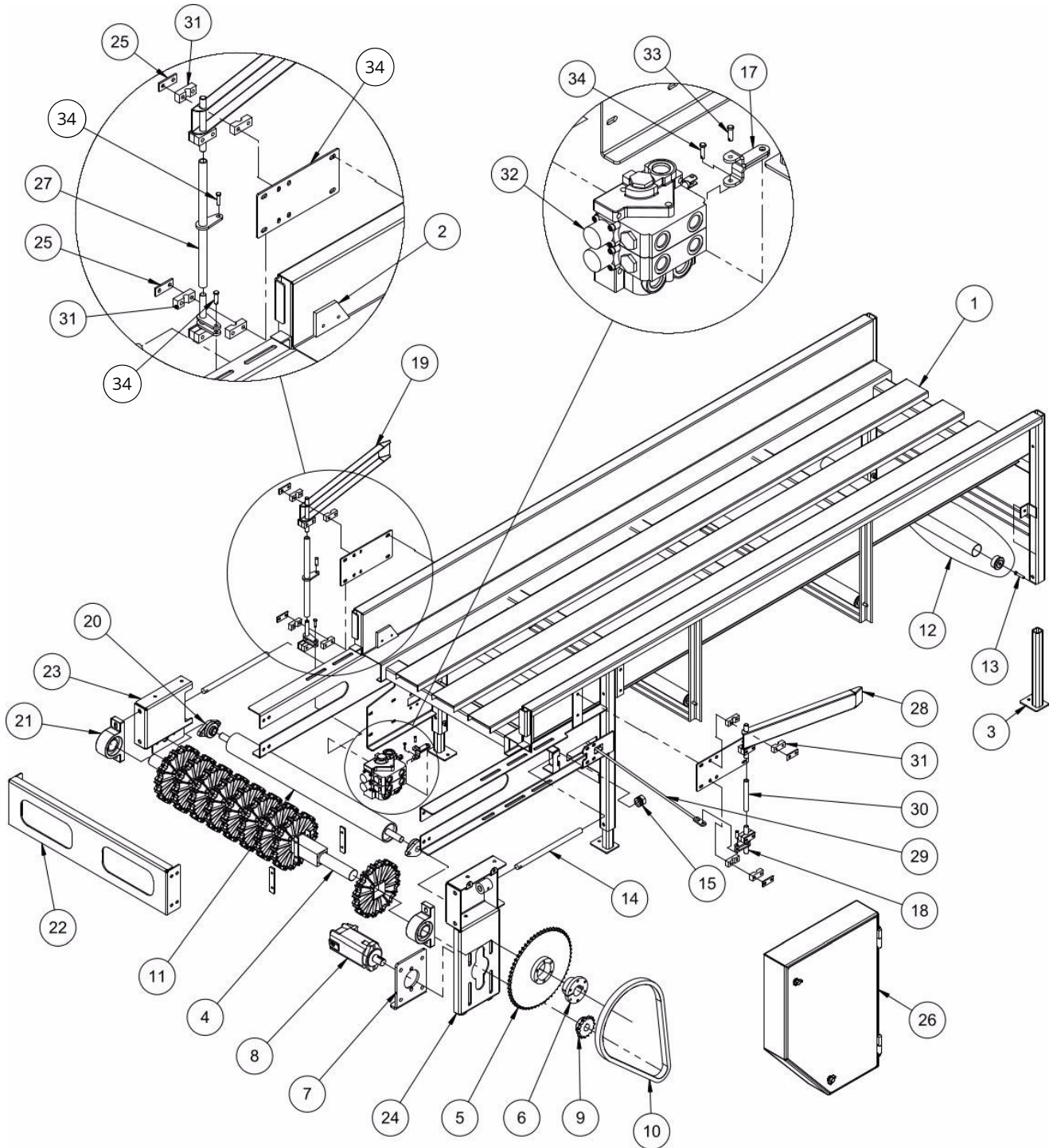
STANDARD DRIVE END ASSEMBLY (091-21360)

ITEM	PART NUMBER	DESCRIPTION	QTY	MODEL Or SERIAL #
5A	410-00025	SPROCKET RETAINER	AS REQUIRED	
5B	670-00030	36" DRIVE SHAFT	1	
	670-00029	24" DRIVE SHAFT	1	
	670-00032	48" DRIVE SHAFT	1	
5C	050-00073	10.3 INTRALOX SPROCKET, 2 1/2" SQUARE BORE	AS REQUIRED	
6	690-00011	SPROCKET 60SF60	1	
7	030-00057	QD BUSHING (SF 1-15/16")	1	
8	091-20762	MOTOR PLATE	1	
9	450-00004	HYDRAULIC MOTOR	1	
10	690-00044	SPROCKET 60BS15 1-1/4" BORE	1	
11	110-00001	ROLLER CHAIN #60	AS REQUIRED	
12	091-21364L	DRIVE CHAIN GUARD ASSEMBLY (LEFT SIDE DRIVE)	1	
	091-21364R	DRIVE CHAIN GUARD ASSEMBLY (RIGHT SIDE DRIVE)	1	
13	030-00023	1" PILLOW BLOCK	2	
14	590-00052	36" SNUG ROLLER ASSEMBLY	1	
	590-00051	24" SNUG ROLLER ASSEMBLY	1	
	590-00053	48" SNUG ROLLER ASSEMBLY	1	
15	590-00004	36" COMPLETE CONDUIT ROLLER 36" SS BELT (SEE PAGE 6-19, FOR OTHER LENGTHS)	3	
16	590-00022	BALL STUD KIT (STUD, 2 NUTS, 2 LOCK WASHERS)	6	
17	091-21369	DOUBLE LINK ASSEMBLY	1	
18	091-20801	UHMW BEARING CAP	8	
19	091-21366	LOWER CRANK SHAFT ASSEMBLY	2	
20	091-21375R	CONTROL LEVER ASSEMBLY	1	
21	091-21375L	CONTROL LEVER ASSEMBLY	1	
22	091-21387	CONNECTION ROD FOR HANGING BELT	1	
23	091-21386	CONNECTOR PIPE WITH CRANK	1	
24	091-20872	VALVE LEVER PLATE	2	
25	091-20915	SHORT CONNECTOR PIPE	1	
26	810-00084	2 SECTION VALVE ASSEMBLY (SEE SECTION 10)	1	
27	091-20996	TWO PIECE UHMW BEARING (TWO HALVES)	8	
28	210-00860	3/8" X 1-1/4" CLEVIS PIN	3	
29	210-00847	1/4" X 1" CLEVIS PIN	2	
	050-00031	36" SERIES 800 INTRALOX® BELTING	AS REQUIRED	
	050-00032	24" SERIES 800 INTRALOX® BELTING	AS REQUIRED	
	050-00029	48" SERIES 800 INTRALOX® BELTING	AS REQUIRED	



Cage Unloading System

DRIVE END TAKE UP ASSEMBLY (091-21376)



LEFT HAND SIDE DRIVE SHOWN



Cage Unloading System

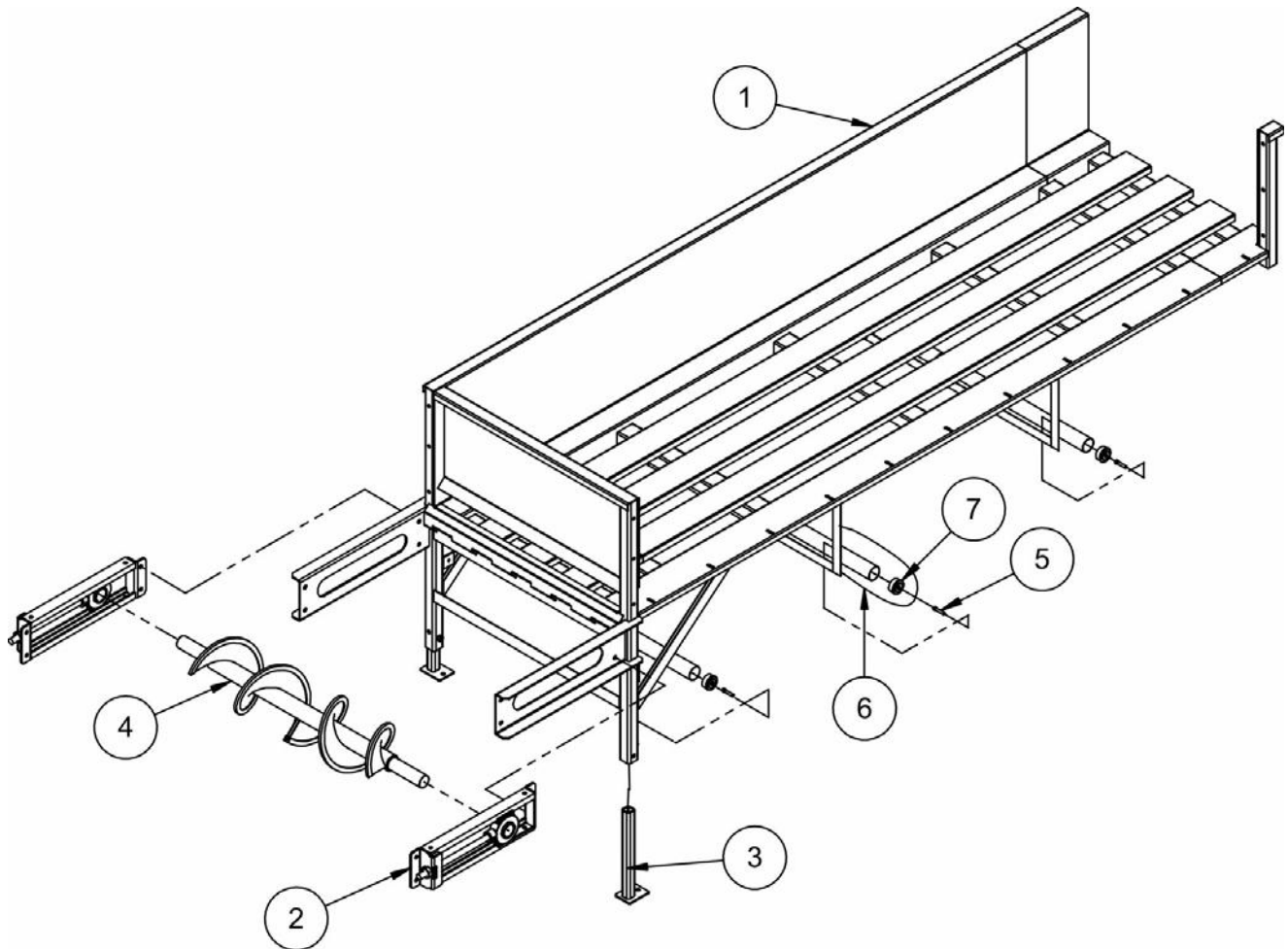
DRIVE END TAKE UP ASSEMBLY (091-21376)

ITEM	PART NUMBER	DESCRIPTION	QTY	MODEL Or SERIAL #
1	091-21377	DRIVE END TAKE UP WELDMENT (36" SHOWN)	1	
2	091-20761	PLASTIC PLATE	2	
3	091-21328	HANGING BELT FOOT	4	
4	091-21332.2	36" DRIVE SHAFT ASSEMBLY (SEE PAGE 6-14 FOR OTHER LENGTHS)	1	
5	690-00011	SPROCKET 60SF60	1	
6	030-00057	QD BUSHING (SF 1-15/16")	1	
7	091-20762	MOTOR PLATE	1	
8	450-00004	HYDRAULIC MOTOR	1	
9	690-00044	SPROCKET 60BS15 1-1/4" BORE	AS REQUIRED	
10	110-00001	ROLLER CHAIN #60	1	
11	590-00052	SNUB ROLLER ASSEMBLY (SEE PAGE 6-15 FOR OTHER LENGTHS)	1	
12	590-00004	36" COMPLETE CONDUIT ROLLER 36" SS BELT (SEE PAGE 6-19 FOR OTHER LENGTHS)	3	
13	590-00022	BALL STUD KIT	6	
14	410-00027	TAKE-UP ROD (7/8"-9 X 15" LG)	2	
15	210-00210	TAKE-UP NUT	2	
16	091-20872	VALVE LEVER PLATE	2	
17	091-21369	DOUBLE LINK ASSEMBLY	1	
18	091-21366	LOWER CRANK SHAFT ASSEMBLY	2	
19	091-21375R	CONTROL LEVER ASSEMBLY	1	
20	030-00044	FLANGE BEARING 1"	2	
21	030-00020	PILLOW BLOCK 1-15/16"	2	
22	091-20870	END STIFFNER PLATE	1	
23	091-21382L	IDLER SLIDE PLATE (LEFT SIDE DRIVE)	1	
	091-21382R	IDLER SLIDE PLATE (RIGHT SIDE DRIVE)	1	
	24 091-2381HL	MOTOR SLIDE PLATE (LEFT SIDE DRIVE) HYD ONLY	1	
	091-2381HR	MOTOR SLIDE PLATE (RIGHT SIDE DRIVE) HYD ONLY	1	
25	091-20801	UHMW BEARING CAP	8	
26	091-21857L	DRIVE END TAKE UP GUARD (LEFT SIDE DRIVE) HYD ONLY	1	
	091-21857R	DRIVE END TAKE UP GUARD (RIGHT SIDE DRIVE) HYD ONLY	1	
27	091-21388	CONNECTOR PIPE FOR DRIVE END TAKE UP	1	
28	091-21375L	CONTROL LEVER ASSEMBLY	1	
29	091-21387	CONNECTING ROD FOR HANGING BELT	1	
30	091-20893	VALVE ROTATOR PIPE FOR DRIVE END TAKE UP	1	
31	091-20996	TWO PIECE UHMW BEARING (TWO HALVES)	16	
32	810-00084	2 SECTION VALVE ASSEMBLY (SEE SECTION 10)	1	
33	210-00860	3/8" X 1-1/4" CLEVIS PIN	3	
34	210-00847	1/4" X 1" CLEVIS PIN	2	



Cage Unloading System

SIDE FEED IDLER END (091-21363)





Cage Unloading System

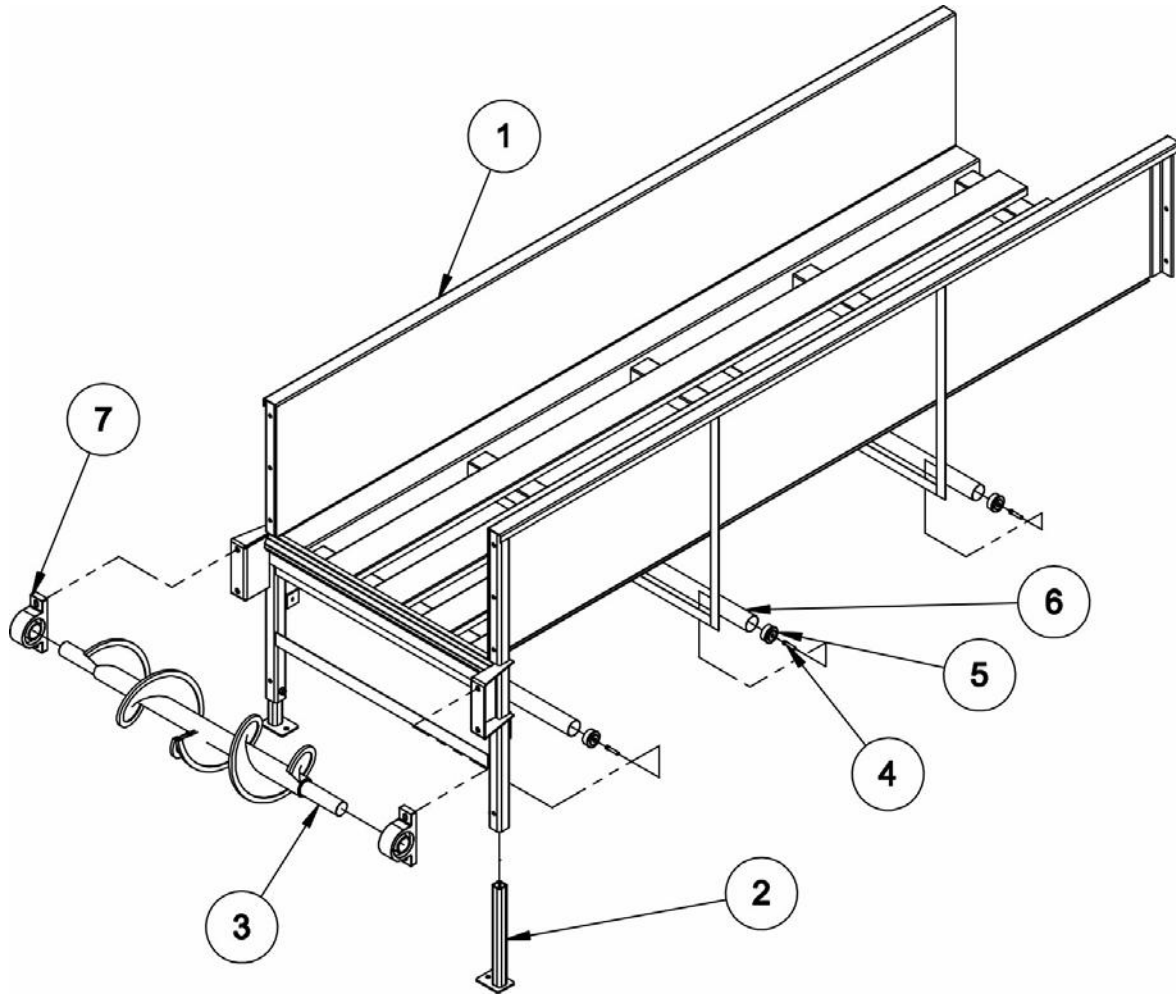
SIDE FEED IDLER END (091-21363)

ITEM	PART NUMBER	DESCRIPTION	QTY	MODEL Or SERIAL #
1	091-21327R	SIDE FEED IDLER END WELDMENT (RIGHT EXIT HANGING BELT) (SHOWN)	1	
	091-21327L	SIDE FEED IDLER END WELDMENT (LEFT EXIT HANGING BELT)	1	
2	091-21320	TAKE-UP ASSEMBLY -25" LONG	2	
3	091-21328	HANGING BELT FOOT	2	
4	050-00018	24" SCROLL	1	
	050-00019	36" SCROLL	1	
	050-00017	48" SCROLL	1	
5	590-00022	BALL STUD KIT	6	
6	590-00004	36" COMPLETE CONDUIT ROLLER 36" SS BELT	3	
	590-00008	24" COMPLETE CONDUIT ROLLER 24" SS BELT	3	
	590-00054	48" COMPLETE CONDUIT ROLLER 48" SS BELT	3	
7	590-00055	2" EMT BEARING	6	



Cage Unloading System

END FEED IDLER END (091-21379)





Cage Unloading System

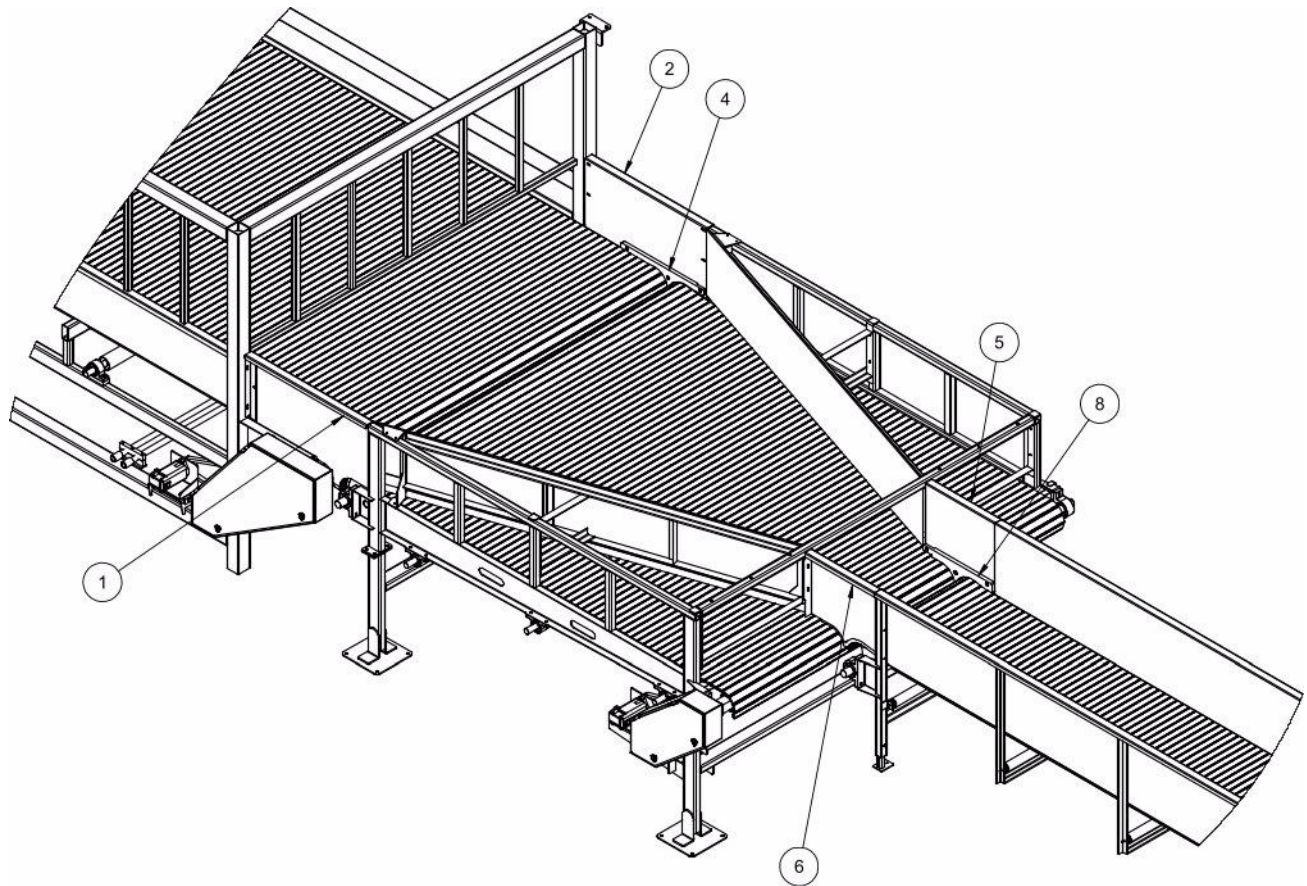
END FEED IDLER END (091-21379)

ITEM	PART NUMBER	DESCRIPTION	QTY	MODEL Or SERIAL #
1	091-21380	END FEED IDLER END WELDMENT (36" SHOWN)	1	
2	091-21328	HANGING BELT FOOT	2	
3	050-00018	24" SCROLL	1	
	050-00019	36" SCROLL	1	
	050-00017	48" SCROLL	1	
4	590-00022	BALL STUD KIT	6	
5	590-00055	2" EMT BEARING	6	
6	590-00004	COMPLETE CONDUIT ROLLER 36" SS BELT	3	
	590-00008	COMPLETE CONDUIT ROLLER 24" SS BELT	3	
	590-00054	COMPLETE CONDUIT ROLLER 48" SS BELT	3	
7	030-00020	PILLOW BLOCK 1-15/16"	2	



Cage Unloading System

BELT INTERFACE (END FEED HANGING BELT)





Cage Unloading System

BELT INTERFACE (END FEED HANGING BELT)

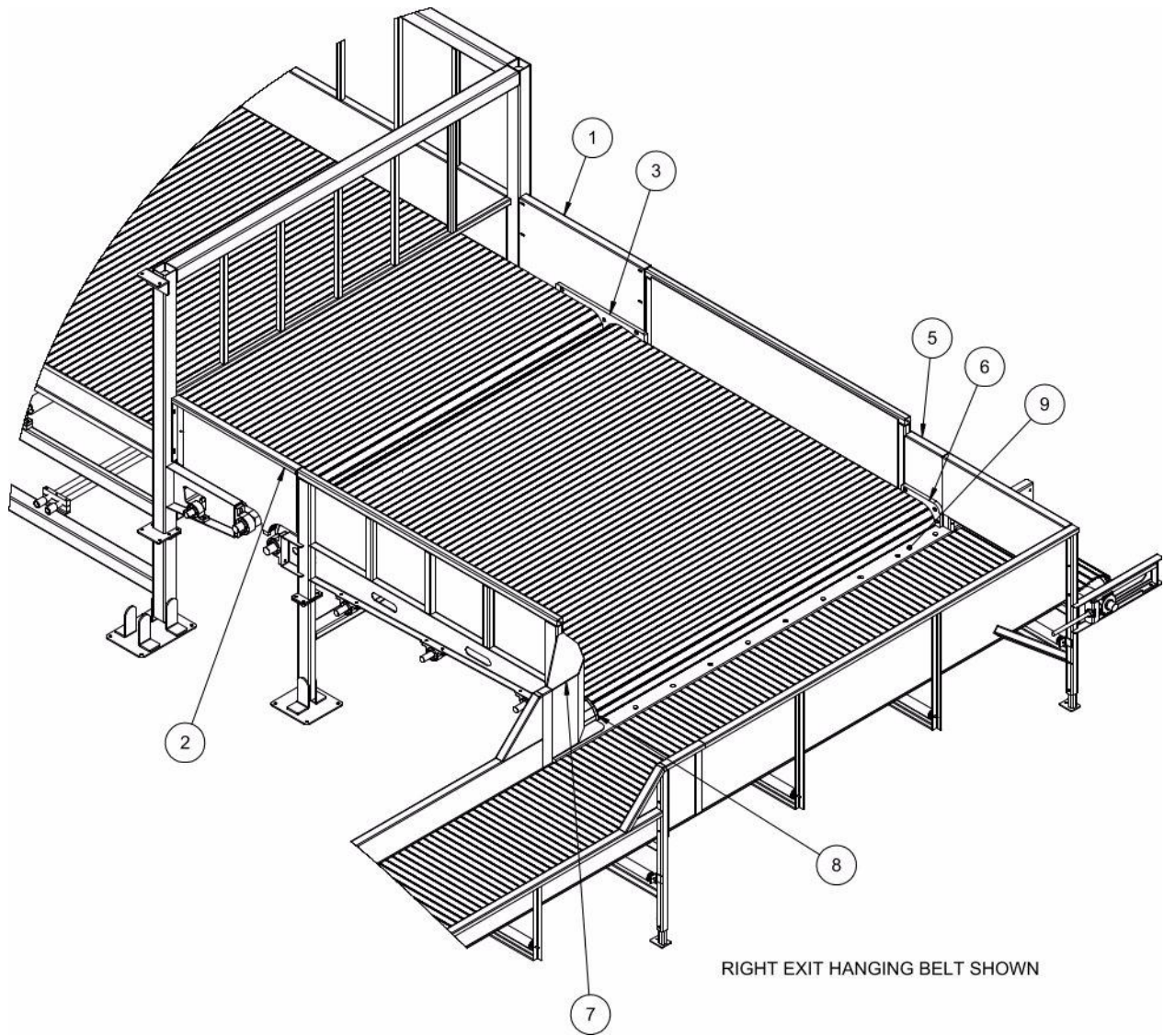
ITEM	PART NUMBER	DESCRIPTION	QTY	MODEL Or SERIAL #
1	091-00474R	RECEIVING/EXTENSION INTERFACE FOR 24" HEADER	1	
2	091-00474L	RECEIVING/EXTENSION INTERFACE FOR 24" HEADER	1	
3	901-00425BR	* PLASTIC INTERFACE PANEL FOR SHEARS	1	
4	091-00425BL	PLASTIC INTERFACE PANEL FOR SHEARS	1	
5	091-00475L	EXTENSION/HANGING INTERFACE PANEL	1	
6	091-00475R	EXTENSION/HANGING INTERFACE PANEL	1	
7	091-00410R	PLASTIC FOR EXTENSION/HANGING INTERFACE	1	
8	091-00410L	PLASTIC FOR EXTENSION/HANGING INTERFACE	1	
9	091-00486	RUBBER STRIPPING (PER FOOT)		

NOTE: * NOT SHOWN.



Cage Unloading System

BELT INTERFACE (SIDE FEED HANGING BELT)





Cage Unloading System

BELT INTERFACE (SIDE FEED HANGING BELT)

ITEM	PART NUMBER	DESCRIPTION	QTY	MODEL Or SERIAL #
1	091-00474L	RECIEVING/EXTENSION INTERFACE FOR 24" HEADER	1	
	2091-00474R	RECIEVING/EXTENSION INTERFACE FOR 24" HEADER	1	
3	091-00425L	PLASTIC INTERFACE PANEL	1	
4	091-00425R	PLASTIC INTERFACE PANEL (NOT VISIBLE)	1	
5	091-00426R	UPSTREAM END PANEL (RIGHT EXIT HANGING BELT)	1	
	091-00426L	UPSTREAM END PANEL (LEFT EXIT HANGING BELT)	1	
6	091-00430R	PLASTIC INTERFACE PANEL (RIGHT EXIT HANGING BELT)	1	
	091-00430L	PLASTIC INTERFACE PANEL (LEFT EXIT HANGING BELT)	1	
7	091-00428R	EXTENSION CAGE TO HANGING BELT BUMPER (RIGHT EXIT HANGING BELT)	1	
	091-00428L	EXTENSION CAGE TO HANGING BELT BUMPER (LEFT EXIT HANGING BELT)	1	
8	091-00431R	PLASTIC PLATE FOR CORNER (RIGHT EXIT HANGING BELT)	1	
	091-00431L	PLASTIC PLATE FOR CORNER (LEFT EXIT HANGING BELT)	1	
9	091-00427	PLASTIC STRIP		

NOTE: The left/right configuration of the interface plates for a side feed hanging belt is determined by the direction the hanging belt exits from the extension cage. If facing in the direction of travel of the extension cage and the hanging belt exits to the right as shown in the view, it is a right exit hanging belt and uses right parts. If it exits to the left, it uses left parts.



Cage Unloading System



Cage Unloading System

Section 7

Operator Platform

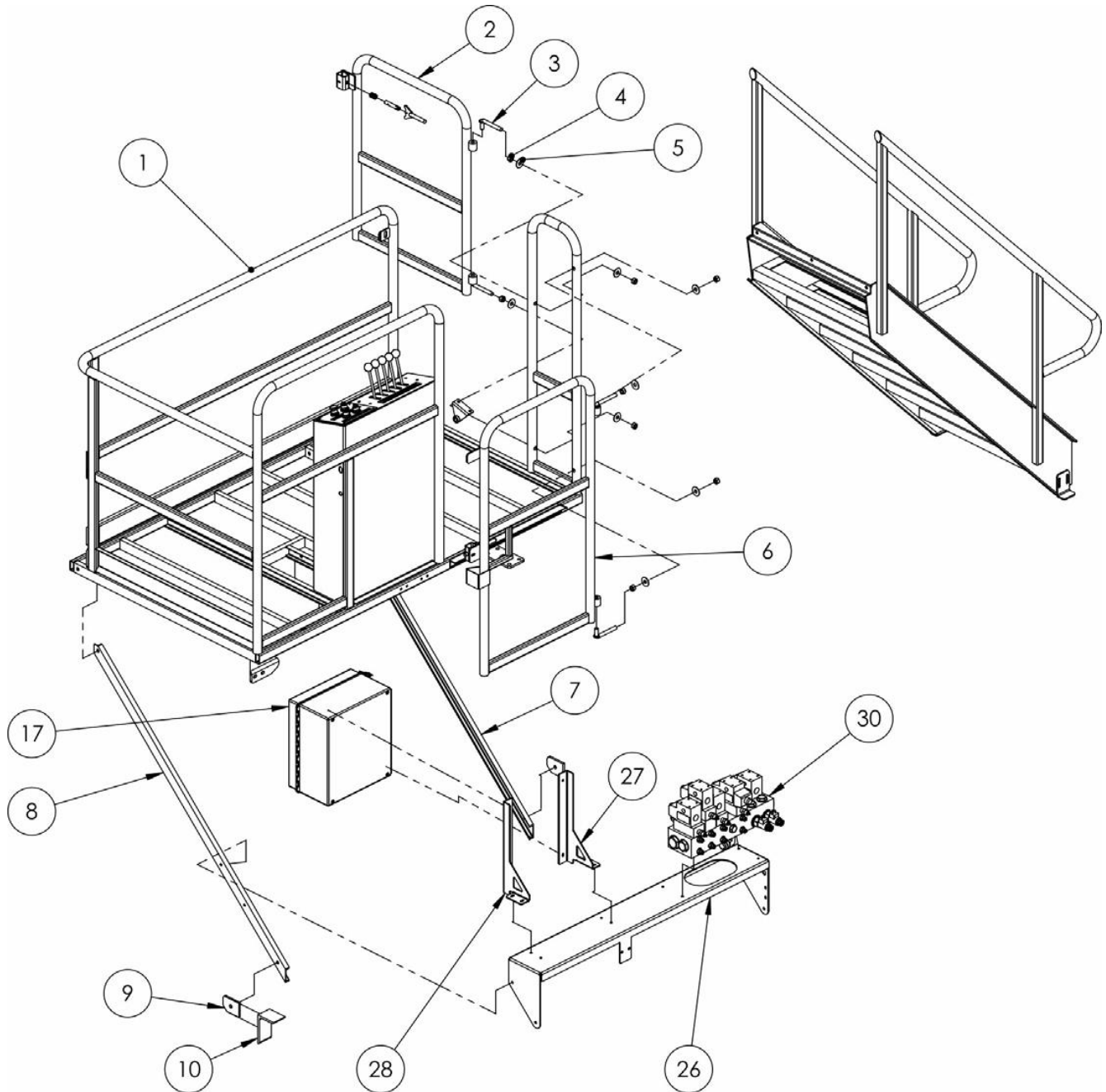
Contents

OPERATOR PLATFORM -----	2
OPERATOR CONSOLE -----	4
ELECTRICAL PANEL WITHOUT DOOR CLOSER-----	6
ELECTRICAL PANEL WITH DOOR CLOSER -----	8
ELECTRICAL PANEL WITH WASHER -----	10



Cage Unloading System

OPERATOR PLATFORM (091-21650B)



LEFT HAND SIDE SYSTEM SHOWN



Cage Unloading System

OPERATOR PLATFORM (091-21650B)

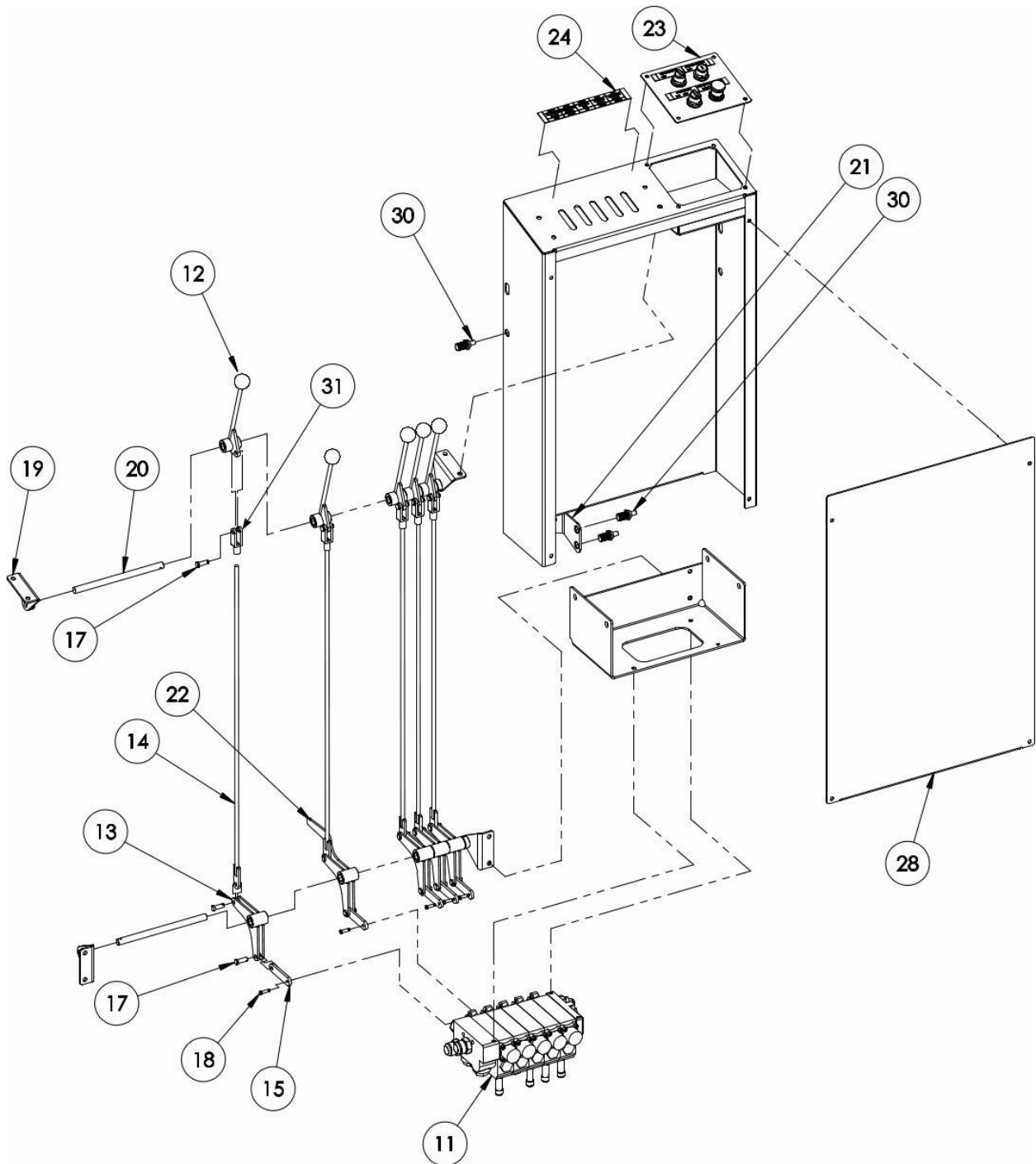
ITEM	PART NUMBER	DESCRIPTION	QTY	MODEL Or SERIAL #
1	091-21651BL	OPERATOR PLATFORM WELDMENT (STD) (LEFT HAND SIDE SYSTEM)	1	
	091-21651BR	OPERATOR PLATFORM WELDMENT (STD) (RIGHT HAND SIDE SYSTEM)	1	
2	091-21655L	ENTRY GATE (LEFT HAND SIDE SYSTEM)	1	
	091-21655R	ENTRY GATE (RIGHT HAND SIDE SYSTEM)	1	
3	091-20393	GATE HINGE PIN	4	
4		NUT HEX FIN NC GRADE 5 (5/8")	8	
5		FLATWASHER (5/8")	8	
6	091-21656L	OPERATOR GATE (LEFT HAND SIDE SYSTEM)	1	
	091-21656R	OPERATOR GATE (RIGHT HAND SIDE SYSTEM)	1	
7	091-20449.1	OPERATOR PLATFORM BRACE	1	
8	091-20449.2	OPERATOR PLATFORM BRACE	1	
9	091-20450	PLATFORM BRACE ANCHOR	2	
10	091-00453	OP. PLATFORM SUPPORT ANGLE	1	
11	091-21657	STAIRS FOR OPERATOR PLATFORM (STD)	1	
	091-21665	STAIRS FOR OPERATOR PLATFORM (2 STEPS ADDED)	1	
17	091-21832	FUSE AND RELAY BOX	1	
26	091-20638L	VALVE STACK SUPPORT SHELF (LEFT HAND SYSTEM)	1	
	091-20638R	VALVE STACK SUPPORT SHELF (RIGHT HAND SYSTEM)	1	
27	091-20636R	ELECTRONICS BOX MOUNTING BRACKET	1	
28	091-20636L	ELECTRONICS BOX MOUNTING BRACKET	1	
30	091-23103	* (STD) UNLOADING SYSTEM MANIFOLD ASSEMBLY	1	

Note: * See Section 10 For Parts Detail.



Cage Unloading System

OPERATOR CONSOLE (091-21650B)



LEFT HAND SIDE SYSTEM SHOWN



Cage Unloading System

OPERATOR CONSOLE (091-21650B)

ITEM	PART NUMBER	DESCRIPTION	QTY	MODEL Or SERIAL #
11	091-23119	*5 SECTION VALVE ASSEMBLY (INCLUDES ADAPTERS)	1	
12	091-21658	HYDRAULIC CONTROL LEVER ASSEMBLY	5	
12A	097-20319	KNOB	2	
12B	097-20542	BUSHING (REQUIRE 2 PER ASSEMBLY)	2	
13	091-21659	HYDRAULIC CONTROL BELLCRANK ASSEMBLY	4	
13A	091-20542	BUSHING (REQUIRE 2PER ASSEMBLY)	2	
14	091-21660	CONNECTING ROD ASSEMBLY	5	
15	091-00551	CONNECTING LINK	5	
17	210-00846	PIN (3/8")	15	
18	210-00847	PIN (1/4")	5	
19	091-21663	CONTROL LINKAGE SHAFT MOUNT	4	
20	091-20664	CONTROL LINKAGE SHAFT	2	
21	091-20570	PROXY SENSOR MOUNT	1	
22	091-21666	HYDRAULIC CONTROL BELLCRANK ASSEMBLY WITH PROXY ARM	1	
22A	091-20542	BUSHING (REQUIRE 2PER ASSEMBLY	2	
23	091-21667B	**ELECTRICAL PANEL (SEE DETAIL NEXT PAGE)		
24	360-00151L	CONTROL LEVER LABELS (LEFT HAND SIDE SYSTEM)	1	
	360-00151R	CONTROL LEVER LABELS (RIGHT HAND SIDE SYSTEM)	1	
28	091-20564	CONSOLE PANEL	1	
30	091-20352	PROXIMITY SENSOR 18MM 24V	3	
31	210-00848	TAPPED YOKE	1	

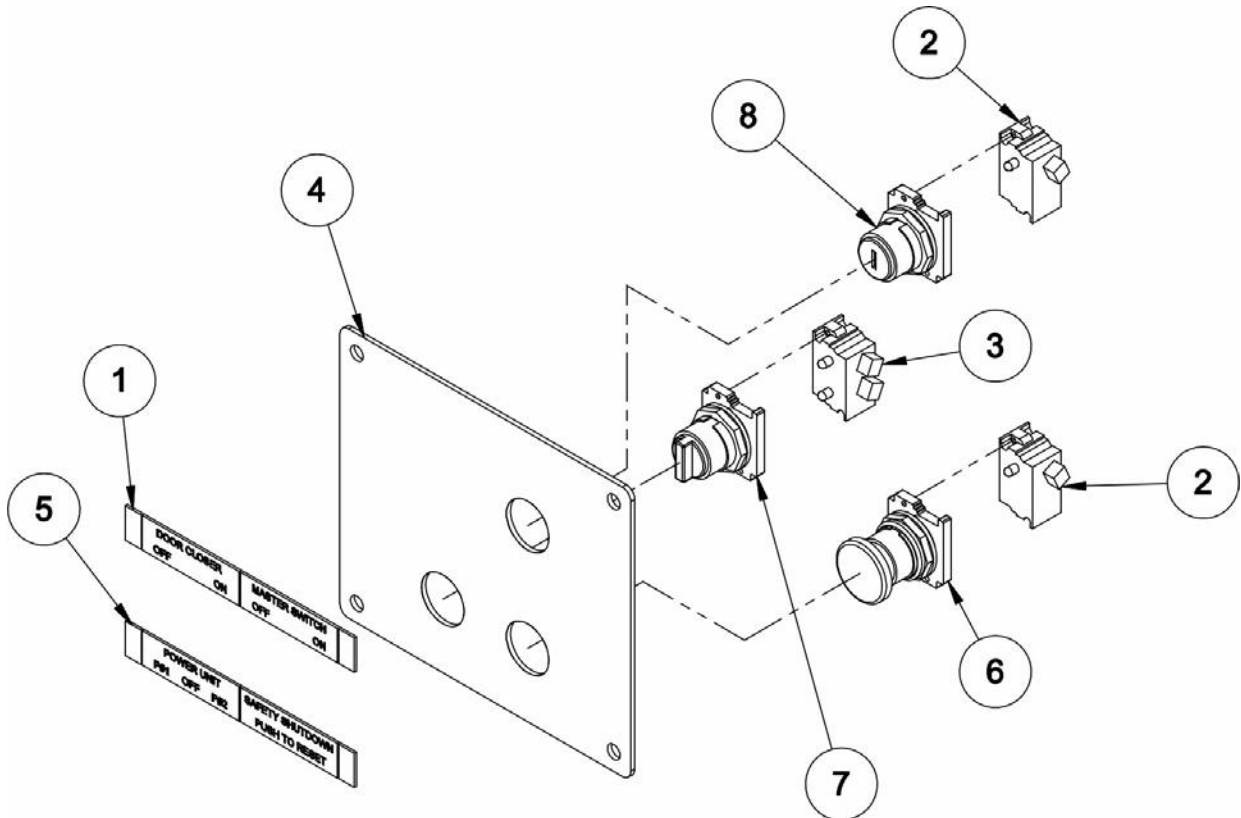
* See section 10 for valve detail.

** See panel detail in this section.



Cage Unloading System

ELECTRICAL PANEL WITHOUT DOOR CLOSER (091-21667A)





Cage Unloading System

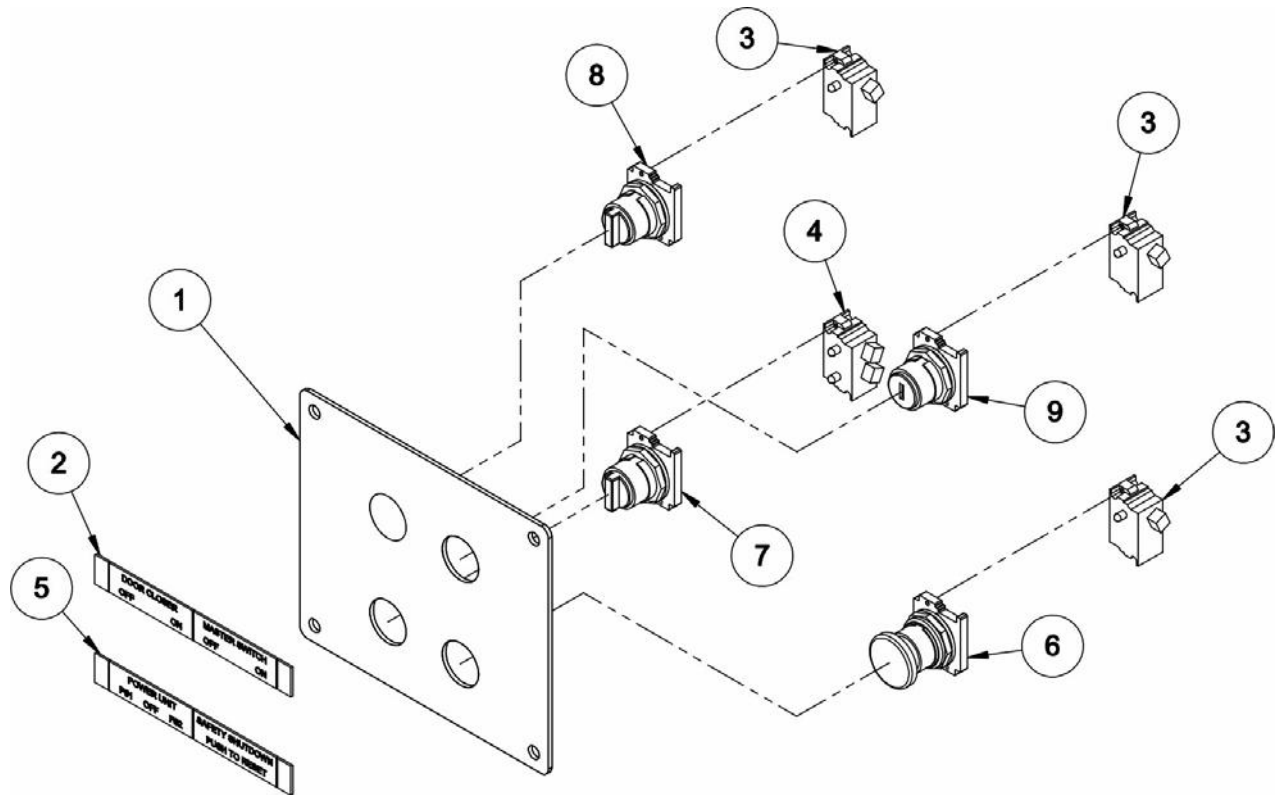
ELECTRICAL PANEL WITHOUT DOOR CLOSER (091-21667A)

ITEM	PART NUMBER	DESCRIPTION	QTY	MODEL Or SERIAL #
1	360-00135L	MASTER SWITCH / DOOR CLOSER TAG (LEFT HAND SIDE SYSTEM)	1	
	360-00135R	MASTER SWITCH / DOOR CLOSER TAG (RIGHT HAND SIDE SYSTEM)	1	
2	190-00026	CONTACT BLOCK	2	
3	190-00018	CONTACT BLOCK	1	
4	091-20719	ELECTRICAL PANEL WITH OUT CLOSER	1	
5	360-00143L	POWER UNIT / SAFETY SHUTDOWN TAG (LEFT HAND SIDE SYSTEM)	1	
	360-00143R	POWER UNIT / SAFETY SHUTDOWN TAG (RIGHT HAND SIDE SYSTEM)	1	
6	190-00497	MUSHROOM HEAD PUSH BUTTON, YELLOW	1	
7	190-00015	THREE POSITION SELECTOR SWITCH	1	
8	430-00152	KEY SWITCH	1	



Cage Unloading System

ELECTRICAL PANEL WITH DOOR CLOSER (091-21667B)





Cage Unloading System

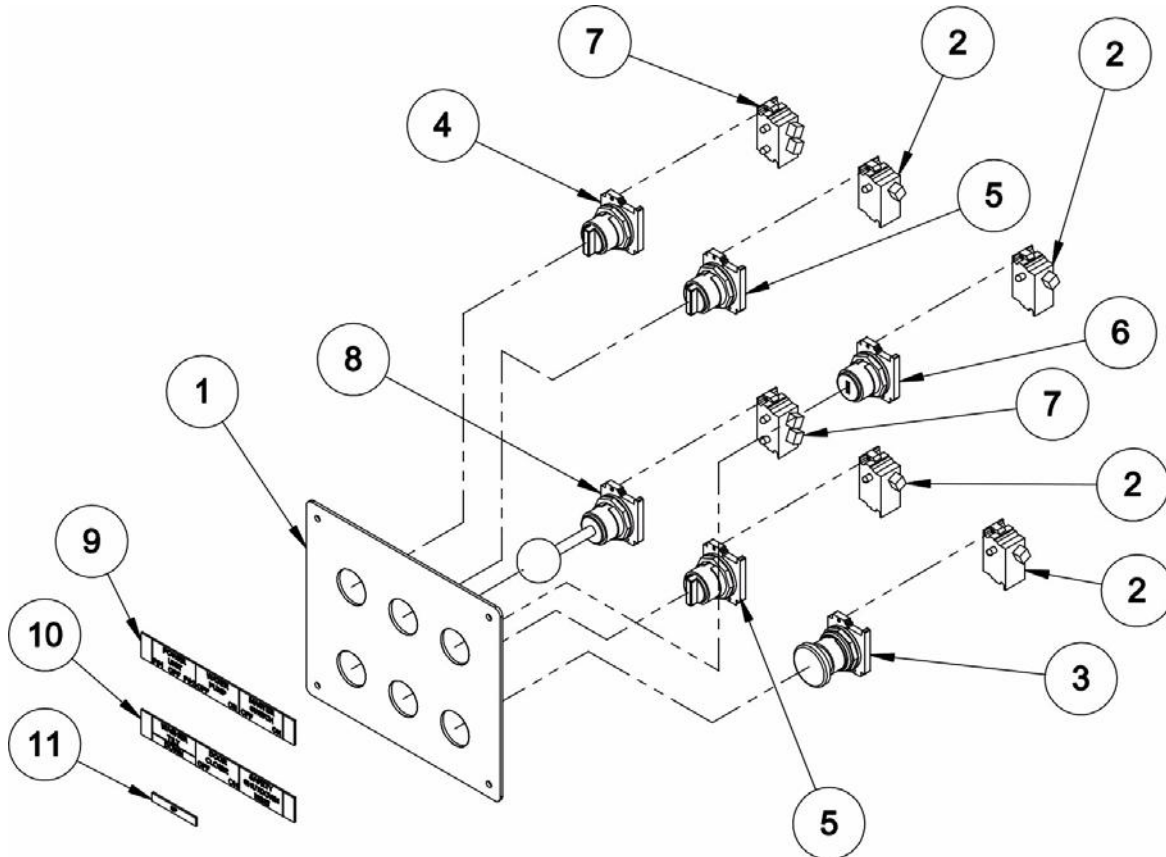
ELECTRICAL PANEL WITH DOOR CLOSER (091-21667B)

ITEM	PART NUMBER	DESCRIPTION	QTY	MODEL Or SERIAL #
1	091-20628	ELECTRICAL PANEL WITHOUT WASHER	1	
2	360-00135L	MASTER SWITCH / DOOR CLOSER TAG (LEFT HAND SIDE SYSTEM)	1	
	360-00135R	MASTER SWITCH / DOOR CLOSER TAG (RIGHT HAND SIDE SYSTEM)	1	
3	190-00026	CONTACT BLOCK	3	
4	190-00018	CONTACT BLOCK	1	
5	360-00143L	POWER UNIT / SAFETY SHUTDOWN TAG (LEFT HAND SIDE SYSTEM)	1	
	360-00143R	POWER UNIT / SAFETY SHUTDOWN TAG (RIGHT HAND SIDE SYSTEM)	1	
6	190-00497	MUSHROOM HEAD PUSH BUTTON, YELLOW	1	
7	190-00015	THREE POSITION SELECTOR SWITCH	1	
8	190-00014	TWO POSITION SELECTOR SWITCH	1	
9	430-00152	KEY SWITCH	1	
10	091-20719	ELECTRICAL PANEL WITHOUT DOOR CLOSER	1	



Cage Unloading System

ELECTRICAL PANEL WITH WASHER (091-21667C)





Cage Unloading System

ELECTRICAL PANEL WITH WASHER (091-21667C)

ITEM	PART NUMBER	DESCRIPTION	QTY	MODEL Or SERIAL #
1	091-20626	ELECTRICAL PANEL WITH WASHER	1	
2	190-00026	CONTACT BLOCK	3	
3	190-00497	MUSHROOM HEAD PUSH BUTTON, YELLOW	1	
4	190-00015	THREE POSITION SELECTOR SWITCH	1	
5	190-00014	TWO POSITION SELECTOR SWITCH	2	
6	430-00152	KEY SWITCH	1	
7	190-00018	CONTACT BLOCK	3	
8	190-00022	TWO POSITION JOYSTICK	1	
9	360-00144L	MASTER SWITCH / WATER PUMP / POWER UNIT TAG (LEFT HAND SIDE SYSTEM)	1	
	360-00144R	MASTER SWITCH / WATER PUMP TAG / POWER UNIT (RIGHT HAND SIDE SYSTEM)	1	
10	360-00145L	SAFETY RESET / DOOR CLOSER / TILT TAG (LEFT HAND SIDE SYSTEM)	1	
	360-00145R	SAFETY RESET / DOOR CLOSER / TILT TAG (RIGHT HAND SIDE SYSTEM)	1	
11	360-00150	WASHER TILT TAG	1	



Cage Unloading System



Cage Unloading System

Section 8

Door Closer

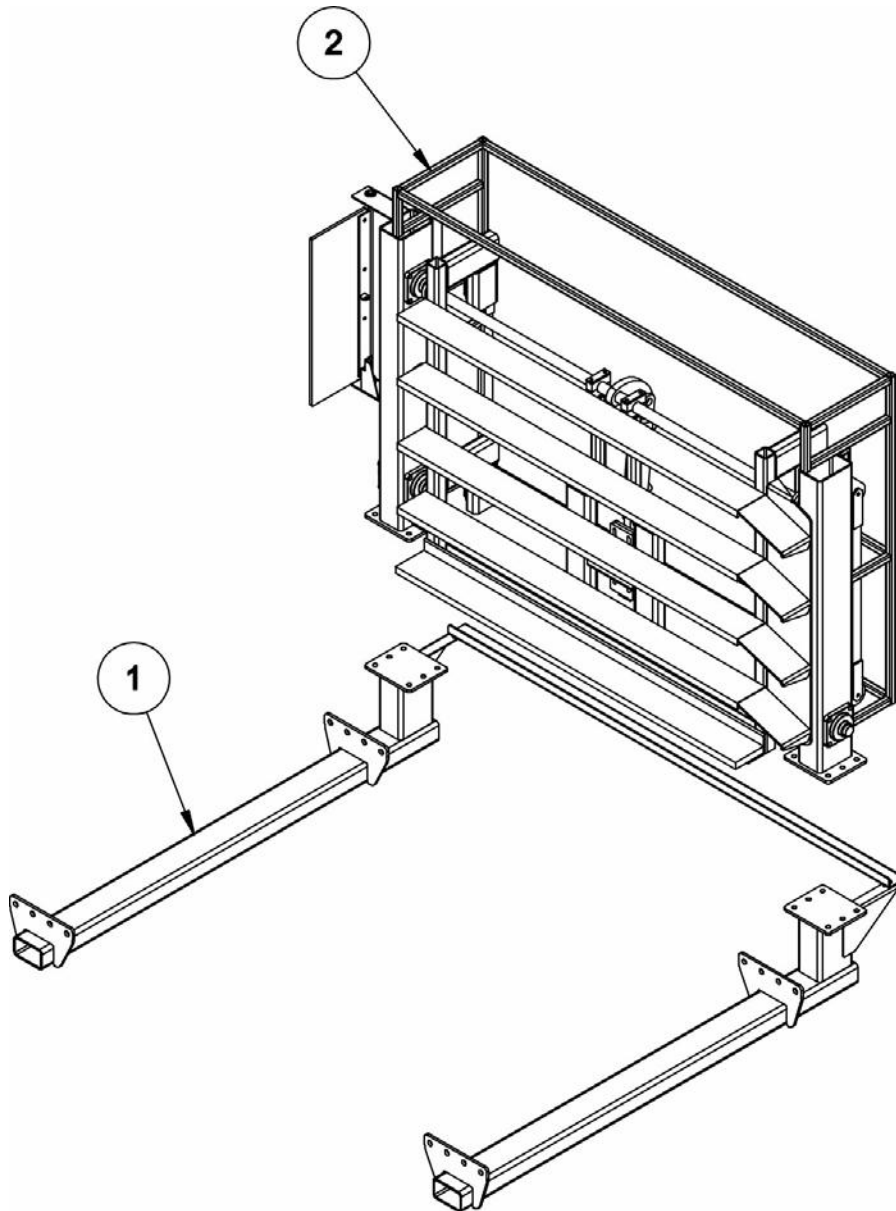
Contents

Door Closer and Mount Assembly-----	2
Hydraulic Door Closer (STD.)-----	4



Cage Unloading System

DOOR CLOSER AND MOUNT ASSEMBLY (091-21677B)



LEFT HAND SIDE SYSTEM SHOWN



Cage Unloading System

DOOR CLOSER AND MOUNT ASSEMBLY (091-21677B)

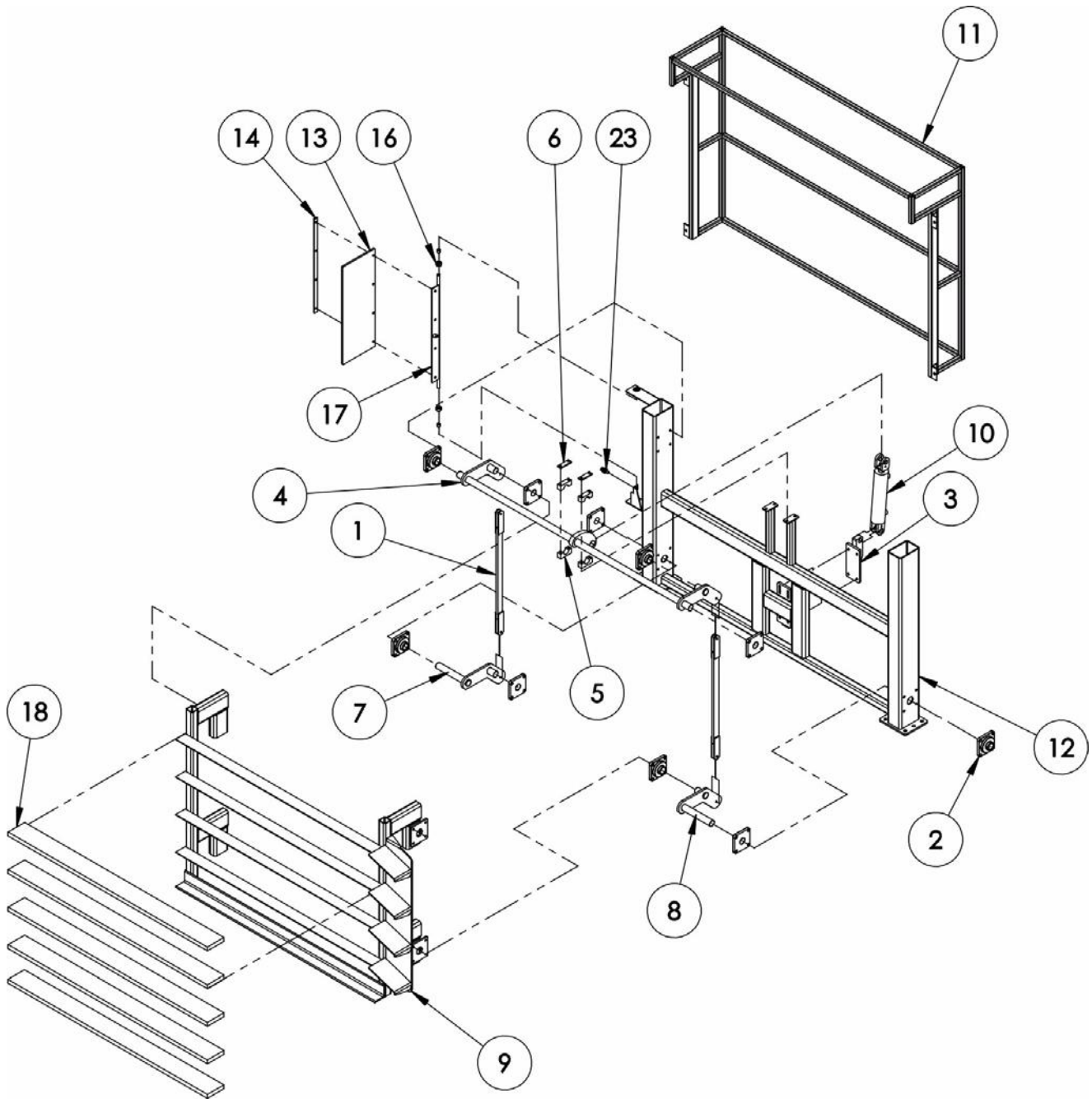
ITEM	PART NUMBER	DESCRIPTION	QTY	MODEL Or SERIAL #
1	091-21601	DOOR CLOSER SUPPORT	1	
2	010-00160BL	*HYDRAULIC DOOR CLOSER (FOR STD. LHS SYSTEM)	1	
	010-00160BR	*HYDRAULIC DOOR CLOSER (FOR STD. RHS SYSTEM)	1	

* SEE NEXT PAGE.



Cage Unloading System

HYDRAULIC DOOR CLOSER (STD.) (010-00160B)



LEFT HAND SIDE SYSTEM SHOWN



Cage Unloading System

HYDRAULIC DOOR CLOSER (STD.) (010-00160B)

ITEM	PART NUMBER	DESCRIPTION	QTY	MODEL Or SERIAL #
1	091-21603	DOOR CLOSER TIE ROD ASSEMBLY	2	
2	030-00018	FLANGE BEARING 1-7/16"	10	
3	010-00040	CYLINDER ADJUSTMENT ASSEMBLY	1	
4	010-00161	MAIN LIFT SHAFT ASSEMBLY	1	
5	010-00163	UHMW BEARING (TOP AND BOTTOM HALVES)	2	
6	410-00322	UHMW BEARING CAP	2	
7	091-00341R	LOWER STUB SHAFT ASSEMBLY	1	
8	091-00341L	LOWER STUB SHAFT ASSEMBLY	1	
9	091-21605L	LIFT FRAME ASSEMBLY (LEFT HAND SIDE SYSTEM)	1	
	091-21605R	LIFT FRAME ASSEMBLY (RIGHT HAND SIDE SYSTEM)	1	
	091-21608L	LIFT FRAME ASSEMBLY FOR 4 HIGH CAGE (LEFT HAND SIDE SYSTEM)	1	
	091-21608R	LIFT FRAME ASSEMBLY FOR 4 HIGH CAGE (RIGHT HAND SIDE SYSTEM)	1	
10	170-00002	DOOR CLOSER LIFT CYLINDER	1	
	630-00022	SEAL KIT FOR CYLINDER	1	
11	091-21604	DOOR CLOSER SAFETY GUARD	1	
12	091-21606BL	DOOR CLOSER MAIN FRAME (LEFT HAND SIDE SYSTEM)	1	
	091-21606BR	DOOR CLOSER MAIN FRAME (RIGHT HAND SIDE SYSTEM)	1	
13	410-00030	DOOR CLOSER PADDLE	1	
14	091-20614	PADDLE ATTACHMENT STRAP CAP	1	
16	091-20560	5/8" STOP COLLAR	2	
17	091-21607	PADDLE ROD ASSEMBLY	1	
18	410-00062	THERMOPLASTIC WEAR PAD	5	
23	091-20352	PROXIMITY SENSOR 18MM 24V	1	
24	410-00324	PADDLE SPRING (NOT SHOWN)	1	



Cage Unloading System



Cage Unloading System

Section 9

Lay Ins

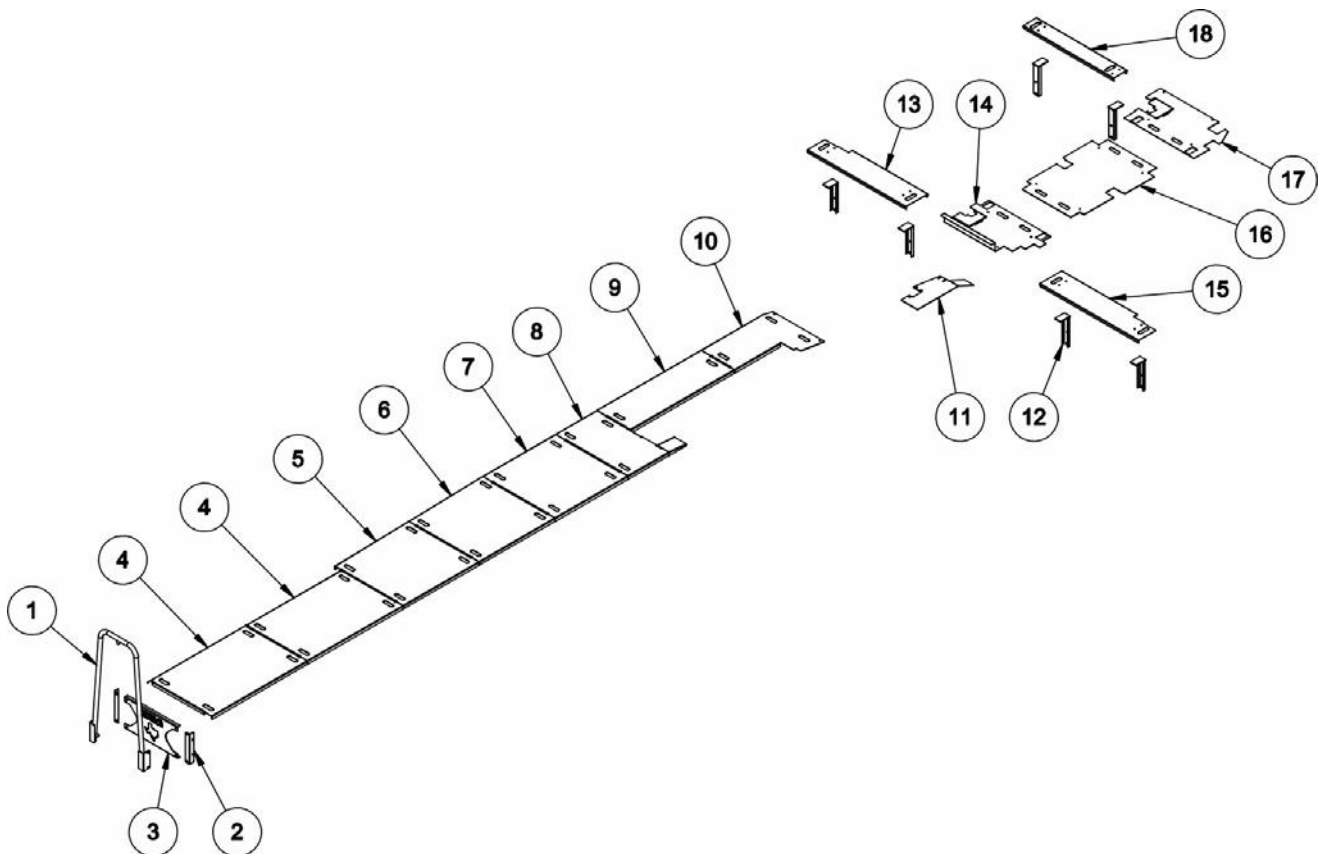
Contents

Lay Ins for system with washer & door closer -----	2
Lay Ins for system with door closer -----	4
Lay Ins for system without door closer -----	6



Cage Unloading System

LAY IN KIT FOR SYSTEM WITH WASHER AND DOOR CLOSER
(091-21839)



ITEM	PART NUMBER	DESCRIPTION	QTY	MODEL Or SERIAL #
1	091-21825	END RAIL ASSEMBLY		
2	091-20369.1	X-BRACE SUPPORT (RIGHT SIDE)		
	091-20369.2	X-BRACE SUPPORT (LEFT SIDE)		
3	091-20367A	CONVEYOR X- BRACE		
4	091-20512L	END CONVEYOR LAY IN (LEFT HAND SIDE SYSTEM)		
	091-20512R	END CONVEYOR LAY IN (RIGHT HAND SIDE SYSTEM)		
5	091-20587L	SECOND TAPERED LAY IN (LEFT HAND SIDE SYSTEM)		
	091-20587R	SECOND TAPERED LAY IN (RIGHT HAND SIDE SYSTEM)		
6	091-20588L	FIRST TAPERED LAY IN (LEFT HAND SIDE SYSTEM)		
	091-20588R	FIRST TAPERED LAY IN (RIGHT HAND SIDE SYSTEM)		
7	091-20832L	EXTRA LAY IN FOR EXTEND CONVEYORS (LEFT HAND SIDE SYSTEM)		
	091-20832R	EXTRA LAY IN FOR EXTEND CONVEYORS (RIGHT HAND SIDE SYSTEM)		

LEFT HAND SIDE SYSTEM 30' CONVEYORS SHOWN



Cage Unloading System

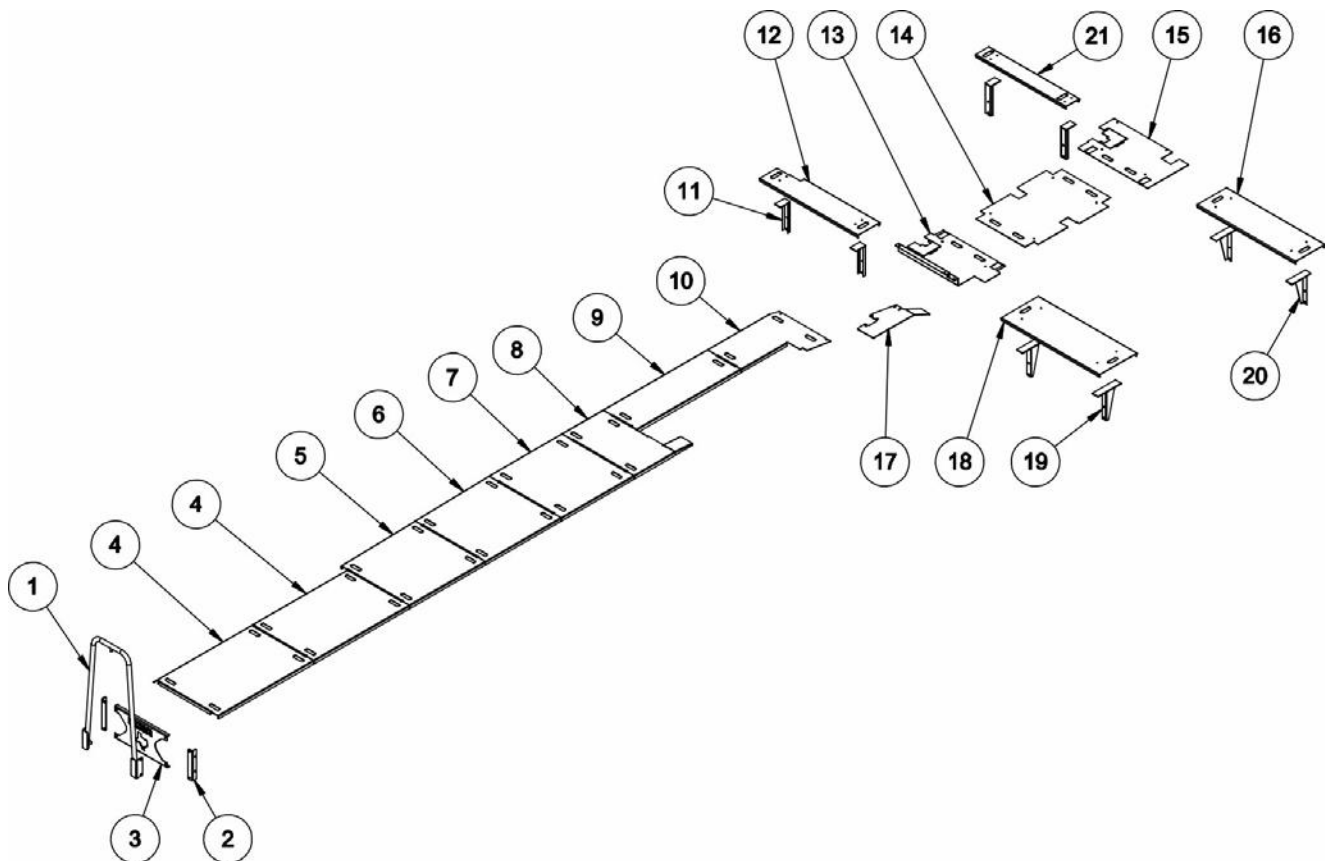
LAY IN KIT FOR SYSTEM WITH WASHER AND DOOR CLOSER (091-21839)

ITEM	PART NUMBER	DESCRIPTION	QTY	MODEL Or SERIAL #
8	091-21845L	SIXTH LAY IN WITH DOOR RAMP (LEFT HAND SIDE SYSTEM) (EXTENDED CONVEYOR)		
	091-21845R	SIXTH LAY IN WITH DOOR RAMP (RIGHT HAND SIDE SYSTEM) (EXTENDED CONVEYOR)		
	091-21842L	SIXTH LAY IN WITH DOOR RAMP (LEFT HAND SIDE SYSTEM) (20' CONVEYORS)		
	091-21842R	SIXTH LAY IN WITH DOOR RAMP (RIGHT HAND SIDE SYSTEM) (20' CONVEYORS)		
9	091-21831L	FIFTH LAY IN (LEFT HAND SIDE SYSTEM) (EXTENDED CONVEYORS)		
	091-21831R	FIFTH LAY IN (RIGHT HAND SIDE SYSTEM) (EXTENDED CONVEYORS)		
	091-20510L	FIFTH LAY IN (LEFT HAND SIDE SYSTEM) (20' CONVEYORS)		
	091-20510R	FIFTH LAY IN (RIGHT HAND SIDE SYSTEM) (20' CONVEYORS)		
10	091-20509L	FOURTH LAY IN W DOOR CLOSER (LEFT SIDE SYSTEM)		
	091-20509R	FOURTH LAY IN W DOOR CLOSER (RIGHT SIDE SYSTEM)		
11	091-20504L	DOOR RAMP (LEFT HAND SIDE SYSTEM)		
	091-20504R	DOOR RAMP (RIGHT HAND SIDE SYSTEM)		
12	091-21838	LAY-IN MOUNT	6	
13	091-20534.1	DUMPER LAY-IN	1	
	091-20534.2	DUMPER LAY-IN	1	
14	091-21824L	THIRD LAY-IN WITH WASHER WELDMENT (LEFT HAND SIDE SYSTEM)	1	
	091-21824R	THIRD LAY-IN WITH WASHER WELDMENT (RIGHT HAND SIDE SYSTEM)	1	
15				
16	091-21843	SECOND LAY-IN (SAME FOR LEFT HAND OR RIGHT HAND SYSTEM)		
17	091-21822R	FIRST LAY-IN WITH WASHER WELDMENT (RIGHT HAND SIDE SYSTEM)	1	
18	091-20575	BACK DUMPER LAY-IN	1	



Cage Unloading System

LAY IN KIT FOR SYSTEM WITH DOOR CLOSER (091-21840)



ITEM	PART NUMBER	DESCRIPTION	QTY	MODEL Or SERIAL #
1	091-21825	END RAIL ASSEMBLY		
2	091-20369.1	X-BRACE SUPPORT (RIGHT SIDE)		
	091-20369.2	X-BRACE SUPPORT (LEFT SIDE)		
3	091-20367A	CONVEYOR X- BRACE		
4	091-20512L	END CONVEYOR LAY IN (LEFT HAND SIDE SYSTEM)		
	091-20512R	END CONVEYOR LAY IN (RIGHT HAND SIDE SYSTEM)		
5	091-20587L	SECOND TAPERED LAY IN (LEFT HAND SIDE SYSTEM)		
	091-20587R	SECOND TAPERED LAY IN (RIGHT HAND SIDE SYSTEM)		
6	091-20588L	FIRST TAPERED LAY IN (LEFT HAND SIDE SYSTEM)		
	091-20588R	FIRST TAPERED LAY IN (RIGHT HAND SIDE SYSTEM)		
7	091-20832L	EXTRA LAY IN FOR EXTEND CONVEYORS (LEFT HAND SIDE SYSTEM)		
	091-20832R	EXTRA LAY IN FOR EXTEND CONVEYORS (RIGHT HAND SIDE SYSTEM)		

LEFT HAND SIDE SYSTEM 30' CONVEYORS SHOWN



Cage Unloading System

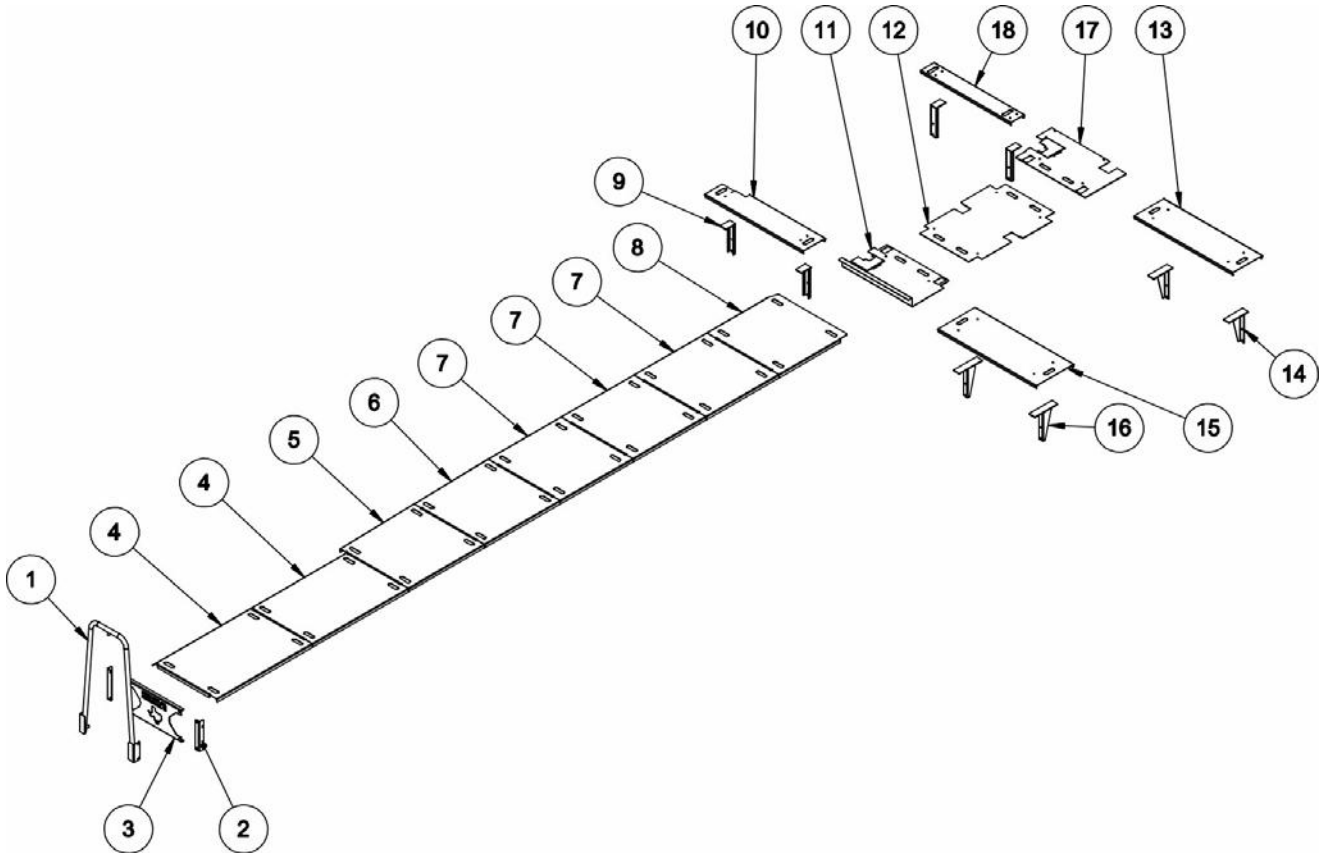
LAY IN KIT FOR SYSTEM WITH DOOR CLOSER (091-21840)

ITEM	PART NUMBER	DESCRIPTION	QTY	MODEL Or SERIAL #
8	091-21845L	SIXTH LAY IN WITH DOOR RAMP (LEFT HAND SIDE SYSTEM) (EXTENDED CONVEYOR)		
	091-21845R	SIXTH LAY IN WITH DOOR RAMP (RIGHT HAND SIDE SYSTEM) (EXTENDED CONVEYOR)		
	091-21842L	SIXTH LAY IN WITH DOOR RAMP (LEFT HAND SIDE SYSTEM) (20' CONVEYORS)		
	091-21842R	SIXTH LAY IN WITH DOOR RAMP (RIGHT HAND SIDE SYSTEM) (20' CONVEYORS)		
9	091-20831L	FIFTH LAY IN (LEFT HAND SIDE SYSTEM) (EXTENDED CONVEYORS)		
	091-20831R	FIFTH LAY IN (RIGHT HAND SIDE SYSTEM) (EXTENDED CONVEYORS)		
	091-20510L	FIFTH LAY IN (LEFT HAND SIDE SYSTEM) (20' CONVEYORS)		
	091-20510R	FIFTH LAY IN (RIGHT HAND SIDE SYSTEM) (20' CONVEYORS)		
10	091-20509L	FOURTH LAY IN W DOOR CLOSER (LEFT SIDE SYSTEM)		
	091-20509R	FOURTH LAY IN W DOOR CLOSER (RIGHT SIDE SYSTEM)		
11	091-21838	LAY-IN MOUNT 3	4	
12	091-20534.1	DUMPER LAY-IN (LEFT HAND SIDE SYSTEM)	1	
	091-20534.2	DUMPER LAY-IN (RIGHT HAND SIDE SYSTEM)	1	
13	091-21823L	THIRD LAY-IN WITHOUT WASHER WELDMENT (LEFT HAND SIDE SYSTEM)	1	
	091-21823R	THIRD LAY-IN WITHOUT WASHER WELDMENT (RIGHT HAND SIDE SYSTEM)	1	
14	091-21843	SECOND LAY-IN (SAME RIGHT OR LEFT SYSTEM)	1	
15	091-21834L	FIRST LAY-IN WITHOUT WASHER WELDMENT (LEFT HAND SIDE SYSTEM)	1	
	091-21834R	FIRST LAY-IN WITHOUT WASHER WELDMENT (RIGHT HAND SIDE SYSTEM)	1	
16	091-20577	DUMPER LAY-IN (SAME RIGHT OR LEFT SYSTEM)	1	
17	091-20504L	DOOR RAMP (LEFT HAND SIDE SYSTEM)		
	091-20504R	DOOR RAMP (RIGHT HAND SIDE SYSTEM)		
18	091-20576	DUMPER LAY-IN (SAME RIGHT OR LEFT SYSTEM)	1	
19	091-21836	LAY-IN MOUNT 1	2	
20	091-21837	LAY-IN MOUNT 2	2	
21	091-20575	BACK DUMPER LAY-IN	1	



Cage Unloading System

LAY IN KIT FOR SYSTEM WITHOUT DOOR CLOSER (091-21841)



LEFT HAND SIDE SYSTEM 30' CONVEYORS SHOWN



Cage Unloading System

LAY IN KIT FOR SYSTEM WITHOUT DOOR CLOSER (091-21841)

ITEM	PART NUMBER	DESCRIPTION	QTY	MODEL Or SERIAL #
1	091-21825	END RAIL ASSEMBLY		
2	091-20369.1	X-BRACE SUPPORT (RIGHT SIDE)		
3	091-20367A	CONVEYOR X- BRACE		
4	091-20512L	END CONVEYOR LAY IN (LEFT HAND SIDE SYSTEM)		
	091-20512R	END CONVEYOR LAY IN (RIGHT HAND SIDE SYSTEM)		
5	091-20587L	SECOND TAPERED LAY IN (LEFT HAND SIDE SYSTEM)		
	091-20587R	SECOND TAPERED LAY IN (RIGHT HAND SIDE SYSTEM)		
6	091-20588L	FIRST TAPERED LAY IN (LEFT HAND SIDE SYSTEM)		
	091-20588R	FIRST TAPERED LAY IN (RIGHT HAND SIDE SYSTEM)		
7	091-20832L	EXTRA LAY IN FOR EXTEND CONVEYORS (LEFT HAND SIDE SYSTEM)		
	091-20832R	EXTRA LAY IN FOR EXTEND CONVEYORS (RIGHT HAND SIDE SYSTEM)		
8	091-20589L	FOURTH LAY IN WITH OUT DOOR CLOSER (LEFT HAND SIDE SYSTEM)		
	091-20589R	FOURTH LAY IN WITH OUT DOOR CLOSER (RIGHT HAND SIDE SYSTEM)		
9	091-21838	LAY-IN MOUNT 3	4	
10	091-20534.1	DUMPER LAY-IN (LEFT HAND SIDE SYSTEM)	1	
	091-20534.2	DUMPER LAY-IN (RIGHT HAND SIDE SYSTEM)	1	
11	091-21835L	THIRD LAY-IN WITHOUT DOOR CLOSER WELDMENT (LEFT HAND SIDE SYSTEM)	1	
	091-21835R	THIRD LAY-IN WITHOUT DOOR CLOSER WELDMENT (RIGHT HAND SIDE SYSTEM)	1	
12	091-21843	SECOND LAY-IN SAME RIGHT OR LEFT SYSTEM)	1	
13	091-20577	DUMPER LAY-IN (SAME RIGHT OR LEFT SYSTEM)	1	
14	091-21837	LAY-IN MOUNT 2	2	
15	091-20576	DUMPER LAY-IN (SAME RIGHT OR LEFT SYSTEM)	1	
16	091-21836	LAY-IN MOUNT 1	2	
17	091-21834L	FIRST LAY-IN WITHOUT WASHER WELDMENT (LEFT HAND SIDE SYSTEM)	1	
	091-21834R	FIRST LAY-IN WITHOUT WASHER WELDMENT (RIGHT HAND SIDE SYSTEM)	1	
18	091-20575	BACK DUMPER LAY-IN	1	



Cage Unloading System



Cage Unloading System

Section 10

Hydraulic Components

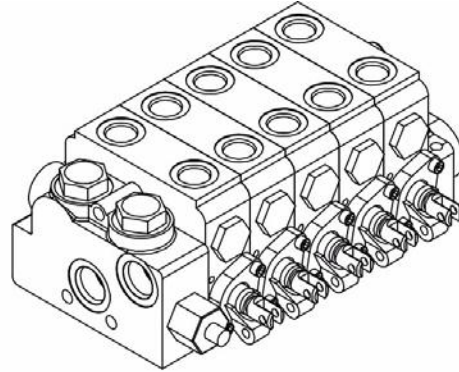
Contents

Hydraulic Control Valves (Manual) -----	2
Standard Manifold and Electric Valve -----	4
Standard Manifold Assembly with D07 Safety valves -----	6
Fuse and Relay Box-----	8
Hydraulic Door Closer Circuit -----	10
Incoming Rollers Circuit -----	12
Outgoing Rollers Circuit -----	14
Safety Arm Circuit -----	16
Cradle Tilt Circuit-----	18
Transfer Chain Circuit -----	20
Rigid Piping and Support -----	22
Anti-Shake System Assembly -----	24
Belt Drive Circuit -----	26

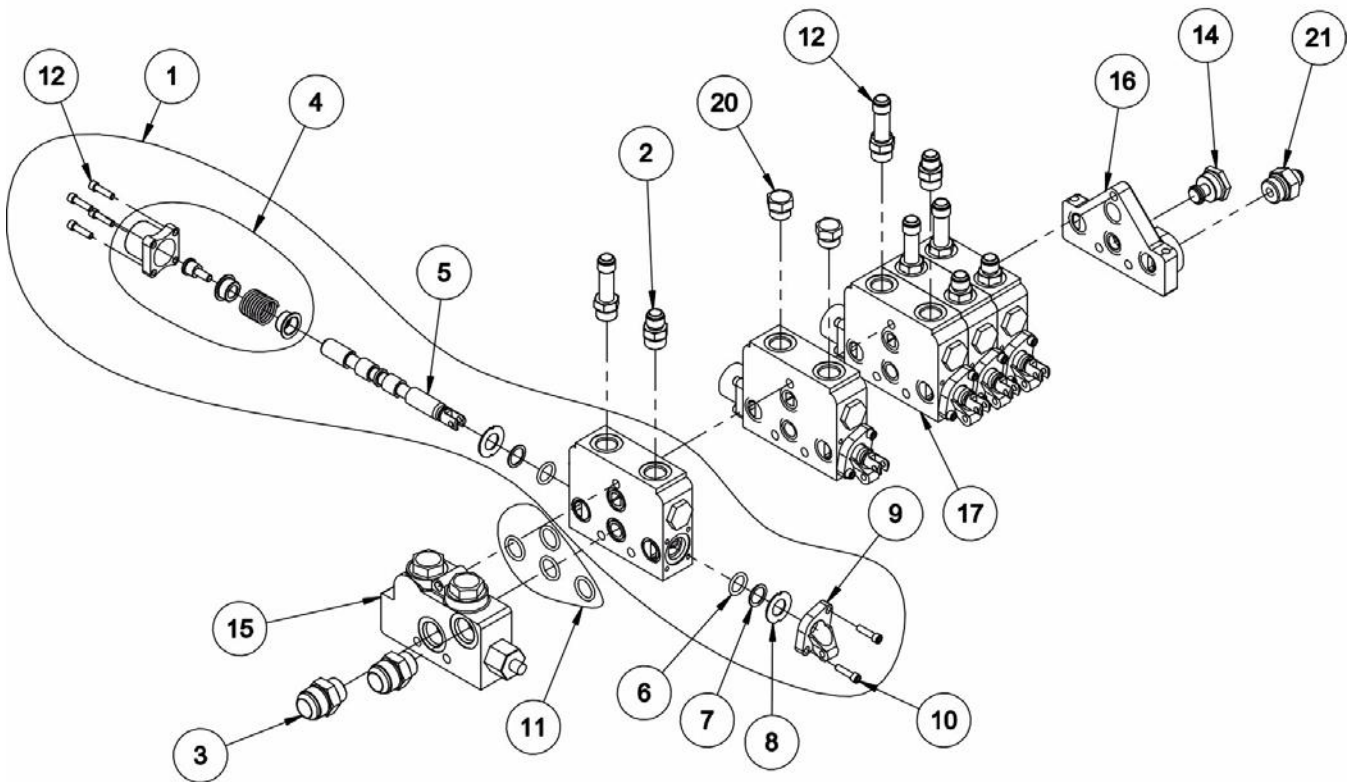


Cage Unloading System

HYDRAULIC CONTROL VALVE (091-23119) (5 Sections Assy)



V20 AS RECEIVED
(NO FITTINGS)
810-00080





Cage Unloading System

HYDRAULIC CONTROL VALVE (091-23119) (5 Sections Assy)

ITEM	PART NUMBER	DESCRIPTION	QTY	MODEL Or SERIAL #
1	810-00013	V20 WORK SECTION (3 POSITION, 4 WAY)	-	
	630-00015	COMPLETE SEAL KIT FOR WORK SECTION	1	
2	330-00036	STRAIGHT ADAPTOR SAE #10 MALE X JIC #8 MALE	4	
3	330-00038	STRAIGHT ADAPTOR SAE #12 MALE X JIC #16 MALE	2	
4	810-00128	END CUP WITH SPOOL POSITIONER	-	
5	-	VALVE SPOOL	-	
6	-	SPOOL O-RING	-	
7	-	BACK-UP RING	-	
	630-00017	SPOOL SEAL KIT (INCLUDES 2 EACH OF ITEM 6 & 7)		
8	-	WASHER	-	
9	810-00062	HANDLE BRACKET	-	
10		1/4-20 X 7/8" LONG SOCKET HEAD CAP SCREW	-	
11	630-00018	SEAL KIT	-	
12	330-00772	LONG STRAIGHT ADAPTOR SAE #10 MALE X JIC #8 MALE	4	
13	810-00136	BOLT KIT FOR FIVE SECTION V20 (NOT SHOWN)	-	
14	810-00143	OUTLET COVER CENTER PLUG	-	
15	-	V20 INLET COVER	-	
16	-	V20 OUTLET COVER	-	
17	810-00014	V20 WORK SECTION WITH MOTOR SPOOL FOR CRADLE TILT	-	
18	810-00080	COMPLETE 5 SECTION V20 AS SHIPPED (NO FITTINGS)	1	
19	330-00049	HEX HEAD PLUG SAE #12	1	
20	330-00048	HEX HEAD PLUG SAE #10	2	
21	330-00039	STRAIGHT ADAPTER SAE #12 MALE X JIC #8 MALE	1	

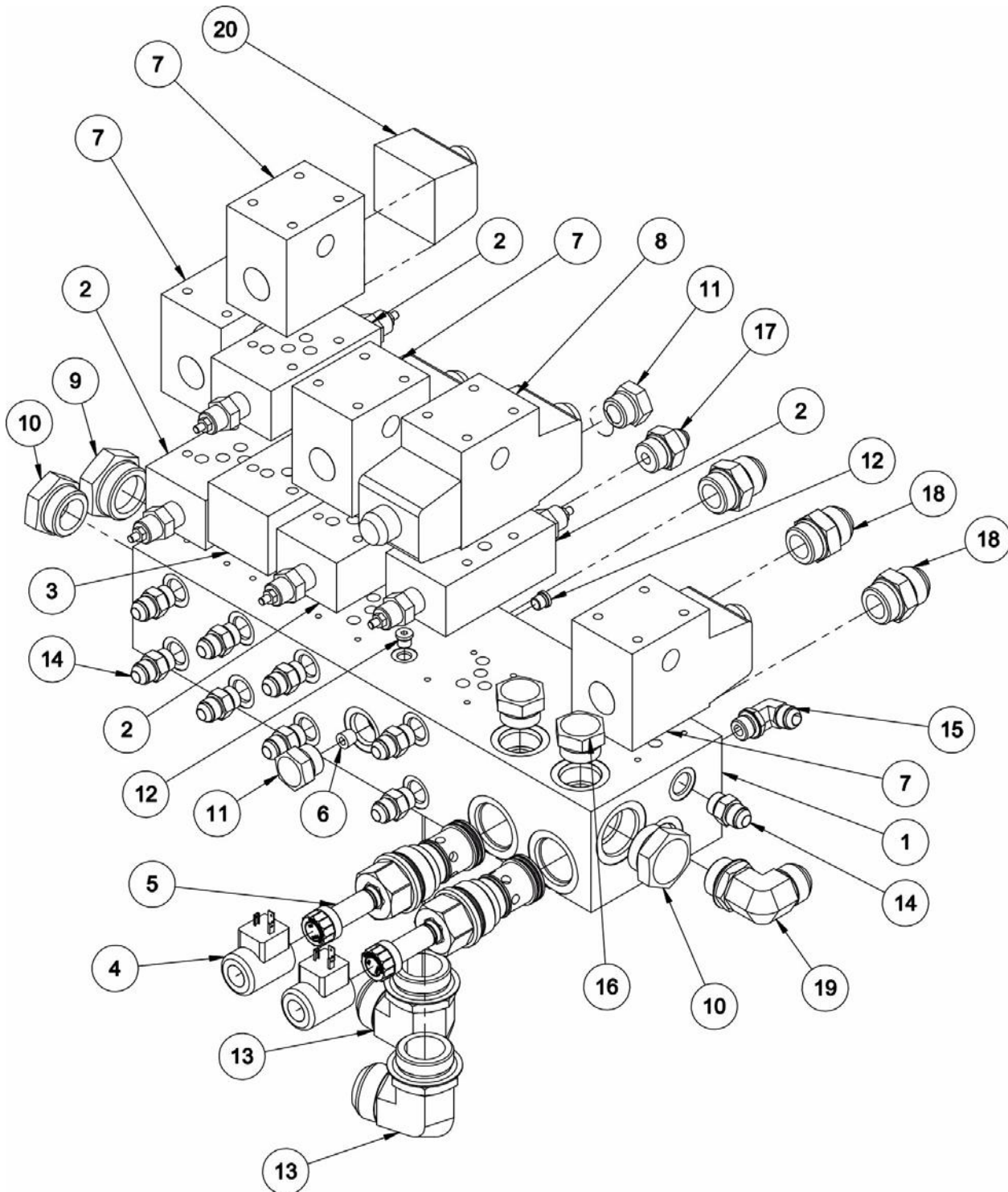
Note: 630-00015 includes the o-rings to completely rebuild one valve section. The kit includes the o-rings shown in 630-00018 (Item 11) plus spool o-rings (Item 6), load check valve o-rings, and load check valve back up rings. 630-00018 includes only the o-rings between the sections (shown in Item 11).

Enough o-rings are included for one valve section or an outlet cover.



Cage Unloading System

STD. MANIFOLD & ELECTRIC VALVES (091-23103)



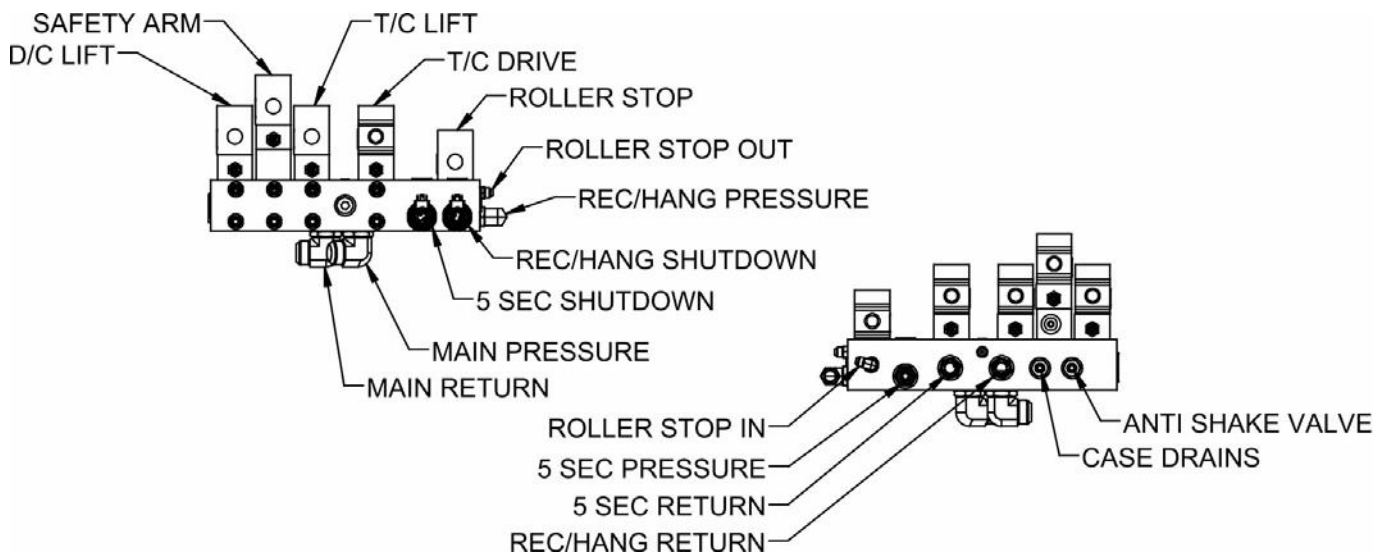


Cage Unloading System

STD. MANIFOLD & ELECTRIC VALVES (091-23103)

ITEM	PART NUMBER	DESCRIPTION	QTY	MODEL Or SERIAL #
1	091-20655	STD UNLOADING SYSTEM MANIFOLD	1	
2	810-00192	VICKERS FLOW CONTROL VALVE	4	
3	810-00227	VICKERS PRESSURE REDUCING VALVE	1	
4	091-20315	COIL	2	
5	091-20317	CARTRIDGE VALVE	2	
6	091-20665	1/32" ORIFICE FOR MANIFOLD	1	
7	810-00185	VICKERS ELECTRIC SOLENOID VALVE-SINGLE	4	
8	810-00189	VICKERS ELECTRIC SOLENOID VALVE-DUAL	1	
9	330-00050.1	HEX HEAD PLUG SAE #24	1	
10	330-00050	HEX HEAD PLUG SAE #20	2	
11	330-00049	HEX HEAD PLUG SAE #12	2	
12	330-00619	SAE #4 PLUG	2	
13	330-00777	90° ADAPTER SAE #24 MALE X JIC #24 MALE	2	
14	330-00046	STRAIGHT ADAPTOR SAE #8 MALE X JIC #8 MALE	9	
15	330-00115	90° ADAPTER SAE #8 MALE X JIC #8 MALE	1	
16	330-00049.1	HEX HEAD PLUG SAE #16	2	
17	330-00039	STRAIGHT ADAPTER SAE #12 MALE X JIC #8 MALE	1	
18	330-00237	STRAIGHT ADAPTOR SAE #16 MALE X JIC #16 MALE	3	
19	330-00111	90° ADAPTER SAE #16 MALE X JIC #16 MALE	1	
20	810-00213	VICKERS SOLENOID VALVE COIL	1	
21	210-00239	*BOLT FOR SINGLE VALVE 1-3/4 LONG (NOT SHOWN)	4	
22	210-00241	*BOLT FOR VALVE WITH FLOW CONTROL 3-1/2" LONG (NOT SHOWN)	12	
23	210-00242.6	*BOLT FOR VALVE WITH FLOW CONTROL AND PRESSURE REDUCER 6" LONG (NOT SHOWN)	4	

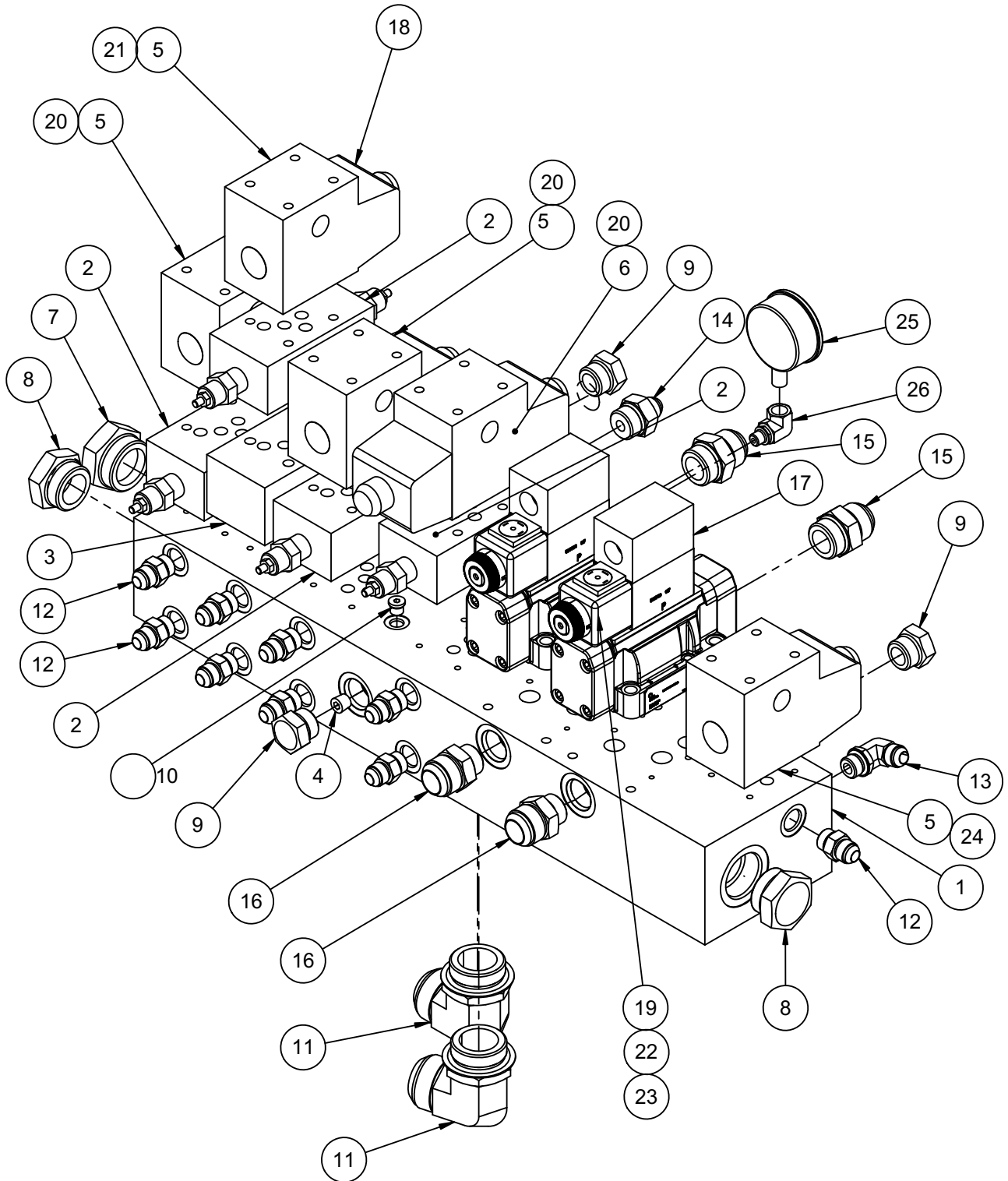
NOTE: * NOT SHOWN.





Cage Unloading System

STD. MANIFOLD ASS. WITH D07 SAFETY VALVES (091-23125)

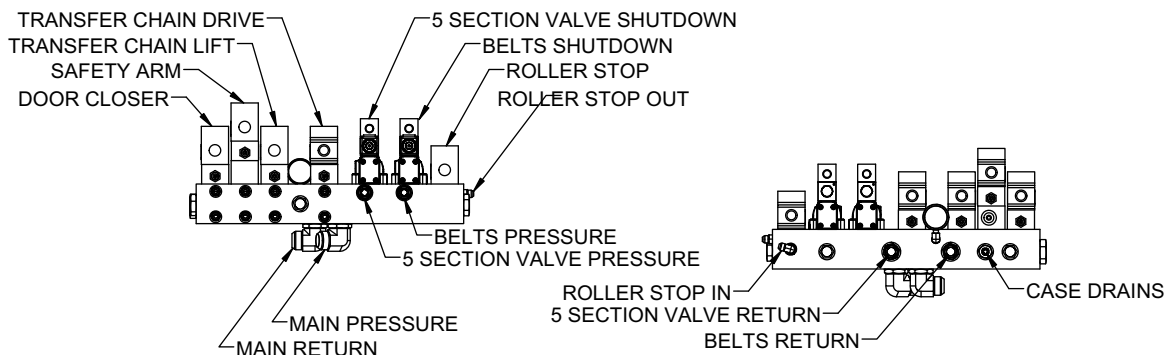




Cage Unloading System

STD. MANIFOLD ASS. WITH D07 SAFETY VALVES (091-23125)

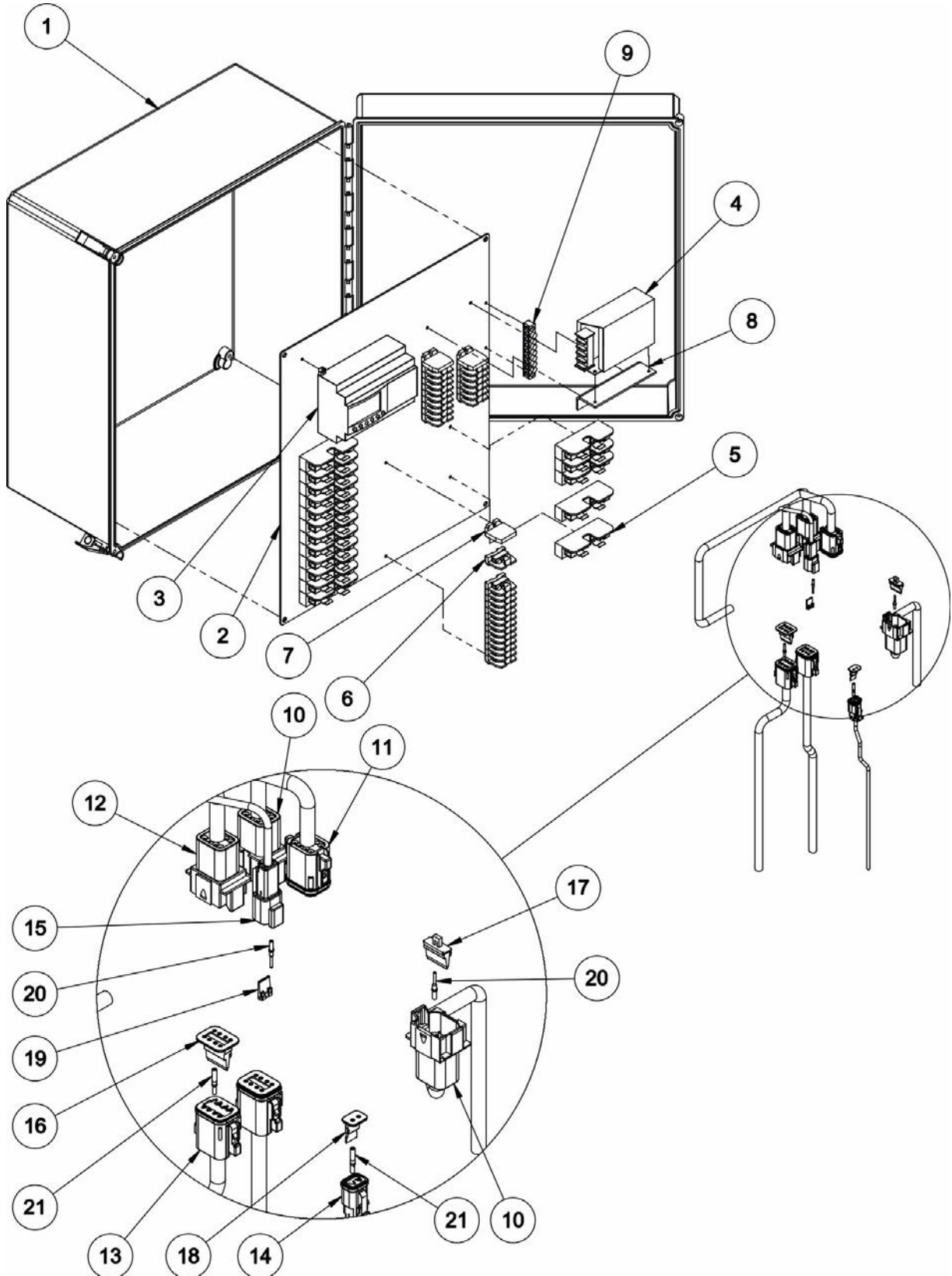
ITEM	PART NUMBER	DESCRIPTION	QTY	MODEL Or SERIAL #
1	091-24072	STD UNLOADING SYSTEM MANIFOLD (DO7 VALVES)	1	
2	810-00192	VICKERS FLOW CONTROL VALVE	4	
3	810-00227	VICKERS PRESSURE REDUCING VALVE	1	
4	091-20665	1/32" ORIFICE FOR MANIFOLD	1	
5	810-00185	VICKERS ELECTRIC SOLENOID VALVE-SINGLE	4	
6	810-00189	VICKERS ELECTRIC SOLENOID VALVE-DUAL	1	
7	330-00050.1	HEX HEAD PLUG SAE #24	1	
8	330-00050	HEX HEAD PLUG SAE #20	2	
9	330-00049	HEX HEAD PLUG SAE #12	3	
10	330-00619	SAE #4 PLUG	1	
11	330-00777	90° ADAPTER SAE #24 MALE X JIC #24 MALE	2	
12	330-00046	STRAIGHT ADAPTOR SAE #8 MALE X JIC #8 MALE	9	
13	330-00115	90° ADAPTER SAE #8 MALE X JIC #8 MALE	1	
14	330-00039	STRAIGHT ADAPTER SAE #12 MALE X JIC #8 MALE	1	
15	330-00237	STRAIGHT ADAPTOR SAE #16 MALE X JIC #16 MALE	2	
16	330-00038	STRAIGHT ADAPTOR SAE #12 MALE X JIC #16 MALE	2	
17	810-00249	DO7 SIZE VALVE FOR SHUT DOWN	2	
18	810-00213	COIL FOR D05 SIZE VALVE (SINGLE OR DUAL)	6	
19	810-00250	COIL FOR D07 SIZE VALVE	2	
20	REF	SOCKET HEAD CAP SCREW 1/4-20 X 3-1/2" LONG	12	
21	REF	SOCKET HEAD CAP SCREW 3/8-16 X 6" LONG	4	
22	REF	SOCKET HEAD CAP SCREW 3/8-16 X 1-1/2" LONG	4	
23	REF	SOCKET HEAD CAP SCREW 1/4-20 X 1-1/2" LONG	2	
24	REF	SOCKET HEAD CAP SCREW 3/8-16 X 1-3/4" LONG	4	
25	290-00001	PRESURE GAUGE 0-3000PSI	1	
26	330-00799	STRAIGHT THREAD ELBOW TO FEMALE NPT (ORB 04 TO 1/4 NPT)	1	





Cage Unloading System

FUSE AND RELAY BOX (091-21832)





Cage Unloading System

FUSE AND RELAY BOX (091-21832)

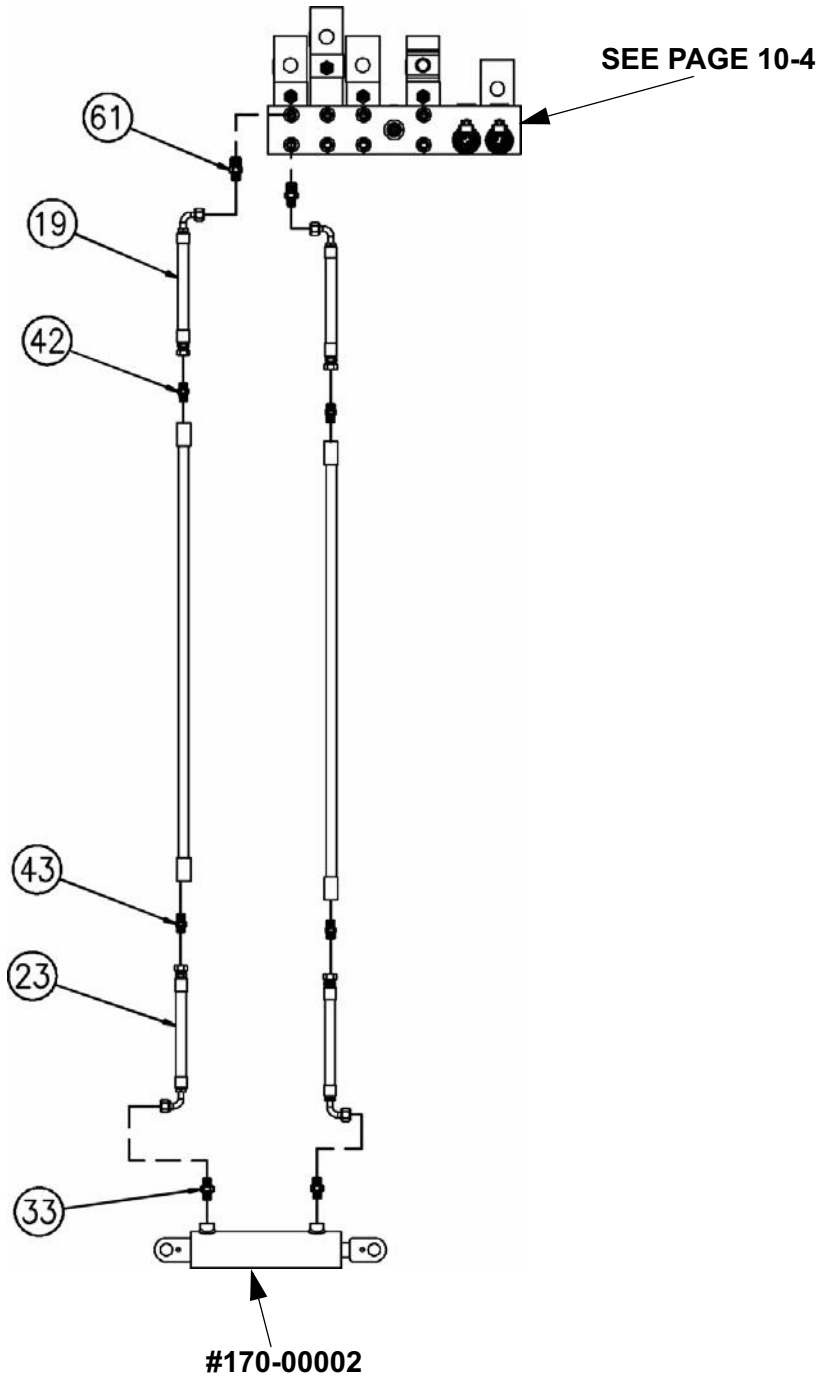
ITEM	PART NUMBER	DESCRIPTION	QTY	MODEL Or SERIAL #
1	190-00623	ELECTRONICS BOX	1	
2	091-20983	FUSE AND RELAY BOX BACK PANEL 1		
3	091-21961	SMART RELAY FOR LIFTING TRANSFER CHAINS	1	
4	190-00495	24V DC POWER SUPPLY	1	
5	190-00057	FUSE HOLDER	17	
6	190-00047	TERMINAL BLOCK	29	
7	190-00458	TERMINAL END SECTION	3	
8	091-20984	POWER SUPPLY BRACKET	1	
9	190-00091	GROUND BLOCK	1	
10	190-00553	GREY 8 PIN SOCKET (TYPE A)	2	
11	190-00555	GREY 8 PIN PLUG (TYPE A)	2	
12	190-00627	BLACK 8 PIN SOCKET (TYPE B)	1	
13	190-00589	BLACK 8 PIN PLUG (TYPE B)	1	
14	190-00557	2 PIN PLUG	1	
15	190-00559	2 PIN SOCKET	1	
16	190-00556	WEDGELOCK	3	
17	190-00554	WEDGELOCK	3	
18	190-00558	WEDGELOCK	1	
19	190-00560	WEDGELOCK	1	
20	190-00566	PIN	26	
21	190-00565	SOCKET	26	
22	190-00375	* 5A FUSE (NOT SHOWN)	12	
23	091-00356	* 10A FUSE (NOT SHOWN)	3	
24	190-00097	* 15A FUSE (NOT SHOWN)	1	
25	190-00625	* 1A FAST BLOW FUSE (NOT SHOWN)	1	

NOTE: * NOT SHOWN.



Cage Unloading System

STD HYDRAULIC DOOR CLOSER CIRCUIT





Cage Unloading System

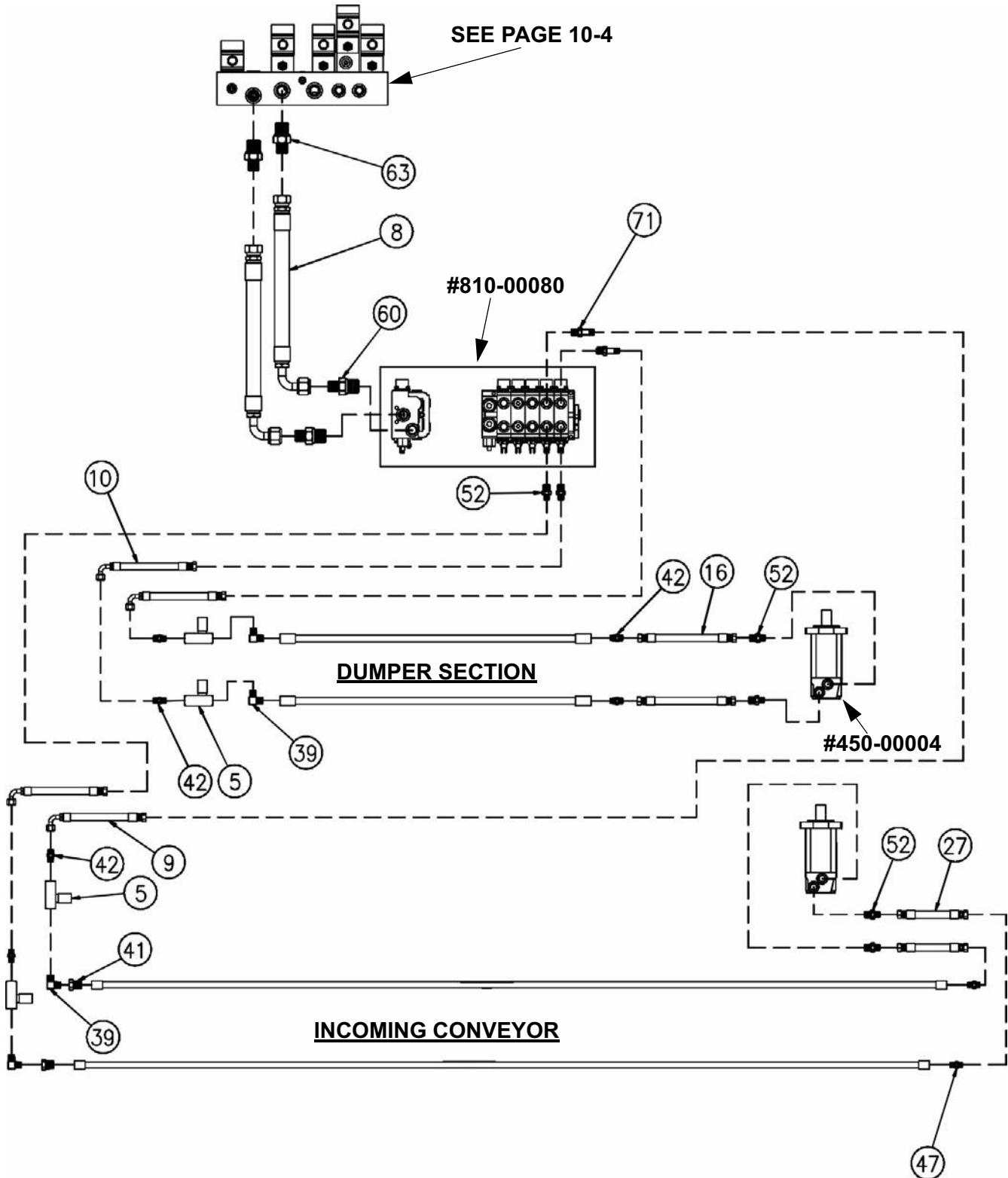
STD HYDRAULIC DOOR CLOSER CIRCUIT

ITEM	PART NUMBER	DESCRIPTION	QTY	MODEL Or SERIAL #
19	091-00390	1/2" X 26" STRAIGHT - 90° (PIPE TO X OVER UP/ VALVE TO S.A PIPE / VALVE TO D.C. PIPE)	9	
23	091-00394	3/8" X 74" STRAIGHT - 90° (PIPE TO DOOR CLOSER)	2	
33	330-00016	STRAIGHT ADAPTOR 3/8" MALE PIPE X JIC #6 MALE	2	
42	330-00020	STRAIGHT ADAPTOR 1/2" MALE PIPE X JIC #8 MALE	35	
43	330-00019	STRAIGHT ADAPTOR 1/2" MALE PIPE X JIC #6 MALE	5	
61	330-00046	STRAIGHT ADAPTOR SAE #8 MALE X JIC # 8 MALE	10	



Cage Unloading System

STD INCOMING ROLLERS CIRCUIT





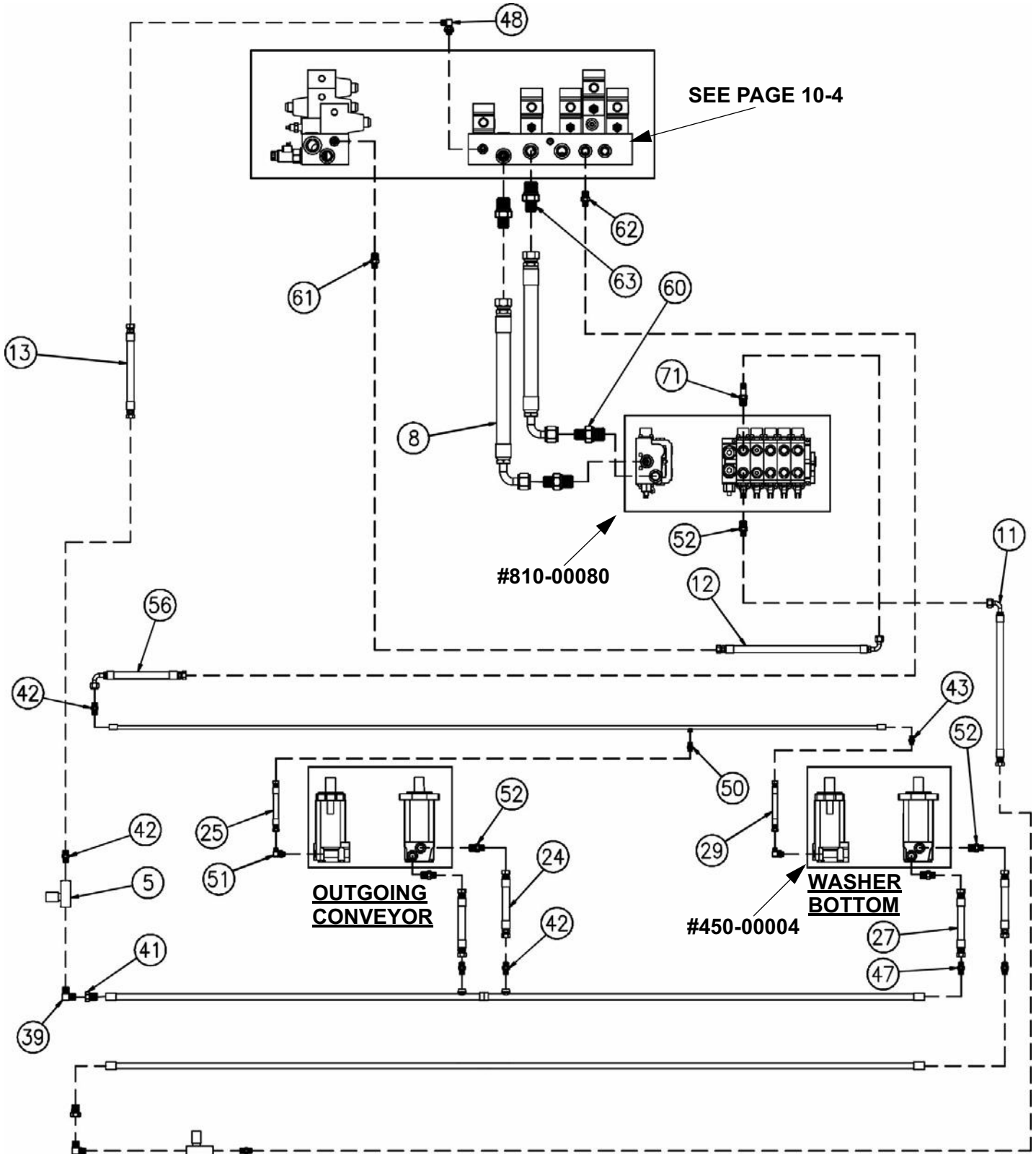
Cage Unloading System

STD INCOMING ROLLERS CIRCUIT

ITEM	PART NUMBER	DESCRIPTION	QTY	MODEL Or SERIAL #
5	330-00144	FLOW CONTROL VALVE	8	
8	091-00379	1" X 23" STRAIGHT - 90° (MANIFOLD TO FIVE SEC)	2	
9	091-00380	1/2" X 46" STRAIGHT - 90° (FIVE SEC TO INCOMING PIPE)	4	
10	091-00381	1/2" X 32" STRAIGHT - 90° (FIVE SEC TO DUMPER ROLL PIPE / PIPE TO X OVER DN)	6	
16	091-00387	1/2" X 25" STRAIGHT - STRAIGHT (PIPE TO DUMPER ROLLERS)	2	
27	091-00398	1/2" X 52" STRAIGHT - STRAIGHT (PIPE TO SECOND INCOMING/OUTGOING MOTOR)	4	
39	330-00083	90° ADAPTOR 1/2" MALE PIPE X 1/2" MALE PIPE	7	
41	330-00006	1/2" X 1" PIPE BUSHING	4	
42	330-00020	STRAIGHT ADAPTOR 1/2" MALE PIPE X JIC #8 MALE	35	
47	330-00006	STRAIGHT ADAPTOR 1" MALE PIPE X JIC #8 MALE	4	
52	330-00036	STRAIGHT ADAPTOR SAE #10 MALE X JIC #8 MALE	10	
60	330-00038	STRAIGHT ADAPTOR SAE #12 MALE X JIC #16 MALE (INCLUDED IN 5 SEC ASSY)	-	
63	330-00237	STRAIGHT ADAPTOR SAE #16 MALE X JIC #16 MALE (INCLUDED IN MANIFOLD ASSY)	-	
71	330-00772	LONG STRAIGHT ADAPTOR #10 SAE MALE X #8 JIC MALE (INCLUDED IN 5 SEC ASSY)	-	

Cage Unloading System

STD OUTGOING ROLLERS CIRCUIT





Cage Unloading System

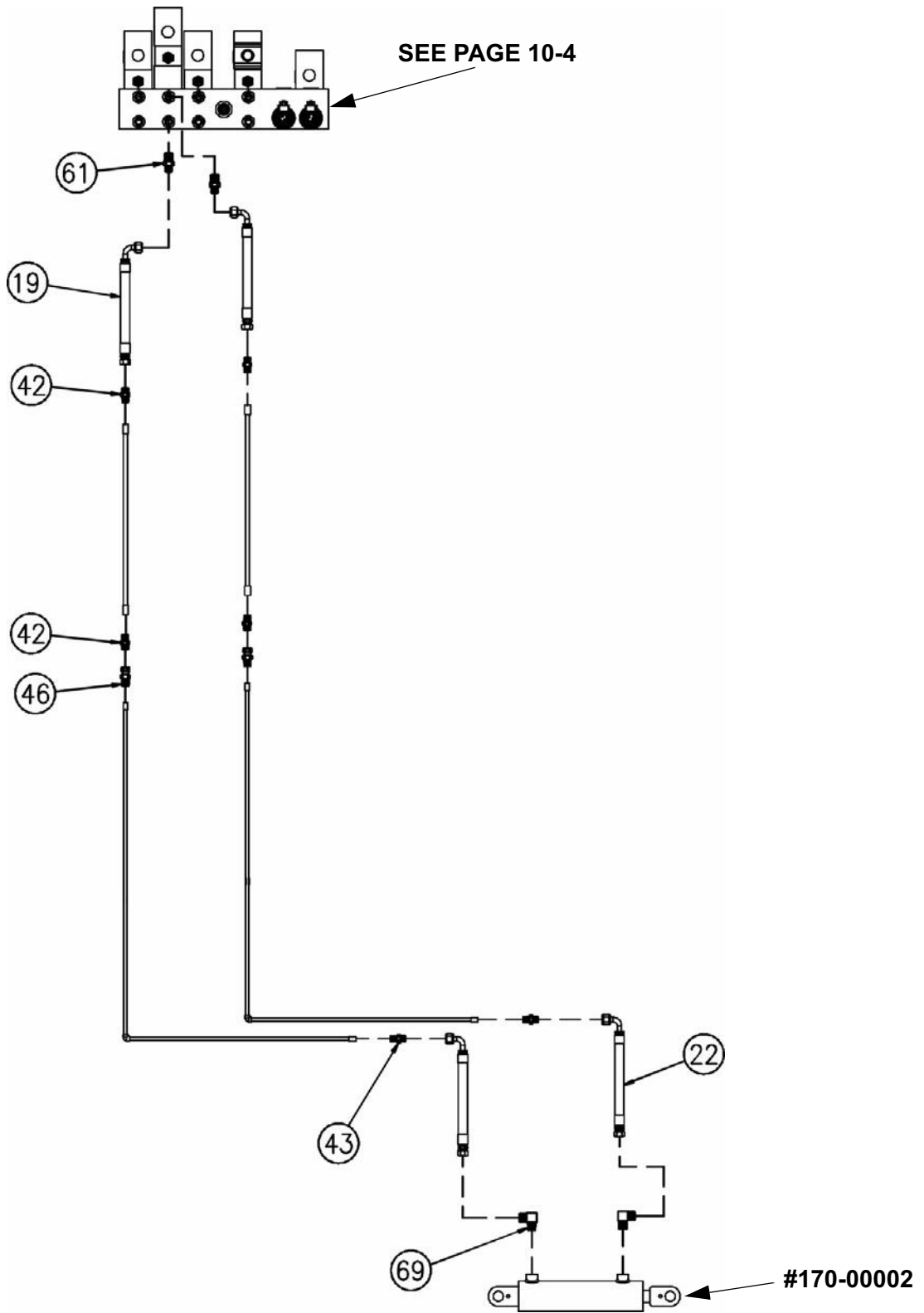
STD OUTGOING ROLLERS CIRCUIT

ITEM	PART NUMBER	DESCRIPTION	QTY	MODEL Or SERIAL #
5	330-00144	FLOW CONTROL VALVE	8	
8	091-00379	1" X 23" STRAIGHT - 90° (MANIFOLD TO FIVE SEC)	2	
11	091-00382	1/2" X 64" STRAIGHT - 90° (FIVE SEC TO OUTGOING PIPE)	1	
12	091-00383	1/2" X 36" STRAIGHT - 90° (FIVE SEC TO ROLLER STOP VALVE)	2	
13	091-00384	1/2" X 48" STRAIGHT - STRAIGHT (ROLLER STOP VALVE TO OUTGOING PIPE)	1	
24	091-00395	1/2" X 32" STRAIGHT - STRAIGHT (PIPE TO WASHER BOTTOM ROLLS)	2	
25	091-00396	1/4" X 28" STRAIGHT - STRAIGHT (WASHER BOTTOM ROLLS CASE DRAIN TO PIPE)	1	
27	091-00398	1/2" X 52" STRAIGHT - STRAIGHT (PIPE TO SECOND INCOMING/OUTGOING MOTOR)	4	
29	091-00400	3/8" X 60" STRAIGHT - STRAIGHT (SECOND INCOMING/OUTGONG MOTOR CASE DRAIN	1	
39	330-00083	90° ADAPTOR 1/2" MALE PIPE X 1/2" MALE PIPE	7	
41	330-00006	1/2" X 1" PIPE BUSHING	4	
42	330-00020	STRAIGHT ADAPTOR 1/2" MALE PIPE X JIC #8 MALE	35	
43	330-00019	STRAIGHT ADAPTOR 1/2" MALE PIPE X JIC #6 MALE	5	
47		STRAIGHT ADAPTOR 1" MALE PIPE X JIC #8 MALE	4	
48	330-00115	90° ADAPTOR SAE #8 MALE X JIC #8 MALE	5	
50	330-00014.1	STRAIGHT ADAPTOR 1/4 MALE PIPE X JIC #6 MALE	1	
51	330-00363	90° ADAPTOR SAE #4 MALE X JIC #6 MALE	2	
52	330-00036	STRAIGHT ADAPTOR SAE #10 MALE X JIC #8 MALE	10	
56	091-00403	1/2" X 79" STRAIGHT - 90° (CASE DRAIN PIPE TO MANIFOLD)	1	
60	330-00038	STRAIGHT ADAPTOR SAE #12 MALE X JIC #16 MALE (INCLUDED IN 5 SEC ASSY)	-	
61	330-00046	STRAIGHT ADAPTOR SAE #8 MALE X JIC # 8 MALE	10	
62	330-00039	STRAIGHT ADAPTOR SAE #12 SAE MALE X JIC #8 MALE (INCLUDED IN 5 SEC ASSY)	-	
63	330-00237	STRAIGHT ADAPTOR SAE #16 MALE X JIC #16 MALE (INCLUDED IN MANIFOLD ASSY)	-	
71	330-00772	LONG STRAIGHT ADAPTOR #10 SAE MALE X #8 JIC MALE (INCLUDED IN 5 SEC ASSY)	-	



Cage Unloading System

STD SAFETY ARM CIRCUIT





Cage Unloading System

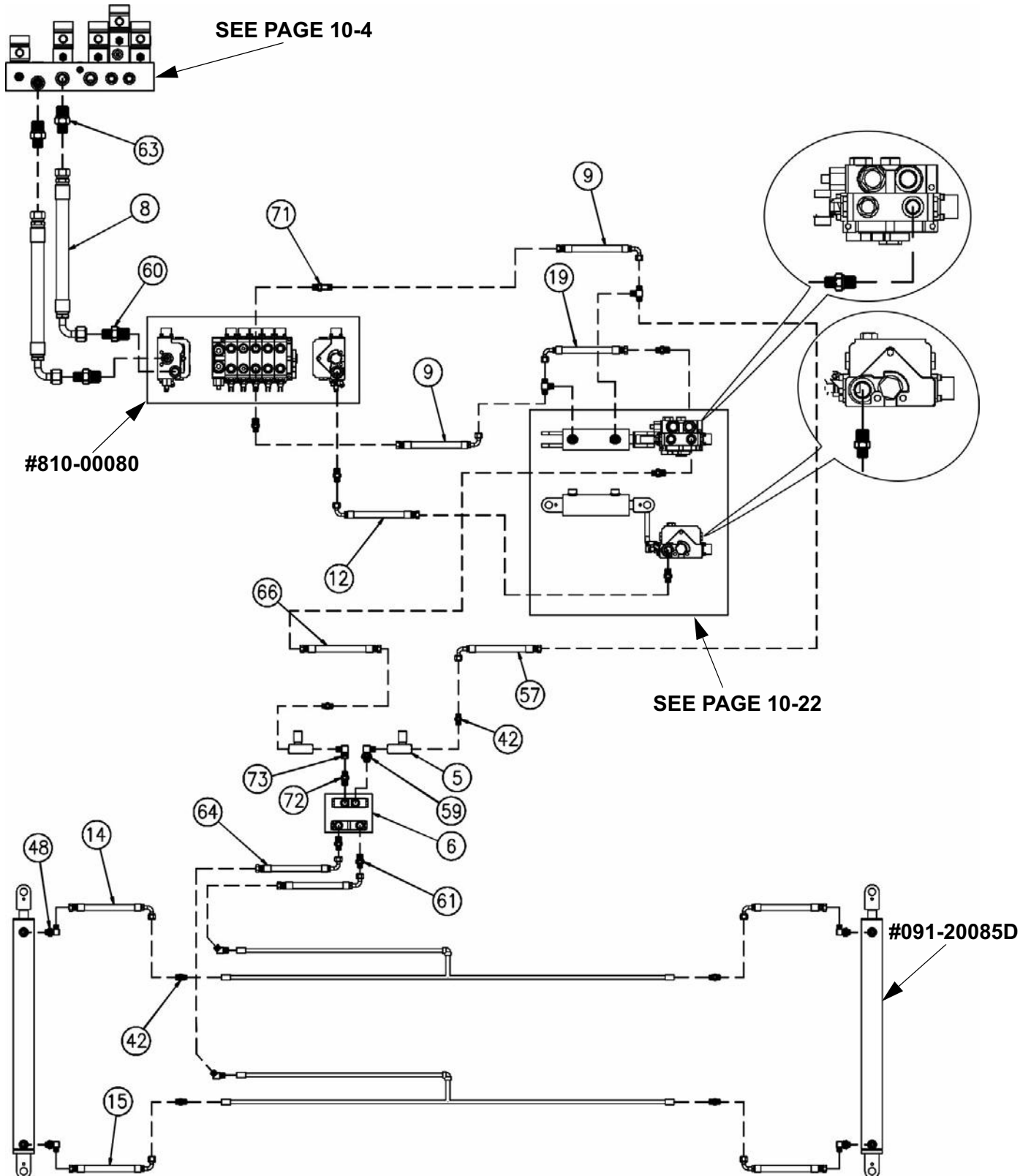
STD SAFETY ARM CIRCUIT

ITEM	PART NUMBER	DESCRIPTION	QTY	MODEL Or SERIAL #
19	091-00390	1/2" X 26" STRAIGHT - 90° (PIPE TO X OVER UP/ VALVE TO S.A PIPE / VALVE TO D.C. PIPE)	9	
22	091-00393	3/8" X 60" STRAIGHT - 90° (PIPE TO SAFETY ARM)	2	
42	330-00020	STRAIGHT ADAPTOR 1/2" MALE PIPE X JIC #8 MALE	35	
43	330-00019	STRAIGHT ADAPTOR 1/2" MALE PIPE X JIC #6 MALE	5	
46	330-00768	STRAIGHT ADAPTOR 1/2" MALE PIPE X JIC #8 SWIVEL	2	
61	330-00046	STRAIGHT ADAPTOR SAE #8 MALE X JIC # 8 MALE	10	
69				



Cage Unloading System

STD CRADLE TILT CIRCUIT





Cage Unloading System

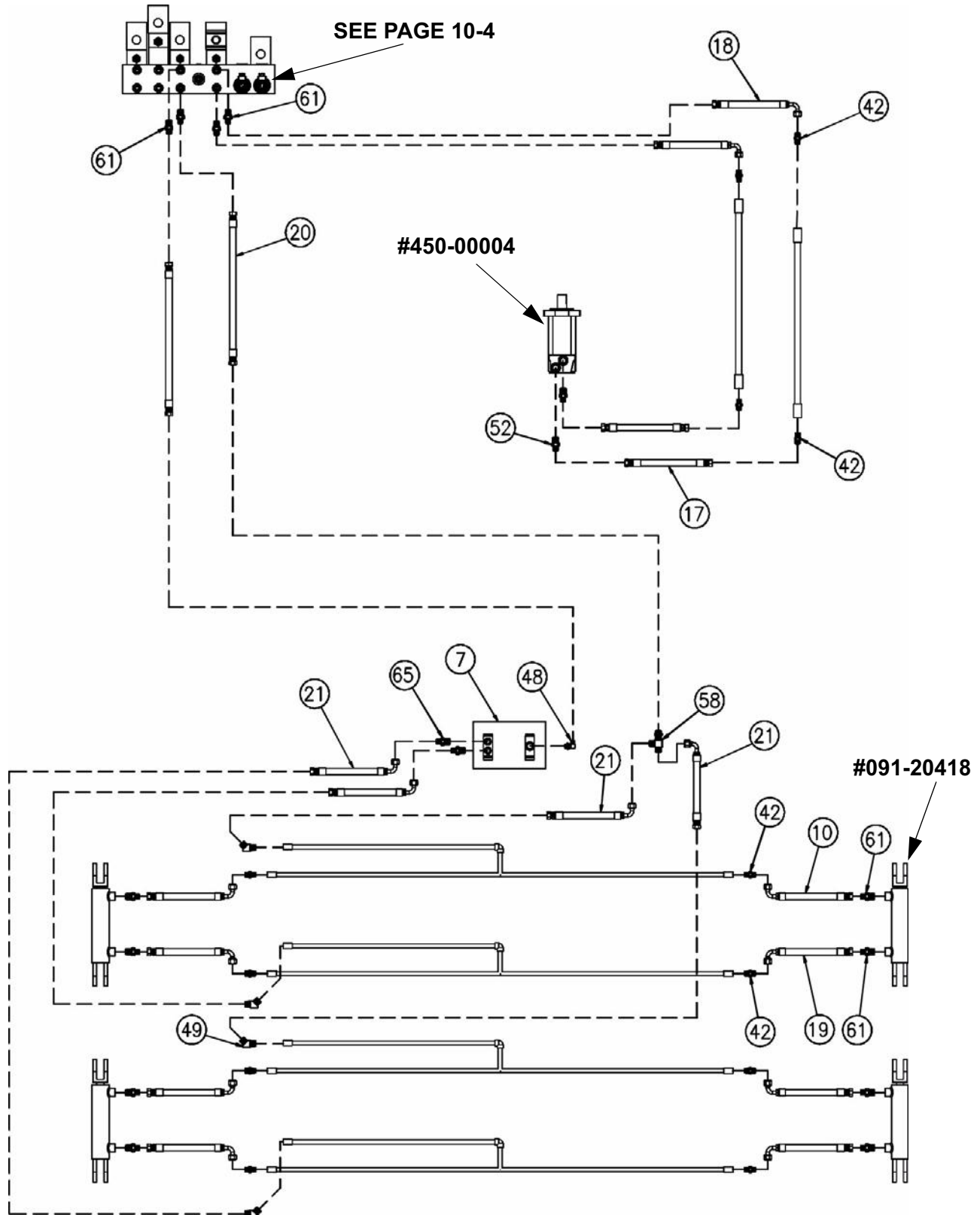
STD CRADLE TILT CIRCUIT

ITEM	PART NUMBER	DESCRIPTION	QTY	MODEL Or SERIAL #
5	330-00144	FLOW CONTROL VALVE	8	
6	810-00020	DOUBLE PILOTED CHECK VALVE	1	
8	091-00379	1" X 23" STRAIGHT - 90° (MANIFOLD TO FIVE SEC)	2	
9	091-00380	1/2 X 46" STRAIGHT - 90° (FIVE SEC TO INCOMING PIPE)	4	
12	091-00383	1/2" X 36" STRAIGHT - 90° (FIVE SEC TO ROLLER STOP VALVE)	2	
14	091-00385	1/2" X 35" STRAIGHT - 90° (PIPE TO DUMP DN)	2	
15	091-00386	1/2" X 7-1/2" STRAIGHT - 90° (PIPE TO DUMP UP)	2	
19	091-00390	1/2" X 26" STRAIGHT - 90° (PIPE TO X OVER UP/ VALVE TO S.A PIPE / VALVE TO D.C. PIPE)	9	
42	330-00020	STRAIGHT ADAPTOR 1/2" MALE PIPE X JIC #8 MALE	35	
48	330-00115	90° ADAPTOR SAE #8 MALE X JIC #8 MALE	5	
57	091-00404	1/2" X 16" STRAIGHT - 90° (ANTI-SHAKE CYLINDER TOP TO CHECK VALVE)	1	
59	330-00138	90° ADAPTOR 1/2" NPT MALE X SAE #8 MALE	1	
60	330-00038	STRAIGHT ADAPTOR SAE #12 MALE X JIC #16 MALE (INCLUDED IN 5 SEC ASSY)	-	
61	330-00046	STRAIGHT ADAPTOR SAE #8 MALE X JIC # 8 MALE	10	
63	330-00237	STRAIGHT ADAPTOR SAE #16 MALE X JIC #16 MALE (INCLUDED IN MANIFOLD ASSY)	-	
64	091-00405	1/2" X 40" STRAIGHT - 90°	2	
66	091-00406	1/2" X 30" STRAIGHT - STRAIGHT (ANTI-SHAKE VALVE TO CHECK VALVE)	2	
71	330-00772	LONG STRAIGHT ADAPTOR #10 SAE MALE X #8 JIC MALE (INCLUDED IN 5 SEC ASSEMBLY)	-	
72	330-00135	STRAIGHT ADAPTOR 1/2 NPT MALE X SAE #8 MALE	1	
73	330-00084	90° ADAPTOR 1/2" NPT MALE X 1/2" NPT FEMALE	1	



Cage Unloading System

STD TRANSFER CHAIN CIRCUIT





Cage Unloading System

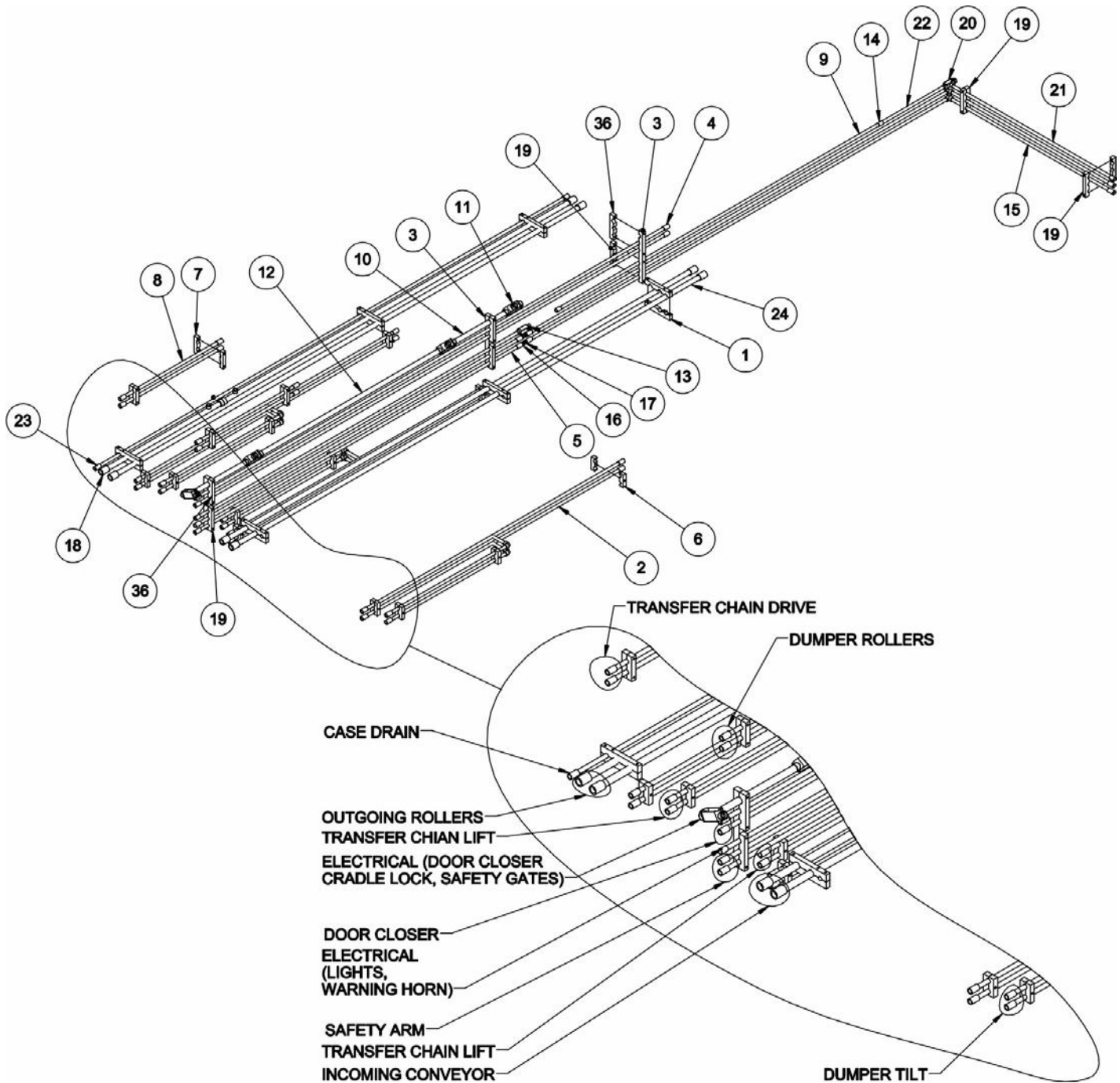
STD TRANSFER CHAIN CIRCUIT

ITEM	PART NUMBER	DESCRIPTION	QTY	MODEL Or SERIAL #
7	091-20525	FLOW DIVIDER	1	
10	091-00381	1/2" X 32" STRAIGHT - 90° (FIVE SEC TO DUMPER ROLL PIPE / PIPE TO X OVER DN)	6	
17	091-00388	1/2" X 18" STRAIGHT - STRAIGHT (PIPE TO X OVER CHAIN MOTOR)	2	
18	091-00389	1/2" X 44" STRAIGHT - 90° (VALVE TO X OVER CHAIN DRIVE PIPE)	2	
19	091-00390	1/2" X 26" STRAIGHT - 90° (PIPE TO X OVER UP/ VALVE TO S.A PIPE / VALVE TO D.C. PIPE)	9	
20	091-00391	1/2" X 23" STRAIGHT - STRAIGHT (VALVE TO TEE / FLOW DIVIDER)	2	
21	091-00392	1/2" X 35" STRAIGHT - 90° (TEE/FLOW DIVIDER TO X OVER LIFT PIPE)	4	
42	330-00020	STRAIGHT ADAPTOR 1/2" MALE PIPE X JIC #8 MALE	35	
48	330-00115	90° ADAPTOR SAE #8 MALE X JIC #8 MALE	5	
49	330-00231	45° ADAPTOR 1/2" PIPE X JIC #8 MALE	6	
52	330-00036	STRAIGHT ADAPTOR SAE #10 MALE X JIC #8 MALE	10	
58	330-00773	JIC #8 BULKHEAD RUN TEE	1	
61	330-00046	STRAIGHT ADAPTOR SAE #8 MALE X JIC # 8 MALE	10	
65	330-00044	STRAIGHT ADAPTOR SAE #6 MALE X JIC #8 MALE	2	



Cage Unloading System

STD RIGID PIPING & SUPPORT ASSEMBLY WITH DOOR CLOSER

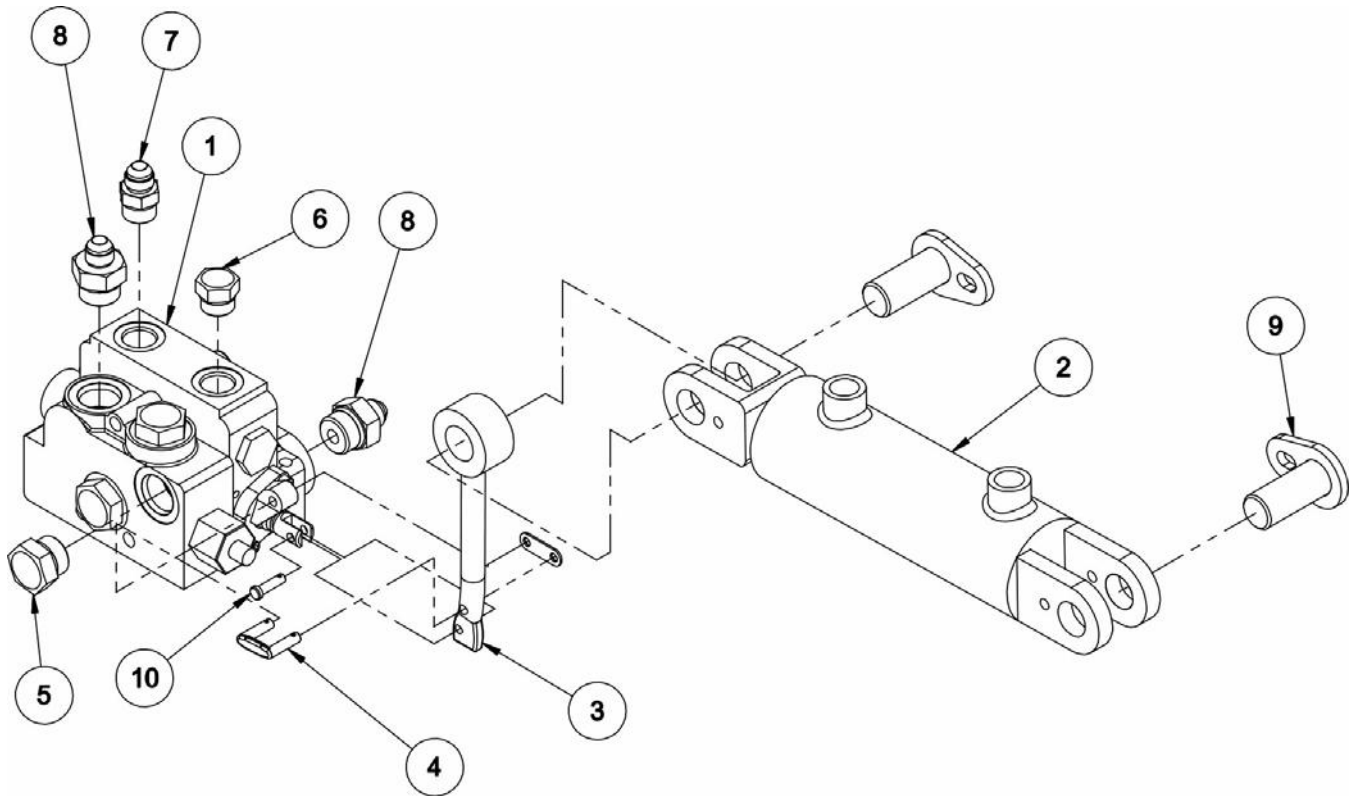


LEFT HAND SIDE SYSTEM WITH 20' CONVEYOR SHOWN



Cage Unloading System

ANTI-SHAKE SYSTEM ASSEMBLY (091-23121)





Cage Unloading System

ANTI-SHAKE SYSTEM ASSEMBLY (091-23121)

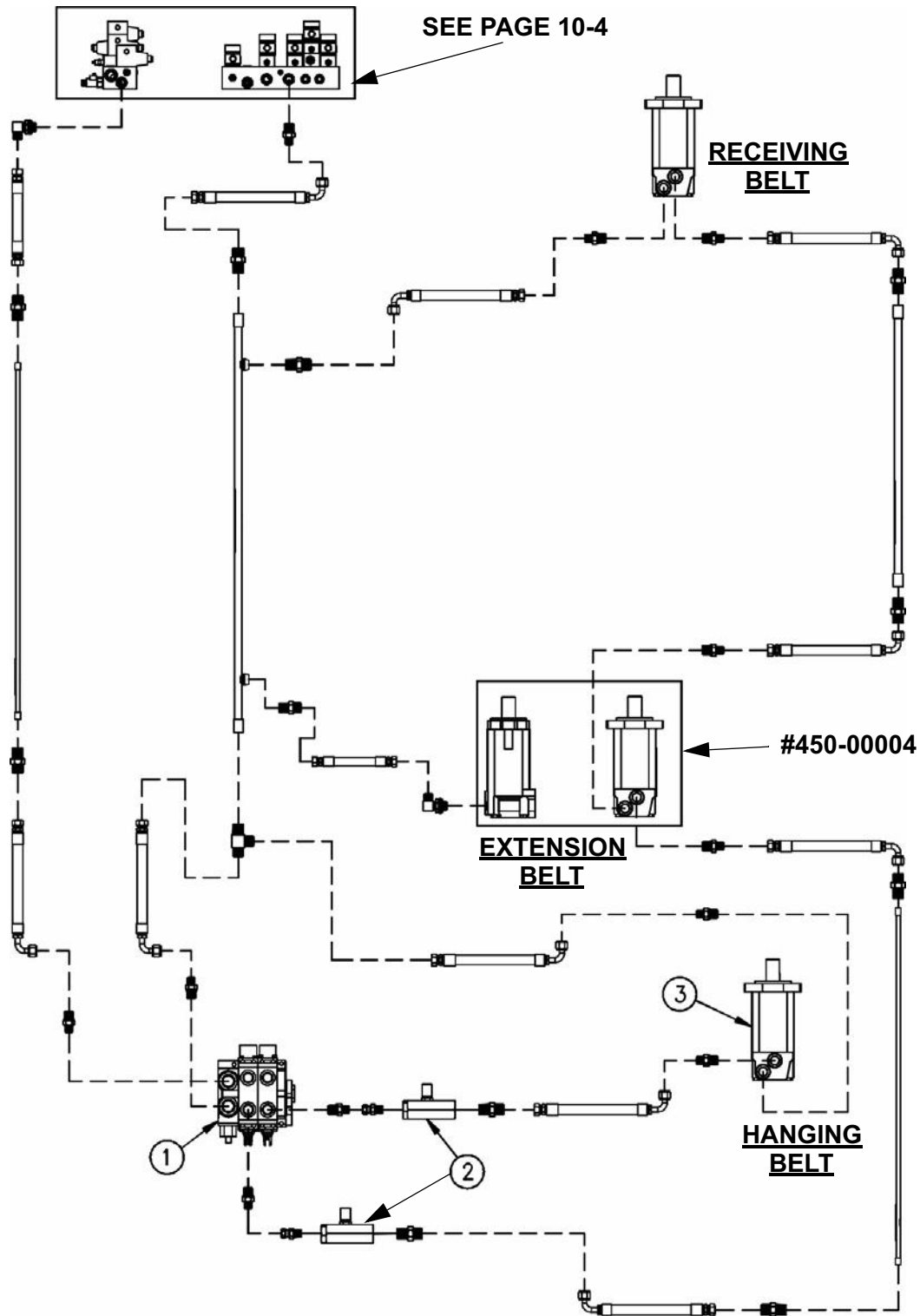
ITEM	PART NUMBER	DESCRIPTION	QTY	MODEL Or SERIAL #
1	810-00085	* ONE SECTION V20 VALVE	1	
2	170-00003	ANTI-SHAKE VALVE CYLINDER	1	
	630-00022	SEAL KIT FOR CYLINDER	1	
3	810-00042	ANTI-SHAKE VALVE LEVER 1		
4	810-00004	CONNECTION LINK	1	
5	330-00049	HEX HEAD PLUG SAE #12	1	
6	330-00048	HEX HEAD PLUG SAE #10	1	
7	330-00036	STRAIGHT ADAPTOR SAE #10 MALE X JIC #8 MALE	1	
8	330-00039	STRAIGHT ADAPTER SAE #12 MALE X JIC #8 MALE	2	
9	097-21514	1" X 2-1/4" LONG PIN WELDMENT	2	
10	210-00847	1/4" X 1" CLEVIS PIN	1	

NOTE: See Page 2 of This Section for Internal Valve Components.



Cage Unloading System

BELT DRIVE CIRCUIT



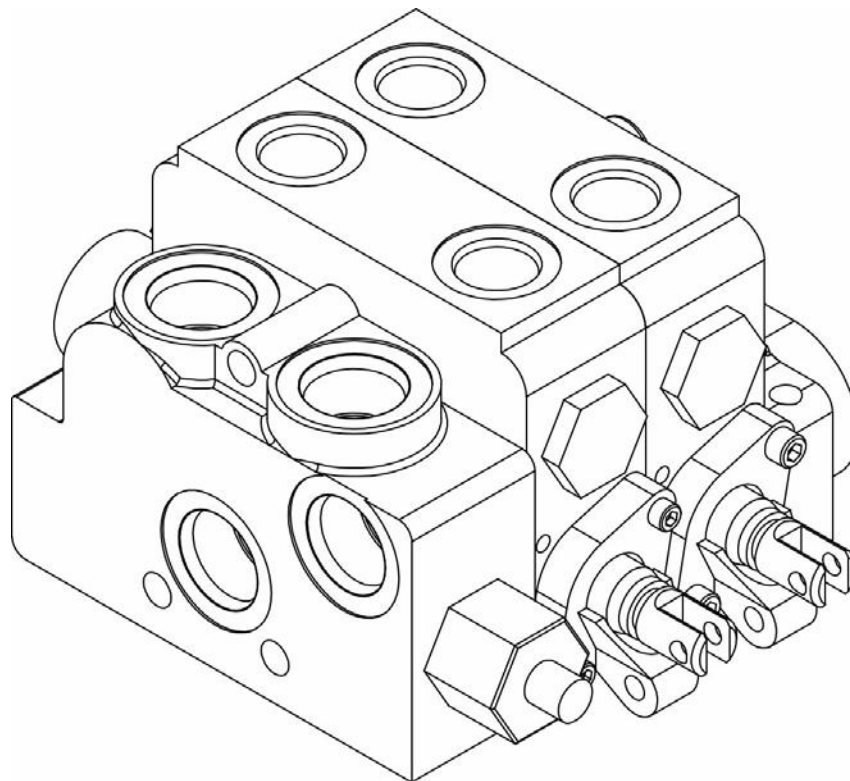


Cage Unloading System

BELT DRIVE CIRCUIT

ITEM	PART NUMBER	DESCRIPTION	QTY	MODEL Or SERIAL #
1	810-00084	* 2 SECTION VALVE		
2	330-00272	PRESSURE COMPENSATED FLOW CONTROL		
3	450-00004	HYDRAULIC MOTOR		
4	810-00135	BOLT KIT FOR 2 SECTION V20 VALVE (NOT SHOWN)		

NOTE: See Page 2 of This Section for Internal Valve Components.



2 SECTION VALVE (810-00084)



Cage Unloading System



Cage Unloading System

Section 11

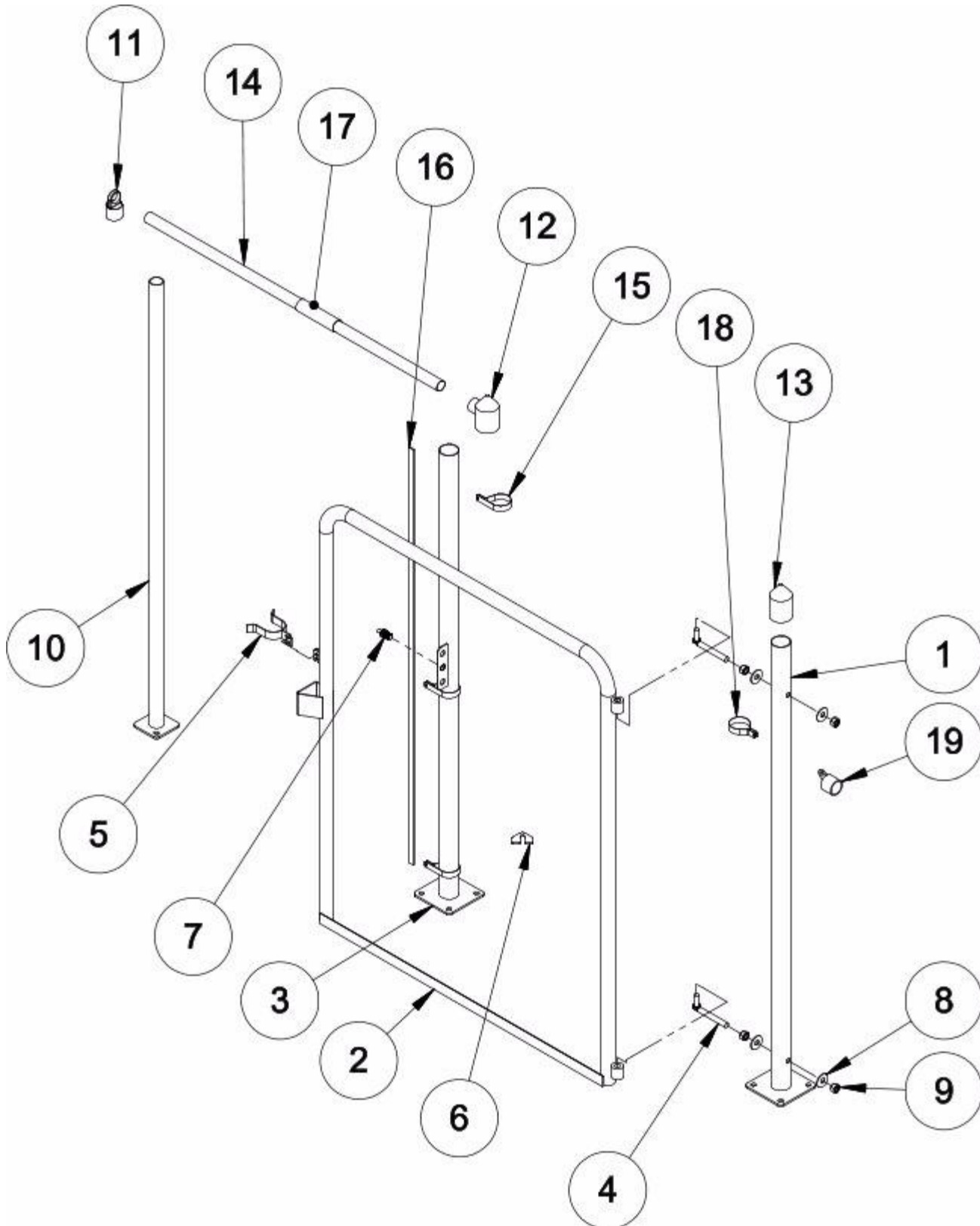
Safety Fencing & Placards

Contents

Safety Fencing	2
Safety Placards	4
Safety Placards	6

Cage Unloading System

SAFETY FENCING





Cage Unloading System

SAFETY FENCING

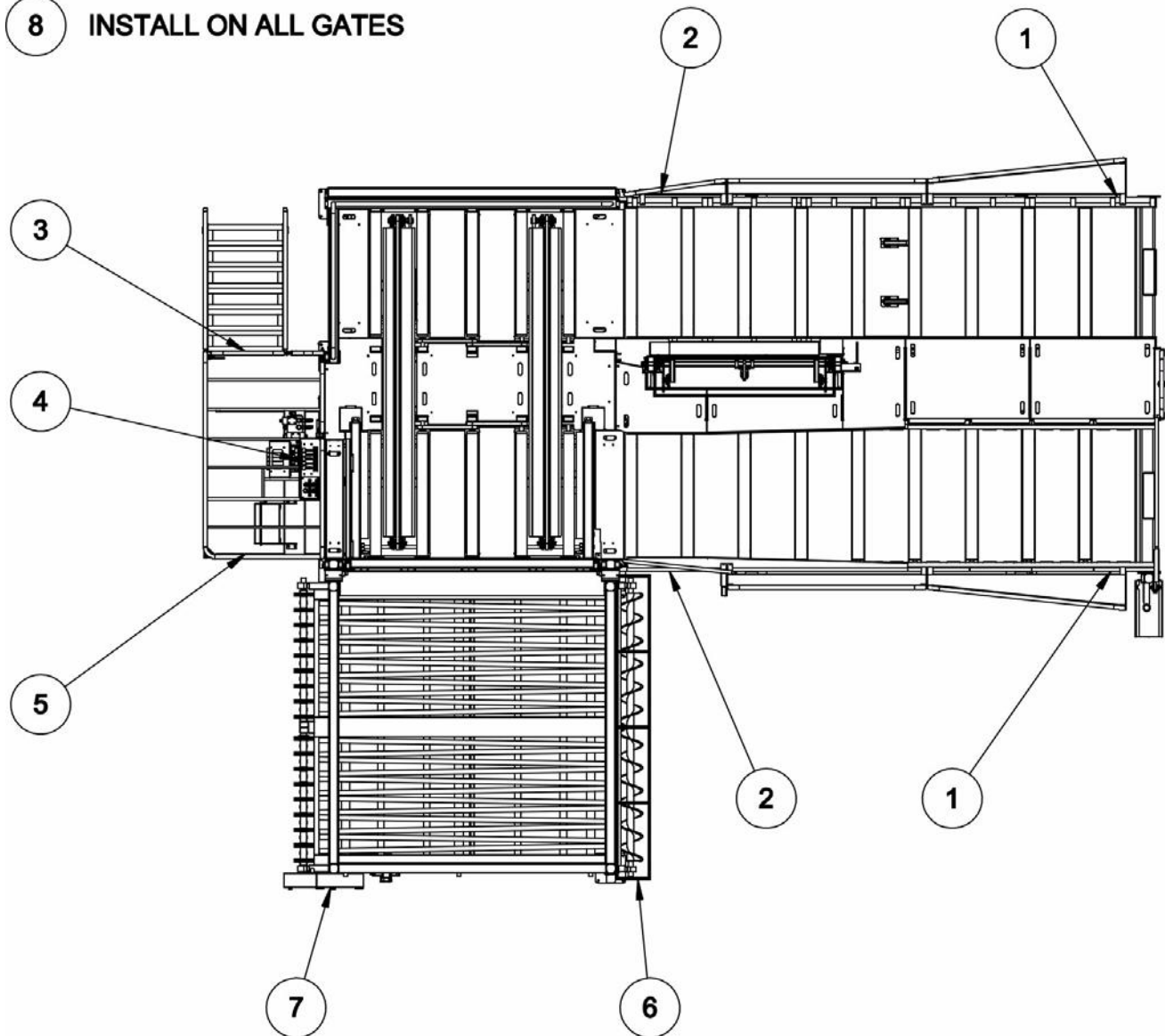
ITEM	PART NUMBER	DESCRIPTION	QTY	MODEL Or SERIAL #
1	091-21821	GATE POST FOR HINGE	1	
2	091-21818	SAFETY GATE (4 FT. WIDE)	1	
3	091-21819	GATE POST FOR SENSOR	1	
4	091-20393	GATE HINGE PIN	2	
5	091-20394	GATE LATCH	1	
6	091-20396	POST SHIM	1	
7	091-20352	PROXIMITY SENSOR 18MM 24V	1	
	091-20352.1	16 ' PROXY SENSOR CABLE (NOT SHOWN)		
	091-20352.2	29 ' PROXY SENSOR CABLE (NOT SHOWN)		
8	210-00677	FLATWASHER	4	
9	210-00179	NUT HEX FIN NC GRADE 5	4	
10	091-21820	LINE POST ASSEMBLY	1	
11	430-00445	LINE POST TOP	1	
12	430-00442	ONE WAY CAP	1	
13	430-00444	PLAIN CAP	1	
14	430-00439	TOP RAIL	1	
15	430-00440	TENSION BAND	3	
16	430-00438	TENSION BAR	1	
17	430-00447	TOP TAIL SLEEVE	1	
18	430-00441	BRACE BAND	1	
19	430-00446	OFFSET RAIL END	1	
20	430-00443	TWO WAY CAP (NOT SHOWN)	-	
21	091-21853	CORNER POST ASSEMBLY (NOT SHOWN)	-	



Cage Unloading System

SAFETY PLACARDS

8 INSTALL ON ALL GATES



INSTALL ON ALL GUARDS



Cage Unloading System

SAFETY PLACARDS

ITEM	PART NUMBER	DESCRIPTION	QTY	MODEL Or SERIAL #
1	360-00019	CAUTION STAND CLEAR WHILE MACHINE IN OPERATION	2	
2	360-00018	CAUTION DO NOT MAKE ADJUSTMENTS	2	
3	360-00015	CAUTION ONLY 1 PERSON ON CONTROL PLATFORM	1	
4	360-00020	SAFETY FIRST FAILURE TO READ AND UNDERSTAND	1	
5	360-00024	DANGER IT IS THE OPERATOR'S RESPONSIBILITY	1	
6	360-00023	WARNING THIS BELT CAN TRAP AND INJURE FINGERS	1	
7	360-00016	CAUTION DO NOT ATTEMPT TO REMOVE GUARDS	AS REQ'D	
8	360-00017	DANGER DO NOT ENTER WHILE MACHINE IS IN OPERATION	3	

NOTE: SEE SIGNS NEXT PAGE.



Cage Unloading System

SAFETY PLACARDS

CAUTION
ONLY 1 PERSON ON CONTROL
PLATFORM (OPERATOR ONLY)
"SAFETY FIRST WATCH YOUR STEP"

PRECAUCION
SOLAMENTE 1 PERSONA EN LA
PLATAFORMA DE CONTROL
(SOLAMENTE EL OPERADOR)
"SU SEGURIDAD ES PRIMERO,
VEA DONDE PISA"

360-00015

CAUTION
DO NOT ATTEMPT TO REMOVE GUARDS
WHILE MACHINE IS IN MOTION (RUNNING)
CAUTION-REPLACE ALL GUARDS BEFORE
STARTING MACHINE

PRECAUCION
NO INTENTE QUITAR PROTECTORES
MIENTRAS LA MAQUINARIA ESTA EN
OPERACION. PRECAUCION-INSTALE
TODOS LOS PROTECTORES ANTES DE
DAR MARCHA A LA MAQUINARIA

360-00016

DANGER

**DO NOT ENTER
WHILE MACHINE
IS IN OPERATION**

PELIGRO

**NO ENTRE MIENTRAS
LA MAQUINARIA ESTA
EN OPERATION**

360-00017

CAUTION
DO NOT MAKE ADJUSTMENTS WHILE
MACHINE IS IN OPERATION
OR IN MOTION

PRECAUCION
NO HAGA AJUSTES MIENTRAS
LA MAQUINARIA ESTA EN OPERACION
MOVIMIENTO

360-00018

CAUTION
STAND CLEAR WHILE MACHINE
IS IN OPERATION OR IN MOTION.
BEWARE OF FORKLIFTS AND
OTHER MACHINERY.

PRECAUCION
MANTENGA SU DISTANCIA
MIENTRAS LA MAQUINARIA ESTA
EN OPERACION O EN MOVIMIENTO.
TENGA CUIDADO CO LOS
MONTACARGAS Y DEMAS MAQUINARIA.

360-00019

SAFETY FIRST
FAILURE TO READ AND UNDERSTAND
THE OPERATING INSTRUCTIONS MAY
CAUSE SERIOUS INJURY OR DEATH!!!
**SU SEGURIDAD
ES PRIMERO**
NO LEER Y ENTENDER LAS
INSTRUCCIONES DE OPERACION
PUEDE ACASIONAR LESIONES SERIAS
O LA MUERTE

360-00020

**WARNING**
THIS BELT CAN TRAP AND INJURE
FINGERS. NEVER TOUCH A MOVING BELT!
STOP THE CONVEYOR BEFORE SERVICING
OR WASHING.

ADVERTENCIA
ESTA BANDA PUEDE ATRAPAR Y HERIR DEDOS.
¡NUNCA TOQUE UNA BANDA EN MOVIMIENTO!
PARE LA BANDA ANTES DE LAVAR O DAR
MANTENIMIENTO.

360-00023

DANGER

**IT IS THE OPERATOR'S
RESPONSIBILITY TO MAKE CERTAIN
ALL AREAS ARE CLEAR OF
PERSONNEL BEFORE RE-SETTING
THE SAFETY DEVICE**

PELIGRO

**ES RESPONSABILIDAD DEL
OPERADOR ASEGURARSE QUE NO
HAY PERSONAL EN TODAS LAS
AREAS ANTES DE RESTABLECER EL
DISPOSITIVO DE SEGURIDAD**

360-00024



Cage Unloading System

SAFETY PLACARDS

ITEM	PART NUMBER	DESCRIPTION	QTY	MODEL Or SERIAL #
	360-00015	CAUTION ONLY 1 PERSON ON CONTROL PLATFORM	1	
	360-00016	CAUTION DO NOT ATTEMPT TO REMOVE GUARDS	AS REQ'D	
	360-00017	DANGER DO NOT ENTER WHILE MACHINE IS IN OPERATION	3	
	360-00018	CAUTION DO NOT MAKE ADJUSTMENTS	2	
	360-00019	CAUTION STAND CLEAR WHILE MACHINE IN OPERATION	2	
	360-00020	SAFETY FIRST FAILURE TO READ AND UNDERSTAND	1	
	360-00023	WARNING THIS BELT CAN TRAP AND INJURE FINGERS	1	
	360-00024	DANGER IT IS THE OPERATOR'S RESPONSIBILITY	1	



Cage Unloading System



Cage Unloading System

Section 12

Hydraulic Power Unit

Contents

Hydraulic Power Unit -----	2
Hydraulic Power Unit -----	4
Hydraulic Tank -----	6
12 GPM Kidney Loop Detail -----	8



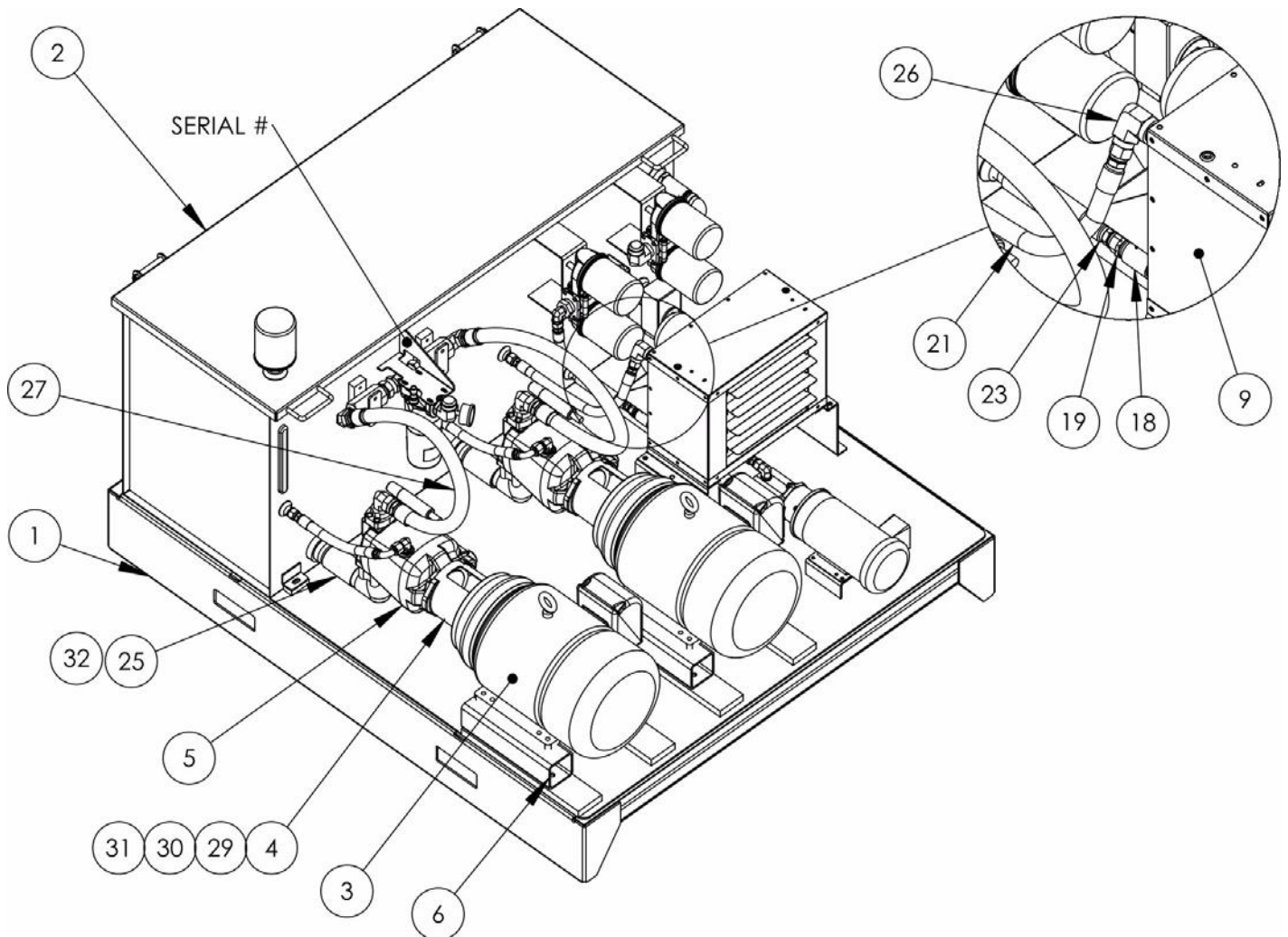
Cage Unloading System

HYDRAULIC POWER UNIT

60 GPM & 40 HP-(091-22000A)

60 GPM & 30 HP-(091-22001A)

65 GPM & 40 HP-(091-22002A)





Cage Unloading System

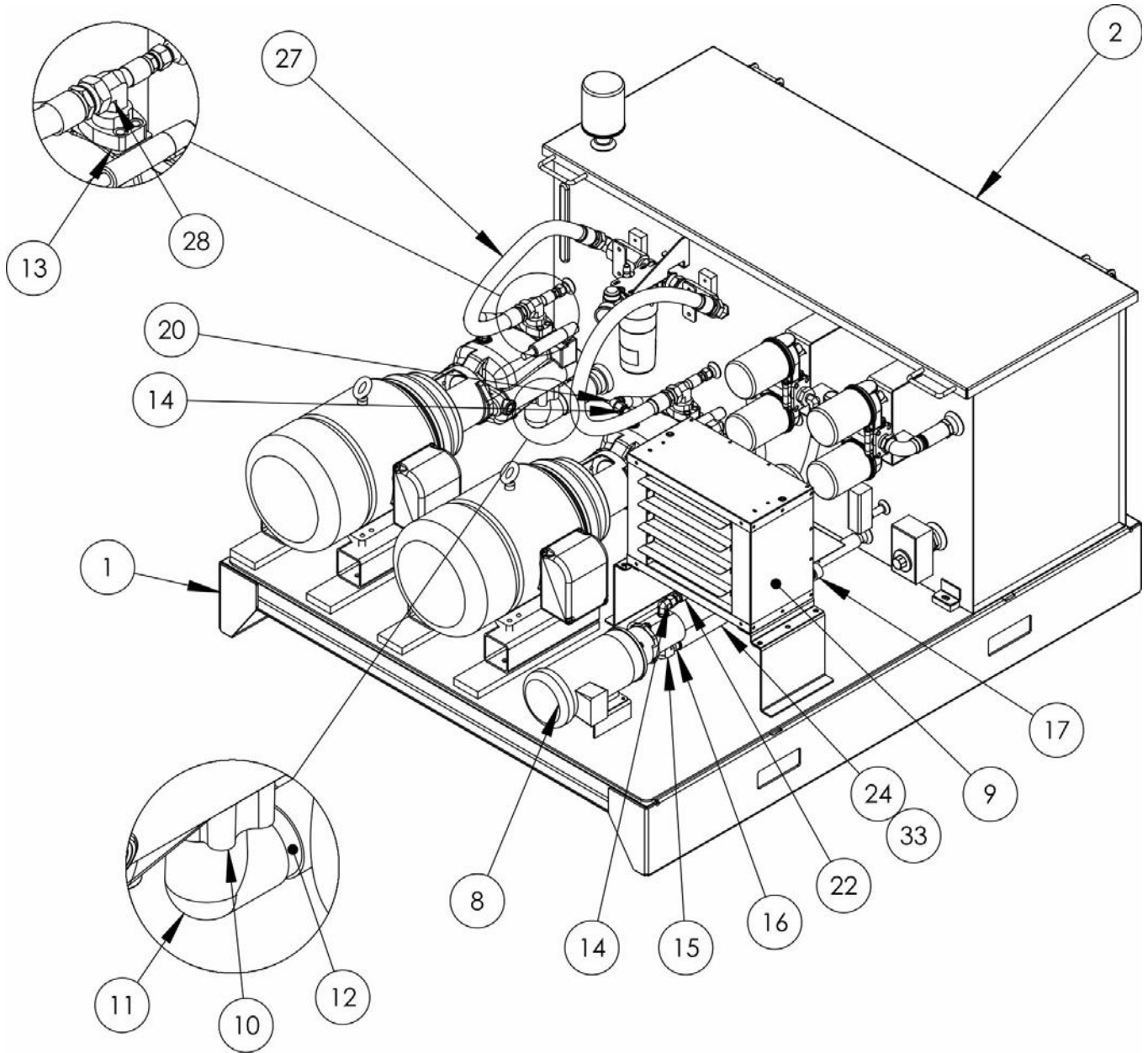
HYDRAULIC POWER UNIT

ITEM	PART NUMBER	DESCRIPTION	QTY	MODEL Or SERIAL #
1	091-22100	POWER UNIT BASE WELDMENT	1	
2	091-22200A	HYDRAULIC TANK ASSEMBLY	1	
3	450-00042	BALDOR 40 HP HIGH EFFICIENCY (324TC FRAME)	2	
3A	450-00028	BALDOR 30 HP HIGH EFFICIENCY (286TC FRAME)	2	
4	450-00041	MAGNALOY COUPLING HOUSING FOR 40 HP MOTOR	2	
4A	450-00040	MAGNALOY COUPLING HOUSING FOR 30 HP MOTOR	2	
5	530-00026	PRESSURE COMPENSATED 60 GPM PUMP (PVM-131 "C" FLANGE)	2	
5A	530-00029	PRESSURE COMPENSATED 65 GPM PUMP (PVM-141 "C" FLANGE)	2	
6	091-20184	MOUNTING SPACER (40 HP MOTOR)	4	
6A	091-20183R	MOUNTING SPACER R HS (30 HP MOTOR)	2	
6B	091-20183L	MOUNTING SPACER L HS (30 HP MOTOR)	2	
9	310-00001	OIL COOLER	1	
18	510-00036	COUPLING STEEL STD. PIPE	1	
19	330-00011	MALE CONNECTOR (1" NPT 12 JIC)	1	
21	091-20191	RETURN HOSE 3/4" (OIL COOLER TO HYDRAULIC TANK)	1	
23	091-20193	RETURN HOSE 3/4" (FILTER TO COOLER)	1	
25	330-00576	SUCTION HOSE 2-3/4" ID X 4-3/4" LG	2	
26	330-00378	FEMALE ELBOW (1" NPT FEMALE 12 JIC MALE)	1	
27	091-20992	PRESSURE HOSE 1-1/4" (PUMP TO PRESSURE FILTER)	2	
29	150-00044	COUPLING HALF MOTOR SIDE (2-1/8" HUB) (40 HP)	2	
29A	150-00003	COUPLING HALF MOTOR SIDE (1-7/8" HUB) (30 HP)	2	
30	150-00007	COUPLING INSERT (NEOPRENE) (40 HP)	2	
30A	150-00004	COUPLING INSERT (NEOPRENE) (30 HP)	2	
31	150-00056	COUPLING HALF PUMP SIDE (1-1/2" HUB) (60 GPM / 40 HP)	2	
31A	150-00043	COUPLING HALF PUMP SIDE (1-1/2" HUB) (60 GPM / 30 HP)	2	
31B	150-00045	COUPLING HALF PUMP SIDE (1-1/4" HUB) (65 GPM / 40 HP)	2	
32	370-00023	T-BOLT CLAMP	4	



Cage Unloading System

HYDRAULIC POWER UNIT





Cage Unloading System

HYDRAULIC POWER UNIT

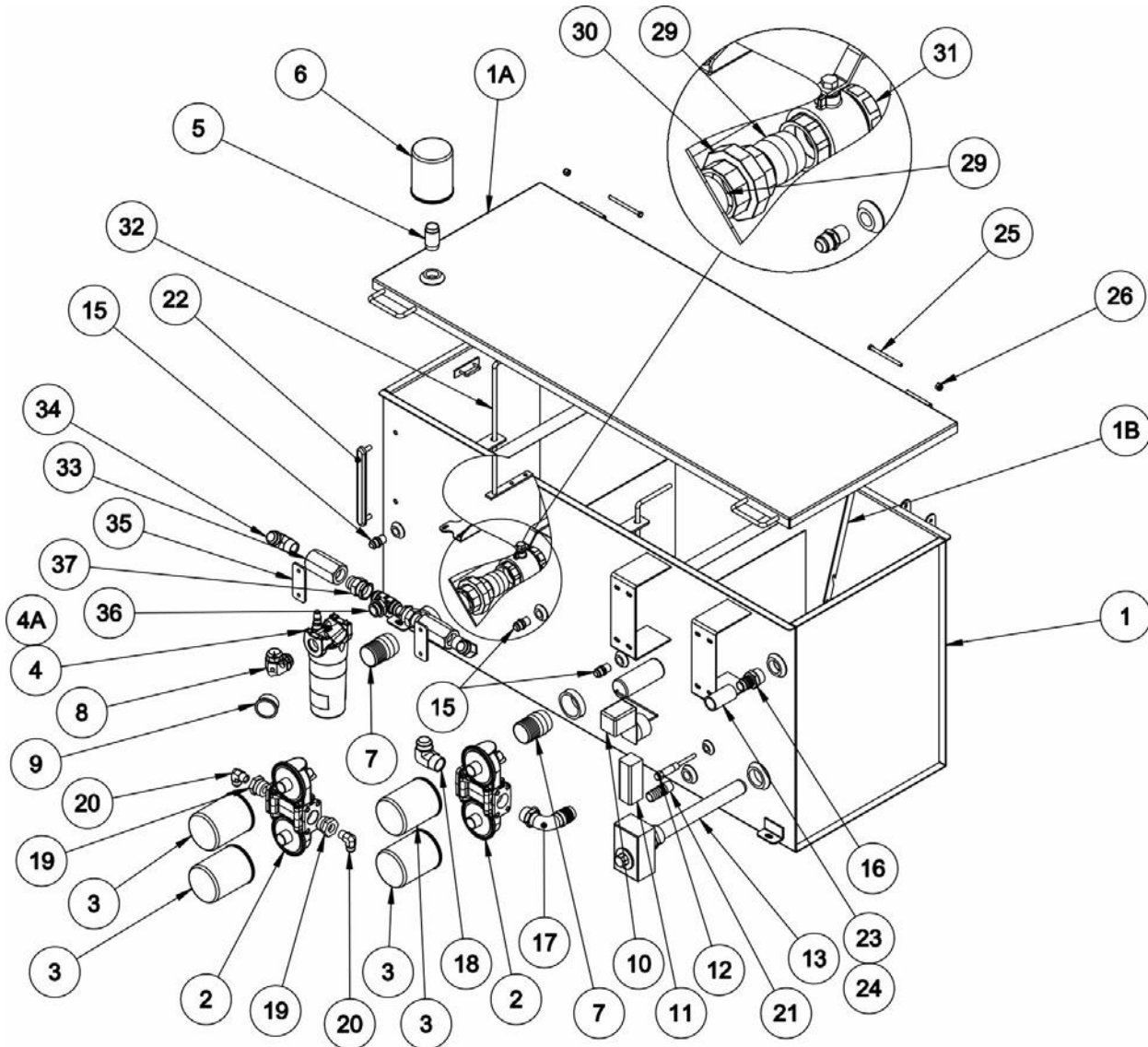
ITEM	PART NUMBER	DESCRIPTION	QTY	MODEL Or SERIAL #
1	091-22100	PUMPINTG UNIT BASE WELDMENT	1	
2	091-22200A	HYDRAULIC TANK ASSEMBLY	1	
8	530-00038	*PUMPING UNIT FOR KIDNEY LOOP (*NOTE BELOW)	1	
9	310-00001	OIL COOLER	1	
10	150-00018	FLANGE, 4 BOLT 2-1/2" (SUCTION PORT) FOR 131 & 141 PUMPS	2	
11	510-00058	ELBOW STREET	2	
12	510-00192	SPECIAL HOSE BARB 4" LG (2-1/2" NPT -2-3/4" BARB)	2	
13	150-00019	FLANGE, 4 BOLT 1-1/4" (PRESSURE PORT) FOR 131 & 141 PUMPS	2	
14	330-00106	STRAIGHT THREAD ELBOW (10 ORB - 12 JIC)	3	
15	330-00753	FEMALE PIPE ELBOW (16 ORB -1" NPT)	1	
16	330-00746	HOSE BARB ADAPTER (1" NPT - 1-1-4 BARB)	1	
17	510-00027	THREADED CAP 1" NPT (3000 PSI)	1	
20	091-20190	DRAIN HOSE 3/4" (PUMP DRAIN TO HYDRAULIC TANK)	2	
22	091-20192	RETURN HOSE 3/4" (KIDNEY LOOP PUMP TO FILTER)	1	
24	330-00303	SUCTION HOSE 1-1/4" ID X 29-1/2" LONG	1	
27	091-20992	PRESSURE HOSE 1-1/4" (PUMP TO PRESSURE FILTER)	2	
28	330-00088	MALE ELBOW (1-1/4" NPT - 20 JIC)	2	
33	330-00324	T-BOLT CLAMP	2	

* See Section 12-8, 12 GPM Kidney Loop Detail for Replacement Parts.



Cage Unloading System

HYDRAULIC TANK ASSEMBLY (091-22200A)



ITEM	PART NUMBER	DESCRIPTION	QTY	MODEL Or SERIAL #
1	091-22210	STEEL HYDRAULIC TANK WELDMENT (INCLUDE ITEMS 1A & 1B)	1	
	091-22211	STAINLESS STEEL HYD. TANK (INCLUDES ITEMS 1A-SS & 1B-SS)	1	
1A	091-20168	STEEL HYDRAULIC TANK LID	1	
1A-SS	091-20219SS	STAINLESS STEEL TANK LID	1	
1B	091-20175	STEEL LATCH	1	
1B-SS	091-20175SS	STAINLESS STEEL LATCH	1	



Cage Unloading System

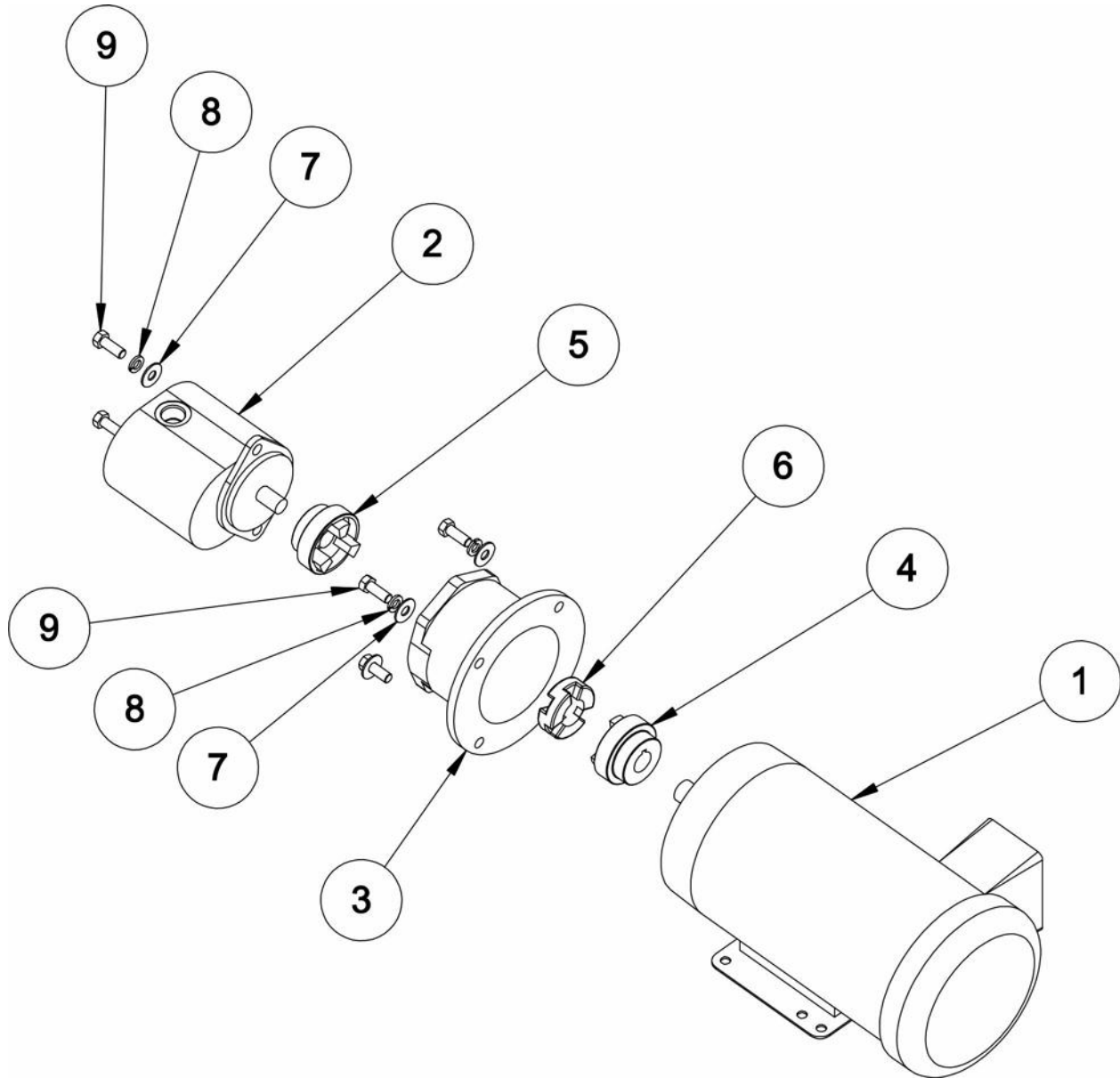
HYDRAULIC TANK ASSEMBLY (091-22200A)

ITEM	PART NUMBER	DESCRIPTION	QTY	MODEL Or SERIAL #
2	230-00022	RETURN FILTER HEAD	2	
3	230-00060	RETURN FILTER WITH GLASS MEDIA	4	
4	230-00064	PRESSURE FILTER (INCLUDE ITEM 4A)	1	
4A	230-00064.1	PRESSURE FILTER ELEMENT	1	
5	330-00750	TANK BREATHER ADAPTER	1	
6	230-00020	TANK BREATHER WITH PAPER MEDIA	1	
7	510-00192	SPECIAL HOSE BARB 4" LG (2-1/2" NPT, 2-3/4" BARB)	2	
8	091-20180	FITTING WITH TEST PORT	1	
9	290-00020	PRESSURE GAUGE 3000 PSI	1	
10	190-00070	LIQUID LEVEL FLOAT SWITCH	1	
11	190-00211A1	TEMPERATURE CONTROLLER FOR OIL COOLER FAN	1	
12	190-00211A2	CLIP-ON COPPER WELL 1/2" NPT	1	
13	190-00066	OIL HEATER	1	
15	330-00008	MALE CONNECTOR (3/4" NPT, 12 JIC)	3	
16	330-00748	STRAIGHT HOSE BARB ADAPTER (1-1/2" NPT 1-1/2" BARB)	1	
17	330-00747	90° HOSE BARB ADAPTER (1-1/2" NPT 1-1/2" BARB)	1	
18	330-00089	MALE ELBOW (1-1/2" NPT, 24 JIC)	1	
19	510-00012	BUSHING 1-1/4" X 3/4"	2	
20	330-00085	MALE ELBOW (3/4" NPT, 12 JIC)	2	
21	330-00746	HOSE BARB ADAPTER (1" NPT, 1-1/4" BARB)	1	
22	290-00019	SIGHT GAUGE (HYD.)	1	
23	330-00293	RETURN HOSE 1-1/2" ID X 3-1/2" LG	1	
24	370-00021	T-BOLT CLAMP	2	
25	REF	SCREW CAP HEX HD NC GR5	2	
26	REF	NUT ESNA 3/8"	2	
29	510-00059	2-1/2" CLOSE NIPPLE	4	
30	510-00162	2-1/2" NPT STEEL UNION	2	
31	810-00232	2 1/2" NPT BRASS BALL VALVE	2	
32	091-22212	BALL VALVE REMOTE HANDLE	2	
33	810-00072	CHECK VALVE 1-1/4" NPT	2	
34	330-00088	MALE ELBOW (1-1/4" NPT - 20 JIC)	2	
35	091-20994	CHECK VALVE HOLDER	2	
36	330-00749	STRAIGHT THREAD BRANCH TEE (200RB - 20 JIC - 20 JIC)	1	
37	330-00785	SWIVEL CONNECTOR 20 NPT - 20 JIC (F)	2	



Cage Unloading System

12 GPM KIDNEY LOOP (530-00038)





Cage Unloading System

12 GPM KIDNEY LOOP (530-00038)

ITEM	PART NUMBER	DESCRIPTION	QTY	MODEL Or SERIAL #
1	010-00190	1 HP BALDOR MOTOR	1	
2	530-00038.4	GEAR PUMP 12 GPM	1	
3	530-00034.5	MAGNALOY COUPLING MO56352A	1	
4	530-00034.1	MAGNALOY 7/8" KW 3/16" HUB	1	
5	530-00038.2	MAGNALOY 3/4" KW 3/16" HUB	1	
6	530-00034.3	MAGNALOY NEOPRENE INSERT (M170N6)	1	
7	REF	FLAT WASHER 3/8"	6	
8	REF	LOCK WASHER 3/8"	6	
9	REF	SCREW CAP HEX HD NC GR5, 3/8" X 1"	6	



Cage Unloading System
