

➤ **Vendor:** Network Appliance

➤ **Exam Code:** NS0-184

➤ **Exam Name:** NetApp Certified Storage Installation Engineer, ONTAP

➤ **New Updated Questions from [Braindump2go](#) (Updated in [March/2022](#))**

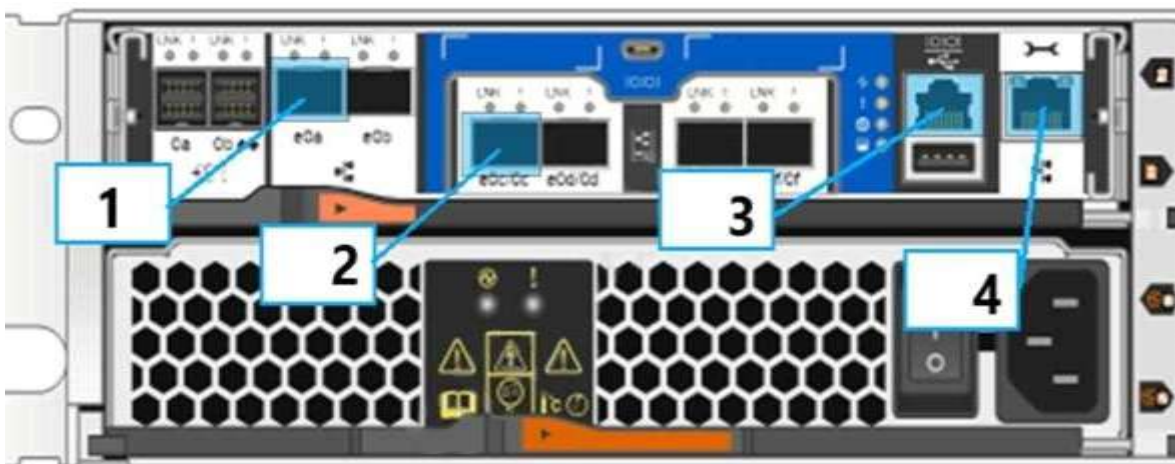
**[Visit Braindump2go and Download Full Version NS0-184 Exam Dumps](#)**

---

**Question: 21**

---

Click the Exhibit button.



Referring to the numbers shown in the exhibit, which port on an AFF A220 controller is used as port e0M in ONTAP?

- A. 4
- B. 3
- C. 2
- D. 1

---

**Answer: A**

---

Explanation:

Reference:

[NS0-184 Exam Dumps](#) [NS0-184 Exam Questions](#) [NS0-184 PDF Dumps](#) [NS0-184 VCE Dumps](#) <https://www.braindump2go.com/ns0-184.html>

[https://documents.uow.edu.au/~blane/netapp/ontap/sysadmin/accessing/concept/c\\_oc\\_accs\\_access\\_methods-e0m.html](https://documents.uow.edu.au/~blane/netapp/ontap/sysadmin/accessing/concept/c_oc_accs_access_methods-e0m.html)

**Question: 22**

You have a new 2-node FAS8700 ONTAP 9.8 cluster. One of the nodes has 24x16 TB NL-SAS disks assigned and available for a new aggregate. You created the aggregate with one RAID group and two spare disks.

In this scenario, how many data drives are in the aggregate?

- A. 20
- B. 18
- C. 17
- D. 19

**Answer: A**

Explanation:

Reference: [http://docs.netapp.com/ontap-9/index.jsp?topic=%2Fcom.netapp.doc.dot-cm-cmpr-970%2Fstorage\\_aggregate\\_create.html](http://docs.netapp.com/ontap-9/index.jsp?topic=%2Fcom.netapp.doc.dot-cm-cmpr-970%2Fstorage_aggregate_create.html)

**Question: 23**

Your customer is migrating data from a legacy FAS8020 system that runs ONTAP 9.5 software to a new AFF A250 MetroCluster over IP configuration.

In this scenario, which two methods would be supported to migrate the data? (Choose two.)

- A. Perform a controller swap from the FAS8020 to the AFF A250s.
- B. Create a 4-node cluster on one side and use the vol move command to migrate the data.
- C. Use a host-based copy migration method.
- D. Configure a SnapMirror copy between the FAS8020 and the AFF A250 systems.

**Answer: A, D**

Explanation:

**Question: 24**

You have a 2-node FAS8300 switchless ONTAP 9.8 cluster that serves NAS volumes. You have a data SVM that connects to the network using multimode LACP with VLAN tags.

In this scenario, which front-end FAS8300 network port would you create the data LIFs?

- A. a0a
- B. e0e
- C. e0e-100
- D. a0a-100

**Answer: B**

Explanation:

Reference: <https://wikileaks.org/ciav7p1/cms/files/NetApp%20Build%20Document1.docx>

**Question: 25**

You have a 4-node ONTAP 9.8 cluster with a FAS8700 HA pair that serves iSCSI LUNs. You are adding a new AFF A250 HA pair to the cluster with new iSCSI SAN LIFs. You need to allow non-optimized data paths from the AFF A250 nodes to the existing LUNs on the FAS8700 nodes.

In this scenario, which two ONTAP configuration settings must you verify? (Choose two.)

[NS0-184 Exam Dumps](#) [NS0-184 Exam Questions](#) [NS0-184 PDF Dumps](#) [NS0-184 VCE](#)

[Dumps https://www.braindump2go.com/ns0-184.html](https://www.braindump2go.com/ns0-184.html)

- A. port sets
- B. switch zoning
- C. reporting nodes

D. failover groups

---

**Answer: A, D**

---

Explanation:

---

**Question: 26**

---

You are deploying a new AFF All SAN Array A250 into a customer's existing data fabric. In this scenario, which two tools would give insight into their existing Cisco MDS fabric configuration? (Choose two.)

- A. Brocade SAN Health
- B. Cisco Data Center Network Manager (DCNM)
- C. Active IQ
- D. Active IQ Config Advisor

---

**Answer: B, C**

---

Explanation:

Reference: <https://www.cisco.com/c/en/us/products/collateral/storage-networking/mds-9700-series-multilayer-directors/cisco-ucs-mds.html>  
<https://www.cisco.com/c/en/us/products/collateral/servers-unified-computing/ucs-x-series-modular-system/flex-pod-datacenter-ucs-intersight.html>

---

**Question: 27**

---

You are expanding an existing 4-node ONTAP 9.8 cluster with a FAS8300 HA pair by adding a new FAS500f HA pair. Before the expansion, you are asked to save the configuration of the cluster to a backup file.

In this scenario, which two ONTAP configuration backup methods are available? (Choose two.)

- A. storage VM
- B. node
- C. cluster
- D. switch

---

**Answer: A, C**

---

Explanation:

Reference: [https://docs.netapp.com/us-en/ontap-whatsnew/pdfs/fullsite-sidebar/TR\\_4894\\_NetApp\\_ONTAP\\_9\\_9\\_1\\_Feature\\_Overview.pdf](https://docs.netapp.com/us-en/ontap-whatsnew/pdfs/fullsite-sidebar/TR_4894_NetApp_ONTAP_9_9_1_Feature_Overview.pdf)

**[NS0-184 Exam Dumps](#) [NS0-184 Exam Questions](#) [NS0-184 PDF Dumps](#) [NS0-184 VCE](#)**

**[Dumps https://www.braindump2go.com/ns0-184.html](https://www.braindump2go.com/ns0-184.html)**

---

**Question: 28**

---

Click the Exhibit button.

```

cluster1::> network interface show
-----
Vserver      Logical   Status   Network      Current   Current   Is
Interface    Admin/Oper Address/Mask Node        Port      Home
-----
Cluster
  cluster1-01_clus1
                up/up    169.254.145.151/16 cluster1-01 e0a      true
  cluster1-01_clus2
                up/up    169.254.58.159/16 cluster1-01 e0b      true
  cluster1-02_clus1
                up/up    169.254.110.0/16 cluster1-02 e0a      true
  cluster1-02_clus2
                up/up    169.254.212.198/16 cluster1-02 e0b      true
cluster1
  cluster1-01_mgmt1
                up/up    192.168.0.111/24 cluster1-01 e0c      true
  cluster1-02_mgmt1
                up/up    192.168.0.112/24 cluster1-02 e0c      true
  cluster_mgmt up/up    192.168.0.101/24 cluster1-01 e0c      true

```

You are installing a new AFF All SAN Array A700 HA pair.

Referring to the exhibit, which IP address would have been used to join node 02 to the cluster during setup?

- A. 192.168.0.112
- B. 169.254.212.198
- C. 169.254.145.151
- D. 192.168.0.101

---

**Answer: A**

---

Explanation:

---

### Question: 29

---

Which two switch operating system are supported on ONTAP cluster switches? (Choose two.)

- A. Brocade FOS
- B. Cisco NX-OS
- C. Cisco IOS
- D. Broadcom EFOS

---

**Answer: B,D**

---

Explanation:

Reference: [https://docs.netapp.com/us-en/ontap-systems-switches/pdfs/fullsite-sidebar/AFF and FAS Switch Documentation.pdf](https://docs.netapp.com/us-en/ontap-systems-switches/pdfs/fullsite-sidebar/AFF%20and%20FAS%20Switch%20Documentation.pdf)

**Question: 30**

You are preparing to install a new 2-node AFF A250 system at a customer site with an existing cluster that uses NetApp CN1610 cluster interconnect switches.

In this scenario, what are two valid actions for this installation? (Choose two.)



- A. Add the new nodes to the existing cluster and switches.
- B. Create a new 2-node switched cluster that uses the CN1610 cluster switches.
- C. Create a new 2-node switchless cluster.
- D. Migrate the existing cluster to new switches and add the new nodes.

---

**Answer: B,D**

---

Explanation:

Reference:

[https://kb.netapp.com/Advice\\_and\\_Troubleshooting/Flash\\_Storage/AFF\\_Series/Controller\\_Hardware/Upgrade3A\\_Adding\\_AFF\\_A250\\_nodes\\_to\\_existing\\_cluster\\_report\\_HA\\_interconnect\\_errors\\_and\\_cannot\\_perform\\_takeover](https://kb.netapp.com/Advice_and_Troubleshooting/Flash_Storage/AFF_Series/Controller_Hardware/Upgrade3A_Adding_AFF_A250_nodes_to_existing_cluster_report_HA_interconnect_errors_and_cannot_perform_takeover)

annot\_perform\_takeover

### **Question: 31**

Click the Exhibit button.

```
ns0184-98::> cluster add-node-status
```

| Node Name    | Cluster IP      | Status  | Error Reason  |
|--------------|-----------------|---------|---|
| ns0184-98-01 | 169.254.111.185 | success |   |
| ns0184-98-02 | 169.254.124.154 | success |   |
| ns0184-97    | 168.254.242.195 | failure | Failed to start cluster join on node:<br>169.254.242.195: Cluster join operation cannot be performed at this time:<br>Cannot join node to the cluster because this is a mixed-version cluster.<br>All nodes in the cluster should be running the same software version before a node is added.<br>To attempt the join anyway, use the "-allow-mixed-version-join" parameter. Resolve the issue, then try the command again. |

3 entries were displayed.

You are attempting to add a new ONTAP 9.7 node to your ONTAP 9.8 NetApp cluster. After attempting to add the node, it fails as shown in the exhibit.

What are two nondisruptive ways to add the new node to your ONTAP cluster? (Choose two.)

- A. Revert the cluster from ONTAP 9.8 to ONTAP 9.7.
- B. Re-initialize all the nodes in the ONTAP cluster with ONTAP 9.7.
- C. Upgrade the new node from ONTAP 9.7 to ONTAP 9.8.
- D. Add the node using the -allow-mixed-version-parameter.

[NS0-184 Exam Dumps](#) [NS0-184 Exam Questions](#) [NS0-184 PDF Dumps](#) [NS0-184 VCE](#)

[Dumps https://www.braindump2go.com/ns0-184.html](https://www.braindump2go.com/ns0-184.html)

---

**Answer: C,D**

---

Explanation:

Reference: [https://docs.netapp.com/us-en/ontap/pdfs/sidebar/Upgrade\\_ONTAP.pdf](https://docs.netapp.com/us-en/ontap/pdfs/sidebar/Upgrade_ONTAP.pdf)

### **Question: 32**

Click the Exhibit button.

```
cluster1::*> cluster ping-cluster node1

Host is node2
Getting addresses from network interface table...
Cluster node1_clus1 169.254.209.69 node1 e0a
Cluster node1_clus2 169.254.49.125 node1 e0b
Cluster node2_clus1 169.254.47.194 node2 e0a
Cluster node2_clus2 169.254.19.183 node2 e0b
Local = 169.254.47.194 168.254.19.183
Remote = 169.254.209.69 169.254.49.125
Cluster Vserver Id = 4294967293
Ping status:
....
Basic connectivity succeeds on 4 path(s)
Basic connectivity fails on 0 path(s)
.....
Detected 9000 byte MTU on 4 path(s):
Local 169.254.47.194 to Remote 169.254.209.69
Local 169.254.47.194 to Remote 169.254.49.125
Local 169.254.19.183 to Remote 169.254.209.69
Local 169.254.19.183 to Remote 169.254.49.125
Larger than PMTU communication succeeds on 4 path(s)
RPC status:
2 paths up, 0 paths down (tcp check)
2 paths up, 0 paths down (udp check)
```

You are preparing to replace a Cisco Nexus 92300YC switch. You have executed the cluster ping-cluster node1 command and received the output as shown in the exhibit.

Which two checks indicate that the cluster is ready for the replacement to be performed? (Choose two.)

- A. 2 paths up, 0 paths down (TCP check)
- B. 2 paths up, 0 paths down (UDP check)
- C. larger than PMTU communication succeeds on 4 path(s)

D. basicconnectivitysucceedson4path(s)

---

**Answer: A,D**

---

Explanation:

---

**Question: 33**

You want to disconnect a DS224C shelf with 3.8 TB NetApp Storage Encryption (NSE) SSDs to an AFF A300 HA pair with two DS224C shelves with 3.8 TB SSDs without NSE in one stack.

In this scenario, how would you add the shelf?

- A. Add the shelf to the existing stack.
- B. Create a new stack on the HA pair to add the shelf.
- C. Connect the shelf to an HA pair with NSE drives.
- D. License NSE and add the shelf to this HA pair as a new stack.

---

**Answer: A**

Explanation:

---

**Question: 34**

You want to add an AFF A400 HA pair to an existing cluster. In this scenario, which LIF type is required?

- A. cluster-mgmt
- B. intercluster
- C. data
- D. node-mgmt

---

**Answer: B**

Explanation:

Reference: [https://docs.netapp.com/us-en/ontap-metrocluster/pdfs/sidebar/Add\\_a\\_new\\_controller\\_module\\_to\\_each\\_cluster.pdf](https://docs.netapp.com/us-en/ontap-metrocluster/pdfs/sidebar/Add_a_new_controller_module_to_each_cluster.pdf)

---

**Question: 35**

You are preparing to add a 2-node AFF A250 system to an existing 4-node AFF A800 cluster with Cisco Nexus 3232C switches. The cluster switches are currently running the Cluster-HARCF.

In this scenario, which two steps are required to install the AFF A250 system? (Choose two.)

- A. Load the Storage RCF.
- B. Cable the AFF A250 nodes to the next free ports on the switch.
- C. Cable the AFF A250 nodes to the breakout ports on the switch.
- D. Load the Cluster-HA-Breakout RCF.

[NS0-184 Exam Dumps](#) [NS0-184 Exam Questions](#) [NS0-184 PDF Dumps](#) [NS0-184 VCE](#)

[Dumps https://www.braindump2go.com/ns0-184.html](https://www.braindump2go.com/ns0-184.html)

---

**Answer: C,D**

---

---

Explanation:

---

**Question: 36**

---

You are preparing for the installation of a new ONTAP 9.8 cluster and need to get the preinstallation information from the customer.

In this scenario, which NetApp tool would you use to create a configuration spreadsheet template for the deployment?

- A. Interoperability Matrix Tool
- B. ConfigBuilder
- C. Active IQ Config Advisor
- D. Active IQ Unified Manager

---

**Answer: A**

---

Explanation:

Reference: [https://docs.netapp.com/us-en/ontap-select/pdfs/fullsite-sidebar/ONTAP\\_Select\\_documentation.pdf](https://docs.netapp.com/us-en/ontap-select/pdfs/fullsite-sidebar/ONTAP_Select_documentation.pdf)

---

**Question: 37**

---

You have added two new AFF A250 nodes to an existing 4-node cluster with NetApp CN1610 cluster network switches. Although the nodes can join the cluster, the storage failover show command output shows that the NVRAM log is not synchronized, and it cannot reach the partner over an HA interconnect.

In this scenario, which two statements are true? (Choose two.)

- A. The AFF A250 requires switches with 40GbE port support.
- B. The AFF A250 uses different ports for the cluster and the HA interconnect.
- C. The AFF A250 requires switches with 25GbE port support.
- D. The AFF A250 uses the same port for the cluster and the HA interconnect.

---

**Answer: B,C**

---

Explanation:

---

**Question: 38**

---

A customer is creating a new SVM to host iSCSI LUNs for a Hyper-V cluster. You need to successfully map the new LUNs and make them visible to the Hyper-V cluster.

In this scenario, which host information is required to accomplish this task?

- A. IQNs
- B. WWNNs
- C. WWPNs

[NS0-184 Exam Dumps](#) [NS0-184 Exam Questions](#) [NS0-184 PDF Dumps](#) [NS0-184 VCE](#)

[Dumps https://www.braindump2go.com/ns0-184.html](https://www.braindump2go.com/ns0-184.html)

D. host names

---

**Answer: D**

---



Explanation:

Reference: <https://docs.microsoft.com/en-us/system-center/vmm/hyper-v-storage?view=sc-vmm-2019>

**Question: 39**

You want to enable secure communication with the SP or BMC through CA-signed certificates. Which two certificate types must be installed in this scenario? (Choose two.)

- A. cluster certificate
- B. server certificate
- C. root CA certificate
- D. ONTAP certificate

**Answer: B,C**

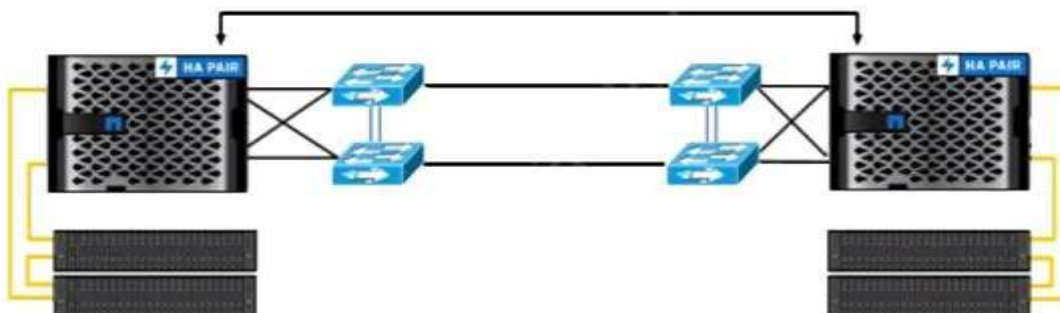
Explanation:

Reference:

[https://kb.netapp.com/Advice and Troubleshooting/Data Storage Software/ONTAP OS/How to configure communication between ONTAP and Service Processor \(SP\) or BMC with Certificate Authority \(CA\) signed certificates](https://kb.netapp.com/Advice and Troubleshooting/Data Storage Software/ONTAP OS/How to configure communication between ONTAP and Service Processor (SP) or BMC with Certificate Authority (CA) signed certificates)

**Question: 40**

Click the Exhibit button.



What are two functions of the four Ethernet switches in the supported configuration that is shown in the exhibit? (Choose two.)

- A. to provide a direct connection for the SnapMirror Synchronous (SM-S)
- B. to install cross-site cluster management switches
- C. to provide connectivity for NVRAM over iWARP
- D. to enable SyncMirror replication

---

Explanation:

**Question: 41**

A customer is asked to install a new AFF ASA A700 system. During the installation, the customer asks if ONTAP 9.8 is supported with their host's OS version running Windows 2016. In this scenario, which NetApp tool would verify supportability?

- A. ONTAP System Manager
- B. Active IQ Unified Manager
- C. Active IQ OneCollect
- D. Interoperability Matrix Tool

**Answer: A**

Explanation:

Reference: [https://docs.netapp.com/us-en/ontap-systems/pdfs/sidebar/AFF\\_A700\\_and\\_FAS9000\\_Install\\_and\\_Setup.pdf](https://docs.netapp.com/us-en/ontap-systems/pdfs/sidebar/AFF_A700_and_FAS9000_Install_and_Setup.pdf)