



# Important!

Please give copies to all your VW Technicians

# Technical Bulletin

Subject: **Side Airbag Igniter, Diagnostic Trouble Code(s) (DTCs) Stored in DTC Memory**

Group: **69**

Number: **05-02**

Model(s): **Touareg**

**2004, 2005**

Date: **Feb. 2, 2005**

Supersedes T.B. Group 69 number 04-02 dated June 3, 2004 due to updated repair instructions

## Condition

Airbag warning light in instrument cluster is ON and one or both of the following DTCs are stored in the DTC memory.

- ◆ 01217 001 "Igniter for side airbag driver's side -N199- Upper limit exceeded"
- ◆ 01218 001 "Igniter for side airbag passenger side -N200- Upper limit exceeded"

May be caused by sporadic "resistance too high" in terminals of connectors for side airbag / seat harness.

## Service

Prior to performing the following procedure:

	<b>WARNING</b>
<b><i>When working on ANY airbag system, ALWAYS read and follow Repair Manual WARNINGS, Precautions, Notes and Tips!</i></b>	

See Repair Manual, Repair Groups 69 and 72, for detailed information).

 **Tip:**

*Part numbers listed in this bulletin are for reference only. Always check with your Parts Dept. for the latest parts information.*

## Parts required:

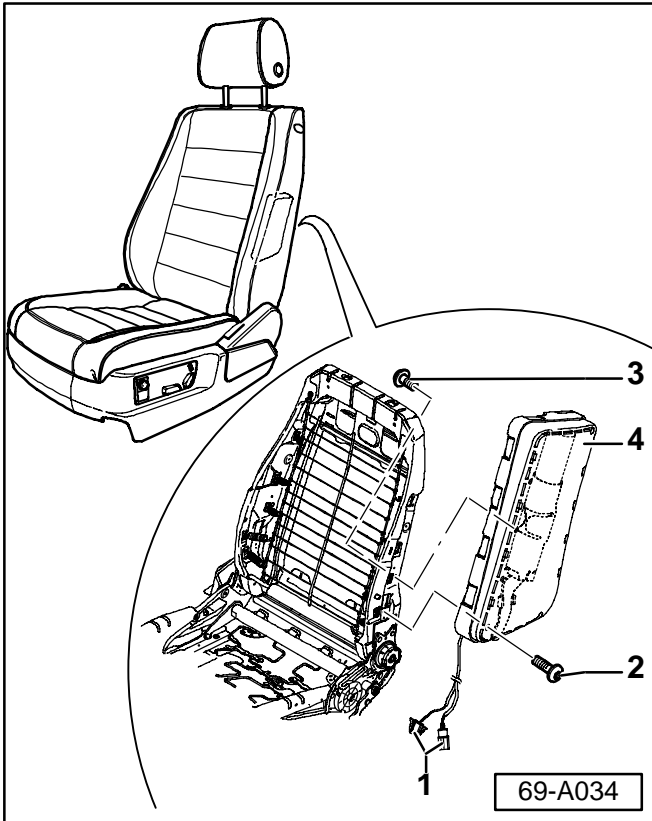
Part number	Description	Qty.
111 971 941A	Butt connector	4
000 979 010	0.5 mm wire	1



# Important!

Please give copies to all your VW Technicians

# Technical Bulletin



## Procedure

- Disconnect battery Ground (GND) strap.
- ◀ - Remove seat (see Repair Manual Group 72 Seat frames "12-way seat, removing and installing").
- Carefully separate connectors -1- of harness to side airbag igniter -N199- (driver seat) or -N200- (passenger seat).



### Tip:

*Drawing is used to illustrate connector location only, seat does not have to be disassembled for repair.*



- ◀ - Remove male and female side of the Yazaki connector (as shown) by cutting one wire at a time.
- Discard connectors.

Using butt splice crimping tool VAS 1978/24:

- Splice the harness together using two 4in. sections of Repair wire Part No: 000 979 010 (from VAS 1978AR wiring repair kit) and 4 butt connectors Part No: 111 971 941A) from wiring harness repair kit 1978.
- ◆ This allows the harness additional slack.



## Important!

Please give copies to all  
your VW Technicians

# Technical Bulletin

- Wrap all repaired wires using yellow electrical tape to indicate that the wiring has been modified.
- Secure the harness with tie straps.
- Install seat (see Repair Manual Group 72 Seat frames "12-way seat, removing and installing".)
- Switch ignition ON.

### WARNING

***Ensure that there is no person inside the vehicle when connecting the Battery Ground (GND) strap.***

- Reinstall battery Ground (GND) Strap.
- Connect the VAS 5051 or VAS 5052 Diagnostic tool.
- Check and clear any stored DTCs and verify repair.

### **Post procedure component reset / relearn (after battery Ground (GND) Disconnect)**

#### **Access Start Module**

Before starting vehicle, Access Start Module must be reset:

- Turn ignition switch to left most position.
- Let ignition switch return to zero position (at rest when key is in ignition switch).
- Turn ignition switch to the right position to start the engine.

### **Front windows "One touch feature"**

With vehicle idling:

- Fully open both front windows.
- Fully close both front windows.



# Important!

Please give copies to all  
your VW Technicians

# Technical Bulletin

---

## **Electronic front seat (if equipped) “Soft stop function”**

With vehicle idling:

- Hold seat “forward/backward” switch in forward position until front seat moves fully forward and seat stops.
- Release switch.
- Hold seat “forward/backward” switch in forward position to ensure front seat is in fully forward position.
- Release switch.
- ◆ Forward soft stop position is learned.
- Hold seat “forward/backward” switch in backward position until front seat moves fully backward and seat stops.
- Release switch.
- Hold seat “forward/backward” switch in backward position to ensure front seat is in fully backward position.
- Release switch.
- ◆ Backward soft stop position is learned.
- Repeat steps for other front seat.

## **Electronic steering column (if equipped)**

With vehicle idling:

- Operate steering column adjustment switch in each direction (up, down, forward and backward) until steering column stops in that direction.

## **Steering angle sensor & Air suspension**

- ◆ Steering angle sensor will temporarily lose calibration (light will illuminate) and must relearn its position.
- ◆ Air suspension will temporarily lose communication with the steering wheel angle sensor (light will illuminate).



# Important!

Please give copies to all your VW Technicians

# Technical Bulletin

- Drive vehicle forward with wheels in the straight ahead position for approx. 45 ft. (13.7 meters).

<b>When procedure applies to vehicles within the New Vehicle Limited Warranty, use the following:</b>	
<b>Claim Type:</b>	<b>W2</b>
<b>Part Identifier:</b>	<b>9757</b>
<b>Damage Code:</b>	<b>9757 40 000 1</b>
<b>Labor Operation:</b> VAS 1978 Electrical Wire Repair 2 wires (one seat)	<b>97094152 40TU</b>
<b>Labor Operation:</b> VAS 1978 Electrical Wire Repair 4 wires (both seats)	<b>97094156 70TU</b>
<b>Labor Operation:</b> Remove & install seat	<b>See SRT</b>
<b>Labor Operation:</b> Restoring Electrical Power	<b>See SRT</b>