

ITALIAN CREATIVITY SINCE 1885



Bianchi

PROFESSIONAL BOOK

4



INNOVATION

10



ROAD

RACING
ENDURANCE
TT & TRIATHLON
CYCLO-CROSS
PISTA FIXED GEAR
DAMA BIANCA
VINTAGE
ALL ROAD

160



MTB

XC CROSS-COUNTRY
RACING
PERFORMANCE
OFF-ROAD
TRAIL
PERFORMANCE
ENDURO
PERFORMANCE

218



E-BIKE

E-ROAD
E-MTB
E-SPORT
E-CITY

254



CITY FITNESS

C-SPORT
SPILLO
CITY VINTAGE
JUNIOR



PARTS & ACCESSORIES



IN STORE BRANDING



BIANCHI



BIANCHI SHOP

First Bianchi Shop
in Via Nirone, Milan



FAUSTO COPPI

"Il Campionissimo"
wins his first Giro d'Italia
and in 1949
his first Tour de France



BRUNO ZANCHI
Downhill
World Champion

MARCO PANTANI

"Il Pirata" wins
Giro d'Italia and
Tour de France

1885

1889

1915

1947

1973

1991

1998

2003

Gian Ferdinando Tommaselli
winner of the Gran Prix de Paris,
the first Bianchi's race victory

Military bike: the first
full-suspension model

FELICE GIMONDI

World Champion
in Barcelona

TEAM BIANCHI
with Jan Ullrich



Italian creativity since 1885.



BIANCHI CAFÈ & CYCLES

First opening
in Stockholm



OLTRE XR4

Introduction of the Oltre XR4
aero frame engineered
with Countervail®

2004

JULIEN ABSALON

XCO Olympic
Gold Medallist
in Athens

2010

The first
OLTRE
is born

2013

Introduction of the **INFINITO CV**
engineered with Countervail® technology

GERHARD KERSCHBAUMER
XCO U23 World Champion

2015

SPECIALISSIMA
Bianchi ultralight bike
with Countervail®

2016

METHANOL CV
The first MTB
engineered
with Countervail®

2017



BIANCHI FOR SCUDERIA FERRARI

Collaboration
with Ferrari to
develop a new
Scuderia Ferrari
bicycle range



COMPOSITE MATERIALS

Fibers have different mechanical characteristics: High modulus, High elongation, High strength...

MAIN FEATURES TO DESCRIBE THE FIBER:

TENSILE STRENGTH

The tensile strength of a material is the maximum amount of load stress that it can be subjected to before failure.

TENSILE MODULUS

Description of the material's tendency to be deformed elastically (non-permanently) when a force is applied to it. It is a measure of stiffness.

DENSITY G/M^3

Ratio between weight and volume.



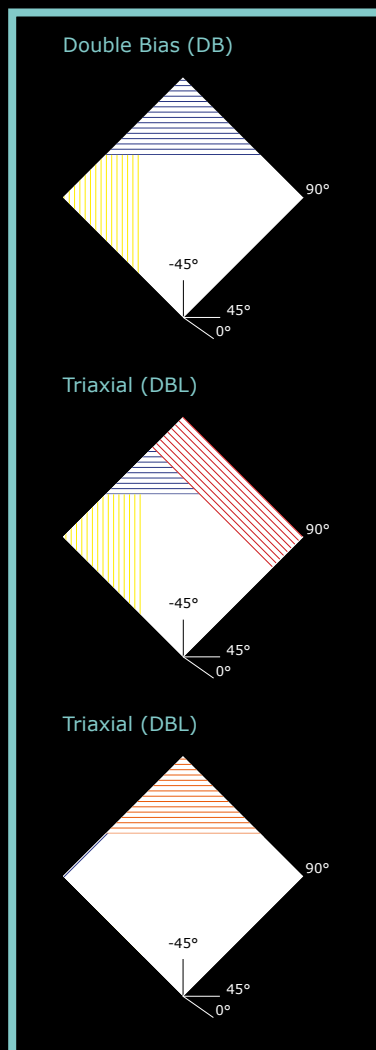
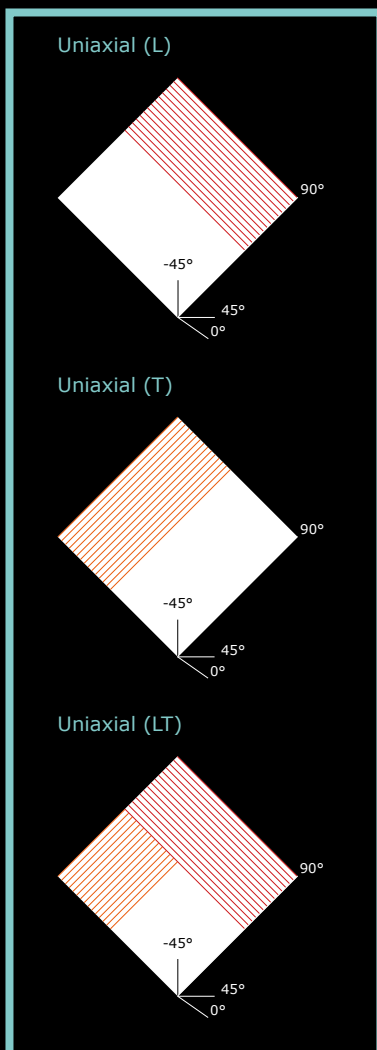
THE RESULT IN TERMS OF CHARACTERISTICS AND PERFORMANCE OF THE CARBON FRAME DEPENDS ON:

COMBINATION OF FABRICS (LAYERS) WITH DIFFERENT CHARACTERISTICS

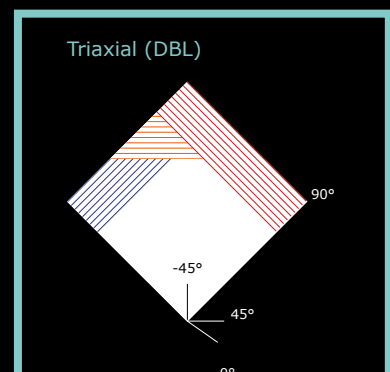
DIFFERENT POSITIONING OF THE FABRIC
(ORIENTATION $0^\circ/+45^\circ/-45^\circ$)

NUMBER OF LAYERS IN THE DIFFERENT CRITICAL POINTS OF THE FRAME

PRODUCTION PROCESS
(MOLDING TECHNOLOGY AND CONSTRUCTION)



L Longitudinal (0°)
T Transverse (90°)
DB Double Bias ($\pm 45^\circ$)



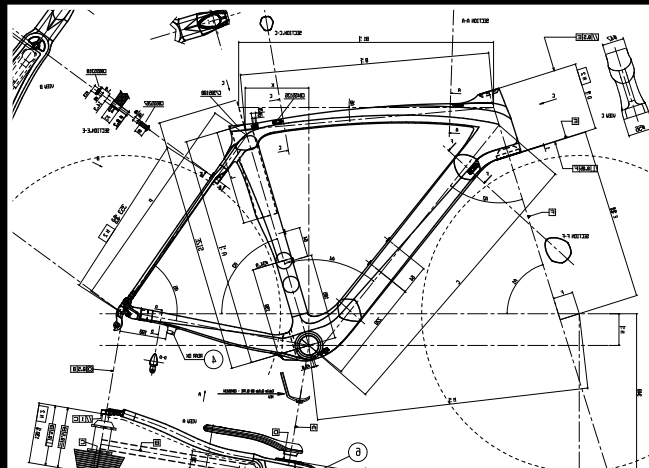
BIANCHI PRODUCT DEVELOPMENT



IDEA

Ideas are the seeds of our continuous innovation process, together with a mix of intuitions, Italian creativity, experience and attention to details.

01



GEOMETRIES

We offer dedicated geometries for all type of riding and different performance. Bianchi is widely known for its race proven geometries.

02



GRAPHICS

All graphics and color combinations are created by our creative designers, in Treviglio.

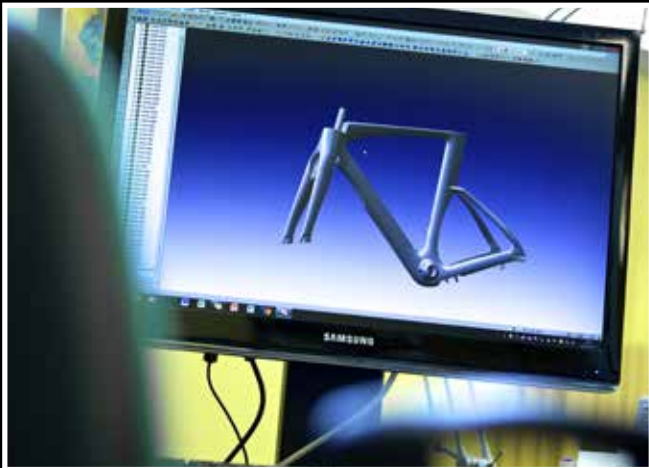
05



LAB TEST

All frames are developed and tested inside the Bianchi headquarters in Treviglio (Bergamo, Italy) with innovative and dedicated machines.

06



3D

We are expert in frame design and technology. We believe the frame is the heart of the bicycle.

03



RAPID PROTOTYPING

Thanks to our Rapid Prototype Machine we can create and assemble, in house, a resin prototype of every model so that we can check the shape and final look of the frame before starting final production.

04



ROAD TEST

Our team of professional test riders and former pro-cyclists is constantly testing all new products collecting and providing important feedbacks to our engineers with the aim to produce the best bikes in the world.

07



ASSEMBLY PROCESS

We have a unique individual vertical assembly process: each bicycle is built by one person.

08

REPARTO CORSE

Bianchi has innate connection to the world of racing and we recognize the advantage of testing new products and materials in competitions. With our legendary Bianchi Reparto Corse we have optimized and accelerated the process of innovation through a close collaboration with our professional riders.

reparto corse

PROTOTYPE TESTING



COLLECTING FEEDBACK



DATA ANALYSIS



WIN





Bianchi

t a v o l o z z a

TAILOR-MADE PROGRAM AVAILABLE FOR **OLTRE XR4** AND **SPECIALISSIMA**

Bianchi Tavolozza is the exclusive web color configurator introduced for Specialissima and Oltre XR4, Bianchi premium models engineered with Countervail vibration cancelling technology. All Specialissima and Oltre XR4 frames, including graphics and logos, are hand-painted and decaled in Italy by expert craftsmen, combining Bianchi's timeless skills of tailoring together with advanced technologies.

USER-FRIENDLY AND CREATIVE TAILOR-MADE PROGRAM

By entering www.bianchi.com/tavolozza, you can easily design your own project in a few clicks, meeting any wish. Tavolozza offers an infinity of possible combinations.

OLTRE XR4:

- **15 OPTIONS** / Frame and fork's color
- **14 COLORS** / Inserts
- **6 OPTIONS** / Bianchi logo
- Glossy and matt finishing

SPECIALISSIMA:

- **24 OPTIONS** / Frame and fork's color
- **15 COLORS** / Graphics
- Glossy and matt graphics finishing
- **2 OPTIONS** / Bianchi eagle on seat tube

FAST AND SOCIAL

After creating the ideal layout for your Specialissima or Oltre XR4, you can save and download the project, identified by a unique code. Thanks to the online dealer locator, you can find the nearest Bianchi authorized dealer where to order the custom-painted bike.

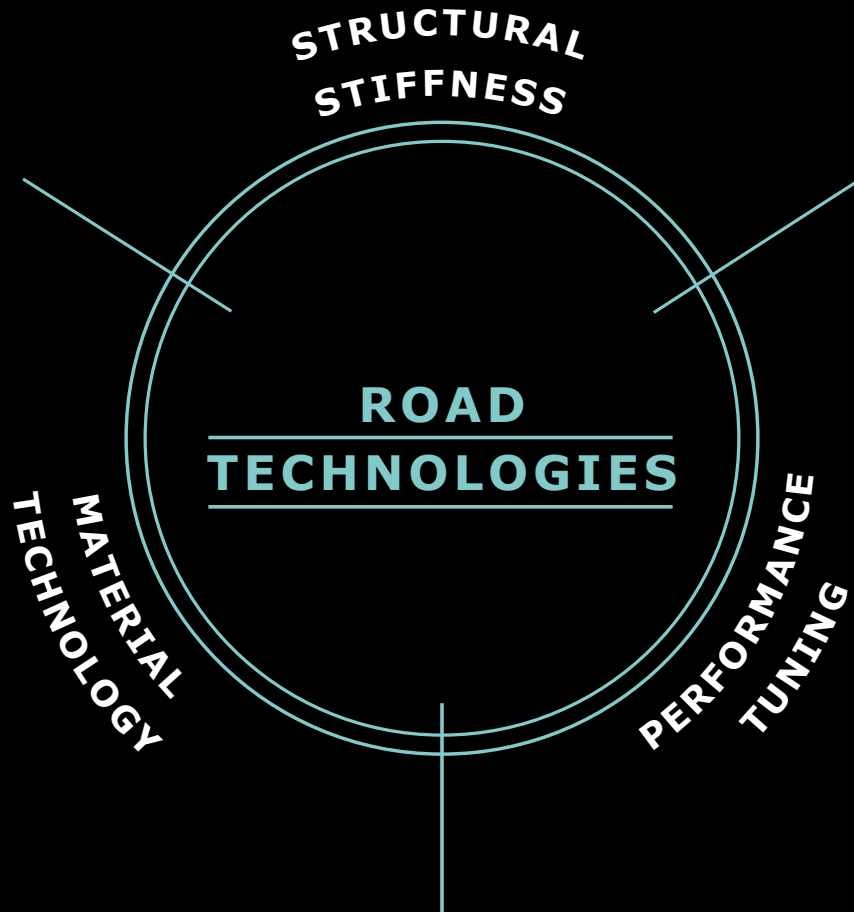
Tavolozza also gives you the opportunity to immediately share your own project on Facebook.



ROAD

RACING
ENDURANCE
DAMA BIANCA
TIME-TRIAL & TRIATHLON
CYCLO-CROSS
PISTA FIXED GEAR
VINTAGE
ALLROAD





MATERIAL TECHNOLOGY



STRUCTURAL STIFFNESS

TRIPLE HYDROFORMED TECHNOLOGY

PERFORMANCE TUNING



K-VID



Bianchi



ENGINEERED WITH



ONE TECHNOLOGY TUNED FOR EVERY NEED

- Patented carbon material with a unique fiber architecture and viscoelastic resin
- Cancels 80% of vibrations
- Tested in NASA aerospace operations
- Countervail® is an exclusive integrated system available only in Bianchi CV models
- Reduces muscular fatigue
- Increased control and performance
- Maximum power output
- One technology tuned for each riding condition

Specialissima

**PURE POWER
AND CONTROL**

ROAD | RACING



UltraxR4 UltraxR3

**MAXIMIZE
AERO ADVANTAGE
AND CONTROL**

ROAD | RACING



Infinite CV

**LESS FATIGUE,
MORE CONTROL**

ROAD | ENDURANCE



AQUILA CV

**MORE ENERGY,
MORE CONTROL**

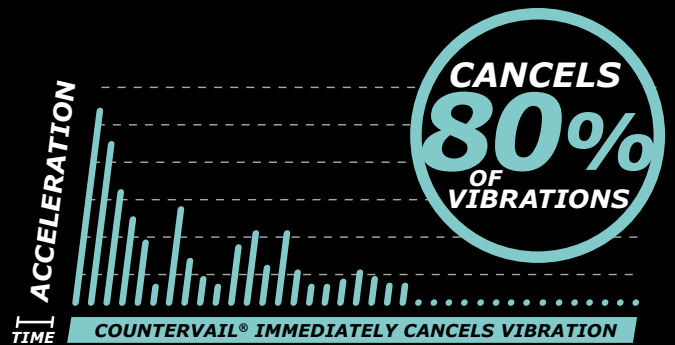
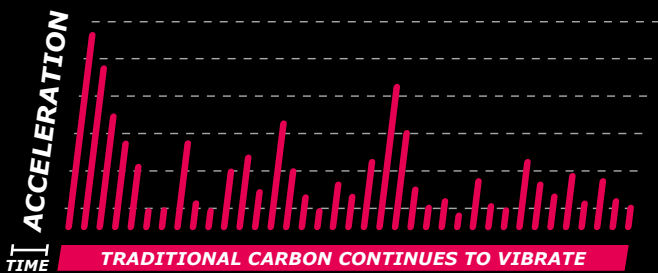
ROAD | TIME-TRIAL & TRIATHLON



METHANOL CV

**AFTER SHOCK
CONTROL**

MTB | XC CROSS-COUNTRY

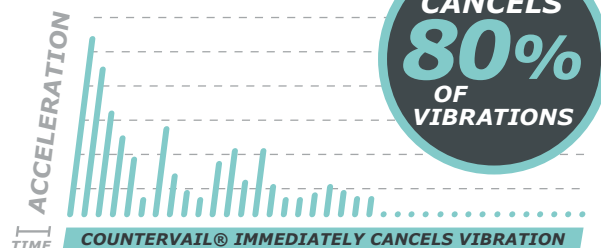
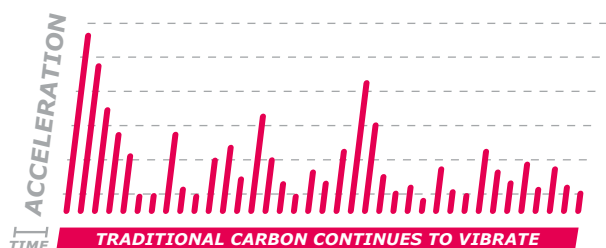
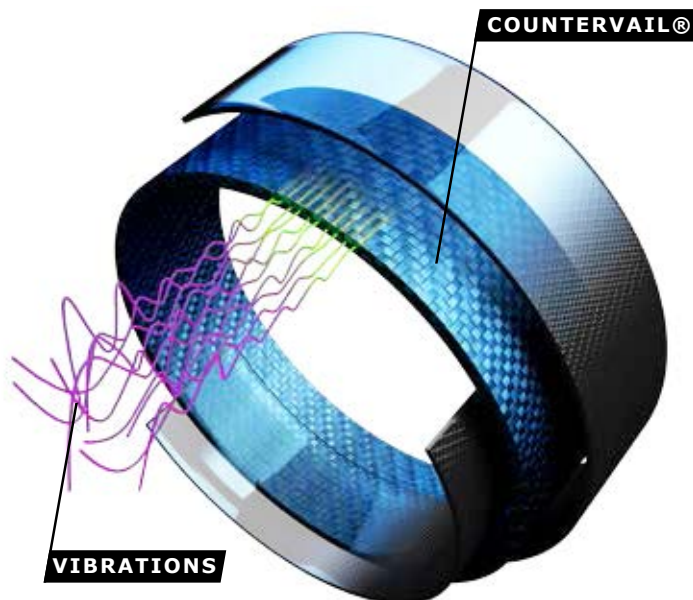


Bianchi



ENGINEERED WITH

 **COUNTERVAIL®**



ONE TECHNOLOGY, TUNED FOR EVERY NEED.

BIANCHI CV INTEGRATED VIBRATION CANCELLING SYSTEM

Bianchi collaborated with Materials Sciences Corporations to develop our innovative and exclusive use of the MSC's patented Countervail® integrated vibration cancelling system for cycling. Countervail® is a patented carbon material with a unique fiber architecture and viscoelastic resin that cancels 80% of vibrations while increasing the stiffness and strenght of our carbon frames and forks. Countervail® is embedded within the layup of Bianchi CV high-performance models.

PROVEN IN NASA AEROSPACE OPERATIONS

Traditional passive damping in frames using superficial rubber inserts and isolators are marginally effective compared to the integrated carbon Countervail® system developed by Bianchi for cycling and proven in the extreme conditions of NASA aerospace operations.

Bikes with this technology:

Specialissima, Oltre XR4, Oltre XR3, Infinito CV, Aquila CV and Methanol CV



TRIPLE HYDROFORMED TECHNOLOGY

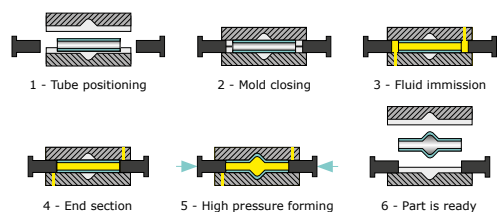
Hydroforming process of the top and head tubes

Top and head tubes are welded and then fused together into a monocoque structure

Final hydroforming process

Bikes with this technology:
ALL IMPULSO

HYDROFORMING PROCESS



ADVANTAGES

Increased rigidity
Maximized design
Reduced fatigue



▲ B A T ▼ K-VID

To obtain different stiffness behaviour under different directional forces, without wasting power transfer

Special lay-up and different material combination (CARBON - KEVLAR)

Special design

Bikes with this technology:
INFINITO CV (only BAT)
INTENSO / IMPULSO / VIA NIRONE 7



ADVANTAGES

Increased shock absorption
Best adherence
Reduced fatigue

ROAD DISC BRAKE SYSTEM

Bianchi designs every disc brake model with road bikes specific thru axle. Aria, Impulso Allroad, Impulso E-Road, E-Allroad and Edoardo have 12 x 100/142mm thru axle with quick release lever. Both Infinito CV and Intenso Endurance carbon frames feature a lightweight (only 31gr.) 12 x 100/135mm thru axle with removable QR system.

Bikes with this technology:
**ARIA / INFINITO CV / INTENSO /
IMPULSO ALLROAD / VIA NIRONE 7
ALLROAD (ONLY FRONT TA) IMPULSO
E-ROAD/E-ALLROAD (E-ROAD) /
EDOARDO (E-SPORT)**



UTSS ULTRA THIN SEAT STAY

Improved shock absorption
and impact resistance

Reduced frame weight

Power transmission is now
focused through the chain stays,
leaving the seat stays as
a compliant support structure

Bikes with this technology:
**OLTRE XR3
SEMPRE PRO**

ADVANTAGES

Increased shock absorption
Best adherence
Reduced fatigue



ROAD RANGE OVERVIEW

	PROFESSIONAL	PERFORMANCE	SPORT
RACING	SPECIALISSIMA OLTRE XR4	OLTRE XR3 ARIA SEMPRE PRO FRECCIA CELESTE	
ENDURANCE	INFINITO CV	INTENSO INTREPIDA	IMPULSO VIA NIRONE 7
TT/ TRIATHLON	AQUILA CV OLTRE XR4	ARIA	PICO ALU
CYCLO-CROSS		ZOLDER	ZURIGO
PISTA FIXED GEAR			PISTA SEI GIORNI PISTA STEEL
VINTAGE			L'EROICA
ALL ROAD		IMPULSO ALLROAD ALLROAD VIA NIRONE 7 ALLROAD	ORSO VOLPE LUPO STRADA

BIKE FIT CHART

HANDLEBAR / STEM / CRANKSET

RACING														ENDURANCE			DAMA BIANCA							
Specialissima			OltreXR.4 (Metron 5D)			OltreXR.3			Sempre			Aria			Infinito CV Intenso Intrepida Impulso Via Nirone 7			Infinito CV Intenso Intrepida Impulso Via Nirone 7			Road Crankset		Road Lady Crankset	
Frame Size	Stem Size	Handle-bar Size (c-c)	Frame Size	Stem Size	Handle-bar Size (c-c)	Frame Size	Stem Size	Handle-bar Size (c-c)	Frame Size	Stem Size	Handle-bar Size (c-c)	Frame Size	Stem Size	Handle-bar Size (c-c)	Frame Size	Stem Size	Handle-bar Size (c-c)	Frame Size	Length	Frame Size	Length			
									44	70	40	44	70	40	44	70	38	44	170	44	165			
															46	70	40	46	170	46	165			
47	80	40	47	100	40	47	70	40	47	70	40	47	90	40	47	70/90	40	47	70	38	47	170	47	165
															48	90	40	48	70	38	48	170	48	165
50	90	40	50	100	40	50	90	40	50	90	40	50	90	40	50	90	40	50	90	40	50	170	50	170
															51	100	40	51	90	40	51	170	51	170
53	100	42	53	110	42	53	100	42	53	100	42	53	100	40	53	90/100	40/42	53	90	40	53	170	53	170
															54	110	42	54	90	40	54	172,5	54	170
55	110	42	55	110	42	55	110	42	55	110	42	55	110	42	55	100/110	42	55	90/100	40	55	172,5	55	170
57	120	42	57	120	42	57	120	42	57	120	42	57	110	42	57	110/120	42				57	172,5		
																					58	172,5		
59	120	44	59	120	42	59	120	44	59	120	44	59	120	42	59	110/120	42/44				59	172,5		
															60	120	44				60	175		
61	130	44	61	130	44	61	130	44	61	130	44	61	130	44	61	120/130	44				61	175		
															63	130	44				63	175		



RACING

Ride beyond limits.

The Racing category includes extreme racing performance carbon frames, optimized to achieve the most efficient power transmission with the best rigidity to weight ratio.

The ideal bikes for the most expert riders.

MODELS IN THIS CATEGORY

SPECIALISSIMA
OLTRE XR4
OLTRE XR3
ARIA
ARIA DISC
SEMPRE
FRECCIA CELESTE

PROJECT PHILOSOPHY

- / Extreme rigidity for maximum pedalling power transfer
- / Super reactive geometry for better handling and responsiveness
- / Aero shape
- / Super light weight

TARGET CONSUMER

- / Those who want a pure speed machine with no compromises
- / The rider who has a racing mindset and a competitive attitude

Specialissima

POSITIONING

Ultralight racing frame (780gr*) engineered with the latest evolution of Countervail vibration cancelling technology. Reactive climbing machine with unparalleled control and precision in the descents.

COURSE/TERRAIN

Road, long climbs and descents

END USE DESTINATION

Pros and expert riders.
Ideal for long marathon events

KEY FEATURES

- Countervail ultralight formula
- Hand painted in Italy
- Tavolozza on-line color configurator
- Sram e-Tap (wi-fi groupset)

PRODUCT FEATURES

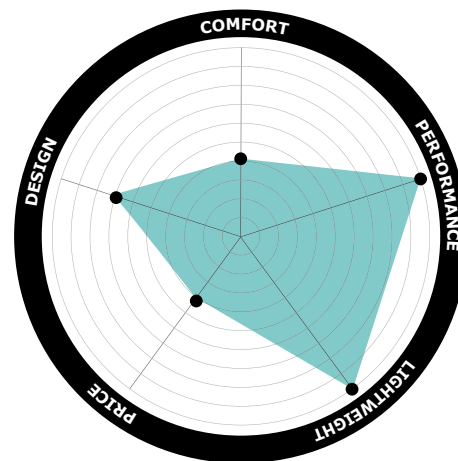
- Monocoque carbon hi-modulus frame with Countervail® material
- Tapered headtube 1.1/8" to 1.4" to improve rigidity of the front part, and reduce the weight
- Double compatibility mechanic and electronic groupset
- Internal cable routing
- BB set Press fit 86.5 x 41
- Seatube dimension: 27,2mm
- Full carbon dropout with metal insert
- 7 sizes: 47, 50, 53, 55, 57, 59, 61cm
- Weight: 780gr (*55 size, black color frame, +/- 5%)

reparto corsa

THE NEXT COUNTERVAIL®
EVOLUTION:
ULTRALIGHT FORMULA

TECHNOLOGIES

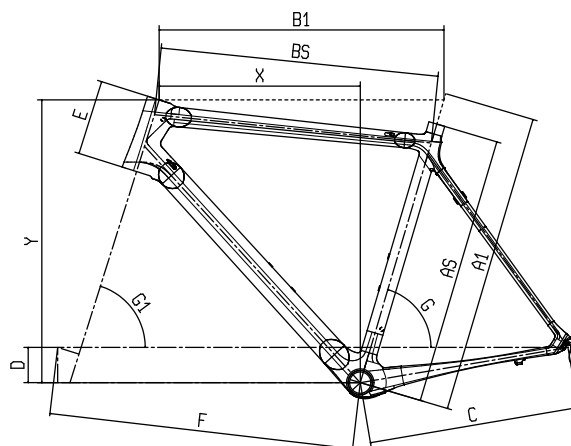
COUNTERVAIL®



AVAILABLE AS A FRAMESET

GEOMETRY – Racing

MIS-SLP											
A1	AS	B1	BS	C	D	E	F	G	G1	Y	X
470	440	515	500	400	58	110	579	74.5°	70.5°	495	375
500	470	525	512	400	58	115	581	74.5°	71.5°	503	383
530	500	535	523	406	68	130	582	74°	72°	529	383
550	520	550	537	407	68	145	588	73.5°	72.5°	545	388
570	540	560	548	407	68	160	593	73.5°	73°	561	393
590	560	575	562	409	68	180	603	73°	73°	580	397
610	580	585	570	411	68	200	603	72.5°	73°	601	397





AERO HEADTUBE

Tapered headtube 1.1/8" to 1.4" to improve rigidity of the front part, and reduce the weight.

Aero headtube section inspired by Aquila CV's profiles.



FULL CARBON DROPOUT

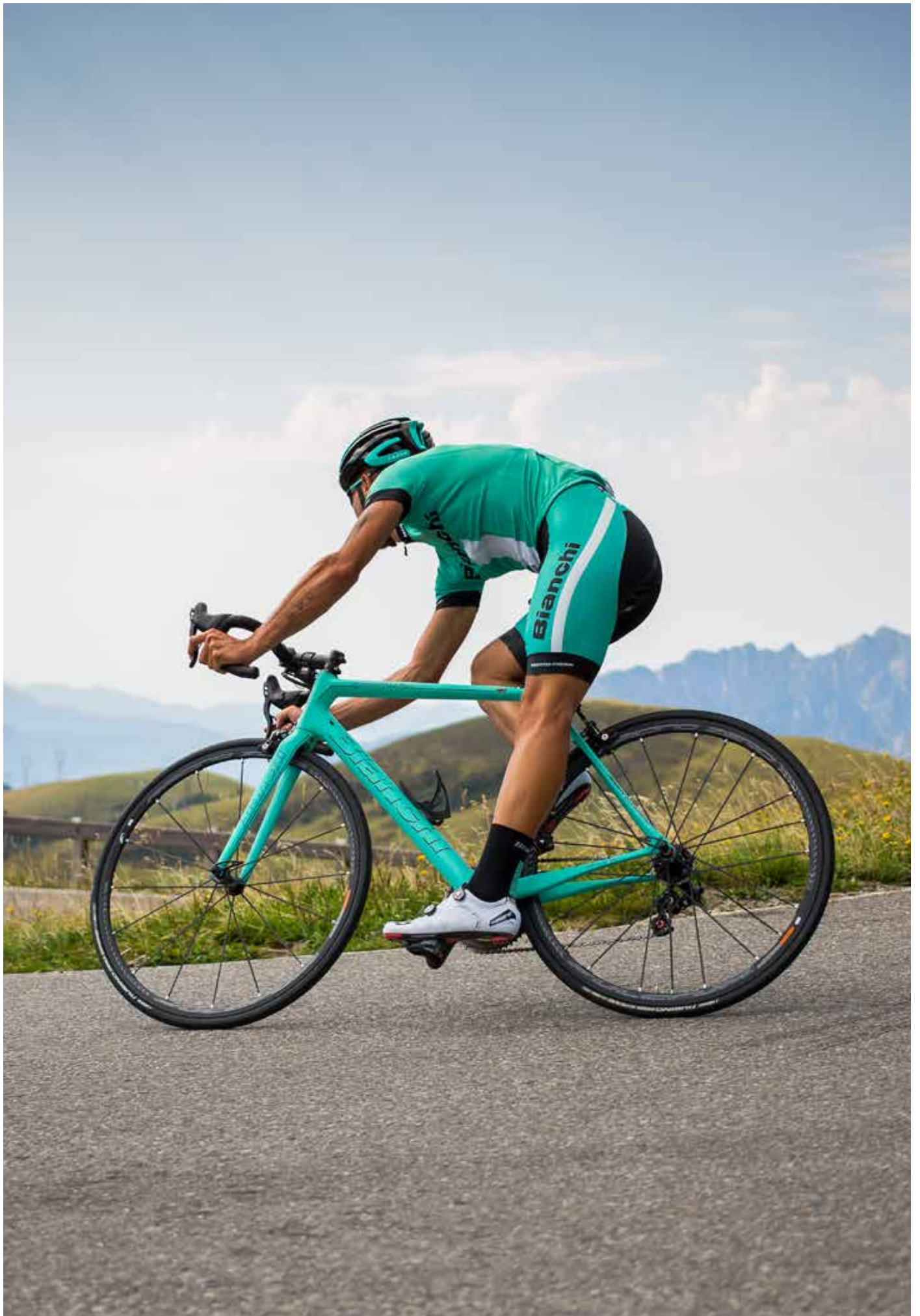
Full carbon dropout with metal insert



FORK

Full carbon with Countervail® material. Head crown tube with integrated design for perfect head tube connection and straight blade.

Reactive geometry
Super LightWeight:
340g



SPECIALISSIMA - SUPER RECORD EPS 11SP 52/36



CODE	YNBE7
COLOR	1H - CK16 matt/Black glossy (ON PHOTO) 1E - Black matt/CK16 glossy 1D - CK16/Black full Glossy ME - Pantani Anniversary Tavolozza colors
FRAME	Specialissima super light carbon w/Countervail, 1.1/8" > 1.1/4" headset, seatpost 27,2mm, PressFit 86,5x41mm, sizes 47-50-53-55-57-59-61cm
BOLTS / HARDWARE	AL7075-T6 large button head bolts, Torx M5*14mm x 4pcs, celeste bianchi w/Bianchi logo
SEATPOST CLAMP	Carbon Ti X-Clamp 3, AL7075-T6 machined body and Titanium grade 5 M5 Screw, diam. 31.8mm
HEADSET	Fsa NO.44/CF-R, 1.1/8" > 1.1/4" w/alloy bearings, w/carbon cap 8.7mm, for 47mm/52mm OD head tube
FORK	Bianchi Full Carbon w/Countervail, 1.1/8" > 1.4"
SHIFTER	Campagnolo Super Record EPS Ergopower 2x11sp
REAR DERAILLEUR	Campagnolo Super Record EPS 11sp
FRONT DERAILLEUR	Campagnolo Super Record EPS, braze-on FD, w/chain guard CSD System
ELECTRIC CABLE	Campagnolo EPS V3 Interface
BATTERY / MOUNT	Campagnolo EPS V3 Power Unit
CHARGER / PWR CABLE	Campagnolo EPS battery charger kit
CRANKSET	Campagnolo Super Record Ultra-Torque CT TI Carbon 52/36T, Crank length: 170mm-47/53cm, 172.5mm-55/59cm, 175mm-61cm
OPTION CRANKSET	Rotor 3D+ Inpower 52/36T, alloy 7055, 30mm axle, Crank Length: 170mm-47/53cm, 172.5mm-55/59cm, 175mm-61cm
BOTTOM BRACKET	Campagnolo Ultra Torque OS-Fit integrated cups 86,5x41mm
CHAIN	Campagnolo Record 11sp
CASSETTE / FREEWHEEL	Campagnolo Super Record 11sp 11-27T

BRAKE	Campagnolo Super Record skeleton, dual pivot front & rear
BRAKE LEVER	included w/shifters
RIM/WHEELSET	Fulcrum Racing Zero Nite
OPTION WHEELSET1	Fulcrum Speed 55T carbon tubular
OPTION WHEELSET2	Campagnolo Bora Ultra 35 Dark tubular w/brake pads BR-BO500
TIRE	Vittoria Corsa G+ Isotech graphene, 700x25c, 320TPI, Folding, color antracite/black
TIRE OPTION	Vittoria Corsa G+ Isotech graphene 700x25, 4 compounds, Kevlar reinforced CorespunK, 320TPI, hand made tubular, black/black
STEM	Fsa OS-99 CSI, AL7050 core with integrated carbon structure, AL2014/Carbon integrated, 4-bolt faceplate, bolts 6/4 Titanium, 31.8mm, angle +/-6°, Ext: 80mm-47cm, 90mm-50cm, 100mm-53cm, 110mm-55cm, 120mm-57/59cm, 130mm-61cm
HANDLEBAR	Fsa K-Force Compact, UD Weave Carbon, 31.8mm, drop 125mm, reach 80mm, 4° Outward Bend, size: 400mm-47/50cm, 420mm-53/57cm, 440mm-59/61cm
GRIP / TAPE	La Spirale Bike Ribbon Eolo soft w/carbon look plug w/Bianchi logo
SEATPOST	Fsa K-Force Light SB25, UD Carbon Monocoque, clamp type 2-Bolt Head "MTC", Setback 25 mm, Length 350mm, 27.2mm, Di2 Battery compatible
SADDLE	Selle San Marco Aspide Superleggera open, cover microfeel, rail dna-carbon diam. 9,8x7mm, 277x131mm
BOTTLE CAGE	Reparto Corse Carbon fiber, UD finish matt
WATER BOTTLE	Bianchi Loli 600ml

SPECIALISSIMA - SUPER RECORD 11SP COMPACT



CODE	YNBG9	BRAKE LEVER	included w/shifters
COLOR	1H - CK16 matt/Black glossy 1E - Black matt/CK16 glossy 1D - CK16/Black full Glossy (ON PHOTO) ME - Pantani Anniversary Tavolozza colors	RIM/WHEELSET	Fulcrum Racing Zero Nite
FRAME	Specialissima super light carbon w/Countervail, 1.1/8" > 1.1/4" headset, seatpost 27,2mm, PressFit 86,5x41mm, sizes 47-50-53-55-57-59-61cm	OPTION WHEELSET1	Fulcrum Speed 55T carbon tubular
BOLTS / HARDWARE	AL7075-T6 large button head bolts, Torx M5*14mm x 4pcs, celeste bianchi w/Bianchi logo	OPTION WHEELSET2	Campagnolo Bora Ultra 35 Dark tubular w/brake pads BR-BO500
SEATPOST CLAMP	Carbon Ti X-Clamp 3, AL7075-T6 machined body and Titanium grade 5 M5 Screw, diam. 31.8mm	TIRE	Vittoria Corsa G+ Isotech graphene, 700x25c, 320TPI, Folding, color antracite/black
HEADSET	Fsa NO.44/CF-R, 1.1/8" > 1.1/4" w/alloy bearings, w/ carbon cap 8.7mm, for 47mm/52mm OD head tube	TIRE OPTION	Vittoria Corsa G+ Isotech graphene 700x25, 4 compounds, Kevlar reinforced Corespunk, 320TPI, hand made tubular, black/black
FORK	Bianchi Full Carbon w/Countervail, 1.1/8" > 1.4"	STEM	Fsa OS-99 CSI, AL7050 core with integrated carbon structure, AL2014/Carbon integrated, 4-bolt faceplate, bolts 6/4 Titanium, 31.8mm, angle +/-6°, Ext: 80mm-47cm, 90mm-50cm, 100mm-53cm, 110mm-55cm, 120mm-57/59cm, 130mm-61cm
SHIFTER	Campagnolo Super Record Ultra Shift 11sp Ergopower	HANDLEBAR	Fsa K-Force Compact, UD Weave Carbon, 31.8mm, drop 125mm, reach 80mm, 4° Outward Bend, size: 400mm-47/50cm, 420mm-53/57cm, 440mm-59/61cm
REAR DERAILLEUR	Campagnolo Super Record 11sp	GRIP / TAPE	La Spirale Bike Ribbon Eolo soft w/carbon look plug w/ Bianchi logo
FRONT DERAILLEUR	Campagnolo Super Record 11sp braze-on front der. w/chain guard CSD System	SEATPOST	Fsa K-Force Light SB25, UD Carbon Monocoque, clamp type 2-Bolt Head "MTC", Setback 25 mm, Length 350mm, 27.2mm, Di2 Battery compatible
CRANKSET	Campagnolo Super Record Ultra-Torque CT TI Carbon 11sp 34-50T, Crank Length: 170mm-47/53cm, 172.5mm-55/59cm, 175mm-61cm	SADDLE	Selle San Marco Aspide Carbon FX Open, cover microfeel + carbon + hf, rail dna-carbon diam. 9,8x7mm, 277x132mm
OPTION CRANKSET	Rotor 3D+ Inpower 52/36T, alloy 7055, 30mm axle, Crank Length: 170mm-47/53cm, 172.5mm-55/59cm, 175mm-61cm	BOTTLE CAGE	Reparto corse Carbon fiber, UD finish matt
BOTTOM BRACKET	Campagnolo Ultra Torque OS-Fit integrated cups 86,5x41mm	WATER BOTTLE	Bianchi Loli 600ml
CHAIN	Campagnolo Record 11sp		
CASSETTE / FREEWHEEL	Campagnolo Super Record 11sp 11-27T		
BRAKE	Campagnolo Super Record skeleton, dual pivot front & rear		

SPECIALISSIMA - DURA ACE DI2 11SP 52/36



CODE	YNBE6
COLOR	1H - CK16 matt/Black glossy 1E - Black matt/CK16 glossy (ON PHOTO) 1D - CK16/Black full Glossy ME - Pantani Anniversary Tavolozza colors
FRAME	Specialissima super light carbon w/Countervail, 1.1/8" > 1.1/4" headset, seatpost 27,2mm, PressFit 86,5x41mm, sizes 47-50-53-55-57-59-61cm
BOLTS / HARDWARE	AL7075-T6 large button head bolts, Torx M5*14mm x 4pcs, celeste bianchi w/Bianchi logo
SEATPOST CLAMP	Carbon Ti X-Clamp 3, AL7075-T6 machined body and Titanium grade 5 M5 Screw, diam. 31.8mm
HEADSET	Fsa NO.44/CF-R, 1.1/8" > 1.1/4" w/alloy bearings, w/ carbon cap 8.7mm, for 47mm/52mm OD head tube
FORK	Bianchi Full Carbon w/Countervail, 1.1/8" > 1.4"
SHIFTER	Shimano Dura Ace Di2 ST-R9150 2x11sp
REAR DERAILLEUR	Shimano Dura Ace Di2 RD-R9150 SS 11sp, shadow design, direct attachment, Max 30T
FRONT DERAILLEUR	Shimano Dura Ace Di2 FD-R9150-F, braze-on type
ELECTRIC CABLE	Shimano Junction-A SM-EW90-A, Dura-Ace Di2, E-Tube port X3, charging port X1
BATTERY / MOUNT	Shimano Battery BT-DN110-1
CHARGER / PWR CABLE	Shimano Battery charger SM-BCR2, including charging cord for usb
CRANKSET	Shimano Dura Ace FC-R9100, Hollowtech II, 52x36T, Crank Length: 170mm-47/53cm, 172.5mm-55/59cm, 175mm-61cm
OPTION CRANKSET	Rotor 3D+ Inpower 52/36T, alloy 7055, 30mm axle, Crank Length: 170mm-47/53cm, 172.5mm-55/59cm, 175mm-61cm
BOTTOM BRACKET	Shimano SM-BB92-41B, PressFit type for road, right & left adapter

CHAIN	Shimano Dura Ace CN-HG901-11
CASSETTE / FREEWHEEL	Shimano Dura Ace CS-R9100 11sp 11-28T, 11-12-13-14-15-17-19-21-23-25-28
BRAKE	Shimano Dura Ace BR-R9100, shoe R55C4
RIM/WHEELSET	Fulcrum Racing Zero Nite
OPTION WHEELSET1	Fulcrum Speed 40T carbon tubular, CULT bearings
OPTION WHEELSET2	Fulcrum Speed 55T carbon tubular
TIRE	Vittoria Corsa G+ Isotech graphene, 700x25c, 320TPI, Folding, color antracite/black
TIRE OPTION	Vittoria Corsa G+ Isotech graphene 700x25, 4 compounds, Kevlar reinforced Corespunk, 320TPI, hand made tubular, black/black
STEM	Fsa OS-99 CSI, AL7050 core with integrated carbon structure, AL2014/Carbon integrated, 4-bolt faceplate, bolts 6/4 Titanium, 31.8mm, angle +/-6°, Ext: 80mm-47cm, 90mm-50cm, 100mm-53cm, 110mm-55cm, 120mm-57/59cm, 130mm-61cm
HANDLEBAR	Fsa K-Force Compact, UD Weave Carbon, 31.8mm, drop 125mm, reach 80mm, 4° Outward Bend, size:400mm-47/50cm, 420mm-53/57cm, 440mm-59/61cm
GRIP / TAPE	La Spirale Bike Ribbon Eolo soft w/carbon look plug w/Bianchi logo
SEATPOST	Fsa K-Force Light SB25, UD Carbon Monocoque, clamp type 2-Bolt Head "MTC", Setback 25 mm, Length 350mm, 27.2mm, Di2 Battery compatible
SADDLE	Selle San Marco Aspide Superleggera open, cover microfeel, rail dna-carbon diam. 9,8x7mm, 277x131mm
BOTTLE CAGE	Reparto Corse Carbon fiber, UD finish matt
WATER BOTTLE	Bianchi Loli 600ml

SPECIALISSIMA - DURA ACE 11SP COMPACT



CODE	YNBG7	OPTION WHEELSET1	Fulcrum Speed 40T carbon tubular, CULT bearings
COLOR	1H - CK16 matt/Black glossy (ON PHOTO) 1E - Black matt/CK16 glossy 1D - CK16/Black full Glossy ME - Pantani Anniversary Tavolozza colors	OPTION WHEELSET2	Fulcrum Speed 55T carbon tubular
FRAME	Specialissima super light carbon w/Countervail, 1.1/8" > 1.1/4" headset, seatpost 27,2mm, PressFit 86,5x41mm, sizes 47-50-53-55-57-59-61cm	TIRE	Vittoria Corsa G+ Isotech graphene, 700x25c, 320TPI, Folding, color antracite/black
BOLTS / HARDWARE	AL7075-T6 large button head bolts, Torx M5*14mm x 4pcs, celeste bianchi w/Bianchi logo	TIRE OPTION	Vittoria Corsa G+ Isotech graphene 700x25, 4 compounds, Kevlar reinforced Corespunk, 320TPI, hand made tubular, black/black
SEATPOST CLAMP	Carbon Ti X-Clamp 3, AL7075-T6 machined body and Titanium grade 5 M5 Screw, diam. 31.8mm	STEM	Fsa OS-99 CSI, AL7050 core with integrated carbon structure, AL2014/Carbon integrated, 4-bolt faceplate, bolts 6/4 Titanium, 31.8mm, angle +/-6°, Ext: 80mm-47cm, 90mm-50cm, 100mm-53cm, 110mm-55cm, 120mm-57/59cm, 130mm-61cm
HEADSET	Fsa NO.44/CF-R, 1.1/8" > 1.1/4" w/alloy bearings, w/ carbon cap 8.7mm, for 47mm/52mm OD head tube	HANDLEBAR	Fsa K-Force Compact, UD Weave Carbon, 31.8mm, drop 125mm, reach 80mm, 4° Outward Bend, size: 400mm-47/50cm, 420mm-53/57cm, 440mm-59/61cm
FORK	Bianchi Full Carbon w/Countervail, 1.1/8" > 1.4"	GRIP / TAPE	La Spirale Bike Ribbon Eolo soft w/carbon look plug w/Bianchi logo
SHIFTER	Shimano Dura Ace ST-R9100 2x11sp	SEATPOST	Fsa K-Force Light SB25, UD Carbon Monocoque, clamp type 2-Bolt Head "MTC", Setback 25 mm, Length 350mm, 27.2mm, Di2 Battery compatible
REAR DERAILLEUR	Shimano Dura Ace RD-R9100 SS 11sp, shadow design, direct attachment	SADDLE	Selle San Marco Aspide Carbon FX Open, cover microfeel + carbon + hf, rail dna-carbon diam. 9,8x7mm, 277x132mm
FRONT DERAILLEUR	Shimano Dura Ace FD-R9100 11sp, brazed-on type	BOTTLE CAGE	Reparto Corse Carbon fiber, UD finish matt
CRANKSET	Shimano Dura Ace FC-R9100 Hollowtech II, 50-34T, w/o BB parts, crank length: 170mm-47/53cm, 172.5mm-55/59cm, 175mm-61cm	WATER BOTTLE	Bianchi Loli 600ml
OPTION CRANKSET	Rotor 3D+ Inpower 52/36T, alloy 7055, 30mm axle, Crank Length: 170mm-47/53cm, 172.5mm-55/59cm, 175mm-61cm		
BOTTOM BRACKET	Shimano SM-BB92-41B, PressFit Road		
CHAIN	Shimano Dura Ace CN-HG901-11		
CASSETTE / FREEWHEEL	Shimano Dura Ace CS-R9100 11sp 11-28T, 11-12-13-14-15-17-19-21-23-25-28		
BRAKE	Shimano Dura Ace BR-R9100, shoe R55C4		
RIM/WHEELSET	Fulcrum Racing Zero Nite		

SPECIALISSIMA - RED ETAP 11SP COMPACT



CODE	YNBG6
COLOR	1H - CK16 matt/Black glossy 1E - Black matt/CK16 glossy (ON PHOTO) 1D - CK16/Black full Glossy ME - Pantani Anniversary Tavolozza colors
FRAME	Specialissima super light carbon w/Countervail, 1.1/8" > 1.1/4" headset, seatpost 27,2mm, PressFit 86,5x41mm, sizes 47-50-53-55-57-59-61cm
BOLTS / HARDWARE	AL7075-T6 large button head bolts, Torx M5*14mm x 4pcs, celeste bianchi w/Bianchi logo
SEATPOST CLAMP	Carbon Ti X-Clamp 3, AL7075-T6 machined body and Titanium grade 5 M5 Screw, diam. 31.8mm
HEADSET	Fsa NO.44/CF-R, 1.1/8" > 1.1/4" w/alloy bearings, w/ carbon cap 8.7mm, for 47mm/52mm OD head tube
FORK	Bianchi Full Carbon w/Countervail, 1.1/8" > 1.4"
SHIFTER	Sram Red eTap 2x11sp
REAR DERAILLEUR	Sram Red eTap short cage, max 11-28T
FRONT DERAILLEUR	Sram Red eTap, Yaw Technology, braze-on
CHARGER / PWR CABLE	Sram Powerpack II eTap Battery charger
CRANKSET	Sram Red 50/34T, carbon crank arms, aluminium chainrings, BB spindle 24mm, BDC110, Crank Length: 170mm-47/53cm, 172.5mm-55/59cm, 175mm-61cm
OPTION CRANKSET	Rotor 3D+ Inpower 52/36T, alloy 7055, 30mm axle, Crank Length: 170mm-47/53cm, 172.5mm-55/59cm, 175mm-61cm
BOTTOM BRACKET	Sram BB PFGXP road PressFit 86.5x41mm
CHAIN	Sram Red22 CN-RED-A1 with power lock chain connector 11sp

CASSETTE / FREEWHEEL	Sram Red CS-XG-1190-A1 11sp 11-28T
BRAKE	Sram Red
RIM/WHEELSET	Fulcrum Racing Zero Nite
OPTION WHEELSET1	Fulcrum Speed 55T carbon tubular
OPTION WHEELSET2	Zipp 303 Firecrest, tubular
TIRE	Vittoria Corsa G+ Isotech graphene, 700x25c, 320TPI, Folding, color antracite/black
TIRE OPTION	Vittoria Corsa G+ Isotech graphene 700x25, 4 compounds, Kevlar reinforced CorespunK, 320TPI, hand made tubular, black/black
STEM	Fsa OS-99 CSI, AL7050 core with integrated carbon structure, AL2014/Carbon integrated, 4-bolt faceplate, bolts 6/4 Titanium, 31.8mm, angle +/-6°, Ext: 80mm-47cm, 90mm-50cm, 100mm-53cm, 110mm-55cm, 120mm-57/59cm, 130mm-61cm
HANDLEBAR	Fsa K-Force Compact, UD Weave Carbon, 31.8mm, drop 125mm, reach 80mm, 4° Outward Bend, size:400mm-47/50cm, 420mm-53/57cm, 440mm-59/61cm
GRIP / TAPE	La Spirale Bike Ribbon Eolo soft w/carbon look plug w/ Bianchi logo
SEATPOST	Fsa K-Force Light SB25, UD Carbon Monocoque, clamp type 2-Bolt Head "MTC", Setback 25 mm, Length 350mm, 27.2mm, Di2 Battery compatible
SADDLE	Selle San Marco Aspide Superleggera open, cover microfleece, rail dna-carbon diam. 9,8x7mm, 277x131mm
BOTTLE CAGE	Reparto Corse Carbon fiber, UD finish matt
WATER BOTTLE	Bianchi Loli 600ml

SPECIALISSIMA PANTANI ANNIVERSARY



COLOR: ME - Pantani Anniversary



SPECIALISSIMA FRAME KIT

ME - Pantani Anniversary



1E - Black matt/CK16



1D - CK16/black full glossy



1H - CK16 matt/Black glossy



CODE	XNB27
COLOR	1H - CK16 matt/Black glossy 1E - Black matt/CK16 glossy 1D - CK16/Black full Glossy ME - Pantani Anniversary Tavolozza colors
FRAME	Specialissima super light carbon w/Countervail, 1.1/8" > 1.1/4" headset, seatpost 27,2mm, PressFit 86,5x41mm, sizes 47-50-53-55-57-59-61cm
BOLTS / HARDWARE	AL7075-T6 large button head bolts, Torx M5*14mm x 4pcs, celeste bianchi w/Bianchi logo
SEATPOST CLAMP	Carbon Ti X-Clamp 3, AL7075-T6 machined body and Titanium grade 5 M5 Screw, diam. 31.8mm
HEADSET	Fsa NO.44/CF-R, 1.1/8" > 1.1/4" w/alloy bearings, w/carbon cap 8.7mm, for 47mm/52mm OD head tube
FORK	Bianchi Full Carbon w/Countervail, 1.1/8" > 1.4"

Oltre XR4

POSITIONING

Super aerodynamic bike, with rigid frame engineered with Countervail® vibration cancelling technology to maximize your aero advantage. The most complete extreme racing bike ever created.

COURSE/TERRAIN

Road, flat and downhill segments, hilly and fast courses

END USE DESTINATION

Made for everyone who love the thrill of the speed. Ideal for all-round pro riders and for those who're always on the attack and want to keep the best aero position for longer time.

KEY FEATURES

- CFD designed aero frame, wind tunnel and flow visualization tested
- +20 Watt power gain compared to Oltre XR2
- Countervail technology to reduce muscle fatigue and support the best aero position
- Aero handlebar and dedicated headset
- New CK16 color

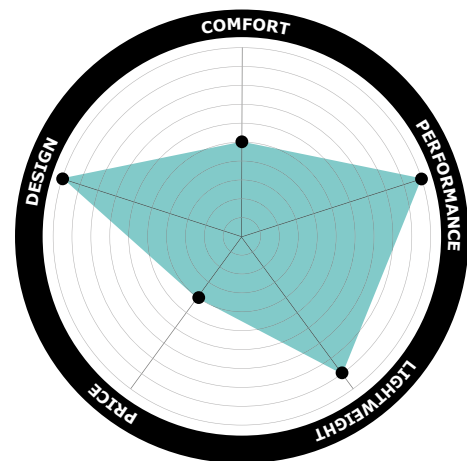
PRODUCT FEATURES

- Monocoque carbon hi-modulus frame with Countervail® material
- Aero shape designed with CFD software to reduce the drag (15 to 20watt less compare the XR2)
- EPS mandrel to control the dimension of pre- shape with smooth internal surface for higher strength after molding process
- Silicon mandrel for crucial areas like head tube and BB set provides pressure inside the mold
- Tapered headtube 1.1/8" to 1.4"
- BBset Press fit 86.5 x 41
- Double compatibility mechanic and electronic groupset
- Dedicated seatpost system with integrated look and adjustable offset 25mm or -10mm
- Fully internal cable routing
- 7 sizes: 47, 50, 53, 55, 57, 59 and 61cm
- Weight in 55 size: 980g (+/- 5%) color BZ black
- Weight: 780gr (*55 size, black color frame, +/- 5%)

reparto corsa

**MAXIMIZE
AERO ADVANTAGE
AND CONTROL**

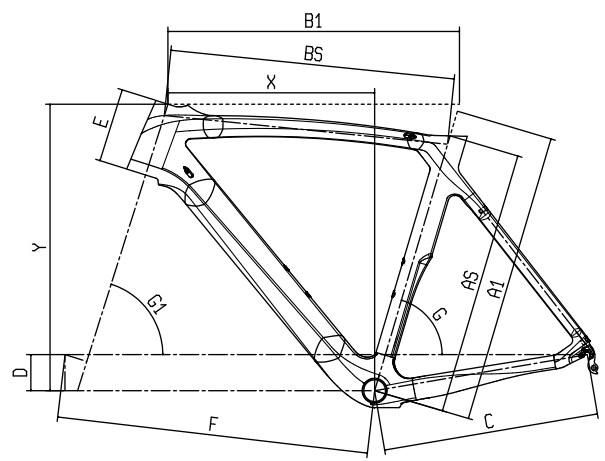
TECHNOLOGIES

AVAILABLE AS A FRAMESET

GEOMETRY – Racing

MIS-SLP											
A1	AS	B1	BS	C	D	E	F	G	G1	Y	X
470	420	515	500	400	58	105	579	74.5°	70.5°	490	377
500	450	525	515	400	58	110	581	74.5°	71.5°	499	384
530	480	535	525	406	68	125	582	74°	72°	525	385
550	500	550	540	407	68	140	588	73.5°	72.5°	541	390
570	520	560	550	407	68	155	593	73.5°	73°	557	395
590	540	575	565	409	68	175	603	73°	73°	576	398
610	560	585	575	411	68	195	607	72.5°	73°	595	399



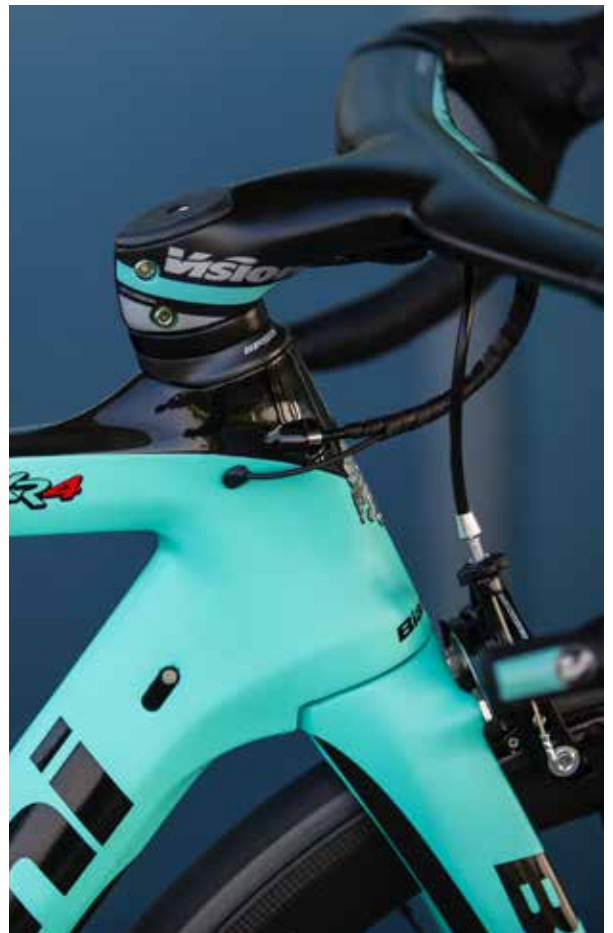


BB AREA
/ BB set Press fit 86.5 x 41



AERO HEADTUBE

Tapered aero headtube 1.1/8" to 1.4", inspired by Aquila CV profiles. The headtube is integrated with aero handlebar and headset. Two different top cup for **Vision Metron 5D** handlebar and conventional stems.



SPECIAL CHAINSTAYS AND SEATSTAYS

Straight and wider chainstay for higher stiffness and internal cable routing for mechanical and electronic groupset

- / Full carbon dropout with metal insert
- / Wide seatstay and with aero profiles
- / Direct mount brake system





BRACKET

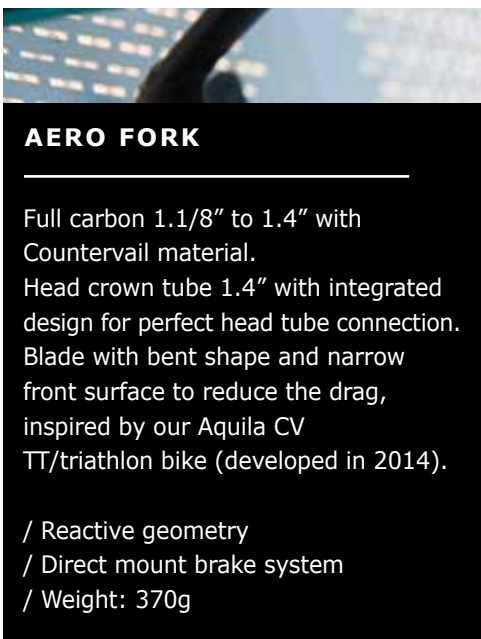
Removable bracket, stronger compare to the electronic FD band type clamp



AERO SEATPOST

Aero seatpost with integrated look and adjustable head clamp offset 25mm or -10mm.

Hidden seatpost clamp for perfect aerodynamic design and nice looking.



AERO FORK

Full carbon 1.1/8" to 1.4" with Countervail material.
Head crown tube 1.4" with integrated design for perfect head tube connection.
Blade with bent shape and narrow front surface to reduce the drag, inspired by our Aquila CV TT/triathlon bike (developed in 2014).

- / Reactive geometry
- / Direct mount brake system
- / Weight: 370g



OLTRE XR4 - SUPER RECORD EPS 11SP 52/36



CODE	YNBL8
COLOR	CJ - CK16 matt/Black glossy (ON PHOTO) BZ - Black matt/CK16-Graphite glossy 1D - CK16/Black full Glossy Tavolozza colors
FRAME	Oltre XR.4 carbon w/Countervail, mechanical/ electronic shifting compatible, headset 1.1/8>1.1/4", direct mount brakes, PressFit 86,5x41mm, sizes 47-50-53-55-57-59-61cm
BOLTS / HARDWARE	AL7075-T6 large button head bolts, Torx M5*14mm x 4pcs, celeste color with Bianchi logo
SEATPOST CLAMP	included in the frame
HEADSET	Fsa Orbit C-33 Matt UD Carbon 1.1/8">1.1/4", 45°- 45° ACB bearings, w/Carbon custom cap specific for Metron 5D integrated handlebar, for 47mm/52mm OD head tube, NO.44/CF-R/5D
FORK	Bianchi Full Carbon Aero w/Countervail, 1.1/8>1.1/4" integrated head
SHIFTER	Campagnolo Super Record EPS Ergopower 2x11sp
REAR DERAILLEUR	Campagnolo Super Record EPS 11sp
FRONT DERAILLEUR	Campagnolo Super Record EPS, braze-on FD, w/chain guard CSD System
ELECTRIC CABLE	Campagnolo EPS V3 Interface
BATTERY / MOUNT	Campagnolo EPS V3 Power Unit
CHARGER / PWR CABLE	Campagnolo EPS battery charger kit
CRANKSET	Campagnolo Super Record Ultra-Torque CT TI Carbon 52/36T, Crank length: 170mm-47/53cm, 172.5mm- 55/59cm, 175mm-61cm
OPTION CRANKSET	Rotor 3D+ Inpower 52/36T, alloy 7055, 30mm axle, Crank Length: 170mm-47/53cm, 172.5mm- 55/59cm, 175mm-61cm
BOTTOM BRACKET	Campagnolo Ultra Torque OS-Fit integrated cups 86,5x41mm
CHAIN	Campagnolo Record 11sp
CASSETTE / FREEWHEEL	Campagnolo Super Record 11sp 11-27T

BRAKE	Campagnolo Record Skeleton, direct mount
BRAKE LEVER	included w/shifters
RIM/WHEELSET	Fulcrum Racing Zero C17, black/dark
OPTION WHEELSET1	Fulcrum Speed 55T carbon tubular
OPTION WHEELSET2	Campagnolo Bora Ultra 50 Dark tubular, brake pads BR-BO500
TIRE	Vittoria Corsa G+ Isotech graphene, 700x25c, 320TPI, Folding, color antracite/black
TIRE OPTION	Vittoria Corsa G+ Isotech graphene 700x25, 4 compounds, Kevlar reinforced CorespunK, 320TPI, hand made tubular, black/black
STEM	Included w/handlebar
HANDLEBAR	Vision Metron 5D Integrated Aero bar, Bar/stem Integrated, material UD Weave Carbon, drop 125mm, reach 80mm, Di2 compatible, finish black decal Ext: 100x400mm-47/50cm, 110x420mm- 53/55cm, 120x420mm-57/59cm, 130x440mm- 61cm
GRIP / TAPE	La Spirale Bike Ribbon Eolo soft w/carbon look plug w/Bianchi logo
SEATPOST	Bianchi Oltre Full Carbon Aero, clamp with alloy head adjustable and reversible +/- 35mm, length: 250mm-47cm, 300mm-50/53cm, 350mm- 55/59cm, 380mm-61cm, Setback (25mm/+10mm)
SADDLE	Fi'zi:k Arione R1; cover thermowelded MicroTex, shell Composite carbon co-injected Nylon w/Wing Flex, carbon braided 7x9mm rail, Integrated Clip System
BOTTLE CAGE	Elite Cannibal Carbon matt
WATER BOTTLE	Bianchi Loli 600ml

OLTRE XR4 - SUPER RECORD 11SP COMPACT



CODE	YNB02	BRAKE	Campagnolo Record Skeleton, direct mount
COLOR	CJ - CK16 matt/Black glossy BZ - Black matt/CK16-Graphite glossy (ON PHOTO) 1D - CK16/Black full Glossy Tavolozza colors	BRAKE LEVER	included w/shifters
FRAME	Oltre XR.4 carbon w/Countervail, mechanical/ electronic shifting compatible, headset 1.1/8">1.1/4", direct mount brakes, PressFit 86,5x41mm, sizes 47- 50-53-55-57-59-61cm	RIM/WHEELSET	Fulcrum Racing Zero C17, black/dark
BOLTS / HARDWARE	AL7075-T6 large button head bolts, Torx M5*14mm x 4pcs, celeste color with Bianchi logo	OPTION WHEELSET1	Fulcrum Speed 55T carbon tubular, Campy freewheel body
SEATPOST CLAMP	included in the frame	OPTION WHEELSET2	Campagnolo Bora One 50 Dark, clincher, Campagnolo FW body, brake pads BR-BO500
HEADSET	Fsa Orbit C-33 Matt UD Carbon 1.1/8">1.1/4", 45°- 45° ACB bearings, w/Carbon custom cap specific for Metron 5D integrated handlebar, for 47mm/52mm OD head tube, NO.44/CF-R/5D	TIRE	Vittoria Corsa G+ Isotech graphene, 700x25c, 320TPI, Folding, color antracite/black
FORK	Bianchi Full Carbon Aero w/Countervail, 1.1/8">1.1/4" integrated head	TIRE OPTION	Vittoria Corsa G+ Isotech graphene 700x25, 4 compounds, Kevlar reinforced Corespunk, 320TPI, hand made tubular, black/black
SHIFTER	Campagnolo Super Record Ultra Shift 11sp Ergopower	STEM	Included w/handlebar
REAR DERAILLEUR	Campagnolo Super Record 11sp	HANDLEBAR	Vision Metron 5D Integrated Aero bar, Bar/stem Integrated, material UD Weave Carbon, drop 125mm, reach 80mm, Di2 compatible, finish black decal Ext: 100x400mm-47/50cm, 110x420mm- 53/55cm, 120x420mm-57/59cm, 130x440mm- 61cm
FRONT DERAILLEUR	Campagnolo Super Record 11sp braze-on front der. w/chain guard CSD System	GRIP / TAPE	La Spirale Bike Ribbon Eolo soft w/carbon look plug w/ Bianchi logo
CRANKSET	Campagnolo Super Record Ultra-Torque CT TI Carbon 11sp 34-50T, Crank Length: 170mm-47/53cm, 172.5mm-55/59cm, 175mm-61cm	SEATPOST	Bianchi Oltre Full Carbon Aero, clamp with alloy head adjustable and reversible +/- 35mm, length: 250mm-47cm, 300mm-50/53cm, 350mm-55/59cm, 380mm-61cm, Setback (25mm/+10mm)
OPTION CRANKSET	Rotor 3D+ Inpower 52/36T, alloy 7055, 30mm axle, Crank Length: 170mm-47/53cm, 172.5mm- 55/59cm, 175mm-61cm	SADDLE	Fi'zi:k Arione R1; cover thermowelded MicroTex, shell Composite carbon co-injected Nylon w/Wing Flex, carbon braided 7x9mm rail, Integrated Clip System
BOTTOM BRACKET	Campagnolo Ultra Torque OS-Fit integrated cups 86,5x41mm	BOTTLE CAGE	Elite Cannibal Carbon matt
CHAIN	Campagnolo Record 11sp	WATER BOTTLE	Bianchi Loli 600ml
CASSETTE / FREEWHEEL	Campagnolo Super Record 11sp 11-27T		

OLTRE XR4 - CHORUS 11SP COMPACT



CODE	YNB99	OPTION WHEELSET1	Fulcrum Speed 55T carbon tubular
COLOR	CJ - CK16 matt/Black glossy BZ - Black matt/CK16-Graphite glossy 1D - CK16/Black full Glossy (ON PHOTO) Tavolozza colors	OPTION WHEELSET2	Campagnolo Bora Ultra 50 Dark tubular, brake pads BR-BO500
FRAME	Oltre XR.4 carbon w/Countervail, mechanical/electronic shifting compatible, headset 1.1/8">1.1/4", direct mount brakes, PressFit 86,5x41mm, sizes 47-50-53-55-57-59-61cm	TIRE	Vittoria Rubino Pro G+ Isotech graphene, 700x25, 150TPI, folding, full black
BOLTS / HARDWARE	AL7075-T6 large button head bolts, Torx M5*14mm x 4pcs, celeste color with Bianchi logo	TIRE OPTION	Vittoria Corsa G+ Isotech graphene 700x25, 4 compounds, Kevlar reinforced CorespunK, 320TPI, hand made tubular, black/black
SEATPOST CLAMP	included in the frame	STEM	Reparto Corse, 3D Forged alloy 7050, rise +/-7°, height 38mm, 1.1/8", Ext: 70mm-47, 90mm-50cm, 100mm-53cm, 110mm-55cm, 120mm-57cm/59cm, 130mm-61/63cm
HEADSET	Fsa Orbit C-33 Matt UD Carbon 1.1/8">1.1/4", 45°- 45° ACB bearings, w/Carbon custom cap for standard stem, for 47mm/52mm OD head tube	HANDLEBAR	Reparto Corse Compact Flat Top, alloy 2014 diam. 31,8mm, reach 126mm, drop 77,4mm, sandblast matt black finish, size: 400mm-47/50cm, 420mm-53/57cm, 440mm-59/61cm
FORK	Bianchi Full Carbon Aero w/Countervail, 1.1/8">1.1/4" integrated head	GRIP / TAPE	La Spirale Bike Ribbon Eolo soft w/carbon look plug w/Bianchi logo
SHIFTER	Campagnolo Chorus Ultra Shift 11sp Ergopower, black option	SEATPOST	Bianchi Oltre Full Carbon Aero, clamp with alloy head adjustable and reversible +/- 35mm, length: 250mm-47cm, 300mm-50/53cm, 350mm-55/59cm, 380mm-61cm, Setback (25mm/+10mm)
REAR DERAILLEUR	Campagnolo Chorus 11sp	SADDLE	Fi'zi:k Arione R3 K:iium; cover MicroTex, shell Fiberglass Thermoplastic w/Wing Flex, K:iium rail, Integrated Clip System
FRONT DERAILLEUR	Campagnolo Chorus 11sp braze-on front der. w/ chain guard CSD System	BOTTLE CAGE	Elite Cannibal Carbon matt
CRANKSET	Campagnolo Chorus ultra-torque CT Carbon 50/34T, Crank Length: 170mm-47/53cm, 172.5mm-55/59cm, 175mm-61cm	WATER BOTTLE	Bianchi Loli 600ml
BOTTOM BRACKET	Campagnolo Ultra Torque OS-Fit integrated cups 86,5x41mm		
CHAIN	Campagnolo Chorus 11sp		
CASSETTE / FREEWHEEL	Chorus 11sp, 11-27		
BRAKE	Campagnolo Direct Mount brake		
BRAKE LEVER	included w/shifters		
RIM/WHEELSET	Fulcrum Racing Quattro, C17 clincher rims, black		

OLTRE XR4 - DURA ACE DI2 11SP 52/36



CODE	YNBL1	CHAIN	Shimano Dura Ace CN-HG901-11
COLOR	CJ - CK16 matt/Black glossy (ON PHOTO) BZ - Black matt/CK16-Graphite glossy 1D - CK16/Black full Glossy Tavolozza colors	CASSETTE / FREEWHEEL	Shimano Dura Ace CS-R9100 11sp 11-28T, 11-12-13-14-15-17-19-21-23-25-28
FRAME	Oltre XR.4 carbon w/Countervail, mechanical/ electronic shifting compatible, headset 1.1/8">1.1/4", direct mount brakes, PressFit 86,5x41mm, sizes 47- 50-53-55-57-59-61cm	BRAKE	Shimano Dura Ace BR-R9110 direct mount type, pad R55C4
BOLTS / HARDWARE	AL7075-T6 large button head bolts, Torx M5*14mm x 4pcs, celeste color with Bianchi logo	BRAKE LEVER	included w/shifters
SEATPOST CLAMP	included in the frame	RIM/WHEELSET	Fulcrum Racing Zero C17, black/dark
HEADSET	Fsa Orbit C-33 Matt UD Carbon 1.1/8">1.1/4", 45°- 45° ACB bearings, w/Carbon custom cap specific for Metron 5D integrated handlebar, for 47mm/52mm OD head tube, NO.44/CF-R/5D	OPTION WHEELSET1	Fulcrum Speed 55T carbon tubular
FORK	Bianchi Full Carbon Aero w/Countervail, 1.1/8">1.1/4" integrated head	OPTION WHEELSET2	Zipp 404 Firecrest tubular, 58mm rim carbon profile, black decal
SHIFTER	Shimano Dura Ace Di2 ST-R9150 2x11sp	TIRE	Vittoria Corsa G+ Isotech graphene, 700x25c, 320TPI, Folding, color antracite/black
REAR DERAILLEUR	Shimano Dura Ace Di2 RD-R9150 SS 11sp, shadow design, direct attachment, Max 30T	TIRE OPTION	Vittoria Corsa G+ Isotech graphene 700x25, 4 compounds, Kevlar reinforced Corespunk, 320TPI, hand made tubular, black/black
FRONT DERAILLEUR	Shimano Dura Ace Di2 FD-R9150-F, braze-on type	STEM	Included w/handlebar
ELECTRIC CABLE	Shimano Junction-A EW-RS910, built-in type, e-tube port X2, charging port X1	HANDLEBAR	Vision Metron 5D Integrated Aero bar, Bar/stem Integrated, material UD Weave Carbon, drop 125mm, reach 80mm, Di2 compatible, finish black decal Ext: 100x400mm-47/50cm, 110x420mm- 53/55cm, 120x420mm-57/59cm, 130x440mm- 61cm
BATTERY / MOUNT	Shimano Battery BT-DN110-1, built-in type	GRIP / TAPE	La Spirale Bike Ribbon Eolo soft w/carbon look plug w/Bianchi logo
CHARGER / PWR CABLE	Shimano Battery charger SM-BCR2, including charging cord for usb	SEATPOST	Bianchi Oltre Full Carbon Aero, clamp with alloy head adjustable and reversible +/- 35mm, length: 250mm-47cm, 300mm-50/53cm, 350mm-55/59cm, 380mm-61cm, Setback (25mm/+10mm)
CRANKSET	Shimano Dura Ace FC-R9100, Hollowtech II, 52x36T, Crank Length: 170mm-47/53cm, 172.5mm- 55/59cm, 175mm-61cm	SADDLE	Fi'zi:k Arione R1; cover thermowelded MicroTex, shell Composite carbon co-injected Nylon w/Wing Flex, carbon braided 7x9mm rail, Integrated Clip System
OPTION CRANKSET	Rotor 3D+ Inpower 52/36T, alloy 7055, 30mm axle, Crank Length: 170mm-47/53cm, 172.5mm- 55/59cm, 175mm-61cm	BOTTLE CAGE	Elite Cannibal Carbon matt
BOTTOM BRACKET	Shimano SM-BB92-41B, PressFit type for road, right & left adapter	WATER BOTTLE	Bianchi Loli 600ml

OLTRE XR4 - DURA ACE 11SP COMPACT



CODE	YNB04	BRAKE	Shimano Dura Ace BR-R9110 direct mount type, pad R55C4
COLOR	CJ - CK16 matt/Black glossy BZ - Black matt/CK16-Graphite glossy (ON PHOTO) 1D - CK16/Black full Glossy Tavolozza colors	BRAKE LEVER	included w/shifters
FRAME	Oltre XR.4 carbon w/Countervail, mechanical/ electronic shifting compatible, headset 1.1/8">1.1/4", direct mount brakes, PressFit 86,5x41mm, sizes 47- 50-53-55-57-59-61cm	RIM/WHEELSET	Fulcrum Racing Zero C17, black/dark
BOLTS / HARDWARE	AL7075-T6 large button head bolts, Torx M5*14mm x 4pcs, celeste color with Bianchi logo	OPTION WHEELSET1	Fulcrum Speed 55T carbon tubular
SEATPOST CLAMP	included in the frame	OPTION WHEELSET2	Zipp 404 Firecrest tubular, 58mm rim carbon profile, black decal
HEADSET	Fsa Orbit C-33 Matt UD Carbon 1.1/8">1.1/4", 45°- 45° ACB bearings, w/Carbon custom cap specific for Metron 5D integrated handlebar, for 47mm/52mm OD head tube, NO.44/CF-R/5D	TIRE	Vittoria Corsa G+ Isotech graphene, 700x25c, 320TPI, Folding, color antracite/black
FORK	Bianchi Full Carbon Aero w/Countervail, 1.1/8">1.1/4" integrated head	TIRE OPTION	Vittoria Corsa G+ Isotech graphene 700x25, 4 compounds, Kevlar reinforced CorespunK, 320TPI, hand made tubular, black/black
SHIFTER	Shimano Dura Ace ST-R9100 2x11sp	STEM	Included w/handlebar
REAR DERAILLEUR	Shimano Dura Ace RD-R9100 SS 11sp, shadow design, direct attachment	HANDLEBAR	Vision Metron 5D Integrated Aero bar, Bar/stem Integrated, material UD Weave Carbon, drop 125mm, reach 80mm, Di2 compatible, finish black decal Ext: 100x400mm-47/50cm, 110x420mm- 53/55cm, 120x420mm-57/59cm, 130x440mm- 61cm
FRONT DERAILLEUR	Shimano Dura Ace FD-R9100 11sp, brazed-on type	GRIP / TAPE	La Spirale Bike Ribbon Eolo soft w/carbon look plug w/ Bianchi logo
CRANKSET	Shimano Dura Ace FC-R9100 Hollowtech II, 50- 34T, w/o BB parts, crank length: 170mm-47/53cm, 172.5mm-55/59cm, 175mm-61cm	SEATPOST	Bianchi Oltre Full Carbon Aero, clamp with alloy head adjustable and reversible +/- 35mm, length: 250mm-47cm, 300mm-50/53cm, 350mm-55/59cm, 380mm-61cm, Setback (25mm/+10mm)
OPTION CRANKSET	Rotor 3D+ Inpower 52/36T, alloy 7055, 30mm axle, Crank Length: 170mm-47/53cm, 172.5mm- 55/59cm, 175mm-61cm	SADDLE	Fi'zi:k Arione R1; cover thermowelded MicroTex, shell Composite carbon co-injected Nylon w/Wing Flex, carbon braided 7x9mm rail, Integrated Clip System
BOTTOM BRACKET	Shimano SM-BB92-41B, PressFit Road	BOTTLE CAGE	Elite Cannibal Carbon matt
CHAIN	Shimano Dura Ace CN-HG901-11	WATER BOTTLE	Bianchi Loli 600ml
CASSETTE / FREEWHEEL	Shimano Dura Ace CS-R9100 11sp 11-28T, 11-12- 13-14-15-17-19-21-23-25-28		

OLTRE XR4 - DURA ACE 11SP COMPACT



CODE	YNBZ6	RIM/WHEELSET	Fulcrum Racing Quattro, C17 rims
COLOR	CJ - CK16 matt/Black glossy BZ - Black matt/CK16-Graphite glossy (ON PHOTO) 1D - CK16/Black full Glossy Tavolozza colors	TIRE	Vittoria Rubino Pro G+ Isotech graphene, 700x25, 150TPI, folding, full black
FRAME	Oltre XR.4 carbon w/Countervail, mechanical/electronic shifting compatible, headset 1.1/8" > 1.1/4", direct mount brakes, PressFit 86,5x41mm, sizes 47-50-53-55-57-59-61cm	STEM	Reparto Corse, 3D Forged alloy 7050, rise +/- 7°, height 38mm, 1.1/8", Ext: 70mm-47, 90mm-50cm, 100mm-53cm, 110mm-55cm, 120mm-57cm/59cm, 130mm-61/63cm
BOLTS / HARDWARE	AL7075-T6 large button head bolts, Torx M5*14mm x 4pcs, celeste color with Bianchi logo	HANDLEBAR	Reparto Corse Compact Flat Top, alloy 2014 diam. 31,8mm, reach 126mm, drop 77,4mm, size: 400mm-47/50cm, 420mm-53/57cm, 440mm-59/61cm
SEATPOST CLAMP	included in the frame	OPTION HANDLEBAR	Vision Metron 5D, drop 125mm, reach 80mm, Ext: 100x400mm-47/50cm, 110x420mm-53/55cm, 120x420mm-57/59cm, 130x440mm-61cm
HEADSET	Fsa Orbit C-33 Matt UD Carbon 1.1/8" > 1.1/4", 45°- 45° ACB bearings, w/Carbon custom cap for standard stem, for 47mm/52mm OD head tube	GRIP / TAPE	La Spirale Bike Ribbon Eolo soft w/carbon look plug w/Bianchi logo
FORK	Bianchi Full Carbon Aero w/Countervail, 1.1/8" > 1.1/4" integrated head	SEATPOST	Bianchi Oltre Full Carbon Aero, clamp with alloy head adjustable and reversible +/- 35mm, length: 250mm-47cm, 300mm-50/53cm, 350mm-55/59cm, 380mm-61cm, Setback (25mm/+10mm)
SHIFTER	Shimano Dura Ace ST-R9100 2x11sp	SADDLE	Fi'zi:k Arione R3 K:iium; cover MicroTex, shell Fiberglass Thermoplastic w/Wing Flex, K:iium rail, Integrated Clip System
REAR DERAILEUR	Shimano Dura Ace RD-R9100 SS 11sp, shadow design, direct attachment	BOTTLE CAGE	Elite Cannibal Carbon matt
FRONT DERAILEUR	Shimano Dura Ace FD-R9100 11sp, brazed-on type	WATER BOTTLE	Bianchi Loli 600ml
CRANKSET	Fsa SL-K Light Compact BB386 EVO 50/34T, Arm Material Hollow Carbon Monocoque, Q Factor 147mm, CNC AL7075 chainrings, Crank Length: 170mm-47/53cm, 172.5mm-55/59cm, 175mm-61cm		
BOTTOM BRACKET	Fsa Adapter BB386 EVO cranksets on PressFit 86.5x41mm		
CHAIN	Shimano Ultegra CN-HG701-11, 11sp		
CASSETTE / FREEWHEEL	Shimano Ultegra CS-R8000 11sp, 11-12-13-14-15-17-19-21-23-25-28T		
BRAKE	Shimano Dura Ace BR-R9110 direct mount type, pad R55C4		
BRAKE LEVER	included w/shifters		

OLTRE XR4 - ULTEGRA DI2 11SP COMPACT



CODE	YNBL9	BRAKE	Shimano Ultegra BR-R8010, direct mount type, shoe: R55C4
COLOR	CJ - CK16 matt/Black glossy BZ - Black matt/CK16-Graphite glossy (ON PHOTO) 1D - CK16/Black full Glossy Tavolozza colors	BRAKE LEVER	included w/shifters
FRAME	Oltre XR.4 carbon w/Countervail, mechanical/ electronic shifting compatible, headset 1.1/8">1.1/4", direct mount brakes, PressFit 86,5x41mm, sizes 47- 50-53-55-57-59-61cm	RIM/WHEELSET	Fulcrum Racing Quattro, C17 rims
BOLTS / HARDWARE	AL7075-T6 large button head bolts, Torx M5*14mm x 4pcs, celeste color with Bianchi logo	OPTION WHEELSET1	Fulcrum Speed 55T carbon tubular
SEATPOST CLAMP	included in the frame	OPTION WHEELSET2	Zipp 404 Firecrest tubular, 58mm rim carbon profile, black decal
HEADSET	Fsa Orbit C-33 Matt UD Carbon 1.1/8">1.1/4", 45°- 45° ACB bearings, w/Carbon custom cap for standard stem, for 47mm/52mm OD head tube	TIRE	Vittoria Corsa G+ Isotech graphene, 700x25c, 320TPI, Folding, color antracite/black
FORK	Bianchi Full Carbon Aero w/Countervail, 1.1/8">1.1/4" integrated head	TIRE OPTION	Vittoria Corsa G+ Isotech graphene 700x25, 4 compounds, Kevlar reinforced CorespunK, 320TPI, hand made tubular, black/black
SHIFTER	Shimano Ultegra Di2 ST-R8050 2x11sp	STEM	Reparto Corse, 3D Forged alloy 7050, rise +/-7°, height 38mm, 1.1/8", Ext: 70mm-47, 90mm-50cm, 100mm-53cm, 110mm-55cm, 120mm-57cm/59cm, 130mm-61/63cm
REAR DERAILLEUR	Shimano Ultegra Di2 RD-R8050 SS 11sp, top normal shadow design, direct attachment, 30T Max Low sprocket	HANDLEBAR	Reparto Corse Compact Flat Top, alloy 2014 diam. 31,8mm, reach 126mm, drop 77,4mm, size: 400mm-47/50cm, 420mm-53/57cm, 440mm- 59/61cm
FRONT DERAILLEUR	Shimano Ultegra Di2 FD-R8050, brazed-on type	OPTION HANDLEBAR	Vision Metron 5D, drop 125mm, reach 80mm, Ext: 100x400mm-47/50cm, 110x420mm-53/55cm, 120x420mm-57/59cm, 130x440mm-61cm
ELECTRIC CABLE	Shimano Junction-A EW-RS910, built-in type (built-in handlebar type), e-tube port X2, charging port X1	GRIP / TAPE	La Spirale Bike Ribbon Eolo soft w/carbon look plug w/Bianchi logo
BATTERY / MOUNT	Shimano Battery BT-DN110-1	SEATPOST	Bianchi Oltre Full Carbon Aero, clamp with alloy head adjustable and reversible +/- 35mm, length: 250mm-47cm, 300mm-50/53cm, 350mm-55/59cm, 380mm-61cm, Setback (25mm/+10mm)
CHARGER / PWR CABLE	Shimano Battery charger SM-BCR2, including charging cord for usb	SADDLE	Fi'zi:k Arione R3 K:iium; cover MicroTex, shell Fiberglass Thermoplastic w/Wing Flex, K:iium rail, Integrated Clip System
CRANKSET	Ultegra 11sp FC-R8000 50x34T, Hollowtech II, Crank Length: 170mm-47/53cm, 172.5mm-55/59cm, 175mm-61cm	BOTTLE CAGE	Elite Cannibal Carbon
BOTTOM BRACKET	Shimano SM-BB72-41B, PressFit for road, right & left adapter	WATER BOTTLE	Bianchi Loli 600ml
CHAIN	Shimano Ultegra CN-HG701-11, 11sp		
CASSETTE / FREEWHEEL	Shimano Ultegra CS-R8000, 11-12-13-14-15-17-19- 21-23-25-28T		

OLTRE XR4 - RED ETAP 11SP COMPACT



CODE	YNBL3	CHAIN	Sram Red22 CN-RED-A1 with power lock chain connector 11sp
COLOR	CJ - CK16 matt/Black glossy BZ - Black matt/CK16-Graphite glossy (ON PHOTO) 1D - CK16/Black full Glossy Tavolozza colors	CASSETTE / FREEWHEEL	Sram Red CS-XG-1190-A1 11sp 11-28T
FRAME	Oltre XR.4 carbon w/Countervail, mechanical/electronic shifting compatible, headset 1.1/8">1.1/4", direct mount brakes, PressFit 86,5x41mm, sizes 47-50-53-55-57-59-61cm	BRAKE	Shimano Dura Ace BR-R9110 direct mount type, pad R55C4
BOLTS / HARDWARE	AL7075-T6 large button head bolts, Torx M5*14mm x 4pcs, celeste color with Bianchi logo	RIM/WHEELSET	Fulcrum Racing Zero C17, black/dark
SEATPOST CLAMP	included in the frame	OPTION WHEELSET1	Fulcrum Speed 55T carbon tubular
HEADSET	Fsa Orbit C-33 Matt UD Carbon 1.1/8">1.1/4", 45°-45° ACB bearings, w/Carbon custom cap specific for Metron 5D integrated handlebar, for 47mm/52mm OD head tube, NO.44/CF-R/5D	OPTION WHEELSET2	Zipp 404 Firecrest tubular, 58mm rim carbon profile, black decal
FORK	Bianchi Full Carbon Aero w/Countervail, 1.1/8">1.1/4" integrated head	TIRE	Vittoria Corsa G+ Isotech graphene, 700x25c, 320TPI, Folding, color antracite/black
SHIFTER	Sram Red eTap 2x11sp	TIRE OPTION	Vittoria Corsa G+ Isotech graphene 700x25, 4 compounds, kevlar reinforced CorespunK, 320TPI, hand made tubular, black/black
REAR DERAILLEUR	Sram Red eTap short cage, max 11-28T	STEM	Included w/handlebar
FRONT DERAILLEUR	Sram Red eTap, Yaw Technology, braze-on	HANDLEBAR	Vision Metron 5D Integrated Aero bar, Bar/stem Integrated, material UD Weave Carbon, drop 125mm, reach 80mm, Di2 compatible, finish black decal Ext: 100x400mm-47/50cm, 110x420mm-53/55cm, 120x420mm-57/59cm, 130x440mm-61cm
CHARGER / PWR CABLE	Sram Powerpack II eTap Battery charger	GRIP / TAPE	La Spirale Bike Ribbon Eolo soft w/carbon look plug w/ Bianchi logo
CRANKSET	Sram Red 50/34T, carbon crank arms, aluminium chainrings, BB spindle 24mm, BDC110, Crank Length: 170mm-47/53cm, 172.5mm-55/59cm, 175mm-61cm	SEATPOST	Bianchi Oltre Full Carbon Aero, clamp with alloy head adjustable and reversible +/- 35mm, length: 250mm-47cm, 300mm-50/53cm, 350mm-55/59cm, 380mm-61cm, Setback (25mm/+10mm)
OPTION CRANKSET	Rotor 3D+ Inpower 52/36T, alloy 7055, 30mm axle, Crank Length: 170mm-47/53cm, 172.5mm-55/59cm, 175mm-61cm	SADDLE	Fi'zi:k Arione R1; cover thermowelded MicroTex, shell Composite carbon co-injected Nylon w/Wing Flex, carbon braided 7x9mm rail, Integrated Clip System
BOTTOM BRACKET	Sram BB PFGXP road PressFit 86.5x41mm	BOTTLE CAGE	Elite Cannibal Carbon matt
		WATER BOTTLE	Bianchi Loli 600ml

OLTRE XR.4 - FRAME KIT

BZ- Black matt/CK16 glossy



CJ - CK16 matt/black glossy

1D - CK16/Black full glossy



CODE	XMB03
COLOR	BZ- Black matt/CK16 glossy, CJ - CK16 matt/black glossy, 1D - CK16/Black full glossy, Tavolozza colors
FRAME	Oltre XR.4 Carbon w/Countervail, mechanical/electronic shifting compatible, headset 1.1/8" > 1.1/4", direct mount brakes, BB PressFit 86,5x46mm, sizes 47-50-53-55-57-59-61cm
BOLTS / HARDWARE	AL7075-T6 large button head bolts, Torx M5*14mm x 4pcs, celeste bianchi w/Bianchi logo
SEATPOST CLAMP	included in the frame
HEADSET	Fsa Orbit C-33 Matt UD Carbon 1.1/8" > 1.1/4", 45°-45° ACB bearings, w/Carbon custom cap for standard stem, for 47mm/52mm OD head tube, NO.44/CF-R/5D
FORK	Bianchi Full Carbon Aero, 1.1/8" > 1.1/4" integrated head
SEATPOST	Oltre Full Carbon Aero, clamp with alloy head adjustable and reversible +/-35mm; length: 250mm-47cm, 300mm-50/53cm, 350mm-55/59cm, 380mm-61cm, setback 25mm/+10mm

Oltre XR3

reparto corsa

POSITIONING

Racing frame and fork engineered with Countervail® vibration cancelling technology, a well-balanced fast road bike with aero profiles, rigidity and handling you would expect from the ultimate Oltre frame platform but more affordable.

COURSE/TERRAIN

Road, flat and downhill segments, hilly and fast courses

END USE DESTINATION

All-round riders with a true racing soul. Ideal for race warriors.

KEY FEATURES

- Aero shape frame with integrated fork
- Full carbon seatpost, easy to adjust
- Countervail® technology to reduce muscle fatigue and support the best aero position
- New color schemes
- Best performance-to-price ratio

PRODUCT FEATURES

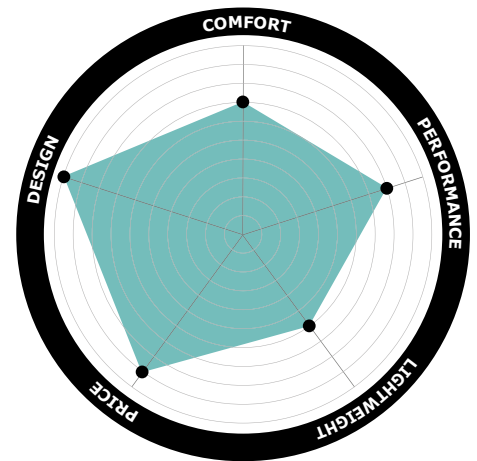
- Carbon Monocoque technology
- High strength + medium modulus carbon fibers with Countervail® material
- Unidirectional carbon woven
- Aero shape and design
- Tapered aero headtube 1.1/8" to 1.4", inspired by Oltre XR4 profiles
- Aero seatpost with integrated look and adjustable head clamp offset 25mm or 10mm
- Hidden seatpost clamp for perfect aerodynamic design and nice looking
- BB set Press fit 86.5 x 41
- Internal cable routing
- Full carbon dropout with metal insert
- 7 sizes: 47, 50, 53, 55, 57, 59 and 61cm
- Weight in 55 size: 1110g (+/- 5%)

**MAXIMIZE
AERO ADVANTAGE
AND CONTROL**

TECHNOLOGIES

COUNTERTVAIL®

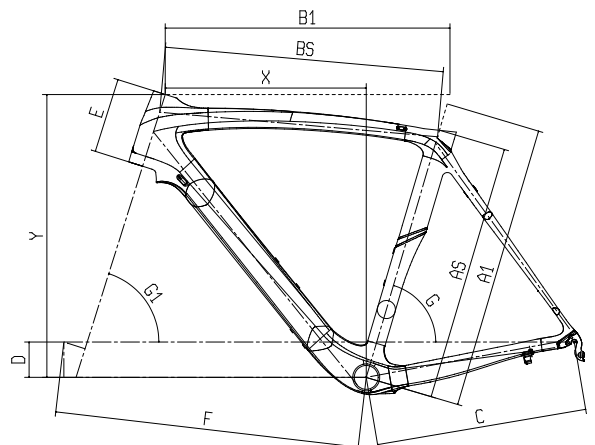
UTSS ULTRA THIN SEAT STAY



AVAILABLE AS A FRAMESET

GEOMETRY – Racing

MIS-SLP											
A1	AS	B1	BS	C	D	E	F	G	G1	Y	X
470	420	515	500	400	58	110	578	74.5°	70.5°	495	375
500	450	525	514	400	58	115	580	74.5°	71.5°	503	383
530	475	535	523	406	68	130	581	74°	72°	529	383
550	495	550	538	407	68	145	587	73.5°	72.5°	545	388
570	515	560	549	407	68	160	593	73.5°	73°	561	393
590	535	575	563	409	68	180	603	73°	73°	580	397
610	555	585	572	411	68	200	607	72.5°	73.5°	601	397





AERO HEADTUBE

- / Tapered aero headtube 1.1/8" to 1.4", inspired by Oltre XR4 profiles



AERO SEATPOST

- / Aero seatpost with integrated look and adjustable head clamp offset 25mm or 10mm
- / Hidden seatpost clamp for perfect aerodynamic design and nice looking



FORK

- / Full carbon 1.1/8" to 1.5" with Countervail material
- / Head crown tube 1.5" with integrated design for perfect head tube connection
- / Wide blades
- / Reactive geometry
- / Super rigid
- / Light weight
- / Weight: 370g

OLTRE XR3 - DURA ACE 11SP COMPACT



CODE	YNBK5
COLOR	1D - CK16/Black Glossy
FRAME	Oltre XR3 carbon w/Countervail, mechanical/electronic shifting compatible, UTSS seat stays, carbon dropout, PressFit 86,5x41mm, sizes 47-50-53-55-57-59-61cm
SEATPOST CLAMP	included in the frame
HEADSET	Fsa Orbit C-40-ACB ; NO.42/ACB, Sealed ACB Bearings 1.1/8" ACB Top, 1.5" ACB Btm (for 46/56mm Head Tubes), w/15mm alloy cap
FORK	Bianchi Full Carbon 1.5">1.1/8" integrated head
SHIFTER	Shimano Dura Ace ST-R9100 2x11sp
REAR DERAILLEUR	Shimano Dura Ace RD-R9100 SS 11sp, shadow design, direct attachment
FRONT DERAILLEUR	Shimano Dura Ace FD-R9100 band type 34.9mm
CRANKSET	Fsa SL-K Light Compact BB386 EVO 50/34T, Arm Material Hollow Carbon Monocoque, Q Factor 147mm, CNC AL7075 chainrings, Crank Length: 170mm-47/53cm, 172.5mm-55/59cm, 175mm-61cm
BOTTOM BRACKET	Fsa Adapter BB386 EVO cranksets on PressFit 86.5x41mm
CHAIN	Shimano Ultegra CN-HG701-11, 11sp
CASSETTE / FREEWHEEL	Shimano Ultegra CS-R8000, 11-12-13-14-15-17-19-21-23-25-28T
BRAKE	Shimano Dura Ace BR-R9100, shoe R55C4
BRAKE LEVER	included w/shifters
RIM/WHEELSET	Fulcrum Racing Quattro, C17 rims
TIRE	Vittoria Rubino Pro G+ Isotech graphene, 700x25, 150TPI, folding, full black
STEM	Reparto Corse, 3D Forged alloy 7050, rise +/-7°, height 38mm, 1.1/8", Ext: 70mm-47, 90mm-50cm, 100mm-53cm, 110mm-55cm, 120mm-57cm/59cm, 130mm-61cm

HANDLEBAR	Reparto Corse Compact Flat Top, alloy 2014 diam. 31,8mm, reach 126mm, drop 77,4mm, sandblast matt black finish, size: 400mm-47/50cm, 420mm-53/57cm, 440mm-59/61cm
GRIP / TAPE	La Spirale Bike Ribbon Eolo soft w/carbon look plug w/Bianchi logo
SEATPOST	Bianchi Oltre Full Carbon Aero, clamp with alloy head adjustable and reversible +/- 35mm, length: 250mm-47cm, 300mm-50/53cm, 350mm-55/59cm, 380mm-61cm, Setback (25mm/+10mm)
SADDLE	Selle San Marco Concor Startup, cover Silkfeel, manganese rails, 278x134mm
BOTTLE CAGE	Elite Pase Carbon
WATER BOTTLE	Bianchi Loli 600ml

OLTRE XR3 - CHORUS 11SP COMPACT 52/36



CODE	YNB59
COLOR	1D - CK16/Black Glossy
FRAME	Oltre XR3 carbon w/Countervail, mechanical/electronic shifting compatible, UTSS seat stays, carbon dropout, PressFit 86,5x41mm, sizes 47-50-53-55-57-59-61cm
SEATPOST CLAMP	included in the frame
HEADSET	Fsa Orbit C-40-ACB ; NO.42/ACB, Sealed ACB Bearings 1.1/8" ACB Top, 1.5" ACB Btm (for 46/56mm Head Tubes), w/15mm alloy cap
FORK	Bianchi Full Carbon 1.5">1.1/8" integrated head
SHIFTER	Campagnolo Chorus Ultra Shift 11sp Ergopower, black option
REAR DERAILLEUR	Campagnolo Chorus 11sp
FRONT DERAILLEUR	Campagnolo Chorus 11sp braze-on front der. + Record diam. 35 mm clamp
CRANKSET	Campagnolo Chorus ultra-torque CT Carbon 52/36T, Crank Length: 170mm-47/53cm, 172.5mm-55/59cm, 175mm-61cm
BOTTOM BRACKET	Campagnolo Ultra Torque OS-Fit integrated cups 86,5x41mm
CHAIN	Campagnolo Chorus 11sp
CASSETTE / FREEWHEEL	Chorus 11sp, 11-27
BRAKE	Campagnolo Chorus Skeleton brakes (dual pivot front+rear)
BRAKE LEVER	included w/shifters
RIM/WHEELSET	Fulcrum Racing Quattro, C17 clincher rims, black
TIRE	Vittoria Rubino Pro G+ Isotech graphene, 700x25, 150TPI, folding, full black

STEM	Reparto Corse, 3D Forged alloy 7050, rise +/-7°, height 38mm, 1.1/8", Ext: 70mm-47, 90mm-50cm, 100mm-53cm, 110mm-55cm, 120mm-57cm/59cm, 130mm-61/63cm
HANDLEBAR	Reparto Corse Compact Flat Top, alloy 2014 diam. 31,8mm, reach 126mm, drop 77,4mm, Size: 400mm-47/50cm, 420mm-53/57cm, 440mm-59/61cm
GRIP / TAPE	La Spirale Bike Ribbon Eolo soft w/carbon look plug, w/Bianchi logo
SEATPOST	Oltre Full Carbon Aero; Alloy clamp w/one bolt, for alloy rail, length: 250mm-47cm, 300mm-50/53cm, 350mm-55/59cm, 380mm-61cm, Setback 30mm
SADDLE	Selle San Marco Concor Startup, cover Silkfeel, manganese rails, 278x134mm
BOTTLE CAGE	Elite Paron Race composit
WATER BOTTLE	Bianchi Loli 600ml

OLTRE XR3 - ULTEGRA DI2 11SP 52/36



CODE	YNBL7
COLOR	1Z - Black/CK16-Graphite matt
FRAME	Oltre XR3 carbon w/Countervail, mechanical/electronic shifting compatible, UTSS seat stays, carbon dropout, PressFit 86,5x41mm, sizes 47-50-53-55-57-59-61cm
SEATPOST CLAMP	included in the frame
HEADSET	Fsa Orbit C-40-ACB ; NO.42/ACB, Sealed ACB Bearings 1.1/8" ACB Top, 1.5" ACB Btm (for 46/56mm Head Tubes), w/15mm alloy cap
FORK	Bianchi Full Carbon 1.5">1.1/8" integrated head
SHIFTER	Shimano Ultegra Di2 ST-R8050 2x11sp
REAR DERAILLEUR	Shimano Ultegra Di2 RD-R8050 SS 11sp, top normal shadow design, direct attachment, 30T Max Low sprocket
FRONT DERAILLEUR	Shimano Ultegra Di2 FD-R8050, brazed-on type, w/ clamp band adapter 34.9mm
ELECTRIC CABLE	Shimano Junction-A SM-EW90-A, Dura-Ace Di2, E-Tube port X3, charging port X1
BATTERY / MOUNT	Shimano Battery BT-DN110-1
CHARGER / PWR CABLE	Shimano Battery charger SM-BCR2, including charging cord for usb
CRANKSET	Shimano Ultegra FC-R8000 52x36T, Hollowtech II, Crank Length: 170mm-47/53cm, 172.5mm-55/59cm, 175mm-61cm
BOTTOM BRACKET	Shimano SM-BB72-41B, PressFit for road, right & left adapter
CHAIN	Shimano Ultegra CN-HG701-11, 11sp
CASSETTE / FREEWHEEL	Shimano Ultegra CS-R8000, 11-12-13-14-15-17-19-21-23-25-28T
BRAKE	Shimano Ultegra BR-R8000, shoe: R55C4

BRAKE LEVER	included w/shifters
RIM/WHEELSET	Fulcrum Racing Quattro, C17 rims
TIRE	Vittoria Rubino Pro G+ Isotech graphene, 700x25, 150TPI, folding, full black
STEM	Reparto Corse, 3D Forged alloy 2014-T6, rise +/-6°, height 38mm, 1.1/8", sandblast matt finish, Ext: 90mm-47/50cm, 100mm-53cm, 110mm-55/57cm, 120mm-59cm, 130mm-61cm
HANDLEBAR	Reparto Corse Compact Flat Top, alloy 2014 diam. 31,8mm, reach 126mm, drop 77,4mm, sandblast matt black finish, size: 400mm-47/50cm, 420mm-53/57cm, 440mm-59/61cm
GRIP / TAPE	La Spirale Ribbon cork w/carbon look plug w/Bianchi logo
SEATPOST	Bianchi Oltre Full Carbon Aero, clamp with alloy head adjustable and reversible +/- 35mm, length: 250mm-47cm, 300mm-50/53cm, 350mm-55/59cm, 380mm-61cm, Setback (25mm/+10mm)
SADDLE	Selle San Marco Concor Startup, cover Silkfeel, manganese rails, 278x134mm
BOTTLE CAGE	Elite Paron Race composit
WATER BOTTLE	Bianchi Loli 600ml

OLTRE XR3 - ULTEGRA 11SP 52/36



CODE	YNBK6	TIRE	Vittoria Zaffiro Pro Slick 700x25c, 60TPI, Folding, black
COLOR	1D - CK16/Black Glossy 1Z - Black/CK16-Graphite matt ZB - Black matt/Black glossy-Black glossy/Black matt (ON PHOTO)	STEM	Reparto Corse, 3D Forged alloy 2014-T6, rise +/-6°, height 38mm, 1.1/8", sandblast matt finish, Ext: 90mm-47/50cm, 100mm-53cm, 110mm-55/57cm, 120mm-59cm, 130mm-61cm
FRAME	Oltre XR3 carbon w/Countervail, mechanical/electronic shifting compatible, UTSS seat stays, carbon dropout, PressFit 86,5x41mm, sizes 47-50-53-55-57-59-61cm	HANDLEBAR	Reparto Corse Compact Flat Top, alloy 2014 diam. 31,8mm, reach 126mm, drop 77,4mm, sandblast matt black finish, size: 400mm-47/50cm, 420mm-53/57cm, 440mm-59/61cm
SEATPOST CLAMP	included in the frame	GRIP / TAPE	La Spirale Ribbon cork w/carbon look plug w/Bianchi logo
HEADSET	Fsa Orbit C-40-ACB ; NO.42/ACB, Sealed ACB Bearings 1.1/8" ACB Top, 1.5" ACB Btm (for 46/56mm Head Tubes), w/15mm alloy cap	SEATPOST	Bianchi Oltre Full Carbon Aero, clamp with alloy head adjustable and reversible +/- 35mm, length: 250mm-47cm, 300mm-50/53cm, 350mm-55/59cm, 380mm-61cm, Setback (25mm/+10mm)
FORK	Bianchi Full Carbon 1.5">1.1/8" integrated head	SADDLE	Selle San Marco Concor Startup, cover Silkfeel, manganese rails, 278x134mm
SHIFTER	Shimano Ultegra ST-R8000 2x11sp	BOTTLE CAGE	Elite Paron Race composit
REAR DERAILLEUR	Shimano Ultegra RD-R8000 SS 11sp, top normal shadow design, direct attachment, compatible with low gear 25-30T for double	WATER BOTTLE	Bianchi Loli 600ml
FRONT DERAILLEUR	Shimano Ultegra FD-R8000, down swing, band type (34.9mm), 61-66° for 46/53T cl: 43,5mm		
CRANKSET	Shimano Ultegra FC-R8000 52x36T, Hollowtech II, Crank Length: 170mm-47/53cm, 172.5mm-55/59cm, 175mm-61cm		
BOTTOM BRACKET	Shimano SM-BB72-41B, PressFit for road, right & left adapter		
CHAIN	Shimano Ultegra CN-HG701-11, 11sp		
CASSETTE / FREEWHEEL	Shimano Ultegra CS-R8000, 11-12-13-14-15-17-19-21-23-25-28T		
BRAKE	Shimano Ultegra BR-R8000, shoe: R55C4		
BRAKE LEVER	included w/shifters		
RIM/WHEELSET	Fulcrum Racing 7 LG, C17 aluminium clincher rims, asymetric 18-20 spokes, black anodized hubs		

OLTRE XR3 - 105 11SP 52/36



CODE	YNB13	STEM	Reparto Corse, 3D Forged alloy 2014-T6, rise +/-6°, height 38mm, 1.1/8", sandblast matt finish, Ext: 90mm-47/50cm, 100mm-53cm, 110mm-55/57cm, 120mm-59cm, 130mm-61cm
COLOR	1D - CK16/Black Glossy 1Z - Black/CK16-Graphite matt (ON PHOTO)	HANDLEBAR	Reparto Corse Compact Flat Top, alloy 2014 diam. 31,8mm, reach 126mm, drop 77,4mm, sandblast matt black finish, size: 400mm-47/50cm, 420mm-53/57cm, 440mm-59/61cm
FRAME	Oltre XR3 carbon w/Countervail, mechanical/electronic shifting compatible, UTSS seat stays, carbon dropout, PressFit 86,5x41mm, sizes 47-50-53-55-57-59-61cm	GRIP / TAPE	La Spirale Ribbon cork w/carbon look plug w/Bianchi logo
SEATPOST CLAMP	included in the frame	SEATPOST	Bianchi Oltre Full Carbon Aero, clamp with alloy head adjustable and reversible +/- 35mm, length: 250mm-47cm, 300mm-50/53cm, 350mm-55/59cm, 380mm-61cm, Setback (25mm/+10mm)
HEADSET	Fsa Orbit C-40-ACB ; NO.42/ACB, Sealed ACB Bearings 1.1/8" ACB Top, 1.5" ACB Btm (for 46/56mm Head Tubes), w/15mm alloy cap	SADDLE	Selle San Marco Squadra startup, cover Silkfeel, carbon steel rail, 277x134mm
FORK	Bianchi Full Carbon 1.5">1.1/8" integrated head	BOTTLE CAGE	Elite Paron Race composit
SHIFTER	Shimano 105 ST-5800 2x11sp	WATER BOTTLE	Bianchi Loli 600ml
REAR DERAILLEUR	Shimano 105 RD-5800-L SS 11sp, direct attachment, low gear 23-28T		
FRONT DERAILLEUR	Shimano 105 FD-5800-L, for front double & rear 11-speed, band type (34.9mm)		
CRANKSET	Shimano 105 FC-5800-L, 52x36T, Crank Length: 170mm-47/53cm, 172.5mm-55/59cm, 175mm-61cm		
BOTTOM BRACKET	Shimano SM-BB72-41B, PressFit for road, right & left adapter		
CHAIN	Shimano CN-HG601-11, 11sp		
CASSETTE / FREEWHEEL	Shimano 105 CS-5800 11sp, 11-28T, 11-12-13-14-15-17-19-21-23-25-28T		
BRAKE	Shimano 105 BR-5800, pad:R55C4		
BRAKE LEVER	included w/shifters		
RIM/WHEELSET	Fulcrum Racing Sport black clincher, 24,3mm aluminium rims, 18-24 spokes		
TIRE	Vittoria Zaffiro Pro Slick 700x25c, 60TPI, Folding, black		

OLTRE XR3 - POTENZA 11SP 52/36



CODE	YNBA3	STEM	Reparto Corse, 3D Forged alloy 7050, rise +/-7°, height 38mm, 1.1/8", Ext: 70mm-47, 90mm-50cm, 100mm-53cm, 110mm-55cm, 120mm-57cm/59cm, 130mm-61cm
COLOR	1D - CK16/Black Glossy (ON PHOTO) 1Z - Black/CK16-Graphite matt	HANDLEBAR	Reparto Corse Compact Flat Top, alloy 2014 diam. 31,8mm, reach 126mm, drop 77,4mm, Size: 400mm-47/50cm, 420mm-53/57cm, 440mm-59/61cm
FRAME	Oltre XR3 carbon w/Countervail, mechanical/electronic shifting compatible, UTSS seat stays, carbon dropout, PressFit 86,5x41mm, sizes 47-50-53-55-57-59-61cm	GRIP / TAPE	La Spirale Bike Ribbon Eolo soft w/carbon look plug, w/Bianchi logo
SEATPOST CLAMP	included in the frame	SEATPOST	Bianchi Oltre Full Carbon Aero, clamp with alloy head adjustable and reversible +/- 35mm, length: 250mm-47cm, 300mm-50/53cm, 350mm-55/59cm, 380mm-61cm, Setback (25mm/+10mm)
HEADSET	Fsa Orbit C-40-ACB ; NO.42/ACB, Sealed ACB Bearings 1.1/8" ACB Top, 1.5" ACB Btm (for 46/56mm Head Tubes), w/15mm alloy cap	SADDLE	Selle San Marco Concor Startup, cover Silkfeel, manganese rails, 278x134mm
FORK	Bianchi Full Carbon 1.5">1.1/8" integrated head	BOTTLE CAGE	Elite Paron Race composit
SHIFTER	Campagnolo Potenza Power Shift 11sp Ergopower, black	WATER BOTTLE	Bianchi Loli 600ml
REAR DERAILLEUR	Campagnolo Potenza short cage 11sp		
FRONT DERAILLEUR	Campagnolo Potenza black 11sp braze-on front der. w/35mm black clamp for braze-on front derailleur		
CRANKSET	Potenza Ultra-Torque System CT 52x36T, Crank Length: 170mm-47/53cm, 172.5mm-55/59cm, 175mm-61cm		
BOTTOM BRACKET	Campagnolo Ultra Torque OS-Fit 86,5x41mm		
CHAIN	Campagnolo 11sp		
CASSETTE / FREEWHEEL	Campagnolo 11sp 11-29T		
BRAKE	Campagnolo Potenza dual pivot		
BRAKE LEVER	included w/shifters		
RIM/WHEELSET	Fulcrum Racing 7 LG, C17 aluminium clincher rims, asymmetric 18-20 spokes, black anodized hubs		
TIRE	Vittoria Rubino Pro G+ Isotech graphene, 700x25, 150TPI, folding, full black		



ARIA

POSITIONING

Aerodynamic bike with aero racing shape frame/fork/seatpost. Fast road bike with aero tubes profiles, rigidity and handling you would expect from a true racing bike with affordable price.

reparto corsa

COURSE/TERRAIN

Road, flat and downhill segments, hilly and fast courses, Triathlon events.



END USE DESTINATION

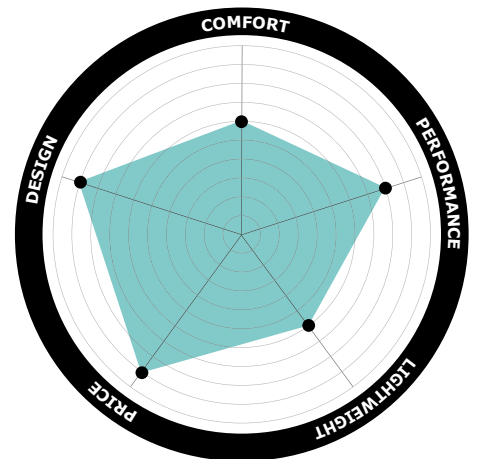
All-round riders with a true racing soul. Ideal for race warriors.

KEY FEATURES

- Aero shape frame with integrated fork
- Full carbon aero seatpost
- Best performance-to-price ratio
- Triathlon ready

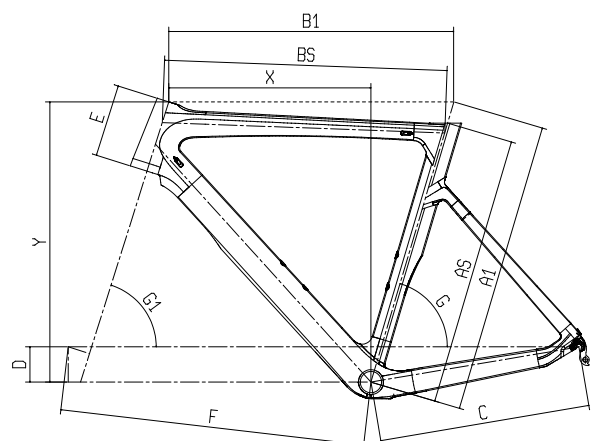
PRODUCT FEATURES

- Tapered headtube 1.1/8" to 1 1/4"
- New seatpost aero with integrated look and adjustable head clamp offset 20mm
- BBset 86.5 x 41 - Internal cable routing
- Double compatibility mechanic and electronic groupset
- Carbon dropout with metal insert
- 8 sizes: 44, 47, 50, 53, 55, 57, 59, 61cm
- Weight in 55 size: 1100g (+/- 5%)



GEOMETRY – Racing

MIS-SLP											
A1	AS	B1	BS	C	D	E	F	G	G1	Y	X
440	420	505	495	400	58	95	575	75°	70.5°	481	376
470	440	515	505	400	58	105	581	74.5°	70.5°	490	379
500	470	525	519	400	58	110	582	74.5°	71.5°	499	387
530	500	535	528	406	68	125	583	74°	72°	525	385
550	520	550	541	407	68	140	588	73.5°	72.5°	541	390
570	540	560	553	407	68	155	593	73.5°	73°	557	395
590	560	575	567	409	68	175	603	73°	73°	576	397
610	580	585	576	411	68	195	607	72.5°	73°	595	398





AERO HEADTUBE

- / Tapered headtube
1.1/8" to 1.4"



AERO SEATPOST

- / Aero seatpost with integrated look and head clamp offset 20mm
- / Hidden seatpost clamp for perfect aerodynamic design and nice looking
- / Seatpost length:
250mm=44cm
300mm=47>50cm
350mm=53>61cm



FORK

- / Full carbon 1.1/8" to 1.4"
- / Down tube integrated design for improved aerodynamic
- / Reactive geometry
- / Rigid
- / Light weight
- / Weight: 370g

ARIA - ULTEGRA 11SP COMPACT



CODE	YNB47
COLOR	1D - CK16/Black-White glossy (ON PHOTO) A2 - Black/CK16-Grey glossy
FRAME	Aria carbon, mechanical/electronic shifting compatible, PressFit 86,5x41mm BB, head tube 1.4"-1.1/8", integrated seat clamp, full carbon dropout, sizes 44-47-50-53-55-57-59-61cm
SEATPOST CLAMP	included in the frame
HEADSET	Fsa Orbit C-33, NO.44E, 1.1/8">1.1/4", 45°/45° ACB steel bearings, w/15mm top cap for 47mm/52mm OD head tube
FORK	Bianchi Full Carbon Aero 1.4">1.1/8", integrated head
SHIFTER	Shimano Ultegra ST-R8000 2x11sp
REAR DERAILLEUR	Shimano Ultegra RD-R8000 SS top normal shadow design, direct attachment, compatible with low gear 25-30T
FRONT DERAILLEUR	Shimano Ultegra FD-R8000, down swing, brazed-on type, 61-66° for 46/53T cl: 43,5mm
CRANKSET	Shimano Ultegra FC-R8000, Hollowtech II, 50x34T, Crank Length: 170mm-44/53cm, 172.5mm-55/59cm, 175mm-61cm
BOTTOM BRACKET	Shimano SM-BB72-41B, PressFit for road, right & left adapter
CHAIN	Kmc X11-1 EPT finish
CASSETTE / FREEWHEEL	Shimano 105 CS-5800 11sp, 11-28T, 11-12-13-14-15-17-19-21-23-25-28T
BRAKE	Shimano Ultegra BR-R8000, shoe: R55C4
BRAKE LEVER	included w/shifters
RIM/WHEELSET	Vision Team 35 Comp, Alloy 35 mm profile clincher rims
TIRE	Vittoria Zaffiro Pro Slick 700x25c, 60TPI, Folding, black

STEM	Reparto Corse Alloy 6061, rise +/-7°, 1.1/8", Ext: 70mm/44cm, 90mm-47/50cm, 100mm-53cm, 110mm-55/57cm, 120mm-59cm, 130mm-61cm
HANDLEBAR	Reparto Corse Compact, Flat Top, alloy 6061 diam. 31,8mm, reach 126mm, drop 77 mm, Size: 400mm-44/53cm, 420mm-55/59cm, 440mm-61cm
GRIP / TAPE	La Spirale Ribbon cork w/carbon look plug w/Bianchi logo
SEATPOST	Bianchi Full Carbon Aero, offset 20mm, length: 250mm-44cm, 300mm-47/50cm, 350mm-53/61cm
SADDLE	Selle San Marco Monza Dynamic, cover Silkfeel Plus+HF, steel rails, 277x131mm
BOTTLE CAGE	Elite Paron Race composit
WATER BOTTLE	Bianchi Loli 600ml

ARIA - 105 11SP COMPACT



CODE	YNB46
COLOR	1D - CK16/Black-White glossy (ON PHOTO) A2 - Black/CK16-Grey glossy
FRAME	Aria carbon, mechanical/electronic shifting compatible, PressFit 86,5x41mm BB, head tube 1.4"-1.1/8", integrated seat clamp, full carbon dropout, sizes 44-47-50-53-55-57-59-61cm
SEATPOST CLAMP	included in the frame
HEADSET	Fsa Orbit C-33, NO.44E, 1.1/8">1.1/4", 45°/45° ACB steel bearings, w/15mm top cap for 47mm/52mm OD head tube
FORK	Bianchi Full Carbon Aero 1.4">1.1/8", integrated head
SHIFTER	Shimano 105 ST-5800 2x11sp
REAR DERAILLEUR	Shimano 105 RD-5800-L SS 11sp, direct attachment, low gear 23-28T
FRONT DERAILLEUR	Shimano 105 FD-5800-L, braze-on type
CRANKSET	Shimano 105 FC-5800-L, Hollowtech II, 50x34T, Crank Length: 170mm-44/53cm, 172.5mm-55/59cm, 175mm-61cm
BOTTOM BRACKET	Shimano SM-BB72-41B, PressFit for road, right & left adapter
CHAIN	Kmc X11-1 EPT finish
CASSETTE / FREEWHEEL	Shimano 105 CS-5800 11sp, 11-28T, 11-12-13-14-15-17-19-21-23-25-28T
BRAKE	Shimano 105 BR-5800, pad:R55C4
BRAKE LEVER	included w/shifters
RIM/WHEELSET	Vision Team 35 Comp, Alloy 35 mm profile clincher rims
TIRE	Vittoria Zaffiro Pro Slick 700x25c, 60TPI, Folding, black

STEM	Reparto Corse Alloy 6061, rise +/-7°, 1.1/8", Ext: 70mm/44cm, 90mm-47/50cm, 100mm-53cm, 110mm-55/57cm, 120mm-59cm, 130mm-61cm
HANDLEBAR	Reparto Corse Compact, Flat Top, alloy 6061, diam. 31.8mm, reach 126mm, drop 77 mm, Size: 400mm-44/53cm, 420mm-55/59cm, 440mm-61cm
GRIP / TAPE	La Spirale Ribbon cork w/carbon look plug w/Bianchi logo
SEATPOST	Bianchi Full Carbon Aero, offset 20mm, length: 250mm-44cm, 300mm-47/50cm, 350mm-53/61cm
SADDLE	Selle San Marco Monza Startup, cover Silkfeel Plus, steel rail, 277x131mm
BOTTLE CAGE	Elite Paron Race composi
WATER BOTTLE	Bianchi Loli 600ml

ARIA - POTENZA 11SP 52/36



CODE	YNB48	STEM	Reparto Corse Alloy 6061, rise +/-7°, 1.1/8", Ext: 70mm-44cm, 90mm-47/50cm, 100mm-53cm, 110mm-55/57cm, 120mm-59cm, 130mm-61cm
COLOR	1D - CK16/Black-White glossy A2 - Black/CK16-Grey glossy (ON PHOTO)	HANDLEBAR	Reparto Corse Compact, Flat Top, alloy 6061, diam. 31,8mm, reach 126mm, drop 77 mm, Size: 400mm-44/53cm, 420mm-55/59cm, 440mm-61cm
FRAME	Aria carbon, mechanical/electronic shifting compatible, PressFit 86,5x41mm BB, head tube 1.4"-1.1/8", integrated seat clamp, full carbon dropout, sizes 44-47-50-53-55-57-59-61cm	GRIP / TAPE	La Spirale Ribbon cork w/carbon look plug w/Bianchi logo
SEATPOST CLAMP	included in the frame	SEATPOST	Bianchi Full Carbon Aero, offset 20mm, length: 250mm-44cm, 300mm-47/50cm, 350mm-53/61cm
HEADSET	Fsa Orbit C-33, NO.44E, 1.1/8">1.1/4", 45°/45° ACB steel bearings, w/15mm top cap for 47mm/52mm OD head tube	SADDLE	Selle San Marco Monza Dynamic, cover Silkfeel Plus + HF, steel rail, 277x131mm
FORK	Bianchi Full Carbon Aero 1.4">1.1/8", integrated head	BOTTLE CAGE	Elite Paron Race composit
SHIFTER	Campagnolo Potenza Power Shift 11sp Ergopower, black	WATER BOTTLE	Bianchi Loli 600ml
REAR DERAILLEUR	Campagnolo Potenza short cage 11sp		
FRONT DERAILLEUR	Campagnolo Potenza black 11sp braze-on front der		
CRANKSET	Campagnolo Potenza black Ultra-Torque System 52/36T, Crank Length: 170mm-44/53cm, 172.5mm-55/59cm, 175mm-61cm		
BOTTOM BRACKET	Campagnolo Ultra Torque OS-Fit 86,5x41mm		
CHAIN	Kmc X11-1 EPT finish		
CASSETTE / FREEWHEEL	Campagnolo Centaur 11sp 11-29T		
BRAKE	Campagnolo Potenza dual pivot		
BRAKE LEVER	included w/shifters		
RIM/WHEELSET	Vision Team 35 Comp, Alloy 35mm profile clincher rims		
TIRE	Vittoria Zaffiro Pro Slick 700x25c, 60TPI, Folding, black		

ARIA - CENTAUR 11SP COMPACT



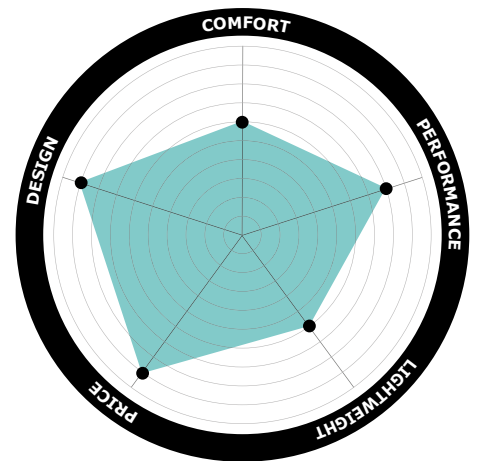
CODE	YNB49	STEM	Reparto Corse Alloy 6061, rise +/-7°, 1.1/8", Ext: 70mm/44cm, 90mm-47/50cm, 100mm-53cm, 110mm-55/57cm, 120mm-59cm, 130mm-61cm
COLOR	1D - CK16/Black-White glossy A2 - Black/CK16-Grey glossy (ON PHOTO)	HANDLEBAR	Reparto Corse Compact, Flat Top, alloy 6061 diam. 31,8mm, reach 126mm, drop 77 mm, Size: 400mm-44/53cm, 420mm-55/59cm, 440mm-61cm
FRAME	Aria carbon, mechanical/electronic shifting compatible, PressFit 86,5x41mm BB, head tube 1.4"-1.1/8", integrated seat clamp, full carbon dropout, sizes 44-47-50-53-55-57-59-61cm	GRIP / TAPE	La Spirale Ribbon cork w/carbon look plug w/Bianchi logo
SEATPOST CLAMP	included in the frame	SEATPOST	Bianchi Full Carbon Aero, offset 20mm, length: 250mm-44cm, 300mm-47/50cm, 350mm-53/61cm
HEADSET	Fsa Orbit C-33, NO.44E, 1.1/8">1.1/4", 45°/45° ACB steel bearings, w/15mm top cap for 47mm/52mm OD head tube	SADDLE	Selle San Marco Monza Startup, cover Silkfeel Plus, steel rails, 277x131mm
FORK	Bianchi Full Carbon Aero 1.4">1.1/8", integrated head	BOTTLE CAGE	Elite Paron Race composi
SHIFTER	Campagnolo Centaur Power Shift 11sp Ergopower	WATER BOTTLE	Bianchi Loli 600ml
REAR DERAILLEUR	Campagnolo Centaur black 11sp medium cage		
FRONT DERAILLEUR	Campagnolo Centaur black 11sp braze-on		
CRANKSET	Campagnolo Centaur Ultra-Torque black, 50/34T, Crank Length: 170mm-44/53cm, 172.5mm-55/59cm, 175mm-61cm		
BOTTOM BRACKET	Campagnolo Ultra Torque OS-Fit integrated cups 86,5x41mm		
CHAIN	Kmc X11-1 EPT finish		
CASSETTE / FREEWHEEL	Campagnolo Centaur 11sp 11-29T		
BRAKE	Campagnolo Centaur (dual pivot F+R)		
BRAKE LEVER	included w/shifters		
RIM/WHEELSET	Vision Team 35 Comp, Alloy 35mm profile clincher rims		
TIRE	Vittoria Zaffiro Pro Slick 700x25c, 60TPI, Folding, black		

PRODUCT FEATURES

- Specific frame and fork Disc compatible
- Flat mount system (Shimano standard)
- Thru axle 12mm front 100mm and rear OLD 142mm specific dimension model QR50 with alloy lever (M12 x P1.5)
- Compatible with 140mm and 160mm rotor
- Chain stay length 410mm
- Internal hydraulic cable guide housing in the frame and fork
- Sizes: 44, 47, 50, 53, 55, 57, 59, 61cm
- Weight in 55 size: 1150g target (+/- 5%)

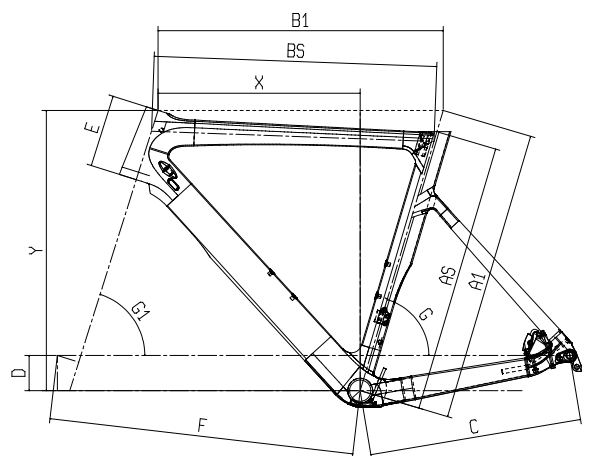
reparto corse

MASTER
THE ELEMENTS
WITH ARIA



GEOMETRY – Racing

MIS-SLP												
A1	AS	B1	BS	C	D	E	F	G	G1	Y	X	
440	420	505	495	410	58	95	575	75°	70.5°	481	376	
470	440	515	505	410	58	105	581	74.5°	70.5°	490	379	
500	470	525	519	410	58	110	582	74.5°	71.5°	499	387	
530	500	535	528	410	68	125	583	74°	72°	525	385	
550	520	550	541	410	68	140	588	73.5°	72.5°	541	390	
570	540	560	553	410	68	155	593	73.5°	73°	557	395	
590	560	575	567	412	68	175	603	73°	73°	576	397	
610	580	585	576	414	68	195	607	72.5°	73°	595	398	



ARIA DISC - ULTEGRA 11SP COMPACT



CODE	YNB9D
COLOR	1D - CK16/Black-White glossy
FRAME	Aria Disc carbon, mechanical/electronic shifting compatible, PressFit 86,5x41mm BB, head tube 1.4"-1.1/8", integrated seat clamp, full carbon dropout, flat mount, thru axle 12x142mm, sizes 44-47-50-53-55-57-59-61cm
SEATPOST CLAMP	included in the frame
HEADSET	Fsa Orbit C-33, NO.44E, 1.1/8">1.1/4", 45°/45° ACB steel bearings, w/15mm top cap for 47mm/52mm OD head tube
FORK	Bianchi Full Carbon 1.4">1.1/8" integrated head, Disc brake flat mount, thru axle 12x100mm
SHIFTER	Shimano Ultegra ST-R8020 2x11sp Hydraulic disc brake
REAR DERAILLEUR	Shimano Ultegra RD-R8000 SS 11sp, top normal shadow design, direct attachment, compatible with low gear 25-30T
FRONT DERAILLEUR	Shimano Ultegra FD-R8000, down swing, brazed-on type, 61-66° for 46/53T cl: 43,5mm
CRANKSET	Shimano Ultegra FC-R8000 50x34T, Hollowtech II, Crank Length: 170mm-47/53cm, 172.5mm-55/59cm, 175mm-61cm
BOTTOM BRACKET	Shimano SM-BB72-41B, PressFit for road, right & left adapter
CHAIN	Kmc X11-1 EPT finish
CASSETTE / FREEWHEEL	Shimano 105 CS-5800 11sp, 11-28T, 11-12-13-14-15-17-19-21-23-25-28T
BRAKE	Shimano BR-R8070 Hydraulic disc brake
BRAKE LEVER	included w/shifters
DISC ROTOR	Shimano SM-RT800 Center Lock, diam. 160mm

RIM/WHEELSET	Fulcrum Racing 618 disc brake, aluminium asymmetric rims 622x17c, 26mm profile, Center Lock AFS, Thru Axle F:12x100mm, R:12x142mm
TIRE	Vittoria Zaffiro Pro Slick 700x28, 60TPI, Folding, black
STEM	Reparto Corse Alloy 6061, rise +/-7°, 1.1/8", Ext: 70mm/44cm, 90mm-47/50cm, 100mm-53cm, 110mm-55/57cm, 120mm-59cm, 130mm-61cm
HANDLEBAR	Reparto Corse Compact, Flat Top, alloy 6061 diam. 31,8mm, reach 126mm, drop 77 mm, Size: 400mm-44/53cm, 420mm-55/59cm, 440mm-61cm
GRIP / TAPE	La Spirale Ribbon cork w/carbon look plug w/Bianchi logo
SEATPOST	Bianchi Full Carbon Aero, offset 20mm, length: 250mm-44cm, 300mm-47/50cm, 350mm-53/61cm
SADDLE	Selle San Marco Monza Dynamic, cover Silkfeel Plus + HF, steel rails, 277x131mm
BOTTLE CAGE	Elite Paron Race composit
WATER BOTTLE	Bianchi Loli 600ml

ARIA DISC - 105 11SP COMPACT



CODE	YNB8D	TIRE	Vittoria Zaffiro Pro Slick 700x28, 60TPI, Folding, black
COLOR	1D - CK16/Black-White glossy	STEM	Reparto Corse Alloy 6061, rise +/-7°, 1.1/8", Ext: 70mm/44cm, 90mm-47/50cm, 100mm-53cm, 110mm-55/57cm, 120mm-59cm, 130mm-61cm
FRAME	Aria Disc carbon, mechanical/electronic shifting compatible, PressFit 86,5x41mm BB, head tube 1.4"-1.1/8", integrated seat clamp, full carbon dropout, flat mount, thru axle 12x142mm, sizes 44-47-50-53-55-57-59-61cm	HANDLEBAR	Reparto Corse Compact, Flat Top, alloy 6061 diam. 31,8mm, reach 126mm, drop 77 mm, Size: 400mm-44/53cm, 420mm-55/59cm, 440mm-61cm
SEATPOST CLAMP	included in the frame	GRIP / TAPE	La Spirale Ribbon cork w/carbon look plug w/Bianchi logo
HEADSET	Fsa Orbit C-33, NO.44E, 1.1/8">1.1/4", 45°/45° ACB steel bearings, w/15mm top cap for 47mm/52mm OD head tube	SEATPOST	Bianchi Full Carbon Aero, offset 20mmm, length: 250mm-44cm, 300mm-47/50cm, 350mm-53/61cm
FORK	Bianchi Full Carbon 1.4">1.1/8" integrated head, Disc brake flat mount, thru axle 12x100mm	SADDLE	Selle San Marco Monza Startup, cover Silkfeel Plus, steel rails, 277x131mm
SHIFTER	Shimano ST-RS505 2x11sp hydraulic disc brake for road	BOTTLE CAGE	Elite Paron Race composi
REAR DERAILLEUR	Shimano 105 RD-5800-L SS 11sp, direct attachment, low gear 23-28T	WATER BOTTLE	Bianchi Loli 600ml
FRONT DERAILLEUR	Shimano 105 FD-5801-L, down swing, braze-on type, 61-66°, CL:43.5mm		
CRANKSET	Shimano FC-RS510 50x34T, Crank Length: 170mm-47/53cm, 172.5mm-55/59cm, 175mm-61cm		
BOTTOM BRACKET	Shimano SM-BB72-41B, PressFit for road, right & left adapter		
CHAIN	Kmc X11-1 EPT finish		
CASSETTE / FREEWHEEL	Shimano 105 CS-5800 11sp, 11-28T, 11-12-13-14-15-17-19-21-23-25-28T		
BRAKE	Shimano BR-RS505, flat mount, hydraulic disc brake		
BRAKE LEVER	included w/shifters		
DISC ROTOR	Shimano SM-RT81 Center Lock 160mm		
RIM/WHEELSET	Fulcrum Racing 618 disc brake, aluminium asymetric rims 622x17c, 26mm profile, Center Lock AFS, thru axle F:12x100mm, R:12x142mm		

ARIA DISC - POTENZA 11SP COMPACT 52/36



CODE	YNB5D
COLOR	1D - CK16/Black-White glossy
FRAME	Aria Disc carbon, mechanical/electronic shifting compatible, PressFit 86,5x41mm BB, head tube 1.4"-1.1/8", integrated seat clamp, full carbon dropout, flat mount, thru axle 12x142mm, sizes 44-47-50-53-55-57-59-61cm
SEATPOST CLAMP	included in the frame
HEADSET	Fsa Orbit C-33, NO.44E, 1.1/8">1.1/4", 45°/45° ACB steel bearings, w/15mm top cap for 47mm/52mm OD head tube
FORK	Bianchi Full Carbon 1.4">1.1/8" integrated head, Disc brake flat mount, thru axle 12x100mm
SHIFTER	Campagnolo Potenza DB Ergopower 2x11sp
REAR DERAILLEUR	Campagnolo Potenza short cage 11sp
FRONT DERAILLEUR	Campagnolo Potenza black 11sp braze-on front der.
CRANKSET	Campagnolo Potenza Ultra-Torque System CT 11sp, 52/36T, Crank Length: 170mm-44/53cm, 172.5mm-55/59cm, 175mm-60/63cm
BOTTOM BRACKET	Campagnolo Ultra Torque OS-Fit 86,5x41mm
CHAIN	Kmc X11-1 EPT finish
CASSETTE / FREEWHEEL	Campagnolo Centaur 11sp 11-29T
BRAKE	Included in the shifter
BRAKE LEVER	included w/shifters
DISC ROTOR	Campagnolo AFS, diam 160mm
RIM/WHEELSET	Fulcrum Racing 618 disc brake, aluminium rims 622x17c, 26mm profile, thru axle F:12x100mm R:12x142mm, center lock AFS

TIRE	Vittoria Zaffiro Pro Slick 700x25c, 60TPI, Folding, black
STEM	Reparto Corse Alloy 6061, rise +/-7°, 1.1/8", Ext: 70mm/44cm, 90mm-47/50cm, 100mm-53cm, 110mm-55/57cm, 120mm-59cm, 130mm-61cm
HANDLEBAR	Reparto Corse Compact, Flat Top, alloy 6061 diam. 31,8mm, reach 126mm, drop 77 mm, Size: 400mm-44/53cm,420mm-55/59cm,440mm-61cm
GRIP / TAPE	La Spirale Ribbon cork w/carbon look plug w/Bianchi logo
SEATPOST	Bianchi Full Carbon Aero, offset 20mmm, length: 250mm-44cm, 300mm-47/50cm, 350mm-53/61cm
SADDLE	Selle San Marco Monza Dynamic, cover Silkfeel Plus + HF, steel rail, 277x131mm
BOTTLE CAGE	Elite Paron Race composit
WATER BOTTLE	Bianchi Loli 600ml

SEMPRE_{pro}

POSITIONING

Entry-level full carbon frame, offering a racing bike with accessible price

reparto corsa

COURSE/TERRAIN

Road, mixed courses

END USE DESTINATION

Sportive riders. Ideal for those who approach road cycling seriously with an aggressive riding position.

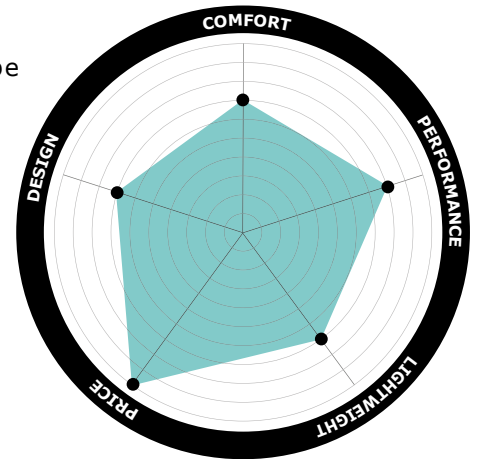


KEY FEATURES

- Full carbon frame
- Full carbon fork
- Internal cable routing
- Price point
- New color scheme

PRODUCT FEATURES

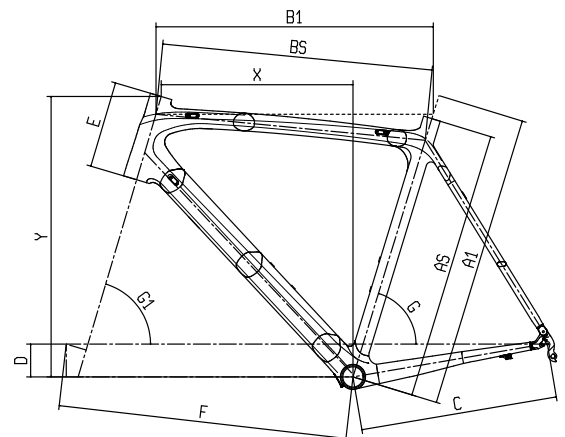
- Carbon Monocoque frame with Press Fit 30 and tapered head tube 1.1/8" to 1.5"
- UTSS Ultra Thin Seat Stays to save weight combined together with over sized chain stays for direct power transmission
- Full Carbon fork 1.1/8"-1.5", "straight/bent" blades (for all models)
- Double compatibility mechanical and electronic
- Internal cable routing
- Weight: 990 gr (55 size, +/- 5%)



GEOMETRY – Racing

MIS-SPL

A1	AS	B1	BS	C	D	E	F	G	G1	Y	X
470	440	515	499	403	58	110	578	74.5°	70.5°	495	375
500	470	525	510	405	58	115	583	74.5°	71°	502	382
530	500	535	521	406	68	130	585	74°	71.5°	528	382
550	520	550	535	408	68	145	587	73.5°	72.5°	545	388
570	540	560	546	408	68	160	593	73.5°	73°	561	393
590	560	575	561	410	68	180	598	73°	73.5°	582	397
610	580	585	570	410	68	200	603	72.5°	73.5°	601	397



SEMPRE PRO - ULTEGRA 11SP COMPACT



CODE	YNB07	SEATPOST	Reparto Corse AL6061 shaft, alloy head, 15mm offset, diam. 31.6mm, Length 350mm
COLOR	EN - Black/Grey-CK16 full matt	SADDLE	Selle San Marco Era Start, steel rail, cover syntex, 277x135mm
FRAME	Sempre Pro carbon monocoque, PF30, UTSS, mechanical and electronic shifting compatible, sizes 47-50-53-55-57-59-61cm	BOTTLE CAGE	Alloy, black color
SEATPOST CLAMP	X Carbon System, diam. 36mm, w/Bianchi logo	WATER BOTTLE	Celeste w/Bianchi logo
HEADSET	Fsa Orbit C-40-ACB ; NO.42/ACB, Sealed ACB Bearings 1.1/8" ACB Top, 1.5" ACB Btm (for 46/56mm Head Tubes), w/15mm alloy cap		
FORK	Bianchi Full Carbon, 1.5" head		
SHIFTER	Shimano Ultegra ST-R8000 2x11sp		
REAR DERAILLEUR	Shimano Ultegra RD-R8000 GS 11sp, top normal shadow design, direct attachment, compatible with low gear 28-34T		
FRONT DERAILLEUR	Shimano Ultegra FD-R8000, down swing, band type (34.9mm), 61-66° for 46/53T cl: 43,5mm		
CRANKSET	Shimano FC-RS510 50x34T, Crank Length: 170mm-44/54cm, 172.5mm-55/59cm, 175mm-61cm		
BOTTOM BRACKET	Shimano BB-RS500		
CHAIN	Kmc X11 EPT finish		
CASSETTE / FREEWHEEL	Shimano 105 CS-5800 11sp, 11-12-13-14-16-18-20-22-25-28-32T		
BRAKE	Shimano BR-R561-L, shoes R55CT4, black		
BRAKE LEVER	included w/shifters		
RIM/WHEELSET	Shimano WH-RS010-CL, clincher, black		
TIRE	Vittoria Zaffiro Pro Slick 700x25c, 60TPI, Folding, black		
STEM	Reparto Corse, Alloy 6061, rise +/- 7°, 1.1/8", Ext: 90mm-47/50cm, 100mm-53cm, 110mm-55/57cm, 120mm-59cm, 130mm-61cm		
HANDLEBAR	Reparto Corse Compact, Flat Top, alloy 6061 diam. 31,8mm, reach 126mm, drop 77 mm, Size: 400mm-47/53cm, 420mm-55/59cm, 440mm-61cm		
GRIP / TAPE	La Spirale Ribbon cork w/carbon look plug w/Bianchi logo		

SEMPRE PRO - 105 11SP COMPACT



CODE	YNB08	HANDLEBAR	Reparto Corse Compact, Flat Top, alloy 6061 diam. 31,8mm, reach 126mm, drop 77 mm, Size: 400mm-47/53cm, 420mm-55/59cm, 440mm-61cm
COLOR	EA- CK/Black-White Glossy EN - Black/Grey-CK16 full matt (ON PHOTO)	GRIP / TAPE	La Spirale Ribbon cork w/carbon look plug w/Bianchi logo
FRAME	Sempre Pro carbon monocoque, PF30, UTSS, mechanical and electronic shifting compatible, sizes 47-50-53-55-57-59-61cm	SEATPOST	Reparto Corse AL6061 shaft, alloy head, 15mm offset, diam. 31.6mm, Length 350mm
SEATPOST CLAMP	X Carbon System, diam. 36mm, w/Bianchi logo	SADDLE	Selle San Marco Era Start, steel rail, cover syntex, 277x135mm
HEADSET	Fsa Orbit C-40-ACB ; NO.42/ACB, Sealed ACB Bearings 1.1/8" ACB Top, 1.5" ACB Btm (for 46/56mm Head Tubes), w/15mm alloy cap	BOTTLE CAGE	Alloy, black color
FORK	Bianchi Full Carbon, 1.5" head	WATER BOTTLE	Celeste w/Bianchi logo
SHIFTER	Shimano 105 ST-5800 2x11sp		
REAR DERAILLEUR	Shimano 105 RD-5800-L GS direct attachment, low gear 23-28T, black		
FRONT DERAILLEUR	Shimano 105 FD-5801-L, down-swing, 34.9mm band type, 61-66°, CL:43.5mm		
CRANKSET	Shimano FC-RS510 50x34T, Crank Length: 170mm-44/54cm, 172.5mm-55/59cm, 175mm-60/63cm		
BOTTOM BRACKET	Shimano BB-RS500		
CHAIN	Kmc X11 EPT finish		
CASSETTE / FREEWHEEL	Shimano 105 CS-5800 11sp, 11-12-13-14-16-18-20-22-25-28-32T		
BRAKE	Shimano BR-R561-L, shoes R55CT4, black		
BRAKE LEVER	included w/shifters		
RIM/WHEELSET	Shimano WH-RS010-CL, clincher, black		
TIRE	Vittoria Zaffiro Pro Slick 700x25c, 60TPI, Folding, black		
STEM	Reparto Corse, Alloy 6061, rise +/-7°, 1.1/8", Ext: 90mm-47/50cm, 100mm-53cm, 110mm-55/57cm, 120mm-59cm, 130mm-61cm		

SEMPRE PRO - CENTAUR 11SP COMPACT



CODE	YNB10
COLOR	EA - CK/Black-White Glossy
FRAME	Sempre Pro carbon monocoque, PF30, UTSS, mechanical and electronic shifting compatible, sizes 47-50-53-55-57-59-61cm
SEATPOST CLAMP	X Carbon System, diam. 36mm, w/Bianchi logo
HEADSET	Fsa Orbit C-40-ACB ; NO.42/ACB, Sealed ACB Bearings 1.1/8" ACB Top, 1.5" ACB Btm (for 46/56mm Head Tubes), w/15mm alloy cap
FORK	Bianchi Full Carbon, 1.5" head
SHIFTER	Campagnolo Centaur Power Shift 11sp Ergopower
REAR DERAILLEUR	Campagnolo Centaur 11sp medium cage
FRONT DERAILLEUR	Campagnolo Centaur 11sp clip-on front der. diam. 35 mm w/35mm Record clamp for braze-on der.
CRANKSET	Fsa Omega MegaExo Compact 50x34T, Die Cast alloy arm, Crank Length: 170mm-44/53cm, 172.5mm-55/59cm, 175mm-60/63cm
BOTTOM BRACKET	Fsa MegaExo BSA Bottom Bracket
CHAIN	Kmc X11 EPT finish
CASSETTE / FREEWHEEL	Campagnolo Centaur UD 11sp 12-32T
BRAKE	Campagnolo Centaur (dual pivot F+R)
BRAKE LEVER	included w/shifters
RIM/WHEELSET	Mavic Aksium, 622x17c
TIRE	Vittoria Zaffiro 25-622, 700x25c, 26TPI, rigid, black
STEM	Reparto Corse Alloy 6061, rise +/-7°, 1.1/8", Ext: 90mm-50/53cm, 100mm-55cm, 110mm-57/59cm, 120mm-61cm

HANDLEBAR	Reparto Corse Compact, Flat Top, alloy 6061 diam. 31,8mm, reach 126mm, drop 77 mm, Size: 400mm-47/53cm, 420mm-55/59cm, 440mm-61cm
GRIP / TAPE	Cork w/Bianchi logo
SEATPOST	Reparto Corse AL6061 shaft, alloy head, 15mm offset, diam. 31.6mm, Length 350mm
SADDLE	Selle San Marco Era Start, steel rail, cover syntex, 277x135mm
BOTTLE CAGE	Alloy black
WATER BOTTLE	Celeste w/Bianchi logo

POSITIONING

A superlight aluminum frame with racing geometry and the best rigidity-to-weight ratio. An affordable and well-balanced alternative to carbon, really well specced.

COURSE/TERRAIN

Road, flat and downhill segments, hilly and fast courses.

END USE DESTINATION

All-round riders with a true racing soul. Ideal for week-end warriors, perfect for criteriums.

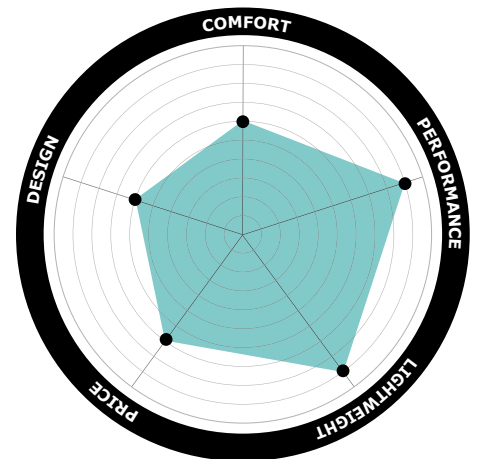
KEY FEATURES

- Super light triple butted aluminum frame
- Diamond toptube shape
- Full carbon fork 1.1/8"
- 8 sizes

PRODUCT FEATURES

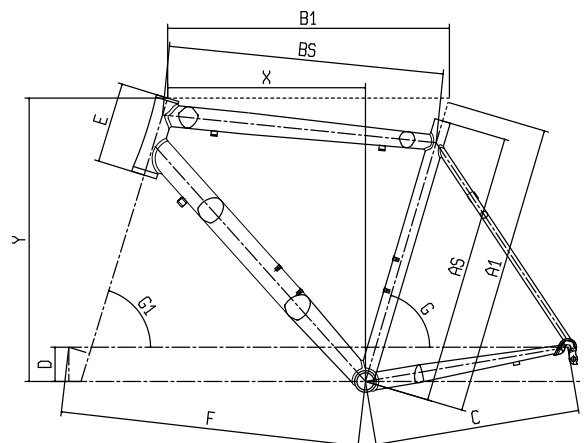
- Aluminum super light A6 – A4 triple butted tube with diamond top tube shape, head tube 1.1/8" , BB set BSA
- Seat tube: 27,2mm
- Full Carbon fork 1.1/8" "straight/bent" blades
- Compatibility only mechanical groupset
- External cable routing
- 8 sizes: 44, 47, 50, 53, 55, 57, 59, 61cm
- Weight: 1.190 gr (55 size, +/-5%)

SUPER LIGHT ALUMINUM RACING FRAME



GEOMETRY – Racing

MIS-SLP											
A1	AS	B1	BS	C	D	E	F	G	G1	Y	X
470	440	515	499	403	58	110	578	74.5°	70.5°	495	375
500	470	525	510	405	58	115	583	74.5°	71°	502	382
530	500	535	521	406	68	130	585	74°	71.5°	528	382
550	520	550	535	408	68	145	587	73.5°	72.5°	545	388
570	540	560	546	408	68	160	593	73.5°	73°	561	393
590	560	575	561	410	68	180	598	73°	73.5°	582	397
610	580	585	570	410	68	200	603	72.5°	73.5°	601	397



FRECCIA CELESTE FRAME KIT



AVAILABLE ONLY AS FRAME KIT

CODE	XNB20
COLOR	CK - CK/Black glossy
FRAME	Freccia Celeste light Alu triple butted A6, headtube 1.1/8", BSA BB shell, seatpost 27,2mm, smooth welding, external cable, sizes 44-47-50-53-55-57-59-61cm
SEATPOST CLAMP	Promax MX-112C Aluminium clamp, light weight, diam. 31,8mm anti-crimp, finish black
HEADSET	Fsa NO.8B/ZS4D 1.1/8" semi-integrated lower part + integrated upper part, w/15mm Top cover for 46mm/50 OD head tube
FORK	Bianchi Full Carbon, 1.1/8" head



ENDURANCE

Long distances must be covered in the optimal riding position. Endurance frames guarantee maximum performance with minimum stress for the riders, thanks to Bianchi's special frame design/geometry and different material combination.

MODELS IN THIS CATEGORY

INFINITO CV
INFINITO CV DISC
INTENSO
INTENSO DISC
INTREPIDA
IMPULSO
VIA NIRONE 7

PROJECT PHILOSOPHY

- / Specific geometry to improve comfort and stability
- / Bianchi Active Technology (BAT)
- / Long distance racing

TARGET CONSUMER

- / Long distance riders
- / Granfondo enthusiasts

POSITIONING

The best high-end endurance road bike, providing less muscle fatigue and more control thanks to the specific tuning process of the Countervail carbon material.

COURSE/TERRAIN

Road, rough surfaces, cobbleston sections.

END USE DESTINATION

Pro riders, cobblestone specialists in particular. Ideal for granfondo and marathon riders. Perfect for those who love to spend long hours on the saddle.

KEY FEATURES

- Countervail vibration cancelling technology
- Higher headtube and longer chainstay
- Thru axle disc brake system available
- 28mm tubular/clincher compatible

PRODUCT FEATURES

- Carbon Monocoque frame with tapered head tube 1.1/8" - 1.5" & PF30 BB (68x46)
- Double compatibility mechanic and electronic groupset
- Down tube dimension optimized for the different sizes
- Full carbon aero fork shape with straight blades
- Higher head tube and longer chain stay
- Internal cable routing
- 28mm tubular/clincher compatible
- Sizes: 47, 50, 53, 55 57, 59, 61, 63cm
- Weight: 990 gr (55 size, +/- 5%)

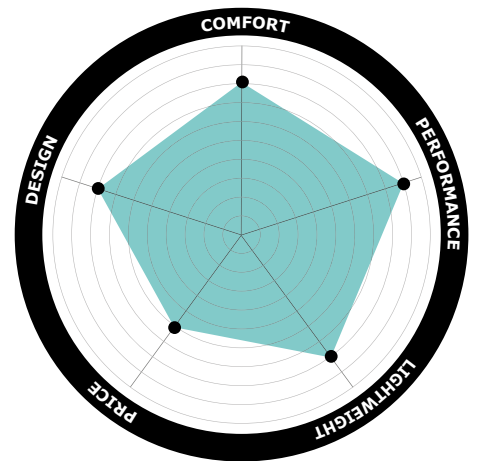
reparto corse

LESS FATIGUE,
MORE CONTROL

TECHNOLOGIES

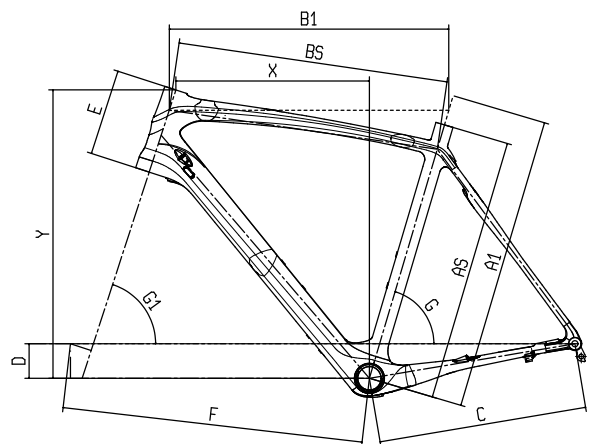
COUNTERTVAIL®

▲ B A T ▼



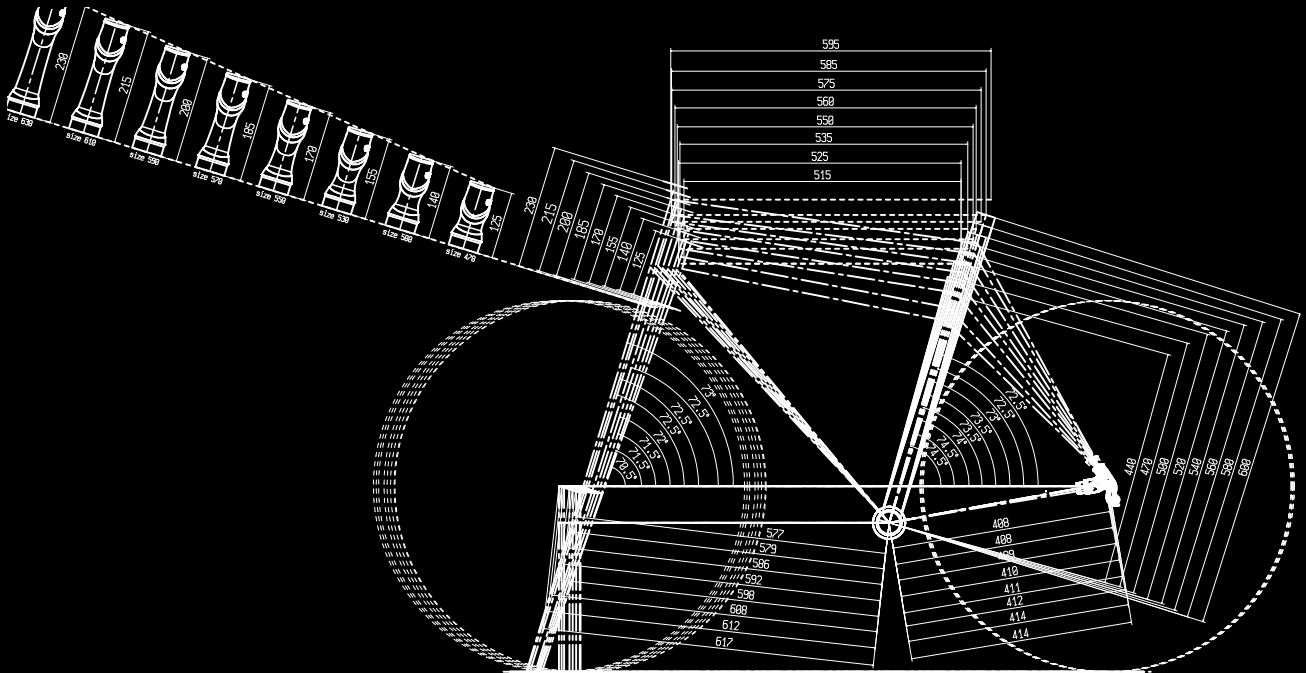
GEOMETRY – Endurance

MIS-SLP											
A1	AS	B1	BS	C	D	E	F	G	G1	Y	X
470	440	515	497	415	68	125	577	74.5°	70.5°	519	368
500	470	525	507	415	68	140	579	74.5°	71.5°	537	373
530	500	535	518	415	68	155	586	74°	71.5°	551	375
550	520	550	532	415	68	170	592	73.5°	72°	567	381
570	540	560	542	415	68	185	598	73.5°	72.5°	583	386
590	560	575	556	415	68	200	608	73°	72.5°	598	391
610	580	585	565	415	68	215	612	72.5°	72.5°	612	392
630	600	595	575	415	68	230	617	72.5°	73°	628	397
630	600	595	581	412	68	220	617	72.5°	73°	622	399



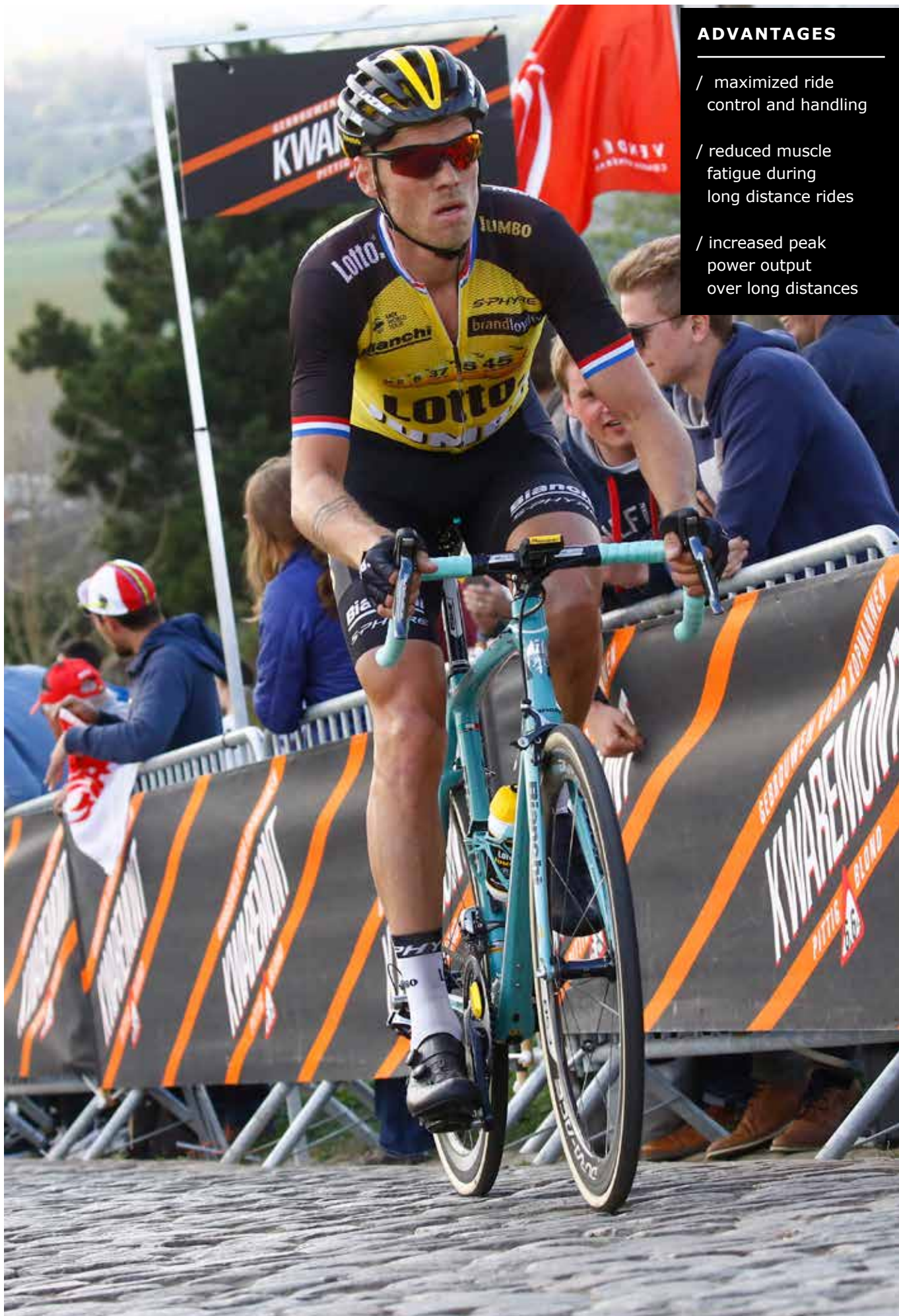
SPECIAL ENDURANCE GEOMETRY

- / Higher head tube
- / Lower neck and arms stress
- / More comfort
- / Longer chain stay
- / Excellent vibration cancelling capacity
- / More stability
- / Best fluency
- / Longer wheelbase
- / More stability – easy to drive especially in the downhill
- / Less nervousness



FORK

Full carbon aero fork
shape with straight
blades



ADVANTAGES

- / maximized ride control and handling
- / reduced muscle fatigue during long distance rides
- / increased peak power output over long distances

INFINITO CV - CHORUS 11SP COMPACT



CODE	YNB21
COLOR	1D - CK16/Black Glossy
FRAME	Infinito CV Carbon w/Countervail, Mechanical/ Electronic Di2/EPS shifting compatible, 28" tire compatible, BBset PF30, sizes 47-50-53-55-57-59-61-63cm
BOLTS / HARDWARE	AL7075-T6 large button head bolts, Torx M5*14mm x 4pcs, celeste bianchi w/Bianchi logo
SEATPOST CLAMP	X Carbon System diam. 35mm, w/Bianchi logo
HEADSET	Fsa Orbit C-40-ACB ; NO.42/ACB, Sealed ACB Bearings 1.1/8" ACB Top, 1.5" ACB Btm (for 46/56mm Head Tubes), w/15mm alloy cap
FORK	Bianchi Full Carbon w/Countervail, 1,5" head
SHIFTER	Campagnolo Chorus Ultra Shift 11sp Ergopower, black option
REAR DERAILLEUR	Campagnolo Chorus 11sp
FRONT DERAILLEUR	Campagnolo Chorus 11sp braze-on front der. + diam. 35 mm black clamp
CRANKSET	Campagnolo Chorus Ultra-Torque CT Carbon 11sp 50-34T, Crank Length: 170mm-47/53cm, 172.5mm-55/59cm, 175mm-60/63cm
BOTTOM BRACKET	Campagnolo Ultra Torque OS-Fit integrated cups BB30 68x46mm
CHAIN	Campagnolo Chorus 11sp
CASSETTE / FREEWHEEL	Campagnolo Chorus 11sp, 11-29T
BRAKE	Campagnolo Chorus Skeleton brakes (dual pivot front+rear)
BRAKE LEVER	included w/shifters
RIM/WHEELSET	Fulcrum Racing Quattro, C17 clincher rims, black
TIRE	Vittoria Rubino Pro G+ Isotech graphene, 700x25, 150TPI, folding, full black
STEM	Reparto Corse, 3D Forged alloy 7050, rise +/-7°, height 38mm, 1.1/8", Ext: 70mm-47, 90mm-50cm, 100mm-53cm, 110mm-55cm, 120mm-57cm/59cm, 130mm-61/63cm

HANDLEBAR	Reparto Corse Compact Flat Top, alloy 2014 diam. 31,8mm, reach 126mm, drop 77,4mm, Size: 400mm-47/50cm, 420mm-53/57cm, 440mm-59/63cm
GRIP / TAPE	La Spirale Bike Ribbon Eolo soft w/carbon look plug w/Bianchi logo
SEATPOST	Reparto Corse full carbon UD w/Alloy clamp, two stainless steel bolt, setback 15mm, diam. 31.6mm, Length 350mm
SADDLE	Fi'zi:k Aliante R5, shell nylon carbon reinforced w/WingFlex, rail K:i:um, ICS System
BOTTLE CAGE	Elite Paron Race composit
WATER BOTTLE	Bianchi Loli 600ml

INFINITO CV - POTENZA 11SP COMPACT



CODE	YNB22
COLOR	1D - CK16/Black Glossy
FRAME	Infinito CV Carbon w/Countervail, Mechanical/Electronic Di2/EPS shifting compatible, 28" tire compatible, BBset PF30, sizes 47-50-53-55-57-59-61-63cm
BOLTS / HARDWARE	AL7075-T6 large button head bolts, Torx M5*14mm x 4pcs, celeste bianchi w/Bianchi logo
SEATPOST CLAMP	X Carbon System diam. 35mm, w/Bianchi logo
HEADSET	Fsa Orbit C-40-ACB ; NO.42/ACB, Sealed ACB Bearings 1.1/8" ACB Top, 1.5" ACB Btm (for 46/56mm Head Tubes), w/15mm alloy cap
FORK	Bianchi Full Carbon w/Countervail, 1,5" head
SHIFTER	Campagnolo Potenza Power Shift 11sp Ergopower, black
REAR DERAILEUR	Campagnolo Potenza short cage 11sp
FRONT DERAILEUR	Campagnolo Potenza black 11sp braze-on front der. w/35mm black clamp for braze-on front derailleur
CRANKSET	Campagnolo Potenza Ultra-Torque System 11sp, 50x34T, Crank Length: 170mm-47/54cm, 172.5mm-55/59cm, 175mm-60/63cm
BOTTOM BRACKET	Campagnolo Ultra Torque OS-Fit integrated cups BB30 68x46mm
CHAIN	Campagnolo 11sp
CASSETTE / FREEWHEEL	Campagnolo 11sp 11-29T
BRAKE	Campagnolo Potenza dual pivot
BRAKE LEVER	included w/shifters
RIM/WHEELSET	Fulcrum Racing 5 LG black clincher, aluminium rim, asymmetric 18-20 spokes, black anodized hubs
TIRE	Vittoria Rubino Pro G+ Isotech graphene, 700x25, 150TPI, folding, full black

STEM	Reparto Corse, 3D Forged alloy 7050, rise +/-7°, height 38mm, 1.1/8", Ext: 70mm-47, 90mm-50cm, 100mm-53cm, 110mm-55cm, 120mm-57cm/59cm, 130mm-61/63cm
HANDLEBAR	Reparto Corse Compact Flat Top, alloy 2014 diam. 31,8mm, reach 126mm, drop 77,4mm, Size: 400mm-47/50cm, 420mm-53/57cm, 440mm-59/63cm
GRIP / TAPE	La Spirale Bike Ribbon Eolo soft w/carbon look plug w/Bianchi logo
SEATPOST	Reparto Corse full carbon UD w/Alloy clamp, two stainless steel bolt, setback 15mm, diam. 31.6mm, Length 350mm
SADDLE	Fi'zi:k Aliante R7, shell nylon carbon reinforced w/WingFlex, Manganese rail, ICS system
BOTTLE CAGE	Elite Paron Race composit
WATER BOTTLE	Bianchi Loli 600ml

INFINITO CV - DURA ACE 11SP COMPACT



CODE	YNBX5
COLOR	1Z - Black/CK16-Graphite matt
FRAME	Infinito CV Carbon w/Countervail, Mechanical/Electronic Di2/EPS shifting compatible, 28" tire compatible, BBset PF30, sizes 47-50-53-55-57-59-61-63cm
BOLTS / HARDWARE	AL7075-T6 large button head bolts, Torx M5*14mm x 4pcs, celeste bianchi w/Bianchi logo
SEATPOST CLAMP	X Carbon System diam. 35mm, w/Bianchi logo
HEADSET	Fsa Orbit C-40-ACB ; NO.42/ACB, Sealed ACB Bearings 1.1/8" ACB Top, 1.5" ACB Btm (for 46/56mm Head Tubes), w/15mm alloy cap
FORK	Bianchi Full Carbon w/Countervail, 1,5" head
SHIFTER	Shimano Dura Ace ST-R9100 2x11sp
REAR DERAILLEUR	Shimano Dura Ace RD-R9100 SS 11sp, shadow design, direct attachment
FRONT DERAILLEUR	Shimano Dura Ace FD-R9100 band type 34.9mm
CRANKSET	Fsa SL-K Light Compact BB386 EVO 50/34T, Arm Material Hollow Carbon Monocoque, Q Factor 147mm, CNC AL7075 chainrings, Crank Length: 170mm-47/53cm, 172.5mm-55/59cm, 175mm-61cm
BOTTOM BRACKET	Fsa BB-PF6000 PF30 w/BB386 adapter
CHAIN	Shimano Ultegra CN-HG701-11, 11sp
CASSETTE / FREEWHEEL	Shimano Ultegra CS-R8000 11sp, 11-12-13-14-15-17-19-21-23-25-28T
BRAKE	Shimano Dura Ace BR-R9100, shoe: R55C4
BRAKE LEVER	included w/shifters
RIM/WHEELSET	Vision Metron 40 Carbon Clincher
TIRE	Vittoria Rubino Pro G+ Isotech graphene, 700x25, 150TPI, folding, full black

STEM	Reparto Corse, 3D Forged alloy 7050, rise +/-7°, height 38mm, 1.1/8", Ext: 70mm-47, 90mm-50cm, 100mm-53cm, 110mm-55cm, 120mm-57cm/59cm, 130mm-61/63cm
HANDLEBAR	Reparto Corse Compact Flat Top, alloy 2014 diam. 31,8mm, reach 126mm, drop 77,4mm, Size: 400mm-47/50cm, 420mm-53/57cm, 440mm-59/63cm
GRIP / TAPE	La Spirale Bike Ribbon Eolo soft w/carbon look plug w/Bianchi logo
SEATPOST	Reparto Corse full carbon UD w/Alloy clamp, two stainless steel bolt, setback 15mm, diam. 31.6mm, Length 350mm
SADDLE	Fi'zi:k Aliante R5 shell nylon carbon reinforced w/WingFlex, rail Kium, Integrated Clip System
BOTTLE CAGE	Elite Paron Race composit
WATER BOTTLE	Bianchi Loli 600ml

INFINITO CV - ULTEGRA DI2 11SP COMPACT



CODE	YNBN1
COLOR	1Z - Black/CK16-Graphite matt
FRAME	Infinito CV Carbon w/Countervail, Mechanical/Electronic Di2/EPS shifting compatible, 28" tire compatible, BBset PF30, sizes 47-50-53-55-57-59-61-63cm
BOLTS / HARDWARE	AL7075-T6 large button head bolts, Torx M5*14mm x 4pcs, celeste bianchi w/Bianchi logo
SEATPOST CLAMP	X Carbon System diam. 35mm, w/Bianchi logo
HEADSET	Fsa Orbit C-40-ACB ; NO.42/ACB, Sealed ACB Bearings 1.1/8" ACB Top, 1.5" ACB Btm (for 46/56mm Head Tubes), w/15mm alloy cap
FORK	Bianchi Full Carbon w/Countervail, 1,5" head
SHIFTER	Shimano Ultegra Di2 ST-R8050 2x11sp
REAR DERAILLEUR	Shimano Ultegra Di2 11sp RD-R8050 SS, top normal shadow design, direct attachment, 30T Max Low sprocket
FRONT DERAILLEUR	Shimano Ultegra Di2 FD-R8050, brazed-on type w/ clamp band 34.9mm
ELECTRIC CABLE	Shimano Junction-A SM-EW90-A, Dura-Ace Di2, E-Tube port X3, charging port X1
BATTERY / MOUNT	Shimano Battery BT-DN110-1
CHARGER / PWR CABLE	Shimano Battery charger SM-BCR2, including charging cord for usb
CRANKSET	Shimano Ultegra FC-R8000 50x34T, Crank Length: 170mm-47/54cm, 172.5mm-55/59cm, 175mm-61/63cm
BOTTOM BRACKET	Shimano SM-BBR60
CHAIN	Shimano Ultegra CN-HG701-11, 11sp
CASSETTE / FREEWHEEL	Shimano Ultegra CS-R8000, 11-12-13-14-15-17-19-21-24-27-30T
BRAKE	Shimano Ultegra BR-R8000, shoe: R55C4

BRAKE LEVER	included w/shifters
RIM/WHEELSET	Fulcrum Racing Quattro, C17 rims
OPTION WHEELSET1	Fulcrum Racing Speed 55T carbon tubular
TIRE	Vittoria Rubino Pro G+ Isotech graphene, 700x25, 150TPI, folding, full black
TIRE OPTION	Vittoria Corsa G+ Isotech graphene 700x25, 4 compounds, Kevlar reinforced Corespunk, 320TPI, hand made tubular, black/black
STEM	Reparto Corse, 3D Forged alloy 7050, rise +/-7°, height 38mm, 1.1/8", Ext: 70mm-47, 90mm-50cm, 100mm-53cm, 110mm-55cm, 120mm-57cm/59cm, 130mm-61/63cm
HANDLEBAR	Reparto Corse Compact Flat Top, alloy 2014 diam. 31,8mm, reach 126mm, drop 77,4mm, Size: 400mm-47/50cm, 420mm-53/57cm, 440mm-59/63cm
GRIP / TAPE	La Spirale Bike Ribbon Eolo soft w/carbon look plug w/Bianchi logo
SEATPOST	Reparto Corse full carbon UD w/Alloy clamp, two stainless steel bolt, setback 15mm, diam. 31.6mm, Length 350mm, Di2 battery compatible
SADDLE	Fi'zi:k Aliante R5 shell nylon carbon reinforced w/ WingFlex, rail K:iium, Integrated Clip System
BOTTLE CAGE	Elite Paron Race composit
WATER BOTTLE	Bianchi Loli 600ml

INFINITO CV - ULTEGRA 11SP COMPACT



CODE	YNB24	TIRE OPTION	Vittoria Corsa G+ Isotech graphene 700x25, 4 compounds, Kevlar reinforced Corespunk, 320TPI, hand made tubular, black/black
COLOR	1D - CK16/Black glossy (ON PHOTO) 1Z - Black/CK16-Graphite matt	STEM	Reparto Corse, 3D Forged alloy 7050, rise +/-7°, height 38mm, 1.1/8", Ext: 70mm-47, 90mm-50cm, 100mm-53cm, 110mm-55cm, 120mm-57cm/59cm, 130mm-61/63cm
FRAME	Infinito CV Carbon w/Countervail, Mechanical/Electronic Di2/EPS shifting compatible, 28" tire compatible, BBset PF30, sizes 47-50-53-55-57-59-61-63cm	HANDLEBAR	Reparto Corse Compact Flat Top, alloy 2014 diam. 31,8mm, reach 126mm, drop 77,4mm, Size: 400mm-47/50cm, 420mm-53/57cm, 440mm-59/63cm
BOLTS / HARDWARE	AL7075-T6 large button head bolts, Torx M5*14mm x 4pcs, celeste bianchi w/Bianchi logo	GRIP / TAPE	La Spirale Bike Ribbon Eolo soft w/carbon look plug w/Bianchi logo
SEATPOST CLAMP	X Carbon System diam. 35mm, w/Bianchi logo	SEATPOST	Reparto Corse full carbon UD w/Alloy clamp, two stainless steel bolt, setback 15mm, diam. 31.6mm, Length 350mm
HEADSET	Fsa Orbit C-40-ACB ; NO.42/ACB, Sealed ACB Bearings 1.1/8" ACB Top, 1.5" ACB Btm (for 46/56mm Head Tubes), w/15mm alloy cap	SADDLE	Fi'zi:k Aliante R7, shell nylon carbon reinforced w/ WingFlex, Manganese rail, ICS system
FORK	Bianchi Full Carbon w/Countervail, 1,5" head	BOTTLE CAGE	Elite Paron Race composit
SHIFTER	Shimano Ultegra ST-R8000 2x11sp	WATER BOTTLE	Bianchi Loli 600ml
REAR DERAILLEUR	Shimano Ultegra RD-R8000 SS 11sp, top normal shadow design, direct attachment, compatible with low gear 25-30T		
FRONT DERAILLEUR	Shimano Ultegra FD-R8000, down swing, band type (34.9mm), 61-66° for 46/53T cl: 43,5mm		
CRANKSET	Shimano Ultegra FC-R8000, Hollowtech II, 50x34T, Crank Length: 170mm-47/54cm, 172.5mm-55/59cm, 175mm-61/63cm		
BOTTOM BRACKET	Shimano SM-BBR60		
CHAIN	Shimano Ultegra CN-HG701-11, 11sp		
CASSETTE / FREEWHEEL	Shimano Ultegra CS-R8000, 11-12-13-14-15-17-19-21-24-27-30T		
BRAKE	Shimano Ultegra BR-R8000, shoe: R55C4		
BRAKE LEVER	included w/shifters		
RIM/WHEELSET	Fulcrum Racing 5 LG black clincher, aluminium rim, asymmetric 18-20 spokes, black anodized hubs		
TIRE	Vittoria Rubino Pro G+ Isotech graphene, 700x25, 150TPI, folding, full black		

INFINITO CV - 105 11SP COMPACT



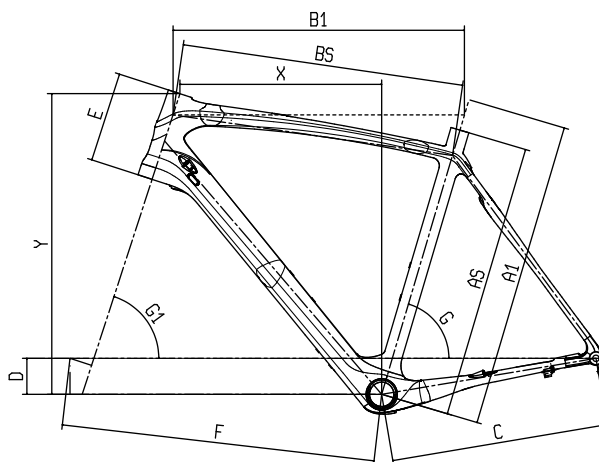
CODE	YNB20
COLOR	1D - CK16/Black glossy (ON PHOTO) 1Z - Black/CK16-Graphite matt
FRAME	Infinito CV Carbon w/Countervail, Mechanical/ Electronic Di2/EPS shifting compatible, 28" tire compatible, BBset PF30, sizes 47-50-53-55-57-59- 61-63cm
BOLTS / HARDWARE	AL7075-T6 large button head bolts, Torx M5*14mm x 4pcs, celeste bianchi w/Bianchi logo
SEATPOST CLAMP	X Carbon System diam. 35mm, w/Bianchi logo
HEADSET	Fsa Orbit C-40-ACB ; NO.42/ACB, Sealed ACB Bearings 1.1/8" ACB Top, 1.5" ACB Btm (for 46/56mm Head Tubes), w/15mm alloy cap
FORK	Bianchi Full Carbon w/Countervail, 1,5" head
SHIFTER	Shimano 105 ST-5800 2x11sp
REAR DERAILLEUR	Shimano 105 RD-5800-L GS direct attachment, low gear 23-28T, black
FRONT DERAILLEUR	Shimano 105 FD-5801-L, down-swing, 34.9mm band type, 61-66°, CL:43.5mm
CRANKSET	Shimano 105 FC-5800-L, Hollowtech II, 50x34T, Crank Length: 170mm-46/55cm, 172.5mm-57/59cm, 175mm-61cm
BOTTOM BRACKET	included in the crankset
CHAIN	Kmc X11 EPT finish
CASSETTE / FREEWHEEL	Shimano 105 CS-5800 11sp, 11-12-13-14-16-18- 20-22-25-28-32T
BRAKE	Shimano 105 BR-5800, pad:R55C4
BRAKE LEVER	included w/shifters
RIM/WHEELSET	Fulcrum Racing 7 LG, C17 aluminium clincher rims, asymetric 18-20 spokes, black anodized hubs
TIRE	Vittoria Rubino Pro G+ Isotech graphene, 700x25, 150TPI, folding, full black

STEM	Reparto Corse, 3D Forged alloy 7050, rise +/-7°, height 38mm, 1.1/8", Ext: 70mm-47, 90mm-50cm, 100mm-53cm, 110mm-55cm, 120mm-57cm/59cm, 130mm-61/63cm
HANDLEBAR	Reparto Corse Compact Flat Top, alloy 2014 diam. 31,8mm, reach 126mm, drop 77,4mm, Size: 400mm-47/50cm, 420mm-53/57cm, 440mm- 59/63cm
GRIP / TAPE	La Spirale Bike Ribbon Eolo soft w/carbon look plug w/Bianchi logo
SEATPOST	Reparto Corse full carbon UD w/Alloy clamp, two stainless steel bolt, setback 15mm, diam. 31.6mm, Length 350mm
SADDLE	Fi'zi:k Aliante R7, nylon carbon reinforced shell w/ WingFlex, Manganese rail, ICS system
BOTTLE CAGE	Elite Paron Race composi
WATER BOTTLE	Bianchi Loli 600ml

INFINITO CV FRAME KIT



CODE	XNB01
COLOR	1D - CK16/Black glossy 1Z - Black/CK16-Graphite matt
FRAME	Infinito CV Carbon w/Countervail, Mechanical/Electronic Di2/EPS shifting compatible, 28" tire compatible, BBset PF30, sizes 47-50-53-55-57-59-61-63cm
BOLTS / HARDWARE	AL7075-T6 large button head Torx M5*14mm x 4pcs, celeste w/Bianchi logo
SEATPOST CLAMP	X Carbon System diam. 35mm, w/Bianchi logo
HEADSET	Fsa Orbit C-40-ACB ; NO.42/ACB, Sealed ACB Bearings 1.1/8" ACB Top, 1.5" ACB Btm (for 46/56mm Head Tubes), w/15mm alloy cap
FORK	Bianchi Full Carbon w/Countervail, 1.1/8">1,5"



Also available in colors:

1Z - Black/CK16-Graphite matt



MIS-SLP											
A1	AS	B1	BS	C	D	E	F	G	G1	Y	X
470	440	515	497	415	68	125	577	74.5°	70.5°	519	368
500	470	525	507	415	68	140	579	74.5°	71.5°	537	373
530	500	535	518	415	68	155	586	74°	71.5°	551	375
550	520	550	532	415	68	170	592	73.5°	72°	567	381
570	540	560	542	415	68	185	598	73.5°	72.5°	583	386
590	560	575	556	415	68	200	608	73°	72.5°	598	391
610	580	585	565	415	68	215	612	72.5°	72.5°	612	392
630	600	595	575	415	68	230	617	72.5°	73°	628	397
630	600	595	581	412	68	220	617	72.5°	73°	622	399


PRODUCT FEATURES

- Specific frame and fork disc compatible
 - New Flat mount system (Shimano standard)
 - New Thru axle 12mm front 100mm and rear OLD 135mm specific dimension for disc to increase the rigidity and the wheels stability
 - Compatible with 140mm and 160mm rotor
 - Chain stay length 415mm
 - Internal hydraulic cable guide housing in the frame and fork
 - Sizes: 47, 50, 53, 55, 57, 59, 61, 63cm
 - Weight: 1.020g (55 size, +/- 5%)
-
- QR thru axle 12mm x 100/135mm
 - Material: alloy ergal 7075
 - Lock with thread M12 x 1.5
 - QR system removable
 - Super light weight: 31gr

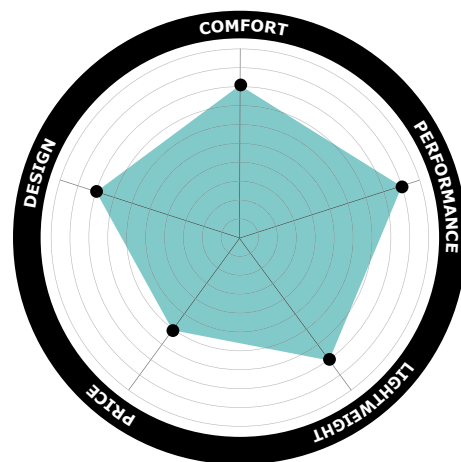
reparto corse

LESS FATIGUE,
MORE CONTROL

TECHNOLOGIES

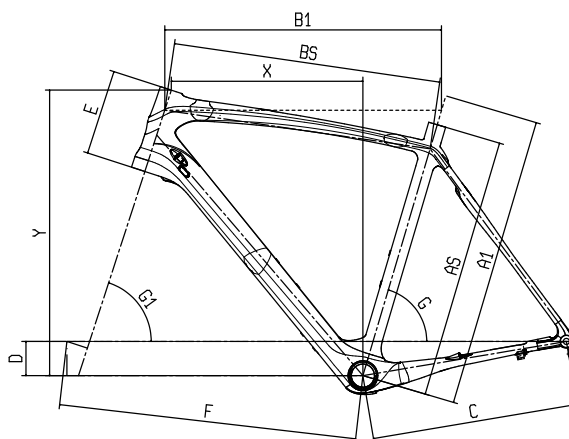
 COUNTERVAIL®

▲ B A T ▼



GEOMETRY – Endurance

MIS-SLP											
A1	AS	B1	BS	C	D	E	F	G	G1	Y	X
470	440	515	497	415	68	125	577	74.5°	70.5°	519	368
500	470	525	507	415	68	140	579	74.5°	71.5°	537	373
530	500	535	518	415	68	155	586	74°	71.5°	551	375
550	520	550	532	415	68	170	592	73.5°	72°	567	381
570	540	560	542	415	68	185	598	73.5°	72.5°	583	386
590	560	575	556	415	68	200	608	73°	72.5°	598	391
610	580	585	565	415	68	215	612	72.5°	72.5°	612	392
630	600	595	575	415	68	230	617	72.5°	73°	628	397
630	600	595	581	412	68	220	617	72.5°	73°	622	399



INFINITO CV DISC - DURA ACE DI2 11SP COMPACT



CODE	YNBN3
COLOR	1Z - Black/CK16-Graphite matt
FRAME	Infinito CV Carbon w/Countervail, Disc Brake, Mechanical/Electronic Di2/EPS compatible, 28" tire compatible, BBset "PF30", 12x135mm thru axle, sizes 47-50-53-55-57-59-61-63cm
BOLTS / HARDWARE	AL7075-T6 large button head bolts, Torx M5*14mm x 4pcs, Celeste w/Bianchi logo
SEATPOST CLAMP	X Carbon System diam. 35mm, w/Bianchi logo
HEADSET	Fsa Orbit C-40-ACB ; NO.42/ACB, Sealed ACB Bearings 1.1/8" ACB Top, 1.5" ACB Btm (for 46/56mm Head Tubes), w/15mm alloy cap
FORK	Bianchi Full Carbon w/Countervail, Disc, 1.5" head, flat mount, thru axle 12x100mm
SHIFTER	Shimano Dura Ace Di2 ST-R9170 2x11sp, hydraulic disc brake
REAR DERAILLEUR	Shimano Dura Ace Di2 RD-R9150 SS 11sp, shadow design, direct attachment, Max 30T
FRONT DERAILLEUR	Shimano Dura Ace Di2 FD-R9150-F, braze-on type, w/clamp band adapter (34.9mm)
ELECTRIC CABLE	Shimano Junction-A SM-EW90-A, Dura-Ace Di2, E-Tube port X3, charging port X1
BATTERY / MOUNT	Shimano Battery BT-DN110-1
CHARGER / PWR CABLE	Shimano Battery charger SM-BCR2, including charging cord for usb
CRANKSET	Shimano Dura Ace FC-R9100 Hollowtech II, 50x34T, Crank Length: 170mm-47/53cm, 172.5mm-55/59cm, 175mm-60/63cm
BOTTOM BRACKET	Shimano BB-R9100
CHAIN	Shimano Dura Ace CN-HG901-11
CASSETTE / FREEWHEEL	Shimano Dura Ace CS-R9100 11sp 11-28T, 11-12-13-14-15-17-19-21-23-25-28

BRAKE	Shimano BR-R9170 Hydraulic disc brake, flat mount caliper
BRAKE LEVER	included w/shifters
DISC ROTOR	Shimano SM-RT99 Center Lock 160mm
RIM/WHEELSET	Fulcrum Racing 418 disc brake, aluminium asymmetric rims 622x17c, profile 34mm, thru axle F:12x100mm, R:12x135mm, Center Lock AFS
OPTION WHEELSET1	Racing Quattro Disc Brake carbon clincher, front hub 12x100mm - rear hub 12x135mm thru axle
TIRE	Vittoria Rubino Pro G+ Isotech graphene, 700x28c, 150TPI, folding, full black
STEM	Reparto Corse, 3D Forged alloy 7050, rise +/-7°, height 38mm, 1.1/8", Ext: 70mm-47, 90mm-50cm, 100mm-53cm, 110mm-55cm, 120mm-57cm/59cm, 130mm-61/63cm
HANDLEBAR	Reparto Corse Compact Flat Top, alloy 2014 diam. 31,8mm, reach 126mm, drop 77,4mm, Size: 400mm-47/50cm, 420mm-53/57cm, 440mm-59/63cm
GRIP / TAPE	La Spirale Bike Ribbon Eolo soft w/carbon look plug w/Bianchi logo
SEATPOST	Reparto Corse full carbon UD w/Alloy clamp, two stainless steel bolt, setback 15mm, diam. 31.6mm, Length 350mm, Di2 battery compatible
SADDLE	Fi'zi:k Aliante R5 shell nylon carbon reinforced w/ WingFlex, rail K:iium, Integrated Clip System
BOTTLE CAGE	Elite Paron Race composit
WATER BOTTLE	Bianchi Loli 600ml

INFINITO CV DISC - ULTEGRA DI2 11SP COMPACT



CODE	YNBZ5
COLOR	1Z - Black/CK16-Graphite matt
FRAME	Infinito CV Carbon w/Countervail, Disc Brake, Mechanical/Electronic Di2/EPS compatible, 28" tire compatible, BBset "PF30", 12x135mm thru axle, sizes 47-50-53-55-57-59-61-63cm
BOLTS / HARDWARE	AL7075-T6 large button head bolts, Torx M5*14mm x 4pcs, Celeste w/Bianchi logo
SEATPOST CLAMP	X Carbon System diam. 35mm, w/Bianchi logo
HEADSET	Fsa Orbit C-40-ACB ; NO.42/ACB, Sealed ACB Bearings 1.1/8" ACB Top, 1.5" ACB Btm (for 46/56mm Head Tubes), w/15mm alloy cap
FORK	Bianchi Full Carbon w/Countervail, Disc, 1.5" head, flat mount, thru axle 12x100mm
SHIFTER	Shimano Ultegra ST-R8070 2x11sp hydraulic disc brake
REAR DERAILLEUR	Shimano Ultegra Di2 RD-R8050 SS 11sp, top normal shadow design, direct attachment, 30T Max Low sprocket
FRONT DERAILLEUR	Shimano Ultegra Di2 FD-R8050, brazed-on type w/ clamp band adapter 34.9mm
ELECTRIC CABLE	Shimano Junction-A SM-EW90-A, Dura-Ace Di2, E-Tube port X3, charging port X1
BATTERY / MOUNT	Shimano Battery BT-DN110-1
CHARGER / PWR CABLE	Shimano Battery charger SM-BCR2, including charging cord for usb
CRANKSET	Shimano Ultegra FC-R8000 50x34T, Hollowtech II, Crank Length: 170mm-47/54cm, 172.5mm-55/59cm, 175mm-61/63cm
BOTTOM BRACKET	Shimano SM-BBR60
CHAIN	Shimano Ultegra CN-HG701-11, 11sp
CASSETTE / FREEWHEEL	Shimano Ultegra CS-R8000, 11-12-13-14-15-17-19-21-24-27-30T

BRAKE	Shimano BR-R8070 Hydraulic disc brake
BRAKE LEVER	included w/shifters
DISC ROTOR	Shimano SM-RT800 Center Lock, diam. 160mm
RIM/WHEELSET	Fulcrum Racing 418 disc brake, aluminium asymetric 622x17c, 34mm profile, Center Lock AFS, thru axle F:12x100mm R:12x135mm
OPTION WHEELSET1	Racing Quattro Disc Brake carbon clincher, front hub 12x100mm - rear hub 12x135mm thru axle
TIRE	Vittoria Rubino Pro G+ Isotech graphene, 700x25, 150TPI, folding, full black
STEM	Reparto Corse, 3D Forged alloy 7050, rise +/-7°, height 38mm, 1.1/8", Ext: 70mm-47, 90mm-50cm, 100mm-53cm, 110mm-55cm, 120mm-57cm/59cm, 130mm-61/63cm
HANDLEBAR	Reparto Corse Compact Flat Top, alloy 2014 diam. 31,8mm, reach 126mm, drop 77,4mm, Size: 400mm-47/50cm, 420mm-53/57cm, 440mm-59/63cm
GRIP / TAPE	La Spirale Bike Ribbon Eolo soft w/carbon look plug w/Bianchi logo
SEATPOST	Reparto Corse full carbon UD w/Alloy clamp, two stainless steel bolt, setback 15mm, diam. 31.6mm, Length 350mm, Di2 battery compatible
SADDLE	Fi'zi:k Aliante R7, nylon carbon reinforced shell w/ WingFlex, Manganese rail, ICS system
BOTTLE CAGE	Elite Paron Race composiit
WATER BOTTLE	Bianchi Loli 600ml

INFINITO CV DISC - ULTEGRA 11SP COMPACT

THE IMAGE SHOWN IS INDICATIVE ONLY.

Components and graphic details may differ from the actual model.



CODE	YNB54	RIM/WHEELSET	Fulcrum Racing 518 disc brake, aluminium rims 622X17c, tubeless ready, 26mm profile, thru axle F:12x100mm R:12x135mm, center lock
COLOR	1Z - Black/CK16-Graphite matt	OPTION WHEELSET1	Racing Quattro Disc Brake carbon clincher, front hub 12x100mm - rear hub 12x135mm thru axle
FRAME	Infinito CV Carbon w/Countervail, Disc Brake, Mechanical/Electronic Di2/EPS compatible, 28" tire compatible, BBset "PF30", 12x135mm thru axle, sizes 47-50-53-55-57-59-61-63cm	TIRE	Vittoria Rubino Pro G+ Isotech graphene, 700x25, 150TPI, folding, full black
BOLTS / HARDWARE	AL7075-T6 large button head bolts, Torx M5*14mm x 4pcs, Celeste w/Bianchi logo	STEM	Reparto Corse, 3D Forged alloy 7050, rise +/-7°, height 38mm, 1.1/8", Ext: 70mm-47, 90mm-50cm, 100mm-53cm, 110mm-55cm, 120mm-57cm/59cm, 130mm-61/63cm
SEATPOST CLAMP	X Carbon System diam. 35mm, w/Bianchi logo	HANDLEBAR	Reparto Corse Compact Flat Top, alloy 2014 diam. 31,8mm, reach 126mm, drop 77,4mm, Size: 400mm-47/50cm, 420mm-53/57cm, 440mm-59/63cm
HEADSET	Fsa Orbit C-40-ACB ; NO.42/ACB, Sealed ACB Bearings 1.1/8" ACB Top, 1.5" ACB Btm (for 46/56mm Head Tubes), w/15mm alloy cap	GRIP / TAPE	La Spirale Bike Ribbon Eolo soft w/carbon look plug w/Bianchi logo
FORK	Bianchi Full Carbon w/Countervail, Disc, 1.5" head, flat mount, thru axle 12x100mm	SEATPOST	Reparto Corse full carbon UD w/Alloy clamp, two stainless steel bolt, setback 15mm, diam. 31.6mm, Length 350mm
SHIFTER	Shimano Ultegra ST-R8020 2x11sp hydraulic disc brake	SADDLE	Fi'zi:k Aliante R7, shell nylon carbon reinforced w/ WingFlex, Manganese rail, ICS system
REAR DERAILLEUR	Shimano Ultegra RD-R8000 SS top normal shadow design, direct attachment, compatible with low gear 25-30T	BOTTLE CAGE	Elite Paron Race composit
FRONT DERAILLEUR	Shimano Ultegra FD-R8000, down swing, band type (34.9mm), 61-66° for 46/53T cl: 43,5mm	WATER BOTTLE	Bianchi Loli 600ml
CRANKSET	Shimano Ultegra FC-R8000, Hollowtech II, 50x34T, Crank Length: 170mm-47/54cm, 172.5mm-55/59cm, 175mm-61/63cm		
BOTTOM BRACKET	Shimano SM-BBR60		
CHAIN	Shimano Ultegra CN-HG701-11, 11sp		
CASSETTE / FREEWHEEL	Shimano Ultegra CS-R8000, 11-12-13-14-15-17-19-21-24-27-30T		
BRAKE	Shimano Ultegra BR-R8070 Hydraulic disc brake		
BRAKE LEVER	included w/shifters		
DISC ROTOR	Shimano SM-RT800 Center Lock, diam. 160mm		

INFINITO CV DISC FRAME KIT

THE IMAGE SHOWN IS INDICATIVE ONLY.

Components and graphic details may differ from the actual model.



CODE	XNB24
COLOR	1Z - Black/CK16-Graphite matt
FRAME	Infinito CV Carbon w/Countervail, Disc Brake, Mechanical/Electronic Di2/EPS compatible, 28" tire compatible, BBset "PF30", 12x135mm thru axle, sizes 47-50-53-55-57-59-61-63cm
BOLTS / HARDWARE	AL7075-T6 large button head Torx M5*14mm x 4pcs, celeste color w/Bianchi logo
SEATPOST CLAMP	X Carbon System diam. 35mm, w/Bianchi logo
HEADSET	Fsa Orbit C-40-ACB ; NO.42/ACB, Sealed ACB Bearings 1.1/8" ACB Top, 1.5" ACB Btm (for 46/56mm Head Tubes), w/15mm alloy cap
FORK	Bianchi Full Carbon w/Countervail, Disc, 1.5" head, flat mount, thru axle 12x100mm

intenso

POSITIONING

Endurance carbon frame which shares the same family feeling of Infinito CV. Although Intenso doesn't have Countervail, it includes the infusion of vibration damping inserts of Kevlar on the fork ends and seatstays to improve comfort and control.

COURSE/TERRAIN

Road, rough surfaces.

END USE DESTINATION

Sportive riders. Ideal for long distance rides and granfondo events. Perfect for all day riding performance.

KEY FEATURES

- Kevlar inserts
- Higher headtube and longer chainstay
- Di2 compatible (internal cable routing)
- Thru axle disc brake system
- High value product with good price point

PRODUCT FEATURES

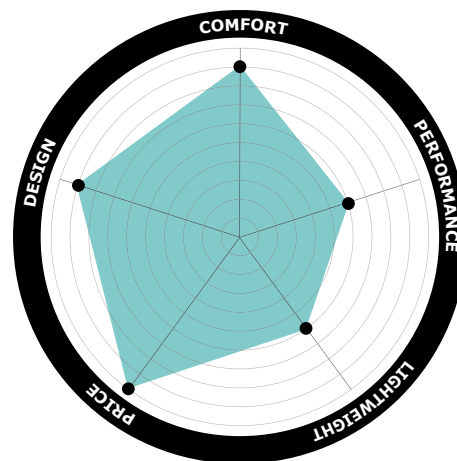
- Monocoque carbon frame
- Tapered head tube 1.1/8"-1.5"
- Di2 compatible with Internal cable routing
- BSA bottom bracket
- Full Carbon fork with Kevlar Inserts
- BAT and K-VID Technology with endurance geometry
- Sizes: 44, 47, 50, 53, 55, 57, 59, 61, 63cm
- Weight for 55 size: 1080g

reparto corse

TECHNOLOGIES

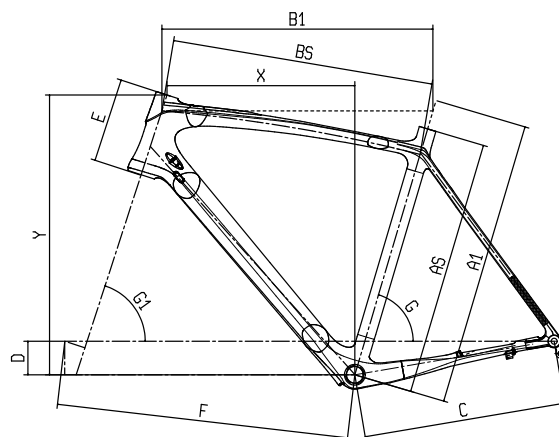
▲ B A T ▼

K-VID



GEOMETRY – Endurance

MIS-SLP											
A1	AS	B1	BS	C	D	E	F	G	G1	Y	X
440	420	505	491	405	58	110	576	75°	70.5°	495	367
470	440	515	497	408	68	125	577	74.5°	70.5°	519	368
500	470	525	507	408	68	140	579	74.5°	71.5°	537	373
530	500	535	518	409	68	155	586	74°	71.5°	551	375
550	520	550	532	410	68	170	592	73.5°	72°	567	381
570	540	560	542	411	68	185	598	73.5°	72.5°	583	386
590	560	575	556	412	68	200	608	73°	72.5°	598	391
610	580	585	565	414	68	215	612	72.5°	72.5°	612	392
630	600	595	575	414	68	230	617	72.5°	73°	628	397



INTENSO - ULTEGRA 11SP COMPACT



CODE	YNB30
COLOR	1D - CK16/Black glossy (ON PHOTO) 1Z - Black/CK16-Graphite matt
FRAME	Intenso carbon, tapered headtube 1.1/8"- 1.5", BB shell BSA, internal cable, compatible mechanical and Di2, sizes 44-47-50-53-55-57-59-61-63cm
SEATPOST CLAMP	X Carbon System diam. 35mm, w/Bianchi logo
HEADSET	Fsa Orbit C-40-ACB ; NO.42/ACB, Sealed ACB Bearings 1.1/8" ACB Top, 1.5" ACB Btm (for 46/56mm Head Tubes), w/15mm alloy cap
FORK	Bianchi Full Carbon w/Kevlar, 1.5" head
SHIFTER	Shimano Ultegra ST-R8000 2x11sp
REAR DERAILLEUR	Shimano Ultegra RD-R8000 GS 11sp, top normal shadow design, direct attachment, compatible with low gear 28-34T
FRONT DERAILLEUR	Shimano Ultegra FD-R8000, down swing, band type (34.9mm), 61-66° for 46/53T cl: 43,5mm
CRANKSET	Shimano FC-RS510 50x34T, Crank Length: 170mm-44/54cm, 172.5mm-55/59cm, 175mm-60/63cm
BOTTOM BRACKET	Shimano BB-RS500
CHAIN	Kmc X11 EPT finish
CASSETTE / FREEWHEEL	Shimano 105 CS-5800 11sp, 11-12-13-14-16-18-20-22-25-28-32T
BRAKE	Shimano Ultegra BR-R8000, shoe: R55C4
BRAKE LEVER	included w/shifters
RIM/WHEELSET	Fulcrum Racing Sport black clincher, 24,3mm aluminium rims, 18-24 spokes
TIRE	Vittoria Zaffiro Pro Slick 700x25c, 60TPI, Folding, black

STEM	Reparto Corse Alloy 6061, rise +/-7°, 1.1/8", Ext: 70mm/44cm, 90mm-47/50cm, 100mm-53cm, 110mm-55/57cm, 120mm-59cm, 130mm-61cm
HANDLEBAR	Reparto Corse Compact, Flat Top, alloy 6061 diam. 31,8mm, reach 126mm, drop 77 mm, Size: 400mm-47/53cm, 420mm-55/59cm, 440mm-61cm
GRIP / TAPE	La Spirale Ribbon cork w/carbon look plug w/Bianchi logo
SEATPOST	Reparto Corse, Alloy 2014 shaft, forged alloy head, 15mm offset, diam. 31,6mm, Length: 300mm-44cm, 350mm-47/63cm
SADDLE	Selle San Marco Era Startup Power Open, steel rail, cover Silkfeel, 277x145mm
BOTTLE CAGE	Elite Paron Race composit
WATER BOTTLE	Bianchi Loli 600ml

INTENSO - 105 11SP COMPACT



CODE	YNBV9	STEM	Reparto Corse Alloy 6061, rise +/-7°, 1.1/8", Ext: 70mm/44cm, 90mm-47/50cm, 100mm-53cm, 110mm-55/57cm, 120mm-59cm, 130mm-61cm
COLOR	1D - CK16/Black glossy 1Z - Black/CK16-Graphite matt (ON PHOTO)	HANDLEBAR	Reparto Corse Compact, Flat Top, alloy 6061 diam. 31,8mm, reach 126mm, drop 77 mm, Size: 400mm-47/53cm, 420mm-55/59cm, 440mm-61cm
FRAME	Intenso carbon, tapered headtube 1.1/8"- 1.5", BB shell BSA, internal cable, mechanical and Di2 electronic shifting compatible, sizes 44-47-50-53-55-57-59-61-63cm	GRIP / TAPE	Cork w/Bianchi logo
SEATPOST CLAMP	X Carbon System diam. 35mm, w/Bianchi logo	SEATPOST	Reparto Corse Alloy 2014 shaft, forged alloy head, 15mm offset, diam. 31.6mm, Length: 300mm-44cm, 350mm-47/63cm
HEADSET	Fsa Orbit C-40-ACB ; NO.42/ACB, Sealed ACB Bearings 1.1/8" ACB Top, 1.5" ACB Btm (for 46/56mm Head Tubes), w/15mm alloy cap	SADDLE	Selle San Marco Era Startup Power Open, steel rail, cover Silkfeel, 277x145mm
FORK	Bianchi Full Carbon w/Kevlar, 1.5" head	BOTTLE CAGE	Elite Paron Race composit
SHIFTER	Shimano 105 ST-5800 2x11sp	WATER BOTTLE	Bianchi Loli 600ml
REAR DERAILLEUR	Shimano 105 RD-5800-L GS direct attachment, low gear 23-28T, black		
FRONT DERAILLEUR	Shimano 105 FD-5801-L, down-swing, 34.9mm band type, 61-66°, CL:43.5mm		
CRANKSET	Shimano FC-RS510 50x34T, Crank Length: 170mm-44/54cm, 172.5mm-55/59cm, 175mm-60/63cm		
BOTTOM BRACKET	Shimano BB-RS500		
CHAIN	Kmc X11 EPT finish		
CASSETTE / FREEWHEEL	Shimano 105 CS-5800 11sp, 11-12-13-14-16-18-20-22-25-28-32T		
BRAKE	Shimano 105 BR-5800, pad:R55C4		
BRAKE LEVER	included w/shifters		
RIM/WHEELSET	Fulcrum Racing Sport black clincher, 24,3mm aluminium rims, 18-24 spokes		
TIRE	Vittoria Zaffiro Pro Slick 700x25c, 60TPI, Folding, black		

INTENSO - CENTAUR 11SP COMPACT



CODE	YNB85	STEM	Reparto Corse Alloy 6061, rise +/-7°, 1.1/8", Ext: 70mm/44cm, 90mm-47/50cm, 100mm-53cm, 110mm-55/57cm, 120mm-59cm, 130mm-61cm
COLOR	1D - CK16/Black Glossy	HANDLEBAR	Reparto Corse Compact, Flat Top, alloy 6061 diam. 31,8mm, reach 126mm, drop 77 mm, Size: 400mm-44/53cm, 420mm-55/59cm, 440mm-61/63cm
FRAME	Intenso carbon, tapered headtube 1.1/8"- 1.5", BB shell BSA, internal cable, mechanical and Di2 electronic shifting compatible, sizes 44-47-50-53-55-57-59-61-63cm	GRIP / TAPE	La Spirale Ribbon cork w/carbon look plug w/Bianchi logo
SEATPOST CLAMP	X Carbon System diam. 35mm, w/Bianchi logo	SEATPOST	Reparto Corse, Alloy 2014 shaft, forged alloy head, 15mm offset, diam. 31,6mm, Length: 300mm-44cm, 350mm-47/63cm
HEADSET	Fsa Orbit C-40-ACB ; NO.42/ACB, Sealed ACB Bearings 1.1/8" ACB Top, 1.5" ACB Btm (for 46/56mm Head Tubes), w/15mm alloy cap	SADDLE	Selle San Marco Era Startup Power Open, steel rail, cover Silkfeel, 277x145mm
FORK	Bianchi Full Carbon w/Kevlar, 1.5" head	BOTTLE CAGE	Elite Paron Race composi
SHIFTER	Campagnolo Centaur Power Shift 11sp Ergopower	WATER BOTTLE	Bianchi Loli 600ml
REAR DERAILLEUR	Campagnolo Centaur 11sp medium cage		
FRONT DERAILLEUR	Campagnolo Centaur 11sp clip-on front der. diam. 35 mm w/35mm Record clamp for braze-on der.		
CRANKSET	Fsa Gossamer Pro BB386 EVO, Forged AL6066, 50x34T, Crank Length: 170mm-44/53cm, 172.5mm-55/59cm, 175mm-61/63cm		
BOTTOM BRACKET	Fsa MegaEvo BB-EVO8681		
CHAIN	Kmc X11 EPT finish		
CASSETTE / FREEWHEEL	Campagnolo Centaur UD 11sp 12-32T		
BRAKE	Campagnolo Centaur (dual pivot F+R)		
BRAKE LEVER	included w/shifters		
RIM/WHEELSET	Mavic Aksium 622x17c, S6000 Aluminum rims, 21 mm profile		
TIRE	Vittoria Zaffiro Pro Slick 700x25c, 60TPI, Folding, black		

PRODUCT FEATURES

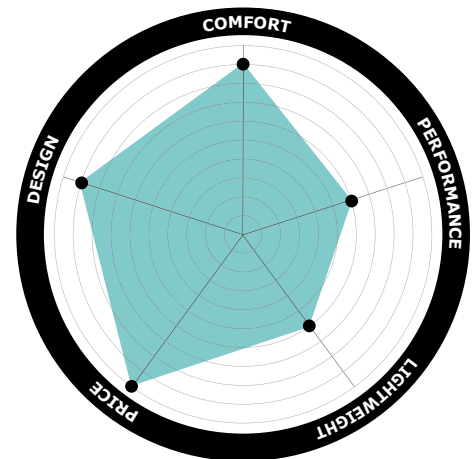
- Specific frame and fork Disc compatible
 - Flat mount system (Shimano standard)
 - Thru axle 12mm front 100mm and rear OLD 135mm specific dimension for disc to increase the rigidity and the wheels stability
 - Compatible with 140mm and 160mm rotor
 - Chain stay length 415mm
 - Internal hydraulic cable guide housing in the frame and fork
 - Sizes: 47, 50, 53, 55, 57, 59, 61, 63cm
 - Weight in 55 size: 1150g target (+/- 5%)
-
- QR thru axle 12mm x 100/135mm
 - Material: alloy ergal 7075
 - Lock with thread M12 x 1.5
 - QR system removable
 - Super light weight only 31gr

reparto corsa

TECHNOLOGIES

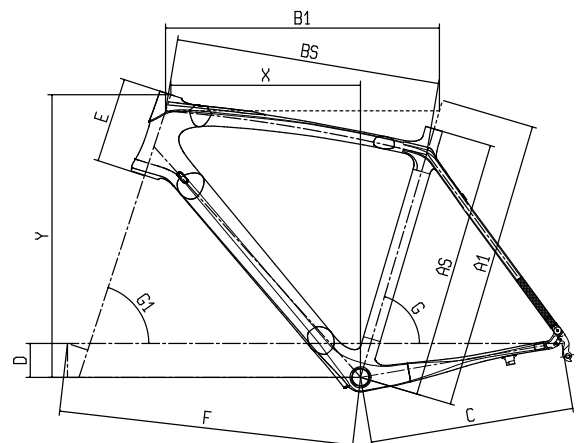
▲ B A T ▼

K-VID



GEOMETRY – Endurance

MIS-SLP											
A1	AS	B1	BS	C	D	E	F	G	G1	Y	X
440	420	505	491	405	58	110	576	75°	70.5°	495	367
470	440	515	497	408	68	125	577	74.5°	70.5°	519	368
500	470	525	507	408	68	140	579	74.5°	71.5°	537	373
530	500	535	518	409	68	155	586	74°	71.5°	551	375
550	520	550	532	410	68	170	592	73.5°	72°	567	381
570	540	560	542	411	68	185	598	73.5°	72.5°	583	386
590	560	575	556	412	68	200	608	73°	72.5°	598	391
610	580	585	565	414	68	215	612	72.5°	72.5°	612	392
630	600	595	575	414	68	230	617	72.5°	73°	628	397



INTENSO DISC - ULTEGRA/105 11SP COMPACT

THE IMAGE SHOWN IS INDICATIVE ONLY.

Components and graphic details may differ from the actual model.



CODE	YNB4D	TIRE	Vittoria Zaffiro Pro Slick 700x25, 60TPI, Folding, black
COLOR	1Z - Black/CK16-Graphite matt	STEM	Reparto Corse Alloy 6061, rise +/-7°, 1.1/8", Ext: 70mm/44cm, 90mm-47/50cm, 100mm-53cm, 110mm-55/57cm, 120mm-59cm, 130mm-61cm
FRAME	Intenso Disc carbon, 1.1/8">1.5" HT, BB shell BSA, internal cable, compatible mechanical and Di2 electronic, rear dropout 12x135mm thru axle, sizes 47-50-53-55-57-59-61-63cm	HANDLEBAR	Reparto Corse Compact, Flat Top, alloy 6061 diam. 31,8mm, reach 126mm, drop 77 mm, Size: 400mm-47/53cm, 420mm-55/59cm, 440mm-61cm
SEATPOST CLAMP	X Carbon System diam. 35mm, w/Bianchi logo	GRIP / TAPE	La Spirale Ribbon cork w/carbon look plug w/Bianchi logo
HEADSET	Fsa Orbit C-40-ACB ; NO.42/ACB, Sealed ACB Bearings 1.1/8" ACB Top, 1.5" ACB Btm (for 46/56mm Head Tubes), w/15mm alloy cap	SEATPOST	Reparto Corse Alloy 2014 shaft, forged alloy head, 15mm offset, diam. 31.6mm, Length: 300mm-44cm, 350mm-47/63cm
FORK	Bianchi Full Carbon w/Kevlar, Disc, 1.5" head, dropout 12x100mm thru axle	SADDLE	Selle San Marco Era Startup Power Open, steel rail, cover Silkfeel, 277x145mm
SHIFTER	Shimano ST-RS505 2x11sp hydraulic disc brake for road	BOTTLE CAGE	Elite Paron Race composit
REAR DERAILLEUR	Shimano Ultegra RD-R8000 GS 11sp, top normal shadow design, direct attachment, compatible with low gear 28-34T	WATER BOTTLE	Bianchi Loli 600ml
FRONT DERAILLEUR	Shimano 105 FD-5801-L, down-swing, 34.9mm band type, 61-66°, CL:43.5mm		
CRANKSET	Shimano FC-RS510 50x34T, Crank Length: 170mm-44/54cm, 172.5mm-55/59cm, 175mm-60/63cm		
BOTTOM BRACKET	Shimano BB-RS500		
CHAIN	Kmc X11 EPT finish		
CASSETTE / FREEWHEEL	Shimano 105 CS-5800 11sp, 11-12-13-14-16-18-20-22-25-28-32T		
BRAKE	Shimano BR-RS505, flat mount, hydraulic disc brake		
BRAKE LEVER	included w/shifters		
DISC ROTOR	Shimano SM-RT81 Center Lock 160mm		
RIM/WHEELSET	DT Swiss R24 Spline db, C17 aluminium 622 X 18mm rims, thru axle front 12x100mm, rear: 12x135mm, center lock		

INTENSO DISC - ULTEGRA 11SP COMPACT

THE IMAGE SHOWN IS INDICATIVE ONLY.

Components and graphic details may differ from the actual model.



CODE	YNB6D	HANDLEBAR	Reparto Corse Compact, Flat Top, alloy 6061 diam. 31,8mm, reach 126mm, drop 77 mm, Size: 400mm-44/53cm, 420mm-55/59cm, 440mm-61/63cm
COLOR	1Z - Black/CK16-Graphite matt	GRIP / TAPE	La Spirale Bike Ribbon Eolo soft w/carbon look plug w/Bianchi logo
FRAME	Intenso Disc carbon, 1.1/8"- 1.5", BB shell BSA, internal cable, mechanical and Di2 electronic shifting compatible, thru axle 12x135mm, sizes 44-47-50-53-55-57-59-61-63cm	SEATPOST	Reparto Corse carbon UD shaft, forged alloy head, 15mm offset, diam. 31.6mm, Length: 300mm-44/47cm, 350mm-50/55cm
SEATPOST CLAMP	X Carbon System diam. 35mm, w/Bianchi logo	SADDLE	Selle San Marco Era Startup Power Open, steel rail, cover Silkfeel, 277x145mm
HEADSET	Fsa Orbit C-40-ACB ; NO.42/ACB, Sealed ACB Bearings 1.1/8" ACB Top, 1.5" ACB Btm (for 46/56mm Head Tubes), w/15mm alloy cap	BOTTLE CAGE	Alloy, black color
FORK	Bianchi Full Carbon w/Kevlar, Disc, 1.5" head, dropout 12x100mm thru axle	WATER BOTTLE	Celeste w/Bianchi logo
REAR DERAILLEUR	Shimano Ultegra RD-R8000 GS 11sp, top normal shadow design, direct attachment, compatible with low gear 28-34T		
FRONT DERAILLEUR	Shimano Ultegra FD-R8000, down swing, band type (34.9mm), 61-66° for 46/53T cl: 43,5mm		
BOTTOM BRACKET	Shimano SM-BBR60		
CHAIN	Shimano Ultegra CN-HG701-11, 11sp		
CASSETTE / FREEWHEEL	Shimano Ultegra CS-R8000, 11-12-13-14-15-17-19-21-24-27-30T		
BRAKE	Shimano BR-R8070 Hydraulic disc brake		
BRAKE LEVER	included w/shifters		
DISC ROTOR	Shimano SM-RT800 Center Lock, diam. 160mm		
RIM/WHEELSET	DT Swiss P1800 SPLINE DB, aluminium rims 622x20, tubeless ready, thru axle F: 100x12mm, R: 135x12mm		
TIRE	Vittoria Zaffiro Pro Slick 700x25, 60TPI, Folding, black		
STEM	Reparto Corse Alloy 6061, rise +/-7°, 1.1/8", Ext: 70mm/44cm, 90mm-47/50cm, 100mm-53cm, 110mm-55/57cm, 120mm-59cm, 130mm-61cm		

INTENSO DISC - 105 11SP COMPACT



CODE	YNB7D
COLOR	1Z - Black/CK16-Graphite matt
FRAME	Intenso Disc carbon, 1.1/8"- 1.5", BB shell BSA, internal cable, mechanical and Di2 electronic shifting compatible, thru axle 12x135mm, sizes 44-47-50-53-55-57-59-61-63cm
SEATPOST CLAMP	X Carbon System diam. 35mm, w/Bianchi logo
HEADSET	Fsa Orbit C-40-ACB ; NO.42/ACB, Sealed ACB Bearings 1.1/8" ACB Top, 1.5" ACB Btm (for 46/56mm Head Tubes), w/15mm alloy cap
FORK	Bianchi Full Carbon w/Kevlar, Disc, 1.5" head, dropout 12x100mm thru axle
SHIFTER	Shimano ST-RS505 2x11sp hydraulic disc brake for road
REAR DERAILLEUR	Shimano 105 RD-5800-L GS direct attachment, low gear 23-28T, black
FRONT DERAILLEUR	Shimano 105 FD-5801-L, down-swing, 34.9mm band type, 61-66°, CL:43.5mm
CRANKSET	Shimano 105 FC-5800-L 50x34T, Hollowtech II, Crank Length: 170mm-44/53cm, 172.5mm-55/59cm, 175mm-60/63cm
BOTTOM BRACKET	Shimano BB-RS500
CHAIN	Kmc X11 EPT finish
CASSETTE / FREEWHEEL	Shimano 105 CS-5800 11sp, 11-12-13-14-16-18-20-22-25-28-32T
BRAKE	Shimano BR-RS505, flat mount, hydraulic disc brake
BRAKE LEVER	included w/shifters
DISC ROTOR	Shimano SM-RT81 Center Lock 160mm
RIM/WHEELSET	Fulcrum Racing 618 DB, aluminium asymmetric 622x17c, profile 26mm, Center Lock AFS, thru axle F:12x100mm & R:12x135mm

TIRE	Vittoria Zaffiro Pro Slick 700x25, 60TPI, Folding, black
STEM	Reparto Corse Alloy 6061, rise +/-7°, 1.1/8", Ext: 70mm/44cm, 90mm-47/50cm, 100mm-53cm, 110mm-55/57cm, 120mm-59cm, 130mm-61cm
HANDLEBAR	Reparto Corse Compact, Flat Top, alloy 6061 diam. 31,8mm, reach 126mm, drop 77 mm, Size: 400mm-44/53cm, 420mm-55/59cm, 440mm-61/63cm
GRIP / TAPE	La Spirale Ribbon cork w/carbon look plug w/Bianchi logo
SEATPOST	Reparto Corse Alloy 2014 shaft, forged alloy head, 15mm offset, diam. 31,6mm, Length: 300mm-44cm, 350mm-47/63cm
SADDLE	Selle San Marco Era Startup Power Open, steel rail, cover Silkfeel, 277x145mm
BOTTLE CAGE	Elite Paron Race composit
WATER BOTTLE	Bianchi Loli 600ml

intrepida

POSITIONING

Entry-level full carbon frame, offering a more relaxed position and accessible price.

reparto corsa

COURSE/TERRAIN

Road, mixed courses.

END USE DESTINATION

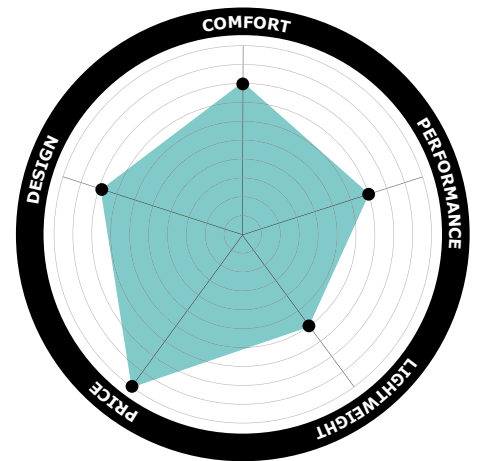
Sportive riders. Ideal for those who approach road cycling seriously but without an aggressive riding position.

KEY FEATURES

- Full carbon frame
- Full carbon fork
- Internal cable routing
- Competitive price to enter Bianchi carbon world

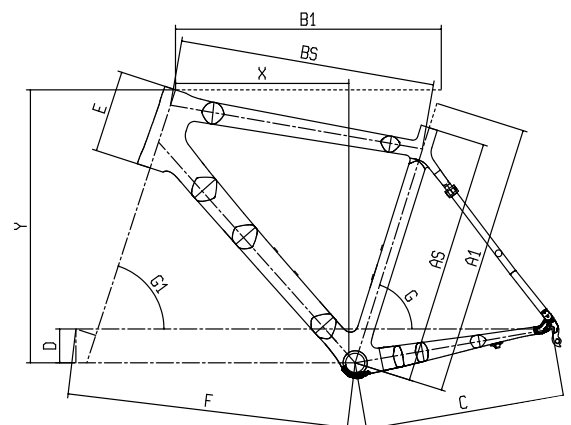
PRODUCT FEATURES

- Monocoque carbon frame
- Full carbon fork
- Head tube dimension 11/8" -1.5"
- Dropout in alloy
- Seatpost dimension 31,6mm
- Internal cable routing
- bbset BSA
- Endurance geometry
- Sizes 48, 51, 54, 57, 60cm
- Weight in 54 size: 1230g



GEOMETRY – Endurance

MIS-SLP											
A1	AS	B1	BS	C	D	E	F	G	G1	Y	X
480	450	515	500	408	70	125	576	74°	70.5°	518	364
510	480	535	517	410	70	155	586	73.5°	71°	548	366
540	510	550	530	413	70	170	586	72.5°	72°	566	387
570	540	565	545	415	70	195	587	72°	73°	593	372
600	570	585	567	417	70	215	599	71.5°	73°	613	380



INTREPIDA - 105 11SP COMPACT



CODE	YNB25	HANDLEBAR	Reparto Corse Compact Flat Top, alloy 6061 diam. 31,8mm, reach 126mm, drop 77 mm, size: 400mm-48/51cm,420mm-54/57cm,440mm-60cm
COLOR	EA- Celeste/Black-White Glossy (ON PHOTO) EN - Black/Graphite-CK16 full matt	GRIP / TAPE	La Spirale Ribbon cork w/carbon look plug w/Bianchi logo
FRAME	Intrepida Carbon, Endurance geometry, headtube 1.5", sizes 48-51-54-57-60cm	SEATPOST	Reparto Corse Alloy shaft AL6061, alloy head, 15mm offset, diam. 31,6mm, Length 350mm
SEATPOST CLAMP	X Carbon System diam. 35mm, w/Bianchi logo	SADDLE	Selle San Marco Era Start, steel rail, cover syntex, 277x135mm
HEADSET	Fsa Orbit C-40-ACB ; NO.42/ACB, Sealed ACB Bearings 1.1/8" ACB Top, 1.5" ACB Btm (for 46/56mm Head Tubes), w/15mm alloy cap	BOTTLE CAGE	Alloy black
FORK	Bianchi Full Carbon, 1.5" head	WATER BOTTLE	Celeste w/Bianchi logo
SHIFTER	Shimano 105 ST-5800 2x11sp		
REAR DERAILLEUR	Shimano 105 RD-5800-L GS direct attachment, low gear 23-28T, black		
FRONT DERAILLEUR	Shimano 105 FD-5801-L, down-swing, 34.9mm band type, 61-66°, CL:43.5mm		
CRANKSET	Shimano FC-RS510, 50x34T, Crank Length: 170mm-48/51cm, 172.5mm-54/57cm, 175mm-60cm		
BOTTOM BRACKET	Shimano BB-RS500		
CHAIN	Kmc X11 EPT finish		
CASSETTE / FREEWHEEL	Shimano 105 CS-5800 11sp, 11-12-13-14-16-18-20-22-25-28-32T		
BRAKE	Shimano BR-R561-L, shoes R55CT4, black		
BRAKE LEVER	included w/shifters		
RIM/WHEELSET	Shimano WH-RS010-CL, clincher, black		
TIRE	Vittoria Zaffiro Pro Slick 700x25c, 60TPI, Folding, black		
STEM	Reparto Corse Alloy 6061, rise +/-7°, 1.1/8", Ext: 90mm-48cm, 100mm-51cm, 110mm-54cm, 120mm-57/60cm		

INTREPIDA - CENTAUR 11SP COMPACT



CODE	YNB4A
COLOR	EA - CK/Black-White Glossy
FRAME	Intrepida Carbon, Endurance geometry, headtube 1.5", sizes 48-51-54-57-60cm
SEATPOST CLAMP	X Carbon System diam. 35mm, w/Bianchi logo
HEADSET	Fsa Orbit C-40-ACB ; NO.42/ACB, Sealed ACB Bearings 1.1/8" ACB Top, 1.5" ACB Btm (for 46/56mm Head Tubes), w/15mm alloy cap
FORK	Bianchi Full Carbon, 1.5" head
SHIFTER	Campagnolo Centaur Power Shift 11sp Ergopower
REAR DERAILLEUR	Campagnolo Centaur black 11sp medium cage
FRONT DERAILLEUR	Campagnolo Centaur 11sp clip-on front der. diam. 35 mm w/35mm Record clamp for braze-on der.
CRANKSET	Fsa Omega MegaExo Compact 50x34T, Die Cast alloy arm, Crank Length: 170mm-44/53cm, 172.5mm-55/59cm, 175mm-60/63cm
BOTTOM BRACKET	Fsa MegaExo BSA Bottom Bracket
CHAIN	Kmc X11 EPT finish
CASSETTE / FREEWHEEL	Campagnolo Centaur UD 11sp 12-32T
BRAKE	Campagnolo Centaur (dual pivot F+R)
BRAKE LEVER	included w/shifters
RIM/WHEELSET	Mavic Aksium, 622x17c
TIRE	Vittoria Zaffiro 25-622, 700x25c, 26TPI, rigid, black
STEM	Reparto Corse Alloy 6061, rise +/-7°, 1.1/8", Ext: 90mm-48cm, 100mm-51cm, 110mm-54cm, 120mm-57/60cm
HANDLEBAR	Reparto Corse Compact Flat Top, alloy 6061 diam. 31,8mm, reach 126mm, drop 77 mm, size: 400mm-48/51cm,420mm-54/57cm,440mm-60cm

GRIP / TAPE	Cork w/Bianchi logo
SEATPOST	Reparto Corse Al6061 shaft, alloy head, 15mm offset, 31.6mm, Length 350mm
SADDLE	Selle San Marco Era Start, steel rail, cover syntex, 277x135mm
BOTTLE CAGE	Alloy black
WATER BOTTLE	Celeste w/Bianchi logo

INTREPIDA - TIAGRA 10SP COMPACT



CODE	YNB27
COLOR	EN - Black/Grey-CK16 full matt
FRAME	Intrepida Carbon, Endurance geometry, headtube 1.5", sizes 48-51-54-57-60cm
SEATPOST CLAMP	X Carbon System diam. 35mm, w/Bianchi logo
HEADSET	Fsa Orbit C-40-ACB ; NO.42/ACB, Sealed ACB Bearings 1.1/8" ACB Top, 1.5" ACB Btm (for 46/56mm Head Tubes), w/15mm alloy cap
FORK	Bianchi Full Carbon, 1.5" head
SHIFTER	Shimano Tiagra ST-4700 2x10sp
REAR DERAILLEUR	Shimano Tiagra RD-4700 GS direct attachment, compatible with low gear 28-34T for double, 25-32T for triple
FRONT DERAILLEUR	Shimano Tiagra FD-4700, band type (34.9mm)
CRANKSET	Shimano Tiagra FC-4700 50x34T w/BB (BSA), Crank Length: 170mm-48/51cm , 172.5mm-54/57cm , 175mm-60cm
BOTTOM BRACKET	included in the crankset
CHAIN	Shimano CN-HG54 super narrow HG 10sp
CASSETTE / FREEWHEEL	Shimano Tiagra CS-HG500-10, 11-12-14-16-18-20-22-25-28-32T
BRAKE	Shimano Tiagra BR-4700 w/shoes R50T5
BRAKE LEVER	included w/shifters
RIM/WHEELSET	Shimano WH-R501, clincher, black
TIRE	Vittoria Zaffiro 25-622, 700x25c, 26TPI, rigid, black
STEM	Reparto Corse Alloy 6061, rise +/-7°, 1.1/8", Ext: 90mm-48cm, 100mm-51cm, 110mm-54cm, 120mm-57/60cm

HANDLEBAR	Reparto Corse Compact Flat Top, alloy 6061 diam. 31,8mm, reach 126mm, drop 77 mm, size: 400mm-48/51cm,420mm-54/57cm,440mm-60cm
GRIP / TAPE	Cork w/Bianchi logo
SEATPOST	Reparto Corse AL6061 shaft, alloy head, 15mm offset, diam. 31.6mm, Length 350mm
SADDLE	Selle San Marco Era Start, steel rail, cover syntex, 277x135mm
BOTTLE CAGE	Alloy black
WATER BOTTLE	Bianchi Loli 600ml

POSITIONING

Endurance aluminum frame with special tubing profile to guarantee best in class rider comfort.

Impulso's triple hydroformed top and aero head tube allows for stable, stiff and responsive turn-in when cornering switchback roads.

COURSE/TERRAIN

Road, mixed courses.

END USE DESTINATION

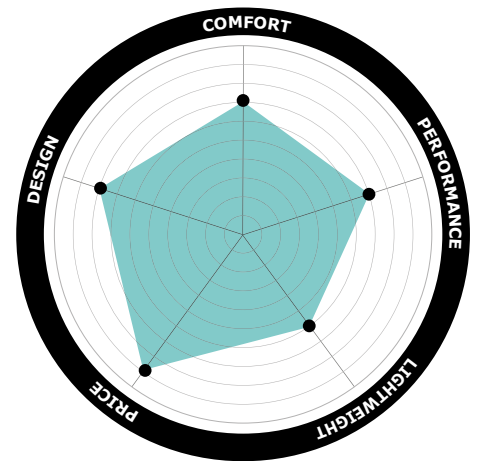
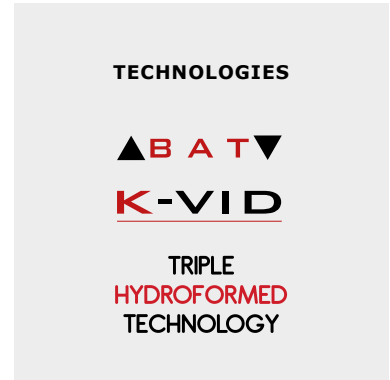
Sportive riders. Aluminum lovers who pay attention to performance but also design and frame shape.

KEY FEATURES

- Light frame
- Triple hydroformed technology
- Alu/carbon fork
- Disc brake system available

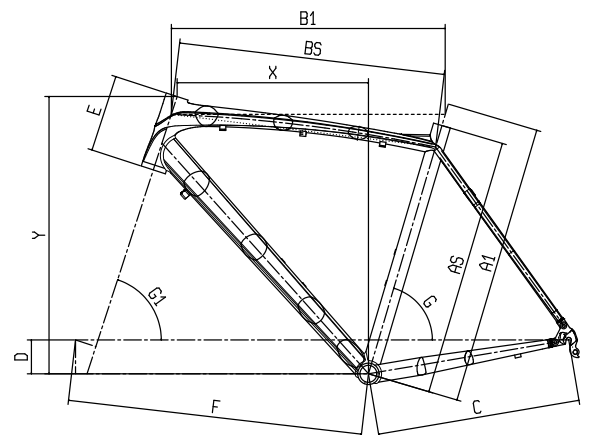
PRODUCT FEATURES

- Light weight alloy frame with TRIPLE
- HYDROFORMED technology
- A4 Aluminium + 6061 Aluminium triple butted
- BAT and K-VID Technology with endurance geometry
- Alu/Carbon fork with straight/bent blades w/1k Kevlar®
- 9 sizes: 44, 46, 50, 53, 55, 57, 59, 61 and 63cm
- Weight in 55 size: 1350g



GEOMETRY – Endurance

MIS-SLP											
A1	AS	B1	BS	C	D	E	F	G	G1	Y	X
440	420	510	493	406	58	120	578	75°	70.5°	508	371
460	440	520	503	408	58	125	580	74.5°	71°	515	375
500	470	525	509	408	68	130	579	74.5°	71.5°	531	376
530	500	535	520	408	68	145	585	74°	71.5°	546	377
550	520	550	536	410	68	155	592	73.5°	72°	557	384
570	540	560	546	410	68	175	602	73.5°	72°	576	388
590	560	575	561	410	68	185	607	73°	72.5°	587	395
610	580	585	570	412	68	210	612	72.5°	72.5°	611	393
630	600	595	581	412	68	220	617	72.5°	73°	622	399



IMPULSO - 105 11SP COMPACT



CODE	YNBE5
COLOR	1Z - Black/CK16-Graphite matt CN - CK/Black/Graphite glossy (ON PHOTO) (CN Col Available from Asia direct)
FRAME	Impulso full alloy 6061, hydroforming triple butted tubes, sizes 44-46-50-53-55-57-59-61-63cm
SEATPOST CLAMP	MX-112C Aluminium clamp, diam. 35mm
HEADSET	Fsa NO.8B/ZS4D 1.1/8" semi-integrated lower part + integrated upper part, w/15mm Top cover for 46mm/50 OD head tube
FORK	Bianchi Alu/Carbon w/Kevlar, 1.1/8"
SHIFTER	Shimano 105 ST-5800 2x11sp
REAR DERAILLEUR	Shimano 105 RD-5800-L GS direct attachment, low gear 23-28T, black
FRONT DERAILLEUR	Shimano 105 FD-5801-L, down-swing, 34.9mm band type, 61-66°, CL:43.5mm
CRANKSET	Shimano FC-RS510 50x34T, Crank Length: 170mm-44/54cm, 172.5mm-55/59cm, 175mm-60/63cm
BOTTOM BRACKET	Shimano BB-RS500
CHAIN	Kmc X11 EPT finish
CASSETTE / FREEWHEEL	Shimano 105 CS-5800 11sp, 11-12-13-14-16-18-20-22-25-28-32T
BRAKE	Reparto Corse RC-476, Forged Alloy Dual-Pivot caliper w/cartridge pad
BRAKE LEVER	included w/shifters
RIM/WHEELSET	Shimano WH-RS010-CL, clincher, black
TIRE	Vittoria Zaffiro 25-622, 700x25, 26TPI, rigid, black
STEM	Reparto Corse Alloy 6061, rise +/-7°, 1.1/8", Ext: 70mm-44/46cm, 90mm-50/53cm, 100mm-55cm, 110mm-57/59cm, 120mm-61cm, 130mm-63cm

HANDLEBAR	Reparto Corse Compact, Flat Top, alloy 6061 diam. 31,8mm, reach 126mm, drop 77 mm, Size: 400mm-47/53cm, 420mm-55/59cm, 440mm-61cm
GRIP / TAPE	La Spirale Ribbon cork w/carbon look plug w/Bianchi logo
SEATPOST	Reparto Corse AL6061 shaft, alloy head, 15mm offset, diam. 31.6mm, Length: 300mm-44/46cm, 350mm-50/63cm
SADDLE	Selle San Marco Era Startup Power Open, steel rail, cover Silkfeel, 277x145mm
BOTTLE CAGE	Alloy black
WATER BOTTLE	Celeste w/Bianchi logo

IMPULSO - CENTAUR 11SP COMPACT



CODE	YNB28	STEM	Reparto Corse Alloy 6061, rise +/-7°, 1.1/8", Ext: 70mm-44/46cm, 90mm-50/53cm, 100mm-55cm, 110mm-57/59cm, 120mm-61cm, 130mm-63cm
COLOR	CN - CK/Black-Graphite glossy	HANDLEBAR	Reparto Corse Compact, Flat Top, alloy 6061 diam. 31,8mm, reach 126mm, drop 77 mm, Size: 400mm-44/53cm, 420mm-55/59cm, 440mm-61/63cm
FRAME	Impulso full Alloy 6061, hydroforming triple butted, sizes 44-46-50-53-55-57-59-61-63cm	GRIP / TAPE	La Spirale Ribbon cork w/carbon look plug w/Bianchi logo
SEATPOST CLAMP	MX-112C Aluminium clamp, diam. 35mm	SEATPOST	Reparto Corse Al6061 shaft, alloy head, 15mm offset, diam. 31.6mm, Length: 300mm-44/46cm, 350mm-50/63cm
HEADSET	Fsa NO.8B/ZS4D 1.1/8" semi-integrated lower part + integrated upper part, w/15mm Top cover for 46mm/50 OD head tube	SADDLE	Selle San Marco Era Startup Power Open, steel rail, cover Silkfeel, 277x145mm
FORK	Bianchi Alu/Carbon w/Kevlar, 1.1/8"	BOTTLE CAGE	Alloy black
SHIFTER	Campagnolo Centaur Power Shift 11sp Ergopower	WATER BOTTLE	Celeste w/Bianchi logo
REAR DERAILLEUR	Campagnolo Centaur 11sp medium cage		
FRONT DERAILLEUR	Campagnolo Centaur 11sp clip-on front der. diam. 35 mm w/35mm Record clamp for braze-on der.		
CRANKSET	Fsa Omega MegaExo Compact, Die Cast alloy arm, 50/34T, Crank Length: 170mm-44/54cm, 172.5mm-55/59cm, 175mm-60/63cm		
BOTTOM BRACKET	Fsa MegaExo BSA Bottom Bracket		
CHAIN	Kmc X11 EPT finish		
CASSETTE / FREEWHEEL	Campagnolo Centaur UD 11sp 12-32T		
BRAKE	Campagnolo Centaur (dual pivot F+R)		
BRAKE LEVER	included w/shifters		
FRONT HUB	Formula RB-91 alloy, 2 sealed bearings, 14G*100*108mm, w/qr		
REAR HUB	Formula RB240C alloy, 4 sealed bearings, 14G*130*140mm, w/qr		
RIM/WHEELSET	Reparto Corse AT470 alloy double wall, 700c 622x17c, 2-14H F/V		
TIRE	Vittoria Zaffiro 25-622, 700x25c, 26TPI, rigid, black		

POSITIONING

The address of Edoardo Bianchi's first workshop in Milan was Via Nirone 7. This is a responsive frame in triple-butted aluminum throughout with hydroformed sections to ensure the highest standards of design and performance.

reparto corsa

TECHNOLOGIES

▲ B A T ▼

K-VID

COURSE/TERRAIN

Road, mixed courses.

END USE DESTINATION

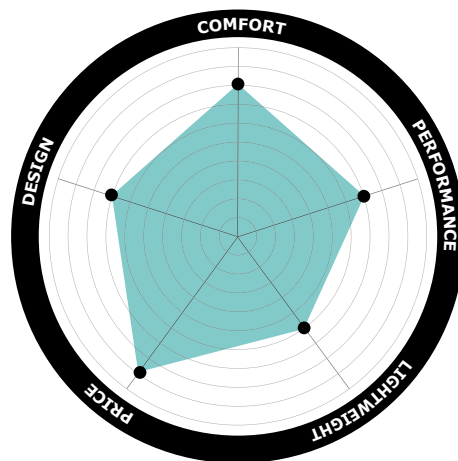
Ideal for new cyclists aiming at their first sportive rides.

KEY FEATURES

- Hydroformed frame at entry level price

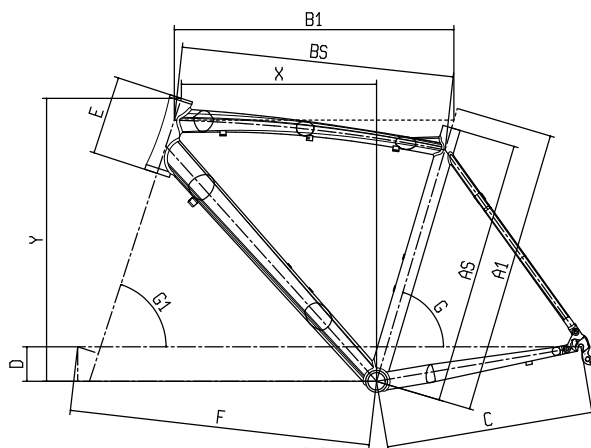
PRODUCT FEATURES

- New down tube and top tube shape
- New internal cable routing
- Aluminium triple butted hydroforming to improve the rigidity
- Alu/Carbon fork with "straight/bent" blades and kevlar 1k
- BAT and K-VID Technology



GEOMETRY – Endurance

MIS-SLP											
A1	AS	B1	BS	C	D	E	F	G	G1	Y	X
440	420	510	493	406	58	120	578	75°	70.5°	508	371
460	440	520	502	408	58	125	580	74.5°	71°	515	375
500	470	525	507	408	68	130	580	74.5°	71.5°	531	376
530	500	535	519	408	68	145	585	74°	71.5°	546	377
550	520	550	534	410	68	155	592	73.5°	72°	557	384
570	540	560	544	410	68	175	602	73.5°	72°	576	388
590	560	575	559	410	68	185	607	73°	72.5°	587	395
610	580	585	568	412	68	210	612	72.5°	72.5°	611	392
630	600	595	578	412	68	220	617	72.5°	73°	622	399



VIA NIRONE 7 - XENON 10SP COMPACT



CODE	YNB32	RIM/WHEELSET	Reparto Corse AT470 700C 622x17, alloy double wall black anodized, w/cnc side wall, 2-14H pair spoke
COLOR	1D - CK16/Black-White glossy	TIRE	Vittoria Zaffiro 25-622, 700x25c, 26TPI, rigid, black
FRAME	Via Nirone 7 alu, hydroforming tubing, internal cable routing, seatpost diam 31.6mm, sizes 44-46-50-53-55-57-59-61-63cm	STEM	Reparto Corse Alloy 6061, rise +/-7°, 1.1/8", Ext: 70mm-44/46cm, 90mm-50/53cm, 100mm-55cm, 110mm-57/59cm, 120mm-61cm, 130mm-63cm
SEATPOST CLAMP	MX-112C Aluminium clamp, diam. 35mm	HANDLEBAR	Reparto Corse Compact, Flat Top, alloy 6061 diam. 31,8mm, reach 126mm, drop 77 mm, Size: 400mm-47/53cm, 420mm-55/59cm, 440mm-61cm
HEADSET	Fsa NO.8B/ZS4D 1.1/8" semi-integrated lower part + integrated upper part, w/15mm Top cover for 46mm/50 OD head tube	GRIP / TAPE	Cork w/Bianchi logo
FORK	Bianchi Alu/Carbon w/Kevlar, 1.1/8"	SEATPOST	Reparto Corse Al6061 shaft, alloy head, 15mm offset, diam. 31.6mm, Length: 300mm-44/46cm, 350mm-50/63cm
SHIFTER	Campagnolo Xenon QS 2x10sp Ergopower shifting levers	SADDLE	Selle San Marco Era Start, steel rail, cover syntex, 277x135mm
REAR DERAILLEUR	Campagnolo Xenon 10sp short cage	BOTTLE CAGE	Alloy black
FRONT DERAILLEUR	Campagnolo Veloce, clip-on front der. diam 35 mm	WATER BOTTLE	Celeste w/Bianchi logo
CRANKSET	Fsa Vero Pro Compact 50/34T, Crank Length: 170mm-44/54cm, 172.5mm-55/59cm, 175mm-60/63cm		
BOTTOM BRACKET	Fsa BB-7420AL JIS 68-110mm		
CHAIN	Kmc X10 EPT finish		
CASSETTE / FREEWHEEL	Miche Primato 10sp 12-27T		
BRAKE	Reparto Corse RC-476, Forged Alloy Dual-Pivot caliper w/cartridge pad		
BRAKE LEVER	included w/shifters		
FRONT HUB	Formula RB-72 alloy, 2 sealed bearings, 14G*100*108mm, w/qr		
REAR HUB	Formula RB-2611 alloy, 2 sealed bearing, 14G*130*140mm, w/qr		

VIA NIRONE 7 - 105 11SP COMPACT

THE IMAGE SHOWN IS INDICATIVE ONLY.

Components and graphic details may differ from the actual model.



CODE	YNBW7
COLOR	1D - CK16/Black-White glossy D2 - Black/Graphite-CK16 glossy
FRAME	Via Nirone 7 alu, hydroforming tubing, internal cable routing, seatpost diam 31.6mm, sizes 44-46-50-53-55-57-59-61-63cm
SEATPOST CLAMP	MX-112C Aluminium clamp, diam. 35mm
HEADSET	Fsa NO.8B/ZS4D 1.1/8" semi-integrated lower part + integrated upper part, w/15mm Top cover for 46mm/50 OD head tube
FORK	Bianchi Alu/Carbon w/Kevlar, 1.1/8" head
SHIFTER	Shimano 105 ST-5800 2x11sp
REAR DERAILLEUR	Shimano 105 RD-5800-L GS direct attachment, low gear 23-28T, black
FRONT DERAILLEUR	Shimano 105 FD-5801-L, down-swing, 34.9mm band type, 61-66°, CL:43.5mm
CRANKSET	Shimano FC-RS510 50x34T, Crank Length: 170mm-44/54cm, 172.5mm-55/59cm, 175mm-60/63cm
BOTTOM BRACKET	Shimano SM-BBR60
CHAIN	Kmc X11 EPT finish
CASSETTE / FREEWHEEL	Shimano 105 CS-5800 11sp, 11-12-13-14-16-18-20-22-25-28-32T
BRAKE	Shimano BR-R561-L, shoes R55CT4, black
BRAKE LEVER	included w/shifters
RIM/WHEELSET	Shimano WH-RS010-CL, clincher, black
TIRE	Vittoria Zaffiro 25-622, 700x25, 26TPI, rigid, black
STEM	Reparto Corse Alloy 6061, rise +/-7°, 1.1/8", Ext: 70mm-44/46cm, 90mm-50/53cm, 100mm-55cm, 110mm-57/59cm, 120mm-61cm, 130mm-63cm

HANDLEBAR	Reparto Corse Compact, Flat Top, alloy 6061 diam. 31.8mm, reach 126mm, drop 77 mm, Size: 400mm-47/53cm, 420mm-55/59cm, 440mm-61cm
GRIP / TAPE	Cork w/Bianchi logo
SEATPOST	Reparto Corse AL6061 shaft, alloy head, 15mm offset, 31,6mm, Length: 300mm-44/46cm, 350mm-50/63cm
SADDLE	Selle San Marco Era Start, steel rail, cover syntex, 277x135mm
BOTTLE CAGE	Alloy black
WATER BOTTLE	Bianchi Loli 600ml

VIA NIRONE 7 - TIAGRA 10SP COMPACT



CODE	YNBG8
COLOR	1D - CK16/Black-White glossy
FRAME	Via Nirone 7 alu, hydroforming tubing, internal cable routing, seatpost diam 31.6mm, sizes 44-46-50-53-55-57-59-61-63cm
SEATPOST CLAMP	MX-112C Aluminium clamp, diam. 35mm
HEADSET	Fsa NO.8B/ZS4D 1.1/8" semi-integrated lower part + integrated upper part, w/15mm Top cover for 46mm/50 OD head tube
FORK	Bianchi Alu/Carbon w/Kevlar, 1.1/8"
SHIFTER	Shimano Tiagra ST-4700 2x10sp
REAR DERAILLEUR	Shimano Tiagra RD-4700 GS direct attachment, compatible with low gear 28-34T for double, 25-32T for triple
FRONT DERAILLEUR	Shimano Tiagra FD-4700, band type (34.9mm)
CRANKSET	Shimano Tiagra FC-4700 50x34T, Crank Length: 170mm-44/53cm, 172.5mm-55/59cm, 175mm-60/63cm
BOTTOM BRACKET	Shimano SM-BBR60
CHAIN	Shimano CN-HG54 super narrow HG 10sp
CASSETTE / FREEWHEEL	Shimano Tiagra CS-HG500-10, 11-12-14-16-18-20-22-25-28-32T
BRAKE	Reparto Corse RC-476, Forged Alloy Dual-Pivot caliper w/cartridge pad
BRAKE LEVER	included w/shifters
FRONT HUB	Formula RB-72 alloy, 2 sealed bearing, 14G*100*108mm, w/qr
REAR HUB	Formula RB-55 alloy, 2 sealed bearing, 14G*130*140mm, w/qr

RIM/WHEELSET	Reparto Corse AT470 700C 622x17, alloy double wall black anodized, w/cnc side wall, pair spoke 2x14
TIRE	Vittoria Zaffiro 700x25, 25-622, 26TPI, rigid, black
STEM	Reparto Corse Alloy 6061, rise +/-7°, 1.1/8", Ext: 70mm-44/46cm, 90mm-50/53cm, 100mm-55cm, 110mm-57/59cm, 120mm-61cm, 130mm-63cm
HANDLEBAR	Reparto Corse Compact, Flat Top, alloy 6061 diam. 31,8mm, reach 126mm, drop 77 mm, Size: 400mm-47/53cm, 420mm-55/59cm, 440mm-61cm
GRIP / TAPE	Cork w/Bianchi logo
SEATPOST	Reparto Corse AL6061 shaft, alloy head, 15mm offset, 31,6mm, Length: 300mm-44/46cm, 350mm-50/63cm
SADDLE	Selle San Marco Era Start, steel rail, cover syntex, 277x135mm
BOTTLE CAGE	Alloy, black color
WATER BOTTLE	Celeste w/Bianchi logo

VIA NIRONE 7 - SORA 9SP COMPACT



CODE	YNB34
COLOR	D2 - Black/Graphite-CK16 Glossy
FRAME	Via Nirone 7 alu, hydroforming tubing, internal cable routing, seat post diam. 31.6mm, sizes 44-46-50-53-55-57-59-61-63cm
SEATPOST CLAMP	MX-112C Aluminium clamp, diam. 35mm
HEADSET	Fsa NO.8B/ZS4D 1.1/8" semi-integrated lower part + integrated upper part, w/15mm Top cover for 46mm/50 OD head tube
FORK	Bianchi Alu/Carbon w/Kevlar, 1.1/8"
SHIFTER	Shimano Sora ST-R3000 2x9sp
REAR DERAILLEUR	Shimano Sora RD-R3000 SS, Max low sprocket 32T
FRONT DERAILLEUR	Shimano Sora FD-R3000 9sp, band type 34.9mm
CRANKSET	Shimano FC-R345-L 50x34 Octalink, Crank Length: 170mm-44/57cm, 175mm - 59/63cm
BOTTOM BRACKET	Shimano BB-ES300, BSA 68mm-113mm
CHAIN	Shimano CN-HG53 9sp
CASSETTE / FREEWHEEL	Shimano CS-HG400-9 9sp, 11-12-14-16-18-21-24-28-32T
BRAKE	Reparto Corse RC-476, Forged Alloy Dual-Pivot caliper w/cartridge pad
BRAKE LEVER	included w/shifters
FRONT HUB	Formula RB-72 alloy, 2 sealed bearing, 14G*100*108mm, w/qr
REAR HUB	Formula RB-55 alloy, 2 sealed bearing, 14G*130*140mm, w/qr
RIM/WHEELSET	Reparto Corse AT470 700C 622x17, alloy double wall black anodized, w/cnc side wall, pair spoke 2x14
TIRE	Vittoria Zaffiro 25-622, 700x25c, 26TPI, rigid, black

STEM	Reparto Corse Alloy 6061, rise +/-7°, 1.1/8", Ext: 70mm-44/46cm, 90mm-50/53cm, 100mm-55cm, 110mm-57/59cm, 120mm-61cm, 130mm-63cm
HANDLEBAR	Reparto Corse Compact, Flat Top, alloy 6061 diam. 31,8mm, reach 126mm, drop 77 mm, Size: 400mm-47/53cm, 420mm-55/59cm, 440mm-61cm
GRIP / TAPE	Cork w/Bianchi logo
SEATPOST	Reparto Corse Al6061 shaft, alloy head, 15mm offset, diam. 31.6mm, Length: 300mm-44/46cm, 350mm-50/63cm
SADDLE	Selle San Marco Era Start, steel rail, cover syntex, 277x135mm
BOTTLE CAGE	Alloy, black color
WATER BOTTLE	Celeste w/Bianchi logo

VIA NIRONE 7 - CLARIS 8SP COMPACT



CODE	YNBK1
COLOR	1D - CK16/Black-White Glossy
FRAME	Via Nirone 7 alu, hydroforming tubing, internal cable routing, seatpost diam 31.6mm, sizes 44-46-50-53-55-57-59-61-63cm
SEATPOST CLAMP	MX-112C Aluminium clamp, diam. 35mm
HEADSET	Fsa NO.8B/ZS4D 1.1/8" semi-integrated lower part + integrated upper part, w/15mm Top cover for 46mm/50 OD head tube
FORK	Bianchi Alu/Carbon w/Kevlar, 1.1/8" head
SHIFTER	Shimano Claris ST-R2000 2x8sp
REAR DERAILLEUR	Shimano Claris RD-R2000 GS 8sp, direct attachment, max sprocket 34T
FRONT DERAILLEUR	Shimano Claris FD-R2000, band-type 34.9mm
CRANKSET	Shimano FC-RS200 50X34T, Crank Length: 170mm-44/57cm, 175mm-59/63cm
BOTTOM BRACKET	Cartridge bottom bracket, axle:LL110, shell: BSA 68mm
CHAIN	Kmc Z72 8sp
CASSETTE / FREEWHEEL	Shimano CS-HG200-8, 12-14-16-18-21-24-28-32T
BRAKE	Alloy Dual-Pivot caliper brake, w/cartridge pad
BRAKE LEVER	included w/shifters
FRONT HUB	Formula RB-51 alloy ball bearings, 28h, OLD 100mm, w/qr
REAR HUB	Formula RB-52 alloy, ball bearings, 28h, OLD 130mm, w/qr
RIM/WHEELSET	Tec TRRP220 R-500, alloy 6061, 700C 622x14c, 28h, profile 20mm, pair spoke, EN standard
TIRE	Vittoria Zaffiro 700x25, 25-622, 26TPI, rigid, black

STEM	Tec Alloy 6061, rise +/-7°, 1.1/8", Ext: 70mm-44/46cm, 90mm-50/53cm, 100mm-55cm, 110mm-57/59cm, 120mm-61/63cm
HANDLEBAR	Tec Obvius flat top AL6061, 31.8mm, reach:126mm, drop 77mm, size: 400mm-44/53cm, 420mm-55/59cm, 440mm-61/63cm
GRIP / TAPE	Cork w/Bianchi logo
SEATPOST	Tec Alloy AL2014 shaft, alloy head, 12mm offset, 31.6mm, length: 300mm-44/46cm, 350mm-50/63cm
SADDLE	Tec Unicus, steel rails, D1 base, vinyl cover
BOTTLE CAGE	Alloy black
WATER BOTTLE	Bianchi Loli 600ml



DAMABIANCA

DAMA BIANCA

MODELS IN THIS CATEGORY

INFINITO CV
INTENSO
INTREPIDA
IMPULSO
VIA NIRONE 7

PROJECT PHILOSOPHY

- / Wide range of models to satisfy the various levels of performance and price required by performance women.
- / Sizes and components are adapted to women needs following the Endurance racing philosophy, with new graphics and color combinations.

TARGET CONSUMER

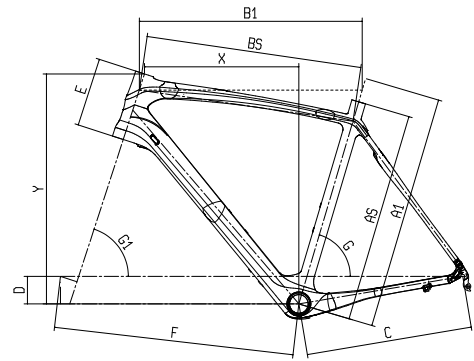
- / Performance riders

GEOMETRIES

GEOMETRY – INFINITO CV DAMA BIANCA

MIS-SLP

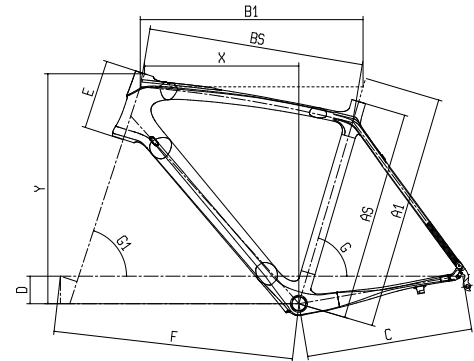
A1	AS	B1	BS	C	D	E	F	G	G1	Y	X
470	440	515	497	408	68	125	577	74.5°	70.5°	519	368
500	470	525	507	408	68	140	579	74.5°	71.5°	537	373
530	500	535	518	409	68	155	586	74°	71.5°	551	375
550	520	550	532	410	68	170	592	73.5°	72°	567	381
550	520	550	536	415	68	155	592	73.5°	72°	557	384



GEOMETRY – INTENSO DAMA BIANCA

MIS-SLP

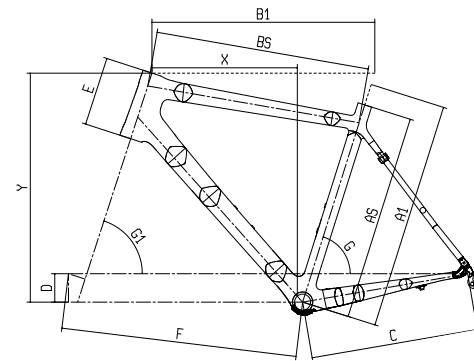
A1	AS	B1	BS	C	D	E	F	G	G1	Y	X
440	420	505	491	405	58	110	576	75°	70.5°	495	367
470	440	515	497	408	68	125	577	74.5°	70.5°	519	368
500	470	525	507	408	68	140	579	74.5°	71.5°	537	373
530	500	535	518	409	68	155	586	74°	71.5°	551	375
550	520	550	532	410	68	170	592	73.5°	72°	567	381



GEOMETRY – INTREPIDA DAMA BIANCA

MIS-SLP

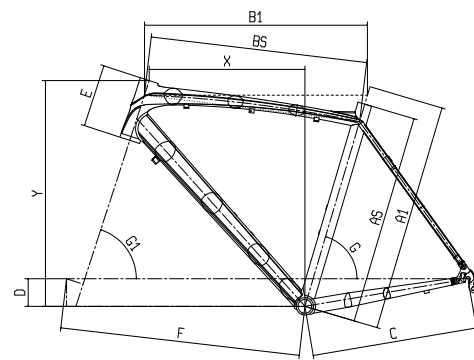
A1	AS	B1	BS	C	D	E	F	G	G1	Y	X
480	450	515	500	408	70	125	576	74°	70.5°	518	364
510	480	535	517	410	70	155	586	73.5°	71°	548	366
540	510	550	530	413	70	170	586	72.5°	72°	566	387



GEOMETRY – IMPULSO DAMA BIANCA

MIS-SLP

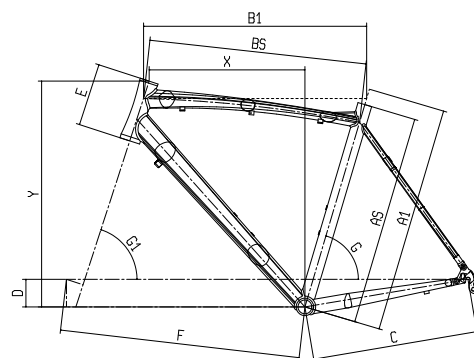
A1	AS	B1	BS	C	D	E	F	G	G1	Y	X
440	420	510	493	406	58	120	578	75°	70.5°	508	371
460	440	520	503	408	58	125	580	74.5°	71°	515	375
500	470	525	509	408	68	130	579	74.5°	71.5°	531	376
530	500	535	520	408	68	145	585	74°	71.5°	546	377
550	520	550	536	410	68	155	592	73.5°	72°	557	384



GEOMETRY – VIA NIRONE 7 DAMA BIANCA

MIS-SLP

A1	AS	B1	BS	C	D	E	F	G	G1	Y	X
440	420	510	493	406	58	120	578	75°	70.5°	508	371
460	440	520	502	408	58	125	580	74.5°	71°	515	375
500	470	525	507	408	68	130	580	74.5°	71.5°	531	376
530	500	535	519	408	68	145	585	74°	71.5°	546	377
550	520	550	534	410	68	155	592	73.5°	72°	557	384



INFINITO CV DAMA BIANCA - ULTEGRA 11SP COMPACT



CODE	YNBX3	HANDLEBAR	Reparto Corse Compact Flat Top, alloy 6061, diam. 31.8mm, reach 116.1mm, drop 66.3mm, sandblast matt black finish, size: 380mm 44/47cm, 400mm 50/55cm
COLOR	8P - Pearl white/CK16-Black glossy	GRIP / TAPE	Cork w/Bianchi logo; w/plug
FRAME	Infinito CV Dama Bianca Carbon w/Countervail, Mechanical/Electronic Di2/EPS, compatible with 28" tire, BBset "PF30", sizes 47-50-53-55cm	SEATPOST	Reparto Corse full carbon UD w/Alloy clamp, two stainless steel bolt, setback 15mm, diam. 31.6mm, Length 350mm
BOLTS / HARDWARE	AL7075-T6 large button head bolts, Torx M5*14mm x 4pcs, celeste bianchi w/Bianchi logo	SADDLE	Fi'zi:k Vesta mg, w/WingFlex, Manganese rail, ICS system
SEATPOST CLAMP	X Carbon System diam. 35mm, w/Bianchi logo	BOTTLE CAGE	Alloy, black color
HEADSET	Fsa Orbit C-40-ACB ; NO.42/ACB, Sealed ACB Bearings 1.1/8" ACB Top, 1.5" ACB Btm (for 46/56mm Head Tubes), w/15mm alloy cap	WATER BOTTLE	Celeste w/Bianchi logo
FORK	Bianchi Full Carbon w/Countervail, 1,5" head		
SHIFTER	Shimano Ultegra ST-R8000 2x11sp		
REAR DERAILLEUR	Shimano Ultegra RD-R8000 SS 11sp top normal shadow design, direct attachment, compatible with low gear 25-30T		
FRONT DERAILLEUR	Shimano Ultegra FD-R8000, down swing, band type (34.9mm), 61-66° for 46/53T cl: 43,5mm		
CRANKSET	Shimano Ultegra FC-R8000 50x34T, Hollowtech II, Crank Length: 165mm-47cm, 170mm-50/55cm		
BOTTOM BRACKET	Shimano SM-BBR60		
CHAIN	Shimano Ultegra CN-HG701-11, 11sp		
CASSETTE / FREEWHEEL	Shimano Ultegra CS-R8000, 11-12-13-14-15-17-19-21-24-27-30T		
BRAKE	Shimano Ultegra BR-R8000, shoe: R55C4		
BRAKE LEVER	included w/shifters		
RIM/WHEELSET	Fulcrum Racing 5 LG black clincher, aluminium rim, asymmetric 18-20 spokes, black anodized hubs		
TIRE	Vittoria Rubino Pro G+ Isotech graphene, 700x25, 150TPI, folding, full black		
STEM	Reparto Corse 3D Forged alloy 7050, rise +/-7°, 1.1/8", Ext: 70mm-47cm, 90mm-50/53cm, 100mm-55cm		

INTENSO DAMA BIANCA - ULTEGRA DI2 11SP COMPACT

THE IMAGE SHOWN IS INDICATIVE ONLY.

Components and graphic details may differ from the actual model.



CODE	YNBP1	RIM/WHEELSET	Fulcrum Racing 5 LG black clincher, aluminium rim, asymmetric 18-20 spokes, black anodized hubs
COLOR	7P - Pearl white/Black-CK16 glossy	TIRE	Vittoria Zaffiro Pro Slick 700x25c, 60TPI, Folding, black
FRAME	Intenso Dama Bianca carbon, 1.1/8" > 1.5" headset, BB shell BSA, internal cable routing, compatible mechanical and Di2 electronic, sizes 44-47-50-53-55cm	STEM	Reparto Corse Alloy 6061, rise +/-7°, 1.1/8", Ext: 70mm-44/46cm, 90mm-50/55cm
SEATPOST CLAMP	X Carbon System diam. 35mm, w/Bianchi logo	HANDLEBAR	Reparto Corse Compact Flat Top, alloy 6061, diam. 31.8mm, reach 116.1mm, drop 66.3mm, size: 380mm 44/47cm, 400mm 50/55cm
HEADSET	Fsa Orbit C-40-ACB ; NO.42/ACB, Sealed ACB Bearings 1.1/8" ACB Top, 1.5" ACB Btm (for 46/56mm Head Tubes), w/15mm alloy cap	GRIP / TAPE	Cork w/Bianchi logo
FORK	Bianchi Full Carbon w/Kevlar, 1.5" head	SEATPOST	Reparto Corse carbon UD shaft UD, forged alloy head, 15mm offset, 31.6mm, Length: 300mm-44/47cm, 350mm-50/55cm, w/Fsa Sleeve Di2 battery
SHIFTER	Shimano Ultegra Di2 ST-R8050 2x11sp	SADDLE	Selle San Marco Era Startup Glamour Open, cover Silkfeel, carbon steel rail, 270x158mm
REAR DERAILLEUR	Shimano Ultegra Di2 RD-R8050 GS 11sp, top normal shadow design, direct attachment, 30T Max Low sprocket	BOTTLE CAGE	Elite Paron Race composit
FRONT DERAILLEUR	Shimano Ultegra Di2 FD-R8050, brazed-on type, w/ clamp band 34.9mm	WATER BOTTLE	Bianchi Loli 600ml
ELECTRIC CABLE	Shimano Junction-A SM-EW90-A, Dura-Ace Di2, E-Tube port X3, charging port X1		
BATTERY / MOUNT	Shimano Battery BT-DN110-1		
CHARGER / PWR CABLE	Shimano Battery charger SM-BCR2, including charging cord for usb		
CRANKSET	Shimano Ultegra FC-R8000 50x34T, Hollowtech II, Crank Length: 165mm-47cm, 170mm-50/55cm		
BOTTOM BRACKET	Shimano SM-BBR60		
CHAIN	Shimano Ultegra CN-HG701-11, 11sp		
CASSETTE / FREEWHEEL	Shimano Ultegra CS-R8000, 11-12-13-14-16-18-20-22-25-28-32T		
BRAKE	Shimano Ultegra BR-R8000, shoe: R55C4		
BRAKE LEVER	included w/shifters		

INTENSO DAMA BIANCA - ULTEGRA 11SP COMPACT



CODE	YNB06
COLOR	7K - CK16/Black-White glossy
FRAME	Intenso Dama Bianca carbon, 1.1/8" > 1.5" headset, BB shell BSA, internal cable routing, compatible mechanical and Di2 electronic, sizes 44-47-50-53-55cm
SEATPOST CLAMP	X Carbon System diam. 35mm, w/Bianchi logo
HEADSET	Fsa Orbit C-40-ACB ; NO.42/ACB, Sealed ACB Bearings 1.1/8" ACB Top, 1.5" ACB Btm (for 46/56mm Head Tubes), w/15mm alloy cap
FORK	Bianchi Full Carbon w/Kevlar, 1.5" head
SHIFTER	Shimano Ultegra ST-R8000 2x11sp
REAR DERAILLEUR	Shimano Ultegra RD-R8000 GS 11sp, top normal shadow design, direct attachment, compatible with low gear 28-34T
FRONT DERAILLEUR	Shimano Ultegra FD-R8000, down swing, band type (34.9mm), 61-66° for 46/53T cl: 43,5mm
CRANKSET	Shimano FC-RS510 50x34T, Crank Length: 165-44/47cm, 170-50/55cm
BOTTOM BRACKET	Shimano BB-RS500
CHAIN	Kmc X11 EPT finish
CASSETTE / FREEWHEEL	Shimano 105 CS-5800 11sp, 11-12-13-14-16-18-20-22-25-28-32T
BRAKE	Shimano Ultegra BR-R8000, shoe:R55C4
BRAKE LEVER	included w/shifters
RIM/WHEELSET	Fulcrum Racing Sport black clincher, 24,3mm aluminium rims, 18-24 spokes
TIRE	Vittoria Zaffiro Pro Slick 700x25c, 60TPI, Folding, black
STEM	Reparto Corse, Alloy 6061, rise +/- 7°, 1.1/8", ext: 70mm-44cm, 90mm-47/55cm

HANDLEBAR	Reparto Corse Compact Flat Top, alloy 6061, diam. 31.8mm, reach 116.1mm, drop 66.3mm, sandblast matt black finish, size: 380mm 44/47cm, 400mm 50/55cm
GRIP / TAPE	Cork w/Bianchi logo; w/plug
SEATPOST	Reparto Corse Alloy 2014 shaft, forged alloy head, 15mm offset, diam. 31,6mm, length: 300mm-44/47, 350mm-50/55cm
SADDLE	Selle San Marco Era Startup Glamour Open, cover Silkfeel, carbon steel rail, 270x158mm
BOTTLE CAGE	Alloy, black color
WATER BOTTLE	Celeste w/Bianchi logo

INTENSO DAMA BIANCA - 105 11SP COMPACT

THE IMAGE SHOWN IS INDICATIVE ONLY.

Components and graphic details may differ from the actual model.



CODE	YNBF1
COLOR	7K - CK16/Black-White glossy
FRAME	Intenso Dama Bianca carbon, 1.1/8" > 1.5" headset, BB shell BSA, internal cable routing, compatible mechanical and Di2 electronic, sizes 44-47-50-53-55cm
SEATPOST CLAMP	X Carbon System diam. 35mm, w/Bianchi logo
HEADSET	Fsa Orbit C-40-ACB ; NO.42/ACB, Sealed ACB Bearings 1.1/8" ACB Top, 1.5" ACB Btm (for 46/56mm Head Tubes), w/15mm alloy cap
FORK	Bianchi Full Carbon w/Kevlar, 1.5" head
SHIFTER	Shimano 105 ST-5800 2x11sp
REAR DERAILLEUR	Shimano 105 RD-5800-L GS direct attachment, low gear 23-28T, black
FRONT DERAILLEUR	Shimano 105 FD-5801-L, down-swing, 34.9mm band type, 61-66°, CL:43.5mm
CRANKSET	Shimano FC-RS510 50x34T, Crank Length: 165mm-44/47cm, 170mm-50/55cm
BOTTOM BRACKET	included in the crankset
CHAIN	Kmc X11 EPT finish
CASSETTE / FREEWHEEL	Shimano 105 CS-5800 11sp, 11-12-13-14-16-18-20-22-25-28-32T
BRAKE	Shimano 105 BR-5800, pad:R55C4
BRAKE LEVER	included w/shifters
RIM/WHEELSET	Fulcrum Racing Sport black clincher, 24,3mm aluminium rims, 18-24 spokes
TIRE	Vittoria Zaffiro Pro Slick 700x25c, 60TPI, Folding, black
STEM	Reparto Corse, Alloy 6061, rise +/- 7°, height 38mm, 1.1/8", sandblast matt finish with bolts ED finish, ext: 70mm-44cm, 90mm-47/55cm

HANDLEBAR	Reparto Corse Compact Flat Top, alloy 6061, diam. 31.8mm, reach 116.1mm, drop 66.3mm, sandblast matt black finish, size: 380mm 44/47cm, 400mm 50/55cm
GRIP / TAPE	Cork w/Bianchi logo
SEATPOST	Reparto Corse, Alloy 2014 shaft, forged alloy head, 15mm offset, 31,6mm, Length: 300mm-44/47cm, 350mm-50/55cm
SADDLE	Selle San Marco Era Startup Glamour Open, cover Silkfeel, carbon steel rail, 270x158mm
BOTTLE CAGE	Elite Paron Race composit
WATER BOTTLE	Bianchi Loli 600ml

INTREPIDA DAMA BIANCA - 105 11SP COMPACT



CODE	YNBX2
COLOR	7P - Pearl White/Black-CK16 glossy
FRAME	Intepida Dama Bianca Carbon, tapered headtube 1.5", sizes 48-51-54cm
SEATPOST CLAMP	X Carbon System diam. 35mm, w/Bianchi logo
HEADSET	Fsa Orbit C-40-ACB ; NO.42/ACB, Sealed ACB Bearings 1.1/8" ACB Top, 1.5" ACB Btm (for 46/56mm Head Tubes), w/15mm alloy cap
FORK	Bianchi Full Carbon, 1.5" head
SHIFTER	Shimano 105 ST-5800 2x11sp
REAR DERAILLEUR	Shimano 105 RD-5800-L GS direct attachment, low gear 23-28T, black
FRONT DERAILLEUR	Shimano 105 FD-5801-L, down-swing, 34.9mm band type, 61-66°, CL:43.5mm
CRANKSET	Shimano FC-RS510 50x34T, Crank Length: 165mm-48cm, 170mm-51/54cm
BOTTOM BRACKET	Shimano BB-RS500
CHAIN	Kmc X11 EPT finish
CASSETTE / FREEWHEEL	Shimano 105 CS-5800 11sp, 11-12-13-14-16-18-20-22-25-28-32T
BRAKE	Shimano BR-R561-L, shoes R55CT4, black
BRAKE LEVER	included w/shifters
RIM/WHEELSET	Shimano WH-RS010-CL, clincher, black
TIRE	Vittoria Zaffiro Pro Slick 700x25c, 60TPI, Folding, black
STEM	Reparto Corse Alloy 6061, rise +/-7°, 1.1/8", Ext: 70mm-48cm, 90mm-51/54cm
HANDLEBAR	Reparto Corse Compact Flat Top, alloy 6061, diam. 31.8mm, reach 116,1mm, drop 66,3mm, Size: 380mm-48cm, 400mm 51/54cm

GRIP / TAPE	Cork w/Bianchi logo
SEATPOST	Reparto Corse AL6061 shaft, alloy head, 15mm offset, diam. 31.6mm, Length: 300mm-48cm, 350mm-51/54cm
SADDLE	Selle San Marco Era Startup Glamour Open, cover Silkfeel, carbon steel rail, 270x158mm
BOTTLE CAGE	Alloy black
WATER BOTTLE	Celeste w/Bianchi logo

IMPULSO DAMA BIANCA - 105 11SP COMPACT

THE IMAGE SHOWN IS INDICATIVE ONLY.

Components and graphic details may differ from the actual model.



CODE	YNBQ5
COLOR	7B - Black/CK16-White matt
FRAME	Impulso Dama Bianca full alloy 6061, hydroforming triple butted, sizes 44-46-50-53-55cm
SEATPOST CLAMP	MX-112C Aluminium clamp, diam. 35mm
HEADSET	Fsa NO.8B/ZS4D 1.1/8" semi-integrated lower part + integrated upper part, w/15mm Top cover for 46mm/50 OD head tube
FORK	Bianchi Alu/Carbon w/Kevlar, 1.1/8"
SHIFTER	Shimano 105 ST-5800 2x11sp
REAR DERAILLEUR	Shimano 105 RD-5800-L GS direct attachment, low gear 23-28T, black
FRONT DERAILLEUR	Shimano 105 FD-5801-L, down-swing, 34.9mm band type, 61-66°, CL:43.5mm
CRANKSET	Shimano FC-RS510 50x34T, Crank Length: 165-44/46cm, 170-50/55cm
BOTTOM BRACKET	Shimano SM-BBR60
CHAIN	Kmc X11 EPT finish
CASSETTE / FREEWHEEL	Shimano 105 CS-5800 11sp, 11-12-13-14-16-18-20-22-25-28-32T
BRAKE	Reparto Corse RC-476, Forged Alloy Dual-Pivot caliper w/cartridge pad
BRAKE LEVER	included w/shifters
RIM/WHEELSET	Shimano WH-RS010-CL, clincher, black
TIRE	Vittoria Zaffiro 25-622, 700x25, 26TPI, rigid, black
STEM	Reparto Corse Alloy 6061, rise +/-7°, 1.1/8", Ext:70mm-44/46cm, 90mm-50/55cm
HANDLEBAR	Reparto Corse Compact Flat Top, alloy 6061, diam. 31.8mm, reach 116,1mm, drop 66,3mm, Size: 380mm-44/46cm, 400mm-50/55cm

GRIP / TAPE	Cork w/Bianchi logo
SEATPOST	Reparto Corse AL6061 shaft, alloy head, 15mm offset, 31.6mm, Length: 300mm-44/46cm, 350mm-50/55cm
SADDLE	Selle San Marco Era Startup Glamour Open, cover Silkfeel, carbon steel rail, 270x158mm
BOTTLE CAGE	Alloy, black color
WATER BOTTLE	Celeste w/Bianchi logo

VIA NIRONE 7 DAMA BIANCA - 105 11SP COMPACT

THE IMAGE SHOWN IS INDICATIVE ONLY.

Components and graphic details may differ from the actual model.



CODE	YNBY3
COLOR	7K - CK16/Black-White glossy
FRAME	Via Nirone 7 Dama Bianca alu, hydroforming tubing, internal cable, seat post diam. 31.6mm, sizes 44-46-50-53-55cm
SEATPOST CLAMP	MX-112C Aluminium clamp, diam. 35mm
HEADSET	Fsa ZS4-Custom: alloy cup with sealed bearings w/15mm alloy cap
FORK	Bianchi Alu/Carbon w/Kevlar, 1.1/8" head
SHIFTER	Shimano 105 ST-5800 2x11sp
REAR DERAILLEUR	Shimano 105 RD-5800-L GS direct attachment, low gear 23-28T, black
FRONT DERAILLEUR	Shimano 105 FD-5801-L, down-swing, 34.9mm band type, 61-66°, CL:43.5mm
CRANKSET	Shimano FC-RS510 50x34T, Crank Length: 170mm-44/54cm, 172.5mm-55cm
BOTTOM BRACKET	Shimano SM-BBR60
CHAIN	Kmc X11 EPT finish
CASSETTE / FREEWHEEL	Shimano 105 CS-5800 11sp, 11-12-13-14-16-18-20-22-25-28-32T
BRAKE	Shimano BR-R561-L, shoes R55CT4, black
BRAKE LEVER	included w/shifters
RIM/WHEELSET	Shimano WH-RS010-CL, clincher, black
TIRE	Vittoria Zaffiro 25-622, 700x25, 26TPI, rigid, black
STEM	Reparto Corse Alloy 6061, rise +/-7°, 1.1/8", Ext: 70mm-44/46cm, 90mm-50/53cm, 100mm-55cm
HANDLEBAR	Reparto Corse Compact, Flat Top, alloy 6061 diam. 31,8mm, reach 126mm, drop 77 mm, Size: 400mm-44/53cm, 420mm-55cm
GRIP / TAPE	Cork w/Bianchi logo

SEATPOST	Reparto Corse AL6061 shaft, alloy head, 15mm offset, 31.6mm, Length: 300mm-44/46cm, 350mm-50/55cm
SADDLE	Selle San Marco Era Start, steel rail, cover syntex, 277x135mm
BOTTLE CAGE	Alloy black
WATER BOTTLE	Bianchi Loli 600ml

VIA NIRONE 7 DAMA BIANCA - SORA 9SP COMPACT



CODE	YNBF3
COLOR	7K - CK16/Black-White glossy 7P - Pearl white/Black-CK16 glossy (ON PHOTO) (7P Col Available from Asia direct)
FRAME	Via Nirone 7 Dama Bianca alu, hydroforming tubing, interna calbe routing, seatpost diam. 31.6mm, sizes 44-46-50-53-55cm
SEATPOST CLAMP	MX-112C Aluminium clamp, diam. 35mm
HEADSET	Fsa NO.8B/ZS4D 1.1/8" semi-integrated lower part + integrated upper part, w/15mm Top cover for 46mm/50 OD head tube
FORK	Bianchi Alu/Carbon w/Kevlar, 1.1/8"
SHIFTER	Shimano Sora ST-R3000 2x9sp
REAR DERAILLEUR	Shimano Sora RD-R3000 SS, Max low sprocket 32T
FRONT DERAILLEUR	Shimano Sora FD-R3000 9sp, band type 34.9mm
CRANKSET	Shimano FC-R345-L 50x34T Octalink, Crank Length: 170-44/55cm
BOTTOM BRACKET	Shimano BB-ES300, BSA 68mm-113mm
CHAIN	Shimano CN-HG53 9sp
CASSETTE / FREEWHEEL	Shimano CS-HG400-9 9sp, 11-12-14-16-18-21-24-28-32T
BRAKE	Reparto Corse RC-476, Forged Alloy Dual-Pivot caliper w/cartridge pad
BRAKE LEVER	included w/shifters
FRONT HUB	Formula RB-72 alloy, 2 sealed bearing, 14G*100*108mm, w/qr
REAR HUB	Formula RB-55 alloy, 2 sealed bearing, 14G*130*140mm, w/qr

RIM/WHEELSET	Reparto Corse AT470 700C 622x17, alloy double wall black anodized, w/cnc side wall, pair spoke 2x14
TIRE	Vittoria Zaffiro 700 x 25, 25-622, 26TPI, rigid, black
STEM	Reparto Corse Alloy 6061, rise +/-7°, 1.1/8", Ext: 70mm-44/46cm, 90mm-50/55cm
HANDLEBAR	Reparto Corse Compact Flat Top, alloy 6061, diam. 31.8mm, reach 116.1mm, drop 66.3mm, sandblast matt black finish, size: 380mm 44/47cm, 400mm 50/55cm
GRIP / TAPE	Cork w/Bianchi logo
SEATPOST	Reparto Corse AL6061 shaft, alloy head, 15mm offset, 31,6mm, Length: 300mm-44/46cm, 350mm-50/55cm
SADDLE	Selle San Marco Era Startup Glamour Open, cover Silkfeel, carbon steel rail, 270x158mm
BOTTLE CAGE	Alloy black
WATER BOTTLE	Celeste w/Bianchi logo



TIME TRIAL TRIA- THLON

MODELS IN THIS CATEGORY

AQUILA CV
PICO ALU
OLTRE XR4 TRIATHLON
ARIA TRIATHLON

PROJECT PHILOSOPHY

- / TT & Triathlon bikes are developed to obtain the best performance to win against the clock in professional racing.
- / Super aerodynamic shape, lightweight and rigid.

TARGET CONSUMER

- / Those who want a pure speed machine with no compromises
- / The rider who has a racing mindset and a competitive attitude
- / Triathletes

PRODUCT FEATURES

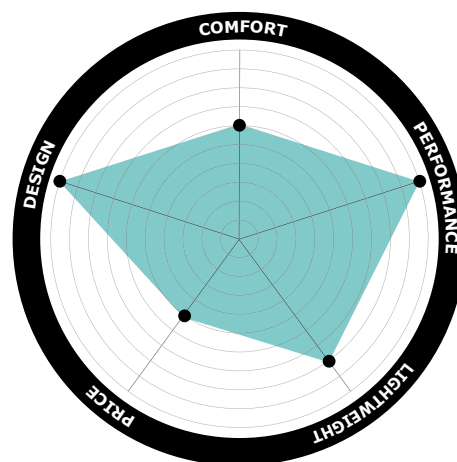
- Hi-Modulus Carbon fiber Monocoque frame with the innovative Countervail® material technology to cancel vibrations
- Dedicated geometry with the seat tube angle 76.5°, head tube angle 72°
- The horizontal rear adjustable dropouts are built to minimize the distance between the rear wheel and the seat tube, reducing the turbulence between the disc rear wheel and the oversize seat tube
- Compatible mechanics and electronic with fully internal cable routing
- Stiff and light weight : 1.450 gr
- Sizes: XS - S - M - L
- Fork full carbon, straight blades with covered V-brakes

reparto corse

**MORE ENERGY
MORE CONTROL**

TECHNOLOGIES

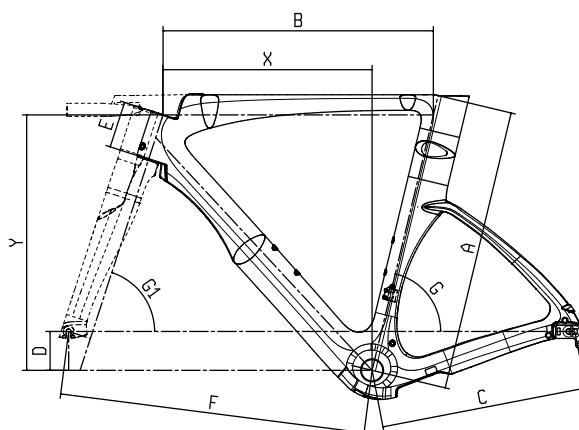
COUNTERVAIL®



AVAILABLE AS A FRAMESET

GEOMETRY – Time Trial & Triathlon

MIS.	A	B	C	D	E	F	G	G1	Y	X
XS	460	500	398	75	80	563	76.5°	72°	483	378
S	550	530	398	75	90	590	76.5°	72°	492	403
M	580	555	398	75	120	618	76.5°	72°	521	422
L	610	580	398	75	150	645	76.5°	72°	550	440





CONCEALED BRAKES

Bianchi's experience in the wind tunnel combined with CFD simulations confirms that the front area of the bicycle is the most important when considering aerodynamic drag.

With this in mind, Bianchi engineered a customized front tube cover, made in carbon, to smoothly hide the V-brake system.

The rear V-brake is positioned in the bottom-bracket area to minimize the aerodynamic drag.



SUPER AERO HANDLEBAR

Aquila CV features full NACA (National Advisory Committee for Aeronautics) airfoil shape of the handlebar (designed by Bianchi), smoothly integrated into the form of the frontal area of the frame. All cabling and wires are run internal to the bar to exclude them from wind drag.

Three different stem lengths:

1 - 90mm

2 - 115mm

3 - 140mm



DOUBLE POSITIONING SEATPOST

The aluminum seatpost clamp of the Aquila CV features 2 different positions to allow road TT and triathlon configuration with +/- 18mm setback.

AQUILA CV - ULTEGRA 11SP 52/36



CODE	YNBF4
COLOR	1D - CK16/Black Glossy
FRAME	Aquila CV carbon w/Countervail, Mechanical/Electronic shifting compatible, PressFit 86,5x41mm, w/carbon cover, size XS-SM-MD-LG
BOLTS / HARDWARE	AL7075-T6 large button head Torx M5*14mm x 2pcs, celeste color w/Bianchi logo
HEADSET	Fsa No.8-R, 1.1/8" 45/45 SL alloy ACB Alloy bearings
FORK	Bianchi Full Carbon w/Countervail, 1.1/8", with pivot V-brake, blades straight with brake covered
SHIFTER	Shimano Dura Ace SL-BSR1 2x11sp, Bar end type
REAR DERAILLEUR	Shimano Ultegra RD-R8000 SS 11sp top normal shadow design, direct attachment, compatible with low gear 25-30T
FRONT DERAILLEUR	Shimano Ultegra FD-R8000, down swing, brazed-on type, 61-66° for 46/53T cl: 43,5mm
CRANKSET	Shimano Ultegra FC-R8000 52x36T, Hollowtech II, Crank Length: 165mm-XS, 170mm-SM, 172.5mm-MD, 175mm-LG
BOTTOM BRACKET	Shimano SM-BB72-41B, PressFit for road, right & left adapter
CHAIN	Shimano Ultegra CN-HG701-11, 11sp
CASSETTE / FREEWHEEL	Shimano Ultegra CS-R8000 11sp, 11-12-13-14-15-17-19-21-23-25-28T
BRAKE	Bianchi Aero-860-BI, Alloy Forged and CNC aluminum arms, Individual spring tension screws left and right, Standard replaceable cartridge pads (2pcs), brake pad for alloy rim
BRAKE LEVER	Shimano Dura Ace BL-TT79 for TT/Triathlon
RIM/WHEELSET	Fulcrum Racing Quattro, C17 rims
TIRE	Vittoria Rubino Pro G+ Isotech graphene, 700x25, 150TPI, folding, full black

STEM	included in the handlebar
HANDLEBAR	Bianchi Aero Carbon Fully Integrated flat custom handlebar and stem, width 41mm, stem length 90mm-XS/SM, 110mm-MD, 130mm-LG, top cap included, Di2/EPs compatible, w/FSA bar ends length 260mm
GRIP / TAPE	La Spirale Bike Ribbon Eolo soft
SEATPOST	Bianchi Aero Carbon custom shape with alloy head adjustable and reversible +/- 18mm, Length: 300mm-XS/SM, 350mm-MD/LG
SADDLE	Fi'zi:k Mistica MG, nylon carbon reinforced, carriage kit, extra grip cover, rail S alloy

AQUILA CV FRAME KIT



CODE	XNB28
COLOR	1D - CK16/Black Glossy
FRAME	Aquila CV carbon w/Countervail, Mechanical/Electronic shifting compatible, PressFit 86,5x41mm, w/carbon cover, size XS-SM-MD-LG
BOLTS / HARDWARE	AL7075-T6 large button head Torx M5*14mm x 2pcs, celeste color w/Bianchi logo
SEATPOST CLAMP	included in the frame
HEADSET	Fsa No.8-R, 1.1/8" 45/45 SL alloy ACB Alloy bearings
FORK	Bianchi Full Carbon w/Countervail, 1.1/8", with pivot V-brake, blades straight with brake covered
BRAK	Bianchi Aero-860-BI, Alloy Forged and CNC aluminum arms, Individual spring tension screws left and right, Standard replaceable cartridge pads (2pcs), brake pad for alloy rim
STEM	included in the handlebar
HANDLEBAR	Bianchi Aero Carbon Fully Integrated flat custom handlebar and stem, width 41mm, stem length 90mm-XS/SM, 110mm-MD, 130mm-LG, top cap included, Di2/EPs compatible, w/FSA bar ends length 260mm
SEATPOST	Bianchi Aero Carbon custom shape with alloy head adjustable and reversible +/- 18mm, lenght 300mm for XS-SM; 350mm for MD-LG

PICO ALU - 105 11SP 52/36



CODE	YNB43
COLOR	ZT - Black/CK-White
FRAME	Pico Alu TT/Triathlon, sizes: 51-53-55-57-59-61cm
HEADSET	Fsa Orbit C ACB 1.1/8"; 45/45° Micro Angular Contact bearings, w/cap 25mm
FORK	Bianchi Alu/Carbon 1.1/8">1.5", straight blade aero
SHIFTER	Shimano Dura Ace SL-BSR1 2x11sp, Bar end type
REAR DERAILEUR	Shimano 105 RD-5800-L SS 11sp, direct attachment, low gear 23-28T
FRONT DERAILEUR	Shimano 105 FD-5800-L, braze-on type
CRANKSET	Shimano FC-RS500-L, Hollowtech 2 style with solid crank, 52X36T, w/BB(BSA), Crank Length: 170mm-51/53cm, 172.5mm-55/59cm, 175mm-60/61cm
BOTTOM BRACKET	included in the crankset
CHAIN	Kmc X11 EPT finish
CASSETTE / FREEWHEEL	Shimano 105 CS-5800 11sp, 11-28T, 11-12-13-14-15-17-19-21-23-25-28T
BRAKE	Reparto Corse RC-476, Forged Alloy Dual-Pivot caliper w/cartridge pad
BRAKE LEVER	Tektro RX 4.1 forged aluminium lever, designed for 19,6mm ID extension bars, return spring & reach adjustment
RIM/WHEELSET	Shimano WH-RS010-CL, clincher, black
TIRE	Vittoria Zaffiro 25-622, 700x25c, 26TPI, rigid, black
STEM	Reparto Corse, Alloy 6061, rise +/-7°, 1.1/8", Ext:70mm
HANDLEBAR	Vision Team alloy AL6066TB, internal cable routing, clamp 31.8mm, width: 400mm-51/55cm, 420mm-57/61cm, UCI legal
GRIP / TAPE	Cork w/Bianchi logo

SEATPOST	Bianchi Aero Carbon
SADDLE	Selle San Marco Shot Dynamic Triathlon, rail carbon steel, cover Silkfeel+HF, 277x145mm
BOTTLE CAGE	Alloy, black color
WATER BOTTLE	Celeste w/Bianchi logo

OLTRE XR4 TRIATHLON - DURA ACE 11SP 52/36



CODE	YNB05	TIRE	Vittoria Corsa G+ Isotech graphene, 700x25c, 320TPI, Folding, color antracite/black
COLOR	CJ - CK16 matt/Black glossy BZ - Black matt/CK16-Graphite glossy 1D - CK16/Black full Glossy (ON PHOTO) Tavolozza colors	STEM	Vision TriMax Carbon OS stem, 31.8mm, +/-6°, Ext: 80mm-47cm, 90mm-50cm, 100mm-53cm, 110mm-55cm, 120mm-57/59cm, 130mm-61cm
FRAME	Oltre XR.4 carbon w/Countervail, mechanical/electronic shifting compatible, headset 1.1/8>1.1/4", direct mount brakes, PressFit 86,5x41mm, sizes 47-50-53-55-57-59-61cm	HANDLEBAR	Vision Metron 4D Flat M.A.S. w/Carbon UD extension
BOLTS / HARDWARE	AL7075-T6 large button head bolts, Torx M5*14mm x 4pcs, celeste color with Bianchi logo	GRIP / TAPE	La Spirale Bike Ribbon Eolo soft w/carbon look plug w/Bianchi logo
SEATPOST CLAMP	included in the frame	SEATPOST	Oltre Full Carbon Aero; Alloy clamp w/one bolt, for alloy rail, length: 250mm-47cm, 300mm-50/53cm, 350mm-55/59cm, 380mm-61cm, Setback 30mm
HEADSET	Fsa Orbit C-33, 1.1/8>1.1/4", 45°- 45 ACB bearing, w/Carbon custom cone spacer for normal stem, for 47mm/52mm OD head tube	SADDLE	Fi'zi:k Arione TRI2 mg; cover thermowelded MicroTex, shell nylon carbon reinforced w/Wing Flex, S alloy rail, Integrated Clip System
FORK	Bianchi Full Carbon Aero w/Countervail, 1.1/8>1.1/4" integrated head	BOTTLE CAGE	Elite Cannibal Carbon matt
SHIFTER	Shimano Dura Ace ST-R9100 2x11sp	WATER BOTTLE	Bianchi Loli 600ml
REAR DERAILLEUR	Shimano Dura Ace RD-R9100 SS 11sp, shadow design, direct attachment		
FRONT DERAILLEUR	Shimano Dura Ace FD-R9100 11sp, brazed-on type		
CRANKSET	Shimano Dura Ace FC-R9100, Hollowtech II, 52x36T, Crank Length: 170mm-47/53cm, 172.5mm-55/59cm, 175mm-61cm		
BOTTOM BRACKET	Shimano SM-BB92-41B, PressFit Road		
CHAIN	Shimano Dura Ace CN-HG901-11		
CASSETTE / FREEWHEEL	Shimano Dura Ace CS-R9100 11sp 11-28T, 11-12-13-14-15-17-19-21-23-25-28		
BRAKE	Shimano Dura Ace BR-R9110 direct mount type, pad R55C4		
BRAKE LEVER	included w/shifters		
RIM/WHEELSET	Zipp 404/808 Firecrest Carbon Clincher, profile F: 58mm, R: 82mm, w/Swisstop for Zipp brakes pads		

ARIA TRIATHLON - ULTEGRA 11SP 52/36



CODE	YNB50	STEM	Reparto Corse Alloy 6061, rise +/-7°, 1.1/8", Ext: 70mm/44cm, 90mm-47/50cm, 100mm-53cm, 110mm-55/57cm, 120mm-59cm, 130mm-61cm
COLOR	1D - CK16/Black-White glossy (ON PHOTO) A2 - Black/CK16-Grey glossy	HANDLEBAR	Reparto Corse Compact, Flat Top, alloy 6061 diam. 31,8mm, reach 126mm, drop 77 mm, Size: 400mm-44/53cm, 420mm-55/59cm, 440mm-61cm w/Vision Team Mini TT Clip-On length 170mm
FRAME	Aria carbon, mechanical/electronic shifting compatible, PressFit 86,5x41mm BB, head tube 1.4"-1.1/8", integrated seat clamp, full carbon dropout, sizes 44-47-50-53-55-57-59-61cm	GRIP / TAPE	La Spirale Ribbon cork w/carbon look plug w/Bianchi logo
SEATPOST CLAMP	included in the frame	SEATPOST	Bianchi Full Carbon Aero, offset 20mm, length: 250mm-44cm, 300mm-47/50cm, 350mm-53/61cm
HEADSET	Fsa Orbit C-33, NO.44E, 1.1/8">1.1/4", 45°/45° ACB steel bearings, w/15mm top cap for 47mm/52mm OD head tube	SADDLE	Selle San Marco Shot dynamic Triathlon, rail carbon steel, cover Silkfeel+HF, 277x145mm
FORK	Bianchi Full Carbon Aero 1.4">1.1/8", integrated head	BOTTLE CAGE	Elite Paron Race composit
SHIFTER	Shimano Ultegra ST-R8000 2x11sp	WATER BOTTLE	Bianchi Loli 600ml
REAR DERAILLEUR	Shimano Ultegra RD-R8000 SS top normal shadow design, direct attachment, compatible with low gear 25-30T for double		
FRONT DERAILLEUR	Shimano Ultegra FD-R8000, down swing, brazed-on type, 61-66° for 46/53T cl: 43,5mm		
CRANKSET	Shimano Ultegra FC-R8000 52x36T, Hollowtech II, Crank Length: 170mm-47/54cm, 172.5mm-55/59cm, 175mm-61cm		
BOTTOM BRACKET	Shimano SM-BB72-41B, PressFit for road, right & left adapter		
CHAIN	Kmc X11 EPT finish		
CASSETTE / FREEWHEEL	Shimano 105 CS-5800 11sp, 11-28T, 11-12-13-14-15-17-19-21-23-25-28T		
BRAKE	Shimano Ultegra BR-R800, shoe: R55C4		
BRAKE LEVER	included w/shifters		
RIM/WHEELSET	Vision Team 35 Comp, Alloy 35 mm profile clincher rims		
TIRE	Vittoria Zaffiro Pro Slick 700x25c, 60TPI, Folding, black		



CYCLO- CROSS

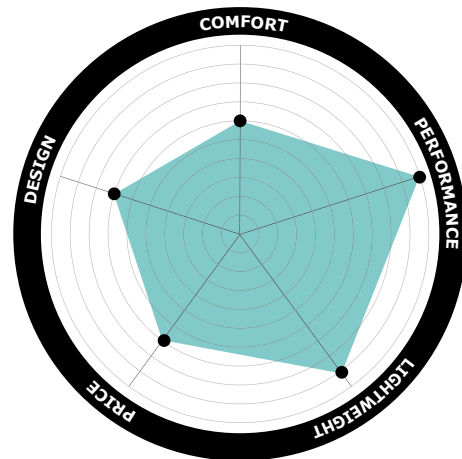
MODELS IN THIS CATEGORY

ZOLDER DISC (CARBON)
ZURIGO (ALUMINUM) *Cantilever*
ZURIGO (ALUMINUM) *Disc Brake*

PROJECT PHILOSOPHY

/ Frames developed to obtain the best performance in specific cyclo-cross conditions, combining lightweight and resistance. Carbon and aluminum frames to satisfy the different needs in term of price and performance.

ZOLLNER

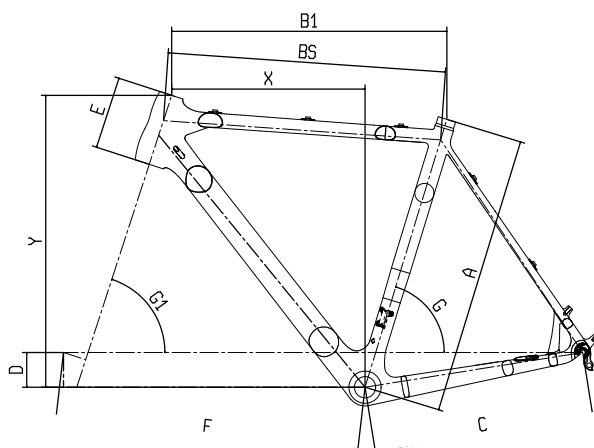


reparto corse

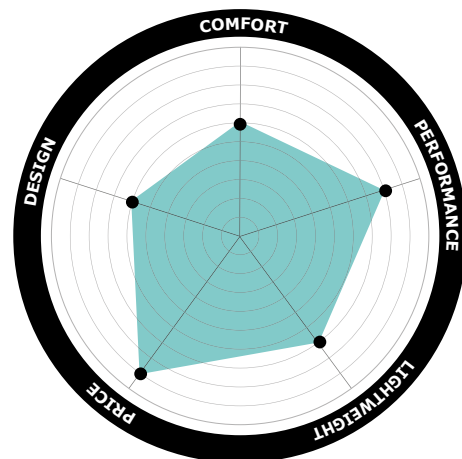
GEOMETRY

MIS.

A	B1	BS	C	D	E	F	G	G1	Y	X
490	520	513	425	67	110	589	75°	71°	531	378
520	535	526	425	67	130	595	74.5°	71.5°	552	382
540	545	536	425	67	140	585	73°	72°	563	373
560	560	550	425	67	160	601	73°	72°	582	382
580	675	565	425	67	180	616	73°	72°	601	391
600	590	580	425	67	200	631	73°	72°	620	401



Zurigo

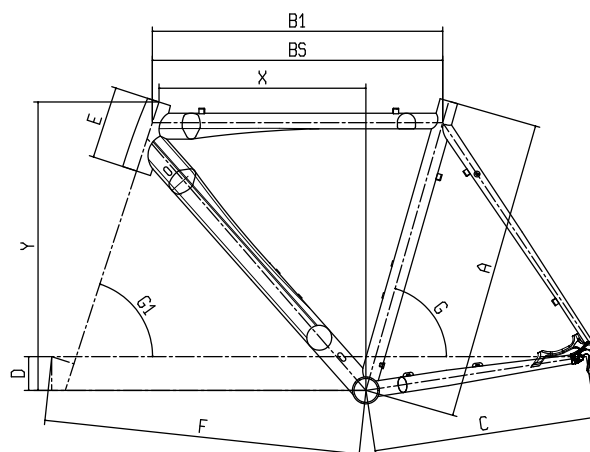


reparto corse

GEOMETRY

MIS.

A	B1	BS	C	D	E	F	G	G1	Y	X
490	525	510	425	65	115	582	74°	71°	530	371
520	535	523	425	65	125	588	74°	71.5°	540	378
550	550	540	425	65	140	595	73.5°	72°	556	384
570	560	551	425	65	155	605	73.5°	72°	570	390
590	575	567	425	65	170	615	73°	72°	585	395
610	585	577	430	65	190	616	72.5°	72.5°	606	396

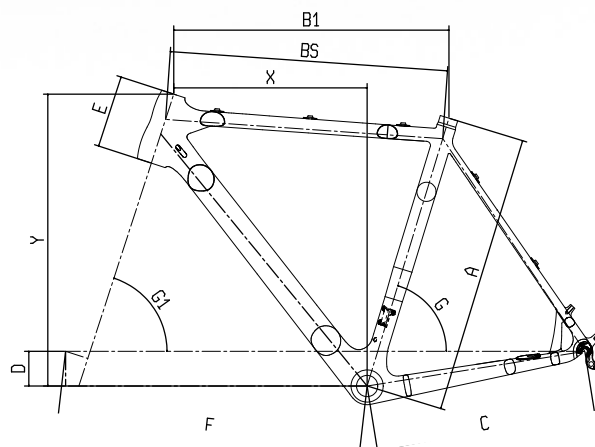


ZOLDER FRAME KIT



AVAILABLE ONLY AS FRAME KIT

CODE	XMB26
COLOR	1D - CK16/Black glossy
FRAME	Zolder carbon, disc brake post mount, PressFit 86.5x41mm, headset 1.1/8" > 1.5", sizes 49-52-54-56-58-60cm
SEATPOST CLAMP	Pro-Lite Alloy
HEADSET	Fsa Orbit C-40-ACB; NO.42/ACB, Sealed 1.1/8" ACB Top, 1.5" ACB Btm (for 46/56mm Head Tubes); w/15mm alloy cap
FORK	Bianchi Full Carbon, 1.1/8" > 1.5"



MIS.										
A	B1	BS	C	D	E	F	G	G1	Y	X
490	520	513	425	67	110	589	75°	71°	531	378
520	535	526	425	67	130	595	74.5°	71.5°	552	382
540	545	536	425	67	140	585	73°	72°	563	373
560	560	550	425	67	160	601	73°	72°	582	382
580	675	565	425	67	180	616	73°	72°	601	391
600	590	580	425	67	200	631	73°	72°	620	401

ZURIGO APEX 10SP COMPACT MECH. DISC



CODE	YNB44
COLOR	C1 - CK/Black KS - Black/White (ON PHOTO)
FRAME	Zurigo cyclocross, Disc Brake, HT 1.1/8" > 1.5", PF30, seatpost 31.6mm, post mount disc, sizes 49-52-55-57-59-61cm
SEATPOST CLAMP	MX-112C Aluminium clamp, diam. 35mm
HEADSET	Fsa Orbit C-40-ACB ; NO.42/ACB, Sealed ACB Bearings 1.1/8" ACB Top, 1.5" ACB Btm (for 46/56mm Head Tubes), w/15mm alloy cap
FORK	Bianchi Al6061/Carbon post mount disc, 1.1/8" > 1.5"
SHIFTER	Sram Apex 2x10sp
REAR DERAILLEUR	Sram Apex, max 11-32
FRONT DERAILLEUR	Sram Apex, clamp 34.9mm
CRANKSET	Sram Apex 48x34, Crank Length: 170mm-49/52cm, 172.5mm-55/59cm, 175mm-61cm
BOTTOM BRACKET	Sram PF30
CHAIN	Kmc X10 EPT finish
CASSETTE / FREEWHEEL	Sram PG-1030 10sp 11-32T
BRAKE	Avid BB5 mechanical disc brake, post mount caliper
BRAKE LEVER	included w/shifters
DISC ROTOR	Avid G2 160mm, steel, 6 bolt
FRONT HUB	Formula RX-25 alloy disc, 6-bolt, J-BEND, 2SB, 32H, 100mm*108mm, w/qr
REAR HUB	Formula RX-2611 alloy disc, 6-bolt, J-BEND, 2SB, 32H, 135mm*145mm, w/qr

RIM/WHEELSET	Reparto Corse ATD470 Al6061 disc, 700c, 622x17, profile 22mm, 32mm tire compatible, 32 hole, tubeless ready
TIRE	Kenda Happy Medium 700X35c, wire bead, 30 tpi
STEM	Reparto Corse Alloy 6061, rise +/-7°, 1.1/8", Ext:90mm-49/52cm, 100mm-55cm, 110mm-57/59cm, 120cm-61cm
HANDLEBAR	Reparto Corse Compact, Flat Top, alloy 6061 diam. 31,8mm, reach 126mm, drop 77 mm, Size: 420mm-49/52cm, 440mm-55/61cm
GRIP / TAPE	Cork w/Bianchi logo
SEATPOST	Reparto Corse AL6061 shaft, alloy head, 15mm offset, diam. 31.6mm, Length 350mm
SADDLE	Selle San Marco Era Start, steel rail, cover syntex, 277x135mm
BOTTLE CAGE	Alloy, black color
WATER BOTTLE	Celeste w/Bianchi logo

ZURIGO TIAGRA 10SP COMPACT MECH. DISC



CODE	YNB45
COLOR	C1 - CK/Black (ON PHOTO) KS - Black/White
FRAME	Zurigo cyclocross, Disc Brake, HT 1.1/8" > 1.5", PF30, seatpost 31.6mm, post mount disc, sizes 49-52-55-57-59-61cm
SEATPOST CLAMP	MX-112C Aluminium clamp, diam. 35mm
HEADSET	Fsa Orbit C-40-ACB ; NO.42/ACB, Sealed ACB Bearings 1.1/8" ACB Top, 1.5" ACB Btm (for 46/56mm Head Tubes), w/15mm alloy cap
FORK	Bianchi AL6061/Carbon post mount disc, 1.1/8" > 1.5"
SHIFTER	Shimano Tiagra ST-4700 2x10sp
REAR DERAILLEUR	Shimano Tiagra RD-4700 GS direct attachment, compatible with low gear 28-34T for double, 25-32T for triple
FRONT DERAILLEUR	Shimano Tiagra FD-4700, band type (34.9mm)
CRANKSET	Shimano Tiagra FC-4700 50x34T, w/BB (BSA), Crank Length: 170mm-49/52cm, 172.5mm-55/59cm, 175mm-61cm
BOTTOM BRACKET	included in the crankset
CHAIN	Shimano Tiagra CN-HG500
CASSETTE / FREEWHEEL	Shimano Tiagra CS-HG500-10, 11-12-14-16-18-20-22-25-28-32T
BRAKE	Avid BB5 mechanical disc brake, post mount caliper
BRAKE LEVER	included w/shifters
DISC ROTOR	Avid G2, 160mm, steel, 6 bolt
FRONT HUB	Formula RX-25 alloy disc, 6-bolt, J-BEND, 2SB, 32H, 100mm*108mm, w/qr
REAR HUB	Formula RX-2611 alloy disc, 6-bolt, J-BEND, 2SB, 32H, 135mm*145mm, w/qr

RIM/WHEELSET	Reparto Corse ATD470 AL6061 disc, 700c, 622x17, profile 22mm, 32mm tire compatible, 32 hole, tubeless ready
TIRE	Kenda Happy Medium 700X35c, wire bead, 30 tpi
STEM	Reparto Corse Alloy 6061, rise +/-7°, 1.1/8", Ext:90mm-49/52cm, 100mm-55cm, 110mm-57/59cm, 120cm-61cm
HANDLEBAR	Reparto Corse Compact, Flat Top, alloy 6061 diam. 31,8mm, reach 126mm, drop 77 mm, Size: 420mm-49/52cm, 440mm-55/61cm
GRIP / TAPE	Cork w/Bianchi logo
SEATPOST	Reparto Corse AL6061 shaft, alloy head, 15mm offset, diam. 31.6mm, Length 350mm
SADDLE	Selle San Marco Era Start, steel rail, cover syntex, 277x135mm
BOTTLE CAGE	Alloy, black color
WATER BOTTLE	Celeste w/Bianchi logo



PISTA FIXED GEAR

MODELS IN THIS CATEGORY

PISTA SEI GIORNI
PISTA STEEL

PROJECT PHILOSOPHY

/ In the US the messengers bikes started being a "cool" factor to kids who were growing out of skateboarding. Also in Europe it has become fashionable as life style. Track bikes for track use that are sold for urban use.

PISTA STEEL



CODE	YEBC1
COLOR	CP - Chrome (ON PHOTO) CK - Celeste (CK Col Available only from Asia direct)
FRAME	Bianchi track frame, butted Cr-Mo main tubes w/PG CrMo rear stays, Tig welded, w/track dropouts, size: 46-49-51-53-55-57-59-61cm
SEATPOST CLAMP	M6 bolt Cr-Mo
HEADSET	VP-A34C, 1" steel, semi-cartridge sealed
FORK	Bianchi Cr-Mo Tig Welded 1"
CRANKSET	Fsa Tempo Track 48T, JIS/3/32", crank length: 165mm-49/53cm, 170mm-55/59cm, 172.5mm-61/63cm
BOTTOM BRACKET	Fsa BB-7420ST, cartridge, seal bearings, steel cup, JIS 68/110.5mm
CHAIN	Kmc Z-50 1/2x3/32"
CASSETTE / FREEWHEEL	Shimano SS-7600, 16T fixed sprocket, 1/2"x3/32" + freewheel sprocket 16T assembled on the left side
BRAKE	RC-452, Alloy dual pivot w/normal pad
BRAKE LEVER	Tektro RL-721, alloy
FRONT HUB	Joytech JY-165SBT/A alloy, ball bearing, 36hx14G, OLD 100mm
REAR HUB	Joytech JY-166SBT/A alloy, flip/flop hub, ball bearing 36hx14G, OLD 120mm
RIM/WHEELSET	DA-17 Alloy double wall 36hx14G, CNC machined
TIRE	Vittoria Zaffiro Slick, 25-622, 700x25, 26TPI, rigid, black
STEM	Alloy AL6061, diam 25.4MM, rise -15° for ext: 90mm-49/51cm, rise -17° for 110mm-53/55cm, rise -7° for 120mm-57/59cm, rise -17° 130mm-61cm
HANDLEBAR	Steel, width: 420mm for all sizes, diam. 26mm
GRIP / TAPE	Cork w/Bianchi logo

SEATPOST	Alloy, diam. 27.2mm, L. 250mm
SADDLE	Bianchi, steel satin rail
PEDALS	WellGo LU-895, toe-clip compatible

PISTA SEI GIORNI ALU



CODE	YEBC2
COLOR	KW - Black, graph/CK glossy
FRAME	Bianchi Pista Alu, size: 49-51-53-55-57-59-61-63cm
SEATPOST CLAMP	Alloy clamp, diam 34.9mm
HEADSET	Fsa Orbit CE Plus, 1.1/8", w/8.7mm carbon top cover, 7075 Alloy Crown race
FORK	Bianchi 1.1/8" w/alloy steerer and carbon straight aero blade
CRANKSET	Sram Touro 1.1, 3/32"x 48T, for Power Spline, Crank length: 165mm-49/53cm, 170mm-55/63mm
BOTTOM BRACKET	Sram Power Spline, cartridge, sealed bearing, 68/108mm
CHAIN	Kmc Z610H 1/2X3/32"
CASSETTE / FREEWHEEL	Shimano SS-7600, 16T fixed sprocket, 1/2"x3/32" + freewheel sprocket 16T assembled on the left side
BRAKE	Reparto Corse RC-471E Forged Alloy Dual-Pivot caliper brake w/cartridge pad (only front)
BRAKE LEVER	Tektro RL720, Alloy, left side only
FRONT HUB	Joytech JY-165SBT/A Alloy, ball bearing, 36hx14G, OLD 100mm
REAR HUB	Joytech JY-166SBT/A Alloy, flip/flop hub, ball bearing, 36hx14G, OLD 120mm
RIM/WHEELSET	AlexRims ATD550, 700c 622x17
TIRE	Vittoria Zaffiro Slick, 25-622, 700x25, 26TPI, rigid, black
STEM	Alloy AL6061, -7°, diam. 26mm, ext: 90mm-49/51cm, 110mm-53/55cm, 120mm-57/61cm
HANDLEBAR	Steel, width: 420mm for all size, diam. 26mm
GRIP / TAPE	Cork w/Bianchi logo

VINTAGE



MODELS IN THIS CATEGORY

L'EROICA

PROJECT PHILOSOPHY

/ We developed the road steel vintage bikes following Bianchi's historical knowledge and frame construction expertise from the 20th century.

Bianchi *L'Eroica*[®]

PRODUCT FEATURES

- Columbus Zona lugged steel frame – Designed and Made in Italy
- Lugged steel fork – Designed and Made in Italy
- Chrome lugged steel finish
- Seatube dimension: 27.2mm
- Lugged head tube 1", down tube shifters, milled seat stay
- Italian BB set, straight dropout with adjuster
- Sizes: 50, 53, 55, 57, 59, 61, 63cm

CERTIFIED
BY THE L'EROICA'S
COMMISSION



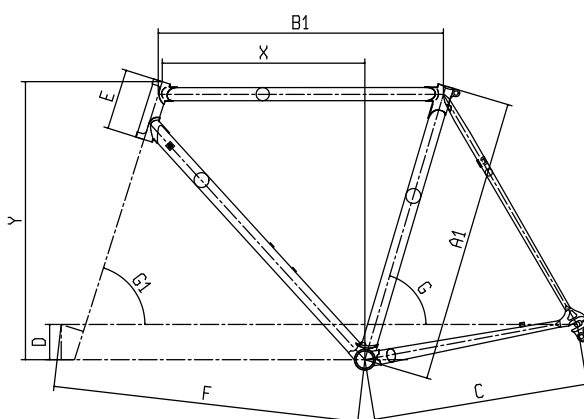
DESIGNED AND
MADE IN ITALY

The model is certified by L'Eroica's commission to ride in all Eroica events.



GEOMETRY

MIS.									
A1	B1	C	D	E	F	G	G1	Y	X
500	525	412	68	95	580	74.5°	71.5°	512	382
530	535	414	68	100	581	74°	72°	519	385
550	550	415	68	120	589	73.5°	72.5°	539	390
570	560	416	68	140	599	73.5°	72.5°	558	394
590	575	418	68	155	605	73°	73°	574	399
610	585	420	68	175	609	72.5°	73°	593	398
630	595	420	68	195	619	72.5°	73°	612	402



L'EROICA - CAMPAGNOLO 10SP COMPACT



CODE	YLBJ8
COLOR	AA - Celeste Bianchi original/chrome, red glossy
FRAME	Eroica Steel lugged with Columbus Zona tubing, seatube 27.2mm, head tube 1" lugged chromo finish, down tube for shifter, milled seat stay, BBset ITA, straight dropout with adjuster, Sizes (Center to top): 50-53-55-57-59-61-63cm
HEADSET	Aluminium 6061, diam. 1" 26.4mmx30.2mm, threaded steerer tube, cartridge bearing, silver anodized
FORK	Bianchi Steel lugged with head chromo finish
SHIFTER	Dia-Compe W-Shift lever, down tube use, 2x10sp, color silver
REAR DERAILLEUR	Campagnolo Silver vintage 10sp short cage
FRONT DERAILLEUR	Campagnolo Silver vintage 9/10sp band type 31,8mm w/adapter alloy Fsa from 31,8 to 28,6mm
CRANKSET	Aluminum arm cold forged, polished finish silver, with Bianchi old style logo, chainring 48/36T, crank length: 165mm-50cm, 170mm-53/63cm
BOTTOM BRACKET	Italian 70x116mm
CHAIN	Campagnolo Veloce 10sp
CASSETTE / FREEWHEEL	Campagnolo Veloce UD 10sp 13-29T
BRAKE	Dia-Compe Aluminum CNC Machined, dimension 47-61mm, silver anodized
BRAKE LEVER	Aluminium bracket diecast, aluminium plate lever silver color, cable adjuster hoods rubber brown color
FRONT HUB	Aluminium 6061, wide flange, sealed bearing, O.L.D. 100mm, 32 hole, silver anodized with QR, with Bianchi old style logo

REAR HUB	Aluminium 6061, wide flange, sealed bearing, O.L.D. 130mm, 32 hole, Campagnolo cassette body in alloy, silver anodized with qr, with Bianchi old style logo
RIM/WHEELSET	Ambrosio Montreal 622x13c, aluminium double wall, anodized silver, 32hole, tubular
OPTION WHEELSET1	Ambrosio Excellence 622x13c, aluminium double wall, anodized silver, 32hole, clincher
TIRE	Vittoria Rally 25mm, 28" tubular para/black
TIRE OPTION	Vittoria Zaffiro Pro III 700x25, 60TPI, Folding, para/black
STEM	Aluminum cold forged, angle 70°, diam. 26mm, silver buffed anodized, with Bianchi old style logo, ext: 80mm (130mm leg)-46/53cm, 100mm(180mm leg)-55/61cm
HANDLEBAR	Classic racing bar, aluminium silver anodized, diam. 26mm, width 380mm (drop 125mm)- 400-420mm (drop145mm) size: 380mm-50cm, 400mm-53/57cm, 420mm-59/63cm
GRIP / TAPE	Velo Cotton tape with silver cups
SEATPOST	Aluminium 6061, diam. 27.2mm, silver anodized
SADDLE	Brooks Team Pro Classic, tubular rivet, chrome rail, 273x160mm, height 67mm
BOTTLE CAGE	Elite Ciussi silver
WATER BOTTLE	Celeste w/Bianchi logo
PEDAL	VP-189T barrel polished aluminium, cage ED black, axle 7mm crmo, ball bearing, Toe clip Cp steel length M (size 50-53-55); length L (size 57-59-61-63), Toe strap in leather white color.

L'EROICA - FRAME KIT



CODE	XLBJ8
COLOR	AA - Celeste Bianchi
FRAME	Bianchi L'Eròica lugged steel frame with Columbus Zona tubing double butted, seatube diam. 27.2mm, head tube 1", lugged chromo finish, shifters pivot on down tube, milled seat stay, Italian BBSet, straight dropout with adjuster, sizes (Center to top): 50-53-55-57-59-61-63cm
SEATPOST CLAMP	Steel heat treated bolt, 8*M6*22mm, with anti-pin and two washer
HEADSET	Aluminium 6061, 1", diam. 26.4mmx30.2mm, threaded steerer tube, cartridge bearing, silver
FORK	Bianchi Steel lugged fork, head w/chromo finish



ALLROAD

MODELS IN THIS CATEGORY

IMPULSO ALLROAD
ALLROAD
NIRONE ALLROAD
LUPO
VOLPE
STRADA
ORSO

PROJECT PHILOSOPHY

- Designed for the riders who have changed the road racing mentality in something different.
- They want a different bike compared to a "classic" road racing bike
- They want a bike to take part in a Marathon, but to be free to explore the raw finish roads

TARGET CONSUMER

/ The ALLROAD bike can be used in a Marathon event but also will take you out to explore the rough roads.

POSITIONING

A bike for every cycling experience: road, commuting, multi-days tourism and cyclocross. One bike to rule them all.

COURSE/TERRAIN

Asphalt, gravel roads, mixed terrain.

END USE DESTINATION

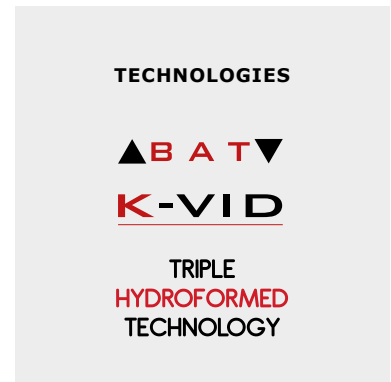
Impulso AllRoad has a racing attitude but is projected for those who burned out from monastical racing life and looks for the adventurous side of cycling.

KEY FEATURES

- New Aluminium frame disc brake specific
- Full carbon fork disc brake specific
- Mudguards ready
- 40mm tires compatible
- Handlebar with 16° flare angle to enhance manoeuvrability

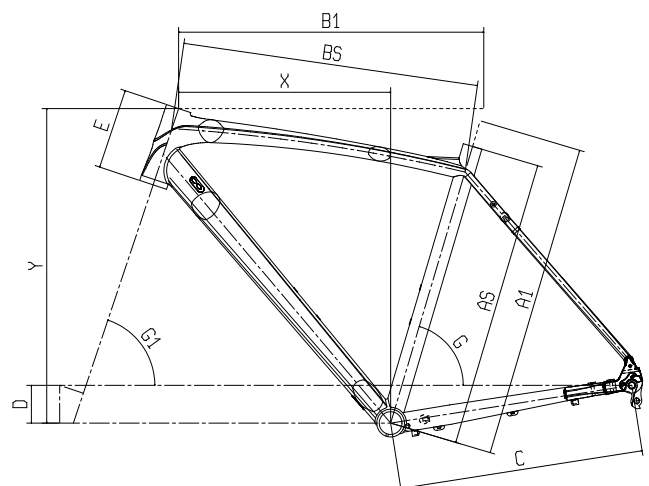
PRODUCT FEATURES

- New lightweight Aluminium frame
- QR50 Thru Axle 12x100/142mm with aluminium QR lever (M12 x P1.5)
- BB set PF41 Shimano
- Flat mount (Shimano standard) disc caliper mount
- 40mm tires compatible
- Full carbon fork 1.1/8"
- Mudguards and carriers ready
- 8 sizes: 47, 50, 53, 55, 57, 59, 61, 63cm



GEOMETRY

A1	AS	B1	BS	C	D	E	G	G1	Y	X
470	450	515	500	437	68	120	74.5°	70°	538	366
500	470	525	509	437	68	125	74.5°	71°	546	374
530	500	535	518	440	68	130	74°	71.5°	553	377
550	520	550	534	440	68	145	73.5°	71.5°	567	382
570	540	560	544	440	68	155	73.5°	72°	578	389
590	570	575	559	443	68	175	73°	72°	597	392
610	580	585	568	443	68	185	72.5°	72.5°	610	393
630	610	595	578	443	68	210	72.5°	72.5°	632	369



IMPULSO ALLROAD - 105 11SP HYDR. DISC



CODE	YNB8C	REAR HUB	Formula RXC-142S road disc, Center Lock, J-Bend spokes, Thru Axle 12x142mm, 4 Sealed Bearings
COLOR	KW - Black/CK16-Graphite matt 1D - CK16/Black-White matt (ON PHOTO) SY - Blue navy (SY Col Available only from Asia direct)	RIM/WHEELSET	Reparto Corse CDX22 Disc, 700c, 622X17c, 32hole, tubeless ready
FRAME	Impulso Allroad Alu, 1.1/8" HT, Seatpost diam 31.6mm, thru axle 12x142mm, Flat Mount disc version, BBset PF41 SHIMANO, 40mm Tire compatible, mudguard and rear carrier ready, sizes 47-50-53-55-57-59-61-63cm	TIRE	Kenda Flintridge 700x35, 60TPI, black
SEATPOST CLAMP	MX-112C alloy, diam. 35mm	STEM	Reparto Corse 3D forged Alloy6061, 7°, 31.8mm, 1.1/8", ext: 70mm-44/46cm, 90mm-50/53cm, 100mm-55cm, 110mm-57/59cm, 120mm-61/63cm
HEADSET	Fsa No.8B/ZS4D 1.1/8" Semi-Integrated lower part + Integrated upper part, w/cap 15mm	HANDLEBAR	Reparto Corse Aluminum 6061, reach 70mm, flare angle 16°, drop cc 120mm x size 40cm and 130mm x size 42-44-46cm, size: 40cm-47/53cm - 42cm-55/59cm, 44cm-61/63cm
FORK	Bianchi Full carbon 1.1/8", Thru axle 12x100mm, Flat Mount disc brake	GRIP / TAPE	Cork w/Bianchi logo
SHIFTER	Shimano ST-RS505 2x11sp	SEATPOST	Reparto Corse AL6061 shaft, alloy head, 15mm offset, diam. 31,6mm, Length: 300mm-44/46cm, 350mm-50/63cm
REAR DERAILLEUR	Shimano 105 RD-5800-L GS 11sp, direct attachment, low gear 28-32T	SADDLE	Selle San Marco Era Startup Power Open, steel rail, cover Silkfeel, 277x145mm
FRONT DERAILLEUR	Shimano 105 FD-5801-L, down swing, band type 34.9mm, 61-66°, CL:43.5mm	BOTTLE CAGE	Alloy, black
CRANKSET	Shimano FC-RS510 50x34T, Crank length: 170mm-47/54cm, 172.5mm-55/59cm, 175mm-61/63cm	WATER BOTTLE	Celeste w/Bianchi logo
BOTTOM BRACKET	Shimano SM-BB72-41B, PressFit		
CHAIN	Shimano CN-HG601-11		
CASSETTE / FREEWHEEL	Shimano 105 CS-5800 11sp, 11-12-13-14-16-18-20-22-25-28-32T		
BRAKE	Shimano BR-RS505, Flat mount caliper		
BRAKE LEVER	included w/shifter		
DISC ROTOR	Shimano SM-RT70, diam. 160mm		
FRONT HUB	Formula CL-712 road disc, Center Lock, J-Bend spokes, Thru axle 12x100mm, 2 Sealed Bearings		

IMPULSO ALLROAD - TIAGRA 10SP HYDR. DISC



CODE	YNB9C	RIM/WHEELSET	Reparto Corse CDX22 disc 700c, 622-17, profile 22mm, 32hole, tubeless ready
COLOR	KW - Black/CK16-Graphite matt (ON PHOTO) SY - Blue Navy (SY Col Available only from Asia direct)	TIRE	Kenda Flintridge 700x35, 60TPI, black
FRAME	Impulso Allroad Alu, 1.1/8" HT , seatpost diam. 31.6mm, thru axle 12x142mm, flat mount, PF41 SHIMANO, compatible with 40mm tire, mudguard and rear carrier ready, sizes 47-50-53-55-57-59-61-63cm	STEM	Reparto Corse 3D forged Alloy6061 , 7°, 31.8mm, 1.1/8", ext: 70mm-44/46cm, 90mm-50/53cm, 100mm-55cm, 110mm-57/59cm, 120mm-61/63cm
SEATPOST CLAMP	MX-112C Aluminium clamp, diam. 35mm	HANDLEBAR	Reparto Corse Aluminum 6061, reach 70mm, flare angle 16°, drop cc 120mm x size 40cm and 130mm x size 42-44-46cm, size: 40cm-47/53cm - 42cm-55/59cm, 44cm-61/63cm
HEADSET	Fsa No.8B/ZS4D 1.1/8" Semi-Integrated lower part + Integrated upper part, w/cap 15mm	GRIP / TAPE	Cork w/Bianchi logo
FORK	Bianchi Full Carbon 1.1/8", flat mount caliper, thru axle 12x100mm	SEATPOST	Reparto Corse Al6061 shaft, alloy head, 15mm offset, 31,6mm, Length 300mm-44/46cm, 350mm-50/63cm
SHIFTER	Shimano ST-RS405 2x11sp	SADDLE	Selle San Marco Era Startup Power Open, steel rail, cover Silkfeel, 277x145mm
REAR DERAILLEUR	Shimano Tiagra RD-4700 GS 10sp, direct attachment, low gear 28-34T for double	BOTTLE CAGE	Alloy, black color
FRONT DERAILLEUR	Shimano Tiagra FD-4700, band type (34.9mm)	WATER BOTTLE	Celeste w/Bianchi logo
CRANKSET	Shimano FC-RS400 50x34T, crank length: 170mm-47/55cm, 175mm-57/63cm		
BOTTOM BRACKET	Shimano Tiagra BB-RS500-PB, PressFit		
CHAIN	Shimano CN-Hg54		
CASSETTE / FREEWHEEL	Shimano CS-HG500-10, 11-13-15-17-19-21-23-26-30-34T		
BRAKE	Included w/shifters		
DISC ROTOR	Shimano SM-RT70, Center Lock, with Ice Technology, diam. 160mm		
FRONT HUB	Formula CL-712 road disc, Center Lock, J-bend spokes, Thru axle 12x100mm, 2SB bearings		
REAR HUB	Formula RXC-142S road disc, center lock, J-bend, thru axle 12x142mm, 4SB bearings		

IMPULSO ALL ROAD - TIAGRA 10SP COMPACT MECH. DISC



CODE	YNB1C	REAR HUB	Formula RXC-142S road disc, center lock, J-bend, thru axle 12x142mm, 4SB bearings
COLOR	KW - Black/CK16-Graphite matt	RIM/WHEELSET	Reparto Corse CDX22 disc 700c, 622-17, profile 22mm, 32hole, tubeless ready
FRAME	Impulso Allroad Alu, 1.1/8" HT , seatpost diam. 31.6mm, thru axle 12x142mm, flat mount, PF41 SHIMANO, compatible with 40mm tire, mudguard and rear carrier ready, sizes 47-50-53-55-57-59-61-63cm	TIRE	Kenda Happy Medium 700x35, 30TPI, black
SEATPOST CLAMP	MX-112C Aluminium clamp, diam. 35mm	STEM	Reparto Corse Alloy 6061, rise +/-7°, 1.1/8", Ext: 70mm-44/46cm, 90mm-50/53cm, 100mm-55cm, 110mm-57/59cm, 120mm-61cm, 130mm-63cm
HEADSET	Fsa NO.8B/ZS4D 1.1/8" semi-integrated lower part + integrated upper part, w/15mm Top cover for 46mm/50 OD head tube	HANDLEBAR	Reparto Corse, alloy 6061 diam. 31,8mm, reach 70mm, flare angle 16°, drop c/c 120-40cm, drop 130mm-42/46cm, size: 40cm-47/53cm, 42cm-55/59cm, 44cm-61/63cm
FORK	Bianchi Full Carbon 1.1/8", flat mount caliper, thru axle 12x100mm	GRIP / TAPE	Cork w/Bianchi logo
SHIFTER	Shimano Tiagra ST-4700 2x11sp	SEATPOST	Reparto Corse AL6061 shaft, alloy head, 15mm offset, 31.6mm, Length: 300mm-44/46cm, 350mm-50/63cm
REAR DERAILLEUR	Shimano Tiagra RD-4700 GS direct attachment, compatible with low gear 28-34T for double, 25-32T for triple	SADDLE	Selle San Marco Era Startup Power Open, steel rail, cover Silkfeel, 277x145mm
FRONT DERAILLEUR	Shimano Tiagra FD-4700, band type (34.9mm)	BOTTLE CAGE	Alloy black
CRANKSET	Shimano FC-RS400 50x34T, Crank length: 170mm-47/55cm, 175mm-57/63cm	WATER BOTTLE	Celeste w/Bianchi logo
BOTTOM BRACKET	Shimano Tiagra BB-RS500-PB, PressFit		
CHAIN	Shimano CN-HG54 super narrow HG 10sp		
CASSETTE / FREEWHEEL	Shimano Tiagra CS-HG500-10, 11-13-15-17-19-21-23-26-30-34T		
BRAKE	Shimano BR-RS305, cable disc brake, resin pad		
BRAKE LEVER	included w/shifters		
DISC ROTOR	Shimano SM-RT64, Center Lock, 160mm		
FRONT HUB	Formula CL-712 road disc, Center Lock, J-bend spokes, Thru axle 12x100mm, 2SB bearings		

POSITIONING

A bike for every cycling experience: road, commuting, multi-days tourism and cyclocross. One bike to rule them all.

COURSE/TERRAIN

Asphalt, gravel roads, mixed terrain.

END USE DESTINATION

All Road has a racing attitude but is projected for those who burned out from monastical racing life and looks for the adventurous side of cycling.

KEY FEATURES

- Alu frame with disc brake caliper mount
- Alu/carbon fork with disc brake caliper mount
- Mudguards and rear carrier ready
- 700x35 tires, 700x32 tires w/mudguards
- 16° flare angle handlebar

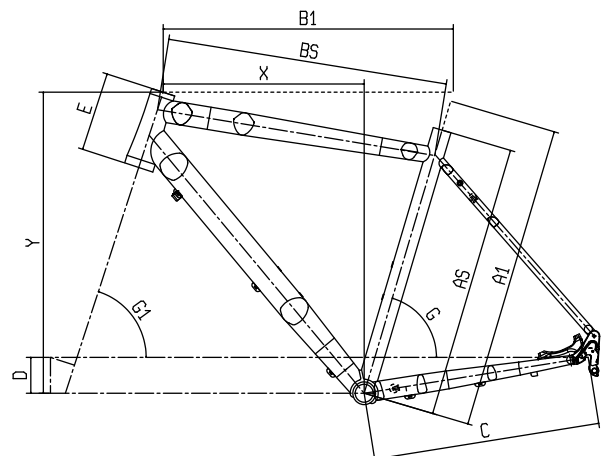
PRODUCT FEATURES

- Light weight alloy frame with butted tube, BSA 68mm.
- A4 Aluminium + 6061 Aluminium triple butted.
- Dropout alloy post mount disc brake version.
- Tire size 700x35c (700x32c with fenders).
- Fork Alu/Carbon post mount disc caliper, tapered 1.5''>1''1/8.
- Ready to fix mudguards and rear carrier.
- 8 sizes: 47, 50, 53, 55, 57, 59, 61, 63cm

GEOMETRY

MIS-SLP

A1	AS	B1	BS	C	D	E	G	G1	Y	X	X
470	440	515	499	425	68	110	74.5°	70.5°	527	369	371
500	470	525	509	425	68	125	74.5°	71°	543	374	375
530	500	535	550	430	68	135	74°	71.5°	554	376	376
550	520	585	563	430	68	150	73.5°	71.5°	568	382	377
570	540	560	543	430	68	165	73.5°	72°	585	387	384
590	560	575	557	435	68	180	73°	72°	599	392	388
610	580	585	566	435	68	195	72.5°	72.5°	615	391	395
630	600	595	577	435	68	210	72.5°	72.5°	630	397	392
630	600	595	578	422	68	220	617	72.5°	73°	622	399



ALLROAD - SORA 9SP COMPACT

THE IMAGE SHOWN IS INDICATIVE ONLY.

Components and graphic details may differ from the actual model.



CODE	YNBK3	RIM/WHEELSET	Reparto Corse ATD490 disc, AL6061, 700c 622-17 compatible with 32mm tire, 32hole, tubeless ready
COLOR	KW - Black/Graphite-CK16	TIRE	Kenda Flintridge 700x35, 30TPI
FRAME	Allroad Alu, seat post diam. 31.6mm, OLD 135mm, post mount disc, 35mm tire compatible, mudguard and rear carrier predisposition (32mm tire), sizes 47-50-53-55-57-59-61-63cm	STEM	Reparto Corse 3D forged Alloy6061 , 7°, 31.8mm, 1.1/8", ext: 70mm-44/46cm, 90mm-50/53cm, 100mm-55cm, 110mm-57/59cm, 120mm-61/63cm
SEATPOST CLAMP	MX-112C alloy, diam. 35mm	HANDLEBAR	Reparto Corse, alloy 6061 diam. 31,8mm, reach 70mm, flare angle 16°, drop c/c 120-40cm, drop 130mm42/46cm, size: 40cm-47/53cm, 42cm-55/59cm, 44cm-61/63cm
HEADSET	Fsa Orbit C-40-ACB ; NO.42/ACB, Sealed ACB Bearings 1.1/8" ACB Top, 1.5" ACB Btm (for 46/56mm Head Tubes), w/15mm alloy cap	GRIP / TAPE	Cork w/Bianchi logo
FORK	Bianchi Alu/Carbon, tapered HT 1.5", post mount disc	SEATPOST	Reparto Corse AL6061 shaft, alloy head, 15mm offset, 31.6mm, Length: 300mm-44/46cm, 350mm-50/63cm
SHIFTER	Shimano Sora ST-R3000 2x9sp	SADDLE	Selle San Marco Era Startup Power, width 145mm
REAR DERAILLEUR	Shimano Sora RD-R3000 GS 9sp, direct mount, Max Low Sprocket 34T	BOTTLE CAGE	Alloy black
FRONT DERAILLEUR	Shimano Sora FD-R3000, band type 34.9mm	WATER BOTTLE	Bianchi Loli 600ml
CRANKSET	Fsa Tempo Adventure 48x32T, crank length: 170mm-47/54cm, 172.5mm-55/59cm, 175mm-61/63cm		
BOTTOM BRACKET	Fsa BB7420-ST 68mm-118mm		
CHAIN	Kmc X9 9sp		
CASSETTE / FREEWHEEL	Shimano CS-HG400-9, 11-13-15-17-20-23-26-30-34T		
BRAKE	Shimano BR-R317, resin pad		
BRAKE LEVER	included w/shifters		
DISC ROTOR	Shimano SM-RT54, 160mm, resin pad only		
FRONT HUB	Formula RB-25 alloy, 2sealed bearing, 14G*100*108mm, w/qr		
REAR HUB	Formula RB-26 alloy, 2 sealed bearings, 14G*130*140mm, w/qr		

ALLROAD - DEORE/ALIVIO 27SP

THE IMAGE SHOWN IS INDICATIVE ONLY.

Components and graphic details may differ from the actual model.



CODE	YNBK4
COLOR	KW - Black/Graphite-CK16
FRAME	Allroad Alu, seat post diam. 31.6mm, OLD 135mm, post mount disc, 35mm tire compatible, mudguard and rear carrier predisposition (32mm tire), sizes 47-50-53-55-57-59-61-63cm
SEATPOST CLAMP	MX-112C alloy, diam. 35mm
HEADSET	Fsa Orbit C-40-ACB ; NO.42/ACB, Sealed ACB Bearings 1.1/8" ACB Top, 1.5" ACB Btm (for 46/56mm Head Tubes), w/15mm alloy cap
FORK	Bianchi Alu/Carbon, tapered HT 1.5", post mount disc
SHIFTER	Shimano ST-EF505 3x9sp
REAR DERAILEUR	Shimano Deore RD-M591-L SGS 9sp, Top normal, direct attachment
FRONT DERAILEUR	Shimano Alivio FD-T4000, band type 34.9mm, 63-66°, for 44/48T, CL: 50mm
CRANKSET	Shimano Alivio FC-T4060 48x36x26T
BOTTOM BRACKET	Shimano SM-BB52
CHAIN	Kmc X9 9sp
CASSETTE / FREEWHEEL	Shimano CS-HG200-9, 11-13-15-17-20-23-26-30-34T
BRAKE	Shimano BR-M315, resin pad
BRAKE LEVER	Included w/shifters
DISC ROTOR	Shimano SM-RT54, 160mm, resin pad only
FRONT HUB	Formula RB-25 alloy, 2sealed bearing, 14G*100*108mm, w/qr
REAR HUB	Formula RB-26 alloy, 2 sealed bearings, 14G*130*140mm, w/qr
RIM/WHEELSET	Reparto Corse ATD490 disc, AL6061, 700c 622-17 compatible with tire 32mm, 32hole, tubeless ready

TIRE	Kenda Flintridge 700x35, 30TPI
STEM	Reparto Corse 3D forged Alloy6061 , 7°, 31.8mm, 1.1/8", ext: 70mm-44/46cm, 90mm-50/53cm, 100mm-55cm, 110mm-57/59cm, 120mm-61/63cm
HANDLEBAR	Alloy 6061 DB, flat bar, width: 620mm, 9° bend, 31.8mm
GRIP / TAPE	Tec Ergonomic Double density, kraton, w/Gel, length 130mm
SEATPOST	Reparto Corse AL6061 shaft, alloy head, 15mm offset, 31,6mm, length: 300mm-44/46cm, 350mm-50/63cm
SADDLE	Selle San Marco Era Startup Power, width 145mm
PEDALS	included
BOTTLE CAGE	Alloy black
WATER BOTTLE	Bianchi Loli 600ml

POSITIONING

The entrance door for every riding experience: road, commuting, cyclocross and tourism

COURSE/TERRAIN

Asphalt, gravel roads, mixed terrain.

END USE DESTINATION

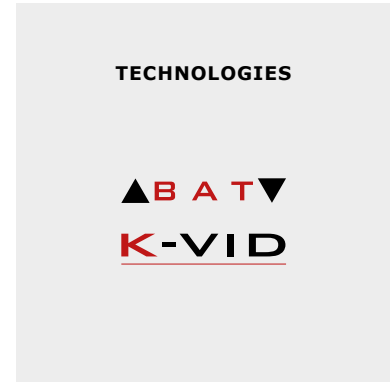
Via Nirone 7 AllRoad has a racing attitude but is projected for those who burned out from monastical racing life and looks for the adventurous side of cycling.

KEY FEATURES

- New aluminium frame disc brake specific
- Alu/carbon fork disc brake specific
- Mudguards ready
- 40mm tires compatible
- Handlebar with 16° flare angle to enhance manoeuvrability

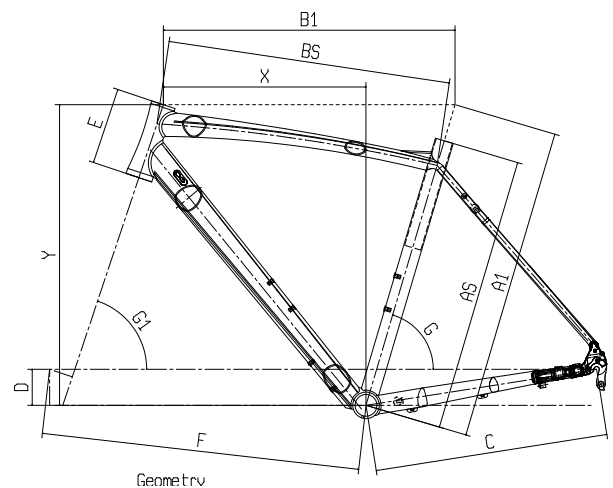
PRODUCT FEATURES

- New aluminium frame with hydroforming tubing
- 68mm BSA BB set
- Flat mount system (Shimano standard)
- 40mm tires compatible
- Alu/carbon fork 1.1/8" with 12x100mm thru axle
- Mudguards and carriers ready
- 8 sizes: 47, 50, 53, 55, 57, 59, 61, 63cm



GEOMETRY

A1	AS	B1	BS	C	D	E	F	G	G1	Y	X
470	450	515	499	437	68	120	588	74.5°	70°	538	355
500	470	525	509	437	68	125	589	74.5°	71°	546	374
530	500	535	514	440	68	130	590	74°	71.5°	553	377
550	520	550	534	440	68	145	600	73.5°	71.5°	567	382
570	540	560	544	440	68	155	605	73.5°	72°	578	389
590	560	575	558	443	68	175	614	73°	72°	597	392
610	580	585	566	443	68	185	615	72.5°	72.5°	609	393
630	600	595	578	443	68	210	624	72.5°	72.5°	632	396



VIA NIRONE 7 ALL ROAD - SORA 9SP COMPACT MECH. DISC

THE IMAGE SHOWN IS INDICATIVE ONLY.

Components and graphic details may differ from the actual model.



CODE	YNB2C
COLOR	KW - Black/Graphite-CK16 full matt
FRAME	Via Nirone 7 Allroad alloy, hydroforming tubing, internal cable, seatpost diam. 31.6mm, flat mount disc, OLD 135mm, 40mm tire clearance, rack & fender ready, sizes 44-46-50-53-55-57-59-61-63cm
SEATPOST CLAMP	MX-112C Aluminium clamp, diam. 35mm
HEADSET	Fsa NO.8B/ZS4D 1.1/8" semi-integrated lower part + integrated upper part, w/15mm Top cover for 46mm/50 OD head tube
FORK	Bianchi Alu/Carbon 1.1/8", flat mount disc, thru axle 12x100mm
SHIFTER	Shimano Sora ST-R3000 2x9sp
REAR DERAILLEUR	Shimano Sora RD-R3000 GS 9sp, direct attachment, Max low sprocket 34T
FRONT DERAILLEUR	Shimano Sora FD-R3000 9sp, band type 34.9mm
CRANKSET	Shimano FC-R345-L 50x34 Octalink, Crank Length: 170mm-44/57cm, 175mm - 59/63cm
BOTTOM BRACKET	Shimano BB-ES300, BSA 68mm-113
CHAIN	Kmc X9 9sp
CASSETTE / FREEWHEEL	Shimano CS-HG400-9, 11-13-15-17-20-23-26-30-34T
BRAKE	Shimano BR-RS305, cable disc brake, resin pad
BRAKE LEVER	included w/shifters
DISC ROTOR	Shimano SM-RT64, Center Lock, 160mm
FRONT HUB	Formula CL-712 road disc, Center Lock, J-bend spokes, Thru axle 12x100mm, 2SB bearings
REAR HUB	Formula CL-26 alloy disc, 2 sealed bearing, 32h, 135mm*145mm, w/qr

RIM/WHEELSET	Reparto Corse ATD470 Al6061 disc, 700c, 622x17, profile 22mm, 32mm tire compatible, 32 hole, tubeless ready
TIRE	Kenda Kwick Tendril 700x32, 32-622, 60TPI, compound SRC, Iron Cap protection, wire bead, black
STEM	Reparto Corse Alloy 6061, rise +/-7°, 1.1/8", Ext: 70mm-44/46cm, 90mm-50/53cm, 100mm-55cm, 110mm-57/59cm, 120mm-61cm, 130mm-63cm
HANDLEBAR	Reparto Corse, alloy 6061 diam. 31,8mm, reach 70mm, flare angle 16°, drop c/c 120-40cm, drop 130mm42/46cm, size: 40cm-47/53cm, 42cm-55/59cm, 44cm-61/63cm
GRIP / TAPE	Cork w/Bianchi logo
SEATPOST	Reparto Corse AL6061 shaft, alloy head, 15mm offset, 31.6mm, Length: 300mm-44/46cm, 350mm-50/63cm
SADDLE	Selle San Marco Era Startup Power Open, steel rail, cover Silkfeel, 277x145mm

VIA NIRONE 7 ALL ROAD - CLARIS 8SP COMPACT MECH. DISC

THE IMAGE SHOWN IS INDICATIVE ONLY.

Components and graphic details may differ from the actual model.



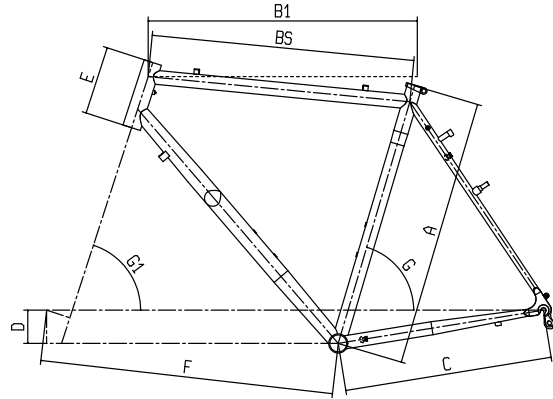
CODE	YNB6C
COLOR	KW - Black/Graphite-CK16 matt
FRAME	Via Nirone 7 Allroad alloy, hydroforming tubing, internal cable, seatpost diam. 31.6mm, flat mount disc, OLD 135mm, 40mm tire clearance, rack & fender ready, sizes 44-46-50-53-55-57-59-61-63cm
SEATPOST CLAMP	MX-112C Aluminium clamp, diam. 35mm
HEADSET	Fsa NO.8B/ZS4D 1.1/8" semi-integrated lower part + integrated upper part, w/15mm Top cover for 46mm/50 OD head tube
FORK	Bianchi Alu/Carbon 1.1/8", flat mount disc, thru axle 12x100mm
SHIFTER	Shimano Claris ST-R2000 2x8sp
REAR DERAILLEUR	Shimano Claris RD-R2000 GS 8sp, direct attachment, max sprocket 34T
FRONT DERAILLEUR	Shimano Claris FD-R2000, band-type 34.9mm
CRANKSET	Shimano FC-RS200 50X34T, Crank Length: 170mm-44/57cm, 175mm-59/63cm
BOTTOM BRACKET	Shimano BB-UN26, cartridge bottom bracket, axle: 110mm, shell: BSA 68mm
CHAIN	Kmc Z72 8sp
CASSETTE / FREEWHEEL	Shimano CS-HG50 8sp, ni-plated, 11-13-15-18-21-24-28-34T
BRAKE	Shimano BR-RS305, cable disc brake, resin pad
BRAKE LEVER	included w/shifters
DISC ROTOR	Shimano SM-RT64, Center Lock, 160mm
FRONT HUB	Formula CL-712 road disc, Center Lock, J-bend spokes, Thru axle 12x100mm, 2SB bearings
REAR HUB	Formula CL-26 alloy disc, 2 sealed bearing, 32h, 135mm*145mm, w/qr

RIM/WHEELSET	Reparto Corse ATD470 Al6061 disc, 700c, 622x17, profile 22mm, 32mm tire compatible, 32 hole, tubeless ready
TIRE	Kenda Kwick Tendril 700x32, 32-622, 60TPI, compound SRC, Iron Cap protection, wire bead, black
STEM	Reparto Corse Alloy 6061, rise +/-7°, 1.1/8", Ext: 70mm-44/46cm, 90mm-50/53cm, 100mm-55cm, 110mm-57/59cm, 120mm-61cm, 130mm-63cm
HANDLEBAR	Reparto Corse, alloy 6061 diam. 31,8mm, reach 70mm, flare angle 16°, drop c/c 120-40cm, drop 130mm42/46cm, size: 40cm-47/53cm, 42cm-55/59cm, 44cm-61/63cm
GRIP / TAPE	Cork w/Bianchi logo
SEATPOST	Reparto Corse AL6061 shaft, alloy head, 15mm offset, 31.6mm, Length: 300mm-44/46cm, 350mm-50/63cm
SADDLE	Selle San Marco Era Startup Power Open, steel rail, cover Silkfeel, 277x145mm

GEOMETRIES

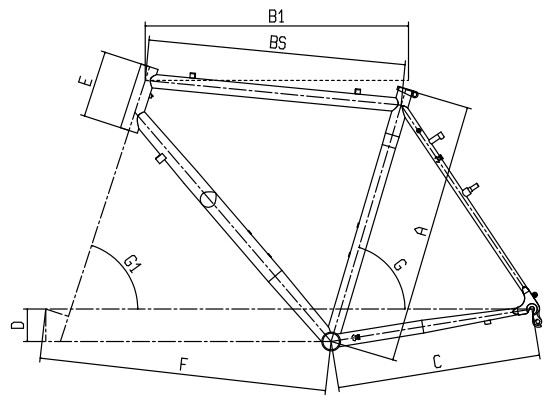
GEOMETRY – VOLPE

A	B1	BS	C	D	E	F	G	G1
460	510	494	425	68	105	586	75°	70.5°
490	520	504	425	68	115	597	74.5°	71°
510	525	511	425	68	120	594	74.5°	71°
530	535	522	425	68	130	595	74°	71.5°
550	550	537	425	68	140	600	73.5°	72°
570	560	548	430	68	155	610	73.5°	72.5°
590	575	563	430	68	170	620	73°	72.5°
610	585	573	430	68	185	620	72.5°	72.5°
630	595	585	430	68	200	630	72.5°	72.5°



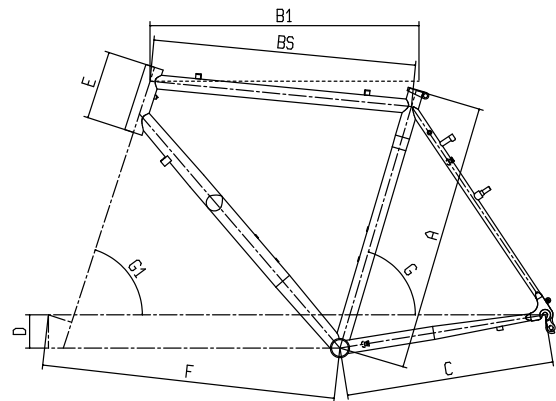
GEOMETRY – LUPO

A	B1	BS	C	D	E	F	G	G1
460	510	494	425	68	105	586	75°	70.5°
490	520	504	425	68	115	597	74.5°	71°
510	525	511	425	68	120	594	74.5°	71°
530	535	522	425	68	130	595	74°	71.5°
550	550	537	425	68	140	600	73.5°	72°
570	560	548	430	68	155	610	73.5°	72.5°
590	575	563	430	68	170	620	73°	72.5°
610	585	573	430	68	185	620	72.5°	72.5°
630	595	585	430	68	200	630	72.5°	72.5°



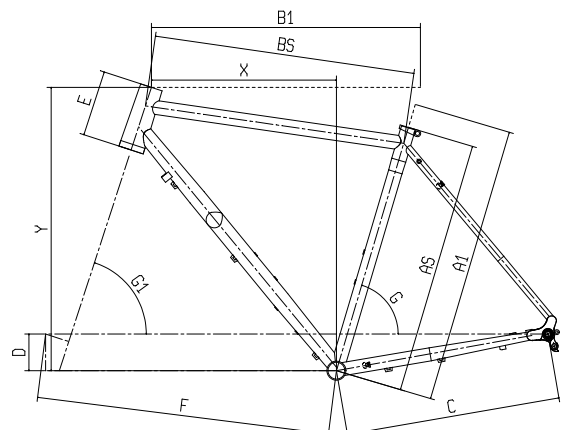
GEOMETRY – STRADA

A	B1	BS	C	D	E	F	G	G1
460	510	494	425	68	105	586	75°	70.5°
490	520	504	425	68	115	597	74.5°	71°
510	525	511	425	68	120	594	74.5°	71°
530	535	522	425	68	130	595	74°	71.5°
550	550	537	425	68	140	600	73.5°	72°
570	560	548	430	68	155	610	73.5°	72.5°
590	575	563	430	68	170	620	73°	72.5°
610	585	573	430	68	185	620	72.5°	72.5°
630	595	585	430	68	200	630	72.5°	72.5°



GEOMETRY – ORSO

A1	AS	B1	BS	C	D	E	F	G	G1	Y	X
460	430	510	496	430	75	100	588	75°	70.5°	542	365
490	460	520	505	430	75	110	594	74.5°	70.5°	551	367
510	480	525	511	435	75	115	599	74.5°	70.5°	556	371
530	500	535	520	435	75	125	600	74°	71°	567	372
550	520	550	534	440	75	135	601	73.5°	72°	581	378
570	540	560	544	440	75	150	610	73.5°	72°	595	384
590	560	575	559	440	75	165	619	73°	72°	609	389
610	580	590	573	440	75	180	623	72.5°	72.5°	626	393



VOLPE - TIAGRA 10SP

THE IMAGE SHOWN IS INDICATIVE ONLY.

Components and graphic details may differ from the actual model.



CODE	YNBC3
COLOR	C1 - CK/Black matt
FRAME	Bianchi Steel Frame Tig Welded, Butted CR-MO main tubes with PG CR-MO rear stays, sizes: 46-49-51-53-55-57-59-61cm
SEATPOST CLAMP	CR-MO bolt w/nut and washer
HEADSET	VP-A51AE, 1.1/8", Alloy, w/Alloy cap
FORK	Bianchi Cr-Mo Tig-Welded, 1.1/8"
SHIFTER	Shimano Tiagra ST-4703 3x10sp
REAR DERAILLEUR	Shimano Tiagra RD-4700 GS 10sp, direct attachment, low gear 25-30T for triple
FRONT DERAILLEUR	Shimano Tiagra FD-4703, band type 31.8mm w/28.6mm adapter for triple
CRANKSET	Shimano Tiagra FC-4703, Hollowtech II style with solid crank, 50x39x30T w/BB(BSA), crank length: 170mm-46/55cm, 172.5mm-57/59cm, 175mm-61cm
BOTTOM BRACKET	Fsa BB7420ST, 113MM
CHAIN	Shimano CN-Hg54
CASSETTE / FREEWHEEL	Shimano Tiagra CS-HG500-10, 11-32T
BRAKE	Shimano BR-CX50, cantilever brakes w/R50T2 shoe
BRAKE LEVER	Included w/shifters
FRONT HUB	Shimano HB-RS400-S, W/QR, 14Gx32Hx100mm, Alloy
REAR HUB	Shimano FH-RS400-S, W/QR, QR: 163MM, 14Gx32Hx130mm, Alloy
RIM/WHEELSET	AlexRims Xc23 Alloy 6061, V-Shape rim profile, 16mm wide, for V-brakes, 700c, 622x16c, compatible with tire 32mm, 32 hole

TIRE	Kenda Kwick Tendril, 700x35c 35-622, 60TPI, compound SRC, protection Iron Cap, wire bead, black
STEM	3D Forged Alloy, rise 7°, diam.31,8mm, ext: 70mm-46cm, 90mm-49/53cm, 100mm-55cm, 110mm-57/59cm, 120mm-61cm
HANDLEBAR	AL6061 DB flat top, diam. 31.8mm, size: 400mm-46/53cm, 420mm-55/59cm, 440mm-61cm
GRIP / TAPE	Cork w/Bianchi logo
SEATPOST	AL2014 shaft, alloy head, 12 mm offset, diam. 27.2 mm, Length 350mm
SADDLE	Wtb Speed V with Comfort Zone, steel rails

LUPO - SORA 9SP COMPACT

THE IMAGE SHOWN IS INDICATIVE ONLY.

Components and graphic details may differ from the actual model.



CODE	YNB88
COLOR	4P - Blue grey
FRAME	Bianchi Steel Frame Tig Welded, Butted CR-MO main tubes with PG CR-MO rear stays, sizes: 46-49-51-53-55-57-59-61cm
SEATPOST CLAMP	CR-MO bolt w/nut and washer
HEADSET	VP-A51AE 1.1/8", Alloy, w/Alloy top cap
FORK	Bianchi Cr-Mo Tig-Welded, 1.1/8"
SHIFTER	Shimano Sora ST-R3000 2x9sp
REAR DERAILLEUR	Shimano Sora RD-R3000 GS 9sp, direct attachment, Max low sprocket 34T
FRONT DERAILLEUR	Shimano Sora FD-R3000 band type 31.8mm
CRANKSET	Shimano Sora FC-3000, Hollowtech II style with solid crank 50x34T, w/BB (BSA),Crank length: 170mm-46/55cm, 175mm-57/61cm
BOTTOM BRACKET	Fsa BB7420ST, 113MM
CHAIN	Shimano CN-HG53 Super Narrow 9sp
CASSETTE / FREEWHEEL	Shimano CS-HG400-9, 11-13-15-17-20-23-26-30-34T
BRAKE	Tektro CR720 cantilever
BRAKE LEVER	Included in the shifter
FRONT HUB	Shimano Sora HB-RS300, 32h, OLD:100mm Axle:108mm, Qr
REAR HUB	Shimano Sora FH-RS300, 32h, OLD:130mm Axle:141mm, Qr
RIM/WHEELSET	AlexRims Xc23 Alloy 6061, V-Shape rim profile, 16mm wide, for V-brakes, 700c, 622x16c, compatible with tire 32mm, 32 hole
TIRE	Kenda Kwick Tendril, 700x32, 32-622 ,60TPI, SRC compound, Iron Cap protection, wire, black

STEM	3D Forged alloy, rise 7°, diam. 31,8mm, ext: 70mm-46cm, 90mm-49/53cm, 100mm-55cm, 110mm-57/59cm, 120mm-61cm
HANDLEBAR	Alloy 6061, Diam 31.8mm, Size: 380mm-46/51cm, 400mm-53/55cm, 420mm-57/61cm
GRIP / TAPE	Cork w/Bianchi logo
SEATPOST	Alloy 6061, 27.2x350mm
SADDLE	Bianchi, Steel satin rail

STRADA - CLARIS 8SP COMPACT

THE IMAGE SHOWN IS INDICATIVE ONLY.

Components and graphic details may differ from the actual model.



CODE	YNBE2
COLOR	KS - Black/Ck glossy SN - Sage green/Black glossy (ON PHOTO)
FRAME	Bianchi Butted Cr-Mo main tubes and PG Cr-Mo rear stays, Tig Welded, size: 46-49-51-53-55-57-59-61cm
SEATPOST CLAMP	CR-MO bolt w/nut and washer
HEADSET	VP-A51AE 1.1/8", Alloy, w/Alloy top cap
FORK	Bianchi Cr-Mo Tig-Welded, 1.1/8"
SHIFTER	Shimano Claris SL-R2000 2x8sp for flat handlebar
REAR DERAILLEUR	Shimano Claris RD-R2000 GS 8sp, direct attachment, max sprocket 34T
FRONT DERAILLEUR	Shimano Claris FD-R2000, band-type 34.9mm w/28.6mm adapter
CRANKSET	Shimano FC-RS200 50x34T, crank length: 170mm-46/55cm, 175mm-57/61cm
BOTTOM BRACKET	Shimano BB-UN26 cartridge bottom bracket, axle:LL113, shell: BSA 68mm
CHAIN	Kmc Z72 8sp
CASSETTE / FREEWHEEL	Shimano CS-HG50 8sp, 11-13-15-18-21-24-28-34T
BRAKE	Tektro CR720 cantilever
BRAKE LEVER	Shimano Claris BL-R2000, for flat handlebar
FRONT HUB	Formula RB-51 alloy, ball bearings, 32h, OLD 100mm, w/QR
REAR HUB	Formula RB-52 alloy, ball bearings, 32h, OLD 130mm, w/QR
RIM/WHEELSET	AlexRims Xc23 Alloy 6061, V-Shape rim profile, 16mm wide, for V-brakes, 700c, 622x16c, compatible with tire 32mm, 32 hole
TIRE	Kenda Kwick Tendril, 700x32, 32-622 ,60TPI, SRC compound, Iron Cap protection, wire, black

STEM	Alloy A-head, Stainless bolts, diam 25,4mm, rise 20°, ext: 80mm-46/53cm, 100mm-55/61cm
HANDLEBAR	Alloy PG, width 620mm, rise 18mm, 9° bend, diam. 25.4mm
GRIP / TAPE	Double density, black, length 130mm
SEATPOST	Alloy 6061, 27.2x350mm
SADDLE	Bianchi, Steel satin rail

ORSO - 105 11SP COMPACT HYDR. DISC



CODE	YNB7E
COLOR	KO - Black/Red Glossy
FRAME	Orso steel, 1.4" - 1.1/8" headset, seatpost diam. 27.2mm, flat mount disc, thru axle 12x142mm, bbset BSA, compatible with 42mm tire, mudguard and rear carrier ready, sizes 46-49-51-53-55-57-59-61cm
SEATPOST CLAMP	Cr-Mo bolt, silver
HEADSET	Fsa NO.11AGY/NO.12B/47-2, 1.1/4" - 1.1/8" semi-cartridge bearings type upper, ABS bearings type lower 45°x45°, 1,5mm alloy Top cover, tapered 46mm/52 OD head tube
FORK	Bianchi Alu/Carbon 1.4" - 1.1/8", flat mount disc brake, thru axle 12x100mm
SHIFTER	Shimano ST-RS505 2x11sp Hydraulic disc brake
REAR DERAILLEUR	Shimano 105 RD-5800-L GS direct attachment, low gear 23-28T, black
FRONT DERAILLEUR	Shimano 105 FD-5801-L, down-swing, 31.8mm band type (w/28.6mm adapter), 61-66°, CL:43.5mm
CRANKSET	Shimano 105 FC-5800-L, Hollowtech II, 50x34T, Crank Length: 170mm-46/55cm, 172.5mm-57/59cm, 175mm-61cm
BOTTOM BRACKET	Fsa BB7420ST, 113MM
CHAIN	Kmc X11 EPT finish
CASSETTE / FREEWHEEL	Shimano 105 CS-5800 11sp, 11-12-13-14-16-18-20-22-25-28-32T
BRAKE	Shimano BR-RS505, flat mount, hydraulic disc brake
BRAKE LEVER	included w/shifters
DISC ROTOR	Shimano SM-RT70, Center Lock, with Ice Technology, diam. 160mm

FRONT HUB	Formula CL-712 road disc, Center Lock, J-bend spokes, Thru axle 12x100mm, 2SB bearings
REAR HUB	Formula RXC-142S road disc, center lock, J-bend, thru axle 12x142mm, 4SB bearings
RIM/WHEELSET	Reparto Corse CDX22 disc 700c, 622-17, profile 22mm, 32hole, tubeless ready
TIRE	Kenda Flintridge 700x40, 60TPI, black
STEM	3D Forged Alloy, rise 7°, 31.8mm, ext: 70mm-46cm, 90mm-49/53cm, 100mm-55cm, 110mm-57/59cm, 120mm-61/63cm
HANDLEBAR	AL6061 DB diam 31.8mm, size: 400mm-46/53cm, 420mm-55/59cm, 440mm-61-63cm
GRIP / TAPE	Cork w/Bianchi logo
SEATPOST	AL6061 shaft, alloy head, 15mm offset, diam. 27,2mm, Length: 300mm-46cm, 350mm-49/61cm
SADDLE	Wtb Speed V Sport SE with Comfort Zone, Steel Rails

ORSO - TIAGRA 10SP COMPACT HYDR. DISC BRAKE



CODE	YNB8E
COLOR	3Z - Military green/Red matt
FRAME	Orso steel, 1.4" - 1.1/8" headset , seatpost diam. 27.2mm, flat mount disc, thru axle 12x142mm, bbset BSA, compatible with 42mm tire, mudguard and rear carrier ready, sizes 46-49-51-53-55-57-59-61cm
SEATPOST CLAMP	Cr-Mo bolt, silver
HEADSET	Fsa NO.11AGY/NO.12B/47-2, 1.1/4" - 1.1/8" semi-cartridge bearings type upper, ABS bearings type lower 45°x45°, 1,5mm alloy Top cover, tapered 46mm/52 OD head tube
FORK	Bianchi Cr-Mo, 1.4"-1.1/8", flat mount disc brake, thru axle 12x100mm
SHIFTER	Shimano Tiagra ST-4700 2x10sp
REAR DERAILLEUR	Shimano Tiagra RD-4700 GS direct attachment, compatible with low gear 28-34T for double, 25-32T for triple
FRONT DERAILLEUR	Shimano Tiagra FD-4700, band type 31.8mm w/28,6mm adapter
BOTTOM BRACKET	Fsa BB7420ST, 113MM
CHAIN	Shimano CN-HG54 super narrow HG 10sp
CASSETTE / FREEWHEEL	Shimano Tiagra CS-HG500-10, 11-13-15-17-19-21-23-26-30-34T
BRAKE	Shimano BR-RS305, cable disc brake, resin pad
BRAKE LEVER	included w/shifters
DISC ROTOR	Shimano SM-RT64, Center Lock, 160mm
FRONT HUB	Formula CL-712 road disc, Center Lock, J-bend spokes, Thru axle 12x100mm, 2SB bearings
REAR HUB	Formula CL-400 disc, Center Lock, J-bend spokes, thru axle 12x142mm, 2 sealed bearings

RIM/WHEELSET	Alex Rims ATD490 road disc, tubeless ready, 622x19
TIRE	Kenda Happy Medium 700x40, 60TPI, black
STEM	3D Forged Alloy, rise 7°, 31.8mm, ext: 70mm-46cm, 90mm-49/53cm, 100mm-55cm, 110mm-57/59cm, 120mm-61/63cm
HANDLEBAR	AL6061 DB diam 31.8mm, size: 400mm-46/53cm, 420mm-55/59cm, 440mm-61-63cm
GRIP / TAPE	Cork w/Bianchi logo
SEATPOST	AL6061 shaft, alloy head, 15mm offset, diam. 27,2mm, Length: 300mm-46cm, 350mm-49/61cm
SADDLE	Wtb Speed V Sport SE w/Comfort Zone, steel rails

ORSO - SORA 9SP COMPACT HYDR. DISC



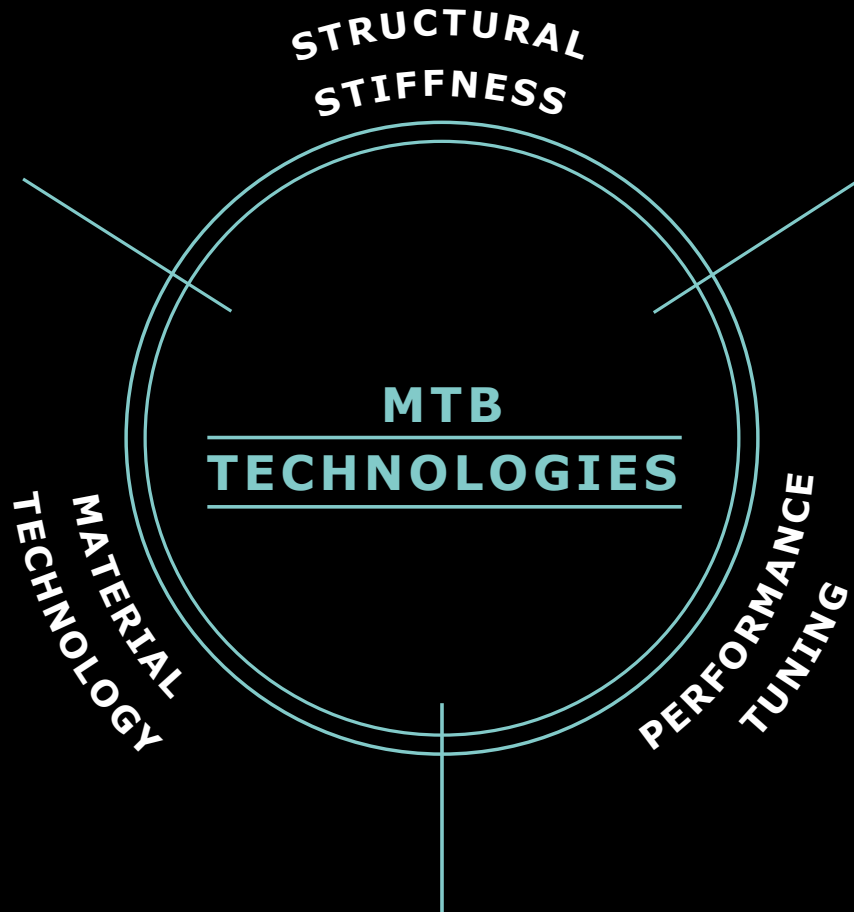
CODE	YNB9E
COLOR	KP - Graphite/Black-CK16 glossy
FRAME	Orso steel, 1.4" - 1.1/8" headset , seatpost diam. 27.2mm, flat mount disc, thru axle 12x142mm, bbset BSA, compatible with 42mm tire, mudguard and rear carrier ready, sizes 46-49-51-53-55-57-59-61cm
SEATPOST CLAMP	Cr-Mo bolt, silver
HEADSET	Fsa NO.11AGY/NO.12B/47-2, 1.1/4" - 1.1/8" semi-cartridge bearings type upper, ABS bearings type lower 45°x45°, 1,5mm alloy Top cover, tapered 46mm/52 OD head tube
FORK	Bianchi Cr-Mo, 1.4"-1.1/8", flat mount disc brake, thru axle 12x100mm
SHIFTER	Shimano Sora ST-R3000 2x9sp
REAR DERAILLEUR	Shimano Sora RD-R3000 GS 9sp, direct attachment, Max low sprocket 34T
FRONT DERAILLEUR	Shimano Sora FD-R3000, band type 34.9mm w/28.6mm adapter
CRANKSET	Shimano Sora FC-R3000 50x34T, Crank Length: 165mm-46/50cm, 170mm-53/57cm, 172.5mm-59/61cm
BOTTOM BRACKET	Fsa BB7420ST, 113MM
CHAIN	Kmc X9 9sp
CASSETTE / FREEWHEEL	Shimano CS-HG400-9, 11-13-15-17-20-23-26-30-34T
BRAKE	Tektro MD-C510 , cable disc brake, flat mount caliper
BRAKE LEVER	included w/shifters
DISC ROTOR	Tektro TR-160-35, Center Lock, 160mm
FRONT HUB	Formula CL-712 road disc, Center Lock, J-bend spokes, Thru axle 12x100mm, 2SB bearings

REAR HUB	Formula CL-400 disc, Center Lock, J-bend, thru axle 12x142mm, 2 sealed bearings
RIM/WHEELSET	Alex Rims ATD490 road disc, tubeless ready, 622x19
TIRE	Kenda Happy Medium 700x40, 60TPI, black
STEM	3D Forged Alloy, rise 7°, 31.8mm, ext: 70mm-46cm, 90mm-49/53cm, 100mm-55cm, 110mm-57/59cm, 120mm-61/63cm
HANDLEBAR	AL6061 DB diam 31.8mm, size: 400mm-46/53cm, 420mm-55/59cm, 440mm-61-63cm
GRIP / TAPE	Cork w/Bianchi logo
SEATPOST	AL6061 shaft, alloy head, 15mm offset, diam. 27,2mm, Length: 300mm-46cm, 350mm-49/61cm
SADDLE	Bianchi, steel rails

MTB

XC CROSS-COUNTRY
TRAIL
ENDURO





MATERIAL TECHNOLOGY



STRUCTURAL STIFFNESS



PERFORMANCE TUNING



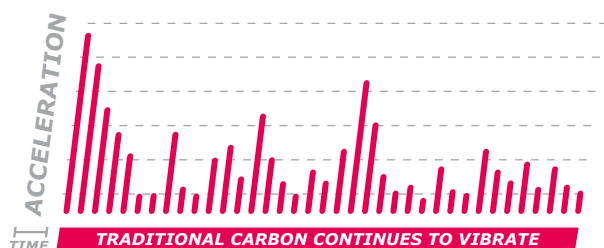
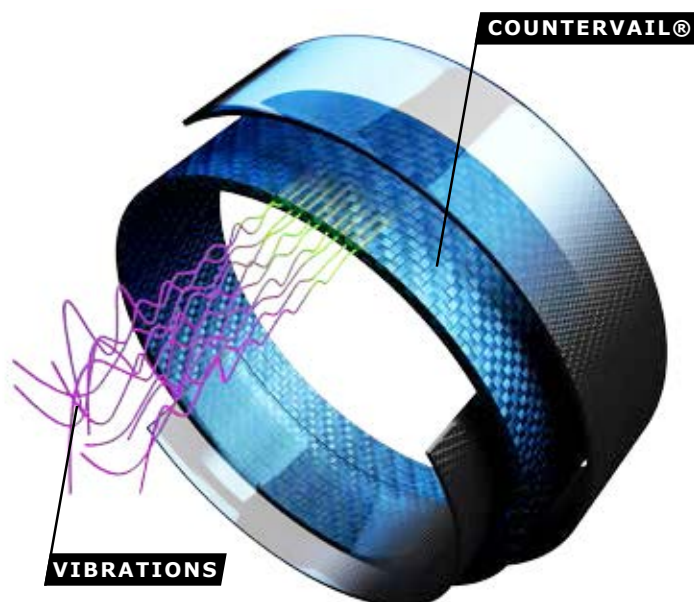
BOOST 148



Bianchi



ENGINEERED WITH



CANCELS
80%
OF
VIBRATIONS

ONE TECHNOLOGY, TUNED FOR EVERY NEED.

BIANCHI CV INTEGRATED VIBRATION CANCELLING SYSTEM

Bianchi collaborated with Materials Sciences Corporations to develop our innovative and exclusive use of the MSC's patented Countervail® integrated vibration cancelling system for cycling. Countervail® is a patented carbon material with a unique fiber architecture and viscoelastic resin that cancels 80% of vibrations while increasing the stiffness and strenght of our Methanol CV carbon frame. Countervail is embedded within the layup of Bianchi CV high-performance models.

PROVEN IN NASA AEROSPACE OPERATIONS

Traditional passive damping in frames using superficial rubber inserts and isolators are marginally effective compared to the integrated carbon Countervail® system developed by Bianchi for cycling and proven in the extreme conditions of NASA aerospace operations.

Bike with this technology:
Methanol CV





Reinforcement carbon ribs embedded into the main tube profiles torsional stiffness of the head tube and the Bottom Bracket area. The crank-frame interface becomes stronger

Bikes with this technology:
ALL METHANOL

ADVANTAGES
Increased torsional rigidity

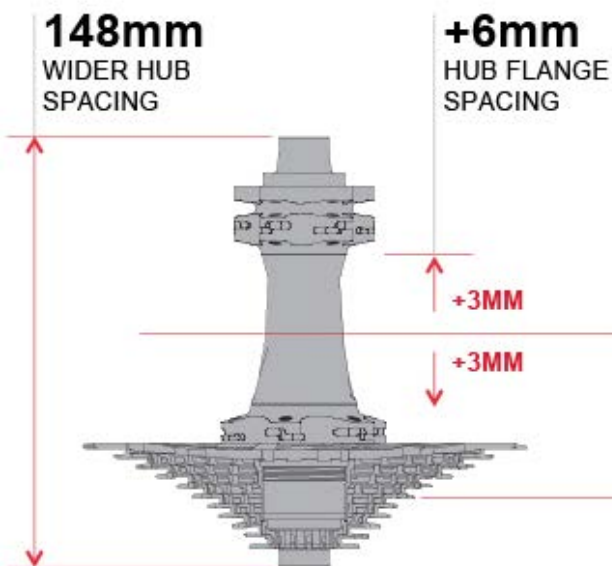


ASYMMETRICAL REAR STAYS

Optimized rear stays design to obtain a very compact and reactive rear triangle without sacrificing on chainline clearance. It fits different chainrings combinations and it is optimized to improve power transmission on the driveside

Bikes with this technology:
ALL METHANOL

ADVANTAGES
Increased power reactivity
Increased pedalling performance



BOOST 148

Boost is a new wheel and drivetrain specification

Increased wheel stiffness and durability

Better riding efficiency and bike handling precision
Improved frame geometry with shorter chain stays

Wilder range of chainring options

More clearance for bigger tires

Bike with this technology:
METHANOL CV, SX / GRIZZLY / AVENGER (E-MTB) / ASCENT (E-MTB)

ADVANTAGES

Increased wheel stiffness and durability
Better riding efficiency and bike handling precision
Improved frame geometry with shorter chain stays
Wilder range of chainring options
More clearance for bigger tires



SHOCK ABSORBING STAYS

Special designed stays with "S" shape and laminated with carbon/glass fibers enhance absorption of vertical shocks on the rear stays without weakening torsional stiffness

Bikes with this technology:
ALL METHANOL / GRIZZLY

ADVANTAGES

Increased shock absorption
Increased power transmission

MTB RANGE OVERVIEW

	XC/MARATHON 100MM<	TRAIL 110>140MM	ENDURO >150MM
RACING	METHANOL CV METHANOL SX METHANOL FS		
PERFORMANCE	GRIZZLY	ETHANOL FST	ETHANOL FSE
OFF-ROAD	KUMA DUEL		

BIKE FIT CHART

HANDLEBAR / STEM / CRANKSET SIZE

CROSS COUNTRY											TRAIL			ENDURO			MTB Crankset		
Methanol 29 FS			Methanol 29 CV/SX			Grizzly			Kuma 27/29 Duel			Ethanol FS Jab FS Jab Plus			Ethanol FS			Frame Size	Length
Frame Size	Stem Size	Handle-bar Width	Frame Size	Stem Size	Handle-bar Width	Frame Size	Stem Size	Handle-bar Width	Frame Size	Stem Size	Handle-bar Width	Frame Size	Stem Size	Handle-bar Width	Frame Size	Stem Size	Handle-bar Width	Frame Size	Length
			15"	70	700 720	15"	80	720	15"	80	720	15"	70	740	15"	60	740	15"	170
17"	90	700 720	17"	90	700 720	17"	80	720	17"	80	720	17"	70	740	17"	60	740	17"	170 175
19"	100	700 720	19"	90	700 720	19"	90	720	19"	90	720	19"	80	740	19"	60	740	19"	170 175
21"	100	700 720	21"	100	700 720	21"	90	720	21"	90	720	21"	80	740	21"	70	740	21"	175

RACING

PROJECT PHILOSOPHY

- / Extreme rigidity for maximum power transmission
- / Super reactive geometry for better handling and responsiveness
- / Light weight

TARGET CONSUMER

- / Those who want a pure speed machine with no compromises
- / The rider who has a racing mindset and a competitive attitude

MODELS
IN THIS CATEGORY:

METHANOL CV
METHANOL SX
METHANOL FS

PERFORMANCE

PROJECT PHILOSOPHY

- / Stiffness/suppleness optimized ratio
- / Reactive geometry for race-ready handling and responsiveness
- / Reliability at still a light weight

TARGET CONSUMER

- / Those who want a very versatile bike which can still be raced on
- / Any sporty people who want a premium quality bike for every kind of riding

MODELS
IN THIS CATEGORY:

GRIZZLY
ETHANOL FS

OFF-ROAD

PROJECT PHILOSOPHY

- / Comfortable bike for on and off road leisure riding
- / Geometry optimized for a comfortable handling and riding position
- / Ready for commute/trekking accessories

TARGET CONSUMER

- / Those who want a very polyvalent bike
- / Any beginner or junior who wants a premium quality bike with a Pure Italian Design

MODELS
IN THIS CATEGORY:

KUMA
DUEL



XC CROSS COUNTRY

MODELS IN THIS CATEGORY

METHANOL CV
METHANOL SX
METHANOL FS
GRIZZLY
KUMA
DUEL

PROJECT PHILOSOPHY

- / Fast, light and aggressive.
- / The XC Bianchi frames are built to offer maximum power transfer combined with stability and precise handling.

TARGET CONSUMER

- / Our Cross Country bikes are designed to offer optimal performance for professional racers and anyone who wants to enjoy a thrilling ride in the woods.

METHANOL CV

POSITIONING

New 29" XCO racing machine engineered with Countervail® carbon material.

With Methanol CV the rider can tame the trail faster, more smoothly, in greater control and hold more aggressive lines. The best racing machine without price compromises.

COURSE/TERRAIN

Fast modern XCO races and technical XCM events.

END USE DESTINATION

For professional racers and expert riders looking for a fast, light and aggressive bike.

PRODUCT FEATURES

- Hi-modulus carbon fiber with COUNTERVAIL material
- 29" wheelsize (38,43,48,53 sizes)
- 12x148mm BOOST Rear Axle
- Tapered Head tube
- PressFit BB 41x92mm
- High Direct Mount FD
- 27,2mm seatpost
- 429mm chain stay length
- Di2 compatible, internal cable routing for dropper seatpost - compatible, Shimano side-swing FD compatible

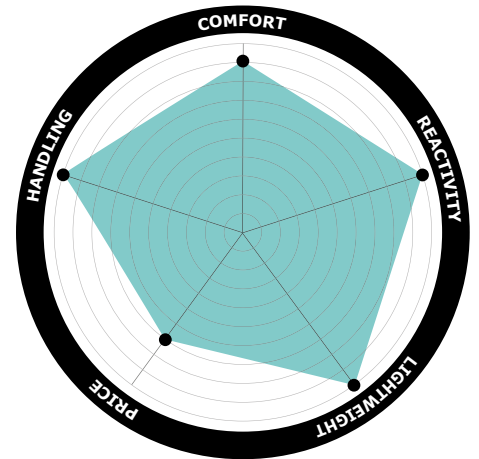
reporto corsa

AFTER SHOCK CONTROL

TECHNOLOGIES

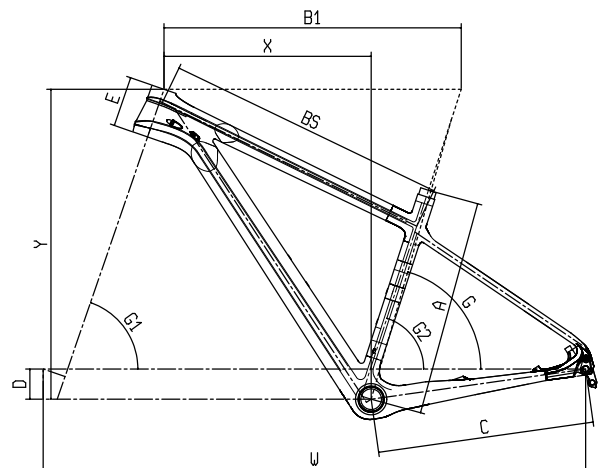
COUNTERVAIL®

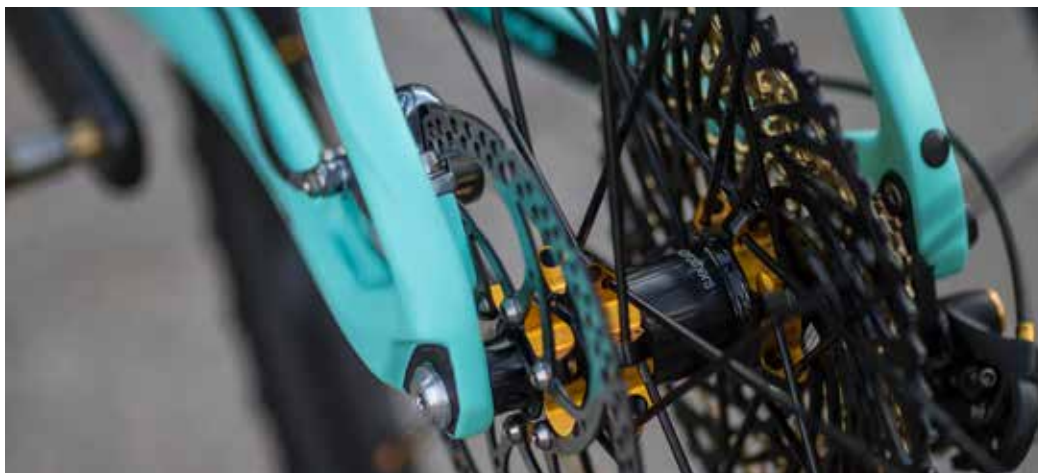
BOOST 148



GEOMETRY – Racing

SIZE	A"	A	B1	BS	C	D	E	G	G2	G1	Y	X	W	
S	15"	15"	380	570	555	429	60	90	74°	72°	70°	601	395	1067
M	17"	17"	430	590	567	429	60	100	74°	72°	71°	615	410	1077
L	19"	18,5"	470	615	587	429	60	110	74°	72°	71°	625	433	1102
XL	21"	20,5"	520	635	605	429	60	120	74°	72°	71°	635	450	1122





BOOST

/ 12x148mm BOOST
thru axle



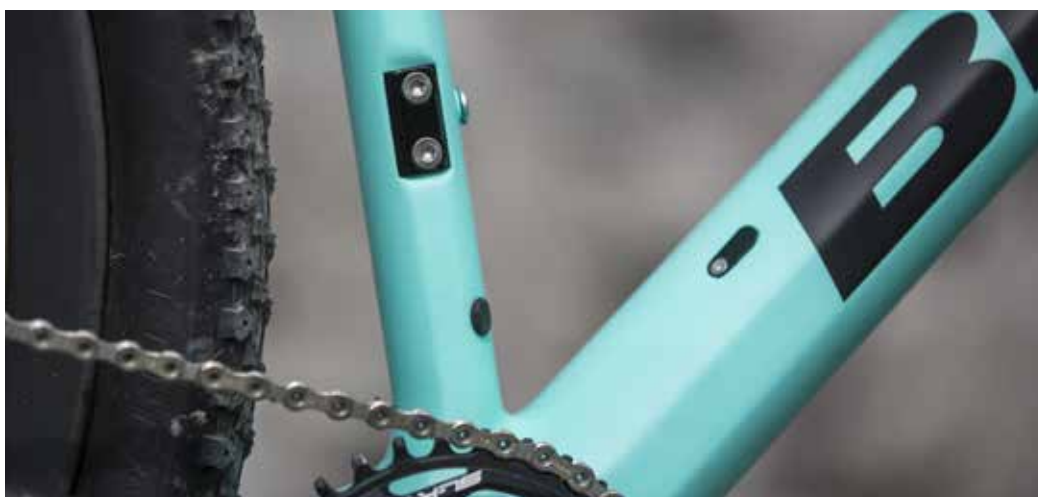
PRESSFIT

/ Pressfit BB 41X92mm



SEATPOST

/ Seatpost 27,2mm



HIGH DIRECT MOUNT

/ HDM FD
w/removable FD hanger
for 1x drive train

AFTER SHOCK CONTROL

OPTIMIZED TO OUTPERFORM

The Methanol cv with revolutionary Countervail®'s unique carbon fiber architecture and viscoelastic properties delivers total "AFTER-SHOCK CONTROL" by eliminating vibrations that pass through the suspension after impact and from trail buzz.

REDUCED FATIGUE

Countervail® technology reduces vibration and dissipates trail buzz more quickly and more effectively than any other material technology – 80% more. Less trail vibrations reach you, reducing muscular fatigue so you've more energy to attack the trails a significant performance advantage.

DEVELOPED IN
COOPERATION WITH
TEAM BIANCHI
COUNTERVAIL

GREATER TRAIL CONTROL

Improved traction delivers more control under braking, sprinting, cornering, climbing and beyond.

MAXIMUM POWER DELIVERY

Countervail® frame, wide-stanced bb92 bottom bracket and short chainstays combine to create an optimally stiff and direct pedalling platform for maximum power transfer.

METHANOL CV TEAM EDITION - XTR DI2 1X11SP



CODE	YNBB8	TIRE	Kenda Honey Badger XC Pro 29x2.05, DTC/Tubeless Race compound, Tubeless race, 120Tpi, folding, ETRTO 50-622
COLOR	CH - CK16/Black matt	STEM	Fsa K-Force Light OS-100 CSI, 3D forged/machined AL7050 w/AL2014/Carbon faceplate, 1.1/8", diam. 31,8mm, +/-12°, ext: 70mm-15", 90mm-17,19" and 100mm-21"
FRAME	Methanol CV 29" carbon HM monocoque w/Countervail, 1.5" tapered HT, Pressfit BB92 (41x92mm), High direct mount, bottom pull or Side Swing, 27,2mm seatpost, PM 160mm carbon dropout 12x148mm BOOST Shimano thru axle, internal cable routing Di2 compatible, sizes 15,17,19,21"	HANDLEBAR	Fsa K-Force Light flat UD carbon/Kevlar composite, width 700mm, diam. 31.8mm, backsweep 6°, upsweep 0°
BOLTS / HARDWARE	Carbon-Ti bolts AL7075-T6, large button head, Torx M5*14mm (15"> 2 pcs-17,19,21">4pcs), w/ Bianchi & Carbon-Ti logo	GRIP / TAPE	T-One T-GP43X, Silicone grips, length 130mm
SEATPOST CLAMP	diam. 31,8mm	SEATPOST	Fsa K-Force Light, UD carbon monocoque w/2-bolts MTC head, 27,2mm, 25mm seatback, Di2 compatible, length: 350mm-15", 400mm-17/21"
HEADSET	Fsa Orbit C-40, NO.42/ACB-A, 1.1/8"-1.5" w/4.3mm cap	SADDLE	Fi'zi:k Tundra M3, carbon braided rail, 290x125mm
FORK	Fox 32 SC 29" Factory Kashima remote, 100mm travel, FIT4 2 position remote w/open mode adj, 1.5" ALU Tapered HT, 15x110mm axle	BOTTLE CAGE	Elite Cannibal carbon, matte finishing
SHIFTER	Shimano XTR Di2 SW-M9050-R 1x11sp	WATER BOTTLE	Elite Corsa 550ml, Team Replica
REAR DERAILLEUR	Shimano XTR Di2 M9050 GS Shadow+ design 11sp, direct attachment		
CRANKSET	Fsa SL-K BB392EVO Modular 1x 32T, hollow carbon monocoque arm, 148 BOOST, Q-Factor 168mm, BCD 96mm, crank length: 170mm-15", 175mm-17/21"		
BOTTOM BRACKET	Fsa BB-EL237 for BB92		
CHAIN	Fsa Team Issue 11sp		
CASSETTE / FREEWHEEL	Shimano CS-M8000-11, 11sp, 11-46T		
BRAKE	Shimano XTR M9000, w/180mm front adaptor, metal pad w/o fin		
DISC ROTOR	Shimano RT86 6-Bolt type w/Ice Tech, 180mm front and 160mm rear		
RIM/WHEELSET	Crankbrothers Cobalt 3 29, thru axle F:15x110mm, R:12x148mm, Alloy UST tubeless native rim, width 23mm		
OPTION WHEELSET1	Crankbrothers Cobalt 11 29, thru axle F:15x110mm, R:12x148mm, carbon UST tubeless native rim, width 21mm		

METHANOL 9.1 CV - XX1 EAGLE 1X12SP



CODE	YNB73	RIM/WHEELSET	DT Swiss XR1501 Spline 29" 25mm, 15x110TA front, 12x148TA rear XD body, TL-ready rims w/o eyelets including tubeless band and valve, 25mm inner width
COLOR	CH- CK16/Black matt	OPTION WHEELSET1	DT Swiss XRC 1200 Spline 29" Carbon 25mm, F: 15x110TA, R: 12x148TA w/XD driver body, TL-ready rim w/o eyelets including tubeless band and valve, 25mm inner width
FRAME	Methanol CV 29" carbon HM monocoque w/ Countervail, 1.5" tapered HT, Pressfit BB92 (41x92mm), High direct mount, bottom pull or Side Swing, 27,2mm seatpost, PM 160mm carbon dropout 12x148mm BOOST Shimano thru axle, internal cable routing Di2 compatible, sizes 15,17,19,21"	TIRE	Kenda Honey Badger XC Pro 29x2.05, DTC/ Tubeless Race compound, Tubeless race, 120Tpi, folding, ETRTO 50-622
BOLTS / HARDWARE	Carbon-Ti bolts AL7075-T6, large button head, Torx M5*14mm (15"> 2 pcs-17,19,21">4pcs), w/ Bianchi & Carbon-Ti logo	STEM	Fsa K-Force Light OS-100 CSI, 3D forged/ machined AL7050 w/AL2014/Carbon faceplate, 1.1/8", diam. 31,8mm, +/-12°, ext: 70mm-15", 90mm-17,19" and 100mm-21"
SEATPOST CLAMP	diam. 31,8mm	HANDLEBAR	Fsa K-Force Light flat UD carbon/Kevlar composite, width 700mm, diam. 31.8mm, backsweep 6°, upsweep 0°
HEADSET	Fsa Orbit C-40, NO.42/ACB-A, 1.1/8"-1.5" w/4.3mm cap	GRIP / TAPE	T-One T-GP43X, Silicone grips, length 130mm
FORK	Fox 32 SC 29" Factory Kashima remote, 100mm travel, FIT4 2 position remote w/open mode adj, 1.5" ALU Tapered HT, 15x110mm axle	SEATPOST	Fsa K-Force Light, UD carbon monocoque w/2-bolts MTC head, 27,2mm, 25mm seatback, Di2 compatible, length: 350mm-15", 400mm-17/21"
SHIFTER	Sram XX1 Eagle 12sp trigger	SADDLE	Fi'zi:k Tundra M3, carbon braided rail, 290x125mm
REAR DERAILLEUR	Sram XX1 Eagle 12sp long cage	BOTTLE CAGE	Elite Cannibal
CRANKSET	Sram XX1 Eagle 32T Gxp, carbon arms, 52mm chainline 148 BOOST compatible, 168mm Q-Factor, direct mount chainring, crank length 170mm-15", 175mm-17/21"	WATER BOTTLE	Elite Corsa 550ml, Team Replica
OPTION CRANKSET	Rotor Rex 1.1 InPower 32T, alloy arms, 52mm chainline BOOST 148mm, 163mm Q- Factor, BCD76, crank length: 170mm-15" & 175mm-17/21"		
BOTTOM BRACKET	Sram PressFit 41x92mm		
CHAIN	Sram PC-XX1 Eagle 12sp w/PowerLock		
CASSETTE / FREEWHEEL	Sram XG-1295 Eagle 10-12-14-16-18-21-24-28-32-36-42-50T		
BRAKE	Sram Level Ultimate w/matchmakerX clamp		

METHANOL 9.2 CV- XTR 1X11SP



CODE	YNB74	DISC ROTOR	Shimano RT86 6-Bolt type w/Ice Tech, 180mm front and 160mm rear
COLOR	CH - CK16/Black matt	RIM/WHEELSET	DT Swiss XR 1501 Spline 29" 25mm, F: 15x110TA, R:12x148TA, TL-ready rim w/o eyelets including tubeless band and valve, 25mm inner width
FRAME	Methanol CV 29" carbon HM monocoque w/ Countervail, 1.5" tapered HT, Pressfit BB92 (41x92mm), High direct mount, bottom pull or Side Swing, 27,2mm seatpost, PM 160mm carbon dropout 12x148mm BOOST Shimano thru axle, internal cable routing Di2 compatible, sizes 15,17,19,21"	OPTION WHEELSET1	DT Swiss XRC 1200 Spline 29" Carbon 25mm, F: 15x110TA, R: 12x148TA, TL-ready rim w/o eyelets including tubeless band and valve, 25mm inner width
BOLTS / HARDWARE	Carbon-Ti bolts AL7075-T6, large button head, Torx M5*14mm (15"> 2 pcs-17,19,21">4pcs), w/ Bianchi & Carbon-Ti logo	TIRE	Kenda Honey Badger XC Pro 29x2.05, DTC/ Tubeless Race compound, Tubeless race, 120Tpi, folding, ETRTO 50-622
SEATPOST CLAMP	diam. 31,8mm	STEM	Fsa SL-K, 3D Forged/CNC AL2014 w/UD Carbon faceplate, +/-12°, 1.1/8", diam. 31.8mm, size 70mm for 15", 90mm for 17,19" and 100mm for 21"
HEADSET	Fsa Orbit C-40, NO.42/ACB-A, 1.1/8"-1.5" w/4.3mm cap	HANDLEBAR	Fsa SL-K flat, AL6066 w/carbon wrap, width 700mm, diam. 31.8mm, backsweep 9°, upsweep 4°
FORK	Fox 32 SC 29" Factory Kashima remote, 100mm travel, FIT4 2 position remote w/open mode adj, 1.5" ALU Tapered HT, 15x110mm axle	GRIP / TAPE	T-One T-GP43X, Silicone grips, length 130mm
SHIFTER	Shimano XTR SL- M9000R 1x11sp, I-spec II	SEATPOST	Fsa SL-K ITC, UD Carbon shaft, diam. 27,2mm, 0-15 mm seatback, length 350mm-17" and 400mm-19/21"
REAR DERAILLEUR	Shimano XTR RD-M9000GS Shadow+ Design 11sp, top normal, direct attachment	SADDLE	Fi'zi:k Tundra M7 VS, 7mm Mg rails
CRANKSET	Fsa SL-K BB392EVO Modular 1x 32T, hollow carbon monocoque arm, 148 BOOST, 168mm Q-Factor, BCD 96mm, crank length 170mm-15" and 175mm-17/21"	BOTTLE CAGE	Elite Paron composit
OPTION CRANKSET	Rotor Rex 1.1 InPower 32T, alloy arms, 52mm chainline BOOST 148mm, 163mm Q- Factor, BCD76, crank length: 170mm-15" & 175mm-17/21"	WATER BOTTLE	Elite Corsa 550ml, Team Replica
BOTTOM BRACKET	Fsa BB-EL237 for BB92		
CHAIN	Kmc X11-1 EPT finish, 11sp		
CASSETTE / FREEWHEEL	Shimano CS-M8000-11, 11sp, 11-46T		
BRAKE	Shimano XTR M9000, w/180mm front adaptor, metal pad w/o fin		

METHANOL 9.3 CV - X0 EAGLE 1X12SP



CODE	YNBR1	RIM/WHEELSET	Crankbrothers Cobalt 2 29, thru axle F:15x110mm, R:12x148mm, XD driver body, alu UST tubeless rim
COLOR	CH - CK16/Black matt	OPTION WHEELSET1	DT Swiss XR 1501 Spline 29" 25mm, thru axle F: 15x110mm, R: 12x148mm, XD driver body, TL-ready rim w/o eyelets including tubeless band and valve, 25mm inner width
FRAME	Methanol CV 29" carbon HM monocoque w/ Countervail, 1.5" tapered HT, Pressfit BB92 (41x92mm), High direct mount, bottom pull or Side Swing, 27,2mm seatpost, PM 160mm carbon dropout 12x148mm BOOST Shimano thru axle, internal cable routing Di2 compatible, sizes 15,17,19,21"	TIRE	Kenda Honey Badger XC Pro 29x2.05, DTC/ Tubeless Race compound, Tubeless race, 120Tpi, folding, ETRTO 50-622
BOLTS / HARDWARE	Carbon-Ti bolts AL7075-T6, large button head, Torx M5*14mm (15"> 2 pcs-17,19,21">4pcs), w/ Bianchi & Carbon-Ti logo	STEM	Tec Cursus, 3D forged AL7050-T6, +/-7°, 1.1/8", diam 31.8mm, ext: 70mm-15", 90mm-17/19", 100mm-21"
SEATPOST CLAMP	diam. 31,8mm	HANDLEBAR	Tec Cursus flat, double butted AL2014-T6, width 720mm, diam. 31,8mm, backsweep 9°
HEADSET	Fsa Orbit C-40, NO.42/ACB-A, 1.1/8"-1.5" w/4.3mm cap	GRIP / TAPE	T-One T-GP43X, Silicone grips, length 130mm
FORK	Fox 32 SC 29" Performance remote, 100mm travel, GRIP 2 position remote, 1.5" Tapered HT, 15x110mm axle	SEATPOST	Tec Cursus Carbon, carbon UD shaft with forged head, diam. 27.2mm, 20mm seatback, length: 350mm-15", 400mm-17/21"
SHIFTER	Sram X01 Eagle 1x12sp	SADDLE	Fi'zi:k Tundra M7 VS, 7mm Mg rails
REAR DERAILLEUR	Sram X01 Eagle 12sp long cage	BOTTLE CAGE	Elite Paron composit
CRANKSET	Sram X1 CARBON GXP 32T, carbon arms, direct mount chainring, 52mm chainline BOOST compatible, crank length: 170mm-15", 175mm-17/21"	WATER BOTTLE	Bianchi Loli 600ml custom
OPTION CRANKSET	Rotor Rex 1.1 InPower 32T, alloy arms, 52mm chainline BOOST 148mm, 163mm Q- Factor, BCD76, crank length: 170mm-15" & 175mm-17/21"		
BOTTOM BRACKET	Sram PressFit 41x92mm		
CHAIN	Sram GX Eagle 12sp		
CASSETTE / FREEWHEEL	Sram XG-1275 12sp, 10-12-14-16-18-21-24-28-32-36-42-50T		
BRAKE	Shimano XT BR-M8000, w/180mm adaptor for front, resin pad w/o fin		
DISC ROTOR	Shimano RT-76, 6 bolts type, 180mm front and 160mm rear		

METHANOL 9.4 CV - GX EAGLE 1X12SP



CODE	YNBI2	OPTION WHEELSET1	DT Swiss XR 1501 Spline 29" 25mm, thru axle F: 15x110mm, R: 12x148mm, XD driver body, TL-ready rim w/o eyelets including tubeless band and valve, 25mm inner width
COLOR	CH - CK16/Black matt	TIRE	Kenda Honey Badger XC Pro 29x2.05, DTC/Tubeless Race compound, Tubeless race, 120Tpi, folding, ETRTO 50-622
FRAME	Methanol CV 29" carbon HM monocoque w/ Countervail, 1.5" tapered HT, Pressfit BB92 (41x92mm), High direct mount, bottom pull or Side Swing, 27,2mm seatpost, PM 160mm carbon dropout 12x148mm BOOST Shimano thru axle, internal cable routing Di2 compatible, sizes 15,17,19,21"	STEM	Tec Cursus, 3D forged AL7050-T6, rise +/-7°, 1.1/8", diam. 31.8mm, ext: 70mm -15", 90mm-17/19", 100mm-21"
BOLTS / HARDWARE	Carbon-Ti bolts AL7075-T6, large button head, Torx M5*14mm (15"> 2 pcs-17,19,21">4pcs), w/ Bianchi & Carbon-Ti logo	HANDLEBAR	Tec Cursus flat, double butted AL2014-T6, width 720mm, diam. 31,8mm, backsweep 9°
SEATPOST CLAMP	diam. 31,8mm	GRIP / TAPE	T-One T-GP43X, Silicone grips, length 130mm
HEADSET	Fsa Orbit C-40, NO.42/ACB-A, 1.1/8"-1.5" w/4.3mm cap	SEATPOST	Tec Cursus Carbon, carbon UD shaft with forged head, diam. 27.2mm, 20mm seatback, length: 350mm-15", 400mm-17/21"
FORK	Rock Shox SID RL 29" Solo Air 100mm w/OneLoc remote, 1.5 alu HT, 15x110mm Maxle Ultimate, 32mm stanchions, magnesium lowers, PM 160mm	SADDLE	Fi'zi:k Tundra M7 VS, 7mm Mg rails
SHIFTER	Sram GX Eagle 1x12sp	BOTTLE CAGE	Elite Paron composit
REAR DERAILLEUR	Sram GX Eagle 12sp long cage carbon Type2.1	WATER BOTTLE	Bianchi Loli 600ml custom
CRANKSET	Sram GX Eagle GXP 32T, 7000 alu series arms, Direct Mount chainring, 52mm chainline BOOST compatible, crank length: 170mm-15", 175mm-17/21"		
BOTTOM BRACKET	Sram PressFit 41x92mm		
CHAIN	Sram GX Eagle 12sp		
CASSETTE / FREEWHEEL	Sram XG-1275 12sp, 10-12-14-16-18-21-24-28-32-36-42-50T		
BRAKE	Shimano XT BR-M8000, w/180mm adaptor for front, resin pad w/o fin		
DISC ROTOR	Shimano RT-66, 6 bolts type, F: 180mm and R: 160mm		
RIM/WHEELSET	Crankbrothers Cobalt 1 29", 15x110TA front, 12x148TA rear, XD driver body, UST tubeless 21mm rim		

METHANOL 9.5 CV - XT 2X11SP



CODE	YNB64	RIM/WHEELSET	Fulcrum Red Zone 700 29, AFS, BOOST F:15/110mm - R:12/148mm
COLOR	CH - CK16/Black matt BA - Black matt/Black glossy-Mamba matt (ON PHOTO) BF - Red/Black glossy	OPTION WHEELSET1	Crankbrothers Cobalt 2 29, F: 15x110TA, R:12x148TA, 23mm UST tubeless rims
FRAME	Methanol CV 29" carbon HM monocoque w/ Countervail, 1.5" tapered HT, Pressfit BB92 (41x92mm), High direct mount, bottom pull or Side Swing, 27,2mm seatpost, PM 160mm carbon dropout 12x148mm BOOST Shimano thru axle, internal cable routing Di2 compatible, sizes 15,17,19,21"	TIRE	Kenda Honey Badger XC Pro 29x2.05, DTC/ Tubeless Race compound, Tubeless race, 120Tpi, folding, ETRTO 50-622
BOLTS / HARDWARE	Carbon-Ti bolts AL7075-T6, large button head, Torx M5*14mm (15"> 2 pcs-17,19,21">4pcs), w/ Bianchi & Carbon-Ti logo	STEM	Tec Cursus 3D forged AL7050-T6, +/-7°, 1.1/8", diam.31.8mm, ext: 70mm-15", 90mm-17/19" and 100mm-21"
SEATPOST CLAMP	diam. 31,8mm	HANDLEBAR	Tec Cursus flat, double butted AL2014-T6, width 720mm, diam. 31,8mm, backsweep 9°
HEADSET	Fsa Orbit C-40, NO.42/ACB-A, 1.1/8"-1.5" w/4.3mm cap	GRIP / TAPE	T-One T-GP43X, Silicone grips, length 130mm
FORK	Fox 32 SC 29" Performance remote, 100mm travel, GRIP 2 position remote, 1.5" Tapered HT, 15x110mm thru axle	SEATPOST	Tec Cursus Carbon, carbon UD shaft with forged head, diam. 27.2mm, 20mm seatback, length: 350mm-15", 400mm-17/21"
SHIFTER	Shimano XT SL-M8000-I 2x11sp, I-spec II	SADDLE	Fi'zi:k Tundra M7 VS, 7mm Mg rails
REAR DERAILLEUR	Shimano XT RD-M8000-GS Shadow + Design 11sp, top normal, direct attachment, max 11-42T	BOTTLE CAGE	Elite Paron composit
FRONT DERAILLEUR	Shimano XT FD-M8020-D High Direct mount, 11sp, Side swing, 66/69°, for 34/38T w/10T capacity	WATER BOTTLE	Bianchi Loli 600ml custom
CRANKSET	Shimano XT FC-M8000-B2, 36/26T, For 51.8mm chainline Boost 148mm, Hollowtech II, crank length: 170mm-15", 175mm-17/21"		
BOTTOM BRACKET	Shimano BB-MT800-PA PressFit 41x92mm		
CHAIN	Kmc X11 EPT finish 11sp		
CASSETTE / FREEWHEEL	Shimano CS-M7000-11, 11sp, 11-42T		
BRAKE	Shimano XT BR-M8000, w/180mm adaptor for front, resin pad w/o fin		
DISC ROTOR	Shimano SM-RT54 CL, F:180mm & R: 160mm, Center Lock, resin pad only		

BF - Red/Black glossy



XC CROSS COUNTRY RACING



METHANOL ISX

POSITIONING

Race ready 29" platform with the DNA of the worldwide winning Methanol line.

COURSE/TERRAIN

Fast modern XCO races and technical XCM events

END USE DESTINATION

For expert riders looking for a race oriented bike with top model features and best performance/price ratio.

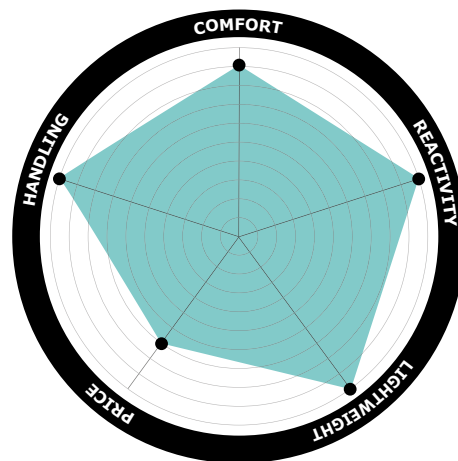
KEY FEATURES

- Methanol CV 29" geometry w/4 sizes available (15, 17, 19 & 21 inches),
- 12x148mm Boost thru axle
- Di2 compatible, internal cable routing for dropper seatpost compatible, Shimano side-swing FD compatible

PRODUCT FEATURES

- Carbon monocoque frame
- 29" wheelsize (38,43,48,53 sizes)
- 12x148mm BOOST Rear Axle
- Tapered Head tube
- PressFit BB 41x92mm
- High Direct Mount FD
- 27,2mm seatpost
- 429mm chain stay length

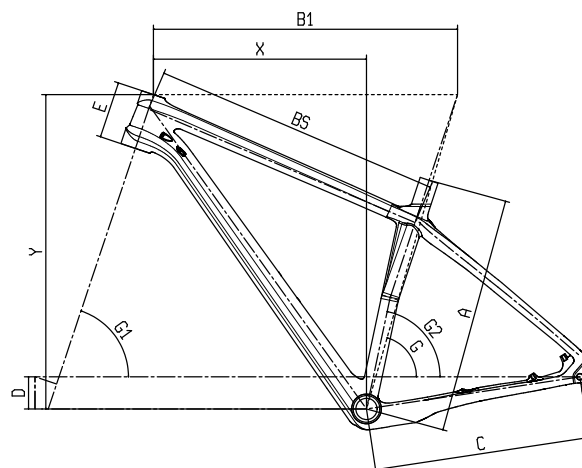
reparto corse



AVAILABLE AS A FRAMESET

GEOMETRY – Racing

SIZE	A"	A	B1	BS	C	D	E	G	G2	G1	Y	X	W	
S	15"	15"	380	570	555	429	60	90	74°	72°	70°	601	395	1067
M	17"	17"	430	590	567	429	60	100	74°	72°	71°	615	410	1077
L	19"	18,5"	470	615	587	429	60	110	74°	72°	71°	625	433	1102
XL	21"	20,5"	520	635	605	429	60	120	74°	72°	71°	635	450	1122



METHANOL 9.1 SX - XT 2X11SP



CODE	YNBP2	STEM	Tec Cursus 3D forged AL7050-T6, +/-7°, 1.1/8", 31.8mm, ext: 70mm-15", 90mm-17/19", 100mm-21"
COLOR	CH - CK16/Black-CK16 matt	HANDLEBAR	Tec Cursus flat, double butted AL2014-T6, width 720mm, diam. 31,8mm, backsweep 9°
FRAME	Methanol SX 29" full carbon monocoque, 1.5" tapered HT, BB92, ERC, seatpost diam. 27.2mm, high direct mount, PM 160mm carbon dropout 12x148mm BOOST Thru axle, internal cable routing Di2 compatible, sizes 15-17-19-21"	GRIP / TAPE	T-One Rock T-GP34 single lock grip , TPR, plastic inner body, aluminium clamp
SEATPOST CLAMP	MX-112C diam. 31,8mm	SEATPOST	Tec Cursus Carbon, carbon UD shaft with forged head, diam. 27.2mm, 20mm seatback, length: 350mm-15", 400mm-17/21"
HEADSET	Fsa Orbit 1.5E ZS #57E, internal alloy cups, ACB bearings 1.1/8" Upper, 1.5" Lower, w/8mm cap	SADDLE	Selle Royal Seta S1, manganese rail, 277x144mm
FORK	Fox 32 SC 29" Performance remote, 100mm travel, GRIP 2 position remote, 1.5" Tapered HT, 15x110mm axle		
SHIFTER	Shimano XT SL-M8000-I 2x11sp, I-spec II		
REAR DERAILLEUR	Shimano XT RD-M8000-GS Shadow + Design 11sp, top normal, direct attachment, max 11-42T		
FRONT DERAILLEUR	Shimano XT FD-M8020-D High Direct mount, 11sp, Side swing, 66/69°, for 34/38T w/10T capacity		
CRANKSET	Shimano XT FC-M8000-B2, 36/26T, For 51.8mm chainline Boost 148mm, Hollowtech II, crank length: 170mm-15", 175mm-17/21"		
BOTTOM BRACKET	Shimano BB-MT800-PA PressFit 41x92mm		
CHAIN	Kmc X11 EPT finish 11sp		
CASSETTE / FREEWHEEL	Shimano CS-M7000-11, 11sp, 11-42T		
BRAKE	Shimano BR-M6000, resin pad, w/180mm front adapter		
DISC ROTOR	Shimano SM-RT54 CL, F: 180mm & R: 160mm, Center Lock, resin pad only		
RIM/WHEELSET	Fulcrum Red Zone 700, AFS, Boost, thru axle F: 15x110mm, R: 12x148mm		
TIRE	Kenda Honey Badger XC Pro 29x2.05, DTC/ Tubeless Race compound, Tubeless race, 120Tpi, folding, ETRTO 50-622		

METHANOL 9.2 SX - GX EAGLE 1X12SP



CODE	YNBP3	STEM	Tec Cursus 3D forged AL7050-T6, +/-7°, 1.1/8", 31.8mm, ext: 70mm-15", 90mm-17/19", 100mm-21"
COLOR	KW - Black/CK16-Grey matt	HANDLEBAR	Tec Cursus flat, double butted AL2014-T6, width 720mm, diam. 31,8mm, backsweep 9°
FRAME	Methanol SX 29" full carbon monocoque, 1.5" tapered HT, BB92, ERC, seatpost diam. 27.2mm, high direct mount, PM 160mm carbon dropout 12x148mm BOOST Thru axle, internal cable routing Di2 compatible, sizes 15-17-19-21"	GRIP / TAPE	T-One Rock T-GP34 single lock grip , TPR, plastic inner body, aluminium clamp
SEATPOST CLAMP	MX-112C diam. 31,8mm	SEATPOST	Tec Obvius, Al2014 shaft with forged head, 27.2mm, 20mm seatback, length: 350mm-15", 400mm-17/21"
HEADSET	Fsa Orbit 1.5E ZS #57E, internal alloy cups, ACB bearings 1.1/8" Upper, 1.5" Lower, w/8mm cap	SADDLE	Selle Royal Seta S1, manganese rail, 277x144mm
FORK	Rock Shox SID RL 29" Solo Air 100mm w/OneLoc remote, 1.5 alu HT, 15x110mm Maxle Ultimate, 32mm stanchions, magnesium lowers, PM 160mm		
SHIFTER	Sram GX Eagle 1x12sp		
REAR DERAILLEUR	Sram GX Eagle 12sp long cage carbon Type2.1		
CRANKSET	Sram GX Eagle GXP 32T, 7000 alu series arms, direct mount chainring, 52mm chainline BOOST compatible, crank length: 170mm-15", 175mm-17/21"		
BOTTOM BRACKET	Sram PressFit 41x92mm		
CHAIN	Sram GX Eagle 12sp		
CASSETTE / FREEWHEEL	Sram XG-1275 12sp, 10-12-14-16-18-21-24-28-32-36-42-50T		
BRAKE	Shimano BR-MT500, resin pad, w/180mm front adapter		
DISC ROTOR	Shimano SM-RT54 CL, F: 180mm & R: 160mm, Center Lock, resin pad only		
RIM/WHEELSET	Fulcrum Red Zone 700, AFS, Boost, thru axle F:15x110mm, R: 12x148mm, XD driver body		
TIRE	Kenda Honey Badger XC Pro 29x2.05, DTC/ Tubeless Race compound, Tubeless race, 120Tpi, folding, ETRTO 50-622		

METHANOL 9.3 SX - XT/SLX 2X11SP



CODE	YNBP8	RIM/WHEELSET	Wtb KOM i23 29", 622x23, 32 holes
COLOR	CH - CK16/Black-CK16 matt	TIRE	Kenda Honey Badger XC Pro 29x2.05, DTC/Tubeless Race compound, Tubeless race, 120Tpi, folding, ETRTO 50-622
FRAME	Methanol SX 29" full carbon monocoque, 1.5" tapered HT, BB92, ERC, seatpost diam. 27.2mm, high direct mount, PM 160mm carbon dropout 12x148mm BOOST Thru axle, internal cable routing Di2 compatible, sizes 15-17-19-21"	STEM	Tec Obvius 3D forged alloy 6061, +/-7°, 1.1/8", 31.8mm, ext: 70mm-15", 90mm-17/19", 100mm-21"
SEATPOST CLAMP	MX-112C diam. 31,8mm	HANDLEBAR	Tec Obvius flat DB Alloy 6061-T6, width 720mm, diam. 31,8mm, 9° backsweep
HEADSET	Fsa Orbit 1.5E ZS #57E, internal alloy cups, ACB bearings 1.1/8" Upper, 1.5" Lower, w/8mm cap	GRIP / TAPE	T-One Rock T-GP34 single lock grip , TPR, plastic inner body, aluminium clamp
FORK	Fox 32 SC 29" Performance remote, 100mm travel, GRIP 2 position remote, 1.5" Tapered HT, 15x110mm axle	SEATPOST	Tec Obvius, Al2014 shaft with forged head, 27.2mm, 20mm seatback, length: 350mm-15", 400mm-17/21"
SHIFTER	Shimano SLX SL-M7000 2x11sp	SADDLE	Selle San Marco Squadra Startup Open, cover Silkfeel, carbon steel rail, 277x134mm
REAR DERAILLEUR	Shimano XT RD-M8000-GS Shadow + Design 11sp, top normal, direct attachment, max 11-42T		
FRONT DERAILLEUR	Shimano SLX FD-M7020-D High Direct mount, Sideswing, 66/69°, for 34/38T w/10T capacity		
CRANKSET	Shimano FC-MT600-B2, 36/26T, crank length:170mm-15", 175mm-17/21"		
BOTTOM BRACKET	Shimano BB-MT800-PA PressFit 41x92mm		
CHAIN	Kmc X11 EPT finish 11sp		
CASSETTE / FREEWHEEL	Shimano CS-M7000-11, 11sp, 11-42T		
BRAKE	Shimano BR-M506, resin pad, w/180mm front adapter		
DISC ROTOR	Shimano SM-RT54 CL 180mm & 160mm, Center Lock		
FRONT HUB	Formula CL-811 for Center Lock, 32h, 15mmTA, sealed bearings		
REAR HUB	Formula CL-148S for Center Lock, 32h BOOST 12x148mm, Shimano freewheel body, 4 sealed bearings, j-bend spokes		

METHANOL 9.4 SX - DEORE 2X10SP



CODE	YNBP9	RIM/WHEELSET	Wtb KOM i23 29", 622x23, 32 holes
COLOR	BF - Red DD/Black-Red glossy	TIRE	Kenda Honey Badger XC Pro 29x2.05, DTC/Tubeless Race compound, Tubeless race, 120Tpi, folding, ETRTO 50-622
FRAME	Methanol SX 29" full carbon monocoque, 1.5" tapered HT, BB92, ERC, seatpost diam. 27.2mm, high direct mount, PM 160mm carbon dropout 12x148mm BOOST Thru axle, internal cable routing Di2 compatible, sizes 15-17-19-21"	STEM	Tec Obvius 3D forged alloy 6061, +/-7°, 1.1/8", 31.8mm, ext: 70mm-15", 90mm-17/19", 100mm-21"
SEATPOST CLAMP	MX-112C diam. 31,8mm	HANDLEBAR	Tec Obvius flat DB Alloy 6061-T6, width 720mm, diam. 31,8mm, 9° backsweep
HEADSET	Fsa Orbit 1.5E ZS #57E, internal alloy cups, ACB bearings 1.1/8" Upper, 1.5" Lower, w/8mm cap	GRIP / TAPE	T-One Rock T-GP34 single lock grip , TPR, plastic inner body, aluminium clamp
FORK	Fox 32 Rythm 29" remote, 100mm travel, GRIP 2 position remote, 1.5" Tapered HT, 15x110mm BOOST axle	SEATPOST	Tec Obvius, Al2014 shaft with forged head, 27.2mm, 20mm seatback, length: 350mm-15", 400mm-17/21"
SHIFTER	Shimano Deore SL- M6000 Deore 2x10sp	SADDLE	Selle San Marco Squadra Startup Open, cover Silkfeel, carbon steel rail, 277x134mm
REAR DERAILLEUR	Shimano Deore RD-M6000-GS Shadow Plus Design 10sp, direct attachment, max 11-42T		
FRONT DERAILLEUR	Shimano Deore FD-M6020-D HDM, Side-Swing, 66/69°, for 34/38T w/10T capacity		
CRANKSET	Shimano FC-MT500-B2 36/26T, crank length: 170mm-15", 175mm-17/21"		
BOTTOM BRACKET	Shimano BB-MT500-PA PressFit 41x92mm		
CHAIN	Kmc X10 EPT finish		
CASSETTE / FREEWHEEL	Shimano CS-HG500-10, 11-13-15-18-21-24-28-32-37-42T		
BRAKE	Shimano BR-MT500, resin pad, w/180mm front adapter		
DISC ROTOR	Shimano SM-RT54 CL 180mm & 160mm, Center Lock		
FRONT HUB	Formula CL-811 for Center Lock, 32h, 15mmTA, sealed bearings		
REAR HUB	Formula CL-148S for Center Lock, 32h BOOST 12x148mm, Shimano freewheel body, 4 sealed bearings, j-bend spokes		

METHANOL 29 SX FRAME KIT

THE IMAGE SHOWN IS INDICATIVE ONLY.

Components and graphic details may differ from the actual model.

CH - CK16/Black-CK16 matt



BF - Red/Black-Red glossy



KW - Black/CK16-Grey matt



CODE	XNB60
COLOR	CH - CK16/Black-CK16 matt BF - Red/Black-Red glossy KW - Black/CK16-Grey matt
FRAME	Methanol SX 29" full carbon monocoque, 1.5" tapered HT, BB92, ERC, seatpost diam. 27.2mm, high direct mount, PM 160mm carbon dropout 12x148mm BOOST Thru axle, internal cable routing Di2 compatible, sizes 15-17-19-21"
SEATPOST CLAMP	MX-112C diam. 31,8mm
HEADSET	Fsa Orbit 1.5E ZS #57E, internal alloy cups, ACB bearings 1.1/8" Upper, 1.5" Lower, w/8mm cap

METHANOL 29 | FS

POSITIONING

XCO/XCM full suspension racing machine. The frame is designed for the best pedal efficiency with great stiffness and handling.

COURSE/TERRAIN

Fast modern XCO races and technical XCM events

END USE DESTINATION

For professional and competitive riders looking for more control and great handling on technical descents and rock gardens.

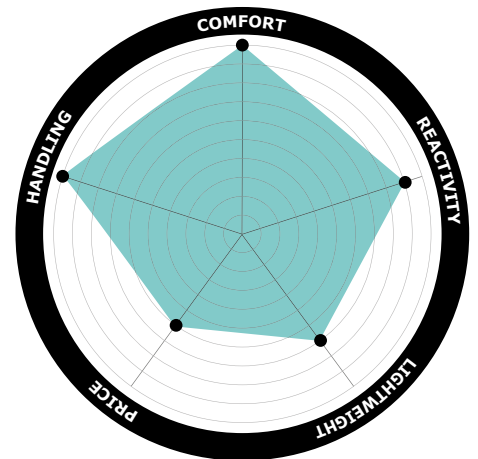
KEY FEATURES

- FS 29 frame with 4-Bar Suspension w/Horst link,
- 12x142mm thru axle
- Internal cable routing Di2 compatible, internal cable routing for dropper seatpost compatible, Shimano side-swing FD compatible

PRODUCT FEATURES

- 100mm Horst link 4-bar design FS frame
- Internal cable routing Di2 compatible
- SKF fully CNC housed bearings
- Methanol 29" geometry tuned to a dual suspension bike behaviour
- Tapered HT 1.1/8" > 1.5"
- 12x142 Shimano E-Thru QR
- PM 160mm brake mount
- PF30 73mm bottom bracket
- HDM/D-Mount type FD, bottom pull or SS

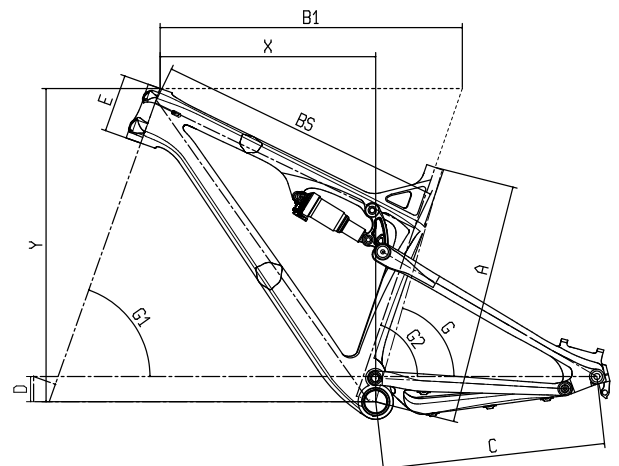
reparto corse



AVAILABLE AS A FRAMESET

GEOMETRY – Racing

SIZE	A	B1	BS	C	D	E	G	G2	G1	Y	X	
M	17"	430	580	554	442	50	110	74°	71°	70.5°	617	410
L	19"	480	600	572	442	50	115	74°	71°	70.5°	622	428
XL	21"	530	620	589	442	50	120	74°	71°	70.5°	627	447



METHANOL 9.1 FS - XX1 EAGLE 1X12SP



CODE	YNBS7	RIM/WHEELSET	DT Swiss XR 1501 Spline 29" 25mm, thru axle F:15x110mm, R:12x142mm, XD driver body, TL-ready rim w/o eyelets including tubeless band and valve, 25mm inner width
COLOR	CH - CK16/Black matt	OPTION WHEELSET1	DT Swiss XRC 1200 Spline 29" Carbon 25mm, thru axle F:15x110mm, R:12x142mm, XD driver body, TL-ready rim w/o eyelets including tubeless band and valve, 25mm inner width
FRAME	Methanol FS 100mm 29" full carbon HM monocoque, 4-bar linkage, 1.5" tapered HT, PF30, ERC, high direct mount, PM 160mm carbon dropout, 12x142 Shimano E-thru standard, internal cable routing, seatpost 31.6mm, shock length/travel 165/38mm, sizes 17,19,21"	OPTION WHEELSET2	Crankbrothers Cobalt 11 29, Carbon UST tubeless native rim, internal width 21mm, thru axle F:15x110mm, R: 12x142mm, XD driver body
BOLTS / HARDWARE	Carbon-Ti bolts AL7075-T6, large button head, Torx M5*14mm, w/Bianchi & Carbon-Ti logo (2pcs)	TIRE	Kenda Honey Badger XC Pro 29x2.05, DTC/Tubeless Race compound, Tubeless race, 120Tpi, folding, ETRTO 50-622
REARSHOCK	Float DPS Factory Kashima Remote, 165/38mm, SV, Evol, 2 position Remote	STEM	Fsa K-Force Light OS-100 CSI, 3D forged/machined AL7050 w/Ti bolts sculpted AL2014/Carbon faceplate, +/-12°, 1.1/8", 31.8mm, ext: 90mm-17", 100mm-19/21"
SEATPOST CLAMP	X Carbon System, diam. 35mm, w/Bianchi logo	HANDLEBAR	Fsa K-Force Light flat UD carbon/Kevlar composite, width 700mm, diam. 31.8mm, backsweep 6°, upsweep 0°
HEADSET	Fsa Orbit 1.5 ZS #57 w/internal alloy cups, ACB bearings 1.1/8" Upper, 1.5" Lower, w/8mm cap	GRIP / TAPE	T-One T-GP43X, Silicone grips, length 130mm
FORK	Fox 32 SC 29" Factory Kashima remote, 100mm travel, FIT4 2 position remote w/open mode adj, 1.5" ALU Tapered HT, 15X110 axle	SEATPOST	Fsa K-Force Light UD carbon monocoque w/2-bolts MTC head, 31.6mm, 25mm seatback, Di2 compatible, length: 400mm-17/21"
SHIFTER	Sram XX1 Eagle 12sp trigger	SADDLE	Fi'zi:k Tundra M3, carbon braided rail, 290x125mm
REAR DERAILLEUR	Sram XX1 Eagle 12sp long cage	BOTTLE CAGE	Elite Cannibal
CRANKSET	Sram XX1 EAGLE PF30 32T, carbon crank, 49mm chainline, 168mm Q-Factor, CNC-machined rings, Direct Mount, crank length:175mm-17/21"	WATER BOTTLE	Elite Corsa 550ml, Team Replica
OPTION CRANKSET	Rotor Rex 1.1 InPower 32T, alloy arms, 49mm chainline, 163mm Q- Factor, BCD76, crank length 175mm-17/21"		
BOTTOM BRACKET	Sram BB-PF30 68-92		
CHAIN	Sram PC-XX1 Eagle 12sp w/PowerLock		
CASSETTE / FREEWHEEL	Sram XG-1295 Eagle 10-12-14-16-18-21-24-28-32-36-42-50T		
BRAKE	Sram Level Ultimate, aluminium caliper, carbon lever, w/matchmakerX clamp		
DISC ROTOR	Sram Centerline X, F:180mm, R:160mm, 2-pieces, 6 hole		

METHANOL 9.2 FS - X01/X1 EAGLE 1X12SP



CODE	YNBP6	RIM/WHEELSET	Crankbrothers Cobalt 2 29, thru axle F: 15x110mm, R:12x142mm, XD driver body, alu UST tubeless rim profile
COLOR	CH - CK16/Black matt	OPTION WHEELSET1	DT Swiss XR 1501 Spline 29" 25mm, thru axle F:15x110mm, R:12x142mm, XD driver body, TL-ready rims w/o eyelets including tubeless band and valve, 25mm inner width
FRAME	Methanol FS 100mm 29" full carbon HM monocoque, 4-bar linkage, 1.5" tapered HT, PF30, ERC, high direct mount, PM 160mm carbon dropout, 12x142 Shimano E-thru standard, internal cable routing, seatpost 31.6mm, shock lenght/travel 165/38mm, sizes 17,19,21"	TIRE	Kenda Honey Badger XC Pro 29x2.05, DTC/Tubeless Race compound, Tubeless race, 120Tpi, folding, ETRTO 50-622
BOLTS / HARDWARE	Carbon-Ti bolts AL7075-T6, large button head, Torx M5*14mm, w/Bianchi & Carbon-Ti logo (2pcs)	STEM	Tec Cursus, 3D forged AL7050-T6 w/forged alloy 4-bolt faceplate, +/-7°, 1.1/8", 31.8mm size: 90mm-17", 100mm-19/21"
REARSHOCK	Fox Float DPS Performance Elite Remote, 165/38mm, SV, EVOL, 2 position Remote	HANDLEBAR	Tec Cursus flat, double butted AL2014-T6, width 720mm, diam. 31,8mm, backsweep 9°
SEATPOST CLAMP	X Carbon System, diam. 35mm, w/Bianchi logo	GRIP / TAPE	T-One T-GP43X, Silicone grips, length 130mm
HEADSET	Fsa Orbit 1.5 ZS #57 w/internal alloy cups, ACB bearings 1.1/8" Upper, 1.5" Lower, w/8mm cap	SEATPOST	Tec Cursus Carbon UD shaft with forged head, 31.6mm, 20mm seatback, length:400mm-17/21"
FORK	Fox 32 SC 29" Performance remote, 100mm travel, GRIP 2 position remote, 1.5" Tapered HT, 15x110mm axle	SADDLE	Fi'zi:k Tundra M7 VS, 7mm Mg rails
SHIFTER	Sram GX Eagle 1x12sp	BOTTLE CAGE	Elite Cannibal
REAR DERAILLEUR	Sram X01 Eagle 12sp long cage	WATER BOTTLE	Elite Corsa 550ml, Team Replica
CRANKSET	Sram X1 carbon BB30 32T, carbon arms, direct mount chainring, 52mm chainline BOOST compatible, crank length: 175mm-17/21"		
OPTION CRANKSET	Rotor Rex 1.1 InPower 32T, alloy arms, 49mm chainline, 163mm Q- Factor, BCD76, crank length 175mm-17/21"		
BOTTOM BRACKET	Sram BB-PF30 68-92		
CHAIN	Sram GX Eagle 12sp		
CASSETTE / FREEWHEEL	Sram XG-1275 12sp, 10-12-14-16-18-21-24-28-32-36-42-50T		
BRAKE	Shimano XT BR-M8000, w/180mm adaptor for front, resin pad w/o fin		
DISC ROTOR	Shimano RT-76, 6 bolts type, 180mm front and 160mm rear		

METHANOL 9.3 FS - XT 2X11SP



CODE	YNBS8	RIM/WHEELSET	DT Swiss X 1700 Spline two 29", thru axle F:15x110mm, R:12x142mm, TL-ready rim w/ eyelets including tubeless band and valve
COLOR	CH - CK16/Black matt	OPTION WHEELSET1	DT Swiss XR 1501 Spline 29" 25mm, thru axle F:15x110mm, R:12x142mm, TL-ready rim w/o eyelets including tubeless band and valve, 25mm inner width
FRAME	Methanol FS 100mm 29" full carbon HM monocoque, 4-bar linkage, 1.5" tapered HT, PF30, ERC, high direct mount, PM 160mm carbon dropout, 12x142 Shimano E-thru standard, internal cable routing, seatpost 31.6mm, shock length/travel 165/38mm, sizes 17,19,21"	TIRE	Kenda Honey Badger XC Pro 29x2.05, DTC/ Tubeless Race compound, Tubeless race, 120Tpi, folding, ETRTO 50-622
BOLTS / HARDWARE	Carbon-Ti bolts AL7075-T6, large button head, Torx M5*14mm, w/Bianchi & Carbon-Ti logo (2pcs)	STEM	Tec Cursus, 3D forged AL7050-T6 w/forged alloy 4-bolt faceplate, +/-7°, 1.1/8", 31.8mm size: 90mm-17", 100mm-19/21"
REARSHOCK	Fox Float DPS Performance Elite Remote, 165/38mm, SV, EVOL, 2 position Remote	HANDLEBAR	Tec Cursus flat, double butted AL2014-T6, width 720mm, diam. 31,8mm, backsweep 9°
SEATPOST CLAMP	X Carbon System, diam. 35mm, w/Bianchi logo	GRIP / TAPE	T-One T-GP43X, Silicone grips, length 130mm
HEADSET	Fsa Orbit 1.5 ZS #57 w/internal alloy cups, ACB bearings 1.1/8" Upper, 1.5" Lower, w/8mm cap	SEATPOST	Tec Cursus Carbon UD shaft with forged head, 31.6mm, 20mm seatback, length:400mm-17/21"
FORK	Fox 32 SC 29" Performance remote, 100mm travel, GRIP 2 position remote, 1.5" Tapered HT, 15x110mm axle	SADDLE	Fi'zi:k Tundra M7 VS, 7mm Mg rails
SHIFTER	Shimano XT SL-M8000-I 2x11sp, I-spec II	BOTTLE CAGE	Elite Paron composit
REAR DERAILLEUR	Shimano XT RD-M8000-GS Shadow + Design 11sp, top normal, direct attachment, max 11-42T	WATER BOTTLE	Elite Corsa 550ml, Team Replica
FRONT DERAILLEUR	Shimano XT FD-M8020-D High Direct mount, 11sp, Side swing, 66/69°, for 34/38T w/10T capacity		
CRANKSET	Shimano XT FC-M8000-2, 36/26T, Hollowtech II, crank length: 175mm-17/21"		
BOTTOM BRACKET	Shimano BB-MT800 w/Truvativ adapter PF30 to BSA 73mm		
CHAIN	Kmc X11 EPT finish		
CASSETTE / FREEWHEEL	Shimano CS-M7000-11, 11sp, 11-42T		
BRAKE	Shimano XT BR-M8000, w/180mm adaptor for front, resin pad w/o fin		
DISC ROTOR	Shimano RT-66, 6 bolts type, F:180mm & R:160mm		

METHANOL 9.4 FS - XT/SLX 2X11SP



CODE	YNBS9	DISC ROTOR	Shimano RT-66, 6 bolts type, F:180mm & R:160mm
COLOR	CH - CK16/Black matt BF - Red DD-Black/Black-Red glossy (ON PHOTO)	FRONT HUB	Formula DC-711, 6 bolts, 32h 15x110mm TA, 2sealed bearings
FRAME	Methanol FS 100mm 29" full carbon HM monocoque, 4-bar linkage, 1.5" tapered HT, PF30, ERC, high direct mount, PM 160mm carbon dropout, 12x142 Shimano E-thru standard, internal cable routing, seatpost 31.6mm, shock lenght/travel 165/38mm, sizes 17,19,21"	REAR HUB	Formula DCL-360, 6 Bolts, 32h 12x142mm, 4 sealed bearings
BOLTS / HARDWARE	Carbon-Ti bolts AL7075-T6, large button head, Torx M5*14mm, w/Bianchi & Carbon-Ti logo (2pcs)	RIM/WHEELSET	Wtb KOM i23 29", 622x23, 32 holes
REARSHOCK	Fox Float DPS Performance, 165/38mm, SV, EVOL, 3 position lever	OPTION WHEELSET1	Crankbrothers Cobalt 2 29, thru axle F:15x110mm, R:12x142mm, 6 Bolts hub, alu UST tubeless rim
SEATPOST CLAMP	X Carbon System, diam. 35mm, w/Bianchi logo	TIRE	Kenda Honey Badger XC Pro 29x2.05, DTC/Tubeless Race compound, Tubeless race, 120Tpi, folding, ETRTO 50-622
HEADSET	Fsa Orbit 1.5 ZS #57 w/internal alloy cups, ACB bearings 1.1/8" Upper, 1.5" Lower, w/8mm cap	STEM	Tec Cursus, 3D forged AL7050-T6 w/forged alloy 4-bolt faceplate, +/-7°, 1.1/8", 31.8mm size: 90mm-17", 100mm-19/21"
FORK	Fox 32 Rhythm 29" remote, 100mm travel, GRIP 2 position remote, 1.5" Tapered HT, 15x110mm BOOST axle	HANDLEBAR	Tec Cursus flat, double butted AL2014-T6, width 720mm, diam. 31,8mm, backsweep 9°
SHIFTER	Shimano SLX SL-M7000-I 2x11sp, I-spec II	GRIP / TAPE	T-One T-GP43X, Silicone grips, length 130mm
REAR DERAILLEUR	Shimano XT RD-M8000-GS Shadow + Design 11sp, top normal, direct attachment, max 11-42T	SEATPOST	Tec Cursus Carbon UD shaft with forged head, 31.6mm, 20mm seatback, length:400mm-17/21"
FRONT DERAILLEUR	Shimano SLX FD-M7020-D High Direct mount, Sideswing, 66/69°, for 34/38T w/10T capacity	SADDLE	Fi'zi:k Tundra M7 VS, 7mm Mg rails
CRANKSET	Shimano FC-MT600-11-2, 36/26T, Hollowtech II, crank length: 175mm-17/21"	BOTTLE CAGE	Elite Paron composit
BOTTOM BRACKET	Shimano BB-MT800 w/Truvativ adapter PF30 to BSA 73mm	WATER BOTTLE	Bianchi Loli 600ml custom
CHAIN	Kmc X11 EPT finish		
CASSETTE / FREEWHEEL	Shimano CS-M7000-11, 11sp, 11-42T		
BRAKE	Shimano BR-MT500, resin pad, w/180mm front adapter		

METHANOL 29 FS FRAME KIT

THE IMAGE SHOWN IS INDICATIVE ONLY.

Components and graphic details may differ from the actual model.

BF - Red-Black/Black-Red glossy



CH - CK16-Black/Black-Ck16 matt



CODE	XNB59
COLOR	CH - CK16-Black/Black-Ck16 matt BF - Red-Black/Black-Red glossy
FRAME	Methanol FS 100mm 29" full carbon HM monocoque, 4-bar linkage, 1.5" tapered HT, PF30, ERC, high direct mount, PM 160mm carbon dropout, 12x142 Shimano E-thru standard, internal cable routing, seatpost 31.6mm, shock lenght/travel 165/38mm, sizes 17,19,21"
BOLTS / HARDWARE	Carbon-Ti bolts AL7075-T6, large button head, Torx M5*14mm, w/Bianchi & Carbon-Ti logo (2pcs)
REAR SHOCK	Fox Float DPS Factory Kashima Remote, 165/38mm, SV, 2 position Remote, w/eyelets 22,2x8mm
SEATPOST CLAMP	X Carbon System, diam. 35mm, w/Bianchi logo
HEADSET	Fsa Orbit 1.5 ZS #57 w/internal alloy cups, ACB bearings 1.1/8" Upper, 1.5" Lower, w/8mm cap

GRIZZLY

POSITIONING

An affordable race ready machine inspired by Bianchi's carbon range models.

COURSE/TERRAIN

From leisure rides to amateur competitive events

END USE DESTINATION

For anyone who wants a reliable and lightweight aluminum bike with a price that doesn't break the bank.

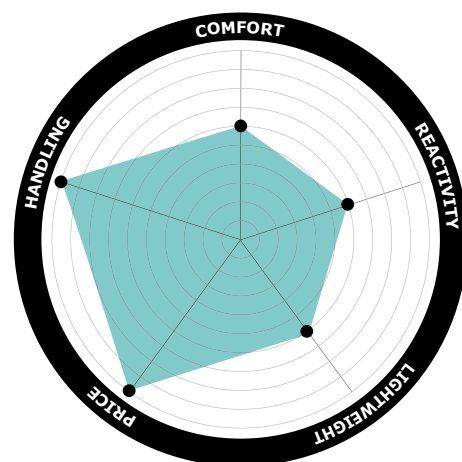
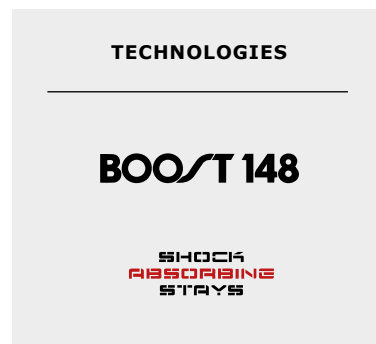
KEY FEATURES

- Alu Triple butted frame in 29" wheels and 4 sizes
- 12x148mm Thru Axle or QR 9x141mm

PRODUCT FEATURES

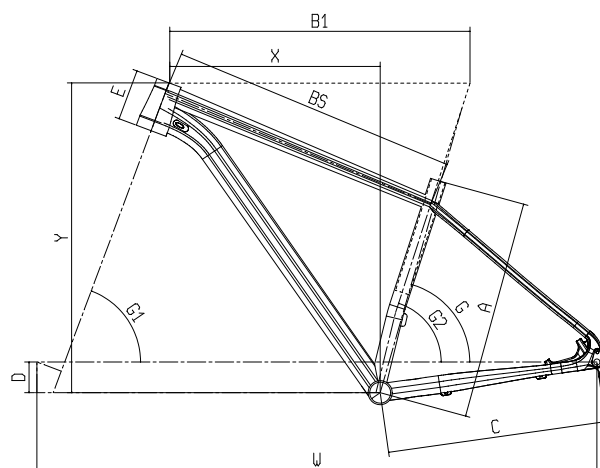
- 29" performance frame geometry
- Tapered HT 1.1/8" > 1.5"
- Low brake PM 160mm
- Internal cable routing
- Pressfit 41x92mm bottom bracket
- HDM FD side swing

reparto corsa



GEOMETRY

SIZE	A"	A	B1	BS	C	D	E	G	G1	G2	Y	X	W	
S	15"	15"	380	570	552	429	60	90	74°	72°	69.5°	596	389	1069
M	17"	17"	430	590	562	429	60	100	74°	72°	69.5°	605	406	1089
L	19"	18.5"	480	615	586	429	60	110	74°	72°	69.5°	614	428	1114
XL	21"	20.5"	530	635	608	429	60	120	74°	72°	69.5°	624	445	1135



GRIZZLY 9.0 - XT/SLX 2X11SP



CODE	YNB67	RIM/WHEELSET	Wtb XC25 TCS rim Tubeless Ready 29", AL6061-T6, 622x25, 32 hole
COLOR	EN - Black/Grey-CK16 matt	TIRE	Kenda Honey Badger XC Sport 29x2.2, DTC compound, 60Tpi, ETRTO 56-622
FRAME	Grizzly 29" Alu, 1.5" tapered HT, PF 41x92mm, seatpost diam. 27,2mm, HDM Front Derailleur, bottom pull, PM 160mm, 12x148mm BOOST, internal cable routing inside DT, sizes 15,17,19,21"	STEM	Tec Obvius 3D forged alloy 6061 anodized sandblasted, +/-7°, 1.1/8", diam. 31.8mm, lenght: 80mm-15/17", 90mm-19/21"
SEATPOST CLAMP	MX-112C diam. 31,8mm	HANDLEBAR	Tec Obvius flat DB Alloy 6061-T6, width 720mm, diam. 31,8mm, 9° backsweep
HEADSET	Fsa Orbit 1.5E ZS #57E, internal alloy cups, ACB bearings 1.1/8" Upper, 1.5" Lower, w/5,3mm top cap	GRIP / TAPE	T-one T-GP48B, one piece grip, TPR material, 130mm
FORK	Fox 32 Rhythm 29" remote, 100mm travel, GRIP 2 position remote, 1.5" Tapered HT, thru axle 15x110mm	SEATPOST	Tec Obvius, AL2014 shaft with forged head, diam. 27.2mm, 20mm seatback, length: 350mm-15/17", 400mm-19/21"
SHIFTER	Shimano SLX SL-M7000-I 2x11sp, I-spec II	SADDLE	Tec, carbon steel rail
REAR DERAILLEUR	Shimano XT RD-M8000-GS Shadow + Design 11sp, top normal, direct attachment, max 11-42T		
FRONT DERAILLEUR	Shimano XT FD-M8020-D High Direct mount, 11sp, Side swing, 66/69°, for 34/38T w/10T capacity		
CRANKSET	Shimano XT FC-M8000-B2, 36/26T, For 51.8mm chainline Boost 148mm, Hollowtech II, crank lenght: 170mm-15", 175mm-17/21"		
BOTTOM BRACKET	Shimano BB-MT800-PA PressFit 41x92mm		
CHAIN	Kmc X11 EPT finish		
CASSETTE / FREEWHEEL	Shimano CS-M7000-11, 11sp, 11-42T		
BRAKE	Shimano BR-MT500, resin pad, w/180mm front adapter, I-SPEC II compatible		
DISC ROTOR	Shimano SM-RT54 CL 180mm & 160mm, Center Lock		
FRONT HUB	Formula CL-811 for Center Lock, 32h, 15x110TA, sealed bearings		
REAR HUB	Formula CL-1248 for Center Lock, 32h, BOOST 12x148mm, 2 sealed bearings, j-bend spokes		

GRIZZLY 9.1 - XT/SLX 2X11SP



CODE	YNBA4
COLOR	T4 - CK16/Black-Graphite matt
FRAME	Grizzly 29" Alu, 1.5" tapered HT, PF 41x92mm, seatpost diam. 27,2mm, HDM Front Derailleur, bottom pull, PM 160mm, 12x148mm BOOST, internal cable routing inside DT, sizes 15,17,19,21"
SEATPOST CLAMP	MX-112C diam. 31,8mm
HEADSET	Fsa Orbit 1.5E ZS #57E, internal alloy cups, ACB bearings 1.1/8" Upper, 1.5" Lower, w/5,3mm top cap
FORK	Fox 32 Rhythm 29" remote, 100mm travel, GRIP 2 position remote, 1.5" Tapered HT, 15x110mm BOOST axle
SHIFTER	Shimano SLX SL-M7000 2x11sp
REAR DERAILLEUR	Shimano XT RD-M8000-GS Shadow + Design 11sp, top normal, direct attachment, max 11-42T
FRONT DERAILLEUR	Shimano SLX FD-M7020-D High Direct mount, Sideswing, 66/69°, for 34/38T w/10T capacity
CRANKSET	Shimano FC-MT600-B2 36/26T, crank length: 170mm-15", 175mm-17/21"
BOTTOM BRACKET	Shimano BB-MT800-PA PressFit 41x92mm
CHAIN	Kmc X11 EPT finish
CASSETTE / FREEWHEEL	Shimano CS-M7000-11, 11sp, 11-42T
BRAKE	Shimano M425 w/rear J-Kit only, resin pad
BRAKE LEVER	included w/shifters
DISC ROTOR	Shimano SM-RT30 CL 180mm front & 160mm rear, Center Lock, for resin pad only
FRONT HUB	Formula CL-811 for Center Lock, 32h, 15x110mm TA, sealed bearings
REAR HUB	Formula CL-1248 for Center Lock, 32h 12x148mm BOOST, 2 sealed bearings, j-bend spokes

RIM/WHEELSET	Wtb XC25 TCS rim Tubeless Ready 29", AL6061-T6, 622x25, 32 hole
TIRE	Kenda Honey Badger XC Sport 29x2.2, DTC compound, 60Tpi, ETRTO 56-622
STEM	Tec Obvius 3D forged alloy 6061 anodized sandblasted, +/-7°, 1.1/8", diam. 31.8mm, lenght: 80mm-15/17", 90mm-19/21"
HANDLEBAR	Tec Obvius flat DB Alloy 6061-T6, width 720mm, diam. 31,8mm, 9° backsweep
GRIP / TAPE	T-one T-GP48B, one piece grip, TPR material, 130mm
SEATPOST	Tec Obvius, AL2014 shaft with forged head, diam. 27.2mm, 20mm seatback, length: 350mm-15/17", 400mm-19/21"
SADDLE	Tec, carbon steel rail

GRIZZLY 9.2 - XT/SLX 2X11SP



CODE	YNB95	RIM/WHEELSET	Wtb XC25 TCS rim Tubeless Ready 29", AL6061-T6, 622x25, 32 hole
COLOR	EN - Black/Grey-CK16 matt	TIRE	Kenda Honey Badger XC Sport 29x2.2, DTC compound, 60Tpi, ETRTO 56-622
FRAME	Grizzly 29" alu, 1.5" tapered HT, PF 41x92mm, seatpost diam.27.2mm, HDM Front Derailleur, bottom pull, PM 160mm, QR141mm BOOST dropout , internal cable routing inside DT, sizes 15,17,19,21"	STEM	Tec Obvius 3D forged alloy 6061 anodized sandblasted, +/-7°, 1.1/8", diam. 31.8mm, lenght: 80mm-15/17", 90mm-19/21"
SEATPOST CLAMP	MX-112C diam. 31,8mm	HANDLEBAR	Tec Obvius flat DB Alloy 6061-T6, width 720mm, diam. 31,8mm, 9° backsweep
HEADSET	Fsa Orbit 1.5E ZS #57E, internal alloy cups, ACB bearings 1.1/8" Upper, 1.5" Lower, w/5,3mm top cap	GRIP / TAPE	T-one T-GP48B, one piece grip, TPR material, 130mm
FORK	Rock Shox Recon RL 29" Solo Air 100mm w/ OneLoc remote, 1.5 Tapered HT, 15x110mm BOOST Maxle Lite, 32mm stanchions, magnesium lowers, PM 160mm	SEATPOST	Tec Obvius, AL2014 shaft with forged head, diam. 27.2mm, 20mm seatback, length: 350mm-15/17", 400mm-19/21"
SHIFTER	Shimano SLX SL-M7000 2x11sp	SADDLE	Tec, carbon steel rail
REAR DERAILLEUR	Shimano XT RD-M8000-GS Shadow + Design 11sp, top normal, direct attachment, max 11-42T		
FRONT DERAILLEUR	Shimano SLX FD-M7020-D High Direct mount, Sideswing, 66/69°, for 34/38T w/10T capacity		
CRANKSET	Shimano FC-MT600-B2 36/26T, crank length: 170mm-15", 175mm-17/21"		
BOTTOM BRACKET	Shimano BB-MT800-PA PressFit 41x92mm		
CHAIN	Kmc X11 EPT finish		
CASSETTE / FREEWHEEL	Shimano CS-M7000-11, 11sp, 11-42T		
BRAKE	Shimano M425 w/rear J-Kit only, resin pad		
DISC ROTOR	Shimano SM-RT30 CL 180mm front & 160mm rear, Center Lock, for resin pad only		
FRONT HUB	Formula CL-811 for Center Lock, 32h, 15x110mm TA, sealed bearings		
REAR HUB	Formula CL-2641 for Center Lock, 32h 141mm OLD BOOST, 2 sealed bearings, axle length 151mm, w/ QR		

GRIZZLY 9.3 - DEORE 2X10SP



CODE	YNBQ7
COLOR	T4 - CK16/Black-Graphite matt GG - Grey-Black-Red glossy (ON PHOTO)
FRAME	Grizzly 29" alu, 1.5" tapered HT, PF 41x92mm, seatpost diam.27.2mm, HDM Front Derailleur, bottom pull, PM 160mm, QR141mm BOOST dropout , internal cable routing inside DT, sizes 15,17,19,21"
SEATPOST CLAMP	MX-112C diam. 31,8mm
HEADSET	Fsa Orbit 1.5E ZS #57E, internal alloy cups, ACB bearings 1.1/8" Upper, 1.5" Lower, w/5,3mm top cap
FORK	Rock Shox 30 Silver TK 29" SoloAir 100mm w/ PopLoc Remote, 1.5" Alu HT, 9mm QR, 30mm stanchions, magnesium lowers, PM 160mm
SHIFTER	Shimano Deore SL- M6000 2x10sp
REAR DERAILLEUR	Shimano Deore RD-M6000-GS 10sp Shadow Plus Design, direct attachment, for 11-42T max
FRONT DERAILLEUR	Shimano Deore FD-M6020-D HDM, Side-Swing front-pull, 66/69°, for 34/38T w/10T capacity
CRANKSET	Shimano FC-M6000-B2, 36/26T, crank length: 170mm-15", 175mm-17/21"
BOTTOM BRACKET	Shimano BB-MT500-PA PressFit
CHAIN	Kmc X10 EPT finish
CASSETTE / FREEWHEEL	Shimano CS-HG500-10, 11-13-15-18-21-24-28-32-37-42T
BRAKE	Shimano BR-M396, resin pad
DISC ROTOR	Shimano SM-RT30 180mm front & 160mm rear, Center Lock, for resin pad only
FRONT HUB	Formula CL-25 for Center Lock, 32h, 100mm OLD, sealed bearings, j-bend spokes, 108mm axle, w/ QR
REAR HUB	Formula CL-2641 for Center Lock, 32h 141mm OLD BOOST, 2 sealed bearings, axle length 151mm, w/ QR

RIM/WHEELSET	Wtb XC25 TCS rim Tubeless Ready 29", AL6061-T6, 622x25, 32 hole
TIRE	Kenda Honey Badger XC Sport 29x2.2, DTC compound, 60Tpi, ETRTO 56-622
STEM	Tec Obvius 3D forged alloy 6061 anodized sandblasted, +/-7°, 1.1/8", diam. 31.8mm, lenght: 80mm-15/17", 90mm-19/21"
HANDLEBAR	Tec Obvius flat DB Alloy 6061-T6, width 720mm, diam. 31,8mm, 9° backsweep
GRIP / TAPE	T-one T-GP48B, one piece grip, TPR material, 130mm
SEATPOST	Tec Obvius, AL2014 shaft with forged head, diam. 27.2mm, 20mm seatback, length: 350mm-15/17", 400mm-19/21"
SADDLE	Tec, carbon steel rail

T4 - CK16/Black-Graphite matt





POSITIONING

The entrance door to the Bianchi off road world with the unique Italian style and design.

COURSE/TERRAIN

Asphalt, non-extreme climbs or descents, gravel or fire roads

END USE DESTINATION

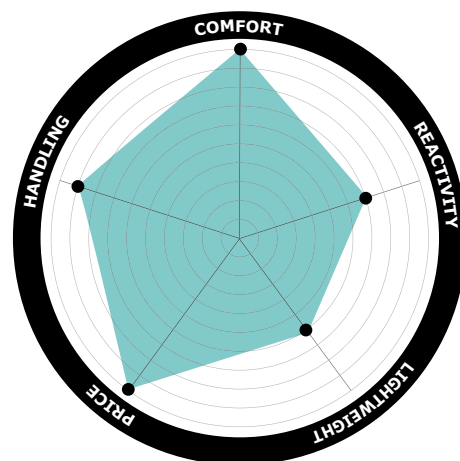
All round model for beginners or young riders. For anyone who wants to switch from sport, commuting or multi-day travelling.

KEY FEATURES

- Alu frame with 27.5in or 29in wheels
- Internal cable routing
- New graphics

PRODUCT FEATURES

- New internal cable routing
- Leisure dedicated geometry in 27 and 29
- 135mm QR, new low brake PM 160mm
- Lock, carrier and mud-guards ready
- Low clamp FD bottom pull
- AL6061 frame

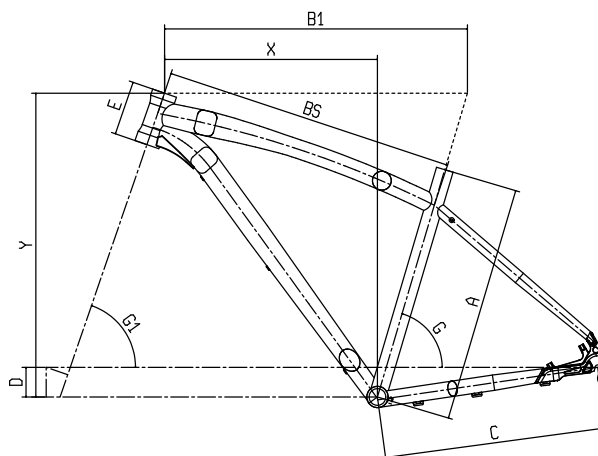


GEOMETRY 27.5"

SIZE	A	B1	BS	C	D	E	G	G1	Y	X
S 15"	380	560	550	435	50	100	73.5°	71°	586	386
M 17"	430	580	561	435	50	110	73.5°	71°	595	404
L 19"	480	605	582	435	50	115	73.5°	71°	600	427
XL 21"	530	625	603	435	50	120	73.5°	71°	605	446

GEOMETRY 29"

SIZE	A	B1	BS	C	D	E	G	G1	Y	X
M 17"	430	590	576	450	60	100	73.5°	71°	606	411
L 19"	480	610	587	450	60	110	73.5°	71°	615	428
XL 21"	530	630	606	450	60	120	73.5°	71°	625	445



KUMA 29.0 - XT/DEORE 2X10SP ROCK SHOX



CODE	YNBI1	TIRE	Kenda Honey Badger XC 29x2.2, DTC compound, 30Tpi, wire, ETRTO 56-622
COLOR	CN - CK16/Black-Graphite glossy	STEM	Tec Obvius 3D forged alloy 6061 anodized sandblasted, +/-7°, 1.1/8", diam. 31.8mm, lenght: 80mm-15/17", 90mm-19/21"
FRAME	Kuma 29" alu, 1.1/8" HT, BSA 68mm, seatpost diam.31,6mm, low clamp diam.34,9mm bottom pull, PM 160mm disc lower mounting dropouts 9x135mm QR, ST w/o V-Brake studs, sizes 15-17-19-21"	HANDLEBAR	Tec Obvius flat DB Alloy 6061-T6, width 720mm, diam. 31,8mm, 9° backsweep
SEATPOST CLAMP	339QX diam. 31,8mm, alloy clamp & lever	GRIP / TAPE	T-one T-GP48B, one piece grip, TPR material, 130mm
HEADSET	Fsa TH888 forged steel cups ID diam.34mm, stack height 12,8+11=23,8mm, w/15mm cap	SEATPOST	Tec Obvius, AL2014 shaft with forged head, diam. 31,6mm, 20mm seatback, length 350mm
FORK	Rock Shox 30 Silver TK 29" coil, 100mm w/PopLoc remote, 1.1/8" Steel HT, 9mm QR axle, 30mm stanchions, magnesium lowers, PM 160mm	SADDLE	Tec Rector, 140mm width, Steel rails, Pvc soft touch cover
SHIFTER	Shimano Deore SL- M610 2x10sp		
REAR DERAILLEUR	Shimano XT RD-M781 SGS Shadow Design 10sp, top normal, direct attachment, for 11-36T max		
FRONT DERAILLEUR	Shimano Deore FD-M618-L low clamp w/34.9mm adapter, down pull, 66/69°, for 36/38T w/14T capacity		
CRANKSET	Shimano FC-M627 36/22T, crank length: 170mm-15/17", 175mm-19/21"		
BOTTOM BRACKET	Shimano SM-BB52		
CHAIN	Kmc X10 EPT finish		
CASSETTE / FREEWHEEL	Shimano HG50-10sp, 11-13-15-17-19-21-24-28-32-36T		
BRAKE	Shimano BR-M365, resin pad		
DISC ROTOR	Shimano SM-RT10, Center Lock, diam. 160mm, for resin pad only		
FRONT HUB	Formula CL-1420 for Center Lock, 32h 100mm OLD, loose balls, axle length 108mm, w/QR		
REAR HUB	Formula CL-1422 for Center Lock, 32h, 135mm OLD, loose balls, axle length 145mm, w/QR		
RIM/WHEELSET	AlexRims MD2.0, 622x20c, 32h, Presta valve hole		

KUMA 29.1 - DEORE MIX 3X9SP



CODE	YNBW1	TIRE	Kenda Honey Badger XC 29x2.2, DTC compound, 30Tpi, wire, ETRTO 56-622
COLOR	NG - Black/Graphite-Acid green matt	STEM	Tec Obvius 3D forged alloy 6061 anodized sandblasted, +/-7°, 1.1/8", diam. 31.8mm, lenght: 80mm-15/17", 90mm-19/21"
FRAME	Kuma 29" alu, 1.1/8" HT, BSA 68mm, seatpost diam.31,6mm, low clamp diam.34,9mm bottom pull, PM 160mm disc lower mounting dropouts 9x135mm QR, ST w/o V-Brake studs, sizes 15-17-19-21"	HANDLEBAR	Tec Obvius flat DB Alloy 6061-T6, width 720mm, diam. 31,8mm, 9° backsweep
SEATPOST CLAMP	339QX diam. 31,8mm, alloy clamp & lever	GRIP / TAPE	T-one T-GP48B, one piece grip, TPR material, 130mm
HEADSET	Fsa TH888 forged steel cups ID diam.34mm, stack height 12,8+11=23,8mm, w/15mm cap	SEATPOST	Tec Obvius, Al2014 shaft with forged head, diam. 31.6mm, 20mm seatback, length 350mm
FORK	SR Suntour XCR32 RL-R DS 29" 100mm w/ Remote Lockout, 1.1/8" steel HT, alloy crown, coil spring w/pre-load adjust, steel 32mm stanchions, magnesium lowers w/PM 160mm, 9mm QR	SADDLE	Tec Rector, 140mm width, Steel rails, Pvc soft touch cover
SHIFTER	Shimano Alivio SL-M4000 3x9sp		
REAR DERAILLEUR	Shimano Deore RDM592 SGS Shadow Design 9sp, top-normal, direct attachment, for 11-36T max		
FRONT DERAILLEUR	Shimano FD-M3000 low clamp diam. 34,9mm, dual pull, 66/69°, for 40T w/18T capacity, CL 50mm		
CRANKSET	Shimano FC-M4000, 40/30/22T, crank length: 170mm-15/17", 175mm-19/21"		
BOTTOM BRACKET	Shimano BB-ES300, LL 68/118mm		
CHAIN	Kmc HV900 9sp		
CASSETTE / FREEWHEEL	Shimano HG200-9, 11-13-15-17-20-23-26-30-36T		
BRAKE	Shimano BR-M315, resin pad		
DISC ROTOR	Shimano SM-RT10, 160mm front & rear, Center Lock, for resin pad only		
FRONT HUB	Formula CL-1420 for Center Lock, 32h 100mm OLD, loose balls, axle length 108mm, w/QR		
REAR HUB	Formula CL-1422 for Center Lock, 32h, 135mm OLD, loose balls, axle length 145mm, w/QR		
RIM/WHEELSET	AlexRims MD2.0, 622x20c, 32h, Presta valve hole		

KUMA 29.2 - ALIVIO/ALTUS 3X9SP



CODE	YNBW2	RIM/WHEELSET	AlexRims MD2.0, 622x20c, 32h, Presta valve hole
COLOR	NA - Black/CK16-Mamba matt (ON PHOTO) CN - CK16/Black-Graphite glossy	TIRE	Kenda Honey Badger XC 29x2.2, DTC compound, 30Tpi, wire, ETRTO 56-622
FRAME	Kuma 29" alu, 1.1/8" HT, BSA 68mm, seatpost diam.31,6mm, low clamp diam.34,9mm bottom pull, PM 160mm disc lower mounting dropouts 9x135mm QR, ST w/o V-Brake studs, sizes 15-17-19-21"	STEM	Tec 3D forged alloy 6061, +/-7°, 1.1/8", diam. 31.8mm, ext: 80mm-15/17", 90mm-19/21"
SEATPOST CLAMP	339QX diam. 31,8mm, alloy clamp & lever	HANDLEBAR	Tec PG Alloy 6061, width 700mm, diam. 31,8mm, rise 15mm, backsweep 9°
HEADSET	Fsa TH888 forged steel cups ID diam.34mm, stack height 12,8+11=23,8mm, w/15mm cap	GRIP / TAPE	T-one T-GP48B, one piece grip, TPR material, 130mm
FORK	SR Suntour XCM HLO DS 29" 100mm, w/HLO Hydraulic lockout, 1.1/8" steer HT, alloy crown, coil spring w/pre-load adjust, steel 30mm stanchions, alloy lowers w/PM 160mm, QR 9mm	SEATPOST	Tec Al2014 shaft, alloy head, lenght 350mm, diam.31,6mm, 12mm seatback
SHIFTER	Shimano SL-M2000 3x9sp	SADDLE	Tec Rector, 140mm width, Steel rails, Pvc soft touch cover
REAR DERAILLEUR	Shimano Alivio RD-M4000-SGS 9sp, top-normal shadow design, direct attachment, for 36T max		
FRONT DERAILLEUR	Shimano FD-M2000 low clamp diam. 34,9mm, dual pull, 66/69°, for 40T w/18T capacity, CL 50mm		
CRANKSET	Shimano FC-MT100, 40/30/22T, crank length: 170mm-15/17", 175mm-19/21"		
BOTTOM BRACKET	Shimano BB-UN100, Axle LL123 (122,5mm)		
CHAIN	Kmc HV900 9sp		
CASSETTE / FREEWHEEL	Shimano HG200-9, 11-13-15-17-20-23-26-30-36T		
BRAKE	Shimano BR-M315, resin pad		
DISC ROTOR	Shimano SM-RT10, 160mm front & rear, Center Lock, for resin pad only		
FRONT HUB	Formula CL-1420 for Center Lock, 32h 100mm OLD, loose balls, axle length 108mm, w/QR		
REAR HUB	Formula CL-1422 for Center Lock, 32h, 135mm OLD, loose balls, axle length 145mm, w/QR		

KUMA 27.0- XT/DEORE 2X10SP ROCK SHOX

THE IMAGE SHOWN IS INDICATIVE ONLY.

Components and graphic details may differ from the actual model.



CODE	YNBJ9	TIRE	Kenda Small Block Eight 27,5x2.10, DTC compound, 30Tpi, wire, ETRTO 54-584
COLOR	CN - CK16/Black-Graphite glossy	STEM	Tec Obvius 3D forged alloy 6061 anodized sandblasted, +/-7°, 1.1/8", diam. 31.8mm, lenght: 80mm-15/17", 90mm-19/21"
FRAME	Kuma 27,5" alu, 1,1/8" HT, BSA 68mm, seatpost diam. 31,6mm, low clamp diam. 34,9mm bottom pull, PM 160mm disc lower mounting dropouts 9x135mm QR, ST w/o V-Brake studs, sizes 15-17-19-21"	HANDLEBAR	Tec Obvius flat DB Alloy 6061-T6, width 720mm, diam. 31,8mm, 9° backsweep
SEATPOST CLAMP	339QX diam. 31,8mm, alloy clamp & lever	GRIP / TAPE	T-one T-GP48B, one piece grip, TPR material, 130mm
HEADSET	Fsa TH888 forged steel cups ID diam.34mm, stack height 12,8+11=23,8mm, w/15mm cap	SEATPOST	Tec Obvius Al2014 shaft with forged head, diam. 31.6mm, 20mm seatback, length 350mm
FORK	Rock Shox 30 Silver TK 27,5" coil, 100mm w/ PopLoc remote, 1.1/8" Steel HT, 9mm QR axle, 30mm stanchions, magnesium lowers, PM 160mm	SADDLE	Tec Rector, 140mm width, Steel rails, Pvc soft touch cover
SHIFTER	Shimano Deore SL- M610 2x10sp		
REAR DERAILLEUR	Shimano XT RD-M781 SGS Shadow Design 10sp, top normal, direct attachment, for 11-36T max		
FRONT DERAILLEUR	Shimano Deore FD-M618-L low clamp w/34.9mm adapter, down pull, 66/69°, for 36/38T w/14T capacity		
CRANKSET	Shimano FC-M627, 38/24T, crank length: 170mm-15/17", 175mm-19/21"		
BOTTOM BRACKET	Shimano SM-BB52		
CHAIN	Kmc X10 EPT finish		
CASSETTE / FREEWHEEL	Shimano HG50-10sp, 11-13-15-17-19-21-24-28-32-36T		
BRAKE	Shimano BR-M365, resin pad		
DISC ROTOR	Shimano SM-RT10 160mm, Center Lock, resin pad only		
FRONT HUB	Formula CL-1420 for Center Lock, 32h 100mm OLD, loose balls, axle length 108mm, w/QR		
REAR HUB	Formula CL-1422 for Center Lock, 32h, 135mm OLD, loose balls, axle length 145mm, w/QR		
RIM/WHEELSET	AlexRims MD2.0, 584x20c, 32h, Presta valve hole		

KUMA 27.1 - DEORE MIX 3X9SP

THE IMAGE SHOWN IS INDICATIVE ONLY.

Components and graphic details may differ from the actual model.



CODE	YNB97	RIM/WHEELSET	AlexRims MD2.0, 584x20c, 32h, Presta valve hole
COLOR	NG - Black/Graphite-Acid green matt	TIRE	Kenda Small Block Eight 27,5x2.10, DTC compound, 30Tpi, wire, ETRTO 54-584
FRAME	Kuma 27,5" alu, 1,1/8" HT, BSA 68mm, seatpost diam. 31,6mm, low clamp diam. 34,9mm bottom pull, PM 160mm disc lower mounting dropouts 9x135mm QR, ST w/o V-Brake studs, sizes 15-17-19-21"	STEM	Tec Obvius 3D forged alloy 6061 anodized sandblasted, +/-7°, 1.1/8", diam. 31.8mm, lenght: 80mm-15/17", 90mm-19/21"
SEATPOST CLAMP	339QX diam. 31,8mm, alloy clamp & lever	HANDLEBAR	Tec Obvius flat DB Alloy 6061-T6, width 720mm, diam. 31,8mm, 9° backsweep
HEADSET	Fsa TH888 forged steel cups ID diam.34mm, stack height 12,8+11=23,8mm, w/15mm cap	GRIP / TAPE	T-one T-GP48B, one piece grip, TPR material, 130mm
FORK	SR Suntour XCR32 RL-R DS 27,5" 100mm w/ Remote Lockout, 1.1/8" steel HT, alloy crown, coil spring w/pre-load adjust, steel 32mm stanchions, magnesium lowers w/PM 160mm, 9mm QR	SEATPOST	Tec Obvius, AL2014 shaft with forged head, length 350mm, diam. 31.6mm, 20mm seatback
SHIFTER	Shimano Alivio SL-M4000 3x9sp	SADDLE	Tec Rector, 140mm width, Steel rails, Pvc soft touch cover
REAR DERAILLEUR	Shimano Deore RDM592 SGS Shadow Design 9sp, top-normal, direct attachment, for 11-36T max		
FRONT DERAILLEUR	Shimano FD-M3000 low clamp diam. 34,9mm, dual pull, 66/69°, for 40T w/18T capacity, CL 50mm		
CRANKSET	Shimano FC-M4000, 40/30/22T, crank length: 170mm-15/17", 175mm-19/21"		
BOTTOM BRACKET	Shimano BB-ES300, LL 68/118mm		
CHAIN	Kmc HV900 9sp		
CASSETTE / FREEWHEEL	Shimano HG200-9, 11-13-15-17-20-23-26-30-36T		
BRAKE	Shimano BR-M315, resin pad		
DISC ROTOR	Shimano SM-RT10, 160mm front & rear, Center Lock, for resin pad only		
FRONT HUB	Formula CL-1420 for Center Lock, 32h 100mm OLD, loose balls, axle length 108mm, w/QR		
REAR HUB	Formula CL-1422 for Center Lock, 32h, 135mm OLD, loose balls, axle length 145mm, w/QR		

KUMA 27.2 - ALIVIO/ALTUS 3X9SP

THE IMAGE SHOWN IS INDICATIVE ONLY.

Components and graphic details may differ from the actual model.



CODE	YNB71	RIM/WHEELSET	AlexRims MD2.0, 584x20c, 32h, Presta valve hole
COLOR	NA - Black/CK16-Mamba matt (ON PHOTO) CN - CK/Black-Graphite glossy (CN Col Available only from Asia direct)	TIRE	Kenda Small Block Eight 27,5x2.10, DTC compound, 30Tpi, wire, ETRTO 54-584
FRAME	Kuma 27,5" alu, 1,1/8" HT, BSA 68mm, seatpost diam. 31,6mm, low clamp diam. 34,9mm bottom pull, PM 160mm disc lower mounting dropouts 9x135mm QR, ST w/o V-Brake studs, sizes 15-17-19-21"	STEM	Tec 3D forged alloy 6061, +/-7°, 1.1/8", diam. 31.8mm, ext: 80mm-15/17", 90mm-19/21"
SEATPOST CLAMP	339QX diam. 31,8mm, alloy clamp & lever	HANDLEBAR	Tec PG Alloy 6061, width 700mm, diam. 31,8mm, rise 15mm, backsweep 9°
HEADSET	Fsa TH888 forged steel cups ID diam.34mm, stack height 12,8+11=23,8mm, w/15mm cap	GRIP / TAPE	T-one T-GP48B, one piece grip, TPR material, 130mm
FORK	SR Suntour XCM HLO DS 27,5" 100mm, with HLO Hydraulic Lockout, 1.1/8" HT, alloy crown, coil spring w/preload adjust, steel 30mm stanchions, alloy lowers w/PM 160mm, 9mm QR	SEATPOST	Tec Al2014 shaft, alloy head, lenght 350mm, diam.31,6mm, 12mm seatback
SHIFTER	Shimano SL-M2000 3x9sp	SADDLE	Tec Rector, 140mm width, Steel rails, Pvc soft touch cover
REAR DERAILLEUR	Shimano Alivio RD-M4000-SGS 9sp, top-normal shadow design, direct attachment, for 36T max		
FRONT DERAILLEUR	Shimano FD-M2000 low clamp diam. 34.9mm, dual pull, 66/69°, for 40T w/18T capacity, CL 50mm		
CRANKSET	Shimano FC-MT100 40/30/22T, crank length: 170mm-15/17" and 175mm-19/21"		
BOTTOM BRACKET	Shimano BB-UN100, Axle LL123 (122,5mm)		
CHAIN	Kmc HV900 9sp		
CASSETTE / FREEWHEEL	Shimano HG200-9, 11-13-15-17-20-23-26-30-36T		
BRAKE	Shimano BR-M315, resin pad		
DISC ROTOR	Shimano SM-RT10, 160mm front & rear, Center Lock, for resin pad only		
FRONT HUB	Formula CL-1420 for Center Lock, 32h 100mm OLD, loose balls, axle length 108mm, w/QR		
REAR HUB	Formula CL-1422 for Center Lock, 32h, 135mm OLD, loose balls, axle length 145mm, w/QR		

DUJEL

POSITIONING

The entrance door to the Bianchi off road world with the unique Italian style and design.

COURSE/TERRAIN

Asphalt, non-extreme climbs or descents, gravel or fire roads.

END USE DESTINATION

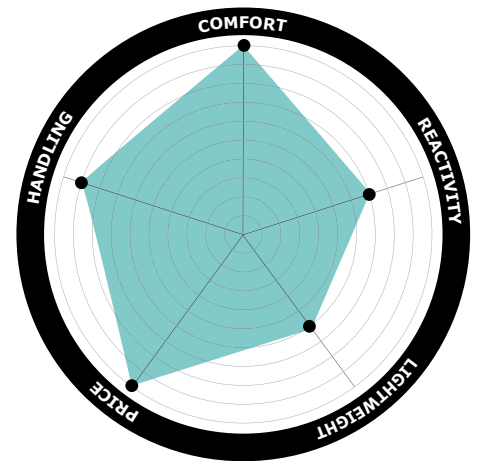
All round model for beginners or young riders. For anyone who wants to switch from sport, commuting or multi-day travelling.

KEY FEATURES

- New semi-integrated Headset (same as Kuma)
- 27.5" & 29" sport-leisure geometry
- IS standard disc mount

PRODUCT FEATURES

- Aluminium frame in 27.5" and 29"
- BSA 68mm bottom bracket
- QR 135mm
- Carrier and mud-guards ready
- Low clamp FD/top pull

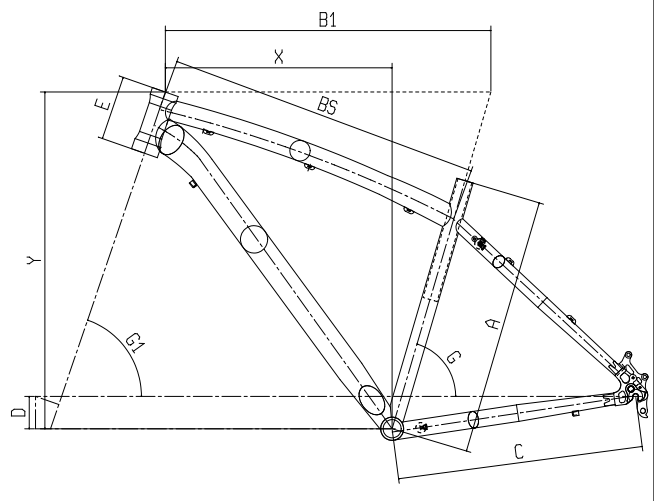


GEOMETRY 27.5"

SIZE	A	B1	BS	C	D	E	G	G1	Y	X	
XS	13"	340	535	539	440	50	110	73.5°	70°	591	360
S	15"	380	560	552	440	50	110	73.5°	71°	595	384
M	17"	430	580	563	440	50	120	73.5°	71°	605	401
L	19"	480	605	582	440	50	125	73.5°	71°	609	424
XL	21"	530	625	601	440	50	130	73.5°	71°	614	443

GEOMETRY 29"

SIZE	A	B1	BS	C	D	E	G	G1	Y	X	
XS	15"	380	565	560	460	60	100	74°	70°	601	393
S	17"	430	590	574	460	60	110	73.5°	71°	615	408
M	19"	480	610	588	460	60	120	73.5°	71°	625	425
L	21"	530	630	605	460	60	130	73.5°	71°	634	442



DUEL 29S - ACERA/ALTUS 3X9SP HYDR. DISC



CODE	YNBC8	REAR HUB	Formula CL-1422 for Center Lock, 32h, 135mm OLD, loose balls, axle length 145mm, w/QR
COLOR	HD - CK16/Black-Mamba glossy (ON PHOTO) HE - Black/CK16-Orange matt HK - Black/Mamba-Grey matt	RIM/WHEELSET	AlexRims MD2.0, 622x20c, 32h, Presta valve hole
FRAME	Duel 29" alu, 1.1/8" HT, BSA 68mm, seatpost diam. 27,2mm, seat tube diam. 31,8mm, FD top pull, INTL 160mm disc mounting dropouts 9x135mm QR, external cable routing under TT, sizes 15-17-19-21"	TIRE	Kenda Honey Badger XC 29x2.2, DTC compound, 30Tpi, wire, ETRTO 56-622
SEATPOST CLAMP	339QX diam. 31,8mm, alloy clamp & lever	STEM	Tec 3D forged alloy 6061, +/-7°, 1.1/8", diam. 31.8mm, ext: 80mm-15/17", 90mm-19/21"
HEADSET	Fsa TH888 forged steel cups ID diam.34mm, stack height 12,8+11=23,8mm, w/15mm cap	HANDLEBAR	Tec PG Alloy 6061, width 700mm, diam. 31,8mm, rise 15mm, backsweep 9°
FORK	SR Suntour XCM HLO DS 29" 100mm, w/HLO Hydraulic lockout, 1.1/8" steer HT, alloy crown, coil spring w/pre-load adjust, steel 30mm stanchions, alloy lowers w/PM 160mm, QR 9mm	GRIP / TAPE	T-one T-GP48B, one piece grip, TPR material, 130mm
SHIFTER	Shimano SL-M2000 3x9sp	SEATPOST	Tec Al2014 shaft, alloy head, 27,2mm, 12mm seatback, length: 300mm-15", 350mm-17/21"
REAR DERAILLEUR	Shimano Acera RD-M3000 9sp, top-normal, direct attachment, max 11-36T	SADDLE	Tec Rector, 140mm width, Steel rails, Pvc soft touch cover
FRONT DERAILLEUR	Shimano FD-M2000 low clamp diam. 31,8mm, dual pull, 66/69°, for 40T w/18T capacity, CL 50mm		
CRANKSET	Shimano FC-MT100, 40/30/22T, crank length: 170mm-15/17", 175mm-19,21"		
BOTTOM BRACKET	Shimano BB-UN100, Axle LL123 (122,5mm)		
CHAIN	Kmc HV900 9sp		
CASSETTE / FREEWHEEL	Shimano HG200-9, 11-13-15-17-20-23-26-30-36T		
BRAKE	Shimano BR-M315 w/rear IS160mm adapter, resin pad		
DISC ROTOR	Shimano SM-RT10, 160mm front & rear, Center Lock, for resin pad only		
FRONT HUB	Formula CL-1420 for Center Lock, 32h 100mm OLD, loose balls, axle length 108mm, w/QR		

DUEL 29.0 - ACERA/ALTUS 3X8SP HYDR. DISC



CODE	YNBC9
COLOR	HD - CK16/Black-Mamba glossy HE - Black/CK16-Orange matt (ON PHOTO) HK - Black/Mamba-Grey matt
FRAME	Duel 29" alu, 1.1/8" HT, BSA 68mm, seatpost diam. 27,2mm, seat tube diam. 31,8mm, FD top pull, INTL 160mm disc mounting dropouts 9x135mm QR, external cable routing under TT, sizes 15-17-19-21"
SEATPOST CLAMP	339QX diam. 31,8mm, alloy clamp & lever
HEADSET	Fsa TH888 forged steel cups ID diam.34mm, stack height 12,8+11=23,8mm, w/15mm cap
FORK	SR Suntour XCT HLO DS 29" 100mm, with HLO Hydraulic lockout, 1.1/8" HT, alloy crown, coil spring w/pre-load adjust, steel 30mm stanchions, alloy lowers w/PM 160mm disc mount, 9mm QR
SHIFTER	Shimano Altus SL-M310 3x8sp
REAR DERAILLEUR	Shimano Acera RD-M360 top-normal, direct attachment, for 11-34T max
FRONT DERAILLEUR	Shimano FD-TY700-TS6 low clamp diam. 31,8mm, dual pull, 66/69°, for 42T w/18T capacity, CL 50mm
CRANKSET	Shimano FC-TY501 42/34/24T w/chainguard, crank length: 170mm-15/17", 175mm-19/21"
BOTTOM BRACKET	Shimano BB-UN100 , Axle 122,5MM (D-NL)
CHAIN	Kmc HV800 8sp
CASSETTE / FREEWHEEL	Shimano HG31-8s, 11-13-15-18-21-24-28-32T
BRAKE	Shimano BR-M315 w/rear IS160mm adapter, resin pad
DISC ROTOR	Shimano SM-RT10, 160mm front & rear, Center Lock, for resin pad only
FRONT HUB	Formula CL-1420 for Center Lock, 32h 100mm OLD, loose balls, axle length 108mm, w/QR

REAR HUB	Formula CL-1422 for Center Lock, 32h, 135mm OLD, loose balls, axle length 145mm, w/QR
RIM/WHEELSET	AlexRims MD2.0, 622x20c, 32h, Presta valve hole
TIRE	Kenda Honey Badger XC 29x2.2, DTC compound, 30Tpi, wire, ETRTO 56-622
STEM	Tec 3D forged alloy 6061, +/-7°, 1.1/8", diam. 31.8mm, ext: 80mm-15/17", 90mm-19/21"
HANDLEBAR	Tec PG Alloy 6061, width 700mm, diam. 31,8mm, rise 15mm, backsweep 9°
GRIP / TAPE	T-one T-GP48B, one piece grip, TPR material, 130mm
SEATPOST	Tec Al2014 shaft, alloy head, 27,2mm, 12mm seatback, length: 300mm-15", 350mm-17/21"
SADDLE	Tec Rector, 140mm width, Steel rails, Pvc soft touch cover
PEDALS	Fasten NW-91K

HK - Black/Mamba-Grey matt



DUEL 27S - ACERA/ALTUS 3X9SP HYDR. DISC



CODE	YNBC7	REAR HUB	Formula CL-1422 for Center Lock, 32h, 135mm OLD, loose balls, axle length 145mm, w/QR
COLOR	HD - CK16/Black-Mamba glossy HE - Black/CK16-Orange matt (ON PHOTO) HK - Black/Mamba-Grey matt	RIM/WHEELSET	AlexRims MD2.0, 584x20c, 32h, Presta valve hole
FRAME	Duel 27,5" alu, 1.1/8" HT, BSA 68mm, seatpost diam. 27,2mm, seat tube diam. 31,8mm, FD top pull, INTL 160mm disc mounting dropouts 9x135mm QR, ST w/V-Brake studs, external cable routing under TT, sizes 15-17-19-21"	TIRE	Kenda Small Block Eight 27,5x2.10, DTC compound, 30Tpi, wire, ETRTO 54-584
SEATPOST CLAMP	339QX diam. 31,8mm, alloy clamp & lever	STEM	Tec 3D forged alloy 6061, +/-7°, 1.1/8", diam. 31.8mm, ext: 80mm-15/17", 90mm-19/21"
HEADSET	Fsa TH888 forged steel cups ID diam.34mm, stack height 12,8+11=23,8mm, w/15mm cap	HANDLEBAR	Tec PG Alloy 6061, width 700mm, diam. 31,8mm, rise 15mm, backsweep 9°
FORK	SR Suntour XCM HLO DS 27,5" 100mm, with HLO Hydraulic Lockout, 1.1/8" HT, alloy crown, coil spring w/preload adjust, steel 30mm stanchions, alloy lowers w/PM 160mm, 9mm QR	GRIP / TAPE	T-one T-GP48B, one piece grip, TPR material, 130mm
SHIFTER	Shimano SL-M2000 3x9sp	SEATPOST	Tec Al2014 shaft, alloy head, 27,2mm, 12mm seatback, length: 300mm-15", 350mm-17/21"
REAR DERAILLEUR	Shimano Acera RD-M3000 9sp, top-normal, direct attachment, max 11-36T	SADDLE	Tec Rector, 140mm width, Steel rails, Pvc soft touch cover
FRONT DERAILLEUR	Shimano FD-M2000 low clamp diam. 31,8mm, dual pull, 66/69°, for 40T w/18T capacity, CL 50mm		
CRANKSET	Shimano FC-MT100 40/30/22T, crank length: 170mm-15/17", 175mm-19/21"		
BOTTOM BRACKET	Shimano BB-UN100, Axle LL123 (122,5mm)		
CHAIN	Kmc HV900 9sp		
CASSETTE / FREEWHEEL	Shimano HG200-9, 11-13-15-17-20-23-26-30-36T		
BRAKE	Shimano BR-M315 w/rear IS160mm adapter, resin pad		
DISC ROTOR	Shimano SM-RT10, 160mm front & rear, Center Lock, for resin pad only		
FRONT HUB	Formula CL-1420 for Center Lock, 32h 100mm OLD, loose balls, axle length 108mm, w/QR		

DUEL 27.0 - ACERA/ALTUS 3X8SP HYDR. DISC

THE IMAGE SHOWN IS INDICATIVE ONLY.

Components and graphic details may differ from the actual model.



CODE	YNBW4	REAR HUB	Formula CL-1422 for Center Lock, 32h, 135mm OLD, loose balls, axle length 145mm, w/QR
COLOR	HD - CK16/Black-Mamba glossy HE - Black/CK16-Orange matt (ON PHOTO) HK - Black/Mamba-Grey matt	RIM/WHEELSET	AlexRims MD2.0, 584x20c, 32h, Presta valve hole
FRAME	Duel 27,5" alu, 1.1/8" HT, BSA 68mm, seatpost diam. 27,2mm, seat tube diam. 31,8mm, FD top pull, INTL 160mm disc mounting dropouts 9x135mm QR, ST w/V-Brake studs, external cable routing under TT, sizes 15-17-19-21"	TIRE	Kenda Small Block Eight 27,5x2.10, DTC compound, 30Tpi, wire, ETRTO 54-584
SEATPOST CLAMP	339QX diam. 31,8mm, alloy clamp & lever	STEM	Tec 3D forged alloy 6061, +/-7°, 1.1/8", diam. 31.8mm, ext: 80mm-15/17", 90mm-19/21"
HEADSET	Fsa TH888 forged steel cups ID diam.34mm, stack height 12,8+11=23,8mm, w/15mm cap	HANDLEBAR	Tec PG Alloy 6061, width 700mm, diam. 31,8mm, rise 15mm, backsweep 9°
FORK	SR Suntour XCT HLO DS 27,5" 100mm, with HLO Hydraulic lockout, 1.1/8" HT, alloy crown, coil spring w/pre-load adjust, steel 30mm stanchions, alloy lowers w/PM 160mm disc mount, 9mm QR	GRIP / TAPE	T-one T-GP48B, one piece grip, TPR material, 130mm
SHIFTER	Shimano Altus SL-M310 3x8sp	SEATPOST	Tec Al2014 shaft, alloy head, 27,2mm, 12mm seatback, length: 300mm-15", 350mm-17/21"
REAR DERAILLEUR	Shimano Acera RD-M360 top-normal, direct attachment, for 11-34T max	SADDLE	Tec Rector, 140mm width, Steel rails, Pvc soft touch cover
FRONT DERAILLEUR	Shimano FD-TY700-TS6 low clamp diam. 31,8mm, dual pull, 66/69°, for 42T w/18T capacity, CL 50mm	PEDALS	Fasten NW-91K
CRANKSET	Shimano FC-TY501 42/34/24T w/chainguard, crank length: 170mm-15/17", 175mm-19/21"		
BOTTOM BRACKET	Shimano BB-UN100, Axle 122,5MM (D-NL)		
CHAIN	Kmc HV800 8sp		
CASSETTE / FREEWHEEL	Shimano HG31-8s, 11-13-15-18-21-24-28-32T		
BRAKE	Shimano BR-M315 w/rear IS160mm adapter, resin pad		
DISC ROTOR	Shimano SM-RT10, 160mm front & rear, Center Lock, for resin pad only		
FRONT HUB	Formula CL-1420 for Center Lock, 32h 100mm OLD, loose balls, axle length 108mm, w/QR		



TRAIL

MODEL IN THIS CATEGORY

ETHANOL FS

PROJECT PHILOSOPHY

/ The Bianchi Trail bikes offer the great riding ability of a XC bike combined with a specifically designed geometry that gives excellent bike control.

TARGET CONSUMER

/ Bianchi Trail bikes are ideal for Marathon events or all-day rides in the mountains.

POSITIONING

A do-it-all with carbon front triangle and aluminum rear triangle. An updated and versatile bike to get the fun from every epic ride.

COURSE/TERRAIN

The specific geometry gives the best pedal efficiency on climbs and excellent bike control on technical descents.

END USE DESTINATION

All day long leisure rides in the mountains.

KEY FEATURES

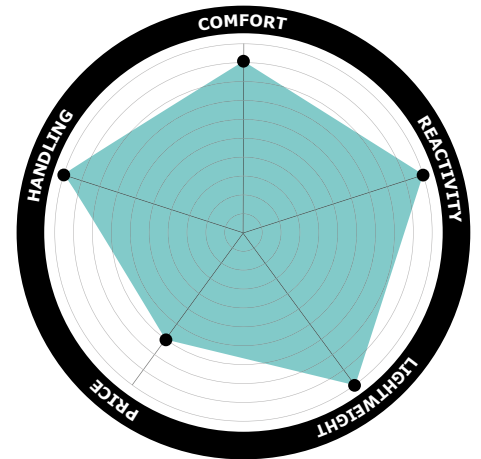
- 4-bar horst link suspension design
- 27,5in wheels
- 130mm travel
- 142mm Shimano E-Thru

PRODUCT FEATURES

- 27" FS geometry in 130 and 150mm travel w/same frame
- 4-bar Horst link suspension design with progressive rate
- Carbon front triangle, rear alloy stays
- Tapered HT 1.1/8" > 1.5", 142 Shimano E-Thru QR, PM 160mm
- Internal cable routing (stealth dropper seatpost + shock remote + new side-swing Shimano FD design capable)
- PF30 73mm bottom bracket w/ISCG05
- HDM/D-Type FD (removable), bottom pull
- Dual travel: 130mm with 190/50mm shock

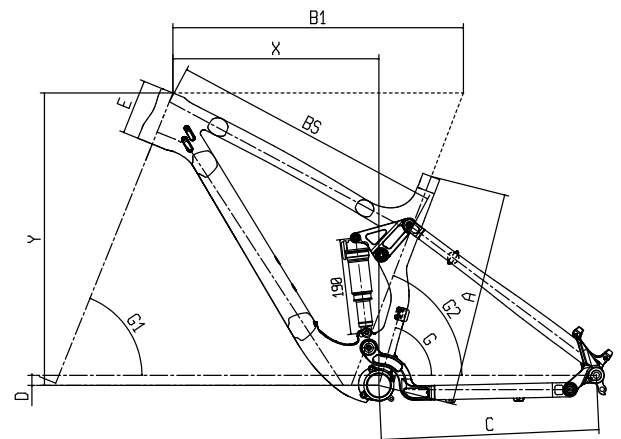
reparto corsa

REAR TRAIL **130MM**



GEOMETRY – Performance

SIZE	A	B1	BS	C	D	E	G	G2	G1	Y	X	
S	15"	380	560	530	435	24	100	74.5°	69.5°	68.5°	573	398
M	17"	430	580	545	435	24	110	74.5°	69.5°	68.5°	583	414
L	19"	480	600	565	435	24	120	74.5°	69.5°	68.5°	592	430
XL	21"	530	620	580	435	24	125	74.5°	69.5°	68.5°	598	448



ETHANOL 27.1 FS TRAIL - XT 2X11SP



CODE	YLB85
COLOR	3V - Military green, CK16/black matt
FRAME	Ethanol 27,5" FS 130 carbon/alloy, 190/50mm shock lengths, 1.5" tapered HT, PF30 73mm w/ ISCG 05, seatpost diam. 31,6mm, HDM FD bottom or side swing, PM 160mm Shimano 142 QR dropout, internal DT cable routing, sizes 15,17,19,21"
REAR SHOCK	Fox Float DPS Performance, 190/50mm, 3 position lever (open-medium-firm)
SEATPOST CLAMP	Alloy diam. 36mm
HEADSET	Fsa Orbit 1.5E ZS #57E, internal alloy cups, economical ACB 1-1/8" Upper, 1.5" Lower, w/8mm top cover
FORK	Fox 34 Float 27,5" Performance, 130mm travel, FIT4 3 position lever (open-medium-firm), 1.5" tapered HT, 15QR axle, 44mm rake
SHIFTER	Shimano XT SL-M8000 11sp
REAR DERAILLEUR	Shimano XT RD-M8000-GS Shadow+ Design 11sp, top normal, direct attachment, for 11-42T max
FRONT DERAILLEUR	Shimano XT FD-M8020-D HDM side swing, for CS angle 66/69°, for 34/38T w/10T capacity
CRANKSET	Shimano FC-MT700-2 36/26T Hollowtech II, arms length 170mm for 15" and 175mm for 17,19,21"
BOTTOM BRACKET	Shimano BB-MT800 w/Truvativ adapter PF30 to BSA
CHAIN	Kmc X11 EPT finish
CASSETTE / FREEWHEEL	Shimano CS-M8000, 11sp, 11-40T
BRAKE	Formula CR3, flip-flop radial master cylinder, PM caliper w/24mm pistons, top loading sintered brake pads, w/front 180mm rotor PM adapter only
DISC ROTOR	Formula 180mm front & 160mm rear, 1-piece 6 holes

RIM/ WHEELSET	DT Swiss Spline M1900 27,5", QR15 front, 12x142 rear, Tubeless-ready rim
TIRE	Kenda Honey Badger Pro 27,5x2.20, DTC/SCT compound, Tubeless ready, 120Tpi, folding, ETRTO 55-584
STEM	Tec Cursus 3D forged alloy 7050-T6, +/-7°, 1.1/8", diam. 35mm, size 70mm for 15,17" and 80mm for 19-21"
HANDLEBAR	Tec Cursus AL6061-T6 double butted, width 740mm, diam. 35mm, rise 20mm, backsweep 9°
GRIP / TAPE	Rock T-GP34 single lock grip w/aluminium clamp
SEATPOST	KS Lev Integra, diam. 31,6mm, L. 392mm, travel 125mm, internal remote cable routing
SADDLE	WTB SL8 Race 127x263mm

ETHANOL 27.2 FS TRAIL - GX 2X10SP



CODE	YLB86
COLOR	3Q - Orange, black/CK matt
FRAME	Ethanol 27,5" FS 130 carbon/alloy, 190/50mm shock lengths, 1.5" tapered HT, PF30 73mm w/ ISCG 05, seatpost diam. 31,6mm, HDM FD bottom or side swing, PM 160mm Shimano 142 QR dropout, internal DT cable routing, sizes 15,17,19,21"
REAR SHOCK	Fox Float DPS Performance, 190/50mm, 3 position lever (open-medium-firm)
SEATPOST CLAMP	Alloy diam. 36mm
HEADSET	Fsa Orbit 1.5E ZS #57E, internal alloy cups, economical ACB 1-1/8" Upper, 1.5" Lower, w/8mm top cover
FORK	Fox 32 Float 27,5" Performance, 130mm travel, FIT4 3 position lever (open-medium-firm), 1.5" tapered HT, 15QR axle, 44mm rake
SHIFTER	Sram GX 2x10sp trigger
REAR DERAILLEUR	Sram GX 10sp long cage Type2.1
FRONT DERAILLEUR	Sram GX HDM, bottom pull, for 38/24 & 36/22T
CRANKSET	Fsa Comet BB30 36/22T, forged AL6061, BCD 104/64mm, arms lengths 170mm for 15" and 175mm for 17,19,21"
BOTTOM BRACKET	Fsa PF7000/CZ/Di2
CHAIN	Kmc X10 EPT
CASSETTE / FREEWHEEL	Sram PG1020, 11-13-15-17-19-22-25-28-32-36T
BRAKE	Shimano M506 w/rear J-Kit only, resin pad w/o fin, w/front 180mm adapter
DISC ROTOR	Shimano SMRT30 180mm front & 160mm rear, CenterLock for resin pad only

FRONT HUB	Formula CL-81 for Center Lock, 32h, 15mm TA, sealed bearings
REAR HUB	Formula CL-142S for Center Lock, 32h 12x142mm, sealed bearings
RIM/ WHEELSET	SunringlÈ Helix TR27 Tubeless Ready 27.5, alloy, 32h 18mm height
TIRE	Kenda Honey Badger Pro 27,5x2.20, DTC/SCT compound, Tubeless ready, 120Tpi, folding, ETRTO 55-584
STEM	Tec Obvius 3D forged alloy 6061, +/-7°, 1.1/8", diam. 35mm, size 70mm for 15,17" and 80mm for 19-21"
HANDLEBAR	Tec Obvius DB Alloy 6061, rise 15mm, width 740mm, diam. 35mm, 9° backsweep
GRIP / TAPE	Rock T-GP34 single lock grip w/aluminium clamp
SEATPOST	KS E-Ten Integra L. 420mm, diam.31,6mm, 100mm travel w/internal cable routing remote
SADDLE	Selle San Marco Era Startup, carbon steel rail, cover silkfeel, 277x135mm



ENDURO

MODEL IN THIS CATEGORY

ETHANOL FS

PROJECT PHILOSOPHY

/ We design the bikes so you can easily reach the summit of every climb and then provide the best performance on the descents.

TARGET CONSUMER

/ The Bianchi Enduro bikes are designed for fast, exciting multi-use riding.
/ The suspension offers superb, trusted performance for fast, adrenaline-fueled descending.

POSITIONING

High end long travel full suspension bike for bike parks and enduro races.

COURSE/TERRAIN

No terrain limitations.

END USE DESTINATION

Ride till the top of the mountain then get the fun on every steep and technical descent. Roll fast on switchbacks and corners. Rule the elements

KEY FEATURES

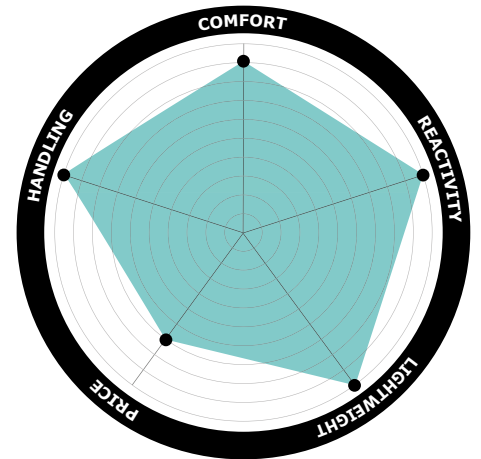
- 4-bar horst link suspension design
- 27,5in Plus wheels,
- 150mm travel
- 142mm Shimano E-Thru

PRODUCT FEATURES

- 27" FS geometry 150mm travel
- 4-bar Horst link suspension design with progressive rate
- Carbon front triangle, rear alloy stays
- Tapered HT 1.1/8" > 1.5", 142 Shimano E-Thru QR, PM 160mm
- Internal cable routing (stealth dropper seatpost + shock remote + new side-swing Shimano FD design capable)
- PF30 73mm bottom bracket w/ISCG05
- HDM/D-Type FD (removable), bottom pull
- Travel: 150mm with 200/57mm shock

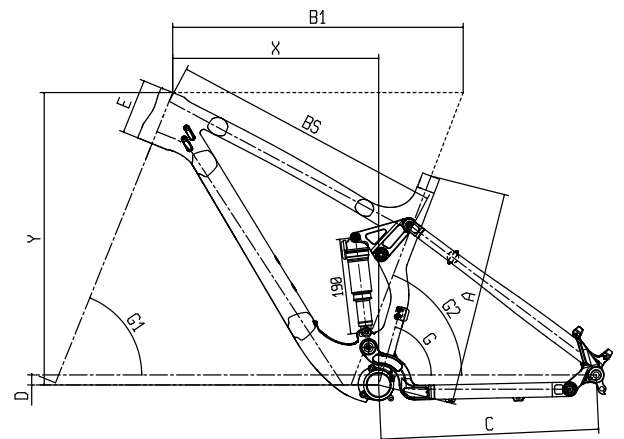
reparto corsa

REAR TRAIL **150MM**



GEOMETRY – Performance

SIZE	A	B1	BS	C	D	E	G	G2	G1	Y	X	
S	15"	380	560	530	435	24	100	74.5°	69.5°	68.5°	573	398
M	17"	430	580	545	435	24	110	74.5°	69.5°	68.5°	583	414
L	19"	480	600	565	435	24	120	74.5°	69.5°	68.5°	592	430
XL	21"	530	620	580	435	24	125	74.5°	69.5°	68.5°	598	448



ETHANOL 27.1 FS ENDURO - X01 1X11SP



CODE	YLB90	REAR HUB	Sram MTH 746, 6 bolt, 32h 12x142mm, XD driver body, sealed bearings, 410g
COLOR	3Q - Orange, black/CK matt	RIM/WHEELSET	Wtb ASYM i23 27,5", WT-69 Series Alloy, Super Light Construction, 32h, Disc Only
FRAME	Ethanol 27,5" FS 150 carbon/alloy, 200/57mm shock length, 1.5" tapered HT, PF30 73mm w/ISCG 05, seatpost diam. 31,6mm, HDM FD bottom or front pull, PM 160mm Shimano 142 QR dropout, internal DT cable routing, sizes 15,17,19,21"	TIRE	Front: Kenda Honey Badger DH - 27,5x2.40, DTC/SCT compound, Tubeless ready, 120Tpi, folding, ETRTO 60-584Rear: Kenda Nevegal X Pro - 27,5x2.35, DTC/SCT compound, Tubeless ready, 120Tpi, folding, ETRTO 56-584
REAR SHOCK	Fox Float X Performance Elite, 200/57mm, 3 position lever w/open mode adjust.	STEM	Tec Cursus, 3D forged alloy 7050-T6, +/-7°, 1.1/8", diam. 35mm, ext: 60mm for 15,17,19" and 70mm for 21"
SEATPOST CLAMP	Alloy diam. 36mm	HANDLEBAR	Tec Cursus rise, double butted AL2014-T6, width 740mm, diam 35mm, rise 20mm, backsweep 9°
HEADSET	Fsa Orbit 1.5E ZS #57E, internal alloy cups, economical ACB 1-1/8" Upper, 1.5" Lower, w/8mm top cover	GRIP / TAPE	Rock T-GP34 single lock grip w/aluminium clamp
FORK	Fox 36 Float 27,5" Performance, 160mm travel, FIT4 3 position lever (open-medium-firm), 1.5" tapered HT, 15mm axle, 44mm rake	SEATPOST	KS Lev Integra, diam. 31,6mm, L. 392mm, travel 125mm, internal remote cable routing
SHIFTER	Sram X01 1x11sp trigger	SADDLE	WTB SL8 Race 127x263mm
REAR DERAILLEUR	Sram X01 carbon 11sp long cage Type2.1		
CRANKSET	Fsa Comet Compact 386 BB30 32T Megatooth V3, forged AL6061, BCD 86mm, length 170mm for 15,17,19" and 175mm for 21"		
BOTTOM BRACKET	Fsa PF7000/CZ/Di2		
CHAIN	Kmc X11 EPT finish		
CASSETTE / FREEWHEEL	Sram XG-1175 10-12-14-16-18-21-24-28-32-36-42T		
BRAKE	Formula CR3, flip-flop radial master cylinder w/ Speedlock connection, w/MixMaster right (1pcs) clamp One-piece PM caliper w/24mm oval pistons, top loading sintered brake pads		
DISC ROTOR	Formula 203mm front & 180mm rear, 1-piece 6 hole		
FRONT HUB	Sram MTH 716, 6 bolt, 32h 15mm TA, sealed bearings		

ETHANOL 27.2 FS ENDURO - X1 1X11SP



CODE	YLB91	RIM/WHEELSET	Wtb ASYM i23 27,5", WT-69 Series Alloy, Super Light Construction, 32h, Disc Only
COLOR	3V - Military green, CK16/black matt	TIRE	Front: Kenda Honey Badger DH - 27,5x2.40, DTC/SCT compound, Tubeless ready, 120Tpi, folding, ETRTO 60-584Rear: Kenda Nevegal X Pro - 27,5x2.35, DTC/SCT compound, Tubeless ready, 120Tpi, folding, ETRTO 56-584
FRAME	Ethanol 27,5" FS 150 carbon/alloy, 200/57mm shock lenght, 1.5" tapered HT, PF30 73mm w/ISCG 05, seatpost diam. 31,6mm, HDM FD bottom or front pull, PM 160mm Shimano 142 QR dropout, internal DT cable routing, sizes 15,17,19,21"	STEM	Tec Obvius 3D forged alloy 6061, +/-7°, 1.1/8", diam. 35mm, size 60mm for 15,17,19" and 70mm for 21"
REAR SHOCK	Cane Creek Double Barrell 4 ways in-line shock, 200/57mm, Bianchi custom tuned Climb Switch	HANDLEBAR	Tec Obvius DB Alloy 6061, rise 15mm, width 740mm, diam. 35mm, 9° backsweep
SEATPOST CLAMP	Alloy diam. 36mm	GRIP / TAPE	Rock T-GP34 single lock grip w/aluminium clamp
HEADSET	Fsa Orbit 1.5E ZS #57E, internal alloy cups, economical ACB 1-1/8" Upper, 1.5" Lower, w/8mm top cover	SEATPOST	KS E-Ten Integra L. 420mm, diam.31,6mm, 100mm travel w/internal cable routing remote
FORK	Rock Shox Pike RC 27,5" 160mm, 1.5" tapered HT, 15QR axle	SADDLE	WTB SL8 Race 127x263mm
SHIFTER	Sram X1 1x11sp trigger		
REAR DERAILLEUR	Sram X1 11sp long cage alu Type2.1		
CRANKSET	Fsa Comet Compact 386 BB30 32T Megatooth V3, forged AL6061, BCD 86mm, length 170mm for 15,17,19" and 175mm for 21"		
BOTTOM BRACKET	Fsa PF7000/CZ/Di2		
CHAIN	Kmc X11 EPT finish		
CASSETTE / FREEWHEEL	Sram XG-1175 10-12-14-16-18-21-24-28-32-36-42T		
BRAKE	Formula CR3, flip-flop radial master cylinder w/ Speedlock connection, w/MixMaster right (1pcs) clamp One-piece PM caliper w/24mm oval pistons, top loading sintered brake pads		
DISC ROTOR	Formula 203mm front & 180mm rear, 1-piece 6 hole		
FRONT HUB	Formula DC-81, 6 Bolt, 32h 15mm TA, sealed bearings		
REAR HUB	Formula DCL-361, 6 bolt, 32h 12x142mm, 4 sealed bearings, XD driver body, 322g		

E-BIKES

ROAD
MTB
SPORT
CITY



ADVANTAGES OF BIANCHI E-BIKES

A TRADITIONAL BIKE WORKS ACCORDING TO THE AMOUNT OF FORCE YOU PUT ON THE PEDALS. INSTEAD, BIANCHI'S E-BIKES POWER-ASSIST YOUR PEDAL STROKE UP TO A SPEED OF 25KM/HR. CHOOSE THE LEVEL OF ASSISTANCE THAT'S BEST FOR YOU AND HOW YOU'RE FEELING, WHETHER IT BE A LIGHT OR INTENSE BOOST. IN ANY CASE, YOU WILL BE THE WINNER.

POWER AND PERFORMANCE

With a Bianchi e-bike, your cycling performance is improved because every pedalling effort you make can be assisted. The power unit can easily be controlled to give a little help or a lot of help, so every journey you make you get there faster, and using less effort.



ECO-FRIENDLY

Travelling by Bianchi e-bike you're reducing pollution levels and making a positive environmental contribution that benefits everyone. On your e-bike you can cruise past stressful congested traffic, avoid producing harmful emissions. Just as your assisted pedaling efforts are far more sustainable – aided by the long-lasting power of the quick-charging e-bike battery and its efficient motor – investing in an e-bike is an environmentally sustainable, intelligent choice for an ecologically-conscious cyclist.



HEALTH & WELLBEING

Our e-bikes are able to enhance your level of fitness and open up a wealth of new riding possibilities. Because you're still pedaling, and can select and change the amount of assistance you receive at any time, riding an e-bike lets you enjoy all the health and wellness benefits of a conventionally powered bicycle, but with the freedom to do so much more. Your heart rate rises, your muscles get a gentle all-over workout and your lungs work better than ever – and, best of all, you don't need to even break a sweat to experience all these benefits. On an e-bike not only your fitness and health will improve, but your stress levels will fall. Getting fitter, enjoying the open air, taking back control and meeting your challenges feed a new level of mental and emotional wellbeing.



MAXIMUM EFFICIENCY

Riding an e-bike will save you the stress and will see you arriving fresh and relaxed at your destination. No more time wasted queueing or searching for parking spaces – take back control of every journey. Now you're free to run your own schedule and plan your own time – hassle-free. Maintenance is also easy. All you need is your e-bike and away you go.





 AVENGER FULL
 AVENGER HARDTAIL

PERFORMANCE LINE CX

- / Central Motor Unit 36V, 250W, 75Nm Max (4Kg).
A compact performance motor unit.
- / **500Wh** Down Tube mounted Battery (2,7Kg)
- / Torque sensor, speed sensor, cadence sensor
- / Charging Time 3.5h
- / LCD multifunction display

WALK ASSIST
0-6 km/h.

AUTONOMY
Eco 150Km
Tour 100Km
Sport 78Km
Turbo 65Km

ASSISTANCE (%)
Eco 50%
Tour 120%
Sport 180%
Turbo 275%



 ASCENT
 MANHATTAN
 E-BROOKLIN

STEPS E-8000

- / Central Motor Unit 36V, 250W, 80Nm Max (2,9Kg).
Specific for E-MTB. Designed with 53 (boost) or 50mm chainline
- / **500Wh** Down Tube mounted Battery (2,9Kg)
- / Torque sensor, speed sensor, cadence sensor
- / Charging Time 4h (80% 2h)
- / LCD multifunction display

WALK ASSIST
0-6 km/h

AUTONOMY
Eco 150Km
Trail 85Km
Boost 60Km

ASSISTANCE (%)
Eco 70%
Trail 180%
Boost 300%

STEPS E-6000


- / Central Motor Unit 36V, 250W, 50Nm (3,2Kg).
Specific for E-Sport and E-City Bikes
- / **418Wh** Down Tube mounted Battery (2,66Kg)
- / Torque sensor, speed sensor, cadence sensor
- / Charging Time 4h (80% 2h).
- / LCD multifunction display

WALK ASSIST
0-6 km/h

AUTONOMY
Eco 125Km
Standard 85Km
High 60K

ASSISTANCE (%)
Eco 70%
Standard 150%
High 230%



 ASCENT

PW SERIES

- / Central Motor Unit 36V, 250W, 70Nm Max (3,5Kg)
Specific for E-MTB. Designed with 53 (boost) or 50mm chainline
- / **500Wh/400W** Down Tube mounted Battery
- / Torque sensor, speed sensor, cadence sensor
- / Charging Time **4h/3,5h**
- / LCD multifunction display

WALK ASSIST
0-6 km/h

AUTONOMY
Eco+ **165/140Km**
Eco **130/110Km**
STD **100/85Km**
High **85/70Km**

ASSISTANCE (%)
Eco+ 50%
Eco 100%
STD 190%
High 280%

FAZUA



EDOARDO

EVATION

- / Motor Unit 36V, 250W
Designed for urban use.
- / **250Wh** Down Tube integrated Battery
- / Torque sensor, speed sensor, cadence sensor
- / Charging Time 2,5h
- / 4Kg complete system
- / Two bikes in one

WALK ASSIST
0-6 km/h

AUTONOMY
55Km

MAX POWER
Breeze (Green) 125W
River (Blue) 250W
Rocket (Pink) 400W

ASSISTANCE (%)
Breeze (Green) 75%
River (Blue) 150%
Rocket (Pink) 240%



IMPULSO ROAD
IMPULSO ALLROAD

E-P3

- / Central Motor Unit brushless 36V, 250W, 70Nm (2,85Kg).
Specific for road racing bikes.
Single and double chainrings compatible.
- / **500Wh** Down Tube integrated Battery (2,54Kg)
- / Torque sensor, speed sensor, cadence sensor
- / Charging Time 4h
- / LCD multifunction display

WALK ASSIST
0-6 km/h.

AUTONOMY
(1) 200Km
(2) 160Km
(3) 120Km
(4) 90Km
(5) 70Km

ASSISTANCE (%)
(1) 30%
(2) 60%
(3) 120%
(4) 250%
(5) 350%

BAFANG



METROPOL-E
DANCE

PHONIC WHEEL

- / Hub integrated motor unit 36V, 250W.
Specific for E-City Bikes
- / **400Wh** Rear carrier mounted battery
- / Speed sensor
- / Charging Time 4,5h
- / Presa USB

WALK ASSIST
0-6 km/h

AUTONOMY
Eco 75Km
Standard 60Km
High 45Km

ASSISTANCEW
Eco 15Km/h
Standard 20Km/h
High 25Km/h



E-ROAD

MODELS IN THIS CATEGORY

IMPULSO E-ROAD
IMPULSO E-ALLROAD

PROJECT PHILOSOPHY

- / The E-ROAD/E-ALLROAD range is perfect for the active cyclist.
- / With a long-lasting battery range that reaches 200km, you can go beyond the limits of a traditional road bike while staying relaxed and enjoying the scenery.
- / You can ride further and higher than ever. See more places and meet more people along the way.
- / If you've ever had to say no to a solo bike ride or group ride with friends, here's your solution - the Bianchi Impulso E-road and Impulso E-allroad will make any ride possible.

A NEW EXPERIENCE

NO MORE LIMITS WITH BIANCHI E-ROAD AND E-ALLROAD

Take on the big passes like Stelvio, Gavia, and Pordoi or challenge yourself with a nice, long ride on the legendary "strade bianche".

Dreaming big is possible with the new Bianchi E-Road and E-Allroad.

Light and powerful, with setups for every need and type of terrain, the Bianchi E-Road and E-Allroad have a front derailer with two front chainrings.

The frame was specifically designed for a similar saddle positioning to that of a traditional bike. The Polini motor, engineered and produced in Italy, is one of the least bulky in its category.



AUTONOMY
Batteria da 500Wh
(1) **200Km**
(2) **160Km**
(3) **120Km**
(4) **90Km**
(5) **70Km**



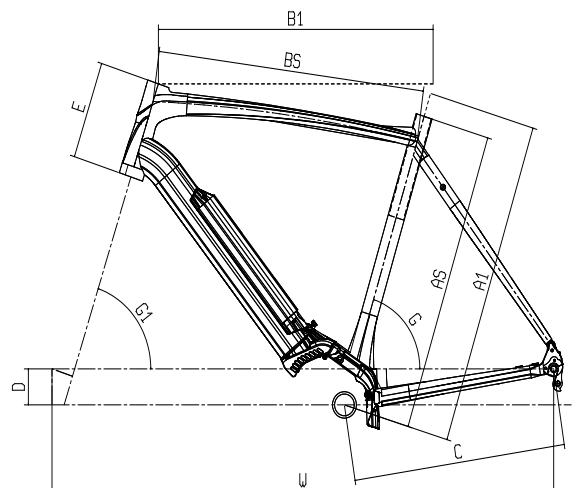
CHARGING TIME
Complete 4h



ASSISTANCE (%)
(1) **30%**
(2) **60%**
(3) **120%**
(4) **250%**
(5) **350%**

GEOMETRY

A1	AS	B1	BS	C	D	E	G	G1	W
470	450	515	497	437	68	120	74.5°	70°	1016
500	470	525	508	437	68	125	74.5°	70.5°	1022
520	490	535	519	440	68	130	74°	70.5°	1030
550	520	550	534	440	68	145	73.5°	71.5°	1031
570	540	560	546	440	68	155	73.5°	72°	1036
590	570	575	562	443	68	175	73°	72°	1049
610	590	585	572	443	68	185	72.5°	72.5°	1049
630	610	595	581	443	68	210	72.5°	72.5°	1058



IMPULSO E-ROAD - ULTEGRA 11SP COMPACT HYDR. DISC



CODE	YNBN6	HANDLEBAR	Reparto Corse Compact Flat Top, alloy 2014 diam. 31,8mm, reach 126mm, drop 77,4mm, Size: 400mm-47/50cm, 420mm-53/57cm, 440mm-59/63cm
COLOR	3A - Black/CK16-Graphite matt	GRIP / TAPE	La Spirale Bike Ribbon Eolo soft w/carbon look plug w/Bianchi logo
FRAME	Impulso E-Road alu triple hydroforming technology, integratd headset 1.1/8", 700C, thru axle OLD 142mm, flat mount Disc, size: 47-50-53-55-57-59-61-63cm	SEATPOST	Reparto Corse full carbon UD w/Alloy clamp, two stainless steel bolt, setback 15mm, diam. 31.6mm, Length 350mm
SEATPOST CLAMP	MX-112C alloy, diam. 35mm	SADDLE	Fi'zi:k Aliante R7, nylon carbon reinforced shell w/ WingFlex, Manganese rail, ICS system
HEADSET	Fsa No.8B/ZS4D 1.1/8" Semi-Integrated lower part + Integrated upper part, w/cap 15mm	WATER BOTTLE	Bianchi Loli 600ml
FORK	Bianchi Full carbon 1.1/8", Thru axle 12x100mm, Flat Mount disc brake	MOTOR UNIT	Polini EP3, w/battery pack 500W - 36V - 13,6Ah, EP3 display, magnet and wheel sensor
SHIFTER	Shimano Ultegra ST-R8020 2x11sp hydraulic disc brake		
REAR DERAILLEUR	Shimano Ultegra RD-R8000 GS 11sp, top normal shadow design, direct attachment, compatible with low gear 28-34T		
FRONT DERAILLEUR	Shimano Ultegra FD-R8000, down swing, 61-66°, for 46/53T		
CRANKSET	Fsa 50x34T, crank length 170mm		
BOTTOM BRACKET	included w/motor unit		
CHAIN	Kmc X11 EPT finish		
CASSETTE / FREEWHEEL	Shimano 105 CS-5800 11sp, 11-12-13-14-16-18-20-22-25-28-32T		
BRAKE	Shimano BR-R8070 Hydraulic disc brake		
BRAKE LEVER	included w/brakeset		
DISC ROTOR	Shimano SM-RT800 Center Lock, diam. 160mm		
RIM/WHEELSET	Fulcum Racing 718 disc brake CX, aluminium asymmetric rims 622x19c, profile 22mm, Center Lock AFS, thru axle F: 12x100mm, R: 12x142mm		
TIRE	Vittoria Zaffiro Pro G+ 700x32, 32-622, 60TPI, folding, black		
STEM	Reparto Corse 3D Forged alloy 7050, rise +/- 7°, 1.1/8", Ext: 70mm-47, 90mm-50cm, 100mm-53cm, 110mm-55cm, 120mm-57/59cm, 130mm-61/63cm		

IMPULSO E-ALLROAD - ULTEGRA/105 11SP COMPACT HYDR. DISC



CODE	YNBN7	HANDLEBAR	Reparto Corse, alloy 6061 diam. 31,8mm, reach 70mm, flare angle 16°, drop c/c 120-40cm, drop 130mm/42/46cm, size: 40cm-47/53cm, 42cm-55/59cm, 44cm-61/63cm
COLOR	3B - Black/Graphite-CK16 matt	GRIP / TAPE	La Spirale Bike Ribbon Eolo soft w/carbon look plug w/Bianchi logo
FRAME	Impulso E-Road alu triple hydroforming technology, integratd headset 1.1/8", 700C, thru axle OLD 142mm, flat mount Disc, size: 47-50-53-55-57-59-61-63cm	SEATPOST	Reparto Corse AL6061 shaft, alloy head, 15mm offset, diam. 31.6mm, Length: 350mm
SEATPOST CLAMP	MX-112C alloy, diam. 35mm	SADDLE	Selle San Marco Monza Dynamic, Steel Rails, 277x131mm
HEADSET	Fsa No.8B/ZS4D 1.1/8" Semi-Integrated lower part + Integrated upper part, w/cap 15mm	WATER BOTTLE	Bianchi Loli 600ml
FORK	Bianchi Full carbon 1.1/8", Thru axle 12x100mm, Flat Mount disc brake	MOTOR UNIT	Polini EP3, w/battery pack 500W - 36V - 13,6Ah, EP3 display, magnet and wheel sensor
SHIFTER	Shimano ST-RS505 2x11sp Hydraulic Disc brakes		
REAR DERAILLEUR	Shimano Ultegra RD-R8000 GS 11sp, top normal shadow design, direct attachment, compatible with low gear 28-34T		
FRONT DERAILLEUR	Shimano 105 FD-5801-L, down-swing, 61-66°		
CRANKSET	Fsa crank 50x34T, crank length 170mm		
BOTTOM BRACKET	included w/motor unit		
CHAIN	Kmc X11 EPT finish		
CASSETTE / FREEWHEEL	Shimano 105 CS-5800 11sp, 11-12-13-14-16-18-20-22-25-28-32T		
BRAKE	Shimano BR-RS505, resin pad		
BRAKE LEVER	included w/shifters		
DISC ROTOR	Shimano SM-RT70, diam. 160mm		
RIM/WHEELSET	Fulcum Racing 700 disc brake CX, aluminium asymeric rims 622x19c, profile 22mm, Center Lock AFS, thru axle F: 12x100mm, R: 12x142mm		
TIRE	Kenda Flintridge 700x40, 60TPI, black		
STEM	Reparto Corse 3D forged Alloy6061 , 7°, 31.8mm, 1.1/8", ext: 70mm-44/46cm, 90mm-50/53cm, 100mm-55cm, 110mm-57/59cm, 120mm-61/63cm		



E-MTB

MODELS IN THIS CATEGORY

AVENGER FS
AVENGER HT
ASCENT

PROJECT PHILOSOPHY

- / If you're looking to get out on the trails and become one with nature, the Bianchi E-MTB range will take you to explore new and extraordinary peaks.
- / Climbing those impossible mountains is now a reality and the most difficult trails are now the most fun.
- / With a power-assisted mountain bike your rides will not only become longer as you can also bike to higher places and push harder than before, allowing yourself to try many new trails, sceneries, challenges, and experiences.
- / You can nearly fly to the top of the climbs, go distances that you never imagined possible, and ride more often with your well-trained friends: all you have to do is adjust the assistance level according to where you're riding and who you're riding with.
- / And naturally, what goes up must come down, there's always the descent to enjoy as well!

AVENGER

PURE PERFORMANCE

OFF-ROADING FOR SPORT LOVERS

Geometries for all kinds of terrain and suspensions created for any frame and setup with travel ranging from 100, 120, and 140mm together with 27.5" plus wheels or 29". The Bianchi Avengers are powered by the mighty Bosch Performance CX motor, engineered to give an incredible push on the off-road sections. This dedicated Bianchi geometry and the greater power from the motor give a smooth pedaling sensation on any trail.

POWERED BY
 **BOSCH**



AUTONOMY
Batteria da 500Wh
Eco **150Km**
Tour **100Km**
Sport **78Km**
Turbo **65Km**



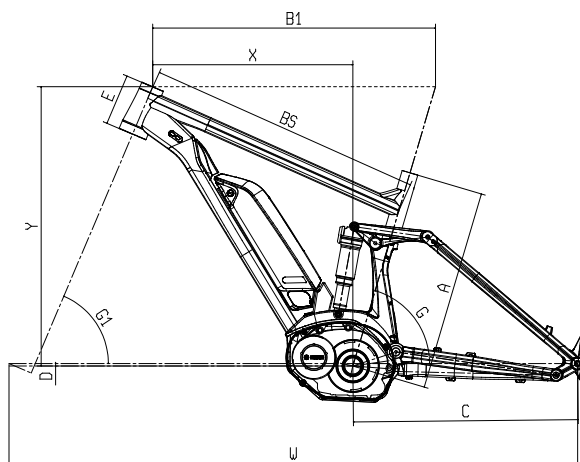
CHARGING TIME
Completa **3,5h**



ASSISTANCE (%)
Eco **50%**
Tour **120%**
Sport **180%**
Turbo **275%**

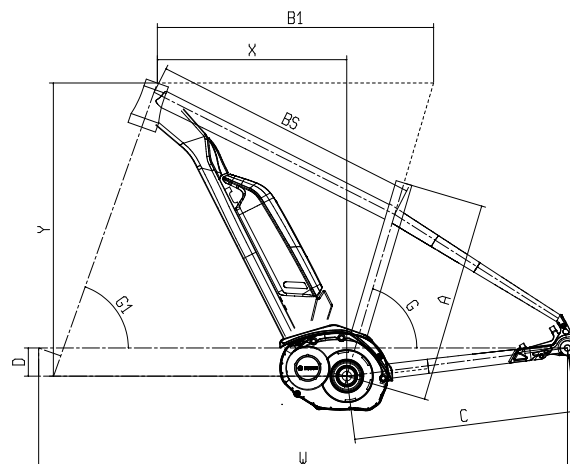
GEOMETRY - FS

SIZE	A	B1	BS	C	D	E	G	G1	Y	X	W	
S	15"	390	580	559	480	5	100	73.5°	67°	585	407	1189
M	17"	430	600	580	480	5	110	73.5°	67°	594	424	1211
L	19"	480	625	602	480	5	120	73.5°	67°	604	452	1241
XL	21"	530	650	630	480	5	130	73.5°	67°	613	470	1263



GEOMETRY - HT

SIZE	A	B1	BS	C	D	E	G	G1	Y	X	W	
S	15"	390	570	555	475	60	100	73.5°	70°	624	385	1115
M	17"	430	590	568	475	60	100	73.5°	70.5°	626	404	1129
L	19"	480	615	590	475	60	110	73.5°	70.5°	635	427	1155
XL	21"	530	635	610	475	60	120	73.5°	70.5°	645	444	1175



AVENGER FS - XT/SLX 11SP

THE IMAGE SHOWN IS INDICATIVE ONLY.

Components and graphic details may differ from the actual model.



Available upon request

CODE	YNB79	TIRE	Kenda Havoc Pro 27,5x2.8, 60tpi Tubeless Race, folding
COLOR	KB - Black/CK16-Grey glossy	STEM	Tec Cursus, rise +/-0°, 1.1/8", diam.35mm, ext: 60mm-15/21"
FRAME	Avenger FS AL6061 triple butted, 140mm, 27.5" Plus, 4-Bar linkage w/Horst Link, 1.5" tapered HT, compatible w/Bosch Performance CX, seatpost diam. 31,6mm, seat clamp diam. 34.9mm, PM 160mm, thru axle 12x148mm, internal cable routing, sizes 38,43,48,53cm	HANDLEBAR	Tec Cursus rise, double butted AL6061-T6, width 780mm, diam. 35mm, rise 20mm, backsweep 9°
REAR SHOCK	Rock Shox Monarch RT DebonAir, 190x51mm	GRIP / TAPE	Shark lock fin, w/lock ring
SEATPOST CLAMP	MX-95RT diam. 35mm	SEATPOST	KS LEV Integra, diam. 31,6mm, internal cable routing w/remote control, length 342mm w/travel 100mm for size 38cm, length 392mm w/travel 125mm for size 43-48-53cm
HEADSET	Fsa Orbit 1.5B ZS-1 #57B-1, steel cups, ACB bearings 1.1/8" Upper, 1.5" Lower, w/8,2mm cap	SADDLE	Selle San Marco Era Startup, carbon steel rail, cover Silkfeel/Clearwhite, 277x135mm
FORK	Rock Shox Pike RC Solo Air 140mm, Maxle 15x110mm Boost	PEDALS	Fasten NW-91K
SHIFTER	Shimano SLX SL-M7000-IR 11sp, I-Spec II	MOTOR UNIT	Bosch Performance CX 250W, w/500Wh Li-ion Power-Pack, w/Purion display
REAR DERAILLEUR	Shimano XT RD-M8000 SGS Shadow+ Design 11sp top normal, direct attachment		
CRANKSET	Fsa Aluminium crank, Boost 148 compatible, crank length: 170 mm		
BOTTOM BRACKET	Boost specific w/15T sprocket w/chainguard		
CHAIN	Shimano CN-HG601-11		
CASSETTE / FREEWHEEL	Shimano Deore XT CS-M8000 11sp 11/46		
BRAKE	Shimano DEORE XT BR-M8000 w/203mm front adapter and 180mm rear adapter, Metal pad w/fin		
DISC ROTOR	Shimano Deore XT SM-RT81, F:203mm & R:180mm		
FRONT HUB	Formula CL-811 Center Lock, 32h, 15x110mm TA, 2 sealed bearings		
REAR HUB	Formula CL-148S for Center Lock, 32h, Boost 12x148mm, 4 sealed bearings, j-bend spokes		
RIM/WHEELSET	Wtb Scraper i40 27.5", WT-69 Series Alloy, 40mm inner width, 32 hole, Disc Only		

AVENGER FS - XT/DEORE 10SP



CODE	YNBL6	TIRE	Kenda Havoc Pro 27,5x2.8, 60tpi Tubeless Race, folding
COLOR	KB - Black/CK16-Grey glossy	STEM	Tec Cursus, +/-0°, 1.1/8", diam.35mm, ext:60mm for 15/21"
FRAME	Avenger FS AL6061 triple butted, 140mm, 27.5" Plus, 4-Bar linkage w/Horst Link, 1.5" tapered HT, compatible w/Bosch Performance CX, seatpost diam. 31,6mm, seat clamp diam. 34.9mm, PM 160mm, thru axle 12x148mm, internal cable routing, sizes 38,43,48,53cm	HANDLEBAR	Tec Cursus rise, double butted AL6061-T6, width 780mm, diam. 35mm, rise 20mm, backsweep 9°
REAR SHOCK	Rock Shox Monarch RT DebonAir 190X51mm	GRIP / TAPE	Shark lock fin, w/lock ring
SEATPOST CLAMP	MX-95RT diam. 35mm	SEATPOST	KS Lev Integra, diam. 31.6mm, remote control w/ internal cable routing, length: 342mm w/travel 100mm for size 38cm, 392mm w/travel 125mm for size 43/53cm
HEADSET	Fsa Orbit 1.5B ZS-1 #57B-1, steel cups, ACB bearings 1.1/8" Upper, 1.5" Lower, w/8,2mm cap	SADDLE	Selle San Marco Era Startup, carbon steel rail, cover Silkfeel/Clearwhite, 277x135mm
FORK	Rock Shox Yari RC Solo Air 140mm, tapered HT, thru axle Maxle 15x110mm	PEDALS	Fasten NW-91K
SHIFTER	Shimano Deore SL-M610-I 10sp	MOTOR UNIT	Bosch Performance CX 250W, w/500Wh Li-ion Power-Pack, w/Purion display
REAR DERAILLEUR	Shimano Deore XT RD-M786 SGS 10sp, Top Normal Shadow Plus design, direct attachment		
CRANKSET	Fsa Aluminium crank, Boost 148 compatible, crank length: 170 mm		
BOTTOM BRACKET	Boost specific w/15T sprocket w/chainguard		
CHAIN	Kmc X10, EPT finish, 10sp		
CASSETTE / FREEWHEEL	Shimano CS-HG50-10, 11-13-15-17-19-21-24-28-32-36T		
BRAKE	Shimano Deore BR-M615, resin pad, w/203mm front adapter, w/180mm rear adapter		
DISC ROTOR	Shimano SM-RT64, F:203mm, R:180mm		
FRONT HUB	Formula CL-811 Center Lock, 32h, 15x110mm TA, 2 sealed bearings		
REAR HUB	Formula CL-148S for Center Lock, 32h, Boost 12x148mm, 4 sealed bearings, j-bend spokes		
RIM/WHEELSET	Wtb Scraper i40 27.5", WT-69 Series Alloy, 40mm inner width, 32 hole, Disc Only		

AVENGER HT - XT/SLX 11SP

THE IMAGE SHOWN IS INDICATIVE ONLY.

Components and graphic details may differ from the actual model.



Available upon request

CODE	YNBL4	TIRE	Kenda Havoc Pro 27,5x2.8, 60tpi Tubeless Race, folding
COLOR	KN - Graphite/CK16-Red glossy	STEM	Tec Obvius 3D forged alloy 6061 anodized sandblasted, +/-7°, 1.1/8", diam. 31.8mm, lenght: 80mm-15/17", 90mm-19/21"
FRAME	Avenger HT, AL6061 triple butted, 1.5" tapered HT, compatible w/Bosch Performance CX, seatpost diam. 27,2mm, seat clamp diam. 31.8mm, PM 160mm, thru axle 12x148mm, internal cable routing inside DT, sizes 38,43,48,53cm	HANDLEBAR	Tec Obvius DB Alloy 6061-T6 flat top, width 700mm, diam. 31,8mm, 9° backsweep
SEATPOST CLAMP	339QX alloy clamp and lever, diam. 31,8mm	GRIP / TAPE	Shark lock fin, w/lock ring
HEADSET	Fsa Orbit 1.5B ZS-1 #57B-1, steel cups, ACB bearings 1.1/8" Upper, 1.5" Lower, w/8,2mm cap	SEATPOST	Tec Obvius Alloy 6061-T6, diam. 31.6mm, 15mm seatback, lenght: 350mm-15/17", 400mm-19/21"
FORK	Rock Shox Reba RL 27,5+ Solo Air Fast Black 120mm w/OneLoc, 1.5 alu HT, 15x110 TA, 32mm stanchions, magnesium lowers, PM 160mm disc mount, 51mm offset	SADDLE	Selle San Marco Era Startup, carbon steel rail, cover Silkfeel/Clearwhite, 277x135mm
SHIFTER	Shimano SLX SL-M7000-IR 11sp, I-Spec II	MOTOR UNIT	Bosch Performance CX 250W, w/500Wh Li-ion Power-Pack, w/Purion display
REAR DERAILLEUR	Shimano XT RD-M8000 SGS Shadow+ Design 11sp top normal, direct attachment		
CRANKSET	Fsa Aluminium crank, Boost 148 compatible, crank length: 170 mm		
BOTTOM BRACKET	Boost specific w/15T sprocket w/chainguard		
CHAIN	Shimano CN-HG601-11		
CASSETTE / FREEWHEEL	Shimano Deore XT CS-M8000 11-46T		
BRAKE	Shimano Deore XT BR-M8000, metal pad, w/203mm front adapter, w/180mm rear adapter		
DISC ROTOR	Shimano Deore XT SM-RT81, 203mm & 180mm		
FRONT HUB	Formula CL-811 Center Lock, 32h, 15x110mm TA, 2 sealed bearings		
REAR HUB	Formula CL-148S for Center Lock, 32h, Boost 12x148mm, 4 sealed bearings, j-bend spokes		
RIM/WHEELSET	Wtb Scraper i40 27.5", WT-69 Series Alloy, 40mm inner width, 32 hole, Disc Only		

AVENGER HT - XT/DEORE 10SP

THE IMAGE SHOWN IS INDICATIVE ONLY.

Components and graphic details may differ from the actual model.



Available upon request

CODE	YNBL5	TIRE	Kenda Havoc Pro 27,5x2.8, 60tpi Tubeless Race, folding
COLOR	KN - Graphite/CK16-Red glossy	STEM	Tec Obvius 3D forged alloy 6061 anodized sandblasted, +/-7°, 1.1/8", diam. 31.8mm, lenght: 80mm-15/17", 90mm-19/21"
FRAME	Avenger HT, AL6061 triple butted, 1.5" tapered HT, compatible w/Bosch Performance CX, seatpost diam. 27,2mm, seat clamp diam. 31.8mm, PM 160mm, thru axle 12x148mm, internal cable routing inside DT, sizes 38,43,48,53cm	HANDLEBAR	Tec Obvius DB Alloy 6061-T6 flat top, width 700mm, diam. 31,8mm, 9° backsweep
SEATPOST CLAMP	339QX alloy clamp and lever, diam. 31,8mm	GRIP / TAPE	Shark lock fin, w/lock ring
HEADSET	Fsa Orbit 1.5B ZS-1 #57B-1, steel cups, ACB bearings 1.1/8" Upper, 1.5" Lower, w/8,2mm cap	SEATPOST	Tec Obvius Alloy 6061-T6, diam. 31.6mm, 15mm seatback, lenght: 350mm-15/17", 400mm-19/21"
FORK	Rock Shox Recon Silver RL 27,5+ Solo Air 120mm w/OneLoc, 1.5 alu HT, 15x110 TA, 32mm stanchions, magnesium lowers, PM 160mm disc mount, 51mm offset	SADDLE	Selle San Marco Era Startup, carbon steel rail, cover Silkfeel/Clearwhite, 277x135mm
SHIFTER	Shimano Deore SL-M610-I 10sp, I-Spec B	MOTOR UNIT	Bosch Performance CX 250W, w/500Wh Li-ion Power-Pack, w/Purion display
REAR DERAILLEUR	Shimano Deore XT RD-M786 SGS 10sp, Top Normal Shadow Plus design, direct attachment		
CRANKSET	Fsa Aluminium crank, Boost 148 compatible, crank length: 170 mm		
BOTTOM BRACKET	Boost specific w/15T sprocket w/chainguard		
CHAIN	Kmc X10, EPT finish, 10sp		
CASSETTE / FREEWHEEL	Shimano CS-HG50-10, 11-13-15-17-19-21-24-28-32-36T		
BRAKE	Shimano Deore BR-M615, resin pad, w/203mm front adapter, w/180mm rear adapter		
DISC ROTOR	Shimano SM-RT64, F:203mm, R:180mm		
FRONT HUB	Formula CL-811 Center Lock, 32h, 15x110mm TA, 2 sealed bearings		
REAR HUB	Formula CL-148S for Center Lock, 32h, BOOST 12x148mm, Shimano freewheel body, 4 sealed bearings, j-bend spokes		
RIM/WHEELSET	Wtb Scraper i40 27.5", WT-69 Series Alloy, 40mm inner width, 32 hole, Disc Only		

AVENGER HT 29" - XT/DEORE 10SP



CODE	YNB80	TIRE	Kenda Slant Six Sport 29x2.35, DTC compound, 60Tpi, ETRTO 60-622
COLOR	KN - Graphite/CK16-Red glossy	STEM	Tec Obvius 3D forged alloy 6061 anodized sandblasted, +/-7°, 1.1/8", diam. 31.8mm, lenght: 80mm-15/17", 90mm-19/21"
FRAME	Avenger HT, AL6061 triple butted, 1.5" tapered HT, compatible w/Bosch Performance CX, seatpost diam. 27,2mm, seat clamp diam. 31.8mm, PM 160mm, thru axle 12x148mm, internal cable routing inside DT, sizes 38,43,48,53cm	HANDLEBAR	Tec Obvius DB Alloy 6061-T6 flat top, width 700mm, diam. 31,8mm, 9° backsweep
SEATPOST CLAMP	339QX alloy clamp and lever, diam. 31,8mm	GRIP / TAPE	Shark lock fin, w/lock ring
HEADSET	Fsa Orbit 1.5B ZS-1 #57B-1, steel cups, ACB bearings 1.1/8" Upper, 1.5" Lower, w/8,2mm cap	SEATPOST	Tec Obvius Alloy 6061-T6, diam. 31.6mm, 15mm seatback, lenght: 350mm-15/17", 400mm-19/21"
FORK	Rock Shox 30 Silver TK 29" Solo Air 100mm w/ PopLoc remote, 1.5" Alu HT, 9mm QR axle, 30mm stanchions, magnesium lowers, PM 160mm, 46mm offset	SADDLE	Selle San Marco Era Startup, carbon steel rail, cover Silkfeel/Clearwhite, 277x135mm
SHIFTER	Shimano Deore SL-M610 10sp	MOTOR UNIT	Bosch Performance CX 250W, w/500Wh Li-ion Power-Pack, w/Purion display
REAR DERAILLEUR	Shimano XT RD-M781 SGS Shadow Design 10sp, top normal, direct attachment, for 11-36T max		
CRANKSET	Fsa Aluminium crank, Boost 148 compatible, crank length: 170 mm		
BOTTOM BRACKET	Boost specific w/15T sprocket w/chainguard		
CHAIN	Kmc X10, EPT finish, 10sp		
CASSETTE / FREEWHEEL	Shimano CS-HG50-10, 11-13-15-17-19-21-24-28-32-36T		
BRAKE	Shimano BR-M425, resin pad, w/180mm front adapter		
DISC ROTOR	Shimano SM-RT30 CL 180mm front & 160mm rear, Center Lock, for resin pad only		
FRONT HUB	Formula CL-811 Center Lock, 32h, 15x110mm TA, 2 sealed bearings		
REAR HUB	Formula CL-148S for Center Lock, 32h, BOOST 12x148mm, Shimano freewheel body, 4 sealed bearings, j-bend spokes		
RIM/WHEELSET	WTB XC21 TCS Tubeless Ready 29", AL6061-T6, 622x21c, 32 hole		

ASCENT

POWER AND INNOVATION

THE ASCENT IS A TRUE ALL-TERRAIN MTB

The Bianchi Ascent 27.5" Plus is engineered to house the new Shimano STePS E-8000 motor and has a geometry with a 148mm boost.

The wheels are 27.5" Plus for better comfort and traction on the descents.

The powerful Shimano STePS E-8000 motor, with a torque of 80Nm, guarantees the best traction when climbing over any gradient.

The Ascent is an exciting E-bike for the passionate off-road riders.

POWERED BY



AUTONOMY
 Batteria da 500Wh | 400Wh
 Eco+ **165** | **140Km**
 Eco **130** | **110Km**
 STD **100** | **85Km**
 High **85** | **70Km**



CHARGING TIME
 500Wh Battery Complete **4h**
 400Wh Battery Complete **3,5h**



ASSISTANCE (%)
 Eco+ **50%**
 Eco **100%**
 STD **190%**
 High **280%**

POWERED BY



AUTONOMY
 Batteria da 500Wh
 Eco **150Km**
 Trail **85Km**
 Boost **60Km**



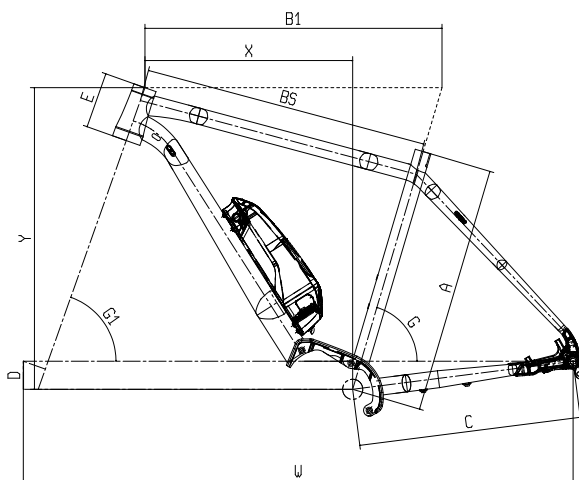
CHARGING TIME
 Complete **4h**
 Ricarica 80% **2h**



ASSISTANCE (%)
 Eco **70%**
 Trail **180%**
 Boost **300%**

GEOMETRY

SIZE	A	B1	BS	C	D	E	G	G1	Y	X	W	
S	15"	390	570	560	475	50	100	73.5°	70°	625	385	1079
M	17"	430	580	570	475	50	110	73.5°	70.5°	627	404	1069
L	19"	480	605	581	475	50	115	73.5°	70.5°	636	425	1095
XL	21"	530	635	610	475	50	120	73.5°	70.5°	645	440	1175



ASCENT - XT/DEORE 10SP

THE IMAGE SHOWN IS INDICATIVE ONLY.

Components and graphic details may differ from the actual model.



CODE	YNBH9	TIRE	Kenda Havoc Pro 27,5x2.8, 60tpi Tubeless Race, folding
COLOR	KG - Black/Silver-CK16 matt	STEM	Tec Obvius 3D forged alloy 6061 anodized sandblasted, +/-7°, 1.1/8", diam. 31.8mm, lenght: 80mm-15/17", 90mm-19/21"
FRAME	Ascent 27,5"Plus alu 6061 triple butted, 1.5" tapered HT, compatible w/Shimano E-8000, seatpost diam. 27.2mm, seat clamp diam.31.8, PM 160mm, thru axle 12x148mm, internal cable routing inside DT, sizes 38,43,48,53	HANDLEBAR	Tec Obvius DB Alloy 6061-T6 flat top, width 700mm, diam. 31,8mm, 9° backsweep
SEATPOST CLAMP	339QX alloy clamp and lever, diam. 31,8mm	GRIP / TAPE	Shark lock fin, w/lock ring
HEADSET	Fsa Orbit 1.5B ZS-1 #57B-1, steel cups, ACB bearings 1.1/8" Upper, 1.5" Lower, w/8,2mm cap	SEATPOST	Tec Obvius Alloy 6061-T6, diam. 31.6mm, 15mm seatback, lenght: 350mm-15/17", 400mm-19/21"
FORK	Rock Shox Recon Silver RL 27,5+ Solo Air 120mm w/OneLoc, 1.5 alu HT, 15x110 TA, 32mm stanchions, magnesium lowers, PM 160mm disc mount, 51mm offset	SADDLE	Selle San Marco Era Startup, carbon steel rail, cover Silkfeel/Clearwhite, 277x135mm
SHIFTER	Shimano Deore SL-M610-I 10sp	MOTOR UNIT	Shimano Steps Mtb w/drive unit DU-E8000, w/ Chaining 34T, w/battery pack BT-E8010 504Wh, w/Speed senso unit, w/Cycle Computer and remote control
REAR DERAILLEUR	Shimano Deore XT RD-M786 SGS 10sp, Top Normal Shadow Plus design, direct attachment		
CRANKSET	Shimano FC-E8000, Crank length: 170mm		
BOTTOM BRACKET	included w/motor unit		
CHAIN	Kmc X10, EPT finish, 10sp		
CASSETTE / FREEWHEEL	Shimano CS-HG50-10, 11-13-15-17-19-21-24-28-32-36T		
BRAKE	Shimano BR-M615, Resin pad, w/203mm F adapter, w/180mm R adapter		
DISC ROTOR	Shimano SM-RT64, F:203mm, R:180mm		
FRONT HUB	Formula CL-811 Center Lock, 32h, 15x110mm TA, 2 sealed bearings		
REAR HUB	Formula CL-148S for Center Lock, 32h, BOOST 12x148mm, Shimano freewheel body, 4 sealed bearings, j-bend spokes		
RIM/WHEELSET	Wtb Scraper i40 27.5", WT-69 Series Alloy, 40mm inner width, 32 hole, Disc Only		

ASCENT 27,5" PLUS - XT 11SP

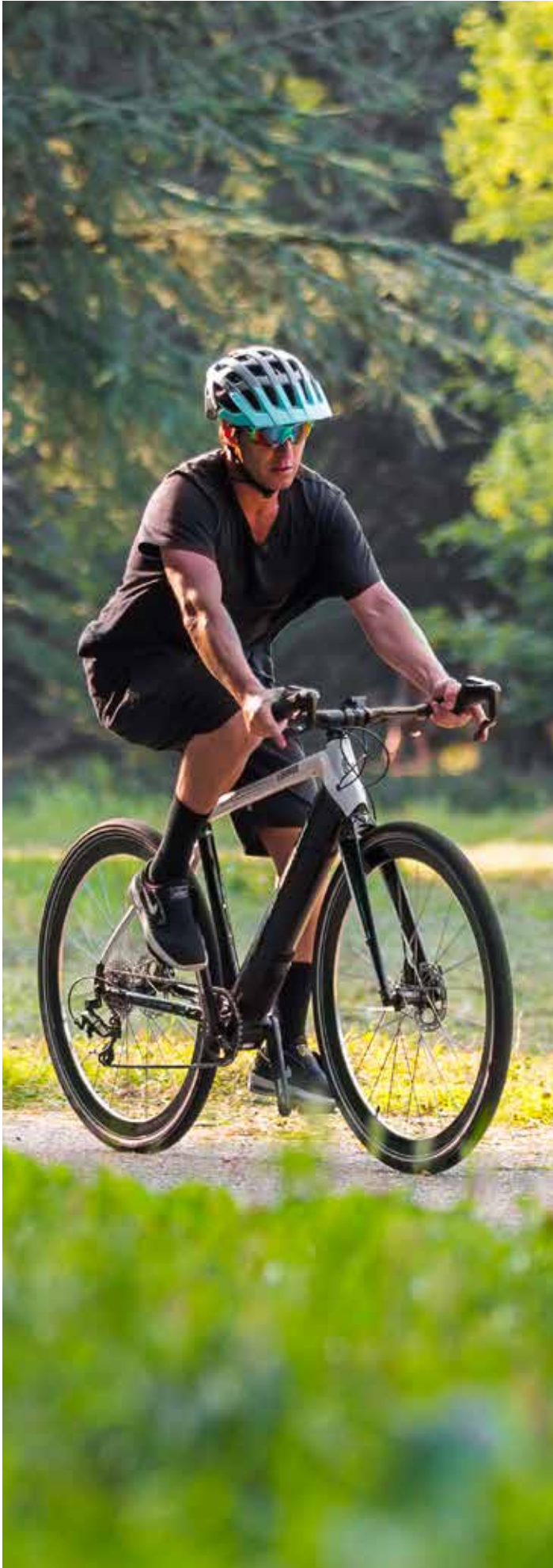


CODE	YMBE8X	TIRE	Kenda Havoc Pro 27,5x2.8, 60tpi Tubeless Race, folding
COLOR	KG - Black/Silver CK16 matt	STEM	Tec Obvius 3D forged alloy 6061, +/-7°, diam. 1.1/8", 31.8mm, ext: 80mm-15/17", 90mm-19/21"
FRAME	Bianchi Ascent 27.5" Plus, alu 6061 triple butted, 1.5" tapered HT, compatible w/Yamaha motor unit, seatpost diam. 31.6mm, low clamp 34.9mm, bottom pull, IS 160mm, BOOST 12x148mm, internal cable routing inside DT, sizes 15, 17, 19, 21"	HANDLEBAR	Tec Obvius, DB Alloy 6061-T6 flat top, width 700mm, 31.8mm, 9° backsweep
SEATPOST CLAMP	339QX alloy clamp and lever, diam. 35mm	GRIP / TAPE	Tec Sorbeo, kraton black/gel, length: 125mm
HEADSET	Fsa Orbit 1.5E ZS #57E, internal alloy cups, ACB bearings 1.1/8" Upper, 1.5" Lower, w/8mm cap	SEATPOST	Tec Obvius Alloy 6061-T6, diam. 31.6mm, 15mm seatback, length: 350mm-15/17", 400mm-19/21"
FORK	Rock Shox Reba RL 27,5+ Solo Air Fast Black 120mm w/OneLoc, 1.5 alu HT, 15x110 TA, 32mm stanchions, magnesium lowers, PM 160mm, 51mm offset	SADDLE	Selle San Marco Era Startup, carbon steel rail, cover Silkfeel/Clearwhite, 277x135mm
SHIFTER	Shimano SLX SL-M7000-11, 11sp	PEDALS	NW-91K, PP black body, w/steel cage
REAR DERAILLEUR	Shimano XT RD-M8000-GS Shadow + Design 11sp, top normal, direct attachment, max 11-42T	MOTOR UNIT	Yamaha PW motor unit ISIS version, 36V 250W, w/down tube battery 500Wh
CRANKSET	Fsa w/Pro Single Megatooth Chainring 38T BCD104, crank length: 170mm-15/17", 175mm-19-21"		
CHAIN	Kmc X11-1 EPT finish		
CASSETTE / FREEWHEEL	Shimano CS-M7000-11, 11sp, 11-40T		
BRAKE	Shimano BR-M447, resin pad		
DISC ROTOR	Shimano SM-RT54 CL, 180mm front & 160mm rear, Center Lock, for resin pad only		
FRONT HUB	Formula CL-811 for Center Lock, 32h 15x110mm TA, 2 sealed bearings		
REAR HUB	Formula CL-148S for Center Lock, 32h, BOOST 12x148mm, Shimano freewheel body, 4 sealed bearings, j-bend spokes		
RIM/WHEELSET	Wtb Scraper i40 27.5", WT-69 Series Alloy, 40mm inner width, 32 hole		

ASCENT 27,5" PLUS - XT MIX 10SP



CODE	YMBE9	TIRE	Kenda Havoc Pro 27,5x2.8, 120tpi Tubeless Race, folding
COLOR	KG - Black/Silver CK16 matt	STEM	Tec Obvius 3D forged alloy 6061, +/-7°, 1.1/8", 31.8mm, ext: 80mm-15/17", 90mm-19/21"
FRAME	Bianchi Ascent 27.5" Plus, alu 6061 triple butted, 1.5" tapered HT, compatible w/Yamaha motor unit, seatpost diam. 31.6mm, low clamp 34.9mm, bottom pull, IS 160mm, BOOST 12x142mm, internal cable routing inside DT, sizes: 15", 17",19",21"	HANDLEBAR	Tec Obvius, DB Alloy 6061-T6 flat top, width 700mm, 31.8mm, 9° backsweep
SEATPOST CLAMP	339QX alloy clamp and lever, diam. 35mm	GRIP / TAPE	Tec Sorbeo, kraton black/gel, length: 125mm
HEADSET	Fsa Orbit 1.5E ZS #57E, internal alloy cups, ACB bearings 1.1/8" Upper, 1.5" Lower, w/8mm cap	SEATPOST	Tec Obvius Alloy 6061-T6, 31.6mm, 15mm seatback, lenght: 350mm-15/17", 400mm-19/21"
FORK	Rock Shox Recon Silver RL 27,5+ Solo Air 120mm w/OneLoc, 1.5" alu HT, 15x110 TA, 32mm stanchions, magnesium lowers, PM 160mm, 51mm offset	SADDLE	Selle San Marco Era Startup, carbon steel rail, cover Silkfeel/Clearwhite, 277x135mm
SHIFTER	Shimano Deore SL-M610 10sp	MOTOR UNIT	Yamaha PW motor unit ISIS version, 36V 250W down tube battery 400wh
REAR DERAILLEUR	Shimano XT RD-M781 SGS Shadow Design 10sp, top normal, direct attachment, max 11-36T		
CRANKSET	Fsa arms w/Pro Single Megatooth Chainring 38T BCD104, Crank length: 170mm-15/17", 175mm-19/21"		
CHAIN	Kmc X10 EPT finish		
CASSETTE / FREEWHEEL	Shimano HG50-10sp, 11-13-15-17-19-21-24-28-32-36T		
BRAKE	Shimano BR-M425, resin pad, w/180mm front adapter		
DISC ROTOR	Shimano SM-RT30 CL 180mm front & 160mm rear, Center Lock, for resin pad only		
FRONT HUB	Formula CL-811 for Center Lock, 32h, 15x110mm TA, 2 sealed bearings		
REAR HUB	Formula CL-148S for Center Lock, 32h, 12x148mm OLD, Shimano freewheel body, 4 sealed bearings, j-bend spokes		
RIM/WHEELSET	Wtb Scraper i40 27.5", WT-69 Series Alloy, 40mm inner width, 32 hole		



E-SPORT

MODELS IN THIS CATEGORY

E-DOARDO
MANHATTAN

PROJECT PHILOSOPHY

/ The E-SPORT range is ideal for fitness and tourism, and for exploring new cities and places. Routes that once seemed too long and too difficult are now the ideal rides for you. The Bianchi E-SPORT range gives the extra power needed to your rides, whether you're alone or with family and friends, while you explore new places, enjoy your vacation or free time, and get in better shape without focusing too much on your personal performance.

EDDARDO

THE MOST NATURAL WAY TO RIDE

THANKS TO A REVOLUTIONARY POWER-ASSISTANCE SYSTEM

The innovative Bianchi E-doardo has a completely integrated and light system that makes you feel like you are riding a traditional bike, eliminating the friction sensation during use. E-doardo is two bikes in one: it can be used as an e-bike or as a traditional bike by taking out the motor.

It's a multi-purpose e-bike for the city or for extended touring. It's special for its integrated designed, attractiveness and value.



POWERED BY
FAZUA



AUTONOMY
Batteria da 250Wh
55Km



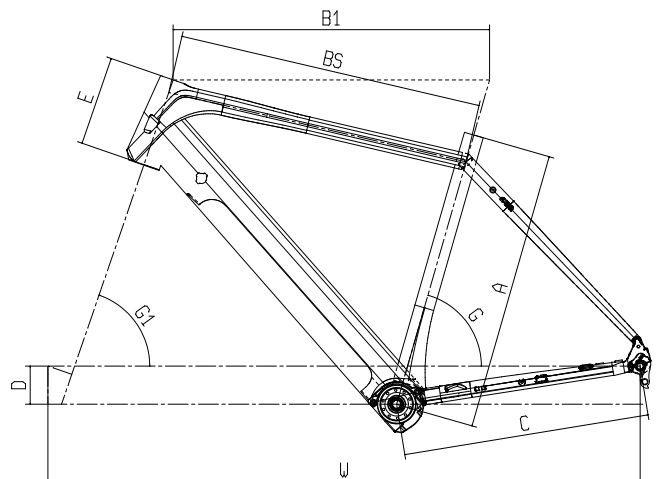
CHARGING TIME
Completa 2,5h



ASSISTANCE (%)
Breeze (Green) 75%
River (Blue) 150%
Rocket (Pink) 240%

GEOMETRY

SIZE	A	B1	BS	C	D	E	G	G1	W
S	450	540	521	440	68	140	74°	70°	1041
M	500	565	545	440	68	160	74°	71°	1057
L	550	590	572	440	68	180	74°	71°	1083



EDOARDO - METREA 11SP DISC



CODE	YNBM8	PEDALS	included
COLOR	BP - Pearlized White/Pearl Black-CK16 glossy	MOTOR UNIT	Fazua Evation 1.0 Drive Pack, 250Wh Battery, w/ remote control and speed sensor
FRAME	Edoardo Alu triple hydroforming technology, integratd tapered headset 1,5", 700C, OLD 142mm thru axle, flat mount Disc, size: 45-50-55cm		
SEATPOST CLAMP	339QX, diam. 35mm, alloy clamp & lever		
HEADSET	Fsa Orbit C-40-ACB ; NO.42/ACB-A, w/15mm cone		
FORK	Bianchi Edoardo Full carbon, 700c, OLD 100mm thru axle, flat mount disc		
SHIFTER	Shimano Metrea ST-U5060 11sp		
REAR DERAILLEUR	Shimano Metrea RD-U5000 SS 11sp, direct attachment		
CRANKSET	Fsa crank 38T, crank length: 170mm		
BOTTOM BRACKET	Included in the Evation motor unit		
CHAIN	Kmc X11-1 EPT finish		
CASSETTE / FREEWHEEL	Shimano 105 CS-5800, 11-12-13-14-16-18-20-22-25-28-32T		
BRAKE	Shimano Metrea BR-U5000, resin pad		
BRAKE LEVER	Included w/Metrea shifters		
DISC ROTOR	Shimano Metrea SM-RT500, diam 140mm		
RIM/WHEELSET	Shimano Metrea WH-U5000, clincher 622-17C, Shimano E-Thru F:12x100mm, R:12x142mm		
TIRE	Vittoria Revolution 700x38, 40-622		
STEM	3D forged AL6061, rise 7°, diam. 31,8mm, 1.1/8", ext: 60mm		
HANDLEBAR	Shimano Pro H-type bar, width 42cm, diam 31.8mm		
GRIP / TAPE	Cork w/Bianchi logo		
SEATPOST	Carbon UD shaft, forged alloy head, 15mm offset, length: 300-350mm, diam.31,6mm		
SADDLE	Selle Royal Lookin Moderate, w/Royalgel, w/steel rails		

EDOARDO - XT-DEORE 10SP DISC



CODE	YNBM7	HANDLEBAR	Alloy 6061 DB, flat bar, width: 620mm, 9° bend, 31.8mm
COLOR	BP - Pearlized White/Pearl Black-CK16 glossy	GRIP / TAPE	Tec Ergonomic Double density, kraton, w/Gel, length 130mm
FRAME	Edoardo Alu triple hydroforming technology, integratd tapered headset 1,5", 700C, OLD 142mm thru axle, flat mount Disc, size: 45-50-55cm	SEATPOST	AL6061 shaft, alloy head, 15mm offset, diam. 31.6mm, length 350mm
SEATPOST CLAMP	339QX, diam. 35mm, alloy clamp & lever	SADDLE	Selle Royal MACH 8549, steel rails
HEADSET	Fsa Orbit C-40-ACB, NO.42/ACB-A, w/15mm top cap	PEDALS	included
FORK	Bianchi Edoardo Full carbon, 700c, OLD 100mm thru axle, flat mount disc	MOTOR UNIT	Fazua Evation 1.0 Drive Pack, 250Wh Battery, w/ remote control and speed sensor
SHIFTER	Shimano Deore SL-M610 10sp		
REAR DERAILLEUR	Shimano XT RD-M781 SGS Shadow+ design 10sp top normal, direct attachent		
CRANKSET	Fsa crank w/38T chainring, crank length: 170mm		
BOTTOM BRACKET	Included in the Evation motor unit		
CHAIN	Kmc X10, EPT finish, 10sp		
CASSETTE / FREEWHEEL	Shimano HG50-10sp, 11-13-15-17-19-21-24-28-32-36T		
BRAKE	Shimano BR-M315, resin pad		
BRAKE LEVER	Shimano BL-M315		
DISC ROTOR	Shimano SM-RT10, diam. 160mm, resin pad only		
FRONT HUB	Formula CL-712 Disc, Center Lock, 2 sealed bearings, J-Bend, Thru axle 12x100mm		
REAR HUB	Formula CL-400 for CenterLock, 32h 12x142mm TA, Shimano freewheel body, 2 sealed bearings, j-bend spokes		
RIM/WHEELSET	Tec Sport Edition ATD470 disc, alloy, 700c 622x17, 32H, pair spoke 2x16, EN standard		
TIRE	Vittoria Revolution 700x38, 40-622		
STEM	3D forged Alloy 6061y, rise 7°, diam. 31,8mm, 1.1/8", Ext: 70mm-45cm, 100mm-50/55cm		

MANHATTAN

THE BIKE FOR A PERFECT DAY

RIDE FARTHER USING LESS OF YOUR ENERGY

The light and simple Bianchi Manhattan is the perfect bike for your day-to-day errands. Thanks to the Shimano STePS E-6000 motor, that integrates the control unit around the bottom bracket, the center of gravity becomes lower giving you better control of the bike. The frame and components have an urban-sport style for a fast, yet relaxing bike fit, allowing you to go long distances with a consistently smooth pedal stroke. The Bianchi Manhattan represents the perfect balance between battery range, performance, lightness, and noise reduction.

POWERED BY
SHIMANO



AUTONOMY
Batteria da 418Wh
Eco **125Km**
Standard **85Km**
High **60Km**



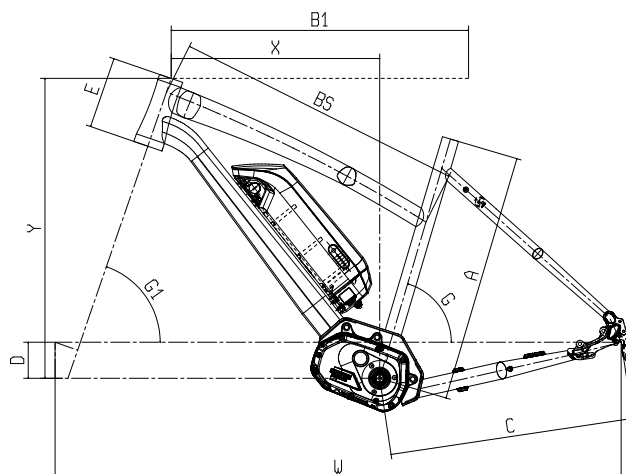
CHARGING TIME
Complete **4h**
Ricarica 80% **2h**



ASSISTANCE (%)
Eco **70%**
Standard **150%**
High **230%**

GEOMETRY

SIZE	A	B1	BS	C	D	E	G	G1	Y	X	W	
XS	17"	430	540	526	460	68	130	73.5°	70.5°	554	376	1050
S	18.5"	470	560	547	460	68	140	73.5°	71°	565	393	1066
M	20"	510	580	562	460	68	160	73.5°	71°	584	407	1087
L	21.5"	550	600	580	460	68	190	73.5°	71.5°	614	418	1103
XL	23"	590	620	597	460	68	215	73.5°	71.5°	638	431	1124



MANHATTAN - XT 10SP DISC



CODE	YNBG1	GRIP / TAPE	Tec Ergonomic Double density, kraton, w/Gel, length 130mm
COLOR	GS - Stone Grey/Mamba-Silver matt	SEATPOST	Alloy AL2014, two piece, 12mm offset, 27.2x350mm
FRAME	Manhattan Unisex Alu Disc, 700c, Old 135mm, size: 43-47-51-55-59	SADDLE	Spectra Activus Gent, steel rail
SEATPOST CLAMP	MX-112C, 31.8mm alloy	PEDALS	included
HEADSET	Fsa Orbit C-40-ACB; NO.42/ACB, Sealed ACB bearings 1.1/8" Top, 1.5" ACB Btm (for 46/56mm Head Tubes); w/15mm cap	KICKSTAND	Fixed on chain stay
FORK	Bianchi Alu, tapered HT 1.5", postmount disc	MOTOR UNIT	Shimano Steps Motor Unit DU-E6001, max speed 25km/h w/speed sensor and magnet for speed, w/chainring SM-CRE60 38T, w/cyclecomputer SC-E6010, w/SE-E6000 switch for assistance (stock settings), SEIS Shift compatible (setting w/E-Tube Project), Down tube battery BT-E6010
SHIFTER	Shimano Deore SL-M610 10sp		
REAR DERAILLEUR	Shimano XT RD-M781 SGS Shadow+ design 10sp top normal, direct attachent		
CRANKSET	Shimano Steps FC-E6000, crank length: 170mm		
BOTTOM BRACKET	Included w/motor unit		
CHAIN	Shimano CN-E6090-10		
CASSETTE / FREEWHEEL	Shimano CS-HG50-10, 11-13-15-17-19-21-24-28-32-36T		
BRAKE	Shimano BR-M315, resin pad		
BRAKE LEVER	Shimano BL-M315		
DISC ROTOR	Shimano SM-RT30 160mm, Center Lock, for resin pad only		
FRONT HUB	Shimano HB-M3050, 32h, OLD 100mm, Axle:108mm, Center Lock		
REAR HUB	Shimano FH-M3050, Center Lock, 32h, Shimano freewheel body, OLD 135mm, Axle 146mm w/QR		
RIM/WHEELSET	Tec Sport Edition ATD470 disc, alloy, 700c 622x17, 32H, pair spoke 2x16, EN standard		
TIRE	Vittoria Revolution 700x38, 40-622		
STEM	3D forged Alloy6061, rise 17°, 31.8mm, 1.1/8", Ext: 80mm-43cm, 100mm-47/51cm, 110mm-55/59cm		
HANDLEBAR	Alloy 6061 DB, flat bar, width: 620mm, 9° bend, 31.8mm		

MANHATTAN - ALFINE 8SP DISC



Available upon request

CODE	YNBG2	SADDLE	Wtb Speed V-Sport
COLOR	SR - Silver/Graphite-Red glossy	PEDALS	included
SEATPOST CLAMP	MX-112C, 31.8mm alloy	KICKSTAND	Fixed on chain stay
HEADSET	Fsa Orbit C-40-ACB; NO.42/ACB, Sealed ACB bearings 1.1/8" Top, 1.5" ACB Btm (for 46/56mm Head Tubes); w/15mm cap	MOTOR UNIT	Shimano Steps Motor Unit DU-E6001, max speed 25km/h w/speed sensor and magnet for speed, w/ chainring SM-CRE60 38T, w/cyclecomputer SC-E6010, w/SE-E6000 switch for assistance (stock settings), SEIS Shift compatible (setting w/E-Tube Project), Down tube battery BT-E6010
FORK	Bianchi Alu, 1.5" tapered head tube, Disc w/post mount		
SHIFTER	Shimano Alfine SL-S7000-8, 8sp		
CRANKSET	Shimano Steps FC-E6000, crank length: 170mm		
BOTTOM BRACKET	Included w/motor unit		
CHAIN	Shimano CN-E6090-10		
CASSETTE / FREEWHEEL	Sprocket 20T for internal gear hub		
BRAKE	Shimano BR-M315, resin pad		
BRAKE LEVER	Shimano BL-M315		
DISC ROTOR	Shimano SM-RT30 160mm, Center Lock, for resin pad only		
FRONT HUB	Shimano HB-M3050, 32h, OLD 100mm, Axle:108mm, Center Lock		
REAR HUB	Shimano Alfine SG-S7001-8, internal gear hub, 8sp, Disc, 32h, 135x187mm		
RIM/WHEELSET	Wtb XC21 27.5", 32 holes		
TIRE	Wtb Horizon Tcs 650Bx47c, wire bead		
STEM	3D forged Alloy6061, rise 17°, 31.8mm, 1.1/8", Ext: 80mm-43cm, 100mm-47/51cm, 110mm-55/59cm		
HANDLEBAR	Alloy 6061 DB, flat bar, width: 620mm, 9° bend, 31.8mm		
GRIP / TAPE	Tec Ergonomic Double density, kraton, w/Gel, length 130mm		
SEATPOST	Alloy AL2014, two piece, 12mm offset, 27.2x350mm		



E-CITY

MODELS IN THIS CATEGORY

E-BROOKLIN
METROPOL-E
DANCE

PROJECT PHILOSOPHY

/ With a comfortable, yet efficient fit, the Bianchi E-CITY bikes are perfect for moving around the city or commuting to work. Flow with the traffic with power-assisted pedaling, and skip the lines thanks to easy and flexible steering. Getting to your office or meeting your friends has never been easier.

If you're looking for smart mobility with style, you're on the right track. Our E-CITY range will get you to your destination more quickly and easily, and in the most reliable way you could imagine.

e-BROOKLYN

THE QUEEN OF THE CITY

PERFECT CONTROL IN RUSH HOUR TRAFFIC

E-Brooklyn is your ideal friend for daily errands and shopping in the city.

Elegant, yet casual, Brooklyn is setup with fenders, racks, lights, and an adjustable handlebar stem allowing you to find the best steering position for you.

With the powerful Shimano STePS E-6000 motor, E-Brooklyn gives you constant support to all your urban transfers.

POWERED BY
SHIMANO



AUTONOMY
Batteria da 418Wh
Eco **125Km**
Standard **85Km**
High **60Km**



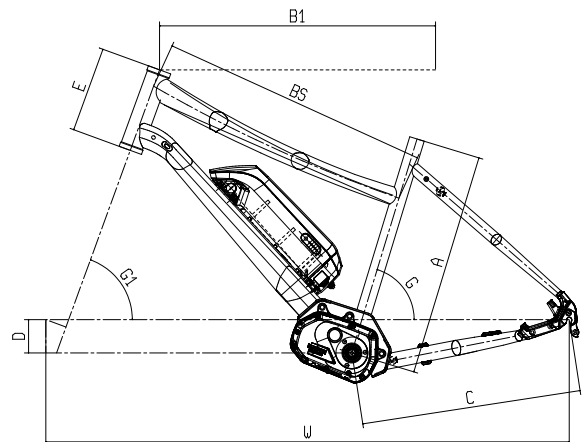
CHARGING TIME
Complete **4h**
Ricarica 80% **2h**



ASSISTANCE (%)
Eco **70%**
Standard **150%**
High **230%**

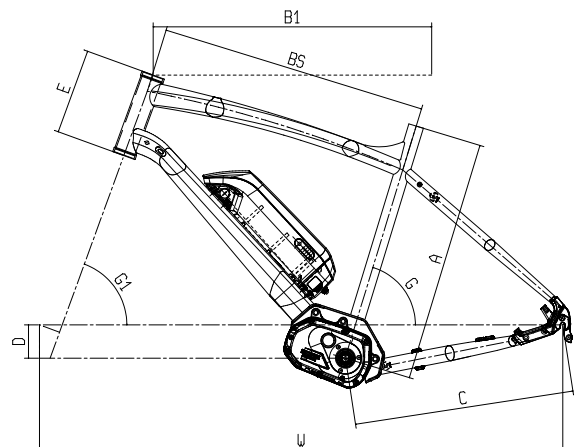
GEOMETRY - LADY

A	B1	BS	C	D	E	G	G1	W
430	555	542	462	70	165	74°	70°	1081
470	570	557	462	70	180	73.5°	70°	1092
510	580	567	462	70	200	73°	70°	1097



GEOMETRY - GENT

A	B1	BS	C	D	E	G	G1	W
430	555	543	462	70	150	74°	70°	1080
470	565	549	462	70	165	73.5°	70°	1085
510	575	552	462	70	180	73°	70°	1091
550	595	568	462	70	200	72.5°	70°	1106



BROOKLYN GENT - DEORE 9SP DISC



CODE	YNBJ3	HANDLEBAR	diam. 31.8mm, width:630mm, Rise 34mm, Backsweep 41°
COLOR	GB - Black/Green-Cream	GRIP / TAPE	Bianchi Kraton w/gel
FRAME	Brooklyn Gent alu, 700C, OLD 135mm Post Mount Disc, size:43-47-51-55cm	SEATPOST	Alloy AL2014, two piece, 12mm offset, 27.2x350mm
SEATPOST CLAMP	339QX alloy clamp and lever, diam. 31,8mm	SADDLE	Bianchi, steel rails
HEADSET	Fsa NO.11P 1-1/8" semi-cartridge bearing type, w/25mm cap, Cromoly cups, Stack height 27,5+3=30,5mm, Semi-integrated for HT 50*44mm	PEDALS	VP polished aluminum with PP cage and reflectors
FORK	Bianchi Steel 1.1/8", Disc	FRONT LIGHT	Kendo Led 36V w/bracket
SHIFTER	Shimano Alivio SL-M4000 9sp	REAR LIGHT	Led 36V for E-Bike
REAR DERAILLEUR	Shimano Deore RD-M591-L SGS 9sp, Top normal, direct attachment	REAR CARRIER	Alloy, double stay
CRANKSET	Shimano Steps FC-E6000, crank length: 170mm	KICKSTAND	Fixed on chain stay
BOTTOM BRACKET	included w/motor unit	MUDGUARD	Palstic width: 50mm w/v style stainless stays
CHAIN	Kmc Z-99	MOTOR UNIT	Shimano Steps Drive unit, DU-E6001 w/Battery, BT-E6010, w/Chainring 38T, W/Spedd sensor and magnet for speed, w/Cycle computer and remote control
CASSETTE / FREEWHEEL	Shimano CS-HG200-9, 11-13-15-17-19-21-24-28-32T		
BRAKE	Shimano BR-M315, resin pad		
BRAKE LEVER	Shimano BL-M315		
DISC ROTOR	Shimano SM-RT30 160mm, Center Lock, for resin pad only		
FRONT HUB	Shimano HB-M3050, OLD:100mm AXLE:108mm, Center Lock, 32H, QR		
REAR HUB	Shimano FH-M3050, Center Lock, 32h, Shimano freewheel body, OLD 135mm, Axle 146mm w/QR		
RIM/WHEELSET	Tec Sport Edition ATD470 disc, alloy, 700c 622x17, 32H, pair spoke 2x16, EN standard		
TIRE	Cst Xpedium 700x38, 60TPI, w/anti-puncture insert, w/reflective insert		
STEM	3D forged Alu, Adjustable stem 0-90°, 1.1/8", 31.8mm, ext:90mm		

BROOKLYN LADY - DEORE 9SP DISC



CODE	YNBJ4	HANDLEBAR	Rise bar, diam. 31.8mm, width 630mm, rise 34mm, backsweep 41°
COLOR	GB - Black/Green-Cream	GRIP / TAPE	Bianchi Kraton w/gel
FRAME	Brooklyn Lady alu, 700C, OLD 135mm, post mount Disc, size:43-47-51cm	SEATPOST	Alloy AL2014, two piece, 12mm offset, 27.2x350mm
SEATPOST CLAMP	339QX alloy clamp and lever, diam. 31,8mm	SADDLE	Bianchi, steel rails
HEADSET	Fsa NO.11P 1-1/8" semi-cartridge bearing type, w/25mm cap, Cromoly cups, Stack height 27,5+3=30,5mm, Semi-integrated for HT 50*44mm	PEDALS	VP polished aluminum with PP cage and reflectors
FORK	Bianchi Steel 1.1/8", Disc	FRONT LIGHT	Kendo Led 36V w/bracket
SHIFTER	Shimano Alivio SL-M4000 9sp	REAR LIGHT	Led 36V for E-Bike
REAR DERAILLEUR	Shimano Deore RD-M591-L SGS 9sp, Top normal, direct attachment	REAR CARRIER	Alloy, double stay
CRANKSET	Shimano Steps FC-E6000, crank length: 170mm	KICKSTAND	Fixed on chain stay
BOTTOM BRACKET	included w/motor unit	MUDGUARD	Palstic width: 50mm w/v style stainless stays
CHAIN	Kmc Z-99	MOTOR UNIT	Shimano Steps Drive unit, DU-E6001 w/Battery, BT-E6010, w/Chainring 38T, W/Spedd sensor and magnet for speed, w/Cycle computer and remote control
CASSETTE / FREEWHEEL	Shimano CS-HG200-9, 11-13-15-17-19-21-24-28-32T		
BRAKE	Shimano BR-M315, resin pad		
BRAKE LEVER	Shimano BL-M315		
DISC ROTOR	Shimano SM-RT30 160mm, Center Lock, for resin pad only		
FRONT HUB	Shimano HB-M3050, OLD:100mm AXLE:108mm, Center Lock, 32H, QR		
REAR HUB	Shimano FH-M3050, Center Lock, 32h, Shimano freewheel body, OLD 135mm, Axle 146mm w/QR		
RIM/WHEELSET	Tec Sport Edition ATD470 disc, alloy, 700c 622x17, 32H, pair spoke 2x16, EN standard		
TIRE	CST Xpedium 700x38, 60Tpi, w/Anti-puncture insert, w/reflective insert		
STEM	3D forger Alu, adjustable stem 0-90°, 1.1/8", 31.8mm, ext:90mm		

METROPOL-e

WORLD-CLASS CITIZEN, FOR YOUR URBAN CHALLENGES

AVAILABLE IN BOTH MEN AND WOMEN MODELS, WITH THE RIGHT SETUP FOR ANY OCCASION

The suspended model allows you to take on the cobbled and gravel streets with ease.

The Metropol-e has fenders, racks, lights, and it's backed up by a tonewheel system with a motor in the rear hub.

The battery is positioned along the downtube for better weight distribution.

The tonewheel system is easy and immediate to use.

POWERED BY

BAFANG



AUTONOMY
Batteria da 400Wh
Eco **75Km**
Standard **60Km**
High **45Km**



CHARGING TIME
Complete **4,5h**



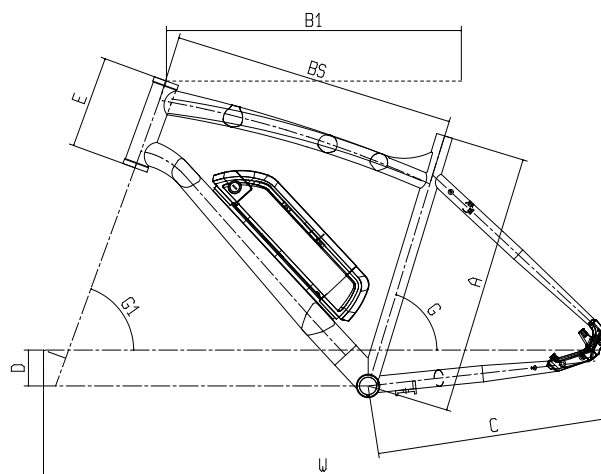
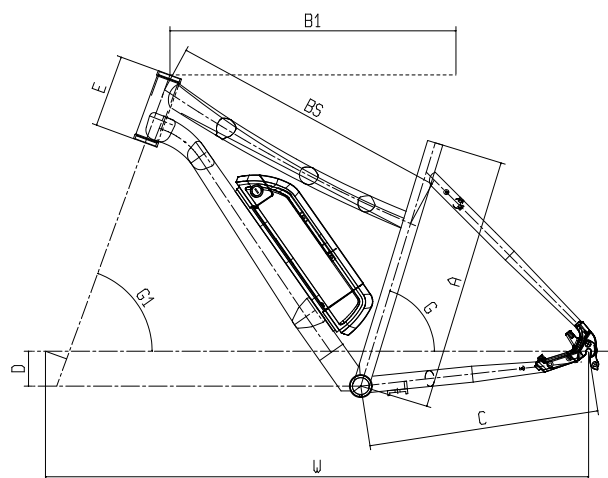
ASSISTANCE
Eco **15Km/h**
Standard **20Km/h**
High **25Km/h**

GEOMETRY - LADY

A	B1	BS	C	D	E	G	G1	W
430	555	543	462	70	165	74°	70°	1081
470	570	557	462	70	180	73.5°	70°	1091
510	580	572	462	70	200	73°	70°	1097

GEOMETRY - GENT

A	B1	BS	C	D	E	G	G1	W
430	555	543	462	70	150	74°	70°	1080
470	565	549	462	70	165	73.5°	70°	1085
510	575	552	462	70	180	73°	70°	1091
550	595	568	462	70	200	72.5°	70°	1105



METROPOL-E GENT - DEORE 1X9SP DISC



CODE	YMBD5	HANDLEBAR	Alloy, width: 590mm, rise: 26mm, diam:25.4mm, backsweep: 33°
COLOR	1D - CK16/Black glossy	GRIP / TAPE	Spectra rubber, 130mm
FRAME	Metropol-e Alu, 700c, OLD 135mm, post mount Disc, size: 43-47-51-55cm	SEATPOST	Alloy, 27.2x350mm
SEATPOST CLAMP	339QX alloy clamp and lever, diam. 31,8mm	SADDLE	Bianchi, steel rails
HEADSET	Fsa NO.11P 1-1/8" semi-cartridge bearing type, w/25mm cap, Cromoly cups, Stack height 27,5+3=30,5mm, Semi-integrated for HT 50*44mm	PEDALS	Included
FORK	SR Suntour NEX E25, disc, 50mm travel, old 100mm	FRONT LIGHT	Led light 36V w/bracket
SHIFTER	Shimano Alivio SL-M4000 9sp	REAR LIGHT	Led 36V for E-Bike
REAR DERAILLEUR	Shimano Deore RD-M591-L SGS 9sp, Top normal, direct attachment	REAR CARRIER	Alloy, double stay
CRANKSET	Alloy crank 39T, crank length: 170mm	KICKSTAND	Fixed on chain stay
BOTTOM BRACKET	Steel 70/123.5mm	MUDGUARD	Palstic width: 50mm w/v style stainless stays
CHAIN	Kmc Z-99	MOTOR UNIT	Bafang system 250W, 12A, 35NM, speed limit 25Kmh, w/Hall sensor and cadence sensor. w/ lithium battery 36V, w/Led display and remote control, 3 level of assistance
CASSETTE / FREEWHEEL	Shimano CS-HG200-9, 11-13-15-17-19-21-24-28-32T		
BRAKE	Shimano BR-M315, resin pad		
BRAKE LEVER	Shimano BL-M315		
DISC ROTOR	Shimano SM-RT30 160mm, Center Lock, for resin pad only		
FRONT HUB	Alloy, 3/8*13G*36H*145, OLD 100mm w/stainless nut		
REAR HUB	Bafang motor unit		
RIM/WHEELSET	Alloy, 700C*1.75*36H*13G*A/V		
TIRE	700x38, 30TPI, w/anti puncture insert, w/reflective insert		
STEM	Adjustable stem, 1.1/8", ext:105mm		

Available upon request (YNBG4) with rigid fork

METROPOL-E LADY - DEORE 1X9SP DISC



CODE	YMBD6
COLOR	1D - CK16/Black glossy
FRAME	Metropol-e Lady Alu, 700c, OLD 135mm, post mount Disc, size: 43-47-51cm
SEATPOST CLAMP	339QX alloy clamp and lever, diam. 31,8mm
HEADSET	Fsa NO.11P 1-1/8" semi-cartridge bearing type, w/25mm cap, Cromoly cups, Stack height 27,5+3=30,5mm, Semi-integrated for HT 50*44mm
FORK	SR Suntour NEX E25, disc, 50mm travel, old 100mm
SHIFTER	Shimano Alivio SL-M4000 9sp
REAR DERAILLEUR	Shimano Deore RD-M591-L SGS 9sp, Top normal, direct attachment
CRANKSET	Alloy crank 39T, crank length: 170mm
BOTTOM BRACKET	Steel, 70/123.5mm
CHAIN	Kmc Z-99
CASSETTE / FREEWHEEL	Shimano CS-HG200-9, 11-13-15-17-19-21-24-28-32T
BRAKE	Shimano BR-M315, resin pad
BRAKE LEVER	Shimano BL-M315
DISC ROTOR	Shimano SM-RT30 160mm, Center Lock, for resin pad only
FRONT HUB	Alloy, 3/8*13G*36H*145, OLD 100mm w/stainless nut
REAR HUB	Bafang motor unit
RIM/WHEELSET	Alloy, 700C*1.75*36H*13G*A/V
TIRE	700x38, 30TPI, w/anti puncture insert, w/reflective insert
STEM	Adjustable stem, 1.1/8", ext:105mm

HANDLEBAR	Alloy, width:590mm, rise: 26mm, diam. 25.4mm, backsweep 33°
GRIP / TAPE	Spectra rubber, 130mm
SEATPOST	Alloy, 27.2x350mm
SADDLE	Bianchi, steel rails
PEDALS	Included
FRONT LIGHT	Led light 36V w/bracket
REAR LIGHT	Led 36V for E-Bike
REAR CARRIER	Alloy, double stay
KICKSTAND	Fixed on chain stay
MUDGUARD	Palstic width: 50mm w/v style stainless stays
MOTOR UNIT	Bafang system 250W, 12A, 35NM, speed limit 25Kmh, w/Hall sensor and cadence sensor. w/ lithium battery 36V, w/Led display and remote control, 3 level of assistance

Available upon request (YNBG5) with rigid fork

DANCE ^{BY} Bianchi

TURN UP THE MUSIC WITH DANCE BY BIANCHI THE MODERN E-BIKE, OLD SCHOOL STYLE

The retro design has thinner tubes and a double tube for the step-through section of the frame.

The City geometry assures a relaxed steering position while guaranteeing perfect control in day-to-day traffic.

The leather-colored components along with the chainguard, the internal gears, and roller brakes by Shimano give a classic touch to this modern bike.

Finished off with a tonewheel system and front hub motor, with the battery positioned on the posterior bike racks, Bianchi Dance by Bianchi has an LCD display so you can keep your riding controlled just the way you like.

POWERED BY

BAFANG



AUTONOMY
Batteria da 400Wh
Eco **75Km**
Standard **60Km**
High **45Km**



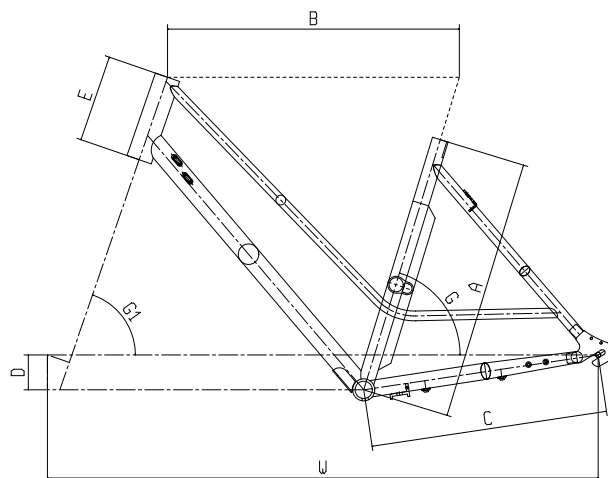
CHARGING TIME
Complete **4,5h**



ASSISTANCE
Eco **15Km/h**
Standard **20Km/h**
High **25Km/h**

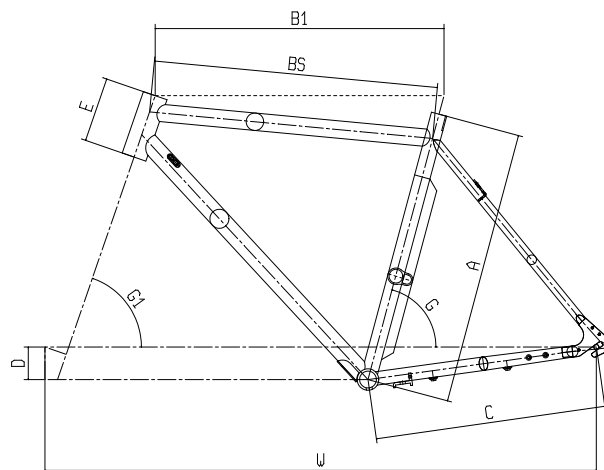
GEOMETRY - LADY

A	B	C	D	E	G	G1	W
470	555	462	68	110	73	71	1064
510	570	462	68	130	73	71	1073
550	580	462	68	140	73	71	1089



GEOMETRY - GENT

A	B1	BS	C	D	E	G	G1	W
510	565	552	462	65	110	75°	71°	1089
550	579	569	462	65	130	75°	71°	1105
590	591	584	462	65	160	75°	71°	1119



E-DANCE GENT - NEXUS 7SP



CODE	YMB927	FRONT LIGHT	Spanninga w/bracket
COLOR	KW- Black	REAR LIGHT	Integrated w/battery
FRAME	Bianchi Alloy 6061 Classic frame Gent, 700c, size: 51-55-59cm	REAR CARRIER	Alloy, w/SF-03 battery holder, 700C, w/clip
SEATPOST CLAMP	diam 31.8mm, alloy clamp	KICKSTAND	Alloy, central type, adjustable
HEADSET	Diam. 25.4mm, Semi-Integrated w/17mm alloy cone	MUDGUARD	700x50mm, w/tails
FORK	Bianchi 700c, Oval straight tapered blades for roller brakes	MOTOR UNIT	Bafang front hub motor unit 250W 37V, OLD100mm, 25km/h speed limit w/speed sensor, w/Hall sensor & RPM sensor, for roller-brake. w/Lithium battery Panasonic 18650 2.9AH CELL, 14.5AH, w/LCD display and 3 assistance level remote control
SHIFTER	Shimano Nexus SL-7S31 7sp		
CRANKSET	Prowheel sand polish crank, 38T, w/chain guard, crank length: 170mm		
BOTTOM BRACKET	Integrated w/Speed sensor		
CHAIN	Kmc		
CASSETTE / FREEWHEEL	Sprocket for internal gear hub 16T		
BRAKE	Shimano Nexus Roller Brake BR-C3010		
BRAKE LEVER	Tektro cast Alu w/integrated bell		
FRONT HUB	Bafang motor unit		
REAR HUB	Shimano Nexus SG-C3000-7R internal gear hub, 7sp, for roller brake, 36h, 130x182mm		
RIM/WHEELSET	Alloy double wall, 700c, 1.75*36H*13G		
TIRE	Cst 700x38c, 60TPI, w/antipuncture insert, w/reflective insert		
STEM	Alloy, Diam. 25.4mm, ext:85mm, quill: 180mm, Adjustable		
HANDLEBAR	Alloy width 600mm, back sweep 5°, rise 40mm		
GRIP / TAPE	Spectra, length 130mm		
SEATPOST	Alloy, 27.2x350mm		
SADDLE	Bianchi, brown top cover, steel rails, w/bumpers		
PEDALS	VP, alloy body w/Non-slip thread		

E-DANCE LADY - NEXUS 7SP



CODE	YMB937	FRONT LIGHT	Spanninga w/bracket
COLOR	KW- Black	REAR LIGHT	Integrated w/battery
FRAME	Bianchi Alloy 6061 Classic frame Lady, 700c, size: 47-51-55cm	REAR CARRIER	Alloy, w/SF-03 battery holder, 700C, w/clip
SEATPOST CLAMP	diam 31.8mm, alloy clamp	KICKSTAND	Alloy, central type, adjustable
HEADSET	Diam 25.4mm, Semi-integrated, w/17mm alloy cone	MUDGUARD	700x50mm, w/tails
FORK	Bianchi 700c, Oval straight tapered blades for roller brakes	MOTOR UNIT	Bafang front hub motor unit 250W 37V, OLD100mm, 25km/h speed limit w/speed sensor, w/Hall sensor & RPM sensor, for roller-brake. w/Lithium battery Panasonic 18650 2.9AH CELL, 14.5AH, w/LCD display and 3 assistance level remote control
SHIFTER	Shimano Nexus SL-7S31 7sp		
CRANKSET	Prowheel sand polish crank, 38T, w/chain guard, crank length: 170mm		
BOTTOM BRACKET	Integrated w/Speed sensor		
CHAIN	Kmc		
CASSETTE / FREEWHEEL	Sprocket for internal gear hub 16T		
BRAKE	Shimano Nexus Roller Brake BR-C3010		
BRAKE LEVER	Tektro cast Alu w/integrated bell		
FRONT HUB	Bafang motor unit		
REAR HUB	Shimano Nexus SG-C3000-7R internal gear hub, 7sp, for roller brake, 36h, 130x182mm		
RIM/WHEELSET	Alloy double wall, 700c, 1.75*36H*13G		
TIRE	Cst 700x38c, 60TPI, w/antipuncture insert, w/reflective insert		
STEM	Alloy, Diam. 25.4mm, ext:85mm, quill: 180mm, Adjustable		
HANDLEBAR	Alloy width 600mm, back sweep 5°, rise 40mm		
GRIP / TAPE	Spectra, length 130mm		
SEATPOST	Alloy, 27.2x350mm		
SADDLE	Bianchi, brown top cover, steel rails, w/bumpers		
PEDALS	VP, alloy body w/Non-slip thread		



C•SPORT

MODELS IN THIS CATEGORY

C•SPORT
C•CROSS

PROJECT PHILOSOPHY

/ Designed for those who are looking for a bike with strong character: solid like a mountain-bike, light and smooth like a road bike. Versatile bike, fast, reliable. Light weight and easy to carry.

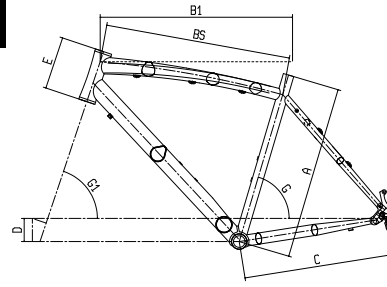
TARGET CONSUMER

/ C-Sport bikes can find their natural habitat in the city as well in the countryside. The perfect bikes to improve your fitness and take a spin on a weekend getaway.

GEOMETRIES

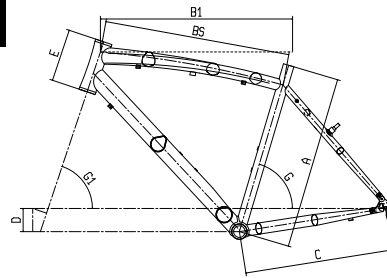
GEOMETRY — C-SPORT SPORT GENT. DISC BRAKE

SIZE	A	B1	BS	C	D	E	G	G1
S	430	525	507	435	68	125	74.5°	71°
M	470	545	525	435	68	135	74°	71°
L	510	565	544	435	68	155	73.5°	71.5°
XL	550	585	563	435	68	185	73°	72°
XXL	590	605	585	435	68	210	73°	72°



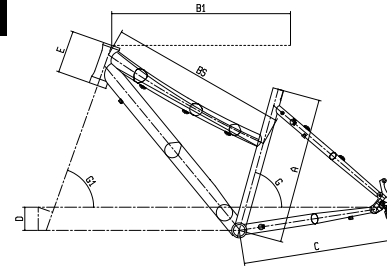
GEOMETRY — C-SPORT SPORT GENT. V-BRAKE

SIZE	A	B1	BS	C	D	E	G	G1
S	430	525	507	435	68	125	74.5°	71°
M	470	545	525	435	68	135	74°	71°
L	510	565	544	435	68	155	73.5°	71.5°
XL	550	585	563	435	68	185	73°	72°
XXL	590	605	585	435	68	210	73°	72°



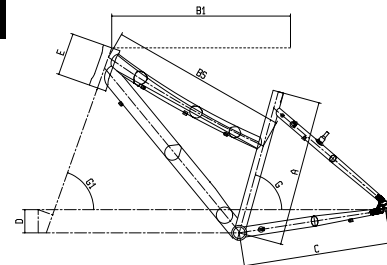
GEOMETRY — C-SPORT SPORT LADY DISC BRAKE

SIZE	A	B1	BS	C	D	E	G	G1
S	430	525	508	435	68	125	74.5°	71°
M	470	545	524	435	68	135	74°	71°
L	510	565	542	435	68	155	73.5°	71.5°



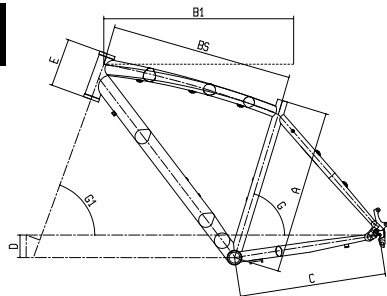
GEOMETRY — C-SPORT SPORT LADY V-BRAKE

SIZE	A	B1	BS	C	D	E	G	G1
S	430	525	508	435	68	125	74.5°	70.5°
M	470	545	524	435	68	135	74°	71°
L	510	565	542	435	68	155	73.5°	71.5°



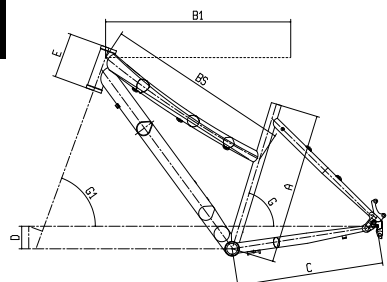
GEOMETRY — C-SPORT CROSS GENT. DISC BRAKE

SIZE	A	B1	BS	C	D	E	G	G1
S	430	565	545	455	65	140	73°	70°
M	470	575	550	455	65	140	73°	70°
L	510	590	564	455	65	150	73°	70°
XL	550	605	580	455	65	170	73°	70°



GEOMETRY — C-SPORT CROSS LADY DISC BRAKE

SIZE	A	B1	BS	C	D	E	G	G1
S	430	565	562	455	65	140	73°	70°
M	470	575	573	455	65	140	73°	70°



C-SPORT 2.5 - 24SP HYDR. DISC

THE IMAGE SHOWN IS INDICATIVE ONLY.

Components and graphic details may differ from the actual model.



CODE	YNBD3	RIM/WHEELSET	Tec Sport Edition ATD470 disc, alloy, 700c 622x17 32H, pair spoke 2x16
COLOR	C1 - CK/Black-White matt KW - Black/CK16-Graphite matt (ON PHOTO)	TIRE	Kenda Kwick Tendril 700x35, 30TPI, black
FRAME	C-Sport Gent Alu Disc, 700C, OLD 135mm, internal cable routing, smooth welding, 1.1/8" headset (semintegrated down HT tube and integrated in top HT), Seatpost diam. 31.6mm, size:43-47-51-55-59cm	STEM	3D forged Alloy6061, rise 17°, 31.8mm, 1.1/8", Ext: 80mm-43cm, 100mm-47/51cm, 110mm-55/59cm
SEATPOST CLAMP	MX-112C, 31.8mm alloy	HANDLEBAR	Alloy 6061 DB, width 700mm, flat bar, 9° bend, diam. 31.8mm
HEADSET	Fsa No.8B/ZS4D 1.1/8" Semi-Integrated lower part + Integrated upper part, w/cap 15mm	GRIP / TAPE	Tec Ergonomic Double density, kraton, w/Gel, length 130mm
FORK	Bianchi Alu 700c 1.1/8", post mount disc	SEATPOST	AL2014, offset 12mm, diam. 31.6mm, length 350mm
SHIFTER	Shimano ST-EF505 3x8sp	SADDLE	Wtb Speed V w/Comfort zone, steel rails
REAR DERAILLEUR	Shimano Acera RD-M360-L SGS 8sp, direct attachment	PEDALS	included
FRONT DERAILLEUR	Shimano Tourney FD-TY700-TS3, Top swing, dual pull, band type 34.9mm, 63-66°, for 42T, CL: 47.5/50mm		
CRANKSET	Shimano FC-TY301 42x34x24T, crank length: 170mm-43/47cm, 175mm-51/59cm		
BOTTOM BRACKET	Shimano BB-UN100, Asse:122.5mm(D-NL), Shell:BSA 68mm		
CHAIN	Kmc Z-72		
CASSETTE / FREEWHEEL	Shimano CS-HG200-8, 12-14-16-18-21-24-28-32T		
BRAKE	Shimano BR-M315, Resin pad		
BRAKE LEVER	Included w/shifters		
DISC ROTOR	Shimano SM-RT10, 160mm, Center Lock, for resin pad only		
FRONT HUB	Formula CL-1420 Center Lock, 32 hole, OLD. 100mm Axle 108mm with QR		
REAR HUB	Formula CL-1422 Center lock, 32hole, OLD 135mm Axle 145mm, Shimano freewheel body, with QR		

C-SPORT DAMA 2.5 - 24SP HYDR. DISC

THE IMAGE SHOWN IS INDICATIVE ONLY.

Components and graphic details may differ from the actual model.



CODE	YNBD9	RIM/WHEELSET	Tec Sport Edition ATD470 disc, alloy, 700c 622x17 32H, pair spoke 2x16
COLOR	KW - Black/CK16-Graphite matt	TIRE	Kenda Kwick Tendril 700x35, 30TPI, black
FRAME	C-Sport Lady Alu disc, 700C, OLD 135mm, integrated cable routing, smooth welding, 1.1/8" headset (semi-integrated down HT tube and integrated in top top HT tube), Seatpost diam. 31.6mm, size:43-47-51-55cm	STEM	3D forged Alloy6061, rise 17°, 31.8mm, 1.1/8", Ext: 80mm-43cm, 100mm-47/51cm
SEATPOST CLAMP	MX-112C, 31.8mm alloy	HANDLEBAR	Alloy 6061 DB, width 700mm, flat bar, 9° bend, diam. 31.8mm
HEADSET	Fsa No.8B/ZS4D 1.1/8" Semi-Integrated lower part + Integrated upper part, w/cap 15mm	GRIP / TAPE	Tec Ergonomic Double density, kraton, w/Gel, length 130mm
FORK	Bianchi Alu 700c 1.1/8", post mount disc	SEATPOST	AL2014, offset 12mm, diam. 31.6mm, length 350mm
SHIFTER	Shimano ST-EF505 3x8sp	SADDLE	Wtb Speed V w/Comfort zone, steel rails
REAR DERAILLEUR	Shimano Acera RD-M360-L SGS 8sp, direct attachment	PEDALS	included
FRONT DERAILLEUR	Shimano Tourney FD-TY700-TS3, Top swing, dual pull, band type 34.9mm, 63-66°, for 42T, CL: 47.5/50mm		
CRANKSET	Shimano FC-TY301 42x34x24T, crank length: 170mm-43/47cm, 175mm-51		
BOTTOM BRACKET	Shimano BB-UN100, Asse:122.5mm(D-NL), Shell:BSA 68mm		
CHAIN	Kmc Z-72		
CASSETTE / FREEWHEEL	Shimano CS-HG200-8, 12-14-16-18-21-24-28-32T		
BRAKE	Shimano BR-M315, Resin pad		
BRAKE LEVER	Included w/shifters		
DISC ROTOR	Shimano SM-RT10, 160mm, Center Lock, for resin pad only		
FRONT HUB	Formula CL-1420 Center Lock, 32 hole, OLD. 100mm Axle 108mm with QR		
REAR HUB	Formula CL-1422 Center lock, 32hole, OLD 135mm Axle 145mm, Shimano freewheel body, with QR		

C-SPORT 1 - 24SP MECH. DISC



CODE	YNB69	RIM/WHEELSET	Tec Sport Edition MD17 disc, 622x17c, 32h, pair spoke 2x16
COLOR	KW - Black/Grey matt (ON PHOTO) C1 - CK/Black matt	TIRE	Kenda Kwick Tendril 700x35, 30TPI, black
FRAME	C-Sport Gent Alu Disc, 700C, OLD 135mm, internal cable routing, smooth welding, 1.1/8" headset (semintegrated down HT tube and integrated in top HT), Seatpost diam. 31.6mm, size:43-47-51-55-59cm	STEM	3D forged Alloy6061, rise 17°, 31.8mm, 1.1/8", Ext: 80mm-43cm, 100mm-47/51cm, 110mm-55/59cm
SEATPOST CLAMP	MX-112C, 31.8mm alloy	HANDLEBAR	Alloy 6061 DB, width 700mm, flat bar, 9° bend, diam. 31.8mm
HEADSET	Fsa No.8B/ZS4D 1.1/8" Semi-Integrated lower part + Integrated upper part, w/cap 15mm	GRIP / TAPE	Tec Ergonomic Double density, kraton, w/Gel, length 130mm
FORK	Bianchi Alu 700c 1.1/8", post mount disc	SEATPOST	AL2014, offset 12mm, diam. 31.6mm, length 350mm
SHIFTER	Shimano ST-EF510 3x8sp	SADDLE	Bianchi, steel rail, w/high density foam
REAR DERAILLEUR	Shimano Acera RD-M360-L SGS 8sp, direct attachment	PEDALS	included
FRONT DERAILLEUR	Shimano Tourney FD-TY700-TS3, Top swing, dual pull, band type 34.9mm, 63-66°, for 42T, CL: 47.5/50mm		
CRANKSET	Shimano FC-TY301 42x34x24T, crank length: 170mm-43/47cm, 175mm-51/59cm		
BOTTOM BRACKET	Shimano BB-UN100, Asse:122.5mm(D-NL), Shell:BSA 68mm		
CHAIN	Kmc Z-72		
CASSETTE / FREEWHEEL	Shimano CS-HG200-8, 12-14-16-18-21-24-28-32T		
BRAKE	Shimano BR-M375, cable disc brake, resin pad		
BRAKE LEVER	Included w/shifters		
DISC ROTOR	Shimano SM-RT10, 160mm, Center Lock, for resin pad only		
FRONT HUB	Formula CL-1420 Center Lock, 32 hole, OLD. 100mm Axle 108mm with QR		
REAR HUB	Formula CL-1422 Center lock, 32hole, OLD 135mm Axle 145mm, Shimano freewheel body, with QR		

C-SPORT DAMA 1 - 24SP MECH. BRAKE



CODE	YNB63	RIM/WHEELSET	Tec Sport Edition ATD470 disc, alloy, 700c 622x17 32H, pair spoke 2x16
COLOR	C1 - CK/Black-white matt	TIRE	Kenda Eurotrek 700x35, 30TPI, black
FRAME	C-Sport Lady Alu disc, 700C, OLD 135mm, integrated cable routing, smooth welding, 1.1/8" aheadset (semi-integrated down HT tube and integrated in top top HT tube), Seatpost diam. 31.6mm, size:43-47-51-55cm	STEM	3D forged Alloy 6061y, rise 7°, diam. 31,8mm, 1.1/8", Ext: 70mm-43cm, 100mm-47/51cm, 120mm-55/59cm
SEATPOST CLAMP	MX-112C, 31.8mm alloy	HANDLEBAR	Alloy 6061 DB, flat bar, width: 620mm, 9° bend, 31.8mm
HEADSET	Fsa No.8B/ZS4D 1.1/8" Semi-Integrated lower part + Integrated upper part, w/cap 15mm	GRIP / TAPE	Tec Ergonomic Double density, kraton, w/Gel, length 130mm
FORK	Bianchi Alu 700c 1.1/8", post mount disc	SEATPOST	AL2014, offset 12mm, diam. 31.6mm, length 350mm
SHIFTER	Shimano ST-EF510 3x8sp	SADDLE	Bianchi, steel rail, w/high density foam
REAR DERAILLEUR	Shimano Acera RD-M360-L SGS 8sp, direct attachment	PEDALS	included
FRONT DERAILLEUR	Shimano Tourney FD-TY700-TS3, Top swing, dual pull, band type 34.9mm, 63-66°, for 42T, CL: 47.5/50mm		
CRANKSET	Shimano FC-TY301 42x34x24T, crank length: 170mm-43/47cm, 175mm-51cm		
BOTTOM BRACKET	Shimano BB-UN100, Asse:122.5mm(D-NL), Shell:BSA 68mm		
CHAIN	Kmc Z-72		
CASSETTE / FREEWHEEL	Shimano CS-HG200-8, 12-14-16-18-21-24-28-32T		
BRAKE	DSK-300 Cable type disc brake, one-piece caliper w/Avid BB5 compatible pads		
BRAKE LEVER	Included w/shifters		
DISC ROTOR	diam. 160mm		
FRONT HUB	Formula DC-1420, 6 bolt, 32holes, 14G, OLD 100mm, axle 108mm, with QR		
REAR HUB	Formula DC-1422 6 bolts, 32 holes, 14G, OLD 135mm, axle 145mm, with QR		

C-SPORT 1 - 24SP V-BRAKE

THE IMAGE SHOWN IS INDICATIVE ONLY.

Components and graphic details may differ from the actual model.



CODE	YNB53	RIM/WHEELSET	Tec Sport Edition AT470 V-Brake, alloy, 700c 622x17 32H, pair spoke 2x16
COLOR	KW - Black/Grey matt C1 - CK/Black matt	TIRE	Kenda Eurotrek 700x35, 30TPI, black
FRAME	C-Sport Gent Alu, V-Brake, 700c, OLD 135mm, integrated cable routing, smooth welding, 1.1/8" aheadset (semi-integrated down HT tube and integrated in top top HT tube). Seat tube diam. 31.6mm, size:43-47-51-55-59cm	STEM	3D forged Alloy6061, rise 17°, 31.8mm, 1.1/8", Ext: 80mm-43cm, 100mm-47/51cm, 110mm-55/59cm
SEATPOST CLAMP	MX-112C, 31.8mm alloy	HANDLEBAR	Alloy 6061 DB, width 700mm, flat bar, 9° bend, diam. 31.8mm
HEADSET	Fsa No.8B/ZS4D 1.1/8" Semi-Integrated lower part + Integrated upper part, w/cap 15mm	GRIP / TAPE	Tec Ergonomic Double density, kraton, w/Gel, length 130mm
FORK	Bianchi Alu V-Brake, 700c, 1.1/8"	SEATPOST	AL2014, offset 12mm, diam. 31.6mm, length 350mm
SHIFTER	Shimano ST-EF510 3x8sp	SADDLE	Bianchi, steel rail, w/high density foam
REAR DERAILLEUR	Shimano Acera RD-M360-L SGS 8sp, direct attachment	PEDALS	included
FRONT DERAILLEUR	Shimano Tourney FD-TY700-TS3, Top swing, dual pull, band type 34.9mm, 63-66°, for 42T, CL: 47.5/50mm		
CRANKSET	Shimano FC-TY301 42x34x24T, crank length: 170mm-43/47cm, 175mm- 51/59cm		
BOTTOM BRACKET	Shimano BB-UN100, Asse:122.5mm(D-NL), Shell:BSA 68mm		
CHAIN	Kmc Z-72		
CASSETTE / FREEWHEEL	Shimano CS-HG200-8, 12-14-16-18-21-24-28-32T		
BRAKE	Tektro RX1 V-Brake, melt forged aluminum arms w/EN standard pads		
BRAKE LEVER	Included w/shifters		
FRONT HUB	Formula FM-21, 32hole, OLD 100mm, Axle 108mm, with QR		
REAR HUB	Formula FM-32, 32hole, OLD 135mm axle 145mm, Shimano freewheel body, with QR		

C-SPORT DAMA 1 - 24SP V-BRAKE

THE IMAGE SHOWN IS INDICATIVE ONLY.

Components and graphic details may differ from the actual model.



CODE	YNBF9	STEM	3D forged Alloy6061, rise 17°, 31.8mm, 1.1/8", Ext: 80mm-43cm, 100mm-47/51cm
COLOR	C1 - CK/Black-White matt	HANDLEBAR	Alloy 6061 DB, width 700mm, flat bar, 9° bend, diam. 31.8mm
FRAME	C-Sport Lady Alu V-Brake, 700C, OLD 135mm, integrated cable routing, smooth welding, 1.1/8" aheadset (semi-integrated down HT tube and integrated in top top HT tube), seatpost diam. 31.6mm, size:43-47-51-55cm	GRIP / TAPE	Tec Ergonomic Double density, kraton, w/Gel, length 130mm
SEATPOST CLAMP	MX-112C, 31.8mm alloy	SEATPOST	AL2014, offset 12mm, diam. 31.6mm, length 350mm
HEADSET	Fsa No.8B/ZS4D 1.1/8" Semi-Integrated lower part + Integrated upper part, w/cap 15mm	SADDLE	Bianchi, steel rail, w/high density foam
FORK	Bianchi Alu V-Brake, 700c, 1.1/8"	PEDALS	included
SHIFTER	Shimano ST-EF510 3x8sp		
REAR DERAILLEUR	Shimano Acera RD-M360-L SGS 8sp, direct attachment		
FRONT DERAILLEUR	Shimano Tourney FD-TY700-TS3, Top swing, dual pull, band type 34.9mm, 63-66°, for 42T, CL: 47.5/50mm		
CRANKSET	Shimano FC-TY301 42x34x24T, crank length: 170mm-43/47cm, 175mm-51cm		
BOTTOM BRACKET	Shimano BB-UN100, Asse:122.5mm(D-NL), Shell:BSA 68mm		
CHAIN	Kmc Z-72		
CASSETTE / FREEWHEEL	Shimano CS-HG200-8, 12-14-16-18-21-24-28-32T		
BRAKE	Tektro RX1 V-Brake, melt forged aluminum arms		
BRAKE LEVER	Included w/shifters		
FRONT HUB	Formula FM-21, 32hole, 14G, OLD 100mm, axle 108mm, with Qr		
REAR HUB	Formula FM-32, 32hole, OLD 135mm axle 145mm, Shimano freewheel body, with QR		
RIM/WHEELSET	Tec Sport Edition AT470 V-Brake, alloy, 700c 622x17 32H, pair spoke 2x16		
TIRE	Kenda Eurotrek 700x35, 30TPI, black		

C-SPORT CROSS GENT - 24SP HYDR. DISC



CODE	YNBB2	REAR HUB	Formula CL-1422 Center lock, 32hole, OLD 135mm Axle 145mm, Shimano freewheel body, with QR
COLOR	1Z - Black/CK16-Graphite matt	RIM/WHEELSET	Tec Sport Edition ATD470 disc, alloy, 700c 622x17 32H, pair spoke 2x16
FRAME	C-Sport Cross Gent Alu Disc, 700c, OLD 135mm, integrated cable routing, Smooth welding, 1.1/8" semintegrated Aheadset, seat tube: 31.6mm, size: 43-47-51-55cm	TIRE	Kenda 700x35, 30TPI, black
SEATPOST CLAMP	339QX alloy clamp & lever, diam. 35mm	STEM	3D forged Alloy 6061y, rise 7°, diam. 31,8mm, 1.1/8", Ext: 70mm-43cm, 100mm-47/51cm, 120mm-55/59cm
HEADSET	Fsa NO.11P 1-1/8" semi-cartridge bearing type, w/25mm cap, Cromoly cups, Stack height 27,5+3=30,5mm, Semi-integrated for HT 50*44mm	HANDLEBAR	Alloy 6061 DB, width 700mm, flat bar, 9° bend, diam. 31.8mm
FORK	SR Suntour NEX HLO DS, 700C, 1.1/8" Steel steerer, Steel stanchions, Alloy blades, psot mount disc, 63mm travel, Hydraulic lock	GRIP / TAPE	Tec Ergonomic Double density, kraton, w/Gel, length 130mm
SHIFTER	Shimano ST-EF505 3x8sp	SEATPOST	AL2014, offset 12mm, diam. 31.6mm, length 350mm
REAR DERAILLEUR	Shimano Acera RD-M360-L SGS 8sp, direct attachment	SADDLE	Bianchi, steel rail, w/high density foam
FRONT DERAILLEUR	Shimano Tourney FD-TY700-TS3, Top swing, dual pull, band type 34.9mm, 63-66°, for 42T, CL: 47.5/50mm	PEDALS	included
CRANKSET	Shimano FC-TY301 42x34x24T, crank length: 170mm-43/47cm, 175mm-51/59cm		
BOTTOM BRACKET	Shimano BB-UN100, Asse:122.5mm(D-NL), Shell:BSA 68mm		
CHAIN	Kmc Z-72		
CASSETTE / FREEWHEEL	Shimano CS-HG200-8, 12-14-16-18-21-24-28-32T		
BRAKE	Shimano BR-M315, Resin pad		
BRAKE LEVER	Included w/shifters		
DISC ROTOR	Shimano SM-RT10, 160mm, Center Lock , for resin pad only		
FRONT HUB	Formula CL-1420 Center Lock, 32 hole, OLD. 100mm Axle 108mm with QR		

C-SPORT CROSS LADY - 24SP HYDR. DISC



CODE	YNBB3	REAR HUB	Formula CL-1422 Center lock, 32hole, OLD 135mm Axle 145mm, Shimano freewheel body, with QR
COLOR	1Z - Black/CK16-Graphite matt	RIM/WHEELSET	Tec Sport Edition ATD470 disc, alloy, 700c 622x17 32H, pair spoke 2x16
FRAME	C-Sport Cross Lady Alu Disc, 700C, Old 135mm, integrated cable routing, smooth welding, 1.1/8" semi-integrated Aheadset, Seat tube 31.6mm, size: 43-47-51cm	TIRE	Kenda 700x35, 30TPI, black
SEATPOST CLAMP	339QX alloy clamp & lever, diam. 35mm	STEM	3D forged Alloy 6061y, rise 7°, diam. 31,8mm, 1.1/8", Ext: 70mm-43cm, 100mm-47/51cm
HEADSET	Fsa NO.11P 1-1/8" semi-cartridge bearing type, w/25mm cap, Cromoly cups, Stack height 27,5+3=30,5mm, Semi-integrated for HT 50*44mm	HANDLEBAR	Alloy 6061 DB, width 700mm, flat bar, 9° bend, diam. 31.8mm
FORK	SR Suntour NEX HLO DS, 700C, 1.1/8" Steel steerer, Steel stanchion, Alloy blades, 63mm travel, hydraulic lock	GRIP / TAPE	Tec Ergonomic Double density, kraton, w/Gel, length 130mm
SHIFTER	Shimano ST-EF505 3x8sp	SEATPOST	AL2014, offset 12mm, diam. 31.6mm, length 350mm
REAR DERAILLEUR	Shimano Acera RD-M360-L SGS 8sp, direct attachment	SADDLE	Bianchi, steel rail, w/high density foam
FRONT DERAILLEUR	Shimano Tourney FD-TY700-TS3, Top swing, dual pull, band type 34.9mm, 63-66°, for 42T, CL: 47.5/50mm	PEDALS	included
CRANKSET	Shimano FC-TY301 42x34x24T, crank length: 170mm-43/47cm, 175mm-51cm		
BOTTOM BRACKET	Shimano BB-UN100, Asse:122.5mm(D-NL), Shell:BSA 68mm		
CHAIN	Kmc Z-72		
CASSETTE / FREEWHEEL	Shimano CS-HG200-8, 12-14-16-18-21-24-28-32T		
BRAKE	Shimano BR-M315, Resin pad		
BRAKE LEVER	Included w/shifters		
DISC ROTOR	Shimano SM-RT10, 160mm, Center Lock , for resin pad only		
FRONT HUB	Formula CL-1420 Center Lock, 32 hole, OLD. 100mm Axle 108mm with QR		

SPIILLO



PROJECT PHILOSOPHY

/ Hybrid bicycles, ideal for urban commuting and trekking.

MODELS IN THIS CATEGORY

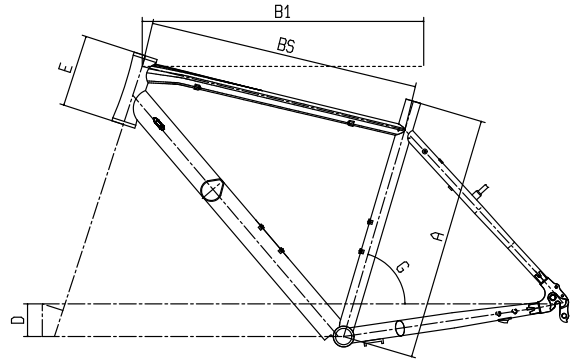
TOPAZIO
ONICE
RUBINO
TURCHESE

GEOMETRIES

GEOMETRY – SPILLO TOPAZIO GENT

MIS.

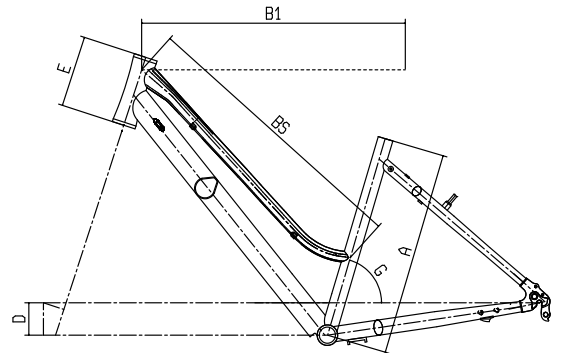
A	B1	BS	D	E	G
470	575	551	68	150	73.5°
510	585	562	68	150	73.5°
530	600	577	68	170	73.5°



GEOMETRY – SPILLO TOPAZIO LADY

MIS.

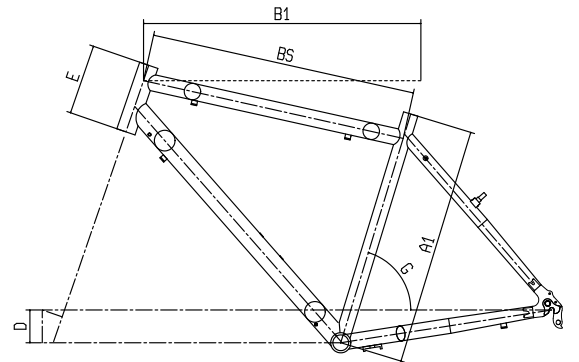
A	B1	BS	D	E	G
430	555	532	68	150	73.5°
470	565	542	68	150	73.5°



GEOMETRY – SPILLO ONICE-RUBINO-TURCHESE GENT.

MIS.

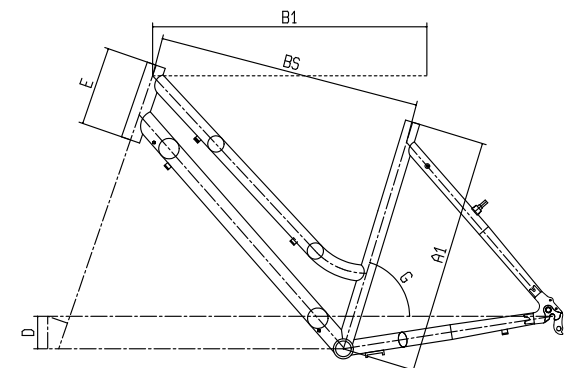
A1	B1	BS	D	E	G
470	575	550	70	130	73°
510	590	566	70	150	73°
550	605	583	70	170	73°



GEOMETRY – SPILLO ONICE-RUBINO-TURCHESE LADY

MIS.

A1	B1	BS	D	E	G
430	565	540	70	150	73°
470	575	549	70	150	73°
510	590	565	70	170	73°



SPIILLO TOPAZIO MAN - ACERA 24SP DYNAMO HUB



CODE	YEBA4	SADDLE	Selle Royal Ariel Man Gel, steel rails
COLOR	9J - black red line 9T - Titan matt white/dec blue (PHOTO)	PEDALS	Xerama w/aluminium body, steel axle, no slip
FRAME	Spillo Man, Hydroformed aluminium, 1.1/8" head tube, internal cable routing, sizes: 47, 51, 55cm	FRONT LIGHT	Basta Sprint led, 2.4w, with on/off switch
SEATPOST CLAMP	Aluminium diam 31.8mm w/QR	REAR LIGHT	Herrmans H-Vision w/battery
HEADSET	steel, 1.1/8" semi integrated	REAR CARRIER	Aluminium, w/spring
FORK	Bianchi Aluminium 1.1/8"	KICKSTAND	Alluminio, adjustable 24">28"
SHIFTER	Shimano ST-EF51 3x8sp	MUDGUARD	48mm, w/closing clip griptype w/rear mud flap, black
REAR DERAILLEUR	Shimano Acera RD-M360 SGS 8sp		
FRONT DERAILLEUR	Shimano FD-M191 band type 31.8mm, for 48T		
CRANKSET	Shimano FC-M131 48/38/28T, crank length 170mm		
BOTTOM BRACKET	Bsa 68-122mm		
CHAIN	Kmc Z72 1/2"x 3/32"		
CASSETTE / FREEWHEEL	Shimano CS-HG31 8sp, 11-32T		
BRAKE	V-Brake aluminium		
FRONT HUB	Shimano DH-2N35-DL, aluminium w/dynamo 6V/24.W, 36holes		
REAR HUB	Shimano aluminium, 36h, 9x135mm, Shimano freewheel, w/QR		
RIM/WHEELSET	Airline-1, Aluminium double wall, 36h, 28/622x19 w/safety line		
TIRE	Cst 700X38 37-622, w/reflector		
STEM	for 1.1/8" headtube, adjustable, length 100mm, black		
HANDLEBAR	Aluminium, length 590mm, rise, 26mm, diam. 25,4 mm, back sweep 33°		
GRIP / TAPE	Herrmans DD08B double density, L.120mm		
SEATPOST	Aluminium w/suspension L. 300mm, diam. 27.2mm		

SPILLO TOPAZIO LADY - ACERA 24SP DYNAMO HUB



CODE	YEBA5
COLOR	9J - black red line (PHOTO) 9T - Titan matt white/dec blue
FRAME	Spillo Lady, Hydroformed aluminium, 1.1/8" headtube, internal cable routing, sizes 43, 47cm
SEATPOST CLAMP	Aluminium diam 31.8mm w/QR
HEADSET	steel, 1.1/8" semi integrated
FORK	Bianchi Aluminium 1.1/8"
SHIFTER	Shimano ST-EF51 3x8sp
REAR DERAILLEUR	Shimano Acera RD-M360 SGS 8sp
FRONT DERAILLEUR	Shimano FD-M191 band type 31.8mm, for 48T
CRANKSET	Shimano FC-M131 48/38/28T, crank length 170mm
BOTTOM BRACKET	Bsa 68-122mm
CHAIN	Kmc Z72 1/2"x 3/32"
CASSETTE / FREEWHEEL	Shimano CS-HG31 8sp, 11-32T
BRAKE	V-Brake aluminium
FRONT HUB	Shimano DH-2N35-DL, aluminium w/dynamo 6V/24.W, 36holes
REAR HUB	Shimano aluminium, 36h, 9x135mm, Shimano freewheel, w/QR
RIM/WHEELSET	Airline-1, Aluminium double wall, 36h, 28/622x19 w/safety line
TIRE	Cst 700X38 37-622, w/reflector
STEM	for 1.1/8" headtube, adjustable, length 100mm, black
HANDLEBAR	Aluminium, length 590mm, rise, 26mm, diam. 25,4 mm, back sweep 33°
GRIP / TAPE	Herrmans DD08B double density, L.120mm
SEATPOST	Aluminium w/suspension L. 300mm, diam. 27.2mm

SADDLE	Selle Royal Ariel Lady Gel, steel rails
PEDALS	Xerama w/aluminium body, steel axle, no slip
FRONT LIGHT	Basta Sprint led, 2.4w, with on/off switch
REAR LIGHT	Herrmans H-Vision w/battery
REAR CARRIER	Aluminium, w/spring
KICKSTAND	Alluminio, adjustable 24">28"
MUDGUARD	48mm, w/closing clip griptype w/rear mud flap, black

9T - Titan matt white/dec blue



SPILLO ONICE MAN - 21SP V-BRAKE



CODE	YEBA1	SADDLE	Selle Royal Wave Man, steel rails
COLOR	9N - black matt/celeste line 9P - Artic silver green line (PHOTO)	PEDALS	Xerama w/pp body, steel axle
FRAME	Spillo Man aluminium, 1.1/8" head tube, sizes 47, 51, 55cm	FRONT LIGHT	Spanninga Optimo w/battery, with on/off switch
SEATPOST CLAMP	Aluminium diam 31.8mm w/QR	REAR LIGHT	Basta Spark Red w/battery with on/off switch
HEADSET	Steel 1.1/8"	REAR CARRIER	Steel w/spring
FORK	SR Suntour NEX P-700C, travel 63mm, 1.1/8"	KICKSTAND	aluminium, black
SHIFTER	Shimano ST-EF51 3x7sp	MUDGUARD	48mm, w/closing clip griptype w/rear mud flap, black
REAR DERAILLEUR	Shimano RD-TX55D 7sp		
FRONT DERAILLEUR	Shimano FD-TX51, band type 31.8mm, dual pull, for 48T		
CRANKSET	Chainrings 48/38/28T, steel crank, length: 170mm		
BOTTOM BRACKET	Bsa 68-122mm		
CHAIN	Kmc Z51 1/2"x 3/32"		
CASSETTE / FREEWHEEL	Shimano TZ21 7sp, 14-28T		
BRAKE	V-Brake aluminium		
FRONT HUB	Aluminium, 36h, 9x100mm, w/QR		
REAR HUB	Aluminium, 36h, 9x135mm, Shimano freewheel body, w/QR		
RIM/WHEELSET	Freeway, Aluminium double wall, 36holes		
TIRE	Cst 700x35 37-622		
STEM	Aluminium adjustable, 1.1/8", length 90mm, diam. 25.4mm, black		
HANDLEBAR	Aluminium, length 590mm, rise, 26mm, diam. 25,4 mm, back sweep 33°		
GRIP / TAPE	Herrmans DD08B double density, L. 120mm		
SEATPOST	Aluminium w/suspension, L.350mm, diam. 27.2mm		

SPILLO ONICE LADY - 21SP V-BRAKE



CODE	YEBA0	PEDALS	Xerama w/pp body, steel axle
COLOR	9N - black matt/celeste line (PHOTO) 9P - Artic silver green line	FRONT LIGHT	Spanninga Optimo w/battery, with on/off switch
FRAME	Spillo Lady, Aluminium, 1.1/8" head tube, sizes 43, 47, 51cm	REAR LIGHT	Basta Spark Red w/battery with on/off switch
SEATPOST CLAMP	Aluminium diam 31.8mm w/QR	REAR CARRIER	Steel w/spring
HEADSET	Steel 1.1/8"	KICKSTAND	Aluminium, black
FORK	SR Suntour NEX P-700C, travel 63mm, 1.1/8"	MUDGUARD	48mm, w/closing clip griptype w/rear mud flap, black
SHIFTER	Shimano ST-EF51 3x7sp		
REAR DERAILLEUR	Shimano RD-TX55D 7sp		
FRONT DERAILLEUR	Shimano FD-TX51, band type 31.8mm, dual pull, for 48T		
CRANKSET	Chainrings 48/38/28T, steel crank, length: 170mm		
BOTTOM BRACKET	Bsa 68-122mm		
CHAIN	Kmc Z51 1/2"x 3/32"		
CASSETTE / FREEWHEEL	Shimano TZ21 7sp, 14-28T		
BRAKE	V-Brake aluminium		
FRONT HUB	Aluminium, 36h, 9x100mm, w/QR		
REAR HUB	Aluminium, 36h, 9x135mm, Shimano freewheel body, w/QR		
RIM/WHEELSET	Freeway, Aluminium double wall, 36holes		
TIRE	Cst 700x35 37-622		
STEM	Aluminium adjustable, 1.1/8", length 90mm, diam. 25.4mm, black		
HANDLEBAR	Aluminium, length 590mm, rise, 26mm, diam. 25,4 mm, back sweep 33°		
GRIP / TAPE	Herrmans DD08B double density, L.90mm		
SEATPOST	Aluminium w/suspension, L.350mm, diam. 27.2mm		
SADDLE	Selle Royal Wave Lady, steel rails		

SPILLO RUBINO DELUXE GENT - 21SP V-BRAKE



CODE	YNB5L	PEDALS	Included
COLOR	LK - Celeste Vintage	FRONT LIGHT	Spanninga Illico, w/bracket w/battery
FRAME	Spillo Rubino Man Alu, 1.1/8" HT, size: 47-51-55cm	REAR LIGHT	Basta Spark Red w/battery with on/off switch
SEATPOST CLAMP	Aluminium, diam 31.8mm w/QR	FRONT CARRIER	Steel
HEADSET	1.1/8" Steel	REAR CARRIER	Steel
FORK	Bianchi Steel, 1.1/8"	KICKSTAND	Aluminium, adjustable 20-28"
SHIFTER	Shimano ST-EF500 3x7sp	MUDGUARD	Rapido 46mm, silver plastic, w/zinc coated bridge, w/rear mud protection spoiler
REAR DERAILLEUR	Shimano Tourney RD-TX55D 7sp		
FRONT DERAILLEUR	Shimano Tourney FD-TY510 Top Swing, 31.8mm band type, dual pull, max 48T, 63-66°		
CRANKSET	Steel 48x38x28T w/chainguard		
BOTTOM BRACKET	Bsa 68mm L:127mm		
CHAIN	KMC Z51 7sp		
CASSETTE / FREEWHEEL	Shimano TZ500 7sp 14-28T		
BRAKE	V-Brake, aluminium body		
BRAKE LEVER	Included w/shifters		
FRONT HUB	Alloy body, 36h, 9x100mm, w/QR		
REAR HUB	Aluminium, 36h, 9x135mm, Shimano freewheel body, w/QR		
RIM/WHEELSET	Freeway, Aluminium double wall, 36holes		
TIRE	Chaoyang 700x35c		
STEM	Aluminium, Adjustable, Ext: 90mm, diam: 25.4mm, quill length 180mm		
HANDLEBAR	Aluminium, width: 590mm, rise 26mm, diam 25.4mm, backsweep 33°		
GRIP / TAPE	Herrmans double density DD08B L:120mm		
SEATPOST	Aluminium, diam 27.2mm, length 350mm		
SADDLE	Selle Royal Rio, steel rails		

SPILLO RUBINO DELUXE LADY - 21SP V-BRAKE



CODE	YNB5M	FRONT LIGHT	Spanninga Illico, w/bracket w/battery
COLOR	LK - Celeste Vintage	REAR LIGHT	Basta Spark Red w/battery with on/off switch
FRAME	Spillo Rubino Lady Alu, 1.1/8" HT, size 43-47-51cm	FRONT CARRIER	Steel
SEATPOST CLAMP	Aluminium, diam 31.8mm w/QR	REAR CARRIER	Steel
HEADSET	1.1/8" steel	KICKSTAND	Aluminium, adjustable 20-28"
FORK	Bianchi Steel w/light bracket, 1.1/8"	MUDGUARD	Rapido 46mm, silver plastic, w/zinc coated bridge, w/rear mud protection spoiler
SHIFTER	Shimano ST-EF500 3x7sp		
REAR DERAILLEUR	Shimano RD-TX55D 7sp		
FRONT DERAILLEUR	Shimano Tourney FD-TY51, top swing, band type 31.8mm, dual pull, max 48T, 63-66°		
CRANKSET	Steel 48x38x28T w/chainguard		
BOTTOM BRACKET	Bsa 68mm L:127mm		
CHAIN	KMC Z51 7sp		
CASSETTE / FREEWHEEL	Shimano TZ500 7sp 14-28T		
BRAKE	V-Brake, aluminium body		
BRAKE LEVER	Included w/shifters		
FRONT HUB	Aluminium body, 36h, 9x100mm, w/QR		
REAR HUB	Aluminium, 36h, 9x135mm, Shimano freewheel body, w/QR		
RIM/WHEELSET	Freeway, Aluminium double wall, 36holes		
TIRE	Chaoyang 700x35c		
STEM	Aluminium, Adjustable, Ext: 90mm, diam: 25.4mm, quill length 180mm		
HANDLEBAR	Aluminium, width: 590mm, rise 26mm, diam 25.4mm, backsweep 33°		
GRIP / TAPE	Herrmans double density DD08B L:120mm		
SEATPOST	Aluminium, diam 27.2mm, length 350mm		
SADDLE	Selle Royal Rio, steel rails		
PEDALS	Included		

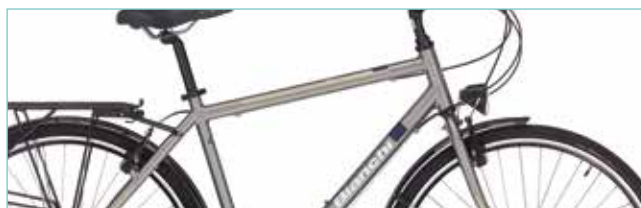
SPILLO RUBINO MAN - 21 SP V-BRAKE



CODE	YEBA8
COLORE	9I - Celeste /black red line (PHOTO) 9J - black red line 9T - Titan matt white/dec blue
FRAME	Spillo Man aluminium, 1.1/8" head tube, sizes 47, 51, 55cm
SEATPOST CLAMP	Aluminium diam 31.8mm w/QR
HEADSET	Steel 1.1/8"
FORK	Bianchi steel 1.1/8"
SHIFTER	Shimano ST-EF51 3x7sp
REAR DERAILLEUR	Shimano RD-TX55D 7sp
FRONT DERAILLEUR	Shimano FD-TX51, band type 31.8mm, dual pull, for 48T
CRANKSET	Chainrings 48/38/28T, steel crank, length: 170mm
BOTTOM BRACKET	Bsa 68-122mm
CHAIN	Kmc Z51 1/2"x 3/32"
CASSETTE / FREEWHEEL	Shimano TZ21 7sp, 14-28T
BRAKE	V-Brake aluminium
FRONT HUB	Aluminium, 36h, 9x100mm, w/QR
REAR HUB	Aluminium, 36h, 9x135mm, Shimano freewheel body, w/QR
RIM/WHEELSET	Freeway, Aluminium double wall, 36holes
TIRE	Cst 700x35 37-622
STEM	Aluminium adjustable, 1.1/8", length 90mm, diam. 25.4mm, black
HANDLEBAR	Aluminium, length 590mm, rise, 26mm, diam. 25,4 mm, back sweep 33°
GRIP / TAPE	Herrmans DD08B double density, L. 120mm
SEATPOST	Aluminium, L.350mm, diam. 27.2mm
SADDLE	Selle Royal Wave Man, steel rails
PEDALS	Xerama w/pp body, steel axle

FRONT LIGHT	Spanninga Optimo w/battery, with on/off switch
REAR LIGHT	Basta Spark Red w/battery with on/off switch
REAR CARRIER	Steel w/spring
KICKSTAND	Aluminium, black
MUDGUARD	48mm, w/closing clip griptype w/rear mud flap, black

9T - Titan matt white/dec blue



9J - black red line



SPILLO RUBINO LADY - 21SP V-BRAKE



CODE	YEBA9	PEDALS	Xerama w/pp body, steel axle
COLOR	9I - Celeste /Black/Red/White 9J - Black red line 9M - Pearl white (PHOTO) SP - Red brillant	FRONT LIGHT	Spanninga Optimo w/battery, with on/off switch
FRAME	Spillo Lady, Aluminium, 1.1/8" head tube, sizes 43, 47, 51cm	REAR LIGHT	Basta Spark Red w/battery with on/off switch
SEATPOST CLAMP	Aluminium diam 31.8mm w/QR	FRONT CARRIER	Steel, w/spring
HEADSET	Steel 1.1/8"	REAR CARRIER	Steel w/spring
FORK	Bianchi steel 1.1/8"	KICKSTAND	Aluminium, black
SHIFTER	Shimano ST-EF51 3x7sp	MUDGUARD	48mm, w/closing clip griptype w/rear mud flap, black
REAR DERAILLEUR	Shimano RD-TX55D 7sp		
FRONT DERAILLEUR	Shimano FD-TX51, band type 31.8mm, dual pull, for 48T		
CRANKSET	Chainrings 48/38/28T, steel crank, length: 170mm		
BOTTOM BRACKET	Bsa 68-122mm		
CHAIN	Kmc Z51 1/2"x 3/32"		
CASSETTE / FREEWHEEL	Shimano TZ21 7sp, 14-28T		
BRAKE	V-Brake aluminium		
FRONT HUB	Aluminium, 36h, 9x100mm, w/QR		
REAR HUB	Aluminium, 36h, 9x135mm, Shimano freewheel body, w/QR		
RIM / WHEELSET	Freeway, Aluminium double wall, 36holes		
TIRE	Cst 700x35 37-622		
STEM	Aluminium adjustable, 1.1/8", length 90mm, diam. 25.4mm, black		
HANDLEBAR	Aluminium, length 590mm, rise, 26mm, diam. 25,4 mm, back sweep 33°		
GRIP / TAPE	Herrmans DD08B double density, L.90mm		
SEATPOST	Aluminium, L.350mm, diam. 27.2mm		
SADDLE	Selle Royal Wave Lady, steel rails		

9I - Celeste /Black/Red/White



9J - black red line



SP - Red brillant



SPILLO TURCHESE DS GENT - 6SP V-BRAKE



CODE	YMB5E	FRONT LIGHT	Spanninga Illico, w/bracket w/battery
COLOR	YZ - Black/CK16	REAR LIGHT	Basta Spark Red w/battery with on/off switch
FRAME	Spillo Turchese Alu, 1.1/8" HT, size 51cm	REAR CARRIER	Steel
SEATPOST CLAMP	Aluminium diam 31.8mm w/QR	KICKSTAND	Alloy Adjustable 20-28"
HEADSET	1.1/8", steel	MUDGUARD	Rapido 46mm, black plastic w/zinc coated bridge w/mud protection spoiler
FORK	Bianchi Steel, 1.1/8"		
SHIFTER	Shimano SL-RS36 6sp		
REAR DERAILLEUR	Shimano Tourney RD-TY21 GS 6sp		
CRANKSET	Steel w/42T chainring, crank length: 170mm w/chaincover		
BOTTOM BRACKET	Bsa 68mm, 124,5mm		
CHAIN	YBN S50 6sp		
CASSETTE / FREEWHEEL	Shimano TZ50 6sp, 14-28T		
BRAKE	V-Brake, aluminium body		
BRAKE LEVER	V-Brake lever 4 finger		
FRONT HUB	Steel body, 36h, 9x100mm, w/QR		
REAR HUB	Steel body, 36h, 9x130mm w/QR		
RIM/WHEELSET	Freeway, Aluminium double wall, 36holes		
TIRE	Chaoyang 700x35c		
STEM	Aluminium, length 80mm, rise 25mm, diam. 25.4mm		
HANDLEBAR	Steel, width 595mm, diam. 25.4mm		
GRIP / TAPE	Kraton L: 90mm/120mm, diam. 22mm		
SEATPOST	Steel diam. 27.2mm, length:300mm		
SADDLE	Selle Royal One, steel rails		
PEDALS	Included		

SPILLO TURCHESE DS LADY - 6SP V-BRAKE



CODE	YMB5F
COLOR	YZ - Black/CK16
FRAME	Spillo Turchese Lady Alu, 1.1/8" HT, size 43cm
SEATPOST CLAMP	Aluminium diam 31.8mm w/QR
HEADSET	1.1/8", steel
FORK	Bianchi Steel, 1.1/8"
SHIFTER	Shimano SL-RS36 6sp
REAR DERAILLEUR	Shimano Tourney RD-TY21 GS 6sp
CRANKSET	Steel w/42T chainring, crank length: 170mm w/ chaincover
BOTTOM BRACKET	Bsa 68mm, 124,5mm
CHAIN	YBN S50 6sp
CASSETTE / FREEWHEEL	Shimano TZ50 6sp, 14-28T
BRAKE	V-Brake, aluminuim body
BRAKE LEVER	V-Brake lever 4 finger
FRONT HUB	Steel body, 36h, 9x100mm, w/QR
REAR HUB	Steel body, 36h, 9x130mm w/QR
RIM/WHEELSET	Freeway, Aluminium double wall, 36holes
TIRE	Chaoyang 700x35c
STEM	Aluminium, length 80mm, rise 25mm, diam. 25.4mm
HANDLEBAR	Steel, width 595mm, diam. 25.4mm
GRIP / TAPE	Kraton L: 90mm/120mm, diam. 22mm
SEATPOST	Steel diam. 27.2mm, length:300mm
SADDLE	Selle Royal One, steel rails
FRONT LIGHT	Spanninga Illico, w/bracket w/battery
REAR LIGHT	Basta Spark Red w/battery with on/off switch
FRONT CARRIER	Steel
REAR CARRIER	Steel

KICKSTAND	Alloy Adjustable 20-28"
MUDGUARD	Rapido 46mm, black plastic w/zinc coated bridge w/mud protection spoiler

CITY VINTAGE

MODELS IN THIS CATEGORY

VENEZIA
ISEO
CORTINA
TORINO
MILANO

PROJECT PHILOSOPHY

/ Based on old Bianchi drawings
Steel or aluminum frame and fork
Gent and Lady version

TARGET CONSUMER

/ Designed for those who love timeless
Italian style and tradition



VENEZIA LADY - NEXUS 3SP



CODE	YMBZ3	SADDLE	Selle Royal Svezia, steel rail, cover Acttex brown antique
COLOR	CK- Celeste, (PHOTO) HY - Cream, WB - White/Azzurro	PEDALS	VP classic traditional pedals w/reflector
FRAME	Venezia steel frame Lady Hi ten/down tube CrMo, size 45-49-53cm	KICKSTAND	Alloy central 28"
SEATPOST CLAMP	alloy diam. 28.6mm	MUDGUARD	Steel fenders with U stays and stainless steel braces
HEADSET	Alloy top/steel base, Thread 1" 30x27mm		
FORK	Bianchi steel 1", Hi-Ten/CrMo blades		
SHIFTER	Shimano Nexus SL-3S41E		
CRANKSET	Prowheel 46T, alloy silver crank, steel chainring, crank length: 170mm		
BOTTOM BRACKET	Steel, cartridge BB w/sealed bearings, 68/116mm		
CHAIN	Shimano CN-NX10		
CASSETTE / FREEWHEEL	Shimano sprocket for internal gear hub, 22T		
BRAKE	Alloy dual pivot caliper brakes		
BRAKE LEVER	For caliper brakes, 4 fingers lever		
FRONT HUB	Alloy, nut type, 36 holes, OLD 100mm, axle length 140mm, M9		
REAR HUB	Shimano Nexus SG-3R40 3sp, 36 holes, Roller brakes compatible, 120x170mm		
RIM/WHEELSET	Alloy 6061-T6 double wall, 700c, 36 holes		
TIRE	Cst 700x35c, black with Reflective Sidewall Stripe		
STEM	Alloy, ext: 80mm, quill length 180mm, 30° rise, diam. 25,4mm quill dia.22,2mm		
HANDLEBAR	City series, diam. 25.4mm, width: 570mm, 43°, rise 66mm		
GRIP / TAPE	Selle Royal Soft grip, antique brown		
SEATPOST	Alloy 6061 shaft, forged alloy head, 265.4x250mm		

VENEZIA GENT - NEXUS 3SP



CODE	YMBZ4	SADDLE	Selle Royal Svezia, steel rail, cover Acttex brown antique
COLOR	HZ - Deep Black/Yellow fluo, (PHOTO) C2 - Celeste classico	PEDALS	VP classic traditional pedals w/reflector
FRAME	Venezia steel frame Gent, Hi ten/down tube CrMo, size 49-53-57cm	KICKSTAND	Alloy central 28"
SEATPOST CLAMP	alloy diam. 28.6mm	MUDGUARD	Steel fenders with U stays and stainless steel braces
HEADSET	Alloy top/steel base, thread 1" 30x27mm		
FORK	Bianchi steel 1", Hi-Ten/CrMo blades		
SHIFTER	Shimano Nexus SL-3S41E		
FRONT DERAILEUR	nil		
CRANKSET	Prowheel 46T, Alloy silver crank, steel chainring, crank length: 170mm		
BOTTOM BRACKET	Steel, cartridge BB w/sealed bearings, 68/116mm		
CHAIN	Shimano CN-NX10		
CASSETTE / FREEWHEEL	Shimano sprocket for internal gear hub, 22T		
BRAKE	Alloy dual pivot caliper brakes		
BRAKE LEVER	For caliper brakes, 4 fingers lever		
FRONT HUB	Alloy, nut type, 36 holes, OLD 100mm, axle length 140mm, M9		
REAR HUB	Shimano Nexus SG-3R40 3sp, 36 holes, Roller brakes compatible, 120x170mm		
RIM/WHEELSET	Alloy 6061-T6 double wall, 700c, 36 holes		
TIRE	Cst 700x35c, black with Reflective Sidewall Stripe		
STEM	Alloy, ext: 80mm, quill length 180mm, 30° rise, diam. 25,4mm quill dia.22,2mm		
HANDLEBAR	City series, diam. 25.4mm, width: 570mm, 43°, rise 66mm		
GRIP / TAPE	Selle Royal Soft grip, antique brown		
SEATPOST	Alloy 6061 shaft, forged alloy head 260x250mm		

ISEO GENT - ACERA 9SP DISC

THE IMAGE SHOWN IS INDICATIVE ONLY.

Components and graphic details may differ from the actual model.



CODE	YNB90	HANDLEBAR	Alloy 6061 DB, width 700mm, flat bar, 9° bend, diam. 31.8mm
COLOR	GB - Black/Green-Warm grey-Black matt	GRIP / TAPE	Tec Ergonomic Double density, kraton, w/Gel, length 130mm
FRAME	Iseo Gent, AL6061, postmount disc, 700C, old 135mm, size: 16"/18.5"/21"/23" 41cm,47cm,54cm,59cm	SEATPOST	Alloy, diam 27.2mm. length 300mm, black w/ Bianchi logo
SEATPOST CLAMP	Alloy clamp w/QR, diam 31.8mm	SADDLE	Wtb Speed V w/Comfort Zone, steel rails
HEADSET	1.1/8" Aheadset, steel w/alloy top cap	PEDALS	included
FORK	Bianchi Iseo Disc 700c, 1.1/8", post mount		
SHIFTER	Shimano Acera SL-M3000-R 9sp		
REAR DERAILLEUR	Shimano Acera RD-T3000-SGS 9sp, top normal, direct attachment		
CRANKSET	Alloy crank 42T, crank length: 170mm		
BOTTOM BRACKET	Cartridge BB, sealed bearings, steel, 68/122mm		
CHAIN	Kmc Z-99		
CASSETTE / FREEWHEEL	Shimano CS-HG200-9, 11-13-15-17-20-23-26-30-34T		
BRAKE	Shimano BR-M375, Cable disc brake, resin pad		
BRAKE LEVER	Tektro RX 1.0 Forged aluminium 3 finger lever		
DISC ROTOR	Shimano SM-RT10, 160mm, Center Lock , for resin pad only		
FRONT HUB	Formula CL-1420 Center Lock, 32 hole, OLD. 100mm Axle 108mm with QR		
REAR HUB	Formula CL-1422 Center lock, 32hole, OLD 135mm Axle 145mm, Shimano freewheel body, with QR		
RIM/WHEELSET	Alloy 6061 V-Shape, 16mm wide, Disc Brake 700c, 622x16 compatible with 35mm tire, 32 hole		
TIRE	Kenda 700x35, 27TPI, Steel bead, w/black Skinwall		
STEM	3D forged 6061 Alloy, rise 7°, diam. 31,8mm, 1.1/8", Ext: 70mm-17", 100mm-19", 120mm-21/23"		

CORTINA GENT - ALTUS 24SP

THE IMAGE SHOWN IS INDICATIVE ONLY.

Components and graphic details may differ from the actual model.



CODE	YNB93	SEATPOST	Alloy, diam 27.2mm, length 300mm
COLOR	HZ - Black/Gold glossy MD - Blue/Gold matt (ON PHOTO)	SADDLE	Bianchi, steel rails
FRAME	Cortina Gent Al6061, 700c, Old 135mm, Size: 16"/18.5"/21"/23" (41cm,47cm,54cm,59cm)	PEDALS	included
SEATPOST CLAMP	Alloy clamp w/Qr, 31.8mm		
HEADSET	1.1/8", steel		
FORK	Bianchi Hi-ten steel, 1.1/8"		
SHIFTER	Shimano Tourney SL-RS47 3x8sp		
REAR DERAILLEUR	Shimano Altus RD-M310-L, 7/8sp, Direct Attachment		
FRONT DERAILLEUR	Shimano, down pull, band type 31.8mm. for 48T triple crankset, 63-66°		
CRANKSET	Alloy cranks w/48/38/28T steel chainrings, crank length: 170mm-16", 175mm-18.5/23"		
BOTTOM BRACKET	Cartridge BB, sealed bearings, steel, 68/127mm		
CHAIN	Kmc		
CASSETTE / FREEWHEEL	Shimano 8sp, 11-32T		
BRAKE	V-Brake alloy, 70mm pads		
BRAKE LEVER	Alloy 3 fingers levers		
FRONT HUB	Formula FM-21, 36hole, 14G, OLD 100mm, Axle 108mm, with QR		
REAR HUB	Formula FM-32, 36hole, 14G, OLD 135mm, Axle 145mm, with QR		
RIM/WHEELSET	Alloy double wall, 700c, 14Gx36h		
TIRE	Kenda 700x38, 27TPI, steel bead		
STEM	Alloy diam 25.4mm, quill length 180mm, rise 25°, ext: 80mm-16", 10mm-18.5-23"		
HANDLEBAR	Steel, diam 25.4mm, width: 600mm, rise 50mm		
GRIP / TAPE	Double density, length 92mm		

CORTINA LADY - ALTUS 24SP

THE IMAGE SHOWN IS INDICATIVE ONLY.

Components and graphic details may differ from the actual model.



CODE	YNB94	SEATPOST	Alloy, diam 27.2mm, length 300mm
COLOR	GF - Greenery/Black glossy (ON PHOTO) HX - Blue glossy	SADDLE	Bianchi, steel rails
FRAME	Cortina Lady AL6061, 700c, Old 135mm, size: 16.5"/19.5" (38cm, 42cm)	PEDALS	included
SEATPOST CLAMP	Alloy clamp w/Qr, diam. 31.8mm		
HEADSET	Steel, 1.1/8"		
FORK	Bianchi Hi-Ten 700c, 1.1/8"		
SHIFTER	Shimano Tourney SL-RS47 3x8sp		
REAR DERAILLEUR	Shimano Altus RD-M310-L, 7/8sp, Direct Attachment		
FRONT DERAILLEUR	Shimano down pull, band type 31.8mm, for 48T triple crankset, 63-66°		
CRANKSET	Alloy cranks w/48/38/28T steel chainrings, crank length: 170mm-16", 175mm-18.5/23"		
BOTTOM BRACKET	Cartridge BB, sealed bearings, steel, 68/127mm		
CHAIN	Kmc		
CASSETTE / FREEWHEEL	Shimano 8sp, 11-32T		
BRAKE	V-Brake alloy, 70mm pads		
BRAKE LEVER	Alloy 3 fingers levers		
FRONT HUB	Formula FM-21, 36hole, 14G, OLD 100mm, Axle 108mm, with QR		
REAR HUB	Formula FM-32, 36hole, 14G, OLD 135mm, Axle 145mm, with QR		
RIM/WHEELSET	Alloy double wall, 700c, 14Gx36h		
TIRE	Kenda 700x38, 27TPI, steel bead		
STEM	Alloy, diam 25.4mm, quill length:180mm, rise 25°, ext: 80mm-16.5", 100mm-19.5mm		
HANDLEBAR	Steel, diam 25.4mm, width 600mm, rise 50mm		
GRIP / TAPE	Double density, length 92mm		

TORINO GENT - ACERA 24SP

THE IMAGE SHOWN IS INDICATIVE ONLY.

Components and graphic details may differ from the actual model.



CODE	YNBB6	SEATPOST	Alloy diam. 27.2mm, length 350mm
COLOR	SF - Graphite/Gold glossy SN - Sage green glossy (ON PHOTO)	SADDLE	Bianchi, steel rails
FRAME	Bianchi Torino Gent AL6061 DB, 700c, Old 135mm, size: 16-18.5-21-23" (41cm,47cm,54cm,59cm)	PEDALS	included
SEATPOST CLAMP	Alloy clamp w/Qr, diam. 31.8mm		
HEADSET	Steel, 1.1/8"		
FORK	Bianchi Alloy 1.1/8", 700c		
SHIFTER	Shimano ST-EF510 3x8sp		
REAR DERAILLEUR	Shimano Acera 8sp long cage		
FRONT DERAILLEUR	Shimano down pull, band type 31.8mm, for 48T triple crankset, 63-66°		
CRANKSET	Shimano FC-TY501 48x38x28T, crank length: 170mm		
BOTTOM BRACKET	Shimano cartridge type, steel, 68/122.5mm		
CHAIN	Kmc 8sp		
CASSETTE / FREEWHEEL	Shimano 8sp, 11-32T		
BRAKE	V-Brake, Alloy, 70mm pads		
BRAKE LEVER	included w/shifters		
FRONT HUB	Formula FM-21, 36hole, 14G, OLD 100mm, Axle 108mm, with QR		
REAR HUB	Formula FM-32, 36hole, 14G, OLD 135mm, Axle 145mm, with QR		
RIM/WHEELSET	Alloy double wall, 700c, 14Gx36h		
TIRE	Kenda 700x38, 27TPI, steel bead		
STEM	Alloy 1.1/8" diam. 25.4mm, w/180mm quill, adjustable 0-60°, ext: 85mm-16/18.5", 105mm-21/23"		
HANDLEBAR	Alloy diam 25.4mm, width 600mm, rise 50mm		
GRIP / TAPE	Double density L: 143.5mm		

TORINO LADY - ACERA 24SP

THE IMAGE SHOWN IS INDICATIVE ONLY.

Components and graphic details may differ from the actual model.



CODE	YNBB7	SEATPOST	Alloy diam. 27.2mm, length 350mm
COLOR	T7 - Silver Blue HY - Cream	SADDLE	Bianchi, steel rails
FRAME	Torino Lady AL6061, 700c, Old 135mm, size: 15-16.5-19" (38cm, 42cm, 50cm)	PEDALS	included
SEATPOST CLAMP	Alloy clamp w/Qr, diam. 31.8mm		
HEADSET	Steel, 1.1/8"		
FORK	Bianchi Alloy 1.1/8", 700c		
SHIFTER	Shimano ST-EF510 3x8sp		
REAR DERAILLEUR	Shimano Acera 8sp long cage		
FRONT DERAILLEUR	Shimano down pull, band type 31.8mm, for 48T triple crankset, 63-66°		
CRANKSET	Shimano FC-TY501 48x38x28T, crank length: 170mm		
BOTTOM BRACKET	Shimano cartridge type, steel, 68/122.5mm		
CHAIN	Kmc 8sp		
CASSETTE / FREEWHEEL	Shimano 8sp, 11-32T		
BRAKE	V-Brake, Alloy, 70mm pads		
BRAKE LEVER	included w/shifters		
FRONT HUB	Formula FM-21, 36hole, 14G, OLD 100mm, Axle 108mm, with QR		
REAR HUB	Formula FM-32, 36hole, 14G, OLD 135mm, Axle 145mm, with QR		
RIM/WHEELSET	Alloy double wall, 700c, 14Gx36h		
TIRE	Kenda 700x38, 27TPI, steel bead		
STEM	Alloy 1.1/8" diam. 25.4mm, w/180mm quill, adjustable 0-60°, ext: 85mm-16/18.5", 105mm-21/23"		
HANDLEBAR	Alloy diam 25.4mm, width 600mm, rise 50mm		
GRIP / TAPE	Double density L: 143.5mm		

MILANO LADY - ALTUS 8SP

THE IMAGE SHOWN IS INDICATIVE ONLY.

Components and graphic details may differ from the actual model.



CODE	YNBJ2	SEATPOST	Alloy, diam 27.2mm, length 300mm
COLOR	CK - Celeste glossy (ON PHOTO) HY - Creme glossy ZS - Powder blue glossy	SADDLE	Bianchi, steel rails
FRAME	Milano Lady, AL6061 DB, 700c, OLD 135mm, Size: 15-16.5-19" (38cm, 42cm, 50cm)	PEDALS	included
SEATPOST CLAMP	Alloy clamp w/QR, diam. 31.8mm	KICKSTAND	Alloy, center type
HEADSET	Steel, 1.1/8"	MUDGUARD	Plastic, width: 45mm, w/V type stainless stays
FORK	Bianchi Hi-Ten 700c, 1.1/8"		
SHIFTER	Shimano Tourney SL-RS47-8R 8sp		
REAR DERAILLEUR	Shimano Altus RD-M310-L, 7/8sp, Direct Attachment		
CRANKSET	Alloy crank, w/steel chainring 42T, crank length 170mm		
BOTTOM BRACKET	Steel, cartridge BB w/sealed bearings, 68/116mm		
CHAIN	Kmc		
CASSETTE / FREEWHEEL	Shimano 8sp, 11-32T		
BRAKE	V-Brake, melt forged alloy, pads 70mm		
BRAKE LEVER	Alloy 3 fingers levers		
FRONT HUB	Formula FM-21, 36hole, 14G, OLD 100mm, Axle 108mm, with QR		
REAR HUB	Formula FM-32, 36hole, 14G, OLD 135mm, Axle 145mm, with QR		
RIM/WHEELSET	Alloy double wall, 700c, 14Gx36h		
TIRE	Kenda 700x35, 27TPI, Steel bead, w/black Skinwall		
STEM	Melt-forged Alloy, adjustable 0-60°, w/180mm quill, diam 25.4mm, Ext: 85mm		
HANDLEBAR	Steel, diam 25.4mm, width 600mm, rise 50mm		
GRIP / TAPE	Double density, L: 92mm		

JUNIOR 24" - CLARIS 2X8SP



CODE	YEB42	GRIP / TAPE	La Spirale Ribbon cork w/plug carbon look w/ Bianchi logo
COLOR	(CK) - Celeste	SEATPOST	Alloy, diam. 27.2mm, L. 250mm
FRAME	Bianchi Corsa Junior 24", size: 41cm	SADDLE	Bianchi, steel rail, 255x130mm
SEATPOST CLAMP	Diam. 31,8mm with Bianchi logo	BOTTLE CAGE	Alloy, black color
HEADSET	Miche Team Threadless 1"	WATER BOTTLE	Celeste w/Bianchi logo
FORK	Bianchi Corsa Junior steel 1"		
SHIFTER	Shimano Claris ST-2400-L, 2x8sp		
REAR DERAILLEUR	Shimano Claris RD-2400 SS 8sp Direct Attachment		
FRONT DERAILLEUR	Shimano Claris FD-2400, band type 31.8mm		
CRANKSET	Miche Young, alloy, 45/35T, crank length: 145mm		
BOTTOM BRACKET	FSA BB-7420AL Bsa 60mm square type 110.5mm		
CHAIN	Kmc HV800-110 1/2"x3/32"		
CASSETTE / FREEWHEEL	Miche Profile Shimano compatible 8sp, 16/24T		
BRAKE	RC-452 F/R Al forged with cartridge pad		
BRAKE LEVER	included		
FRONT HUB	Alloy A141SB 28h, two sealed bearing, with QR		
REAR HUB	Alloy F192SB, OLD 130mm, axle: 10x140mm, 28h, two sealed bearing, steel freewheel body, w/QR		
RIM/ WHEELSET	Ambrosio Balance, Aluminium 6005, clincher 24", 28h, height 22mm		
TIRE	Kenda Konzept 24" 25-520		
STEM	Alloy, 1.1/8", ext:50mm, w/Bianchi logo		
HANDLEBAR	Dedaelementi Junior Piega alloy 6061, drop 120, diam.26mm, size: 38cm		