

DST940

Dual Display Ceiling Mount System For 37"-46" Flat Panel Displays

(Contact Peerless-AV Customer Care for displays 32"-36" and 47"-50")

Two separate displays sitting side-by-side can only mean one thing: a win-win situation. The DST940 from Peerless-AV will mount two displays on a single horizontal plane. Behind the displays, a long plate spans both and the displays are attached with easy-glide brackets to ensure secured placement and ease of adjustability. Installation and adjustment has never been easier, because both displays slide horizontally and tilt up to 20 degrees to ensure the message is placed at its ideal viewing angle. This makes this mounting solution perfect for restaurant menu signage, airport flight information displays or entertainment and department store applications.



FEATURES

- Single adapter plate keeps the face of both displays on the same plane
- Easy glide bracket design ensures displays are securely attached to the adapter plate
- Universal display adapters quickly hook onto adapter plate for fast installation
- Horizontal adjustment allows displays to easily slide together for a seamless appearance
- Tilt ranges from 0 to 20°



Display size: 37"-46"



Max load: 150lb (68kg)



TILT ADJUSTMENT

Large tilting range from 0 to 20° for optimal viewing angles

UNIVERSAL MOUNTING

Universal display adapters easily hook onto the wall plate for fast installation of displays ranging from 37" to 46"

SINGLE PLANE ADJUSTMENT

Effortless horizontal adjustment allows for sliding displays together on one even plane

SLIDING BRACKET DESIGN

Easy glide brackets ensure the displays are securely attached to the wall plate and easily adjusted



Continuous Tilt



Seamless Display Alignment



DST940: Dual Display Ceiling Mount System for 37"-46" Flat Panel Displays (Contact Peerless-AV Customer Care for displays 32"-36" and 47"-50")

Product Specifications

| | DIMENSIONS (W x H x D) | PRODUCT WEIGHT | LOAD CAPACITY | FINISH | AVAILABLE COLORS |
|---------------|---|----------------|---------------|-------------|------------------|
| DST940 | 67.5" x 18.6" x 4.89" (1714 x 472 x 124mm) | 52lb (23.5kg) | 150lb (68kg) | Powder Coat | Black |

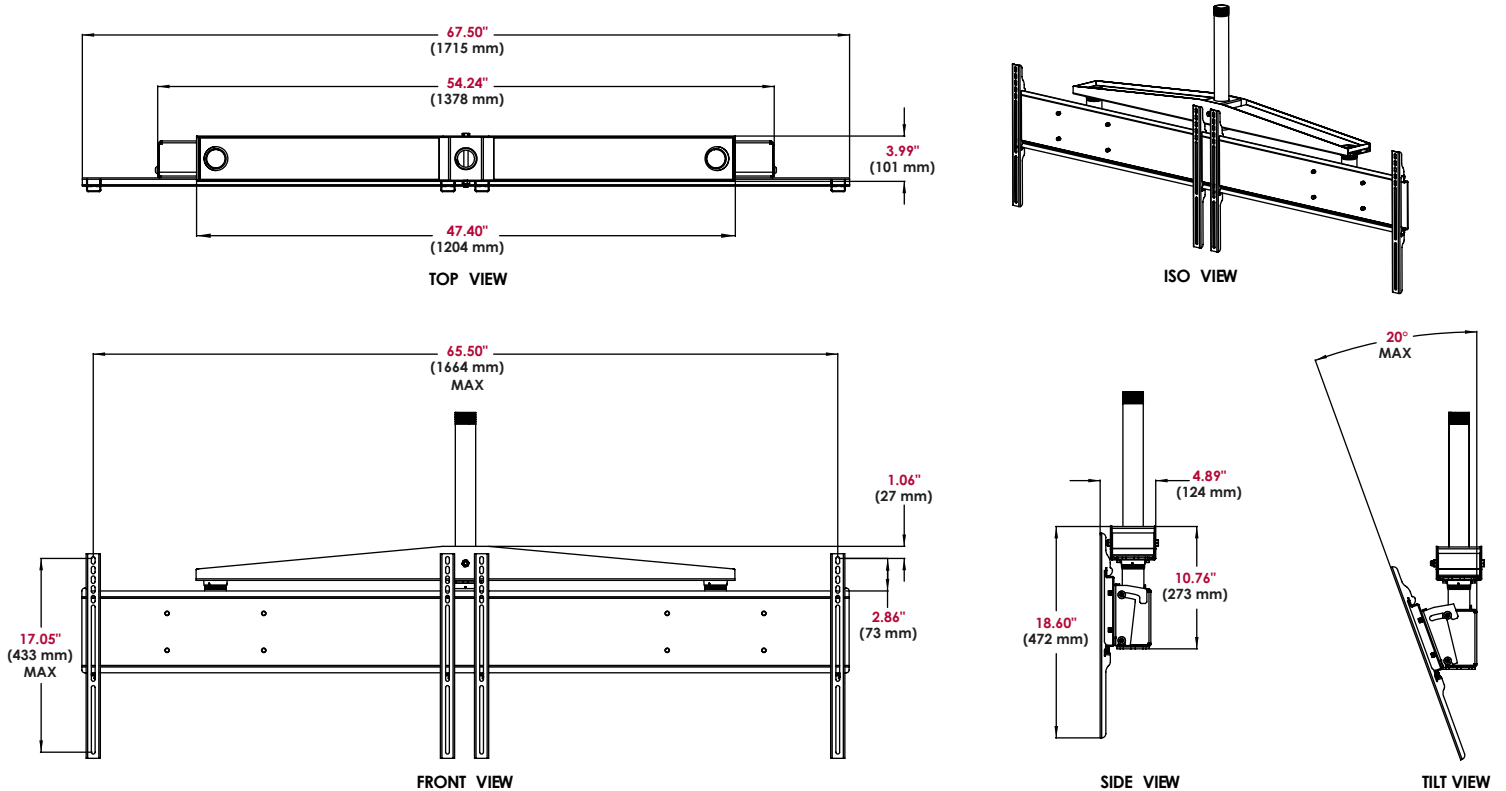
Package Specifications

| | PACKAGE SIZE (W x H x D) | PACKAGE SHIP WEIGHT | PACKAGE UPC CODE | PACKAGE CONTENTS | UNITS IN PACKAGE |
|---------------|--|---------------------|------------------|--|------------------|
| DST940 | 68.5" x 17.12" x 4.37" (1740 x 435 x 111mm) | 57lb (25.8kg) | 735029265054 | Two PLCM-2 mounts, two EXT006 poles, adapter plate, dual cross support, two adapter bracket sets and assembly hardware | 1 |

Accessories

| | |
|------------------------------------|-------------------------------|
| EXT, AEC, ALU or ADD Poles: | Peerless-AV extension columns |
| Ceiling Attachment: | Peerless-AV ceiling plates |

All dimensions = inch (mm)



ARCHITECTS SPECIFICATIONS

The Dual Display Ceiling Mount System shall be a Peerless-AV model DST940 and shall be installed where indicated on the plans. It shall be constructed of heavy gauge cold rolled steel. Assembly and installation shall be done according to instructions provided by the manufacturer.

Peerless Industries, Inc. ■ 2300 White Oak Circle ■ Aurora, IL 60502 ■ (800) 865-2112 ■ (630) 375-5100 ■ Fax: (800) 359-6500 ■ www.peerless-av.com

Visit www.peerless-av.com to see the complete line of AV solutions from Peerless-AV, including flat panel mounts, projector mounts, carts/stands, furniture, cables, screen cleaners and a full assortment of accessories.