



Continuous Hinges

Aluminum Continuous Geared Hinges

by BEST



Trusted experts. Proven reliability. Simply BEST.

TABLE OF CONTENTS

660-680 Series Continuous Hinges.....	2	669HD- Heavy Duty Full Mortise.....	19
Aluminum Continuous Geared Hinges.....	3-4	670HD- Heavy Duty Full Mortise.....	20
Sizing Doors and Frames for Heavy Duty.....	5-7	671HD- Heavy Duty Full Mortise.....	21
Geared Continuous Hinge Cross-Reference Chart.....	8	672HD- Heavy Duty Full Mortise.....	22
Hinge Option Compatibility Chart.....	9	673HD- Heavy Duty Full Mortise.....	23
661HD- Heavy Duty Full Mortise.....	10	674HD- Heavy Duty Full Mortise.....	24
661HD WT Wide Throw-Heavy Duty Full Mortise.....	11	675HD- Heavy Duty Half Surface.....	25
662HD- Heavy Duty Full Mortise.....	12	676HD- Heavy Duty Half Surface.....	26
663HD- Heavy Duty Half Surface.....	13	677HD- Heavy Duty Half Surface.....	27
664HD- Heavy Duty Full Surface.....	14	678HD- Heavy Duty Half Surface.....	28
665HD- Heavy Duty Full Surface Swing Clear.....	15	679HD- Heavy Duty Half Surface.....	29
667HD- Heavy Duty Full Mortise.....	16	680HD- Heavy Duty Half Surface.....	30
667HD WT- Heavy Duty Wide Throw Full Mortise.....	17	681HD- Heavy Duty Full Surface.....	31
668HD- Heavy Duty Full Mortise.....	18		

660-680 Series Continuous Hinges

Installs in minutes – Lasts a lifetime

BEST Aluminum Geared Continuous Hinge design is as tough and practical as it is attractive. Made of 6063-T6 aluminum, it is designed and built to last for the life of the building. "Form follows function" bearing channel is pleasing to the eye and applauded by architects. Precision engineered with a minimum number of fasteners reduces installation time without sacrificing performance.

All models conform to ANSI/BHMA A156-26-1996, Grade 1 Standard. Product right out of the box has a 90 min fire rating for metal doors up to 4' x 10' (excluding model 668). Hinges for 3 hour fire doors require fire studs. (FR). All have been tested and certified by UL to UL10C Standard.

Available in anodized clear (AL/BHMA 628), dark bronze anodized (DB/LISTED BHMA 710), and black anodized (BK/BHMA 711).

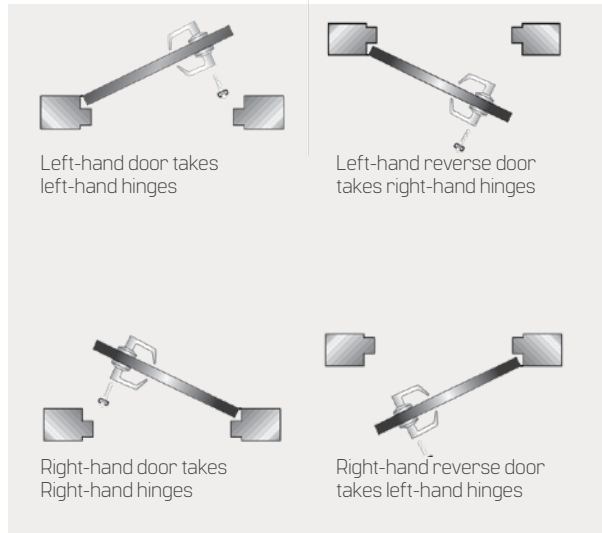


Aluminum Continuous Geared Hinges

General Information and Options

How to Determine Hand of Hinge

- The hand of a hinge is determined from the outside of the door to which it is applied.



CE Hinge - Electrical Options Table

	CE-12EA	CE-12R	CS	EPT
661HD	X	X	X	X
661 HD WT	X	X	X	X
662HD	X	X	X	X
663HD				
664HD				
665HD				
667HD	X	X	X	X
667HD WT	X	X	X	X
668HD				
669HD	X	X	X	X
670HD	X	X	X	X
671HD	X	X	X	X
672HD	X	X	X	X
673HD	X	X	X	X
674HD			X	X
675HD				X
676HD				X
677HD				X
678HD				X
679HD				X
680HD				X
681HD				

*All CE-12

CE-12EA (Concealed Electric with Easy Access Panel)

Hinge is supplied as one length with an access panel built into hinge to allow for access to through wires. Specify hand.

CE-12R

Hinge is supplied in three sections so the electrical section can be removed.

CS - (Concealed Switch)

Allows for opening monitoring. Used to actuate alarms, or other security equipment. Specify hand. Available on models 661HD, 661HD WT, 662HD, 664HD, 667HD, 667HD WT, 669HD, 670HD, 671HD, 672HD, and 673HD.

FR - Fire Studs

Stainless steel fire studs (4 ea) provided with hinge provides the following fire ratings: Metal swinging fire rated doors rated up to and including 3 hours. Wood swinging fire rated doors rated up to and including 90 minutes.

EPT (Electric Power Transfer)

Hinge-leaves are modified to accept an EPT device. Specify hand, location, manufacturer and model of EPT.

* All CE hinges furnished with twelve (12) wire 22 AWG Super-Flex Ribbon

LL - Lead Lined

A Lead Lined option is provided for the door portion of half surface and full surface hinges where standard mounting holes would pierce the lead.

HTCAP (Hospital Tip Cap)

Top of hinge has a factory-installed polymer cap to assist with preventing the hanging of objects from the tip of the hinge. Our Hospital Tip Caps provide a custom fit for each hinge model ensuring the ideal look and functionality. All models are designed to mitigate ligature points whether the door is in the open or closed state. Available on models 661HD, 662HD, 664HD and 665HD.

HTW (Hospital Tip Wedge)

Polymer wedge is included in box with hinge to be installed on door frame at job site to mitigate ligature risks. Available on model 663HD only.

HTCUT (Hospital Tip Cut)

Top of hinge is sloped making cleaning easier and making it difficult to attach ropes, clothing apparel and other items, thus reducing risk of harm. Available on models 661HD and 662HD only.

Aluminum Continuous Geared Hinges

General Information and Options

SO - School Option

Anti-vandal plug prohibits insertion of destructive objects into the gears of the hinge.

Aluminum Replacement Covers

For half and full surface hinges. Supplied with allen-head set screw and wrench for installation.

DL1 -Door leaf cover for 665HD, 675HD,676HD,677HD,and 678HD models.

DL2 -Door leaf cover 663HD,664HD,679HD,680HD and 681HD models.

FL1 -Frame leaf cover 664HD model.

Shim Stock

For applications when the clearance between the door and frame requires adjustment. Install between the door frame and frame leaf.

Constructed of solid clear anodized aluminum. Provided with no holes.

Shim Parts:

SHIM83: 1/16" thick x 1 -1/2" wide x 83" long

SHIM120: 1/16" thick x 1-1/2" wide x 120" long

DD - Dutch Door Prep

Frame leaf is continuous and door leaf is two-piece. Specify cut portion from bottom of hinge, space between leaves, and hand.

Fasteners

Hinge model	Hinge Type	AL	DB & BLK	Screw Description
661HD, 661HD WT, 662HD,667HD, 667HD WT, 668HD,669HD, 670HD,671HD,672HD, 673HD,674HD,	Full Mortise	477840001	477841001	#12-24 x 3/4" undercut self-drilling thread-forming tek machine screws
663HD, 677HD, 678HD, 679HD, 680HD	Half Surface	477844001	477845001	#12-24 x 3/4" undercut self-drilling thread form-tek machine screws for frame and 1/4-20 sex nuts and shoulder bolts for door
664HD, 665HD	Full Surface	477842001	477843001	#12-24 x 3/4" undercut self-drilling thread form-tek machine screws for frame and 1/4-20 sex nuts and shoulder bolts for door.
681HD		700950761	700950762	#12-24 x 3/4" undercut self-drilling thread form-tek machine screws for frame and 1/4-20 sex nuts and shoulder bolts for door. Additional 1/4 -20 sex nuts and shoulder bolts for door to door installation.
Wood Screws - 500 count bulk box		700950763	700950764	#12x 1-1/2" Phillips flat head, undercut wood screws

Security Screws:

Specify Hinge Model, Length, Finish and Quantity	700950770	#12-24 x 3/4" Pin-in torx flat head, undercut, self-drilling, thread-forming tek machine security screw.
Specify Hinge Model, Length, Finish and Quantity	700950771	#12 x 1-1/2" Pin-in torx flat head, undercut wood security screw.

Sizing Doors and Frames for Heavy Duty Aluminum Continuous Geared Hinges

Sizing for doors for models 661 through 681

Door Clearance Chart - Square Edge Single Door					
	Hinge Model	Hinge Allowance	Lock Side Clearance	Allowance for Frame Irregularities	Total Square Edge - Single Door
Full Mortise	661HD	5/16"	1/8"	1/32"	15/32"
Full Mortise	661HD WT	5/16"	1/8"	1/32"	15/32"
Full Mortise	662HD	5/16"	1/8"	1/32"	15/32"
Half Surface	663HD	1/8"	1/8"	1/32"	9/32"
Full Surface	664HD	N/A	1/8"	1/32"	5/32"
Full Surface	665HD	N/A	1/8"	1/32"	5/32"
Full Mortise	667HD	5/16"	1/8"	1/32"	15/32"
Full Mortise	667HD WT	5/16"	1/8"	1/32"	15/32"
Full Mortise	668HD	13/16"	1/8"	1/32"	31/32"
Full Mortise	669HD	5/16"	1/8"	1/32"	15/32"
Full Mortise	670HD	5/16"	1/8"	1/32"	15/32"
Full Mortise	671HD	5/16"	1/8"	1/32"	15/32"
Full Mortise	672HD	5/16"	1/8"	1/32"	15/32"
Full Mortise	673HD	5/16"	1/8"	1/32"	15/32"
Full Mortise	674HD	5/16"	1/8"	1/32"	15/32"
Half Surface	675HD	1/8"	1/8"	1/32"	9/32"
Half Surface	676HD	1/8"	1/8"	1/32"	9/32"
Half Surface	677HD	1/8"	1/8"	1/32"	9/32"
Half Surface	678HD	1/8"	1/8"	1/32"	9/32"
Half Surface	679HD	1/8"	1/8"	1/32"	9/32"
Half Surface	680HD	1/8"	1/8"	1/32"	9/32"
Full Surface	681HD	N/A	1/8"	1/32"	5/32"

Door Clearance Chart - Beveled Edge Single Door

	Hinge Model	Hinge Allowance	Lock Side Clearance	Allowance for Frame Irregularities	Beveled Door Clearance	Total Beveled Edge - Single Door
Full Mortise	661HD	5/16"	1/8"	1/32"	1/32"	1/2"
Full Mortise	661HD WT	5/16"	1/8"	1/32"	1/32"	1/2"
Full Mortise	662HD	5/16"	1/8"	1/32"	1/32"	1/2"
Half Surface	663HD	1/8"	1/8"	1/32"	N/A	9/32"
Full Surface	664HD	N/A	1/8"	1/32"	N/A	5/32"
Full Surface	665HD	N/A	1/8"	1/32"	N/A	5/32"
Full Mortise	667HD	5/16"	1/8"	1/32"	1/32"	1/2"
Full Mortise	667HD WT	5/16"	1/8"	1/32"	1/32"	1/2"
Full Mortise	668HD	13/16"	1/8"	1/32"	1/32"	1"
Full Mortise	669HD	5/16"	1/8"	1/32"	1/32"	1/2"
Full Mortise	670HD	5/16"	1/8"	1/32"	1/32"	1/2"
Full Mortise	671HD	5/16"	1/8"	1/32"	1/32"	1/2"
Full Mortise	672HD	5/16"	1/8"	1/32"	1/32"	1/2"
Full Mortise	673HD	5/16"	1/8"	1/32"	1/32"	1/2"
Full Mortise	674HD	Model 674 is not available for beveled edge doors				
Half Surface	675HD	1/8"	1/8"	1/32"	N/A	9/32"
Half Surface	676HD	1/8"	1/8"	1/32"	N/A	9/32"
Half Surface	677HD	1/8"	1/8"	1/32"	N/A	9/32"
Half Surface	678HD	1/8"	1/8"	1/32"	N/A	9/32"
Half Surface	679HD	1/8"	1/8"	1/32"	N/A	9/32"
Half Surface	680HD	1/8"	1/8"	1/32"	N/A	9/32"
Full Surface	681HD	N/A	1/8"	1/32"	N/A	5/32"

Door Clearance Chart - Square Edge Pairs of Doors

	Hinge Model	Hinge Allowance	Lock Side Clearance	Allowance for Frame Irregularities	Total Square Edge - Pairs of Doors
Full Mortise	661HD	5/8"	3/16"	1/16"	7/8"
Full Mortise	661HD WT	5/8"	3/16"	1/16"	7/8"
Full Mortise	662HD	5/8"	3/16"	1/16"	7/8"
Half Surface	663HD	1/4"	3/16"	1/16"	1/2"
Full Surface	664HD	N/A	3/16"	1/16"	1/4"
Full Surface	665HD	N/A	3/16"	1/16"	1/4"
Full Mortise	667HD	5/8"	3/16"	1/16"	7/8"
Full Mortise	667HD WT	5/8"	3/16"	1/16"	7/8"
Full Mortise	668HD	1-5/8"	3/16"	1/16"	1-7/8"
Full Mortise	669HD	5/8"	3/16"	1/16"	7/8"
Full Mortise	670HD	5/8"	3/16"	1/16"	7/8"
Full Mortise	671HD	5/8"	3/16"	1/16"	7/8"
Full Mortise	672HD	5/8"	3/16"	1/16"	7/8"
Full Mortise	673HD	5/8"	3/16"	1/16"	7/8"
Full Mortise	674HD	5/8"	3/16"	1/16"	7/8"
Half Surface	675HD	1/4"	3/16"	1/16"	1/2"
Half Surface	676HD	1/4"	3/16"	1/16"	1/2"
Half Surface	677HD	1/4"	3/16"	1/16"	1/2"
Half Surface	678HD	1/4"	3/16"	1/16"	1/2"
Half Surface	679HD	1/4"	3/16"	1/16"	1/2"
Half Surface	680HD	1/4"	3/16"	1/16"	1/2"
Full Surface	681HD	N/A	3/16"	1/16"	1/4"

Door Clearance Chart - Beveled Edge Pairs of Doors

	Hinge Model	Hinge Allowance	Lock Side Clearance	Allowance for Frame Irregularities		Total Beveled Edge - Pairs of Doors	
Full Mortise	661HD	5/8"	3/16"	1/16"	1/16"	15/16"	
Full Mortise	661HD WT	5/8"	3/16"	1/16"	1/16"	15/16"	
Full Mortise	662HD	5/8"	3/16"	1/16"	1/16"	15/16"	
Half Surface	663HD	1/4"	3/16"	1/16"	N/A	1/2"	
Full Surface	664HD	N/A	3/16"	1/16"	N/A	1/4"	
Full Surface	665HD	N/A	3/16"	1/16"	N/A	1/4"	
Full Mortise	667HD	5/8"	3/16"	1/16"	1/16"	15/16"	
Full Mortise	667HD WT	1-5/8"	3/16"	1/16"	1/16"	15/16"	
Full Mortise	668HD	1-5/8"	3/16"	1/16"	1/16"	1-15/16"	
Full Mortise	669HD	5/8"	3/16"	1/16"	1/16"	15/16"	
Full Mortise	670HD	5/8"	3/16"	1/16"	1/16"	15/16"	
Full Mortise	671HD	5/8"	3/16"	1/16"	1/16"	15/16"	
Full Mortise	672HD	5/8"	3/16"	1/16"	1/16"	15/16"	
Full Mortise	673HD	5/8"	3/16"	1/16"	1/16"	15/16"	
Full Mortise	674HD	Model 674 is not available for beveled edge doors					
Half Surface	675HD	1/4"	3/16"	1/16"	N/A	1/2"	
Half Surface	676HD	1/4"	3/16"	1/16"	N/A	1/2"	
Half Surface	677HD	1/4"	3/16"	1/16"	N/A	1/2"	
Half Surface	678HD	1/4"	3/16"	1/16"	N/A	1/2"	
Half Surface	679HD	1/4"	3/16"	1/16"	N/A	1/2"	
Half Surface	680HD	1/4"	3/16"	1/16"	N/A	1/2"	
Full Surface	681HD	N/A	3/16"	1/16"	N/A	1/4"	

Geared Continuous Hinge Cross-Reference Chart

Hinge Model	ABH	Select	Pemko	Ives	Hager
661HD	A110	SL11	FM-SLF	112	780-112
662HD	A240	SL24	FM	224	780-224
663HD	A540	SL54	HS	54	780-054
664HD	A570	SL57	FS-CP	157	780-157
665HD	A210	SL21	FS	210	780-210
667HD	A111	SL18			780-111
668HD	A130	SL71	FM- SL1SF		780-113
669HD	A140	SL14			780-124
670HD	A150		K-FM		
671HD	A160		FM- SL1SF		
672HD	A260	SL26			
673HD	A270	SL27			780-226
674HD	A410	SL41	CS-FM		780-041
675HD	A211		OS-HS		780-211
676HD	A213				780-213
677HD	A450			045	780-045
678HD	A460			046	780-046
679HD	A530	SL53		053	780-053
680HD	A550		SH-SF		780-155
681HD	A571	SL60	FS-BP		780-057

Hinge Option Compatibility Chart

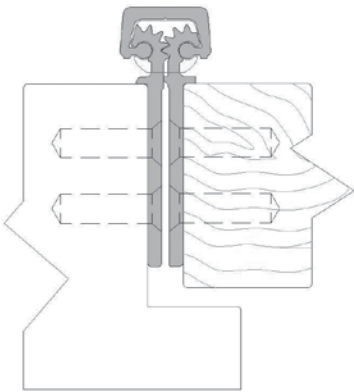
Hinge Model	CE-12 (EA, or R)	Concealed Switch (CS)	Dutch Door (DD)	EPT Prep (EPT)	Fire Studs (FR)	Hospital Tip Cap (HTCAP)	Hospital Tip Cut (HTCUT)	Hospital Tip Wedge (HTW)	Lead Lined (LL)	School Option (SO)	Custom Length	Hinge Cover	Sec Screws Metal	Sec Screws Wood
661HD	X	X	X	X	X	X	X		X	X	X		X	X
661HD WT	X	X	X	X	X					X	X		X	X
662HD	X	X	X	X	X	X	X		X	X	X		X	X
663HD			X	X	X	X		X		X	X	X	X	X
664HD			X		X	X				X	X	X	X	X
665HD			X		X	X				X	X	X	X	X
667HD	X	X	X	X	X				X	X	X		X	X
667HD WT	X	X		X	X					X			X	X
668HD			X							X	X		X	X
669HD	X	X	X	X	X				X	X	X		X	X
670HD	X	X	X	X	X				X	X	X		X	X
671HD	X	X	X	X	X				X	X	X		X	X
672HD	X	X	X	X	X				X	X	X		X	X
673HD	X	X	X	X	X				X	X	X		X	X
674HD		X	X	X	X				X	X	X		X	X
675HD			X	X	X					X	X	X	X	X
676HD			X		X					X	X	X	X	X
677HD			X	X	X				?	X	X	X	X	X
678HD			X	X	X				?	X	X	X	X	X
679HD			X	X	X				?	X	X	X	X	X
680HD			X	X	X				?	X	X	X	X	X
681HD			X		X				?	X	X	X	X	X

661 HD-Heavy Duty Full Mortise

for flush door and frame applications



- Full mortise, heavy duty
- No door inset, flush mount
- For use on 1-3/4" doors only
- Distributes door weight and stress along the full length of door and frame
- No misaligned pivot points of individual hinges, typically no addition reinforcement required
- 48" door width maximum
- Clear aluminum, dark bronze and black anodized finishes
- Conforms to ANSI/BHMA Standard A156.26-1996, Grade 1
- Supports doors up to 450 lbs.
- Hinge covered by limited lifetime warranty for the life of the building
- Approved for use on metal swinging type fire doors rated up to and including 90 minutes (Order "FR" option for 3 hour rating)
- Approved for use on wood swinging type fire doors rated up to and including 60 minutes (Order "FR" option for 90 minute rating)



Hinges can be furnished as follows:

- Electric through-wires with Easy Access Panel (CE-12EA)
- Electric through-wires supplied as three separate sections (CE-12R)
- Electric switch (CS)
- Dutch door prep (DD)
- Electronic Power Transfer – Specify manufacturer and model number and handing of transfer at time of order (EPT)
- Fire Studs (FR)
- Hospital Tips (HTCAP) *ligature resistant.
- Hospital Tip Cut (HTCUT)
- Lead Lined model for doors up to 1,000 lbs. (LL)
- School option (SO)
- Custom length (specify length on order)

How to Order

Series	Option	Option Description	Size (Inches)	Finish
661HD	CE-12EA	Electric through-wires with Easy Access Panel (CE-12EA)	79	AL
	CE-12R	Electric through-wires supplied as three separate sections (CE-12R)	83	DB
	CS	Electric switch (CS)	85	BK
	DD	Dutch door prep (DD)	95	
	EPT	Electronic Power Transfer – Specify manufacturer and model number and handing of transfer at time of order (EPT)	120	
	FR	Fire Studs (FR)		
	HTCAP	Hospital Tips (HTCAP) *ligature resistant.		
	HTCUT	Hospital Tip Cut (HTCUT)		
	LL	Lead Lined model for doors up to 1,000 lbs. (LL)		
	SO	School option (SO)		
		Custom length (specify length on order)		
		Additional fastener options must be ordered separately		

*Fasteners included: 12-24 x 3/4" undercut self-drilling, thread-forming tek machine screws

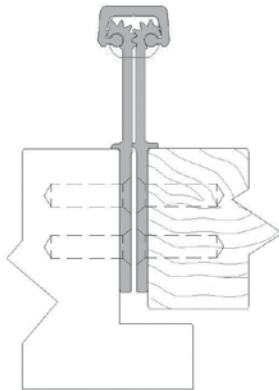
**Hinge comes standard with all tek screws. To order wood screws, please indicate "Half Tek / Half Wood" or "All Wood" at time of order.

661HD WT Wide Throw-Heavy Duty Full Mortise

for Flush Door and Frame Applications



- Full mortise, heavy duty
- No door inset, flush mount
- For use on 1-3/4" doors only
- Distributes door weight and stress along the full length of door and frame
- No misaligned pivot points of individual hinges, typically no additional reinforcement required
- 48" door width maximum
- Clear aluminum, dark bronze and black anodized finishes
- Conforms to ANSI/BHMA Standard A156.26-1996, Grade 1
- Supports doors up to 450 lbs.
- Hinge covered by limited lifetime warranty for the life of the building
- Approved for use on metal swinging type fire doors rated up to and including 90 minutes (Order "FR" option for 3 hour rating)
- Approved for use on wood swinging type fire doors rated up to and including 60 minutes (Order "FR" option for 90 minute rating)
- Furnished with Lead Lined option as standard offering



Hinges can be furnished as follows:

- Electric through-wires with Easy Access Panel
- Electric through-wires supplied as three separate sections
- Electric switch (CS)
- Dutch door prep (DD)
- Electronic Power Transfer – Specify manufacturer and model number and handing of transfer at time of order (EPT)
- Fire Studs (FR)
- School Option (SO)
- Custom length (specify length on order)

How to Order

Series	Option	Option Description	Size (Inches)	Finish
661HD WT	CE-12EA	Electric through-wires with Easy Access Panel	79	AL
	CE-12R	Electric through-wires supplied as three separate sections	83	DB
	CS	Electric switch (CS)	85	BK
	DD	Dutch door prep (DD)	95	
	EPT	Electronic Power Transfer – Specify manufacturer and model number and handing of transfer at time of order (EPT)	120	
	FR	Fire Studs (FR)		
	SO	School Option (SO)		
			Custom length (specify length on order)	
Additional fastener options must be ordered separately				

*Fasteners included: 12-24 x 3/4" undercut self-drilling, thread-forming tek machine screws

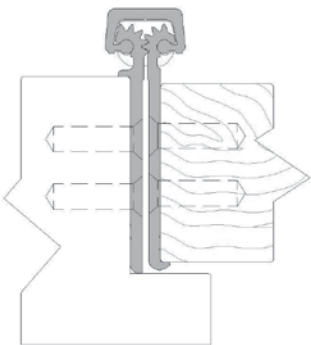
**Hinge comes standard with all tek screws. To order wood screws, please indicate "Half Tek / Half Wood" or "All Wood" at time of order.

662HD-Heavy Duty Full Mortise

for 3/32" inset doors



- Full mortise, heavy duty
- With door edge protection lip
- For use on 1-3/4" doors only
- 3/32" door inset
- Distributes door weight and stress along the full length of door and frame
- No misaligned pivot points of individual hinges, typically no additional reinforcement required
- 48" door width maximum
- Clear aluminum, dark bronze and black anodized finishes
- Conforms to ANSI/BHMA Standard A156.26-1996, Grade 1
- Supports doors up to 450 lbs
- Hinge covered by limited lifetime warranty for the life of the building
- Approved for use on metal swinging type fire doors rated up to and including 90 minutes (Order "FR" option for 3 hour rating)
- Approved for use on wood swinging type fire doors rated up to and including 60 minutes (Order "FR" option for 90 minute rating)



Hinges can be furnished as follows:

- Electric through-wires with Easy Access Panel
- Electric through-wires supplied as three separate sections
- Electric switch (CS)
- Dutch door prep (DD)
- Electronic Power Transfer – Specify manufacturer and model number and handing of transfer at time of order (EPT)
- Fire Studs (FR)
- Hospital Tips (HTCAP) *ligature resistant
- Hospital Tips Cut (HTCUT)
- Lead Lined model for doors up to 1,000 lbs. (LL) *staggered hole pattern
- School option (SO)
- Custom length (specify length on order)

How to Order

Series	Option	Option Description	Size (Inches)	Finish
662HD	CE-12EA	Electric through-wires with Easy Access Panel	79	AL
	CE-12R	Electric through-wires supplied as three separate sections	83	DB
	CS	Electric switch (CS)	85	BK
	DD	Dutch door prep (DD)	95	
	EPT	Electronic Power Transfer – Specify manufacturer and model number and handing of transfer at time of order (EPT)	120	
	FR	Fire Studs (FR)		
	HTCAP	Hospital Tips (HTCAP) *ligature resistant		
	HTCUT	Hospital Tips Cut (HTCUT)		
	LL	Lead Lined model for doors up to 1,000 lbs. (LL) *staggered hole pattern		
	SO	School option (SO)		
		Custom length (specify length on order)		

Additional fastener options must be ordered separately

*Fasteners included: 12-24 x 3/4" undercut self-drilling, thread-forming tek machine screws

** Provide handing at time of order

** Hinge comes standard with all tek screws. To order wood screws, please indicate "Half Tek / Half Wood" or "All Wood" at time of order.

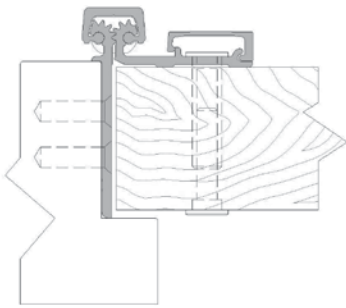
663HD- Heavy Duty Half Surface

for 3/32" door inset



- Half surface, heavy duty
- For use on 1-3/4" doors only
- 3/32" door inset
- Distributes door weight and stress along the full length of door and frame
- Ideal for retrofit applications
- 48" door width maximum
- No misaligned pivot points of individual hinges
- Supports doors up to 450 lbs
- Clear aluminum, dark bronze and black anodized finishes
- Hinge covered by limited lifetime warranty for the life of the building
- Approved for use on metal swinging type fire doors rated up to and including 90 minutes (Order "FR" option for 3 hour rating)
- Approved for use on wood swinging type fire doors rated up to and including 60 minutes (Order "FR" option for 90 minute rating)

Hinges can be furnished as follows:



- Dutch door prep (DD)
- Electronic Power Transfer – Specify manufacturer and model number and handing of transfer at time of order (EPT)
- Fire Studs (FR)
- Hospital Wedge (HTW)
- Lead Lined model for doors up to 1,000 lbs. (LL)
- School option (SO)
- Custom length (specify length on order)

How to Order

Series	Option	Option Description	Size (Inches)	Finish
663HD	DD	Dutch door prep (DD)	79	AL
	EPT	Electronic Power Transfer – Specify manufacturer and model number and handing of transfer at time of order (EPT)	83	DB
	FR	Fire Studs (FR)	85	BK
	HTW	Hospital Wedge (HTW)	95	
	LL	Lead Lined model for doors up to 1,000 lbs. (LL)	120	
	SO	School option (SO)		
		Custom length (specify length on order)		
		Additional fastener options must be ordered separately		

*Fasteners included: 12-24 x 3/4" undercut self-drilling, thread-forming tek machine screws for frame and 1/4"-20 sex bolts and shoulder bolts for door.

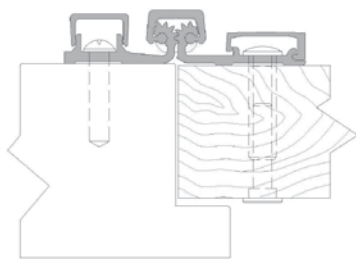
**Hinge comes standard with all tek screws. To order wood screws, please indicate "Half Tek / Half Wood" or "All Wood" at time of order.

664HD- Heavy Duty Full Surface

for 1/16" door inset



- Distributes door weight and stress along the full length of door and frame
- For use on 1-3/4" doors only
- 1/16" door inset
- Ideal for retrofit applications
- No misaligned pivot points of individual hinges
- Clear aluminum, dark bronze and black anodized finishes
- Supports doors up to 450 lbs
- 48" door width maximum
- Hinge covered by limited lifetime warranty for the life of the building
- Approved for use on metal swinging type fire doors rated up to and including 90 minutes (Order "FR" option for 3 hour rating)
- Approved for use on wood swinging type fire doors rated up to and including 60 minutes (Order "FR" option for 90 minute rating)



Hinges can be furnished as follows:

- Hospital Tips (HTCAP) *ligature resistant
- Fire Studs (FR)
- Dutch door prep (DD)
- School option (SO)
- Custom length (specify length on order)

How to Order

Series	Option	Option Description	Size (Inches)	Finish
664HD	HTCAP	Hospital Tips (HTCAP) *ligature resistant	79	AL
	FR	Fire Studs (FR)	83	DB
	DD	Dutch door prep (DD)	85	BK
	SO	School option (SO)	95	
		Custom length (specify length on order)	120	
Additional fastener options must be ordered separately				

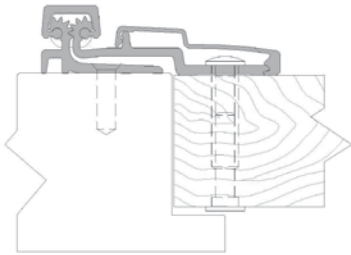
*Fasteners included: 12-24 x 3/4" undercut self-drilling, thread-forming tek machine screws for frame and 1/4-20 sex bolts and shoulder bolts for door.

** Hinge comes standard with all tek screws. To order wood screws, please indicate "Half Tek / Half Wood" or "All Wood" at time of order.

665HD- Heavy Duty Full Surface Swing Clear



- Swing Clear Application - Swings door out of opening at approximately 90 degrees
- Distributes door weight and stress along the full length of door and frame
- For use on 1-3/4" doors only
- No door inset, flush mount
- No misaligned pivot points of individual hinges
- Clear aluminum, dark bronze and black anodized finishes
- Supports doors up to 450 lbs
- 48" door width maximum
- Hinge covered by limited lifetime warranty for the life of the building
- Approved for use on metal swinging type fire doors rated up to and including 90 minutes [Order "FR" option for 3 hour rating]
- Approved for use on wood swinging type fire doors rated up to and including 60 minutes [Order "FR" option for 90 minute rating]



Hinges can be furnished as follows:

- Dutch door prep (DD)
- Fire Studs (FR)
- Hospital Tips (HTCAP) *ligature resistant
- School option (SO)
- Custom length (specify length on order)

How to Order

Series	Option	Option Description	Size (Inches)	Finish
665HD	DD	Dutch door prep (DD)	79	AL
	FR	Fire Studs (FR)	83	DB
	HTCAP	Hospital Tips (HTCAP) *ligature resistant	85	BK
	SO	School option (SO)	95	
		Custom length (specify length on order)	120	

Additional fastener options must be ordered separately

*Fasteners included: 12-24 x 3/4" undercut self-drilling, thread-forming tek machine screws for frame and 1/4"-20 sex bolts and shoulder bolts for door.

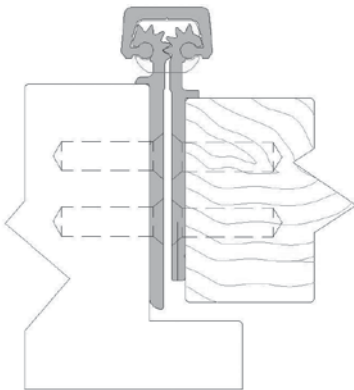
**Hinge comes standard with all tek screws. To order wood screws, please indicate "Half Tek / Half Wood" or "All Wood" at time of order.

667HD- Heavy Duty Full Mortise

for 1/8" inset doors



- Distributes door weight and stress along the full length of door and frame
- No misaligned pivot points of individual hinges
- For use on 1-3/4" doors only
- Typically no additional reinforcement required
- Clear aluminum, dark bronze and black anodized finishes
- Conforms to ANSI/BHMA Standard A156.26-1996, Grade 1
- Supports doors up to 450 lbs
- Hinge covered by limited lifetime warranty for the life of the building
- Approved for use on metal swinging type fire doors rated up to and including 90 minutes (Order "FR" option for 3 hour rating)
- Approved for use on wood swinging type fire doors rated up to and including 60 minutes (Order "FR" option for 90 minute rating)



Hinges can be furnished as follows:

- Electric through-wires with Easy Access Panel
- Electric through-wires supplied as three separate sections
- Electric switch (CS)
- Lead Lined (LL)
- Fire Studs (FR)
- Electronic Power Transfer – Specify manufacturer and model number and handing of transfer at time of order (EPT)
- Dutch door prep (DD)
- School option (SO)
- Custom length (specify length on order)

How to Order

Series	Option	Option Description	Size (Inches)	Finish
667HD	CE-12EA	Electric through-wires with Easy Access Panel	79	AL
	CE-12R	Electric through-wires supplied as three separate sections	83	DB
	CS	Electric switch (CS)	85	BK
	LL	Lead Lined (LL)	95	
	FR	Fire Studs (FR)	120	
	EPT	Electronic Power Transfer – Specify manufacturer and model number and handing of transfer at time of order (EPT)		
	DD	Dutch door prep (DD)		
	SO	School option (SO)		
		Custom length (specify length on order)		
		Additional fastener options must be ordered separately		

*Fasteners included: 12-24 x 3/4" undercut self-drilling, thread-forming tek machine screws

**Hinge comes standard with all tek screws. To order wood screws, please indicate "Half Tek / Half Wood" or "All Wood" at time of order.

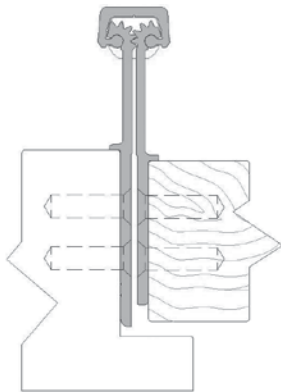
***Provide handing at time of order

667HD WT- Heavy Duty Wide Throw Full Mortise

for 1/8" inset doors



- Distributes door weight and stress along the full length of door and frame
- No misaligned pivot points of individual hinges
- For use on 1-3/4" doors only
- Clear aluminum, dark bronze and black anodized finishes
- Conforms to ANSI/BHMA Standard A156.26-1996, Grade 1
- Supports doors up to 450 lbs
- Hinge covered by limited lifetime warranty for the life of the building
- Approved for use on metal swinging type fire doors rated up to and including 90 minutes [Order "FR" option for 3 hour rating]
- Approved for use on wood swinging type fire doors rated up to and including 60 minutes [Order "FR" option for 90 minute rating]
- Furnished with Lead Lined option as standard offering



Hinges can be furnished as follows:

- Electric through-wires with Easy Access Panel
- Electric through-wires supplied as three separate sections
- Electric switch [CS]
- Fire Studs [FR]
- Electronic Power Transfer – Specify manufacturer and model number and handing of transfer at time of order [EPT]
- Dutch door prep [DD]
- School option [SO]
- Custom length [specify length on order]

How to Order

Series	Option	Option Description	Size (Inches)	Finish
667HD WT	CE-12EA	Electric through-wires with Easy Access Panel	79	AL
	CE-12R	Electric through-wires supplied as three separate sections	83	DB
	CS	Electric switch [CS]	85	BK
	FR	Fire Studs [FR]	95	
	EPT	Electronic Power Transfer – Specify manufacturer and model number and handing of transfer at time of order [EPT]	120	
	DD	Dutch door prep [DD]		
	SO	School option [SO]		
		Custom length [specify length on order]		
		Additional fastener options must be ordered separately		

*Fasteners included: 12-24 x 3/4" undercut self-drilling, thread-forming tek machine screws.

** Hinge comes standard with all tek screws. To order wood screws, please indicate "Half Tek / Half Wood" or "All Wood" at time of order.

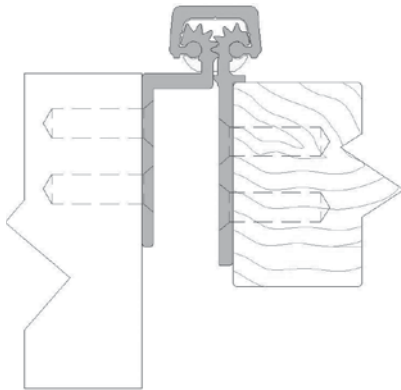
***Provide handing at time of order

668HD- Heavy Duty Full Mortise

for 1/16" inset doors



- Distributes door weight and stress along the full length of door and frame
- No misaligned pivot points of individual hinges
- For use on 1-3/4" doors only
- Typically no additional reinforcement required
- Clear aluminum, dark bronze and black anodized finishes
- Conforms to ANSI/BHMA Standard A156.26-1996, Grade 1
- Supports doors up to 450 lbs
- Hinge covered by limited lifetime warranty for the life of the building
- Safety hinge application when used without a frame stop



Hinges can be furnished as follows:

- Dutch door prep (DD)
- School option (SO)
- Custom length (specify length on order)

How to Order

Series	Option	Option Description	Size (Inches)	Finish
668HD	DD	Dutch door prep (DD)	79	AL
	SO	School option (SO)	83	DB
		Custom length (specify length on order)	85	BK
		Additional fastener options must be ordered separately	95	
			120	

*Fasteners included: 12-24 x 3/4" undercut self-drilling, thread-forming tek machine screws.

**Hinge comes standard with all tek screws. To order wood screws, please indicate "Half Tek / Half Wood" or "All Wood" at time of order.

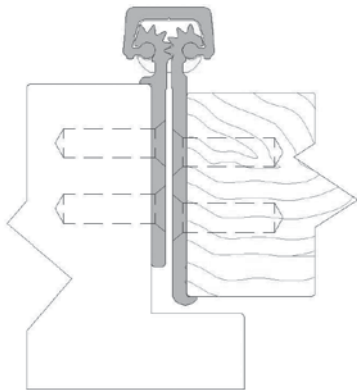
669HD- Heavy Duty Full Mortise

for 3/32" inset doors



- Distributes door weight and stress along the full length of door and frame
- No misaligned pivot points of individual hinges
- For use on 1-3/4" doors only
- Typically no additional reinforcement required
- Clear aluminum, dark bronze and black anodized finishes
- Conforms to ANSI/BHMA Standard A156.26-1996, Grade 1
- Supports doors up to 450 lbs
- Hinge covered by limited lifetime warranty for the life of the building
- Approved for use on metal swinging type fire doors rated up to and including 90 minutes [Order "FR" option for 3 hour rating]
- Approved for use on wood swinging type fire doors rated up to and including 60 minutes [Order "FR" option for 90 minute rating]

Hinges can be furnished as follows:



- Electric through-wires with Easy Access Panel
- Electric through-wires supplied as three separate sections
- Electric switch (CS)
- Dutch door prep (DD)
- Electronic Power Transfer – Specify manufacturer and model number and handing of transfer at time of order (EPT)
- Fire Studs (FR)
- Lead - Lined (LL)
- School option (SO)
- Custom length (specify length on order)

How to Order

Series	Option	Option Description	Size (Inches)	Finish
669HD	CE-12EA	Electric through-wires with Easy Access Panel	79	AL
	CE-12R	Electric through-wires supplied as three separate sections	83	DB
	CS	Electric switch (CS)	85	BK
	DD	Dutch door prep (DD)	95	
	EPT	Electronic Power Transfer – Specify manufacturer and model number and handing of transfer at time of order (EPT)	120	
	FR	Fire Studs (FR)		
	LL	Lead - Lined (LL)		
	SO	School option (SO)		
		Custom length (specify length on order)		
		Additional fastener options must be ordered separately		

*Fasteners included: 12-24 x 3/4" undercut self-drilling, thread-forming tek machine screws.

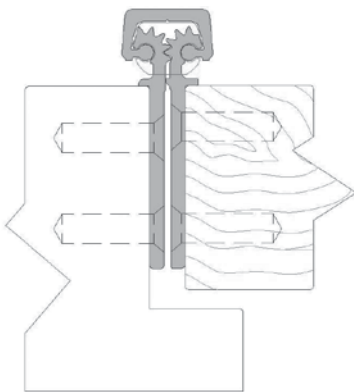
** Hinge comes standard with all tek screws. To order wood screws, please indicate "Half Tek / Half Wood" or "All Wood" at time of order.

670HD- Heavy Duty Full Mortise

for Flush Mount (no inset) Doors



- Designed for Kawneer Tuffline only
- Distributes door weight and stress along the full length of door and frame
- No misaligned pivot points of individual hinges
- Typically no additional reinforcement required
- Clear aluminum, dark bronze and black anodized finishes
- Conforms to ANSI/BHMA Standard A156.26-1996, Grade 1
- Supports doors up to 450 lbs
- Hinge covered by limited lifetime warranty for the life of the building
- Approved for use on metal swinging type fire doors rated up to and including 90 minutes (Order "FR" option for 3 hour rating)
- Approved for use on wood swinging type fire doors rated up to and including 60 minutes (Order "FR" option for 90 minute rating)



Hinges can be furnished as follows:

- Electric through-wires with Easy Access Panel
- Electric through-wires supplied as three separate sections
- Dutch door prep (DD)
- Electronic Power Transfer – Specify manufacturer and model number and handing of transfer at time of order (EPT)
- Fire Studs (FR)
- Lead Lined (LL)
- School option (SO)
- Custom length (specify length on order)

How to Order

Series	Option	Option Description	Size (Inches)	Finish
670HD	CE-12EA	Electric through-wires with Easy Access Panel	79	AL
	CE-12R	Electric through-wires supplied as three separate sections	83	DB
	DD	Dutch door prep (DD)	85	BK
	EPT	Electronic Power Transfer – Specify manufacturer and model number and handing of transfer at time of order (EPT)	95	
	FR	Fire Studs (FR)	120	
	LL	Lead Lined (LL)		
	SO	School option (SO)		
		Custom length (specify length on order)		
		Additional fastener options must be ordered separately		

*Fasteners included: 12-24 x 3/4" undercut self-drilling, thread-forming tek machine screws

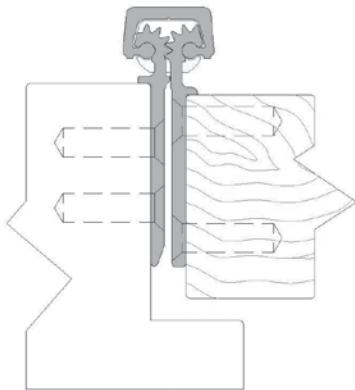
**Hinge comes standard with all tek screws. To order wood screws, please indicate "Half Tek / Half Wood" or "All Wood" at time of order.

671HD- Heavy Duty Full Mortise

for 3/32" inset doors with Beveled Edge on Frame Leaf



- Distributes door weight and stress along the full length of door and frame
- For use on 1-3/4" doors only
- No misaligned pivot points of individual hinges
- Typically no additional reinforcement required
- Clear aluminum, dark bronze and black anodized finishes
- Conforms to ANSI/BHMA Standard A156.26-1996, Grade 1
- Supports doors up to 450 lbs
- Hinge covered by limited lifetime warranty for the life of the building
- Approved for use on metal swinging type fire doors rated up to and including 90 minutes [Order "FR" option for 3 hour rating]
- Approved for use on wood swinging type fire doors rated up to and including 60 minutes [Order "FR" option for 90 minute rating]



Hinges can be furnished as follows:

- Electric through-wires with Easy Access Panel
- Electric through-wires supplied as three separate sections
- Electric switch (CS)
- Dutch door prep (DD)
- (EPT) prep – Specify manufacturer and model number and handing of transfer at time of order
- Fire Studs (FR)
- Lead Lined (LL)
- School option (SO)
- Custom length [specify length on order]

How to Order

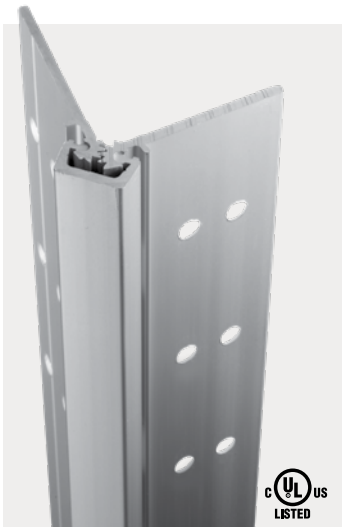
Series	Option	Option (if desired)	Size (Inches)	Finish
671HD	CE-12EA	Electric through-wires with Easy Access Panel	79	AL
	CE-12R	Electric through-wires supplied as three separate sections	83	DB
	CS	Electric switch (CS)	85	BK
	DD	Dutch door prep (DD)	95	
	EPT	(EPT) prep – Specify manufacturer and model number and handing of transfer at time of order	120	
	FR	Fire Studs (FR)		
	LL	Lead Lined (LL)		
	SO	School option (SO)		
		Custom length (specify length on order)		
		Additional fastener options must be ordered separately		

*Fasteners included: 12-24 x 3/4" undercut self-drilling, thread-forming tek machine screws

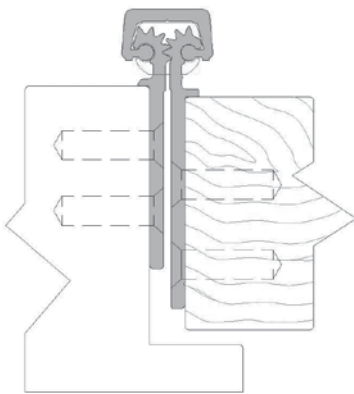
**Hinge comes standard with all tek screws. To order wood screws, please indicate "Half Tek / Half Wood" or "All Wood" at time of order.

672HD- Heavy Duty Full Mortise

for 3/32" inset doors



- Distributes door weight and stress along the full length of door and frame
- No misaligned pivot points of individual hinges
- Typically no additional reinforcement required
- Clear aluminum, dark bronze and black anodized finishes
- For use on 2" doors only
- Conforms to ANSI/BHMA Standard A156.26-1996, Grade 1
- Supports doors up to 450 lbs
- Hinge covered by limited lifetime warranty for the life of the building
- Approved for use on metal swinging type fire doors rated up to and including 90 minutes (Order "FR" option for 3 hour rating)
- Approved for use on wood swinging type fire doors rated up to and including 60 minutes (Order "FR" option for 90 minute rating)



Hinges can be furnished as follows:

- Electric through-wires with Easy Access Panel
- Electric through-wires supplied as three separate sections
- Electric switch (CS)
- Dutch door prep (DD)
- Electronic Power Transfer – Specify manufacturer and model number and handing of transfer at time of order (EPT)
- Fire Studs (FR)
- Lead Lined (LL)
- School option (SO)
- Custom length (specify length on order)

How to Order

Series	Option	Option Description	Size (Inches)	Finish
672HD	CE-I2EA	Electric through-wires with Easy Access Panel	79	AL
	CE-I2R	Electric through-wires supplied as three separate sections	83	DB
	CS	Electric switch (CS)	85	BK
	DD	Dutch door prep (DD)	95	
	EPT	Electronic Power Transfer – Specify manufacturer and model number and handing of transfer at time of order (EPT)	120	
	FR	Fire Studs (FR)		
	LL	Lead Lined (LL)		
	SO	School option (SO)		
		Custom length (specify length on order)		
		Additional fastener options must be ordered separately		

*Fasteners included: 12-24 x 3/4" undercut self-drilling, thread-forming tek machine screws

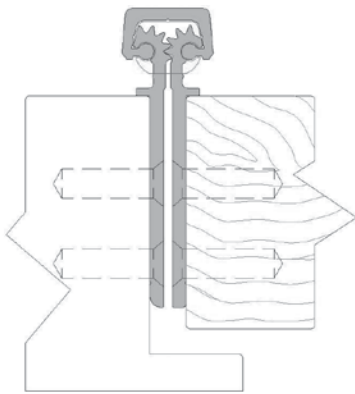
**Hinge comes standard with all tek screws. To order wood screws, please indicate "Half Tek / Half Wood" or "All Wood" at time of order.

673HD- Heavy Duty Full Mortise

for Flush Mount (no inset) Doors



- Distributes door weight and stress along the full length of door and frame
- No misaligned pivot points of individual hinges
- Typically no additional reinforcement required
- For use with 2" thick doors
- Clear aluminum, dark bronze and black anodized finishes
- Conforms to ANSI/BHMA Standard A156.26-1996, Grade 1
- Supports doors up to 450 lbs
- Hinge covered by limited lifetime warranty for the life of the building
- Approved for use on metal swinging type fire doors rated up to and including 90 minutes [Order "FR" option for 3 hour rating]
- Approved for use on wood swinging type fire doors rated up to and including 60 minutes [Order "FR" option for 90 minute rating]



Hinges can be furnished as follows:

- Electric through-wires with Easy Access Panel
- Electric through-wires supplied as three separate sections
- Electric switch (CS)
- Dutch door prep (DD)
- Electronic Power Transfer – Specify manufacturer and model number and handing of transfer at time of order (EPT)
- Fire Studs (FR)
- Lead - Lined (LL)
- School option (SO)
- Custom length (specify length on order)

How to Order

Series	Option	Option Description	Size (Inches)	Finish
673HD	CE-I2EA	Electric through-wires with Easy Access Panel	79	AL
	CE-I2R	Electric through-wires supplied as three separate sections	83	DB
	CS	Electric switch (CS)	85	BK
	DD	Dutch door prep (DD)	95	
	EPT	Electronic Power Transfer – Specify manufacturer and model number and handing of transfer at time of order (EPT)	120	
	FR	Fire Studs (FR)		
	LL	Lead - Lined (LL)		
	SO	School option (SO)		
		Custom length (specify length on order)		
		Additional fastener options must be ordered separately		

*Fasteners included: 12-24 x 3/4" undercut self-drilling, thread-forming tek machine screws

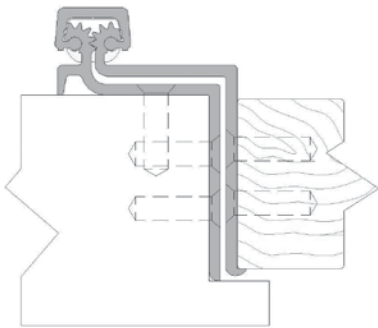
** Hinge comes standard with all tek screws. To order wood screws, please indicate "Half Tek / Half Wood" or "All Wood" at time of order.

674HD- Heavy Duty Full Mortise

for Flush Mount (no inset) Swing Clear Doors



- Distributes door weight and stress along the full length of door and frame
- No misaligned pivot points of individual hinges
- For use on 1-3/4" doors only
- Typically no additional reinforcement required
- Clear aluminum, dark bronze and black anodized finishes
- Conforms to ANSI/BHMA Standard A156.26-1996, Grade 1
- Supports doors up to 450 lbs
- Hinge covered by limited lifetime warranty for the life of the building
- Approved for use on metal swinging type fire doors rated up to and including 90 minutes (Order "FR" option for 3 hour rating)
- Approved for use on wood swinging type fire doors rated up to and including 60 minutes (Order "FR" option for 90 minute rating)



Hinges can be furnished as follows:

- Electric switch (CS)
- Dutch door prep (DD)
- Electronic Power Transfer – Specify manufacturer and model number and handing of transfer at time of order (EPT)
- Fire Studs (FR)
- Lead - Lined (LL)
- School option (SO)
- Custom length (specify length on order)

How to Order

Series	Option	Option Description	Size (Inches)	Finish
674HD	CS	Electric switch (CS)	79	AL
	DD	Dutch door prep (DD)	83	DB
	EPT		85	BK
	FR	Fire Studs (FR)	95	
	LL	Lead - Lined (LL)	120	
	SO	School option (SO)		
		Custom length (specify length on order)		
Additional fastener options must be ordered separately				

*Fasteners included: 12-24 x 3/4" undercut self-drilling, thread-forming tek machine screws

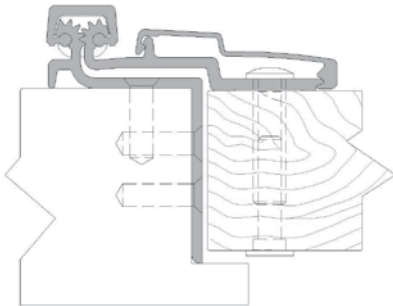
**Hinge comes standard with all tek screws. To order wood screws, please indicate "Half Tek / Half Wood" or "All Wood" at time of order.

675HD- Heavy Duty Half Surface

for 1/16" inset Swing Clear Doors



- Distributes door weight and stress along the full length of door and frame
- No misaligned pivot points of individual hinges
- For use on 1-3/4" doors only
- Typically no additional reinforcement required
- Clear aluminum, dark bronze and black anodized finishes
- Conforms to ANSI/BHMA Standard A156.26-1996, Grade 1
- Supports doors up to 450 lbs
- Hinge covered by limited lifetime warranty for the life of the building
- Approved for use on metal swinging type fire doors rated up to and including 90 minutes [Order "FR" option for 3 hour rating]
- Approved for use on wood swinging type fire doors rated up to and including 60 minutes [Order "FR" option for 90 minute rating]



Hinges can be furnished as follows:

- Dutch door prep (DD)
- Electronic Power Transfer – Specify manufacturer and model number and handing of transfer at time of order (EPT)
- Fire Studs (FR)
- Lead Lined (LL)
- School option (SO)
- Custom length (specify length on order)

How to Order

Series	Option	Option Description	Size (Inches)	Finish
675HD	DD	Dutch door prep (DD)	79	AL
	EPT	Electronic Power Transfer – Specify manufacturer and model number and handing of transfer at time of order (EPT)	83	DB
	FR	Fire Studs (FR)	85	BK
	LL	Lead Lined (LL)	95	
	SO	School option (SO)	120	
		Custom length (specify length on order)		
		Additional fastener options must be ordered separately		

*Fasteners included: 12-24 x 3/4" undercut self-drilling, thread-forming tek machine screws for frame and 1/4"-20 sex bolts and shoulder bolts for door.

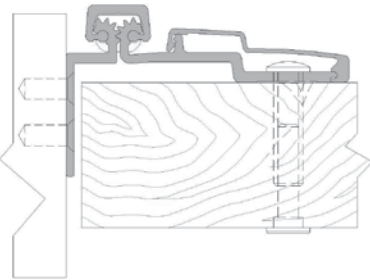
** Hinge comes standard with all tek screws. To order wood screws, please indicate "Half Tek / Half Wood" or "All Wood" at time of order.

676HD- Heavy Duty Half Surface

for center hung doors with Finger Guards



- Distributes door weight and stress along the full length of door and frame
- No misaligned pivot points of individual hinges
- For use on 1-3/4" doors only
- Typically no additional reinforcement required
- Clear aluminum, dark bronze and black anodized finishes
- Conforms to ANSI/BHMA Standard A156.26-1996, Grade 1
- Supports doors up to 450 lbs
- Hinge covered by limited lifetime warranty for the life of the building
- Approved for use on metal swinging type fire doors rated up to and including 90 minutes (Order "FR" option for 3 hour rating)
- Approved for use on wood swinging type fire doors rated up to and including 60 minutes (order "FR" option for 90 minute rating)



Hinges can be furnished as follows:

- Dutch door prep (DD)
- Fire Studs (FR)
- Lead Lined (LL)
- School option (SO)
- Custom length (specify length on order)

How to Order

Series	Option	Option Description	Size (Inches)	Finish
676HD	DD	Dutch door prep (DD)	79	AL
	FR	Fire Studs (FR)	83	BK
	LL	Lead Lined (LL)	85	
	SO	School option (SO)	95	
			Custom length (specify length on order)	120

Additional fastener options must be ordered separately

*Fasteners included: 12-24 x 3/4" undercut self-drilling, thread-forming tek machine screws for frame and 1/4"-20 sex bolts and shoulder bolts for door.

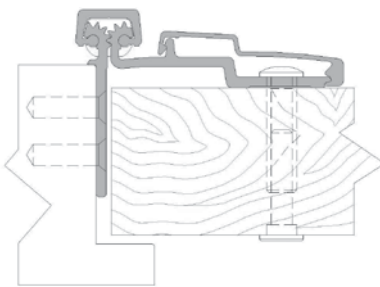
** Hinge comes standard with all tek screws. To order wood screws, please indicate "Half Tek / Half Wood" or "All Wood" at time of order.

677HD- Heavy Duty Half Surface

for 9/32" inset doors



- Distributes door weight and stress along the full length of door and frame
- No misaligned pivot points of individual hinges
- For use on 1-3/4" doors only
- Typically no additional reinforcement required
- Clear aluminum, dark bronze and black anodized finishes
- Conforms to ANSI/BHMA Standard A156.26-1996, Grade 1
- Supports doors up to 450 lbs
- Hinge covered by limited lifetime warranty for the life of the building
- Approved for use on metal swinging type fire doors rated up to and including 90 minutes [Order "FR" option for 3 hour rating]
- Approved for use on wood swinging type fire doors rated up to and including 60 minutes [Order "FR" option for 90 minute rating]



Hinges can be furnished as follows:

- Dutch door prep (DD)
- (EPT) prep – Specify manufacturer and model number and handing of transfer at time of order
- Fire Studs (FR)
- Lead Lined (LL)
- School option (SO)
- Custom length (specify length on order)

How to Order

Series	Option (if desired)	Size (Inches)	Finish
677HD	DD Dutch door prep (DD)	79	AL
	EPT (EPT) prep – Specify manufacturer and model number and handing of transfer at time of order	83	DB
	FR Fire Studs (FR)	85	BK
	LL Lead Lined (LL)	95	
	SO School option (SO)	120	
	Custom length (specify length on order)		
	Additional fastener options must be ordered separately		

*Fasteners included: 12-24 x 3/4" undercut self-drilling, thread-forming tek machine screws for frame and 1/4"-20 sex bolts and shoulder bolts for door.

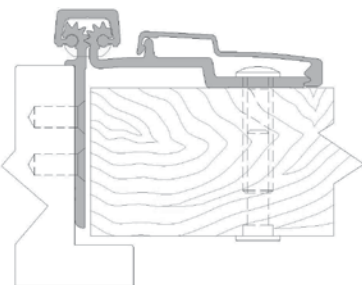
** Hinge comes standard with all tek screws. To order wood screws, please indicate "Half Tek / Half Wood" or "All Wood" at time of order.

678HD- Heavy Duty Half Surface

for 9/32" inset doors



- Distributes door weight and stress along the full length of door and frame
- No misaligned pivot points of individual hinges
- For use on 1-3/4" doors only
- Typically no additional reinforcement required
- Clear aluminum, dark bronze and black anodized finishes
- Conforms to ANSI/BHMA Standard A156.26-1996, Grade 1
- Supports doors up to 450 lbs
- Hinge covered by limited lifetime warranty for the life of the building
- Approved for use on metal swinging type fire doors rated up to and including 90 minutes (Order "FR" option for 3 hour rating)
- Approved for use on wood swinging type fire doors rated up to and including 60 minutes (Order "FR" option for 90 minute rating)



Hinges can be furnished as follows:

- Dutch door prep (DD)
- Electronic Power Transfer – Specify manufacturer and model number and handing of transfer at time of order (EPT)
- Fire Studs (FR)
- Lead Lined (LL)
- School option (SO)
- Custom length (specify length on order)

How to Order

Series	Option	Option Description	Size (Inches)	Finish
678HD	DD	Dutch door prep (DD)	79	AL
	EPT	Electronic Power Transfer – Specify manufacturer and model number and handing of transfer at time of order (EPT)	83	DB
	FR	Fire Studs (FR)	85	BK
	LL	Lead Lined (LL)	95	
	SO	School option (SO)	120	
		Custom length (specify length on order)		
Additional fastener options must be ordered separately				

*Fasteners included: 12-24 x 3/4" undercut self-drilling, thread-forming tek machine screws for frame and 1/4-20 sex bolts and shoulder bolts for door.

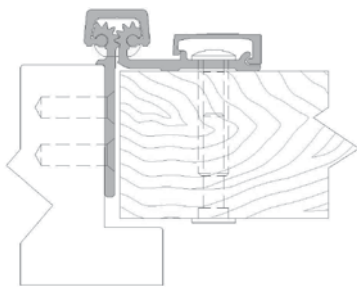
**Hinge comes standard with all tek screws. To order wood screws, please indicate "Half Tek / Half Wood" or "All Wood" at time of order.

679HD- Heavy Duty Half Surface

for 3/32" inset doors



- Distributes door weight and stress along the full length of door and frame
- No misaligned pivot points of individual hinges
- For use on 1-3/4" doors only
- Typically no additional reinforcement required
- Clear aluminum, dark bronze and black anodized finishes
- Conforms to ANSI/BHMA Standard A156.26-1996, Grade 1
- Supports doors up to 450 lbs
- Hinge covered by limited lifetime warranty for the life of the building
- Approved for use on metal swinging type fire doors rated up to and including 90 minutes [Order "FR" option for 3 hour rating]
- Approved for use on wood swinging type fire doors rated up to and including 60 minutes [Order "FR" option for 90 minute rating]



Hinges can be furnished as follows:

- Dutch door prep (DD)
- Electronic Power Transfer – Specify manufacturer and model number and handing of transfer at time of order (EPT)
- Fire Studs (FR)
- Lead Lined (LL)
- School option (SO)
- Custom length (specify length on order)

How to Order

Series	Option	Option Description	Size (Inches)	Finish
679HD	DD	Dutch door prep (DD)	79	AL
	EPT	Electronic Power Transfer – Specify manufacturer and model number and handing of transfer at time of order (EPT)	83	DB
	FR	Fire Studs (FR)	85	BK
	LL	Lead Lined (LL)	95	
	SO	School option (SO)	120	
			Custom length (specify length on order)	
Additional fastener options must be ordered separately				

*Fasteners included: 12-24 x 3/4" undercut self-drilling, thread-forming tek machine screws for frame and 1/4-20 sex bolts and shoulder bolts for door.

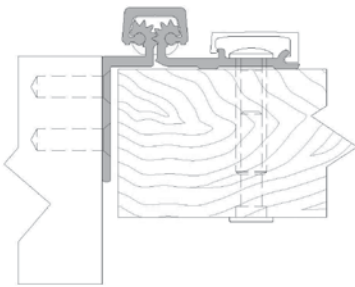
** Hinge comes standard with all tek screws. To order wood screws, please indicate "Half Tek / Half Wood" or "All Wood" at time of order.

680HD- Heavy Duty Half Surface

for double egress and center hung conversions



- Distributes door weight and stress along the full length of door and frame
- No misaligned pivot points of individual hinges
- For use on 1-3/4" doors only
- Double egress and center hung (conversions / applications???)
- Typically no additional reinforcement required
- Clear aluminum, dark bronze and black anodized finishes
- Conforms to ANSI/BHMA Standard A156.26-1996, Grade 1
- Supports doors up to 450 lbs
- Hinge covered by limited lifetime warranty for the life of the building
- Approved for use on metal swinging type fire doors rated up to and including 90 minutes (Order "FR" option for 3 hour rating)
- Approved for use on wood swinging type fire doors rated up to and including 60 minutes (Order "FR" option for 90 minute rating)



Hinges can be furnished as follows:

- Dutch door prep (DD)
- Electronic Power Transfer – Specify manufacturer and model number and handing of transfer at time of order (EPT)
- Fire Studs (FR)
- Lead Lined (LL)
- School option (SO)
- Custom length (specify length on order)

How to Order

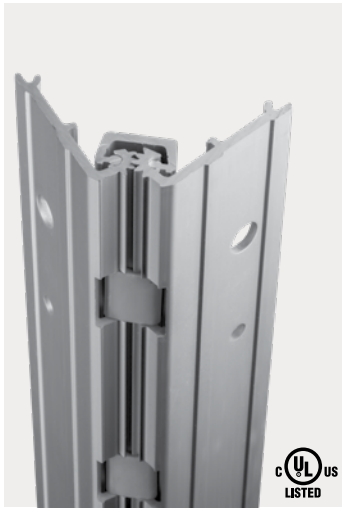
Series	Option	Option Description	Size (Inches)	Finish
680HD	DD	Dutch door prep (DD)	79	AL
	EPT	Electronic Power Transfer – Specify manufacturer and model number and handing of transfer at time of order (EPT)	83	DB
	FR	Fire Studs (FR)	85	BK
	LL	Lead Lined (LL)	95	
	SO	School option (SO)	120	
		Custom length (specify length on order)		
		Additional fastener options must be ordered separately		

*Fasteners included: 12-24 x 3/4" undercut self-drilling, thread-forming tek machine screws for frame and 1/4"-20 sex bolts and shoulder bolts for door.

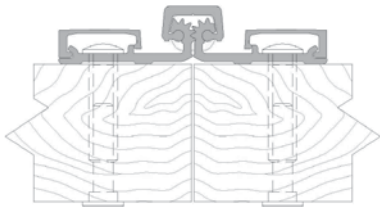
**Hinge comes standard with all tek screws. To order wood screws, please indicate "Half Tek / Half Wood" or "All Wood" at time of order.

681HD- Heavy Duty Full Surface

for 1/16" inset doors



- Distributes door weight and stress along the full length of door and frame
- No misaligned pivot points of individual hinges
- For use on 1-3/4" doors only
- Bi-fold applications
- Typically no additional reinforcement required
- Supports doors up to 450 lbs
- 48" door width maximum
- Clear aluminum, dark bronze and black anodized finishes
- Conforms to ANSI/BHMA Standard A156.26-1996, Grade 1
- Hinge covered by limited lifetime warranty for the life of the building
- Approved for use on metal swinging type fire doors rated up to and including 90 minutes (Order "FR" option for 3 hour rating)
- Approved for use on wood swinging type fire doors rated up to and including 60 minutes (Order "FR" option for 90 minute rating)



Hinges can be furnished as follows:

- Dutch door prep (DD)
- Fire Studs (FR)
- Lead Lined (LL)
- School option (SO)
- Custom length (specify length on order)

How to Order

Series	Option	Option Description	Size (Inches)	Finish
681HD	DD	Dutch door prep (DD)	79	AL
	FR	Fire Studs (FR)	83	DB
	LL	Lead Lined (LL)	85	BK
	SO	School option (SO)	95	
			Custom length (specify length on order)	120

Additional fastener options must be ordered separately

*Fasteners included: 12-24 x 3/4" undercut self-drilling, thread-forming tek machine screws for frame and 1/4-20 sex bolts and shoulder bolts for door.

** Hinge comes standard with all tek screws. To order wood screws, please indicate "Half Tek / Half Wood" or "All Wood" at time of order.



CORPORATE HEADQUARTERS

6161 EAST 75TH STREET
INDIANAPOLIS, IN 46250 USA

Phone 855-365-2407

bestaccess.com

For questions about ordering and to be sure you get the right configuration for your needs, [contact your BEST dormakaba sales representative](#).
6161 East 75th Street, Indianapolis, IN 46250 USA | [855-365-2407](tel:855-365-2407) | bestaccess.com