



Features

X-Sign Content Management Software

BenQ's integrated, exclusive X-Sign software provides content templates that make it easy for operators to quickly design and roll out new promotional material. X-Sign's intuitive interface makes it easy for operators to monitor and manage all remote displays from a central, off-site location. X-Sign allows operators to embed QR Codes that, when scanned, can offer customers the latest promotional information. X-Sign also offers QR Code analysis to let operators see when and where customers are interacting with content. This analysis can help operators quickly adjust their offers to match customer interest.

Intuitive Design

An ideal digital display solution with stunning 4K resolution. Flawless display in portrait and landscape view increases flexibility when operators are designing and arranging their stores. A narrow bezel and slim design boasts a stylish outlook befitting any in-store environment and ensures that businesses and corporations can enjoy a consistent look that helps them establish strong brand or corporate images.

Performance Excellence

The ultra-high definition resolution offers four times more information and workspace than a 1080p full HD display, enhancing your efficiency and productivity. Built with better cooling techniques reaching longer runtimes for at least 18 hours a day and more peace-of-mind for the owner.

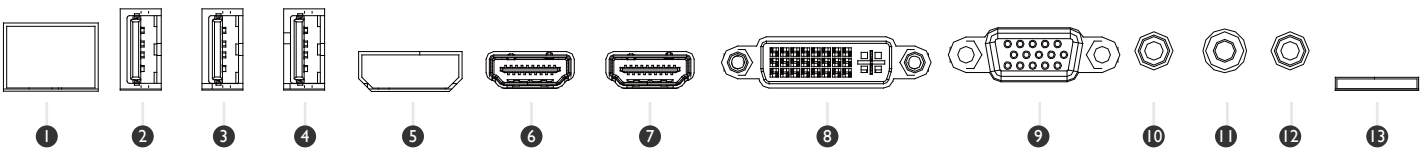
Hassle-free Display Management

With Device Management Solution operators can remotely control display on/off time or backlight via LAN. Over-the-Air Update allows to keep all display drivers up-to-date with easy firmware update. DMS Cloud gives operators control of all devices in the store and lets them install Android™ apps and distribute content via cloud server.

Android Built-in

BenQ's Smart Signage is an all-in-one media solution with a built-in Android operating system. Plug-and-play simplicity enables you to access and play multimedia files directly from a USB flash drive. Requires no PC connection or complicated cable setup.

Input and Output Terminals



- | | | |
|----------------|---------------|------------|
| ① RJ45 | ⑥ ⑦ HDMI | ⑪ LINE OUT |
| ② USB (1.5A) | ⑧ DVI | ⑫ RS232 |
| ③ ④ USB | ⑨ VGA | ⑬ Micro SD |
| ⑤ Display Port | ⑩ PS AUDIO IN | |

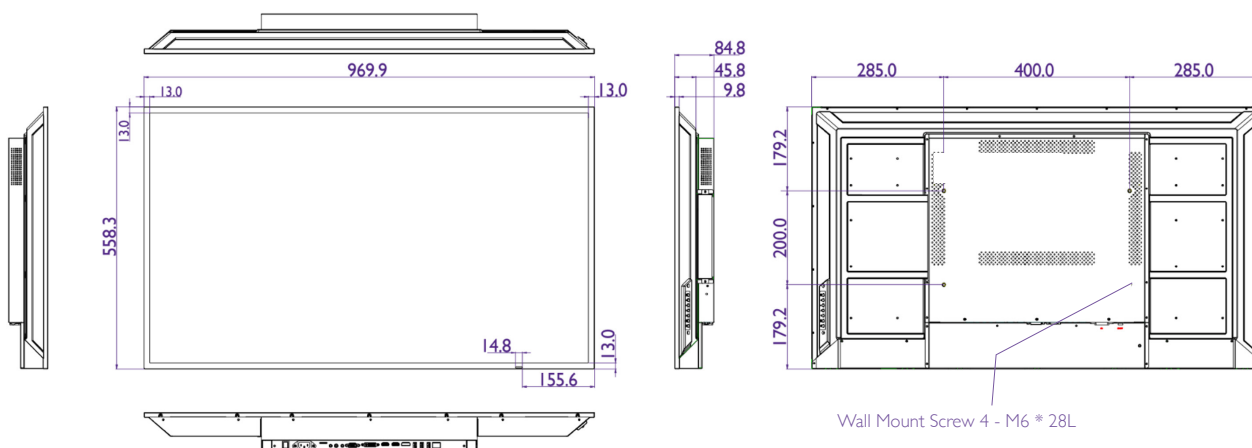
ST4301K
43" Smart Signage

BenQ

Specifications

Panel	Screen Size	43"		
	Resolution	3840 × 2160		
	Brightness (Typ.)	350		
	Contrast Ratio (Typ.)	1100 : 1		
	Viewing Angle (H/V)	178 / 178		
	Response Time (G-t-G)	8		
	Backlight Life (hrs)	30,000		
	Panel Surface	Anti-Glare		
	Operating Hours	18 / 7		
	Orientation	Landscape / Portrait		
Power	Type	Internal		
	Power Supply	100V~240V, 50 Hz / 60 Hz		
	Power Consumption	Maximum (W/h)	98W	
		Typical (W/h)	65W	
		Standby Mode (W/h)	≤0.5W	
		Off Mode (W/h)	0W	
	AC Power Switch	x1		
Wake up	HDMI / VGA / DP			
Environment	Operation Temperature	0°C ~ 40°C		
	Operating Humidity	20% ~ 80% RH non-condensing		
Connectivity	Input	VGA	x1	
		DVI	x1	
		HDMI	HDMI 2.0 × 2	
		Display Port	DP 1.2 × 1	
		Audio Input	x1 (3.5mm)	
		Audio Output	Yes (3.5mm × 1)	
	USB	USB 2.0 × 3		
	RS232	x1		
	RJ45	x1		
	Remote Controller	x1		
Audio	Internal Speaker	5W × 2		
Mechanical	Dimensions	Screen	969.9 × 558.3 × 84.8	
		Package	1070 × 663 × 153	
	Weight (kg)	Screen	10,4	
		Package	12,9	
	Bezel Width (mm)	13		
Wall Mounting (VESA) (Screw Type /Max. Length)	200 × 400 mm M6 × 28L			

Dimension (mm)



BenQ Europe B.V.

Meerenakkerweg 1-17
5652 AR Eindhoven
The Netherlands
Tel: +31 88 8889200

business-display.benq.eu

© 2019 BenQ Corp. Specifications may vary by region, please visit your local stores for details. Actual product's features and specifications are subject to change without notice. This material may include corporate names and trademarks of third parties which are the properties of the third parties respectively.

BENQ